



ТЕЛЕФОНИ

0 (800) 800 130
(050) 462 0 130
(063) 462 0 130
(067) 462 0 130

130
COM.UA

Інтернет-магазин
автотоварів



SKYPE

km-130

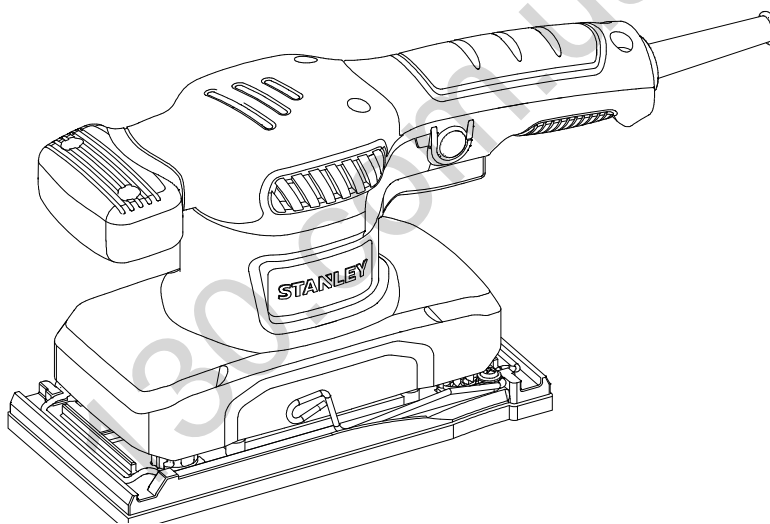
АВТОМАГНІТОЛИ — Магнітоли • Медіа-ресівери та станції • Штатні магнітоли • CD/DVD чейнджери • FM-модулятори/USB адаптери • Flash пам'ять • Перехідні рамки та роз'єми • Антени • Аксесуари |
АВТОЗВУК — Акустика • Підсилювачі • Сабвуфери • Процесори • Кросовери • Навушники • Аксесуари | **БОРТОВІ КОМП'ЮТЕРИ** — Універсальні комп'ютери • Модельні комп'ютери • Аксесуари |
GPS НАВІГАТОРИ — Портативні GPS • Вмонтовані GPS • GPS модулі • GPS трекери • Антени для GPS навігаторів • Аксесуари | **ВІДЕОПРИСТРОЇ** — Відеореєстратори • Телевізори та монітори
• Автомобільні ТВ тюнери • Камери • Відеомодулі • Транскодери • Автомобільні ТВ антени • Аксесуари | **ОХОРОННІ СИСТЕМИ** — Автосигналізація • Мотосигналізація • Механічні блокувальники
• Імобілайзери • Датчики • Аксесуари | **ОПТИКА ТА СВІТЛО** — Ксенон • Біксенон • Лампи • Світлодіоди • Стробоскопи • Оптика і фари • Омивачі фар • Датчики світла, дощу • Аксесуари |
ПАРКТРОНІКИ ТА ДЗЕРКАЛА — Задні парктроніки • Передні парктроніки • Комбіновані парктроніки • Дзеркала заднього виду • Аксесуари | **ПІДІГРІВ ТА ОХОЛОДЖЕННЯ** — Підігрів сидінь
• Підігрів дзеркал • Підігрів двірників • Підігрів двигунів • Автоохолодильники • Автокондиціонери • Аксесуари | **ТЮНІНГ** — Віброізоляція • Шумоізоляція • Тонувальна плівка • Аксесуари |
АВТОАКСЕСУАРИ — Радар-детектори • Гучний зв'язок, Bluetooth • Склопідіймачі • Компресори • Звукові сигнали, СГП • Вимірювальні прилади • Автопилососи • Автокрісла • Різне |
МОНТАЖНЕ ОБЛАДНАННЯ — Інсталяційні комплекти • Оббивні матеріали • Декоративні решітки • Фазоінвертори • Кабель та провід • Інструменти • Різне | **ЖИВЛЕННЯ** — Акумулятори
• Перетворювачі • Пуско-заряджувальні пристрої • Конденсатори • Аксесуари | **МОРСЬКА ЕЛЕКТРОНІКА ТА ЗВУК** — Морські магнітоли • Морська акустика • Морські сабвуфери • Морські підсилювачі
• Аксесуари | **АВТОХІМІЯ ТА КОСМЕТИКА** — Присадки • Рідини омивача • Засоби по догляду • Поліролі • Ароматизатори • Клеї та герметики | **РІДИНИ ТА МАСЛА** — Моторні масла • Трансмісійні
масла • Гальмівні рідини • Антифризи • Технічні змазки



У магазині «130» ви можете знайти та купити у Києві з доставкою по місту та Україні практично все для вашого автомобіля. Наші досвідчені консультанти нададуть вам вичерпну інформацію та допоможуть підібрати саме те, що ви шукаєте. Чекаємо вас за адресою

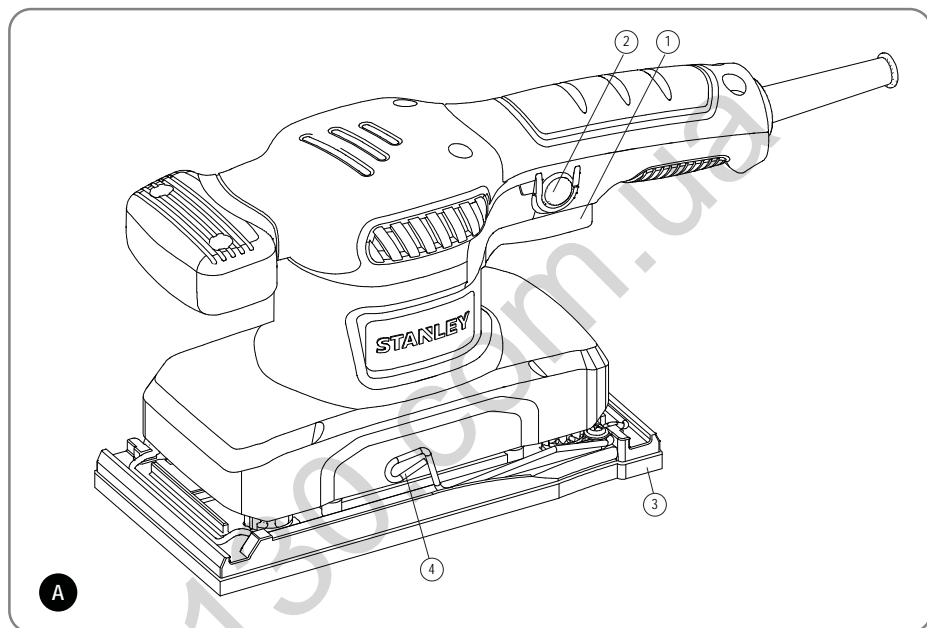
<https://130.com.ua>

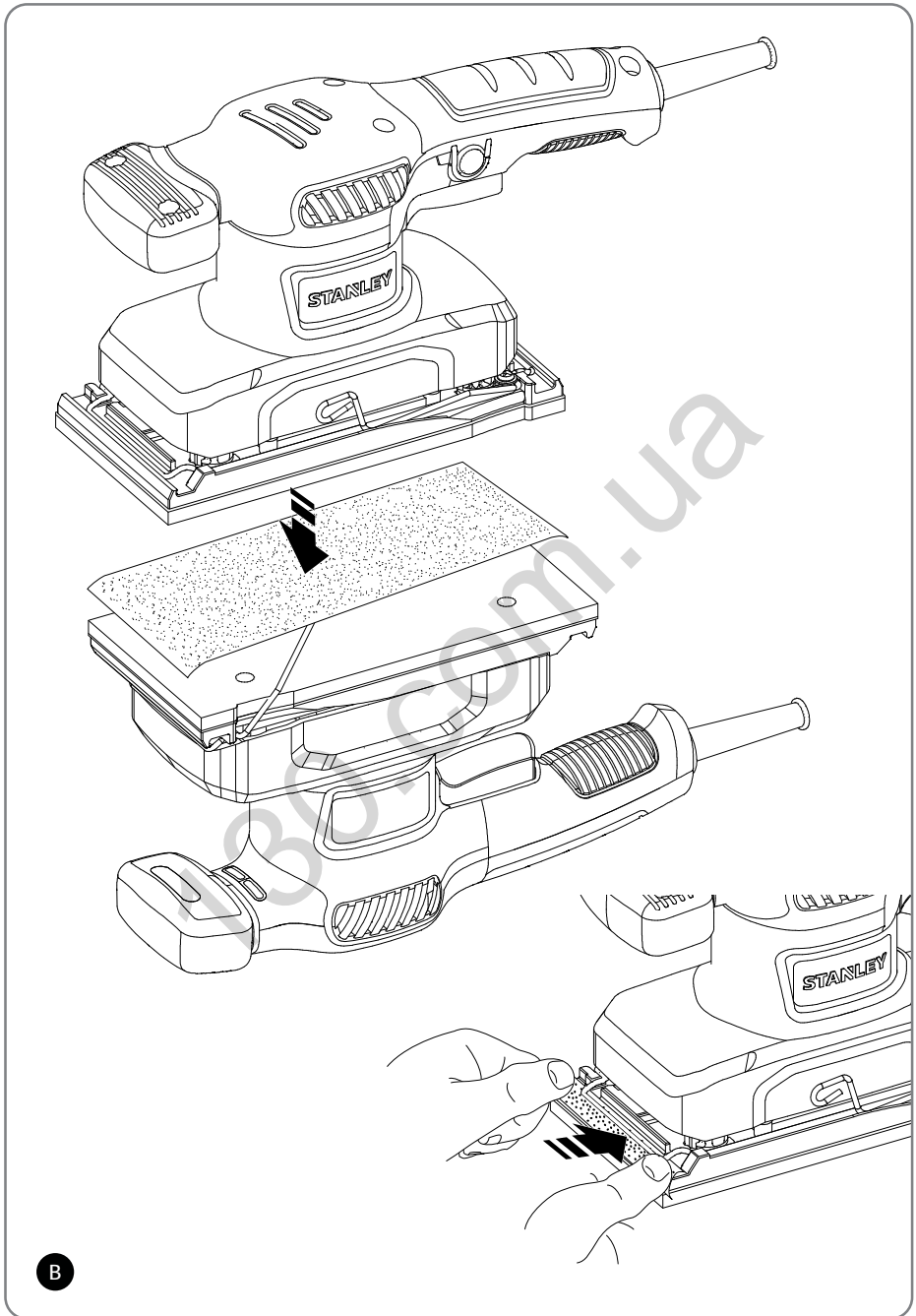
STANLEY®

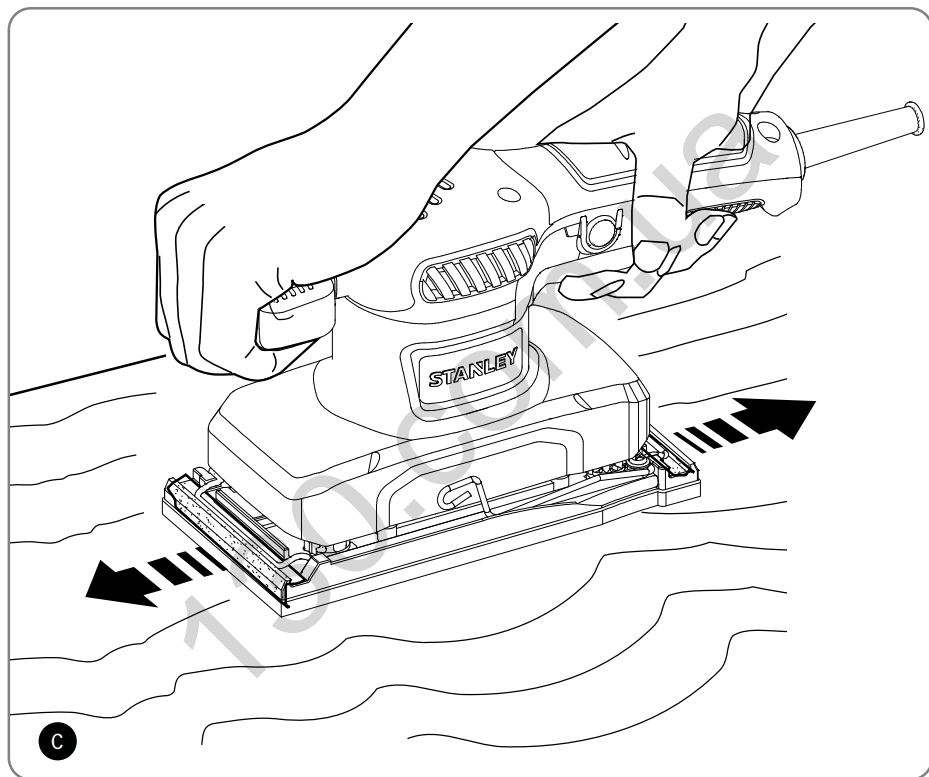


SS28

English	Page	05
French	Page	10
Russian	Page	16
Ukrainian	Page	22
Turkish	Page	28
العربية	Page	38







INTENDED USE

Your STANLEY 1/3 Sheet Sander SS28 has been designed for sanding wood, metal, plastics and painted surfaces. This tool is intended for professional use.

SAFETY INSTRUCTIONS

The definitions below describe the level of severity for each signal word. Please read the manual and pay attention to these symbols.



DANGER: Indicates an imminently hazardous situation which, if not avoided, **will result in death or serious injury.**



WARNING: Indicates a potentially hazardous situation which, if not avoided, **could result in death or serious injury.**



CAUTION: Indicates a potentially hazardous situation which, if not avoided, **may result in minor or moderate injury.**

NOTICE: Indicates a practice not related to personal injury which, if not avoided, **may result in property damage.**



Denotes risk of electric shock.



Denotes risk of fire.



Warning: To reduce the risk of injury, read the instruction manual.

General power tool safety warnings

WARNING! Read all safety warnings, instructions, illustrations and specifications provided with this power tool. Failure to follow all instructions listed below may result in electric shock, fire and/or serious injury.

Save all warnings and instructions for future reference.

The term "power tool" in all of the warnings listed below refers to your mains operated (corded) power tool or battery operated (cordless) power tool.

1. Work area safety

- a. **Keep work area clean and well lit.** Cluttered or dark areas invite accidents.
- b. **Do not operate power tools in explosive atmospheres, such as in the presence of flammable liquids, gases or dust.** Power tools create sparks which may ignite the dust or fumes.
- c. **Keep children and bystanders away while operating a power tool.** Distractions can cause you to lose control.

2. Electrical safety

- a. **Power tool plugs must match the outlet. Never modify the plug in any way.** Do not use any adapter plugs with earthed (grounded) power tools. Unmodified plugs and matching outlets will reduce risk of electric shock.
- b. **Avoid body contact with earthed or grounded surfaces such as pipes, radiators, ranges and**

refrigerators. There is an increased risk of electric shock if your body is earthed or grounded.

- c. **Do not expose power tools to rain or wet conditions.** Water entering a power tool will increase the risk of electric shock.
- d. **Do not abuse the cord. Never use the cord for carrying, pulling or unplugging the power tool.** Keep cord away from heat, oil, sharp edges or moving parts. Damaged or entangled cords increase the risk of electric shock.
- e. **When operating a power tool outdoors, use an extension cord suitable for outdoor use.** Use of a cord suitable for outdoor use reduces the risk of electric shock.
- f. **If operating a power tool in a damp location is unavoidable, use a residual current device (RCD) protected supply.** Use of an RCD reduces the risk of electric shock.

3. Personal safety

- a. **Stay alert, watch what you are doing and use common sense when operating a power tool.** Do not use a power tool while you are tired or under the influence of drugs, alcohol or medication. A moment of inattention while operating power tools may result in serious personal injury.
 - b. **Use personal protective equipment.** Always wear eye protection. Protective equipment such as a dust mask, non-skid safety shoes, hard hat, or hearing protection used for appropriate conditions will reduce personal injuries.
 - c. **Prevent unintentional starting.** Ensure the switch is in the off-position before connecting to power source and/or battery pack, picking up or carrying the tool. Carrying power tools with your finger on the switch or energising power tools that have the switch on invites accidents.
 - d. **Remove any adjusting key or wrench before turning the power tool on.** A wrench or a key left attached to a rotating part of the power tool may result in personal injury.
 - e. **Do not overreach.** Keep proper footing and balance at all times. This enables better control of the power tool in unexpected situations.
 - f. **Dress properly.** Do not wear loose clothing or jewellery. Keep your hair and clothing away from moving parts. Loose clothes, jewellery or long hair can be caught in moving parts.
 - g. **If devices are provided for the connection of dust extraction and collection facilities, ensure these are connected and properly used.** Use of dust collection can reduce dust-related hazards.
 - h. **Do not let familiarity gained from frequent use of tools allow you to become complacent and ignore tool safety principles.** A careless action can cause severe injury within a fraction of a second.
- 4. Power tool use and care**
- a. **Do not force the power tool. Use the correct power tool for your application.** The correct power tool will do the job better and safer at the rate for which it was designed.

- b. Do not use the power tool if the switch does not turn it on and off. Any power tool that cannot be controlled with the switch is dangerous and must be repaired.
- c. Disconnect the plug from the power source and/ or remove the battery pack, if detachable from the power tool before making any adjustments, changing accessories, or storing power tools. Such preventive safety measures reduce the risk of starting the power tool accidentally.
- d. Store idle power tools out of the reach of children and do not allow persons unfamiliar with the power tool or these instructions to operate the power tool. Power tools are dangerous in the hands of untrained users.
- e. Maintain power tools and accessories. Check for misalignment or binding of moving parts, breakage of parts and any other condition that may affect the power tools operation. If damaged, have the power tool repaired before use. Many accidents are caused by poorly maintained power tools.
- f. Keep cutting tools sharp and clean. Properly maintained cutting tools with sharp cutting edges are less likely to bind and are easier to control.
- g. Use the power tool, accessories and tool bits etc. in accordance with these instructions, taking into account the working conditions and the work to be performed. Use of the power tool for operations different from those intended could result in a hazardous situation.
- h. Keep handles and grasping surfaces dry, clean and free from oil and grease. Slippery handles and grasping surfaces do not allow for safe handling and control of the tool in unexpected situations.
- 5. Service
 - a. Have your power tool serviced by a qualified repair person using only identical replacement parts. This will ensure that the safety of the power tool is maintained.

ADDITIONAL SPECIFIC SAFETY RULES



WARNING! Safety Instructions for Sanders

- a. Hold power tools by insulated gripping surfaces, because the sanding surface may contact its own cord. Cutting a “live” wire may make exposed metal parts of the power tool “live” and could give the operator an electric shock.
- b. **Warning!** Contact with or inhalation of dusts arising from sanding applications may endanger the health of the operator and possible bystanders. Wear a dust mask specifically designed for protection against dust and fumes and ensure that persons within or entering the work area are also protected.
- c. Thoroughly remove all dust after sanding.
- d. Take special care when sanding paint which is possibly lead based or when sanding some woods and metal which may produce toxic dust:
 - Do not let children or pregnant women enter the work area.
 - Do not eat, drink or smoke in the work area.

- Dispose of dust particles and any other debris safely.
- Additional Safety Information**



WARNING: We recommend the use of a residual current device with a residual current rating of 30mA or less.

SAFETY OF OTHERS

- This tool is not intended for use by persons (including children) with reduced physical, sensory or mental capabilities, or lack of experience and knowledge, unless they have been given supervision or instruction concerning use of the tool by a person responsible for their safety.
- Children should be supervised to ensure that they do not play with the appliance.

RESIDUAL RISKS

In spite of the application of the relevant safety regulations and the implementation of safety devices, certain residual risks cannot be avoided. These are:

- Impairment of hearing
- Risk of personal injury due flying particles.
- Risk of burns due to accessories becoming hot during operation.
- Risk of personal injury due to prolonged use.
- Risk of dust from hazardous substances.

ELECTRICAL SAFETY



Your tool is double insulated; therefore no earth wire is required. Always check that the main voltage corresponds to the voltage on the rating plate.



WARNING! If the power cord is damaged, it must be replaced by the manufacturer, authorized STANLEY Service Center or an equally qualified person in order to avoid damage or injury. If the power cord is replaced by an equally qualified person, but not authorized by STANLEY, the warranty will not be valid.

USING AN EXTENSION CABLE

If an extension cable is required, use an approved 3-core extension cable suitable for the power input of this tool (see Technical Data). The minimum conductor size is 1.5 mm²; the maximum length is 30 m. When using a cable reel, always unwind the cable completely.

Cable cross-sectional area (mm ²) Cable rated current (Ampere)	Cable cross-sectional area (mm ²) Cable rated current (Ampere)
0.75	6
1.00	10
1.50	15
2.50	20
4.00	25





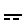




Cable length (m)

	7.5	15	25	30	45	60
--	-----	----	----	----	----	----

Voltage	Amperes	Cable rated current (Ampere)					
110-127	0 - 2.0	6	6	6	6	6	10
	2.1 - 3.4	6	6	6	6	15	15
	3.5 - 5.0	6	6	10	15	20	20
	5.1 - 7.0	10	10	15	20	20	25
220-240	7.1 - 12.0	15	15	20	25	25	-
	12.1 - 20.0	20	20	25	-	-	-
	0 - 2.0	6	6	6	6	6	6
	2.1 - 3.4	6	6	6	6	6	6
	3.5 - 5.0	6	6	6	6	10	15
	5.1 - 7.0	10	10	10	10	15	15
	7.1 - 12.0	15	15	15	15	20	20
	12.1 - 20.0	20	20	20	20	25	-

LABELS ON TOOL

The label on your tool may include the following symbols:

	must read the instruction manual before use. WARNING! To reduce the risk of injury, the user		
	Wear safety glasses or goggles.		
	Wear ear protection.		
	Wear a dust mask.		
V	Volts		Direct Current
A	Amperes	n_0	No-Load Speed
Hz	Hertz		Class II Construction
W	Watts		Earthing Terminal
min	minutes		Safety Symbol Alert
	Alternating Current	/min.	Revolutions or Reciprocation per minute

Position of date code

The Date Code, which also includes the year of manufacture, is printed into the housing.

Example:

2017 XX JN
Year of manufacturing

PACKAGE CONTAINS

- 1 1/3 Sander
 - 1 Instruction manual
 - 1 Warranty card
 - 1 Service center list
 - 1 Sanding paper
- Check for damage to the tool, parts or accessories which may have occurred during transport.
- Take the time to thoroughly read and understand this manual prior to operation.

FEATURES (FIG. A)

WARNING: Never modify the power tool or any part of it. Damage or personal injury could result.

1. On/off switch
2. Lock-on button
3. Sanding base
4. Paper clamp lever

ASSEMBLY



WARNING: To reduce the risk of serious personal injury, turn tool off and disconnect tool from power source before making any adjustments or removing/installing attachments or accessories. Before reconnecting the tool, depress and release the trigger switch to ensure that the tool is off. An accidental start-up can cause injury.

Fitting sanding paper (Figure. A,B)



WARNING! Never use the tool without a sanding paper or accessory in place.

- Soften the sanding paper by rubbing its non-abrasive side over the edge of a worktop.
- Release the sanding paper clamp levers (4).
- Place the paper onto the sanding base (3).
- Insert the edge of the sanding paper into the front paper clamp as shown.
- Press the front paper clamp lever (4) downwards.
- While keeping a slight tension on the paper, insert the rear edge of the paper into the rear paper clamp.
- Press the rear paper clamp lever (4) downwards.

USE



WARNING: Let the tool work at its own pace. Do not overload.

Switching on and off

- To switch the tool on, press the on/off switch (1).
- For continuous operation, press the lock-on button (2) and release the on/off switch.

- To switch the tool off, release the on/off switch. To switch the tool off when in continuous operation, press the on/off switch once more and release it.

Hints for optimum use (Figure. C)

- Do not exert too much pressure on the tool.
- Regularly check the condition of the sanding paper.
- Replace when necessary.
- It is better to sand along the grain of the wood.
- When sanding new layers of paint before applying another layer, use extra fine grit.
- On very uneven surfaces, or when removing layers of paint, start with a coarse grit. On other surfaces, start with a medium grit. In both cases, gradually change to a fine grit for a smooth finish.
- Consult your retailer for more information on available accessories.

Residual risks

Additional residual risks may arise when using the tool which may not be included in the enclosed safety warnings. These risks can arise from misuse, prolonged use etc.

Even with the application of the relevant safety regulations and the implementation of safety devices, certain residual risks can not be avoided. These include:

- Injuries caused by touching any rotating/moving parts.
- Injuries caused when changing any parts, blades or accessories.
- Injuries caused by prolonged use of a tool. When using any tool for prolonged periods ensure you take regular breaks.
- Impairment of hearing.
- Health hazards caused by breathing dust developed when using your tool (example:- working with wood, especially oak, beech and MDF.)

MAINTENANCE

Your STANLEY power tool has been designed to operate over a long period of time with a minimum of maintenance. Continuous satisfactory operation depends upon proper tool care and regular cleaning.

- Regularly clean the ventilation slots in your tool using a soft brush or dry cloth.
- Regularly clean the motor housing using a damp cloth. Do not use any abrasive or solvent-based cleaner. This machine is not user-serviceable. If problems occur contact an authorised repair agent.



Lubrication

Your power tool requires no additional lubrication.



Cleaning



WARNING: Blow dirt and dust out of the main housing with dry air as often as dirt is seen collecting in and around the air vents. Wear approved eye protection and approved dust mask when performing this procedure.



WARNING: Never use solvents or other harsh chemicals for cleaning the non-metallic parts of the tool. These chemicals may weaken the materials used in these parts. Use a cloth dampened only with water and mild soap. Never

let any liquid get inside the tool; never immerse any part of the tool into a liquid. To maintain products SAFETY and RELIABILITY, repair, carbon brush inspection and replacement, any other maintenance or adjustment should be performed by STANLEY Service Centers, always using Stanley replacement parts.

OPTIONAL ACCESSORIES



WARNING: Since accessories, other than those offered by STANLEY, have not been tested with this product, use of such accessories with this tool could be hazardous. To reduce the risk of injury, only STANLEY recommended accessories should be used with this product.

Consult your dealer for further information on the appropriate accessories.

PROTECTING THE ENVIRONMENT



Separate collection. This product must not be disposed of with normal household waste.

Should you find one day that your STANLEY product needs replacement, or if it is of no further use to you, do not dispose of it with household waste. Make this product available for separate collection.



STANLEY provides a facility for the collection and recycling of STANLEY products once they have reached the end of their working life. To take advantage of this service please return your product to any authorised repair agent who will collect them on our behalf.

You can check the location of your nearest authorised repair agent by contacting your local STANLEY office at the address indicated in this manual. Alternatively, a list of authorised STANLEY repair agents and full details of our after-sales service and contacts are available on the Internet at: www.2helpU.com.

NOTES

STANLEY's policy is one of continuous improvement to our products and as such, we reserve the right to change product specifications without prior notice. Standard equipment and accessories may vary by country. Product specifications may differ by country. Complete product range may not be available in all countries. Contact your local STANLEY dealers for range availability

SERVICE INFORMATION

STANLEY offers a full network of company-owned and authorized service locations. All STANLEY Service Centers are staffed with trained personnel to provide customers with efficient and reliable power tool service. For more information about our authorized service centers and if you need technical advice, repair, or genuine factory replacement parts, contact the STANLEY location nearest you.

TECHNICAL DATA

		SS28
Voltage	V_{AC}	220-240
Frequency	Hz	50/60
Power input	W	280
Orbits (no load)	min^{-1}	14000
Sanding base surface	mm	91x185
Weight	kg	1.5

Level of sound pressure according to EN 60745:

Sound pressure (L_{pA})	dB(A)	81.5
Sound pressure uncertainty (K_{pA})	dB(A)	3
Sound power (L_{WA})	dB(A)	92.5
Sound power uncertainty (K_{WA})	dB(A)	3

Vibration emission value ah:

(ah) =	m/s^2	7.4
Uncertainty (K) =	m/s^2	1.5

VIBRATION

The declared vibration emission values stated in the technical data and the declaration of conformity have been measured in accordance with a standard test method provided by EN 60745 and may be used for comparing one tool with another. The declared vibration emission value may also be used in a preliminary assessment of exposure.



WARNING! The vibration emission value during actual use of the power tool can differ from the declared value depending on the ways in which the tool is used. The vibration level may increase above the level stated.

When assessing vibration exposure to determine safety measures required by 2002/44/EC to protect persons regularly using power tools in employment, an estimation of vibration exposure should consider, the actual conditions of use and the way the tool is used, including taking account of all parts of the operating cycle such as the times when the tool is switched off and when it is running idle in addition to the trigger time.

EC declaration of conformity

MACHINERY DIRECTIVE



SS28 - Sheet Sander

STANLEY declares that these products described under "technical data" are in compliance with: 2006/42/EC, EN 62841-1: 2015, EN 62841-2-4: 2014.

These products also comply with Directive 2014/30/EU and 2011/65/EU. For more information, please contact STANLEY at the following address or refer to the back of the manual.

The undersigned is responsible for compilation of the technical file and makes this declaration on behalf of STANLEY.

R.Laverick

Engineering Manager

STANLEY, Europe, Egide Walschaertsstraat14-18,

2800 Mechelen, Belgium

06.2018

TWO YEAR WARRANTY

If your STANLEY product becomes defective due to faulty materials or workmanship within 24 months from the date of purchase, STANLEY guarantees to replace all defective parts

free of charge or – at our discretion – replace the unit free of charge provided that:

- The product has not been misused and has been used in accordance with the instruction manual;
- The product has been subject to fair wear and tear;
- Repairs have not been attempted by unauthorized persons;
- Proof of purchase is produced;
- The STANLEY product is returned complete with all original components;
- The product hasn't been used for hire purposes.

If you wish to make a claim, contact your seller or check the location of your nearest authorised STANLEY repair agent in the STANLEY catalogue or contact your local STANLEY office at the address indicated in this manual. A list of authorised STANLEY repair agents and full details of our after sales service is available on the internet at: www.2helpU.com

UTILISATION PRÉVUE

Votre ponceuse SS28 1/3 de feuille de STANLEY a été conçue pour poncer du bois, du métal, du plastique et des surfaces peintes. Cet outil est destiné à une utilisation professionnelle.

CONSIGNES DE SÉCURITÉ

Les définitions ci-dessous définissent le niveau de gravité de chaque mention d'avertissement. Veuillez lire le manuel et prêter attention à ces symboles.



DANGER: Indique une situation imminente dangereuse qui, si elle n'est pas évitée, entraînera des blessures graves ou la mort.



AVERTISSEMENT: Indique une situation potentiellement dangereuse qui, si elle n'est pas évitée, entraînera des blessures graves ou la mort.



ATTENTION: Indique une situation potentiellement dangereuse qui, si elle n'est pas évitée, entraînera des blessures légères ou mineures.

AVIS : Indique une pratique ne concernant pas les blessures corporelles qui, si elle n'est pas évitée, peut entraîner des dommages matériels.



Indique un risque d'électrocution.



Indique un risque d'incendie.



Avertissement : Afin de réduire le risque de blessure, lisez le manuel d'instruction.

Avertissements de sécurité générale concernant l'outil électrique

Les définitions ci-dessous définissent le niveau de gravité de chaque mention d'avertissement. Veuillez lire le manuel et prêter attention à ces symboles.



AVERTISSEMENT! Lisez tous les avertissements de sécurité, les instructions, les illustrations et les spécifications fournies avec cet outil électrique. Le non-respect de ces avertissements et de ces instructions peut provoquer un incendie, une électrocution et/ou de graves blessures.

Conservez ces avertissements et ces instructions à titre de référence ultérieure. Le terme « outil électrique » dans les avertissements fait référence à votre outil électrique alimenté par le courant (avec cordon d'alimentation) ou fonctionnant sur batterie (sans cordon).

1. Sécurité de l'aire de travail

- Travaillez dans un endroit propre et bien éclairé.** Les zones encombrées et sombres peuvent entraîner des accidents.
- Ne mettez pas en marche votre outil électrique dans un environnement explosif, ou en présence de liquides inflammables, de gaz, ou de poussières.** La mise en marche de l'outil crée des étincelles qui peuvent enflammer les poussières ou vapeurs.
- Éloignez les enfants et les personnes présentes de la zone lorsque l'outil est en fonctionnement.** Toute

distracted peut vous faire perdre le contrôle de l'outil.

2. Sécurité électrique

- Les fiches de l'outil électrique doivent correspondre à la prise secteur.** Ne modifiez jamais la fiche, de quelque manière que ce soit. N'utilisez pas d'adaptateurs avec des outils ayant une prise de terre (mis à la terre). Des fiches non modifiées et raccordées aux prises murales correspondantes réduiront les risques de choc électrique.
- Évitez le contact direct avec les surfaces mises à la terre ou mises à la masse comme les canalisations, les radiateurs, les cuisinières et les réfrigérateurs.** Le risque de choc électrique augmente si votre corps est mis à la terre ou à la masse.
- N'utilisez pas d'outils électriques dans des environnements pluvieux ou humides.** Si de l'eau s'introduit dans un outil électrique, le risque de choc électrique augmentera.
- Ne malmenez pas le cordon d'alimentation.** N'utilisez jamais le cordon pour transporter, tirer ou débrancher l'outil électrique. Veillez à garder le cordon éloigné des sources de chaleur, des huiles, des rebords coupants ou des pièces mobiles. Les câbles endommagés ou entremêlés augmentent le risque de choc électrique.
- Lorsqu'un outil électrique est utilisé à l'extérieur, utilisez uniquement une rallonge spécialement prévue à cet effet.** L'usage d'une rallonge adaptée à l'utilisation en extérieur réduit le risque de choc électrique.
- Habillez-vous correctement. Ne portez pas de vêtements amples ou de bijoux.** Gardez vos cheveux, vos vêtements et vos gants éloignés des pièces mobiles. Tenez vos cheveux, vêtements et gants éloignés des pièces mobiles. Les vêtements amples, les bijoux ou les cheveux longs peuvent être happés par les pièces mobiles.

3. Sécurité personnelle

- Soyez vigilant, regardez bien ce que vous faites et faites preuve de bon sens lorsque vous utilisez l'outil électrique.** N'utilisez pas d'outil électrique si vous êtes sous l'influence de drogues, d'alcool ou de médicaments. Un instant d'inattention pendant l'utilisation d'outils électriques peut entraîner des blessures graves.
- Utilisez un équipement de protection individuel. Utilisez toujours une protection oculaire.** L'utilisation d'équipements de protection tels que les masques anti-poussière, les chaussures de sécurité antidérapantes, les casques de sécurité ou les protections auditives dans des conditions appropriées réduiront les risques de blessures corporelles.
- Évitez les démarrages intempestifs.** Veillez à ce que l'interrupteur soit en position d'arrêt avant de brancher l'outil à une source d'alimentation et/ou une batterie, de ramasser l'outil ou de le transporter. Transporter les outils électriques avec le doigt sur l'interrupteur ou brancher les outils électriques avec l'interrupteur en position de marche peut entraîner des accidents.
- Retirez toute clé à molette ou autre clé de réglage**

avant de mettre l'outil électrique en marche. Laissez une clé à molette ou une clé sur une partie rotative de l'outil électrique peut engendrer des blessures corporelles.

- e. **Ne vous penchez pas trop.** Gardez en permanence une position stable et un bon équilibre. Cela permet un meilleur contrôle de l'outil électrique dans des situations imprévues.
 - f. **Portez des vêtements appropriés.** Ne portez pas de vêtements amples ou de bijoux. Tenez vos cheveux, vêtements et gants éloignés des pièces mobiles. Les vêtements amples, les bijoux ou les cheveux longs peuvent être happés par les pièces mobiles.
 - g. **Si des dispositifs destinés au raccordement d'installations d'extraction et de recueil de la poussière sont fournis, assurez-vous qu'ils sont correctement raccordés et utilisés.** L'utilisation de cet outil peut réduire les dangers associés à la présence de poussières.
 - h. **Ne pensez pas que la familiarité que vous avez acquise en utilisant fréquemment des outils vous permet d'être complaisant et d'ignorer les principes de sécurité concernant l'utilisation des outils.** Une action imprudente peut causer de graves blessures en une fraction de seconde.
- #### 4. Utilisation et entretien de l'outil électrique
- a. **Ne forcez pas l'outil électrique. Utilisez l'outil électrique adapté à votre travail.** L'outil adapté est plus efficace et moins dangereux s'il est utilisé à la vitesse pour laquelle il a été conçu.
 - b. **N'utilisez pas l'outil si l'interrupteur ne le met pas en position de marche et d'arrêt.** Tout outil qui ne peut être contrôlé par l'interrupteur est dangereux et doit être réparé.
 - c. **Débrancher la fiche de l'alimentation source et / ou la batterie de la outil électrique avant de faire ajustements, changement d'accessoires, ou stockage d'outils électriques.** Ces mesures de sécurité préventives réduisent le risque de démarrage accidentel de l'outil électrique.
 - d. **Conservez les outils électriques inutilisés hors de la portée des enfants et ne laissez pas de personnes non familiarisées avec l'outil ou ces instructions utiliser l'outil électrique.** Les outils électriques sont dangereux pour les utilisateurs inexpérimentés.
 - e. **Maintenir les outils électriques. Vérifiez la dérive d'alignement ou l'attache des pièces mobiles, toute possibilité de rupture de pièces et tout état pouvant affecter l'outil lors de son utilisation.** Si l'outil est endommagé, faites-le réparer avant de l'utiliser. De nombreux accidents sont dus à des outils électriques mal entretenus.
 - f. **Maintenez les outils de coupe aiguisés et propres.** Les outils de coupe bien entretenus aux bords aiguisés sont moins susceptibles de se coincer et plus faciles à contrôler.
 - g. **Utilisez l'outil électrique, les accessoires et les mèches de l'outil etc., conformément à ces instructions en prenant en compte les conditions de travail et la tâche à réaliser.** L'utilisation de l'outil

électrique pour des opérations différentes de celles pour lesquelles il a été conçu peut entraîner une situation dangereuse.

- h. **Maintenez les poignées et les surfaces de préhension sèches, propres et exemptes d'huile et de graisse.** Des poignées et des surfaces de préhension glissantes ne permettent pas de manipuler l'outil en toute sécurité et de le contrôler dans des situations inattendues.
- #### 5. Réparation
- a. **Faites réparer votre outil électrique par un réparateur agréé utilisant uniquement les pièces de rechange identiques.** Cela permettra de garantir la sécurité de l'outil électrique.

CONSIGNES DE SÉCURITÉ SPÉCIFIQUES ADDITIONNELLES



AVERTISSEMENT ! Consignes de sécurité relatives aux ponceuses

- a. Tenez les outils électriques uniquement par les surfaces isolées à cet effet, parce que la surface de ponçage peut entrer en contact avec son propre cordon d'alimentation. Si un câble « sous tension » est coupé, les pièces métalliques exposées de l'outil électrique risquent de transmettre le courant et d'infliger une décharge électrique à l'opérateur.
- b. **Avvertissement !** Le contact avec la poussière ou son inhalation découlant de travaux de ponçage peut endommager la santé de l'opérateur et des éventuels spectateurs. Portez un masque anti-poussière spécialement conçu pour protéger contre la poussière et les vapeurs et assurez-vous que les personnes présentes dans la zone de travail sont également protégées.
- c. Retirez soigneusement toute la poussière après le ponçage.
- d. Soyez particulièrement attentif lorsque vous ponchez de la peinture qui pourrait être à base de plomb ou lorsque vous ponchez du bois ou du métal pouvant produire de la poussière toxique :
 - Ne laissez pas les enfants ou les femmes enceintes pénétrer dans la zone de travail.
 - Ne mangez pas, ne buvez pas et ne fumez pas dans la zone de travail.
 - Débarrassez-vous dûment de toute particule de poussière ou de tout autre débris.

Consignes de sécurité supplémentaires



AVERTISSEMENT : Nous recommandons l'utilisation d'un dispositif à courant résiduel avec un courant résiduel nominal de 30 mA ou moins.

SÉCURITÉ D'AUTRUI

- Cet outil n'est pas destiné à être utilisé par des personnes (y compris les enfants) présentant des capacités physiques, sensorielles ou mentales réduites, ou sans expérience, ni connaissances, à moins qu'elles ne soient surveillées ou qu'elles n'aient été instruites à l'utilisation de l'appareil par une personne responsable de leur sécurité.

FRANÇAIS (Traduction des instructions initiales)

- Les enfants doivent être surveillés pour s'assurer qu'ils ne jouent pas avec l'appareil.

RISQUES RÉSIDUELS

Malgré l'application des instructions de sécurité en vigueur et la mise en œuvre des dispositifs de sécurité, certains risques résiduels ne peuvent être évités. Ces risques sont les suivants :

- Troubles de l'audition.
- Risques de blessures corporelles dus aux particules volantes.
- Risques de brûlures dus aux accessoires devenant brûlant durant leur utilisation.
- Risques de blessures corporelles dus à un usage prolongé.
- Risques d'explosion de poussières de substances dangereuses.

SÉCURITÉ ÉLECTRIQUE



Cet outil dispose d'une double isolation ; aucun fil de terre n'est donc nécessaire. Vérifiez toujours que la tension du secteur correspond à celle de la plaque signalétique.



AVERTISSEMENT ! Si le cordon d'alimentation est endommagé, il doit être remplacé par le fabricant ou un centre de réparation agréé STANLEY ou encore une personne tout aussi qualifiée afin d'éviter tout accident ou blessure. En cas de remplacement du cordon d'alimentation par une personne tout aussi qualifiée mais non agréée par STANLEY, la garantie ne sera plus valable.

UTILISATION D'UNE RALLONGE

Si une rallonge est nécessaire, utilisez toujours une rallonge agréée à 3 conducteurs, adaptée à la puissance absorbée par cet outil (voir les caractéristiques techniques). La section minimale des conducteurs est de 1,5 mm² ; la longueur maximale est de 30 m. Lorsque vous utilisez un rouleau à câble, déroulez-le toujours complètement.

Superficie de la section transversale du câble (mm ²) Intensité nominale du câble (Ampère)	Superficie de la section transversale du câble (mm ²) Intensité nominale du câble (Ampère)
0.75	6
1.00	10
1.50	15
2.50	20
4.00	25

Longueur du câble (m)						
	7.5	15	25	30	45	60

Tension	Ampères	Intensité nominale du câble (Ampère)					
110-127	0 - 2.0	6	6	6	6	6	10
	2.1 - 3.4	6	6	6	6	15	15
	3.5 - 5.0	6	6	10	15	20	20
	5.1 - 7.0	10	10	15	20	20	25
220-240	7.1 - 12.0	15	15	20	25	25	-
	12.1 - 20.0	20	20	25	-	-	-
	0 - 2.0	6	6	6	6	6	6
	2.1 - 3.4	6	6	6	6	6	6
	3.5 - 5.0	6	6	6	6	10	15
	5.1 - 7.0	10	10	10	10	15	15
	7.1 - 12.0	15	15	15	15	20	20
	12.1 - 20.0	20	20	20	20	25	-

ÉTIQUETTES DE L'OUTIL

L'étiquette apposée sur votre outil peut afficher les symboles suivants :

	AVERTISSEMENT ! Pour réduire tout risque de blessure, l'utilisateur doit lire le manuel d'instructions avant toute utilisation.		
	Portez des lunettes de sécurité ou des lunettes-masque.		
	Portez des protège-oreilles.		
	Portez un masque anti-poussière.		
V	Volts		Courant continu
A	Ampères	η_0	Vitesse à vide
Hz	Hertz		Construction de classe II
W	Watts		Borne de terre
min	minutes		Symbole d'alerte de sécurité
	Courant alternatif	/min.	Tours ou mouvements alternatifs par minute

Position du code de la date

Le code de date qui comporte également l'année de fabrication est imprimé sur le logement.

Exemple :

2017 XX JN

Année de fabrication

L'ENSEMBLE CONTIENT

- 1 ponceuse 1/3
- 1 manuel d'instruction
- 1 carte de garantie
- 1 liste de centres de services
- 1 Feuille abrasive

Vérifiez que l'outil, les pièces détachées et les accessoires n'ont pas été endommagés durant le transport.

Prenez le temps de bien lire et comprendre ce manuel avant d'utiliser l'outil.

CARACTÉRISTIQUES (FIG. A)

AVERTISSEMENT : Ne modifiez jamais l'outil électrique ou toute partie de celui-ci. Des dommages ou des blessures pourraient en résulter.

1. Gâchette Marche/arrêt
2. Bouton de verrouillage
3. Base de ponçage
4. Levier du serre-papier

MONTAGE

AVERTISSEMENT : Pour réduire le risque de blessures physiques graves, arrêtez l'outil et débranchez-le du secteur avant de réaliser des réglages ou de démonter/installer des accessoires. Avant de rebrancher l'outil, appuyez sur la gâchette et relâchez-la pour vous assurer que l'outil est déjà hors tension. Un démarrage accidentel peut provoquer des blessures.

Installation du papier à poncer (Figure A, B)

AVERTISSEMENT ! N'utilisez jamais l'outil sans papier à poncer ou un accessoire en place.

- Assouplissez le papier à poncer en frottant son côté non abrasif sur le bord d'un plan de travail.
- Desserrez les leviers des serre-papier (4).
- Placez le papier sur la base de ponçage (3).
- Insérez le bord du papier à poncer sous le serre-papier avant comme illustré.
- Appuyez sur le levier du serre-papier avant (4) vers le bas.
- Tout en gardant le papier légèrement tendu, insérez le bord arrière du papier sous le serre-papier arrière.
- Appuyez sur le levier du serre-papier arrière (4) vers le bas.

UTILISATION

AVERTISSEMENT : Laissez l'outil fonctionner à son propre rythme. Ne le surchargez pas.

Mise sous et hors tension

- Pour mettre l'outil en marche, appuyez sur la gâchette Marche/arrêt (1).
- Pour un fonctionnement en continu, appuyez sur le bouton de verrouillage (2) et relâchez la gâchette Marche/arrêt.
- Pour arrêter l'outil, relâchez l'interrupteur Marche/arrêt. Pour arrêter l'outil lorsqu'il est en mode de fonctionnement continu, appuyez à nouveau sur la gâchette Marche/arrêt et relâchez-le.

Conseils pour une utilisation optimale (Figure C)

- N'exercez pas trop de pression sur l'outil.
- Vérifiez régulièrement l'état du papier à poncer.
- Remplacez-le quand c'est nécessaire.
- Il est préférable de poncer dans la longueur du grain du bois.
- Lors du ponçage de nouvelles couches de peinture avant d'appliquer une autre couche, utilisez un papier à grain extra-fin.
- Sur des surfaces très inégales, ou lorsque vous poncez des couches de peinture, commencez avec un gros grain. Sur d'autres surfaces, commencez avec un grain moyen. Dans les deux cas, changez graduellement jusqu'à un grain fin pour une finition lisse.
- Consultez votre revendeur pour obtenir de plus amples informations sur les accessoires disponibles.

Risques résiduels

Il se peut que des risques résiduels additionnels non inclus dans les avertissements de sécurité du présent manuel surviennent lors de l'utilisation de l'outil. Ces risques peuvent provenir d'une utilisation inappropriée ou prolongée, etc.

Malgré l'application des instructions de sécurité en vigueur et la munition des dispositifs de sécurité, certains risques résiduels ne peuvent être évités. Ces risques comprennent :

- Des blessures provoquées par le contact avec des pièces mobiles / rotatives.
- Des blessures provoquées lors du changement des pièces, forets ou accessoires.
- Des blessures provoquées par un usage prolongé d'un outil. Assurez-vous prendre régulièrement des pauses lors d'un usage prolongé d'un outil.
- Des troubles de l'audition.
- Il existe des risques pour la santé causés par l'inhalation de poussières qui se développent lors de l'utilisation de votre outil (exemple : travailler avec du bois, en particulier du chêne, du hêtre ou du MDF).

ENTRETIEN

Votre outil STANLEY a été conçu pour fonctionner pendant une longue période avec un minimum d'entretien. Un fonctionnement continu satisfaisant de l'outil dépend d'un entretien soigneux et régulier.

- Nettoyez régulièrement les fentes d'aération de votre

outil à l'aide d'une brosse douce et d'un chiffon sec.

- Nettoyez régulièrement le boîtier du moteur à l'aide d'un chiffon humide. N'utilisez pas d'agent nettoyant abrasif ou à base de solvant. Cet outil n'est pas réparable par l'utilisateur. Si des problèmes surviennent, consultez un agent de réparation agréé.



Lubrification

Votre outil électrique ne nécessite aucune lubrification supplémentaire.



Nettoyage



AVERTISSEMENT : Soufflez les saletés et la poussière qui pénètrent dans le cadre de l'outil avec de l'air sec dès que vous observez que de la saleté s'accumule à l'intérieur et autour des prises d'air. Portez des lunettes de protection et des masques anti-poussière approuvés lors de cette procédure.



AVERTISSEMENT : N'utilisez jamais de solvants ou autres produits chimiques corrosifs pour nettoyer les parties non métalliques de l'outil. Ces matériaux chimiques peuvent affaiblir les matériaux de ces parties. Utilisez uniquement un chiffon imbibé d'eau mélangée à un savon doux. Ne laissez jamais couler un liquide à l'intérieur et ne plongez jamais une partie quelconque de l'outil dans l'eau.

Pour maintenir la SÉCURITÉ et la FIABILITÉ des produits, toute réparation, inspection et remplacement des balais de charbon, et autre entretien ou réglage doit être effectué par un centre de services après-vente de STANLEY, en utilisant toujours des pièces de rechange d'origine Stanley.

ACCESSOIRES EN OPTION



AVERTISSEMENT : Puisque les accessoires autres que ceux qui sont offerts par STANLEY n'ont pas été testés avec ce produit, l'utilisation de tels accessoires avec cet outil pourrait être dangereuse. Pour réduire le risque de blessures, seuls les accessoires recommandés par STANLEY devraient être utilisés avec ce produit.

Consultez votre revendeur pour obtenir de plus amples informations sur les accessoires appropriés.

PROTECTION DE L'ENVIRONNEMENT



Collecte séparée. Ce produit ne doit pas être jeté avec les ordures ménagères.

Si vous décidez de remplacer ce produit STANLEY, ou si vous n'en avez plus l'utilité, ne le jetez pas avec vos déchets domestiques. Mettez-le dans un point de collecte séparée approprié.



STANLEY met à votre disposition un centre de collecte et de recyclage pour les produits STANLEY ayant atteint la fin de leur durée de service. Pour profiter de ce service, veuillez retourner votre produit à un agent de réparation agréé qui se chargera de la collecte.

Vous pouvez trouver l'agent de service agréé le plus proche

en contactant votre agence STANLEY locale à l'adresse indiquée dans ce manuel. Autrement, une liste d'agents de réparation agréés STANLEY et des informations complètes concernant notre service après-vente, y compris les coordonnées, sont disponibles en ligne à l'adresse suivante : www.2helpU.com.

REMARQUES

STANLEY mène une politique d'amélioration continue de ses produits et se réserve, de ce fait, le droit d'en modifier les caractéristiques sans préavis. Les accessoires ou équipements peuvent varier selon le pays. Les spécifications du produit peuvent varier selon le pays. La gamme complète du produit peut ne pas être disponible dans tous les pays. Contactez votre revendeur STANLEY local concernant la disponibilité de la gamme.

INFORMATION CONCERNANT LE CENTRE DE SERVICE

STANLEY offre un réseau complet de centres de service agréé. Tous les centres de services STANLEY disposent d'un personnel formé afin de fournir un service efficace et de confiance aux clients concernant les outils électriques. Si vous désirez plus d'informations sur les centres de service agréés, ou si vous avez besoin d'informations techniques, de réparation ou de pièce authentique d'usine, contactez le centre STANLEY le plus proche de chez vous.

CARACTÉRISTIQUES TECHNIQUES

		SS28
Tension	V_{AC}	220-240
Fréquence	Hz	50/60
Alimentation électrique	W	280
Orbites (sans charge)	min ⁻¹	14000
Surface de la base de ponçage	mm	91x185
Poids	kg	1.5

GARANTIE DE DEUX ANS

Si un produit STANLEY s'avère défectueux en raison de matériaux en mauvais état ou d'une erreur humaine dans les 24 mois suivant la date d'achat, STANLEY garantit le remplacement gratuit de toutes les pièces défectueuses ou, à votre discrétion, le remplacement gratuit de l'unité si :

- Le produit a été correctement utilisé et a été utilisé en respectant les instructions du manuel ;
- L'usure du produit est normale ;
- Aucune réparation n'a été tentée par des personnes non autorisées ;
- Une preuve d'achat est donnée ;
- Le produit STANLEY est réexpédié avec tous les composants d'origine ;
- Le produit n'a pas été loué.

Si vous souhaitez faire une réclamation, contactez votre vendeur ou vérifiez l'emplacement de l'agent de réparation agréé STANLEY le plus proche dans votre catalogue STANLEY ou contactez votre bureau local STANLEY à l'adresse indiquée dans ce manuel. Une liste d'agents de réparation agréés STANLEY et des informations complètes concernant notre service après-vente sont disponibles en ligne à l'adresse suivante : www.2helpU.com.

НАЗНАЧЕНИЕ

Ваша 1/3 шлифовальная машина STANLEY SS28 предназначена для шлифования деревянных, металлических, пластиковых и окрашенных поверхностей. Данный инструмент предназначен для профессионального использования.

ИНСТРУКЦИИ ПО ТЕХНИКЕ БЕЗОПАСНОСТИ

Следующие определения указывают на степень важности каждого сигнального слова. Прочтите руководство по эксплуатации и обратите внимание на данные символы.



ОПАСНО: Означает чрезвычайно опасную ситуацию, которая приводит к смертельному исходу или получению тяжёлой травмы.



ВНИМАНИЕ: Означает потенциально опасную ситуацию, которая может привести к смертельному исходу или получению тяжёлой травмы.



ПРЕДУПРЕЖДЕНИЕ: Означает потенциально опасную ситуацию, которая может привести к получению травмы лёгкой или средней тяжести.

ПРЕДОСТЕРЕЖЕНИЕ: Означает ситуацию, не связанную с получением телесной травмы, которая, однако, может привести к повреждению инструмента.



Риск поражения электрическим током!



Огнеопасность!



ВНИМАНИЕ: Внимательно прочтите руководство по эксплуатации для снижения риска получения травмы.

ПРАВИЛА БЕЗОПАСНОСТИ

Общие правила безопасности при работе с электроинструментами



ВНИМАНИЕ! Внимательно прочтите все инструкции по использованию, правила безопасности, спецификации, а также рассмотрите все иллюстрации, входящие в руководство по эксплуатации данного электроинструмента. Несоблюдение всех перечисленных ниже инструкций может привести к поражению электрическим током, возникновению пожара и/или получению серьёзной травмы.

Сохраните все инструкции по безопасности и руководство по эксплуатации для их дальнейшего использования. Термин «Электроинструмент» во всех приведённых ниже указаниях относится к вашему сетевому (с кабелем) электроинструменту или аккумуляторному (беспроводному) электроинструменту.

1. Безопасность рабочего места

a. Содержите рабочее место в чистоте и

обеспечьте хорошее освещение. Плохое освещение или беспорядок на рабочем месте может привести к несчастному случаю.

b. Не используйте электроинструменты, если есть опасность возгорания или взрыва, например, вблизи легковоспламеняющихся жидкостей, газов или пыли. В процессе работы электроинструменты создают искровые разряды, которые могут воспалить пыль или горючие пары.

c. Во время работы с электроинструментом не подпускайте близко детей или посторонних лиц. Отвлечение внимания может вызвать у Вас потерю контроля над рабочим процессом.

2. Электробезопасность

a. Вилка кабеля электроинструмента должна соответствовать штепсельной розетке. Ни в коем случае не видоизменяйте вилку электрического кабеля. Не используйте соединительные штепсели-переходники, если в силовом кабеле электроинструмента есть провод заземления. Использование оригинальной вилки кабеля и соответствующей ей штепсельной розетки уменьшает риск поражения электрическим током.

b. Во время работы с электроинструментом избегайте физического контакта с заземлёнными объектами, такими как трубопроводы, радиаторы отопления, электророзетки и холодильники. Риск поражения электрическим током увеличивается, если Ваше тело заземлено.

c. Не используйте электроинструмент под дождём или во влажной среде. Попадание воды в электроинструмент увеличивает риск поражения электрическим током.

d. Бережно обращайтесь с электрическим кабелем. Ни в коем случае не используйте кабель для переноски электроинструмента или для вытягивания его вилки из штепсельной розетки. Не подвергайте электрический кабель воздействию высоких температур и смазочных веществ; держите его в стороне от острых кромок и движущихся частей электроинструмента. Повреждённый или запутанный кабель увеличивает риск поражения электрическим током.

e. При работе с электроинструментом на открытом воздухе используйте удлинительный кабель, предназначенный для наружных работ. Использование кабеля, пригодного для работы на открытом воздухе, снижает риск поражения электрическим током.

f. При необходимости работы с электроинструментом во влажной среде используйте источник питания, оборудованный устройством защитного отключения (УЗО). Использование УЗО снижает риск поражения электрическим током.

3. Личная безопасность

a. При работе с электроинструментами

будьте внимательны, следите за тем, что Вы делаете, и руководствуйтесь здравым смыслом. Не используйте электроинструмент, если Вы устали, а также находясь под действием алкоголя или понижающих реакцию лекарственных препаратов и других средств. Малейшая неосторожность при работе с электроинструментами может привести к серьёзной травме.

b. При работе используйте средства индивидуальной защиты. Всегда надевайте защитные очки. Своевременное использование защитного снаряжения, а именно: пылезащитной маски, ботинок на нескользящей подошве, защитного шлема или противозумовых наушников, значительно снизит риск получения травмы.

c. Не допускайте непреднамеренного запуска. Перед тем, как подключить электроинструмент к сети и/или аккумулятору, поднять или перенести его, убедитесь, что выключатель находится в положении «выключено». Не переносите электроинструмент с нажатым курковым выключателем и не подключайте к сетевой розетке электроинструмент, выключатель которого установлен в положение «включено», это может привести к несчастному случаю.

d. Перед включением электроинструмента снимите с него все регулировочные или гаечные ключи. Регулировочный или гаечный ключ, оставленный закреплённым на вращающейся части электроинструмента, может стать причиной получения тяжёлой травмы.

e. Работайте в устойчивой позе. Всегда твёрдо стойте на ногах, сохраняя равновесие. Это позволит Вам не потерять контроль при работе электроинструментом в непредвиденной ситуации.

f. Одевайтесь соответствующим образом. Во время работы не надевайте свободную одежду или украшения. Следите за тем, чтобы Ваши волосы или одежда находились в постоянном отдалении от движущихся частей инструмента. Свободная одежда, украшения или длинные волосы могут попасть в движущиеся части инструмента.

g. Если электроинструмент снабжён устройством сбора и удаления пыли, убедитесь, что данное устройство подключено и используется надлежащим образом. Использование устройства пылеудаления значительно снижает риск возникновения несчастного случая, связанного с запылённостью рабочего пространства.

h. Даже если Вы являетесь опытным пользователем и часто используете подобные инструменты, не позволяйте себе расслабляться и игнорировать правила безопасности при использовании инструментов. Неосторожность и невнимательность при работе могут привести к тяжёлым травмам за доли секунды.

4. Использование электроинструментов и

технический уход

a. Не перегружайте электроинструмент. Используйте Ваш инструмент по назначению. Электроинструмент работает надёжно и безопасно только при соблюдении параметров, указанных в его технических характеристиках.

b. Не используйте электроинструмент, если его выключатель не устанавливается в положение включения или выключения. Электроинструмент с неисправным выключателем представляет опасность и подлежит ремонту.

c. Отключайте электроинструмент от сетевой розетки и/или извлекайте аккумулятор (если имеется) перед регулировкой, заменой принадлежности или при хранении электроинструмента. Такие меры предосторожности снижают риск случайного включения электроинструмента.

d. Храните неиспользуемые электроинструменты в недоступном для детей месте и не позволяйте лицам, не знакомым с электроинструментом или данными инструциями, работать с электроинструментом. Электроинструменты представляют опасность в руках неопытных пользователей.

e. Регулярно проверяйте исправность электроинструмента и дополнительных принадлежностей. Проверьте точность совмещения и лёгкость перемещения подвижных частей, целостность деталей и любых других элементов электроинструмента, воздействующих на его работу. Не используйте неисправный электроинструмент, пока он не будет полностью отремонтирован. Большинство несчастных случаев являются следствием недостаточного технического ухода за электроинструментом.

f. Следите за острой заточкой и чистой режущих принадлежностей. Принадлежности с острыми кромками позволяют избежать заклинивания и делают работу менее утомительной.

g. Используйте электроинструмент, аксессуары и насадки в соответствии с данным Руководством по эксплуатации и с учётом рабочих условий и характера будущей работы. Использование электроинструмента не по назначению может создать опасную ситуацию.

h. Следите, чтобы рукоятки и поверхности захвата оставались сухими, чистыми и не содержали следов масла и консистентной смазки. Скользкие рукоятки и поверхности захвата не обеспечивают безопасное обращение и управление инструментом в неожиданных ситуациях.

5. Техническое обслуживание

a. Ремонт Вашего электроинструмента должен производиться только квалифицированными специалистами с использованием идентичных запасных

частей. Это обеспечит безопасность Вашего электроинструмента в дальнейшей эксплуатации.

ДОПОЛНИТЕЛЬНЫЕ СПЕЦИАЛЬНЫЕ ПРАВИЛА БЕЗОПАСНОСТИ



ВНИМАНИЕ! Инструкции по технике безопасности при работе шлифовальными машинами

- Держите электроинструмент за изолированные поверхности, поскольку шлифовальная поверхность может задеть собственный кабель. Разрезание находящегося под напряжением провода делает не покрытые изоляцией металлические части электроинструмента также «живыми», что создаёт опасность поражения оператора электрическим током.
- Внимание!** Контакт с пылью или вдыхание пыли, возникающей в ходе шлифовальных работ, может представлять опасность для здоровья оператора и окружающих лиц. Надевайте респиратор, специально разработанный для защиты от пыли и паров, и следите, чтобы лица, находящиеся в рабочей зоне, также были обеспечены средствами индивидуальной защиты.
- После окончания работы тщательно уберите все образовавшуюся пыль.
- Соблюдайте особую осторожность при удалении краски, которая может иметь свинцовую основу, или при шлифовании некоторых сортов дерева или металла, которые могут быть источником токсичной пыли:
 - Не позволяйте детям или беременным женщинам находиться в рабочей зоне.
 - Не принимайте пищу, не пейте и не курите в рабочей зоне.
 - Удаляйте частицы пыли и прочие отходы безопасным для окружающей среды способом.

Дополнительные инструкции по безопасности



ВНИМАНИЕ: Рекомендуется использование устройства защитного отключения с остаточным током 30 мА или менее.

БЕЗОПАСНОСТЬ ПОСТОРОННИХ ЛИЦ

- Данное изделие не может использоваться людьми (включая детей) со сниженными физическими, сенсорными и умственными способностями или при отсутствии необходимого опыта или навыка, за исключением, если они выполняют работу под присмотром лица, отвечающего за их безопасность.
- Не позволяйте детям играть с инструментом.

ОСТАТОЧНЫЕ РИСКИ

Несмотря на соблюдение соответствующих инструкций по технике безопасности и использование предохранительных устройств, некоторые остаточные риски невозможно полностью исключить. К ним относятся:

- Ухудшение слуха
- Риск получения травмы от разлетающихся частиц.
- Риск получения ожогов от принадлежностей и насадок, которые в процессе работы сильно нагреваются.
- Риск получения травмы, связанный с продолжительным использованием инструмента.
- Риск вдыхания пыли от опасных для здоровья веществ.

ЭЛЕКТРОБЕЗОПАСНОСТЬ



Данный инструмент защищён двойной изоляцией, что исключает потребность в заземляющем проводе. Всегда проверяйте, соответствует ли напряжение, указанное на табличке с техническими параметрами, напряжению электросети.



ВНИМАНИЕ! Во избежание повреждений или получения травмы, замена повреждённого кабеля питания должна производиться только на заводе-изготовителе, в авторизованном сервисном центре STANLEY или квалифицированным персоналом. При замене кабеля питания квалифицированным лицом, но не имеющим авторизацию STANLEY, гарантия на продукт будет недействительной.

ИСПОЛЬЗОВАНИЕ УДЛИНИТЕЛЬНОГО КАБЕЛЯ

При необходимости использования удлинительного кабеля, используйте только утверждённые 3-х жильные кабели промышленного изготовления, рассчитанные на мощность не меньшую, чем потребляемая мощность данного инструмента (см. раздел «Технические характеристики»). Минимальный размер проводника должен составлять 1,5 мм²; максимальная длина кабеля не должна превышать 30 м. При использовании кабельного барабана, всегда полностью разматывайте кабель.

Поперечное сечение проводника (мм ²) Номинал кабеля (Ампер)	Поперечное сечение проводника (мм ²) Номинал кабеля (Ампер)
0.75	6
1.00	10
1.50	15
2.50	20
4.00	25

Длина кабеля (м)						
	7.5	15	25	30	45	60

Напряжение	Ампер	Номинал кабеля (Ампер)					
110-127	0 - 2.0	6	6	6	6	6	10
	2.1 - 3.4	6	6	6	6	15	15
	3.5 - 5.0	6	6	10	15	20	20
	5.1 - 7.0	10	10	15	20	20	25
	7.1 - 12.0	15	15	20	25	25	-
220-240	0 - 2.0	6	6	6	6	6	6
	2.1 - 3.4	6	6	6	6	6	6
	3.5 - 5.0	6	6	6	6	10	15
	5.1 - 7.0	10	10	10	10	15	15
	7.1 - 12.0	15	15	15	15	20	20
	12.1-20.0	20	20	20	20	25	-

Пример:

2017 XX JN
Год изготовления

В УПАКОВКУ ВХОДЯТ:

- 1 1/3 Шлифовальная машина
- 1 Руководство по эксплуатации
- 1 Гарантийный талон
- 1 Список сервисных центров
- 1 Шлифовальная бумага

Проверьте инструмент, детали и дополнительные приспособления на наличие повреждений, которые могли произойти во время транспортировки.

Перед началом работы необходимо внимательно прочитать настоящее руководство и принять к сведению содержащуюся в нем информацию.

ОПИСАНИЕ (Рис. А)

ВНИМАНИЕ: Ни в коем случае не модифицируйте электроинструмент или какую-либо его деталь. Это может привести к получению травмы или повреждению инструмента.

1. Клавиша пускового выключателя
2. Кнопка блокировки пускового выключателя
3. Шлифовальная подошва
4. Рычаг зажима шлифовальной бумаги

СБОРКА

ВНИМАНИЕ: Для снижения риска получения тяжелой травмы, перед регулировкой или снятием/установкой дополнительных принадлежностей или насадок выключайте инструмент и отсоединяйте его от электросети. Перед повторным подключением инструмента нажмите и отпустите клавишу пускового выключателя, чтобы убедиться, что инструмент действительно выключен. Непреднамеренный запуск инструмента может привести к получению травмы.

Крепление шлифовальной бумаги (Рисунок А, В)

ВНИМАНИЕ! Никогда не используйте инструмент без установленной шлифовальной бумаги или насадок.

- Смягчите шлифовальную бумагу, потерев её необразивной стороной о край рабочего стола.
- Поднимите рычаги зажима шлифовальной бумаги (4).
- Поместите лист бумаги на шлифовальную подошву (3).
- Вставьте край листа шлифовальной бумаги в передний зажим, как показано на рисунке.
- Опустите рычаг переднего зажима шлифовальной бумаги (4) вниз.
- Слегка натягивая бумагу, вставьте задний край листа в задний зажим.
- Опустите рычаг заднего зажима шлифовальной бумаги (4) вниз.

МАРКИРОВКА ИНСТРУМЕНТА

На инструменте имеются следующие знаки:

	ВНИМАНИЕ! Полное ознакомление с руководством по эксплуатации перед использованием инструмента снижает риск получения травмы.		
	Надевайте защитные очки или маску.		
	Используйте средства защиты органов слуха.		
	Надевайте защитную маску или респиратор.		
V	Вольт	===	Постоянный ток
A	Ампер	n ₀	Скорость без нагрузки
Hz	Герц		Конструкция Класса II
W	Ватт		Клемма заземления
min	минут		Символ опасности
	Переменный ток	/min.	Кол-во оборотов или шагов в минуту

Место положения кода даты

Код даты, который также включает в себя год изготовления, отштампован на поверхности корпуса инструмента.

ЭКСПЛУАТАЦИЯ



ВНИМАНИЕ: Не форсируйте рабочий процесс. Избегайте перегрузки инструмента.

Включение и выключение

- Чтобы включить инструмент, нажмите на клавишу пускового выключателя (1).
- Для непрерывного режима работы нажмите кнопку блокировки пускового выключателя (2) и отпустите клавишу пускового выключателя.
- Чтобы выключить инструмент, отпустите клавишу пускового выключателя. Для выключения непрерывного режима работы инструмента снова нажмите и отпустите клавишу пускового выключателя.

Рекомендации по оптимальному использованию (Рисунок С)

- Не надавливайте слишком сильно на электроинструмент.
- Регулярно проверяйте состояние шлифовальной бумаги.
- При необходимости замените.
- Рекомендуются шлифовать вдоль волокон древесины.
- При шлифовании свежеекрашенной поверхности перед нанесением нового слоя краски используйте мелкозернистую наждачную бумагу
- На неровных поверхностях, а также для удаления толстых слоёв краски предварительно используйте обдирочную (крупнозернистую) шлифовальную бумагу. На прочих поверхностях предварительно используйте получистовую (средней зернистости) шлифовальную бумагу. В обоих случаях при последующем шлифовании перейдите на чистовую (мелкозернистую) шлифовальную бумагу, чтобы получить ровную, гладкую поверхность.
- По вопросу приобретения дополнительных принадлежностей обращайтесь к Вашему дилеру.

Остаточные риски

При работе данным инструментом возможно возникновение дополнительных остаточных рисков, которые не вошли в описанные здесь правила техники безопасности. Эти риски могут возникнуть при неправильном или продолжительном использовании изделия и т.п.

Несмотря на соблюдение соответствующих инструкций по технике безопасности и использование предохранительных устройств, некоторые остаточные риски невозможно полностью исключить. К ним относятся:

- Травмы в результате касания вращающихся/двигающихся частей инструмента.
- Риск получения травмы во время смены деталей или насадок.

- Риск получения травмы, связанный с продолжительным использованием инструмента. При использовании инструмента в течение продолжительного периода времени делайте регулярные перерывы в работе.
- Ухудшение слуха.
- Ущерб здоровью в результате вдыхания пыли в процессе работы с инструментом (например, при обработке древесины, в особенности, дуба, бука и ДВП).

ТЕХНИЧЕСКОЕ ОБСЛУЖИВАНИЕ

Ваш электроинструмент STANLEY рассчитан на работу в течение продолжительного времени при минимальном техническом обслуживании. Срок службы и надёжность инструмента увеличивается при правильном уходе и регулярной чистке.

- Регулярно очищайте вентиляционные отверстия вашего инструмента мягкой щёткой или сухой тканью.
- Регулярно очищайте корпус двигателя влажной тканью. Не используйте абразивные чистящие средства, а также чистящие средства на основе растворителей. Данный инструмент не обслуживается пользователем. В случае возникновения проблем до истечения указанного срока, обращайтесь в авторизованный сервисный центр.



Смазка

Ваш электроинструмент не требует дополнительной смазки.



Чистка



ВНИМАНИЕ: Выдувайте грязь и пыль из корпуса сухим сжатым воздухом по мере видимого скопления грязи внутри и вокруг вентиляционных отверстий. Выполните данную процедуру, надев средство защиты глаз и респиратор утверждённого типа.



ВНИМАНИЕ: Никогда не используйте растворители или другие агрессивные химические средства для очистки неметаллических деталей инструмента. Эти химикаты могут ухудшить свойства материалов, применённых в данных деталях. Используйте ткань, смоченную в воде с мягким мылом. Не допускайте попадания какой-либо жидкости внутрь инструмента; ни в коем случае не погружайте какую-либо часть инструмента в жидкость.

В целях обеспечения БЕЗОПАСНОСТИ и ДОЛГОВЕЧНОСТИ в использовании продукта ремонт, осмотр угольных щёток, замена деталей и прочее техническое обслуживание и регулировка должны производиться только в авторизованных сервисных центрах STANLEY и только с использованием идентичных запасных частей Stanley.

ДОПОЛНИТЕЛЬНЫЕ ПРИСПОСОБЛЕНИЯ

ВНИМАНИЕ: Поскольку принадлежности, отличные от тех, которые предлагает STANLEY, не прошли тесты на данном изделии, то использование этих принадлежностей может привести к опасной ситуации. Во избежание риска получения травмы, с данным продуктом должны использоваться только дополнительные принадлежности, рекомендованные STANLEY.

По вопросу приобретения дополнительных принадлежностей обращайтесь к вашему продавцу.

ЗАЩИТА ОКРУЖАЮЩЕЙ СРЕДЫ

Раздельный сбор. Данное изделие нельзя утилизировать вместе с обычными бытовыми отходами.

Если однажды вы захотите заменить ваше изделие STANLEY или вы больше в нём не нуждаетесь, не выбрасывайте его вместе с бытовыми отходами. Отнесите изделие в специальный приёмный пункт.



Фирма STANLEY обеспечивает приём и переработку отслуживших свой срок изделий STANLEY. Чтобы воспользоваться этой услугой, вы можете сдать ваше изделие в любой авторизованный сервисный центр, который собирает их по нашему поручению.

Вы можете узнать место нахождения вашего ближайшего авторизованного сервисного центра, обратившись в ваш местный офис STANLEY по адресу, указанному в данном руководстве по эксплуатации. Кроме того, список авторизованных сервисных центров STANLEY и полную информацию о нашем послепродажном обслуживании и контактах Вы можете найти в интернете по адресу: www.2helpU.com.

ПРИМЕЧАНИЯ

Политика STANLEY нацелена на постоянное усовершенствование нашей продукции, поэтому фирма оставляет за собой право изменять технические характеристики изделий без предварительного уведомления. Стандартное оборудование и дополнительные принадлежности могут меняться в зависимости от страны продаж. Технические характеристики продуктов могут различаться в зависимости от страны продаж. Полная линия продуктов присутствует на рынках не всех стран. Для получения информации касательно линии продуктов в вашей стране обратитесь в ближайший сервисный центр STANLEY.

ИНФОРМАЦИЯ ПО ТЕХНИЧЕСКОМУ ОБСЛУЖИВАНИЮ

STANLEY имеет обширную сеть принадлежащих компании и авторизованных сервисных центров. В целях предоставления клиентам эффективного и надёжного технического обслуживания электроинструментов во всех сервисных

центрах STANLEY работает обученный персонал. За дополнительной информацией о наших авторизованных сервисных центрах, а также, если вы нуждаетесь в технической консультации, ремонте или покупке оригинальных запасных частей, обратитесь в ближайший к вам сервисный центр STANLEY.

ТЕХНИЧЕСКИЕ ХАРАКТЕРИСТИКИ**SS28**

Напряжение	В перем. тока	220~240
Частота	Гц	50/60
Потребляемая мощность	Вт	280
Число оборотов (без нагрузки)	об./мин.	14000
Размер шлифовальной подошвы	мм	91x185
Вес	кг	1.5

ДВА ГОДА ГАРАНТИИ

Если в течение 24 месяцев со дня покупки ваше изделие STANLEY выйдет из строя по причинам, связанным с качеством материалов или сборки, STANLEY гарантирует бесплатную замену всех неисправных частей или - по своему усмотрению - бесплатную замену самого изделия при соблюдении следующих условий:

- Продукт использовался без нарушения правил эксплуатации в соответствии с руководством по эксплуатации;
- Неисправность изделия является следствием нормального износа;
- Не предпринималось попыток ремонта изделия неуполномоченными лицами;
- Имеется подтверждение факта совершения покупки;
- Продукт STANLEY возвращён в полной комплектации и с наличием всех оригинальных составных частей.
- Продукт не сдавался напрокат.

Если вы хотите подать заявку на гарантийное обслуживание, обратитесь к вашему продавцу, в один из авторизованных сервисных центров STANLEY, список которых приведен в каталоге продукции STANLEY, или в ближайший сервисный центр STANLEY по адресу, указанному в данном руководстве по эксплуатации. Список авторизованных сервисных центров STANLEY и полную информацию о нашем послепродажном обслуживании и контактах вы можете найти в интернете по адресу: www.2helpU.com

STANLEY

Гарантийные условия

Уважаемый покупатель!

1. Поздравляем Вас с покупкой высококачественного изделия STANLEY и выражаем признательность за Ваш выбор.
2. При покупке изделия требуйте проверки его комплектности и исправности в Вашем присутствии, инструкцию по эксплуатации и заполненный гарантийный талон на русском языке.
В гарантийном талоне должны быть внесены: модель, дата продажи, серийный номер, дата производства инструмента; название, печать и подпись торговой организации. При отсутствии у Вас правильно заполненного гарантийного талона, а также несоответствия указанных в нем данных мы будем вынуждены отклонить Ваши претензии по качеству данного изделия.
3. Во избежание недоразумений убедительно просим Вас перед началом работы с изделием внимательно ознакомиться с инструкцией по его эксплуатации. Правовой основой настоящих гарантийных условий является действующее Законодательство. Гарантийный срок на данное изделие составляет 24 месяца и исчисляется со дня продажи. В случае устранения недостатков изделия, гарантийный срок продлевается на период его нахождения в ремонте. Срок службы изделия составляет 5 лет со дня продажи.
4. В случае возникновения каких-либо проблем в процессе эксплуатации изделия рекомендуем Вам обращаться только в уполномоченные сервисные центры STANLEY, адреса и телефоны которых Вы сможете найти в гарантийном талоне, на сайте www.2helpU.com или узнать в магазине. Наши сервисные станции - это не только квалифицированный ремонт, но и широкий ассортимент запчастей и принадлежностей.
5. Производитель рекомендует проводить периодическую проверку и техническое обслуживание изделия в уполномоченных сервисных центрах.



Изготовитель

Блэк энд Деккер Холдингс ГмБХ
Германия, 65510, Идштайн,
ул. Блэк энд Деккер, 40

6. Наши гарантийные обязательства распространяются только на неисправности, выявленные в течение гарантийного срока и вызванные дефектами производства и \ или материалов.
7. **Гарантийные условия не распространяются на неисправности изделия, возникшие в результате:**
 - 7.1. Несоблюдения пользователем предписаний инструкции по эксплуатации изделия, применения изделия не по назначению, неправильному хранении, использования принадлежностей, расходных материалов и запчастей, не предусмотренных производителем.
 - 7.2. Механического повреждения (сколы, трещины и разрушения) внутренних и внешних деталей изделия, основных и вспомогательных рукояток, сетевого электрического кабеля, вызванного внешним ударным или любым иным воздействием
 - 7.3. Попадания в вентиляционные отверстия и проникновение внутрь изделия посторонних предметов, материалов или веществ, не являющихся отходами, сопровождающими применение изделия по назначению, такими как: стружка, опилки, песок, и пр.
 - 7.4. Воздействия на изделие неблагоприятных атмосферных и иных внешних факторов, таких как дождь, снег, повышенная влажность, нагрев, агрессивные среды, несоответствие параметров питающей электросети, указанных на инструменте.
 - 7.5. Стихийного бедствия. Повреждение или утрата изделия, связанное с непредвиденными бедствиями, стихийными явлениями, в том числе вследствие действия непреодолимой силы (пожар, молния, потоп и другие природные явления), а так же вследствие перепадов напряжения в электросети и другими причинами, которые находятся вне контроля производителя.
8. **Гарантийные условия не распространяются:**
 - 8.1. На инструменты, подвергавшиеся вскрытию, ремонту или модификации вне уполномоченного сервисного центра.
 - 8.2. На детали и узлы, имеющие следы естественного износа, такие как: приводные ремни и колеса, угольные щетки, смазка, подшипники, зубчатое зацепление редукторов, резиновые уплотнения, сальники, направляющие ролики, муфты, выключатели, бойки, толкатели, стволы, и т.п.
 - 8.3. На сменные части: патроны, цанги, зажимные гайки и фланцы, фильтры, аккумуляторные батареи, ножи, шлифовальные подошвы, цепи, звездочки, пыльные шины, защитные кожухи, пилки, абразивы, пыльные и абразивные диски, фрезы, сверла, буры и т.п.
 - 8.4. На неисправности, возникшие в результате перегрузки инструмента (как механической, так и электрической), повлекшей выход из строя одновременно двух и более деталей и узлов, таких как: ротора и статора, обеих обмоток статора, ведомой и ведущей шестерни редуктора или других узлов и деталей. К безусловным признакам перегрузки изделия относятся, помимо прочего: появление цветов побежалости, деформация или оплавление деталей и узлов изделия, потемнение или облуживание изоляции проводов электродвигателя под воздействием высокой температуры.



Приложение к руководству по эксплуатации электроинструмента

Инструмент ручной электрифицированный: машины шлифовальные, торговой марки "Stanley", модели: SS28X-X, SS30X-X, SB90X-X, SB92X-X, SSS31X-X, где "X" – не более 4 символов (цифра от 0 до 9, и/или буква от А до Z, и/или " - ") или их отсутствие, обозначающие порядковый номер модели, комплектацию и тип упаковки. Директива 2014/35/EU ЕВРОПЕЙСКОГО ПАРЛАМЕНТА И СОВЕТА от 26 февраля 2014 г. «О гармонизации законодательства государств-членов в области размещения на рынке электрооборудования, предназначенного для использования в определенных пределах напряжения»; Директива 2014/30/EU ЕВРОПЕЙСКОГО ПАРЛАМЕНТА И СОВЕТА от 26 февраля 2014 г. «О гармонизации законодательства государств-членов ЕС в области электромагнитной совместимости»; Директива 2006/42/ЕС ЕВРОПЕЙСКОГО ПАРЛАМЕНТА И СОВЕТА от 17 мая 2006 г. «О машинах и оборудовании».

СЕРТИФИКАТ СООТВЕТСТВИЯ № RU C-DE.AЯ46.B.85903
 Действителен до: 01 июля 2021 г.

Выдан: Орган по сертификации "РОСТЕСТ-Москва", Адрес: 119049, г. Москва, улица Житная, д. 14, стр. 1; 117418, Москва, Нахимовский просп., 31 (фактический), Телефон: (499) 1292311, (495) 6682893, Факс: (495) 6682893, E-mail: office@rostest.ru

Изготовитель: Изготовитель: Блэк энд Деккер Холдингс ГМбХ, Германия, 65510, Идштайн, ул. Блэк энд Деккер, 40, тел. +496126212790.

Уполномоченное изготовителем юр.лицо:
 ООО "Станли Блэк энд Деккер", 117485, город Москва, улица Обручева, дом 30/1, строение 2
 Телефон: + 7 (495) 258-3981, факс: + 7 (495) 258-3984, E-mail: inbox@dewalt.com
 Сведения о импортере указаны в сопроводительной документации и/или на упаковке

Хранение.

Необходимо хранить в сухом месте, вдали от источников повышенных температур и воздействия солнечных лучей. При хранении необходимо избегать резкого перепада температур. Хранение без упаковки не допускается

Срок службы.

Срок службы изделия составляет 5 лет. Не рекомендуется к эксплуатации по истечении 5 лет хранения с даты изготовления без предварительной проверки.

Дата изготовления (код даты) указана на корпусе инструмента. Код даты, который также включает год изготовления, отштампован на поверхности корпуса изделия.

Пример:

2014 46 XX, где 2014 –год изготовления, 46-неделя изготовления. Определить месяц изготовления по указанной неделе изготовления можно согласно приведенной ниже таблице.

Транспортировка.

Категорически не допускается падение и любые механические воздействия на упаковку при транспортировке. При разгрузке/погрузке не допускается использование любого вида техники, работающей по принципу зажима упаковки.

Перечень критических отказов, возможные ошибочные действия персонала.

- Не допускается эксплуатация изделия:
- При появлении дыма из корпуса изделия
- При поврежденном и/или оголенном сетевом кабеле
- при повреждении корпуса изделия, защитного кожуха, рукоятки
- при попадании жидкости в корпус
- при возникновении сильной вибрации
- при возникновении сильного искрения внутри корпуса

Критерии предельных состояний.

- При поврежденном и/или оголенном сетевом кабеле
- при повреждении корпуса изделия

Месяц	Январь	Февраль	Март	Апрель	Май	Июнь	Июль	Август	Сентябрь	Октябрь	Ноябрь	Декабрь	Год производства
Неделя	01	05	09	13	17	22	26	31	35	39	44	48	2016
	02	06	10	14	18	23	27	32	36	40	45	49	
	03	07	11	15	19	24	28	33	37	41	46	50	
	04	08	12	16	20	25	29	34	38	42	47	51	
		09	13	17	21	26	30	35	39	43	48	52	
Неделя					22				44				2017
	01	05	09	13	18	22	26	31	35	40	44	48	
	02	06	10	14	19	23	27	32	36	41	45	49	
	03	07	11	15	20	24	28	33	37	42	46	50	
	04	08	12	16	21	25	29	34	38	43	47	51	
Неделя			13	17	22	26	30	35	39	44	48	52	2018
	01	05	09	13	18	22	26	31	35	40	44	48	
	02	06	10	14	19	23	27	32	36	41	45	49	
	03	07	11	15	20	24	28	33	37	42	46	50	
	04	08	12	16	21	25	29	34	38	43	47	51	
Неделя							31						2019
	05	09	13	17	22	26	30	35	39	44	48	52	
				18			31						
	01	05	09	14	18	22	27	31	35	40	45	48	
	02	06	10	15	19	23	28	32	36	41	46	49	
Неделя	03	07	11	16	20	24	29	33	37	42	47	50	2020
	04	08	12	17	21	25	30	34	38	43	48	51	
	05	09	13	18	22	26	31	35	39	44	49	52	
									40				
	01	05	09	14	18	23	27	31	36	40	44	49	
Неделя	02	06	10	15	19	24	28	32	37	41	45	51	2020
	03	07	11	16	20	25	29	33	38	42	46	51	
	04	08	12	17	21	26	30	34	39	43	47	52	
	05	09	13	18	22	27	31	35	40	44	48	53	
			14					36			49		

ПРИЗНАЧЕННЯ

Інструмент для шліфування STANLEY 1/3 SS28 призначений для шліфування дерев'яних, металевих, пластмасових та пофарбованих поверхонь. Цей інструмент призначений для професійного використання.

ІНСТРУКЦІЇ З ТЕХНІКИ БЕЗПЕКИ

Наведені нижче визначення описують рівень небезпеки, якому відповідає кожне сигнальне слово. Необхідно ретельно ознайомитись із вмістом цього посібника та звернути увагу на наступні знаки.



НЕБЕЗПЕЧНО. Вказує на неминучу небезпечну ситуацію, яка, якщо її не усунути, обов'язково призведе до серйозних травм або смерті.



ОБЕРЕЖНО! Вказує на потенційно небезпечну ситуацію, яка, якщо її не усунути, може призвести до серйозних травм або смерті.



УВАГА: Вказує на потенційно небезпечну ситуацію, яка, якщо її не усунути, може призвести до травм легкого та середнього ступеню тяжкості.

ПРИМІТКА: Вказує на дію, що не пов'язана з особистою безпекою, але яка, якщо її не усунути, може привести до пошкодження майна.



Вказує на небезпеку ураження електричним струмом.



Вказує на небезпеку виникнення пожежі.



Обережно: Щоб знизити ризик травмування, необхідно ретельно ознайомитись із вмістом цього посібника.

Загальні вказівки щодо безпечної роботи з електричним інструментом

Наведені нижче визначення описують рівень небезпеки за кожним сигнальним словом. Будь ласка, уважно прочитайте цей посібник та зверніть увагу на наступні знаки.



УВАГА! Необхідно ретельно ознайомитись із усіма попереджувальними знаками, вказівками щодо безпечної роботи, графічними матеріалами та технічними описами, що додаються до цього електричного інструмента. Недотримання вказівок щодо безпечної роботи може призвести до ураження електричним струмом, пожежі та/або серйозних травм персоналу.

Зберігайте всі попереджувальні написи та вказівки щодо безпечної роботи для використання в майбутньому. Термін «електричний інструмент», що використовується

у всіх застережливих написах та вказівках щодо техніки безпеки, представлених нижче, відноситься до електричного інструменту, що працює від мережі (зі шнуром електроживлення) або від акумуляторної батареї (без шнура живлення).

1. Вказівки з техніки безпеки на робочому місці

a. Утримуйте робоче місце в чистоті і добре освітленим. Безлад або погане освітлення на робочому місці можуть призвести до нещасного випадку.

b. Не працюйте з електроінструментом в місці зберігання вибухонебезпечних матеріалів, наприклад, у присутності легкозаймистих рідин, газів або пилу. Електричні інструменти створюють іскри, що можуть запалити пил або пари.

c. Забороняється перебування дітей та сторонніх осіб поблизу працюючого електричного інструменту. Ви можете відволіктися і втратити контроль за роботою інструменту.

2. Електрична безпека

a. Вилка шнура живлення інструмента повинна відповідати мережів розетці. Забороняється вносити будь-які зміни у вилку шнура живлення. Не використовуйте жодних вилок-перехідників із заземленими (зануленими) електроінструментами. Відсутність змін у вилках шнурів живлення та відповідність електричних вилок і розеток знижує ризик ураження електричним струмом.

b. Не торкайтеся поверхонь заземлених чи занулених предметів, наприклад труб, радіаторів, електроплит або холодильників. Заземлення чи занулення тіла підвищує ризик ураження електричним струмом.

c. Забороняється піддавати електричні інструменти впливу дощу чи підвищеної вологості. При попаданні вологи всередину електричного інструмента підвищується ризик ураження електричним струмом.

d. Забороняється пошкоджувати шнур живлення. У жодному разі не використовуйте шнур живлення для перенесення чи зміни положення інструмента; не тягніть за шнур, виймаючи вилку з розетки. Не прокладайте шнур живлення поруч із гарячими предметами, мастилом, гострими краями і рухомими деталями. Пошкодження й заплутування шнурів живлення підвищує ризик ураження електричним струмом.

e. Під час роботи з електричним інструментом за межами приміщень використовуйте відповідний подовжувач. Використання подовжувача, призначеного для роботи поза приміщеннями, знижує ризик ураження електричним струмом.

f. Якщо електричним інструментом необхідно користуватись у вологому місці,

слід використовувати пристрій захисного відключення (ПЗВ) електричної мережі. Використання ПЗВ знижує ризик ураження електричним струмом.

3. Безпека персоналу

- a. Під час роботи з електричним інструментом необхідно бути обачним, слідкувати за виконуваною роботою та керуватися здоровим глуздом. Забороняється працювати з електричним інструментом у стані втоми чи під впливом наркотиків, алкоголю й лікарських препаратів. Ослаблення уваги навіть на мить може призвести до серйозної травми.
- b. Використовуйте засоби індивідуального захисту. Завжди користуйтеся засобами захисту очей. Використання у відповідних умовах засобів індивідуального захисту, наприклад пилозахисної маски, протиковзного захисного взуття, захисної каски або засобів захисту органів слуху, завжди знижує ризик отримання травми.
- c. Не допускайте ненавмисного вмикання інструмента. Перш ніж підключити джерело живлення та/або акумулятор, піднімати чи переносити інструмент, переконайтесь, що його вимикач переведено у положення «вимкнено». Якщо тримати палець на вимикачі під час перенесення інструмента чи підключення увімкненого інструмента до мережі, це підвищує ризик нещасного випадку.
- d. Перш ніж увімкнути електричний інструмент, обов'язково вийміть із нього регульовальний чи гайковий ключ. Ключ, залишений ключ на обертальній деталі інструмента, може призвести до травмування.
- e. Не намагайтеся дотягнутися до важкодоступних місць. Завжди міцно тримайтеся на ногах і зберігайте рівновагу під час роботи. Це дозволяє краще контролювати електричний інструмент у непередбачуваних ситуаціях.
- f. Необхідно використовувати захисний одяг. Забороняється одягати вільний одяг та прикраси. Волосся та одяг мають знаходитися на безпечній відстані від рухомих деталей інструменту. Вільний одяг, прикраси чи довге волосся можуть бути захоплені рухомими елементами.
- g. Якщо встановлені пристрої підключення засобів вилловлювання та пилозбірників, необхідно перевіряти, щоб вони були підключені та використовувалися належним чином. Використання цих пристроїв знижує рівень ризику, пов'язаного з пилом.
- h. Довід роботи з електричним інструментом та часте його використання не повинні ставати причиною легковажного ставлення до правил безпечної експлуатації чи їх ігнорування. Легковажне ставлення навіть на частку секунди може призвести до серйозної травми.

4. Використання та догляд за електричним інструментом
 - a. Не застосовуйте надмірне зусилля до електричного інструмента. Використовуйте електричний інструмент тільки за призначенням. Правильно підібраний електроінструмент дозволить виконати роботу краще і безпечніше при швидкості, для якої він був розроблений.
 - b. Забороняється використовувати цей електричний інструмент, якщо не вдається ввімкнути чи вимкнути його вимикачем. Будь-який електричний інструмент, роботою якого неможливо керувати за допомогою вимикача, є небезпечним, і його обов'язково потрібно відремонтувати.
 - c. Перш ніж регулювати електричний інструмент, замінювати на ньому приладдя чи класти на зберігання, необхідно витягти вилку живлення з розетки та/або від'єднати від нього акумулятор. Такий запобіжний захід безпеки знижує ризик ненавмисного увімкнення інструменту.
 - d. Зберігайте електричний інструмент, який в даний момент не використовується, в недоступному для дітей місці та не дозволяйте працювати з інструментом особам, які не знайомі з ним або з цими вказівками. Електричний інструмент є небезпечним в руках ненавченої людини.
 - e. Технічне обслуговування електроінструмента та приладдя. Перевіряйте центрування та з'єднання рухомих деталей, наявність пошкоджених деталей та будь-які фактори, які можуть негативно позначитися на роботі електричного інструмента. У разі виявлення пошкодження електричний інструмент необхідно відремонтувати перед використанням. Багато нещасних випадків трапляється через неналежне технічне обслуговування електричних інструментів.
 - f. Ріжучі інструменти мають бути загостреними й чистими. Підтримуваний у належному робочому стані ріжучий інструмент з гострими лезами менше застряє, ним легше керувати.
 - g. Використовуйте електричний інструмент, приладдя, вставні різці і т. п. відповідно до даних вказівок, враховуючи умови експлуатації та роботу, яка має бути виконана. Використання електричного інструменту не за призначенням може призвести до небезпечної ситуації.
 - h. Необхідно забезпечувати відсутність бруду, вологи та залишків оливи та мастила на рукоятках та поверхнях утримання інструменту. Слизькі рукоятки та поверхні утримання є джерелами небезпеки під час роботи з електричним інструментом та не дозволяють надійно керувати інструментом в нештатних ситуаціях.

5. Обслуговування

a. Обслуговувати електричний інструмент повинен тільки кваліфікований ремонтний персонал із використанням лише ідентичних запасних частин. Це забезпечить утримання електричного інструмента у безпечному стані.

ДОДАТКОВІ СПЕЦІАЛЬНІ ПРАВИЛА ТЕХНІКИ БЕЗПЕКИ

ОБЕРЕЖНО! Техніка безпеки під час використання шліфувального інструменту

- Оскільки шнур живлення може торкнутися шліфувальної поверхні, тримати інструмент необхідно за ізолювані поверхні. В разі контакту з кабелем під напругою під напругу можуть потрапити металеві деталі електричного інструменту, внаслідок чого виникає небезпека ураження оператора електричним струмом.
- Обережно! Контакт з пилом або вдихання того пилу, що виникає внаслідок шліфувальної обробки, може становити небезпеку для здоров'я шліфувальника і тих, хто перебуває поруч. Одягайте пилозахисну маску, яка спеціально розроблена для захисту від пилу й отруйних газів і гарантує захист всіх осіб, які знаходяться на робочій ділянці або заходять на неї.
- Ретельно видаліть весь пил після виконання шліфування.
- Будьте особливо уважні при шліфуванні поверхонь, покритих фарбою, яка, можливо, містить свинець, і при шліфуванні деяких дерев'яних і металевих поверхонь, які можуть бути джерелом отруйного пилу:
 - Дітям і вагітним жінкам забороняється перебувати на робочому ділянці.
 - Приймати їжу, пити і курити на робочому ділянці заборонено.
 - Утилізуйте безпечним чином всі частинки пилу та інші відходи.

Додаткові інструкції з техніки безпеки



ОБЕРЕЖНО: Рекомендується використовувати пристрій захисного відключення з номінальним струмом вимкнення до 30 мА.

БЕЗПЕКА ІНШИХ ОСІБ

- Цей інструмент не призначений для використання особами (включаючи дітей) з обмеженими фізичними, сенсорними або розумовими здібностями або особами, у яких відсутній необхідний досвід і знання, крім випадків, коли вони знаходяться під наглядом і отримали належні інструкції по роботі з інструментом від особи, відповідальної за їхню безпеку.
- Щоб діти не гралися з інструментом, вони повинні знаходитися під наглядом.

ЗАЛИШКОВИЙ РИЗИК

Навіть за умови дотримання всіх відповідних правил техніки безпеки та використання захисних пристроїв, неможливо повністю усунути залишковий ризик. Серед таких небезпек:

- погіршення слуху;
- небезпека травмування частинками, що розлітаються;
- небезпека опіків внаслідок нагрівання приладдя під час роботи;
- небезпека травмування внаслідок тривалої роботи;
- небезпека, що спричинена пилом шкідливих речовин.

ЕЛЕКТРИЧНА БЕЗПЕКА



Цей інструмент має подвійну ізоляцію, тому дріт заземлення для нього не потрібен. Завжди перевіряйте, чи мережева напруга відповідає значенню, вказаному в таблиці з паспортними даними.



ОБЕРЕЖНО! Щоб уникнути травм і матеріальних збитків, пошкоджений шнур живлення необхідно замінити, звернувшись до виробника, в авторизований сервісний центр STANLEY чи до особи, яка має відповідну кваліфікацію. Якщо заміну шнура живлення виконує особа, яка має відповідну кваліфікацію, але не уповноважена компанією STANLEY, гарантію буде анульовано.

ВИКОРИСТАННЯ ПОДОВЖУВАЧА

Дозволяється використовувати лише 3-дротовий схвалений для застосування подовжувач, що відповідає вхідній потужності інструменту (див. Технічні характеристики). Мінімальний перетин кабелю має бути 1,5 мм², максимальна довжина — 30 метрів. У разі використання кабелю-котушки обов'язково розмотувати подовжувач повністю.

Площа перерізу кабелю, мм ² Номінальний струм кабелю, А	Площа перерізу кабелю, мм ² Номінальний струм кабелю, А
0.75	6
1.00	10
1.50	15
2.50	20
4.00	25

Довжина кабелю, м					
	7.5	15	25	30	60

Напряга	Ампер	Номинальний струм кабелю (ампер)					
		6	6	6	6	6	10
110-127	0 - 2.0	6	6	6	6	6	10
	2.1 - 3.4	6	6	6	6	15	15
	3.5 - 5.0	6	6	10	15	20	20
	5.1 - 7.0	10	10	15	20	20	25
	7.1 - 12.0	15	15	20	25	25	-
220-240	12.1-20.0	20	20	25	-	-	-
	0 - 2.0	6	6	6	6	6	6
	2.1 - 3.4	6	6	6	6	6	6
	3.5 - 5.0	6	6	6	6	10	15
	5.1 - 7.0	10	10	10	10	15	15
	7.1 - 12.0	15	15	15	15	20	20
	12.1-20.0	20	20	20	20	25	-

НАКЛЕЙКИ НА ІНСТРУМЕНТІ

Наклейка на вашому інструменті може містити наступні символи:

	прочитати інструкцію з експлуатації перед його використанням. ОБЕРЕЖНО! Щоб знизити ризик травмування, необхідно уважно		
	Використовуйте відкриті і закриті захисні окуляри.		
	Необхідно застосовувати засоби захисту органів слуху.		
	Одягайте маску для захисту від пилу.		
V	Вольт		Постійний струм
A	Ампер	n_0	Швидкість холостого ходу
Гц	Герц		Конструкція II класу
Вт	Ват		Клема заземлення
хв	хвилини		Попереджувальний знак
	Змінний струм	/хв.	Кількість обертів або зворотно-поступальних рухів за хвилину

Положення коду з датою

На корпусі надрукований код з датою, який також містить рік виготовлення.

Приклад:

2017 XX JN

Рік виготовлення

ДО КОМПЛЕКТУ ПОСТАВКИ ВХОДЯТЬ

Шліфувальний інструмент 1/3 — 1 шт

Посібник з експлуатації — 1 шт

Гарантійний талон — 1 шт

Перелік сервісних центрів — 1 шт

Шліфувальний лист — 1 шт

Необхідно перевірити, чи не має інструмент, його деталі та приладдя пошкоджень, які могли з'явитися під час транспортування.

Перш ніж починати роботу з інструментом, слід уважно прочитати і вивчити вказівки, які містяться у цій інструкції.

ДЕТАЛІ ІНСТРУМЕНТА (РИС. А)

ОБЕРЕЖНО: Заборонено змінювати конструкцію інструмента або його частин. Це може призвести до травмування.

1. Вимикач
2. Кнопка фіксації
3. Шліфувальна основа
4. Важіль затиску для наждакового паперу

МОНТАЖ



ОБЕРЕЖНО: Щоб запобігти травмуванню, перед початком регулювання або зняття/встановлення приладдя необхідно завжди вимикати інструмент та від'єднувати джерело живлення. Перед повторним вмиканням інструменту необхідно натиснути та відпустити пусковий вимикач, щоб переконатися, що інструмент вимкнений. Раптове вмикання може призвести до травмування.

Закріплення наждакового паперу (Рис. А, В)



ОБЕРЕЖНО! Забороняється використовувати інструмент без встановленого наждакового аркуша або приналежності.

- Зробіть наждаковий аркуш м'яким, проводячи його неабразивною стороною по гострому краю робочого столу.
- Відтисніть важелі затискачів для наждакового паперу (4).
- Покладіть наждаковий папір на шліфувальну основу (3).
- Вставте край наждакового паперу в передній затискач, як показано на малюнку.

- Натисніть передній важіль затиску для наждакового паперу (4) вниз.
- Вставте задній край паперу в задній затискач, трохи натягнувши аркуш.
- Натисніть задній важіль затиску для наждакового паперу (4) вниз.

ВИКОРИСТАННЯ



ОБЕРЕЖНО: інструмент має працювати зі швидкістю, яка відповідає його технічним характеристикам. Не перевантажуйте його.

Вмикання та вимикання

- Щоб увімкнути інструмент, натисніть вимикач (1).
- Для тривалої роботи натисніть кнопку фіксації (2) і відпустіть вимикач.
- Щоб вимкнути інструмент, відпустіть вимикач. Щоб вимкнути інструмент після тривалої роботи, натисніть вимикач ще раз і відпустіть його.

Поради щодо ефективного використання інструмента (Рис. С)

- Не застосовуйте силу до інструмента.
- Регулярно перевіряйте стан шліфувального паперу.
- Виконуйте його заміну за потреби.
- Шліфування дерев'яних деталей рекомендується виконувати вздовж волокон.
- Під час шліфування свіжих шарів фарби, перед нанесенням нового шару використовуйте наддрібнозернистий абразив.
- Під час шліфування дуже нерівних поверхонь або знятті шарів фарби починайте роботу з грубозернистим абразивом. Обробку інших поверхонь починайте за допомогою абразиву середньої зернистості. В обох випадках поступово зменшуйте зернистість абразиву і для фінішної обробки використовуйте дрібнозернистий абразив.
- Детальну інформацію про доступне приладдя можна дізнатися у роздрібного продавця.

Залишковий ризик

Додатковий залишковий ризик може виникнути у випадках використання інструменту, які можуть бути не враховані в перерахованих вказівках щодо безпечної роботи. Така небезпека може виникати в разі неправильного або тривалого використання тощо.

Навіть в разі дотримання всіх відповідних правил техніки безпеки та використанні захисних пристроїв деякі залишкові небезпеки все ж залишаються. Серед них:

- травми, отримані внаслідок торкання обертових і рухомих деталей;
- травми, отримані під час заміни деталей, ножів та приладдя;
- травми, отримані внаслідок тривалого

використання інструменту. В разі тривалого використання інструменту необхідно робити регулярні перерви в роботі;

- погіршення слуху;
- Шкода для здоров'я, викликана вдиханням пилу, що з'являється під час роботи інструмента (наприклад, при роботі з деревом, особливо з дубом, буком або ДВП).

ТЕХНІЧНЕ ОБСЛУГОВУВАННЯ

Конструкція інструмента STANLEY розрахована на роботу протягом тривалого періоду часу з мінімальним технічним обслуговуванням. Тривала задовільна робота інструменту залежить від належного догляду та регулярного чищення.

- Необхідно регулярно очищувати вентиляційні прорізи в інструменті і зарядному пристрої за допомогою м'якої щітки або сухої тканини.
- Необхідно регулярно очищувати корпус двигуна за допомогою вологої тканини. Забороняється використовувати для очищення абразивні матеріали та засоби очищення на основі розчинників. Інструмент не призначений для обслуговування користувачем. В разі виникнення несправностей необхідно звернутися до авторизованого сервісного центру.



Змащування

Ваш електричний інструмент не потребує додаткового змащування.



Очищення



ОБЕРЕЖНО: Видувати бруд і пил з корпусу дозволяється за допомогою сухого повітря під тиском по мірі накопичення бруду всередині і навколо вентиляційних отворів. Під час виконання цієї процедури необхідно використовувати засоби захисту очей і респіратор встановленого зразка.



ОБЕРЕЖНО: Для очищення неметалевих частин інструменту забороняється використовувати розчинники та агресивні хімічні речовини. Ці хімічні речовини можуть пошкодити матеріали, з яких складаються ці деталі. Для очищення потрібно використовувати суху ганчірку та м'який мильний розчин. Не дозволяється проникнення рідини всередину інструменту і занурення інструменту будь-якою частиною в рідину.

Для забезпечення БЕЗПЕКИ та НАДІЙНОСТІ інструменту ремонт, перевірку стану графитових щіток та їхню заміну, а також будь-які інші операції з технічного обслуговування мають проводити працівники сервісних центрів STANLEY, а для заміни потрібно використовувати тільки запасні частини Stanley.

ДОДАТКОВЕ ПРИЛАДДЯ



ОБЕРЕЖНО: Оскільки приладдя сторонніх виробників, що не входять до переліку приладдя STANLEY, не було випробоване з цим виробом, його використання може бути небезпечним. Для запобігання травмуванню необхідно використовувати лише рекомендовані компанією STANLEY приладдя та обладнання.

Детальну інформацію про доступне приладдя можна дізнатися у офіційного дилера.

ЗАХИСТ НАВКОЛИШНЬОГО СЕРЕДОВИЩА



Роздільний збір відходів. Забороняється утилізувати цей виріб разом зі звичайними побутовими відходами.

Якщо ви вирішите, що ваш виріб STANLEY необхідно замінити, або припините його використовувати, не викидайте його разом із побутовими відходами. Цей виріб підлягає роздільному збору відходів.



Компанія STANLEY має систему збору і повторної переробки виробів STANLEY після закінчення терміну експлуатації. Щоб скористатися перевагою цього сервісу, будь ласка, надішліть ваш виріб будь-якому уповноваженому представнику з ремонту, який збирає такі вироби від нашого імені.

Адресу вашого найближчого уповноваженого представника з ремонту можна дізнатися, звернувшись у регіональне представництво STANLEY за адресою, наведеною в цій інструкції. Крім того, список уповноважених представників з ремонту STANLEY, детальну інформацію про обслуговування після продажу та контактні дані можна знайти на сайті: www.2helpU.com.

ПРИМІТКИ

Одним із принципів політики STANLEY є постійне вдосконалення наших виробів, тому ми залишаємо за собою право змінювати характеристики нашої продукції без попереднього сповіщення. Перелік стандартного та додаткового обладнання може різнитися залежно від країни. Технічні характеристики виробів можуть різнитися залежно від країни. Повний асортимент продукції може бути доступний не в усіх країнах. З питання наявності наших продуктів зверніться до дилерів STANLEY

ІНФОРМАЦІЯ З ОБСЛУГОВУВАННЯ

Компанія STANLEY має широку мережу власних та авторизованих сервісних центрів. Всі сервісні центри компанії STANLEY укомплектовано персоналом із відповідною підготовкою, який виконує ефективно і надійно сервісне обслуговування власників електричних інструментів. Щоб отримати додаткову інформацію про авторизовані сервісні центри, пораду технічного спеціаліста чи замовити ремонт та оригінальні запасні частини, зверніться до найближчого представництва STANLEY.

ТЕХНІЧНІ ДАНІ

		SS28
Напряження	В перем. тока	220~240
Частота	Гц	50/60
Потребляемая мощность	Вт	280
Число оборотов (без нагрузки)	об./мин.	14000
Размер шлифовальной подошвы	мм	91x185
Вес	кг	1.5

ДВОРІЧНА ГАРАНТІЯ

Компанія STANLEY гарантує, що у разі, якщо виріб STANLEY стане непридатним для використання через неякісні матеріали чи дефект виготовлення протягом 24 місяців із дня придбання, компанія STANLEY за власний рахунок замінить усі дефектні деталі або, на власний розсуд, безкоштовно замінить виріб за таких умов:

- виріб не використовувався поза призначенням і використовувався згідно з інструкцією з експлуатації;
- зношування виробу відбувалось природним способом;
- виріб не ремонтували особи без належних повноважень;
- разом із виробом надано документ, що підтверджує його придбання;
- виріб STANLEY повернено разом з усіма оригінальними деталями;
- виріб не використовувався для здавання напрокат. Якщо ви хочете подати скаргу, зверніться до продавця, в якого було придбано відповідний виріб, або дізнайтеся про розташування найближчого уповноваженого представника компанії STANLEY з

ремонт у каталозі STANLEY чи у місцевому представництві компанії STANLEY за адресою, наведеною в цій інструкції. Список уповноважених представників з ремонту STANLEY та повну інформацію про технічне обслуговування розміщено в Інтернеті на сайті: www.2helpU.com

STANLEY

Гарантійні умови

Шановний покупець!

1. Вітаємо Вас з покупкою високоякісного виробу STANLEY і висловлюємо вдячність за Ваш вибір.
2. При покупці виробу вимагайте перевірки його комплекtnості і справності у Вашій присутності, інструкцію з експлуатації та заповнений гарантійний талон українською мовою

В гарантійному талоні повинні бути внесені: модель, дата продажу, серійний номер, дата виробництва інструменту; назва, печатка і підпис торгової організації. За відсутності у Вас правильно заповненого гарантійного талону, а також при невідповідності зазначених у ньому даних ми будемо змушені відхилити Ваші претензії щодо якості даного виробу.

3. Щоб уникнути непорозумінь, переконливо просимо Вас перед початком роботи з виробом уважно ознайомитися з інструкцією з його експлуатації. Правовою основою справжніх гарантійних умов є чинне Законодавство. Гарантійний термін на даний виріб складає 24 місяці і обчислюється з дня продажу. У разі усунення недоліків виробу, гарантійний строк продовжується на період його перебування в ремонті. Термін служби виробу становить 5 років з дня продажу.
4. У разі виникнення будь-яких проблем у процесі експлуатації виробу рекомендуємо Вам звертатися тільки в уповноважені сервісні центри STANLEY, адреси та телефони яких Ви зможете знайти в гарантійному талоні, на сайті www.2helpU.com або дізнатися в магазині. Наші сервісні станції - це не тільки кваліфікований ремонт, але і широкий асортимент запчастин і аксесуарів.
5. Виробник рекомендує проводити періодичну перевірку і технічне обслуговування виробу в уповноважених сервісних центрах.
6. Наші гарантійні зобов'язання поширюються тільки на несправності, виявлені протягом гарантійного терміну і викликані дефектами виробництва та \ або матеріалів.
7. Гарантійні умови не поширюються на несправності виробу, що виникли в результаті:
 - 7.1 Недотримання користувачем приписів інструкції з експлуатації виробу, застосування виробу не за призначенням, неправильного зберігання, використання приладдя, витратних матеріалів і запчастин, що не передбачені виробником.
 - 7.2 Механічного пошкодження (відколи, тріщини і руйнування) внутрішніх і зовнішніх деталей виробу, основних і допоміжних рукояток, мережевого кабелю, що викликані зовнішнім ударним або будь-яким іншим впливом

- 7.3 Потрапляння у вентиляційні отвори та проникнення всередину виробу сторонніх предметів, матеріалів або речовин, що не є відходами, які супроводжують застосування виробу за призначенням, такими як: стружка, тирса, пісок, та ін.
- 7.4 Впливу на виріб несприятливих атмосферних і інших зовнішніх факторів, таких як дощ, сніг, підвищена вологість, нагрівання, агресивні середовища, невідповідність параметрів електромережі, що зазначені на інструменті.
- 7.5 Стихійного лиха. Пошкодження або втрати виробу, що пов'язані з непередбаченими лихами, стихійними явищами, у тому числі внаслідок дії непереборної сили (пожежа, блискавка, потоп і інші природні явища), а також внаслідок перепадів напруги в електромережі та іншими причинами, які знаходяться поза контролем виробника.
8. Гарантійні умови не поширюються:
 - 8.1. На інструменти, що піддавались розкриттю, ремонту або модифікації поза уповноваженим сервісним центром.
 - 8.2. На деталі, вузли та матеріали, що мають сліди природного зносу, такі як: приводні ремені і колеса, вузькі шітки, мастило, підшипники, зубчасті зчеплення редукторів, гумові ущільнення, сальники, направляючі ролики, муфти, вимикачі, бойки, штовхачі, стволу тощо.
 - 8.3. На змінні частини: патрони, цанги, затискні гайки і фланці, фільтри, акумуляторні батареї, ножі, шліфувальні підшови, ланцюги, зірочки, пильні шини, захисні кожухи, пилки, абразиви, пильні і абразивні диски, фрези, свердла, бури тощо
 - 8.4. На несправності, що виникли в результаті перевантаження інструменту (як механічного, так і електричного), що спричинили вихід з ладу одночасно двох і більше деталей і вузлів, таких як: ротора і статора, обох обмоток статора, веденої і ведучої шестерень редуктора або інших вузлів і деталей. До безумовних ознак перевантаження виробу відносяться, крім інших: поява кольорів мінливості, деформація або оплавлення деталей і вузлів виробу, потемніння або обуглювання ізоляції проводів електродвигуна під впливом високої температури.



Виробник:
"Stanley Black & Decker Deutschland GmbH" Black-&-Decker Str.40, D-65510 Idstein, Німеччина

KULLANIM AMACI

STANLEY SS28 1/3 tabaka titreşimli zımparanın ahşap, metal, plastik ve boyalı yüzeylerin zımparalanması için tasarlanmıştır. Bu alet profesyonel kullanım içindir.

GÜVENLİK TALİMATLARI

Aşağıdaki tanımlar her işaret sözcüğü ciddiyet derecesini gösterir. Lütfen kılavuzu okuyunuz ve bu simgelere dikkat ediniz.



TEHLİKE: Engellenmemesi halinde ölüm veya ciddi yaralanma ile sonuçlanabilecek çok yakın bir tehlikeli durumu gösterir.



UYARI: Engellenmemesi halinde ölüm veya ciddi yaralanma ile sonuçlanabilecek potansiyel bir tehlikeli durumu gösterir.



DİKKAT: Engellenmemesi halinde ölümsüz veya orta dereceli yaralanma ile sonuçlanabilecek potansiyel bir tehlikeli durumu gösterir.

İKAZ: Engellenmemesi halinde maddi hasara neden olabilecek, yaralanma ile ilişkisi olmayan durumları gösterir.



Elektrik çarpması riskine işaret eder.



Yangın riskini belirtir.



Uyarı: Yaralanma riskini azaltmak için, kullanım kılavuzunu okuyun.

GÜVENLİK TALİMATLARI**Genel elektrikli alet güvenlik uyarıları**

UYARI! Bu elektrikli alet ile verilen tüm güvenlik uyarıları, talimatlar, resimli açıklamalar ve teknik özellikleri okuyun. Aşağıda belirtilen tüm talimatların herhangi birisine uyulmaması elektrik çarpması, yangın ve/veya ciddi yaralanma riskine neden olabilir.

Bütün uyarı ve güvenlik talimatlarını ilerde bakmak üzere saklayın. Aşağıda yer alan uyarılardaki «elektrikli alet» terimi şebeke elektriğiyle (kablolu) veya akü/pille (şarjlı) çalışan elektrikli aletinizi ifade etmektedir.

1. Çalışma alanının güvenliği

- Çalışma alanını temiz ve aydınlık tutun.** Karışık veya karanlık alanlar kazaya davetiye çıkarır.
- Elektrikli aletleri, yanıcı sıvılar, gazlar ve tozların bulunduğu yerler gibi yanıcı ortamlarda çalıştırmayın.** Elektrikli aletler, toz veya dumanları ateşleyebilecek kıvılcımlar çıkarır.
- Bir elektrikli aleti çalıştırırken çocuklardan ve etraftaki kişilerden uzak tutun.** Dikkatinizi dağıtıcı şeyler kontrolü kaybetmenize neden olabilir.

2. Elektrik güvenliği

- Elektrikli aletlerin fişleri prizlere uygun**

olmalıdır. Fiş üzerinde kesinlikle hiçbir değişiklik yapmayın. Topraklı elektrikli aletlerde hiçbir adaptör fişi kullanmayın. Değiştirilmemiş fişler ve uygun prizler elektrik çarpması riskini azaltacaktır.

- Borular, radyatörler, ocaklar ve buzdolapları gibi topraklanmamış yüzeylerle vücut temasından kaçının.** Vücudunuzun topraklanması halinde yüksek bir elektrik çarpması riski vardır.
- Elektrikli aletleri yağmura maruz bırakmayın veya ıslatmayın.** Elektrikli alete su girmesi elektrik çarpması riskini arttıracaktır.
- Elektrik kablosunu uygun olmayan amaçlarla kullanmayın.** Elektrikli aleti kesinlikle kablodan tutarak taşımayın, çekmeyin veya prizden çıkartmayın. Kabloyu sıcağın, yağdan, keskin kenarlardan veya hareketli parçalardan uzak tutun. Hasarlı veya dolanmış kablolar elektrik çarpması riskini artırır.
- Elektrikli bir aleti açık havada çalıştırıyorsanız, açık havada kullanıma uygun bir uzatma kablosu kullanın.** Açık havada kullanıma uygun bir kablonun kullanılması elektrik çarpması riskini azaltır.
- Eğer bir elektrikli aletin nemli bir bölgede çalıştırılması zorunluysa, bir artık akım aygıtı (RCD) korumalı bir kaynak kullanın.** Bir RCD kullanılması elektrik şoku riskini azaltır.

3. Kişisel güvenlik

- Elektrikli bir aleti kullanırken her zaman dikkatli olun, yaptığınız işe yoğunlaşın ve sağlıklı davranın.** Elektrikli bir aleti yorgunken veya ilaç ya da alkolün etkisi altındayken kullanmayın. Elektrikli aletleri kullanırken bir anlık dikkatsizlik ciddi kişisel yaralanmayla sonuçlanabilir.
- Kişisel koruyucu ekipmanları mutlaka kullanın. Daima koruyucu gözlük takın.** Koşullara uygun toz maskesi, kaymayan güvenlik ayakkabıları, baret veya kulaklık gibi koruyucu donanımların kullanılması kişisel yaralanmaları azaltacaktır.
- İstem dışı çalıştırılmasını önleyin. Aleti güç kaynağına ve/veya aküye bağlamadan, yerden kaldırmadan veya taşımadan önce açma/kapama düğmesinin kapalı konumda olduğundan emin olun.** Aleti, parmağınız tetik üzerinde bulunacak şekilde taşımak veya açık konumdaki elektrikli aletleri elektrik şebekesine bağlamak kazaya davetiye çıkarır.
- Elektrikli aleti açmadan önce tüm ayarlama anahtarlarını çıkartın.** Elektrikli aletin hareketli bir parçasına takılı kalmış bir anahtar kişisel yaralanmaya neden olabilir.
- Ulaşmakta zorlandığınız yerlerde kullanmayın. Daima sağlam ve dengeli basın.** Bu, beklenmedik durumlarda elektrikli aletin daha iyi kontrol edilmesine olanak tanır.
- Uygun şekilde giyinin. Bol elbiseler giymeyin ve takı takmayın.** Saçınızı ve elbiselerinizi

hareketli parçalardan uzak tutun. Bol elbiseler ve takılar veya uzun saç hareketli parçalara takılabilir.

g. Eğer kullandığınız üründe toz emme ve toplama özellikleri olan ataşmanlar varsa bunların bağlı olduğundan ve doğru şekilde kullanıldığından emin olun. Bu toz toplama ataşmanların kullanılması tozla ilgili tehlikeleri azaltabilir.

h. Aletlerin sık kullanımından edindiğiniz aşinalığı sizi dikkatsiz kılmasına ve alet güvenlik prensiplerini önemsememeye izin vermeyin. Dikkatsiz bir eylem, bir saniyeden daha az sürede ciddi yaralanmalara neden olabilir.

4. Elektrikli aletlerin kullanımı ve bakımı

a. Elektrikli aleti zorlamayın. Uygulamanız için doğru elektrikli aleti kullanın. Doğru elektrikli alet, belirlendiği kapasite ayarında kullanıldığında daha iyi ve güvenli çalışacaktır.

b. Tetik açmıyor ve kapatmıyorsa elektrikli aleti kullanmayın. Tetikle kontrol edilemeyen tüm elektrikli aletler tehlikelidir ve tamir edilmesi gerekmektedir.

c. Herhangi bir ayarlama, aksesuar değişimi veya elektrikli aletlerin saklanması öncesinde fişi güç kaynağından çekin ve/veya aküyü elektrikli aletten ayırın. Bu tür önleyici güvenlik tedbirleri aletin istem dışı olarak çalıştırılması riskini azaltacaktır.

d. Elektrikli aleti, çocukların ulaşamayacağı yerlerde saklayın ve elektrikli aleti tanımayan veya bu talimatları bilmeyen kişilerin elektrikli aleti kullanmasına izin vermeyin. Elektrikli aletler, eğitimsiz kullanıcıların elinde tehlikelidir.

e. Elektrikli aletleri ve aksesuarları iyi durumda muhafaza edin. Hareketli parçalardaki hizalama hatalarını ve tutuklukları, parçalardaki kırılmalar ve elektrikli aletin çalışmasını etkileyebilecek tüm diğer koşulları kontrol edin. Hasarlı ise, elektrikli aleti kullanmadan önce tamir ettirin. Kazaların çoğu, elektrikli aletlerin bakımının yeterli şekilde yapılmamasından kaynaklanır.

f. Kesim aletlerini keskin ve temiz tutun. Bakımı uygun şekilde yapılmış keskin kesim uçlu kesim aletlerinin sıkışma ihtimali daha düşüktür ve kontrol edilmesi daha kolaydır.

g. Elektrikli aleti, aksesuarlarını ve aletin diğer parçalarını kullanırken bu talimatlara mutlaka uyun ve çalışma ortamının koşullarını ve yapılacak işin ne olduğunu göz önünde bulundurun. Elektrikli aletin öngörülen işlemler dışındaki işlemler için kullanılması tehlikeli durumlara neden olabilir.

h. Kolları ve kavrama yüzeylerini kuru, yağsız ve gressiz tutun. Kaygan kollar ve kavrama yüzeyleri, beklenmeyen durumlarda aletin güvenli bir şekilde taşınması ve kontrol edilmesine izin vermez.

5. Servis

a. Elektrikli aletinizi, sadece orijinal yedek parçalarını kullandığınız yetkili servise tamir ettirin. Bu, elektrikli aletin güvenliğinin muhafaza edilmesini sağlayacaktır.

ÖZEL EK GÜVENLİK TALİMATLARI



UYARI! Zımparalar için güvenlik talimatları

- Aletin zımpara tabanı kendi kablosuna temas edebileceği için elektrikli el aletini yalıtımlı kavrama yüzeylerinden tutun. «Akım taşıyan» bir teli kesmesi metal kısımları «akım taşıyıcı» hale götürür ve kullanıcının çarpılmasına yol açacaktır.
- Uyarı! Zımparalama uygulamaları nedeniyle açığa çıkan tozla temas operatörün ve çevrede bulunanların sağlığını tehlikeye atabilir. Toz ve dumanlara karşı korunma için özel olarak tasarlanmış bir toz maskesi kullanın ve çalışma alanına giren veya bu alanda bulunan kişilerin de korunduğundan emin olun.
- Zımparalama işleminin ardından tüm tozu güzelce temizleyin.
- Kurşun bazlı olma ihtimali olan boyaları ve zehirli toz üretebilecek ahşap ve metalleri zımparalarken özel bir dikkat gösterin:
- Çocukların veya gebe kadınların çalışma alanına girmesine izin vermeyin.
- Çalışma alanında bir şey yemeyin, herhangi bir içecek veya sigara içmeyin.
- Toz partiküllerini ve diğer moloz kalıntılarını güvenli bir şekilde atın.

Ek güvenlik talimatları



UYARI! Alet, 30mA akımı aşmayan akım kesici cihazla beraber kullanılmaya tavsiye edilir.

Diğer kişilerin güvenliği

- Bu alet fiziksel ve zihinsel kapasitesinin yanı sıra algılama gücü azalmış olan veya yeterince deneyim ve bilgisi bulunmayan kişiler (çocuklar dahil) tarafından kullanılmak üzere üretilmemiştir. Bu tür kişiler aleti ancak güvenliklerinden sorumlu bir kişi tarafından cihazın kullanımıyla ilgili talimatların verilmesi veya sürekli kontrol altında tutulması durumunda kullanabilir.
- Çocuklar, aletle oynamalarını önlemek amacıyla kontrol altında tutulmalıdır.

Diğer tehlikeler

Emniyet tedbirlerini düzenleyen yönetmeliğin uygulanmasına ve emniyet sağlayıcı aygıtların kullanılmasına rağmen, başka belirli risklerden kaçınılamaz. Bunlar:

- Duyma bozukluğu
- Sıçrayan parçacıklardan kaynaklanan yaralanma riski.
- Çalışma sırasında ısınan aksesuarlardan kaynaklanan yanık tehlikesi.

- Uzun süreli kullanımdan kaynaklanan yaralanma riski.
- Tehlikeli maddeler içeren tozun oluşması riski.

ELEKTRİK GÜVENLİĞİ

Bu alet çift yalıtımlıdır. Bu yüzden hiçbir topraklama kablosuna gerek yoktur. Her zaman şebeke geriliminin aletin üretim etiketinde belirlenmiş değerlere uyup uymadığını kontrol edin.



UYARI! Elektrik kablosu hasarlı ise, bir tehlike oluşmasını önlemek için üretici ya da yetkili STANLEY Servis Merkezi tarafından değiştirilmelidir. Elektrik kablosu STANLEY yetkili servisi haricinde değiştirilirse, garanti geçerli olmayacaktır.

UZATMA KABLOLARININ KULLANIMI

Bir uzatma kablosu gerekli ise, bu aletin elektrik girişine uygun (Teknik Özellikleri bölümüne bakın), onaylı bir 3 telli uzatma kablo kullanın. Minimum iletken boyutu 1,5 mm²'dir; maksimum uzunluk 30 m'dir. Bir kablo makarası kullanırken, kabloyu daima sonuna kadar açın.

İletken boyutu (mm ²) Kablo gücü (Amper)	İletken boyutu (mm ²) Kablo gücü (Amper)
0.75	6
1.00	10
1.50	15
2.50	20
4.00	25

Kablo uzunluğu (m)

Kablo uzunluğu (m)	7.5	15	25	30	45	60

Voltaj	Amper	Kablo gücü (Amper)					
110-127	0 - 2.0	6	6	6	6	6	10
	2.1 - 3.4	6	6	6	6	15	15
	3.5 - 5.0	6	6	10	15	20	20
	5.1 - 7.0	10	10	15	20	20	25
220-240	7.1 - 12.0	15	15	20	25	25	-
	12.1 - 20.0	20	20	25	-	-	-
	0 - 2.0	6	6	6	6	6	6
	2.1 - 3.4	6	6	6	6	6	6
	3.5 - 5.0	6	6	6	6	10	15
	5.1 - 7.0	10	10	10	10	15	15
	7.1 - 12.0	15	15	15	15	20	20
	12.1 - 20.0	20	20	20	20	25	-

ALET ÜZERİNDEKİ ETİKETLER

Aletin etiketinde aşağıdaki semboller bulunabilir:

	UYARI! Yaralanma riskini en aza indirmek için kullanıcı kullanın talimatlarını mutlaka okumalıdır.		
	Koruyucu gözlük takın.		
	Kulaklık takın.		
	Toz maskesi takın.		
V	Volt		Doğru akım
A	Amper	n_0	Yüksüz hızı
Hz	Hertz		Çift yalıtım
W	Watt		Topraklı terminal
min	dakikalar		Güvenlik uyarı sembolü
	Dalgalı akım	/min.	Dakikada devir veya darbe sayısı

Tarih kodu konumu

İmalat yılını da içeren Tarih Kodu gövdeye basılıdır.
Örnek:

2017 XX JN
İmalat Yılı

AMBALAJ, AŞAĞIDAKİ PARÇALARI İÇERMEKTEDİR

1 1/3 tabaka titreşimli zımpara

1 Kullanım kılavuzu

1 Garanti kartı

1 Servis merkezleri listesi

1 Zımpara kağıdı

Alette, parçalarda veya aksesuarlarda nakliye sırasında meydana gelmiş olabilecek hasarı kontrol edin.

Aleti çalıştırmadan önce, bu kullanım kılavuzunu baştan sonra okuyup anlamak için gerekli zamanı ayırın.

ÖZELLİKLER (ŞEKİL A)

UYARI! Hiçbir zaman elektrikli aleti veya herhangi bir parçasını değiştirmeyin. Hasarla veya yaralanmayla sonuçlanabilir.

1. Açma/kapama düğmesi
2. Kesintisiz çalıştırma düğmesi
3. Zımpara tabanı
4. Zımpara kâğıdı sıkıştırma kolu

MONTAJ

UYARI: Ciddi yaralanma riskini azaltmak için herhangi bir ayar yapmadan ya da parça veya aksesuarları söküp takmadan önce aleti kapatın ve güç kaynağından ayırın. Aleti yeniden bağlamadan önce aletin kapalı olduğundan emin olmak için tetiğe basıp bırakın. Aletin yanlışlıkla çalıştırılması yaralanmaya neden olabilir.

Zımpara kâğıtlarının takılması (Şekil A, B)

UYARI! Aleti, zımpara kâğıdı veya aksesuar takılı olmadan kesinlikle kullanmayın.

- Aşındırıcı olmayan tarafını tezgâhın kenarına sürterek zımpara kâğıdını yumuşatın.
- Zımpara kâğıdı sıkıştırma kollarını serbest konumuna getirin (4).
- Bir adet zımpara kâğıdını zımpara tabanına (3) yerleştirin.
- Zımpara kâğıdının ucunu gösterildiği gibi ön kağıt mandalının içine yerleştirin.
- Ön kağıt sıkıştırma kolunu (4) aşağı doğru bastırın.
- Kâğıdı hafifçe gerek arka ucunu arka kağıt mandalının içine yerleştirin.
- Arka kağıt sıkıştırma kolunu (4) aşağı doğru bastırın.

KULLANIM

UYARI: Aletin kendi hızında çalışmasına izin verin. Aşırı yüklenmeyin.

Açılması ve kapatılması

- Aleti açmak için, açma/kapama düğmesine (1) basın.
- Sürekli çalışması için kesintisiz çalıştırma düğmesine (2) basın ve açma/kapama düğmesini bırakın.
- Aleti kapatmak için açma/kapama düğmesini bırakın. Kesintisiz çalışma konumundayken aleti kapatmak için açma/kapama düğmesine bir kez daha basın ve bırakın.

En uygun kullanım için yararlı tavsiyeler (Şekil C)

- Alete çok fazla baskı uygulamayın.
- Zımpara kâğıdının durumunu düzenli olarak kontrol edin.
- Gerektiğinde değiştirin.
- Aleti, ahşabın dokusu ile uyumlu şekilde hareket ettirin.
- Yeni boya katlarını başka bir kat vurmadan önce zımparalarken hassas zımpara kâğıdı kullanın.
- Çok bozuk yüzeylerde veya boya katlarını kazırken kaba zımpara kâğıdıyla başlayın. Diğer

yüzeylerde orta kabalıkta kâğıtla başlayın. Her iki durumda da, pürüzsüz bir yüzey için dereceli olarak hassas zımpara kâğıdına geçin.

- Mevcut aksesuarlarla ilgili daha ayrıntılı bilgi için satış noktalarına danışın.

Diğer tehlikeler

Aletin kullanımıyla ilgili ekte sunulan güvenlik uyarılarına dahil olmayan ilave kalıcı riskler ortaya çıkabilir. Bu riskler, hatalı, uzun süreli kullanım vb. dolayısıyla ortaya çıkabilir.

Emniyet tedbirlerini düzenleyen yönetmeliğin uygulanmasına ve emniyet sağlayıcı aygıtların kullanılmasına rağmen, başka belirli risklerden kaçınılamaz. Bunlar:

- Aletin dönen ve hareket eden parçalarına dokunma sonucu ortaya çıkan yaralanmalar.
- Herhangi bir parçayı, bıçak veya aksesuarı değiştirirken ortaya çıkan yaralanmalar.
- Aletin uzun süreli kullanılması sonucu ortaya çıkan yaralanmalar. Herhangi bir aleti uzun sürelerle kullanacaksanız düzenli olarak çalışmanıza ara verin.
- Duyma bozukluğu.
- Aleti kullanırken ortaya çıkan tozun solunması sonucu ortaya çıkan sağlık sorunları (örnek: ahşapta çalışırken, özellikle meşe, akgürgen ve MDF).

BAKIM

STANLEY elektrikli aletin minimum bakımla uzun bir süre çalışacak şekilde tasarlanmıştır. Kesintisiz olarak memnuniyet verici bir şekilde çalışması gerekli özenin gösterilmesine ve düzenli temizliğe bağlıdır.

- Aletinizdeki havalandırma deliklerini yumuşak bir fırça veya kuru bir bezle düzenli olarak temizleyin.
- Motor muhafazasını düzenli olarak nemli bir bezle silin. Aşındırıcı veya çözücü bazlı temizleyiciler kullanmayın. Bu aletin servisi kullanıcı tarafından yapılamaz. Bir sorun çıkarsa, yetkili servisiyle temasa geçin.

**Yağlama**

Elektrikli aletiniz ek bir yağlama gerektirmemektedir.

**Temizleme**

UYARI: Havalandırma deliklerinde ve etrafında toz toplanması halinde bu tozu ve kırı kuru hava kullanarak ana gövdeden uzaklaştırın. Bu işlemi gerçekleştirirken onaylı bir göz koruması ve onaylı toz maskesi takın.



UYARI: Aletin metalik olmayan parçalarını temizlemek için asla çözücü veya başka sert kimyasal kullanmayın. Bu kimyasallar bu parçalarda kullanılan malzemeleri güçsüzeleştirir. Yalnızca su ve yumuşak sabunla nemlendirilmiş bir bez kullanın.

Aletin içine sıvı kaçmasına kesinlikle izin vermeyin; aletin herhangi bir parçasını bir sıvı içine daldırmayın.

Alet EMNİYET GÜVENLİĞİ ve GÜVENİLİRLİK için motor kömürünün kontrol edilmesi ve değiştirilmesi dahil olarak tamir, bakım ve ayarlamaların her zaman orijinal Stanley yedek parça kullanılarak, STANLEY yetkili servisler tarafından yapılması gerekmektedir.

İLAVE AKSESUARLAR



UYARI: STANLEY tarafından tedarik veya tavsiye edilenlerin dışındaki aksesuarlar bu ürün üzerinde test edilmediğinden, söz konusu aksesuarların bu aletle birlikte kullanılması tehlikeli olabilir. Yaralanma riskini azaltmak için bu ürünle birlikte sadece STANLEY tarafından tavsiye edilen aksesuarlar kullanılmalıdır.

Uygun aksesuarlarla ilgili daha ayrıntılı bilgi için bayiinize danışın.

ÇEVRENİN KORUNMASI



Ayrı olarak atın. Bu ürün, normal evsel atıklarla birlikte atılmamalıdır.

STANLEY ürününüzün değiştirilmesi gerektiğini düşünmeniz veya artık kullanılamaz durumda olması halinde onu, evsel atıklarla birlikte atmayın. Bu ürünü, ayrı olarak toplanacak şekilde atın.



STANLEY, hizmet ömrünün sonuna ulaşan STANLEY ürünlerinin toplanması ve geri dönüşüme sokulması için bir imkân sunmaktadır. Bu hizmetin avantajlarından faydalanmak için, lütfen, ürününüzü bizim adımıza teslim alacak herhangi bir yetkili servise iade edin.

Bu kılavuzda belirtilen listeden size en yakın STANLEY yetkili tamir servisinin yerini öğrenebilirsiniz. Ya da, alternatif olarak internet'ten STANLEY yetkili tamir servislerinin listesini ve satış sonrası hizmetlerimizle ilgili tüm bilgiler ve temas bilgilerine aşağıdaki siteden ulaşabilirsiniz. www.2helpU.com

NOTLAR

STANLEY olarak, ürünlerimizi sürekli iyileştirme politikası uyguladığımızdan, önceden haber vermeden ürün özelliklerini değiştirme hakkını saklı tutarız. Standart ekipman ve aksesuarlar ülkeye göre değişebilir. Ürün özellikleri ülkelere göre farklı olabilir. Komple ürün çeşidi tüm ülkelerde geçerli olmayabilir. Ürün çeşidi durumu hakkında lütfen en yakın STANLEY yetkili servisiyle temas kurun

SERVİS BİLGİLERİ

STANLEY, kendisine ait ve yetkili servisler ile tam bir servis ağı sunmaktadır. Tüm STANLEY Servis Merkezleri müşterilere etkili ve güvenilir elektrikli el aleti hizmeti sunmak için eğitimli personel ile donatılmıştır. Yetkili servis merkezlerimiz hakkında daha fazla bilgi almak istiyorsanız veya teknik danışmanlık, onarım ya da orijinal fabrika yedek parçası ihtiyacınız varsa, size en yakın STANLEY satış noktasına başvurun.

TEKNİK ÖZELLİKLERİ

		SS28
Voltaj	V _{AC}	220~240
Frekans	Hz	50/60
Giriş gücü	W	280
Yüksüz hızı	dev/dak	14000
Zımpara tabanı	mm	91x185
Ağırlık	kg	1.5

Level of sound pressure according to EN 60745:

Ses basıncı (L _{PA})	dB(A)	81.5
belirsizlik (K _{PA})	dB(A)	3
Akustik güç (L _{WA})	dB(A)	92.5
belirsizlik (K _{WA})	dB(A)	3

Vibration emission value ah:

(ah) =	m/s ²	7.4
belirsizlik (K) =	m/s ²	1.5

TİTREŞİM

Teknik veriler ve uygunluk beyanati içerisinde belirtilen titreşim emisyon değerleri EN60745 tarafından belirlenen standart bir test yöntemine uygun olarak ölçülmektedir ve diğer bir aletle karşılaştırma yaparken kullanılabilir. Beyan edilen titreşim emisyon değeri aynı zamanda maruz kalmanın önceden değerlendirilmesinde de kullanılabilir

UYARI! Elektrikli aletin mevcut kullanımı sırasındaki titreşim emisyon değeri, aletin kullanım yöntemine bağlı olarak, beyan edilen değere göre farklılık sergileyebilir. Titreşim düzeyi belirlenen seviyenin üzerinde artış gösterebilir."

İşyerinde düzenli olarak elektrikli alet kullanan çalışanları korumak amacıyla 2002/44/EC tarafından getirilen elektrik güvenliği önlemlerini belirlemek üzere titreşime maruz kalmayı değerlendirirken, çalışma döngüsü içerisinde örneğin aletin kapalı olduğu ve aktif durumda olmasının yanı sıra boşta çalıştığı zamanlar gibi, bütün zaman dilimleri dahil olmak üzere mevcut kullanım durumu ve aletin kullanım şekli göz önünde bulundurularak değerlendirilmelidir.

AT Uygunluk Beyanati
MAKİNE DİREKTİFİ



SS28 - 1/3 Tabaka titreşimli zımparanız

STANLEY, «teknik özellikleri» bölümünde açıklanan bu ürünlerin aşağıda belirtilen yönergelere uygun olduğunu beyan eder: 2006/42/EC, EN 62841-1: 2015, EN 62841-2-4: 2014.

Bu ürünler ayrıca 2014/30/EU ve 2011/65/EU Direktiflerine de uygundur.

Daha fazla bilgi için, lütfen aşağıdaki adresten STANLEY ile irtibata geçin veya kılavuzun arkasına bakın. Bu belge altında imzası bulunan yetkili, teknik dosyanın derlenmesinden sorumludur ve bu beyanı STANLEY adına vermiştir.

R.Laverick

Mühendislik Bölümü Müdürü
STANLEY Europe, Egide Walschaertsstraat 14-18,
2800 Mechelen, Belçika
06.2018

İKİ YILLIK GARANTİ

Sahip olduğunuz STANLEY ürünü satın alma tarihinden itibaren 24 ay içinde hatalı malzeme veya işçilik nedeniyle bozulursa, STANLEY aşağıdaki şartlara uyulması koşuluyla ücretsiz olarak tüm kusurlu parçaların yenilenmesini veya -kendi inisiyatifine bağlı olarak- satın alınan ürünün değiştirilmesini garanti eder:

- Ürün, hatalı kullanılmamış kullanım kılavuzuna uygun kullanılmıştır;
- Ürün yıpranmamış, hırpanılmamış ve aşınmamıştır;
- Yetkili olmayan kişilerce tamire çalışılmamıştır;
- Satın alma belgesi (fatura) ibraz edilmiştir;
- STANLEY ürünü, tüm orijinal parçaları ile birlikte iade edilmiştir;
- Ürün kiraya verilmemiştir.

Garanti talebinde bulunmak için, lütfen satıcıyla irtibata geçin veya STANLEY katalogunda belirtilen size en yakın STANLEY yetkili satıcı adresini kontrol edin veya ürünün kılavuzunda belirtilen adresteki yerel STANLEY yetkili tamir servisi ile temas kurun. İnternet'ten Stanley yetkili tamir servislerinin listesine ve satış sonrası hizmetlerimizle ilgili tüm bilgilerine aşağıdaki siteden ulaşabilirsiniz: www.2helpU.com

ضمان لمدة سنتين

إذا تلف منتج STANLEY الخاص بك بسبب عيب في المواد أو جودة الصنع وذلك أثناء 24 شهر من تاريخ الشراء، فإن شركة STANLEY تضمن استبدال كل الأجزاء المعيبة دون مقابل أو - وفقًا لتقديرنا - استبدال الوحدة بدون مقابل بشرط أن:

- عدم إساءة استخدام المنتج واستخدامه وفقًا لتعليمات الدليل؛
- خضوع المنتج للاستهلاك العادل؛
- عدم قيام أفراد غير معتمدين بالتصليح؛
- تم إصدار دليل شراء؛
- تم إرجاع منتج STANLEY كاملاً مع كل المحتويات الأصلية؛
- لم يتم استخدام المنتج في أغراض التآجير.

إذا رغبت في عمل شكوى، اتصل ببائعك أو تحقق من مكان أقرب وكيل إصلاح STANLEY معتمد بالقرب منك

STANLEY معتمد بالقرب منك في دليل STANLEY أو اتصل بمكتب STANLEY المحلي لديك على العنوان المبين في هذا الدليل. تتوفر قائمة بوكلاء الصيانة المعتمدين التابعين لشركة STANLEY والتفاصيل الكاملة لخدمات ما بعد البيع على الإنترنت على

www.2helpU.com

130.com

توفر STANLEY التسهيلات لاستلام وإعادة تصنيع منتجات STANLEY عندما تصل إلى نهاية حياتها العملية. للاستفادة من هذه الخدمة، يُرجى إعادة منتجك لوكيل الصيانة المعتمد وسوف يستلمها بالنيابة عنك.



يمكنك التعرف على موقع أقرب وكيل صيانة معتمد عبر الاتصال بـ مكتب STANLEY المحلي لديك على العنوان الموضح في هذا الدليل. وبدلاً من ذلك، توجد قائمة بوكلاء الصيانة المعتمدين التابعين لشركة STANLEY والتفاصيل الكاملة لخدمات ما بعد البيع ووسائل الاتصال على الإنترنت على: www.2helpU.com.

ملاحظات

تعتمد سياسة شركة STANLEY على التحسين المستمر لمنتجاتنا، ومن ثم فإننا نحفظ بحق إجراء أي تعديلات على خصائص المنتج بدون إشعار مسبق. يمكن أن تتباين التجهيزات والملحقات القياسية من بلد لآخر. ويمكن أن تتباين مواصفات المنتج من بلد لآخر. يمكن ألا تتوفر المجموعة الكاملة للمنتج في كل البلدان. اتصل بوكيل STANLEY المحلي لديك للتحقق من نطاق التوفر.

معلومات الخدمة

توفر شركة STANLEY شبكة كاملة من مراكز الصيانة المملوكة للشركة وكذلك المعتمدة. لدى كل مراكز صيانة STANLEY فرق عمل مدربة لإمداد العملاء بخدمة فعالة ومعتمدة للأدوات الكهربائية. للحصول على مزيد من المعلومات حول مراكز الخدمة المعتمدة وإذا كنت بحاجة إلى المشورة الفنية أو الإصلاح أو قطع غيار أصلية من المصنع فاتصل بأقرب وكيل STANLEY لديك.

البيانات الفنية

SS28

220-240	فولتتيار متردد	الجهد الكهربائي
50/60	هرتز	التردد
280	وات	دخل الطاقة
14000	دقيقة ¹	مدارات (لا حمل)
91x185	مم	سطح قاعدة الصنفرة
1.5	كجم	الوزن

- استخدم فرشاة ناعمة أو قطعة قماش جافة لتنظيف فتحة تهوية الأداة بانتظام.
- نظف مبيت المحرك بانتظام باستخدام قطعة قماش مبللة. لا تستخدم المنظفات الكاشطة أو المذيبة. لا يمكن صيانة هذا الجهاز بواسطة المستخدم. فإذا حدثت أي مشكلات، يجب الاتصال بوكيل إصلاح معتمد.

التشحيم



لا تحتاج الأداة الكهربائية إلى تشحيم إضافي.

التنظيف



تحذير: تخلص من الأوساخ والأتربة المتراكمة بالعلبة الرئيسية عن طريق استخدام الهواء الجاف كلما رأيت التراب قد تجمع في فتحات التهوية وحولها. أثناء القيام بهذا الإجراء، ارتدِ واقي للعين معتمد مع قناع معتمد للوقاية من التراب.



تحذير: لا تستخدم مطلقاً المذيبات أو المواد الكيماوية القوية الأخرى لتنظيف الأجزاء غير المعدنية في الأداة. يمكن أن تتسبب تلك المواد الكيماوية في إضعاف المواد المستخدمة في هذه الأجزاء. استخدم قطعة قماش رطبة مع ماء وصابون خفيف. لا تترك أي سوائل تتسرب إلى داخل الأداة؛ ولا تغمر أي جزء من أجزاء الأداة في السائل.



للمحافظة على سلامة المنتجات وموثوقيتها في العمل، يجب إجراء جميع عمليات الإصلاح وفحص فرشاة الكربون والاستبدال وأي عمليات صيانة أو تعديل بواسطة مراكز خدمة STANLEY، وباستخدام قطع الغيار المعتمدة من STANLEY فقط.

ملحقات اختيارية

تحذير: بما أن أي ملحقات أخرى غير تلك المقدمة من قبل STANLEY لم تُختبر مع هذا المنتج، فإن استخدامها قد يكون خطراً للغاية. وللحد من خطر الإصابة، يجب استخدام الملحقات الموصى بها من قبل STANLEY فقط مع هذا المنتج.



راجع بائع التجزئة لديك لمزيد من المعلومات عن الملحقات المناسبة.

حماية البيئة

الجمع المنفصل. يلزم عدم التخلص من هذا المنتج مع القمامة المنزلية العادية.



إذا لزم في يوم ما استبدال منتج STANLEY الخاص بك، أو إذا لم تعد تستخدمه، فلا تتخلص منه مع القمامة المنزلية الأخرى. اجعل هذا المنتج جاهزاً لعملية جمع المخلفات وفرزها.

موضوع رمز التاريخ

للفرخ في نهاية مشبك الفرخ.

- إضغظ على رافعة مشبك فرخ الصنفرة (4) للأسفل.

الاستخدام

تحذير: اترك الآلة تعمل بوتيرتها المعتادة. لا تفرط في الأحمال.



التشغيل وإيقاف التشغيل

- بدء تشغيل الأداة، اضغظ على مفتاح التشغيل/الإيقاف (1).
- للتشغيل المستمر، اضغظ على زر تثبيت التشغيل (2) ثم حرر مفتاح التشغيل / الإيقاف.
- لغرض إطفاء الأداة، حرر مفتاح التشغيل/الإيقاف. لإيقاف تشغيل الأداة أثناء وضع التشغيل المستمر، اضغظ على مفتاح التشغيل/الإيقاف مرة أخرى ثم حرره.

تلميحات لاستخدام أمثل (الشكل C)

- لا تبالغ كثيراً في الضغظ على الأداة.
- تحقق من حالة فرخ الصنفرة بانتظام.
- قم باستبدالها إذا لزم الأمر.
- من الأفضل القيام بالصنفرة والوجه المحبب على الخشب.
- عند صنفرة طبقات طلاء جديدة، استخدم صنفرة رمليّة ناعمة إضافية قبل وضع طبقة أخرى.
- ابدأ بصنفرة ذات حبيبات خشنة على الأسطح غير المستوية تمامًا، أو عند إزالة طبقات من الطلاء. على الأسطح الأخرى، ابدأ بصنفرة ذات حبيبات متوسطة. في كلتا الحالتين، انتقل تدريجيًا إلى الصنفرة ذات الحبيبات الناعمة للحصول على ملمس نهائي أملس.
- استشر بائع التجزئة لديك لمزيد من المعلومات حول الملحقات المتاحة.

المخاطر المتبقية

- عند استخدام الجهاز يمكن أن تظهر مخاطر متبقية إضافية قد لا تكون مدرجة في تحذيرات السلامة المرفقة. تلك المخاطر التي يمكن أن تنشأ عن الاستخدام السيء أو المطول إلخ.
- لا يمكن تجنب بعض المخاطر المتبقية حتى مع تطبيق تعليمات السلامة المناسبة واستخدام أجهزة الأمان. وتشمل:
 - إصابات تنشأ جراء ملامسة أي أجزاء دوار/متحركة.
 - إصابات تنشأ عند تغيير أي أجزاء أو شفرات أو ملحقات.
 - إصابات تنشأ جراء طول فترة استعمال الأداة. تحقق من توفير فترات راحة منتظمة عند استعمال الأداة لفترات طويلة.
 - تضرر السمع.
 - المخاطر الصحية الناتجة عن استنشاق الغبار المتكون عند استخدام جهازك (على سبيل المثال: التعامل مع الأخشاب، ولا سيما البلوط والزنان والخشب المضغوط (MDF)).

الصيانة

- تم تصميم الأداة الكهربائية من STANLEY لكي تعمر لفترة طويلة بأقل قدر من الحاجة للصيانة. ويعتمد استمرار الآلة في أداء عملها على النحو المرضي على العناية المناسبة والتنظيف المنتظم.

يوجد كود التاريخ، والذي يحتوي على سنة الصنع، مطبوعًا على العلبة.

مثال:

XX JN 2017

سنة الصنع

تحتوي العبوة على

- 1 1/3 فرخ صنفرة
- 1 دليل التعليمات
- 1 بطاقة الضمان
- 1 قائمة مراكز الخدمة
- 1 فرخ صنفرة

تحقق من أي تلف قد يحدث في الأداة أو أجزائها أو الملحقات أثناء النقل.

استغرق الوقت الكافي لقراءة وفهم هذا الدليل بالكامل قبل الاستخدام.

الخصائص (الشكل أ)



تحذير: يحظر تعديل الأداة الكهربائية أو أي جزء منها. فقد تتعرض الأداة للتلف أو تتسبب في وقوع إصابة جسدية.

1. مفتاح التشغيل/الإيقاف
2. زر تثبيت وضع التشغيل
3. قاعدة الصنفرة
4. رافعة مشبك فرخ الصنفرة

التجميع

تحذير: للحد من مخاطر الإصابة الجسدية الخطيرة، أوقف تشغيل الأداة وافصل الأداة من مصدر الطاقة قبل إجراء أي تعديلات أو إزالة/تركيب الملحقات أو الكابلات. قبل إعادة توصيل الأداة، اضغظ وحرر مفتاح التشغيل للتأكد من أن الأداة متوقفة بالفعل. حيث إن بدء التشغيل العرضي قد يؤدي إلى حدوث إصابة.

تركيب فرخ صنفرة (الشكل A, B)



تحذير! لا تستخدم الأداة مطلقًا بدون فرخ الصنفرة أو الملحق في مكانهما.

- قم بتنعيم فرخ الصنفرة بواسطة فرك جانبيها الغير الكاشط فوق حافة سطح العمل.
- حرر رافعتي مشبك فرخ الصنفرة (4).
- ضغظ على قاعدة الصنفرة (3).
- أدخل حافة فرخ الصنفرة في مقدمة مشبك الفرخ كما هو موضح.

- إضغظ على مقدمة رافعة مشبك فرخ الصنفرة (4) للأسفل.

- بينما تعمل ضغظًا خفيفًا على الفرخ، أدخل الحافة الخلفية

تيار الكابل المقنن (بألمبير)							أمبير	الجهد الكهربائي
10	6	6	6	6	6	0 - 2.0	110-127	
15	15	6	6	6	6	2.1 - 3.4		
20	20	15	10	6	6	3.5 - 5.0		
25	20	20	15	10	10	5.1 - 7.0		
-	25	25	20	15	15	7.1 - 12.0		
-	-	-	25	20	20	12.1 - 20.0		
6	6	6	6	6	6	0 - 2.0	220-240	
6	6	6	6	6	6	2.1 - 3.4		
15	10	6	6	6	6	3.5 - 5.0		
15	15	10	10	10	10	5.1 - 7.0		
20	20	15	15	15	15	7.1 - 12.0		
-	25	20	20	20	20	12.1 - 20.0		

• ينبغي مراقبة الأطفال لضمان عدم عبثهم بالجهاز.

المخاطر المتبقية

على الرغم من سريان تعليمات السلامة وتطبيق تجهيزات السلامة فهناك بعض المخاطر الأخرى التي لا يمكن تجنب وقوعها. وهي:

- تضرر السمع
- خطر التعرض لإصابات جسدية جراء الجزئيات المتطايرة.
- خطر التعرض لحروق جراء الملحقات التي تسخن أثناء التشغيل.
- خطر التعرض لإصابات جسدية جراء الاستخدام لفترات طويلة.
- خطر التعرض لغاز المواد الخطرة.

السلامة من مخاطر الكهرباء

الأداة الخاصة بك مزدوجة العزل؛ وبالتالي لا حاجة إلى توصيل سلك أرضي. تحقق دائماً من توافق جهد مصدر التيار الكهربائي مع الجهد الموضح على لوحة التقنين.



تحذيراً في حالة تلف سلك الطاقة، يجب استبداله من قبل مُصنِع الجهاز، أو مركز خدمة معتمد لدى شركة STANLEY، أو أي فني مؤهل على نفس المستوى لتجنب أي تلف أو إصابة. في حالة استبدال سلك الطاقة بواسطة فني مؤهل على نفس المستوى، ولكنه غير معتمد لدى شركة STANLEY، فسوف تسقط صلاحية الضمان.



الملصقات الموجودة على الأداة

يمكن أن يحتوي الملصق الموجود على الأداة على الرموز التالية:

يجب قراءة دليل التعليمات قبل الاستخدام. تحذيراً لتقليل خطر الإصابة، يجب على المستخدم قراءة دليل التعليمات قبل الاستخدام	
نظارات حماية أو أمان.	
واقى الأذن.	
ارتدِ قناع غبار.	
V فولت	
A أمبير	
Hz هرتز	
W وات	
min دقائق	
~ تيار متردد	
عدد الدورات أو الترددات في الدقيقة	

استخدام سلك إطالة

إذا احتجت إلى سلك تمديد، فاستخدم سلك تمديد ثلاثي القلوب معتمداً يتناسب مع دخل الطاقة لهذه الأداة (راجع البيانات الفنية). الحد الأدنى لحجم الموصل 1.5 ملم²; والحد الأقصى للطول 30 م. عند استخدام بكرة كابل، إبسط الكابل بالكامل.

مساحة المقطع العرضي للكابل (ملم ²) التيار المقنن للكابل (أمبير)	مساحة المقطع العرضي للكابل (ملم ²) التيار المقنن للكابل (أمبير)
6	0.75
10	1.00
15	1.50
20	2.50
25	4.00

طول الكابل (م)					
60	45	30	25	15	7.5

- ظروف العمل والعمل الذي يتعين القيام به. استخدام الأداة الكهربائية لتنفيذ العمليات في الأغراض غير المخصصة يمكن أن يتسبب في التعرض لمواقف خطيرة.
- h.** حافظ على جفاف المقابض والأسطح القابضة ونظافتها وخلوها من الزيت والشحم. فالمقابض والأسطح القابضة المنزلة لا تسمح بالتعامل مع الأداة والتحكم فيها بأمان في المواقف غير المتوقعة.
- 5.** الخدمة
- a.** احرص على أن يقوم فني متخصص بإصلاح الأداة الكهربائية الخاصة بك وباستخدام قطع الغيار المتطابقة فقط. وذلك يضمن سلامة صيانة الأداة الكهربائية.

قواعد سلامة إضافية خاصة



تحذير! تعليمات السلامة الخاصة بألات الصنفرة

- a.** احرص على حمل الأدوات الكهربائية باستخدام أسطح الإمساك المعزول، حيث ربما يلامس سطح الصنفرة سلك الأداة. يمكن أن تؤدي قطع سلك "حي" إلى جعل الأجزاء المعدنية المكشوفة للأداة "طرف حي" مما يمكن أن يعرض المشغل لصدمة كهربائية.
- b.** تحذير! قد يؤدي ملامسة أو استنشاق الغبار الناتج عن تطبيقات الصنفرة إلى الإضرار بصحة المشغل وربما يؤثر على المارة أيضاً. ارتدِ قناع الغبار المصمم خصيصاً للوقاية من الغبار والأدخنة، واحرص على تأمين الأشخاص المتواجدين بمنطقة العمل أو الداخلين إليها كذلك.
- c.** تخلص من الغبار بدقة عقب الانتهاء من الصنفرة.
- d.** انتبه جيداً؛ ولا سيما عند صنفرة طبقات الطلاء التي يُحتمل أن تكون مصنوعة من الرصاص أو عند صنفرة بعض الأخشاب والمعادن التي قد تُنتج غباراً ساماً؛ لا تسمح للأطفال أو النساء الحوامل بدخول منطقة العمل يُحظر عليك الأكل أو الشرب أو التدخين داخل منطقة العمل.
- تخلص بصورة آمنة من جزيئات الغبار وغيرها من جزيئات الحطام الأخرى.

تعليمات الأمان الإضافية



تحذير: نحن ننصح باستخدام أداة تعمل بالتيار المتبقي مع معدل التيار المتبقي لـ 30 ملي أمبير أو أقل.

سلامة الآخرين

- هذا الجهاز غير مصمم ليستخدمه الأشخاص ذوو القدرات الجسدية والحسية والعقلية المتدنية أو من تنقصهم الخبرة والمعرفة (بما في ذلك الأطفال) إلا في ظل الإشراف عليهم أو إعطائهم التعليمات المتعلقة باستخدام الجهاز من قبل الشخص المسؤول عن سلامتهم.

- شخصية.
- e.** تجنب المبالغة. ضع قديمك في وضع مناسب واحتفظ باتزانك في كل الأوقات. حيث يتيح ذلك إمكانية تحكم أفضل في الأداة الكهربائية في المواقف غير المتوقعة.
- f.** ارتدِ زيّاً مناسباً. لا ترتدِ الملابس الفضفاضة أو الحلي. احرص على إبعاد شعرك وملابسك عن الأجزاء المتحركة. فقد تعلق الملابس الفضفاضة أو الحلي أو الشعر الطويل في الأجزاء المتحركة.
- g.** إذا كانت الأجهزة معدة للتوصيل بوسائل إزالة أو تجميع الأتربة، فتأكد من توصيلها واستخدامها بشكل مناسب. استخدام هذه الأجهزة يمكن أن يقلل من المخاطر المتعلقة بالغبار.
- h.** لا تسمح لاعتيادك على استخدام الأدوات بشكل متكرر أن يبعث داخلك اطمئناناً قد يدفعك إلى تجاهل مبادئ سلامة الخاصة بالأداة. فأني تصرف طائش يمكن أن يتسبب في وقوع إصابات خطيرة في لمح البصر.
- 4.** استخدام الأداة الكهربائية والعناية بها
- a.** لا تضغط على الأداة الكهربائية. استخدم الأداة الكهربائية المناسبة لاستعمالك. حيث أن الأداة الكهربائية المناسبة سوف تقوم بأداء العمل بشكل أفضل وأكثر أماناً وفقاً للمعدل التي صُممت لأجله.
- b.** لا تستخدم الأداة الكهربائية إذا لم يتم المفتاح بالتشغيل والإيقاف. أية أداة كهربائية لا يمكن التحكم فيها باستخدام المفتاح تصبح خطيرة ويجب إصلاحها.
- c.** أفضل القابس عن مصدر الكهرباء و/أو أخرج حزمة البطارية، إن كانت قابلة للإزالة، من الأداة الكهربائية قبل إجراء أي تعديلات أو تغيير أي ملحقات أو تخزين الأدوات الكهربائية. تعمل إجراءات السلامة الوقائية هذه على الحد من خطر بدء تشغيل الأداة الكهربائية بدون قصد.
- d.** خزن الأدوات الكهربائية غير المستخدمة بعيداً عن متناول الأطفال ولا تسمح للأشخاص الغير معتمدين على الأداة الكهربائية أو هذه التعليمات بتشغيل الأداة الكهربائية. تشمل الأدوات الكهربائية خطراً في أيدي المستخدمين غير المتدربين.
- e.** هد صيانة الأدوات الكهربائية والملحقات. تحقق من وجود أي محاذرة خاطئة أو عائق في الأجزاء المتحركة، أو كسر في الأجزاء، وأية حالة أخرى يمكن أن تؤثر على تشغيل الأدوات الكهربائية. في حالة تلفها، يتم إصلاح الأداة الكهربائية قبل استخدامها. تقع العديد من الحوادث جراء صيانة الأدوات الكهربائية بشكل سيء.
- f.** احرص على أن تظل أدوات القطع حادة ونظيفة. تعمل الصيانة المناسبة لأدوات القطع ذات الحواف الحادة على تقليل احتمالية أن تلثم ويمكن التحكم فيها بشكل أسهل.
- g.** استخدم الأداة الكهربائية والكماليات ولقم الأداة وما إلى ذلك بما يتوافق مع هذه التعليمات، مع الوضع في الاعتبار

a. يلزم توافق قوابس الأداة الكهربائية مع مقبس التيار الكهربائي، يُحظر تعديل القابس بأي طريقة. لا تستخدم قوابس مهايئ مع الأدوات الكهربائية المتصلة بالأرضي (مؤرضة). عدم تعديل القابس واستخدام مخارج تيار مناسبة يحد من مخاطر الصدمات الكهربائية.

b. تجنب ملامسة الجسم مع أسطح مؤرضة أو أرضية، مثل المواسير والمدافئ والأفران والمبردات. يزداد خطر التعرض لصدمة كهربائية إذا كان جسمك في وضع تأريض أو أرضي. لا تعرض الأدوات الكهربائية للمطر أو لظروف رطبة. سوف يؤدي تسرب الماء إلى داخل الأداة الكهربائية إلى زيادة مخاطر التعرض للصدمة الكهربائية.

d. لا تسئ استخدام السلك. لا تستخدم السلك مطلقاً في حمل أو سحب الأداة الكهربائية أو فصلها من المقبس. ابق السلك بعيداً عن الحرارة والزيوت والحواف الحادة والأجزاء المتحركة. تزيد الأسلاك التالفة أو المتشابكة من مخاطر التعرض للصدمة الكهربائية.

e. عند تشغيل الأداة الكهربائية في الخارج، استخدم سلك إطالة مناسباً للاستخدام الخارجي. استخدم سلك مناسب لأغراض الاستخدام الخارجي يقلل من مخاطر التعرض للصدمة الكهربائية.

f. إذا لم يكن هناك مفر من تشغيل الأداة الكهربائية في منطقة رطبة، فاستخدم شبكة تغذية محمية بقاطع تفاضلي (RCD). استخدام قاطع الدائرة يقلل من مخاطر التعرض للصدمة الكهربائية.

3. السلامة الشخصية

a. كن متيقظاً، وراقب ما تفعل واستخدم حسك العام عند تشغيل الأداة الكهربائية. لا تستخدم الأداة الكهربائية عندما تكون مجهداً أو تحت تأثير المخدرات أو الكحوليات أو الأدوية. في حالة عدم الانتباه عند تشغيل الأداة الكهربائية يمكن أن تتسبب في وقوع إصابات شخصية بالغة.

b. استخدم معدات الحماية الشخصية. احرص دائماً على ارتداء واقي العينين. سوف تعمل معدات الحماية، مثل قناع الغبار وأذنية السلامة المقاومة للانزلاق والخوذة الصلبة وواقي الأذن المستخدمة في ظروف مناسبة على تقليل معدل الإصابات الشخصية.

c. تجنب بدء العمل بدون قصد. تحقق من أن المفتاح في وضع الإيقاف قبل التوصيل بمصدر الكهرباء و/أو علبه البطارية أو قبل التقاط أو حمل الأداة. إن حمل الأدوات الكهربائية وإصبعك على مفتاح التشغيل أو بينما توجد الأدوات في وضع التشغيل من شأنه أن يستدعي وقوع حوادث.

d. تخلف من أية مفاتيح ضبط أو ربط قبل تشغيل الأداة الكهربائية. يمكن أن يتسبب أي مفتاح ربط أو ضبط موصل بالجزء الدوار من الأداة الكهربائية في وقوع إصابات

الغرض من الاستخدام

صُممت آلة الصنفرة بواسطة الفرخ ٣/١ SS٢٨ من STANLEY الخاصة بك لصنفرة الخشب والمعدن والبلاستيك والأسطح المطلية. هذا الجهاز مُعد للاستخدام المحترف.

تعليمات السلامة

التعريفات الموضحة أدناه تبين مستوى القسوة لكل إشارة مكتوبة. يرجى قراءة الدليل مع مراعاة هذه الرموز.

خطر: يشير إلى موقف خطر وشيك سوف تنتج عنه الوفاة أو إصابات خطيرة في حال عدم تجنبه.



تحذير: يشير إلى موقف خطر محتمل من الممكن أن تنتج عنه الوفاة أو إصابات خطيرة في حال عدم تجنبه.



تحذير: يشير إلى موقف خطر محتمل ربما تنتج عنه الوفاة أو إصابات خطيرة في حال عدم تجنبه.



ملاحظة: يشير إلى ممارسة لا تتطوي على إلحاق إصابات جسدية للمشغل، ولكن يمكن أن ينتج عنه تلف الممتلكات إن لم يتم تجنبه.



يشير إلى خطر التعرض لصدمة كهربائية.



يشير إلى خطر نشوب حريق.



تحذير: لتجنب خطر التعرض للإصابات، تجب قراءة دليل التعليمات.



تحذيرات عامة متعلقة بسلامة أداة الطاقة الكهربائية

التعريفات الموضحة أدناه تبين مستوى الخطورة لكل كلمة تحذيرية. يرجى قراءة الدليل مع مراعاة هذه الرموز. تحذيراً! احرص على قراءة كل تحذيرات السلامة والتعليمات والرسوم التوضيحية ذات الصلة والمواصفات المرفقة مع هـ.



احفظ بكل التحذيرات والتعليمات كمرجع مستقبلي

مصطلح «الأداة الكهربائية» الوارد في كل التحذيرات المدرجة أدناه يشير إلى الأداة الكهربائية المشغلة بواسطة التيار الكهربائي (بكابِل) أو المشغلة ببطارية (بدون كابِل).

1. سلامة منطقة العمل

a. حافظ على منطقة العمل نظيفة ومضاءة جيداً، فالمنطقة غير المرتبة أو المظلمة عرضة لوقوع حوادث.

b. لا تشغل الأدوات الكهربائية في أجواء قابلة للانفجار، مثل وجود سوائل أو غازات أو غبار قابلة للاشتعال. تطلق الأدوات الكهربائية شرراً يمكن أن يشعل الغبار أو الأبخرة.

c. احرص على إبعاد الأطفال والمتواجدين في منطقة العمل عند تشغيل الأداة الكهربائية. مصادر صرف الانتباه يمكن أن تجعلك تفقد القدرة على التحكم.

2. السلامة من مخاطر الكهرباء

130.com.ua

130.com.ua