



ТЕЛЕФОНИ

0 (800) 800 130
(050) 462 0 130
(063) 462 0 130
(067) 462 0 130

130
COM.UA

Інтернет-магазин
автотоварів



SKYPE

km-130

АВТОМАГНІТОЛИ — Магнітоли • Медіа-ресівери та станції • Штатні магнітоли • CD/DVD чейнджери • FM-модулятори/USB адаптери • Flash пам'ять • Перехідні рамки та роз'єми • Антени • Аксесуари |
АВТОЗВУК — Акустика • Підсилювачі • Сабвуфери • Процесори • Кросовери • Навушники • Аксесуари | **БОРТОВІ КОМП'ЮТЕРИ** — Універсальні комп'ютери • Модельні комп'ютери • Аксесуари |
GPS НАВІГАТОРИ — Портативні GPS • Вмонтовані GPS • GPS модулі • GPS трекери • Антени для GPS навігаторів • Аксесуари | **ВІДЕОПРИСТРОЇ** — Відеореєстратори • Телевізори та монітори • Автомобільні ТВ тюнери • Камери • Відеомодулі • Транскодери • Автомобільні ТВ антени • Аксесуари | **ОХОРОННІ СИСТЕМИ** — Автосигналізація • Мотосигналізація • Механічні блокувальники • Імобілайзери • Датчики • Аксесуари | **ОПТИКА ТА СВІТЛО** — Ксенон • Біксенон • Лампи • Світлодіоди • Стробоскопи • Оптика і фари • Омивачі фар • Датчики світла, дощу • Аксесуари |
ПАРКТРОНІКИ ТА ДЗЕРКАЛА — Задні парктроніки • Передні парктроніки • Комбіновані парктроніки • Дзеркала заднього виду • Аксесуари | **ПІДГРІВ ТА ОХОЛОДЖЕННЯ** — Підігрів сидінь • Підігрів дзеркал • Підігрів двірників • Підігрів двигунів • Автоохолодильники • Автокондиціонери • Аксесуари | **ТЮНІНГ** — Віброізоляція • Шумоізоляція • Тонувальна плівка • Аксесуари |
АВТОАКСЕСУАРИ — Радар-детектори • Гучний зв'язок, Bluetooth • Склопідіймачі • Компресори • Звукові сигнали, СГП • Вимірювальні прилади • Автопилососи • Автокрісла • Різне |
МОНТАЖНЕ ОБЛАДНАННЯ — Інсталяційні комплекти • Оббивні матеріали • Декоративні решітки • Фазоінвертори • Кабель та провід • Інструменти • Різне | **ЖИВЛЕННЯ** — Акумулятори • Перетворювачі • Пуско-заряджувальні пристрої • Конденсатори • Аксесуари | **МОРСЬКА ЕЛЕКТРОНІКА ТА ЗВУК** — Морські магнітоли • Морська акустика • Морські сабвуфери • Морські підсилювачі • Аксесуари | **АВТОХІМІЯ ТА КОСМЕТИКА** — Присадки • Рідини омивача • Засоби по догляду • Поліролі • Ароматизатори • Клеї та герметики | **РІДИНИ ТА МАСЛА** — Моторні масла • Трансмісійні масла • Гальмівні рідини • Антифризи • Технічні змазки



У магазині «130» ви можете знайти та купити у Києві з доставкою по місту та Україні практично все для вашого автомобіля. Наші досвідчені консультанти нададуть вам вичерпну інформацію та допоможуть підібрати саме те, що ви шукаєте. Чекаємо вас за адресою

<https://130.com.ua>

DEWALT®

XR LI-ION

130.com.ua

???

DCD710

English	(original instructions)	5
Українська	(Переклад оригінальних інструкцій)	14

130.com.ua

Fig. / Рис. А

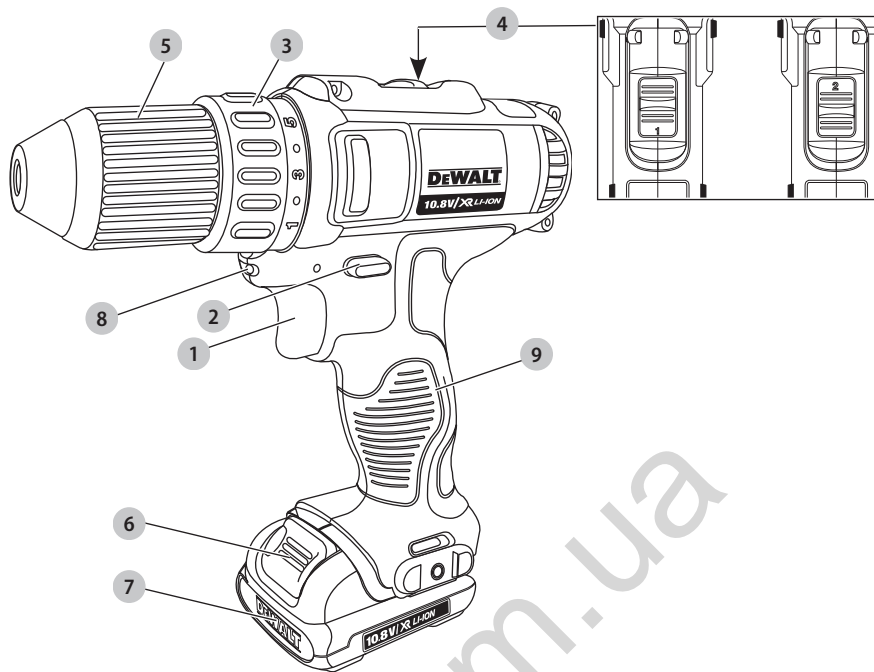


Fig. / Рис. В

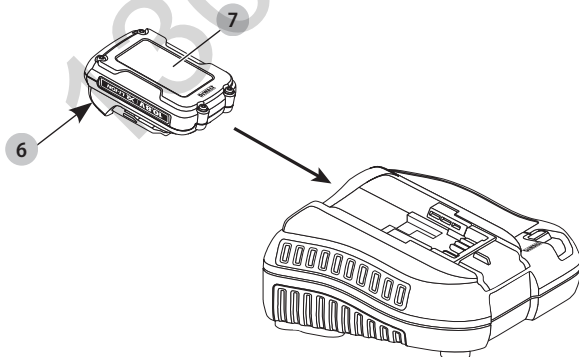


Fig. / Рис. С

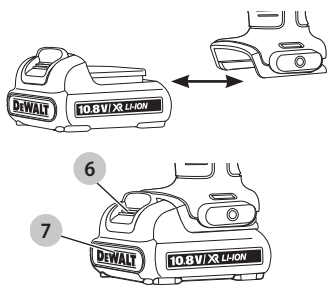


Fig. / Рис. D

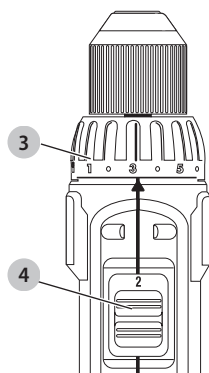


Fig. / Рис. E

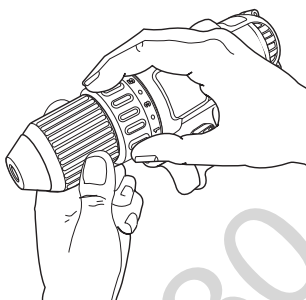


Fig. / Рис. F

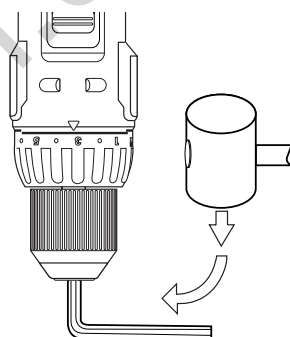


Fig. / Рис. G

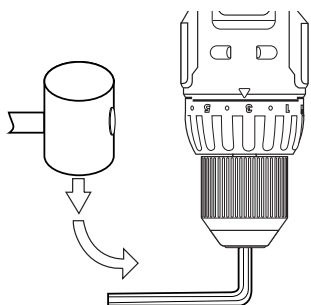
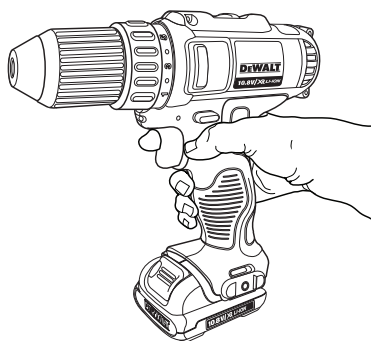


Fig. / Рис. H



10.8 V CORDLESS ADJUSTABLE CLUTCH DRILL/DRIVER

DCD710

Congratulations!

You have chosen a DEWALT tool. Years of experience, thorough product development and innovation make DEWALT one of the most reliable partners for professional power tool users.

Technical Data

	DCD710	
Voltage	V _{DC}	10.8
Type	2/3/4	
Battery type	Li-Ion	
No-load speed:		
1st gear	min ⁻¹	0–400
2nd gear	min ⁻¹	0–1500
Max torque (hard/soft)	Nm	24/15
Power output (MWO)	W	180
Chuck capacity	10	
Maximum drilling capacity:		
Wood	mm	20
Metal	mm	10
Weight (without battery pack)	kg	0.91

Noise values and vibration values (triaux vector sum) according to EN60745-2-1:

L _{PA} (emission sound pressure level)	dB(A)	65
L _{WA} (sound power level)	dB(A)	76
K (uncertainty for the given sound level)	dB(A)	3

Vibration emission value a _{h1} =	m/s ²	< 2.5
Uncertainty K =	m/s ²	1.5

The vibration emission level given in this information sheet has been measured in accordance with a standardised test given in EN60745 and may be used to compare one tool with another. It may be used for a preliminary assessment of exposure.

! **WARNING:** *The declared vibration emission level represents the main applications of the tool. However if the tool is used for different applications, with different accessories or poorly maintained, the vibration emission may differ. This may significantly increase the exposure level over the total working period.*

An estimation of the level of exposure to vibration should also take into account the times when the tool is switched off or when it is running but not actually doing the job. This may significantly reduce the exposure level over the total working period.

Identify additional safety measures to protect the operator from the effects of vibration such as: maintain the tool and the accessories, keep the hands warm, organisation of work patterns.

Battery pack	DCB123	DCB125	DCB127
Battery type	Li-Ion	Li-Ion	Li-Ion
Voltage	V _{DC}	10.8	10.8
Capacity	Ah	1.5	2.0
Weight	kg	0.2	0.2

Charger	DCB107			
Mains voltage	V _{AC}	230		
Battery type	10.8/14.4/18 Li-Ion			
Approx. charging time of battery packs	min	60 (1.3 Ah) 140 (3.0 Ah)	70 (1.5 Ah) 185 (4.0 Ah)	90 (2.0 Ah) 240 (5.0 Ah)
Weight	kg	0.29		

Charger	DCB113			
Mains voltage	V _{AC}	230		
Battery type	10.8/14.4/18 Li-Ion			
Approx. charging time of battery packs	min	30 (1.3 Ah) 70 (3.0 Ah)	35 (1.5 Ah) 100 (4.0 Ah)	50 (2.0 Ah) 120 (5.0 Ah)
Weight	kg	0.4		

Charger	DCB115			
Mains voltage	V _{AC}	230		
Battery type	10.8/14.4/18 Li-Ion			
Approx. charging time of battery packs	min	22 (1.3 Ah) 45 (3.0 Ah)	22 (1.5 Ah) 60 (4.0 Ah)	30 (2.0 Ah) 75 (5.0 Ah)
Weight	kg	0.5		

EC-Declaration of Conformity

Machinery Directive



10.8 V Cordless Adjustable Clutch Drill/Driver DCD710

DEWALT declares that these products described under **Technical Data** are in compliance with:

2006/42/EC, EN60745-1:2009+A11:2010, EN60745-2-1:2010.

These products also comply with Directive 2014/30/EU and 2011/65/EU. For more information, please contact DEWALT at the following address or refer to the back of the manual.

The undersigned is responsible for compilation of the technical file and makes this declaration on behalf of DEWALT.



Markus Rompel
Director Engineering
DEWALT, Richard-Klinger-Straße 11,
D-65510, Idstein, Germany
09.12.2016



WARNING: To reduce the risk of injury, read the instruction manual.

Definitions: Safety Guidelines

The definitions below describe the level of severity for each signal word. Please read the manual and pay attention to these symbols.



DANGER: Indicates an imminently hazardous situation which, if not avoided, **will** result in **death or serious injury**.



WARNING: Indicates a potentially hazardous situation which, if not avoided, **could** result in **death or serious injury**.



CAUTION: Indicates a potentially hazardous situation which, if not avoided, **may** result in **minor or moderate injury**.

NOTICE: Indicates a practice **not related to personal injury** which, if not avoided, **may** result in **property damage**.



Denotes risk of electric shock.



Denotes risk of fire.

General Power Tool Safety Warnings



WARNING: Read all safety warnings and all instructions. Failure to follow the warnings and instructions may result in electric shock, fire and/or serious injury.

SAVE ALL WARNINGS AND INSTRUCTIONS FOR FUTURE REFERENCE

The term "power tool" in the warnings refers to your mains-operated (corded) power tool or battery-operated (cordless) power tool.

1) Work area safety

- Keep work area clean and well lit.** Cluttered or dark areas invite accidents.
- Do not operate power tools in explosive atmospheres, such as in the presence of flammable liquids, gases or dust.** Power tools create sparks which may ignite the dust or fumes.
- Keep children and bystanders away while operating a power tool.** Distractions can cause you to lose control.

2) Electrical safety

- Power tool plugs must match the outlet. Never modify the plug in any way. Do not use any adapter plugs with earthed (grounded) power tools.** Unmodified plugs and matching outlets will reduce risk of electric shock.
- Avoid body contact with earthed or grounded surfaces such as pipes, radiators, ranges and refrigerators.** There is an increased risk of electric shock if your body is earthed or grounded.
- Do not expose power tools to rain or wet conditions.** Water entering a power tool will increase the risk of electric shock.
- Do not abuse the cord. Never use the cord for carrying, pulling or unplugging the power tool. Keep cord away from heat, oil, sharp edges or moving parts.** Damaged or entangled cords increase the risk of electric shock.
- When operating a power tool outdoors, use an extension cord suitable for outdoor use.** Use of a cord suitable for outdoor use reduces the risk of electric shock.
- If operating a power tool in a damp location is unavoidable, use a residual current device (RCD) protected supply.** Use of an RCD reduces the risk of electric shock.

3) Personal safety

- Stay alert, watch what you are doing and use common sense when operating a power tool. Do not use a power tool while you are tired or under the influence of drugs, alcohol or medication.** A moment of inattention while operating power tools may result in serious personal injury.
- Use personal protective equipment. Always wear eye protection.** Protective equipment such as dust mask, non-slip safety shoes, hard hat, or hearing protection used for appropriate conditions will reduce personal injuries.
- Prevent unintentional starting. Ensure the switch is in the off position before connecting to power source and/or battery pack, picking up or carrying the tool.** Carrying power tools with your finger on the switch or energising power tools that have the switch on invites accidents.
- Remove any adjusting key or wrench before turning the power tool on.** A wrench or a key left attached to a rotating part of the power tool may result in personal injury.
- Do not overreach. Keep proper footing and balance at all times.** This enables better control of the power tool in unexpected situations.
- Dress properly. Do not wear loose clothing or jewellery. Keep your hair, clothing and gloves away from moving parts.** Loose clothes, jewellery or long hair can be caught in moving parts.
- If devices are provided for the connection of dust extraction and collection facilities, ensure these are**

connected and properly used. Use of dust collection can reduce dust-related hazards.

4) Power tool use and care

- a) **Do not force the power tool. Use the correct power tool for your application.** The correct power tool will do the job better and safer at the rate for which it was designed.
- b) **Do not use the power tool if the switch does not turn it on and off.** Any power tool that cannot be controlled with the switch is dangerous and must be repaired.
- c) **Disconnect the plug from the power source and/or the battery pack from the power tool before making any adjustments, changing accessories, or storing power tools.** Such preventive safety measures reduce the risk of starting the power tool accidentally.
- d) **Store idle power tools out of the reach of children and do not allow persons unfamiliar with the power tool or these instructions to operate the power tool.** Power tools are dangerous in the hands of untrained users.
- e) **Maintain power tools. Check for misalignment or binding of moving parts, breakage of parts and any other condition that may affect the power tool's operation. If damaged, have the power tool repaired before use.** Many accidents are caused by poorly maintained power tools.
- f) **Keep cutting tools sharp and clean.** Properly maintained cutting tools with sharp cutting edges are less likely to bind and are easier to control.
- g) **Use the power tool, accessories and tool bits etc., in accordance with these instructions taking into account the working conditions and the work to be performed.** Use of the power tool for operations different from those intended could result in a hazardous situation.

5) Battery tool use and care

- a) **Recharge only with the charger specified by the manufacturer.** A charger that is suitable for one type of battery pack may create a risk of fire when used with another battery pack.
- b) **Use power tools only with specifically designated battery packs.** Use of any other battery packs may create a risk of injury and fire.
- c) **When battery pack is not in use, keep it away from other metal objects like paper clips, coins, keys, nails, screws or other small metal objects that can make a connection from one terminal to another.** Shorting the battery terminals together may cause burns or a fire.
- d) **Under abusive conditions, liquid may be ejected from the battery; avoid contact. If contact accidentally occurs, flush with water. If liquid contacts eyes, additionally seek medical help.** Liquid ejected from the battery may cause irritation or burns.

6) Service

- a) **Have your power tool serviced by a qualified repair person using only identical replacement parts.** This will ensure that the safety of the power tool is maintained.

Additional Specific Safety Rules for Drill/ Drivers

- **Wear ear protectors when impact drilling.** Exposure to noise can cause hearing loss.
- **Use auxiliary handle(s), if supplied with the tool.** Loss of control can cause personal injury.
- **Hold power tool by insulated gripping surfaces when performing an operation where the cutting accessory may contact hidden wiring or its own cord.** Cutting accessory contacting a "live" wire may make exposed metal parts of the power tool "live" and could give the operator an electric shock.

Residual Risks

In spite of the application of the relevant safety regulations and the implementation of safety devices, certain residual risks cannot be avoided. These are:

- Impairment of hearing.
- Risk of personal injury due to flying particles.
- Risk of burns due to accessories becoming hot during operation.
- Risk of personal injury due to prolonged use.

Electrical Safety

The electric motor has been designed for one voltage only. Always check that the battery pack voltage corresponds to the voltage on the rating plate. Also make sure that the voltage of your charger corresponds to that of your mains.



Your DEWALT charger is double insulated in accordance with EN60335; therefore no earth wire is required.

If the supply cord is damaged, it must be replaced by a specially prepared cord available through the DEWALT service organisation.

Mains Plug Replacement (U.K. & Ireland Only)

If a new mains plug needs to be fitted:

- Safely dispose of the old plug.
- Connect the brown lead to the live terminal in the plug.
- Connect the blue lead to the neutral terminal.



WARNING: No connection is to be made to the earth terminal.

Follow the fitting instructions supplied with good quality plugs. Recommended fuse: 3 A.

Using an Extension Cable

An extension cord should not be used unless absolutely necessary. Use an approved extension cable suitable for the power input of your charger (see **Technical Data**). The

minimum conductor size is 1 mm²; the maximum length is 30 m.

When using a cable reel, always unwind the cable completely.

SAVE THESE INSTRUCTIONS

Chargers

The DCB107, DCB113 and DCB115 chargers accept 10.8V, 14.4V and 18V Li-Ion XR (DCB123, DCB125, DCB127, DCB140, DCB141, DCB142, DCB143, DCB144, DCB145, DCB180, DCB181, DCB182, DCB183, DCB183B, DCB184, DCB184B and DCB185) battery packs.

DEWALT chargers require no adjustment and are designed to be as easy as possible to operate.

Important Safety Instructions for All Battery Chargers

SAVE THESE INSTRUCTIONS: This manual contains important safety and operating instructions for compatible battery chargers (refer to **Technical Data**).

- Before using charger, read all instructions and cautionary markings on charger, battery pack, and product using battery pack.



WARNING: Shock hazard. Do not allow any liquid to get inside charger. Electric shock may result.



WARNING: We recommend the use of a residual current device with a residual current rating of 30mA or less.



CAUTION: Burn hazard. To reduce the risk of injury, charge only DEWALT rechargeable batteries. Other types of batteries may burst causing personal injury and damage.



CAUTION: Children should be supervised to ensure that they do not play with the appliance.

NOTICE: Under certain conditions, with the charger plugged into the power supply, the exposed charging contacts inside the charger can be shorted by foreign material. Foreign materials of a conductive nature such as, but not limited to, steel wool, aluminum foil or any buildup of metallic particles should be kept away from charger cavities. Always unplug the charger from the power supply when there is no battery pack in the cavity. Unplug charger before attempting to clean

- **DO NOT attempt to charge the battery pack with any chargers other than the ones in this manual.** The charger and battery pack are specifically designed to work together.
- **These chargers are not intended for any uses other than charging DEWALT rechargeable batteries.** Any other uses may result in risk of fire, electric shock or electrocution.
- **Do not expose charger to rain or snow.**
- **Pull by plug rather than cord when disconnecting charger.** This will reduce risk of damage to electric plug and cord.
- **Make sure that cord is located so that it will not be stepped on, tripped over, or otherwise subjected to damage or stress.**

- **Do not use an extension cord unless it is absolutely necessary.** Use of improper extension cord could result in risk of fire, electric shock, or electrocution.
- **Do not place any object on top of charger or place the charger on a soft surface that might block the ventilation slots and result in excessive internal heat.** Place the charger in a position away from any heat source. The charger is ventilated through slots in the top and the bottom of the housing.
- **Do not operate charger with damaged cord or plug—** have them replaced immediately.
- **Do not operate charger if it has received a sharp blow, been dropped, or otherwise damaged in any way.** Take it to an authorised service centre.
- **Do not disassemble charger; take it to an authorised service centre when service or repair is required.** Incorrect reassembly may result in a risk of electric shock, electrocution or fire.
- In case of damaged power supply cord the supply cord must be replaced immediately by the manufacturer, its service agent or similar qualified person to prevent any hazard.
- **Disconnect the charger from the outlet before attempting any cleaning. This will reduce the risk of electric shock.** Removing the battery pack will not reduce this risk.
- **NEVER** attempt to connect two chargers together.
- **The charger is designed to operate on standard 230V household electrical power. Do not attempt to use it on any other voltage.** This does not apply to the vehicular charger.










Charging a Battery (Fig. B)

1. Plug the charger into an appropriate outlet before inserting battery pack.
2. Insert the battery pack **7** into the charger, making sure the battery pack is fully seated in the charger. The red (charging) light will blink repeatedly indicating that the charging process has started.
3. The completion of charge will be indicated by the red light remaining ON continuously. The battery pack is fully charged and may be used at this time or left in the charger. To remove the battery pack from the charger, push the battery release button **6** on the battery pack.

NOTE: To ensure maximum performance and life of lithium-ion battery packs, charge the battery pack fully before first use.

Charger Operation

Refer to the indicators below for the charge status of the battery pack.

Charge Indicators: DCB107, DCB113, DCB115	
 Charging	 
 Fully Charged	 
 Hot/Cold Pack Delay*	 

*DCB107, DCB113, DCB115: The red light will continue to blink, but a yellow indicator light will be illuminated during this operation. Once the battery pack has reached an appropriate temperature, the yellow light will turn off and the charger will resume the charging procedure.

The compatible charger(s) will not charge a faulty battery pack. The charger will indicate faulty battery by refusing to light or by displaying problem pack or charger blink pattern.

NOTE: This could also mean a problem with a charger.

If the charger indicates a problem, take the charger and battery pack to be tested at an authorised service centre.

Hot/Cold Pack Delay

When the charger detects a battery pack that is too hot or too cold, it automatically starts a Hot/Cold Pack Delay, suspending charging until the battery pack has reached an appropriate temperature. The charger then automatically switches to the pack charging mode. This feature ensures maximum battery pack life.

A cold battery pack will charge at a slower rate than a warm battery pack. The battery pack will charge at that slower rate throughout the entire charging cycle and will not return to maximum charge rate even if the battery pack warms.

Electronic Protection System

XR Li-Ion tools are designed with an Electronic Protection System that will protect the battery pack against overloading, overheating or deep discharge.

The tool will automatically turn off if the Electronic Protection System engages. If this occurs, place the lithium-ion battery pack on the charger until it is fully charged.

Wall Mounting

DCB107, DCB113, DCB115

These chargers are designed to be wall mountable or to sit upright on a table or work surface. If wall mounting, locate the charger within reach of an electrical outlet, and away from a corner or other obstructions which may impede air flow. Use the back of the charger as a template for the location of the mounting screws on the wall. Mount the charger securely using drywall screws (purchased separately) at least 25.4 mm long with a screw head diameter of 7–9 mm, screwed into wood to an optimal depth leaving approximately 5.5 mm of the screw exposed. Align the slots on the back of the charger with the exposed screws and fully engage them in the slots.

Charger Cleaning Instructions



WARNING: Shock hazard. Disconnect the charger from the AC outlet before cleaning. Dirt and grease may be removed from the exterior of the charger using a cloth or soft non-metallic brush. Do not use water or any cleaning solutions. Never let any liquid get inside the tool; never immerse any part of the tool into a liquid.

Battery Packs

Important Safety Instructions for All Battery Packs

When ordering replacement battery packs, be sure to include catalogue number and voltage.

The battery pack is not fully charged out of the carton. Before using the battery pack and charger, read the safety instructions below. Then follow charging procedures outlined.

READ ALL INSTRUCTIONS

- **Do not charge or use battery in explosive atmospheres, such as in the presence of flammable liquids, gases or dust.** Inserting or removing the battery from the charger may ignite the dust or fumes.
- **Never force battery pack into charger. Do not modify battery pack in any way to fit into a non-compatible charger as battery pack may rupture causing serious personal injury.**
- Charge the battery packs only in DeWALT chargers.
- **DO NOT splash or immerse in water or other liquids.**
- **Do not store or use the tool and battery pack in locations where the temperature may reach or exceed 40 °C (104 °F) (such as outside sheds or metal buildings in summer).**
- **Do not incinerate the battery pack even if it is severely damaged or is completely worn out.** The battery pack can explode in a fire. Toxic fumes and materials are created when lithium-ion battery packs are burned.
- **If battery contents come into contact with the skin, immediately wash area with mild soap and water.** If battery liquid gets into the eye, rinse water over the open eye for 15 minutes or until irritation ceases. If medical attention is needed, the battery electrolyte is composed of a mixture of liquid organic carbonates and lithium salts.
- **Contents of opened battery cells may cause respiratory irritation.** Provide fresh air. If symptoms persists, seek medical attention.



WARNING: Burn hazard. Battery liquid may be flammable if exposed to spark or flame.



WARNING: Never attempt to open the battery pack for any reason. If battery pack case is cracked or damaged, do not insert into charger. Do not crush, drop or damage battery pack. Do not use a battery pack or charger that has received a sharp blow, been dropped, run over or damaged in any way (i.e., pierced with a nail, hit with a hammer, stepped on). Electric shock or electrocution may result. Damaged battery packs should be returned to service centre for recycling.



WARNING: Fire hazard. Do not store or carry the battery pack so that metal objects can contact exposed battery terminals. For example, do not place the battery pack in aprons, pockets, tool boxes, product kit boxes, drawers, etc., with loose nails, screws, keys, etc.



CAUTION: When not in use, place tool on its side on a stable surface where it will not cause a tripping

or falling hazard. Some tools with large battery packs will stand upright on the battery pack but may be easily knocked over.

Transportation



WARNING: Fire hazard. Transporting batteries can possibly cause fire if the battery terminals inadvertently come in contact with conductive materials. When transporting batteries, make sure that the battery terminals are protected and well insulated from materials that could contact them and cause a short circuit.

DEWALT batteries comply with all applicable shipping regulations as prescribed by industry and legal standards which include UN Recommendations on the Transport of Dangerous Goods; International Air Transport Association (IATA) Dangerous Goods Regulations, International Maritime Dangerous Goods (IMDG) Regulations, and the European Agreement Concerning The International Carriage of Dangerous Goods by Road (ADR). Lithium-ion cells and batteries have been tested to section 38.3 of the UN Recommendations on the Transport of Dangerous Goods Manual of Tests and Criteria.

In most instances, shipping a DEWALT battery pack will be excepted from being classified as a fully regulated Class 9 Hazardous Material. In general, only shipments containing a lithium-ion battery with an energy rating greater than 100 Watt Hours (Wh) will require being shipped as fully regulated Class 9. All lithium-ion batteries have the Watt Hour rating marked on the pack. Furthermore, due to regulation complexities, DEWALT does not recommend air shipping lithium-ion battery packs alone regardless of Watt Hour rating. Shipments of tools with batteries (combo kits) can be air shipped as excepted if the Watt Hour rating of the battery pack is no greater than 100 Whr.

Regardless of whether a shipment is considered excepted or fully regulated, it is the shipper's responsibility to consult the latest regulations for packaging, labeling/marketing and documentation requirements.

The information provided in this section of the manual is provided in good faith and believed to be accurate at the time the document was created. However, no warranty, expressed or implied, is given. It is the buyer's responsibility to ensure that its activities comply with the applicable regulations.

Storage Recommendations

1. The best storage place is one that is cool and dry away from direct sunlight and excess heat or cold. For optimum battery performance and life, store battery packs at room temperature when not in use.
2. For long storage, it is recommended to store a fully charged battery pack in a cool, dry place out of the charger for optimal results.

NOTE: Battery packs should not be stored completely depleted of charge. The battery pack will need to be recharged before use.

Labels on Charger and Battery Pack

In addition to the pictographs used in this manual, the labels on the charger and the battery pack may show the following pictographs:



Read instruction manual before use.



See **Technical Data** for charging time.



Do not probe with conductive objects.



Do not charge damaged battery packs.



Do not expose to water.



Have defective cords replaced immediately.



Charge only between 4 °C and 40 °C.



Only for indoor use.



Discard the battery pack with due care for the environment.

LI-ION



Charge DEWALT battery packs only with designated DEWALT chargers. Charging battery packs other than the designated DEWALT batteries with a DEWALT charger may make them burst or lead to other dangerous situations.



Do not incinerate the battery pack.

Battery Type

The DCD710 operates on a 10.8 volt battery pack.

These battery packs may be used: DCB123, DCB125, DCB127. Refer to **Technical Data** for more information.

Package Contents

The package contains:

- 1 Drill/driver
 - 1 Charger
 - 1 Li-Ion battery pack (C1, S1, D1 models)
 - 2 Li-Ion battery packs (C2, S2, D2 models)
 - 3 Li-Ion battery packs (C3, S3, D3 models)
 - 1 Kitbox
 - 1 Instruction manual
- Check for damage to the tool, parts or accessories which may have occurred during transport.
 - Take the time to thoroughly read and understand this manual prior to operation.

Markings on Tool

The following pictograms are shown on the tool:



Read instruction manual before use.

Date Code Position

The date code, which also includes the year of manufacture, is printed into the housing.

Example:

2016 XX XX

Year of Manufacture

Description (Fig. A)



WARNING: Never modify the power tool or any part of it. Damage or personal injury could result.

- 1 Variable speed trigger switch
- 2 Forward/reverse button
- 3 Torque adjustment collar
- 4 Gear shifter
- 5 Keyless chuck
- 6 Battery release button
- 7 Battery pack
- 8 Worklight

Intended Use

This drill/driver is designed for light fastening and drilling applications.

DO NOT use under wet conditions or in the presence of flammable liquids or gases.

This drill/driver is a professional power tool.

DO NOT let children come into contact with the tool. Supervision is required when inexperienced operators use this tool.

- **Young children and the infirm.** This appliance is not intended for use by young children or infirm persons without supervision.
- This product is not intended for use by persons (including children) suffering from diminished physical, sensory or mental abilities; lack of experience, knowledge or skills unless they are supervised by a person responsible for their safety. Children should never be left alone with this product.

ASSEMBLY AND ADJUSTMENTS



WARNING: To reduce the risk of serious personal injury, place the forward/reverse button in the lock-off position or turn tool off and disconnect battery pack before making any adjustments or removing/installing attachments or accessories. An accidental start-up can cause injury.



WARNING: Use only DEWALT battery packs and chargers.

Inserting and Removing the Battery Pack from the Tool (Fig. C)

NOTE: Make sure your battery pack 7 is fully charged.

To Install the Battery Pack into the Tool Handle

1. Align the battery pack 7 with the rails inside the tool's handle.
2. Slide it into the handle until the battery pack is firmly seated in the tool and ensure that you hear the lock snap into place.

To Remove the Battery Pack from the Tool

1. Press the release button 6 and firmly pull the battery pack out of the tool handle.
2. Insert battery pack into the charger as described in the charger section of this manual.

OPERATION

Instructions for Use



WARNING: Always observe the safety instructions and applicable regulations.



WARNING: To reduce the risk of serious personal injury, place the forward/reverse button in the lock-off position or turn tool off and disconnect battery pack before making any adjustments or removing/installing attachments or accessories. An accidental start-up can cause injury.

Proper Hand Position (Fig. A, H)



WARNING: To reduce the risk of serious personal injury, ALWAYS use proper hand position as shown.



WARNING: To reduce the risk of serious personal injury, ALWAYS hold securely in anticipation of a sudden reaction.

Proper hand position requires one hand on the main handle 9.

Variable Speed Trigger Switch (Fig. A)

To turn the tool on, squeeze the trigger switch 1. To turn the tool off, release the trigger switch. Your tool is equipped with a brake. The chuck will stop when the trigger switch is fully released.

The variable speed switch enables you to select the best speed for a particular application. The further you squeeze the trigger, the faster the tool will operate. For maximum tool life, use variable speed only for starting holes or fasteners

NOTE: Continuous use in variable speed range is not recommended. It may damage the switch and should be avoided.

Forward/Reverse Control Button (Fig. A)

A forward/reverse control button 2 determines the direction of the tool and also serves as a lock-off button.

To select forward rotation, release the trigger switch and depress the forward/reverse control button on the right side of the tool.

To select reverse, depress the forward/reverse control button on the left side of the tool. The center position of the control button locks the tool in the off position. When changing the position of the control button, be sure the trigger is released.

NOTE: The first time the tool is run after changing the direction of rotation, you may hear a click on start up. This is normal and does not indicate a problem.

Worklight (Fig. A)

There is a worklight **8** located under the torque adjustment collar **3**. The worklight will be activated when the trigger switch is squeezed.

NOTE: The worklight is for lighting the immediate work surface and is not intended to be used as a flashlight.

Torque Adjustment Collar (Fig. A)

The torque adjustment collar **3** is clearly marked with numbers and a drill bit symbol. The collar should be rotated until the desired setting is located at the top of the tool. Locators are provided in the collar to eliminate the guess work when selecting fastening torque. The higher the number on the collar, the higher the torque and the larger the fastener which can be driven. To lock the clutch for drilling operations, move to the drill bit position.

NOTE: When using the drill/driver for drilling holes, be sure that the torque adjusting collar is set so the figure of the drill is aligned with the center line on the top of the tool. Failure to do this will allow the clutch to slip while attempting to drill.

Dual Range Gearing (Fig. A, D)

The dual range feature of your driver/drill allows you to shift gears for greater versatility.

To select the low speed, high torque setting, turn the tool off and permit to stop. Slide the gear shifter **4** forward (towards the chuck). To select the high speed, low torque setting, turn the tool off and permit to stop. Slide the gear shifter back (away from chuck).

NOTE: Do not change gears when the tool is running. If you are having trouble changing gears, make sure that the dual range gear shifter is either completely pushed forward or completely pushed back.

Keyless Single Sleeve Chuck (Fig. E)

Your tool features a keyless chuck with one rotating sleeve for one-handed operation of the chuck. To insert a drill bit or other accessory, follow these steps.

1. Lock the trigger in the OFF position as previously described.
2. Grasp the black sleeve of the chuck with one hand and use the other hand to secure the tool. Rotate the sleeve counterclockwise far enough to accept the desired accessory.
3. Insert the accessory about 19 mm into the chuck and tighten securely by rotating the chuck sleeve clockwise with one hand while holding the tool with the other. Your tool is equipped with an automatic spindle lock mechanism. This allows you to open and close the chuck with one hand.

To release the accessory, repeat step 2 above.



WARNING: Do not attempt to tighten drill bits (or any other accessory) by gripping the front part of the chuck and turning the tool on. Damage to the chuck and personal injury may result. Always lock off trigger switch when changing accessories.

Be sure to tighten chuck with one hand on the chuck sleeve and one hand holding the tool for maximum tightness.

Chuck Removal (Fig. F)

Turn the adjustment collar to the "drill" position and gear shifter to position 1 (low speed). Tighten the chuck around the shorter end of a hex key (not supplied) of 6.35 mm or greater size. Using a wooden mallet or similar object, strike the longer end in the clockwise direction, as shown. This will loosen the screw inside the chuck.

Open chuck jaws fully, insert screwdriver (or Torx tool if required) into front of chuck between jaws to engage screw head. Remove screw by turning clockwise (left-hand-thread). Place hex key in chuck and tighten, as shown in Figure F. Using a wooden mallet or similar object, strike key sharply in the counterclockwise direction. This will loosen the chuck so that it can be unscrewed by hand.

Chuck Installation (Fig. G)

Screw the chuck on by hand as far as it will go and insert screw (left-hand thread). Tighten screw securely. Tighten the chuck around the shorter end of a 6.35 mm or larger hex key (not supplied) strike the longer end in the clockwise direction with a wooden mallet, as shown. Tighten the screw once again by turning in a counterclockwise direction.

Drill Operation



WARNING: To reduce the risk of serious personal injury, turn tool off and disconnect tool from power source before making any adjustments or removing/installing attachments or accessories.



WARNING: To reduce the risk of personal injury, ALWAYS ensure workpiece is anchored or clamped firmly. If drilling thin material, use a wood "back-up" block to prevent damage to the material.

Turn the collar to the drill bit symbol for drilling. Select the desired speed/torque range using the gear shifter to match the speed and torque to the planned operation.

1. Use sharp drill bits only. For WOOD, use twist drill bits, spade bits, or hole saws. For METAL, use high-speed steel (HSS) twist drill bits or hole saws.
2. Always apply pressure in a straight line with the bit. Use enough pressure to keep drill biting, but do not push hard enough to stall the motor or deflect the bit.
3. Hold tool firmly with both hands to control the twisting action of the drill.



WARNING: The drill may stall if overloaded causing a sudden twist. Always expect the stall. Grip the drill firmly with both hands to control the twisting action and avoid injury.

- IF DRILL STALLS**, it is usually because it is being overloaded or improperly used. **RELEASE TRIGGER IMMEDIATELY**, remove drill bit from work, and determine cause of stalling. **DO NOT CLICK TRIGGER ON AND OFF IN AN ATTEMPT TO START A STALLED DRILL — THIS CAN DAMAGE THE DRILL.**
- To minimize stalling or breaking through the material, reduce pressure on drill and ease the bit through the last fractional part of the hole.
- Keep the motor running when pulling the bit back out of a drilled hole. This will help prevent jamming.
- With variable speed drills there is no need to center punch the point to be drilled. Use a slow speed to start the hole and accelerate by squeezing the trigger harder when the hole is deep enough to drill without the bit skipping out.

Operation as a Screwdriver

Select the desired speed/torque range using the dual range gear shifter on the top of tool to match the speed and torque to the planned operation.

Insert the desired fastener accessory into the chuck as you would any drill bit. Make a few practice runs in scrap or unseen areas to determine the proper position of the clutch collar.

MAXIMUM RECOMMENDED CAPACITIES

	Low Range—1	High Range—2
Bits, Metal Drilling	6.35 mm	3.18 mm
Wood, Flat Boring	19.05 mm	12.7 mm
Hole Saws	19.05 mm	15.88 mm

MAINTENANCE

Your DEWALT power tool has been designed to operate over a long period of time with a minimum of maintenance. Continuous satisfactory operation depends upon proper tool care and regular cleaning.

WARNING: To reduce the risk of serious personal injury, place the forward/reverse button in the lock-off position or turn tool off and disconnect battery pack before making any adjustments or removing/installing attachments or accessories. An accidental start-up can cause injury.

The charger and battery pack are not serviceable.



Lubrication

Your power tool requires no additional lubrication.



Cleaning

WARNING: Blow dirt and dust out of the main housing with dry air as often as dirt is seen collecting in and around the air vents. Wear approved eye protection and approved dust mask when performing this procedure.

WARNING: Never use solvents or other harsh chemicals for cleaning the non-metallic parts of the tool. These chemicals may weaken the materials used in these parts. Use a cloth dampened only with water and mild soap. Never let any liquid get inside the tool; never immerse any part of the tool into a liquid.

Optional Accessories

WARNING: Since accessories, other than those offered by DEWALT, have not been tested with this product, use of such accessories with this tool could be hazardous. To reduce the risk of injury, only DEWALT recommended accessories should be used with this product.

Consult your dealer for further information on the appropriate accessories.

Protecting the Environment



Separate collection. Products and batteries marked with this symbol must not be disposed of with normal household waste.



Products and batteries contain materials that can be recovered or recycled reducing the demand for raw materials. Please recycle electrical products and batteries according to local provisions. Further information is available at www.2helpU.com.

Rechargeable Battery Pack

This long life battery pack must be recharged when it fails to produce sufficient power on jobs which were easily done before. At the end of its technical life, discard it with due care for our environment:

- Run the battery pack down completely, then remove it from the tool.
- Li-Ion cells are recyclable. Take them to your dealer or a local recycling station. The collected battery packs will be recycled or disposed of properly.

БЕЗДРОТОВА ДРИЛЬ/ШУРУПОКРУТ 10,8 В З РЕГУЛЬОВАНОЮ МУФТОЮ DCD710

Вітаємо вас!

Ви обрали інструмент DEWALT. Великий досвід компанії у розробці інструментів та постійна робота над їх вдосконаленням роблять компанію DEWALT надійним партнером професійних користувачів.

Технічні характеристики

		DCD710	
Напруга	$V_{\text{ак}}$	10,8	
Тип		2/3/4	
Тип батареї		Літій-іонний	
Швидкість без навантаження:			
1-а швидкість	хв. ⁻¹	0–400	
2-а швидкість	хв. ⁻¹	0–1500	
Макс. крутний момент (твердий/м'який)	Нм	24/15	
Вихідна потужність (MWO)	Вт	180	
Найбільший діаметр виробу, що затискається в патроні		10	
Максимальна глибина свердління:			
Деревина	мм	20	
Метал	мм	10	
Вага (без акумулятора)	кг	0,91	
Значення рівня шуму та вібрації (триаксимальна векторна сума) відповідно до стандарту EN60745-2-1:			
$L_{\text{рк}}$ (рівень тиску звукового випромінювання)	дБ(А)	65	
$L_{\text{вн}}$ (рівень звукового тиску)	дБ(А)	76	
K (похибка для даного рівня гучності)	дБ(А)	3	
Значення вібрації $a_h =$			
Похибка K =	м/с ²	< 2,5	
	м/с ²	1,5	

Значення вібрації, що наведено в цьому документі, було виміряне згідно зі стандартизованим тестом, викладеним у стандарті EN60745, та може використовуватись для порівняння інструментів. Це значення вібрації можна також використовувати для попередньої оцінки впливу вібрації.



УВАГА! *Задеклароване значення вібрації відповідає основному використанню інструменту. Але якщо інструмент використовується для виконання інших завдань, з іншими витратними матеріалами/ аксесуарами або погано обслуговується, значення вібрації може відрізнятись. Це може значно збільшити рівень впливу протягом усього періоду роботи.*

Оцінка рівню впливу вібрації має враховувати час вимкненя інструменту та роботу інструменту без виконання певних завдань. Це може значно

збільшити рівень впливу протягом усього періоду роботи.

Визначення додаткових заходів безпеки для захисту оператора від впливу вібрації: технічне обслуговування інструменту та аксесуарів, утримання рук у теплі, організація режиму роботи.

Акумулятор	DCB123	DCB125	DCB127	
Тип батареї	Літій-іонний	Літій-іонний	Літій-іонний	
Напруга	BDC 10,8	10,8	10,8	
Ємність	Ампер-годин	1,5	1,3	2,0
Маса	кг	0,2	0,2	0,2

Зарядний пристрій		DCB107		
Напруга мережі	$V_{\text{ак}}$	230		
Тип батареї		10.8/14.4/18 літій-іонна		
Приблизний час зарядки акумулятора	хв.	60 (1,3 Ампер-годин)	70 (1,5 Ампер-годин)	90 (2,0 Ампер-годин)
		140 (3,0 Ампер-годин)	185 (4,0 Ампер-годин)	240 (5,0 Ампер-годин)
Маса	кг	0,29		

Зарядний пристрій		DCB113		
Напруга мережі	$V_{\text{ак}}$	230		
Тип батареї		10.8/14.4/18 літій-іонна		
Приблизний час зарядки акумулятора	хв.	30 (1,3 Ампер-годин)	35 (1,5 Ампер-годин)	50 (2,0 Ампер-годин)
		70 (3,0 Ампер-годин)	100 (4,0 Ампер-годин)	120 (5,0 Ампер-годин)
Маса	кг	0,4		

Зарядний пристрій		DCB115		
Напруга мережі	$V_{\text{ак}}$	230		
Тип батареї		10.8/14.4/18 літій-іонна		
Приблизний час зарядки акумулятора	хв.	22 (1,3 Ампер-годин)	22 (1,5 Ампер-годин)	30 (2,0 Ампер-годин)
		45 (3,0 Ампер-годин)	60 (4,0 Ампер-годин)	75 (5,0 Ампер-годин)
Маса	кг	0,5		

Декларація про відповідність ЄС

ДИРЕКТИВА ДЛЯ МЕХАНІЧНОГО ОБЛАДНАННЯ



Бездротова дріль/шурупокрут 10,8 В з регульованою муфтою DCD710

Компанія DEWALT заявляє, що ці продукти, описані у розділі **Технічні дані** відповідають наступним стандартам: 2006/42/ЕС, EN60745-1:2009+A11:2010, EN60745-2-1:2010.

Ці продукти також відповідають вимогам Директив 2014/30/EU і 2011/65/EU. Для отримання додаткової інформації, будь ласка, зверніться до компанії DEWALT за наступною адресою або прочитайте інформацію на зворотній стороні цього керівництва.

Нижчепідписаний несе відповідальність за упорядкування файлу технічних характеристик та робить цю заяву від імені компанії DEWALT.

Маркус Ромпель (Markus Rompel)
технічний директор
DEWALT, Richard-Klinger-Straße 11,
D-65510, Idstein, Німеччина
09.12.2016



УВАГА! Уважно прочитайте керівництво з експлуатації для зниження ризику отримання травм.

Позначення: інструкції з техніки безпеки

Умовні позначення, що наведені нижче, описують рівень важливості кожної попереджувальної вказівки. Будь ласка, прочитайте керівництво та звертайте увагу на наступні символи.



НЕБЕЗПЕКА! Вказує на безпосередню загрозу, яка, якщо її не уникнути, призведе до смерті або серйозної травми.



УВАГА! Вказує на потенційну загрозу, яка, якщо її не уникнути, може призвести до смерті або серйозної травми.



ОБЕРЕЖНО! Вказує на потенційну загрозу, яка, якщо її не уникнути, може призвести до травми незначної або середньої важкості.

ПРИМІТКА. Вказує на ситуацію, не пов'язану в особистою травмою, яка, якщо її не уникнути, може призвести до пошкодження майна.



Вказує на ризик ураження електричним струмом.



Вказує на ризик виникнення пожежі.

Загальні правила безпеки при експлуатації електричних інструментів



УВАГА! Ознайомтесь з повним переліком інструкцій та попереджень. Невиконання наведених попереджень та інструкцій може призвести до ураження електричним струмом, пожежі та/або серйозних травм.

ЗБЕРЕЖІТЬ ВСІ ДРУКОВАНІ ЕКЗЕМПЛЯРИ ІНСТРУКЦІЙ ТА ПОПЕРЕДЖЕНЬ ДЛЯ ПОДАЛЬШОГО ВИКОРИСТАННЯ.

Термін «електричний інструмент» в усіх попередженнях стосується використовуваних вами інструментів, що працюють від мережі енергоспоживання (з використанням електричного кабелю) або акумуляторів (без кабелю).

1) Безпека робочої зони

- Тримайте робочу зону чистою та добре освітленою.** Неупорядковані та темні робочі зони збільшують ймовірність нещасного випадку.
- Не використовуйте електричні інструменти у вибухонебезпечній атмосфері, наприклад, в присутності вогненебезпечних рідин, газів та пилю.** Електричні інструменти створюють іскри, що можуть запалити пил або випаровування.
- Тримайте дітей та сторонніх подалі під час використання інструменту.** Відвернення уваги може призвести до втрати контролю.

2) Електрична безпека

- Вилка електричного інструменту має відповідати розетці. Ніколи жодним чином не змінюйте вилку. Не використовуйте адаптери із заземленими електричними інструментами.** Немодифіковані вилки та розетки, що підходять до них, зменшують ризик ураження електричним струмом.
- Уникайте контакту тіла з заземленими поверхнями, такими як труби, радіатори, плити та холодильники.** Якщо ваше тіло заземлене, збільшується ризик ураження електричним струмом.
- Не залишайте електричні інструменти під дощем або в умовах підвищеної вологості.** Вода, що потрапляє в електричний інструмент, підвищує ризик ураження електричним струмом.
- Не використовуйте кабель живлення не за призначенням. Ніколи не використовуйте шнур для перенесення, витягування та відключення від розетки живлення електричного інструмента. Тримайте шнур подалі від високих температур, мастила, гострих предметів та рухомих деталей.** Пошкоджені або перекручені шнури підвищують ризик враження електричним струмом.

- e) **При використанні електричного інструменту на вулиці, використовуйте подовжувачий шнур, що підходить для використання на вулиці.** Використання шнура, що підходить для вулиці, знижує ризик ураження електричним струмом.
- f) **Якщо неможливо уникнути використання електричного інструменту в умовах підвищеної вологості, використовуйте живлення, захищене пристроєм залишкового струму (RCD).** Використання RCD знижує ризик ураження електричним струмом.

3) Особиста безпека

- a) **Будьте в стані готовності, дивіться, що ви робите, та використовуйте загальний глузд, коли ви працюєте з електричним інструментом. Не використовуйте електричний інструмент, коли ви втомлені або знаходитесь під впливом наркотичних речовин, алкоголю або ліків.** Втрата уваги при роботі з електричним інструментами може призвести до серйозних травм.
- b) **Використовуйте особисті засоби безпеки. Завжди використовуйте засоби захисту очей.** Засоби безпеки, такі як протипилова маска, неслизькі безпечні черевки, захисний шолом та засоби захисту слухового апарату, які використані для відповідних умов, зменшують імовірність особистих травм.
- c) **Уникнення випадкового запуску. Переконайтесь в тому, що вимикач знаходиться в позиції Вимк. перед підключенням до джерела живлення та/або акумулятора, переміщенням або перенесенням пристрою.** Перенесення інструменту, тримаючи палець на вимикачі, або підключення живлення з перемикачем в позиції Увімк. може призвести до нещасного випадку.
- d) **Зніміть всі налаштувальні ключі або гайкові ключі перед тим, як вмикати електричний інструмент.** Гайковий ключ, що залишився прикріпленим до якоїсь деталі електричного пристрою, що обертається, може призвести до травм.
- e) **Не перенапружуйтесь. Завжди утримуйте правильну постановку ніг і рівновагу.** Це дає вам змогу краще контролювати інструмент в неочікуваних ситуаціях.
- f) **Вдягайтеся відповідним чином. Не вдягайте вільний одяг або прикраси. Тримайте ваше волосся, одяг та рукавички подалі від рухомих деталей.** Вільний одяг, прикраси або довге волосся може зачепитися за рухомі деталі.
- g) **Якщо передбачені пристрої для підключення до засобів виділення та збирання пилу, переконайтесь, що вони правильно підключені та використовуються.** Використання таких

пристроїв зменшує ризик виникнення небезпечних ситуацій, що пов'язані з потраплянням пилу.

4) Використання електричного інструмента та догляд за ним

- a) **Не використовуйте надмірні зусилля при роботі з інструментом. Використовуйте відповідний електричний інструмент для вашого застосування.** Правильно обраний інструмент виконає завдання краще та безпечніше за умов, для яких він був розроблений.
- b) **Не використовуйте інструмент, вмикач якого не вмикає та не вмикає його.** Будь-який електричний інструмент, який не може управлятися вмикачем, є небезпечним і має бути відремонтований.
- c) **Відключіть вилку від джерела живлення перед тим, як робити будь-які налаштування, зміни додаткового обладнання чи зберігати інструмент.** Ці профілактичні заходи зменшують ризик випадкового запуску електричного інструменту.
- d) **Бережіть вимкнені електричні інструменти від дітей та не дозволяйте особам, що не знайомі з електричним інструментом або цими інструкціями використовувати електричний інструмент.** Електричні інструменти є небезпечними, якщо вони використовуються некваліфікованими користувачами.
- e) **Технічне обслуговування електричних інструментів. Перевіряйте на відсутність вирівнювання або заїдання рухомих деталей, ушкоджених частин та інших умов, що можуть впливати на роботу електричного інструменту. Якщо є ушкодження, відремонтуйте електричний інструмент перед використанням.** Багато нещасних випадків є результатом того, що інструмент не пройшов відповідного технічного обслуговування.
- f) **Тримайте ріжучі інструменти гострими та чистими.** Правильно доглянуті ріжучі інструменти з гострими ріжучими кромками мають меншу ймовірність заїдання, та ними легше керувати.
- g) **Використовуйте електричний інструмент, додаткові інструменти та деталі інструменту тощо у відповідності до цих інструкцій та відповідно до даного типу електричних інструментів, зважаючи на умови використання та роботу, яка має бути виконана.** Використання електричних інструментів не за призначенням може призвести до виникнення небезпечних ситуацій.

5) Використання та догляд за інструментом, що працює від акумулятора

- Заряджайте інструмент лише за допомогою зарядного пристрою, що вказаний виробником.**
Зарядний пристрій, що підходить до одного типу акумуляторів, може призвести до пожежі, коли використовується з іншим акумулятором.
- Використовуйте електричні інструменти лише зі спеціально розробленим акумулятором.**
Використання інших акумуляторів може призвести до травм або пожежі.
- Коли акумулятори не використовуються, зберігайте їх подалі від металевих предметів, як скріпки, монети, ключі, цвяхи, гвинти або інші невеликі предмети, що можуть призвести до замикання двох контактів.** Зімкнення терміналів акумулятора може призвести до вибуху або пожежі.
- За невідповідних умов використання рідина може витікати з батареї, уникайте контакту з цією рідиною. Якщо стався випадковий контакт, промийте відповідне місце водою. Якщо рідина потрапила в очі, необхідно звернутися до лікаря.** Рідина, що витікає з батареї, може призвести до подразнень та опіків.

6) Обслуговування

- Надавайте ваш електричний інструмент для обслуговування кваліфікованим спеціалістом з ремонту та використовуйте тільки ідентичні замініні деталі.** Це забезпечить безпеку електричного пристрою, що обслуговується.

Додаткові правила з техніки безпеки при роботі дрелями/шурупокрутами

- **Використовуйте засоби захисту органів слуху при роботі з ударним дрелем.** Шум може викликати втрату слуху.
- **Використовуйте додаткову ручку (ручки), якщо вона надається з інструментом.** Втрата контролю над інструментом може викликати травми.
- **Тримайте інструмент за ізольовану поверхню при виконанні операції коли ріжучі аксесуари можуть торкнутися проводки або власного кабелю.** Ріжучі елементи при контакті з дротом під напругою можуть призвести до появи напруги в інструменті та ураження оператора електричним струмом.

Залишкові ризики

Навіть при виконанні всіх відповідних правил техніки безпеки та використанні пристроїв безпеки неможливо уникнути деяких залишкових ризиків. А саме:

- *Порушення слуху.*
- *Ризик травм через летючі частинки.*

- *Ризик опіків через нагрівання аксесуарів під час роботи.*
- *Ризик травм через занадто тривале використання.*

Електрична безпека

Електричний двигун розроблений для роботи лише з одним значенням напруги. Завжди перевіряйте, що напруга акумулятора відповідає напрузі, що вказана в технічних даних. Також переконайтесь, що напруга зарядного пристрою відповідає напрузі мережі живлення.



Ваш зарядний пристрій виробництва компанії DEWALT має подвійну ізоляцію відповідно до EN60335; тому заземлення не є необхідним.

Якщо кабель живлення пошкоджений, його необхідно замінити на спеціальний кабель, який доступний через офіційні сервісні центри DEWALT.

Заміна мережевої вилки (тільки для Великобританії та Ірландії)

Якщо потрібно встановити нову вилку, виконайте кілька дій:

- *Зніміть стару вилку та утилізуйте її, дотримуючись правил техніки безпеки.*
- *Приєднайте коричневий провідник до активного виходу вилки.*
- *Приєднайте блакитний провідник до нейтрального виходу.*



УВАГА! Жоден провідник не повинен бути підключений до клеми заземлення.

Дотримуйтесь інструкцій щодо налаштування, що постачаються з якісними вилками. Плавкий запобіжник, що рекомендується: 3 А.

Використання електричного подовжувача

Використовуйте подовжуючий шнур лише за умови, що це абсолютно необхідно. Використовуйте лише рекомендований подовжуючий шнур, що відповідає споживаній потужності вашого зарядного пристрою (див. **Технічні дані**). Мінімальний розмір провідника становить 1 мм²; максимальна довжина — 30 м.

При використанні кабельного барабану завжди витягуйте весь кабель.

ЗБЕРЕЖІТЬ ЦІ ІНСТРУКЦІЇ

Зарядні пристрої

Зарядні пристрої DCB107, DCB113 і DCB115 приймають літій-іонні акумулятори XR 10,8 В, 14,4 В і 18В (DCB123, DCB125, DCB127, DCB140, DCB141, DCB142, DCB143, DCB144, DCB145, DCB180, DCB181, DCB182, DCB183, DCB183B, DCB184, DCB184B і DCB185).

Зарядні пристрої DEWALT не вимагають налаштувань і розроблені для максимально простого використання.

Важливі інструкції з техніки безпеки для всіх зарядних пристроїв

ЗБЕРЕЖІТЬ ЦІ ІНСТРУКЦІЇ! У цьому керівництві містяться важливі інструкції з техніки безпеки та використання для сумісних зарядних пристроїв (див. **Технічні дані**).

- Перед використанням зарядного пристрою прочитайте всі інструкції та попередження на зарядному пристрої, батареях та продукті, для якого ці батареї використовуються.

! **УВАГА!** Небезпека ураження електричним струмом. Не дозволяйте рідині потрапити у зарядний пристрій. Це може призвести до ураження електричним струмом.

! **УВАГА!** Ми рекомендуємо використовувати пристрій залишкового струму із залишковим струмом 30 мА або менше.

! **ОБЕРЕЖНО!** Небезпека опіку. Для зниження ризику виникнення травм заряджайте лише акумулятори DEWALT. Інші типи батарей можуть вибухнути, спричиняючи травми та пошкодження майна.

! **ОБЕРЕЖНО!** Діти повинні знаходитись під контролем, щоб гарантувати, що вони не будуть грати з пристроєм.

ПРИМІТКА. За певних умов, коли зарядний пристрій підключений до мережі живлення, незахищені контакти всередині зарядного пристрою можуть замкнутися якимось стороннім предметом. Сторонні предмети, що проводять струм, наприклад, металева стружка, алюмінієва фольга або будь-які металеві деталі необхідно зберігати подалі від зарядного пристрою. Завжди відключайте зарядний пристрій від розетки, коли батарея не встановлена в зарядний пристрій. Відключіть зарядний пристрій від мережі живлення перед його очищенням.

- **НЕ намагайтесь заряджати акумулятор зарядними пристроями, що не вказані у цьому керівництві.** Зарядний пристрій та батареї спеціально розроблені так, щоб працювати разом.
- **Ці зарядні пристрої не призначені ні для чого іншого, крім зарядки акумуляторів DEWALT.** Інші способи використання можуть призвести до виникнення пожежі або ураження електричним струмом.
- **Не піддавайте зарядний пристрій впливу дощу або снігу.**
- **При відключенні зарядного пристрою від мережі живлення тягніть за вилку, а не за кабель.** Це зменшить ризик пошкодження вилки та кабелю.
- **Переконайтесь, що кабель розміщений так, щоб на нього не наступати, не ходити по ньому та не піддавати його іншому фізичному впливу.**
- **Не використовуйте подовжуючий шнур за винятком випадків, коли це абсолютно необхідно.** Використання невідповідних подовжуючих шнурів може призвести до пожежі або ураження електричним струмом.
- **Не кладіть ніяких предметів на зарядний пристрій та не залишайте зарядний пристрій на м'якій поверхні, що може заблокувати вентиляційні отвори та призвести до надмірного нагрівання.** Розташуйте зарядний пристрій подалі від джерел

тепла. Зарядний пристрій вентилюється крізь отвори у верхній та нижній частинах корпусу.

- **Не використовуйте зарядний пристрій з пошкодженим кабелем або вилкою** — їх потрібно негайно замінити.
- **Не використовуйте зарядний пристрій після того, як він отримав різкий удар, впаав або був пошкоджений іншим чином.** Віднесіть його в авторизований сервісний центр.
- **Не розбирайте зарядний пристрій; віднесіть його в авторизований сервісний центр, коли він вимагає технічного обслуговування або ремонту.** Невірні способи використання можуть призвести до виникнення пожежі або ураження електричним струмом.
- У випадку пошкодження кабелю живлення його необхідно негайно замінити, звернувшись до виробника, спеціаліста сервісного центру або іншого кваліфікованого спеціаліста для уникнення небезпеки.
- **Відключіть зарядний пристрій від розетки перед його очищенням.** Це дозволяє знизити ризик ураження електричним струмом. Видалення акумулятору не знижує ризик.
- **НІКОЛИ не намагайтесь з'єднати два зарядні пристрої.**
- **Цей зарядний пристрій розрахований для роботи зі стандартним побутовим навантаженням електричної потужності 230 В. Не намагайтесь використовувати його з іншою напругою.** Це не стосується автомобільних зарядних пристроїв.

Зарядка батареї (рис. В)

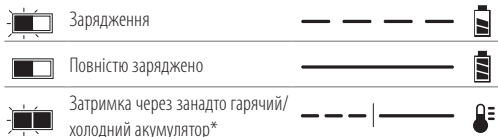
1. Підключіть зарядний пристрій до відповідної розетки перед встановленням акумулятора.
2. Вставте акумулятор **7** у зарядний пристрій, переконавшись, що акумулятор до кінці встановлено у зарядний пристрій. Червоний індикатор (зарядки) буде часто миготіти, вказуючи на початок процесу зарядки.
3. Про завершення зарядки свідчить червоний індикатор, який горить постійно та не миготить. Це означає, що акумулятор повністю заряджений, може використовуватися відразу або залишатися у зарядному пристрої. Щоб витягнути акумулятор із зарядного пристрою, натисніть кнопку відпускання акумулятора **6** на акумуляторі.

ПРИМІТКА. Щоб забезпечити максимальну продуктивність та тривалість роботи літій-іонних батарей, повністю заряджайте їх перед першим використанням.

Робота зарядного пристрою

Нижче описані індикатори стану зарядки акумулятора.

Індикатори зарядки: DCB107, DCB113, DCB115



*DCB107, DCB113, DCB115: червоний індикатор буде продовжувати миготіти, а жовтий індикатор буде горіти під час виконання цього завдання. Коли акумулятор досягає відповідної температури, жовтий індикатор вимикається, а зарядний пристрій відновить процес зарядки.

Сумісний зарядний пристрій не буде заряджати несправний акумулятор. Зарядний пристрій вкаже на несправність акумулятору наступним чином: індикатор не загориться, з'явиться повідомлення про помилку акумулятора або зарядний пристрій почне миготіти.

ПРИМІТКА. Це також може свідчити про проблему з зарядним пристроєм.

Якщо виявлено проблему із зарядним пристроєм, віднесіть зарядний пристрій та акумулятор для перевірки в авторизований сервісний центр.

Затримка через занадто гарячий/холодний акумулятор

Якщо зарядний пристрій визначає, що акумулятор є занадто гарячим або занадто холодним, він автоматично вмикає режим температурної затримки, припиняючи процес зарядки, доки акумулятор не досягне відповідної температури. Після цього зарядний пристрій автоматично перемикається в режим зарядки акумуляторного блоку. Ця функція забезпечує максимальний термін служби акумулятора.

Холодний акумулятор буде заряджатися повільніше у порівнянні з теплим акумулятором. Акумулятор буде заряджатися повільніше протягом всього циклу зарядки та не повернеться до максимальної швидкості зарядки, навіть якщо нагріється.

Електронна система захисту

Інструменти з літій-іонними акумуляторами XR розроблені з використанням системи електронного захисту, яка захищає акумулятор від перенавантаження, перегрівання або глибокої розрядки.

Пристрій автоматично вимикається, якщо спрацьовує система електронного захисту. У цьому випадку встановіть літій-іонний акумулятор у зарядний пристрій до повної зарядки.

Кріплення на стіну

DCB107, DCB113, DCB115

Ці зарядні пристрої можна закріпити на стіні, а також поставити на стіл або іншу робочу поверхню. При кріпленні на стіну розташуйте зарядний пристрій недалеко від електричної розетки, а також подалі від кутів та інших перешкод, що заважають повітряному потоку. Скористайтесь задньою частиною зарядного пристрою в якості шаблону

для розташування кріпильних гвинтів на стіні. Надійно зафіксуйте зарядний пристрій за допомогою шурупів (потрібно придбати окремо) довжиною приблизно 25,4 мм з голівкою діаметром 7–9 мм, що закручуються в дерево до оптимальної глибини, щоб залишилося приблизно 5,5 мм. Вирівняйте отвори на задній поверхні зарядного пристрою з відкритою частиною шурупів, після чого повністю вставте шурупи в отвори.

Інструкції з очищення зарядного пристрою



УВАГА! *Небезпека ураження електричним струмом. Відключіть зарядний пристрій від розетки змінного струму перед його очищенням. Бруд та жир можна видалити з поверхні зарядного пристрою за допомогою ганчірки або м'якої неталової щітки. Не використовуйте воду та чистячі розчини. Не дозволяйте рідині потрапляти всередину інструменту та ніколи не занурюйте деталі інструменту в рідину.*

Акумулятор

Важливі інструкції з техніки безпеки для всіх акумуляторів

При замовленні змінних акумуляторів не забудьте вказати номер за каталогом та напругу.

Новий акумулятор заряджений неповністю. Перед використанням акумулятора та зарядного пристрою прочитайте всі нижче наведені інструкції з техніки безпеки. Після цього виконайте всі вказані пункти процедури зарядки.

ПРОЧИТАЙТЕ ВСІ ІНСТРУКЦІЇ

- **Не заряджайте та не використовуйте акумулятор у вибухонебезпечних умовах, наприклад, у присутності легкозаймистих рідин, газів або пилу.** При встановленні або видаленні батареї з зарядного пристрою може запалитися пил або випаровування.
- **На вставляйте акумулятор силою у зарядний пристрій. Жодним чином не змінюйте акумулятор для його встановлення у несумісний зарядний пристрій, тому що акумулятор може розірватися та спричинити серйозні травми.**
- **Заряджайте акумулятори лише за допомогою зарядного пристрою DEWALT.**
- **НЕ занурюйте акумулятор у воду та інші рідини та не бризкайте на нього.**
- **Не зберігайте та не використовуйте інструмент та акумулятор у місцях, де температура може досягати або перевищувати 40 °C (наприклад, поза гаражами або металевими будівлями влітку).**
- **Не спайте акумулятор, навіть якщо він сильно пошкоджений або повністю зношений.** Акумулятор може вибухнути у вогні. Коли літій-іонні акумулятори горять, утворюються токсичні випаровування та речовини.

- **Якщо вміст акумулятора потрапляє на шкіру, негайно промийте це місце м'яким милом та водою.** Якщо рідина з акумулятора потрапить в очі, промийте відкрите око протягом 15 хвилин або доки подразнення не зникне. Якщо необхідно, зверніться до лікаря, акумуляторний електроліт складається з суміші рідких органічних вуглекислих солей та солей літію.
- **Вміст відкритого акумулятора може спричинити подразнення дихальних шляхів.** Видійте на свіже повітря. Якщо симптоми не зникнуть, зверніться до лікаря.



УВАГА! *Небезпека опіку.* Рідина з акумулятора може спалахнути, якщо на неї потрапить іскра або полум'я.



УВАГА! *За жодних умов не намагайтесь відкрити акумулятор.* Якщо акумулятор пошкоджено якимось чином, не встановлюйте його у зарядний пристрій. Не бийте, не кидайте та не пошкоджуйте акумулятор. Не використовуйте акумулятор та зарядний пристрій, що отримали значний удар, впади або пошкоджені іншим чином (наприклад, були проколоті цвяхом, вдарені молотком, на них наступили). Це може призвести до ураження електричним струмом. Пошкоджені акумулятори необхідно повернути у сервісний центр для переробки.



УВАГА! *Небезпека виникнення пожежі.* **Не зберігайте та не переносьте акумулятор так, щоб металеві предмети торкалися його відкритих контактів.** Наприклад, не кладіть акумулятор у фартух, кишені, ящики з інструментами, коробки з наборами приладдя, шухляди тощо, де можуть бути цвяхи, гвинти, ключі тощо.



ОБЕРЕЖНО! *Коли інструмент не використовується, залиште його на стабільній поверхні у положенні на боку, де він не становитиме небезпеку відключення або падіння.* Деякі інструменти з великими акумуляторами можуть стояти на батареї, але їх можна легко перекинути.

Транспортування



УВАГА! *Небезпека виникнення пожежі.* При перевезенні акумуляторів може виникнути пожежа, якщо контакти акумулятора випадково увійдуть у контакт з електропровідним матеріалом. При перевезенні акумуляторів переконайтесь, що їхні контакти захищені та добре ізольовані від матеріалів, які можуть увійти з ними в контакт та викликати коротке замикання.

Акумулятори DeWALT відповідають всім відповідним нормам перевезення, описаним у галузевих та законодавчих положеннях, включаючи рекомендації ООН з перевезення небезпечних вантажів; правила перевезення небезпечних вантажів Міжнародної організації повітряного транспорту (IATA), міжнародні правила перевезення небезпечних

вантажів водним транспортом (IMDГ) та Європейську угоду про міжнародне дорожнє перевезення небезпечних вантажів (ADR). Літій-іонні акумулятори та батареї були перевірені відповідно до розділу 38.3 керівництва тестів та критеріїв щодо рекомендацій ООН з перевезення небезпечних вантажів.

У більшості випадків перевезення акумуляторів DeWALT може бути класифіковано, як перевезення небезпечних речовин, що повністю підпадають під Клас 9. Загалом тільки вантажі, що містять літій-іонні акумулятори ємністю більше 100 Вт-годин (Вт-год.), вимагають транспортування відповідно до норм перевезення небезпечних речовин, що повністю підпадають під Клас 9. На всіх літій-іонних акумуляторах нанесено значення ват-годин. Більше того, через складності законодавчих норм компанія DeWALT не рекомендує транспортування окремо літій-іонних акумуляторів повітряним транспортом, незалежно від показника ват-годин. Транспортування інструментів з акумуляторами (у комплекті) можна виконувати повітряним транспортом, якщо значення ват-годин не перевищує 100 Вт-год.

Незалежно від того, чи вантаж вважається виключеним або повністю регламентованим, вантажовідправник несе відповідальність за відповідність останнім нормам щодо вимог до упаковок, етикеток/маркування та документації. Інформація, що наводиться у цьому розділі керівництва, сумлінно перевірена та вважається точною на момент створення документації. Однак це жодним чином не гарантується. Покупець несе відповідальність за те, щоб його дії відповідали певним нормам.

Рекомендації щодо зберігання

1. Найкращим місцем для зберігання інструменту є прохолодне сухе місце, куди не потрапляють прямі сонячні промені та немає доступу тепла та холоду. Для оптимальної продуктивності та терміну служби батареї зберігайте їх при кімнатній температурі, коли вони не використовуються.
2. При тривалому зберіганні для оптимального результату рекомендується помістити повністю заряджений акумулятор у сухе прохолодне місце поза зарядним пристроєм.

ПРИМІТКА. Рекомендується не зберігати акумулятор повністю розрядженим. Акумулятор потрібно перезарядити перед використанням.

Етикетки на зарядному пристрої та акумуляторі

Крім символів, що використовуються у керівництві, помітки на зарядному пристрої та акумуляторі можуть містити наступні позначки:



Прочитайте інструкції цього керівництва перед використанням.



Див. розділ **Технічні дані** щодо часу зарядки.



Не торкайтеся електропровідними предметами.



Не заряджайте пошкоджені акумулятори.



Не піддавайте впливу води.



Негайно замінійте пошкоджений шнур живлення.



Заряджайте акумулятор за температури від 4 °C до 40 °C.



Лише для використання у приміщенні.



Утилізуйте акумулятори з належною турботою про навколишнє середовище.



Заряджайте акумулятори DEWALT лише за допомогою зарядних пристроїв DEWALT. Зарядка інших акумуляторів, крім акумуляторів DEWALT, за допомогою зарядного пристрою DEWALT може спричинити вибух акумулятора або інші небезпечні ситуації.



Не запалюйте акумулятори.

Тип батареї

Пристрій DCD710 працює від акумулятора потужністю 10,8 Вольт.

Можуть використовуватись наступні акумулятори: DCB123, DCB125, DCB127. Див. додаткову інформацію у розділі **Технічні дані**.

Комплект поставки

Комплект містить:

- 1 Дриль/шурупокрут
- 1 Зарядний пристрій
- 1 Літій-іонний акумулятор (моделі C1, S1, D1)
- 2 Літій-іонні акумулятори (моделі C2, S2, D2)
- 3 Літій-іонні акумулятори (моделі C3, S3, D3)
- 1 Чемодан
- 1 Керівництво з експлуатації
- *Перевірте інструмент, деталі та аксесуари на пошкодження, що могли виникнути під час транспортування.*
- *Перед використанням уважно прочитайте та повністю зрозумійте це керівництво.*

Маркування інструменту

На інструменті є наступні піктограми:



Прочитайте інструкції цього керівництва перед використанням.

Порядок розташування коду дати

Код дати, що включає також рік виробництва, наноситься на корпус.

Приклад:

2016 XX XX

Рік виробництва

Опис (рис. А)



УВАГА! Ніколи не модифікуйте електричні інструменти та їх деталі. Інакше вони можуть стати причиною пошкодження майна або травм.

- 1 Тригерний перемикач змінної швидкості
- 2 Кнопка реверсу (вперед / назад)
- 3 Налаштувальне кільце крутного моменту
- 4 Перемикач швидкостей
- 5 Патрон без ключа
- 6 Кнопка звільнення батареї
- 7 Акумулятор
- 8 Підсвічування

Область застосування

Цей дриль/шурупокрут розроблено для легкого закручування гвинтів та свердління.

НЕ використовуйте за умов підвищеної вологості або у присутності легкозаймистих рідин та газів.

Цей дриль/шурупокрут є професійним електричним інструментом.

НЕ дозволяйте дітям підходити та торкатися інструмента.

При використанні інструменту недосвідченими операторами необхідний нагляд.

- **Діти та хворі люди.** Даний пристрій не призначений для використання без нагляду дітьми та особами з обмеженими фізичними або розумовими можливостями.
- Цей пристрій не призначений для використання особами (включаючи дітей) із зниженими фізичними, сенсорними або розумовими можливостями або особами, яким бракує досвіду або знань за винятком випадків, коли такі особи працюють під наглядом особи, яка несе відповідальність за їх безпеку. Не можна залишати дітей наодинці з цим пристроєм.

МОНТАЖ ТА НАЛАШТУВАННЯ



УВАГА! Щоб знизити ризик серйозних травм, встановіть кнопку реверсу (вперед/назад) у положення блокування або вимкніть інструмент та відключіть акумулятор перед виконанням будь-яких налаштувань або зніманням/встановленням насадок або

аксесуарів. Випадковий запуск може призвести до травм.



УВАГА! Використовуйте лише акумулятори та зарядні пристрої фірми DeWALT.

Установка акумулятору в інструмент та його витягування з нього (рис. С)

ПРИМІТКА. Переконайтесь, що ваш акумулятор **7** повністю заряджений.

Встановлення акумулятору у ручку інструменту

1. Вирівняйте акумулятор **7** по направляючим у ручці інструменту.
2. Вставте акумулятор у ручку до упору та переконайтесь, що ви почули звук клацання акумулятора на місці.

Витягування акумулятора з інструменту

1. Натисніть кнопку відпускання **6** та витягніть акумулятор з ручки інструменту.
2. Вставте акумулятор у зарядний пристрій, як описано у розділі щодо зарядного пристрою цього керівництва.

ЕКСПЛУАТАЦІЯ

Інструкції з використання



УВАГА! Завжди дотримуйтесь всіх інструкцій з техніки безпеки та відповідних норм.



УВАГА! Щоб знизити ризик серйозних травм, встановіть кнопку реверсу (вперед/назад) у положення блокування або вимкніть інструмент та відключіть акумулятор перед виконанням будь-яких налаштувань або зніманням/встановленням насадок або аксесуарів. Випадковий запуск може призвести до травм.

Вірне положення рук (рис. А, Н)



УВАГА! Щоб знизити ризик серйозних травм, **ЗАВЖДИ** правильно розташуйте руки, як показано.



УВАГА! Щоб знизити ризик серйозних травм, **ЗАВЖДИ** добре тримайте інструмент, щоб попередити випадкову віддачу.

Правильне положення рук полягає в тому, щоб одна рука знаходилась на основній ручці **9**.

Тригерний перемикач змінної швидкості (рис. А)

Для ввімкнення інструменту натисніть тригерний перемикач **1**. Відпустіть тригерний перемикач Увімк./Вимк., щоб вимкнути інструмент. Ваш інструмент оснащено гальмом. Патрон зупиниться, коли тригерний перемикач буде повністю відпущений.

Перемикач змінної швидкості дозволяє обирати найкращу швидкість для певного завдання. Чим сильніше ви тиснете на

тригерний перемикач, тим швидше працює інструмент. Для подовження терміну служби інструменту використовуйте змінну швидкість тільки на початку свердління отворів або закручування кріпильних елементів

ПРИМІТКА. Не рекомендується постійно використовувати інструмент з усім діапазоном швидкостей. Це може призвести до пошкодження перемикача.

Кнопка зміни напрямку обертання вперед/назад (рис. А)

Реверсивна кнопка **2** визначає напрямок руху інструменту, а також є кнопкою блокування.

Щоб обрати обертання вперед, відпустіть тригерний перемикач та натисніть реверсивну кнопку на правій стороні інструменту.

Щоб обрати обертання назад, натисніть реверсивну кнопку на лівій стороні інструменту. Реверсивна кнопка у центральному положенні блокує інструмент у вимкненому стані. При зміні положення кнопки переконайтесь, що тригер відпущений.

ПРИМІТКА. При першому ввімкненні інструменту після заміни напрямку обертання ви можете почути клацання в момент запуску. Це є нормою, і не є показником проблеми.

Підсвічування (рис. А)

Підсвічування **8** розташоване під налаштувальним кільцем крутного моменту **3**. Підсвічування вмикається при натисненні на тригерний перемикач.

ПРИМІТКА. Підсвічування використовується для освітлення робочої поверхні та не призначено для використання в якості ліхтарика.

Налаштувальне кільце крутного моменту (рис. А)

На налаштувальне кільце крутного моменту **3** нанесені цифри і символ свердла. Повертайте налаштувальне кільце до встановлення потрібного значення у верхній частині інструменту. На кільці передбачені вказівники для уникнення неточностей при виборі крутного моменту. Чим більше цифра на кільці, тим більший крутний момент і тим більший розмір кріпильної деталі, яку потрібно використати. Для блокування муфти в режимі свердління перемістіть її у положення свердла.

ПРИМІТКА. При використанні дреля/шурупокрута для свердління отворів переконайтесь, що налаштувальне кільце крутного моменту встановлено так, щоб цифра свердління відповідала центральній лінії у верхній частині інструменту. Інакше на початку свердління налаштувальне кільце буде рухатись.

Двошвидкісний редуктор (рис. А, D)

Двошвидкісний редуктор вашого дреля/шурупокрута дозволяє легко перемикатися з однієї швидкості на іншу для максимальної універсальності застосування інструменту.

Щоб обрати повільну швидкість, високий крутний момент, вимкніть інструмент та зачекайте його повної зупинки.

Перемістіть перемикач швидкостей **4** вперед (в сторону патрона). Щоб обрати високу швидкість, низький крутний момент, вимкніть інструмент та зачекайте його повної зупинки. Перемістіть кнопку зміни швидкості назад (від затискного патрона).

ПРИМІТКА. Не змінюйте швидкість під час роботи пристрою. Якщо у вас виникли проблеми зі зміною швидкості, переконайтесь, що кнопка зміни швидкостей переміщена повністю вперед або повністю назад.

Безключовий патрон з однією муфтою (рис. E)

Ваш інструмент оснащено безключовим патроном з однієї поворотною муфтою, що дозволяє змінювати насадки однією рукою. Щоб вставити свердел або іншу насадку, виконайте наступні кроки.

1. Заблокуйте тригерний перемикач у положенні ВІМК, як було описано вище.
2. Однією рукою візьміть задню муфту патрона, а другою рукою утримуйте інструмент. Повертайте муфту проти годинникової стрілки, поки вона не зрушиться на відстань, що дозволяє вставити потрібну насадку.
3. Вставте насадку в патрон на глибину приблизно 19 мм і надійно затягніть, повертаючи муфту патрона за годинниковою стрілкою однією рукою і утримуючи інструмент іншою рукою. Ваш інструмент оснащений механізмом автоматичного блокування шпинделя. Цей механізм дозволяє відкривати і затягувати патрон однією рукою.

Щоб витягнути насадку, повторіть описаний вище крок 2.

УВАГА! Не намагайтесь затягувати свердел (або іншу насадку), тримаючи передню частину патрона та вмикаючи інструмент. Це може призвести до uszkodження патрона та травм. При зміні насадок завжди блокуйте тригерний перемикач.

Для надійної фіксації насадки завжди затягуйте патрон, повертаючи муфту однією рукою і утримуючи інструмент іншою рукою.

Зняття патрона (рис. F)

Поверніть налаштувальну муфту в позицію «свердління», а перемикач швидкостей — у положення 1 (низька швидкість). Затисніть у патроні короткий кінець шестигранного ключа (не входить до комплекту інструмента) діаметром 6,35 мм або більше. Дерев'яним молотком або схожим предметом ударяйте по довшому кінцю ключа, повертаючи його за годинниковою стрілкою, як показано на рисунку. Таким чином, гвинт всередині патрона буде ослаблений.

Повністю розкрийте кулачки патрона і вставте викрутку (або зіркоподібну насадку, якщо потрібно) у передню частину патрона між кулачками, досягаючи головки гвинта. Відкрутіть гвинт за годинниковою стрілкою (ліве різьблення) і витягніть його. Вставте в патрон шестигранний ключ і затягніть, як показано на рисунку F. Дерев'яним молотком або схожим предметом ударяйте по ключу, повертаючи

його проти годинникової стрілки. Таким чином, патрон буде послаблений, і його можна буде відкрутити вручну.

Встановлення патрона (рис. G)

Нагвинтіть патрон однією рукою наскільки можливо і вставте гвинт (ліве різьблення). Надійно затягніть гвинт. Затисніть у патроні короткий кінець шестигранного ключа діаметром 6,35 мм або більше (не входить до комплекту інструмента) і дерев'яним молотком вдарте по довшому кінцю, повертаючи його за годинниковою стрілкою, як показано на рисунку. Знову затягніть гвинт, повертаючи його у напрямку проти годинникової стрілки.

Свердління

УВАГА! Щоб знизити ризик серйозних травм, вимкніть інструмент та відключіть його від мережі живлення перед виконанням будь-яких налаштувань або зміння/встановлення насадок або аксесуарів.

УВАГА! Щоб знизити ризик отримання травми, **ЗАВЖДИ** надійно закріплюйте заготовки. При свердлінні тонких матеріалів підкладайте дерев'яний брусок, щоб уникнути їх пошкодження.

Поверніть муфту і встановіть її на символ свердла. За допомогою перемикача швидкостей встановіть швидкість і крутний момент, оптимальні для виконання певного завдання.

1. Завжди використовуйте гострі свердла. Для свердління ДЕРЕВА використовуйте спіральні свердла, долотчасті свердла або коронки. Для свердління МЕТАЛУ використовуйте високошвидкісні спіральні свердла зі сталі або коронки.
2. Завжди натискайте на інструмент, спрямовуючи силу по прямій лінії зі свердлом. Натискайте так, щоб свердел продовжував робити отвір, але не дуже сильно, щоб не спричинити заїдання мотору та згинання свердла.
3. Міцно тримайте інструмент обома руками, щоб контролювати обертання свердла.

УВАГА! У разі перевантаження через раптове закручування свердла інструмент може зупинитися. Завжди визначайте причину зупинки. Міцно утримуйте інструмент обома руками, щоб була можливість контролювати повороти свердла і уникнути травм.

4. **ЗАЇДАННЯ ДРИЛЯ** зазвичай відбувається через перевантаження або неправильного використання інструменту. **ВІДРАЗУ ВІДПУСТИТЬ ПЕРЕМИКАЧ**, витягніть свердел з заготовки і визначте причину заїдання. **НЕ НАМАГАЙТЕСЯ ЗАПУСТИТИ ДРИЛЬ У РАЗІ ЗАЇДАННЯ, НАТИСКАЮЧИ ТА ВІДПУСКАЮЧИ ПЕРЕМИКАЧ — ЦЕ МОЖЕ ПОШКОДИТИ ІНСТРУМЕНТ.**
5. Для зведення до мінімуму ризику раптового заїдання інструменту або просвердлювання матеріалу наскрізь зменшіть тиск на дріль і обережно висвердліть останню частину отвору.

6. Мотор повинен працювати, коли ви витягаєте свердел з просвердленого отвору. Це дозволить уникнути заїдання.
7. При використанні дрילה зі змінною швидкістю немає необхідності у попередньому кернінні місця свердління. Починаючи свердління отвору, використовуйте низьку швидкість і шляхом натискання на перемикач поступово збільшуйте швидкість, поки отвір не буде достатньо глибоким, щоб свердел з нього не вискочив.

Використання шурупокрута

За допомогою двошвидкісного перемикача швидкостей на верхній частині інструменту встановіть швидкість і крутий момент, оптимальні для виконання певного завдання.

Вставте в патрон відповідну насадку-виртуку у таких самий спосіб, як і свердел. Виконайте кілька пробних вкручувань у відходи матеріалу або у непомітному місці, щоб визначити правильну позицію муфти установки крутного моменту.

МАКСИМАЛЬНА РЕКОМЕНДОВАНА ГЛИБИНА

	Низька швидкість—1	Висока швидкість—2
Свердла, свердління металу	6,35 мм	3,18 мм
Деревина, плоский свердел	19,05 мм	12,7 мм
Коронки	19,05 мм	15,88 мм

ТЕХНІЧНЕ ОБСЛУГОВУВАННЯ

Ваш інструмент виробництва компанії DEWALT призначений для роботи протягом довгого часу з мінімальним обслуговуванням. Довга задовільна робота приладу залежить від належного обслуговування приладу та регулярного його очищення.



УВАГА! Щоб знизити ризик серйозних травм, встановіть кнопку реверсу (вперед/назад) у положення блокування або вимкніть інструмент та відключіть акумулятор перед виконанням будь-яких налаштувань або змінанням/встановленням насадок або аксесуарів. Випадковий запуск може призвести до травм.

Зарядний пристрій та акумулятор не підлягають обслуговуванню.



Змащування

Ваш електричний інструмент не вимагає додаткового змащування.



Очищення



УВАГА! Видуйте бруд та пил зсередини основного корпусу за допомогою сухого повітря, коли пил та бруд стають помітними та починають збиратися

біля вентиляційних отворів. Використовуйте рекомендовані засоби захисту органів зору та рекомендовану протипилову маску при виконанні цієї операції.



УВАГА! Ніколи не використовуйте розчинники та інші агресивні хімічні засоби для очищення неметалевих деталей інструменту. Такі хімічні речовини можуть нанести шкоду матеріалам, що використовуються для цих деталей. Використовуйте вологу ганчірку, змочену лише водою з м'яким милом. Не дозволяйте рідині потрапляти всередину інструменту та ніколи не занурюйте деталі інструменту в рідину.

Додаткові аксесуари



УВАГА! через те, що інші аксесуари, що не рекомендовані компанією DEWALT не були перевірені з цим продуктом, використання таких аксесуарів з цим інструментом може бути небезпечним. Щоб знизити ризик травм використовуйте лише аксесуари, рекомендовані компанією DEWALT.

Зверніться до свого дилера для отримання подальшої інформації щодо відповідних аксесуарів.

Захист навколишнього середовища



Роздільний збір. Пристрої та батареї, позначені цим символом, не можна викидати зі звичайним побутовим сміттям.

Пристрої та батареї містять матеріали, які можна відновити та переробити, що зменшить потребу у сировині. Будь ласка, віддавайте електричні інструменти та батареї на переробку відповідно до місцевих постанов. Більш детальну інформацію можна отримати на сайті www.2helpU.com.

Акумулятор, який можна перезаряджати

Цей акумулятор необхідно заряджати, коли він припиняє надавати достатньо потужності для завдань, які легко виконувались раніше. Наприкінці терміну служби акумулятора, утилізуйте його у спосіб, безпечний для навколишнього середовища:

- Повністю розрядіть акумулятор, потім витягніть його з інструменту.
- Літій-іонні акумулятори можна повторно переробляти. Віднесіть їх до свого дилера або на місцеву переробку станцію. Там зібрані акумулятори будуть перероблені або відповідно знищені.



Виробник:
"Stanley Black & Decker Deutschland GmbH" Black-&-Decker Str.40, D-65510 Idstein, Німеччина

130.com.ua

130.com.ua



ГАРАНТІЙНИЙ ТАЛОН

3 РОКИ
ГАРАНТІЇ

1. Вітаємо Вас з покупкою високоякісного виробу DEWALT і висловлюємо вдячність за Ваш вибір.
2. При покупці виробу вимагайте перевірки його комплектності і справності у Вашій присутності, інструкцію з експлуатації та заповнений гарантійний талон українською мовою. В гарантійному талоні повинні бути внесені: модель, дата продажу, серійний номер, дата виробництва інструменту; назва, печатка і підпис торгової організації. За відсутності у Вас правильно заповненого гарантійного талону, а також при невідповідності зазначених у ньому даних ми будемо змушені відхилити Ваші претензії щодо якості даного виробу.
3. Щоб уникнути непорозумінь, переконливо просимо Вас перед початком роботи з виробом уважно ознайомитися з інструкцією з його експлуатації. Правовою основою справжніх гарантійних умов є чинне Законодавство. Гарантійний термін на даний виріб складає 36 місяці і обчислюється з дня продажу. У разі усунення недоліків виробу, гарантійний строк продовжується на період його перебування в ремонті. Термін служби виробу становить 5 років з дня продажу.
4. У разі виникнення будь-яких проблем у процесі експлуатації виробу рекомендуємо Вам звертатися тільки в уповноважені сервісні центри DEWALT, адреси та телефони яких Ви зможете знайти в гарантійному талоні, на сайті www.2helpU.com або дізнатися в магазині. Наші сервісні станції - це не тільки кваліфікований ремонт, але і широкий асортимент запчастин і аксесуарів.
5. Виробник рекомендує проводити періодичну перевірку і технічне обслуговування виробу в уповноважених сервісних центрах.
6. Наші гарантійні зобов'язання поширюються тільки на несправності, виявлені протягом гарантійного терміну і викликані дефектами виробництва та \ або матеріалів.
7. Гарантійні умови не поширюються на несправності виробу, що виникли в результаті:
 - 7.1. Недотримання користувачем приписів інструкції з експлуатації виробу, застосування виробу не за призначенням, неправильного зберігання, використання приладдя, витратних матеріалів і запчастин, що не передбачені виробником.
 - 7.2. Механічного пошкодження (відколи, тріщини і руйнування) внутрішніх і зовнішніх деталей виробу, основних і допоміжних рукояток, мережевого кабелю, що викликані зовнішнім ударним або будь-яким іншим впливом
 - 7.3. Потраплення у вентиляційні отвори та проникнення всередину виробу сторонніх предметів, матеріалів або речовин, що не є відходами, які супроводжують застосування виробу за призначенням, такими як: стружка, тирса, пісок, та ін.
 - 7.4. Впливу на виріб несприятливих атмосферних і інших зовнішніх факторів, таких як дощ, сніг, підвищена вологість, нагрівання, агресивні середовища, невідповідність параметрів електромережі, що зазначені на інструменті.
 - 7.5. Стихійного лиха. Пошкодження або втрати виробу, що пов'язані з непередбаченими лихами, стихійними явищами, у тому числі внаслідок дії непереборної сили (пожежа, блискавка, потоп і інші природні явища), а також внаслідок перепадів напруги в електромережі та іншими причинами, які знаходяться поза контролем виробника.
8. Гарантійні умови не поширюються:
 - 8.1. На інструменти, що піддавались розкриттю, ремонту або модифікації поза уповноваженим сервісним центром.
 - 8.2. На деталі, вузли та матеріали, що мають сліди природного зносу, такі як: приводні ремені і колеса, вугільні щітки, мастило, підшипники, зубчасті зчеплення редукторів, гумові ущільнення, сальники, направляючі ролики, муфти, вимикачі, бойки, штовхачі, стволи тощо.
 - 8.3. На змінні частини: патрони, цанги, затискні гайки і фланці, фільтри, ножі, шліфувальні підшви, ланцюги, зірочки, пильні шини, захисні кожухи, пилки, абразиви, пильні і абразивні диски, фрези, свердла, бури тощо
 - 8.4. На несправності, що виникли в результаті перевантаження інструменту (як механічного, так і електричного), що спричинили вихід з ладу одночасно двох і більше деталей і вузлів, таких як: ротора і статора, обох обмоток статора, веденої і ведучої шестерень редуктора або інших вузлів і деталей. До безумовних ознак перевантаження виробу відносяться, крім інших: поява кольорів мінливості, деформація або оплавлення деталей і вузлів виробу, потемніння або обуглювання ізоляції проводів електродвигуна під впливом високої температури.

Товар отриманий в справному стані, без видимих ушкоджень, в повній комплектації, перевірений у моїй присутності, претензій щодо якості товару не маю. З умовами гарантійного обслуговування ознайомлений і згоден.

П. І. Б. та підпис власника

Шановні клієнти, наша мережа авторизованих сервісних центрів постійно розширюється. Актуальну інформацію про обслуговування в місті, що цікавить вас, ви можете дізнатися на сайті

www.2helpU.com

Інформація про інструмент

Серійний номер/Дата виробництва

Найменування інструменту	
Модель	
Найменування продавця	
Дата продажу	

М.П.
Продавця

Інструмент	
Зарядний пристрій	
Акумулятор 1	
Акумулятор 2	

На сайті www.2helpU.com доступні наступні функції:

- Список авторизованих сервісних центрів
- Зручний пошук найближчого сервісного центру
- Керівництво з експлуатації
- Технічні характеристики
- Список деталей і запасних частин
- Схема складання інструменту



Також дану інформацію ви можете отримати, зателефонувавши за номером:
0 (800) 211 521 в Україні

ВІДМІТКА ПРО ПРОВЕДЕННЯ СЕРВІСНОГО ОБСЛУГОВУВАННЯ

№1	№2	№3	№4
№ замовлення	№ замовлення	№ замовлення	№ замовлення
Дата прийому	Дата прийому	Дата прийому	Дата прийому
Дата ремонту	Дата ремонту	Дата ремонту	Дата ремонту
Печатка і підпис сервісного центру	Печатка і підпис сервісного центру	Печатка і підпис сервісного центру	Печатка і підпис сервісного центру