



ТЕЛЕФОНИ

0 (800) 800 130
(050) 462 0 130
(063) 462 0 130
(067) 462 0 130

130
COM.UA

Інтернет-магазин
автотоварів



SKYPE

km-130

АВТОМАГНІТОЛИ — Магнітоли • Медіа-ресівери та станції • Штатні магнітоли • CD/DVD чейнджери • FM-модулятори/USB адаптери • Flash пам'ять • Перехідні рамки та роз'єми • Антени • Аксесуари |
АВТОЗВУК — Акустика • Підсилювачі • Сабвуфери • Процесори • Кросовери • Навушники • Аксесуари | **БОРТОВІ КОМП'ЮТЕРИ** — Універсальні комп'ютери • Модельні комп'ютери • Аксесуари |
GPS НАВІГАТОРИ — Портативні GPS • Вмонтовані GPS • GPS модулі • GPS трекери • Антени для GPS навігаторів • Аксесуари | **ВІДЕОПРИСТРОЇ** — Відеореєстратори • Телевізори та монітори • Автомобільні ТВ тюнери • Камери • Відеомодулі • Транскодери • Автомобільні ТВ антени • Аксесуари | **ОХОРОННІ СИСТЕМИ** — Автосигналізація • Мотосигналізація • Механічні блокувальники • Імобілайзери • Датчики • Аксесуари | **ОПТИКА ТА СВІТЛО** — Ксенон • Біксенон • Лампи • Світлодіоди • Стробоскопи • Оптика і фари • Омивачі фар • Датчики світла, дощу • Аксесуари |
ПАРКТРОНІКИ ТА ДЗЕРКАЛА — Задні парктроніки • Передні парктроніки • Комбіновані парктроніки • Дзеркала заднього виду • Аксесуари | **ПІДІГРІВ ТА ОХОЛОДЖЕННЯ** — Підігрів сидінь • Підігрів дзеркал • Підігрів двірників • Підігрів двигунів • Автоохолодильники • Автокондиціонери • Аксесуари | **ТЮНІНГ** — Віброізоляція • Шумоізоляція • Тонувальна плівка • Аксесуари |
АВТОАКСЕСУАРИ — Радар-детектори • Гучний зв'язок, Bluetooth • Склопідіймачі • Компресори • Звукові сигнали, СГП • Вимірювальні прилади • Автопилососи • Автокрісла • Різне |
МОНТАЖНЕ ОБЛАДНАННЯ — Інсталяційні комплекти • Оббивні матеріали • Декоративні решітки • Фазоінвертори • Кабель та провід • Інструменти • Різне | **ЖИВЛЕННЯ** — Акумулятори • Перетворювачі • Пуско-заряджувальні пристрої • Конденсатори • Аксесуари | **МОРСЬКА ЕЛЕКТРОНІКА ТА ЗВУК** — Морські магнітоли • Морська акустика • Морські сабвуфери • Морські підсилювачі • Аксесуари | **АВТОХІМІЯ ТА КОСМЕТИКА** — Присадки • Рідини омивача • Засоби по догляду • Поліролі • Ароматизатори • Клеї та герметики | **РІДИНИ ТА МАСЛА** — Моторні масла • Трансмісійні масла • Гальмівні рідини • Антифризи • Технічні змазки



У магазині «130» ви можете знайти та купити у Києві з доставкою по місту та Україні практично все для вашого автомобіля. Наші досвідчені консультанти нададуть вам вичерпну інформацію та допоможуть підібрати саме те, що ви шукаєте. Чекаємо вас за адресою

<https://130.com.ua>

DEWALT®

130.com.ua

D25413

D25417

D25430

??????

Переклад оригінальних інструкцій

Автотовари «130»

English	(Original instructions)	5
Українська	(Переклад оригінальних інструкцій)	13

130.com.ua

Fig. / Рис. А

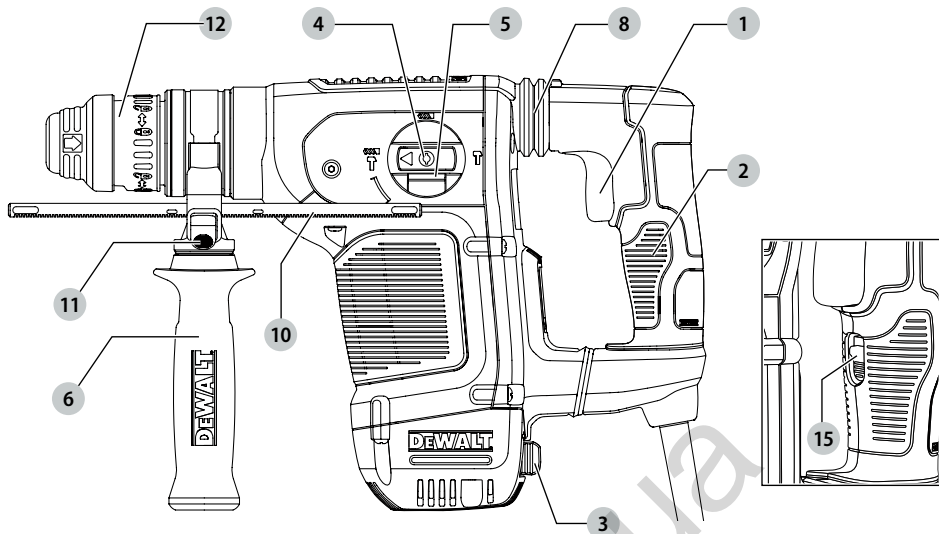


Fig. / Рис. В

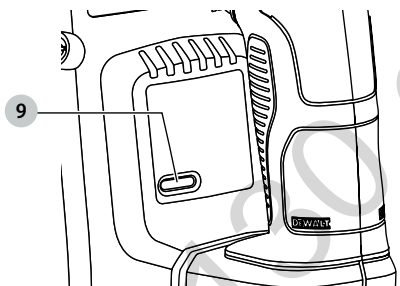


Fig. / Рис. С

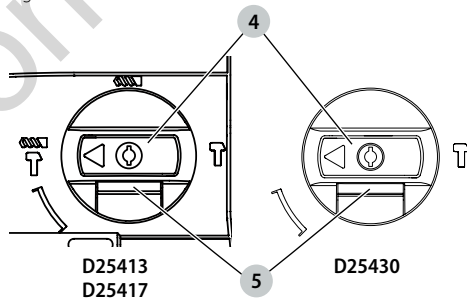


Fig. / Рис. D

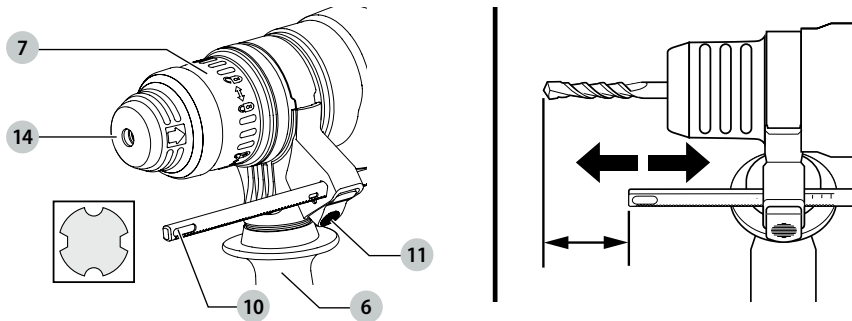


Fig. / Рис. E

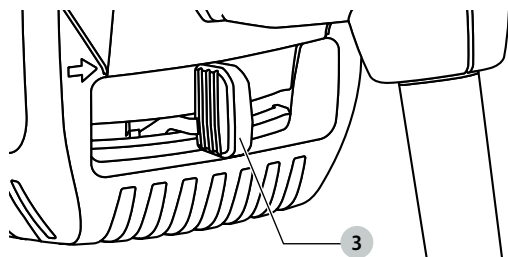


Fig. / Рис. F

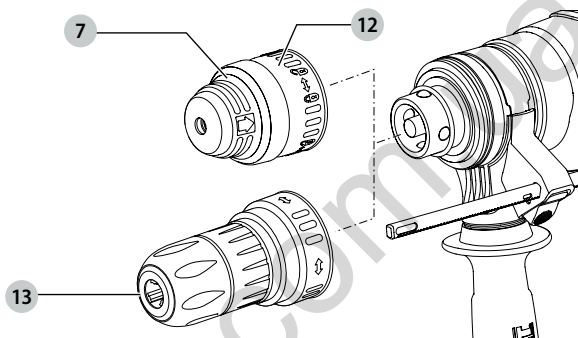
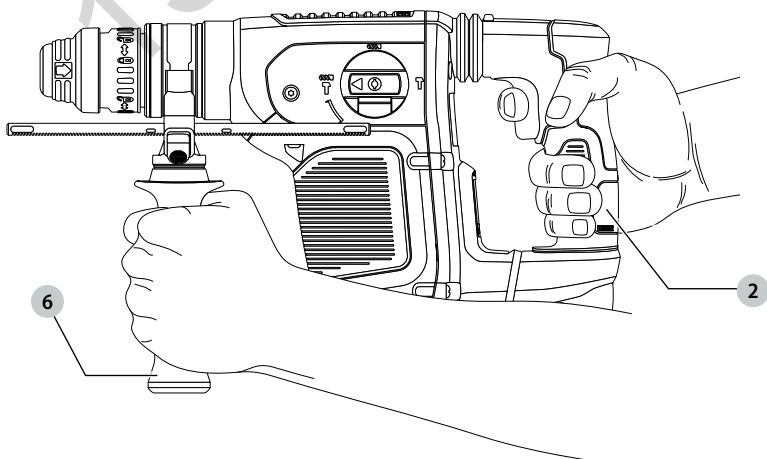


Fig. / Рис. G



HEAVY-DUTY ROTARY HAMMER

D25413, D25417, D25430


Congratulations!

You have chosen a DEWALT tool. Years of experience, thorough product development and innovation make DEWALT one of the most reliable partners for professional power tool users.

Technical Data

		D25413	D25417	D25430
Voltage	V_{AC}	230	230	230
(U.K. & Ireland only)	V_{AC}	230/115	230/115	230/115
Type		2	2	2
Power Input	W	1000	1000	1000
Frequency	Hz	50	50	50
No load speed	min^{-1}	0–820	0–820	–
No load beat per minutes	bpm	0–4700	0–4700	0–4700
Single impact energy (EPTA 05/2009)				
Hammerdrilling	J	4.2	4.2	–
Chiselling	J	4.2	4.2	4.2
Maximum drilling range in steel/wood/concrete	mm	13/32/32	13/32/32	–
Chisel positions		12	12	12
Core drilling capacity in soft brick	mm	100	100	–
Tool holder		SDS PLUS	SDS PLUS	SDS PLUS
Collar diameter	mm	60	60	60
Weight	kg	4.2	4.3	4.0
Noise values and vibration values (tri-ax vector sum) according to EN60745-2-6:				
L_{PA} (emission sound pressure level)	dB(A)	86	86	88
L_{WA} (sound power level)	dB(A)	3	3	3
K (uncertainty for the given sound level)	dB(A)	97	97	99
Drilling into metal				
Vibration emission value a_{h1} =	m/s^2	<2.5	<2.5	–
Uncertainty K =	m/s^2	1.5	1.5	–
Drilling into concrete				
Vibration emission value $a_{h1, HD}$ =	m/s^2	8.2	8.2	–
Uncertainty K =	m/s^2	1.5	1.5	–
Chiseling				
Vibration emission value $a_{h1, Cheq}$ =	m/s^2	7.1	7.1	7.1
Uncertainty K =	m/s^2	1.5	1.5	1.5
Screwdriving without impact				
Vibration emission value a_{h1} =	m/s^2	<2.5	<2.5	–
Uncertainty K =	m/s^2	1.5	1.5	–

The vibration emission level given in this information sheet has been measured in accordance with a standardised test given in EN60745 and may be used to compare one tool with another. It may be used for a preliminary assessment of exposure.

 **WARNING:** The declared vibration emission level represents the main applications of the tool. However if

the tool is used for different applications, with different accessories or poorly maintained, the vibration emission may differ. This may significantly increase the exposure level over the total working period.

An estimation of the level of exposure to vibration should also take into account the times when the tool is switched

off or when it is running but not actually doing the job. This may significantly reduce the exposure level over the total working period.

Identify additional safety measures to protect the operator from the effects of vibration such as: maintain the tool and the accessories, keep the hands warm, organisation of work patterns.

EC-Declaration of Conformity

Machinery Directive



Heavy-Duty Rotary Hammer D25413, D25417

DEWALT declares that these products described under **Technical Data** are in compliance with: 2006/42/EC, EN60745-1:2009+A11:2010, EN60745-2-6:2010. These products also comply with Directive 2014/30/EU and 2011/65/EU. For more information, please contact DEWALT at the following address or refer to the back of the manual.

D25430

DEWALT declares that these products described under **Technical Data** are in compliance with: 2000/14/EC Electrical concrete breaker (hand held) $m \leq 15$ kg, Annex VIII, TÜV Rheinland LGA Products GmbH (0197), D-90431 Nürnberg, Germany, Notified Body ID No.: 0197 Level of acoustic power according to 2000/14/EC (Article 12, Annex III, No. 10; $m \leq 15$ kg)

L_{WA} (measured sound power level) dB 99

L_{WA} (guaranteed sound power level) dB 105

The undersigned is responsible for compilation of the technical file and makes this declaration on behalf of DEWALT.

Markus Rompel
Director Engineering
DEWALT, Richard-Kllinger-Straße 11,
D-65510, Idstein, Germany
12.08.16



WARNING: To reduce the risk of injury, read the instruction manual.

Definitions: Safety Guidelines

The definitions below describe the level of severity for each signal word. Please read the manual and pay attention to these symbols.



DANGER: Indicates an imminently hazardous situation which, if not avoided, **will result in death or serious injury.**



WARNING: Indicates a potentially hazardous situation which, if not avoided, **could result in death or serious injury.**



CAUTION: Indicates a potentially hazardous situation which, if not avoided, **may result in minor or moderate injury.**

NOTICE: Indicates a practice **not related to personal injury** which, if not avoided, **may result in property damage.**



Denotes risk of electric shock.



Denotes risk of fire.

General Power Tool Safety Warnings



WARNING: Read all safety warnings and all instructions. Failure to follow the warnings and instructions may result in electric shock, fire and/or serious injury.

SAVE ALL WARNINGS AND INSTRUCTIONS FOR FUTURE REFERENCE

The term "power tool" in the warnings refers to your mains-operated (corded) power tool or battery-operated (cordless) power tool.

1) Work area safety

- Keep work area clean and well lit.** Cluttered or dark areas invite accidents.
- Do not operate power tools in explosive atmospheres, such as in the presence of flammable liquids, gases or dust.** Power tools create sparks which may ignite the dust or fumes.
- Keep children and bystanders away while operating a power tool.** Distractions can cause you to lose control.

2) Electrical safety

- Power tool plugs must match the outlet. Never modify the plug in any way. Do not use any adapter plugs with earthed (grounded) power tools.** Unmodified plugs and matching outlets will reduce risk of electric shock.
- Avoid body contact with earthed or grounded surfaces such as pipes, radiators, ranges and refrigerators.** There is an increased risk of electric shock if your body is earthed or grounded.
- Do not expose power tools to rain or wet conditions.** Water entering a power tool will increase the risk of electric shock.
- Do not abuse the cord. Never use the cord for carrying, pulling or unplugging the power tool. Keep cord away from heat, oil, sharp edges or moving parts.** Damaged or entangled cords increase the risk of electric shock.
- When operating a power tool outdoors, use an extension cord suitable for outdoor use.** Use of a cord suitable for outdoor use reduces the risk of electric shock.

- f) **If operating a power tool in a damp location is unavoidable, use a residual current device (RCD) protected supply.** Use of an RCD reduces the risk of electric shock.

3) Personal safety

- a) **Stay alert, watch what you are doing and use common sense when operating a power tool. Do not use a power tool while you are tired or under the influence of drugs, alcohol or medication.** A moment of inattention while operating power tools may result in serious personal injury.
- b) **Use personal protective equipment. Always wear eye protection.** Protective equipment such as dust mask, non-skid safety shoes, hard hat, or hearing protection used for appropriate conditions will reduce personal injuries.
- c) **Prevent unintentional starting. Ensure the switch is in the off position before connecting to power source and/or battery pack, picking up or carrying the tool.** Carrying power tools with your finger on the switch or energising power tools that have the switch on invites accidents.
- d) **Remove any adjusting key or wrench before turning the power tool on.** A wrench or a key left attached to a rotating part of the power tool may result in personal injury.
- e) **Do not overreach. Keep proper footing and balance at all times.** This enables better control of the power tool in unexpected situations.
- f) **Dress properly. Do not wear loose clothing or jewellery. Keep your hair, clothing and gloves away from moving parts.** Loose clothes, jewellery or long hair can be caught in moving parts.
- g) **If devices are provided for the connection of dust extraction and collection facilities, ensure these are connected and properly used.** Use of dust collection can reduce dust-related hazards.

4) Power tool use and care

- a) **Do not force the power tool. Use the correct power tool for your application.** The correct power tool will do the job better and safer at the rate for which it was designed.
- b) **Do not use the power tool if the switch does not turn it on and off.** Any power tool that cannot be controlled with the switch is dangerous and must be repaired.
- c) **Disconnect the plug from the power source and/or the battery pack from the power tool before making any adjustments, changing accessories, or storing power tools.** Such preventive safety measures reduce the risk of starting the power tool accidentally.
- d) **Store idle power tools out of the reach of children and do not allow persons unfamiliar with the power tool or these instructions to operate the power tool.** Power tools are dangerous in the hands of untrained users.
- e) **Maintain power tools. Check for misalignment or binding of moving parts, breakage of parts and**

any other condition that may affect the power tool's operation. If damaged, have the power tool repaired before use. Many accidents are caused by poorly maintained power tools.

- f) **Keep cutting tools sharp and clean.** Properly maintained cutting tools with sharp cutting edges are less likely to bind and are easier to control.
- g) **Use the power tool, accessories and tool bits etc., in accordance with these instructions taking into account the working conditions and the work to be performed.** Use of the power tool for operations different from those intended could result in a hazardous situation.

5) Service

- a) **Have your power tool serviced by a qualified repair person using only identical replacement parts.** This will ensure that the safety of the power tool is maintained.

Additional Specific Safety Rules for Rotary Hammers

- **Wear ear protectors.** Exposure to noise can cause hearing loss.
- **Use auxiliary handles supplied with the tool.** Loss of control can cause personal injury.
- **Hold power tool by insulated gripping surfaces, when performing an operation where the cutting accessory or the fastener may contact hidden wiring or its own cord.** Cutting accessory contacting a "live" wire may make exposed metal parts of the power tool "live" and could give the operator an electric shock.
- **Use clamps or other practical way to secure and support the workpiece to a stable platform.** Holding the work by hand or against your body is unstable and may lead to loss of control.
- **Wear safety goggles or other eye protection.** Hammering operations cause chips to fly. Flying particles can cause permanent eye damage. Wear a dust mask or respirator for applications that generate dust. Ear protection may be required for most applications.
- **Keep a firm grip on the tool at all times. Do not attempt to operate this tool without holding it with both hands.** It is recommended that the side handle be used at all times. Operating this tool with one hand will result in loss of control. Breaking through or encountering hard materials such as re-bar may be hazardous as well. Tighten the side handle securely before use.
- **Do not operate this tool for long periods of time.** Vibration caused by hammer action may be harmful to your hands and arms. Use gloves to provide extra cushion and limit exposure by taking frequent rest periods.
- **Do not recondition bits yourself.** Chisel reconditioning should be done by an authorized specialist. Improperly reconditioned chisels could cause injury.
- **Wear gloves when operating tool or changing bits.** Accessible metal parts on the tool and bits may get extremely

hot during operation. Small bits of broken material may damage bare hands.

- **Never lay the tool down until the bit has come to a complete stop.** Moving bits could cause injury.
- **Do not strike jammed bits with a hammer to dislodge them.** Fragments of metal or material chips could dislodge and cause injury.
- **Slightly worn chisels can be resharpened by grinding.**
- **Keep the power cord away from the rotating bit. Do not wrap the cord around any part of your body.** An electric cord wrapped around a spinning bit may cause personal injury and loss of control.



WARNING: We recommend the use of a residual current device with a residual current rating of 30mA or less.

Residual Risks

The following risks are inherent to the use of rotary hammers:

- injuries caused by touching the rotating parts or hot parts of the tool.

In spite of the application of the relevant safety regulations and the implementation of safety devices, certain residual risks cannot be avoided. These are:

- Impairment of hearing.
- Risk of squeezing fingers when changing the accessory.
- Health hazards caused by breathing dust developed when working in concrete and/or masonry.

Electrical Safety

The electric motor has been designed for one voltage only. Always check that the power supply corresponds to the voltage on the rating plate.



Your DEWALT tool is double insulated in accordance with EN60745; therefore no earth wire is required.



WARNING: 115 V units have to be operated via a fail-safe isolating transformer with an earth screen between the primary and secondary winding.

If the supply cord is damaged, it must be replaced by a specially prepared cord available through the DEWALT service organisation.

Mains Plug Replacement (U.K. & Ireland Only)

If a new mains plug needs to be fitted:

- Safely dispose of the old plug.
- Connect the brown lead to the live terminal in the plug.
- Connect the blue lead to the neutral terminal.



WARNING: No connection is to be made to the earth terminal.

Follow the fitting instructions supplied with good quality plugs. Recommended fuse: 13 A.

Using an Extension Cable

An extension cord should not be used unless absolutely necessary. Use an approved extension cable suitable for the power input of your charger (see **Technical Data**).

The minimum conductor size is 1.5 mm²; the maximum length is 30 m.

When using a cable reel, always unwind the cable completely.

Package Contents

The package contains:

- 1 Rotary hammer (D25413, D25417 only)
- or
- 1 Chipping hammer (D25430)
- 1 Side handle
- 1 Depth adjustment rod (D25413, D25417 only)
- 1 Kitbox
- 1 Keyless chuck (D25417 only)
- 1 Instruction manual
- Check for damage to the tool, parts or accessories which may have occurred during transport.
- Take the time to thoroughly read and understand this manual prior to operation.

Markings on Tool

The following pictograms are shown on the tool:



Read instruction manual before use.



Wear ear protection.



Wear eye protection.

Date Code Position

The date code which also includes the year of manufacture, is printed into the housing.

Example:

2019 XX XX

Year of Manufacture

Description (Fig. A–D, F)



WARNING: Never modify the power tool or any part of it. Damage or personal injury could result.

- 1 Variable speed switch
- 2 Main handle
- 3 Forward/reverse slider
- 4 Mode selector
- 5 Safety lock
- 6 Side handle
- 7 Tool holder/locking sleeve
- 8 Shocks
- 9 LED Indicator (D25417 only)
- 10 Depth adjustment rod (D25413, D25417 only)
- 11 Depth stop clamp
- 12 Locking collar
- 13 Chuck (D25417 only)

- 14 Dust cover
- 15 Lock on button (D25430 only)

Intended Use

D25413, D25417

These heavy-duty rotary hammers have been designed for professional drilling and hammerdrilling, screwdriving and light chipping.

D25430

This chipping hammer has been designed for professional chipping, chiselling and demolition applications.

DO NOT use under wet conditions or in the presence of flammable liquids or gases.

These hammerdrills are professional power tools.

DO NOT let children come into contact with the tool. Supervision is required when inexperienced operators use this tool.

- **Young children and the infirm.** This appliance is not intended for use by young children or infirm persons without supervision.
- This product is not intended for use by persons (including children) suffering from diminished physical, sensory or mental abilities; lack of experience, knowledge or skills unless they are supervised by a person responsible for their safety. Children should never be left alone with this product.

Active Vibration Control (Fig. A)

The active vibration control neutralises rebound vibration from the hammer mechanism. Lowering hand and arm vibration allows for more comfortable use for longer periods of time and extends the life of the unit.

For best vibration control, hold the tool with one hand on the main handle **2** and the other hand on the side handle **6**. Apply just enough pressure so the hammer is approximately mid-stroke.

The hammer only needs enough pressure to engage the active vibration control. Applying too much pressure will not make the tool drill or chip faster and active vibration control will not engage.

Torque Limiting Clutch

WARNING: *The user must always maintain a firm grip on the tool when in operation.*

The torque limiting clutch reduces the maximum torque reaction transmitted to the operator in case of jamming of a drill bit. This feature also prevents the gearing and electric motor from stalling.

NOTICE: *Always turn the tool off before changing torque control settings or damage to tool may result.*

Anti Rotation System (Fig. B)

D25417

The anti rotation system offers increased user comfort and safety through an on-board, anti-rotation technology capable of detecting if the user loses control of the hammer. When a jam is detected, the torque and speed are stopped instantly. This feature prevents self rotation of the tool reducing the

occurrence of wrist injuries. The red LED indicator **9** lights up if the anti-rotational device is activated.

Under exposure of certain electromagnetic phenomena (fast transients) it can happen that the machine will reduce speed down to zero RPM. This will be shown by flashing of the LED indicator **9**. To undo this mode the machine needs to be switched off and on one time. After cycling the variable speed switch **1** the machine is back in normal operating mode.

ASSEMBLY AND ADJUSTMENTS



WARNING: *To reduce the risk of serious personal injury, turn tool off and disconnect tool from power source before making any adjustments or removing/ installing attachments or accessories. Be sure the trigger switch is in the OFF position. An accidental start-up can cause injury.*

Selecting the Operating Mode (Fig. C)

D25413, D25417

The tool can be used in the following operating modes:



Rotary drilling: for screwdriving and for drilling into steel, wood and plastics.



Hammerdrilling: for concrete and masonry drilling operations.



Hammering only: for light chipping, chiselling and demolition applications. In this mode the tool can also be used as a lever to free a jammed drill bit

D25430

The tool can be used in the following operating modes:



Hammering only: for light chipping, chiselling and demolition applications. In this mode the tool can also be used as a lever to free a jammed drill bit.

1. To select the operating mode, press the safety lock **5** and rotate the mode selector switch **4** until it points to the symbol of the required mode.
2. Release the safety lock and check that the mode selector switch is locked in place.



WARNING: *Do not select the operating mode when the tool is running.*

Indexing the Chisel Position (Fig. C)


The chisel can be indexed and locked into 12 different positions.

1. Rotate the mode selector switch **4** until it points to the hammerdrill mode symbol. Refer to **Selecting the Operating Mode** in **Assembly and Adjustments**.
2. Rotate the chisel in the desired position.
3. Set the mode selector switch **4** to the hammering only position.
4. Twist the chisel until it locks in position.

Inserting and Removing SDS PLUS Accessories (Fig. D)


This tool uses SDS PLUS accessories (refer to the inset in Figure D for a cross-section of an SDS PLUS bit shank). We recommend using professional accessories only.

1. Clean and grease the bit shank.
2. Insert the bit shank into the tool holder/locking sleeve 7.
3. Push the bit down and turn it slightly until it fits into the slots.
4. Pull on the bit to check if it is properly locked. The hammering function requires the bit to be able to move axially several centimetres when locked in the tool holder.
5. To remove a bit, pull back the tool holder/locking sleeve 7 and pull out the bit.

 **WARNING:** Always wear gloves when you change accessories. The exposed metal parts on the tool and accessory may become extremely hot during operation.

Fitting the Side Handle (Fig. A)

The side handle 6 can be fitted to suit both RH- and LH-users.

 **WARNING:** Do not use the tool without the side handle properly assembled.

1. Loosen the side handle.
2. **For RH-users:** slide the side handle clamp over the collar behind the tool holder, handle at the left.
For LH-users: slide the side handle clamp over the collar behind the tool holder, handle at the right.
3. Rotate the side handle to the desired position and tighten the handle.

Setting the Drilling Depth (Fig. D)

D25413, D25417 only

1. Insert the required drill bit as described above.
2. Press the depth stop clamp 11 and keep it depressed.
3. Fit the depth adjustment rod 10 through the hole in the depth stop clamp.
4. Adjust the drilling depth as shown.
5. Release the depth stop clamp.

Forward/reverse Slider (Fig. E)

1. Push the forward/reverse slider 3 to the LH-side for forward (RH) rotation. See arrows on tool.
2. Push the forward/reverse slider 3 to the RH-side for reverse (LH) rotation.

 **WARNING:** Always wait until the motor has come to a complete standstill before changing the direction of rotation.


Fitting a Chuck Adapter and Chuck

Sold Separately

Screw a chuck onto the threaded end of the chuck adapter.

1. Insert the connected chuck and adapter in the tool as though it were a standard SDS PLUS bit.

2. To remove the chuck, proceed as for removing a standard SDS PLUS bit.

 **WARNING:** Never use standard chucks in the hammerdrilling mode.

Consult your dealer for further information on the appropriate accessories.

Replacing the Tool Holder with the Chuck (Fig. F)

D25417 only

1. Turn the locking collar 12 into the unlocking position and pull the tool holder/locking sleeve 7 off.
2. Push the chuck 13 onto the spindle and turn the locking collar into the locking position.
3. To replace the chuck with the tool holder, first remove the chuck the same way as the tool holder was removed. Then place the tool holder the same way as the chuck was placed.

 **WARNING:** Never use standard chucks in the hammerdrilling mode.


Replacing the Dust Cover (Fig. A, D)


The dust cover 14 prevents dust ingress into the mechanism. Replace a worn dust cover immediately.

1. Pull back the tool holder locking sleeve 7 and pull the dust cover 14 off.
2. Fit the new dust cover.
3. Release the tool holder locking sleeve.

OPERATION

Instructions for Use


 **WARNING:** Always observe the safety instructions and applicable regulations.


 **WARNING:** To reduce the risk of serious personal injury, turn tool off and disconnect tool from power source before making any adjustments or removing/installing attachments or accessories. Be sure the trigger switch is in the OFF position. An accidental start-up can cause injury.

 **WARNING:**

- Be aware of the location of pipework and wiring.
- Apply only a gentle pressure to the tool (approx. 5 kg). Excessive force does not speed up drilling but decreases tool performance and may shorten tool life.
- Do not drill or drive too deep to prevent damage to the dust cover.
- Always hold the tool firmly with both hands and ensure a secure stance (Fig. G). Always operate the tool with the side handle properly mounted.

Proper Hand Position (Fig. G)

 **WARNING:** To reduce the risk of serious personal injury, ALWAYS use proper hand position as shown.

 **WARNING:** To reduce the risk of serious personal injury, **ALWAYS** hold securely in anticipation of a sudden reaction.

Proper hand position requires one hand on the side handle **6**, with the other hand on the main handle **2**.

Overload Clutch

If the drill bit becomes jammed or caught, the drive to the drill spindle is interrupted by the overload clutch. Because of the forces that occur as a result, always hold the machine securely with both hands and take a firm stance.

Switching On and Off (Fig. A)

1. To run the tool, press the variable speed switch **1**. The pressure exerted on the variable speed switch determines the tool speed.
2. To stop the tool, release the switch.
3. To lock the tool in the off position, move the forward/reverse slider **3** to the central position.

Hammerdrilling (Fig. A)

Drilling with a Solid Bit

1. Set the mode selector switch **4** to the hammerdrilling position. Refer to **Selecting the Operating Mode in Assembly and Adjustments**.
2. Insert the appropriate drill bit.
NOTE: For best results use high quality carbide-tipped bits.
3. Adjust the side handle **6** as required.
4. If necessary, set the drilling depth.
5. Mark the spot where the hole is to be drilled.
6. Place the drill bit on the spot and switch on the tool.
7. Always switch off the tool when work is finished and before unplugging.


Drilling with a Core Bit (Fig. A, C)

1. Set the mode selector **4** to the hammerdrilling position. Refer to **Selecting the Operating Mode in Assembly and Adjustments**.
2. Adjust the side handle **6** as required.
3. Insert the appropriate core bit.
4. Assemble the centredrill into the core bit.
5. Place the centredrill on the spot and press the variable speed switch **1**. Drill until the core penetrates into the concrete approx. 1 cm.
6. Stop drilling and remove the centredrill. Place the core bit back into the hole and continue drilling.
7. When drilling through a structure thicker than the depth of the core bit, break away the round cylinder of concrete or core inside the bit at regular intervals. To avoid unwanted breaking away of concrete around the hole, first drill a hole the diameter of the center drill completely through the structure. Then drill the cored hole halfway from each side.
8. Always switch off the tool when work is finished and before unplugging.

Rotary Drilling (Fig. C)

D25413, D25417 only

1. Set the mode selector switch **4** to the rotary drilling position. Refer to **Selecting the Operating Mode in Assembly and Adjustments**.
2. Fit the chuck adapter/chuck assembly.
3. Proceed as described for hammerdrilling.

 **WARNING:** Never use standard chucks in the hammerdrilling mode.

Screwdriving (Fig. A, C)

D25413, D25417 only

1. Set the mode selector switch **4** to the rotary drilling position. Refer to **Selecting the Operating Mode in Assembly and Adjustments**.
2. Select the direction of rotation.
3. Insert the special SDS PLUS screwdriving adaptor for use with hexagonal screwdriver bits.
4. Insert the appropriate screwdriver bit. When driving slotted head screws always use bits with a finder sleeve.
5. Gently press the variable speed switch **1** to prevent damage to the screw head. In reverse (LH) rotation the tool speed is automatically reduced for easy screw removal.
6. When the screw is flush with the workpiece, release the variable speed switch to prevent the screw head from penetrating into the workpiece.

Chipping and Chiselling (Fig. A, C)

1. Set the mode selector switch **4** to the hammering only position. Refer to **Selecting the Operating Mode in Assembly and Adjustments**.
2. Insert the appropriate chisel and rotate it by hand to lock it into one of 12 positions.
3. Adjust the side handle **6** as required.
4. Switch on the tool and start working.
5. Always switch off the tool when work is finished and before unplugging.



WARNING:

- Do not use this tool to mix or pump easily combustible or explosive fluids (benzine, alcohol, etc.).
- Do not mix or stir flammable liquids labelled accordingly.

MAINTENANCE

Your DEWALT power tool has been designed to operate over a long period of time with a minimum of maintenance. Continuous satisfactory operation depends upon proper tool care and regular cleaning.



WARNING: To reduce the risk of serious personal injury, turn tool off and disconnect tool from power source before making any adjustments or removing/ installing attachments or accessories. Be sure the trigger switch is in the OFF position. An accidental start-up can cause injury.

Motor Brushes

DEWALT uses an advanced brush system which automatically stops the drill when the brushes wear out. This prevents serious damage to the motor. New brush assemblies are available at authorised DEWALT service centers. Always use identical replacement parts.



Lubrication

Your power tool requires no additional lubrication.



Cleaning



WARNING: Blow dirt and dust out of the main housing with dry air as often as dirt is seen collecting in and around the air vents. Wear approved eye protection and approved dust mask when performing this procedure.



WARNING: Never use solvents or other harsh chemicals for cleaning the non-metallic parts of the tool. These chemicals may weaken the materials used in these parts. Use a cloth dampened only with water and mild soap. Never let any liquid get inside the tool; never immerse any part of the tool into a liquid.

Optional Accessories



WARNING: Since accessories, other than those offered by DEWALT, have not been tested with this product, use of such accessories with this tool could be hazardous. To reduce the risk of injury, only DEWALT recommended accessories should be used with this product.

Consult your dealer for further information on the appropriate accessories.

Protecting the Environment



Separate collection. Products and batteries marked with this symbol must not be disposed of with normal household waste.

Products and batteries contain materials that can be recovered or recycled reducing the demand for raw materials. Please recycle electrical products and batteries according to local provisions. Further information is available at www.2helpU.com.

РОТОРНИЙ ПЕРФОРАТОР ДЛЯ ВИКОНАННЯ ВАЖКИХ РОБІТ D25413, D25417, D25430

Вітаємо вас!

Ви обрали інструмент DEWALT. Великий досвід компанії у розробці інструментів та постійна робота над їхнім удосконаленням роблять компанію DEWALT надійним партнером професійних користувачів.

Технічні характеристики

		D25413	D25417	D25430
Напруга	V_{AC}	230	230	230
(Лише Великобританія та Ірландія)	V_{AC}	230/115	230/115	230/115
Тип		2	2	2
Вхідна потужність	P_{in}	1000	1000	1000
Частота	Гц	50	50	50
Швидкість без навантаження	хв.-1	0-820	0-820	—
Ударів за хвилину без навантаження	уд./хв.	0-4700	0-4700	0-4700
Одиниця ударної енергії (ЕРА 05/2009)				
Ударне свердління	J	4,2	4,2	—
Робота долотом	J	4,2	4,2	4,2
Максимальний діапазон свердління металу/дерева/бетону	мм	13/32/32	13/32/32	—
Положення долота		12	12	12
Максимальний діаметр буріння м'якої цегли	мм	100	100	—
Тримач насадок		SDS PLUS	SDS PLUS	SDS PLUS
Діаметр затисної муфти	мм	60	60	60
Маса	кг	4,2	4,3	4,0
Значення рівня шуму та вібрації (триаксимальна векторна сума) відповідно до стандарту EN60745-2-6:				
L_{PA} (рівень тиску звукового випромінювання)	дБ(A)	86	86	88
L_{WA} (рівень звукового тиску)	дБ(A)	3	3	3
K (похибка для даного рівня звукового тиску)	дБ(A)	97	97	99
Свердління металу				
Значення вібрації a_h =	m/s^2	<2,5	<2,5	—
Похибка K =	m/s^2	1,5	1,5	—
Свердління бетону				
Значення вібрації a_h, HD =	m/s^2	8,2	8,2	—
Похибка K =	m/s^2	1,5	1,5	—
Довбання				
Значення вібрації $a_h, Chreq$ =	m/s^2	7,1	7,1	7,1
Похибка K =	m/s^2	1,5	1,5	1,5
Закручування шурупів без удару				
Значення вібрації a_h =	m/s^2	<2,5	<2,5	—
Похибка K =	m/s^2	1,5	1,5	—

Значення вібрації, що наведено в документі, виміряне відповідно до вимог нормативного тесту, викладеного у стандарті EN60745, та може використовуватись для порівняння інструментів. Це значення вібрації можна також використовувати для попередньої оцінки впливу вібрації.



УВАГА! Задеклароване значення вібрації відповідає вимогам цільового використання інструмента. Однак якщо інструмент використовується для виконання інших завдань, з іншими витратними матеріалами/насадками або не обслуговується

відповідно до вимог, значення вібрації може відрізнятися. Це може значно збільшити рівень впливу протягом усього періоду роботи.

Оцінка рівня впливу вібрації має враховувати час вимкнень інструмента та роботу інструмента без виконання певних завдань. Це може значно зменшити рівень впливу протягом усього періоду роботи.

Визначення додаткових заходів безпеки для захисту оператора від впливу вібрації: технічне обслуговування інструмента та приладдя, утримання рук у теплі, організація режиму роботи.

Декларація про відповідність ЄС ДИРЕКТИВА ДЛЯ МЕХАНІЧНОГО ОБЛАДНАННЯ



Роторний перфоратор для виконання важких робіт D25413, D25417

Компанія DEWALT заявляє, що ці продукти, описані у розділі **Технічні дані** відповідають:

2006/42/EC, EN60745-1:2009+A11:2010, EN60745-2-6:2010.

Ці продукти також відповідають вимогам Директив 2014/30/EU та 2011/65/EU. Для отримання додаткової інформації зверніться до компанії DEWALT за наступною адресою або прочитайте інформацію на зворотній стороні цього посібника.

D25430

Компанія DEWALT заявляє, що ці продукти, описані у розділі **Технічні дані** відповідають наступним стандартам:

2000/14/EC, електричний бетонолом (переносний)
м \leq 15 кг, Додаток VIII, TÜV Rheinland LGA Products GmbH (0197), D-90431 Nürnberg, Німеччина, ідентифікаційний № уповноваженого органу: 0197

Рівень звукової потужності відповідно до 2000/14/EC (Стаття 12, Додаток III, № 10; м \leq 15 кг)

L_{WA} (вимірний рівень акустичної потужності) дБ 99

L_{WA} (гарантований рівень акустичної потужності) дБ 105

Нижчепідписаний несе відповідальність за упорядкування файлу технічних характеристик та робить цю заяву від імені компанії DEWALT.

Маркус Ромпель (Markus Rompel)
технічний директор
DEWALT, Richard-Klinger-Straße 11,
D-65510, Idstein, Germany (Німеччина)
12.08.2016



УВАГА! Уважно прочитайте керівництво з експлуатації для зниження ризику отримання травм.

Позначення: інструкції з техніки безпеки

Умовні позначення, що наведені нижче, описують рівень важливості кожної попереджувальної вказівки. Прочитайте посібник та зверніть увагу на символи, наведені нижче.



НЕБЕЗПЕКА! Указує на безпосередню загрозу, яка, якщо її не уникнути, **приведе до смерті або серйозної травми.**



УВАГА! Вказує на потенційну загрозу, яка, якщо її не уникнути, **може** призвести до **смерті або серйозної травми.**



ОБЕРЕЖНО! Вказує на потенційну загрозу, яка, якщо її не уникнути, **може** призвести до **травми незначної або середньої важкості.**

ПРИМІТКА. Вказує на ситуацію, **не пов'язану з особистою травмою**, яка, якщо її не уникнути, **може** призвести до **пошкодження майна.**



Указує на ризик ураження електричним струмом.



Указує на ризик виникнення пожежі.

Загальні правила безпеки при експлуатації електричного інструмента



УВАГА! Ознайомтесь з **повним переліком попереджень та інструкцій.** Невиконання наведених попереджень та інструкцій може призвести до ураження електричним струмом, пожежі та/або серйозних травм.

ЗБЕРЕЖІТЬ ВСІ ПРИМІРНИКИ ПОПЕРЕДЖЕНЬ ТА ІНСТРУКЦІЙ ДЛЯ ПОДАЛЬШОГО ВИКОРИСТАННЯ.

Термін «електричний інструмент» в усіх попередженнях стосується використовуваних вами інструментів, що працюють від мережі енергоспоживання (з використанням електричного кабелю) або акумуляторів (без кабелю).

1) Безпека робочої зони

- Тримайте робочу зону чистою та добре освітленою.** Неупорядковані та темні робочі зони збільшують ймовірність нещасного випадку.
- Не використовуйте електричні інструменти у вибухонебезпечній атмосфері, наприклад поруч із возненебезпечними рідинами, газами та пилом.** Електричні інструменти створюють іскри, що можуть запалити пил або випаровування.
- Тримайте дітей та сторонніх подалі під час використання інструмента.** Відвернення уваги може призвести до втрати контролю.

2) Електрична безпека

- a) **Вилка електричного інструмента повинна відповідати розетці. Жодним чином не модифікуйте тип вилки. Не використовуйте адаптери із заземленими електричними інструментами.** Немодифіковані вилки та розетки, що підходять до них, зменшують ризик ураження електричним струмом.
- b) **Уникайте контакту тіла з заземленими поверхнями, такими як труби, радіатори, плити та холодильники.** Якщо ваше тіло заземлене, збільшується ризик ураження електричним струмом.
- c) **Не залишайте електричні інструменти під дощем або в умовах підвищеної вологості.** Вода, що потрапляє в електричний інструмент, підвищує ризик ураження електричним струмом.
- d) **Не використовуйте кабель живлення не за призначенням. Не використовуйте шнур для переміщення, витягування та відключення від розетки живлення електричного інструмента. Тримайте шнур подалі від джерел високих температур, мастил, гострих предметів та рухомих деталей.** Пошкоджені або перекручені шнури підвищують ризик ураження електричним струмом.
- e) **При використанні електричного інструмента на вулиці, використовуйте подовжувальний шнур, що підходить для використання на вулиці.** Використання шнура, що призначений для використання поза приміщенням, знижує ризик ураження електричним струмом.
- f) **Якщо неможливо уникнути використання електричного інструмента в умовах підвищеної вологості, використовуйте живлення, захищене пристроєм залишкового струму (RCD).** Використання RCD знижує ризик ураження електричним струмом.

3) Особиста безпека

- a) **Будьте в стані готовності, дивіться, що ви робите, та будьте розсудливі, працюючи з електричним інструментом. Не користуйтеся електричним інструментом у стані втоми чи під впливом наркотичних речовин, алкоголю або ліків.** Втрата уваги під час роботи з електричними інструментами може призвести до серйозних травм.
- b) **Використовуйте особисті засоби безпеки. Завжди використовуйте засоби захисту очей.** Засоби безпеки, такі як протипилова маска, неслізькі безпечні черевички, захисний шолом та засоби захисту слухового апарату, які використані для відповідних умов, зменшують імовірність особистих травм.
- c) **Уникнення випадкового запуску. Переконайтеся в тому, що вимикач знаходиться в положенні**

Вимк. перед підключенням до джерела живлення та/або акумулятора, переміщенням або перенесенням пристрою. Може статися нещасний випадок, коли ви переносите інструмент, тримаючи палець на вимикачі, або підключаєте живлення до вимикача в положенні Увімк.

- d) **Зніміть усі ключі для налаштування або гайкові ключі перед тим, як вмикає електричний інструмент.** Гайковий ключ, що залишився прикріпленим до якоїсь деталі електричного пристрою, що обертається, може призвести до травм.
- e) **Не перенапружуйтеся. Дотримуйтесь правильного положення ніг та рівноваги.** Це дає вам змогу краще контролювати інструмент в неочікуваних ситуаціях.
- f) **Одягайтеся відповідним чином. Не одягайте вільний одяг чи прикраси. Тримайте ваше волосся, одяг та рукавиці подалі від рухомих деталей.** Вільний одяг, прикраси або довге волосся може зачепитися за рухомі деталі.
- g) **Якщо передбачені пристрої для підключення до засобів виділення та збирання пилу, переконайтеся, що вони правильно підключені та використовуються.** Використання таких пристроїв зменшує ризик виникнення небезпечних ситуацій, що пов'язані з потраплянням пилу.

4) Вимоги щодо експлуатації електричного інструмента та догляду за ним

- a) **Не використовуйте надмірні зусилля під час роботи з інструментом. Використовуйте електричний інструмент відповідно до його призначення.** Правильно обраний інструмент виконає завдання краще та безпечніше за умов, для яких він був розроблений.
- b) **Не використовуйте інструмент, вмикач якого не вмикає та не вмикає його.** Будь-який електричний інструмент, який не може управлятися вмикачем, є небезпечним і має бути відремонтований.
- c) **Відключіть вилку від джерела живлення перед тим, як робити будь-які налаштування, зміни додаткового обладнання чи зберігати інструмент.** Ці профілактичні заходи зменшують ризик випадкового запуску електричного інструмента.
- d) **Зберігайте вимкнені електричні інструменти в недоступному для дітей місці та не дозволяйте особам, що не знайомі з електричним інструментом або цими інструкціями використовувати електричний інструмент.** Електричні інструменти є небезпечними, якщо вони використовуються некваліфікованими користувачами.

- e) **Технічне обслуговування електричних інструментів. Перевіряйте на відсутність вірівнювання або заїдання рухомих деталей, ушкоджених частин та інших умов, що можуть впливати на роботу електричного інструмента. При наявності пошкодження забезпечте ремонт електричного інструмента до моменту його експлуатації.** Багато нещасних випадків є результатом того, що інструмент не пройшов відповідного технічного обслуговування.
- f) **Тримайте різальні інструменти гострими та чистими.** Правильно доглянуті різальні інструменти з гострими різальними кромками мають меншу ймовірність заїдання, та ними легше керувати.
- g) **Використовуйте електричний інструмент, додаткові інструменти та деталі інструмента тощо відповідно до цих інструкцій та цього типу електричних інструментів, зважаючи на умови використання та роботу, яка має бути виконана.** Використання електричних інструментів не за призначенням може призвести до виникнення небезпечних ситуацій.


5) Обслуговування

- a) **Надавайте ваш електричний інструмент для обслуговування кваліфікованим спеціалістом з ремонту та використовуйте тільки ідентичні замініні деталі.** Це забезпечить безпеку електричного пристрою, що обслуговується.

Додаткові правила з техніки безпеки для роторних перфораторів

- **Використовуйте засоби захисту слуху.** Шум може викликати втрату слуху.
- **Використовуйте додаткові ручки, що надаються з інструментом.** Втрата контролю над інструментом може викликати травми.
- **Тримайте інструмент за ізольовану поверхню при виконанні операцій, коли ріжучі аксесуари або кріпильні елементи можуть торкнутися проводки або власного кабелю.** Ріжучі елементи при контакті з дротом під напругою можуть призвести до появи напруги в інструменті та ураження оператора електричним струмом.
- **Використовуйте затискачі або інший спосіб закріплення деталі, що обробляється, на стабільній платформі.** Утримування заготовки в руці та притискання її до тіла робить її нестабільною та може призвести до втрати контролю.
- **Використовуйте захисні окуляри або інші засоби захисту очей.** Під час використання перфоратора може відлітати стружка. Частинки, що розлітаються, можуть спричинити незворотне пошкодження очей.

Використовуйте протипилову маску або респіратор для виконання завдань з утворенням пилу. Для більшої робіт вимагаються засоби захисту органів слуху.

- **Постійно міцно тримайте інструмент. Не намагайтесь використовувати інструмент, тримаючи його лише однією рукою.** Рекомендовано постійно використовувати бокову ручку. Робота з інструментом, тримаючи його однією рукою, може призвести до втрати контролю. Пробивання або контакт з твердими матеріалами, наприклад, арматурним стрижнем, також може нести небезпеку. Перед використанням надійно затягніть бокову ручку.
 - **Не використовуйте інструмент протягом тривалого часу.** Вібрація, спричинена перфоратором, може бути шкідливою для ваших рук. Використовуйте рукавиці для захисту та обмежуйте вплив вібрації, роблячи часті перерви.
 - **Не ремонтуйте насадки самостійно.** Ремонт насадок повинен виконуватися авторизованим спеціалістом з ремонту. Неправильно відремонтоване долото може спричинити травму.
 - **Використовуйте рукавиці при роботі з інструментом або зміні насадок.** Доступні металеві деталі інструмента та насадки можуть бути дуже гарячими під час роботи. Невеликі уламки матеріалів можуть травмувати незахищені руки.
 - **Ніколи не кладіть інструмент, доки насадка повністю не зупиниться.** Рухомі насадки можуть спричинити травму.
 - **Не вибивайте затиснені насадки молотком, щоб їх вивільнити.** Уламки металу або стружка можуть також відлітати і спричиняти травми.
 - **Дещо зношене долото можна заточити за допомогою шліфування.**
 - **Утримуйте шнур живлення подалі від рухомих насадок. Не накручуйте шнур на будь-яку частину власного тіла.** Якщо електричний шнур накручується на насадку, що обертається, це може спричинити травму або втрату контролю.
-  **УВАГА!** Ми рекомендуємо використовувати пристрій залишкового струму із залишковим струмом 30 мА або менше.

Залишкові ризики

Наступні ризики можуть залишитися при використанні роторних перфораторів:

- Травми через контакт з деталями, що обертаються, або гарячими деталями інструмента.

Дотримання всіх правил техніки безпеки та застосування пристроїв безпеки не гарантує уникнення певних залишкових ризиків. До такого переліку належать:

- Порушення слуху.
- Ризик затиснення пальців при заміні насадок.
- Небезпека для здоров'я через вдихання пилу, що утворюється при свердлінні бетону та/або кладки.

Електрична безпека

Електричний двигун розроблений для роботи лише з одним значенням напруги. Завжди перевіряйте відповідність джерела живлення напрузі, яка вказана на табличці з паспортними даними.



Ваш інструмент виробництва компанії DeWALT має подвійну ізоляцію відповідно до EN60745; тому заземлення не є необхідним.



УВАГА! Пристрої напругою 115 В підлягають контролю із використанням якісного розділювача трансформатора, оснащеного екраном заземлення між первинною та вторинною обмотками.

Якщо кабель живлення пошкоджений, його необхідно замінити на спеціальний кабель, який можна замовити в офіційних сервісних центрах DeWALT.

Заміна мережевої вилки (тільки для Великобританії та Ірландії)

При необхідності встановлення іншого типу вилки, виконайте наступні дії:

- Зніміть стару вилку та утилізуйте її, дотримуючись правил техніки безпеки.
- Приєднайте коричневий провідник до активного виходу вилки.
- Приєднайте блакитний провідник до нейтрального виходу.



УВАГА! Жодний провідник не повинен бути підключений до клеми заземлення.

Дотримуйтесь інструкції щодо налаштування, що постачаються з якісними вилками. Рекомендований плавкий запобіжник: 13 А.

Використання електричного подовжувача

Використовуйте подовжувальний шнур лише за абсолютної необхідності. Використовуйте лише рекомендований подовжувальний шнур, що відповідає споживаній потужності вашого зарядного пристрою (див. **Технічні характеристики**). Мінімальний розмір провідника становить 1,5 мм²; максимальна довжина — 30 м.

При використанні кабельного барабану завжди витягуйте весь кабель.

Комплект поставки

Комплект містить:

- 1 Роторний перфратор (лише моделі D25413, D25417) або
- 1 Відбійний молоток (D25430)
- 1 Бокова ручка
- 1 Шток налаштування глибини (лише моделі D25413, D25417)
- 1 Комплект допоміжного приладдя
- 1 Безключовий патрон (лише модель D25417)
- 1 Керівництво з експлуатації

- Перевірте інструмент, деталі та приладдя на пошкодження, що могли виникнути під час транспортування.
- Перед використанням уважно прочитайте та повністю зрозумійте цей посібник.

Маркування інструмента

На інструменті є наступні піктограми:



Прочитайте інструкції цього керівництва перед використанням.



Використовуйте засоби захисту слуху.



Використовуйте засоби захисту очей.

Порядок розташування коду дати

Код дати, що включає також рік виробництва, наноситься на корпус.

Приклад:

2019 XX XX

Рік виробництва

Опис (Рис. А–D, F)



УВАГА! Ніколи не модифікуйте електричні інструменти та їх деталі. Інакше вони можуть стати причиною пошкодження майна або травм.

- 1 Вимикач змінної швидкості
- 2 Основна ручка
- 3 Перемикач вперед/назад
- 4 Селектор режиму
- 5 Захисний стопор
- 6 Бокова ручка
- 7 Тримач насадок/кільце фіксації насадки
- 8 Амортизатори
- 9 Світлодіодний індикатор (лише модель D25417)
- 10 Шток налаштування глибини (лише моделі D25413, D25417)
- 11 Затискач обмежувача глибини
- 12 Захисна муфта
- 13 Патрон (лише модель D25417)
- 14 Пілозахисна кришка
- 15 Кнопка блокування (лише модель D25430)

Область застосування

D25413, D25417

Ці роторні перфратори для важких умов роботи розроблені для професійного свердління, буріння, використання в якості шурупокрута та неважкого дроблення.

D25430

Цей відбійний молоток призначений для професійних робіт з дроблення, довбання і руйнування конструкцій.

НЕ використовуйте за умов підвищеної вологості або у присутності легкозаймистих рідин та газів.
Ці перфоратори призначені для професійного використання.
НЕ дозволяйте дітям підходити та торкатися інструмента. Під час використання інструмента недосвідченими операторами необхідний нагляд.

- **Діти та хворі люди.** Даний пристрій не призначений для використання без нагляду дітьми та особами з обмеженими фізичними або розумовими можливостями.
- Цей пристрій не призначений для використання особами (включаючи дітей) із зниженими фізичними, сенсорними або розумовими можливостями або особами, яким бракує досвіду або знань за винятком випадків, коли такі особи працюють під наглядом особи, яка несе відповідальність за їх безпеку. Не можна залишати дітей наодинці з цим пристроєм.

Контроль активної вібрації (рис. А)

Контроль активної вібрації нейтралізує вібрацію ударного механізму. Зниження впливу вібрації на руки оператора забезпечує зручність експлуатації інструмента протягом тривалої роботи і збільшує термін служби інструмента.
Для кращого контролю вібрації необхідно одну руку тримати на основній ручці **2**, а іншу — на боковій ручці **6**. Під час роботи не застосовуйте до інструмента надмірний тиск.
Перфоратору потрібен лише достатній тиск, здатний задіяти контроль активної вібрації. Надмірна сила не збільшить швидкість свердління або довання, і контроль активної вібрації не буде задіяний.

Муфта обмеження крутного моменту

УВАГА! Під час роботи користувач завжди повинен міцно тримати інструмент.
Муфта обмеження крутного моменту зменшує максимальний реактивний крутний момент, що передається оператору у випадку заїдання свердла. Ця функція також дозволяє уникнути заїдання передач та електричного мотору.

ПРИМІТКА. Перед зміною налаштувань крутного моменту завжди вимикайте інструмент, інакше він може зламатися.

Система контролю крутного моменту (рис. В)

D25417

Система контролю крутного моменту забезпечує користувачу підвищений комфорт і безпеку на робочому місці завдяки антиротатійній технології, яка може виявляти, коли оператор втрачає контроль над перфоратором. При виявленні заїдання насадки крутний момент і швидкість негайно знижуються до нуля. Ця функція дозволяє уникнути випадкового обертання інструмента, знижуючи ризик травми зап'ястя. Якщо спрацює антиротатійна система, загоряється червоний світлодіодний індикатор **9**.
Під впливом певного електромагнітного явища (швидкі електричні сплески) може статися, що машина може знизити швидкість до нуля обертів за хвилину. Про це може

сигналізувати світлодіодний індикатор **9**. Щоб скинути цей режим потрібно вимкнути машину, а потім увімкнути знову. Після перемикання вимикача змінної швидкості **1** пристрій знову повертається до нормального робочого режиму.

МОНТАЖ ТА НАЛАШТУВАННЯ

УВАГА! Щоб знизити ризик серйозних травм, вимкніть інструмент та відключіть його від мережі живлення перед виконанням будь-яких налаштувань або зніманням/встановленням насадок чи аксесуарів. Переконайтеся, що вимикач знаходиться в положенні Вимк. Випадковий запуск може призвести до травм.

Вибір режиму роботи (рис. С)

D25413, D25417

Цей інструмент має наступні режими роботи:



Роторне свердління: для вкручування шурупів та свердління металу, деревини та пластику.



Свердління з ударом: для свердління бетону та цегляної кладки.



Лише довання: для легких завдань дроблення, довання та руйнування конструкцій. У цьому режимі інструмент також можна використовувати в якості важеля для звільнення затисненого свердла.

D25430

Цей інструмент має наступні режими роботи:



Лише довання: для легких завдань дроблення, довання та руйнування конструкцій. У цьому режимі інструмент також можна використовувати в якості важеля для звільнення затисненого свердла.

1. Для вибору робочого режиму натисніть захисний стопор **5** та поверніть селектор режимів **4** так, щоб він вказував на символ бажаного режиму.
2. Відпустіть захисний стопор та переконайтеся, що перемикач селектору режиму заблокований на місці.

УВАГА! Не обирайте робочий режим під час роботи інструмента.

Регулювання положення долота (рис. С)

Цей інструмент дозволяє встановити і зафіксувати долото у 12 різних положеннях.

1. Поверніть перемикач режимів роботи **4**, поки він не вкаже на символ свердління з ударом. Див. **Вибір робочого режиму** у розділі **Монтаж та налаштування**.
2. Поверніть долото у необхідне положення.
3. Встановіть перемикач селектору режиму **4** у положення «лише довання».
4. Поверніть долото у бік потрібного положення.

Установка та зняття насадок SDS PLUS

(рис. D)

З цим інструментом використовують насадки SDS PLUS (см. вставку на рис. D: поперековий перетин хвостовика насадки SDS PLUS). Ми рекомендуємо використовувати лише професійні аксесуари.

1. Очистіть та змастіть хвостовик насадки.
2. Вставте хвостовик насадки у тримач насадок/кільце фіксації насадки **7**.
3. Натисніть на свердел та злегка поверніть його так, щоб він увійшов в отвори.
4. Потягніть за насадку, щоб переконатися, що вона добре зафіксована. Функція удару вимагає, щоб насадка рухалася по осі на кілька сантиметрів після того, як вона заблокована у тримачі інструмента.
5. Щоб зняти насадку, потягніть назад тримач насадок/кільце фіксації насадки **7** та витягніть свердел.



УВАГА! Завжди використовуйте рукавиці при зміні насадок. Відкриті металеві деталі інструмента та насадки можуть бути дуже гарячими під час роботи.

Установка бокової ручки (рис. A)

Бокова ручка **6** може бути встановлена так, щоб бути зручною для використання як правою, так і лівою рукою.



УВАГА! Не використовуйте інструмент без правильно встановленої бокової ручки.

1. Відпустіть бокову ручку.
2. **Для правші:** встановіть затискач бокової ручки на муфті за тримачем інструмента, розташовуючи ручку зліва.
Для лівші: встановіть затискач бокової ручки на муфті за тримачем інструмента, розташовуючи ручку справа.
3. Поверніть бокову ручку у бажане положення та затягніть її.

Встановлення глибини свердління (рис. D)

Лише D25413, D25417

1. Встановіть необхідний свердел, як показано вище.
2. Натисніть затискач обмежувача глибини **11** та тримайте його натисненим.
3. Встановіть шток налаштування глибини **10** через отвір у затискачі обмежувача глибини.
4. Налаштуйте глибину свердління, як показано.
5. Відпустіть затискач обмежувача глибини.

Перемикач вперед/назад (рис. E)

1. Змістіть перемикач вперед/назад **3** ліво для ввімкнення обертання вперед (вправо). Див. стрілки на інструменті.
2. Змістіть перемикач вперед/назад **3** вправо для ввімкнення обертання в зворотному напрямку (вліво).



УВАГА! Перш ніж змінити напрям обертання, обов'язково дочекайтеся повної зупинки двигуна.

Встановлення адаптера патрона

и патрона

Продається окремо

Прикрутіть патрон на адаптер зі сторони різьблення.

1. Встановіть підключений патрон та адаптер на інструмент, як стандартну насадку SDS PLUS.
2. Знімати патрон потрібно так само, як стандартну насадку SDS PLUS.



УВАГА! Ніколи не використовуйте стандартні патрони в режимі ударного свердління.

Зверніться до свого дилера для отримання подальшої інформації щодо відповідного приладдя.

Заміна тримача інструмента з ключем

(рис. F)

Лише D25417

1. Поверніть затискну муфту **12** у положення розблокування та витягніть тримач насадок/кільце фіксації насадки **7**.
2. Встановіть патрон **13** на шпindel та поверніть затискну муфту у положення блокування.
3. Щоб замінити патрон на тримач інструмента, спочатку зніміть патрон так само, як знімається тримач інструмента. Потім замінити тримач насадок так само, як замінюється патрон.



УВАГА! Ніколи не використовуйте стандартні патрони в режимі ударного свердління.

Заміна пилозахисної кришки (рис. A, D)

Пилозахисна кришка **14** захищає механізм від потрапляння пилу. Зношену пилозахисну кришку потрібно замінювати негайно.

1. Потягніть назад муфту тримача інструмента **7** та зніміть пилозахисну кришку **14**.
2. Встановіть нову пилозахисну кришку.
3. Відпустіть затискну муфту тримача інструмента.

РЕЖИМ РОБОТИ

Інструкції з використання



УВАГА! Завжди дотримуйтесь усіх інструкцій з техніки безпеки та відповідних норм.



УВАГА! Щоб знизити ризик серйозних травм, вимкніть інструмент та відключіть його від мережі живлення перед виконанням будь-яких налаштувань або зніманням/встановленням насадок чи аксесуарів. Переконайтеся, що вимкач знаходиться в положенні Вимк. Випадковий запуск може призвести до травм.



УВАГА!

- Стежте за розташуванням труб та проводки.
- Застосовуйте лише м'який тиск на інструмент (приблизно 5 кг). Надмірне зусилля не прискорює

свердління, але знижує продуктивність інструмента та може скоротити його термін служби.

- Не свердліть та не занурюйте інструмент занадто глибоко в матеріал, щоб уникнути пошкодження пилозахисної кришки.
- Завжди міцно тримайте інструмент обома руками та стежте за безпечним положенням ніг (рис. G). Завжди використовуйте інструмент із правильно встановленою боковою ручкою.

Правильне положення рук (рис. G)



УВАГА! Щоб знизити ризик серйозних травм, **ЗАВЖДИ** правильно розташуйте руки, як показано.



УВАГА! Щоб знизити ризик серйозних травм, **ЗАВЖДИ** надійно тримайте інструмент, щоб попередити випадкову віддачу.

При правильному положенні рук необхідно одну руку тримати на боковій ручці **6**, а іншу - на основній ручці **2**.

Запобіжна муфта

У випадку заїдання свердла привід на свердлильний шпindel відключається за допомогою запобіжної муфти. Щоб уникнути виникнення сильної віддачі, завжди міцно тримайте інструмент обома руками і працюйте у стійкій позі.

Увімкнення/вимкнення (рис. A)

1. Щоб запустити інструмент, натисніть на вимикач-регулятор змінної швидкості **1**. Тиск на перемикач змінної швидкості визначає швидкість інструмента.
2. Щоб зупинити інструмент, відпустіть вимикач.
3. Щоб заблокувати інструмент у цьому положенні, змістіть перемикач вперед/назад **3** у центральне положення.

Ударне свердління (рис. A)

Свердління з використанням твердого бура

1. Встановіть перемикач селектору режимів **4** у положення «ударне свердління». Див. **Вибір робочого режиму** у розділі **Монтаж та налаштування**.
 2. Вставте відповідний свердел.
- ПРИМІТКА.** Для кращого результату використовуйте високоякісні бури з твёрдосплавною пластиною.
3. Встановіть бокову ручку **6** у необхідне положення.
 4. За необхідності встановіть глибину свердління.
 5. Помітьте місце, в якому потрібно просвердити отвір.
 6. Помістіть кінець свердла в це місце та увімкніть інструмент.
 7. Завжди вимикайте інструмент, коли робота завершена, та перед відключенням від мережі живлення.

Свердління з використанням коронки (рис. A, C)

1. Встановіть перемикач селектору режимів **4** у положення «ударне свердління». Див. **Вибір робочого режиму** у розділі **Монтаж та налаштування**.
2. Встановіть бокову ручку **6** у необхідне положення.
3. Вставте відповідну коронку для буріння.
4. Вставте центральний свердел у коронку.
5. Помістіть кінець центрального свердла на помічену точку і натисніть перемикач Увімк./Вимк. **1**. Свердліть до тих пір, поки коронка не заглибиться у бетон приблизно на 1 см.
6. Зупиніть свердління та зніміть центральний свердел. Помістіть коронку знову в отвір та продовжуйте свердління.
7. При свердлінні конструкції, товщина якої перевищує глибину коронки, регулярно видаляйте висвердлені кругові циліндри бетону або бетон, що заповнив коронку всередині. Для уникнення небажаного руйнування бетону біля отвору, спочатку просвердліть наскрізний отвір центральним сверделом. Потім коронкою просвердліть отвір на половину з кожного боку.
8. Завжди вимикайте інструмент, коли робота завершена, та перед відключенням від мережі живлення.

Роторне свердління (рис. C)

Лише D25413, D25417

1. Встановіть перемикач селектору режимів **4** у положення «роторне свердління». Див. **Вибір робочого режиму** у розділі **Монтаж та налаштування**.
2. Встановіть адаптер патрону/патрон.
3. Виконайте кроки, описані для ударного свердління.



УВАГА! Ніколи не використовуйте стандартні патрони в режимі ударного свердління.

Використання в якості шурупокрута (рис. A, C)

Лише D25413, D25417

1. Встановіть перемикач селектору режимів **4** у положення «роторне свердління». Див. **Вибір робочого режиму** у розділі **Монтаж та налаштування**.
2. Виберіть напрямок обертання.
3. Вставте спеціальний адаптер для шурупокрута SDS PLUS для використання шестигранної насадки-викрутки.
4. Вставте відповідну насадку-викрутку. При закручуванні гвинтів зі шліцьовою голівкою, завжди використовуйте насадки с направляючою.
5. Злегка натискайте на перемикач змінної швидкості **1**, щоб уникнути пошкодження голівки гвинта. При увімкненні реверса (обертання ліво) швидкість інструмента автоматично зменшується для легкого викручування гвинтів.

6. Коли гвинт буде закручений урівень з поверхнею заготовки, відпустіть перемикач змінної швидкості, щоб голівка гвинта не ввійшла у заготовку.

Дроблення і додання (рис. А, С)

1. Встановіть перемикач селектору режиму **4** у положення «лише додання». Див. **Вибір робочого режиму** у розділі **Монтаж та налаштування**.
2. Вставте відповідне долото та поверніть його рукою для заблокування в одному з 12 положень.
3. Встановіть бокову ручку **6** у необхідне положення.
4. Увімкніть інструмент та почніть роботу.
5. Завжди вимикайте інструмент, коли робота завершена, та перед відключенням від мережі живлення.



УВАГА!

- Не використовуйте цей інструмент для змішування та відкачування легкозаймистих або вибухонебезпечних рідин (бензин, спирт, тощо).
- Не змішуйте та не перемішуйте легкозаймисті рідини з відповідною поміткою.

ТЕХНІЧНЕ ОБСЛУГОВУВАННЯ

Ваш інструмент виробництва компанії DEWALT призначений для роботи протягом довгого часу з мінімальним обслуговуванням. Довга задовільна робота приладу залежить від належного обслуговування приладу та регулярного його очищення.



УВАГА! Щоб знизити ризик серйозних травм, вимкніть інструмент та відключіть його від мережі живлення перед виконанням будь-яких налаштувань або зніманням/встановленням насадок чи аксесуарів. Переконайтеся, що вимикач знаходиться в положенні Вимк. Випадковий запуск може призвести до травм.

Щітки мотору

Компанія DEWALT використовує покращену систему щіток, яка автоматично зупиняє дріль при зношенні щіток. Це дозволяє уникнути серйозного пошкодження мотору. Нові щітки можна придбати в офіційному сервісному центрі компанії DEWALT. Завжди використовуйте змінні деталі, ідентичні оригінальним.



Змащування

Ваш електричний інструмент не вимагає додаткового змащування.



Очищення



УВАГА! Видувайте бруд та пил зсередини основного корпусу за допомогою сухого повітря, коли пил та бруд стають помітними та починають збиратися біля вентиляційних отворів. Використовуйте

рекомендовані засоби захисту органів зору та рекомендовану протипилову маску при виконанні цієї операції.



УВАГА! Ніколи не використовуйте розчинники та інші агресивні хімічні засоби для очищення неметалевих деталей інструмента. Такі хімічні речовини можуть нанести шкоду матеріалам, що використовуються для цих деталей. Використовуйте вологу ганчірку, змочену лише водою з м'яким милом. Не дозволяйте рідині потрапляти всередину інструмента та ніколи не занурюйте деталі інструмента в рідину.

Додаткові аксесуари



УВАГА! Оскільки інше приладдя, що не рекомендоване компанією DEWALT, не було перевірено з цим виробом, використання такого приладдя з цим інструментом може бути небезпечним. Щоб знизити ризик травми використовуйте лише приладдя, рекомендоване компанією DEWALT.

Зверніться до свого дилера для отримання подальшої інформації щодо відповідної приладдя.

Захист навколишнього середовища



Роздільний збір. Пристрої та батареї, позначені цим символом, не можна викидати зі звичайним побутовим сміттям.



Пристрої та батареї містять матеріали, які можна відновити та переробити, що зменшить потребу у сировині. Будь ласка, віддавайте електричні інструменти та батареї на переробку відповідно до місцевих постанов. Більш детальну інформацію можна отримати на сайті **www.2helpU.com**.



Виробник:
"Stanley Black & Decker Deutschland GmbH" Black-&-Decker Str.40, D-65510 Idstein, Німеччина

130.com.ua

1. Вітаємо Вас з покупкою високоякісного виробу DEWALT і висловлюємо вдячність за Ваш вибір.
2. При покупці виробу вимагайте перевірки його комплектності і справності у Вашій присутності, інструкцію з експлуатації та заповнений гарантійний талон українською мовою. В гарантійному талоні повинні бути внесені: модель, дата продажу, серійний номер, дата виробництва інструменту, назва, печатка і підпис торгової організації. За відсутності у Вас правильно заповненого гарантійного талону, а також при невідповідності зазначених у ньому даних ми будемо змушені відхилити Ваші претензії щодо якості даного виробу.
3. Щоб уникнути непорозумінь, переконливо просимо Вас перед початком роботи з виробом уважно ознайомитися з інструкцією з його експлуатації. Правовою основою справжніх гарантійних умов є чинне Законодавство. Гарантійний термін на даний виріб складає 36 місяців і обчислюється з дня продажу. У разі усунення недовіків виробу, гарантійний строк продовжується на період його перебування в ремонті. Термін служби виробу становить 5 років з дня продажу.
4. У разі виникнення будь-яких проблем у процесі експлуатації виробу рекомендуємо Вам звертатися тільки в уповноважені сервісні центри DEWALT, адреси та телефони яких Ви зможете знайти в гарантійному талоні, на сайті www.2helpU.com або дізнатися в магазині. Наші сервісні станції - це не тільки кваліфікований ремонт, але і широкий асортимент запчастин і аксесуарів.
5. Виробник рекомендує проводити періодичну перевірку і технічне обслуговування виробу в уповноважених сервісних центрах.
6. Наші гарантійні зобов'язання поширюються тільки на несправності, виявлені протягом гарантійного терміну і викликані дефектами виробництва та \ або матеріалів.
7. Гарантійні умови не поширюються на несправності виробу, що виникли в результаті:
 - 7.1. Недотримання користувачем приписів інструкції з експлуатації виробу, застосування виробу не за призначенням, неправильного зберігання, використання приладдя, витратних матеріалів і запчастин, що не передбачені виробником.
 - 7.2. Механічного пошкодження (відколи, тріщини і руйнування) внутрішніх і зовнішніх деталей виробу, основних і допоміжних рукояток, мережевого кабелю, що викликані зовнішнім ударним або будь-яким іншим впливом
 - 7.3. Потраплення у вентиляційні отвори та проникнення всередину виробу сторонніх предметів, матеріалів або речовин, що не є відходами, які супроводжують застосування виробу за призначенням, такими як: стружка, тирса, пісок, та ін.
 - 7.4. Впливу на виріб несприятливих атмосферних і інших зовнішніх факторів, таких як дощ, сніг, підвищена вологість, нагрівання, агресивні середовища, невідповідність параметрів електромережі, що зазначені на інструменті.
 - 7.5. Стихійного лиха. Пошкодження або втрати виробу, що пов'язані з непередбаченими лихами, стихійними явищами, у тому числі внаслідок дії непереборної сили (пожежа, блискавка, потоп і інші природні явища), а також внаслідок перепадів напруги в електромережі та іншими причинами, які знаходяться поза контролем виробника.
8. Гарантійні умови не поширюються:
 - 8.1. На інструменти, що піддавались розкриттю, ремонту або модифікації поза уповноваженим сервісним центром.
 - 8.2. На деталі, вузли та матеріали, що мають сліди природного зносу, такі як: приводні ремені і колеса, вугільні щітки, мастило, підшипники, зубчасті зчеплення редукторів, гумові ущільнення, сальники, направляючі ролики, муфти, вимикачі, бойки, штовхачі, стволи тощо.
 - 8.3. На змінні частини: патрони, цанги, затискні гайки і фланці, фільтри, ножі, шліфувальні підшви, ланцюги, зірочки, пильні шини, захисні кожухи, пилки, абразиви, пильні і абразивні диски, фрези, свердла, бури тощо
 - 8.4. На несправності, що виникли в результаті перевантаження інструменту (як механічного, так і електричного), що спричинили вихід з ладу одночасно двох і більше деталей і вузлів, таких як: ротора і статора, обох обмоток статора, веденої і ведучої шестерень редуктора або інших вузлів і деталей. До безумовних ознак перевантаження виробу відносяться, крім інших: поява кольорів мінливості, деформація або оплвлення деталей і вузлів виробу, потемніння або обуглювання ізоляції проводів електродвигуна під впливом високої температури.

Товар отриманий в справному стані, без видимих ушкоджень, в повній комплектації, перевірений у моїй присутності, претензій щодо якості товару не маю. З умовами гарантійного обслуговування ознайомлений і згоден.

П. І. Б. та підпис власника _____

Шановні клієнти, наша мережа авторизованих сервісних центрів постійно розширюється. Актуальну інформацію про обслуговування в місті, що цікавить вас, ви можете дізнатися на сайті

www.2helpU.com

Інформація про інструмент

Найменування інструменту	
Модель	
Найменування продавця	
Дата продажу	

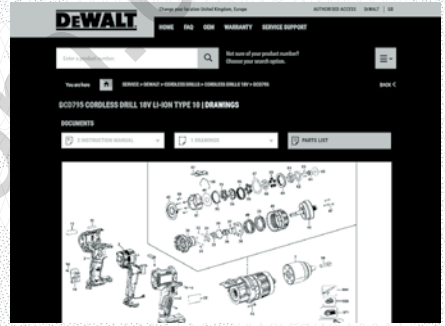
М.П.
Продавця

Серійний номер/Дата виробництва

Інструмент	
Зарядний пристрій	
Акумулятор 1	
Акумулятор 2	

На сайті www.2helpU.com доступні наступні функції:

- Список авторизованих сервісних центрів
- Зручний пошук найближчого сервісного центру
- Керівництво з експлуатації
- Технічні характеристики
- Список деталей і запасних частин
- Схема складання інструменту



**Також дану інформацію ви можете отримати, зателефонувавши за номером:
0 (800) 211 521 в Україні**

ВІДМІТКА ПРО ПРОВЕДЕННЯ СЕРВІСНОГО ОБСЛУГОВУВАННЯ

№1	№2	№3	№4
№ замовлення	№ замовлення	№ замовлення	№ замовлення
Дата прийому	Дата прийому	Дата прийому	Дата прийому
Дата ремонту	Дата ремонту	Дата ремонту	Дата ремонту
Печатка і підпис сервісного центру	Печатка і підпис сервісного центру	Печатка і підпис сервісного центру	Печатка і підпис сервісного центру