



ТЕЛЕФОНИ

0 (800) 800 130  
(050) 462 0 130  
(063) 462 0 130  
(067) 462 0 130

130  
COM.UA

Інтернет-магазин  
автотоварів



SKYPE

km-130

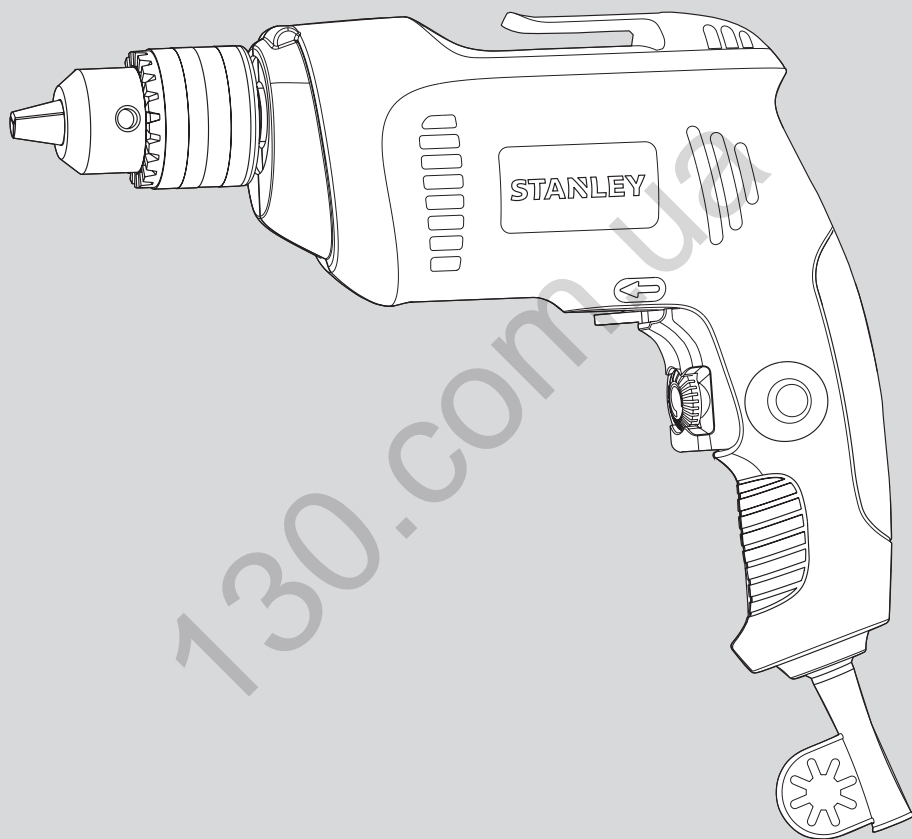
**АВТОМАГНІТОЛИ** — Магнітоли • Медіа-ресівери та станції • Штатні магнітоли • CD/DVD чейнджери • FM-модулятори/USB адаптери • Flash пам'ять • Перехідні рамки та роз'єми • Антени • Аксесуари | **АВТОЗВУК** — Акустика • Підсилювачі • Сабвуфери • Процесори • Кросовери • Навушники • Аксесуари | **БОРТОВІ КОМП'ЮТЕРИ** — Універсальні комп'ютери • Модельні комп'ютери • Аксесуари | **GPS НАВІГАТОРИ** — Портативні GPS • Вмонтовані GPS • GPS модулі • GPS трекери • Антени для GPS навігаторів • Аксесуари | **ВІДЕОПРИСТРОЇ** — Відеореєстратори • Телевізори та монітори • Автомобільні ТВ тюнери • Камери • Відеомодулі • Транскодери • Автомобільні ТВ антени • Аксесуари | **ОХОРОННІ СИСТЕМИ** — Автосигналізація • Мотосигналізація • Механічні блокувальники • Імобілайзери • Датчики • Аксесуари | **ОПТИКА ТА СВІТЛО** — Ксенон • Біксенон • Лампи • Світлодіоди • Стробоскопи • Оптика і фари • Омивачі фар • Датчики світла, дощу • Аксесуари | **ПАРКТРОНІКИ ТА ДЗЕРКАЛА** — Задні парктроніки • Передні парктроніки • Комбіновані парктроніки • Дзеркала заднього виду • Аксесуари | **ПІДІГРІВ ТА ОХОЛОДЖЕННЯ** — Підігрів сидінь • Підігрів дзеркал • Підігрів двірників • Підігрів двигунів • Автоохолодильники • Автокондиціонери • Аксесуари | **ТЮНІНГ** — Віброізоляція • Шумоізоляція • Тонувальна плівка • Аксесуари | **АВТОАКСЕСУАРИ** — Радар-детектори • Гучний зв'язок, Bluetooth • Склопідіймачі • Компресори • Звукові сигнали, СГП • Вимірювальні прилади • Автопилососи • Автокрісла • Різне | **МОНТАЖНЕ ОБЛАДНАННЯ** — Інсталяційні комплекти • Оббивні матеріали • Декоративні решітки • Фазоінвертори • Кабель та провід • Інструменти • Різне | **ЖИВЛЕННЯ** — Акумулятори • Перетворювачі • Пуско-заряджувальні пристрої • Конденсатори • Аксесуари | **МОРСЬКА ЕЛЕКТРОНІКА ТА ЗВУК** — Морські магнітоли • Морська акустика • Морські сабвуфери • Морські підсилювачі • Аксесуари | **АВТОХІМІЯ ТА КОСМЕТИКА** — Присадки • Рідини омивача • Засоби по догляду • Поліролі • Ароматизатори • Клеї та герметики | **РІДИНИ ТА МАСЛА** — Моторні масла • Трансмісійні масла • Гальмівні рідини • Антифризи • Технічні змазки



У магазині «130» ви можете знайти та купити у Києві з доставкою по місту та Україні практично все для вашого автомобіля. Наші досвідчені консультанти нададуть вам вичерпну інформацію та допоможуть підібрати саме те, що ви шукаєте. Чекаємо вас за адресою

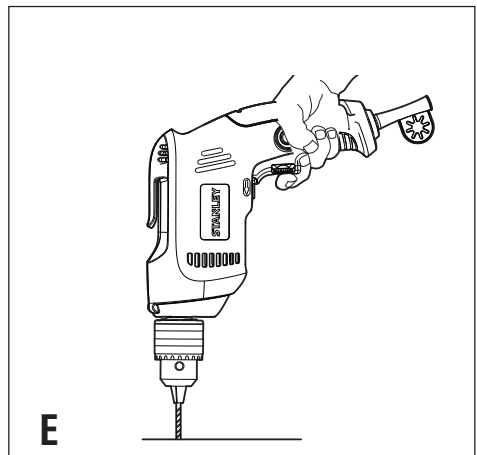
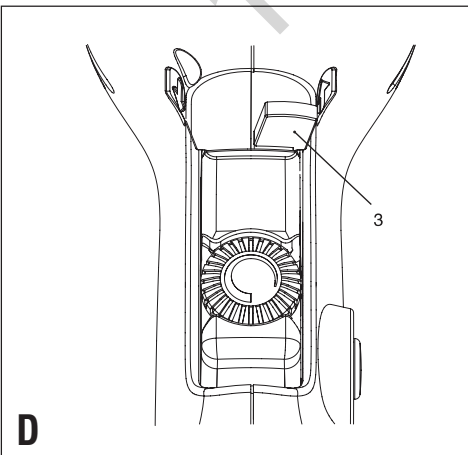
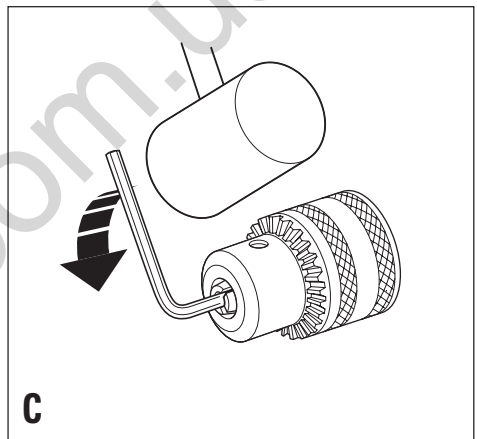
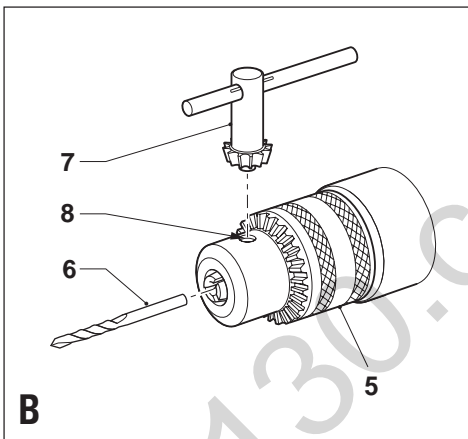
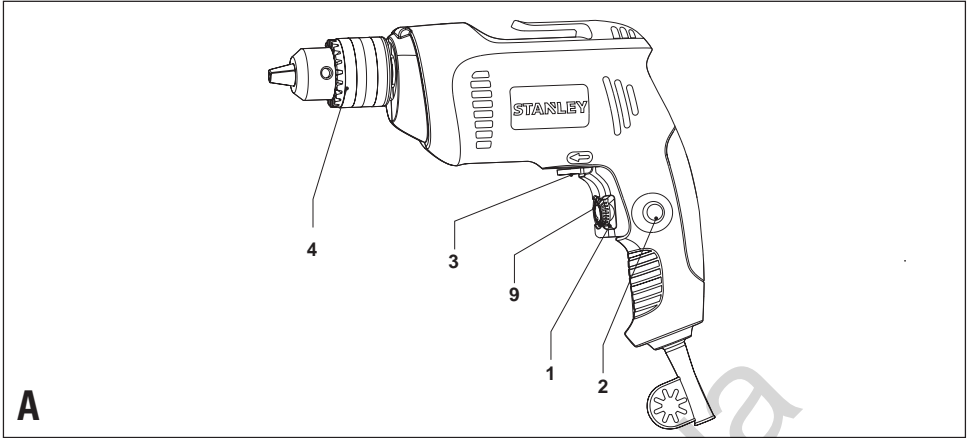
<https://130.com.ua>

# STANLEY



STDR5510

English	Page 3
Russian	Page 8
Ukrainian	Page 16



## Intended use

Your STANLEY rotary drill has been designed for drilling in wood, metal and plastic. This tool is intended for consumer use only.

## Original Instruction

### General Power Tool Safety Warnings



**Warning! Read all safety warnings and all instructions.** Failure to follow the warnings and instructions may result in electric shock, fire

and/or serious injury.

Save all warnings and instructions for future reference.

The term "power tool" in the warnings refers to your mains-operated (corded) power tool or battery-operated (cordless) power tool.

#### 1. Work area safety

- a. **Keep work area clean and well lit.** Cluttered or dark areas invite accidents.
- b. **Do not operate power tools in explosive atmospheres, such as in the presence of flammable liquids, gases or dust.** Power tools create sparks which may ignite the dust or fumes.
- c. **Keep children and bystanders away while operating a power tool.** Distractions can cause you to lose control.

#### 2. Electrical safety

- a. **Power tool plugs must match the outlet. Never modify the plug in any way. Do not use any adapter plugs with earthed (grounded) power tools.** Unmodified plugs and matching outlets will reduce risk of electric shock.
- b. **Avoid body contact with earthed or grounded surfaces, such as pipes, radiators, ranges and refrigerators.** There is an increased risk of electric shock if your body is earthed or grounded.
- c. **Do not expose power tools to rain or wet conditions.** Water entering a power tool will increase the risk of electric shock.
- d. **Do not abuse the cord. Never use the cord for carrying, pulling or unplugging the power tool. Keep cord away from heat, oil, sharp edges or moving parts.** Damaged or entangled cords increase the risk of electric shock.

- e. **When operating a power tool outdoors, use an extension cord suitable for outdoor use.** Use of a cord suitable for outdoor use reduces the risk of electric shock.
  - f. **If operating a power tool in a damp location is unavoidable, use a residual current device (RCD) protected supply.** Use of an RCD reduces the risk of electric shock.
- #### 3. Personal safety
- a. **Stay alert, watch what you are doing and use common sense when operating a power tool. Do not use a power tool while you are tired or under the influence of drugs, alcohol or medication.** A moment of inattention while operating power tools may result in serious personal injury.
  - b. **Use personal protective equipment. Always wear eye protection.** Protective equipment such as dust mask, non-skid safety shoes, hard hat, or hearing protection used for appropriate conditions will reduce personal injuries.
  - c. **Prevent unintentional starting. Ensure the switch is in the off-position before connecting to power source and/or battery pack, picking up or carrying the tool. Carrying power tools with your finger on the switch or energising power tools that have the switch on invites accidents.**
  - d. **Remove any adjusting key or wrench before turning the power tool on.** A wrench or a key left attached to a rotating part of the power tool may result in personal injury.
  - e. **Do not overreach. Keep proper footing and balance at all times.** This enables better control of the power tool in unexpected situations.
  - f. **Dress properly. Do not wear loose clothing or jewellery. Keep your hair, clothing and gloves away from moving parts.** Loose clothes, jewellery or long hair can be caught in moving parts.
  - g. **If devices are provided for the connection of dust extraction and collection facilities, ensure these are connected and properly used.** Use of dust collection can reduce dust-related hazards.

4. Power tool use and care

- a. Do not force the power tool. Use the correct power tool for your application. The correct power tool will do the job better and safer at the rate for which it was designed.
- b. Do not use the power tool if the switch does not turn it on and off. Any power tool that cannot be controlled with the switch is dangerous and must be repaired.
- c. Disconnect the plug from the power source and/or the battery pack from the power tool before making any adjustments, changing accessories, or storing power tools. Such preventive safety measures reduce the risk of starting the power tool accidentally.
- d. Store idle power tools out of the reach of children and do not allow persons unfamiliar with the power tool or these instructions to operate the power tool. Power tools are dangerous in the hands of untrained users.
- e. Maintain power tools. Check for misalignment or binding of moving parts, breakage of parts and any other condition that may affect the power tools operation. If damaged, have the power tool repaired before use. Many accidents are caused by poorly maintained power tools.
- f. Keep cutting tools sharp and clean. Properly maintained cutting tools with sharp cutting edges are less likely to bind and are easier to control.
- g. Use the power tool, accessories and tool bits etc. in accordance with these instructions, taking into account the working conditions and the work to be performed. Use of the power tool for operations different from those intended could result in a hazardous situation.









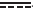
5. Service

- a. Have your power tool serviced by a qualified repair person using only identical replacement parts. This will ensure that the safety of the power tool is maintained.

- Hold power tool by insulated gripping surfaces, when performing an operation where the cutting accessory may contact hidden wiring or its own cord. Cutting accessory contacting a "live" wire may make exposed metal parts of the power tool "live" and could give the operator an electric shock.
- Use clamps or another practical way to secure and support the workpiece to a stable platform. Holding the work by hand or against your body leaves it unstable and may lead to loss of control.
- Before drilling into walls, floors or ceilings, check for the location of wiring and pipes.
- Avoid touching the tip of a drill bit just after drilling, as it may be hot.
- This tool is not intended for use by persons (including children) with reduced physical, sensory or mental capabilities, or lack of experience and knowledge, unless they have been given supervision or instruction concerning use of the appliance by a person responsible for their safety. Children should be supervised to ensure that they do not play with the appliance.
- The intended use is described in this instruction manual. The use of any accessory or attachment or performance of any operation with this tool other than those recommended in this instruction manual may present a risk of personal injury and/or damage to property.

Labels on tool

The label on your tool may include the following symbols:

	Read Instructions Manual	Hz ..... Hertz		Class II Construction
	Use Eye Protection	W ..... Watts		Earthing Terminal
	Use Ear Protection	min ..... minutes		Safety Alert Symbol
		 ..... Alternating Current		Revolutions or Reciprocation per minute
		 ..... Direct Current		
V ..... Volts		$n_0$ ..... No-Load Speed		
A ..... Amperes				

Additional power tool safety warnings



Warning! Drill safety warnings

- Wear ear protectors when impact drilling. Exposure to noise can cause hearing loss.
- Use auxiliary handle(s), if supplied with the tool. Loss of control can cause personal injury.

Position of date barcode

The Date Code, which also includes the year of manufacture, is printed into the housing.

Example:

2014 XX JN  
Year of manufacturing



## Electrical safety



This tool is double insulated; therefore no earth wire is required. Always check that the power supply corresponds to the voltage on the rating plate.

- If the supply cord is damaged, it must be replaced by the manufacturer or an authorised STANLEY Service Centre in order to avoid a hazard.

## Using an extension cable

- Always use an approved extension cable suitable for the power input of this tool (see technical data). Before use, inspect the extension cable for signs of damage, wear and ageing. Replace the extension cable if damaged or defective. When using a cable reel, always unwind the cable completely. Use of an extension cable not suitable for the power input of the tool or which is damaged or defective may result in a risk of fire and electric shock.

## Features

This tool includes some or all of the following features.

1. Variable speed switch
2. Lock-on button
3. Forward/reverse slider
4. Chuck
5. Sleeve
6. Bit Shaft
7. Speed dial
8. Hole
9. Speed dial

## Assembly

**Warning!** Before assembly, make sure that the tool is switched off and unplugged.

### Keyed chuck (fig. B)

- Open the chuck by turning the sleeve (5) counterclockwise.
- Insert the bit shaft (6) into the chuck.
- Insert the chuck key (7) into each hole (8) in the side of the chuck and turn clockwise until tight.

### Removing and refitting the chuck (fig. C)

- Open the chuck as far as possible.

- Remove the chuck retaining screw, located in the chuck, by turning it clockwise using a screwdriver.
- Tighten an Allen key into the chuck and strike it with a hammer as shown.
- Remove the Allen key.
- Remove the chuck by turning it counterclockwise.
- To refit the chuck, screw it onto the spindle and secure it with the chuck retaining screw.

## Use

**Warning!** Let the tool work at its own pace. Do not overload.

**Warning!** Before drilling into walls, floors or ceilings, check for the location of wiring and pipes.

### Selecting the direction of rotation (fig. D)

For drilling and for tightening screws, use forward (clockwise) rotation. For loosening screws or removing a jammed drill bit, use reverse (counterclockwise) rotation.

- To select forward rotation, push the forward/reverse slider (3) to the left position.
- To select reverse rotation, push the forward/reverse slider to the right.

Viewed when holding the drill in the operating position. After any reversing operations, return slider (3) to forward position.

**Warning!** Never change the direction of rotation while the motor is running.

### Switching on and off

- To switch the tool on, press the variable speed switch (1). The tool speed depends on how far you press the switch.
- For continuous operation, press the lock-on button (2) and release the variable speed switch. This option is available only at full speed.
- To switch the tool off, release the variable speed switch. To switch the tool off when in continuous operation, press the variable speed switch once more and release it.
- Based on the different applications, turn around the speed dial (9) to control the maximum speed.

### Proper Hand Position (fig.E)



**Warning!** To reduce the risk of serious personal injury, ALWAYS use proper hand position as shown in figure E.



**Warning!** To reduce the risk of serious personal injury, **ALWAYS** hold securely in anticipation of a sudden reaction.

### Drilling in metal

Start drilling with slow speed and increase to full power while applying firm pressure on the tool. A smooth even flow of metal chips indicates the proper drilling rate. Use a cutting lubricant when drilling metals. The exceptions are cast iron and brass which should be drilled dry.

**Note:** Large [5/16" (8 mm)] holes in steel can be made easier if a pilot hole [5/32" (4 mm)] is drilled first.

### Drilling in wood

Start drilling with slow speed and increase to full power while applying firm pressure on the tool. Holes in wood can be made with the same twist drills used for metal. These bits may overheat unless pulled out frequently to clear chips from the flutes. Work that is apt to splinter should be backed up with a block of wood.

### Accessories

The performance of your tool depends on the accessory used. STANLEY accessories are engineered to high quality standards and designed to enhance the performance of your tool. By using these accessories you will get the very best from your tool.

### Maintenance

Your tool has been designed to operate over a long period of time with a minimum of maintenance. Continuous satisfactory operation depends upon proper tool care and regular cleaning.

**Warning!** Before performing any maintenance, switch off and unplug the tool.

- Regularly clean the ventilation slots in your tool using a soft brush or dry cloth.
- Regularly clean the motor housing using a damp cloth. Do not use any abrasive or solvent-based cleaner.

### Remarks

- STANLEY's policy is one of continuous improvement to our products and as such, we reserve the right to modify product specifications without prior notice.
- Standard equipment and accessories may vary by country.
- Product specifications may differ by country.
- Complete product range may not be available in all countries. Contact your local STANLEY dealers for range availability.

### Technical data

STDR5510		
POWER	W	550
VOLTAGE	V	220-240
FREQUENCY	Hz	50/60
NO-LOAD SPEED	/min	0-2800
REVERSE		YES
LOCK ON		YES
MAX DRILLING CAPACITY		
STEEL	mm	10
WOOD	mm	25
CHUCK CAPACITY	mm	1.5-10

## Protecting the environment



Separate collection. This product must not be disposed of with normal household waste.

Should you find one day that your STANLEY product needs replacement, or if it is of no further use to you, do not dispose of it with household waste. Make this product available for separate collection.



Separate collection of used products and packaging allows materials to be recycled and used again. Re-use of recycled materials helps prevent environmental pollution and reduces the demand for raw materials.

Local regulations may provide for separate collection of electrical products from the household, at municipal waste sites or by the retailer when you purchase a new product. STANLEY provides a facility for the collection and recycling of STANLEY products once they have reached the end of their working life. To take advantage of this service please return your product to any authorised repair agent who will collect them on our behalf.

You can check the location of your nearest authorised repair agent by contacting your local STANLEY office at the address indicated in this manual. Alternatively, a list of authorised STANLEY repair agents and full details of our after-sales service and contacts are available on the Internet at: [www.2helpU.com](http://www.2helpU.com)

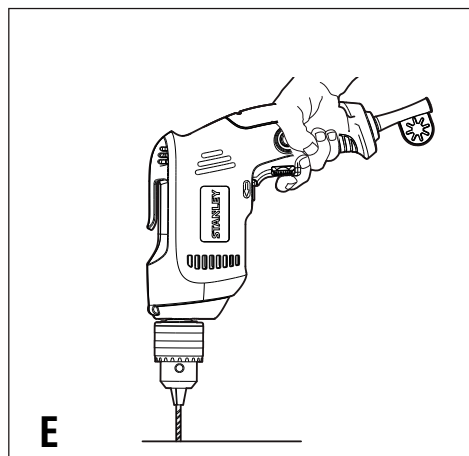
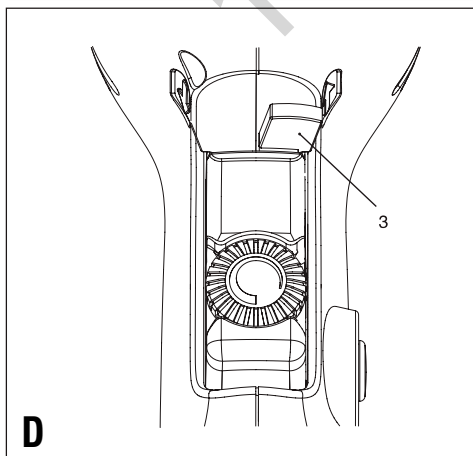
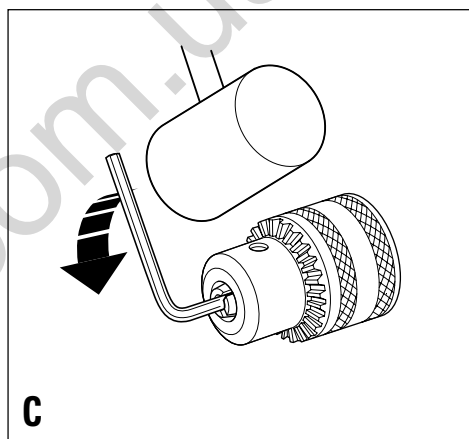
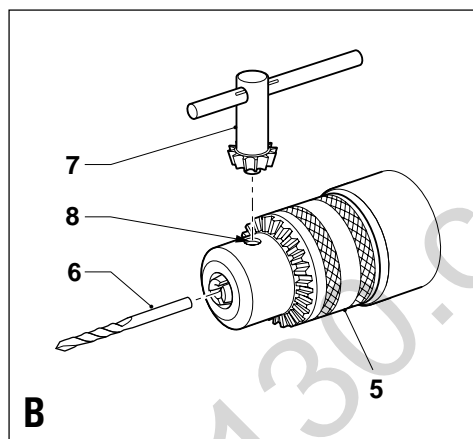
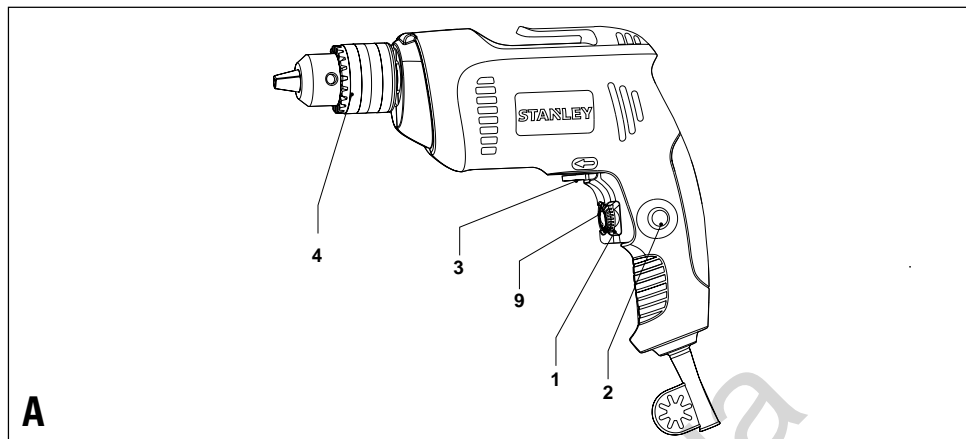
## Two years full warranty

If your STANLEY product becomes defective due to faulty materials or workmanship within 24 months from the date of purchase, STANLEY Europe guarantees to replace all defective parts free of charge or – at our discretion – replace the unit free of charge provided that:

- The product has not been misused and has been used in accordance with the instruction manual.
- The product has been subject to fair wear and tear;
- Repairs have not been attempted by unauthorised persons;
- Proof of purchase is produced.
- The STANLEY product is returned complete with all original components

If you wish to make a claim, contact your seller or check the location of your nearest authorised STANLEY repair agent in the STANLEY catalogue or contact your local STANLEY office at the address indicated in this manual. A list of authorised STANLEY repair agents and full details of our after sales service is available on the internet at: [www.stanleytools.com](http://www.stanleytools.com)





## Использование по назначению

Ваша дрель STANLEY для вращательного сверления была разработана для сверления отверстий в древесине, металле и пластике. Этот инструмент предназначен только для бытового использования.

## Оригинальные инструкции

### Общие предупреждения по технике безопасности электроинструментов



**Внимание! Ознакомьтесь со всеми правилами безопасности и инструкциями.**

Несоблюдение предупреждений и инструкций, указанных ниже, может привести к поражению электрическим током, пожару и/или серьезной травме.

### Сохраните все предупреждения и инструкции для будущего использования.

Термин "электроинструмент" во всех предупреждениях, указанных ниже, относится к вашему сетевому (с кабелем) электроинструменту или аккумуляторному электроинструменту (без кабеля питания).

#### 1. Безопасность рабочего места

- a. **Содержите рабочее место в чистоте и хорошо освещенным.** Беспорядок на рабочем месте или отсутствие освещения рабочего места может привести к аварии.
- b. **Не работайте с электроинструментом в месте хранения взрывоопасных материалов, например, в присутствии огнеопасных жидкостей, газов или пыли.** Электрические инструменты создают искры, которые могут воспламенить пыль или пары.
- c. **Дети и посторонние лица должны находиться как можно дальше во время работы с электроинструментом.** Вы можете отвлечься и потерять контроль.

#### 2. Электробезопасность

- a. **Вилка электроинструмента должна соответствовать розетке. Никогда не модифицируйте вилку каким-либо образом. Не используйте никакие вилки-переходники с заземленными (замкнутыми на землю)**

**электроинструментами.** Вилки и розетки, которые не подвергались никаким изменениям снижают риск поражения электрическим током.

- b. **Избегайте контакта тела с заземленными поверхностями, такими как трубы, радиаторы, плиты и холодильники.** Существует повышенный риск поражения электрическим током, если ваше тело заземлено.
- c. **Избегайте любого воздействия дождя или влаги на электроинструменты.** Вода, попавшая в электроинструмент, увеличивает риск поражения электрическим током.
- d. **Аккуратно обращайтесь со шнуром питания. Никогда не используйте шнур питания для переноски, перемещения или извлечения вилки из розетки. Держите шнур вдали от источников тепла, масла, острых краев или движущихся частей.** Поврежденные или запутанные шнуры увеличивают риск поражения электрическим током.
- e. **При работе с электроинструментом на улице, используйте удлинитель, подходящий для наружного использования.** Использование кабеля, пригодного для использования на открытом воздухе, снижает риск поражения электрическим током.
- f. **При необходимости работы с электроинструментом во влажной среде, используйте устройство защитного отключения (УЗО).** Использование УЗО снижает риск поражения электрическим током. Примечание: Термин "устройство защитного отключения (УЗО)" может быть заменен на "аварийный прерыватель заземления" или "автоматический выключатель тока утечки".

#### 3. Личная безопасность

- a. **Будьте внимательны, смотрите, что вы делаете, используйте здравый смысл при работе с электроинструментом. Не используйте электроинструмент, если вы устали или находитесь под влиянием наркотиков, алкоголя или лекарств.** Малейшая неосторожность при работе с электроинструментом может привести к серьезным травмам.
- b. **Используйте средства индивидуальной защиты. Всегда надевайте защитные очки. Другое защитное оборудование, включая респиратор, ботинки на нескользящей подошве, защитный шлем или средства защиты органов слуха, используемые в надлежащих условиях, уменьшат риск получения травмы.**

- c. Для предотвращения случайного запуска, убедитесь, что переключатель находится в выключенном положении перед подключением к источнику питания и/или аккумуляторной батарее, поднятия или переноски инструмента. Не переносите электроинструмент с пальцем на выключателе и не включайте питание на инструмент с включенным выключателем, что может привести к несчастному случаю.
- d. Перед включением электроинструмента снимайте регулировочный или гаечный ключ. Гаечный или регулировочный ключ, оставленный на вращающейся части электроинструмента, может привести к травме.
- e. Не тянитесь. Сохраняйте правильную стойку и баланс все время. Это позволяет лучше контролировать инструмент в неожиданных ситуациях.
- f. Одевайтесь правильно. Не надевайте свободную одежду или украшения. Держите волосы, одежду и перчатки вдали от движущихся частей. Свободная одежда, украшения или длинные волосы могут попасть в движущиеся части.
- g. Если имеются устройства для подключения пылесборника или вытяжки, убедитесь в том, что они подсоединены и используются правильно. Использование пылесборника снижает вероятность возникновения рисков, связанных с пылью.
- #### 4. Использование и уход за электроинструментом
- a. Не перегружайте электроинструмент. Используйте подходящий электрический инструмент для соответствующего применения. Правильно подобранный электроинструмент позволит выполнить работу лучше и безопаснее при скорости, для которой он был разработан.
- b. Не используйте электроинструмент, если переключатель не может его включить и выключить. Любой электроинструмент, который нельзя контролировать с помощью переключателя, опасен и должен быть отремонтирован.
- c. Отключите кабель питания от источника питания и/или аккумуляторный блок от электрического инструмента перед выполнением любых регулировок, замены принадлежностей или при хранении электроинструмента. Такие профилактические меры безопасности уменьшают риск непреднамеренного запуска электрического инструмента.
- d. Храните неиспользуемые электроинструменты в недоступном для детей месте и не позволяйте лицам, не знакомым с электроинструментом или данными инструкциями, работать с электроинструментом. Электроинструменты опасны в руках неопытных пользователей.
- e. Поддержание электроинструмента. Проверяйте регулировку или соединение подвижных частей, поломки частей и любые другие условия, которые могут повлиять на работу электроинструмента. При наличии повреждения, отремонтируйте электроинструмент перед использованием. Многие несчастные случаи являются следствием плохого ухода за электроинструментом.
- f. Держите режущий инструмент острым и чистым. Хорошо ухоженный режущий инструмент с острыми режущими кромками легче контролировать.
- g. Используйте этот электроинструмент, аксессуары и насадки в соответствии с данными инструкциями, принимая во внимание условия работы и те работы, которые должны быть выполнены. Использование электроинструмента для операций, отличающихся от тех, для которых он предназначен, может привести к опасной ситуации.
- #### 5. Обслуживание
- a. Обеспечьте, чтобы обслуживание и ремонт вашего электроинструмента проводился в авторизованном сервисном центре по ремонту с использованием только оригинальных запасных частей. Это станет гарантией безопасности электроинструмента.

### Дополнительные меры безопасности для электроинструментов



Правила техники безопасности при работе с дрелью

- Надевайте защитные наушники при сверлении. Воздействие шума может привести к потере слуха.
- Используйте дополнительные рукоятки, если они входят в комплект поставки инструмента. Потеря контроля может привести к травме.
- Держите инструмент за изолированные поверхности во время работы, при которой режущий инструмент может задеть скрытую проводку или собственный кабель. При контакте режущего аксессуара с «живым» проводом или открытыми металлическими частями электроинструмента оператора может ударить электрическим током.

- Используйте тиски или другое подходящее приспособление для обеспечения и поддержания обрабатываемого изделия на устойчивой платформе. Проведение работы по направлению руки или против вашего тела, лишает устойчивости и может привести к потере контроля.
- Перед сверлением стен, полов и потолков, проверьте местоположение электропроводки и труб.
- Не прикасайтесь к кончику сверла сразу после окончания сверления, так как оно может быть горячим.
- Этот инструмент не предназначен для использования лицами (включая детей) с ограниченными физическими, чувствительными или умственными способностями или с недостатком опыта или знаний, если они не были под контролем и руководством лица, контролирующего использование инструмента или лицом, ответственным за их безопасность. Дети должны быть под присмотром взрослых, чтобы не допустить никаких игр с инструментом.
- Назначение инструмента описывается в данном руководстве. Использование любых аксессуаров или приспособлений, выполнение любых операций с помощью этого инструмента, не рекомендованных в данном руководстве, может представлять опасность получения травм и/или повреждения имущества.

## 6. Этикетки на инструменте

Этикетка на вашем инструменте может включать следующие символы:



Читайте инструкцию по эксплуатации



Используйте средства защиты глаз



Используйте средства защиты органов слуха

Гц ..... Герц

Вт ..... Ватт

мин..... минуты

~ Переменный ток

----- Постоянный ток



..... Конструкция класса II



..... Терминал заземления



..... Символ предупреждения об опасности



...мин.. обороты или возвратно-поступательное движение в минуту

V ..... Вольт

A ..... Ампер

$n_0$  ..... Скорость без нагрузки

## Положение даты штрих-кода

Дата кода, который также включает год изготовления, печатается на корпусе.

Пример:

2014 XX JN

Год изготовления

## Электрическая безопасность



Этот инструмент защищен двойной изоляцией, поэтому заземляющий провод не требуется. Всегда проверяйте, чтобы напряжение сети соответствовало напряжению, указанному на заводской табличке. Никогда не пытайтесь заменить зарядный блок стандартным сетевым штепселем.

- Если шнур питания поврежден, он должен быть заменен производителем или уполномоченным сервисным центром STANLEY для того, чтобы избежать опасности.

## Использование удлинителя

- Всегда используйте утвержденный удлинительный кабель, подходящий для входной мощности данного инструмента (см. технические данные). Перед использованием проверьте удлинительный кабель на наличие признаков повреждения, старения и износа. Замените удлинительный кабель, если он поврежден или неисправен. При использовании кабельного барабана, всегда разматывайте кабель полностью. Использование удлинителя не подходящего для входной мощности инструмента или поврежденного или неисправного кабеля, может привести к риску возникновения пожара или поражения электрическим током.

## Характеристики

Этот инструмент отличается следующими характеристиками:

- Переключатель плавного хода
- Фиксатор клавиши
- Ползунок вперед/назад
- Зажимной патрон
- Рукав
- Хвостовик сверла
- Быстрый набор
- Отверстие
- Быстрый набор

## Сборка

**Предостережение!** Перед сборкой, пожалуйста, убедитесь, что электроинструмент выключен и вилка шнура питания инструмента отключена от источника питания.

**Кнопочный патрон (рис. В)**

- Откройте сверлильный патрон, повернув рукав (5) против часовой стрелки.
- Поместите хвостовик сверла (6) в патрон.
- Поместите ключ зажимного патрона (7) в каждое отверстие (8) в боковой части патрона и поверните по часовой стрелке до упора.

**Демонтаж и монтаж патрона (рис. С)**

- Открыть патрон, насколько это возможно.
- Снимите винт, фиксирующий патрон расположенный в патроне, повернув его по часовой стрелке с помощью отвертки.
- Затяните шестигранный ключ в патроне и ударьте по нему молотком, как показано на рисунке.
- Снимите ключ-шестигранник.
- Снимите патрон, повернув его против часовой стрелки.
- Для повторной установки патрона, закрепите его на шпindelе и затяните его с помощью стопорного винта.

**Использование**

**Внимание!** Дайте инструменту работать в своем собственном темпе. Не перегружайте его.

**Внимание!** Перед сверлением стен, полов и потолков, проверьте местоположение электропроводки и труб.

**Выбор направления вращения (рис. D)**

Для сверления и заворачивания винтов, используйте вращение вперед (по часовой стрелке). Для ослабления шурупов или извлечения застрявшего сверла используйте обратное вращение (против часовой стрелки).

- Чтобы выбрать прямое вращение, нажмите ползунок вперед/назад (3) влево.
- Чтобы выбрать обратное вращение, нажмите ползунок вперед/назад вправо.

Держите сверло в рабочем положении. После любых реверсивных операций, верните слайдер (3) в переднее положение.

**Внимание!** Никогда не меняйте направление вращения при работающем двигателе.

**Включение и выключение**

- Чтобы включить инструмент, нажмите переключатель плавного хода (1). Скорость инструмента зависит от того, насколько вы нажмете выключатель.
- Для непрерывной работы нажмите фиксатор клавиши (2) и отпустите переключатель плавного хода. Эта опция доступна только на полной скорости.
- Чтобы выключить инструмент, отпустите клавишу переключателя плавного хода еще раз и отпустите его. Чтобы выключить инструмент при работе в непрерывном режиме, нажмите клавишу переключателя плавного хода еще раз и отпустите его.
- В зависимости от применения, поверните ручку быстрого набора (9) для достижения максимальной скорости.

**Правильное положение рук (рис. E)**

**Предупреждение:** Чтобы уменьшить риск получения серьезной травмы, ВСЕГДА держите руки в правильном положении, как показано на рисунке E.



**Предупреждение:** Чтобы уменьшить риск получения серьезной травмы, ВСЕГДА надежно удерживайте инструмент для предупреждения внезапной реакции.

**Сверление в металле**

Начинайте сверление с низкой скоростью, постепенно увеличивая мощность и применяя сильное надавливание на инструмент. Спокойный, ровный выход металлической стружки указывает на правильную частоту сверления. Используйте режущую смазку при сверлении металлов. Исключения составляют чугун и латунь, которые необходимо сверлить сухими.

**Примечание:** Отверстия большего диаметра [5/16" (8 мм) до 1/2" (13 мм)] в стали легче просверлить, если сначала сделать пилотное отверстие [5/32" (4 мм), 3/16" (5 мм)].

## Сверление в дереве

Начинайте сверление с низкой скоростью, постепенно увеличивая мощность и применяя сильное надавливание на инструмент. Отверстия в дереве могут быть сделаны теми же сверлами, которые используются для металла. Сверла могут перегреваться, периодически вынимайте их из отверстия. Заготовки, от которых могут лететь осколки, должны быть усилены блоком древесины.

## Аксессуары

Производительность электроинструмента зависит от его аксессуаров. Аксессуары STANLEY разработаны в соответствии с высокими стандартами качества, чтобы повысить производительность электроинструмента. Использование этих аксессуаров может помочь вам удобно работать с инструментом.

## Обслуживание

Ваш инструмент был разработан для использования в течение длительного времени при минимальном техническом обслуживании. Последовательное удовлетворительное использование зависит от надлежащего технического обслуживания и регулярной чистки инструмента.

**Предостережение!** Перед выполнением любых работ по техобслуживанию выключите питание инструмента.

- Регулярно очищайте вентиляционные отверстия вашего инструмента, используя мягкую щетку или сухую тряпку.
- Регулярно очищайте корпус двигателя, используя влажную тряпку. Не используйте абразивные чистящие средства или чистящие средства на основе растворителей.

## Примечания

- Политика STANLEY является процессом непрерывного совершенствования нашей продукции и, таким образом, мы оставляем за собой право изменять спецификацию продукта без предварительного уведомления.
- Стандартное оборудование и аксессуары могут варьировать в зависимости от страны.
- Характеристики изделий могут различаться в зависимости от страны.

- Полный ассортимент продукции может варьировать в зависимости от страны. Свяжитесь с вашим местным дилером STANLEY для получения информации о наличных моделях.

## Технические данные

		STDR5510
Мощность	W	550
Напряжение	V	220-240
Частота	Hz	50/60
Скорость без нагрузки	/мин	0-2800
Обороты назад		Да
Блокировка		Да
<b>Максимальный диаметр сверления</b>		
Сталь	мм	10
Дерево	мм	25
Диаметр патрона	мм	1,5-10



## Защита окружающей среды



Раздельный сбор и утилизация. Этот продукт не следует утилизировать вместе с бытовым мусором.

Если вы поймете, что ваш продукт Stanley нуждается в замене, или если он не имеет никакого дальнейшего применения для вас, не выбрасывайте его вместе с бытовыми отходами. Предоставьте этот продукт для раздельного сбора/утилизации.



Раздельный сбор продуктов и упаковок позволяет осуществить их переработку и использовать их повторно. Повторное использование переработанных материалов помогает защищать окружающую среду от загрязнения и снижает расход сырьевых материалов.

Местное законодательство может обеспечить сбор старых электроинструментов отдельно от бытового мусора на муниципальных свалках отходов или в торговом предприятии при покупке нового изделия. Stanley обеспечивает возможность для сбора и утилизации продуктов Stanley, как только они достигли конца своего срока службы. Для того чтобы воспользоваться этой услугой, вы можете сдать ваше изделие в любой авторизованный сервисный центр, который собирает их по нашему поручению.

Вы можете узнать место нахождения вашего ближайшего авторизованного сервисного центра, обратившись в местное отделение Stanley по адресу, указанному в данном руководстве. Кроме того, список авторизованных ремонтных агентов Stanley и полную информацию о нашем послепродажном обслуживании и контактах вы можете найти в Интернете: [www.2helpU.com10](http://www.2helpU.com10)

## Два год полной гарантии

Если ваш продукт STANLEY выходит из строя из-за дефектных материалов или изготовления в течение 24 месяцев с даты покупки, STANLEY Europe гарантирует замену всех неисправных деталей бесплатно или - по своему усмотрению - замену продукта бесплатно при условии, что:

- Продукт использовался правильно, его эксплуатация проводилась строго в соответствии с инструкцией по эксплуатации.
- Продукт подвергался естественному износу;
- Ремонт не проводился посторонними лицами;
- Представлены документы, подтверждающие покупку.
- Продукт STANLEY возвращается в полном комплекте со всеми оригинальными компонентами

Если вы хотите сделать заявку, свяжитесь с продавцом или узнайте место нахождения вашего ближайшего авторизованного сервисного агента Stanley в каталоге Stanley или обратитесь в местное представительство Stanley по адресу, указанному в данном руководстве. Список авторизованных сервисных агентов Stanley и полную информацию о нашем послепродажном обслуживании можно найти в Интернете по адресу: [www.stanleytools.com](http://www.stanleytools.com)

# STANLEY

## Гарантийные условия

### Уважаемый покупатель!

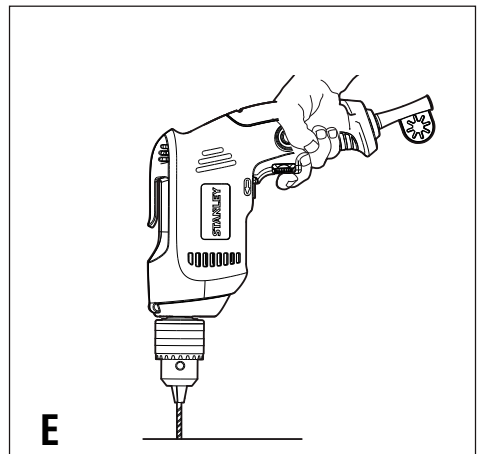
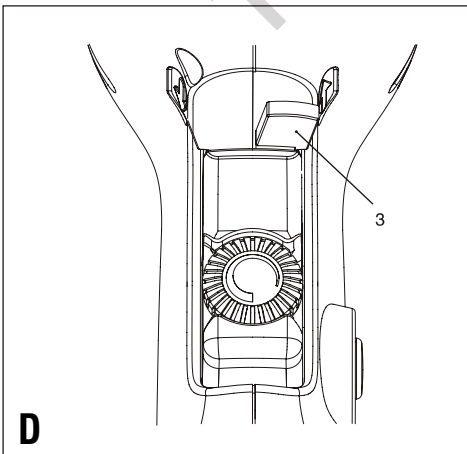
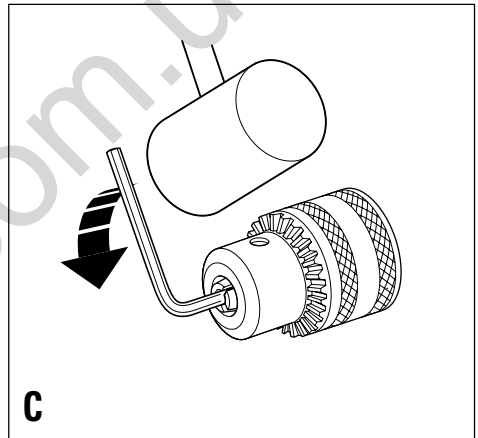
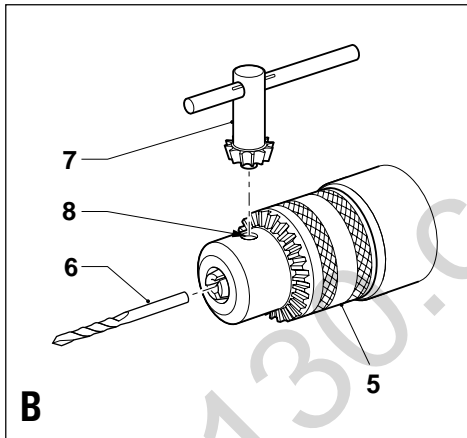
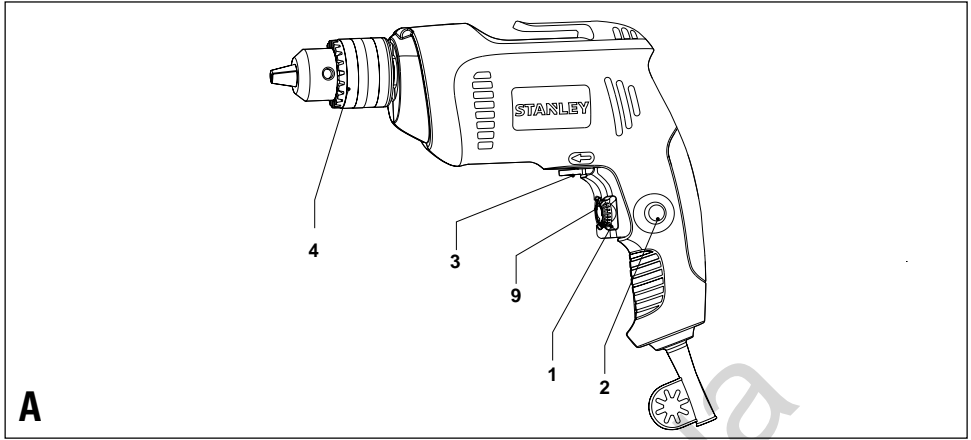
1. Поздравляем Вас с покупкой высококачественного изделия STANLEY и выражаем признательность за Ваш выбор.
2. При покупке изделия требуйте проверки его комплектности и исправности в Вашем присутствии, инструкцию по эксплуатации и заполненный гарантийный талон на русском языке.  
В гарантийном талоне должны быть внесены: модель, дата продажи, серийный номер, дата производства инструмента; название, печать и подпись торговой организации. При отсутствии у Вас правильно заполненного гарантийного талона, а также несоответствия указанных в нем данных мы будем вынуждены отклонить Ваши претензии по качеству данного изделия.
3. Во избежание недоразумений убедительно просим Вас перед началом работы с изделием внимательно ознакомиться с инструкцией по его эксплуатации. Правовой основой настоящих гарантийных условий является действующее Законодательство. Гарантийный срок на данное изделие составляет 24 месяца и исчисляется со дня продажи. В случае устранения недостатков изделия, гарантийный срок продлевается на период его нахождения в ремонте. Срок службы изделия составляет 5 лет со дня продажи.
4. В случае возникновения каких-либо проблем в процессе эксплуатации изделия рекомендуем Вам обращаться только в уполномоченные сервисные центры STANLEY, адреса и телефоны которых Вы сможете найти в гарантийном талоне, на сайте [www.2helpU.com](http://www.2helpU.com) или узнать в магазине. Наши сервисные станции - это не только квалифицированный ремонт, но и широкий ассортимент запчастей и принадлежностей.
5. Производитель рекомендует проводить периодическую проверку и техническое обслуживание изделия в уполномоченных сервисных центрах.



Изготовитель

Блэк энд Деккер Холдингс ГмБХ  
Германия, 65510, Идштайн,  
ул. Блэк энд Деккер, 40

6. Наши гарантийные обязательства распространяются только на неисправности, выявленные в течение гарантийного срока и вызванные дефектами производства и/или материалов.
7. **Гарантийные условия не распространяются на неисправности изделия, возникшие в результате:**
  - 7.1. Несоблюдения пользователем предписаний инструкции по эксплуатации изделия, применения изделия не по назначению, неправильного хранения, использования принадлежностей, расходных материалов и запчастей, не предусмотренных производителем.
  - 7.2. Механического повреждения (скопы, трещины и разрушения) внутренних и внешних деталей изделия, основных и вспомогательных рукояток, сетевого электрического кабеля, вызванного внешним ударным или любым иным воздействием
  - 7.3. Попадания в вентиляционные отверстия и проникновение внутрь изделия посторонних предметов, материалов или веществ, не являющихся отходами, сопровождающими применение изделия по назначению, такими как: стружка, опилки, песок, и пр.
  - 7.4. Воздействий на изделие неблагоприятных атмосферных и иных внешних факторов, таких как дождь, снег, повышенная влажность, нагрев, агрессивные среды, несоответствие параметров питающей электросети, указанных на инструменте.
  - 7.5. Стихийного бедствия. Повреждение или утрата изделия, связанное с непредвиденными бедствиями, стихийными явлениями, в том числе вследствие действия непреодолимой силы (пожар, молния, потоп и другие природные явления), а так же вследствие перепадов напряжения в электросети и другими причинами, которые находятся вне контроля производителя.
8. **Гарантийные условия не распространяются:**
  - 8.1. На инструменты, подвергавшиеся вскрытию, ремонту или модификации вне уполномоченного сервисного центра.
  - 8.2. На детали и узлы, имеющие следы естественного износа, такие как: приводные ремни и колеса, угольные щетки, смазка, подшипники, зубчатое зацепление редукторов, резиновые уплотнения, сальники, направляющие ролики, муфты, выключатели, бойки, толкатели, стволы, и т.п.
  - 8.3. На сменные части: патроны, цанги, зажимные гайки и фланцы, фильтры, аккумуляторные батареи, ножи, шлифовальные подошвы, цепи, звездочки, пыльные шины, защитные кожухи, пилки, абразивы, пыльные и абразивные диски, фрезы, сверла, буры и т.п.
  - 8.4. На неисправности, возникшие в результате перегрузки инструмента (как механической, так и электрической), повлекшей выход из строя одновременно двух и более деталей и узлов, таких как: ротора и статора, обеих обмоток статора, ведомой и ведущей шестерни редуктора или других узлов и деталей. К безусловным признакам перегрузки изделия относятся, помимо прочего: появление цветов побежалости, деформация или оплавление деталей и узлов изделия, потемнение или обугливание изоляции проводов электродвигателя под воздействием высокой температуры.



## Використання за призначенням

Ваша дрель STANLEY для обертального свердління була розроблена для свердління отворів в деревині, металі і пластику. Цей інструмент призначений тільки для побутового використання.

## Оригінальні інструкції

### Загальні попередження з техніки безпеки електроінструментів



**Увага! Ознайомтеся з усіма правилами безпеки та інструкціями.** Недотримання

попереджень та інструкцій, зазначених нижче, може призвести до ураження електричним струмом, пожежі та/або серйозної травми.

### Збережіть всі попередження та інструкції для майбутнього використання.

Термін "електроінструмент" у всіх попередженнях, зазначених нижче, відноситься до мережевого (з кабелем) електроінструменту або акумуляторної батареї (без кабелю живлення).

#### 1. Безпека робочого місця

- a. Утримуйте робоче місце в чистоті і добре освітленим. Безлад на робочому місці або відсутність освітлення робочого місця може призвести до аварії.
- b. Не працюйте з електроінструментом в місці зберігання вибухонебезпечних матеріалів, наприклад, у присутності легкозаймистих рідин, газів або пилу. Електричні інструменти створюють іскри, що можуть запалити пил або пари.
- c. Діти і сторонні особи повинні знаходитися якнайдалі під час роботи з електроприладами. Ви можете відволіктися і втратити контроль.

#### 2. Електробезпека

- a. Вилка електроінструмента повинна відповідати розетці. Ніколи не змінюйте вилку будь-яким чином. Не використовуйте ніякі вилки-перехідники з заземленими (замкнутими на землю) електроінструментами. Вилки і розетки, які не піддавалися ніяким змінам знижують ризик ураження електричним струмом.
- b. Уникайте контакту тіла з заземленими поверхнями, такими як труби, радіатори, плити та

холодильники. Існує підвищений ризик ураження електричним струмом, якщо ваше тіло заземлене.

- c. Уникайте будь-якого впливу дощу або вологи на електроінструменти. Вода, що потрапила в електроінструмент, збільшує ризик ураження електричним струмом.
  - d. Обережно поводьтеся зі шнуром живлення. Ніколи не використовуйте шнур живлення для перенесення, переміщення або вилучення вилки з розетки. Тримайте шнур подалі від джерел тепла, масла, гострих країв або рухомих частин. Пошкоджені або заплутані шнури збільшують ризик ураження електричним струмом.
  - e. При роботі з електроінструментом на вулиці, використовуйте подовжувач, відповідний для зовнішнього використання. Використання кабелю, придатного для використання на відкритому повітрі, знижує ризик ураження електричним струмом.
  - f. При необхідності роботи з електроінструментом у вологому середовищі, використовуйте пристрій захисного відключення (ПЗВ). Використання ПЗВ знижує ризик ураження електричним струмом.
- #### 3. Особиста безпека
- a. Будьте уважні, дивіться, що ви робите, використовуйте здоровий глузд при роботі з електроприладами. Не використовуйте електроінструмент, якщо ви втомилися або перебуваєте під впливом наркотиків, алкоголю або ліків. Найменша необережність при роботі з електроінструментом може призвести до серйозних травм.
  - b. Використовуйте засоби індивідуального захисту. Завжди надягайте захисні окуляри. Інше захисне обладнання, включаючи респіратор, черевки на нековзній підшві, захисний шолом або засоби захисту органів слуху, використовувані в належних умовах, зменшать ризик отримання травми.
  - c. Для запобігання випадкового запуску, переконайтеся, що перемикач знаходиться у вимкненому положенні перед підключенням до джерела живлення та/або акумуляторної батареї, підняття або перенесення інструменту. Не переносьте електроінструмент з пальцем на вимикачі і не включайте електроживлення на інструмент з увімкненим вимикачем, що може призвести до нещасного випадку.

- d. **Перед включенням електроінструменту знімайте регульовальний або гайковий ключ.** Гайковий або регульовальний ключ, залишений на обертовій частині електроінструменту, може призвести до травми.
- e. **Не тягніться.** Зберігайте правильну стійку і баланс весь час. Це дозволяє краще контролювати інструмент в несподіваних ситуаціях.
- f. **Одягайтеся правильно.** Не надягайте вільний одяг або прикраси. Тримайте волосся, одяг і рукавички далеко від рухомих частин. Вільний одяг, прикраси або довге волосся можуть потрапити в рухомі частини.
- g. **Якщо є пристрій для підключення пилозбірника або витяжки, переконайтеся в тому, що вони під'єднані і використовуються правильно.** Використання пилозбірника знижує ймовірність виникнення ризиків, пов'язаних з пилом.

#### 4. Використання та догляд за електроінструментом

- a. **Не перевантажуйте електроінструмент.** Використовуйте відповідний електричний інструмент для відповідного застосування. Правильно підібраний електроінструмент дозволить виконати роботу краще і безпечніше при швидкості, для якої він був розроблений.
- b. **Не використовуйте електроінструмент, якщо перемикач не може його включити і вимкнути.** Будь-який електроінструмент, який не можна контролювати за допомогою перемикача, є небезпечний і повинен бути відремонтований.
- c. **Від'єднайте кабель живлення від джерела живлення та/або акумулятора від електричного інструменту перед виконанням будь-яких регулювань, заміни приладдя або при зберіганні електроінструменту.** Такі профілактичні заходи безпеки зменшують ризик ненавмисного запуску електричного інструменту.
- d. **Зберігайте електроприлади в недоступному для дітей місці і не дозволяйте особам, які не знайомі з електричним інструментом або даними інструкціями, працювати з електроприладами.** Електроінструменти небезпечні в руках недосвідчених користувачів.

- e. **Підтримання електроінструменту.** Перевіряйте **регульованість або з'єднання рухомих частин, полочки частин і будь-які інші умови, які можуть вплинути на роботу електроінструменту.** При наявності пошкодження, відремонтуйте електроінструмент перед використанням. Багато нещасних випадків є наслідком поганого догляду за електроінструментом.
- f. **Тримайте ріжучий інструмент гострим і чистим.** Добре доглянутий ріжучий інструмент з гострими ріжучими крайками легше контролювати.
- g. **Використовуйте електроінструмент, аксесуари і насадки відповідно до даних інструкцій, зважаючи на умови роботи, і ті роботи, які мають бути виконані.** Використання електроінструменту для операцій, що відрізняються від тих, для яких він призначений, може привести до небезпечної ситуації.

#### 5. Обслуговування

- a. **Забезпечте, щоб обслуговування і ремонт вашого електроінструменту проводився в авторизованому сервісному центрі по ремонту з використанням тільки оригінальних запасних частин.** Це стане гарантією безпеки електроінструменту.

#### Додаткові заходи безпеки для електроінструментів



**Застереження!** Правила техніки безпеки при роботі з дрилем

- **Одягайте захисні навушки при роботі з ударними дрелями.** Вплив шуму може призвести до втрати слуху.
- **Використовуйте додаткові ручки, що поставляються з інструментом.** Втрата контролю може призвести до травми.
- **Тримайте інструмент за ізольованій поверхні при виконанні операцій, коли ріжучий інструмент може зачепити приховану проводку.** Ріжучі аксесуари при контакті з «живим» проводом, можуть відкрити металеві частини електроінструменту і вдарити оператора електричним струмом.

- Використовуйте лещата або інший відповідний спосіб, щоб забезпечити і підтримувати оброблюваний виріб на стійкій платформі. Проведення роботи по напрямку руки або проти вашого тіла, позбавляє стійкості і може призвести до втрати контролю.
- Перед свердлінням стін, підлог і стель, перевірте розташування трубопроводів і електропроводки.
- Намагайтеся не доторкатися до кінчика свердла відразу ж після закінчення свердління, так як він може бути гарячим.
- Цей інструмент не призначений для використання особами (включаючи дітей) з обмеженими фізичними, чутливими або розумовими здібностями або з браком досвіду чи знань, якщо вони не були під контролем і керівництвом особи, яка контролює використання приладу або особою, відповідальною за їх безпеку. Діти повинні бути під наглядом дорослих, щоб не допустити ніяких ігор з приладом.
- Призначення приладу описується в цьому посібнику. Використання будь-яких речей або пристосувань, виконання будь-яких операцій за допомогою цього інструменту, які не рекомендовані в цьому посібнику, можуть становити небезпеку отримання травм та/або пошкодження майна.

## Етикетки на інструменті

Етикетки на вашому інструменті можуть включати такі символи:



Читайте інструкції з експлуатації



Використовуйте засоби захисту очей



Використовуйте засоби захисту органів слуху

V ..... Вольт  
A ..... Ампер

Гц ..... Герц  
Вт ..... Ватт

мин ..... хвилини

Змінний струм

Постійний струм  
п<sub>0</sub> ..... Швидкість без навантаження



Конструкція класу II



Термінал заземлення



Символ попередження про небезпеку

хв.. обороти або зворотно-поступальний рух в хвилину

## Електрична безпека



Ваш зарядний пристрій захищено подвійною ізоляцією, тому заземлюючий провід не потрібен. Завжди перевіряйте, щоб напруга мережі відповідала напрузі, вказаній на табличці. Ніколи не намагайтеся замінити зарядний блок стандартним мережевим штепселем.

- Якщо шнур живлення пошкоджений, він повинен бути замінений виробником або уповноваженим сервісним центром STANLEY для того, щоб уникнути небезпеки.

## Використання подовжувача

- Завжди використовуйте затверджений подовжувач, відповідний для вхідної потужності даного інструменту (див. технічні дані). Перед використанням перевірте подовжувач на наявність ознак пошкодження, старіння та зносу. Замініть подовжувач, якщо він пошкоджений або несправний. При використанні кабельного барабана, завжди розмотуйте кабель повністю. Використання подовжувача не придатних для вхідної потужності інструменту або пошкодженого або несправного кабелю, може призвести до ризику виникнення пожежі або ураження електричним струмом.

## Характеристики

Цей інструмент відрізняється наступними характеристиками:

1. Перемикач плавного ходу
2. Фіксатор клавіші
3. Повзунок вперед/назад
4. Затискний патрон
5. Рукав
6. Хвостовик свердла
7. Бистрий набір
8. Отвір
9. Бистрий набір

## Положення дати штрих-коду

Дата коду, який також включає рік виготовлення, друкується на корпусі.

Приклад:

2014 XX JN  
Рік виготовлення



## Збірка

**Застереження!** Перед складанням, будь ласка, переконайтеся, що електроінструмент вимкнений і вилка шнура живлення інструменту відключена від джерела живлення.

### Кнопковий патрон (рис. В)

- Відкрийте патрон, повернувши рукав (5) проти годинникової стрілки.
- Помістіть хвостовик свердла (6) в патрон.
- Помістіть ключ затискного патрона (7) в кожен отвір (8) в бічній частині патрона і поверніть за годинниковою стрілкою до упору.

### Демонтаж і монтаж патрона (мал. С)

- Відкрийте патрон, наскільки це можливо.
- Зніміть гвинт, що фіксує патрон розташований в патроні, повернувши його за годинниковою стрілкою за допомогою викрутки.
- Затягніть шестигранний ключ в патроні і вдарте по ньому молотком, як показано на малюнку.
- Зніміть ключ-шестигранник.
- Зніміть патрон, повернувши його проти годинникової стрілки.
- Для повторної установки патрона, закріпіть його на шпindelі і затягніть його за допомогою стопорного гвинта.

## Використання

**Увага!** Дайте інструменту працювати у своєму власному темпі. Не перевантажуйте його.

**Увага!** Перед свердлінням стін, підлог і стель, перевірте розташування електропроводки і труб.

### Вибір напрямлення вращення (рис. D)

Для свердління й загвинчування гвинтів, використовуйте обертання вперед (за годинниковою стрілкою). Для

ослаблення шурупів або вилучення застряглого свердла використовуйте зворотне обертання (проти годинникової стрілки).

- Щоб вибрати пряме обертання, натисніть повзунок вперед/назад (3) вліво.
- Щоб вибрати зворотне обертання, натисніть повзунок вперед/назад вправо.

Тримайте свердло в робочому положенні. Після будь-яких реверсивних операцій, поверніть слайдер (3) в переднє положення.

**Увага!** Ніколи не міняйте напрям обертання при працюючому двигуні.

### Вмикання і вимикання

- Щоб включити інструмент, натисніть перемикач плавного ходу (1). Швидкість інструменту залежить від того, наскільки ви натиснете вимикач.
- Для безперервної роботи натисніть фіксатор клавіші (2) і відпустіть перемикач плавного ходу. Ця опція доступна тільки на повній швидкості.
- Щоб вимкнути інструмент, відпустіть клавішу перемикача плавного ходу ще раз і відпустіть його. Щоб вимкнути інструмент при роботі в безперервному режимі, натисніть клавішу перемикача плавного ходу ще раз і відпустіть його.
- Залежно від застосування, поверніть ручку швидкого набору (9) для досягнення максимальної швидкості.

### Правильне положення рук (мал. E)



**Попередження:** Щоб зменшити ризик отримання серйозної травми, ЗАВЖДИ тримайте руки в правильному положенні, як показано на малюнку E.



**Попередження:** Щоб зменшити ризик отримання серйозної травми, ЗАВЖДИ надійно утримуйте інструмент для попередження раптової реакції.

## Свердління в метали

Починайте свердління з низькою швидкістю, поступово збільшуючи потужність і застосовуючи сильне натискання на інструмент. Спокійний, рівний вихід металеві стружки вказує на правильну частоту свердління. Використовуйте мастило при свердлінні металів. Винятки становлять чавун і латунь, які необхідно свердлити сухими.

**Примітка:** Отвори більшого діаметру [5/16 "(8 мм) до 1/2" (13 мм)] у сталі легше просвердлити, якщо спочатку зробити пілотний отвір [5/32 "(4 мм), 3/16" (5 мм)].

## Свердління в дереві

Починайте свердління з низькою швидкістю, поступово збільшуючи потужність і застосовуючи сильне натискання на інструмент. Отвори в дереві можуть бути зроблені тими ж свердлами, які використовуються для металу. Свердла можуть перегріватися, періодично виймайте їх з отвору. Заготовки, від яких можуть летіти осколки, повинні бути посилені блоком деревини.

## Акcesуари

Продуктивність електроінструменту залежить від його акcesуарів. Акcesуари STANLEY розроблені у відповідності з високими стандартами якості, щоб підвищити продуктивність електроінструменту. Використання цих акcesуарів може допомогти вам зручно працювати з інструментом.

## Обслуговування

Ваш інструмент був розроблений для використання протягом тривалого часу при мінімальному технічному обслуговуванні. Послідовне задовільне використання залежить від належного технічного обслуговування і регулярного чищення інструменту.

**Застереження!** Перед виконанням будь-яких робіт з техобслуговування вимкніть живлення інструменту.

- Регулярно очищайте вентиляційні отвори вашого інструменту, використовуючи м'яку щітку або суху ганчірку.

- Регулярно очищайте корпус двигуна, використовуючи вологу ганчірку. Не використовуйте абразивні чистячі засоби або чистячі засоби на основі розчинників.

## Примітки

- Політика STANLEY є процесом безперервного вдосконалення нашої продукції і, таким чином, ми залишаємо за собою право змінювати специфікацію продукту без попереднього повідомлення.
- Стандартне обладнання та акcesуари можуть варіюватися залежно від країни.
- Характеристики можуть відрізнятися в залежності від країни.
- Повний асортимент продукції може варіюватися залежно від країни. Зв'яжіться з вашим місцевим дилером STANLEY для отримання інформації про моделі, що є в наявності.

## Технічні дані

		STDR5510
Потужність	W	550
Напруга	V	220-240
Частота	Hz	50/60
Швидкість без навантаження	/хвил.	0-2800
Обороти назад		Так
Блокування		Так
<b>Максимальний діаметр свердління</b>		
Сталь	мм	10
Дерево	мм	25
Діаметр патрона	мм	1,5-10

## Захист навколишнього середовища



Роздільний збір і утилізація. Цей продукт не слід утилізувати разом з побутовим сміттям.

Якщо ви зрозумієте, що ваш продукт Stanley потребує заміни, або якщо він не має ніякого подальшого застосування для вас, не викидайте його разом з побутовими відходами. Надайте цей продукт для роздільного збору/утилізації.



Роздільний збір продуктів і упаковок дозволяє здійснити їх переробку і використати їх повторно. Повторне використання перероблених матеріалів допомагає захищати довкілля від забруднення і знижує витрату сировинних матеріалів.

Місьцеве законодавство може забезпечити збір старих електроінструментів окремо від побутового сміття на муніципальних звалищах відходів або в торговому підприємстві при купівлі нового виробу. Stanley забезпечує можливість для збору і утилізації продуктів Stanley, як тільки вони досягли кінця свого терміну служби. Для того, щоб скористатися цією послугою, ви можете здати ваш виріб у будь-який авторизований сервісний центр, який збирає їх за нашим дорученням.

Ви можете упізнати місце знаходження вашого найближчого авторизованого сервісного центру, звернувшись в місцеве відділення Stanley за адресою, вказаною в цьому керівництві. Крім того, список авторизованих ремонтних агентів Stanley і повну інформацію про наше післяпродажне обслуговування і контакти ви можете знайти в Інтернеті: [www.2helpu.com10](http://www.2helpu.com10)

## Два рік повної гарантії

Якщо ваш продукт STANLEY виходить з ладу із-за дефектних матеріалів або виготовлення впродовж 24 місяців з дати купівлі, STANLEY Europe гарантує заміну усіх несправних деталей безкоштовно або - на власний розсуд - заміну продукту безкоштовно за умови, що:

- Продукт використовувався правильно, його експлуатація проводилася строго відповідно до інструкції з експлуатації.
- Продукт піддавався звичайному зносу;
- Ремонт не проводився сторонніми особами;
- Представлені документи, що підтверджують купівлю.
- Продукт STANLEY повертається в повному комплекті з усіма оригінальними компонентами

Якщо ви хочете зробити заявку, зв'яжіться з продавцем або з'ясуйте місце знаходження вашого найближчого авторизованого сервісного агента Stanley в каталозі Stanley або зверніться в місцеве представництво Stanley за адресою, вказаною в цьому посібнику. Список авторизованих сервісних агентів Stanley і повну інформацію про наше післяпродажне обслуговування можна знайти в Інтернеті за адресою: [www.stanleytools.com](http://www.stanleytools.com)

# STANLEY

## Гарантійні умови

### Шановний покупець!

1. Вітаємо Вас з покупкою високоякісного виробу STANLEY і висловлюємо вдячність за Ваш вибір.
2. При покупці виробу вимагайте перевірки його комплектності і справності у Вашій присутності, інструкцію з експлуатації та заповнений гарантійний талон українською мовою

В гарантійному талоні повинні бути внесені: модель, дата продажу, серійний номер, дата виробництва інструменту; назва, печатка і підпис торгової організації. За відсутності у Вас правильно заповненого гарантійного талону, а також при невідповідності зазначених у ньому даних ми будемо змушені відхилити Ваші претензії щодо якості даного виробу.

3. Щоб уникнути непорозумінь, переконливо просимо Вас перед початком роботи з виробом уважно ознайомитися з інструкцією з його експлуатації. Правовою основою справних гарантійних умов є чинне Законодавство. Гарантійний термін на даний виріб складає 24 місяці і обчислюється з дня продажу. У разі усунення недоліків виробу, гарантійний строк продовжується на період його перебування в ремонті. Термін служби виробу становить 5 років з дня продажу.
4. У разі виникнення будь-яких проблем у процесі експлуатації виробу рекомендуємо Вам звертатися тільки в уповноважені сервісні центри STANLEY, адреси та телефони яких Ви зможете знайти в гарантійному талоні, на сайті [www.2helpU.com](http://www.2helpU.com) або дізнатися в магазині. Наші сервісні станції - це не тільки кваліфікований ремонт, але і широкий асортимент запчастин і аксесуарів.
5. Виробник рекомендує проводити періодичну перевірку і технічне обслуговування виробу в уповноважених сервісних центрах.
6. Наші гарантійні зобов'язання поширюються тільки на несправності, виявлені протягом гарантійного терміну і викликані дефектами виробництва та \ або матеріалів.
7. Гарантійні умови не поширюються на несправності виробу, що виникли в результаті:
  - 7.1 Недотримання користувачем приписів інструкції з експлуатації виробу, застосування виробу не за призначенням, неправильного зберігання, використання приладдя, витратних матеріалів і запчастин, що не передбачені виробником.
  - 7.2 Механічного пошкодження (відколи, тріщини і руйнування) внутрішніх і зовнішніх деталей виробу, основних і допоміжних рукояток, мережевого кабелю, що викликані зовнішнім ударним або будь-яким іншим впливом

- 7.3 Потраплення у вентиляційні отвори та проникнення всередину виробу сторонніх предметів, матеріалів або речовин, що не є відходами, які супроводжують застосування виробу за призначенням, такими як: стружка, тирса, пісок, та ін.
- 7.4 Впливу на виріб несприятливих атмосферних і інших зовнішніх факторів, таких як дощ, сніг, підвищена вологість, нагрівання, агресивні середовища, невідповідність параметрів електромережі, що зазначені на інструменті.
- 7.5 Стихійного лиха. Пошкодження або втрати виробу, що пов'язані з непередбаченими лихами, стихійними явищами, у тому числі внаслідок дії непереборної сили (пожежа, блискавка, потоп і інші природні явища), а також внаслідок перепадів напруги в електромережі та іншими причинами, які знаходяться поза контролем виробника.
8. Гарантійні умови не поширюються:
  - 8.1 На інструменти, що піддавалися розкриттю, ремонту або модифікації поза уповноваженим сервісним центром.
  - 8.2 На деталі, вузли та матеріали, що мають сліди природного зносу, такі як: приводні ремені і колеса, вугільні щітки, мастило, підшипники, зубчасті зчеплення редукторів, гумові ущільнення, сальники, направляючі ролики, муфти, вимикачі, бойки, штовхачі, стволи тощо.
  - 8.3 На змінні частини: патрони, цанги, затискні гайки і фланці, фільтри, акумуляторні батареї, ножі, шліфувальні підшови, ланцюги, зірочки, пильні шини, захисні кожухи, пилки, абразиви, пильні і абразивні диски, фрези, свердла, бури тощо
  - 8.4 На несправності, що виникли в результаті перевантаження інструменту (як механічного, так і електричного), що спричинили вихід з ладу одночасно двох і більше деталей і вузлів, таких як: ротора і статора, обох обмоток статора, веденої і ведучої шестерень редуктора або інших вузлів і деталей. До безумовних ознак перевантаження виробу відносяться, крім інших: поява кольорів мінливості, деформація або оплавлення деталей і вузлів виробу, потемніння або обвуглювання ізоляції проводів електродвигуна під впливом високої температури.



Виробник:  
 "Stanley Black & Decker Deutschland GmbH" Black-&-Decker Str.40, D-65510 Idstein, Німеччина