



ТЕЛЕФОНИ

0 (800) 800 130
(050) 462 0 130
(063) 462 0 130
(067) 462 0 130

130
COM.UA

Інтернет-магазин
автотоварів



SKYPE

km-130

АВТОМАГНІТОЛИ — Магнітоли • Медіа-ресівери та станції • Штатні магнітоли • CD/DVD чейнджери • FM-модулятори/USB адаптери • Flash пам'ять • Перехідні рамки та роз'єми • Антени • Аксесуари |
АВТОЗВУК — Акустика • Підсилювачі • Сабвуфери • Процесори • Кросовери • Навушники • Аксесуари | **БОРТОВІ КОМП'ЮТЕРИ** — Універсальні комп'ютери • Модельні комп'ютери • Аксесуари |
GPS НАВІГАТОРИ — Портативні GPS • Вмонтовані GPS • GPS модулі • GPS трекери • Антени для GPS навігаторів • Аксесуари | **ВІДЕОПРИСТРОЇ** — Відеореєстратори • Телевізори та монітори • Автомобільні ТВ тюнери • Камери • Відеомодулі • Транскодери • Автомобільні ТВ антени • Аксесуари | **ОХОРОННІ СИСТЕМИ** — Автосигналізація • Мотосигналізація • Механічні блокувальники • Імобілайзери • Датчики • Аксесуари | **ОПТИКА ТА СВІТЛО** — Ксенон • Біксенон • Лампи • Світлодіоди • Стробоскопи • Оптика і фари • Омивачі фар • Датчики світла, дощу • Аксесуари |
ПАРКТРОНІКИ ТА ДЗЕРКАЛА — Задні парктроніки • Передні парктроніки • Комбіновані парктроніки • Дзеркала заднього виду • Аксесуари | **ПІДІГРІВ ТА ОХОЛОДЖЕННЯ** — Підігрів сидінь • Підігрів дзеркал • Підігрів двірників • Підігрів двигунів • Автоохолодильники • Автокондиціонери • Аксесуари | **ТЮНІНГ** — Віброізоляція • Шумоізоляція • Тонувальна плівка • Аксесуари |
АВТОАКСЕСУАРИ — Радар-детектори • Гучний зв'язок, Bluetooth • Склопідіймачі • Компресори • Звукові сигнали, СГП • Вимірювальні прилади • Автопилососи • Автокрісла • Різне |
МОНТАЖНЕ ОБЛАДНАННЯ — Інсталяційні комплекти • Оббивні матеріали • Декоративні решітки • Фазоінвертори • Кабель та провід • Інструменти • Різне | **ЖИВЛЕННЯ** — Акумулятори • Перетворювачі • Пуско-заряджувальні пристрої • Конденсатори • Аксесуари | **МОРСЬКА ЕЛЕКТРОНІКА ТА ЗВУК** — Морські магнітоли • Морська акустика • Морські сабвуфери • Морські підсилювачі • Аксесуари | **АВТОХІМІЯ ТА КОСМЕТИКА** — Присадки • Рідини омивача • Засоби по догляду • Поліролі • Ароматизатори • Клеї та герметики | **РІДИНИ ТА МАСЛА** — Моторні масла • Трансмісійні масла • Гальмівні рідини • Антифризи • Технічні змазки



У магазині «130» ви можете знайти та купити у Києві з доставкою по місту та Україні практично все для вашого автомобіля. Наші досвідчені консультанти нададуть вам вичерпну інформацію та допоможуть підібрати саме те, що ви шукаєте. Чекаємо вас за адресою

<https://130.com.ua>

RYOBI®

RCS1400
RCS1600

ORIGINAL INSTRUCTIONS
TRADUCTION DES INSTRUCTIONS ORIGINALES
ÜBERSETZUNG DER ORIGINALANLEITUNG
TRADUCCIÓN DE LAS INSTRUCCIONES ORIGINALES
TRADUZIONE DELLE ISTRUZIONI ORIGINALI
VERTALING VAN DE ORIGINELE INSTRUCTIES
TRADUÇÃO DAS INSTRUÇÕES ORIGINAIS
OVERSÆTTELSE AF DE ORIGINALE INSTRUKTIONER
ÖVERSÄTTNING AV DE URSPRUNGLIGA INSTRUKTIONERNA
ALKUPERÄISTEN OHJEIDEN SUOMENNOS
OVERSETTELSE AV DE ORIGINALE INSTRUKSJONENE
ПЕРЕВОД ОРИГИНАЛЬНЫХ ИНСТРУКЦИЙ
TŁUMACZENIE INSTRUKCJI ORYGINALNEJ
PŘEKLAD ORIGINÁLNÍCH POKYNŮ
AZ EREDETI ÚTMUTATÓ FORDÍTÁSA
TRADUCEREA INSTRUCȚIUNILOR ORIGINALE
TULKOTS NO ORIGINĀLĀS INSTRUKCIJAS
ORIGINALIŲ INSTRUKCIJŲ VERTIMAS
ORIGINAALJUHENDI TÕLGE
PRIJEVOD ORIGINALNIH UPUTA
PREVOD ORIGINALNIH NAVODIL
PREKLAD ORIGINÁLNYCH POKYNOV
ПРЕВОД ОТ ОРИГИНАЛНИТЕ ИНСТРУКЦИИ
PEREKŁAD ORYGINALNYCH INSTRUKCJI
ORIJ NAL TALIMATLARIN TERCÜMESI
ΜΕΤΑΦΡΑΣΗ ΤΩΝ ΠΡΩΤΟΤΥΠΩΝ ΟΔΗΓΙΩΝ

EN
FR
DE
ES
IT
NL
PT
DA
SV
FI
NO
RU
PL
CS
HU
RO
LV
LT
ET
HR
SL
SK
BG
UK
TR
EL



- Important!** It is essential that you read the instructions in this manual before assembling, maintaining and operating the product.
- Attention!** Il est essentiel que vous lisiez les instructions contenues dans ce manuel avant d'assembler, d'entretenir et d'utiliser le produit.
- Achtung!** Es ist wichtig, dass Sie vor Zusammenbau, Wartung und Benutzung des Produktes die Anweisungen in dieser Anleitung lesen.
- ¡Atención!** Resulta fundamental que lea este manual de instrucciones antes de realizar el montaje, el mantenimiento y de utilizar este producto
- Attenzione!** È importante leggere le istruzioni contenute nel presente manuale prima di montare il prodotto, svolgere le operazioni di manutenzione sullo stesso e metterlo in funzione.
- Let op!** Het is van essentieel belang dat u de instructies in deze gebruiksaanwijzing leest voor u het product monteert, onderhoudt en gebruikt.
- Atenção!** É fundamental que leia as instruções deste manual antes da montagem, manutenção e operação do aparelho.
- OBS!** Det er vigtigt, at man læser instrukserne i denne brugsanvisning, inden man samler, vedligeholder og betjener produktet.
- Observera!** Det är viktigt att du läser instruktionerna i manualen före montering, användning och underhåll av produkten.
- Huomio!** On tärkeää, että luet tämän käsikirjan ohjeet ennen tuotteen kokoamista, huoltoa ja käyttöä.
- Advarsel!** Det er viktig at du leser instruksjonene i denne manualen før sammensetning, vedlikehold og bruk av produktet
- Внимание!** Необходимо прочитать инструкции в данном руководстве перед сборкой, обслуживанием и эксплуатацией этого изделия.
- Uwaga!** Koniecznie należy przeczytać instrukcje zawarte w tym podręczniku przed montażem, obsługą oraz konserwacją produktu.
- Důležitost upozornění!** Neinstalujte, neprovádějte údržbu ani nepoužívejte tento výrobek dříve, než si přečtete pokyny uvedené v tomto návodu.
- Figyelem!** Fontos, hogy a termék összeszerelése, karbantartása és használata előtt elolvassa a kézikönyvben található utasításokat.
- Atenție!** Este esențial să citiți instrucțiunile din acest manual înainte de asamblare, efectuarea întreținerii și operarea produsului.
- Uzmanību!** Ir svarīgi izlasīt šīs rokasgrāmatas instrukcijas pirms uzstādīšanas, apkopes un preces darbināšanas.
- Dėmesio!** Prieš surenkant, prižiūrint ir naudojant gaminį, būtina perskaityti šiame vadove pateiktus nurodymus.
- Tähtis!** Enne masina kokkupanekut, hooldamist ja kasutama hakkamist tuleb käesolevas juhendis esitatud juhised kindlasti läbi lugeda.
- Upozorenje!** Vrlo je važno da ste prije sklapanja, održavanja i rada s ovim proizvodom pročitali upute u ovom priručniku.
- Pomembno!** Pomembno je da pred montažo vzdrževanjem in uporabo tega izdelka preberete navodila v tem priručniku.
- Upozornenie!** Je dôležité, aby ste si pred montážou, údržbou a obsluhou produktu prečítali pokyny v tomto návode.
- Важно!** Исключительно важно е да прочетете инструкциите в настоящото ръководство, преди да преминете към сглобяване, поддръжка или работа с продукта.
- Важливо!** Дуже важливо, щоб ви прочитали інструкції в цьому керівництві перед складанням, обслуговуванням та експлуатацією цієї машини.
- Dikkat!** Ürünün montajını, bakımını yapmadan ve ürünü çalıştırmadan önce bu kılavuzda yer alan talimatları okumanız önemlidir.
- Προσοχή!** Είναι πολύ σημαντικό να διαβάσετε τις οδηγίες στο παρόν εγχειρίδιο πριν συναρμολογήσετε, συντηρήσετε ή λειτουργήσετε το προϊόν.

Subject to technical modification | Sous réserve de modifications techniques | Technische Änderungen vorbehalten | Bajo reserva de modificaciones técnicas | Con riserva di eventuali modifiche tecniche | Technische wijzigingen voorbehouden | Com reserva de modificações técnicas | Med forbehold for tekniske ændringer | Med förbehåll för tekniska ändringar | Tekniset muutokset varataan | Med forbehold om tekniske ændringer | могут быть внесены технические изменения | Z zastrzeżeniem modyfikacji technicznych | Změny technických údajů vyhrazeny | A műszaki módosítás jogát fenntartjuk | Sub rezerva modificatiilor tehnice | Paturam tiesības mainīt tehniskos raksturlielumus | Pasiliekan teise daryti techninius pakeitimus | Tehnilised muudatused võimalikud | Podloženo tehničkim promjenama | Tehnične spremembe dopuščene | Právo na technické zmeny je vyhradené | Подлежи на технически модификации | Є об'єктом для технічних змін | Teknik değişiklik hakkı saklıdır | Υπό την επιφύλαξη τεχνικών τροποποιήσεων

Safety, performance, and dependability have been given top priority in the design of your circular saw.

INTENDED USE

The circular saw is intended to be used only by adults who have read and understood the instructions and warnings in this manual and can be considered responsible for their actions.

The saw is designed for rip- and cross-cutting of wood or similar materials up to a maximum depth of 54 mm. It can make straight or bevelled cuts between 0 and 45 degrees. It is to be used with the base of the tool in contact with the workpiece. It should only be used in a dry, well lit and well ventilated area. The circular saw is designed for handheld use. It is not to be mounted onto a workbench unless specific instructions about how to do this are given by the manufacturer of the saw. Do not use for cutting metal or masonry. Do not use the product in any way other than those stated for intended use. Use of the product for operations different from intended could result in a hazardous situation.

⚠ WARNING

Read all safety warnings and all instructions. Failure to follow the warnings and instructions may result in electric shock, fire and/or serious injury.

Save all warnings and instructions for future reference.

CIRCULAR SAW SAFETY WARNINGS

CUTTING PROCEDURES

⚠ DANGER

Keep hands away from cutting area and the blade. Keep your second hand on auxiliary handle, or motor housing. If both hands are holding the saw, they cannot be cut by the blade.

- **Do not reach underneath the workpiece.** The guard cannot protect you from the blade below the workpiece.
- **Adjust the cutting depth to the thickness of the workpiece.** Less than a full tooth of the blade teeth should be visible below the workpiece.
- **Never hold piece being cut in your hands or across your leg. Secure the workpiece to a stable platform.** It is important to support the work properly to minimize body exposure, blade binding, or loss of control.
- **Hold the power tool by insulated gripping surfaces only, when performing an operation where the cutting tool may contact hidden wiring or its own cord.** Contact with a "live" wire will also make exposed metal parts of the power tool "live" and could give the operator an electric shock.
- **When ripping, always use a rip fence or straight edge guide.** This improves the accuracy of cut and reduces the chance of blade binding.
- **Always use blades with correct size and shape**

(diamond versus round) of arbour holes. Blades that do not match the mounting hardware of the saw will run eccentrically, causing loss of control.

- **Never use damaged or incorrect blade washers or bolt.** The blade washers and bolt were specially designed for your saw, for optimum performance and safety of operation.

KICKBACK CAUSES AND RELATED WARNINGS:

- Kickback is a sudden reaction to a pinched, bound or misaligned saw blade, causing an uncontrolled saw to lift up and out of the workpiece toward the operator.
- When the blade is pinched or bound tightly by the kerf closing down, the blade stalls and the motor reaction drives the unit rapidly back toward the operator.
- If the blade becomes twisted or misaligned in the cut, the teeth at the back edge of the blade can dig into the top surface of the wood causing the blade to climb out of the kerf and jump back toward the operator.

Kickback is the result of saw misuse and/or incorrect operating procedures or conditions and can be avoided by taking proper precautions as given below.

- **Maintain a firm grip with both hands on the saw and position your arms to resist kickback forces. Position your body to either side of the blade, but not in line with the blade.** Kickback could cause the saw to jump backwards, but kickback forces can be controlled by the operator, if proper precautions are taken.
- **When blade is binding, or when interrupting a cut for any reason, release the trigger and hold the saw motionless in the material until the blade comes to a complete stop. Never attempt to remove the saw from the work or pull the saw backward while the blade is in motion or kickback may occur.** Investigate and take corrective actions to eliminate the cause of blade binding.
- **When restarting a saw in the workpiece, centre the saw blade in the kerf and check that saw teeth are not engaged into the material.** If saw blade is binding, it may walk up or kickback from the workpiece as the saw is restarted.
- **Support large panels to minimise the risk of blade pinching and kickback.** Large panels tend to sag under their own weight. Supports must be placed under the panel on both sides, near the line of cut and near the edge of the panel.
- **Do not use dull or damaged blades.** Unsharpened or improperly set blades produce narrow kerf causing excessive friction, blade binding and kickback.
- **Blade depth and bevel adjusting locking levers must be tight and secure before making cut.** If blade adjustment shifts while cutting, it may cause binding and kickback.
- **Use extra caution when sawing into existing walls or other blind areas.** The protruding blade may cut objects that can cause kickback.

EN

FR

DE

ES

IT

NL

PT

DA

SV

FI

NO

RU

PL

CS

HU

RO

LV

LT

ET

HR

SL

SK

BG

UK

TR

EL

LOWER GUARD FUNCTION

- **Check lower guard for proper closing before each use. Do not operate the saw if lower guard does not move freely and close instantly. Never clamp or tie the lower guard into the open position.** If saw is accidentally dropped, lower guard may be bent. Raise the lower guard with the retracting handle and make sure it moves freely and does not touch the blade or any other part, in all angles and depths of cut.
- **Check the operation of the lower guard spring. If the guard and the spring are not operating properly, they must be serviced before use.** Lower guard may operate sluggishly due to damaged parts, gummy deposits, or a build-up of debris.
- **Lower guard may be retracted manually only for special cuts such as “plunge cuts” and “compound cuts”.** Raise lower guard by retracting handle and as soon as blade enters the material, the lower guard must be released. For all other sawing, the lower guard should operate automatically.
- **Always observe that the lower guard is covering the blade before placing saw down on bench or floor.** An unprotected, coasting blade will cause the saw to walk backwards, cutting whatever is in its path. Be aware of the time it takes for the blade to stop after switch is released.

SAFETY INSTRUCTIONS FOR WOOD CUTTING BLADE

- Please read the manual and instructions carefully before using the saw blade and the power tool.
- The power tool must be in good condition, the spindle without deformation and vibration.
- Do not use the saw without the guards in position. Keep guards in good working order and properly maintained.
- Ensure the operator is adequately trained in safety precautions, adjustment, and operation of the power tool.
- Always wear goggles and ear protection when using the power tool. It is recommended to wear gloves, sturdy non-slip shoes.
- Before using any accessory, consult the instruction manual. The improper use of an accessory can cause damage and increase the potential for injury.
- Use only blades specified in this manual, complying with EN 847-1.
- Observe the maximum speed marked on the saw blade. Ensure the speed marked on the saw blade is at least equal to the speed marked on the saw.
- Always use blades with correct size and shape of bore holes. Blades that do not match the mounting hardware of the saw will run eccentrically, causing loss of control.
- Do not use blades of larger or smaller diameter than recommended. Do not use any spacers to make the blade fit onto the spindle.
- Check the tips of the saw blade for damage or abnormal appearance before each use. Tips that are damaged or loose can become flying objects in use and increase the chance of personal injury.
- Do not use cracked or distorted saw blades. Do not use

saw blades that are damaged or deformed

- Scrap the saw blade if damaged, deformed, distorted, or cracked; repairing is not permitted.
- Do not use HSS blades.
- Ensure the saw blade is mounted correctly. Tighten the blade bolt securely before use (tightening torque approx. 10-15 Nm).
- Fastening screw and nuts shall be tightened using the appropriate spanner.
- Extension of the spanner or tightening using hammer blows is not permitted.
- Make sure the blade and flanges are clean and the recessed sides of the collar are against the blade.
- Make sure the blade rotates in the correct direction.
- Before use, make a dummy cut without the motor turned on so the position of the blade, operation of the guards with respect to other machine parts, and workpiece may be checked.
- Never leave the power tool unattended.
- Do not apply lubricants on the blade when it is running.
- Never perform any cleaning or maintenance work when the power tool is still running and the head is not in the rest position.
- Never attempt to stop a power tool in motion rapidly by jamming a tool or other means against the blade. Serious accidents can be caused unintentionally in this way.
- Disconnect the saw from the mains supply or battery before changing blades or carrying out maintenance.
- Pay attention to the blade packing and unpacking. It is easy to be injured by the sharp blade tips.
- Use a blade holder or wear gloves when handling a saw blade.
- Keep and store the blade in original packaging or other suitable packaging. Keep in dry conditions and away from chemicals which may damage the blade.

⚠ WARNING

- Wear eye and ear protection.
- Wear dust mask.
- Do not use any abrasive wheels.
- Avoid overheating the blade tips. Do not use dull or damaged blades. Do not force the tool.
- Only use saw blades recommended.
- Do not use blades of larger or smaller diameter than recommended.
- Use only blades specified in this manual, complying with EN 847-1.

LASER SAFETY (RCS1600)



- The laser radiation used in this saw is Class 2 with maximum $\leq 1\text{mW}$ and 650nm wavelengths. Do not stare into the laser beam. Failure to comply with the rules could result in serious personal injury.



We have supplied you with an adhesive label in your language and now request that you please apply this over the top of the existing English language label that is located on the side of the tool prior to first commissioning the machine.

- Do not stare into beam during operation.
- Do not project the laser beam directly into the eyes of others. Serious eye injury could result.
- Do not place the laser in a position that may cause anyone to stare into the laser beam intentionally or unintentionally.
- Do not use optical tools to view the laser beam.
- Do not operate the laser around children or allow children to operate the laser.
- Do not attempt to repair the laser device by yourself.
- Do not attempt to change any parts of the laser device by yourself.
- Any repairs must only be carried out by the laser manufacturer or authorized service agent.
- Do not replace the laser with a different type.

RESIDUAL RISKS

Even when the product is used as prescribed, it is still impossible to completely eliminate certain residual risk factors. The following hazards may arise and the operator should pay special attention to avoid the following:

- Injury caused by kickback
 - Read and understand the information in this manual.
- Injury caused by vibration
 - Limit exposure. See Risk Reduction.
- Injury caused by dust
 - Wear eye protection at all times. Wear appropriate dust mask with suitable filters that can protect against particles from the material being worked on. Do not eat, drink, or smoke in the work area. Ensure adequate ventilation.
- Electric shock
 - The blade may contact hidden wiring causing parts of the product to become live. Always hold the product by the designated handles and take care when blind-cutting into walls and floors where cables may be hidden.

NOTE: When working on walls, ceilings, or floors, take care to avoid electric cables and gas or water pipes.

- Injury from contact with the cutting blade
 - The blades are sharp and will become hot during use. Wear gloves when changing blades. Keep hands away from the cutting area at all times. Never

hold workpiece being cut in your hands or across your leg. Clamp the work piece whenever possible.

RISK REDUCTION

It has been reported that vibrations from handheld tools may contribute to a condition called Raynaud's Syndrome in certain individuals. Symptoms may include tingling, numbness, and blanching of the fingers, usually apparent upon exposure to cold. Hereditary factors, exposure to cold and dampness, diet, smoking, and work practices are all thought to contribute to the development of these symptoms. There are measures that can be taken by the operator to possibly reduce the effects of vibration:

- Keep your body warm in cold weather. When operating the product, wear gloves to keep the hands and wrists warm. It is reported that cold weather is a major factor contributing to Raynaud's Syndrome.
- After each period of operation, exercise to increase blood circulation.
- Take frequent work breaks. Limit the amount of exposure per day.

If you experience any of the symptoms of this condition, immediately discontinue use and see your doctor about these symptoms.

⚠ WARNING

Injuries may be caused or aggravated by prolonged use of a tool. When using any tool for prolonged periods, ensure you take regular breaks.

KNOW YOUR PRODUCT

See page 135.

1. Trigger
2. Lock-off button
3. Upper guard
4. Dust port adapter
5. Lower guard lever
6. Blade bolt
7. Lower guard
8. Handle
9. Angle scale
10. Angle scale lock knob
11. Rip guide lock
12. Base
13. Laser head (RCS1600)
14. Blade
15. Saw rail
16. Clamp
17. Wrench
18. Rip guide

EN

FR

DE

ES

IT

NL

PT

DA

SV

FI

NO

RU

PL

CS

HU

RO

LV

LT

ET

HR

SL

SK

BG

UK

TR

EL

MAINTENANCE

WARNING

The product should never be connected to a power supply when assembling parts, making adjustments, cleaning, performing maintenance, or when the product is not in use. Disconnecting the product will prevent accidental starting that could cause serious injury.

- When servicing, use only original Ryobi replacement parts. Use of any other parts may create a hazard or cause product damage.
- Be sure to disconnect the product from the power supply before attaching or removing the saw blade. Clean the product and guarding system with clean cloths.
- Avoid using solvents when cleaning plastic parts. Most plastics are susceptible to various types of commercial solvents and may be damaged by their use. Use clean cloths to remove dirt, carbon dust, etc.
- Do not, at any time, let brake fluids, gasoline, petroleum-based products, penetrating oils, etc. come in contact with plastic parts. They contain chemicals that can damage, weaken, or destroy plastic.
- Always wear safety goggles or safety glasses with side shields during power tool operation or when blowing dust. If operation is dusty, also wear a dust mask.
- If the power supply cord is damaged, it must be replaced only by the manufacturer or by an authorised service centre to avoid risk. Contact authorised service centre.
- For greater safety and reliability, all repairs should be performed by an authorised Ryobi service centre.

LUBRICATION

All of the bearings in the product are lubricated with a sufficient amount of high grade lubricant for the life span of the product under normal operating conditions. Therefore, no further lubrication is required.

ENVIRONMENTAL PROTECTION



Recycle raw materials instead of disposing of as waste. The machine, accessories and packaging should be sorted for environment-friendly recycling.

SYMBOLS ON THE PRODUCT



Safety alert

V Volts

Hz Hertz

~ Alternating current

W Watts

n_o No-load speed

min⁻¹ Revolutions or reciprocations per minute



Class II tool, double insulation



Wood



Do not cut metals



Wear ear protection



Wear eye protection



Laser radiation.
Do not stare into beam.
Class 2 laser product
λ: 650nm; P≤1mW
EN 60825-1:2014



Danger! Sharp blade



Do not expose to rain



Width of cut



Blade teeth



CE conformity



EurAsian Conformity Mark



Ukrainian mark of conformity



Please read the instructions carefully before starting the machine.



Waste electrical products should not be disposed of with household waste. Please recycle where facilities exist. Check with your local authority or retailer for recycling advice.

SYMBOLS IN THIS MANUAL



Connect to the power supply.



Disconnect from the power supply.



Parts or accessories sold separately



Lock



Unlock



Note

The following signal words and meanings are intended to explain the levels of risk associated with this product:

⚠ DANGER

Indicates an imminently hazardous situation, which, if not avoided, will result in death or serious injury.

⚠ WARNING

Indicates a potentially hazardous situation, which, if not avoided, could result in death or serious injury.

⚠ CAUTION

Indicates a potentially hazardous situation, which, if not avoided, may result in minor or moderate injury.

CAUTION

(Without Safety Alert Symbol) Indicates a situation that may result in property damage.

EN

FR

DE

ES

IT

NL

PT

DA

SV

FI

NO

RU

PL

CS

HU

RO

LV

LT

ET

HR

SL

SK

BG

UK

TR

EL

130.com.ua

Votre scie circulaire a été conçue en donnant priorité à la sécurité, à la performance et à la fiabilité.

UTILISATION PRÉVUE

La scie circulaire doit être utilisée seulement par des adultes ayant lu et compris les instructions et les avertissements inclus dans le présent manuel et pouvant être considérés comme responsables de leurs actes.

La scie est conçue pour des coupes transversales et longitudinales dans le bois ou des matériaux similaires, jusqu'à une profondeur maximale de 54 millimètres. Les coupes peuvent être droites ou en biseau, à un angle compris entre 0 et 45°. La base de l'appareil doit rester en contact avec la pièce à travailler. La scie doit être utilisée par conditions sèches, sous un excellent éclairage ambiant et avec une ventilation adéquate. La scie est conçue pour être tenue à la main. La scie ne doit pas être fixée à un établi sauf si des instructions spécifiques fournies par le fabricant du produit ont été données sur la façon de procéder. Ne pas utiliser pour couper du métal ou des matériaux de maçonnerie. Ne vous servez pas de ce produit pour d'autres utilisations que celles décrites au chapitre des utilisations prévues. L'utilisation détournée d'un outil électrique entraîne des situations dangereuses.

⚠ AVERTISSEMENT

Lisez attentivement tous les avertissements et toutes les instructions. Le non-respect des instructions présentées ci-après peut entraîner des accidents tels que des incendies, des chocs électriques et/ou des blessures corporelles graves.

Conservez ces avertissements et instructions pour pouvoir vous y reporter ultérieurement.

AVERTISSEMENTS DE SÉCURITÉ CONCERNANT LA SCIE CIRCULAIRE

PROCÉDURES DE COUPE

⚠ DANGER

Éloignez vos mains de la lame et de la zone de coupe. La main qui ne tient pas la poignée principale de l'outil doit tenir la poignée auxiliaire ou bien être posée sur le carter moteur. Ainsi, vos mains ne risqueront pas de se trouver dans la zone de coupe, sur la trajectoire de la lame.

- **Ne tentez pas d'atteindre le dessous de l'élément à couper.** Le protège-lame ne peut pas vous protéger de la lame sous la pièce à couper.
- **Réglez la profondeur de coupe en fonction de l'épaisseur de la pièce à usiner.** Les dents de la lame ne doivent pas dépasser entièrement sous la pièce à usiner lors de la coupe.
- **Ne tenez JAMAIS la pièce à usiner avec votre main ou entre vos jambes. Fixez-la sur un support stable.** Il est primordial de fixer correctement la pièce à usiner pour éviter tout risque de blessures et de ne pas plier la

lame afin de ne pas perdre le contrôle de l'outil.

- **Ne tenez l'outil que par les parties isolées et antidérapantes lorsque vous travaillez sur une surface pouvant cacher des fils électriques ou lorsque le travail requis est susceptible de placer le cordon d'alimentation sur la trajectoire de l'outil.** L'entrée en contact avec un fil électrique « sous tension » pourrait véhiculer cette tension électrique vers les parties métalliques de l'outil et exposer l'opérateur à une décharge électrique.
- **Utilisez toujours un guide de coupe parallèle ou un tasseau droit lorsque vous effectuez une coupe parallèle.** La précision de coupe sera améliorée et vous éviterez les risques de plier la lame.
- **Utilisez toujours des lames dont la taille et la forme sont adaptées à l'alésage de l'arbre.** Des lames non adaptées à l'arbre sur lequel elles doivent être montées ne tourneront pas correctement et peuvent vous faire perdre de contrôle de l'outil.
- **N'utilisez jamais de vis ni de flasques de lame défectueux ou inadaptés.** Les flasques et vis de lame ont été conçus spécialement pour votre modèle de scie, pour une sécurité et une performance optimales.

AVERTISSEMENTS RELATIFS AU REBOND ET AUTRES RISQUES ASSOCIÉS :

- Le rebond est une réaction soudaine qui a lieu lorsque la lame se pince, se tord ou si elle est mal alignée; la scie se désengage soudainement de la pièce à usiner et recule violemment en direction de l'utilisateur.
- Lorsque la lame se pince dans le bois, la lame cale et le moteur, qui continue à tourner, projette la scie dans le sens opposé au sens de rotation de la lame, c'est-à-dire vers l'utilisateur.
- Si la lame se tord ou est mal alignée, les dents situées à l'arrière de la lame risquent de s'enfoncer dans la surface du bois, ce qui fera sortir brusquement la lame de la pièce à usiner en direction de l'utilisateur.

Le rebond est donc le résultat d'une mauvaise utilisation de l'outil et/ou de procédures ou de conditions de coupe incorrectes. Il peut être évité en veillant à respecter quelques précautions.

- **Maintenez fermement la scie avec vos deux mains et positionnez vos bras de façon à ce qu'ils puissent contrôler un éventuel rebond. Positionnez-vous d'un côté de la scie lorsque vous travaillez mais ne vous placez jamais dans l'alignement de la lame.** Le rebond projette soudainement la scie vers l'arrière, mais ce mouvement peut être contrôlé si l'utilisateur s'y attend et s'y prépare.
- **Si la lame se coince, ou si vous devez interrompre la coupe pour une raison quelconque, relâchez la gâchette et maintenez la scie dans la pièce à usiner jusqu'à ce que la lame s'arrête complètement de tourner. Ne tentez jamais d'enlever la scie de l'élément à couper ou de la faire reculer tant que le disque continue de tourner, sous peine de provoquer un rebond.** Si la lame se coince, cherchez-en la cause et prenez les mesures nécessaires pour que cela ne se reproduise plus.
- **Avant de faire redémarrer la scie pour reprendre**

une coupe, alignez correctement la lame avec le trait de scie et vérifiez que les dents ne touchent pas la pièce à usiner. Si la lame est coincée dans la pièce à usiner, un rebond risque de se produire lors de la mise en marche de la scie.

- **Veillez à soutenir les longues pièces à usiner afin d'éviter que la lame se coince et limite ainsi les risques de rebonds.** Les longues pièces à usiner ont tendance à ployer sous leur propre poids. Vous pouvez placer des supports des deux côtés de la pièce à usiner, près de la ligne de coupe et au niveau de l'extrémité de la pièce.
- **N'utilisez pas de lames émoussées ou endommagées.** Des lames non aiguisées ou mal montées produiront un trait de scie fin entraînant une friction excessive de la lame et donc de plus grands risques de torsion et de rebond.
- **Avant de commencer une coupe, vérifiez que les boutons de réglage de la profondeur et de l'inclinaison sont correctement bloqués.** Si les réglages de la position de la lame se modifient en cours de coupe, la lame risque de se coincer et un rebond peut se produire.
- **Soyez particulièrement attentif lorsque vous effectuez une coupe dans un mur existant ou autre zones aveugle.** La lame pourrait heurter des éléments cachés, ce qui entraînerait un rebond.

FONCTIONNEMENT DE LA PROTECTION INFÉRIEURE

- **Avant chaque utilisation, vérifiez que le protège-lame inférieur recouvre correctement la lame. N'utilisez pas votre scie si le protège-lame inférieur ne peut pas être actionné librement et s'il ne se rabat pas instantanément sur la lame. Ne fixez ou n'attachez jamais le protège-lame inférieur en position ouverte.** Si la scie tombait de façon accidentelle, le protège-lame inférieur pourrait se plier. Relevez le protège-lame inférieur à l'aide de la manette et assurez-vous qu'il peut être manipulé sans difficulté et qu'il ne touche ni la lame ni aucune autre pièce quels que soient l'angle et la profondeur de coupe choisis.
- **Assurez-vous que le ressort du protège-lame inférieur est en bon état et fonctionne correctement. Si le protège-lame ou le ressort ne fonctionnent pas correctement, faites-les réparer ou remplacer avant d'utiliser votre scie.** La protection inférieure peut fonctionner de façon lente si des éléments sont endommagés, en cas de dépôts gommeux, ou en cas d'accumulation de débris.
- **Le carter de protection inférieur ne doit être rétracté à la main que pour des coupes spéciales telles que les «coupes plongeantes» et les «coupes combinées».** Levez le protège-lame inférieur à l'aide de la manette. Puis, dès que la lame pénètre dans la pièce à usiner, relâchez le protège-lame inférieur. Pour tous les autres types de coupe, le protège-lame inférieur se met en place automatiquement.
- **Vérifiez toujours que le protège-lame inférieur recouvre bien la lame avant de poser votre scie sur un établi ou sur le sol.** Si la lame n'est pas correctement recouverte, elle peut tourner par inertie

et couper ce qui se trouve sur sa trajectoire. Soyez conscient du fait que la lame continue de tourner pendant un certain temps après l'arrêt du moteur.

INSTRUCTIONS DE SÉCURITÉ POUR LA LAME DE DÉCOUPE DU BOIS

- Veuillez lire attentivement le manuel et les instructions avant d'utiliser la lame de scie et l'outil électrique.
- L'outil électrique doit être en bon état, l'arbre sans déformation ni vibration.
- N'utilisez pas la scie si les protections ne sont pas en place. Gardez les protections en bon état de fonctionnement et bien entretenues.
- Assurez-vous que l'opérateur a reçu la formation adéquate en matière de mesures de sécurité, de réglage et d'utilisation de l'outil électrique.
- Portez toujours des lunettes de sécurité et des protections auditives lors de l'utilisation de l'outil électrique. Il est recommandé de porter des gants et des chaussures robustes à semelles antidérapantes.
- Avant toute utilisation d'un accessoire, consultez le manuel utilisateur. La mauvaise utilisation d'un accessoire peut entraîner des dommages et augmenter le risque de blessure.
- N'utilisez que les lames spécifiées dans ce manuel, répondant à la norme EN 847-1.
- Respectez la vitesse maximale de rotation indiquée sur la lame. Assurez-vous que la vitesse marquée sur la lame de scie est au moins égale à la vitesse marquée sur la scie.
- Utilisez toujours des lames dont la taille et la forme sont adaptées à l'alésage de l'arbre. Des lames non adaptées à l'arbre sur lequel elles doivent être montées ne tourneront pas correctement et peuvent vous faire perdre de contrôle de l'outil.
- N'utilisez pas de lames d'un diamètre supérieur ou inférieur à celui recommandé. N'utilisez pas de rondelles ou d'entretoises pour adapter la lame à la broche.
- Vérifiez que les dents de la lame de scie sont en bon état et d'apparence normale avant chaque utilisation. Les dents endommagées ou instables peuvent, à l'utilisation, devenir des projectiles et augmenter le risque de blessures.
- Ne pas utiliser de lames de scie fissurées ou déformées. Ne pas utiliser de lames de scie qui sont endommagées ou déformées.
- Mettez la lame de scie au rebut si elle est endommagée, déformée, tordue ou fendue ; aucune réparation n'est permise.
- N'utilisez pas de lames HSS.
- Assurez-vous que la lame de scie est montée de façon correcte avant utilisation. Serrez fermement le boulon de la lame avant utilisation (couple de serrage env. 10-15 Nm).
- Les vis de fixation et les écrous doivent être serrés à l'aide de la clé adaptée.
- Ni l'utilisation d'une rallonge de clé ni le serrage à l'aide de coups de marteau ne sont autorisés.

EN
FR
DE
ES
IT
NL
PT
DA
SV
FI
NO
RU
PL
CS
HU
RO
LV
LT
ET
HR
SL
SK
BG
UK
TR
EL

- Assurez-vous que toutes les lames et tous les flasques sont propres et que les parties épaulées des colliers sont orientés vers la lame.
- Assurez-vous que la lame tourne dans le bon sens.
- Avant de travailler, faites une coupe à blanc moteur arrêté afin de pouvoir vérifier la position de la lame, le fonctionnement des protections par rapport aux autres éléments de la machine ainsi que la pièce à couper.
- Ne laissez jamais la machine fonctionner sans surveillance.
- N'appliquez pas de lubrifiant sur la lame lorsqu'elle est en rotation.
- N'effectuez jamais aucune opération de nettoyage ou d'entretien lorsque la machine est toujours en mouvement et que la tête n'est pas en position de repos.
- Ne tentez jamais d'arrêter l'outil électrique en rotation rapide en bloquant la lame avec un outil ou tout autre objet. En faisant cela, des accidents graves peuvent survenir involontairement.
- Débranchez la scie du réseau électrique ou retirez la batterie avant de changer la lame ou de mener une opération de maintenance.
- Faites attention à la lame en la mettant et en la sortant de son emballage. Les dents tranchantes peuvent facilement provoquer des blessures.
- Utilisez une protection ou portez des gants lorsque vous manipulez une lame de scie.
- Conservez et stockez la lame dans son emballage original ou dans tout autre emballage adapté. Conserver dans un endroit sec et tenir à l'écart de produits chimiques qui pourraient endommager la lame.

⚠ AVERTISSEMENT

- Portez une protection oculaire et auditive.
- Portez un masque anti poussières.
- N'utilisez jamais de disque abrasif.
- Évitez de faire surchauffer les dents de la lame. N'utilisez pas de lames émoussées ou endommagées. Ne faites pas forcer l'outil.
- N'utilisez que les lames de scie recommandées.
- N'utilisez pas de lames d'un diamètre supérieur ou inférieur à celui recommandé.
- N'utilisez que les lames spécifiées dans ce manuel, répondant à la norme EN 847-1.

SÉCURITÉ RELATIVE AU LASER (RCS1600)



- Le rayonnement du guide laser utilisé par cette scie est de type Classe 2 avec une puissance maximale $\leq 1\text{mW}$ et une longueur d'onde de 650nm. Ne regardez pas

directement le rayon laser. Le non-respect des règles pourrait entraîner de graves blessures.



- Un autocollant dans votre langue vous a été fourni, nous vous demandons de le coller par dessus le texte en anglais de l'étiquette d'avertissement (warning) avant la première mise en service de la machine.
- Ne regardez pas le rayon au cours de l'opération.
- Ne projetez pas le rayon laser directement vers les yeux d'autrui. De graves blessures oculaires pourraient en résulter.
- Ne placez pas le laser de telle façon que quiconque puisse diriger son regard vers le rayon laser, que ce soit intentionnellement ou pas.
- N'utilisez pas d'outils optiques pour voir le rayon laser.
- N'utilisez pas le laser en présence d'enfants et ne laissez pas les enfants l'utiliser.
- Ne tentez pas de réparer le laser par vous-même.
- Ne tentez de changer aucune pièce du laser par vous-même.
- Les réparations ne doivent être effectuées que par le fabricant du laser ou par un réparateur agréé.
- Ne remplacez pas le laser par un modèle d'un autre type.

RISQUES RÉSIDUELS

Même lorsque le produit est utilisé selon les prescriptions, il reste impossible d'éliminer totalement certains facteurs de risque résiduels. Les dangers suivants risquent de se présenter en cours d'utilisation et l'utilisateur doit prêter particulièrement garde aux points suivants :

- Blessures dues au rebond
 - Lisez les informations de ce manuel de manière à les comprendre.
 - Blessures dues aux vibrations
 - Limitez l'exposition. Voir "Réduction Des Risques".
 - Blessures dues à la poussière
 - Toujours porter une protection pour les yeux. Portez un masque antipoussières approprié équipé de filtres adaptés capables de vous protéger contre les poussières en provenance du matériau sur lequel vous travaillez. Ne mangez pas, de buvez pas, et ne fumez pas dans l'espace de travail. Assurez une ventilation correcte à l'espace de travail.
 - Décharge électrique
 - La lame est susceptible d'entrer en contact avec des câbles électriques cachés, et de mettre ainsi certaines parties du produit «sous tension». Tenez toujours le produit par les poignées destinées à cet effet et prenez garde lors des coupes aveugles dans les murs et dans les sols susceptibles de contenir des câbles cachés.
- NOTE:** Lorsque vous travaillez sur des murs, des plafonds ou des sols, prenez garde de ne pas entrer en contact avec des câbles électriques ou des tuyaux d'eau ou de gaz.
- Blessures dues à l'entrée en contact avec la lame de coupe

- Les lames sont très coupantes et deviennent très chaudes en cours de fonctionnement. Portez des gants lorsque vous changez de lame. Gardez en permanence vos mains éloignées de la zone de coupe. Ne tenez JAMAIS la pièce à usiner avec votre main ou entre vos jambes. Fixez la pièce à travailler lorsque cela est possible.

RÉDUCTION DES RISQUES

Il a été reporté que les vibrations engendrées par les outils tenus à main peuvent contribuer à l'apparition d'un état appelé le Syndrome de Raynaud chez certaines personnes. Les symptômes peuvent comprendre des fourmillements, un engourdissement et un blanchiment des doigts, généralement par temps froid. Des facteurs héréditaires, l'exposition au froid et à l'humidité, le régime alimentaire, le tabagisme et les habitudes de travail peuvent contribuer au développement de ces symptômes. Certaines mesures peuvent être prises par l'utilisateur pour aider à réduire les effets des vibrations:

- Gardez votre corps au chaud par temps froid. Lorsque vous utilisez l'appareil, portez des gants afin de garder vos mains et vos poignets au chaud. Le temps froid est considéré comme un facteur contribuant très largement à l'apparition du Syndrome de Raynaud.
- Après chaque session de travail, pratiquez des exercices qui favorisent la circulation sanguine.
- Faites des pauses fréquentes. Limitez la quantité d'exposition journalière.

Si vous ressentez l'un des symptômes associés à ce syndrome, arrêtez immédiatement le travail et consultez votre médecin pour lui en faire part.

AVERTISSEMENT

L'utilisation prolongée d'un outil est susceptible de provoquer ou d'aggraver des blessures. Assurez-vous de faire des pauses de façon régulière lorsque vous utilisez tout outil de façon prolongée.

APPRENEZ À CONNAÎTRE VOTRE PRODUIT

Voir page 135.

1. Gâchette
2. Bouton de déverrouillage de la gâchette
3. Protège-lame supérieur
4. Adaptateur de conduit d'aspiration des poussières
5. Levier du protège-lame inférieur
6. Boulon de la lame
7. Protège-lame inférieur
8. Poignée
9. Graduation angulaire
10. Dispositif de blocage de la graduation angulaire
11. Dispositif de blocage du guide de coupe longitudinal
12. Semelle
13. Tête laser (RCS1600)
14. Lame
15. Guide de coupe
16. Serre-joint
17. Clé de service
18. Guide de coupe

ENTRETIEN

AVERTISSEMENT

Le produit ne doit jamais être branché sur une source de courant lorsque vous-y montez des pièces, lorsque vous effectuez des réglages, lorsque vous le nettoyez, lorsque vous l'entretenez, ou lorsque vous ne l'utilisez pas. Le fait de débrancher le produit évitera toute mise en marche accidentelle susceptible de provoquer de graves blessures.

- N'effectuez les opérations de réparation et d'entretien qu'avec des pièces détachées d'origine Ryobi. L'utilisation de toute autre pièce est susceptible de présenter un danger ou d'endommager votre outil.
- Assurez-vous de débrancher l'outil du secteur avant de monter ou de démonter la lame de scie. Nettoyez l'appareil et le système de protection avec des chiffons propres.
- Évitez d'utiliser des solvants pour nettoyer les parties en plastique. La plupart des plastiques sont susceptibles d'être endommagés par les solvants disponibles dans le commerce. Utilisez un chiffon propre pour essuyer les impuretés, la poussière, etc.
- Ne laissez jamais du liquide de frein, de l'essence, des produits pétroliers, des huiles pénétrantes, etc. entrer en contact avec les éléments en plastique. Ces produits chimiques contiennent des substances qui peuvent endommager, fragiliser ou détruire le plastique.
- Portez toujours un masque oculaire ou des lunettes de protection à volets latéraux lorsque vous utilisez l'outil électrique ou lorsque vous soufflez de la poussière. Si l'opération génère des poussières, portez également un masque anti-poussières.
- Si le câble d'alimentation est endommagé, il ne doit être remplacé que par le fabricant ou par un service après-vente agréé, pour éviter tout danger. Contactez un service après-vente agréé.
- Pour plus de sécurité et de fiabilité, toutes les réparations doivent être effectuées par un service après-vente Ryobi agréé.

LUBRIFICATION







Tous les roulements de ce produit sont lubrifiés avec une quantité suffisante d'huile de haute qualité pour toute sa durée de vie sous des conditions d'utilisation normales. Par conséquent, aucune lubrification supplémentaire n'est nécessaire.

PROTECTION DE L'ENVIRONNEMENT



Recyclez les matières premières au lieu de les jeter avec les ordures ménagères. Pour protéger l'environnement, l'outil, les accessoires et les emballages doivent être triés.

SYMBOLES APPLIQUÉS SUR LE PRODUIT

	Alerte de sécurité
V	Volts
Hz	Hertz
~	Courant alternatif
W	Watts
n°	Vitesse à vide
min⁻¹	Nombre de tours ou de mouvements par minute
	Sens de rotation de la lame
	Classe II, isolation double
	Bois
	Portez une protection auditive
	Portez une protection oculaire
	Radiation laser. Ne regardez pas directement le rayon laser. Laser de classe 2 λ : 650nm; $P \leq 1\text{mW}$ EN 60825-1:2014
	Danger! Lame Coupante.
	Ne pas exposer à la pluie
	Ne coupez pas de métal
	Largeur de coupe
	Conformité CE
	Marque de conformité d'Eurasie
	Marque de conformité ukrainienne
	Veuillez lire attentivement le mode d'emploi avant de démarrer la machine.


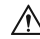



Les produits électriques hors d'usage ne doivent pas être jetés avec les ordures ménagères. Recyclez-les par l'intermédiaire des structures disponibles. Contactez les autorités locales ou votre distributeur pour vous renseigner sur les conditions de recyclage.

SYMBOLES PRÉSENTS DANS LE MANUEL

	Raccorder au secteur.
	Débrancher du secteur.
	Pièces détachées et accessoires vendus séparément
	Verrouillage
	Déverrouillage
	Note

Les symboles suivants, et les noms qui leur sont associés, permettent d'expliquer les différents niveaux de risques liés à l'utilisation de cet outil.

-  **DANGER**
Imminence d'un danger qui, si l'on n'y prend garde, peut entraîner des blessures graves voire mortelles.
-  **AVERTISSEMENT**
Situation potentiellement dangereuse qui, si l'on n'y prend garde, peut entraîner des blessures graves voire mortelles.
-  **ATTENTION**
Situation potentiellement dangereuse qui, si l'on n'y prend garde, peut entraîner des blessures moyennes ou légères.
- ATTENTION**
(Sans symbole de sécurité) Indique une situation pouvant provoquer des dommages matériels.

Sicherheit, Leistung und Zuverlässigkeit hatten oberste Priorität bei der Entwicklung Ihrer Kreissäge.

BESTIMMUNGSGEMÄSSE VERWENDUNG

Die Kreissäge ist nur für den Gebrauch von Erwachsenen vorgesehen, die die Bedienungsanleitung gelesen und verstanden haben und als verantwortlich für ihre Handlungen erachtet werden können.

Die Säge wurde für Längs- und Querschnitte in Holz oder ähnlichen Materialien bis zu einer Tiefe von 54 Millimeter entwickelt. Sie kann gerade Schnitte oder Winkelschnitte in einem Winkel von 0 bis 45 Grad ausführen. Bei der Benutzung muss die Bodenplatte der Kreissäge auf dem Werkstück aufliegen. Die Säge muss in trockener Umgebung benutzt werden, mit ausgezeichneter Raumbeleuchtung und ausreichender Belüftung. Die Kreissäge ist für handgeführte Benutzung vorgesehen. Die Säge darf nicht an einem Arbeitstisch montiert werden, es sei denn spezielle Anweisungen dafür werden von dem Hersteller des Produktes gegeben. Nicht zum Sägen von Metall oder Mauerwerk benutzen. Benutzen Sie das Produkt nicht für andere Aufgaben, als die genannten bestimmungsgemäßen Verwendungen. Der Einsatz des Werkzeugs für Arbeiten, für die es nicht vorgesehen ist, kann zu gefährlichen Situationen führen.

⚠️ WARNUNG

Lesen Sie alle Sicherheitshinweise und Anweisungen aufmerksam durch. Die Missachtung der nachfolgenden Anweisungen kann zu Unfällen wie Bränden, elektrischen Schlägen und/oder schweren Verletzungen führen.

Bewahren Sie diese Sicherheitshinweise und Anweisungen für einen späteren Gebrauch gut auf.

KREISSÄGE SICHERHEITSWARNUNGEN

SÄGEVERFAHREN

⚠️ GEFAHR

Kommen Sie mit Ihren Händen nicht in den Sägebereich und an das Sägeblatt. Halten Sie mit Ihrer zweiten Hand den Zusatzgriff oder das Motorgehäuse. Wenn beide Hände die Kreissäge halten, kann das Sägeblatt diese nicht verletzen.

- **Greifen Sie nicht unter das Werkstück.** Die Schutzhaube kann Sie unter dem Werkstück nicht vor dem Sägeblatt schützen.
- **Passen Sie die Schnitttiefe an die Dicke des Werkstücks an.** Es sollte weniger als eine volle Zahnhöhe unter dem Werkstück sichtbar sein.
- **Halten Sie das zu Sägende Werkstück niemals in der Hand oder über dem Bein fest. Sichern Sie das Werkstück an einer stabilen Unterlage.** Es ist wichtig, das Werkstück gut zu befestigen, um die Gefahr von Körperkontakt, Klemmen des Sägeblattes oder Verlust der Kontrolle zu minimieren.

- **Fassen Sie das Elektrowerkzeug an den isolierten Griffflächen an, wenn Sie Arbeiten ausführen, bei denen das Einsatzwerkzeug verborgene Stromleitungen oder das eigene Netzkabel treffen kann.** Kontakt mit einer spannungsführenden Leitung setzt auch Metallteile des Elektrowerkzeuges unter Spannung und führt zu einem elektrischen Schlag.
- **Verwenden Sie beim Längsschneiden immer einen Anschlag oder eine gerade Kantenführung.** Dies verbessert die Schnittgenauigkeit und verringert die Möglichkeit, dass das Sägeblatt klemmt.
- **Verwenden Sie immer Sägeblätter in der richtigen Größe und mit passender Aufnahmebohrung (z.B. sternförmig oder rund).** Sägeblätter, die nicht zu den Montageteilen der Säge passen, laufen unrund und führen zum Verlust der Kontrolle.
- **Verwenden Sie niemals beschädigte oder falsche Sägeblatt-Unterlegscheiben oder -schrauben.** Die Sägeblatt-Unterlegscheiben und -schrauben wurden speziell für Ihre Säge konstruiert, für optimale Leistung und Betriebssicherheit.

URSACHEN UND VERMEIDUNG EINES RUCKSCHLAGS:

- ein Ruckschlag ist die plötzliche Reaktion infolge eines hakenden, klemmenden oder falsch ausgerichteten Sägeblattes, die dazu führt, dass eine unkontrollierte Säge abhebt und sich aus dem Werkstück heraus in Richtung der Bedienperson bewegt;
- wenn sich das Sägeblatt in dem sich schließenden Sagespalt verhakt oder verklemmt, blockiert es, und die Motorkraft schlägt das Gerät in Richtung der Bedienperson zurück;
- wird das Sägeblatt im Sageschnitt verdreht oder falsch ausgerichtet, können sich die Zähne der hinteren Sägeblattkante in der Oberfläche des Werkstücks verhaken, wodurch sich das Sägeblatt aus dem Sagespalt herausbewegt und die Säge in Richtung der Bedienperson zurückspringt.

Ein Ruckschlag ist die Folge eines falschen oder fehlerhaften Gebrauchs der Säge. Er kann durch geeignete Vorsichtsmaßnahmen, wie nachfolgend beschrieben, verhindert werden.

- **Halten Sie die Säge mit beiden Händen fest und bringen Sie Ihre Arme in eine Stellung, in der Sie den Ruckschlagkräften standhalten können. Halten Sie sich immer seitlich des Sägeblattes, nie das Sägeblatt in eine Linie mit Ihrem Körper bringen.** Bei einem Ruckschlag kann die Kreissäge rückwärts springen, jedoch kann die Bedienperson die Ruckschlagkräfte beherrschen, wenn geeignete Maßnahmen getroffen wurden.
- **Falls das Sägeblatt verklemmt oder Sie die Arbeit unterbrechen, schalten Sie die Säge aus und halten Sie sie im Werkstoff ruhig, bis das Sägeblatt zum Stillstand gekommen ist. Versuchen Sie nie, die Säge aus dem Werkstück zu entfernen oder sie rückwärts zu ziehen, solange das Sägeblatt sich bewegt, sonst kann ein Ruckschlag erfolgen.** Ermitteln und beheben Sie die Ursache für das Verklemmen des Sägeblattes.

EN
FR
DE
ES
IT
NL
PT
DA
SV
FI
NO
RU
PL
CS
HU
RO
LV
LT
ET
HR
SL
SK
BG
UK
TR
EL

- **Wenn Sie eine Säge, die im Werkstück steckt, wieder starten wollen, zentrieren Sie das Sägeblatt im Sagespalt und überprüfen Sie, ob die Sagezähne nicht im Werkstück verhakt sind.** Klemmt das Sägeblatt, kann es sich aus dem Werkstück heraus bewegen oder einen Ruckschlag verursachen, wenn die Säge erneut gestartet wird.
- **Stutzen Sie große Platten ab, um das Risiko eines Ruckschlags durch ein klemmendes Sägeblatt zu vermindern.** Große Platten können sich unter ihrem Eigengewicht durchbiegen. Platten müssen auf beiden Seiten abgestützt werden, sowohl in Nahe des Sagespalts als auch an der Kante.
- **Verwenden Sie keine stumpfen oder beschädigten Sägeblätter.** Sägeblätter mit stumpfen oder falsch ausgerichteten Zähnen verursachen durch einen zu engen Sagespalt eine erhöhte Reibung, Klemmen des Sägeblattes und Ruckschlag.
- **Ziehen Sie vor dem Sägen die Schnitttiefen- und Schnittwinkleinstellungen fest.** Wenn sich während des Sägens die Einstellungen verändern, kann sich das Sägeblatt verklemmen und ein Ruckschlag auftreten.
- **Seien Sie besonders vorsichtig bei „Tauchschnitten“ in bestehende Wände oder andere nicht einsehbare Bereiche.** Das eintauchende Sägeblatt kann beim Sägen in verborgene Objekte blockieren und einen Ruckschlag verursachen.

FUNKTION DER UNTEREN SCHUTZHAUBE

- **Überprüfen Sie vor jeder Benutzung, ob die untere Schutzhaube einwandfrei schließt. Verwenden Sie die Säge nicht, wenn die untere Schutzhaube nicht frei beweglich ist und sich nicht sofort schließt. Klemmen oder binden Sie die untere Schutzhaube niemals in geöffneter Position fest.** Sollte die Säge unbeabsichtigt zu Boden fallen, kann die untere Schutzhaube verbogen werden. Öffnen Sie die Schutzhaube mit dem Ruckziehhebel und stellen Sie sicher, dass sie sich frei bewegt und bei allen Schnittwinkeln und -tiefen weder Sägeblatt noch andere Teile berührt.
- **Überprüfen Sie die Funktion der Feder für die untere Schutzhaube. Lassen Sie das Gerät vor dem Gebrauch warten, wenn untere Schutzhaube und Feder nicht einwandfrei arbeiten.** Beschädigte Teile, klebrige Ablagerungen oder Anhäufungen von Spänen lassen die untere Schutzhaube verzögert arbeiten.
- **Öffnen Sie die untere Schutzhaube von Hand nur bei besonderen Schnitten, wie „Tauch- und Winkelschnitten“.** Öffnen Sie die untere Schutzhaube mit dem Ruckziehhebel und lassen Sie diesen los, sobald das Sägeblatt in das Werkstück eintaucht. Bei allen anderen Sägearbeiten muss die untere Schutzhaube automatisch arbeiten.
- **Legen Sie die Säge nicht auf der Werkbank oder dem Boden ab, ohne dass die untere Schutzhaube das Sägeblatt bedeckt.** Ein ungeschütztes, nachlaufendes Sägeblatt bewegt die Säge entgegen der Schnittrichtung und sägt, was ihm im Weg ist. Beachten Sie dabei die Nachlaufzeit der Säge.

SICHERHEITSHINWEISE FÜR DAS HOLZ-SÄGEBLATT

- Lesen Sie vor dem Gebrauch der Maschine die Anweisungen in dieser Gebrauchsanweisung sorgfältig durch, bevor Sie das Sägeblatt und das Elektrowerkzeug verwenden.
- Das Elektrowerkzeug muss in gutem Zustand sein, die Spindel ohne Verformung und Vibrationen.
- Benutzen Sie die Säge nicht ohne montierte Schutzvorrichtungen. Halten Sie die Schutzvorrichtungen in gutem Zustand und ordentlich gewartet.
- Stellen Sie sicher, dass der Benutzer ausreichend in Sicherheitsvorkehrungen, Einstellung und Betrieb des Elektrowerkzeugs geschult ist.
- Tragen Sie immer einen Augenschutz mit Seitenklappen sowie Gehörschutz, wenn Sie das Elektrowerkzeug benutzen. Schutzhandschuhe, festes und rutschsicheres Schuhwerk werden empfohlen.
- Lesen Sie immer die Bedienungsanleitung, bevor Sie ein Zubehörteil benutzen. Die falsche Benutzung von Zubehör kann zu Schäden führen und die Gefahr von Verletzungen erhöhen.
- Benutzen Sie nur in dieser Bedienungsanleitung angegebene Sägeblätter, die EN 847-1 erfüllen.
- Beachten Sie die auf dem Sägeblatt angegebene maximale Drehzahl. Stellen Sie sicher, dass die auf dem Sägeblatt angegebene Drehzahl mindestens der auf der Säge angegebene Drehzahl entspricht.
- Verwenden Sie immer Sägeblätter in der richtigen Größe und passend zur Form des Aufnahmeflansches. Sägeblätter, die nicht zu den Montageteilen der Säge passen, laufen unrund und führen zum Verlust der Kontrolle.
- Benutzen Sie keine Sägeblätter mit größeren oder kleineren Durchmesser als empfohlen. Benutzen Sie keine Ausgleichsscheiben oder -Ringe um das Sägeblatt an die Spindel anzupassen.
- Überprüfen Sie die Zähne des Sägeblattes vor jeder Benutzung auf Beschädigung oder ungewöhnliches Aussehen. Beschädigte oder lockere Zähne können beim Einsatz geschleudert werden und die Verletzungsgefahr erhöhen.
- Rissige Sägeblätter oder solche, die ihre Form verändert haben, dürfen nicht verwendet werden! Keine Sägeblätter benutzen die beschädigt oder verformt sind.
- Entsorgen Sie Sägeblätter, die beschädigt oder verformt sind umgehend. Reparatur ist nicht gestattet.
- Verwenden Sie keine HSS Sägeblätter.
- Stellen Sie vor dem Einsatz sicher, dass das Sägeblatt richtig montiert ist. Ziehen Sie die Spindelmutter fest vor dem Gebrauch. (Drehmoment: 10-15 Nm)
- Befestigungsschrauben und Muttern müssen mit dem geeigneten Schlüssel angezogen werden.
- Verlängerung des Schlüssels oder festziehen mit Hammerschlägen ist nicht gestattet.
- Stellen Sie sicher, dass Sägeblatt und Flansche sauber sind und die Aussparung des Flansches zum Sägeblatt zeigt.

- Stellen Sie sicher, dass das Sägeblatt sich in die richtige Richtung dreht.
- Machen Sie einen Testschnitt mit ausgeschaltetem Motor, bevor Sie mit der Arbeit beginnen, um die Position des Sägeblattes, Funktion der Schutzvorrichtungen und das Werkstück zu überprüfen.
- Lassen Sie das Elektrowerkzeug niemals unbeaufsichtigt zurück.
- Tragen Sie keine Schmiermittel auf das laufende Sägeblatt auf.
- Niemals Reinigungsarbeiten oder Wartungsarbeiten an dem noch laufenden Elektrowerkzeug durchführen, und wenn der Kopf nicht in Ruheposition ist.
- Versuchen Sie niemals das Elektrowerkzeug anzuhalten, indem Sie ein Werkzeug oder einen anderen Gegenstand gegen das Sägeblatt klemmen, schwere Unfälle können so versehentlich verursacht werden.
- Trennen Sie das Gerät vom Netz oder entfernen Sie das Akku-Pack bevor Sie die Blätter wechseln oder Wartungsarbeiten durchführen.
- Seien Sie beim Ver- und Entpacken des Sägeblattes vorsichtig; die Sägeblätter sind sehr scharf und können schwere Verletzungen verursachen.
- Benutzen Sie eine Sägeblatthalterung oder tragen Sie Handschuhe, wenn Sie das Sägeblatt handhaben.
- Bewahren und lagern Sie das Sägeblatt in der Originalverpackung oder einer anderen geeigneten Verpackung. Bewahren Sie es in trockener Umgebung und fern von Chemikalien, die das Sägeblatt beschädigen können, auf.

! WARNUNG

- Tragen Sie Augen- und Gehörschutz.
- Tragen Sie eine Staubschutzmaske.
- Verwenden Sie niemals Schleifscheiben.
- Vermeiden Sie die Überhitzung der Sägeblattspitzen. Verwenden Sie keine stumpfen oder beschädigten Sägeblätter. Betätigen Sie das Werkzeug nicht mit Gewalt.
- Benutzen Sie nur empfohlene Sägeblätter.
- Benutzen Sie keine Sägeblätter mit größeren oder kleineren Durchmesser als empfohlen.
- Benutzen Sie nur in dieser Bedienungsanleitung angegebene Sägeblätter die EN 847-1 erfüllen.

LASER SICHERHEITSVORSCHRIFTEN (RCS1600)



- Die in der Säge verwendete Laserführung besteht aus einem Klasse 2 Laser mit maximal $\leq 1\text{mW}$ und 650 nm Wellenlänge. Nicht in den Strahl blicken. Nichteinhaltung dieser Sicherheitshinweise können zu ernstesten Verletzungen führen.



- Überleben Sie den englischen Text auf dem Warnhinweis vor der ersten Inbetriebnahme mit dem mitgelieferten Aufkleber in Ihrer Landessprache.
- Blicken Sie beim Betrieb nicht in den Laserstrahl.
- Richten Sie den Laserstrahl nicht direkt in die Augen von anderen Personen. Dies kann zu schweren Augenverletzungen führen.
- Bringen Sie den Laser nicht in eine Position, die dazu führen könnte, dass eine Person absichtlich, oder unbeabsichtigt in den Laserstrahl schaut.
- Benutzen Sie keine optischen Geräte, um den Laserstrahl zu betrachten.
- Benutzen Sie den Laser nicht in der Nähe von Kindern und erlauben Sie Kindern nicht, den Laser zu benutzen.
- Versuchen Sie nicht, den Laser selber zu reparieren.
- Versuchen Sie nicht, irgendein Teil des Lasergerätes selber zu wechseln.
- Jegliche Reparaturen dürfen nur von dem Hersteller des Lasers oder einem autorisierten Kundendienst durchgeführt werden.
- Ersetzen Sie den Laser nicht mit einem anderen Typ.

RESTRISIKEN

Auch wenn das Produkt wie vorgeschrieben benutzt wird, ist es unmöglich ein gewisses Restrisiko vollständig auszuschließen. Die folgenden Gefahren können bei der Benutzung entstehen, und der Benutzer sollte besonders auf folgende Punkte achten:

- Durch Rückschlag verursachte Verletzungen.
 - Lesen und verstehen Sie die Informationen in dieser Anleitung.
- Durch Vibrationen verursachte Verletzungen.
 - Begrenzen Sie die Belastung. Siehe "Risikoverringerung".
- Durch Staub verursachte Verletzungen.
 - Tragen Sie immer Augenschutz! Tragen Sie eine angemessene Staubschutzmaske mit geeigneten Filtern, die Sie vor dem Staub des bearbeiteten Materials schützt. Essen, trinken oder rauchen Sie nicht in dem Arbeitsbereich. Sorgen Sie für ausreichende Belüftung des Arbeitsbereichs.
- Stromschlag
 - Das Sägeblatt kann versteckte Kabel berühren und Teile des Produktes unter Strom setzen. Halten Sie das Produkt immer an den vorgesehenen Griffen und seien Sie vorsichtig, wenn Sie in Wänden oder Böden sägen, wo Sie möglicherweise versteckte Kabel nicht sehen können.

HINWEIS: Achten Sie beim Arbeiten in Wänden, Decken oder Böden darauf, dass Sie keine elektrischen Kabel oder Gas- oder Wasserleitungen treffen.

- Verletzungen durch Kontakt mit dem Sägeblatt.
 - Die Sägeblätter sind sehr scharf und werden bei Benutzung heiß. Tragen Sie Handschuhe beim

EN
FR
DE
ES
IT
NL
PT
DA
SV
FI
NO
RU
PL
CS
HU
RO
LV
LT
ET
HR
SL
SK
BG
UK
TR
EL

Wechseln von Sägeblättern. Halten Sie Ihre Hände immer von dem Sägebereich fern. Halten Sie das Werkstück niemals mit Ihrer Hand oder zwischen Ihren Beinen. Klemmen Sie das Werkstück wann immer möglich fest.

RISIKOVERRINGERUNG

Vibrationen von in der Hand gehaltenen Werkzeugen können bei einigen Personen zu einem Zustand, der Raynaud-Syndrom genannt wird, führen. Symptome sind u.a. Kribbeln, Taubheitsgefühl und episodische Weißfärbung der Finger und treten normalerweise bei Kälte auf. Man geht davon aus, dass ererbte Faktoren, Kälte und Feuchtigkeit, Essgewohnheiten, Rauchen und Arbeitsweise zur Entwicklung dieser Symptome beitragen. Der Anwender kann Maßnahmen ergreifen, um die Auswirkungen der Vibrationen möglicherweise zu verringern:

- Halten Sie den Körper bei Kälte warm. Tragen Sie beim Betrieb des Geräts Handschuhe, um Hände und Handgelenke warm zu halten. Berichten zu Folge ist kaltes Wetter ein wesentlicher Faktor, der zum Raynaud Syndrom beiträgt.
- Betätigen Sie sich nach jedem Einsatz körperlich, um den Blutkreislauf zu steigern.
- Machen Sie regelmäßig Pausen. Beschränken Sie die Beanspruchung pro Tag.

Sollten bei Ihnen eines der zuvor beschriebenen Symptome / Zustände auftreten, stellen Sie unverzüglich den Betrieb ein und suchen Sie bezüglich der Symptome einen Arzt auf.

⚠ WARNUNG

Verletzungen können durch lange Benutzung eines Werkzeugs entstehen oder verschlimmert werden. Machen Sie regelmäßig Pause, wenn Sie ein Werkzeug für lange Zeit benutzen.

MACHEN SIE SICH MIT IHREM PRODUKT VERTRAUT

Siehe Seite 135.

1. Ein-/Ausschalter
2. Einschaltperre
3. Obere Schutzhaube (term from standard)
4. Anschluss für Staubabsaugung
5. Hebel der unteren Schutzhaube
6. Bolzen des Sägeblatts
7. Untere Schutzhaube
8. Griff
9. Winkelskalierung
10. Klemmung der Winkelskalierung
11. Klemmung des Parallelanschlags
12. Grundplatte (term from standard)
13. Laserführung (RCS1600)
14. Sägeblatt
15. Sägeschiene
16. Klemme
17. Schraubenschlüssel

18. Parallelanslag

WARTUNG UND PFLEGE

⚠ WARNUNG

Das Produkt darf niemals an das Stromnetz angeschlossen sein, wenn Sie Teile zusammenbauen, Einstellungen vornehmen, reinigen, Wartungsarbeiten durchführen, oder wenn das Produkt nicht benutzt wird. Trennen des Produktes vom Stromnetz verhindert ein unbeabsichtigtes Einschalten, das schwere Verletzungen verursachen könnte.

- Verwenden Sie zur Wartung ausschließlich original Ryobi Ersatzteile des Herstellers. Der Einsatz von anderen Teilen kann eine Gefahr verursachen oder das Produkt beschädigen.
- Stellen Sie sicher, dass das Werkzeug von der Stromversorgung getrennt ist, bevor Sie das Sägeblatt anbringen oder abnehmen. Reinigen Sie das Produkt und das Sicherungssystem mit sauberen Tüchern.
- Vermeiden Sie beim Reinigen der Plastikteile den Einsatz von Lösungsmitteln. Die meisten Kunststoffe können durch im Handel erhältliche Lösungsmittel beschädigt werden. Verwenden Sie einen sauberen Lappen für die Reinigung von Verschmutzungen, Karbonstaub usw.
- Lassen Sie niemals Bremsflüssigkeiten, Benzine, Produkte auf Erdölbasis, Rostlöser usw. mit den Plastikteilen in Kontakt geraten. Diese chemischen Produkte enthalten Substanzen, die den Kunststoff beschädigen, schwächen oder zerstören können.
- Tragen Sie beim Arbeiten mit motorbetriebenen Werkzeugen oder beim Wegblasen von Staub immer eine Schutzbrille mit Seitenschutz. Tragen Sie außerdem bei staubigen Arbeitsbedingungen eine Atemschutzmaske.
- Falls das Stromkabel beschädigt sein sollte, darf es, um jegliche Risiken zu vermeiden, ausschließlich durch den Hersteller oder ein autorisiertes Kundendienstzentrum ausgetauscht werden. Wenden Sie sich an den autorisierten Kundendienst.
- Alle Reparaturen sollten zur besseren Sicherheit und Zuverlässigkeit von einem autorisierten Kundendienst durchgeführt werden.

ÖLEN

Alle Lagerelemente in dem Produkt sind mit genug qualitativ hochwertigem Schmiermittel für die gesamte Lebensdauer des Produktes unter normalen Betriebsbedingungen geölt. Es ist daher keine zusätzliche Schmierung erforderlich.

UMWELTSCHUTZ



Recyceln Sie die Rohstoffe, anstatt sie im Haushaltsabfall zu entsorgen. Zum Schutz der Umwelt müssen das Gerät, die Zubehörteile und die Verpackungen getrennt entsorgt werden.

SYMBOLS AUF DEM PRODUKT

	Sicherheitswarnung
V	Volt
Hz	Hertz
~	Wechselstrom
W	Watt
n_o	Leerlaufdrehzahl
min⁻¹	Anzahl Umdrehungen oder Bewegungen pro Minute
	Klasse II, Doppelisolierung
	Holz
	Sägen Sie kein Metall
	Gehörschutz tragen
	Augenschutz tragen
	Laserstrahlung nicht in den Strahl blicken. Klasse 2 Laserprodukt λ: 650nm; P≤1mW EN 60825-1:2014
	Gefahr! Scharfes Sägeblatt
	Nicht dem Regen aussetzen
	Breite des Schnitts
	Sägezähne
CE	CE Konformität
EAC	EurAsian Konformitätszeichen
	Ukrainisches Prüfzeichen
	Bitte lesen Sie die Anweisungen sorgfältig, bevor Sie das Gerät einschalten.
	Elektrische Geräte sollten nicht mit dem übrigen Müll entsorgt werden. Bitte entsorgen Sie diese an den entsprechenden Entsorgungsstellen. Wenden Sie sich an die örtliche Behörde oder Ihren Händler, um Auskunft über die Entsorgung zu erhalten.

SYMBOLS IN DER BEDIENUNGSANLEITUNG

	An das Stromnetz anschließen.
	Von dem Stromnetz trennen.
	Teile oder Zubehör getrennt erhältlich
	Sperren
	Öffnen
	Hinweis

Mit den folgenden Symbolen wird die Bedeutung der verschiedenen Risikostufen, die mit dem Produkt einhergehen, dargestellt.

GEFAHR

Bezeichnet eine unmittelbare Gefahrensituation, die, falls nicht vermieden, zum Tod oder schweren Verletzungen führen kann.

WARNUNG

Bezeichnet eine mögliche Gefahrensituation, die, falls nicht vermieden, zum Tod oder schweren Verletzungen führen kann.

ACHTUNG

Bezeichnet eine mögliche Gefahrensituation, die, falls nicht vermieden, zu kleineren und mittleren Verletzungen führen kann.

ACHTUNG

(Ohne Warnsymbol) Weist auf eine Situation hin, die zu Sachschaden führen kann.

EN
FR
DE
ES
IT
NL
PT
DA
SV
FI
NO
RU
PL
CS
HU
RO
LV
LT
ET
HR
SL
SK
BG
UK
TR
EL

En el diseño de esta sierra circular, se ha dado prioridad absoluta a la seguridad, el rendimiento y la fiabilidad.

USO PREVISTO

La sierra circular está destinado a su uso exclusivo por parte de personas adultas que hayan leído y comprendido las instrucciones y las advertencias de este manual, y las cuales se pueden considerar responsables de sus acciones.

La sierra está destinada al corte transversal y paralelo al grano de madera o materiales similares con una profundidad máxima de 54 milímetros. Puede realizar cortes rectos o biselados de entre 0 y 45 grados. La base de la herramienta debe estar en contacto con la pieza durante su uso. La sierra debe utilizarse en entornos secos, con un buen grado de iluminación y una ventilación adecuada. La sierra está diseñada para un uso manual. La sierra no debe de ser montada en un banco de trabajo a menos que las instrucciones específicas acerca de cómo hacerlo se indiquen por el fabricante del producto. No lo utilice para cortar metal o material de mampostería. Utilice el producto exclusivamente para el uso para el que fue diseñado. Utilizar la herramienta eléctrica para realizar trabajos diferentes a los que esta herramienta está destinada podría dar como resultado una situación peligrosa.

⚠ ADVERTENCIA

Lea detenidamente todas las advertencias y todas las instrucciones. El incumplimiento de las instrucciones que se indican a continuación puede ocasionar diversos accidentes como incendios, descargas eléctricas y/o graves heridas corporales.

Guarde estas advertencias e instrucciones para poder consultarlas posteriormente.

ADVERTENCIAS DE SEGURIDAD DE LA SIERRA CIRCULAR

PROCEDIMIENTOS DE CORTE

⚠ PELIGRO

Mantenga las manos alejadas del área de corte y de la cuchilla. La mano que no sujeta la empuñadura principal de la máquina debe sostener la empuñadura auxiliar o bien estar apoyada en el cárter del motor. De este modo, sus manos no estarán en la zona de corte, en la trayectoria de la hoja.

- **No intente alcanzar la parte de debajo de la pieza de trabajo.** El protector de hoja no le protege ya que no recubre la hoja por debajo de la pieza.
- **Ajuste la profundidad de corte en función del grosor de la pieza trabajada.** Los dientes de la hoja no deben sobresalir completamente por debajo de la pieza trabajada durante el corte.
- **No sujete NUNCA la pieza trabajada con la mano o entre las piernas. Fíjela en un soporte estable.** Es fundamental fijar correctamente la pieza trabajada para

evitar el riesgo de heridas y no doblar la hoja o perder el control de la máquina.

- **Sujete la máquina por la parte engomada cuando trabaje en una superficie debajo de la cual puedan pasar cables eléctricos o cuando el trabajo que desee realizar puede hacer que el cable de alimentación esté en la trayectoria de la máquina.** El contacto con un cable con corriente hará que las partes metálicas de la herramienta eléctrica se carguen y puede provocar una descarga eléctrica al operario.
- **Utilice siempre una guía de corte paralela o un listón recto cuando efectúe un corte paralelo.** Obtendrá una mayor precisión de corte y evitará doblar la hoja.
- **Utilice hojas de tamaño y forma adecuados al diámetro interior del eje.** Unas hojas que no se adaptan al eje en el que se deben montar no girarán correctamente y provocarán una pérdida de control.
- **No utilice tornillos ni discos de sujeción de las hojas defectuosos o inadaptados.** Los tornillos y los discos de sujeción de las hojas han sido especialmente diseñados para este modelo de sierra, para obtener los mejores resultados y una óptima seguridad.

CAUSAS DE REBOTE Y PRECAUCIONES RELACIONADAS:

- El rebote es una reacción repentina que se produce cuando la hoja se atasca, se dobla o si está mal alineada; la sierra se libera repentinamente de la pieza trabajada y retrocede de forma violenta en dirección al usuario.
- Cuando la hoja se atasca en la madera, se para y el motor, que sigue girando, expulsa la sierra en el sentido opuesto al sentido de rotación de la hoja, es decir, hacia al usuario.
- Si la hoja se dobla o está mal alineada, los dientes situados en la parte trasera de la hoja pueden hundirse en la superficie de la madera, expulsando bruscamente la hoja de la pieza trabajada hacia el usuario.

Por lo tanto, el rebote es el resultado de una mala utilización de la máquina y/o de procedimientos o condiciones de corte incorrectas. Puede evitarse teniendo algunas precauciones.

- **Sujete firmemente la sierra con ambas manos y coloque sus brazos de tal modo que puedan controlar un posible rebote. Al trabajar, póngase a un lado de la sierra, no se ponga nunca en la línea de la hoja.** El rebote expulsa repentinamente la sierra hacia atrás, pero este movimiento puede controlarse si el usuario se lo espera y está preparado para ello.
- **Si la hoja se atasca o si debe interrumpir el corte por cualquier motivo, suelte el gatillo y mantenga la sierra en la pieza trabajada hasta que la hoja deje de girar completamente. No intente retirar la sierra de la pieza de trabajo o tirar de la sierra hacia atrás mientras la hoja esté en movimiento o podría darse un rebote.** Si la hoja se atasca, averigüe cuál es la causa y tome las medidas necesarias para que no se repita.
- **Antes de volver a poner en marcha la sierra para reanudar un corte, alinee correctamente la hoja con el paso de la sierra y compruebe que los dientes no tocan la pieza trabajada.** Si la hoja queda atascada en la

pieza trabajada, puede producirse un rebote al poner en marcha la sierra.

- **Soporte los paneles grandes para minimizar el riesgo de pellizcos de la hoja y rebote.** Los paneles grandes tienden a hundirse bajo su propio peso. Se deben colocar soportes bajo el panel a ambos lados, cerca de la línea de corte y cerca del borde del panel.
- **No utilice hojas de sierra desafiladas o deterioradas.** Una hoja desafilada o mal montada producirá un corte de sierra fino, lo cual provocará una fricción excesiva de la hoja y, por tanto, mayores riesgos de torsión y rebote.
- **Antes de iniciar un corte, compruebe que los botones de ajuste de la profundidad y de la inclinación están correctamente bloqueados.** Si los ajustes de la posición de la hoja se modifican durante el corte, la hoja puede atascarse y provocar un rebote.
- **Tenga extremo cuidado al serrar en paredes existentes u otras zonas ciegas.** La hoja podría chocar contra elementos ocultos, lo que produciría un rebote.

FUNCIÓN DE PROTECCIÓN INFERIOR

- **Antes de cada utilización, compruebe que el protector inferior de la hoja recubre correctamente la hoja. No utilice la sierra si el protector inferior de la hoja no se puede accionar libremente y si no se cierra instantáneamente contra la hoja. No fije ni sujete el protector inferior de la hoja en posición abierta.** Si la sierra se cae accidentalmente, el protector de hoja inferior puede doblarse. Levante el protector de hoja inferior con la manecilla y compruebe que puede manipularlo fácilmente y que no toca la hoja ni ninguna otra pieza, independientemente del ángulo y de la profundidad de corte seleccionados.
- **Compruebe que el resorte del protector inferior de la hoja está en buen estado y funciona correctamente. Si el protector de hoja o el resorte no funcionan correctamente, hágalos reparar o reemplazar antes de volver a utilizar la sierra.** La protección inferior puede funcionar de forma lenta debido a la existencia de piezas dañadas, depósitos pegajosos o a la acumulación de residuos.
- **La protección inferior puede replegarse manualmente sólo para cortes especiales, como cortes de inmersión y cortes compuestos.** Levante el protector inferior de la hoja con la manecilla correspondiente. En cuanto la hoja penetra en la pieza, suelte el protector inferior de la hoja. Para todos los demás tipos de cortes, el protector inferior de la hoja se coloca automáticamente.
- **Cerciórese de que el protector inferior de la hoja cubra completamente la hoja antes de dejar la sierra en un banco de trabajo o en el suelo.** Si la hoja no está correctamente cubierta, puede girar por inercia y cortar lo que se encuentra en su trayectoria. Tenga presente que la hoja sigue girando durante un tiempo después de parar el motor.

INSTRUCCIONES DE SEGURIDAD PARA EL DISCO DE SIERRA PARA MADERA

- Lea con atención el manual y las instrucciones antes de utilizar el disco de sierra y la herramienta eléctrica.
- La herramienta eléctrica debe encontrarse en buen estado, y el eje no debe mostrar deformaciones ni vibración.
- No utilice la sierra sin tener colocadas en su posición las protecciones. Conserve las guardas en buen estado de funcionamiento e mantenimiento.
- Asegúrese de que el usuario haya recibido formación adecuada sobre las precauciones de seguridad, los ajustes y el funcionamiento de la herramienta eléctrica.
- Utilice siempre gafas de protección y protección auditiva cuando utilice la herramienta eléctrica. Se recomienda utilizar guantes y zapatos resistentes antideslizantes.
- Antes de utilizar cualquier accesorio, consulte el manual de instrucciones. El uso inadecuado de un accesorio puede causar daños y aumentar la posibilidad de lesiones.
- Use solamente hojas especificadas en este manual, según EN 847-1.
- Observe la velocidad máxima marcada en la lámina de la sierra. Asegure que a velocidad indicada no disco da serra é pelo menos igual à velocidade indicada na serra.
- Utilice hojas de tamaño y forma adecuados al diámetro interior del eje. Unas hojas que no se adaptan al eje en el que se deben montar no girarán correctamente y provocarán una pérdida de control.
- No utilice láminas de diámetro mayor o más pequeño que el recomendado. No utilice ningún espaciador para encajar la lámina en el eje.
- Compruebe rastros de daños o aspecto anormal en el disco de sierra antes de cada uso. Los rastros de daño u holgura pueden causar el lanzamiento de objetos durante su uso y aumentar las probabilidades de lesiones personales.
- No usar discos de corte rotos o defectuosos. No use hojas de sierra dañadas o deformadas.
- Deseche el disco de sierra si está dañado, deformado, torcido o agrietado; queda prohibida su reparación.
- No utilice láminas HSS.
- Verifique que la lámina de la sierra está correctamente montada antes de utilizarla. Apriete la tuerca del disco antes de utilizarlo (par de apriete aprox. 10-15 Nm).
- Se debe utilizar una llave adecuada para apretar los tornillos y las tuercas de sujeción.
- Queda prohibido el uso de prolongaciones de llave o apretar con golpes de martillo.
- Compruebe que la lámina y las bridas están limpias y los lados encajados del aro están contra la lámina.
- Compruebe que la lámina gira en la dirección correcta.
- Antes de empezar a trabajar, haga un corte de prueba con el motor apagado para comprobar la posición de la lámina, el funcionamiento de las protecciones con respecto a otras piezas de la máquina y la pieza de trabajo.

- Nunca deje desatendida una herramienta en funcionamiento.
- No aplique lubricantes en la hoja cuando esté en funcionamiento.
- Nunca realice ningún trabajo de limpieza o de mantenimiento cuando la máquina se encuentra aún en funcionamiento y si la cabeza no está en la posición de descanso.
- No intente nunca detener una herramienta eléctrica en movimiento rápido interfiriendo con una herramienta u otro objeto contra la hoja. Si se hace, se pueden provocar accidentes graves de forma no intencionada.
- Desconecte la sierra de la alimentación principal o la batería antes de cambiar las hojas o realizar operaciones de mantenimiento.
- Tenga cuidado con la hoja al embalar y desembalar. Pueden producirse lesiones fácilmente a causa de las puntas afiladas de la hoja.
- Use un soporte o guantes de protección al maniobrar una lámina de sierra.
- Mantenga y guarde la hoja en el embalaje original o en otro embalaje adecuado. Mantenga la cuchilla en un ambiente seco y alejada de productos químicos que puedan dañarla.

⚠ ADVERTENCIA

- Utilice protección para los ojos y los oídos.
- Utilice una máscara antipolvo.
- No utilice discos abrasivos.
- Evite el sobrecalentamiento de las puntas de las hojas. No utilice hojas de sierra desafiladas o deterioradas. No fuerce la herramienta.
- Utilice únicamente las hojas de sierra recomendadas.
- No utilice láminas de diámetro mayor o más pequeño que el recomendado.
- Use solamente hojas especificadas en este manual, según EN 847-1.

SEGURIDAD DEL LÁSER (RCS1600)



- La radiación de la guía láser utilizada en esta sierra es de clase 2 con longitudes de onda máximas de $\leq 1\text{mW}$ and 650nm . No mire directamente al láser. El incumplimiento de estas normas puede resultar en lesiones graves.



Le hemos suministrado una etiqueta adhesiva en su idioma y le pedimos que la coloque en el lugar del texto en inglés, en la etiqueta de advertencia, antes de poner

en funcionamiento la máquina por primera vez.

- No mire fijamente el láser durante el funcionamiento.
- No proyecte el rayo láser directamente a los ojos de los demás. Podría provocar lesiones graves en los ojos.
- No coloque el láser en una posición que puede causar que alguien mire al rayo láser de manera intencionada o no.
- No utilice herramientas ópticas para ver el rayo láser.
- No trabaje con el láser cerca de los niños ni permita que los niños manejen el láser.
- No intente reparar el dispositivo láser usted mismo.
- No intente cambiar ninguna pieza del dispositivo láser usted mismo.
- Las reparaciones sólo deben ser realizadas por el fabricante del láser o un agente de servicio autorizado.
- No cambie el láser por otro de distinto tipo.

RIESGOS RESIDUALES

Incluso cuando se utiliza el producto según las instrucciones, sigue siendo imposible eliminar por completo ciertos factores de riesgo residuales. Pueden surgir los siguientes riesgos durante el uso y el operador debe prestar especial atención para evitar lo siguiente:

- Lesiones por retroceso
 - Lea y comprenda la información contenida en este manual.
 - Lesiones por vibración
 - Limite la exposición. Consulte el apartado “Reducción De Riesgos”.
 - Lesiones causadas por el polvo
 - Utilice siempre gafas de protección. Use las correspondientes mascarillas antipolvo con filtros adecuados que puedan protegerlo contra el polvo del material de trabajo. No comer, beber o fumar en el área de trabajo. Asegure una ventilación adecuada del lugar de trabajo.
 - Descarga eléctrica
 - La hoja puede ponerse en contacto con cables ocultos, haciendo que las partes del producto tengan vida. Sujete siempre el producto por las asas designadas y tenga cuidado con corte ciegos en las paredes y los pisos donde los cables que puedan ocultarse.
- NOTA:** Cuando se trabaja en paredes, techos o pisos, tenga cuidado para evitar los cables eléctricos y tuberías de gas o agua.
- Lesiones debido al contacto con la lámina de corte
 - Las láminas están muy afiladas y se calientan con el uso. Use guantes para cambiar las cuchillas. Mantenga siempre las manos apartadas de la zona de corte. No sujete NUNCA la pieza trabajada con la mano o entre las piernas. Sujete la pieza de trabajo siempre que sea posible.

REDUCCIÓN DEL RIESGO

Se ha informado de que las vibraciones de las herramientas manuales pueden contribuir a una enfermedad llamada síndrome de Raynaud en ciertos individuos. Los síntomas

pueden incluir hormigueo, entorpecimiento y decoloración de los dedos, generalmente aparentes cuando tiene lugar una exposición al frío. Se considera que los factores hereditarios, exposición al frío y a la humedad, dieta, tabaquismo y prácticas de trabajo contribuyen al desarrollo de estos síntomas. Existen medidas que pueden ser tomadas por el operador para reducir los efectos de vibración:

- Mantenga su cuerpo caliente durante el tiempo frío. Al manipular la unidad, utilice guantes para mantener las manos y las muñecas calientes. Hay informes que indican que el tiempo frío es un gran factor que contribuye al síndrome de Raynaud.
- Después de cada período de funcionamiento, realice ejercicios para aumentar la circulación sanguínea.
- Haga pausas de trabajo frecuentes. Limite la cantidad de exposición por día.

Si siente alguno de los síntomas de esta enfermedad, interrumpa inmediatamente el uso y consulte a su médico estos síntomas.

ADVERTENCIA

El uso prolongado de la herramienta puede provocar o agravar lesiones. Al utilizar cualquier herramienta durante períodos prolongados asegúrese de tomar descansos regulares.

CONOZCA EL PRODUCTO

Consulte la página 135.

1. Gatillo
2. Botón para liberar el gatillo
3. Protector superior de la hoja
4. Adaptador de puerto de polvo
5. Palanca del protector inferior de la hoja
6. Tuerca de la hoja
7. Protector de hoja inferior
8. Mango
9. Escala angular
10. Bloqueo de la escala angular
11. Bloqueo de la guía en paralelo
12. Base
13. Cabezal láser (RCS1600)
14. Hoja
15. Sierra para carriles
16. Abrazadera
17. Llave de servicio
18. Guía de corte

MANTENIMIENTO

ADVERTENCIA

El aparato nunca debe estar conectado a una fuente eléctrica mientras se estén montando las piezas, realizando ajustes, limpiando, llevando a cabo el mantenimiento o cuando no esté en uso. Apagar el aparato evitará que se ponga en marcha accidentalmente y cause lesiones graves.

- En las operaciones de reparación, utilice solo piezas de repuesto originales del fabricante. El uso de otras piezas puede ocasionar riesgos o daños en el producto.
- Asegúrese de desconectar la herramienta de la fuente de alimentación antes de ajustar o retirar la hoja de sierra. Limpie el producto y el sistema de protección con trapos limpios.
- Evite el uso de disolventes para limpiar las piezas de plástico. La mayor parte de los plásticos pueden resultar dañados con los disolventes que se venden en el mercado. Utilice un paño limpio para quitar las impurezas, el polvo, etc.
- No permita en ningún momento que las piezas de plástico entren en contacto con líquido de frenos, gasolina, productos derivados del petróleo, aceites penetrantes, etc. Estos productos químicos contienen sustancias que pueden deteriorar, debilitar o destruir el plástico.
- Siempre use gafas de seguridad o gafas de seguridad con protección lateral durante el funcionamiento de la herramienta eléctrica o cuando ésta desprenda polvo. Si la superficie de trabajo es polvorienta, use también una careta específica.
- Si el cable de alimentación está dañado, debería ser reemplazado únicamente por el fabricante o por un centro de servicio autorizado para evitar riesgos. Póngase en contacto con el centro de servicio autorizado.
- Para una mayor seguridad y fiabilidad, todas las reparaciones deben ser realizadas por un centro de servicio autorizado Ryobi.

LUBRICACIÓN

Todos los cojinetes de este producto están lubricados con una cantidad suficiente de lubricante de alta calidad para la vida del producto en condiciones normales de funcionamiento. Por lo tanto, no es menester prever ninguna lubricación adicional.

PROTECCIÓN DEL MEDIO AMBIENTE



Recicle las materias primas en lugar de tirarlas a la basura doméstica. Para proteger el medio ambiente, debe separar la herramienta, los accesorios y los embalajes.

SÍMBOLOS EN EL PRODUCTO



Alerta de seguridad

V

Voltios

Hz

Hertzios

~

Corriente alterna

W

Vatios

nº

Velocidad sin carga

min⁻¹

Número de revoluciones o movimientos por minuto



Clase II, doble aislamiento



Madera



No corte metales



Gehörschutz tragen



Augenschutz tragen



Laserstrahlung nicht in den Strahl blicken.
Klasse 2 Laserprodukt
 λ : 650nm; $P \leq 1\text{mW}$
EN 60825-1:2014



Gefahr! Scharfes Sägeblatt.



Nicht dem Regen aussetzen



Ancho del corte



Dientes de la hoja



Conformidad CE



Certificado EAC de conformidad



Marca de conformidad ucraniana



Por favor lea las instrucciones detenidamente antes de arrancar la máquina.



Los productos eléctricos de desperdicio no deben desecharse con desperdicios caseros. Por favor recíclelos donde existan dichas instalaciones. Compruebe con su autoridad local o minorista para reciclar.



Bloquear



Desbloquear



Nota

Los siguientes símbolos y palabras detallan los niveles de cuidado necesarios para usar este producto.

PELIGRO

Indica una situación inminente de peligro que, si no se evita, provocará la muerte o lesiones graves.

ADVERTENCIA

Indica una situación potencialmente peligrosa que, si no se evita, podría causar la muerte o lesiones graves.

PRECAUCIÓN

Indica una situación potencialmente peligrosa que, si no se evita, puede provocar lesiones leves o moderadas.

PRECAUCIÓN

(Sin símbolo de seguridad) Indica una situación que podría ocasionar daños materiales.

SÍMBOLOS EN ESTE MANUAL



Conectarse a la red eléctrica.



Desconectar de la red eléctrica.



Las piezas o accesorios se venden por separado

Il design della nostra sega circolare è stata progettata per garantire sicurezza, prestazioni e affidabilità.

UTILIZZO

La sega circolare è destinata ad essere utilizzata solo da adulti che hanno letto e compreso le istruzioni e le avvertenze contenute in questo manuale e possono essere considerati responsabili delle loro azioni.

La sega è progettata per lavori che prevedono tagli longitudinali e trasversali di legno o materiali simili fino ad una profondità massima di 54 millimetri. La sega circolare è in grado di eseguire tagli rettilinei e smussati con angolo di taglio regolabile tra 0 gradi e 45 gradi. Può essere utilizzata con la base dell'utensile in contatto con il pezzo da lavorare. La motosega deve essere utilizzata in condizioni asciutte con un'illuminazione eccellente e un'adeguata ventilazione. La sega circolare è progettata per utilizzo manuale. La sega circolare non deve essere montata su un tavolo da lavoro a meno che non siano state fornite istruzioni specifiche su come farlo dalla ditta produttrice dell'utensile. Non utilizzare per tagliare metallo o laterizi. Non utilizzare il prodotto in modi diversi da quelli indicati. Utilizzare l'elettrotensile per operazioni diverse da quelle indicate potrà causare situazioni pericolose.

⚠ AVVERTENZE

Leggere con attenzione tutte le avvertenze e tutte le istruzioni. La mancata osservanza delle istruzioni riportate di seguito potrebbe provocare incidenti quali incendi, scosse elettriche e/o gravi lesioni fisiche.

Conservare le presenti avvertenze ed istruzioni per poterle consultare in seguito.

AVVERTENZE DI SICUREZZA DELLA SEGA CIRCOLARE

PROCEDURE DI TAGLIO

⚠ PERICOLO

Tenere le mani lontane dall'area di taglio e dalla lama. La mano che non tiene l'impugnatura principale dell'apparecchio deve tenere l'impugnatura ausiliaria oppure essere posata sul carter del motore. In questo modo, le mani non rischieranno di trovarsi nella zona di taglio, sulla traiettoria della lama.

- **Non protendersi sotto il pezzo sul quale si sta lavorando.** In questo punto, il paralama non è in grado di proteggerle, in quanto non ricopre la lama.
- **Regolare la profondità di taglio in funzione dello spessore del pezzo da lavorare.** Al momento del taglio, i denti della lama non devono sporgere interamente sotto il pezzo da lavorare.
- **Non tenere MAI il pezzo da lavorare con la mano o tra le gambe. Fissarlo su un supporto stabile.** Si raccomanda di fissare correttamente il pezzo da lavorare, in modo tale da evitare eventuali rischi di lesioni e di non piegare la lama per non perdere il

controllo dell'apparecchio.

- **Quando si lavora su una superficie che potrebbe nascondere fili elettrici o se il lavoro da eseguire può portare il cavo d'alimentazione a trovarsi sulla traiettoria dell'apparecchio, afferrare quest'ultimo tenendolo soltanto per le parti isolate ed antiscivolo.** Il contatto con un cavo "vivo" renderà "vive" anche le parti esposte in metallo dell'elettrotensile e potrebbe causare scosse elettriche.
- **Nell'effettuare un taglio parallelo, utilizzare sempre una guida di taglio parallela o un listello diritto.** In questo modo, sarà possibile migliorare la precisione di taglio ed evitare di piegare la lama.
- **Utilizzare sempre lame di dimensioni e forma idonee all'alesaggio dell'albero.** Una lama non idonea all'albero sul quale deve essere montata non è in grado di girare correttamente e potrebbe causare una perdita del controllo dell'apparecchio.
- **Non utilizzare mai viti né flange di lama difettose o inadeguate.** Le flange e le viti della lama sono state studiate appositamente per questo modello di sega, a garanzia di un livello di sicurezza e prestazioni ottimale.

CAUSE DEL RIMBALZO E AVVERTENZE CORRELATE:

- Il contraccolpo è una reazione improvvisa, che si verifica quando la lama si incastra, si piega o è erroneamente allineata; in tali condizioni, la sega si disinserisce improvvisamente dal pezzo da lavorare e rimbalza con violenza in direzione dell'operatore.
- Se si incastra nel legno, la lama si blocca e il motore, che invece continua a girare, scaglia la sega nella direzione opposta al senso di rotazione della lama, vale a dire verso l'operatore.
- Se la lama si piega o è erroneamente allineata, i denti situati nella sua parte posteriore rischiano di penetrare nella superficie del legno, facendo uscire bruscamente la lama dal pezzo da lavorare, in direzione dell'operatore.

Il contraccolpo è pertanto il risultato di un utilizzo errato dell'apparecchio e/o di procedimenti o di condizioni di taglio inappropriati. Questa evenienza può essere evitata assicurandosi di adottare alcune misure precauzionali.

- **Tenere saldamente la sega con entrambe le mani e posizionare le braccia in modo tale che possano controllare un eventuale contraccolpo.** Durante l'esecuzione del lavoro, collocarsi su un lato della sega: **non rimanere mai lungo l'asse della lama.** Il contraccolpo fa sì che la sega venga scagliata improvvisamente all'indietro, ma questo movimento può essere tenuto sotto controllo se l'operatore lo prevede e si prepara all'evenienza.
- **Qualora la lama si incastri o si debba interrompere il taglio per un motivo qualsiasi, rilasciare il grilletto e mantenere la sega nel pezzo da lavorare, sino a quando la lama non cessa completamente di girare.** **Non tentare di rimuovere la motosega dal pezzo sul quale si sta lavorando o di ritirarla mentre la lama è in funzione, in caso contrario si verificherà un rimbalzo.** Se la lama si incastra, individuarne la causa e adottare le misure necessarie affinché ciò non si verifichi più.

EN
FR
DE
ES
IT
NL
PT
DA
SV
FI
NO
RU
PL
CS
HU
RO
LV
LT
ET
HR
SL
SK
BG
UK
TR
EL

- **Prima di riavviare la sega per riprendere un'operazione di taglio, allineare correttamente la lama rispetto al taglio ed assicurarsi che i denti non tocchino il pezzo da lavorare.** Se la lama è incastrata nel pezzo da lavorare, al momento della messa in funzione della sega può verificarsi un contraccolpo.
- **Non dimenticare di sorreggere i pezzi lunghi, onde evitare che la lama si incastri e limitare pertanto i rischi di contraccolpo.** I pezzi lunghi tendono infatti a flettersi sotto il loro stesso peso. È possibile sistemare appositi supporti su entrambi i lati del pezzo, accanto alla linea di taglio e a livello dell'estremità del pezzo.
- **Non utilizzare lame smussate o danneggiate.** Una lama non affilata o montata erroneamente genera un taglio sottile, che dà luogo ad un attrito eccessivo della lama e pertanto a maggiori rischi di torsione e di contraccolpo.
- **Prima di iniziare un'operazione di taglio, assicurarsi che le manopole di regolazione della profondità e dell'inclinazione siano adeguatamente bloccate.** Se le regolazioni della posizione della lama si modificano durante il taglio, la lama rischia infatti di incastrarsi e può verificarsi un contraccolpo.
- **Fare ulteriore attenzione quando si svolgono operazioni di taglio in muri già esistenti o altre aree cieche.** La lama potrebbe urtare elementi nascosti, con conseguente pericolo di contraccolpo.

FUNZIONE PARALAME INFERIORE

- **Prima di ogni utilizzo, verificare che il paralama inferiore copra correttamente la lama. Non utilizzare la sega circolare se il paralama inferiore non può essere azionato liberamente e se non si ripiega istantaneamente sulla lama. Non fissare né bloccare mai il paralama inferiore in posizione aperta.** Se la sega cade accidentalmente, il paralama inferiore potrebbe piegarsi. Sollevare il paralama inferiore servendosi dell'apposita leva ed assicurarsi che possa essere maneggiato senza difficoltà e che non tocchi né la lama né altri componenti, indipendentemente dall'angolo e dalla profondità di taglio prescelti.
- **Assicurarsi che la molla del paralama inferiore sia in buono stato e funzioni correttamente. Se il paralama o la molla non funzionano correttamente, farli riparare o sostituire prima di utilizzare la sega.** La lama inferiore potrebbe funzionare lentamente a causa di parti danneggiate, depositi gommosi o materiale di scarto in esubero.
- **La lama inferiore potrà essere ritratta manualmente solo per tagli speciali come "tagli a tuffo" e "tagli composti".** Sollevare il paralama inferiore mediante l'apposita leva. Non appena la lama entra nel pezzo da lavorare, rilasciare il paralama inferiore. Per tutti gli altri tipi di taglio il paralama inferiore si posiziona automaticamente.
- **Prima di posare la sega su un banco da lavoro o sul pavimento, assicurarsi sempre che il paralama inferiore copra adeguatamente la lama.** Se la lama non è coperta correttamente, può ruotare per inerzia e tagliare ciò che si trova sulla propria traiettoria. Non dimenticare mai che la lama continua a girare ancora

per qualche tempo dopo l'arresto del motore.

ISTRUZIONI DI SICUREZZA DELLA LAMA PER IL TAGLIO DEL LEGNO

- Leggere attentamente il manuale di istruzioni prima di usare la lama e l'utensile elettrico.
- L'utensile elettrico deve essere in buone condizioni; il mandrino non deve presentare deformazioni e vibrazioni.
- Non usare la sega se i dispositivi di protezione previsti di cui è fornito non sono collocati nel posto giusto. Mantenere gli schermi in ottime condizioni per garantire un corretto funzionamento.
- Accertarsi che l'operatore sia adeguatamente preparato per l'uso, la regolazione e il funzionamento dell'utensile elettrico.
- Indossare sempre occhiali e cuffie di protezione quando si utilizza l'utensile elettrico. Utilizzare guanti protettivi e robuste scarpe antiscivolo.
- Prima di utilizzare un qualsiasi accessorio, consultare il manuale d'istruzioni. L'uso improprio di un accessorio può causare danni e aumentare il rischio di lesioni.
- Utilizzare solo lame specificate con questo manuale, rispettando lo standard EN 847-1.
- Rispettare la velocità massima indicata sulla motosega. Assicurarsi che la velocità indicata sulla lama della motosega sia uguale a quella indicata dalla motosega.
- Utilizzare sempre lame di dimensioni e forma idonee all'alesaggio dell'albero. Una lama non idonea all'albero sul quale deve essere montata non è in grado di girare correttamente e potrebbe causare una perdita del controllo dell'apparecchio.
- Non utilizzare lame di un diametro più grande o più piccolo di quello raccomandato. Non utilizzare distanziatori per inserire la lama nell'albero.
- Prima di ogni uso, ispezionare attentamente le punte della lama per verificare che non siano danneggiate o presentino altre anomalie. Lame danneggiate o allentate possono volare via durante l'uso e aumentare il rischio di lesioni personali.
- Non devono essere utilizzate né lame incrinata né lame la cui forma abbia subito alterazioni. Non usare lame danneggiate o deformate.
- Sostituire la lama se danneggiata, deformata, distorta o rotta. Non è consentito eseguire alcuna riparazione.
- Non utilizzare lame HSS.
- Assicurarsi che la lama sia stata montata correttamente prima dell'utilizzo. Serrare saldamente il bullone della lama prima dell'uso (coppia di serraggio di 10-15 Nm circa).
- Viti e dadi di bloccaggio devono essere serrati usando utensili appropriati.
- Prolunghe per attrezzi o serraggio con colpi di martello non sono permessi.
- Assicurarsi che tutte le flange e le lame siano pulite e che le parti interne del colletto siano posizionate accanto alla lama.
- Assicurarsi che la lama ruoti nella direzione corretta.
- Prima di avviare le operazioni di lavoro, fare un taglio

di prova senza accendere il motore in modo da poter controllare la posizione delle lame, il funzionamento dei paralame rispetto alle altre parti delle macchine e i pezzi sui quali si dovrà lavorare.

- Non lasciare mai l'utensile incustodito.
- Non applicare lubrificanti sulla lama quando non è in funzione.
- Non svolgere mai operazioni di pulizia o manutenzione se la macchina è in funzione e la testa di taglio non è in posizione di riposo.
- Non tentare mai di interrompere rapidamente una macchina in movimento incastrandovi uno strumento o ponendo un altro oggetto contro la lama; tale azione potrebbe causare incidenti gravi.
- Prima di eseguire operazioni di manutenzione o di sostituire la lama, scollegare sempre la sega dalla fonte di alimentazione.
- Prestare la massima attenzione alla lama durante le operazioni di imballaggio e di disimballaggio. I denti di una lama affilata possono causare facilmente delle lesioni.
- Utilizzare un apposito dispositivo o indossare guanti quando si lavora con la motosega.
- Riporre la lama nella confezione originale o in contenitori sostitutivi idonei. Conservare in luogo asciutto e lontano da sostanze chimiche che possono danneggiare la lama.

⚠ AVVERTENZE

- Indossare occhiali e cuffie di protezione.
- Indossare una maschera per la polvere.
- Non utilizzare mai dischi abrasivi.
- Non surriscaldare le punte delle lame. Non utilizzare lame smussate o danneggiate. Non forzare l'utensile.
- Utilizzare solo le lame raccomandate.
- Non utilizzare lame di un diametro più grande o più piccolo di quello raccomandato.
- Utilizzare solo lame specificate con questo manuale, rispettando lo standard EN 847-1.

LASER DI SICUREZZA (RCS1600)



- Le radiazioni della guida al raggio laser utilizzate nella motosega sono di Classe 2 con lunghezze d'onda massima di ≤1mW e 650nm. Non fissare direttamente il raggio laser. La mancata osservanza delle regole potrà causare gravi lesioni alla persona.



L'utensile viene venduto con una etichetta adesiva

nella propria lingua applicabile sull'etichetta con le avvertenze in inglese prima di iniziare a utilizzare l'utensile.

- Non fissare il raggio durante le operazioni.
- Non proiettare il raggio laser direttamente negli occhi degli altri. Si potranno riportare gravi lesioni personali.
- Non mettere il laser in una posizione che potrà costringere a fissare intenzionalmente o non intenzionalmente il raggio laser.
- Non utilizzare utensili ottici per visualizzare il raggio laser.
- Non mettere in funzione il laser accanto a bambini né permettere a bambini di mettere in funzione il laser.
- Non tentare di svolgere riparazioni al dispositivo laser da soli.
- Non tentare di modificare da soli alcuna parte del dispositivo.
- Tutte le riparazioni dovranno essere svolte dalla ditta produttrice del laser o da un agente autorizzato.
- Non sostituire il laser con un tipo di laser diverso.

RISCHI RESIDUI

Anche quando il prodotto viene utilizzato come indicato, sarà ancora impossibile eliminare completamente alcuni fattori di rischio residuo. Si potranno verificare i seguenti rischi e l'operatore dovrà prestare particolare attenzione per evitare quanto segue:

- Lesioni causate da rimbalzi
 - Leggere e comprendere le informazioni contenute nel presente manuale.
 - Lesioni causate da vibrazioni
 - Limitare l'esposizione. Vedere "Riduzione Rischio".
 - Lesioni causate dalla polvere
 - Indossare sempre occhiali di protezione. Indossare un'adeguata maschera per il controllo della polvere con filtri che siano in grado di proteggere dalla polvere prodotta dal materiale sul quale si sta lavorando. Non mangiare, bere, né fumare nell'area di lavoro. Assicurarsi una adeguata ventilazione del luogo di lavoro.
 - Scosse elettriche
 - La lama potrà entrare in contatto con cavi nascosti, causando a parti del prodotto di entrare in tensione. Reggere sempre il prodotto dai manici indicati e avere cura quando si eseguono tagli ciechi in muri e pavimenti ove si possono nascondere cavi.
- NOTE:** Quando si lavora su pareti, soffitti o pavimenti, evitare cavi elettrici o tubi del gas o dell'acqua.
- Lesioni da contatto con lame di taglio
 - Le lame sono molto affilate e si surriscaldano durante l'utilizzo. Indossare guanti quando si cambiano le lame. Tenere sempre le mani lontane dalle zone di taglio. Non tenere MAI il pezzo da lavorare con la mano o tra le gambe. Ancorare il pezzo sul quale si sta lavorando ogniqualvolta sia possibile.

EN
FR
DE
ES
IT
NL
PT
DA
SV
FI
NO
RU
PL
CS
HU
RO
LV
LT
ET
HR
SL
SK
BG
UK
TR
EL

RIDUZIONE DEL RISCHIO

E' stato fatto presente che le vibrazioni da utensili a mano potrebbero contribuire a una condizione chiamata Sindrome di Raynaud in alcuni individui. I sintomi, comprendenti formicolio, intorpidimento e perdita di colore alle dita, si verificano di solito quando ci si espone al freddo. Fattori ereditari, esposizione a freddo e umidità, una dieta scorretta, fumo e condizioni di lavoro non sicure potranno contribuire allo sviluppo di questi sintomi. È possibile prendere delle precauzioni per ridurre le vibrazioni:

- Tenere il corpo al caldo a basse temperature. Quando si utilizza l'utensile, indossare guanti e tenere le mani e i polsi caldi. Le basse temperature contribuiscono a causare la Sindrome di Raynaud.
- Dopo aver utilizzato l'utensile per un certo periodo, fare degli esercizi per stimolare la circolazione del sangue.
- Fare spesso delle pause. Limitare la quantità di esposizione giornaliera.

Nel caso in cui si provino i sintomi di questa condizione, interrompere immediatamente l'utilizzo dell'utensile e consultare un dottore.

⚠ AVVERTENZE

L'utilizzo prolungato dell'utensile potrà causare o aggravare lesioni già esistenti. Quando si utilizza questo utensile per periodi di tempo prolungati, assicurarsi di fare sempre delle pause regolari.

FAMILIARIZZARE CON IL PRODOTTO

Vedere a pagina 135.

1. Grilletto
2. Pulsante di sblocco del grilletto
3. Paralama superiore
4. Adattatore porta per la polvere
5. Leva del paralama inferiore
6. Bullone della lama
7. Paralama inferiore
8. Manico
9. Scala dell'inclinazione
10. Blocco scala dell'inclinazione
11. Blocco guida taglio longitudinale
12. Base
13. Testina laser (RCS1600)
14. Lama
15. Sistema guida sega
16. Morsetto
17. Chiave di servizio
18. Guida per la rifilatura

MANUTENZIONE

⚠ AVVERTENZE

Questo prodotto non dovrà mai essere collegato all'alimentazione mentre si montano le sue parti, svolgono regolazioni, operazioni di pulizia e manutenzione o quando il prodotto non viene utilizzato. Scollegare il prodotto per prevenire l'avvio accidentale che potrà causare gravi lesioni.

- Quando si svolgono operazioni di manutenzione, utilizzare solo parti di ricambio originali della ditta produttrice. Utilizzare parti di ricambio diverse potrebbe causare rischi o danneggiare il prodotto.
- Assicurarsi di aver scollegato l'utensile dall'alimentazione prima di collegarlo o prima di rimuovere la lama. Pulire il prodotto e il sistema di protezione con panni puliti.
- Evitare di utilizzare solventi quando si puliscono le parti in plastica. La maggior parte dei materiali plastici rischia di essere danneggiata dall'uso dei solventi disponibili in commercio. Utilizzare un panno pulito per rimuovere lo sporco, la polvere, ecc.
- Non lasciare che liquidi per freni, benzina, prodotti a base di petrolio, oli penetranti, ecc, entrino in contatto con le parti in plastica. Tali prodotti chimici contengono sostanze che possono danneggiare, indebolire o distruggere la plastica.
- Indossare sempre occhiali di sicurezza o occhiali di sicurezza con schermi laterali durante le operazioni con l'elettro utensile o quando si aspira della polvere. Nel caso in cui si preveda che le operazioni di lavoro causeranno polvere, indossare sempre una maschera anti-polvere.
- Se il cavo di alimentazione è danneggiato deve essere sostituito solo dalla ditta produttrice o dal centro servizi autorizzato per evitare eventuali rischi. Contattare il centro servizi autorizzato.
- Per una maggior sicurezza e affidabilità, tutte le riparazioni dovranno essere svolte da un centro servizi autorizzato Ryobi.

LUBRIFICAZIONE

Tutti i cuscinetti in questo prodotto sono stati lubrificati con una quantità di lubrificante ad alto indice di viscosità per tutta la durata del prodotto nelle normali condizioni di funzionamento. Di conseguenza, non è necessario effettuare alcuna lubrificazione supplementare.

TUTELA DELL'AMBIENTE




Riciclare le materie prime anziché gettarle tra i rifiuti domestici. Per tutelare l'ambiente, l'apparecchio, gli accessori e gli imballaggi devono essere smaltiti separatamente.

SIMBOLI SUL PRODOTTO

-  Indicazioni sicurezza
- V** Volt
- Hz** Hertz
- \sim Corrente alternata
- W** Watt
- n_o** Velocità a vuoto
- min⁻¹** Numero di giri o di movimenti al minuto
-  Classe II con doppio isolamento
-  Legno
-  Non tagliare metalli
-  Indossare cuffie di protezione
-  Indossare occhiali di protezione
-  Radiazioni laser.
Non fissare il raggio.
Prodotto al laser di Classe 2
 λ : 650nm; $P \leq 1$ mW
EN 60825-1:2014
-  Pericolo! Lama affilata.
-  Non esporre a pioggia
-  Ampiezza di taglio
-  Denti lame
-  Conformità CE
-  Marchio di conformità EurAsian
-  Marchio di conformità ucraino
-  Leggere attentamente le istruzioni prima di avviare l'utensile.
-  I prodotti elettrici non devono essere smaltiti con i rifiuti domestici. Vi sono strutture per smaltire tali prodotti. Informarsi presso il proprio Comune o rivenditore di sicurezza per smaltire adeguatamente tali rifiuti.

SIMBOLI NEL MANUALE

-  Collegare all'alimentazione.
-  Scollegare dall'alimentazione.
-  Parti o accessori venduti separatamente
-  Blocco
-  Sblocco
-  Note

I seguenti simboli indicano i livelli di rischio associati a questo prodotto.

PERICOLO

Indica una situazione immediatamente pericolosa che, se non evitata, potrà causare gravi lesioni o morte.

AVVERTENZE

Indica una situazione potenzialmente pericolosa che, se non evitata, potrà causare gravi lesioni o morte.

ATTENZIONE

Indica una situazione potenzialmente pericolosa che, se non evitata, potrà causare lesioni minori o moderate.

ATTENZIONE

(Senza simbolo di allarme in materia di sicurezza) Indica una situazione che può provocare danni materiali.

EN
FR
DE
ES
IT
NL
PT
DA
SV
FI
NO
RU
PL
CS
HU
RO
LV
LT
ET
HR
SL
SK
BG
UK
TR
EL

Veiligheid, prestaties en betrouwbaarheid hebben bij het ontwerp van uw cirkelzaag altijd de hoogste prioriteit gekregen.

BEOOGD GEBRUIK

De cirkelzaag mag uitsluitend worden gebruikt door volwassenen die de instructies en waarschuwingen in deze handleiding hebben gelezen en die verantwoordelijk kunnen worden gehouden voor hun acties.

De zaag is ontworpen voor zagen van hout of gelijkwaardig materiaal in de lengte of dwars, tot op een maximale diepte van 54 millimeter. Het kan rechte of schuine sneden maken tussen 0 en 45 graden. Het moet zo worden gebruikt dat de onderzijde van het gereedschap in contact is met het werkstuk. De zaag moet in droge omstandigheden worden gebruikt, in een goed verlichte omgeving en met voldoende verluchting. De zaag is ontworpen voor handgebruik. De zaag mag niet op een werkbank worden gemonteerd, tenzij de fabrikant specifieke instructies heeft gegeven over hoe dit moet worden uitgevoerd. Niet gebruiken om metaal of metselwerk te zagen. Gebruik het product niet voor andere doeleinden dan waarvoor het is bestemd. Het gebruik van het werktuig voor niet-voorgeschreven gebruik kan leiden tot gevaarlijke situaties.

⚠ WAARSCHUWING

Lees aandachtig alle waarschuwingen en alle voorschriften. Als u onderstaande voorschriften niet opvolgt, kan dit leiden tot ongelukken zoals brand, elektrische schokken en/of ernstig lichamelijk letsel.

Bewaar deze waarschuwingen en voorschriften zorgvuldig om ze ook later te kunnen inzien.

VEILIGHEIDSWAARSCHUWINGEN VAN DE CIRKELZAAG

ZAAGPROCEDURES

⚠ GEVAAR

Houd handen weg van het zaagbereik en zaagblad. De hand waarmee u de hoofdhandgreep niet vasthoudt moet de hulphandgreep vasthouden of op de motorombouw rusten. Op die manier loopt u niet het gevaar dat uw handen in het zaagblad grijpen.

- **Raak niet onder het werkstuk.** Hier bestaat groot gevaar omdat de beschermkap hier het zaagblad niet bedekt.
- **Stel de zaagdiepte af al naar gelang de dikte van het werkstuk.** De tanden van het zaagblad mogen tijdens het zagen niet helemaal onder het werkstuk uitkomen.
- **Houd het werkstuk NOOIT met uw hand of tussen uw benen vast. Maak het werkstuk vast op een stabiele ondergrond.** Het is van uiterst belang om het werkstuk goed vast te maken om lichamelijk letsel te voorkomen en om het zaagblad niet te verbuigen waardoor u de macht over de machine zou kunnen verliezen.

- **Houd de machine alleen vast aan geïsoleerde en slipvrije delen als u in een oppervlak of ondergrond werkt waarin zich elektrische leidingen kunnen bevinden of als bij het uitvoeren van de werkzaamheden het netsnoer in de buurt van het werktuig zou kunnen komen.** Contact met een snoer dat onder spanning staat, zal ertoe leiden dat blootgestelde metalen onderdelen van de machine onder spanning komen te staan, waardoor de gebruiker een elektrische schok kan krijgen.
- **Gebruik altijd een parallelgeleider of een rechte lat bij het schulpen.** Zo werkt u veel nauwkeuriger en voorkomt u dat het zaagblad wordt verbogen.
- **Gebruik altijd zaagbladen waarvan de grootte en de vorm geschikt zijn voor de dikte van de as.** Zaagbladen die niet geschikt zijn voor de as waarop ze moeten worden gemonteerd zullen niet op de juiste manier ronddraaien en kunnen u de macht over de machine doen verliezen.
- **Gebruik nooit schroeven of flenzen afkomstig van defecte of verkeerde zaagbladen.** De flenzen en de zaagbladschroeven zijn speciaal bedoeld voor uw type zaagmachine en verschaffen optimale zekerheid en prestaties.

TERUGSLAGOORZAKEN EN VERWANTE WAARSCHUWINGEN:

- Een terugslag is een plotselinge reactie die optreedt wanneer het zaagblad zich vastklemt of verbuigt of als het blad verkeerd is uitgelijnd; de zaagmachine komt plotseling los uit het werkstuk en slaat met geweld terug in de richting van de gebruiker.
- Wanneer het zaagblad zich in het hout vastklemt, komt het blad plotseling tot stilstand en de motor, die door blijft draaien, werpt de zaagmachine in de tegenovergestelde richting van de draairichting van het zaagblad, dat wil zeggen naar de gebruiker toe.
- Als het zaagblad verbogen raakt of verkeerd is uitgelijnd, bestaat het gevaar dat de tanden die zich aan de andere kant van het zaagblad bevinden, zich in het houtoppervlak drukken, wat het zaagblad plotseling uit het werkstuk doet springen in de richting van de gebruiker.

Terugslag is dus het gevolg van foutief gebruik van de machine en/of van onjuiste procedures of omstandigheden. Terugslag kan worden vermeden door de volgende voorzorgsmaatregelen te nemen.

- **Pak de zaagmachine stevig met twee handen vast en houd uw armen zo dat ze een eventuele terugslag kunnen opvangen. Ga altijd aan één kant van het zaagblad staan als u met de zaagmachine werkt, nooit in het verlengde van het zaagblad.** Een terugslag werpt de zaagmachine plotseling naar achteren, maar deze beweging kan worden opgevangen als de gebruiker daarop bedacht is en zich daarop voorbereidt.
- **Wanneer de zaagmachine vastloopt of als u het zagen om de één of andere reden wilt onderbreken, laat u de drukschakelaar los en houd u de zaagmachine net zolang in het werkstuk tot het blad geheel tot stilstand is gekomen. Probeer de zaag**

nooit uit het werkstuk te verwijderen of de zaag terug te trekken wanneer het blad in beweging is, anders kan deze terugslaan. Als het zaagblad zich vastklemt, dient u de oorzaak daarvan op te zoeken en de nodige maatregelen nemen om te voorkomen dat het nog eens gebeurt.

- **Voordat u de zaagmachine opnieuw aanzet om door te gaan met zagen, dient u het zaagblad goed uit te lijnen met de zaagsnede en te zorgen dat de tanden niet in aanraking zijn met het werkstuk.** Als het zaagblad zit vastgeklemd in het werkstuk, bestaat het gevaar dat er een terugslag optreedt zodra u de zaagmachine aanzet.
- **Ondersteun lange werkstukken om te voorkomen dat het zaagblad vast komt te zitten en om op die manier het gevaar van terugslag te vermijden.** Lange werkstukken hebben de neiging onder hun eigen gewicht door te buigen. U kunt aan twee kanten van het werkstuk voor ondersteuning zorgen, dicht bij de zaaglijn en aan het uiteinde van het werkstuk.
- **Gebruik geen botte of beschadigde zaagbladen.** Botte of verkeerd gemonteerde zaagbladen veroorzaken een dunne snede die een buitengewone wrijving van het zaagblad met zich meebrengt en dus een groter gevaar oplevert voor verbuigen en terugslag.
- **Controleer of de instelknoppen voor zaagdiepte en afschuinhoek goed zijn geblokkeerd voordat u begint met zagen.** Als de afstellingen van het zaagblad tijdens het zagen veranderen, bestaat de kans dat het zaagblad zich vastklemt en dat er een terugslag optreedt.
- **Wees extra voorzichtig wanneer u in bestaande muren of andere blinde plaatsen boort.** Het zaagblad zou in aanraking kunnen komen met verborgen elementen met kans op een terugslag.

ONDERSTE BESCHERMFUNCTIE

- **Controleer steeds of de onderste beschermkap het zaagblad wel goed bedekt voordat u de machine gebruikt. Gebruik de zaagmachine niet als de onderste beschermkap niet vrij kan worden bewogen en als het niet onmiddellijk over het zaagblad terugklapt. Blokkeer of bevestig de onderste beschermkap nooit in de geopende stand.** Als de zaagmachine per ongeluk valt, zou de onderste beschermkap verbogen kunnen worden. Zet de onderste beschermkap met behulp van de knop omhoog en controleer of de kap zonder moeite kan worden bewogen en nooit met het zaagblad of enig ander onderdeel in aanraking komt, ongeacht de zaaghoek of de zaagdiepte.
- **Controleer of de veer van de onderste beschermkap in goede staat verkeert en naar behoren werkt. Als de beschermkap of de veer niet goed werkt, dient u deze te laten repareren of te vervangen voordat u de zaagmachine gaat gebruiken.** De neergelaten beschermkap kan traag werken vanwege beschadigde onderdelen, plakkerige afzettingen of een opstapeling van vuil.
- **De neergelaten beschermkap mag uitsluitend handmatig worden teruggetrokken voor speciale**

insneden, zoals “insteekzaagsneden” en “samengestelde zaagsneden”. Zet de onderste beschermkap omhoog, daarna dient u de onderste kap meteen los te laten zodra het zaagblad in het werkstuk dringt. Voor alle andere typen zaagsneden regelt de onderste beschermkap zich zelf automatisch.

- **Controleer of de onderste beschermkap wel goed over het zaagblad zit voordat u de zaagmachine op een werkbank of op de grond neerzet.** Als het zaagblad niet goed is afgedekt, kan het door inertie nog draaien en alles wat zich in zijn baan bevindt doorzagen. Wees erop bedacht dat het zaagblad nog enige tijd blijft doordraaien nadat u de motor heeft uitgezet.

VEILIGHEIDSIINSTRUCTIES VOOR HET HOUTZAAGBLAD

- Lees vóór gebruik van het zaagblad en het elektrische gereedschap zorgvuldig de handleiding en de instructies door.
- Het elektrische gereedschap moet in goede conditie zijn, waarbij de spindel zonder vervorming en trilling is.
- Gebruik de zaag niet zonder de beveiligingselementen in positie. Zorg dat de bescherming goed blijft werken en goed onderhouden blijft.
- Let erop dat de gebruiker voldoende is getraind in de veiligheidsmaatregelen, instelling en het gebruik van het elektrische gereedschap.
- Draag bij het gebruik van het elektrische gereedschap altijd oog- en gehoorbescherming. Het wordt aanbevolen om handschoenen te dragen en stevige, niet-slippende schoenen.
- Voor u een accessoire gebruikt, raadpleegt u de gebruiksaanwijzing. Het onjuiste gebruik van een accessoire kan leiden tot schade en verhoogt de kans op letsel.
- Gebruik uitsluitend zaagbladen die in deze gebruiksaanwijzing worden gespecificeerd en die overeenstemmen met EN 847 - 1.
- Houd rekening met de maximumsnelheid die op het zaagblad is aangeduid. Controleer of de snelheid die op het zaagblad staat vermeld ten minste gelijk is aan de snelheid die op de zaag staat vermeld.
- Gebruik altijd zaagbladen waarvan de grootte en de vorm geschikt zijn voor de dikte van de as. Zaagbladen die niet geschikt zijn voor de as waarop ze moeten worden gemonteerd zullen niet op de juiste manier ronddraaien en kunnen u de macht over de machine doen verliezen.
- Gebruik geen zaagbladen met een grotere of kleinere diameter dan aangewezen. Gebruik geen afstandhouders om het zaagblad op de as te doen passen.
- Controleer de punten van het zaagblad vóór gebruik op schade en een abnormaal uiterlijk. Punten die zijn beschadigd of loszitten kunnen tijdens het gebruik veranderen in vliegende objecten en verhogen het risico op persoonlijk letsel.
- Gescheurde zaagbladen of welke van vorm veranderd zijn, mogen niet gebruikt worden. Gebruik geen zaagbladen die beschadigd of vervormd zijn.

EN
FR
DE
ES
IT
NL
PT
DA
SV
FI
NO
RU
PL
CS
HU
RO
LV
LT
ET
HR
SL
SK
BG
UK
TR
EL

- Gooi de zaag weg als het is beschadigd, vervormd, verbogen of gescheurd; repareren is niet toegestaan.
- Gebruik geen HSS-zaagbladen.
- Zorg ervoor dat het zaagblad correct is gemonteerd voor u het gebruikt. Haal de bout van het zaagblad vóór gebruik stevig aan (aanhaalmoment ongeveer 10-15 Nm).
- De bevestigingsschroef en -moeren moeten met de juiste spanner aangehaald worden.
- Het verlengen van de spanner of aanhalen met behulp van hamerslagen is niet toegestaan.
- Zorg ervoor dat alle zaagbladen en flensen schoon zijn en de inspringzijden van de kraag zich tegen het zaagblad bevinden.
- Zorg ervoor dat het zaagblad in de juiste richting draait.
- Voor u begint te werken, maakt u een testsnede zonder dat de motor is ingeschakeld zodat de positie van het zaagblad, de werking van de beschermers m.b.t. andere machine-onderdelen en het werkstuk kunnen worden gecontroleerd.
- Laat de machine nooit onbeheerd draaien.
- Gebruik geen smeermiddelen op het zaagblad wanneer dit draait.
- Voer nooit reinigings- of onderhoudswerken uit wanneer de machine nog draait en de kop zich niet in de rustpositie bevindt.
- Probeer een elektrisch gereedschap dat in beweging is nooit snel te stoppen door een gereedschap of ander middel tegen het zaagblad aan te duwen. Hierdoor kunnen onbedoeld ernstige ongelukken ontstaan.
- Voordat u zaagbladen verwisselt of onderhoud uitvoert moet de zaag van het elektriciteitsnet worden afgehaald of de accu worden ontkoppeld.
- Let bij het in- en uitpakken goed op het zaagblad. U kunt zich snel verwonden aan de scherpe punten van het zaagblad.
- Gebruik een houder of draag handschoenen wanneer u een zaagblad hanteert.
- Bewaar het zaagblad in de oorspronkelijke verpakking of een andere geschikte verpakking. Bewaar het product op een droge plek, uit de buurt van chemicaliën die het mes kunnen beschadigen.

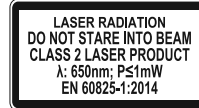
⚠ WAARSCHUWING

- Daag gezichts- en gehoorbescherming.
- Draag een stofmasker.
- Monteer nooit een slijpschijf op dit apparaat.
- Voorkom dat de zaagbladpunten oververhitten. Gebruik geen botte of beschadigde zaagbladen. Forceer de machine niet.
- Enkel het gebruik van zaagbladen is aangewezen.
- Gebruik geen zaagbladen met een grotere of kleinere diameter dan aangewezen.
- Gebruik uitsluitend zaagbladen die in deze gebruiksaanwijzing worden gespecificeerd en die overeenstemmen met EN 847 - 1.

LASERVEILIGHEID (RCS1600)



- De lasergeleiderstraling die in deze zaagmachine wordt gebruikt is klasse 2 met maximum $\leq 1\text{mW}$ en 650nm golflengtes. Staar niet rechtstreeks in de laserstraal. Het niet voldoen aan de regels kan ernstig persoonlijk letsel tot gevolg hebben.



We hebben een zelfklevend etiket in uw taal voorzien en vragen dat u dit boven de Engelse tekst op het waarschuwingsetiket aanbrengt voor u de machine in gebruik neemt.

- Staar niet in de laserstraal tijdens de werking.
- Projecteer de laserstraal niet rechtstreeks in de ogen van anderen. Ernstige oogletsels kunnen ontstaan.
- Plaats de laser niet in een positie die ertoe kan leiden dat iemand per ongeluk of opzettelijk in de laserstraal kijkt.
- Gebruik geen optische hulpmiddelen om de laserstraal te zien.
- Gebruik de laser niet in de buurt van kinderen en laat kinderen de laser niet bedienen.
- Probeer reparaties aan de laser niet zelf uit te voeren.
- Probeer nooit onderdelen van het lasertoestel zelf te vervangen.
- Alle reparaties mogen uitsluitend door de laserfabrikant of een geautoriseerde onderhoudsagent worden uitgevoerd.
- Vervang de laser niet door een ander type.

RESTRISICO'S

Zelfs wanneer het product zoals voorgeschreven wordt gebruikt, blijft het onmogelijk om alle restrisico's te voorkomen. De volgende gevaren kunnen optreden bij gebruik en de gebruiker dient speciaal op te letten om het volgende te voorkomen:

- Letsel veroorzaakt door terugslag
 - Zorg ervoor dat u de informatie in deze handleiding leest en begrijpt.
- Letsel veroorzaakt door trillingen
 - Beperk blootstelling. Zie "Risico's Beperken".
- Verwonding veroorzaakt door stof
 - Draag altijd gezichtsbescherming. Draag een geschikt stofmasker met aangepaste filters die bescherming kunnen bieden tegen het materiaal dat wordt bewerkt. Eten, drinken of roken verboden in het werkgebied. Zorg voor voldoende ventilatie op de werkplaats.
- Elektrische schok
 - Het zaagblad kan in contact komen met verborgen

kabels, waardoor bepaalde onderdelen van het product onder spanning komen te staan. Houd het product altijd aan de aangegeven handvatten vast en wees voorzichtig wanneer u in een muur of vloer zaagt, waar kabels verborgen kunnen zijn.

OPMERKING: Wanneer u werkt in muren, plafonds of vloeren, moet u voorzichtig zijn om elektrische kabels en gas- of waterleidingen te vermijden.

- Letsels door contact met het zaagblad
 - De zaagbladen zijn heel scherp en worden tijdens gebruik warm. Draag handschoenen wanneer u de zaagbladen vervangt. Houd steeds de handen weg van het zaagbereik. Houd het werkstuk NOOIT met uw hand of tussen uw benen vast. Klem het werkstuk indien mogelijk vast.

RISICOBEPERKING

Vibraties van handgereedschap kan in bepaalde individuele gevallen leiden tot het syndroom van Raynaud. Symptomen kunnen ondermeer tintelingen, gevoelloosheid en bleek worden van de vingers omvatten, wat normaal gezien duidelijk wordt bij blootstelling aan koude. Erfelijke factoren, blootstelling aan koude en vocht, dieet, roken en werkroutine kunnen allemaal bijdragen tot de ontwikkeling van deze symptomen. Er kunnen door de bediener maatregelen worden genomen om de gevolgen van de trillingen te beperken:

- Houd bij koud weer uw lichaam warm. Draag handschoenen wanneer u de machine gebruikt om handen en polsen warm te houden. Men neemt aan dat koud weer een belangrijke factor is die bijdraagt tot het Syndroom van Raynaud.
- Doe oefeningen om de bloeddoorstroming te bevorderen na elke periode van gebruik.
- Neem regelmatig een pauze. Beperk het aantal uren dat u per dag wordt blootgesteld.

Wanneer u enige van de symptomen van deze aandoening ervaart, stop dan onmiddellijk met het gebruik van het toestel en raadpleeg uw dokter

⚠ WAARSCHUWING

Letsels kunnen optreden of verergeren door langdurig gebruik van een gereedschap. Als u een werktuig gedurende langere periodes gebruikt, neem dan regelmatig pauze.

KEN UW PRODUCT

Zie pagina 135.

1. Hendel
2. Ontgrendelknop van de drukschakelaar
3. Bovenste beschermkap
4. Stofpoortadapter
5. Hendel van de onderste beschermkap
6. Zaagbladbout
7. Onderste beschermkap
8. Handvat
9. Hoekschaal
10. Vergrendeling hoekschaal

11. Geleidingsvergrendeling lengtesnede
12. Voetplaat
13. Laserkop (RCS1600)
14. Zaagblad
15. Zaaggeleider
16. Klem
17. Speciale sleutel
18. Schulpgeleider

ONDERHOUD

⚠ WAARSCHUWING

Het product mag nooit worden aangesloten op de netvoeding bij het aansluiten van onderdelen, maken van afstellingen, schoonmaken, uitvoeren van onderhoud of als het product niet wordt gebruikt. Ontkoppelen van het product voorkomt accidenteel opstarten, wat ernstig letsel kan veroorzaken.

- Gebruik voor het onderhoud uitsluitend originele vervangingsonderdelen van de fabrikant. Gebruik van niet originele onderdelen kan gevaar opleveren of schade aan de machine veroorzaken.
- Zorg ervoor dat het werktuig van de stroomvoorziening wordt ontkoppeld voor u het zaagblad vastmaakt of verwijdt. Reinig het product en het beveiligingssysteem met schone doeken.
- Voorkom het gebruik van oplosmiddelen wanneer u kunststof onderdelen reinigt. De meeste kunststoffen kunnen worden beschadigd door de in de handel zijnde oplosmiddelen. Gebruik een schone doek om vuil of stof te verwijderen.
- Remvloeistof, benzine, producten op basis van petroleum, kruipolie, enz mogen nooit in contact komen met kunststof onderdelen. Deze chemicaliën bevatten namelijk stoffen die kunststof kunnen beschadigen, verzwakken of aantasten.
- Draag altijd een veiligheidsbril of gezichtsbescherming met zijdelingse bescherming terwijl u het werktuig gebruikt of wanneer u stof blaast. Als het werk stof veroorzaakt, draag dan ook een stofmasker.
- Als het stroomsnoer beschadigd is, mag deze uitsluitend worden vervangen door de fabrikant of door een geautoriseerd onderhoudscentrum om risico te voorkomen. Neem contact op met een geautoriseerd onderhoudscentrum.
- Voor meer veiligheid en betrouwbaarheid, moeten alle herstellingen door een geautoriseerd Ryobi onderhoudscentrum worden uitgevoerd.

SMERING

Alle lagers in het product zijn gesmeerd met voldoende kwalitatief smeermiddel voor de gehele levensduur van het product bij normale gebruiksomstandigheden. Extra smering is daarom niet noodzakelijk.

MILIEUBESCHERMING



Zorg dat grondstoffen worden gerecycleerd in plaats van weggegooid als afval. Om het milieu te beschermen dient de machine, de accessoires en de verpakking gesorteerd bij een erkend recyclingcentrum te worden aangeleverd.

SYMBOLEN OP HET PRODUCT



Veiligheidswaarschuwing

V

Volt

Hz

Hertz

~

Wisselstroom

W

Watt

n₀

Onbelast toerental

min⁻¹

Aantal toeren of omwentelingen per minuut



Klasse II, dubbelgeïsoleerd



Hout



Zaag geen metalen



Draag gehoorbescherming



Draag gezichtsbescherming



Laserstraling.
Kijk niet in de laserstraal.
Klasse 2 laserproduct
λ: 650nm; P≤1mW
EN 60825-1:2014



Gevaar! Scherp zaagblad.



Niet aan regen blootstellen



Maaibreedte



Zaagblad tanden



EG conformiteit



EurAsian-symbool van overeenstemming



Oekraïens conformiteitssymbool



Lees de instructies zorgvuldig voordat u de machine in gebruik neemt.



Elektrisch afval mag niet samen met ander huishoudafval worden weggegooid. Gelieve te recyclen indien de mogelijkheid bestaat. Neem contact op met uw gemeente of handelaar om advies te krijgen over recycling.

SYMBOLEN IN DE GEBRUIKSAANWIJZING



Verbind met de stroombron.



Ontkoppel van de stroombron.



Onderdelen of accessoires afzonderlijk gekocht



Vergrendeling



Ontgrendeling



Opmerking

De volgende kernwoorden en verklaringen zijn bedoeld om de gevareniveaus die op dit toestel betrekking hebben, te verklaren.

⚠ GEVAAR

Wijst op een gevaarlijke situatie die, indien ze niet wordt vermeden, kan leiden tot ernstige verwondingen of de dood.

⚠ WAARSCHUWING

Wijst op een mogelijk gevaarlijke situatie die, indien ze niet wordt vermeden, kan leiden tot ernstige verwondingen of de dood.

⚠ LET OP

Wijst op een mogelijk gevaarlijke situatie die, indien ze niet wordt vermeden, kan leiden tot lichte of middelmatige verwondingen.

LET OP

(Zonder veiligheidssymbool) Geeft een situatie aan die materiële schade zou kunnen veroorzaken.v

No design da nossa serra circular demos prioridade à segurança, ao desempenho e à fiabilidade.

UTILIZAÇÃO PREVISTA

A serra circular destina-se a ser utilizada por adultos que tenham lido e compreendido as instruções e os avisos neste Manual e que possam ser considerados responsáveis pelas suas acções.

A serra foi concebida para cortes longitudinais e transversais de madeira e materiais semelhantes, até uma profundidade máxima de 54 milímetros. A serra pode fazer cortes rectos ou biselados entre 0 e 45 graus. Durante a utilização, mantenha a base da ferramenta encostada à peça de trabalho. A serra deve ser utilizada em ambientes secos, com um bom grau de iluminação e uma ventilação adequada. A serra foi projetada para uso manual. A serra não deve ser montada numa bancada de trabalho a menos que instruções específicas sobre como fazê-lo sejam dadas pelo fabricante do produto. Não use para cortar metal ou alvenaria. Utilize o produto exclusivamente para o uso para o qual foi concebido. O uso da ferramenta eléctrica para as operações diferentes daquelas a que se destina podem causar uma situação perigosa.

⚠ AVISO

Leia com atenção todas as advertências e todas as instruções. O incumprimento das instruções seguintes pode ocasionar acidentes como incêndios, choques eléctricos e/ou ferimentos graves.

Conserve estas advertências e instruções para poder consultá-las mais tarde.

AVISOS DE SEGURANÇA DA SERRA CIRCULAR

PROCEDIMENTOS DE CORTE

⚠ PERIGO

Mantenha as mãos afastadas da área de corte e da lâmina. A mão que não segura a pega principal da ferramenta deve segurar a pega auxiliar ou então ficar sobre a carcaça motor. Desta maneira, as suas mãos não correm o risco de ficar na zona de corte, na trajetória da lâmina.

- **Não tente alcançar a parte de baixo da peça de trabalho.** neste lugar, o protector da lâmina não pode protegê-lo porque não cobre a lâmina.
- **Ajuste a profundidade de corte em função da espessura da peça a trabalhar.** Os dentes da lâmina não devem ultrapassar completamente debaixo da peça a trabalhar durante o corte.
- **NUNCA segure a peça a trabalhar com a mão ou entre as pernas. Fixe-a num suporte estável.** É primordial que fixe correctamente a peça a trabalhar para evitar qualquer risco de ferimentos e não dobrar a lâmina para não perder o controlo da ferramenta.
- **Segure a ferramenta unicamente pelas partes isoladas e anti-derrapantes quando trabalhar numa**

superfície que pode esconder fios eléctricos ou quando o trabalho requerido possa pôr o fio de alimentação na trajetória da ferramenta. O contacto com um cabo com corrente fará com que as partes metálicas da ferramenta eléctrica se carreguem e pode provocar uma descarga eléctrica ao operário.

- **Utilize sempre uma guia de corte paralelo ou uma ripa direita quando fizer um corte paralelo.** A precisão do corte será melhorada e evitará os riscos de dobragem da lâmina.
- **Utilize sempre lâminas de tamanho e de forma adaptadas ao furo do eixo.** Lâminas não adaptadas ao eixo onde elas devem ser montadas não trabalharão correctamente e provocarão uma perda de controlo da ferramenta.
- **Nunca utilize parafusos nem fixadores de lâmina defeituosos ou não adaptados.** Os fixadores e o parafuso da lâmina foram especialmente concebidos para o seu modelo de serra, para proporcionar uma maior segurança e uma melhor eficácia.

CAUSAS DO RICOCHETE E AVISOS RELACIONADOS:

- O coice é uma reacção súbita que ocorre quando a lâmina fica entalada, torcida ou se estiver mal alinhada; a serra salta subitamente da peça a trabalhar e recua violentamente em direcção do utilizador.
- Quando a lâmina fica entalada na madeira, a lâmina pára e o motor, que continua a trabalhar, projecta a serra no sentido oposto ao sentido de rotação da lâmina, isto é, para o utilizador.
- Se a lâmina se torcer ou se estiver mal alinhada, os dentes situados atrás da lâmina podem enterrar-se na superfície da madeira, o que fará sair bruscamente a lâmina da peça a trabalhar em direcção do utilizador.

O coice é portanto o resultado de uma má utilização da ferramenta e/ou de procedimentos ou de condições de corte incorrectas. Pode ser evitado tendo o cuidado de cumprir certas precauções.

- **Segure firmemente a serra com ambas as mãos e ponha os seus braços de forma que possam resistir a um coice eventual.** Fique de um lado da serra quando estiver a trabalhar mas nunca no alinhamento da lâmina. O coice projecta subitamente a serra para trás mas este movimento pode ser controlado se o utilizador estiver à espera disso e se preparar.
- **Se a lâmina ficar entalada ou se tiver que interromper o corte por um motivo qualquer, solte o gatilho e mantenha a serra na peça a trabalhar até que a lâmina deixe completamente de girar. Nunca tente retirar a serra da peça de trabalho ou puxe para trás enquanto a lâmina estiver em movimento ou poderá ocorrer um ricochete.** Se a lâmina ficar entalada, procure a causa disso e tome as medidas necessárias para que isso não volte a acontecer.
- **Antes de voltar a pôr a serra a trabalhar para retomar um corte, alinhe correctamente a lâmina com o traço de serra e verifique se os dentes não tocam na peça a trabalhar.** Se a lâmina ficar entalada na peça a trabalhar, pode ocorrer um coice quando a serra for posta a trabalhar.

- **Aguente a peças compridas a trabalhar para evitar que a lâmina fique entalada e para que minimize assim os riscos de coices.** As peças a trabalhar compridas têm tendência a abaular devido ao próprio peso. Pode pôr suportes dos dois lados da peça a trabalhar, perto da linha de corte e ao nível da extremidade da peça.
- **Não utilize lâminas embotadas ou danificadas.** As lâminas não afiadas ou mal montadas produzirão um corte de serra fino, o que provoca uma fricção excessiva da lâmina e portanto maiores riscos de torção e de coice.
- **Antes de começar um corte, verifique se os botões de ajuste da profundidade e da inclinação estão correctamente bloqueados.** Se os ajustes da posição da lâmina se modificarem durante o corte, a lâmina pode ficar entalada e ocorrer um coice.
- **Tenha extrema cautela ao serrar em paredes existentes ou outras zonas cegas.** A lâmina poderia chocar contra elementos ocultos, o que poderia provocar um coice.

FUNÇÃO DA PROTECÇÃO INFERIOR

- **Antes de cada utilização, verifique se o protector da lâmina inferior cobre correctamente a lâmina. Não utilize a serra se o protector da lâmina inferior não puder ser movido livremente e se não se fechar instantaneamente sobre a lâmina. Não fixe nem nunca prenda o protector da lâmina inferior na posição aberta.** Se a serra cair por descuido, o protector da lâmina inferior poderia ficar dobrado. Levante o protector da lâmina inferior por meio do manípulo e verifique se pode ser manipulado facilmente e se não toca na lâmina nem em nenhuma outra peça, qualquer que seja o ângulo e a profundidade de corte escolhidos.
- **Verifique se a mola do protector da lâmina inferior está em bom estado e se funciona correctamente. Se o protector da lâmina ou a mola não funcionarem correctamente, mande repará-los ou substituir antes da utilizar a serra.** A protecção inferior pode funcionar lentamente devido a peças danificadas, depósitos pegajosos ou a uma acumulação de detritos.
- **A protecção inferior pode ser recolhida manualmente apenas para cortes especiais como “cortes de mergulho” e “cortes compostos”.** Levante o protector da lâmina inferior por meio da alavanca. Em seguida, assim que a lâmina penetrar na peça a trabalhar, solte o protector da lâmina inferior. Para todos os outros tipos de corte, o protector da lâmina inferior fica automaticamente no seu devido lugar.
- **Verifique sempre se o protector da lâmina inferior cobre bem a lâmina antes de colocar a serra numa bancada ou no chão.** Se a lâmina não ficar correctamente coberta, ela pode rodar por inércia e cortar tudo o que se encontrar na sua trajectória. Tenha consciência do facto de que a lâmina continua a rodar durante um certo tempo depois da paragem do motor.

INSTRUÇÕES DE SEGURANÇA PARA A LÂMINA PARA CORTE DE MADEIRA

- Antes de usar a lâmina da serra e a ferramenta eléctrica, leia o Manual e as instruções com atenção.
- A ferramenta eléctrica tem obrigatoriamente de estar em boas condições: o eixo rotativo não pode ter deformações nem vibrações.
- Não utilize a serra sem ter as guardas aplicadas em posição. Conserve as guardas em bom estado de funcionamento e manutenção.
- Certifique-se de que o operador recebeu a formação adequada para as precauções de segurança, a afinação e a operação da ferramenta eléctrica.
- Quando utilizar a ferramenta eléctrica, use sempre óculos fechados e protecção para os ouvidos. É recomendado utilizar luvas e calçado resistente e antiderrapante.
- Antes de utilizar qualquer acessório, consulte o manual de instruções. A utilização incorrecta de um acessório pode causar danos e aumentar o potencial de risco de ferimentos.
- Use lâminas apenas especificadas neste manual, em conformidade com EN 847-1.
- Observe a velocidade máxima marcada na lâmina da serra. Assegure que a velocidade indicada no disco da serra é pelo menos igual à velocidade indicada na serra.
- Utilize sempre lâminas de tamanho e de forma adaptadas ao furo do eixo. Lâminas não adaptadas ao eixo onde elas devem ser montadas não trabalharão correctamente e provocarão uma perda de controlo da ferramenta.
- Não utilize lâminas de diâmetro maior ou mais pequeno que o recomendado. Não utilize qualquer espaçador para encaixar a lâmina no eixo.
- Antes de cada utilização, inspeccione a lâmina da serra, procurando danos ou defeitos visíveis. Pontas danificadas ou frouxas podem soltar-se da lâmina e ser projectadas pelo ar durante a utilização, aumentando o risco de ferimentos.
- Não utilize lâminas de corte fissuradas ou deformadas. Não use folhas de serra danificadas ou deformadas.
- Deite fora a lâmina da serra se estiver danificada, deformada, distorcida ou rachada. Não são permitidas reparações à lâmina da serra.
- Não utilize lâminas HSS.
- Certifique-se que a lâmina da serra está correctamente montada antes de a utilizar. Antes da utilização, dê aperto ao parafuso da lâmina (binário de aperto aprox. 10 a 15 Nm).
- Parafusos e porcas de fixação têm obrigatoriamente de ter o aperto correcto, utilizando uma chave de porcas adequada.
- Não é permitido utilizar a chave de porcas com extensor, nem dar aperto à martelada.
- Certifique-se que a lâmina e as flanges estão limpas e os lados encaixados do aro estão contra a lâmina.
- Certifique-se que a lâmina gira na direcção correcta.
- Antes de proceder ao trabalho, faça um corte de teste

sem o motor ligado de modo a verificar a posição da lâmina, a operação das proteções relativamente a outras peças da máquina e a peça a trabalhar.

- Nunca deixe uma ferramenta em funcionamento sem vigilância.
- Não aplique lubrificantes na lâmina quando estiver em funcionamento.
- Nunca realize qualquer trabalho de limpeza ou manutenção quando a máquina ainda se encontra em funcionamento e a cabeça não estiver na posição de descanso.
- Nunca tente parar mais rapidamente uma ferramenta eléctrica em movimento encostando uma ferramenta à lâmina, nem de qualquer outra forma. Embora não intencionalmente, podem ser causados acidentes graves desta forma.
- Antes de trocar as lâminas ou de fazer manutenção, desligue a alimentação eléctrica da serra, desencaixando a ficha da tomada de rede eléctrica ou tirando a bateria.
- Tenha cuidado com a lâmina sempre que a tirar da embalagem e a guardar na embalagem. É fácil sofrer ferimentos causados pelas pontas afiadas da lâmina.
- Use um suporte ou luvas de protecção ao manusear uma lâmina de serra.
- Guarde e armazene a lâmina na embalagem de origem ou noutra embalagem adequada. Mantenha a lâmina em condições secas e afastada de produtos químicos, devido ao risco de danificar a lâmina.

⚠ AVISO

- Use protecção para os olhos e ouvidos.
- Use máscara contra pó.
- Nunca utilize um disco abrasivo.
- Evite o sobreaquecimento as pontas de lâmina. Não utilize lâminas embotadas ou danificadas. Não force a ferramenta.
- Utilize apenas lâminas de serra recomendadas.
- Não utilize lâminas de diâmetro maior ou mais pequeno que o recomendado.
- Use lâminas apenas especificadas neste manual, em conformidade com EN 847-1.

SEGURANÇA LASER (RCS1600)



- A radiação do guia laser utilizada nesta serra é de Classe 2 com comprimentos de onda máximos de $\leq 1\text{mW}$ e 650nm . Não olhe directamente para o feixe laser. O não cumprimento destas regras pode resultar em graves lesões físicas.



- Fornecemos uma etiqueta adesiva na sua língua e pedimos que a coloque no local do texto em inglês, na etiqueta de aviso, antes de colocar a máquina em funcionamento pela primeira vez.
- Não olhe para o feixe durante o funcionamento.
- Não projecta o feixe laser directamente para os olhos de outras pessoas. Poderão ocorrer graves lesões nos olhos.
- Não coloque o laser numa posição que possa fazer com que alguém olhe fixamente no feixe laser intencionalmente ou sem intenção.
- Não utilize ferramentas ópticas para ver o feixe laser.
- Não opere o laser perto de crianças ou não deixe crianças operar o laser.
- Não tente reparar o dispositivo laser por si próprio.
- Não tente substituir sozinho(a) qualquer peça do aparelho laser.
- Qualquer reparação deve ser executada pelo fabricante de laser ou um agente de assistência autorizado.
- Não substitua o laser por outro de tipo diferente.

RISCOS RESIDUAIS

Mesmo quando se utiliza o produto segundo as instruções, continua a ser impossível eliminar por completo certos fatores de risco residuais. Podem surgir os seguintes riscos durante o uso e o operador deve prestar especial atenção para evitar o seguinte:

- Lesões por ricochete
 - Leia e compreenda a informação dada neste Manual.
 - Lesões por vibração
 - Limite a exposição. Consulte o ponto “Redução De Riscos”.
 - Prejuízo causado pela poeira
 - Use sempre protecção para os olhos. Use uma máscara de controlo de poeiras adequada com os filtros certos para protecção contra a poeira e partículas libertadas pelo material a ser trabalhado. Não coma, beba ou fume na área de trabalho. Assegure uma ventilação adequada do local de trabalho.
 - Choque eléctrico
 - A lâmina pode tocar em fios ocultos, fazendo com que partes do produto ganhem vida. Segure sempre o produto pelas pegas designadas e tome cuidado ao efetuar cortes cegos em paredes e pisos onde os cabos podem estar escondidos.
- NOTA:** Quando trabalhar em paredes, tetos ou pisos, tome cuidado para evitar cabos eléctricos e tubos de gás ou água.
- Lesões decorrentes do contacto com a lâmina de corte
 - As lâminas são muito afiadas e ficam quentes durante a utilização. Use luvas ao trocar as lâminas. Mantenha sempre as mãos afastadas da área de

corte. NUNCA segure a peça a trabalhar com a mão ou entre as pernas. Sempre que possível, fixe a peça de trabalho.

REDUÇÃO DO RISCO

Informou-se que as vibrações das ferramentas manuais podem contribuir para uma doença chamada síndrome de Raynaud em certos indivíduos. Os sintomas podem incluir formigueiro, entorpecimento e empalidecimento dos dedos, habitualmente visível aquando da exposição ao frio. Estima-se que os factores hereditários, exposição ao frio e humidade, dieta, tabagismo e práticas de trabalho contribuem todos para o desenvolvimento destes sintomas. Existem medidas que podem ser tomadas pelo operador para possivelmente reduzir os efeitos da vibração:

- Mantenha o seu corpo quente durante o tempo frio. Ao operar a unidade, use luvas para manter as mãos e os pulsos quentes. Encontra-se reportado que o tempo frio é um grande factor que contribui para o Síndrome de Raynaud.
- Após cada período de operação, exercite para aumentar a circulação sanguínea.
- Faça pausas frequentes no trabalho. Limite o tempo de exposição por dia.

Caso sinta algum dos sintomas desta doença, interrompa de imediato a sua utilização e consulte o seu médico sobre estes sintomas.

AVISO

As lesões podem ser causadas ou agravadas pelo uso prolongado de uma ferramenta. Ao usar qualquer ferramenta durante períodos prolongados, assegure-se que faz intervalos regulares.

CONHEÇA O SEU PRODUTO

Consulte a página 135.

1. Gatilho
2. Botão de desbloqueio do gatilho
3. Protector da lâmina superior
4. Adaptador de porta de pó
5. Alavanca do protector da lâmina inferior
6. Parafuso da lâmina
7. Protector da lâmina inferior
8. Manípulo
9. Escala de ângulos
10. Tranca da escala de ângulos
11. Tranca da guia de corte longitudinal
12. Base
13. Cabeça de laser (RCS1600)
14. Lâmina
15. Serra de trilha
16. Braçadeira
17. Chave de serviço
18. Guia de corte/graminho

MANUTENÇÃO

AVISO

O produto não deve nunca ligado à corrente eléctrica durante a montagem de peças, a realização de ajustes, limpeza, operações de manutenção ou quando não está em uso. Ao deligar o produto estará a evitar um arranque accidental que pode causar lesões graves.

- Na reparação só devem ser utilizadas peças sobresselentes do fabricante. O uso de quaisquer outras peças pode criar perigo ou causar danos ao aparelho.
- Certifique-se que desliga a ferramenta da rede eléctrica antes de instalar ou remover a lâmina serra. Utilize panos limpos para limpar o produto e o sistema das guardas.
- Evite usar solventes ao limpar as peças de plástico. A maioria dos plásticos pode ser danificada pelos solventes vendidos no comércio. Utilize um pano limpo para remover as sujidades, o pó, etc.
- Nunca, em qualquer momento, deixe que fluidos de travagem, gasolina, produtos petrolíferos, óleos de perfuração, etc., entrem em contacto com as peças de plástico. Estas substâncias contêm produtos químicos que podem danificar, enfraquecer ou destruir o plástico.
- Use sempre óculos de protecção ou óculos de segurança com protecções laterais durante a operação da ferramenta eléctrica ou quando estiver a levantar poeira no ar. Caso a operação seja poeirenta, use também uma máscara contra o pó.
- Se o cabo de alimentação estiver danificado, deverá ser substituído unicamente pelo fabricante ou por um centro de serviço autorizado para evitar riscos. Contacte o centro de serviço autorizado.
- Para uma maior segurança e fiabilidade, todas as reparações devem ser realizadas por um centro de assistência autorizado Ryobi.

LUBRIFICAÇÃO

Todos os rolamentos deste produto estão lubrificados com um montante suficiente de lubrificante de elevado nível, de acordo com a duração de vida do produto em condições normais de funcionamento. Por conseguinte, não requer nenhuma lubrificação suplementar.

PROTECÇÃO DO AMBIENTE



Recicle os materiais em vez de pô-los directamente no lixo doméstico. Para proteger o ambiente, a ferramenta, os acessórios e as embalagens devem ser seleccionados.
















SÍMBOLOS NO PRODUTO



Alerta de segurança



Volts

Hz	Hertz
~	Corrente alterna
W	Watts
n_o	Velocidade em vazio
min⁻¹	Número de rotações ou movimentos por minuto
	Classe II, com duplo isolamento
	Madeira
	Não corte metais
	Use protecção para os ouvidos
	Use protecção para os olhos
	Radiação do laser. Não olhe directamente para o feixe. Produto laser de Classe 2 λ: 650nm; P≤1mW EN 60825-1:2014
	Perigo! Lâmina afiada.
	Não exponha à chuva
	Largura do corte
	Dentes da lâmina
	Conformidade CE
	Marca de conformidade EurAsian
	Marca de conformidade ucraniana
	Agradecemos que leia atentamente as instruções antes de iniciar a máquina.
	Os aparelhos eléctricos antigos não devem ser eliminados juntamente com o lixo doméstico. Recicle onde existem instalações para o efeito. Verifique com as suas Autoridades Locais ou revendedor para obter informações sobre reciclagem.

SÍMBOLOS NESTE MANUAL

	Conecte à fonte de alimentação.
	Desconecte da fonte de alimentação.
	As peças ou acessórios vendem-se separadamente
	Bloqueio
	Abrir
	Nota

As seguintes palavras de sinal e significados destinam-se a explicar os níveis de risco associados a este produto.

PERIGO

Indica uma situação de perigo iminente, a qual, se não for evitada, pode resultar em morte ou ferimentos graves.

AVISO

Indica uma situação potencialmente perigosa que, se não for evitada, pode resultar em morte ou ferimentos graves.

CAUTELA

Indica uma situação potencialmente perigosa que, se não for evitada, pode resultar em ferimentos leves ou moderados.

CAUTELA

(Sem símbolo de segurança) Indica uma situação que pode provocar danos materiais.

EN
FR
DE
ES
IT
NL
PT
DA
SV
FI
NO
RU
PL
CS
HU
RO
LV
LT
ET
HR
SL
SK
BG
UK
TR
EL

Ved udformningen af din rundsav har vi givet topprioritet til sikkerhed, gode resultater og driftssikkerhed.

TILTÆNKT ANVENDELSESFORMÅL

Rundsaven er kun beregnet til at blive brugt af voksne, som har læst og forstået instruktionerne og advarslerne i denne vejledning og som kan betragtes som værende ansvarlige for deres handlinger.

Saven er beregnet længde- og tværgående savning af træ eller lignende materialer i en maksimal dybde på 54 millimeter. Den kan skære lige eller skrå mellem 0 og 45 grader. Den må kun bruges, når det nederste af værktøjet er i kontakt med arbejdsemnet. Saven skal bruges under tørre forhold, med perfekt omgivende belysning og tilstrækkelig ventilation. Saven er designet til håndholdt brug. Saven må ikke monteres på et arbejdsbord, med mindre produktets producent har givet specifikke instruktioner i, hvordan man gør dette. Må ikke bruges til skæring i metal eller murværk. Produktet må kun bruges til de formål, der er angivet under formålsbestemt/korrekt brug. Brug af elværktøjet i strid med det tiltænkte anvendelsesformål kan medføre farlige situationer.

⚠ ADVARSEL

Læs alle advarsler og anvisninger grundigt igennem. Hvis nedenstående forskrifter ikke overholdes, kan der ske uheld og ulykker som brand, elektrisk stød og/eller alvorlige personskader.

Gem vejledningen med advarsler og anvisninger til senere opslag.

SIKKERHEDSADVARSLER OM RUNDSAV

SKÆREPROCEDURER

⚠ FARE

Hold hænderne på afstand af skæreområdet og klingens hovedhåndtag, skal holde om hjælpehåndtaget eller hvile på motorskærmen. Hænderne risikerer så ikke at komme ind i saveområdet i klingens bane.

- **Ræk ikke hånden ind under emnet.** der yder klingskærmen nemlig ingen beskyttelse, for den dækker ikke klingens.
- **Indstil savedybden efter arbejdsstykkets tykkelse.** Klingetænderne må ikke stikke helt ned under arbejdsstykket under savningen.
- **Hold ALDRIG arbejdsstykket med hånden eller mellem benene.** Spænd det fast på et stabilt underlag. Det er meget vigtigt at spænde arbejdsstykket godt fast for ikke at komme til skade, bøje klingens eller miste kontrollen over værktøjet.
- **Hold udelukkende værktøjet de isolerede gribesteder ved arbejde på flader, hvor der kan ligge el-ledninger skjult, eller når den strømførende ledning kan komme til at befinde sig i værktøjets arbejdsfelt.** Kontakt med strømførende kabler kan

gøre udsatte metaldele af elværktøjet strømførende og kan give operatøren elektrisk stød.

- **Brug altid parallelsavstyr eller en lige liste ved savning af parallelsnit.** Savepræcisionen bliver større, og klingens risikerer ikke at blive bøjet.
- **Brug altid klinger med en størrelse og facon, der passer til akselboringen.** Klinger, som ikke passer til akslen, de skal monteres på, vil ikke dreje ordentligt rundt og kan bevirke, at man mister kontrollen over værktøjet.
- **Brug aldrig klingskruer eller -flanger, som er defekte eller uegnede.** Klingeflangerne og -skrueer er specielt beregnet til den enkelte savmodel for optimal sikkerhed og ydeevne.

ÅRSAGER TIL TILBAGESLAG ('KICKBACK') OG TILHØRENDE ADVARSLER:

- Tilbageslag er en pludselig reaktion, som opstår, når klingens kommer i klemme, vrider sig eller ikke flugter ordentligt; saven river sig pludselig løs af arbejdsstykket og springer voldsomt tilbage mod brugeren.
- Når klingens bliver klemt fast i træet, går den i stå, og motoren, der bliver ved med at arbejde, slynger saven i retningen modsat klingens omløbsretning, dvs. mod brugeren.
- Hvis klingens vrider sig eller er rettet forkert ind, risikerer tænderne ved klingens bagende at gå ned i træfladen, hvilket får klingens til at hoppe brat ud af arbejdsstykket og mod brugeren.

Tilbageslag skyldes altså, at værktøjet bruges forkert, og/eller at saveforholdene eller fremgangsmåden er uhensigtsmæssige. Det kan undgås, hvis der tages nogle forholdsregler.

- **Grib godt fat om saven med begge hænder, og hold armene således, at de kontrollerer et eventuelt tilbageslag.** Stå på den ene side af saven under arbejdet og aldrig i forlængelse af klingens. Ved tilbageslag slynges saven pludselig bagud, men denne bevægelse kan kontrolleres, hvis brugeren er forberedt på det.
- **Hvis klingens sætter sig fast, eller hvis snittet skal afbrydes af en eller anden årsag, slippes start-stopknappen, og saven holdes i arbejdsstykket, indtil klingens er holdt helt op med at dreje rundt.** Man må aldrig forsøge at tage saven ud af emnet eller trække saven tilbage, så længe klingens er i bevægelse, da der ellers er fare for tilbageslag. Hvis klingens sætter sig fast, søges årsagen, og de nødvendige forholdsregler tages for at undgå, at det sker igen.
- **Inden saven startes igen for at genoptage savningen, rettes klingens omhyggeligt ind efter savsnittet, og det sikres, at tænderne ikke rører ved arbejdsstykket.** Hvis klingens er klemt fast i arbejdsstykket, kan der opstå tilbageslag, når saven sættes i gang.
- **Sørg for at understøtte lange emner for at undgå, at klingens sætter sig fast, og formindske risikoen for tilbageslag.** Lange emner har tendens til at bukke under deres egen vægt. Der kan indsættes støtteanordninger i begge sider af arbejdsstykket, tæt

ved savelinien og ved arbejdsstykkets yderpunkt.

- **Brug aldrig sløve eller beskadigede savklinger.** Hvis klingen ikke er skarp, eller hvis den er monteret forkert, får den for stor friktionsmodstand i savsnittet, hvilket øger risikoen for, at den vrider sig og for, at saven springer tilbage.
- **Inden snittet påbegyndes, kontrolleres at dybde- og hældningsindstillingsknapperne er spændt forsvarligt.** Hvis klingens positionsindstillinger ændres under savningen, kan klingens sætte sig fast og saven springe tilbage.
- **Vær ekstra forsigtig, når du saver ind i eksisterende vægge eller blinde områder.** Klingens kan ramme skjulte elementer og forårsage tilbageslag.

UNDERSKÆRMENS FUNKTION

- **Inden brug kontrolleres, at den nederste klingskærm dækker klingens rigtigt. Brug ikke saven, hvis den nederste klingskærm ikke kan bevæges frit, og hvis den ikke lukker øjeblikkeligt om klingens. Fastgør eller hold aldrig den nederste klingskærm i åben stilling.** Hvis saven falder på gulvet, kan den nederste klingskærm blive bøjet. Løft den nederste klingskærm op ved hjælp af grebet, og se efter, om den kan bevæges uden besvær og ikke rører ved hverken klingens eller andre dele uanset savevinkel og -dybde.
- **Se efter, om den nederste klingskærms fjeder er i god stand og virker efter hensigten. Hvis klingskærmen eller fjederen ikke virker rigtigt, skal de repareres eller udskiftes, inden saven bruges.** Den nederste skærm kan gå trægt pga. beskadigede dele, gummirester eller ansamling af rester/spåner.
- **Den nederste skærm må kun trækkes manuelt tilbage til udførelse af specielle snit såsom "lommensnit" og "sammensatte snit".** Løft den nederste klingskærm op ved hjælp af grebet. Så snart klingens går ned i arbejdsstykket, slippes den nederste klingskærm. For alle andre typer snit går den nederste klingskærm på plads af sig selv.
- **Se altid efter, om den nederste klingskærm nu også dækker klingens, inden saven lægges på et arbejdsbord eller på gulvet.** Hvis klingens ikke er dækket rigtigt, kan den dreje rundt på grund af træghed og skære det, der befinder sig i dens bane. Vær opmærksom på, at klingens bliver ved med at dreje rundt et stykke tid, efter motoren er standset.

SIKKERHEDSINSTRUKTIONER FOR TRÆSKÆRENDE KLINGE

- Læs vejledningen og instruktionerne omhyggeligt, før du bruger rundsaven og det elektriske værktøj.
- Det elektriske værktøj skal være i god stand, og spindlen må ikke være deformet og må ikke vibrere.
- Saven må ikke anvendes, hvis afskærmningerne ikke er i position. Hold afskærmningerne i god stand, og sørg for at vedligeholde dem.
- Sørg for, at operatøren er tilstrækkelig godt trænet i de sikkerhedsmæssige forholdsregler samt justeringen og betjeningen af det elektriske værktøj.
- Ved brug af det elektriske værktøj skal du altid anvende

sikkerhedsbriller og høreværn. Det anbefales at bruge handsker og kraftige skridsikre sko.

- Konsulter brugsanvisningen inden brug af ekstraudstyr/tilbehør. Forkert anvendelse af tilbehør kan forårsage skader og øge risikoen for personskader.
- Brug kun klinger, som er specificeret i denne brugsanvisning, og som overholder EN 847-1.
- Overhold den maksimale hastighed, der er markeret på savklingen. Kontrollér, at den hastighed, der er anført på savklingen, som minimum svarer til den hastighed, der er anført på saven.
- Brug altid klinger med en størrelse og facon, der passer til akselboringen. Klinger, som ikke passer til akslen, de skal monteres på, vil ikke dreje ordentligt rundt og kan bevirke, at man mister kontrollen over værktøjet.
- Undlad brug af klinger med større eller mindre diameter end anbefalet. Undlad brug af mellemstykker for at få klingens til at passe til spindlen.
- Før hver anvendelse skal du kontrollere spidsen af savklingen for skader og kontrollere, om den ser normal ud. Spidser, der er beskadigede eller løse, kan under brug flyve af, hvorved risikoen for personskade øges.
- Ridsede savklinger eller sådanne, som har ændret form, må ikke bruges. Benyt ikke savblade, der er beskadiget eller deformet.
- Hvis en savklinge er beskadiget, deform, skæv eller revnet, skal den smides ud. Reparation er ikke tilladt.
- Undlad brug af HHS-klinger.
- Sørg for, at savklingen er monteret korrekt inden ibrugtagning. Klingebolten skal strammes godt før brug (stram til ca. 10-15 Nm).
- Spændeskruen og møtrikkerne skal strammes ved hjælp af den passende skruenøgle.
- Det er ikke tilladt at forlænge skruenøglen eller stramme den ved at slå på den med en hammer.
- Sørg for, at alle klinger og flanger er rene, og at manchettens forsænkede sider ligger an mod klingens.
- Kontrollér, at klingens roterer i den rigtige retning.
- Inden påbegyndelse af arbejdet skal man foretage et prøvesnit uden tændt motor, så man kontrollere klingens position og skærmenes funktionsmåde i forhold til maskindelene og emnet.
- Lad aldrig værktøjet køre uden opsyn.
- Undlad at påføre smøremidler på klingens, mens denne kører.
- Der må aldrig udføres rengøring eller vedligeholdelsesarbejde, mens maskinen kører og skærehovedet ikke er i hvileposition.
- Forsøg aldrig hurtigt at standse et elektrisk værktøj, der er tændt, ved at sætte værktøjet eller klingens i spænd eller på anden vis. På denne måde kan der opstå utilsigtede alvorlige ulykker.
- Før der skiftes klinge, eller før der udføres vedligeholdelse, skal der slukkes for strømmen, eller batteriet skal tages ud.
- Vær forsigtig med klingens, når du pakker den ud eller pakker den ind. Man kan let komme til skade pga. klingens skarpe spids.
- Brug en holder, eller bær handsker, under håndtering

EN
FR
DE
ES
IT
NL
PT
DA
SV
FI
NO
RU
PL
CS
HU
RO
LV
LT
ET
HR
SL
SK
BG
UK
TR
EL

savklinger.

- Klungen skal opbevares i den originale emballage eller anden egnet indpakning. Opbevar under tørre forhold og på afstand af kemikalier, som kan beskadige klungen.

⚠ ADVARSEL

- Bær øjen- og høreværn.
- Bær støvmaske.
- Brug aldrig slibeskiver.
- Undgå overophedning af klingespidserne. Brug aldrig sløve eller beskadigede savklinger. Undlad at tvinge værktøjet.
- Brug kun anbefalede savklingetyper.
- Undlad brug af klinger med større eller mindre diameter end anbefalet.
- Brug kun klinger, som er specificeret i denne brugsanvisning, og som overholder EN 847-1.

LASERSIKKERHED (RCS1600)



- Laserstyrerstrålen i saven er klasse 2 med max ≤ 1 mW og 650 nm bølgelængder. Undlad at se direkte ind i laserstrålen. Manglende overholdelse af disse regler kan medføre alvorlig personskade.



Vi har medsendt en selvklæbende mærkat på dit sprog og beder dig nu om at påsætte denne i stedet for den engelske tekst oven på advarselsmærkaten, inden maskinen tages i brug første gang.

- Undlad at se ind i strålen under arbejdet.
- Ret ikke laserstrålen direkte mod øjnene på andre personer. Fare for alvorlige øjenskader.
- Anbring ikke laseren i en position, der kan bevirke, at andre bevidst eller ubevidst stirrer ind i laserstrålen.
- Undlad at bruge optiske værktøjer til visning af laserstrålen.
- Brug ikke laseren i nærheden af børn, og lad ikke børn bruge laseren.
- Forsøg ikke selv at reparere laseranordningen.
- Forsøg ikke selv at skifte nogen dele af laseranordningen.
- Reparation må kun udføres af laserproducenten eller en autoriseret servicerepræsentant.
- Udskift ikke laseren med en anden type.

UUNDGÅELIGE RISICI

Selv om produktet anvendes som foreskrevet, er det stadig umuligt at eliminere visse uundgåelige risikofaktorer fuldstændigt.

Følgende risici kan opstå under brug, og operatøren bør være særligt opmærksom for at undgå følgende:

- Personskader forårsaget af tilbageslag ("kickback")
 - Sørg for at læse og forstå denne vejledning.
 - Personskader forårsaget af vibration
 - Begræns eksponering. Se "Risikoreduktion".
 - Personskader forårsaget af støv
 - Brug altid øjenværn. Benyt passende støvmaske med egnede filtre, der kan beskytte mod støv fra det materiale, der arbejdes med. Undlad at spise, drikke eller ryge i arbejdsområdet. Sørg for tilstrækkelig ventilation på arbejdspladsen.
 - Elektrisk stød
 - Klungen kan køre mod skjulte kabler, hvorved dele af produktet kan blive strømførende. Hold altid produktet i de hertil indrettede håndtag, og pas på ved blindskæring i vægge og gulve, hvor der kan være skjulte kabler.
- BEMÆRK:** Når der arbejdes i vægge, lofter eller gulve, skal man sørge for at undgå el-, gas- eller vandledninger.
- Personskade pga. kontakt med klungen.
 - Klingerne er meget skarpe og bliver varme under brug. Benyt handsker, når der skiftes klinger. Hænderne skal altid holdes på afstand af skæreområdet. Hold ALDRIG arbejdsstykket med hånden eller mellem benene. Emnet skal så vidt muligt altid fastspændes.

RISIKOREDUKTION

Der er rapporteret om, at vibrationer fra håndholdte værktøjer kan være medvirkende til en lidelse kaldet Raynauds syndrom hos visse personer. Symptomerne herpå kan være prikken, følelseløshed og blegning af fingrene, der normalt viser sig ved kuldepåvirkning. Faktorer som arvelighed, udsættelse for kulde og fugt, kost, rygning og arbejdsvaner menes alle at medvirke til udviklingen af disse symptomer. Der findes forholdsregler, som operatøren kan træffe for at begrænse påvirkningen fra vibrationer:

- Hold kroppen varm i koldt vejr. Brug handsker, så hænder og vriste holdes varme under arbejdet. Der er rapporteret om, at koldt vejr er en væsentlig faktor til Raynauds syndrom.
- Motionér efter hver arbejdsperiode for at øge blodcirkulationen.
- Hold hyppige arbejdspauser. Begræns eksponeringen for vibrationer pr. dag.

Hvis du mærker nogen af symptomerne på denne tilstand, skal du straks ophøre med arbejdet og søge læge.

⚠ ADVARSEL

Længere tids brug af et værktøj kan forårsage - eller forværre - personskader. Når man bruger et værktøj i længere perioder ad gangen, skal man huske at holde hyppige pauser.

KEND PRODUKTET

Se side 135.

1. Udløser
2. Start-stopknappens oplåsningsknap
3. Øverste klingskærm
4. Støvåbnings-adapter
5. Greb for nederste klingskærm
6. Klingebolt
7. Nederste klingskærm
8. Håndtag
9. Vinkelskala
10. Lås til vinkelskala
11. Lås til flængebeskyttelse
12. Bundplade
13. Laserhoved (RCS1600)
14. Klinge
15. Saveskinne
16. Spænde
17. Servicenøgle
18. Parallellanslag

VEDLIGEHOOLDELSE

⚠ ADVARSEL

Produktet må aldrig sluttes til en strømforsyning, mens man er i færd med at samle dele, foretage justeringer, rengøre, udføre vedligeholdelsesarbejde, eller når produktet ikke anvendes. Ved at afbryde forbindelsen til strømforsyningen forhindrer man utilsigtet start af produktet, hvilket kan medføre alvorlige personskader.

- Brug kun originale reservedele fra maskinproducenten i forbindelse med servicearbejde. Brug af alternative dele kan forårsage farlige situationer eller ødelægge produktet.
- Husk at afbryde værktøjet fra strømforsyningen inden montering eller udtagning af savklingen. Rengør produktet og beskyttelsessystemet med rene klude.
- Undgå brug af opløsningsmidler til rengøring af plastdele. De fleste plasttyper bliver ødelagt, hvis de renses med almindelige gængse opløsningsmidler. Fjern snavs, støv m.v. med en ren klud.
- Sørg for, at bremsevæske, benzin, petroleumsbaserede produkter, penetreringsolie, mv., aldrig kommer i kontakt med plastdele. Disse kemiske produkter indeholder stoffer, som kan beskadige, mørne eller ødelægge plastmaterialet.
- Bær altid sikkerhedsbriller med sideskjolde under betjening af elværktøjet eller ved støv-ophvirvling. Hvis der ophvirvles støv under arbejdet, bæres også støvmaske.
- Hvis strømforsyningskablet beskadiges, skal det udskiftes af producenten eller på et autoriseret servicecenter for at undgå risici. Kontakt et autoriseret servicecenter.
- Af hensyn til større sikkerhed og pålidelighed skal alt reparationsarbejde udføres på et autoriseret Ryobi-servicecenter.

SMØRING

Alle lejerne i produktet er smurt for produktets levetid under normale driftsbetingelser med en tilstrækkelig mængde højkvalitetssmøremiddel. Det er derfor ikke nødvendigt med yderligere smøring.

MILJØBESKYTTELSE



Råmaterialerne skal genbruges og ikke bortskaffes som almindeligt affald. Af hensyn til miljøet skal redskab, tilbehør og emballage sorteres.

SYMBOLER PÅ PRODUKTET



Sikkerhedsadvarsel

V

Volt

Hz

Hertz

~

Vekselstrøm

W

Watt

n_o

Tomgangshastighed

min⁻¹

Antal omdrejninger eller bevægelser pr. Minut



Klasse II, dobbeltisoleret



Træ



Undlad at skære i metal



Benyt høreværn



Benyt øjenværn



Laserstråling.
Se aldrig direkte ind i strålen.
Klasse 2-laserprodukt
λ: 650nm; P≤1mW
EN 60825-1:2014



Fare! Skarp klinge.



Må ikke udsættes for regn



Snitbredde



Klingetænder



CE-overensstemmelse

EN
FR
DE
ES
IT
NL
PT
DA
SV
FI
NO
RU
PL
CS
HU
RO
LV
LT
ET
HR
SL
SK
BG
UK
TR
EL



EurAsian overensstemmelsesmærke



Ukrainsk overensstemmelsesmærke



Læs venligst vejledningen grundigt igennem før maskinen tages i brug.



Elektriske affaldsprodukter bør ikke afskaffes sammen med husholdningsaffald. Genbrug venligst hvor faciliteterne tillader dette. Tjek med din lokale kommune eller forhandler for genbrugsråd.

SYMBOLER I BRUGSANVISNINGEN



Slut til strømforsyningen.



Kobl fra strømforsyningen.



Dele eller tilbehør, der sælges separat



Lås



Oplås



Bemærk

De følgende ikoner og betydninger er beregnet til at forklare risikoen involveret i at anvende denne enhed.

FARE

Indikerer en umiddelbart farlig situation, som - hvis den ikke afværges - vil medføre dødsfald eller alvorlig personskade.

ADVARSEL

Indikerer en potentielt farlig situation, som - hvis den ikke afværges - kan medføre dødsfald eller alvorlig personskade.

VÆR OPMÆRKSOM

Indikerer en potentielt farlig situation, som - hvis den ikke afværges - kan medføre mindre eller middelsvær personskade.

VÆR OPMÆRKSOM

(Uden sikkerhedssymbol) indikerer en situation som kan føre til skade af personlig ejendom.

Säkerhet, prestanda och tillförlitlighet har varit högsta prioritet vid utformningen av din cirkelsåg.

ANVÄNDNINGSMÅL

Cirkelsågen är endast avsett att användas av vuxna som har läst och förstått instruktionerna och varningarna i denna manual och vilka kan anses ansvariga för sina handlingar.

Sågen är utformad för ripcut- eller crosscut-sågning av trävirke eller liknande material upp till ett maxdjup på 54 millimeter. Den kan göra raka eller fasade snitt mellan 0 och 45 grader. Den ska användas med verktygsbasen liggande mot arbetsstycket. Sågen ska användas i torra förhållanden med god omgivande belysning och tillräcklig ventilation. Sågen är avsedd att hållas i handen. Sågen ska inte monteras på arbetsbänk om inte specifika instruktioner om hur det görs fås från tillverkaren av produkten. Såga inte i metall eller sten. Använd inte produkten på något annat sätt än vad som är avsett. Användning av el-verktyget för andra områden än de avsedda kan resultera i en riskfylld situation.

⚠ VARNING

Läs noga alla varningar och alla instruktioner. Underlåtenhet att respektera dessa föreskrifter kan leda till olyckor som brand, elektriska stötar och/eller allvarliga kroppsskador.

Spara dessa varningar och instruktioner för senare behov.

SÄKERHETSVARNINGAR FÖR CIRKELSÅG

KAPNINGSFÖRFARANDE

⚠ FARA

Håll händerna borta från bladet och arbetsområdet. Handen som inte håller i verktygets huvudhandtag ska antingen hålla i hjälphandtaget eller placeras på motorhuset. Det finns då ingen risk för att händerna befinner sig inom skärområdet, i sågklingans bana.

- **Sträck dig inte in under arbetsstycket.** på denna plats kan skyddskåpan inte skydda dig, för den täcker inte klingan.
- **Ställ in skärdjupet beroende på arbetsstyckets tjocklek.** Tänderna på sågklingan får inte helt skjuta ut under arbetsstycket under sågningen.
- **Håll ALDRIG arbetsstycket med handen eller mellan benen.** Fäst det på ett stadigt underlag. Det är av största vikt att fästa arbetsstycket stadigt, för att undvika risker för kroppsskador och att inte böja sågklingan, för att inte förlora kontrollen över verktyget.
- **Håll i verktyget endast i de isolerade och halksäkra delarna då du arbetar på en yta som kan dölja elektriska ledningar eller då arbetet är sådant att nätsladden kan placeras i verktygets bana.** Kontakt med strömförande kabel gör metalldelar på verktyget strömförande och kan ge användaren en elektrisk stöt.
- **Använd alltid ett parallellanslag eller ett rakt städ då**

du utför ett parallellsnitt. Skärprecisionen blir bättre och du undviker att böja sågklingan.

- **Använd alltid sågklingor vars storlek och form är anpassade till axelns fästhål.** Sågklingor som inte är anpassade till axeln på vilken de ska monteras roterar inte normalt och leder till att man förlorar kontrollen.
- **Använd aldrig defekta eller olämpliga skruvar eller flänsar för sågklingorna.** Flänsarna och skruvarna har konstruerats speciellt för din sågmodell, för optimal säkerhet och optimala prestanda.

ORSAKER TILL BAKSLAG OCH RELATERADE VARNINGAR:

- Bakslaget är en plötslig reaktion som inträffar då sågklingan kläms till, vrids eller är fel inställd; sågen frigör sig då plötsligt från arbetsstycket och studsar häftigt bakåt mot användaren.
- Då sågklingan fastnar i träet, stannar den och motorn, som fortsätter att gå, slungar sågen i motsatt riktning jämfört med sågklingans rotationsriktning, dvs mot användaren.
- Om sågklingan vrids eller är felaktigt inställd, riskerar tänderna som finns på baksidan av den att sjunka in i träytan, vilket gör att sågklingan plötsligt kommer ut ur arbetsstycket i riktning mot användaren.

Ett bakslag är alltså resultatet av en felaktig användning av verktyget och/eller av felaktiga arbetsmetoder eller arbetsförhållanden. Det kan undvikas genom att vidta några försiktighetsåtgärder.

- **Håll stadigt i sågen med båda händerna och placera armarna så att de kan kontrollera ett eventuellt bakslag.** Stå på den ena sidan av sågen då du arbetar, aldrig i linje med sågklingan. Bakslaget slungar plötsligt sågen bakåt, men denna rörelse kan kontrolleras om användaren är förberedd på den.
- **Om sågklingan kilas fast eller om du måste avbryta arbetet av någon orsak, släpp strömbrytaren och håll sågen kvar i arbetsstycket ända tills sågklingan helt slutat att rotera.** Försök aldrig att ta bort sågklingan från arbetsstycket, eller att dra sågklingan bakåt, samtidigt som klingan roterar; ett återkast kan ske. Om sågklingan kilas fast, ta reda på orsaken och vidta nödvändiga åtgärder för att detta inte upprepas.
- **Innan du startar sågen för att fortsätta arbetet, ställ in sågklingan rätt i förhållande till sågspåret och kontrollera att tänderna inte rör vid arbetsstycket.** Om sågklingan sitter fast i arbetsstycket kan ett bakslag uppstå då du sätter i gång sågen.
- **Kom ihåg att stöda långa arbetsstycken för att undvika att sågklingan kilas fast och för att begränsa riskerna för bakslag.** Långa arbetsstycken tenderar att böja sig under sin egen vikt. Du kan placera stöd på båda sidorna av arbetsstycket, nära skärinjen och vid änden av arbetsstycket.
- **Använd inte slöa eller skadade sågklingor.** Ovassa eller fel monterade sågklingor ger ett smalt sågspår som leder till en extrem friktion av sågklingan och till större risker för vridning och bakslag.
- **Kontrollera innan du börjar arbeta att knapparna för inställning av skärdjup och lutning är stadigt låsta.**

EN
FR
DE
ES
IT
NL
PT
DA
SV
FI
NO
RU
PL
CS
HU
RO
LV
LT
ET
HR
SL
SK
BG
UK
TR
EL

Om inställningarna av sågklingans läge ändras under arbetet kan sågklingan fastna och ett bakslag uppstå.

- **Var extra försiktig vid sågning i befintliga väggar eller andra dolda ytor.** Sågklingan kan stöta till dolda komponenter, vilket leder till bakslag.

NEDRE SKYDDETS FUNKTION

- **Kontrollera före varje användning att den nedre skyddskåpan täcker sågklingan korrekt. Använd inte sågen om den nedre skyddskåpan inte kan manövreras fritt och om den inte tillsluts ögonblickligen kring sågklingan. Fäst aldrig den nedre skyddskåpan i öppet läge.** Om sågen föll av misstag skulle den nedre skyddskåpan kunna vika sig. Lyft upp den nedre skyddskåpan med handtaget och kontrollera att den kan hanteras utan svårighet samt att den inte rör vid sågklingan eller någon annan del, oavsett den vinkel och det skärdjup som valts.
- **Kontrollera att den nedre skyddskåpan fjäder är i gott skick och fungerar normalt. Om skyddskåpan eller fjädern inte fungerar normalt, låt dem repareras eller bytas ut innan du använder sågen.** Det nedre skyddet kan hacka beroende på skadade delar, gummiavlagringar eller ansamling av skräp.
- **Det nedre skyddet kan dras in manuellt för specialskärning som instick och vinklar.** Lyft upp den nedre skyddskåpan med hjälp av handtaget. Släpp sedan den nedre skyddskåpan så fort sågklingan tränger in i arbetsstycket. Vid alla andra slag av snitt sätts den nedre skyddskåpan på plats automatiskt.
- **Kontrollera alltid att den nedre skyddskåpan täcker sågklingan väl innan du placerar sågen på en arbetsbänk eller på golvet.** Om sågklingan inte är korrekt täckt, kan den rotera av tröghetskraften och såga det som befinner sig i dess bana. Var medveten om att sågklingan fortsätter att rotera en stund efter att motorn stängts av.

SÄKERHETSINSTRUKTIONER FÖR SKÄRBLAD FÖR TRÄ

- Läs manualen och instruktionerna noggrant innan du använder sågbladet och det eldrivna verktyget.
- Det eldrivna verktyget måste vara i gott skick, spindel deformations- och vibrationsfri.
- Använd inte sågen utan att skydden sitter på plats. Underhåll och sköt skydden så att de hålls i bra skick.
- Se till att operatören är väl förtrogen med hur det eldrivna verktyget fungerar samt dess säkerhetsanvisningar och inställning.
- Bär alltid skyddsglasögon och hörselskydd när du använder det eldrivna verktyget. Vi rekommenderar att du använder handskar och robusta, halkfria skor.
- Läs alltid bruksanvisningen innan ett tillbehör skall användas. Felaktig användning av ett tillbehör kan orsaka skador och ökar risken för olyckor.
- Använd endast klingor som specificerats i denna manual, enligt EN 847-1.
- Observera den maximala hastigheten som finns angiven på sågklingan. Kontrollera att hastigheten som anges på sågklingan är minst lika hög som den som

anges på sågen.

- Använd alltid sågklingor vars storlek och form är anpassade till axelns fästhål. Sågklingor som inte är anpassade till axeln på vilken de ska monteras roterar inte normalt och leder till att man förlorar kontrollen.
- Använd inte klingor av större eller mindre diameter än vad som rekommenderas. Använd inte brickor för att få klingan att passa på tapen.
- Kontrollera spetsarna på sågbladet med avseende på skador och onormalt utseende innan du använder det. Skadade eller löst sittande spetsar kan bli flygande objekt när sågen används och ökar risken för personskadorna.
- Spruckna sågklingor eller sådana som förändrat form får ej användas! Använd inga sågblad som har tagit skada eller är defomrerade.
- Du får aldrig reparera sågbladet om det är skadat, deformerat, förvridet eller sprucket - om det har skador ska det skrotas.
- Använd inte HSS-klingor.
- Säkerställ att klingan är korrekt monterad innan den används. Dra åt skruven på bladet ordentligt före användning (åtdragsmoment ca. 10-15 Nm).
- Fästskravar och -muttrar ska dras åt med lämplig skruvnyckel.
- Extension av skruvnyckeln eller åtdragning med hjälp av hammarslag är inte tillåtet.
- Se till att alla klingor och glänsar är rena och de ingröpta sidorna av kragen är vända mot klingan.
- Kontrollera att klingan roterar i rätt riktning.
- Före arbete bör du göra en provkapning utan motorn påslagen så att läget för bladet och skydden i förhållande till andra maskiner och arbeten kan kontrolleras.
- Lämna aldrig ett verktyg som är igång.
- Applicera in smörjmedel på bladet när det är igång.
- Utför aldrig rengöring eller underhållsarbete medan maskinen är igång och huvudet inte är i läge.
- Försök aldrig snabbstoppa ett eldrivet verktyg i drift genom att anbringa ett verktyg eller något annat mot bladet. Allvarliga olyckor kan inträffa på det viset.
- Koppla ur sågen från strömförsörjningen eller batteriet innan du byter blad eller utför underhåll.
- Hantera bladet med varsamhet vid upp- och nedpackning. Det är lätt att skära sig på de vassa bladspetsarna.
- Använd en hållare eller handskar när du handskas med sågklingan.

Förvara bladet i originalförpackningen eller annan lämplig förpackning. Förvara på en torr plats och på avstånd från kemikalier som kan skada skärbladet.

⚠ VARNING

- Använd ögon- och hörselskydd.
- Använd dammskydd.
- Använd aldrig en slipskiva.
- Undvik överhettning av sågtänderna. Använd inte slöa eller skadade sågklingor. Använd inte kraft mot verktyget.
- Använd enbart rekommenderade sågblad.
- Använd inte klingor av större eller mindre diameter än vad som rekommenderas.
- Använd endast klingor som specificerats i denna manual, enligt EN 847-1.

LASER SÄKERHET (RCS1600)

- Strålningen från laserstrålen som används i sågen är av Klass 2 med maximalt $\leq 1\text{mW}$ och 650 nm våglängd. Titta inte rakt in i laserstrålen. Om inte riktlinjerna följs kan det leda till allvarlig personskada.



- Det medföljer en klisteretikett på ditt språk och vi ber dig att sätta den på plats i stället för den engelska texten på varningsetiketten före första användning av maskinen.
- Titta inte in i laserstrålen under användning.
- Rikta inte laserstrålen direkt mot andra personers ögon. Allvarlig ögonskada kan uppstå.
- Placera inte lasern i ett läge där någon kan titta in i laserstrålen medvetet eller av misstag.
- Använd inga optiska instrument för att titta på laserstrålen.
- Använd inte lasern i närheten av barn och låt inte heller barn använda lasern.
- Försök inte att laga laserenheten själv.
- Försök inte själv utföra ändringar på laserapparaten.
- Reparationer får endast utföras av lasertillverkaren eller en auktoriserad serviceagent.
- Byt inte ut lasern mot någon annan typ.

RESTRISKER

Även om produkten används enligt instruktionerna går det inte att eliminera alla eventuella riskfaktorer. Följande risker kan uppstå vid användning och operatören ska vara extra uppmärksam för att undvika följande:

- Skador orsakade av kickback
 - Läs och förstå informationen i denna manual.
- Skador orsakad av vibrationer
 - Begränsa exponeringen. Se "Riskreducering".

- Skador orsakade av damm
 - Bär alltid ögonskydd. Använd lämplig dammask med passande filter som skyddar mot damm från materialet som bearbetas. Ät, drick eller rök inte på arbetsområdet. Se till att arbetsplatsen är tillräckligt ventilerad.
 - Elektrisk stöt
 - Bladet kan komma i kontakt med aktiva kablar så att delar av produkten blir strömförande. Håll produkten i avsedda grepp och var noga vid sågning i väggar och golv där det kan finnas dolda kablar.
- NOTERA:** Vid arbete i väggar, golv eller tak ska du vara noga med att undvika el-, gas- och vattenledningar.
- Skador vid kontakt med sågbladet
 - Bladen är mycket vassa och blir heta under användning. Använd handskar vid byte av blad. Håll alltid händerna på säkert avstånd från sågområdet. Håll ALDRIG arbetsstycket med handen eller mellan benen. Kläm alltid fast arbetsstycket om så är möjligt.

RISKMINSKNING

Det finns rapporter om att vibrationer från handhållna produkter kan bidra till ett tillstånd som kallas Raynauds syndrom för vissa personer. Symptomen brukar vara att det sticker i fingrarna och att de domnar bort; fingrarna kan också bli vita, särskilt vid kyla. Ärftliga faktorer, kyla och fukt, diet, rökning och arbetsrutiner tros alla bidra till att orsaka dessa symptom. Det finns förebyggande åtgärder som du kan vidta för att försöka minska vibrationernas påverkan:

- Håll dig varm när du arbetar i kallt väder. Använd handskar för att hålla kvar värmen i händer och handleder. Kyla har rapporterats som en viktig del i utvecklandet av Raynauds syndrom.
- Träna och rör på dig efter varje användningstillfälle för att öka blodcirkulationen.
- Ta ofta pauser från arbetet. Begränsa tiden du utsätter dig varje dag.

Upphör omedelbart om du upplever några av dessa symptom och uppsök din läkare.

⚠ VARNING

Risk för person- eller slitageskador vid användning av verktyget under lång tid. Om verktyget används under längre perioder krävs regelbundna pauser.

LÄR KÄNNA DIN PRODUKT

Se sidan 135.

1. Avtryckare
2. Knapp för upplåsning av gasreglaget
3. Övre skyddskåpa
4. Dammportadapter
5. Inställningsspak till den nedre skyddskåpan
6. Bladskruv
7. Nedre skyddskåpa
8. Handtag
9. Vinkelskala (Angle scale)

10. Vinkelskala, lås (Angle scale lock)
11. Rip-styrskena, lås (Rip guide lock)
12. Bottenplatta
13. Laserhuvud (RCS1600)
14. Sågklinga
15. Kapsåg
16. Klämma
17. Servicenyckel
18. Klyvguide

UNDERHÅLL

⚠ VARNING

Produkten får aldrig anslutas till strömkälla under montering, justeringar, rengöring, underhåll eller när produkten inte används. Frånkoppling av produkten förhindrar uppstart av misstag vilket kan orsaka allvarliga skador.

- Under servicearbete ska enbart tillverkarens originaltillbehör användas. Användning av andra delar kan orsaka fara eller produktskada.
- Koppla alltid bort verktyget från eluttaget innan du sätter dit eller tar bort sågklingan. Rengör produkten och skyddssystemet med rena dukar.
- Undvik att använda lösningsmedel vid rengöring av plastdelar. Flertalet plaster kan skadas vid användning av vissa lösningsmedel som säljs i affärerna. Använd en ren tygtrasa för att torka bort smuts, damm, osv.
- Låt aldrig bromsvätska, bensin, petroleumbaserade produkter, penetrerande oljor och liknande komma i kontakt med plastdelar. Dessa ämnen innehåller kemiska produkter som kan skada, försvaga eller förstöra plasten.
- Använd alltid skyddsglasögon när du använder verktyget eller när du blåser damm. Använd en ansiktsmask om det dammar mycket.
- För att minska risken för en skadad strömsladd endast repareras av tillverkaren eller ett auktoriserat servicecenter. Kontakta auktoriserat servicecenter.
- För säkerhet och pålitlighet ska alla reparationer utföras av auktoriserat Ryobi reparationscenter.

SMÖRJNING

Alla lager i produkten har smorts med tillräcklig mängd högklassig smörjmedel för produktens livslängd under normala driftförhållanden. Därför behövs ingen ytterligare smörjning.

MILJÖSKYDD



Råmaterialen ska återvinnas i stället för att kastas i hushållsavfallet. För att skona miljön ska verktyget, tillbehören och emballagen sorteras.

SYMBOLER PÅ PRODUKTEN



Säkerhetsvarning

V

Volt

Hz

Hertz

~

Växelström

W

Watt

n_o

Tomgångshastighet

min⁻¹

Antal varv eller rörelser per minut



Klass II, dubbelisolerad



Trä



Såga inte i produkter av metall



Bär hörselskydd.



Använd skyddsglasögon



Laserstrålning.
Titta inte direkt mot strålen.
Laserprodukt av Klass 2
λ: 650nm; P≤1mW
EN 60825-1:2014



Fara! Vass klinga.



Skydda mot regn



Skärbredd



Sågtand



CE-överensstämmelse



EurAsian överensstämmelsesymbol



Ukrainskt märke för överensstämmelse



Läs instruktionerna ordentligt innan start av maskinen.



Gamla elektroniska produkter ska inte kastas med hushållssoporna. Återvinn där sådana faciliteter finns. Kontrollera med din lokala myndighet eller säljaren för att få återvinningstips.

SYMBOLER I MANUALEN



Anslut till eluttag.



Koppla bort från eluttag.



Delar och utrustning säljs separat



Lås



Lås upp



Notera

Följande signalord och betydelser är tänkta att förklara de olika risknivåerna som är associerade med denna produkt.

FARA

Visar på en direkt riskfylld situation som, om den inte undviks, kan orsaka dödsfall eller allvarlig personskada.

VARNING

Visar på en potentiellt riskfylld situation som, om den inte undviks, kan orsaka dödsfall eller allvarlig personskada.

FÖRSIKTIGHET

Visar på en potentiellt riskfylld situation som, om den inte undviks, kan orsaka mindre eller måttlig personskada.

FÖRSIKTIGHET

(Utan säkerhetssymbolen) Indikerar en situation som kan leda till egendomsskada.

EN
FR
DE
ES
IT
NL
PT
DA
SV
FI
NO
RU
PL
CS
HU
RO
LV
LT
ET
HR
SL
SK
BG
UK
TR
EL

Pyörösahan suunnittelussa on kiinnitetty erityistä huomiota turvallisuuteen, suorituskykyyn ja käyttövarmuuteen.

KÄYTTÖTARKOITUS

Pyörösahaa saavat käyttää vain aikuiset, jotka ovat lukeneet tässä käyttöohjeessa olevat ohjeet ja varoitukset ja ymmärtävät niiden sisällön ja joiden voidaan katsoa olevan vastuussa omista teoistaan.

Saha on tarkoitettu syvyydeltään enintään 54 mm:n puun tai vastaavien materiaalien halkaisuun ja katkaisuun. Materiaalia voidaan sahata 0 - 45 asteen kulmassa. Sahaa saa käyttää vain siten, että työkalun alaosa on kosketuksessa työkappaleeseen. Sahaa tulee käyttää kuivissa olosuhteissa erinomaisessa työvalaistuksessa ja riittävästi tuuletetussa tilassa. Sahaa on suunniteltu käsikäyttöön. Sahaa ei saa asentaa työpenkkiin, ellei tuotteen valmistaja erityisesti neuvo, miten se tapahtuu. Älä käytä metallin tai kiven leikkaamiseen. Älä käytä tätä tuotetta millään muulla tavalla kuin mihin se on tarkoitettu. Sähkötyökalun käyttö muuhun kuin sille tarkoitettuun työhön voi aiheuttaa vaarallisia tilanteita.

VAROITUS

Lue kaikki varoitukset ja ohjeet huolellisesti. Näiden ohjeiden laiminlyönti voi aiheuttaa onnettomuuksia kuten tulipalon, sähköiskun ja/tai vakavia ruumiinvammoja.

Säilytä nämä varoitukset ja ohjeet myöhempää tarvetta varten.

PYÖRÖSAHAA KOSKEVAT TURVAVAROITUKSET

KATKAISEMINEN

VAARA

Älä kosketa leikkuualueetta tai terää. Käsi, joka ei ole työkalun peruskahvalla on pidettävä lisäkahvalla tai asetettava moottorin suojukselle. Näin kädet eivät pääse leikkuualueelle, terän kulkureitille.

- **Älä kurota työkappaleen alle.** Teränsuojus ei voi tällöin suojata käsiä, koska se ei peitä terää.
- **Sovita sahausvyvyys työkappaleen paksuuden mukaisesti.** Terän hampaisto ei saa tulla kokonaan työkappaleen yli leikkauksen aikana.
- **Älä KOSKAAN pidä työkalua käsien tai reisien välissä. Kiinnitä se tukevalle kannattimelle.** Työkappale on ehdottomasti kiinnitettävä oikein loukkaantumisvaaran ehkäisemiseksi ja ettei terä pääsisi taipumaan, jolloin vaarana on työkalun hallinnan menettäminen.
- **Pidä työkalusta kiinni vain eristetyistä luistamattomista osista työskennellessäsi pinnalla, joka saattaa katkeä sähköjohtoja tai milloin vaadittu työ edellyttää mahdollisesti sähköjohdon asettamista työkalun liikeradalle.** Jos sähkötyökalu koskettaa sähköistettyä johtoa, työkalun metalliosat voivat sähköistyä ja aiheuttaa käyttäjälle sähköiskun.
- **Kun teet halkaisua, käytä aina rinnakaista**

leikkuuohjainta tai suoraa reunalistaa. Leikkuutulokset paranevat ja terä ei pääse taipumaan.

- **Käytä aina akselille sopivia teräkojoja ja -muotoja.** Akselille sopimattomat terät eivät pyöri oikealla tavalla ja voivat aiheuttaa työkalun hallinnan menettämisen.
- **Älä koskaan käytä viallisia tai sopimattomia terän ruuveja ja laippoja.** Terän laipat ja ruuvit on suunniteltu kyseessä olevalle sahamallille optimaalisen turvallisuuden ja tehokkuuden takaamiseksi.

TAKAPOTKU JA SIIHEN LIITTYVÄT VAROITUKSET:

- Takaisku on äkillinen reaktio, joka aiheutuu terän nipistyessä, vääntymässä tai huonosta linjauksesta; terä vapautuu yhtäkkiä työkappaleesta ja peräännyttää väkivaltaisesti käyttäjää kohti.
- Kun terä nipistyy puuhun, se tarttuu kiinni ja käynnissä oleva moottori sinkoaa sahan terän pyörimissuunnasta vastapäiseen suuntaan eli käyttäjää kohti.
- Jos terä vääntyy tai on huonosti linjattu, terän takahampaisto voi uppoutua puun pintaan, jonka seurauksena terä irtaantuu äkkiä yöstettävästä kappaleesta käyttäjää kohti.

Takaisku aiheutuu siis työkalun huonosta käytöstä ja/tai vääristä sahausmenetelmistä tai -olosuhteista. Tämä voidaan ehkäistä varokeinoja noudattamalla.

- **Pidä sahasta tukevasti kaksin käsin ja käsivarret niin, että voit hallita mahdollisen takaiskun. Asetu sahan jommallekummalle puolelle, älä koskaan asetu terää vastapäätä.** Takaisku sinkoaa sahan äkkipikaisesti taaksepäin. Tätä liikettä voidaan kuitenkin hallita, jos käyttäjä on siihen varautunut.
- **Jos terä juuttuu tai joudut jostain syystä keskeyttämään sahauskeskeytyksen, vapauta liipaisin ja pidä sahaa työkappaleella kunnes terä lakkaa kokonaan pyörimästä. Älä koskaan yritä irrottaa sahaa työkappaleesta tai vedä sahaa taaksepäin terän pyöriessä, muutoin voit aiheuttaa takapotkun.** Jos terä juuttuu, etsi syy ja noudata tarvittavia toimia, ettei näin pääse tapahtumaan uudelleen.
- **Ennen kuin käynnistät sahan työn jatkamiseksi, linjaa terä oikein leikkuuviivalle ja tarkasta, ettei hampaisto kosketa työkappaleeseen.** Jos terä on tarttunut työkappaleeseen, takaisku voi tapahtua kun saha käynnistetään.
- **Kannata pitkiä kappaleita, ettei terä pääse tarttumaan, jolloin vältät takaiskuvaaran.** Pitkillä työkaluilla on taipumusta keinua oman painovoiman johdosta. Voit asettaa kannattimia työkalun molemmille puolille, lähelle leikkuuviivaa ja kappaleen päätä.
- **Älä käytä tylsyneitä tai viallisia teriä.** Tylsät tai huonosti asennetut terät tekevät ohuen jäljen, aiheuttaen liiallista kitkaa, jonka seurauksena on suurempi vääntymis- ja takaiskuvaara.
- **Tarkasta ennen sahauskeskeytyksen aloitusta, että sahausvyvyden ja kaltevuuden säätönapit ovat oikein lukittuina.** Jos terän asentossäädöt muuttuvat sahauskeskeytyksen aikana, on vaarana terän tarttuminen ja takaiskun ilmaantuminen.
- **Ole erittäin varovainen sahatessasi olemassa oleviin seinämiin tai muihin sokeisiin kohtiin niiden keskeltä alkavaa leikkausta.** Terä voi osua piilossa oleviin esteisiin, mikä aiheuttaa takaiskun.

ALASUOJUKSEN TOIMINTA

- **Tarkasta aina ennen käyttöä, että alempi teränsuojus peittää terän oikein. Älä käytä sahaa, jos alempaa teränsuojusta ei voida käyttää vapaasti ja jos se ei käänny heti terälle. Älä koskaan lukitse tai kiinnitä alempaa teränsuojusta ”auki” asentoon.** Jos saha putoaa epähuomiossa, alempi teränsuojus voi taipua. Nosta alempaa teränsuojusta vivulla ja varmista, että sitä voidaan käyttää vaivattomasti ja ettei se kosketa terään eikä muihin osiin missään sahauskulmassa ja -syvytydessä.
- **Varmista, että alemman teränsuojuksen jousi on hyväkuntoinen ja toimii oikein. Jos teränsuojus tai jousi ei toimi oikein, korjauta tai vaihda ne ennen sahan käyttöä.** Alasuoja voi toimia hitaasti vioittumisen, tahmeiden jäämien ja roskakeräyminen takia.
- **Alasuoja voidaan vetää sisään manuaalisesti ainoastaan erikoistapauksessa, kuten tehtäessä uppo- tai yhdistelmäleikkauksia.** Nosta alempaa teränsuojusta sen käyttövivusta. Vapauta sitten alempi teränsuojus heti, kun terä uppoutuu työkappaleeseen. Alempi teränsuojus asettuu automaattisesti paikalleen kaikissa muissa sahaustavoissa.
- **Varmista, että alempi teränsuojus peittää terän hyvin aina ennen, kuin asetat sahan työpöydälle tai maahan.** Jos terä ei peity hyvin, se voi pyöriä inertiaivoimalla ja leikata kaiken kulkureitillä olevan. Ole tietoinen siitä, että terä jatkaa pyörimistä vielä hetken aikaa moottorin sammutuksen jälkeen.

PUUNKATKAISUTERÄN KÄYTTÖÄ KOSKEVAT TURVAOHJEET

- Perehdy huolellisesti käyttöoppaan ja ohjeiden sisältöön, ennen kuin alat käyttää sahanterää ja sähkötyökälyä.
- Sähkötyökälyn on oltava hyvässä kunnossa ja karan on oltava suora ja täristämätön.
- Älä käytä sahaa, elleivät kaikki suojukset ole paikoillaan. Pidä suojukset hyvässä kunnossa ja huolla niitä asianmukaisesti.
- Varmista, että käyttäjä on saanut perehdytyksen sähkötyökälyn käyttöön ja säätöön ja että hän on saanut laitteen turvakoulutuksen.
- Pidä aina suojalaseja ja kuulosuojaimia, kun käytät sähkötyökälyä. On suositeltavaa käyttää käsineitä ja tukevia, luistamattomia kenkiä.
- Tutustu käyttöoppaaseen ennen lisälaitteiden käyttöä. Lisälaitteen väärä käyttötapa voi johtaa vahinkoon ja mahdolliseen henkilövammaan.
- Käytä ainoastaan tämän käyttöoppaan mukaisia teriä, jotka noudattavat EN 847-1 -standardia.
- Noudata terään merkittyä maksiminopeutta. Varmista, että sahanterään merkitty nopeus on vähintään yhtä suuri kuin sahaan merkitty nopeus.
- Käytä aina akselille sopivia teräkojoja ja -muotoja. Akselille sopimattomat terät eivät pyöri oikealla tavalla ja voivat aiheuttaa työkalun hallinnan menettämisen.
- Älä käytä suositeltua suurempia tai pienempiä teriä. Älä käytä välilevyjä sovittaessasi terää karaan.
- Aina ennen käytön alkamista tarkista, näkykö

sahanterän kärjissä vaurioita tai epäsäännöllistä kuluneisuutta. Vaurioituneet ja löystyneet kärjet voivat sinkoutua hallitsemattomasti ympäristöön ja aiheuttaa henkilövammoja.

- Rikkinäisiä sahanteriä tai sellaisia, jotka ovat muuttaneet muotoaan ei saa käyttää! Älä käytä sahanteriä, jotka ovat vahingoittuneet tai vääntyneet.
- Hävitä sahanterä, joka on vaurioitunut, vääntynyt, kiero tai murtunut. Terän korjaaminen ei ole sallittua.
- Älä käytä pikateräksisiä teriä.
- Tarkista ennen käyttöä, että sahanterä on asennettu oikein. Ennen käytön alkamista kiristä terän kiinnityspultti huolellisesti (kiristysmomentti on noin 10-15 Nm).
- Kiinnitysruuvi ja mutterit on kiristettävä siihen tarkoitettulla kiinnitystyökälyllä.
- Kiinnitystyökälyn jatkaminen tai vasaran iskuilla tehty kiristys ei ole sallittua.
- Varmista, että terä ja lapat ovat puhtaat ja että holkin uralliset sivut ovat terää vasten.
- Tarkista, että terä pyörii oikeaan suuntaan.
- Tee ennen työn aloittamista koeleikkaus moottori päällä, jotta voit tarkistaa terän sijainnin ja suojien toiminnan laitteen osiin ja työkappaleeseen nähden.
- Älä koskaan jätä käynnissä olevaa laitetta vartioimatta.
- Älä voitele terää sen pyöriessä.
- Älä koskaan puhdista tai huolla konetta sen käydessä ja pään ollessa poissa lepoasennosta.
- Älä koskaan yritä pysäyttää liikkeessä olevaa sähkötyökälyä nopeasti painamalla työkalulla tai muulla väineellä vasten pyörivää terää. Tällainen menettely voi johtaa vakaviin onnettomuuksiin.
- Kytke saha irti verkkovirrasta tai irrota sen akku, ennen kuin alat vaihtaa teriä tai tehdä laitteen kunnossapitotöitä.
- Käsittele terää varoen pakatessasi sitä tai purkaessasi sitä pakkauksesta. Terän terävät kärjet aiheuttavat helposti vammoja.
- Käytä sahanterää käsitellessäsi telinettä tai käsineitä.
- Pidä ja säilytä terä sen alkuperäispakkauksessa tai muussa sopivassa pakkauksessa. Säilytä kuivissa tiloissa ja etäällä kemikaaleista, jotka voivat vahingoittaa terää.


VAROITUS

- Käytä näkö- ja kuulosuojauksia.
- Käytä pölynaamaria.
- Älä koskaan käytä hiomalaikkaa.
- Älä anna terän kärkien ylikuumeta. Älä käytä tylsineitä tai viallisia teriä. Älä pakota laitetta.
- Käytä ainoastaan suositeltuja sahanteriä.
- Älä käytä suositeltua suurempia tai pienempiä teriä.
- Käytä ainoastaan tämän käyttöoppaan mukaisia teriä, jotka noudattavat EN 847-1 -standardia.

EN
FR
DE
ES
IT
NL
PT
DA
SV
FI
NO
RU
PL
CS
HU
RO
LV
LT
ET
HR
SL
SK
BG
UK
TR
EL

LASERIN TURVALLISUUSOHJEET (RCS1600)



- Sahan laserohjaimen säteily on luokkaa 2, enimmäisteho ≤1mW ja aallonpituus 650 nm. Älä katso lasersädettä suoraan. Sääntöjen laiminlyönti voi johtaa vakavaan loukkaantumiseen.
- 

Olemme lähettäneet sinulle tarran sinun kielelläsi ja pyydämme nyt, että liimaat sen englanninkielisen varoitustarran tilalle ennen koneen ensimmäistä käyttöä.
- Älä katso sädettä käytön aikana.
- Älä suuntaa lasersädettä suoraan muiden silmiin. Tästä voisi koitua vakava silmävamma.
- Älä aseta laseria siten, että kukaan voisi katsoa lasersädettä tahallaan tai vahingossa.
- Älä katso lasersädettä optisilla laitteilla.
- Älä käytä laseria lasten lähellä äläkä anna lasten käyttää sitä.
- Älä yritä korjata laserlaitetta itse.
- Älä yritä vaihtaa mitään laserlaitteen osia itse.
- Korjaustyöt on aina jätettävä laserin valmistajan tai valtuutetun huoltomiehen tehtäväksi.
- Älä vaihda laseria toisen tyyppiseen.

KÄYTÖN RISKIT

Vaikka tuotetta käytettäisiin ohjeiden mukaisesti, ei ole mahdollista täysin eliminoida tiettyjä käyttöön liittyviä riskitekijöitä. Käytössä voi aiheutua seuraavia vaaroja, ja käyttäjän tulee kiinnittää erityistä huomiota niiden välttämiseen:

- Takapotkun aiheuttama vamma
 - Perehdy tämän käyttöohjeen sisältöön huolellisesti.
- Tärinän aiheuttama vamma
 - Vältä altistumista. Katso kohta Riskien Vähentäminen.
- Pölyn aiheuttama vamma
 - Käytä aina suojalaseja. Käytä asianmukaista pölynaamaria, jossa on asianmukaiset suodattimet, jotka suojaavat työmateriaalista irtoavalta pölyltä sekä hiomalaikan hankaavilta hiukkasilta. Älä syö, juo tai tupakoi työalueella. Huolehdi työpaikalla riittävästä tuuletuksesta.
- Sähköisku
 - Terä saattaa osua piilossa oleviin johtoihin, jolloin tuotteen osat sähköistyvät. Pitele tuotetta aina kahvoista ja ole varovainen leikatessasi seiniä tai lattiaita, joissa saattaa olla sähköjohtoja.

HUOM: Kun käsittelet seiniä, kattoja tai lattiaita, varo osumasta sähköjohtoihin ja kaasu- tai vesiputkiin.

- Leikkuuterää koskettamisesta aiheutuva vamma
 - Terät ovat hyvin teräviä ja kuumenevat käytössä. Käytä käsineitä vaihtaessasi teriä. Pidä kädet aina poissa leikkuualueelta. Älä KOSKAAN pidä työkalua käsin tai reisien välissä. Kiinnitä työkalu puristimilla aina kun mahdollista.

RISKIEN VÄHENTÄMINEN

Raporttien mukaan käsityökalujen tärinä voi joidenkin kohdalla myötävaikuttaa Raynaudin oireen ilmenemiseen. Oireita ovat pistely, turtuus ja sormien kalpeneminen, yleensä kylmässä ilmassa. Perinnölliset tekijät, kylmyys ja kosteus, ruokavalio, tupakointi sekä työtavat voivat kaikki myötävaikuttaa näiden oireiden ilmenemiseen. Käyttäjä voi ehkäistä tärinän aiheuttamia vaikutuksia seuraavasti:

- Pidä itsesi lämpimänä kylmällä säällä. Käytä laitteen käytön aikana käsineitä, jotta kätesi ja ranteesi pysyvät lämpöisinä. Raporttien mukaan kylmä ilma on tärkeä tekijä Raynaud's Syndromen (Raunaudin oireiden) ilmenemisessä.
- Harjoita kunkin käyttöjakson jälkeen liikuntaa, jotta verenkierto lisääntyisi.
- Pidä työn aikana säännöllisesti taukoja. Rajoita päivittäisen tärinän määrää.

Jos mitään yllä mainittuja oireita ilmenee, lopeta heti laitteen käyttö ja kerro oireista lääkärille.

VAROITUS

Laitteen pitkittynyt käyttö voi aiheuttaa tai vaikeuttaa vammoja. Kun käytät mitä tahansa laitetta pitkiä aikoja, muista pitää säännöllisiä taukoja.

TUNNE TUOTTEESI

Katso sivu 135.

1. Liipaisin
2. Liipaisimen lukinnan vapautusnappi
3. Ylempi teränsuojus
4. Pölyaukon sovitin
5. Alemman teränsuojuksen käyttövipu
6. Teräpultti
7. Alempi teränsuojus
8. Kädensija
9. Jiirikulman asteikko
10. Jiirikulman salpa
11. Sivuhjaimen salpa
12. Pohja
13. Laserpää (RCS1600)
14. Terä
15. Sahan kisko
16. Puristin
17. Säättöavain
18. Ohjauslaite

HUOLTO

VAROITUS

Tuotetta ei tule koskaan kytkeä pistorasiaan osia koottaessa, säätöjä tehtäessä, puhdistettaessa, huollon aikana tai kun tuotetta ei aiota käyttää. Tuotteen irrottaminen pistorasiasta estää sitä käynnistymättä vahingossa, jolloin vältetään mahdollisilta vakavilta vammoilta.

- Käytä huollossa ainoastaan alkuperäisiä valmistajan tuottamia varaosia. Muunlaisten osien käyttö voi aiheuttaa vaaran tai vioittaa laitetta.
- Muista irrottaa laite virtalähteestä, ennen kuin kiinnität tai irrotat sahanterän. Puhdista tuote ja suojajärjestelmä puhtaalla kankaalla.
- Älä puhdista muoviosia liuottimilla. Suurin osa muoveista ei siedä markkinoilla olevia määrättyjä liuotteita, jotka vahingoittavat niitä. Käytä puhdasta riepua lian, pölyn jne. puhdistukseen.
- Älä koskaan päästä jarrunesteitä, bensiiniä, öljytuotteita, läpäiseviä öljyjä tms. kosketuksiin muoviosien kanssa. Nämä kemialliset aineet voivat vaurioittaa, heikentää tai tuhota muovin.
- Käytä aina sähkölaitetta käyttäessäsi tai pölyä puhaltaessasi suojalaseja, joissa on sivusuojaimet. Käytä lisäksi pölynaamaria, jos työ on pölyistä.
- Jos virtajohto vioittuu, se on vaihdettava ainoastaan valmistajalla tai valtuutetussa huollossa, jotta vältetään vaaroilta. Ota yhteys valtuutettuun huoltoon.
- Jotta laite toimisi turvallisesti ja luotettavasti, kaikki korjaukset tulee antaa valtuutetun Ryobi-huoltopisteen hoidettavaksi.

VOITELU

Tuotteen laitteen laakerit on voideltu laitteen eliniäksi normaaliolosuhteissa riittävällä määrällä korkealaatuista voiteluainetta. Tästä syystä työkalu ei kaipaa lisävoitelua.

YMPÄRISTÖNSUOJELU



Älä hävitä raaka-aineita jätteinä vaan vie ne kierrätykseen. Ympäristönsuojelun kannalta työkalu, lisävarusteet ja pakkausmateriaali on lajiteltava.

TUOTTEESSA OLEVAT SYMBOLIT



Turvallisuusvaroitusta

V

Voltti

Hz

Hertz

~

Vaihtovirta

W

Watti

n_o

Tyhjäkäyntinopeus

min⁻¹

Kierrosten tai liikkeiden määrä minuutissa



Luokka II, kaksoiseristetty



Puu



Älä leikkaa metallia



Käytä kuulosuojaimia



Käytä suojalaseja



Laser-säteilyä.
Älä katso sädettä.
luokan laser-tuote
λ: 650nm; P≤1mW
EN 60825-1:2014



Vaara! Terävä terä.



Älä jätä sateeseen



Leikkauksen leveys



Terän hampaat



Todistus CE-sääntöjen noudattamisesta



EurAsian-vaatimustenmukaisuusmerkki



Ukrainalainen säädöstenmukaisuusmerkintä



Lue ohjeet huolellisesti ennen laitteen käynnistämistä.



Käytöstä poistettavia sähkölaitteita ei pidä hävittää talousjätteiden mukana. Ne on mahdollisuuksien mukaan pantava kiertoon. Kierrätysohjeita antavat kunnan viranomaiset ja vähittäiskauppiat.

KÄSIKIRJAN SYMBOLIT



Kytke virtalähteeseen.



Irrota virtalähteestä.



Osat ja lisävarusteet on hankittava erikseen

EN

FR

DE

ES

IT

NL

PT

DA

SV

FI

NO

RU

PL

CS

HU

RO

LV

LT

ET

HR

SL

SK

BG

UK

TR

EL



Lukko



Avaa



Huom

Seuraavat signaalisanat ja merkitykset on tarkoitettu selittämään tähän tuotteeseen liittyviä riskin tasoja.



VAARA

Ilmoittaa välittömästä vaaratilanteesta, joka saattaa aiheuttaa kuoleman tai vakavan vamman.



VAROITUS

Ilmoittaa mahdollisesta vaaratilanteesta, joka saattaa aiheuttaa kuoleman tai vakavan vamman.



VAROITUS

Ilmoittaa mahdollisesta vaaratilanteesta, joka saattaa aiheuttaa pienen tai kohtalaisen vamman.

VAROITUS

(Ilman varoitusmerkkiä) Tilanne, joka voi aiheuttaa materiaalista vahinkoa.

Sikkerhet, ytelse og pålitelighet har hatt topp prioritet under konstruksjonen av denne sirkelsagen.

TILTENKT BRUK

Den skal bare brukes av voksne som har lest og forstått instruksjonene og advarslene i denne håndboken, og som kan anses som ansvarlige for sine handlinger.

Sagen er konstruert for riving og kapping av tre og tilsvarende materialer til en maksimal dybde på 54 mm. Den kan foreta rette eller skrå snitt fra 0 til 45 grader. Den skal brukes slik at nedre kant av verktøyet er i kontakt med arbeidsstykket. Sagen må brukes under tørre forhold, med godt arbeidslys og tilfredsstillende ventilasjon. Produktet er laget for håndholdt bruk. Sagen må ikke festes til en arbeidsbenk hvis produsenten av produktet ikke har gitt instruksjoner om hvordan det skal gjøres. Ikke bruk for skjæring av metall eller mur. Ikke bruk produktet på noe annen måte enn det som er beskrevet som tiltenkt bruk. Bruk av elektrisk verktøy på en måte det ikke var tiltenkt kan skape farlige situasjoner.

⚠ ADVARSEL

Les nøye gjennom alle advarslene og instruksene. Hvis forskriftene nedenfor ikke overholdes, kan det forårsake ulykker som brann, elektrisk støt og/eller alvorlige personskader.

Ta vare på disse advarslene og instruksene for å se i dem senere.

SIKKERHETSADVARSLER VED BRUK AV SIRKELSAG

SAGEPROSEDYRER

⚠ FARE

Hold hendene vekke fra skjæreområdet og skjærebladet. Hånden som ikke holder verktøyets hovedhåndtak skal holde støttehåndtaket eller ligge på motorhuset. Dermed risikerer ikke hendene dine å ligge i sageområdet, i bladets sagspor.

- **Ikke berør området under arbeidsstykket.** Der kan ikke bladbeskytteren beskytte deg, da det ikke dekker bladet.
- **Still inn sagedybden alt etter arbeidsstykkets tykkelse.** Bladets tenner skal ikke stikke helt ut under arbeidsstykket under sagingen.
- **Hold ALDRI arbeidsstykket med hånden din eller mellom bena.** Fest det på et stabilt underlag. Det er veldig viktig å feste arbeidsstykket riktig slik at du ikke utsetter deg selv for personskader og ikke å bøye bladet eller miste kontroll over verktøyet.
- **Hold verktøyet kun i de isolerte og sklisikre delene når du arbeider på en flate som kan skjule elektriske ledninger eller når arbeidet kan plassere ledningen i verktøyets bane.** Kontakt med en strømførende ledning vil også gjøre de synlige metalldelene på

verktøyet strømførende og gi brukeren elektrisk støt.

- **Bruk alltid et parallellanslag eller et rett trestykke når du kløyver.** Sagingen blir mer presis og du unngår å bøye bladet.
- **Bruk alltid et blad som har en størrelse og en form som passer til spindelens diameter.** Et blad som ikke passer til spindelen som det skal monteres på vil ikke gå rundt riktig og kan få deg til å miste kontroll over verktøyet.
- **Bruk aldri skruer eller bladskiver som er defekte eller uegnet.** Bladskiver og skruer er spesiallaget til din sagmodell, for optimal sikkerhet og ytelse.

ÅRSAKER TIL TILBAKESLAG OG TILHØRENDE ADVARSLER:

- Tilbakekast er en plutselig reaksjon som oppstår når bladet klemmes, vris eller er dårlig stilt; sagen kommer plutselig ut av arbeidsstykket og rykker voldsomt tilbake mot brukeren.
- Når bladet klemmes i treverket, stopper det; motoren, som fortsetter å gå, slynger da sagen i motsatt retning i forhold til bladets rotasjonsretning, det vil si mot brukeren.
- Hvis bladet vris eller er dårlig stilt, kan tennene på baksiden av bladet trenge inn i treverket, noe som kan få bladet til å gå plutselig ut av arbeidsstykket mot brukeren.

Tilbakekast er altså forårsaket av gal bruk av verktøyet og/eller gale sageprosedyrer eller –forhold. Det kan unngås ved å ta visse forholdsregler.

- **Hold sagen godt med begge hender og legg armene dine slik at de kan kontrollere et eventuelt tilbakekast. Stå på den ene siden av sagen når du arbeider, men aldri i linje med bladet.** Tilbakekast slynger plutselig sagen bakover, men denne bevegelsen kan kontrolleres hvis brukeren er forberedt.
- **Hvis bladet klemmes fast, eller hvis du av en eller annen grunn må avbryte sagingen, må du slippe av/ på bryteren og holde sagen i arbeidsstykket helt til bladet har sluttet å rotere. Forsøk aldri å fjerne arbeidsstykket fra sagen eller trekke det bakover mens sagbladet fortsatt er i bevegelse idet dette kan føre til at sagbladet hogger i arbeidsstykket.** Hvis bladet står fast, må du forsøke å finne årsaken og ta nødvendige foranstaltninger for at det ikke skal skje igjen.
- **Før du starter sagen igjen for å fortsette med et sagsnitt, må du stille bladet i linje med sagsporet og sjekke at tennene ikke rører arbeidsstykket.** Hvis bladet er låst fast i arbeidsstykket, kan det oppstå tilbakekast når sagen startes igjen.
- **Sørg for å støtte lange arbeidsstykker for å unngå at bladet låses fast og begrense faren for tilbakekast.** Lange arbeidsstykker har lett for å bøyes under sin egne vekt. Du kan plassere støtter på begge sider av arbeidsstykket, i nærheten av sagsporet og ved arbeidsstykkets ende.
- **Bruk ikke sløve eller skadete blad.** Blad som ikke er skjerpet eller som er dårlig montert vil lage et tynnere sagspor som vil forårsake for stor friksjon av bladet og

EN
FR
DE
ES
IT
NL
PT
DA
SV
FI
NO
RU
PL
CS
HU
RO
LV
LT
ET
HR
SL
SK
BG
UK
TR
EL

dermed en større fare for vridning og tilbakekast.

- **Før du begynner et snitt, må du se etter at knappene for innstilling av dybde og skråstilling er låst godt fast.** Hvis innstillingene av bladposisjonen endres under sagingen, kan bladet låses fast og det kan oppstå tilbakekast.
- **Vis ekstra forsiktighet når du sager inn i en vegg eller andre lukkede områder.** Bladet kan komme bort i skjulte elementer, noe som kan medføre tilbakekast.

FUNKSJONEN TIL NEDRE BESKYTTELSE

- **Før hver bruk må du kontrollere at den nedre bladbeskyttelsen dekker bladet som det skal. Bruk ikke sagen dersom den nedre bladbeskyttelsen ikke aktiveres fritt og det ikke senkes øyeblikkelig på bladet. Den nedre bladbeskyttelsen skal aldri festes eller fastspennes i åpen stilling.** Dersom sagen tilfeldigvis faller, kan den nedre bladbeskytteren bøyes. Løft opp den nedre bladbeskytteren ved hjelp av hendelen og påse at det kan håndteres uten vanskeligheter og at det ikke rører bladet eller en annen del, uavhengig av saguevinkelen og –dybden du har valgt.
- **Se etter at den nedre bladbeskytteren fjær er i god stand og fungerer riktig. Hvis bladbeskytteren eller fjæren ikke fungerer riktig, må de repareres eller skiftes ut før sagen brukes.** Det nedre skjoldet kan bevege seg tregt som følge av skadede deler, avleiringer eller oppbygging av avfall.
- **Det nedre skjoldet kan kun trekkes tilbake for hånd ved spesielle oppgaver, som ”dypkutt” og ”kombinertkutt.”** Løft opp den nedre bladbeskytteren ved hjelp av hendelen. Straks bladet trenger inn i arbeidsstykket, kan du slippe den nedre bladbeskytteren. For alle andre sagsnitt, settes den nedre bladbeskytteren automatisk på plass.
- **Sjekk alltid at den nedre bladbeskytteren dekker bladet godt før du legger sagen på en arbeidsbenk eller på gulvet.** Dersom bladet ikke er riktig tildekket, kan det gå rundt av seg selv og skjære det som befinner seg i sagbanen. Du må være klar over at bladet fortsetter å gå rundt en liten stund etter at motoren har stoppet.

SIKKERHETSREGLER FOR SAGBLAD FOR TREVIRKE

- Les bruksanvisningen og instruksjonene nøye før du bruker sagbladet og elektroverktøyet.
- Elektroverktøyet må være i god stand, og spindelen må være uten deformasjoner eller vibrasjoner.
- Sagen må bare brukes når beskyttelsen er på plass. Hold beskyttelsen i god stand og vedlikehold regelmessig.
- Pass på at operatøren er tilstrekkelig opplært i sikkerhetsforanstaltninger, justering og drift av elektroverktøyet.
- Bruk alltid vernebriller og hørselvern når du bruker verktøyet. Operatøren bør bruke hansker og solide og sklisikre sko.
- Før det benyttes noen form for tilbehør, se brukermanualen. Feil bruk av tilbehør kan føre til skader og øke risikoen for personskade.

- Bruk bare sagblader som er spesifisert i denne manualen og er i henhold til EN 847-1.
- Observer maksimumshastigheten som er angitt på sagbladet. Påse at hastigheten som er merket av på sagbladet er minst lik hastigheten merket av på selve sagen.
- Bruk alltid et blad som har en størrelse og en form som passer til spindelens diameter. Et blad som ikke passer til spindelen som det skal monteres på vil ikke gå rundt riktig og kan få deg til å miste kontroll over verktøyet.
- Ikke bruk blader med større eller mindre diameter enn anbefalt. Ikke bruk avstandsstykker for å få bladet til å passe på spindelen.
- Kontroller at tuppene på sagbladet ikke er skadet eller ser unormale ut før hver bruk. Tupper som er skadet eller sitter løst, kan løsne og fly gjennom luften, med økt risiko for personskade.
- Sagblad som har sprekker eller som har endret form må ikke brukes! Ikke bruk sageblader som er skadet eller deformerte.
- Kast sagbladet hvis det er skadet, deformert, forvridd eller har sprekker. Det skal ikke repareres.
- Ikke bruk HSS-blader.
- Påse at sagbladet er korrekt montert før sagen tas i bruk. Stram bladets festebolt godt til før bruk (tiltrekningsmoment på 10–15 Nm).
- Festeskruen og mutterne skal strammes til med korrekt skiffenøkkel.
- Det er ikke tillatt å bruke forlenger til skiffenøkkel eller stramme til ved hjelp av hammer.
- Påse at bladet og flensene er rene og at de forsenkede sidene av kragen er mot sagbladet.
- Påse at sagbladet roterer i korrekt retning.
- Før du starter arbeidet, gjør et liksomkutt uten at motoren er på for å se at bladet er posisjonert riktig, beskyttelsene er på i forhold til andre maskindeler og sjekk også selve emne.
- La aldri sagen gå uten betjening.
- Ikke påfør smøremidler på sagbladet mens det er i bevegelse.
- Foreta aldri rengjøring eller vedlikehold på sagen mens sagbladet fortsatt er i bevegelse og hodet ikke er i hvileposisjon.
- Når et elektroverktøy er i bevegelse, bør du aldri prøve å stoppe det raskt ved å kjøre et verktøy eller andre gjenstander mot bladet. Dette kan føre til alvorlige ulykker.
- Koble strømforsyningen eller batteriet fra sagen før du skifter blad eller utfører vedlikehold.
- Pass nøye på bladet under pakking og utpakking. Det er lett å bli skadet av de skarpe spissene på sagtennene.
- Bruk en holder eller hansker når du håndterer sagblad.
- Bladet bør alltid oppbevares og lagres i originalemballasjen eller en annen egnet emballasje. Må oppbevares tørt og unna kjemikalier som kan skade bladet.

⚠ ADVARSEL

- Bruk øyne- og ørebeskyttelse.
- Bruk støvmaske.
- Bruk aldri slipeskive.
- Unngå overoppheting av bladtuppene. Bruk ikke sløve eller skadete blad. Ikke press verktøyet.
- Bruk kun anbefalte sagblader.
- Ikke bruk blader med større eller mindre diameter enn anbefalt.
- Bruk bare sagblader som er spesifisert i denne manualen og er i henhold til EN 847-1.

LASERSIKKERHET (RCS1600)



- Laserstrålen som brukes i sagen er Class 2, med maksimum $\leq 1\text{mW}$ og 650 nm bølgelengde. Ikke stirr direkte inn i laserstrålen. Å unnlate å følge reglene vil kunne føre til alvorlig personskade.



Vi har levert deg en selvklebende etikett på ditt språk og ber deg nå erstatte etiketten med engelsk tekst med denne advarseletiketten før du tar maskinen i bruk.

- Ikke se inn i laserstrålen under arbeid.
- Ikke rett laserstrålen direkte inn i øynene på andre. Alvorlig øyeskade kan oppstå som resultat.
- Ikke plasser laseren i en posisjon som kan føre til at noen bevisst eller ubevisst vil kunne stirre direkte inn i laserstrålen.
- Ikke bruk optisk verktøy for å se laserstrålen.
- Ikke bruk laseren når det er barn til stede eller la barn få bruke laseren.
- Ikke gjør forsøk på å reparere laserutstyret selv.
- Ikke gjør forsøk på å skifte noen del av laserutstyret selv.
- Enhver reparasjon må bare utføres av laserprodusenten eller et autorisert laserverksted.
- Ikke skift ut laseren med en annen type.

GJENVÆRENDE RISIKO

Også når produktet brukes som beskrevet, er det ikke mulig å utelukke risiko for brukere eller personer i nærheten. Følgende farer kan oppstå ved bruk og operatøren bør være spesielt oppmerksom på å unngå/sikre følgende:

- Personskader pga. tilbakeslag
 - Les og sikre deg at du forstår informasjonen i denne håndboken.
- Personskader pga. vibrasjon

- Begrense eksponering. Se "Farereduksjon".
 - Skader skapt av støv.
 - Bruk alltid øyebeskyttelse. Bruk en adekvat støvmaske med passende filtre som kan beskytte mot støvet som genereres av arbeidsemne. Ikke spis, drikk eller røyk i arbeidsområdet. Sørg for tilfredsstillende ventilasjon av arbeidsområdet.
 - Elektrisk støt
 - Bladet kan komme i kontakt med skulte ledninger, som kan gjøre deler av produktet strømførende. Hold produktet alltid i håndtakene og pass på når du kutter i vegger og gulv der det kan være skjulte kabler.
- NB:** Når det arbeides på vegger, tak eller gulv må det påses at det ikke bores i elektriske ledninger og vann- eller gassrør.
- Personskade ved kontakt med sagbladet
 - Sagbladene er meget skarpe og blir meget varme ved bruk. Bruk hansker når du skifter bladene. Hold hendene til enhver tid unna kutteområdet. Hold ALDRI arbeidsstykket med hånden din eller mellom bena. Klem fast arbeidsemne når det er mulig.

FAREREDUKSJON

Det har blitt rapportert at vibrasjonene fra håndholdt verktøy kan bidra til en tilstand som heter Raynauds syndrom hos enkelte. Symptomene kan omfatte følelsesløshet og gjøre fingrene bleke, vanligvis synlig ved eksponering til lave temperaturer. Arvelige faktorer, eksponering mot lave temperaturer og fuktighet, diett, røyking og arbeidspraksis blir alle ansett for å kunne bidra til å utvikle disse symptomene. Brukeren kan iverksette tiltak for mulig å redusere virkningene av vibrasjonene:

- Hold kroppen din varm i kaldt vær. Bruk hansker og hold hender og vrister varme ved bruk av gressklipperen. Det er rapportert at kaldt vær er en viktig faktor som bidrar til Raynauds Syndrome.
- Etter hver arbeidsperiode bør det utføres øvelser for å øke blodsirkulasjonen.
- Ta ofte pauser fra arbeidet som utføres. Begrens mengden av eksponering pr. dag.

Hvis du opplever noen av symptomene på denne tilstanden må du øyeblikkelig avbryte arbeidet og oppsøke en lege med disse symptomene.

⚠ ADVARSEL

Skader kan oppstå eller forsterkes ved forlenget bruk av et verktøy. Når du bruker et verktøy over en lenger tidsperiode, husk å ta regelmessige pauser.

KJENN DITT PRODUKT.

Se side 135.

1. Avtrekker
2. Strømbryterens frigjøringsknapp
3. Øvre bladbeskytter
4. Støvpportadapter
5. Hendel for nedre bladbeskytter
6. Bolt

7. Nedre bladbeskytter
8. Håndtak
9. Vinkelskala
10. Lås for vinkelskala
11. Lås for rivestyring
12. Fotplate
13. Laserhode (RCS1600)
14. Blad
15. Sagskinne
16. Klemme
17. Skrunøkkel
18. Parallellanlegg

VEDLIKEHOLD

⚠ ADVARSEL

Produktet skal aldri kobles til en strømforsyning mens du monterer på deler, gjør justeringer, rengjør, utfører vedlikehold eller når produktet ikke er i bruk. Ved å koble fra produktet hindrer man utilsiktet start som kan forårsake alvorlig personskade.

- Bruk bare produsentens originale reservedeler til reparasjoner og vedlikehold. Bruk av andre deler kan skape fare eller føre til skade på produktet.
- Vær sikker på at støpslet er trukket ut av strømkontakten før det demonteres eller monteres sagblad. Rengjør produktet og styresystemet med rene kluter.
- Unngå bruk av løsemidler når du rengjør plastdelene. De fleste plastmaterialene kan skades ved bruk av løsningsmidlene som fås i handelen. Bruk en ren klut til å tørke bort smuss, støv osv.
- Du må aldri la bremsevæske, drivstoff, petroleumsbaserte produkter, rustoppløsende olje osv. komme i kontakt med plastikkdeler. Slike kjemiske produkter inneholder stoffer som kan skade, svekke eller ødelegge platen.
- Bruk alltid vernebriller eller sikkerhetsbriller med sidebeskyttelse ved bruk av elektrisk verktøy eller når det blåses støv. Hvis arbeidet utløser støv, bruk også en støvmaske.
- Hvis strømledningen skades må den kun erstattes av produsenten eller et autorisert servicesenter for å unngå risiko. Kontakt et autorisert servicesenter.
- Før store sikkerhet og pålitelighet, bør alle reparasjoner utføres av et autorisert Ryobi servicesenter.

SMØRING

Alle lager i dette produktet skal smøres med en tilstrekkelig mengde med et høyverdig smøremiddel for å sikre lang levetid under normale driftsforhold. Det er derfor nødvendig med tilleggs smøring.

MILJØVERN



Resirkuler råmaterialer istedenfor å kaste dem i søppelen. Verktøyet, tilbehørene og emballasjen bør sorteres for miljøvennlig resirkulering.

SYMBOLER PÅ PRODUKTET



Sikkerhetsadvarsel

V

Volt

Hz

Hertz

~

Vekselstrøm

W

Watt

n₀

Hastighet ubelastet

min⁻¹

Antall omdreininger eller bevegelser pr. Minutt



Class II, dobbeltisolert



Tre



Ikke sag i metall



Bruk hørselsvern



Bruk øyebeskyttelse



Laserstråling.
Ikke stirr inn i laserstrålen.
Class 2 laserprodukt
λ: 650nm; P≤1mW
EN 60825-1:2014



Fare! Skarpt blad.



Ikke utsett utstyret for regn



Bredde på kappet



Bladtenner



CE samsvarserklæring



EurAsian Konformitetstegn



Ukrainsk merke for konformitet



Vennligst les instruksjonene nøye før du starter maskinen.



Avfall fra elektriske produkter skal ikke kastes sammen med husholdningsavfall. Vennligst resirkulervedeksisterende avfallsbehandlingssted. Undersøk hos dine lokale myndigheter eller forhandler for råd om resirkulering.

SYMBOLER I MANUALEN



Koble til strømmettet.



Koble fra strømmettet.



Deler eller tilbehør solgt separat



Lås



Låse opp



Nb

Følgende symboler og betydninger forklarer risikonivået som er assosiert med dette produktet.

FARE

Indikerer en umiddelbart farlig situasjon, som, dersom den ikke unngås, kan føre til alvorlig personskade eller død.

ADVARSEL

Indikerer en potensiell farlig situasjon, som, dersom den ikke unngås, kan føre til alvorlig personskade eller død.

ADVARSEL

Indikerer en potensiell farlig situasjon, som, dersom den ikke unngås, kan føre til mindre eller moderate skader.

ADVARSEL

(Uten sikkerhetssymbol) Indikerer en situasjon som kan resultere i skader på eiendom.

EN
FR
DE
ES
IT
NL
PT
DA
SV
FI
NO
RU
PL
CS
HU
RO
LV
LT
ET
HR
SL
SK
BG
UK
TR
EL

При производстве циркулярной пилы наибольшее внимание уделяется безопасности, эксплуатационным характеристикам и надежности инструмента.

НАЗНАЧЕНИЕ

Циркулярная пила предназначена только для использования взрослыми, изучившими все инструкции и предостережения настоящего руководства и несущими ответственность за свои действия.

Пила предназначена для продольного и поперечного раскроя древесины или подобных материалов глубиной до 54 миллиметров. С ее помощью можно выполнять прямые и наклонные разрезы от 0 до 45 градусов. При использовании основание инструмента должно соприкасаться с обрабатываемым изделием. Пилу следует использовать в сухих условиях при хорошем освещении и достаточной вентиляции. Пилу является ручным инструментом. Пилу не предназначен для установки на верстак, если только производитель изделия не предоставляет специальных инструкций о том, как это сделать. Не используйте инструмент для распиливания металла и каменной кладки. Используйте устройство строго по назначению, указанному в настоящем руководстве. Использование данного электроинструмента не по назначению может создать опасную ситуацию.

⚠ ОСТОРОЖНО

Прочтите все указания и инструкции по технике безопасности. Несоблюдение предостережений и инструкций может привести к поражению электрическим током, возгоранию и/или серьезным травмам.

Храните настоящие предупреждения и инструкции для последующих консультаций.

ПРЕДОСТЕРЕЖЕНИЕ О БЕЗОПАСНОМ ИСПОЛЬЗОВАНИИ ЦИРКУЛЯРНОЙ ПИЛЫ

ВЫПОЛНЕНИЕ РАЗРЕЗОВ

⚠ ОПАСНО

Не держите руки в области резания и режущего диска. Вторую руку кладите на дополнительную рукоятку или корпус двигателя. Держите инструмент двумя руками, это позволит избежать попадания рук под пильный диск.

- Не помещайте руки под обрабатываемую деталь. Защитный кожух не может защитить Вас от лезвия под заготовки.
- Отрегулируйте глубину пропила в соответствии с толщиной заготовки. Не допускайте, чтобы пильный диск проходил заготовку более, чем на высоту зуба.
- Никогда не поддерживайте отпиливаемый материал. Закрепите изделие на устойчивой платформе. Важно следить за своей

безопасностью, избегать заклинивания диска или потери контроля над инструментом.

- Держите электрические инструменты за изолированные поверхности только при выполнении операций, когда режущий инструмент может контактировать со скрытой проводкой или с собственным проводом. Касание провода, находящегося под напряжением, может вызвать протекание электрического тока через металлические части электроинструмента и привести к поражению оператора электрическим током.
- Во время работы используйте параллельный упор или направляющую. Это улучшит точность резки и снизит риск заклинивания диска.
- Всегда используйте пильные диски правильного размера и формы, с соответствующим диаметром посадочного отверстия. Диски с посадочным отверстием не соответствующим диаметру шпинделя пилы будут работать с биением, что может привести к потере контроля над инструментом.
- Никогда не используйте поврежденные или нештатные шайбы или болты крепления пильного диска. Крепеж пильного диска был специально разработан для данного инструмента и обеспечивает наилучшее качество работы и безопасность.

ПРИЧИНЫ ОТСКОКОВ И СВЯЗАННЫЕ С НИМИ ПРЕДУПРЕЖДЕНИЯ:

- Отдача - это неожиданная реакция инструмента на удар, заклинивание или биение пильного диска, которая выражается в «подпрыгивании» пилы, выходящей из контакта с заготовкой по направлению к оператору;
- Когда пильный диск теряет скорость в результате заклинивания в заготовке, ответная реакция двигателя отбрасывает пилу по направлению к оператору;
- Если пильный диск установлен неправильно, зубья развернуты в противоположную сторону или имеется биение, удар тыльной стороной зуба о заготовку приведет к подпрыгиванию пилы по направлению к оператору.

Отдача является результатом ненадлежащего использования инструмента и/или неправильной работы оператора, и ее можно избежать путем принятия надлежащих мер предосторожности, которые приводятся ниже.

- Держите инструмент двумя руками так, чтобы вы могли противостоять отдаче. Стойте сбоку от пильного диска, но не на линии пропила. При отдаче можно сохранить контроль над инструментом, если предпринять соответствующие меры предосторожности.
- В случае, если пильный диск останавливается из-за заклинивания или по какой-либо другой причине, выключите пилу и держите ее неподвижно до полной остановки диска. Никогда не пытайтесь извлечь пилу из заготовки

или потянуть пилу назад при вращающемся режущем диске, так как это может привести к отскоку. Обязательно установите и устраните причину заклинивания.

- **Перед возобновлением работы установите пилу так, чтобы диск оказался в пропилах, но зубья не касались материала.** Если диск будет зажат, пилу может отбросить при включении.
- **Предусматривайте дополнительные упоры при работе с крупногабаритными заготовками, чтобы минимизировать риск заземления диска или отдачу.** Крупные заготовки как правило прогибаются под своим весом. Упоры должны устанавливаться под заготовкой с обеих сторон от линии реза и рядом с краем заготовки.
- **Не используйте тупые или поврежденные пильные диски.** В результате использования изношенного диска получается более узкий пропил, что приводит к увеличению трения и повышает вероятность заклинивания.
- **Рычаги установки глубины пропила и угла резания должны быть жестко зафиксированы до начала работы.** Изменение положения пильного диска во время работы может привести к заклиниванию и отдаче.
- **Соблюдайте предельную осторожность при выполнении врезок в существующие стены или другие глухие зоны.** Выступающий с другой стороны объекта диск может наткнуться на неожиданное препятствие, что приведет к обратному удару.

ФУНКЦИЯ НИЖНЕГО ЗАЩИТНОГО УСТРОЙСТВА

- **Перед началом работы проверьте правильность работы нижнего защитного кожуха. Не начинайте работать, если нижний защитный кожух не движется легко и не закрывается немедленно. Никогда не пытайтесь зафиксировать нижний защитный кожух в открытом положении.** При падении пилы нижний защитный кожух может быть поврежден. Перед началом работы проверьте, что кожух движется свободно и не соприкасается с пильным диском независимо от глубины погружения диска или угла его наклона.
- **Проверьте правильность работы возвратной пружины нижнего защитного кожуха. В случае неправильной работы, обратитесь в сервисный центр.** Причиной медленного срабатывания нижнего защитного кожуха может быть повреждение деталей пилы или отходы производства, скопившиеся под кожухом.
- **Нижний защитный кожух можно отводить вручную только при выполнении работ особого вида, таких как «врезка» или выполнения сложных резов.** Удерживайте нижний кожух за рычаг, после того, как лезвие войдет в материал - отпустите защитный кожух. Для всех других видов работ защитный кожух должен действовать автоматически.
- **Всегда следите за тем, чтобы нижний защитный кожух был опущен перед тем, как вы положите**

пилу на верстак или пол. Отсутствие защиты на движущемся пильном диске приведет к тому, что пила начнет «пятиться», при этом диск будет пилить все на своем пути. Не забывайте о времени, которое требуется для полной остановки пильного диска после нажатия клавиши выключения инструмента.

ИНСТРУКЦИЯ ПО ТЕХНИКЕ БЕЗОПАСНОГО ОБРАЩЕНИЯ С ПОЛОТНОМ ДЛЯ РЕЗКИ ДРЕВЕСИНЫ

- Перед использованием режущего полотна и электроинструмента внимательно прочитайте настоящее руководство пользователя и инструкции.
- Электроинструмент должен быть в рабочем состоянии, шпиндель не должен быть деформирован и не должен вибрировать.
- Не используйте пилу, если предохранители не установлены в соответствующее положение. Защитные приспособления должны поддерживаться в хорошем рабочем состоянии и надлежащим образом обслуживаться.
- Оператор должен быть обучен технике безопасности при работе с электроинструментом, правилам настройки и эксплуатации электроинструмента.
- При работе с электроинструментом всегда носите очки и пользуйтесь защитой органов слуха. Рекомендуется при работе с инструментом носить перчатки и прочную, нескользящую обувь.
- Перед использованием принадлежностей обязательно прочитайте информацию о них в руководстве по эксплуатации. Ненадлежащее использование оборудования может привести к его повреждению, а также повышает риск получения травмы.
- Используйте только режущие диски, указанные в данном руководстве и удовлетворяющие требованиям стандарта EN 847-1.
- Во время работы не допускайте превышения максимальной скорости вращения, указанной на режущем диске. Убедитесь, что скорость, указанная на пильном диске, больше или равна скорости, указанной на пиле.
- Всегда используйте пильные диски правильного размера и формы, с соответствующим диаметром посадочного отверстия. Диски с посадочным отверстием не соответствующим диаметру шпинделя пилы будут работать с биением, что может привести к потере контроля над инструментом.
- Используйте режущие диски только предписанного диаметра! Не используйте прокладки для закрепления режущего диска в шпинделе.
- Перед каждым использованием проверяйте лезвия режущего полотна на отсутствие повреждений и видимых отклонений. Поврежденные и болтающиеся лезвия могут отлетать при использовании, что повышает риск получения травмы.
- Не используйте треснувшие или погнутые полотна пилы. Не используйте поврежденные или

деформированные пыльные полотна.

- Поврежденное, деформированное, изогнутое или треснутое режущее полотно необходимо сдать в лом, ремонт такого полотна запрещен.
- Не пользуйтесь режущими дисками из быстрорежущей стали.
- Перед работой проверьте, правильно ли установлен режущий диск пилы. Тщательно затяните болт крепления полотна перед использованием (крутящий момент затяжки примерно 10-15 Нм).
- Болты и гайки креплений должны быть затянуты соответствующим гаечным ключом.
- Перетяжка гаечным ключом, а также с помощью молотка запрещена.
- Следите за чистотой дисков и фланцев, проследите также, чтобы углубленные стороны втулки прилегли к режущему диску.
- Убедитесь в том, что режущий диск вращается в нужном направлении.
- Перед работой выполните имитирующий рез с выключенным двигателем, чтобы проверить положение лезвия, функционирование защитных приспособлений по отношению к другим деталям устройства и заготовке.
- Никогда не оставляйте инструмент работающим без присмотра.
- Не пытайтесь смазать маслом режущий диск во время его работы.
- Запрещается проводить работы по техническому обслуживанию и очистке, если устройство все еще работает, а его головная часть не вернулась в исходное положение.
- Не пытайтесь остановить электроинструмент во время его движения, прижимая полотно к инструменту или другим деталям. Это может привести к тяжелым травмам.
- Перед заменой полотен и проведения технического обслуживания отключите пилу от электропитания или аккумулятора.
- При упаковывании и распаковывании осторожно обращайтесь с полотном. Острые наконечники полотна могут причинить повреждения.
- При работе с режущим диском пилы пользуйтесь держателем или надевайте перчатки.
- Храните полотно в оригинальной или другой соответствующей упаковке. Хранить в сухом месте, не допуская воздействия химических средств, которые могут повредить лезвие.

⚠ ОСТОРОЖНО

- Надевайте средства защиты органов слуха и защитные очки.
- Надевайте пылезащитную маску.
- Не используйте абразивные круги.
- Не допускайте перегрева зубьев режущего полотна. Не используйте тупые или поврежденные пыльные диски. Не увеличивайте скорость работы инструмента.
- Используйте только рекомендуемые режущие полотна.
- Используйте режущие диски только предписанного диаметра!
- Используйте только режущие диски, указанные в данном руководстве и удовлетворяющие требованиям стандарта EN 847-1.

ПРАВИЛА ТЕХНИКИ БЕЗОПАСНОСТИ ПРИ РАБОТЕ С ЛАЗЕРОМ (RCS1600)



- Излучение лазерного указателя, используемое в данном инструменте, соответствует классу 2 с мощностью излучения не более $\leq 1\text{mW}$ и длиной волны 650 нм. Не смотрите прямо на лазерный луч. Несоблюдение правил может привести к серьезным травмам.



- В комплект поставки входит наклейка на вашем языке. Необходимо, чтобы вы наклеили ее на предупредительную надпись на английском языке перед началом эксплуатации устройства.
- Не смотрите на лазерный луч во время работы.
- Не направляйте лазерный луч в глаза других лиц. Это может привести к тяжелым нарушениям зрения.
- Не устанавливайте лазер в такое положение, чтобы кто-либо мог намеренно или случайно посмотреть прямо на лазерный луч.
- Не используйте оптических инструментов для рассматривания лазерного луча.
- Не используйте лазер в присутствии детей и не разрешайте им пользоваться лазером.
- Не пытайтесь самостоятельно ремонтировать лазерное устройство.
- Не пытайтесь самостоятельно заменить какие-либо части лазерного устройства.
- Любой ремонт должен выполняться только изготовителем лазера или уполномоченным сервисным агентом.
- Не заменяйте лазер лазером другого типа.

ОСТАТОЧНЫЕ РИСКИ

Даже когда изделие используют согласно инструкциям, невозможно полностью устранить факторы риска. Следующие опасности могут возникнуть во время его использования, и во избежание их рабочий должен обратить особое внимание на следующее:

- Травмы, вызываемые отбрасыванием
 - Внимательно прочитайте и изучите настоящее руководство пользователя.
 - Травмы, вызываемые вибрацией
 - Ограничивайте воздействие. См «Снижение Риска».
 - Травмы, вызываемые пылью
 - Всегда надевайте защитные очки. Носите респиратор с надлежащими фильтрами, которые могут защитить от пыли, источником которой является обрабатываемый материал и абразивные частицы. Не ешьте, не пейте и не курите в рабочей зоне. Обеспечьте надлежащую вентиляцию на рабочем месте.
 - Поражение электрическим током
 - Пильное полотно может задеть скрытую проводку, при этом детали изделия окажутся под напряжением. Держите изделие только за предназначенные для этого ручки и будьте осторожны при пилении стен и полов, где могут быть скрыты кабели.
- ПРИМЕЧАНИЕ:** При выполнении работ на стенах, потолках или полах следите за тем, чтобы не задеть электрические кабели и газовые или водопроводные трубы.
- Травма от контакта с режущим полотном
 - Режущее полотно будет нагреваться во время использования. Выполняйте замену полотна в перчатках. Не допускайте попадания рук в зону резания. Никогда не поддерживайте отпиливаемый материал. По возможности закрепляйте заготовку.

СНИЖЕНИЕ РИСКА

Сообщалось, что вибрация ручных электроинструментов у отдельных лиц может способствовать состоянию, которое называется синдром Рейно. К симптомам могут относиться покалывание, онемение и побеление пальцев (как при переохлаждении). Считают, что наследственные факторы, охлаждение и влажность, диета, курение и практический опыт способствуют развитию этих симптомов. Ниже приводятся меры, которые может принять оператор для снижения воздействия вибрации:

- Одевайтесь теплее в холодную погоду. При работе с устройством пользуйтесь перчатками, чтобы руки и запястья были в тепле. Считается, что холодная погода является основным фактором, способствующим возникновению болезни Рейно (Raynaud's Syndrome).
- После каждого этапа работы выполните упражнения для усиления кровообращения.
- Чаще делайте перерывы в работе. Сократите длительность ежедневного пребывания на открытом

воздухе.

При появлении каких-либо из указанных симптомов сразу же прекратите работу и обратитесь по их поводу к врачу.

⚠ ОСТОРОЖНО

Продолжительное использование инструмента без перерыва может привести к травмам. При использовании инструмента в течение длительного времени делайте регулярные перерывы.

ИЗУЧИТЕ ИЗДЕЛИЕ

Стр 135.

1. Курок
2. Кнопка разблокировки курка
3. Верхняя охранник
4. Насадка пылеприемника
5. Нижний рычаг охранник
6. Болт крепления полотна
7. Нижняя охранник
8. Ручка
9. Угловая шкала
10. Фиксатор угловой шкалы
11. Фиксатор направляющей для продольного распила
12. База
13. Лазерная головка (RCS1600)
14. Лезвие
15. Направляющая пилы
16. Зажим
17. Гаечный ключ
18. Направляющая резки

ЭКСПЛУАТАЦИЯ

⚠ ОСТОРОЖНО

При потере электропитания или другом самопроизвольном выключении машины немедленно переведите клавишу выключателя в положение «ОТКЛЮЧЕНО» и отсоедините вилку от розетки. Если при потере напряжения машина осталась включенной то при возобновлении питания она самопроизвольно заработает, что может привести к телесному повреждению и(или) материальному ущербу.

ТЕХНИЧЕСКОЕ ОБСЛУЖИВАНИЕ

⚠ ОСТОРОЖНО

Прибор ни в коем случае не должен подсоединяться к источнику питания, когда вы разбираете его компоненты, выполняете регулировку, очистку, проводите техническое обслуживание, или когда прибор не используется. Отсоединение прибора позволит защитить инструмент от случайного запуска, чреватого серьезными физическими травмами.

- При выполнении технического обслуживания используйте только оригинальные запчасти от производителя. Использование других запчастей может представлять опасность или повредить изделия.
- Отключите инструмент от питающей сети перед установкой или снятием режущего полотна. Очищайте инструмент и систему предохранения чистой тканью.
- Избегайте использования растворителей во время чистки пластмассовых частей. Многие пластмассы чувствительны к воздействию различных бытовых растворителей и в результате их использования могут разрушиться. Для снятия грязи, пыли и пр. пользуйтесь чистой тряпкой.
- Никогда не допускайте контакта тормозной жидкости, бензина, продуктов на нефтяной основе, пропиточного масла и т. д. с пластмассовыми частями. Эти химикаты содержат вещества, которые могут испортить, ослабить или разрушить пластмассу.
- Всегда надевайте предохранительные или защитные очки с боковыми защитными экранами при работе с данным инструментом или сдувании пыли. Если во время работы образуется много пыли, также надевайте пылезащитную маску.
- Если кабель питания поврежден, во избежание опасности его должен заменить либо сам производитель, либо специалист авторизованного сервисного центра. Свяжитесь с авторизованным сервисным центром.
- Для большей безопасности и надежности все ремонтные работы должны выполняться в авторизованном сервисном центре Ryobi.

СМАЗКА

Все подшипники в изделии смазаны достаточным количеством высокосортной смазки для продолжительной эксплуатации изделия в нормальных рабочих условиях. Поэтому дополнительная смазка не требуется.

ЗАЩИТА ОКРУЖАЮЩЕЙ СРЕДЫ



Утилизируйте как сырье, а не выбрасывайте как мусор. Машина, аксессуары и упаковка должны быть отсортированы.

УСЛОВНЫЕ ОБОЗНАЧЕНИЯ НА ПРОДУКТЕ



Сигнал опасности

V

Вольт

Hz

Герц

~

Переменный ток

W

Ватт

n₀

Скорость на холостом ходу

min⁻¹

Оборотов или возвратно-поступательных движений в минуту



Класс защиты II, двойная изоляция



Древесина



Запрещается резать металлы



Применяйте средства защиты органов слуха



Применяйте средства защиты органов зрения



Лазерное излучение.
Не смотрите на луч лазера.
Лазерное изделие класса 2
 λ : 650nm; $P \leq 1\text{mW}$
EN 60825-1:2014



Опасно! Острый режущий диск!



Не подвергайте инструмент воздействию дождя



Ширина разреза



Число зубьев



Соответствие требованиям CE



Знак Евразийского Соответствия
Сертификат Соответствия
№ TC RU C-DE.AE61.B.07909
Срок действия Сертификата
Соответствия По 07.07.2017
Некоммерческая организация
Учреждение сертификации и экспертизы
«Сертэкс»
109044 РФ, город Москва,
3-й Крутицкий переулок, дом 11



Украинский знак стандартизации



Перед использованием прибора внимательно ознакомьтесь с данной инструкцией.



Отработанная электротехническая продукция должна уничтожаться вместе с бытовыми отходами. Утилизируйте, если имеется специальное техническое оборудование. По вопросам утилизации проконсультируйтесь с местным органом власти или предприятием розничной торговли.

ОБОЗНАЧЕНИЯ В РУКОВОДСТВЕ



Подключите к источнику питания.



Отключите от источника питания.



Детали или принадлежности,
приобретаемые отдельно



Зафиксировать



Расцепить



Примечание

Следующие сигнальные слова и значения предназначены, чтобы объяснить уровни риска, связанного с этим изделием.

ОПАСНО

Указывает на потенциально опасную ситуацию, которая, если ее не избежать, приведет к летальному исходу или серьезной травме.

ОСТОРОЖНО

Указывает на потенциально опасную ситуацию, которая, если ее не избежать, может привести к летальному исходу или серьезной травме.

ВНИМАНИЕ

Указывает на потенциально опасную ситуацию, которая, если ее не избежать, может привести к травме легкой или средней тяжести.

ВНИМАНИЕ

(Без Символа Тревоги Безопасности) Указывает ситуацию, которая может кончиться повреждением собственности.

EN
FR
DE
ES
IT
NL
PT
DA
SV
FI
NO
RU
PL
CS
HU
RO
LV
LT
ET
HR
SL
SK
BG
UK
TR
EL

Транспортировка:

Категорически не допускается падение и любые механические воздействия на упаковку при транспортировке.

При разгрузке/погрузке не допускается использование любого вида техники, работающей по принципу зажима упаковки.

Хранение:

Необходимо хранить в сухом месте.

Необходимо хранить вдали от источников повышенных температур и воздействия солнечных лучей.

При хранении необходимо избегать резкого перепада температур.

Хранение без упаковки не допускается.

Срок службы изделия:

Срок службы изделия составляет 5 лет.

Не рекомендуется к эксплуатации по истечении 5 лет хранения с даты изготовления без предварительной проверки.

Дата изготовления (код даты) отштампован на поверхности корпуса изделия.

Пример:

W17 Y2015, где Y2015 - год изготовления

W17 – неделя изготовления

Определить месяц изготовления можно согласно приведенной ниже таблице, на примере 2015 года.

Обратите внимание! Количество недель в месяце различается от года в год.

Месяц	Январь	Февраль	Март	Апрель	Май	Июнь	Июль	Август	Сентябрь	Октябрь	Ноябрь	Декабрь	Год
Неделя	01	05	09	14	18	22	27	31	36	40	44	49	2015
	02	06	10	15	19	23	28	32	37	41	45	50	
	03	07	11	16	20	24	29	33	38	42	46	51	
	04	08	12	17	21	25	30	34	39	43	47	52	
	05	09	13	18	22	26	31	35	40	44	48	53	
			14			27							

Najwyższymi priorytetami w trakcie projektowania zakupionej przez Państwa pilarki tarczowej były bezpieczeństwo, wydajność i niezawodność.

PRZEZNACZENIE

Opisywana pilarka tarczowa przeznaczona jest do stosowania wyłącznie przez osoby dorosłe, które zapoznały się z instrukcjami i ostrzeżeniami zawartymi w niniejszym dokumencie oraz zrozumiały je, a także mogą być uważane za odpowiedzialne za swoje postępowanie.

Pilarka przeznaczona jest do cięcia drewna i podobnych materiałów wzdłuż lub w poprzek włókien do maksymalnej głębokości 54 mm. Narzędzie może wykonywać cięcia proste lub ukośne, pod kątem od 0 do 45°. Należy je stosować tak, by jego podstawa pozostawała w kontakcie z obrabianym przedmiotem. Piła może być używana w suchych warunkach, przy bardzo dobrym oświetleniu zewnętrznym i odpowiedniej wentylacji. Piła jest przeznaczona do ręcznego użytku. Piła nie można montować na stole warsztatowym, chyba że producent produktu podaje specjalne instrukcje w zakresie takiego montażu. Nie należy używać do cięcia elementów metalowych ani betonowych. Nie należy używać tego produktu niezgodnie z przeznaczeniem. Używanie narzędzi w sposób niezgodny z ich przeznaczeniem jest niebezpieczne.

⚠ OSTRZEŻENIE

Przeczytajcie uważnie wszystkie ostrzeżenia i zalecenia. Nie przestrzeganie przedstawionych niżej zaleceń mogłoby pociągnąć za sobą wypadki takie jak pożary, porażenia prądem elektrycznym i /lub poważne obrażenia ciała.

Zachowajcie te ostrzeżenia i zalecenia, aby móc się do nich odnieść w późniejszym czasie.

OSTRZEŻENIA DOTYCZĄCE BEZPIECZEŃSTWA PRACY Z PILARKĄ TARCZOWĄ

PROCEDURY CIĘCIA

⚠ NIEBEZPIECZEŃSTWO

Trzymać dłonie z dala od miejsca cięcia i tarczy tnącej. Ręka, która nie trzyma głównego uchwytu narzędzia, powinna trzymać uchwyt pomocniczy lub opierać się na obudowie silnika. W ten sposób wasze ręce nie znajdują się w strefie cięcia, na torze tarczy.

- **Nie sięgać pod obrabiany przedmiot.** W tym miejscu osłona tarczy nie może Was chronić, gdyż nie pokrywa tarczy.
- **Wyregulujcie głębokość cięcia w zależności od grubości obrabianego przedmiotu.** Zęby tarczy nie powinny wystawać całkowicie pod obrabianym przedmiotem podczas cięcia.
- **NIGDY nie trzymajcie obrabianego przedmiotu ręką czy między nogami. Przymocujcie obrabiany przedmiot do stabilnego wspornika.** Najważniejsze

jest należyte zamocowanie przedmiotu do obróbki, tak by uniknąć wszelkiego ryzyka zranienia, nie należy zginać tarczy by nie utracić kontroli nad narzędziem.

- **Kiedy pracujecie na powierzchni mogącej skrywać przewody elektryczne, lub gdy podczas pracy przewód zasilający może być na trasie cięcia, trzymajcie narzędzie wyłącznie za izolowane i nieśliskie części.** Zetknięcie z przewodem pod napięciem spowoduje, że wszystkie metalowe części elektronarzędzia będą również pod napięciem, co w rezultacie spowoduje porażenie prądem operatora.
- **Podczas wykonywania cięcia równoległego używajcie zawsze albo prowadnika cięcia równoległego albo prostej listwy.** Wtedy precyzja cięcia ulepszy się i unikniecie ryzyka zgięcia tarczy.
- **Używajcie zawsze tarcz o wymiarze i kształcie dostosowanym do otworu mocującego wrzeciona.** Tarcze tnące nie dostosowane do wrzeciona, na którym mają być zamontowane nie będą się należyście obracały i mogą spowodować utratę kontroli nad narzędziem.
- **Nigdy nie używajcie śrub czy kołnierzy tarcz, które są zdefektowane lub niedostosowane.** Śruby i kołnierze tarcz zostały zaprojektowane specjalnie do waszego modelu pilarki z myślą o optymalnym bezpieczeństwie i osiąгах.

PRZYCZYNY ODRZUTU I POWIĄZANE OSTRZEŻENIA:

- **Odbicie jest nagłą reakcją występującą podczas zablokowania tarczy, jej wygięcia czy złego wyrównania;** pilarka uwalnia się nagle z obrabianego przedmiotu i cofa się gwałtownie w kierunku użytkownika.
- **Kiedy tarcza zostanie zablokowana w drewnie, przestaje się ona obracać a silnik dalej się obraca i odrzuca pilarkę w kierunku odwrotnym do kierunku obrotów tarczy, to znaczy w stronę użytkownika.**
- **Kiedy tarcza się wygina lub jest źle zrównana, zęby znajdujące się z tyłu tarczy mogą się zagłębić w drewnie, co spowoduje gwałtowny odrzut tarczy z obrabianego przedmiotu w kierunku użytkownika.**

Odbicie jest wynikiem złego użycia narzędzia i /lub niepoprawnego sposobu lub warunków cięcia. Można go uniknąć podejmując środki ostrożności.

- **Należy mocno trzymać pilarkę dwoma rękami i ustawić ramiona tak, by móc kontrolować ewentualne odbicie. Trzymajcie się zawsze z boku pilarki, kiedy jej używacie nigdy nie stawajcie w linii cięcia tarczy.** Odbicie wyrzuca nagle pilarkę do tyłu, ale może być kontrolowane, jeżeli użytkownik to przewiduje i jest na to przygotowany.
- **Jeżeli tarcza się zaklinuje, lub musicie z jakiegokolwiek przyczyny przerwać cięcie, zwolnijcie spust i trzymajcie pilarkę w obrabianym przedmiocie do czasu aż tarcza zupełnie przestanie się obracać. Nie wolno próbować wyciągać piły z obrabianego materiału, podczas gdy tarcza tnąca jeszcze się obraca; grozi to wystąpieniem zjawiska odrzutu.** Kiedy tarcza się klinuje, szukajcie przyczyny i podejmijcie środki zapobiegawcze, by to się nie powtórzyło.
- **Przed ponownym uruchomieniem pilarki do ponownego cięcia, zrównajcie należyście tarczę z nacięciem piły i sprawdźcie czy zęby nie dotykają**

przedmiotu do obróbki. Jeżeli tarcza się zaklinuje w obrabianym przedmiocie, zachodzi ryzyko odbicia podczas uruchomienia pilarki.

- **W celu zmniejszenia ryzyka zaklinowania tarczy lub odbicia, dopilnujcie by długie elementy były podparte.** Długie elementy do obróbki mają skłonność do uginania się pod własnym ciężarem. Możecie ustawić wsporniki po obu stronach przedmiotu do obróbki, blisko linii cięcia i na końcu przedmiotu.
- **Nie używajcie uszkodzonych lub stępionych tarcz.** Tarcze nienaostrzone lub źle zamontowane będądawały cięcie powodujące nadmierne tarcie tarczy i zwiększenie ryzyka wygięcia czy odbicia.
- **Przed rozpoczęciem cięcia, sprawdźcie czy przyciski regulacji głębokości cięcia i nachylenia są należycie zablokowane.** Jeżeli ustawienia pozycji tarczy zmieniają się podczas cięcia, tarcza może się zaklinować i może nastąpić odbicie.
- **Należy zachować szczególną ostrożność w przypadku cięcia istniejących ścian lub innych konstrukcji nieprzelotowych.** Tarcza mogłaby uderzyć o ukryte przedmioty, co doprowadziłoby do odbicia.

DZIAŁANIE DOLNEJ OSŁONY

- **Przed każdym użyciem, należy sprawdzić czy wewnętrzna osłona tarczy, należycie zakrywa tarczę. Nie używajcie waszej pilarki, jeżeli wewnętrzna osłona tarczy nie może być swobodnie uruchomiona i jeżeli nie opada natychmiast na tarczę. Nie należy mocować czy przyczepiać dolnej osłony tarczy w pozycji otwartej.** Gdyby pilarka przypadkowo spadła, wewnętrzna osłona tarczy mogłaby się zgiąć. Podnieście do góry dolną osłonę tarczy przy pomocy dźwigni i upewnijcie się, że można ją z łatwością manipulować i że nie dotyka ona ani tarczy ani żadnej innej części, bez względu na wybrany kąt i głębokość cięcia.
- **Upewnijcie się czy sprężyna wewnętrznej osłony tarczy jest poprawnie zainstalowana i czy jest w stanie sprawnym do działania. Jeżeli osłona tarczy i sprężyna nie funkcjonują sprawnie, oddajcie je do naprawy lub wymiany przed użyciem pilarki.** Pracę osłony dolnej może utrudniać kleisty osad, zanieczyszczenia lub uszkodzone elementy.
- **Oslonę dolną można wycofywać ręcznie wyłącznie w szczególnych przypadkach, jak np. do wykonania „cięcia wgłębnego” lub „cięć złożonych”.** Podnieście wewnętrzną osłonę tarczy przy pomocy dźwigni. Następnie, gdy tylko tarcza wejdzie w obrabiany przedmiot, puśćcie wewnętrzną osłonę tarczy. Do innych rodzajów cięcia, wewnętrzna osłona tarczy umiejscawia się automatycznie.
- **Przed położeniem waszej pilarki na stoliku warsztatowym czy na ziemi, należy sprawdzić czy wewnętrzna osłona tarczy, należycie zakrywa tarczę.** Jeżeli tarcza nie jest należycie zakryta, może się obracać bezwładnościowo i ciąć to co znajduje się w jej torze cięcia. Zdajcie sobie sprawę z faktu, że tarcza obraca się jeszcze przez pewien czas po wyłączeniu silnika.

INSTRUKCJE BEZPIECZEŃSTWA DOTYCZĄCE TARCZY DO CIĘCIA DREWNA

- Przed przystąpieniem do użytkowania tarczy pilarki i samego narzędzia z napędem należy dokładnie zapoznać się z instrukcją oraz pozostałymi wskazówkami.
- Narzędzie z napędem musi znajdować się w dobrym stanie, a trzpień obrotowy nie może być zdeformowany ani wpadać w wibracje.
- Pilarki nie wolno stosować bez zamontowanych osłon. Należy zadbać o prawidłowe konserwowanie i działanie osłon.
- Należy upewnić się, że operator jest należycie przeszkolony w zakresie środków ostrożności, regulacji oraz obsługi narzędzia z napędem.
- W trakcie użytkowania narzędzia z napędem należy zawsze nosić okulary ochronne oraz środki ochrony słuchu. Zaleca się noszenie rękawic oraz solidnych, antypoślizgowych butów.
- Przed użyciem jakichkolwiek akcesoriów należy zapoznać się z instrukcją obsługi. Niewłaściwe stosowanie akcesoriów może prowadzić do uszkodzeń oraz zwiększać prawdopodobieństwo uszczerbku na zdrowiu.
- Stosować wyłącznie ostrza wyszczególnione w tym materiale, zgodne z EN 847-1.
- Należy przestrzegać ograniczenia maksymalnej prędkości dot. ostrza piły. Należy upewnić się, że prędkość podana na ostrzu piły jest przynajmniej taka sama jak prędkość podana na pile.
- Używajcie zawsze tarcz o wymiarze i kształcie dostosowanym do otworu mocującego wrzeciona. Tarcze tnące nie dostosowane do wrzeciona, na którym mają być zamontowane nie będą się należycie obracały i mogą spowodować utratę kontroli nad narzędziem.
- Nie używać ostrzy o większej lub mniejszej średnicy od zalecanej średnicy ostrza. Nie stosować żadnych przekładek/podkładek, aby umożliwić dopasowanie wrzeciona.
- Przed każdym użyciem należy sprawdzić końcówki tarczy pilarki pod kątem braku uszkodzeń lub nietypowego wyglądu. Uszkodzone lub luźne końcówki mogą odrywać się w trakcie pracy, co z kolei może prowadzić do poważnych urazów.
- Nie używać pękniętych lub zniekształconych brzeszczotów! Nie używać brzeszczotów/tarcz, które są zniekształcone lub uszkodzone.
- Tarczę pilarki należy wyrzucić na złom w przypadku gdy dojdzie do jej uszkodzenia, odkształcenia lub pęknięcia. Naprawianie tarczy jest niedopuszczalne.
- Nie stosować ostrzy HSS.
- Przed użyciem należy upewnić się, czy ostrze piły jest dobrze zamontowane. Przed rozpoczęciem pracy należy dokładnie dokręcić śrubę mocującą tarczę, stosując moment obrotowy równy około 10–15 Nm.
- Śrubę mocującą i nakrętki należy dokręcać odpowiednim kluczem.
- Zabrania się stosowania przedłużeń kluczy lub dokręcania poprzez uderzanie młotkiem.

- Wszystkie ostrza i krawędzie maszyny muszą być czyste, a wpuszczone strony kołnierza muszą być skierowane w stronę ostrza.
- Sprawdzić, czy ostrza obracając się w odpowiednim kierunku.
- Przed pracą należy wykonać próbne cięcia przy włączonym silniku w celu sprawdzenia położenia ostrza, działania osłon w stosunku do innych części maszyny oraz obrabianego elementu.
- Nie wolno zostawiać maszyny podczas pracy bez nadzoru.
- Nie aplikować smarów na obracające się ostrze.
- Nie wolno wykonywać czyszczenia ani konserwacji, gdy maszyna nadal działa, a głowica nie znajduje się w położeniu spoczynkowym.
- Nigdy nie należy próbować zatrzymać narzędzia z napędem silnikowym poprzez zakleszczenie tarczy lub unieruchomienie jej w inny sposób. Postępowanie takie może prowadzić do poważnych wypadków.
- Przed przystąpieniem do wymiany tarczy lub rozpoczęciem prac konserwacyjnych należy odłączyć pilarkę od zasilania sieciowego bądź akumulatora.
- W trakcie pakowania i rozpakowywania należy zwracać szczególną uwagę na tarczę. Końcówki tarczy są ostre i mogą łatwo rozciąć skórę.
- Podczas obsługi należy stosować uchwyt lub nosić rękawice ochronne.
- Tarczę należy przechowywać w oryginalnym opakowaniu bądź innym odpowiednim opakowaniu. Przechowywać w suchym miejscu, z dala od substancji chemicznych, które mogłyby uszkodzić tarczę.

⚠ OSTRZEŻENIE

- Stosuj środki ochrony oczu i uszu.
- Noś maskę przeciwpyłową.
- Nigdy nie używajcie tarczy ściernej.
- Unikaj przegrzewania końcówek ostrza. Nie używajcie uszkodzonych lub stępionych tarcz. Nie używać siły podczas obsługi narzędzia.
- Należy stosować wyłącznie zalecane tarcze do piły.
- Nie używać ostrzy o większej lub mniejszej średnicy od zalecanej średnicy ostrza.
- Stosować wyłącznie ostrza wyszczególnione w tym materiale, zgodne z EN 847-1.

BEZPIECZEŃSTWO DOTYCZĄCE LASERA (RCS1600)



- Zastosowany w urządzeniu laser to urządzenie klasy II o mocy $\leq 1\text{mW}$ i długości fali 650 nm. Nie wolno patrzeć bezpośrednio w wiązkę lasera. Nieprzestrzeganie zasad może spowodować poważne obrażenia ciała.



- Dostarczyliśmy Tobie samoprzylepną etykietę w Twoim języku: przed pierwszym uruchomieniem maszyny przyklej tę etykietę w miejscu tekstu ostrzeżenia po angielsku.
- Nie patrzeć bezpośrednio w wiązkę lasera podczas pracy.
- Nie kierować lasera w stronę oczu osób postronnych. Groziłoby to poważnym uszkodzeniem wzroku.
- Nie umieszczać lasera w sposób pozwalający na świadome lub nieświadome skierowanie wzroku bezpośrednio na promień lasera.
- Nie używać przyrządów optycznych w celu podglądu wiązki lasera.
- Nie używać lasera w pobliżu dzieci ani nie zezwalać dzieciom na jego używanie.
- Nie wolno próbować samodzielnie naprawiać lasera.
- Nie próbować samodzielnie zmieniać żadnych części urządzenia laserowego.
- Naprawy należy powierzyć wyspecjalizowanemu serwisowi lub producentowi lasera.
- Nie wymieniać lasera na laser innego typu.

RYZYKO ZWIĄZANE Z UŻYTKOWANIEM

Nawet jeśli produkt jest używany zgodnie z zaleceniami, nadal nie jest możliwe wyeliminowanie określonych czynników ryzyka. Następujące zagrożenia mogą wystąpić podczas używania urządzenia i operator powinien zwracać szczególną uwagę na poniższe punkty:

- Urazy ciała spowodowane przez odskok
 - Należy ze zrozumieniem przeczytać informacje zawarte w niniejszej instrukcji.
 - Urazy ciała spowodowane przez wibracje
 - Ograniczyć narażenie na kontakt. Patrz "Ograniczenie Ryzyka".
 - Urazy ciała spowodowane pyłem
 - Zawsze nosić okulary ochronne. Należy nosić odpowiednią maskę przeciwpyłową z odpowiednimi filtrami, chroniącą przed pyłem z obrabianego materiału. Nie jeść, nie pić i nie palić w miejscu pracy. Należy zapewnić odpowiednią wentylację miejsca pracy.
 - Porażenie prądem elektrycznym
 - Ostrze może zetknąć się z ukrytymi przewodami, w rezultacie czego części produktu będą pod napięciem. Produkt zawsze należy trzymać za odpowiednie uchwyty i należy zachować ostrożność w przypadku cięcia otworów w ścianach i podłogach, gdzie mogą przebiegać kable.
- UWAGA:** Przy wykonywaniu prac na ścianach, sufitach lub podłogach należy unikać kontaktu z przewodami elektrycznymi oraz rurami gazowymi i wodnymi.
- Urazy ciała spowodowane kontaktem z ostrzem
 - Ostrza są bardzo ostre i podczas pracy są gorące. Podczas wymiany ostrzy należy nosić rękawice.

Przez cały czas należy trzymać ręce z dala od obszaru cięcia. NIGDY nie trzymajcie obrabianego przedmiotu ręką czy między nogami. Jeśli to możliwe, należy unieruchomić obrabiany materiał.

OGRANICZENIE RYZYKA

Znane są przypadki wywołania u niektórych osób objawu Raynauda spowodowanego wibracjami ręcznych narzędzi. Typowe objawy to mrowienie, drętwienie i blednięcie palców, widoczne zwykle po wystawieniu na działanie zimna. Uważa się, że czynniki dziedziczne, wystawienie na działanie zimna i wilgoci, dieta, palenie papierosów i przyjęte zwyczaje przyczyniają się do rozwoju tych objawów. Istnieją środki zaradcze, które może podjąć operator narzędzia, aby zmniejszyć efekt wibracji:

- Zadbaj o niskich temperaturach o ciepłotę własnego ciała, zakładając odpowiednie ubranie. Podczas obsługi urządzenia należy nosić rękawice, aby dłonie i nadgarstki były ciepłe. Wiadomo, że niskie temperatury są główną przyczyną powstawania objawu Raynauda.
- Podczas przerw w pracy należy wykonywać ćwiczenia poprawiające krążenie krwi..
- Podczas pracy robić częste przerwy. Ograniczyć ekspozycję w ciągu dnia.

W razie doświadczenia dowolnego z wymienionych objawów, należy niezwłocznie zaprzestać użytkowania tego urządzenia i skontaktować się z lekarzem.

⚠ OSTRZEŻENIE

Długotrwałe użytkowanie narzędzia może spowodować obrażenia ciała lub nasilić dolegliwości zdrowotne. W przypadku używania narzędzia przed dłuższy czas należy pamiętać o regularnych przerwach.

INFORMACJE O PRODUKCIE

Patrz strona 135.

1. Przycisk uruchamiający
2. Przycisk odblokowania spustu przepustnicy
3. Górna osłona tarczy
4. Adapter wylotu pyłu
5. Dźwignia dolnej osłony tarczy
6. Śruba tarczy
7. Dolna osłona tarczy
8. Rękojeść
9. Skala kątowna
10. Blokada skali kątownej
11. Blokada prowadnicy do cięcia wzdłużnego
12. Podstawa
13. Głowica laserowa (RCS1600)
14. Tarcza
15. Prowadnica pilarki
16. Zacisk
17. Kluczyk
18. Prowadnica wzdłużna

KONSERWACJA

⚠ OSTRZEŻENIE

Produkt nigdy nie może być podłączony do źródła zasilania podczas montażu części, regulacji, czyszczenia, konserwacji lub gdy nie jest używany. Odłączenie produktu zapobiegnie przypadkowemu uruchomieniu, które mogłoby spowodować poważne obrażenia ciała.

- Do serwisowania należy stosować wyłącznie oryginalne części zamienne producenta. Użycie jakiegokolwiek innej części mogłoby spowodować zagrożenie lub też uszkodzić wasze narzędzie.
- Należy pamiętać, aby przed założeniem lub zdjęciem tarczy tnącej wyjąć wtyczkę z gniazda sieciowego. Produkt i zespół osłon należy czyścić czystymi szmatami.
- Nie stosować rozpuszczalników do czyszczenia elementów plastikowych. Większość tworzyw sztucznych, mogłoby zostać uszkodzone przez użycie rozpuszczalników dostępnych w sprzedaży. Używajcie czystej szmatki do mycia zabrudzeń, pyłu, itd.
- Nie wolno dopuścić do kontaktu plastikowych części z płynem hamulcowym, benzyną, produktami ropopochodnymi, olejami penetrującymi itp. Substancje te zawierają produkty chemiczne, które mogłyby uszkodzić, osłabić lub zniszczyć plastik.
- Podczas użytkowania elektronarzędzi lub wydmuchiwanie pyłu należy zawsze nosić okulary ochronne z osłonami bocznymi. Jeśli wykonywanej pracy towarzyszy powstawanie pyłu, należy również stosować maskę przeciwpyłową.
- Uszkodzony przewód sieciowy powinien zostać wymieniony przez autoryzowany punkt serwisowy, samodzielną wymianą zagraża bezpieczeństwu użytkownika. Należy skontaktować się z autoryzowanym centrum serwisowym.
- Dla większego bezpieczeństwa i lepszej pewności, wszystkie naprawy powinny być wykonywane w Autoryzowanym Punkcie Serwisowym Ryobi.

SMAROWANIE

Wszystkie łożyska produktu są smarowane przy użyciu odpowiedniej ilości wysokiej jakości smaru na cały okres eksploatacji produktu przy uwzględnieniu normalnych warunków roboczych. W wyniku czego, nie zachodzi potrzeba dodatkowego smarowania.

OCHRONA ŚRODOWISKA



Surowce należy oddawać do powtórnego przetworzenia zamiast wyrzucać je na śmieci. Z myślą o ochronie środowiska, narzędzie, akcesoria i opakowania powinny być sortowane.

SYMBOLE PRODUKTU



Uwaga dotycząca bezpieczeństwa

V

Wolt

Hz

Herc

~

Prąd przemienny

W

Wat

n₀

Prędkość bez obciążenia

min⁻¹

Ilość obrotów czy ruchów na minutę



Klasa II, podwójna izolacja



Drewno



Nie ciąć metali



Stosować środki ochrony słuchu



Stosować środki ochrony wzroku



Promieniowanie lasera.
Nie patrzeć bezpośrednio w wiązkę lasera.
Urządzenie laserowe klasy 2
λ: 650nm; P≤1mW
EN 60825-1:2014



Niebezpieczeństwo! Tarcza tnąca powinna być ostra.



Nie narażaj na działanie deszczu



Szerokość cięcia



Liczba zębów tarczy



Zgodność CE



Znak zgodności EurAsian



Ukraiński znak zgodności



Przed uruchomieniem urządzenia prosimy uważnie przeczytać instrukcję



Zużyte produkty elektryczne nie powinny być utylizowane z odpadami domowymi. Prosimy poddawać recyklingowi w odpowiednich miejscach. Informacje o właściwych metodach recyklingu można uzyskać u władz lokalnych lub sprzedawcy.

SYMBOLE W INSTRUKCJI



Podłączyć do źródła zasilania.



Odłączyć od źródła zasilania.



Części lub akcesoria sprzedawane oddzielnie



Blokada



Odkręcenie uchwytu



Uwaga

Poniższe symbole i nazwy które im nadano, pozwalają wyjaśnić różne poziomy ryzyka związanego z używaniem tego narzędzia.

⚠ NIEBEZPIECZEŃSTWO

Oznacza bezpośrednio niebezpieczną sytuację, która, jeśli nie zostanie uniknięta, spowoduje śmierć lub poważne urazy ciała.

⚠ OSTRZEŻENIE

Oznacza potencjalnie niebezpieczną sytuację, która, jeśli nie zostanie uniknięta, może spowodować śmierć lub poważne urazy ciała.

⚠ UWAGA

Oznacza potencjalnie niebezpieczną sytuację, która, jeśli nie zostanie uniknięta, może spowodować niewielkie lub umiarkowane urazy ciała.

UWAGA

(Bez symbolu bezpieczeństwa) Wskazuje na sytuację mogącą spowodować straty materialne.

EN
FR
DE
ES
IT
NL
PT
DA
SV
FI
NO
RU
PL
CS
HU
RO
LV
LT
ET
HR
SL
SK
BG
UK
TR
EL

Při návrhu kotoučové pily byl kladen obzvláštní důraz na bezpečnost, výkon a spolehlivost.

ZAMÝŠLENÉ POUŽITÍ

Kotoučovou pilu smí používat pouze dospělé osoby, které si přečetly a řádně pochopily pokyny a varování v tomto návodu, a mohou být považovány za zodpovědné za své činy.

Pila je navržena k odřezávání a příčnému řezání dřeva či podobných materiálů o max. tloušťce 54 mm. Pila provádí rovný nebo zkosený řez v rozmezí 0 až 45 stupňů. Je určena k používání se základnou nástroje, k níž přiléhá obrobek. Pila se musí používat v suchých podmínkách, s vynikajícím okolním osvětlením a dostatečným větráním. Pila je určena pro ruční použití. Pila není určena pro montáž na pracovní stůl, pokud to nepopisují konkrétní instrukce dané výrobcem produktu. Nepoužívejte pro řezání kovu ani zdiva. Nepoužívejte výrobek jinak než je uvedeno v určeném použití. Použití elektricky poháněného nástroje pro práce jiné, než zamýšlené by mohlo mít za následek nebezpečnou situaci.

VAROVÁNÍ

Přečtěte si všechny bezpečnostní upozornění a pokyny. Nedodržení uvedených pokynů může způsobit požár, úraz elektrickým proudem a/nebo jiné vážné zranění.

Uschovejte všechny pokyny a upozornění, abyste se k nim mohli v budoucnosti vrátit.

BEZPEČNOSTNÍ UPOZORNĚNÍ KE KOTOUČOVÉ PILE

POSTUP PŘI ŘEZÁNÍ

NEBEZPEČÍ

Udržujte ruce mimo oblast řezání a kotouč. Jednou rukou držte hlavní rukojeť a druhou rukou přidavnou rukojeť nebo ruku položte na kryt motoru. Tak se nemůže stát, že se vaše ruce dostanou do dráhy řezu nebo do dráhy pilového kotouče.

- **Nesahejte pod obrobek.** V tomto místě ochranný kryt kotouče neposkytuje ochranu, neboť nezakrývá kotouč.
- **Nastavte hloubku řezu podle síly řezaného materiálu.** Zuby pilového kotouče se při řezání nesmí zcela dostat pod úroveň řezaného materiálu.
- **Opracovávaný kus NIKDY nepřidržíte rukou v oblasti řezu a ani jej nedržíte mezi nohama. Upevněte řezaný materiál do stabilního držáku.** Řádné upevnění řezaného dílu je základním předpokladem bezpečného řezání. Správné upevnění zamezuje ohýbání pilového kotouče. Navíc budete mít nářadí pod kontrolou.
- **Držte nářadí pouze za izolované části s protiskluzovou úpravou, pokud pracujete s materiálem, ve kterém mohou být elektrické kabely nebo pokud pracujete v poloze, při které by se napájecí kabel mohl dostat do trasy řezu.** Kontakt s „živým“ vodičem způsobí, že

kovové části elektrického nástroje se stanou také „živými“ a způsobí obsluze elektrický úraz.

- **Při provádění přímého (paralelního) řezu používejte vodítko nebo vodící lištu.** Zvýší se přesnost řezu a omezí se riziko ohýbání kotouče.
- **Vždy používejte kotouč odpovídající velikosti a tvaru s vhodným upínacím průměrem.** Pilové kotouče s nesprávným upínacím průměrem se nebudou správně otáčet na hřídeli. Navíc existuje riziko, že ztratíte kontrolu nad nářadím.
- **Nikdy nepoužívejte poškozené nebo nevhodné šrouby a příruby.** Příruby a šrouby jsou specifické pro váš model pily a jsou zárukou bezpečnosti nářadí a optimálního výkonu.

ZPĚTNÝ VRH A SOUVISEJÍCÍ VAROVÁNÍ:

- Zpětný vrh nářadí je prudká reakce pily, ke které může dojít, pokud se pilový kotouč zablokuje, ohne nebo je špatně srovnaný; pila náhle „vyskočí“ z řezaného dílu a vymrští se směrem k uživateli.
- Jakmile pilový kotouč uvízne ve dřevě, přestane se otáčet, motor stále běží a následkem toho dojde k vymrštění pily opačným směrem než je pohyb pilového kotouče, tzn. směrem k uživateli.
- Pokud se pilový kotouč ohne nebo není v zákrytu, zuby v zadní části pilového kotouče se mohou zabořit do dřeva. Tím se pilový kotouč vymrští směrem k uživateli.

Zpětný vrh je tudíž způsoben nesprávným používáním nářadí a/nebo nevhodným postupem při řezání, případně nevhodnými podmínkami řezání. Zpětnému vrhu - vymrštění nářadí lze předcházet dodržováním několika základních opatření.

- **Držte pevně nářadí oběma rukama a paže mějte v takové poloze, abyste mohli zabránit případnému vymrštění nářadí. Při řezání stůjte po straně pily, nikdy v ose dráhy pilového kotouče.** Při zpětném vrhu dojde k náhlému vymrštění pily dozadu směrem k uživateli, ovšem tento pohyb lze kontrolovat, pokud si je uživatel nebezpečí vědom a je na něj připraven.
- **Pokud dojde k zablokování kotouče v řezaném materiálu, dejte prst ze spouštěče a ponechte pilový kotouč v řezaném materiálu, dokud se nepřestane točit. Nikdy se nepokoušejte pilu odtáhnout od obrobku nebo táhnout pilu zpět, když je kotouč v pohybu nebo nastane zpětný vrh.** Pokud pilový kotouč uvízne v řezaném materiálu, pokuste se nalézt příčinu a proveďte opravu, aby k zablokování kotouče již nemohlo dojít.
- **Než znovu uvedete pilu do provozu a budete pokračovat v řezu, srovnejte pilový kotouč přesně s dráhou řezu a zkontrolujte, zda se zuby pilového kotouče nedotýkají řezaného materiálu.** Pokud je pilový kotouč zablokovaný v řezaném materiálu, při spuštění pily by mohlo dojít k jejímu vymrštění směrem k uživateli.
- **Při řezání dlouhých dílů je nutné používat podpěru, aby pilový kotouč neměl sklony v materiálu blokovat.** Tím se omezí nebezpečí vymrštění pily. Dlouhé díly mají tendenci se prohýbat v důsledku své vlastní váhy. Dlouhé díly můžete podepřít z obou stran, v blízkosti dráhy řezu a na konci řezaného dílu.



- **Nepoužívejte poškozené nebo tupé pilové kotouče.** Tupé nebo nesprávně nasazené pilové kotouče jsou zdrojem tření, které zvyšuje riziko ohnutí kotouče a jeho vymrštění z řezaného materiálu.
- **Než začnete řezat, zkontrolujte, zda jsou knoflík pro blokování řezné hloubky a knoflík pro nastavení naklopení řádně utaženy.** Pokud by v průběhu řezání došlo ke změně polohy pilového kotouče, pilový kotouč by se mohl zablokovat v řezaném materiálu a způsobit zpětný vrh.
- **Bud'te velmi opatrní, když řežete do zdi nebo jiných slepých oblastí.** Pilový kotouč by mohl narazit na skryté předměty a mohlo by dojít k vymrštění kotouče směrem na uživatele.

FUNKCE SPODNÍHO KRYTU

- **Před každým použitím pily zkontrolujte, zda dolní ochranný kryt správně překrývá pilový kotouč. Kotoučovou pilu nepoužívejte, pokud kryt pilového kotouče nelze snadno ovládat nebo jím nelze volně pohybovat. Nikdy neblokuje dolní kryt pilového kotouče v otevřené poloze.** Pokud by došlo k nechtěnému pádu pily, dolní kryt pilového kotouče by se mohl ohnout. Zdvihněte dolní kryt pilového kotouče pomocí páčky a zkontrolujte, zda lze ochranným krytem snadno pohybovat, zda se nedotýká pilového kotouče ani žádného jiného dílu pily, bez ohledu na nastavenou hloubku a úhel řezu.
- **Zkontrolujte, zda je v dobrém stavu pružina dolního ochranného krytu. Pokud ochranný kryt nebo pružina nepracují správně, nechte je opravit nebo vyměnit, než začnete s pilou pracovat.** Spodní kryt může fungovat liknavě z důvodu poškození dílů, lepivých usazenin nebo nahromadění nečistot.
- **Spodní kryt se ručně může zasouvat pouze pro speciální řezy, například „zanořovací řezy“ a „kombinované řezy“.** Dolní ochranný kryt zvednete pomocí páčky. Jakmile se pilový kotouč dostane do záběru s řezaným dílem, pusťte dolní ochranný kryt. U všech ostatních typů řezů se dolní ochranný kryt sklopí automaticky.
- **Než postavíte pilu na pracovní stůl nebo na zem, zkontrolujte vždy, zda dolní ochranný kryt zakrývá pilový kotouč.** Pokud pilový kotouč není správně chráněn krytem, může se otáčet na základě setrvačnosti a přefříznout vše, co se nachází v dráze řezu. Při řezání nezapomeňte, že po vypnutí motoru se pilový kotouč ještě chvíli otáčí.

BEZPEČNOSTNÍ POKYNY K ŘEZNÝM KOTOUČŮM NA ŘEZÁNÍ DŘEVA

- Před použitím kotoučové pily a elektrického nástroje si pečlivě přečtěte pokyny v příručce.
- Elektrický nástroj musí být v dobrém stavu, vřetenou musí být prosté deformací a vibrací.
- Nepoužívejte pilu bez ochranných krytů namontovaných v příslušné poloze. Udržujte kryty v provozuschopném stavu a řádně je udržujte.
- Ujistěte se, že je obsluha dostatečně proškolená v bezpečnostních opatřeních, nastavení a práci s elektrickým nástrojem.

- Při používání elektrického nástroje vždy noste brýle a chrániče sluchu. Doporučujeme nosit rukavice a pevné, protiskluzové body.
- Před použitím doplňku pečlivě přečtěte návod k používání. Při nesprávném používání příslušenství může dojít ke škodám a může se zvyšovat riziko zranění.
- Používejte pouze kotouče určené manuálem, dle EN 847-1.
- Sledujte maximální rychlost kotouče, vyznačenou na pilovém kotouči. Ujistěte se, že je rychlostní značení pilovým kotoučem alespoň stejné jako rychlostní značení na pile.
- Vždy používejte kotouč odpovídající velikosti a tvaru s vhodným upínacím průměrem. Pilové kotouče s nesprávným upínacím průměrem se nebudou správně otáčet na hřídeli. Navíc existuje riziko, že ztratíte kontrolu nad nářadím.
- Nepoužívejte kotouče o menším či větším průměru, než doporučeném. Nepoužívejte distanční vložky pro upevnění kotouče na vřetenou.
- Před každým použitím zkontrolujte výčnělky řezného kotouče, zda nejsou poškozeny nebo nevykazují vzhledové anomálie. Poškozené či uvolněné výčnělky mohou při používání odlétnout a případně způsobit zranění osob.
- Nepoužívejte prasklé nebo polámané pilové kotouče. Nepoužívejte poškozené nebo deformované pilové listy.
- Řezný kotouč zlikvidujte, je-li poškozen, zdeformován, zkroucen či je-li prasklý. Kotouč není dovoleno opravovat.
- Nepoužívejte HSS kotouče.
- Ujistěte se, že je pilový kotouč před použitím správně namontován. Před použitím bezpečně utáhněte šroub řezného kotouče (utahovací moment 10-15 Nm).
- Upevňovací šroub a matice musí být utaženy vhodným klíčem.
- Není dovoleno používat násady utahovacího klíče ani utahovat úderem kladiva.
- Zajistěte, aby všechny kotouče a příruby byly čisté a zahlušené strany objímek byly proti kotouči.
- Ujistěte se, že se pilový kotouč otáčí ve správném směru.
- Před prací proveďte zkušební řez bez zapnutí motoru tak, aby se dala zkontrolovat poloha nože, funkčnost krytů s ohledem na ostatní části stroje a obrobek.
- Nikdy nenechávejte činný nástroj bez dozoru.
- Nemažte kotouč, když běží.
- Nikdy nečistěte či neudržujte, když stroj ještě běží nebo hlava není v klidové poloze.
- Nikdy se nepokoušejte rychle zastavit elektrické nářadí zablokováním řezného kotouče nástrojem nebo jiným prostředkem. Mohlo by tak neúmyslně dojít k vážným zraněním.
- Před výměnou řezných kotoučů nebo provedením údržby odpojte pilu od napájení el. proudem.



- Při rozbalování a zabalování dejte pozor na řezný kotouč. O ostré výčnělky kotouče se lze snadno poranit.
- Používejte držák či noste rukavice při obsluze pilového kotouče.
- Řezný kotouč uchovávejte a uskladněte v originálním obalu nebo v jiném vhodném obalu. Uchovávejte v suchém prostředí a odděleně od chemikálií, které by mohly čepel poškodit.

VAROVÁNÍ

- Noste ochranu sluchu a zraku.
- Noste respirátor.
- Nepoužívejte brusný kotouč.
- Zabraňte přehřátí špiček nože. Nepoužívejte poškozené nebo tupé pilové kotouče. Nepoužívejte nadměrnou sílu na nástroj.
- Vždy používejte doporučené kotouče pily.
- Nepoužívejte kotouče o menším či větším průměru, než doporučeném.
- Používejte pouze kotouče určené manuálem, dle EN 847-1.

LASEROVÁ BEZPEČNOST (RCS1600)



- Průvodní laserové vodící vyzařování použité v pile je třídy 2 s maximem $\leq 1\text{mW}$ a vlnovými délkami 650 nm. Nikdy se nedívejte přímo do laserového paprsku. Nedodržení pravidel může způsobit vážné osobní poranění.



Dodaly jsme vám rovněž štítek ve vašem jazyce a nyní vás prosíme, abyste jej nalepili na anglický text varovného štítku před prvním uvedením stroje do provozu.

- Nedívejte se do paprsku během práce.
- Nemířte přímo laserový paprsek do očí ostatních. Následkem může být vážné zranění oka.
- Neumísťujte laser do polohy, která může způsobit, že se jiná osoba (y) dívají ať už náhodně nebo úmyslně do laserového paprsku.
- Nepoužívejte optické nástroje pro sledování laserového paprsku.
- Nepoužívejte laser blízko dětí nebo nenechte děti pracovat s tímto laserem.
- Nepokoušejte se sami laserové zařízení opravovat.
- Nezkoušejte sami měnit jakoukoliv část laserového zařízení.
- Opravy smí být prováděny jen kvalifikovaným výrobcem

laseru nebo pověřeným pracovníkem.

- Neměňte laser za jiný typ.

ZBYTKOVÁ RIZIKA

Dokonce, i když se výrobek provozuje jak je předepsáno, je stále nemožné zcela eliminovat veškeré zbytkové rizikové faktory. Následující nebezpečí mohou nastat při používání; vyhýbejte se:

- Poranění způsobené zpětným rázem
 - Přečtěte si informace v této příručce a ujistěte se, že jste jim porozuměli.
- Poranění způsobené vibracemi
 - Limit expozice. Viz "Snižování Rizik".
- Zranění způsobené prachem
 - Vždy noste ochranu očí. Používejte vhodnou masku proti prachu s vhodnými filtry, které mohou chránit proti prachu z materiálu. V pracovní oblasti výrobku nejíst, nepít, ani nekouřit. Zajistit dostatečné větrání pracoviště.
- Úraz el. proudem
 - Kotouč se může dotknout skrytého elektrického vedení, což může způsobit, že část výrobku se stane živou. Vždy držte produkt za určené rukojeti a dejte pozor při řezání naslepo do stěn a podlah, kde mohou být skryty kabely.

POZNÁMKA: Při práci na stěnách, stropěch nebo podlahách buďte opatrní a vyhněte se elektrickým kabelům a plynovému nebo vodnímu potrubí.

- Zranění z kontaktu s řezným kotoučem
 - Kotouče jsou velmi ostré a během používání se zahřívají. Při výměně kotouče noste ochranné rukavice. Udržujte vždy ruce v bezpečné vzdálenosti od řezného prostoru. Opracovávaný kus NIKDY nepřidržíte rukou v oblasti řezu a ani jej nadržte mezi nohama. Upínejte obrobek kdykoli je to možné.

SNÍŽENÍ RIZIKA

Bylo zjištěno, že vibrace z nástrojů mohou u některých osob přispívat ke stavu tzv Raynaud's Syndrome (Raynaudovu syndromu). Mezi jeho příznaky patří brnění, necitlivost a zblednutí prstů, patrné obvykle po pobytu v chladu. Vědci se domnívají, že k rozvoji těchto příznaků přispívají dědičné faktory, pobyt v chladu a vlhku, strava, kouření a pracovní návyky. Uživatel může omezit případné působení vibrací použitím vhodných opatření:

- Za chladného počasí se teple oblečte. Při práci s nástrojem si navlékněte rukavice, abyste udrželi ruce a zápěstí v teple. Bylo zjištěno, že chladné počasí je hlavním faktorem přispívajícím k Raynaud's Syndrome (Raynaudovu syndromu).
- Během práce si v pravidelných intervalech zacvičte, abyste zvýšili krevní oběh.
- Zařazujte časté pracovní přestávky. Omezte dobu práce za den.

Jakmile pocítíte některý z výše uvedených příznaků tohoto syndromu, okamžitě přerušete práci a vyhledejte lékaře.

VAROVÁNÍ

Poranění mohou být způsobena, či zhoršena, prodlouženým používáním nástroje. Když používáte jakýkoliv nástroj delší dobu, dělejte pravidelně přestávky.

SEZNAMTE SE S VÝROBKEM

Viz strana 135.

1. Spoušť
2. Pojistka proti nechtěnému spuštění nářadí
3. Horní ochranný kryt pilového kotouče
4. Adaptér pro odsávání prachu
5. Páka dolního ochranného krytu pilového kotouče
6. Šroub na řezný kotouč
7. Dolní ochranný kryt pilového kotouče
8. Rukojeť
9. Měřítka úhlu
10. Nastavení měřítka úhlu
11. Zámek vodítka odřezávání
12. Základová deska
13. Laserová hlava (RCS1600)
14. Pilový kotouč
15. Kolejnice pily
16. Svorka
17. Servisní utahovací klíč
18. Sundavací doraz

ÚDRŽBA

VAROVÁNÍ

Výrobek nikdy nepřipojujte ke zdroji napájení, když se montují díly, provádí seřizování, čištění, údržba nebo když se nepoužívá. Odpojením produktu předejdete náhodnému spuštění a tím vážnému osobnímu poranění.

- Při údržbě používejte pouze původní náhradní díly výrobce. Použití jakýchkoliv jiných dílů může vytvořit nebezpečí nebo způsobit poškození výrobku.
- Ujistěte se, že jste pilu odpojili od zdroje napájení před montáží a demontáží pilového kotouče. Produkt a systém vodiček vyčistěte čistou tkaninou.
- Vyhněte se používání rozpouštědel, když čistíte plastové díly. Většina ředidel běžně dostupných v obchodní síti se nehodí k čištění plastových částí, neboť narušuje povrch plastů. K odstranění nečistot, prachu apod. používejte čistý hadr.
- Nikdy nenechte přijít brzdové kapaliny, petrolej, výrobky založené na petroleji, pronikavé oleje, atd. do kontaktu s plastovými součástmi. Tyto výrobky obsahují chemikálie, které mohou poškodit, oslabit nebo zničit plastové části, případně snížit jejich životnost.
- Vždy noste bezpečnostní brýle nebo bezpečnostní brýle s postranními štítky, když obsluhujete elektricky poháněný nástroj nebo při rozdmýchávání (tvorbě) prachu. Pokud pracujete v prachu, noste také respirátor.
- Pokud je napájecí kabel poškozen, musí být nahrazen pouze výrobcem nebo pověřeným servisním

střediskem za účelem odstranění nebezpečí. Obráťte se na autorizované servisní středisko.

- Pro větší bezpečnost a spolehlivost by veškeré opravy měly být prováděny autorizovaným servisním střediskem Ryobi.

MAZÁNÍ

Veškerá ložiska nářadí byla výrobcem namazána dostatečným množstvím vysoce účinného maziva, které stačí na celou dobu životnosti produktu při normálních podmínkách používání. Žádné další mazání nářadí není nutné.

OCHRANA ŽIVOTNÍHO PROSTŘEDÍ



V rámci možností neodhazujte vysloužilé nářadí do domovního odpadu a upřednostněte jeho recyklaci. V souladu s předpisy na ochranu životního prostředí odkládejte vysloužilé nářadí, příslušenství i obalový materiál do tříděného odpadu.

SYMBOLY NA VÝROBKU



Bezpečnostní výstraha

V

Napětí

Hz

Hertz

~

Střídavý proud

W

Watt

n_o

Otáčky naprázdno

min⁻¹

Počet otáček nebo pohybů (kmitů) za minutu



Třída II, dvojitě izolováno



Dřevo



Neřezejte kov



Noste ochranu sluchu



Noste ochranu očí



Laserové záření.
Nedívejte se do paprsku.
Laserový výrobek třídy 2
λ: 650nm; P≤1mW
EN 60825-1:2014



Nebezpečí! Ostrý kotouč.



Nevystavujte dešti



Šířka řezu



Zub kotouče



Shoda CE



Euroasijská značka shody



Ukrajinská značka shody



Před spuštěním přístroje si řádně přečtěte pokyny.



Odpad elektrických výrobků se nesmí likvidovat v domovním odpadu. Recyklujte prosím na sběrných místech. Ptejte se u místních úřadů nebo prodejce na postup při recyklaci.

SYMBOLY POUŽITÉ V NÁVODU



Připojte k elektrické síti.



Odpojte od elektrické sítě.



Díly nebo příslušenství jsou v prodeji samostatně



Zamknuto



Odemknuto



Poznámka

Následující signální slova a významy jsou vhodné pro vysvětlení úrovní nebezpečí spojených s tímto výrobkem.

NEBEZPEČÍ

Upozorňuje na bezprostředně nebezpečnou situaci, která vede k usmrcení nebo těžkému zranění.

VAROVÁNÍ

Upozorňuje na možnou nebezpečnou situaci, která by mohla vést ke smrtelnému úrazu nebo k závažnému zranění.

POZOR

Upozorňuje na možnou nebezpečnou situaci, která může vést k menšímu nebo lehkému zranění.

A körfűrész kialakítása során elsődleges szempont volt a biztonság, a teljesítmény és a megbízhatóság.

RENDELTESSZERŰ HASZNÁLAT

A körfűrész kizárólag olyan felnőttek használhatják, akik elolvasták és megértették a kézikönyv utasításait és figyelmeztetéseit, és tetteikért felelősséget tudnak vállalni.

A körfűrész fa és hasonló anyagok száliránnyal párhuzamos és szálirányra merőleges vágására tervezték, legfeljebb 54 milliméter anyagvastagságig. Egyenes és 0 és 45 fok között döntött vágások végezhetők vele. Az eszköznek a munkadarabbal érintkező alapvázával együtt kell használni. A fűrész száraz körülmények között kell használni, kiváló környezeti világítással és megfelelő szellőzéssel rendelkező helyen. A fűrész kézi használatra lett kialakítva. A fűrész nem szerelhető fel munkapadra, hacsak a gyártó nem ad speciális utasításokat a felszerelés menetéről. Ne használja fémek és falazatok vágására. Ne használja a terméket a rendeltetésétől eltérő célra. A szerszám gép rendeltetésétől eltérő műveletekre való használata veszélyes helyzeteket eredményezhet.

⚠ FIGYELEM

Figyelmesen olvassa el az összes figyelmeztetést és utasítást.

Az alább részletezett előírások be nem tartása olyan baleseteket okozhat, mint pl. tűz, áramütés és/vagy súlyos testi sérülések.

Őrizze meg ezeket a figyelmeztetéseket és utasításokat a későbbi tájékozódásra is.

BIZTONSÁGI FIGYELMEZTETÉSEK A KÖRFŰRÉSZHEZ

VÁGÁSI ELJÁRÁSOK

⚠ VESZÉLY

A kezét tartsa távol a vágási területtől és a fűrészlaptól. Az egyik kezével a szerszám fő markolatát, a másikkal pedig a segédfogantyút kell fogni, vagy pedig a motor védőburkolatra (motorház) kell helyezni. Ily módon a kezei soha nem kerülnek a vágási területre, sem pedig a fűrész tárcsa meghosszabbított síkjába.

- **Ne nyúljon a munkadarab alá.** ezen a helyen a fűrész tárcsavédő nem takarja a fűrész tárcsát.
- **A vágásmélységet a munkadarab vastagságának megfelelően állítsa be.** A vágás során a fűrész tárcsa fogai nem szabad, hogy teljesen a munkadarab alá menjenek.
- **SOHA ne tartsa a munkadarabot kézzel ill. a lábai közé szorítva. A vágásra kerülő darabot egy stabil tartóeszközhöz kell rögzíteni.** A munkadarab helyes rögzítése elsődleges fontossággal bír a sérülésveszélyek elkerülése érdekében, valamint hogy ne hajoljon meg a fűrész tárcsa, így a vágás során ne veszítse el uralmát a szerszám felett.

- **A gépet kizárólag a szigetelt, csúszásgátló részénél fogja, ha olyan felületen dolgozik, amelyben elektromos vezeték lehet, vagy amikor olyan munkát kell végeznie, melynek során a tápvezeték a gép útjába kerülhet.** Az „élő” vezetékkel való érintkezés következtében a szerszám fém alkatrészei áram alá kerülnek, minek következtében a kezelőt áramütés érheti.
- **Használjon mindig párhuzamvezetőt vagy egy egyenes lécet, amikor párhuzamos vágást hajt végre.** A vágást pontosabban lehet így módon kivitelezni, valamint a fűrész tárcsa eldeformálódásának veszélye is elkerülhető.
- **Kizárólag olyan tárcsákat használjon, melyek mérete és formája megfelel a tengely furatátmérőjének.** Egy, a hajtótengelynek nem megfelelő fűrész tárcsa nem fog megfelelőképp forogni, és így ahhoz vezethet, hogy elveszíti uralmát a gép felett.
- **Soha ne használjon sérült- ill. nem megfelelő fűrész tárcsa csavart és alátétet.** A tárcsa alátétek és csavarok speciálisan az adott típusú fűrészhez lettek kifejlesztve - a maximális biztonság és teljesítmény érdekében.

A VISSZARÚGÁS OKAI ÉS KAPCSOLÓDÓ FIGYELMEZTETÉSEK:

- A megugrás egy olyan hirtelenszerű reakció, amely akkor léphet fel, ha a fűrész tárcsa beszorul, elgörbül, vagy rosszul van beállítva; a fűrész váratlanul elválik a munkadarabtól és hevesen visszarág / visszadobódik a szerszámhasználó irányába.
- Amikor a fűrész tárcsa a fába szorul, a tárcsa forgása megakad, és a tovább forgó motor megdobja a fűrész tárcsát a forgásiránnyal ellenkező irányban, azaz a munkavégző személy felé.
- Ha a fűrész tárcsa elgörbül, vagy rosszul van beállítva, a tárcsa hátulján elhelyezkedő fogak belefűrészölhetnek a fa felületébe, és ez a fűrész tárcsát a munkadarabról hirtelen a szerszámot használó személy irányába vetheti.

A megugrás így módon a szerszám nem megfelelő használatának és/vagy a helytelen vágási módoknak / körülményeknek az eredménye. Néhány óvintézkedés meghozatalával és figyelmes betartásával azonban elkerülhető ez a veszélyes jelenség.

- **Tartsa erősen, két kézzel a fűrész tárcsát és oly módon helyezze át a kezét, hogy egy esetleges megugrást kontrollálni tudjon. Munka közben mindig a fűrész egyik oldalára helyezkedjen, és soha ne legyen a fűrész tárcsa meghosszabbított síkjában.** Megugrás esetén a fűrész hirtelen hátravetődik, de ezt a reakciót kontrollálni lehet, amennyiben a használó a jelenség tudatában van, és felkészül rá.
- **Ha a fűrész tárcsa beszorul, vagy valamilyen okból kifolyólag meg kell szakítani a vágást, engedje el a kapcsolót, és tartsa a fűrész tárcsát a munkadarabon addig, amíg a tárcsa forgása teljesen le nem áll. Ne próbálja eltávolítani a fűrész tárcsát a munkadarabból vagy visszahúzni a fűrész tárcsát, miközben a fűrész lap még mozgásban van, mert visszarágás történhet.** Ha a fűrész tárcsa beszorul, keresse meg az okát, és

hozza meg a szükséges intézkedéseket ahhoz, hogy ez ne ismétlődhessen meg újra.

- **Mielőtt a vágás folytatásához újraindítaná a fűrész, igazítsa a tárcsát pontosan a fűrésznyomba és ellenőrizze, hogy a fogak nem érnek-e a munkadarabhoz.** Ha a fűrész tárcsa be van szorulva a munkadarabba, a fűrész bekapcsolásakor valószínűleg meg fog ugrani.
- **Ügyeljen arra, hogy a hosszú munkadarabokat támassza alá, ily módon elkerülhető, hogy a fűrész tárcsa beszoruljon, és ezáltal csökkenti a megugrás veszélyét.** A hosszú munkadarabok meghajolhatnak a súlyuk alatt. A munkadarabot ajánlatos két helyen alátámasztani, az egyik a vágásvonalhoz közel, a másik pedig a munkadarab végén legyen.
- **Ne használjon életlen ill. megrongálódott fűrész tárcsát.** Az életlen, vagy rosszul felszerelt fűrész tárcsák használatakor a fűrésznyom túl keskeny és így a tárcsa nagyon súrlódik, ezáltal nagyobb a torziós igénybevétel- és a megugrás veszélye.
- **Mielőtt a vágáshoz kezdene, ellenőrizze, hogy a vágásmélység- és szögbeállító gombok megfelelően rögzítve vannak-e.** Ha a fűrész tárcsa pozícióját befolyásoló beállítások a vágás során módosulnak, a tárcsa beszorulhat és megnő a megugrás veszélye.
- **Különös figyelemmel járjon el, ha egy már meglévő falat fűrészrel vagy más nem látható területen végez munkát a géppel.** A fűrész tárcsa ilyenkor szemmel nem látható, a felület által rejtett tárgyakkal / szerkezeti elemekkel érintkezhet, és ez megugrást idézhet elő.

ALSÓ VÉDŐBURKOLAT FUNKCIÓ

- **Minden használat előtt ellenőrizze, hogy az alsó fűrész tárcsavédő megfelelőképp takarja-e a tárcsát. Ne használja a fűrész, ha az alsó fűrész tárcsavédőt nem lehet szabadon mozgatni ill. ha nem záródik azonnal a tárcsára. Soha ne rögzítse, ill. kösse ki nyitott állapotban az alsó fűrész tárcsavédőt.** Ha véletlenül leesik a fűrész, az alsó fűrész tárcsavédő meghajolhat. A kar segítségével emelje fel a tárcsavédőt, és bizonyosodjon meg arról, hogy nehézség nélkül mozgatható, valamint hogy se a fűrész tárcsához, se bármilyen más alkatrészhez nem ér, bármilyen legyen is a vágás szöge és mélysége.
- **Bizonyosodjon meg arról, hogy az alsó fűrész tárcsavédő rugója jó állapotban van és helyesen működik. Amennyiben a fűrész tárcsavédő vagy a rugó nem megfelelőképp működik, javíttassa meg, vagy cseréltesse ki az adott elemet, mielőtt a fűrész használatba venné.** Az alsó védőburkolat nehézkesen mozoghat sérült alkatrészek, gumilerakódások vagy a túl sok lerakódott szennyeződés miatt.
- **Az alsó védőburkolat manuálisan is visszahúzható, de ez csak a speciális vágásokhoz, például „beszúró vágásokhoz” és „kombinált vágásokhoz” engedélyezett.** A kar segítségével emelje fel az alsó fűrész tárcsavédőt. Ezután engedje el, amint a fűrész tárcsa belekap a munkadarabba. Bármilyen

más típusú vágásnál az alsó fűrész tárcsavédő automatikusan kerül a helyére.

- **Mielőtt a fűrész egy munkasztalra vagy a földre tenné, mindig ellenőrizze, hogy az alsó fűrész tárcsavédő jól takarja-e a tárcsát.** Ha a fűrész tárcsa nincs megfelelőképp takarva, lendületből mozoghat, és elvághatja azt, ami az útjába kerül. Mindig legyen tudatában annak, hogy a fűrész tárcsa bizonyos ideig még forog a motor leállása után.

BIZTONSÁGI UTASÍTÁSOK A FAANYAGVÁGÓ KORONGHOZ

- Kérjük, gondosan olvassa el a kézikönyvet és az utasításokat, mielőtt használná a fűrészkorongot és a meghajtó eszközt.
- A meghajtó eszköznek megfelelő állapotban kell lennie, a tengelynek deformációtól és rezgéstől mentesen kell forognia.
- Ne használja a körfűrész, ha a védőelemek nincsenek a helyükön. A védőberendezések legyenek működőképes, megfelelően karbantartott állapotban.
- Ügyeljen arra, hogy a kezelő a biztonsági óvintézkedésekkel, a meghajtó eszköz beállításával és kezelésével kapcsolatban megfelelően képzett legyen.
- Mindig viseljen védőszemüveget és hallásvédelmet a meghajtó eszköz használata során. Javasoljuk, hogy viseljen védőkesztyűt és tartós, csúszásmentes cipőt.
- Bármilyen tartozék használata előtt olvassa el a használati útmutatót. Bármely tartozék helytelen használata az eszköz károsodását okozhatja, és növelheti a sérülésveszélyt.
- Csak az útmutatóban meghatározott fűrészlapot használjon, amely megfelel az EN 847-1 előírásainak.
- Ügyeljen a fűrészlapon látható maximális fordulatszámra. Ügyeljen arra, hogy a fűrészlap oldalán megadott fordulatszámérték legalább annyi legyen, mint a fűrészben megadott.
- Kizárólag olyan tárcsákat használjon, melyek mérete és formája megfelel a tengely furatátmérőjének. Egy, a hajtótengelynek nem megfelelő fűrész tárcsa nem fog megfelelőképp forogni, és így ahhoz vezethet, hogy elveszíti uralmát a gép felett.
- Ne használjon az ajánltnál nagyobb vagy kisebb átmérőjű fűrészlapokat. Ne használjon távtartókat ahhoz, hogy a fűrészlap illeszkedjen az orsóra.
- Használat előtt ellenőrizze a fűrészkorong éleit, nem sérültek-e meg, és nem tűnnek-e szabálytalanak. A sérült vagy kilazult fűrészkorongélek használat közben elrepülhetnek, és megnövelhetik a személyi sérülés kockázatát.
- Tilos repedt vagy deformált fűrészlapot használni! Ne használjon sérült vagy deformálódott vágólapot.
- Selejtezze le a fűrészkorongot, ha megsérült, eldeformálódott, eltorzult vagy megrepedt, javítása tilos.
- Ne használjon HSS fűrészlapokat.
- Használat előtt győződjön meg róla, hogy a fűrészlap megfelelően rögzítve van. Használat előtt szorítsa meg jól a korong csavarját (a meghúzási nyomaték kb. 10-15 Nm).

- Megfelelő csavarkulccsal kell megszorítani a csavart és az anyákat.
- A csavarkulcs meghosszabbítása, illetve a rá kifejett kalapácsütésekkel történő megszorítás tilos.
- Ellenőrizze, hogy a teljes fűrészlap és peremek tiszták, és a gallér rovátkás oldala van a fűrészlapnál.
- Ellenőrizze, hogy a fűrészlap a megfelelő irányba forog.
- A munka megkezdése előtt bekapcsolt motor nélkül végezzen egy próbavágást a vágótárcsa helyzetére, a védőberendezések működése, a gép más részei és a munkadarab helyzete ellenőrzése céljából.
- Soha ne hagyja felügyelet nélkül a működő gépet.
- Ne vigyen fel kenőanyagot a fűrészlapra, ha forog.
- Ne hajtson végre semmilyen tisztítási vagy karbantartási műveletet, ha a gép még forog és a fej nincs nyugalmi pozícióban.
- Soha ne próbálja meg a működő meghajtó eszközt hirtelen, egy eszköz beékelésével vagy a korong bármilyen egyéb fékezésével leállítani. Nem szándékolt, súlyos sérülések okozhatók ily módon.
- Válassza le a körfűrész a hálózati tápról vagy az akkumulátorról, mielőtt cserélné a korongot vagy elvégezné a karbantartást.
- Fordítson fokozott figyelmet a korongra a be- és kicsomagolása során. Az éles fogak hegyei könnyen okoznak sérülést.
- Használjon tartót vagy viseljen kesztyűt a fűrészlap kezelésekor.
- A korongot tartsa és tárolja eredeti csomagolásában, vagy egyéb megfelelő csomagolásban. Tartsa száraz körülmények között, távol olyan vegyi anyagoktól, melyek károsíthatják a fűrészlapot.

▲ FIGYELEM

- Viseljen szem- és fülvédőt.
- Viseljen pormaszkot.
- Soha ne használjon a géppel dörzstárcsát!
- Kerülje a fűrészlapok szélének túlmelegedését. Ne használjon élelten ill. megromlott fűrészlapot. Ne erőltesse a gépet.
- Csak javasolt fűrészlapokat használjon a géppel.
- Ne használjon az ajánlottnál nagyobb vagy kisebb átmérőjű fűrészlapokat.
- Csak az útmutatóban meghatározott fűrészlapot használjon, amely megfelel az EN 847-1 előírásainak.

A LÉZER BIZTONSÁGOS HASZNÁLATA (RCS1600)



- A fűrészben használt lézersugár besorolása: Class 2, legfeljebb ≤1mW teljesítménnyel és 650 nm

hullámhosszal. Ne nézzen közvetlenül a lézersugárba. A szabályok mellőzése súlyos személyi sérülést eredményezhet.



Egy az Ön nyelvén írt szöveget tartalmazó öntapadó címkét adtuk Önnek, és arra kérjük, hogy cserélje le erre az angol nyelvű figyelmeztető címkét a gép első átvétele előtt.

- Ne nézzen a sugárba a gép használata közben.
- Ne irányítsa a lézersugarat mások szemébe. Ez komoly szemsérülést eredményezhet.
- Ne tegye le a lézert olyan helyzetben, hogy valaki szándékosan vagy véletlenül a lézersugár útjába kerülhessen.
- Ne használjon optikai eszközöket a lézersugár láthatóvá tételére.
- Ne használja a lézert gyerekek mellett, és ne engedje, hogy azt gyerekek használják.
- Ne próbálja egyedül megjavítani a lézerberendezést.
- Ne próbálja meg önmaga kicserélni a lézerkészülék egyik alkatrészét sem.
- A javításokat csak a lézer gyártója vagy a hivatalos szervize végezheti el.
- Ne cserélje ki a lézert más típusúra.

VISSZAMARADÓ KOCKÁZATOK

Még a termék rendeltetésszerű használata esetén sem lehet teljesen kiküszöbölni minden kockázati tényezőt. A gép használata során a következő veszélyek merülhetnek fel, és a kezelőnek különösen oda kell figyelnie az alábbiak elkerülésére:

- Visszarúgás okozta sérülések
 - Olvassa el és értelmezze a kézikönyvben található információkat.
- Vibráció okozta sérülések
 - Korlátozza a kitétséget. Lásd "Kockázatcsökkentés".
- Por okozta sérülések
 - Mindig viseljen védőszemüveget. Viseljen megfelelő szűrőkkel ellátott porvédő maszkot, ami meg tudja óvni a megmunkált anyagból származó portól és a leváló szemcséktől. Ne egyen, igyon vagy dohányozzon a munkaterületen. Biztosítson megfelelő szellőztetést.
- Áramütés
 - A fűrészlap érintkezhet a nem látható vezetékkel, ami miatt a termék alkatrészei áram alá kerülhetnek. A terméket mindig a kialakított fogantyúknál fogja, és ügyeljen a falakba és padlóba végzett vakvágásokkor, mert itt rejtett kábelek lehetnek.
- **MEGJEGYZÉS:** Ha falon, mennyezeten vagy padlón dolgozik, vigyázzon az azokban található elektromos kábelekkel, gáz- és vízcövekkel.
- Fűrészlap érintése okozta sérülés
 - A fűrészlapok nagyon élesek, és a használat

EN
FR
DE
ES
IT
NL
PT
DA
SV
FI
NO
RU
PL
CS
HU
RO
LV
LT
ET
HR
SL
SK
BG
UK
TR
EL

közben felforrósodnak. A fűrészlapok cseréjekor viseljen kesztyűt. A kezeit mindig tartsa távol a vágási területtől. SOHA ne tartsa a munkadarabot kézzel ill. a lábai közé szorítva. Amikor lehetséges, szorítókkal rögzítse a munkadarabot.

KOCKÁZATCSÖKKENTÉS

Ismert, hogy a kézi szerszámgépek használata során fellépő vibráció bizonyos személyeknél hozzájárulhat az úgynevezett Raynaud-szindróma (Raynaud's Syndrome) nevű állapot kialakulásához. A tünetei lehetnek: az ujjak zsibbadása, elfehéredése, szúrások érzése, amelyek hidegnek kitéve gyakran felerősödnek. Az öröklődő tényezők, a hidegnek kitettség és verejtékezés, a diéta, a dohányzás és munka közben alkalmazott fogások valószínűleg mind hozzájárulhatnak ezen tünetek megjelenéséhez. A vibráció hatásainak csökkentése érdekében a kezelőnek be kell tartani az alábbi óvintézkedéseket:

- Hideg időben tartsa melegen a testét. A gép használatakor viseljen kesztyűt a kéz és a csukló melegen tartásához. Arról számoltak be, hogy a hideg időjárásnak fontos szerepe van a Raynaud-szindróma kialakulásában.
- Bizonyos időtartamú használat után mindig végezzen gyakorlatokat a vérkeringés javításához.
- Gyakran tartson munkaszünetet. Korlátozza a napi munkaidőt.

Ha ezen állapot bármelyik tünetét tapasztalja, azonnal hagyja abba a munkát, és tájékoztassa az orvosát a tünetekről.

FIGYELEM

A gép hosszabb idejű folyamatos használata sérüléseket okozhat vagy súlyosbíthatja a tüneteket. Ha a gépet hosszú időn át kell használnia, tartson gyakran szünetet.

ISMERJE MEG A TERMÉKET

Lásd a 135. oldalon.

1. Kioldókapcsoló
2. Ravasz kireteszelő gomb
3. Felső fűrészlemez-védő
4. Porcsatlakozó adapter
5. Alsó fűrészlemez-védő kar
6. Korongcsavar
7. Alsó fűrészlemez-védő
8. Fogantyú
9. Irányszögmérő
10. Irányszög-beállító rögzítő
11. Fűrészvezető iránytartó sín
12. Alaplap
13. Lézerfej (RCS1600)
14. Fűrészlemez
15. Fűrész sín
16. Bilincs
17. Szorítókulcs
18. Párhuzamvezető

KARBANTARTÁS

FIGYELEM

Alkatrészek szerelésekor, beállítások végzésekor, tisztításakor, karbantartás végzésekor, illetve használaton kívül mindig húzza ki a gépet az elektromos hálózathoz. A termék hálózathoz történő leválasztása megakadályozza a véletlen bekapcsolódást, ami súlyos sérülést okozhat.

- Szervizeléskor csak eredeti, a gyártó által biztosított cserealkatrészeket használjon. Bármilyen más alkatrész használata veszélyes és a termék károsodását okozhatja.
- A fűrészlap felhelyezése és eltávolítása előtt ügyeljen arra, hogy kihúzza a szerszámot az elektromos hálózathoz. Tiszta rongyokkal tisztítsa meg a terméket és a védőrendszert.
- A műanyag részek tisztításakor tartózkodjon a tisztítószerek használatától. A kereskedelmi forgalomban kapható oldószerek rongáló hatással vannak a műanyagból készült elemek többségére. A por és egyéb szennyeződések stb. tisztítására használjon egy tiszta ruhadarabot.
- A műanyag részek semmilyen körülmények között nem érintkezhetnek fékolajjal, benzinnel, petróleum alapú termékekkel, beszívódó olajokkal stb. Ezen anyagok olyan vegyületeket tartalmaznak, amelyek károsíthatják, meggyengíthetik vagy tönkretelhetik a műanyagot.
- Elektromos szerszámgépek használatakor vagy a por kifúvásakor mindig viseljen védőszemüveget, ami a szemet oldalról is védi. Ha a használat poros környezetben történik, vegyen fel egy pormaszkot is.
- Ha a tápkábel sérült, azt a veszélyek elkerülése érdekében csak a gyártó vagy annak hivatalos szervizközpontja cserélheti ki. Lépjen kapcsolatba egy hivatalos szervizközponttal.
- A nagyobb biztonság és megbízhatóság érdekében minden javítást hivatalos Ryobi szervizközpontban kell elvégeztetni.

KENÉS

A termékben lévő összes csapágy a termék teljes élettartamára elegendő kenőanyaggal van feltöltve, normál körülmények közötti használat esetén. Ebből kifolyólag nincs szükség arra, hogy a gép belső részeit kenje.

KÖRNYEZETVÉDELEM



Segítse elő az alapanyagok újrahasznosítását azzal, hogy nem helyezi el őket a háztartási szemétként. Környezetvédelmi megfontolásból az elhasznált gépet és tartozékokat, valamint a csomagolóanyagokat szelektív módon kell gyűjteni.

SZIMBÓLUMOK A TERMÉKEN



Biztonsági figyelmeztetés

V

Volt

Hz

Hertz

~

Váltóáram (AC)

W

Watt

n_o

Üresjárat fordulatszám

min⁻¹

Fordulatok ill. löketek száma percenként



II. osztály, kettős szigetelés



Fa



Ne vágjon fémet



Viseljen fülvédőt



Viseljen szemvédőt



Lézersugárzás.
Ne nézzen a lézersugárba.
osztályú lézeres termék
 λ : 650nm; $P \leq 1\text{mW}$
EN 60825-1:2014



Veszély! Éles fűrészlap.



Ne tegye ki esőnek



Vágás szélessége



Fűrészlap fogai



CE megfelelés



Eurázsiai megfelelési jelzés



Ukrainai megfelelési nyilatkozat



A gép bekapcsolása előtt figyelmesen olvassa el az útmutatót.



A kiselejtezett elektromos termékeket nem szabad a háztartási hulladékkal együtt kidobni. Ezeket újra kell hasznosítani, ha van rá lehetőség. Az újrahasonosítással kapcsolatban érdeklődjön a helyi önkormányzatnál vagy a termék forgalmazójánál.

A KÉZIKÖNYVBEN HASZNÁLT SZIMBÓLUMOK



Csatlakoztassa az elektromos hálózathoz.



Húzza ki az elektromos hálózathoz.



Külön értékesített alkatrészek és kiegészítők



Retesz



Szétnyitás



Megjegyzés

A következő jelölőszavak és jelentések arra szolgálnak, hogy megmagyarázzák a termékkel kapcsolatos veszélyességi szinteket.

⚠ VESZÉLY

Egy bekövetkező veszélyes helyzetet jelez, ami, ha nem előzik meg, halált vagy komoly sérülést eredményez.

⚠ FIGYELEM

Egy potenciálisan bekövetkező veszélyes helyzetet jelez, ami, ha nem előzik meg, halált vagy súlyos sérülést eredményezhet.

⚠ VIGYÁZAT

Egy potenciálisan veszélyes helyzetet jelez, ami, ha nem előzik meg, kisebb vagy mérsékelten súlyos sérülést eredményezhet.

VIGYÁZAT

(Biztonsági figyelmeztető szimbólum nélkül) Egy olyan helyzetet jelez, ami anyagi kárt eredményezhet.

EN
FR
DE
ES
IT
NL
PT
DA
SV
FI
NO
RU
PL
CS
HU
RO
LV
LT
ET
HR
SL
SK
BG
UK
TR
EL

Siguranța, performanța și fiabilitatea au fost principalele noastre priorități la proiectarea fierăstrăului dvs. circular.

DOMENIU DE APLICAȚII

Fierăstrăul circular poate fi utilizat doar de persoane adulte care au citit și au înțeles instrucțiunile și avertismentele din acest manual și pot fi considerate responsabile pentru acțiunile proprii.

Fierăstrăul a fost proiectat pentru tăierea longitudinală sau transversală a lemnului și materialelor similare, până la adâncimea maximă de 54 mm. Poate realiza tăieturi drepte sau înclinate între 0 și 45 de grade. Trebuie utilizat împreună cu baza aferentă, aflată în contact permanent cu piesa de prelucrat. Ferăstrăul va fi folosit în condiții uscate, cu lumină ambientală excelentă și aerisire corespunzătoare. Ferăstrăul este proiectat pentru a fi folosit manual. Ferăstrăul nu trebuie montat pe un banc de lucru decât dacă au fost oferite instrucțiuni specifice despre acest lucru din partea producătorului produsului. Nu folosiți pentru tăierea metalului sau a zidăriei. Nu folosiți produsul în niciun alt fel decât cel menționat pentru folosirea lui destinată. Utilizarea unelei electrice pentru alte operații decât cele preconizate poate duce la situații periculoase.

⚠️ AVERTISMENT

Citiți toate avertismentele și instrucțiunile de siguranță. Neurmarea avertizării și instrucțiunilor ar putea cauza electrocutare, incendiu și/sau vătămare gravă.

Salvați toate avertizările și instrucțiunile pentru o consultare ulterioară.

AVERTISMENTE DE SIGURANȚĂ PRIVIND FIERĂSTRĂUL CIRCULAR

PROCEDURI DE TĂIERE

⚠️ PERICOL

Țineți-vă mâinile la distanță de zona de tăiere și de lamă. Mâna care nu ține mânerul principal al aparatului trebuie să țină mânerul auxiliar sau să fie așezată pe carcasa motorului. Astfel, mâinile dumneavoastră nu riscă să se găsească în zona de tăiere sau pe traiectoria lamei.

- **Nu atingeți partea de sub piesa de lucru.** În acest loc, apărătoarea lamei nu acoperă lama și nu vă poate proteja.
- **Reglați adâncimea de tăiere în funcție de grosimea piesei de prelucrat.** Dinții lamei nu trebuie să depășească în întregime grosimea piesei de prelucrat în timpul tăierii.
- **Nu țineți NICIODATĂ piesa de prelucrat cu mâna sau între picioare. Fixați-o pe un suport stabil.** Este primordial să fixați corect piesa de prelucrat pentru a nu vă expune riscurilor de rănire și pentru a nu îndoi lama sau a pierde controlul tăierii.
- **Nu țineți aparatul decât de părțile izolate și**

antiderapante când lucrați pe o suprafață care poate ascunde fire electrice sau când lucrarea de efectuat poate aduce cablul de alimentare pe traiectoria aparatului. Contactul cu fire electrice „descoperite” vor face expuse părțile din metal al aparatului electric să fie și ele „descoperite” și poate să electrocuteze operatorul.

- **Utilizați întotdeauna un ghid de tăiere paralelă sau o riglă atunci când efectuați o tăiere paralelă.** Precizia tăierii va fi mai bună și veți evita riscul de îndoire a lamei.
- **Utilizați întotdeauna lame de mărimea și forma adaptate la diametrul axului.** Lamele neadaptate la axul pe care trebuie să fie montate nu se vor roti corect și pot conduce la o pierdere a controlului asupra aparatului.
- **Nu utilizați niciodată șuruburi sau flanșe de lamă defecte sau neadaptate.** Flanșele și șuruburile de lamă au fost concepute special pentru modelul de ferăstrău, pentru o siguranță și o performanță optime.

CAUZE ALE RECULULUI ȘI AVERTIZĂRI PRIVITOARE LA EL:

- Reculul este o reacție bruscă, care se produce atunci când lama se agață, se îndoie sau este aliniată incorect; ferăstrăul se eliberează brusc din piesa de prelucrat și sare violent înapoi, în direcția utilizatorului.
- Atunci când lama se agață în lemn, lama se blochează, iar motorul, care continuă să se rotească, proiectează ferăstrăul în sens opus sensului de rotație al lamei, adică spre utilizator.
- Dacă lama se îndoie sau este aliniată incorect, dinții situați în partea din spate a lamei riscă să intre în suprafața lemnului, ceea ce va face ca lama să iasă brusc din piesa de prelucrat în direcția utilizatorului.

Reculul este deci rezultatul unei utilizări incorecte a aparatului și/sau a procedurilor sau a condițiilor de tăiere incorecte. Reculul poate fi evitat printr-o atenție deosebită acordată respectării unor precauțiuni.

- **Țineți bine ferăstrăul cu ambele mâini și poziționați-vă brațele astfel încât să puteți controla un eventual recul. Așezați-vă într-o parte a ferăstrăului atunci când lucrați, nu stați niciodată pe direcția lamei.** Reculul proiectează brusc ferăstrăul în spate, dar această mișcare poate fi controlată dacă utilizatorul se așteaptă la ea și se pregătește.
- **Dacă lama se blochează, sau dacă trebuie să întrerupeți tăierea din orice motiv, eliberați trăgaciul și mențineți ferăstrăul în piesa de prelucrat până când lama se oprește complet din rotație. Nu încercați să scoateți ferăstrăul din piesa de lucru și nu trageți ferăstrăul înapoi când pânza se află în mișcare; în caz contrar, poate surveni reculul.** Dacă lama se agață, căutați cauza și luați măsurile necesare pentru ca acest lucru să nu se mai repete.
- **Înainte de a reporni ferăstrăul pentru a continua tăierea, aliniați corect lama cu traseul de tăiere și verificați ca dinții lamei să nu atingă piesa de prelucrat.** Dacă lama este înțepenită în piesa de prelucrat, la pornirea ferăstrăului există riscul să se producă un recul.



- **Aveți grijă să susțineți piesele de prelucrat lungi pentru a evita ca lama să se agațe și pentru a limita astfel riscurile de reculuri.** Piesele de prelucrat lungi au tendința să se îndoie sub propria lor greutate. Puteți așeza suporturi pe ambele părți ale piesei de prelucrat, aproape de linia de tăiere și la nivelul capetelor piesei.
- **Nu utilizați lame tocite sau deteriorate.** Lamele care nu sunt ascuțite sau sunt montate necorespunzător vor produce un traseu de tăiere care va duce la o frecare excesivă a lamei și deci la riscuri mai mari de îndoire sau de recul.
- **Înainte de a începe o tăiere, verificați dacă butoanele de reglare a adâncimii și a înclinării sunt blocate corect.** Dacă reglările poziției lamei se modifică în timpul tăierii, lama riscă să se agațe și se poate produce un recul.
- **Folosiți atenție sporită când tăiați în zidăria existentă sau alte zone fără vizibilitate.** Lama ar putea lovi elemente ascunse, ceea ce ar provoca un recul.

FUNCȚIE DE COBORÂRE A APĂRĂTORII

- **Înainte de fiecare utilizare, verificați dacă apărătoarea inferioară a lamei acoperă corect lama. Nu utilizați ferăstrăul dacă apărătoarea inferioară a lamei nu poate fi acționată liber și dacă nu se rabatează instantaneu peste lamă. Nu fixați și nu prindeți niciodată apărătoarea inferioară a lamei în poziție deschisă.** Dacă ferăstrăul ar cădea din greșeală, apărătoarea inferioară a lamei s-ar putea îndoii. Ridicați apărătoarea inferioară a lamei cu ajutorul manetei și asigurați-vă că aceasta poate fi manipulată fără dificultate și că nu atinge nici lama, nici o altă piesă, indiferent de unghiul și de adâncimea de tăiere alese.
- **Asigurați-vă că resortul apărătoarei inferioare a lamei este în stare bună și funcționează corect. Dacă apărătoarea lamei sau resortul nu funcționează corect, duceți-le la reparat sau la înlocuit înainte de a utiliza ferăstrăul.** Elementul de protecție inferior poate opera lent din cauza pieselor deteriorate, depunerilor lipicioase sau acumulării de reziduuri.
- **Elementul de protecție inferior poate fi retras manual numai în cazul operațiilor speciale de tăiere, precum „tăieturile înclinate” și „tăieturile compuse”.** Ridicați apărătoarea inferioară a lamei cu ajutorul mânerului. Apoi, de îndată ce lama intră în piesa de prelucrat, eliberați apărătoarea inferioară a lamei. Pentru toate celelalte tipuri de tăieri, apărătoarea inferioară a lamei se așează automat în poziție.
- **Verificați întotdeauna ca apărătoarea inferioară a lamei să acopere bine lama, înainte de a așeza ferăstrăul pe un banc de lucru sau pe sol.** Dacă lama nu este acoperită corect, ea se poate să se rotească din inerție și să taie ce se găsește pe traiectoria ei. Rețineți că lama continuă să se rotească pentru un anumit timp după oprirea motorului.

INSTRUCȚIUNI DE SIGURANȚĂ PENTRU LAMA DE TĂIERE A LEMNULUI

- Citiți cu atenție manualul și instrucțiunile înainte de a utiliza lama și ferăstrăul.

- Fierăstrăul trebuie să se afle în stare de funcționare optimă, iar axul nu trebuie să fie deformat sau să provoace vibrații.
- Nu utilizați fierăstrăul fără a avea dispozitivele de siguranță în poziția de lucru. Țineți apărătorii în stare bună de funcționare și întreținuți corespunzător.
- Asigurați-vă că operatorul este instruit în mod adecvat și cunoaște toate măsurile de precauție, modurile de operare și modurile de ajustare ale echipamentului.
- Purtați întotdeauna ochelari și căști de protecție atunci când utilizați acest echipament. Purtați mănuși de protecție și încălțăminte rezistentă, cu talpa aderentă.
- Înainte de a utiliza orice accesoriu, consultați manualul de instrucțiuni. Utilizarea necorespunzătoare a unui accesoriu poate deteriora echipamentul și crește șansele de accidentare.
- Folosiți numai pânze specificate în acest manual, în conformitate cu EN 847-1.
- Respectați turația maximă marcată pe pânza de ferăstrău. Asigurați-vă că viteza marcată pe discul ferăstrăului este cel puțin egală cu viteza marcată pe ferăstrău.
- Utilizați întotdeauna lame de mărimea și forma adaptate la diametrul axului. Lamele neadaptate la axul pe care trebuie să fie montate nu se vor roti corect și pot conduce la o pierdere a controlului asupra aparatului.
- Nu folosiți pânze cu diametrul mai mare sau mai mic decât cel recomandat. Nu utilizați distanțiere pentru a fixa pânza pe ax.
- Verificați dinții lamei căutând semne de deteriorare sau aspect anormal înainte de fiecare utilizare. Dinții uzați sau deteriorați pot deveni proiectile în timpul utilizării, crescând riscul unor accidente grave.
- Nu folosiți lame de ferăstrău crăpate sau deformate. Nu folosiți pânze de circular deteriorate ori deformate.
- Casați lama dacă este deteriorată, deformată sau crăpată; repararea nu este permisă.
- Nu utilizați pânze din oțel rapid (HSS).
- Asigurați-vă că pânza de ferăstrău este montată corect înainte de utilizare. Strângeți bine șurubul lamei înainte de utilizare (cuplu de strângere aprox. 10-15 Nm).
- Strângeți șuruburile și piulițele cu ajutorul unei chei adecvate.
- Nu este permisă strângerea șuruburilor cu prelungitoare (pentru creșterea cuplului) sau chei pneumatice.
- Asigurați-vă că toate pânzele și flanșele sunt curate și laturile încastrate ale manșonului se sprijină pe pânză.
- Asigurați-vă că pânza se rotește în direcția corectă.
- Înainte de lucru, faceți o tăiere de probă fără a avea motorul pornit în așa fel încât poziția discului, funcționarea apărătorilor față de alte părți ale aparatului și a piesei de lucru să poată fi verificate.
- Nu lăsați niciodată unealta să funcționeze nesupravegheată.
- Nu aplicați lubrifianti pe pânză atunci când aceasta este în funcțiune.
- Nu efectuați niciodată orice lucrare de întreținere sau de curățare atunci când aparatul este încă în funcțiune,

EN
FR
DE
ES
IT
NL
PT
DA
SV
FI
NO
RU
PL
CS
HU
RO
LV
LT
ET
HR
SL
SK
BG
UK
TR
EL



iar capul nu este în poziția de repaus.

- Nu încercați niciodată să opriți un echipament electric aflat în mișcare prin blocarea directă a piesei în mișcare cu o altă unealtă. Risiți să provocați accidente grave.
- Deconectați fierăstrăul de la rețeaua electrică sau de la baterie înainte de a schimba lamele sau de a efectua operații de întreținere.
- Manevrați lama cu atenție la ambalare și dezambalare. Există riscul de a vă răni în dinții ascuțiți ai lamei.
- Folosiți un suport sau purtați mănuși atunci când manipulați o pânză de ferăstrău.
- Păstrați lama în ambalajul original sau în alt ambalaj corespunzător. A se păstra în mediu uscat, lipsit de substanțe chimice care ar putea ataca lama.

⚠ AVERTISMENT

- Purtați protecție pentru ochi și urechi.
- Purtați mască de praf.
- Nu utilizați în niciun caz un disc abraziv.
- Evitați supraîncăzirea vârfurilor lamei. Nu utilizați lame tocite sau deteriorate. Nu forțați unealta.
- Folosire recomandată doar de lame de fierăstrău.
- Nu folosiți pânze cu diametrul mai mare sau mai mic decât cel recomandat.
- Folosiți numai pânze specificate în acest manual, în conformitate cu EN 847-1.

SIGURANȚĂ LASER (RCS1600)



- A fűrészben használt lézersugár besorolása: Class 2, legfeljebb $\leq 1\text{mW}$ teljesítménnyel és 650 nm hullámhosszal. Nu priviți direct în raza laser. Neurmarea acestor reguli poate rezulta în vătămare personală gravă.



V-am furnizat o etichetă autocolantă în limba dumneavoastră și vă cerem să o așezați în locul etichetei de avertizare în engleză înainte de a opera aparatul

- Nu priviți în rază în timpul funcționării.
- Nu proiectați raza laser direct în ochii altor persoane. Pot rezulta leziuni oculare grave.
- Nu amplasați laserul într-o poziție în care se poate privi în fascicul intenționat sau neintenționat.
- Nu utilizați instrumente optice pentru a vizualiza raza laser.
- Nu folosiți laserul în preajma copiilor și nu permiteți copiilor să opereze cu laserul.

- Nu încercați să reparați dispozitiv cu laser de unul singur.
- Nu încercați să schimbați nicio piesă a dispozitivului laser.
- Orice reparații trebuie să fie efectuate numai de către producătorul laserului sau de către agent de service autorizat.
- Nu înlocuiți laserul cu un alt laser, de alt tip.

RISCURI REZIDUALE

Chiar dacă produsul este folosit așa cum este descris, este totuși imposibil să se elimine complet anumiți factori de risc reziduali. Următoarele pericole ar putea apărea în timpul folosirii iar operatorul trebuie să acorde o atenție specială pentru a evita următoarele:

- Vătămare cauzată de recul.
 - Citiți și înțelegeți informațiile din acest manual.
 - Vătămare cauzată de vibrații.
 - Limitați expunerea. Vezi „Reducerea Riscului”
 - Vătămare cauzată de praf.
 - Purtați întotdeauna ochelari de protecție. Purtați mască de protecție împotriva prafului cu filtre corespunzătoare ce vă pot proteja de praful de la materialul la care se lucrează. Nu mâncați, beți sau fumați în zona de lucru. Asigurați aerisire adecvată la locul de muncă.
 - Electrocutare
 - Lama poate veni în contact cu firele electrice, cauzând părți ale produsului să devină conductoare electric. Țineți produsul întotdeauna de mânerul desemnat și fiți atent la tăierea oarbă în pereți și podele unde pot fi ascunse fire electrice.
- NOTĂ:** Atunci când lucrați la pereți, tavane sau podele, fiți atent pentru a evita cablurile electrice și țevile de gaz sau apă.
- Vătămare de la contactul cu lama tăietoare.
 - Lamele sunt foarte ascuțite și vor deveni fierbinți în timpul folosirii. Purtați mănuși la schimbarea lamelor. Țineți întotdeauna ferite mâinile de zona de tăiere. Nu țineți NICIODATĂ piesa de prelucrat cu mâna sau între picioare. Prindeți în clemă piesa de lucru oricând e posibil.

REDUCEREA RISCULUI

S-a reținut că vibrațiile de la sculele de mână pot contribui la starea numită Sindromul lui Raynaud, la anumite persoane. Simptomele pot include furnicături, amorțeală și albirea degetelor, care apare, de obicei, după expunerea la frig. Factori ereditari, expunerea la frig și umiditate, dieta, fumatul și practicile de muncă contribuie la dezvoltarea acestor simptome. Există măsurători care pot fi efectuate de către operator pentru a reduce efectele de vibrațiilor:

- Păstrați-vă temperatura corporală ridicată pe vreme rece. Când operați unitatea purtați mănuși pentru a vă menține mâinile și încheieturile la căldură. S-a constatat că vremea rece este un factor major care contribuie la sindromul Raynaud.
- După fiecare perioadă de operare, trebuie făcute exerciții pentru a crește circulația sângelui.

- Trebuie făcute pauze la intervale de timp regulate. Limitați expunerea zilnică.

Dacă sunt experimentate oricare dintre simptomele acestei afecțiuni, trebuie întreruptă utilizarea și consultat un medic.

AVERTISMENT

Poti fi cauzate, sau agravate vătămări prin folosirea prelungită a sculei. Atunci când folosiți o sculă pentru perioade prelungite, asigurați-vă că luați pauze regulate.

CUNOAȘTEȚI-VĂ PRODUSUL.

Vezi pagina 135.

1. Declanșator
2. Butonul de deblocare a butonului de pornire
3. Protecția superioară a lamei
4. Adaptor port praf
5. Levier Al Protecției Inferioare A Lamei
6. Șurubul lamei
7. Protecția inferioară a lamei
8. Mâner
9. Reglajul unghiular
10. Siguranța reglajului unghiular
11. Siguranța ghidajului longitudinal
12. Talpă
13. Sistem de direcționare cu laser (RCS1600)
14. Lamă
15. Fierăstrău tăiat bare
16. Clemă
17. Cheie de serviciu
18. Ghidaj de tăiere

ÎNȚREȚINEREA

AVERTISMENT

Produsul nu trebuie conectat niciodată la priză atunci când asamblați părțile, faceți reglaje, curățați sau faceți întreținerea, sau atunci când produsul nu este folosit. Deconectarea produsului va preveni pornirea accidentală ce poate cauza vătămare gravă.

- La efectuarea service-ului folosiți doar piese de schimb originale ale producătorului. Utilizarea altor piese poate crea situații periculoase sau poate conduce la deteriorarea produsului.
- Asigurați-vă că deconectați unealta de la sursa de alimentare înainte de atașarea sau înlăturarea lamei ferăstrăului. Curățați produsul și sistemul de protecție cu cârpe curate.
- Evitați utilizarea solventilor atunci când curățați piesele din plastic. Majoritatea materialelor plastice pot să fie deteriorate prin utilizarea unor solvenți vânduți în comerț. Utilizați o cârpă curată pentru a curăța murdăriile, praful etc.
- Nu lăsați niciun moment ca lichidele de frână, produsele pe bază de petrol, uleiurile penetrante etc să intre în contact cu părțile din plastic. Aceste produse chimice conțin substanțe care pot afecta, slăbi sau distruge plasticul.

- Atunci când operați scula electrică sau când îndepărtați praful, purtați întotdeauna ochelari de protecție sau ochelari de protecție cu apărători laterale. Dacă mediul de lucru este plin de praf, purtați întotdeauna o mască împotriva prafului.
- Dacă cordonul de alimentare electrică este deteriorat, acesta trebuie înlocuit de către producător sau de către un centru de service autorizat pentru a evita riscurile. Contactați centrul service autorizat.
- Pentru o siguranță și fiabilitate sporită, toate reparațiile trebuie să fie efectuate la un centru service Ryobi autorizat.

LUBRIFIEREA

Toți rulmenții din interiorul produsului sunt lubrifiați cu o cantitate suficientă de lubrifianț de calitate înaltă pentru durata produsului în condiții normale de folosire. În consecință, nici o ungere suplimentară nu este necesară.

PROTECȚIA MEDIULUI ÎNCONJURĂTOR



Reciclați materiile prime în loc să le aruncați la gunoi, împreună cu deșeurile menajere. Pentru a proteja mediul înconjurător, mașina, accesoriile acesteia și ambalajele trebuie triate.

SIMBOLURILE DE PE PRODUS.



Alertă de siguranță

V

Volți

Hz

Herți

~

Curent alternativ

W

Wați

n_o

Viteză în gol

min⁻¹

Număr de rotații sau de mișcări pe minut



Clasa II, dublu izolat



Lemn



Nu tăiați metal



Purtați echipamente de protecție a auzului



Purtați echipamente de protecție a vederii



Radiație laser.
Nu priviți direct în rază.
Produs cu laser clasa 2
λ: 650nm; P≤1mW
EN 60825-1:2014



Pericol! Pânză ascuțită.



Nu expuneți în ploaie



Lățime a tăierii



Dinte lamă



Conformitate CE



Marcaj de conformitate EurAsian



Semn de conformitate ucrainean



Vă rugăm citiți instrucțiunile cu atenție înainte de pornirea aparatului.



Deșeurile produselor electrice nu trebuie să fie eliminate împreună cu deșeurile casnice. Vă rugăm să reciclați acolo unde există facilități. Verificați la autoritatea dvs. locală sau la vânzător pentru sfaturi privind reciclarea.

PRECAUȚIE

Indică o situație potențial periculoasă, care dacă nu este evitată, poate rezulta în vătămare minoră sau moderată.

PRECAUȚIE

(Fără simbol de alertă de siguranță) Indică o situație ce poate rezulta în distrugerea proprietății.

SIMBOLURILE DIN MANUAL



Conectați la sursa de curent.



Deconectați de la sursa de curent.



Piese sau accesorii vândute separat



Piedică



Deblocare



Notă

Rămănoarele cuvinte simbol și înțelesul lor au intenția de a explica nivelele de risc asociate cu acest produs.

PERICOL

Indică o situație imediată de pericol, care dacă nu este evitată va rezulta în deces sau rănire gravă.

AVERTISMENT

Indică o situație potențială de pericol, care dacă nu este evitată poate rezulta în deces sau rănire gravă.

Drošībai, veiktspējai un uzticamībai ir pievērsta vislielākā uzmanība, radot jūsu ripzāģi.

PAREDZĒTĀ LIETOŠANA

Rotācijas instruments paredzēts lietošanai tikai pieaugušiem, kuri izlasījuši un sapratuši šīs rokasgrāmatas norādes un brīdinājumus un var tikt uzskatīti par atbildīgiem par savu rīcību.

Zāģis paredzēts koka un līdzīgu materiālu garenvirziena vai šķērsvirziena zāģēšanai ar maksimālo dziļumu līdz 54 milimetriem. Tas var veidot griezumus perpendikulāri virsmai vai leņķī starp 0 un 45 grādiem. Instrumentu jālieto tā, lai tā pamatne saskartos ar apstrādājamo materiālu. Zāģis paredzēts lietošanai sausos apstākļos ar izcilu apkārtējo apgaismojumu un atbilstošu ventilāciju. Zāģis ir paredzēts izmantošanai ar rokām. Zāģis ir paredzēts nostiprināšanai uz darba galda, ja vien ražotājs nav sniedzis specifiskas instrukcijas, par to kā izmantot šo precī. Neizmantojiet griešanai metālā vai mūrī. Neizmantojiet ierīci citiem mērķiem, bet tikai tam paredzētajiem. Izmantojot elektroinstrumentu darbībās, kas nav paredzētas, var rasties bīstama situācija.

▲ BRĪDINĀJUMS

Izlasiet visus drošības brīdinājumus un visas instrukcijas. Brīdinājumu un instrukciju neievērošana var izraisīt elektrošoku, aizdegšanos un/vai nopietnus ievainojumus.

Visus brīdinājumus un norādījumus saglabājiet turpmākām uzziņām.

RIPZĀĢA DROŠĪBAS BRĪDINĀJUMI

ZĀĢĒŠANAS DARBĪBAS

▲ BĪSTAMI

Sargājiet rokas no griešanas zonas un asmens. Turiet savu otru roku uz papildu roktura vai motora korpusa. Ja abas rokas tur zāģi, tad tajās nevar iezāģēt ar ripu.

- **Nesniedzieties zem sagataves.** Aizsargs nevar pasargāt jūs no ripas zem sagataves.
- **Noregulējiet griešanas dziļumu līdzvērtīgi sagataves biežumam.** Zem sagataves jābūt redzamam mazāk par pilnu zobu.
- **Nekādā gadījumā neturiet zāģējamo sagatavi rokās vai pāri kājām.** Piestipriniet sagatavi pie stabilas pamatnes. Ir svarīgi pareizi atbalstīt sagatavi, lai mazinātu ķermeņa atsegumu, ripas ķeršanos vai kontroles zaudēšanu.
- **Darbos, kuros griešanas piederums var saskarties ar slēptiem vadiem vai savu barošanas vadu, turiet instrumentu tikai aiz izolētajām satveršanas virsmām.** Saskarsme ar "dzīvu" vadu padarīs ierīci neapklātās metāla daļas "dzīvas" un var radīt elektrošoku lietotājam.
- **Zāģējot šķērseniski, izmantojiet vadlīnēšanu vai**

vadotni ar taisnu malu. Tas uzlabo griezuma precizitāti un mazina ripas ķeršanās risku.

- **Obligāti izmantojiet pareiza izmēra un formas (rombeveida vai trīsstūrveida zobu) zobus.** Ripas, kuru forma neatbilst zāģa stiprināšanas ietaisēm, kustēsies ekscentriski, kas mazina kontroli pār zāģi.
- **Nedrīkst izmantot bojātas vai nepareizas paplāksnes vai skrūves.** Geležčīju poveržlēs ir varžtai yra specialiai pagaminti jūsu pjūklui, siekiant geriausių pjovimo rezultātų ir saugumo pjaunant.

ATSITIENA CĒLOŅI UN AR TO SAISTĪTIE BRĪDINĀJUMI:

- Papildu drošības instrukcijas visiem zāģiem Atsitienu iemesli un tā novēršana; atsitiens ir pēkšņa reakcija uz iespiestu, ieliektu vai nepareizi noregulētu zāģa ripu, kas var pasist nepietiekami labi novaldītu zāģi uz augšu un ārā no sagataves pret operatoru;
- kad ripu iespiež vai ieliec iegriezuma saspiešanās, ripa tiek bremsēta, un motora reakcija strauji virza instrumentu atpakaļ pret operatoru;
- ja ripa tiek saliekta vai izregulējas griezumā, ripas zobi var iecirsties materiāla augšējā virsmā, liekot ripai izlekt no griezuma pret operatoru;

Atsitiens rodas no zāģa nepareizas lietošanas un/vai nepareizas darba procedūras vai apstākļiem; no tā var izvairīties, veicot pareizus drošības pasākumus.

- **Turiet zāģi stingri un novietojiet rokas tā, lai tās noturētu pret potenciālo atsitienu.** Novietojiet ķermeni abās ripas pusēs, bet ne vienā līnijā ar ripu. Atsitiens var likt zāģim atlekt atpakaļ, bet operators var kontrolēt tā spēkus, ja tiek veikti pareizi drošības pasākumi.
- **Kad ripa ķeras vai zāģēšana tiek pārtraukta kādu citu iemeslu dēļ, atlaidiet slēdža mēlīti un turiet zāģi nekustīgi materiālā, līdz ripa pilnībā apstājas.** Nekad nemēģiniet izcelt zāģi no sagataves vai vilkt zāģi atpakaļ, kamēr asmens pārvietojas, jo tas var izraisīt atsitienu. Izpētiet, kādi iemesli izraisa ripas ķeršanos, un novērsiet tos.
- **Kad atkārtoti ieslēdzat zāģi, kas atrodas sagatavē, centrējiet ripu griezumā un pārbaudiet, vai ripas zobi nav iekērušies materiālā.** Ja zāģa ripa iekeras, zāģi atkal iedarbinot, tas var palēkties vai atlekt atpakaļ no sagataves.
- **Atbalstiet lielas plāksnes, lai mazinātu risku, ka ripa iekersies griezumā un atsīties atpakaļ.** Lielas plāksnes parasti liecas no sava svara. Balstus jānovieto zem plāksnes abās pusēs zāģējuma līnijas un plāksnes malas tuvumā.
- **Nelietojiet ripas ar neasinātiem zobiem vai bojātas ripas.** Neasinātas vai nepareizi iestatītas ripas rada šauru zāģējuma eju, kas rada pārāk lielu berzi, ripas ķeršanos un atsitienu.
- **Ripas dziļuma un leņķa regulēšanas fiksatoriem jābūt droši pievilkti, pirms sākt zāģēšanu.** Ja zāģēšanas procesā ripas ieregulējums novirzās, tā var saķerties un atsīties atpakaļ.
- **Rīkojieties īpaši piesardzīgi, zāģējot esošajās sienās vai citās neredzamās vietās.** Izvirzījusies ripa

EN
FR
DE
ES
IT
NL
PT
DA
SV
FI
NO
RU
PL
CS
HU
RO
LV
LT
ET
HR
SL
SK
BG
UK
TR
EL

var atdurties pret objektiem, kas var izraisīt atsitieni.

APAKŠĒJĀ AIZSARGA FUNKCIJA

- **Pirms katras izmantošanas pārbaudiet, vai kustīgais aizsargs pareizi aizveras. Nelietojiet zāģi, ja kustīgais aizsargs brīvi nekustas un uzreiz neaizveras. Nekādā gadījumā nefiksējiet kustīgo aizsargu atvērtā pozīcijā.** Ja zāģis nejauši nokrīt, kustīgais aizsargs var saliekties. Paceliet kustīgo aizsargu ar atvelkamo rokturi un pārbaudiet, vai tas kustās brīvi un nepieskaras ripai vai citai daļai – jebkurā leņķī un griezuma dziļumā.
- **Pārbaudiet kustīgā aizsarga atsperes darbību. Ja aizsargs un atspere nedarbojas pareizi, tiem pirms lietošanas jāveic apkope.** Apakšējā aizsarga darbība var būt lēna bojātu detaļu, sveķu nogulšņu vai atbirumu uzkrāšanās dēļ.
- **Apakšējo aizsargu var manuāli atbīdīt tikai īpašiem griezumiem, piemēram, “iegriezumiem” un “saliktiem griezumiem”.** Paceliet kustīgo aizsargu ar atvelkamo rokturi un, tiklīdz ripa iekļūst materiālā, atlaidiet kustīgo aizsargu. Visiem citiem zāģēšanas darbiem kustīgajam aizsargam jāļauj atvirzīties pašam.
- **Vienmēr pārliecinieties, vai kustīgais aizsargs apsedz ripu, pirms novietot zāģi uz sola vai grīdas.** Nenosegta, kustīga ripa liks zāģim virzīties atpakaļ, iezāģējot visā, kas gadīsies tā ceļā. Ņemiet vērā laiku, kas nepieciešams, lai ripa pēc slēdža mēlītes atlaišanas apstātos.

DROŠĪBAS NORĀDES KOKA ZĀĢA RIPAI

- Lūdzu rūpīgi izlasiet rokasgrāmatu un norādes, pirms lietot zāģa asmeni un elektroinstrumentu.
- Elektroinstrumentam jābūt labā stāvoklī, tā asij bez deformācijas un vibrācijas.
- Neizmantojiet zāģi, ja tam nav aizsarga. Uzturiet aizsargus labā darba kārtībā un kārtīgi apkoptus.
- Nodrošiniet, ka lietotājs ir atbilstoši apmācīts piesardzības pasākumos un elektroinstrumenta regulēšanā un lietošanā.
- Izmantojot elektroinstrumentu, vienmēr nēsājiet aizsargbrilles un dzirdes aizsarglīdzekļus. Ieteicams valkāt cimdus un izturīgus, neslīdošus apavus.
- Pirms jebkura piederuma lietošanas skatiet informāciju lietošanas pamācībā. Papildaprīkojuma nepareiza lietošana var izraisīt bojājumus un palielināt ievainojumu gūšanas iespējas.
- Izmantojiet tikai šajā rokasgrāmatā norādītās ripas atbilstoši EN 847-1.
- Ievērojiet uz zāģa ripas norādīto maksimālo ātrumu. Pārliecinieties, ka uz zāģa plātnes norādītais ātrums, ir vismaz vienāds ar ātrumu, kas norādīts uz zāģa.
- Obligāti izmantojiet pareiza izmēra un formas zobus. Ripas, kuru forma neatbilst zāģa stiprināšanas ietaisēm, kustēsies ekscentriski, kas mazina kontroli pār zāģi.
- Neizmantojiet ripas, kuru diametrs ir lielāks vai mazāks par ieteicamo. Ripas uzstādīšanai uz ass neizmantojiet nekādas starplikas.
- Pārbaudiet zāģa asmens uzliku bojājumus vai normai neatbilstošu izskatu pirms katras lietošanas reizes.

Uzlikas, kas ir bojātas vai vaļīgas, lietošanas laikā var kļūt par lidojošiem priekšmetiem un palielināt ievainojumu gūšanas iespēju.


- Neizmantojiet ieplaisājušus vai izkropļotus zāģa asmeņus. Neizmantojiet bojātus vai deformētus zāģa asmeņus.
- Iznīciniet zāģa asmeni, ja tas bojāts, deformēts, salauzts vai saplaisājis; remonts nav atļauts.
- Neizmantojiet HSS ripas.
- Pirms lietošanas pārliecinieties, vai zāģa ripa ir uzstādīta pareizi. Pirms lietošanas kārtīgi pievelciet asmens stiprinājuma skrūvi (novilkšanas spēks aptuveni 10-15 Nm).
- Stiprinājuma skrūve un uzgriežņi ir jānovelk, izmantojot atbilstošu uzgriežņu atslēgu.
- Uzgriežņa atslēgas pagarināšana vai uzgriežņa novilkšana ar āmura sitieniem nav atļauta.
- Pārliecinieties, vai visi asmeņi un atloki ir tīri un ieliktna atvirzītās malas atrodas pret asmeni.
- Pārliecinieties, vai ripa griežas pareizajā virzienā.
- Pirms darba, veiciet izmēģinājuma zāģējumu, ar izslēgtu motoru, lai pārbaudītu asmens stāvokli, aizsargu darbību attiecībā pret pārējām iekārtas daļām un darba materiālu.
- Nekad neatstājiet darbojošos instrumentu bez uzraudzības.
- Neļļojiet ripu tās ekspluatācijas laikā.
- Nekad neveiciet nekādus tīrīšanas vai apkopes darbus, ja mašīna joprojām darbojas un tās galva nav miera pozīcijā.
- Nekad nemēģiniet apturēt kustībā esošu elektroinstrumentu, to noķīlējot vai citādi iedarbojoties uz asmeni. Šādā veidā nejauši var izraisīt nopietnus negadījumus.
- Atvienojiet zāģi no elektropadeves vai akumulatora, pirms veikt asmens nomaiņu vai apkopi.
- Veicot instrumenta izpakošanu vai iepakošanu, sargieties no asmens. Ar zāģripas aso zobu galiem ir viegli gūt ievainojumus.
- Strādājot ar zāģa ripu, izmantojiet turētāju vai nēsājiet cimdus.
- Turiet un glabājiet asmeni oriģinālajā vai citā piemērotā iepakojumā. Glabājiet sausā vietā atstatus no ķīmikālijām, kas var bojāt asmeni.

▲ BRĪDINĀJUMS

- Lietojiet acu un ausu aizsarglīdzekļus.
- Valkājiet putekļu masku.
- Neizmantojiet abrazīvās ripas.
- Nepārkarsējiet asmens uzgaļus. Nelietojiet ripas ar neasinātiem zobiem vai bojātās ripas. Nepārslogojiet instrumentu.
- Lietojiet tikai ieteiktos zāģa asmeņus.
- Neizmantojiet ripas, kuru diametrs ir lielāks vai mazāks par ieteicamo.
- Izmantojiet tikai šajā rokasgrāmatā norādītās ripas atbilstoši EN 847-1.

LĀZERA DROŠĪBA (RCS1600)



- Zāģu lāzera radītāja starojums atbilst 2 klasei ar maksimālo jaudu $\leq 1\text{mW}$ jaudu un 650 nm viļņa garumu. Neskatieties tieši lāzera starā. Noteikumu neievērošanas rezultātā var rasties nopietni miesas bojājumi.
- 

Komplektācijā ietilpst līmējama etiķete jūsu valodā, tāpēc, lūdzu, pielīmējiet to angļu valodas teksta vietā uz brīdinājuma etiķetes pirms iekārtas pirmās lietošanas reizes.
- Darba laikā neskatieties lāzera starā.
- Nevirziet lāzera staru tieši apkārtējo acīs. Var rasties nopietnas acu traumas.
- Nenovietojiet lāzeru vietā, kurā apkārtējie varētu tīši vai netīši skatīties lāzera starā.
- Neizmantojiet optiskos instrumentus, lai skatītos lāzera starā.
- Nelietojiet lāzeru bērnu tuvumā un neļaujiet bērniem darbināt lāzeru.
- Nemēģiniet pašrocīgi veikt lāzērieces remontu.
- Nemēģiniet pats mainīt lāzērieces daļas.
- Visus remontdarbus drīkst veikt tikai lāzera ražotājs vai pilnvarots servisa speciālists.
- Neaizstājiet ar cita veida lāzeru.

PALIEKOŠIE RISKI

Pat tad, ja ierīce tiek lietota, kā aprakstīts, joprojām nav iespējams pilnībā novērst atsevišķus riska faktorus. Lietošanas laikā var rasties šādas briesmas un strādniekam īpaša uzmanība jāpievērš šim:

- Vibrācijas radīti bojājumi
 - Izlasiet un izprotiet informāciju šajā rokasgrāmatā.
- Vibrācijas radīti bojājumi
 - Ierobežojiet iedarbību. Skatīt "Risku Samazināšana".
- Putekļu izraisītas traumas
 - Vienmēr lietojiet aizsargbrilles. Valkājiet atbilstošu putekļu aizsargmasku ar piemērotiem filtriem, kas var pasargāt no putekļiem. Darba vietā neēdiet, nedzeriet un nesmēķējiet. Darba vietā nodrošiniet atbilstošu ventilāciju.
- Elektriskās strāvas trieciens
 - Asmens var saskarties ar slēptiem vadiem, radot to, ka preces daļas sakustās. Vienmēr turiet precīzi aiz paredzētā roktura un uzmanieties, kad zāģējat sienās un grīdās, neredzot ko darāt, jo tur var būt paslēpti vadi.

PIEZĪME: Veicot darbus sienās, griestos vai grīdā,

uzmanieties, lai nenonāktu saskarē ar elektrības kabeļiem un gāzes vai ūdens caurulēm.

- Miesas bojājumi no saskares ar griezējasmēni
 - Asmeņi ir ļoti asi un lietošanas laikā uzkarst. Asmeņu nomaigās laikā valkājiet cimdus. Vienmēr turiet rokas drošā attālumā no griešanas vietas. Nekādā gadījumā neturiet zāģējamo sagatavi rokās vai pāri kājām. Nostipriniet apstrādājamo materiālu, kad vien iespējams.

RISKA SAMAZINĀŠANA

Ir ziņots, ka rokās turamu preču vibrācijas dažām personām var veicināt „Reino sindromu”. Simptomi var ietvert pirkstu tīkšķēšanu, nejutīgumu un nobālēšanu, parasti aukstā laikā. Tiek uzskatīts, ka tradicionālie faktori, aukstums un mitrums, uzturs, smēķēšana un darba prakse sekmē šo simptomu attīstību. Operators var veikt pasākumus, lai iespējami samazinātu vibrācijas efektu:

- Aukstā laikā ķermenim jābūt siltam. Darbinot ierīci, nēsājiet cimdus, lai rokas un plaukstu locītavas būtu siltas. Ir pētījumi, ka auksts laiks ir galvenais faktors, kas veicina Reino sindromu.
- Ik pēc laika apturiet darbu un veiciet vingrinājumus, kas uzlabo asins cirkulāciju.
- Strādājot jābūt biežiem pārtraukumiem. Ierobežojiet iedarbības ilgumu dienā.

Ja jūs izjūtat kādu no šiem simptomiem, nekavējoties apturiet ierīces lietošanu un sazinieties ar ārstu par šiem simptomiem.

⚠ BRĪDINĀJUMS

Ilgstoša instrumenta lietošana var izraisīt traumas vai pasliktināt veselības stāvokli. Ilgstoši lietojot jebkuru instrumentu, pārliecinieties, ka tiek veikti regulāri pārtraukumi.

IERĪCES IEPAZĪŠANA

Skatīt 135. lpp.

1. Palaišanas slēdzis
2. Drošinātāja poga
3. Augšējais aizsargs
4. Putekļu porta adapteris
5. Apakšējais aizsarga svira
6. Asmens skrūve
7. Apakšējais aizsargs
8. Rokturis
9. Leņķa skala
10. Leņķa skalas fiksators
11. Platuma ierobežotāja fiksators
12. Pamatne
13. Lāzera marķiera izstarotājs (RCS1600)
14. Ripa
15. Zāģa sliede
16. Skava
17. Uzgrieznis
18. Garengriezuma vadošā detaļa

APKOPE

⚠ BRĪDINĀJUMS

Produktu nekad nedrīkst pievienot barošanas padevei, veicot daļu montāžu, regulēšanu, tīrīšanu vai apkopi, kā arī laikā, kad tas netiek izmantots. Atvienojot produktu, tiek novērsta nejauša ieslēgšanās, kas var izraisīt nopietnu traumu.

- Veicot apkopi, izmantojiet tikai oriģinālās ražotāja rezerves daļas. Jebkādi citu detaļu izmantošana var izraisīt bīstamību vai produkta bojājumus.
- Pirms zāģa asmens pievienošanas vai noņemšanas noteikti atslēdziet instrumentu no strāvas padeves. Notīriet instrumentu un aizsargsistēmu ar tīru drānu.
- Tīrot plastmasas daļas, izvairieties no šķīdinātāju lietošanas. Vairums plastmasu ir jutīgas pret dažāda veida pārdošanā esošajiem šķīdinātājiem un to izmantošanas rezultātā var tikt bojātas. Izmantojiet tīru drānu, lai notīrītu netīrumus, oglekļa putekļus utt.
- Nekādā gadījumā plastmasas daļām neļaujiet nonākt saskarē ar bremžu šķidrums, benzīnu, naftas izstrādājumiem, eļļām ar paaugstinātu mitrināšanas spēju utt. Ķīmikālijas var sabojāt, novājināt vai iznīcināt plastmasas detaļas.
- Elektroinstrumenta darbības vai putekļu pūšanas laikā vienmēr izmantojiet aizsargbrilles vai drošības brilles ar sānu aizsargiem. Ja darbība ir saistīta ar putekļu rašanos, uzlieciet arī putekļu masku.
- Ja bojāts strāvas padeves vads, lai izvairītos no riska, to drīkst nomainīt tikai ražotājs vai pilnvarotā apkopes centrā. Sazinieties ar pilnvarotu servisa centru.
- Lielākai drošībai un uzticamībai, visus remontdarbus jāveic Ryobi pilnvarotam servisa centram.

EĻĻOŠANA

Visi izstrādājuma gultņi tiek eļļoti ar pietiekamu augstas kvalitātes smērvielas daudzumu, lai nodrošinātu produkta kalpošanas laiku normālos lietošanas apstākļos. Tāpēc papildu eļļošana nav nepieciešama.

VIDES AIZSARDZĪBA



Tā vietā, lai izejmateriālus izmestu atkritumos, nododiet tos otrreizējai pārstrādei. Mašīna, aksesuāri un iepakojums ir jāsašķiro un jānodod videi draudzīgā atkārtotas pārstrādes vietā.

min⁻¹

Ap griezieni minūtē



II klase, dubulta izolācija



Koks



Negrieziet metāla



Lietojiet dzirdes aizsargus



Valkājiet acu aizsarglīdzekļus



Lāzera starojums.
Neskatieties staru kūlī.
2. klases lāzera produkts
λ: 650nm; P≤1mW
EN 60825-1:2014



Bīstami! Ass asmens.



Sargājiet no lietus



Griezuma platums



Asmens zobi



CE atbilstība



EurAsian atbilstības marķējums



Ukrainas apstiprinājuma zīme



Pirms iedarbināt mašīnu, lūdzu rūpīgi izlasiet instrukcijas.



Izlietotie elektroprodukti nedrīkst tikt izmesti kopā ar mājtsaimniecības atkritumiem. Lūdzu, nododiet tos attiecīgajās atkārtotās izmantošanas vietās. Sazinieties ar savu vietējo varas pārstāvi vai izplatītāju, lai noskaidrotu, kur iespējama atkārtota pārstrāde.

UZ PRECES ESOŠIE SIMBOLI



Drošības brīdinājums

V Volti

Hz Herci

~ Maiņstrāva

W Vati

n_o Ap griezieni bez slodzes

SIMBOLI ROKASGRĀMATĀ



Pievienojiet elektropadevei.



Atvienojiet no elektropadeves.



Atsevišķi nopērkamās daļas vai piederumi



Bloķētājs



Atbloķēt



Piezīme

Lai izskaidrotu risku, kas saistīti ar izstrādājumu, līmeni, paredzēti šādi norādījuma vārdi un jēdzieni.

BĪSTAMI

Norāda uz nenovēršami bīstamu situāciju, kas, ja netiks novērsta, izraisīs nāvi vai nopietnus miesas bojājumus.

BRĪDINĀJUMS

Norāda uz potenciāli bīstamu situāciju, kas, ja netiks novērsta, var izraisīt nāvi vai nopietnus miesas bojājumus.

UZMANĪBU

Norāda uz potenciāli bīstamu situāciju, kas, ja netiek novērsta, var izraisīt vieglus vai vidējus miesas bojājumus.

UZMANĪBU

(Bez drošības trauksmes simbola), kas norāda, uz situāciju, kas var novest pie īpašuma bojājuma.

EN
FR
DE
ES
IT
NL
PT
DA
SV
FI
NO
RU
PL
CS
HU
RO
LV
LT
ET
HR
SL
SK
BG
UK
TR
EL

Kuriant diskinio pjūklo konstrukciją, didžiausia pirmenybė buvo skiriama saugai, našumui ir patikimumui.

NAUDOJIMO PASKIRTIS

Diskinis pjūklas yra skirtas naudoti tik suaugusiems, kurie yra perskaitę ir supratur šiame vadove pateikiamas instrukcijas bei įspėjimus ir gali būti laikomi atsakingais už savo veiksmus.

Pjūklas yra suprojektuotas išilginiam ir skersiniam medžio ar panašios medžiagos pjovimui iki ne didesnio kaip 54 milimetrai gylio. Juo galima pjauti tiesiai arba nuožulniai nuo 0 iki 45 laipsnių. Jį reikia naudoti įrankio pagrindą prispaudžiant prie ruošinio. Pjūklą reikia naudoti sausomis sąlygomis, esant puikiam aplinkos apšvietimui ir tinkamam vėdinimui. Pjūklą skirtas pjauti jį laikant rankose. Jeigu pjūklą gamintojas nėra pateikęs specialių pjūklą montavimo ant darbatalio nurodymų, gaminio montuoti ant darbatalio negalima. Įrankio nenaudokite pjauti metalą arba mūrą. Gaminį galima naudoti tik pagal paskirtį. Naudokite elektrinį įrankį tik pagal tiesioginę paskirtį, kitaip sukelsite pavojingą situaciją.

⚠️ ĮSPĖJIMAS

Perskaitykite visus saugos įspėjimus ir visą instrukciją. Įspėjimų ir instrukcijų nesilaikymas gali sukelti elektros smūgį, gaisrą ir (ar) sunkius sužeidimus.

Kad tinkamai naudotumėte įrankį, žr. visus perspėjimus ir nurodymus.

DARBO SU DISKINIU PJŪKLU SAUGOS ĮSPĖJIMAI

PJOVIMO PROCEDŪROS

⚠️ PAVOJUS

Rankas laikykite toliau nuo pjovimo zonos ir geležtės. Turiet savu otru roku uz papildu roktura vai motora korpusa. Ja abas rokas tur žaęi, tad tajās nevar iezāęēt ar rīpu.

- Rankų neikiškite po ruošiniu. Apsauginis gaubtas jūsų rankų po ruošiniu apsaugoti negali.
- Pjovimo gylį nustatykite pagal ruošinio storį. Po ruošiniu turi būti matomas dalis geležtės dantuko.
- Niekada pjaunamo ruošinio nelaikykite rankose ar ant kojų. Ruošinį pritvirtinkite prie stabilaus darbo paviršiaus. Ruošinį svarbu gerai atremti, siekiant sumažinti pavojų jūsų kūnui, geležčių sukibimą ar pjūklo nesuvaldymą.
- Elektrinį įrankį laikykite tik izoliavę sukibimo paviršius, kad darbo metu pjovimo įrankio priedas nesusilietų su paslėptais laidais ar paties šlifuoaklio laidu. Susilietus su laidais, kuriais teka srovė, neizoliuotos elektrinio įrankio metalinės dalys taip pat gali tapti laidininkais ir įrankiu dirbantis asmuo gali patirti elektros smūgį.
- Pjaunant išilgai, būtina visada naudoti išilginio

pjovimo kreiptuvą ar tiesų kraštų kreiptuvą. Tokiu būdu užtikrinamas pjovimo tikslumas ir sumažinamas geležtės užsikirtimas.

- Visada naudokite veleno angų geležtės tinkamo dydžio ir formos (rombo formos, o ne apvalųjį). Geležtės, nepritaikytos pagal pjūklo montavimo detales, suksis ekscentriškai, dėl to pjūklo nesuvaldysite.
- Niekada nenaudokite pažeistų ar neteisingų geležčių poveržlių ar varžtų. Geležčių poveržlės ir varžtai yra specialiai pagaminti jūsų pjūklui, siekiant geriausių pjovimo rezultatų ir saugumo pjaunant.

ATATRANKOS PRIEŽASTYS IR SUSIJĘ ĮSPĖJIMAI:

- Kiti visų pjūklų saugumo nurodymai Atgalinio smūgio priežastys ir operatoriaus apsauga Atgalinis smūgis yra staigi reakcija į suspaustą, šokinėjančią ir nelygią geležtę, kai nevaldomas pjūklas pakeliamas nuo ruošinio link operatoriaus;
- Kai geležtė smarkiai suspaudžiama ar priveržta įpjovai užsidarant, geležtė įstringa ir variklis pjūklą veda staiga atgal link operatoriaus;
- Jei geležtė išsikreipia ar tampa nelygi pjaunant, galinio krašto geležtės dantukai gali įpjauti viršutinį medienos sluoksnį, tokiu būdu priversdami geležtę išslysti iš prapjovos ir staiga pasislinkti atgal link operatoriaus.

Atgalinis smūgis yra netinkamo pjūklo naudojimo ir (ar) klaidingo darbo proceso ar sąlygų rezultatas. Jo galima išvengti laikantis atitinkamų žemiau išdėstytų apsaugos priemonių.

- Pjūklą tvirtai laikykite abiem delnais, o rankas laikykite taip, kad jos išlaikytų atgalinio smūgio jėgą. Stovėkite vienoje ar kitoje geležtės pusėje, bet ne vienoje linijoje su geležte. Dėl atgalinio smūgio pjūklas gali atšokti atgal, tačiau atgalinio smūgio jėgą operatorius gali suvaldyti, jei jis imasi tinkamų apsaugos priemonių.
- KJei geležtė kertasi ar dėl kitos priežasties trukdo normaliam pjovimui, atleiskite perjungiklį ir pjūklą ruošinyje laikykite jo nejudindami tol, kol geležtė visiškai sustos. Diskui sukantis niekada nebandykite pjūklo iš ruošinio ištraukti ar jo traukti atgal, nes galite sukelti atatranką. Nustatykite geležtės kirtimosi priežastis ir imkitės tinkamų veiksmų joms pašalinti.
- Jei pjūklą ruošinyje paleidžiate iš naujo, geležtę nustatykite prapjovos viduryje ir patikrinkite, ar dantukai nėra įlindę į ruošinį. Jei pjūklo geležtė kertasi, iš naujo paleidus pjūklą ji iš ruošinio gali iššokti ar smogti atgal.
- Didelės plokštės paremkite, kad išvengtumėte geležčių suspaudimo ir atgalinio smūgio pavojaus. Dėl savo svorio didelės plokštės paprastai įlinksta. Atramas būtina padėti iš abiejų plokštės pusių po plokštėmis, šalia pjovimo linijos bei plokštės kraštų.
- Nenaudokite atšipusių ir pažeistų geležčių. Negaląstos ar netinkamai nustatytos geležtės pjauna siaurą prapjovą, taip sukeldamos per didelės trinties geležtės sukibimą ir atgalinį smūgį.
- Prieš pradėdant pjauti, geležtės gylio ir įstrižo nustatymo užrakinimo svirtys turi būti tvirtos

ir saugios. Jei pjovimo metu geležtės nustatymai pasikeičia, geležtė gali užsikirsti ir sukelti atgalinį smūgį.

- **Atlikdami pjovimą esančiose sienose ar kitose nematomose vietose, būkite ypač atsargūs.** Atsikūšusi geležtė gali įpjauti objektus, kurie gali sukelti atgalinį smūgį.

APATINIO APSAUGINIO GAUBTO FUNKCIJA

- **Prieš pradėdami darbą visada patikrinkite, ar apatinis apsauginis gaubtas tinkamai užspaustas. Jei šis apatinis apsauginis gaubtas laisvai nejudą ir iškart uždaromas, pjūklo nenaudokite. Apatinio apsauginio gaubto niekada neužspauskite ar pritvirtinkite atviroje padėtyje.** Jei pjūklą atsitiktinai numesite, apatinis apsauginis gaubtas sulinks. Apatinį apsauginį gaubtą pakelkite ištraukiamo rankena bei užtikrinkite, kad jis laisvai juda ir nesiliečia į geležtę ar bet kurią kitą detalę visais pjovimo kampais ir gyliais.
- **Patikrinkite apatinio apsauginio gaubto spyruoklės veikimą. Jei gaubtas ir spyruoklė tinkamai neveikia, prieš naudojimą būtina atlikti jų techninę priežiūrą.** Apatinis apsauginis gaubtas gali lėtai veikti dėl pažeistų detalių, sakų sancaupų ar susikaupusių atliekų.
- **Apatinį apsauginį gaubtą ištraukti rankomis galima tik specialiam pjovimui, pvz. „vidiniam pjovimui“ ir „sudurtiniam pjovimui“.** Apatinį apsauginį gaubtą pakelkite, ištraukdami rankeną ir kai tik geležtė įlenda į ruošinį, apatinį gaubtą atleiskite. Visiems kitiems pjovimo būdams, apatinis apsauginis gaubtas turi veikti automatiškai būdu.
- **Prieš padėdami pjūklą ant suolelio ar grindų, visada patikrinkite, ar apatinis apsauginis gaubtas dengia geležtę.** Dėl neapsaugotos, laisvai besisukančios geležtės pjūklas gali slinkti atbula kryptimi bei pjauti visus jo kelyje esančius daiktus. Atminkite, kad atleidus jungiklį, geležtei reikia laiko visiškai nustoti sukėti.

MEDŽIO PJOVIMO MENTĖS SAUGOS INSTRUKCIJOS

- Prieš naudodami pjūklo geležtę ir variklinį įrankį atidžiai perskaitykite vadovą ir instrukcijas.
- Variklinis įrankis turi būti gerai sutvarkytas ir geros būklės, suklys turi būti be deformacijų ir nevibruoti.
- Nenaudokite pjūklo neuždėję apsaugų. Apsauginiai įrenginiai turi būti geros darbo būklės ir tinkamai prižiūrimi.
- Pasirūpinkite, kad operatorius būtų tinkamai išmokytas variklinio įrankio saugos reikalavimų, reguliavimo ir naudojimo.
- Naudodami variklinį įrankį visada dėvėkite apsauginius akinius ir klausos apsaugos priemones. Rekomenduojama mūvėti pirštines ir avėti tvirtus, neslystančius batus.
- Prieš naudojant bet kokį priedą susipažinkite su jo naudojimo instrukcijomis. Netinkamai naudojant priedus gali būti padaryta žala ir kyla didesnis pavojus susižeisti.
- Naudokite tik šioje instrukcijoje nurodytas geležtes, atitinkančias standartą EN 847-1.
- Atkreipkite dėmesį į didžiausią leistiną greitį, pažymėtą ant pjūklo geležtės. Pasirūpinkite, kad greitis, nurodytas ant pjūklo geležtės, mažiausiai atitiktų greitį, nurodytą ant pjūklo.
- Visada naudokite veleno angų geležtes tinkamo dydžio ir

formos. Geležtės, nepritaikytos pagal pjūklo montavimo detales, suksis ekscentriškai, dėl to pjūklo nesuvaldysite.

- Nenaudokite didesnio ar mažesnio skersmens geležčių nei rekomenduojama. Nenaudokite jokių tarpiklių, norėdami geležtę pritaikyti taip, kad ji atitiktų ašį.
- Prieš naudodami patikrinkite pjūklo geležtės ašmenis, ar jos nėra pažeistos ir ar nėra pasikeitusi jų išvaizda. Ašmenų galai, kurie yra pažeisti arba atsipalaidavę, naudojant gali būti išsviesti ir padaryti sužalojimų.
- Nenaudokite įskilusių ar deformuotų geležčių. Nenaudokite pažeistų ar įtrūkusių pjūklo geležčių.
- Jei pjūklo geležtė yra pažeista, deformuota, persikreipusi ar įtrūkusi, ją atiduokite į atliekas; remontuoti jos negalima.
- Nenaudokite didelio greičio plieno (HSS) geležčių.
- Prieš naudojimą patikrinkite, ar pjūklo geležtė yra tinkamai pritvirtinta. Prieš naudodami tvirtai priveržkite peilio varžtą (priveržimo sukimo momentas maždaug 10-15 Nm).
- Varžtus ir veržles priveržkite naudodami tinkamą veržliaraktį.
- Neleidžiama naudoti veržliarakčio ilgintuvų arba priveržti smūgiuojant plaktuku.
- Užtikrinkite, kad visos geležtės ir jungės būtų švarios ir movos pusės su grioveliais būtų nustatytos prie disko.
- Užtikrinkite, kad geležtė sukūsi teisinga kryptimi.
- Prieš pradėdami darbą, atlikite tuščiaėigį pjūvį esant išjungtam varikliui, kad patikrintumėte geležtės padėtį bei tai, kaip veikia apsauginiai įrenginiai kitų staklių dalių bei ruošinio atžvilgiu.
- Niekada nepalikite veikiančio įrankio be priežiūros.
- Geležtei sukantis jos netepkite alyva.
- Niekada neatlikite jokių valymo ar techninės priežiūros darbų, kai įrenginys yra įjungtas ir veikiantis bei diskas sukasi.
- Niekada nemėginkite sustabdyti veikiančio variklinio įrankio staiga stabdydami įrankį ar kitą priemonę prieš peilio sukimosi kryptį. Tokiu būdu netyčia gali įvykti rimtų nelaimingų atsitikimų.
- Atjunkite pjūklą nuo maitinimo iš tinklo ar akumulatoriaus ir tik tada keiskite peilius arba atlikite techninę priežiūrą.
- Supakuodami arba išpakuodami atkreipkite dėmesį į peilį. Lengva susižaloti į aštrius peilio ašmenis.
- Dirbdami su pjūklo geležte naudokite laikiklį arba mūvėkite pirštines.
- Peilį saugokite ir laikykite originalioje pakuotėje ar kitoje tinkamoje pakuotėje. Laikykite sausoje vietoje ir atokiai nuo chemikalų, kurie gali pažeisti peilį.

EN
FR
DE
ES
IT
NL
PT
DA
SV
FI
NO
RU
PL
CS
HU
RO
LV
LT
ET
HR
SL
SK
BG
UK
TR
EL

⚠ ĮSPĖJIMAS

- Dėvėkite akių ir klausos apsaugos priemones.
- Dėvėkite kaukę nuo dulkių.
- Su pjūklų nenaudokite jokių abrazyvinių žiedų.
- Atsargiai, kad neperkaistų pjoviklio galas. Nenaudokite atšipusių ir pažeistų geležčių. Nenaudokite įrankio jėga.
- Naudokite tik rekomenduojamas mūro geležtes.
- Nenaudokite didesnio ar mažesnio skersmens geležčių nei rekomenduojama.
- Naudokite tik šioje instrukcijoje nurodytas geležtes, atitinkančias standartą EN 847-1.

SAUGA DIRBANT SU LAZERIU (RCS1600)



- Šio pjūklų lazerio kreiptuvo spinduliai yra 2 klasės max ≤1mW ir 650 nm bangų ilgio. Nežiūrėkite tiesiai į lazerio spindulį. Jei nesilaikysite taisyklių, galite rimtai susižaloti.



- Komplekte yra lipnioji etiketė jūsų kalba. Prašome, kad ją užklijuotumėte ant angliško įspėjamosios etiketės teksto prieš pradėdami eksploatuoti mechanizmą.
- Darbo metu nežiūrėkite į spindulį.
- Lazerio spindulio nenukreipkite tiesiai į kitų asmenų akis. Tai gali sunkiai sužeisti akis.
- Lazerio nelaikykite tokioje padėtyje, kad kiti asmenys būtų priversti tyčia ar netyčia žiūrėti į lazerio spindulius.
- Nenaudokite optinių įrankių siekiant žiūrėti į lazerio spindulį.
- Lazerio nenaudokite vaikams esant šalia, taip pat neleiskite vaikams juo naudotis.
- Nebandykite remontuoti lazerio įtaiso patys.
- Nebandykite patys pakeisti jokių lazerio detalių.
- Bet kokius remonto darbus gali atlikti tik lazerio gamintojas ar įgaliotas techninės priežiūros atstovas.
- Lazerio nekeiskite kitokios rūšies lazeriu.

ŠALUTINIS PAVOJUS

Net naudojant gaminį griežtai pagal paskirtį neįmanoma visiškai atmesti kai kurių liktinių rizikos veiksnių. Būkite budrus atlikdami priežiūros ar valymo darbus: po įrankio naudojimo geležtė kurį laiką išlieka įkaitusi.

- Atatranks jėgos sukeliama pažeidimai
 - Perskaitykite ir supraskite šiame vadove pateikiamą informaciją.
- Vibracijos sukeliama pažeidimai

- Ribokite buvimą darbo aplinkoje. Žr. "Rizikos Veiksnių Mažinimas".
- Dulkių sukeliama žala
 - Visada dėvėkite akių apsaugos priemones. Dėvėkite tinkamą dulkių apsauginę kaukę su specialiais filtrais, galinčiais apsaugoti nuo dulkių, kurias sukelia apdirbama medžiaga. Darbo vietoje negalima valgyti, gerti ar rūkyti. Darbo vieta turi būti tinkamai vėdinama.
- Elektros smūgis
 - Geležtė gali prisiliesti prie paslėptos elektros instaliacijos ir pjūklelis gali tapti srovės laidininku. Gaminį būtina laikyti už tam skirtų rankenų ir atsargiai akluoju būdu pjauti sienas bei grindis, kuriose gali būti paslėpti laidai.
- **PASTABA:** Šlifuojant sienas ar pjaunant jose angas, reikia būti atsargiems ir nepažeisti elektros laidų ar dujotiekio arba vandentiekio vamzdžių.
- Sužeidimai prisilietus prie pjovimo geležčių
 - Geležtės labai aštrios ir pjaunant įkaista. Keičiant geležtes, reikia mūvėti pirštines. Rankas būtina laikyti atokiai nuo pjovimo srities. Niekada pjaunamo ruošinio nelaikykite rankose ar ant kojų. Kai yra galimybė, ruošinį reikia suspausti.

RIZIKOS MAŽINIMAS

Pranešama, kad rankinių įrankių keliamos vibracijos kai kuriems asmenims gali paskatinti Reino sindromo vystymąsi. Šios ligos požymiai yra pirštų dilgčiojimas, nutirpimas ir pabalimas, paprastai pasireiškiantis nuo šalčio. Šie simptomai vystosi dėl paveldimų veiksnių, nesisaugant nuo šalčio ir drėgmės, dėl mitybos, rūkymo ir darbo praktikos. Operatorius gali imtis šių priemonių, kurios gali sumažinti vibracijos poveikį:

- Apsirenkite kuo šilčiau šaltu oru. Dirbant šiuo prietaisu mūvėkite pirštines, kad plaštakos ir riešai būtų laikomi šiltai. Turime pranešimų, kad Raynaud sindromas labiausiai vystosi nuo šalto oro sąlygų.
- po darbo kiekvieną kartą pasportuokite, kad pagerėtų kraujo apytaka;
- dažnai darykite darbo pertraukas. Atribokite darbo laikotarpį per dieną.

Jei jums pasireiškia kokie nors šios būklės simptomai, nedelsdami nutraukite darbą ir kreipkitės į gydytoją.

⚠ ĮSPĖJIMAS

Ilgai naudojant įrankį, galima susižaloti arba pakenkti sveikatai. Ilgiau naudojant įrankius, reikia reguliariai daryti pertraukas.

GERAI IŠMANYKITE APIE GAMINĮ

Žiūrėti 135 psl.

1. Perjungiklis
2. Blokavimo mygtukas
3. Viršutinis apsauginis gaubtas
4. Dulkių angos adapteris
5. Apatinio apsauginio gaubto svirtis

6. Peilio varžtas
7. Apatinis apsauginis gaubtas
8. Rankena
9. Kampinė skalė
10. Kampinės skalės užraktas
11. Išilginio pjovimo kreipiklio fiksatorius
12. Atraminė dalis
13. Lazerio galvutė (RCS1600)
14. Geležtė
15. Pjūklo strypas
16. Veržtuvas (gnybtas)
17. Veržliaraktis
18. Pjovimo užtvaros kreiptuvas

PRIEŽIŪRA

⚠ ĮSPĖJIMAS

Perforatoriaus jokių būdu negalima jungti į maitinimo šaltinį montuojant dalis, reguliuojant, valant, atliekant priežiūros darbus ar jo nenaudojant. Atjungus perforatorių, jis nepasileis atsitiktinai: atsitiktinai pasileidęs, šis įrankis gali sunkiai sužaloti.

- Atliekant techninės priežiūros darbus, galima naudoti tik gamintojo atsargines dalis. Kitų detalių naudojimas gali sukelti pavojų ar sugadinti įrankį.
- Prieš montuodami ar nuimdami pjūklo geležtę, įrankį nuo elektros maitinimo šaltinio būtina atjungti. Gaminį ir jo apsaugos sistemą valykite švariomis šluostėmis.
- Valydami plastikines detales, nenaudokite tirpiklių. Daugelis plastikų jautrūs įvairių tipų komerciniams tirpikliams ir juos naudojant galima pažeisti plastikines detales. Valydami purvą, anglies dulkes ir kt. naudokite švarią šluostę.
- Stabdžių skysčiai, gazolinas ir benzino produktai, skvarbi oss alyvos ir pan. jokių būdu negali patekti ant plastiko dalių. Juose yra chemikalų, kurie gali sugadinti, pažeisti arba susilpninti plastiką.
- Dirbdami su elektriniu įrankiu ar kai pučiamos dulkės, visada dėvėkite apsauginius akinius ar akinius su šonine apsauga. Jei darbo metu kyla dulkės, taip pat dėvėkite kaukę nuo dulkių.
- Jeigu maitinimo laidas pažeistas, jį turi pakeisti tik gamintojas arba įgaliota techninės priežiūros įmonė, kad būtų išvengta pavojaus. Kreipkitės į įgaliotąjį techninio aptarnavimo centrą.
- Siekiant užtikrinti didesnę saugumą ir patikimumą, visus taisymo darbus turi atlikti įgaliotas „Ryobi“ techninio aptarnavimo centras.

SUTEPIMAS

Kad įprastomis darbo sąlygomis perforatorius ilgai nesusidėvėtų, visi jo guoliai sutepti reikiamu kiekiu aukštos klasės tepalo. Todėl daugiau jo tepti nebereikia.

APLINKOS APSAUGA



Žaliavines medžiagas perdirbkite pakartotinai, o ne išmeskite kaip atliekas. Mechanizmas, priedai ir pakuotės turi būti laikomi pakartotinai perdirbti aplinkai nekenksmingu būdu.

SIMBOLIAI ANT ĮRENGINIO



Saugos perspėjimas

V

Voltai

Hz

Hercai

~

Kintamoji srovė

W

Vatai

n_o

Greitis be apkrovimo

min⁻¹

Apsukos ar judėjimas per minutę



II klasė, dviguba izoliacija



Mediena



Nepjaukite metalo



Dėvėkite klausos apsaugos priemones



Dėvėkite akių apsaugos priemones



Lazerio spindulio radiacija.
Nežiūrėkite tiesiai į spindulį.
2 klasės lazerio gaminys
λ: 650nm; P≤1mW
EN 60825-1:2014



Pavojus! Aštri geležtė.



Saugokite nuo lietaus.



Pjovimo plotis



Geležtės dantukų skaičius



CE atitiktis



„EurAsian“ atitikties ženklas



Ukrainos atitikties ženklas

EN
FR
DE
ES
IT
NL
PT
DA
SV
FI
NO
RU
PL
CS
HU
RO
LV
LT
ET
HR
SL
SK
BG
UK
TR
EL



Atidžiai perskaitykite instrukcijas prieš pradėdami naudoti mechanizmą.



Elektrinių produktų atliekos neturi būti metamos kartu su namų ūkio atliekomis. Prašome perdirbkite jas ten, kur yra tokios perdirbimo bazės. Dėl perdirbimo patarimo kreipkitės į savo vietinę savivaldybę ar pardavėją.

SIMBOLIAI VADOVE



Jungimas prie maitinimo lizdo.



Išjungimas iš maitinimo lizdo.



Detalės arba priedai yra parduodami atskirai



Blokėtąjs



Atrakinti



Pastaba

Šie signaliniai žodžiai yra skirti nurodyti su prietaiso naudojimu susijusio pavojaus lygį.

PAVOJUS

Rodo grėsmiančią pavojingą situaciją, kurios neišvengus galima patirti mirtiną arba sunkų sužalojimą.

ĮSPĖJIMAS

Rodo potencialiai pavojingą situaciją, kurios neišvengus galima patirti mirtiną arba sunkų sužalojimą.

ATSARGIAI

Rodo potencialiai pavojingą situaciją, kurios neišvengus galima patirti nesunkų arba vidutinio sunkumo sužalojimą.

ATSARGIAI

(Be įspėjamojo šauktuko) Reiškia situaciją, kurioje galima sugadinti turtą.

Ketassae juures on peetud esmatähtsaks selle ohutust, tööõimet ja töökindlust.

OTSTARBEKOHANE KASUTAMINE

Ketassaag on mõeldud kasutamiseks täiskasvanutele, kes on lugenud läbi selles kasutusjuhendis olevad juhised ja hoiatused ning saavad neist aru, ja kes suudavad oma tegevuse eest vastutada.

Saag on ette nähtud piki- ja ristlõigete tegemiseks puidus või samalaadses materjalis maksimaalse lõikesügavusega 54 millimeetrit. Võimalik on teha sirg- või kaldlõikeid nurgaga 0 kuni 45 kraadi. Kasutamise ajal peab saetald toorikuga kokku puutama. Saagi tuleb kasutada kuivas kohas, kus on piisav valgustus ja nõuetekohane ventilatsioon. Saagi on ette nähtud kasutamiseks käes hoides. Saagi ei tohi paigaldada tööpingile kui paigaldusviisi kohta pole antud tootja erijuhiseid. Ärge kasutage metalli või müüritise lõikamiseks. Ärge kasutage seadet ühelgi muul viisil kui mainitud sihtotstarbeks. Tööoperatsiooniks mitte ettenähtud elektritööriista kasutamine võib tekitada ohtliku olukorra.

⚠ HOIATUS

Lugege kõik ohuhoiatused ja juhised läbi. Hoiatuse ja juhiste eiramise puhul on oht saada elektrilööki või raskeid kehavigastusi ning/või põhjustada tulekahju.

Hoidke kõik hoiatused ja juhised edaspidiseks juhendamiseks alles.

KETASSAE OHUTUSNÕUDED

SAAGIMINE

⚠ OHT.

Hoidke käed saagimispiirkonnast ja saekettast eemal. Hoidke oma teist kätt lisakäepidemel või mootori korpusel. Kui saagi hoida kahe käega, siis ei saa oma käsi ohtu seada.

- **Ärge sirutage oma kätt tooriku alla.** Kaitse ei saa teid kaitsta saeketta eest tooriku all.
- **Reguleerige lõikesügavus välja vastavalt tooriku paksusele.** Tooriku alt peaks saeketas välja paistma vähem kui ühe hamba kõrguse võrra.
- **Ärge mingil juhul hoidke lõigatavat detaili oma käes või jala peal.** Kinnitage toorik kindlale alusele. Kinnitamine on väga oluline selleks, et vältida kehaga kokkupuutumise või haakumise ohtu ja kontrolli kaotamist sae üle.
- **Töötamisel kohtades, kus lõikeriist võib kokku puutuda varjatud elektrijuhtmetega, hoidke tööriista kinni ainult isoleeritud käepidemetest.** Pinge all olevate juhtmetega kokku puutumisel jäävad tööriista isoleerimata metallosad pinge alla ja kasutaja võib saada elektrilöögi.
- **Pikisaagimisel kasutage alati juhtjoonlauda või servajuhikut.** Sellega paraneb lõiketäpsus ja väheneb võimalus saeketta kinnijäämiseks.
- **Kasutage ainult õiget mõõtu ja õige (saeketta**

mitte teemantketta) võlliavaga saeketast. Sae kinnitusdetailidega mitesobivad saekettad pöörlevad ekstsentriliselt ja põhjustavad sellega kontrolli kadumist sae üle.

- **Ärge kasutage vigastatud või mitesobivaid saeketta äärikuid või polti.** Ainult komplektis olevad saeketta äärikud ja polt on sellele saele sobivad ning need tagavad optimaalse tootluse ja tööohutuse.

TAGASILÖÖK JA SELLEGA SEOTUD HOIATUSED.

- Täiendavad ohutuseeskirjad kõikidele saagidele Tagasilöökkide põhjused ja juhised nende vältimiseks; tagasilöökk on saeketta ootamatu reaktsioon, mis on tingitud kinnijäämisest, haardumisest või ekstsentrilisusest ja põhjustab sae toorikust väljatõusmist kasutaja poole;
- kui saeketas on kinni jäänud või haardunud saetee kitsenemise tõttu, siis saeketas seiskub ja mootori jõumoment paiskab sae kiiresti tagasi kasutaja suunas;
- kui saeketas saetees väändub või sellest hälbib, siis võib saeketta hamba tagaserv siseneda puidu ülapiinna sisse ja põhjustada saeketta saeteest ülestõusmise ning paiskuda kasutaja suunas.

Tagasilöökk on sae väära kasutamise, ebaõigete töövõtete või tööks mittevastavate töötingimuste tulemus ja seda saab vältida allpool esitatud ettevaatusabinõude rakendamisega.

- **Hoidke sae mõlemast käepidemest tugevasti kinni ja seadke käsivarred tagasilöögiõududele vastuvõtmiseks sobivasse asendisse. Seiske saeketta kõrval, mitte saeketta suunas.** Tagasilöökk võib põhjustada sae tagasipaikumise, aga kasutaja saab õigeid ettevaatusabinõusid rakendades tagasilöögiõudusid siiski hallata.
- **Kui saeketas jääb kinni või lõikamine mingil muul põhjusel katkeb, vabastage lüliti ja hoidke saagi liikumatuna tooriku sees seni kui saeketas täielikult seiskub. Ärge püüdke võtta lõikeketast toorikust välja või tõmmata saagi tagasi saeketta liikumise ajal, muidu võib ilmned tagasilöökk.** Uurige saeketta kinnijäämise põhjus välja ja võtke meetmeid selle kõrvaldamiseks.
- **Kui tooriku sees oleva sae uuesti käivitata, seadke saeketas saetee teljele ja kontrollige, et saehambad ei ole tooriku materjalis kinni.** Kui saeketas on sae uuesti käivitamisel kinni, siis võib saag üles tõusta või anda toorikult tagasilöögi.
- **Toetage suuri plaate, et minimeerida ketta kinnijäämise ning tagasilöögi riski.** Suurtel plaatidel on kalduvus oma raskuse all läbi vajuda. Toed tuleb paigutada paneeli alla, mõlemale küljele lõikejoone lähedale ja paneeli äärte alla.
- **Ärge kasutage nüri või vigastatud saeketast.** Teritamata või valesti paigaldatud saekettad lõikavad kitsa saetee, mis põhjustab ülemäärast hõõrdumist, saeketta kinnijäämist ja tagasilööki.
- **Saeketta sügavuse ja kalde reguleerimishoovad tuleb enne lõikamise alustamist tugevasti ning kindlalt kinni keerata.** Kui saeketta seadistamise seadised saagimise ajal liiguvad, siis võib saeketas kinni jääda või anda tagasilöögi.

- **Olge olemasoleva seina sisse või teistesse varjatud kohtadesse löikamisel eriti ettevaatlik.** Saeketta väljaulatav osa võib löikuda tundmatu objekti sisse ja põhjustada tagasilöögi.

ALUMISE KAITSE FUNKTSIOONID

- **Enne kasutamist kontrollige, et alumine kaitse sulgub nõuetekohaselt. Ärge kasutage saagi, kui alumine kaitse vabalt ei liigu ja koheselt ei sulgu. Ärge kinnitage või siduge alumist kaitset kunagi avatud asendisse.** Kui saag kukub kogemata maha, siis võib alumine kaitse kõverduda. Tõstke alumine kaitse tagastushoovast haarates üles ja veenduge, et see liigub vabalt ning ei puuduta saeketast ega mõnda muud osa mitte ühegi nurga all ega lõikesügavusel.
- **Kontrollige üle alumise kaitse vedru. Kui kaitse ja vedru nõuetekohaselt ei tööta, siis tuleb need enne kasutamist parandada.** Vigastatud osad, kleepunud sadestis ja kogunenud tolm võivad muuta alumise kaitse liikumise aeglaseks.
- **Alumist kaitset tohib käsitsi tõsta vaid erilõigete, näiteks avade ning mitmes tasapinnas olevate lõigete saagimisel.** Tõstke alumine kaitse tagastushoovast üles ja niipea, kui saeketas materjalisse siseneb, vabastage alumine kaitse. Kõikide muude lõigete saagimisel peab laskma alumisel kaitasel automaatselt liikuda.
- **Jälgige alati, et alumine kaitse katab saeketast selle tööpingile või pörandale asetamisel.** Kaitsmata tühikäigul töötav saeketas põhjustab sae tagurpidi liikumahakkamist, lõigates kõike, mis teele jääb. Olge ettevaatlik ja võtke arvesse aega, mille jooksul saeketas pärast lüliti vabastamist peatub.

SAEKETTA OHUTUSEESKIRJAD

- Enne saeketta ja elektrilise tööriista kasutamist lugege kasutusjuhend ja selles olevad juhised hoolikalt läbi.
- Elektriline tööriist peab olema heas seisukorras, völli ilma deformatsioonideta ja see ei tohi vibreerida.
- Ärge kasutage saagi, kui kettakaitseid ei ole oma kohale kinnitatud. Hoidke kaitseid töökorras ja nõuetekohaselt hooldatud olekus.
- Veenduge, et töötaja on saanud piisava koolituse ohutustehnika, elektrilise tööriista seadistamise ja sellega töötamise alal.
- Kui kasutate elektrilist tööriista, kandke alati kaitseprille ja kõrvakaitseid. Soovitatav on kanda kindaid ja tugevast materjalist mittelibiseva tallaga jalatseid.
- Enne ükskõik millise tarviku kasutamist tutvuge kasutusjuhendi vastavate nõuetega. Tarviku väärkasutamine võib põhjustada kahju ja suurendada võimalike vigastuste ohtu.
- Kasutage ainult kasutusjuhendis ettenähtud saekettaid, mis vastavad standardile EN 847-1.
- Pidage kinni saekettale märgitud maksimaalkiirusest. Veenduge, et saekettal märgitud pöörlemiskiirus on sael märgitud pöörlemiskiirusega vähemalt võrdne.
- Kasutage ainult õiget mõõtu ja õige völliavaga saeketast. Sae kinnitusdetailidega mittesobivad saekettad pöörlevad ekstsentriliselt ja põhjustavad

sellega kontrolli kadumist sae üle.

- Ärge kasutage saekettaid, mille läbimõõt on suurem või väiksem kui soovitatud. Ärge kasutage saeketta sobitamiseks mingeid vaheseibe.
- Kontrollige enne iga kasutuskorda, et saeketta hambad ei oleks kahjustatud ega ebatavalise välimusega. Kahjustatud või lahtised hambatipud võivad tööriista kasutamise ajal lenduda ja suurendada vigastuste ohtu.
- Ärge kasutage pragunenud ega auklikku saeketast. Ärge kasutage saekettaid, mis on vigastatud või deformeerunud.
- Visake kahjustatud, deformeerunud, kõver või mõranenud saeketas ära; selle parandamine on keelatud.
- Ärge kasutage kiirlõiketerasest saekettaid.
- Enne kasutamist veenduge, et saeketas on nõuetekohaselt paigaldatud. Enne kasutamist keerake saeketta polt tugevalt kinni (pingutusmoment u 10-15 Nm).
- Kinnituspoltide ja -mutrite pingutamiseks kasutage sobivat mutrivõtit.
- Keelatud on kasutada mutrivõtme pikendust või lüüha haamriga.
- Veenduge, et saekettad ja äärikud on puhtad ja ääriku tugipinnad on vastu saeketta pinda.
- Kontrollige, kas saetera pöörlemissuund on õige.
- Enne töö alustamist tehke lõiget imiteeriv liigutus mootorit käivitamata, et kontrollida lõikeketta asendit ja kaitsekatte liikumist teiste masinaosade ning tooriku suhtes.
- Ärge jätke masinat pöörlema järelvalveta.
- Ärge kandke töötamise ajal saekettale määrdeaineid.
- Ärge hakake tegema mingeid puhastus- või hooldustöid seni, kui masin pöörleb ja saepea ei ole liikumatus olekus.
- Ärge kunagi püüdke peatada töötavat elektritööriista liiga kiiresti, takistades saeketta liikumist. See võib tahtmatult põhjustada tõsiseid õnnetusi.
- Enne saeketaste vahetamist või hooldustöid lülitage saag vooluvõrgust või aku küljest lahti.
- Pakkimise ja lahtipakkimise käigus pöörake tähelepanu saekettale. Teravad saeketta hammaste tipud võivad teid kergesti vigastada.
- Kasutage saeketaste teisaldamisel katet või kandke kindaid.
- Hoidke ja hoiustage ketas originaalpakendis või mõnes muus sobivas pakendis. Hoidke kuivades tingimustes ja eemal kemikaalidest, mis võivad kahjustada saeketast.

⚠ HOIATUS

- Kandke kaitseprille ja kuulmiskaitsevahendeid.
- Kandke tolumumaski.
- Ärge kasutage abrasiivlõikekettaid.
- Vältige lõikeketta teraotste ülekuumenemist. Ärge kasutage nüri või vigastatud saeketast. Ärge kasutage töötamisel liigset jõudu.
- Kasutage ainult soovitatud saekettaid.
- Ärge kasutage saekettaid, mille läbimõõt on suurem või väiksem kui soovitatud.
- Kasutage ainult kasutusjuhendis ettenähtud saekettaid, mis vastavad standardile EN 847-1.

LASERI OHUTUS (RCS1600)



- Sael kasutatava laseri kiirgus kuulub klassi 2, mille võimsus on $\leq 1\text{mW}$ ja lainepikkus 650 nm. Ärge vaadake laserikiirele otse vastu. Kasutusreeglite eiramine võib põhjustada tõsiseid kehavigastusi.



- Enne seadme kasutamata hakkamist kleepige komplektis olev kleebis olemasoleva ingliskeelse hoiatussildi peale.
- Ärge vaadake laserikiirele töö ajal otse vastu.
- Ärge suunake laserikiirt kõrvalolijatele silma. See võib põhjustada raskeid silmavigastusi.
- Ärge paigutage seadet asendisse, mille puhul võib laserikiir tahtmatult või tahtlikult kellegi silma tabada.
- Ärge kasutage laserikiire vaatamiseks mingit optilist seadet.
- Ärge kasutage laserjuhikut laste juures ega laske lastel seda kasutada.
- Ärge püüdke laserjuhikut ise parandada.
- Ärge püüdke ise muuta ühegi laserjuhiku osa konstruktsiooni.
- Remonti tohib teha vaid laseri tootja või tema volitatud agent.
- Ärge varustage seda laserjuhikut muud tüüpi laseriga.

JÄÄKRISKID

Isegi siis, kui seadet kasutatakse kirjeldatud viisil, ei ole võimalik kõrvaldada kõiki jääkriskide mõjureid. Töötamise ajal võivad tekkida järgmised ohud, millele operaator peab pöörama erilist tähelepanu.

- Tagasilöögist põhjustatud vigastus.
 - Lugege selles käsiraamatus toodud materjal läbi ja veenduge, et saate sellest aru.

- Vibratsioonist põhjustatud kehavigastus
 - Piirake kokkupuudet. Consulte el apartado “Reducción De Riesgos”.
- Tolmust põhjustatud kehavigastus
 - Kandke alati silmakaitsevahendeid. Kandke tolumumaski, millel on ettenähtud filtrid, mis kaitsevad materjalist tekkiva tolmu ja abrasiivmaterjalide peenosakeste eest. Ärge töökohal sööge, jooge ega suitsetage. Tagage töökohal nõuetekohane ventilatsioon.
- Elektrilöök
 - Lõiketera võib sattuda kokkupuutesse varjatud juhtmetikuga ja seadme osad satuvad pingele alla. Hoidke seadet alati ettenähtud käepidemetest ja olge ettevaatlik varjatud kaablite suhtes, kui teete sisselõikeid seintesse ja põrandatesse.
- Saelehega kokkupuutest tingitud kehavigastus
 - Saelehed on väga teravad ja kuumenevad kasutamise ajal. Kandke saelehtede vahetamise ajal kaitsekindaid. Hoidke käed alati lõikamispiirkonnast eemal. Ärge mingil juhul hoidke lõigatavat detaili oma käes või jala peal. Võimaluse korral kinnitage toorik kruustangide vahele.

RISKI ALANDAMINE

Teadaolevalt võib käsitööriistade kasutamine põhjustada mõnedel inimestel seisundit, mida nimetatakse Raynaud' sündroomiks. Los síntomas pueden incluir hormigueo, entorpecimiento y decoloración de los dedos, generalmente aparentes cuando tiene lugar una exposición al frío. Nende sümptomite puhul tuleb hoiduda külmast ja niiskusest, dieedist ning suitsetamisest ja kasutada õigeid töövõtteid. Vibratsiooni mõju vähendamiseks tuleb rakendada järgmisi abinõusid.

- Külma ilmaga hoidke oma keha soe. Kandke kindaid, et hoida oma käed ja randmed soojad. Uuringud näitavad, et Raynaud's Syndrome ilmneb põhiliselt külma ilmaga.
- Pärast külmas töötamist tehke harjutusi, et verevarustust kiirendada.
- Tehke regulaarselt töövaheaegasid. Piirake tööperioodi pikkust.

Kui ilmnevad haigustunnused, lõpetage kohe töö ja pöörduge arsti poole.

⚠ HOIATUS

Seadme pikaajalisel kasutamisel võite saada kehavigastusi või vigastused võivad süveneda. Seadme kasutamisel pika aja jooksul tuleb teha korralisi vaheaegasid.

ÕPPIGE OMA TOODET TUNDMA

Vt lk 135.

1. Päästik
2. Vabastusnupp

3. Ülemine kaitse
4. Tolmu kogumise adapter
5. Alumine kaitse hoob
6. Saeketta polt
7. Alumine kaitse
8. Käepide
9. Lõikenurga skaala
10. Lõikenurga skaala lukk
11. Paralleeltõkis
12. Alusplaat
13. Laserpea (RCS1600)
14. Saeketas
15. Saejuhk
16. Kinniti
17. Võti
18. Ristlõike juhk

HOOLDUS

⚠ HOIATUS

Seade ei tohi mingil juhul olla toitepinge all sel ajal kui kinnitate selle osi, teete reguleerimistoiminguid, puhastate või hooldate seadet ning siis kui seda ei kasutata. Seadme elektrivõrgust lahtiühendamine väldib selle tahtmatu käivitumise, mis võib põhjustada raske kehavigastuse.

- Kasutage hooldamisel ainult tootja originaalvaruosi. Muude osade kasutamine võib tekitada ohuolukorra ja põhjustada seadme vigastumise.
- Enne saeketta kinnitamist või eemaldamist veenduge, et sae toide on lahti ühendatud. Puhastage toode ja kaitstesüsteemid puhta lapiga.
- Vältige plastosade puhastamisel lahustite kasutamist. Enamik plaste on tundlikud kaubandusvõrgust saadaolevate lahustite suhtes ja võivad nende mõjul oma omadusi kaotada. Tolmust, õlist, määrdest ja muust mustusest puhastamiseks kasutage puhast riidelappi.
- Ärge laske plastosadel mitte mingil juhul sattuda kokkupuutesse auto pidurivedeliku, bensiini, bensiinipõhiste toodete, immutusõlidega või muude samalaadsete vedelikega. Kemikaalid võivad kahjustada, nõrgendada või hävitada plastiku.
- Töötamisel ja tolmu ärapuhumisel kandke alati silmamaski või küljekaitsetega kaitseprille. Kui töötlemine on tolmune, siis kandke tolumaski.
- Kui toitejuhe on vigastatud, siis tuleb see lasta asendada tootja või klienditeenindaja poolt, et ohtusid vältida. Pöörduge volitatud hoolduskeskuse poole.
- Kõik remonttööd tuleb lasta teha Ryobi volitatud hoolduskeskuses, et tagada masina ohutus ja töövõime.

MÄÄRIMINE

Kõik selle tööriista laagrid on tehases täidetud piisava hulga kvaliteetse määrdega, mis tagab tavatingimustes nende töövõime kogu kasutusea jooksul. Seetõttu ei ole täiendav määrimine vajalik.

KESKKONNAKAITSE



Taaskasutage materjale nende jäätmekäitluse andmise asemel. Masin, selle lisaseadmed ja pakend tuleb jäätmekäitluseks keskkonnasõbralikult sorteerida.

MASINAL OLEVAD SÜMBOLID



Ohuhoiatus

V

Volt

Hz

Hertz

~

Vahelduvvool

W

Watt

n_o

Kiirus ilma koormuseta

min⁻¹

Pöörete või löökide arv minutis



Klass II, topeltisolatsiooniga



Puit



Ärge saagige metalle



Kandke kuulmise kaitsevahendeid



Kandke silmade kaitsevahendeid



Laserkiirgus.
Ärge vaadake laserikiirele otse vastu.
klassi laserseade
λ: 650nm; P≤1mW
EN 60825-1:2014



Oht! Terav lõikeketas.



Ärge jätke vihma kätte



Lõikelaius



Lõiketera hammas



CE-vastavus



Euraasia vastavusmärk



Ukraina vastavusmärgis



Enne seadme kasutamist lugege palun kasutusjuhend hoolega läbi.



Mittekasutatavaid elektritooteid ei tohi visata olmejäätmete hulka. Vaid tuleb viia vastavasse kogumispunkti. Vajadusel küsige sellekohast nõu oma edasimüüjalt või vastavalt kohaliku omavalitsuse institutsioonilt.

KASUTUSJUHENDIS KASUTATUD SÜMBOLID



Ühendage toitevõrku.



Ühendage seade toitevõrgust lahti.



Eraldi ostetavad osad või tarvikud



Lukk



Lahtikeeramine



Märkus

Järgnevad märguandesõnad ja tähendused on mõeldud selle toote kasutamisega seotud riskitasemete kirjeldamiseks.

OHT.

Osutab ähvardavale ohuolukorrale, mille mittevältimine lõpeb surma või tõsise vigastusega.

HOIATUS

Osutab võimalikule ohuolukorrale, mille mittevältimine võib lõppeda surma või tõsise kehavigastusega.

ETTEVAATUST

Osutab võimalikule ohuolukorrale, mille mittevältimine võib lõppeda väiksemate või mõõdukate kehavigastustega.

ETTEVAATUST

(Ilma ohutussümbolita) Viitab olukorrale, mis võib põhjustada kahjustusi varale.

EN
FR
DE
ES
IT
NL
PT
DA
SV
FI
NO
RU
PL
CS
HU
RO
LV
LT
ET
HR
SL
SK
BG
UK
TR
EL

Dizajn Vaše kružne pile počiva na prioritetima sigurnosti, visokih performansi i pouzdanosti.

NAMJENA

Kružnu pilu smiju koristiti isključivo punoljetne osobe koje su pročitale i razumjele upute i upozorenja u ovom priručniku i koje se mogu smatrati odgovornima za svoje postupke.

Pila je dizajnirana za uzdužno i poprečno rezanje drveta ili sličnih materijala dubinom reza od maksimalno 54 milimetra. Može izvoditi ravne ili kose rezove između 0 i 45 stupnjeva. Osnovica alata za vrijeme korištenja mora biti u kontaktu s radnim komadom. Pila se koristi u suhim uvjetima, uz izvrsno osvjetljenje okoline i odgovarajuću ventilaciju. Pila namijenjena je za ručno korištenje. Pila se ne montira se na radni stol bez specifičnih uputa koje su date od strane proizvođača proizvoda. Nemojte koristiti za rezanje metala ili zidova. Nemojte koristiti proizvod na bilo koji drugi način od onog za koji je namijenjen. Korištenje električnog alata za radove drugačije od njegove namjene može dovesti do opasne situacije.

⚠ UPOZORENJE

Pročitajte sva sigurnosna upozorenja i sve upute. Nepridržavanje upozorenja i uputa navedenih u nastavku može dovesti do električnog udara, požara i/ili ozbiljnih tjelesnih ozljeda.

Spremite sva upozorenja i upute za buduće korištenje.

SIGURNOSNA UPOZORENJA ZA KRUŽNU PILU

POSTUPCI REZANJA

⚠ OPASNOST

Držite ruke dalje od područja rezanja i oštrice. Ruka kojom ne držite glavnu ručku alata mora držati pomoćnu ručku ili se nalaziti na karteru motora. Tako ruke ne izlažete opasnosti da se nađu u zoni rezanja, odnosno na putu oštrici.

- **Ne posežite ispod izratka.** Podesite dubinu rezanja ovisno o debljini komada koji obrađujete.
- **Zupci oštrice ne smiju tijekom rezanja sasvim prelaziti komad koji obrađujete.** NIKAD komad koji obrađujete ne pridržavajte rukom ili između nogu.
- **Učvrstite ga na stabilni nosač. Osigurajte i stegnute radni komad na stabilnu podlogu.** Alat držite samo za izolirane i protuklizne dijelove kad radite na površini koja bi mogla sakriti električne žice ili kad se zbog posla kabel za napajanje može naći na putanju alata.
- **Držite uređaj po izoliranim ručkama površina samo pri obavljanju operacije u kojoj rezanje skrivene ožičenja ili vlastiti kabel.** Dodirivanje "žive" žice može izložiti metalne dijelove alata električnoj energiji i dovesti do strujnog udara na operatera.
- **Tako ćete poboljšati preciznost rezanja i izbjeći ćete savijanje oštrice.** Uvijek upotrebljavajte oštrice koje su svojom veličinom i oblikom prilagođene drvetu.

- **Oštrice koje nisu prilagođene osovini na koju se postavljaju neće se ispravno okretati te može doći do gubitka kontrole nad alatom.** Nikad ne upotrebljavajte vijke i podložne pločice koji su oštećeni ili neprilagođeni.
- **Podložne pločice i vijci osmišljeni su posebno za vaš model pile kako bi se postigli optimalna sigurnost i učinak.** Dodatna sigurnosna pravila za sve vrste pila

UPOZORENJA NA POVRATNI UDAR I DRUGE VEZANE OPASNOSTI:

- Kad se oštrica uklješti u drvo, oštrica se zakoči, a motor, koji se nastavi vrtjeti, izbacuje pilu u suprotnom smjeru od smjera rotacije oštrice, odnosno prema korisniku.
- Ako se oštrica savije ili je loše poravnata, zupci koji se nalaze u stražnjem dijelu oštrice mogu se zariti u površinu drveta, što će prouzročiti nagli izlazak oštrice iz komada koji se obrađuje prema korisniku.
- Poskakivanje je dakle rezultat loše uporabe alata i/ili nepravilnih postupaka ili uvjeta piljenja.

Može ga se izbjeći ako se poštuju neke mjere opreza.

- **Čvrsto držite pilu dvjema rukama i postavite ih tako da mogu kontrolirati eventualno poskakivanje. Dok radite, stojte s jedne strane pile, nikako u ravnini s oštricom.** Poskakivanjem pila odjednom poleti prema natrag, no taj je pokret moguće kontrolirati ako korisnik to očekuje i pripremljen je.
- **Ako se oštrica uklješti ili ako morate iz bilo kojeg razloga prekinuti s piljenjem, otpustite otklonac i držite pilu u komadu koji obrađujete sve dok se oštrica sasvim ne prestane okretati. Nikada ne pokušavajte ukloniti pilu iz izratka ili povlačiti pilu unatrag dok se oštrica miče ili može doći do povratnog udara.** Ako se oštrica uklješti, potražite razlog tomu i poduzmite potrebne mjere kako se to ne bi ponovno desilo.
- **Prije nego što ponovno uključite pilu i nastavite s rezanjem, ispravno poravnajte oštricu s rezom pile na drvetu i provjerite da zupci ne dodiruju komad koji obrađujete.** Ako je oštrica uklještena u komadu koji obrađujete, postoji opasnost od poskakivanja kad uključite pilu.
- **Pridržavajte duge komade koje obrađujete kako biste izbjegli da se oštrica uklješti i sveli tako opasnost od poskakivanja na najmanju moguću mjeru.** Dugi komadi koje obrađujete znaju se saviti pod vlastitom težinom. S dvije strane komada koji obrađujete možete postaviti nosače i to u blizini linije rezanja i na krajevima komada.
- **Ne upotrebljavajte tupe ili oštećene oštrice.** Nenaoštrene oštrice ili oštrice koje su loše postavljene proizvest će tanki trag pile i izazvati pretjerano trenje oštrice te tako i veću opasnost od savijanja ili poskakivanja.
- **Prije nego što započnete s rezanjem, provjerite jesu li gumbi za podešavanje dubine i nagiba pravilno blokirani.** Ako dolazi do promjene podešavanja položaja oštrice tijekom rezanja, postoji opasnost da se oštrica uklješti i može doći do poskakivanja.

- **Budite izrazito oprezni kada pilite u postojećim zidovima ili u područjima u kojima ne vidite rez.** Oštrica bi mogla udariti u skrivene elemente, što bi moglo prouzročiti poskakivanje.

SMANJENA FUNKCIJA ZAŠTITE

- **Prije svake uporabe provjerite da donji štitnik ispravno prekriva oštricu. Ne upotrebljavajte pilu ako se donji štitnik oštrice ne može slobodno pomicati i ako se ako se odmah ne poklopi na oštricu. Donji štitnik oštrice nikad ne učvršćujte i ne pričvršćujte kad je u otvorenom položaju.** Kad bi pila slučajno pala, donji štitnik oštrice mogao bi se savinuti. Podignite donji štitnik oštrice pomoću ručice i provjerite može li se njime rukovati bez poteškoća te da ne dodiruje ni oštricu ni bilo koji drugi dio bez obzira na kut ili odabranu dubinu rezanja.
- **Provjerite je li opruga donjeg štitnika oštrice u dobrom stanju i radi li ispravno. Ako štitnik oštrice ili opruga ne rade ispravno, dajte ih popraviti prije ponovne uporabe pile.** Donji štitnik može raditi polagano uslijed oštećenja dijelova, naslaga lijepila ili nakupina ostataka.
- **Donji štitnik može se ručno uvući samo za posebne rezove kao što su „prividni rezovi“ i „složeni rezovi“.** Podignite donji štitnik oštrice pomoću ručice. Zatim, čim oštrica uđe u komad koji obrađujete, otpustite donji štitnik oštrice. Za sve ostale vrste piljenja, donji štitnik oštrice automatski se postavlja na mjesto.
- **Uvijek prije postavljanja pile na postolje ili na pod provjerite prekriva li donji štitnik oštrice dobro prekriva oštricu.** Ako oštrica nije ispravno prekrivena, po inerciji se može okrenuti i rezati što god joj se nađe na putu. Imajte na umu da se oštrica nastavi vrtjeti neko vrijeme nakon zaustavljanja motora.

SIGURNOSNE UPUTE ZA OŠTRICU (LIST) ZA REZANJE DRVA

- Prije korištenja električnog alata i pribora (listova za pilu) pročitajte korisnički priručnik i upute za korištenje.
- Električni alat mora biti u dobrom stanju, osovina vrtnje mora biti bez deformacija i vibracija pri radu.
- Nemojte koristiti pilu ako štitnici nisu na svojim mjestima. Držite štitnike u dobrom stanju i pravilno održavanim.
- Rukovatelj alatom mora biti primjereno obučan po pitanju sigurnosnih mjera, podešavanja te rada s električnim alatom.
- Prilikom korištenja električnog alata uvijek koristite zaštitne naočale i rukavice. Preporučuje se nošenje zaštitnih rukavica i čvrstih cipela koje se ne klišu.
- Prije korištenja bilo kakvog dodatnog pribora pogledajte upute za uporabu. Nepravilno korištenje pribora može uzrokovati oštećenje alata i povećati mogućnost ozljede.
- Koristite samo oštricu navedenu u ovim uputama koja je u skladu s EN 847-1.
- Održavajte maksimalnu brzinu naznačenu na listu pile. Provjerite je li brzina označena na oštrici noža približno jednaka brzini označenoj na pili.
- Oštrice koje nisu prilagođene osovini na koju se

postavljaju neće se ispravno okretati te može doći do gubitka kontrole nad alatom. Nikad ne upotrebljavajte vijke i podložne pločice koji su oštećeni ili neprilagođeni.

- Nemojte koristiti oštrice većeg ili manjeg promjera od preporučenog. Nemojte koristiti nikakve razmačnike kako biste priključili oštricu na osovину.
- Prije svakog korištenja provjerite izgledaju li zupci lista pravilno te je li list oštećen. Oštećeni ili labavi zupci mogu prilikom korištenja alata postati leteći objekti i povećati opasnost od tjelesnih ozljeda.
- Nemojte koristiti slomljene ili iskorištene oštrice pile. Nemojte koristiti oštrice pile koje su oštećene ili deformirane.
- List pile koji je oštećen, deformiran, iskrivljen ili napuknut nije dozvoljeno popravljati.
- Nemojte koristiti HSS oštrice.
- Prije korištenja osigurajte da je list pile točno montiran. Prije korištenja sigurno zategnite vijak lista (zatezni moment oko 10-15 Nm).
- Zatezne vijke i matice potrebno je zategnuti pomoću odgovarajućeg ključa.
- Nije dozvoljeno korištenje produljenja zateznog ključa ili zatezanje vijaka udarcima čekića.
- Osigurajte da su sve oštrice i pribornice čiste i da su upuštene strane spojnice prema oštrici.
- Osigurajte da su rotirajuće oštrice u točnom smjeru.
- prije rada, izvršite probni rez bez uključenog motora kako biste pozicionirali oštricu, rad štitnika u odnosu na druge dijelove uređaja i izradak mogu se također provjeriti.
- Nikada ne ostavljajte alat da radi bez nadzora.
- Ne podmazujte list pile kad je pokrenut.
- Nikad ne vršite čišćenje ili održavanje kad je uređaj još pokrenut i njegova glava nije u stanju mirovanja.
- Nikada nemojte pokušavati zaustaviti električni alat u kretanju tako da ga zaglavite ili na bilo koji drugi način pokušate djelovati na list pile. Tako možete prouzročiti ozbiljne nesreće.
- Prije zamjene listova ili izvođenja održavanja odspojite pilu s glavnog napajanja ili s baterije.
- Prilikom spremanja ili vađenja alata pazite na oštricu (list). U suprotnom se lako možete ozlijediti na oštre rubove lista.
- Koristite držač ili nosite rukavice prilikom rukovanja s listom pile.
- Oštricu (list) čuvajte i pohranjujte u originalnoj ambalaži ili u drugom odgovarajućem pakiranju. Čuvajte u suhim uvjetima i dalje od kemikalija koje mogu oštetiti oštricu.

⚠ UPOZORENJE

- Nosite sredstva za zaštitu vida i sluha.
- Nosite masku protiv prašine.
- Nikad ne upotrebljavajte brusni disk.
- Izbjegavajte pregrijavanje vrhova oštrice. Ne upotrebljavajte tupe ili oštećene oštrice. Nemojte alat koristiti iznad njegovih mogućnosti.
- Koristite samo preporučene listove pile.
- Nemojte koristiti oštrice većeg ili manjeg promjera od preporučenog.
- Koristite samo oštricu navedenu u ovim uputama koja je u skladu s EN 847-1.

SIGURNOST LASERA (RCS1600)



- Zračenje laserskog vodiča koji je korišten u ovoj pili je Klasa 2 s maksimalnim valnim duljinama $\leq 1\text{mW}$ i 650 nm. Nemojte gledati izravno u lasersku zraku. Nepoštivanje ovih pravila može rezultirati ozbiljnim osobnim ozljedama.



Isporučit ćemo vam naljepnicu na vašem jeziku i zahtjevamo da naljepite umjeto engleskog teksta na naljepnici o upozorenju prije puštanja u rad uređaja.

- Nemojte gledati u zraku tijekom rada.
- Ne usmjerujte lasersku zraku izravno u oči drugih. Može doći do ozbiljnih povreda.
- Nemojte postavljati laseru položaj koji može prouzročiti da bilo tko namjerno ili nenamjerno gleda u lasersku zraku.
- Nemojte koristiti optičke alate za gledanje laserske zrake.
- Nemojte raditi s laserom oko djece ili dopustiti djeci da rade s laserom.
- Ne pokušavajte samostalno popraviti laserski uređaj.
- Ne pokušavajte samostalno promijeniti nijedan dio laserskog uređaja.
- Sve popravke mora izvršiti samo proizvođač lasera ili ovlašteni zastupnik.
- Ne zamjenjujte laser s drugačijom vrstom.

PREOSTALE OPASNOSTI

Čak i kad je proizvod korišten kao što je prethodno opisano, još uvijek nije moguće potpuno isključiti ostale čimbenike opasnosti. Može doći do sljedećih opasnosti prilikom korištenja i operater mora obratiti posebnu pozornost kako bi izbjegao sljedeće:

- Povrede uzrokovane povratnim udarom

- Pročitajte s razumijevanjem informacije u ovom priručniku.
- Ozljede uzrokovane vibracijom
 - Ograničite izloženost. Pogledajte „Smanjenje Opasnosti”.
- Ozljede uzrokovane prašinom
 - Uvijek nosite zaštitna sredstva za oči. Nosite odgovarajuću masku s prikladnim filterima koji štite od prašine. Nemojte jesti, piti ili pušiti u radom području. Osigurajte odgovarajuću ventilaciju radnog mjesta.
- Strujni udar
 - Oštrica može dotaknuti skrivene žice, uzrokujući da djelovi proizvoda dođu pod napon. Uvijek proizvod držite za ručke i vodite brigu kod rezanja u zidovima i podovima gdje može biti skrivenih kabela.
- **NAPOMENA:** Kada radite u zidovima, podovima ili stropovima, pazite da izbjegnute električne kabele, cijevi za plin i vodu.
- Ozljede od kontakta s pločom za rezanje
 - Oštrice su vrlo oštre i postaju vrlo vruće tijekom korištenja. Nosite rukavice tijekom izmjene oštrica. Držite ruke dalje od područja rezanja. Učvrstite ga na stabilni nosač. Pričvrstite izradak gdje got je moguće.

SMANJENJE OPASNOSTI

Prijavljeno je da vibracije alata kod određenih pojedinaca mogu doprinijeti stanju pod nazivom Raynaud's Syndrome. Simptomi mogu uključivati trnce, ukočenost i bjelinu prstiju, obično uočljivo po izlaganju hladnoći. Smatra se da nasljedne osobine, izlaganje hladnoći i vlazi, dijeta, pušenje i radni postupci pridonose razvoju ovih simptoma. Postoje mjere koje operator može poduzeti kako bi smanjio moguće učinke vibracije:

- Održavajte svoje tijelo toplim u hladnim vremenskim uvjetima. Kad radite s uređajem nosite rukavice kako biste ruke i zglobove održavali toplima. Prijavljeno je da je hladnoća glavni čimbenik koji doprinosi Raynaud's Syndrome.
- Nakon svakog perioda rada vježbajte kako biste povećali cirkulaciju krvi.
- Uzimajte česte stanke u radu. Ograničite količinu izlaganja po danu.

Ako osjetite neke od simptoma ovog stanja, odmah prekinite korištenje i obratite se svome liječniku vezano uz ove simptome.

⚠ UPOZORENJE

Ozljede mogu biti uzrokovane ili izazvane produljenim vremenskim razdobljem korištenja alata. Kada koristite bilo koji alat dulje vremena, osigurajte da uzimate povremene stanke.

UPOZNAJTE SVOJ PROIZVOD

Pogledajte stranicu 135.

1. Sklopka za pokretanje

2. Blokada otponca
3. Gornji štitnik
4. Adapter ulaza prašine
5. Ručica donjeg štitnika
6. Vijak lista
7. Donji štitnik
8. Ručka
9. Kutna skala
10. Graničnik kutne skale
11. Graničnik vodilice uzdužnog reza
12. Baza
13. Laserska glava (RCS1600)
14. Oštrica
15. Vodilica pile
16. Spojnica
17. Iščašenje
18. Letva za uzdužno rezanje

ODRŽAVANJE

⚠ UPOZORENJE

Proizvod nikad ne smije biti priključen na izvor napajanja kada sastavljate dijelove, vršite podešenja, čistite, isvodite održavanje ili kada se proizvod ne koristi. Iskapčanje proizvoda sprječava slučajno pokretanje koje može dovesti do ozbiljnih osobnih ozljeda.

- Prilikom servisiranja, koristite samo originalne zamjenske dijelove od proizvođača. Korištenje nekih drugih dijelova može dovesti do opasnosti ili uzrokovati oštećenje alat.
- Prije priključivanja ili uklanjanja lista pile osigurajte da je alat iskopčan iz izvora za napajanje. Čistim krpama očistite proizvod i sustav štitnika.
- Prilikom čišćenja plastičnih dijelova izbjegavajte koristiti kemijska sredstva. Većina plastika je podložna različitim vrstama komercijalnih kemijskih sredstava za čišćenje i mogu se oštetiti prilikom njihovog korištenja. Za uklanjanje nečistoća, prašine, ulja masti i drugog upotrebljavajte čistu krp.
- Nikada ne dopustite kontakt plastičnih dijelova s tekućinom za kočnice, benzinom, proizvodima na bazi petroleja, sredstvima za odmašćivanje, idr. Ti kemijski proizvodi sadrže tvari koje mogu oštetiti, oslabiti ili uništiti plastiku.
- Uvijek tijekom rada s električnim alatom ili prilikom ispuhivanja prašine nosite zaštitne naočale i zaštitne naočale s bočnim štitnicima. Ako radite u prašini nosite i masku za zaštitu od prašine.
- Ako je kabel za napajanje oštećen, mora ga zamijeniti samo proizvođač ili ovalšteni servisni centar kako bi se izbjegla opasnost. Obratite se ovlaštenom servisnom centru.
- Radi veće sigurnosti i pouzdanosti, sve popravke treba izvoditi ovlašteni Ryobi servisni centar.

PODMAZIVANJE

Svi ležajevi u ovom proizvodu podmazani su s dovoljnom količinom visokokvalitetnog sredstva za podmazivanje za životni vijek proizvoda u normalnim radnim uvjetima. Stoga

nije potrebno daljnje podmazivanje.

ZAŠTITA OKOLIŠA



Sirovine reciklirajte, umjesto da ih odlažete kao otpad. Kako biste zaštitili okoliš, alat, dodatke i ambalažu treba odvojeno baciti u otpad.

SIMBOLI NA PROIZVODU



Sigurnosno upozorenje

V

Volti

Hz

Herzi

~

Izmjenična struja

W

Wati

n_o

Brzina bez opterećenja

min⁻¹

Broj okreta ili pokreta u minuti



Klasa II, dvostruka izolacija



Drvo



Nemojte rezati metale



Nosite zaštitu za sluh



Nosite zaštitu za vid



Radijacija lasera.
Nemojte gledati u zraku.
Proizvod 2 laserskog razreda
λ: 650nm; P≤1mW
EN 60825-1:2014



Opasnost! Oštra oštrica.



Nemojte izlagati kiši



Širina reza



Zubi pile



CE usklađenost



EurAsian znak konformnosti



Ukrajinska oznaka za sukladnost

EN
FR
DE
ES
IT
NL
PT
DA
SV
FI
NO
RU
PL
CS
HU
RO
LV
LT
ET
HR
SL
SK
BG
UK
TR
EL



Molimo da pažljivo pročitate upute prije pokretanja stroja.



Otpadni električni proizvodi ne treba da se odlažu s otpadom iz domaćinstva. Molimo da recikirate gdje je to moguće. Potražite savjet od lokalnih vlasti ili prodavca kako reciklirati.

SIMBOLI U PRIRUČNIKU



Priključite na napajanje.



Odspojite iz napajanja.



Dijelovi ili pribor prodan odvojeno



Brava



Otključavanje



Napomena

Slijedeće riječi upozorenja i značenja imaju namjeru da objasne nivo rizika u vezi s ovim proizvodom.

OPASNOST

Naznačuje prijeteću opasnu situaciju, koja ako se ne izbjegne dovodi do smrti ili ozbiljnih ozljeda.

UPOZORENJE

Naznačuje potencijalno opasnu situaciju, koja ako se ne izbjegne dovodi do smrti ili ozbiljnih ozljeda.

OPREZ

Naznačuje potencijalno opasnu situaciju, koja ako se ne izbjegne dovodi do lakših ili srednjih ozljeda.

OPREZ

(Bez simbola upozorenja sigurnosti) Označava situaciju koja može izazvati oštećenje imovine

Pri zasnovi te krožne žage smo se prednostno osredotočili na varnost, učinkovitost in zanesljivost.

NAMEN UPORABE

Krožno žago lahko uporabljajo samo odrasle osebe, ki so prebrale in razumejo navodila ter opozorila v tem priročniku ter so sposobne prevzeti odgovornost za svoja dejanja.

Žaga je zasnovana za vzdolžni in prečni razrez lesa ali podobnega materiala do globine največ 54 milimetrov. Rez lahko poteka v ravni liniji ali pod kotom od 0 do 45 stopinj. Žago uporabljajte tako, da je osnova orodja v stiku z obdelovancem. Žaga je namenjena za uporabo v suhih pogojih, z odlično razsvetljavo in primernim prezračevanjem. Žaga je oblikovana za ročno uporabo. Žaga ne nameščajte na delovni pult, razen če tako določajo specifična navodila proizvajalca ali izdelka. Izdelka ne uporabljajte za rezanje kovin ali sten. Izdelka ne uporabljajte na noben način, ki ni predpisan za to napravo. Uporaba električnega orodja za namene, ki so drugačni od tistih, za katere je bilo orodje zasnovano, lahko povzroči nevarne situacije.

⚠ OPOZORILO

Preberite vsa varnostna opozorila in navodila. Neupoštevanje opozoril in navodil lahko privede do električnega udara, požara in/ali resnih poškodb.

Vsa opozorila in vsa navodila shranite za bodočo referenco.

VARNOSTNA OPOZORILO ZA KROŽNO ŽAGO

METODE REZANJA

⚠ NEVARNOST

Roke vedno držite proč od območja žaganja in od rezila. Drugo roko držite na pomožnem ročaju ali na ohišju motorja. Če žago držite z obema rokama, ju rezilo ne more porezati.

- **Ne segajte pod obdelovanec.** Pod obdelovancem vas ščitnik ne more zaščititi pred rezilom.
- **Rezalno dolžino prilagodite debelini obdelovanca.** Pod obdelovancem se lahko vidi manj kot en cel zob rezila.
- **Kosa, ki ga režete, nikoli ne držite v rokah ali preko noge.** Obdelovanec pritrdite na stabilno podlago. Pomembno je, da dobro podprete obdelovanec in tako zmanjšate izpostavljenost telesa, zatikanje rezila ali izgubo nadzora.
- **Ko izvajate operacijo, pri kateri lahko dodatek za rezanje pride v stik s skritim ožičenjem ali s svojim lastnim kablom, držite električno orodje le na izoliranih površinah, predvidenih za držanje.** Stik orodja z deli, ki so pod napetostjo, lahko povzroči, da so tudi kovinski deli električnega orodja pod napetostjo in izpostavijo uporabnika električnemu udaru.
- **Pri robnem odrezu vedno uporabljajte vzporedno vodilo ali ravno robno vodilo.** Na ta način bo rez bolj natančen in zmanjšalo se bo tveganje, da pride do

zatikanja rezila.

- **Vedno uporabljajte rezila s pravilno velikostjo in obliko (trikotno ali okroglo) odprtine za vpenjanje.** Če se rezila ne ujemajo z montažnimi elementi žage, je njihovo vrtenje ekscentrično, kar povzroči izgubo nadzora.
- **Nikoli ne uporabljajte poškodovanih ali neustreznih podložk za rezilo ali sornika.** Podložke za rezila in sornik so posebej zasnovani za vašo žago, za njeno optimalno storilnost in varno delovanje.

VZROKI POVRATNIH UDARCEV IN POVEZANA OPOZORILO:

- Odsunek je nenadna reakcija na zagozdeno, zataknelo ali nepravilno rezilo žage, zaradi katere se žaga, ki ni več pod nadzorom, dvigne navzgor in odskoči iz obdelovanca proti delavcu.
- Če se rezilo zaradi zmanjšane širine reza zagozdi ali zatakne, se rezilo zaustavi. Obstaja nevarnost odboja naprave proti uporabniku.
- Če se rezilo zvije ali ni poravnano v rezu, lahko zob zadnjega roba rezila zagrizje v gornjo površino lesa in povzročijo, da rezilo zleze iz reza in odskoči nazaj proti delavcu.

Odsunek je posledica nepravilne uporabe žage in/ali nepravilnih postopkov ali pogojev delovanja ter ga lahko preprečimo z upoštevanjem ustreznih spodaj navedenih varnostnih predpisov.

- **Žago trdno držite z obema rokama in postavite roke tako, da se upirajo silam odsunka. Postavite se s strani rezila, vendar ne v liniji z rezilom.** Odsunek lahko povzroči, da žaga odskoči nazaj, vendar lahko delavec nadzira sile odsunka, če upošteva ustrezne varnostne ukrepe.
- **Če se rezilo zatika ali če iz nekega razloga prekinete rezanje, sprostite stikalo in držite žago nepremično v obdelovancu, dokler se rezilo popolnoma ne zaustavi. Nikoli ne poskušajte odmakniti žage z obdelovanca ali povleči žago nazaj, ko se žagin list še vrti, saj lahko to privede do nevarnega povratnega udarca.** Preglejte orodje in ustrezno ukrepajte, da odpravite vzrok zatikanja rezila.
- **Pri ponovnem zagonu žage v obdelovancu centrirajte rezilo žage v rezu in preverite, da se zobje žage niso zagozdili v material.** Če se rezilo zatika, se lahko pri ponovnem zagonu žage pomakne navzgor ali odsune iz obdelovanca.
- **Velike plošče podprite, da zmanjšate nevarnost zagozdenja ali odsunka rezila.** Velike plošče se rade upogibajo pod lastno težo. Na obeh straneh plošče postavite opornike, blizu črte reza in blizu roba plošče.
- **Ne uporabljajte topih ali poškodovanih rezil.** Nenabrušena in nepravilno vstavljena rezila delajo ozek rez, ki povzroči preveliko trenje, zatikanje in odsunek rezila.
- **Pred začetkom rezanja morajo biti vzvodi za nastavitev globine in nagiba rezila trdno in varno pritrjeni.** Če se med rezanjem premakne nastavitev rezila, lahko pride do zatikanja in odsunka.
- **Pri žaganju v obstoječo steno ali druge nepregledne površine bodite posebej pazljivi.** Štrleče rezilo lahko

EN
FR
DE
ES
IT
NL
PT
DA
SV
FI
NO
RU
PL
CS
HU
RO
LV
LT
ET
HR
SL
SK
BG
UK
TR
EL

prereže predmete, kar lahko povzroči odsunek.

FUNKCIJA SPODNJEGA VAROVALA

- **Pred vsako uporabo preverite ali se spodnji ščitnik dobro zapira. Ne uporabljajte žage, če se spodnji ščitnik ne premika prosto in se ne zapre takoj. Spodnjega ščitnika nikoli ne spnite ali spojite v odprtem položaju.** Če žaga po nesreči pade, se spodnji ščitnik lahko upogne. Dvignite spodnji ščitnik z izvlečno ročico in preverite, ali se prosto premika in se ne dotika rezila ali nekega drugega dela v vseh kotih in globinah reza.
- **Preverite delovanje vzmeti spodnjega ščitnika. Če ščitnik in vzmet ne delujeta pravilno, ju morate pred uporabo servisirati.** Nihajni ščitnik se lahko zaradi poškodovanih delov, ostankov smole ali žaganja zapira počasi.
- **Nihajni ščitnik lahko odprete z roko le pri posebnih vrstah žaganja, npr. pri »potopnem žaganju« in »sestavljnem žaganju«.** Spodnji ščitnik dvignite z izvlečno ročico. Kakor hitro rezilo vstopi v material, spustite spodnji ščitnik. Pri vsakem drugem žaganju mora spodnji ščitnik delovati samodejno.
- **Praden položite žago na mizo ali na tla, vedno pazite, da spodnji ščitnik pokriva rezilo.** Nezaščiteno zaustavljajoče se rezilo lahko povzroči vzvratno hojo žage, ki razreže vse, kar je na njeni poti. Zavedati se morate, da je potreben določen čas, da se rezilo zaustavi po sprostitvi stikala.

VARNOSTNA NAVODILA ZA LIST ZA RAZREZ LESA

- Pred uporabo žaginega lista in električnega orodja natančno preberite priročnik ter navodila.
- Električno orodje mora biti v brezhibnem stanju, vreteno pa ne sme biti deformirano in se ne sme tresti.
- Žage ne uporabljajte brez nameščenih varoval. varovala morajo biti v dobrem delovnem stanju in ustrezno vzdrževana.
- Zagotovite, da je upravljavec ustrezno usposobljen s področja previdnostnih varnostnih ukrepov ter prilagajanja in uporabe električnega orodja.
- Pri uporabi električnega orodja vedno nosite očala in glušnike. Priporočeno je nositi rokavice in robustne čevlje s protizdrsno podplatom.
- Preden uporabite kateri koli dodatek, preverite navodila za uporabo. Nepravilna uporaba dodatka lahko privede do poškodb in povečanega tveganja za telesne poškodbe.
- Uporabljajte le rezila, ki so določena v teh navodilih in so v skladu z EN 847-1.
- Upošteвайте maksimalno hitrost, ki je označena na rezilu. Prepričajte se, da je hitrost, označena na rezilu, vsaj enaka hitrosti, označeni na žagi.
- Vedno uporabljajte rezila s pravilno velikostjo in obliko odprtine za penjanje. Če se rezila ne ujemajo z montažnimi elementi žage, je njihovo vrtenje ekscentrično, kar povzroči izgubo nadzora.
- Ne uporabljajte rezil večjega ali manjšega premera, kot je priporočen. Ne uporabljajte distančnikov, da bi namestili rezilo na vreteno.


- Konice žaginega lista pred vsako uporabo preglejte zaradi poškodb ali nepravilnega videza. Poškodovane ali zrahljane konice se lahko med uporabo snamejo in odletijo, s čimer povečajo možnost telesnih poškodb.
- Ne uporabljajte zviti ali počeni rezil. Nikoli ne uporabljajte poškodovanih ali deformiranih rezil.
- Poškodovane, deformirane, izkrivljene ali počene žagine liste zavrzite. Takšnih listov ne popravljajte.
- Ne uporabljajte rezil HSS.
- Pred uporabo zagotovite, da je rezilo pravilno nameščeno. Pred uporabo varno pritrdite vijak lista (s privijalnim navorom približno 10–15 Nm).
- Pritrdilne vijake in matice privijte z ustreznim izvijačem.
- Podaljševanje izvijača ali privijanje s pomočjo udarcev kladiva ni dovoljeno.
- Prepričajte se, da so vsa rezila in prirobnice čisti ter da so utori prirobnice usmerjeni proti rezilu.
- Prepričajte se, da se rezilo vrti v pravo smer.
- Pred začetkom dela najprej naredite »slepi« rez brez vključenega motorja, da preverite položaj rezila in delovanje zaščit glede na druge dele stroja ter glede na obdelovanec.
- Orodje nikoli ne pustite teči brez nadzora.
- Ne mažite rezila, ko se rezilo vrti.
- Stroja nikoli ne čistite ali vzdržujte, ko stroj teče in glava ni v položaju mirovanja.
- Delujočega električnega orodja nikoli ne zaustavite na hitro, tako da list zagozdite z orodjem ali drugim predmetom. S tem lahko nenamerno povzročite hude nesreče.
- Pred menjavanjem listov ali vzdrževanjem žago izključite iz omrežnega ali baterijskega napajanja.
- Pri vlaganju v embalažo in pri odstranjevanju embalaže bodite pozorni na list, saj se lahko hitro poškodujete na njegovih ostrih konicah.
- Ko rokujete z rezilom uporabite držalo ali nosite rokavice.
- List shranjujte in skladiščite v prvotni ali drugi primerni embalaži. Shranjujte na suhem mestu in stran od kemičnih sredstev, ki lahko poškodujejo rezilo.

⚠ OPOZORILO

- Nosite zaščito za oči in ušesa.
- Nosite protiprašno masko.
- Ne uporabljajte brusnih koles.
- Pazite, da se konice rezil ne pregrejejo. Ne uporabljajte topih ali poškodovanih rezil. Orodja ne preobremenjujte.
- Uporabljajte le priporočena rezila.
- Ne uporabljajte rezil večjega ali manjšega premera, kot je priporočen.
- Uporabljajte le rezila, ki so določena v teh navodilih in so v skladu z EN 847-1.

LASERSKA VARNOST (RCS1600)



- Sevanje laserskega vodila, uporabljenega v žagi, je razreda 2, in sicer z močjo $\leq 1\text{mW}$ in valovno dolžino 650 nm. Ne glejte neposredno v laserski žarek. Neupoštevanje pravil lahko povzroči resne telesne poškodbe.
- Prejeli ste nalepko v svojem jeziku, zato vas prosimo, da jo pritrdite na mesto angleškega besedila na opozorilni oznaki, preden stroj prvič uporabite.
- Med delovanjem ne glejte v laserski žarek.
- Laserskega žarka ne usmerjajte neposredno v oči drugih oseb. To lahko povzroči resno poškodbo oči.
- Laserja ne postavljajte tako, da bi lahko kdor koli namerno ali nenamerno pogledal neposredno v laserski žarek.
- Ne glejte laserskega žarka z optičnimi pripomočki.
- Laserja ne uporabljajte v bližini otrok in ne dovolite otrokom, da bi ga uporabljali.
- Laserske naprave nikoli ne poskušajte popravljati sami.
- Ne poskušajte spreminjati delov laserske naprave sami.
- Popravila lahko izvaja le proizvajalec laserja ali pooblaščen serviser.
- Laserja ne menjajte z laserjem druge vrste.

PREOSTALA TVEGANJA

Nekateri preostalih dejavnikov tveganja ni mogoče povsem odpraviti, tudi če ta izdelek uporabljate v skladu z navodili. Med uporabo se lahko pojavijo nekatere nevarnosti, upravljavec pa naj bo pozoren na naslednje:

- Poškodbe zaradi povratnega sunka
 - Preberite informacije v tem priročniku in se prepričajte, da jih razumete.
- Poškodbe zaradi vibracij
 - Omejite izpostavljenost. Glejte »Zmanjševanje Tveganj«.
- Poškodbe zaradi prahu
 - Vedno nosite zaščito za oči. Nosite ustrezno masko za zaščito pri izpostavljenosti prahu, ki lahko zaščiti pred prahom, ki nastaja pri obdelovanju materiala. V delovnem območju je prepovedano jesti, piti in kaditi. Zagotovite primerno prezračevanje prostora.
- Električni udar
 - Rezilo lahko pride v stik s skrito napeljavo, zaradi česar lahko določeni deli izdelka podivjajo. Izdelek vedno držite za označene ročaje in bodite previdni pri rezanju v stene in tla, kjer se lahko nahajajo kabli.

OPOMBA: Pri delu v stenah, stropih ali tleh pazite, da se izognite električnim kablom ali plinskimi ali vodovodnim napeljavam.

- Poškodba zaradi stika z rezilom
 - Rezila so zelo ostrá in med uporabo postanejo vroča. Ko zamenjujete rezila, nosite rokavice. Z rokami nikoli ne posegajte v območje rezanja. Kosa, ki ga režete, nikoli ne držite v rokah ali preko noge. Obdelovanec vedno, kadar je mogoče, fiksirajte.

ZMANJŠANJE TVEGANJA

Poročali so že, da lahko vibracije ročnih orodij pri nekaterih posameznikih pripomorejo k razvoju Raynaudovega sindroma. Simptomi so lahko mravljinca, otrplost in pobeljeni prsti, kar je običajno vidno, kadar je oseba izpostavljena mrazu. Dedni dejavniki, izpostavljenost mrazu in vlagi, dieta, kajenje in delovne navade naj bi pripomogle k razvoju teh simptomov. Za zmanjšanje učinkov vibracij lahko upravljavec upošteva naslednja navodila:

- Poskrbite, da bo vaše telo na mrazu toplo. Med upravljanjem nosite rokavice in tako ohranajte toploto vaših dlani in zapestij. Kot poročajo, je mraz glavni dejavnik, ki prispeva k Raynaudovemu sindromu.
- Po vsakem obdobju upravljanja naprave telovadite in tako pospešite krvni obtok.
- Pogosto si vzemite odmor. Omejite dnevno količino izpostavljenosti.

Če zaznavate kakršnekoli simptome takšnega stanja, takoj prenehajte z uporabo naprave in se posvetujte z zdravnikom.

⚠ OPOZORILO

Zaradi daljše uporabe orodja lahko pride do poškodb oz. se morebitne poškodbe poslabšajo. Kadar orodje uporabljate dalj časa, si večkrat vzemite odmor.

SPOZNAJTE SVOJ IZDELEK

Glej stran 135.

1. Sprožilo
2. Gumb za zaklep delovanja
3. Gornji ščitnik
4. Adapter za vsesavanje prahu
5. Vzvod spodnjega ščitnika
6. Vijak lista
7. Spodnji ščitnik
8. Ročaj
9. Kotna skala
10. Zaklep kotne skale
11. Zaklep vzdolžnega prislona
12. Podstavek
13. Laserska glava (RCS1600)
14. Rezilo
15. Vodilo žage
16. Objemka
17. Ključ
18. Vzdolžno vodilo

VZDRŽEVANJE

⚠ OPOZORILO

Ko sestavljate dele, prilagajate, čistite ali vzdržujete orodje, ali ko izdelka ne uporabljate, ga nikoli ne imejte priključenega na vir napajanja. Če izdelek odklopite, preprečite nenameren zagon, ki bi lahko povzročil hude poškodbe.

- Za servisiranje uporabljajte samo nadomestne dele originalnega proizvajalca. Uporaba drugih delov lahko pomeni tveganje ali povzroči škodo na izdelku.
- Pred nameščanjem ali odstranjevanjem rezila žage se prepričajte, da ste orodje odklopili z napajanja. Pripomoček in sistem varoval očistite z čistimi krpami.
- Pri čiščenju plastičnih delov se izogibajte toplom. Večina vrst plastik se lahko pri uporabi različnih komercialnih topil poškoduje. Za odstranjevanje umazanije, saj in podobnega uporabljajte čisto krpo.
- Zavorna tekočina, gorivo, izdelki na osnovi nafte, prodirajoče olje ipd. nikoli ne smejo priti v stik s plastičnimi deli. Kemikalije lahko poškodujejo, oslabijo ali uničijo plastiko.
- Vedno nosite zaščitna očala s stranskimi ščitniki, ko uporabljate električna orodja ali ko spihujete prah. Če pri delu nastaja prah, nosite tudi zaščitno masko proti prahu.
- Če je napajalni kabel poškodovan, ga mora zaradi izogibanja tveganja zamenjati proizvajalec ali pooblaščen servis. Kontaktirajte pooblaščen servisni center.
- Za večjo varnost in zanesljivost mora vsa popravila izvesti pooblaščen servisni center Ryobi.

MAZANJE

Vsi ležaji na napravi so namazani z dovolj kakovostnega maziva, tako da mazanje naprave ob normalni uporabi do konca življenjske dobe naprave ni več potrebno. Zato dodatno mazanje ni potrebno.

ZAŠČITA OKOLJA



Namesto, da napravo zavržete, reciklirajte surovine. Napravo, pribor in embalažo je treba sortirati za okolju prijazno recikliranje.

SIMBOLI NA IZDELKU



Varnostno opozorilo

V

Volti

Hz

Hertz

~

Izmenični tok

W

Watt

n_o

Hitrost brez obremenitve

min⁻¹

Vrtljajev ali nihajev na minuto



Razred II, dvojno izolirano



Les



Ne žaganje kovin



Nosite zaščito za ušesa



Nosite zaščito za oči



Lasersko sevanje.
Ne glejte v žarek.
Laserski izdelek 2. razreda
λ: 650nm; P≤1mW
EN 60825-1:2014



Nevarnost! Ostro rezilo.



Ne izpostavljajte dežju



Širina rezanja



Zobje rezila



Skladnost CE



EurAsian oznaka o skladnosti



Ukrajinska oznaka za skladnost



Prosimo, da si pred zagonom naprave
pozorno preberete navodila



Odpadne električne izdelke ne odlagajte
skupaj z ostalimi gospodinjskimi odpadki.
Reciklažo opravljajte na predpisanih mestih.
Za nasvet se obrnite na lokalne oblasti.

SIMBOLI V PRIROČNIKU



Priključite na električno napajanje.



Odklopite z električnega napajanja.



Deli ali dodatki so na prodaj ločeno



Zaklenjeno



Odklenjeno



Opomba

Sledeče signalne besede in pomeni naj bi pojasnili ravni tveganja, ki so povezane s tem izdelkom.

⚠ NEVARNOST

Označuje neizogibno nevarno stanje, ki lahko povzroči smrt ali hude poškodbe, če ga ne preprečite.

⚠ OPOZORILO

Označuje morebitno nevarno stanje, ki bi lahko povzročilo smrt ali hude poškodbe, če ga ne preprečite.

⚠ POZOR

Označuje morebitno nevarno stanje, ki lahko povzroči manjše ali zmerne poškodbe, če se ga ne preprečite.

POZOR

(Brez simbola Varnostni alarm) Označuje stanje, ki lahko privede do poškodovanja lastnine.

EN
FR
DE
ES
IT
NL
PT
DA
SV
FI
NO
RU
PL
CS
HU
RO
LV
LT
ET
HR
SL
SK
BG
UK
TR
EL

Bezpečnosť, efektívnosť a spoľahlivosť boli prvoradé pri navrhovaní vašej kotúčovej píly.

ÚČEL POUŽITIA

Kotúčovú pílu môžu používať len svojprávne dospelé osoby, ktoré si prečítali a porozumeli pokynom a varovaniam v tejto príručke.

Píla je určená pre pozdĺžne a priečne rezanie dreva alebo podobných materiálov s maximálnou hĺbkou rezu 54 milimetrov. Umožňuje vykonávať priame alebo šikmé rezy v rozmedzí 0 až 45 stupňov. Pri kontakte s obrobkom sa používa základová doska nástroja. Píla je určená na použitie v suchom prostredí pri vynikajúcom osvetlení okolia a primeranom vetraní. Píla je určená na ručné použitie. Píla nie je určená na montáž na pracovný stôl, pokiaľ tak výslovne neuvádza výrobca produktu. Nepoužívajte na rezanie kovu alebo muriva. Tento produkt nepoužívajte žiadnym iným spôsobom, ako je uvedené v účele použitia. Pri používaní mechanického nástroja na iné ako určené činnosti môže dôjsť k nebezpečným situáciám.

VAROVANIE

Prečítajte si všetky bezpečnostné výstrahy a pokyny. Ak nerešpektujete a inštrukcie, môže to mať za následok úraz elektrickým prúdom, požiar a/alebo vážne zranenie.

Odložte všetky výstrahy a pokyny pre budúce použitie.

BEZPEČNOSTNÉ VÝSTRAHY PRE KOTÚČOVÚ PÍLU

POSTUPY REZANIA

NEBEZPEČENSTVO

Ruky nedávajte do blízkosti oblasti rezania a ostria. Druhú ruku nechajte na pomocnej rukoväti alebo kryte motora. Ak držíte rukoväť s obidvomi rukami, kotúč ich neporeže.

- **Nesiahajte pod obrobok.** Kryt vás neochráni pred kotúčom.
- **Hĺbku rezania nastavte podľa hrúbky obrobku.** Pod obrobkom by mal byť viditeľný menej ako jeden zub zo zubov ostria.
- **Nikdy nedržte rezaný kus materiálu rukami alebo krížom na nohách. Zaistite obrobok k stabilnej podložke.** Je dôležité obrobok správne podoprieť, aby sa čo najviac minimalizovalo vystavenie tela, zovieranie ostria alebo strata kontroly.
- **Pri vykonávaní operácie, kedy môže rezacie náradie prísť do kontaktu so skrytým vedením alebo vlastným káblom, držte náradie za izolované úchopné miesta.** Styk so „živým“ vodičom tiež spôsobí, že kovové časti elektrického nástroja sa tiež stanú „živými“ a môžu obsluhujúcej osobe spôsobiť zásah elektrickým prúdom.
- **Pri pozdĺžnom rezaní vždy použite paralelné vodidlo alebo rovné vodítko.** Zlepší sa tak kvalita rezu a zníži

sa pravdepodobnosť zovretia ostria.

- **Vždy používajte ostria s otvormi na hriadeľ správnej veľkosti a tvaru (kosoštvorcové alebo okrúhle).** Ostria, ktoré nie sú kompatibilné s montážnym technickým vybavením píly, budú bežať excentricky a spôsobia stratu kontroly.
- **Nikdy nepoužívajte poškodené alebo nevhodné podložky alebo maticu.** Podložky ostria boli špeciálne navrhnuté pre túto pílu na dosiahnutie optimálnej výkonnosti a bezpečnej prevádzky.

SPÄTNÝ NÁRAZ A SÚVISIACE VÝSTRAHY:

- Spätný náraz je náhla reakcia na zovreté, pritlačené alebo nesprávne nastavené pílové ostria, ktorá spôsobí, že neovládateľná píla sa nadvihne a vyhodí obrobok smerom k obsluhujúcej osobe;
- keď sa ostrie zovrie alebo tesne pritlačí zovierajúcim sa zárezom, ostrie stratí rýchlosť a reakcia motora rýchlo odrazí jednotku dozadu smerom k obsluhujúcej osobe;
- Ak sa ostrie v reze skrúti alebo vyosí, zuby na zadnom okraji ostria sa môžu zaryť do horného povrchu dreva, čo spôsobí, že ostrie sa vyšplhá zo zárezu a odskočí smerom k obsluhujúcej osobe.

Spätný náraz je výsledok nesprávneho používania píly a/alebo nesprávnych prevádzkových postupov a možno mu predchádzať vykonávaním príslušných predbežných opatrení uvedených nižšie.

- **Udržiavajte pevný úchop na píle a držte telo a rameno v polohe, ktorá vám umožní odolávať sile spätného nárazu.** Telo umiestnite na jednu stranu ostria, nie do jeho línie. Spätný náraz by mohol spôsobiť odskočenie píly dozadu, ale sily spätného nárazu môže obsluhujúca osoba ovládať, ak vykoná príslušné opatrenia.
- **Keď sa kotúč zoviera alebo z akejkoľvek príčiny prerušíte rez, uvoľnite spínač a držte pílu nehybne v materiáli, kým sa ostrie úplne nezastaví. Nikdy sa nepokúšajte vybrať pílu z obrobku alebo ťahať ju dozadu, kým sa ostrie pohybuje, inak môže dôjsť k spätnému nárazu.** Zistíte a vykonajte nápravné kroky a eliminujte príčinu zovierania ostria.
- **Pri opätovnom spustení píly v obrobku vycentrujte ostrie píly v záreze a dbajte na to, aby zuby píly nezapadali do materiálu.** Ak sa ostrie píly zoviera, pri opätovnom spustení sa môže vysunúť alebo nastane spätný náraz od obrobku.
- **Veľké panely podprite, aby sa minimalizovalo riziko zovretia kotúča a spätného nárazu.** Veľké panely sa zvyknú prehýbať pod vlastnou váhou. Podpery sa musia umiestniť pod panel na oboch stranách, v blízkosti línie rezania a v blízkosti okraja panela.
- **Nepoužívajte otupené alebo poškodené príslušenstvo.** Nezaostrené alebo nesprávne nasadené kotúče vytvárajú úzky zárez a dochádza k nadmernému treniu, zovieraniu ostria a spätnému nárazu.
- **Páčky nastavenia hĺbky a úkosu ostria musia byť pred rezaním utiahnuté a zaistené.** Ak sa nastavenie kotúča počas rezania posunie, môže spôsobiť zovretie a spätný náraz.

- **Pri pílení do existujúcich stien alebo iných neznámych priestorov dbajte na opatnosť.** Vyčnievajúce ostrie môže porezať objekty a následne spôsobiť spätný náraz.

FUNKCIA SPODNÉHO KRYTU

- **Pred každým použitím skontrolujte, spodný kryt, či je správne uzavretý. Nepracujte s pilou, ak sa spodný kryt voľne nepohybuje a ihneď sa neuzavrie. Nikdy neupínajte ani neuväzujte spodný kryt do otvorenej polohy.** Ak píla náhodne spadne, spodný kryt sa môže ohnúť. Nadvihnite spodný kryt pomocou zaťahovacej páčky a skontrolujte, či sa voľne pohybuje a nedotýka sa ostria ani žiadnej inej časti, a to pri všetkých uhloch a hĺbkach rezu.
- **Skontrolujte funkčnosť pružiny spodného krytu. Ak kryt a pružina nefungujú správne, pred použitím sa na nich musí vykonať servis.** Spodný kryt môže fungovať lenivo, keď sú niektoré časti poškodené, sú na ňom lepkavé usadeniny alebo nahromadené nečistoty.
- **Spodný kryt možno zatiahnuť manuálne len pri špeciálnych rezoch, ako sú „zapichovacie rezy“ a „zložené rezy“.** Nadvihnite spodný kryt pomocou zaťahovacej páčky a hneď, ako ostrie prenikne do materiálu, musíte spodný kryt uvoľniť. Pri všetkých iných rezoch by mal spodný kryt pracovať automaticky.
- **Predtým, ako položíte pílu na pracovný stôl alebo dlážku, vždy skontrolujte, či spodný kryt zakrýva ostrie.** Nechránené ostrie bežiacie na voľnobeh spôsobí spätný pohyb píly, pričom poreže všetko v ceste. Dávajte pozor na čas, ktorý potrvá, kým sa ostrie zastaví po uvoľnení spínača.

BEZPEČNOSTNÉ POKYNY PRE WOOD CUTTING BLADE

- Pred použitím pílového kotúča a elektrického náradia si starostlivo prečítajte túto príručku a pokyny.
- Elektrické náradie musí byť v dobrom stave, vreteno musí byť bez deformácií a vibrácií.
- Nepoužívajte pílu bez nasadených ochranných krytov. Ochranné kryty udržiavajte v dobrom prevádzkovom stave a správne udržiavané.
- Ubezpečte sa, že operátor je dostatočne vyškolený z hľadiska bezpečnostných opatrení, nastavenia a prevádzky elektrického náradia.
- Pri používaní tohto elektrického náradia vždy používajte ochranné okuliare a ochranu sluchu. Odporúča sa používať rukavice a pevnú, protišmykovú obuv.
- Pred použitím akéhokoľvek príslušenstva si pozrite návod na použitie. Nesprávne používanie príslušenstva môže spôsobiť poškodenie a zvýšiť možnosť poranenia.
- Používajte len ostria špecifikované v tomto návode, ktoré spĺňajú normu EN 847-1.
- Dodržiavajte označenie maximálnej rýchlosti na pílovom ostrí. Skontrolujte, či rýchlosť vyznačená na pílovom ostrí je minimálne rovná rýchlosti vyznačenej na píle.
- Vždy používajte ostria s otvormi na hriadeľ správnej veľkosti a tvaru. Ostria, ktoré nie sú kompatibilné s montážnym technickým vybavením píly, budú bežať

excentricky a spôsobia stratu kontroly.

- Nepoužívajte ostria väčšieho alebo menšieho priemeru ako odporúčané. Nepoužívajte žiadne rozpierykky umožňujúce prispôbenie ostria do vretena.
- Pred každým použitím skontrolujte, či nie sú hroty zubov pílového kotúča poškodené alebo príliš nevystupujú. Hroty, ktoré sú poškodené alebo uvoľnené, môžu pri použití odletieť a zvýšiť riziko zranenia osôb.
- Nepoužívajte prasknuté alebo porušené pílové kotúče. Nepoužívajte poškodené alebo deformované pílové kotúče.
- Ak je pílový kotúč poškodený, deformovaný, pokrivený alebo prasknutý, vyhodte ho do šrotu; oprava ja zakázaná.
- Nepoužívajte ostria HSS.
- Pred použitím skontrolujte, či je pílové ostrie namontované správne. Pred použitím zaistíte skrutku pílového kotúča dotiahnutím (uťahovací moment približne 10 - 15 Nm).
- Upevňovacia skrutka a matice musia byť dotiahnuté pomocou príslušného skrutkovača.
- Uvoľnenie alebo dotiahnutie skrutky údermi kladiva na skrutkovač je zakázané.
- Dbajte na to, aby všetky ostria a príruby boli čisté a zapustené strany objímky boli oproti ostriu.
- Skontrolujte, či sa ostrie otáča v správnom smere.
- Pred započatím práce vykonajte skúšobný rez so zapnutým motorom, na kontrolu polohy ostria, funkčnosti ochranných krytov vzhľadom na ostatné súčasti stroja a obrobku.
- Stroj nikdy nenechajte spustený bez dozoru.
- Na ostrie nenanášajte mazivá počas behu.
- Nikdy nevykonávajte čistenie alebo údržbu, keď je stroj ešte spustený a hlava nie je v pokojovej polohe.
- Nikdy sa nepokúšajte elektrické náradie rýchlo zastaviť zablokovaním pílového kotúča pomocou náradia alebo iných prostriedkov zasunutím oproti kotúču. Týmto spôsobom by mohli byť neúmyselne spôsobené vážne zranenia.
- Pred výmenou pílového kotúča alebo vykonávaním údržby odpojte pílu od elektrickej siete alebo od batérie.
- Dávajte pozor na pílový kotúč pri balení a rozbaľovaní. Na ostrí čepele kotúča sa dá ľahko poraniť.
- Pri manipulácii s pílovým ostrím používajte držiak alebo noste rukavice.
- Uschovávajú a uskladňujú pílový kotúč v originálnom obale alebo inom vhodnom obale. Uchovávajú v suchom prostredí mimo chemikálií, ktoré môžu poškodiť čepeľ.

EN
FR
DE
ES
IT
NL
PT
DA
SV
FI
NO
RU
PL
CS
HU
RO
LV
LT
ET
HR
SL
SK
BG
UK
TR
EL

VAROVANIE

- Používajte chrániče zraku a sluchu.
- Používajte protiprachovú masku.
- Nepoužívajte žiadne abrazívne kotúče.
- Dbajte na to, aby nedošlo k prehriatiu hrotov ostria. Nepoužívajte otupené alebo poškodené príslušenstvo. Na nástroj nevyvíjajte silu.
- Používajte len odporúčané ostria.
- Nepoužívajte ostria väčšieho alebo menšieho priemeru ako odporúčané.
- Používajte len ostria špecifikované v tomto návode, ktoré spĺňajú normu EN 847-1.

BEZPEČNOSŤ PRI PRÁCI S LASEROM (RCS1600)



- Vyžarovanie laserového navádzania použitého v prípade Trieda 2 s maximálnym výkonom $\leq 1\text{mW}$ a vlnovou dĺžkou 650 nm. Nepozerajte priamo do laserového lúča. Pri nedodržiavaní týchto pravidiel by mohlo dôjsť k vážnemu poraneniu osôb.



Dodali sme vám lepiaci štítok vo vašom jazyku a teraz odporúčame, aby ste ho pred prvým uvedením zariadenia do prevádzky nalepili namiesto anglického textu na výstražný štítok.

- Počas činnosti nepozerajte do lúča.
- Nesviette laserovým lúčom priamo do očí iných osôb. Mohlo by dôjsť k vážnemu poraneniu očí.
- Nepracujte s laserom v polohe, pri ktorej by sa mohol niekto, či už úmyselne alebo neúmyselne, pozrieť do laserového lúča.
- Nepoužívajte optické nástroje na zobrazenie laserového lúča.
- Nepoužívajte laser v blízkosti detí ani nedovoľte deťom pracovať s laserom.
- Nepokúšajte sa opravovať laserové zariadenie sami.
- Nepokúšajte sa sami vymieňať žiadne diely laserového zariadenia.
- Akékoľvek opravy môže vykonávať len výrobca lasera alebo autorizovaný servisný pracovník.
- Nevymieňajte laser za iný typ.

ZVYŠKOVÁ RIZIKOVOSŤ

Aj keď sa nástroj používa podľa predpisu, nie je možné eliminovať určité zvyškové rizikové faktory. Pri použití vznikajú nasledujúce riziká a obsluhujúca osoba musí venovať zvláštnu pozornosť, aby nedošlo k nasledovnému:

- Zranenie spôsobené spätným nárazom

- Prečítajte si a oboznámte sa s informáciami v tejto príručke.

- Zranenie spôsobené vibráciami
 - Obmedzte expozíciu. Pozrite časť „Znižovanie Rizika“.
- Zranenie spôsobené prachom
 - Vždy používajte chrániče zraku. Používajte primeranú masku na zachytávanie prachu s vhodnými filtrami, ktoré dokážu chrániť pred prachom z opracúvaného materiálu. Na pracovisku nejedzte, nepite ani nefajčite. Zabezpečte primerané vetranie pracoviska.
- Zásah elektrickým prúdom
 - Ostrie sa môže dostať do kontaktu so skrytým vedením, následkom čoho môžu byť diely produktu pod prúdom. Produkt vždy držte za určené rukoväte a dávajte pozor pri rezaní naslepo do stien a podláh, kde sa môžu nachádzať skryté káble.

POZNÁMKA: Pri práci na stenách, stropoch alebo dlážkach dávajte pozor, aby ste nezasiahli elektrické káble a plynové či vodovodné potrubie.

- Zranenie pri kontakte s rezným ostrím
 - Čepele sú veľmi ostré a pri práci budú veľmi horúce. Pri výmene čepelí používajte rukavice. Držte ruky neustále mimo dosahu priestoru rezania. Nikdy nedržte rezaný kus materiálu rukami alebo krížom na nohách. Upnite obrobok vždy, keď je to možné.

OBMEDZENIE RIZIKA

Boli hlásené prípady, kedy vibrácie z ručných nástrojov u niektorých osôb prispeli k stavu nazývanému Raynaudov syndróm. K symptómom patria: tŕpnutie, znecitlivenie a blednutie prstov, zvyčajne zjavné po vystavení zime. Je známe, že k vývoju týchto symptómov prispievajú: dedičné faktory, vystavovanie zime a vlhkosti, diéta, fajčenie a pracovné návyky. Opatrenia, ktoré môže vykonať obsluhujúca osoba na možné zníženie účinkov vibrácií:

- V studenom počasí udržiavajte svoje telo v teple. Pri práci so zariadením noste rukavice, aby ste mali ruky a zápästia v teple. Boli hlásené prípady, kedy hlavným faktorom prispievajúcim k Raynaudovmu syndrómu bolo studené počasie.
- Po každom určitom časovom úseku prevádzky cvičte, aby ste zlepšili krvný obeh.
- Počas práce si doprajte časté prestávky. Obmedzte počet vystavení za deň.

Ak zistíte ktorýkoľvek zo symptómov tohto stavu, okamžite prerušte používanie zariadenia, navštívte svojho lekára a povedzte mu o symptómoch.

VAROVANIE

Dlhodobé používanie nástroja môže spôsobiť alebo zhoršiť poranenia. Pri používaní nástroja príliš dlhé obdobia si vždy doprajte pravidelné prestávky.

OBOZNÁMTE SA S VAŠÍM PRODUKTOM

Vid' strana 135.

1. Spínač
2. Poistné tlačidlo
3. Horný kryt
4. Adaptér prachového otvoru
5. Páčka spodného krytu
6. Skrutka píloveho kotúča
7. Spodný kryt
8. Držadlo
9. Uholová stupnica
10. Zarážka uhlovej stupnice
11. Zarážka pozdĺžneho vodidla
12. Základňa
13. Laserová hlavica (RCS1600)
14. Ostrie
15. Koľaj píly
16. Upínač
17. Kľúč
18. Vodidlo zlomu

ÚDRŽBA

VAROVANIE

Tento produkt sa nikdy nesmie pripájať do elektrickej siete, keď montujete diely, vykonávate úpravy, čistíte alebo vykonávate údržbu, alebo keď produkt nepoužívate. Odpojením produktu zabránite náhodnému spusteniu, ktoré by mohlo spôsobiť závažné poranenie.

- Pri servise používajte len originálne náhradné diely výrobcu. Použitie iných dielov môže predstavovať riziko alebo spôsobiť poškodenie produktu.
- Vždy odpojte nástroj od elektrickej siete pred montážou alebo demontážou ostria píly. Čistite výrobok a ochranný systém s čistou tkaninou.
- Vyhýbajte sa použitiu rozpúšťadiel pri čistení plastových častí. Veľšina plastických materialov je občutlivá na rozlične vrstvy komerčialno dostupných topilín, v ktorých z nich z nich jeho uporabo ľahko poškodujeme. Na odstránenie špiny, uhlíkového prachu a pod. použite čisté tkaniny.
- Dbajte na to, aby do kontaktu s plastovými dielmi nikdy neprišli do kontaktu brzdové kvapaliny, benzín, ropné produkty, prenikavé oleje a pod. Chemikálie môžu poškodiť, oslabiť či zničiť plast.
- Pri práci s mechanickým nástrojom alebo ofukovaní prachu vždy používajte ochranné okuliare alebo ochranné okuliare s bočnými chráničmi. Ak pri práci vzniká prach, používajte aj protiprachovú masku.
- Ak dôjde k poškodeniu napájacieho kábla, aby nedošlo k ohrozeniu, musí ho vymeniť výrobca alebo autorizované servisné stredisko. Obráťte sa na autorizované servisné centrum.
- Pre vyššiu bezpečnosť a spoľahlivosť sa musia všetky opravy vykonávať v autorizovanom servisnom centre Ryobi.

MAZANIE

Všetky ložiská v produkte sú namazané dostatočným množstvom mazivom vysokej akosti na celú životnosť produktu pri bežných prevádzkových podmienkach. Pretonie je potrebné žiadne ďalšie mazanie.

OCHRANA ŽIVOTNÉHO PROSTREDIA



Surové materiály recyklujte, nelikvidujte ich ako odpad. Stroj, príslušenstvo a obaly by sa mali triedene recyklovať spôsobom šetrným k životnému prostrediu.

SYMBOLY NA PRODUKTE



Buďte ostražití

V

Napätie

Hz

Hertz

~

Striedavý prúd

W

Watty

n_o

Otáčky bez zaťaženia

min⁻¹

Počet otáčok za minútu



Trieda II, dvojitá izolácia



Drevo



Nerežte kovové



Noste ochranu sluchu



Noste ochranu zraku



Laserové vyžarovanie.
Nepozerajte priamo do lúča.
Laserový produkt Triedy 2
λ: 650nm; P≤1mW
EN 60825-1:2014



Nebezpečenstvo! Ostré čepele.



Nevystavujte dažďu



Šírka rezu



Zúbky čepele



Zhoda CE



Euroázijská značka zhody



Ukrajinské označenie zhody



Pred zapnutím zariadenia si prosím prečítajte inštrukcie

EN
FR
DE
ES
IT
NL
PT
DA
SV
FI
NO
RU
PL
CS
HU
RO
LV
LT
ET
HR
SL
SK
BG
UK
TR
EL



Opotrebované elektrické zariadenia by ste nemali odhadzovať do domového odpadu. Prosíme o recykláciu ak je možné. Kontaktujte miestne úrady, alebo predajcu pre viac informácií ohľadom ekologického spracovania.

SYMBOLY V NÁVODE



Pripojte do elektrickej siete.



Odpojte z elektrickej siete.



Diely alebo príslušenstvo predávané samostatne



Zamknuté



Odomknuté



Poznámka

Nasledujúce značky a významy vysvetľujú úroveň rizika spojeným s výrobkom.

NEBEZPEČENSTVO

Označuje bezprostredne nebezpečnú situáciu, ktorá, ak jej nepredídete, spôsobí usmrtenie alebo vážne poranenie.

VAROVANIE

Označuje potenciálne nebezpečnú situáciu, ktorá, ak jej nepredídete, môže spôsobiť usmrtenie alebo vážne poranenie.

UPOZORNENIE

Označuje potenciálne nebezpečnú situáciu, ktorá, ak jej nepredídete, môže spôsobiť menšie alebo stredne závažné poranenie.

UPOZORNENIE

(Bez výstražnej značky s výkričníkom) Označuje situáciu, ktorá môže zapríčiniť škody na majetku.

Безопасността, производителността и надеждността са аспектите, на които е отделен най-голям приоритет при проектирането на вашия циркулярен трион.

ПРЕДНАЗНАЧЕНИЕ

Циркулярният трион е предназначен за използване само от възрастни, които са прочели и разбрали инструкциите и предупрежденията в настоящото ръководство и могат да бъдат считани като отговорни за своите действия.

Трионът е проектиран за надлъжно и напречно рязане на дърво и подобни материали до максимална дълбочина от 54 mm. Той може да прави или скосени разрези между 0 и 45 градуса. Инструментът трябва да се използва, когато основата му е в контакт с работния детайл. Трябва да се използва на сухи, добре осветени и вентилирани места. Циркулярният трион е проектиран за ръчна употреба. Той не трябва да се монтира върху работен плот, освен ако производителят на триона не е дал конкретни инструкции как да се направи това. Не използвайте инструмента за рязане на метал или зидария. Не използвайте продукта по начини, различни от посочените. Използването на електрически инструменти за различни от предвидените от производителя приложения повишава опасността от възникване на трудови злополуки.

⚠ ПРЕДУПРЕЖДЕНИЕ

Прочетете всички предупреждения относно безопасността и всички инструкции. Неспазването на предупрежденията и инструкциите може да доведе до токов удар, пожар и/или сериозни наранявания.

Съхранявайте всички предупреждения и инструкции за бъдещи справки.

ПРЕДУПРЕЖДЕНИЯ ЗА БЕЗОПАСНОСТ ПРИ РАБОТА С ЦИРКУЛЯРНИЯ ТРИОН

ПРОЦЕДУРИ ЗА РЯЗАНЕ

⚠ ОПАСНОСТ

Дръжте ръцете си далече от зоната на рязане и острието. Дръжте другата си ръка върху спомагателната ръкохватка или корпуса на двигателя. Ако и двете ръце държат триона, те не могат да бъдат порязани от острието.

- Не поставяйте ръката си под работния детайл. Предпазителят не може да ви защити от острието под работния детайл.
- Регулирайте дълбочината на рязане според дебелината на работния детайл. Под работния детайл трябва да се вижда по-малко от цялата дължина на зъбите на острието.
- Никога не дръжте материала, който режете, в ръце или през краката си. Закрепете работния детайл към стабилна платформа. Важно е да

закрепвате детайла правилно, за да се намалят до минимум рискът за тялото, извиването на острието или загубата на контрол.

- Дръжте електрическия инструмент само за изолираните повърхности за хващане, когато извършвате операция, при която режещият инструмент може да влезе в контакт със скрити проводници или със собствения си кабел. Контактът с проводник, по който тече ток, може да доведе до протичането на ток по неизолираните метални части на електрическия инструмент и да причини токов удар на оператора.
- Когато правите надлъжен разрез, винаги използвайте оградка за нацепване или прав ъглов водач. Това подобрява точността при рязане и намалява възможността от огъване на острието.
- Винаги използвайте остриета с правилен размер и форма (диамантени пред кръгли) с дупки. Остриета, които не съответстват на монтажната рамка на триона, ще работят ексцентрично, причинявайки загуба на контрол.
- Никога не използвайте повредени или неправилни болтове или шайби за остриетата. Шайбите и болтовете на остриетата са направени специално за вашия трион за оптимално изпълнение и безопасност при работа.

ПРИЧИНИ ЗА ОТКАТ И СВЪРЗАНИ С ТОВА ПРЕДУПРЕЖДЕНИЯ:

- Откатът е внезапна реакция на притиснато, огънато или изкривено острие, което води до неконтролиран отскок на триона от работния детайл към оператора.
- Когато острието е защипано или здраво захванато в прореза, острието засяда и реакцията на мотора започва да издърпва уреда назад към оператора.
- Ако острието се усуче или изкриви в прореза, зъбите в задния край на острието може да задълбаят в горната повърхност на дървото, което ще причини отскачане на острието от прореза към оператора.

Откатът е следствие на неправилно използване на електрическия инструмент. Той може да бъде предотвратен с предприемане на подходящи предпазни мерки, които са описани по-долу:

- Поддържайте здрав захват с две ръце върху машината и застанете така, че да можете да противостоите на откатните сили. Разположете тялото си от която и да е страна на острието, но не и успоредно с него. Откатът може да накара острието да отскочи назад, но операторът може да контролира тези сили, ако се вземат подходящи предпазни мерки.
- Когато острието е захванато или когато рязането се прекъсне по някаква причина, освободете спусъка и дръжте триона в покой в материала, докато острието напълно спре. Никога не опитвайте да изваждате триона от работния детайл или да го дърпате назад, докато острието се движи, тъй като може да се получи откат. Направете проверка и предприемете коригиращи действия, за да отстраните причината за огъване на острието.

- При рестартиране на триона в работния детайл, центрирайте острието на триона в прореза и проверете дали зъбите не са захванати в материала. Ако острието на триона се огъне, може да се извади или да отскочи от детайла при рестартиране на триона.
- Поддържайте по-големите панели, за да намалите риска от защипване и откат на острието. Големите панели могат да се огънат от собствената си тежест. Трябва да се поставят подпори под панела, от двете страни, близо до линията на рязане и до ръба на панела.
- Не използвайте тъпи или повредени остриета. Неподстрените или неправилно поставени остриета правят тесни прорези, което причинява прекомерно триене, огъване на острието и откат.
- Регулиращите заключващи лостове за дълбочината на острието и за наклона трябва да са затегнати здраво преди да се пристъпи към рязане. Ако регулирането на острието се измести по време на рязане, то може да причини огъване и откат.
- Бъдете особено внимателни, когато режете в съществуващите стени или други слепи зони. Издаденото острие може да среже предмети, които могат да причинят откат.

ФУНКЦИЯ НА ДОЛНИЯ ПРЕДПАЗИТЕЛ

- Проверявайте долния предпазител за правилно затваряне преди всяка употреба. Не работете с триона, ако долният предпазител не се движи свободно и затворете веднага острието. Никога не закрепвайте или не завързвайте долния предпазител така, че острието да е открито. Ако трионът падне случайно, долният предпазител може да се огъне. Повдигнете долния предпазител с прибиращата се ръкохватка и се уверете, че той се движи свободно и не докосва острието или друга част във всички ъгли и дълбочини на срязване.
- Проверете работата на възвратната пружина на долния предпазител. Ако предпазителят и възвратната пружина на работят правилно, те трябва да се сервизират преди употреба. Долният предпазител може да работи бавно поради повредени части, смолисти натрупвания или натрупване на отпадъци.
- Долният предпазител може да се прибира ръчно само за специални разрези, като напр. „потъващо рязане“ и „комбинирани разрези“. Повдигнете долния предпазител с прибиращата се ръкохватка и когато острието влезе в материала, предпазителят трябва да бъде освободен. За всякакви други видове рязане долният предпазител трябва да работи автоматично.
- Винаги наблюдавайте дали долният предпазител покрива острието преди да оставите триона на пейка или на пода. Незащитено, работещо по инерция острие ще причини движение на триона назад и ще нареже всичко по пътя си. Внимавайте за времето, необходимо на острието да спре след

отпускане на превключвателя.

ИНСТРУКЦИИ ЗА РАБОТА С ОСТРИЕТА ЗА РЯЗАНЕ НА ДЪРВО

- Моля, прочетете ръководството и инструкциите внимателно, преди да използвате острието на триона и електрическия инструмент.
- Електрическият инструмент трябва да бъде в добро състояние, шпинделът да не е деформиран и да няма вибрации.
- Не използвайте триона, ако предпазителите не са поставени на място. Дръжте предпазителите в добро състояние за работа и извършвайте подходяща поддръжка.
- Уверете се, че операторът има подходящо обучение за мерки за безопасност, регулиране и работа с електрическия инструмент.
- Винаги носете предпазни очила и антифони, когато използвате електрическия инструмент. Препоръчително е да носите ръкавици и здрави, непързалици се обувки.
- Преди да използвате какъвто и да е аксесоар се консултирайте с ръководството. Неправилната употреба на аксесоар може да причини повреда и да увеличи възможността от нараняване.
- Използвайте само остриета, посочени в настоящото ръководство, които са в съответствие с EN 847-1.
- Наблюдавайте максималната скорост, отбелязана на острието на триона. Уверете се, че скоростта, отбелязана на острието на триона, е поне равна на скоростта, отбелязана на триона.
- Винаги използвайте остриета с правилен размер и форма с дупки. Остриета, които не съответстват на монтажната рамка на триона, ще работят ексцентрично, причинявайки загуба на контрол.
- Не използвайте остриета с по-голям или с по-малък диаметър от препоръчителния. Не използвайте разделители, за да напаснете острието върху шпиндела.
- Проверявайте върховете на циркулярното острие за повреда и необичаен външен вид преди всяка употреба. Върхове, които са повредени или хлабави, могат да се превърнат в летящи предмети при употреба и да увеличат възможността от физически наранявания.
- Не използвайте пукнати или изкривени циркулярни остриета. Не използвайте циркулярни остриета, които са повредени или деформирани
- Изхвърлете циркулярното острие, ако е повредено, деформирано, изкривено или пукнато; не е разрешен ремонт.
- Не използвайте остриета от бързорезеща стомана.
- Уверете се, че циркулярното острие е монтирано правилно. Затегнете здраво болта на острието преди употреба (момент на затягане приблизително 10-15 Nm).
- Винтовете и гайките за закрепване трябва да се затягат с помощта на подходящ ключ.
- Не се разрешава удължаване на ключа или

затягане с чук.

- Уверете се, че острието и фланците са чисти, а вдлъбнатите страни на пръстена са срещу острието.
- Уверете се, че острието се върти в правилната посока.
- Преди употреба направете пробен разрез, без да включвате мотора, за да проверите позицията на острието, работата на предпазителите по отношение на други части на машината и работния детайл.
- Никога не оставяйте електрическия инструмент без надзор.
- Не използвайте лубриканти върху острието, докато се върти.
- Никога не извършвайте дейности по почистване или поддръжка, докато електрическият инструмент все още работи и главата не е в позиция на покой.
- Никога не опитвайте да спирате рязко инструмент в движение, опитвайки се да го заклещите или с някакви други средства срещу острието. По този начин могат да възникнат сериозни нещастни случаи.
- Изключете триона от ел. мрежа или извадете батерията, преди да смените остриетата или да извършите поддръжка.
- Обърнете внимание на опаковането и разопаковането на острието. Може лесно да се нараните на остриите ръбове на острието.
- Използвайте държач за острие или носете ръкавици, когато работите с циркулярно острие.
- Дръжте и съхранявайте острието в оригиналната или в друга подходяща опаковка. Дръжте острието на сухо и далече от химикали, които могат да го повредят.

⚠ ПРЕДУПРЕЖДЕНИЕ

- Носете средства за защита на зрението и слуха.
- Носете подходяща маска против прах.
- Не използвайте абразивни дискове.
- Избягвайте прегряване на върховете на острието. Не използвайте тъпи или повредени остриета. Не насилвайте продукта.
- Използвайте само препоръчителните циркулярни остриета.
- Не използвайте остриета с по-голям или с по-малък диаметър от препоръчителния.
- Използвайте само остриета, посочени в настоящото ръководство, които са в съответствие с EN 847-1.

НЕПРЕДВИДЕНИ РИСКОВЕ.

Дори когато продуктът се използва по предназначение, е невъзможно напълно да се ограничи влиянието на определени рискови фактори. Рисковете, описани по-долу, може да възникнат по време на употреба и операторът трябва да внимава за избягването на

следното:

- Наранявания, причинени от откат
 - Трябва да прочетете и да разберете напълно предупрежденията и указанията в настоящото ръководство.
 - Нараняване, причинено от вибрация.
 - Ограничете излагането на вибрации на ден. Прегледайте раздела „Намаляване на риска“ в настоящото ръководство.
 - Наранявания, причинени от прах
 - По всяко време носете защитни средства за очите. Носете маска против прах с подходящи филтри, която може да ви предпази от частици от материала, върху който работите. Не употребявайте храни, напитки или цигари в зоната на работа. Осигурете подходяща вентилация.
 - Токов удар.
 - Острието може да засегне скрити проводници, което да доведе до протичане на ел. ток по частите. Винаги дръжте продукта за определените за това ръкохватки и внимавайте, когато пробивате на сляпо стени и подове, в които може да има скрити проводници.
- ЗАБЕЛЕЖКА:** Когато работите в стени, тавани или подове, избягвайте засягането на електрически кабели, газови и водни тръби.
- нараняване в следствие на контакт с остриетата
 - Остриетата са много остри и ще загреят по време на употреба. Носете ръкавици, когато смените остриетата. Дръжте ръцете си далече от зоната на рязане през цялото време. Никога не дръжте материала, който режете, в ръце или през краката си. Пристегнете работния детайл в менгема, когато е възможно.

ΜΕΙΩΣΗ ΚΙΝΔΥΝΟΥ

Известно е, че вибрациите, произвеждани от ръчни инструменти може да предизвикат у някои индивиди заболяване, наречено Синдром на Рейнолд (Raynaud's Syndrome). Симптомите може да включват изтръпване, схващане и избледняване на пръстите, обикновено се забелязват при излагане на студ. Смята се, че наследствените фактори, излагането на студ и влага, диетите, пушенето и някои работни навици допринасят за развитието на тези симптоми. Могат да се вземат някои мерки, които могат да се предприемат от оператора, за да се намалят ефектите от вибрациите:

- Поддържайте телесната температура в студено време. Когато работите с продукта, носете ръкавици, за да поддържате ръцете и китките си топли. Според изследвания главният фактор, допринасящ за развитието на Raynaud's Syndrome, е студеното време.
- Правете упражнения за активизиране на кръвообращението след всеки работен цикъл.
- Редовно излизайте в почивка. Ограничете излагането на вибрации на ден.

При поява на някой от симптомите на това заболяване,

незабавно прекратете употребата на инструмента и посетете лекар.

ПРЕДУПРЕЖДЕНИЕ

Продължителното използване на инструмента може да доведе до наранявания или влошаване. При използване на инструмента за продължителни периоди от време правете чести почивки.

ПРАВИЛА ЗА БЕЗОПАСНОСТ ПРИ РАБОТА С ЛАЗЕР (RCS1600)



- Лазерното лъчение, използвано в този трион, е от Клас 2 с максимум $\leq 1\text{mW}$ и дължина на вълните 650 nm. Не се взирайте в лъча. Несъответствието с правилата може да доведе до сериозни физически наранявания.



- Ние сме ви предоставили самозалепващ се етикет на вашия език и ви молим да го поставите върху съществуващия етикет на английски език, който се намира отстрани на инструмента, преди да въведете машината в експлоатация за първи път.
- Не се вглеждайте в лъча по време на работа.
- Не насочвайте лазерния лъч директно в очите на другите. Това може да доведе до сериозно нараняване на очите.
- Не поставяйте лазера в позиция, която би могла да накара някой да се вгледа в него волно или неволно.
- Не използвайте оптически инструменти за разглеждане на лазерния лъч.
- Не работете с лазера близо до деца или не позволявайте на деца да го използват.
- Не опитвайте да ремонтирате лазерното устройство сами.
- Не опитвайте да сменяте никакви части на лазерното устройство сами.
- Всички ремонтни дейности трябва да се извършват само от производителя на лазера или оторизиран сервизен представител.
- Не сменяйте лазера с различен вид.

ОПОЗНАЙТЕ ВАШИЯ ПРОДУКТ

Вж. страница 135.

1. Спусък
2. Фиксиращ бутон
3. Горен предпазител
4. Адаптер за изхода за отделяне на праха

5. Лост за прибиране на долния предпазител
6. Болт на острието
7. Долен предпазител
8. Ръкохватка
9. Ъглова скала
10. Врътка за заключване на ъгловата скала
11. Заключване на надлъжния водач
12. Основа
13. Лазерна глава (RCS1600)
14. Острие
15. Релса на триона
16. Скоба
17. Гаечен ключ
18. Надлъжен водач

ПОДДРЪЖКА

ПРЕДУПРЕЖДЕНИЕ

Продуктът не трябва никога да се включва в захранване, когато сглобявате части, правите настройки, почиствате, извършвате поддръжка или когато не го използвате. Изключването на продукта от захранването ще предотврати случайно стартиране, което би могло да причини сериозни наранявания.

- При ремонт използвайте само идентични резервни части на Ryobi. Използването на други части може да ви постави в опасност или да повреди продукта.
- Уверете се, че сте изключили продукта от захранването, преди да монтирате или да махнете циркулярното острие. Почиствайте инструмента и системата за защита с чиста кърпа или чрез компресиран въздух.
- Избягвайте използването на разтворители при почистването на пластмасовите части. Повечето пластмаси са чувствителни към различни видове разтворители и може да се повредят при използването на такива. Използвайте меки кърпи за отстраняване на замърсявания, въглероден прах и др.
- В никакъв случай не позволявайте пластмасовите части да влизат в контакт със спирачни течности, нефтени продукти, проникващи масла и т.н. Те съдържат химически вещества, които могат да повредят, отслабят или разрушат пластмасата.
- Винаги носете предпазна маска или очила със странични екрани, когато боравите с механизирани инструменти или издухвате прах. Ако при работата се отделя прах, използвайте и маска за предпазване от него.
- Ако захранващият кабел бъде повреден, той трябва да се смени от производителя или от оторизиран сервиз, за да се избегнат рискове. Свържете се с упълномощен сервизен център.
- За по-голяма безопасност и надеждност всички ремонти трябва да се извършват от оторизиран сервиз на Ryobi.

СМАЗВАНЕ

Всички лагери в този продукт за смазани с достатъчно количество висококачествено масло, което трябва да стигне за целия експлоатационен живот на инструмента при нормални работни условия. Затова не е необходимо допълнително смазване.

ОПАЗВАНЕ НА ОКОЛНАТА СРЕДА



Рециклиране на суровини, вместо за обезвреждане като отпадък. Машината, допълнителните приспособления и опаковките трябва да бъдат подложени на подходяща преработка за оползотворяване на съдържащите се в тях вторични суровини.

СИМВОЛИ НА ПРОДУКТА



Предупреждение относно безопасността

V

Напрежение

Hz

Херц

~

Променлив ток

W

Ватове

n_o

Скорост в ненатоварен режим

min⁻¹

Обороти или възвратно-постъпателни движения в минута



Дърво



Не режете метали



Носете антифони



Носете защитни средства за очи



Лазерно лъчение.

Не се взирайте в лъча.

Лазерен продукт от Клас 2

λ: 650nm; P≤1mW

EN 60825-1:2014



Опасност! Остро острие



Не излагайте на дъжд



Ширина на рязане



Зъби на острието



Инструмент от клас II, двойна изолация



ЕС Съответствие



EurAsian знак за съответствие



Украински знак за съответствие



Прочетете инструкциите внимателно, преди да стартирате машината.



Електрическите уреди не трябва да се изхвърлят заедно с битовите отпадъци. Рециклирайте, където има възможност. Обърнете се за съвет по рециклирането към местните власти или разпространителите.

СИМВОЛИ В НАСТОЯЩОТО РЪКОВОДСТВО



Включете в захранването.



Изключете продукта от електрозахранването.



Частите или принадлежностите се продават отделно



Ключалка



Отключване



Забележка

Следните сигнални думи и значенията им са предназначени да обяснят нивата на опасност, свързани с този продукт.

⚠ ОПАСНОСТ

Указва неминуемо опасна ситуация, която ако не бъде избегната, ще доведе до сериозни наранявания или смърт.

⚠ ПРЕДУПРЕЖДЕНИЕ

Указва потенциално опасна ситуация, която ако не бъде избегната, може да доведе до сериозни наранявания или смърт.

⚠ ВНИМАНИЕ

Указва потенциално опасна ситуация, която ако не бъде избегната, може да доведе до дребни или средни наранявания.

ВНИМАНИЕ

(Без предупредителен символ за безопасност) Указва ситуация, която може да доведе до имуществени щети.

EN
FR
DE
ES
IT
NL
PT
DA
SV
FI
NO
RU
PL
CS
HU
RO
LV
LT
ET
HR
SL
SK
BG
UK
TR
EL

Головними міркуваннями при розробці цієї циркулярної пилки були безпека, ефективність та надійність.

ПРИЗНАЧЕННЯ

Циркулярна пилка призначена для використання тільки дорослими, які повністю прочитали та зрозуміли інструкції та попередження у цьому керівництві і можуть вважатися відповідальними за власні дії.

Циркулярна пилка призначена для подовжнього та поперечного розрізання деревини та подібних матеріалів на глибину до 54 міліметрів. За допомогою пили можна робити прямі та похилі розрізи під кутом від 0 до 45 градусів. При використанні пили основа інструменту має торкатися деталі, що оброблюється. Пила призначена для використання в сухих умовах, з відмінним освітленням та вентиляцією. Пила призначений для портативного використання. Пила не призначений для монтажу на верстаті, якщо конкретні інструкції про те, як зробити це не надані виробником продукту. Не використовувати для різання металу або каміння. Для довбання та свердлення кам'яної кладки, може бути використаний режим молотка. Використання електричного інструменту для операцій, які відрізняються від призначених, може призвести до небезпечної ситуації.

⚠ ПОПЕРЕДЖЕННЯ

Читайте всі правила безпеки та інструкції. Недотримання попереджень та інструкцій може призвести до ураження електричним струмом, пожежі та / або серйозної травми.

Збережіть всі інструкції і вказівки для майбутнього використання.

ЗАХОДИ БЕЗПЕКИ ПРИ КОРИСТУВАННІ ЦИРКУЛЯРНОЮ ПИЛКОЮ

РІЗАННЯ

⚠ НЕБЕЗПЕКА

Тримайте руки подалі від зони різання та диску. Тримайтеся другою рукою за допоміжну ручку або корпус мотора. Якщо тримати пилку обома руками, їх неможливо травмувати ріжучим диском.

- Слідкуйте, щоб руки не потрапили під деталь, що оброблюється. Щиток не захистить вас від диску під деталлю.
- Встановлюйте глибину різання відповідно до товщини деталі. Під деталлю, що оброблюється, має бути видно неповний зубець диску.
- Ніколи не відрізайте заготовку в ваших руках або через вашу ногу. Закріпіть деталь, що оброблюється, на стійкій платформі. Важливо правильно організувати роботу, аби мінімізувати ризик нанесення травми, блокування диску або втрату контролю.
- Тримайте електроінструмент за ізольовані

поверхні при виконанні дій, при яких ріжучий інструмент може торкнутися прихованої проводки або власного шнура. Кріплення, що контактують з проводом «під напругою» можуть зробити металеві частини електроінструменту «під напругою», і можуть вразити оператора електричним струмом.

- При подовжньому різанні завжди використовуйте напрямну планку або косинець. При цьому підвищується точність різання та знижується вірогідність заклинювання диску.
- Завжди використовуйте диски зі шпindelними отворами правильного розміру та форми (ромбовидної/круглої). Леза, які не відповідають монтажному обладнанню пилки будуть працювати ексцентрично, що призведе до втрати контролю.
- Забороняється використовувати пошкоджені або непридатні шайби чи болти кріплення диску. Шайби та болт спеціально розроблено для цієї пилки, вони забезпечують оптимальну ефективність та надійність роботи.

ПРИЧИНИ ВІДСКОКУ ТА ВІДПОВІДНІ ПОПЕРЕДЖЕННЯ:

- Відскок трапляється через затискання, заклинювання чи неправильне центрування диску; при цьому неконтрольована пилка різко рухається догори та в напрямку оператора.
- Коли диск затискається у розпилі, він застрягає, і через реакцію мотора пилку відкидає в напрямку оператора.
- Якщо диск перекошується у розпилі, зубці на задній частині диску чіпляються за верхній край деталі, внаслідок чого диск виривається з розпилу та штовхає пилку в напрямку оператора.

Віддача є наслідком неправильного застосування електро інструменту та/або неправильних процедур або умов експлуатації і може бути уникнута застосуванням належних запобіжних заходів, як зазначено нижче.

- Міцно тримайте пилку обома руками та розташуйтеся так, щоб бути готовим на випадок відскоку. Ставайте так, щоб ваше тіло знаходилося з одного чи іншого боку від диску, а не на лінії диску. Відскок примушує пилку рухатися назад, але його можна контролювати, якщо заздалегідь вжити належних заходів.
- Якщо диск застряг або ж у разі переривання процесу розпилювання з будь-якої причини відпустіть курок і втримуйте пилку до повної зупинки диску. Ніколи не витягайте диск з матеріалу і не рухайте пилку назад, коли диск обертається: це може призвести до відскоку. З'ясуйте, чому диск застряг, та усуньте причину.
- При повторному запуску пилки, коли диск знаходиться в деталі, розташуйте пилку так, щоб диск був паралельним розпилу, і переконайтесь, що зубці не чіпляються за матеріал. У разі заклинювання диску пилка може вискочити з матеріалу при повторному запуску.
- При розпилювання панелей великого розміру задля уникнення заклинювання диску та

відскоку забезпечте опори для панелей. Великі заготовки можуть прогинатися під власною вагою. Опори необхідно розміщати під панелями з обох боків поблизу до лінії розпилювання та біля краю панелей.

- **Не використовуйте тупі або пошкоджені диски.** при використанні незагострених або неправильно встановлених дисків розпил буде занадто вузьким, що може призводити до надмірного тертя, заклинювання диску та відскоку.
- **Перед розпилюванням переконайтеся, що важелі регуляторів глибини та кута різання надійно затягнуті.** Якщо налаштування диску буде порушено під час розпилювання, це може призвести до заклинювання диску та відскоку.
- **Будьте обережними при розпилюванні стін та роботі в місцях з обмеженою видимістю.** Виступаючий диск може зачепитися за перешкоди, що може призвести до відскоку.

НИЖНІЙ ЗАХИСНИЙ ЩИТОК

- **Перед кожним використанням перевіряйте, чи закритий нижній захисний щиток. Забороняється користуватися пилкою, якщо нижній захисний щиток застрягає або не фіксується. Забороняється фіксувати нижній захисний щиток у відкритому положенні.** Якщо пилку випадково упустили, нижній щиток може погнутися. Підніміть нижній щиток за ручку та переконайтеся, що він рухається вільно і не торкається ані диску, ані будь-якої іншої частини інструменту при будь-яких кутах чи глибині розпилювання.
- **Перевірте роботу пружини нижнього захисного щитка. У разі порушення в роботі щитка чи пружини пилку слід доставити до сервісного центру для технічного обслуговування.** Порушення в роботі нижнього щитка можливі через пошкоджені деталі, налипання або накопичення сміття.
- **Дозволяється відводити нижній щиток лише для спеціальних розрізів, наприклад, пропилів чи складних розпилів.** Підніміть нижній щиток за ручку; як тільки диск увійде в матеріал, відпустіть щиток. В усіх інших випадках нижній щиток має працювати автоматично.
- **Перш ніж покласти пилку на верстак чи підлогу, переконайтеся, що нижній щиток прикриває різучий диск.** Якщо цього не зробити, при включенні інструменту пилка рухатиметься назад, розрізаючи все на шляху. Зауважте, що після вимкнення необхідний певний час, щоб диск зупинився повністю.

ЗАХОДИ БЕЗПЕКИ ПРИ РОБОТІ З ДИСКАМИ ДЛЯ РІЗАННЯ ДЕРЕВИНИ

- Будь ласка, прочитайте керівництво та інструкції перед використанням пилки і машини.
- Машина повинна бути в гарному стані, шпindel без деформації і вібрації.
- Не користуйтеся пилою зі знятими захисними щитками. Тримайте кожухи в доброму робочому

стані і належним чином встановленими.

- Переконайтеся, що оператор належним чином підготовлений з техніки безпеки, налагодження та експлуатації машини.
- Завжди надягайте захисні окуляри та засоби захисту органів слуху при використанні машини. Рекомендується надягати рукавички та міцне, неслизьке взуття.
- Перед використанням будь-якого аксесуара, зверніться до інструкції з експлуатації. Неправильне використання приладдя може призвести до пошкодження і збільшити потенціал для травми.
- Використовуйте тільки леза, зазначені у цьому посібнику, з дотриманням EN 847-1.
- Дотримуйтеся максимальної швидкості, зазначеної на дисковій пилці. Забезпечте швидкість, зазначену на лезі пилки, принаймні дорівнюючі швидкості, позначеної на пилі.
- Завжди використовуйте леза з правильним розміром і формою отворів оправки. Леза, які не відповідають монтажному обладнанню пилки будуть працювати ексцентрично, що призведе до втрати контролю.
- Не використовуйте диски більшого чи меншого діаметру, ніж рекомендується. Не використовуйте прокладки, щоб посадити лезо на шпindel.
- Перевірте кінчики пилкового леза на наявність пошкоджень, або ненормальний вигляд перед кожним використанням. Кінчики, які були пошкоджені або ослаблені можуть стати летючими об'єктами при використанні і збільшити шанси отримання травми.
- Не використовуйте тріснуті або спотворені леза. Не використовуйте леза пилки, які були пошкоджені або деформовані.
- Викиньте пильне лезо, якщо воно пошкоджене, деформоване, спотворене або тріснуте, ремонт не допускається.
- Не використовуйте леза зі швидкоріжучої сталі.
- Переконайтеся, що пила правильно встановлена перед використанням. Перед користуванням надійно затягніть болт кріплення диску (зусилля затягування прибіл. 10-15 Нм).
- Кріпильний гвинт і гайки повинні бути затягнуті, використовуючи відповідний ключ, і т.д.
- Розширення гайкового ключа або затягування за допомогою ударів молотка не допускається.
- Переконайтеся, що лезо і фланці чисті і закриті з боку втулки проти леза.
- Переконайтеся, що лезо обертається в правильному напрямку.
- Перед роботою, зробити пробний зріз без включеного двигуна, щоб становище леза, робота захистів по відношенню до інших частин машини і заготовки можуть бути перевірені.
- Ніколи не залишайте працюючий виріб без нагляду.
- Не застосовуйте мастильні матеріали на лезі, коли воно працює.
- Ніколи не виконуйте будь-яке чищення або технічне обслуговування, коли машина все ще працює, і

головка не в положенні спокою.

- Ніколи не намагайтеся зупинити електроінструмент, який швидко рухається, заблокувавши диск механічним інструментом або іншим предметом. Це може призвести до серйозних пошкоджень і травм.
- Перед заміною диску або роботами з обслуговування обов'язково від'єднуйте інструмент від мережі живлення чи акумулятора.
- Будьте обережними під час упакування чи розпакування ріжучого диску. Він має гостру кромку, об яку легко можна порізатися.
- Використовуйте тримач леза або носіть рукавички при роботі з лезом пилки.
- Тримайте та зберігайте диск в оригінальному або іншому придатному пакуванні. Зберігайте в сухому місці, окремо від хімічних речовин, що можуть пошкодити ніж.

⚠ ПОПЕРЕДЖЕННЯ

- Носіть очей і вух.
- Носіть маску
- Не встановлюйте на пилку абразивні диски.
- Слідкуйте за тим, щоб кромка диску не перегрівалася. Не використовуйте тупі або пошкоджені диски. Не перевантажуйте електроінструмент.
- Дозволяється використовувати пильні диски рекомендується.
- Не використовуйте диски більшого чи меншого діаметру, ніж рекомендується.
- Використовуйте тільки леза, зазначені у цьому посібнику, з дотриманням EN 847-1.

ПРАВИЛА БЕЗПЕКИ ЛАЗЕРА (RCS1600)



- Лазерне випромінювання, що використовується в цій пилці класу 2 з максимальною ≤ 1 мВатт і 650 нм довжиною хвиль. Не дивіться на лазерний промінь. Недотримання цього попередження може призвести до серйозних травм.



Ми поставили вам наклейку на вашій мові, і тепер просимо Вас наклеїти її поверх існуючої етикетки на англійській мові, яка знаходиться на боці інструменту, перед першим введенням в експлуатацію машини.

- Не дивіться на промінь під час роботи.
- Не спрямовуйте лазерний промінь прямо в очі інших. Це може спричинити серйозні травми очей.
- Не встановлюйте лазер в положенні, яке може

спричинити навмисний або ненавмисний вплив лазерного променя.

- Не використовуйте оптичні інструменти, щоб подивитися на лазерний промінь.
- Не використовуйте лазер навколо дітей і не дозволяйте дітям управляти лазером.
- Не намагайтеся ремонтувати прилад лазера самостійно.
- Не намагайтеся змінити які-небудь частини лазерного пристрою самостійно.
- Будь-які ремонтні роботи повинні виконуватися тільки виробником лазера або авторизованим сервісним агентом.
- Не замінійте лазер іншим типом.

ЗАЛИШКОВІ РИЗИКИ

Навіть коли продукт використовується як написано, залишається неможливим повністю усунути деякі залишкові чинники ризику. Наступні небезпеки можуть виникнути і оператор повинен звернути особливу увагу, щоб уникнути наступного:

- Травми, викликані віддачей
 - Прочитайте та зрозумійте інформацію, що наведено в цьому керівництві.
- Травми, викликані вібрацією
 - Обезжуйте вплив. Дивіться ЗНИЖЕННЯ РИЗИКУ.
- Травми, викликані пилом.
 - Завжди надягайте захисні окуляри. Носіть відповідну маску пилоподавлення з підходящими фільтрами, які можуть захистити від пилу від оброблюваного матеріалу. Не їжте, не пийте і не паліть в робочій зоні. Забезпечте достатню вентиляцію на робочому місці.
- Ураження електричним струмом
 - Лезо може контактувати з прихованою проводкою, в результаті чого частини продукту, стануть пвд напругою. Завжди тримайте виріб за призначені ручки і пильнуйте, коли сліпому різанні в стінах і підлогах, де кабелі можуть бути приховані.

ПРИМІТКА: При роботі на стінах, стелі, або підлозі, дбайте про уникнення електричних кабелів і газових або водопровідних труб.

- Травми від контакту з ріжучим лезом
 - Леза дуже гострі і нагріватимуться під час використання. Wear gloves when changing blades. Тримайте руки увесь час подалі від зони різання. Ніколи не відрізайте заготовку в ваших руках або через вашу ногу. Затисніть заготовку, коли це можливо.

ЗНИЖЕННЯ РИЗИКУ

Повідомлялося, що вібрації від ручних інструментів у певних осіб можуть сприяти стану, який називається синдромом Рейно. Симптоми можуть включати поколювання, оніміння і збліднення пальців, як правило, очевидні при впливі холоду. Спадкові фактори, вплив холоду і вогкості, діста, куріння і робоча практика, всі ці

чинники роблять свій внесок у розвиток цих симптомів. Ці заходи можуть бути прийняті оператором, щоб можливо зменшити вплив вібрації:

- Тримайте тіло в теплі в холодну погоду. При експлуатації приладу, одягайте рукавички, щоб тримати руки і зап'ястя у теплі. Повідомлялося, що холодна погода є основним чинником, що сприяє синдрому Рейно.
- Після кожного періоду роботи, здійснійте вправи для підвищення кровообігу.
- Робіть часті перерви в роботі. Зробіть обмеження кількості впливу на день.

Якщо ви відчуваєте будь-які з симптомів цього стану, негайно припиніть використання і зверніться до лікаря з ціми симптомами.

ПОПЕРЕДЖЕННЯ

Тривале використання інструменту може викликати або посилити травми. При використанні інструменту протягом тривалого періоду, робіть регулярні перерви.

ЗНАЙТЕ СВІЙ ПРОДУКТ.

Стор 135.

1. перемикача
2. Кнопка блокування
3. Верхній захисний кожух
4. Адаптер пилового отвору
5. Важіль нижнього щитка
6. Болт кріплення диску
7. Нижній захисний кожух
8. ручка
9. Кутомір
10. Фіксатор кутоміра
11. Фіксатор направляючої подовжного різання
12. Основа
13. Лазерна головка (RCS1600)
14. Лезо
15. Напрямна пили
16. Затискач
17. Гайковий ключ
18. Напрямна подовжного різання

ОБСЛУГОВУВАННЯ

ПОПЕРЕДЖЕННЯ

Продукт не повинен бути підключений до джерела живлення, коли ви збираєте деталі, регулюєте, чистите, проводите технічне обслуговування або коли продукт не використовується. Відключення продукту допоможе уникнути випадкового запуску, який може призвести до серйозних травм.

- При обслуговуванні використовуйте тільки оригінальні запасні частини виробника. Використання будь-яких інших деталей може створити небезпеку або спричинити пошкодження продукту.
- Обов'язково від'єднуйте інструмент від джерела живлення перед встановленням або зняттям диску.

Чистіть виріб та захисні пристосування чистою ганчіркою.

- Не використовуйте розчинники для очищення пластмасових деталей. Більшість пластмас вразлива до різних видів комерційних розчинників і може бути пошкоджена їх використанням. Використовуйте чисті ганчірки для видалення бруду і вугільного пилу.
- Ніколи не дозволяйте гальмівній рідині, бензину, продуктам на основі нафти, і проникаючим маслам вступати в контакт з пластиковими деталями. Вони містять хімічні речовини, які можуть зашкодити, послабити або знищити пластик.
- Завжди надягайте захисні окуляри або захисні окуляри з бічними щитками під час роботи електроінструмента або при здуванні пилу. Якщо робота пильна, також носіть захисну маску.
- Якщо шнур живлення пошкоджений, він повинен бути замінений тільки виробником або в авторизованому сервісному центрі, щоб уникнути ризику. Зв'яжіться з авторизованим сервісним центром.
- Для більшої безпеки і надійності, всі ремонтні роботи повинні виконуватися уповноваженим Ryobi сервісним центром.

ЗМАЩУВАННЯ

Всі підшипники в продукті змащені достатньою кількістю високоякісного мастила для всього терміну служби продукту при нормальних умовах експлуатації. Таким чином, додаткове змащення не потрібно.

ЗАХИСТ НАВКОЛИШНЬОГО СЕРЕДОВИЩА.



Переробляйте сировину замість утилізації в якості відходів. Машини, обладнання та упаковка повинні бути відсортовані для дружньої для навколишнього середовища утилізації.

СИМВОЛИ НА ПРОДУКТІ



Попередження безпеки

V

Вольти

Hz

Герц

~

Змінний струм

W

Ватти

n°

Швидкість без навантаження

min⁻¹

Оберти або зворотно-поступальні рухи у хвилину



Інструмент II класу, подвійна ізоляція



Дерево



Чи не різати метал

EN
FR
DE
ES
IT
NL
PT
DA
SV
FI
NO
RU
PL
CS
HU
RO
LV
LT
ET
HR
SL
SK
BG
UK
TR
EL



Носіть захист слуху



Завжди надягайте захисні окуляри.



Лазерне випромінювання.
Не дивіться на лазерний промінь.
Продукт лазера 2 класу
 λ : 650nm; $P \leq 1mW$
EN 60825-1:2014



Небезпека! Леза дуже гострі.



Не надавайте впливу дощу або вологих умов.



Ширина різу



Зубці леза



CE відповідність



Євразійський знак відповідності



Український знак відповідності



Будь ласка, уважно прочитайте інструкцію перед запуском продукту.



Відходи електротехнічної продукції не слід викидати разом із побутовими відходами. Будь ласка, переробляйте там, де наявне устаткування. Перевірте з вашим місцевим органом влади або продавцем для консультацій з приводу переробки.



Примітка

Наступні сигнальні слова і значення призначені, щоб пояснити рівні ризику, пов'язаного з цим виробом.

⚠ НЕБЕЗПЕКА

Вказує на неминуче небезпечну ситуацію, яка, якщо її не уникнути, може призвести до смерті або серйозних травм.

⚠ ПОПЕРЕДЖЕННЯ

Вказує на потенційно небезпечну ситуацію, яка, якщо її не уникнути, може призвести до смерті або серйозних травм.

⚠ УВАГА

Вказує на потенційно небезпечну ситуацію, яка, якщо її не уникнути, може призвести до середньої або легкої травми.

УВАГА

(Без Символу Тривоги Безпеки) Вказує ситуацію, яка може закінчуватися пошкодженням власності.

СИМВОЛИ В ЦЬОМУ ПОСІБНИКУ



Підключіть до джерела живлення.



Відключіть від джерела живлення.



Запчастини та аксесуари, що продаються окремо



Блокувати



Розблокувати

Döner testere tasarımında en yüksek önceliği güvenlik, performans ve güvenilirliğe verdik.

KULLANIM AMACI

Döner testere, sadece bu kılavuzdaki talimatları ve uyarıları okuyup anlamış olan ve hareketlerinden sorumlu tutulabilecek yetişkinlerce kullanılmak üzere geliştirilmiştir.

Testere azami 54 milimetre derinliğe kadar ahşap ve benzeri malzemenin biçilmesi ve kesilmesi için geliştirilmiştir. Testere 0 ve 45 derecede arasında düz veya konik kesme işlemleri gerçekleştirebilir. Kullanım sırasında aletin tabanı işlenen parçaya temas ediyor olmalıdır. Testere kusursuz ortam ışığında ve uygun havalandırma ile kuru koşullarda kullanılacaktır. Testere, elde kullanılmak üzere tasarlanmıştır. Testere, ürünün üreticisi tarafından bunların nasıl yapılacağı hakkındaki talimatlarda belirtilmedikçe bir tezgah üzerine monte edilemez. Metal veya taş kesmek için kullanmayın. Bu ürünü belirtilen kullanım amacı dışında herhangi bir amaçla kullanmayın. Elektrikli aletin tasarladığından farklı bir işte kullanılması tehlikeli durumlara neden olabilir.

⚠ UYARI

Tüm güvenlik uyarılarını ve talimatlarını okuyun. Uyarıların ve talimatların yerine getirilmemesi elektrik çarpması, yangın ve/veya ciddi yaralanmalara yol açabilir.

Tüm uyarıları ve talimatları daha sonra başvurmak üzere saklayın.

DÖNER TESTERE GÜVENLİK UYARILARI

KESME USULLERİ

⚠ TEHLİKE

Ellerinizin bıçağın kesin alanından uzak tutun. Aletin ana sapını tutmayan el yardımcı sapını tutmalıdır yada motor karterine dayalı durmalıdır. Böylece, elleriniz kesim alanında, bıçağın kesim alanında bulunmayacaktır.

- **Çalışma parçasının altına ulaşmayın.** Kesimin derinliğini kesilecek maddenin kalınlığına göre ayarlayınız.
- **Bıçağın dişleri, kesim esnasında kesilecek maddenin altına tamamen geçmemelidir.** Kesilecek maddeyi elleriniz ile yada bacaklarınız arasında ASLA tutmayınız.
- **Sabit bir desteğin üzerine koyunuz. İşlenecek parçayı sağlam bir platforma tespit edin.** Elektrik teller içerebilecek bir yüzey üzerinde çalışırken veya yapılması gereken çalışma besleme kordonunun aletin geçişi üzerinde durmasına neden olaksa aleti yalnızca yalıtılmış veya kaymayan kısımlardan tutunuz.
- **Elektrik kablolarını gizleyen bir yüzey üzerinde çalıştığınızda veya yapılan çalışmanın elektrik kablosunu aletin yürüncesine getirmeye elverişli olduğunda cihazı sadece yalıtımlı ve kaymaz kısımlarından tutun.** "Elektrikli" bir tele temas etmek elektrikli aletin açıkta kalan metal bölümlerini de "elektrikli"

hale getirerek kullanıcıyı elektrik çarpmasına neden olabilir.

- **Kesimin netliği daha iyi olacaktır ve bıçağı eğme riskinden kaçınacaksınız.** Daima, dingilin iç perdahına uygun boy ve şekilde bıçak kullanınız.
- **Dingilin niteliğine uygun olmayan bıçaklar düzgün olarak dönmeyecekler ve aletin kontrolünün kaybedilmesine neden olacaktır.** Asla defolu yada uygun olmayan vida ve bıçak kenedi kullanmayınız.
- **Bıçak kenetleri ve vidaları sizin testere modelinize göre, azami güvenlik ve performans için üretilmişlerdir.** Tüm testere tipleri için ilave güvenlik talimatları

GERİ TEPME NEDENLERİ VE İLGİLİ UYARILAR:

- Bıçak ahşabın içinde sıkıştığında, bıçak durur ve çalışmaya devam eden motor, testereyi bıçağın dönme yönünün aksine yani kullanıcıya doğru fırlatır.
- Şayet bıçak eğilmiş yada yanlış yerleştirilmiş ise bıçağın arka kısmında bulunan dişlerin ahşabın içerisine girme riski bulunur ve bu da bıçağın maddeden kullanıcıya doğru ani bir şekilde çıkmasına sebep olur.
- Dolayısı ile sıçrama, aletin kötü kullanımının ve/veya yanlış kesim şekillerinin yada şartlarının sonucudur.

Birkaç önleme uyararak engellenebilir.

- **Testereyi iki eliniz ile sıkıca tutunuz ve ani bir sıçramayı kontrol edebilecek şekilde kollarınızı şekillendiriniz. Çalışırken daima testerenin yan tarafında olunuz, asla bıçak hizasında bulunmayınız.** Sıçrama testereyi ani olarak geri atar, ancak kullanıcı bekliyor ve hazır ise kontrol edilebilir.
- **Şayet bıçak sıkışır, yada siz herhangi bir sebepten dolayı kesimi durdurmak zorunda kalırsanız, çalıştırma düğmesini bırakınız ve bıçak tamamen duruncaya dek bıçağı kesilen maddenin içerisinde bırakınız. Bıçak hareket ederken testereyi asla geri çekmeye çalışmayın veya testereyi çalışma malzemesinden çekmeyin; geri tepme meydana gelebilir. Şayet bıçak sıkışır, sebebini araştırın ve bir daha olmaması için önlemleri alın.**
- **Bir kesime devam etmek için testereyi tekrar çalıştırmadan evvel, bıçağı testerenin çizgisi ile hizalayınız ve dişlerin kesilecek maddeye temas etmediğinden emin olunuz. Şayet bıçak kesilecek maddenin içinde sıkışmış ise, testerenin tekrar çalıştırılması ile bir sıçrama oluşması riski bulunmaktadır.**
- **Bıçağın sıkışmasını engellemek için kesilecek uzun maddelerin sabitlenmesine ve böylece sıçrama risklerini azaltmaya dikkat ediniz.** Kesilecek uzun maddeler kendi ağırlıklarından dolayı bel vermeye eğilimlidir. Kesilecek maddenin iki ucuna, kesim çizgisinin yakınına maddenin uç hizasına destekler yerleştirilebilirsiniz.
- **Körelmiş yada zarar görmüş bıçakları kullanmayınız, iyi bilenmemiş yada yerleştirilmemiş bıçaklar, bıçağın aşırı sürtünmesine sebep olacak ince işaret meydana getirecektir ve bu da sürtünme ve sıçrama riskleri oluşturacaktır.** Ya da bilenmiş uygunsuz bıçak seti dar kesime yol açarak aşırı sürtünmeye, kesim bağlayıcı ve geri tepmeye neden olur.

- **Bir kesime başlamadan evvel, derinlik ve eğilme ayarı düğmelerinin düzgün şekilde bloke edilmiş olduklarından emin olunuz.** Şayet bıçak pozisyonu düğmeleri kesim esnasında değiştirilirse, bu bıçağın sıkışmasına ve sıçramanın oluşmasına sebep olabilir.
- **Mevcut duvarlarda ve kör noktalarda bıçkılama yaparken daha dikkatli olunmalıdır.** Bıçak, sıçramaya sebep olabilecek saklı maddelere çarpabilir.

DÜŞÜK KORUMA FONKSİYONU

- **Her kullanımdan önce, alt bıçak koruyucunun bıçağı iyi kavradığından emin olunuz. Şayet alt bıçak koruyucu serbest olarak çalışmıyor ise ve anında bıçağı kavrayamıyor ise testerenizi kullanmayınız. Alt bıçak koruyucuyu asla açık pozisyonda sabitlemeyiniz yada bağlamayınız.** Şayet testere kaza ile düşer ise, alt bıçak koruyucu katlanabilir. Alt bıçak koruyucuyu anahtar yardımı ile kaldırınız ve zorlanmadan oynayabildiğinden ve kesim açısı ve derinliği ne olursa olsun ne bıçağa ne de başka bir parçaya temas etmediğinden emin olunuz.
- **Alt bıçak koruyucunun yayının iyi durumda ve doğru şekilde çalıştığından emin olunuz. Şayet bıçak koruyucu yada yayı düzgün bir şekilde çalışmıyor ise, testerenizi kullanmadan evvel tamir ettiriniz yada değiştiriniz.** Hasarlı parçalar, yapışan kalıntılar veya kir oluşumu alt koruyucunun sorunu çalışmasına neden olabilir.
- **Alt koruyucu, sadece “dip kesimleri” ve “bileşen kesimleri” gibi özel kesimlerde kapatılabilir.** Alt bıçak koruyucuyu anahtar yardımı ile kaldırınız. Sonra, bıçak kesilecek maddeye girdiğinde, alt bıçak koruyucuyu bırakınız. Diğer tip kesimler için, alt bıçak koruyucu kendi kendisine yerini almaktadır.
- **Testerenizi çalışma masasına yada yere koymadan evvel, dış bıçak koruyucunun bıçağı iyi örttüğünden emin olunuz.** Şayet bıçak iyi örtülüyor ise, kontrolsüzce dönebilir ve alanında bulunan her şeyi kesebilir. Motorun durmasından sonra bıçağın bir süre daha dönmesi konusunda dikkatli olunuz.

AHŞAP KESME BIÇAĞI İÇİN GÜVENLİK TALİM ATLARI

- Testere bıçağını ve elektrikli aleti kullanmadan önce lütfen kılavuzu ve talimatları dikkatle okuyun.
- Elektrikli alet iyi durumda olmalı, milinde biçim bozulması ya da titreşim bulunmamalıdır.
- Korkulukları yerleştirmeden testereyi kullanmayın. Koruyucuların iyi çalışır durumda olmasını ve düzgün olarak bakımının yapılmasını sağlayın.
- Operatörün güvenlik önlemleri, ayarlar ve elektrikli aletin çalışması konularında yeterince eğitim aldığından emin olun.
- Elektrikli aleti kullanırken her zaman koruyucu gözlük ve kulaklık kullanın. Eldiven ve sağlam, kaymaz ayakkabılar giyilmesi tavsiye edilir.
- Herhangi bir aksesuar kullanmadan önce kullanım kılavuzuna başvurun. Herhangi bir aksesuarın uygunsuz kullanımı hasara yol açabilir ve yaralanma riskini artırabilir.
- Sadece bu kılavuzda açıklanan EN 847-1'e uygun bıçaklar kullanın.

- Testere bıçağında belirtilen maksimum hızı asla aşmayın. Testere bıçağında belirtilen hızın en az testere üzerindeki hıza eşit olduğundan emin olun.
- Dingilin niteliğine uygun olmayan bıçaklar düzgün olarak dönmeyecekler ve aletin kontrolünün kaybedilmesine neden olacaklardır. Asla defolu yada uygun olmayan vida ve bıçak kenedi kullanmayınız.
- Tavsiye edilenden daha büyük veya küçük çapta bıçaklar kullanmayın. Bıçağı mile oturtmak amacıyla ara parçalar kullanmayın.
- Her kullanımdan önce testere bıçağının uçlarını hasar veya anormal görünüş açısından kontrol edin. Hasarlı veya gevşek uçlar kullanım sırasında uçan cisim olabilir ve yaralanma riskini artırabilir.
- Çatlaklı ya da eğri, düzgün olmayan testere kullanmayınız. Arızalı ya da deforme olmuş testere kullanmayınız.
- Hasarlı, biçimi bozulmuş, çarpılmış veya çatlaklı testere bıçağını atın; onarım yasaktır.
- HSS bıçaklar kullanmayın.
- Kullanmadan önce, testere bıçağının doğru monte edildiğinden emin olun. Kullanmadan önce bıçak civatasını iyice sıkıştırın (sıkıştırma torku yakl. 10-15 Nm).
- Tespit vidası ve somunları uygun somun anahtarlarıyla sıkıştırılmalıdır.
- Somun anahtarının uzatılması ya da çekiç darbeleriyle sıkıştırmak yasaktır.
- Tüm bıçak ve flanşların temiz olduğundan ve burcun oluklu kenarlarının bıçağa baktığından emin olun.
- Bıçağın doğru yönde döndüğünden emin olun.
- Çalışmadan önce motoru açmadan yapay bir kesim yaparak bıçak pozisyonunu, koruyucuların diğer makine parçalarına göre nasıl çalıştığını ve çalışma parçasını kontrol edin.
- Aleti asla çalışır durumdayken gözetimsiz bırakmayın.
- Çalıştığı sırada bıçağa yağlama yağı sürmeyin.
- Makine çalışırken ve makine kafası hareketliken asla makine üzerinde temizlik ya da bakım işi yapmayın.
- Hareket halindeki bir elektrikli aleti asla bıçağa başka bir alet ya da herhangi bir başka cisim dayayarak çabuk durdurmaya çalışmayın. Aksi halde istenmeden de olsa, ciddi kazalar olabilir.
- Bıçak değiştirmeden ya da bakımdan önce testereyi ana şebekeden ya da aküden ayırın.
- Ambalaj yapar ya da açarken bıçağa dikkat edin. Keskin bıçak uçlarından yaralanma ihtimali vardır.
- Testere bıçağına dokunurken tutamak kullanın veya iş eldiveni giyin.
- Bıçağı orijinal ambalajında ya da uygun bir ambalajda muhafaza edip depolayın. Kuru yerlerde ve bıçağı zarar verebilecek kimyasallardan uzakta tutun.

⚠ UYARI

- Göz ve kulak koruyucu kullanın.
- Toz maskesi kullanın.
- Hasar görmüş zımpara diskini asla kullanmayınız.
- Bıçak uçlarının fazla ısınmamasına dikkat edin. Körelmiş yada zarar görmüş bıçakları kullanmayınız. İyi bilenmemiş yada yerleştirilmemiş bıçaklar, bıçağın aşırı sürtünmesine sebep olacak ince işaret meydana getirecektir ve bu da sürtünme ve sıçrama riskleri oluşturacaktır. Alete güç uygulamayın.
- Sadece önerilen testere bıçaklarını kullanın.
- Tavsiye edilenden daha büyük veya küçük çapta bıçaklar kullanmayın.
- Sadece bu kılavuzda açıklanan EN 847-1'e uygun bıçaklar kullanın.

LAZER GÜVENLİĞİ (RCS1600)



- Testerede kullanılan lazer kılavuz ışması, maksimum ≤1mW ve 650 nm dalga boyuna sahip Sınıf 2'dir. Doğrudan lazer ışınına bakmayın. Kurallara uymamak insanların ciddi bir biçimde yaralanmalarına neden olabilir.



- Lütfen kendi dilinizdeki bu yapışkanlı etiketi makineyi ilk kez kullanmadan önce uyarı etiketi üzerindeki İngilizce metnin yerine yapıştırın.
- Kullanım esnasında lazer ışınına bakmayın.
- Lazer ışını başkalarının gözlerine yöneltmeyin. Ciddi göz yaralanmaları meydana gelebilir.
- Lazeri insanların lazer ışınına kasıtlı veya kazayla bakmasına neden olacak bir pozisyonda koymayın.
- Lazer ışınına bakmak için hiç bir optik araç kullanmayın.
- Lazeri çocukların bulunduğu yerde çalıştırmayın veya çocukların lazeri çalıştırmasına izin vermeyin.
- Lazer cihazını kendiniz onarmaya çalışmayın.
- Lazer cihazının hiçbir parçasını kendiniz değiştirmeye çalışmayın.
- Her türlü onarım işlemleri sadece lazer üreticisi ya da yetkili bir servis tarafından gerçekleştirilmelidir.
- Lazeri farklı tipte bir lazerle değiştirmeyin.

ARDIL RİSKLER

Ürün belirtildiği şekilde kullanıldığı zaman bile belirli artırı risk faktörlerinin tamamen ortadan kaldırılması mümkün değildir. Kullanım sırasında aşağıdaki tehlikeler ortaya çıkabilir ve operatör bunlardan kaçınmak için özellikle dikkat etmelidir:

- Geri tepme kaynaklı yaralanma
 - Bu kılavuzdaki bilgileri okuyup anlayın.
- Titreşim kaynaklı yaralanma
 - Maruziyet seviyesini sınırlandırın. Bkz. "Risk Azaltma".
- Toz kaynaklı yaralanmalar
 - Her zaman koruyucu gözlük kullanın. İşlenmekte olan materyalden çıkan toza ve taşlama diskinden çıkan aşındırıcı parçacıklara karşı koruma sağlayabilecek uygun filtrelelere sahip doğru bir toz maskesi takın. Çalışma alanı içinde bir şey yemeyin, içmeyin veya sigara içmeyin. Çalışma yerinin uygun şekilde havalandırıldığından emin olun.
- Elektrik çarpması
 - Bıçak, gizlenmiş kablolarla temas edebilir ve ürün parçalarına elektrik verilmesine neden olabilir. Ürünü her zaman belirtilen saplarından tutun ve kabloların gizlenmiş olabileceği duvarlarda ve zeminlerde kör kesim yaparken dikkatli olun.
- **NOT:** Duvar, tavan veya zemin üzerinde çalışırken elektrik kablolarından ve gaz veya su borularından uzak durmaya dikkat edin.
- Kesme bıçağına temas nedeniyle yaralanma
 - Bıçaklar çok keskindir ve kullanım sırasında ısınır. Bıçakları değiştirirken eldiven takın. Ellerinizi her zaman kesme alanından uzak tutun. Sabit bir desteğin üzerine koyunuz. İş parçasını mümkün olduğunda kelepçelerle sabitleyin.

RİSK AZALTMA

El aletlerinden kaynaklanan titreşimlerin belirli kişilerde Raynaud Sendromu olarak adlandırılan bir durumu etkileyebileceği rapor edilmiştir. Karıncalanma, hissizlik ve parmakların sararması gibi genelde soğuğa maruz kaldıktan sonra görülen semptomlar oluşabilir. Kalıtsal faktörler, soğuğa ve neme maruz kalmak, diyet, sigara ve çalışma pratikleri de bu semptomların oluşmasına neden olabilecek etkenler olarak kabul edilmektedir. Operatör titreşim etkilerini azaltabilecek önlemler alabilir:

- Soğuk havalarda vücudunuzu sıcak tutun. Ürünü çalıştırırken ellerinizi ve bileklerinizi sıcak tutmak için eldiven takın. Soğuk havanın Raynaud Sendromunun ana tetikleyicilerinden olduğu bildirilmiştir.
- Her operasyon sürecinden sonra kan dolaşımını arttırmak için egzersiz yapın.
- Sık sık işe ara verin. Günlük maruziyet miktarını sınırlandırın.

Bu rahatsızlığın semptomlarından herhangi birini görürseniz, aleti kullanmayı derhal bırakın ve bir doktora görünün.

⚠ UYARI

Bir aletin uzun süre kullanılması nedeniyle yaralanmalar olabilir veya mevcut yaraların durumu kötüleşebilir. Herhangi bir aleti uzun bir süre boyunca kullanırken düzenli olarak ara vermeyi ihmal etmeyin.

ÜRÜNÜNÜZÜ TANIYIN

Sayfa 135'ya bakın.

1. Tetik
2. Çalıştırma düğmesinin kilit açma düğmesi
3. Üst bıçak koruyucu
4. Toz girişi uyarlayıcı
5. Alt bıçak koruyucu kolu
6. Bıçak somunu
7. Alt bıçak koruyucu
8. Tutamak
9. Açı ölçeği
10. Açı ölçek kilidi
11. Bıçme kılavuzu kilidi
12. Taban
13. Lazer kafası (RCS1600)
14. Bıçak
15. Testere rayı
16. Kelebeç
17. Servis anahtarı
18. Kesme kılavuzu

BAKIM

UYARI

Parçaları monte ederken, ayar, temizlik, bakım çalışması yaparken veya ürün kullanılmadığı zaman ürünü asla güç kaynağına bağlamayın. Ürünün bağlantısının kesilmesi ciddi yaralanmalara neden olabilecek kazara çalışmayı önleyecektir.

- Uygulama sırasında yalnızca üreticinin orijinal yedek parçalarını kullanın. Diğer parçaları kullanmak tehlike yaratabilir ya da hasara neden olabilir.
- Testere bıçağını takmadan önce aletin fişini güç kaynağından çektiğinizden emin olun. Ürünü ve korkuluk sistemini temiz bezlerle temizleyin.
- Plastik parçaları temizlerken solventleri kullanmaktan kaçının. Plastiklerin çoğu ticari kullanımlı uçucu maddeler karşı hassastır. Lekeleri, tozu, vb. temizlemek için temiz bir bez kullanınız.
- Asla fren hidroliğinin, benzinin, petrol esaslı ürünlerin, yüzeye işleyen yağların vb. plastik parçalarla temas etmesine izin vermeyin. Bu kimyasal ürünler, plastiğe zarar verebilecek, kırılır hale getirebilecek ya da yok edebilecek maddeler içermektedir.
- Elektrikli aletlerle çalışma veya toz üfleme işlemi esnasında daima yan siperlikleri bulunan koruyucu gözlükler kullanın. İşlem tozlu olarsa aynı zamanda bir toz maskesi de kullanın.
- Elektrik kablosu hasar görmüşse tehlikeyi önlemek için sadece üretici veya yetkili bir servis merkezi tarafından değiştirilmelidir. Yetkili servis merkezini arayın.
- Daha yüksek güvenlik ve güvenilirlik için tüm onarım çalışmaları yetkili bir Ryobi servis merkezi tarafından yapılmalıdır.

YAĞLAMA

Üründeki tüm yataklar normal çalışma koşullarında ürünün hizmet ömrü boyunca yeterli miktarda yüksek kalite yağ ile

yağlanır. Buna göre, fazladan yağlama yapılmasına gerek yoktur.

ÇEVRENİN KORUNMASI



Ham maddeleri çöp olarak atmak yerine geri dönüştürün. Çevreyi korumak için, alet, aksesuarlar ve ambalajlar tasnif edilmelidir.

ÜRÜN ÜZERİNDEKİ SEMBOLLER



Güvenlik ikazı

V

Volt

Hz

Hertz

~

Alternatif akım

W

Watt

n_o

Bota hız

min⁻¹

Saniyede devir veya hareket sayısı



Sınıf II, çift yalıtımlı



Ahşap



Metal kesmeyin



Koruyucu kulaklık kullanın



Koruyucu gözlük kullanın



Lazer radyasyonu.
Lazer ışınına doğrudan bakmayın.
Sınıf 2 lazer ürünü
λ: 650nm; P≤1mW
EN 60825-1:2014



Tehlike! Keskin bıçak.



Aleti yağmur altında bırakmayın



Kesim genişliği



Bıçak dişleri



CE uygunluğu



EurAsian Uyumluluk işareti



Ukrayna uygunluk işareti



Makineyi çalıştırmadan talimatları dikkatlice okuyun.



Atık elektrikli ürünler evsel atıklarla birlikte atılmamalıdır. Tesis bulunuyorsa lütfen geri dönüşüme verin. Geri dönüşümle ilgili tavsiye için Yerel Makamlarla veya bayi ile irtibat kurun.

KİTAPÇIKTAKİ SEMBOLLER



Güç kaynağına bağlayın.



Güç kaynağından ayırın.



Parçalar ya da aksesuarlar ayrı olarak satılır.



Kilit



Kilidi açma



Not

Aşağıdaki işaret sözcükleri ve anlamları, bu ürünle ilişkili risk seviyelerini açıklamaya yöneliktir:

TEHLİKE

Önlenmemesi durumunda ölüm veya ciddi yaralanma ile sonuçlanacak, tehdit edici tehlikeli bir durumu gösterir.

UYARI

Önlenmemesi durumunda ölüm veya ciddi yaralanma ile sonuçlanabilecek potansiyel olarak tehlikeli bir durumu gösterir.

DİKKAT

Önlenmemesi durumunda önemsiz veya orta derecede yaralanma ile sonuçlanabilecek potansiyel olarak tehlikeli bir durumu gösterir.

DİKKAT

(Güvenlik Uyarı Sembolü Yok) Mal hasarına neden olabilecek bir durumu gösterir.

EN
FR
DE
ES
IT
NL
PT
DA
SV
FI
NO
RU
PL
CS
HU
RO
LV
LT
ET
HR
SL
SK
BG
UK
TR
EL

Κατά το σχεδιασμό του δισκοπριόνου δόθηκε ιδιαίτερη προτεραιότητα στην ασφάλεια, την απόδοση και την αξιοπιστία του.

ΠΡΟΟΡΙΖΟΜΕΝΗ ΧΡΗΣΗ

Το δισκοπρίονο προορίζεται αποκλειστικά για χρήση από ενήλικες που έχουν διαβάσει και κατανοήσει τις οδηγίες και τις προειδοποιήσεις του παρόντος εγχειριδίου, ενώ μπορούν να θεωρηθούν υπεύθυνοι για τις πράξεις τους.

Το πριόνι προορίζεται για τον τεμαχισμό και την εγκάρσια κοπή ξύλου ή παρόμοιων υλικών, με μέγιστο βάθος 54 χιλιοστών. Μπορεί να πραγματοποιήσει ευθείες ή κυματοειδής κοπές, μεταξύ 0 και 45 μοιρών. Προορίζεται για χρήση με τη βάση του εργαλείου σε επαφή με το αντικείμενο εργασίας. Το πριόνι προορίζεται να χρησιμοποιηθεί σε ξηρές συνθήκες, με εξαιρετικό φωτισμό περιβάλλοντος και επαρκή αερισμό. Το πριόνι είναι σχεδιασμένη για χρήση στο χέρι. Το πριόνι χεριού δε θα πρέπει να τοποθετείται σε πάγκο εργασίας, εκτός εάν παρέχονται συγκεκριμένες οδηγίες για αυτόν τον σκοπό από τον κατασκευαστή του προϊόντος. Να μην χρησιμοποιείται για κοπή μετάλλου ή τοιχοποιίας. Μην χρησιμοποιείτε το προϊόν με τρόπο διαφορετικό από αυτόν που αναφέρεται για τη χρήση του. Η χρήση του μηχανοκίνητου εργαλείου για εργασίες διαφορετικές από τις προοριζόμενες μπορεί να προκαλέσει κινδύνους.

⚠ ΠΡΟΕΙΔΟΠΟΙΗΣΗ

Διαβάστε όλες τις συστάσεις ασφαλείας και τις οδηγίες. Αν δεν τηρηθούν οι προειδοποιήσεις και οδηγίες, υπάρχει κίνδυνος ηλεκτροπληξίας, φωτιάς και / ή σοβαρού τραυματισμού.

Φυλάσσετε όλες τις προειδοποιήσεις και οδηγίες για μελλοντική χρήση.

ΠΡΟΕΙΔΟΠΟΙΗΣΕΙΣ ΑΣΦΑΛΕΙΑΣ ΔΙΣΚΟΠΡΙΟΝΟΥ

ΔΙΑΔΙΚΑΣΙΕΣ ΚΟΠΗΣ

⚠ ΚΙΝΔΥΝΟΣ

Κρατάτε τα χέρια σας μακριά από την περιοχή κοπής και την λεπίδα. Το χέρι που δεν κρατά την κύρια λαβή του εργαλείου πρέπει να κρατά τη βοηθητική λαβή ή να είναι ακουμπισμένο επάνω στο κάρτερ του κινητήρα. Έτσι, τα χέρια σας δεν θα κινδυνεύουν να βρεθούν στη ζώνη κοπής, στη διαδρομή του δίσκου.

- Μην απλώνετε τα χέρια σας κάτω από το τεμάχιο εργασίας. Ρυθμίστε το βάθος κοπής ανάλογα με το πάχος του προς επεξεργασία αντικείμενου.
- Τα δόντια του δίσκου δεν πρέπει να περισσεύουν πλήρως κάτω από το προς επεξεργασία αντικείμενο κατά την κοπή. Μην κρατάτε ΠΟΤΕ το προς επεξεργασία αντικείμενο με το χέρι ή ανάμεσα στα πόδια σας.
- Στερεώστε το σε μια σταθερή βάση. İzlenecək parçayı sağlam bir platforma tespit edin. Κρατάτε

το εργαλείο μόνο από τα μονωμένα και αντιολισθητικά τμήματα όταν εργάζεστε σε επιφάνεια η οποία μπορεί να κρύβει ηλεκτρικά καλώδια ή όταν η εργασία που θα πραγματοποιήσετε κινδυνεύει να φέρει το καλώδιο παροχής ρεύματος στην διαδρομή του εργαλείου.

- **Κρατάτε το εργαλείο μόνο από τα μονωμένα και αντιολισθητικά τμήματα όταν εργάζεστε σε επιφάνεια η οποία μπορεί να κρύβει ηλεκτρικά καλώδια ή όταν η εργασία που θα πραγματοποιήσετε κινδυνεύει να φέρει το καλώδιο παροχής ρεύματος στην διαδρομή του εργαλείου.** Η επαφή με ηλεκτροφόρο καλώδιο εκθέτει τα μεταλλικά εξαρτήματα του εργαλείου στο ρεύμα και μπορεί να προκαλέσει ηλεκτροπληξία στον χειριστή.
- **Η ακρίβεια κοπής θα βελτιωθεί και θα αποφεύγεται τον κίνδυνο να διπλώσει ο δίσκος.** Χρησιμοποιείτε πάντα δίσκους μεγέθους και σχήματος που να ταιριάζουν στο διαμέτρημα του άξονα.
- **Οι ακατάλληλοι για τον άξονα στον οποίον θα τοποθετηθούν δίσκοι δεν θα περιστραφούν σωστά και μπορούν να σας κάνουν να χάσετε τον έλεγχο του εργαλείου.** Μην χρησιμοποιείτε ποτέ ελαττωματικές ή ακατάλληλες βίδες ή φλάντζες δίσκου.
- **Οι φλάντζες και οι βίδες δίσκου έχουν σχεδιαστεί ειδικά για αυτό το μοντέλο πριονιού, για βέλτιστη ασφάλεια και αποτελεσματικότητα.** Συμπληρωματικές συστάσεις ασφαλείας για κάθε τύπο πριονιού

ΑΙΤΙΕΣ ΕΠΙΣΤΡΟΦΗΣ ΚΑΙ ΣΧΕΤΙΚΕΣ ΣΥΣΤΑΣΕΙΣ:

- Το πριόνι απελευθερώνεται απότομα από το προς επεξεργασία αντικείμενο και οπισθοχωρεί βίαια προς την κατεύθυνση του χρήστη.
- Όταν ο δίσκος σφηνώσει στο ξύλο, ο δίσκος ακινητοποιείται και ο κινητήρας, ο οποίος εξακολουθεί να περιστρέφεται, εκτοξεύει το πριόνι προς την αντίθετη κατεύθυνση από την διεύθυνση περιστροφής του δίσκου, δηλαδή προς το χρήστη.
- Αν ο δίσκος στραβώσει ή δεν είναι σωστά ευθυγραμμισμένος, τα δόντια που βρίσκονται στο πίσω μέρος του δίσκου κινδυνεύουν να εισέλθουν στην επιφάνεια του ξύλου, γεγονός που θα κάνει το δίσκο να εξέλθει απότομα από το προς επεξεργασία αντικείμενο προς την κατεύθυνση του χρήστη.

Το κλότσημα είναι συνεπώς το αποτέλεσμα λανθασμένης χρήσης του εργαλείου ή/και λανθασμένων διαδικασιών ή συνθηκών κοπής.

- **Μπορεί να αποφευχθεί φροντίζοντας να τηρηθούν ορισμένες προφυλάξεις. Κρατάτε γερά το πριόνι με τα δυο σας χέρια και τοποθετήστε τα μπράτσα σας έτσι ώστε να μπορούν να ελέγξουν το ενδεχόμενο κλότσημα. Σταθείτε από τη μια πλευρά του πριονιού όταν εργάζεστε, αλλά μη στέκεστε ποτέ στην ευθεία του δίσκου.** Το κλότσημα εκτοξεύει απότομα το πριόνι προς τα πίσω, ωστόσο η κίνηση αυτή μπορεί να ελεγχθεί αν ο χρήστης την περιμένει και είναι προετοιμασμένος.
- **Αν ο δίσκος σφηνώσει ή αν πρέπει να διακόψετε την κοπή για οποιοδήποτε λόγο, απελευθερώστε τη σκανδάλη και κρατήστε το πριόνι μέσα στο προς επεξεργασία αντικείμενο έως ότου ο δίσκος**



σταματήσει εντελώς να περιστρέφεται. Μην προσπαθείτε ποτέ να αφαιρέσετε τον κόπτη από το τεμάχιο ή να τον τραβήξετε προς τα πίσω ενώ η λεπίδα κινείται, διαφορετικά υπάρχει κίνδυνος επιστροφής. Αν ο δίσκος σφηνώσει, αναζητήστε την αιτία και λάβετε τα απαραίτητα μέτρα ώστε να μην επαναληφθεί.

- Πριν θέσετε πάλι το πριόνι σε λειτουργία για να συνεχίσετε μια κοπή, ευθυγραμμίστε σωστά το δίσκο με την εγκοπή του πριονιού και βεβαιωθείτε πως τα δόντια δεν αγγίζουν το προς επεξεργασία αντικείμενο. Αν ο δίσκος έχει σφηνώσει μέσα στο προς επεξεργασία αντικείμενο, κινδυνεύει να προκληθεί κλότσημα όταν το πριόνι τεθεί σε λειτουργία.
- Φροντίστε να υποστηρίζετε τα μακριά προς επεξεργασία αντικείμενα ώστε να αποφύγετε το σφήνωμα του δίσκου και να περιορίσετε έτσι τον κίνδυνο κλοτσήματος. Τα μακριά προς επεξεργασία αντικείμενα έχουν την τάση να λυγίζουν λόγω ίδιου τους του βάρους. Μπορείτε να τοποθετήσετε υποστηρίγματα και από τις δυο πλευρές του προς επεξεργασία αντικειμένου, κοντά στη γραμμή κοπής και στο επίπεδο της άκρης του αντικειμένου.
- Μη χρησιμοποιείτε αμβλυμένους ή φθαρμένους δίσκους. Οι μη ακονισμένοι ή λάθος τοποθετημένοι δίσκοι θα δημιουργήσουν μια εγκοπή πριονιού επιφέροντας υπερβολική τριβή του δίσκου και συνεπώς μεγαλύτερο κίνδυνο στρέβλωσης και κλοτσήματος.
- Πριν αρχίσετε μια κοπή, ελέγξτε πως οι διακόπτες ρύθμισης του βάθους και της κλίσης είναι σωστά ακινητοποιημένοι. Αν οι ρυθμίσεις της θέσης του δίσκου τροποποιηθούν κατά τη διάρκεια της κοπής, ο δίσκος κινδυνεύει να σφηνώσει και μπορεί να προκληθεί κλότσημα.
- Προσέχετε ιδιαίτερα όταν κόβετε σε υπάρχοντες τοίχους ή άλλες τυφλές περιοχές. Ο δίσκος θα μπορούσε να βρει σε κρυμμένα στοιχεία, γεγονός που θα προκαλούσε κλότσημα.

ΛΕΙΤΟΥΡΓΙΑ ΚΑΤΩ ΠΡΟΣΤΑΤΕΥΤΙΚΟΥ

- Πριν από κάθε χρήση, ελέγχετε πως το κάτω προστατευτικό λάμας καλύπτει σωστά το δίσκο. Μη χρησιμοποιείτε το πριόνι σας αν το κάτω προστατευτικό λάμας δεν μπορεί να κινηθεί ελεύθερα και αν δεν τοποθετείται αμέσως επάνω στο δίσκο. Μην στερεώνετε και μη ασφαρίζετε ποτέ το κάτω προστατευτικό λάμας στην ανοικτή θέση. Αν το πριόνι πέσει κατά λάθος, το κάτω προστατευτικό λάμας μπορεί να αναδιπλωθεί. Ανασηκώστε το κάτω προστατευτικό λάμας με τη βοήθεια του μοχλού και βεβαιωθείτε πως μπορεί να μετακινηθεί χωρίς δυσκολία και πως δεν αγγίζει ούτε το δίσκο ούτε κανένα άλλο τμήμα όπως γωνία και βάθος κοπής και αν έχει επιλεγεί.
- Βεβαιωθείτε πως το ελατήριο του κάτω προστατευτικού λάμας είναι σε καλή κατάσταση και λειτουργεί σωστά. Αν το προστατευτικό λάμας ή το ελατήριο δεν λειτουργούν σωστά, ζητήστε την επιδιόρθωσή τους ή την αντικατάστασή τους πριν χρησιμοποιήσετε το πριόνι σας. Το κάτω προστατευτικό μπορεί να λειτουργεί ελαττωματικά

εξαιτίας κατεστραμμένων εξαρτημάτων, αποθέσεων ή συσσώρευσης υπολειμμάτων.

- Το κάτω προστατευτικό μπορεί να τραβηχτεί μη αυτόματα μόνο για ειδικές κοπές όπως «βαθείς κοπές» και «σύνθετες κοπές». Σηκώστε το κάτω προστατευτικό λάμας με το μοχλίσκο. Στη συνέχεια, μόλις ο δίσκος εισέλθει στο προς επεξεργασία αντικείμενο, απελευθερώστε το κάτω προστατευτικό λάμας. Για όλους τους υπόλοιπους τύπους κοπής, το κάτω προστατευτικό λάμας τοποθετείται αυτόματα στη θέση του.
- Ελέγχετε πάντα πως το κάτω προστατευτικό λάμας καλύπτει όντως το δίσκο πριν ακουμπήσετε το πριόνι σας σε πάγκο ή στο πάτωμα. Αν ο δίσκος δεν καλύπτεται σωστά, μπορεί να περιστραφεί με τη δύναμη της αδράνειας και να κόψει κάτι που θα βρίσκεται στην πορεία του. Να έχετε γνώση του γεγονότος ότι ο δίσκος εξακολουθεί να περιστρέφεται για κάποιο διάστημα μετά τη διακοπή του κινητήρα.

ΟΔΗΓΙΕΣ ΑΣΦΑΛΕΙΑΣ ΓΙΑ ΤΗ ΛΑΜΑ ΚΟΠΗΣ ΞΥΛΟΥ

- Παρακαλούμε, διαβάστε προσεκτικά το εγχειρίδιο και τις οδηγίες, προτού χρησιμοποιήσετε τη λάμα και το ηλεκτρικό εργαλείο.
- Το ηλεκτρικό εργαλείο θα πρέπει να βρίσκεται σε καλή κατάσταση, ενώ ο άξονας δεν θα πρέπει να είναι παραμορφωμένος ή να δονείται.
- Μη χρησιμοποιείτε το πριόνι, εφόσον δεν είναι εγκατεστημένες οι διατάξεις ασφαλείας. Διατηρείτε τα προστατευτικά σε καλή κατάσταση και συντηρείτε τα.
- Βεβαιωθείτε ότι ο χρήστης είναι επαρκώς εκπαιδευμένος, όσον αφορά στις προφυλάξεις ασφαλείας, στη ρύθμιση και στη λειτουργία του ηλεκτρικού εργαλείου.
- Φοράτε πάντοτε γυαλιά ασφαλείας και ωτοπροστασία, κατά τη χρήση του ηλεκτρικού εργαλείου. Συνιστάται η χρήση γαντιών και γερών, αντιολισθητικών υποδημάτων.
- Πριν χρησιμοποιήσετε οποιοδήποτε εξάρτημα, συμβουλευτείτε το εγχειρίδιο χρήσης. Η μη ενδεδειγμένη χρήση ενός εξαρτήματος μπορεί να προκαλέσει υλική ζημία και να αυξήσει την πιθανότητα τραυματισμού.
- Χρησιμοποιείτε μόνο λεπίδες που ορίζονται στο παρόν εγχειρίδιο, σύμφωνες με το EN 847-1.
- Τηρείτε τη μέγιστη ταχύτητα που ενδείκνυται στην λεπίδα κόπτη. Βεβαιωθείτε ότι η ταχύτητα που αναγράφεται στην λεπίδα κόπτη είναι τουλάχιστον ίση με την ταχύτητα που αναγράφεται στον κόπτη.
- Οι ακατάλληλοι για τον άξονα στον οποίο θα τοποθετηθούν δίσκοι δεν θα περιστραφούν σωστά και μπορούν να σας κάνουν να χάσετε τον έλεγχο του εργαλείου. Μη χρησιμοποιείτε ποτέ ελαττωματικές ή ακατάλληλες βίδες ή φλάντζες δίσκου.
- Μη χρησιμοποιείτε λεπίδες μεγαλύτερης ή μικρότερης διαμέτρου από το προτεινόμενο. Μη χρησιμοποιείτε σφήνες για να κάνετε τη λεπίδα να εφαρμόσει στην άτρακτο.
- Ελέγχετε τις ακμές της λάμας για ενδεχόμενη ζημία ή ασυνήθη όψη, πριν από κάθε χρήση. Οι ακμές που φέρουν φθορά ή δεν είναι σωστά σταθεροποιημένες ενδέχεται να εκσφενδονιστούν, αυξάνοντας την



πιθανότητα τραυματισμού.

- Τεμάχια κατεργασίας μεγάλου μήκους πρέπει να στηρίζονται κατάλληλα. Μην χρησιμοποιείτε ελαττωματικές ή στρεβλωμένες πριονολάμες.
- Απορρίψτε τη λάμα σε περίπτωση φθοράς, παραμόρφωσης, στρέβλωσης ή ραγίσματος - η επισκευή της απαγορεύεται.
- Μην χρησιμοποιείτε λεπίδες HSS.
- Βεβαιωθείτε ότι η λεπίδα του κόπτη είναι σωστά τοποθετημένη πριν τη χρήση. Συσφίξτε καλά το μπουλόνι της λάμας, πριν από τη χρήση (ροπή σύσφιξης περίπου 10-15 Nm).
- Η βίδα και τα παξιμάδια σύσφιξης θα πρέπει να συσφιχθούν με τη βοήθεια του κατάλληλου κλειδιού.
- Απαγορεύεται η προέκταση του κλειδιού ή η εφαρμογή σφυροκοπημάτων.
- Βεβαιωθείτε ότι όλες οι λεπίδες και οι φλάντζες είναι καθαρές και ότι οι πλευρές του περιουχένιου με εσοχές είναι κόντρα στην λεπίδα.
- Βεβαιωθείτε ότι η λεπίδα περιστρέφεται προς τη σωστή κατεύθυνση.
- Πριν ξεκινήσετε, κάντε μια πρόχειρη κοπή χωρίς να είναι ενεργοποιημένος ο κινητήρας, ώστε να ελέγξετε τη θέση της λεπίδας, τη λειτουργία των προστατευτικών σε σχέση με τα άλλα εξαρτήματα του μηχανήματος και το τεμάχιο εργασίας.
- Μην αφήνετε ποτέ το εργαλείο να λειτουργεί χωρίς την επίβλεψή σας.
- Μην τοποθετείτε λιπαντικά στην λεπίδα όσο λειτουργεί.
- Μην εκτελείτε ποτέ εργασίες καθαρισμού ή συντήρησης όταν το μηχάνημα λειτουργεί ακόμα και η κεφαλή δεν βρίσκεται στην θέση αναμονής.
- Μην επιχειρήσετε ποτέ να ακινητοποιήσετε απότομα το ηλεκτρικό εργαλείο, σφηνώνοντας κάποιο εργαλείο ή άλλο μέσο στη λάμα. Ενέχει κίνδυνος πρόκλησης σοβαρών ατυχημάτων.
- Αποσυνδέετε το πριόνι από την παροχή ρεύματος ή την μπαταρία, πριν από την αλλαγή λάμας, τη μεταφορά ή τη συντήρηση.
- Προσέχετε τη λάμα κατά τη συσκευασία και την αποσυσκευασία. Ενέχει κίνδυνος τραυματισμού από τις αιχμηρές ακμές της λάμας.
- Χρησιμοποιήστε μια συσκευή συγκράτησης ή φοράτε γάντια όταν χειρίζεστε τη λεπίδα του κόπτη.
- Φυλάσσετε και αποθηκεύετε τη λάμα στην αρχική συσκευασία ή άλλη κατάλληλη συσκευασία. Διατηρήστε σε χώρο χωρίς υγρασία και μακριά από χημικά τα οποία μπορεί να προκαλέσουν φθορά στη λεπίδα.

⚠ ΠΡΟΕΙΔΟΠΟΙΗΣΗ

- Φοράτε προστατευτικά ματιών και αυτιών.
- Φοράτε μάσκα προστασίας από πριονίδια/σωματίδια.
- Μην χρησιμοποιείτε ποτέ λειαντικό δίσκο.
- Αποφύγετε την υπερθέρμανση των άκρων των λεπίδων. Μην χρησιμοποιείτε αμβλυμένους ή φθαρμένους δίσκους. Μην πιέζετε υπερβολικά το εργαλείο.
- Χρησιμοποιείτε μόνο τις προτεινόμενες λεπίδες κόπτη.
- Μην χρησιμοποιείτε λεπίδες μεγαλύτερης ή μικρότερης διαμέτρου από το προτεινόμενο.
- Χρησιμοποιείτε μόνο λεπίδες που ορίζονται στο παρόν εγχειρίδιο, σύμφωνα με το EN 847-1.

ΑΣΦΑΛΕΙΑ ΚΑΙ ΣΥΣΚΕΥΕΣ ΜΕ ΛΕΙΖΕΡ (RCS1600)



- Η ακτινοβολία του οδηγού λέιζερ που χρησιμοποιείται στον κόπτη είναι Κατηγορίας 2 με μέγιστη μήκη κύματος $\leq 1\text{mW}$ και 650nm . Μην κοιτάζετε απευθείας στην ακτίνα λέιζερ. Η μη τήρηση των κανόνων μπορεί να προκαλέσει σοβαρό τραυματισμό.



- Παρέχεται αυτοκόλλητη ετικέτα στη γλώσσα σας. Παρακαλούμε κολλήστε την στη θέση του αγγλικού κειμένου στην προειδοποιητική ετικέτα πριν χρησιμοποιήσετε για πρώτη φορά το μηχάνημα.
- Μην κοιτάζετε στην ακτίνα κατά τη λειτουργία.
- Μην προβάλλετε την ακτίνα λέιζερ απευθείας στα μάτια των άλλων. Υπάρχει κίνδυνος σοβαρού οφθαλμολογικού τραυματισμού.
- Μην τοποθετείτε το λέιζερ σε θέση που μπορεί να προκαλέσει την άμεση οπτική επαφή με αυτό, σκόπια ή όχι.
- Μην χρησιμοποιείτε οπτικά εργαλεία για να δείτε την ακτίνα λέιζερ.
- Μην χρησιμοποιείτε το λέιζερ κοντά σε παιδιά και μην αφήνετε παιδιά να το χρησιμοποιούν.
- Μην προσπαθήσετε να επισκευάσετε τη συσκευή λέιζερ μόνοι σας.
- Μην προσπαθήσετε να αντικαταστήσετε οποιοδήποτε εξάρτημα της συσκευής λέιζερ μόνοι σας.
- Οι επισκευές θα πρέπει να εκτελούνται μόνο από τον κατασκευαστή του λέιζερ ή εξουσιοδοτημένο αντιπρόσωπο.
- Μην αντικαθιστάτε το λέιζερ με άλλο διαφορετικού τύπου.

ΑΛΛΟΙ ΚΙΝΔΥΝΟΙ

Ακόμη και όταν το προϊόν χρησιμοποιείται σύμφωνα με τις οδηγίες, δεν είναι δυνατή η απόλυτη απαλειφή συγκεκριμένων παραγόντων κινδύνου. Κατά τη χρήση μπορεί να προκύψουν οι ακόλουθοι κίνδυνοι και ο χειριστής πρέπει να δίδει ιδιαίτερη προσοχή προς αποφυγή των εξής:

- Τραυματισμοί από την επιστροφή
 - Διαβάστε και κατανοήστε τις πληροφορίες του παρόντος εγχειριδίου.
 - Τραυματισμοί από τον κραδασμό
 - Περιορίστε την έκθεση. Βλ. “Μείωση Κινδύνου”.
 - Τραυματισμός που προκαλείται από τη σκόνη
 - Φοράτε πάντα προστατευτικά ματιών. Φοράτε κατάλληλη μάσκα προστασίας με τα σωστά φίλτρα που προστατεύουν από τη σκόνη που προέρχεται από το υλικό εργασίας. Μην τρώτε, πίνετε ή καπνίζετε στον χώρο εργασίας. Βεβαιωθείτε ότι υπάρχει επαρκής εξαερισμός του χώρου εργασίας.
 - Ηλεκτροπληξία
 - Η λεπίδα μπορεί να έρθει σε επαφή με κρυφές καλωδιώσεις, προκαλώντας ηλεκτροδότηση σε τμήματα του προϊόντος. Κρατάτε πάντα το προϊόν από τις ειδικές λαβές και προσέχετε όταν κάνετε κοπές χωρίς ορατότητα σε τοίχους και πατώματα όπου μπορεί να υπάρχουν καλώδια στο εσωτερικό.
- ΣΗΜΕΙΩΣΗ** Όταν εργάζεστε σε τοίχους, οροφές ή δάπεδα, φροντίστε να αποφεύγετε ηλεκτρικά καλώδια και σωλήνες αερίου ή νερού.
- Τραυματισμός από επαφή με τη λεπίδα κοπής
 - Οι λεπίδες είναι πολύ αιχμηρές και θερμαίνονται κατά τη χρήση. Φοράτε γάντια όταν αλλάζετε λεπίδες. Διατηρείτε συνεχώς τα χέρια σας μακριά από την περιοχή κοπής. Στερεώστε το σε μια σταθερή βάση. Πιάνετε με σφιγκτήρα το τεμάχιο εργασίας όπου αυτό είναι δυνατό.

ΜΕΙΩΣΗ ΚΙΝΔΥΝΟΥ

Έχει αναφερθεί ότι οι κραδασμοί των χειροκίνητων εργαλείων μπορεί να συμβάλλει σε μια πάθηση γνωστή ως Σύνδρομο Raynaud σε ορισμένα άτομα. Τα συμπτώματα περιλαμβάνουν κνησμό, μούδιασμα και λευκότητα των δακτύλων, που εμφανίζονται συνήθως μετά την έκθεση σε κρύο. Κληρονομικοί παράγοντες, έκθεση σε κρύο και υγρασία, κάπνισμα και πρακτικές εργασίας θεωρείται ότι συμβάλλουν στην εκδήλωση των συμπτωμάτων. Μπορούν να ληφθούν μέτρα από το χειριστή για την πιθανή μείωση των επιδράσεων κραδασμών:

- Διατηρείτε το σώμα σας ζεστό όταν ο καιρός είναι ψυχρός. Φοράτε γάντια κατά τον χειρισμό του μηχανήματος, για να διατηρείτε ζεστά τα χέρια και τους καρπούς σας. Ο ψυχρός καιρός είναι κύριος παράγοντας που συμβάλλει στην εκδήλωση του συνδρόμου Raynaud.
- Μετά από κάθε περίοδο λειτουργίας, κάνετε ασκήσεις για να αυξάνετε την κυκλοφορία αίματος.
- Κάνετε τακτικά διαλείμματα κατά την εργασία. Περιορίζετε το σύνολο έκθεσης ανά ημέρα.

Αν παρουσιάσετε οποιοδήποτε σύμπτωμα αυτής της

πάθησης, διακόψτε αμέσως τη χρήση και συμβουλευτείτε τον γιατρό σας για τα συμπτώματα.

⚠ ΠΡΟΕΙΔΟΠΟΙΗΣΗ

Υπάρχει κίνδυνος πρόκλησης ή επιδείνωσης τραυματισμού, από την παρατεταμένη χρήση εργαλείου. Όταν χρησιμοποιείτε το εργαλείο για μεγάλες περιόδους, κάνετε τακτικά διαλείμματα.

ΓΝΩΡΙΣΤΕ ΤΟ ΠΡΟΪΟΝ ΣΑΣ

Βλέπε σελίδα 135.

1. Διακόπτης
2. Κουμπί απασφάλισης της σκανδάλης
3. Άνω προστατευτικό λάμας
4. Προσαρμογέας θύρας σκόνης
5. Μοχλός του κάτω προστατευτικού λάμας
6. Μπουλόني λάμας
7. Κάτω προστατευτικό λάμας
8. Λαβή
9. Κλίμακα γωνίας
10. Ασφάλεια κλίμακας γωνίας
11. Ασφάλεια οδηγού τεμαχισμού
12. Πέλημα
13. Κεφαλή λείζερ (RCS1600)
14. Λάμα
15. Ράγα κόπτη
16. Σφιγκτήρας
17. Κλειδί
18. Οδηγός απόσχισης

ΣΥΝΤΗΡΗΣΗ

⚠ ΠΡΟΕΙΔΟΠΟΙΗΣΗ

Το προϊόν δεν πρέπει ποτέ να συνδέεται σε παροχή ισχύος όταν συναρμολογείτε εξαρτήματα, όταν διεξάγετε ρυθμίσεις, καθαρισμό, συντήρηση ή όταν το προϊόν δε χρησιμοποιείται. Μια αποσύνδεση του προϊόντος θα εμποδίσει τυχαία εκκίνηση, η οποία θα μπορούσε να προκαλέσει σοβαρό τραυματισμό.

- Στις εργασίες σέρβις χρησιμοποιείτε μόνο αυθεντικά ανταλλακτικά του κατασκευαστή. Η χρήση οποιουδήποτε άλλου ανταλλακτικού μπορεί να παρουσιάσει κίνδυνο ή να προκαλέσει ζημιά στο εργαλείο σας.
- Αποσυνδέετε το εργαλείο από το ρεύμα πριν τοποθετήσετε ή αφαιρέσετε την λεπίδα κόπτη. Καθαρίζετε το προϊόν και το σύστημα προστασίας με καθαρά πανιά.
- Αποφύγετε τη χρήση διαλυτών κατά τον καθαρισμό πλαστικών εξαρτημάτων. Τα περισσότερα πλαστικά μπορούν να υποστούν ζημιά από τη χρήση ορισμένων διαλυτών που διατίθενται στο εμπόριο. Χρησιμοποιήστε ένα καθαρό πανάκι για να καθαρίσετε τις ακαθαρσίες, τη σκόνη, κλπ.
- Σε καμία περίπτωση μην επιτρέπετε τα υγρά φρένων, η βενζίνη, προϊόντα με βάση το πετρέλαιο, έλαια που διεισδύουν κλπ. να έρχονται σε επαφή με πλαστικά

τμήματα. Τα προϊόντα αυτά περιέχουν χημικές ουσίες που μπορούν να προξενήσουν ζημιά, να μειώσουν ή να καταστρέψουν το πλαστικό.

- Φοράτε πάντα προστατευτικά γυαλιά ή γυαλιά ασφαλείας με πλαϊνές ασπίδες κατά τον χειρισμό μηχανοκίνητων εργαλείων ή σε εργασίες με σκόνη. Αν η εργασία προκαλεί σκόνη, φοράτε και ειδική μάσκα.
- Αν το καλώδιο παροχής ρεύματος φθαρεί, πρέπει να αντικατασταθεί μόνο από τον παρασκευαστή ή εξουσιοδοτημένο κέντρο σέρβις για αποφυγή κινδύνων. Επικοινωνήστε με το εξουσιοδοτημένο κέντρο σέρβις.
- Για μεγαλύτερη ασφάλεια και αξιοπιστία, όλες οι επισκευές πρέπει να εκτελούνται από εξουσιοδοτημένο κέντρο σέρβις της Ryobi.

ΛΙΠΑΝΣΗ

Όλα τα έδρανα στο προϊόν έχουν λιπανθεί με επαρκή ποσότητα λιπαντικού υψηλής ποιότητας για όλη τη διάρκεια ζωής του προϊόντος, υπό φυσιολογικές συνθήκες λειτουργίας. Συνεπώς, δε χρειάζεται καμία επιπλέον λίπανση.

ΠΡΟΣΤΑΣΙΑ ΤΟΥ ΠΕΡΙΒΑΛΛΟΝΤΟΣ



Ανακυκλώνετε τις πρώτες ύλες αντί να τις πετάτε ως απορρίμματα. Για την προστασία του περιβάλλοντος, πρέπει να γίνεται η διαλογή του εργαλείου, των εξαρτημάτων και των συσκευασιών του.

ΣΥΜΒΟΛΑ ΣΤΟ ΠΡΟΪΟΝ



Προειδοποίηση ασφαλείας

V

Βλτ

Hz

ερτς

~

Εναλλασσμεν ρεύμα

W

Βατ

n_o

Ταύτητα στ κεν

min⁻¹

Αριθμ στρών ή κινήσεων ανά λεπτ



Κατηγορία II, διπλή μόνωση



Ξύλο



Μην κόβετε μέταλλα



Φοράτε προστατευτικά αυτιών



Φοράτε προστατευτικά ματιών

Ακτινοβολία λέιζερ.

Μην κοιτάζετε απευθείας στην ακτίνα.

Προϊόν λέιζερ κλάσης 2

λ: 650nm; P≤1mW

EN 60825-1:2014



Κινδυνος! Αιχμηρή λεπίδα.



Να μην εκτίθεται σε βροχή



Πλάτος κοπής



Δόντια λεπίδας



Συμμόρφωση CE



EurAsian σήμα πιστότητας



Ουκρανικό σήμα συμμόρφωσης



Παρακαλούμε διαβάστε τις οδηγίες προσεκτικά πριν ξεκινήσετε το μηχάνημα.



Τα ηλεκτρικά προϊόντα προς απόρριψη δεν θα πρέπει να απορρίπτονται μαζί με τα οικιακά απόβλητα. Παρακαλούμε ανακυκλώστε όπου υπάρχουν οι αντίστοιχες εγκαταστάσεις. Μιλήστε με τις τοπικές αρχές ή τον πωλητή για να σας ενημερώσουν σχετικά με τα προγράμματα ανακύκλωσης.

ΣΥΜΒΟΛΑ ΣΤΟ ΕΓΧΕΙΡΙΔΙΟ



Συνδέστε στην παροχή ηλεκτρικού ρεύματος.



Αποσυνδέστε από την παροχή ρεύματος.



Ανταλλακτικά και εξαρτήματα πωλούνται χωριστά



Κλείδωμα



Ξεκλείδωμα



Σημείωση

Οι ακόλουθες προειδοποιητικές λέξεις και έννοιες προορίζονται να εξηγήσουν τα επίπεδα κινδύνου που συνδέονται με αυτό το προϊόν:

⚠ ΚΙΝΔΥΝΟΣ

Υποδεικνύει μια επικείμενη επικίνδυνη κατάσταση, η οποία, αν δεν αποφευχθεί, θα οδηγήσει σε θάνατο ή σοβαρό τραυματισμό.

⚠ ΠΡΟΕΙΔΟΠΟΙΗΣΗ

Υποδεικνύει μια δυνητικά επικίνδυνη κατάσταση, η οποία, αν δεν αποφευχθεί, θα οδηγήσει σε θάνατο ή σοβαρό τραυματισμό.

⚠ ΠΡΟΣΟΧΗ

Υποδεικνύει μια δυνητικά επικίνδυνη κατάσταση, η οποία, αν δεν αποφευχθεί, ενδέχεται να οδηγήσει σε ελαφρύ ή μέτριο τραυματισμό.

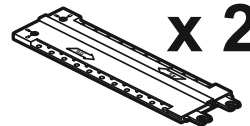
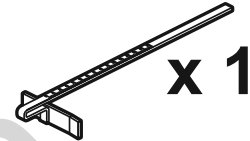
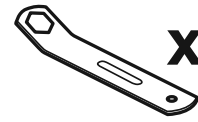
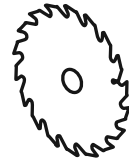
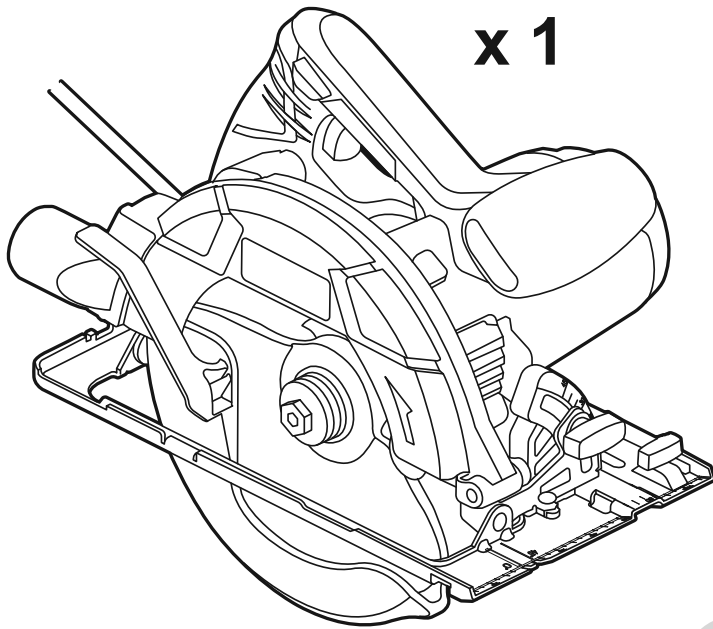
ΠΡΟΣΟΧΗ

(Χωρίς σύμβολο προειδοποίησης ασφαλείας) Υποδεικνύει μια κατάσταση που μπορεί να οδηγήσει σε υλικές ζημιές.

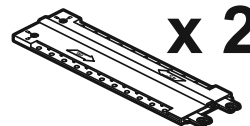
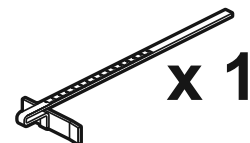
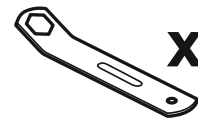
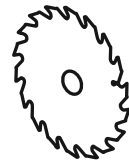
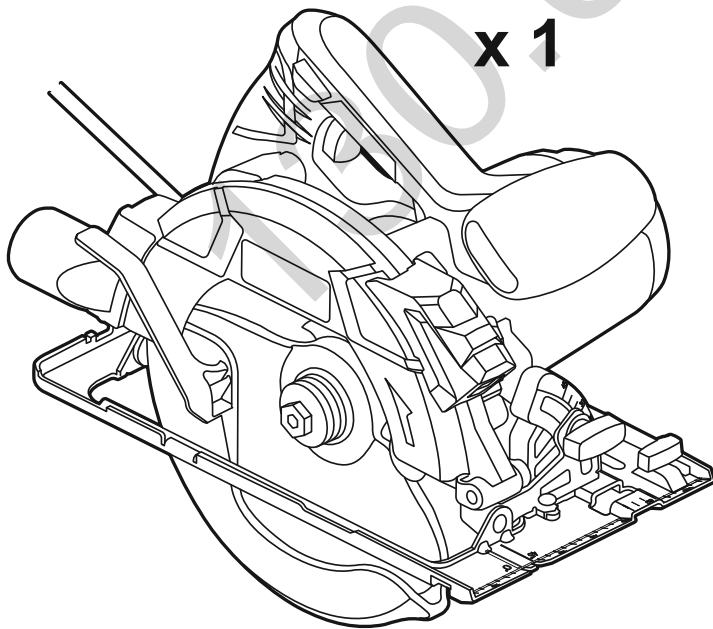
EN
FR
DE
ES
IT
NL
PT
DA
SV
FI
NO
RU
PL
CS
HU
RO
LV
LT
ET
HR
SL
SK
BG
UK
TR
EL

130.com.ua

RCS1400

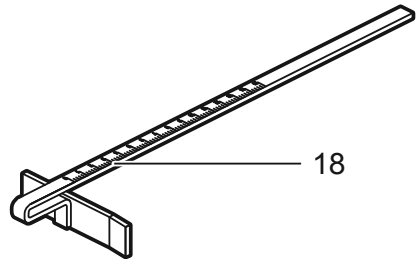
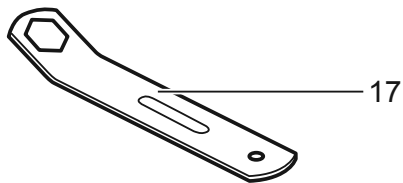
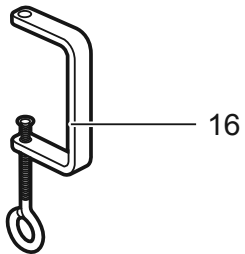
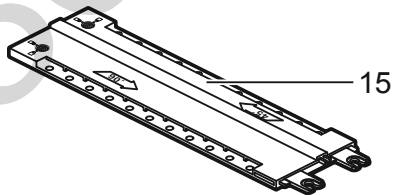
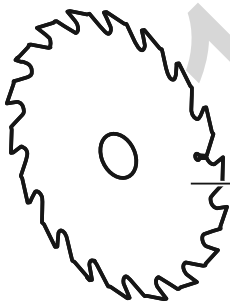
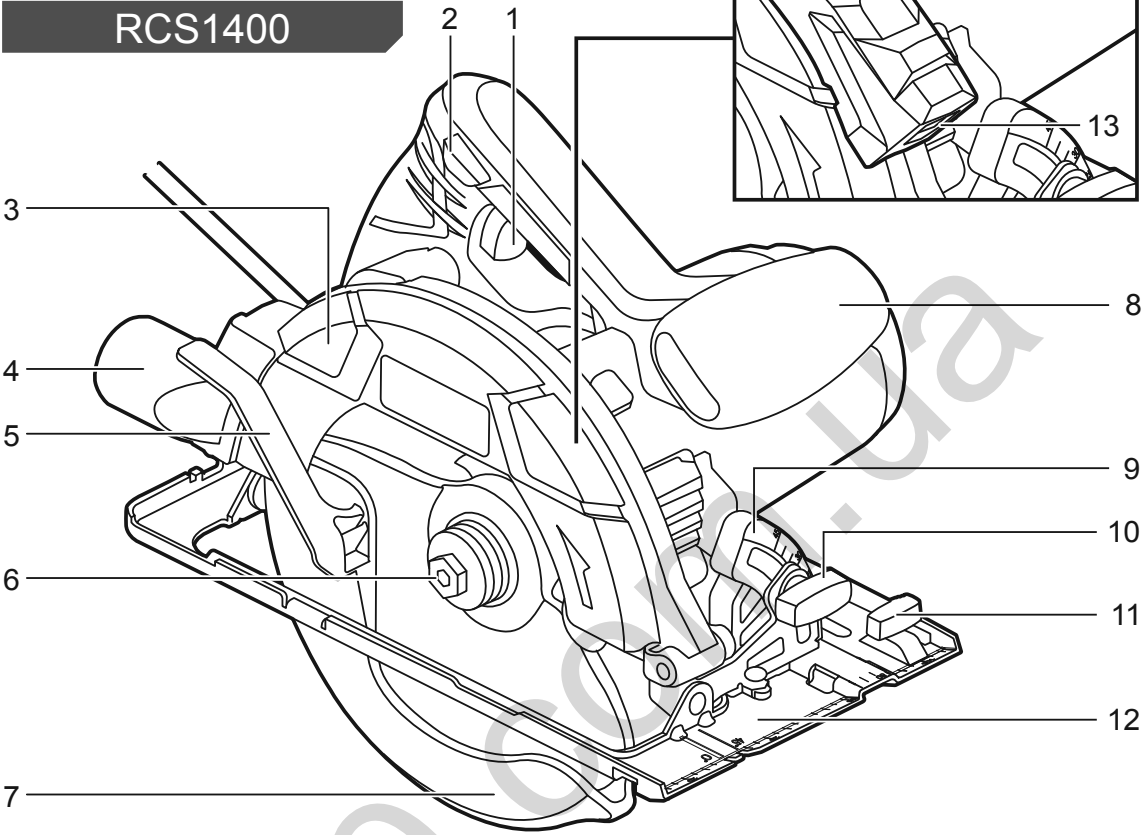
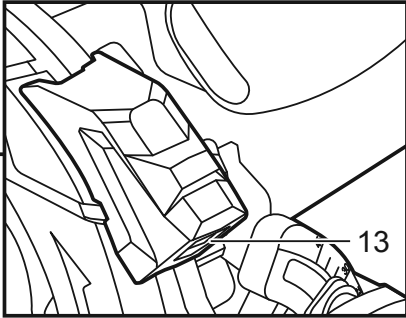


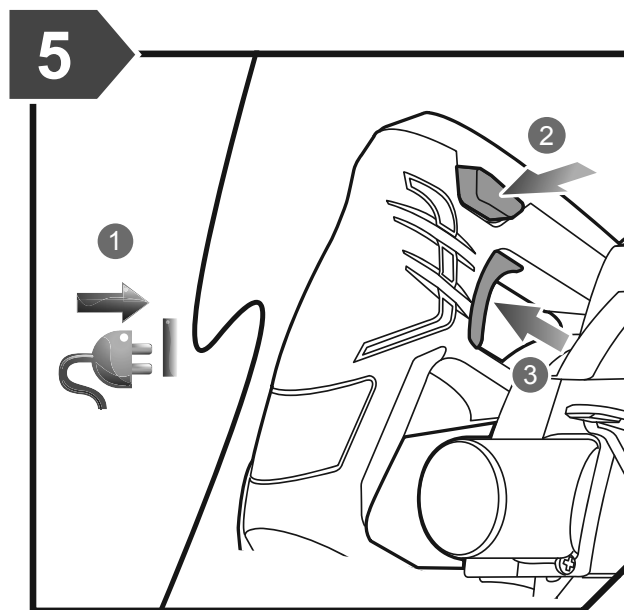
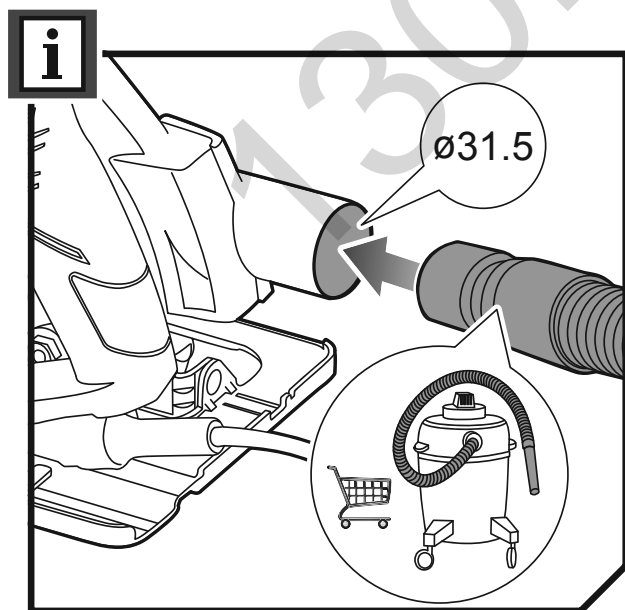
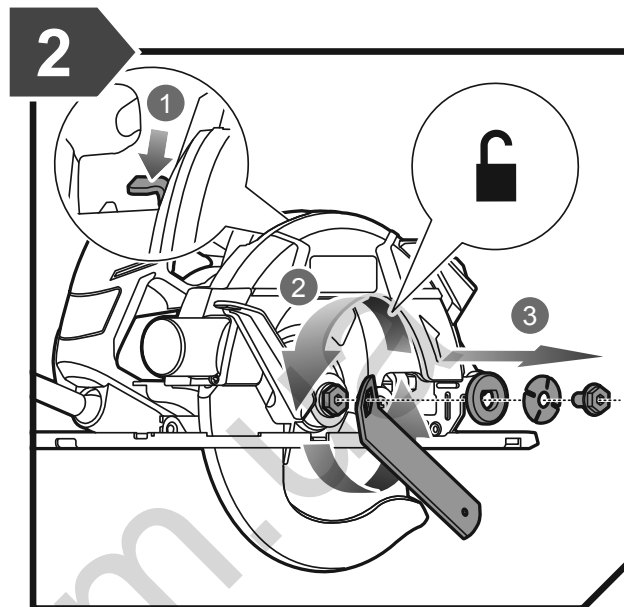
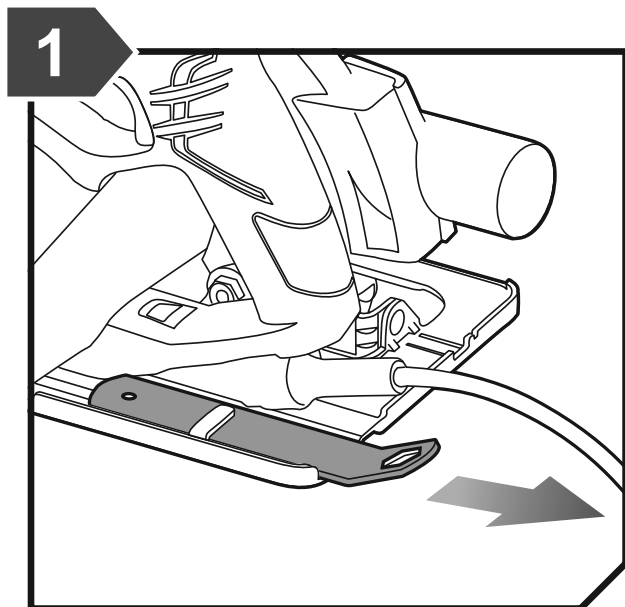
RCS1600

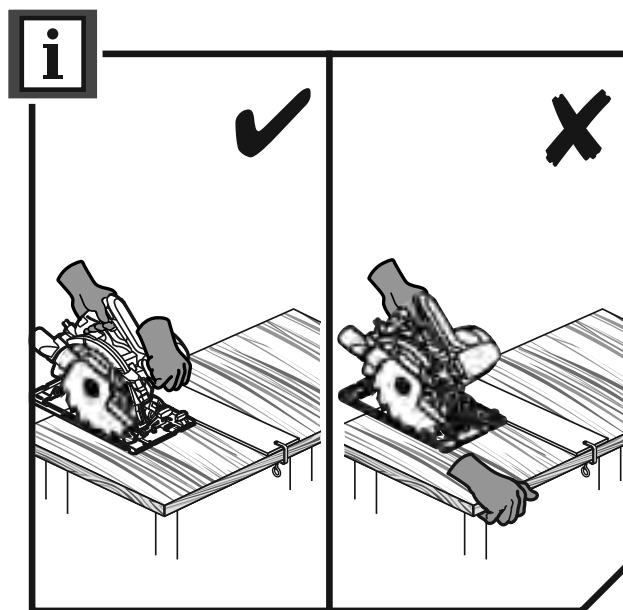
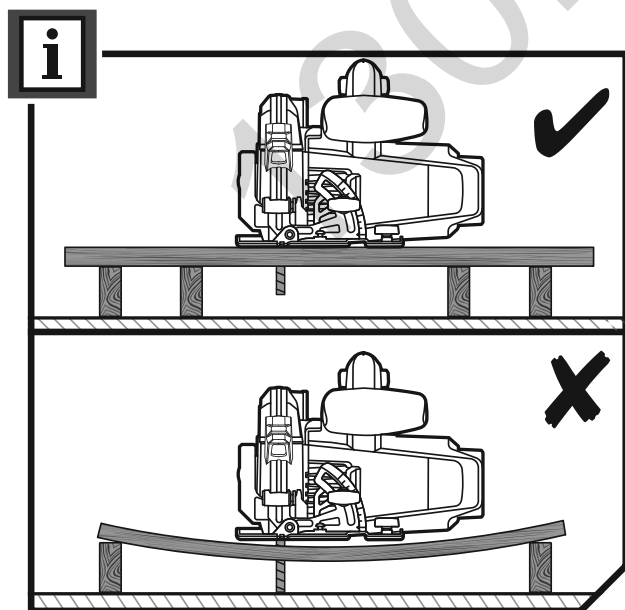
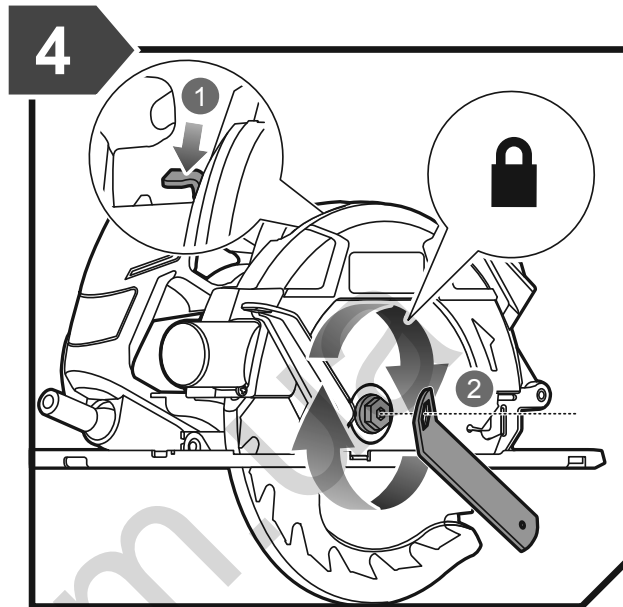
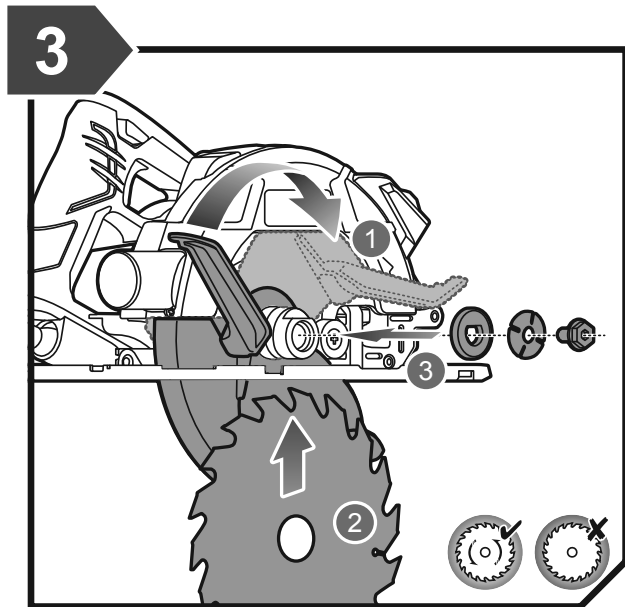


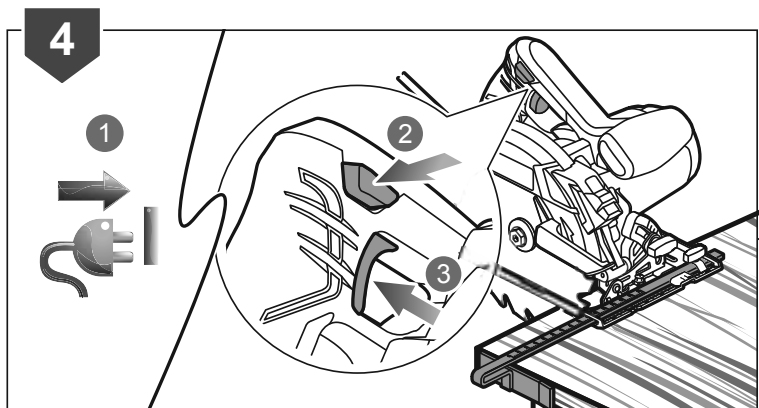
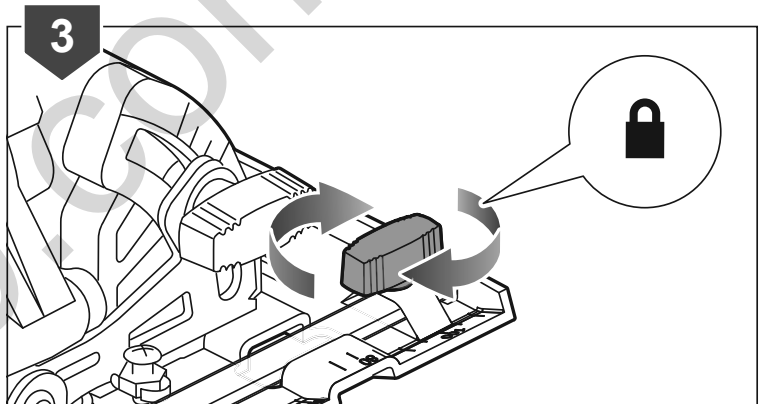
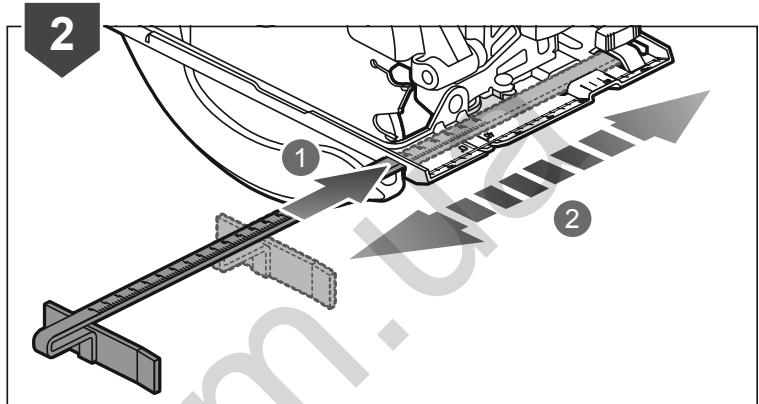
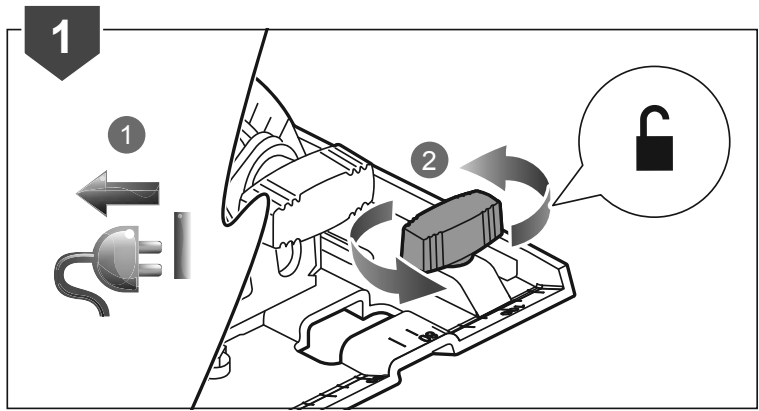
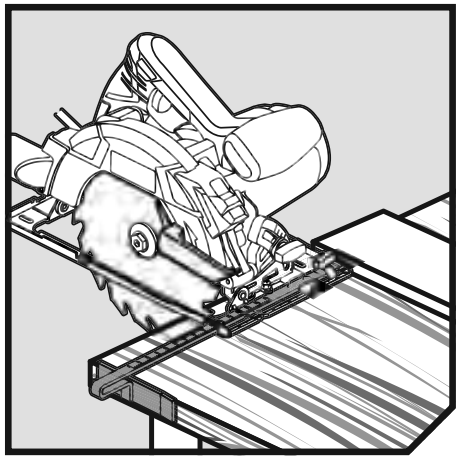
RCS1400

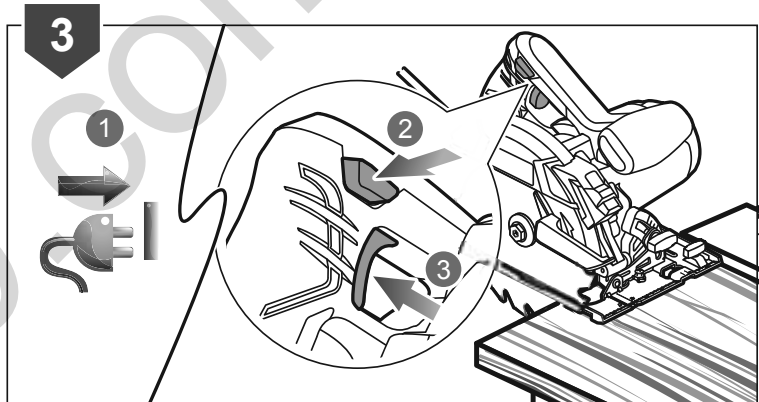
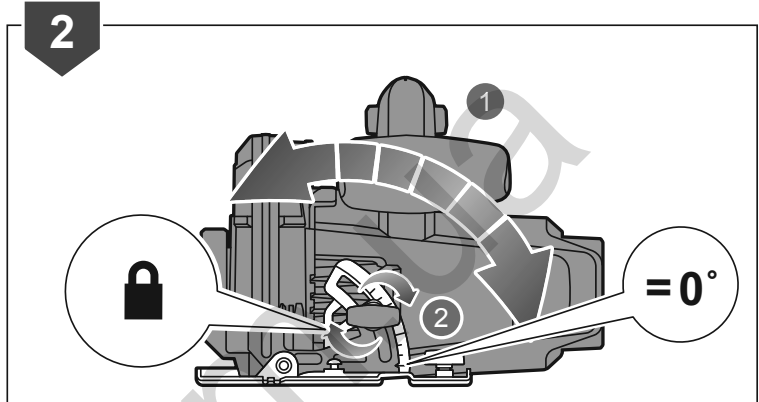
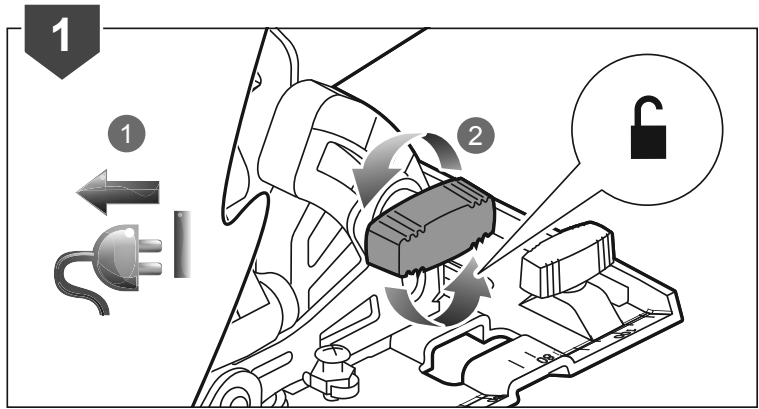
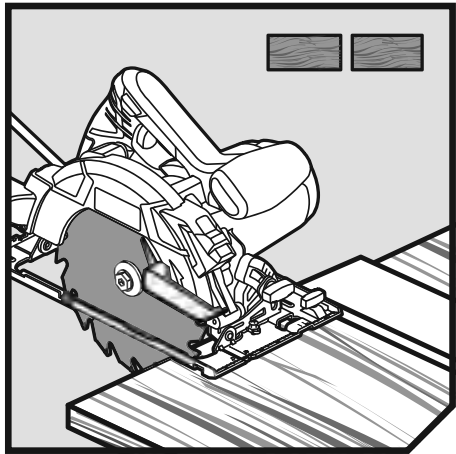
RCS1600

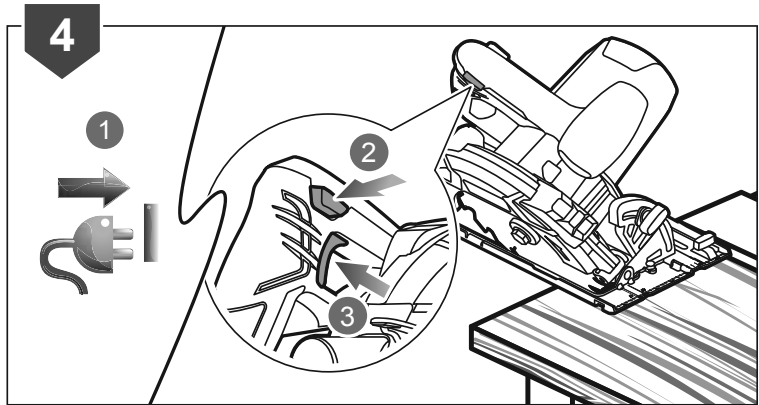
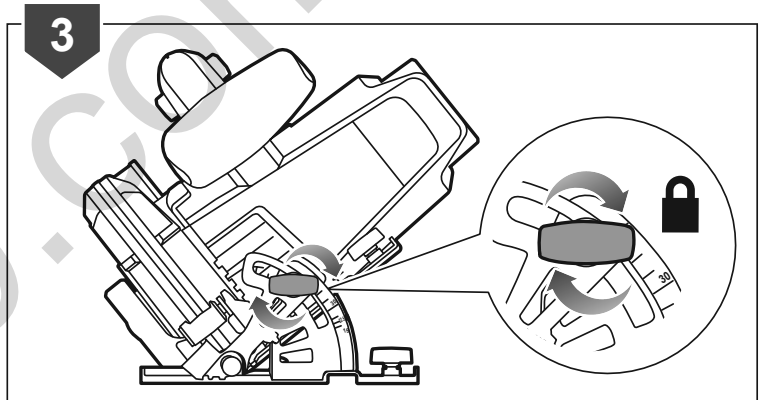
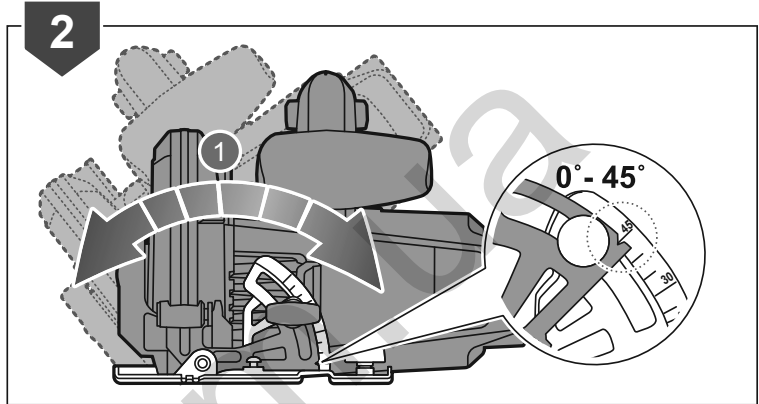
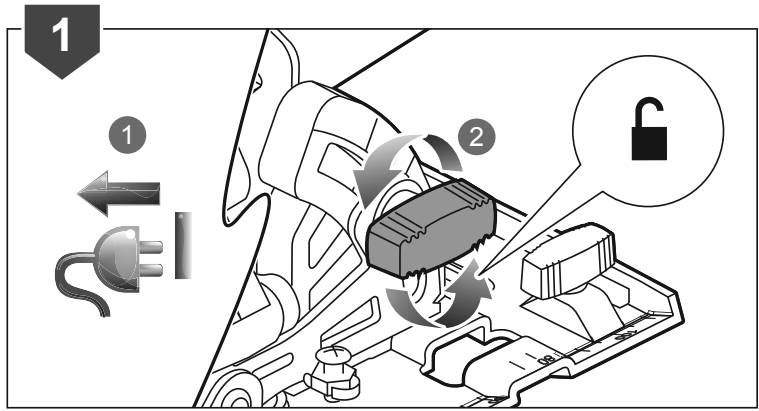
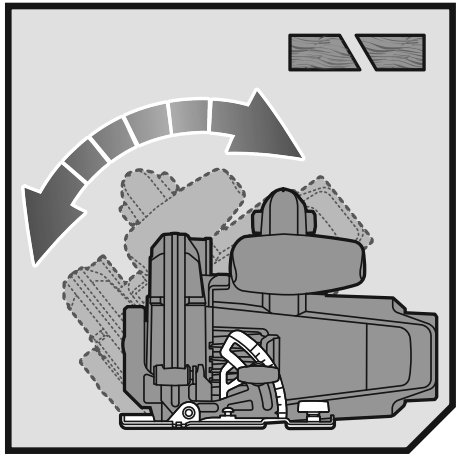


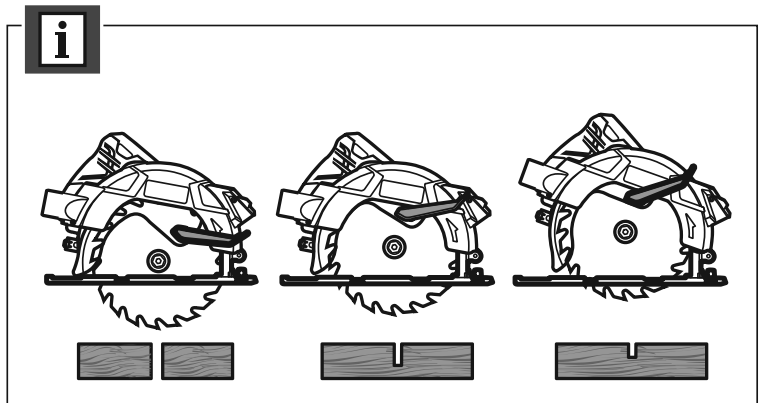
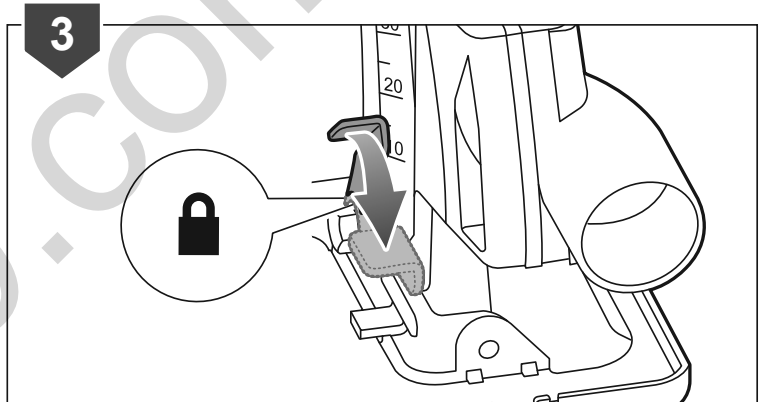
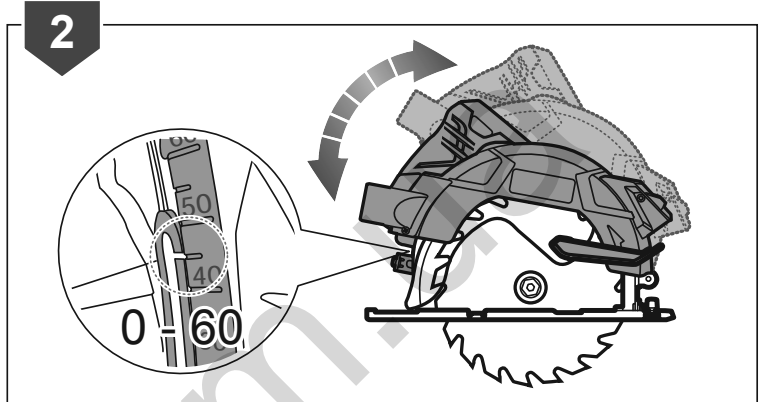
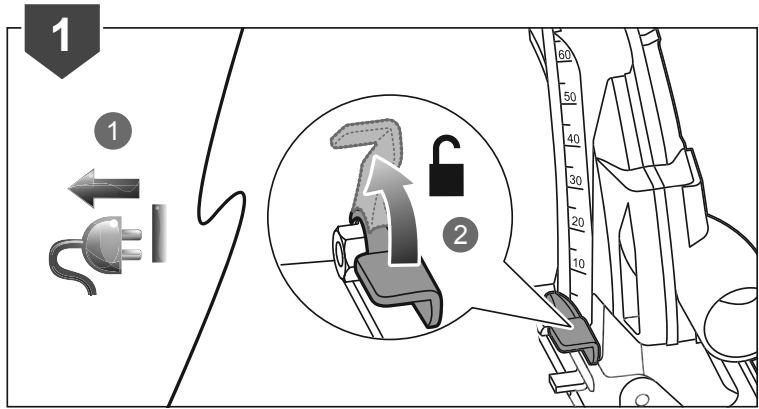
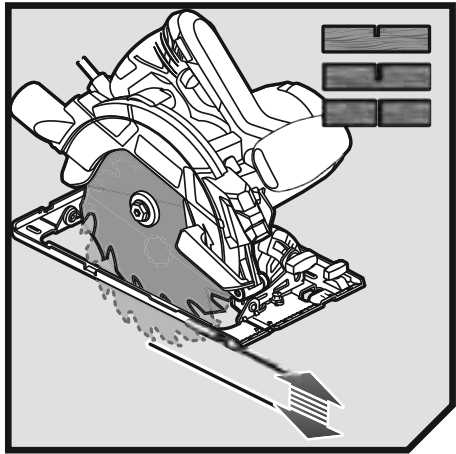


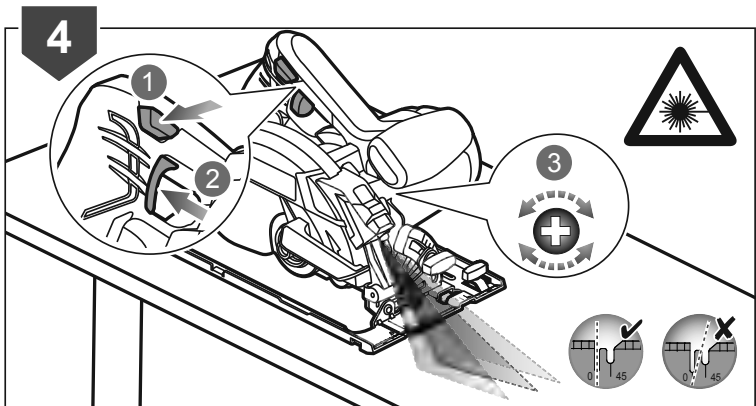
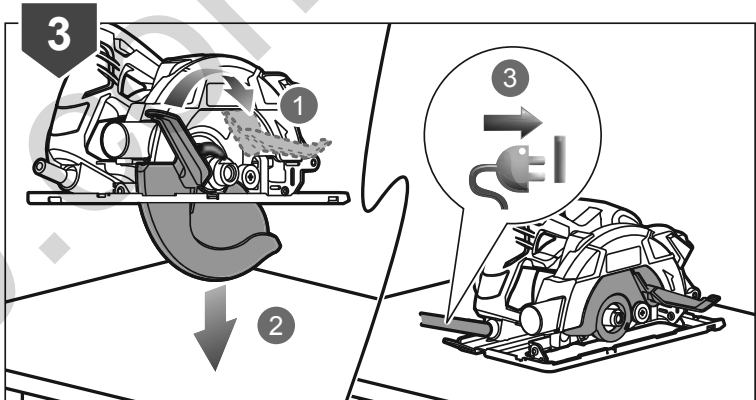
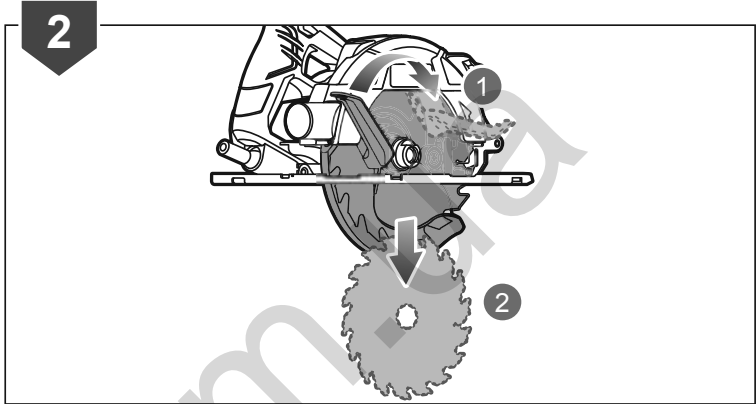
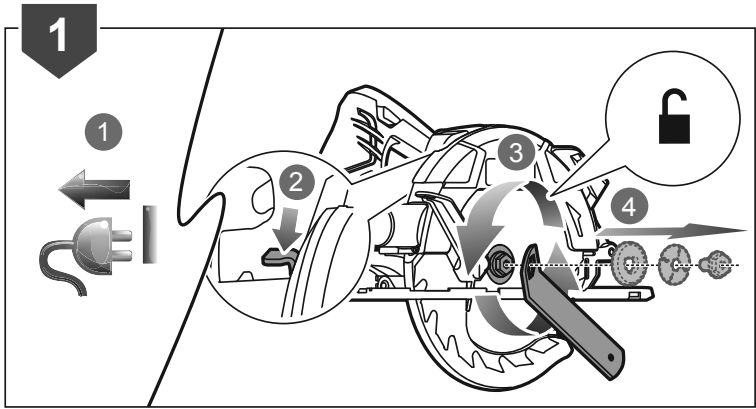
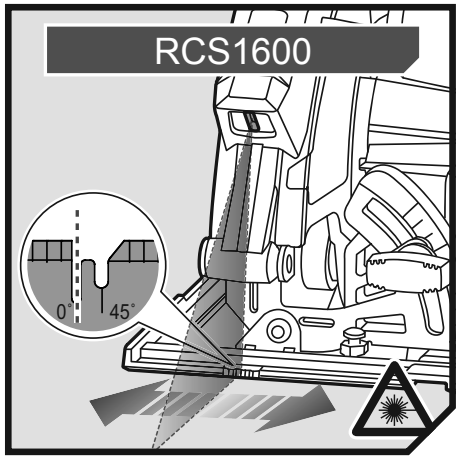


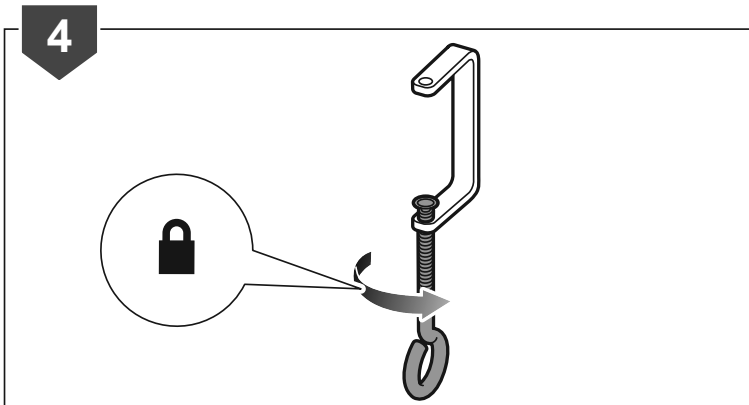
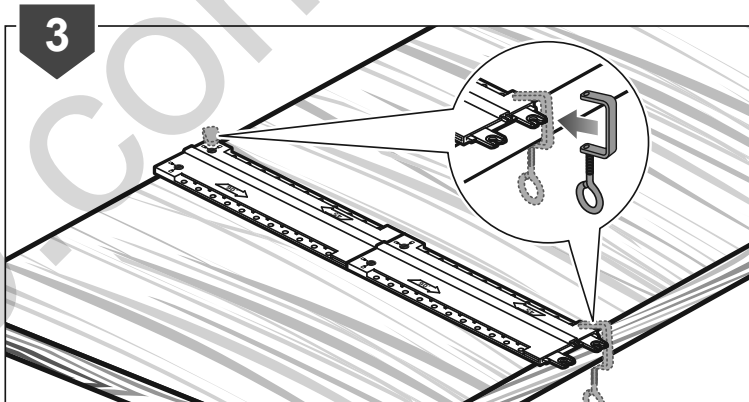
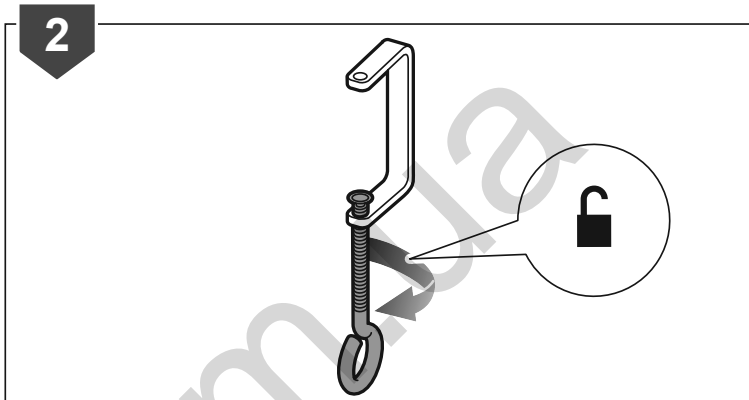
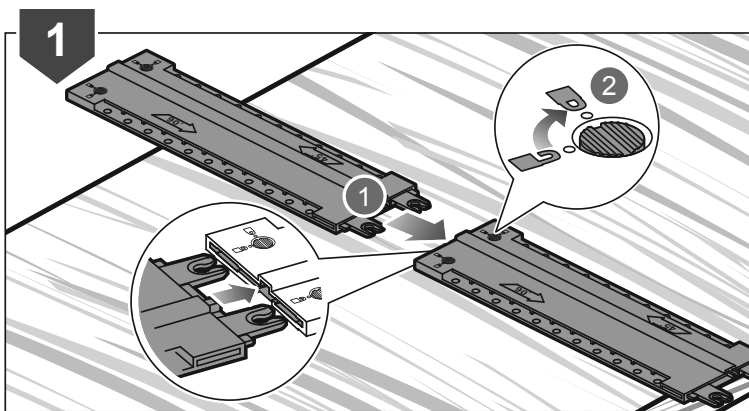
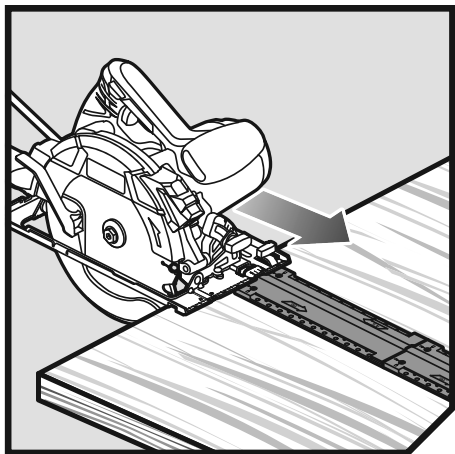


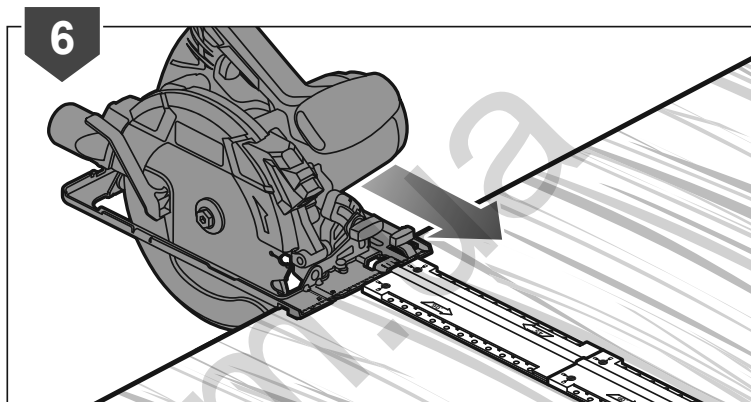
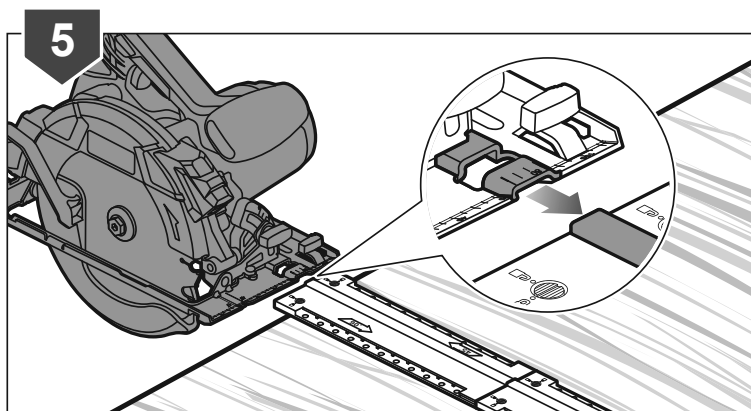


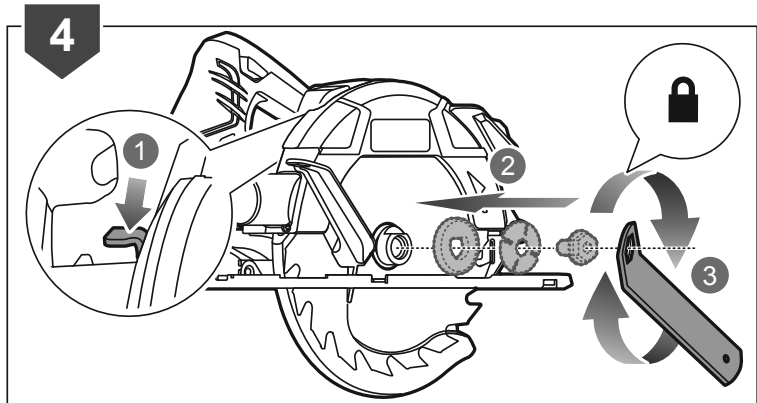
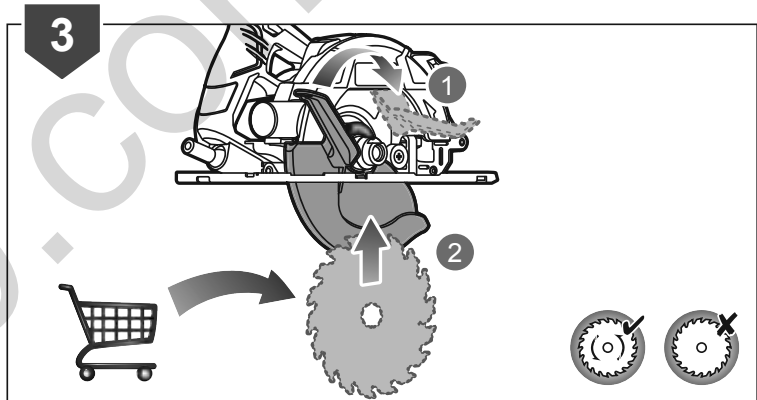
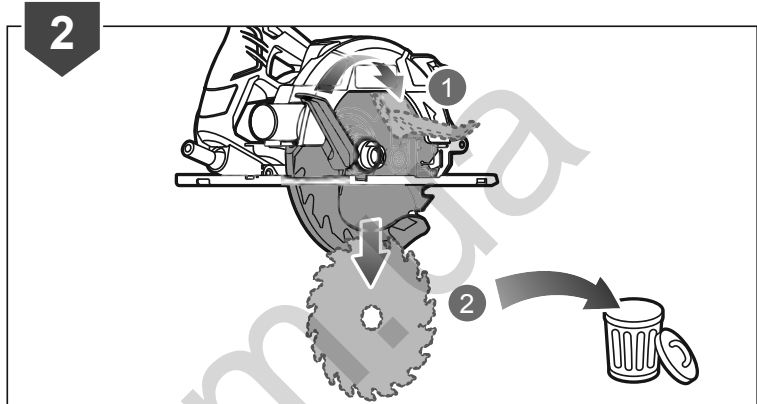
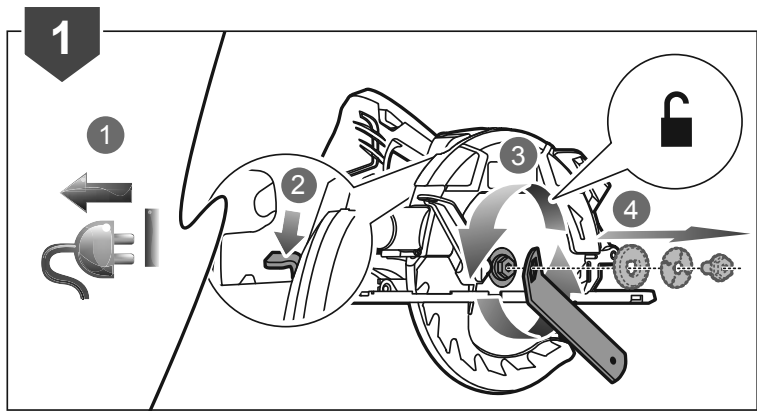
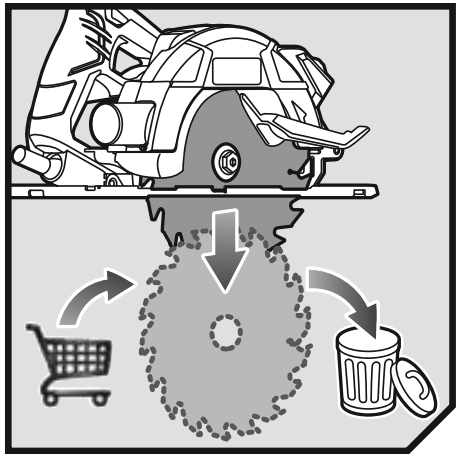












English	Français	Deutsch	Español	Italiano	Nederlands	Português
Product specifications	Caractéristiques de l'appareil	Produkt-Spezifikationen	Especificaciones del producto	Specifiche prodotto	Productspecificaties	Especificações do produto
Circular Saw	Scie Circulaire	Kreissäge	Sierra Circular	Sega circolare	Cirkelzaagmachine	Serra Circular
Model	Modèle	Modell	Modelo	Modello	Model	Modelo
Voltage	Tension	Spannung	Tensión	Voltaggio	Spanning	Voltagem
Input	Alimentation	Eingangsleistung	Tensión nominal	Alimentazione	Input	Admissão
No-load speed	Vitesse à vide	Leerlaufdrehzahl	Velocidad sin carga	Velocità a vuoto	Onbelast toerental	Velocidade em vazio
Blade diameter	Diamètre du disque de coupe	Sägeblatt Durchmesser	Diámetro de la hoja	Diametro lama	Zaagblad ø	Diâmetro da lâmina
Blade arbor	Arbre de lame	Sägeblattspindel	Ranura de la cuchilla	Portalama	Asgat ø	Eixo da Lâmina
Blade thickness (Max)	Épaisseur de la lame (maxi.)	Sägeblatt Dicke (Max.)	Grosor hoja (máx.)	Spessore lama (Massimo)	Zaagbladdikte (max.)	Espessura lâmina (Máx.)
Blade teeth	Nombre de dents	Sägezähne	Dientes de la hoja	Denti lame	Zaagblattanden	Dentes da lâmina
Blade - width of cut (Min/Max)	Lame - Largeur de coupe (Mini/Maxi.)	Sägeblatt - Breite des Schnitts (Min/Max.)	Hoja - Ancho del corte (Min/Máx.)	Lama - Ampiezza di taglio (Min/Massimo)	Zaagblad - Maabreedte (Min/Max.)	Lâmina - Largura do corte (Min/Máx.)
Blade model number	Référence de lame	Sägeblatt Modellnummer	Número de modelo de la hoja	Numero modello lama	Zaagblad modelnummer	Número de modelo da lâmina
Cutting capacity - 0°	Capacité de coupe - 0°	Schnittkapazität - 0°	Capacidad de corte - 0°	Capacità di taglio - 0°	Zaagcapaciteit - 0°	Capacidade de corte - 0°
Cutting capacity - 45°	Capacité de coupe - 45°	Schnittkapazität - 45°	Capacidad de corte - 45°	Capacità di taglio - 45°	Zaagcapaciteit - 45°	Capacidade de corte - 45°
Saw rail	Guide de coupe	Sägeschiene	Sierra para carriles	Sistema guida sega	Zaaggeleider	Serra de trilho
Bevel scale	Echelle d'inclinaison	Neigungsskala	Escala de inclinación	Scala di inclinazione	Afschuinschaalverdeling	Escala de inclinação
Weight According to EPTA-Procedure 01/2003	Poids Selon la procédure EPTA 01/2003	Gewicht Gemäß EPTA-Verfahren 01/2003	Peso Según el procedimiento EPTA 01/2003	Peso Secondo quanto indicato dalla EPTA-Procedure 01/2003	Gewicht Overeenkomstig de EPTA-procedure 01/2003	Peso De acordo com o Procedimento EPTA 01/2003
Measured sound values determined according to EN 60745:	Valeurs du son mesuré déterminées selon EN 60745:	Gemäß EN 60745: gemessene Schallwerte	Valores medidos del sonido en función de la norma EN 60745:	Valori del suono misurati determinati secondo lo standard EN 60745:	Gemeten geluidswaarden bepaald in overeenstemming met EN 60745:	Valores medidos do som em função da norma EN 60745:
A-weighted sound pressure level	Niveau de pression sonore pondéré-A	A-bewerteter Schalldruckpegel	Nivel de presión acústica ponderada en A	Livello di pressione sonora pesato A	A-gewogen geluidsdrukniveau	Nível de pressão sonora ponderada A
Uncertainty K	Incertitude K	Unsicherheit K	Incertidumbre K	Incertezza K	Onzekerheid K	Incerteza K
A-weighted sound power level	Niveau de puissance sonore pondéré-A	A-bewerteter Schalleistungspegel	Nivel de potencia acústica ponderada en A	Livello di potenza sonora pesato A	A-gewogen geluidsniveau	Nível de potência sonora ponderada A
Uncertainty K	Incertitude K	Unsicherheit K	Incertidumbre K	Incertezza K	Onzekerheid K	Incerteza K
Wear ear protectors.	Portez une protection acoustique.	Tragen Sie Gehörschutz.	Utilice protección auditiva!	Indossare protezioni acustiche adeguate.	Draag oorbeschermers.	Sempre use a protecção dos ouvidos.
The vibration total values (triaxial vector sum) determined according to EN 60745:	La valeur totale des vibrations (somme vectorielle triaxiale) déterminée selon EN60745:	Schwingungsgesamtwerte (Vektorsumme dreier Richtungen) ermittelt entsprechend EN 60745:	Los valores de vibración total (suma de vectores triax.), determinado según la norma EN60745:	I valori totali delle vibrazioni (somma di vettori in tre direzioni) sono misurati conformemente alla norma EN60745:	De totale trillingswaarden (triaxiale vektorsom) vastgesteld in overeenstemming met EN60745:	Os valores totais de vibração (soma do vector triax) são determinados em conformidade com a:
Vibration level	Niveau de vibrations	Vibrationswert	Nivel de vibración	Livello di vibrazioni	Trillingsniveau	Nível de vibração
Cutting wood	Coupe de bois	Sägen von Holz	Corte de madera	Tagliare legno	Hout zagen	Corte de madeira
Uncertainty K	Incertitude K	Unsicherheit K	Incertidumbre K	Incertezza K	Onzekerheid K	Incerteza K
Replacement parts:	Pièces de Rechange:	Ersatzteile:	Piezas de repuesto:	Parti di ricambio:	Vervangonderdelen:	Peças de substituição:
Rip guide	Guide de coupe	Anlagekante	Guía de corte	Guida per la rifilatura	Schulpggeleider	Guia de corte/ graminho
Saw rail	Guide de coupe	Sägeschiene	Sierra para carriles	Sistema guida sega	Zaaggeleider	Serra de trilho

Dansk	Svenska	Suomi	Norsk	Русский	Polski		
Produktspecifikationer	Produktspecifikationer	Tuotteen tekniset tiedot	Produktspesifikasjoner	Характеристики изделия	Parametry techniczne		
Rundsav	Cirkelsåg	Pyörösaha	Sirkelsag	Циркулярная пила	Pilarka tarczowa		
Model	Modell	Malli	Modell	Модель	Model	RWS1400	RWS1600
Spænding	Spänning	Jännite	Spenning	Напряжение	Napięcie	220 - 240V ~ 50/60Hz	220 - 240V ~ 50/60Hz
Strømforsyning	Matningsspänning	Virrankulutus	Input	Питание	Zasilanie	1400W	1600W
Tomgangshastighed	Tomgångshastighet	Tyhjäkäyntinopeus	Hastighet ubelastet	Скорость на холостом ходу	Prędkość bez obciążenia	5,000 min ⁻¹	5,000 min ⁻¹
Klingediameter	Klingdiameter	Terän läpimitta	Bladdiameter	Диаметр режущего диска	Średnica tarczy tnącej	190 mm	190 mm
Klingeholder	Sågklinga	Terän varsi	Bladakse	Шпиндель режущего диска	Trzpień tarczy tnącej	16 mm	16 mm
Klingetykkelse (max.)	Sågklingatjocklek (max.)	Teräpaksuus (max.)	Blad tykkelse (maks.)	Толщина Лезвия (Макс.)	Grubość Tarcza (Maks.)	1.5 mm (2.0 mm)	1.5 mm (2.0 mm)
Klingetænder	Sågtand	Terän hampaat	Bladtenner	Число зубьев	Liczba zębów tarczy	20/24/48 TCT	20/24/48 TCT
Klinge - Snitbredde (Min/Max.)	Sågklinga - Skärbredd (Min/Max.)	Terä - Leikkauksen leveys (Min/Max.)	Blad - Bredde på kappet (Min/Maks.)	Лезвие - Ширина разреза (Мин./Макс.)	Tarcza - Szerokość cięcia (Min/Maks.)	2.2 mm (1.4 / 2.2mm)	2.2 mm (1.4 / 2.2mm)
Klingemodellnummer	Bladmodellnummer	Terän mallinumero	Bladmodellnummer	Номер модели режущего полотна	Numer modelu tarczy	CSB190A1	CSB190A1
Savekapacitet - 0°	Skärkapacitet - 0°	Leikkuukapasiteetti - 0°	Sagekapasitet - 0°	Режущая способность - 0°	Zakres możliwości cięcia - 0°	66 mm	66 mm
Savekapacitet - 45°	Skärkapacitet - 45°	Leikkuukapasiteetti - 45°	Sagekapasitet - 45°	Режущая способность - 45°	Zakres możliwości cięcia - 45°	50 mm	50 mm
Saveskinne	Kapsåg	Sahan kisko	Sagskinne	Направляющая пилы	Prowadnica pilarki	407 mm (2)	407 mm (2)
Hældningsskala	Lutningsskala	Kaltevuusasteikko	Hellingskala	Наклонной шкале	Podziała nachylenia	0° - 45°	0° - 45°
Vægt I henhold til EPTA-procedure 01/2003	Vikt Enligt EPTA 01/2003	Paino EPTA-menetelmän 01/2003 mukaan	Vekt I henhold til EPTA-prosedyre 01/2003	Вес Соответствует требованиям EPTA-Procedure 01/2003	Waga Zgodnie z procedurą EPTA 01/2003	3.2 kg	3.3 kg
Målte lydverdier bestemt iht. EN 60745:	Uppmätta ljudvärden enligt EN 60745:	Mitatut arvot määritetty EN 60745: standardin mukaan:	Målte lydverdier bestemt iht. EN 60745:	Измеренные значения параметров звука определены в соответствии с EN 60745:	Zmierzone wartości akustyczne zgodnie z normą EN 60745:		
A-vægtet lydtryksniveau	A-vägd ljudtrycksnivå	A-painotettu äänenpainetaso	A-vektet lydtrykknivå	Уровень A-взвешенного звукового давления	A-ważony poziom ciśnienia hałasu	$L_{pA} = 96,0$ dB(A)	$L_{pA} = 96,0$ dB(A)
Usikkerhed K	Osäkerhet K	Epätarkkuus K	Usikkerhet K	Разброс K	Niepewność pomiaru K	3 dB	3 dB
A-vægtet lydeffektniveau	A-vägd ljudeffektnivå	A-painotettu äänenteho	A-vektet lydeffektnivå	Уровень A-взвешенной звуковой мощности	A-ważony poziom natężenia hałasu	$L_{WA} = 107,0$ dB(A)	$L_{WA} = 107,0$ dB(A)
Usikkerhed K	Osäkerhet K	Epätarkkuus K	Usikkerhet K	Разброс K	Niepewność pomiaru K	3 dB	3 dB
Bær høreværn.	Bär hörselskydd.	Käytä korvasuojia.	Bruk hørselsvern.	Используйте наушники!	Stosować środki ochrony słuchu!		
Totale vibrationsverdier (triax vector sum) afgøres ifølge EN60745:	Det totala vibrationsvärdet (treaxelvektorsumma) är framtaget enligt EN60745:	Tärinän kokonaisarvot (kolmiakselinen vektorisumma) määritettyä standardin EN60745 mukaisesti:	De totale vibrasjonsverdiene (triax vektor-sum) er fastsatt i henhold til EN60745:	суммарное значение вибрации (векторная сумма по трем координатам) определено в соответствии со стандартом EN60745:	Wartości sumaryczne drgań (suma wektorowa przyspieszeń mierzona czujnikiem typu triax) określone zgodnie z normą EN60745:		
Vibrationsniveau	Vibrationsnivå	Tärinätao	Vibrasjonsnivå	Уровень вибрации	Poziom drgań		
Skæring i træ	Såga trä	Puun leikkaaminen	Kapping av tre	Резание древесины	Cięcie drewna	$a_{h,w} = 4,0$ m/s ²	$a_{h,w} = 4,0$ m/s ²
Usikkerhed K	Osäkerhet K	Epätarkkuus K	Usikkerhet K	Разброс K	Niepewność pomiaru K	1,5 m/s ²	1,5 m/s ²
Reserve dele:	Utbytesdelar:	Varaosat:	Reserve deler:	Запасные части:	Części zamienne:		
Parallelanslag	Klyvguide	Ohjauslaite	Parallellanlegg	Направляющая резки	Prowadnica wzdłużna	5132002276	5132002276
Saveskinne	Kapsåg	Sahan kisko	Sagskinne	Направляющая пилы	Prowadnica pilarki	5131031153	5131031153



Čeština	Magyar	Română	Latviski	Lietuviškai	Eesti	Hrvatski
Technické údaje produktu	Termék műszaki adatai	Specificațiile produsului	Produkta specifikācijas	Gaminio techninės savybės	Toote tehnilised andmed	Specifikacije proizvoda
Rotační pila	Körfűrész	Fierăstrău circular	Ripzāģis	Diskinis pjūklas	Ketassaag	Cirkulama pila
Model	Típus	Model	Modelis	Modelis	Mudeli tähis	Model
Elektrické napětí	Feszültség	Tensiune	Spriegums	Įtampa	Pinge	Napon
Vstup	Bemenet	Intrare	Ieeja	Ivestis	Vooluvõrk	Ulaz
Otáčky naprázdno	Üresjárati fordulatszám	Viteză în gol	Apgriezieni bez slodzes	Greitis be aprokavimo	Kiirus ilma koormuseta	Brzina bez opterećenja
Průměr kotouče	Tárcsa átmérője	Diametru lamă	Asmens diametrs	Pjovimo disko skersmuo	Saeketta läbimõõt	Promjer rezne ploče
Hřídel kotouče	Fűrészlap furata	Ax lamă	Asmens ass	Geležtės ašis	Lõiketera	Rezna ploča
Pilový kotouč - Tloušťka (max.)	Vastagság Fűrészlemez (max.)	Grosime Lamă (Max.)	Ripa biežums (maks.)	Geležtės storis (maks.)	Saeketas pakšus (Maks.)	Debljina Oštrica (maks.)
Zub kotouče	Fűrészlap fogai	Dinte lamă	Asmens zobi	Geležtės dantukų skaičius	Lõiketera hammas	Zubi pile
Pilový kotouč - Šířka řezu (Min/Max.)	Fűrészlemez - Vágás szélessége (Min./Max.)	Lamă - Lățime a tăierei (Minimum/Max.)	Ripa - Griezuma platums (Min./Maks.)	Geležtė - Pjovimo plotis (Maks.)	Saeketas - Lõikelaius (Min/Maks.)	Oštrica - Širina reza (Min/Maks.)
Číslo modelu nože	Fűrészlap típuszáma	Număr model lamă	Asmens modeļa numurs	Geležtės modelio numeris	Lõikeketta mudeli number	Broj modela pile
Maximální prořez - 0°	Vágásteljesítmény (vágási vastagság) - 0°	Capacitate de tăiere - 0°	Zāģēšanas režģība - 0°	Pjovimo talpa - 0°	Lõikesügavus: - 0°	Kapacitet rezanja - 0°
Maximální prořez - 45°	Vágásteljesítmény (vágási vastagság) - 45°	Capacitate de tăiere - 45°	Zāģēšanas režģība - 45°	Pjovimo talpa - 45°	Lõikesügavus: - 45°	Kapacitet rezanja - 45°
Kolejnice pily	Fűrész sín	Fierăstrău tăiat bare	Zāģa sliede	Pjūklo strypas	Saejuhik	Vodilica pile
Stupnice pro nastavení naklonění	Szögmérő	Scală de înclinare	Leņķa lineāla skala	Įstrižio skalė	Püstkaldeskaala	Ljestvica nagiba
Hmotnost Die protokolu EPTA 01/2003	Tömeg A 01/2003 EPTA-eljárás szerint	Greutate în conformitate cu Procedura EPTA din 01/2003	Svars Saskaņā ar EPTA procedūru 01/2003	Svoris Pagal Europos elektrinių įrankių asociacijos (EPTA) nustatytą tvarką 01/2003	Mass Vastavalt EPTA-protseduurile 01/2003	Težina Prema EPTA-postupku 01/2003
Naměřené hodnoty hluku zjištěné dle EN 60745:	A hang értékek meghatározása az EN 60745: szerint történt:	Valori de sunet măsurate determinate în conformitate cu EN 60745:	Izmērītās skaņas vērtības ir noteiktas saskaņā ar EN 60745:	Išmatuotos garso vertės nustatytos pagal EN 60745:	Mõõteväärtused on kindlaks määratud vastavalt standardile EN 60745:	Mjerena vrijednost zvuka određena je prema EN 60745:
Hladina akustického tlaku vážená funkcí A	A-súlyozott hangnyomásszint	Nivel de presiune acustică ponderată A	A-līmeņa skaņas spiediena līmenis	A svertinis garso slėgio lygis	A-kaalutud helirõhu tase	Ponderirana razina tlaka zvuka
Nejistota K	Bizonytalanság K	Incertitudine K	Kļūdas vērtība K	Nepastovumas K	Mõõtemääramatus K	Neodređenost K
Hladina akustického výkonu vážená funkcí A	A-súlyozott hangteljesítményszint	Nivel de putere acustică ponderată A	A-līmeņa skaņas jaudas līmenis	A svertinis garso galios lygis	A-kaalutud helivõimsuse tase	Ponderirana razina zvučne snage
Nejistota K	Bizonytalanság K	Incertitudine K	Kļūdas vērtība K	Nepastovumas K	Mõõtemääramatus K	Neodređenost K
Používejte chrániče sluchu.	Viseljen hallásvédő.	Purtaji aparatoare de urechi.	Lietojiet dzirdes aizsargus.	Naudokite ausų apsaugos priemones.	Kasutage kuulmiskaitsevahendeid.	Nosite štitičke za uši.
Celkové hodnoty vibrací (třísosy vektorový součet) určené v souladu s EN60745:	Vibráció teljes értékei (háromtengelyű vektorösszeg), az EN 60745 szerint meghatározva:	Valorile totale ale vibrațiilor (suma vectorială a trei direcții) au fost determinate conform EN60745:	Vibrāciju kopējās vērtības (trīsasu vektoru summa) tiek noteiktas atbilstoši EN60745:	Bendros vibracijos vertės (trikampio vektorių suma) nustatomos pagal EN60745:	Vibratsioonini koguväärtused (kolme suuna vektorsumma) on vastavalt standardile EN 60745 määratud järgmiselt:	Ponderirana energetska vrijednost Ukupne vrijednosti vibracija (troosni vektorski zbir) određuju se u skladu s EN60745:
Úroveň vibrací	Vibrációs szint	Nivelul vibrațiilor	Vibrācijas līmenis	Vibracijos lygis	Vibratsioonitase	Razina vibracije
Řezání dřeva	Fa vágása	Lemn de tăiere	Koksnes griešana	Medienos pjovimas	Puidu saagimine	Rezanje drveta
Nejistota K	Bizonytalanság K	Incertitudine K	Kļūdas vērtība K	Nepastovumas K	Mõõtemääramatus K	Neodređenost K
Náhradní díly:	Cserealkatrészek:	Piese de schimb:	Rezerves daļas:	Atsarginės detalės:	Asendusosad:	Zamjena dijelova:
Sundavací doraz	Párhuzamvezető	Ghidaj de tăiere	Garengriezuma vadošā detaļa	Pjovimo užtvaros kreiptuvas	Ristlõike juhik	Letva za uzdužno rezanje
Kolejnice pily	Fűrész sín	Fierăstrău tăiat bare	Zāģa sliede	Pjūklo strypas	Saejuhik	Vodilica pile



Slovensko	Slovenčina	България	українська мова	Türkçe	Ελληνικά		
Specifikacije izdelka	Špecifikácie produktu	Технически характеристики	Технічні характеристики продукту	Ürün Özellikleri	Προδιαγραφές Προϊόντος		
Krožna žaga	Kotúčová píla	Циркулярен трион	Циркулярна пила	Dairesel Testere	Κυκλικός κόπτης		
Model	Model	Μοдел	Марка	Model	Μοντέλο	RWS1400	RWS1600
Napetost	Napätie	Напрежение	Напряжение	Gerilim	Τάση	220 - 240V ~ 50/60Hz	220 - 240V ~ 50/60Hz
Vhod	Vstup	Входяща мощност	Введення	Giriş	Είσοδος ρεύματος	1400W	1600W
Hitrost brez obremenitve	Otáčky bez zaťaženia	Скорост в ненатоварен режим	Швидкість без навантаження	Boa hız	Ταύτητα στ κεν	5,000 min ⁻¹	5,000 min ⁻¹
Premer rezila	Priemer pilového kotúča	Острие: Диаметър	Диаметр леза	Biçak çapı	Διάμετρος λεπίδας	190 mm	190 mm
Os rezila	Priemer vretena	Острие: ос	Отвір валу	Biçak Mili	Αξονας λεπίδας	16 mm	16 mm
Rezilo debelina (maks.)	Ostrie hrúbka (Max.)	Острие: Дебелината (максимално)	Товщина диску	Biçak kalınlığı (maks.)	Λάμα πάχος (μέγ.)	1.5 mm (2.0 mm)	1.5 mm (2.0 mm)
Zobje rezila	Zúbky čepele	Зъби на острието	Κιλικότητα зубців на диску	Biçak dişleri	Δόντια λεπίδας	20/24/48 TCT	20/24/48 TCT
Rezilo - Širina rezanja (Min/ Maks.)	Ostrie - Širka rezu (Min./Max.)	Острие - Ширина на рязане (минимална/максимално)	Диск - ширина ризання	Biçak - Kesim genişliği (Dak/Maks.)	Λάμα - Πλάτος κοπής (Ελάχισ./μέγ.)	2.2 mm (1.4 / 2.2mm)	2.2 mm (1.4 / 2.2mm)
Št. modela rezila	Číslo modelu ostria	Острие: Номер на модела	Номер моделі, Лезо	Biçak modeli numarası	Αριθμός μοντέλου λεπίδας	CSB190A1	CSB190A1
Zmogljivost rezanja - 0°	Kapacita rezania - 0°	Καпацитет на рязане - 0°	Διάпазон ризання - 0°	Kesim kapasitesi - 0°	Ικανότητα κοπής - 0°	66 mm	66 mm
Zmogljivost rezanja - 45°	Kapacita rezania - 45°	Καпацитет на рязане - 45°	Διάпазон ризання - 45°	Kesim kapasitesi - 45°	Ικανότητα κοπής - 45°	50 mm	50 mm
Vodilo žage	Kofaj píly	Ρελса на триона	Напрямна пили	Testere rayı	Ράγα κόπτη	407 mm (2)	407 mm (2)
Stopnja nagiba	Stupnica skosenia	Ъглова скала	Κυτομip	Eğim cetveli	Κλίμακα κλίσης	0° - 45°	0° - 45°
Teža Skladno s postopkom EPTA 01/2003	Hmotnosť Podľa EPTA-Procedure 01/2003	Τεγλο (съответствие с EPTA 01/2003)	Вага (відповідно до процедури EPTA 01/2003)	Ağırlık EPTA-Prosedürü 01/2003'e göre	Βάρος Σύμφωνα με την Διαδικασία EPTA 01/2003	3.2 kg	3.3 kg
Izmerjene zvočne vrednosti določene v skladu s standardom EN 60745:	Namerané hodnoty určené podľa EN 60745:	Измерените стойности на звука са определени в съответствие с EN 60745:	Измеренные значения параметров звука определены в соответствии с EN 60745:	EN 60745: e göre hesaplanmış ses değerleri:	Μετρημένες τιμές ήχου σύμφωνα με το EN 60745:		
A-izmerjena raven zvočnega tlaka	Vážená A hladina akustického tlaku	Ниво на шумово налягане с равнище А	А-звжений рівень звукового тиску	A ağırlıklı ses basınç seviyesi	Α-σταθμισμένο επίπεδο πίεσης ήχου	$L_{pA} = 96,0$ dB(A)	$L_{pA} = 96,0$ dB(A)
Nedoloč. K	Odchýlka K	Προμενливост (K)	Невизначеність K	Belirsizlik K	Αβεβαιότητα K	3 dB	3 dB
A-izmerjena raven zvočne moči	Vážená A hladina akustického výkonu	Ниво на силата на шума с равнище А	А-звжений рівень звукової потужності	A ağırlıklı ses gücü seviyesi	Α-σταθμισμένο επίπεδο έντασης ήχου	$L_{WA} = 107,0$ dB(A)	$L_{WA} = 107,0$ dB(A)
Nedoloč. K	Odchýlka K	Προμενливост (K)	Невизначеність K	Belirsizlik K	Αβεβαιότητα K	3 dB	3 dB
Nosite ščitnike za ušesa.	Používajte chrániče sluchu.	Носете антифони	Діаметр ріжучої лінії.	Kulak koruyucu kullanın.	Φοράτε ωτοασπίδες.		
Skupna vrednost vibracij (vektorska vsota treh smeri) določena v skladu z EN60745:	Celkové hodnoty vibrácií (súhrn triaxiálneho vektora) určuje norma EN60745:	Общата стойност на вибрациите (триосна векторна сума) е определена в съответствие с EN 60745:	Суммарное значение вибрации (сумма векторов по трем координатным осям) определено в соответствии со стандартом EN 60745:	EN 60745 normuna uygun olarak belirlenmiş titreşim toplam değerleri (triaks vektör toplamı):	Συνολικές αξίες κραδασμών (τριαξονικό διανυσματικό άθροισμα) σύμφωνα με EN60745:		
Raven vibracij	Úroveň vibrácií	Ниво на вибрация	Рівень вібрації	Titreşim seviyesi	επίπεδο κραδασμών		
Žaganje lesa	Rezanje dreva	Рязане на дърво	Різка дерева	Ahşap kesme	Κοπή ξύλου	$a_{h,w} = 4,0$ m/s ²	$a_{h,w} = 4,0$ m/s ²
Nedoloč. K	Odchýlka K	Προμενливост (K)	Невизначеність K	Belirsizlik K	Αβεβαιότητα K	1,5 m/s ²	1,5 m/s ²
Nadomestni deli:	Náhradné diely:	Резервни части	Запасні частини	Yedek parçalar:	Ανταλλακτικά:		
Vzdolžno vodilo	Vodidlo zlomu	Надлъжен водач	Напрямна подовжнього ризання	Kesme kılavuzu	Οδηγός απόσχισης	5132002276	5132002276
Vodilo žage	Kofaj píly	Ρελса на триона	Напрямна пили	Testere rayı	Ράγα κόπτη	5131031153	5131031153

EN WARNING

The vibration emission level given in this information sheet has been measured in accordance with a standardised test given in EN 60745 and may be used to compare one tool with another. It may be used for a preliminary assessment of exposure. The declared vibration emission level represents the main applications of the tool. However if the tool is used for different applications, with different accessories or poorly maintained, the vibration emission may differ. This may significantly increase the exposure level over the total working period.

An estimation of the level of exposure to vibration should also take into account the times when the tool is switched off or when it is running but not actually doing the job. This may significantly reduce the exposure level over the total working period. Identify additional safety measures to protect the operator from the effects of vibration such as: maintain the tool and the accessories, keep the hands warm, organisation of work patterns.

FR AVERTISSEMENT

Le niveau d'émission des vibrations indiqué dans cette feuille d'information a été mesuré en concordance avec un test normalisé fourni par EN60745 et peut être utilisé pour comparer un outil à un autre. Il peut être utilisé pour une évaluation préliminaire de l'exposition. Le niveau déclaré d'émission des vibrations s'applique à l'utilisation principale de l'outil. Toutefois, si l'outil est utilisé pour des applications différentes, avec des accessoires différents, ou mal entretenu, l'émission de vibrations peut être différente. Le niveau d'exposition peut en être augmenté de façon significative tout au long de la période de travail.

Une estimation du niveau d'exposition aux vibrations doit aussi prendre en compte les périodes où l'outil est arrêté ainsi que les périodes où il fonctionne sans vraiment travailler. Le niveau d'exposition pendant la durée totale du travail peut en être réduit de façon significative. Prenez en considération les mesures additionnelles de sécurité à prendre pour protéger l'opérateur des effets des vibrations telles que: maintien de l'outil et de ses accessoires, maintien des mains au chaud, organisation du travail.

DE WARNUNG

Der in diesem Informationsblatt genannte Schwingungspegel wurde entsprechend dem standardisierten Test von EN60745 gemessen und kann benutzt werden um das Werkzeug mit anderen zu vergleichen. Er kann benutzt werden, um eine vorausgehende Einschätzung der Exposition durchzuführen. Der genannte Schwingungspegel repräsentiert den Haupteinsatzbereich des Werkzeugs. Jedoch kann das Werkzeug für verschiedene Einsatzbereiche benutzt werden. Mit unterschiedlichen Zusatzgeräten oder bei schlechter Wartung kann der Schwingungspegel unterschiedlich sein. Dadurch kann die Expositionshöhe über die gesamte Arbeitszeit signifikant erhöht werden.

Eine Einschätzung der Exposition zu Schwingungen sollte auch die Zeiten wenn das Werkzeug ausgeschaltet ist, oder wenn es angeschaltet aber nicht in Betrieb ist, in Betracht ziehen. Dadurch kann die Expositionshöhe über die gesamte Arbeitszeit signifikant reduziert werden. Identifizieren Sie zusätzliche Sicherheitsmaßnahmen um die Bedienungsperson vor den Effekten der Schwingungen zu schützen, wie zum Beispiel: Das Werkzeug und Zusatzgeräte warten, Hände warmhalten und Organisation der Arbeitszeiten.

ES ADVERTENCIA

El nivel de emisión de las vibraciones que figura en esta hoja de información se ha medido según una prueba estandarizada que figura en EN60745 y puede ser utilizado para comparar una herramienta con otra. Puede ser utilizado para una evaluación preliminar de la exposición. El nivel de emisión de las vibraciones declarado representa las principales aplicaciones de la herramienta. No obstante, si la herramienta se utiliza para diferentes aplicaciones, con diferentes accesorios o no recibe el mantenimiento adecuado, la emisión de las vibraciones puede ser diferente. Esto puede aumentar significativamente el nivel de exposición durante el período de trabajo total.

Una estimación del nivel de exposición a la vibración también debe tener en cuenta el tiempo en el que la herramienta está desconectada o cuando está conectada pero no está realizando ningún trabajo. Esto puede reducir significativamente el nivel de exposición durante el período de trabajo total. Identificar las medidas de seguridad adicionales para proteger al operador de los efectos de las vibraciones, tales como: mantenimiento de la herramienta y de los accesorios, y la organización de los patrones de trabajo.

IT AVVERTENZE

Il livello di vibrazioni indicato in questo foglio informativo è stato misurato seguendo un test svolto secondo i requisiti indicati dallo standard EN60745 e potrà essere utilizzato per paragonare un utensile con un altro. Potrà essere utilizzato per una valutazione preliminare dell'esposizione a vibrazioni. Il livello dichiarato di emissioni di vibrazioni viene indicato tenendo conto delle applicazioni principali dell'utensile. Comunque se l'utensile viene utilizzato per applicazioni diverse con accessori diversi o non viene correttamente conservato, il livello delle vibrazioni potrà variare. Ciò potrà significativamente aumentare il livello di esposizione alle vibrazioni durante il periodo di lavoro totale.

Una valutazione del livello di esposizione alle vibrazioni dovrà inoltre prendere in considerazione i tempi in cui l'utensile viene spento o è acceso ma non viene utilizzato. Ciò potrà significativamente ridurre il livello di esposizione in un periodo totale di funzionamento. Ulteriori misure di sicurezza per proteggere l'operatore dagli effetti delle vibrazioni come: conservare correttamente l'utensile e i suoi accessori, tenere le mani calde e organizzare i tempi di lavoro.

NL WAARSCHUWING

Het trillingsemissieniveau dat op dit informatieblad wordt gegeven, is gemeten in overeenstemming met een gestandaardiseerde test, vastgelegd in EN60745 en mag worden gebruikt om machines met elkaar te vergelijken. Het verklaarde trillingsemissieniveau geeft de hoofdtoepassing van het gereedschap weer. Als de machine echter voor andere toepassingen of met andere accessoires wordt gebruikt of slecht wordt onderhouden, kan de trillingsemissie verschillen. Dit kan de blootstelling gedurende de gehele werkduur aanzienlijk verhogen.

Bij een schatting van het niveau van blootstelling aan trillingen moet ook rekening worden gehouden met het aantal keren dat de machine wordt uitgeschakeld of draait, maar niet wordt gebruikt. Dit kan het niveau van blootstelling gedurende de gehele werkduur aanzienlijk verlagen. Stel bijkomende veiligheidsmaatregelen op om de gebruiker tegen de gevolgen van trillingen te beschermen: zoals onderhoud het gereedschap en de accessoires, houd de handen warm, de organisatie van werktijden.

PT AVISO

O nível de emissão de vibrações fornecido nesta folha de informações foi medido em conformidade com o teste uniformizado descrito em EN60745 e pode ser usado para comparar uma ferramenta com outra. Este pode ser usado para uma avaliação preliminar da exposição. O nível de emissão de vibração declarado refere-se à aplicação principal da ferramenta. Contudo, se a ferramenta for usada para aplicações diferentes, com acessórios diferentes ou não for devidamente mantida, a emissão de vibrações pode diferir. Isto pode fazer aumentar significativamente o nível de exposição ao longo do período de trabalho total.

Uma estimativa do nível de exposição às vibrações deve ter, também, em consideração o tempo durante o qual a ferramenta está desligada ou em que está ligada mas não está a realizar qualquer trabalho. Isto pode reduzir significativamente o nível de exposição durante o período total de trabalho. Identifique medidas adicionais de segurança que protejam o operário dos efeitos da vibração como a manutenção da ferramenta e dos acessórios, a manutenção das mãos quentes e a organização de padrões de trabalho.

DA ADVARSEL

Det angivne niveau for vibrationsemission på denne oplysningsside er blevet målt iht. en standardtest ifølge EN60745 og kan bruges til at sammenligne værktøjer indbyrdes. Det kan bruges til en foreløbig eksponeringsvurdering. Det opgivne niveau for vibrationsemission gælder, når værktøjet bruges til sit hovedformål. Men hvis værktøjet bruges til andre formål, med forskelligt eller med dårligt vedligehold ekstraudstyr, kan vibrationsemissionen variere. Dette kan medføre en betragtelig stigning i eksponeringsniveauet set over hele arbejdsperioden.

Et skøn over niveauet for vibrationseksponering bør også tage højde for de perioder, hvor værktøjet er slukket, eller hvor det er tændt uden faktisk at være i brug. Dette kan medføre en betragtelig reduktion i eksponeringsniveauet set over hele arbejdsperioden. Træf ekstra sikkerhedsforanstaltninger til beskyttelse af operatøren mod virkningerne fra vibrationen som fx: vedligehold værktøj og ekstraudstyr, holde hænderne varme, organisere arbejdsmonstre.

SV VARNING

Vibrationsnivåerna som uppges i det här dokumentet har uppmäts i enlighet med ett standardiserat test som beskrivs i EN60745 och som kan användas för att jämföra verktyg. Det kan användas som en preliminär bedömning av den vibration som användaren utsätts för. De deklarerade vibrationsvärdena motsvarar de som uppstår när verktyget används i sitt huvudsyfte. Om verktyget används i andra syften, med andra tillbehör eller om verktyget är dåligt underhållet kan vibrationsnivåerna vara annorlunda. Det kan kraftigt öka vibrationsnivåerna över den totala arbetsperioden.

En uppskattning av vibrationsnivåerna som användaren utsätts för ska också ta hänsyn till de stunder då verktyget är avstängt och när det går på tomgång. Detta kan kraftigt minska vibrationsnivåerna över den totala arbetsperioden. Andra säkerhetsåtgärder som kan skydda användaren från effekterna av vibrationer är: underhållning av verktyget och tillbehören, hålla händerna varma och organisera arbetssättet.

FI VAROITUS

Tämän tiedotteen tärinätao on mitattu EN60745-standardien mukaisilla testeillä, ja niitä voidaan käyttää verrattaessa laitetta toiseen. Sitä voidaan käyttää arvioitaessa tärinävaikutusta. Ilmoitettu tärinätao vastaa laitteen pääasiallista käyttötarkoitusta. Jos laitetta kuitenkin käytetään muuhun tarkoitukseen, muilla lisälaitteilla tai huonosti huollettuna, tärinätao saattaa poiketa ilmoitetusta arvosta. Tämä voi kasvattaa kokonaisaltistumista huomattavasti koko työjakson kuluessa.

Tärinän altistumistasoa arvioitaessa tulee huomioida ajat, jolloin laite on sammutettu tai kun se on käynnissä, mutta sitä ei käytetä varsinaiseen työkentelyyn. Tämä voi vähentää kokonaisaltistumista huomattavasti koko työjakson kuluessa. Käytä muitakin suojaeinoja turvataksesi käyttäjän tärinävaikutukselta, kuten: huolla laite ja lisälaitteet, pidä kätesi lämpiminä, organisoii työnkulku.

NO ADVARSEL

Vibrasjonsnivået som oppgis på dette informasjonsarket er målt i henhold til en standardisert test gitt i EN60745 og kan brukes til å sammenligne ett verktøy med et annet. Det kan brukes til en foreløpig vurdering av eksponering. Det erklærte vibrasjonsnivået representerer hovedanvendelsen for verktøyet. Dersom verktøyet brukes for andre anvendelser, med forskjellig tilbehør eller med dårlig vedlikehold, vil vibrasjonsnivået kunne være annerledes. Det kan gi en betydelig økning av eksponeringsnivået over den totale arbeidsperioden.

En beregning av nivået for eksponering til vibrasjoner må også ta hensyn til den tiden verktøyet er slått av eller er i gang men ikke i faktisk bruk for å utføre den tiltenkte oppgaven. Dette kan gi en betydelig økning av eksponeringsnivået over den totale arbeidsperioden. Identifiser ytterligere sikkerhetstiltak for å beskytte den som bruker verktøyet fra virkningen av vibrasjoner, tiltak som: Vedlikehold verktøyet og tilbehøret, hold hendene varme, organiser arbeidsmetodene.

RU ОСТОРОЖНО!

Уровень вибрации, приведенный в данном справочном листе, измерен согласно стандартизованным испытаниям, определенным в EN60745 и может использоваться для сравнения различных инструментов. Значение уровня может использоваться для предварительной оценки влияния вибрации. Заявленный уровень вибрации действителен для основного применения инструмента. Однако, если инструмент используется для других целей, с другими приспособлениями, или плохо обслуживается, уровень вибрации может отличаться от указанного. Это может значительно увеличить величину воздействия за общее время работы.

При оценке уровня воздействия вибрации следует также принять во внимание время простоев и холостой ход (когда инструмент выключен и когда включен, но работа не производится). Эти факторы могут значительно уменьшить величину воздействия вибрации за общее время работы. Определите дополнительные меры безопасности, защищающие работающего от влияния вибрации: техническое обслуживание инструмента и принадлежностей, недопущение охлаждения рук, соответствующие приемы и распорядок работы.

PL OSTRZEŻENIE

Deklarowany poziom drgań został zmierzony za pomocą standardowej metody pomiaru określonej normą EN60745 i jego wyniki mogą służyć do porównywania tego urządzenia z innymi. Deklarowana wartość drgań może służyć do wstępnej oceny narażenia operatora na drgania. Deklarowany poziom drgań dotyczy podstawowych zastosowań urządzenia. Jednak w przypadku użycia urządzenia do innych zastosowań, z innymi przystawkami lub w przypadku niewłaściwego stanu technicznego urządzenia poziom drgań może odbiegać od deklarowanego. Może być to przyczyną zwiększenia stopnia narażenia operatora na drgania w całym okresie wykonywania pracy.

Podczas oceny narażenia na drgania należy również uwzględnić czas wyłączenia urządzenia oraz czas, w którym urządzenie jest włączone, jednak praca nie jest wykonywana. Czasy te mogą znacznie zmniejszyć stopień narażenia operatora na drgania w całym okresie wykonywania pracy. Należy określić dodatkowe środki ochrony operatora przed skutkami drgań, przykładowo: dbać o stan techniczny urządzenia i przystawek, dbać o zachowanie ciepłoty dłoni, odpowiednio zorganizować harmonogram wykonywania prac.

CS VAROVÁNÍ

Hodnota vibračních emisí uvedená v tomto informačním listu byla naměřena standardizovaným testem podle EN60745 a ji použít k porovnání s hodnotami jiných nástrojů. Může se používat k předběžnému odhadu vystavování vibracím. Uznaná hodnota vibračních emisí reprezentuje hlavní použití nástroje. Nicméně pokud se nástroj používá pro jiné použití, s různými doplňky nebo se nedostatečně neudržuje, mohou se vibrační emise lišit. Toto může výrazně zvýšit úroveň vystavení nad celkové pracovní období.

Odhad úrovně vystavení vibracím by měl vzít taktéž v potaz časy, kdy je chvění vypnuto, nebo když přístroj běží, ale nevykonává práci. Toto může výrazně snížit úroveň vystavení nad celkové pracovní období. Určete doplňující bezpečnostní opatření pro ochranu obsluhy před různými vibracemi, například: Udržujte nástroj a doplňky, udržujte ruce v teple, organizujte pracovní schéma.

HU FIGYELMEZTETÉS

A vibráció-kibocsátás adatai alapján megadott értéke az EN60745 által meghatározott szabványosított mérési eljárás szerint lett megmértve, amely lehetővé teszi a különböző szerszámok összehasonlítását. Használható a kitettség előzetes felmérésére is. A nyilatkozatban szereplő kibocsátási érték a szerszám főbb alkalmazási területeire vonatkozik. Ugyanakkor, ha a szerszámot más alkalmazásokra, más kiegészítővel használják vagy rosszul tartják karban, a vibráció-kibocsátás értéke ettől eltérő is lehet. Ez jelentősen növelheti a kitettség szintjét a gép teljes használati időtartama során.

A vibrációnak való kitettség szintjének becslésekor figyelembe kell venni azokat az időintervallumokat is, amikor a szerszám ki van kapcsolva, vagy működik, de nem végeznek munkát vele. Ez jelentősen csökkentheti a kitettség szintjét a gép teljes használati időtartama során. Tegyen további óvintézkedéseket a kezelő vibrációval szembeni megvédése érdekében: tartsa karban a szerszámot és a tartozékokat, tartsa melegen a kezét, tervezze meg a munkafolyamatot.

RO AVERTISMENT

Nivelul emisiilor de vibrații prezentat în cadrul acestei fișe cu informații a fost măsurat în conformitate cu un test standardizat furnizat în EN60745 și poate fi folosit la a compara o unealtă cu o alta. Poate fi folosit la o evaluare preliminară a expunerii. Nivelul declarat al emisiilor de vibrații reprezintă aplicațiile principale ale uneltei. Cu toate acestea, în cazul în care unealta este utilizată pentru aplicații diferite, cu accesorii diferite sau întreținute necorespunzător, emisiile de vibrații pot diferi. Acestea pot crește semnificativ nivelul de expunere pe întreaga perioadă de lucru.

O estimare a nivelului de expunere la vibrații trebuie, de asemenea, să țină cont de datele în care unealta este oprită sau de datele în care aceasta funcționează fără a efectua propriu-zis sarcina de lucru. Acestea pot reduce semnificativ nivelul de expunere pe întreaga perioadă de lucru. Identificați măsurile de siguranță suplimentare pentru a proteja operatorul de efectele vibrațiilor, precum: întreținerea uneltei și a accesoriilor, păstrarea mâinilor calde, organizarea de modele de lucru.

LV BRĪDINĀJUMS

Šajā datu lapā dotā vibrāciju emisijas vērtība ir mērīta saskaņā ar standartizēto testu, kas dots EN60745 un kuru var izmantot, lai salīdzinātu vienu instrumentu ar citu. To var izmantot aptuvenam ekspozīcijas novērtējumam. Deklarētais vibrāciju emisijas līmenis atbilst galvenajiem instrumenta pielietojumiem. Tomēr, ja instrumentu lieto citiem pielietojumiem, ar citiem piederumiem vai tas tiek slikti apkopts, vibrāciju emisijas vērtība var atšķirties. Tas var ievērojami palielināt ekspozīcijas līmeni visā darba periodā.

Vibrāciju ekspozīcijas līmeņa novērtējumam jāņem vērā laiks, kad instruments ir izslēgts vai ir ieslēgts, bet neveic nekādu darbu. Tas var ievērojami samazināt ekspozīcijas līmeni visā darba periodā. Identificējiet papildu drošības pasākumus, lai aizsargātu operatoru no vibrāciju iedarbības, piemēram, veiciet instrumenta un piederumu apkopi, turiet rokas siltas un pielāgojiet darba grafiku.

LT ĮSPĖJIMAS

Šiame lape nurodytas vibracijos emisijos lygis buvo išmatuotas pagal standartinį testą, aprašytą EN60745, ir gali būti naudojamas vieno įrankio su kitu palyginimui. Jis gali būti naudojamas preliminariam pavojaus įvertinimui. Deklaruotas vibracijos emisijos lygis priskiriamas pagrindinėms įrankio taikymo sritims. Tačiau, jei įrankis naudojamas kitiems tikslams, su kitokiais priedais ar įrankis prastai prižiūrimas, vibracijos emisija gali skirtis. Per visą darbo laikotarpį tai gali žymiai padidinti vibracijos keliamą pavojų.

Nustatant vibracijos keliamą pavojų taip pat būtina atsižvelgti į tai, kiek kartų įrankis yra išjungtas ar kai jis veikia, bet juo iš tikrųjų nedirbama. Per visą darbo laikotarpį tai gali žymiai sumažinti vibracijos keliamą pavojų. Naudokite papildomas apsaugos priemones dirbančiam asmeniui apsaugoti nuo vibracijos poveikio, pvz.: prižiūrėti įrankį ir jo priedus, rankas laikyti šiltai, organizuoti darbo sesijas.

ET HOIATUS

Sellel infolehel esitatud vibratsioonitaseme väärtus on mõdetud standardis EN60745 kirjeldatud katsemeetodiga ja seda võib kasutada tööriistade omavaheliseks võrdlemiseks. Seda võib kasutada vibratsioonimõju eelhindamiseks. Deklareeritud vibratsioonitaseme väärtus kehtib tööriista tavakasutamisel. Kui aga kasutate tööriista muudeks kasutusotstarveteks, eriotstarbeliste tarvikutega või kui tööriist on puudulikult hooldatud, siis võib vibratsiooniväärtus erineda. Sellistel juhtudel võib tööperioodi summaarne vibratsioonitase suureneida märgatavalt.

Vibratsiooniväärtuse taset tuleb arvesse võtta ka sel ajal, kui tööriist on välja lülitatud või kui tööriist pöörleb, kuid ei tee tööoperatsiooni. Sellistel juhtudel võib tööperioodi ajal summaarne vibratsioonitase väheneda märgatavalt. Määrake kindlaks täiendavad ohutusmeetmed, et kaitsta operaatorit vibratsioonimõjude eest – tööriistade ja tarvikute hooldamine, käte sooja hoidmine ja töövahetuste organiseerimine.

HR UPOZORENJE

Razina vrijednosti vibracija data u ovoj tablici s informacijama mjerena je skladno normiranom testu pruženom u EN60745 i može se koristiti za usporedbu jednog alata s drugim. Može se koristiti u početnom usklađivanju izloženosti. Objavljena razina vrijednosti vibracija predstavlja glavnu primjenu alata. Međutim, ako se alat koristi za druge primjene, s različitim dodatnim priborom ili je slabo održavan, vrijednost vibracija može se razlikovati. Ovo može značajno povećati razinu izloženosti tijekom ukupnog radnog razdoblja.

U procjeni razine izloženosti na vibraciju također treba uzeti u obzir vrijeme kada je alat isključen ili kada je pokrenut no ne i stvarno vrijeme rada. Ovo može značajno smanjiti razinu izloženosti tijekom ukupnog radnog razdoblja. Odredite dodatne sigurnosne mjere za zaštitu operatera od učinaka vibracije poput: održavanje alata i pribora, održavanje toplih ruku, organizacija obrazaca za rad.

SL OPOZORILO

Nivo emisij vibracij, naveden v tem informacijskem listu, je bil izmerjen v skladu s standardiziranim testom, ki je podan v EN60745, podatek pa se lahko uporablja za primerjavo enega orodja z drugim. Uporablja se ga lahko za predhodno oceno izpostavljenosti. Naveden nivo emisij vibracij predstavlja glavne uporabe orodja. Vendar, če se orodje uporablja v druge namene in z različnimi nastavki oz. če je orodje slabo vzdrževano, se lahko emisije vibracij razlikujejo. To lahko občutno poveča nivo izpostavljenosti v skupnem delovnem času.

Ocena nivoja izpostavljenosti vibracijam bi morala prav tako upoštevati, koliko krat je orodje bilo izključeno ali je v delovanju in pravzaprav ne opravlja svojega dela. To lahko občutno zmanjša nivo izpostavljenosti v skupnem delovnem času. Upoštevajte dodatne varnostne ukrepe, da bi upravljavca zaščitili pred vplivom vibracij, kot je: vzdržujte orodje in nastavke, pazite, da so roke tople, organizirajte delovne vzorce.

SK VAROVANIE

Úroveň emisie vibrácií, uvedená v tomto informačnom hárku bola nameraná v súlade so štandardizovaným testom, daný normou EN60745 a môže sa použiť na porovnanie jedného nástroja s druhým. Môže sa použiť na predbežné určenie miery vystavenia sa vibráciám. Uvedená úroveň emisie vibrácií predstavuje hlavné aplikácie nástroja. Avšak keď sa nástroj používa na iné aplikácie, s rôznym príslušenstvom alebo má zlú údržbu, úroveň vibrácií sa môže líšiť. Týmto sa môže výrazne zvýšiť úroveň vystavenia sa vibráciám počas celkového času práce.

Odhad úrovne vystavenia sa vibráciám by sa mal brať tiež do úvahy, vždy, keď sa nástroj vypne, alebo potom, keď beží ale v skutočnosti sa nevykonáva práca. Týmto sa môže výrazne znížiť úroveň vystavenia sa vibráciám počas celkového času práce. Nasledovné doplnujúce bezpečnostné opatrenia pomáhajú chrániť operátora od účinkov vibrácií: údržba nástroja a príslušenstva, udržiavanie teplých držiadiel, organizácia práce.

BG ВНИМАНИЕ

Посоченото в тези инструкции ниво на вибрациите е измерено в съответствие със стандартизиран в EN 60745 измервателен метод и може да се използва за сравнение на електрически инструменти помежду им. Подходящ е и за временна оценка на вибрационното натоварване. Посоченото ниво на вибрациите представя основните приложения на електрическия инструмент. Ако обаче електрическият инструмент се използва с друго предназначение, с различни сменяеми инструменти или при недостатъчна техническа поддръжка, нивото на вибрациите може да е различно. Това чувствително може да увеличи вибрационното натоварване по време на целия работен цикъл.

За точната оценка на вибрационното натоварване трябва да се вземат предвид и периодите от време, в които уредът е изключен или работи, но в действителност не се използва. Това чувствително може да намали вибрационното натоварване по време на целия работен цикъл. Определете допълнителни мерки по техника на безопасност в защита на обслужващия работник от въздействието на вибрациите като например: техническа поддръжка на електрическия инструмент и сменяемите инструменти, поддръжане на ръцете топли, организация на работния цикъл.

UK ПОПЕРЕДЖЕННЯ

Рівень вібрації, зазначений у цьому інформаційному листку, був розрахований відповідно зі стандартизованим випробуванням, наведеним в EN 60745 і може використовуватися для порівняння одного інструмента з іншим. Він може бути використаний для попередньої оцінки впливу. Зазначений рівень вібрації представляє основні застосування інструменту. Тим не менш, якщо інструмент використовується для різних додатків, з різними аксесуарамі і недоглянутий, рівень вібрації може відрізнятись. Це може значно підвищити рівень впливу протягом усього робочого періоду.

При оцінюванні рівня впливу вібрації необхідно також враховувати час, коли інструмент вимкнений або коли він працює, але насправді не виконує ніякої роботи. Це може значно зменшити рівень впливу протягом усього робочого періоду. Для захисту оператора від впливу вібрації, визначте додаткові заходи безпеки, такі як: ретельний догляд за інструментом і приладами, тримання рук в теплі, і організація схеми роботи.

TR UYARI

Bu bilgi sayfasında verilen titreşim emisyon seviyesi, EN60745 standardında belirtilen standartlaştırılmış bir teste uygun olarak ölçülmüş ve bir aleti diğeriyle karşılaştırmak için kullanılabilir. Ön maruz kalma tespiti için kullanılabilir. Beyan edilen titreşim emisyon seviyesi aletin asıl uygulamalarını temsil etmektedir. Ancak alet, farklı aksesuarlarla veya yetersiz bakımlı olarak farklı uygulamalar için kullanılırsa titreşim emisyonu değişebilir. Bu durum toplam çalışma süresi boyunca maruz kalma seviyesini önemli ölçüde artırır.

Titreşime maruz kalma seviyesinin değerlendirilmesi aynı zamanda alet kapalı ve ardından çalışır ancak gerçek anlamda iş yapmadığı zamanlar da göz önünde bulundurulmalıdır. Bu durum toplam çalışma süresi boyunca maruz kalma seviyesini önemli ölçüde azaltır. Operatörü titreşimin etkilerinden korumak için ilave güvenlik önlemleri belirleyin, örneğin: aletin ve aksesuarlarının bakımını yapmak, operatörün ellerini sıcak tutmak, çalışma modellerini organize etmek.

EL ΠΡΟΕΙΔΟΠΟΙΗΣΗ

Τα επίπεδα εκπομπών κραδασμών που παρέχονται στο παρόν ενημερωτικό φυλλάδιο, έχουν μετρηθεί βάσει τυποποιημένης δοκιμής που προβλέπεται στο EN60745 και μπορούν να συγκριθούν για τη σύγκριση του εργαλείου με άλλα. Μπορούν επίσης να χρησιμοποιηθούν για προκαταρκτική αξιολόγηση της έκθεσης. Τα δηλωμένα επίπεδα εκπομπών κραδασμών αφορούν τις βασικές εφαρμογές του εργαλείου. Ωστόσο, αν το εργαλείο χρησιμοποιείται για διαφορετικές εφαρμογές, με διαφορετικά εξαρτήματα ή με κακή συντήρηση, η εκπομπή κραδασμών μπορεί να διαφέρει. Αυτό μπορεί να αυξήσει σημαντικά το επίπεδο έκθεσης στη συνολική περίοδο εργασίας.

Η εκτίμηση των επιπέδων έκθεσης σε κραδασμούς θα πρέπει επίσης να λαμβάνει υπόψη τις χρονικές περιόδους κατά τις οποίες το εργαλείο είναι απενεργοποιημένο ή λειτουργεί χωρίς να χρησιμοποιείται σε συγκεκριμένη εργασία. Αυτό μπορεί να μειώσει σημαντικά το επίπεδο έκθεσης στη συνολική περίοδο εργασίας. Εφαρμόστε επιπρόσθετα μέτρα ασφαλείας για την προστασία του χειριστή από τις επιπτώσεις των κραδασμών, όπως τα εξής: συντηρείτε το εργαλείο και τα εξαρτήματα, διατηρείτε τα χέρια ζεστά, οργανώστε μοτίβα εργασίας.

EN GUARANTEE

In addition to any statutory rights resulting from the purchase, this product is covered by a guarantee as stated below.

1. The guarantee period is 24 months for consumers and commences on the date when the product was purchased. This date has to be documented by an invoice or other proof of purchase. The product is designed and dedicated to consumer and private use only. So there is no guarantee provided in case of professional or commercial use.
2. There is, in some cases (i.e. promotion, range of tools), a possibility to extend the warranty period over the period described above using the registration on the www.ryobitools.eu website. The eligibility of the tool is clearly displayed in stores and/or on packaging. The end user needs to register his/her newly-acquired tools online within 8 days from the date of purchase. The end user may register for the extended warranty in his country of residence if listed on the online registration form where this option is valid. Furthermore, end users must give their consent to the storage of the data which are required to enter online and they have to accept the terms and conditions. The registration confirmation receipt, which is sent out by e-mail, and the original invoice showing the date of purchase will serve as proof of the extended warranty. Your statutory rights remain unaffected.
3. The guarantee covers all defects of the product during the warranty period due to defaults in workmanship or material at the purchase date. The guarantee is limited to repair and/or replacement and does not include any other obligations including but not limited to incidental or consequential damages. The warranty is not valid if the product has been misused, used contrary to the instruction manual, or being incorrectly connected. This guarantee does not apply to:
 - any damage to the product that is the result of improper maintenance
 - any product that has been altered or modified
 - any product where original identification (trade mark, serial number) markings have been defaced, altered or removed
 - any damage caused by non-observance of the instruction manual
 - any non CE product
 - any product which has been attempted to be repaired by a non-qualified professional or without prior authorization by Techtronic Industries
 - any product connected to improper power supply (amps, voltage, frequency)
 - any damage caused by external influences (chemical, physical, shocks) or foreign substances
 - normal wear and tear of spare parts
 - inappropriate use, overloading of the tool
 - use of non-approved accessories or parts
 - carburettor after 6 months, carburettor adjustments after 6 months
 - power tool accessories provided with tool or purchased separately. Such exclusions include but is not limited to screw driver bits, drill bits, abrasive discs, sand paper and blades, lateral guide
 - components (parts and accessories) subject to natural wear and tear, including but not limited to carbon brushes, chuck, power cord, auxiliary handle, sanding plate, dust bag, dust exhaust tube
4. For servicing, the product must be sent or presented to a RYOBI authorized service station listed for each country in the following list of service station addresses. In some countries your local RYOBI dealer undertakes to send the product to the RYOBI service organisation. When sending a product to a RYOBI service station, the product should be safely packed without any dangerous contents such as petrol, marked with sender's address and accompanied by a short description of the fault.
5. A repair/replacement under this guarantee is free of charge. It does not constitute an extension or a new start of the guarantee period. Exchanged parts or tools become our property. In some countries delivery charges or postage will have to be paid by the sender.
6. This guarantee is valid in the European Community, Switzerland, Iceland, Norway, Liechtenstein, Turkey and Russia. Outside these areas, please contact your authorized RYOBI dealer to determine if another warranty applies.

AUTHORISED SERVICE CENTRE

To find an authorised service centre near you, visit <http://uk.ryobitools.eu/header/service-and-support/service-agents>.

FR GARANTIE

En plus des droits statutaires liés à l'achat, ce produit est couvert par une garantie telle que décrite ci-dessous.

1. La durée de la garantie accordée au consommateur est de 24 mois à partir de la date d'achat. Cette date doit être authentifiée par une facture ou tout autre preuve d'achat. Le produit a été conçu en vue d'une utilisation strictement privée. Aucune garantie ne s'applique donc en cas d'utilisation professionnelle ou commerciale.
2. Il existe, dans certains cas (par exemple promotion, gamme d'outils), une possibilité d'étendre la période de garantie au-delà de la période précédemment décrite en utilisant le formulaire d'enregistrement présent sur le site Internet www.ryobitools.eu. L'éligibilité d'un outil est clairement affichée dans les points de vente et/ou sur l'emballage. L'utilisateur final doit enregistrer son/ses outil(s) nouvellement acheté(s) en ligne dans les 8 jours qui suivent la date d'achat. L'utilisateur a la possibilité de s'enregistrer pour l'extension de garantie dans son pays de résidence si celui-ci est listé dans le formulaire d'enregistrement en ligne où cette option est valide. L'utilisateur final doit donner son consentement pour l'enregistrement des données requises pour accéder au site et doit accepter les termes et conditions. La confirmation d'enregistrement, envoyée par courrier électronique, ainsi que la facture originale mentionnant la date d'achat serviront de preuve de l'extension de garantie. Vos droits statutaires restent inchangés.
3. La garantie couvre les défauts des pièces et de main d'oeuvre du produit pendant la période de garantie à partir de la date d'achat. La garantie n'inclut aucune autre obligation, tel que, mais sans s'y limiter, les dommages accessoires ou indirects. La garantie est non valable en cas de mauvaise utilisation du produit, d'utilisation contraire aux instructions du mode d'emploi, ou en cas de branchement incorrect. Cette garantie ne s'applique pas pour :
 - tout dommage au produit résultant d'un mauvais entretien
 - tout produit ayant été altéré ou modifié
 - tout produit dont les marquages originaux d'identification (marque, numéro de série) ont été dégradés, altérés ou retirés
 - tout dommage causé par le non-respect des instructions du mode d'emploi
 - tout produit non CE
 - tout produit ayant subi une tentative de réparation par du personnel non qualifié ou sans autorisation préalable de Techtronic Industries
 - tout produit raccordé à une alimentation secteur non conforme (ampérage, voltage, fréquence)
 - tout dommage causé par des influences extérieures (chimiques, physiques, chocs) ou par des substances étrangères
 - l'usure normale des pièces consommables
 - une utilisation inappropriée, une surcharge de l'outil
 - l'utilisation de pièces ou accessoires non agréés
 - carburateurs âgés de plus de 6 mois, réglages du carburateur après 6 mois
 - accessoires d'outil à moteur fournis avec l'outil ou achetés séparément. De telles exclusions incluent de façon non exhaustive les embouts de vissage, les forets, les disques de ponçage, le papier de verre et les lames, les guides latéraux
 - composants (pièces et accessoires) sujets à une usure naturelle, incluant de façon non exhaustive les charbons, les mandrins, les câbles secteur, les poignées auxiliaires, les semelles de ponçage, les sacs à poussières, les tubes d'extraction de la poussière
4. Si le produit doit être réparé, envoyez-le à un service après-vente agréé RYOBI dont vous trouverez ci-dessous la liste pour chaque pays. Dans certains pays, votre revendeur RYOBI se chargera d'envoyer le produit à un centre de réparation RYOBI. Lorsque vous envoyez un produit à un service après-vente RYOBI, celui-ci doit être correctement emballé, sans contenir aucun produit dangereux tel que de l'essence, et vous devez indiquer votre adresse ainsi qu'une courte description du problème.
5. Une réparation / un remplacement sous garantie est gratuit(e). Ceci ne constituera pas une extension de garantie ni un nouveau départ de la période de garantie. Les pièces ou les outils remplacés deviennent notre propriété. Dans certains pays, les frais de port devront être assumés par l'expéditeur.
6. Cette garantie est valable au sein de l'Europe, de la Suisse, de l'Islande, de la Norvège, du Liechtenstein, de la Turquie, de la Russie. En dehors de ces zones, veuillez contacter votre distributeur agréé RYOBI pour déterminer si une autre garantie s'applique.

SERVICE APRÈS-VENTE AGRÉÉ

Pour trouver le service après-vente agréé le plus proche, rendez-vous sur <http://fr.ryobitools.eu/header/service-and-support/service-agents>.

DE GARANTIE

Zusätzlich zu den aufgrund des Kaufs entstehenden gesetzlichen Rechten, ist dieses Produkt von der unten aufgeführten Garantie abgedeckt.

- Die Garantiezeit für Endverbraucher beträgt 24 Monate für und beginnt ab dem Kaufdatum des Produktes. Dieses Datum muss durch eine Rechnung oder einen anderen Kaufbeleg dokumentiert sein. Das Produkt ist ausschließlich für den Privatgebrauch entwickelt und bestimmt. Deshalb wird keine Garantie im Fall von professionellem oder kommerziellem Einsatz angeboten.
- In einigen Fällen (z.B. Promotion, auf eine bestimmte Produktpalette oder auf bestimmte Produkte begrenzt) besteht die Möglichkeit die Garantiezeit über den oben genannten Zeitraum, durch Registrierung auf der Webseite www.ryobitools.eu, zu verlängern. Der verlängerte Garantieanspruch für ein bestimmtes Produkt wird deutlich in den Geschäften und/oder auf der Verpackung des Produktes gezeigt. Der Endverbraucher muss seine neu gekauften Produkte innerhalb von 8 Tagen ab Kaufdatum registrieren. Der Endverbraucher kann sich für die erweiterte Garantie im Land seines permanenten Wohnsitzes registrieren, wenn diese Möglichkeit in dem Online-Formular gegeben ist. Des weiteren müssen die Endverbraucher ihr Einverständnis zur Speicherung der online angegebenen Daten geben und die Geschäftsbedingungen annehmen. Die per E-Mail versendete Bestätigung der Registrierung und die Originalrechnung mit Kaufdatum dienen als Nachweis für die verlängerte Garantie. Ihre gesetzlichen Rechte bleiben unangetastet.
- Die Garantie deckt während der Garantiezeit ab Kaufdatum alle Produktmängel aufgrund von Material- oder Herstellungsmängeln ab. Diese Garantie ist auf Reparatur und/oder Ersatz beschränkt und enthält keine weiteren Verpflichtungen einschließlich aber nicht beschränkt auf beiläufige oder resultierende Schäden. Die Garantie ist nicht gültig, wenn das Produkt missbräuchlich oder entgegen der Bedienungsanleitung benutzt, oder falsch angeschlossen wurde. Diese Garantie gilt nicht für:
 - Jegliche Schäden die an dem Produkt aufgrund falscher Wartung entstehen.
 - Jedes Produkt das verändert oder modifiziert wurde.
 - Jedes Produkt an dem die originale Identifizierung (Markenzeichen, Seriennummer) verunstaltet, verändert oder entfernt wurden.
 - Jede Beschädigung die durch Nichtbeachtung der Bedienungsanleitung verursacht wurde.
 - Jedes Produkt ohne CE Zeichen.
 - Jedes Produkt das von einer unqualifizierten Person oder ohne vorherige Genehmigung von Techtronic Industries versucht wurde zu reparieren.
 - Jedes Produkt das an eine falsche Stromversorgung (Ampere, Spannung, Frequenz) angeschlossen wurde.
 - Jede Beschädigung die von äußeren Einflüssen (chemisch, physisch, Stöße) oder fremden Substanzen verursacht wurde.
 - Normaler Verschleiß und Abnutzung von Ersatzteilen.
 - Zweckwidrige Benutzung, Überlastung des Werkzeugs.
 - Benutzung von nicht zugelassenem Zubehör oder Teilen.
 - Den Vergaser nach 6 Monaten, die Vergasereinstellung nach 6 Monaten.
 - Mit dem Werkzeug gelieferte oder separat erhältliches Zubehör. Diese Ausnahmen sind einschließlich aber nicht beschränkt auf Schraubeinsätze, Bohrer, Schleifscheiben, Sandpapier und Klingen, seitliche Führungen.
 - Komponenten (Teile und Zubehör) die normalem Verschleiß unterliegen, einschließlich aber nicht beschränkt auf Kohlebürsten, Spannfutter, Netzkabel, Zusatzhandgriffe, Schleifplatten, Staubbeutel, Staubabzugschläuche
- Zur Wartung muss das Produkt eingeschickt werden oder einem für jedes Land in der folgenden Liste aufgeführten autorisierten RYOBI Kundendienst gebracht werden. In einigen Ländern schickt Ihr örtlicher RYOBI Händler das Produkt an den RYOBI Kundendienst. Wenn ein Produkt an den RYOBI Kundendienst geschickt wird, sollte es sicher verpackt werden, ohne gefährlichen Inhalt, wie Treibstoff, mit der Absenderadresse versehen sein und eine kurze Beschreibung des Fehlers enthalten.
- Reparatur/Ersatz unter dieser Garantie sind kostenfrei. Das stellt keine Verlängerung oder Neustart der Garantiezeit dar. Ausgewechselte Teile oder Werkzeuge treten in unseren Besitz über. In einigen Ländern müssen Lieferkosten oder Postgebühren von dem Absender getragen werden.
- Diese Garantie gilt in der Europäische Gemeinschaft, Schweiz, Island, Norwegen, Liechtenstein, Türkei und Russland. Bitte kontaktieren Sie Ihren autorisierten RYOBI-Händler, um herauszufinden ob eine andere Gewährleistung außerhalb dieser Gebiete gültig ist.

AUTORISIERTER KUNDENDIENST

Besuchen Sie <http://de.ryobitools.eu/header/service-and-support/service-agents>, um einen autorisierten Kundendienst in Ihrer Nähe zu finden.

ES GARANTÍA

Además de cualquier derecho estatutario derivado de la compra, este producto está cubierto con la siguiente garantía.

- El período de garantía es de 24 meses para los consumidores y comienza a partir de la fecha de compra del producto. Esta fecha debe demostrarse con una factura u otra prueba de compra. El producto está diseñado y destinado al consumidor y únicamente para uso privado. Por tanto, no se ofrece ninguna garantía en caso de uso profesional o comercial.
- En algunos casos (como promociones o un conjunto de herramientas) existe la posibilidad de ampliar el período de garantía hasta el período descrito anteriormente mediante el registro en el sitio web www.ryobitools.eu. La elegibilidad de la herramienta se muestra claramente en las tiendas o en el embalaje. El usuario final debe registrar sus herramientas recién adquiridas en línea en los 8 días siguientes a la fecha de compra. El usuario final podrá registrarse para ampliar la garantía en su país de residencia si éste aparece en el formulario de registro en línea en que esta opción es válida. Además, los usuarios finales deben dar su consentimiento para que se guarden los datos que se solicitan para entrar en línea y aceptar los términos y condiciones. El recibo de la confirmación de registro, que se enviará por correo electrónico, y la factura original que muestre la fecha de compra servirán como prueba de la ampliación de la garantía. Sus derechos estatutarios permanecerán intactos.
- La garantía cubre, durante el período de garantía, todos los defectos del producto que se deban a fallos de la mano de obra o a fallos del material en la fecha de compra. La garantía tiene un límite de reparación o sustitución y no incluye ninguna otra obligación se deba a, aunque sin limitarse a ello, daños accidentales o incidentales. La garantía no es válida si se ha hecho un uso inadecuado del producto, si no se ha usado siguiendo el manual de instrucciones o si se ha conectado incorrectamente. Esta garantía no se aplica a:
 - cualquier daño del producto derivado de un mantenimiento inadecuado
 - cualquier producto que haya sido alterado o modificado
 - cualquier producto en el que las marcas de identificación originales (marca comercial, número de serie) hayan sido borradas, modificadas o eliminadas
 - cualquier daño causado por el incumplimiento del manual de instrucciones
 - cualquier producto que no sea CE
 - cualquier producto que haya intentado reparar un profesional no cualificado o sin una autorización previa de Techtronic Industries
 - cualquier producto conectado a un suministro eléctrico inadecuado (amperios, tensión, frecuencia)
 - cualquier daño causado por influencias externas (de productos químicos, daños físicos, descarga eléctrica) o sustancias extrañas
 - desgaste o rotura normal de las piezas de repuesto
 - uso inadecuado, sobrecarga de la herramienta
 - uso de accesorios o piezas no homologados
 - carburador después de 6 meses, ajustes del carburador después de 6 meses
 - accesorios de las herramientas eléctricas suministrados con la herramienta o adquiridos por separado. Dichas exclusiones incluyen, aunque sin limitarse a ello, puntas de destornilladores, brocas, discos abrasivos, lijas de papel y cuchillas, guía lateral
 - componentes (piezas y accesorios) sujetos a desgaste y rotura natural, incluyendo, pero sin limitarse a ellos, escobillas de carbón, portabrocas, cable de alimentación, mango auxiliar, bolsa para el polvo, tubo de salida del polvo
- Para el servicio, el producto debe enviarse o entregarse en un punto de servicio técnico autorizado RYOBI enumerado para cada país en la siguiente lista de direcciones de servicio técnico. En algunos países su distribuidor local RYOBI se encarga de enviar el producto a la organización del servicio de RYOBI. Al enviar un producto a un punto de servicio técnico RYOBI, el producto debe embalarse de forma segura sin que contenga ninguna sustancia peligrosa como petróleo, debe llevar la dirección del remitente e ir acompañado de una breve descripción del fallo.
- Una reparación/sustitución dentro de esta garantía se realiza de forma gratuita. No constituye una ampliación ni un reinicio del período de garantía. Las piezas o herramientas que se cambian pasan a ser de nuestra propiedad. En algunos países los gastos de envío o del franqueo deberá pagarlos el remitente.
- Esta garantía es válida en la Comunidad Europea, Suiza, Islandia, Noruega, Liechtenstein, Turquía y Rusia. Fuera de estas zonas, póngase en contacto con su distribuidor autorizado RYOBI para determinar si se aplica otra garantía.

SERVICIO TÉCNICO AUTORIZADO

Para encontrar el servicio técnico autorizado más cercano, visite <http://uk.ryobitools.eu/header/service-and-support/service-agents>.

IT GARANZIA

Oltre ai legittimi diritti derivanti dall'acquisto del prodotto, quest'ultimo è coperto da garanzia come indicato nei seguenti punti.

1. Il periodo di garanzia per il consumatore è di 24 mesi ed ha inizio dalla data in cui il prodotto è stato acquistato. Questa data deve essere documentata da una ricevuta o da altra prova d'acquisto. Il prodotto è stato disegnato e progettato solo per l'utilizzo privato del consumatore. La garanzia viene invalidata in caso di utilizzo professionale o commerciale.
2. In alcuni casi (per esempio promozioni e gamme di prodotti) esiste la possibilità di estendere il periodo di garanzia oltre il periodo indicato sopra registrandosi sul sito web www.ryobitools.eu. L'idoneità del prodotto a rievolvere tale estensione viene indicata chiaramente nei punti vendita e/o sull'imballo. L'utente finale deve registrare il suo prodotto appena acquistato online entro 8 giorni dalla data d'acquisto. L'utente finale può accedere all'offerta nel suo paese quando la stessa è valida e qualora si sia registrato online. Inoltre, gli utenti finali devono dare il proprio consenso all'archiviazione dei dati che si inseriscono online indicando che i termini e le condizioni sono stati accettati. La ricevuta della conferma della registrazione verrà inviata via email e la fattura originale indicante la data d'acquisto verrà utilizzata come prova della garanzia estesa. I diritti legittimi dell'utente rimarranno invariati.
3. La garanzia copre tutti i difetti di fabbricazione del prodotto durante il periodo di garanzia a causa di guasti di fabbricazione o di materiale alla data di acquisto. La garanzia è limitata alla riparazione e/o alla sostituzione e non include altri obblighi compreso ma non limitato a danni incidentali o consequenziali. La garanzia non è valida se il prodotto non è stato utilizzato come indicato nel manuale di istruzioni o se è stato collegato in maniera non corretta. La garanzia non si applica a:
 - qualsiasi danno al prodotto che sia il risultato di una scorretta manutenzione
 - qualsiasi prodotto che sia stato alterato o modificato
 - qualsiasi prodotto sul quale l'identificazione originale (marchio registrato, numero di serie) sia stata resa illeggibile, sia stata danneggiata o alterata
 - qualsiasi danno causato dalla non osservanza del manuale d'istruzioni
 - qualsiasi prodotto non contrassegnato con il marchio CE
 - qualsiasi prodotto che una persona non qualificata abbia tentato di riparare o che si è tentato di riparare senza l'autorizzazione delle Techtronisianoc Industries
 - qualsiasi prodotto collegato a un'alimentazione non corretta (per amp, voltaggio, frequenza)
 - qualsiasi danno causato da agenti esterni (chimici, fisici o shock) o da sostanze estranee
 - normale usura di parti di ricambio
 - utilizzo non appropriato, sovraccaricamento di utensili
 - utilizzo non approvato di accessori o parti
 - carburatore dopo 6 mesi, regolazioni al carburatore dopo 6 mesi
 - elettroutensili forniti con l'utensile o separatamente. Tali esclusioni comprendono ma non sono limitate a punte per giraviti, punte per trapani, dischi abrasivi, carta vetrata e lame, guida laterale
 - componenti (parti e accessori) soggetti a naturale usura, compreso ma non limitatamente a spazzole al carbonio, mandrino, cavo dell'alimentazione, manico ausiliario, piastra di levigazione, sacchetto per la polvere, tubo di scarico polvere
4. Per servizi di manutenzione, il prodotto dovrà essere mandato o presentato presso un punto di servizio clienti autorizzato RYOBI indicato nella seguente lista. In alcune nazioni il rivenditore RYOBI si occuperà di inviare il prodotto al più vicino servizio clienti Ryobi. Quando si invia un prodotto a un servizio clienti RYOBI, il prodotto dovrà essere correttamente imballato senza eventuali contenuti pericolosi quali carburanti, e contrassegnato con l'indirizzo della persona che lo ha inviato e accompagnato da una breve descrizione del problema riscontrato.
5. Si garantisce una riparazione/sostituzione gratuita quando il prodotto è coperto da garanzia. Questa sostituzione o riparazione non costituisce una estensione o un nuovo inizio di un periodo di garanzia. Le parti o l'utensile cambiati sono di proprietà della ditta. In alcune nazioni i costi di consegna o invio dovranno essere pagati dalla persona che spedisce.
6. Questa garanzia è valida all'interno della Comunità Europea, in Svizzera, Islanda, Norvegia, Liechtenstein, Turchia e Russia. Al di fuori di queste aree, si prega di contattare il proprio gestore autorizzato RYOBI per determinare se si applica un'altra garanzia.

CENTRO SERVIZI AUTORIZZATO

Per individuare il più vicino centro servizi autorizzato, visitare il sito <http://uk.ryobitools.eu/header/service-and-support/service-agents>.

NL GARANTIE

Bovenop de statutaire rechten als gevolg van de aankoop, wordt dit product gedekt door een garantie, zoals deze hieronder wordt beschreven.

1. De garantieperiode bedraagt 24 maanden voor consumenten en begint vanaf de datum waarop het product werd aangekocht. Deze datum moet worden gedocumenteerd door een factuur of ander aankoopbewijs. Het product is uitsluitend ontworpen en bedoeld voor particuliere gebruikers. De garantie vervalt bij professioneel of commercieel gebruik.
2. In enkele gevallen (vb. promotie, gereedschapsaanbod) bestaat er een mogelijkheid om de garantieperiode te verlengen met dezelfde periode als deze hierboven beschreven met behulp van de registratie op de website www.ryobitools.eu. Of het product al of niet in aanmerking komt, is duidelijk aangegeven in winkels en/of de verpakking. De eindgebruiker dient zijn/haar nieuw werktuig binnen de 8 dagen na de aankoopdatum online registreren. De eindgebruiker kan zich aanmelden voor de uitgebreide garantie in zijn verblijfsland als dit op het online registratieformulier is opgenomen wanneer deze optie geldig is. Bovendien moet de eindgebruiker zijn toestemming geven om informatie te gebruiken die nodig is om toegang te krijgen tot de website en dient de algemene voorwaarden te accepteren. Het ontvangstbewijs van dit registratieformulier, dat via e-mail wordt verzonden, en de originele factuur die de aankoopdatum vermeldt dienen als bewijs van de uitgebreide garantie. Uw statutaire rechten blijven onveranderd.
3. De garantie dekt alle defecten van het product gedurende de garantieperiode als gevolg van fouten in het werk of materiaal op de aankoopdatum. De garantie is beperkt tot de reparatie en/of vervanging en omvat geen andere verplichtingen waaronder, maar niet beperkt tot, incidentele of gevolgschade. De garantie is niet geldig als het product werd misbruikt, in tegenspraak met de gebruiksaanwijzing werd gebruikt of foutief werd verbonden. Deze garantie geldt niet voor:
 - schade aan het product als gevolg van foutief onderhoud
 - als het product op enigerlei wijze werd gewijzigd
 - als originele markeringen ter identificatie (handelsmerk, serienummer) van het product werden verwijderd of gewijzigd
 - voor schade als gevolg van het niet in acht nemen van deze gebruiksaanwijzing
 - een niet EC-product
 - een product, waaraan een niet-gekwalificeerde vakman reparaties uitvoerde of waaraan reparaties werden uitgevoerd zonder voorafgaande toestemming van Techtronis Industries
 - een product dat werd aangesloten aan een foutieve krachtbron (amps, spanning, frequentie)
 - schade veroorzaakt door externe invloeden (chemische, fysieke schokken) of vreemde stoffen
 - normale slijtage van reserve-onderdelen
 - foutief gebruik, overbelasting van het werktuig
 - gebruik van niet-goedgekeurde accessoires of onderdelen
 - de carburator na 6 maanden, carburatorafstellingen na 6 maanden
 - gereedschapsaccessoires die met het werktuig worden meegeleverd of afzonderlijk worden aangekocht. Deze uitsluitingen omvatten, maar zijn niet beperkt tot schroevendraaiers, boorstiften, slijpschijven, schuurpapier en -bladen, laterale geleiders
 - componenten (onderdelen en accessoires) die onderhevig zijn aan natuurlijke slijtage met inbegrip van, maar niet beperkt tot, koolborstels, boorhouders, stroomsnoeren, bijkomende handvatten, schuurplaten, stofzakken, stofuitlaatbuizen
4. Voor onderhoud moet het product naar een geautoriseerd RYOBI-onderhoudsstation worden gestuurd of gebracht. Een lijst met de adressen van deze stations per land is hier opgenomen. In bepaalde landen verzendt uw plaatselijke RYOBI-verdeler het product naar de RYOBI-onderhoudsorganisatie. Als een product naar een RYOBI-onderhoudsstation wordt gezonden, moet het product veilig zijn verpakt zonder gevaarlijke inhoud, zoals benzine, met aanduiding van het adres van de verzender en met inbegrip van een korte beschrijving van de fout.
5. Een reparatie/vervanging onder deze garantie is gratis. Dit heeft geen gevolgen voor de duur van deze garantie of betekent niet dat de garantie wordt verlengd of opnieuw begint. Vervangen onderdelen of werktuigen worden onze eigendom. In bepaalde landen moeten verzendings- of leveringskosten door de verzender worden betaald.
6. Deze garantie is geldig in de Europese Unie, Zwitserland, IJsland, Noorwegen, Liechtenstein, Turkije en Rusland. Buiten deze landen neemt u contact op met uw geautoriseerde RYOBI-verdeler om te bepalen of er een andere garantie geldig is.

GEAUTORISEERD ONDERHOUDSCENTRUM

Om een geautoriseerd onderhoudscentrum in uw buurt te vinden, surf u naar <http://uk.ryobitools.eu/header/service-and-support/service-agents>.

PT GARANTIA

Além de qualquer direito estatutário derivado da compra, este produto está coberto com a seguinte garantia.

1. O período de garantia é de 24 meses para os consumidores e começa a partir da data de compra do produto. Esta data deve ser comprovada com uma factura ou outra prova de compra. O produto foi desenhado e destinado ao consumidor e apenas para uso privado. Portanto, não se oferece qualquer garantia em caso de uso profissional ou comercial.
2. Em alguns casos (como promoções ou um conjunto de ferramentas) existe a possibilidade de ampliar o período de garantia até ao período descrito anteriormente através do registo no website www.ryobitools.eu. A elegibilidade da ferramenta mostra-se claramente nas lojas ou na embalagem. O utilizador final deve registar as suas ferramentas recém-adquiridas on-line nos 8 dias seguintes à data de compra. O utilizador final poderá registar-se para ampliar a garantia no seu país de residência se este aparecer no formulário de registo on-line em que esta opção é válida. Além disso, os utilizadores finais devem dar o seu consentimento para se guardarem os dados que se solicitam para entrar on-line e aceitar os termos e condições. A confirmação de registo, que será enviada por correio electrónico, e a factura original que mostre a data de compra servirão como prova da ampliação da garantia. Os seus direitos estatutários permanecerão intactos.
3. A garantia cobre, durante o período de garantia, todos os defeitos do produto que se devam a falhas da mão-de-obra ou a falhas do material na data de compra. A garantia tem um limite de reparação ou substituição e não inclui qualquer outra obrigação que se deva a, embora sem se limitar a tal, danos acidentais ou incidentais. A garantia não é válida se se fez um uso inadequado do produto, se não se usou seguindo o manual de instruções ou se foi ligado incorrectamente. Esta garantia não se aplica a:
 - qualquer dado do produto derivado de uma manutenção inadequada
 - qualquer produto que tenha sido alterado ou modificado
 - qualquer produto em que as marcas de identificação originais (marca comercial, número de série) tenham sido apagadas, modificadas ou eliminadas
 - qualquer dano causado por incumprimento do manual de instruções
 - qualquer produto que não seja CE
 - qualquer produto que um profissional não qualificado tenha tentado reparar ou sem uma autorização prévia de Techtronic Industries
 - qualquer produto ligado a um fornecimento eléctrico inadequado (ampéris, tensão, frequência)
 - qualquer dano causado por influências externas (de produtos químicos, danos físicos, descarga eléctrica) ou substâncias estranhas desgaste ou ruptura normal das peças de substituição
 - uso inadequado, sobrecarga da ferramenta
 - uso de acessórios ou peças não homologadas
 - carburador após 6 meses, ajustes do carburador após 6 meses
 - acessórios das ferramentas eléctricas fornecidos com a ferramenta ou adquiridos em separado. Ditas exclusões incluem, embora sem se limitarem a tal, pontas de chave de fendas, brocas, discos abrasivos, lixas de papel e lâminas, guia lateral
 - componentes (peças e acessórios) sujeitos a desgaste e ruptura natural, incluindo, mas sem limitar a eles, escovas de carvão, portabrocas, cabo de alimentação, mangueira auxiliar, bolsa para o pó, tubo de saída do pó
4. Para o serviço, o produto deve ser enviado ou entregue num ponto de serviço técnico autorizado RYOBI enumerado para cada país na seguinte lista de moradas de serviço técnico. Em alguns países o seu distribuidor local RYOBI encarrega-se de enviar o produto para a organização do serviço de RYOBI. Ao enviar um produto a um ponto de serviço técnico RYOBI, o produto deve ser embalado de forma segura sem que contenha qualquer substância perigosa como petróleo, deve levar a morada do remetente e ir acompanhado de uma breve descrição da falha.
5. Uma reparação/substituição dentro desta garantia realiza-se de forma gratuita. Não constitui uma ampliação nem um reinício do período de garantia. As peças e ferramentas que se alterem passam a ser da nossa propriedade. Em alguns países os gastos de envio ou da franquia deverá pagá-los o remetente.
6. Esta garantia é válida na Comunidade Europeia, Suíça, Islândia, Noruega, Liechtenstein, Turquia e Rússia. Fora destas zonas, entre em contacto com o seu distribuidor autorizado RYOBI para determinar se se aplica outra garantia.

CENTRO DE ASSISTÊNCIA AUTORIZADO

Para encontrar um centro de assistência autorizado próximo de si, visite <http://uk.ryobitools.eu/header/service-and-support/service-agents>.

DA GARANTI

Ud over de lovbestemte rettigheder ved køb, er dette produkt dækket af en garanti som angivet nedenfor.

1. Garantien er 24 måneder for forbrugerne og træder i kraft den dato, hvor produktet bliver købt. Denne dato skal dokumenteres af en faktura eller andet købsbevis. Produktet er designet og beregnet til privat brug. Så der er ingen garanti i tilfælde af erhvervs-mæssig brug.
2. Der er i visse tilfælde (f.eks. kampagner eller udvalgt produkter) mulighed for at forlænge garantien i perioden beskrevet ovenfor ved at registrere produktet på www.ryobitools.dk. Berettigelsen af produktet vises tydeligt i butikker og / eller på emballagen. Slutbrugeren skal registrere hans/hendes ny erhvervede produkter online indenfor 8 dage fra købsdatoen. Slutbrugeren kan tilmelde sig den udvidede garanti i sit bopælsland, hvis det er opført på den online tilmeldingsformular. Desuden skal slutbrugere give deres samtykke til lagring af de data, der er nødvendige for at komme ind på nettet, og de er nødt til at acceptere vilkår og betingelser. Kvitteringen på modtagelsen af registreringen, som udsendes via e-mail, og den originale faktura, der angiver købsdatoen, fungerer som bevis på den udvidede garanti. Dine lovbestemte rettigheder forblive uændret.
3. Garantien dækker alle fejl ved produktet i løbet af garantiperioden, som kan føres tilbage til fabriktions- eller materialefejl på købsdatoen. Garantien begrænser sig til reparation og/eller udskiftning og omfatter ikke andre forpligtelser inklusiv, men ikke begrænset til, skader eller følgeskader. Garantien er ikke gyldig, hvis produktet har været udsat for misbrug, anvendelse i strid med brugsanvisningen eller har været tilsat forkert. Denne garanti dækker ikke:
 - Enhver skade på produktet som følge af ukorrekt vedligeholdelse
 - Ethvert produkt, som er blevet ændret eller modificeret
 - Ethvert produkt, hvor de originale identifikationsmærker (varemærke, serienummer) er blevet ødelagt, ændret eller fjernet
 - Enhver skade, der skyldes manglende overholdelse af brugsanvisningen
 - Ethvert produkt uden CE-mærkning
 - Ethvert produkt, som har været udsat for forsøg på reparation af en uautoriseret fagmand eller uden accept fra Techtronic Industries
 - Ethvert produkt, der har været sluttet til forkert strømforsyning (ampere, spænding, frekvens)
 - Enhver skade, der skyldes uddefra kommende påvirkninger (kemisk, fysisk, stød) eller fremmedlegemer
 - normal slitage på reservedele
 - Forkert anvendelse, overbelastning af produktet
 - Brug af ikke-godkendt tilbehør eller (reserve)dele
 - Karburator efter 6 måneder, karburatorjusteringer efter 6 måneder
 - Tilbehør til elprodukter, der er forsynet med værktøj eller købt separat. Sådanne undtagelser inkluderer, men er ikke begrænset til, skruetrækkerbits, borebits, slibeskiver, sandpapir og knive, sideføring
 - komponenter (dele og tilbehør), der udsættes for naturlig slitage, inklusive, men ikke begrænset til, kulbørster, spændepatron, strømforsyningskabel, hjælpehåndtag, slibeplade, støvsugerpose, støvudsugningsrør
4. Til servicering skal produktet indleveres til eller forevises et autoriseret RYOBI serviceværksted for det pågældende land. I nogle lande vil din lokale RYOBI-forhandler sende produktet til RYOBI's serviceorganisation. Når et produkt indleveres til et RYOBI serviceværksted, skal det emballeres forsvarligt uden farligt indhold (som f.eks. benzin), være forsynet med afsenderadresse og ledsaget af en kort beskrivelse af fejlen.
5. Reparation/udskiftning i henhold til denne garanti er gratis. Den medfører ikke forlængelse eller ny start af garantiperioden. Udskiftede dele eller værktøjer overgår til vores ejendom. I nogle lande skal leveringsomkostninger eller porto betales af afsenderen.
6. Denne garanti er gyldig i EU, Schweiz, Island, Norge, Liechtenstein, Tyrkiet og Rusland. Uden for disse områder bedes man venligst kontakte sin autoriserede RYOBI-forhandler for at få opklaret, om evt. andre garantier er gældende.

AUTORISEREDE SERVICEVÆRKSTEDER

Find nærmeste autoriserede serviceværksted på <http://dk.ryobitools.eu/header/service-and-support/service-agents>.

SV GARANTI

Förutom de lagstadgade rättigheter som följer köpet omfattas denna produkt av en garanti som anges nedan.

1. Garantiiden är 24 månader för konsumenter och börjar den dag då produkten köptes. Detta datum måste kunna dokumenteras av en faktura eller annat inköpsbevis. Produkten är utformad och avsedd för konsumenter och ska endast användas för privat bruk. Det innebär att ingen garanti lämnas vid yrkesmässig eller kommersiell användning.
2. I vissa fall (t.ex. marknadsföring, sortiment av verktyg), finns det en möjlighet att förlänga garantiiden under den period som beskrivs ovan genom registrering på hemsidan www.ryobitools.eu. De verktyg det gäller för framgår tydligt i butiker och/eller på förpackningen. Slut användaren måste registrera sitt nyinköpta verktyg på nätet inom 8 dagar från inköpsdatum. Slut användaren kan registrera sig för den utökade garantiiden i sitt hemland om det framgår på registreringsformuläret online där detta alternativ är giltigt. Dessutom måste slut användarna ge sitt samtycke till lagring av de uppgifter som krävs för att komma in på nätet och de måste godkänna villkoren. Registreringens mottagningsbevis som skickas ut via e-post och den ursprungliga fakturan som visar inköpsdatum fungerar som bevis på förlängd garantiid. Dina lagstadgade rättigheter påverkas inte.
3. Garantin täcker alla fel på produkten under garantiiden som beror på fel i utförande eller material vid inköpsdatumet. Garantin är begränsad till reparation och/eller utbyte och inkluderar inte några andra åtaganden, inklusive men inte begränsat till oförutsedda skador eller följdskador. Garantin gäller inte om produkten har använts på fel sätt, använts på ett sätt som inte följer användarhandboken eller som har anslutits på ett felaktigt sätt. Denna garanti gäller inte för:
 - skador på produkten som beror på felaktigt underhåll
 - om produkten har ändrats eller modifierats
 - en produkt där den ursprungliga identifieringen (varumärke, serienummer) har förstörts, ändrats eller tagits bort
 - skador som orsakas av att användarhandboken inte har följts
 - alla produkter som inte följer CE-bestämmelser
 - en produkt som en icke-kvalificerad yrkesperson eller en person som inte har behörighet från Techtronic Industries har försökt att reparera
 - en produkt som ansluts till eluttaget (ampere, spänning, frekvens) på fel sätt
 - skador som orsakas av yttre påverkan (kemiska, fysikaliska, stötar) eller främmande ämnen
 - normalt slitage av reservdelar
 - felaktig användning, överbelastning av verktyget
 - användning av icke-godkända tillbehör eller delar
 - förgasare efter 6 månader, justering av förgasare efter 6 månader
 - elverktygstillbehör som medföljer verktyget eller köps separat. Sådana undantag inkluderar men är inte begränsat till skruvmejseldelar, borrar, slipskivor, sandpapper och blad, sidostyrning
 - komponenter (delar och tillbehör) med förbehåll för normalt slitage, inklusive men inte begränsat till kolborstar, chuck, nätkabel, extrahandtag, slipningsplåt, damppåse, dammrör
4. För service, måste produkten skickas eller presenteras till en RYOBI-godkänd servicestation som anges för varje land i följande lista med adresser. I vissa länder ombesörjer den lokala RYOBI-återförsäljaren att skicka produkten till RYOBI-serviceorganisationen. När en produkt skickas till en RYOBI-servicestation, ska produkten förpackas på ett säkert sätt utan farligt innehåll som bensin, märkt med avsändarens adress tillsammans med en kort som beskriver felet.
5. En reparation/utbyte som sker under denna garanti är gratis. Den utgör inte en förlängning eller en ny start på garantiiden. Utbytes delar eller verktyg blir vår egendom. I vissa länder måste leveranskostnader eller porto betalas av avsändaren.
6. Denna garanti gäller i EU, Schweiz, Island, Norge, Liechtenstein, Turkiet och Ryssland. Utanför dessa områden ska du kontakta din auktoriserade RYOBI-återförsäljare för att avgöra om en annan garanti gäller.

AUKTORISERAT SERVICECENTER

Du hittar närmaste auktoriserade servicecenter genom att gå till <http://uk.ryobitools.eu/header/service-and-support/service-agents>.

FI TAKUU

Hankinnasta koituvien laillisten oikeuksien lisäksi tätä tuotetta hallitsee alla kuvattu takuu.

1. Takuukausi on 24 kuukautta kuluttajille ja alkaa tuotteen ostopäivästä. Tämän päivän on oltava merkitty kuittiin tai muuhun todisteseen hankinnasta. Tämä tuote on suunniteltu ja tarkoitettu ainoastaan kuluttajien yksityiskäyttöön. Ammatti- ja kaupalliseen käyttöön ei näin ollen ole takuuta.
2. Joissain tapauksissa (kuten tarjous, laitesarja) takuukautta voidaan pidentää kuvattua kautta pidemmäksi rekisteröimällä tuote osoitteessa www.ryobitools.eu. Takuun pidennysmahdollisuus ilmoitetaan selkeästi kaupassa ja/tai pakkauksessa. Loppukäyttäjän on rekisteröitävä uusi laitteensa online 8 päivän sisällä sen hankkimisesta. Loppukäyttäjän on rekisteröitävä saadakseen jatkettua takuun asuinmaassaan, jos se mainitaan online-rekisteröintilomakkeessa. Lisäksi, loppukäyttäjän on annettava suostumuksensa tallentaa syötetyt tiedot online, ja hänen on hyväksyttävä ehdot. Sähköpostitse lähetettävä rekisteröintivahvistus ja alkuperäinen kuitti, josta ilmenee hankintapäivä, toimivat todisteena takuun jatkamisesta. Lailliset oikeutesi eivät muutu.
3. Takuu kattaa takuuajana kaikki tuotteen viat, jotka johtuvat valmistus- tai materiaaliavista hankintapäivänä. Takuu rajoittuu korjaukseen ja/ tai vaihtoon eikä sisällä mitään muita velvoitteita, mukaan lukien mm. satunnaiset ja seuraamukselliset vauriot. Takuu ei ole voimassa, jos tuotetta on väärinkäytetty tai käytetty käyttöoppaan vastaisesti tai se on kytketty virheellisesti. Takuu ei kata seuraavia:
 - tuotteelle koituneet vahingot, jotka johtuvat virheellisestä ylläpidosta
 - tuote, jota on muunneltu
 - tuote, jossa alkuperäiset tunnisteet (tavaramerkki, sarjanumero) ovat turmeltuneet tai niitä on muutettu tai ne on poistettu
 - käyttöoppaan laiminlyönnistä johtuvat vauriot
 - ei-EC-tuotteet
 - tuotteet, joita on yrittänyt korjata ei-pätevä asentaja tai jonka korjaukselle ei ole saatu Techtronic Industriesiltä hyväksyntää etukäteen
 - tuotteet, jotka on kytketty vääränlaisen virtalähteeseen (virta, jännite, taajuus)
 - vauriot, jotka johtuvat ulkoisista syistä (kemikaalit, fyysiset tekijät, iskut) tai vieraista aineista
 - normaali varaosien kuluminen
 - virheellinen käyttö, laitteen yliuormitus
 - muiden kuin hyväksytyjen lisävarusteiden ja osien käyttö
 - kaasutin 6 kuukauden jälkeen, kaasuttimen säätö 6 kuukauden jälkeen
 - laitteen mukana tulleet tai erikseen hankitut sähkölaitteiden lisävarusteet. Tällaiset poisjätöt sisältävät mm. ruuvivääntimet, terät, poranterät, hiontakiekot, hiekkapaperi ja terät, sivuohjain
 - komponentit (osat ja lisävarusteet), joihin kohdistuu luonnollista kulumista, mukaan lukien mm. hiiliharjat, istukka, virtajohto, lisäkahva, hiontalevy, pölypusstit, pölyn poistoputki
4. Huollon saaminen edellyttää, että tämä tuote lähetetään tai viedään RYOBI:n valtuuttamaan huoltoon, jotka luettelaa maittain seuraavassa huoltojen osoiteluettelossa. Joissain maissa paikallinen RYOBI-jälleenmyyjä hoitaa tuotteen lähettämisen RYOBI-huoltoon. Kun tuote lähetetään RYOBI-huoltoon, se on pakattava turvallisesti ilman mitään vaarallista sisältöä, kuten bensiiniä, siihen on merkittävä lähettäjän osoite ja sen mukana on lähetettävä vian kuvaus.
5. Tämän takuun puiteissa tapahtuva korjaaminen/vaihto on ilmaista. Se ei merkitse takuujakson jatkamista tai uuden kauden alkua. Vaihdetuista osista ja laitteista tulee meidän omaisuuttamme. Joissain maissa lähettäjän on maksettava toimituskulut tai postimaksu.
6. Tämä takuu on voimassa Euroopan Yhteisössä, Sveitsissä, Islannissa, Norjassa, Liechtensteinissa, Turkissa ja Venäjällä. Jos olet näiden alueiden ulkopuolella, ota yhteys valtuutettuun RYOBI-jälleenmyyjään, joka voi kertoa, onko joku muu takuu voimassa.

VALTUUTETTU HUOLTO

Voit etsiä lähimmän valtuutetun huollon sivulta <http://fi.ryobitools.eu/header/service-and-support/service-agents>.

NO GARANTI

I tillegg til enhver lovbestemt rettighet som følge av dette kjøpet er dette produktet dekket av en garanti som beskrevet nedenfor.

1. Garantitiden er 24 måneder for forbrukere, og starter på produktets kjøpsdato. Denne datoen må dokumenteres av faktura eller annet kjøpsbevis. Produktet er konstruert og beregnet på forbrukere og kun privat bruk. Det gis ingen garanti ved profesjonell eller kommersiell bruk.
2. Det er, i noen tilfeller, (dvs. markedsføring, serie av verktøy), mulig å utvide garantitiden ut over den perioden som er nevnt ovenfor ved bruk av registrering på nettstedet www.ryobitools.eu Verktøys garantiberettigelse vises klart i butikkene og/eller på emballasjen. Sluttbruker må registrere sitt nylig innkjøpte verktøy på nettet innen 8 dager etter kjøpsdatoen. Sluttbruker kan registrere seg for utvidet garanti i det landet hvor vedkommende bor hvis dette landet er ført opp på nettregistreringsskjemaet hvor dette alternativet er gyldig. Sluttbruker må også gi sin tillatelse til lagring av de data som er påkrevet å registrere på nettet, og må akseptere vilkår og betingelser. Registreringsbekreftelsen, som sendes som epost, og den originale kvitteringen som viser kjøpsdatoen, vil gjelde som bevis på den utvidede garantien. Dine lovbestemte rettigheter vil fortsatt gjelde.
3. Garantien gjelder alle defekter på produktet i garantitiden som følge av feil på arbeid eller materialer på kjøpsdatoen. Garantien er begrenset til reparasjon og/eller utskifting av produktet, og inkluderer ingen annen forpliktelse, inklusive men ikke begrenset til tilfældige eller direkte eller indirekte følgeskader. Garantien gjelder ikke dersom produktet er misbrukt, brukt i strid med brukermanualens instruksjoner eller vært feilaktig tilkoblet. Denne garantien gjelder ikke:
 - enhver skade på produktet som følge av utilstrekkelig vedlikehold
 - et produkt som er endret eller modifisert
 - ethvert produkt hvor original identifikasjonsmerker (varemerke, serienummer) er tildekket, endret eller fjernet
 - enhver skade som følge av at instruksjoner i brukermanualen ikke er fulgt
 - ethvert ikke-CE-produkt
 - ethvert produkt som er forsøkt reparert av en ukvalifisert person, eller uten forutgående tillatelse av Techtronic Industries
 - ethvert produkt som er tilkoblet uriktig strømkilde (ampere, spenning, frekvens)
 - enhver skade forårsaket av eksterne påvirkninger (kjemiske, fysiske eller slag) eller fremmede substanser
 - normal slitasje på reservedeler
 - feilaktig bruk, overbelastning av verktøyet
 - bruk av ikke godkjent tilbehør eller reservedeler
 - forgasser etter 6 måneder, forgasserjusteringer etter 6 måneder
 - tilbehør til elektrisk verktøy, enten levert med verktøyet eller kjøpt separat. Slike unntak inkluderer men er ikke begrenset til skrutrekkerbits, bor, slipeskiver, sandpapir, og blader, sidestyre
 - komponenter (deler og tilbehør) gjenstand for normal slitasje, inklusive, men ikke begrenset til karbonbørster, chuck, elektrisk ledning, hjelpehåndtak, slipeskiver, støvpose, støvuttrekkslange
4. For ettersyn og reparasjoner må produktet leveres til et RYOBI- autorisert servicesenter ført opp for det enkelte land i følgende liste av servicestasjonadresser. I noen land vil din lokale RYOBI-forhandler sørge for å sende produktet til RYOBI's serviceorganisasjon. Når et produkt sendes til en RYOBI servicestasjon må produktet være forsvarlig emballert uten færlig innhold som bensin, merket med senders navn og adresse og medsendt en kort beskrivelse av feilen.
5. En reparasjon/utskifting i henhold til denne garantien er gratis. Den representerer ikke en forlengelse av garantiperioden eller en ny start på garantiperioden. Utskiftede deler eller verktøy blir vår eiendom. I noen land vil leveringskostnader eller porto måtte betales av sender.
6. Denne garantien er gyldig i EU, Sveits, Island, Norge, Liechtenstein, Tyrkia og Russland. Utenfor disse områdene ber vi om at du kontakter en autorisert Ryobi-forhandler for å finne ut om en annen garanti gjelder.

AUTORISERT SERVICESENTER

For å finne et autorisert servicesenter i nærheten, gå til <http://no.ryobitools.eu/header/service-and-support/service-agents>.

RU ГАРАНТИЯ

В дополнение к законным правам, вытекающим из факта покупки, на данный продукт распространяются следующие гарантийные обязательства.

1. Гарантийный период составляет 24 месяца для покупателей и начинается с даты приобретения продукта. Дата приобретения подтверждается документально товарным чеком или другим доказательством покупки. Данный продукт предназначен для использования только в личных целях. Гарантия не предоставляется в случае профессионального или коммерческого использования данного продукта.
2. В некоторых случаях (например, при продвижении продукта, приобретении некоторых видов инструментов) возможно продление гарантийного срока при регистрации продукта на веб-сайте www.ryobitools.eu. Применимость продукта разъясняется в магазинах при продаже и/или на упаковке продукта. Конечному пользователю следует зарегистрировать вновь приобретенный инструмент через Интернет в течение 8 дней с даты покупки. Конечный пользователь может зарегистрировать продукт для получения расширенной гарантии в стране проживания, если данная возможность предоставляется интернет-формой регистрации. Также, конечный пользователь должен дать свое согласие на хранение данных, требуемых при заполнении формы через Интернет, и принять условия соглашения. Уведомление о подтверждении регистрации, отправляемое по электронной почте, и оригинальный товарный чек с датой покупки служат доказательством расширенной гарантии. Законные права потребителя при этом остаются в силе.
3. Данная гарантия распространяется на все дефекты продукта, связанные с производственным браком или браком материалов в момент приобретения, в течение гарантийного периода. Данная гарантия ограничивается ремонтом и/или заменой и не включает другие обязательства, в том числе, связанные с побочным или косвенным ущербом. Гарантия недействительна в случае ненадлежащего использования, использования с нарушением инструкций руководства по эксплуатации или неправильного подключения продукта. Гарантия недействительна, если:
 - повреждение продукта вызвано ненадлежащим техническим обслуживанием
 - продукт подвергся изменениям или был модифицирован
 - оригинальная маркировка (товарный знак, заводской номер) неудобочитаема, изменена или удалена
 - повреждение вызвано несоблюдением инструкций данного руководства
 - отсутствует маркировка CE
 - была попытка отремонтировать продукт неквалифицированным лицом или без предварительного согласования с компанией Techtronic Industries
 - продукт подключался к ненадлежащему источнику питания (ненадлежащая сила тока, напряжение, частота)
 - повреждение вызвано внешним воздействием (химические, физические, удары) или посторонними веществами
 - это связано с нормальным износом заменяемых деталей
 - это связано с ненадлежащим использованием, перегрузкой инструмента
 - это связано с использованием нерекондованных принадлежностей или деталей
 - карбюратор использовался свыше 6 месяцев, регулировка карбюратора после 6 месяцев
 - принадлежности для инструмента, поставляемые с инструментом или приобретаемые отдельно. В том числе, отверточные насадки, сверла, абразивные круги, наждачная бумага и шлифовальные полотна, боковая направляющая
 - компоненты (детали и принадлежности) подверженные естественному износу, в том числе, угольные щетки, зажимной патрон, кабель питания, дополнительная ручка, шлифовальная пластина, пылесборник, трубка отвода пыли
4. Для проведения технического обслуживания продукт следует представить в официальный центр технического обслуживания компании RYOBI в соответствии со списком по каждой стране. В некоторых странах дилерам компании RYOBI потребуются пересылка продукта в соответствующий сервисный центр компании RYOBI. При отправке продукта в центр технического обслуживания RYOBI, продукт следует упаковать надлежащим образом без содержания любых опасных веществ (таких как бензин) с указанием адреса отправителя и кратким описанием неисправности.
5. Ремонт/замена продукта по условиям данной гарантии осуществляются бесплатно. В данном случае не предусмотрено продление срока гарантии или начало нового гарантийного периода. Заменяемые детали или инструмент становятся собственностью компании. В некоторых странах оплата доставки и почтовые расходы ложатся на отправителя.
6. Данная гарантия действительна в странах ЕС, Швейцарии, Исландии, Норвегии, Лихтенштейне, Турции и России. Для получения информации о применении данной гарантии в других регионах обращайтесь к официальному дилеру компании RYOBI.

УПОЛНОМОЧЕННЫЙ СЕРВИСНЫЙ ЦЕНТР

Чтобы найти ближайший уполномоченный сервисный центр, обратитесь к веб-сайту <http://uk.ryobitools.eu/header/service-and-support/service-agents>

PL GWARANCJA

Oprócz wszelkich praw ustawowych wynikających z zakupu, ten produkt jest objęty gwarancją jak podano poniżej.

- Okres gwarancji wynosi 24 miesiące dla konsumentów i rozpoczyna się w dniu, w którym produkt został zakupiony. Ta data musi być udokumentowana przez fakturę lub inny dowód zakupu. Produkt został zaprojektowany i jest przeznaczony wyłącznie do użytku konsumenckiego i prywatnego. W związku z tym gwarancja nie jest udzielana w przypadku zastosowań profesjonalnych i komercyjnych.
- Nie ma, w niektórych przypadkach (promocja tj. zakres narzędzi), możliwość przedłużenia okresu gwarancji w okresie opisanym powyżej przy rejestracji na stronie internetowej www.ryobitools.eu. Kwalifikowalność narzędzia jest wyraźnie określona w sklepach oraz/lub na opakowaniu. Użytkownik końcowy musi zarejestrować swoje nowo zakupione narzędzia online w ciągu 8 dni od daty zakupu. Użytkownik końcowy może zarejestrować się w celu rozszerzenia gwarancji w swoim kraju zamieszkania, jeśli jest on wymieniony w formularzu rejestracji online, kiedy ta opcja jest ważna. Ponadto użytkownicy końcowi w tym m.in. odpowiedzialności za szkody przypadkowe lub wtórne. Gwarancja nie jest ważna, jeśli produkt był użytkowany w niewłaściwy sposób, był wykorzystywany w sposób niezgodny z instrukcją obsługi lub był nieprawidłowo podłączony. Ta gwarancja nie obejmuje:
 - uszkodzenia produktu, które jest wynikiem nieprawidłowej konserwacji
 - produktu, który został przerobiony lub zmodyfikowany
 - produktu, w którym zniekształcono, zmieniono lub usunięto oryginalne oznaczenia (nazwę handlową, numer seryjny)
 - uszkodzeń spowodowanych nieprzestrzeganiem instrukcji obsługi
 - produktu bez certyfikatu CE
 - produktu, który był naprawiany przez niewykwalifikowaną osobę lub bez uprzedniej autoryzacji firmy Techtronic Industries
 - produktu podłączonego do nieprawidłowego źródła zasilania (natężenie, napięcie, częstotliwość)
 - uszkodzeń spowodowanych przez czynniki zewnętrzne (chemiczne, fizyczne, uderzenia) lub obce substancje
 - normalnego zużycia części zamiennych
 - niewłaściwego użytkowania, przeciążenia narzędzia
 - stosowania niezatwierdzonych akcesoriów lub części
 - gaźnika po 6 miesiącach, regulacji gaźnika po 6 miesiącach
 - akcesoriów do elektronarzędzi dostarczonych z narzędziem lub zakupionych osobno. Takie wykluczenia obejmują m.in. bity śrubokręta, wiertła, tarcze ściernie, papier ścierny i ostrza, przewodnicę ukośną
 - elementów (części i akcesoriów) podlegających naturalnemu zużyciu, w tym m.in. szczotek, uchwytów, przewodu zasilającego, dodatkowego uchwytu, tarczy ściernej, torby na pył, przewodu wyrzutu pyłu
- W celu serwisowania produkt należy wysłać lub okazać w autoryzowanym centrum serwisowym RYOBI wymienionym dla każdego kraju na poniższej liście adresów stacji serwisowych. W niektórych krajach lokalny dealer firmy RYOBI zobowiązuje się wysłać produkt do centrum serwisowego firmy RYOBI. W przypadku wysyłki produktu do centrum serwisowego RYOBI, produkt należy dobrze zapakować, bez umieszczania żadnych niebezpiecznych rzeczy, tj. paliwa i oznaczyć adresem nadawcy oraz krótkim opisem usterki.
- Naprawa/wymiana w ramach tej gwarancji jest bezpłatna. Nie stanowi to przedłużenia lub nowego rozpoczęcia okresu gwarancji. Wymieniane części lub narzędzia stają się naszą własnością. W niektórych krajach koszty wysyłki lub pocztowe będą musiały być opłacone przez nadawcę.
- Ta gwarancja obowiązuje na terytorium Wspólnoty Europejskiej, Szwajcarii, Islandii, Norwegii, Liechtenstein, Turcji i Rosji. Poza tymi obszarami należy skontaktować się z autoryzowanym dealerem RYOBI aby sprawdzić, czy dostępna jest jeszcze inna gwarancja

AUTORYZOWANY PUNKT SERWISOWY

Najbliższy autoryzowany punkt serwisowy można wyszukać w witrynie internetowej <http://uk.ryobitools.eu/header/service-and-support/service-agents>.

CS ZÁRUKA

Navíc k zákonným právům, které vznikají nákupem, je k výrobku poskytována záruka.

- Záruka je období 24 měsíců pro spotřebitele a začíná běžet datem nákupu produktu. Toto datum musí být zadokumentováno fakturou nebo jiným důkazem o koupi. Tento výrobek je určen a vyhrazen jen pro domácí a soukromé používání. Záruka se tedy neposkytuje pro profesionální ani komerční používání.
- Existuje, v některých případech (tj. propagace, určité nástroje), možnost prodloužení doby záruky nad výše uvedené období pomocí registrace na stránkách www.ryobitools.eu. Vhodnost nástroje je jasně vyobrazena v prodejních a/nebo na obalu. Koncový uživatel musí zaregistrovat své nové pořízené nástroje online během 8 dní od data nákupu. Koncový uživatel se může zaregistrovat k prodloužení doby záruky v zemi jeho trvalého bydliště, pokud je uvedeno v online registračním formuláři, kde je tato možnost platná. Navíc musí koncový uživatel poskytnout souhlas s uchováním údajů, které jsou zapotřebí do online registru a musí přijmout podmínky smlouvy. Přijetí potvrzení o registraci, odesílané e-mailem, a originální faktura udávající datum nákupu slouží jako důkaz prodloužené záruky. Vaše zákonná práva zůstávají nedotčena.
- Záruka pokrývá veškeré vady produktu během záruky způsobené vadami při zpracování nebo v materiálu v době nákupu. Záruka se omezuje na opravu a/nebo výměnu a nezahrnuje žádné jiné závazky včetně, ale ne omezeně na související nebo následné škody. Záruka neplatí, pokud se produkt nesprávně používal, používal v rozporu s návodem nebo byl nesprávně zapojen. Záruku nelze uplatnit v následujících případech:
 - jakákoliv škoda na výrobku v důsledku nesprávné údržby
 - jakýkoliv výrobek byl pozměněn či modifikován
 - jakýkoliv výrobek, kde byly původní identifikační značky (obchodní značka, výrobní číslo) odstraněny, pozměněny či modifikovány
 - jakákoliv škoda způsobená nedodržováním návodu k obsluze
 - výrobek nemá značku CE
 - každý výrobek, kde došlo k pokusu jej opravit nekvalifikovanou osobou nebo bez předchozího souhlasu společnosti Techtronic Industries
 - každý výrobek byl připojen nesprávnému napájení (proud, napětí, frekvence)
 - každý výrobek, který se používal s nesprávnou palivovou směsí (palivo, olej, podíl oleje)
 - běžné opotřebení a spotřební náhradní díly
 - nevhodné používání, přetěžování nástroje
 - použití neschválených doplňků nebo dílů
 - karburátor po 6 měsících, seřízení karburátoru po 6 měsících
 - doplňky elektrických nástrojů dodaných s nástrojem či zakoupených zvlášť. Takové výjimky, včetně, ale ne omezených na, nástavce šroubováku, vrtáky, brusné kotouče, brusný papír a nože, příčné vedení
 - komponenty (díly a doplňky) podléhající běžnému opotřebení a spotřebě, včetně, ale ne omezené, uhlíkových kartáčů, sklíčidla, síťového kabelu, doplňkové rukojeti, brusné desky, vaku pro prach, odsávací trubky prachu
- Pro servis výrobku je třeba zaslat nebo předložit pověřenému servisnímu středisku RYOBI dle seznamu adres servisních středisek. V některých zemích váš místní prodejce RYOBI provádí odesílání výrobku servisní organizaci RYOBI. Při zaslání výrobku servisnímu středisku RYOBI by se měl výrobek bezpečně zabalit bez nebezpečného obsahu jako benzín, označit adresou odesílatele a přiložit list krátkým popisem vady.
- Oprava/výměna během záruky je bezplatná. Neznamená prodloužení ani začátek nového záručního období. Vyměněné díly či nástroje se stávají naším vlastnictvím. V některých zemích doručení či poštovné platí odesílatel.
- Záruka je platná v Evropské unii, Švýcarsku, Islandu, Norsku, Lichtenštejnsku, Turecku a Rusku. U ostatních oblastí prosím kontaktujte pověřeného prodejce RYOBI pro upřesnění, zda platí jiná záruka.

POVĚŘENÉ SERVISNÍ STŘEDISKO

Pro nalezení nejbližšího pověřeného servisního střediska navštivte <http://uk.ryobitools.eu/header/service-and-support/service-agents>.

HU GARANCIA

A vásárlással összefüggő esetleges törvény adta jogok mellett a termékre az alábbiakban részletezett garancia vonatkozik.

1. A garancia időtartama a fogyasztók számára 24 hónap, ami a termék megvásárlásának napjától számítódik. Ezt a dátumot számlával vagy a vásárlást igazoló más dokumentummal kell igazolni. A terméket kizárólag a vevő általi, személyes célokra való használatra tervezték és készítették. Ezért a garancia nem vonatkozik a profik általi vagy üzleti célokra való használatra.
2. Egyes esetekben (pl. promóció, bizonyos termékcsaládok) lehetőség van a garancia időtartamának a fent leírt garanciaperióduson túli meghosszabbítására a www.ryobitools.eu webhelyen történő regisztrációval. Az, hogy egy adott gép jogosult-e erre, egyértelműen fel van tüntetve a boltokban és/vagy a csomagoláson. A végfelhasználónak a vásárlás napjától számított 8 napon belül regisztrálnia kell az újonnan beszerzett gépet. A végfelhasználó a kiterjesztett garanciáért a lakóhelye szerinti országban regisztrálhat, ha az szerepel az online regisztrációs úrlapon. Emellett a végfelhasználónak hozzá kell járulnia az online belépéshez szükséges adatai tárolásához és el kell fogadnia a szerződési feltételeket. A regisztráció e-mailben küldött visszaigazolása, valamint a vásárlást igazoló eredeti számla szolgálnak a kiterjesztett garancia érvényesítésére. A törvény adta jogai nem sérülnek.
3. A garancia a garancia időtartama alatt a termék összes olyan hibájára kiterjed, amelyek a vásárlás napján is fennálló gyártási vagy anyaghiba miatt következnek be. A garancia javításra és/vagy cserére korlátozódik, és nem tartalmaz további kötelezettséget, beleértve, de nem kizárólag a véletlenszerű vagy következetes károokra vonatkozó kötelezettségeket sem. A garancia nem érvényes a termék helytelen használatra, a használati utasításban leírtakkal ellentétes használatra vagy hibás csatlakoztatás esetén. A garancia nem vonatkozik a következőkre:
 - a termék helytelen karbantartásból eredő esetleges károsodásokra
 - átalakított vagy módosított termékekre
 - olyan termékre, melyen az eredeti azonosító jelöléseket (védjegy, sorozatszám) megromgálták, átalakították vagy eltávolították
 - a használati utasítás be nem tartásával összefüggő károokra
 - a CE minősítéssel nem rendelkező termékekre
 - a nem képzett szakember által vagy a Techtronic Industries előzetes jóváhagyása nélkül javított termékekre
 - a nem megfelelő tápforrásokhoz (áramerősség, feszültség, frekvencia) csatlakoztatott termékre
 - külső hatások (vegyi, fizikai, ütés) vagy idegen anyagok által okozott károsodásokra
 - a cserealkatrészek normál kopására és elhasználódására
 - helytelen használatra, a szerszám túlterhelésére
 - nem jóváhagyott tartozékok vagy alkatrészek használatára
 - a karburátorra 6 hónap elteltével, a karburátor beállításaira 6 hónap elteltével
 - a szerszámgéphez mellékelte vagy külön megvásárolt szerszámgép tartozékokra. A kizárások közé tartoznak még, de nem kizárólag, a csavarhúzó bitek, fűrészbitek, csiszolókorongok, csiszolópapírok és korongok, oldalsó vezetők
 - természetes elhasználódásnak és kopásnak kitét összetevőkre (alkatrészek és tartozékok), beleértve, de nem kizárólag a szénkeféket, tokmányokat, tápkábeleket, kiegészítő fogantyúkat, csiszolótalpakot, porzsákokat, porkifúvó csöveket.
4. A szervizeléshez a terméket el kell küldeni vagy be kell mutatni valamelyik hivatalos RYOBI szervizközpontban, melyek elérhetősége az egyes országokban az alábbiakban van megadva. Egyes országokban a RYOBI kereskedő vállalja, hogy elküldi a terméket a RYOBI szervizbe. A terméknek a RYOBI szervizállomásra való küldésekor a terméket biztonságosan be kell csomagolni, mindenféle veszélyes anyagot, pl. üzemanyagot el kell távolítani belőle, meg kell adni a feladó címét és a hiba rövid leírását.
5. A garancia keretében végzett javítás/cseréje ingyenes. Ugyanakkor ez nem jelenti a garancia időtartamának kiterjesztését vagy új garanciaperiódus kezdetét. A kicserélt alkatrészek vagy szerszámgépek a mi tulajdonunkban maradnak. Egyes országokban a szállítási vagy a postaköltségeket a feladó fizeti.
6. Ez a garancia az Európai Közösségben, Svájcban, Izlandon, Norvégiában, Liechtensteinben, Törökországban és Oroszországban érvényes. Ezen területeken kívül az érvényes garancia-feltételeket illetően lépjen kapcsolatba a hivatalos RYOBI forgalmazóval.

HIVATALOS SZERVIZKÖZPONT

A legközelebbi hivatalos szervizközpont megtalálásához látogasson el a <http://uk.ryobitools.eu/header/service-and-support/service-agents>.

RO GARANȚIE

În nouă față de alte drepturi statutare rezultând din achiziție, produsul este acoperit de o garanție ca cea menționată mai jos.

1. Perioada de garanție este de 24 de luni pentru consumatori și începe de la data la care produsul a fost achiziționat. Această dată trebuie să fie dovedită de o factură sau altă dovadă de cumpărare. Produsul este proiectat și dedicat pentru consumator și doar pentru uz privat. Ca urmare nu există nicio garanție asigurată în caz de folosire profesională sau comercială.
2. Există, în anumite cazuri (de ex. promoții, game de produse) o posibilitate de a prelungi perioada de garanție peste perioada descrisă mai sus folosind înregistrarea pe site-ul www.ryobitools.eu. Eligibilitatea aparatului este afișată clar în magazine și/sau ambalaj. Utilizatorul final se poate înregistra pentru o garanție extinsă în țara sa de reședință dacă e listată pe formularul de înregistrare online acolo unde opțiunea este validă. Mai mult, utilizatorii finali trebuie să-și dea consimțământul cu privire la păstrarea datelor ce sunt cerute a fi introduse online și trebuie să accepte termenii și condițiile. Notificarea de confirmare a înregistrării, ce este trimisă prin email, și factura originală ce arată data achiziționării vor servi ca dovadă a garanției extinse. Drepturile dvs statutare rămând neafectate.
3. Garanția acoperă toate defectele produsului în timpul perioadei de garanție cauzate de defecte din procesul de producție sau ale materialului la data achiziționării. Garanția este limitată la reparație și/sau înlocuire și nu include alte obligații incluzând dar nelimitându-se la pagube incidentale sau secundare. Garanția nu este validă dacă produsul a fost folosit greșit, folosit contrar instrucțiunilor din manual sau a fost conectat incorect. Această garanție nu se aplică la:
 - orice defecțiune a produsului ca rezultat a întreținerii necorespunzătoare
 - orice produs ce a fost schimbat sau modificat
 - orice produs unde marcajul original de identificare (marcă comercială, număr serie) a fost deteriorat, schimbat sau modificat
 - orice defecțiune cauzată de nerespectarea manualului de instrucțiuni
 - orice produs non CE
 - orice produs care a fost încercat să fie reparat de către o persoană necalificată sau fără autorizare în prealabil de către Techtronic Industries
 - orice produs conectat necorespunzător la sursa de curent (amperi, voltaj, frecvență)
 - orice defecțiune cauzată de influențe externe (chimice, fizice, șocuri) sau substanțe străine
 - uzura normală a pieselor de schimb
 - folosire necorespunzătoare, suprasolicitare a sculei
 - folosire de accesorii și părți neaprobate
 - carburator după 6 luni, reglări ale carburatorului după 6 luni
 - accesorii sculelor de putere furnizate cu scula sau achiziționate separat. Asemenea excluderi includ dar nu se limitează la capete de șurubelniță, burghie, discuri abrazive, șmirgheluri, discuri de șlefuit, ghid lateral
 - componente (părți și accesorii) subiect a uzurii naturale, incluzând dar nelimitându-se la perii de carbon, mandrine, cablu electric, mâner auxiliar, placă de șlefuit, sac pentru praf, tub de evacuare praf
4. Pentru service, produsul trebuie să fie trimis sau prezentat la un punct service RYOBI autorizat listat pentru fiecare țară în următoarea listă cu adrese ale punctelor service. În anumite țări reprezentantul dvs local RYOBI se angajează să trimită produsul la un punct de service RYOBI. Atunci când se trimite un produs la un punct service RYOBI, produsul trebuie să fie împachetat cu grijă fără a conține produse periculoase precum benzină, marcat cu adresa expeditorului și însoțit de o scurtă descriere a defecțiunii.
5. Repararea/înlocuirea în timpul garanției este fără niciun cost. Nu constituie o prelungire sau un nou început a perioadei de garanție. Părțile sau aparatele schimbate devin proprietatea noastră. În anumite țări taxele de expediere trebuie să fie plătite de către expeditor.
6. Garanția este valabilă în Uniunea Europeană, Elveția, Islanda, Norvegia, Lichtenstein, Turcia și Rusia. În afara acestor zone, vă rugăm contactați reprezentantul dvs local autorizat RYOBI pentru a determina dacă se aplică altă garanție.

CENTRU DE SERVICE AUTORIZAT

Pentru a găsi un centru de service autorizat lângă dvs., vizitați <http://uk.ryobitools.eu/header/service-and-support/service-agents>.

LV GARANTĪJA

Papildus visām likumā paredzētajām tiesībām saistībā ar iegādi šim izstrādājumam ir turpinājumā izklāstīta garantija.

1. Garantijas periods patērētājiem ir 24 mēneši, un tas sākas izstrādājuma iegādes dienā. Šim datumam ir jābūt dokumentētām rēķinā vai citā legādi apliecinotā dokumentā. Šis izstrādājums ir izgatavots un paredzēts vienīgi patērētājam un privātai lietošanai. Profesionālas vai komerciālas lietošanas gadījumā garantija nav spēkā.
2. Atsevišķos gadījumos (piem., akcija, vairāki instrumenti) pastāv iespēja pagarināt garantijas periodu virs šeit minētā perioda, reģistrējot to www.ryobitools.eu vietnē. Instrumenta pielietojums ir skaidri norādīts veikalos un/vai uz iepakojuma. Lietotājiem ir jāreģistrē savi jauniegūtie instrumenti tiešsaistē 8 dienu laikā no iegādes datuma. Lietotājs var reģistrēties pagarinātajai garantijai savā dzīvesvietas valstī, ja tā ir norādīta tiešsaistes reģistrācijas veidlapā, kur pieejama šī iespēja. Turklāt lietotājiem ir jāievada dati tiešsaistē, jādod piekrišana šo datu uzglabāšanai un jāpiekrīt noteikumiem. Saņemtais reģistrācijas apstiprinājums, kas izsūtīts pa e-pastu, un rēķina oriģināls, kurā redzams iegādes datums, ir pagarinātās garantijas pierādījums. Jūsu likumā paredzētās tiesības netiek ietekmētas.
3. Garantija attiecas uz visiem izstrādājuma bojājumiem, kas radušies garantijas perioda laikā iegādes dienā esošo izgatavošanas vai materiāla defektu dēļ. Garantija ir ierobežota līdz remontam un/vai nomaigai un neietver citus pienākumus, ieskaitot, bet neaprobežojoties ar nejausiem vai netiešiem zaudējumiem. Garantija nav spēkā, ja izstrādājums ir lietots nepareizi vai neievērojot rokasgrāmatas norādījumus vai ticis nepareizi savienots. Garantija netiecas uz:
 - izstrādājuma bojājumiem, kas radušies nepareizas apkopes dēļ;
 - izstrādājumiem, kas tikuši pielāgoti vai pārveidoti;
 - izstrādājumiem, kuru oriģinālais identifikācijas marķējums (preču zīme, sērijas numurs) ticis sabojāts, pārveidots vai noņemts;
 - bojājumiem, kurus izraisījis rokasgrāmatas norādījumu neievērošana;
 - izstrādājumiem bez CE marķējuma;
 - izstrādājumiem, kurus ir mēģinājis remontēt nekvalificēts speciālists vai kuri remontēti bez Techtronic Industries atļaujas;
 - izstrādājumiem, kas tikuši pievienoti neatbilstoši energopadevei (apmēri, spriegums, frekvence);
 - bojājumiem, kurus izraisījis ārēja iedarbība (ķīmiska, fiziska, triecieni) vai svešas vielas;
 - normālu detaļu nolietojumu un nodilumu;
 - instrumenta nepareizu lietošanu, pārslodzi;
 - neapstiprinātu detaļu un piederumu lietošanu;
 - karburatoru pēc 6 mēnešiem, karburatora regulējumiem pēc 6 mēnešiem;
 - elektroinstrumenta piederumiem, kas piegādāti kopā ar instrumentu vai iegādāti atsevišķi. Šie izņēmumi ietver, bet neaprobežojas ar skrūvgrieža uzgaliem, urbja uzgaliem, abrazīvajiem diskkiem, smilšpapīru, asmeņiem un sānu vadotni;
 - komponentiem (detaļām un piederumiem), kas ir pakļauti dabiskam nodilumam un nolietojumam, ietverot, bet neaprobežojoties ar oglekļa sukām, patronu, elektrības vadu, palīgrokturi, slīpēšanas loksni, putekļu maisu un putekļu izvades cauruli.
4. Ja nepieciešams veikt remontu, izstrādājums jānosūta vai jānodod RYOBI pilnvarotam servisa centram, kas norādīts pie attiecīgās valsts servisa centru adrešu sarakstā. Atsevišķās valstīs vietējais RYOBI dīleris uzņemas nosūtīt izstrādājumu RYOBI servisa organizācijai. Nosūtīt izstrādājumu RYOBI servisa centram, izstrādājumam jābūt droši iepakotam bez bīstama satura, piemēram, degvielas, marķētam ar sūttāja adresi un kopā ar īsu aprakstu par defektu.
5. Remonts/nomaiga šīs garantijas ietvaros ir bez maksas. Tas nepagarina un neuzsāk jaunu garantijas periodu. Nomainītās detaļas un instrumenti nonāk mūsu īpašumā. Atsevišķās valstīs piegādes maksa un pasta izdevumi jāsedz sūttājam.
6. Šī garantija ir derīga Eiropas Kopienā, Šveicē, Islandē, Norvēģijā, Lihtenšteinā, Turcijā un Krievijā. Ārpus šiem reģioniem, lūdzu, sazinieties ar savu pilnvaroto RYOBI dīleri, lai noskaidrotu, vai ir spēkā cita garantija.

AUTORIZĒTS APKALPOŠANAS CENTRS

Lai atrastu tuvāko autorizēto apkalpošanas centru, apmeklējiet <http://uk.ryobitools.eu/header/service-and-support/service-agents>.

LT GARANTĪJA

Be įstatymais nustatytų teisių, įgyjamų nusipirkus šį produktą, produktui taikoma toliau nurodyta garantija.

1. Pirkėjas galiojantis garantinis periodas yra 24 mėnesiai ir prasideda nuo produkto pirkimo datos. Data turi būti nurodyta sąskaitoje-faktūroje arba kitame pirkimą įrodančiame dokumente. Produktas sukurtas ir skirtas tik naudotojui ir tik asmeniniam naudojimui. Todėl garantija netaikoma produktą naudojant profesiniais ar komerciniais tikslais.
2. Kai kuriais atvejais yra galimybė pratęsti garantinį laikotarpį iki toliau nurodyto laikotarpio, prieš tai užsiregistravus www.ryobitools.eu svetainėje. Įrankio tinkamumo aiškiai parodytas parduotuvėse ir (arba) ant pakuotės. Galutinis naudotojas turi užregistruoti savo naujai įsigytus įrankius internetu per 8 dienas nuo jų pirkimo datos. Galutinis naudotojas gali užsiregistruoti dėl garantijos pratęsimo savo šalyje, jei ši pateikta registracijos internetu formoje, kurioje galimas šis pasirinkimas. Be to, galutiniai naudotojai privalo duoti savo sutikimą laikyti duomenis, kuriuos reikia įvesti internete, ir jie turi sutikti su sąlygomis ir nuostatomis. Registracijos patvirtinimo pranešimas, išsiunčiamas el. paštu, ir originali sąskaita faktūra, kurioje nurodyta pirkimo data, įrodo pratęstą garantiją. Jūsų įstatymuose nustatytoms teisėms nebus pakenkta.
3. Garantiniu laikotarpiu garantija taikoma visiems produkto trūkumams, atsiradusiems dėl prastos darbo kokybės arba prastų produkto medžiagų pirkimo dieną. Garantija taikoma tik taisymui ir (arba) pakeitimui ir joje nenumatyti jokie kiti įsipareigojimai, įskaitant, bet neapsiribojant atsitiktine ar susijusia žala. Garantija negalioja produktą netinkamai naudojant, priešingai vadove nurodytoms instrukcijoms, arba netinkamai prijungus. Garantija netaikoma šiais atvejais:
 - produktui padarytai žalai netinkamai atliekant produkto techninę priežiūrą;
 - pakeistam arba modifikuotam produktui;
 - bet kokiems produktams, kurių originalios identifikacijos (prekės ženklas, serijos numeris) žymės buvo sugadintos, pakeistos ar pašalintos;
 - bet kokiai žalai, patirtai nesilaikant naudojimo vadovo;
 - bet kokiam CE nėpaženklintam produktui;
 - bet kokiam produktui, kurį bandė taisyti nekvalifikuotas specialistas, arba iš anksto negavus „Techtronic Industries“ leidimo;
 - bet kokiam produktui, įjungtam į netinkamą maitinimo tinklą (amperai, įtampa, dažnis);
 - bet kokiai žalai, kilusiai dėl išorinio poveikio (cheminis, fizinis poveikis, smūgiai) arba pašalinių medžiagų;
 - įprastam atsarginių dalių dėvėjimuisi;
 - produktą netinkamai naudojant arba jį perkrovus;
 - naudojant nepatvirtintus priedus arba dalis;
 - karbiuratoriumi po 6 mėnesių, karbiuratoriaus reguliavimui po 6 mėnesių;
 - elektrinio įrankio priedams, pateiktiems kartu su įrankiu ar pirktiems atskirai; Prie tokių išimčių priskaitomi, neapsiribojant, atsuktuvo antgaliai, grąžto antgaliai, abrazyviniai diskai, švitrinis popierius ir ašmenys, šoninis kreiptuvas;
 - komponentai (dalis ir priedai), kurie dėvėsi savaime, įskaitant, bet neapsiribojant anglies šepetėliais, griebtuvu, maitinimo laidu, papildoma rankena, šlifavimo plokštė, dulkių maišėliu, dulkių išmetimo vamzdeliu.
4. Norint atlikti techninį aptarnavimą, produktą reikia nusiųsti arba pristatyti į vieną iš RYOBI įgaliotų techninio aptarnavimo punktų, esančių kiekvienoje šalyje toliau pateiktame aptarnavimo punktų adrešu sąrašė. Kai kuriose šalyse jūsų vietinis RYOBI pardavėjas gali nusiųsti produktą į RYOBI techninio aptarnavimo punktą. Siunčiant produktą į RYOBI techninio aptarnavimo punktą, produktą reikia saugiai supakuoti, prieš tai iš jo pašalinus pavojingas medžiagas, pavyzdžiui, benzina, nurodyti siuntėjo adresą ir pridėti trumpą gedimo aprašymą.
5. Pagal šią garantiją taisymo ar keitimo darbai atliekami nemokamai. Garantijoje nenumatytas garantijos pratęsimas ar naujo garantinio laikotarpio pradėjimas. Pakeistos dalys arba įrankiai tampa mūsų nuosavybe. Kai kuriose šalyse pristatymo ar siuntimo paštu išlaidas turi padengti siuntėjas.
6. Ši garantija taikoma Europos bendrijoje, Šveicarijoje, Islandijoje, Norvegijoje, Lichtenšteine, Turkiijoje ir Rusijoje. Kitose šalyse kreipkitės į savo įgaliotą RYOBI pardavėją, norėdami sužinoti, ar taikoma kita garantija.

ĮGALIOTAS TECHINIS PRIEŽIŪROS CENTRAS

Jei norite surasti įgaliotą techninės priežiūros centrą netoli Jūsų, apsilankykite interneto svetainėje <http://uk.ryobitools.eu/header/service-and-support/service-agents>.

ET GARANTII

Lisaks ostu puhul kaasnevate seadusjärgsetele õigustele kehtib tootele allpool esitatud tingimustega garantii.

- Ostja poolt ostetud tootele on kehtestatud garantiiperiood 24 kuud ja see hakkab kehtima toote ostmise kuupäeval. See kuupäev on märgitud arvele või muule ostu tõendavale dokumendile. Toode on ette nähtud ostjale ainult isiklikuks kasutamiseks. Kui toodet kasutatakse ametialastel või äriilistel eesmärkidel, siis garantii ei kehti.
- Mõnel juhul (nt reklaam, seadmete seeria) on võimalik pikendada garantiiperioodi pikemaks ajaks kui ülal mainitud, kui kasutatakse registreerimist veebisaidil www.ryobitools.eu kaudu. Registreerimise tingimused on välja pandud kauplustesse ja/või on pakendil. Lõppkasutaja peab oma uued tööriistad veebis registreerima 8 päeva jooksul alates ostukuupäevast. Lõppkasutaja võib registreerida end pikendatud garantiiks oma asukohamaal, kui see on esitatud veebis registreerimise loendil, seal kus see valik on olemas. Peale selle, lõppkasutajad peavad andma nõusoleku enda andmete salvestamiseks, mida vajatakse veebi sisnemiseks ja nõustuma esitatud tingimustega. Pikendatud garantii kehtivust tõendab e-postiga saadetud registreerimise kinnitusteade ja algupärane arve, millel on ostukuupäev. Teie seadusjärgsed õigused jäävad mõjutamata.
- Garantii kehtib kõikide ostukuupäevast kehtima hakkaval garantiiperioodil ilmnenud rikete suhtes, mis on tingitud töötlemis- või materjalivigadest. Garantii on piiratud remondi ja/või asendamisega ja ei sisalda muid kohustusi, kuid mitte ainult, kaasneva või tuleneva kahju eest. Garantii ei kehti, kui toodet on väärkasutatud, kasutusjuhendis nimetatud otstarbele mittevastavalt kasutatud või toode on ebaõigesti ühendatud. See garantii ei rakendu järgmistel juhtudel:
 - tootel on mingi vigastus, mis on põhjustatud ebaõigest kasutamisest,
 - toode on mingil viisil ümber ehitatud või muudetud,
 - toote algupärane tuvastusmarkeerimine (kaubamärk, seerianumber) on kahjustatud, ümber tehtud või eemaldatud,
 - tootel on mingi vigastus, mis on tingitud kasutusjuhendi mittejälgimisest,
 - toode ei ole CE-märgisega,
 - toodet on püüdnud parandada ebaseaduslik spetsialist või seda on tehtud ilma Techtronic Industries volitusteta,
 - toode on ühendatud selleks mitteettenähtud elektritoitevõrguga (väär voolu tugevus, pinge või sagedus),
 - tootel on vigastus välismõjudest (keemilised või füüsilised mõjud või löögid),
 - toote varuosadel ilmneb tavapärane kulumine,
 - toode on ebaõigesti kasutatud või üle koormatud,
 - tootel on kasutatud mitteettenähtud tarvikuid või osi,
 - toote karburaator pärast 6 kuu möödumist, toote karburaatori sätteid pärast 6 kuu möödumist,
 - ajamiga tööriista tarvikud, mis tarnitakse koos tööriistaga või on ostetud eraldi. See välistus hõlmab, kuid mitte ainult, kruvikeeraja otsakuid, puure, abrasiivlõikekettaid, lihvpaperit, lihvkettaid ja lõikekettaid, küljjuhikut,
 - toote koosteosadel (osad ja tarvikud) ilmneb tavapärane kulumine järgmistel detailidel (kuid mitte ainult): süsinikharjad, puuripadrun, toitejuhe, lisakäepide, lihvplaat, tolmuksüt, tolmu ärastamistoru.
- Hooldamiseks tuleb toode saata või tuua mõnda RYOBI volitatud hoolduspunkti, mis on esitatud loendis iga riigi jaoks ja milles on hoolduspunkti aadressid. Mõnes riigis kohustub RYOBI edasimüüja saatma toote RYOBI hooldusasutusse. Kui toode saadetakse RYOBI hooldusasutusse, tuleb toode turvaliselt ära pakkida ilma, et sellesse jääks ohtlikku sisu, näiteks bensiin ja pakendile tuleb märkida saatja aadress ja rikke lühikirjeldus.
- Selle garantii alusel tehtud remont/asendus on tasuta. Sellega ei kaasne garantiiperioodi pikenedamine või uue garantiiperioodi algus. Asendatud osad ja tööriistad jäävad meie omandusse. Mõnes riigis tuleb saate- või postikulud tasuda saatja poolt.
- See garantii kehtib Euroopa Liidus, Šveitsis, Islandil, Norras, Liechtensteinis, Türgis ja Venemaal. Väljaspool neid riike võtke ühendust Ryobi volitatud edasimüüjaga, et teada saada teistsuguste garantiide kehtivus.

VOLITATUD HOOLDUSKESKUS

Oma volitatud hoolduskeskuse leiate veebisaidilt <http://uk.ryobitools.eu/header/service-and-support/service-agents>.

HR JAMSTVO

U dodatku svih zakonskih prava koja proizlaze kao rezultat kupnje, ova proizvod pokriven je jamstvom kao što je utvrđeno u nastavku.

- Jamstveno razdoblje je 24 mjeseca za korisnike, a započinje na datum kupnje proizvoda. Ovaj datum treba biti dokumentiran računom ili nekim drugim dokazom o kupnji. Proizvod je dizajniran i namijenjen samo za korisnike i osobno korištenje. Stoga nema omogućenog jamstava u slučaju profesionalnog ili komercijalnog korištenja.
- U nekim slučajevima (primjerice promocije, paleta alata) postoji mogućnost produljenog jamstvenog razdoblja preko gore navedenog razdoblja korištenjem registracije na web mjestu www.ryobitools.eu. Sukladnost alata jesno je prikazana u trgovini i/ili na pakiranju. Krajnji korisnik treba registrirati svoje novo pribavljene alate na mreži unutar 8 dana od datuma kupnje. Krajnji korisnik može se registrirati za produljeno trajanje jamstva u svojoj zemlji stanovanja ako je navedena na mrežnom obrascu za registraciju ako je ova opcija valjana. Nadalje, krajnji korisnici moraju dati svoje odobrenje za spremanje podatka koji su potrebni za unos na mreži i moraju prihvatiti uvjete i odredbe. Primitak potvrde o registraciji, koja se šalje e-poštom i originalni račun koji prikazuje datum kupnje služe kao dokaz produljenog jamstva. Vaša zakonska prava ostaju nepromijenjena.
- Jamstvo pokriva sve kvarove proizvoda tijekom jamstvenog razdoblja zbog pogreški u izradi ili materijalu na datum kupnje. Jamstvo je ograničeno na popravak i/ili zamjenu i ne uključuje nikakve druge obveze uključujući no ne ograničavajući se na slučajne ili posljedične štete. Jamstvo nije valjano ako je proizvod pogrešno korišten, korišten suprotno od korisničkog priručnika ili je nepravilno priključen. Ovo jamstvo se ne primjenjuje na:
 - svako oštećenje proizvoda koje je rezultat nepravilnog održavanja
 - svaki proizvod koji je izmijenjen ili modificiran
 - svaki proizvod gdje su originalne identifikacijske oznake (zaštitni znak, serijski broj) izbrisane, zamijenjene ili uklonjene
 - svako oštećenje uzrokovano neprimjerenim korištenjem priručnika
 - svaki proizvod koji nije CE
 - svaki proizvod koji je pokušao popraviti nekvalificirani profesionalac ili bez prethodnog odobrenja od strane Techtronic Industries
 - svaki proizvod priključen na nepravilno napajanje energijom (amperi, napon, frekvencija)
 - svako oštećenje uzrokovano vanjskim utjecajima (kemijsko, fiziko, udar) ili stranim stvarima
 - normalno trošenje i habanje rezervnih dijelova
 - nepravilno korištenje, preopterećenje alata
 - korištenje neodobrenog dodatnog pribora ili dijelova
 - rasplinjača nakon 6 mjeseci, podešavanje rasplinjača nakon 6 mjeseci
 - Dodatni pribor alata koji je omogućen s alatom ili kupljen zasebno. Ovakva izuzeća uključuju no ne ograničavajući se na svrdla za odvijanje, svrdla za bušenje, brusne diskove, papir za brušenje i oštrice, poprečne vodilice
 - Komponente (dijelovi i dodatni pribor) koji su predmet prirodnog trošenja i habanja, uključujući no ne ograničavajući se na ugljične četke, glave, kabel za napajanje, pomoćnu ručku, ploču za brušenje, vrećicu za prašinu, cijev za izbacivanje prašine
- Za servisiranje, proizvod se mora poslati ili predati ovlaštenoj stanici za servis tvrtke RYOBI navedenoj za svaku zemlju u sljedećem popisu adresa stanica za servis. U nekim zemljama vaš lokalni RYOBI zastupnik obavezan je poslati proizvod u servisnu organizaciju tvrtke RYOBI. Prilikom slanja proizvoda u stanicu za servis tvrtke RYOBI, proizvod treba biti sigurno pakiran bez ikakvog opasnog sadržaja poput benzina, s označenom adresom pošiljatelja i pripadajućim kratkim opisom pogreške.
- Popravak/zamjena pod ovim jamstvom se ne naplaćuje. Ne produljuje zakonsko ili ne započinje novo jamstveno razdoblje. Zamijenjeni dijelovi ili alati postaju naše vlasništvo. U nekim zemljama pošiljatelj plaća poštarinu.
- Ovo jamstvo je valjano u Europskoj zajednici, Švicarskoj, Islandu, Norveškoj, Lihtenštajnu, Turskoj i Rusiji. Izvan ovih područja molimo vas da kontaktirate vašeg ovlaštenog zastupnika tvrtke RYOBI kako biste odredili ako se primjenjuje druga jamstva.

OVLAŠTENI SERVISNI CENTAR

Za pronalaženje ovlaštenog servisnog centra pored vas posjetite <http://uk.ryobitools.eu/header/service-and-support/service-agents>.

SL GARANCIJA

Poleg kakršnih koli zakonskih pravic, ki jih pridobite z nakupom, za ta izdelek velja tudi garancija, kot je opisano spodaj.

- Garancijsko obdobje je 24 mesecev za potrošnike in se začne z datumom nakupa. Ta datum mora biti dokumentiran z računom ali drugim dokazilom o nakupu. Izdelek je namenjen in posvečen le potrošniški in zasebni uporabi. Zato garancija ne velja za profesionalno ali komercialno uporabo.
- V nekaterih primerih (npr. promocija, obseg orodij) obstaja možnost podaljšanja garancijskega obdobja prek zgoraj opisanega obdobja, kar je mogoče storiti z registracijo na spletnem mestu www.ryobitools.eu. Namen orodja je jasno označen v trgovinah in/ali na embalaži. Končni uporabnik mora svoje novo orodje registrirati prek spleta v 8 dneh od datuma nakupa. Končni uporabnik se lahko registrira za podaljšano garancijo v svoji državi, kjer ima stalno prebivališče, če je država vključena na seznam v obrazcu za registracijo, kjer je ta možnost veljavna. Poleg tega mora končni uporabnik odobriti shranjevanje podatkov, ki so potrebni za spletni vstop, in morajo sprejeti pogoje in določila. Potrđilo o registraciji, ki se pošlje po e-pošti, ter originalni račun, na katerem je naveden datum nakupa, veljata kot dokazilo o podaljšani garanciji. Vaše zakonske pravice ostanejo nespremenjene.
- Garancija krije vse okvare izdelka med garancijskim obdobjem zaradi napak v izdelavi ali materialu na datum nakupa. Garancija je omejena na popravilo/zamenjavo in ne vključuje drugih obveznosti, med drugim ne vključuje obveznosti zaradi nenamerne ali posledične škode. Garancija ni veljavna, če je bil izdelek zloračljen, uporabljen v nasprotju z navodili za uporabo ali nepravilno priključen. Garancija ne velja:
 - za kakršno koli poškodbo izdelka, ki je posledica neprimernega vzdrževanja,
 - če je bil izdelek spremenjen ali modificiran,
 - če so originalne identifikacijske oznake (blagovna znamka, serijska številka) na izdelku poškodovane, spremenjene ali odstranjene,
 - če je do poškodbe prišlo zaradi neupoštevanja navodil za uporabo,
 - za katere koli izdelke, ki niso skladni z oznako CE,
 - če je izdelek poskusil opraviti neusposobljen strokovnjak ali brez predhodne odobritve družbe Techtronic Industries,
 - če je bil izdelek priključen na neustrezno električno omrežje (jakost, napetost, frekvenca),
 - če je do poškodbe prišlo zaradi zunanjih vplivov (kemični, fizični, udarci) ali tujih snovi,
 - za normalno obrabo nadomestnih delov,
 - neustrezne uporabe, preobremenitve orodja,
 - uporabe neodobrenih dodatkov ali delov,
 - za uplinjač po 6 mesecih, prilagoditve uplinjača po 6 mesecih,
 - za dodatke električnega orodja, priložene orodju ali na prodaj ločeno – takšne omejite med drugim vključujejo nastavke za vijačenje, vrtnale svedre, abrazivne diske, brusni papir in rezila, bočna vodila,
 - za sestavne dele (dele in dodatke), ki so podvrženi normalni obrabi, med drugim za karbonske krtačke, vpenjalno glavo, električni kabel, dodatni ročaj, brusno ploščo, vrečo za prah, cev za odvod prahu.
- Za servisiranje je treba izdelek poslati ali prinesiti v pooblaščen servisni center RYOBI, ki je za vsako državo naveden na naslednjem seznamu z naslovi servisnih centrov. V nekaterih državah pošiljanje izdelka servisnemu centru RYOBI prevzame lokalni trgovec z izdelki RYOBI. Za pošiljanje servisnemu centru RYOBI mora biti izdelek varno zapakiran, brez kakršnih koli nevarnih snovi, npr. gorivo, označen z naslovom pošiljatelja, priložen pa mora biti kratek opis napake.
- Popravilo/nadomestilo v sklopu te garancije je brezplačno. Ne pomeni podaljšanja ali novega začetka garancijskega obdobja. Zamenjani deli ali orodja postanejo naša last. V nekaterih državah mora stroške pošiljanja ali dostave poravnati pošiljatelj.
- Ta garancija je veljavna v Evropski skupnosti, Švici, na Islandiji, Norveškem, v Liechtensteinu, Turčiji in Rusiji. Izven teh področij stopite v stik s pooblaščenim trgovcem RYOBI, da ugotovite, ali velja katera druga garancija.

POOBLAŠČEN SERVISNI CENTER

Pooblaščen servisni center blizu vas poiščite na <http://uk.ryobitools.eu/header/service-and-support/service-agents>.

SK ZÁRUKA

Okrem zákonných práv vyplývajúcich zo zakúpenia je tento produkt pokrytý zárukou, ako je uvedené nižšie.

- Záručná doba pre spotrebiteľov je 24 mesiacov a začína dňom zakúpenia produktu. Tento dátum musí byť zdokumentovaný faktúrou alebo iným dokladom o kúpe. Tento produkt je navrhnutý a určený len na spotrebné a osobné použitie. Takže v prípade profesionálneho alebo komerčného použitia neplatí žiadna záruka.
- V niektorých prípadoch (napr. reklamná akcia, rad produktov) existuje možnosť predĺženia záručnej doby nad dobu uvedenú vyššie pomocou registrácie na webovej stránke www.ryobitools.eu. Spôsobilosť nástroja je zreteľne zobrazená v obchodoch a ha obale. Koncový používateľ si musí zaregistrovať svoje novonadobudnuté nástroje online do 8 dní odo dňa zakúpenia. Koncový používateľ sa môže zaregistrovať za účelom získania predĺženej záruky vo svojej krajine, ak je uvedená v online registračnom formulári, kde je táto možnosť platná. Okrem toho musia koncoví používatelia poskytnúť súhlas k uloženiu údajov, ktoré sa zadávajú online a musia súhlasiť so zmluvnými podmienkami. Doklad s potvrdením o registrácii, ktorý posielame prostredníctvom e-mailu a originál faktúry s uvedeným dátumom zakúpenia slúžia ako dôkaz predĺženej záruky. Vaše zákonné práva ostávajú nedotknuté.
- Táto záruka pokrýva všetky poruchy produktu počas záručnej doby, ktoré vznikli následkom nedostatkov vo vypracovaní alebo materiáli v deň zakúpenia. Táto záruka je obmedzená na opravu alebo výmenu a nezahŕňa ďalšie povinnosti, napríklad vedľajšie alebo následné škody. Táto záruka je neplatná, ak bol produkt požívaný nesprávne, používaný v rozpore s návodom na použitie alebo nesprávne pripojený. Táto záruka sa nevzťahuje na:
 - akékoľvek poškodenie produktu, ku ktorému došlo následkom nesprávnej údržby
 - akýkoľvek produkt, ktorý bol pozmenený alebo upravený
 - akýkoľvek produkt, na ktorom boli poškodené pozmenené alebo odstránené originálne identifikačné znaky (obchodná známka, sériové číslo)
 - akékoľvek poškodenie spôsobené následkom nedodržania návodu na použitie
 - akýkoľvek produkt iný ako CE
 - akýkoľvek produkt, o ktorého opravu sa pokúšal nekvalifikovaný odborník alebo v prípade opravy bez predchádzajúceho oprávnenia od spoločnosti Techtronic Industries
 - akýkoľvek produkt pripojený k nesprávnejmu napájaciemu zdroju (prúd, napätie, frekvencia)
 - akékoľvek poškodenie spôsobené vonkajšími vplyvmi (chemické, fyzické, nárazy) alebo cudzími látkami
 - bežné opotrebenie náhradných dielov
 - nesprávne používanie a preťažovanie nástroja
 - používanie neschváleného príslušenstva alebo dielov
 - karburátor po 6 mesiacoch, úpravy karburátora po 6 mesiacoch
 - príslušenstvo pre elektrické nástroje dodané s nástrojom alebo zakúpené samostatne. Takého výnimky sa vzťahujú napríklad na hroty skrutkovačov, vrtáky, brúsne kotúče, brúsne papiere a ostria a bočné vedenie
 - komponenty (diely a príslušenstvo), ktoré podliehajú prirodzenému opotrebeniu, napríklad uhlíkové kefký, skľučovadlo, napájací kábel, pomocná rukoväť, leštiaca doska, vrecko na prach, rúrka na vyfukovanie prachu
- Na servis sa musí produkt odoslať alebo predložiť autorizovanému servisnému centru RYOBI uvedenému pre každú krajinu v nasledujúcom zozname adries servisných staníc. V niektorých krajinách pošle produkt do servisnej organizácie RYOBI váš miestny predajca produktov RYOBI. Pri odoslaní produktu do servisnej stanice RYOBI musí byť produkt bezpečne zabalený bez akéhokoľvek nebezpečného obsahu, napríklad paliva, označený adresou odosielateľa a musí byť k nemu priložený krátky popis poruchy.
- Oprava či výmena v rámci tejto záruky je bezplatná. Nevyplýva z nej predĺženie či nový začiatok záručnej doby. Vymenené diely alebo nástroje sa stávajú našim majetkom. V niektorých krajinách doručovací poplatok alebo poštovné platí odosielateľ.
- Táto záruka je platná v Európskej únii, Švajčiarsku, na Islande, v Nórsku, Liechtenštajnsku, Turecku a Rusku. Mimo týchto oblastí kontaktujte autorizovaného predajcu spoločnosti Ryobi, u ktorého zistíte, či platí nejaká iná záruka.

AUTORIZOVANÉ SERVISNÉ CENTRUM

Ak chcete nájsť najbližšie autorizované servisné centrum, navštívte stránku <http://uk.ryobitools.eu/header/service-and-support/service-agents>.

BG ГАРАНЦИЯ

В допълнение към законоустановените права, произтичащи от покупката, този продукт е обхванат от гаранция, както е изложено по-долу.

1. Гаранционният срок е 24 месеца за клиенти и започва да тече от деня на закупуване на продукта. Тази дата трябва да се докаже с фактура или друго доказателство за покупка. Продуктът е изработен и предназначен само за потребителска и лична употреба. Следователно не се дава гаранция в случай на използване от професионалисти или с търговска цел.
2. В някои случаи (като промоция, гама инструменти) съществува възможност за удължаване на гаранционния срок след изтичането на описания тук чрез регистрация на уеб сайта www.ryobitools.eu. Дали инструментът отговаря на условията за такова удължаване, ясно е показано в магазини и/или върху опаковката. Крайният потребител трябва да регистрира своите новопридобити инструменти онлайн в рамките на 8 дни от датата на покупка. Крайният потребител може да се регистрира за удължена гаранция в държавата си на пребиваване, ако е посочена във формуляра за онлайн регистрация като място, където тази опция е валидна. Освен това крайните потребители трябва да дадат съгласието си за съхранение на данните, които са задължителни за попълване онлайн, и трябва да приемат общите условия. Полученото потвърждение за регистрация, изпратено по имейл, и оригиналната фактура, показваща датата на покупка, ще служат като доказателство за удължената гаранция. Законоустановените Ви права остават незасегнати.
3. Гаранцията покрива всички дефекти на продукта по време на гаранционния срок, които се дължат на проблеми в изработката или материалите към момента на покупката. Гаранцията е ограничена до ремонт и/или замяна и не включва други задължения, включително, но не само, случайни или закономерни щети. Гаранцията е невалидна, ако продуктът е използван неправилно или в противоречие с ръководството с инструкции, както и ако е свързан неправилно. Тази гаранция не важи за:
 - щети по продукта в резултат на неправилна профилактика;
 - продукти, които са били изменени или модифицирани;
 - продукт, при който оригиналните маркировки за идентификация (търговска марка, сериен номер) са изтрети, променени или премахнати;
 - повреда, причинена от неспазване на ръководството с инструкции;
 - продукт без CE маркировка;
 - продукт, за който е направен опит за ремонт от неквалифициран специалист или без предварително разрешение от Techtronic Industries;
 - продукт, свързан към неподходящо електрозахранване (ампераж, волтаж, честота);
 - щети, причинени от външни влияния (химични, физични, удари) или чужди вещества;
 - нормално износване на резервни част;
 - неподходяща употреба, претоварване на инструмента;
 - използване на неодобриени аксесоари или части;
 - карбуратора след 6 месеца, настройки на карбуратора след 6 месеца;
 - аксесоарите за електрически инструмент са предоставени с инструмента или се купуват отделно. Тези изключения включват, но не само, накрайници за отвертка, бургии, абразивни дискове, шкурка и остриета, страничен водач
 - компоненти (част и аксесоари), подложени на естествено износване, включително, но не само, карбонови четки, цанга, захранващ кабел, допълнителна ръкохватка, шлифовъчна пластина, торба за прах, тръба за извещане на прах
4. За обслужване продуктът трябва да се изпрати или занесе на оторизиран сервиз на RYOBI, посочен за всяка държава в следния списък с адреси на сервиси. В някои държави местният търговец на RYOBI поема да изпрати продукта до сервизен център на RYOBI. При изпращане на продукт до сервиз на RYOBI продуктът трябва да е опакован безопасно без опасно съдържание, като бензин, да е маркиран с адреса на подателя и придружен от кратко описание на повредата.
5. Ремонтът или замяната по силата на тази гаранция са безплатни. Те не водят до удължаване или подновяване на гаранционния срок. Сменените части или инструменти стават наша собственост. В някои държави таксите за доставка или изпращане трябва да се платят от подателя.
6. Тази гаранция е валидна в Европейската общност, Швейцария, Исландия, Норвегия, Лихтенщайн, Турция и Русия. Извън тези области се свържете с упълномощения търговец на RYOBI, за да се установи дали са приложими други гаранции.

УПЪЛНОМОЩЕН СЕРВИЗЕН ЦЕНТЪР

За да намерите упълномощен сервизен център близо до вас, посетете <http://uk.ryobitools.eu/header/service-and-support/service-agents>.

UK ГАРАНТИЯ

На додаток до любих законних прав, що випливають з покупки, цей продукт покривається гарантією, як зазначено нижче.

1. Гарантійний термін складає 24 місяців для споживачів і, починається з дати придбання продукту. Ця дата повинна бути задокументована рахунком або іншим документом, що підтверджує покупку. Продукт розроблений і призначений для споживача і тільки для приватного використання. Таким чином, немає ніякої гарантії, у разі професійного або комерційного використання.
2. Наведені деякі випадки (наприклад, підтримка, ряд інструментів), можливості розширення гарантійного терміну протягом періоду, описаного вище, з використанням реєстрації на сайті www.ryobitools.eu. Придатність інструменту чітко відображається в магазинах та / або на упаковці. Кінцевий користувач повинен зареєструвати його / її ново придбаний інструмент онлайн протягом 8 днів з моменту покупки. Кінцевий користувач може зареєструватися на розширену гарантію у своїй країні проживання, якщо ця країна є в онлайн формі реєстрації, де ця опція діє. Крім того, кінцеві користувачі повинні дати свою згоду на зберігання даних, які необхідні для онлайн входу і вони повинні прийняти терміни та умови. Квитанція підтвердження реєстрації, яка розсилається по електронній пошті, та оригінал рахунку-фактури із зазначенням дати покупки будуть служити доказом розширеної гарантії. Ваші законні права залишаються в силі.
3. Гарантія покриває всі дефекти продукту протягом гарантійного періоду, пов'язані з недоліками виготовлення або матеріалу на дату покупки. Гарантія обмежується ремонтом та / або заміною, і не покриває будь-які інші зобов'язання, включаючи, але не обмежуючись випадковими або непрямыми збитками. Гарантія не діє, якщо продукт неправильно використовувався всупереч інструкції, або був неправильно підключений. Ця гарантія не поширюється на:
 - будь-яке пошкодження продукту, яке є результатом неправильного технічного обслуговування
 - будь-який продукт, який був видозмінений або модифікований
 - будь-який продукт, де оригінальні ідентифікаційні (торгова марка, серійний номер) маркування були зіпсовані, змінені або видалені
 - будь-який збиток, заподіяний в результаті недотримання керівництва з експлуатації
 - будь-який не CE продукт
 - будь-який виріб, який був відремонтований некваліфікованим спеціалістом або без попереднього дозволу Techtronic Industries
 - будь-який продукт, підключений до неналежного живлення (підсилювачі, напруга, частота)
 - будь-який збиток, заподіяний зовнішнім впливом (хімічним, фізичним, ударами) або сторонніми речовинами
 - передбачене зношення запасних частин
 - неправильне використання, перевантаження інструменту
 - використання незатверджених запасних частин або аксесуарів
 - карбюратор через 6 місяців, коригування карбюратора після 6 місяців
 - аксесуари електроінструменту надані з інструментом або куплені окремо. Такі винятки включають, але не обмежуються гвинтовою викруткою, свердлами, абразивними дисками, наждачним папером і лезами, бічним спрямованим пристроєм
 - компоненти (частини та аксесуари), схильні до природного зносу, в тому числі, але не обмежуючись шітком, патроном, шнуром живлення, додатковою рукояткою, шлифовальними пластинами, мішком для пилу, витяжною трубою
4. Для обслуговування виріб має бути відправлено або представлено в уповноважений RYOBI центр технічного обслуговування, перерахований для кожної країни в наступному списку адресів технічних центрів. У деяких країнах місцевий дилер RYOBI зобов'язується відправити виріб в сервісній організації RYOBI. При відправці продукту до станції технічного обслуговування RYOBI, продукт повинен бути надійно упакований, без жодного небезпечного вмісту, такого як бензин, відмічений адресою відправника і супроводжуватися коротким описом несправності.
5. Ремонт / заміна по гарантії безкоштовні. Це не розширює або не починає новий гарантійний термін. Замінені частини або інструменти стають нашою власністю. У деяких країнах вартість доставки або відсилки повинні бути оплачені відправником.
6. Ця гарантія дійсна в Європейському Співтоваристві, Швейцарії, Ісландії, Норвегії, Лихтенштейні, Туреччині та Росії. За межами цих областей, будь ласка, зв'яжіться з офіційним дилером RYOBI, щоб визначити, якщо поширюється інша гарантія

АВТОРИЗОВАНІ СЕРВІСНІ ЦЕНТРИ

Для отримання оновленого переліка авторизованих сервісних центрів, відвідайте <http://uk.ryobitools.eu/header/service-and-support/service-agents>

TR GARANTI

Bu satın alma işleminden doğan tüm yasal haklara ek olarak, bu ürün aşağıda açıklanan garanti kapsamındadır.

- Garanti süresi tüketiciler için 24 aydır ve bu süre ürünün satın alınması ile başlar. Bu tarih fatura veya başka bir satın alım belgesi ile kanıtlanmalıdır. Ürün sadece tüketici ve bireysel kullanım için tasarlanmış ve sunulmuştur. Profesyonel veya ticari amaçlı kullanımlarda garanti verilmez.
- Bazı durumlarda (örn. tanıtım, aletlerin düzenlenmesi), yukarıda belirtilen garanti süresi uzatılabilir. Bunun için www.ryobitools.eu Internet sitesindeki kaydı yapmak gerekir. Aletin nitelikleri mağazalarda ve/veya ambalaj üzerinde açıkça belirtilmiştir. Son kullanıcı, aleti satın aldıktan sonra en geç 8 gün içinde aletin kaydını çevrim içi olarak yapmalıdır. Son kullanıcı, garanti uzatma seçeneğinin geçerli olduğu ülkelerden birindeyse kayıt yaptırarak bu fırsattan yararlanabilir. Ayrıca, son kullanıcılar çevrim içi giriş yapmak için gerekli olan verilerin saklanması için izin vermelidir, şartlar ve koşulları kabul etmelidir. E-posta ile gönderilen kayıt onay belgesi ve satın alım tarihini belgeleyen orijinal fatura garantinin uzatılmasını sağlamak için kanıt niteliği taşımaktadır. Yasal haklarınız aynı kalacaktır.
- Garanti, ürünün satın alım tarihindeki tüm işçilik ve malzeme kusurlarından kaynaklanan tüm sorunları garanti süresi içinde kapsamaktadır. Garanti onarım ve/veya değişim ile sınırlıdır ve sadece istenmeyen arızalar, vb. durumlarda herhangi bir sorumluluk kabul edilmez. Ürünün yanlış kullanılması, kullanım kılavuzuna uygun kullanılmaması veya yanlış bağlantı kurulması durumunda garanti geçerliliğini yitirir. Garanti kapsamı dışındaki durumlar:
 - bakımın yanlış yapılmasından kaynaklanan tüm hasarlar
 - ürünün değiştirilmesi veya düzenlenmesi
 - ürünün orijinal teşhis (ticari sembol, seri numarası) işaretlerinin tahrip olması, değiştirilmesi veya çıkarılması
 - kullanım kılavuzunun dikkate alınmaması nedeniyle oluşan tüm hasarlar
 - ürünün AB ürünü olmaması
 - ürünün kalifiye olmayan bir kişi tarafından veya Techtronic Industries'in izni olmadan onarılmaya çalışılması
 - ürünün yanlış güç desteğine (amper, voltaj, frekans) bağlanması
 - dış etkenler (kimyasal, fiziksel, darbeler) veya yabancı cisimlerden kaynaklanan arızalar
 - yedek parçaların normal aşınması ve yıpranması
 - yanlış kullanım, aletin fazla yüklenmesi
 - onaylanmayan aksesuarların veya parçaların kullanılması
 - karbüratörlü sistemlerde karbüratör ayarlarının 6 ayın ardından yapılması
 - elektronik alet aksesuarlarının alet ile birlikte veya ayrı olarak satın alınması. Akülü vidalama uçları, matkap uçları, aşındırıcı diskler, zımpara kağıdı ve bıçakları, yatay kılavuz gibi parçaların dahil olduğu, ancak bu parçalarla sınırlı olmayan istisnalar
 - karbon fırçalar, kovan, elektrik kablo, yardımcı kol, kumlama plakası, toz torbası, toz egzoz borusu gibi parçaların bulunduğu, ancak bu parçalarla sınırlı olmayan doğal aşınma ve yıpranmaya maruz kalan bileşenler
- Tamir işlemi için ürünün, her ülke için listelenmiş olan aşağıdaki servis istasyonu adreslerinde bulunan bir RYOBI yetkili servis istasyonuna gönderilmesi veya verilmesi gerekir. Bazı ülkelerde yerel RYOBI satıcınız ürünü RYOBI servis istasyonuna gönderme işlemini üstlenir. RYOBI servis istasyonuna gönderilen ürün; içinde petrol gibi tehlikeli maddeler olmadan emniyetli bir şekilde paketlenmeli, gönderenin adresini ve sorununu kısa bir açıklamasını içermelidir.
- Bu garanti kapsamında gerçekleşen bir onarım/değişim ücretsizdir. Bu tarz işlemler garanti süresini uzatmaz veya yeniden başlatmaz. Değiştirilen parçalar veya aletler firmamıza ait olur. Bazı ülkelerde teslimat masrafları veya posta ücreti gönderici tarafından ödenmelidir.
- Bu garanti Avrupa Birliği, İsviçre, İzlanda, Norveç, Lihtenştayn, Türkiye ve Rusya'da geçerlidir. Bu bölgelerin dışında yer alan müşterilerin diğer garanti seçenekleri için yetkili RYOBI satıcısına danışmaları gerekir.

YETKİLİ SERVİS MERKEZİ

En yakın yetkili servis merkezini öğrenmek için <http://uk.ryobitools.eu/header/service-and-support/service-agents> sitesine girin.

EL ΕΓΓΥΗΣΗ

Επιπροσθέτως τυχόν νομικών δικαιωμάτων που προκύπτουν από την αγορά, το προϊόν καλύπτεται από εγγύηση όπως αναφέρεται παρακάτω.

- Η περίοδος εγγύησης είναι 24 μήνες για τους καταναλωτές και τίθεται σε ισχύ από την ημερομηνία αγοράς του προϊόντος. Η ημερομηνία αυτή πρέπει να τεκμηριώνεται από τιμολόγιο ή άλλη απόδειξη αγοράς. Το προϊόν είναι σχεδιασμένο μόνο για καταναλωτική και ιδιωτική χρήση. Η εγγύηση δεν ισχύει σε περίπτωση επαγγελματικής ή εμπορικής χρήσης.
- Σε ορισμένες περιπτώσεις (δηλ. προώθηση, σειρά εργαλείων) υπάρχει η δυνατότητα παράτασης της περιόδου εγγύησης πέραν της αναφερόμενης περιόδου παραπάνω, μέσω εγγραφής στην ιστοσελίδα www.ryobitools.eu. Η δυνατότητα συμμετοχής του εκάστοτε εργαλείου δηλώνεται σαφώς στα καταστήματα και/ή τη συσκευασία του. Ο τελικός χρήστης πρέπει να εγγραφεί αναφέροντας τα στοιχεία του εργαλείου online εντός 8 ημερών από την ημερομηνία αγοράς. Ο τελικός χρήστης μπορεί να εγγραφεί για την παρατεταμένη εγγύηση στη χώρα κατοικίας του αν περιέχεται στην online φόρμα εγγραφής, όπου ισχύει αυτή η επιλογή. Επιπλέον, οι τελικοί χρήστες πρέπει να δώσουν τη συγκατάθεσή τους για την αποθήκευση των δεδομένων που συλλέγονται online και πρέπει να δεχτούν τους όρους και τις διατάξεις. Η απόδειξη επιβεβαίωσης εγγραφής, που αποστέλλεται μέσω e-mail και το πρωτότυπο τιμολόγιο που φέρει την ημερομηνία αγοράς, λειτουργούν ως αποδεικτικά στοιχεία για την παρατεταμένη περίοδο εγγύησης. Τα νομικά δικαιώματά σας δεν επηρεάζονται.
- Η εγγύηση καλύπτει κάθε τυχόν ατέλεια του προϊόντος στη διάρκεια ισχύος της, εξαιτίας κατασκευαστικών ατελειών ή ατελειών του υλικού κατά την ημερομηνία αγοράς. Η εγγύηση περιορίζεται στην επισκευή και/ή αντικατάσταση και δεν περιλαμβάνει άλλες υποχρεώσεις, συμπεριλαμβανόμενες μεταξύ άλλων θετικές ή αποθετικές ζημιές. Η εγγύηση δεν ισχύει αν το προϊόν έχει χρησιμοποιηθεί με εσφαλμένο τρόπο, αντίθετα με τις οδηγίες του εγχειριδίου χρήσης ή έχει συνδεθεί εσφαλμένα. Η εγγύηση δεν ισχύει στα κάτωθι:
 - οποιαδήποτε βλάβη στο προϊόν ως συνέπεια εσφαλμένης συντήρησης
 - οποιαδήποτε τροποποίηση ή παραλλαγή του προϊόντος
 - προϊόντα η αρχική ταυτοποίηση των οποίων (σήμα κατατεθέν, σειριακός αριθμός) έχει αλλοιωθεί, αλλαχτεί ή αφαιρεθεί
 - οποιαδήποτε βλάβη προκαλείται από μη τήρηση των οδηγιών στο εγχειρίδιο λειτουργίας
 - οποιοδήποτε μη CE προϊόν
 - οποιοδήποτε προϊόν στο οποίο έχει γίνει απόπειρα επισκευής από μη ειδικευμένο επαγγελματία ή χωρίς προηγούμενη εξουσιοδότηση της Techtronic Industries
 - οποιοδήποτε προϊόν συνδεθεί σε ακατάλληλη παροχή ρεύματος (αμπέρ, τάση, συχνότητα)
 - οποιαδήποτε βλάβη προκληθεί από εξωτερικές επιρροές (χημικές, φυσικές, κραδασμούς) ή ξένες ουσίες
 - φυσική φθορά των ανταλλακτικών
 - ανάρμοστη χρήση, υπερφόρτωση του εργαλείου
 - χρήση μη εγκεκριμένων εξαρτημάτων ή ανταλλακτικών
 - καρμπιρατέρ μετά από 6 μήνες, προσαρμογές καρμπιρατέρ μετά από 6 μήνες
 - εξαρτήματα εργαλείου που παρέχονται με το εργαλείο ή αγοράστηκαν ξεχωριστά. Οι εξαιρέσεις αυτές περιλαμβάνουν μεταξύ άλλων εξαρτήματα κατασβιδιών, εξαρτήματα τρυπανιών, λειαντικούς δίσκους, γυαλόχαρτο και λεπίδες, πλευρικό οδηγό
 - ενόητες (εξαρτήματα και ανταλλακτικά) που υπόκεινται σε φυσική φθορά, συμπεριλαμβανομένων μεταξύ άλλων ψηκτρών, τσοκ, καλωδίων ρεύματος, βοηθητικών λαβών, πλακετών λειάνσης, σασκουλών σκόνης, σωλήνων εξάτμισης σκόνης
- Για απήματα σέρβις, το προϊόν πρέπει να σταλεί ή παραδοθεί σε εξουσιοδοτημένο σταθμό σέρβις της RYOBI, όπως αναγράφονται για κάθε χώρα στην παρακάτω λίστα. Σε ορισμένες χώρες, ο τοπικός αντιπρόσωπος της RYOBI αναλαμβάνει την αποστολή του προϊόντος στον οργανισμό σέρβις RYOBI. Όταν στέλνετε ένα προϊόν σε σταθμό σέρβις της RYOBI, το προϊόν θα πρέπει να είναι συσκευασμένο με ασφάλεια, χωρίς επικίνδυνα περιεχόμενα όπως βενζίνη και με αναφορά της διεύθυνσης του αποστολέα, ενώ θα πρέπει να συνοδεύεται και από σύντομη περιγραφή του προβλήματος.
- Επισκευές / αντικαταστάσεις στα πλαίσια της εγγύησης παρέχονται δωρεάν. Δεν παρέχεται παράταση ή επανεκκίνηση της περιόδου εγγύησης. Τα εξαρτήματα ή εργαλεία που αντικαθίστανται, περιέρχονται στην ιδιοκτησία μας. Σε ορισμένες χώρες, ισχύουν χρεώσεις παράδοσης ή ταχυδρομικά τέλη που καταβάλλονται από τον αποστολέα.
- Η εγγύηση ισχύει στην Ευρωπαϊκή Κοινότητα, την Ελβετία, την Ισλανδία, τη Νορβηγία, το Λιχτενστάιν, την Τουρκία και τη Ρωσία. Εκτός αυτών των περιοχών, παρακαλούμε επικοινωνήστε με τον εξουσιοδοτημένο αντιπρόσωπο της RYOBI για να εξακριβώσετε εάν ισχύουν άλλες εγγυήσεις.

ΕΞΟΥΣΙΟΔΟΤΗΜΕΝΟ ΚΕΝΤΡΟ ΣΕΡΒΙΣ

Για να εντοπίσετε ένα εξουσιοδοτημένο κέντρο σέρβις στην περιοχή σας, επισκεφτείτε τη σελίδα <http://uk.ryobitools.eu/header/service-and-support/service-agents>.

EN EC declaration of conformity

Techtronic Industries GmbH
Max-Eyth-Straße 10, 71364 Winnenden, Germany

Herewith we declare that the product

Circular Saw
Brand: Ryobi
Model number: RCS1400/RCS1600
Serial number range:
RCS1400: 46201201000001 - 46201201999999
RCS1600: 46201401000001 - 46201401999999

is in conformity with the following European Directives and harmonised standards
2006/42/EC, 2014/30/EU, 2011/65/EU
EN55014-1:2006+A1:2009+A2:2011, EN 55014-2:2015, EN 61000-3-2:2014,
EN 61000-3-3:2013, EN60745-1:2009+A11:2010, EN60745-2-5:2010

RoHS documentation is compiled according to EN 50581:2012

CE

Andrew John Eyre (BEng, CEng, MIET)
Vice President, Regulatory & Safety
Winnenden, Nov. 05, 2016

Authorised to compile the technical file:
Alexander Krug, Managing Director
Techtronic Industries GmbH
Max-Eyth-Straße 10, 71364 Winnenden, Germany

DE EG KONFORMITÄTSERKLÄRUNG

Techtronic Industries GmbH
Max-Eyth-Straße 10, 71364 Winnenden, Germany

Hiermit erklären wir, dass das Produkt

Kreissäge
Marke: Ryobi
Modellnummer: RCS1400/RCS1600
Seriennummernbereich:
RCS1400: 46201201000001 - 46201201999999
RCS1600: 46201401000001 - 46201401999999

den folgenden europäischen Richtlinien und harmonisierten Normen entspricht
2006/42/EC, 2014/30/EU, 2011/65/EU
EN55014-1:2006+A1:2009+A2:2011, EN 55014-2:2015, EN 61000-3-2:2014,
EN 61000-3-3:2013, EN60745-1:2009+A11:2010, EN60745-2-5:2010

RoHS Dokumentation ist gemäß EN 50581:2012 zusammengestellt

CE

Andrew John Eyre (BEng, CEng, MIET)
Vizepräsident, Vorschriften und Sicherheit
Winnenden, Nov. 05, 2016

Autorisiert die technische Datei zu erstellen:
Alexander Krug, Geschäftsführer
Techtronic Industries GmbH
Max-Eyth-Straße 10, 71364 Winnenden, Germany

FR DÉCLARATION DE CONFORMITÉ EC

Techtronic Industries GmbH
Max-Eyth-Straße 10, 71364 Winnenden, Germany

Déclarons par la présente que le produit

Scie Circulaire
Marque: Ryobi
Numéro de modèle: RCS1400/RCS1600
Étendue des numéros de série:
RCS1400: 46201201000001 - 46201201999999
RCS1600: 46201401000001 - 46201401999999

est conforme aux Directives Européennes et Normes Harmonisées suivantes
2006/42/EC, 2014/30/EU, 2011/65/EU
EN55014-1:2006+A1:2009+A2:2011, EN 55014-2:2015, EN 61000-3-2:2014,
EN 61000-3-3:2013, EN60745-1:2009+A11:2010, EN60745-2-5:2010

La documentation RoHS a été dressée d'après EN 50581:2012

CE

Andrew John Eyre (BEng, CEng, MIET)
Vice-Président, Réglementation & Sécurité
Winnenden, Nov. 05, 2016

Autorisé à rédiger le dossier technique:
Alexander Krug, Directeur Général
Techtronic Industries GmbH
Max-Eyth-Straße 10, 71364 Winnenden, Germany

ES DECLARACIÓN EC DE CONFORMIDAD

Techtronic Industries GmbH
Max-Eyth-Straße 10, 71364 Winnenden, Germany

Por la presente declaramos que los productos

Sierra Circular
Marca: Ryobi
Número de modelo: RCS1400/RCS1600
Intervalo del número de serie:
RCS1400: 46201201000001 - 46201201999999
RCS1600: 46201401000001 - 46201401999999

se encuentra en conformidad con las siguientes Directivas Europeas y normas armonizadas
2006/42/EC, 2014/30/EU, 2011/65/EU
EN55014-1:2006+A1:2009+A2:2011, EN 55014-2:2015, EN 61000-3-2:2014,
EN 61000-3-3:2013, EN60745-1:2009+A11:2010, EN60745-2-5:2010

Documentación sobre restricción de sustancias peligrosas (RoHS) recopilada según la norma EN 50581:2012

CE

Andrew John Eyre (BEng, CEng, MIET)
Vicepresidente, Director General de Normativa y Seguridad
Winnenden, Nov. 05, 2016

Autorizado para elaborar la ficha técnica:
Alexander Krug, Administrador Ejecutivo
Techtronic Industries GmbH
Max-Eyth-Straße 10, 71364 Winnenden, Germany

IT DICHIARAZIONE DI CONFORMITÀ EC

Techtronic Industries GmbH
Max-Eyth-Straße 10, 71364 Winnenden, Germany

Si dichiara con la presente che il prodotto

Sega circolare

Marca: Ryobi

Numero modello: RCS1400/RCS1600

Gamma numero seriale:

RCS1400: 46201201000001 - 46201201999999

RCS1600: 46201401000001 - 46201401999999

è conforme alle seguenti Direttive Europee e ai seguenti standard armonizzati

2006/42/EC, 2014/30/EU, 2011/65/EU

EN55014-1:2006+A1:2009+A2:2011, EN 55014-2:2015, EN 61000-3-2:2014,

EN 61000-3-3:2013, EN60745-1:2009+A11:2010, EN60745-2-5:2010

La documentazione RoHS è stata compilata come indicato dalle norme EN 50581:2012

CE

Andrew John Eyre (BEng, CEng, MIET)
Vice-Presidente, Dipartimento Regolazioni & Sicurezza
Winnenden, Nov. 05, 2016

Autorizzato per compilare il file tecnico:

Alexander Krug, Direttore Amministrativo

Techtronic Industries GmbH

Max-Eyth-Straße 10, 71364 Winnenden, Germany

PT DECLARAÇÃO EC DE CONFORMIDADE

Techtronic Industries GmbH
Max-Eyth-Straße 10, 71364 Winnenden, Germany

Pelo presente declaramos que os produtos

Serra Circular

Marca: Ryobi

Número do modelo: RCS1400/RCS1600

Intervalo do número de série:

RCS1400: 46201201000001 - 46201201999999

RCS1600: 46201401000001 - 46201401999999

se encontra em conformidade com as seguintes Directivas Europeias e normas harmonizadas

2006/42/EC, 2014/30/EU, 2011/65/EU

EN55014-1:2006+A1:2009+A2:2011, EN 55014-2:2015, EN 61000-3-2:2014,

EN 61000-3-3:2013, EN60745-1:2009+A11:2010, EN60745-2-5:2010

Documentação sobre restrição de substâncias perigosas (RoHS) compilada segundo a norma EN 50581:2012

CE

Andrew John Eyre (BEng, CEng, MIET)
Vice-Presidente, Regulamentação & Segurança
Winnenden, Nov. 05, 2016

Autorizado para compilar o ficheiro técnico:

Alexander Krug, Administrador Executivo

Techtronic Industries GmbH

Max-Eyth-Straße 10, 71364 Winnenden, Germany

NL EC CONFORMITEITSVERKLARING

Techtronic Industries GmbH
Max-Eyth-Straße 10, 71364 Winnenden, Germany

Hierbij verklaren wij dat het product

Cirkelzaagmachine

Merk: Ryobi

Modelnummer: RCS1400/RCS1600

Serienummerbereik:

RCS1400: 46201201000001 - 46201201999999

RCS1600: 46201401000001 - 46201401999999

is in overeenstemming met de volgende Europese Richtlijnen en geharmoniseerde normen

2006/42/EC, 2014/30/EU, 2011/65/EU

EN55014-1:2006+A1:2009+A2:2011, EN 55014-2:2015, EN 61000-3-2:2014,

EN 61000-3-3:2013, EN60745-1:2009+A11:2010, EN60745-2-5:2010

RoHS-documentatie is samengesteld in overeenstemming met EN 50581:2012

CE

Andrew John Eyre (BEng, CEng, MIET)
Vice-president, Regelgeving en Veiligheid
Winnenden, Nov. 05, 2016

Afgevaardigde voor het samenstellen van de technische fiche:

Alexander Krug, Directeur

Techtronic Industries GmbH

Max-Eyth-Straße 10, 71364 Winnenden, Germany

DA EC OVERENSSTEMMELSESERKLÆRING

Techtronic Industries GmbH
Max-Eyth-Straße 10, 71364 Winnenden, Germany

Vi erklærer hermed, at produktet

Rundsav

Brand: Ryobi

Modelnummer: RCS1400/RCS1600

Serienummerområde:

RCS1400: 46201201000001 - 46201201999999

RCS1600: 46201401000001 - 46201401999999

er i overensstemmelse med følgende EU-direktiver og harmoniserede standarder

2006/42/EC, 2014/30/EU, 2011/65/EU

EN55014-1:2006+A1:2009+A2:2011, EN 55014-2:2015, EN 61000-3-2:2014,

EN 61000-3-3:2013, EN60745-1:2009+A11:2010, EN60745-2-5:2010

RoHS-dokumentationen er udarbejdet i henhold til EN 50581:2012

CE

Andrew John Eyre (BEng, CEng, MIET)
Vicepræsident, Regler og Sikkerhed
Winnenden, Nov. 05, 2016

Bemyndiget til at udarbejde det tekniske kartotek:

Alexander Krug, Administrerende Direktør

Techtronic Industries GmbH

Max-Eyth-Straße 10, 71364 Winnenden, Germany

SV EC-Konformitetsdeklaration

Techtronic Industries GmbH
Max-Eyth-Straße 10, 71364 Winnenden, Germany

Härmed deklarerar vi att produkterna

Cirkelsåg
Märke: Ryobi
Modellnummer: RCS1400/RCS1600
Serienummerintervall:
RCS1400: 46201201000001 - 46201201999999
RCS1600: 46201401000001 - 46201401999999

är i enlighet med följande EU-direktiv och harmoniserade standarder
2006/42/EC, 2014/30/EU, 2011/65/EU
EN55014-1:2006+A1:2009+A2:2011, EN 55014-2:2015, EN 61000-3-2:2014,
EN 61000-3-3:2013, EN60745-1:2009+A11:2010, EN60745-2-5:2010

RoHS-dokumentation sammanställd enligt EN 50581:2012

CE

Andrew John Eyre (BEng, CEng, MIET)
Vice President, Regelverk och Säkerhet
Winnenden, Nov. 05, 2016

Godkänd att sammanställa den tekniska filen:
Alexander Krug, VD
Techtronic Industries GmbH
Max-Eyth-Straße 10, 71364 Winnenden, Germany

NO EC-Samsvarserklæring

Techtronic Industries GmbH
Max-Eyth-Straße 10, 71364 Winnenden, Germany

Herved erklærer vi at produktet

Sirkelsag
Märke: Ryobi
Modellnummer: RCS1400/RCS1600
Serienummerserie:
RCS1400: 46201201000001 - 46201201999999
RCS1600: 46201401000001 - 46201401999999

er i samsvar med følgende europeiske direktiver og harmoniserte standarder
2006/42/EC, 2014/30/EU, 2011/65/EU
EN55014-1:2006+A1:2009+A2:2011, EN 55014-2:2015, EN 61000-3-2:2014,
EN 61000-3-3:2013, EN60745-1:2009+A11:2010, EN60745-2-5:2010

RoHS dokumentasjonen er skrevet i samsvar med EN 50581:2012

CE

Andrew John Eyre (BEng, CEng, MIET)
Visepresident, Forskrifter og Sikkerhet
Winnenden, Nov. 05, 2016

Autorisert til å sette sammen den tekniske filen:
Alexander Krug, Administrerende Direktør
Techtronic Industries GmbH
Max-Eyth-Straße 10, 71364 Winnenden, Germany

FI EC-SÄÄNNÖSTEN NOUDATTAMINEN

Techtronic Industries GmbH
Max-Eyth-Straße 10, 71364 Winnenden, Germany

Ilmoitamme täten, että tuotteet

Pyörösaha
Tuotemerkki: Ryobi
Mallinumero: RCS1400/RCS1600
Sarjanumeroalue:
RCS1400: 46201201000001 - 46201201999999
RCS1600: 46201401000001 - 46201401999999

noudattaa seuraavia EU-direktiivejä ja harmonoituja standardeja
2006/42/EC, 2014/30/EU, 2011/65/EU
EN55014-1:2006+A1:2009+A2:2011, EN 55014-2:2015, EN 61000-3-2:2014,
EN 61000-3-3:2013, EN60745-1:2009+A11:2010, EN60745-2-5:2010

RoHS-dokumentaatio on koottu standardin EN 50581:2012 mukaisesti

CE

Andrew John Eyre (BEng, CEng, MIET)
Varatoimitusjohtaja, Säädösten mukaisuus ja Turvallisuus
Winnenden, Nov. 05, 2016

Valtuutettu kokoamaan tekninen tiedosto:
Alexander Krug, Toimitusjohtaja
Techtronic Industries GmbH
Max-Eyth-Straße 10, 71364 Winnenden, Germany

RU ЗАЯВЛЕНИЕ О СООТВЕТСТВИИ ТРЕБОВАНИЯМ ЕС

Techtronic Industries GmbH
Max-Eyth-Straße 10, 71364 Winnenden, Germany

Настоящим мы заявляем, что данный продукт

Циркулярная пила
Марка: Ryobi
Номер модели: RCS1400/RCS1600
Диапазон заводских номеров:
RCS1400: 46201201000001 - 46201201999999
RCS1600: 46201401000001 - 46201401999999

соответствует требованиям следующих Директив ЕС и согласованных стандартов
2006/42/EC, 2014/30/EU, 2011/65/EU
EN55014-1:2006+A1:2009+A2:2011, EN 55014-2:2015, EN 61000-3-2:2014,
EN 61000-3-3:2013, EN60745-1:2009+A11:2010, EN60745-2-5:2010

Документация RoHS соответствует стандарту EN 50581:2012

CE

Andrew John Eyre (BEng, CEng, MIET)
Вице-Президент По Технике Безопасности И Стандартам
Winnenden, Nov. 05, 2016

Лицо, ответственное за подготовку технической документации:
Alexander Krug, Директор
Techtronic Industries GmbH
Max-Eyth-Straße 10, 71364 Winnenden, Germany

PL DEKLARACJA ZGODNOŚCI EC

Techtronic Industries GmbH
Max-Eyth-Straße 10, 71364 Winnenden, Germany

Niniejszym deklarujemy, że produkty

Pilarka tarczowa
Marka: Ryobi
Numer modelu: RCS1400/RCS1600
Zakres numerów seryjnych:
RCS1400: 46201201000001 - 46201201999999
RCS1600: 46201401000001 - 46201401999999

jest zgodny z następującymi dyrektywami europejskimi i zharmonizowanymi normami
2006/42/EC, 2014/30/EU, 2011/65/EU
EN55014-1:2006+A1:2009+A2:2011, EN 55014-2:2015, EN 61000-3-2:2014,
EN 61000-3-3:2013, EN60745-1:2009+A11:2010, EN60745-2-5:2010

Dokumentacja RoHS została opracowana zgodnie z normą EN 50581:2012

CE

Andrew John Eyre (BEng, CEng, MIET)
Wiceprezes ds. Zgodności Prawnej i Bezpieczeństwa
Winnenden, Nov. 05, 2016

Osoba upoważniona do sporządzenia dokumentu technicznego:
Alexander Krug, Dyrektor Zarządzający
Techtronic Industries GmbH
Max-Eyth-Straße 10, 71364 Winnenden, Germany

HU EC Megfelelőségi nyilatkozat

Techtronic Industries GmbH
Max-Eyth-Straße 10, 71364 Winnenden, Germany

Ezúton kijelentjük, hogy a termékek

Körfűrész
Márka: Ryobi
Típuszám: RCS1400/RCS1600
Sorozatszám tartomány:
RCS1400: 46201201000001 - 46201201999999
RCS1600: 46201401000001 - 46201401999999

megfelel az alábbi Európai Irányelvek és harmonizált szabványok vonatkozó rendelkezéseinek
2006/42/EC, 2014/30/EU, 2011/65/EU
EN55014-1:2006+A1:2009+A2:2011, EN 55014-2:2015, EN 61000-3-2:2014,
EN 61000-3-3:2013, EN60745-1:2009+A11:2010, EN60745-2-5:2010

A RoHS dokumentáció összeállítása az EN 50581:2012 szerint történt

CE

Andrew John Eyre (BEng, CEng, MIET)
Alelnök, Megfelelőségi es Biztonsági Területek
Winnenden, Nov. 05, 2016

A műszaki dokumentáció összeállítására felhatalmazott:
Alexander Krug, Ügyvezető Igazgató
Techtronic Industries GmbH
Max-Eyth-Straße 10, 71364 Winnenden, Germany

CS PROHLÁŠENÍ O SHODĚ EC

Techtronic Industries GmbH
Max-Eyth-Straße 10, 71364 Winnenden, Germany

Tímto prohlašujeme, že výrobky

Rotační pila
Značka: Ryobi
Číslo modelu: RCS1400/RCS1600
Rozsah sériových čísel:
RCS1400: 46201201000001 - 46201201999999
RCS1600: 46201401000001 - 46201401999999

že tento výrobek je v souladu s evropskými a harmonizovanými standardy
2006/42/EC, 2014/30/EU, 2011/65/EU
EN55014-1:2006+A1:2009+A2:2011, EN 55014-2:2015, EN 61000-3-2:2014,
EN 61000-3-3:2013, EN60745-1:2009+A11:2010, EN60745-2-5:2010.

RoHS dokumentace sestavena dle EN 50581:2012

CE

Andrew John Eyre (BEng, CEng, MIET)
Viceprezident, Normy a Bezpečnost
Winnenden, Nov. 05, 2016

Pověření ke kompilaci technického souboru:
Alexander Krug, Generální Ředitel
Techtronic Industries GmbH
Max-Eyth-Straße 10, 71364 Winnenden, Germany

RO DECLARAȚIE DE CONFORMITATE EC

Techtronic Industries GmbH
Max-Eyth-Straße 10, 71364 Winnenden, Germany

Prin prezenta, declarăm că produsele

Fierăstrău circular
Marcă: Ryobi
Număr serie: RCS1400/RCS1600
Gamă număr serie:
RCS1400: 46201201000001 - 46201201999999
RCS1600: 46201401000001 - 46201401999999

este în conformitate cu următoarele Directive Europene și standarde armonizate
2006/42/EC, 2014/30/EU, 2011/65/EU
EN55014-1:2006+A1:2009+A2:2011, EN 55014-2:2015, EN 61000-3-2:2014,
EN 61000-3-3:2013, EN60745-1:2009+A11:2010, EN60745-2-5:2010

Documentația RoHS este întocmită în conformitate cu EN 50581:2012

CE

Andrew John Eyre (BEng, CEng, MIET)
Vicepreședinte, Reglementare & Siguranță
Winnenden, Nov. 05, 2016

Autorizat să completeze fișa tehnică:
Alexander Krug, Director General
Techtronic Industries GmbH
Max-Eyth-Straße 10, 71364 Winnenden, Germany

LV EC Atbilstības deklarācija

Techtronic Industries GmbH
Max-Eyth-Straße 10, 71364 Winnenden, Germany

Ar šo paziņojam, ka produkti

Ripzāģis
Zīmols: Ryobi
Modeļa numurs: RCS1400/RCS1600
Sērijas numura intervāls:
RCS1400: 46201201000001 - 46201201999999
RCS1600: 46201401000001 - 46201401999999

atbilst šādām Eiropas direktīvām un saskaņotajiem standartiem
2006/42/EC, 2014/30/EU, 2011/65/EU
EN55014-1:2006+A1:2009+A2:2011, EN 55014-2:2015, EN 61000-3-2:2014,
EN 61000-3-3:2013, EN60745-1:2009+A11:2010, EN60745-2-5:2010

RoHS dokumentācija ir izstrādāta saskaņā ar EN 50581:2012

CE

Andrew John Eyre (BEng, CEng, MIET)
Viceprezidents, Darba Drošības Noteikumi
Winnenden, Nov. 05, 2016

Pilnvarots sastādīt tehnisko failu:
Alexander Krug, Izpilddirektors
Techtronic Industries GmbH
Max-Eyth-Straße 10, 71364 Winnenden, Germany

ET EC VASTAVUSDEKLARATSIOON

Techtronic Industries GmbH
Max-Eyth-Straße 10, 71364 Winnenden, Germany

Kinnitame, et see toode

Ketassaag
Mark: Ryobi
Mudeli number: RCS1400/RCS1600
Seerianumbri vahemik:
RCS1400: 46201201000001 - 46201201999999
RCS1600: 46201401000001 - 46201401999999

vastab järgmistele Euroopa direktiividele ja harmoniseeritud standarditele
2006/42/EC, 2014/30/EU, 2011/65/EU
EN55014-1:2006+A1:2009+A2:2011, EN 55014-2:2015, EN 61000-3-2:2014,
EN 61000-3-3:2013, EN60745-1:2009+A11:2010, EN60745-2-5:2010

RoHS dokumendid on koostatud vastavuses standardi EN 50581:2012 nõuetele

CE

Andrew John Eyre (BEng, CEng, MIET)
Asepresident Standardiseerimise Ja Ohutuse Alal
Winnenden, Nov. 05, 2016

Tehnilise faili koostamiseks volitatud isik:
Alexander Krug, Tegevdirektor
Techtronic Industries GmbH
Max-Eyth-Straße 10, 71364 Winnenden, Germany

LT EC Atitikties pareišikimas

Techtronic Industries GmbH
Max-Eyth-Straße 10, 71364 Winnenden, Germany

Mes pareišikame, kad šie produktai

Diskinis pjūklas
Prekės ženklas: Ryobi
Modelio numeris: RCS1400/RCS1600
Serijinio numerio diapazonas:
RCS1400: 46201201000001 - 46201201999999
RCS1600: 46201401000001 - 46201401999999

pagamintas laikantis toliau nurodytųjų Europos Direktyvų ir darniųjų standartų
2006/42/EC, 2014/30/EU, 2011/65/EU
EN55014-1:2006+A1:2009+A2:2011, EN 55014-2:2015, EN 61000-3-2:2014,
EN 61000-3-3:2013, EN60745-1:2009+A11:2010, EN60745-2-5:2010

Tam tikrų pavojingų medžiagų naudojimo elektros ir elektroninėje įrangoje apri bojimo dokumentai sudaryti pagal standartą EN 50581:2012

CE

Andrew John Eyre (BEng, CEng, MIET)
Kontrolės Ir Saugos Viceprezidentas
Winnenden, Nov. 05, 2016

Įgaliotas sudaryti techninį failą:
Alexander Krug, Generalinis Direktorius
Techtronic Industries GmbH
Max-Eyth-Straße 10, 71364 Winnenden, Germany

HR EC IZJAVA O USKLAĐENOSTI

Techtronic Industries GmbH
Max-Eyth-Straße 10, 71364 Winnenden, Germany

Ovime izjavljujemo da su proizvodi

Cirkularna pila
Marka: Ryobi
Broj modela: RCS1400/RCS1600
Raspon serijskog broja:
RCS1400: 46201201000001 - 46201201999999
RCS1600: 46201401000001 - 46201401999999

usklađen sa sljedećim Europskim Direktivama i usklađenim normama
2006/42/EC, 2014/30/EU, 2011/65/EU
EN55014-1:2006+A1:2009+A2:2011, EN 55014-2:2015, EN 61000-3-2:2014,
EN 61000-3-3:2013, EN60745-1:2009+A11:2010, EN60745-2-5:2010

RoHS dokumentacija sukladna je EN 50581:2012

CE

Andrew John Eyre (BEng, CEng, MIET)
Potpredsjednik za Pravila i Sigurnost
Winnenden, Nov. 05, 2016

Ovlašten da sastavi tehničku datoteku:
Alexander Krug, Direktor Upravljanja
Techtronic Industries GmbH
Max-Eyth-Straße 10, 71364 Winnenden, Germany

SL IZJAVA EC O SKLADNOSTI

Techtronic Industries GmbH
Max-Eyth-Straße 10, 71364 Winnenden, Germany

Izjavljamo, da je izdelek

Krožna žaga

Znamka: Ryobi

Številka modela: RCS1400/RCS1600

Razpon serijskih števil:

RCS1400: 46201201000001 - 46201201999999

RCS1600: 46201401000001 - 46201401999999

v skladu s sledečimi evropskimi direktivami in harmoniziranimi standardi

2006/42/EC, 2014/30/EU, 2011/65/EU

EN55014-1:2006+A1:2009+A2:2011, EN 55014-2:2015, EN 61000-3-2:2014,

EN 61000-3-3:2013, EN60745-1:2009+A11:2010, EN60745-2-5:2010

Dokumentacija RoHS je sestavljena skladno s standardom EN 50581:2012



Andrew John Eyre (BEng, CEng, MIET)

Vicpredsednik, Zakonodajne In Varnostne Zadeve

Winnenden, Nov. 05, 2016

Pooblaščenca oseba za sestavo tehnične dokumentacije:

Alexander Krug, Izvršni Direktor

Techtronic Industries GmbH

Max-Eyth-Straße 10, 71364 Winnenden, Germany

BG ДЕКЛАРАЦИЯ НА ЗА СЪОТВЕТСТВИЕ

Techtronic Industries GmbH
Max-Eyth-Straße 10, 71364 Winnenden, Germany

С настоящето декларираме, че продуктите

Циркулярен трион

Марка: Ryobi

Номер на модела: RCS1400/RCS1600

Обхват на серийни номера:

RCS1400: 46201201000001 - 46201201999999

RCS1600: 46201401000001 - 46201401999999

отговаря на следните директиви на ЕС и хармонизирани стандарти

2006/42/EC, 2014/30/EU, 2011/65/EU

EN55014-1:2006+A1:2009+A2:2011, EN 55014-2:2015, EN 61000-3-2:2014,

EN 61000-3-3:2013, EN60745-1:2009+A11:2010, EN60745-2-5:2010

Документацията за RoHS е съставена в съответствие с EN 50581:2012.



Andrew John Eyre (BEng, CEng, MIET)

Вицепрезидент, Правни Услуги И Безопасност

Winnenden, Nov. 05, 2016

Упълномощено лице за съставяне на техническия файл:

Alexander Krug, Изпълнителен Директор

Techtronic Industries GmbH

Max-Eyth-Straße 10, 71364 Winnenden, Germany

SK PREHLÁSENIE O ZHODE EC

Techtronic Industries GmbH
Max-Eyth-Straße 10, 71364 Winnenden, Germany

Týmto vyhlasujeme, že výrobok

Kotúčová píla

Značka: Ryobi

Číslo modelu: RCS1400/RCS1600

Rozsah sériových čísiel:

RCS1400: 46201201000001 - 46201201999999

RCS1600: 46201401000001 - 46201401999999

je v súlade s nasledujúcimi Európskymi smernicami a harmonizovanými normami

2006/42/EC, 2014/30/EU, 2011/65/EU

EN55014-1:2006+A1:2009+A2:2011, EN 55014-2:2015, EN 61000-3-2:2014,

EN 61000-3-3:2013, EN60745-1:2009+A11:2010, EN60745-2-5:2010

Dokumentácia RoHS je zostavená podľa EN 50581:2012



Andrew John Eyre (BEng, CEng, MIET)

Vicprezident, Regulácia a Bezpečnosť

Winnenden, Nov. 05, 2016

Oprávnená osoba na zostavenie technického súboru:

Alexander Krug, Generálny Riaditeľ

Techtronic Industries GmbH

Max-Eyth-Straße 10, 71364 Winnenden, Germany

UK Декларация про відповідність

Techtronic Industries GmbH
Max-Eyth-Straße 10, 71364 Winnenden, Germany

При цьому ми заявляємо, що продукт

Циркулярна пилка

Марка: Ryobi

Номер моделі: RCS1400/RCS1600

Діапазон серійного номеру:

RCS1400: 46201201000001 - 46201201999999

RCS1600: 46201401000001 - 46201401999999

у відповідності з наступними європейськими директивами та гармонізованими

стандартами

2006/42/EC, 2014/30/EU, 2011/65/EU

EN55014-1:2006+A1:2009+A2:2011, EN 55014-2:2015, EN 61000-3-2:2014,

EN 61000-3-3:2013, EN60745-1:2009+A11:2010, EN60745-2-5:2010

Документація RoHS складена відповідно до EN 50581:2012



Andrew John Eyre (BEng, CEng, MIET)

Віце-президент, регулювання і безпека


Winnenden, Nov. 05, 2016

Дозвіл на складання технічного файла:

Alexander Krug, Керуючий директор

Techtronic Industries GmbH

Max-Eyth-Straße 10, 71364 Winnenden, Germany

 EC Uygunluk beyanı

Techtronic Industries GmbH
Max-Eyth-Straße 10, 71364 Winnenden, Germany

Böylelikle beyan ederiz ki; ürün

Dairesel Testere

Marka: Ryobi

Model numarası: RCS1400/RCS1600

Seri numarası aralığı:

RCS1400: 46201201000001 - 46201201999999

RCS1600: 46201401000001 - 46201401999999

aşağıdaki Avrupa Direktifleri ve uyumlaştırılmış standartlara uygundur

2006/42/EC, 2014/30/EU, 2011/65/EU

EN55014-1:2006+A1:2009+A2:2011, EN 55014-2:2015, EN 61000-3-2:2014,

EN 61000-3-3:2013, EN60745-1:2009+A11:2010, EN60745-2-5:2010

RoHS belgeleri EN 50581:2012 uyarınca derlenmiştir



CE

Andrew John Eyre (BEng, CEng, MIET)

Başkan Vekili, Düzenleme ve Güvenlik

Winnenden, Nov. 05, 2016

Teknik dosya hazırlamaya yetkilidir:

Alexander Krug, Genel Müdür

Techtronic Industries GmbH

Max-Eyth-Straße 10, 71364 Winnenden, Germany

 EK Δήλωση συμμόρφωσης

Techtronic Industries GmbH
Max-Eyth-Straße 10, 71364 Winnenden, Germany

Δια του παρόντος δηλώνουμε ότι το προϊόν

Κυκλικός κόπτης

Μάρκα: Ryobi

Αριθμός μοντέλου: RCS1400/RCS1600

Εύρος σειριακών αριθμών:

RCS1400: 46201201000001 - 46201201999999

RCS1600: 46201401000001 - 46201401999999

είναι σύμφωνα με τις παρακάτω Ευρωπαϊκές Οδηγίες και εναρμονισμένα πρότυπα

2006/42/EC, 2014/30/EU, 2011/65/EU

EN55014-1:2006+A1:2009+A2:2011, EN 55014-2:2015, EN 61000-3-2:2014,

EN 61000-3-3:2013, EN60745-1:2009+A11:2010, EN60745-2-5:2010

Τα έγγραφα RoHS συντάσσονται σύμφωνα με το EN 50581:2012



CE

Andrew John Eyre (BEng, CEng, MIET)

Αντιπρόεδρος, Τμήμα Ρυθμίσεων & Ασφάλειας

Winnenden, Nov. 05, 2016

Εξουσιοδοτημένο άτομο για σύνταξη τεχνικού αρχείου:

Alexander Krug, Διευθύνων Σύμβουλος

Techtronic Industries GmbH

Max-Eyth-Straße 10, 71364 Winnenden, Germany



130.com.ua

Techtronic Industries GmbH
Max-Eyth-Straße 10,
71364 Winnenden, Germany

961152649-01