



ТЕЛЕФОНИ

0 (800) 800 130
(050) 462 0 130
(063) 462 0 130
(067) 462 0 130

130
COM.UA

Інтернет-магазин
автотоварів



SKYPE

km-130

АВТОМАГНІТОЛИ — Магнітоли • Медіа-ресівери та станції • Штатні магнітоли • CD/DVD чейнджери • FM-модулятори/USB адаптери • Flash пам'ять • Перехідні рамки та роз'єми • Антени • Аксесуари |
АВТОЗВУК — Акустика • Підсилювачі • Сабвуфери • Процесори • Кросовери • Навушники • Аксесуари | **БОРТОВІ КОМП'ЮТЕРИ** — Універсальні комп'ютери • Модельні комп'ютери • Аксесуари |
GPS НАВІГАТОРИ — Портативні GPS • Вмонтовані GPS • GPS модулі • GPS трекери • Антени для GPS навігаторів • Аксесуари | **ВІДЕОПРИСТРОЇ** — Відеореєстратори • Телевізори та монітори • Автомобільні ТВ тюнери • Камери • Відеомодулі • Транскодери • Автомобільні ТВ антени • Аксесуари | **ОХОРОННІ СИСТЕМИ** — Автосигналізація • Мотосигналізація • Механічні блокувальники • Імобілайзери • Датчики • Аксесуари | **ОПТИКА ТА СВІТЛО** — Ксенон • Біксенон • Лампи • Світлодіоди • Стробоскопи • Оптика і фари • Омивачі фар • Датчики світла, дощу • Аксесуари |
ПАРКТРОНІКИ ТА ДЗЕРКАЛА — Задні парктроніки • Передні парктроніки • Комбіновані парктроніки • Дзеркала заднього виду • Аксесуари | **ПІДІГРІВ ТА ОХОЛОДЖЕННЯ** — Підігрів сидінь • Підігрів дзеркал • Підігрів двірників • Підігрів двигунів • Автоохолодильники • Автокондиціонери • Аксесуари | **ТЮНІНГ** — Віброізоляція • Шумоізоляція • Тонувальна плівка • Аксесуари |
АВТОАКСЕСУАРИ — Радар-детектори • Гучний зв'язок, Bluetooth • Склопідіймачі • Компресори • Звукові сигнали, СГП • Вимірювальні прилади • Автопилососи • Автокрісла • Різне |
МОНТАЖНЕ ОБЛАДНАННЯ — Інсталяційні комплекти • Оббивні матеріали • Декоративні решітки • Фазоінвертори • Кабель та провід • Інструменти • Різне | **ЖИВЛЕННЯ** — Акумулятори • Перетворювачі • Пуско-заряджувальні пристрої • Конденсатори • Аксесуари | **МОРСЬКА ЕЛЕКТРОНІКА ТА ЗВУК** — Морські магнітоли • Морська акустика • Морські сабвуфери • Морські підсилювачі • Аксесуари | **АВТОХІМІЯ ТА КОСМЕТИКА** — Присадки • Рідини омивача • Засоби по догляду • Поліролі • Ароматизатори • Клеї та герметики | **РІДИНИ ТА МАСЛА** — Моторні масла • Трансмісійні масла • Гальмівні рідини • Антифризи • Технічні змазки



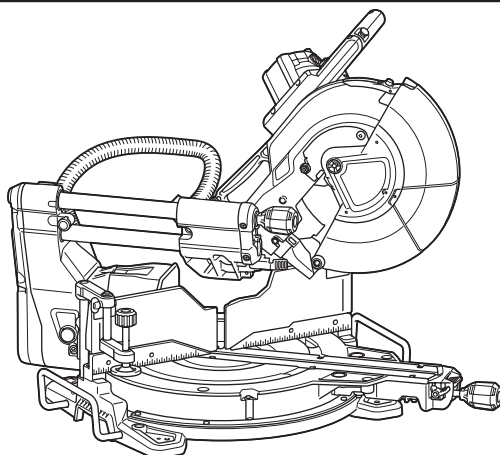
У магазині «130» ви можете знайти та купити у Києві з доставкою по місту та Україні практично все для вашого автомобіля. Наші досвідчені консультанти нададуть вам вичерпну інформацію та допоможуть підібрати саме те, що ви шукаєте. Чекаємо вас за адресою

<https://130.com.ua>



EN	Slide Compound Miter Saw	INSTRUCTION MANUAL	15
PL	Ukośnica	INSTRUKCJA OBSŁUGI	31
HU	Kombinált csúszósínes gérvágó	HASZNÁLATI KÉZIKÖNYV	49
SK	Posuvná zložená píla na zrezávanie	NÁVOD NA OBSLUHU	66
CS	Radiální pokosová píla	NÁVOD K OBSLUZE	83
UK	Пересувна комбінована торцювальна пила	ІНСТРУКЦІЯ З ЕКСПЛУАТАЦІЇ	99
RO	Ferăstrău glisant pentru tăieri oblice combinate	MANUAL DE INSTRUCȚIUNI	118
DE	Kapp- und Gehrungssäge	BETRIEBSANLEITUNG	135

LS1219
LS1219L



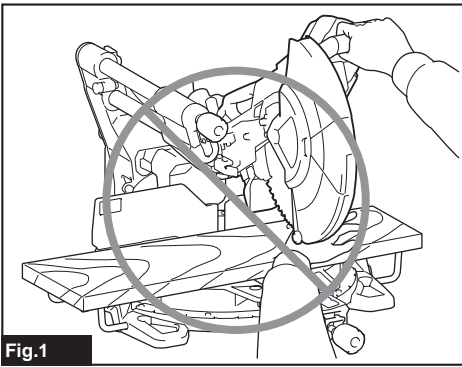


Fig.1

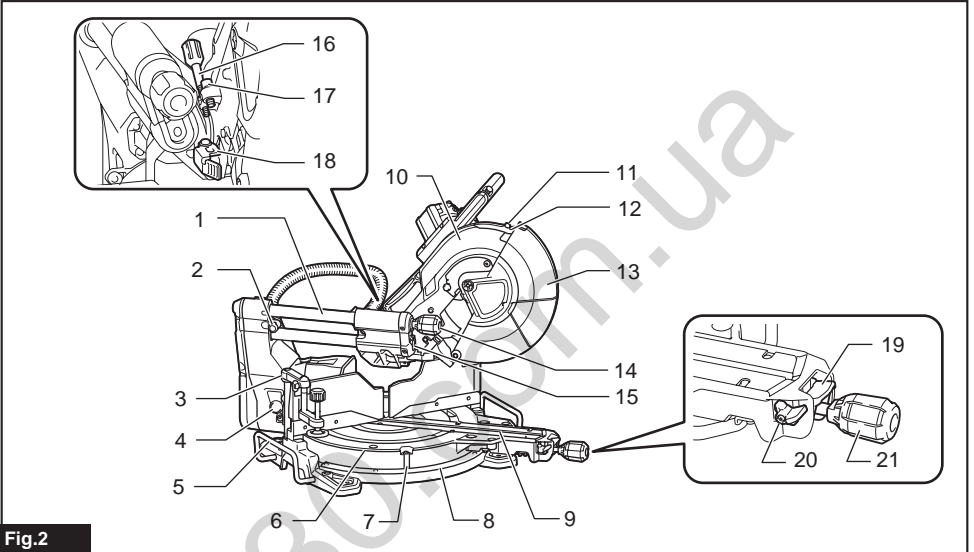
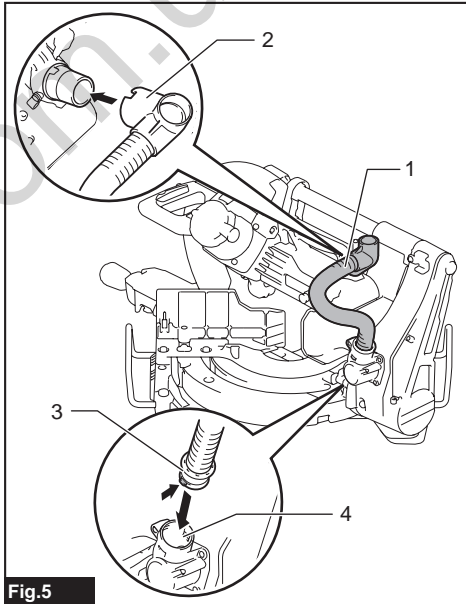
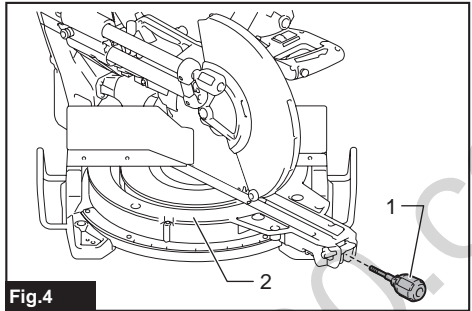
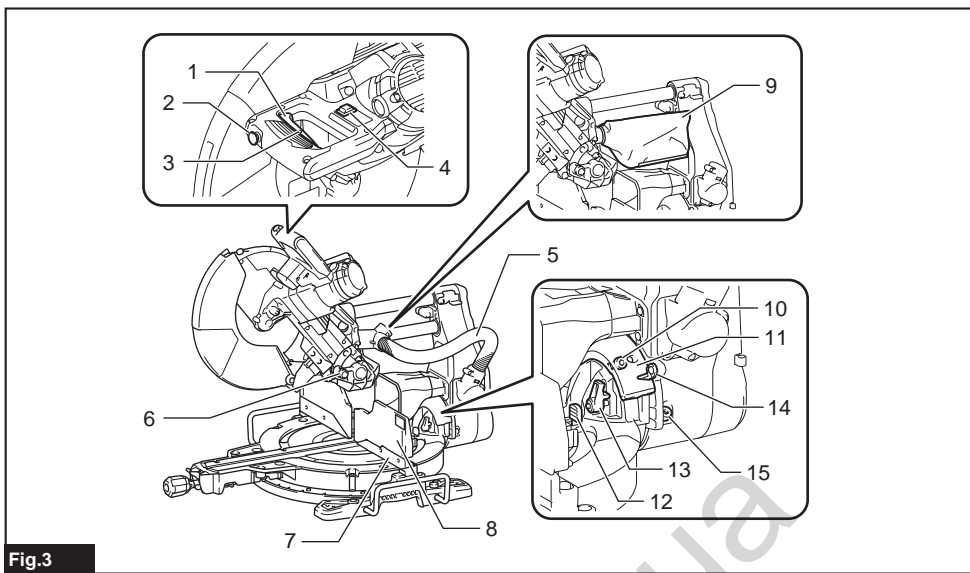
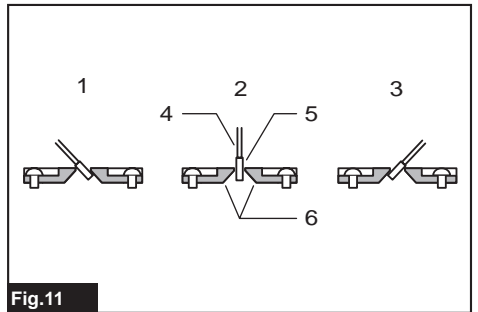
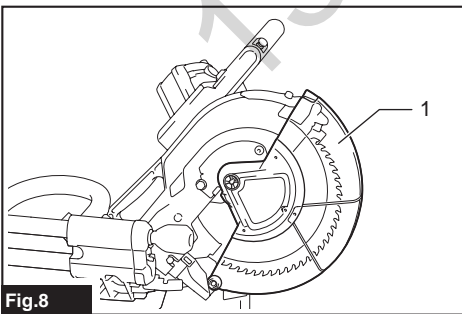
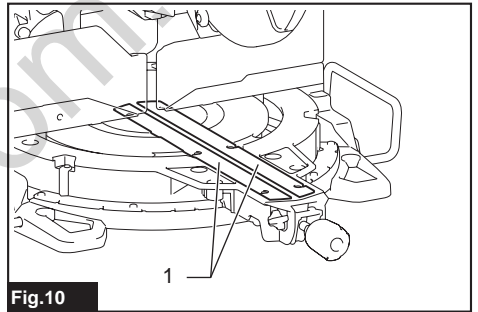
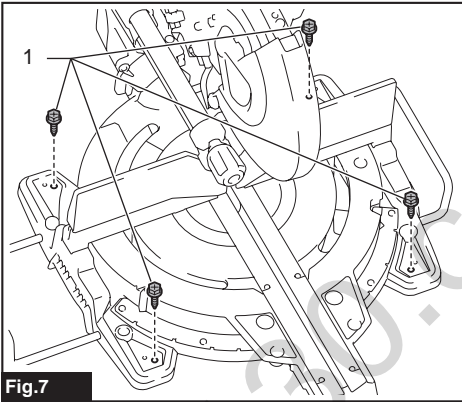
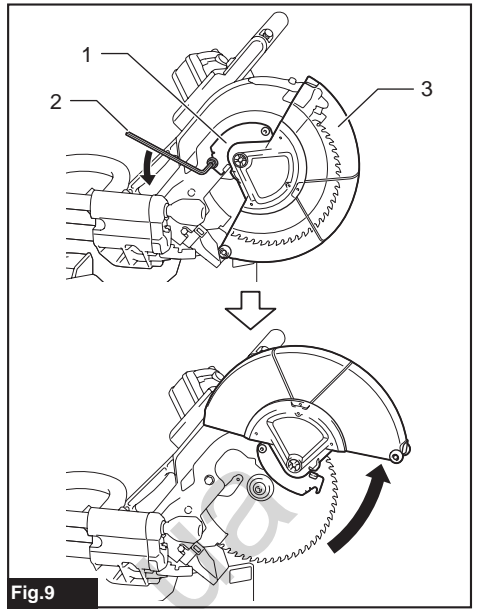
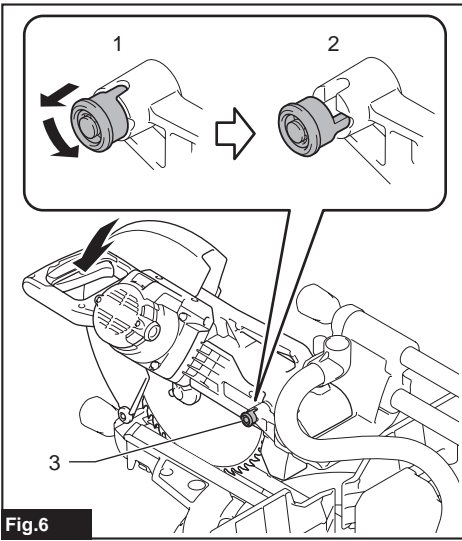


Fig.2





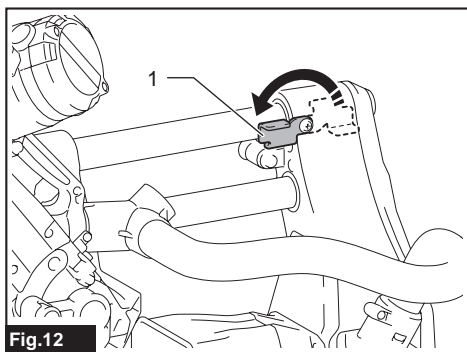


Fig.12

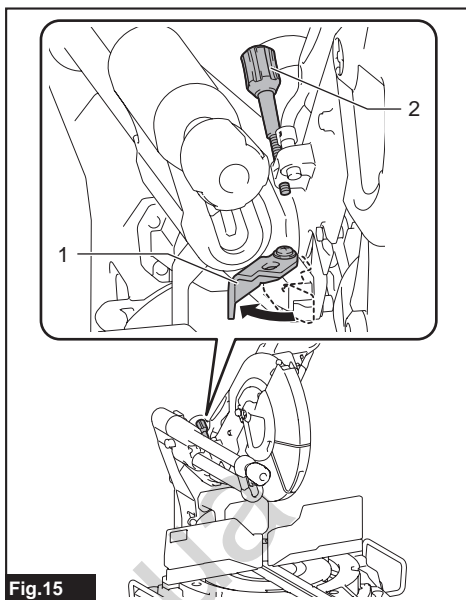


Fig.15

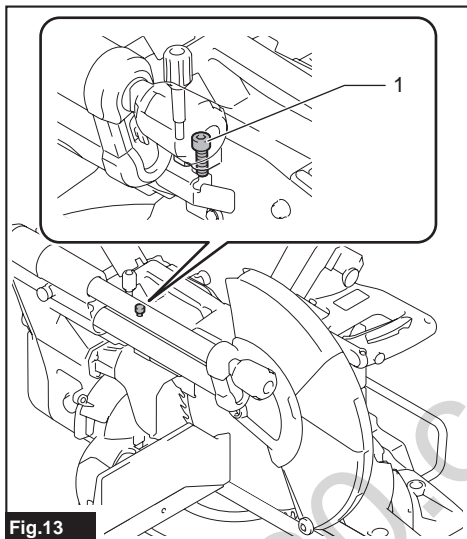


Fig.13

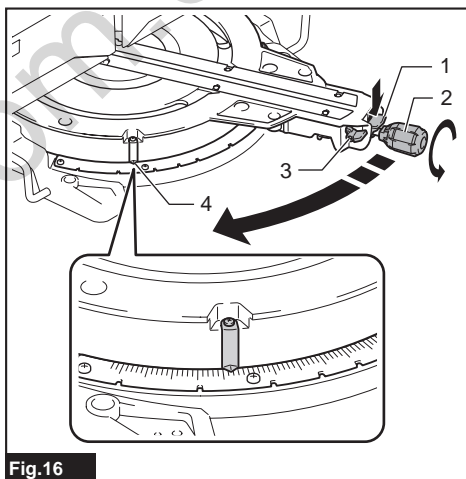


Fig.16

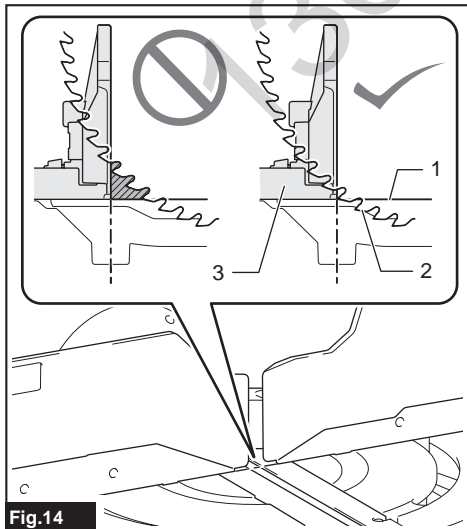


Fig.14

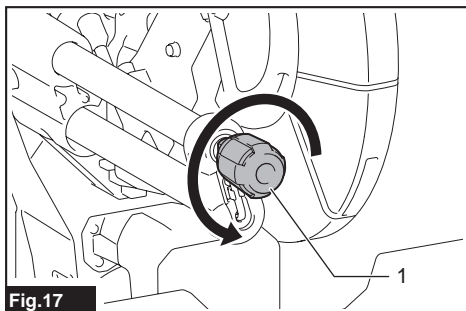
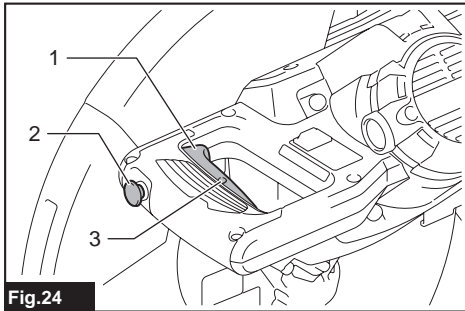
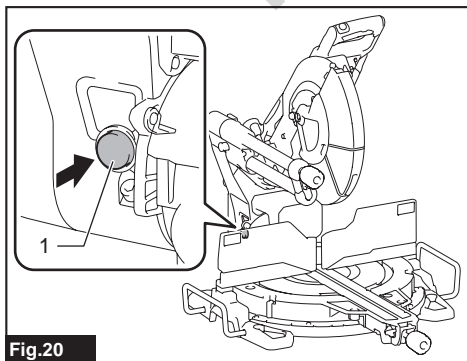
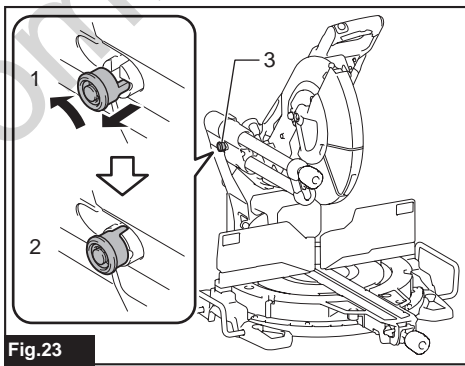
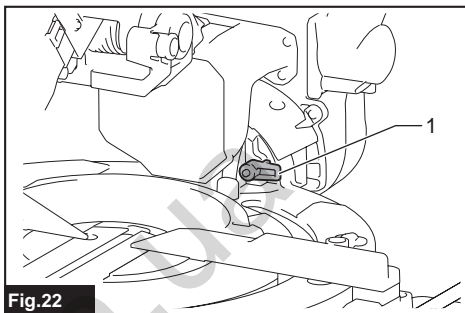
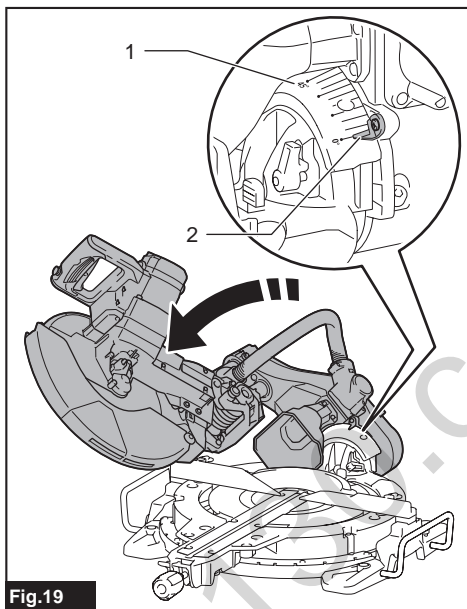
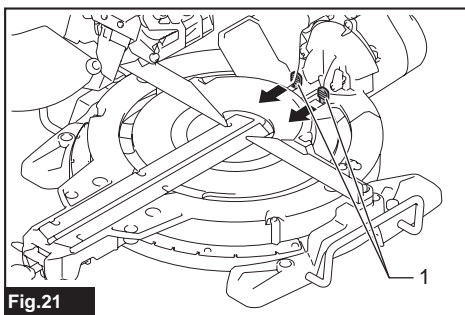
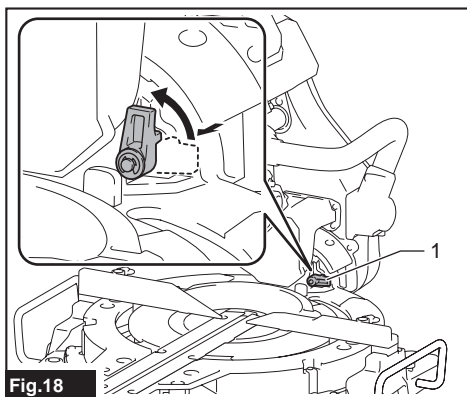


Fig.17



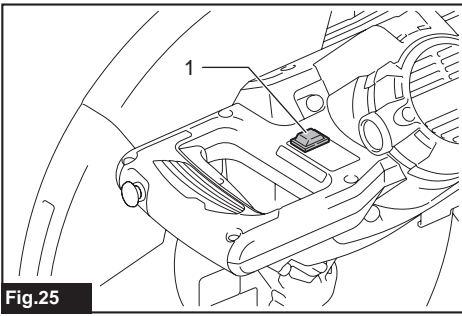


Fig.25

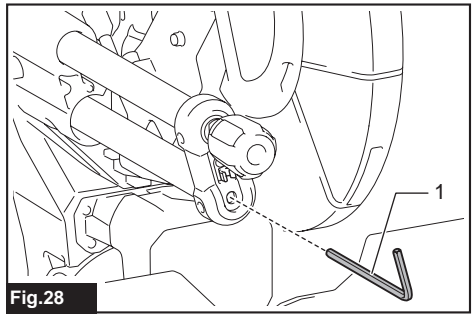


Fig.28

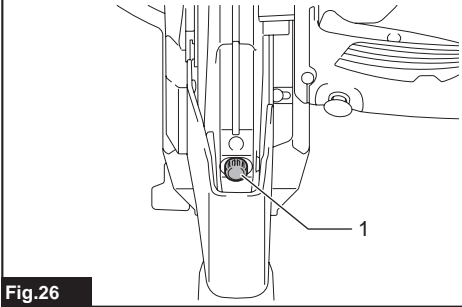


Fig.26

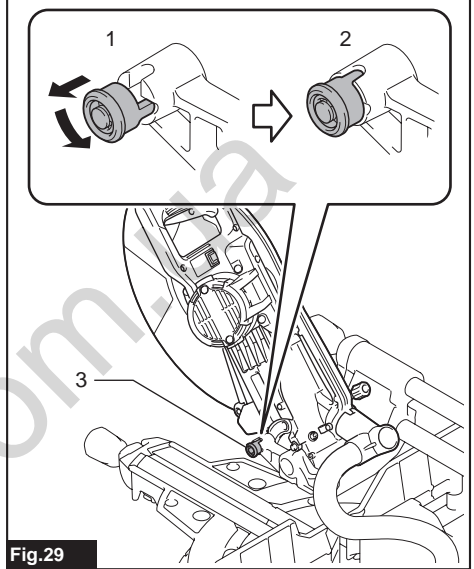


Fig.29

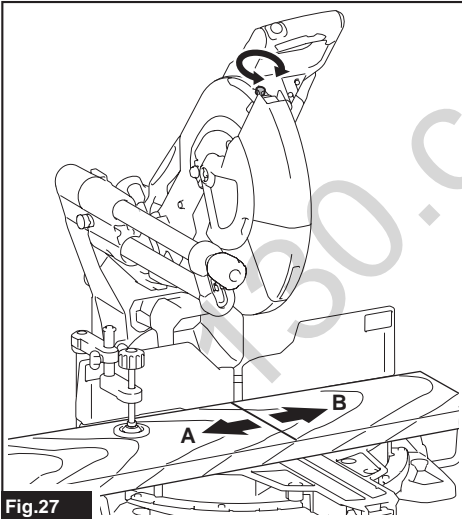


Fig.27

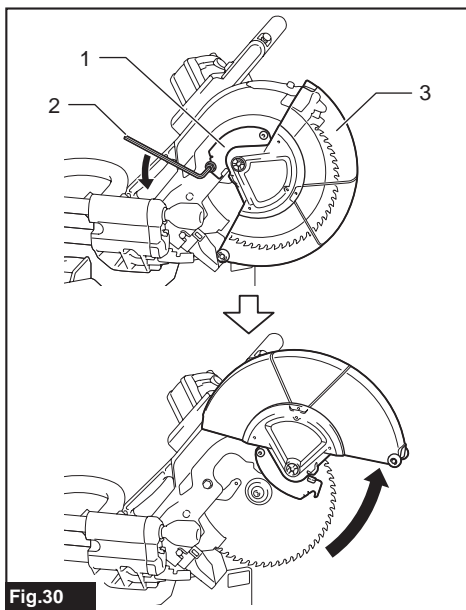


Fig.30

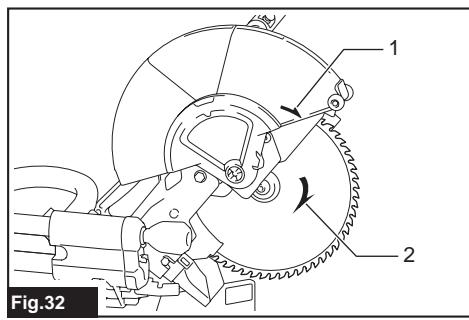


Fig.32

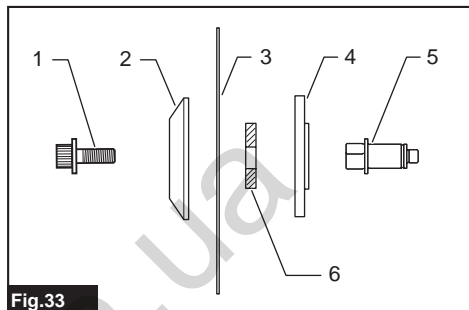


Fig.33

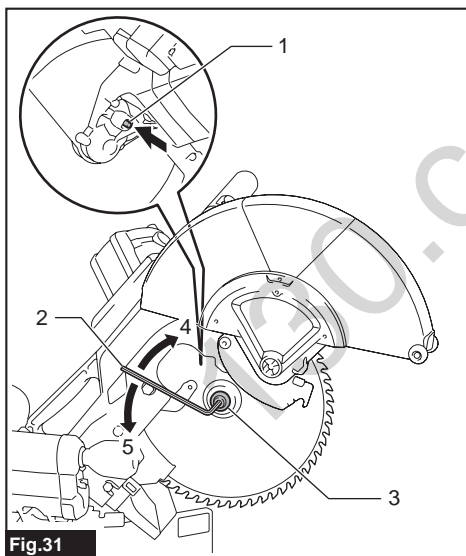


Fig.31

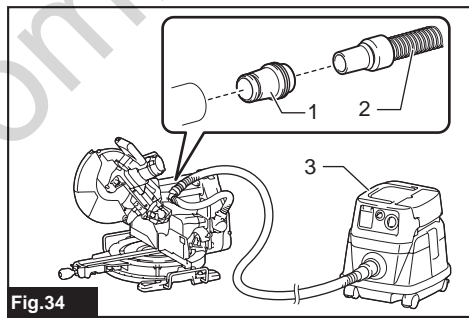


Fig.34

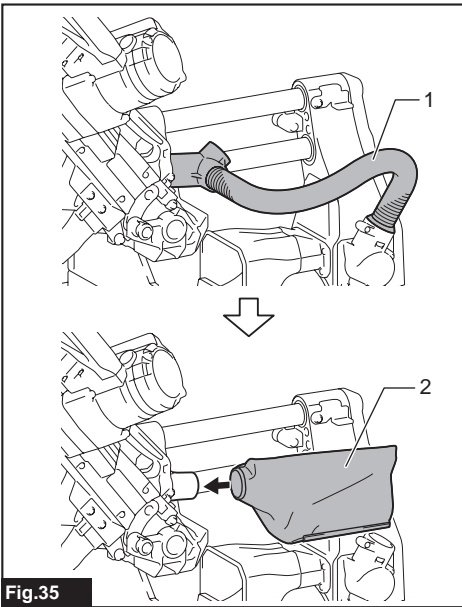


Fig.35

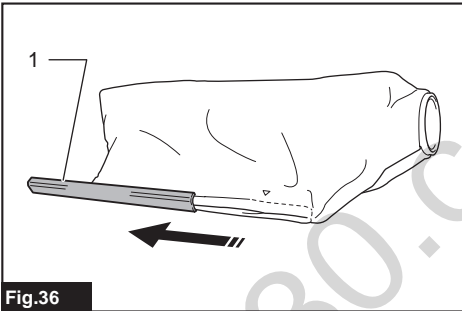


Fig.36

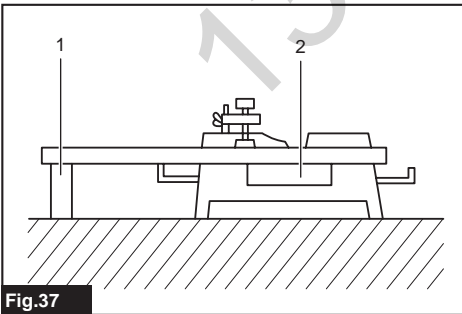


Fig.37

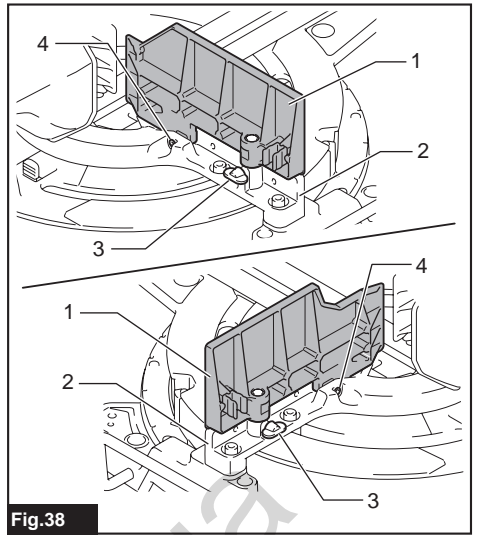


Fig.38

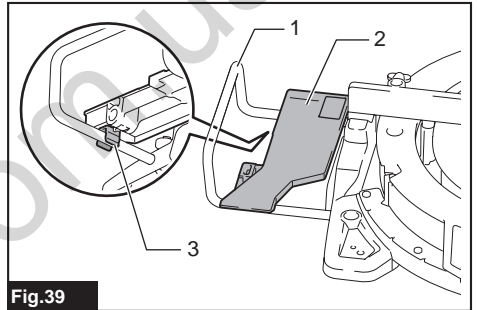


Fig.39

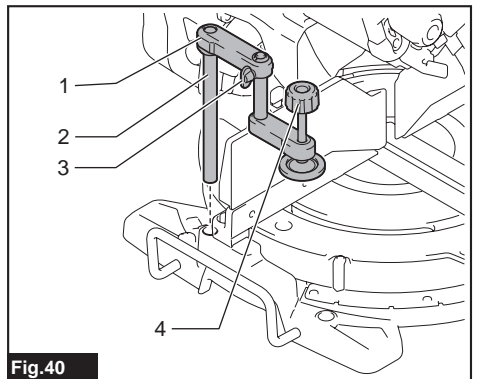


Fig.40

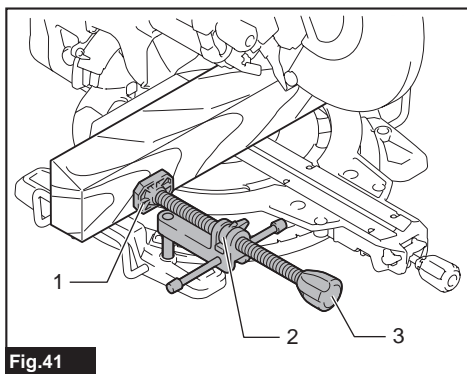


Fig.41

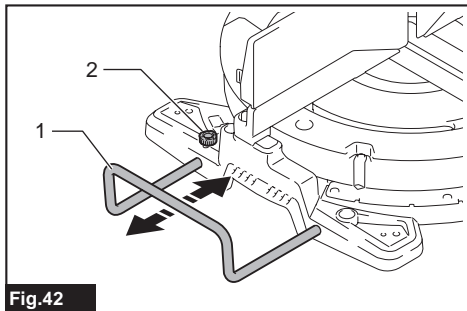


Fig.42

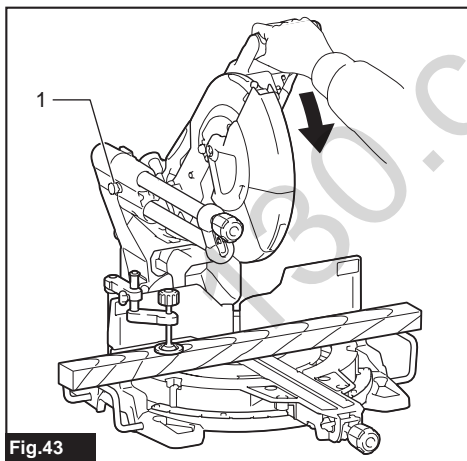


Fig.43

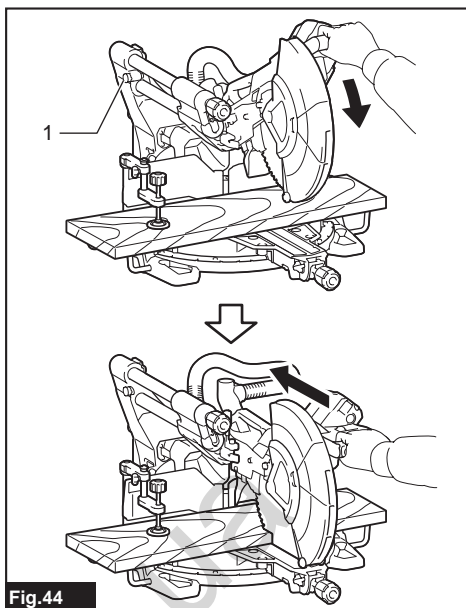


Fig.44

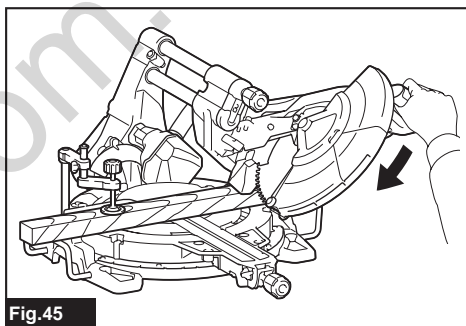


Fig.45

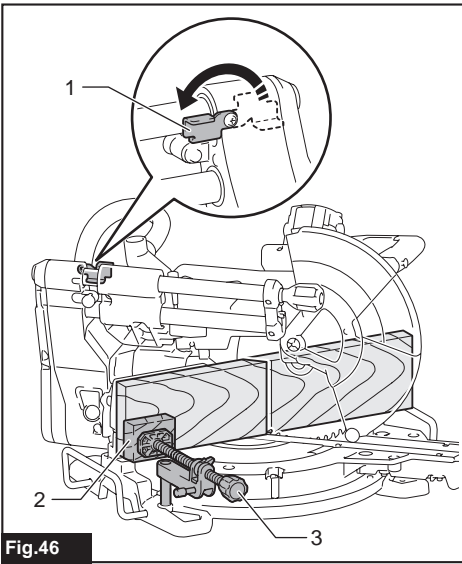


Fig.46

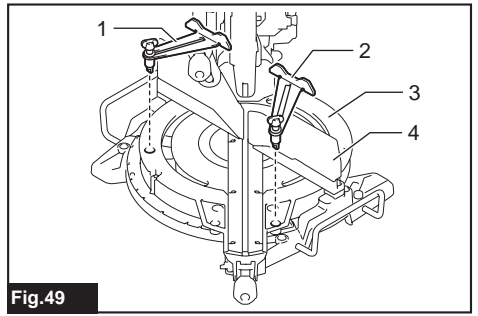


Fig.49

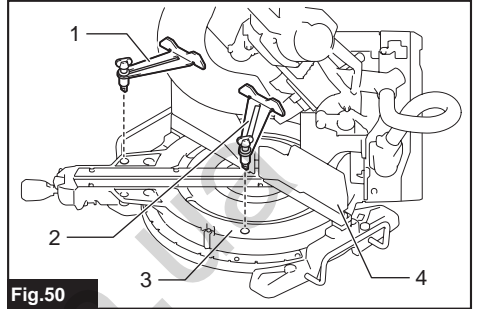


Fig.50

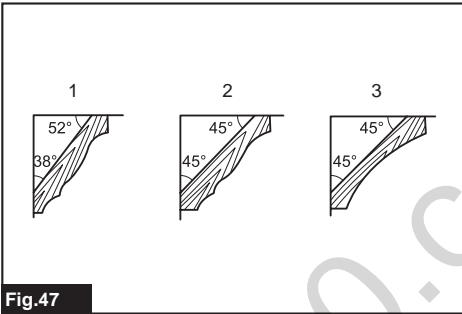


Fig.47

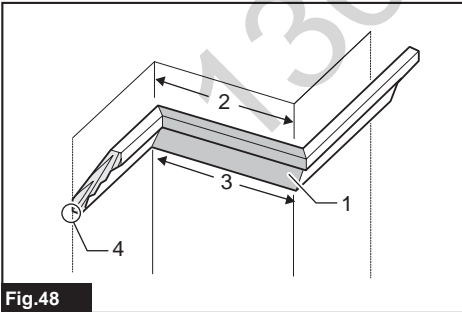


Fig.48

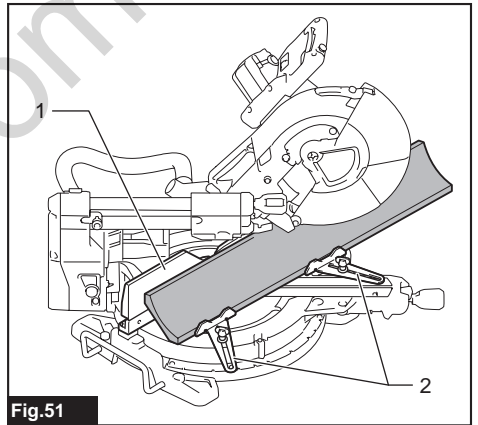


Fig.51

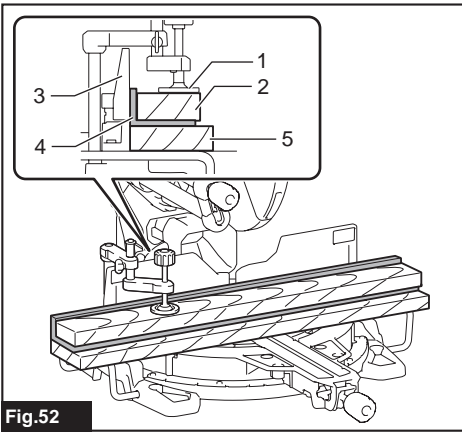


Fig.52

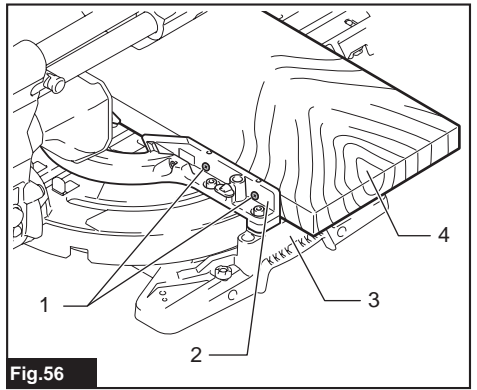


Fig.56

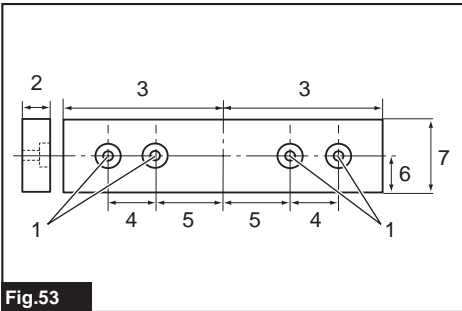


Fig.53

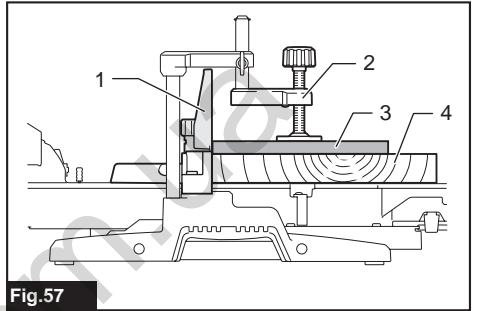


Fig.57

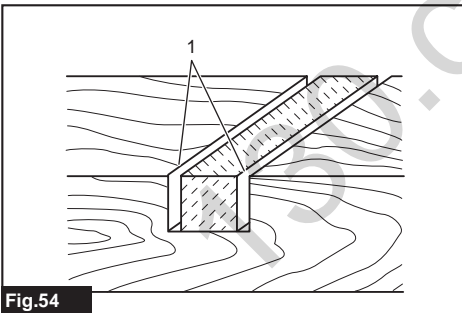


Fig.54

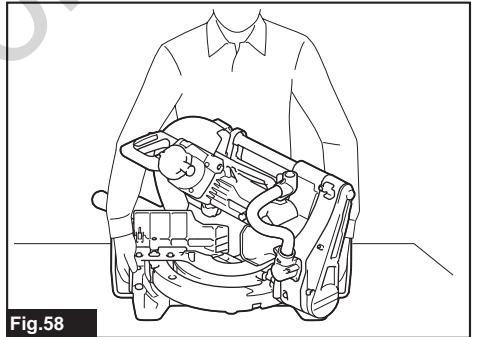


Fig.58

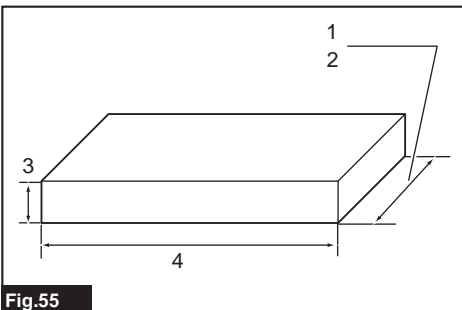


Fig.55

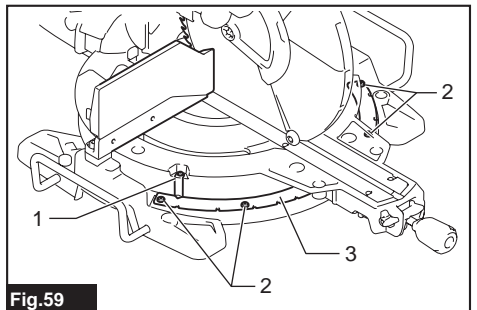
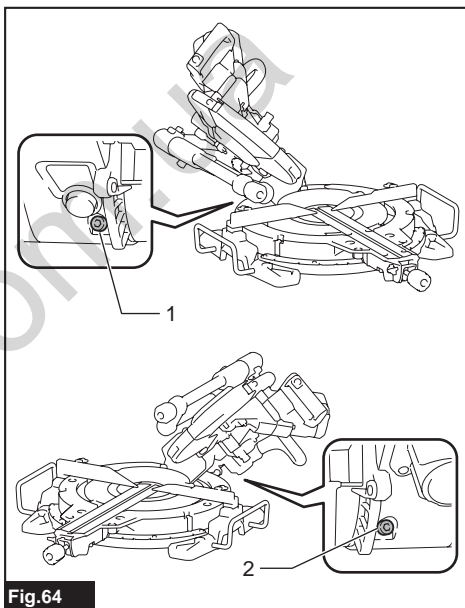
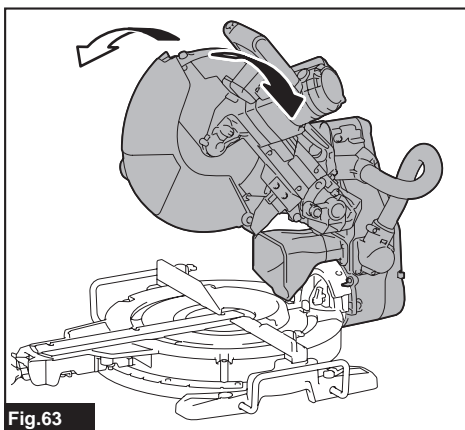
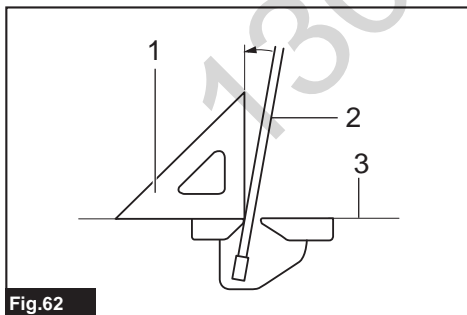
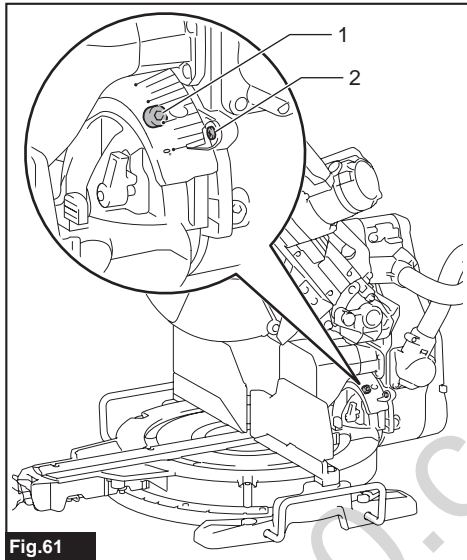
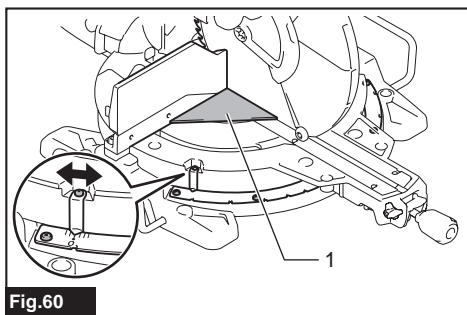


Fig.59



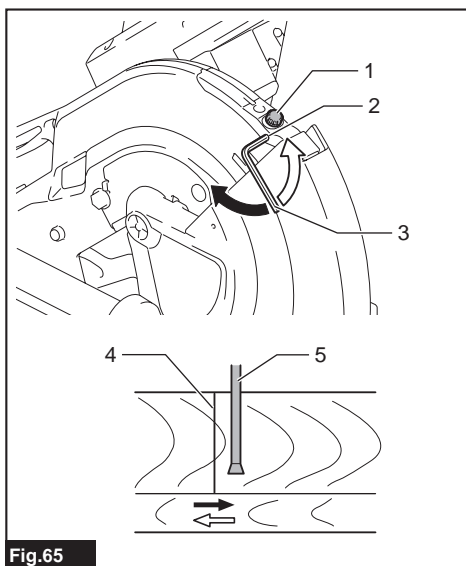


Fig.65

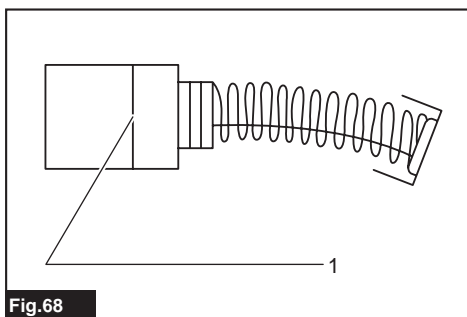


Fig.68

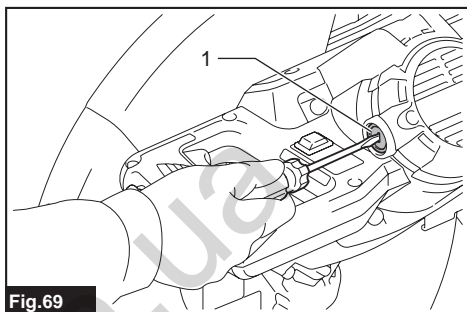


Fig.69

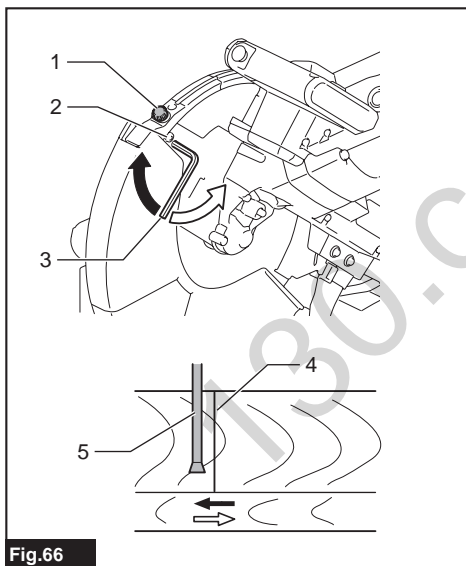


Fig.66

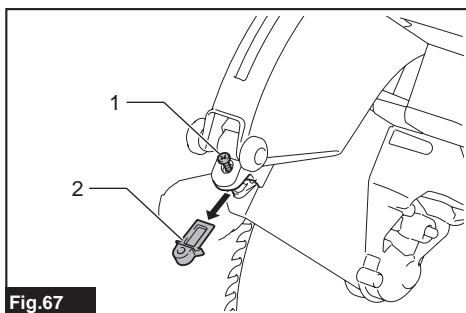


Fig.67

SPECIFICATIONS

Model:		LS1219	LS1219L
Blade diameter		305 mm	
Hole diameter	European countries	30 mm	
	Countries other than Europe	25.4 mm	
Max. kerf thickness of the saw blade		3.2 mm	
Max. miter angle		Right 60°, Left 60°	
Max. bevel angle		Right 48°, Left 48°	
No load speed (RPM)		3,200 min ⁻¹	
Laser type		-	Red Laser 650 nm, Maximum output < 1.6mW (Laser Class 2M)
Dimensions (L x W x H)		898 mm x 664 mm x 725 mm	
Net weight		29.3 kg	29.5 kg
Safety class		□/II	

Cutting capacities (H x W)

Miter angle			Bevel angle		
			45° (left)	0°	45° (right)
0°	-		61 mm x 382 mm 71 mm x 363mm	92 mm x 382 mm 107 mm x 363 mm	44 mm x 382 mm 54 mm x 363 mm
	Thickness of wood facing on guide fence for increased height of cut	20 mm	78 mm x 325 mm	115 mm x 325mm	61 mm x 325 mm
38 mm		80 mm x 292 mm	120 mm x 292 mm	-	
45° (right and left)	-		61 mm x 268 mm 71 mm x 255 mm	92 mm x 268 mm 107 mm x 255 mm	44 mm x 268 mm 54 mm x 255 mm
	Thickness of wood facing on guide fence for increased height of cut	15 mm	-	115 mm x 227 mm	-
25 mm		-	120 mm x 212 mm	-	
60° (right and left)	-		-	92 mm x 185 mm 107 mm x 178 mm	-
	Thickness of wood facing on guide fence for increased height of cut	15 mm	-	115 mm x 155 mm	-
25 mm		-	120 mm x 140 mm	-	

Cutting capacities for special cuttings

Type of cutting	Cutting capacity
Crown molding 45° type (with crown molding stopper used)	203 mm
Base board (with horizontal vise used)	171 mm

- Due to our continuing program of research and development, the specifications herein are subject to change without notice.
- Specifications may differ from country to country.
- Weight according to EPTA-Procedure 01/2014

Symbols

The following show the symbols used for the equipment. Be sure that you understand their meaning before use.



Read instruction manual.



DOUBLE INSULATION



To avoid injury from flying debris, keep holding the saw head down, after making cuts, until the blade has come to a complete stop.



When performing slide cut, first pull carriage fully and press down handle, then push carriage toward the guide fence.



Do not place hand or fingers close to the blade.



Never look into the laser beam. Direct laser beam may injure your eyes.



Only for EU countries
Do not dispose of electric equipment together with household waste material! In observance of the European Directive, on Waste Electric and Electronic Equipment and its implementation in accordance with national law, electric equipment that have reached the end of their life must be collected separately and returned to an environmentally compatible recycling facility.

Intended use

The tool is intended for accurate straight and miter cutting in wood. With appropriate saw blades, aluminum can also be sawed.

Power supply

The tool should be connected only to a power supply of the same voltage as indicated on the nameplate, and can only be operated on single-phase AC supply. They are double-insulated and can, therefore, also be used from sockets without earth wire.

Noise

The typical A-weighted noise level determined according to EN62841:

Model LS1219

Sound pressure level (L_{pA}): 91 dB(A)

Sound power level (L_{WA}): 100 dB (A)

Uncertainty (K): 3 dB(A)

Model LS1219L

Sound pressure level (L_{pA}): 91 dB(A)

Sound power level (L_{WA}): 100 dB (A)

Uncertainty (K): 3 dB(A)

WARNING: Wear ear protection.

Vibration

The vibration total value (tri-axial vector sum) determined according to EN62841:

Model LS1219

Vibration emission (a_h): 2.5 m/s² or less

Uncertainty (K): 1.5 m/s²

Model LS1219L

Vibration emission (a_h): 2.5 m/s² or less

Uncertainty (K): 1.5 m/s²

NOTE: The declared vibration emission value has been measured in accordance with the standard test method and may be used for comparing one tool with another.

NOTE: The declared vibration emission value may also be used in a preliminary assessment of exposure.

WARNING: The vibration emission during actual use of the power tool can differ from the declared emission value depending on the ways in which the tool is used.

WARNING: Be sure to identify safety measures to protect the operator that are based on an estimation of exposure in the actual conditions of use (taking account of all parts of the operating cycle such as the times when the tool is switched off and when it is running idle in addition to the trigger time).

EC Declaration of Conformity

For European countries only

The EC declaration of conformity is included as Annex A to this instruction manual.

SAFETY WARNINGS

General power tool safety warnings

WARNING: Read all safety warnings, instructions, illustrations and specifications provided with this power tool. Failure to follow all instructions listed below may result in electric shock, fire and/or serious injury.

Save all warnings and instructions for future reference.

The term "power tool" in the warnings refers to your mains-operated (corded) power tool or battery-operated (cordless) power tool.

Safety instructions for mitre saws

- Mitre saws are intended to cut wood or wood-like products, they cannot be used with abrasive cut-off wheels for cutting ferrous material such as bars, rods, studs, etc.** Abrasive dust causes moving parts such as the lower guard to jam. Sparks from abrasive cutting will burn the lower guard, the kerf insert and other plastic parts.
- Use clamps to support the workpiece whenever possible. If supporting the workpiece by hand, you must always keep your hand at least 100 mm from either side of the saw blade. Do not use this saw to cut pieces that are too small to be securely clamped or held by hand.** If your hand is placed too close to the saw blade, there is an increased risk of injury from blade contact.
- The workpiece must be stationary and clamped or held against both the fence and the table. Do not feed the workpiece into the blade or cut "freehand" in any way.** Unrestrained or moving workpieces could be thrown at high speeds, causing injury.

4. **Push the saw through the workpiece. Do not pull the saw through the workpiece. To make a cut, raise the saw head and pull it out over the workpiece without cutting, start the motor, press the saw head down and push the saw through the workpiece.** Cutting on the pull stroke is likely to cause the saw blade to climb on top of the workpiece and violently throw the blade assembly towards the operator.
 5. **Never cross your hand over the intended line of cutting either in front or behind the saw blade.** Supporting the workpiece "cross handed" i.e. holding the workpiece to the right of the saw blade with your left hand or vice versa is very dangerous.
- **Fig.1**
6. **Do not reach behind the fence with either hand closer than 100 mm from either side of the saw blade, to remove wood scraps, or for any other reason while the blade is spinning.** The proximity of the spinning saw blade to your hand may not be obvious and you may be seriously injured.
 7. **Inspect your workpiece before cutting. If the workpiece is bowed or warped, clamp it with the outside bowed face toward the fence. Always make certain that there is no gap between the workpiece, fence and table along the line of the cut.** Bent or warped workpieces can twist or shift and may cause binding on the spinning saw blade while cutting. There should be no nails or foreign objects in the workpiece.
 8. **Do not use the saw until the table is clear of all tools, wood scraps, etc., except for the workpiece.** Small debris or loose pieces of wood or other objects that contact the revolving blade can be thrown with high speed.
 9. **Cut only one workpiece at a time.** Stacked multiple workpieces cannot be adequately clamped or braced and may bind on the blade or shift during cutting.
 10. **Ensure the mitre saw is mounted or placed on a level, firm work surface before use.** A level and firm work surface reduces the risk of the mitre saw becoming unstable.
 11. **Plan your work. Every time you change the bevel or mitre angle setting, make sure the adjustable fence is set correctly to support the workpiece and will not interfere with the blade or the guarding system.** Without turning the tool "ON" and with no workpiece on the table, move the saw blade through a complete simulated cut to assure there will be no interference or danger of cutting the fence.
 12. **Provide adequate support such as table extensions, saw horses, etc. for a workpiece that is wider or longer than the table top.** Workpieces longer or wider than the mitre saw table can tip if not securely supported. If the cut-off piece or workpiece tips, it can lift the lower guard or be thrown by the spinning blade.
 13. **Do not use another person as a substitute for a table extension or as additional support.** Unstable support for the workpiece can cause the blade to bind or the workpiece to shift during the cutting operation pulling you and the helper into the spinning blade.
 14. **The cut-off piece must not be jammed or pressed by any means against the spinning saw blade.** If confined, i.e. using length stops, the cut-off piece could get wedged against the blade and thrown violently.
 15. **Always use a clamp or a fixture designed to properly support round material such as rods or tubing.** Rods have a tendency to roll while being cut, causing the blade to "bite" and pull the work with your hand into the blade.
 16. **Let the blade reach full speed before contacting the workpiece.** This will reduce the risk of the workpiece being thrown.
 17. **If the workpiece or blade becomes jammed, turn the mitre saw off. Wait for all moving parts to stop and disconnect the plug from the power source and/or remove the battery pack. Then work to free the jammed material.** Continued sawing with a jammed workpiece could cause loss of control or damage to the mitre saw.
 18. **After finishing the cut, release the switch, hold the saw head down and wait for the blade to stop before removing the cut-off piece.** Reaching with your hand near the coasting blade is dangerous.
 19. **Hold the handle firmly when making an incomplete cut or when releasing the switch before the saw head is completely in the down position.** The braking action of the saw may cause the saw head to be suddenly pulled downward, causing a risk of injury.
 20. **Only use the saw blade with the diameter that is marked on the tool or specified in the manual.** Use of an incorrectly sized blade may affect the proper guarding of the blade or guard operation which could result in serious personal injury.
 21. **Only use the saw blades that are marked with a speed equal or higher than the speed marked on the tool.**
 22. **Do not use the saw to cut other than wood, aluminum or similar materials.**
 23. **(For European countries only) Always use the blade which conforms to EN847-1.**
- Additional instructions**
1. **Make workshop kid proof with padlocks.**
 2. **Never stand on the tool.** Serious injury could occur if the tool is tipped or if the cutting tool is unintentionally contacted.
 3. **Never leave the tool running unattended. Turn the power off. Do not leave tool until it comes to a complete stop.**
 4. **Do not operate saw without guards in place. Check blade guard for proper closing before each use. Do not operate saw if blade guard does not move freely and close instantly. Never clamp or tie the blade guard into the open position.**
 5. **Keep hands out of path of saw blade. Avoid contact with any coasting blade. It can still cause severe injury.**
 6. **To reduce the risk of injury, return carriage to the full rear position after each crosscut operation.**

7. Always secure all moving portions before carrying the tool.
 8. Stopper pin which locks the cutter head down is for carrying and storage purposes only and not for any cutting operations.
 9. Check the blade carefully for cracks or damage before operation. Replace cracked or damaged blade immediately. Gum and wood pitch hardened on blades slows saw and increases potential for kickback. Keep blade clean by first removing it from tool, then cleaning it with gum and pitch remover, hot water or kerosene. Never use gasoline to clean blade.
 10. While making a slide cut, KICKBACK can occur. KICKBACK occurs when the blade binds in the workpiece during a cutting operation and the saw blade is driven rapidly towards the operator. Loss of control and serious personal injury can result. If blade begins to bind during a cutting operation, do not continue to cut and release switch immediately.
 11. Use only flanges specified for this tool.
 12. Be careful not to damage the arbor, flanges (especially the installing surface) or bolt. Damage to these parts could result in blade breakage.
 13. Make sure that the turn base is properly secured so it will not move during operation. Use the holes in the base to fasten the saw to a stable work platform or bench. NEVER use tool where operator positioning would be awkward.
 14. Make sure the shaft lock is released before the switch is turned on.
 15. Be sure that the blade does not contact the turn base in the lowest position.
 16. Hold the handle firmly. Be aware that the saw moves up or down slightly during start-up and stopping.
 17. Make sure the blade is not contacting the workpiece before the switch is turned on.
 18. Before using the tool on an actual workpiece, let it run for a while. Watch for vibration or wobbling that could indicate poor installation or a poorly balanced blade.
 19. Stop operation immediately if you notice anything abnormal.
 20. Do not attempt to lock the trigger in the "ON" position.
 21. Always use accessories recommended in this manual. Use of improper accessories such as abrasive wheels may cause an injury.
 22. Some material contains chemicals which may be toxic. Take caution to prevent dust inhalation and skin contact. Follow material supplier safety data.
- Additional safety rules for the laser**
1. LASER RADIATION, DO NOT STARE INTO THE BEAM OR VIEW DIRECTLY WITH OPTICAL INSTRUMENTS, CLASS 2M LASER PRODUCT.

SAVE THESE INSTRUCTIONS.

⚠ WARNING: DO NOT let comfort or familiarity with product (gained from repeated use) replace strict adherence to safety rules for the subject product. MISUSE or failure to follow the safety rules stated in this instruction manual may cause serious personal injury.

PARTS DESCRIPTION

► Fig.2

1	Slide pole	2	Stopper pin (for carriage sliding)	3	Vertical vise	4	Releasing button (for right side bevel angle)
5	Holder	6	Turn base	7	Pointer (for miter angle)	8	Miter angle scale
9	Kerf board	10	Blade case	11	Adjusting screw (for laser line)	12	Range adjustment screw (for laser line)
13	Blade guard	14	Knob (for bevel angle)	15	Hex wrench	16	Adjusting screw (for lower limit position)
17	Adjusting bolt (for maximum cutting capacity)	18	Stopper arm	19	Lock lever (for turn base)	20	Releasing lever (for turn base)
21	Grip (for turn base)	-	-	-	-	-	-

► Fig.3

1	Switch trigger	2	Lock-off button	3	Hole for padlock	4	Switch (for laser line)
5	Hose (for dust extraction)	6	Stopper pin (for carriage elevation)	7	Guide fence (lower fence)	8	Guide fence (upper fence)
9	Dust bag	10	0° adjusting bolt (for bevel angle)	11	Bevel angle scale	12	Releasing lever (for 48° bevel angle)
13	Latch lever (for bevel angle)	14	Pointer (for bevel angle)	15	45° adjusting bolt (for bevel angle)	-	-

INSTALLATION

Installing the grip

Screw the threaded shaft of the grip into the turn base.

► Fig.4: 1. Grip 2. Turn base

Installing the dust extraction hose

Connect the dust extraction hose to the tool as illustrated.

Make sure that the elbow and the sleeve fit properly to the ports of the tool.

► Fig.5: 1. Dust extraction hose 2. Elbow 3. Sleeve 4. Port

Bench mounting

When the tool is shipped, the handle is locked in the lowered position by the stopper pin. While lowering the handle slightly, pull the stopper pin and rotate it 90°.

► Fig.6: 1. Locked position 2. Unlocked position 3. Stopper pin

This tool should be bolted with four bolts to a level and stable surface using the bolt holes provided in the tool's base. This will help prevent tipping and possible injury.

► Fig.7: 1. Bolt

⚠ WARNING: Ensure that the tool will not move on the supporting surface. Movement of the miter saw on the supporting surface while cutting may result in loss of control and serious personal injury.

FUNCTIONAL DESCRIPTION

⚠ WARNING: Always be sure that the tool is switched off and unplugged before adjusting or checking function on the tool. Failure to switch off and unplug the tool may result in serious personal injury from accidental start-up.

Blade guard

► Fig.8: 1. Blade guard

When lowering the handle, the blade guard rises automatically. The guard is spring loaded so it returns to its original position when the cut is completed and the handle is raised.

⚠ WARNING: Never defeat or remove the blade guard or the spring which attaches to the guard. An exposed blade as a result of defeated guarding may result in serious personal injury during operation.

In the interest of your personal safety, always maintain the blade guard in good condition. Any irregular operation of the blade guard should be corrected immediately. Check to assure spring loaded return action of guard.

⚠ WARNING: Never use the tool if the blade guard or spring are damaged, faulty or removed. Operation of the tool with a damaged, faulty or removed guard may result in serious personal injury.

If the see-through blade guard becomes dirty, or saw-dust adheres to it in such a way that the blade and/or workpiece is no longer easily visible, unplug the saw and clean the guard carefully with a damp cloth. Do not use solvents or any petroleum-based cleaners on the plastic guard because this may cause damage to the guard.

If the blade guard is especially dirty and vision through the guard is impaired, unplug the tool and use the supplied wrench to loosen the hex bolt holding the center cover. Loosen the hex bolt by turning it counterclockwise and raise the blade guard and center cover. With the blade guard so positioned, cleaning can be more completely and efficiently accomplished. When cleaning is complete, reverse procedure above and secure bolt. Do not remove spring holding blade guard. If guard becomes discolored through age or UV light exposure, contact a Makita service center for a new guard. **DO NOT DEFEAT OR REMOVE GUARD.**

► Fig.9: 1. Center cover 2. Hex wrench 3. Blade guard

Kerf boards

This tool is provided with the kerf boards in the turn base to minimize tearing on the exit side of a cut. The kerf boards are factory adjusted so that the saw blade does not contact the kerf boards. Before use, adjust the kerf boards as follows:

► Fig.10: 1. Kerf board

► Fig.11: 1. Left bevel cut 2. Straight cut 3. Right bevel cut 4. Saw blade 5. Blade teeth 6. Kerf board

First, unplug the tool. Loosen all the screws (2 each on left and right) securing the kerf boards until the kerf boards can still be easily moved by hand. Lower the handle fully, then pull and turn the stopper pin to lock the handle in the lowered position. Release the stopper pin on the sliding pole and pull the carriage toward you fully. Adjust the kerf boards so that the kerf boards just contact the sides of the blade teeth. Tighten the front screws (do not tighten firmly). Push the carriage toward the guide fence fully and adjust the kerf boards so that the kerf boards just contact the sides of blade teeth. Tighten the rear screws (do not tighten firmly).

After adjusting the kerf boards, release the stopper pin and raise the handle. Then tighten all the screws securely.

NOTICE: After setting the bevel angle ensure that the kerf boards are adjusted properly. Correct adjustment of the kerf boards will help provide proper support of the workpiece minimizing workpiece tear out.

Maintaining maximum cutting capacity

This tool is factory adjusted to provide the maximum cutting capacity for a 305 mm saw blade.

When installing a new blade, always check the lower limit position of the blade and if necessary, adjust it as follows:

First, unplug the tool. Turn the stopper lever to engaged position.

► **Fig.12:** 1. Stopper lever

Push the carriage toward the guide fence fully and lower the handle completely.

Adjust the blade position by turning the adjusting bolt with the hex wrench. The periphery of the blade should extend slightly below the top surface of the turn base and also comes to the point where the front face of the guide fence meets the top surface of the turn base.

► **Fig.13:** 1. Adjusting bolt

► **Fig.14:** 1. Top surface of turn base 2. Periphery of blade 3. Guide fence

With the tool unplugged, rotate the blade by hand while holding the handle all the way down to be sure that the blade does not contact any part of the lower base. Re-adjust slightly, if necessary.

After adjustment, always return the stopper lever to the original position.

WARNING: After installing a new blade and with the tool unplugged, always be sure that the blade does not contact any part of the lower base when the handle is lowered completely. If a blade makes contact with the base it may cause kickback and result in serious personal injury.

Stopper arm

The lower limit position of the blade can be easily adjusted with the stopper arm. To adjust it, turn the stopper arm in the direction of the arrow as shown in the figure. Turn the adjusting screw so that the blade stops at the desired position when lowering the handle fully.

► **Fig.15:** 1. Stopper arm 2. Adjusting screw

Adjusting the miter angle

CAUTION: After changing the miter angle, always secure the turn base by tightening the grip firmly.

NOTICE: When turning the turn base, be sure to raise the handle fully.

► **Fig.16:** 1. Lock lever 2. Grip 3. Releasing lever 4. Pointer

Rotate the grip counterclockwise to unlock the turn base. Turn the grip while holding down the lock lever to move the turn base. Align the pointer with your desired angle on the scale then tighten the grip.

NOTE: If you depress the releasing lever, you can move the turn base without holding down the lock lever. Tighten the grip at your desired position.

This miter saw employs positive stop function. You can set 0°, 15°, 22.5°, 31.6°, 45°, and 60° right/left miter angle quickly. To use this function, move the turn base close to your desired positive stop angle while holding down the lock lever. Then release the lock lever and move the turn base forward until the turn base is locked.

Adjusting the bevel angle

NOTICE: Always remove the upper guide fences and vertical vise before adjusting the bevel angle.

NOTICE: When changing bevel angles, be sure to position the kerf boards appropriately as explained in the "Kerf boards" section.

NOTICE: When tilting the saw blade, be sure to raise the handle fully.

NOTICE: Do not tighten the knob too hard. Doing so may cause malfunction of the locking mechanism of the bevel angle.

1. Turn the knob on the slide pole counterclockwise.

► **Fig.17:** 1. Knob

2. Pull and turn the latch lever to the position as illustrated.

► **Fig.18:** 1. Latch lever

3. Match the pointer with your desired angle on the scale by moving the carriage then tighten the knob.

► **Fig.19:** 1. Bevel angle scale 2. Pointer

To tilt the carriage to the right, tilt the carriage to the left slightly and then tilt it to the right while pressing down the releasing button.

► **Fig.20:** 1. Releasing button

If you perform a bevel cut greater than 45°, move the carriage while sliding the releasing lever toward the front of the tool. You can perform up to 48° bevel cut.

► **Fig.21:** 1. Releasing lever

This miter saw employs positive stop function. You can set 22.5° and 33.9° angle to both right and left quickly. Set the latch lever in the position as illustrated and tilt the carriage. To change the angle, pull the latch lever and tilt the carriage.

► **Fig.22:** 1. Latch lever

CAUTION: After changing the bevel angle, always secure the knob.

Slide lock

To lock the sliding movement of the carriage, push the carriage toward the guide fence until it stops. Pull the stopper pin and rotate it 90°.

- **Fig.23:** 1. Unlocked position 2. Locked position
3. Stopper pin

Switch action

⚠ WARNING: Before plugging in the tool, always check to see that the switch trigger actuates properly and returns to the "OFF" position when released. Do not pull the switch trigger hard without pressing in the lock-off button. This can cause switch breakage. Operating a tool with a switch that does not actuate properly can lead to loss of control and serious personal injury.

⚠ WARNING: NEVER use tool without a fully operative switch trigger. Any tool with an inoperative switch is HIGHLY DANGEROUS and must be repaired before further usage or serious personal injury may occur.

⚠ WARNING: NEVER defeat the lock-off button by taping down or some other means. A switch with a negated lock-off button may result in unintentional operation and serious personal injury.

⚠ WARNING: NEVER use the tool if it runs when you simply pull the switch trigger without pressing the lock-off button. A switch in need of repair may result in unintentional operation and serious personal injury. Return tool to a Makita service center for proper repairs BEFORE further usage.

- **Fig.24:** 1. Switch trigger 2. Lock-off button 3. Hole for padlock

To prevent the switch trigger from being accidentally pulled, a lock-off button is provided. To start the tool, press in the lock-off button and pull the switch trigger. Release the switch trigger to stop. A hole is provided in the switch trigger for insertion of a padlock to lock the tool off.

⚠ WARNING: Do not use a lock with a shank or cable any smaller than 6.35 mm in diameter. A smaller shank or cable may not properly lock the tool in the off position and unintentional operation may occur resulting in serious personal injury.

Electronic function

Constant speed control

The tool is provided with an electronic speed control which helps maintain a constant blade rotation speed even under load. A constant blade rotation speed will result in a very smooth cut.

Soft start feature

This function allows the smooth start-up of the tool by limiting the start-up torque.

Laser beam action

For model LS1219L only

⚠ CAUTION: Never look into the laser beam. Direct laser beam may injure your eyes.

To turn on the laser beam, press the upper position (I) of the switch. To turn off the laser beam, press the lower position (0) of the switch.

- **Fig.25:** 1. Switch for laser

Laser line can be shifted to either the left or right side of the saw blade by turning the adjusting screw as follows.

- **Fig.26:** 1. Adjusting screw

1. Loosen the adjusting screw by turning it counterclockwise.
2. With the adjusting screw loosened, slide the adjusting screw to the right or left as far as it goes.
3. Tighten the adjusting screw firmly at the position where it stops sliding.

NOTE: Laser line is factory adjusted so that it is positioned within 1 mm from the side surface of the blade (cutting position).

NOTE: When laser line appears dim and hard to see because of direct sunlight, relocate the work area to a place where there is less direct sunlight.

Aligning the laser line

Align the cutting line on your workpiece with the laser line.

- **Fig.27**

A) When you want to obtain the correct size on the left side of workpiece, shift the laser line to the left of the blade.

B) When you want to obtain the correct size on the right side of workpiece, shift the laser line to the right of the blade.

NOTE: Use wood facing against the guide fence when aligning the cutting line with the laser line at the side of guide fence in compound cutting (bevel angle 45° and miter angle right 45°).

ASSEMBLY

⚠ WARNING: Always be sure that the tool is switched off and unplugged before working on the tool. Failure to switch off and unplug the tool may result in serious personal injury.

Hex wrench storage

When not in use, store the hex wrench as shown in the figure to keep it from being lost.

- **Fig.28:** 1. Hex wrench

Removing and installing saw blade

⚠ WARNING: Always be sure that the tool is switched off and unplugged before installing or removing the blade. Accidental start up of the tool may result in serious personal injury.

⚠ WARNING: Use only the Makita wrench provided to install or remove the blade. Failure to use the wrench may result in overtightening or insufficient tightening of the hex socket bolt and serious personal injury.

Always lock the carriage with raised position when removing and installing the blade. Pull the stopper pin and rotate it 90° with the carriage raised.

- **Fig.29:** 1. Unlocked position 2. Locked position 3. Stopper pin

Removing the blade

Loosen the hex bolt holding the center cover using the hex wrench. Raise the blade guard and center cover.

- **Fig.30:** 1. Center cover 2. Hex wrench 3. Blade guard

Press the shaft lock to lock the spindle and use the hex wrench to loosen the hex socket bolt. Then remove the hex socket bolt, outer flange and blade.

- **Fig.31:** 1. Shaft lock 2. Hex wrench 3. Hex socket bolt (left-handed) 4. Loosen 5. Tighten

Installing the blade

Mount the blade carefully onto the spindle, making sure that the direction of the arrow on the surface of the blade matches the direction of the arrow on the blade case.

- **Fig.32:** 1. Arrow on the blade case 2. Arrow on the blade

Install the outer flange and hex socket bolt. Tighten the hex socket bolt counterclockwise using the hex wrench while pressing the shaft lock.

- **Fig.33:** 1. Hex socket bolt 2. Outer flange 3. Saw blade 4. Inner flange 5. Spindle 6. Ring

NOTICE: If the inner flange is removed, be sure to install it on the spindle with its protrusion facing away from the blade. If the flange is installed incorrectly, the flange will rub against the machine.

Return the blade guard and center cover to its original position. Then tighten the hex bolt clockwise to secure the center cover. Unlock the stopper pin to release carriage from the raised position. Lower the handle to make sure that the blade guard moves properly. Make sure shaft lock has released spindle before making cut.

⚠ WARNING: Before mounting the blade onto the spindle, always be sure that the correct ring for the blade's arbor hole you intend to use is installed between the inner and the outer flanges. Use of the incorrect arbor hole ring may result in the improper mounting of the blade causing blade movement and severe vibration resulting in possible loss of control during operation and in serious personal injury.

Connecting a vacuum cleaner

When you wish to perform clean cutting operation, connect a Makita vacuum cleaner to the dust nozzle using a front cuff 24 (optional accessory).

- **Fig.34:** 1. Front cuff 24 2. Hose 3. Vacuum cleaner

Dust bag

The use of the dust bag makes cutting operations clean and dust collection easy. To attach the dust bag, remove the dust extraction hose on the tool and connect the dust bag.

- **Fig.35:** 1. Dust extraction hose 2. Dust bag

When the dust bag is about half full, remove the dust bag from the tool and pull the fastener out. Empty the dust bag of its contents, tapping it lightly so as to remove particles adhering to the insides which might hamper further collection.

- **Fig.36:** 1. Fastener

Securing workpiece

⚠ WARNING: It is extremely important to always secure the workpiece correctly with the proper type of vise or crown molding stoppers. Failure to do so may result in serious personal injury and cause damage to the tool and/or the workpiece.

⚠ WARNING: After a cutting operation do not raise the blade until it has come to a complete stop. The raising of a coasting blade may result in serious personal injury and damage to the workpiece.

⚠ WARNING: When cutting a workpiece that is longer than the support base of the saw, the material should be supported the entire length beyond the support base and at the same height to keep the material level. Proper workpiece support will help avoid blade pinch and possible kickback which may result in serious personal injury. Do not rely solely on the vertical vise and/or horizontal vise to secure the workpiece. Thin material tends to sag. Support workpiece over its entire length to avoid blade pinch and possible KICKBACK.

- **Fig.37:** 1. Support 2. Turn base

Guide fences

⚠ WARNING: Before operating the tool, make sure that the upper fence is secured firmly.

⚠ WARNING: Before bevel-cutting, make sure that no part of the tool, especially the blade, contacts the upper and lower fences when fully lowering and raising the handle in any position and while moving the carriage through its full range of travel. If the tool or blade makes contact with the fence this may result in kickback or unexpected movement of the material and serious personal injury.

Use upper fences to support the material higher than the lower fences. Insert the upper fence into the hole on the lower fence and tighten the clamping screw.

- **Fig.38:** 1. Upper fence 2. Lower fence 3. Clamping screw 4. Adjusting screw

NOTICE: The lower fences are fixed to the base in the factory. Do not remove the lower fences.

NOTICE: If the upper fence is still loose after tightening the clamping screw, turn the adjusting screw to close a gap. The adjusting screw is factory adjusted. You don't need to use it unless needed.

You can store the upper fences onto the holder when not in use. Use the clip on the upper fence to hold it on the holder.

- **Fig.39:** 1. Holder 2. Upper fence 3. Clip

Vertical vise

⚠ WARNING: The workpiece must be secured firmly against the turn base and guide fence with the vise during all operations. If the workpiece is not properly secured against the fence the material may move during the cutting operation causing possible damage to the blade, causing the material to be thrown and loss of control resulting in serious personal injury.

- **Fig.40:** 1. Vise arm 2. Vise rod 3. Clamping screw 4. Vise knob

The vertical vise can be installed in two positions on either the left or right side of the base. Insert the vise rod into the hole in the base.

Position the vise arm according to the thickness and shape of the workpiece and secure the vise arm by tightening the screw. If the clamping screw contacts the carriage, install it on the opposite side of vise arm.

Make sure that no part of the tool contacts the vise when lowering the handle all the way. If some part contacts the vise, re-position the vise.

Press the workpiece flat against the guide fence and the turn base. Position the workpiece at the desired cutting position and secure it firmly by tightening the vise knob.

NOTE: For a quick setting of workpiece, turning the vise knob to 90° counterclockwise allows the vise knob to be moved up and down. To secure the workpiece after setting, turn the vise knob clockwise.

Horizontal vise

Optional accessory

⚠ WARNING: Always rotate the vise nut clockwise until the workpiece is properly secured. If the workpiece is not properly secured the material may move during the cutting operation causing possible damage to the blade, causing the material to be thrown and loss of control resulting in serious personal injury.

⚠ WARNING: When cutting a thin workpiece, such as base boards, against the fence, always use the horizontal vise.

⚠ CAUTION: When cutting the workpiece of the thickness 20 mm or thinner, make sure to use a spacer block to secure the workpiece.

The horizontal vise can be installed in two positions on either the left or right side of the base. When performing 22.5° or greater miter cuts, install the horizontal vise on the side opposite the direction in which the turn base is to be turned.

- **Fig.41:** 1. Vise plate 2. Vise nut 3. Vise knob

By flipping the vise nut counterclockwise, the vise is released, and rapidly moves in and out. To grip the workpiece, push the vise knob forward until the vise plate contacts the workpiece and flip the vise nut clockwise. Then turn the vise knob clockwise to secure the workpiece.

NOTE: The maximum width of workpiece which can be secured by the horizontal vise is 228 mm.

Holders

⚠ WARNING: Always support a long workpiece so it is level with the top surface of the turn base for an accurate cut and to prevent dangerous loss of tool control. Proper workpiece support will help avoid blade pinch and possible kickback which may result in serious personal injury.

To hold long workpieces horizontally, holders are provided on both sides of the tool. Loosen the screws and extend the holders to the appropriate length for holding the workpiece. Then tighten the screws.

- **Fig.42:** 1. Holder 2. Screw

OPERATION

⚠ WARNING: Make sure the blade is not contacting the workpiece, etc. before the switch is turned on. Turning the tool on with the blade in contact with the workpiece may result in kickback and serious personal injury.

⚠ WARNING: After a cutting operation, do not raise the blade until it has come to a complete stop. The raising of a coasting blade may result in serious personal injury and damage to the workpiece.

⚠ WARNING: Do not perform any adjustment such as turning grip, knob, and levers on the tool while the blade is rotating. Adjustment while the blade is rotating may result in serious personal injury.

NOTICE: Before use, be sure to unlock the stopper pin and release the handle from the lowered position.

NOTICE: Do not apply excessive pressure on the handle when cutting. Too much force may result in overload of the motor and/or decreased cutting efficiency. Press down handle with only as much force as necessary for smooth cutting and without significant decrease in blade speed.

NOTICE: Gently press down the handle to perform the cut. If the handle is pressed down with force or if lateral force is applied, the blade may vibrate and leave a mark (saw mark) in the workpiece and the precision of the cut may be impaired.

NOTICE: During a slide cut, gently push the carriage toward the guide fence without stopping. If the carriage movement is stopped during the cut, a mark will be left in the workpiece and the precision of the cut will be impaired.

Press cutting

WARNING: Always lock the sliding movement of the carriage when performing a press cutting. Cutting without lock may cause possible kickback which may result in serious personal injury.

Workpieces up to 92 mm high and 183 mm wide can be cut in the following manner.

► **Fig.43:** 1. Stopper pin

1. Push the carriage toward the guide fence until it stops and lock it with the stopper pin.
2. Secure the workpiece with the proper type of vise.
3. Switch on the tool without the blade making any contact and wait until the blade attains full speed before lowering.
4. Gently lower the handle to the fully lowered position to cut the workpiece.
5. When the cut is completed, switch off the tool and wait until the blade has come to a complete stop before returning the blade to its fully elevated position.

Slide (push) cutting (cutting wide workpieces)

WARNING: Whenever performing a slide cut, first pull the carriage full towards you and press the handle all the way down, then push the carriage toward the guide fence. Never start the cut with the carriage not pulled fully toward you. If you perform the slide cut without the carriage pulled fully toward you unexpected kickback may occur and serious personal injury may result.

WARNING: Never attempt to perform a slide cut by pulling the carriage towards you. Pulling the carriage towards you while cutting may cause unexpected kickback resulting in possible serious personal injury.

WARNING: Never perform the slide cut with the handle locked in the lowered position.

► **Fig.44:** 1. Stopper pin

1. Unlock the stopper pin so that the carriage can slide freely.
2. Secure the workpiece with the proper type of vise.
3. Pull the carriage toward you fully.
4. Switch on the tool without the blade making any contact and wait until the blade attains full speed.
5. Press the handle down and push the carriage toward the guide fence and through the workpiece.
6. When the cut is completed, switch off the tool and wait until the blade has come to a complete stop before returning the blade to its fully elevated position.

Miter cutting

Refer to the previously covered "Adjusting the miter angle".

Bevel cut

WARNING: After setting the blade for a bevel cut, ensure that the carriage and blade will have free travel throughout the entire range of the intended cut before operating the tool. Interruption of the carriage or blade travel during the cutting operation may result in kickback and serious personal injury.

WARNING: While making a bevel cut keep hands out of the path of the blade. The angle of the blade may confuse the operator as to the actual blade path while cutting and contact with the blade will result in serious personal injury.

WARNING: The blade should not be raised until it has come to a complete stop. During a bevel cut the piece cut off may come to rest against the blade. If the blade is raised while it is rotating the cut-off piece maybe ejected by the blade causing the material to fragment which may result in serious personal injury.

NOTICE: When pressing down the handle, apply pressure in parallel with the blade. If a force is applied perpendicularly to the turn base or if the pressure direction is changed during a cut, the precision of the cut will be impaired.

► **Fig.45**

1. Remove the upper fence on the side that you are going to tilt the carriage.
2. Unlock the stopper pin.
3. Adjust the bevel angle according to the procedure explained in the "Adjusting the bevel angle" section. Then tighten the knob.
4. Secure the workpiece with a vise.
5. Pull the carriage toward you fully.
6. Switch on the tool without the blade making any contact and wait until the blade attains full speed.
7. Gently lower the handle to the fully lowered position while applying pressure in parallel with the blade and push the carriage toward the guide fence to cut the workpiece.
8. When the cut is completed, switch off the tool and wait until the blade has come to a complete stop before returning the blade to its fully elevated position.

Compound cutting

Compound cutting is the process in which a bevel angle is made at the same time in which a miter angle is being cut on a workpiece. Compound cutting can be performed at the angle shown in the table.

Miter angle	Bevel angle
Left and Right 0° - 45°	Left and Right 0° - 45°

When performing compound cutting, refer to "Press cutting", "Slide (push) cutting", "Miter cutting" and "Bevel cut" explanations

Cutting base boards

CAUTION: Make sure to use the horizontal vise (optional accessory) when cutting the base board.

CAUTION: When cutting the workpiece of the thickness 20 mm or thinner, make sure to use a spacer block to secure the workpiece.

When cutting the base board in 45° miter angle, engage the stopper lever to prevent the blade case from contacting the base board. This will keep the clearance between the base board and the blade case when the carriage is fully pushed forward. Refer to the SPECIFICATIONS for base board cutting capacity.

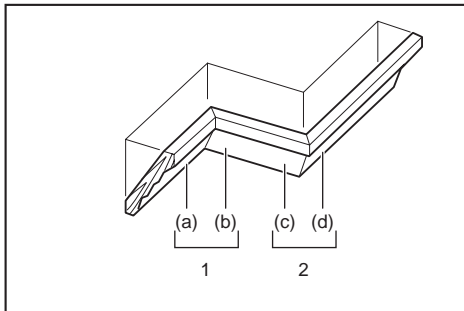
► **Fig.46:** 1. Stopper lever 2. Spacer block 3. Horizontal vise

Cutting crown and cove moldings

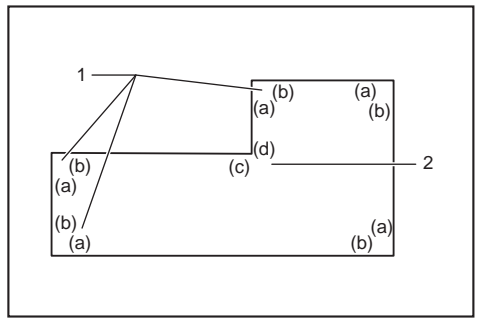
Crown and cove moldings can be cut on a compound miter saw with the moldings laid flat on the turn base. There are two common types of crown moldings and one type of cove moldings; 52/38° wall angle crown molding, 45° wall angle crown molding and 45° wall angle cove molding.

► **Fig.47:** 1. 52/38° type crown molding 2. 45° type crown molding 3. 45° type cove molding

There are crown and cove molding joints which are made to fit "Inside" 90° corners ((a) and (b) in the figure) and "Outside" 90° corners ((c) and (d) in the figure.)



1. Inside corner 2. Outside corner



1. Inside corner 2. Outside corner

Measuring

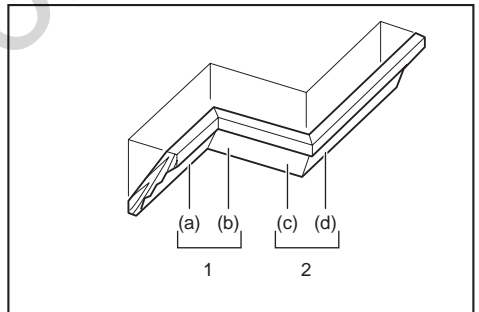
Measure the wall width, and adjust the width of the workpiece according to it. Always make sure that width of the workpiece's wall contact edge is the same as wall length.

► **Fig.48:** 1. Workpiece 2. Wall width 3. Width of the workpiece 4. Wall contact edge

Always use several pieces for test cuts to check the saw angles.

When cutting crown and cove moldings, set the bevel angle and miter angle as indicated in the table (A) and position the moldings on the top surface of the saw base as indicated in the table (B).

In the case of left bevel cut



1. Inside corner 2. Outside corner

Table (A)

-	Molding position in the figure	Bevel angle		Miter angle	
		52/38° type	45° type	52/38° type	45° type
For inside corner	(a)	Left 33.9°	Left 30°	Right 31.6°	Right 35.3°
	(b)			Left 31.6°	Left 35.3°
For outside corner	(c)			Right 31.6°	Right 35.3°
	(d)				

Table (B)

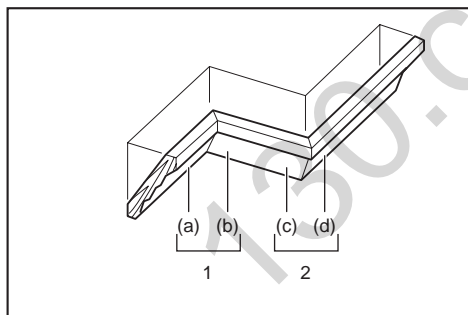
–	Molding position in the figure	Molding edge against guide fence	Finished piece
For inside corner	(a)	Ceiling contact edge should be against guide fence.	Finished piece will be on the Left side of blade.
	(b)	Wall contact edge should be against guide fence.	
For outside corner	(c)	Wall contact edge should be against guide fence.	Finished piece will be on the Right side of blade.
	(d)	Ceiling contact edge should be against guide fence.	

Example:

In the case of cutting 52/38° type crown molding for position (a) in the above figure:

- Tilt and secure bevel angle setting to 33.9° LEFT.
- Adjust and secure miter angle setting to 31.6° RIGHT.
- Lay crown molding with its broad back (hidden) surface down on the turn base with its CEILING CONTACT EDGE against the guide fence on the saw.
- The finished piece to be used will always be on the LEFT side of the blade after the cut has been made.

In the case of right bevel cut



1. Inside corner 2. Outside corner

Table (A)

–	Molding position in the figure	Bevel angle		Miter angle	
		52/38° type	45° type	52/38° type	45° type
For inside corner	(a)	Right 33.9°	Right 30°	Right 31.6°	Right 35.3°
	(b)			Left 31.6°	Left 35.3°
For outside corner	(c)			Right 31.6°	Right 35.3°
	(d)				

Table (B)

–	Molding position in the figure	Molding edge against guide fence	Finished piece
For inside corner	(a)	Wall contact edge should be against guide fence.	Finished piece will be on the Right side of blade.
	(b)	Ceiling contact edge should be against guide fence.	
For outside corner	(c)	Wall contact edge should be against guide fence.	Finished piece will be on the Left side of blade.
	(d)	Wall contact edge should be against guide fence.	

Example:

In the case of cutting 52/38° type crown molding for position (a) in the above figure:

- Tilt and secure bevel angle setting to 33.9° RIGHT.
- Adjust and secure miter angle setting to 31.6° RIGHT.
- Lay crown molding with its broad back (hidden) surface down on the turn base with its WALL CONTACT EDGE against the guide fence on the saw.
- The finished piece to be used will always be on the RIGHT side of the blade after the cut has been made.

Crown molding stopper

Optional accessory

Crown molding stoppers allow easier cuts of crown molding without tilting the saw blade. Install them on the turn base as shown in the figures.

At right 45° miter angle

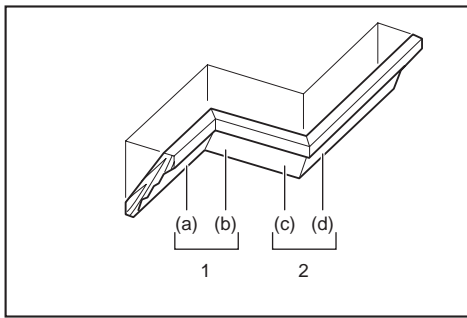
► **Fig.49:** 1. Crown molding stopper L 2. Crown molding stopper R 3. Turn base 4. Guide fence

At left 45° miter angle

► **Fig.50:** 1. Crown molding stopper L 2. Crown molding stopper R 3. Turn base 4. Guide fence

Position crown molding with its WALL CONTACT EDGE against the guide fence and its CEILING CONTACT EDGE against the crown molding stoppers as shown in the figure. Adjust the crown molding stoppers according to the size of the crown molding. Tighten the screws to secure the crown molding stoppers. Refer to the table (C) for the miter angle.

► **Fig.51:** 1. Guide fence 2. Crown molding stopper



1. Inside corner 2. Outside corner

Table (C)

–	Molding position in the figure	Miter angle	Finished piece
For inside corner	(a)	Right 45°	Save the right side of blade
	(b)	Left 45°	Save the left side of blade
For outside corner	(c)	Right 45°	Save the right side of blade
	(d)		Save the left side of blade

Cutting aluminum extrusion

► **Fig.52:** 1. Vise 2. Spacer block 3. Guide fence
4. Aluminum extrusion 5. Spacer block

When securing aluminum extrusions, use spacer blocks or pieces of scrap as shown in the figure to prevent deformation of the aluminum. Use a cutting lubricant when cutting the aluminum extrusion to prevent build-up of the aluminum material on the blade.

⚠ WARNING: Never attempt to cut thick or round aluminum extrusions. Thick or round aluminum extrusions can be difficult to secure and the work may loosen during the cutting operation which may result in loss of control and serious personal injury.

Wood facing

⚠ WARNING: Use screws to attach the wood facing to the guide fence. The screws should be installed so that the screw heads are below the surface of the wood facing so that they will not interfere with the positioning of the material being cut. Misalignment of the material being cut can cause unexpected movement during the cutting operation which may result in a loss of control and serious personal injury.

⚠ CAUTION: Use straight wood of even thickness for the wood facing.

⚠ CAUTION: In order to completely cut through workpieces with a height of 107 mm to 120 mm, a wood facing should be used on the guide fence. The wood facing will space the workpiece away from the fence allowing the blade to complete a deeper cut.

NOTICE: When the wood facing is attached, do not turn the turn base with the handle lowered. The blade and/or the wood facing will be damaged.

Use of wood facing helps to assure splinter-free cuts in workpieces. Attach a wood facing to the guide fence using the holes in the guide fence and 6 mm screws. See the figure concerning the dimensions for a suggested wood facing.

► **Fig.53:** 1. Hole 2. Over 15 mm 3. Over 270 mm
4. 90 mm 5. 145 mm 6. 19 mm 7. 115 - 120 mm

EXAMPLE When cutting workpieces 115 mm and 120 mm high, use a wood facing with the following thickness.

Miter angle	Thickness of wood facing	
	115 mm	120 mm
0°	20 mm	38 mm
Left and Right 45°	15 mm	25 mm
Left and Right 60°	15 mm	25 mm

Groove cutting

⚠ WARNING: Do not attempt to perform this type of cut by using a wider type blade or dado blade. Attempting to make a groove cut with a wider blade or dado blade could lead to unexpected cutting results and kickback which may result in serious personal injury.

⚠ WARNING: Be sure to return the stopper arm to the original position when performing other than groove cutting. Attempting to make cuts with the stopper arm in the incorrect position could lead to unexpected cutting results and kickback which may result in serious personal injury.

For a dado type cut, perform as follows:

- Adjust the lower limit position of the blade using the adjusting screw and the stopper arm to limit the cutting depth of the blade. Refer to "Stopper arm" section described on previously.
- After adjusting the lower limit position of the blade, cut parallel grooves across the width of the workpiece using a slide (push) cut.

► **Fig.54:** 1. Cut grooves with blade

- Remove the workpiece material between the grooves with a chisel.

Special Max Width Cutting Capacities Technique

The maximum width cutting capacity of this tool can be achieved by following the steps below:
For the maximum cutting width of this tool refer to the SPECIFICATIONS under "Cutting capacities for special cuttings".

1. Set the tool at 0° or 45° miter angle and make sure that the turn base is locked. (Refer to the section titled "Adjusting the miter angle".)
2. Remove both right and left upper fences temporarily and set aside.
3. Cut a platform to the dimensions indicated in the figure using a 38 mm thick, flat stock material such as wood, plywood or particle board.
► **Fig.55:** 1. 0° Miter angle: Over 450 mm 2. 45° Miter angle: Over 325 mm 3. 38 mm 4. Over 760 mm

⚠ WARNING: Be sure to use flat stock as a platform. Stock that is not flat may move during the cutting operation which may result in kickback and serious personal injury.

NOTE: The maximum cutting capacity in height will be reduced by the same amount as the platform thickness.

4. Place the platform on the tool so that it extends equally over each side of the tool base.
Secure the platform to the tool using four 6 mm wood screws through four holes in the lower fences.
► **Fig.56:** 1. Screws (two each side) 2. Lower fence 3. Base 4. Platform

⚠ WARNING: Make sure that the platform is laying flat against the tool base and secured firmly to the lower fences using the four screw holes provided. Failure to properly secure the platform may result in movement and possible kickback resulting in serious personal injury.

⚠ WARNING: Ensure that the tool is firmly mounted to a stable and flat surface. Failure to properly mount and secure the tool could cause the tool to be unstable resulting in a loss of control and/or the tool falling which may result in serious personal injury.

5. Install the upper fences on the tool.

⚠ WARNING: Do not use the tool without upper fences installed. The upper fences provide the adequate support required to cut the workpiece. If the workpiece is not supported properly, it may move resulting in possible loss of control, kickback and serious personal injury.

6. Place the workpiece to be cut on the platform secured to the tool.
7. Secure the workpiece firmly against the upper fences with a vise before cutting.
► **Fig.57:** 1. Upper fence 2. Vertical vise 3. Workpiece 4. Platform

8. Make a cut through the workpiece slowly according to the operation titled "Slide (push) cutting (cutting wide workpieces)."

⚠ WARNING: Ensure that the workpiece is secured with the vise and make the cut slowly. Failure to do so may cause the workpiece to move resulting in possible kickback and serious personal injury.

⚠ WARNING: Be aware that the platform may become weakened after several cuts are performed at various miter angles. If the platform becomes weakened due to the multiple kerf cuts left in the material, the platform should be replaced. If the weakened platform is not replaced, it may cause the workpiece to move, during cutting, resulting in possible kickback and serious personal injury.

Carrying tool

Before carrying, make sure to unplug and all movable parts of the miter saw are secured. Always check the following:

- The tool is unplugged.
- The carriage is at 0° bevel angle position and secured.
- The carriage is lowered and locked.
- The carriage is fully slid to the guide fence and locked.
- The turn base is at the full right miter angle position and secured.
- The holders are stored and secured.

Carry the tool by holding both sides of the tool base as shown in the figure.

- **Fig.58**

⚠ WARNING: Stopper pin for carriage elevation is for carrying and storage purposes only and not for any cutting operations. The use of the stopper pin for cutting operations may cause unexpected movement of the saw blade resulting in kickback and serious personal injury.

⚠ CAUTION: Always secure all moving portions before carrying the tool. If portions of the tool move or slide while being carried, loss of control or balance may occur and result in personal injury.

MAINTENANCE

⚠ WARNING: Always be sure that the tool is switched off and unplugged before attempting to perform inspection or maintenance. Failure to unplug and switch off the tool may result in accidental start up of the tool which may result in serious personal injury.

⚠ WARNING: Always be sure that the blade is sharp and clean for the best and safest performance. Attempting a cut with a dull and /or dirty blade may cause kickback and result in a serious personal injury.

NOTICE: Never use gasoline, benzine, thinner, alcohol or the like. Discoloration, deformation or cracks may result.

Adjusting the cutting angle

This tool is carefully adjusted and aligned at the factory, but rough handling may have affected the alignment. If your tool is not aligned properly, perform the following:

Miter angle

Lower the handle fully and lock it in the lowered position by the stopper pin. Push the carriage toward the guide fence. Loosen the grip and the screws which secure the pointer and miter angle scale.

► **Fig.59:** 1. Screw on pointer 2. Screws on miter angle scale 3. Miter scale

Set the turn base to the 0° position using the positive stop function. Square the side of the blade with the face of the guide fence using a triangular rule or try-square. While keeping the square, tighten the screws on the miter angle scale. After that, align the pointers (both right and left) with the 0° position in the miter angle scale and then tighten the screw on the pointer.

► **Fig.60:** 1. Triangular rule

Bevel angle

0° bevel angle

Push the carriage toward the guide fence and lock the sliding movement by the stopper pin. Lower the handle fully and lock it in the lowered position by the stopper pin and then loosen the knob. Turn the 0° adjusting bolt two or three revolutions counterclockwise to tilt the blade to the right.

► **Fig.61:** 1. 0° Adjusting bolt 2. Screw

Carefully square the side of the blade with the top surface of the turn base using the triangular rule, try-square, etc. by turning the 0° adjusting bolt clockwise. Then tighten the knob firmly to secure the 0° angle you have set.

► **Fig.62:** 1. Triangular rule 2. Saw blade 3. Top surface of turn base

Check if the side of the blade squares with the turn base surface once again. Loosen the screw on the pointer. Align the pointer with 0° position in the bevel angle scale and then tighten the screw.

45° bevel angle

NOTICE: Before adjusting the 45° bevel angle, finish 0° bevel angle adjustment.

Loosen the knob and fully tilt the carriage to the side that you want to check. Check if the pointer indicates the 45° position in the bevel angle scale.

► **Fig.63**

If the pointer does not indicate the 45° position, align it with 45° position by turning the adjusting bolt on the opposite side of the bevel angle scale.

► **Fig.64:** 1. Left 45° adjusting bolt 2. Right 45° adjusting bolt

Adjusting the laser line position

For model LS1219L only

WARNING: The tool must be plugged in while adjusting the laser line. Take extra care not to switch on the tool during adjustment. Accidental start up of the tool may result in serious personal injury.

CAUTION: Never look directly into the laser beam. Direct eye exposure to the beam could cause serious damage to your eyes.

NOTICE: Check the position of laser line regularly for accuracy.

NOTICE: Beware that impacts to the tool. It may cause the laser line to be misaligned or may cause damage to the laser, shortening its life.

NOTICE: Have the tool repaired by a Makita authorized service center for any failure on the laser unit.

The movable range of laser line is decided by the range adjustment screws on both sides. Perform following procedures to alter the laser line position.

1. Unplug the tool.
2. Draw a cutting line on the workpiece and place it on the turn base. At this time, do not secure the workpiece with a vise or similar securing device.
3. Lower the handle and align the cutting line with the saw blade.
4. Return the handle to the original position and secure the workpiece with the vertical vise so that the workpiece does not move from the position you have determined.
5. Plug in the tool and turn on the laser switch.
6. Loosen the adjusting screw. To move the laser line away from the blade, turn the range adjustment screws counterclockwise. To move the laser line close to the blade, turn the range adjustment screw clockwise.

Adjusting the laser line on the left side of the blade

► **Fig.65:** 1. Adjusting screw 2. Range adjustment screw 3. Hex wrench 4. Laser line 5. Saw blade

Adjusting the laser line on the right side of the blade

► **Fig.66:** 1. Adjusting screw 2. Range adjustment screw 3. Hex wrench 4. Laser line 5. Saw blade

7. Slide the adjusting screw to the position that the laser line comes onto the cutting line and then tighten.

NOTE: The movable range of laser line is factory adjusted within 1 mm from the side surface of blade.

Cleaning the laser light lens

For model LS1219L only

The laser light becomes hard to see as the lens for the laser light gets dirty. Clean the lens for laser light periodically.

► Fig.67: 1. Screw 2. Lens

Unplug the tool. Loosen the screw and pull out the lens. Clean the lens gently with a damp soft cloth.

NOTICE: Do not remove the screw which secures the lens. If the lens does not come out, loosen the screw further.

NOTICE: Do not use solvents or any petroleum-based cleaners on the lens.

Replacing carbon brushes

► Fig.68: 1. Limit mark

Remove and check the carbon brushes regularly. Replace when they wear down to the limit mark. Keep the carbon brushes clean and free to slip in the holders. Both carbon brushes should be replaced at the same time. Use only identical carbon brushes.

Use a screwdriver to remove the brush holder caps. Take out the worn carbon brushes, insert the new ones and secure the brush holder caps.

► Fig.69: 1. Brush holder cap

After replacing brushes, plug in the tool and break in brushes by running tool with no load for about 10 minutes. Then check the tool while running and electric brake operation when releasing the switch trigger. If the electric brake is not working correctly, have the tool repaired by a Makita service center.

After use

After use, wipe off chips and dust adhering to the tool with a cloth or the like. Keep the blade guard clean according to the directions in the previously covered section titled "Blade guard". Lubricate the sliding portions with machine oil to prevent rust.

To maintain product SAFETY and RELIABILITY, repairs, any other maintenance or adjustment should be performed by Makita Authorized or Factory Service Centers, always using Makita replacement parts.

OPTIONAL ACCESSORIES

⚠ WARNING: These Makita accessories or attachments are recommended for use with your Makita tool specified in this manual. The use of any other accessories or attachments may result in serious personal injury.

⚠ WARNING: Only use the Makita accessory or attachment for its stated purpose. Misuse of an accessory or attachment may result in serious personal injury.

If you need any assistance for more details regarding these accessories, ask your local Makita Service Center.

- Steel & Carbide-tipped saw blades
- Vertical vise
- Horizontal vise
- Crown molding stopper set
- Dust bag
- Triangular rule
- Hex wrench
- Hex wrench (for LS1219L)

NOTE: Some items in the list may be included in the tool package as standard accessories. They may differ from country to country.

DANE TECHNICZNE

Model:		LS1219	LS1219L
Średnica tarczy		305 mm	
Średnica otworu	Kraje europejskie	30 mm	
	Kraje spoza Europy	25,4 mm	
Maks. grubość nacięcia tarczy tnącej		3,2 mm	
Maks. kąt cięcia w poziomie		Prawy 60°, lewy 60°	
Maks. kąt cięcia w pionie		Prawy 48°, lewy 48°	
Prędkość bez obciążenia (obr./min)		3 200 min ⁻¹	
Typ lasera		-	Czerwony laser 650 nm, moc maksymalna < 1,6mW (klasa lasera 2M)
Wymiary (dług. x szer. x wys.)		898 mm x 664 mm x 725 mm	
Masa netto		29,3 kg	29,5 kg
Klasa bezpieczeństwa		□/II	

Wydajność cięcia (W x S)

Kąt cięcia w poziomie			Kąt cięcia w pionie		
			45° (lewy)	0°	45° (prawy)
0°	-	-	61 mm x 382 mm 71 mm x 363mm	92 mm x 382 mm 107 mm x 363 mm	44 mm x 382 mm 54 mm x 363 mm
	Grubość prowadnicy drewnianej na prowadnicy w celu zwiększenia wysokości cięcia	20 mm	78 x 325 mm	115 x 325mm	61 x 325 mm
		38 mm	80 x 292 mm	120 x 292 mm	-
45° (prawy i lewy)	-	-	61 mm x 268 mm 71 mm x 255 mm	92 mm x 268 mm 107 mm x 255 mm	44 mm x 268 mm 54 mm x 255 mm
	Grubość prowadnicy drewnianej na prowadnicy w celu zwiększenia wysokości cięcia	15 mm	-	115 x 227 mm	-
		25 mm	-	120 x 212 mm	-
60° (prawy i lewy)	-	-	-	92 mm x 185 mm 107 mm x 178 mm	-
	Grubość prowadnicy drewnianej na prowadnicy w celu zwiększenia wysokości cięcia	15 mm	-	115 x 155 mm	-
		25 mm	-	120 x 140 mm	-

Wydajność cięcia podczas prac specjalnych

Typ cięcia	Zakres cięcia
Profil wypukły typu 45° (z ogranicznikiem profilu wypukłego)	203 mm
Listwa przypodłogowa (z zaciskiem poziomym)	171 mm

- W związku ze stale prowadzonym przez naszą firmę programem badawczo-rozwojowym niniejsze dane mogą ulec zmianom bez wcześniejszego powiadomienia.
- Dane techniczne mogą różnić się w zależności od kraju.
- Ciężar podany zgodnie z procedurą EPTA 01/2014

Symbole

Poniżej pokazano symbole zastosowane na urządzeniu. Przed rozpoczęciem użytkowania należy zapoznać się z ich znaczeniem.



Przeczytać instrukcję obsługi.



PODWÓJNA IZOLACJA



Aby uniknąć obrażeń powodowanych odpryskami, nie należy podnosić głowicy tnącej po zakończeniu cięcia, aż do czasu całkowitego zatrzymania się tarczy.



Podczas cięcia z przesunięciem najpierw pociągnąć suport całkowicie do siebie i przycisnąć uchwyt w dół, a następnie popchnąć suport w stronę prowadnicy.



Dłonie i palce należy trzymać z dala od tarczy.



Nigdy nie patrz na wiązkę lasera. Patrzyenie bezpośrednio na wiązkę lasera może spowodować uszkodzenie wzroku.



Dotyczy tylko państw UE
Nie wyrzucać urządzeń elektrycznych wraz z odpadami z gospodarstwa domowego! Zgodnie z dyrektywą europejską w sprawie zużytego sprzętu elektrycznego i elektronicznego oraz dostosowaniem jej do prawa krajowego, zużyte urządzenia elektryczne należy składować osobno i przekazywać do zakładu recyklingu działającego zgodnie z przepisami dotyczącymi ochrony środowiska.

Przeznaczenie

Narzędzie jest przeznaczone do wykonywania przecywnych cięć prostych i ukośnych w drewnie. Przy użyciu odpowiednich tarcz tnących można również ciąć aluminium.

Zasilanie

Narzędzie wolno podłączać tylko do źródeł zasilania o napięciu zgodnym z napięciem podanym na tabliczce znamionowej. Można je zasilac wyłącznie jednofazowym prądem przemiennym. Narzędzie ma podwójną izolację, dlatego też można je zasilac z gniazda elektrycznego bez uziemienia.

Hałas

Typowy równoważny poziom dźwięku A określony w oparciu o normę EN62841:

Model LS1219

Poziom ciśnienia akustycznego (L_{pA}): 91 dB(A)

Poziom mocy akustycznej (L_{WA}): 100 dB (A)

Niepewność (K): 3 dB(A)

Model LS1219L

Poziom ciśnienia akustycznego (L_{pA}): 91 dB(A)

Poziom mocy akustycznej (L_{WA}): 100 dB (A)

Niepewność (K): 3 dB(A)

OSTRZEŻENIE: Nosić ochronniki słuchu.

Drgania

Całkowita wartość poziomu drgań (suma wektorów w 3 osiach) określona zgodnie z normą EN62841:

Model LS1219

Emisja drgań (a_{h1}): 2,5 m/s² lub mniej

Niepewność (K): 1,5 m/s²

Model LS1219L

Emisja drgań (a_{h1}): 2,5 m/s² lub mniej

Niepewność (K): 1,5 m/s²

WSKAZÓWKA: Deklarowana wartość wytwarzanych drgań została zmierzona zgodnie ze standardową metodą testową i można ją wykorzystać do porównywania narzędzi.

WSKAZÓWKA: Deklarowaną wartość wytwarzanych drgań można także wykorzystać we wstępnej ocenie narażenia.

OSTRZEŻENIE: Drgania wytwarzane podczas rzeczywistego użytkowania elektronarzędzia mogą się różnić od wartości deklarowanej, w zależności od sposobu jego użytkowania.

OSTRZEŻENIE: W oparciu o szacowane narażenie w rzeczywistych warunkach użytkowania należy określić środki bezpieczeństwa w celu ochrony operatora (uwzględniając wszystkie elementy cyklu działania, tj. czas, kiedy narzędzie jest wyłączone i kiedy pracuje na biegu jałowym, a także czas, kiedy jest włączone).

Deklaracja zgodności WE

Dotyczy tylko krajów europejskich

Deklaracja zgodności WE jest dołączona jako załącznik A do niniejszej instrukcji obsługi.

OSTRZEŻENIA DOTYCZĄCE BEZPIECZEŃSTWA

Ogólne zasady bezpiecznej eksploatacji elektronarzędzi

OSTRZEŻENIE: Należy zapoznać się z ostrzeżeniami dotyczącymi bezpieczeństwa, instrukcjami, ilustracjami i danymi technicznymi dołączonymi do tego elektronarzędzia. Niezastosowanie się do podanych poniżej instrukcji może prowadzić do porażenia prądem, pożaru i/lub poważnych obrażeń ciała.

Wszystkie ostrzeżenia i instrukcje należy zachować do wykorzystania w przyszłości.

Pojęcie „elektronarzędzie”, występujące w wymienionych tu ostrzeżeniach, odnosi się do elektronarzędzia zasilanego z sieci elektrycznej (z przewodem zasilającym) lub do elektronarzędzia akumulatorowego (bez przewodu zasilającego).

Instrukcje bezpieczeństwa dotyczące ukońnic

1. **Ukońnice są przeznaczone do cięcia drewna i produktów drewnianych. Nie należy ich stosować z tarczami ściernymi do cięcia materiałów żelaznych, takich jak listwy, pręty czy słupki.** Pył ścierny może spowodować zablokowanie ruchomych części, takich jak osłona dolna. Iskry powstające podczas cięcia ciernego powodują nagrzewanie osłony dolnej, wkładki nacięcia i innych części plastikowych.
 2. **Jeśli to możliwe, stosuj zaciski do zamocowania obrabianego elementu. W przypadku podtrzymywania obrabianego elementu ręką nie zbliżaj ręki na odległość poniżej 100 mm z żadnej strony tarczy tnącej. Nie używaj narzędzia do cięcia elementów, które są zbyt małe, aby można je było prawidłowo zamocować lub trzymać ręcznie.** Zbytnie zbliżenie ręki do tarczy tnącej zwiększa ryzyko obrażeń wynikających z dotknięcia tarczy.
 3. **Obrabiany element musi być nieruchomy i zaciśnięty lub dociskany ręcznie do przewodnicy oraz stołu. Nie dosuwaj obrabianego elementu do tarczy ani nie tnij go, trzymając swobodnie w rękach.** Obrabiane elementy, które nie są unieruchomione, mogą zostać wyrzucone ze znaczną prędkością i spowodować obrażenia.
 4. **Przesuwaj narzędzie po obrabianym elemencie. Nie ciągnij narzędzia po obrabianym elemencie. Aby wykonać cięcie, podnieś głowicę narzędzia i przeciągnij ją po obrabianym elemencie bez cięcia, uruchom silnik, dociśnij głowicę narzędzia, a następnie przesuwaj narzędzie po obrabianym elemencie.** Cięcie podczas ruchu wstecznego narzędzia może spowodować uniesienie tarczy tnącej na obrabianym elemencie oraz nagłe wyrzucenie zespołu tarczy w kierunku operatora.
 5. **Nigdy nie krzyżuj ręki z wyznaczoną linią cięcia przed ani za tarczą tnącą.** Podpieranie obrabianego elementu „na krzyż”, czyli trzymanie go lewą ręką po prawej stronie tarczy tnącej lub na odwrót, jest bardzo niebezpieczne.
- Rys.1
6. **Podczas obrotów tarczy tnącej nie sięgaj ręką za przewodnicę na odległość mniejszą niż 100 mm po dowolnej stronie tarczy w celu usunięcia odpadków drewna ani z żadnych innych powodów.** Zbliżanie obracającej się tarczy tnącej do ręki może nie być wystarczająco widoczne, a przez to może doprowadzić do poważnych obrażeń.
 7. **Sprawdź obrabiany element przed cięciem. Jeśli obrabiany element jest wygięty lub wypaczony, zaciśnij go powierzchnią po zewnętrznej stronie do przewodnicy. Zawsze upewnij się, że nie ma szczeliny pomiędzy obrabianym elementem, przewodnicą i stołem wzdłuż linii cięcia.** Wygięte lub wypaczone obrabiane elementy mogą obrócić się lub przesunąć, powodując zablokowanie obracającej się tarczy tnącej podczas cięcia. W obrabianym elemencie nie powinno być gwoździ ani żadnych innych ciał obcych.
 8. **Nie używaj ukońnicy, zanim cały stół nie zostanie uprzątnięty z narzędzi, kawałków drewna itp. Na stole może znajdować się wyłącznie obrabiany element.** Niewielkie pozostałości, luźne skrawki drewna lub inne objekty po zetknięciu z obracającą się tarczą mogą zostać wyrzucone z dużą prędkością.
 9. **Tnij tylko jeden obrabiany element naraz.** Układanie w stosy wielu obrabianych elementów uniemożliwia ich odpowiednie zaciśnięcie i może powodować blokowanie tarczy lub ruchu narzędzia podczas cięcia.
 10. **Przed rozpoczęciem pracy upewnij się, że ukońnica jest zamontowana lub umieszczona na poziomej i stabilnej powierzchni roboczej.** Pozioma i stabilna powierzchnia robocza zmniejsza ryzyko niestabilności ukońnicy.
 11. **Zaplanuj pracę. Po każdej zmianie kąta cięcia w pionie lub w poziomie upewnij się, że regulowana prowadnica jest prawidłowo ustawiona względem obrabianego elementu i nie będzie kolidowała z tarczą ani systemem osłon.** Przed włączeniem narzędzia i umieszczeniem obrabianego elementu na stole przesuń tarczę tnącą wzdłuż całej linii planowanego cięcia, aby upewnić się, że nie dojdzie do kolizji ani do zagrożenia przecięcia przewodnicy.
 12. **W przypadku obrabianego elementu, którego szerokość lub długość przekracza szerokość lub długość powierzchni stołu, zapewnij odpowiednie podparcie, takie jak przedłużenie stołu lub podpory do cięcia drewna.** Obrabiane elementy o szerokości lub długości przekraczającej analogiczny wymiar stołu ukońnicy mogą upaść, jeśli nie będą prawidłowo podtrzymywane. Jeśli odcięty fragment lub obrabiany element upadnie, może spowodować uniesienie osłony dolnej lub zostać wyrzucony przez obracającą się tarczę.
 13. **Nigdy nie prosź innych osób o podtrzymanie obrabianego elementu.** Niestabilne podparcie obrabianego elementu może doprowadzić do zablokowania tarczy lub ruchu obrabianego elementu podczas cięcia, co z kolei może spowodować pociągnięcie operatora i pomocnika w kierunku obracającej się tarczy.
 14. **Odciętego fragmentu nie należy blokować ani dociskać w jakikolwiek sposób do obracającej się tarczy tnącej.** W przypadku ograniczonej przestrzeni, np. podczas korzystania z ograniczników długości, odcięty fragment może zostać dociśnięty do tarczy i gwałtownie wyrzucony.
 15. **W celu prawidłowego podparcia okrągłych materiałów, takich jak pręty lub rury, należy zawsze używać odpowiednich zacisków lub mocowań.** Pręty podczas cięcia mają tendencję do obracania się, powodując „chwytanie” przez tarczę i pociąganie rąk operatora w kierunku tarczy.
 16. **Przed kontaktem tarczy z obrabianym elementem poczekaj, aż tarcza osiągnie maksymalną prędkość.** Pozwoli to ograniczyć ryzyko wyrzucenia obrabianego elementu.
 17. **W przypadku zablokowania obrabianego elementu lub tarczy wyłącz ukońnicę. Poczekaj, aż zatrzymają się wszystkie ruchome części, po czym odłącz wtyk od źródła zasilania i/lub wymij akumulator. Następnie uwolnij zablokowany materiał.** Kontynuowanie pracy przy zacięciu obrabianego elementu może spowodować utratę kontroli nad ukońnicą lub doprowadzić do jej uszkodzenia.

18. Po zakończeniu cięcia zwołnij przełącznik, przytrzymaj głowicę narzędzia skierowaną w dół i przed zdjęciem przeciętego elementu poczekaj na całkowite zatrzymanie tarczy. Zbliżanie rąk do obracającej się z rozpędu tarczy może być niebezpieczne.
19. W przypadku wykonywania niepełnego cięcia lub zwolnienia przełącznika przed całkowitym opuszczeniem głowicy narzędzia trzymaj pewnie uchwyt. Funkcja hamulca narzędzia może spowodować nagłe pociągnięcie głowicy narzędzia do dołu, co grozi obrażeniami ciała.
20. Używać wyłącznie tarcz tnących o średnicy oznaczonej na narzędziu lub określonej w instrukcji. Korzystanie z tarczy o nieodpowiednim rozmiarze może uniemożliwić prawidłowe zabezpieczenie tarczy lub zakłócić działanie osłony, co może skutkować odniesieniem poważnych obrażeń ciała.
21. Stosować wyłącznie tarcze tnące z oznaczeniem prędkości równej lub wyższej niż wartość prędkości oznaczonej na narzędziu.
22. Nie używaj narzędzia do cięcia materiałów innych niż aluminium, drewno lub do nich podobnych.
23. (Dotyczy tylko krajów europejskich). Zawsze używaj tarczy zgodnej z normą EN847-1.
10. Podczas cięcia z przesuwaniem może dojść do ODRZUTU. Jeśli podczas operacji cięcia tarcza tnąca zablokuje się w obrabianym elemencie, może dojść do ODRZUTU i gwałtownego ruchu tarczy w kierunku operatora. Może to spowodować utratę kontroli i poważne obrażenia ciała. Jeśli podczas operacji cięcia tarcza zaczyna się blokować, nie kontynuuj cięcia, lecz natychmiast zwołnij przełącznik.
11. Używaj wyłącznie kołnierzy przeznaczonych do tego narzędzia.
12. Uważaj, aby nie uszkodzić wałka, kołnierzy (szczególnie powierzchni mocujących) ani śruby. Uszkodzenie tych części może być przyczyną pęknięcia tarczy.
13. Upewnij się, że podstawa obrotowa jest dobrze przymocowana i nie będzie się przesuwać podczas pracy. W celu zamocowania narzędzia do stabilnej powierzchni roboczej lub stołu warsztatowego użyj otworów w podstawie. NIGDY nie używaj narzędzia, jeśli nie jest możliwe przybranie bezpiecznej i ergonomicznej postawy.
14. Przed włączeniem narzędzia upewnij się, że została zwolniona blokada wałka.
15. Upewnij się, że tarcza w swojej najniższej pozycji nie dotyka podstawy obrotowej.
16. Trzymaj silnie uchwyt. Pamiętaj, że narzędzie przesuwa się nieznacznie w górę lub w dół na początku i na końcu cięcia.
17. Przed włączeniem narzędzia za pomocą przełącznika upewnij się, że tarcza nie dotyka obrabianego elementu.
18. Przed rozpoczęciem obróbki elementu pozwól, aby narzędzie pracowało przez chwilę bez obciążenia. Zwracaj uwagę na ewentualne wibracje lub bicie osiowe, co może wskazywać na nieprawidłowe zamocowanie lub niedokładne wyważenie tarczy.
19. W przypadku zauważenia jakiegokolwiek nieprawidłowości natychmiast przerwij pracę.
20. Nie próbuj blokować spustu w pozycji „ON” (WŁ.).
21. Zawsze używaj akcesoriów zalecanych w niniejszej instrukcji obsługi. Używanie niewłaściwych akcesoriów, np. tarczy ściernych, może być przyczyną obrażeń ciała.
22. Niektóre materiały zawierają substancje chemiczne, które mogą być toksyczne. Unikaj wdychania pyłu i jego kontaktu ze skórą. Przestrzegaj przepisów bezpieczeństwa podanych przez dostawcę materiałów.

Dodatkowe instrukcje

1. Zabezpiecz warsztat przed dostępem dzieci przy użyciu klódek.
2. Nigdy nie stawaj na narzędziu. Przewrócenie narzędzia lub przypadkowy kontakt z narzędziem tnącym może spowodować poważne obrażenia.
3. Nigdy nie pozostawiaj włączonego narzędzia bez nadzoru. Wyłącz zasilanie. Nie pozostawiaj narzędzia, zanim całkowicie się nie zatrzyma.
4. Nie uruchamiaj narzędzia bez założonych osłon. Przed każdym użyciem narzędzia sprawdź, czy prawidłowo zamyka się osłona. Nie uruchamiaj narzędzia, jeśli osłona nie przesuwa się swobodnie i zamyka się z opóźnieniem. W żadnym wypadku nie przywiązuj osłony tarczy ani w inny sposób jej nie unieruchamiaj w pozycji otwartej.
5. Nie zbliżaj rąk do linii ruchu tarczy tnącej. Nie dotykaj obracającej się z rozpędu tarczy. Grozi to w dalszym ciągu poważnymi obrażeniami ciała.
6. Aby zmniejszyć ryzyko obrażeń, po każdej operacji cięcia poprzecznego ustawiaj suport w skrajnym położeniu tylnym.
7. Przed przeniesieniem narzędzia zablokuj wszystkie jego ruchome elementy.
8. Kółek oporowy blokujący głowicę tnącą w położeniu opuszczonym ma zastosowanie wyłącznie przy przenoszeniu lub przechowywaniu urządzenia, nigdy podczas cięcia.
9. Przed przystąpieniem do pracy sprawdź dokładnie tarczę pod kątem ewentualnych pęknięć lub uszkodzeń. Pękniętą lub uszkodzoną tarczę należy niezwłocznie wymienić. Stwardniała żywica i smoła drzewna na tarczach spowalnia ruch obrotowy narzędzia i zwiększa ryzyko odrzutu. Tarcza powinna być zawsze czysta. W celu oczyszczenia tarczy najpierw zdejmij ją z narzędzia, a następnie oczyść zmywaczem do żywicy i smoły, gorącą wodą lub naftą. Do czyszczenia tarczy nigdy nie używaj benzyny.
10. Dodatkowe zasady bezpieczeństwa dotyczące lasera
 1. PROMIENIOWANIE LASEROWE. NIE WPATYWAJ SIĘ W WIĄZKĘ I NIE OGLĄDAĆ JEJ BEZPOŚREDNIO PRZY UŻYCIU PRZYRZĄDÓW OPTYCZNYCH. URZĄDZENIE LASEROWE KLASY 2M.

**ZACHOWAĆ NINIEJSZĄ
INSTRUKCJĘ.**

⚠ OSTRZEŻENIE: NIE WOLNO pozwolić, aby wygodą lub rutyna (nabyta w wyniku wielokrotnego używania urządzenia) zastąpiły ściśle przestrzeganie zasad bezpieczeństwa obsługi. **NIEWŁAŚCIWE UŻYTKOWANIE** narzędzia lub niestosowanie się do zasad bezpieczeństwa podanych w niniejszej instrukcji obsługi może prowadzić do poważnych obrażeń ciała.

OPIS CZĘŚCI

► Rys.2

1	Szyna ślizgowa	2	Kotek oporowy (do przesuwania suportu)	3	Zacisk pionowy	4	Przycisk zwalnający (do regulacji kąta cięcia w pionie po prawej stronie)
5	Uchwyt	6	Podstawa obrotowa	7	Wskaźnik (kąta cięcia w poziomie)	8	Podziałka kąta cięcia w poziomie
9	Płyta nacięcia	10	Obudowa tarczy	11	Śruba regulacyjna (linii lasera)	12	Śruba regulacji zasięgu (linii lasera)
13	Oslona tarczy	14	Pokrętło (kąta cięcia w pionie)	15	Klucz imbusowy	16	Śruba regulacyjna (dolnej pozycji granicznej)
17	Śruba regulacyjna (maksymalnego zakresu cięcia)	18	Ramię ogranicznika	19	Dźwignia blokady (podstawy obrotowej)	20	Dźwignia zwalnająca (podstawy obrotowej)
21	Rękojeść (podstawy obrotowej)	-	-	-	-	-	-

► Rys.3

1	Spust przełącznika	2	Przycisk blokady	3	Otwór na kłódkę	4	Przełącznik (linii lasera)
5	Wąż (do odsysania pyłu)	6	Kotek oporowy (do podnoszenia suportu)	7	Prowadnica (dolna)	8	Prowadnica (górna)
9	Worek na pył	10	Śruba regulacyjna kąta 0° (dla cięcia w pionie)	11	Podziałka kąta cięcia w pionie	12	Dźwignia zwalnająca (dla kąta cięcia w pionie 48°)
13	Dźwignia zatrasku (dla kąta cięcia w pionie)	14	Wskaźnik (kąta cięcia w pionie)	15	Śruba regulacyjna kąta 45° (dla cięcia w pionie)	-	-

INSTALACJA

Montaż rękojeści

Wkręć gwintowany wałek rękojeści do podstawy obrotowej.

► **Rys.4:** 1. Rękojeść 2. Podstawa obrotowa

Montaż węża do odsysania pyłu

Podłącz wąż do odsysania pyłu do narzędzia w sposób przedstawiony na rysunku.

Upewnij się, że kolanko i tuleja są prawidłowo połączone z przyłączami narzędzia.

► **Rys.5:** 1. Wąż do odsysania pyłu 2. Kolanko 3. Tuleja 4. Przyłącze

Mocowanie do stołu roboczego

W przypadku nowego narzędzia uchwyt jest zablokowany w dolnej pozycji za pomocą kołka oporowego. Lekko opuszczając uchwyt, pociągnij kotek oporowy i obróć go o 90°.

► **Rys.6:** 1. Pozycja zablokowana 2. Pozycja odblokowania 3. Kotek oporowy

Narzędzie należy przykręcić czterema śrubami do poziomej i stabilnej powierzchni, wykorzystując otwory w jego podstawie. W ten sposób można uniknąć przewrócenia się narzędzia i ewentualnych obrażeń ciała.

► **Rys.7:** 1. Śruba

⚠ OSTRZEŻENIE: Upewnij się, że narzędzie nie będzie się poruszało po powierzchni, na której zostało umieszczone. Przemieszczenie się ukończone po powierzchni podczas pracy może spowodować utratę kontroli i poważne obrażenia ciała.

OPIS DZIAŁANIA

⚠ OSTRZEŻENIE: Przed rozpoczęciem regulacji lub sprawdzeniem działania upewnij się, że jest ono wyłączone i odłączone od zasilania. Jeśli narzędzie nie będzie wyłączone i odłączone od zasilania, może dojść do jego przypadkowego uruchomienia, co grozi poważnymi obrażeniami ciała.

Oslona tarczy

► **Rys.8:** 1. Oslona tarczy

Podczas opuszczania uchwytu osłona tarczy podnosi się automatycznie. Oslona jest wyposażona w sprężynę, dzięki czemu po zakończeniu cięcia i podniesieniu uchwytu wraca do pierwotnej pozycji.

⚠ OSTRZEŻENIE: Nie należy modyfikować ani zdejmować osłony tarczy i sprężyny mocującej osłonę. Odsłonięta w wyniku modyfikacji tarczy może spowodować poważne obrażenia ciała podczas użytkowania.

Ze względów bezpieczeństwa osłona tarczy musi być zawsze w dobrym stanie. Jakikolwiek nieprawidłowości w jej działaniu należy natychmiast usuwać. Upewnij się, że sprężynowy mechanizm powrotny osłony działa prawidłowo.

⚠ OSTRZEŻENIE: Nie wolno użytkować narzędzia, jeśli osłona tarczy lub sprężyna są uszkodzone, niesprawne lub zdemontowane. Użytkowanie narzędzia z uszkodzoną, niesprawną lub zdemontowaną osłoną może spowodować poważne obrażenia ciała.

Jeśli przezroczysta osłona tarczy zabrudzi się albo pokryje pyłem w takim stopniu, że tarcza i/lub obrabiany element nie będą dobrze widoczne, należy odłączyć narzędzie i starannie wyczyścić osłonę wilgotną ściereczką. Nie należy stosować rozpuszczalników ani środków czyszczących na bazie benzyny, ponieważ może to spowodować uszkodzenie plastikowej osłony.

Jeśli osłona tarczy jest silnie zabrudzona, co pogarsza widoczność, odłącz narzędzie od zasilania i poluzuj dostarczony kluczem śrubę imbusową mocującą osłonę środkową. Odkręć śrubę imbusową w lewo, a następnie podnieś osłonę tarczy i osłonę środkową. Taka pozycja osłony tarczy pozwala na jej dokładniejsze i sprawniejsze wyczyszczenie. Po zakończeniu czyszczenia wykonaj powyższą procedurę w odwrotnej kolejności i dokręć śrubę. Nie należy wymontowywać sprężyny przytrzymującej osłonę tarczy. Jeśli osłona się przebarwi pod wpływem promieniowania UV lub po dłuższym czasie użytkowania, skontaktuj się z punktem serwisowym firmy Makita w celu zamówienia nowej. OSŁONY NIE WOLNO BLOKOWAĆ ANI DEMONTOWAĆ.

► **Rys.9:** 1. Oslona środkowa 2. Klucz imbusowy 3. Oslona tarczy

Płyty nacięcia

Narzędzie jest wyposażone w płyty nacięcia zamocowane w podstawie obrotowej, które minimalizują ubytki materiału po stronie wyjściowej podczas cięcia. Płyty nacięcia są wyregulowane fabrycznie tak, aby nie stykała się z nimi tarcza tnąca. Przed użyciem narzędzia należy wyregulować płyty nacięcia w następujący sposób:

► **Rys.10:** 1. Płyta nacięcia

► **Rys.11:** 1. Cięcie pod kątem w pionie z lewej strony 2. Cięcie proste 3. Cięcie pod kątem w pionie z prawej strony 4. Tarcza tnąca 5. Zębą tarczy 6. Płyta nacięcia

Najpierw odłącz narzędzie od zasilania. Poluzuj wszystkie śruby (po 2 z lewej i prawej strony) zabezpieczające płyty nacięcia, aby płyty można było łatwo wyjąć ręcznie. Opuść całkowicie uchwyt, a następnie pociągnij i obróć kolek опорowy, aby zablokować uchwyt w pozycji opuszczanej. Zwolnij kolek опорowy na szynie ślizgowej, a następnie pociągnij suport całkowicie do siebie. Wyreguluj płyty nacięcia tak, aby lekko stykały się z zębami tarczy. Dokręć śruby przednie (niezbyt mocno). Dociśnij suport całkowicie do prowadnicy i wyreguluj płyty nacięcia tak, aby lekko stykały się z zębami tarczy. Dokręć śruby tylne (niezbyt mocno).

Po wyregulowaniu płyt nacięcia zwolnij kolek опорowy i podnieś uchwyt. Następnie dokręć całkowicie wszystkie śruby.

UWAGA: Po ustawieniu kąta cięcia w pionie upewnij się, że płyty nacięcia są prawidłowo wyregulowane. Prawidłowe ustawienie płyt nacięcia zapewni lepsze podparcie i mniejsze ubytki przecinanego elementu.

Zachowanie maksymalnego zakresu cięcia

Narzędzie jest fabrycznie wyregulowane w taki sposób, aby zapewnić maksymalny zakres cięcia dla tarcz tnących o średnicy 305 mm.

Zakładając nową tarczę, zawsze należy sprawdzić jej dolne położenie graniczne i w razie potrzeby wyregulować w następujący sposób:

Najpierw odłącz narzędzie od zasilania. Obróć dźwignię ogranicznika do pozycji zablokowania.

► **Rys.12:** 1. Dźwignia ogranicznika

Dociśnij suport całkowicie do prowadnicy, a następnie całkowicie opuść uchwyt.

Wyreguluj położenie tarczy, obracając śrubę regulacyjną przy użyciu klucza imbusowego. Skraj tarczy powinien wystawać nieco poza górną powierzchnię podstawy obrotowej i dochodzić do punktu, w którym przednia powierzchnia prowadnicy styka się z górną powierzchnią podstawy obrotowej.

► **Rys.13:** 1. Śruba regulacyjna

► **Rys.14:** 1. Górna powierzchnia podstawy obrotowej 2. Krawędź tarczy 3. Prowadnica

Przy narzędziu odłączonym od zasilania obróć tarczę ręką, przytrzymując uchwyt w skrajnym dolnym położeniu, aby upewnić się, że tarcza nie dotyka żadnej części podstawy dolnej. W razie potrzeby nieznacznie skoryguj ustawienie.

Po zakończeniu regulacji bezwzględnie ustaw dźwignię ogranicznika w pierwotnym położeniu.

⚠️ OSTRZEŻENIE: Po zamontowaniu nowej tarczy (gdy narzędzie nie jest jeszcze podłączone do zasilania) upewnij się, że tarcza nie styka się z dolną podstawą, gdy uchwyt jest całkowicie opuszczony. Jeśli tarcza styka się z podstawą, może dojść do odrzutu i poważnych obrażeń.

Ramię ogranicznika

Dolną pozycję graniczną tarczy można łatwo wyregulować za pomocą ramienia ogranicznika. W celu wyregulowania obróć ramię ogranicznika w kierunku wskazywanym przez strzałkę, jak pokazano na rysunku. Obróć śrubę regulującą w taki sposób, aby po całkowitym obniżeniu uchwytu tarcza zatrzymała się w żądanej pozycji.

► **Rys.15:** 1. Ramię ogranicznika 2. Śruba regulacyjna

Regulacja kąta cięcia w poziomie

⚠️ PRZESTROGA: Po zmianie kąta cięcia w poziomie należy zawsze unieruchomić podstawę obrotową, dokręcając mocno rączkę.

UWAGA: Obracając podstawę obrotową należy całkowicie podnieść uchwyt.

► **Rys.16:** 1. Dźwignia blokady 2. Rękojeść 3. Dźwignia zwalnająca 4. Wskaźnik

Obróć rękojeść w lewo, aby odblokować podstawę obrotową. Obróć rękojeść, przytrzymując dźwignię blokady, aby przesunąć podstawę obrotową. Wyrównaj wskaźnik z żądanym kątem na podziałce, a następnie dokręć rękojeść.

WSKAZÓWKA: Po naciśnięciu dźwigni zwalnającej można przesunąć podstawę obrotową bez trzymania dźwigni blokady. Dokręć rękojeść w żądanej pozycji.

Ukośnica została wyposażona w funkcję wymuszonego zatrzymania. Można szybko ustawić kąt cięcia w poziomie 0°, 15°, 22,5°, 31,6°, 45° lub 60° po stronie prawej i lewej. Aby użyć tej funkcji, przesunij podstawę obrotową w pobliże żądanego kąta wymuszonego zatrzymania, przytrzymując jednocześnie dźwignię blokady. Następnie zwolnij dźwignię blokady i przesunij podstawę obrotową do przodu aż do zablokowania.

Regulacja kąta cięcia w pionie

UWAGA: Przed każdą regulacją kąta cięcia w pionie zdejmij prowadnice górne i zacisk pionowy.

UWAGA: Podczas zmiany kąta cięcia w pionie upewnij się, że płyty nacięcia są ustawione w prawidłowej pozycji — zgodnie z zaleceniami zawartymi w części „Płyty nacięcia”.

UWAGA: Podczas przechylania tarczy tnącej pamiętaj, aby całkowicie podnieść uchwyt.

UWAGA: Nie dokręcać pokręćła zbyt mocno. Może to spowodować nieprawidłowe działanie mechanizmu blokującego kąta cięcia w pionie.

1. Obróć pokręćło na szynie ślizgowej w lewo.

► **Rys.17:** 1. Pokręćło

2. Pociągnij i obróć dźwignię zatrasku do pozycji przedstawionej na rysunku.

► **Rys.18:** 1. Dźwignia zatrasku

3. Wyrównaj wskaźnik z żądanym kątem na podziałce, przesuwając suport, a następnie dokręć pokręćło.

► **Rys.19:** 1. Podziałka kąta cięcia w pionie 2. Wskaźnik

Aby przechylić suport w prawo, przechyl go nieco w lewo, a następnie przechyl go w prawo, naciskając przycisk zwalnający.

► **Rys.20:** 1. Przycisk zwalnający

W przypadku wykonywania cięcia w pionie pod kątem większym niż 45° przesunij suport, jednocześnie przesuwając dźwignię zwalnającą w kierunku przodu narzędzia. Cięcie w pionie można wykonywać pod kątem do 48°.

► **Rys.21:** 1. Dźwignia zwalnająca

Ukośnica została wyposażona w funkcję wymuszonego zatrzymania. Można szybko ustawić kąt 22,5° lub 33,9° po stronie prawej i lewej. Ustaw dźwignię zatrasku w pozycji przedstawionej na rysunku, a następnie przechyl suport. Aby zmienić kąt, pociągnij dźwignię zatrasku i przechyl suport.

► **Rys.22:** 1. Dźwignia zatrasku

⚠️ PRZESTROGA: Po zmianie ustawienia kąta cięcia w pionie pamiętaj, aby zablokować pokręćło.

Blokada ślizgu

Aby zablokować ruch ślizgowy suportu, dociśnij suport do prowadnicy aż do zatrzymania. Pociągnij kolek oporowy i obróć go o 90°.

► **Rys.23:** 1. Pozycja odblokowania 2. Pozycja zablokowania 3. Kolek oporowy

Działanie przełącznika

⚠ OSTRZEŻENIE: Przed podłączeniem narzędzia do zasilania należy zawsze sprawdzić, czy spust przełącznika działa prawidłowo i po zwolnieniu wraca do pozycji „OFF” (WYL.). Nie ciągnij na siłę spustu przełącznika bez wcześniejszego wciśnięcia przycisku blokady. Można w ten sposób złać przełącznik. Korzystanie z narzędzia z nieprawidłowo działającym przełącznikiem może doprowadzić do utraty kontroli nad narzędziem oraz poważnych obrażeń ciała.

⚠ OSTRZEŻENIE: NIE WOLNO użytkować narzędzia, w którym spust przełącznika działa nieprawidłowo. Narzędzie z niesprawnym przełącznikiem stanowi POWAŻNE ZAGROŻENIE i należy je naprawić przed ponownym użyciem; nieprzestrzeżenie tego zalecenia grozi poważnymi obrażeniami ciała.

⚠ OSTRZEŻENIE: NIE WOLNO pomijać ani blokować działania przycisku blokady poprzez zaklepanie go taśmą ani w inny sposób. Wylącznik z pominiętym lub zablokowanym przyciskiem blokady może spowodować przypadkowe uruchomienie narzędzia i poważne obrażenia ciała.

⚠ OSTRZEŻENIE: NIE WOLNO używać narzędzia, jeśli można je uruchomić tylko za pomocą spustu przełącznika bez uprzedniego wciśnięcia przycisku blokady. Niesprawni, wymagający naprawy przełącznik może spowodować przypadkowe uruchomienie urządzenia i poważne obrażenia ciała. PRZED dalszym użytkowaniem narzędzia należy przekazać je do punktu serwisowego narzędzi Makita w celu naprawy.

- **Rys.24:** 1. Spust przełącznika 2. Przycisk blokady 3. Otwór na kłódkę

Aby zapobiec przypadkowemu pociągnięciu spustu przełącznika, urządzenie wyposażono w przycisk blokady. Aby uruchomić urządzenie, naciśnij przycisk blokady i pociągnij za spust przełącznika. W celu zatrzymania urządzenia wystarczy zwolnić spust przełącznika.

W spuście przełącznika znajduje się otwór, który pozwala zablokować narzędzie w stanie wylączenia przy użyciu kłódki.

⚠ OSTRZEŻENIE: Nie używać kłódek z pałką lub linką o średnicy mniejszej niż 6,35 mm. Mniejsza średnica pałki lub linki może spowodować nieprawidłowe zablokowanie narzędzia w pozycji wylączenia, umożliwić przypadkowe uruchomienie i doprowadzić do poważnych obrażeń ciała.

Funkcja regulacji elektronicznej

Kontrola stałej prędkości

Narzędzie jest wyposażone w elektroniczny układ kontroli prędkości, który pozwala utrzymywać stałe obroty tarczy nawet pod obciążeniem. Stałe obroty tarczy zapewniają bardzo precyzyjne cięcia.

Funkcja łagodnego rozruchu

Ta funkcja umożliwia płynne uruchomienie poprzez ograniczenie momentu obrotowego podczas rozruchu.

Korzystanie z wiązki lasera

Dotyczy wyłącznie modelu LS1219L

⚠ PRZESTROGA: Nigdy nie patrz na wiązkę lasera. Patrzanie bezpośrednio na wiązkę lasera może spowodować uszkodzenie wzroku.

Aby włączyć wiązkę lasera, wciśnij górną część (I) przełącznika. Aby wylączyć wiązkę lasera, wciśnij dolną część (0) przełącznika.

- **Rys.25:** 1. Przełącznik lasera

Linie lasera można przesuwając na lewą lub prawą stronę tarczy tnącej, obracając śrubę regulacyjną.

- **Rys.26:** 1. Śruba regulacyjna

1. Poluzuj śrubę regulacyjną, obracając ją w lewo.
2. Po poluzowaniu śruby regulacyjnej przesuwaj ją maksymalnie w lewo lub w prawo.
3. Dokręć całkowicie śrubę regulacyjną w pozycji, w której przestaje się przesuwac.

WSKAZÓWKA: Linia lasera jest wyregulowana fabrycznie i znajduje się w odległości 1 mm od powierzchni tarczy (pozycja cięcia).

WSKAZÓWKA: Gdy linia lasera jest niewyraźna lub słabo widoczna ze względu na bezpośrednie światło słoneczne, przejdź w miejsce, które jest mniej nasłonecznione.

Wyrównywanie linii lasera

Wyrównaj linię cięcia na obrabianym elemencie z linią lasera.

- **Rys.27**

A) Aby uzyskać prawidłowy rozmiar po lewej stronie obrabianego elementu, przesuwaj linię lasera na lewą stronę tarczy.

B) Aby uzyskać prawidłowy rozmiar po prawej stronie obrabianego elementu, przesuwaj linię lasera na prawą stronę tarczy.

WSKAZÓWKA: Przy użyciu drewnianej osłony przewodnicy wyrównaj linię cięcia z wiązką laserową po boku przewodnicy w trakcie cięcia złożonego (kąąt cięcia w pionie 45° i kąąt cięcia w poziomie 45°).

MONTAŻ

⚠ OSTRZEŻENIE: Przed rozpoczęciem pracy z narzędziem upewnij się, że jest ono wylączone i odłączone od zasilania. Jeśli narzędzie nie będzie wylączone i odłączone od zasilania, może dojść do poważnych obrażeń ciała.

Miejsce na klucz imbusowy

Klucz imbusowy, gdy nie jest używany, należy przechowywać w sposób pokazany na rysunku, aby się nie zgubił.

- **Rys.28:** 1. Klucz imbusowy

Demontaż i montaż tarczy tnącej

⚠️ OSTRZEŻENIE: Przed przystąpieniem do wymiany tarczy zawsze upewnij się, że urządzenie jest wyłączone i odłączone od zasilania. Przepięknie uruchomienie narzędzia może spowodować poważne obrażenia ciała.

⚠️ OSTRZEŻENIE: Do montowania i demontowania tarczy należy używać wyłącznie dostarczonego klucza firmy Makita. Niezastosowanie odpowiedniego klucza może spowodować zerwanie lub nieprawidłowe dokręcenie śruby imbusowej i doprowadzić do poważnych obrażeń ciała.

Przed każdym demontażem lub montażem tarczy zablokuj suport w pozycji podniesionej. Pociągnij kolek oporowy i obróć go o 90° przy podniesionym suportcie.

► **Rys.29:** 1. Pozycja odblokowania 2. Pozycja zablokowania 3. Kolek oporowy

Demontaż tarczy

Poluzuj śrubę imbusową, przytrzymując osłonę środkową przy użyciu klucza imbusowego. Podnieś osłonę tarczy i osłonę środkową.

► **Rys.30:** 1. Osłona środkowa 2. Klucz imbusowy 3. Osłona tarczy

Naciśnij blokadę wałka, aby zablokować wrzeciono, a następnie poluzuj śrubę imbusową za pomocą klucza imbusowego. Odkręć śrubę imbusową i zdejmij kołnierz zewnętrzny oraz tarczę.

► **Rys.31:** 1. Blokada wałka 2. Klucz imbusowy 3. Śruba imbusowa (z lewym gwintem) 4. Odkręcanie 5. Dokręcanie

Montaż tarczy

Zamontuj ostrożnie tarczę na wrzeciono, upewniając się, że kierunek strzałki na powierzchni tarczy jest zgodny z kierunkiem strzałki na jej obudowie.

► **Rys.32:** 1. Strzałka na obudowie tarczy 2. Strzałka na tarczy

Zamontuj kołnierz zewnętrzny i przykręć śrubę imbusową. Dokręć śrubę imbusową w lewo przy użyciu klucza imbusowego, dociskając jednocześnie blokadę wałka.

► **Rys.33:** 1. Śruba imbusowa 2. Kołnierz zewnętrzny 3. Tarcza tnąca 4. Kołnierz wewnętrzny 5. Wrzeciono 6. Pierścień

UWAGA: Jeśli został zdemontowany kołnierz wewnętrzny, pamiętaj, aby zamontować go na wrzecionie z występem skierowanym w kierunku przeciwnym do tarczy. Nieprawidłowo zamontowany kołnierz będzie tarł o urządzenie.

Ustaw osłonę tarczy i osłonę środkową w pierwotnej pozycji. Następnie dokręć w prawo śrubę imbusową mocującą osłonę środkową. Odblokuj kolek oporowy, aby zwolnić suport z pozycji podniesionej. Opuszcza uchwyt, aby upewnić się, że osłona tarczy porusza się prawidłowo. Przed rozpoczęciem cięcia upewnij się, że blokada wałka jest zwolniona.

⚠️ OSTRZEŻENIE: Przed zamocowaniem tarczy na wałku zawsze upewnij się, że pomiędzy kołnierzem zewnętrznym i wewnętrznym znajduje się pierścień dopasowany do otworu tarczy, która ma zostać użyta. Użycie pierścienia o niewłaściwym otworze może skutkować nieprawidłowym zamocowaniem tarczy, powodując jej ruch oraz silne drgania, co może doprowadzić do utraty kontroli podczas pracy oraz poważnych obrażeń ciała.

Podłączenie odkurzacza

Aby zachować czystość w miejscu cięcia, podłącz odkurzacz firmy Makita do króćca odpylania przy użyciu przedniej złączki 24 (element opcjonalny).

► **Rys.34:** 1. Przednia złączka 24 2. Wąż 3. Odkurzacza

Worek na pył

Zastosowanie worka na pył ułatwia zbieranie pyłu i zachowanie czystości. Aby założyć worek na pył, odłącz wąż do odsysania pyłu od narzędzia, a następnie podłącz worek na pył.

► **Rys.35:** 1. Wąż do odsysania pyłu 2. Worek na pył

Kiedy worek zapełni się w przybliżeniu w połowie, zdejmij go z urządzenia i wyciągnij łącznik. Opróżnij worek i lekko go wytrzep, aby usunąć pył przylegający do powierzchni wewnętrznych, ponieważ może to pogarszać skuteczność odbierania pyłu.

► **Rys.36:** 1. Łącznik

Mocowanie obrabianych elementów

⚠️ OSTRZEŻENIE: Bardzo ważne jest, aby zawsze prawidłowo zamocować obrabiany element przy użyciu odpowiedniego zacisku lub ograniczników profili wypukłych. Niezastosowanie się do tego zalecenia może być przyczyną poważnych obrażeń ciała oraz uszkodzenia narzędzia i/lub obrabianego elementu.

⚠️ OSTRZEŻENIE: Po zakończeniu cięcia nie podnoś tarczy, dopóki całkowicie się nie zatrzyma. Podniesienie obracającej się z rozpędu tarczy może być przyczyną poważnych obrażeń i uszkodzenia obrabianego elementu.

⚠️ OSTRZEŻENIE: Podczas przecinania elementu dłuższego od podstawy narzędzia podeprzyj go na całej długości poza podstawą i utrzymuj na tej samej wysokości na całej długości. Prawidłowe podparcie obrabianego elementu pozwoli uniknąć zakleszczenia tarczy i ewentualnego odrzutu, który może być przyczyną poważnych obrażeń ciała. Nie wystarczy zastosowanie wyłącznie zacisku pionowego i/lub zacisku poziomego do przytrzymania elementu. Elementy wykonane z cienkiego materiału mają tendencję do wyginania się. Podeprzyj element na całej jego długości, aby uniknąć zakleszczenia się tarczy i ewentualnego ODRZUTU.

► **Rys.37:** 1. Podpórka 2. Podstawa obrotowa

Prowadnice

⚠ OSTRZEŻENIE: Przed użyciem narzędzia upewnij się, że górna prowadnica jest prawidłowo zamocowana.

⚠ OSTRZEŻENIE: Przed rozpoczęciem cięcia pod kątem w pionie upewnij się, że żadna część narzędzia, zwłaszcza tarcza, nie styka się z górnymi i dolnymi prowadnicami przy całkowitym opuszczeniu i podniesieniu uchwytu w dowolnym położeniu oraz przy przesuwaniu suportu w całym zakresie jego ruchu. Jeśli narzędzie lub tarcza zetkną się z prowadnicą, może to spowodować odrzut lub nieoczekiwany ruch materiału, co może być przyczyną poważnych obrażeń ciała.

Do podpierania materiału wyższego od prowadnic dolnych użyj prowadnic górnych. Wsuń prowadnicę górną w otwór w prowadnicy dolnej, a następnie dokręć śrubę zaciskową.

► **Rys.38:** 1. Prowadnica górna 2. Prowadnica dolna
3. Śruba zaciskowa 4. Śruba regulacyjna

UWAGA: Prowadnice dolne są fabrycznie przymocowane do podstawy. Nie demontuj prowadnic dolnych.

UWAGA: Jeśli po dokręceniu śruby zaciskowej prowadnica górna jest nadal luźna, obróć śrubę regulacyjną, aby zlikwidować szczelinę. Śruba regulacyjna jest wyregulowana fabrycznie. Nie należy jej używać bez potrzeby.

Kiedy prowadnice górne nie są używane, można przechowywać je na uchwycie. Do zamocowania prowadnicy górnej na uchwycie użyj znajdującego się na niej zacisku.

► **Rys.39:** 1. Uchwyt 2. Prowadnica górna 3. Zacisk

Zacisk pionowy

⚠ OSTRZEŻENIE: Obrabiany element podczas wszystkich operacji musi być dobrze zamocowany w podstawie obrotowej i prowadnicy za pomocą zacisku. Jeśli obrabiany element nie zostanie prawidłowo zamocowany do prowadnicy, może przesunąć się podczas cięcia, powodując uszkodzenie tarczy, odrzucenie materiału i utratę kontroli, co może być przyczyną poważnych obrażeń ciała.

► **Rys.40:** 1. Ramię zacisku 2. Drażek zacisku
3. Śruba zaciskowa 4. Pokrętko zacisku

Zacisk pionowy można zamocować w dwóch pozycjach — z lewej lub prawej strony podstawy. Wsuń drażek zacisku do otworu w podstawie.

Ustaw ramię zacisku odpowiednio do grubości i kształtu obrabianego elementu, a następnie zablokuj je w tej pozycji, dokręcając śrubę. Jeśli śruba zaciskowa styka się z suportem, zamontuj ją po przeciwnej stronie ramienia zacisku. Upewnij się, że podczas całkowitego opuszczenia uchwytu żadna część narzędzia nie styka się z zaciskiem. Jeśli jakkolwiek część dotyka zacisku, zmień ustawienie zacisku.

Dociśnąc płasko obrabiany element do prowadnicy i podstawy obrotowej. Ustawić element obrabiany w wybranej pozycji do cięcia i unieruchomić go, dokręcając mocno pokrętko zacisku.

WSKAZÓWKA: Aby szybko ustawić obrabiany element, obróć pokrętko zacisku o 90° w lewo, co pozwoli przesunąć pokrętko zacisku w górę i w dół. Aby zablokować obrabiany element po jego ustawieniu, obróć pokrętko zacisku w prawo.

Zacisk poziomy

Akcesoria opcjonalne

⚠ OSTRZEŻENIE: Zawsze obracaj nakrętkę zacisku w prawo do momentu prawidłowego zamocowania obrabianego elementu. Jeśli obrabiany element nie zostanie prawidłowo zamocowany, może przesunąć się podczas cięcia, powodując uszkodzenie tarczy, odrzucenie materiału i utratę kontroli, co może być przyczyną poważnych obrażeń ciała.

⚠ OSTRZEŻENIE: W przypadku cięcia opartych o prowadnicę cienkich elementów, takich jak listwy przypodłogowe, zawsze stosuj zacisk poziomy.

⚠ PRZESTROGA: W przypadku cięcia elementu o grubości 20 mm lub mniejszej użyć klocka dystansowego do mocowania obrabianego elementu.

Zacisk poziomy można zamocować w dwóch pozycjach — z lewej lub prawej strony podstawy. Na czas cięcia pod kątem 22,5° lub większym w poziomie mocuj zacisk poziomy po stronie przeciwnej do tej, w którą ma być obracana podstawa obrotowa.

► **Rys.41:** 1. Płytko zacisku 2. Nakrętko zacisku
3. Pokrętko zacisku

Obrót nakrętki zacisku w lewo zwalnia zacisk, który można szybko przesunąć w obu kierunkach. Aby przytrzymać obrabiany element, dociśnij pokrętko zacisku do przodu, a płytko zacisku dotknie elementu, a następnie obróć nakrętkę zacisku w prawo. Teraz obróć pokrętko zacisku w prawo, aby zablokować obrabiany element.

WSKAZÓWKA: Maksymalna szerokość obrabianego elementu, jaki można zamocować w zacisku poziomym, wynosi 228 mm.

Uchwyt

⚠ OSTRZEŻENIE: Długie elementy obrabiane należy zawsze podeprzeć, aby były na jednym poziomie z górną powierzchnią podstawy obrotowej, co zapewnia precyzyjne cięcie i zapobiega utracie panowania nad narzędziem. Prawidłowe podparcie obrabianego elementu pozwoli uniknąć zakleszczenia tarczy i ewentualnego odrzutu, który może być przyczyną poważnych obrażeń ciała.

Po obu stronach narzędzia znajdują się uchwyty utrzymujące dłuższe obrabiane elementy w poziomie. Aby zamocować obrabiany element, poluzuj śruby i rozsuń uchwyty na odpowiednią długość. Następnie dokręć śruby.

► **Rys.42:** 1. Uchwyt 2. Śruba

OBSŁUGA

⚠ OSTRZEŻENIE: Przed włączeniem narzędzia należy sprawdzić, czy tarcza nie styka się z obrabianym elementem itp. Włączenie narzędzia w sytuacji, gdy tarcza styka się z obrabianym elementem, może spowodować odrzut i doprowadzić do poważnych obrażeń.

⚠ OSTRZEŻENIE: Po zakończeniu cięcia nie podnosić tarczy, dopóki całkowicie się nie zatrzyma. Podniesienie obracającej się z rozędu tarczy może być przyczyną poważnych obrażeń i uszkodzenia obrabianego elementu.

⚠ OSTRZEŻENIE: Nie wykonuj żadnych prac regulacyjnych, takich jak obracanie rękojeści, pokręteł czy dźwigni narzędzia, kiedy obraca się tarcza. Wykonanie regulacji w czasie, gdy obraca się tarcza, może spowodować poważne obrażenia ciała.

UWAGA: Przed rozpoczęciem pracy pamiętaj, aby odblokować kołek oporowy i zwolnić uchwyt z pozycji opuszczonej.

UWAGA: Podczas cięcia nie wywierać nadmiernego nacisku na uchwyt. Zbyt duża siła może spowodować przeciążenie silnika i/lub zmniejszenie wydajności cięcia. Uchwyt należy docisnąć tylko z taką siłą, jaka jest potrzebna do równego cięcia bez znaczącego obniżenia prędkości obrotowej tarczy.

UWAGA: Aby wykonać cięcie, należy delikatnie docisnąć uchwyt do dołu. Jeśli uchwyt zostanie mocno dociśnięty do dołu lub zostanie wywarta siła poprzeczna, tarcza zacznie drgać, pozostawiając znak (nacięcie) na obrabianym elemencie, a dodatkowo może pogorszyć się dokładność cięcia.

UWAGA: Podczas cięcia z przesuwaniem tarczy delikatnie popychaj suport ku prowadnicy, bez zatrzymywania. Zatrzymanie ruchu suportu podczas cięcia spowoduje pozostawienie śladu na obrabianym elemencie oraz obniżenie dokładności cięcia.

Cięcie proste

⚠ OSTRZEŻENIE: Na czas cięcia prostego zawsze blokuj ruch ślizgowy suportu. Cięcie bez zablokowania tego ruchu może spowodować odrzut i poważne obrażenia ciała.

Obrabiane elementy o wysokości do 92 mm i szerokości 183 mm można ciąć w sposób przedstawiony poniżej.

► **Rys.43:** 1. Kołek oporowy

1. Docisnij suport całkowicie do prowadnicy i zablokuj go przy użyciu kołka oporowego.
2. Zamocuj obrabiany element przy użyciu odpowiedniego zacisku.
3. Włącz narzędzie, sprawdzając, czy tarcza niczego nie dotyka, i poczekaj przed jej opuszczeniem, aż osiągnie pełną prędkość obrotową.

4. Następnie powoli opuszczaj uchwyt do skrajnego dolnego położenia, aby rozpocząć cięcie elementu.

5. Po zakończeniu cięcia wyłącz narzędzie i przed podniesieniem tarczy do całkowicie podniesionego położenia **zaczekaj, aż tarcza całkowicie się zatrzyma.**

Cięcie z przesuwaniem (cięcie szerokich elementów)

⚠ OSTRZEŻENIE: Przy cięciu z przesuwaniem najpierw należy przyciągnąć do siebie suport i docisnąć uchwyt do całkowicie w dół, a następnie popychać suport w stronę prowadnicy. Nie wolno rozpoczynać cięcia, gdy suport nie jest całkowicie przyciągnięty do operatora. W przypadku cięcia z przesuwaniem, gdy suport nie jest całkowicie przyciągnięty do operatora, może wystąpić nieoczekiwany odrzut, co może być powodem poważnych obrażeń ciała.

⚠ OSTRZEŻENIE: Nie wolno wykonywać cięcia z przesuwaniem, przyciągając suport do siebie. Przyciąganie suportu do siebie podczas cięcia może spowodować nieoczekiwany odrzut, co może być powodem poważnych obrażeń ciała.

⚠ OSTRZEŻENIE: Nie wolno wykonywać cięcia z przesuwaniem, gdy uchwyt jest zablokowany w obniżonym położeniu.

► **Rys.44:** 1. Kołek oporowy

1. Odblokuj kołek oporowy, aby można było swobodnie przesunąć suport.
2. Zamocuj obrabiany element przy użyciu odpowiedniego zacisku.
3. Pociągnij do siebie suport do oporu.
4. Włącz narzędzie, upewniając się, że tarcza niczego nie dotyka, i poczekaj, aż tarcza osiągnie pełną prędkość obrotową.
5. Naciśnij uchwyt i **popchnij suport ku prowadnicy przez obrabiany element.**
6. Po zakończeniu cięcia wyłącz narzędzie i przed podniesieniem tarczy do całkowicie podniesionego położenia **zaczekaj, aż tarcza całkowicie się zatrzyma.**

Cięcie pod kątem w poziomie

Zapoznaj się z wcześniejszymi informacjami w punkcie „Regulacja kąta cięcia w poziomie”.

Cięcie pod kątem w pionie

⚠️ OSTRZEŻENIE: Po ustawieniu tarczy do cięcia pod kątem pionie i przed uruchomieniem narzędzia upewnij się, że suport i tarcza swobodnie poruszają się na całej długości przewidywanego cięcia. Napotkanie na przeszkodę podczas ruchu suportu lub tarczy może spowodować odrzut i poważne obrażenia ciała.

⚠️ OSTRZEŻENIE: Podczas cięcia pod kątem w pionie należy uważać, aby ręce nie znalazły się na drodze ruchu tarczy. Kąt ustawienia tarczy może zmylić operatora co do faktycznej drogi ruchu tarczy podczas cięcia; zetknięcie ręką z tarczą spowoduje poważne obrażenia ciała.

⚠️ OSTRZEŻENIE: Nie wolno podnosić tarczy, dopóki całkowicie się nie zatrzyma. Podczas cięcia pod kątem w pionie, odcięty kawałek elementu może pozostać na tarczy. Jeśli tarcza zostanie uniesiona, gdy jeszcze się obraca, odcięty kawałek może zostać odrzucony przez tarczę, ulegając rozerwaniu, co może być przyczyną poważnych obrażeń ciała.

UWAGA: Podczas dociskania uchwytu w dół wywieraj nacisk równoległe do tarczy. Jeśli nacisk będzie wywierany prostopadle do podstawy obrotowej lub kierunku nacisku zmieni się podczas cięcia, spowoduje to obniżenie dokładności cięcia.

► Rys.45

1. Zdejmij prowadnicę górną po stronie, w którą chcesz przechylić suport.
2. Odblokuj kołek oporowy.
3. Wyreguluj kąt cięcia w pionie zgodnie z procedurą opisaną w części „Regulacja kąta cięcia w pionie”. Następnie dokręć pokrętko.
4. Zamocuj obrabiany element w zacisku.
5. Pociągnij do siebie suport do oporu.
6. Włącz narzędzie, upewniając się, że tarcza niczego nie dotyka, i poczekaj, aż tarcza osiągnie pełną prędkość obrotową.
7. Następnie powoli opuść uchwyt do najniższego położenia, wywierając nacisk równoległe do tarczy i **popchnij suport ku prowadnicy, aby przeciąć element.**
8. Po zakończeniu cięcia wyłącz narzędzie i przed podniesieniem tarczy do całkowicie podniesionego położenia **zaczekaj, aż tarcza całkowicie się zatrzyma.**

Cięcie złożone

Cięcie złożone polega na równoczesnym cięciu elementu pod kątem w pionie i w poziomie. Cięcia złożone można wykonywać dla kątów pokazanych w poniższej tabeli.

Kąt cięcia w poziomie	Kąt cięcia w pionie
Lewy i prawy 0° – 45°	Lewy i prawy 0° – 45°

Przed przystąpieniem do wykonywania cięcia złożonego zapoznaj się z punktami „Cięcia proste”, „Cięcia z przesuwaniem”, „Cięcia pod kątem w poziomie” oraz „Cięcia pod kątem w pionie”.

Cięcie listw przypodłogowych

⚠️ PRZESTROGA: Podczas cięcia listwy przypodłogowej należy korzystać z zacisku poziomego (wyposażenie opcjonalne).

⚠️ PRZESTROGA: W przypadku cięcia elementu o grubości 20 mm lub mniejszej użyć klocek dystansowy do mocowania obrabianego elementu.

Gdy wykonywane jest cięcie listwy przypodłogowej pod kątem 45° w poziomie, uruchomić dźwignię ograniczającą w celu ochrony obudowy tarczy przed stykaniem się z listwą. Umożliwi to zachowanie odstępu między listwą przypodłogową a obudową tarczy, gdy suport jest całkowicie wysunięty do przodu.

Wartości zakresu cięcia listwy przypodłogowej znajdują się w DANYCH TECHNICZNYCH.

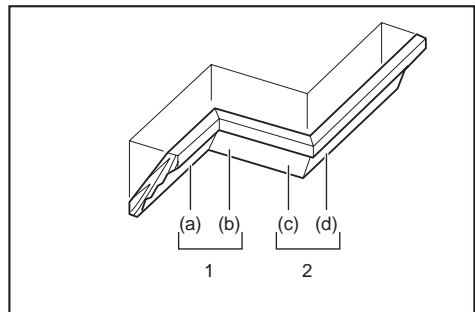
► **Rys.46:** 1. Dźwignia ogranicznika 2. Klocek dystansowy 3. Zacisk poziomy

Cięcie profili wypukłych i wklęsłych

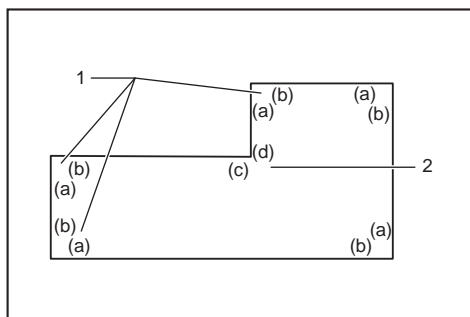
Profile wypukłe i wklęsłe można ciąć przy użyciu ukośnicy, gdy leżą płaska na podstawie obrotowej. Istnieją dwa rodzaje typowych profili wypukłych i jeden rodzaj profilu wklęsłego: profil wypukły tworzący ze ścianą kąt 52/38°, profil wypukły tworzący ze ścianą kąt 45° oraz profil wklęsły tworzący ze ścianą kąt 45°.

► **Rys.47:** 1. Profil wypukły typu 52/38° 2. Profil wypukły typu 45° 3. Profil wklęsły typu 45°

Istnieją takie połączenia profili wypukłych i wklęsłych, które tworzą kąt 90° dla narożników wewnętrznych ((a) i (b) na rysunku) kąt 90° dla narożników zewnętrznych ((c) i (d) na rysunku).



1. Narożnik wewnętrzny 2. Narożnik zewnętrzny



1. Narożnik wewnętrzny 2. Narożnik zewnętrzny

Pomiary

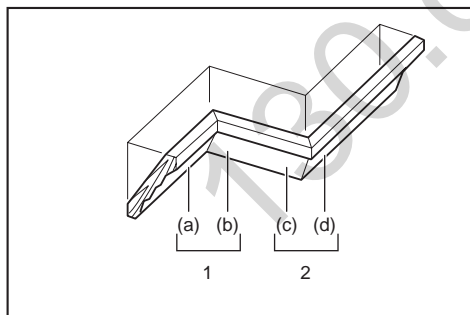
Zmierzyć szerokość ściany i dostosować do niej odpowiednią szerokość elementy obrabianego. Należy zawsze upewnić się, że szerokość krawędzi elementu stykającej się ze ścianą jest taka sama jak długość ściany.

- **Rys.48:** 1. Obrabiany element 2. Szerokość ściany
3. Szerokość obrabianego elementu
4. Krawędź stykająca się ze ścianą

Zawsze używać kilku elementów do cięć testowych, aby sprawdzić kąty piły.

Podczas cięcia profili wypukłych i wklęsłych należy ustawić kąt cięcia w pionie oraz kąt cięcia w poziomie jak pokazano w tabeli (A) oraz ustawić profile na górnej powierzchni podstawy piły jak pokazano w tabeli (B).

W przypadku cięcia pod kątem w pionie z lewej strony



1. Narożnik wewnętrzny 2. Narożnik zewnętrzny

Tablica (A)

–	Położenie profilu na rysunku	Kąt cięcia w pionie		Kąt cięcia w poziomie	
		Typ 52/38°	Typ 45°	Typ 52/38°	Typ 45°
Do narożnika wewnętrznego	(a)	Lewy 33,9°	Lewy 30°	Prawy 31,6°	Prawy 35,3°
	(b)			Lewy 31,6°	Lewy 35,3°
Do narożnika zewnętrznego	(c)			Prawy 31,6°	Prawy 35,3°
	(d)				

Tablica (B)

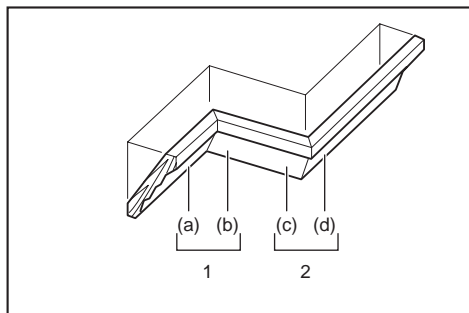
–	Położenie profilu na rysunku	Krawędź profilu przyłożona do prowadnicy	Skończony element
Do narożnika wewnętrznego	(a)	Krawędź stykająca się z sufitem powinna się znajdować przy prowadnicy.	Gotowy element znajdzie się po lewej stronie tarczy.
	(b)	Krawędź stykająca się ze ścianą powinna się znajdować przy prowadnicy.	
Do narożnika zewnętrznego	(c)	Krawędź stykająca się ze ścianą powinna się znajdować przy prowadnicy.	Gotowy element znajdzie się po prawej stronie tarczy.
	(d)	Krawędź stykająca się z sufitem powinna się znajdować przy prowadnicy.	

Przykład:

W przypadku cięcia profilu wypukłego typu 52/38° dla pozycji (a) na powyższym rysunku:

- Przechyli i zablokuj ustawienie kąta cięcia w pionie na 33,9° PO LEWEJ STRONIE.
- Ustaw i zablokuj ustawienie kąta cięcia w poziomie na 31,6° PO PRAWEJ STRONIE.
- Połóż profil wypukły szeroką powierzchnią tylną (ukrytą) na podstawie obrotowej KRAWĘDZIĄ STYKAJĄCĄ SIĘ Z SUFITEM przysuniętą do prowadnicy na piłę.
- Gotowy element będzie się zawsze znajdował po LEWEJ stronie tarczy po wykonaniu cięcia.

W przypadku cięcia pod kątem w pionie z prawej strony



1. Narożnik wewnętrzny 2. Narożnik zewnętrzny

Tablica (A)

–	Polożenie profilu na rysunku	Kąt cięcia w pionie		Kąt cięcia w poziomie	
		Typ 52/38°	Typ 45°	Typ 52/38°	Typ 45°
Do narożnika wewnętrznego	(a)	Prawy 33,9°	Prawy 30°	Prawy 31,6°	Prawy 35,3°
	(b)			Lewy 31,6°	Lewy 35,3°
Do narożnika zewnętrznego	(c)			Prawy 31,6°	Prawy 35,3°
	(d)				

Tabela (B)

–	Polożenie profilu na rysunku	Krawędź profilu przyłożona do prowadnicy	Skończony element
Do narożnika wewnętrznego	(a)	Krawędź stykająca się ze ścianą powinna znajdować się przy prowadnicy.	Gotowy element znajdzie się po prawej stronie tarczy.
	(b)	Krawędź stykająca się z sufitem powinna znajdować się przy prowadnicy.	
Do narożnika zewnętrznego	(c)	Krawędź stykająca się ze ścianą powinna znajdować się przy prowadnicy.	Gotowy element znajdzie się po lewej stronie tarczy.
	(d)	Krawędź stykająca się ze ścianą powinna znajdować się przy prowadnicy.	

Przykład:

W przypadku cięcia profilu wypukłego typu 52/38° dla pozycji (a) na powyższym rysunku:

- Wybierz i zablokuj ustawienie kąta cięcia w pionie na 33,9° PO PRAWEJ STRONIE.
- Ustaw i zablokuj ustawienie kąta cięcia w poziomie na 31,6° PO PRAWEJ STRONIE.
- Połóż profil wypukły szeroką powierzchnią tylną (ukrytą) na podstawie obrotowej KRAWĘDZIĄ STYKOWĄ ŚCIANY przysuniętą do prowadnicy narzędzia.
- Po wykonaniu cięcia gotowy element będzie się zawsze znajdował po PRAWEJ stronie tarczy.

Ogranicznik profilu wypukłego

Akcesoria opcjonalne

Ograniczniki profili wypukłych ułatwiają cięcie profili wypukłych bez konieczności przechylania tarczy tnącej. Zakłada się je na podstawę obrotową w sposób przedstawiony na rysunkach.

Pod kątem poziomym 45° z prawej strony

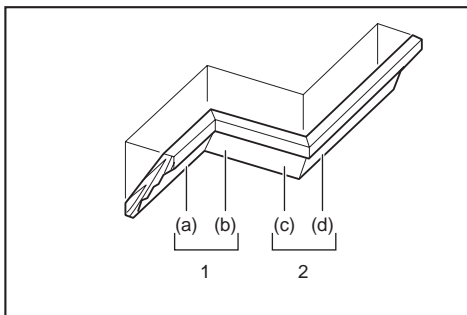
- **Rys.49:** 1. Ogranicznik profilu wypukłego L
2. Ogranicznik profilu wypukłego P
3. Podstawa obrotowa 4. Prowadnica

Pod kątem poziomym 45° z lewej strony

- **Rys.50:** 1. Ogranicznik profilu wypukłego L
2. Ogranicznik profilu wypukłego P
3. Podstawa obrotowa 4. Prowadnica

Umieść profil wypukły KRAWĘDZIĄ STYKOWĄ ŚCIANY przy prowadnicy i KRAWĘDZIĄ STYKOWĄ SUFITU przy ogranicznikach profili wypukłych w sposób przedstawiony na rysunku. Wyreguluj ograniczniki profili wypukłych zgodnie z rozmiarem profili. Dokręć śruby, aby zamocować ograniczniki profili wypukłych. Kąt cięcia w poziomie można znaleźć w tabeli (C).

- **Rys.51:** 1. Prowadnica 2. Ogranicznik profilu wypukłego



1. Narożnik wewnętrzny 2. Narożnik zewnętrzny

Tabela (C)

–	Pozycja profilu na rysunku	Kąt cięcia w poziomie	Gotowy element
Do narożnika wewnętrznego	(a)	Prawy 45°	Pozostaje po prawej stronie tarczy
	(b)	Lewy 45°	Pozostaje po lewej stronie tarczy
Do narożnika zewnętrznego	(c)		Pozostaje po prawej stronie tarczy
	(d)	Prawy 45°	Pozostaje po lewej stronie tarczy

Cięcie profili aluminiowych

- **Rys.52:** 1. Zacisk 2. Klocek dystansowy
3. Prowadnica 4. Profil aluminiowy
5. Klocek dystansowy

Do mocowania profili aluminiowych należy używać klocków dystansowych lub materiałów odpadowych, jak pokazano na rysunku, aby zapobiec odkształcenia aluminium. Podczas cięcia aluminium należy stosować smar do cięcia, aby zapobiec gromadzeniu się opiłków aluminium na powierzchni tarczy.

⚠ OSTRZEŻENIE: Nigdy nie próbuj ciąć grubych ani okrągłych profili aluminiowych. Zamocowanie grubych lub okrągłych profili aluminiowych może być utrudnione, a element może się poluzować podczas cięcia, powodując utratę kontroli i poważne obrażenia ciała.

Oslony drewniane

⚠ OSTRZEŻENIE: Za pomocą wkrętów przymocować osłonę drewnianą do prowadnicy. Wkręty należy umieścić w taki sposób, aby ich lby znajdowały się poniżej powierzchni osłony drewnianej, dzięki czemu nie będą przeszkadzać w umieszczaniu przecinanego materiału. Nieprawidłowe ustawienie materiału może spowodować niespodziewany ruch podczas cięcia, powodując utratę panowania i poważne obrażenia ciała.

⚠ PRZESTROGA: Na osłonę drewnianą należy stosować gładkie drewno o równej grubości.

⚠ PRZESTROGA: Podczas przecinania elementów o wysokości od 107 do 120 mm należy używać osłony drewnianej na prowadnicy. Osłona drewniana odsunie przecinany element od prowadnicy, umożliwiając tarczy wykonanie głębszego cięcia.

UWAGA: Po zamocowaniu osłon drewnianych nie można obracać podstawy obrotowej przy opuszczonym uchwycie. W przeciwnym razie można uszkodzić tarczę i/lub osłonę drewnianą.

Użycie drewnianych osłon pozwala ciąć obrabiane elementy bez drzazg i odprysków wzdłuż linii cięcia. Przymocować osłonę drewnianą do prowadnicy, wykorzystując w tym celu otwory w prowadnicy oraz śruby 6 mm. Na rysunku podano wymiary zalecanych osłon drewnianych.

- **Rys.53:** 1. Otwór 2. Ponad 15 mm 3. Ponad 270 mm 4. 90 mm 5. 145 mm 6. 19 mm 7. 115–120 mm

PRZYKŁAD Podczas przycinania elementów o wysokości 115 mm i 120 mm należy używać osłon drewnianych o następujących grubościach.

Kąt cięcia w poziomie	Grubość osłony drewnianej	
	115 mm	120 mm
0°	20 mm	38 mm
Lewy i prawy 45°	15 mm	25 mm
Lewy i prawy 60°	15 mm	25 mm

Nacinanie rowków

⚠ OSTRZEŻENIE: Nie wolno wykonywać tego rodzaju cięcia przy użyciu szerszej tarczy ani tarczy do wpustów. Próba wykonania rowka przy użyciu szerszej tarczy lub tarczy do wpustów może przynieść nieoczekiwane rezultaty oraz odrzut, co może stać się przyczyną poważnych obrażeń ciała.

⚠ OSTRZEŻENIE: Pamiętać, aby przywrócić ramię ograniczające do pierwotnego położenia przy wykonywaniu cięć innych niż nacinanie rowków. Cięcie, gdy ramię ograniczające znajduje się w nieprawidłowym położeniu, może spowodować nieoczekiwane rezultaty oraz odrzut, co może stać się przyczyną poważnych obrażeń ciała.

W celu wykonania rowka pod wpusty należy postępować w następujący sposób:

- Wyreguluj dolne położenie granicznej tarczy za pomocą śruby regulującej i ramienia ogranicznika, aby ograniczyć głębokość cięcia. Zapoznaj się z częścią „Ramię ogranicznika”.
- Po wyregulowaniu dolnego położenia granicznej tarczy można nacinąć równoległe rowki na całej szerokości obrabianego elementu, stosując cięcie z przesuwaniem.

- **Rys.54:** 1. Nacinanie rowków tarczą

- Następnie usuń materiał między rowkami za pomocą dłuta.

Technika cięcia ze specjalną maks. szerokością

Uzyskanie maks. szerokości cięcia przy użyciu tego narzędzia jest możliwe, gdy się postępuje zgodnie z poniższymi wskazówkami: Maksymalną szerokość cięcia tym narzędziem podano w DANYCH TECHNICZNYCH w punkcie „Cięcie ze specjalną szerokością”.

- Ustawić narzędzie pod kątem 0° lub 45° cięcia w poziomie i upewnić się, że podstawa obrotowa jest zablokowana. (Patrz punkt „Regulacja kąta cięcia w poziomie”).

2. Tymczasowo wyjąć i odłożyć na bok prawą i lewą ostonę.

3. Przyciąć platformę do wymiarów podanych na rysunku, używając płaskiego materiału o grubości 38 mm, np. drewna, sklejki lub płyty wiórowej.

► **Rys.55:** 1. Kąt cięcia w poziomie 0°: Ponad 450 mm
2. Kąt cięcia w poziomie 45°: Ponad 325 mm 3. 38 mm 4. Ponad 760 mm

OSTRZEŻENIE: Materiał używany jako platforma powinien być płaski. Materiał, który nie jest płaski, może przemieścić się podczas cięcia, powodując odrzut i poważne obrażenia ciała.

WSKAZÓWKA: Maksymalny zakres cięcia na wysokość będzie pomniejszony o wartość grubości platformy.

4. Umieścić platformę w narzędziu, tak aby wystawała ona po równo z każdej strony podstawy narzędzia. Przymocować platformę do narzędzia za pomocą czterech wkrętów 6 mm do drewna przez cztery otwory w dolnych prowadnicach.

► **Rys.56:** 1. Wkręty (po dwa z każdej strony)
2. Prowadnica dolna 3. Podstawa
4. Platforma

OSTRZEŻENIE: Upewnić się, że platforma płasko przylega do podstawy narzędzia, po czym mocno przykręcić dolne prowadnice, wykorzystując cztery otwory na wkręty. Niewłaściwe zamocowanie platformy może doprowadzić do jej przemieszczenia, powodując odrzut i poważne obrażenia ciała.

OSTRZEŻENIE: Upewnić się, że narzędzie jest solidnie przymocowane do stabilnej i płaskiej powierzchni. Niewłaściwe zamontowanie i przymocowanie narzędzia może sprawić, że będzie ono niestabilne, powodując utratę panowania i/lub upadek narzędzia, a w rezultacie poważne obrażenia ciała.

5. Zamontować górne prowadnice w narzędziu.

OSTRZEŻENIE: Nie używać narzędzia bez założonych górnych prowadnic. Górne prowadnice zapewniają odpowiednie oparcie wymagane do cięcia elementów.

Niewłaściwe zamocowanie elementu może doprowadzić do jego przemieszczenia, powodując utratę kontroli, odrzut i poważne obrażenia ciała.

6. Umieścić element przeznaczony do docięcia na platformie przymocowanej do narzędzia.

7. Przed rozpoczęciem cięcia mocno przymocować element do górnych prowadnic, używając zacisku.

► **Rys.57:** 1. Prowadnica górna 2. Zacisk pionowy
3. Obrabiany element 4. Platforma

8. Powoli przeciąć element zgodnie z instrukcją w punkcie „Cięcie przesuwne (cięcie szerokich elementów)”.

OSTRZEŻENIE: Upewnić się, że przecinany element jest przymocowany zaciskiem i powoli wykonać cięcie. Niewłaściwe postępowanie może być przyczyną przemieszczenia elementu, powodując odrzut i poważne obrażenia ciała.

OSTRZEŻENIE: Należy pamiętać, że platforma może zostać osłabiona po wykonaniu wielu cięć pod różnymi kątami w poziomie. Jeśli platforma ulegnie osłabieniu z powodu wykonania wielu nacięć w materiale, należy ją wymienić. Jeśli osłabiona platforma nie zostanie wymieniona, może to stać się przyczyną przemieszczenia się ciętego elementu, powodując odrzut i poważne obrażenia ciała.

Przenoszenie narzędzia

Przed przeniesieniem ukończonej upewnij się, że została odłączona od zasilania, a wszystkie jej ruchome części są zabezpieczone. Zawsze sprawdzaj, czy:

- Narzędzie jest odłączone od zasilania.
- Suport znajduje się pod kątem 0° cięcia w pionie i jest zablokowany.
- Suport jest opuszczony i zablokowany.
- Suport jest całkowicie dosunięty do prowadnicy i zablokowany.
- Podstawa obrotowa jest ustawiona w skrajnym położeniu cięcia w poziomie z prawej strony i zablokowana.
- Uchwyty są schowane i zabezpieczone.

Przenoś narzędzie, trzymając podstawę po obu stronach, jak pokazano na rysunku.

► **Rys.58**

OSTRZEŻENIE: Kołek oporowy do podnośzenia suportu może być używany wyłącznie przy przenoszeniu lub przechowywaniu urządzenia, nigdy podczas cięcia. Użycie kołka oporowego podczas cięcia może być przyczyną nieoczekiwanego przemieszczenia się tarczy tnącej, odrzutu i poważnych obrażeń ciała.

PRZESTROGA: Przed przeniesieniem narzędzia zablokuj wszystkie jego ruchome elementy. Jeśli elementy narzędzia poruszają się lub przesuną podczas jego przenoszenia, może to spowodować utratę równowagi i poważne obrażenia ciała.

KONSERWACJA

⚠️ OSTRZEŻENIE: Przed przystąpieniem do przeglądu narzędzia lub jego konserwacji upewnij się, że jest ono wyłączone i odłączone od zasilania. Jeśli narzędzie nie jest wyłączone i odłączone od zasilania, może zostać przypadkowo uruchomione, powodując poważne obrażenia ciała.

⚠️ OSTRZEŻENIE: Tylko ostra i czysta tarcza zapewni najlepszą wydajność i gwarantuje bezpieczną pracę. Cięcie przy użyciu stępionej lub zabrudzonej tarczy może spowodować odrzut i być przyczyną poważnych obrażeń ciała.

UWAGA: Nie stosować benzyny, rozpuszczalników, alkoholu itp. środków. Mogą one powodować odbarwienia, odkształcenia lub pęknięcia.

Regulacja kąta cięcia

W fabryce została przeprowadzona dokładna regulacja i kalibracja narzędzia, ale niedelikatne obchodzenie może wpłynąć na skalibrowanie narzędzia. Jeśli urządzenie nie jest właściwie skalibrowane, należy wykonać następujące czynności:

Kąt cięcia w poziomie

Obniż całkowicie uchwyt i zablokuj go w pozycji opuszczonej za pomocą kołka oporowego. Dociśnij suport do prowadnicy. Poluzuj rękojeść oraz śruby mocujące wskaźnik i podziałkę kąta cięcia w poziomie.

- **Rys.59:** 1. Śruba na wskaźniku 2. Śruby na podziałce kąta cięcia w poziomie
3. Podziałka kąta cięcia w poziomie

Ustaw podstawę obrotową w pozycji 0° przy użyciu funkcji wymuszonego zatrzymania. Ustaw powierzchnię boczną tarczy prostopadłe do powierzchni prowadnicy przy użyciu ekierki lub kątownika. Utrzymując kąt prosty, dokręć śruby na podziałce kąta cięcia w poziomie. Następnie wyrównaj wskaźniki (prawy i lewy) z pozycją 0° na podziałce kąta cięcia w poziomie i dokręć śrubę na wskaźniku.

- **Rys.60:** 1. Ekierka

Kąt cięcia w pionie

Kąt 0° cięcia w pionie

Dociśnij suport do prowadnicy, a następnie zablokuj ruch ślizgowy przy użyciu kołka oporowego. Obniż całkowicie uchwyt i zablokuj go w pozycji opuszczonej za pomocą kołka oporowego, a następnie poluzuj pokrętkę. Obróć śrubę regulacyjną kąta 0° o dwa lub trzy obroty w lewo, aby przechylić tarczę w prawo.

- **Rys.61:** 1. Śruba regulacyjna kąta 0° 2. Śruba

Ustaw powierzchnię boczną tarczy prostopadłe do powierzchni górnej podstawy obrotowej, używając np. ekierki lub kątownika i obracając śrubę regulacyjną kąta 0° w prawo. Następnie silnie dokręć pokrętkę, aby zablokować ustawiony kąt 0°.

- **Rys.62:** 1. Ekierka 2. Tarcza tnąca 3. Górna powierzchnia podstawy obrotowej

Ponownie sprawdź, czy boczna powierzchnia tarczy jest prostopadła do powierzchni podstawy obrotowej. Poluzuj śrubę na wskaźniku. Wyrównaj wskaźnik z kątem 0° na podziałce kąta cięcia w pionie, a następnie dokręć śrubę.

Kąt 45° cięcia w pionie

UWAGA: Przed wyregulowaniem kąta cięcia w pionie 45° zakończ regulację kąta cięcia w pionie 0°.

Poluzuj pokrętkę i całkowicie przechyl suport w stronę, którą chcesz sprawdzić. Sprawdź, czy wskaźnik pokazuje pozycję 45° na podziałce kąta cięcia w pionie.

- **Rys.63**

Jeśli wskaźnik nie pokazuje pozycji 45°, wyrównaj go z pozycją 45°, obracając śrubę regulacyjną po przeciwnej stronie podziałki kąta cięcia w pionie.

- **Rys.64:** 1. Lewa śruba regulacyjna kąta 45°
2. Prawa śruba regulacyjna kąta 45°

Regulacja pozycji linii lasera

Dotyczy wyłącznie modelu LS1219L

⚠️ OSTRZEŻENIE: Podczas regulacji linii lasera narzędzie musi być podłączone do zasilania. Uważaj, aby nie włączyć narzędzia w trakcie regulacji. Przepięcie uruchomienie narzędzia może spowodować poważne obrażenia ciała.

⚠️ PRZESTROGA: Nigdy nie patrz bezpośrednio na wiązkę lasera. Bezpośrednie narażenie oczu na wiązkę lasera może spowodować poważne uszkodzenie wzroku.

UWAGA: Regularnie sprawdzaj linię lasera pod kątem dokładności.

UWAGA: Nie narażaj narzędzia na uderzenia. Może to spowodować przesunięcie linii lasera, uszkodzenie lasera lub skrócenie jego żywotności.

UWAGA: W razie jakiegokolwiek awarii układu lasera należy zlecić jego naprawę autoryzowanemu centrum serwisowemu Makita.

Zakres ruchu linii lasera jest określany przy użyciu znajdujących się po obu stronach śrub regulacyjnych. Aby zmienić pozycję linii lasera, wykonaj poniższe procedury.

1. Odłącz narzędzie od zasilania.
2. Narysuj linię cięcia na obrabianym elemencie i umieść ten element na podstawie obrotowej. Nie blokuj jeszcze obrabianego elementu przy użyciu zacisku lub podobnego przyrządu.
3. Opuść uchwyt i wyrównaj linię cięcia z tarczą tnącą.
4. Ustaw uchwyt w pierwotnej pozycji i zabezpiecz obrabiany element przy użyciu zacisku pionowego, aby uniemożliwić przesunięcie elementu w stosunku do określonej pozycji.
5. Podłącz narzędzie do zasilania i włącz przełącznik lasera.

6. Poluzuj śrubę regulacyjną. Aby odsunąć linię lasera od tarczy, obróć śrubę regulacji zasięgu w lewo. Aby dosunąć linię lasera do tarczy, obróć śrubę regulacji zasięgu w prawo.

Regulacja linii lasera po lewej stronie tarczy

► **Rys.65:** 1. Śruba regulacyjna 2. Śruba regulacji zasięgu 3. Klucz imbusowy 4. Linia lasera 5. Tarcza tnąca

Regulacja linii lasera po prawej stronie tarczy

► **Rys.66:** 1. Śruba regulacyjna 2. Śruba regulacji zasięgu 3. Klucz imbusowy 4. Linia lasera 5. Tarcza tnąca

7. Przesuń śrubę regulacyjną do pozycji, w której linia lasera nachodzi na linię cięcia, a następnie dokręć śrubę.

WSKAZÓWKA: Ruchomy zakres linii lasera jest wyregulowany fabrycznie w obrębie 1 mm od powierzchni bocznej tarczy.

Czyszczenie soczewki lasera

Dotyczy wyłącznie modelu LS1219L

Zabrudzenie soczewki lasera powoduje, że światło lasera staje się słabo widoczne. Okresowo czyść soczewkę lasera.

► **Rys.67:** 1. Śruba 2. Soczewka

Odłącz narzędzie od zasilania. Poluzuj śrubę i wyjmij soczewkę. Delikatnie wyczyść soczewkę przy użyciu miękkiej, wilgotnej ściereczki.

UWAGA: Nie wyjmuj śruby mocującej soczewkę. Jeśli soczewka się nie wysuwa, poluzuj śrubę bardziej.

UWAGA: Do czyszczenia soczewki nie używaj rozpuszczalników ani środków czyszczących na bazie benzyny.

Wymiana szczotek węglowych

► **Rys.68:** 1. Oznaczenie limitu

Szczotki węglowe należy regularnie kontrolować i w razie potrzeby wymieniać. Należy je wymieniać, gdy ich zużycie sięga oznaczenia limitu. Szczotki węglowe powinny być czyste, aby można je było swobodnie wsunąć do uchwytów. Obie szczotki węglowe należy wymieniać równocześnie. Należy używać wyłącznie identycznych szczotek węglowych.

Za pomocą śrubokręta wyjąć pokrywkę uchwytów szczotek. Wyjąć zużyte szczotki węglowe, włożyć nowe i zabezpieczyć pokrywkami uchwytów szczotek.

► **Rys.69:** 1. Pokrywka uchwytu szczotki

Po wymianie szczotek włóż narzędzie i dotrzyj szczotki, uruchamiając narzędzie na około 10 minut bez obciążenia. Następnie sprawdź działanie narzędzia podczas pracy. Skontroluj również skuteczność hamulca elektrycznego po zwolnieniu spustu przełącznika. Jeśli hamulec elektryczny nie działa prawidłowo, przekaż narzędzie do punktu serwisowego firmy Makita w celu wykonania naprawy.

Po zakończeniu pracy

Po zakończeniu pracy wytrzyj ściereczką narzędzie z przylegających do niego wiórów i pyłu. Osłonę tarczy należy utrzymywać w czystości zgodnie ze wskazówkami w części „Osłona tarczy”. Elementy przesuwu należy posmarować olejem maszynowym, aby zabezpieczyć je przed korozją.

W celu zachowania odpowiedniego poziomu BEZPIECZEŃSTWA i NIEZAWODNOŚCI produktu wszelkie naprawy i różnego rodzaju prace konserwacyjne lub regulacje powinny być przeprowadzane przez autoryzowany lub fabryczny punkt serwisowy narzędzi Makita, zawsze z użyciem oryginalnych części zamiennych Makita.

AKCESORIA OPCJONALNE

⚠️ OSTRZEŻENIE: Z opisaniem w niniejszej instrukcji narzędziem marki Makita współpracują zalecane poniżej akcesoria i przystawki. Stosowanie innych akcesoriów lub przystawek może być przyczyną poważnych obrażeń ciała.

⚠️ OSTRZEŻENIE: Akcesoria i przystawki firmy Makita można stosować tylko zgodnie z ich przeznaczeniem. Nieprawidłowe wykorzystanie akcesoriów lub przystawek może spowodować poważne obrażenia ciała.

W razie potrzeby wszelkiej pomocy i szczegółowych informacji na temat niniejszych akcesoriów udziela Państwu lokalne punkty serwisowe Makita.

- Tarcze tnące ze stali z ostrzami z węglików
- Zacisk pionowy
- Zacisk poziomy
- Zestaw ograniczników profilu wypukłego
- Worek na pył
- Ekierka
- Klucz imbusowy
- Klucz imbusowy (do LS1219L)

WSKAZÓWKA: Niektóre pozycje znajdujące się na liście mogą być dołączone do pakietu narzędziowego jako akcesoria standardowe. Mogą to być różne pozycje, w zależności od kraju.

RÉSZLETES LEÍRÁS

Típus:		LS1219	LS1219L
Fűrészlárcsa átmérője		305 mm	
Furat átmérője	Európai országok	30 mm	
	Európán kívüli országok	25,4 mm	
A fűrészlárcsa fűrészjáratának maximális vastagsága		3,2 mm	
Max. gérvágási szög		Jobb 60°, bal 60°	
Max. ferdevágási szög		Jobb 48°, bal 48°	
Üresjárat fordulatszám (f/p)		3 200 min ⁻¹	
Lézer típusa		-	Vörös lézer 650 nm, maximális teljesítmény < 1,6mW (lézerezosztály: 2M)
Méretek (H x Sz x M)		898 mm x 664 mm x 725 mm	
Nettó tömeg		29,3 kg	29,5 kg
Biztonsági osztály		□/II	

Vágóteljesítmény (M x Sz)

Gérvágási szög			Ferdevágási szög		
			45° (bal)	0°	45° (jobb)
0°	-	-	61 mm x 382 mm 71 mm x 363mm	92 mm x 382 mm 107 mm x 363 mm	44 mm x 382 mm 54 mm x 363 mm
	A vezetőléccen lévő, nagyobb vágási magasság biztosítására szolgáló fabetét vastagsága	20 mm	78 mm x 325 mm	115 mm x 325mm	61 mm x 325 mm
		38 mm	80 mm x 292 mm	120 mm x 292 mm	-
45° (jobb és bal)	-	-	61 mm x 268 mm 71 mm x 255 mm	92 mm x 268 mm 107 mm x 255 mm	44 mm x 268 mm 54 mm x 255 mm
	A vezetőléccen lévő, nagyobb vágási magasság biztosítására szolgáló fabetét vastagsága	15 mm	-	115 mm x 227 mm	-
		25 mm	-	120 mm x 212 mm	-
60° (jobb és bal)	-	-	-	92 mm x 185 mm 107 mm x 178 mm	-
	A vezetőléccen lévő, nagyobb vágási magasság biztosítására szolgáló fabetét vastagsága	15 mm	-	115 mm x 155 mm	-
		25 mm	-	120 mm x 140 mm	-

Vágóteljesítmény speciális vágások esetén

Vágás típusa	Vágóteljesítmény
Díszléc, 45°-os típus (a díszlécűtköző használata mellett)	203 mm
Lambéria (a vízszintes satu használata mellett)	171 mm

- Folyamatos kutató- és fejlesztőprogramunk eredményeként az itt felsorolt tulajdonságok figyelmeztetés nélkül megváltozhatnak.
- A tulajdonságok országról országra különbözhetnek.
- Súly, az EPTA 01/2014 eljárás szerint

Szimbólumok

A következőkben a berendezésen használt jelképek láthatók. A szerszám használata előtt bizonyosodjon meg arról hogy helyesen értelmezi a jelentésüket.



Olvassa el a használati utasítást.



KETTŐS SZIGETELÉS



A repülő törmelék okozta sérülések elkerülése érdekében a vágás befejezése után tartsa lent a fűrésztartót mindaddig, amíg a fűrészlap teljesen meg nem áll.



Csúszóvágáskor előbb húzza el a kocsit teljesen és nyomja le a fogantyút, majd nyomja a kocsit a vezetőléc felé.



Ne tegye a kezét vagy az ujjait a fűrészlap közelébe.



Soha ne nézzen a lézersugárba. A közvetlen lézersugárzás szemkárosodást okozhat.



Csak EU-tagállamok számára
Az elektromos berendezéseket ne dobja a háztartási szemétkébe! A használt elektromos és elektronikus berendezésekről szóló európai uniós irányelv és annak a nemzeti jogba való átültetése szerint az elhasznált elektromos berendezéseket külön kell gyűjteni, és környezetbarát módon újra kell hasznosítani.

Rendeltetés

A szerszám fa nagy pontosságú egyenes- és gérvágására szolgál. A megfelelő fűrésztárcsákkal alumínium is fűrészelhető.

Tápfeszültség

A szerszámot kizárólag olyan egyfázisú, váltóáramú hálózatra szabad kötni, amelynek feszültsége meg egyezik az adattábláján szereplő feszültséggel. A szerszám kettős szigetelésű, ezért földelővezeték nélküli aljzatról is működtethető.

Jaj

A tipikus A-súlyozású zajszint, a EN62841 szerint meghatározva:

LS1219 típus

Hangnyomásszint (L_{pA}): 91 dB(A)

Hangteljesítményszint (L_{WA}): 100 dB (A)

Bizonytalanság (K): 3 dB(A)

LS1219L típus

Hangnyomásszint (L_{pA}): 91 dB(A)

Hangteljesítményszint (L_{WA}): 100 dB (A)

Bizonytalanság (K): 3 dB(A)

FIGYELMEZTETÉS: Viseljen fülvédőt!

Vibráció

A vibráció teljes értéke (háromtengelyű vektorösszeg) az EN62841 szerint meghatározva:

LS1219 típus

Rezgéskibocsátás (a_h): 2,5 m/s² vagy kisebb

Bizonytalanság (K): 1,5 m/s²

LS1219L típus

Rezgéskibocsátás (a_h): 2,5 m/s² vagy kisebb

Bizonytalanság (K): 1,5 m/s²

MEGJEGYZÉS: A rezgéskibocsátás értéke a szabványos vizsgálati eljárásnak megfelelően lett mérve, és segítségével az elektromos kéziszerszámok összehasonlíthatók egymással.

MEGJEGYZÉS: A rezgéskibocsátás értékének segítségével előzetesen megbecsülhető a rezgésnek való kitettség mértéke.

FIGYELMEZTETÉS: A szerszám rezgéskibocsátása egy adott alkalmazásnál eltérhet a megadott értéktől a használat módjától függően.

FIGYELMEZTETÉS: Határozza meg a kezelő védelmét szolgáló munkavédelmi lépéseket, melyek az adott munkafeltételek melletti vibrációs hatás becslült mértékén alapulnak (figyelembe véve a munkaciklus elemeit, mint például a gép leállításának és üresjáratának mennyiségét az elindítások száma mellett).

EK Megfelelőségi nyilatkozat

Csak európai országokra vonatkozóan

Az EK-megfelelőségi nyilatkozat az útmutató „A” mellékletében található.

BIZTONSÁGI FIGYELMEZTETÉS

A szerszámgépekre vonatkozó általános biztonsági figyelmeztetések

FIGYELMEZTETÉS: Olvassa el a szerszámgéphez mellékelt összes biztonsági figyelmeztetést, utasítást, illusztrációt és a műszaki adatokat. A következőkben leírt utasítások figyelmen kívül hagyása elektromos áramütést, tüzet és/vagy súlyos sérülést eredményezhet.

Őrizzen meg minden figyelmeztetést és utasítást a későbbi tájékozódás érdekében.

A figyelmeztetésekben szereplő "szerszámgép" kifejezés az Ön hálózatról (vezetékes) vagy akkumulátorról (vezeték nélküli) működtetett szerszámgépére vonatkozik.

A gérvágókra vonatkozó biztonsági szabályok

- A gérvágók fa, vagy fa jellegű termékek vágására szolgálnak, és nem használhatók szemcsés darabolótárcsákkal vastartalmú anyagok, például rácsok, rudak, csapok stb. vágására.** A csiszolóanyag eltömíti a fűrészlapvédőt és más mozgó alkatrészeket. Az abrazív vágásból származó szikrák megégetik a fűrészlapvédőt, a felszakadásgátlót és más műanyag alkatrészeket.
 - A munkadarabot rögzítse szorítóval, amikor csak lehetséges. Ha a munkadarabot kézzel támasztja meg, mindig tartsa a kezét legalább 100 mm távolságra a fűrész tárcsa mindegyik oldalától.** Ne használja a gérvágót olyan kis méretű munkadarabok vágására, amelyeket nem lehet biztonságosan beszorítani vagy kézben tartani. Ha túl közel tartja a kezét a fűrész tárcsához, megnő a tárcsához érés és az ebből fakadó személyi sérülés veszélye.
 - A munkadarab ne mozogjon; szorítsa be, vagy támassza a vezetőlécnél és az asztalnak. Ne tolja a munkadarabot a tárcsa felé, és semmilyen módon ne vágjon vele „szabad kézzel”.** A nem rögzített vagy mozgó darabokat a gép nagy sebességgel visszalökheti, ami személyi sérülést okozhat.
 - Tolja át a fűrész a munkadarabon. Ne húzza át a fűrész a munkadarabon. A vágáshoz emelje fel a fűrészfejet, húzza a munkadarab fölé anélkül, hogy átvágná azt, majd indítsa be a motort, nyomja le a fűrészfejet, és tolja át a fűrész a munkadarabon.** Ha húzva próbálja elvégezni a vágást, a fűrész tárcsa megfuthat a munkadarabon, és nagy erővel a kezelő felé lökheti a tárcsaszerelvényt.
 - Kezével soha ne keresztezze a vágás tervezett vonalát, sem a fűrész tárcsa előtt, sem mögötte.** Ha „keresztezett kézzel” támasztja meg a munkadarabot, pl. a fűrész tárcsa jobb oldalán bal kézzel tartja azt, vagy fordítva, az rendkívül veszélyes.
- **Ábra1**
- Soha ne nyúljon át a vezetőlécnél a hulladékfa eltávolításához vagy bármilyen más okból úgy, hogy bármelyik keze 100 mm-nél közelebb van a fűrész tárcsához, amikor a tárcsa forog.** Előfordulhat, hogy nem veszi észre, milyen közel van a fűrész tárcsa a kezéhez, és súlyosan megsérülhet.
 - Vágás előtt vizsgálja meg a munkadarabot. Ha a munkadarab meghajlott vagy megvetemedett, úgy szorítsa be, hogy annak külső, domború oldala nézzen a vezetőléc felé. Mindig biztosítsa, hogy ne legyen rés a munkadarab, a vezetőléc és az asztal között a vágás mentén.** A meghajlott vagy megvetemedett munkadarabok vágás közben elfordulhatnak vagy elmozdulhatnak, és a forgó fűrész tárcsa elakadását okozhatják. A munkadarabban ne legyen szög vagy egyéb idegen tárgy.
 - Csak akkor használja a fűrész a fűrész, ha az asztalon nem található semmilyen szerszám, hulladékfa stb., csak a munkadarab.** A gép a forgó tárcsával kapcsolatba kerülő kisebb hulladékokat, fadarabokat és egyéb tárgyakat nagy sebességgel visszalökheti.
 - Egyszerre csak egy munkadarabot vágjon.** A több egyre másra helyezett munkadarabot nem lehet megfelelően beszorítani vagy rögzíteni, ezért vágás közben elmozdulhatnak, vagy a tárcsa elakadását okozhatják.
 - Használat előtt győződjön meg róla, hogy a gérvágó vízszintes, szilárd munkafelületen áll.** A vízszintes, szilárd munkafelület csökkenti a gérvágó instabil helyzetbe kerülésének kockázatát.
 - Tervezze meg a munkát. Minden alkalommal, amikor módosítja a ferdevágási vagy a gérvágási szöget, győződjön meg arról, hogy az állítható vezetőléc megfelelően támasztja a munkadarabot, és nem fog beakadni a tárcsába vagy a védőrendszerbe.** A szerszám bekapcsolása és a munkadarab asztalra helyezése nélkül végezzen el a fűrész tárcsával egy teljes szimulált vágást annak érdekében, hogy biztosan ne akadjon vagy vágjon bele semmi a vezetőlécbe.
 - Ha a munkadarab szélesebb vagy hosszabb, mint az asztal, támassza meg megfelelő módon, például bővítőasztal vagy fűrész szállítvány segítségével.** Ha nem megfelelően támasztja meg a gérvágóasztalnál szélesebb vagy hosszabb munkadarabokat, azok eldőlhetnek. Ha a levágott darab vagy a munkadarab eldőli, az felemelheti a fűrész lapvédőt, vagy a forgó tárcsa visszalökheti.
 - Ne támassza egy másik emberre a munkadarab bővítőasztal helyett vagy további támasztékként.** A munkadarab instabil megtámasztása vágás közben a tárcsa elakadását vagy a munkadarab elmozdulását okozhatja, és a forgó tárcsa felé lökheti Önt és a segítőjét.
 - Ügyeljen rá, hogy a levágott darab semmilyen módon ne akadjon bele vagy ne nyomódjon neki a forgó fűrész tárcsának.** Ha a levágott darabot valami, pl. egy méretbeállító ütköző korlátozza, az a tárcsához nyomódhat és nagy erővel kilökődhet.
 - Kör keresztmetszetű anyagok, például rudak vagy csövek vágásakor mindig az ilyen anyagok megfelelő rögzítésére alkalmas szorítót vagy rögzítőt használjon.** A rúd vágás közben hajlamosak elgördülni, amitől a tárcsa „belekap”, és maga felé húzza a munkadarabot a kezelő kezével együtt.
 - Várja meg, míg a tárcsa eléri a teljes sebességet, mielőtt hozzáérinti azt a munkadarabhoz.** Ez csökkenti a munkadarab kilökődésének kockázatát.
 - Ha a munkadarab vagy a tárcsa elakad, kapcsolja ki a gérvágót. Várja meg, míg az összes mozgó alkatrész megáll, majd húzza ki a dugót az áramforrásból és/vagy távolítsa el az akkumulátort. Ezután szabadítsa ki az elakadt anyagot.** Ha elakadt munkadarab esetén is folytatja a vágást, elveszítheti az uralmat a gép felett, vagy a gérvágó sérülését okozhatja.

18. A vágás befejeztével engedje el a kapcsolót, tartsa lenn a fűrészfejet és várja meg, míg a tárcsa leáll, mielőtt eltávolítaná a levágott darabot. Veszélyes kézzel a még forgó tárcsa közelébe nyúlni.
19. Ha nem vágja át teljesen a munkadarabot, vagy akkor engedi fel a kapcsolót, amikor a fűrészfej teljesen lefelé áll, tartsa erősen a fogantyút. A fűrész fékezése a fűrészfej hirtelen felemelkedését okozhatja, ami személyi sérülést okozhat.
20. Csak a szerszámon jelzett vagy a kézikönyvben megadott átmérőjű fűrészlapokat használja. A nem megfelelő méretű fűrészlap miatt a fűrészlap vagy a védőburkolat nem fogja megfelelően ellátni a funkcióját, ami súlyos személyi sérüléshez is vezethet.
21. Csak olyan fűrészlárcsákat használjon, amelyek jelzett fordulatszáma megegyezik a szerszámon jelzett fordulatszámmal, vagy nagyobb annál.
22. Tilos a fűrészgépet alumínium, fa és hasonló anyagok vágásán kívül más anyagok fűrészelésére használni.
23. (Csak európai országokra vonatkozóan) Mindig az EN847-1 szabványnak megfelelő tárcsát használjon.

További tudnivalók

1. Lakatokkal biztosítsa, hogy a műszer gyerekbiztos legyen.
2. Soha ne álljon a szerszámmra. Ha a szerszám megdőlt, vagy Ön véletlenül a vágószerszámhoz ér, az súlyos sérüléseket okozhat.
3. Ne hagyja felügyelet nélkül a működő szerszámot. Kapcsolja ki. Ne hagyja ott a szerszámot, amíg az teljesen le nem áll.
4. Ne működtesse a fűrész védőburkolatok nélkül. Minden használat ellenőrizze, hogy a tárcsa védőburkolata megfelelően zár-e. Ne működtesse a fűrész, ha a fűrészlárcsa védőburkolata nem mozog akadálymentesen és nem zár azonnal. Soha ne rögzítse vagy kösse ki a tárcsa védőburkolatát nyitott állásban.
5. Tartsa távol a kezét a fűrészlárcsa útvonalától. Ne érjen a lassuló tárcsához. Az még súlyos sérülést okozhat.
6. A sérülések elkerülése érdekében minden keresztvágási művelet után tolja vissza a kocsit a leghátsó állásba.
7. A szerszám szállítása előtt mindig rögzítsen minden mozgó alkatrészt.
8. A vágófejet rögzítő rögzítoszeg csak szállítási és tárolási célokra használható, vágási műveletek során nem.
9. A művelet megkezdése előtt ellenőrizze, hogy nem találhatók-e repedések vagy egyéb sérülések a tárcsán. A megrepedt vagy sérült tárcsát azonnal cserélje ki. A fűrészlárcsára keményedett kátrány és fagyanta lelassítja a fűrész, és megnöveli a visszaruágás kockázatát. Tartsa tisztán a fűrészlárcsát: szerelje le a szerszámról, majd tisztítsa meg gyanta- és kátrányeltávolítóval, forró vízzel vagy kerozinnal. Soha ne tisztítsa gázolajjal a tárcsát.
10. Csúszóvágáskor a szerszám VISSZARÚGHAT. VISSZARÚGÁS akkor következik be, amikor vágás közben a tárcsa elakad a munkadarabban, és a fűrészlárcsa hirtelen a kezelő felé lökődik. A kezelő elveszítheti az irányítást a szerszám felett, és súlyosan megsérülhet. Ha a tárcsa vágás közben akadozik, ne folytassa vágást, és azonnal engedje fel a kapcsolót.
11. Csak a szerszámhoz előírt illesztőperemeket használja.
12. Ne rongálja meg a tengelyt, az illesztőperemet (különösen annak szerelési felületét) vagy a csavart. Ezen alkatrészek károsodása a fűrészlárcsa eltörését okozhatja.
13. Győződjön meg róla, hogy a forgóasztal megfelelően rögzítve van és nem mozdulhat el a használat során. Az alapllemezen található lyukak segítségével rögzítse a fűrész egy stabil munkafelületre vagy munkapadra. SOHA ne használja olyan helyen a szerszámot, ahol a kezelő nem férhet jól hozzá.
14. Ellenőrizze, hogy a tengelyretesz ki van oldva, mielőtt bekapcsolja a kapcsolót.
15. Ügyeljen rá, hogy a fűrészlárcsa legalsó helyzetében ne érjen a forgóasztalhoz.
16. Szilárdan tartsa a fogantyút. Ne feledje, hogy beindítás és leállítás közben a fűrész egy kicsit felfelé vagy lefelé mozog.
17. Ellenőrizze, hogy a fűrészlárcsa nem ér-e a munkadarabhoz, mielőtt bekapcsolja a kapcsolót.
18. Mielőtt használja a szerszámot a tényleges munkadarabon, hagyja járni egy kicsit. Figyelje a rezgéseket vagy az imbolygást, amelyek rosszul felszerelt vagy rosszul kiegyensúlyozott tárcsára utalhatnak.
19. Ha bármilyen rendellenességet észlel, azonnal állítsa le a készüléket.
20. Ne próbálja a kapcsolót bekapcsolt állapotban rögzíteni.
21. Csak az ebben a kézikönyvben javasolt tartozékokat használja. A nem rendeltetésszerű tartozékok, például a csiszolókorongok használata sérülést okozhat.
22. Egyes anyagok mérgező vegyületet tartalmazhatnak. Gondoskodjon a por beélegzése elleni és érintés elleni védelemről. Tartsa be az anyag szállítójának biztonsági utasításait.

Lézerre vonatkozó kiegészítő biztonsági előírások

1. LÉZERSUGÁRZÁS, NE NÉZZEN A SUGÁRBA VAGY NÉZZE AZT KÖZVETLENÜL OPTIKAI ESZKÖZÖKKEL, 2M OSZTÁLYÚ LÉZERTERMÉK.

ŐRIZZE MEG EZEKET AZ UTASÍTÁSOKAT.

▲ FIGYELMEZTETÉS: NE HAGYJA, hogy (a termék többszöri használatából eredő) kényelem és megszokás váltsa fel a termék biztonsági előírásainak szigorú betartását. A HELYTELEN HASZNÁLAT és a használati útmutatóban szereplő biztonsági előírások megszegése súlyos személyi sérülésekhez vezethet.

ALKATRÉSZEK LEÍRÁSA

► Ábra2

1	Csúszórúd	2	Rögzítőszeg (a kocsisúsztatásához)	3	Függőleges satu	4	Kioldógomb (a jobb oldali ferdevágási szöghöz)
5	Tartó	6	Forgóasztal	7	Mutató (gérvágási szöghöz)	8	Gérvágási szög skálája
9	Felszakadástgátló	10	Fűrészlapház	11	Beállítócsavar (a lézervonalhoz)	12	Tartománybeállító csavar (a lézervonalhoz)
13	Fűrészlapvédő	14	Gomb (a ferdevágási szöghöz)	15	Imbuszkulcs	16	Beállítócsavar (alsó határhelyeztethez)
17	Beállítócsavar (maximális vágási kapacitáshoz)	18	Ütközőkar	19	Rögzítőkar (forgóasztalhoz)	20	Kioldókar (forgóasztalhoz)
21	Fogantyú (forgóasztalhoz)	-	-	-	-	-	-

► Ábra3

1	Kapcsológomb	2	Reteszelőgomb	3	Furat a lakat számára	4	Kapcsoló (a lézervonalhoz)
5	Cső (porelszíváshoz)	6	Rögzítőszeg (a kocsimeléséhez)	7	Vezetőléc (alsó vezetőléc)	8	Vezetőléc (felső vezetőléc)
9	Porzsák	10	0°-os beállítócsavar (a ferdevágási szöghöz)	11	Ferdevágási szög skálája	12	Kioldókar (a 48°-os ferdevágási szöghöz)
13	Biztosítókar (a ferdevágási szöghöz)	14	Mutató (a ferdevágási szöghöz)	15	45°-os beállítócsavar (a ferdevágási szöghöz)	-	-

TELEPÍTÉS

A markolat felszerelése

Csavarja a markolat menetes tengelyét a forgóasztalba.

► **Ábra4:** 1. Markolat 2. Forgóasztal

A porelszívó cső felszerelése

Csatlakoztassa a porelszívó csövet a szerszámmal a képen látható módon.

Győződjön meg arról, hogy a könyökcső és a hüvely megfelelően csatlakoznak a szerszámon található nyílásokhoz.

► **Ábra5:** 1. Porelszívó cső 2. Könyökcső 3. Hüvely 4. Nyílás

Telepítés munkaasztalra

A szerszám úgy kerül szállításra, hogy a fogantyú leeresztett állásban van rögzítve a rögzítőszeggel. Kicsit húzza lejjebb a fogantyút, húzza ki a rögzítőszegyet, majd forgassa el 90°-kal.

► **Ábra6:** 1. Rögzített pozíció 2. Nyitott pozíció 3. Rögzítőszeg

Ezt a szerszámot négy csavarral kell egy vízszintes és stabil felülethez csavarozni a szerszám talplemezén található furatok segítségével. Ezzel elkerülhető a felborulása és az esetleges sérülés.

► **Ábra7:** 1. Csavar

▲ FIGYELMEZTETÉS: Úgy rögzítse a szerszámot, hogy az ne tudjon elmozdulni a tartófelületen. A gérvágó fűrész vágás közbeni elmozdulása az uralom elvesztéséhez, így súlyos személyi sérülésekhez vezethet.

A MŰKÖDÉS LEÍRÁSA

▲ FIGYELMEZTETÉS: Mielőtt ellenőrzi vagy beállítja, mindig bizonyosodjon meg róla, hogy a szerszámot kikapcsolta és a hálózatról lecsatlakoztatta. Ha nem kapcsolja ki és nem húzza ki a szerszámot, az véletlenül elindulhat, és súlyos személyi sérüléseket okozhat.

Fűrészlapvédő

► **Ábra8:** 1. Fűrészlapvédő

A fogantyú leeresztésekor a fűrészlapvédő automatikusan felemelkedik. A fűrészlapvédő rugós terhelésű, ezért visszatér az eredeti állásába a vágás befejezésekor, ha a fogantyút felemelik.

▲ FIGYELMEZTETÉS: Soha ne akadályozza a fűrészlapvédő mozgását, és ne távolítsa el sem azt, sem a hozzá kapcsolódó rugót. A nem megfelelően működő fűrészlapvédő miatt szabadon forgó fűrészlárcsa súlyos személyi sérüléseket okozhat a munkavégzés során.

A személyes biztonsága érdekében a fűrészlapvédő mindig legyen jó állapotban. Ha a fűrészlapvédő hibásan működik, azt azonnal ki kell javítani. Ellenőrizze a fűrészlapvédő rugóterheléses visszatéréses funkcióját.

▲ FIGYELMEZTETÉS: Ne használja a szerszámgépet sérült, hibás vagy hiányzó fűrészlapvédővel vagy rugóval. A szerszámgép sérült, hibás vagy hiányzó fűrészlapvédővel vagy rugóval való használata súlyos személyi sérüléseket okozhat.

Ha az átlású fűrészlapvédő annyira elkoszolódik, vagy ahhoz annyi fűrészpor tapad, hogy a tárcsa és/vagy a munkadarab nehezen látható, áramtalanítsa a szerszámot, és tisztítsa meg a fűrészlapvédőt egy nedves törülköhával. Ne használjon semmilyen benzín alapú tisztítószerrel a műanyag fűrészlapvédő felületén, mert ezzel károsíthatja.

Ha a fűrészlapvédő annyira elszennyeződött, hogy már nem lehet rajta átlátni, húzza ki a szerszámot, majd a mellékelt kulcs segítségével lazítsa meg a tengelyvédő burkolatot tartó csavart. Hajtsa ki a csavart az óramutató járásával ellentétes irányban, majd emelje fel a fűrészlapvédőt és a középső burkolatot. Az így beállított fűrészlapvédőn a tisztítás gyorsabban és hatásosabban végezhető el. Amikor a tisztítást befejezte, végezze el a fenti eljárást fordított sorrendben, és húzza meg a csavart. Ne távolítsa el a rugós feszítésű fűrészlapvédőt. Ha a fűrészlapvédő öregedés vagy UV fényhatás következtében elszíneződik, lépjen kapcsolatba egy Makita szervizközponttal új védőburkolat beszerzése érdekében. **NE TÁMASSZA KI ÉS NE TÁVOLÍTSA EL A FÜRÉSZLAPVÉDŐT.**

► **Ábra9:** 1. Tengelyvédő burkolat 2. Imbuszkulcs 3. Fűrészlapvédő

Felszakadástárlók

A szerszám forgóasztala felszakadástárlókkal van felszerelve a felszakadás minimalizálása érdekében a vágás kilépő oldalán. A felszakadástárlók gyárilag úgy vannak beállítva, hogy a fűrészlárcsa ne érintkezzen velük. Használat előtt állítsa be a felszakadástárlókat a következő módon:

► **Ábra10:** 1. Felszakadástárló

► **Ábra11:** 1. Ferdevágás balra 2. Egyenes vágás 3. Ferdevágás jobbra 4. Fűrészlárcsa 5. Fűrészfogak 6. Felszakadástárló

Először húzza ki a gép tápkábelét a hálózati aljzattól. Lazítsa ki a felszakadástárlókat rögzítő minden csavart (2 db a bal és a jobb oldalon is) úgy, hogy a felszakadástárlókat könnyen, kézzel lehessen mozgatni. Engedje le teljesen a fogantyút, majd húzza ki és forgassa el a rögzítőszegyet a fogantyú leengedett helyzetben való rögzítéséhez. Engedje el a csúszórúdon található rögzítőszegyet, majd húzza teljesen maga felé a kocsit. Állítsa be a felszakadástárlókat úgy, hogy azok éppen csak finoman érintsék a fűrészfogak oldalát. Húzza meg az előlő csavarokat (de ne erősen). Tolja el a kocsit a vezetőlécc felé, majd állítsa be úgy a felszakadástárlókat, hogy azok épphogy érintsék a fűrészfogak oldalát. Húzza meg a hátsó csavarokat (de ne erősen).

A felszakadástárlók beállítása után húzza ki a rögzítőszegyet, és emelje fel a fogantyút. Ezután szorosan húzza meg az összes csavart.

MEGJEGYZÉS: A ferdevágási szög beállítása után ellenőrizze a felszakadástárlók megfelelő beállítását. A felszakadástárlók megfelelő beállítása segíti a munkadarab megfelelő megtámasztását, így a roncsolás minimalizálható.

A maximális vágóteljesítmény fenntartása

A szerszámgépet gyárilag úgy állították be, hogy 305 mm-es fűrészlárcsával nyújtsa maximális vágási kapacitását.

Új fűrészlap felrakásakor mindig ellenőrizze a fűrészlap alsó ütközőpontját, és ha szükséges, állítsa be azt a következő módon:

Először húzza ki a gép tápkábelét a hálózati aljzattól. Fordítsa a rögzítőkart bekapcsolt helyzetbe.

► **Ábra12:** 1. Rögzítőkarp

Tolja a kocsit ütközésig a vezetőléchez, majd engedje le teljesen a fogantyút.

Állítsa be a tárcsa helyzetét úgy, hogy az imbuszkulcs segítségével elforgatja a beállítócsavart. A tárcsa széle kissé nyúljon túl a forgóasztal felszínén, és érjen el addig a pontig, ahol a vezetőlécc előlő lapja találkozik a forgóasztal felszínével.

► **Ábra13:** 1. Beállítócsavar

► **Ábra14:** 1. A forgóasztal felső lapja 2. Fűrészlap széle 3. Vezetőlécc

Áramtalanítsa a szerszámot, teljesen engedje le a fogantyút, majd kézzel forgassa a tárcsát annak ellenőrzésére, hogy a tárcsa nem ér az alsó alaplemezhöz. Szükség esetén végezzen finombeállítást. Beállítás után mindig állítsa vissza a rögzítőkart az eredeti helyzetébe.

▲ FIGYELMEZTETÉS: A szerszám gép áramtalanítása, majd ezt követően az új fűrésztárcsa felszerelése után mindig ellenőrizze, hogy a tárcsa nem ér az alsó alaplemez semmilyen részéhez, amikor a fogantyú teljesen le van engedve. Ha a fűrésztárcsa az alaphoz ér, az visszarúgást okozhat, ami súlyos személyi sérüléssel járhat.

Ütközőkar

A fűrésztárcsa alsó határpozíciója egyszerűen beállítható az ütközőkarral. Ennek beállításához fordítsa el az ütközőkart az ábrán látható nyíl által jelzett irányba. A beállítócsavart úgy forgassa el, hogy a tárcsa a kívánt helyzetben álljon meg, amikor teljesen leengedi a fogantyút.

► **Ábra15:** 1. Ütközőkar 2. Beállítócsavar

A gérvágási szög beállítása

▲ VIGYÁZAT: A gérvágási szög megváltoztatását követően mindig rögzítse a forgóasztalt, a rögzítőkart szorosan meghúzva.

MEGJEGYZÉS: A forgóasztal elfordításakor ügyeljen rá, hogy a fogantyú teljesen fel legyen emelve.

► **Ábra16:** 1. Reteszelőkar 2. Markolat 3. Kioldókar 4. Mutató

A forgóasztal kioldásához fordítsa el a markolatot az óramutató járásával ellentétes irányba. A forgóasztal mozgatásához a rögzítőkart nyomva tartása közben forgassa a markolatot. Állítsa be, hogy a mutató a kívánt szögre mutasson a skálán, majd szorítsa meg a markolatot.

MEGJEGYZÉS: Ha benyomja a kioldókart, a forgóasztalt a rögzítőkart nyomva tartása nélkül is mozgathatja. Ha elérte a kívánt helyzetet, szorítsa meg a markolatot.

Ez a gérvágó ütköző funkcióval van ellátva. A 0°, 15°, 22,5°, 31,6°, 45° és 60°-os bal/jobbs gérvágási szöget gyorsan beállíthatja. A funkció használatához a rögzítőkart nyomva tartása közben mozgassa a forgóasztalt a kívánt ütközési szög közelébe. Majd engedje fel a rögzítőkart, és addig tolja előre a forgóasztalt, amíg az nem rögzül.

A ferdevágási szög beállítása

MEGJEGYZÉS: A ferdevágási szög beállítása előtt mindig távolítsa el a felső vezetőléceket és a függőleges satut.

MEGJEGYZÉS: A ferdevágási szög megváltoztatásakor ügyeljen rá, hogy a felszakadásgátlókat is megfelelően beállítsa, a „Felszakadásgátlók” részben leírtaknak megfelelően.

MEGJEGYZÉS: A fűrésztárcsa megdöntésekor ügyeljen rá, hogy a fogantyú teljesen fel legyen emelve.

MEGJEGYZÉS: Ne húzza túl a gombot. Ha mégis így tesz, az a ferdevágási szög zárméchanizmusának meghibásodásához vezethet.

1. Fordítsa el a csúszerúdon található gombot az óramutató járásával ellentétes irányba.
► **Ábra17:** 1. Gomb
2. Húzza ki, majd fordítsa el a biztosítókart a képen látható helyzetbe.
► **Ábra18:** 1. Biztosítókart
3. Mozgassa a kocsit úgy, hogy a mutató a kívánt szögre mutasson a skálán, majd szorítsa meg a gombot.
► **Ábra19:** 1. Ferdevágási szög skálája 2. Mutató

A kocsit jobbra döntéséhez először döntse a kocsit kissé balra, majd a kioldógomb nyomva tartása mellett döntse jobbra.

► **Ábra20:** 1. Kioldógomb

Ha 45°-nál nagyobb szögű ferdevágást végez, csúsztassa a kioldókart a szerszám gép eleje felé, miközben a kocsit mozgatja. Legfeljebb 48°-os ferdevágást végezhet.

► **Ábra21:** 1. Kioldókar

Ez a gérvágó ütköző funkcióval van ellátva. A 22,5°-os és a 33,9°-os szöveget balra és jobbra is gyorsan beállíthatja. Állítsa a biztosítókart az ábrán látható helyzetbe, majd döntse meg a kocsit. A szög módosításához húzza meg a biztosítókart, majd döntse meg a kocsit.

► **Ábra22:** 1. Biztosítókart

▲ VIGYÁZAT: A ferdevágási szög megváltoztatását követően mindig rögzítse a gombot.

A kocsit rögzítése

A kocsit csúszo mozgásának leállításához tolja a kocsit ütközésig a vezetőlécc felé. Húzza ki a rögzítőszeget, majd fordítsa el 90°-kal.

► **Ábra23:** 1. Nyitott pozíció 2. Rögzített pozíció 3. Rögzítőszeg

A kapcsoló használata

▲ FIGYELMEZTETÉS: A szerszám hálózatra csatlakoztatása előtt mindig ellenőrizze, hogy a kapcsológomb megfelelően mozog, és elengedés után visszatér a kikapcsolt (OFF) állapotba. Ne húzza túlzott erővel a kapcsológombot úgy, hogy nem nyomta be a reteszelőgombot. Ez a kapcsoló törésért okozhatja. A hibás kapcsolóval működő gép fölött a kezelő elveszítheti az uralmat, és a gép súlyos személyi sérülést okozhat.

▲ FIGYELMEZTETÉS: SOHA ne használja a szerszámot, ha a kapcsoló nem teljesen működőképes. A szerszámgép használata hibás kapcsolóval RENDKÍVÜL VESZÉLYES! A további használat előtt azt feltétlenül ki kell javítani, mert a további használat súlyos személyi sérüléseket okozhat.

▲ FIGYELMEZTETÉS: NE gátolja a reteszelő kapcsoló üzemszerű működését azzal, hogy leragasztja, vagy más módon kitémasztja. Az üzemképtelenné tett kapcsoló a gép szándékolatlan beindulásához vezethet, ami súlyos személyi sérüléssel járhat.

▲ FIGYELMEZTETÉS: SOHA ne használja ezt a szerszámot, ha az akkor is beindul amikor Ön a reteszelőgomb megnyomása nélkül húzza meg a kapcsológombot. A javításra szoruló kapcsoló a gép szándékolatlan beindulásához vezethet, ami súlyos személyi sérüléssel járhat. A további használat ELŐTT vigye a szerszámot javításra egy MAKITA szervizközpontba.

- **Ábra24:** 1. Kapcsológomb 2. Reteszelőgomb 3. Furat a lakat számára

A kapcsológomb véletlen működtetését egy kireteszelőgomb gátolja meg. A szerszám bekapcsolásához nyomja be a reteszelőgombot és húzza meg a kapcsológombot. A megállításhoz engedje el a kapcsológombot.

A kapcsoló gombján egy furat található, amelybe lakatot lehet helyezni a szerszám elindításának megakadályozására.

▲ FIGYELMEZTETÉS: Ne használjon 6,35 mm-nél kisebb átmérőjű szarát vagy sodronyt biztosításra. A kisebb méretű szar vagy sodrony nem rögzíti leállított helyzetben megfelelően a szerszámgépet, aminek a véletlen elindulása súlyos személyi sérüléshez vezethet.

Elektronikus funkció

Állandó fordulatszám-szabályozás

A szerszámgép elektronikus fordulatszám-szabályozással rendelkezik, ami terhelés alatt is segíti az állandó fordulatszám fenntartását. Az állandó fordulatszám rendkívül sima vágási felületet eredményez.

Lágyindítás

A funkció korlátozza az indítási nyomatókat, és ezáltal finom indítást eredményez.

A lézersugár működése

Csak az LS1219L típus esetében

▲ VIGYÁZAT: Soha ne nézzen a lézersugárba. A közvetlen lézersugárzás szemkárosodást okozhat.

A lézersugár bekapcsolásához nyomja le a kapcsoló felső részét (1). A lézersugár kikapcsolásához nyomja le a kapcsoló alsó részét (0).

- **Ábra25:** 1. A lézer kapcsolója

A lézervonalat a fűrésztárcsa bal vagy jobb oldalára állíthatja úgy, hogy a beállítócsavart elforgatja a következő módon.

- **Ábra26:** 1. Beállítócsavar

1. Lazítsa meg a beállítócsavart úgy, hogy az óramutató járásával ellentétes irányba forgatja azt.
2. A kilazított beállítócsavart csúsztassa ütközésig jobbra vagy balra.
3. Ha a beállítócsavar megállt, ebben a helyzetben húzza azt meg.

MEGJEGYZÉS: A lézervonal gyárilag úgy van beállítva, hogy az 1 mm-en belül legyen a tárcsa oldalfelületétől (vágási helyzetben).

MEGJEGYZÉS: Ha a lézervonal halvány, és a közvetlen napfény miatt nehezen látható, helyezze át a munkaterületet olyan helyre, ahol nem éri közvetlen napfény.

A lézervonal beállítása

Igazítsa a munkadarab vágási vonalát a lézervonalhoz.

- **Ábra27**

- A) Ha a munkadarab bal oldalát szeretné a megfelelő méretre vágni, állítsa a lézervonalat a tárcsa bal oldalára.
B) Ha a munkadarab jobb oldalát szeretné a megfelelő méretre vágni, állítsa a lézervonalat a tárcsa jobb oldalára.

MEGJEGYZÉS: Összetett vágás esetén tegyen egy falapot a vezetőléchez, amikor a vágási vonalat a lézervonalhoz igazítja a vezetőléc oldalánál (ferdevágási szög: 45°, jobb gervágási szög: 45°).

ÖSSZESZERELÉS

▲ FIGYELMEZTETÉS: Mielőtt bármilyen munkát végezne rajta, mindig bizonyosodjon meg arról, hogy a szerszámot kikapcsolta, és a hálózatról lecsatlakoztatta. Ha nem kapcsolja ki és nem húzza ki a szerszámot, az súlyos személyi sérüléseket okozhat.

Az imbuszkulcs tárolása

Amikor nem használja, tárolja az imbuszkulcsot az ábrán látható módon, nehogy elveszzen.

- **Ábra28:** 1. Imbuszkulcs

A fűrészlánc eltávolítása és felszerelése

▲ FIGYELMEZTETÉS: A fűrészlánc felszerelése vagy eltávolítása előtt minden esetben ellenőrizze, hogy a szerszám ki van kapcsolva és áramtalanítva lett. A gép véletlen beindulása súlyos személyi sérülésekkel járhat.

▲ FIGYELMEZTETÉS: A fűrészlánc felszereléséhez és eltávolításához csak a mellékelt Makita kulcsot használja. Más szerszám használata esetén előfordulhat, hogy túlhúzza vagy nem húzza meg eléggé az imbuzscsavart, ami súlyos személyi sérüléseket okozhat.

A lánc eltávolításakor és felszerelésekor mindig felemelt helyzetben rögzítse a kocsit. A kocsit felemelt helyzetben húzza ki a rögzítőszegyet, majd fordítsa el 90°-kal.

- **Ábra29:** 1. Nyitott pozíció 2. Rögzített pozíció
3. Rögzítőszeg

A tárcsa eltávolítása

Az imbuzskulcs segítségével lazítsa ki a tengelyvédő burkolatot tartó imbuzscsavart. Emelje fel a fűrészlapvédőt és a tengelyvédő burkolatot.

- **Ábra30:** 1. Tengelyvédő burkolat 2. Imbuzskulcs
3. Fűrészlapvédő

Az orsó rögzítéséhez nyomja be a tengelyreteszt, majd az imbuzskulcs segítségével lazítsa meg az imbuzscsavart. Távolítsa el az imbuzscsavart, a külső illesztőperemet és a fűrészláncot.

- **Ábra31:** 1. Tengelyretesz 2. Imbuzskulcs
3. Imbuzscsavar (balmenetes) 4. Lazítsa meg 5. Húzza meg

A tárcsa felszerelése

Óvatosan tegye a tárcsát az orsóra, ügyelve arra, hogy a tárcsa felületén található nyíl ugyanabba az irányba mutasson, mint a fűrészláncsáhon található nyíl.

- **Ábra32:** 1. Nyíl a fűrészláncsáhonon 2. Nyíl a tárcsán

Szerelje fel a külső illesztőperemet és az imbuzscsavart. A tengelyretesz lenyomva tartása mellett szorítsa meg az imbuzscsavart egy imbuzskulccsal az óramutató járásával ellentétes irányba.

- **Ábra33:** 1. Imbuzscsavar 2. Külső illesztőperem
3. Fűrészlap 4. Belső illesztőperem
5. Orsó 6. Gyűrű

MEGJEGYZÉS: Ha leveszi a belső illesztőperemet, mindenképpen úgy szerelje vissza az orsóra, hogy a kiemelkedő része a tárcsával ellentétes irányba nézzen. Az illesztőperem helytelen felszerelés esetén a géphez ér.

Állítsa vissza a fűrészlapvédőt és a tengelyvédő burkolatot az eredeti helyzetbe. Ezután húzza meg a hatlapfejű csavart az óramutató járásának irányába a középső burkolat rögzítéséhez. A felemelt helyzetben rögzített kocsit kioldásához oldja ki a rögzítőszegyet. Engedje le a fogantyút annak ellenőrzésére, hogy a fűrészlapvédő megfelelően mozog-e. Ügyeljen rá, hogy a tengelyretesz kijöjjön az orsóból, mielőtt elkezdi a vágást.

▲ FIGYELMEZTETÉS: Mielőtt felszereli a fűrészláncát a tengelyre, mindig ellenőrizze, hogy a használni kívánt tárcsa tengelyfuratának megfelelő gyűrű van-e a belső és külső illesztőperem közé helyezve. A tengelyfuratnak nem megfelelő gyűrű használata esetén a fűrészláncot nem lehet megfelelően felszerelni, az elmozdulva jelentős rezgést kelthet, ami a szerszám feletti uralom elvesztésével és súlyos személyi sérülésekkel járhat.

Porszívó csatlakoztatása

Ha tiszta vágást szeretne végezni, egy elülső karmantyú (24) (opcionális tartozék) segítségével csatlakoztasson egy Makita porszívót a porkifúvához.

- **Ábra34:** 1. Elülső karmantyú (24) 2. Gégecső
3. Porszívó

Porzsák

A porzsák használata a vágási műveleteket tisztává, a por összegyűjtését pedig egyszerűvé teszi. A porzsák csatlakoztatásához távolítsa el a szerszámról a porszívó csövet, majd csatlakoztassa a porzsákokat.

- **Ábra35:** 1. Porszívó cső 2. Porzsák

Amikor a porzsák nagyjából a feléig megtelt, távolítsa el azt a szerszámról és húzza ki a kötőelemet. Üritse ki a porzsák tartalmát, óvatosan megütögetve az oldalát az oldalához tapadt szemcsék eltávolítása érdekében, melyek akadályozhatják a további porszívást.

- **Ábra36:** 1. Kötőelem

A munkadarab rögzítése

▲ FIGYELMEZTETÉS: Rendkívül fontos a munkadarab rögzítése a megfelelő satu vagy díslélcűtköző segítségével. Ennek elmulasztása súlyos személyi sérüléshez, valamint a szerszámgép és/vagy a munkadarab károsodásához vezethet.

▲ FIGYELMEZTETÉS: A vágás befejezése után csak akkor emelje fel a tárcsát, ha az már teljesen leállt. A még forgó tárcsa felemelése súlyos személyi sérüléshez, valamint a munkadarab károsodásához vezethet.

▲ FIGYELMEZTETÉS: Ha a munkadarab hosszabb, mint a fűrész alátámasztó felülete, a szintben tartáshoz az alátámasztó felületen túli részt is teljes hosszában, azonos magasságban kell alátámasztani. A megfelelő alátámasztással megelőzhető a tárcsa megszorulása és esetleges visszarugása, ami súlyos személyi sérüléssel járhat. Ne csak a függőleges és/vagy a vízszintes satu rögzítse a munkadarabot. A vékony anyag meghajolhat. A munkadarabot teljes hosszában támassza alá, a tárcsa megszorulása és az esetleges VISSZARUGÁS elkerülése érdekében.

- **Ábra37:** 1. Támasz 2. Forgóasztal

Vezetőlécek

▲ FIGYELMEZTETÉS: A szerszám használata előtt ellenőrizze, hogy a felső vezetőléccel biztonságosan rögzítve van-e.

▲ FIGYELMEZTETÉS: A ferdevágás megkezdése előtt ellenőrizze, hogy a szerszám egyik része sem, és különösen a tárcsa nem ér hozzá a felső és az alsó vezetőlécekhez, amikor bármilyen helyzetben teljesen felemeli vagy leengedi a fogantyút, illetve amikor a kocsi mozgatja annak teljes útján. Ha a szerszám vagy a tárcsa a vezetőhöz ér, az visszarúgást vagy a munkadarab váratlan elmozdulását okozhatja, és súlyos személyi sérülésekhez vezethet.

Az alsó vezetőléceknél magasabb munkadarabok megtámasztására használja a felső vezetőléceket. Illesse a felső vezetőléccet az alsó vezetőléccen található furatba, majd húzza meg a szorítócsavart.

- **Ábra38:** 1. Felső vezetőléccel 2. Alsó vezetőléccel 3. Szorítócsavar 4. Beállítócsavar

MEGJEGYZÉS: Az alsó vezetőléceket gyárilag az alaphoz rögzítik. Ne távolítsa el az alsó vezetőléceket.

MEGJEGYZÉS: Ha a felső vezetőléccel a szorítócsavart meghúzása után sem rögzült teljesen, a rés bezárásához fordítsa el a beállítócsavart. A beállítócsavart a gyárban állítják be. Csak szükség esetén használja.

Tárolja a felső vezetőléceket a tartóban, amikor nem használja azokat. Rögzítse a felső vezetőléccet a tartóhoz a rajta található kapocs segítségével.

- **Ábra39:** 1. Tartó 2. Felső vezetőléccel 3. Kapocs

Függőleges satu

▲ FIGYELMEZTETÉS: A munkadarabot minden művelethez szilárdan rögzíteni kell a forgóasztal és a vezetőléccel mentén a satuval. Ha a munkadarab nem rögzül megfelelően a vezetőléccel, a munkadarab a vágás során elmozdulhat, ami a tárcsa károsodásával, a munkadarab kirepülésével, a gép feletti uralom elvesztésével, és ezekből fakadóan súlyos személyi sérüléssel járhat.

- **Ábra40:** 1. Satu karja 2. Satu rúdja 3. Szorítócsavar 4. Satu gombja

A függőleges satu kétféle helyzetben, az alaplemez bal vagy jobb oldalára szerelhető fel. Helyezze a satu rúdját az alaplemezen található furatba.

Állítsa be a satu karját a munkadarab vastagságának és alakjának megfelelően, majd rögzítse a satu karját a csavarral. Ha a szorítócsavar hozzáér a kocsihoz, szerelje azt a satukar másik oldalára. Ügyeljen arra, hogy a szerszám alkatrészei ne érjenek a satuhoz, amikor leengedi a fogantyút. Ha valamelyik alkatrész mégis hozzáérne, állítsa be újra a satut.

Tolja előre a munkadarabot a vezetőléccel és a forgóasztal mentén. Állítsa be a munkadarabot a vágás kívánt helyzetébe és rögzítse azt a satu gombjának meghúzásával.

MEGJEGYZÉS: Ha 90°-kal elfordítja a satu gombját az óramutató járásával ellentétes irányba, fel-le mozgathatja a satugombot a munkadarab gyors beállítására érdekében. A beállítás után fordítsa el a satugombot az óramutató járásával megegyező irányba a munkadarab rögzítéséhez.

Vízszintes satu

Opcionális kiegészítők

▲ FIGYELMEZTETÉS: Addig forgassa a satuanyát az óramutató járásával megegyező irányba, amíg a munkadarab megfelelően nem rögzül. Ha a munkadarab rögzítése nem megfelelő, a munkadarab a vágás során elmozdulhat, ami a tárcsa károsodásával, a munkadarab kirepülésével, a gép feletti uralom elvesztésével, és ezekből fakadóan súlyos személyi sérüléssel járhat.

▲ FIGYELMEZTETÉS: Ha vékony munkadarabot, például lambériát vág a vezetőléccel szorítva, mindig használja a vízszintes satut.

▲ VIGYÁZAT: Amennyiben a munkadarabot 20 mm-es vagy annál kisebb méretre vágja, használjon távtartó idomot a munkadarab rögzítéséhez.

A vízszintes satu kétféle helyzetben, az alaplemez bal vagy jobb oldalára szerelhető fel. Ha 22,5°-os vagy annál nagyobb szögű gérvágást végez, a vízszintes satut a forgóasztal fordulási irányával ellentétes oldalra szerelje fel.

- **Ábra41:** 1. Satulemez 2. Satuany 3. Satu gombja

Ha az óramutató járásával ellentétes irányba forgatja a satuanyát, a satu kilazul, és gyorsan mozgatható ki- vagy befelé. A munkadarab befogásához addig nyomja előre a satu gombját, amíg a satulemez nem ér a munkadarabot, majd forgassa a satuanyát az óramutató járásával megegyező irányba. Ezután forgassa el a satu gombját a munkadarab rögzítéséhez.

MEGJEGYZÉS: A vízszintes satuval rögzíthető legnagyobb munkadarab szélessége 228 mm.

Tartók

▲ FIGYELMEZTETÉS: A hosszú munkadarabot a pontos és biztonságos vágás érdekében mindig támassza alá úgy, hogy végig egy szintben legyen a forgóasztal felületével. A megfelelő alátámasztással megelőzhető a tárcsa megszorulása és esetleges visszarúgása, ami súlyos személyi sérüléssel járhat.

A szerszám mindkét oldalon tartók találhatóak a hosszú munkadarabok vízszintes megtámasztásához. Lazítsa ki a csavarokat, majd húzza ki a tartókat a munkadarab megtámasztásához szükséges méretre. Ezt követően húzza meg a csavarokat.

- **Ábra42:** 1. Tartó 2. Csavar

MŰKÖDTETÉS

▲ FIGYELMEZTETÉS: Ellenőrizze, hogy a tárcsa nem ér a munkadarabhoz stb. mielőtt bekapcsolja a szerszámot. Ha úgy kapcsolja be a gépet, hogy a tárcsa a munkadarabhoz ér, az visszarúghat és súlyos személyi sérüléseket okozhat.

▲ FIGYELMEZTETÉS: A vágás befejezése után csak akkor emelje fel a fűrészlapot, ha már teljesen leállt. A még forgó fűrészlap felemelése súlyos személyi sérüléshez, valamint a munkadarab károsodásához vezethet.

▲ FIGYELMEZTETÉS: Ne végezzen módosításokat a szerszámon, például ne forgasson el markolatokat, gombokat vagy karokat, amíg a tárcsa forog. Ha a tárcsa forgása közben végez módosításokat, az súlyos személyi sérülésekhez vezethet.

MEGJEGYZÉS: Használat előtt oldja ki a rögzítőszeg, és emelje fel a fogantyút a leengedett helyzetből.

MEGJEGYZÉS: Ne fejtse ki túlzott nyomást a fogantyúra a vágás során. A túlzott erőtetés a motor túlterhelését és/vagy a vágási hatások csökkentését eredményezheti. A fogantyút csak akkora erővel nyomja, amennyi erő az egyenletes vágáshoz szükséges és nem csökkenti le nagyon a fűrészlap sebességét.

MEGJEGYZÉS: A vágás elvégzéséhez lassan nyomja lefelé a fogantyút. Ha a fogantyút erővel nyomja lefelé, vagy arra laterális erőt is kifejt, a fűrészlap rezeghet és elhagyja a jelölést (fűrészelési jelölés) a munkadarabon és a vágás pontossága romlik.

MEGJEGYZÉS: A csúszóvágás során lassan, megállás nélkül tolja a kocsit a vezetőléc irányába. Ha a kocsi mozgása megáll a vágás közben, akkor nyomot hagy a munkadarabon, és a vágás pontossága csökken.

Nyomóvágás

▲ FIGYELMEZTETÉS: Nyomóvágáshoz mindig tiltsa le a kocsi csúszó mozgását. Ha leállítás nélkül végzi a vágást, az visszarúgháshoz és súlyos személyi sérüléshez vezethet.

A következő módon legfeljebb 92 mm magas és 183 mm széles munkadarabok vághatók.

► **Ábra43:** 1. Rögzítőszeg

1. Tolja a kocsit ütközésig a vezetőléc felé, majd rögzítse a rögzítőszeg segítségével.
2. Rögzítse a munkadarabot a megfelelő típusú satuval.
3. Kapcsolja be a szerszámgépet úgy, hogy a fűrészlap ne érjen semmihez, majd a leeresztés előtt várja meg, amíg a fűrészlap eléri a maximális fordulatszámát.
4. Ezután a munkadarab átvágásához lassan engedje le a fogantyút teljesen leengedett állásba.
5. A vágás befejeztével kapcsolja ki a szerszámgépet, és mielőtt teljesen felemelt pozícióba emelné a fűrészlapot, várja meg, míg teljesen megáll.

Csúszó(toló)vágás (széles munkadarabok vágása)

▲ FIGYELMEZTETÉS: Csúszóvágásnál először húzza el a kocsit maga felé, nyomja le teljesen a kart, majd tolja a kocsit a vezetőléc felé. Ne kezdjen a vágásba addig, amíg a kocsit nem húzta el teljesen maga felé. Ha anélkül kezdi el a vágást, hogy teljesen maga felé húzta volna a kocsit, a gép váratlanul visszarúghat, ami súlyos személyi sérüléshez vezethet.

▲ FIGYELMEZTETÉS: Ne kísérelje meg a csúsztató vágást a kocsit maga felé húzva. Vágás közben a kocsit maga felé húzva a gép váratlanul visszarúghat, ami súlyos személyi sérüléshez vezethet.

▲ FIGYELMEZTETÉS: Ne végezzen csúsztató vágást úgy, hogy a kart alsó helyzetben rögzítette.

► **Ábra44:** 1. Rögzítőszeg

1. A kocsi szabad csúszásához oldja ki a rögzítőszeget.
2. Rögzítse a munkadarabot a megfelelő típusú satuval.
3. Húzza maga felé a kocsit ütközésig.
4. Kapcsolja be a készüléket anélkül, hogy a fűrészlap bármirez hozzáérne, majd várja meg, amíg a eléri maximális fordulatszámát.
5. Nyomja le a kart, és tolja a kocsit a vezetőléc irányába, majd vágja át a munkadarabot.
6. A vágás befejeztével kapcsolja ki a szerszámgépet, és mielőtt teljesen felemelt pozícióba emelné a fűrészlapot, várja meg, míg teljesen megáll.

Gérvágás

Lásd a korábbi "A gérvágási szög beállítása" részt.

Ferdevágás

▲ FIGYELMEZTETÉS: A fűrész tárcsa ferdevágáshoz való beállítását követően még a vágás megkezdése előtt ellenőrizze, hogy a kocsi és a tárcsa szabadon mozog a tervezett vágás teljes tartományában. Ha a kocsi vagy a tárcsa a vágás során elakad, az visszarúghást okozhat, ami súlyos személyi sérüléshez vezethet.

▲ FIGYELMEZTETÉS: A ferdevágás során tartsa távol kezét a fűrészlap útjából. A ferde szög miatt a fűrészlap útja félrevezető lehet, a fűrészlap pedig súlyos személyi sérüléseket okozhat.

▲ FIGYELMEZTETÉS: A fűrészlapot csak akkor emelje fel, ha már teljesen leállt. A vágás során a munkadarabból néhány szilánk a fűrészlapra tapadhat. Ha a fűrészlapot még forgás közben emeli fel, a szilánk súlyos személyi sérülést okozva kirepülhet.

MEGJEGYZÉS: A fogantyú lenyomásakor fejtse ki a fűrészárcsával párhuzamos irányú nyomást. Ha a kifejített erő merőleges a forgóasztalra vagy a nyomás iránya megváltozik a vágás folyamán, akkor romlik a vágás pontosságga.

► Ábra45

1. Távolítsa el a felső vezetőléceket azon az oldalon, amerre a kocsit dönteni fogja.
2. Oldja ki a rögzítőszeget.
3. A ferdevágási szöget „A ferdevágási szög beállítására” című részben leírtaknak megfelelően állítsa be. Ezután szorítsa meg a gombot.
4. Rögzítse a munkadarabot a satuval.
5. Húzza maga felé a kocsit ütközésig.
6. Kapcsolja be a készüléket anélkül, hogy a fűrészlap bármihez hozzáérne, majd várja meg, amíg a eléri maximális fordulatszámát.
7. Ezután lassan engedje le a fogantyút a teljesen leengedett állásba, a fűrészlappal párhuzamos irányú nyomást kiejtve és **tolja a kocsit a vezetőléc felé a munkadarab átvágásához.**
8. A vágás befejeztével kapcsolja ki a szerszám-gépet, és mielőtt teljesen felemelt pozícióba emelné a fűrészlapot, **várja meg, míg teljesen megáll.**

Kombinált vágás

A kombinált vágás egy olyan művelet amelynél a ferdevágással egyszerre gérvágás is történik a munkadarabon. Kombinált vágást a táblázatban látható szögeknek lehet végezni.

Gérvágási szög	Ferdevágási szög
Bal és jobb 0° – 45°	Bal és jobb 0° – 45°

Kombinált vágás végzésekor tájékozódjon a „Nyomóvágás”, „Csúszóvágás”, „Gérvágás” és „Ferdevágás” fejezetekből.

Szegélyek vágása

⚠ VIGYÁZAT: Szegély vágásakor használja a vízszintes satut (opcionális tartozék).

⚠ VIGYÁZAT: Amennyiben a munkadarabot 20 mm-es vagy annál kisebb méretre vágja, használjon távtartó idomot a munkadarab rögzítéséhez.

Szegély 45°-os gérvágási szögben történő vágásakor rögzítse a rögzítőkart, hogy megakadályozza a fűrészlaphoz érintkezését a szegéllyel. Ez megtartja a szegélyt és fűrészlapház közötti hézagot, amikor a kocsit teljesen előre tolja.

A szegélyvágási kapacitásához tekintse meg a MŰSZAKI ADATOK című részt.

- **Ábra46:** 1. Rögzítőkar 2. Távtartó tömb 3. Vízszintes satu

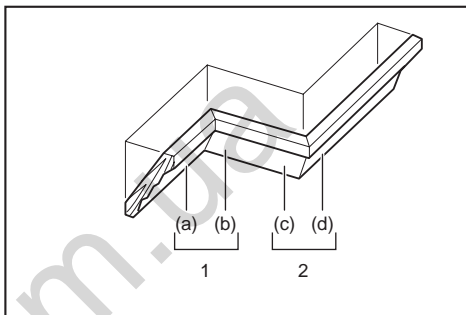
Díszlécek és ívboltozatos díszlécek vágása

A kombinált gérvágó fűrészsel különböző profilú díszlécek és ívboltozatos díszlécek is vághatók, ha a díszlécet laposan a forgóasztalra fektetik.

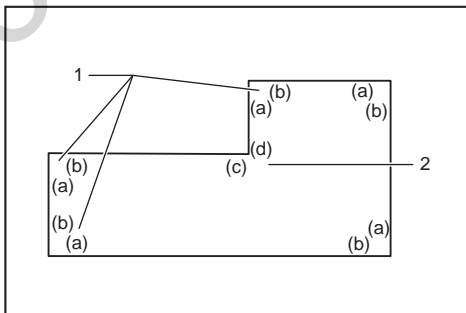
Két főbb díszléc-típus és egy ívboltozatos díszléc-típus különböztethető meg: 52/38°-os falszögű díszléc, 45°-os falszögű díszléc és 45°-os falszögű ívboltozatos díszléc.

- **Ábra47:** 1. 52/38°-os falszögű díszléc 2. 45°-os falszögű díszléc 3. 45°-os falszögű ívboltozatos díszléc

A díszlécekhez és ívboltozatos díszlécekhez illesztések készíthetők „belső” 90°-os sarokba (a) és (b) az ábrán) és „külső” 90°-os sarokba ((c) és (d) az ábrán).



1. Belső sarok 2. Külső sarok



1. Belső sarok 2. Külső sarok

Mérés

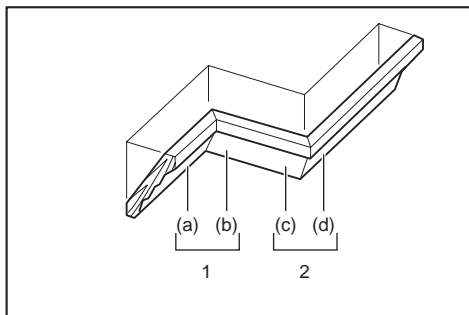
Mérje meg a fal szélességét, és állítsa be ennek megfelelően a munkadarab szélességét. Mindig ügyeljen arra, hogy a munkadarab falhoz csatlakozó részének szélessége egyezzen meg a fal hosszával.

- **Ábra48:** 1. Munkadarab 2. Fal szélessége 3. Munkadarab szélessége 4. Falhoz csatlakozó él

Mindig használjon néhány munkadarabot tesztvágásokhoz, hogy előzetesen ellenőrizze a vágási szöveget.

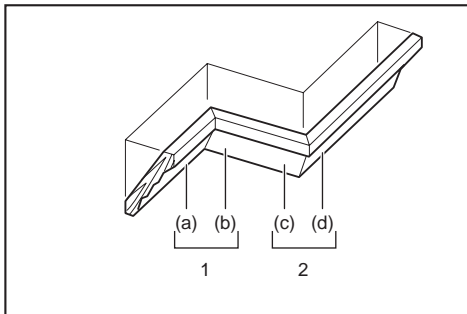
Díszlécek és ívboltozatos díszlécek vágásakor a gérvágási szöveget és a ferdevágási szöveget az (A) táblázat szerint állítsa be, és a (B) táblázat szerint állítsa be a díszléceket a fűrészasztal alaplemezeének felső részén.

Bal oldali ferdevágás esetén



1. Belső sarok 2. Külső sarok

Jobb oldali ferdevágás esetén



1. Belső sarok 2. Külső sarok

(A). táblázat

–	Díszléc helyzete az ábrán	Ferdevágási szög		Gérvágási szög	
		52/38° típusú	45° típusú	52/38° típusú	45° típusú
Belső sarokhoz	(a)	Bal 33,9°	Bal 30°	Jobb 31,6°	Jobb 35,3°
	(b)			Bal 31,6°	Bal 35,3°
Külső sarokhoz	(c)			Jobb 31,6°	Jobb 35,3°
	(d)				

(A). táblázat

–	Díszléc helyzete az ábrán	Ferdevágási szög		Gérvágási szög	
		52/38° típusú	45° típusú	52/38° típusú	45° típusú
Belső sarokhoz	(a)	Jobb 33,9°	Jobb 30°	Jobb 31,6°	Jobb 35,3°
	(b)			Bal 31,6°	Bal 35,3°
Külső sarokhoz	(c)			Jobb 31,6°	Jobb 35,3°
	(d)				

(B). táblázat

–	Díszléc helyzete az ábrán	A díszléc vezetőléchez illesztett széle	Befejezett munkadarab
Belső sarokhoz	(a)	A mennyezet-tel érintkező szélt a vezetőléchez kell igazítani.	A befejezett munkadarab a fűrészlap bal oldalán lesz.
	(b)	A fallal érintkező szélt a vezetőléchez kell igazítani.	
Külső sarokhoz	(c)	A mennyezet-tel érintkező szélt a vezetőléchez kell igazítani.	A befejezett munkadarab a fűrészlap jobb oldalán lesz.
	(d)	A mennyezet-tel érintkező szélt a vezetőléchez kell igazítani.	

(B). táblázat

–	Díszléc helyzete az ábrán	A díszléc vezetőléchez illesztett széle	Befejezett munkadarab
Belső sarokhoz	(a)	A fallal érintkező szélt a vezetőléchez kell igazítani.	A befejezett munkadarab a tárcsa jobb oldalán lesz.
	(b)	A mennyezet-tel érintkező szélt a vezetőléchez kell igazítani.	
Külső sarokhoz	(c)	A mennyezet-tel érintkező szélt a vezetőléchez kell igazítani.	A befejezett munkadarab a tárcsa bal oldalán lesz.
	(d)	A fallal érintkező szélt a vezetőléchez kell igazítani.	

Példa:
52/38° típusú díszléc vágása az ábra (a) pozíciója szerint:

- Döntse meg a fűrészlapot és rögzítse a ferdevágási szöget 33,9° BAL állásban.
- A gérvágási szöget állítsa 31,6° JOBB értékre, és rögzítse.
- Tegye a díszlécet a széles hátdoldali (rejtett) felületével lefelé a forgóasztalra úgy, hogy a MENNEZETTEL ÉRINTKEZŐ SZÉLE a vezetőléchez illeszkedjen a fűrészlen.
- A vágás után a használható munkadarab mindig a fűrészlap BAL oldalán lesz.

Példa:
52/38° típusú díszléc vágása az ábra (a) pozíciója szerint:

- Döntse meg a tárcsát, és rögzítse a ferdevágási szöget 33,9° JOBB állásban.
- A gérvágási szöget állítsa 31,6° JOBB értékre, és rögzítse.
- Tegye a díszlécet a széles hátdoldali (rejtett) felületével lefelé a forgóasztalra úgy, hogy a FALLAL ÉRINTKEZŐ SZÉLE illeszkedjen a vezetőléchez a fűrészlen.
- A vágás után a használható, befejezett munkadarab mindig a tárcsa JOBB oldalán lesz.

Díszlécűtköző

Opcionális kiegészítők

A díszlécűtközők a díszlécek könnyebb vágását teszik lehetővé, a fűrésztárcsa megdöntése nélkül. Ezeket az ábrákon látható módon szerelje fel a forgóasztalra.

Jobb oldali 45°-os gérvágási szög esetén

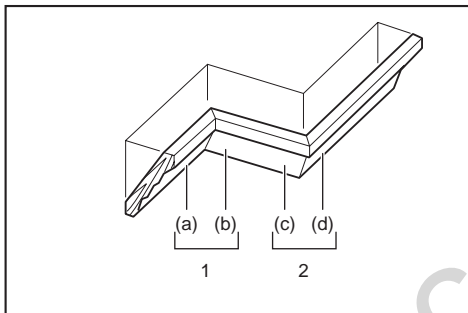
- **Ábra49:** 1. B díszlécűtköző 2. J díszlécűtköző 3. Forgóasztal 4. Vezetőléc

Bal oldali 45°-os gérvágási szög esetén

- **Ábra50:** 1. B díszlécűtköző 2. J díszlécűtköző 3. Forgóasztal 4. Vezetőléc

Az ábrán látható módon illessze a díszléc FALLAL ÉRINTKEZŐ SZÉLÉT a vezetőléchez, a MENNYEZETTEL ÉRINTKEZŐ SZÉLÉT pedig a díszlécűtközőkhöz. A díszlécűtközőket a díszléc méretének megfelelően állítsa be. A díszlécűtközők rögzítéséhez húzza meg a csavarokat. A gérvágási szögeket lásd a (C) táblázatban.

- **Ábra51:** 1. Vezetőléc 2. Díszlécűtköző



1. Belső sarok 2. Külső sarok

(C) táblázat

–	Díszléc helyzete az ábrán	Gérvágási szög	Befejezett munkadarab
Belső sarokhoz	(a)	Jobb 45°	Óvja a tárcsa jobb oldalát
	(b)	Bal 45°	Óvja a tárcsa bal oldalát
Külső sarokhoz	(c)		Óvja a tárcsa jobb oldalát
	(d)	Jobb 45°	Óvja a tárcsa bal oldalát

Sajtolt alumínium vágása

- **Ábra52:** 1. Befogó 2. Távtartó tömb 3. Vezetőléc 4. Sajtolt alumínium idom 5. Távtartó tömb

A sajtolt alumínium rögzítésekor használja a távtartó tömböket vagy hulladékdarabokat az alumínium deformálódásának elkerüléséhez az ábrának megfelelő módon. A sajtolt alumínium vágásakor használjon kenőanyagot az alumínium felhalmozódásának elkerülésére a fűrészlapon.

FIGYELMEZTETÉS: Soha ne próbáljon vastag vagy kör keresztmetszetű alumíniumidomokat vágni. A vastag vagy kör keresztmetszetű alumíniumidomok megfelelő rögzítése bonyolult, a vágás során meglazulhatnak, ami az uralom elvesztéséhez és súlyos személyi sérülésekhez vezethet.

Fabetét

FIGYELMEZTETÉS: A fabetétet csavarokkal rögzítse a vezetőléchez. A csavarokat úgy kell beszerezni, hogy a csavarfejek a fabetét felszine alá kerüljenek, ezáltal ne akadjanak össze a vágott munkadarabbal. A vágott munkadarab nem megfelelő beállítása nem vált elmozdulást okozhat a vágási művelet során, ami a munkadarab fölötti uralom elvesztését és súlyos személyi sérülést okozhat.

VIGYÁZAT: Egyenes, egyenletes vastagságú fát használjon fabetétként.

VIGYÁZAT: Annak érdekében, hogy a 107 és 120 mm közötti magasságú munkadarabokat teljesen átvágja, a fabetétet a vezetőlécre kell helyezni. A fabetét távol tartja a munkadarabot a vezetőléctől, így a fűrészlap mélyebbe vágást képes végrehajtani.

MEGJEGYZÉS: Amikor a fabetét fel van helyezve, ne fordítsa el a forgóasztalt ha a fogantyú le van engedve. A fűrészlap és/vagy a fabetét károsodik.

Fabetét használatával biztosítható a munkadarabok felszakadásmentes vágása. Illessze a fabetétet a vezetőléchez a vetőlécben található furatok és 6 mm-es csavarok segítségével. Tájékozódjon az ábráról a fabetét ajánlott méretével kapcsolatban.

- **Ábra53:** 1. Furat 2. 15 mm felett 3. 270 mm felett 4. 90 mm 5. 145 mm 6. 19 mm 7. 115–120 mm

PÉLDA 115 és 120 mm magasság közötti munkadarab vágásakor használjon alábbi vastagságú fabetétet.

Gérvágási szög	Fabetét vastagsága	
	115 mm	120 mm
0°	20 mm	38 mm
Bal és Jobb 45°	15 mm	25 mm
Bal és Jobb 60°	15 mm	25 mm

Hornyolás

▲ FIGYELMEZTETÉS: Ne kísérelje meg az ilyen vágást szélesebb vagy horonyvágó lappal. A szélesebb vagy horonyvágó lappal történő horonyvágás váratlan vágási eredményekhez és visszarúgáshoz vezethet, ami súlyos személyi sérülésekkel járhat.

▲ FIGYELMEZTETÉS: Ügyeljen rá, hogy visszaállítsa az ütközőkart az eredeti pozícióba ha nem végez hornyolást. Az ütköző karjának nem megfelelő helyzetében megkísérelt vágás váratlan vágási eredményekhez és visszarúgáshoz vezethet, ami súlyos személyi sérülésekkel járhat.

A horonyvágáshoz kövesse az alábbi lépéseket:

1. Állítsa be a fűrészlap alsó pozícióját a csavarral és az ütközővel a vágási mélység korlátozásához. Lásd az „Ütközőkar” részben.
2. A fűrészlap alsó pozíciójának beállítása után pár-huzamos hornyokat vághat szélétben a munkadarabba csúszó(toló)vágással.
▶ **Ábra54:** 1. Hornyolás fűrészlappal
3. Távolítsa el a munkadarab hornyok közötti részét egy vésővel.

Speciális maximális szélességű vágókapacitási technika

A szerszám maximális szélességű vágókapacitásának eléréséhez kövesse az alábbi lépéseket:

A szerszám maximális szélességű vágókapacitásának leírásához tekintse meg a MŰSZAKI ADATOK részt a „Vágókapacitások speciális vágásokhoz” cím alatt.

1. Állítsa a szerszámot 0 vagy 45°-os gérvágási szögbe, és győződjön meg a forgóasztal rögzítéséről. (Lásd a „A gérvágási szög beállítása” részt.)
2. Átmenetileg távolítsa el és tegye félre a jobb és a bal felső vezetőléceket.
3. Vágjon egy munkaasztalt az ábrán látható méretekre olyan 38 mm vastagságú, sík alapanyagot használva, mint pl. a fa, a furnérlemez vagy a faforgácslap.
▶ **Ábra55:** 1. 0° gérvágási szög: 450 mm felett 2. 45° gérvágási szög: 325 mm felett 3. 38 mm 4. 760 mm felett

▲ FIGYELMEZTETÉS: Munkaasztalként lapos anyagot használjon. A nem lapos anyag vágás során elmozdulhat, ami visszarúgást és súlyos személyi sérüléseket okozhat.

MEGJEGYZÉS: A magasságra vonatkozó maximális vágási kapacitás a munkaasztal vastagságával megegyező mértékben lesz csökkentve.

4. Helyezze a munkaasztalt a szerszáma úgy, hogy az a szerszám talplemezének valamennyi oldalán egyenlő mértékben nyúlik túl. Rögzítse a munkaasztalt a szerszámhoz négy 6 mm-es facsavarral az alsó vezetőléceken található négy lyuknál.
▶ **Ábra56:** 1. Csavarok (oldalanként kettő) 2. Alsó vezetőléc 3. Alaplemez 4. Munkaasztal

▲ FIGYELMEZTETÉS: Győződjön meg róla, hogy a szerszám talplemezéhez szerelt munkaasztal vízszintes helyzetű, és a négy előre kialakított csavarlyuknál szorosan rögzítve van az alsó vezetőlécekhez. A munkaasztal nem megfelelő rögzítésének elmulasztása elmozdulást és súlyos személyi sérüléseket okozó visszarúgást idézhet elő.

▲ FIGYELMEZTETÉS: Győződjön meg róla, hogy a szerszám szorosan rögzítve van egy stabil és sík felületre. A szerszám megfelelő felszerelésének és rögzítésének elmulasztása a szerszám instabilitásához, s ezáltal az irányítás elvesztéséhez és/vagy a szerszám leeséséhez vezethet. Ez súlyos személyi sérüléseket okozhat.

5. Szerelje fel a felső vezetőléceket a szerszáma.

▲ FIGYELMEZTETÉS: Ne használja a szerszámot a felső vezetőlécek felszerelése nélkül. A felső vezetőlécek biztosítják a munkadarab vágáshoz szükséges támaszt. A munkadarab nem megfelelő megtámasztása az irányítás elvesztéséhez, visszarúgáshoz és súlyos személyi sérülésekhez vezethet.

6. Helyezze a vágni kívánt munkadarabot a szerszámhoz rögzített munkaasztalra.
7. Vágás előtt satuval szorosan rögzítse a munkadarabot a felső vezetőlécek mentén.
▶ **Ábra57:** 1. Felső vezetőléc 2. Függőleges satu 3. Munkadarab 4. Munkaasztal
8. Lassan kezdje vágni a munkadarabot a „Csúsztató (toló) vágás (széles munkadarabok vágása)” nevű műveletnek megfelelően.

▲ FIGYELMEZTETÉS: Ellenőrizze, hogy a munkadarab rögzítve van-e a satuval, és lassan végezze el a vágást. Ennek elmulasztása a munkadarab elmozdulását idézheti elő, ami visszarúgáshoz és súlyos személyi sérülésekhez vezethet.

▲ FIGYELMEZTETÉS: Ügyeljen rá, hogy a munkavégzés a többféle gérvágási szögben végzett vágás következtében meggyengülhet. Ha az anyagot érő fűrészvágások miatt a munkaasztal meggyengül, cserélje ki. A meggyengült munkaasztal cseréjének elmulasztása a munkadarab vágás közbeni mozgását idézheti elő, ami visszarúgáshoz és súlyos személyi sérülésekhez vezethet.

A szerszám szállítása

Szállítás előtt húzza ki a gérvágót, és rögzítsen minden mozgatható alkatrészt. Mindig győződjön meg a következőkről:

- A szerszám ki van húzva.
- A koci 0°-os ferdevágási szögben van, és rögzítve van.
- A koci le van engedve, és rögzítve van.
- A kocs ütközésig a vezetőléchez van tolvá, és rögzítve van.
- A forgóasztal jobb oldali gérvágási szögben van, és rögzítve van.
- A tartók el vannak téve, és rögzítve vannak.

A szerszámot az alaplemez két oldalánál fogva, az ábrán látható módon szállítsa.

- ▶ **Ábra58**

▲ FIGYELMEZTETÉS: A kocsí emeléséhez tartozó rögzítőszegek csak szállításkor és tároláskor használhatóak, vágási műveletek során nem. A rögzítőszegek vágási műveletek során történő használata a fűrésztárcsa váratlan mozgásához és visszarúgáshoz vezethet, ami súlyos személyi sérülésekkel járhat.

▲ VIGYÁZAT: A szerszám szállítása előtt mindig rögzítsen minden mozgó alkatrészt. Ha a szerszám egyes részei a szállítás során elmozdulnak vagy elcsúsznak, a szerszám kibillenhet az egyensúlyából, ami személyi sérülésekhez vezethet.

KARBANTARTÁS

▲ FIGYELMEZTETÉS: Mielőtt a vizsgálatához vagy karbantartásához kezdené, mindig bizonyosodjon meg arról, hogy a szerszámot kikapcsolta és a hálózatról lecsatlakoztatta. Ennek elmulasztása véletlen beindulás esetén súlyos személyi sérülésekkel járhat.

▲ FIGYELMEZTETÉS: Mindig ügyeljen rá, hogy a fűrészlap éles és tiszta legyen a legjobb és legbiztonságosabb teljesítmény érdekében. A tompa és/vagy szennyezett fűrészlap visszarúgást okozhat, ami súlyos személyi sérülésekkel járhat.

MEGJEGYZÉS: Soha ne használjon gázolajat, benzint, hígítót, alkoholt vagy hasonló anyagokat. Ezek elszineződést, alakvesztést vagy repedést okozhatnak.

A vágási szög beállítása

Ezt a szerszámot a gyárban gondosan beállították és beigazították, de a durva bánásmód kihathat a beállításokra. Ha a szerszám nincs megfelelően beállítva, végezze el a következőket:

Gérvágási szög

Engedje le teljesen a fogantyút, és a rögzítőszegek segítségével rögzítse leengedett pozícióban. Tolja a kocsit a vezetőlécc felé. Lazítsa ki a mutatót és a gérvágási szög skáláját rögzítő markolatot és a csavarokat.

► **Ábra59:** 1. Csavar a mutatón 2. Csavarok a gérvágási szög skáláján 3. Gérvágó skála

Az ütköző funkció segítségével állítsa a forgóasztalt 0°-os helyzetbe. Állítsa merőlegesre a tárcsát a vezetőlécc lapjával egy háromszögvonalzó vagy egy acéldérek segítségével. A merőleges helyzet megtartása mellett húzza meg a csavarokat a gérvágási szög skáláján. Ezután úgy állítsa be a (jobb és bal oldali) mutatókat, hogy a 0°-os szögre mutassanak a gérvágási szög skáláján, majd húzza meg a mutatókon található csavarokat.

► **Ábra60:** 1. Háromszögvonalzó

Ferdevágási szög

0°-os ferdevágási szög

Tolja a kocsit a vezetőlécc felé, majd tiltsa le a csúszó mozgását a rögzítőszegek segítségével. Engedje le teljesen a fogantyút, a rögzítőszegek segítségével rögzítse leengedett pozícióban, majd lazítsa ki a gombot. A tárcsa jobbra döntéséhez forgassa a 0°-os beállítócsavart két vagy három fordulattal az óramutató járásával ellentétes irányba.

► **Ábra61:** 1. 0°-os beállítócsavar 2. Csavar

Gondosan állítsa merőlegesre a tárcsa oldalát a forgóasztal felső felületével egy háromszögvonalzó, acéldérek segítségével, úgy, hogy a 0°-os beállítócsavart az óramutató járásával megegyező irányba mozgatja. Majd a beállított 0°-os szög rögzítéséhez szorosan húzza meg a gombot.

► **Ábra62:** 1. Háromszögvonalzó 2. Fűrésztárcsa 3. A forgóasztal felső lapja

Még egyszer ellenőrizze, hogy a tárcsa oldala merőleges-e a forgóasztal felső lapjára. Lazítsa meg a mutatón található csavart. Úgy állítsa be a mutatót, hogy az a ferdevágási szög skáláján a 0°-os szögre mutasson, majd húzza meg a csavart.

45°-os ferdevágási szög

MEGJEGYZÉS: A 45°-os ferdevágási szög beállítása előtt fejezze be a 0°-os ferdevágási szög beállítását.

Lazítsa ki a gombot, majd döntse teljesen abba az irányba a kocsit, amelyik irányt ellenőrizni szeretné. Ellenőrizze, hogy a mutató a 45°-os szögre mutat-e a ferdevágási szög skáláján.

► **Ábra63**

Ha a mutató nem a 45°-os szögre mutat, igazítsa azt a 45°-os szöghöz úgy, hogy elforgatja a beállítócsavart a ferdevágási szög skálájának másik oldalán.

► **Ábra64:** 1. 45°-os szög bal oldali beállítócsavarja 2. 45°-os szög jobb oldali beállítócsavarja

A lézervonal helyzetének beállítása

Csak az LS1219L típus esetében

▲ FIGYELMEZTETÉS: A szerszám legyen bedugva a lézervonal beállítása közben. Ügyeljen rá, hogy a beállítás közben ne kapcsolja be a szerszámot. A gép véletlen beindulása súlyos személyi sérülésekkel járhat.

▲ VIGYÁZAT: Soha ne nézzen közvetlenül a lézersugárba. A közvetlenül a szemét érő lézersugár súlyos szemkárosodást okozhat.

MEGJEGYZÉS: A pontosság érdekében rendszeresen ellenőrizze a lézervonal helyzetét.

MEGJEGYZÉS: Ügyeljen a szerszámot érő behatásokra. Ezek a lézervonal elállítódását vagy a lézer sérülését okozhatják, és csökkenthetik az élettartamát.

MEGJEGYZÉS: A lézerezés bármilyen meghibásodása esetén a szerszámot hivatalos Makita szervizközpontban javíttassa meg.

A lézervonal mozgatósi tartományát a két oldalon található tartománybeállító csavarok határozzák meg. A lézervonal helyzetének módosításához a következő műveleteket végezze el.

1. Áramtalanítsa a szerszámot.
2. Rajzoljon egy vágási vonalat a munkadarabra, majd tegye azt a forgóasztalra. Még ne rögzítse a munkadarabot satuval vagy más rögzítőeszközzel.
3. Engedje le a fogantyút, majd igazítsa a vágási vonalat a fűrésztárcsához.
4. Állítsa vissza a fogantyút az eredeti helyzetébe, majd rögzítse a munkadarabot a függőleges satuval, így a munkadarab nem mozdul el a beállított helyzetből.
5. Helyezze áram alá a szerszámot, és kapcsolja be a lézert.
6. Lazítsa ki a beállítócsavart. Ha a tárcsától távolabb szeretné mozgatni a lézervonalat, forgassa a tartománybeállító csavarokat az óramutató járásával ellentétes irányba. Ha a tárcsához közelebb szeretné mozgatni a lézervonalat, forgassa a tartománybeállító csavarokat az óramutató járásával megegyező irányba.

A lézervonal beállítása a tárcsa bal oldalán

- **Ábra65:** 1. Beállítócsavar 2. Tartománybeállító csavar 3. Imbuszkulcs 4. Lézervonal 5. Fűrésztárcsa

A lézervonal beállítása a tárcsa jobb oldalán

- **Ábra66:** 1. Beállítócsavar 2. Tartománybeállító csavar 3. Imbuszkulcs 4. Lézervonal 5. Fűrésztárcsa

7. Csúsztassa a beállítócsavart abba a helyzetbe, ahol a lézervonal a vágási vonalhoz ér, majd húzza meg.

MEGJEGYZÉS: A lézervonal mozgási tartománya gyárilag úgy van beállítva, hogy az kevesebb mint 1 mm-re legyen a fűrészlappal szembe.

A lézerlencse tisztítása

Csak az LS1219L típus esetében

A lézerfény nehezebben látható, ha a lézerlencse beszennyeződött. Rendszeresen tisztítsa meg a lézerlencsét.

- **Ábra67:** 1. Csavar 2. Lencse

Áramtalanítsa a szerszámot. Lazítsa ki a csavart, majd vegye ki a lencsét. Óvatosan tisztítsa meg a lencsét egy nedves, puha ruhaanyaggal.

MEGJEGYZÉS: Ne távolítsa el a lencsét rögzítő csavart. Ha nem tudja kivenni a lencsét, lazítsa ki még jobban a csavart.

MEGJEGYZÉS: Ne használjon oldószeret vagy bármilyen kőolajalapú tisztítószeret a lencsén.

A szénkefék cseréje

- **Ábra68:** 1. Határjelzés

Rendszeresen vegye ki, és ellenőrizze a szénkefeket. Cserélje ki azokat, ha a határjelzésig lekoptak. Tartsa tisztán a szénkefeket, és biztosítsa, hogy szabadon mozoghassanak tartójukban. Mindkét szénkefét egy-egy szerszámra cserélje ki. Használjon egyforma szénkefeket. Csavarhúzó segítségével távolítsa el a kefetartó sapkát. Vegye ki a kopott szénkefeket, tegye be az újakat és helyezze vissza a kefetartó sapkákat.

- **Ábra69:** 1. Kefetartó sapka

A szénkefék cseréje után dugja be a szerszámot, majd járassa be a szénkefeket úgy, hogy a szerszámot körülbelül 10 percig üresjáraton működteti. Ezután ellenőrizze a szerszám gép működését és az elektromos féket a kapcsológomb felengedésekor. Ha az elektromos fék nem működik megfelelően, javíttassa meg a szerszám gépet egy Makita szervizközpontban.

A használat után

A használatot követően törölje le a szerszámhoz tapadt forgácsot és a fűrészpórt egy törőruhával vagy más szövetdarabbal. A fűrészlappvédőt tartsa tisztán, a „Fűrészlapp védőburkolata” fejezetben leírtaknak megfelelően. Kenje meg a csúszo alkatrészeket gépolajjal, hogy ne rozsdásodjanak.

A termék BIZTONSÁGÁNAK és MEGBÍZHATÓSÁGÁNAK fenntartása érdekében a javításokat és más karbantartásokat vagy beállításokat a Makita hivatalos vagy gyári szervizközpontjában kell elvégezni, mindig csak Makita cserelalkatrészeket használva.

OPCIONÁLIS KIEGÉSZÍTŐK

FIGYELMEZTETÉS: A kézikönyvben ismertetett Makita szerszám géphez a következő Makita kiegészítők vagy tartozékok használata javasolt. Bármilyen más kiegészítő vagy tartozék használata súlyos személyi sérüléshez vezethet.

FIGYELMEZTETÉS: A Makita kiegészítő vagy tartozék csak a tervezett célra használható. A kiegészítő vagy tartozék nem megfelelő módon történő használata súlyos személyi sérüléshez vezethet.

Ha bármilyen segítségre vagy további információra van szüksége ezekkel a tartozékokkal kapcsolatban, keresse fel a helyi Makita Szervizközpontot.

- Acél- és karbidvégű fűrésztárcsák
- Függőleges satu
- Vízszintes satu
- Diszlécütköző-készlet
- Porzsák
- Háromszög vonalzó
- Imbuszkulcs
- Imbuszkulcs (az LS1219L típusúhoz)

MEGJEGYZÉS: A listán felsorolt néhány kiegészítő megtalálható az eszköz csomagolásában standard kiegészítőként. Ezek országonként eltérőek lehetnek.

TECHNICKÉ ŠPECIFIKÁCIE

Model:		LS1219	LS1219L
Priemer čepele		305 mm	
Priemer otvoru	Európske krajiny	30 mm	
	Iné než európske krajiny	25,4 mm	
Max. šírka rezu čepele píly		3,2 mm	
Max. uhol zrezania		Pravý 60°, Ľavý 60°	
Max. uhol skosenia		Pravý 48°, Ľavý 48°	
Otáčky naprázdno (ot/min)		3 200 min ⁻¹	
Typ lasera		-	Červený laser 650 nm, Max výstupný výkon < 1.6mW (Trieda lasera 2M)
Rozmery (D x Š x V)		898 mm x 664 mm x 725 mm	
Čistá hmotnosť		29,3 kg	29,5 kg
Trieda bezpečnosti		☐/II	

Rezné kapacity (V x Š)

Uhol zrezania			Uhol skosenia		
			45° (ľavý)	0°	45° (pravý)
0°	-	-	61 mm x 382 mm 71 mm x 363mm	92 mm x 382 mm 107 mm x 363 mm	44 mm x 382 mm 54 mm x 363 mm
	Hrúbka dreveného obloženia na ochrannom vodidle kvôli zvýšenej výške rezu	20 mm	78 mm x 325 mm	115 mm x 325 mm	61 mm x 325 mm
		38 mm	80 mm x 292 mm	120 mm x 292 mm	-
45° (pravý aj ľavý)	-	-	61 mm x 268 mm 71 mm x 255 mm	92 mm x 268 mm 107 mm x 255 mm	44 mm x 268 mm 54 mm x 255 mm
	Hrúbka dreveného obloženia na ochrannom vodidle kvôli zvýšenej výške rezu	15 mm	-	115 mm x 227 mm	-
		25 mm	-	120 mm x 212 mm	-
60° (pravý aj ľavý)	-	-	-	92 mm x 185 mm 107 mm x 178 mm	-
	Hrúbka dreveného obloženia na ochrannom vodidle kvôli zvýšenej výške rezu	15 mm	-	115 mm x 155 mm	-
		25 mm	-	120 mm x 140 mm	-

Rezné kapacity pri špeciálnych rezo

Typ rezu	Rezná kapacita
Okrasná lišta s korunou typu 45° (pri používaní zarážky pre okrasné lišty s korunou)	203 mm
Základná doska (pri používaní horizontálneho zveráka)	171 mm

- Vzhľadom na neustály výskum a vývoj podliehajú technické údaje uvedené v tomto dokumente zmenám bez upozornenia.
- Technické údaje sa môžu pre rôzne krajiny líšiť.
- Hmotnosť podľa postupu EPTA 01/2014

Symboly

Nižšie sú uvedené symboly, s ktorými sa môžete stretnúť pri použití nástroja. Je dôležité, aby ste poznali ich význam, skôr než začnete pracovať.



Prečítajte si návod na obsluhu.



DVOJITÁ IZOLÁCIA



Aby nedošlo k poraneniu odletujúcimi úlomkami, pílu po vykonaní rezu ešte podržte hlavou nadol, kým sa čepeľ úplne nezastaví.



Keď vykonávate posuvný rez, najskôr úplne potiahnite rám nástroja smerom k sebe, potom ho potlačte smerom k ochrannému vodiču.



Neapribližujte k čepeľi ruku či prsty.



Nikdy sa nepozerajte do laserového lúča. Priamy laserový lúč môže poškodiť vaše oči.



Len pre štáty EÚ
Nevyhadzujte elektrické zariadenia do komunálneho odpadu! Podľa európskej smernice o nakladaní s použitými elektrickými a elektronickými zariadeniami a zodpovedajúcich ustanovení právnych predpisov jednotlivých krajín je nutné elektrické zariadenia po skončení ich životnosti triediť a odovzdať na zberné miesto vykonávajúce environmentálne kompatibilné recyklovanie.

Určené použitie

Tento nástroj je určený na presné priame rezanie a zrezávacie rezanie dreva. Pri použití príslušných čepeľí píly je možné píliť aj hliník.

Napájanie

Nástroj sa môže pripojiť len k zodpovedajúcemu zdroju s napätím rovnakým, aké je uvedené na typovom štítku, a môže pracovať len s jednofázovým striedavým napätím. Nástroj je vybavený dvojitou izoláciou, a preto sa môže používať pri zapojení do zásuviek bez uzemňovacieho vodiča.

Hluk

Typická hladina akustického tlaku záťaže A určená podľa štandardu EN62841:

Model LS1219

Úroveň akustického tlaku (L_{pA}): 91 dB (A)
Úroveň akustického tlaku (L_{WA}): 100 dB (A)
Odchýlka (K): 3 dB (A)

Model LS1219L

Úroveň akustického tlaku (L_{pA}): 91 dB (A)
Úroveň akustického tlaku (L_{WA}): 100 dB (A)
Odchýlka (K): 3 dB (A)

VAROVANIE: Používajte ochranu sluchu.

Vibrácie

Celková hodnota vibrácií (trojosový vektorový súčet) určená podľa štandardu EN62841:

Model LS1219

Emisie vibrácií (a_h): 2,5 m/s² alebo menej
Odchýlka (K): 1,5 m/s²

Model LS1219L

Emisie vibrácií (a_h): 2,5 m/s² alebo menej
Odchýlka (K): 1,5 m/s²

POZNÁMKA: Deklarovaná hodnota emisií vibrácií bola meraná podľa štandardnej skúšobnej metódy a môže sa použiť na porovnanie jedného nástroja s druhým.

POZNÁMKA: Deklarovaná hodnota emisií vibrácií sa môže použiť aj na predbežné posúdenie vystavenia ich účinkom.

VAROVANIE: Emisie vibrácií počas skutočného používania elektrického nástroja sa môžu odlišovať od deklarovanej hodnoty emisií vibrácií, a to v závislosti od spôsobov používania náradia.

VAROVANIE: Nezabudnite označiť bezpečnostné opatrenia s cieľom chrániť obsluhu, a to tie, ktoré sa zakladajú na odhade vystavenia účinkom v rámci reálnych podmienok používania (berúc do úvahy všetky súčasti prevádzkového cyklu, ako sú doby, kedy je nástroj vypnutý a kedy beží bez zaťaženia, ako dodatok k dobe zapnutia).

Vyhlasenie o zhode ES

Len pre krajiny Európy

Vyhlasenie o zhode ES sa nachádza v prílohe A tohto návodu na obsluhu.

BEZPEČNOSTNÉ VAROVANIA

Všeobecné bezpečnostné predpisy pre elektrické nástroje

VAROVANIE: Preštudujte si všetky bezpečnostné varovania, pokyny, vyobrazenia a technické špecifikácie určené pre tento elektrický nástroj. Pri nedodržaní všetkých nižšie uvedených pokynov môže dôjsť k úrazu elektrickým prúdom, požiaru alebo vážnemu zraneniu.

Všetky výstrahy a pokyny si odložte pre prípad potreby v budúcnosti.

Pojem „elektrický nástroj“ sa vo výstrahách vzťahuje na elektricky napájané elektrické nástroje (s káblom) alebo batériu napájané elektrické nástroje (bez kábla).

Bezpečnostné inštrukcie pre pílu na zrezávanie

- Píly na zrezávanie sú určené na rezanie produktov z dreva a príbuzných materiálov, nie je možné ich použiť s abrazívnymi rozbrusovacími kotúčmi na rezanie železných materiálov, ako sú pásoviny, tyče, svorníky, atď.** Abrazívny prach spôsobuje zaseknutie pohyblivých súčastí, ako napríklad spodného krytu. Iskry z abrazívneho rezania spália spodný kryt, vložku zárezu a iné plastové časti.
 - Keď je to možné, používajte na podporu obrobku svorky. Ak obrobok podopierate rukou, musíte ruku vždy držať aspoň 100 mm od každej strany čepele píly. Túto pílu nepoužívajte na rezanie kusov, ktoré sú príliš malé, aby sa dali bezpečne prichytiť alebo pridržať rukou.** Ak máte ruku položenú príliš blízko pri čepeli píly, je tu zvýšené riziko zranenia od kontaktu s čepeľou.
 - Obrobok musí byť stabilný a uchytený alebo pridržený aj o vodidlo aj o stôl. Obrobok nepribližujte k čepeľi, ani ho v žiadnom prípade nerezte „voľnou rukou“.** Nepriepavené alebo pohyblivé obrobky môžu byť vymrštené vysokou rýchlosťou a spôsobiť zranenie.
 - Pílu pretlačte cez obrobok. Pílu cez obrobok neťahajte. Rez urobíte zdvihnutím hlavy píly a jej pritiahnutím ponad obrobok bez pílenia, spustením motora, stlačením hlavy píly dole a pretlačení píly cez obrobok.** Pílenie ľahanim môže spôsobiť, že čepeľ píly sa po povrchu obrobku odrazí a silno vymrští montážny celok čepele smerom k obsluhu.
 - Nikdy si nedávajte ruku nad určenú líniu rezania ani pred ani za čepeľou píly. Podopierať obrobok so skríženými rukami, t.j. držať obrobok vpravo od čepele píly ľavou rukou alebo naopak je veľmi nebezpečné.**
- Obr.1
- Kým sa čepeľ točí, nesiahajte za okrajové vodidlo ani jednou rukou bližšie než 100 mm z ľubovoľnej strany čepele píly ak chcete odstrániť drevené odrezky, ani z iného dôvodu.** Blízkosť rotujúcej čepele píly k vašej ruke nemusí byť zjavná a môžete sa vážne zraniť.
 - Pred rezaním si svoj obrobok poriadne prezrite. Ak je obrobok ohnutý alebo zdeformovaný, upnite ho vonkajšou ohnutou stranou smerom k okrajovému vodidlu. Vždy sa uistite, že medzi obrobkom, vodidlom a stolom pozdĺž línie rezu nie je medzera.** Ohnuté alebo skrútené obrobky sa môžu zvrtnúť alebo posunúť a môžu sa počas rezania prichytiť na otáčajúcu sa čepeľ píly. V obrobku by nemali byť klinec ani cudzie predmety.
 - Pílu nepoužívajte dovtedy, kým stôl nie je čistý od všetkých nástrojov, drevených odrezkov, atď., a nezostane tam iba obrobok.** Malé úlomky alebo voľné kúsky dreva alebo iné objekty, ak prídu do kontaktu s rotujúcim pílovým kotúčom, môžu byť vymrštené vysokou rýchlosťou.
 - Súčasne reže iba jeden obrobok.** Viacero obrobkov na sebe nie je možné primerane upnúť alebo podoprieť a môžu sa na čepeľ počas pílenia prichytiť alebo posunúť.
 - Pred použitím sa uistite, že píla na zrezávanie je namontovaná alebo umiestnená na rovnom, pevnom pracovnom povrchu.** Rovný a pevný pracovný povrch znižuje riziko, že sa píla na zrezávanie stane nestabilnou.
 - Svoju prácu plánujte. Zakaždým, keď zmeníte nastavenie uhla skosenia alebo uhla píly na zrezávanie, uistite sa, že nastaviteľné vodidlo je nastavené správne na podopretie obrobku a nebude zasahovať do čepele ani ochranného systému.** Bez zapnutia nástroja a bez obrobku na stole pohnite čepeľ píly po dráhe úplného simulovaného rezu a presvedčte sa, že nedochádza k nijakej interferencii s čepeľou ani nehrozí nebezpečenstvo rozrezania vodidla.
 - Pre obrobok, ktorý je širší alebo dlhší než povrch stola zaistite adekvátnu podporu, ako napríklad rozšírenie stola, podpery na pílenie, atď.** Obrobky dlhšie alebo širšie než píla na zrezávanie sa môžu prevrhnúť v prípade, že nie sú bezpečne podopreté. Ak sa odpílený kus alebo obrobok prevrhne, môže dôjsť k zdvihnutiu spodného krytu, alebo k jeho vymršteniu otáčajúcou sa čepeľou.
 - Ako náhradu za rozšírenie stola alebo ako prídavnú podporu nepoužívajte inú osobu.** Nestabilná opora obrobku môže spôsobiť, že sa čepeľ zasekne, alebo sa obrobok počas rezania posunie, čo môže spôsobiť vaše a pomocníkové vtiahnutie pod rotujúcu čepeľ.
 - Odrezaný kus sa nesmie zaseknúť ani zatlačiť ľubovoľným spôsobom do rotujúcej čepele píly.** Ak je odrezaný kus obmedzený pomocou zarážok na dĺžku, môže sa zaseknúť o čepeľ a prudko vymrštíť.
 - Na správnu oporu okruhlého materiálu, ako sú tyče alebo potrubia, vždy používajte úpon alebo úchyt.** Tyče majú počas rezania tendenciu otáčať sa, čo môže spôsobiť, že sa čepeľ „zasekne“ a vtiahne vám obrobok aj s rukou pod čepeľ.
 - Pred kontaktom s obrobkom nechajte čepeľ rozbehnúť na plnú rýchlosť.** Zníži sa tak riziko vymrštenia obrobku.
 - Ak sa obrobok alebo čepeľ zasekne, pílu na zrezávanie vypnite. Počkajte, kým sa všetky pohyblivé časti zastavia a odpojte zástrčku od napájacieho zdroja alebo vyberte batériu. Potom sa snažte zaseknutý materiál uvoľniť.** Ak by ste pokračovali v pílení so zaseknutým obrobkom, mohlo by to spôsobiť stratu kontroly alebo poškodenie píly na zrezávanie.
 - Po dokončení rezu uvoľnite vypínač, pridržte hlavu píly dole a počkajte pred odstránením odrezku, kým čepeľ nezastane.** Siahanie rukou do blízkosti dobiehajúcej čepele je nebezpečné.
 - Keď robíte neúplný rez, alebo keď uvoľňujete vypínač predtým, než je hlava píly v úplnej dolnej polohe, držte drzadlo pevne.** Brzdzenie píly môže spôsobiť, že hlavu píly náhle stiahne nadol, čo spôsobuje riziko poranenia.

20. Používajte čepel' píly len s takým priemerom, aký je vyznačený na nástroji alebo aký je uvedený v návode. Používanie čepele nesprávnej veľkosti môže negatívne ovplyvniť správnu ochranu čepele alebo činnosť krytu, v dôsledku čoho hrozí zranenie osôb.
21. Používajte len čepele píly s vyznačenou maximálnou rýchlosťou, ktorá sa rovná alebo je vyššia ako rýchlosť vyznačená na nástroji.
22. Pílu používajte len na rezanie dreva, hliníka a podobných materiálov.
23. Len pre krajiny Európy
Vždy používajte čepel', ktorá zodpovedá norme EN847-1.
11. Používajte len príruby určené pre tento nástroj.
12. Buďte opatrní, aby ste nepoškodili hriadeľ, príruby (najmä montážnu plochu) alebo skrutku. Poškodenie týchto dielov by mohlo spôsobiť narušenie čepele.
13. Skontrolujte, či je rotačná základňa bezpečne zaistená, aby sa počas práce nepohybovala. Pomocou otvorov v základni upnite pílu ku stabilnej pracovnej základni alebo lavici. Nástroj NIKDY nepoužívajte tam, kde by poloha obsluhy bola nešikovná.
14. Skôr ako zapnete spínač, skontrolujte, či je poistka hriadeľa uvoľnená.
15. Uistite sa, že čepel' sa v najnižšej polohe nedotýka rotačnej základne.
16. Pevne uchopte rukoväť. Myslite na to, že píla sa pri spustení a zastavení trochu pohne nahor alebo nadol.
17. Skôr než zapnete spínač, skontrolujte, či sa čepel' nedotýka obrobku.
18. Skôr než použijete nástroj na obrobku, nechajte ho chvíľu bežať. Sledujte, či nedochádza k vibráciám alebo hádzaniu, ktoré by mohli naznačovať nesprávnu montáž alebo nesprávne vyváženú čepel'.
19. Ak spozorujete niečo nezvyčajné, okamžite zastavte prácu.
20. Nepokúšajte sa uzamknúť spínač v zapnutej polohe.
21. Vždy používajte príslušenstvo odporúčané v tomto návode. Pri používaní nevhodného príslušenstva, napríklad brúsnych kotúčov, môže dôjsť k poraneniu.
22. Niektoré materiály obsahujú chemikálie, ktoré môžu byť toxické. Dávajte pozor, aby ste ich nevdychovali ani sa ich nedotýkali. Prečítajte si bezpečnostné informácie dodávateľa materiálu.

Ďalšie inštrukcie

1. Zaistite dieľňu pomocou zámkov, aby sa do nej nedostali deti.
2. Na nástroj nikdy nestúpajte. Ak by sa nástroj prevrhol, alebo ak by došlo k nechcenému kontaktu so sečným náradím, mohlo by dôjsť k vážnemu zraneniu.
3. Nástroj nikdy nenechávajte bežať bez dozoru. Vypínajte napájanie. Od nástroja nikdy neodchádzajte, kým úplne nezastane.
4. Nepoužívajte pílu bez nasadených chráničov. Pred každým použitím skontrolujte, či je chránič čepele správne uzavretý. Pílu nepoužívajte, ak sa chránič čepele nepohybuje voľne a nezatvára sa ihneď. Nikdy neupínajte ani neuväzujte chránič čepele v otvorenej polohe.
5. Ruky držte mimo dráhy čepele píly. Vyhnite sa kontaktu so zastavujúcou čepeľou. Aj to môže spôsobiť závažné poranenie.
6. Aby ste znížili riziko poranenia, vráťte po každom reze vozík úplne dozadu.
7. Pred prenášaním nástroja vždy zaistíte všetky jeho pohyblivé časti.
8. Kolík zarážky, ktorý zaistí reznú hlavu, slúži len na účely prenášania a skladovania, nie na akékoľvek úkony rezania.
9. Pred prácou dôkladne skontrolujte, či sa na čepeli nenachádzajú praskliny alebo iné poškodenie. Prasknutú alebo poškodenú čepel' okamžite vymeňte. Guma a živica zatvrdnuté na čepeli spomaľujú pílu a zvyšujú riziko spätného nárazu. Čepel' udržiavajte čistú – vyberte ju z nástroja a potom ju vyčistíte látkou na odstránenie gummy a živice, horúcou vodou alebo petrolejom. Na čistenie čepele nikdy nepoužívajte benzín.
10. Počas kľzavého rezu sa môže objaviť SPÄTNÝ NÁRAZ. SPÄTNÝ NÁRAZ sa objavuje, keď sa čepel' zasekne počas reznej operácie v obrobku a čepel' píly sa rýchlo vymrští smerom k obsluhu. Môže to mať za následok stratu kontroly a vážne zranenie osoby. Ak sa čepel' počas reznej operácie začne zasekávať, nepokračujte v reze a okamžite pustite vypínač.

Ďalšie bezpečnostné pravidlá pre laser

1. LASEROVÉ ŽIARENIE, NEPOZERAJTE SA PRIAMO DO LÚČA ALEBO PRIAMO S OPTICKÝMI PRÍSTROJMI, LASEROVÝ VÝROBOK TRIEDY 2M.

TIETO POKYNY USCHOVAJTE.

VAROVANIE: NIKDY nepripustíte, aby seba-vedomie a dobrá znalosť výrobku (získané opakovaným používaním) nahradili presné dodržiavanie bezpečnostných pravidiel pri používaní náradia. NESPRÁVNE POUŽÍVANIE alebo nedodržiavanie bezpečnostných zásad uvedených v tomto návode môže viesť k vážnemu zraneniu.

POPIS SÚČASTÍ

► Obr.2

1	Posuvná tyčka	2	Kolík zarážky (pre posuv vozíka)	3	Vertikálny zverák	4	Uvoľňovacie tlačidlo (pre uhol skosenia napravo)
5	Držiak	6	Rotačná základňa	7	Ukazovateľ (pre uhol zrezania)	8	Uhlová stupnica zrezania
9	Zárezová doska	10	Puzdro čepele	11	Nastavovacia skrutka (laserovej čiary)	12	Skrutka nastavenia rozsahu (laserovej čiary)
13	Chránič čepele	14	Gombík (uhla skosenia)	15	Šesťhranný imbusový kľúč	16	Nastavovacia skrutka (pre dolnú koncovú polohu)
17	Nastavovacia skrutka (pre maximálnu rezaciu kapacitu)	18	Rameno zarážky	19	Blokovacia páčka (rotačnej základne)	20	Páčka uvoľnenia (rotačnej základne)
21	Svorka (rotačnej základne)	-	-	-	-	-	-

► Obr.3

1	Spúšťací spínač	2	Tlačidlo odomknutia	3	Otvor pre visiaci zámok	4	Spínač (laserovej čiary)
5	Hadica (na odsávanie prachu)	6	Kolík zarážky (pre zdvih vozíka)	7	Ochranné vodidlo (spodné pravítko)	8	Ochranné vodidlo (horné pravítko)
9	Vrecko na prach	10	0° nastavovacia skrutka (uhla skosenia)	11	Uhlová stupnica skosenia	12	Páčka uvoľnenia (pre 48° uhol skosenia)
13	Uzatváracia páčka (uhla skosenia)	14	Ukazovateľ (uhla skosenia)	15	45° nastavovacia skrutka (uhla skosenia)	-	-

INŠTALÁCIA

Inštalácia svorky

Priskrutkujte rukoväť so závitom svorky k rotačnej základni.

► **Obr.4:** 1. Svorka 2. Rotačná základňa

Inštalácia odsávacej hadice na prach

Pripojte odsávaciu hadicu na prach k nástroju podľa obrázka.

Uistite sa, že koleno a objímka hadice správne doliehajú na otvory nástroja.

► **Obr.5:** 1. Hadica na odsávanie prachu 2. Potrubné koleno 3. Objímka 4. Otvor

Montáž na pracovný stôl

Pri dodávke nástroja je rukoväť zaistená v dolnej polohe pomocou kolíka zarážky. Rúčku trochu znížte, vyťahujte kolík zarážky a otočte ho o 90°.

► **Obr.6:** 1. Uzamknutá poloha 2. Odistená poloha 3. Kolík zarážky

Tento nástroj musí byť priskrutkovaný štyrmi skrutkami na rovný a stabilný povrch prostredníctvom skrutkových otvorov, ktoré sa nachádzajú v základni nástroja. Pomôže to zabrániť jeho prevráteniu a možnému poraneniu osôb.

► **Obr.7:** 1. Skrutka

VAROVANIE: Zabezpečte, aby sa nástroj na podpornom povrchu nepohyboval. Pohyb píly na zrezávanie na podpornom povrchu počas rezania môže mať za následok stratu ovládania a vážne zranenie osôb.

OPIS FUNKCIÍ

VAROVANIE: Pred nastavením nástroja alebo kontrolou jeho funkcie sa vždy presvedčte, že je vypnutý a vytiahnutý zo zásuvky. Ak nástroj nevypnete a neodpojíte od zásuvky, môže dôjsť k vážnemu zraneniu osôb, zavinenému náhodným zapnutím.

Chránič čepele

► **Obr.8:** 1. Chránič čepele

Pri znižovaní rukoväte, sa chránič čepele automaticky dvíha. Chránič má pružinu, takže sa vráti do svojej pôvodnej polohy, keď sa rez dokončí a rukoväť sa zdvihne.

VAROVANIE: Nikdy nedemontujte chránič čepele ani pružinu, ktorá je pripojená chrániču, ani neobmedzujte ich činnosť. Odhalená čepeľ ako výsledok obmedzenia činnosti chrániča môže mať za následok vážne poranenie osôb počas prevádzky.

V záujme vašej bezpečnosti vždy udržiavajte chránič čepele v dobrom stave. Akákoľvek chybná činnosť chrániča čepele sa musí okamžite opraviť. Skontrolujte, či pružina pracuje správne a či vracia chránič späť na miesto.

VAROVANIE: Nikdy nepoužívajte nástroj s poškodeným alebo demontovaným chráničom čepele alebo čepeľou. Používanie nástroja s poškodeným, chybným alebo demontovaným chráničom môže mať za následok vážne poranenia osôb.

Ak sa priehľadný chránič čepele znečistí alebo sa naň prilepia piliny a čepeľ a/alebo obrobok horšie vidieť, odpojte pílu zo siete a opatrne vyčistite chránič pomocou vlhkej handričky. Na čistenie plastového chrániča nepoužívajte rozpúšťadlá ani čistiace prostriedky na báze benzínu, pretože môže dôjsť k poškodeniu chrániča.

Ak sa chránič čepele značne znečistil a jeho priehľadnosť je zhoršená, odpojte nástroj od zástrčky a pomocou dodávaného kľúča uvoľnite šesťhrannú skrutku centrálneho krytu. Šesťhrannú skrutku uvoľnite otáčaním proti smeru hodinových ručičiek a zdvihnite chránič čepele a centrálny kryt. S chráničom čepele v takejto polohe možno vykonať dôkladnejšie a účinnejšie čistenie. Po ukončení čistenia vykonajte postup v opačnom poradí a skrutku dotiahnite. Neodstraňujte pružinu, ktorá drží chránič čepele. Ak sa v priebehu času alebo kvôli vystaveniu UV svetelnému žiareniu zmení farba chrániča, obráťte sa na servisné centrum spoločnosti Makita a požiadajte o nový chránič. **NEDEMONTUJTE CHRÁNIČ ČEPELE ANI NEOBMEDZUJTE JEHO ČINNOSŤ.**

► **Obr.9:** 1. Stredný kryt 2. Šesťhranný imbusový kľúč 3. Chránič čepele

Zárezové dosky

Tento nástroj je vybavený zárezovými doskami v rotačnej základni, ktoré minimalizujú rozvláknovanie vychádzajúcej strany rezu. Zárezové dosky sú nastavené už pri ich výrobe tak, aby sa čepeľ píly nedotýkala zárezových dosiek. Pred použitím nastavte zárezové dosky nasledovne:

► **Obr.10:** 1. Zárezová doska

► **Obr.11:** 1. Ľavý skosený rez 2. Rovný rez 3. Pravý skosený rez 4. Čepeľ píly 5. Zúbky čepele 6. Zárezová doska

Najprv odpojte napájanie nástroja. Uvoľnite všetky skrutky (po 2 naľavo aj napravo) zaistíte zárezové dosky, až je možné zárezovými doskami stále ľahko pohybovať rukou. Úplne znížte rukoväť, potom potiahnite a otočte kolík zarážky, aby sa rukoväť uzamkla v zníženej polohe. Uvoľnite kolík zarážky na posuvnej tyči a potiahnite vozík úplne k sebe. Nastavte zárezové dosky tak, aby sa zárezové dosky dostali do tesného kontaktu so stranami zúbkov čepele. Utihnite predné skrutky (neutahujte ich veľmi pevne). Potlačte vozík smerom k ochrannému vodiču a nastavte zárezové dosky tak, aby sa zárezové dosky dostali do tesného kontaktu so stranami zúbkov čepele. Utihnite zadné skrutky (neutahujte ich veľmi pevne).

Po nastavení zárezových dosiek uvoľnite kolík zarážky a zdvihnite rukoväť. Potom pevne utiahnite všetky skrutky.

UPOZORNENIE: Po nastavení uhla skosenia sa presvedčte, že sú zárezové dosky správne nastavené. Správne nastavenie zárezových dosiek pomôže zabezpečiť správnu podporu obrobku pri minimalizovaní jeho rozvláknovania.

Udržovanie maximálnej rezacej kapacity

Tento nástroj bol v výrobe nastavený s cieľom zabezpečiť maximálnu reznú kapacitu 305 mm čepele píly.

Pri inštalácii novej čepele vždy skontrolujte polohu dolného dorazu čepele a ak je to potrebné, nastavte ho nasledujúcim spôsobom:

Najprv odpojte napájanie nástroja. Otočte páčku zarážky do zapojenej polohy.

► **Obr.12:** 1. Páčka zarážky

Posuňte vozík úplne smerom k ochrannému vodiču zariadenia a úplne znížte rukoväť.

Nastavte polohu čepele otáčaním nastavovacej skrutky pomocou imbusového kľúča. Okraj čepele by mal zasahovať miernie pod horný povrch rotačnej základne a tiež siahať do bodu, v ktorom sa predná strana ochranného vodiča stretáva s horným povrchom rotačnej základne.

► **Obr.13:** 1. Nastavovacia skrutka

► **Obr.14:** 1. Vrchný okraj rotačnej základne 2. Okraj čepele 3. Ochranné vodiče

Po odpojení napájania nástroja rukou otáčajte čepeľou a zároveň držte čepeľ celý čas v úplne spodnej polohe, aby ste sa presvedčili, či čepeľ nijako nezasahuje do žiadnej časti spodnej základne. Znova jemne nastavte, ak je to potrebné.

Po nastavení vždy vráťte páčku zarážky do pôvodnej polohy.

VAROVANIE: Po nainštalovaní novej čepele a pri náradí odpojenom od prívodu elektrickej energie sa vždy presvedčte, že čepeľ sa pri úplnom znížení rukoväte nedotýka žiadnej časti spodnej základne. Ak sa čepeľ dotkne základne, môže spôsobiť spätný náraz s dôsledkom vážnych poranení osôb.

Rameno zarážky

Poloha dolného limitu čepele sa dá ľahko nastaviť pomocou ramena zarážky. Ak ju chcete nastaviť, otočte rameno zarážky v smere šípky tak, ako je to zobrazené na obrázku. Otočte nastavovaciu skrutku tak, že sa čepeľ zastaví v požadovanej polohe počas úplného zníženia rukoväte.

► **Obr.15:** 1. Rameno zarážky 2. Nastavovacia skrutka

Nastavenie uhla zrezania

POZOR: Po zmene uhla zrezania vždy zaistite rotačnú základňu pevným utiahnutím svorky.

UPOZORNENIE: Pri otočení rotačnej základne sa uistite, že ste úplne zdvihli rukoväť.

► **Obr.16:** 1. Blokovacia páčka 2. Svorka 3. Uvoľňovacia páčka 4. Ukazovateľ

Proti smeru hodinových ručičiek otočte svorku a odistite rotačnú základňu. Svorku otáčajte za súčasného stlačenia páčky uzamknutia, aby sa rotačná základňa dala otáčať. Zarovnajajte ukazovateľ na požadovaný uhol na stupnici a potom utiahnite svorku.

POZNÁMKA: Ak uvoľňovaciu páčku zatlačíte, môžete rotačnú základňu otáčať bez stlačenia páčky uzamknutia. Svorku utiahnite v požadovanej polohe.

Táto píla na zrezávanie má funkciu pozitívneho zastavenia. Môžete rýchlo nastaviť 0°, 15°, 22,5°, 31,6°, 45°, a 60° pravý/ľavý uhol zrezania. Ak chcete využívať túto funkciu, otočte rotačnú základňu do blízkosti vami požadovaného uhla pozitívneho zastavenia a súčasne stlačte páčku uzamknutia. Potom uvoľnite páčku uzamknutia a otočte rotačnú základňu dopredu, kým sa rotačná základňa neuzamkne.

Nastavenie uhla skosenia

UPOZORNENIE: Pred nastavovaním uhla skosenia vždy odstráňte horné ochranné vodidlá a vertikálny zverák.

UPOZORNENIE: Pri zmene uhlov skosenia dbajte na správne polohovanie zárezových diešok tak, ako je to vysvetlené v časti „Zárezové dosky“.

UPOZORNENIE: Pri nakláňaní čepele píly sa uistite, že ste rukoväť zdvihli úplne nahor.

UPOZORNENIE: Otočný gombík neutahujte nadmerne. Môže to zapríčiniť poruchu blokovacieho mechanizmu skoseného rezu.

1. Gombík na posuvnej tyčke otočte proti smeru hodinových ručičiek.

► **Obr.17:** 1. Otočný gombík

2. Potiahnite ho a otočte uzatváraciu páčku do polohy podľa obrázka.

► **Obr.18:** 1. Uzatváracia páčka

3. Nastavte ukazovateľ na vami požadovaný uhol na stupnici posunutím vozíka a potom gombík utiahnite.

► **Obr.19:** 1. Uholvá stupnica skosenia 2. Ukazovateľ

Ak chcete vozík nakloniť doprava, nakloňte ho najprv trochu doľava a potom ho nakloňte doprava za súčasného stlačenia uvoľňovacieho tlačidla.

► **Obr.20:** 1. Uvoľňovacie tlačidlo

Ak robíte skosený rez s uhlom väčším ako 45°, posuňte vozík za súčasného posúvania uvoľňovacej páčky smerom k prednej časti nástroja. Môžete urobiť až 48° skosený rez.

► **Obr.21:** 1. Uvoľňovacia páčka

Táto píla na zrezávanie má funkciu pozitívneho zastavenia. Môžete rýchlo nastaviť 22,5° a 33,9° uhol vpravo aj vľavo. Uzatváraciu páčku nastavte do polohy podľa obrázka a vozík nakloňte. Ak chcete uhol zmeniť, potiahnite uzatváraciu páčku a nakloňte vozík.

► **Obr.22:** 1. Uzatváracia páčka

POZOR: Po zmene uhla skosenia vždy zaistite gombík.

Zámok posuvu

Ak chcete zamknúť kĺzavý pohyb vozíka, potlačte vozík smerom k ochrannému vodidlu, až kým sa nezastaví. Potiahnite kolík zarážky a otočte ho o 90°.

► **Obr.23:** 1. Odistená poloha 2. Uzamknutá poloha 3. Kolík zarážky

Zapínanie

VAROVANIE: Pred pripojením nástroja do zásuvky vždy skontrolujte, či spúšťací spínač funguje správne a po uvoľnení sa vráti do polohy „OFF“ (VYP.). Spúšťací spínač nestláčajte silno bez stlačenia tlačidla odomknutia. V opačnom prípade sa môže spínač zlomiť. Prevádzka nástroja s nesprávne fungujúcim spúšťacím spínačom môže viesť k strate ovládania a k vážnym poraneniam osôb.

VAROVANIE: NIKDY nepoužívajte nástroj bez úplne funkčného spúšťacieho spínača. Akýkoľvek nástroj s nefunkčným vypínačom je VELMI NEBEZPEČNÝ a pred ďalším použitím musí byť opravený. V opačnom prípade môže dôjsť k vážnym osobným poraneniam.

VAROVANIE: NIKDY neobchádzajte použitie tlačidla odomknutia jeho prilpením v stlačenej polohe alebo inými prostriedkami. Spínač s vyradeným tlačidlom odomknutia môže spôsobiť náhodné spustenie s dôsledkom vážnych osobných poranení.

VAROVANIE: NIKDY nepoužívajte nástroj, ak sa spustí pri stlačení len spúšťacieho spínača bez stlačenia tlačidla odomknutia. Vypínač, ktorý potrebuje opravu, môže spôsobiť náhodné spustenie a vážne osobné poranenie. PRED ďalším použitím vráťte nástroj do servisného centra Makita, kde ho dôkladne opravia.

- **Obr.24:** 1. Spúšťací spínač 2. Tlačidlo odomknutia
3. Otvor pre visiaci zámok

Nástroj je vybavený tlačidlom odomknutia, ktoré bráni náhodnému potiahnutiu spúšťacieho spínača. Ak chcete zapnúť nástroj, stlačte tlačidlo odomknutia a potiahnite spúšťací spínač. Nástroj zastavíte uvoľnením spúšťacieho spínača.

Otvor v spúšťacom spínači slúži na zasunutie visiaceho zámku na uzamknutie nástroja.

VAROVANIE: Nepoužívajte zámok s kovovým uškom alebo s káblom s priemerom menším ako 6,35 mm. Menšie kovové uško alebo kábel nemusia nástroj riadne zablokovať v polohe vypnutia, pričom môže dôjsť k náhodnému spusteniu a následne k vážnemu poraneniu.

Elektronické funkcie

Regulácia konštantných otáčok

Nástroj je vybavený elektronickou reguláciou rýchlosti, čo pomáha udržiavať konštantné otáčky čepele aj pod záťažou. Vďaka konštantným otáčkam čepele sa dosahuje veľmi hladký rez.

Funkcia hladkého štartu

Táto funkcia umožňuje hladké spustenie nástroja obmedzením krútiaceho momentu pri spustení.

Činnosť laserového lúča

Pre model LS1219L iba

POZOR: Nikdy sa nepozerajte do laserového lúča. Priamy laserový lúč môže poškodiť vaše oči.

Ak chcete zapnúť laserový lúč, stlačte hornú polohu (I) spínača. Ak chcete laserový lúč vypnúť, stlačte vypínač do spodnej polohy (O)

- **Obr.25:** 1. Vypínač lasera

Laserová čiara sa môže nasmerovať buď na ľavú alebo pravú stranu čepele píly tak, že otáčate nastavovaciu skrutku nasledovným spôsobom.

- **Obr.26:** 1. Nastavovacia skrutka

1. Uvoľnite nastavovaciu skrutku otočením proti smeru hodinových ručičiek.
2. S uvoľnenou nastavovacou skrutkou posuňte nastavovaciu skrutku doprava alebo doľava tak ďaleko, ako to len ide.
3. Pevne utiahnite nastavovaciu skrutku v polohe, kde sa počas posúvania zastaví.

POZNÁMKA: Laserová čiara je nastavená z továrne takže jej poloha je 1 mm od bočného povrchu čepele (reznej polohy).

POZNÁMKA: Keď laserová čiara zoslabne a nie je ju kvôli priamemu slnečnému žiareniu vidieť, premiestnite pracovisko na miesto, kde je menej priameho slnečného žiarenia.

Vyrovnanie laserovej čiary

Zarovnajte čiaru rezu na vašom obrobku s laserovou čiarou.

- **Obr.27**

- A) Keď chcete získať správnu veľkosť' na ľavej strane obrobku, posuňte laserovú čiaru na ľavú stranu čepele.
B) Keď chcete získať správnu veľkosť' na pravej strane obrobku, posuňte laserovú čiaru na pravú stranu čepele.

POZNÁMKA: Pri zarovnávaní čiary rezu s laserovou čiarou na bočnej strane ochranného vodidla pri zložení rezaní použite drevo naproti ochrannému vodidlu (uhol skosenia 45° a uhol zrezania pravý 45°).

ZOSTAVENIE

VAROVANIE: Pred vykonávaním práce na nástroji nástroj vždy vypnite a odpojte od prívodu elektrickej energie. Ak zabudnete vypnúť nástroj a odpojiť ho zo siete môže to mať za následok vážne poranenie osôb.

Uskladnenie šesťhranného kľúča

Keď šesťhranný kľúč nepoužívate, odložte ho podľa znázornenia na obrázku, aby sa neustratil.

- **Obr.28:** 1. Šesťhranný kľúč

Demontáž a montáž čepele píly

VAROVANIE: Pred inštaláciou alebo odstránením čepele sa vždy uistite, že je nástroj vypnutý a odpojený od napájania. Náhodné spustenie nástroja môže mať za následok vážne poranenie osôb.

VAROVANIE: Na inštaláciu alebo demontáž čepele používajte výhradne kľúč spoločnosti Makita. Ak nebudete používať tento kľúč môže to mať za následok nadmerné utiahnutie alebo nedostatočné utiahnutie šesťhrannej skrutky s vnútorným šesťhranom s dôsledkom vážnych poranení osôb.

Pri demontáži a montáži čepele vozík vždy zamknite v hornej polohe. Vozík zdvihnite a vytiahnite kolík zarážky a otočte ho o 90°.

- **Obr.29:** 1. Odistená poloha 2. Uzamknutá poloha
3. Kolík zarážky

Demontáž čepele

Uvoľnite šesťhrannú skrutku, ktorá zaisťuje centrálny kryt, pomocou imbusového kľúča. Zdvihnite chránič čepele a stredný kryt.

- **Obr.30:** 1. Stredný kryt 2. Šesťhranný imbusový kľúč 3. Chránič čepele

Stlačte poistku hriadeľa, ak chcete zaisťiť hriadeľ, a pomocou imbusového kľúča imbusovú skrutku s vnútorným šesťhranom uvoľnite. Potom demontuje imbusovú skrutku s vnútorným šesťhranom, vonkajšiu prírubu a čepeľ.

- **Obr.31:** 1. Poistka hriadeľa 2. Šesťhranný imbusový kľúč 3. Imbusová skrutka s vnútorným šesťhranom (ľavá) 4. Uvoľniť 5. Utiahnuť

Montáž čepele

Čepeľ opatrne nasadíte na hriadeľ a uistíte sa, že smer šípky na povrchu čepele sa zhoduje so smerom šípky na puzdre čepele.

► **Obr.32:** 1. Šípka na puzdre čepele 2. Šípka na čepeľi

Nasadíte vonkajšiu prírubu a imbusovú skrutku s vnútorným šesťhranom. Imbusovú skrutku s vnútorným šesťhranom utiahnite proti smeru hodinových ručičiek pomocou imbusového kľúča, pričom tlačte na poistku hriadeľa.

► **Obr.33:** 1. Imbusová skrutka s vnútorným šesťhranom 2. Vonkajšia príruha 3. Čepeľ píly 4. Vnútorná príruha 5. Hriadeľ 6. Krúžok

UPOZORNENIE: Pri demontovaní vnútornej príruby ju nezabudnite nainštalovať na hriadeľ tak, aby jej výčnelok smeroval od čepele. Pri nesprávnom namontovaní príruby sa bude príruha trieť o strojné zariadenie.

Vráťte chránič čepele a stredný kryt do ich pôvodnej polohy. Potom utiahnite skrutku so šesťhrannou hlavou v smere hodinových ručičiek, aby ste zaistili centrálny kryt. Odistite kolík zarážky a uvoľnite vozík z hornej polohy. Znížte rukoväť, aby ste sa uistili, že sa chránič čepele pohybuje správne. Ešte pred rezaním sa uistíte, či poistka hriadeľa uvoľnila hriadeľ.

VAROVANIE: Pred namontovaním čepele na hriadeľ sa vždy uistíte, že medzi vnútornou a vonkajšou prírubou je nainštalovaný správny krúžok pre hriadeľový otvor čepele, ktorý chcete použiť. Použitie nesprávneho prstenca do otvoru na hriadeľ môže zapríčiniť nesprávne namontovanie čepele a spôsobiť pohyb čepele a silné vibrácie, čo môže viesť k strate kontroly nad nástrojom počas práce a k vážnym zraneniam osôb.

Pripojenie vysávača

Keď chcete uskutočniť operáciu čistého rezu, pripojte vysávač značky Makita ku prachovej hubici pomocou prednej manžety 24 (doplnkové príslušenstvo).

► **Obr.34:** 1. Predná manžeta 24 2. Hadica 3. Vysávač

Vrecko na prach

Používanie vrečka na prach zabezpečuje čistotu rezania a uľahčuje zber prachu. Vrecko na prach nasadíte tak, že demontujete hadicu na odsávanie prachu na nástroj a pripojíte vrecko na prach.

► **Obr.35:** 1. Hadica na odsávanie prachu 2. Vrecko na prach

Ak je vrecko na prach naplnené približne do polovice, odstráňte ho z nástroja a vyťahnite upínací prvok. Vyprázdňte vrecko na prach jemným vyklepaním tak, aby sa oddelili aj prichytené častice, ktoré by mohli brániť v ďalšom zbieraní prachu.

► **Obr.36:** 1. Upínací prvok

Zaistenie obrobku

VAROVANIE: Je nesmierne dôležité, aby ste obrobok vždy správne zaistili, a to pomocou správneho typu zveráka alebo tvarovaných korunkových zarážok. V opačnom prípade môže dôjsť k vážnym poraneniam osôb a k poškodeniu nástroja alebo obrobku.

VAROVANIE: Po vykonaní rezu čepeľ až do jej úplného zastavenia nezdvíhajte. Zdvihnutie otáčajúcej sa čepele môže mať za následok vážne poranenie osôb a poškodenie obrobku.

VAROVANIE: Pokiaľ režete obrobok dlhší ako je pracovná základňa píly, materiál by ste mali po celej jeho dĺžke za podpornou základňou podporiť a mali by ste zachovať rovnakú výšku uloženia materiálu. Správne podoprenie obrobku pomôže predchádzať uviaznutiu a možnému spätnému nárazu s dôsledkom vážnych poranení osôb. Pri zaistovaní obrobku sa nespoliehajte len na vertikálny zverák a/alebo horizontálny zverák. Tenký materiál má tendenciu prehýbať sa. Obrobok podprite po celej jeho dĺžke, aby ste predišli zaseknutiu čepele a možnému SPÄTNÉMU NÁRAZU.

► **Obr.37:** 1. Podpora 2. Rotačná základňa

Ochranné vodidlá

VAROVANIE: Pred prevádzkovaním nástroja sa ubezpečte, že horné vodítko je pevne zaistené.

VAROVANIE: Pred skoseným rezaním sa presvedčte, že žiadna časť nástroja, hlavne čepeľ, sa nedotýka horných a spodných pravítok, a to pri úplnom zničení a zdvihnutí rukoväte v akejkoľvek polohe a pri pohybe vozíka v rámci celej dĺžky jeho pojazdu. Pokiaľ sa nástroj alebo čepeľ dotkne pravítka, môže dôjsť k spätnému nárazu alebo k neočakávanému pohybu materiálu a k vážnemu poraneniu osôb.

Materiál vyšší ako spodné pravítka podprite hornými pravítkami. Horné pravítko zasuňte do otvoru na spodnom pravítku a utiahnite upínaciu skrutku.

► **Obr.38:** 1. Horné pravítko 2. Spodné pravítko 3. Upínacia skrutka 4. Nastavovacia skrutka

UPOZORNENIE: Spodné pravítko sú pripevnené k základni už v továrni. Spodné pravítko nedemontujte.

UPOZORNENIE: Ak je horné pravítko aj po utiahnutí upínacej skrutky stále voľné, medzeru uzavrite otáčaním nastavovacej skrutky. Nastavovacia skrutka je nastavená už v továrni. Nie je treba ju použiť, iba v prípade potreby.

Keď horné pravítko nepoužívate, môžete ich uložiť na držiak. Na udržanie horného pravítka na držiaku použite sponu.

► **Obr.39:** 1. Držiak 2. Horné pravítko 3. Spona

Vertikálny zverák

VAROVANIE: Počas všetkých úkonov musí byť obrobok pevne zaistený oproti rotačnej základni a ochrannému vodidlu pomocou zveráka.

Pokiaľ nebude obrobok správne zaistený ku pravitku, materiál sa počas rezania môže pohybovať s dôsledkom možného poškodenia čepele, vymrštenia materiálu a straty ovládania, pričom môže dôjsť k vážnym poraneniam osôb.

- **Obr.40:** 1. Rameno zveráka 2. Tyč zveráka
3. Upinacia skrutka 4. Otočný gombík zveráka

Vertikálny zverák je možné nainštalovať v dvoch polohách buď na ľavú alebo pravú stranu základne. Vložte tyč zveráka do otvoru v základni.

Rameno zveráka nastavte v závislosti od hrúbky a tvaru obrobku a zaistíte ho utiahnutím skrutky. Ak sa upinacia skrutka dotýka vozíka, nainštalujte ju na protihľadnú stranu ramena zveráka. Uistite sa, či sa pri znížení rukoväti do najnižšej polohy žiadna časť nástroja nedotýka zveráka. Ak sa niektoré časti dotýkajú zveráka, zmeňte polohu zveráka. Prítlačte obrobok k ochrannému vodidlu a rotačnej základni. Umiestnite obrobok do požadovanej polohy rezania a pevne ho zaistíte utiahnutím otočného gombíka zveráka.

POZNÁMKA: Kvôli rýchlemu nastaveniu obrobku sa otáčaním gombíka zveráka o 90° proti smeru hodinových ručičiek umožní pohyb gombíka zveráka nahor a nadol. Aby ste po nastavení obrobku tento zaistili, otáčajte gombík zveráka v smere hodinových ručičiek.

Horizontálny zverák

Voliteľné príslušenstvo

VAROVANIE: Maticu zveráka otáčajte v smere hodinových ručičiek, až kým nie je obrobok riadne zaistený. Pokiaľ nebude obrobok správne zaistený, materiál sa počas rezania môže pohybovať s dôsledkom možného poškodenia čepele, vymrštenia materiálu a straty ovládania, pričom môže dôjsť k vážnym poraneniam osôb.

VAROVANIE: Horizontálny zverák používajte vždy pri rezaní tenkého obrobku, ako sú základné dosky, pri pravitku.

POZOR: Pri rezaní 20 mm širokých alebo tenších obrobkov nezabudnite obrobok zaistiť pomocou rozpery.

Horizontálny zverák je možné nainštalovať v dvoch polohách, buď na ľavej, alebo na pravej strane základne. Pri rezaní s 22,5° a viac zrezávacím rezom, nainštalujte horizontálny zverák na stranu oproti smeru, do ktorého sa bude otáčať rotačná základňa.

- **Obr.41:** 1. Doska zveráka 2. Matica zveráka
3. Otočný gombík zveráka

Preklopením matice zveráka proti smeru hodinových ručičiek sa zverák uvoľní a bude sa rýchlo pohybovať dovnútra a von. Ak chcete uchytiť obrobok, stlačte otočný gombík zveráka dopredu, až kým sa doska zveráka nedotkne obrobku, a preklopte maticu zveráka v smere hodinových ručičiek. Potom otočte gombíkom zveráka v smere hodinových ručičiek, čím obrobok zaistíte.

POZNÁMKA: Maximálna šírka obrobku, ktorý sa dá zaistiť horizontálnym zverákom je 228 mm.

Držiaky

VAROVANIE: Dlhý obrobok vždy podopierajte tak, aby bol zároveň s horným povrchom rotačnej základne, čím dosiahnete presný rez a zabránite nebezpečnej strate ovládania nástroja. Správne podoprenie obrobku pomôže predchádzať uviaznutiu a možnému spätnému nárazu s dôsledkom vážnych poranení osôb.

Ak chcete uchytiť dlhé obrobky vodorovne, na oboch stranách nástroja sú na to určené držiaky. Uvoľnite skrutky a vysuňte držiaky na príslušnú dĺžku, aby mohli podopierať obrobok. Potom utiahnite skrutky.

- **Obr.42:** 1. Držiak 2. Skrutka

PREVÁDZKA

VAROVANIE: Skôr ako zapnete spínač, uistite sa, že sa čepeľ nedotýka obrobku ani iných častí. Zapnutie nástroja, kým sa čepeľ dotýka obrobku, môže spôsobiť spätný náraz a vážne poranenia osôb.

VAROVANIE: Po vykonaní rezu čepeľ až do jej úplného zastavenia nezdvihajte. Zdvihnutie otáčajúcej sa čepele môže mať za následok vážne osobné poranenie a poškodenie obrobku.

VAROVANIE: Nerobte žiadne nastavenia, ako napríklad otáčanie svorky, gombíka a páčok na nástroji pokiaľ sa čepeľ točí. Nastavovanie, kým je čepeľ v pohybe môže mať za následok vážne zranenia osôb.

UPOZORNENIE: Pred používaním skontrolujte odistenie kolíka záružky a uvoľnite rukoväť z dolnej polohy.

UPOZORNENIE: Počas rezania príliš netlačte na rukoväť. Príliš veľký tlak môže zapríčiniť preťaženie motora a/alebo zníženu účinnosť rezania. Zatláčte na rukoväť len takým tlakom, ktorý je potrebný na hladké rezanie, a bez výrazného zníženia rýchlosti čepele.

UPOZORNENIE: Jemne stlačte rukoväť, aby sa vykonal rez. Ak sa rukoväť stlačí príliš veľkou silou alebo ak sa použije postranný tlak, čepeľ môže vibrovať a zanechať stopu (stopu píly) v obrobku a presnosť rezu bude narušená.

UPOZORNENIE: Počas kízavého rezu jemne potlačte vozík smerom k ochrannému vodidlu bez zastavenia. Ak sa pohyb vozíka ukončí počas rezu, na obrobku sa zanechá stopa a presnosť rezu bude narušená.

Tlakové rezanie

VAROVANIE: Keď uskutočňujete tlakové rezanie, vždy uzamknite posuvný pohyb vozíka. Rezanie bez uzamknutia môže spôsobiť spätný náraz s dôsledkom vážnych zranení osôb.

Obrobok až 92 mm vysoký a 183 mm široký sa môže rezať nasledovným spôsobom.

► **Obr.43:** 1. Kolík zarážky

1. Vozík zatlačte smerom k ochrannému vodidlu, až kým nezastane a zaistíte ho pomocou kolíka zarážky.
2. Obrobok zaistíte pomocou správneho typu zveráka.
3. Zapnite nástroj bez toho, aby sa čepeľ niečoho dotýkala, a počkajte, kým čepeľ nedosiahne plnú rýchlosť pred znížením.
4. Potom jemne znížte rukoväť do úplne dolnej polohy, aby sa rezal obrobok.
5. Keď je rez dokončený, vypnite nástroj a pred vrátením čepele do úplne zdvihutej polohy počkajte, až kým sa čepeľ úplne nezastaví.

Posuvné (tlačené) rezanie (rezanie širokých obrobkov)

VAROVANIE: Vždy keď budete vykonávať posuvný rez, najprv potiahnite rám nástroja k sebe a stlačte rukoväť úplne nadol. Následne zatlačte rám nástroja smerom k ochrannému vodidlu. Nikdy nezačínajte rez, pokiaľ nie je rám nástroja pritiažený úplne k vám. Pokiaľ vykonáte posuvný rez bez úplného potiahnutia rámu nástroja k sebe, môže dôjsť k neočakávanému spätnému nárazu s dôsledkom vážnych osobných poranení.

VAROVANIE: Nikdy sa nepokúšajte vykonávať posuvný rez ťahaním rámu nástroja k sebe. Ťahanie rámu nástroja k sebe môže spôsobiť neočakávaný spätný náraz s dôsledkom vážnych osobných poranení.

VAROVANIE: Nikdy nevykonávajte posuvný rez s rukoväťou zablokovanou v zníženej polohe.

► **Obr.44:** 1. Kolík zarážky

1. Uvoľnite kolík zarážky, takže sa vozík môže voľne posúvať.
2. Obrobok zaistíte pomocou správneho typu zveráka.
3. Potiahnite rám nástroja úplne smerom k sebe.
4. Zapnite nástroj bez toho, aby sa čepeľ niečoho dotýkala, a počkajte, kým čepeľ nedosiahne plnú rýchlosť.
5. Potlačte rukoväť nadol a potlačte rám nástroja smerom k ochrannému vodidlu a cez obrobok.
6. Keď je rez dokončený, vypnite nástroj a pred vrátením čepele do úplne zdvihutej polohy počkajte, až kým sa čepeľ úplne nezastaví.

Zrezávacie rezanie

Pozrite si predchádzajúcu časť „Nastavenie uhla zrezania“.

Skosený rez

VAROVANIE: Po nastavení čepele na skosený rez sa presvedčte, že sa vozík a čepeľ budú môcť voľne pohybovať v rámci celej dĺžky zamýšľaného rezu ešte pred prácou s nástrojom. Prerušenie pohybu vozíka alebo čepele počas vykonávania rezu môže spôsobiť spätný náraz a vážne poranenia osôb.

VAROVANIE: Pri vykonávaní skoseného rezu majte ruky mimo trasy čepele. Uhol čepele môže sťažiť vnímanie skutočnej trasy čepele počas rezania a kontakt operátora s čepeľou môže mať za následok vážne osobné poranenia.

VAROVANIE: Čepeľ nezdvíhajte až do jej úplného zastavenia. Počas vykonávania skoseného rezu sa môže pred čepeľ dostať kus odrezku. Pri zdvihnutí otáčajúcej sa čepele môže byť odrezok čepeľou odhodnený, čo môže spôsobiť rozpadnutie materiálu s dôsledkom vážnych osobných poranení.

UPOZORNENIE: Keď budete tlačiť rukoväť nadol, vyvíjajte tlak paralelne s čepeľou. Ak budete vyvíjať tlak kolmo na rotačnú základňu alebo ak sa zmení smer tlaku počas rezu, presnosť rezu bude narušená.

► **Obr.45**

1. Odstráňte horné pravítko na boku, na ktorý sa chystáte vozík sklopiť.
2. Odistite kolík zarážky.
3. Nastavte uhol skosenia podľa procedúry vysvetlenej v časti „Nastavenie uhla skosenia“. Potom utiahnite gombík.
4. Zaistíte obrobok pomocou zveráka.
5. Potiahnite rám nástroja úplne smerom k sebe.
6. Zapnite nástroj bez toho, aby sa čepeľ niečoho dotýkala, a počkajte, kým čepeľ nedosiahne plnú rýchlosť.
7. Jemne znížte rukoväť do úplne dolnej polohy a súčasne vytvárajte tlak paralelne s čepeľou a posuňte rám nástroja ku ochrannému vodidlu, aby sa rezal obrobok.
8. Keď je rez dokončený, vypnite nástroj a pred vrátením čepele do úplne zdvihutej polohy počkajte, až kým sa čepeľ úplne nezastaví.

Zložené rezanie

Zložené rezanie je postup, pri ktorom sa na obrobku súčasne vytvorí uhol skosenia aj uhol zrezania. Zložené rezanie je možné vykonať pod uhlom, ktorý je uvedený v tabuľke.

Uhol zrezania	Uhol skosenia
Ľavý a pravý 0° - 45°	Ľavý a pravý 0° - 45°

Keď budete robiť zložené rezy, pozrite si vysvetlenia v častiach „Tlakové rezanie“, „Posuvné (tlačené) rezanie“, „Zrezávacie rezanie“, „Skosený rez“, „Chránič čepele“, „Nastavenie uhla zrezania“ a „Nastavenie uhla skosenia“

Rezanie základných dosiek

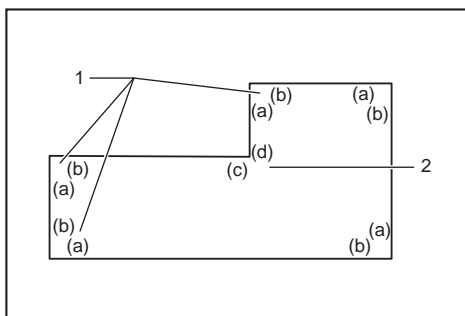
⚠️ POZOR: Pri rezaní základnej dosky vždy používajte horizontálny zverák (voliteľné príslušenstvo).

⚠️ POZOR: Pri rezaní 20 mm širokých alebo tenších obrobkov nezabudnite obrobok zaistiť pomocou rozpery.

Pri rezaní základnej dosky v 45° uhle zrezania použite páčku zarážky, aby sa puzdro čepele nedotýkalo základnej dosky. Udrží sa tak odstup medzi základnou doskou a puzdrom čepele pri úplnom zatlačení vozíka vpred.

Informácie o kapacite pri rezaní základných dosiek nájdete v TECHNICKÝCH ŠPECIFIKÁCIÁCH.

► **Obr.46:** 1. Páčka zarážky 2. Blok rozpery 3. Horizontálny zverák



1. Vnútny roh 2. Vonkajší roh

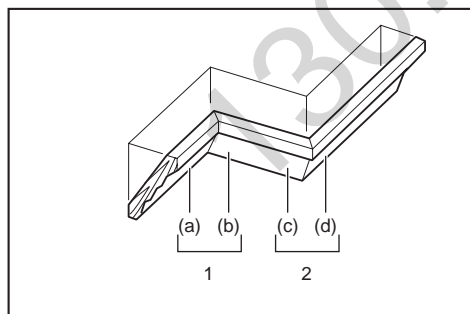
Rezanie okrasných lišt s korunou alebo oblúkom

Okrasné lišty s korunou alebo oblúkom je možné rezať pomocou pokosovej píly na kombinované rezanie tak, že okrasné lišty budú ležať na rotačnej základni.

Existujú dva bežné typy okrasných lišt s korunou a jeden typ okrasných lišt s oblúkom: okrasná lišta s korunou so sklonom steny 52/38°, okrasná lišta s korunou so sklonom steny 45° a okrasná lišta s oblúkom so sklonom steny 45°.

► **Obr.47:** 1. Okrasná lišta s korunou typu 52/38°
2. Okrasná lišta s korunou typu 45°
3. Okrasná lišta s oblúkom typu 45°

Dostupnú sú spoje okrasných lišt s korunou a oblúkom, ktoré sú navrhnuté tak, aby pasovali do „vnútorných“ 90° rohov ((a) a (b) na obrázku) a do „vonkajších“ 90° rohov ((c) a (d) na obrázku.)



1. Vnútny roh 2. Vonkajší roh

Meranie

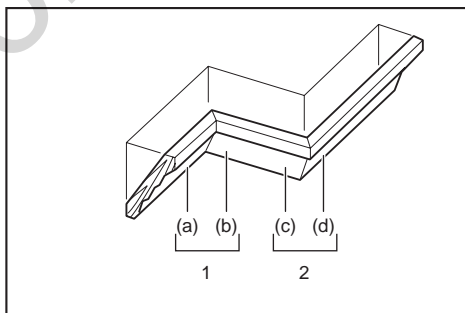
Odmerajte šírku steny a podľa nej upravte šírku obrobku. Vždy dbajte, aby bola šírka okraja obrobku, ktorý bude v kontakte so stenou, rovnaká ako dĺžka steny.

► **Obr.48:** 1. Obrobok 2. Šírka steny 3. Šírka obrobku 4. Okraj kontaktu so stenou

Aby ste vyskúšali uhly čepele, vždy použite niekoľko kúskov na vykonanie skúšobných rezov.

Pri rezaní okrasných lišt s korunou alebo oblúkom nastavte uhol skosenia a uhol zrezania podľa tabuľky (A) a okrasné lišty umiestnite na horný povrch základnej píly, ako je to uvedené v tabuľke (B).

V prípade ľavého skoseného rezu



1. Vnútny roh 2. Vonkajší roh

Tabuľka (A)

–	Poloha lišty na obrázku	Uhol skosenia		Uhol zrezania	
		Typ 52/38°	Typ 45°	Typ 52/38°	Typ 45°
Pre vnútorný roh	(a)	Ľavý 33,9°	Ľavý 30°	Pravý 31,6°	Pravý 35,3°
	(b)			Ľavý 31,6°	Ľavý 35,3°
Pre vonkajší roh	(c)			Pravý 31,6°	Pravý 35,3°
	(d)			Pravý 31,6°	Pravý 35,3°

Tabuľka (B)

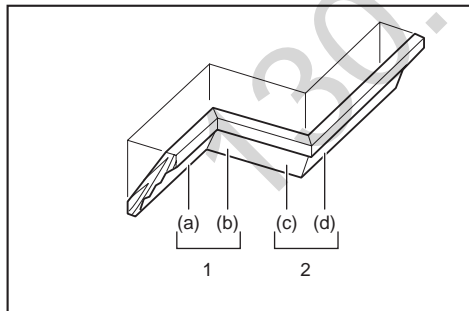
–	Poloha lišty na obrázku	Okraj okrasnej lišty oproti ochrannému vodidlu	Dokončený kus
Pre vnútorný roh	(a)	Okraj kontaktu so stropom by mal byť oproti ochrannému vodidlu.	Dokončený kus bude na ľavej strane čepele.
	(b)	Okraj kontaktu so stenou by mal byť oproti ochrannému vodidlu.	
Pre vonkajší roh	(c)	Okraj kontaktu so stropom by mal byť oproti ochrannému vodidlu.	Dokončený kus bude na pravej strane čepele.
	(d)	Okraj kontaktu so stropom by mal byť oproti ochrannému vodidlu.	

Príklad:

V prípade rezania okrasnej lišty s koronou typu 52/38° pre polohu (a) na obrázku vyššie:

- Nastavte a zaistite uhol skosenia na 33,9° ĽAVÝ.
- Nastavte a zaistite nastavenie uhla zrezania na 31,6° PRAVÝ.
- Umiestnite okrasnú lištu s koronou tak, aby jej široká zadná strana (skrytá) smerovala nadol na rotačnú základňu. Jej OKRAJ KONTAKTU SO STROPOM bude smerovať k ochrannému vodidlu píly.
- Dokončený kus, ktorý sa použije, bude po vykonaní rezu vždy na ĽAVEJ strane čepele.

V prípade pravého skoseného rezu



1. Vnútorný roh 2. Vonkajší roh

Tabuľka (A)

–	Poloha lišty na obrázku	Uhol skosenia		Uhol zrezania	
		Typ 52/38°	Typ 45°	Typ 52/38°	Typ 45°
Pre vnútorný roh	(a)	Pravý 33,9°	Pravý 30°	Pravý 31,6°	Pravý 35,3°
	(b)			Ľavý 31,6°	Ľavý 35,3°
Pre vonkajší roh	(c)			Pravý 31,6°	Pravý 35,3°
	(d)			Pravý 31,6°	Pravý 35,3°

Tabuľka (B)

–	Poloha lišty na obrázku	Okraj okrasnej lišty oproti ochrannému vodidlu	Dokončený kus
Pre vnútorný roh	(a)	Okraj kontaktu so stenou by mal byť oproti ochrannému vodidlu.	Dokončený kus bude na pravej strane čepele.
	(b)	Okraj kontaktu so stropom by mal byť oproti ochrannému vodidlu.	
Pre vonkajší roh	(c)	Okraj kontaktu so stropom by mal byť oproti ochrannému vodidlu.	Dokončený kus bude na ľavej strane čepele.
	(d)	Okraj kontaktu so stenou by mal byť oproti ochrannému vodidlu.	

Príklad:

V prípade rezania okrasnej lišty s koronou typu 52/38° pre polohu (a) na obrázku vyššie:

- Skloňte a zaistite nastavenie uhla skosenia na 33,9° PRAVÝ.
- Nastavte a zaistite nastavenie uhla zrezania na 31,6° PRAVÝ.
- Umiestnite okrasnú lištu s koronou tak, aby jej široká zadná strana (skrytá) smerovala nadol na rotačnú základňu. Jej OKRAJ KONTAKTU SO STENOU bude smerovať k ochrannému vodidlu píly.
- Dokončený kus, ktorý sa použije, bude po vykonaní rezu vždy na PRAVEJ strane čepele.

Zarážka pre okrasnú lištu s koronou

Voliteľné prislúšenstvo

Zarážky pre rezanie okrasných lišt s koronou umožňujú jednoduchšie rezanie okrasných lišt s koronou bez nutnosti sklápania čepele píly. Nainštalujte ich na rotačnú základňu ako je to zobrazené na obrázkoch.

V pravom 45° uhle zrezania

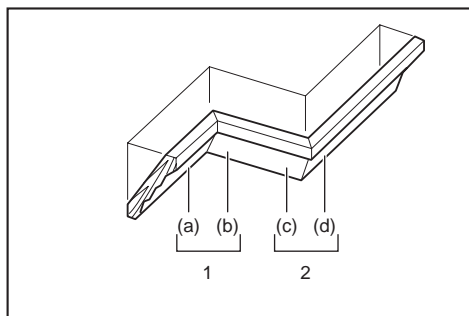
- **Obr.49:** 1. Zarážka L pre okrasnú lištu s koronou
2. Zarážka P pre okrasnú lištu s koronou
3. Rotačná základňa 4. Ochranné vodidlo

V ľavom 45° uhle zrezania

- **Obr.50:** 1. Zarážka L pre okrasnú lištu s koronou
2. Zarážka P pre okrasnú lištu s koronou
3. Rotačná základňa 4. Ochranné vodidlo

Umiestnite okrasnú lištu s koronou tak, aby jej OKRAJ KONTAKTU SO STENOU smeroval k ochrannému vodidlu a jej OKRAJ KONTAKTU SO STROPOM smeroval k zarážkam pre rezanie okrasných lišt s koronou tak, ako je to znázornené na obrázku. Nastavte zarážky pre rezanie okrasných lišt s koronou podľa rozmeru okrasnej lišty s koronou. Uťahnite skrutky a zaistite tak zarážky pre rezanie okrasných lišt s koronou. Hodnoty uhla zrezania nájdete v tabuľke (C).

- **Obr.51:** 1. Ochranné vodidlo 2. Zarážka pre okrasnú lištu s koronou



1. Vnútorný roh 2. Vonkajší roh

Tabuľka (C)

–	Poloha lišty na obrázku	Uhol zrezania	Dokončený kus
Pre vnútorný roh	(a)	Pravý 45°	Nenamáhajte pravú časť čepele
	(b)	Ľavý 45°	Nenamáhajte ľavú časť čepele
Pre vonkajší roh	(c)	Pravý 45°	Nenamáhajte pravú časť čepele
	(d)		Nenamáhajte ľavú časť čepele

Rezanie hliníkových výlisok

► **Obr.52:** 1. Zverák 2. Blok rozpery 3. Ochranné vodidlo 4. Hliníkový výlisok 5. Blok rozpery

Abyste predišli deformácii hliníka, na zaistenie hliníkových výlisok použite bloky rozpery alebo kusy zvyškov tak, ako je to zobrazené na obrázku. Pri rezaní hliníkových výlisok používajte reznú kvapalinu, aby nedochádzalo k usadzovaniu hliníkového materiálu na čepele.

VAROVANIE: Nikdy sa nepokúšajte rezať hrubé ani okrúhle hliníkové výlisoky. Hrubé alebo okrúhle hliníkové výlisoky sa ťažko zaistujú a počas rezania sa môžu uvoľniť s dôsledkom straty ovládania a vážnych poranení osôb.

Drevené obloženie

VAROVANIE: Použite skrutky na pripojenie dreveného obloženia k ochrannému vodidlu. Skrutky by mali byť nainštalované tak, aby boli hlavy skrutiek pod povrchom dreveného obloženia a neprekážali pri nastavení polohy materiálu, ktorý budete rezať. Nesprávne zarovnanie materiálu, ktorý budete rezať, môže spôsobiť neočakávaný pohyb počas rezania s dôsledkom straty ovládania a vážnych osobných poranení.

POZOR: Na drevené obloženie použite rovné drevo rovnomernej hrúbky.

POZOR: Ak chcete úplne prerezať obrobky výšky 107 mm až 120 mm, na ochrannom vodidle by ste mali používať drevené obloženie. Drevené obloženie vytvorí medzeru medzi obrobkom a ochranným vodidlom a umožní vykonať hlbší rez.

UPOZORNENIE: Keď je pripojené drevené obloženie, neotáčajte rotačnú základňu so znižovacou rukoväťou. Čepeľ alebo drevené obloženie sa poškodí.

Pri použití dreveného obloženia ľahšie vytvoríte v obrobkoch rezy bez triesok. Pripevnite drevené obloženie k ochrannému vodidlu – použite na to otvory na ochrannom vodidle a 6 mm skrutky. Pozrite si obrázok, kde sú uvedené rozmery odporúčaného dreveného obloženia.

► **Obr.53:** 1. Otvor 2. Viac než 15 mm 3. Viac než 270 mm 4. 90 mm 5. 145 mm 6. 19 mm 7. 115 – 120 mm

PRÍKLAD Pri rezaní obrobkov vysokých 115 mm až 120 mm použite drevené obloženie s nasledujúcou hrúbkou.

Uhol zrezania	Hrúbka dreveného obloženia	
	115 mm	120 mm
0°	20 mm	38 mm
Ľavý a pravý 45°	15 mm	25 mm
Ľavý a pravý 60°	15 mm	25 mm

Rezanie žliabkov

VAROVANIE: Nepokúšajte sa vykonávať tento typ rezu so širším typom čepele alebo s drážkovacou čepeľou. Snaha o vykonanie drážkového rezu so širšou čepeľou alebo drážkovacou čepeľou môže mať za následok neočakávané výsledky rezu a spätný náraz s dôsledkom vážnych osobných poranení.

VAROVANIE: Dbajte na to, aby ste vrátili rameno zářky do pôvodnej polohy, keď vykonávate iné ako žliabkové rezy. Pokus o vykonávanie rezov s ramenom zářky v nesprávnej polohe môže viesť k neočakávaným výsledkom rezu a k spätnému nárazu s dôsledkom vážnych osobných poranení.

Ak chcete vykonať typ rezu s drážkou, postupujte nasledovne:

1. Nastavte dolnú polohu čepele pomocou nastavovacej skrutky a ramena zářky na obmedzenie hĺbky rezu čepele. Pozrite si už opísanú časť „Rameno zářky“.

2. Po nastavení dolnej krajnej polohy čepele vyrežte rovnobežné žliabky po šírke obrobku pomocou posuvného (tlačného) rezania.

► **Obr.54:** 1. Žliabky vyrezané čepeľou

3. Odstráňte materiál obrobku medzi žliabkami pomocou dláta.

Technika na dosiahnutie špeciálnej max. reznej kapacity z hľadiska šírky

Maximálnu reznú kapacitu z hľadiska šírky v prípade tohto náradia možno dosiahnuť pri dodržaní uvedených krokov: Informácie o maximálnej reznej šírke pre toto náradie nájdete v TECHNICKÝCH ŠPECIFIKÁCIÁCH v časti „Rezné kapacity pri špeciálnych rezoch“.

1. Nastavte náradie na 0° alebo 45° uhol zrezania a skontrolujte, či je rotačná základňa zaistená. (Pozrite si časť „Nastavenie uhla zrezania“.)
2. Dočasne demontujte a odložte obidve horné vodidlá (pravé aj ľavé).
3. Vyrežte plošinu s rozmermi podľa hore uvedeného obrázka, a to z 38 mm hrubého, rovného surového materiálu, ako je drevo, preglejka alebo drevotrieeska.
► **Obr.55:** 1. 0° uhol zrezania: Viac než 450 mm
2. 45° uhol zrezania: Viac než 325 mm
3. 38 mm 4. Viac než 760 mm

VAROVANIE: Ako plošinu používajte rovný surový materiál. Nerovný materiál sa môže počas rezania posúvať, čo môže viesť k spätnému nárazu a vážnemu poraneniu.

POZNÁMKA: Maximálna rezná kapacita po výške sa zredukuje o hodnotu rovnú hrúbke plošiny.

4. Plošinu umiestnite na náradie tak, aby prečnievala rovno na každej strane základne náradia. Plošinu zaistíte k náradiu pomocou 6 mm skrutiek do dreva, ktoré zaskrutkujete do štyroch otvorov v spodných vodidlách.
► **Obr.56:** 1. Skrutky (dve na každej strane)
2. Spodné vodidlo 3. Základňa 4. Plošina

VAROVANIE: Plošina musí ležať na základni náradia vodorovne a musí byť pevne zaistená k spodným vodidlám pomocou na to určených štyroch otvorov na skrutky. Ak plošinu riadne nezaistíte, môže sa posúvať a prípadne zapríčiniť spätný náraz, čo môže viesť k vážnemu poraneniu.

VAROVANIE: Zabezpečte, aby bolo náradie pevne namontované na stabilnom a rovnom povrchu. Ak náradie riadne nenamontujete a nezaistíte, môže byť nestabilné, čo môže viesť k strate kontroly nad náradím alebo k pádu náradia a k následnému vážnemu poraneniu.

5. Na náradie namontujte horné vodidlá.

VAROVANIE: Náradie nikdy nepoužívajte bez nainštalovaných horných vodidiel. Horné vodidlá poskytujú adekvátnu oporu potrebnú na rezanie obrobka. Nedostatočne podopretý obrobok sa môže posúvať, čo môže viesť k strate kontroly, spätnému nárazu a následne k vážnym poraneniám.

6. Obrobok, ktorý budete rezať, umiestnite na plošinu upevnenú k náradiu.
7. Obrobok pred rezaním pevne prichyťte zverákom k horným vodidlám.
► **Obr.57:** 1. Horné vodidlo 2. Vertikálny zverák
3. Obrobok 4. Plošina

8. Pomaly vykonajte rez do obrobka podľa postupu nazvaného „Posuvné (tlačné) rezanie (rezanie širokých obrobkov)“.

VAROVANIE: Presvedčte sa, že je obrobok zaistený zverákom, a režte pomaly. Pri nedodržaní tohto postupu sa obrobok môže posúvať, čo môže viesť k spätnému nárazu a k vážnemu poraneniu.

VAROVANIE: Nezapúšťajte, že plošina sa môže po niekoľkých zárezoch s rôznym uhlom zrezania oslabiť. Ak sa plošina v dôsledku viacerých zárezov do materiálu oslabí, treba ju vymeniť. Ak sa oslabená plošina nevymení, obrobok sa môže počas rezania posúvať, čo môže viesť k spätnému nárazu a k vážnemu poraneniu.

Prenášanie nástroja

Pred prenášaním sa uistite, že ste pílu odpojili a zaistili všetky pohyblivé časti píly na zrezávanie. Vždy skontrolujte nasledovné:

- Nástroj je odpojený.
- Vozík je na polohe skosenia 0° a je zaistený.
- Vozík je znížený a uzamknutý.
- Vozík je plne prisunutý k ochrannému vodidlu a uzamknutý.
- Rotačná základňa je úplne v pravej polohe uhla zrezania a je zaistená.
- Držiaky sú uložené a zaistené.

Nástroj prenášajte držiac ho na oboch stranách základne nástroja tak, ako je to zobrazené na obrázku.

- **Obr.58**

VAROVANIE: Kolík zarážky zdvihu vozíka sa používa len na prenášanie a uskladnenie a nie pri rezaní. Použitie kolíka zarážky pri rezaní môže spôsobiť neočakávaný pohyb čepele píly s dôsledkom spätného nárazu a vážnych poranení osôb.

POZOR: Pred prenášaním nástroja vždy zaistite všetky jeho pohyblivé časti. Ak sa budú časti nástroja počas jeho prenášania pohybovať alebo posúvať, môže dôjsť k strate ovládania alebo rovnováhy s dôsledkom poranení osôb.

ÚDRŽBA

VAROVANIE: Pred vykonávaním kontroly a údržby nástroj vždy vypnite a odpojte od prívodu elektrickej energie. Ak nástroj nevypnete a neodpojíte od prívodu elektrickej energie, môže to mať pri náhodnom spustení za následok vážne poranenie osôb.

VAROVANIE: Vždy dbajte, aby bola čepeľ ostrá a čistá, aby ste získali najlepší výkon a zaistili bezpečnosť. Rezanie s tupou alebo špinavou čepeľou môže mať za následok spätný náraz s dôsledkom vážnych osobných poranení.

UPOZORNENIE: Nepoužívajte benzín, riedidlo, alkohol ani podobné látky. Mohlo by to spôsobiť zmenu farby, deformácie alebo praskliny.

Nastavenie uhla rezania

Tento nástroj je starostlivo nastavený a vyrovnaný už pri výrobe, ale neopatrné zaobchádzanie môže ovplyvniť vyrovnanie. Ak nie je vaším nástrojom správne vyrovnaný, vykonajte nasledovný postup:

Uhol zrezania

Úplne znížte rukoväť a zaistite ju v dolnej polohe kolíkom zarážky. Zatlacíte vozík smerom k ochrannému vodidlu. Uvoľníte svorku a skrutky, ktoré zaisťujú ukazovateľ a stupnicu uhla zrezania.

► **Obr.59:** 1. Skrutka na ukazovateľi 2. Skrutky na stupnici uhla zrezania 3. Mierka zrezania

Nastavte rotačnú základňu do polohy 0° pomocou funkcie pozitívneho zastavenia. Bočnú stranu čepele vyrovnať do pravého uhla pomocou prednej strany ochranného vodidla trojuholníkovým pravítkom alebo uhlomerom. Zatiaľ čo udržujete pravý uhol, utiahnite skrutky na stupnici uhla zrezania. Potom zarovnajete ukazovateľa (aj pravý aj ľavý) s polohou 0° na stupnici uhla zrezania a potom utiahnite skrutku na ukazovateľi.

► **Obr.60:** 1. Trojuholníkové pravítko

Uhol skosenia

0° uhol skosenia

Potlačte vozík smerom k ochrannému vodidlu a uzamknite posuvný pohyb pomocou kolíka zarážky. Úplne znížte rukoväť a zaistite ju v dolnej polohe kolíkom zarážky a potom uvoľníte gombík. Otočte nastavovaciu skrutku 0° o dve alebo tri otáčky proti smeru hodinových ručičiek a sklopte čepeľ doprava.

► **Obr.61:** 1. Nastavovacia skrutka 0° 2. Skrutka

Opatrne vyrovnať do pravého uhla bočnú stranu čepele s vrchným povrchom rotačnej základne pomocou trojuholníkového pravítka, uhlomera atď. otočením nastavovacej skrutky 0° v smere hodinových ručičiek. Potom utiahnite pevne gombík a zaistíte 0° uhol, ktorý ste nastavili.

► **Obr.62:** 1. Trojuholníkové pravítko 2. Čepeľ píly 3. Vrchný okraj rotačnej základne

Znova skontrolujte, či je bočná strana čepele v pravom uhle s rotačnou základňou. Uvoľnite skrutku na ukazovateľi. Zarovnajete ukazovateľ s polohou 0° na stupnici uhla skosenia a potom skrutku utiahnite.

45° uhol skosenia

UPOZORNENIE: Pred nastavením uhla skosenia na 45° dokončíte nastavenie uhla skosenia na 0°.

Uvoľníte gombík a úplne skloňte vozík na jednu stranu, ktorú chcete skontrolovať. Skontrolujte, či ukazovateľ ukazuje na polohu 45° na stupnici uhla skosenia.

► **Obr.63**

Ak ukazovateľ neukazuje na polohu 45°, vyrovnať ho do 45° polohy otáčaním nastavovacej skrutky na opačnej strane stupnice uhla skosenia.

► **Obr.64:** 1. Nastavovacia skrutka ľavý 45° 2. Nastavovacia skrutka pravý 45°

Nastavovanie polohy laserovej čiary

Pre model LS1219L iba

VAROVANIE: Pri nastavovaní laserovej čiary musí byť nástroj v zásuvke. Dávajte veľký pozor, aby ste nástroj nezapli počas nastavovania.

Náhodné spustenie nástroja môže mať za následok vážne poranenie osôb.

POZOR: Nikdy sa nepozerajte priamo do laserového lúča. Vystavenie priamym účinkom laserového lúča môže mať za následok vážne poškodenie zraku.

UPOZORNENIE: Kvôli presnosti pravidelne kontrolujte polohu laserovej čiary.

UPOZORNENIE: Vyvarujte sa nárazom nástroja. Môžu spôsobiť zlé nastavenie laserovej čiary alebo môžu poškodiť laser a skrátiť jeho životnosť.

UPOZORNENIE: Ak sa vyskytne nejaká chyba na laserovej jednotke, opravu prenechajte autorizovanému servisnému stredisku spoločnosti Makita.

Pohyblivý rozsah laserovej čiary je určený nastavením skrutiek rozsahu na oboch stranách. Ak chcete zmeniť polohu laserovej čiary, urobte nasledovné procedúry.

1. Zásušku sieťovej šnúry nástroja vytiahnite zo zásuvky.
2. Nakleslite čiaru rezu na obrobok a umiestnite ho na rotačnú základňu. Teraz nezaistíte obrobok pomocou zveráka alebo podobného zaisťovacieho prostriedku.
3. Znížte rúčku a zarovnať čiaru rezu s čepeľou píly.
4. Rúčku vráťte do pôvodnej polohy a zaistíte obrobok vertikálnym zverákom tak, aby sa obrobok nepohol z určenej polohy.
5. Nástroj zapojte do siete a zapnite spínač lasera.
6. Povoľte nastavovaciu skrutku. Aby ste laserovú čiaru pohli od čepele, otáčajte skrutkami nastavenia rozsahu proti smeru hodinových ručičiek. Aby ste laserovú čiaru pohli smerom k čepeľi, otáčajte skrutkami nastavenia rozsahu v smere hodinových ručičiek.

Nastavenie laserovej čiary naľavo od čepele

► **Obr.65:** 1. Nastavovacia skrutka 2. Skrutka nastavenia rozsahu 3. Šesthranný imbusový kľúč 4. Laserová čiara 5. Čepeľ píly

Nastavenie laserovej čiary napravo od čepele

► **Obr.66:** 1. Nastavovacia skrutka 2. Skrutka nastavenia rozsahu 3. Šesthranný imbusový kľúč 4. Laserová čiara 5. Čepeľ píly

7. Posuňte nastavovaciu skrutku do polohy, aby laserová čiara lícovala s čiarou rezu, a potom utiahnite.

POZNÁMKA: (Pohyblivý rozsah laserovej čiary je z výroby nastavený na hodnotu do 1 mm od bočného povrchu čepele).

Čistenie šošoviek laserového svetla

Pre model LS1219L iba

Keď sa optika laserového svetla zašpiní, laserové svetlo je ťažšie viditeľné. Optiku laserového svetla pravidelne čistite.

► **Obr.67:** 1. Skrutka 2. Optika

Zástrčku sieťovej šnúry nástroja vyťahnite zo zásuvky. Uvoľnite skrutku a vyťahnite optiku. Optiku jemne očistite pomocou navlhčenej mäkkej handričky.

UPOZORNENIE: Nedemontujte skrutku, ktorá zaisťuje optiku. Ak sa optiku nedarí vytriahnuť, skrutku ďalej uvoľnite.

UPOZORNENIE: Na čistenie optiky nepoužívajte rozpúšťadlá ani petrolejové čistiadlá.

Výmena uhlíkových kefiiek

► **Obr.68:** 1. Medzná značka

Uhlíkové kefiiky pravidelne vyberajte a kontrolujte. Ak sú opotrebované po medznú značku, vymeňte ich. Uhlíkové kefiiky musia byť čisté a musia voľne zapadať do svojich držiakov. Obe uhlíkové kefiiky sa musia vymieňať naraz. Používajte len identické uhlíkové kefiiky. Veľká držiaka uhlíkov otvoríte skrutkovačom. Vyberte opotrebované uhlíkové kefiiky, založte nové a zaisťte veľkú držiaka uhlíka.

► **Obr.69:** 1. veko držiaka uhlíka

Po výmene kefiiek zapracujte kefiiky spustením nástroja bez zaťaženia na dobu približne 10 minút. Potom skontrolujte nástroj v prevádzke a fungovanie elektrickej brzdy pri uvoľnení spúšťacieho spínača. Pokiaľ elektrická brzda nefunguje správne, nechajte nástroj opraviť v servisnom stredisku spoločnosti Makita.

Po použití

Po použití zotrite piliny a prach, ktoré sa prilepili na nástroj, pomocou handričky alebo podobnej pomôcky. Udržujte chránič čepele čistý podľa pokynov v predchádzajúcej časti „Chránič čepele“. Namažte posuvné časti strojovým olejom, aby ste predišli hrdzaveniu.

Ak chcete udržať BEZPEČNOSŤ a BEZPORUCHOVOSŤ výrobku, prenechajte opravy, údržbu a nastavenie na autorizované alebo továrenské servisné centrá Makita, ktoré používajú len náhradné diely značky Makita.

VOLITEĽNÉ PRÍSLUŠENSTVO

VAROVANIE: Toto príslušenstvo a doplnky značky Makita sa odporúčajú na použitie v spojení s nástrojmi značky Makita uvádzanými v tomto návode na obsluhu. Používanie iného príslušenstva a doplnkov môže mať za následok vážne poranenia osôb.


VAROVANIE: Príslušenstvo a doplnky značky Makita používajte jedine na uvedený účel. Nesprávne používanie príslušenstva alebo doplnkov môže mať za následok vážne poranenia osôb.

Ak potrebujete bližšie informácie týkajúce sa tohoto príslušenstva, obráťte sa na vaše miestne servisné stredisko firmy Makita.

- Oceleové čepele píľ s karbidovým koncom
- Vertikálny zverák
- Horizontálny zverák
- Sada zarážky pre okrasnú lištu s korunou
- Vrečko na prach
- Trojuholníkové pravítko
- Šesťhranný kľúč
- Šesťhranný kľúč (pre LS1219L)

POZNÁMKA: Niektoré položky zo zoznamu môžu byť súčasťou balenia nástrojov vo forme štandardného príslušenstva. Rozsah týchto položiek môže byť v každej krajine odlišný.

TECHNICKÉ ÚDAJE

Model:		LS1219	LS1219L
Průměr kotouče		305 mm	
Průměr otvoru	Země Evropy	30 mm	
	Země mimo Evropu	25,4 mm	
Max. tloušťka řezu pilového kotouče		3,2 mm	
Max. úhel pokosu		Vpravo 60°, vlevo 60°	
Max. úhel úkosu		Vpravo 48°, vlevo 48°	
Otáčky bez zatížení (ot./min)		3 200 min ⁻¹	
Typ laseru		-	Červený laser 650 nm, maximální výkon < 1,6mW (třída laseru 2M)
Rozměry (D × Š × V)		898 mm x 664 mm x 725 mm	
Čistá hmotnost		29,3 kg	29,5 kg
Třída bezpečnosti			

Kapacita řezání (V x Š)

Úhel pokosu			Úhel úkosu		
			45° (vlevo)	0°	45° (vpravo)
0°	-	-	61 mm x 382 mm 71 mm x 363mm	92 mm x 382 mm 107 mm x 363 mm	44 mm x 382 mm 54 mm x 363 mm
	Tloušťka dřevěné desky na vodicím pravitku pro zvýšený prořez	20 mm	78 mm x 325 mm	115 mm x 325 mm	61 mm x 325 mm
		38 mm	80 mm x 292 mm	120 mm x 292 mm	-
45° (vpravo a vlevo)	-	-	61 mm x 268 mm 71 mm x 255 mm	92 mm x 268 mm 107 mm x 255 mm	44 mm x 268 mm 54 mm x 255 mm
	Tloušťka dřevěné desky na vodicím pravitku pro zvýšený prořez	15 mm	-	115 mm x 227 mm	-
		25 mm	-	120 mm x 212 mm	-
60° (vpravo a vlevo)	-	-	-	92 mm x 185 mm 107 mm x 178 mm	-
	Tloušťka dřevěné desky na vodicím pravitku pro zvýšený prořez	15 mm	-	115 mm x 155 mm	-
		25 mm	-	120 mm x 140 mm	-

Kapacita řezání pro speciální řezy

Typ řezu	Kapacita řezání
Vypouklá lišta typu 45° (s využitím zarážky pro vypouklé lišty)	203 mm
Podlahová lišta (s využitím vodorovného svěráku)	171 mm

- Vzhledem k neustálému výzkumu a vývoji podléhají zde uvedené specifikace změnám bez upozornění.
- Specifikace se mohou pro různé země lišit.
- Hmotnost podle EPTA-Procedure 01/2014

Symbole

Níže jsou uvedeny symboly, se kterými se můžete při použití náradí setkat. Je důležité, abyste dříve, než s ním začnete pracovat, pochopili jejich význam.



Přečtěte si návod k obsluze.



DVOJITÁ IZOLACE



V rámci předcházení zraněním odletujícími třískami přidržejte po dokončení řezu hlavu pily dole, dokud se kotouč úplně nezastaví.



Při posuvném řezání nejdříve přitáhněte vozík úplně k sobě, stiskněte dolů držadlo a poté vozík tlačte směrem k vodícímu pravítku.



Nepřikládejte ruce ani prsty do blízkosti kotouče.



Nikdy se nedívejte do laserového paprsku. Přímý laserový paprsek může poškodit zrak.



Pouze pro země EU
Elektrické nářadí nevyhazujte do komunálního odpadu! Podle evropské směrnice o odpadních elektrických a elektronických zařízeních včetně její implementace v souladu s národními zákony musí být elektrické zařízení po skončení životnosti shromážděno odděleně a předáno do ekologického recyklačního zařízení.

POZNÁMKA: Hodnota deklarovaných emisí vibrací byla změněna standardní zkušební metodou a dá se použít k porovnání nářadí mezi sebou.

POZNÁMKA: Hodnotu deklarovaných emisí vibrací lze také použít k předběžnému posouzení míry expozice vibracím.

VAROVÁNÍ: Emise vibrací při používání elektrického nářadí ve skutečnosti se mohou od hodnoty deklarovaných emisí vibrací lišit v závislosti na způsobech použití nářadí.

VAROVÁNÍ: Nezapomeňte stanovit bezpečnostní opatření na ochranu obsluhy podle odhadu expozice ve skutečných podmínkách použití. (Vezměte přitom v úvahu všechny části provozního cyklu, tj. kromě doby zátěže například doby, kdy je nářadí vypnuté a kdy běží naprázdno.)

Účel použití

Nářadí je určeno k přesnému přímému a pokosovému řezání dřeva. Při použití vhodných pilových kotoučů lze řezat také hliník.

Napájení

Nářadí smí být připojeno pouze k napájení se stejným napětím, jaké je uvedeno na výrobním štítku, a může být provozováno pouze v jednofázovém napájecím okruhu se střídavým napětím. Nářadí je vybaveno dvojitou izolací a může být tedy připojeno i k zásuvkám bez zemního vodiče.

Hlučnost

Typická vážená hladina hluku (A) určená podle normy EN62841:

Model LS1219

Hladina akustického tlaku (L_{pA}): 91 dB(A)
Hladina akustického výkonu (L_{WA}): 100 dB (A)
Nejistota (K): 3 dB(A)

Model LS1219L

Hladina akustického tlaku (L_{pA}): 91 dB(A)
Hladina akustického výkonu (L_{WA}): 100 dB (A)
Nejistota (K): 3 dB(A)

VAROVÁNÍ: Používejte ochranu sluchu.

Vibrace

Celková hodnota vibrací (vektorový součet tří os) určená podle normy EN62841:

Model LS1219

Emise vibrací (a_h): 2,5 m/s² nebo méně
Nejistota (K): 1,5 m/s²

Model LS1219L

Emise vibrací (a_h): 2,5 m/s² nebo méně
Nejistota (K): 1,5 m/s²

Prohlášení ES o shodě

Pouze pro evropské země

Prohlášení ES o shodě je obsaženo v Příloze A tohoto návodu k obsluze.

BEZPEČNOSTNÍ VÝSTRAHY

Obecná bezpečnostní upozornění k elektrickému nářadí

VAROVÁNÍ: Přečtěte si všechny bezpečnostní výstrahy i pokyny a prohlédněte si ilustrace a specifikace dodané k tomuto elektrickému nářadí. Nedodržení všech níže uvedených pokynů může vést k úrazu elektrickým proudem, požáru či vážnému zranění.

Všechna upozornění a pokyny si uschovejte pro budoucí potřebu.

Pojem „elektrické nářadí“ v upozorněních označuje elektrické nářadí, které se zapojuje do elektrické sítě, nebo elektrické nářadí využívající akumulátory.

Bezpečnostní pokyny pro pokosové pily

1. Pokosové pily jsou určeny k řezání dřeva a podobných materiálů, není je možné používat s rozbrušovacími kotouči k řezání železných materiálů, jako jsou tyče, lišty, čepy atd. Brusný prach způsobuje zaseknutí pohyblivých dílů, například dolního krytu. Jiskry z rozbrušování mohou propálit dolní kryt, vložku se spárou a dalších plastové díly.
2. K zajištění obrobku použijte vždy pokud možno svěrky. Pokud přidržíte obrobek rukou, musíte vždy držovat ruku alespoň 100 mm od každé strany pilového kotouče. Nepoužívejte tuto pilu k řezání obrobků, které jsou příliš malé a není je možné sevřít nebo přidržíte rukou. Pokud položíte ruku příliš blízko k pilovému kotouči, zvyšuje se riziko poranění při kontaktu s kotoučem.

3. **Obrobek musí být v stabilní poloze a sevřený nebo přidržovaný proti pravítku i stolu. Neposunujte obrobek ke kotouči ani neřežte s volnými rukama.** Uvolněný nebo pohybující se obrobek by mohl být odmrštěn vysokou rychlostí a způsobit zranění.
 4. **Tlačte pilou skrze obrobek. Netahejte pilu skrze obrobek. Postup provedení řezu: zdvihněte zastavenou hlavu pily a vytáhněte ji nad obrobek, poté spusťte motor, zatlačte hlavu pily dolů a tlačte pilou skrze obrobek.** Řezání tahem dolů může způsobit, že pilový kotouč vystoupí v horní části obrobku a kotouč se prudce vymrští směrem k obsluze.
 5. **Nikdy nepokládejte ruku křížem do předpokládané dráhy řezu a to před ani za pilovým kotoučem.** Přidržování obrobku se skříženými rukama, tj. přidržování obrobku napravo od pilového kotouče levou rukou nebo obráceně, je velmi nebezpečné.
- Obr.1
6. **Když se pilový kotouč otáčí, nepřibližujte se rukama k pravítku blíže než na 100 mm od každé strany pilového kotouče, abyste odstranili dřevěné odřezky nebo z jakéhokoliv jiného důvodu.** Pilový kotouč může blíže k vaší ruce, než se zdá, a může dojít k závažnému zranění.
 7. **Před provedením řezu zkontrolujte obrobek.** Pokud je obrobek prohnutý nebo zvlněný, sevřete jej vnější prohnutou stranou směrem k pravítku. **Vždy zkontrolujte, zda není mezi obrobkem, pravítkem a stolem mezera podél dráhy řezu.** Ohnuté nebo zvlněné obrobky se mohou zkroutit nebo posunout a mohou se při řezání zachytit v otáčejícím se pilovém kotouči. V obrobku nesmí být hřebíky ani žádné jiné cizí předměty.
 8. **Nepoužívejte pilu, dokud neodstraníte všechny nástroje, dřevěné odřezky atd. Musí být přítomen pouze obrobek.** Piliny, odřezky dřeva a další cizí předměty, které se dostanou do styku s otáčejícím se kotoučem, mohou být odmrštěny vysokou rychlostí.
 9. **Řežte vždy pouze jeden obrobek naráz.** Více obrobků naskládaných na sobě nelze adekvátně sevřít ani upevnit a mohou se při řezání zachytit v kotouči nebo se posunovat.
 10. **Před použitím upevněte nebo umístěte pokosovou pilu na rovné a pevné pracovní ploše.** Rovná a pevná pracovní plocha snižuje nebezpečí, že pokosová pila ztratí stabilitu.
 11. **Naplánujte si práci. Po každé změně nastavení úhlu úkosu nebo pokosu zajistěte, aby bylo správně nastaveno pravítko používané jako opora obrobku a nezasahovalo do dráhy kotouče nebo krytového systému.** Aniž byste zapnuli nástroj do zapnuté polohy a aniž by byl obrobek na stole, posuňte pilový kotouč a dokončete jím simulovaný řez, aby bylo zajištěno, že nehrozí nebezpečí kontaktu s pravítkem.
 12. **Poskytněte adekvátní podpěru, například prodloužení stolu, stoličku atd., pro obrobek, který je širší nebo delší než povrch stolu.** Obrobky, které jsou delší nebo širší než stůl pokosové pily, se mohou naklonit, pokud nejsou bezpečně podepřeny. Pokud se odříznutý kus nebo obrobek nakloní, může zvednout dolní kryt nebo být odhozen otáčejícím se kotoučem.
 13. **Nepoužívejte další osobu jako náhradu prodloužení stolu nebo jako další podpěru.** Nestabilní podpěra obrobku může při řezání způsobit zachycení kotouče v obrobku nebo posun obrobku a způsobit vtažení vás nebo pomocníka do otáčejícího se kotouče.
 14. **Odříznutý kus nesmí být vzpříčen ani tlačěn jakoukoli pomůckou proti otáčejícímu se pilovému kotouči.** Pokud je odříznutý kus omezen, například pomocí délkových dorazů, může se zaklínit proti kotouči a prudce odmrstit.
 15. **Vždy používejte svěrku nebo upínadlo určené k řádnému přidržení obřích materiálů, například tyčí nebo trubek.** Tyče mají tendenci se při řezání otáčet, což může způsobit, že se kotouč „zakousne“ a vtáhne obrobek s vaší rukou do kotouče.
 16. **Před kontaktem s obrobkem nechte kotouč dosáhnout plných otáček.** To sníží riziko odmrštění obrobku.
 17. **Pokud uvízne obrobek nebo kotouč, vypněte pokosovou pilu. Počkejte, než se zastaví všechny pohyblivé díly, a odpojte zástrčku od napájení nebo vyjměte akumulátor. Poté uvolněte uvízlý materiál.** Pokud byste pokračovali v řezání uvízlého obrobku, mohlo by dojít ke ztrátě kontroly či poškození pokosové pily.
 18. **Po dokončení řezu uvolněte spínač, přidrže hlavu pily dole a počkejte, než se zastaví kotouč. Až poté je možné odstranit odříznutý kus.** Přiblížení ruky do blízkosti dobíhajícího kotouče je nebezpečné.
 19. **Držte pevně držadlo při provádění neúplného řezu nebo při uvolnění spínače předtím, než je hlava pily zcela v dolní poloze.** Při brzdění pily se může hlava pily náhle vytáhnout dolů a způsobit poranění.
 20. **Používejte pouze pilové kotouče s průměrem vyznačeným na nářadí nebo specifikovaným v příručce.** Použití kotouče nesprávných rozměrů může ovlivnit správné zakrytí kotouče nebo funkci krytu, což může mít za následek vážné zranění.
 21. **Používejte pouze pilové kotouče označené hodnotou otáček, jejichž hodnota se rovná či přesahuje hodnotu otáček vyznačenou na nářadí.**
 22. **Nepoužívejte pilu k řezání jiných materiálů, než je dřevo, hliník a podobné materiály.**
 23. **(Pouze pro evropské země) Vždy používejte kotouče, které odpovídají normě EN847-1.**
- Další pokyny
1. **Zajistěte dílnu proti přístupu dětí pomocí visacího zámku.**
 2. **Na nástroji nikdy nestávejte.** K nebezpečnému poranění může dojít při naklonění nástroje nebo při neúmyslném kontaktu s vyžínacím nástrojem.
 3. **Nikdy nenechávejte nástroj běžet bez dozoru. Vypněte napájení. Neopouštějte nástroj, dokud není zcela zastavený.**
 4. **Neprovozuje pilu bez krytů. Před každým použitím zkontrolujte řádné uzavření krytu kotouče. Neprovozuje pilu, pokud se kryt kotouče nepohybuje volně a okamžitě se uzavře. Nikdy neupínejte ani neuchycujte kryt kotouče v otevřené poloze.**

5. Udržujte ruce mimo dráhu pilového kotouče. Vyvarujte se kontaktu s dobihajícím kotoučem. Mohl by způsobit vážné poranění.
6. Aby se snížilo nebezpečí poranění, vraťte vozík do zcela zadní polohy po každém křížovém řezu.
7. Před přenášením nářadí vždy zajistěte všechny pohyblivé díly.
8. Čep zarážky, který uzamyká řezací hlavu, slouží pouze pro účely přenášení a skladování. Není určen pro žádné činnosti spojené s řezáním.
9. Před zahájením provozu pečlivě zkontrolujte kotouč, zda nevykazuje známky trhlin nebo poškození. Popraskaný nebo poškozený kotouč okamžitě vyměňte. Smůla a pryskyřice zatvrdnutá na kotouči pilu zpomaluje a zvyšuje potenciální nebezpečí zpětného rázu. Při čištění kotouč nejprve vyjměte z nářadí a pak jej vyčistěte prostředkem k odstraňování smůly a pryskyřice, horkou vodou nebo petrolejem. Nikdy nepoužívejte k čištění kotouče benzín.
10. Při provádění posuvného řezu může dojít k ZPĚTNÉMU RÁZU. ZPĚTNÝ RÁZ nastane, když se kotouč zachytí v obrobku při řezání. Následně je pilový kotouč prudce odražen směrem k obsluze. Tím může dojít ke ztrátě kontroly a vážnému zranění. Pokud začne při řezání kotouč váznout v obrobku, nepokračujte v řezu a okamžitě uvolněte spínač.
11. Používejte pouze příruby určené pro toto nářadí.
12. Dávejte pozor, abyste nepoškodili vřeteno, příruby (zejména montážní plochu) nebo šroub. Poškození těchto dílů může způsobit poškození kotouče.
13. Přesvědčte se, zda je otočný stůl řádně zajištěn, aby se během provozu nemohl pohybovat. Použijte otvory v základně k připevnění pily k stabilnímu pracovnímu stolu. NIKDY nepoužívejte nástroj, pokud je poloha při práci nevhodná.
14. Dbejte, aby byl před zapnutím přepínače uvolněn zámek hřídele.
15. Ujistěte se, že se kotouč nedotýká otočného stolu v nejnižší poloze.
16. Uchopte pevně držadlo. Nezapomeňte, že se pila během spouštění a zastavování posunuje mírně nahoru nebo dolů.
17. Před zapnutím spínače se ujistěte, zda kotouč není v kontaktu s obrobkem.
18. Před použitím nářadí na zpracovávaném obrobku jej nechejte na chvíli běžet. Sledujte, zda nevznikají vibrace nebo viklání, které by mohly signalizovat špatně nainstalovaný nebo nedostatečně vyvážený kotouč.
19. Pokud si během provozu povšimnete čehokoliv neobvyklého, přerušete okamžitě práci.
20. Nepokoušejte se zablokovat spoušť v zapnuté poloze.
21. Vždy používejte příslušenství doporučené v tomto návodu. Použití nesprávného příslušenství, jako jsou například brusné kotouče, může způsobit poranění.
22. Některé materiály obsahují chemikálie, které mohou být jedovaté. Dávejte pozor, abyste nevdechovali prach nebo nedocházelo ke kontaktu s kůží. Dodržujte bezpečnostní pokyny dodavatele materiálu.

Další bezpečnostní pravidla pro laser

1. LASEROVÉ ZÁŘENÍ. NEDÍVEJTE SE PŘÍMO DO LASEROVÉHO PAPSRSKU OČIMA ANI OPTICKÝMI PŘÍSTROJI. LASEROVÝ VÝROBEK TŘÍDY 2M.

TYTO POKYNY USCHOVEJTE.

VAROVÁNÍ: NEDOVOLTE, aby pohodnost nebo pocit znalosti výrobku (získaný na základě předchozího použití) vedl k zanedbání dodržování bezpečnostních pravidel platných pro tento výrobek. NESPRÁVNÉ POUŽÍVÁNÍ či nedodržení bezpečnostních pravidel uvedených v tomto návodu k obsluze může způsobit vážné zranění.

POPIS DÍLŮ

► Obr.2

1	Kluzná tyč	2	Čep zarážky (pro posun vozíku)	3	Svislý svěrák	4	Uvolňovací tlačítko (pro pravý úhel úkosu)
5	Držák	6	Otočný stůl	7	Ukazatel (pro úhel pokosu)	8	Stupnice úhlů pokosu
9	Deska se spárou	10	Pouzdro kotouče	11	Stavěcí šroub (pro laserovou rysku)	12	Šroub pro seřízení rozsahu (pro laserovou rysku)
13	Chránič nožů	14	Knoflík (pro úhel úkosu)	15	Šestihřanný klíč	16	Stavěcí šroub (pro dolní koncovou polohu)
17	Stavěcí šroub (pro maximální kapacitu řezu)	18	Rameno zarážky	19	Blokovací páčka (pro otočný stůl)	20	Uvolňovací páčka (pro otočný stůl)
21	Rukojeť (pro otočný stůl)	-	-	-	-	-	-

► Obr.3

1	Spoušť	2	Odjišťovací tlačítko	3	Otvor pro zámek	4	Spínač (pro laserovou rysku)
5	Hadice (pro odsávání prachu)	6	Čep zarážky (pro zvednutí vozíku)	7	Vodící pravítko (dolní pravítko)	8	Vodící pravítko (horní pravítko)
9	Vak na prach	10	Šroub pro seřízení úhlu 0° (pro úhel úkosu)	11	Stupnice úhlů úkosu	12	Uvolňovací páčka (pro úhel úkosu 48°)
13	Páčka západky (pro úhel úkosu)	14	Ukazatel (pro úhel úkosu)	15	Šroub pro seřízení úhlu 45° (pro úhel úkosu)	-	-

INSTALACE

Nasazení držadla

Nasroubujte hřídel se závitem rukojeti do otočného stolu.

► **Obr.4:** 1. Rukojeť 2. Otočný stůl

Montáž hadice na odsávání prachu

Připojte hadici na odsávání prachu k nástroji, jak je znázorněno na obrázku. Zkontrolujte, zda jsou koleno a objímka řádně upevněny v otvorech nástroje.

► **Obr.5:** 1. Hadice na odsávání prachu 2. Koleno 3. Objímka 4. Otvor

Instalace na pracovní stůl

Při dodávce nářadí je držadlo zablokováno ve spuštěné poloze zarážkovým čepem. Spusťte držadlo o trochu níže, vytáhněte čep zarážky a otočte jím o 90°.

► **Obr.6:** 1. Zajištěná poloha 2. Odjištěná poloha 3. Čep zarážky

Toto nářadí je třeba upevnit dvěma šrouby k rovnému a stabilnímu povrchu pomocí otvorů pro šrouby, které jsou k dispozici v základně nářadí. Zabráňte tak převržení nářadí a možnému zranění.

► **Obr.7:** 1. Šroub

VAROVÁNÍ: Zajistěte, aby se nástroj na nosné ploše nepohyboval. Pohyb pokosové pily na nosné ploše během řezání může způsobit ztrátu kontroly a vážné zranění.

POPIS FUNKCÍ

VAROVÁNÍ: Před nastavováním nářadí nebo kontrolou jeho funkce se vždy přesvědčte, že je vypnuté a vytažené ze zásuvky. Zanedbání vypnutí a odpojení nástroje může vést k vážným zraněním způsobeným náhodným spuštěním.

Chránič nožů

► **Obr.8:** 1. Chránič nožů

Při spuštění držadla se automaticky zvedá kryt kotouče. Kryt je odpružen, proto se po ukončení řezu a zvednutí držadla vrací do své původní polohy.

VAROVÁNÍ: Nikdy neomezujte funkci krytu kotouče a kryt ani pružinu, která jej přidrží, nikdy snižte. Nechráněný kotouč může při potlačení funkce krytu během provozu způsobit vážné zranění.

V zájmu své vlastní bezpečnosti udržujte kryt kotouče vždy v dobrém stavu. Případnou nesprávnou funkci krytů kotouče je nutné okamžitě napravit. Zkontrolujte správu funkce pružiny zajišťující návrat krytu.

VAROVÁNÍ: Nářadí nikdy nepoužívejte, pokud je poškozený, vadný či sejmутý kryt kotouče nebo pružina. Práce s nářadím s poškozeným, vadným či sejmутým krytem může způsobit vážné zranění.

Dojde-li ke znečištění průhledného krytu kotouče, nebo jestliže k němu přilnou piliny tak, že již není vidět kotouč či obrobek, odpojte pilu ze zásuvky a kryt důkladně vyčistěte navlhčenou tkaninou. Na plastový kryt neplikujte žádná rozpouštědla ani čističe na bázi ropných produktů, neboť by jej mohly poškodit.

Při značném znečištění krytu kotouče a zhoršení průhledu přes kryt, odpojte nástroj od napájení a povolte dodaným klíčem šroub se šestihlannou hlavou přidržující střední kryt. Otáčením doleva povolte šroub se šestihlannou hlavou a nadzvedněte kryt kotouče a střední kryt. Taktο přesunutý kryt kotouče umožní důkladnější a efektivnější vyčištění. Po vyčištění smontujte díly podle výše uvedeného postupu v opačném sledu kroků a dotáhněte šroub. Nedemontujte pružinu přidržující kryt kotouče. Dojde-li ke ztrátě barvy krytu stárnutím nebo působením ultrafialového záření, objednejte si nový kryt v servisním středisku Makita. NEOMEZUJTE FUNKCI KRYTU A KRYT NEDEMONTUJTE.

► **Obr.9:** 1. Středový kryt 2. Šestihlanný klíč 3. Chránič nožů

Desky se spárou

Nářadí je vybaveno deskami se spárou na otočném stole, které omezují na minimum rozštěpení na koncové straně řezu. Desky ze spárou jsou u výrobce seřizeny tak, aby se pilový kotouč desk nedotýkal. Před použitím seřídte desky se spárou následovně:

► **Obr.10:** 1. Deska se spárou

► **Obr.11:** 1. Levý úkosový řez 2. Přímý řez 3. Pravý šikmý řez 4. Pilový kotouč 5. Zuby kotouče 6. Deska se spárou

Nejprve nářadí odpojte od zdroje napájení. Povolte všechny šrouby (každé 2 na levé a pravé straně) a zajistěte desky se spárou, dokud nebude možné s deskami se spárou snadno pohybovat rukou. Spusťte držadlo úplně dolů a vytáhněte a otočte čep zarážky, aby se držadloablokovalo ve snížené poloze. Uvolněte čep zarážky na kluzném sloupku a vytáhněte držadlo nadoraz směrem k sobě. Nastavte desky se spárou tak, aby se dotýkaly stran zubů kotouče. Přitáhněte přední šrouby (neutahujte je pevně). Zatlačte vozík zcela vpřed směrem k vodicímu pravítku a nastavte desky se spárou tak, aby se dotýkaly stran zubů kotouče. Přitáhněte zadní šrouby (neutahujte je pevně).

Po seřízení desk se spárou uvolněte čep zarážky a zvedněte držadlo. Poté pevně utáhněte všechny šrouby.

POZOR: Po nastavení úhlu úkosu se ujistěte, zda jsou desky se spárou správně seřizeny. Správné seřízení desk se spárou napomůže zajistit náležitou oporu obrobku a minimalizuje jeho poškození.

Zajištění maximální kapacity řezání

Nářadí je při výrobě seřizeno tak, aby poskytovalo maximální řezný výkon při použití pilového kotouče o průměru 305 mm.

Při instalaci nového kotouče vždy zkontrolujte dolní koncovou polohu kotouče a v případě potřeby ji seřídte následujícím způsobem:

Nejprve nářadí odpojte od zdroje napájení. Otočte páčku zarážky do zapojené polohy.

► **Obr.12:** 1. Páčka zarážky

Zatlačte vozík zcela vpřed směrem k vodicímu pravítku a spusťte držadlo úplně dolů.

Nastavte polohu kotouče otočením seřizovacího šroubu pomocí šestihranného klíče. Obvod kotouče by se měl mírně vysunout pod horní plochu otočného stolu a také dosahovat do místa, kde se čelní plocha vodicího pravítka setkává s horní plochou otočného stolu.

► **Obr.13:** 1. Stavěcí šroub

► **Obr.14:** 1. Horní povrch otočného stolu 2. Obvod kotouče 3. Vodicí pravítko

Odpojte nářadí od zdroje napájení. Přidržte držadlo v poloze úplně dole, otáčejte rukou kotoučem a přesvědčte se, zda se kotouč nedotýká žádné části dolní základny. V případě potřeby proveďte mírné seřízení. Po nastavení páčku zarážky vždy vraťte do původní polohy.

VAROVÁNÍ: Po instalaci nového kotouče odpojte nářadí od napájení a vždy se ujistěte, zda není kotouč při úplném spuštění držadla v kontaktu s žádnou částí dolní základny. Dostává-li se kotouč do kontaktu se základnou, může dojít ke zpětnému rázu a vážnému zranění.

Rameno zarážky

Dolní koncovou polohu kotouče lze snadno upravovat pomocí ramena zarážky. Chcete-li provést úpravu, otočte rameno zarážky ve směru šipky, jak je znázorněno na obrázku. Otočte stavěcím šroubem tak, aby se při úplném spuštění držadla dolů kotouč zastavil na požadovaném místě.

► **Obr.15:** 1. Rameno zarážky 2. Stavěcí šroub

Nastavení úhlu pokosu

AUPOZORNĚNÍ: Po změně úhlu pokosu vždy otočný stůl zajistěte pevným utažením rukojeti.

POZOR: Při otáčení otočného stolu je nutno úplně zvednout držadlo.

► **Obr.16:** 1. Blokovací páčka 2. Rukojeť 3. Uvolňovací páčka 4. Ukazatel

Otočením rukojeti proti směru hodinových ručiček odjistíte otočný stůl. Přidržte zajišťovací páčku dole a otočte rukojeť. Poté lze pohnout otočným stolem. Zarovnejte ukazatel s požadovaným úhlem na stupnici a pak utáhněte rukojeť.

POZNÁMKA: Pokud stisknete uvolňovací páčku, můžete pohnout otočným stolem, aniž byste museli držet zajišťovací páčku. V požadované poloze utáhněte rukojeť.

Tato pokosová pila je vybavena funkcí pozitivní zarážky. Můžete rychle nastavit úhel 0°, 15°, 22,5°, 31,6°, 45° a 60° vrveho/levého pokosu. Chcete-li použít tuto funkci, podržte zajišťovací páčku dole a posuňte otočný stůl do blízkosti požadovaného úhlu pozitivní zarážky. Poté uvolněte zajišťovací páčku a posuňte otočný stůl dopředu, dokud se nezajistí.

Nastavení úhlu úkosu

POZOR: Před nastavením úhlu úkosu vždy odmontujte horní vodicí pravítko a svislý svěrák.

POZOR: Při úpravě úhlu úkosu nezapomeňte řádně umístit desky se spárou, jak je vysvětleno v části „Desky se spárou“.

POZOR: Při sklápění pilového kotouče je nutné úplně zvednout rukojeť.

POZOR: Neutahujte knoflík příliš silně. Mohlo by to poškodit zamykací mechanismus úhlu úkosu.

1. Otočte knoflíkem na kluzné tyči proti směru hodinových ručiček.

► **Obr.17:** 1. Knoflík

2. Vytáhněte a otočte páčku západky do polohy uvedené na obrázku.

► **Obr.18:** 1. Páčka západky

3. Posunutím vozíku zarovnejte ukazatel s požadovaným úhlem na stupnici a pak utáhněte knoflík.

► **Obr.19:** 1. Stupnice úhlů úkosu 2. Ukazatel

Chcete-li naklonit vozík doprava, nakloňte jej mírně doleva a stiskněte dolů uvolňovací tlačítko. Poté jej nakloňte doprava.

► **Obr.20:** 1. Uvolňovací tlačítko

Pokud provádíte úkosový řez pod úhlem větším než 45°, posuňte uvolňovací páčku směrem k čelu nástroje a posuňte vozík. Můžete provádět až 48° úkosový řez.

► **Obr.21:** 1. Uvolňovací páčka

Tato pokosová pila je vybavena funkcí pozitivní zarážky. Můžete rychle nastavit úhel 22,5° a 33,9° doprava i doleva. Nastavte páčku západky do polohy uvedené na obrázku a nakloňte vozík. Chcete-li změnit úhel, vytáhněte páčku západky a nakloňte vozík.

► **Obr.22:** 1. Páčka západky

▲ UPOZORNĚNÍ: Po změně úhlu úkosu vždy zajistěte knoflík.

Zámek posuvu

Chcete-li zablokovat posuvný pohyb vozíku, zatlačte vozík nadoraz směrem k vodícímu pravitku. Vytáhněte čep zarážky a otočte jej o 90°.

► **Obr.23:** 1. Odjištěná poloha 2. Zajištěná poloha 3. Čep zarážky

Zapínání

▲ VAROVÁNÍ: Před připojením nářadí do zásuvky vždy zkontrolujte, zda spoušť funguje správně a po uvolnění se vrací do vypnuté polohy. Nemačkejte spoušť silou bez stisknutí odjišťovacího tlačítka. Mohlo by dojít k poškození spínače.

Práce s nářadím bez správně fungujícího spínače může vést ke ztrátě kontroly a vážnému zranění.

▲ VAROVÁNÍ: NIKDY nepoužívejte nářadí bez zcela funkční spouště. Jakékoli nářadí s nefunkčním spínačem je VELMI NEBEZPEČNÉ a před dalším použitím musí být opraveno – jinak může dojít k vážnému zranění.

▲ VAROVÁNÍ: NIKDY neblokujte funkci odjišťovacího tlačítka zalepením páskou ani jinými způsoby. Spínač se zablkovaným odjišťovacím tlačítkem může být příčinou neúmyslného zapnutí a vážného zranění.

▲ VAROVÁNÍ: NIKDY nepoužívejte nářadí, které lze spustit pouhým stisknutím spouště bez použití odjišťovacího tlačítka. Spínač vyžadující opravu může způsobit neúmyslné zapnutí a vážné zranění. V takovém případě nářadí PŘED dalším použitím předejte servisnímu středisku Makita k opravě.

► **Obr.24:** 1. Spoušť 2. Odjišťovací tlačítko 3. Otvor pro zámek

K zamezení náhodnému stisknutí spouště je nářadí vybaveno odjišťovacím tlačítkem. Chcete-li nářadí spustit, stiskněte odjišťovací tlačítko a poté spoušť. Chcete-li nářadí vypnout, uvolněte spoušť.

Ve spoušti je připraven otvor k nasazení zámku a uzamčení nářadí.

▲ VAROVÁNÍ: Nepoužívejte zámek s okem či lankem o průměru menším než 6,35 mm. Menší oko či lanko nemusí nářadí správně zajistit ve vypnutém stavu a neúmyslné zapnutí může vést k vážnému zranění.

Elektronické funkce

Regulátor konstantních otáček

Nástroj je vybaven elektronickým ovládáním otáček pomáhajícím udržet konstantní otáčky kotouče i při zátěži. Konstantní otáčky kotouče zajistí velmi plynulý řez.

Funkce měkkého spuštění

Tato funkce umožňuje plynulé spuštění nástroje omezením počátečního točivého momentu.

Použití laseru

Pouze LS1219L

▲ UPOZORNĚNÍ: Nikdy se nedívejte do laserového paprsku. Přímý laserový paprsek může poškodit zrak.

Laser se zapíná stisknutím horní části (I) spínače. Chcete-li laserový paprsek vypnout, stiskněte dolní část (0) spínače

► **Obr.25:** 1. Spínač laseru

Laserovou rysku lze úpravou nastavení stavěcího šroubu umístit buď na levou nebo pravou stranu pilového kotouče, a to následujícím způsobem.

► **Obr.26:** 1. Stavěcí šroub

1. Otáčením proti směru hodinových ručiček povolte stavěcí šroub.
2. Při povoleném stavěcím šroubu jej přesuňte úplně doprava nebo úplně doleva.
3. V místě, kde se stavěcí šroub přestane pohybovat jej pevně dotáhněte.

POZNÁMKA: Laserová ryska je nastavena ve výrobním závodu, takže je umístěna v rozsahu 1 mm od bočního povrchu kotouče (poloha řezání).

POZNÁMKA: Jestliže je laserová ryska tlumená a na přímém slunci těžko viditelná, přemístěte pracoviště na místo s nižší intenzitou přímého slunečního záření.

Seřízení laserové rysky

Vyrovnejte dráhu řezu na obrobku s laserovou ryskou.

► **Obr.27**

- A) Chcete-li získat správnou velikost na levé straně obrobku, posuňte laserovou rysku doleva od kotouče.
B) Chcete-li získat správnou velikost na pravé straně obrobku, posuňte laserovou rysku doprava od kotouče.

POZNÁMKA: Použijte dřevěnou desku umístěnou proti vodícímu pravitku při vyrovnávání dráhy řezu s laserovou ryskou na straně vodícího pravitka při kombinovaném řezu (úhel úkosu 45° a úhel pokosu vpravo 45°).

SESTAVENÍ

VAROVÁNÍ: Než začnete na nástroji pracovat, vždy se ujistěte, zda je vypnutý a odpojený od napájení. Zanedbání vypnutí a odpojení může vést k vážným zraněním.

Uložení šestihřanného klíče

Není-li používán, uložte šestihřanný klíč, jak je ilustrováno na obrázku. Předejdete tak jeho ztrátu.

► **Obr.28:** 1. Šestihřanný klíč

Demontáž a montáž pilového kotouče

VAROVÁNÍ: Před instalací a demontáží kotouče se vždy přesvědčte, zda je nářadí vypnuté a odpojené od elektrické sítě. Neúmyslné spuštění nářadí může způsobit vážné zranění.

VAROVÁNÍ: K montáži či demontáži kotouče použijte pouze dodaný klíč Makita. Jestliže klíč nepoužijete, můžete šroub s vnitřním šestihřannem utáhnout příliš nebo nedostatečně, což může vést ke zranění.

Před demontáží a montáží kotouče vždy zajistěte vozík ve zvednuté poloze. Vytáhněte čep zarážky a otočte jím o 90° se zvednutým vozíkem.

► **Obr.29:** 1. Odjištěná poloha 2. Zajištěná poloha 3. Čep zarážky

Demontáž kotouče

Šestihřanným klíčem povolte šroub s vnitřním šestihřannem přidržující vodící pravítko. Zvedněte kryt kotouče a středový kryt.

► **Obr.30:** 1. Středový kryt 2. Šestihřanný klíč 3. Chránič nožů

Zablokujte hřídel stisknutím zámků hřídele a šestihřanným klíčem povolte šroub s vnitřním šestihřannem. Potom vymontujte šroub s vnitřním šestihřannem, vnější přírubu a kotouč.

► **Obr.31:** 1. Zámek hřídele 2. Šestihřanný klíč 3. Šroub s vnitřním šestihřannem (levý závit) 4. Povolit 5. Utažení

Montáž kotouče

Při montáži kotouče jej opatrně nasuňte na vřeteno a dbejte, aby směr šipky na povrchu kotouče odpovídal směru šipky na krytu kotouče.

► **Obr.32:** 1. Šipka na povrchu kotouče 2. Šipka na noži

Namontujte vnější přírubu a šroub s vnitřním šestihřannem. Stiskněte zámek hřídele a šestihřanným klíčem utáhněte šroub s vnitřním šestihřannem proti směru hodinových ručiček.

► **Obr.33:** 1. Šroub s vnitřním šestihřannem 2. Vnější přírubu 3. Pilový kotouč 4. Vnitřní přírubu 5. Vřeteno 6. Prstenec

POZOR: Sejmete-li vnitřní přírubu, namontujte ji na vřeteno s výstupkem směrem od kotouče. Nesprávně namontovaná přírubu se bude odírat o zařízení.

Vraťte kryt kotouče a středový kryt na původní místa. Poté zajistěte středový kryt dotažením šroubu s šestihřannou hlavou ve směru hodinových ručiček. Odjištěním čepu zarážky uvolněte vozík ze zvednuté polohy. Spustěte držadlo dolů a přesvědčte se, zda se správně pohybuje kryt kotouče. Před řezáním se ujistěte, že zámek hřídele uvolnil vřeteno.

VAROVÁNÍ: Před nasazením kotouče na vřeteno se vždy ujistěte, zda je na vřetenu mezi vnitřní a vnější přírubou umístěn správný kroužek odpovídající otvoru v kotouči, který se chystáte použít. Použití kroužku s nesprávným otvorem může vést k nesprávnému uchycení kotouče, jeho pohybu a silným vibracím s následnou možností ztráty kontroly za provozu, jež může způsobit vážné zranění.

Připojení odsavače prachu

Chcete-li provést čisté řezání, připojte vysavač Makita k hubici na piliny pomocí předních manžet 24 (volitelné příslušenství).

► **Obr.34:** 1. Přední manžety 24 2. Hadice 3. Vysavač

Vak na piliny

Vak na prach umožňuje čistší řezání a snazší shromažďování pilin. Vak na prach připojte tak, že sejmete hadici na odsávání prachu na nástroji a připojte vak na prach.

► **Obr.35:** 1. Hadice na odsávání prachu 2. Vak na prach

Je-li vak na prach přibližně z poloviny plný, sejměte jej z nářadí a vytáhněte upevňovací prvek. Vysypte vak a jemně na něj poklepejte, aby došlo k odstranění materiálu zachyceného po stranách, který by mohl snížit účinnost dalšího odsávání.

► **Obr.36:** 1. Zapínání

Zajištění obrobku

VAROVÁNÍ: Je mimořádně důležité obrobek vždy správně zajistit odpovídajícím typem svěráku nebo zarážkami pro vypouklé lišty. V opačném případě může dojít k vážnému zranění a poškození nářadí či obrobku.

VAROVÁNÍ: Po dokončení řezu nezvedejte kotouč, dokud se zcela nezastaví. Zvednutí dobíhajícího kotouče může mít za následek vážné zranění a poškození obrobku.

VAROVÁNÍ: Při řezání obrobku s délkou přesahující rozměry podpěrné základny pily je třeba materiál přesahující podpěrnou základnu po celé délce podepřít ve stejné výšce, aby byl umístěn v rovině. Správná opora obrobku napomáhá zamezit sevření kotouče a možnému zpětnému rázu, jenž může způsobit vážné zranění. Při upevňování obrobku se nespolehejte pouze na vislý a/nebo vodorovný svěrák. Tenký materiál se často prohýbá. Obrobek podepřete po celé délce – zamezte tím sevření kotouče a možnému ZPĚTNÉMU RÁZU.

► **Obr.37:** 1. Podpěra 2. Otočný stůl

Vodící pravítka

VAROVÁNÍ: Před prací s nástrojem se ujistěte, zda je pevně zajištěno horní pravítko.

VAROVÁNÍ: Před úkosovým řezáním se ujistěte, zda se při úplném spuštění a zvednutí držadla či při posouvání vozíku do krajních poloh nedotýká horního a dolního pravítka v žádné poloze žádný díl zařízení, zvláště kotouč. Jestliže dochází ke kontaktu zařízení či kotouče s pravítkem, může dojít ke zpětnému rázu nebo k neočekávanému pohybu materiálu a vážnému zranění.

K podepření materiálu výše, než jsou dolní pravítka, použijte horní pravítka. Horní pravítko vložte do otvoru v dolním pravítku a dotáhněte upínací šroub.

- **Obr.38:** 1. Horní pravítko 2. Dolní pravítko 3. Upínací šroub 4. Stavěcí šroub

POZOR: Dolní pravítka jsou upevněna k základně ve výrobním závodu. Nedemontujte dolní pravítka.

POZOR: Pokud je horní pravítko po utažení upínacího šroubu stále volné, otočte stavěcí šroub do blízkosti mezery. Stavěcí šroub je nastaven ve výrobním závodu. Nemusíte jej použít, pokud není zapotřebí.

Nepoužíváte-li horní pravítka, můžete je uložit do držáku. Pomocí spony zajistěte horní pravítko v držáku.

- **Obr.39:** 1. Držák 2. Horní pravítko 3. Spona

Svislý svěrák

VAROVÁNÍ: Během všech operací musí být obrobek pevně uchycen k otočnému stolu a vodícímu pravítku svěrákem. Obrobek nesprávně zajištěný pravítkem se může při řezání posunout a způsobit možné poškození kotouče, odmrštění materiálu, ztrátu kontroly a vážné zranění.

- **Obr.40:** 1. Rameno svěráku 2. Tyč svěráku 3. Upínací šroub 4. Knoflík svěráku

Svislý svěrák lze nainstalovat ve dvou polohách, buď na levou nebo pravou stranu základny. Vložte tyč svěráku do otvoru v základně.

Usaďte rameno svěráku podle tloušťky a tvaru dílu a zajistěte jej dotažením šroubu. Pokud se upínací šroub dotýká vozíku, nainstalujte jej na opačné straně ramena svěráku. Přesvědčte se, že se při úplném spuštění držadla nedotýká svěráku žádný díl nářadí. Pokud se dílu dotýká jakýkoliv díl, upravte polohu svěráku. Přitlačte obrobek k vodícímu pravítku a otočnému stolu. Umístěte obrobek do požadované polohy řezání a zajistěte jej pevně dotažením knoflíku svěráku.

POZNÁMKA: Rychlé nastavení obrobku: po otočení knoflíku svěráku o 90° proti směru hodinových ručiček lze knoflíkem svěráku pohybovat nahoru a dolů. Zajištění obrobku po nastavení provedete otočením knoflíku svěráku ve směru hodinových ručiček.

Vodorovný svěrák

Volitelné příslušenství

VAROVÁNÍ: Maticí svěráku vždy otáčejte ve směru hodinových ručiček, než obrobek správně zajistíte. Při nesprávném zajištění obrobku se může materiál při řezání posunout a způsobit poškození kotouče, odmrštění materiálu, ztrátu kontroly a vážné zranění.

VAROVÁNÍ: Při řezání tenkých obrobků, například podlahových lišt opřených o pravítko, vždy použijte vodorovný svěrák.

UPOZORNĚNÍ: Při řezání obrobku o tloušťce 20 mm nebo méně chraňte obrobek zarážkou.

Vodorovný svěrák lze nainstalovat ve dvou polohách, buď na levou nebo pravou stranu základny. Při provádění pokosových řezů pod úhlem 22,5° nebo větším nainstalujte vodorovný svěrák na straně opačné ke směru, ve kterém se má otáčet otočný stůl.

- **Obr.41:** 1. Deska svěráku 2. Matice svěráku 3. Knoflík svěráku

Změnou směru otáčení matice svěráku proti směru hodinových ručiček svěrák uvolníte a umožníte jeho rychlé zasunutí a vysunutí. Jestliže chcete přichytit obrobek, zatlačte knoflík svěrky vpřed, až se deska svěráku dotkne obrobku a změňte směr otáčení matice svěráku ve směru hodinových ručiček. Poté obrobek zajistěte otáčením knoflíku svěráku ve směru hodinových ručiček.

POZNÁMKA: Maximální šířka obrobku, který lze uchytit pomocí vodorovného svěráku, je 228 mm.

Držáky

VAROVÁNÍ: Dlouhé obrobky vždy podepírejte, aby byly v rovině s horní plochou otočného stolu – zajistíte tak přesný řez a zamezíte nebezpečné ztrátě kontroly nad nářadím. Správná opora obrobku napomáhá zamezit sevření kotouče a možnému zpětnému rázu, jenž může způsobit vážné zranění.

Pro přidržení dlouhých obrobků ve vodorovné poloze je nástroj na obou stranách vybaven držáky. Povolte šrouby a vysuňte držáky do příslušné délky vhodné pro přidržení obrobku. Potom dotáhněte šrouby.

- **Obr.42:** 1. Držák 2. Šroub

PRÁCE S NÁŘADÍM

VAROVÁNÍ: Před zapnutím spínače se ujistěte, zda kotouč není v kontaktu s obrobkem či jiným předmětem. Zapnutí nářadí s kotoučem dotýkajícím se obrobku může způsobit zpětný ráz a vážné zranění.

VAROVÁNÍ: Po dokončení řezu nezvedete kotouč, dokud se zcela nezastaví. Zvednutí dohánějícího kotouče může mít za následek vážné zranění a poškození obrobku.

VAROVÁNÍ: Neprovádějte žádné nastavení, například otáčení rukojeti, knoflíkem nebo pákami na nástroji, když se kotouč otáčí. Úprava nastavení, když se kotouč otáčí, může vést k vážnému zranění.

POZOR: Před použitím odjistěte čep zarážky a uvolněte držadlo ze snížené polohy.

POZOR: Při řezání nevyvíjejte na držadlo příliš velkou sílu. Příliš velký tlak může vést k přetížení motoru a/nebo snížení účinnosti řezání. Držadlo tlačte dolů pouze takovou silou, jaká je nutná pro hladké řezání bez podstatného snížení otáček pilového kotouče.

POZOR: Při řezání jemně tlačte držadlo dolů. Budete-li držadlo tlačít dolů silou nebo vyvinete postranní sílu, kotouč začne vibrovat a zanechá na obrobku stopu. Současně dojde ke snížení přesnosti řezu.

POZOR: Při posuvném řezání jemně tlačte vozík bez zastavení směrem k vodicímu pravitku. Bude-li během řezání přerušen pohyb vozíku, zůstane na obrobku stopa a dojde ke ztrátě přesnosti provedeného řezu.

Tlakové řezání

VAROVÁNÍ: Před provedením tlakového řezu, vždy zablokujte posuvný pohyb vozíku. Řezání bez zablokování může způsobit zpětný ráz s následným vážným zraněním.

Obrobky až 92 mm vysoké a 183 mm široké lze řezat následujícím způsobem.

► Obr.43: 1. Čep zarážky

1. Zatláčte vozík směrem k vodicímu pravitku, dokud se nezastaví a zajistěte jej pomocí čepu zarážky.
2. Uchyťte obrobek správným typem svěraku.
3. Zapněte nářadí, aniž by byl kotouč ve styku s materiálem, a před spuštěním dolů počkejte, dokud kotouč nedosáhne plné rychlosti.
4. Potom pomalu spusťte držadlo zcela dolů a proveďte řez.
5. Po dokončení řezu nářadí vypněte a před přesunutím kotouče zcela nahoru počkejte, dokud se pilový kotouč úplně nezastaví.

Posuvné (tlačné) řezání (řezání širokých dílů)

VAROVÁNÍ: Při každém provádění řezu s vozíkem nejprve přitáhněte vozík úplně k sobě, stlačte držadlo zcela dolů a pak vozík zatláčte k vodicímu pravitku. Nikdy nezačínáte řez s vozíkem nepřitáženým zcela k sobě. Jestliže budete řezat s vozíkem, jenž není zcela přitážen směrem k vám, může dojít k neočekávanému zpětnému rázu a vážnému zranění.

VAROVÁNÍ: Nikdy se nepokoušejte řezat přitahováním vozíku k sobě. Přitahování vozíku k sobě může během řezu způsobit neočekávaný zpětný ráz a vážné zranění.

VAROVÁNÍ: Nikdy neřežte s vozíkem s držadlem zablokovaným ve spuštěné poloze.

► Obr.44: 1. Čep zarážky

1. Odjistěte čep zarážky, aby bylo možno volně pohybovat vozíkem.
2. Uchyťte obrobek správným typem svěraku.
3. Přitáhněte vozík zcela k sobě.
4. Zapněte nářadí tak, aby se kotouč ničeho nedotýkal, a počkejte, až kotouč dosáhne plných otáček.
5. Stiskněte držadlo dolů a přitlačte vozík směrem k vodicímu pravitku přes obrobek.
6. Po dokončení řezu nářadí vypněte a před přesunutím kotouče zcela nahoru počkejte, dokud se pilový kotouč úplně nezastaví.

Pokosové řezání

Viz odstavec „Nastavení úhlu pokosu“ výše.

Úkosový řez

VAROVÁNÍ: Po nastavení kotouče pro úkosový řez se před prací s nástrojem ujistěte, zda mají vozík i kotouč volnou cestu v celé délce dráhy zamýšleného řezu. Přerušení posunu vozíku nebo kotouče může během řezu způsobit zpětný ráz a vážné zranění.

VAROVÁNÍ: Při provádění úkosových řezů nepřibližujte ruce ke dráze kotouče. Kotouč nastavený šikmo může obsluhu ohledně skutečné dráhy kotouče při řezu zmást a kontakt s kotoučem může způsobit vážné zranění.

VAROVÁNÍ: Kotouč nezvedejte, dokud se zcela nezastaví. Při úkosovém řezu se může odříznutý kus opřít o kotouč. Zvednutím rotujícího kotouče se může odříznutý kus kotoučem vymrštit, materiál se může roztříštit a způsobit vážné zranění.

POZOR: Při stlačování držadla dolů vyvíjejte tlak rovnoběžně s kotoučem. Budete-li tlačít kolmo k otočnému stolu, nebo jestliže během řezu směr tlaku změníte, zhoršíte přesnost řezu.

► Obr.45

1. Odmontujte horní pravítko na straně, na kterou chcete naklonit vozík.
2. Odjistěte čep zarážky.
3. Nastavte úhel úkosu podle postupu vysvětleného v části „Seřízení úhlu úkosu“. Poté utáhněte knoflík.
4. Uchyťte díl svěrákem.
5. Přitáhněte vozík zcela k sobě.
6. Zapněte nářadí tak, aby se kotouč ničeho nedotýkal, a počkejte, až kotouč dosáhne plných otáček.
7. Pomalu spusťte držadlo zcela dolů a současně vyvíjejte tlak rovnoběžně s kotoučem. **Tlačním vozíkem směrem k vodícímu pravítku proveďte řez.**
8. Po dokončení řezu nářadí vypněte a před přesunutím kotouče zcela nahoru **počkejte, dokud se pilový kotouč úplně nezastaví.**

Kombinované řezání

Kombinované řezání je proces, při němž se na obrobku provádí řez s úkosovým úhlem a současně s pokosovým úhlem. Kombinované řezy lze provádět v úhlu uvedeném v tabulce.

Úhel pokosu	Úhel úkosu
Vlevo a vpravo 0° – 45°	Vlevo a vpravo 0° – 45°

Při kombinovaném řezání použijte informace uvedené v částech „Tlakové řezání“, „Posuvné (tlačné) řezání“, „Pokosové řezání“ a „Úkosový řez“

Řezání podlahových desek

▲ UPOZORNĚNÍ: Při řezání podlahové desky použijte vodorovný svěrák (volitelné příslušenství).

▲ UPOZORNĚNÍ: Při řezání obrobku o tloušťce 20 mm nebo méně chraňte obrobek zarážkou.

Při řezání podlahové desky v úhlu pokosu 45° použijte páku zarážky, abyste zabránili kontaktu mezi krytem kotouče a podlahovou deskou. Udrží se tak odstup mezi podlahovou deskou a krytem kotouče v případě, že je pojezd plně vysunut.

Řezný výkon platný pro podlahové desky naleznete v dokumentu SPECIFIKACE.

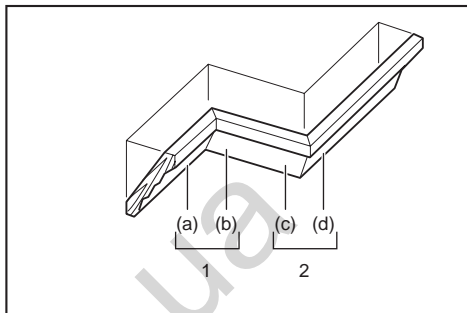
- **Obr.46:** 1. Páčka zarážky 2. Distanční blok 3. Vodorovný svěrák

Řezání vypouklých a vydutých lišt

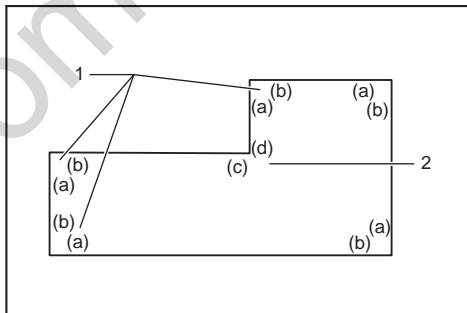
Vypouklé a vyduté lišty lze radiální pokosovou pilou řezat s lištami položenými naplocho na otočném stole. Existují dva obvyklé typy vypouklých a jeden typ vydutých lišt: 52/38° rohová vypouklá lišta, 45° rohová vypouklá lišta a 45° rohová vydutá lišta.

- **Obr.47:** 1. Vypouklá lišta 52/38° typ 2. Vypouklá lišta 45° typ 3. Vydutá lišta 45° typ

Existují spoje vypouklých a vydutých lišt ve „vnitřních“ 90° koutech (a) a (b) na obrázku) a na „vnějších“ 90° rozích (c) a (d) na obrázku).



1. Vnitřní kout 2. Vnější roh



1. Vnitřní kout 2. Vnější roh

Měření

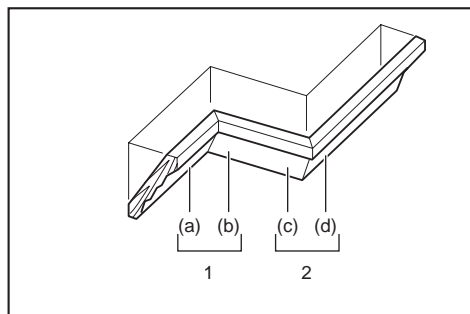
Změřte šířku stěny a upravte podle ní šířku obrobku. Vždy dbejte, aby šířka hrany obrobku, která bude v kontaktu se stěnou, byla stejná jako délka stěny.

- **Obr.48:** 1. Zpracovávaný díl 2. Šířka stěny 3. Šířka obrobku 4. Hrana kontaktu se stěnou

Vždy proveďte několik zkušebních řezů, abyste se o řezných úhlech ujistili.

Při řezání vypouklých a vydutých lišt nastavte úhel úkosu a úhel pokosu tak, jak je naznačeno v tabulce (A) a lišty ustavte na horní ploše stolu pily tak, jak je uvedeno v tabulce (B).

V případě levého úkosového řezu



1. Vnitřní kout 2. Vnější roh

Tabulka (A)

–	Poloha lišty na obrázku	Úhel úkosu		Úhel pokosu	
		52/38° typ	45° typ	52/38° typ	45° typ
Pro vnitřní kout	(a)	Vlevo 33,9°	Vlevo 30°	Vpravo 31,6°	Vpravo 35,3°
	(b)			Vlevo 31,6°	Vlevo 35,3°
Pro vnější roh	(c)			Vpravo 31,6°	Vpravo 35,3°
	(d)				

Tabulka (B)

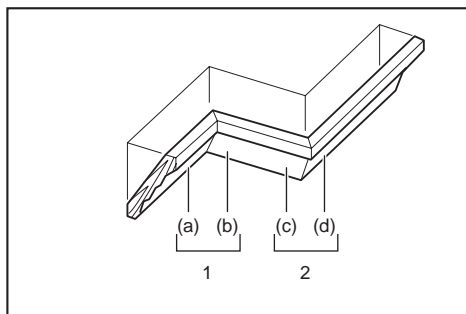
–	Poloha lišty na obrázku	Orientace hrany lišty vůči vodícímu pravítku	Hotový dílec
Pro vnitřní kout	(a)	Hrana kontaktu se stropem bude naproti vodícímu pravítku.	Hotový dílec bude na levé straně kotočce.
	(b)	Hrana kontaktu se stěnou bude naproti vodícímu pravítku.	
Pro vnější roh	(c)	Hrana kontaktu se stěnou bude naproti vodícímu pravítku.	Hotový dílec bude na pravé straně kotočce.
	(d)	Hrana kontaktu se stropem bude naproti vodícímu pravítku.	

Příklad:

Při řezání vypouklé lišty typu 52/38° pro polohu (a) na obrázku výše:

- Proveďte náklon a zajistěte nastavení úhlu úkosu na 33,9° VLEVO.
- Nastavte a zajistěte úhel pokosu a na 31,6° VPRAVO.
- Vypouklou lištu položte širokou zadní plochou (jež bude skrytá) směrem dolů na otočný stůl s HRANOU KONTAKTU SE STROPEM naproti vodícímu pravítku pily.
- Hotový kus určený k použití bude po provedení řezu vždy po LEVÉ straně kotočce.

V případě pravého úkosového řezu



1. Vnitřní kout 2. Vnější roh

Tabulka (A)

–	Poloha lišty na obrázku	Úhel úkosu		Úhel pokosu	
		52/38° typ	45° typ	52/38° typ	45° typ
Pro vnitřní kout	(a)	Vpravo 33,9°	Vpravo 30°	Vpravo 31,6°	Vpravo 35,3°
	(b)			Vlevo 31,6°	Vlevo 35,3°
Pro vnější roh	(c)			Vpravo 31,6°	Vpravo 35,3°
	(d)				

Tabulka (B)

–	Poloha lišty na obrázku	Orientace hrany lišty vůči vodícímu pravítku	Hotový dílec
Pro vnitřní kout	(a)	Hrana kontaktu se stěnou bude naproti vodícímu pravítku.	Hotový dílec bude na pravé straně kotočce.
	(b)	Hrana kontaktu se stropem bude naproti vodícímu pravítku.	
Pro vnější roh	(c)	Hrana kontaktu se stěnou bude naproti vodícímu pravítku.	Hotový dílec bude na levé straně kotočce.
	(d)	Hrana kontaktu se stropem bude naproti vodícímu pravítku.	

Příklad:

Při řezání vypouklé lišty typu 52/38° pro polohu (a) na obrázku výše:

- Proveďte náklon a zajistěte nastavení úhlu úkosu na 33,9° VPRAVO.
- Nastavte a zajistěte úhel pokosu a na 31,6° VPRAVO.
- Vypouklou lištu položte širokou zadní plochou (jež bude skrytá) směrem dolů na otočný stůl s HRANOU KONTAKTU SE STĚNOU naproti vodícímu pravítku pily.
- Hotový kus určený k použití bude po provedení řezu vždy po PRAVÉ straně kotočce.

Zarážka pro vypouklé lišty

Volitelné příslušenství

Zarážky pro vypouklé lišty umožňují snazší řezání vypouklých lišt bez naklánění pilového kotouče. Nainstalujte je na otočný stůl tak, jak je znázorněno na obrázcích.

Při pravém 45° úhlu pokosu

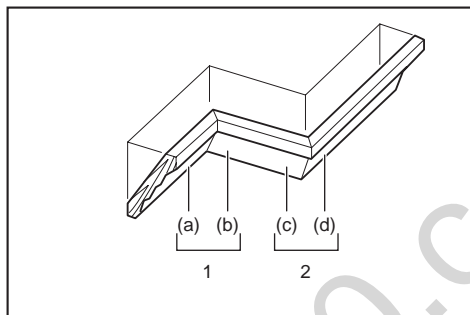
► **Obr.49:** 1. Zarážka pro vypouklé lišty L 2. Zarážka pro vypouklé lišty P 3. Otočný stůl 4. Vodicí pravitko

Při levém 45° úhlu pokosu

► **Obr.50:** 1. Zarážka pro vypouklé lišty L 2. Zarážka pro vypouklé lišty P 3. Otočný stůl 4. Vodicí pravitko

Vypouklou lištu umístíte HRANOU KONTAKTU SE STĚNOU proti vodicímu pravitku a HRANOU KONTAKTU SE STROPEM proti zarážkám pro vypouklé lišty tak, jak je znázorněno na obrázku. Zarážky pro vypouklé lišty seřídte podle velikosti vypouklé lišty. Zarážky pro vypouklé lišty zajistíte na místě dotažením šroubů. Viz tabulka (C) pro úhel pokosu.

► **Obr.51:** 1. Vodicí pravitko 2. Zarážka pro vypouklé lišty



1. Vnitřní kout 2. Vnější roh

Tabulka (C)

–	Poloha lišty na obrázku	Úhel pokosu	Hotový dílec
Pro vnitřní kout	(a)	Vpravo 45°	Na pravé straně kotouče
	(b)	Vlevo 45°	Na levé straně kotouče
Pro vnější roh	(c)		Na pravé straně kotouče
	(d)	Vpravo 45°	Na levé straně kotouče

Řezání hliníkových výlisků

► **Obr.52:** 1. Svěrák 2. Distanční blok 3. Vodicí pravitko 4. Hliníkový výlisek 5. Distanční blok

Při uchycování hliníkových výlisků použijte jako prevenci deformace hliníku distanční bloky nebo kusy odpadního materiálu, jak je znázorněno na obrázku. Při řezání hliníkových výlisků použijte řeznou kapalinu, aby se zabránilo nahromadění hliníku na kotouči.

VAROVÁNÍ: Nikdy se nepokoušejte řezat silné nebo kruhové hliníkové výlisky. Silné či kulaté hliníkové výlisky může být obtížné zajistit, při řezání se mohou uvolnit a může dojít ke ztrátě kontroly a vážnému zranění.

Dřevěná deska

VAROVÁNÍ: Dřevěnou desku upevněte k vodicímu pravitku šrouby. Šrouby je třeba upevnit tak, aby byly jejich hlavy pod povrchem dřevěné desky a nepřekážely při polohování řezaného materiálu. Špatné ustavení řezaného materiálu může při řezání způsobit neočekávaný pohyb, ztrátu kontroly a vážné zranění.

ÚPOZORNĚNÍ: Použijte rovnou dřevěnou desku rovnoměrně tloušťky.

ÚPOZORNĚNÍ: K úplnému proříznutí obrobku s výškou od 107 mm do 120 mm, je třeba na vodicí pravitko umístit dřevěnou desku. Tato dřevěná deska udrží obrobek dále od pravitka a umožní hlubší proniknutí kotouče do řezu.

POZOR: Je-li nainstalována dřevěná deska, neotáčejte otočný stůl při spuštění držadla. V opačném případě dojde k poškození kotouče a/ nebo dřevěné desky.

Dřevěná deska vám pomůže s provedením řezu bez otřepů na obrobku. Dřevěnou desku upevněte k vodicímu pravitku prostřednictvím otvorů v pravitku a 6mm šroubů.

Doporučené rozměry dřevěné desky najdete na obrázku.

► **Obr.53:** 1. Otvor 2. Přes 15 mm 3. Přes 270 mm 4. 90 mm 5. 145 mm 6. 19 mm 7. 115 – 120 mm

PŘÍKLAD Při řezání obrobku o výšce 115 mm a 120 mm použijte dřevěnou desku následující tloušťky.

Úhel pokosu	Tloušťka dřevěné desky	
	115 mm	120 mm
0°	20 mm	38 mm
Vlevo a vpravo 45°	15 mm	25 mm
Vlevo a vpravo 60°	15 mm	25 mm

Řezání drážek

VAROVÁNÍ: Tento typ řezání se nepokoušejte provádět s širšími typy kotoučů nebo s drážkovacími kotouči. Snaha o vyřezání drážky širším nebo drážkovacím kotoučem může způsobit nepředvídané výsledky a zpětný ráz, jenž může zapříčinit vážné zranění.

VAROVÁNÍ: Při provádění jiného řezání, než je řezání drážek, nezapomeňte vrátit rameno zářádky do původní polohy. Řezání s ramenem zářádky v nesprávné poloze může způsobit nepředvídané výsledky a zpětný ráz, jenž může být příčinou vážného zranění.

Při vyřezávání žlábků postupujte takto:

1. Pomocí stavěcího šroubu a ramena zářádky upravte dolní koncovou polohu kotouče tak, aby byla omezena řezná hloubka kotouče. Další informace naleznete v odstavci „Rameno zářádky“ výše.
2. Po seřízení dolní koncové polohy kotouče vyřežte rovnoběžné drážky po celé šířce dílu posuvným (tlačným) řezáním.
► **Obr.54:** 1. Drážky vyřezané kotoučem
3. Materiál mezi drážkami odstraňte dlátem.

Speciální technika řezání při maximální možné šířce

Řezání při maximální možné šířce lze u tohoto nástroje dosáhnout následujícím postupem: Informace o řezání při maximální možné šířce u tohoto nástroje naleznete v dokumentu SPECIFIKACE v kapitole „Možnosti řezu při speciálním řezání“.

1. Nastavte nářadí do úhlu pokosu 0° či 45° a ujistěte se, zda je otočný stůl zajištěný. (Viz část s názvem „Nastavení úhlu pokosu“.)
2. Dočasně sejměte pravé i levé horní pravítka a dejte je stranou.
3. Z 38 mm silného, rovného materiálu, jako je dřevo, překližka nebo dřevotřísková deska, uřízněte pracovní desku s rozměry uvedenými na obrázku.
► **Obr.55:** 1. Úhel pokosu 0°: Přes 450 mm 2. Úhel pokosu 45°: Přes 325 mm 3. 38 mm 4. Přes 760 mm

VAROVÁNÍ: Zajistěte, aby byl pro pracovní desku použit plochý materiál. Nerovný materiál se může při řezání posunout, způsobit zpětný ráz a vážné zranění.

POZNÁMKA: Maximální prořez bude snížen o šířku pracovní desky.

4. Umístěte pracovní desku doprostřed nástroje tak, že jej bude přesahovat na obou stranách stejným dílem. Pomocí 6mm vrutů připevněte pracovní desku ke čtyřem otvorům v dolních pravítkách nástroje.
► **Obr.56:** 1. Šrouby (dva na každé straně) 2. Dolní pravítko 3. Základna 4. Pracovní deska

VAROVÁNÍ: Ujistěte se, zda pracovní deska leží napolho na základně nářadí a zda je pevně uchycena k dolním pravítkům přes čtyři připravené otvory. Nesprávné uchycení pracovní desky může způsobit posunutí, zpětný ráz a vážné zranění.

VAROVÁNÍ: Zajistěte, aby bylo nářadí pevně uchyceno na stabilní a rovné ploše. Nesprávné uchycení a upevnění nářadí může způsobit jeho nestabilitu, ztrátu kontroly, pád nářadí a vážné zranění.

5. Nainstalujte na nástroj horní pravítka.

VAROVÁNÍ: Nepoužívejte nářadí bez namontovaných horních pravítek. Horní pravítka poskytují přiměřenou oporu požadovanou k řezání obrobku. Pokud nemá obrobek dostatečnou oporu, může při řezání dojít k jeho posunutí, zpětnému rázu a vážnému zranění.

6. Obrobek určený k řezání umístěte na pracovní desku připevněnou k nástroji.
7. Než začnete řezat, pevně připevněte obrobek k horním pravítkům pomocí svéráku.
► **Obr.57:** 1. Horní pravítko 2. Svislý svérák 3. Obrobek 4. Pracovní deska
8. Proveďte pomalu řez obrobkem podle postupu nazvaného „Řezání s vozíkem (tlačení)“ (řezání širokých obrobků).“

VAROVÁNÍ: Ujistěte se, že je obrobek zajištěn svérákem a pomalu proveďte řez. Jestliže tak neučiníte, může dojít k pohybu obrobku s následným zpětným rázem, jenž může způsobit vážné zranění.

VAROVÁNÍ: Mějte na paměti, že po provedení několika řezů v různých úhlech pokosu může být pracovní deska narušena. Jestliže dojde k narušení pracovní desky mnoha zářezy do materiálu, je třeba ji vyměnit. Nebude-li narušená pracovní deska vyměněna, může při řezání dojít k posunu obrobku, zpětnému rázu a vážnému zranění.

Přenášení nářadí

Před přenášením pokosové pily zkontrolujte, že je odpojena od zdroje napájení a všechny pohyblivé díly jsou zajištěné. Vždy zkontrolujte následující:

- Nástroj je odpojený od zdroje napájení.
- Vozík je pod úhlem úkosu 0° a zajištěný.
- Vozík je spuštěn a zajištěn.
- Vozík je zcela zasunutý do vodícího pravítka a zajištěný.
- Otočný stůl je v poloze plného pravého úhlu pokosu a zajištěný.
- Držáky jsou uloženy a zajištěny.

Nástroj přenášejte uchopením za obě strany základny nástroje, jak je ilustrováno na obrázku.

- **Obr.58**

VAROVÁNÍ: Čep zarážky pro zvednutí vozíku slouží pouze pro účely přenášení a skladování. Není určen pro žádné činnosti spojené s řezáním. Použití čepu zarážky při řezání může vyvolat neočekávaný pohyb pilového kotouče s následným zpětným rázem a vážným zraněním.

UPOZORNĚNÍ: Před přenášením nářadí vždy zajistěte všechny pohyblivé díly. Jestliže se díly nástroje během přenášení posunou či sklouznou, můžete ztratit kontrolu či rovnováhu a přivodit si zranění.

ÚDRŽBA

VAROVÁNÍ: Než začnete provádět kontrolu nebo údržbu nářadí, vždy se přesvědčte, že je vypnuté a vytažené ze zásuvky. Zanedbání vypnutí a odpojení nástroje může vést k jeho náhodnému spuštění a vážnému zranění.

VAROVÁNÍ: V rámci zajištění co nejlepšího a nejbezpečnějšího provozu vždy zajistěte, aby byl kotouč ostrý a čistý. Řezání s tupým nebo znečištěným kotoučem může vyvolat zpětný ráz s následným vážným zraněním.

POZOR: Nikdy nepoužívejte benzín, benzen, ředidlo, alkohol či podobné prostředky. Mohlo by tak dojít ke změnám barvy, deformacím či vzniku prasklin.

Nastavení úhlu řezání

Nářadí bylo pečlivě seřízeno a nastaveno u výrobce. Hrubé zacházení však může seřízení narušit. Není-li nářadí řádně seřízeno, proveďte následující kroky:

Úhel pokosu

Spustěte držadlo zcela dolů a v této poloze jej zajistěte pomocí čepu zarážky. Zatlačte vozík směrem k vodičímu pravítku. Uvolněte rukojeť a šrouby, které zajišťují ukazatel a stupnici úhlů pokosu.

► **Obr.59:** 1. Šroub na ukazateli 2. Šrouby na stupnici úhlů pokosu 3. Stupnice pokosu

Nastavte otočný stůl do polohy 0° pomocí funkce pozitivní zarážky. Srovnejte bok kotouče s povrchem vodičího pravítka pomocí trojúhelníkového pravítka nebo příložného úhelníku. Udržujte zarovnanou polohu a utáhněte šrouby na stupnici úhlů pokosu. Poté zarovnejte ukazatele (pravý i levý) s polohou 0° na stupnici úhlů pokosu a utáhněte šroub na ukazateli.

► **Obr.60:** 1. Trojúhelníkové pravítko

Úhel úkosu

Úhel úkosu 0°

Zatlačte vozík k vodičímu pravítku a zablokujte posuvný pohyb pomocí čepu zarážky. Spusťte zcela držadlo a zajistěte jej ve snížené poloze pomocí kolíku zarážky a poté uvolněte knoflík. Otočením šroubu pro seřízení úhlu 0° o dvě nebo tři otáčky proti směru hodinových ručiček nakloňte kotouč doprava.

► **Obr.61:** 1. Šroub pro seřízení úhlu 0° 2. Šroub

Otáčením šroubu pro seřízení úhlu 0° ve směru hodinových ručiček opatrně srovnejte bok kotouče s horním povrchem otočného stolu pomocí trojúhelníkového pravítka, příložného úhelníku, apod. Poté pevně utáhněte knoflík, aby se zajistil úhel 0°, který jste nastavili.

► **Obr.62:** 1. Trojúhelníkové pravítko 2. Pilový kotouč 3. Horní povrch otočného stolu

Zkontrolujte, zda je bok kotouče znovu zarovnaný s otočným stolem. Povolte šroub na ukazateli. Zarovnejte ukazatel s polohou 0° na stupnici úhlů úkosu a poté utáhněte šroub.

Úhel úkosu 45°

POZOR: Před seřízením úhlu úkosu 45° proveďte seřízení úhlu úkosu 0°.

Povolte knoflík a zcela nakloňte vozík do strany, kterou chcete zkontrolovat. Zkontrolujte, zda ukazatel ukazuje polohu 45° na stupnici úhlů úkosu.

► **Obr.63**

Pokud ukazatel neukazuje polohu 45°, zarovnejte jej s polohou 45° otáčením seřizovacího šroubu na opačné straně stupnice úhlů úkosu.

► **Obr.64:** 1. Šroub pro seřízení levého úhlu 45° 2. Šroub pro seřízení pravého úhlu 45°

Seřízení polohy laserové rysky

Pouze LS1219L

VAROVÁNÍ: Při seřizování polohy laserové rysky musí být nástroj připojený k napájení. Dávejte pozor, abyste při seřizování nezapnuli nástroj. Neúmyslné spuštění nářadí může způsobit vážné zranění.

UPOZORNĚNÍ: Nikdy se nedívejte přímo do laserového paprsku. Přímé vystavení očí laseru může způsobit vážné poškození zraku.

POZOR: Pravidelně kontrolujte přesnost polohy laserové rysky.

POZOR: Zamezte nárazům do nástroje. Mohou narušit vyrovnání laserové rysky nebo způsobit poškození laseru a zkrátit jeho životnost.

POZOR: Při jakékoli poruše laserové jednotky svěřte opravu nástroje autorizovanému servisnímu středisku Makita.

Pohyblivý rozsah laserové rysky se volí pomocí šroubu pro seřízení rozsahu na obou stranách. Polohu laserové rysky můžete změnit pomocí následujícího postupu.

1. Odpojte nástroj od napájení.
2. Vyznačte na obrobku dráhu řezu a umístěte jej na otočný stůl. V této chvíli neuchycujte obrobek svérákem ani jiným podobným zařízením.
3. Spusťte držadlo a zarovnejte dráhu řezu s pilovým kotoučem.
4. Vraťte držadlo do původní polohy a zajistěte obrobek svislým svérákem, aby se obrobek nemohl pohnout z polohy, kterou jste určili.
5. Připojte nástroj ke zdroji napájení a zapněte spínač laseru.
6. Povolte stavěcí šroub. Chcete-li posunout laserovou rysku od kotouče, otočte šrouby pro seřízení rozsahu proti směru hodinových ručiček. Chcete-li posunout laserovou rysku ke kotouči, otočte šroub pro seřízení rozsahu ve směru hodinových ručiček.

Seřízení laserové rysky na levé straně kotouče

- **Obr.65:** 1. Stavěcí šroub 2. Šroub pro seřízení rozsahu 3. Šestihřanný klíč 4. Laserová ryska 5. Pilový kotouč

Seřízení laserové rysky na pravé straně kotouče

- **Obr.66:** 1. Stavěcí šroub 2. Šroub pro seřízení rozsahu 3. Šestihřanný klíč 4. Laserová ryska 5. Pilový kotouč

7. Posuňte stavěcí šroub do polohy, aby byla laserová ryska zarovnaná s dráhou řezu a poté jej utáhněte.

POZNÁMKA: Rozsah nastavení laserové rysky je u výrobce nastaven do 1 mm od boční hrany kotouče.

Čištění sklíčka laserového světla

Pouze LS1219L

Laserové světlo není příliš zřetelné, když je sklíčko laserového světla znečištěné. Pravidelně čistěte sklíčko laserového světla.

- **Obr.67:** 1. Šroub 2. Sklíčko

Odpojte nástroj od napájení. Uvolněte šroub a vytáhněte sklíčko. Opatrně vyčistěte sklíčko navlhčenou tkaninou.

POZOR: Nevyjímejte šroub, který zajišťuje sklíčko. Pokud nelze sklíčko vložit, povolte více šroub.

POZOR: Při čištění sklíčka laseru nepoužívejte rozpouštědla ani ropné čisticí prostředky.

Výměna uhlíků

- **Obr.68:** 1. Mezní značka

Pravidelně vyndávejte a kontrolujte uhlíky. Jsou-li opotřebené až po mezní značku, vyměňte je. Udržujte uhlíky čisté a zajistěte, aby se mohly v držácích volně pohybovat. Oba uhlíky je třeba vyměňovat najednou. Používejte výhradně stejné uhlíky. Pomocí šroubováku odšroubujte víčka držáků uhlíků. Vyměňte opotřebené uhlíky, vložte nové a opět víčka držáků uhlíků namontujte.

- **Obr.69:** 1. víčko držáku uhlíku

Po výměně uhlíků připojte nástroj k elektrické síti a nechte uhlíky zaběhnout spuštěním nástroje na deset minut bez zatížení. Poté zkontrolujte funkci nástroje a elektrické brzdy při uvolnění spouště. Jestliže elektromagnetická brzda nepracuje správně, nechte nástroj opravit v autorizovaném servisním středisku Makita.

Činnosti po ukončení práce

Po použití otřete hadrem nebo podobným materiálem třísky a piliny nahromaděné na nářadí. Udržujte kryty kotouče v čistotě podle pokynů uvedených v odstavci „Kryt kotouče“ výše. Promažte kluzné díly strojním olejem, aby nekorodovaly.

K zachování BEZPEČNOSTI a SPOLEHLIVOSTI výrobku musí být opravy a veškerá další údržba či seřizování prováděny autorizovanými nebo továrními servisními středisky společnosti Makita s využitím náhradních dílů Makita.

VOLITELNÉ PŘÍSLUŠENSTVÍ

VAROVÁNÍ: Pro nářadí Makita popsané v tomto návodu doporučujeme používat následující příslušenství či nástavce. Použití jakéhokoli jiného příslušenství či nástavců může způsobit vážné zranění.

VAROVÁNÍ: Příslušenství či nástavce Makita použijte pouze ke stanoveným účelům. Nesprávné použití příslušenství či nástavce může přivodit vážné zranění.

Potřebujete-li bližší informace ohledně tohoto příslušenství, obraťte se na místní servisní středisko společnosti Makita.

- Pilové kotouče s ocelovým a karbidovým ostřím
- Svislý svérák
- Vodorovný svérák
- Sada zářezek pro vypouklé lišty
- Vak na piliny
- Trojúhelníkové pravítko
- Šestihřanný klíč
- Šestihřanný klíč (pro model LS1219L)

POZNÁMKA: Některé položky seznamu mohou být k nářadí přibaleny jako standardní příslušenství. Přibalené příslušenství se může v různých zemích lišit.

ТЕХНІЧНІ ХАРАКТЕРИСТИКИ

Модель:		LS1219	LS1219L
Діаметр диска		305 мм	
Діаметр отвору	Європейські країни	30 мм	
	Неєвропейські країни	25,4 мм	
Макс. товщина пропилу диска пили		3,2 мм	
Макс. косий кут		Правий 60°, лівий 60°	
Макс. кут нахилу		Правий 48°, лівий 48°	
Швидкість без навантаження (кількість обертів за хвилину)		3 200 хв ⁻¹	
Тип лазера		—	Червоний лазер 650 нм, макс. вихідна потужність < 1,6 мВт (клас лазера 2М)
Розміри (Д × Ш × В)		898 мм × 664 мм × 725 мм	
Маса нетто		29,3 кг	29,5 кг
Клас безпеки		□/II	

Макс. різальна спроможність (В × Ш)

Косий кут			Кут нахилу		
			45° (лівий)	0°	45° (правий)
0°	—		61 мм × 382 мм 71 мм × 363мм	92 мм × 382 мм 107 мм × 363 мм	44 мм × 382 мм 54 мм × 363 мм
	Товщина лицьової дошки, розташованої на напрямній планці для збільшення висоти різання	20 мм	78 мм × 325 мм	115 мм × 325мм	61 мм × 325 мм
38 мм		80 мм × 292 мм	120 мм × 292 мм	—	
45° (правий і лівий)	—		61 мм × 268 мм 71 мм × 255 мм	92 мм × 268 мм 107 мм × 255 мм	44 мм × 268 мм 54 мм × 255 мм
	Товщина лицьової дошки, розташованої на напрямній планці для збільшення висоти різання	15 мм	—	115 мм × 227 мм	—
25 мм		—	120 мм × 212 мм	—	
60° (правий і лівий)	—		—	92 мм × 185 мм 107 мм × 178 мм	—
	Товщина лицьової дошки, розташованої на напрямній планці для збільшення висоти різання	15 мм	—	115 мм × 155 мм	—
25 мм		—	120 мм × 140 мм	—	

Різальна спроможність для спеціального різання

Тип різання	Різальна спроможність
Галтель із хвилеподібним профілем типу 45° (зі стопором галтелі з хвилеподібним профілем)	203 мм
Плінтус (з горизонтальним затиском)	171 мм

- Оскільки наша програма наукових досліджень і розробок триває безперервно, наведені тут технічні характеристики можуть бути змінені без попередження.
- У різних країнах технічні характеристики можуть бути різними.
- Маса відповідно до EPTA-Procedure 01/2014

Символи

Далі наведено символи, які застосовуються для позначення обладнання. Перед користуванням переконайтеся, що ви розумієте їхнє значення.



Читайте інструкцію з експлуатації.



ПОДВІЙНА ІЗОЛЯЦІЯ



Для того щоб запобігти пораненню внаслідок розлітання сміття, після різання слід притиснути голівку пили, доки диск повністю не зупиниться.



При виконанні пересувного різання спочатку потягніть каретку до упору та натисніть на ручку, потім пересуньте каретку до напрямної планки.



Тримайте руки або пальці на відстані від диска.



Ніколи не дивіться на лазерний промінь. Прямий лазерний промінь може завдати шкоди вашим очам.



Тільки для країн ЄС
Не утилізуйте електричне обладнання разом із побутовими відходами! Згідно з Європейською директивою про утилізацію електричного та електронного обладнання і з її використанням із дотриманням національних законів, електричне обладнання, термін служби якого закінчився, слід збирати в окремо відведених місцях і повертати на відповідні підприємства з його переробки.

Призначення

Інструмент призначено для точного різання деревини за прямою лінією та під косим кутом. Якщо встановити відповідні диски пили, можна також різати алюміній.

Джерело живлення

Інструмент можна підключати лише до джерела живлення, що має напругу, зазначену в таблиці із заводськими характеристиками, і він може працювати лише від однофазного джерела змінного струму. Він має подвійну ізоляцію, а отже може також підключатися до розеток без лінії заземлення.

Шум

Рівень шуму за шкалою А в типовому виконанні, визначений відповідно до стандарту EN62841:

Модель LS1219

Рівень звукового тиску (L_{pA}): 91 дБ (А)

Рівень звукової потужності (L_{WA}): 100 дБ (А)

Похибка (К): 3 дБ (А)

Модель LS1219L

Рівень звукового тиску (L_{pA}): 91 дБ (А)

Рівень звукової потужності (L_{WA}): 100 дБ (А)

Похибка (К): 3 дБ (А)

▲ ПОПЕРЕДЖЕННЯ: Користуйтеся засобами захисту органів слуху.

Вібрація

Загальна величина вібрації (векторна сума трьох напрямків) визначена згідно з EN62841:

Модель LS1219

Вібрація (a_h): 2,5 м/с² або менше

Похибка (К): 1,5 м/с²

Модель LS1219L

Вібрація (a_h): 2,5 м/с² або менше

Похибка (К): 1,5 м/с²

ПРИМІТКА: Заявлене значення вібрації було виміряно відповідно до стандартних методів тестування та може використовуватися для порівняння одного інструмента з іншим.

ПРИМІТКА: Заявлене значення вібрації може також використовуватися для попередньої оцінки впливу.

▲ ПОПЕРЕДЖЕННЯ: Залежно від умов використання вібрація під час фактичної роботи електроінструмента може відрізнятися від заявленого значення вібрації.

▲ ПОПЕРЕДЖЕННЯ: Забезпечте належні запобіжні заходи для захисту оператора, що відповідатимуть умовам використання інструмента (слід брати до уваги всі складові робочого циклу, такі як час, коли інструмент вимкнено та коли він починає працювати на холостому ході під час запуску).

Декларація про відповідність стандартам ЄС

Тільки для країн Європи

Декларацію про відповідність стандартам ЄС наведено в Додатку А до цієї інструкції з експлуатації.

ПОПЕРЕДЖЕННЯ ПРО ДОТРИМАННЯ ТЕХНІКИ БЕЗПЕКИ

Загальні застереження щодо техніки безпеки при роботі з електроінструментами

▲ ПОПЕРЕДЖЕННЯ: Уважно ознайомтеся з усіма попередженнями про дотримання правил техніки безпеки, інструкціями, ілюстраціями та технічними характеристиками, що стосуються цього електроінструмента. Невиконання будь-яких інструкцій, перелічених нижче, може призвести до ураження електричним струмом, пожежі та/або тяжких травм.

Збережіть усі інструкції з техніки безпеки та експлуатації на майбутнє.

Термін «електроінструмент», зазначений у інструкції з техніки безпеки, стосується електроінструмента, який функціонує від електромережі (електроінструмент з кабелем живлення), або електроінструмента з живленням від батареї (безпроводний електроінструмент).

Інструкції з техніки безпеки для пил для різання під кутом

1. **Пили для різання під кутом призначені для різання деревини або подібних до деревини матеріалів. Їх не можна використовувати з абразивними відрізними кругами для різання виробів із чорного металу, наприклад арматури, стрижнів, шпильок тощо.** Абразивний порошок призводить до застрягання рухомих частин, наприклад нижнього кожуха. Від іскор, що утворюються під час абразивного різання, може загорітися нижній кожух, вставка для пропилу та інші пластмасові частини.
2. **За можливості використовуйте затискачі для утримання оброблюваної деталі.** Якщо ви тримаєте деталь рукою, завжди тримайте руку на відстані щонайменше 100 мм від кожної сторони диска пили. Не використовуйте цю пилу для різання деталей, занадто маленьких для безпечного затискання чи утримання рукою. Якщо рука знаходиться занадто близько до диска пили, зростає ризик травмування від контакту з диском.
3. **Оброблювана деталь повинна бути зафіксована та затиснута, або її треба тримати напроти тримача й напроти стола.** Ні в якому разі не підводьте оброблювану деталь до диска та не виконуйте різання від руки. Незатиснені чи рухомі оброблювані деталі може відкинути на високій швидкості, що призведе до травм.
4. **Протискуйте пилу крізь оброблювану деталь. Не тягніть пилу крізь оброблювану деталь. Щоб зробити розріз, підніміть головку пили та проведіть нею над оброблюваною деталлю, не розрізаючи її, запустіть двигун, опустіть головку пили та протисніть пилу крізь оброблювану деталь.** Різання одним рухом може призвести до виходу диска пили на верхню частину оброблюваної деталі та до вильоту комплекту дисків у бік оператора.
5. **Ніколи не кладіть руки уперед чи позаду диска пили.** Утримання оброблюваної деталі «навхрест» (наприклад, утримання деталі праворуч від диска пили лівою рукою або навпаки) дуже небезпечно.

► Рис. 1

6. **Не тримайте руки за тримачем ближче ніж на 100 мм від кожної сторони диска пили, щоб видалити відходи деревини, чи з будь-якою іншою метою, поки диск обертається.** Відстань від диска пили, коли він обертається, до рук може бути не чітко видно, і ви можете серйозно травмуватися.

7. **Огляньте оброблювану деталь перед різанням.** Якщо вона викривлена чи пожелоблена, затисніть її так, щоб викривлена поверхня була спрямована до тримача. **Завжди слідкуйте, щоб між оброблюваною деталлю, тримачем та столом вздовж лінії різання не було проміжків.** Зігнуті чи пожелоблені деталі можуть повертатися чи зміщуватися, що може призвести до заїдання диска пили, що обертається, під час різання. На оброблюваній деталі не повинно бути цвяхів чи сторонніх предметів.
8. **Не починайте роботу, доки не очистите стіл від усіх інструментів, відходів деревини тощо, крім оброблюваної деталі.** Дрібне сміття, окремі шматки деревини чи інші предмети в разі контакту з диском, що обертається, може відкинути на великій швидкості.
9. **Ріжте лише одну деталь за раз.** Кілька складених деталей не можна затиснути чи втримати належним чином. Це може призвести до заїдання диска чи до зміщення деталей під час різання.
10. **Перед використанням переконайтеся, що пила закріплена чи поставлена на плоску стійку робочу поверхню.** Плоска та стійка робоча поверхня зменшує ризик втрати пилою рівноваги.
11. **Сплануйте роботу.** Кожного разу, коли ви змінюєте кут нахилу чи кут різання, слідкуйте, щоб тримач, що регулюється, був налаштований належним чином для утримання оброблюваної деталі та не заважав диску чи захисній системі. Не вмикаючи інструмент, без оброблюваної деталі на столі зробіть уявний розріз, щоб переконатися, що під час різання не виникне перешкод чи небезпеки.
12. **Забезпечте надійну опору (наприклад, подовжувач стола, козли для пиляння) для деталей, ширших чи довших, ніж поверхня стола.** Якщо оброблювані деталі, ширші чи довші, ніж поверхня стола для пили, не закріплені, вони можуть перекидатися. Якщо відрізаний шматок чи оброблювана деталь перекинеться, може зістиситися нижній кожух чи їх може відкинути диском, що обертається.
13. **Використовуйте лише подовжувач стола чи додаткову опору — не допускайте, щоб інша людина утримувала оброблювану деталь.** Нестійка опора для оброблюваної деталі може призвести до заїдання диска чи до зміщення деталі під час різання, потягнувши вас та помічника до диска, що обертається.
14. **Не допускайте, щоб відрізаний шматок застряг чи притиснувся до диска пили, що обертається.** У стисненому положенні, наприклад за використання лінійки з упором, відрізаний шматок може заклинити та відкинути на високій швидкості.
15. **Завжди використовуйте затискач чи фіксатор, що призначений для утримання деталей круглої форми, наприклад стрижнів та труб.** Стрижні можуть обертатися під час різання, і диск може зачепити та потягнути деталь із рук до диска.

16. Перш ніж починати різати, зачекайте, доки диск не досягне повної швидкості. Це зменшить ризик відкидання оброблюваної деталі.
17. Якщо робоча деталь або диск застрягли, вимкніть пилу. Зачекайте, доки всі частини пили зупиняться, потім від'єднайте штепсель від джерела струму та/або вийміть акумулятор. Потім звільніть застряглі деталі. Різання застряглої деталі може призвести до втрати контролю чи до пошкодження пили.
18. Після закінчення різання відпустіть вмикач, опустіть головку пили донизу та зачекайте, доки диск зупиниться, перш ніж знімати відрізані шматок. Тримати руки біля диска, що рухається за інерцією, небезпечно.
19. Якщо ви виконаєте неповне різання чи відпустите вмикач до того, як повністю опустите головку пили, міцно тримайтеся за ручку. Гальмова дія пили може спричинити різке опускання головки пили, що викличе ризик травмування.
20. Використовуйте тільки ріжучий диск, що має діаметр, зазначений на інструменті або вказаний в інструкції з експлуатації. Використання диска невідповідного розміру може завдати належному його захисту або функціонуванню захисного кожуха, що може призвести до серйозних травм.
21. Використовуйте тільки такі диски пили, на яких вказана швидкість дорівнює швидкості, зазначеній на інструменті, або є більшою за неї.
22. Пилу можна застосовувати тільки для різання деревини, алюмінію або подібних матеріалів.
23. (Тільки для країн Європи.) Завжди використовуйте диск, що відповідає стандарту EN847-1.
7. Перед перенесенням інструмента обов'язково закріплюйте всі рухомі деталі.
8. Стопорний штифт, який блокує головку різачка, призначений тільки для транспортування та зберігання, а не для різання.
9. Перед початком роботи ретельно перевірте диск на наявність тріщин або пошкоджень. У разі виявлення тріщин або пошкоджень негайно замініть диск. Деревний пек та смола, застигли на полотнах, сповільнюють пилу та збільшують ризик віддачі. Підтримуйте чистоту полотна. Для цього зніміть його з інструмента, а потім очистьте за допомогою засобу для видалення смоли, гарячої води або гасу. Ніколи не використовуйте бензин для очищення диска.
10. Під час пересування різання можлива ВІДДАЧА. ВІДДАЧА відбувається, якщо диск затиснуло в оброблюваній деталі під час різання й він різко відскакує в напрямку до оператора. Це може призвести до втрати контролю та до серйозних травм. Якщо диск починає застрягати під час різання, не продовжуйте роботу, негайно відпустіть вмикач.
11. Використовуйте тільки фланці, призначені для цього інструмента.
12. Будьте обережними, щоб не пошкодити провідний вал, фланці (особливо поверхню встановлення) або болт. Пошкодження цих частин може призвести до поломки диска.
13. Поворотна основа повинна бути надійно закріплена, щоб не рухалась під час роботи. Використовуйте отвори в основі, щоб прикріпити пилу до стійкої робочої поверхні чи верстага. НІКОЛИ не використовуйте інструмент, якщо знаходитесь у незручному положенні.
14. Перед увімкненням перевірте, щоб замок вала було відпущено.

Додаткові інструкції

1. Використовуйте замки для захисту набору для роботи.
2. Ніколи не ставайте на інструмент. Перекидання інструмента чи ненавмисний контакт із різальним інструментом може призвести до серйозних травм.
3. Ніколи не залишайте працюючий інструмент без догляду. Вимкніть живлення. Заборонено залишати інструмент до його повної зупинки.
4. Не слід експлуатувати пилу, якщо захисний кожух не встановлено в робочому положенні. Щоразу перед початком роботи слід перевіряти належне закриття захисного кожуха. Не слід починати роботу, якщо захисний кожух диска не рухається вільно та одразу не закривається. Ніколи не слід затискувати або блокувати захисний кожух диска у відкритому положенні.
5. Не торкайтеся руками доріжки диска пили. Не слід торкатися диска, що рухається за інерцією. Він усе ще може завдати серйозних травм.
6. Щоб зменшити ризик травмування, повертайте каретку в заднє положення після кожного перерізу.
15. Диск не повинен торкатися поворотної основи в найнижчому положенні.
16. Слід міцно триматися за ручку. Пам'ятайте, що пилу мимовільно пересувається вгору та вниз під час пуску та зупинки.
17. Не допускайте контакту леза з робочою деталлю до увімкнення інструмента.
18. Перед початком різання деталі запустіть інструмент та дайте йому опрацювати деякий час на холостому ходу. Звертайте увагу на вібрацію або нерівний хід: це може вказувати на неправильне встановлення або незадовільне балансування леза.
19. Негайно зупиніть інструмент, якщо помітите відхилення в його роботі.
20. Не слід блокувати вмикач у увімкненому положенні.
21. Завжди використовуйте приладдя, рекомендоване в цій інструкції. Використання неналежного приладдя, наприклад абразивних кругів, може спричинити травму.
22. Деякі матеріали містять токсичні хімічні речовини. Будьте обережні, щоб уникнути вдихання пилу та його контакту зі шкірою. Дотримуйтеся правил техніки безпеки, передбачених виробником матеріалу.

Додаткові правила безпеки під час користування інструментом

1. **ЛАЗЕРНЕ ВИПРОМІНЮВАННЯ. ЗАБОРОНЯЄТЬСЯ ПИЛЬНО ДИВИТИСЬ НА ПРОМІНЬ АБО ДИВИТИСЬ БЕЗПОСЕРЕДНЬО НА ОПТИЧНІ ПРИЛАДИ. ЛАЗЕРНИЙ ПРОДУКТ КЛАСА 2М.**

ЗБЕРІГАЙТЕ ЦІ ВКАЗІВКИ.

▲ПОПЕРЕДЖЕННЯ: НІКОЛИ НЕ втрачайте пильності та не розслабляйтеся під час користування виробом (що можливо при частому користуванні); обов'язково строго дотримуйтеся відповідних правил безпеки. **НЕНАЛЕЖНЕ ВИКОРИСТАННЯ** або недотримання правил безпеки, викладених у цій інструкції з експлуатації, може призвести до серйозних травм.

ОПИС ДЕТАЛЕЙ

► Рис.2

1	Пересувна рейка	2	Стопорний штифт (для пересування каретки)	3	Вертикальний затиск	4	Спускова кнопка (правого кута нахилу)
5	Тримач	6	Поворотна основа	7	Показчик (косого кута)	8	Шкала косого кута
9	Щиток із пропилом	10	Корпус диска	11	Гвинт регулювання (лінії випромінювання лазера)	12	Гвинт регулювання діапазону (лінії випромінювання лазера)
13	Захисний кожух диска	14	Фіксуюча ручка (кута нахилу)	15	Шестигранний ключ	16	Гвинт регулювання (нижнього граничного положення)
17	Болт регулювання (максимальної ріжучої спроможності)	18	Стопорне плече	19	Важіль блокування (поворотної основи)	20	Спусковий важіль (поворотної основи)
21	Затиск (поворотної основи)	—	—	—	—	—	—

► Рис.3

1	Курок вмикача	2	Кнопка блокування вимкненого положення	3	Отвір для замка	4	Вмикач (лінії випромінювання лазера)
5	Шланг (для пиловидалення)	6	Стопорний штифт (для піднімання каретки)	7	Напрямна планка (нижня)	8	Напрямна планка (верхня)
9	Мішок для пилу	10	Болт регулювання 0° (кута нахилу)	11	Шкала кута нахилу	12	Спусковий важіль (кута нахилу 48°)
13	Важіль фіксатора (кута нахилу)	14	Показчик (кута нахилу)	15	Болт регулювання 45° (кута нахилу)	—	—

ВСТАНОВЛЕННЯ

Установлення ручки

Угвинтіть різьбовий вал ручки в поворотну основу.

- **Рис.4:** 1. Ручка 2. Поворотна основа

Установлення шланга для пиловидалення

Приєднайте шланг для пиловидалення до інструмента, як показано на рисунку.

Переконайтеся, що коліно та муфта належним чином вставлено в отвори на інструменті.

- **Рис.5:** 1. Шланг для пиловидалення 2. Коліно 3. Муфта 4. Отвір

Встановлення на верстат

Під час транспортування інструмента ручка блокується в нижньому положенні стопорним штифтом. Під час повільного опускання ручки потягніть стопорний штифт і поверніть його на 90°.

- **Рис.6:** 1. Заблоковане положення 2. Розблоковане положення 3. Стопорний штифт

Цей інструмент слід прикріпити чотирма болтами до рівної та стійкої поверхні, використовуючи болтові отвори на основі інструмента. Це дозволить уникнути перекидання та можливого травмування.

- **Рис.7:** 1. Болт

▲ПОПЕРЕДЖЕННЯ: Перевіряйте, щоб інструмент не рухався на опорній поверхні. Якщо пила для різання під кутом рухається на опорній поверхні під час різання, це може призвести до втрати контролю та серйозних травм.

ОПИС РОБОТИ

▲ ПОПЕРЕДЖЕННЯ: Перш ніж регулювати або перевіряти функціональність інструмента, обов'язково переконайтеся, що інструмент вимкнено й від'єднано від електромережі. Якщо інструмент не від'єднано від мережі та не вимкнено, це може призвести до серйозних травм через випадковий запуск інструмента.

Захисний кожух диска

► **Рис.8:** 1. Захисний кожух диска

Коли ручку опускають, захисний кожух диска автоматично піднімається. Кожух обладнано пружиною, тому він повертається в початкове положення після завершення різання та підйому ручки.

▲ ПОПЕРЕДЖЕННЯ: Ніколи не знімайте захисний кожух або пружину, яка кріпиться до нього, та не змінюйте їх конструкцію. Інакше незахищений диск може спричинити серйозні травми під час роботи.

З міркувань безпеки постійно підтримуйте захисний кожух диска в належному стані. Будь-які відхилення в роботі захисного кожуха диска необхідно негайно виправляти. Перевіряйте зворотну дію обладнаного пружиною захисного кожуха.

▲ ПОПЕРЕДЖЕННЯ: Ніколи не використовуйте інструмент, якщо захисний кожух або пружину пошкоджено, знято або якщо вони мають будь-які дефекти. Робота з інструментом, захисний кожух якого пошкоджено або знято, може призвести до серйозних травм.

Якщо прозорий захисний кожух диска забруднився або до нього пристала тирса, так що диск та/або деталь погано видно, вимкніть пилу з електромережі та ретельно очистьте кожух вологою тканиною. Забороняється застосовувати розчинники або будь-які миючі засоби на нафтовій основі для чищення пластикового захисного кожуха, оскільки так його можна пошкодити.

Якщо захисний кожух диска сильно забруднений, що призводить до погіршення видимості крізь нього, вимкніть інструмент і відпустіть болт із шестигранною головкою, який утримує центральну кришку, за допомогою ключа з комплекту. Відпустіть болт із шестигранною головкою, повертаючи його проти годинникової стрілки, та підніміть захисний кожух диска й центральну кришку. У цьому положенні захисний кожух можна повністю ретельно очистити. Після завершення чищення виконайте описану вище процедуру в зворотному порядку та закріпіть болт. Не знімайте пружину, яка утримує захисний кожух диска. У разі знебарвлення захисного кожуха впродовж його експлуатації або внаслідок впливу ультрафіолетового випромінювання зверніться до центру обслуговування Makita щодо придбання нового захисного кожуха. ЗАБОРОНЕНО ПОШКОДЖУВАТИ АБО ЗНИМАТИ ЗАХИСНИЙ КОЖУХ.

► **Рис.9:** 1. Центральна кришка 2. Шестигранний ключ 3. Захисний кожух диска

Щитки з пропилом

Цей інструмент забезпечено щитками з пропилом на поворотній основі для того, щоб мінімізувати розрив краю пропилю деталі. Щитки з пропилом регулюються на заводі таким чином, щоб диск пили не торкався щитків із пропилом. Перед використанням відрегулюйте щитки з пропилом, як вказано нижче.

► **Рис.10:** 1. Щиток із пропилом

► **Рис.11:** 1. Різання з лівим кутом нахилу 2. Пряме різання 3. Різання з правим кутом нахилу 4. Диск пили 5. Зубці диска 6. Щиток із пропилом

Спочатку від'єднайте інструмент від електромережі. Відпустіть усі гвинти (по 2 з лівої та правої сторони), закріплюючи щитки з пропилом доки їх все ще можна буде рухати руками. Опустіть ручку до упору, потім потягніть і поверніть стопорний штифт, щоб заблокувати ручку в нижньому положенні. Відпустіть стопорний штифт на пересувній рейці та потягніть каретку до себе до упору. Відрегулюйте щитки з пропилом таким чином, щоб вони ледве торкалися боків зубців диска. Затягніть передні гвинти (не затягуйте міцно). Пересуньте каретку до напрямної планки та відрегулюйте щитки з пропилом таким чином, щоб вони ледве торкалися боків зубців диска. Затягніть задні гвинти (не затягуйте міцно).

Після регулювання щитків із пропилом відпустіть стопорний штифт і підніміть ручку. Потім надійно затягніть усі гвинти.

УВАГА: Після регулювання кута нахилу переконайтеся, що щитки з пропилом налаштовані відповідним чином. Вірне налаштування щитків із пропилом забезпечить надійну опору деталі та зменшить до мінімуму ризик її викидання.

Підтримання максимальної різальної спроможності

Інструмент налаштовується на заводі таким чином, щоб забезпечити максимальну різальну здатність диска пили діаметром 305 мм.

Під час встановлення нового диска обов'язково перевіряйте нижню граничне положення диска та в разі необхідності відрегулюйте його, як описано нижче.

Спочатку від'єднайте інструмент від електромережі. Переведіть стопорний важіль у належне положення.

► **Рис.12:** 1. Стопорний важіль

Пересуньте каретку в напрямку до напрямної планки до упору та повністю опустіть ручку. Відрегулюйте положення диска, повертаючи болт регулювання шестиграним ключем. Край диска повинен опуститися трохи нижче верхньої поверхні поворотної основи в тому місці, де лицьова поверхня напрямної планки зустрічається з верхньою поверхнею поворотної основи.

► **Рис.13:** 1. Болт регулювання

► **Рис.14:** 1. Верхня поверхня поворотної основи 2. Зовнішній край диска 3. Напрямна планка

Коли інструмент вимкнено з електромережі, прокрутіть диск рукою, утримуючи ручку в нижньому положенні, щоб переконатися, що він не торкається жодної деталі нижньої основи. Якщо необхідно, повторіть регулювання ще раз. Після проведення регулювання завжди повертайте стопорний важіль у вихідне положення.

▲ПОПЕРЕДЖЕННЯ: Після встановлення нового диска, коли інструмент від'єднано від мережі, переконайтеся, що диск не торкається основи, коли ручку повністю опущено. Якщо диск торкається основи, це може спричинити віддачу та призвести до серйозних травм.

Стопорне плече

Нижнє граничне положення диска можна легко відрегулювати за допомогою стопорного плеча. Для цього поверніть стопорне плече за стрілкою, як показано на рисунку. Повертайте гвинт регулювання, доки диск не зупиниться в бажаному положенні, при цьому опускайте ручку до упору.

► **Рис.15:** 1. Стопорне плече 2. Гвинт регулювання

Порядок регулювання косого кута

▲ОБЕРЕЖНО: Після зміни косого кута обов'язково закріпіть поворотну основу, міцно затягнувши затиск.

УВАГА: Обов'язково підійміть ручку до упора при обертанні поворотної основи.

► **Рис.16:** 1. Важіль блокування 2. Ручка
3. Спусковий важіль 4. Показчик

Повертайте ручку проти годинникової стрілки, щоб розблокувати поворотну основу. Одночасно поверніть ручку та опустіть важіль блокування, щоб пересунути поворотну основу. Вирівняйте показчик із бажаним кутом на шкалі, потім затягніть ручку.

ПРИМІТКА: Якщо важіль вимкнення віджато, можна пересувати поворотну основу, не опускаючи важіль блокування. Затягніть ручку в потрібному положенні.

Пилу для різання під кутом обладнано упором-обмежувачем. Можна швидко встановити лівий і правий косий кут на 0°, 15°, 22,5°, 31,6°, 45° та 60°. Щоб використати його, пересуньте поворотну основу близько до бажаного кута упора-обмежувача, опускаючи важіль блокування. Потім відпустіть важіль блокування та пересувайте поворотну основу, доки вона не заблокується.

Регулювання кута нахилу

УВАГА: Завжди знімайте верхні напрямні планки та вертикальний затиск перед регулюванням кута нахилу.

УВАГА: При зміні кутів нахилу перевірте, чи належним чином розташовані щитки з пропилом відповідно до розділу «Щитки з пропилом».

УВАГА: Під час нахилання диска пили необхідно, щоб ручку було піднято до упору.

УВАГА: Не затягуйте ручку надто сильно. Це може призвести до несправності пристрою блокування кута нахилу.

1. Поверніть фіксуючу ручку на пересувній рейці проти годинникової стрілки.
► **Рис.17:** 1. Фіксуюча ручка
2. Потягніть і поверніть важіль фіксатора до положення, як показано на рисунку.
► **Рис.18:** 1. Важіль фіксатора
3. Вирівняйте показчик із бажаним кутом на шкалі, рухаючи кареткою, потім затягніть фіксуючу ручку.
► **Рис.19:** 1. Шкала кута нахилу 2. Показчик

Щоб нахилити каретку праворуч, злегка нахиліть її ліворуч, а потім праворуч, натискаючи спускову кнопку.

► **Рис.20:** 1. Спускова кнопка

Якщо ви виконете різання з кутом нахилу більшим ніж 45°, пересуньте каретку, рухаючи спусковий важіль до передньої частини інструмента. Різання можна виконувати з кутом нахилу до 48°.

► **Рис.21:** 1. Спусковий важіль

Пилу для різання під кутом обладнано упором-обмежувачем. Можна швидко встановити лівий і правий косий кут на 22,5° та 33,9°. Переведіть важіль фіксатора в положення, як показано на рисунку, і нахиліть каретку. Щоб змінити кут, потягніть важіль фіксатора та нахиліть каретку.

► **Рис.22:** 1. Важіль фіксатора

▲ОБЕРЕЖНО: Після зміни кута нахилу обов'язково закріпіть фіксуючу ручку.

Засув

Щоб заблокувати каретку від пересування, посуньте її до напрямної планки до зупинки. Потягніть стопорний штифт і поверніть його на 90°.

► **Рис.23:** 1. Розблоковане положення
2. Заблоковане положення 3. Стопорний штифт

▲ ПОПЕРЕДЖЕННЯ: Перш ніж підключити інструмент до мережі, обов'язково переконайтеся, що курок вимикача належним чином спрацює та повертається в положення вимкнення, коли його відпускають. Ніколи не натискайте із силою на курок вимикача, якщо кнопка блокування вимкненого положення не натиснута. Це може призвести до поломки вимикача. Робота з інструментом, вимикач якого не спрацює належним чином, може призвести до втрати контролю над інструментом та до отримання важких травм.

▲ ПОПЕРЕДЖЕННЯ: ЗАБОРОНЕНО користуватися інструментом, якщо курок вимикача працює неналежним чином. Інструмент із несправним вимикачем є ДУЖЕ НЕБЕЗПЕЧНИМ, для подальшого використання його слід полагодити, інакше його використання може призвести до серйозних травм.

▲ ПОПЕРЕДЖЕННЯ: ЗАБОРОНЕНО змінювати стан кнопки блокування вимкненого положення шляхом її затискання за допомогою стрічки або будь-яким іншим чином. Використання вимикача з несправною кнопкою блокування вимкненого положення може призвести до ненавмисного увімкнення та серйозних травм.

▲ ПОПЕРЕДЖЕННЯ: ЗАБОРОНЕНО користуватися інструментом, якщо він вмикається простим натисканням курка вимикача без натискання кнопки блокування вимкненого положення. Використання вимикача, який потребує ремонту, може спричинити ненавмисне увімкнення та серйозні травми. ПЕРЕД подальшим використанням інструмент слід передати до сервісного центру Makita для ремонту.

► **Рис.24:** 1. Курок вимикача 2. Кнопка блокування вимкненого положення 3. Отвір для замка

Для запобігання випадковому натисканню курка вимикача передбачено кнопку блокування вимкненого положення. Для того щоб запустити інструмент, натисніть на кнопку блокування вимкненого положення та натисніть на курок вимикача. Щоб зупинити роботу, відпустіть курок вимикача.

У курку вимикача передбачений отвір для вставлення замка та блокування інструмента.

▲ ПОПЕРЕДЖЕННЯ: Не використовуйте фіксатор зі стрижнем або кабелем, діаметр яких менше 6,35 мм. Менший стрижень або кабель не зможуть належним чином зафіксувати інструмент у вимкненому положенні — це може призвести до ненавмисного увімкнення та серйозних травм.

Контроль постійної швидкості

Інструмент оснащений пристроєм електронного контролю швидкості, який допомагає підтримувати постійну швидкість обертання диска навіть при навантаженні. Завдяки постійній швидкості обертання диска забезпечується дуже плавне різання.

Функція плавного запуску

Ця функція також забезпечує плавний запуск інструмента, обмежуючи обертальний момент під час пуску.

Дія лазерного променю

Тільки для моделі LS1219L

▲ ОБЕРЕЖНО: Ніколи не дивіться на лазерний промінь. Прямий лазерний промінь може завдати шкоди вашим очам.

Для того щоб увімкнути лазерний промінь, натисніть на верхнє положення (I) вимикача. Для того щоб вимкнути лазерний промінь, натисніть на нижнє положення (O) вимикача.

► **Рис.25:** 1. Вимикач лазера

У разі повертання гвинта регулювання лазерної лінії переміщується ліворуч або праворуч диска пили, як показано нижче.

► **Рис.26:** 1. Гвинт регулювання

1. Відпустіть гвинт регулювання, повернувши його проти годинникової стрілки.
2. Відпустіть гвинт регулювання та пересувайте його вліво або вправо до упору.
3. У положенні, коли гвинт регулювання припинить пересування, міцно затягніть його.

ПРИМІТКА: Лінію випромінювання лазера відрегульовано на заводі, так що вона знаходиться на відстані в межах 1 мм від бокової поверхні диска (положення різання).

ПРИМІТКА: Якщо лазерна лінія стає слабкою та малоопомітною через пряме сонячне світло, перемістіть робоче місце, щоб на нього не потрапляло сонячне світло.

Вирівнювання лазерної лінії

Слід вирівняти лінію різання на деталі за допомогою лазерної лінії.

► **Рис.27**

A) Якщо ви хочете отримати правильний розмір із лівої сторони оброблюваної деталі, перемістіть лазерну лінію вліво від диска.

B) Якщо ви хочете отримати правильний розмір із правої сторони оброблюваної деталі, перемістіть лазерну лінію вправо від диска.

ПРИМІТКА: Застосуйте дерев'яну накладку до напрямної планки в разі вирівнювання лінії різання за допомогою лазерної лінії зі сторони напрямної планки в режимі комбінованого різання (кут нахилу 45° та косий правий кут 45°).

ЗБОРКА

▲ ПОПЕРЕДЖЕННЯ: Перед проведенням будь-яких робіт на інструменті завжди перевіряйте, щоб інструмент був вимкнений та відключений від мережі живлення. Якщо інструмент не вимкнено або не від'єднано від мережі, існує ризик серйозного травмування.

Зберігання шестигранного ключа

Коли шестигранний ключ не використовується, зберігайте його, як показано на рисунку, щоб він не загубився.

► **Рис.28:** 1. Шестигранний ключ

Зняття та встановлення диска пили

▲ ПОПЕРЕДЖЕННЯ: Переконайтеся, що інструмент вимкнено та від'єднано від мережі, перш ніж встановлювати або знімати диск. Випадковий запуск інструмента може призвести до серйозних травм.

▲ ПОПЕРЕДЖЕННЯ: Для встановлення або зняття диска використовуйте тільки ключ виробництва компанії Makita, що входить до комплекту. Якщо шестигранний ключ не використовувати, це може призвести до надмірного або недостатнього затягування болта з внутрішнім шестигранником та, як наслідок, до серйозних травм.

Завжди блокуйте каретку у верхньому положенні, коли знімаєте та встановлюєте диск. Потягніть стопорний штифт і поверніть його на 90°, коли каретка піднята.

► **Рис.29:** 1. Розблоковане положення
2. Заблоковане положення 3. Стопорний штифт

Знімання диска

За допомогою шестигранного ключа відпустіть болт із шестигранною головкою, який утримує центральну кришку. Підніміть захисний кожух диска та центральну кришку.

► **Рис.30:** 1. Центральна кришка 2. Шестигранний ключ 3. Захисний кожух диска

Натисніть на замок вала для блокування шпинделя та за допомогою шестигранного ключа відпустіть болт із внутрішнім шестигранником. Потім вийміть болт із внутрішнім шестигранником, зніміть зовнішній фланець та диск.

► **Рис.31:** 1. Замок вала 2. Шестигранний ключ
3. Болт із внутрішнім шестигранником (лівий) 4. Відпустити 5. Затягнути

Установлення диска

Обережно встановіть диск на шпиндель, переконавшись, що напрям стрілки на поверхні диска збігається з напрямком стрілки на корпусі диска.

► **Рис.32:** 1. Стрілка на корпусі диска 2. Стрілка на поверхні диска

Установіть зовнішній фланець і болт із внутрішнім шестигранником. За допомогою шестигранного ключа затягніть болт із внутрішнім шестигранником, натискаючи замок вала.

► **Рис.33:** 1. Болт із внутрішнім шестигранником
2. Зовнішній фланець 3. Диск пили
4. Внутрішній фланець 5. Шпиндель
6. Кільце

УВАГА: Якщо внутрішній фланець був знятий, обов'язково встановіть його на шпиндель таким чином, щоб виступ був направлений від диска. Якщо фланець встановлено неправильно, він буде тертися об прилад.

Установіть захисний кожух та центральну кришку в початкове положення. Потім затягніть болт із шестигранною головкою, повертаючи його за годинниковою стрілкою, щоб закріпити центральну кришку. Розблокуйте стопорний штифт, щоб відпустити каретку з піднятого положення. Опустіть ручку, щоб переконаватися, що захисний кожух пересувається належним чином. Переконайтеся, що замок вала відпустив шпиндель, перед початком різання.

▲ ПОПЕРЕДЖЕННЯ: Перед установленням диска на шпиндель завжди перевіряйте, чи правильно кільце для шпиндельного отвору полотна, яке ви збираєтеся застосовувати, було встановлено між внутрішнім та зовнішнім фланцями. Використання неправильного кільця для шпиндельного отвору може призвести до неналежного кріплення диска та, як наслідок, до його зміщення й сильної вібрації, що може спричинити втрату контролю над інструментом під час роботи й отримання серйозних травм.

Під'єднання пирососа

Щоб забезпечити чистоту під час різання, під'єднайте пиросос Makita до штуцера для пилу за допомогою передніх манжет 24 (додаткове обладнання).

► **Рис.34:** 1. Передні манжети 24 2. Шланг
3. Пиросос

Мішок для пилу

Використання мішка для пилу забезпечує чистоту різання та полегшує збирання пилу. Щоб прикріпити мішок для пилу, зніміть шланг для пиловидалення на інструменті та під'єднайте мішок для пилу.

► **Рис.35:** 1. Шланг для пиловидалення 2. Мішок для пилу

Коли мішок для пилу заповниться приблизно наполовину, зніміть його з інструмента та витягніть застібку. Випорожніть мішок для пилу, злегка постукуючи по ньому, щоб видалити частинки, які пристали до внутрішньої поверхні, що може перешкоджати збору пилу.

► **Рис.36:** 1. Застібка

Кріплення деталі

▲ ПОПЕРЕДЖЕННЯ: Надзвичайно важливо належним чином закріплювати деталь за допомогою відповідних лещат або стопорів галтелей із хвилеподібним профілем. Невиконання цієї вимоги може призвести до серйозних травм та до пошкодження інструмента та/або деталі.

▲ ПОПЕРЕДЖЕННЯ: Після завершення різання не піднімайте диск, доки він повністю не зупиниться. Якщо підняти диск, що рухається за інерцією, це може призвести до серйозних травм та пошкодити деталь.

▲ ПОПЕРЕДЖЕННЯ: Під час різання деталі, яка є довшою за основу пили, матеріал слід тримати на одному рівні, підтримуючи по всій довжині на тій самій висоті. Належне підтримання деталі допоможе уникнути защемлення диска та можливої віддачі, яка може призвести до серйозних травм. Під час кріплення деталі не слід розраховувати виключно на вертикальний та/або горизонтальний затиск. Тонкий матеріал може прогинатися. Необхідно підпирати деталь по всій довжині, щоб уникнути защемлення диска та можливої ВІДДАЧІ.

► Рис.37: 1. Опора 2. Поворотна основа

Напрявні планки

▲ ПОПЕРЕДЖЕННЯ: Перш ніж користуватися інструментом, слід перевірити, чи верхня планка міцно закріплена.

▲ ПОПЕРЕДЖЕННЯ: Перш ніж здійснювати різання під кутом, переконайтеся, що у всіх положеннях інструмента жодна з його частин — особливо це стосується диска — не торкається верхніх і нижніх планок при повністю опущеній або піднятій ручці, а також під час пересування каретки по всій довжині. Якщо інструмент або диск торкається планки, це може спричинити віддачу або несподіваний рух матеріалу та призвести до серйозних травм.

Використовуйте верхню планку для утримування деталей вище нижніх планок. Уставте верхню планку в отвори на нижній планці та затягніть затискний гвинт.

► Рис.38: 1. Верхня планка 2. Нижня планка 3. Затискний гвинт 4. Гвинт регулювання

УВАГА: Нижні планки кріпляться до основи на заводі. Не знімайте нижні планки.

УВАГА: Якщо верхня планка після затягування затискного гвинта все ще не зафіксована, поверніть гвинт регулювання, щоб закрити проміжок. Гвинт регулювання налаштується на заводі. Не використовуйте його, якщо в цьому не виникає потреби.

Верхні планки можна зберігати на тримачу, якщо вони не потрібні. Використовуйте затискач на верхній планці, щоб закріпити її на тримачу.

► Рис.39: 1. Тримач 2. Верхня планка 3. Затискач

Вертикальний затиск

▲ ПОПЕРЕДЖЕННЯ: Під час усіх операцій деталь повинна бути надійно прикріплена до поворотної основи та напрямної планки за допомогою затиску. Якщо деталь прикріплена до планки неналежним чином, матеріал може зсунути під час різання, у результаті чого диск може отримати пошкодження, а матеріал відскочити, це може призвести до втрати контролю та серйозних травм.

► Рис.40: 1. Затискне плече 2. Затискний штифт 3. Затискний гвинт 4. Затискна ручка

Вертикальний затиск можна встановлювати в двох положеннях: як ліворуч, так і праворуч основи. Уставте стрижень затиску в отвір у основі ручки. Розташуйте затискне плече відповідно до товщини та форми деталі та закріпіть його, затягнувши гвинт. Якщо затискний гвинт торкається каретки, установіть його з протилежної сторони затискного плеча. Переконайтеся, що жодна деталь інструмента не торкається затиску при опусканні ручки до кінця. Якщо якась частина торкається затиску, повторіть його встановлення. Притисніть деталь впритул до напрямної планки та поворотної основи. Розмістіть деталь у бажаному положенні різання та міцно закріпіть її, затягнувши затискну ручку.

ПРИМІТКА: Для швидкого встановлення оброблюваної деталі поверніть затискну ручку на 90° проти годинникової стрілки, що дасть їй можливість рухатися вгору й вниз. Щоб зафіксувати деталь після налаштування, поверніть затискну ручку за годинниковою стрілкою.

Горизонтальний затиск

Додаткове приладдя

▲ ПОПЕРЕДЖЕННЯ: Завжди обертайте гайку лещат за годинниковою стрілкою, доки деталь не буде надійно закріплена. Якщо деталь закріплена неналежним чином, матеріал може зсунути під час різання, у результаті чого диск може отримати пошкодження, а матеріал відскочити, це може призвести до втрати контролю та до серйозних травм.

▲ ПОПЕРЕДЖЕННЯ: Під час різання тонких деталей, наприклад пліткусів, впритул до планок, завжди використовуйте горизонтальні лещата.

▲ ОБЕРЕЖНО: Якщо товщина оброблюваної деталі становить 20 мм або менше, обов'язково застосовуйте розпорний блок для надійної фіксації оброблюваної деталі.

Вертикальний затискний пристрій можна встановлювати у двох положеннях: ліворуч або праворуч від основи. У разі виконання різання під косим кутом 22,5° та більше, установіть горизонтальний затиск зі сторони, яка є протилежною до напрямку обертання поворотної основи.

- **Рис.41:** 1. Затискна пластина лещат 2. Затискна гайка 3. Затискна ручка

У разі прокручування гайки лещат проти годинникової стрілки лещата відпускаються та швидко пересуваються всередину та назовні. Щоб зафіксувати деталь, натисніть на затискну ручку вперед, доки затискна пластина не торкнеться деталі, та прокрутіть гайку лещат за годинниковою стрілкою. Потім поверніть затискну ручку за годинниковою стрілкою для того, щоб закріпити деталь.

ПРИМІТКА: Максимальна ширина деталі, яку можна закріпити горизонтальним затиском, становить 228 мм.

Тримачі

▲ПОПЕРЕДЖЕННЯ: Щоб забезпечити точність відрізу та уникнути небезпечної втрати контролю над інструментом, слід завжди підтримувати довгу деталь на одному рівні з поверхнею поворотної основи. Належне підтримання деталі допоможе уникнути защемлення диска та можливої віддачі, яка може призвести до серйозних травм.

Для утримання довгих оброблюваних деталей горизонтально з обох сторін інструмента встановлено тримачі. Відпустіть гвинти та розширте тримачі до достатньої довжини для утримання деталі. Потім затягніть гвинти.

- **Рис.42:** 1. Тримач 2. Гвинт

РОБОТА

▲ПОПЕРЕДЖЕННЯ: Перед увімкненням інструмента переконайтеся, що диск не торкається деталі та інших предметів. Увімкнення інструмента, коли диск торкається деталі, може призвести до віддачі та, як наслідок, до серйозних травм.

▲ПОПЕРЕДЖЕННЯ: Після завершення різання не піднімайте диск, доки він повністю не зупиниться. Якщо підняти диск, що рухається за інерцією, це може призвести до серйозних травм та пошкодити деталь.

▲ПОПЕРЕДЖЕННЯ: Не здійснюйте будь-яких налаштувань, наприклад повертання ручки, фіксуючої ручки та важелів на інструменті, коли диск обертається. Налаштування під час обертання диска може призвести до серйозних травм.

УВАГА: Перед використанням розблокуйте стопорний штифт та відпустіть тримач з опущеного положення.

УВАГА: Не додавайте надлишкового тиску на ручку під час різання. Занадто велике зусилля може призвести до перенавантаження двигуна та/або зниження продуктивності різання. Слід тиснути на ручку тільки з такою силою, яка необхідна для плавного різання та без значного зниження швидкості диска.

УВАГА: Для різання слід плавно тиснути ручку вниз. Якщо ручку натискати із зусиллям або при наявності бокового зусилля, диск може почати вібрувати та залишить мітку (лінію різання) на деталі, внаслідок чого точність різання буде погіршена.

УВАГА: Під час пересувного різання, слід плавно безупинно штовхати каретку в напрямку до напрямної планки. Якщо каретка зупиниться під час різання, мітка буде залишена на деталі та точність різання буде погіршена.

Вирізка

▲ПОПЕРЕДЖЕННЯ: Завжди блокуйте каретку від пересування, коли виконуєте вирізка. Різка без блокування може спричинити віддачу, яка може призвести до серйозних травм.

Деталі, вищі ніж 92 мм та ширші ніж 183 мм можна різати наступним способом.

- **Рис.43:** 1. Стопорний штифт

1. Посуньте каретку до напрямної планки, поки вона не зупиниться, та заблокуйте її за допомогою стопорного штифта.
2. Закріпіть деталь за допомогою затиску відповідного типу.
3. Увімкніть інструмент, переконавшись, що диск нічого не торкається, і перед опусканням почекайте, доки він набере максимальної швидкості.
4. Плавно опустіть ручку в найнижче положення для різання деталі.
5. Після завершення різання вимкніть інструмент та зачекайте, доки диск повністю не зупиниться, після чого підніміть диск до упору.

Пересувне (поштовхом) різання (різання великих деталей)

▲ПОПЕРЕДЖЕННЯ: Кожного разу під час виконання пересувного різання спочатку потягніть каретку повністю до себе та натисніть на ручку вниз до упора, потім пересуньте каретку до прямої планки. Ніколи не починайте різання, повністю не пересунувши каретку до себе. Якщо ви будете виконувати пересувне різання, повністю не пересунувши каретку до себе, може виникнути несподівана віддача, яка може призвести до серйозних травм.

▲ПОПЕРЕДЖЕННЯ: Ніколи не намагайтеся виконувати пересувне різання, потягнувши каретку до себе. Якщо ви будете тягнути каретку до себе під час різання, може виникнути несподівана віддача, яка може призвести до серйозних травм.

▲ПОПЕРЕДЖЕННЯ: Ніколи не виконуйте пересувне різання, якщо ручка заблокована в опущеному положенні.

► **Рис.44:** 1. Стопорний штифт

1. Розблокуйте стопорний штифт, щоб каретка мала можливість вільно пересуватись.
2. Закріпіть деталь за допомогою затиску відповідного типу.
3. Потягніть на себе каретку до упора.
4. Увімкніть інструмент, переконавшись, що диск ні до чого не торкається, і зачекайте, доки він набере максимальної швидкості.
5. Натисніть на ручку та пересуньте каретку до прямої планки та уздовж робочої деталі.
6. Після завершення різання вимкніть інструмент та зачекайте, доки диск повністю не зупиниться, після чого підніміть диск до упора.

Різання під косим кутом

Див. розділ вище «Регулювання косоного кута».

Різання з кутом нахилу

▲ПОПЕРЕДЖЕННЯ: Після налаштування диска для різання з кутом нахилу, перш ніж почати роботу з інструментом, переконайтеся, що каретка та диск можуть вільно пересуватися по всій довжині наміченого відрізу. Переривання руху каретки або диска під час різання може призвести до несподіваної віддачі та серйозних травм.

▲ПОПЕРЕДЖЕННЯ: Виконуючи різання під кутом, не торкайтесь руками доріжки диска пили. Через те що диск розташовано під кутом, оператор може не сприймати фактичний напрямок диска під час різання; контакт з диском призведе до серйозної травми.

▲ПОПЕРЕДЖЕННЯ: Доки диск повністю не зупиниться, його не слід піднімати. Під час різання під кутом обрізок деталі може зачепитися за диск. Якщо підняти диск, що обертається, він може вирвати обрізок деталі, розбивши його на осколки, що призведе до серйозних травм.

УВАГА: При натисканні ручки вниз, додавайте тиск паралельно до диска. Якщо зусилля додано перпендикулярно поворотній основі або змінився напрямок тиску під час різання, точність різання буде погіршена.

► **Рис.45**

1. Зніміть верхню планку на тій стороні, куди ви збираєтесь нахилити каретку.
2. Розблокуйте стопорний штифт.
3. Відрегулюйте кут нахилу відповідно до процедури, описаної в розділі «Регулювання кута нахилу». Потім затягніть фіксуючу ручку.
4. Закріпіть деталь за допомогою затиску.
5. Потягніть на себе каретку до упора.
6. Увімкніть інструмент, переконавшись, що диск ні до чого не торкається, і зачекайте, доки він набере максимальної швидкості.
7. Плавню опустіть ручку до упора, додаючи тиску паралельно з диском, та **штовхайте каретку до прямої планки для різання деталі.**
8. Після завершення різання вимкніть інструмент та зачекайте, доки диск повністю не зупиниться, після чого підніміть диск до упора.

Комбіноване різання

Комбіноване різання — це процес, при якому встановлено кут нахилу і одночасно косий кут вирізається на деталі. Комбіноване різання може відбуватися під кутом, вказаним у таблиці нижче.

Косий кут	Кут нахилу
Лівий та правий 0° — 45°	Лівий та правий 0° — 45°

У разі комбінованого різання див. розділи «Вирізання», «Пересувне (поштовхом) різання», «Різання під косим кутом» та «Різання з кутом нахилу».

Різання плінтусу

⚠ ОБЕРЕЖНО: Використовуйте горизонтальний затиск (допоміжне приладдя) для різання плінтуса.

⚠ ОБЕРЕЖНО: Якщо товщина оброблюваної деталі становить 20 мм або менше, обов'язково застосовуйте розпорний блок для надійної фіксації оброблюваної деталі.

Під час різання плінтуса під кутом 45° застосовуйте стопорний важіль для запобігання контакту корпусу диска й плінтуса. Завдяки цьому зберігатиметься відстань між корпусом диска та плінтусом, коли каретку буде повністю висунуто вперед. Різальну здатність для плінтуса вказано в ТЕХНІЧНИХ ХАРАКТЕРИСТИКАХ.

► **Рис.46:** 1. Стопорний важіль 2. Проміжний блок 3. Горизонтальний затиск

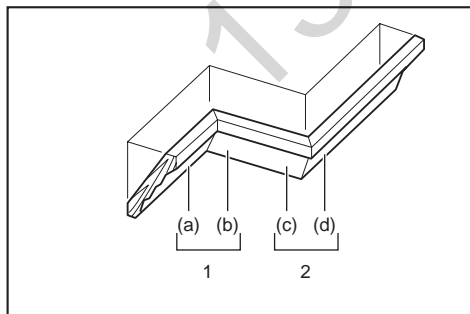
Різання галтелей з хвилеподібним та увігнутим профілем

Галтелі з хвилеподібним та увігнутим профілем можна різати на комбінованій пилі для різання під кутом разом з галтелями, встановленими горизонтально на поворотній основі.

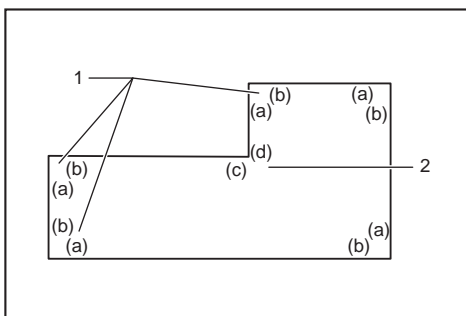
Є два загальні типи галтелей із хвилеподібним профілем та один тип галтелей із увігнутим профілем; настінна кутова галтель із хвилеподібним профілем 52/38°, настінна кутова галтель із хвилеподібним профілем 45° та настінна кутова галтель із увігнутим профілем 45°.

► **Рис.47:** 1. Галтель із хвилеподібним профілем типу 52/38° 2. Галтель із хвилеподібним профілем типу 45° 3. Галтель із увігнутим профілем типу 45°

Для галтелей із хвилеподібним та увігнутим профілем є два типи швів, які здійснюються для припасування у «внутрішні» кути 90° ((a) та (b) на малюнку), а також у «зовнішні» кути 90° ((c) та (d) на малюнку).



1. Внутрішній кут 2. Зовнішній кут



1. Внутрішній кут 2. Зовнішній кут

Вимірювання

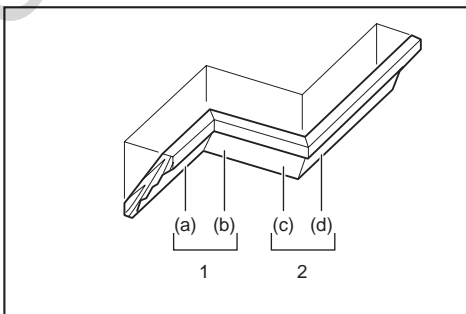
Виміряйте ширину стіни та підкоригуйте відповідно до неї ширину деталі. Завжди пильнуйте, щоб ширина краю деталі, що торкатиметься стіни, відповідала довжині стіни.

► **Рис.48:** 1. Деталь 2. Ширина стіни 3. Ширина деталі 4. Край, що торкатиметься стіни

Завжди використовуйте декілька деталей для пробних проходів, щоб перевірити кути відрізу.

Під час різання галтелей із хвилеподібним та увігнутим профілем встановіть кут нахилу та кут різання, як показано в таблиці (A), та розташуйте галтелі на верхній стороні основи пили, як показано в таблиці (B).

У випадку різання під кутом ліворуч



1. Внутрішній кут 2. Зовнішній кут

Таблиця (A)

–	Положення галтелі на малюнку	Кут нахилу		Косий кут	
		Тип 52/38°	Тип 45°	Тип 52/38°	Тип 45°
Для внутрішнього кута	(a)	Лівий 33,9°	Лівий 30°	Правий 31,6°	Правий 35,3°
	(b)			Лівий 31,6°	Лівий 35,3°
Для зовнішнього кута	(c)				
	(d)			Правий 31,6°	Правий 35,3°

Таблиця (В)

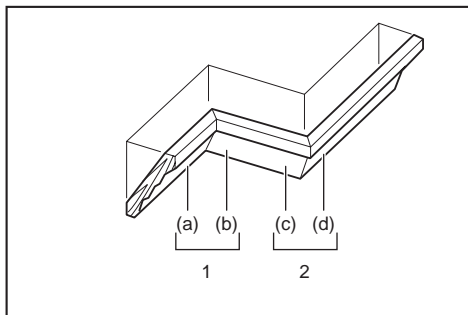
–	Положення галтелі на малюнку	Поверхня галтелі напроти напрямної планки	Оброблена деталь
Для внутрішнього кута	(a)	Край, що торкається стелі, повинен бути розташований напроти напрямної планки.	Оброблена деталь знаходиться ліворуч від диска.
	(b)	Край, що торкається стіни, повинен бути розташований напроти напрямної планки.	
Для зовнішнього кута	(c)	Край, що торкається стіни, повинен бути розташований напроти напрямної планки.	Оброблена деталь знаходиться праворуч від диска.
	(d)	Край, що торкається стелі, повинен бути розташований напроти напрямної планки.	

Приклад:

У випадку різання галтелі з хвилеподібним профілем типу 52/38° для положення (a) на малюнку вище:

- Нахиліть та встановіть кут нахилу на 33,9° ЛІВОРУЧ.
- Налаштуйте та встановіть кут різання на 31,6° ПРАВОРУЧ.
- Розташуйте галтель із хвилеподібним профілем так, щоб її широка задня частина (що схована) знаходилась на основі та була направлена вниз, а КРАЙ, ЩО ТОРКАЄТЬСЯ СТЕЛІ, — напроти напрямної планки пили.
- Після виконання відрізу призначена для використання оброблена деталь буде завжди розташована ЛІВОРУЧ від диска.

У випадку різання з правим кутом нахилу



1. Внутрішній кут 2. Зовнішній кут

Таблиця (А)

–	Положення галтелі на малюнку	Кут нахилу		Косий кут	
		Тип 52/38°	Тип 45°	Тип 52/38°	Тип 45°
Для внутрішнього кута	(a)	Правий 33,9°	Правий 30°	Правий 31,6°	Правий 35,3°
	(b)			Лівий 31,6°	Лівий 35,3°
Для зовнішнього кута	(c)			Правий 31,6°	Правий 35,3°
	(d)				

Таблиця (В)

–	Положення галтелі на малюнку	Поверхня галтелі напроти напрямної планки	Оброблена деталь
Для внутрішнього кута	(a)	Край, що торкається стіни, повинен бути розташований напроти напрямної планки.	Оброблена деталь знаходиться праворуч від диска.
	(b)	Край, що торкається стелі, повинен бути розташований напроти напрямної планки.	
Для зовнішнього кута	(c)	Край, що торкається стіни, повинен бути розташований напроти напрямної планки.	Оброблена деталь знаходиться ліворуч від диска.
	(d)	Край, що торкається стіни, повинен бути розташований напроти напрямної планки.	

Приклад:

У випадку різання галтелі з хвилеподібним профілем типу 52/38° для положення (a) на малюнку вище:

- Нахиліть та встановіть кут нахилу на 33,9° ПРАВОРУЧ.
- Налаштуйте та встановіть кут різання на 31,6° ПРАВОРУЧ.
- Розташуйте галтель із хвилеподібним профілем так, щоб її широка задня частина (що схована) знаходилась на поворотній основі та була направлена вниз, а КРАЙ, ЩО ТОРКАЄТЬСЯ СТИНИ, — напроти напрямної планки пили.
- Після виконання відрізу призначена для використання оброблена деталь буде завжди розташована ПРАВОРУЧ від диска.

Стопор галтели з хвилеподібним профілем

Додаткове приладдя

Стопори галтелей із хвилеподібним профілем дозволяють легше виконувати відрізи галтелей із хвилеподібним профілем, не нахилиючи диск пили. Установлюйте їх на поворотну основу, як показано на рисунках.

Скіс під кутом 45° праворуч

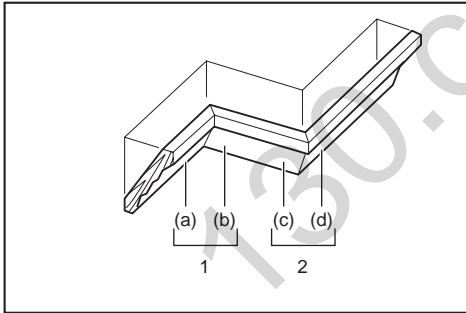
- **Рис.49:** 1. Стопор галтели з хвилеподібним профілем L 2. Стопор галтели з хвилеподібним профілем R 3. Поворотна основа 4. Напрямна планка

Скіс під кутом 45° ліворуч

- **Рис.50:** 1. Стопор галтели з хвилеподібним профілем L 2. Стопор галтели з хвилеподібним профілем R 3. Поворотна основа 4. Напрямна планка

Розташуйте галтель із хвилеподібним профілем так, щоб КРАЙ, ЩО ТОРКАЄТЬСЯ СТИНИ, знаходився напроти напрямної планки, а КРАЙ, ЩО ТОРКАЄТЬСЯ СТЕПЛІ, — напроти стопорів галтелей із хвилеподібним профілем, як показано на рисунку. Відрегулюйте стопори галтелей із хвилеподібним профілем відповідно до розмірів галтелей із хвилеподібним профілем. Затягніть гвинти, щоб зафіксувати стопори галтелей із хвилеподібним профілем. У таблиці (С) наведені кути різання.

- **Рис.51:** 1. Напрямна планка 2. Стопор галтели з хвилеподібним профілем



1. Внутрішній кут 2. Зовнішній кут

Таблиця (С)

–	Положення галтели на рисунку	Косий кут	Оброблена деталь
Для внутрішнього кута	(a)	Правий 45°	Окрім правої сторони диска
	(b)	Лівий 45°	Окрім лівої сторони диска
Для зовнішнього кута	(c)		Окрім правої сторони диска
	(d)	Правий 45°	Окрім лівої сторони диска

Різання алюмінієвого профілю

- **Рис.52:** 1. Затиск 2. Проміжний блок 3. Напрямна планка 4. Алюмінієвий профіль 5. Проміжний блок

Для кріплення алюмінієвого профілю користуйтеся проміжними блоками або шматком із відходів, як показано на малюнку, щоб запобігти деформації алюмінію. Щоб уникнути напильника алюмінієвої стружки на диск, використовуйте мастило під час різання алюмінієвого профілю.

ПОПЕРЕДЖЕННЯ: Не намагайтеся різати товсті та круглі алюмінієві профілі. Товстий або круглий алюмінієвий профіль важко закріпити, і він може розштовпачитися під час різання, що може призвести до втрати контролю та до серйозних травм.

Лицьова дошка

ПОПЕРЕДЖЕННЯ: Гвинти використовуються для кріплення лицьової дошки до напрямної планки. Гвинти слід установлювати таким чином, щоб їхні головки розташовувалися нижче поверхні лицьової дошки і не заважали розміщенню деталей, що підлягає різанню. Неналежне положення деталі, що підлягає різанню, може спричинити неочікуваний рух під час різання, що може призвести до втрати контролю та як наслідок до серйозних травм.

ОБЕРЕЖНО: Для лицьової дошки візьміть пряму дошку рівномірної товщини.

ОБЕРЕЖНО: Для того щоб повністю розрізати оброблювані деталі висотою від 107 до 120 мм, слід застосувати лицьову дошку на напрямній планці. Завдяки лицьовій дошці оброблювана деталь буде розташована на відстані від планки, що дозволить здійснити глибше різання.

УВАГА: Коли лицьова дошка прикріплена, не слід повертати поворотну основу з опущеною рукою. Диск та/або лицьова дошка будуть пошкоджені.

Використання лицьової дошки допомагає забезпечити виконання надрізів у деталях без утворення скіпок. Прикріпіть лицьову дошку до напрямної планки за допомогою наявних у ній отворів і 6-мм гвинтів. Див. малюнок стосовно розмірів пропонованої лицьової дошки.

- **Рис.53:** 1. Отвір 2. Понад 15 мм 3. Понад 270 мм 4. 90 мм 5. 145 мм 6. 19 мм 7. 115—120 мм

ПРИКЛАД Під час різання оброблюваних деталей висотою 115 та 120 мм використовуйте лицьову дошку такої товщини.

Кут різання	Товщина лицьової дошки	
	115 мм	120 мм
0°	20 мм	38 мм
Лівий та правий 45°	15 мм	25 мм
Лівий та правий 60°	15 мм	25 мм

Різання пазів

▲ПОПЕРЕДЖЕННЯ: Не намагайтеся виконати цей тип відрізу, використовуючи більш широкий диск або диск для вирізання пазів. Спроба прорізати паз за допомогою більш широкого диска або диска для вирізання пазів може призвести до непередбачених результатів, віддачі або серйозних травм.

▲ПОПЕРЕДЖЕННЯ: Обов'язково поверніть стопорне плече в початкове положення при виконанні іншого виду різання окрім різання пазів. Спроба зробити надріз, коли стопорне плече знаходиться в неналежному положенні, може призвести до непередбачених результатів, віддачі або серйозних травм.

Для різання пазів виконайте наступні дії:

1. Відрегулюйте нижнє граничне положення диска за допомогою регулюючого гвинта та стопорного плеча для того, щоб обмежити глибину різання диском. Див. розділ «Стопорне плече» вище.
2. Після регулювання нижнього граничного положення диска, проріжте паралельні пазу по ширині деталі в режимі пересувного різання.
► **Рис.54:** 1. Проріжте пази диском
3. Потім зніміть матеріал деталі між пазами за допомогою стамески.

Спеціальний метод для отримання різальної здатності максимальної ширини

Для того щоб досягти максимальної ширини різання за допомогою цього інструмента, необхідно виконати такі дії:

Максимальну ширину різання за допомогою цього інструмента див. в ТЕХНІЧНИХ ХАРАКТЕРИСТИКАХ, розділ «Різальна здатність для спеціальних видів різання».

1. Встановіть інструмент під кутом різання 0° або 45° та переконайтеся, що поворотну основу заблоковано. (Див. розділ «Регулювання косого кута».)
2. Тимчасово перемістіть праву та ліву верхні планки та зафіксуйте їх по обидва боки.
3. Виріжте платформу за розмірами, вказаними на малюнку, із плоскої заготовки з дерева, фанери чи пресованої деревини товщиною 38 мм.
► **Рис.55:** 1. 0° кут різання: Понад 450 мм 2. 45° кут різання: Понад 325 мм 3. 38 мм 4. Понад 760 мм

▲ПОПЕРЕДЖЕННЯ: Обов'язково використовуйте плоску заготовку як платформу. Не плоска заготовка може зсунутися під час різання, що може призвести до віддачі та серйозних травм.

ПРИМІТКА: Максимальна різальна здатність буде зменшена на товщину платформи.

4. Розмістіть платформу на інструменті так, щоб вона перекривала основу інструмента з усіх сторін на однакову відстань.

Закріпіть платформу та інструмент за допомогою чотирьох 6-мм дерев'яних гвинтів, вставлених у чотири отвори на нижніх планках.

- **Рис.56:** 1. Гвинти (по два з кожного боку) 2. Нижня планка 3. Основа 4. Платформа

▲ПОПЕРЕДЖЕННЯ: Переконайтеся, що платформа знаходиться в рівному положенні відносно основи інструмента та надійно прикріплена до нижніх планок за допомогою чотирьох гвинтів, вставлених у відповідні отвори. Якщо не закріпити платформу належним чином, це може викликати її рух та спричинити віддачу, яка може призвести до серйозних травм.

▲ПОПЕРЕДЖЕННЯ: Переконайтеся, що інструмент надійно встановлено на стійкій рівній поверхні. Якщо відповідним чином не встановити та не закріпити інструмент, це може спричинити його нестійкість, втрату контролю та/або падіння інструмента, що може призвести до серйозних травм.

5. Установіть верхні планки на інструменті.

▲ПОПЕРЕДЖЕННЯ: Не використовуйте інструмент, не встановивши верхні планки. Верхні планки забезпечують опору, необхідну для різання оброблюваної деталі. Якщо деталь не матиме належної опори, вона може зрушити з місця, спричинивши втрату контролю, віддачу та значні травми.

6. Розмістіть оброблювану деталь на платформі, яка, у свою чергу, має бути надійно прикріплена до інструмента.

7. Перед тим, як різати, надійно прилаштуйте оброблювану деталь до верхніх планок за допомогою затиску.

- **Рис.57:** 1. Верхня планка 2. Вертикальний затиск 3. Оброблювана деталь 4. Платформа

8. Повільно розріжте робочу деталь, дотримуючись інструкцій, наведених у розділі «Пересувне (поштовхом) різання (різання широких деталей)».

▲ПОПЕРЕДЖЕННЯ: Переконайтеся, що деталь зафіксовано за допомогою затискного пристрою, після чого повільно виконайте різання. Якщо не закріпити деталь належним чином, вона може зсунутися, що може призвести до віддачі та серйозних травм.

▲ПОПЕРЕДЖЕННЯ: Зверніть увагу, що платформа може втратити міцність після декількох розрізів під різним кутом. Якщо платформа стане послабленою через велику кількість пропиливі у матеріалі, її слід замінити. Якщо платформу не замінити, під час різання деталь може зсунутися, спричинити віддачу та серйозні травми.

Перенесення верстата

Перед перенесенням інструмента переконайтеся, що його від'єднано від мережі, а всі рухомі частини пили закріплено. Завжди перевіряйте наступне:

- інструмент від'єднано від мережі;
- каретка знаходиться в положенні під кутом нахилу 0° та закріплена;
- каретка опущена та заблокована;
- каретка пересунута до прямої планки до упору та заблокована;
- поворотна основа переведена в положення під косим кутом до упору та закріплена;
- тримачі встановлені та закріплені.

Переносьте інструмент тримаючи основу інструмента з обох сторін, як показано на рисунку.

► **Рис.58**

▲ ПОПЕРЕДЖЕННЯ: Стопорний штифт для підняття каретки призначений тільки для транспортування та зберігання, а не для різання. Якщо використовувати стопорний штифт під час різання, це може викликати несподіваний рух диска пили та призвести до віддачі й серйозних травм.

▲ ОБЕРЕЖНО: Перед перенесенням інструмента обов'язково закріплюйте всі рухомі деталі. Якщо при перенесенні інструмента деякі його частини рухаються, ви можете втратити рівновагу й отримати серйозні травми.

ТЕХНІЧНЕ ОБСЛУГОВУВАННЯ

▲ ПОПЕРЕДЖЕННЯ: Перш ніж проводити огляд або технічне обслуговування інструмента, переконайтеся, що його вимкнено й від'єднано від мережі. Якщо інструмент не вимкнено та не від'єднано від мережі, це може призвести до серйозних травм через випадковий запуск інструмента.

▲ ПОПЕРЕДЖЕННЯ: Завжди перевіряйте, щоб диск був гострий та чистий, це забезпечить найкращу та найбезпечнішу роботу. Різання тупим та/або брудним диском може призвести до віддачі та серйозних травм.

УВАГА: Ніколи не використовуйте газолін, бензин, розріджувач, спирт та подібні речовини. Їх використання може призвести до зміни кольору, деформації або появи тріщин.

Порядок регулювання кута різання

Інструмент ретельно відрегульовано та налагоджено на заводі, але внаслідок грубого поводження налаштування могло бути порушено. Якщо ваш інструмент не налагоджено належним чином, виконайте наведені нижче дії.

Косий кут

Опустіть ручку до упору та заблокуйте її в опущеному положенні за допомогою стопорного штифта. Посуньте каретку до прямої планки. Відпустіть ручку та гвинти, якими закріплено покажчик та шкалу косоного кута.

► **Рис.59:** 1. Гвинт на покажчику 2. Гвинти на шкалі косоного кута 3. Шкала косоного кута

Переведіть поворотну основу в положення під кутом 0°, використовуючи упор-обмежувач. Установіть бокову поверхню диска перпендикулярно до поверхні прямої планки за допомогою трикутної лінійки чи косинця. Утримуючи їх у перпендикулярному положенні, затягніть гвинти на шкалі косоного кута. Потім вирівняйте покажчики (правий та лівий) з положенням 0° на шкалі косоного кута та затягніть гвинти на покажчиках.

► **Рис.60:** 1. Трикутна лінійка

Кут нахилу

Кут нахилу 0°

Посуньте каретку до прямої планки та заблокуйте її від пересування за допомогою стопорного штифта. Опустіть ручку до упору та заблокуйте її в опущеному положенні за допомогою стопорного штифта, а потім відпустіть фіксуючу ручку. Двічі чи тричі поверніть болт регулювання 0° проти годинникової стрілки, щоб нахилити диск управо.

► **Рис.61:** 1. Болт регулювання 0° 2. Гвинт

Обережно встановіть бокову поверхню диска перпендикулярно верхній поверхні поворотної основи за допомогою трикутної лінійки, косинця та ін., повернувши болт регулювання 0° за годинниковою стрілкою. Потім міцно затягніть фіксуючу ручку, щоб зафіксувати встановлений кут 0°.

► **Рис.62:** 1. Трикутна лінійка 2. Диск пили

3. Верхня поверхня поворотної основи

Ще раз перевірте, чи бокова поверхня диска перпендикулярна до поверхні поворотної основи. Відпустіть гвинт на покажчику. Вирівняйте покажчик із положенням 0° на шкалі кута нахилу, а потім затягніть гвинт.

Кут нахилу 45°

УВАГА: Перш ніж регулювати кут нахилу 45°, завершіть регулювання кута нахилу 0°.

Відпустіть фіксуючу ручку та нахиліть каретку до упору на ту сторону, яку ви хочете перевірити. Переконайтеся, що покажчик вказує на положення 45° на шкалі кута нахилу.

► **Рис.63**

Якщо покажчик не вказує на положення 45°, вирівняйте його з положенням 45°, повернувши болт регулювання на протилежній стороні шкали кута нахилу.

► **Рис.64:** 1. Лівий болт регулювання 45° 2. Правий болт регулювання 45°

Регулювання положення лазерної лінії

Тільки для моделі LS1219L

▲ ПОПЕРЕДЖЕННЯ: Під час регулювання лазерної лінії інструмент має бути підключено до мережі. Слідкуйте, щоб інструмент під час регулювання залишався вимкненим. Випадковий запуск інструмента може призвести до серйозних травм.

▲ ОБЕРЕЖНО: Забороняється дивитися безпосередньо в лазерний промінь. Безпосередній вплив променя на очі може серйозно їх вразити.

УВАГА: Регулярно перевіряйте точність положення лазерної лінії.

УВАГА: Оберегайте інструмент від ударів. Вони можуть змістити лазерну лінію або завдати шкоди лазеру, зменшуючи строк його експлуатації.

УВАГА: Із питань ремонту, пов'язаного з пошкодженням лазерного блоку, слід звертатися до авторизованого сервісного центру Makita.

Рухомий діапазон лазерної лінії визначається положенням гвинтів регулювання діапазону з обох сторін. Виконайте наступні дії, щоб змінити положення лазерної лінії.

1. Вимкніть інструмент із мережі.
2. Накресліть лінію різання на деталі та розмістіть її на поворотній основі. На цей час не треба закріплювати деталь за допомогою лещат або схожого кріплення.
3. Опустіть тримач та вирівняйте лінію різання з диском пили.
4. Переведіть тримач у вихідне положення та закріпіть оброблювану деталь за допомогою вертикального затиску так, щоб деталь не виходила з визначеного положення.
5. Під'єднайте інструмент до мережі та ввімкніть лазерний вмикач.
6. Відпустіть гвинт регулювання. Щоб зняти лазерну лінію з диска, поверніть гвинти регулювання діапазону проти годинникової стрілки. Щоб перемістити лазерну лінію ближче до диска, поверніть гвинт регулювання діапазону за годинниковою стрілкою.

Налаштування лазерної лінії на лівому боці диска

- **Рис.65:** 1. Гвинт регулювання 2. Гвинт регулювання діапазону 3. Шестигранний ключ 4. Лазерна лінія 5. Диск пили

Налаштування лазерної лінії на правому боці диска

- **Рис.66:** 1. Гвинт регулювання 2. Гвинт регулювання діапазону 3. Шестигранний ключ 4. Лазерна лінія 5. Диск пили

7. Пересуньте гвинт регулювання в таке положення, щоб лазерна лінія збігалася з лінією різання, та затягніть його.

ПРИМІТКА: Рухомий діапазон лазерної лінії регулюється на заводі в межах 1 мм від бокової поверхні диска.

Очищення лінзи лазерного променя

Тільки для моделі LS1219L

Коли лінза для лазерного променя забруднюється, лазерний промінь стає погано видно. Потрібно періодично очистити лінзу для лазерного променя.

- **Рис.67:** 1. Гвинт 2. Лінза

Вимкніть інструмент із мережі. Відпустіть гвинт і витягніть лінзу. Обережно очистьте лінзу вологою м'якою тканиною.

УВАГА: Не знімайте гвинт, яким кріпиться лінза. Якщо лінза не виймається, відпустіть гвинт далі.

УВАГА: Забороняється застосовувати розчинники або будь-які миючі засоби на нафтовій основі для чистки скла.

Заміна графітових щіток

- **Рис.68:** 1. Обмежувальна відмітка

Регулярно знімайте та перевіряйте графітові щітки. Замінюйте їх, коли зношення сягає граничної відмітки. Підтримуйте чистоту графітових щіток та слідкуйте, щоб вони вільно заходили в тримачі. Одночасно треба замінювати обидві графітові щітки. Можна використовувати тільки однакові графітові щітки.

Для виймання ковпачків щіткотримачів користуйтеся викруткою. Зніміть зношені вугільні щітки, вставте нові та закріпіть ковпачки щіткотримачів.

- **Рис.69:** 1. Ковпачок щіткотримача

Після заміни щіток під'єднайте інструмент до мережі та притріть щітки, давши інструментові попрацювати без навантаження близько 10 хвилин. Потім перевірте інструмент під час роботи, а також роботу електричного гальма, коли відпускається курок вмикача. Якщо електричне гальмо працює неналежним чином, зверніться до сервісного центру Makita для проведення ремонтних робіт.

Після використання

Після використання слід витерти стружку та пил, який прилип до інструмента, ганчіркою або чим-небудь подібним. Підтримуйте захисний кожух диска в чистому стані згідно зі вказівками, наведеними вище у розділі «Захисний кожух диска». Змашуйте поверхні ковзання мастилом, щоб запобігти появі іржі.

Для забезпечення БЕЗПЕКИ та НАДІЙНОСТІ продукції, її ремонт, а також роботи з обслуговування або регулювання повинні виконуватися уповноваженими або заводськими сервісними центрами Makita із використанням запчастин виробництва компанії Makita.

ДОДАТКОВЕ ПРИЛАДДЯ

⚠ ПОПЕРЕДЖЕННЯ: Це додаткове обладнання або насадки Makita рекомендується використовувати з інструментом Makita, зазначеним у цій інструкції. Використання будь-якого іншого додаткового обладнання або насадок може призвести до серйозних травм.

⚠ ПОПЕРЕДЖЕННЯ: Використовуйте додаткове обладнання або насадки Makita виключно за призначенням. Неналежне використання додаткового обладнання або насадок може призвести до серйозних травм.

У разі необхідності отримати допомогу в більш детальному ознайомленні з оснащенням звертайтеся до місцевого сервісного центру Makita.

- Диски пили з твердосплавною різальною пластиною на кінці
- Вертикальний затиск
- Горизонтальний затиск
- Комплект стопорів галтели з хвилеподібним профілем
- Мішок для пилу
- Трикутна лінійка
- Шестигранний ключ
- Шестигранний ключ (для моделі LS1219L)

ПРИМІТКА: Деякі елементи списку можуть входити до комплекту інструмента як стандартне приладдя. Вони можуть відрізнятися залежно від країни.

SPECIFICAȚII

Model:		LS1219	LS1219L
Diametrul pânzei		305 mm	
Diametrul găurii	Pentru țări europene	30 mm	
	Pentru țări din afara Europei	25,4 mm	
Grosime fantă max. a pânzei de ferăstrău		3,2 mm	
Unghi maxim de tăiere oblică		Dreapta 60°, stânga 60°	
Unghi maxim de înclinare		Dreapta 48°, stânga 48°	
Turație în gol (RPM)		3.200 min ⁻¹	
Tip laser		-	Laser roșu 650 nm, ieșire maximă < 1,6mW (laser clasa 2M)
Dimensiuni (L x l x Î)		898 mm x 664 mm x 725 mm	
Greutate netă		29,3 kg	29,5 kg
Clasa de siguranță		□/II	

Capacități de debitare (Î x l)

Unghi de tăiere oblică			Unghi de înclinare		
			45° (stânga)	0°	45° (dreapta)
0°	-	-	61 mm x 382 mm 71 mm x 363mm	92 mm x 382 mm 107 mm x 363 mm	44 mm x 382 mm 54 mm x 363 mm
	Grosimea placajului de lemn de pe opritorul de ghidare pentru înălțime sporită a tăierii	20 mm	78 mm x 325 mm	115 mm x 325 mm	61 mm x 325 mm
38 mm		80 mm x 292 mm	120 mm x 292 mm	-	
45° (dreapta și stânga)	-	-	61 mm x 268 mm 71 mm x 255 mm	92 mm x 268 mm 107 mm x 255 mm	44 mm x 268 mm 54 mm x 255 mm
	Grosimea placajului de lemn de pe opritorul de ghidare pentru înălțime sporită a tăierii	15 mm	-	115 mm x 227 mm	-
		25 mm	-	120 mm x 212 mm	-
60° (dreapta și stânga)	-	-	-	92 mm x 185 mm 107 mm x 178 mm	-
	Grosimea placajului de lemn de pe opritorul de ghidare pentru înălțime sporită a tăierii	15 mm	-	115 mm x 155 mm	-
		25 mm	-	120 mm x 140 mm	-

Capacități de debitare pentru decupări speciale

Tip de debitare	Capacitate de debitare
Cornișă tip 45° (cu opritor de cornișă utilizat)	203 mm
Plintă (cu menghină orizontală utilizată)	171 mm

- Datorită programului nostru continuu de cercetare și dezvoltare, specificațiile pot fi modificate fără o notificare prealabilă.
- Specificațiile pot varia în funcție de țară.
- Greutatea este specificată conform procedurii EPTA 01/2014

Simboluri

Mai jos sunt prezentate simbolurile de pe echipament. Asigurați-vă că înțelegeți sensul acestora înainte de utilizare.



Citiți manualul de utilizare.



IZOLAȚIE DUBLĂ



Pentru a evita vătăările provocate de resturile împrăștiate, după executarea tăierii mențineți capul ferăstrăului coborât, până când pânza se oprește complet.



Când executați o tăiere prin glisare, trageți întâi sania complet spre dumneavoastră și apăsați mânerul până în poziția coborâtă, iar apoi împingeți sania către ghidajul opritor.



Nu duceți mâinile sau degetele în apropierea pânzei.



Nu priviți niciodată în fasciculul laser. Privirea directă a fasciculului laser vă poate vătăma ochii.



Doar pentru țările din cadrul UE
Nu aruncați aparatele electrice în gunoii menajer! În conformitate cu Directiva europeană privind deșeurile de echipamente electrice și electronice și implementarea sa conform legislației naționale, echipamentele electrice care au ajuns la sfârșitul duratei de viață trebuie colectate separat și reciclate corespunzător în vederea protecției mediului.

Destinația de utilizare

Mașina este destinată tăierii precise drepte și în sens oblic în lemn. Cu pânze de ferăstrău adecvate, pot fi executate și tăieri ale aluminiului.

Sursă de alimentare

Mașina trebuie conectată numai la o sursă de alimentare cu curent alternativ monofazat, cu tensiunea egală cu cea indicată pe plăcuța de identificare a mașinii. Acestea au o izolație dublă și, drept urmare, pot fi utilizate de la prize fără împământare.

Zgomot

Nivelul de zgomot normal ponderat A determinat în conformitate cu EN62841:

Model LS1219

Nivel de presiune acustică (L_{pA}): 91 dB(A)

Nivel de putere acustică (L_{WA}): 100 dB (A)

Marjă de eroare (K): 3 dB(A)

Model LS1219L

Nivel de presiune acustică (L_{pA}): 91 dB(A)

Nivel de putere acustică (L_{WA}): 100 dB (A)

Marjă de eroare (K): 3 dB(A)

AVERTIZARE: Purtați echipament de protecție pentru urechi.

Vibrații

Valoarea totală a vibrațiilor (suma vectorilor tri-axiali) determinată conform EN62841:

Model LS1219

Emisie de vibrații (a_h): 2,5 m/s² sau mai puțin

Marjă de eroare (K): 1,5 m/s²

Model LS1219L

Emisie de vibrații (a_h): 2,5 m/s² sau mai puțin

Marjă de eroare (K): 1,5 m/s²

NOTĂ: Nivelul de vibrații declarat a fost măsurat în conformitate cu metoda de test standard și poate fi utilizat pentru compararea unei uneelte cu alta.

NOTĂ: Nivelul de vibrații declarat poate fi, de asemenea, utilizat într-o evaluare preliminară a expunerii.

AVERTIZARE: Nivelul de vibrații în timpul utilizării efective a unelei electrice poate diferi de valoarea nivelului declarat, în funcție de modul în care unealta este utilizată.

AVERTIZARE: Asigurați-vă că identificați măsurile de siguranță pentru a proteja operatorul, acestea fiind bazate pe o estimare a expunerii în condiții reale de utilizare (luând în considerare toate părțile ciclului de operare, precum timpii în care unealta a fost oprită, sau a funcționat în gol, pe lângă timpul de declanșare).

Declarație de conformitate CE

Nu mai pentru țările europene

Declarația de conformitate CE este inclusă ca Anexa A în acest manual de instrucțiuni.

AVERTIZĂRI DE SIGURANȚĂ

Avertismente generale de siguranță pentru mașinile electrice

AVERTIZARE: Citiți toate avertismentele privind siguranța, instrucțiunile, ilustrațiile și specificațiile furnizate cu această sculă electrică. Nerespectarea integrală a instrucțiunilor de mai jos poate cauza electrocutări, incendii și/sau vătămări corporale grave.

Păstrați toate avertismentele și instrucțiunile pentru consultări ulterioare.

Termenul „mașină electrică” din avertisări se referă la mașinile dumneavoastră electrice acționate de la rețea (prin cablu) sau cu acumulator (fără cablu).

Instrucțiuni de siguranță pentru ferăstraie pentru tăieri oblice

- 1. Ferăstraiele pentru tăieri oblice sunt destinate debitării lemnului sau produselor similare lemnului, acestea nu pot fi utilizate cu discuri abrazive de retezat pentru materiale feroase, precum bare, tije, bolțuri etc.** Praful abraziv provoacă înțepenirea pieselor mobile, precum opritorul inferior. Scânteile de la retezarea abrazivă vor arde opritorul inferior, inserția fantei și alte piese din plastic.
 - 2. Utilizați cleme pentru a susține piesa de prelucrat oricând este posibil acest lucru. Dacă sprijiniți piesa de prelucrat cu mâna, trebuie întotdeauna să țineți mâna la minim 100 mm de fiecare parte a pânzei de ferăstrău. Nu utilizați acest ferăstrău pentru a debita piese care sunt prea mici pentru a fi fixate în siguranță sau ținute cu mâna.** Dacă mâna dvs. se află prea aproape de pânză de ferăstrău, există un risc ridicat de vătămare corporală din cauza contactului cu pânză.
 - 3. Piesa de prelucrat trebuie să fie staționară și fixată sau ținută atât pe opritor, cât și pe masă. Nu alimentați în niciun caz piesa de prelucrat în pânză sau debitați „cu mâna liberă”.** Piese de prelucrat nefixate sau mobile ar putea fi aruncate la viteze ridicate, provocând vătămări corporale.
 - 4. Împingeți ferăstrăul prin piesa de prelucrat. Nu trageți ferăstrăul prin piesa de prelucrat. Pentru a efectua o decupare, ridicați capul ferăstrăului și trageți-l peste piesa de prelucrat fără a debita, porniți motorul, apăsați capul ferăstrăului în jos și împingeți ferăstrăul prin piesa de prelucrat.** Debitarea în cursa de tragere prezintă posibilitatea de a cauza ridicarea pânzei de ferăstrău pe partea de sus a piesei de prelucrat și aruncarea cu violență a ansamblului pânzei spre operator.
 - 5. Nu treceți niciodată mâna peste linia de debitare intenționată, nici în fața, nici în spatele pânzei de ferăstrău.** Sprijinirea piesei de prelucrat „cu manevrare cu mâinile în cruce”, adică, ținerea piesei de prelucrat la dreapta pânzei de ferăstrău cu mâna stânga sau invers, este foarte periculoasă.
- Fig.1
- 6. Nu introduceți mâinile în spatele opritorului mai aproape de 100 mm față de oricare dintre laturile pânzei de ferăstrău pentru a îndepărta deșeurile lemnoase sau din oricare alt motiv în timp ce pânză se rotește.** Este posibil ca proximitatea pânzei de ferăstrău în rotire față de mâna dvs. să nu fie evidentă, dvs. putând fi vătămat grav.
 - 7. Inspectați piesa de prelucrat înainte de debitare. Dacă piesa de prelucrat este încovoaiată sau distorsionată, fixați-o cu fața încovoaiată exterioară spre opritor. Asigurați-vă întotdeauna de faptul că nu există niciun gol între piesa de prelucrat, opritor și masă de-a lungul liniei debitării.** Piese de prelucrat încovoiate sau distorsionate se pot răzuci sau deplasa și pot provoca înțepenirea pe pânză de ferăstrău în timpul debitării. Nu trebuie să existe cuie sau obiecte străine în piesa de prelucrat.
 - 8. Nu utilizați ferăstrăul înainte ca masa să fie eliberată de toate instrumentele, deșeurile lemnoase etc., cu excepția piesei de prelucrat.** Reziduurile mici sau piesele libere din lemn sau alte obiecte care intră în contact cu pânză care se rotește pot fi aruncate cu viteză ridicată.
 - 9. Tăiați doar o piesă de prelucrat pe rând.** Piese de prelucrat multiple stivuite nu pot fi fixate sau rigidizate în mod adecvat și se pot înțepeni pe pânză sau se pot deplasa în timpul debitării.
 - 10. Înainte de utilizare, asigurați faptul că ferăstrăul pentru tăieri oblice este montat sau așezat pe o suprafață de lucru nivelată și fermă.** O suprafață de lucru nivelată și fermă reduce riscul ca ferăstrăul pentru tăieri oblice să devină instabil.
 - 11. Planificați-vă munca. De fiecare dată când schimbați configurația unghiului de înclinație sau al tăierii oblice, asigurați-vă de faptul că opritorul reglabil este setat corect, astfel încât să sprijine piesa de prelucrat și să nu interfereze cu pânză sau sistemul de protecție.** Fără a „PORNI” unealta și fără piese de prelucrat pe masă, deplasați pânză de ferăstrău printr-o decupare simulată completă pentru a asigura faptul că nu va exista nicio interferență sau pericol de tăiere a opritorului.
 - 12. Furnizați sprijin adecvat, precum extensii ale mesei, capre de ferăstrău etc. pentru o piesă de prelucrat care este mai lată sau mai lungă decât tăblia mesei.** Piese de prelucrat mai lungi sau mai late decât masa ferăstrăului pentru tăieri oblice se pot clătina dacă nu sunt sprijinite fix. Dacă piesa de retezat sau piesa de prelucrat se clătina, aceasta poate ridica opritorul inferior sau poate fi aruncată de pânză care se rotește.
 - 13. Nu utilizați altă persoană drept substituit pentru o extensie a mesei sau drept sprijin suplimentar.** Un sprijin instabil pentru piesa de prelucrat poate provoca înțepenirea sau deplasarea piesei de prelucrat de către pânză în timpul operațiunii de debitat, trăgându-vă pe dvs. și pe persoana care vă ajută în pânză care se rotește.
 - 14. Piesa de retezat nu trebuie să fie înțepenită sau presată prin niciun mijloc pe pânză de ferăstrău care se rotește.** Dacă este delimitată, adică prin utilizarea opritoarelor de lungime, piesa de retezat ar putea fi blocată pe lamă și aruncată violent.
 - 15. Utilizați întotdeauna o clemă sau un dispozitiv de fixare proiectat pentru a sprijini în mod corespunzător materiale rotunde, precum tije sau conductele.** Tijele au tendința de a se rostogoli în timpul tăierii, provocând „ciupirea” de către pânză și tragerea piesei de prelucrat în pânză odată cu mâna dvs.
 - 16. Permiteți pânzei să atingă viteza completă înainte de a pune piesa de prelucrat în contact.** Acest fapt va reduce riscul aruncării piesei de prelucrat.
 - 17. Dacă piesa de prelucrat sau pânză se înțepenește, opriți ferăstrăul pentru tăieri oblice. Așteptați până când toate piesele mobile se opresc și deconectați fișa de la sursa de curent electric și/sau scoateți acumulatorii. Apoi, lucrați pentru a elibera materialele înțepenite.** Continuarea debitării cu o piesă de prelucrat înțepenită ar putea cauza pierderea controlului și deteriorarea ferăstrăului pentru tăieri oblice.

18. După terminarea decupării, eliberați comutatorul, țineți ferăstrăul cu capul în jos și așteptați până când pânza se oprește, înainte de a scoate piesa de retezat. Introducerea mâinii în apropierea pânzei aflate în rotire liberă este periculoasă.
19. Țineți mânerul ferm atunci când efectuați o decupare incompletă sau atunci când eliberați comutatorul înainte să se afle capul ferăstrăului pe deplin în poziția de jos. Acțiunea de frânare a ferăstrăului poate provoca tragerea subită în jos a capului ferăstrăului, ducând la un pericol de vătămare corporală.
20. Utilizați numai pânzele de ferăstrău cu diametrul marcat pe mașină sau specificat în manual. Utilizarea unei pânze de altă mărime poate afecta protecția corespunzătoare a acesteia sau funcționarea apărătorii, putând rezulta accidentări grave.
21. Utilizați doar pânze de ferăstrău care sunt marcate cu o turație egală cu sau mai mare decât turația marcată pe mașină.
22. Nu folosiți ferăstrăul pentru a tăia alte materiale decât lemn, aluminiu sau materiale similare.
23. (Numai pentru țările europene) Întotdeauna utilizați lama care este conformă cu EN847-1.
10. În timpul efectuării unei tăieri prin glisare, poate apărea un RECUL. RECULUL apare atunci când pânza se întepenește în piesa de prelucrat în timpul unei operațiuni de debitat iar pânza de ferăstrău este direcționată cu rapiditate spre operator. Pot rezulta pierderea controlului și vătămări personale grave. Dacă pânza începe să se întepenească în timpul unei operațiuni de debitat, nu continuați să debitați și eliberați imediat comutatorul.
11. Folosiți numai flanșele specificate pentru această mașină.
12. Aveți grijă să nu deteriorați arborele, flanșele (în special suprafața de montaj) sau șurubul. Deteriorarea acestor piese poate conduce la ruperea pânzei.
13. Asigurați-vă că talpa rotativă este fixată ferm, astfel încât să nu se miște în timpul operației. Utilizați orificiile din talpă pentru a strânge ferăstrăul la o platformă sau un banc de lucru stabil. Nu utilizați NICIODATĂ unealta în cazurile în care poziționarea operatorului ar fi stânjenitoare.
14. Asigurați-vă că pârghia de blocare a axului este eliberată înainte de a conecta comutatorul.
15. Asigurați-vă că pânza nu intră în contact cu talpa rotativă în poziția inferioară.
16. Țineți mânerul ferm. Rețineți că ferăstrăul se mișcă puțin în sus sau în jos în timpul pornirii și opririi.
17. Asigurați-vă că pânza nu intră în contact cu piesa de prelucrat înainte de a conecta comutatorul.
18. Înainte de utilizarea mașinii pe piesa propriu-zisă, lăsați-o să funcționeze în gol pentru un timp. Încercați să identificați orice vibrație sau oscilație care ar putea indica o instalare inadecvată sau o pânză neechilibrată.
19. Întrerupeți lucrul imediat dacă observați orice anomalie.
20. Nu încercați să blocați butonul declanșator în poziția „ON” (pornit).
21. Folosiți întotdeauna accesoriile recomandate în acest manual. Folosirea unor accesorii inadecvate, cum ar fi roțile abrazive, poate provoca vătămări corporale.
22. Unele materiale conțin substanțe chimice care pot fi toxice. Aveți grijă să nu inhalați praful și evitați contactul cu pielea. Respectați instrucțiunile de siguranță ale furnizorului.

Instrucțiuni suplimentare

1. Faceți atelierul inaccesibil copiilor, întrebându-i dacă sunt la loc.
2. Nu stați niciodată pe unealtă. Ar putea să apară vătămări corporale grave dacă se intră în contact în mod neintenționat cu unealta de tăiere.
3. Nu lăsați niciodată unealta să funcționeze nesupravegheată. Oprii alimentarea cu energie. Nu părăsiți unealta înainte ca aceasta să se oprească complet.
4. Nu utilizați ferăstrăul cu apărătoarele demontate. Verificați închiderea corectă a apărătoarei pânzei înainte de fiecare utilizare. Nu folosiți ferăstrăul dacă apărătoarea pânzei nu se mișcă liber și nu se închide instantaneu. Nu blocați sau legați niciodată apărătoarea pânzei în poziție deschisă.
5. Nu țineți mâinile pe traiectoria pânzei de ferăstrău. Evitați contactul cu pânza aflată în rotire liberă. Aceasta încă poate cauza vătămări grave.
6. Pentru a reduce riscul de vătămări corporale, reduceți sania în poziția spate complet după fiecare operațiune de rețezare.
7. Fixați întotdeauna toate piesele mobile înainte de a transporta mașina.
8. Știftul opritor care blochează capul așchietor în poziția coborâtă este destinat exclusiv pentru transport și depozitare, și nu pentru operațiile de tăiere.
9. Înainte de folosire, verificați atent dacă pânza prezintă fisuri sau deteriorări. Înlocuiți imediat o pânză fisurată sau deteriorată. Cleiul și rășina întărite pe pânze încetinesc ferăstrăul și măresc riscul de recul. Păstrați pânza curată prin demontarea de pe mașină și curățarea acesteia cu soluție de îndepărtat cleiul și rășina, apă fierbinte sau petrol lampant. Nu utilizați niciodată gazolină pentru a curăța pânza.

- Norme suplimentare de securitate pentru laser
1. RADIATII LASER, NU PRIVIȚI ÎN FASCICUL DIRECT SAU PRIN INSTRUMENTE OPTICE, PRODUS LASER CLASA 2M.

PĂSTRAȚI ACESTE INSTRUCȚIUNI.

▲AVERTIZARE: NU permiteți comodității și familiarizării cu produsul (obținute prin utilizare repetată) să înlocuiască respectarea strictă a normelor de securitate pentru acest produs. FOLOSIREA INCORECTĂ sau nerespectarea normelor de securitate din acest manual de instrucțiuni poate provoca vătămări corporale grave.

DESCRIERE COMPONENTE

► Fig.2

1	Glisieră	2	Știft opritor (pentru glisarea saniei)	3	Menghină verticală	4	Buton de eliberare (pentru unghiul de înclinație dreapta)
5	Suport	6	Talpă rotativă	7	Indicator (pentru unghi de tăiere oblică)	8	Scală pentru unghi de tăiere oblică
9	Placă cu fantă	10	Carcasa pânzei	11	Șurub de reglare (pentru fascicul laser)	12	Șurub de reglare a intervalului (pentru fascicul laser)
13	Apărătoarea pânzei	14	Buton rotativ (pentru unghiul de înclinație)	15	Cheie imbus	16	Șurub de reglare (pentru poziția limită inferioară)
17	Bolț de reglare (pentru capacitatea maximă de tăiere)	18	Braț opritor	19	Pârghie de blocare (pentru talpa rotativă)	20	Pârghie de eliberare (pentru talpa rotativă)
21	Mâner (pentru talpa rotativă)	-	-	-	-	-	-

► Fig.3

1	Buton declanșator	2	Buton de deblocare	3	Orificiu pentru lacăt	4	Comutator (pentru fascicul laser)
5	Furtun (pentru extragerea prafului)	6	Știft opritor (pentru ridicarea saniei)	7	Opritor de ghidare (opritor inferior)	8	Opritor de ghidare (opritor superior)
9	Sac de praf	10	Bolț de reglare la 0° (pentru unghi de înclinație)	11	Scală pentru unghi de înclinație	12	Pârghie de eliberare (pentru unghi de înclinație la 48°)
13	Piedică (pentru unghi de înclinație)	14	Indicator (pentru unghi de înclinație)	15	Bolț de reglare la 45° (pentru unghi de înclinație)	-	-

INSTALARE

Instalarea mânerului de prindere

Înșurubați axul filetat al mânerului de prindere în talpa rotativă.

► Fig.4: 1. Mâner de prindere 2. Talpă rotativă

Instalarea furtunului de extragere a prafului

Conectați furtunul de extragere a prafului la unealtă conform ilustrației.

Asigurați-vă de potrivirea corespunzătoare a cotelui și manșonului la porturile unelei.

► Fig.5: 1. Furtun de extragere a prafului 2. Cot 3. Manșon 4. Port

Montarea bancului

Pe timpul transportului mașinii, mânerul este blocat în poziție coborâtă prin știftul opritor. În timp ce coborâți ușor mânerul, trageți știftul opritor și rotiți-l la 90°.

► Fig.6: 1. Poziție blocată 2. Poziție deblocată 3. Știft opritor

Această mașină trebuie bulonată cu patru bolțuri pe o suprafață plană și stabilă folosind găurile de bulonare prevăzute în talpa mașinii. Aceasta va ajuta la prevenirea răsturnării și a posibilelor vătămări.

► Fig.7: 1. Bolț

▲AVERTIZARE: Asigurați-vă că unealta nu se va mișca pe suprafața de susținere. Mișcarea ferăstrăului pentru tăieri oblice pe suprafața de susținere în timpul tăierii poate duce la pierderea controlului și la accidente grave.

DESCRIEREA FUNCȚIILOR

⚠️ AVERTIZARE: Asigurați-vă că ați oprit mașina și că ați deconectat-o de la rețea înainte de a o regla sau de a verifica starea sa de funcționare. Dacă nu se oprește și deconectează unealta de la alimentare, pot rezulta accidente grave în urma pornirii accidentale.

Apărătoarea pânzei

► **Fig.8:** 1. Apărătoarea pânzei

Când coborâți mânerul, apărătoarea pânzei se ridică automat. Apărătoarea este pretensionată cu arc, astfel că va reveni în poziția inițială la finalizarea tăierii și ridicarea mânerului.

⚠️ AVERTIZARE: Nu dezactivați sau demontați niciodată apărătoarea pânzei sau arcul care se atașează la apărătoare. O pânză expusă în urma dezactivării apărătoarei poate duce la accidente grave în timpul operării.

Pentru siguranța dumneavoastră, păstrați permanent apărătoarea pânzei în stare bună. Orice funcționare defectuoasă a apărătoarei pânzei trebuie remediată imediat. Verificați revenirea apărătoarei sub acțiunea arcului.

⚠️ AVERTIZARE: Nu utilizați niciodată mașina dacă apărătoarea pânzei sau arcul sunt defecte, deteriorate sau demontate. Operarea mașinii cu o apărătoare defectă, deteriorată sau demontată poate cauza leziuni grave.

Dacă apărătoarea transparentă a pânzei devine murdară sau dacă se depune rumeguş pe aceasta astfel încât pânza și/sau piesa de prelucrat nu mai poate fi observată cu ușurință, deconectați ferăstrăul și curățați cu grijă apărătoarea pânzei cu o lavetă umedă. Nu utilizați solvenți sau substanțe de curățare bazate pe benzină pe apărătoarea din plastic, deoarece acest lucru ar putea duce la deteriorarea apărătoarei.

Dacă apărătoarea pânzei este foarte murdară și vizibilitatea prin aceasta este obstructivă, deconectați unealta și folosiți cheia livrată pentru a deșuruba șurubul cu cap hexagonal care fixează capacul central. Slăbiți bolțul cu cap hexagonal prin rotire spre stânga și ridicați apărătoarea pânzei și capacul central. Cu apărătoarea pânzei astfel poziționată, curățarea poate fi realizată complet și eficient. După curățare, urmați procedura de mai sus în sens invers și fixați bolțul. Nu demontați arcul care susține apărătoarea pânzei. Dacă apărătoarea se decolorează în timp sau din cauza expunerii la razele ultraviolete, contactați un centru de service Makita pentru a procura o apărătoare nouă. **NU DEZACTIVAȚI SAU DEMONTAȚI APĂRĂTOAREA.**

► **Fig.9:** 1. Capac central 2. Cheie imbus
3. Apărătoarea pânzei

Plăci cu fantă

Mașina este prevăzută cu plăci cu fantă în talpa rotativă pentru minimizarea ruperii pe partea de ieșire a tăieturii. Plăcile cu fantă sunt reglate din fabrică astfel încât pânza de ferăstrău să nu intre în contact cu plăcile cu fantă. Înainte de utilizare, reglați plăcile cu fantă după cum urmează:

► **Fig.10:** 1. Placă cu fantă

► **Fig.11:** 1. Tăiere înclinată spre stânga 2. Tăiere dreaptă 3. Tăiere înclinată spre dreapta 4. Pânză de ferăstrău 5. Dinții pânzei 6. Placă cu fantă

Mai întâi, deconectați mașina. Slăbiți toate șuruburile (cate 2 la stânga și la dreapta) fixând plăcile cu fantă până când plăcile cu fantă pot fi deplasate în continuare manual cu ușurință. Coborâți mânerul complet, apoi trageți și rotiți știftul opritor pentru a bloca mânerul în poziție coborâtă. Eliberați știftul opritor de pe glisieră și trageți sania complet spre dvs. Reglați plăcile cu fantă astfel încât acestea doar să atingă flancurile dinților pânzei. Strângeți șuruburile frontale (nu le strângeți puternic). Împingeți sania complet către opritorul de ghidare și reglați plăcile cu fantă astfel încât acestea doar să atingă flancurile dinților pânzei. Strângeți șuruburile posterioare (nu le strângeți puternic).

După reglarea plăcilor cu fantă, eliberați știftul opritor și ridicați mânerul. Apoi strângeți ferm toate șuruburile.

NOTĂ: După setarea unghiului de înclinație, asigurați-vă că plăcile cu fantă sunt ajustate corect. Reglarea corectă a plăcilor cu fantă va ajusta la susținerea corectă a piesei de prelucrat, minimizând uzura acestora.

Mentținerea capacității maxime de tăiere

Această unealtă este reglată din fabrică pentru a asigura o capacitate de tăiere maximă pentru o pânză de ferăstrău de 305 mm.

Când instalați o pânză nouă, verificați întotdeauna poziția limită inferioară a pânzei și, dacă este necesar, ajustați-o după cum urmează:

Mai întâi, deconectați mașina. Rotiți pârghia opritoare în poziția cuplată.

► **Fig.12:** 1. Pârghie opritoare

Împingeți sania complet către opritorul de ghidare și coborâți mânerul complet.

Reglați poziția pânzei rotind bolțul de reglare cu ajutorul cheii imbus. Periferia pânzei trebuie să se extindă ușor deasupra suprafeței superioare a tălpii rotative și, de asemenea, ajunge în punctul în care fața frontală a opritorului de ghidare întâlnește suprafața superioară a opritorului de ghidare.

► **Fig.13:** 1. Bolț de reglare

► **Fig.14:** 1. Suprafața superioară a tălpii rotative
2. Conturul pânzei 3. Opritor de ghidare

Cu mașina deconectată, rotiți pânza cu mâna în timp ce țineți mânerul coborât complet pentru a vă asigura că pânza nu intră în contact cu nicio porțiune a tălpii inferioare. Reglați din nou ușor, dacă este cazul. După reglare, readuceți întotdeauna pârghia opritoare în poziția inițială.

⚠️ AVERTIZARE: După instalarea unei pânze noi și cu unealta decupată, asigurați-vă că pânza nu intră în contact cu nicio parte a bazei când mânerul este coborât complet. Dacă o pânză intră în contact cu baza, aceasta ar putea cauza un recul, cauzând leziuni grave.

Braț opritor

Poziția limită inferioară a pânzei poate fi reglată ușor cu brațul opritor. Pentru reglare, rotiți brațul opritor în direcția săgeții, după cum se vede în figură. Rotiți șurubul de reglare astfel încât pânza să se oprească în poziția dorită atunci când mânerul este coborât complet.

► Fig.15: 1. Braț opritor 2. Șurub de reglare

Reglarea unghiului de tăiere oblică

⚠️ ATENȚIE: După schimbarea unghiului de tăiere oblică, fixați întotdeauna talpa rotativă înșurubând strâns mânerul.

NOTĂ: Când rotiți talpa rotativă, aveți grijă să ridicați mânerul complet.

► Fig.16: 1. Pârghie de blocare 2. Mâner de prindere 3. Pârghie de eliberare 4. Indicator

Rotiți mânerul de prindere spre stânga pentru a debloca talpa rotativă. Rotiți mânerul de prindere în timp ce țineți în jos pârghia de blocare pentru a deplasa talpa rotativă. Aliniați indicatorul la unghiul dorit de pe scală, apoi strângeți mânerul de prindere.

NOTĂ: Dacă apăsați pârghia de eliberare, puteți deplasa talpa rotativă fără a ține în jos pârghia de blocare. Strângeți mânerul de prindere la poziția pe care o doriți.

Acest ferăstrău pentru tăieri oblice utilizează funcția de oprire pozitivă. Puteți seta rapid 0°, 15°, 22,5°, 31,6°, 45°, și 60° pentru unghiul de tăiere oblică la dreapta/stânga. Pentru a utiliza această funcție, mutați talpa rotativă aproape de unghiul de oprire pozitivă dorit în timp ce țineți în jos pârghia de blocare. Apoi, eliberați pârghia de blocare și mutați talpa rotativă spre înainte până când talpa rotativă este blocată.

Reglarea unghiului de înclinație

NOTĂ: Scoateți întotdeauna opritoarele de ghidare superioare și menhina verticală înainte de a regla unghiul de înclinație.

NOTĂ: Când schimbați unghiurile de înclinație, aveți grijă să poziționați plăcile cu fantă aproximativ în modul descris la paragraful „Plăci cu fantă”.

NOTĂ: Când înclinați pânza de ferăstrău, aveți grijă să ridicați mânerul complet.

NOTĂ: Nu strângeți prea tare butonul rotativ. În caz contrar, mecanismul de blocare a unghiului de înclinație ar putea funcționa defectuos.

1. Rotiți butonul rotativ de pe glisieră spre stânga.

► Fig.17: 1. Buton rotativ

2. Trageți și rotiți pedica în poziție, conform ilustrației.

► Fig.18: 1. Pedică

3. Potrivii indicatorul la unghiul dorit de pe scală mutând sania, apoi strângeți butonul rotativ.

► Fig.19: 1. Scală pentru unghi de înclinație 2. Indicator

Pentru a înclina sania la dreapta, înclinați ușor sania la stânga și apoi înclinați-o spre dreapta în timp ce apăsați în jos butonul de eliberare.

► Fig.20: 1. Buton de eliberare

Dacă efectuați o tăiere înclinată mai mare de 45°, mutați sania în timp ce glisați pârghia de eliberare spre partea din față a unelei. Puteți efectua o tăiere înclinată de până la 48°.

► Fig.21: 1. Pârghie de eliberare

Acest ferăstrău pentru tăieri oblice utilizează funcția de oprire pozitivă. Puteți seta rapid 22,5° și 33,9° pentru unghi atât la dreapta, cât și la stânga. Setați pedica în poziție, conform ilustrației, și înclinați sania. Pentru a modifica unghiul, împingeți pedica și înclinați sania.

► Fig.22: 1. Pedică

⚠️ ATENȚIE: După schimbarea unghiului de înclinație, fixați întotdeauna butonul rotativ.

Blocare glisare

Pentru a bloca mișcarea de glisare a saniei, împingeți sania spre opritorul și ghidare până când se oprește. Trageți știftul opritor și rotiți-l la 90°.

► Fig.23: 1. Poziție deblocată 2. Poziție blocată 3. Știft opritor

Acționarea întrerupătorului

⚠️ AVERTIZARE: Înainte de a conecta mașina la rețea, verificați dacă butonul declanșator funcționează corect și dacă revine la poziția „OFF” (oprit) atunci când este eliberat. Nu apăsați puternic butonul declanșator fără a apăsa butonul de deblocare. Comutatorul se poate rupe. Operarea mașinii cu un întrerupător care nu acționează corect poate duce la pierderea controlului și la accidentări grave.

⚠️ AVERTIZARE: Nu utilizați NICIODATĂ mașina fără un buton declanșator complet operațional. Orice mașină cu un comutator disfuncțional este EXTREM DE PERICULOASĂ și trebuie reparată înainte de a fi folosită, în caz contrar putând rezulta leziuni grave.

⚠️ AVERTIZARE: Nu dezactivați NICIODATĂ butonul de deblocare prin fixare cu bandă sau prin alte mijloace. Un comutator de deblocare anulat poate duce la operarea accidentală, cauzând potențiale leziuni grave.

⚠️ AVERTIZARE: Nu utilizați NICIODATĂ mașina dacă acesteia pornește la simpla apăsare a butonului declanșator, fără a apăsa butonul de deblocare. Un comutator defect poate duce la operarea accidentală, cauzând leziuni grave. Returnați mașina la un centru de service Makita pentru efectuarea reparațiilor corespunzătoare ÎNAINTE de a continua utilizarea acesteia.

- **Fig.24:** 1. Buton declanșator 2. Buton de deblocare
3. Orificiu pentru lacăt

Pentru a preveni acționarea accidentală a butonului declanșator, este prevăzut un buton de deblocare. Pentru a porni mașina, apăsați butonul de deblocare și acționați butonul declanșator. Eliberați butonul declanșator pentru a opri mașina. Este prevăzut un orificiu în butonul declanșator pentru introducerea unui lacăt pentru blocarea mașinii.

⚠️ AVERTIZARE: Nu utilizați un lacăt cu o țijă sau un cablu cu diametrul mai mic de 6,35 mm. O țijă sau un cablu cu diametru mic nu vor asigura blocarea adecvată a unelei, putându-se declanșa operarea accidentală și rezultând accidentări.

Funcție electronică

Control constant al vitezei

Unealta este prevăzută cu un control electronic de viteză care ajută la menținerea unei viteze constante de rotație a pânzei chiar și sub sarcină. O viteză de rotație constantă a pânzei va duce la o tăiere foarte uniformă.

Funcție de pornire lină

Această funcție permite pornirea corectă a unelei prin limitarea cuplului de pornire.

Acțiunea fascicului laser

Pentru modelul LS1219L numai

⚠️ ATENȚIE: Nu priviți niciodată în fasciculul laser. Privirea directă a fascicului laser vă poate vătăma ochii.

Pentru a activa fasciculul laser, apăsați comutatorul în partea superioară (1). Pentru a dezactiva fasciculul laser, apăsați comutatorul în partea inferioară (0)

- **Fig.25:** 1. Comutator pentru laser

Fasciculul laser poate fi mutat în partea stângă sau dreaptă a pânzei de ferăstrău prin rotirea șurubului de reglare după cum urmează.

- **Fig.26:** 1. Șurub de reglare

1. Slăbiți șurubul de reglare rotindu-l în sens anti-orar.
2. Cu șurubul de reglare slăbit, glisați șurubul de reglare spre dreapta sau spre stânga până la capăt.
3. Strângeți ferm șurubul de reglare în poziția în care nu mai poate fi deplasat.

NOTĂ: Fasciculul laser este reglat din fabrică astfel încât este poziționat în limita a 1 mm de la suprafața laterală a pânzei (poziție de debitare).

NOTĂ: Când fasciculul laser pare estompat și dificil de vizualizat din cauza luminii solare directe, relocalizați zona de lucru într-o zonă cu lumină redusă.

Alinierea fascicului laser

Aliniați linia de tăiere de pe piesa de prelucrat cu fasciculul laser.

- **Fig.27**

A) Atunci când doriți să obțineți dimensiunea corectă pe partea stângă a pânzei, deplasați fasciculul laser în partea stângă a pânzei.

B) Atunci când doriți să obțineți dimensiunea corectă pe partea dreaptă a pânzei, deplasați fasciculul laser în partea dreaptă a pânzei.

NOTĂ: Folosiți un placaj de lemn aplicat pe opritorul de ghidare atunci când aliniați linia de tăiere cu fasciculul laser în partea laterală a opritorului de ghidare la tăierile combinate (unghi de tăiere înclinat la 45° și unghi de tăiere oblică dreapta 45°).

ASAMBLARE

⚠️ AVERTIZARE: Asigurați-vă întotdeauna că unealta este oprită și decuplată de la alimentare înaintea lucrului pe aceasta. Dacă unealta nu este oprită și decuplată de la alimentare, pot rezulta accidente grave.

Depozitarea cheii imbus

Atunci când nu este utilizată, depozitați cheia imbus după cum se vede în figură pentru a nu se pierde.

- **Fig.28:** 1. Cheie imbus

Demontarea și montarea pânzei de ferăstrău

⚠️ AVERTIZARE: Asigurați-vă întotdeauna că mașina este oprită și deconectată înainte de a monta sau demonta pânza. Pornirea accidentală a mașinii poate duce la accidentări grave.

⚠️ AVERTIZARE: Folosiți numai cheia Makita livrată la montarea și demontarea pânzei. În cazul în care nu folosiți cheia, poate rezulta strângerea excesivă sau insuficientă a șurubului cu cap hexagonal și accidentări personale grave.

Blocați întotdeauna sania în poziția ridicată atunci când scoateți și montați pânza. Trageți știftul opritor și rotiți-l la 90° cu sania ridicată.

- **Fig.29:** 1. Poziție deblocată 2. Poziție blocată
3. Știft opritor

Scoaterea pânzei

Deșurubați șurubul cu cap hexagonal care fixează capacul central, folosind cheia imbus. Ridicați apărătoarea pânzei și capacul central.

- **Fig.30:** 1. Capac central 2. Cheie imbus
3. Apărătoarea pânzei

Apăsați pârghia de blocare a axului pentru a bloca arborii și folosiți cheia imbus pentru a deșuruba șurubul cu cap hexagonal. Apoi îndepărtați șurubul cu cap hexagonal, flanșa exterioră și pânza.

- **Fig.31:** 1. Pârghie de blocare a axului 2. Cheie imbus 3. Șurub cu cap hexagonal (cu filet pe stânga) 4. Deșurubare 5. Strângere

Montarea pânzei

Montați pânza cu atenție pe arbore având grijă ca direcția săgeții de pe suprafața pânzei să fie identică cu cea a săgeții de pe carcasa pânzei.

► **Fig.32:** 1. Săgeată pe carcasa pânzei 2. Săgeată pe pânză

Montați flanșa exterioră și șurubul cu cap hexagonal. Strângeți șurubul cu cap hexagonal spre stânga folosind cheia hexagonală în timp ce apăsați pârghia de blocare a axului.

► **Fig.33:** 1. Șurub cu cap hexagonal 2. Flanșă exterioră 3. Pânză de ferăstrău 4. Flanșă interioară 5. Arbore 6. Inel

NOTĂ: Dacă flanșa interioară este demontată, asigurați-vă că o montați pe arbore cu partea proeminentă orientată în direcția opusă pânzei. Dacă flanșa este montată incorect, aceasta va face contact și fricțiune cu uealta.

Reduceți apărătoarea pânzei și capacul central în poziția inițială. Apoi strângeți bolțul cu cap hexagonal spre dreapta pentru a fixa capacul central. Deblocați știftul opritor pentru a elibera sania din poziția ridicată. Coborâți mânerul pentru a vă asigura că apărătoarea pânzei se deplasează corect. Asigurați-vă că pârghia de blocare a axului a eliberat arborele înainte de a începe tăierea.

AVERTIZARE: Înainte de a monta pânza pe arbore, asigurați-vă întotdeauna că între flanșa interioară și cea exterioră este instalat inelul corect pentru orificiul de arbore al pânzei pe care intenționați să o folosiți. Utilizarea unui inel de arbore incorect poate duce la montarea necorespunzătoare a pânzei, rezultând mișcarea și vibrarea puternică a acesteia, posibila pierdere a controlului și accidentări grave.

Conectarea unui aspirator

Dacă doriți să executați operații de tăiere curate, conectați la duza de praf un aspirator Makita, folosind o garnitură frontală 24 (accesoriu opțional).

► **Fig.34:** 1. Garnituri frontale 24 2. Furtun 3. Aspirator

Sac de praf

Folosirea sacului de praf permite realizarea unor tăieri curate și facilitează colectarea prafului. Pentru a atășa sacul de praf, scoateți furtunul de extragere a prafului de la uealtă și conectați sacul de praf.

► **Fig.35:** 1. Furtun de extragere a prafului 2. Sac de praf

Când sacul de praf s-a umplut până la circa o jumătate din capacitate, scoateți sacul de praf de pe mașină și extrageți dispozitivul de fixare. Goliți conținutul sacului de praf prin lovire ușoară astfel încât să eliminați particulele care aderă la interior și care ar putea stânjeni colectarea ulterioară.

► **Fig.36:** 1. Dispozitiv de fixare

Fixarea piesei de prelucrat

AVERTIZARE: Este extrem de important să asigurați întotdeauna piesa de prelucrat în mod corect, cu tipul adecvat de menghină sau opritoare pentru cornișe. În caz contrar, pot rezulta accidentări grave și defectarea mașinii și/sau a piesei de prelucrat.

AVERTIZARE: După o operație de tăiere, ridicați pânza doar după oprirea completă a acesteia. Ridicarea pânzei în mișcare ar putea duce la accidentări grave și deteriorarea piesei de prelucrat.

AVERTIZARE: La tăierea unei piese de prelucrat mai lungi decât baza de susținere a ferăstrăului, materialul trebuie susținut pe întreaga lungime, dincolo de baza de susținere și la aceeași înălțime pentru a păstra nivelul materialului. O susținere corectă a piesei de prelucrat va ajuta la evitarea prinderii pânzei și la posibilul recul care ar putea duce la accidentări grave. Nu vă bazați exclusiv pe menghina verticală și/sau pe menghina orizontală pentru a fixa piesa de prelucrat. Materialele subțiri tind să se încovoieze sub propria greutate. Rezemați piesa de prelucrat pe întreaga sa lungime pentru a evita strângerea pânzei și posibilele RECULURI.

► **Fig.37:** 1. Suport 2. Talpă rotativă

Opritoare de ghidare

AVERTIZARE: Înainte de a pune în funcțiune mașina, aveți grijă ca opritorul superior să fie bine fixat.

AVERTIZARE: Înainte de tăierea înclinată, aveți grijă ca nicio porțiune a unei, în special pânza, să nu intre în contact cu opritoarele inferioare și superioare când coborâți și ridicați mânerul complet în orice poziție și când trageți sau împingeți sania la capătul de cursă. Dacă uealta sau pânza intră în contact cu opritoarele, acest lucru ar putea duce la recul, mișcarea bruscă a materialului și accidentări grave.

Utilizați opritoarele superioare pentru a sprijini materialul mai sus decât opritoarele inferioare. Introduceți opritorul superior în orificiul de pe opritorul inferior și strângeți șurubul de strângere.

► **Fig.38:** 1. Opritor superior 2. Opritor inferior 3. Șurub de strângere 4. Șurub de reglare

NOTĂ: Opritoarele inferioare sunt fixate de talpă în fabrică. Nu scoateți opritoarele inferioare.

NOTĂ: Dacă opritorul inferior este nefixat chiar și după strângerea șurubului de strângere, rotiți șurubul de reglare pentru a închide un gol. Șurubul de reglare este reglat din fabrică. Nu trebuie să îl utilizați dacă nu este necesar.

Puteți depozita opritoarele superioare pe suport atunci când nu sunt utilizate. Utilizați clemă de la opritorul superior pentru a o menține pe suport.

► **Fig.39:** 1. Suport 2. Opritor superior 3. Clemă

Menghină verticală

⚠️ AVERTIZARE: Piesa de prelucrat trebuie să fie fixată ferm pe talpa rotativă și pe opritorul de ghidare cu menghina pe durata tuturor operațiilor. Dacă piesa de prelucrat nu este asigurată corect împotriva opritoarelor, materialul se poate mișca în timpul operației de tăiere, cauzând deteriorarea pânzei, proiectarea materialului și pierderea controlului, rezultând accidentări grave.

- **Fig.40:** 1. Brațul menghinei 2. Tija menghinei
3. Șurub de strângere 4. Butonul rotativ al menghinei

Menghina verticală poate fi instalată în două poziții, pe partea stângă sau dreaptă a tălpii. Introduceți tija menghinei în orificiul de la bază.

Poziționați brațul menghinei în funcție de grosimea și forma piesei de prelucrat și fixați brațul menghinei prin strângerea șurubului. Dacă șurubul de strângere intră în contact cu sania, instalați-l pe latura opusă a brațului menghinei. Asigurați-vă că nicio parte a mașinii nu intră în contact cu menghina atunci când coborâți mânerul complet. Dacă orice parte atinge menghina, re poziționați menghina.

Presăți piesa de prelucrat uniform pe ghidajul opritor și talpa rotativă. Poziționați piesa de prelucrat în poziția de tăiere dorită și fixați-o ferm prin strângerea butonului rotativ al menghinei.

NOTĂ: Pentru o setare rapidă a piesei de prelucrat, rotirea butonului rotativ al menghinei la 90° spre stânga permite deplasarea butonului rotativ al menghinei în sus și în jos. Pentru a asigura piesa de prelucrat după fixare, rotiți butonul menghinei în sensul acelor de ceasornic.

Menghină orizontală

Accesorii opționale

⚠️ AVERTIZARE: Rotiți întotdeauna piulița menghinei în sensul acelor de ceasornic, până când piesa de prelucrat este fixată corect. Dacă piesa de prelucrat nu este asigurată corect, materialul se poate mișca în timpul operației de tăiere, cauzând deteriorarea pânzei, proiectarea materialului și pierderea controlului, rezultând accidentări grave.

⚠️ AVERTIZARE: La tăierea unei piese de prelucrat subțiri, precum plăci, pe opritoare, utilizați întotdeauna menghina orizontală.

⚠️ ATENȚIE: Atunci când tăiați piesa de prelucrat la o grosime de 20 mm sau mai mică, asigurați-vă că utilizați un distanțier pentru fixarea piesei.

Menghina orizontală poate fi instalată în două poziții, pe partea stângă sau dreaptă a tălpii. La efectuarea unor tăieri oblice de 22,5° sau mai mari, montați menghina verticală pe partea opusă direcției în care va fi rotită talpa rotativă.

- **Fig.41:** 1. Placa menghinei 2. Piulița menghinei
3. Butonul rotativ al menghinei

Prin bascularea piuliței menghinei în sens invers acelor de ceasornic, menghina este eliberată și poate fi introdusă și extrasă rapid. Pentru a prinde piesa de prelucrat, împingeți înainte butonul rotativ al menghinei până când placa menghinei intră în contact cu piesa și basculați piulița menghinei în sensul acelor de ceasornic. Apoi rotiți butonul rotativ al menghinei în sens orar pentru a fixa piesa de prelucrat.

NOTĂ: Lățimea maximă a piesei de prelucrat care poate fi fixată cu menghina orizontală este de 228 mm.

Suporturi

⚠️ AVERTIZARE: Susțineți întotdeauna o piesă de prelucrat lungă, astfel încât aceasta să se afile la același nivel cu suprafața superioară a tălpii rotative pentru o tăiere precisă și pentru a preveni pierderea controlului. O susținere corectă a piesei de prelucrat va ajuta la evitarea prinderii pânzei și la posibilul recul care ar putea duce la accidentări grave.

Pentru a menține piesele de prelucrat lungi pe orizontală, sunt furnizate suporturi pe ambele părți ale unei tălpii. Slăbiți șuruburile și extindeți suporturile la lungimea corespunzătoare pentru a menține piesa de prelucrat. Apoi strângeți șuruburile.

- **Fig.42:** 1. Suport 2. Șurub

OPERAREA

⚠️ AVERTIZARE: Asigurați-vă că pânda nu intră în contact cu piesa de prelucrat etc. înainte de a conecta comutatorul. Rotirea unei tălpii cu pânda în contact cu piesa de prelucrat poate duce la recul și accidentări grave.

⚠️ AVERTIZARE: După o operație de tăiere, ridicați pânda doar după oprirea completă a acesteia. Ridicarea pânzei în mișcare ar putea duce la accidentări grave și deteriorarea piesei de prelucrat.

⚠️ AVERTIZARE: Nu efectuați niciun reglaj precum rotirea mânerului de prindere, butonului rotativ și pârghiilor de la uealță în timp ce pânda se rotește. Reglajul în timpul rotirii pânzei poate cauza vătămări corporale grave.

NOTĂ: Înainte de utilizare, asigurați-vă că deblocați știftul opritor și eliberați mânerul din poziția coborâtă.

NOTĂ: Nu aplicați o presiune excesivă asupra mânerului în timpul tăierii. O apăsare prea puternică poate avea ca efect suprasolicitarea motorului și/sau reducerea eficienței tăierii. Apăsați mânerul numai cu forța necesară pentru o tăiere ușoară și fără a reduce semnificativ a vitezei pânzei.

NOTĂ: Apăsați ușor mânerul pentru a executa tăierea. Dacă mânerul este apăsat puternic sau este împins lateral, pânda va vibra și va lăsa o urmă (urmă de ferăstrău) în piesa de prelucrat, iar precizia tăierii va fi afectată.

NOTĂ: În timpul unei tăieri prin glisare, împingeți încet sania către opritorul de ghidare fără a vă opri. Dacă deplasarea căruciorului este întreruptă în timpul tăierii, în piesă va rămâne o urmă și precizia tăierii va fi afectată.

Tăierea prin apăsare

⚠️ AVERTIZARE: Blocați întotdeauna mișcarea de glisare a saniei atunci când efectuați o tăiere prin apăsare. Tăierea fără apăsare poate duce la un posibil recul, rezultând accidentări grave.

Piese de prelucrat de până la 92 mm înălțime și 183 mm lățime pot fi tăiate în modul următor.

► Fig.43: 1. Știft opritor

1. Împingeți sania spre opritorul de ghidare până când se oprește și blocați-o cu știftul opritor.
2. Fixați piesa de prelucrat cu tipul corespunzător de menghină.
3. Porniți mașina fără ca pânda să fie în contact și așteptați până când pânda atinge viteza maximă înainte de a o coborî.
4. Apoi coborâți încet mânerul până în poziția complet coborâtă pentru a tăia piesa.
5. După finalizarea tăierii, opriți mașina și așteptați până când pânda se oprește complet înainte de a readuce pânda în poziția complet ridicată.

Tăierea prin glisare (împingere) (tăierea pieselor late)

⚠️ AVERTIZARE: La fiecare efectuare a unei tăieri prin glisare, trageți mai întâi sania complet către dumneavoastră, apoi apăsați mânerul complet și împingeți sania spre ghidajul opritor. Nu începeți niciodată tăierea dacă sania nu este trasă complet spre dumneavoastră. În caz contrar, se poate produce un recul, rezultând accidentări grave.

⚠️ AVERTIZARE: Nu încercați niciodată să efectuați o tăiere prin glisare trăgând sania către dumneavoastră. Tragerea saniei către dumneavoastră în timp ce efectuați tăierea poate duce la un recul neașteptat și accidentări grave.

⚠️ AVERTIZARE: Nu efectuați niciodată o tăiere prin glisare cu mânerul blocat în poziția coborât.

► Fig.44: 1. Știft opritor

1. Deblocați știftul opritor astfel încât sania să poată glisa liber.
2. Fixați piesa de prelucrat cu tipul corespunzător de menghină.
3. Trageți sania complet spre dumneavoastră.
4. Porniți mașina fără ca pânda să fie în contact și așteptați până când pânda atinge viteza maximă.
5. Apăsați mânerul în jos și împingeți sania către ghidajul opritor și prin piesa de prelucrat.
6. După finalizarea tăierii, opriți mașina și așteptați până când pânda se oprește complet înainte de a readuce pânda în poziția complet ridicată.

Tăierea oblică

Consultați paragraful „Reglarea unghiului de tăiere oblică” descris anterior.

Tăierea înclinată

⚠️ AVERTIZARE: După fixarea pânzei pentru o tăiere înclinată, asigurați-vă că sania și pânda au o cursă liberă pe întreaga lungime a tăierii de efectuat înainte de a opera unealta. Întreruperea cursei saniei sau a pânzei în timpul operației de tăiere poate duce la recul și accidentări grave.

⚠️ AVERTIZARE: În timp ce efectuați o tăiere înclinată, feriți-vă mâinile din calea pânzei. Unghiul pânzei poate deruta operatorul privind calea reală a acesteia în timpul tăierii, iar contactul cu pânda va duce la accidentări grave.

⚠️ AVERTIZARE: Pânda va fi ridicată doar după oprirea completă a acesteia. În timpul unei tăieri înclinate, bucata tăiată poate intra în contact cu pânda. Dacă pânda este ridicată în timpul rotirii, bucata tăiată poate fi proiectată de pânda care fragmentează materialul, rezultând accidentări grave.

NOTĂ: Când apăsați mânerul în jos, aplicați o presiune în direcție paralelă cu pânda. Dacă forța este aplicată perpendicular pe talpa rotativă sau dacă direcția de aplicare a presiunii se modifică în timpul tăierii, precizia tăierii va fi afectată.

► Fig.45

1. Scoateți opritorul sanior pe partea pe care veți înclina sania.
2. Deblocați știftul opritor.
3. Reglați unghiul de înclinație conform procedurii explicate în secțiunea „Reglarea unghiului de tăiere oblică”. Apoi, strângeți butonul rotativ.
4. Fixați piesa de prelucrat cu o menghină.
5. Trageți sania complet spre dumneavoastră.
6. Porniți mașina fără ca pânda să fie în contact și așteptați până când pânda atinge viteza maximă.
7. Apoi coborâți încet mânerul până în poziția complet coborâtă, aplicând o presiune în direcție paralelă cu pânda, și împingeți sania către ghidajul opritor pentru a tăia o piesă.
8. După finalizarea tăierii, opriți mașina și așteptați până când pânda se oprește complet înainte de a readuce pânda în poziția complet ridicată.

Tăierea combinată

Tăierea combinată reprezintă procedeul prin care se execută o tăiere înclinată simultan cu o tăiere oblică a piesei de prelucrat. Tăierea combinată poate fi executată la unghiurile prezentate în tabel.

Unghi de tăiere oblică	Unghi de înclinație
Stânga și dreapta 0° - 45°	Stânga și dreapta 0° - 45°

Când executați tăieri combinate, consultați explicațiile de la „Tăierea prin apăsare”, „Tăierea prin glisare (împingere)”, „Tăierea oblică” și „Tăierea înclinată”

Tăierea plăcilor de bază

ATENȚIE: Asigurați-vă că utilizați menghina orizontală (accesoriu opțional) atunci când tăiați placa de bază.

ATENȚIE: Atunci când tăiați piesa de prelucrat la o grosime de 20 mm sau mai mică, asigurați-vă că utilizați un distanțier pentru fixarea piesei.

Dacă tăiați placa de bază în unghi de tăiere oblică de 45°, angrenați opritorul pentru a preveni contactul dintre carcasa pânzei și placa de bază. Astfel veți păstra distanța dintre placa de bază și carcasa pânzei atunci când sania este împinsă complet înaintea. Consultați SPECIFICAȚIILE pentru capacitatea de tăiere a plăcilor de bază.

► **Fig.46:** 1. Pârghie opritoare 2. Bloc distanțier 3. Menghină orizontală

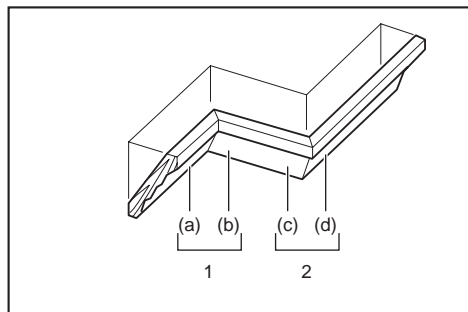
Tăierea de cornișe și plinte

Cornișele și plintele pot fi tăiate cu un ferăstrău pentru tăieri oblice combinate, întinse orizontal pe talpa rotativă.

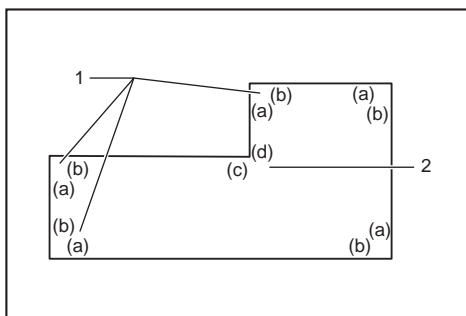
Există două tipuri de cornișe și un tip de plintă obișnuite; cornișă la unghi de 52/38° față de perete, cornișă la unghi de 45° față de perete și plintă la unghi de 45° față de perete.

► **Fig.47:** 1. Cornișă tip 52/38° 2. Cornișă tip 45° 3. Plintă tip 45°

Există îmbinări pentru cornișe și plinte care sunt fabricate pentru a se potrivi la colțuri de 90° pe „Interior” ((a) și (b) din figură) și la colțuri de 90° pe „Exterior”, ((c) și (d) din figură.)



1. Colț interior 2. Colț exterior



1. Colț interior 2. Colț exterior

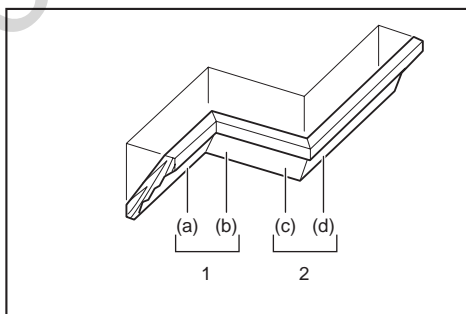
Măsurarea

Măsurați lățimea peretelui și ajustați lățimea piesei în consecință. Asigurați-vă întotdeauna că lățimea piesei la muchia de contact cu peretele este la fel cu lungimea peretelui.

► **Fig.48:** 1. Piesă de prelucrat 2. Lățimea peretelui 3. Lățimea piesei de prelucrat 4. Muchia de contact cu peretele

Utilizați întotdeauna mai multe piese pentru tăieri de testare în vederea verificării unghiurilor ferăstrăului. La tăierea cornișelor și plintelor, setați unghiul de înclinație și unghiul de tăiere oblică după cum este indicat în tabelul (A) și poziționați-le pe fața superioară a tălpii ferăstrăului după cum este indicat în tabelul (B).

În cazul tăierii oblice la stânga



1. Colț interior 2. Colț exterior

Tabel (A)

-	Poziția profilurilor din figură	Unghi de înclinație		Unghi de tăiere oblică	
		Tip 52/38°	Tip 45°	Tip 52/38°	Tip 45°
Pentru colț interior	(a)	Stânga 33,9°	Stânga 30°	Dreapta 31,6°	Dreapta 35,3°
	(b)			Stânga 31,6°	Stânga 35,3°
Pentru colț exterior	(c)			Dreapta 31,6°	Dreapta 35,3°
	(d)				

Tabel (B)

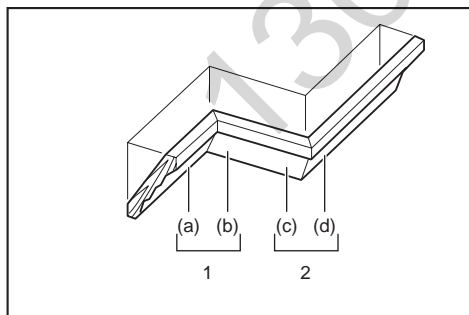
–	Poziția profilurilor din figură	Muchie profil sprijinită pe ghidajul opritor	Piesă finită
Pentru colț interior	(a)	Muchia de contact cu plafonul trebuie să se sprijine pe ghidajul opritor.	Piesa finită va fi pe partea stângă a pânzei.
	(b)	Muchia de contact cu peretele trebuie să se sprijine pe ghidajul opritor.	
Pentru colț exterior	(c)	Muchia de contact cu plafonul trebuie să se sprijine pe ghidajul opritor.	Piesa finită va fi pe partea dreaptă a pânzei.
	(d)	Muchia de contact cu plafonul trebuie să se sprijine pe ghidajul opritor.	

Exemplu:

În cazul tăierii cornișei tip 52/38° pentru poziția (a) din figura de mai sus:

- Încălziți și fixați setarea unghiului de înclinare la 33,9° STÂNGA.
- Reglați și fixați setarea unghiului de tăiere oblică la 31,6° DREAPTA.
- Plasați cornișa cu suprafața (ascunsă) posterioară lată pe talpa rotativă având MUCHIA DE CONTACT CU PLAFONUL sprijinită pe ghidajul opritor al ferăstrăului.
- Piesa finită care va fi folosită va fi întotdeauna pe partea STÂNGĂ a pânzei după efectuarea tăierii.

În cazul tăierii înclinate la dreapta



1. Colț interior 2. Colț exterior

Tabel (A)

–	Poziția profilurilor din figură	Unghi de înclinăție		Unghi de tăiere oblică	
		Tip 52/38°	Tip 45°	Tip 52/38°	Tip 45°
Pentru colț interior	(a)	Dreapta 33,9°	Dreapta 30°	Dreapta 31,6°	Dreapta 35,3°
	(b)			Stânga 31,6°	Stânga 35,3°
Pentru colț exterior	(c)			Dreapta 31,6°	Dreapta 35,3°
	(d)				

Tabel (B)

–	Poziția profilurilor din figură	Muchie profil sprijinită pe ghidajul opritor	Piesă finită
Pentru colț interior	(a)	Muchia de contact cu peretele trebuie să se sprijine pe opritorul de ghidare.	Piesa finită va fi pe partea dreaptă a pânzei.
	(b)	Muchia de contact cu plafonul trebuie să se sprijine pe opritorul de ghidare.	
Pentru colț exterior	(c)	Muchia de contact cu peretele trebuie să se sprijine pe opritorul de ghidare.	Piesa finită va fi pe partea stângă a pânzei.
	(d)	Muchia de contact cu peretele trebuie să se sprijine pe opritorul de ghidare.	

Exemplu:

În cazul tăierii cornișei tip 52/38° pentru poziția (a) din figura de mai sus:

- Încălziți și fixați setarea unghiului de înclinare la 33,9° DREAPTA.
- Reglați și fixați setarea unghiului de tăiere oblică la 31,6° DREAPTA.
- Plasați cornișa cu suprafața (ascunsă) posterioară lată pe talpa rotativă având MUCHIA DE CONTACT CU PERETELE sprijinită pe opritorul de ghidare al ferăstrăului.
- Piesa finită care va fi folosită va fi întotdeauna pe partea DREAPTĂ a pânzei după efectuarea tăierii.

Opritor cornișă

Accessoriu opțional

Opritoare de cornișă permit tăierea mai ușoară a cornișei fără înclinarea pânzei de ferăstrău. Instalați-le pe talpa rotativă așa cum se arată în figuri.

La un unghi de tăiere oblică de 45° dreapta

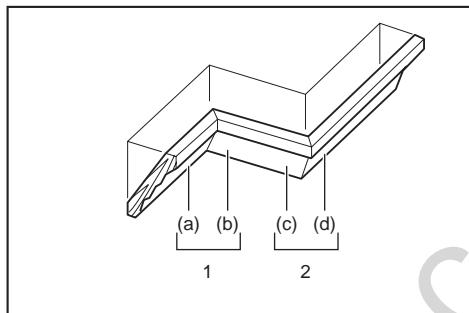
► **Fig.49:** 1. Opritor cornișă S 2. Opritor cornișă D 3. Talpă rotativă 4. Opritor de ghidare

La un unghi de tăiere oblică de 45° stânga

► **Fig.50:** 1. Opritor cornișă S 2. Opritor cornișă D 3. Talpă rotativă 4. Opritor de ghidare

Poziționați cornișa cu MUCHIA DE CONTACT CU PERETELE sprijinită de opritorul de ghidare și cu MUCHIA DE CONTACT CU TAVANUL sprijinită de opritoare de cornișă după cum este indicat în figură. Reglați opritoare de cornișă conform dimensiunii cornișei. Strângeți șuruburile pentru a fixa opritoare de cornișă. Consultați tabelul (C) pentru unghiul de tăiere oblică.

► **Fig.51:** 1. Opritor de ghidare 2. Opritor cornișă



1. Colț interior 2. Colț exterior

Tabel (C)

–	Poziția profilurilor din figură	Unghi de tăiere oblică	Piesă finită
Pentru colț interior	(a)	Dreapta 45°	Protejați partea dreaptă a pânzei
	(b)	Stânga 45°	Protejați partea stângă a pânzei
Pentru colț exterior	(c)	Dreapta 45°	Protejați partea dreaptă a pânzei
	(d)		Protejați partea stângă a pânzei

Tăierea pieselor extrudate din aluminiu

► **Fig.52:** 1. Menghină 2. Bloc distanțier 3. Opritor de ghidare 4. Piesă extrudată din aluminiu 5. Bloc distanțier

Când fixați piese extrudate din aluminiu, folosiți blocuri distanțiere sau bucăți de deșeu, după cum se vede în figură, pentru a preveni deformarea aluminiului. Folosiți un lubrifiant pentru tăiere atunci când tăiați piese extrudate din aluminiu pentru a preveni acumularea de material pe pânză.

AVERTIZARE: Nu încercați niciodată să tăiați piese de aluminiu extrudat groase sau rotunde. Extruziunile groase sau rotunde din aluminiu pot fi dificil de fixat și piesele de prelucrat se pot desprinde în timpul operației de tăiere, rezultând pierderea controlului și accidentări grave.

Placaj de lemn

AVERTIZARE: Folosiți șuruburi pentru a atașa placajul de lemn la ghidajul opritor. Șuruburile trebuie instalate astfel încât capetele de șurub să se afle sub suprafața placajului din lemn și să nu interfereze cu poziționarea materialului de tăiat. Alinierea incorectă a materialului de tăiat poate cauza o mișcare neașteptată în timpul operației de tăiere care poate duce la o pierdere a controlului și accidentări grave.

ATENȚIE: Utilizați lemn drept, de grosime constantă, ca placaj din lemn.

ATENȚIE: Pentru a tăia complet prin piese de prelucrat cu o înălțime între 107 mm și 120 mm, pe opritorul de ghidare trebuie utilizat un placaj din lemn. Placajul din lemn va distanța piesa de prelucrat de opritorul de ghidare permițând pânzei să efectueze o tăiere mai adâncă.

NOTĂ: Când este atașat placajul de lemn, nu rotiți masa rotativă cu mânerul coborât. Pânza și/sau placajul de lemn vor fi deteriorate.

Utilizarea placajului de lemn ajută la realizarea unor tăieri fără așchii a pieselor. Atașați un placaj de lemn la opritorul de ghidare folosind găurile din opritorul de ghidare și șuruburi de 6 mm. Consultați figura în ceea ce privește dimensiunile recomandate pentru placajul de lemn.

► **Fig.53:** 1. Orificiu 2. Peste 15 mm 3. Peste 270 mm 4. 90 mm 5. 145 mm 6. 19 mm 7. 115 - 120 mm

EXEMPLU Atunci când tăiați piese de prelucrat cu înălțime între 115 mm și 120 mm, utilizați un placaj de lemn cu următoarea grosime.

Unghi de tăiere oblică	Grosimea placajului de lemn	
	115 mm	120 mm
0°	20 mm	38 mm
Stânga și dreapta 45°	15 mm	25 mm
Stânga și dreapta 60°	15 mm	25 mm

Tăierea nuturilor

⚠️ AVERTIZARE: Nu încercați să efectuați acest tip de tăiere utilizând o pânză largă sau o pânză dado. Încercarea de a efectua o tăiere tip canelură cu o pânză largă sau o pânză dado poate duce la tăieri neașteptate, recul și accidentări grave.

⚠️ AVERTIZARE: Asigurați-vă că readuceți brațul opritor în poziția inițială la efectuarea unei alte tăieri decât cea tip canelură. Încercarea de a efectua tăieri cu brațul opritor într-o poziție incorectă poate duce la rezultate neașteptate ale tăierii și la recul, rezultând accidentări grave.

Pentru o tăiere tip dado, urmați instrucțiunile de mai jos:

1. Reglați poziția limitei inferioare a pânzei folosind șurubul de reglare și brațul opritor pentru a limita adâncimea de tăiere a pânzei. Consultați paragraful „Braț opritor” descris anterior.

2. După reglarea poziției limite inferioare a pânzei, tăiați nuturi paralele transversal pe lățimea piesei, executând o tăiere prin glisare (împingere).

► **Fig.54:** 1. Nuturi tăiate cu pânza

3. Îndepărtați materialul piesei dintre nuturi cu o daltă.

Tehnica specială de tăiere pe lățime la capacitate maximă

Capacitatea maximă de tăiere pe lățime a acestei unele poate fi obținută urmând pașii de mai jos: Pentru lățimea maximă de tăiere a acestei unele consultați SPECIFICAȚII în secțiunea „Capacități de tăiere pentru tipuri speciale de tăieturi”.

1. Setati unealta la un unghi de tăiere oblică de 0° sau 45° și asigurați-vă că talpa rotativă este blocată. (Consultați secțiunea intitulată „Reglarea unghiului de tăiere oblică”).

2. Îndepărtați temporar opritoarele superioare din partea dreaptă și din partea stângă.

3. Tăiați o platformă la dimensiunile indicate în figură, utilizând un material plat cu grosime de 38 mm, cum ar fi o placă de lemn, furnir sau placă aglomerată.

► **Fig.55:** 1. Unghi de tăiere oblică de 0°: Peste 450 mm 2. Unghi de tăiere oblică de 45°: Peste 325 mm 3. 38 mm 4. Peste 760 mm

⚠️ AVERTIZARE: Asigurați-vă că utilizați un material plat ca platformă. Materialul care nu este plat se poate mișca în timpul operației de tăiere, rezultând recul și accidentări grave.

NOTĂ: Capacitatea maximă de tăiere pe înălțime va fi redusă cu aceeași valoare ca grosimea platformei.

4. Plasați platforma pe unealtă astfel încât să se extindă în mod egal pe ambele părți ale bazei acesteia. Fixați platforma pe unealtă introducând cele patru șuruburi de 6 mm pentru lemn în cele patru orificii ale opritoarelor inferioare.

► **Fig.56:** 1. Șuruburi (două pe fiecare parte) 2. Opritor inferior 3. Talpă 4. Platformă

⚠️ AVERTIZARE: Asigurați-vă că platforma se află pe baza unelei și este fixată ferm pe opritoarele inferioare utilizând cele patru șuruburi furnizate. Nefixarea corespunzătoare a platformei poate duce la mișcare, recul și accidentări grave.

⚠️ AVERTIZARE: Asigurați-vă că unealta este ferm montată pe o suprafață stabilă și plană. Nemontarea și neasigurarea corespunzătoare a unelei poate duce la destabilizarea acesteia, pierderea controlului și/sau căderea, rezultând accidentări grave.

5. Instalați opritoarele superioare pe unealtă.

⚠️ AVERTIZARE: Nu utilizați unealta fără opritoarele superioare instalate. Opritoarele superioare asigură suportul necesar pentru tăierea piesei de prelucrat. În caz în care piesa de prelucrat nu este susținută corespunzător, se poate mișca în timpul tăierii, rezultând pierderea controlului, recul și accidentări grave.

6. Amplasați piesa de prelucrat care va fi tăiată pe o platformă fixată de unealtă.

7. Fixați piesa de prelucrat ferm pe opritoarele superioare, cu o menghină înainte de tăiere.

► **Fig.57:** 1. Opritor superior 2. Menghină verticală 3. Piesă de prelucrat 4. Platformă

8. Efectuați o tăiere în piesa de prelucrat conform procedurii intitulate „Tăiere prin glisare (împingere) (tăiere pe lățime).”

⚠️ AVERTIZARE: Asigurați-vă că piesa de prelucrat este fixată cu menghina și efectuați ușor tăierea. Nefixarea corespunzătoare a piesei de prelucrat poate duce la mișcarea acesteia, rezultând recul și accidentări grave.

⚠️ AVERTIZARE: Asigurați-vă că platforma se poate slăbi după efectuarea mai multor tăieri la diferite unghiuri de tăiere oblică. Dacă platforma devine instabilă din cauza multipleror tăieturi din material, aceasta trebuie înlocuită. Dacă platforma slăbită nu este înlocuită, piesa de prelucrat se poate mișca în timpul tăierii, rezultând recul și accidentări grave.

Transportarea mașinii

Înainte de transport, asigurați-vă că deconectare și de fapt că toate piesele mobile ale ferăstrăului pentru tăieri oblice sunt fixate. Verificați întotdeauna următoarele:

- dacă unealta este deconectată.
- dacă sania se află la poziția unghiului de înclinație de 0° și este fixată.
- dacă sania este coborâtă și blocată.
- dacă sania este complet glisată la opritorul de ghidare și blocată.
- dacă talpa rotativă se află la poziția unghiului de tăiere oblică dreapta completă este fixată.
- dacă suporturile sunt depozitate și fixate.

Transportați unealta apucând-o de ambele laturi ale tălpii mașinii, după cum se vede în figură.

⚠️ AVERTIZARE: Știftul opritor pentru ridicarea saniei este destinat exclusiv pentru transport și depozitare, și nu pentru operațiile de tăiere. Utilizarea știftului opritor pentru operații de tăiere poate duce la mișcarea neașteptată a pânzei de ferăstrău, la recul și accidentări grave.

⚠️ ATENȚIE: Fixați întotdeauna toate piesele mobile înainte de a transporta mașina. Dacă părți ale mașinii se mișcă sau glisează în timpul transportului, poate avea loc pierderea controlului sau a echilibrului, acest fapt ducând la vătămări corporale.

ÎNTREȚINERE

⚠️ AVERTIZARE: Asigurați-vă că ați oprit mașina și că ați deconectat-o de la rețea înainte de a efectua operațiuni de inspecție sau întreținere. Dacă unealta nu este oprită și decuplată de la alimentare, pot rezulta accidente grave în urma pornirii accidentale.

⚠️ AVERTIZARE: Asigurați-vă întotdeauna că pâza este ascuțită și curată pentru a obține performanțe optime în condiții de siguranță. Încercarea de tăiere cu o pânză neascuțită și/sau murdară poate cauza recul și accidentări grave.

NOTĂ: Nu utilizați niciodată gazolină, benzină, diluant, alcool sau alte substanțe asemănătoare. În caz contrar, pot rezulta decolorări, deformări sau fisuri.

Reglarea unghiului de tăiere

Această mașină este reglată și aliniată cu grijă din fabrică, însă manipularea dură poate afecta alinierea. Dacă mașina dumneavoastră nu este aliniată corespunzător, procedați după cum urmează:

Unghi de tăiere oblică

Coborâți complet mânerul și blocați-l în poziție coborâtă prin intermediul știftului opritor. Împingeți sania spre opritorul de ghidare. Slăbiți mânerul de prindere și șuruburile care fixează indicatorul și scala pentru unghi de tăiere oblică.

► **Fig.59:** 1. Șurub pe indicator 2. Șuruburi pe scala pentru unghi de tăiere oblică 3. Scală pentru tăiere oblică

Setați talpa rotativă în poziția de 0° utilizând funcția de oprire pozitivă. Orientați fața laterală a pânzei perpendicular pe fața opritorului de ghidare folosind un echer sau un vinclu. În timp ce mențineți orientarea, strângeți șuruburile la scala pentru unghi de tăiere oblică. După, aliniați indicatoarele (atât cel din dreapta, cât și cel din stânga) la poziția de 0° de la scala pentru unghi de tăiere oblică și apoi strângeți șurubul de la indicator.

► **Fig.60:** 1. Echer

Unghi de înclinație

Unghi de înclinație 0°

Împingeți sania spre opritorul de ghidare și blocați mișcarea de glisare cu ajutorul știftului opritor. Coborâți mânerul complet și blocați-l în poziția coborâtă cu ajutorul știftului opritor și apoi slăbiți butonul rotativ. Rotiți bolțul de reglare la 0° cu două sau trei rotații în sens anti-orar, pentru a inclina pâza spre dreapta.

► **Fig.61:** 1. Bolț de reglare la 0° 2. Șurub

Orientați fața laterală a pânzei perpendicular pe fața superioară a tălpilor rotative folosind un echer, un vinclu etc. prin rotirea bolțului de reglare la 0° în sens orar. Apoi, strângeți ferm butonul rotativ pentru a fixa unghiul de 0° pe care l-ați setat.

► **Fig.62:** 1. Echer 2. Pânză de ferăstrău 3. Suprafața superioară a tălpilor rotative

Verificați din nou dacă partea laterală a pânzei este orientată cu suprafața tălpilor rotative. Slăbiți șurubul de pe indicator. Aliniați indicatorul cu poziția de 0° din scala pentru unghi de înclinație și apoi strângeți șurubul.

Unghi de înclinație 45°

NOTĂ: Înainte de a regla unghiul de înclinație de 45°, finalizați reglajul unghiului de înclinație de 0°.

Slăbiți butonul rotativ și înclinați complet sania spre partea pe care doriți să o verificați. Verificați dacă indicatorul indică poziția de 45° în scala pentru unghi de înclinație.

► **Fig.63**

Dacă indicatorul nu indică poziția de 45°, aliniați-l la poziția de 45° rotind bolțul de reglare de pe partea opusă a scalei pentru unghi de înclinație.

► **Fig.64:** 1. Bolț de reglare la 45° stânga 2. Bolț de reglare la 45° dreapta

Reglarea poziției fasciculului laser

Pentru modelul LS1219L numai

⚠️ AVERTIZARE: Unealta trebuie să fie conectată în timpul reglării fasciculului laser. Aveți grijă suplimentară să nu porniți unealta în timpul reglării. Pornirea accidentală a mașinii poate duce la accidentări grave.

⚠️ ATENȚIE: Nu priviți niciodată direct înspre fasciculul laser. Expunerea directă a ochiului la fasciculul laser vă poate cauza leziuni oculare grave.

NOTĂ: Verificați precizia de poziționare a fasciculului laser în mod regulat.

NOTĂ: Țineți cont de faptul că acest lucru are impact asupra unelei. Acest lucru pot cauza devierea fasciculului laser sau deteriorarea acestuia, durata de viață a laserului scurtându-se.

NOTĂ: Dacă unitatea laser se defectează, solicitați repararea mașinii la un centru de service Makita autorizat.

Intervalul mobil al fasciculului laser este decis de șuruburile de reglare a intervalului de pe ambele părți. Efectuați următoarele proceduri pentru a modifica poziția fasciculului laser.

1. Deconectați unealta.
2. Trasați o linie de tăiere pe piesa de prelucrat și așezați-o pe talpa rotativă. Nu fixați deocamdată piesa de prelucrat cu o menghină sau un dispozitiv de fixare similar.
3. Coborâți mânerul și aliniați linia de tăiere la pânza de ferăstrău.
4. Readuceți mânerul în poziția originală și fixați piesa de prelucrat cu menghina verticală astfel încât piesa de prelucrat să nu se deplaseze din poziția stabilită de dvs.
5. Conectați unealta și activați comutatorul laserului.
6. Slăbiți șurubul de reglare. Pentru a deplasa fasciculul laser de la pânză, rotiți șuruburile de reglare a intervalului spre stânga. Pentru a deplasa fasciculul laser aproape de pânză, rotiți șurubul de reglare a intervalului spre dreapta.

Reglarea fasciculului laser pe partea stângă a pânzei

- **Fig.65:** 1. Șurub de reglare 2. Șurub de reglare a intervalului 3. Cheie imbus 4. Fascicul laser 5. Pânză de ferăstrău

Reglarea fasciculului laser pe partea dreaptă a pânzei

- **Fig.66:** 1. Șurub de reglare 2. Șurub de reglare a intervalului 3. Cheie imbus 4. Fascicul laser 5. Pânză de ferăstrău

7. Glisați șurubul de reglare în poziția în care ajunge fasciculul laser pe linia de tăiere și apoi strângeți.

NOTĂ: Domeniul de mobilitate al fasciculului laser este reglat din fabrică la maxim 1 mm de fața laterală a pânzei.

Curățarea lentilei fasciculului laser

Pentru modelul LS1219L numai

Lumina laserului devine dificil de văzut pe măsură ce lentila pentru lumina laserului se murdărește. Curățați periodic lentila pentru lumina laserului.

- **Fig.67:** 1. Șurub 2. Lentilă

Deconectați unealta. Slăbiți șurubul și trageți lentila afară. Curățați lentila cu delicatețe întrebuițând o lavetă moale umedă.

NOTĂ: Nu scoateți șurubul care fixează lentila. Dacă lentila nu iese, slăbiți în continuare șurubul.

NOTĂ: Nu folosiți solvenți sau agenți de curățare pe bază de petrol pentru a curăța lentila.

Înlocuirea periilor de cărbune

- **Fig.68:** 1. Marcaj limită

Detashați periile de cărbune și verificați-le în mod regulat. Schimbați-le atunci când s-au uzat până la marcajul limită. Periile de cărbune trebuie să fie în permanență curate și să alunece ușor în suporturi. Ambele perii de cărbune trebuie înlocuite simultan. Folosiți numai perii de cărbune identice.

Folosiți o șurubelniță pentru a demonta capacele suporturilor pentru perii. Scoateți periile de carbon uzate, introduceți periile noi și fixați capacele suportului pentru perii.

- **Fig.69:** 1. Capacul suportului pentru perii

După înlocuirea periilor, conectați unealta și rotați periile lăsând-o să funcționeze în gol timp de circa 10 minute. Apoi verificați unealta în timpul funcționării și funcționarea frânei electrice la eliberarea butonului declanșator. Dacă frâna electrică nu operează corect, solicitați repararea unei alte la un centru de service Makita autorizat.

După utilizare

După utilizare, ștergeți așchile și praful depuse pe mașină cu o lavetă sau un material similar. Păstrați apărătoarea pânzei curată conform indicațiilor din paragraful intitulat „Apărătoarea pânzei” descris anterior. Lubrifiați piesele glisante cu ulei de mașină pentru a preveni oxidarea.

Pentru a menține SIGURANȚA și FIABILITATEA produsului, reparațiile și orice alte lucrări de întreținere sau reglare trebuie executate de centre de service Makita autorizate sau proprii, folosind întotdeauna piese de schimb Makita.

ACCESORII OPȚIONALE

⚠️ AVERTIZARE: Aceste accesorii și componente atașate Makita sunt recomandate pentru utilizare împreună cu mașina Makita specificată în acest manual. Utilizarea altor accesorii sau componente atașate poate duce la accidentări grave.

⚠️ AVERTIZARE: Utilizați accesoriile și componentele atașate Makita doar în scopul destinat. Utilizarea necorespunzătoare a accesoriilor sau componentelor atașate poate duce la accidentări grave.

Dacă aveți nevoie de asistență sau de mai multe detalii referitoare la aceste accesorii, adresați-vă centrului local de service Makita.

- Pânze de ferăstrău cu plăcuțe de oțel și carburi metalice
- Menghină verticală
- Menghină orizontală
- Set de opritoare cornișă
- Sac de praf
- Echer
- Cheie imbus
- Cheie imbus (pentru LS1219L)

NOTĂ: Unele articole din listă pot fi incluse ca accesorii standard în ambalajul de scule. Acestea pot diferi în funcție de țară.

TECHNISCHE DATEN

Modell:		LS1219	LS1219L
Sägeblattdurchmesser		305 mm	
Lochdurchmesser	Europäische Länder	30 mm	
	Länder außerhalb Europas	25,4 mm	
Max. Schnittfugenbreite des Sägeblatts		3,2 mm	
Max. Gehrungswinkel		Rechts 60°, Links 60°	
Max. Neigungswinkel		Rechts 48°, Links 48°	
Leerlaufdrehzahl (U/min)		3.200 min ⁻¹	
Lasertyp		-	Roter Laser 650 nm, Maximale Leistung < 1,6 mW (Laserklasse 2M)
Abmessungen (L x B x H)		898 mm x 664 mm x 725 mm	
Nettogewicht		29,3 kg	29,5 kg
Sicherheitsklasse		□/II	

Schnittleistung (H x B)

Gehrungswinkel			Neigungswinkel		
			45° (links)	0°	45° (rechts)
0°	-		61 mm x 382 mm 71 mm x 363 mm	92 mm x 382 mm 107 mm x 363 mm	44 mm x 382 mm 54 mm x 363 mm
	Dicke des Zwischenbretts auf dem Gehrungsanschlag für größere Schnitthöhe	20 mm	78 mm x 325 mm	115 mm x 325mm	61 mm x 325 mm
		38 mm	80 mm x 292 mm	120 mm x 292 mm	-
45° (rechts und links)	-		61 mm x 268 mm 71 mm x 255 mm	92 mm x 268 mm 107 mm x 255 mm	44 mm x 268 mm 54 mm x 255 mm
	Dicke des Zwischenbretts auf dem Gehrungsanschlag für größere Schnitthöhe	15 mm	-	115 mm x 227 mm	-
		25 mm	-	120 mm x 212 mm	-
60° (rechts und links)	-		-	92 mm x 185 mm 107 mm x 178 mm	-
	Dicke des Zwischenbretts auf dem Gehrungsanschlag für größere Schnitthöhe	15 mm	-	115 mm x 155 mm	-
		25 mm	-	120 mm x 140 mm	-








Schnittleistung für Sonderschnitte

Schnitttyp	Schnittleistung
Deckenleiste 45°-Typ (bei Verwendung eines Deckenleistenanschlages)	203 mm
Fußleiste (bei Verwendung eines Horizontal-Schraubstocks)	171 mm

- Wir behalten uns vor, Änderungen der technischen Daten im Zuge der Entwicklung und des technischen Fortschritts ohne vorherige Ankündigung vorzunehmen.
- Die technischen Daten können von Land zu Land unterschiedlich sein.
- Gewicht nach EPTA-Verfahren 01/2014

Symbole

Nachfolgend werden die für das Gerät verwendete Symbole beschrieben. Machen Sie sich vor der Benutzung mit ihrer Bedeutung vertraut.

	Betriebsanleitung lesen.
	DOPPELTE ISOLIERUNG
	Um Verletzungen durch herausgeschleuderte Teile zu vermeiden, halten Sie den Sägekopf nach Ausführung von Schnitten abgesenkt, bis das Sägeblatt völlig zum Stillstand gekommen ist.
	Ziehen Sie den Schlitten zur Ausführung von Schiebesschnitten zunächst ganz vor, drücken Sie den Griff nach unten, und schieben Sie dann den Schlitten zum Gehrungsanschlag.
	Halten Sie Hände oder Finger vom Sägeblatt fern.
	Blicken Sie auf keinen Fall in den Laserstrahl. Der direkte Laserstrahl kann Ihre Augen verletzen.
	Nur für EU-Länder Werfen Sie Elektrogeräte nicht in den Hausmüll! Unter Einhaltung der Europäischen Richtlinie über Elektro- und Elektronik-Altgeräte und ihrer Umsetzung gemäß den Landesgesetzen müssen Elektrogeräte, die das Ende ihrer Lebensdauer erreicht haben, getrennt gesammelt und einer umweltgerechten Recycling-Einrichtung zugeführt werden.

Vorgesehene Verwendung

Das Werkzeug ist für genaue Gerad- und Gehrungsschnitte in Holz vorgesehen. Mit geeigneten Sägeblättern kann auch Aluminium gesägt werden.

Stromversorgung

Das Werkzeug sollte nur an eine Stromquelle angeschlossen werden, deren Spannung mit der Angabe auf dem Typenschild übereinstimmt, und kann nur mit Einphasen-Wechselstrom betrieben werden. Diese sind doppelt schutzisoliert und können daher auch an Steckdosen ohne Erdleiter verwendet werden.

Geräusch

Typischer A-bewerteter Geräuschpegel ermittelt gemäß EN62841:

Modell LS1219

Schalldruckpegel (L_{pA}): 91 dB (A)
Schallleistungspegel (L_{WA}): 100 dB (A)
Messunsicherheit (K): 3 dB (A)

Modell LS1219L

Schalldruckpegel (L_{pA}): 91 dB (A)
Schallleistungspegel (L_{WA}): 100 dB (A)
Messunsicherheit (K): 3 dB (A)

⚠️ WARNUNG: Einen Gehörschutz tragen.

Schwingungen

Schwingungsgesamtwert (Drei-Achsen-Vektorsumme) ermittelt gemäß EN62841:

Modell LS1219

Schwingungsemission (a_{h1}): 2,5 m/s² oder weniger
Messunsicherheit (K): 1,5 m/s²

Modell LS1219L

Schwingungsemission (a_{h1}): 2,5 m/s² oder weniger
Messunsicherheit (K): 1,5 m/s²

HINWEIS: Der angegebene Schwingungsemissionswert wurde im Einklang mit der Standardprüfmethode gemessen und kann für den Vergleich zwischen Werkzeugen herangezogen werden.

HINWEIS: Der angegebene Schwingungsemissionswert kann auch für eine Vorbewertung des Gefährdungsgrads verwendet werden.

⚠️ WARNUNG: Die Schwingungsemission während der tatsächlichen Benutzung des Elektrowerkzeugs kann je nach der Benutzungsweise des Werkzeugs vom angegebenen Emissionswert abweichen.

⚠️ WARNUNG: Identifizieren Sie Sicherheitsmaßnahmen zum Schutz des Benutzers anhand einer Schätzung des Gefährdungsgrads unter den tatsächlichen Benutzungsbedingungen (unter Berücksichtigung aller Phasen des Arbeitszyklus, wie z. B. Ausschalt- und Leerlaufzeiten des Werkzeugs zusätzlich zur Betriebszeit).

EG-Konformitätserklärung

Nur für europäische Länder

Die EG-Konformitätserklärung ist als Anhang A in dieser Bedienungsanleitung enthalten.

SICHERHEITSWARNUNGEN

Allgemeine Sicherheitswarnungen für Elektrowerkzeuge

⚠️ WARNUNG: Lesen Sie alle mit diesem Elektrowerkzeug gelieferten Sicherheitswarnungen, Anweisungen, Abbildungen und technischen Daten durch. Eine Missachtung der unten aufgeführten Anweisungen kann zu einem elektrischen Schlag, Brand und/oder schweren Verletzungen führen.

Bewahren Sie alle Warnungen und Anweisungen für spätere Bezugnahme auf.

Der Ausdruck „Elektrowerkzeug“ in den Warnhinweisen bezieht sich auf Ihr mit Netzstrom (mit Kabel) oder Akku (ohne Kabel) betriebenes Elektrowerkzeug.

Sicherheitsanweisungen für Gehrungssägen

- 1. Gehrungssägen sind zum Schneiden von Holz oder holzähnlichen Produkten vorgesehen. Sie können nicht mit Trennschleifscheiben zum Schneiden von Eisenmaterial, wie z. B. Stäben, Stangen, Bolzen usw., verwendet werden.** Schleifstaub kann Klemmen von beweglichen Teilen, wie z. B. der unteren Schutzhaube, verursachen. Beim Trennschleifen entstehende Funken verbrennen die untere Schutzhaube, den Schnittfugeneinsatz und andere Kunststoffteile.
 - 2. Stützen Sie das Werkstück nach Möglichkeit immer mit Klemmen ab. Wenn Sie das Werkstück mit der Hand abstützen, müssen Sie Ihre Hand immer mindestens 100 mm von beiden Seiten des Sägeblatts entfernt halten. Verwenden Sie diese Säge nicht zum Schneiden von Werkstücken, die zu klein sind, um sicher eingespannt oder von Hand gehalten zu werden.** Wenn Sie Ihre Hand zu nah an das Sägeblatt halten, besteht erhöhte Verletzungsgefahr durch Kontakt mit dem Sägeblatt.
 - 3. Das Werkstück muss stationär sein und sowohl gegen den Gehrungsanschlag als auch den Tisch geklemmt oder gehalten werden. Schieben Sie das Werkstück nicht in das Sägeblatt, und schneiden Sie auch nicht „freihändig“ in irgendeiner Weise.** Nicht gesicherte oder bewegliche Werkstücke könnten mit hoher Geschwindigkeit herausgeschleudert werden und Verletzungen verursachen.
 - 4. Schieben Sie die Säge durch das Werkstück. Ziehen Sie die Säge nicht durch das Werkstück. Um einen Schnitt auszuführen, heben Sie den Sägekopf an, ziehen Sie ihn über das Werkstück heraus, ohne es zu schneiden, starten Sie den Motor, drücken Sie den Sägekopf nach unten, und schieben Sie die Säge durch das Werkstück.** Beim Schneiden in Zugrichtung ist die Wahrscheinlichkeit groß, dass das Sägeblatt am Werkstück hoch klettert und die Sägeblatteinheit heftig gegen den Bediener schleudert.
 - 5. Halten Sie niemals Ihre Hand über die beobachtigte Schnittlinie, weder vor noch hinter dem Sägeblatt.** Abstützen des Werkstücks mit „überkreuzter Hand“, d. h. Halten des Werkstücks rechts vom Sägeblatt mit der linken Hand oder umgekehrt, ist sehr gefährlich.
- **Abb.1**
- 6. Reichen Sie bei rotierendem Sägeblatt nicht hinter den Gehrungsanschlag, so dass sich eine Ihrer Hände näher als 100 mm links oder rechts des Sägeblatts befindet, um Holzabfälle zu entfernen, oder aus anderen Gründen.** Es mag nicht offensichtlich sein, wie nah sich Ihre Hand am Sägeblatt befindet, und Sie können sich ernsthaft verletzen.
 - 7. Überprüfen Sie Ihr Werkstück vor dem Schneiden. Falls das Werkstück verbogen oder verzogen ist, spannen Sie es mit der äußeren gebogenen Seite zum Gehrungsanschlag gerichtet ein. Vergewissern Sie sich stets, dass keine Lücke zwischen Werkstück, Gehrungsanschlag und Tisch entlang der Schnittlinie vorhanden ist.** Verbogene oder verzogene Werkstücke neigen zum Drehen oder Verlagern und können beim Schneiden Klemmen am rotierenden Sägeblatt verursachen. Es dürfen keine Nägel oder Fremdkörper im Werkstück vorhanden sein.
 - 8. Benutzen Sie die Säge nicht eher, bis sämtliche Werkzeuge, Holzabfälle usw. außer dem Werkstück vom Tisch weggeräumt sind.** Kleine Bruchstücke, lose Holzstücke oder andere Objekte, die das rotierende Sägeblatt berühren, können mit hoher Geschwindigkeit herausgeschleudert werden.
 - 9. Schneiden Sie nur jeweils ein Werkstück.** Mehrere übereinander gestapelte Werkstücke lassen sich nicht angemessen einspannen oder abstützen und können am Sägeblatt klemmen oder sich während des Schneidens verlagern.
 - 10. Vergewissern Sie sich vor Gebrauch, dass die Gehrungssäge auf einer ebenen, stabilen Arbeitsfläche montiert oder platziert ist.** Eine ebene und stabile Arbeitsfläche verringert die Gefahr, dass die Gehrungssäge instabil wird.
 - 11. Planen Sie Ihre Arbeit. Stellen Sie bei jeder Änderung der Neigungs- oder Gehrungswinkeleinstellung sicher, dass der verstellbare Gehrungsanschlag korrekt eingestellt ist, um das Werkstück abzustützen, und dass er nicht mit dem Sägeblatt oder dem Schutzsystem in Berührung kommt.** Bewegen Sie das Sägeblatt durch einen vollständigen simulierten Schnitt, ohne das Werkzeug einzuschalten und ein Werkstück auf den Tisch zu legen, um zu gewährleisten, dass es nicht zu einer Berührung oder der Gefahr des Schneidens in den Gehrungsanschlag kommt.
 - 12. Sorgen Sie für angemessene Abstützung eines Werkstücks, das breiter oder länger als die Tischplatte ist, z. B. durch Tischverlängerungen, Sägeböcke usw.** Werkstücke, die länger oder breiter als der Tisch der Gehrungssäge sind, können kippen, wenn sie nicht sicher abgestützt werden. Falls das abgeschnittene Stück oder Werkstück kippt, kann es die untere Schutzhaube anheben oder vom rotierenden Sägeblatt weggeschleudert werden.
 - 13. Verwenden Sie keine zweite Person als Ersatz für eine Tischverlängerung oder zur zusätzlichen Abstützung.** Instabile Abstützung des Werkstücks kann dazu führen, dass das Sägeblatt klemmt oder das Werkstück sich während des Schneidvorgangs verlagert, so dass Sie und der Helfer in das rotierende Sägeblatt gezogen werden.
 - 14. Das abgeschnittene Stücke darf nicht in irgendeiner Weise gegen das rotierende Sägeblatt geklemmt oder gedrückt werden.** Bei Einengung, z. B. durch Längenanschläge, könnte sich das abgeschnittene Stück gegen das Sägeblatt verkeilen und heftig herausgeschleudert werden.

15. **Verwenden Sie stets eine Klemme oder eine Einspannvorrichtung, um Rundmaterial, wie z. B. Stangen oder Rohre, einwandfrei abzustützen.** Stangen neigen beim Schneiden zum Rollen, so dass das Sägeblatt „beißt“ und das Werkstück mit Ihrer Hand in das Sägeblatt zieht.
16. **Warten Sie, bis das Sägeblatt die volle Drehzahl erreicht, bevor es das Werkstück kontaktiert.** Dadurch wird die Gefahr des Herausschleuderns des Werkstücks verringert.
17. **Falls das Werkstück oder das Sägeblatt eingeklemmt wird, schalten Sie die Gehrungssäge aus. Warten Sie, bis alle beweglichen Teile zum Stillstand gekommen sind, und ziehen Sie dann den Stecker von der Stromquelle ab und/ oder nehmen Sie den Akku ab. Befreien Sie dann das eingeklemmte Material.** Fortgesetztes Sägen mit einem eingeklemmten Werkstück könnte zum Verlust der Kontrolle oder zu einer Beschädigung der Gehrungssäge führen.
18. **Nachdem Sie den Schnitt vollendet haben, lassen Sie den Schalter los, halten Sie den Sägekopf nach unten, und warten Sie, bis das Sägeblatt zum Stillstand kommt, bevor Sie das abgeschnittene Stück entfernen.** Es ist gefährlich, mit Ihrer Hand in die Nähe des auslaufenden Sägeblatts zu reichen.
19. **Halten Sie den Handgriff sicher fest, wenn Sie einen unvollständigen Schnitt ausführen oder den Schalter loslassen, bevor sich der Sägekopf vollständig in der abgesenkten Position befindet.** Die Abbremsung der Säge kann bewirken, dass der Sägekopf plötzlich nach unten gezogen wird, so dass Verletzungsgefahr besteht.
20. **Verwenden Sie nur Sägeblätter mit einem Durchmesser, der am Werkzeug markiert oder im Handbuch angegeben ist.** Die Verwendung eines Sägeblatts mit falscher Größe kann den einwandfreien Schutz des Sägeblatts oder den Schutzbetrieb beeinträchtigen, was ernsthaften Personenschaden zur Folge haben kann.
21. **Verwenden Sie nur Sägeblätter, die mit einer Drehzahl markiert sind, die der am Werkzeug angegebenen Drehzahl entspricht oder diese übertrifft.**
22. **Verwenden Sie die Säge nur zum Schneiden von Holz, Aluminium oder ähnlichen Materialien.**
23. **(Nur für europäische Länder) Verwenden Sie immer ein Sägeblatt, das EN847-1 entspricht.**
4. **Betreiben Sie die Säge nicht ohne Schutzhauben.** Überprüfen Sie die Sägeblattschutzhaube vor jeder Benutzung auf einwandfreies Schließen. Betreiben Sie die Säge nicht, wenn sich die Schutzhaube nicht ungehindert bewegt und sich nicht sofort schließt. Die Schutzhaube darf auf keinen Fall in der geöffneten Stellung festgeklemmt oder festgebunden werden.
5. **Halten Sie Ihre Hände von der Schnittlinie des Sägeblatts fern.** Vermeiden Sie die Berührung eines auslaufenden Sägeblatts. Es kann auch in diesem Zustand noch schwere Verletzungen verursachen.
6. **Um die Verletzungsgefahr zu verringern, führen Sie den Schlitten nach jedem Ablängschnittvorgang auf seine hintere Anschlagstellung zurück.**
7. **Sichern Sie stets alle beweglichen Teile, bevor Sie das Werkzeug tragen.**
8. **Der Anschlagstift, der den Schneidkopf verriegelt, ist nur zum Tragen und zur Lagerung, nicht für irgendwelche Schneidarbeiten, vorgesehen.**
9. **Überprüfen Sie das Sägeblatt vor dem Betrieb sorgfältig auf Risse oder Beschädigung. Wechseln Sie ein gerissenes oder beschädigtes Sägeblatt unverzüglich aus.** An den Sägeblättern haftendes und verhärtetes Gummi und Harz verlangsamen die Säge und erhöhen die Rückschlaggefahr. Halten Sie das Sägeblatt sauber, indem Sie es vom Werkzeug abmontieren und dann mit Gummi- und Harzentferner, heißem Wasser oder Petroleum reinigen. Verwenden Sie niemals Benzin zum Reinigen des Sägeblatts.
10. **Bei der Durchführung eines Schiebesschnitts kann RÜCKSCHLAG auftreten. RÜCKSCHLAG tritt auf, wenn das Sägeblatt während eines Schneidvorgangs im Werkstück klemmt und plötzlich auf den Bediener zu getrieben wird. Es kann zum Verlust der Kontrolle und zu ernsthaften Personenschäden kommen. Falls das Sägeblatt während eines Schneidvorgangs zu klemmen beginnt, brechen Sie den Schnitt ab und lassen Sie den Schalter unverzüglich los.**
11. **Verwenden Sie nur die für dieses Werkzeug vorgeschriebenen Flansche.**
12. **Achten Sie sorgfältig darauf, dass die Spindel, die Flansche (insbesondere die Ansatzfläche) oder die Schraube nicht beschädigt werden. Eine Beschädigung dieser Teile kann zu einem Sägeblattbruch führen.**
13. **Vergewissern Sie sich, dass der Drehteller einwandfrei gesichert ist, damit er sich während des Betriebs nicht bewegt. Verwenden Sie die Löcher in der Grundplatte, um die Säge an einer stabilen Arbeitsbühne oder Werkbank zu befestigen. Benutzen Sie das Werkzeug NIEMALS in Situationen, bei denen der Bediener gezwungen wäre, eine ungünstige Position einzunehmen.**
14. **Vergewissern Sie sich vor dem Einschalten des Werkzeugs, dass die Spindelarretierung freigegeben ist.**

Zusätzliche Anweisungen

1. **Machen Sie die Werkstatt mit Vorhängeschlossern kindersicher.**
2. **Stellen Sie sich niemals auf das Werkzeug.** Durch Kippen des Werkzeugs oder versehentliche Berührung mit dem Schneidwerkzeug könnten ernsthafte Verletzungen auftreten.
3. **Lassen Sie das Werkzeug niemals unbeaufsichtigt laufen. Schalten Sie die Stromversorgung aus. Verlassen Sie das Werkzeug nicht eher, bis es zu einem vollständigen Stillstand gekommen ist.**

15. Vergewissern Sie sich, dass das Sägeblatt in der tiefsten Position nicht mit dem Drehteller in Berührung kommt.
16. Halten Sie den Handgriff sicher fest. Beachten Sie, dass sich die Säge beim Anlaufen und Abstellen geringfügig nach oben oder unten bewegt.
17. Vergewissern Sie sich vor dem Einschalten des Werkzeugs, dass das Sägeblatt nicht das Werkstück berührt.
18. Lassen Sie das Werkzeug vor dem eigentlichen Schneiden eines Werkstücks eine Weile laufen. Achten Sie auf Vibrationen oder Taumelbewegungen, die Anzeichen für schlechte Montage oder ein schlecht ausgewuchtetes Sägeblatt sein können.
19. Brechen Sie sofort den Betrieb ab, wenn Sie irgend etwas Ungewöhnliches bemerken.
20. Versuchen Sie nicht, den Auslöser in der EIN-Stellung zu verriegeln.
21. Verwenden Sie stets das in dieser Anleitung empfohlene Zubehör. Der Gebrauch ungeeigneten Zubehörs, wie z. B. Schleifscheiben, kann Verletzungen zur Folge haben.
22. Manche Materialien können giftige Chemikalien enthalten. Treffen Sie Vorsichtsmaßnahmen, um das Einatmen von Arbeitsstaub und Hautkontakt zu verhindern. Befolgen Sie die Sicherheitsdaten des Materialherstellers.

Zusätzliche Sicherheitsregeln für den Laser

1. **LASERSTRAHLUNG. NICHT IN DEN STRAHL BLICKEN ODER DIREKT MIT OPTISCHEN INSTRUMENTEN BETRACHTEN. LASERPRODUKT DER KLASSE 2M.**

DIESE ANWEISUNGEN AUFBEWAHREN.

⚠️ WARNUNG: Lassen Sie sich NICHT durch Bequemlichkeit oder Vertrautheit mit dem Produkt (durch wiederholten Gebrauch erworben) von der strikten Einhaltung der Sicherheitsregeln für das vorliegende Produkt abhalten. **MISSBRAUCH** oder Missachtung der Sicherheitsvorschriften in dieser Anleitung können schwere Personenschäden verursachen.

BEZEICHNUNG DER TEILE

► Abb.2

1	Gleitstange	2	Anschlagstift (für Schlittenverschiebung)	3	Vertikal-Schraubstock	4	Entriegelungsknopf (für rechten Neigungswinkel)
5	Auflagebügel	6	Drehteller	7	Zeiger (für Gehrungswinkel)	8	Gehrungswinkelskala
9	Schlitzplatte	10	Sägeblattgehäuse	11	Einstellschraube (für Laserlinie)	12	Bereichseinstellschraube (für Laserlinie)
13	Sägeblattschutzhaube	14	Knopf (für Neigungswinkel)	15	Inbusschlüssel	16	Einstellschraube (für Minimalgrenzposition)
17	Einstellschraube (für maximale Schnittleistung)	18	Anschlagarm	19	Verriegelungshebel (für Drehteller)	20	Freigabehebel (für Drehteller)
21	Griff (für Drehteller)	-	-	-	-	-	-

► Abb.3

1	Auslöseschalter	2	Einschaltsperrknopf	3	Loch für Vorhängeschloss	4	Schalter (für Laserlinie)
5	Schlauch (für Staubabsaugung)	6	Anschlagstift (für Schlittenanhebung)	7	Gehrungsanschlag (unterer Anschlag)	8	Gehrungsanschlag (oberer Anschlag)
9	Staubsack	10	0° Einstellschraube (für Neigungswinkel)	11	Neigungswinkelskala	12	Freigabehebel (für 48° Neigungswinkel)
13	Rasthebel (für Neigungswinkel)	14	Zeiger (für Neigungswinkel)	15	45° Einstellschraube (für Neigungswinkel)	-	-

INSTALLATION

Montieren des Griffs

Schrauben Sie den Gewindenschaft des Griffs in den Drehteller.

► **Abb.4:** 1. Griff 2. Drehteller

Montieren des Staubabsaugschlauchs

Schließen Sie den Staubabsaugschlauch an das Werkzeug an, wie in der Abbildung dargestellt. Vergewissern Sie sich, dass das Kniestück und die Muffe einwandfrei in den Anschlüssen des Werkzeugs sitzen.

► **Abb.5:** 1. Staubabsaugschlauch 2. Kniestück
3. Muffe 4. Anschluss

Werkbankmontage

Der Handgriff wurde werkseitig vor dem Versand mit dem Anschlagstift in der Tiefstellung verriegelt. Während Sie den Handgriff geringfügig absenken, ziehen Sie den Anschlagstift, und drehen Sie ihn um 90°.

► **Abb.6:** 1. Verriegelte Position 2. Entriegelte Position 3. Anschlagstift

Dieses Werkzeug sollte unter Verwendung der Schraubenbohrungen im Werkzeugsockel mit vier Schrauben auf einer ebenen und stabilen Oberfläche befestigt werden. Dadurch werden Umkippen und mögliche Verletzungen vermieden.

► **Abb.7:** 1. Schraube

⚠ WARNUNG: Stellen Sie sicher, dass sich das Werkzeug auf der Stützfläche nicht verschiebt. Eine Verschiebung der Gehrungssäge auf der Stützfläche während des Schneidbetriebs kann zu einem Verlust der Kontrolle und schweren Verletzungen führen.

FUNKTIONSBESCHREIBUNG

⚠ WARNUNG: Vergewissern Sie sich vor jeder Einstellung oder Funktionsprüfung des Werkzeugs stets, dass es ausgeschaltet und vom Stromnetz getrennt ist. Wird das Werkzeug nicht ausgeschaltet und vom Stromnetz getrennt, kann es zu schweren Verletzungen durch versehentliches Anlaufen kommen.

Sägeblattschutzhaube

► **Abb.8:** 1. Sägeblattschutzhaube

Beim Absenken des Handgriffs hebt sich die Sägeblattschutzhaube automatisch. Die Schutzhaube ist gefedert, so dass sie in ihre Ausgangsstellung zurückkehrt, wenn der Schnitt vollendet ist und der Handgriff angehoben wird.

⚠ WARNUNG: Die Sägeblattschutzhaube oder die daran angebrachte Feder darf auf keinen Fall funktionsunfähig gemacht oder entfernt werden. Ein wegen fehlender Schutzhaube freiliegendes Sägeblatt kann schwere Verletzungen während des Betriebs verursachen.

Im Interesse Ihrer eigenen Sicherheit sollten Sie die Sägeblattschutzhaube stets in gutem Zustand halten. Funktionsstörungen der Sägeblattschutzhaube müssen sofort behoben werden. Überprüfen Sie die gefederte Rückkehrbewegung der Schutzhaube.

⚠ WARNUNG: Benutzen Sie das Werkzeug niemals mit beschädigter, defekter oder fehlender Sägeblattschutzhaube oder Feder. Der Betrieb des Werkzeugs mit beschädigter, defekter oder entfernter Schutzhaube kann zu schweren Personenschäden führen.

Wenn die transparente Sägeblattschutzhaube schmutzig wird oder soviel Sägemehl an ihr haftet, dass das Sägeblatt und/oder Werkstück nicht mehr ohne weiteres sichtbar ist, sollten Sie die Säge vom Stromnetz trennen und die Schutzhaube mit einem feuchten Tuch sorgfältig reinigen. Verwenden Sie keine Lösungsmittel oder Reinigungsmittel auf Petroleumbasis zum Reinigen der Kunststoff-Schutzhaube, weil sie dadurch beschädigt werden kann.

Wenn bei besonders starker Verschmutzung der Sägeblattschutzhaube die Sicht durch die Schutzhaube behindert ist, trennen Sie das Werkzeug vom Stromnetz, und lösen Sie die Innensechskantschraube, mit der die Mittenabdeckung befestigt ist, mit dem mitgelieferten Schraubenschlüssel. Lösen Sie die Innensechskantschraube durch Drehen entgegen dem Uhrzeigersinn, und heben Sie die Sägeblattschutzhaube und die Mittenabdeckung an. In dieser Stellung der Sägeblattschutzhaube kann die Reinigung gründlicher und effizienter durchgeführt werden. Wenden Sie nach der Reinigung das obige Verfahren umgekehrt an, und ziehen Sie die Schraube an. Entfernen Sie nicht die Feder, welche die Sägeblattschutzhaube hält. Falls sich die Schutzhaube durch Alterung oder UV-Strahlung verfärbt, bestellen Sie eine neue Schutzhaube bei einer Makita-Kundendienststelle. DIE SCHUTZHAUBE DARF NICHT FUNKTIONSU NFÄHIG GEMACHT ODER ENTFERNT WERDEN.

► **Abb.9:** 1. Mittenabdeckung 2. Inbusschlüssel
3. Sägeblattschutzhaube

Schlitzplatten

Dieses Werkzeug ist mit Schlitzplatten im Drehteller versehen, um Reißen am Austrittsende eines Schnitts auf ein Minimum zu reduzieren. Die Schlitzplatten sind werkseitig so eingestellt, dass das Sägeblatt nicht mit ihnen in Berührung kommt. Stellen Sie die Schlitzplatten vor dem Gebrauch wie folgt ein:

- ▶ **Abb.10:** 1. Schlitzplatte
- ▶ **Abb.11:** 1. Linksseitiger Neigungsschnitt 2. Geradschnitt 3. Rechtsseitiger Neigungsschnitt 4. Sägeblatt 5. Sägeblattzähne 6. Schlitzplatte

Ziehen Sie zuerst den Netzstecker ab. Lösen Sie alle Schrauben (je 2 auf der linken und rechten Seite), mit denen die Schlitzplatten gesichert sind, bis sich die Schlitzplatten leicht von Hand bewegen lassen. Senken Sie den Handgriff vollständig ab, und ziehen und drehen Sie dann den Anschlagstift, um den Handgriff in der Tiefstellung zu verriegeln. Lassen Sie den Anschlagstift an der Gleitstange los, und ziehen Sie den Schlitten vollständig auf sich zu. Stellen Sie die Schlitzplatten so ein, dass sie die Seiten der Sägeblattzähne nur leicht berühren. Ziehen Sie die vorderen Schrauben an (nicht festziehen). Schieben Sie den Schlitten ganz zum Gehrgungsanschlag, und stellen Sie die Schlitzplatten so ein, dass sie die Seiten der Sägeblattzähne nur leicht berühren. Ziehen Sie die hinteren Schrauben an (nicht festziehen).

Lassen Sie den Anschlagstift nach der Einstellung der Schlitzplatten los, und heben Sie den Handgriff an. Ziehen Sie dann alle Schrauben fest.

ANMERKUNG: Nachdem Sie den Neigungswinkel eingestellt haben, vergewissern Sie sich, dass die Schlitzplatten korrekt eingestellt sind. Die korrekte Einstellung der Schlitzplatten trägt zu einwandfreier Abstützung des Werkstücks bei, um Ausreißen des Werkstücks zu minimieren.

Aufrechterhaltung der maximalen Schnittleistung

Dieses Werkzeug wurde werkseitig so eingestellt, dass die maximale Schnittleistung mit einem Sägeblatt von 305 mm erreicht wird.

Wenn Sie ein neues Sägeblatt montieren, überprüfen Sie immer die untere Grenzposition des Sägeblatts, und nehmen Sie nötigenfalls eine Einstellung vor, wie folgt:

Ziehen Sie zuerst den Netzstecker ab. Stellen Sie den Anschlaghebel auf die eingerastete Position.

- ▶ **Abb.12:** 1. Anschlaghebel

Schieben Sie den Schlitten vollständig bis zum Gehrgungsanschlag, und senken Sie den Handgriff vollkommen ab.

Stellen Sie die Sägeblattposition ein, indem Sie die Einstellschraube mit dem Inbusschlüssel drehen. Der Umfang des Sägeblatts sollte sich bis dicht unter der Oberseite des Drehtellers erstrecken und auch den Punkt erreichen, wo die Vorderseite des Gehrgungsanschlags auf die Oberseite des Drehtellers trifft.

- ▶ **Abb.13:** 1. Einstellschraube
- ▶ **Abb.14:** 1. Drehteller-Oberfläche 2. Sägeblattumfang 3. Gehrgungsanschlag

Drehen Sie das Sägeblatt bei vom Stromnetz getrenntem Werkzeug von Hand, während Sie den Handgriff ganz nach unten gedrückt halten, um sicherzugehen, dass das Sägeblatt keinen Teil des Drehtellers berührt. Nötigenfalls ist eine Nachjustierung vorzunehmen. Bringen Sie den Anschlaghebel nach der Einstellung stets wieder in seine Ausgangsposition.

⚠ WARNUNG: Vergewissern Sie sich nach der Montage eines neuen Sägeblatts bei vom Stromnetz getrennten Werkzeug stets, dass das Sägeblatt in der Tiefstellung des Handgriffs keinen Teil des Drehtellers berührt. Falls das Sägeblatt mit dem Drehteller in Berührung kommt, kann es Rückschlag verursachen, was zu schweren Verletzungen führen kann.

Anschlagarm

Die untere Grenzposition des Sägeblatts kann mit dem Anschlagarm leicht eingestellt werden. Schwenken Sie den Anschlagarm zum Einstellen in Pfeilrichtung, wie in der Abbildung gezeigt. Drehen Sie die Einstellschraube so, dass das Sägeblatt an der gewünschten Position anhält, wenn der Handgriff ganz abgesenkt wird.

- ▶ **Abb.15:** 1. Anschlagarm 2. Einstellschraube

Einstellen des Gehrgungswinkels

⚠ VORSICHT: Sichern Sie den Drehteller nach jeder Änderung des Gehrgungswinkels stets durch Anziehen des Griffs gegen Verdrehen.

ANMERKUNG: Heben Sie den Handgriff vollständig an, bevor Sie den Drehteller drehen.

- ▶ **Abb.16:** 1. Verriegelungshebel 2. Griff 3. Freigabehebel 4. Zeiger

Drehen Sie den Griff entgegen dem Uhrzeigersinn, um den Drehteller zu entriegeln. Drehen Sie den Griff, während Sie den Verriegelungshebel niederhalten, um den Drehteller zu bewegen. Richten Sie den Zeiger auf den gewünschten Winkel auf der Skala aus, und ziehen Sie dann den Griff fest.

HINWEIS: Wenn Sie den Freigabehebel niederdrücken, können Sie den Drehteller bewegen, ohne den Verriegelungshebel niederzuhalten. Ziehen Sie den Griff an der gewünschten Position fest.

Diese Gehrgungssäge verwendet die Festanschlagfunktion. Damit können Sie den rechten/ linken Gehrgungswinkel schnell auf 0°, 15°, 22,5°, 31,6°, 45° und 60° einstellen. Um diese Funktion zu benutzen, bewegen Sie den Drehteller in die Nähe des gewünschten Festanschlagwinkels, während Sie den Verriegelungshebel niederhalten. Lassen Sie dann den Verriegelungshebel los, und bewegen Sie den Drehteller vorwärts, bis er einrastet.

Einstellen des Neigungswinkels

ANMERKUNG: Entfernen Sie stets die oberen Gehrgungsanschlage und den Vertikal-Schraubstock, bevor Sie den Neigungswinkel einstellen.

ANMERKUNG: Wenn die Neigungswinkel geandert werden, mussen die Schlitzplatten gema der Beschreibung im Abschnitt „Schlitzplatten“ entsprechend eingestellt werden.

ANMERKUNG: Bringen Sie den Handgriff ganz nach oben, bevor Sie das Sageblatt neigen.

ANMERKUNG: Ziehen Sie den Knopf nicht zu fest an. Anderenfalls kann eine Funktionsstorung des Neigungswinkel-Verriegelungsmechanismus verursacht werden.

1. Drehen Sie den Knopf an der Gleitstange entgegen dem Uhrzeigersinn.

► **Abb.17:** 1. Knopf

2. Ziehen und drehen Sie den Rasthebel auf die in der Abbildung gezeigte Position.

► **Abb.18:** 1. Rasthebel

3. Richten Sie den Zeiger durch Verschieben des Schlittens auf den gewunschten Winkel auf der Skala aus, und ziehen Sie dann den Knopf fest.

► **Abb.19:** 1. Neigungswinkelskala 2. Zeiger

Um den Schlitten nach rechts zu neigen, neigen Sie ihn erst geringfugig nach links und dann nach rechts, wahrend Sie den Entriegelungsknopf niederdrucken.

► **Abb.20:** 1. Entriegelungsknopf

Wenn Sie einen Neigungsschnitt von mehr als 45° ausfuhren wollen, bewegen Sie den Schlitten, wahrend Sie den Freigabehebel in Richtung der Vorderseite des Werkzeugs schieben. Sie konnen Neigungsschnitte bis zu 48° ausfuhren.

► **Abb.21:** 1. Freigabehebel

Diese Gehrungssage verwendet die Festanschlagfunktion. Damit konnen Sie einen Winkel von 22,5° und 33,9° schnell auf der rechten und linken Seite einstellen. Stellen Sie den Rasthebel auf die in der Abbildung gezeigte Position, und neigen Sie den Schlitten. Um den Winkel zu andern, ziehen Sie den Rasthebel, und neigen Sie den Schlitten.

► **Abb.22:** 1. Rasthebel

⚠ VORSICHT: Ziehen Sie nach jeder anderung des Neigungswinkels stets den Knopf fest.

Gleit Sperre

Um die Gleitbewegung des Schlittens zu sperren, schieben Sie den Schlitten bis zum Anschlag auf den Gehrgungsanschlag zu. Ziehen Sie den Anschlagstift, und drehen Sie ihn um 90°.

► **Abb.23:** 1. Entriegelte Position 2. Verriegelte Position 3. Anschlagstift

Schalterfunktion

⚠ WARNUNG: Vergewissern Sie sich vor dem Anschlieen des Werkzeugs an das Stromnetz stets, dass der Ausloseschalter ordnungsgema funktioniert und beim Loslassen in die AUS-Stellung zuruckkehrt. Betatigen Sie den Ausloseschalter nicht gewaltsam, ohne den Einschaltsperrknopf hineinzudrucken. Dies kann zu Beschadigung des Schalters fuhren. Der Betrieb des Werkzeugs mit fehlerhaftem Schalter kann zum Verlust der Kontrolle und zu schweren Verletzungen fuhren.

⚠ WARNUNG: Benutzen Sie das Werkzeug NIEMALS, wenn der Ein-Aus-Schalter nicht voll funktionsfahig ist. Ein Werkzeug mit funktionsunfahigem Schalter ist AUSSERST GEFAHRLICH und muss vor weiterem Gebrauch repariert werden. Anderenfalls kann es zu schweren Verletzungen kommen.

⚠ WARNUNG: Versuchen Sie NIEMALS, den Einschaltsperrknopf mit Klebeband oder anderen Mitteln unwirksam zu machen. Ein Schalter mit unwirksamem Einschaltsperrknopf kann zu ungewolltem Betrieb und daraus resultierenden schweren Personenschaden fuhren.

⚠ WARNUNG: Betreiben Sie das Werkzeug NIEMALS, wenn es durch einfache Betatigung des Ein-Aus-Schalters eingeschaltet werden kann, ohne den Einschaltsperrknopf zu drucken. Ein reparaturbedraftiger Schalter kann zu ungewolltem Betrieb und daraus resultierenden schweren Personenschaden fuhren. Lassen Sie das Werkzeug von einer Makita-Kundendienststelle ordnungsgema reparieren, BEVOR Sie es weiter benutzen.

► **Abb.24:** 1. Ausloseschalter 2. Einschaltsperrknopf 3. Loch fur Vorhangeschloss

Um versehentliche Betatigung des Ausloseschalters zu verhuten, ist das Werkzeug mit einem Einschaltsperrknopf ausgestattet. Betatigen Sie zum Starten des Werkzeugs den Ausloseschalter bei gedrucktem Einschaltsperrknopf. Lassen Sie zum Ausschalten den Ausloseschalter los. Der Ausloseschalter ist mit einem Loch fur ein Vorhangeschloss versehen, um das Werkzeug zu verriegeln.

⚠ WARNUNG: Verwenden Sie kein Schloss, dessen Schaft oder Kabel einen kleineren Durchmesser als 6,35 mm hat. Ein kleinerer Schaft oder ein kleineres Kabel verriegelt das Werkzeug moglicherweise nicht richtig in der Aus-Stellung, so dass es zu ungewolltem Betrieb mit daraus resultierenden schweren Verletzungen kommen kann.

Konstantdrehzahlregelung

Das Werkzeug verfügt über einen elektronischen Drehzahlregler, der selbst unter Belastung zur Aufrechterhaltung einer konstanten Sägeblattdrehzahl beiträgt. Eine konstante Sägeblattdrehzahl resultiert in einem sehr glatten Schnitt.

Soft-Start-Funktion

Diese Funktion ermöglicht weiches Anlaufen des Werkzeugs durch Begrenzung des Anlaufdrehmoments.

Laserstrahlbenutzung

Nur für Modell LS1219L

⚠ VORSICHT: Blicken Sie auf keinen Fall in den Laserstrahl. Der direkte Laserstrahl kann Ihre Augen verletzen.

Um den Laserstrahl einzuschalten, drücken Sie den oberen Teil (I) des Schalters. Um den Laserstrahl auszuschalten, drücken Sie den unteren Teil (O) des Schalters.

► **Abb.25:** 1. Laserschalter

Sie können die Laserlinie entweder zur rechten oder linken Seite des Sägeblatts verschieben, indem Sie die Einstellschraube wie folgt drehen.

► **Abb.26:** 1. Einstellschraube

1. Lösen Sie die Einstellschraube durch Linksdrehen.
2. Schieben Sie die gelöste Einstellschraube bis zum Anschlag nach rechts oder links.
3. Ziehen Sie die Einstellschraube an der Anschlagposition fest an.

HINWEIS: Die Laserlinie ist werksseitig so eingestellt, dass sie innerhalb 1 mm von der Seitenfläche des Sägeblatts (Schnittposition) liegt.

HINWEIS: Wenn die Laserlinie wegen direkten Sonnenlichts schwach erscheint und schlecht sichtbar ist, verlagern Sie den Arbeitsplatz zu einem Ort, der keinem direkten Sonnenlicht ausgesetzt ist.

Ausrichten der Laserlinie

Richten Sie die Schnittlinie am Werkstück auf die Laserlinie aus.

► **Abb.27**

- A) Um die korrekte Größe auf der linken Seite des Werkstücks zu erhalten, verlagern Sie die Laserlinie links vom Sägeblatt.
B) Um die korrekte Größe auf der rechten Seite des Werkstücks zu erhalten, verlagern Sie die Laserlinie rechts vom Sägeblatt.

HINWEIS: Legen Sie ein Zwischenbrett an den Gehrungsanschlag an, wenn Sie die Schnittlinie bei Compound Schnitten auf die Laserlinie auf der Seite des Gehrungsanschlages ausrichten (Neigungswinkel von 45° und rechter Gehrungswinkel von 45°).

MONTAGE

⚠ WARNUNG: Vergewissern Sie sich vor der Ausführung von Arbeiten am Werkzeug stets, dass es ausgeschaltet und vom Stromnetz getrennt ist. Das Versäumnis, das Werkzeug auszuschalten und vom Stromnetz zu trennen, kann zu schweren Verletzungen führen.

Aufbewahrung des Inbusschlüssels

Der Inbusschlüssel kann an der in der Abbildung gezeigten Stelle aufbewahrt werden, damit er nicht verloren geht.

► **Abb.28:** 1. Inbusschlüssel

Demontieren und Montieren des Sägeblatts

⚠ WARNUNG: Vergewissern Sie sich vor der Montage oder Demontage des Sägeblatts stets, dass das Werkzeug ausgeschaltet und vom Stromnetz getrennt ist. Versehentliches Anlaufen des Werkzeugs kann zu schweren Personenschäden führen.

⚠ WARNUNG: Verwenden Sie nur den mitgelieferten Makita-Schraubenschlüssel zum Montieren und Demontieren des Sägeblatts. Wird der Schraubenschlüssel nicht benutzt, kann es zu übermäßigem oder unzureichendem Anziehen der Innensechskantschraube mit daraus resultierenden schweren Verletzungen kommen.

Vriegeln Sie den Schlitten immer in der angehobenen Position, wenn Sie das Sägeblatt demontieren und montieren. Ziehen Sie den Anschlagstift bei angehobenem Schlitten, und drehen Sie ihn um 90°.

► **Abb.29:** 1. Entriegelte Position 2. Vriegelte Position 3. Anschlagstift

Demontieren des Sägeblatts

Lösen Sie die Innensechskantschraube, die die Mittenabdeckung hält, mit dem Inbusschlüssel. Heben Sie die Sägeblattschutzhaube und die Mittenabdeckung an.

► **Abb.30:** 1. Mittenabdeckung 2. Inbusschlüssel 3. Sägeblattschutzhaube

Blockieren Sie die Spindel durch Drücken der Spindelarretierung, und lösen Sie die Innensechskantschraube mit dem Inbusschlüssel. Entfernen Sie dann Innensechskantschraube, Außenflansch und Sägeblatt.

► **Abb.31:** 1. Spindelarretierung 2. Inbusschlüssel 3. Innensechskantschraube (Linksgewinde) 4. Lösen 5. Anziehen

Montieren des Sägeblatts

Montieren Sie das Sägeblatt sorgfältig an der Spindel, wobei Sie darauf achten, dass der Pfeil auf dem Sägeblatt in dieselbe Richtung zeigt wie der Pfeil auf dem Sägeblattgehäuse.

► **Abb.32:** 1. Pfeil auf dem Sägeblattgehäuse 2. Pfeil auf dem Sägeblatt

Montieren Sie den Außenflansch und die Innensechskantschraube. Ziehen Sie die Innensechskantschraube mit dem Inbusschlüssel entgegen dem Uhrzeigersinn fest, während Sie die Spindelarreterierung drücken.

► **Abb.33:** 1. Innensechskantschraube
2. Außenflansch 3. Sägeblatt
4. Innenflansch 5. Spindel 6. Ring

ANMERKUNG: Falls der Innenflansch entfernt wurde, bringen Sie ihn so an der Spindel an, dass sein Vorsprung vom Sägeblatt weg gerichtet ist. Wird der Flansch falsch montiert, schleift er an der Maschine.

Bringen Sie die Sägeblattschutzhäube und die Mittenabdeckung wieder in ihre Ausgangsstellung. Ziehen Sie dann die Innensechskantschraube zur Sicherung der Mittenabdeckung im Uhrzeigersinn an. Entriegeln Sie den Anschlagstift, um den Schlitzen aus der angehobenen Position zu lösen. Senken Sie den Handgriff ab, um zu prüfen, ob sich die Sägeblattschutzhäube einwandfrei bewegt. Vergewissern Sie sich vor der Benutzung des Werkzeugs, dass die Spindelarreterierung gelöst ist.

! WARNUNG: Bevor Sie das Sägeblatt auf die Spindel montieren, sollten Sie sich stets vergewissern, dass der korrekte Ring für die Spindelbohrung des zu benutzenden Sägeblatts zwischen Innen- und Außenflansch installiert ist. Die Verwendung eines falschen Spindelbohrungsringes kann zu unzulässiger Montage des Sägeblatts führen, so dass es zu Sägeblattbewegung und starker Vibration kommt, die möglichen Verlust der Kontrolle während des Betriebs und schwere Personenschäden zur Folge haben kann.

Anschließen eines Sauggeräts

Wenn Sie saubere Schneidarbeiten durchführen wollen, schließen Sie ein Makita-Sauggerät mit einer Frontmanschette 24 (Sonderzubehör) an den Absaugstutzen an.

► **Abb.34:** 1. Frontmanschette 24 2. Schlauch
3. Sauggerät

Staubsaack

Der Staubsaack ermöglicht sauberes Arbeiten und einfaches Staubsammeln. Um den Staubsaack anzubringen, entfernen Sie den Staubsaugschlauch vom Werkzeug, und schließen Sie den Staubsaack an.

► **Abb.35:** 1. Staubsaugschlauch 2. Staubsaack

Wenn der Staubsaack etwa halb voll ist, nehmen Sie ihn vom Werkzeug ab und ziehen den Verschluss heraus. Entleeren Sie den Staubsaack, indem Sie ihn leicht abklappen, um die an den Innenflächen haftenden Staubpartikel, die den Durchlass behindern können, zu lösen.

► **Abb.36:** 1. Verschluss

Sicherung von Werkstücken

! WARNUNG: Es ist äußerst wichtig, das Werkstück stets mit dem geeigneten Schraubstocktyp oder mit Deckenleistenanschlagen korrekt zu sichern. Anderenfalls kann es zu schweren Personenschäden und Beschädigung des Werkzeugs und/oder Werkstücks kommen.

! WARNUNG: Heben Sie das Sägeblatt nach erfolgtem Schnitt erst an, nachdem es zum völligen Stillstand gekommen ist. Das Anheben eines noch rotierenden Sägeblatts kann zu schweren Personenschäden und Beschädigung des Werkstücks führen.

! WARNUNG: Wenn Sie ein Werkstück schneiden, das länger als der Auflagetisch der Säge ist, sollte das Material auf der gesamten Länge außerhalb des Auflagetisches und auf derselben Höhe abgestützt werden, um es waagrecht zu halten. Korrekte Werkstückabstützung trägt zur Vermeidung von Sägeblattklemmen und möglichem Rückschlag bei, was zu schweren Verletzungen führen kann. Verlassen Sie sich nicht nur auf die Vertikal- und/oder Horizontal-Schraubstock zur Sicherung des Werkstücks. Dünnes Material neigt zum Durchhängen. Stützen Sie das Werkstück auf seiner gesamten Länge ab, um Klemmen des Sägeblatts und möglichen RÜCKSCHLAG zu vermeiden.

► **Abb.37:** 1. Stütze 2. Drehteller

Gehrungsanschlüge

! WARNUNG: Vergewissern Sie sich vor der Benutzung des Werkzeugs, dass der obere Anschlag einwandfrei gesichert ist.

! WARNUNG: Vergewissern Sie sich vor der Ausführung von Neigungsschnitten, dass kein Teil des Werkzeugs, besonders das Sägeblatt, mit dem oberen und unteren Anschlag in Berührung kommt, wenn der Handgriff aus jeder beliebigen Position vollständig abgenest und angehoben und der Schlitten bis zum Anschlag gezogen oder geschoben wird. Falls das Werkzeug oder Sägeblatt mit dem Anschlag in Berührung kommt, kann es zu Rückschlag oder unerwarteter Verschiebung des Materials mit daraus resultierenden schweren Personenschäden kommen.

Verwenden Sie die oberen Anschnüge, um das Material höher als die unteren Anschnüge abzustützen. Führen Sie den oberen Anschlag in die Bohrung des unteren Anschlags ein, und ziehen Sie die Klemmschraube fest.

► **Abb.38:** 1. Oberer Anschlag 2. Unterer Anschlag
3. Klemmschraube 4. Einstellschraube

ANMERKUNG: Die unteren Anschläge wurden werksseitig an der Grundplatte befestigt. Entfernen Sie die unteren Anschläge nicht.

ANMERKUNG: Falls der obere Anschlag nach dem Festziehen der Klemmschraube noch immer locker ist, drehen Sie die Einstellschraube, um eine Lücke zu schließen. Die Einstellschraube wurde werksseitig eingestellt. Sie bedarf keiner Verstellung, wenn dies nicht unbedingt notwendig ist.

Sie können die oberen Anschläge am Auflagebügel aufbewahren, wenn sie nicht gebraucht werden. Verwenden Sie die Klammer am oberen Anschlag, um ihn am Auflagebügel zu sichern.

- **Abb.39:** 1. Auflagebügel 2. Oberer Anschlag
3. Klammer

Vertikal-Schraubstock

⚠ WARNUNG: Das Werkstück muss bei allen Operationen mit dem Schraubstock fest gegen Drehteller und Gehrungsanschlag gesichert werden. Wird das Werkstück nicht einwandfrei am Anschlag gesichert, kann sich das Material während des Schneidbetriebs verschieben und eine mögliche Beschädigung des Sägeblatts verursachen, was zu Herausschleudern des Materials und Verlust der Kontrolle mit daraus resultierenden schweren Personenschäden führen kann.

- **Abb.40:** 1. Schraubstockarm
2. Schraubstockstange 3. Klemmschraube
4. Schraubstockknopf

Der Vertikal-Schraubstock kann entweder auf der linken oder rechten Seite der Grundplatte montiert werden. Führen Sie die Schraubstockstange in das Loch der Grundplatte ein.

Stellen Sie den Schraubstockarm auf die Abmessungen des Werkstücks ein, und sichern Sie ihn durch Anziehen der Schraube. Falls die Klemmschraube mit dem Schlitten in Berührung kommt, installieren Sie sie auf der entgegengesetzten Seite des Schraubstockarms. Vergewissern Sie sich, dass keine Werkzeugteile mit dem Schraubstock in Berührung kommen, wenn der Handgriff bis zum Anschlag abgesenkt wird. Falls irgendwelche Teile mit dem Schraubstock in Berührung kommen, ist der Schraubstock zu versetzen. Drücken Sie das Werkstück flach gegen Gehrungsanschlag und Drehteller. Bringen Sie das Werkstück in die gewünschte Schnittposition, und sichern Sie es einwandfrei durch Anziehen des Schraubstockknopfes.

HINWEIS: Um schnelles Einlegen des Werkstücks zu ermöglichen, kann der Schraubstockknopf durch Drehen um 90° entgegen dem Uhrzeigersinn auf und ab bewegt werden. Um das Werkstück nach dem Einlegen zu sichern, drehen Sie den Schraubstockknopf im Uhrzeigersinn.

Horizontal-Schraubstock

Sonderzubehör

⚠ WARNUNG: Drehen Sie die Schraubstockmutter stets im Uhrzeigersinn, bis das Werkstück einwandfrei gesichert ist. Wird das Werkstück nicht einwandfrei gesichert, kann sich das Material während des Schneidbetriebs verschieben und eine mögliche Beschädigung des Sägeblatts verursachen, was zu Herausschleudern des Materials und Verlust der Kontrolle mit daraus resultierenden schweren Verletzungen führen kann.

⚠ WARNUNG: Um dünne Werkstücke, wie z. B. Fußleisten, gegen den Anschlag abzuschneiden, verwenden Sie stets den Horizontal-Schraubstock.

⚠ VORSICHT: Wenn Sie Werkstücke mit einer Dicke von 20 mm oder weniger schneiden, verwenden Sie unbedingt einen Distanzblock zum Sichern des Werkstücks.

Der Horizontal-Schraubstock kann entweder auf der linken oder rechten Seite der Grundplatte montiert werden. Wenn Gehrungsschnitte in einem Winkel von 22,5° oder mehr ausgeführt werden, ist der Horizontal-Schraubstock auf der entgegengesetzten Seite der Drehteller-Drehrichtung zu montieren.

- **Abb.41:** 1. Schraubstockbacke
2. Schraubstockmutter
3. Schraubstockknopf

Durch Umlagen der Schraubstockmutter entgegen dem Uhrzeigersinn wird der Schraubstock gelöst, so dass er sich schnell hin und her schieben lässt. Zum Einspannen des Werkstücks schieben Sie den Schraubstockknopf nach vorn, bis die Schraubstockbacke das Werkstück berührt, und legen Sie dann die Schraubstockmutter im Uhrzeigersinn um. Drehen Sie dann den Schraubstockknopf im Uhrzeigersinn, um das Werkstück zu sichern.

HINWEIS: Werkstücke von maximal 228 mm Breite können mit dem Horizontal-Schraubstock eingespannt werden.

Auflagebügel

⚠ WARNUNG: Stützen Sie ein langes Werkstück stets so ab, dass es waagrecht zur Oberseite des Drehtellers liegt, um akkurate Schnitte auszuführen und gefährlichen Verlust der Kontrolle über das Werkzeug zu verhüten. Korrekte Werkstückabstützung trägt zur Vermeidung von Sägeblattklemmen und möglichem Rückschlag bei, was zu schweren Verletzungen führen kann.

Um lange Werkstücke horizontal zu halten, sind Auflagebügel auf beiden Seiten des Werkzeugs vorhanden. Lösen Sie die Schrauben, und ziehen Sie die Auflagebügel auf die entsprechende Länge zum Abstützen des Werkstücks aus. Ziehen Sie dann die Schrauben an.

- **Abb.42:** 1. Auflagebügel 2. Schraube

BETRIEB

⚠️ WARNUNG: Vergewissern Sie sich vor dem Einschalten des Werkzeugs, dass das Sägeblatt nicht das Werkstück usw. berührt. Wird das Werkzeug eingeschaltet, während das Sägeblatt mit dem Werkstück in Berührung ist, kann es zu Rückschlag mit daraus resultierenden schweren Personenschäden kommen.

⚠️ WARNUNG: Heben Sie das Sägeblatt nach erfolgreichem Schnitt erst an, nachdem es zum völligen Stillstand gekommen ist. Das Anheben eines noch rotierenden Sägeblatts kann zu schweren Personenschäden und Beschädigung des Werkstücks führen.

⚠️ WARNUNG: Führen Sie keine Einstellungen, wie z. B. Drehen von Griff, Knopf und Hebeln, am Werkzeug durch, während das Sägeblatt rotiert. Einstellungen bei rotierendem Sägeblatt können zu ernsthaften Personenschäden führen.

ANMERKUNG: Vor der Benutzung sollten Sie unbedingt den Anschlagstift entriegeln und den Handgriff aus der abgesenkten Position freigeben.

ANMERKUNG: Üben Sie beim Schneiden keinen übermäßigen Druck auf den Handgriff aus. Zu starker Druck kann zu Überlastung des Motors und/oder verminderter Schnittleistung führen. Drücken Sie den Handgriff nur mit so viel Kraft nieder, wie für reibungslosen Sägebetrieb notwendig ist, ohne einen beträchtlichen Abfall der Sägeblattdrehzahl zu verursachen.

ANMERKUNG: Drücken Sie den Handgriff zur Ausführung des Schnitts sachte nieder. Bei zu großer oder seitlicher Kraftausübung kann das Sägeblatt in Schwingung versetzt werden, wodurch zusätzliche Sägespuren im Werkstück erzeugt werden und die Schnittgenauigkeit beeinträchtigt werden kann.

ANMERKUNG: Schieben Sie den Schlitten bei Schiebescnitten sachte und ohne anzuhalten zum Gehrungsanschlag. Wird die Schlittenbewegung während des Schnitts unterbrochen, hinterlässt das Sägeblatt eine Markierung im Werkstück, und die Schnittgenauigkeit wird beeinträchtigt.

Kappschnitt

⚠️ WARNUNG: Sperren Sie stets die Gleitbewegung des Schlittens, wenn Sie Kappschnitte durchführen. Schneiden ohne Sperre kann möglichen Rückschlag verursachen, der zu ernsthaften Personenschäden führen kann.

Werkstücke bis zu 92 mm Höhe und 183 mm Breite können auf die folgende Weise geschnitten werden.

► **Abb.43:** 1. Anschlagstift

1. Schieben Sie den Schlitten bis zum Anschlag gegen den Gehrungsanschlag, und verriegeln Sie ihn mit dem Anschlagstift.

2. Sichern Sie das Werkstück mit einem geeigneten Schraubstocktyp.

3. Schalten Sie das Werkzeug ein, ohne dass das Sägeblatt Kontakt hat, und warten Sie, bis es seine volle Drehzahl erreicht, bevor Sie es absenken.

4. Senken Sie den Handgriff zum Schneiden des Werkstücks sachte vollständig ab.

5. Wenn der Schnitt ausgeführt ist, schalten Sie das Werkzeug aus, und warten Sie, bis das Sägeblatt zum vollständigen Stillstand gekommen ist, bevor Sie das Sägeblatt auf seine vollständig angehobene Position zurückführen.

Schiebeschnitt (Schneiden breiter Werkstücke)

⚠️ WARNUNG: Ziehen Sie bei jeder Durchführung eines Schiebescchnitts zuerst den Schlitten ganz auf sich zu, und drücken Sie den Handgriff ganz nach unten, bevor Sie den Schlitten auf den Gehrungsanschlag zu schieben. Starten Sie den Schnitt niemals, ohne den Schlitten ganz auf sich zu gezogen zu haben. Wenn Sie den Schiebescchnitt durchführen, ohne den Schlitten ganz auf sich zu gezogen zu haben, kann ein unerwarteter Rückschlag auftreten, der zu schweren Personenschäden führen kann.

⚠️ WARNUNG: Versuchen Sie niemals, einen Schiebescchnitt durchzuführen, indem Sie den Schlitten auf sich zu ziehen. Wenn Sie den Schlitten während des Schneidbetriebs auf sich zu ziehen, kann ein unerwarteter Rückschlag verursacht werden, der zu schweren Personenschäden führen kann.

⚠️ WARNUNG: Führen Sie niemals einen Schiebescchnitt aus, wenn der Handgriff in der Tiefstellung verriegelt ist.

► **Abb.44:** 1. Anschlagstift

1. Entriegeln Sie den Anschlagstift, so dass der Schlitten ungehindert gleiten kann.

2. Sichern Sie das Werkstück mit einem geeigneten Schraubstocktyp.

3. Ziehen Sie den Schlitten ganz auf sich zu.

4. Schalten Sie das Werkzeug ein, ohne dass das Sägeblatt Kontakt hat, und warten Sie, bis es seine volle Drehzahl erreicht.

5. Drücken Sie den Handgriff nach unten, und schieben Sie den Schlitten auf den Gehrungsanschlag zu und durch das Werkstück.

6. Wenn der Schnitt ausgeführt ist, schalten Sie das Werkzeug aus, und warten Sie, bis das Sägeblatt zum vollständigen Stillstand gekommen ist, bevor Sie das Sägeblatt auf seine vollständig angehobene Position zurückführen.

Gehrungsschnitt

Nehmen Sie auf den vorherigen Abschnitt „Einstellen des Gehrungswinkels“ Bezug.

Neigungsschnitt

⚠️ WARNUNG: Nachdem Sie das Sägeblatt für einen Neigungsschnitt eingestellt haben, vergewissern Sie sich, dass Schlitten und Sägeblatt über den gesamten Bereich des beabsichtigten Schnitts Freigang haben, bevor Sie das Werkzeug in Betrieb nehmen. Eine Unterbrechung des Schlitten- oder Sägeblattwegs während des Schneidbetriebs kann zu einem Rückschlag mit daraus resultierenden schweren Personenschäden führen.

⚠️ WARNUNG: Halten Sie Ihre Hände während der Ausführung eines Neigungsschnitts aus dem Weg des Sägeblatts. Der Winkel des Sägeblatts kann den Bediener hinsichtlich des tatsächlichen Sägeblattwegs während des Schneidbetriebs verwirren, und Kontakt mit dem Sägeblatt kann zu schweren Personenschäden führen.

⚠️ WARNUNG: Heben Sie das Sägeblatt erst an, nachdem es zum völligen Stillstand gekommen ist. Während eines Neigungsschnitts kann das abgesägte Stück am Sägeblatt anliegen. Wird das Sägeblatt in rotierendem Zustand angehoben, kann das abgesägte Stück vom Sägeblatt herausgeschleudert werden, so dass das Material zersplittert, was zu schweren Personenschäden führen kann.

ANMERKUNG: Wenn Sie den Handgriff niederdrücken, üben Sie den Druck parallel zum Sägeblatt aus. Falls eine Kraft senkrecht zum Drehteller ausgeübt oder die Druckrichtung während eines Schnitts geändert wird, kann die Genauigkeit des Schnitts beeinträchtigt werden.

► Abb.45

- Entfernen Sie den oberen Anschlag auf der Seite, auf der Sie den Schlitten neigen werden.
- Entriegeln Sie den Anschlagstift.
- Stellen Sie den Neigungswinkel nach dem im Abschnitt „Einstellen des Neigungswinkels“ erläuterten Verfahren ein. Ziehen Sie dann den Knopf fest.
- Spannen Sie das Werkstück mit einem Schraubstock ein.
- Ziehen Sie den Schlitten ganz auf sich zu.
- Schalten Sie das Werkzeug ein, ohne dass das Sägeblatt Kontakt hat, und warten Sie, bis es seine volle Drehzahl erreicht.
- Senken Sie dann den Handgriff sacht auf die Tiefstellung ab, während Sie Druck parallel zum Sägeblatt ausüben, und schieben Sie den Schlitten auf den Gehrungsanschlag zu, um das Werkstück zu schneiden.
- Wenn der Schnitt ausgeführt ist, schalten Sie das Werkzeug aus, und warten Sie, bis das Sägeblatt zum vollständigen Stillstand gekommen ist, bevor Sie das Sägeblatt auf seine vollständig angehobene Position zurückführen.

Compoundsschnitt

Unter Compoundsschnitt versteht man das Schneiden eines Werkstücks mit gleichzeitiger Gehrungs- und Neigungswinkeleinstellung. Compoundsschnitte können in dem in der nachstehenden Tabelle angegebenen Winkel durchgeführt werden.

Gehrungswinkel	Neigungswinkel
Links und Rechts 0° - 45°	Links und Rechts 0° - 45°

Nehmen Sie zur Durchführung von Compoundsschnitten auf die Erläuterungen unter „Kappschnitt“, „Schiebeschnitt“, „Gehrungsschnitt“ und „Neigungsschnitt“ Bezug.

Schneiden von Fußleisten

⚠️ VORSICHT: Verwenden Sie unbedingt den Horizontal-Schraubstock (Sonderzubehör) zum Schneiden von Fußleisten.

⚠️ VORSICHT: Wenn Sie Werkstücke mit einer Dicke von 20 mm oder weniger schneiden, verwenden Sie unbedingt einen Distanzblock zum Sichern des Werkstücks.

Wenn Sie Fußleisten in einem Gehrungswinkel von 45° schneiden, rasten Sie den Anschlaghebel ein, um zu verhindern, dass das Sägeblattgehäuse mit der Fußleiste in Berührung kommt. Dadurch wird der Abstand zwischen der Fußleiste und dem Sägeblattgehäuse eingehalten, wenn der Schlitten vollständig nach vorn geschoben wird. Angaben zur Fußleisten-Schnittleistung entnehmen Sie bitte den TECHNISCHEN DATEN.

- **Abb.46:** 1. Anschlaghebel 2. Distanzblock
3. Horizontal-Schraubstock

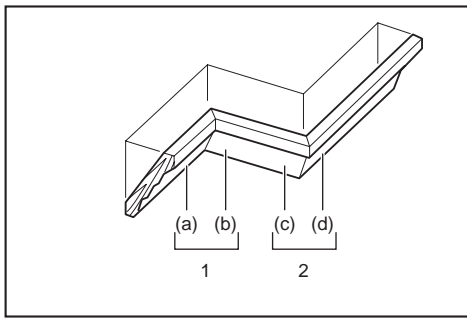
Schneiden von Decken- und Hohlleisten

Decken- und Hohlleisten können flach auf dem Drehteller liegend mit einer Kapp- und Gehrungssäge geschnitten werden.

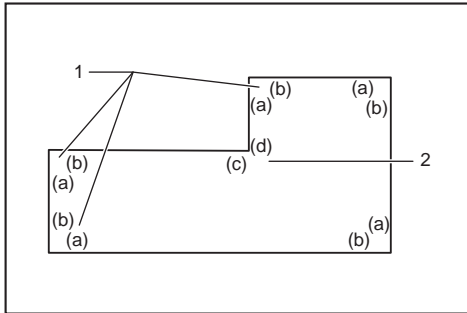
Es gibt zwei allgemeine Deckenleistentypen und einen Hohlleistentyp: Deckenleiste mit 52/38° Wandwinkel, Deckenleiste mit 45° Wandwinkel und Hohlleiste mit 45° Wandwinkel.

- **Abb.47:** 1. 52/38°-Deckenleistentyp
2. 45°-Deckenleistentyp
3. 45°-Hohlleistentyp

Es gibt Decken- und Hohlleistenstöße, die in 90°-Innenecken ((a) und (b) in der Abbildung) und 90°-Außenecken ((c) und (d) in der Abbildung) passen.

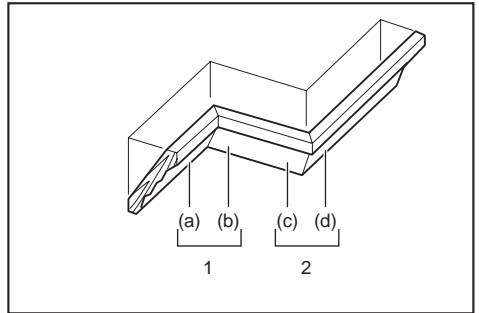


1. Innenecke 2. Außenecke



1. Innenecke 2. Außenecke

Im Falle eines Linksneigungsschnitts



1. Innenecke 2. Außenecke

Tabelle (A)

-	Leistenposition in der Abbildung	Neigungswinkel		Gehrungswinkel	
		52/38°-Typ	45°-Typ	52/38°-Typ	45°-Typ
Für Innenecke	(a)	Links 33,9°	Links 30°	Rechts 31,6°	Rechts 35,3°
	(b)			Links 31,6°	Links 35,3°
Für Außenecke	(c)			Rechts 31,6°	Rechts 35,3°
	(d)				

Tabelle (B)

-	Leistenposition in der Abbildung	Leistenkante gegen Gehrgungsanschlag	Fertiges Stück
Für Innenecke	(a)	Die Deckenkontaktkante muss am Gehrgungsanschlag anliegen.	Das fertige Stück befindet sich auf der linken Seite des Sägeblatts.
	(b)	Die Wandkontaktkante muss am Gehrgungsanschlag anliegen.	
Für Außenecke	(c)	Die Wandkontaktkante muss am Gehrgungsanschlag anliegen.	Das fertige Stück befindet sich auf der rechten Seite des Sägeblatts.
	(d)	Die Deckenkontaktkante muss am Gehrgungsanschlag anliegen.	

Messen

Messen Sie die Wandbreite, und stellen Sie die Breite des Werkstücks dementsprechend ein. Vergewissern Sie sich stets, dass die Breite der Wandkontaktkante des Werkstücks der Wandlänge entspricht.

► **Abb.48:** 1. Werkstück 2. Wandbreite 3. Breite des Werkstücks 4. Wandkontaktkante

Verwenden Sie stets mehrere Stücke für Probeschnitte, um die Sägewinkel zu überprüfen.

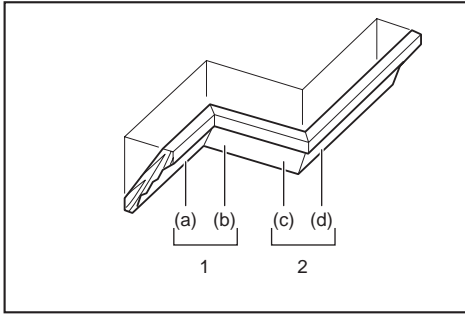
Wenn Sie Decken- und Hohlleisten schneiden, stellen Sie den Neigungs- und Gehrungswinkel gemäß den Angaben in Tabelle (A) ein, und legen Sie die Leisten auf die Oberseite der Grundplatte, wie in Tabelle (B) angegeben.

Beispiel:

Schneiden einer 52/38°-Deckenleiste für Position (a) in der obigen Abbildung:

- Neigungswinkel auf 33,9° LINKS einstellen und sichern.
- Gehrungswinkel auf 31,6° RECHTS einstellen und sichern.
- Legen Sie die Deckenleiste mit ihrer breiten (verborgenen) Rückseite auf den Drehteller, so dass ihre DECKENKONTAKTKANTE am Gehrgungsanschlag der Säge anliegt.
- Das zu verwendende fertige Stück befindet sich nach der Ausführung des Schnitts immer auf der LINKEN Seite des Sägeblatts.

Im Falle eines Rechtsneigungsschnitts



1. Innenecke 2. Außenecke

Tabelle (A)

–	Leistenposition in der Abbildung	Neigungswinkel		Gehrungswinkel	
		52/38°-Typ	45°-Typ	52/38°-Typ	45°-Typ
Für Innenecke	(a)	Rechts 33,9°	Rechts 30°	Rechts 31,6°	Rechts 35,3°
	(b)			Links 31,6°	Links 35,3°
Für Außenecke	(c)			Rechts 31,6°	Rechts 35,3°
	(d)			Links 31,6°	Links 35,3°

Tabelle (B)

–	Leistenposition in der Abbildung	Leistenkante gegen Gehrungsanschlag	Fertiges Stück
Für Innenecke	(a)	Die Wandkontaktkante muss am Gehrungsanschlag anliegen.	Das fertige Stück befindet sich auf der rechten Seite des Sägeblatts.
	(b)	Die Deckenkontaktkante muss am Gehrungsanschlag anliegen.	
Für Außenecke	(c)	Die Wandkontaktkante muss am Gehrungsanschlag anliegen.	Das fertige Stück befindet sich auf der linken Seite des Sägeblatts.
	(d)	Die Deckenkontaktkante muss am Gehrungsanschlag anliegen.	

Beispiel:
Schneiden einer 52/38°-Deckenleiste für Position (a) in der obigen Abbildung:

- Neigungswinkel auf 33,9° RECHTS einstellen und sichern.
- Gehrungswinkel auf 31,6° RECHTS einstellen und sichern.
- Legen Sie die Deckenleiste mit ihrer breiten (verborgenen) Rückseite auf den Drehteller, so dass ihre WANDKONTAKTKANTE am Gehrungsanschlag der Säge anliegt.
- Das zu verwendende fertige Stück befindet sich nach der Ausführung des Schnitts immer auf der RECHTEN Seite des Sägeblatts.

Deckenleistenanschlag

Sonderzubehör

Deckenleistenanschlüsse gestatten bequemerer Schneiden von Deckenleisten, ohne das Sägeblatt neigen zu müssen. Montieren Sie diese auf dem Drehteller, wie in den Abbildungen gezeigt.

Rechter 45°-Gehrungswinkel

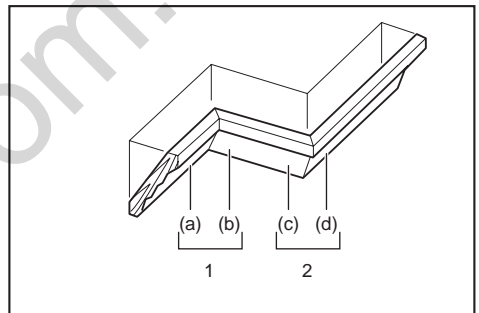
- **Abb.49:** 1. Deckenleistenanschlag L
2. Deckenleistenanschlag R 3. Drehteller
4. Gehrungsanschlag

Linker 45°-Gehrungswinkel

- **Abb.50:** 1. Deckenleistenanschlag L
2. Deckenleistenanschlag R 3. Drehteller
4. Gehrungsanschlag

Positionieren Sie die Deckenleiste mit ihrer WANDKONTAKTKANTE gegen den Gehrungsanschlag und mit ihrer DECKENKONTAKTKANTE gegen die Deckenleistenanschlüsse, wie in der Abbildung gezeigt. Stellen Sie die Deckenleistenanschlüsse der Größe der Deckenleiste entsprechend ein. Ziehen Sie die Schrauben fest, um die Deckenleistenanschlüsse zu sichern. Nehmen Sie für den Gehrungswinkel auf die Tabelle (C) Bezug.

- **Abb.51:** 1. Gehrungsanschlag
2. Deckenleistenanschlag



1. Innenecke 2. Außenecke

Tabelle (C)

–	Leistenposition in der Abbildung	Gehrungswinkel	Fertiges Stück
Für Innenecke	(a)	Rechts 45°	Stück auf rechter Sägeblattseite verwenden
	(b)	Links 45°	Stück auf linker Sägeblattseite verwenden
Für Außenecke	(c)		Stück auf rechter Sägeblattseite verwenden
	(d)	Rechts 45°	Stück auf linker Sägeblattseite verwenden

Schneiden von Aluminium-Strangpressprofilen

- **Abb.52:** 1. Schraubstock 2. Distanzblock
3. Gehrungsanschlag 4. Aluminium-Strangpressprofil 5. Distanzblock

Verwenden Sie zum Einspannen von Aluminium-Strangpressprofilen Distanzblöcke oder Abfallholzstücke, wie in der Abbildung gezeigt, um eine Verformung des Aluminiums zu vermeiden. Verwenden Sie Schneidschmiermittel zum Schneiden von Aluminium-Strangpressprofilen, um die Ablagerung von Aluminium-Rückständen am Sägeblatt zu verhüten.

⚠️ WARNUNG: Versuchen Sie niemals, dicke oder runde Aluminium-Strangpressprofile zu schneiden. Dicke oder runde Aluminium-Strangpressprofile können schwierig zu sichern sein. Sie können sich während des Schneidbetriebs lockern, was zu Verlust der Kontrolle und ernsthaften Personenschäden führen kann.

Zwischenbrett

⚠️ WARNUNG: Befestigen Sie das Zwischenbrett mit Schrauben am Gehrungsanschlag. Die Schrauben sind so zu installieren, dass die Schraubenköpfe unter der Oberfläche des Zwischenbretts versenkt sind, damit sie nicht die Lage des zu schneidenden Materials behindern. Eine Fehlausrichtung des zu schneidenden Materials kann unerwartete Bewegung während des Schneidvorgangs verursachen, die zum Verlust der Kontrolle und schweren Personenschäden führen kann.

⚠️ VORSICHT: Verwenden Sie glatt gehobeltes Holz von gleichmäßiger Dicke als Zwischenbrett.

⚠️ VORSICHT: Um Werkstücke mit einer Höhe von 107 mm bis 120 mm vollständig durchzuschneiden, sollte ein Zwischenbrett auf dem Gehrungsanschlag verwendet werden. Das Zwischenbrett sorgt für einen Abstand zwischen Werkstück und Anschlag, um einen tieferen Schnitt auszuführen.

ANMERKUNG: Drehen Sie den Drehteller bei montiertem Zwischenbrett nicht mit abgesetztem Handgriff. Anderenfalls kommt es zu einer Beschädigung des Sägeblatts und/oder des Zwischenbretts.

Durch die Verwendung eines Zwischenbretts lassen sich Werkstücke splitterfrei sägen. Befestigen Sie ein Zwischenbrett mit 6-mm-Schrauben in den Bohrungen des Gehrungsanschlages.

Die Maße für ein vorgeschlagenes Zwischenbrett sind aus der Abbildung ersichtlich.

- **Abb.53:** 1. Bohrung 2. Über 15 mm 3. Über 270 mm 4. 90 mm 5. 145 mm 6. 19 mm 7. 115 - 120 mm

BEISPIEL Um Werkstücke von 115 mm und 120 mm Höhe zu schneiden, verwenden Sie ein Zwischenbrett der folgenden Dicke.

Gehrungswinkel	Dicke des Zwischenbretts	
	115 mm	120 mm
0°	20 mm	38 mm
Links und Rechts 45°	15 mm	25 mm
Links und Rechts 60°	15 mm	25 mm

Nutenschneiden

⚠️ WARNUNG: Versuchen Sie nicht, derartige Schnitte mit einem breiteren Sägeblatt oder einem Dado-Sägeblatt auszuführen. Der Versuch, einen Nutenschnitt mit einem breiteren Sägeblatt oder Dado-Sägeblatt durchzuführen, könnte zu unerwarteten Schnittergebnissen und Rückschlag führen, was schwere Personenschäden zur Folge haben könnte.

⚠️ WARNUNG: Stellen Sie den Anschlagarm unbedingt wieder auf die Ausgangsstellung zurück, wenn Sie andere Schnitte als Nutenschnitte ausführen. Der Versuch, Schnitte mit dem Anschlagarm in der falschen Position durchzuführen, könnte zu unerwarteten Schnittergebnissen und Rückschlag führen, was schwere Personenschäden zur Folge haben könnte.

Führen Sie Dado-Schnitte wie folgt aus:

1. Stellen Sie die untere Grenzposition des Sägeblatts mit der Einstellschraube und dem Anschlagarm ein, um die Schnitttiefe des Sägeblatts zu begrenzen. Nehmen Sie auf den obigen Abschnitt „Anschlagarm“ Bezug.
 2. Nachdem Sie die untere Grenzposition des Sägeblatts eingestellt haben, schneiden Sie mittels Schiebesschnitt parallele Nuten über die Breite des Werkstücks.
- **Abb.54:** 1. Nuten mit dem Sägeblatt schneiden
3. Heben Sie dann das Werkstückmaterial zwischen den Nuten mit einem Stemmeisen aus.

Technik für spezielle Maximalbreiten-Schnittleistung

Die Maximalbreiten-Schnittleistung dieses Werkzeugs kann durch Ausführen der folgenden Schritte erreicht werden:

Angaben zur maximalen Schnittbreite dieses Werkzeugs entnehmen Sie bitte „Schnittleistung für Sonderschnitte“ in TECHNISCHE DATEN.

1. Stellen Sie das Werkzeug auf einen Gehrungswinkel von 0° oder 45° ein, und vergewissern Sie sich, dass der Drehteller verriegelt ist. (Siehe den Abschnitt „Einstellen des Gehrungswinkels“.)
2. Entfernen Sie vorübergehend den rechten und linken oberen Anschlag, und legen Sie die Anschläge zur Seite.
3. Schneiden Sie eine Plattform auf die in der Zeichnung angegebenen Abmessungen zu. Verwenden Sie dazu ein 38 mm dickes, ebenes Material, wie z. B. Holz, Sperrholz oder Pressspan.

- **Abb.55:** 1. 0°-Gehrungswinkel: Über 450 mm
2. 45°-Gehrungswinkel: Über 325 mm
3. 38 mm 4. Über 760 mm

⚠️ WARNUNG: Verwenden Sie unbedingt ebenes Material als Plattform. Unebenes Material kann sich während des Schneidvorgangs bewegen, was zu Rückschlag und schweren Verletzungen führen kann.

HINWEIS: Die maximale Schnittleistung in der Höhe wird um den Betrag der Plattformdicke reduziert.

4. Legen Sie die Plattform auf das Werkzeug, so dass sie auf beiden Seiten der Grundplatte gleich weit übersteht.

Befestigen Sie die Plattform mit vier 6-mm-Holzschrauben in vier Löchern der unteren Anschläge am Werkzeug.

- **Abb.56:** 1. Schrauben (zwei auf jeder Seite)
2. Unterer Anschlag 3. Auflagetisch
4. Plattform

⚠️ WARNUNG: Vergewissern Sie sich, dass die Plattform flach auf der Grundplatte aufliegt und an den vier vorhandenen Schraubenlöchern einwandfrei an den unteren Anschlägen befestigt ist. Eine unzulänglich gesicherte Plattform kann sich bewegen und möglicherweise Rückschläge verursachen, die zu schweren Verletzungen führen können.

⚠️ WARNUNG: Vergewissern Sie sich, dass das Werkzeug auf einer stabilen und ebenen Fläche fest montiert ist. Unzulängliche Montage und Sicherung des Werkzeugs können Instabilität verursachen, die zu einem Verlust der Kontrolle und/oder Herunterfallen des Werkzeugs führen und schwere Personenschäden zur Folge haben können.

5. Installieren Sie die oberen Anschläge am Werkzeug.

⚠️ WARNUNG: Benutzen Sie das Werkzeug nicht ohne die oberen Anschläge. Die oberen Anschläge sorgen für eine angemessene Abstützung, die zum Schneiden des Werkstücks erforderlich ist. Wird das Werkstück nicht richtig abgestützt, kann es sich bewegen, was zu möglichem Verlust der Kontrolle, Rückschlag und schweren Verletzungen führen kann.

6. Legen Sie das zu schneidende Werkstück auf die am Werkzeug befestigte Plattform.

7. Sichern Sie das Werkstück vor dem Schneiden mit einem Schraubstock fest an den oberen Anschlägen.

- **Abb.57:** 1. Oberer Anschlag 2. Vertikal-Schraubstock 3. Werkstück 4. Plattform

8. Führen Sie den Schnitt durch das Werkstück langsam gemäß der Beschreibung unter „Schiebeschnitt (Schneiden breiter Werkstücke)“ aus.

⚠️ WARNUNG: Vergewissern Sie sich, dass das Werkstück mit dem Schraubstock einwandfrei gesichert ist, und führen Sie den Schnitt langsam aus. Anderenfalls kann sich das Werkstück bewegen, was zu möglichem Rückschlag und schweren Personenschäden führen kann.

⚠️ WARNUNG: Beachten Sie, dass die Plattform nach der Durchführung mehrerer Schnitte bei unterschiedlichen Gehrungswinkeln schwach werden kann. Falls die Plattform aufgrund der im Material hinterlassenen mehrfachen Kerbschnitte schwach wird, sollte sie ausgewechselt werden. Wird die geschwächte Plattform nicht ausgewechselt, kann sich das Werkstück während des Schneidvorgangs bewegen, was zu möglichem Rückschlag und schweren Personenschäden führen kann.

Tragen des Werkzeugs

Denken Sie vor dem Tragen stets daran, das Werkzeug vom Stromnetz zu trennen, und vergewissern Sie sich, dass alle beweglichen Teile der Gehrungssäge gesichert sind. Überprüfen Sie stets Folgendes:

- Das Werkzeug ist vom Stromnetz getrennt.
- Der Schlitten befindet sich in der 0°-Neigungswinkelposition und ist gesichert.
- Der Schlitten ist abgesenkt und verriegelt.
- Der Schlitten ist vollständig zum Gehrungsanschlag hin geschoben und verriegelt.
- Der Drehteller befindet sich an der rechten Gehrungswinkel-Anschlagposition und ist gesichert.
- Die Auflagebügel sind verstaubt und gesichert.

Tragen Sie das Werkzeug, indem Sie die Grundplatte auf beiden Seiten halten, wie in der Abbildung gezeigt.

- **Abb.58**

⚠️ WARNUNG: Der Anschlagstift für Schlittenanhebung ist nur zum Tragen und zur Lagerung, nicht für irgendwelche Schneidarbeiten, vorgesehen. Der Gebrauch des Anschlagstifts für Schneidarbeiten kann eine unerwartete Bewegung des Sägeblatts verursachen, die zu Rückschlag und schweren Personenschäden führen kann.

⚠️ VORSICHT: Sichern Sie stets alle beweglichen Teile, bevor Sie das Werkzeug tragen. Falls Teile des Werkzeugs sich beim Tragen bewegen oder verschieben, kann es zu Verlust der Kontrolle oder Balance kommen, was Personenschäden zur Folge haben kann.

WARTUNG

⚠️ WARNUNG: Vergewissern Sie sich vor der Durchführung von Überprüfungen oder Wartungsarbeiten stets, dass das Werkzeug ausgeschaltet und vom Stromnetz getrennt ist. Das Versäumen, das Werkzeug vom Stromnetz zu trennen und auszuschalten, kann versehentliches Anlaufen und schwere Verletzungen verursachen.

⚠️ WARNUNG: Achten Sie stets darauf, dass das Sägeblatt scharf und sauber ist, um die bestmögliche und sicherste Leistung zu erzielen. Der Versuch, einen Schnitt mit einem stumpfen und/oder verschmutzten Sägeblatt auszuführen, kann Rückschlag verursachen und zu schweren Personenschäden führen.

ANMERKUNG: Verwenden Sie auf keinen Fall Benzin, Waschbenzin, Verdünnern, Alkohol oder dergleichen. Solche Mittel können Verfärbung, Verformung oder Rissbildung verursachen.

Einstellen des Schnittwinkels

Dieses Werkzeug wurde werksseitig sorgfältig eingestellt und justiert, doch grobe Behandlung kann die Justierung beeinträchtigen. Sollte Ihr Werkzeug einer Nachjustierung bedürfen, gehen Sie folgendermaßen vor:

Gehrungswinkel

Senken Sie den Handgriff ganz ab, und verriegeln Sie ihn in der Tiefstellung mit dem Anschlagstift. Schieben Sie den Schlitten in Richtung des Gehrungsanschlags. Lösen Sie den Griff und die Schrauben, die den Zeiger und die Gehrungswinkelskala sichern.

► **Abb.59:** 1. Schraube am Zeiger 2. Schrauben an der Gehrungswinkelskala
3. Gehrungswinkelskala

Stellen Sie den Drehteller mit der Festanschlagfunktion auf die 0°-Position. Bringen Sie die Seitenfläche des Sägeblatts mit Hilfe eines Einstelldreiecks oder Anschlagwinkels in den rechten Winkel mit der Fläche des Gehrungsanschlags. Während Sie den rechten Winkel beibehalten, ziehen Sie die Schrauben an der Gehrungswinkelskala fest. Richten Sie danach die Zeiger (rechts und links) auf die 0°-Position der Gehrungswinkelskala aus, und ziehen Sie dann die Schraube am Zeiger fest.

► **Abb.60:** 1. Einstelldreieck

Neigungswinkel

0°-Neigungswinkel

Schieben Sie den Schlitten in Richtung des Gehrungsanschlags, und arretieren Sie die Gleitbewegung mit dem Anschlagstift. Senken Sie den Handgriff vollständig ab, verriegeln Sie ihn mit dem Anschlagstift in der Tiefstellung, und lösen Sie dann den Knopf. Drehen Sie die 0°-Einstellschraube um zwei oder drei Umdrehungen entgegen dem Uhrzeigersinn, um das Sägeblatt nach rechts zu neigen.

► **Abb.61:** 1. 0°-Einstellschraube 2. Schraube

Bringen Sie die Seitenfläche des Sägeblatts mit Hilfe eines Einstelldreiecks, Anschlagwinkels usw. in den rechten Winkel mit der Drehteller-Oberfläche, indem Sie die 0°-Einstellschraube im Uhrzeigersinn drehen. Ziehen Sie dann den Knopf sicher fest, um den eingestellten 0°-Winkel zu sichern.

► **Abb.62:** 1. Einstelldreieck 2. Sägeblatt
3. Drehteller-Oberfläche

Prüfen Sie erneut, ob die Seite des Sägeblatts im rechten Winkel zur Drehtelleroberfläche steht. Lösen Sie die Schraube am Zeiger. Richten Sie den Zeiger auf die 0°-Position der Neigungswinkelskala aus, und ziehen Sie dann die Schraube fest.

45°-Neigungswinkel

ANMERKUNG: Bevor Sie den 45°-Neigungswinkel einstellen, beenden Sie die 0°-Neigungswinkeleinstellung.

Lösen Sie den Knopf, und neigen Sie den Schlitten vollständig zu der zu überprüfenden Seite. Prüfen Sie, ob der Zeiger die 45°-Position auf der Neigungswinkelskala anzeigt.

► **Abb.63**

Falls der Zeiger nicht die 45°-Position anzeigt, richten Sie ihn auf die 45°-Position aus, indem Sie die Einstellschraube auf der entgegengesetzten Seite der Neigungswinkelskala drehen.

► **Abb.64:** 1. Linke 45°-Einstellschraube 2. Rechte 45°-Einstellschraube

Einstellen der Laserlinienposition

Nur für Modell LS1219L

⚠️ WARNUNG: Zum Einstellen der Laserlinie muss das Werkzeug am Stromnetz angeschlossen sein. Achten Sie mit besonderer Sorgfalt darauf, dass das Werkzeug während der Einstellung nicht eingeschaltet wird. Versehentliches Anlaufen des Werkzeugs kann zu schweren Personenschäden führen.

⚠️ VORSICHT: Blicken Sie auf keinen Fall direkt in den Laserstrahl. Direkte Aussetzung Ihrer Augen zum Strahl kann schwere Augenschäden verursachen.

ANMERKUNG: Überprüfen Sie die Genauigkeit der Laserlinienposition regelmäßig.

ANMERKUNG: Vermeiden Sie Erschütterungen des Werkzeugs. Diese können eine Fehlausrichtung der Laserlinie oder eine Beschädigung des Lasers verursachen und seine Lebensdauer verkürzen.

ANMERKUNG: Lassen Sie das Werkzeug von einem autorisierten Makita-Kundendienstzentrum reparieren, falls eine Störung der Lasereinheit vorliegt.

Der Bewegungsbereich der Laserlinie wird durch die Bereichseinstellschrauben auf beiden Seiten bestimmt. Führen Sie die folgenden Verfahren durch, um die Position der Laserlinie zu ändern.

1. Trennen Sie das Werkzeug vom Stromnetz.
2. Zeichnen Sie eine Schnittlinie auf dem Werkstück an, und legen Sie es auf den Drehteller. Spannen Sie dabei das Werkstück nicht mit einem Schraubstock oder einer ähnlichen Klemmvorrichtung ein.
3. Senken Sie den Handgriff ab, und richten Sie die Schnittlinie auf das Sägeblatt aus.
4. Stellen Sie den Handgriff wieder auf die Ausgangsposition zurück, und sichern Sie das Werkstück mit dem Vertikal-Schraubstock, so dass es sich nicht aus der festgelegten Position verlagert.
5. Schließen Sie das Werkzeug an das Stromnetz an, und schalten Sie den Laserschalter ein.
6. Lösen Sie die Einstellschraube. Um die Laserlinie vom Sägeblatt weg zu verschieben, drehen Sie die Bereichseinstellschraube entgegen dem Uhrzeigersinn. Um die Laserlinie zum Sägeblatt hin zu verschieben, drehen Sie die Bereichseinstellschraube im Uhrzeigersinn.

Einstellen der Laserlinie auf der linken Seite des Sägeblatts

- **Abb.65:** 1. Einstellschraube
2. Bereichseinstellschraube
3. Inbusschlüssel 4. Laserlinie 5. Sägeblatt

Einstellen der Laserlinie auf der rechten Seite des Sägeblatts

- **Abb.66:** 1. Einstellschraube
2. Bereichseinstellschraube
3. Inbusschlüssel 4. Laserlinie 5. Sägeblatt

7. Verschieben Sie die Einstellschraube zu der Position, wo sich die Laserlinie mit der Schnittlinie deckt, und ziehen Sie dann die Schraube fest.

HINWEIS: Der Verstellbereich der Laserlinie wurde werkseitig auf 1 mm von der Seitenfläche des Sägeblatts eingestellt.

Reinigen der Laserlinse

Nur für Modell LS1219L

Die Sichtbarkeit des Laserlichts verschlechtert sich, wenn die Linse für das Laserlicht schmutzig wird. Reinigen Sie die Linse für das Laserlicht regelmäßig.

- **Abb.67:** 1. Schraube 2. Linse

Trennen Sie das Werkzeug vom Stromnetz. Lösen Sie die Schraube, und ziehen Sie die Linse heraus. Reinigen Sie die Linse sanft mit einem feuchten, weichen Tuch.

ANMERKUNG: Entfernen Sie nicht die Schraube, mit der die Linse gesichert ist. Falls sich die Linse nicht herausziehen lässt, lösen Sie die Schraube weiter.

ANMERKUNG: Verwenden Sie keine Lösungsmittel oder Reinigungsmittel auf Petroleumbasis zum Reinigen der Linse.

Auswechseln der Kohlebürsten

- **Abb.68:** 1. Verschleißgrenze

Die Kohlebürsten müssen regelmäßig entfernt und überprüft werden. Wenn sie bis zur Verschleißgrenze abgenutzt sind, müssen sie erneuert werden. Halten Sie die Kohlebürsten stets sauber, damit sie ungehindert in den Haltern gleiten können. Beide Kohlebürsten sollten gleichzeitig ausgewechselt werden. Verwenden Sie nur identische Kohlebürsten.

Drehen Sie die Bürstenhalterkappen mit einem Schraubendreher heraus. Nehmen Sie die abgenutzten Kohlebürsten heraus, setzen Sie die neuen ein, und drehen Sie dann die Bürstenhalterkappen wieder ein.

- **Abb.69:** 1. Bürstenhalterkappe

Schalten Sie das Werkzeug nach dem Auswechseln der Bürsten ein, um die Bürsten bei im Leerlauf laufendem Werkzeug etwa 10 Minuten lang einzuschleifen. Überprüfen Sie dann das Werkzeug im Betrieb und die Funktion der elektrischen Bremse, wenn Sie den Auslöseschalter loslassen. Falls die elektrische Bremse nicht einwandfrei funktioniert, lassen Sie das Werkzeug von einer Makita-Kundendienststelle reparieren.

Nach dem Gebrauch

Wischen Sie nach dem Gebrauch am Werkzeug haftende Späne und Staub mit einem Tuch oder dergleichen ab. Halten Sie die Sägeblattschutzhaube gemäß den Anweisungen im vorhergehenden Abschnitt „Sägeblattschutzhaube“ sauber. Schmieren Sie die Gleitteile des Werkzeugs mit Öl, um Rostbildung zu verhindern.

Um die SICHERHEIT und ZUVERLÄSSIGKEIT dieses Produkts zu gewährleisten, sollten Reparaturen und andere Wartungs- oder Einstellarbeiten nur von Makita-Vertragswerkstätten oder Makita-Kundendienstzentren unter ausschließlicher Verwendung von Makita-Originalersatzteilen ausgeführt werden.

SONDERZUBEHÖR

⚠️ WARNUNG: Die folgenden Makita-Zubehörteile oder Vorrichtungen werden für den Einsatz mit dem in dieser Anleitung beschriebenen Makita-Werkzeug empfohlen. Der Gebrauch anderer Zubehörteile oder Vorrichtungen kann zu schweren Personenschäden führen.

⚠️ WARNUNG: Verwenden Sie die Makita-Zubehörteile oder -Vorrichtungen nur für ihren vorgesehenen Zweck. Fehlgbrauch eines Zubehörteils oder einer Vorrichtung kann zu schweren Verletzungen führen.

Wenn Sie weitere Einzelheiten bezüglich dieser Zubehörteile benötigen, wenden Sie sich bitte an Ihre Makita-Kundendienststelle.

- Hartmetallbestückte Stahlsägeblätter
- Vertikal-Schraubstock
- Horizontal-Schraubstock
- Deckenleistenanschlagsatz
- Staubsack
- Einstelldreieck
- Inbusschlüssel
- Inbusschlüssel (für LS1219L)

HINWEIS: Manche Teile in der Liste können als Standardzubehör im Werkzeugsatz enthalten sein. Sie können von Land zu Land unterschiedlich sein.

130.com.ua

130.com.ua

130.com.ua

Makita Europe N.V. Jan-Baptist Vinkstraat 2,
3070 Kortenberg, Belgium

Makita Corporation 3-11-8, Sumiyoshi-cho,
Anjo, Aichi 446-8502 Japan

www.makita.com

885618-979 EN, PL, HU, SK, CS, UK, RO, DE 20170811

Автотовари «130»