



ТЕЛЕФОНИ

0 (800) 800 130
(050) 462 0 130
(063) 462 0 130
(067) 462 0 130

130
COM.UA

Інтернет-магазин
автотоварів



SKYPE

km-130

АВТОМАГНІТОЛИ — Магнітоли • Медіа-ресівери та станції • Штатні магнітоли • CD/DVD чейнджери • FM-модулятори/USB адаптери • Flash пам'ять • Перехідні рамки та роз'єми • Антени • Аксесуари |
АВТОЗВУК — Акустика • Підсилювачі • Сабвуфери • Процесори • Кросовери • Навушники • Аксесуари | **БОРТОВІ КОМП'ЮТЕРИ** — Універсальні комп'ютери • Модельні комп'ютери • Аксесуари |
GPS НАВІГАТОРИ — Портативні GPS • Вмонтовані GPS • GPS модулі • GPS трекери • Антени для GPS навігаторів • Аксесуари | **ВІДЕОПРИСТРОЇ** — Відеореєстратори • Телевізори та монітори • Автомобільні ТВ тюнери • Камери • Відеомодулі • Транскодери • Автомобільні ТВ антени • Аксесуари | **ОХОРОННІ СИСТЕМИ** — Автосигналізація • Мотосигналізація • Механічні блокувальники • Імобілайзери • Датчики • Аксесуари | **ОПТИКА ТА СВІТЛО** — Ксенон • Біксенон • Лампи • Світлодіоди • Стробоскопи • Оптика і фари • Омивачі фар • Датчики світла, дощу • Аксесуари |
ПАРКТРОНІКИ ТА ДЗЕРКАЛА — Задні парктроніки • Передні парктроніки • Комбіновані парктроніки • Дзеркала заднього виду • Аксесуари | **ПІДІГРІВ ТА ОХОЛОДЖЕННЯ** — Підігрів сидінь • Підігрів дзеркал • Підігрів двірників • Підігрів двигунів • Автоохолодильники • Автокондиціонери • Аксесуари | **ТЮНІНГ** — Віброізоляція • Шумоізоляція • Тонувальна плівка • Аксесуари |
АВТОАКСЕСУАРИ — Радар-детектори • Гучний зв'язок, Bluetooth • Склопідіймачі • Компресори • Звукові сигнали, СГП • Вимірювальні прилади • Автопилососи • Автокрісла • Різне |
МОНТАЖНЕ ОБЛАДНАННЯ — Інсталяційні комплекти • Оббивні матеріали • Декоративні решітки • Фазоінвертори • Кабель та провід • Інструменти • Різне | **ЖИВЛЕННЯ** — Акумулятори • Перетворювачі • Пуско-заряджувальні пристрої • Конденсатори • Аксесуари | **МОРСЬКА ЕЛЕКТРОНІКА ТА ЗВУК** — Морські магнітоли • Морська акустика • Морські сабвуфери • Морські підсилювачі • Аксесуари | **АВТОХІМІЯ ТА КОСМЕТИКА** — Присадки • Рідини омивача • Засоби по догляду • Поліролі • Ароматизатори • Клеї та герметики | **РІДИНИ ТА МАСЛА** — Моторні масла • Трансмісійні масла • Гальмівні рідини • Антифризи • Технічні змазки



У магазині «130» ви можете знайти та купити у Києві з доставкою по місту та Україні практично все для вашого автомобіля. Наші досвідчені консультанти нададуть вам вичерпну інформацію та допоможуть підібрати саме те, що ви шукаєте. Чекаємо вас за адресою

<https://130.com.ua>

DEWALT®

XR LI-ION

130.com.ua

www.DEWALT.com

DCS578

DCS579

English (original instructions)	10
--	----

Русский (<i>перевод с оригинала инструкции</i>)	25
---	----

Українська (<i>переклад з оригінальної інструкції</i>)	46
--	----

130.com.ua

Fig. A

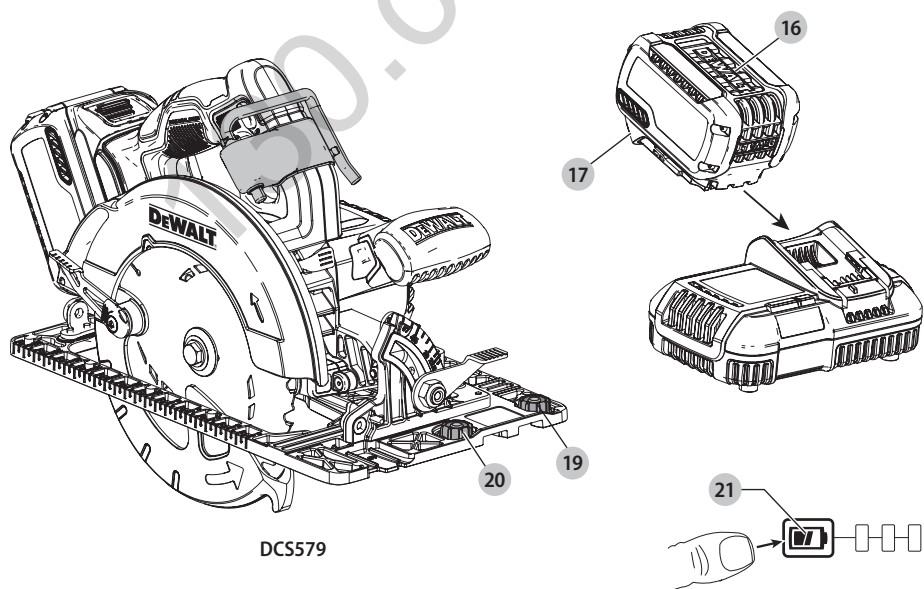
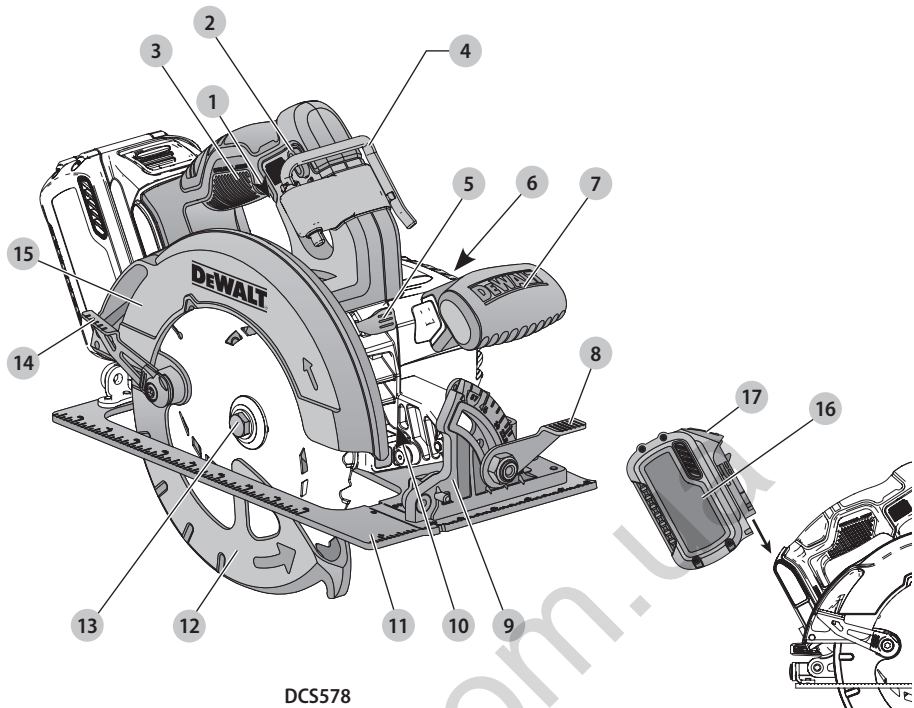


Fig. B

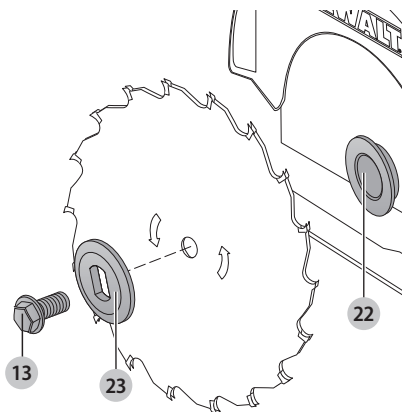


Fig. C

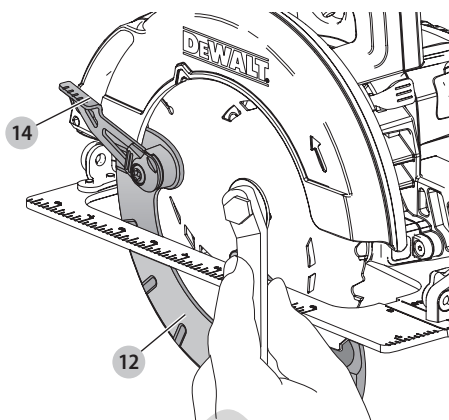


Fig. D

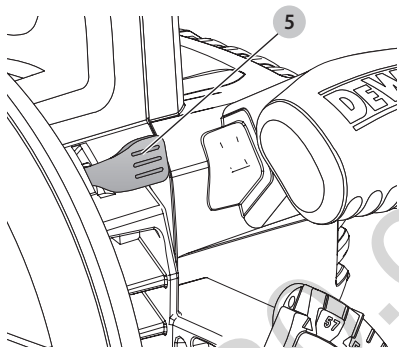


Fig. E

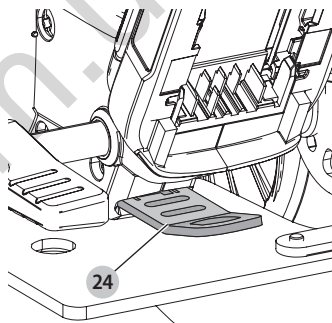


Fig. F

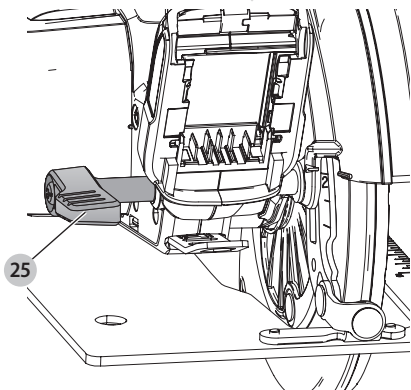


Fig. G

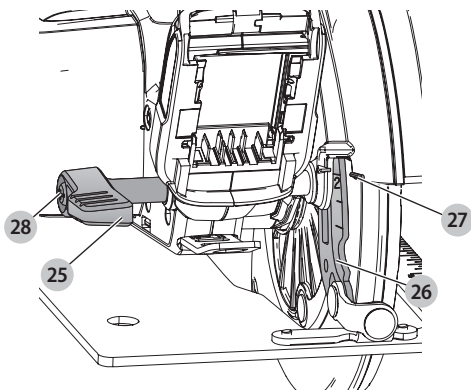


Fig. H

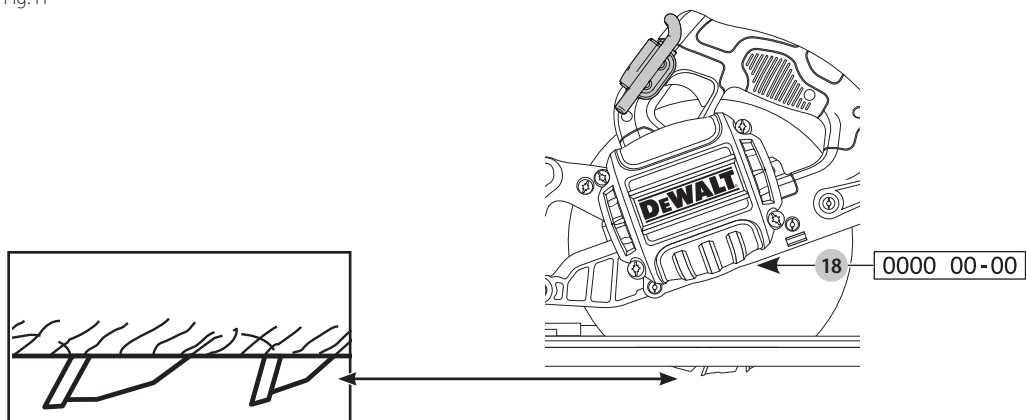


Fig. I

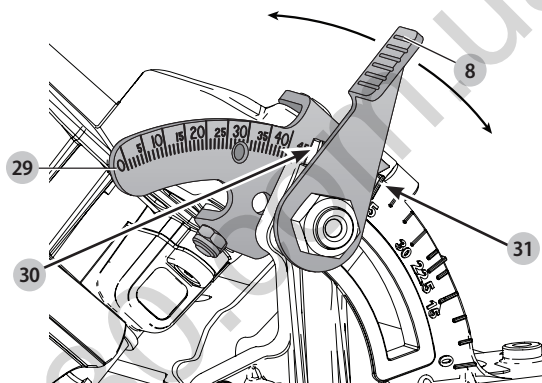


Fig. J

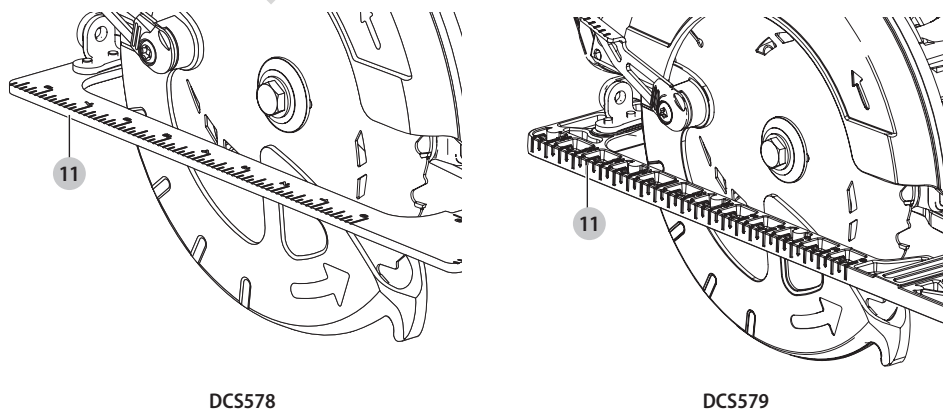


Fig. K

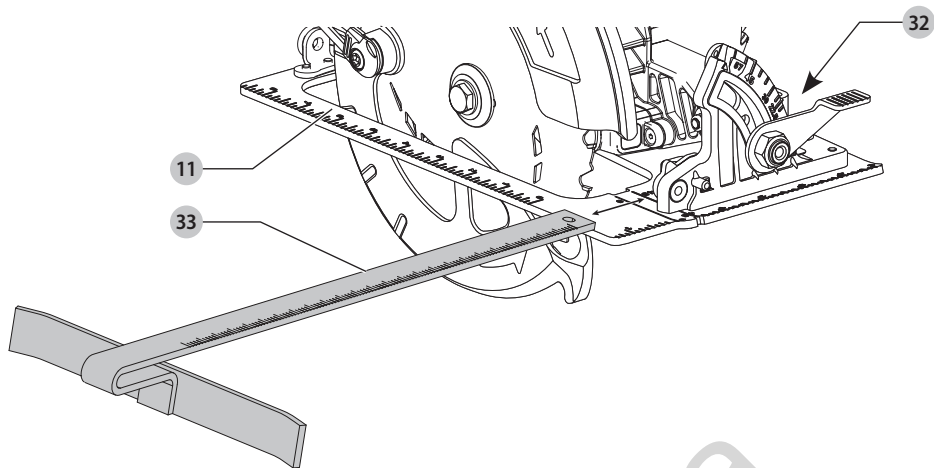


Fig. L

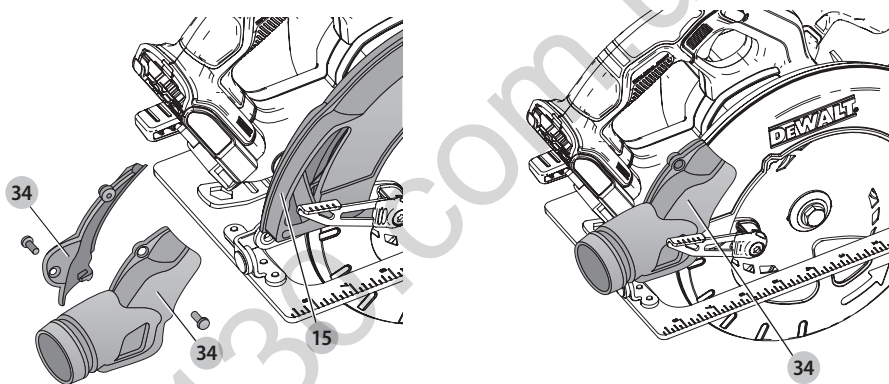


Fig. M

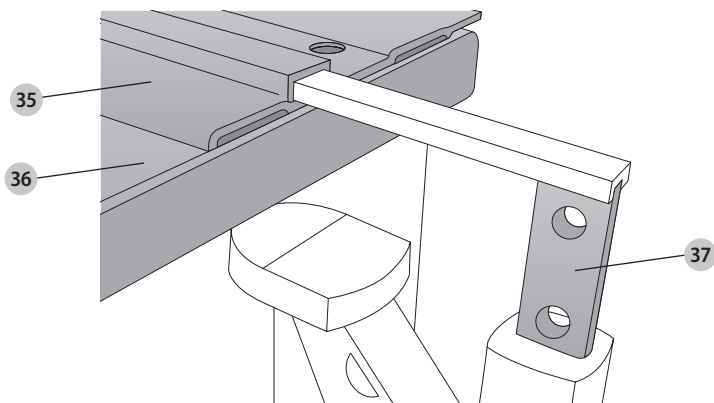


Fig. N

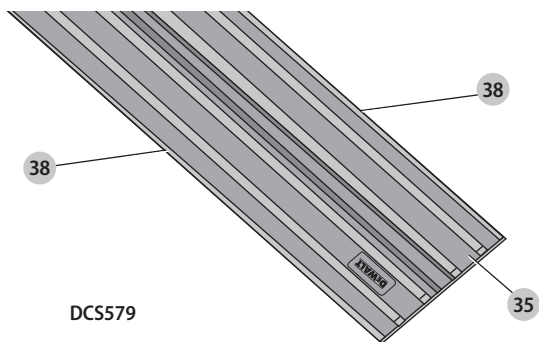


Fig. O

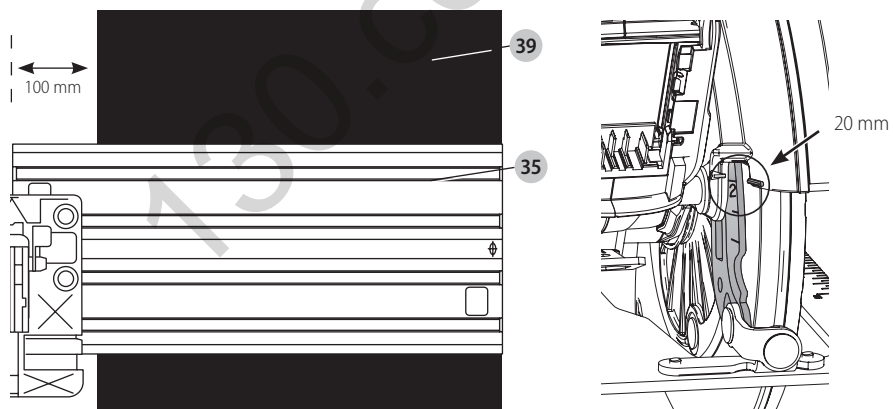


Fig. P

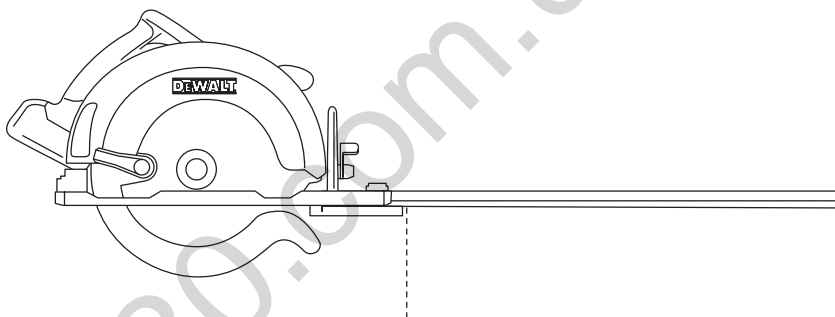
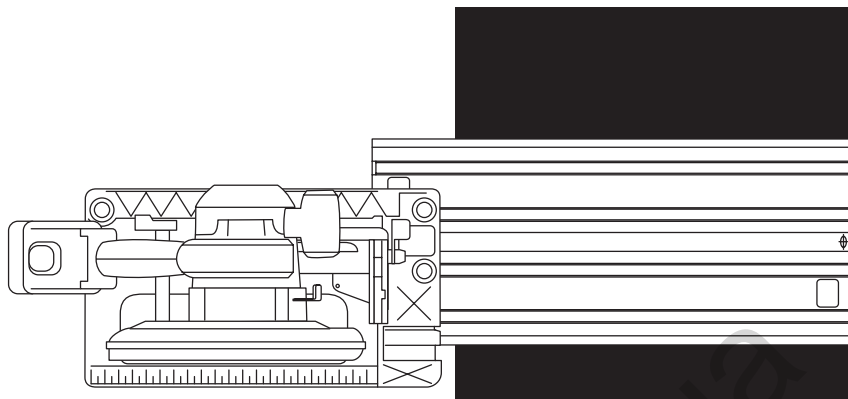


Fig. Q

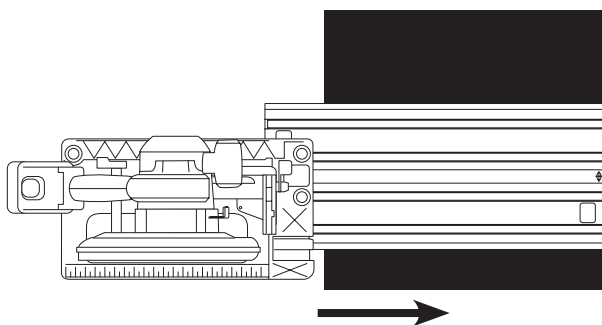


Fig. R

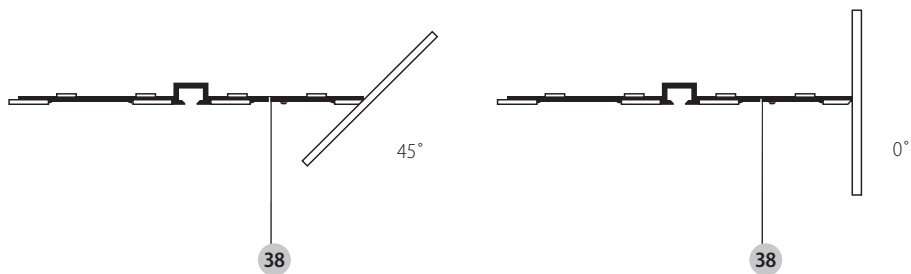


Fig. S

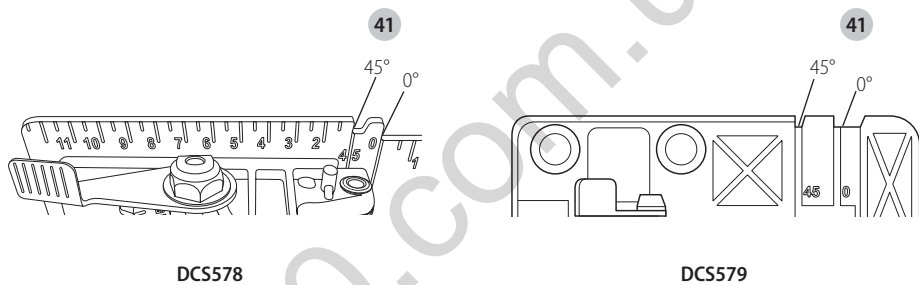


Fig. T

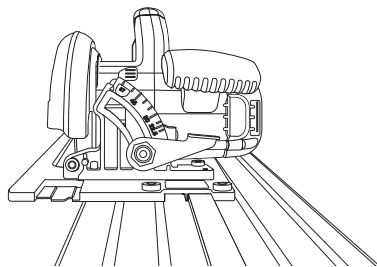


Fig. U

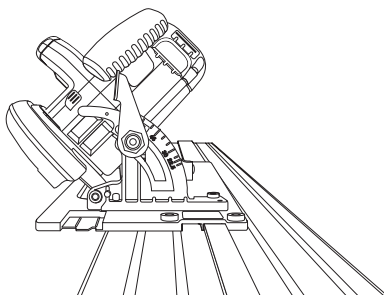


Fig. V

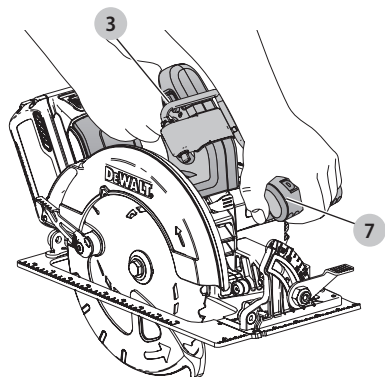


Fig. W

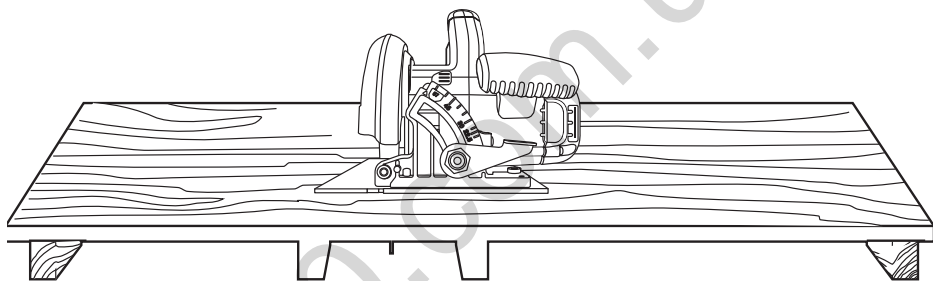


Fig. X

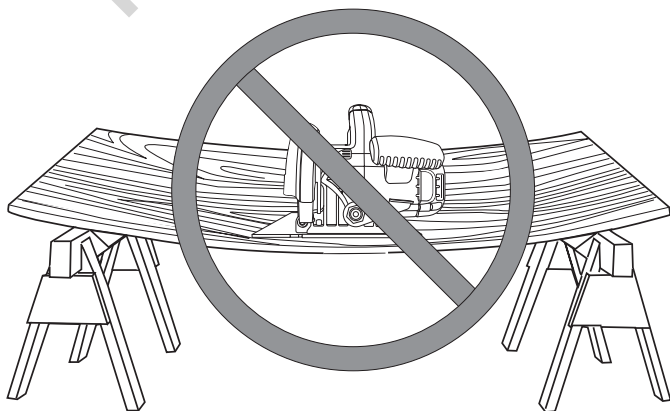


Fig. Y

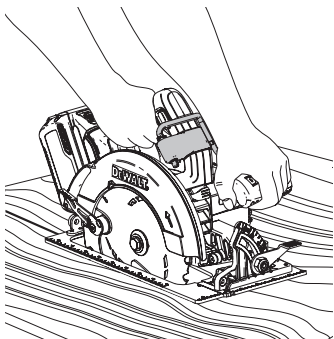


Fig. Z

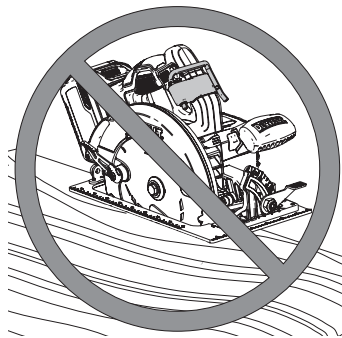


Fig. AA

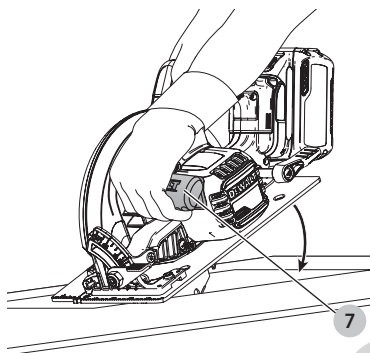


Fig. BB

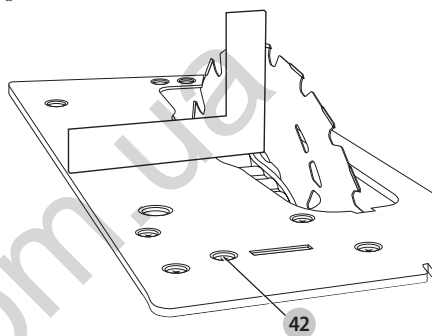


Fig. CC

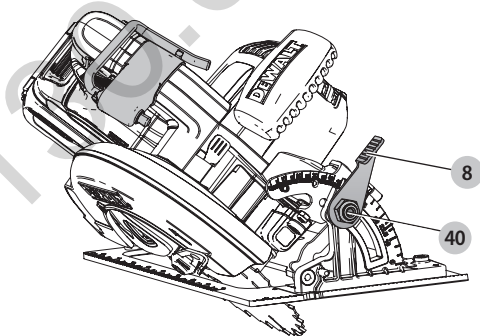
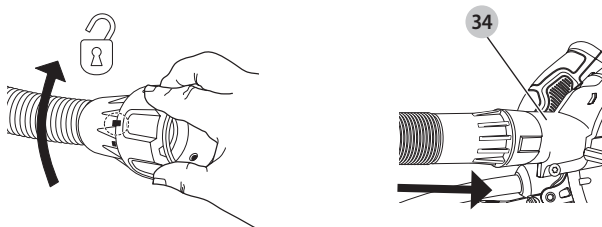


Fig. DD



190 mm / 184 mm 54V CORDLESS CIRCULAR SAW

DCS578, DCS579, DCS578-XE, DCS579-XE

Congratulations!

You have chosen a DEWALT tool. Years of experience, thorough product development and innovation make DEWALT one of the most reliable partners for professional power tool users.

Technical Data

		DCS578	DCS578-XE	DCS579	DCS579-XE
Voltage	V _{DC}	54	54	54	54
Type		1	1	1	1
Battery type		Li-Ion	Li-Ion	Li-Ion	Li-Ion
No-load speed	min ⁻¹	5800	5800	5800	5800
Blade diameter	mm	190	184	190	184
Maximum depth of cut	mm	67	64	61	58
Blade bore	mm	30	20	30	20
Bevel angle adjustment		57	57	57	57
Weight (without battery pack)	kg	3.6	3.6	3.7	3.7
Noise values and/or vibration values (triaux vector sum) according to EN62841-2-5:					
L _{PA} (emission sound pressure level)	dB(A)	90	–	90	–
L _{WA} (sound power level)	dB(A)	101	–	101	–
K (uncertainty for the given sound level)	dB(A)	3	–	3	–
Vibration emission value a _{h,W} =	m/s ²	2.2	–	2.2	–
Uncertainty K =	m/s ²	1.5	–	1.5	–

The vibration and/or noise emission level given in this information sheet has been measured in accordance with a standardised test given in EN62841 and may be used to compare one tool with another. It may be used for a preliminary assessment of exposure.



WARNING: The declared vibration and/or noise emission level represents the main applications of the tool. However if the tool is used for different applications, with different accessories or poorly maintained, the vibration and/or noise emission may differ. This may significantly increase the exposure level over the total working period.

An estimation of the level of exposure to vibration and/or noise should also take into account the times when the tool is switched off or when it is running but not actually doing the job. This may significantly reduce the exposure level over the total working period.

Identify additional safety measures to protect the operator from the effects of vibration and/or noise such as: maintain the tool and the accessories, keep the hands warm (relevant for vibration), organisation of work patterns.

EC-Declaration of Conformity

Machinery Directive



Cordless Circular Saw

DCS578, DCS579, DCS578-XE, DCS579-XE

DEWALT declares that these products described under

Technical Data are in compliance with:

2006/42/EC, EN62841-2-1:2015, EN62841-2-5:2014.

These products also comply with Directive 2014/30/EU and 2011/65/EU. For more information, please contact DEWALT at the following address or refer to the back of the manual.

The undersigned is responsible for compilation of the technical file and makes this declaration on behalf of DEWALT.

Markus Rompel
Vice-President Engineering, PTE-Europe
DEWALT, Richard-Klinger-Straße 11,
D-65510, Idstein, Germany
27.05.2020

Batteries				Chargers/Charge Times (Minutes)									
Cat #	V _{DC}	Ah	Weight (kg)	DCB104	DCB107	DCB112	DCB113	DCB115	DCB116	DCB117	DCB118	DCB132	DCB119
DCB546	18/54	6.0/2.0	1.05	60	270	170	140	90	80	40	60	90	X
DCB547	18/54	9.0/3.0	1.46	75*	420	270	220	135*	110*	60	75*	135*	X
DCB548	18/54	12.0/4.0	1.44	120	540	350	300	180	150	80	120	180	X

*Date code 201811475B or later



WARNING: To reduce the risk of injury, read the instruction manual.

Definitions: Safety Guidelines

The definitions below describe the level of severity for each signal word. Please read the manual and pay attention to these symbols.



DANGER: Indicates an imminently hazardous situation which, if not avoided, **will** result in **death or serious injury**.



WARNING: Indicates a potentially hazardous situation which, if not avoided, **could** result in **death or serious injury**.



CAUTION: Indicates a potentially hazardous situation which, if not avoided, **may** result in **minor or moderate injury**.

NOTICE: Indicates a practice **not related to personal injury** which, if not avoided, **may** result in **property damage**.



Denotes risk of electric shock.



Denotes risk of fire.

GENERAL POWER TOOL SAFETY WARNINGS



WARNING: Read all safety warnings, instructions, illustrations and specifications provided with this power tool. Failure to follow all instructions listed below may result in electric shock, fire and/or serious injury.

SAVE ALL WARNINGS AND INSTRUCTIONS FOR FUTURE REFERENCE

The term "power tool" in the warnings refers to your mains-operated (corded) power tool or battery-operated (cordless) power tool.

1) Work Area Safety

- Keep work area clean and well lit.** Cluttered or dark areas invite accidents.
- Do not operate power tools in explosive atmospheres, such as in the presence of flammable liquids, gases or dust.** Power tools create sparks which may ignite the dust or fumes.
- Keep children and bystanders away while operating a power tool.** Distractions can cause you to lose control.

2) Electrical Safety

- Power tool plugs must match the outlet. Never modify the plug in any way. Do not use any adapter plugs with earthed (grounded) power tools.**

Unmodified plugs and matching outlets will reduce risk of electric shock.

- Avoid body contact with earthed or grounded surfaces, such as pipes, radiators, ranges and refrigerators.** There is an increased risk of electric shock if your body is earthed or grounded.
- Do not expose power tools to rain or wet conditions.** Water entering a power tool will increase the risk of electric shock.
- Do not abuse the cord. Never use the cord for carrying, pulling or unplugging the power tool. Keep cord away from heat, oil, sharp edges or moving parts.** Damaged or entangled cords increase the risk of electric shock.
- When operating a power tool outdoors, use an extension cord suitable for outdoor use.** Use of a cord suitable for outdoor use reduces the risk of electric shock.
- If operating a power tool in a damp location is unavoidable, use a residual current device (RCD) protected supply.** Use of an RCD reduces the risk of electric shock.

3) Personal Safety

- Stay alert, watch what you are doing and use common sense when operating a power tool. Do not use a power tool while you are tired or under the influence of drugs, alcohol or medication.** A moment of inattention while operating power tools may result in serious personal injury.
- Use personal protective equipment. Always wear eye protection.** Protective equipment such as a dust mask, non-skid safety shoes, hard hat or hearing protection used for appropriate conditions will reduce personal injuries.
- Prevent unintentional starting. Ensure the switch is in the off-position before connecting to power source and/or battery pack, picking up or carrying the tool.** Carrying power tools with your finger on the switch or energising power tools that have the switch on invites accidents.
- Remove any adjusting key or wrench before turning the power tool on.** A wrench or a key left attached to a rotating part of the power tool may result in personal injury.
- Do not overreach. Keep proper footing and balance at all times.** This enables better control of the power tool in unexpected situations.
- Dress properly. Do not wear loose clothing or jewellery. Keep your hair and clothing away from**

moving parts. Loose clothes, jewellery or long hair can be caught in moving parts.

- g) **If devices are provided for the connection of dust extraction and collection facilities, ensure these are connected and properly used.** Use of dust collection can reduce dust-related hazards.
- h) **Do not let familiarity gained from frequent use of tools allow you to become complacent and ignore tool safety principles.** A careless action can cause severe injury within a fraction of a second.

4) Power Tool Use and Care

- a) **Do not force the power tool. Use the correct power tool for your application.** The correct power tool will do the job better and safer at the rate for which it was designed.
- b) **Do not use the power tool if the switch does not turn it on and off.** Any power tool that cannot be controlled with the switch is dangerous and must be repaired.
- c) **Disconnect the plug from the power source and/or remove the battery pack, if detachable, from the power tool before making any adjustments, changing accessories, or storing power tools.** Such preventive safety measures reduce the risk of starting the power tool accidentally.
- d) **Store idle power tools out of the reach of children and do not allow persons unfamiliar with the power tool or these instructions to operate the power tool.** Power tools are dangerous in the hands of untrained users.
- e) **Maintain power tools and accessories. Check for misalignment or binding of moving parts, breakage of parts and any other condition that may affect the power tool's operation. If damaged, have the power tool repaired before use.** Many accidents are caused by poorly maintained power tools.
- f) **Keep cutting tools sharp and clean.** Properly maintained cutting tools with sharp cutting edges are less likely to bind and are easier to control.
- g) **Use the power tool, accessories and tool bits etc. in accordance with these instructions, taking into account the working conditions and the work to be performed.** Use of the power tool for operations different from those intended could result in a hazardous situation.
- h) **Keep handles and grasping surfaces dry, clean and free from oil and grease.** Slippery handles and grasping surfaces do not allow for safe handling and control of the tool in unexpected situations.

5) Battery Tool Use and Care

- a) **Recharge only with the charger specified by the manufacturer.** A charger that is suitable for one type of battery pack may create a risk of fire when used with another battery pack.
- b) **Use power tools only with specifically designated battery packs.** Use of any other battery packs may create a risk of injury and fire.
- c) **When battery pack is not in use, keep it away from other metal objects, like paper clips, coins, keys, nails, screws or other small metal objects, that can**

make a connection from one terminal to another. Shorting the battery terminals together may cause burns or a fire.

- d) **Under abusive conditions, liquid may be ejected from the battery; avoid contact. If contact accidentally occurs, flush with water. If liquid contacts eyes, additionally seek medical help.** Liquid ejected from the battery may cause irritation or burns.
- e) **Do not use a battery pack or tool that is damaged or modified.** Damaged or modified batteries may exhibit unpredictable behaviour resulting in fire, explosion or risk of injury.
- f) **Do not expose a battery pack or tool to fire or excessive temperature.** Exposure to fire or temperature above 130 °C may cause explosion.

- g) **Follow all charging instructions and do not charge the battery pack or tool outside the temperature range specified in the instructions.** Charging improperly or at temperatures outside the specified range may damage the battery and increase the risk of fire.

6) Service

- a) **Have your power tool serviced by a qualified repair person using only identical replacement parts.** This will ensure that the safety of the power tool is maintained.
- b) **Never service damaged battery packs.** Service of battery packs should only be performed by the manufacturer or authorized service providers.

FURTHER SAFETY INSTRUCTIONS FOR ALL SAWS

Kickback Causes and Related Warnings

- Kickback is a sudden reaction to a pinched, jammed or misaligned saw blade, causing an uncontrolled saw to lift up and out of the workpiece toward the operator;
- When the blade is pinched or jammed tightly by the kerf closing down, the blade stalls and the motor reaction drives the unit rapidly back toward the operator;
- If the blade becomes twisted or misaligned in the cut, the teeth at the back edge of the blade can dig into the top surface of the wood causing the blade to climb out of the kerf and jump back toward the operator.

Kickback is the result of saw misuse and/or incorrect operating procedures or conditions and can be avoided by taking proper precautions as given below:

- a) **Maintain a firm grip with both hands on the saw and position your arms to resist kickback forces. Position your body to either side of the blade, but not in line with the blade.** Kickback could cause the saw to jump backwards, but kickback forces can be controlled by the operator, if proper precautions are taken.
- b) **When blade is binding, or when interrupting a cut for any reason, release the trigger and hold the saw motionless in the material until the blade comes to a complete stop. Never attempt to remove the saw from the work or pull the saw backward while the blade is in motion or kickback may occur. Investigate**

and take corrective actions to eliminate the cause of blade binding.

- c) **When restarting a saw in the workpiece, centre the saw blade in the kerf so that the saw teeth are not engaged into the material.** If saw blade binds, it may walk up or kickback from the workpiece as the saw is restarted.
- d) **Support large panels to minimise the risk of blade pinching and kickback. Large panels tend to sag under their own weight.** Supports must be placed under the panel on both sides, near the line of cut and near the edge of the panel.
- e) **Do not use dull or damaged blades.** Unsharpened or improperly set blades produce narrow kerf causing excessive friction, blade binding and kickback.
- f) **Blade depth and bevel adjusting locking levers must be tight and secure before making cut.** If blade adjustment shifts while cutting, it may cause binding and kickback.
- g) **Use extra caution when sawing into existing walls or other blind areas.** The protruding blade may cut objects that can cause kickback.

SAFETY INSTRUCTIONS FOR SAWS WITH A PENDULUM BLADE GUARD

Lower Guard Function

- a) **Check the lower guard for proper closing before each use. Do not operate the saw if the lower guard does not move freely and close instantly. Never clamp or tie the lower guard into the open position. If the saw is accidentally dropped, the lower guard may be bent.** Raise the lower guard with the retracting handle and make sure it moves freely and does not touch the blade or any other part, in all angles and depths of cut.
- b) **Check the operation of the lower guard spring. If the guard and the spring are not operating properly, they must be serviced before use.** Lower guard may operate sluggishly due to damaged parts, gummy deposits, or a build-up of debris.
- c) **The lower guard may be retracted manually only for special cuts such as "plunge cuts" and "compound cuts". Raise the lower guard by retracting handle and as soon as blade enters the material, the lower guard must be released.** For all other sawing, the lower guard should operate automatically.
- d) **Always observe that the lower guard is covering the blade before placing the saw down on bench or floor. An unprotected, coasting blade will cause the saw to walk backwards, cutting whatever is in its path.** Be aware of the time it takes for the blade to stop after switch is released.

Additional Safety Instructions for Circular Saws

- **Wear ear protectors.** Exposure to noise can cause hearing loss.
- **Wear a dust mask.** Exposure to dust particles can cause breathing difficulty and possible injury.
- **Do not use blades of larger or smaller diameter than recommended.** For the proper blade rating refer to the **Technical Data.** Use only the blades specified in this manual, complying with EN 847-1.
- **Use only saw blades that are marked with a speed equal or higher than the speed marked on the tool.**
- **Avoid overheating of blade tips.**
- **Install the dust extraction port onto the saw before use.**
- **Never use abrasive cut-off wheels.**
- **Do not use water feed attachments.**
- **Use clamps or another practical way to secure and support the workpiece to a stable platform.** Holding the work by hand or against your body leaves it unstable and may lead to loss of control.

Residual Risks

In spite of the application of the relevant safety regulations and the implementation of safety devices, certain residual risks cannot be avoided. These are:

- Impairment of hearing.
- Risk of personal injury due to flying particles.
- Risk of burns due to accessories becoming hot during operation.
- Risk of personal injury due to prolonged use.

SAVE THESE INSTRUCTIONS

Chargers

DeWALT chargers require no adjustment and are designed to be as easy as possible to operate.

Electrical Safety

The electric motor has been designed for one voltage only. Always check that the battery pack voltage corresponds to the voltage on the rating plate. Also make sure that the voltage of your charger corresponds to that of your mains.



Your DeWALT charger is double insulated in accordance with EN60335; therefore no earth wire is required.

If the supply cord is damaged, it must be replaced only by DeWALT or an authorised service organisation.

Mains Plug Replacement (U.K. & Ireland Only)

If a new mains plug needs to be fitted:

- Safely dispose of the old plug.
- Connect the brown lead to the live terminal in the plug.
- Connect the blue lead to the neutral terminal.



WARNING: No connection is to be made to the earth terminal.

Follow the fitting instructions supplied with good quality plugs. Recommended fuse: 3 A.

Using an Extension Cable

An extension cord should not be used unless absolutely necessary. Use an approved extension cable suitable for the power input of your charger (see **Technical Data**). The minimum conductor size is 1 mm²; the maximum length is 30 m.

When using a cable reel, always unwind the cable completely.

Important Safety Instructions for All Battery Chargers

SAVE THESE INSTRUCTIONS: This manual contains important safety and operating instructions for compatible battery chargers (refer to **Technical Data**).

- Before using charger, read all instructions and cautionary markings on charger, battery pack, and product using battery pack.



WARNING: Shock hazard. Do not allow any liquid to get inside charger. Electric shock may result.



WARNING: We recommend the use of a residual current device with a residual current rating of 30mA or less.



CAUTION: Burn hazard. To reduce the risk of injury, charge only DEWALT rechargeable batteries. Other types of batteries may burst causing personal injury and damage.



CAUTION: Children should be supervised to ensure that they do not play with the appliance.

NOTICE: Under certain conditions, with the charger plugged into the power supply, the exposed charging contacts inside the charger can be shorted by foreign material. Foreign materials of a conductive nature such as, but not limited to, steel wool, aluminum foil or any buildup of metallic particles should be kept away from charger cavities. Always unplug the charger from the power supply when there is no battery pack in the cavity. Unplug charger before attempting to clean.

- **DO NOT attempt to charge the battery pack with any chargers other than the ones in this manual.** The charger and battery pack are specifically designed to work together.
- **These chargers are not intended for any uses other than charging DEWALT rechargeable batteries.** Any other uses may result in risk of fire, electric shock or electrocution.
- **Do not expose charger to rain or snow.**
- **Pull by plug rather than cord when disconnecting charger.** This will reduce risk of damage to electric plug and cord.
- **Make sure that cord is located so that it will not be stepped on, tripped over, or otherwise subjected to damage or stress.**
- **Do not use an extension cord unless it is absolutely necessary.** Use of improper extension cord could result in risk of fire, electric shock, or electrocution.

- **Do not place any object on top of charger or place the charger on a soft surface that might block the ventilation slots and result in excessive internal heat.** Place the charger in a position away from any heat source. The charger is ventilated through slots in the top and the bottom of the housing.
- **Do not operate charger with damaged cord or plug—** have them replaced immediately.
- **Do not operate charger if it has received a sharp blow, been dropped, or otherwise damaged in any way.** Take it to an authorised service centre.
- **Do not disassemble charger; take it to an authorised service centre when service or repair is required.** Incorrect reassembly may result in a risk of electric shock, electrocution or fire.
- *In case of damaged power supply cord, the supply cord must be replaced immediately by the manufacturer, its service agent or similar qualified person to prevent any hazard.*
- **Disconnect the charger from the outlet before attempting any cleaning. This will reduce the risk of electric shock.** Removing the battery pack will not reduce this risk.
- **NEVER** attempt to connect two chargers together.
- **The charger is designed to operate on standard 230V household electrical power. Do not attempt to use it on any other voltage.** This does not apply to the vehicular charger.

Charging a Battery (Fig. B)

1. Plug the charger into an appropriate outlet before inserting battery pack.
2. Insert the battery pack **14** into the charger, making sure the battery pack is fully seated in the charger. The red (charging) light will blink repeatedly indicating that the charging process has started.
3. The completion of charge will be indicated by the red light remaining ON continuously. The battery pack is fully charged and may be used at this time or left in the charger. To remove the battery pack from the charger, push the battery release button **15** on the battery pack.

NOTE: To ensure maximum performance and life of lithium-ion battery packs, charge the battery pack fully before first use.

Charger Operation

Refer to the indicators below for the charge status of the battery pack.

Charge Indicators		
	Charging	
	Fully Charged	
	Hot/Cold Pack Delay*	

*The red light will continue to blink, but a yellow indicator light will be illuminated during this operation. Once the battery pack

has reached an appropriate temperature, the yellow light will turn off and the charger will resume the charging procedure. The compatible charger(s) will not charge a faulty battery pack. The charger will indicate faulty battery by refusing to light.

NOTE: This could also mean a problem with a charger.

If the charger indicates a problem, take the charger and battery pack to be tested at an authorised service centre.

Hot/Cold Pack Delay

When the charger detects a battery pack that is too hot or too cold, it automatically starts a Hot/Cold Pack Delay, suspending charging until the battery pack has reached an appropriate temperature. The charger then automatically switches to the pack charging mode. This feature ensures maximum battery pack life.

A cold battery pack will charge at a slower rate than a warm battery pack. The battery pack will charge at that slower rate throughout the entire charging cycle and will not return to maximum charge rate even if the battery pack warms.

The DCB118 charger is equipped with an internal fan designed to cool the battery pack. The fan will turn on automatically when the battery pack needs to be cooled. Never operate the charger if the fan does not operate properly or if ventilation slots are blocked. Do not permit foreign objects to enter the interior of the charger.

Electronic Protection System

XR Li-Ion tools are designed with an Electronic Protection System that will protect the battery pack against overloading, overheating or deep discharge.

The tool will automatically turn off if the Electronic Protection System engages. If this occurs, place the lithium-ion battery pack on the charger until it is fully charged.

Wall Mounting

These chargers are designed to be wall mountable or to sit upright on a table or work surface. If wall mounting, locate the charger within reach of an electrical outlet, and away from a corner or other obstructions which may impede air flow. Use the back of the charger as a template for the location of the mounting screws on the wall. Mount the charger securely using drywall screws (purchased separately) at least 25.4 mm long with a screw head diameter of 7–9 mm, screwed into wood to an optimal depth leaving approximately 5.5 mm of the screw exposed. Align the slots on the back of the charger with the exposed screws and fully engage them in the slots.

Charger Cleaning Instructions



WARNING: Shock hazard. Disconnect the charger from the AC outlet before cleaning. Dirt and grease may be removed from the exterior of the charger using a cloth or soft non-metallic brush. Do not use water or any cleaning solutions. Never let any liquid get inside the tool; never immerse any part of the tool into a liquid.

Battery Packs

Important Safety Instructions for All Battery Packs

When ordering replacement battery packs, be sure to include catalogue number and voltage.

The battery pack is not fully charged out of the carton. Before using the battery pack and charger, read the safety instructions below. Then follow charging procedures outlined.

READ ALL INSTRUCTIONS

- **Do not charge or use battery in explosive atmospheres, such as in the presence of flammable liquids, gases or dust.** Inserting or removing the battery from the charger may ignite the dust or fumes.
- **Never force battery pack into charger. Do not modify battery pack in any way to fit into a non-compatible charger as battery pack may rupture causing serious personal injury.**
- Charge the battery packs only in DeWALT chargers.
- **DO NOT splash or immerse in water or other liquids.**
- **Do not store or use the tool and battery pack in locations where the temperature may fall below 4 °C (34 °F) (such as outside sheds or metal buildings in winter), or reach or exceed 40 °C (104 °F) (such as outside sheds or metal buildings in summer).**
- **Do not incinerate the battery pack even if it is severely damaged or is completely worn out.** The battery pack can explode in a fire. Toxic fumes and materials are created when lithium-ion battery packs are burned.
- **If battery contents come into contact with the skin, immediately wash area with mild soap and water.** If battery liquid gets into the eye, rinse water over the open eye for 15 minutes or until irritation ceases. If medical attention is needed, the battery electrolyte is composed of a mixture of liquid organic carbonates and lithium salts.
- **Contents of opened battery cells may cause respiratory irritation.** Provide fresh air. If symptoms persists, seek medical attention.



WARNING: Burn hazard. Battery liquid may be flammable if exposed to spark or flame.



WARNING: Never attempt to open the battery pack for any reason. If battery pack case is cracked or damaged, do not insert into charger. Do not crush, drop or damage battery pack. Do not use a battery pack or charger that has received a sharp blow, been dropped, run over or damaged in any way (i.e., pierced with a nail, hit with a hammer, stepped on). Electric shock or electrocution may result. Damaged battery packs should be returned to service centre for recycling.



WARNING: Fire hazard. Do not store or carry the battery pack so that metal objects can contact exposed battery terminals. For example, do not place the battery pack in aprons, pockets, tool boxes, product kit boxes, drawers, etc., with loose nails, screws, keys, etc.



CAUTION: When not in use, place tool on its side on a stable surface where it will not cause a tripping or falling hazard. Some tools with large battery packs will stand upright on the battery pack but may be easily knocked over.

Transportation



WARNING: Fire hazard. Transporting batteries can possibly cause fire if the battery terminals inadvertently come in contact with conductive materials. When transporting batteries, make sure that the battery terminals are protected and well insulated from materials that could contact them and cause a short circuit. **NOTE:** Lithium-ion batteries should not be put in checked baggage.

DEWALT batteries comply with all applicable shipping regulations as prescribed by industry and legal standards which include UN Recommendations on the Transport of Dangerous Goods; International Air Transport Association (IATA) Dangerous Goods Regulations, International Maritime Dangerous Goods (IMDG) Regulations, and the European Agreement Concerning The International Carriage of Dangerous Goods by Road (ADR). Lithium-ion cells and batteries have been tested to section 38.3 of the UN Recommendations on the Transport of Dangerous Goods Manual of Tests and Criteria.

In most instances, shipping a DEWALT battery pack will be excepted from being classified as a fully regulated Class 9 Hazardous Material. In general, only shipments containing a lithium-ion battery with an energy rating greater than 100 Watt Hours (Wh) will require being shipped as fully regulated Class 9. All lithium-ion batteries have the Watt Hour rating marked on the pack. Furthermore, due to regulation complexities, DEWALT does not recommend air shipping lithium-ion battery packs alone regardless of Watt Hour rating. Shipments of tools with batteries (combo kits) can be air shipped as excepted if the Watt Hour rating of the battery pack is no greater than 100 Wh.

Regardless of whether a shipment is considered excepted or fully regulated, it is the shipper's responsibility to consult the latest regulations for packaging, labeling/marketing and documentation requirements.

The information provided in this section of the manual is provided in good faith and believed to be accurate at the time the document was created. However, no warranty, expressed or implied, is given. It is the buyer's responsibility to ensure that its activities comply with the applicable regulations.

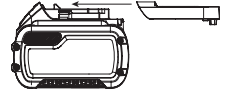
Transporting the FLEXVOLT™ Battery

The DEWALT FLEXVOLT™ battery has two modes: **Use** and **Transport**.

Use Mode: When the FLEXVOLT™ battery stands alone or is in a DEWALT 18V product, it will operate as an 18V battery. When the FLEXVOLT™ battery is in a 54V or a 108V (two 54V batteries) product, it will operate as a 54V battery.

Transport Mode: When the cap is attached to the FLEXVOLT™ battery, the battery is in Transport mode. Keep the cap for shipping.

When in Transport mode, strings of cells are electrically disconnected within the pack resulting in 3 batteries with a lower Watt hour (Wh) rating as compared to 1 battery with a higher Watt hour rating. This increased quantity of 3 batteries with the lower Watt hour rating can exempt the pack from certain shipping regulations that are imposed upon the higher Watt hour batteries.



For example, the Transport Wh rating might indicate 3 x 36 Wh, meaning 3 batteries of 36 Wh each.

The Use Wh rating might indicate 108 Wh (1 battery implied).

Example of Use and Transport Label Marking



Storage Recommendations

1. The best storage place is one that is cool and dry away from direct sunlight and excess heat or cold. For optimum battery performance and life, store battery packs at room temperature when not in use.
2. For long storage, it is recommended to store a fully charged battery pack in a cool, dry place out of the charger for optimal results.

NOTE: Battery packs should not be stored completely depleted of charge. The battery pack will need to be recharged before use.

Labels on Charger and Battery Pack

In addition to the pictographs used in this manual, the labels on the charger and the battery pack may show the following pictographs:



Read instruction manual before use.



See **Technical Data** for charging time.



Do not probe with conductive objects.



Do not charge damaged battery packs.



Do not expose to water.



Have defective cords replaced immediately



Charge only between 4 °C and 40 °C.



Only for indoor use.



Discard the battery pack with due care for the environment.



Charge DeWALT battery packs only with designated DeWALT chargers. Charging battery packs other than the designated DeWALT batteries with a DeWALT charger may make them burst or lead to other dangerous situations.



Do not incinerate the battery pack.



USE (without transport cap). Example: Wh rating indicates 108 Wh (1 battery with 108 Wh).



TRANSPORT (with built-in transport cap). Example: Wh rating indicates 3 x 36 Wh (3 batteries of 36 Wh).

Battery Type

The following tools operate on a ?? volt battery pack: DCS578
These battery packs may be used: DCB546, DCB547, DCB548.
Refer to **Technical Data** for more information.

Package Contents

The package contains:

- 1 Circular saw
- 1 Circular saw blade
- 1 Blade wrench
- 1 Parallel fence
- 1 Dust extraction port
- 1 Charger (T models only)
- 1 Li-Ion battery pack (C1, D1, L1, M1, P1, S1, T1, X1, Y1 models)
- 2 Li-Ion battery packs (C2, D2, L2, M2, P2, S2, T2, X2, Y2 models)
- 3 Li-Ion battery packs (C3, D3, L3, M3, P3, S3, T3, X3, Y3 models)
- 1 Instruction manual

NOTE: Battery packs, chargers and kitboxes are not included with N models. Battery packs and chargers are not included with NT models. B models include Bluetooth® battery packs.

NOTE: The Bluetooth® word mark and logos are registered trademarks owned by the Bluetooth®, SIG, Inc. and any use of such marks by DeWALT is under license. Other trademarks and trade names are those of their respective owners.

- Check for damage to the tool, parts or accessories which may have occurred during transport.
- Take the time to thoroughly read and understand this manual prior to operation.

Markings on Tool

The following pictograms are shown on the tool:



Read instruction manual before use.



Wear ear protection.



Wear eye protection.



Visible radiation. Do not stare into light.

Date Code Position (Fig. B)

The date code **19**, which also includes the year of manufacture, is printed into the housing.

Example:

2020 XX XX

Year and week of Manufacture

Description (Fig. A)



WARNING: Never modify the power tool or any part of it. Damage or personal injury could result.

- 1 Trigger switch
- 2 Trigger switch lock-off button
- 3 Main handle
- 4 Rafter hook (Included with some models)
- 5 Blade lock
- 6 End cap
- 7 Auxiliary handle
- 8 Bevel adjustment lever
- 9 Bevel angle adjustment mechanism
- 10 LED worklight
- 11 Base plate
- 12 Lower blade guard
- 13 Blade clamping screw
- 14 Lower guard lever
- 15 Upper blade guard
- 16 Battery pack
- 17 Battery release button
- 18 Date code (Fig. H)
- 19 Rail adjuster (0° cutting)
- 20 Rail adjuster (1–45° bevel cutting)
- 21 Fuel gauge button (on battery pack)

Intended Use

These heavy-duty circular saws are designed for professional wood cutting applications. Do not cut metal, plastic, concrete, masonry or fiber cement materials.

DO NOT use under wet conditions or in the presence of flammable liquids or gases.

These heavy-duty saws are professional power tools.

DO NOT let children come into contact with the tool.

Supervision is required when inexperienced operators use this tool.

- **Young children and the infirm.** This appliance is not intended for use by young children or infirm persons without supervision.
- This product is not intended for use by persons (including children) suffering from diminished physical, sensory or mental abilities; lack of experience, knowledge or skills unless they are supervised by a person responsible for their safety. Children should never be left alone with this product.

ASSEMBLY AND ADJUSTMENTS



WARNING: To reduce the risk of serious personal injury, turn tool off and disconnect battery pack before making any adjustments or removing/installing attachments or accessories. An accidental start-up can cause injury.



WARNING: Use only DEWALT battery packs and chargers.

Inserting and Removing the Battery Pack from the Tool (Fig. B)

NOTE: Make sure your battery pack **14** is fully charged.

To Install the Battery Pack into the Tool Handle

1. Align the battery pack **14** with the rails inside the tool's handle (Fig. B).
2. Slide it into the handle until the battery pack is firmly seated in the tool and ensure that you hear the lock snap into place.

To Remove the Battery Pack from the Tool

1. Press the release button **15** and firmly pull the battery pack out of the tool handle.
2. Insert battery pack into the charger as described in the charger section of this manual.

Fuel Gauge Battery Packs (Fig. C)

Some DEWALT battery packs include a fuel gauge which consists of three green LED lights that indicate the level of charge remaining in the battery pack.

To actuate the fuel gauge **16**, press and hold the fuel gauge button. A combination of the three green LED lights will illuminate designating the level of charge left. When the level of charge in the battery is below the usable limit, the fuel gauge will not illuminate and the battery will need to be recharged.

NOTE: The fuel gauge is only an indication of the charge left on the battery pack. It does not indicate tool functionality and is subject to variation based on product components, temperature and end-user application.

Changing Blades

To Install the Blade (Fig. B–E)

1. Remove the battery.
2. Using the lower guard lever **14**, retract the lower blade guard **12** and place blade on saw spindle against the inner clamp washer **22**, making sure that the blade will rotate in the proper direction (the direction of the rotation arrow on the saw blade and the teeth must point in the same direction as the direction of rotation arrow on the saw). Do not assume that the printing on the blade will always be facing you when properly installed. When retracting the lower blade guard to install the blade, check the condition and operation of the lower blade guard to assure that it is working properly. Make sure it moves freely and does not touch the blade or any other part, in all angles and depths of cut.
3. Place outer clamp washer **23** on saw spindle with the beveled edge facing out. Make sure the 30 mm diameter on

the blade side of the clamp fits into the 30 mm hole in the saw blade to ensure centring of the blade.

4. Thread the blade clamping screw **13** onto the saw spindle by hand (screw has right-hand threads and must be turned clockwise to tighten).
5. Depress the blade lock **5** while turning the saw spindle with the blade wrench **24** stored underneath the battery compartment, until the blade lock engages and the blade stops rotating.
6. Tighten the blade clamping screw firmly with the blade wrench.

NOTICE: Never engage the blade lock while saw is running, or engage in an effort to stop the tool. Never turn the saw on while the blade lock is engaged. Serious damage to your saw will result.

To Replace the Blade (Fig. B–E)

1. Remove the battery.
2. To loosen the blade clamping screw **13**, depress the blade lock **5** and turn the saw spindle with the blade wrench **24**, stored underneath the battery compartment, until the blade lock engages and the blade stops rotating. With the blade lock engaged, turn the blade clamping screw counterclockwise with the blade wrench (screw has right-hand threads and must be turned counterclockwise to loosen).
3. Remove the blade clamping screw **13** and outer clamp washer **23**. Remove old blade.
4. Clean any sawdust that may have accumulated in the guard or clamp washer area and check the condition and operation of the lower blade guard as previously outlined. Do not lubricate this area.
5. Select the proper blade for the application (refer to **Blades**). Always use blades that are the correct size (diameter) with the proper size and shape centre hole for mounting on the saw spindle. Always assure that the maximum recommended speed (rpm) on the saw blade meets or exceeds the speed (rpm) of the saw.
6. Follow steps 1 through 5 under **To Install the Blade**, making sure that the blade will rotate in the proper direction.

Lower Blade Guard



WARNING: The lower blade guard is a safety feature that reduces the risk of serious personal injury. Never use the saw if the lower guard is missing, damaged, misassembled or not working properly. Do not rely on the lower blade guard to protect you under all circumstances. Your safety depends on following all warnings and precautions as well as proper operation of the saw. Check the lower blade guard for proper closing before each use. If the lower blade guard is missing or not working properly, have the saw serviced before using. To assure product safety and reliability, repair, maintenance and adjustment should be performed by an authorised service centre or other qualified service organization, always using identical replacement parts.

Checking the Lower Guard (Fig. A)

1. Turn tool off and disconnect from power supply.
2. Rotate the lower guard lever **14** from the fully closed position to the fully open position.
3. Release the lever and observe the guard **12** return to the fully closed position.

The tool should be serviced by a qualified service centre if it:

- fails to return to the fully closed position,
- moves intermittently or slowly, or
- contacts the blade or any part of the tool in all angles and depth of cut.

Blades



WARNING: To minimise the risk of eye injury, always use eye protection. Carbide is a hard but brittle material. Foreign objects in the workpiece such as wire or nails can cause tips to crack or break. Only operate saw when proper saw blade guard is in place. Mount blade securely in proper rotation before using, and always use a clean, sharp blade.



WARNING: Do not cut metal, plastic, concrete, masonry or fiber cement materials with this saw.

190 mm Diameter

Application	Teeth
Fast rip	18
Rip	24
General Purpose	40

184 mm Diameter

Application	Teeth
Rip	24
General Purpose	36
Finish	60

If you need assistance regarding blades, please contact your local DeWALT dealer.

Kickback

Kickback is a sudden reaction to a pinched, bound or misaligned saw blade, causing an uncontrolled saw to lift up and out of the workpiece toward the operator. When the blade is pinched or bound tightly by the kerf closing down, the blade stalls and the motor reaction drives the unit rapidly back toward the operator. If the blade becomes twisted or misaligned in the cut, the teeth at the back edge of the blade can dig into the top surface of the material causing the blade to climb out of the kerf and jump back toward the operator.

Kickback is more likely to occur when any of the following conditions exists.

1. IMPROPER WORKPIECE SUPPORT (FIG. X)

- a. Sagging or improper lifting of the cut off piece can cause pinching of the blade and lead to kickback (Fig. X).

- b. Cutting through material supported at the outer ends only can cause kickback. As the material weakens it sags, closing down the kerf and pinching the blade (Fig. X).
- c. Cutting off a cantilevered or overhanging piece of material from the bottom up in a vertical direction can cause kickback. The falling cut off piece can pinch the blade.
- d. Cutting off long narrow strips can cause kickback. The cut off strip can sag or twist closing the kerf and pinching the blade.
- e. Snagging the lower guard on a surface below the material being cut momentarily reduces operator control. The saw can lift partially out of the cut increasing the chance of blade twist.

2. IMPROPER DEPTH OF CUT SETTING ON SAW (FIG. H)

To make the most efficient cut, the blade should protrude only far enough to expose a tooth as shown in Figure H. This allows the shoe to support the blade and minimises twisting and pinching in the material. See the section titled **Depth of Cut Adjustment**.

3. BLADE TWISTING (MISALIGNMENT IN CUT)

- a. Pushing harder to cut can cause the blade to twist.
- b. Trying to turn the saw in the cut (trying to get back on the marked line) can cause blade twist.
- c. Overreaching or operating the saw with poor body control (out of balance), can result in twisting the blade.
- d. Changing hand grip or body position while cutting can result in blade twist.
- e. Backing up the saw to clear blade can lead to twist.

4. USE OF DULL OR DIRTY BLADES

Dull blades cause increased loading of the saw. To compensate, an operator will usually push harder which further loads the unit and promotes twisting of the blade in the kerf. Worn blades may also have insufficient body clearance which increases the chance of binding and increased loading.

5. RESTARTING A CUT WITH THE BLADE TEETH JAMMED AGAINST THE MATERIAL

The saw should be brought up to full operating speed before starting a cut or restarting a cut after the unit has been stopped with the blade in the kerf. Failure to do so can cause stalling and kickback.

Any other conditions which could result in pinching, binding, twisting, or misalignment of the blade could cause kickback. Refer to the sections **Further Safety Instructions for All Saws** and **Blades** for procedures and techniques that will minimise the occurrence of kickback.

Depth of Cut Adjustment (Fig. F–H)

1. Raise the depth adjustment lever **25** to loosen.
2. To obtain the correct depth of cut, align the appropriate mark on the depth adjustment strap **26** with notch **27** on the upper blade guard.
3. Tighten the depth adjustment lever.

- For the most efficient cutting action using a carbide tipped saw blade, set the depth adjustment so that about one half of a tooth projects below the surface of the wood to be cut.
- A method of checking for the correct cutting depth is shown in Fig. H. Lay a piece of the material you plan to cut along the side of the blade, as shown in the Figure, and observe how much tooth projects beyond the material.

Adjusting Depth Adjustment Lever (Fig. G)

It may be desirable to adjust the depth adjustment lever **25**. It may loosen in time and hit the base plate before tightening.

To Tighten the Lever

- Hold depth adjustment lever **25** and loosen the locknut **28**.
- Adjust the depth adjustment lever by rotating it in the desired direction about 1/8 of a revolution.
- Retighten nut.

Bevel Angle Adjustment (Fig. A, I)

The bevel angle adjustment mechanism **9** can be adjusted between 0° and 57°.

To achieve better accuracy in cutting, use the fine adjustment markings located on the pivot bracket **29**.

- Raise the bevel adjustment lever **8** to loosen.
- Tilt the base plate to the desired angle by aligning the fine bevel pointer **30** with the desired angle mark on the pivot bracket **29**.
- Lower the bevel adjustment lever to retighten.

Bevel Detent (Fig. I)

The DCS578 and DCS579 are equipped with a bevel detent feature. As you tilt the base plate you will hear a click and feel the base plate stop at both 22.5 and 45 degrees. If either of these is the desired angle, retighten the lever **8** by lowering it. If you desire another angle, continue tilting the base plate until the coarse bevel pointer **31** or the fine pointer **30** aligns with the desired mark.

Cut Length Indicator (Fig. J)

The markings on the side of the base plate **11** show the length of the slot being cut into the material at the full depth of the cut. The markings are in increments of 5 mm.

Mounting and Adjusting the Parallel Fence (Fig. K)

The parallel fence **33** is used for cutting parallel to the edge of the workpiece.

Mounting

- Slacken the parallel fence adjustment knob **32** to allow the parallel fence to pass.
- Insert the parallel fence **33** in the base plate **11** as shown.
- Tighten the parallel fence adjustment knob **32**.

Adjusting

- Slacken the fence adjustment knob **32** and set the parallel fence **33** to the desired width. The adjustment can be read on the parallel fence scale.
- Tighten the fence adjustment knob **32**.

Mounting the Dust Extraction Port (Fig. A, F, L)

Your DCS578/DCS579 circular saws are supplied with a dust extraction port.

To Install Dust Extraction Port

- Fully loosen depth adjustment lever **25**.
- Place base plate **11** in the lowest position.
- Align the left half of the dust extraction port **34** over upper blade guard **15** as shown. Be sure to insert the tab into the casting notch on the tool. When installed correctly, it will snap fully over the original depth of cut pointer.
- Align the right-hand piece with the left.
- Insert screws and tighten securely.

Guide Rail System (Fig. M)

DCS579

Guide rails, available in different lengths as accessories, allow the use of the circular saw for precise, straight clean cuts and simultaneously protect the workpiece surface against damage. In conjunction with additional accessories, exact angled cuts, mitre cuts and fitting work can be completed with the guide rail system.

Clamps **37** are available to secure the guide rail **35** to the workpiece **36** (Fig. M). Use of these clamps **37** ensure that the guide rail **35** is securely attached to the workpiece **36** for safe working. Once the guide rail is set to the cut line and securely fixed to the workpiece, there is no movement during cutting.

IMPORTANT: The height scale on the unit is set for using the saw without a guide rail. When using the saw on the guide rail the difference in height will be approximately 5.0 mm.

Setting the Circular Saw To the Guide Rail (Fig. A, N)

The clearance between the circular saw and the guide rail (Fig. N, **35**) must be very small to achieve best cutting results. The smaller this clearance the better the straight line finish will be on the workpiece.

The clearance can be set with the two rail adjusters **19**, **20** (Fig. A) for each channel in the base for 0° cutting **19** and for 1–45° bevel cutting **20**. The rail adjusters are precision cams that allow for the reduction of clearance between the unit and guide rail. Once these adjusters have been set, sideways movement of the saw during cutting is kept to a minimum while allowing a smooth cutting action.

NOTE: The adjusters are set to minimum clearance in the factory and may need adjusting and setting before the unit is used. Use the following instructions for setting the circular saw to the guide rail.

REMEMBER: Set the rail adjusters on the saw to the guide rail.

- Undo the screw inside the rail adjuster to allow for adjustment between the saw and the guide rail.
- Retract the lower guard and place the unit on the guide rail, ensuring the blade is in the highest position.
- Rotate the adjuster until saw locks on guide rail.
IMPORTANT: Make sure the saw is securely attached to the rail by trying to push the saw forward. Ensure there is no movement of the saw.
- Rotate the adjuster back slightly until saw slides easily along the rail.
- Hold the rail adjuster in position and tighten the screw again.

NOTE: ALWAYS adjust the system for use with other rails.

The rail adjusters are now set up to minimise sideways deviation when cutting with the saw on the guide rail.

Before using the saw, the anti-splinter guard **38** on the guide rail will need tuning in. Refer to **Tuning the Anti-Splinter Guard**.

Tuning the Anti-Splinter Guard (Fig. N)

The guide rail **35** is equipped with an anti-splinter guard **38** that has to be tuned to the saw before the first use.

The anti-splinter guard **38** is situated on each edge of the guide rail (Fig. N). The purpose of this anti-splinter guard is to provide the user with a visible blade cut line while reducing the chipping that occurs along the workpiece cut edge during cutting.

IMPORTANT: ALWAYS read and follow the **Setting the Circular Saw to the Guide Rail** before cutting the splinter guard!

Steps to Tune the Anti-Splinter Guard (Fig. O–R)

- Place the guide rail **35** on a scrap piece of wood **39** with a minimum length of 100 mm overhanging the workpiece (Fig. O). Use a clamp to ensure that the guide rail is securely attached to the workpiece. This will ensure accuracy.
- Set the unit to a 20 mm depth of cut.
- Place the front of the saw on the overhang end of the guide rail, making sure that the blade is positioned in front of the rail edge (Fig. P).
- Turn the saw on and slowly cut the splinter guard along the full length of the rail in one continuous operation. The edge of the splinter guard now corresponds exactly to the cutting edge of the blade (Fig. Q).

To tune in the anti-splinter guard on the other side of the guide rail, remove the saw from the rail and rotate the rail 180°. Repeat steps 1 through 4.

NOTE: If desired, the splinter guard can be bevelled to 45°, then repeat steps 1 through 4. This allows one side of the rail for cutting parallel cuts and the other side of the rail is tuned in for 45° bevel cuts (Fig. R).

NOTE: If the anti-splinter guard is tuned in for parallel cutting on both sides, then when the unit is bevelled, the blade will not run true to the edge of the anti-splinter guard. This is because the pivot point of the unit bevel is not stationary and the blade moves out over when the unit is bevelled.

Kerf Indicator (Fig. S–U)

The front of the saw shoe has a kerf indicator **41** for vertical and bevel cutting. This indicator enables you to guide the saw along cutting lines penciled on the material being cut. The kerf indicator lines up with the left (outer) side of the saw blade, which makes the slot or "kerf" cut by the moving blade fall to the right of the indicator. Guide along the penciled cutting line so that the kerf falls into the waste or surplus material. Fig. T shows the saw in the parallel cutting position relative to the guide rail. Fig. U shows the saw in the bevel cutting position relative to the guide rail.

Prior to Operation

- Make sure the guards have been mounted correctly. The saw blade guard must be in closed position.
- Make sure the saw blade rotates in the direction of the arrow on the blade.
- Do not use excessively worn saw blades.

OPERATION

Instructions for Use



WARNING: Always observe the safety instructions and applicable regulations.



WARNING: To reduce the risk of serious personal injury, turn tool off and disconnect battery pack before making any adjustments or removing/installing attachments or accessories. An accidental start-up can cause injury.

Proper Hand Position (Fig. V)



WARNING: To reduce the risk of serious personal injury, ALWAYS use proper hand position as shown.



WARNING: To reduce the risk of serious personal injury, ALWAYS hold securely in anticipation of a sudden reaction.

Proper hand position requires one hand on the main handle **3**, with the other hand on the auxiliary handle **7**.

LED Worklight (Fig. A)

The LED worklight **10** is activated when the trigger switch is depressed. When the trigger is released, the worklight will stay illuminated for up to 20 seconds.

NOTE: The worklight is for lighting the immediate work surface and is not intended to be used as a flashlight.

Switching On and Off (Fig. A)

For safety reasons the trigger switch **1** of your tool is equipped with a lock-off button **2**.

Press the lock-off button to unlock the tool.

To run the tool, press the trigger switch **1**. As soon as the trigger switch is released, the lock-off switch is automatically activated to prevent unintended starting of the machine.

NOTICE: Do not switch the tool ON or OFF when the saw blade touches the workpiece or other materials.

Workpiece Support (Fig. W–Z)



 **WARNING:** To reduce the risk of serious personal injury, support the work properly and hold the saw firmly to prevent loss of control.

Fig. W and Y show proper sawing position. Fig. X and Z show an unsafe condition. Hands should be kept away from cutting.

To avoid kickback, ALWAYS support board or panel NEAR the cut, (Fig. W and Y). DON'T support board or panel away from the cut (Fig. X, Z).

ALWAYS DISCONNECT BATTERY PACK BEFORE MAKING ANY ADJUSTMENTS! Place the work with its “good” side—the one on which appearance is most important—down. The saw cuts upward, so any splintering will be on the work face that is up when you saw it.

Cutting (Fig. Y)

 **WARNING:** Never attempt to use this tool by resting it upside down on a work surface and bringing the material to the tool. Always securely clamp the workpiece and bring the tool to the workpiece, securely holding the tool with two hands as shown in Fig. Y.

Place the wider portion of the saw base plate on that part of the work piece which is solidly supported, not on the section that will fall off when the cut is made. As examples, Fig. Y illustrates the RIGHT way to cut off the end of a board. Always clamp work. Don't try to hold short pieces by hand! Remember to support cantilevered and overhanging material. Use caution when sawing material from below.


Be sure saw is up to full speed before blade contacts material to be cut. Starting saw with blade against material to be cut or pushed forward into kerf can result in kickback. Push the saw forward at a speed which allows the blade to cut without laboring. Hardness and toughness can vary even in the same piece of material, and knotty or damp sections can put a heavy load on the saw. When this happens, push the saw more slowly, but hard enough to keep working without much decrease in speed. Forcing the saw can cause rough cuts, inaccuracy, kickback, and over-heating of the motor. Should your cut begin to go off the line, don't try to force it back on. Release the switch and allow blade to come to a complete stop. Then you can withdraw the saw, sight anew, and start a new cut slightly inside the wrong one. In any event, withdraw the saw if you must shift the cut. Forcing a correction inside the cut can stall the saw and lead to kickback.

IF SAW STALLS, RELEASE THE TRIGGER AND BACK THE SAW UNTIL IT IS LOOSE. BE SURE BLADE IS STRAIGHT IN THE CUT AND CLEAR OF THE CUTTING EDGE BEFORE RESTARTING.


As you finish a cut, release the trigger and allow the blade to stop before lifting the saw from the work. As you lift the saw, the spring-tensioned telescoping guard will automatically close under the blade. Remember the blade is exposed until this occurs. Never reach under the work for any reason. When you have to retract the telescoping guard manually (as is necessary for starting pocket cuts) always use the retracting lever.

NOTE: When cutting thin strips, be careful to ensure that small cutoff pieces don't hang up on inside of lower guard.

Pocket Cutting (Fig. AA)

 **WARNING:** Never tie the blade guard in a raised position. Never move the saw backwards when pocket cutting. This may cause the unit to raise up off the work surface which could cause injury.

A pocket cut is one that is made in a floor, wall or other flat surface.


1. Adjust the saw base plate so the blade cuts at desired depth.
2. Tilt the saw forward and rest front of the base plate on material to be cut.
3. Using the lower guard lever, retract lower blade guard to an upward position. Lower rear of base plate until blade teeth almost touch cutting line.
4. Release the blade guard (its contact with the work will keep it in position to open freely as you start the cut). Remove hand from guard lever and firmly grip auxiliary handle , as shown in Fig. AA. Position your body and arm to allow you to resist kickback if it occurs.
5. Make sure blade is not in contact with cutting surface before starting saw.
6. Start the motor and gradually lower the saw until its base plate rests flat on the material to be cut. Advance saw along the cutting line until cut is completed.
7. Release trigger and allow blade to stop completely before withdrawing the blade from the material.
8. When starting each new cut, repeat as above.

Dust Extraction (Fig. DD)

 **WARNING:** Risk of dust inhalation. To reduce the risk of personal injury, ALWAYS wear an approved dust mask.


A dust extraction port  is supplied with your tool.


The dust extraction port allows you to connect the tool to an external dust extractor, either using the AirLock™ system (DWV9000-XJ), or a standard 35 mm dust extractor fitting.

 **WARNING:** ALWAYS use a vacuum extractor designed in compliance with the applicable directives regarding dust emission when sawing wood. Vacuum hoses of most common vacuum cleaners will fit directly into the dust extraction outlet.

Rafter Hook (Fig. A)

(Included with some models)

 **WARNING:** To reduce the risk of serious personal injury, do not use the tool's rafter hook to hang the tool from your body. DO NOT use the rafter hook for tethering or securing the tool to a person or object during use. DO NOT suspend tool overhead or suspend objects from the rafter hook.

 **WARNING:** To reduce the risk of injury from the circular saw falling on operators or bystanders, make sure it is supported securely when using the rafter hook, or resting in a secure and stable location when not in use. Be sure to keep the area below clear to reduce the risk of the tool or off-cut material falling and striking someone or something below.

The circular saw has a convenient rafter hook **4** that allows it to hang on a suitable, stable structure between uses. The rafter hook is not for tethering or securing the tool to a person or object during use when elevated.

MAINTENANCE

Your power tool has been designed to operate over a long period of time with a minimum of maintenance. Continuous satisfactory operation depends upon proper tool care and regular cleaning.



WARNING: To reduce the risk of serious personal injury, turn tool off and disconnect battery pack before making any adjustments or removing/installing attachments or accessories. An accidental start-up can cause injury.

The charger and battery pack are not serviceable.



Lubrication

Self lubricating ball and roller bearings are used in the tool and relubrication is not required. However, it is recommended that, once a year, you take or send the tool to a service centre for a thorough cleaning, inspection and lubrication of the gear case.



Cleaning



WARNING: Blow dirt and dust out of the main housing with dry air as often as dirt is seen collecting in and around the air vents. Wear approved eye protection and approved dust mask when performing this procedure.



WARNING: Never use solvents or other harsh chemicals for cleaning the non-metallic parts of the tool. These chemicals may weaken the materials used in these parts. Use a cloth dampened only with water and mild soap. Never let any liquid get inside the tool; never immerse any part of the tool into a liquid.

Lower Guard

The lower guard should always rotate and close freely from a fully open to fully closed position. Always check for correct operation before cutting by fully opening the guard and letting it close. If the guard closes slowly or not completely, it will need cleaning or servicing. Do not use the saw until it functions correctly. To clean the guard, use dry air or a soft brush to remove all accumulated sawdust or debris from the path of the guard and from around the guard spring. Should this not correct the problem, it will need to be serviced by an authorised service centre.

Base Plate Adjustment (Fig. E, G, H)

Your base plate has been factory set to assure that the blade is perpendicular to the base plate. If after extended use you need to re-align the blade, follow the directions below:

Adjusting for 90 Degree Cuts

1. Return the saw to 0 degrees bevel.
2. Place the saw on its side, and retract the lower guard.
3. Set the depth of cut to 51 mm.
4. Loosen the bevel adjustment lever (**10**, Fig. G). Place a square against the blade and the base plate as shown in Fig. H.
5. Using a hex key, turn the set screw (**38**, Fig. H) on the underside of the base plate until the blade and the base plate are both in flush contact with the square. Retighten the bevel adjustment lever.

Adjusting Bevel Adjustment Lever (Fig. E, G)

It may be desirable to adjust the bevel adjustment lever **10**. It may loosen in time and hit the base plate before tightening.

To Tighten the Lever

1. Hold the bevel adjustment lever **10** and loosen the bevel locknut **32**.
2. Adjust the bevel adjustment lever by rotating it in the desired direction about 1/8 of a revolution.
3. Retighten nut.

Blades

A dull blade will cause inefficient cutting, overload on the saw motor, excessive splintering and increase the possibility of kickback. Change blades when it is no longer easy to push the saw through the cut, when the motor is straining, or when excessive heat is built up in the blade. It is a good practice to keep extra blades on hand so that sharp blades are available for immediate use. Dull blades can be sharpened in most areas. Hardened gum on the blade can be removed with kerosene, turpentine, or oven cleaner. Anti-stick coated blades can be used in applications where excessive build-up is encountered, such as pressure treated and green lumber.

Optional Accessories



WARNING: Since accessories, other than those offered by DEWALT, have not been tested with this product, use of such accessories with this tool could be hazardous. To reduce the risk of injury, only DEWALT recommended accessories should be used with this product.

DO NOT USE WATER FEED ATTACHMENTS WITH THIS SAW. VISUALLY EXAMINE CARBIDE BLADES BEFORE USE. REPLACE IF DAMAGED.

Consult your dealer for further information on the appropriate accessories.

Protecting the Environment



Separate collection. Products and batteries marked with this symbol must not be disposed of with normal household waste.

Products and batteries contain materials that can be recovered or recycled reducing the demand for raw materials. Please recycle electrical products and batteries according to local provisions. Further information is available at www.2helpU.com.

Rechargeable Battery Pack

This long life battery pack must be recharged when it fails to produce sufficient power on jobs which were easily done before. At the end of its technical life, discard it with due care for our environment:

- Run the battery pack down completely, then remove it from the tool.
- Li-Ion cells are recyclable. Take them to your dealer or a local recycling station. The collected battery packs will be recycled or disposed of properly.

130.com.ua

190 мм / 184 мм 54 В АККУМУЛЯТОРНАЯ ЦИРКУЛЯРНАЯ ПИЛА

DCS578, DCS579, DCS578-XE, DCS579-XE

Поздравляем!

Вы приобрели инструмент DEWALT. Многолетний опыт, тщательная разработка изделий и инновации делают компанию DEWALT одним из самых надёжных партнеров для пользователей профессионального электроинструмента.

Технические характеристики

		DCS578	DCS578-XE	DCS579	DCS579-XE
Напряжение	В пост. тока	54	54	54	54
Тип		1	1	1	1
Тип батареи		Ионно-литиевая	Ионно-литиевая	Ионно-литиевая	Ионно-литиевая
Скорость без нагрузки	мин ⁻¹	5800	5800	5800	5800
Диаметр диска	мм	190	184	190	184
Максимальная глубина распила	мм	67	64	61	58
Диаметр посадочного отверстия	мм	30	20	30	20
Регулировка угла наклона		57	57	57	57
Вес (без аккумуляторной батареи)	кг	3,6	3,6	3,7	3,7

Значения шума и/или вибрации (сумма векторов в трех плоскостях) в соответствии с EN62841-2-5:

L_{PA} (уровень акустического давления)	дБ(А)	90	—	90	—
L_{WA} (уровень акустической мощности)	дБ(А)	101	—	101	—
K (погрешность для заданного уровня мощности)	дБ(А)	3	—	3	—
Значение эмиссии вибрации $a_{h, w} =$	м/с ²	2,2	—	2,2	—
Погрешность K =	м/с ²	1,5	—	1,5	—

Значение шумовой эмиссии и/или эмиссии вибрации, указанное в данном справочном листке, было получено в соответствии со стандартным тестом, приведенным в EN62841, и может использоваться для сравнения инструментов. Кроме того, оно может использоваться для предварительной оценки воздействия вибрации.



ОСТОРОЖНО! Заявленное значение шумовой эмиссии и/или эмиссии вибрации относится к основным областям применения инструмента. Однако, если инструмент используется для различных целей, с различными дополнительными принадлежностями или при ненадлежащем уходе, то уровень шума и/или вибрации может измениться. Это может привести к значительному увеличению уровня воздействия вибрации в течение всего рабочего периода.

При расчете приблизительного значения уровня воздействия шума и/или вибрации также необходимо учитывать время, когда инструмент выключен или то время, когда он работает на холостом ходу. Это может привести к значительному снижению уровня воздействия вибрации в течение всего рабочего периода.

Определите дополнительные меры техники безопасности для защиты оператора от воздействия шума и/или вибрации, а именно: поддержание инструмента и дополнительных принадлежностей в рабочем состоянии, создание комфортных условий работы (соответствующих вибрации), хорошая организация рабочего места.

Декларация о соответствии нормам ЕС Директива по механическому оборудованию



Аккумуляторная дисковая пила DCS578, DCS579, DCS578-XE, DCS579-XE

DEWALT заявляет, что продукция, описанная в разделе «Технические характеристики» соответствует: 2006/42/EC, EN62841-2-1:2015, EN62841-2-5:2014.

Эти продукты также соответствуют Директивам 2014/30/EU и 2011/65/EU. Для получения дополнительной информации обратитесь в компанию DEWALT по адресу, указанному ниже или приведенному на задней стороне обложки руководства.

Батарей				Зарядные устройства/время зарядки (мин)									
Кат. №	V _{пост. тока}	Ah	Вес (kg)	DCB104	DCB107	DCB112	DCB113	DCB115	DCB116	DCB117	DCB118	DCB132	DCB119
DCB546	18/54	6,0/2,0	1,05	60	270	170	140	90	80	40	60	90	X
DCB547	18/54	9,0/3,0	1,46	75*	420	270	220	135*	110*	60	75*	135*	X
DCB548	18/54	12,0/4,0	1,44	120	540	350	300	180	150	80	120	180	X

*Код даты 201811475В или новее

Нижеподписавшийся несет ответственность за составление технической документации и составил данную декларацию по поручению компании DeWALT.



Маркус Ромпел
Вице-президент по инженерным разработкам, PTE-Europe
DeWALT, Richard-Klinger-Straße 11,
D-65510, Idstein, Germany
27.05.2020



ВНИМАНИЕ: Во избежание риска получения травм ознакомиться с инструкцией.

Обозначения: правила техники безопасности

Ниже описывается уровень опасности, обозначаемый каждым из предупреждений. Прочитайте руководство и обратите внимание на данные символы.



ОПАСНО: Обозначает опасную ситуацию, которая неизбежно приведет к **серьезной травме или смертельному исходу**, в случае несоблюдения соответствующих мер безопасности.



ВНИМАНИЕ: Указывает на потенциально опасную ситуацию, которая, в случае несоблюдения соответствующих мер безопасности, может привести к **серьезной травме или смертельному исходу**.



ПРЕДУПРЕЖДЕНИЕ: Указывает на потенциально опасную ситуацию, которая, в случае несоблюдения соответствующих мер безопасности может стать причиной травм **средней или легкой степени тяжести**.

ПОЯСНЕНИЕ: Указывает на практики, использование которых не связано с получением травмы, но если ими пренебречь, могут привести к **порче имущества**.



Указывает на риск поражения электрическим током.



Указывает на риск возгорания.

ОБЩИЕ ПРАВИЛА ТЕХНИКИ БЕЗОПАСНОСТИ ПРИ ИСПОЛЬЗОВАНИИ ЭЛЕКТРОИНСТРУМЕНТОВ



ВНИМАНИЕ: Прочитайте и просмотрите все предупреждения, инструкции, иллюстрации и спецификации по данному электроинструменту. Несоблюдение всех приведенных ниже инструкций может стать причиной поражения электрическим током, возгорания и/или тяжелой травмы.

СОХРАНИТЕ ВСЕ ИНСТРУКЦИИ ДЛЯ ПОСЛЕДУЮЩЕГО ИСПОЛЬЗОВАНИЯ

Термин «электроинструмент» в предупреждениях относится к работающим от сети (проводным) электроинструментам или работающим от аккумуляторной батареи (беспроводным) электроинструментам.

1) Безопасность на рабочем месте

- Следите за чистотой и хорошим освещением на рабочем месте.** Захламленное или плохо освещенное рабочее место может стать причиной несчастного случая.
- Запрещается работать с электроинструментами во взрывоопасных местах, например, вблизи легковоспламеняющихся жидкостей, газов и пыли.** Искры, которые появляются при работе электроинструментов могут привести к воспламенению пыли или паров.
- Следите за тем, чтобы во время работы с электроинструментом в зоне работы не было посторонних и детей.** Отвлекаясь от работы вы можете потерять контроль над инструментом.

2) Электробезопасность

- Штепсельная вилка электроинструмента должна соответствовать розетке. Никогда не меняйте вилку инструмента. Запрещается использовать переходники к вилкам для электроинструментов с заземлением.** Использование оригинальных штепсельных вилок, соответствующих типу сетевой розетки снижает риск поражения электрическим током.
- Избегайте контакта с заземленными поверхностями, такими как трубы, радиаторы и холодильники.** Если вы будете

заземлены, увеличивается риск поражения электрическим током.

c) Запрещается оставлять электроинструмент под дождем и в местах повышенной влажности.

При попадании воды в электроинструмент риск поражения электротоком возрастает.

d) Берегите кабель от повреждений. Никогда не используйте кабель для переноски инструмента, не тяните за него, пытаясь отключить инструмент от сети. Держите кабель подальше от источников тепла, масла, острых углов или движущихся предметов.

Поврежденный или запутанный кабель питания повышает риск поражения электрическим током.

e) При работе с электроинструментом на открытом воздухе используйте удлинитель, подходящий для использования на улице.

Использование кабеля питания, предназначенного для использования вне помещения, снижает риск поражения электрическим током.

f) Если использование электроинструмента в условиях повышенной влажности неизбежно, используйте устройства защитного отключения (УЗО) для защиты сети.

Использование УЗО сокращает риск поражения электрическим током.

3) Обеспечение индивидуальной безопасности

a) Будьте внимательны, смотрите, что делаете и не забывайте о здравом смысле при работе с электроинструментом. Запрещается работать с электроинструментом в состоянии усталости, наркотического, алкогольного опьянения или под воздействием лекарственных препаратов.

Невнимательность при работе с электроинструментом может привести к серьезным телесным повреждениям.

b) Используйте индивидуальные средства защиты. Всегда используйте защитные очки.

Средства защиты, такие как пылезащитная маска, обувь с нескользящей подошвой, каска и защитные наушники, используемые при работе, уменьшают риск получения травм.

c) Примите меры для предотвращения случайного включения. Перед тем как подключить электроинструмент к сети и/или аккумуляторной батарее, возьмите инструмент или перенесите его на другое место, убедитесь в том, что выключатель находится в положении «Выкл.».

Если при переноске электроинструмента он подключен к сети, и при этом ваш палец находится на выключателе, это может стать причиной несчастных случаев.

d) Уберите все регулировочные или гаечные ключи перед включением электроинструмента.

Ключ, оставленный на вращающейся части электроинструмента, может привести к травме.

e) Не пытайтесь дотянуться до слишком удаленных поверхностей. Обувь должна быть удобной, чтобы вы всегда могли сохранять равновесие. Это позволит лучше контролировать электроинструмент в непредвиденных ситуациях.

f) Одевайтесь соответствующим образом.

Избегайте носить свободную одежду и ювелирные украшения. Следите за тем, чтобы волосы и одежда не попали под движущиеся детали. Возможно наматывание свободной одежды, ювелирных изделий и длинных волос на движущиеся детали.

g) При наличии устройств для подключения оборудования для удаления и сбора пыли необходимо обеспечить правильность их подключения и эксплуатации. Использование устройства для пылеудаления сокращает риски, связанные с пылью.

h) Не позволяйте хорошему знанию от частого использования инструментов стать причиной самонадеянности и игнорирования правил техники безопасности. Небрежное действие может повлечь серьезные травмы за долю секунды.

4) Эксплуатация электроинструмента и уход за ним

a) Избегайте чрезмерной нагрузки электроинструмента. Используйте электроинструмент в соответствии с назначением. Правильно подобранный электроинструмент выполнит работу более эффективно и безопасно при стандартной нагрузке.

b) Не пользуйтесь инструментом, если не работает выключатель. Любый инструмент, управлять выключением и включением которого невозможно, опасен, и его необходимо отремонтировать.

c) Перед выполнением любых настроек, сменой аксессуаров или прежде чем убрать инструмент на хранение, отключите его от сети и/или снимите с него аккумуляторную батарею, если ее можно снять. Такие превентивные меры безопасности сокращают риск случайного включения электроинструмента.

d) Храните электроинструмент в недоступном для детей месте и не позволяйте работать с инструментом людям, не имеющим соответствующих навыков работы с такого рода инструментами. Электроинструмент представляет опасность в руках неопытных пользователей.

e) Поддерживайте электроинструмент и принадлежности в исправном состоянии. Проверьте, не нарушена ли центровка или не заклинены ли движущиеся детали, нет ли повреждений или иных неисправностей, которые могли бы повлиять на работу электроинструмента. В случае обнаружения

поврежденный, прежде чем приступать к эксплуатации электроинструмента, его нужно отремонтировать. Большинство несчастных случаев происходит из-за электроинструментов, которые не обслуживаются должным образом.

f) **Содержите режущий инструмент в остро заточенном и чистом состоянии.** Вероятность заклинивания инструмента, за которым следят должным образом и который хорошо заточен, значительно меньше, а работать с ним легче.

g) **Используйте электроинструменты, принадлежности и насадки в соответствии с данными инструкциями, принимая во внимание условия работы и характер выполняемой работы.** Использование электроинструмента для выполнения операций, для которых он не предназначен, может привести к созданию опасных ситуаций.

h) **Все рукоятки и поверхности захватывания должны быть сухими и без следов смазки.** Скользкие рукоятки и поверхности захватывания не позволяют обеспечить безопасность работы и управления инструментом в непредвиденных ситуациях.

5) Использование аккумуляторных электроинструментов и уход за ними

a) **Используйте для зарядки аккумуляторной батареи только указанное производителем зарядное устройство.** Использование зарядного устройства определенного типа для зарядки других батарей может привести к возгоранию.

b) **Используйте для электроинструмента только батареи указанного типа.** Использование других аккумуляторных батарей может стать причиной травмы и пожара.

c) **Оберегайте батарею от попадания в нее скрепок, монет, ключей, гвоздей, болтов или других мелких металлических предметов, которые могут вызывать замыкание контактов.** Короткое замыкание контактов аккумуляторной батареи может привести к пожару или получению ожогов.

d) **При повреждении батареи, из нее может вытечь электролит. Не прикасайтесь к нему. При случайном контакте с электролитом смойте его водой. При попадании электролита в глаза обратитесь за медицинской помощью.** Жидкость, находящаяся внутри батареи, может вызвать раздражение или ожоги.

e) **Не используйте поврежденные или измененные аккумуляторные батареи или инструменты.** Поврежденные или измененные аккумуляторные батареи могут работать непредсказуемо, что может привести к возгоранию, взрыву или риску получения травм.

f) **Не подвергайте аккумуляторные батареи или инструмент воздействию огня или**

повышенной температуры. Открытый огонь или воздействие высокой температуры выше 130 °C может привести к взрыву.

g) **Следуйте всем инструкциям по зарядке и не заряжайте аккумуляторную батарею или инструмент вне температурного диапазона, указанного в инструкции.** Неправильная зарядка или зарядка вне указанного температурного диапазона может привести к повреждению батареи и увеличить риск возгорания.

6) Обслуживание

a) **Обслуживание электроинструмента должен проводить квалифицированный специалист с использованием только оригинальных запасных частей.** Это позволит обеспечить безопасность обслуживаемого электрифицированного инструмента.

b) **Не выполняйте обслуживание поврежденных аккумуляторных батарей.** Обслуживание аккумуляторных батарей должно выполняться только производителем или авторизованными поставщиками услуг.

ИНСТРУКЦИИ ПО ТЕХНИКЕ БЕЗОПАСНОСТИ ДЛЯ ВСЕХ ПИЛ

Причины обратного удара и меры по его предотвращению

- Отдача представляет собой внезапную реакцию на заземление, застревание или смещение пильного полотна, что приводит к неконтролируемому подъему пилы из заготовки в направлении оператора;
- Если полотно зажимается или застревает в пропиле, оно останавливается, а реакция электродвигателя приводит к тому, что устройство быстро смещается в направлении оператора;
- Если полотно перекашивается или смещается в пропиле, зубья на его задней кромке могут войти в верхнюю часть деревянной детали, что приведет к выходу полотна из пропила и его скачку в направлении оператора.

Отдача является результатом неправильного использования пилы и/или использования неправильных методов или режима; избежать этого явления можно путем выполнения указанных далее мер предосторожности:

- Прочно удерживайте пилу обеими руками таким образом, чтобы иметь возможность погасить энергию отдачи. Ваше тело должно находиться сбоку от пильного полотна, а не на одной прямой с ним.** Отдача может при вести к скачку пилы назад, но оператор может гасить его энергию, при условии соблюдения надлежащих мер.
- В случае заклинивания полотна или в случае прекращения распиловки по любой причине, отпустите пусковой выключатель**

и удерживайте пилу неподвижно в заготовке до полной остановки полотна. Никогда не пытайтесь вытащить пилу из обрабатываемой детали или потянуть пилу назад во время вращения полотна, это может привести к отдаче. Выясните причину и примите надлежащие меры по устранению причины заклинивания полотна.

- c) **При перезапуске пилы в детали отцентрируйте пыльное полотно в пропиле и убедитесь в том, что зубья пилы не касаются материала.** Если полотно заклинило, оно может подскочить вверх или ударить назад при повторном запуске пилы.
- d) **Поддерживайте большие панели для снижения риска защемления или заклинивания полотна. Большие заготовки имеют тенденцию прогибаться под тяжестью собственного веса.** Опору нужно поставить под обе стороны панели, около линии разреза и около края панели.
- e) **Не используйте тупые или поврежденные полотна.** Тупые или неправильно разведенные полотна образуют узкий пропил, что приводит к повышенному трению, заклиниванию полотна и образованию отдачи.
- f) **Рычаги настройки глубины пропила и угла резки на конус перед началом работы должны быть затянуты и зафиксированы.** В случае сбоя регулировки полотна во время работы может произойти заклинивание и отдача.
- g) **Соблюдайте повышенную осторожность при выполнении взрезного пиления стен или в других слепых зонах.** Выступающее полотно может встречаться с предметами, которые могут привести к образованию отдачи.

ИНСТРУКЦИИ ПО ТЕХНИКЕ БЕЗОПАСНОСТИ ДЛЯ ПИЛ С МАЯТНИКОВЫМ ОГРАЖДЕНИЕМ ПОЛОТНА

Эксплуатация нижнего ограждения

- a) **Перед каждым использованием проверяйте, правильно ли закрыто нижнее ограждение. Не используйте пилу, если нижнее ограждение не перемещается свободно и не закрывает полотно постоянно. Никогда не зажимайте и не связывайте нижнее ограждение полотна в открытом положении. Если пила случайно упадет, ограждение может погнуться.** Поднимите нижнее ограждение при помощи втягивающей рукоятки и убедитесь в том, что ограждение перемещается свободно и не соприкасается с полотном или другими деталями при любых углах и глубине распила.
- b) **Проверьте функционирование и состояние возвратной пружины нижнего ограждения.**

Если ограждение и пружина не работают должным образом, перед использованием пилы необходимо устранить неисправности. Нижнее ограждение может перемещаться замедленно из-за повреждения деталей, отложения клейких веществ или скопления мусора.

- c) **Нижнее ограждение следует втягивать вручную только при выполнении специальных разрезов, например, для врезных и комбинированных распилов. Поднимите нижнее ограждение при помощи втягивающей рукоятки, а когда полотно соприкоснется с материалом, опустите нижнее ограждение.** Для всех других типов распила нижнее ограждение должно работать в автоматическом режиме.
- d) **Всегда следите за тем, чтобы нижнее ограждение закрывало полотно, прежде чем класть пилу на верстак или на пол. Незащищенное полотно во время выбега приведет к смещению пилы назад и пиление всех находящихся на траектории движения предметов.** Помните, что после отпущения выключателя требуется некоторое время для полной остановки полотна.

Дополнительные инструкции по технике безопасности для циркулярных пил

- **Используйте защитные наушники.** Шум может стать причиной снижения слуха.
- **Надевайте респиратор.** Вдыхание пыли может привести к нарушению функций дыхания и, возможно, к развитию заболеваний.
- **Не используйте полотно меньшего или большего диаметра по сравнению с рекомендованными.** Размеры пыльных полотен см. в разделе «Технические характеристики». Используйте только пыльные полотна, указанные в данном руководстве и соответствующие стандарту EN 847-1.
- **Используйте только пыльные полотна с указанной скоростью, равной или превышающей скорость, указанную на инструменте.**
- **Избегайте перегрева краев пыльного полотна.**
- **Установите выход для удаления пыли на пилу перед использованием.**
- **Никогда не используйте абразивные отрезные круги.**
- **Не используйте водопитательные принадлежности.**
- **Используйте зажимы или другие уместные средства фиксации заготовки на стабильной опоре.** Держать заготовку на весу или в руках перед собой неудобно и это может привести к потере контроля над инструментом.

Остаточные риски

Несмотря на соблюдение соответствующих инструкций по технике безопасности и использование предохранительных устройств, некоторые остаточные риски невозможно полностью исключить. А именно:

- ухудшение слуха;
- риск травм от разлетающихся частей;
- риск получения ожогов в результате нагревания инструмента в процессе работы;
- риск получения травмы в результате продолжительной работы.

СОХРАНИТЕ НАСТОЯЩЕЕ РУКОВОДСТВО

Зарядные устройства

Зарядные устройства DEWALT не требуют регулировки и максимально просты в использовании.

Электробезопасность

Электродвигатель рассчитан на работу только при одном напряжении сети. Необходимо обязательно убедиться в том, что напряжение источника питания соответствует указанному на шильдике устройства. Необходимо также убедиться в том, что напряжение работы зарядного устройства соответствует напряжению в сети.



Зарядное устройство DEWALT оснащено двойной изоляцией в соответствии с требованиями EN60335; поэтому провод заземления не требуется.

В случае повреждения кабеля питания его необходимо заменить специально подготовленным кабелем, который можно приобрести в сервисных центрах DEWALT.

Использование удлинительного кабеля

Используйте удлинитель только в случаях крайней необходимости. Используйте только утвержденные удлинители промышленного изготовления, рассчитанные на мощность не меньшую, чем потребляемая мощность зарядного устройства (см. **Технические характеристики**). Минимальное поперечное сечение провода электрического кабеля должно составлять 1 мм²; максимальная длина 30 м. При использовании кабельного барабана всегда полностью разматывайте кабель.

Важные инструкции по технике безопасности для всех зарядных устройств

СОХРАНИТЕ НАСТОЯЩЕЕ РУКОВОДСТВО. В данном руководстве содержатся важные инструкции по технике безопасности для совместимых зарядных устройств (см. **Технические характеристики**).

- Перед тем как использовать зарядное устройство, внимательно изучите все инструкции и предупреждающие этикетки на зарядном устройстве, батарее и инструменте, для которого используется батарея.



ВНИМАНИЕ: Опасность поражения электрическим током. Не допускайте попадания жидкости

в зарядное устройство. Это может привести к поражению электрическим током.



ВНИМАНИЕ: Рекомендуется использовать устройство защитного отключения (УЗО) с током утечки до 30 мА.



ВНИМАНИЕ: Опасность ожога. Во избежание травм, следует использовать только аккумуляторные батареи производства DEWALT. Использование батарей другого типа может привести к взрыву, травмам и повреждению.



ПРЕДУПРЕЖДЕНИЕ: Не позволяйте детям играть с данным устройством.

ПОЯСНЕНИЕ: В определенных условиях, при подключении зарядного устройства к источнику питания, может произойти короткое замыкание контактов внутри зарядного устройства посторонними материалами. Не допускайте попадания в полости зарядного устройства таких токопроводящих материалов, как стальная стружка, алюминиевая фольга или другие металлические частицы и т. п. Всегда отключайте зарядное устройство от источника питания, если в нем нет аккумуляторной батареи. Всегда отключайте зарядное устройство от сети перед тем, как приступить к очистке инструмента

- **НЕ ПЫТАЙТЕСЬ заряжать батарею с помощью каких-либо других зарядных устройств, кроме тех, которые указаны в данном руководстве.** Зарядное устройство и батарея предназначены для совместного использования.
- **Эти зарядные устройства не предназначены ни для какого другого использования, помимо зарядки аккумуляторных батарей DEWALT.** Использование любых других батарей может привести к возгоранию, поражению электротоком или гибели от электрического шока.
- **Не подвергайте зарядное устройство воздействию снега или дождя.**
- **При отключении зарядного устройства от сети всегда тяните за штепсельную вилку, а не за кабель.** Это поможет избежать повреждения штепсельной вилки и розетки.
- **Убедитесь в том, что кабель расположен таким образом, чтобы на него не наступили, не споткнулись об него, а также в том, что он не натянут и не может быть поврежден.**
- **Не используйте удлинительный кабель без крайней необходимости.** Использование удлинительного кабеля неподходящего типа может привести к пожару или поражению электрическим током.
- **Не ставьте на зарядное устройство никакие предметы и не устанавливайте зарядное устройство на мягкую поверхность, которая может закрыть вентиляционные отверстия и привести к перегреву.** Не размещайте зарядное устройство поблизости от источников тепла.

Вентиляция зарядного устройства происходит с помощью отверстий в верхней и нижней части корпуса.

- **Не используйте зарядное устройство при наличии поврежденной кабеля или штепсельной вилки** – в этом случае необходимо немедленно их заменить.
- **Не используйте зарядное устройство, если его роняли, либо если оно подвергалось сильным ударам или было повреждено каким-либо иным образом.** Обратитесь в авторизованный сервисный центр.
- **Не разбирайте зарядное устройство. При необходимости обратитесь в специализированный сервисный центр, если нужно провести обслуживание или ремонт инструмента.** Неправильная сборка может стать причиной пожара или поражения электрическим током.
- В случае повреждения кабеля питания его необходимо немедленно заменить у производителя, в его сервисном центре или с привлечением другого специалиста аналогичной квалификации для предотвращения несчастного случая.
- **Перед очисткой отключите зарядное устройство от сети. В противном случае, это может привести к поражению электрическим током.** Извлечение аккумуляторной батареи не приведет к снижению степени этого риска.
- **НИКОГДА не подключайте два зарядных устройства вместе.**
- **Зарядное устройство предназначено для работы при стандартном напряжении сети в 230 В. Не пытайтесь использовать его при каком-либо ином напряжении.** Это не относится к автомобильному зарядному устройству.

Зарядка батареи (Рис. [Fig.] В)

1. Перед установкой батареи подключите зарядное устройство к соответствующей сетевой розетке.
2. Вставьте аккумуляторную батарею **4** в зарядное устройство, убедившись в том, что она хорошо установлена. Красный индикатор зарядки начнет мигать. Это означает, что процесс зарядки начался.
3. По окончании зарядки красный индикатор будет гореть непрерывно, не мигая. Теперь батарея полностью заряжена, и ее можно использовать или оставить в зарядном устройстве. Чтобы извлечь аккумуляторную батарею из зарядного устройства, нажмите кнопку фиксатора батареи **5** и извлеките батарею.

ПРИМЕЧАНИЕ: Чтобы обеспечить максимальную производительность и срок службы литий-ионных батарей, перед первым использованием полностью зарядите аккумуляторную батарею.

Работа с зарядным устройством

См. состояние зарядки аккумуляторной батареи на приведенных ниже индикаторах.

Индикаторы зарядки



*В это время красный индикатор продолжит мигать, а когда начнется зарядка, загорится желтый. После того, как батарея достигнет рабочей температуры, желтый индикатор погаснет, и зарядка продолжится.

Зарядное(-ые) устройство(-а) не может(-гут) полностью зарядить неисправную аккумуляторную батарею. При неисправной аккумуляторной батарее, индикатор на зарядном устройстве не загорится.

ПРИМЕЧАНИЕ: Также это может указывать на проблему с зарядным устройством.

Если зарядное устройство указывает на наличие проблемы, проверьте аккумулятор и зарядное устройство в специализированном сервисном центре.

Температурная задержка

Если температура батареи слишком низкая или слишком высокая, зарядное устройство автоматически переходит в режим температурной задержки; при этом зарядка не начинается до тех пор, пока батарея не достигнет нужной температуры. После того, как нужный уровень температуры будет достигнут, устройство перейдет в режим зарядки. Данная функция обеспечивает максимальный срок эксплуатации батареи.

Зарядка холодной батареи занимает больше времени, чем теплой. Аккумуляторная батарея заряжается медленнее во время цикла зарядки и максимального заряда не удастся добиться даже после того, как аккумуляторная батарея будет теплой.

Зарядное устройство DCB118 оснащено внутренним вентилятором для охлаждения батареи. Вентилятор включится автоматически, если батарея нуждается в охлаждении. Не используйте зарядное устройство, если вентилятор не функционирует или если забиты вентиляционные отверстия. Не позволяйте посторонним предметам попадать внутрь зарядного устройства.

Система электронной защиты

Литий-ионные аккумуляторные батареи XR оснащены системой электронной защиты, которая защищает аккумуляторную батарею от перегрузки, перегрева или глубокой разрядки.

При срабатывании системы электронной защиты инструмент автоматически отключается. В этом случае поставьте литий-ионную батарею на зарядку до тех пор, пока она полностью не зарядится.

Крепление на стену

Данные зарядные устройства могут крепиться на стены или устанавливаться на стол или рабочую поверхность. При креплении на стену расположите зарядное устройство

в пределах досягаемости розетки и подальше от углов и других препятствий, которые могут помешать потоку воздуха. Используйте заднюю часть зарядного устройства в качестве образца для положения монтажных болтов на стене. Надежно закрепите зарядное устройство при помощи саморезов (приобретаются отдельно) длиной минимум в 25,4 мм с диаметром шляпки самореза в 7–9 мм, вкрученных в дерево до оптимальной глубины, оставляющей на поверхности примерно 5,5 мм самореза. Совместите отверстия на задней стороне зарядного устройства с выступающими саморезами и полностью вставьте их в отверстия.

Инструкции по очистке зарядного устройства



ВНИМАНИЕ: Опасность поражения электрическим током. Перед очисткой отключите зарядное устройство от сети питания. Грязь и жир можно удалить с наружной поверхности зарядного устройства с помощью тряпки или мягкой неметаллической щетки. Не используйте воду или чистящие растворы. Не допускайте попадания жидкости внутрь инструмента; никогда не погружайте никакие из деталей инструмента в жидкость.

Аккумуляторные батареи

Важные инструкции по технике безопасности для всех батарей

При заказе запасных батарей не забудьте указать номер по каталогу и напряжение.

При покупке батарея заряжена не полностью. Перед тем, как использовать батарею и зарядное устройство, прочтите следующие инструкции по технике безопасности. Затем выполните необходимые действия для зарядки.

ВНИМАТЕЛЬНО ПРОЧИТЕ ВСЕ ИНСТРУКЦИИ

- **Не заряжайте и не используйте батарею во взрывоопасной атмосфере, например, при наличии горючих жидкостей, газов или пыли.** Установка или удаление батареи из зарядного устройства может привести к воспламенению пыли или газов.
- **Никогда не прилагайте больших усилий, вставляя батарею в зарядное устройство. Не вносите изменения в конструкцию батарей с целью установить их в зарядное устройство, к которому они не подходят. Это может привести к серьезным травмам.**
- Заряжайте батареи только с помощью зарядных устройств DEWALT.
- **НЕ ПРОЛИВАЙТЕ** на них и не погружайте их в воду или другие жидкости.
- **Не храните и не используйте данное устройство и батарею при температуре выше 40 °C (например, на внешних пристройках или на металлических поверхностях зданий в летнее время).**

- **Не сжигайте батареи, даже поврежденные или полностью отработавшие.** При попадании в огонь батареи могут взорваться. При сжигании литий-ионных батарей образуются токсичные вещества и газы.
- **При попадании содержимого батареи на кожу, немедленно промойте это место водой с мылом.** При попадании содержимого батареи в глаза, необходимо промыть открытые глаза проточной водой в течение 15 минут или до тех пор, пока не пройдет раздражение. При необходимости обращения к врачу, может пригодиться следующая информация: электролит представляет собой смесь жидких органических углекислых и литиевых солей.
- **При вскрытии батареи, ее содержимое может вызвать раздражение дыхательных путей.** Обеспечьте наличие свежего воздуха. Если симптомы сохраняются, обратитесь к врачу.



ВНИМАНИЕ: Опасность ожога. Содержимое батареи может воспламениться при попадании искр или огня.



ВНИМАНИЕ: Ни в коем случае не разбирайте батарею. При наличии трещин или других повреждений батареи, не устанавливайте ее в зарядное устройство. Не роняйте батарею и не подвергайте ее ударам или другим повреждениям. Не используйте батарею или зарядное устройство после удара, падения или получения каких-либо других повреждений (например, после того, как ее проткнули гвоздем, ударили молотком или наступили на нее). Это может привести к удару или поражению электрическим током. Поврежденные батареи необходимо вернуть в сервисный центр для повторной переработки.



ВНИМАНИЕ: Риск воспламенения. Избегайте замыкания выводов батарей металлическими предметами во время хранения или переноски. Например, не кладите аккумуляторные батареи в передники, карманы, ящики для инструментов, выдвижные ящики и т. п. с гвоздями, гайками, ключами и т. п.



ПРЕДУПРЕЖДЕНИЕ: Когда устройство не используется, кладите его на бок на устойчивую поверхность в таком месте, где оно не может упасть и об него нельзя споткнуться. Некоторые устройства с батареями большого размера, стоят сверху на батарее, и могут легко упасть.

Транспортировка



ВНИМАНИЕ: Риск воспламенения. При транспортировке аккумуляторных батарей может произойти возгорание, если терминалы аккумуляторных батарей случайно будут замкнуты электропроводящими материалами. При транспортировке аккумуляторных батарей убедитесь в том, что терминалы защищены

и хорошо изолированы от материалов, контакт с которыми может привести к короткому замыканию.

ПРИМЕЧАНИЕ: Литий-ионные аккумуляторные батареи запрещается сдавать в багаж.

Батареи DEWALT соответствуют всем применимым правилам транспортировки, как предусмотрено промышленными и юридическими стандартами, включая рекомендации ООН по транспортировке опасных грузов; Ассоциация международных авиаперевозчиков (IATA) правила перевозки опасных грузов, Международные правила перевозки опасных грузов морским путем (IMDG), и европейское соглашение о международной дорожной перевозке опасных грузов (ADR). Литий-ионные элементы и аккумуляторные батареи были протестированы в соответствии с разделом 38.3 Рекомендаций ООН по транспортировке опасных грузов руководства по тестам и критериям.

В большинстве случаев транспортировка аккумуляторных батарей DEWALT не попадает под классификацию, поскольку они не являются опасными материалами Класса 9. В целом, полностью под правила Класса 9 подпадают только перевозки литий-ионных батарей с энергоемкостью выше 100 Ватт час (Вт ч). Энергоемкость всех литий-ионных аккумуляторных батарей в Ватт-часах указана на упаковке. Кроме того, из-за сложности правил, DEWALT не рекомендует перевозку литий-ионных батарей по воздуху вне зависимости от их энергоемкости. Поставки инструментов с батареями (комбинированные наборы) могут перевозиться по воздуху согласно исключениям, если энергоемкость батареи не превышает 100 Вт ч.

Независимо от того, является ли перевозка исключением или выполняется по правилам, перевозчик должен уточнить последние требования к упаковке, маркировке и оформлению документации.

Информация, изложенная в данном руководстве обоснована и на момент создания данного документа может считаться точной. Но эта гарантия не является ни выраженной, ни подразумеваемой. Покупатель должен обеспечить то, что бы его деятельность соответствовала всем применимым законам.

Транспортировка батареи FLEXVOLT™

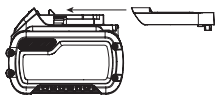
Батарея DEWALT FLEXVOLT™ оснащена двумя режимами эксплуатации и транспортировки.

Режим эксплуатации: если батарея FLEXVOLT™ используется отдельно или в изделии DEWALT на 18 В, то она будет работать в качестве батареи 18 В. Если батарея FLEXVOLT™ используется в изделии на 54 В или 108 В (две батареи 54 В), то она будет работать в качестве батареи 54 В.

Режим транспортировки: если к батарее FLEXVOLT™ прикреплена крышка, то батарея находится в режиме транспортировки. Сохраните крышку для транспортировки.

При режиме транспортировки ряды элементов электрически отсоединяются внутри батареи, что в итоге дает

3 батареи с более низкой энергоемкостью в ватт-часах (Вт ч)



по сравнению с 1 батареей с более высокой емкостью в ватт-часах. Данное увеличенное количество в 3 батареи с более низкой энергоемкостью может исключить комплект из некоторых ограничений на перевозку, налагаемых на батарею с более высокой энергоемкостью.

Например, энергоемкость в режиме

Пример маркировки режимов эксплуатации и транспортировки



транспортировки указана как 3 × 36 Вт ч, что может означать

3 батареи с емкостью в 36 Вт ч каждая. Энергоемкость в режиме эксплуатации указана как 108 Вт ч (подразумевается 1 батарея).

Рекомендации по хранению

1. Лучшим местом для хранения является прохладное и сухое место, защищенное от прямых солнечных лучей, высокой или низкой температуры. Для оптимальной работы и продолжительного срока службы, храните неиспользуемые аккумуляторные батареи при комнатной температуре.
2. Для достижения максимальных результатов при продолжительном хранении рекомендуется полностью зарядить батарейный комплект и хранить его в прохладном сухом месте вне зарядного устройства.

ПРИМЕЧАНИЕ: Аккумуляторные батареи не должны храниться в полностью разряженном состоянии. Перед использованием аккумуляторная батарея требует повторной зарядки.

Маркировка на зарядном устройстве и аккумуляторной батарее

Помимо пиктограмм, используемых в данном руководстве, на зарядном устройстве и батарее имеются следующие обозначения:



Перед началом работы прочтите руководство по эксплуатации.



Чтобы узнать время зарядки, см. **Технические характеристики**.



Не касайтесь токопроводящими предметами контактов батареи и зарядного устройства.



Не пытайтесь заряжать поврежденную батарею.



Не подвергайте электроинструмент или его элементы воздействию влаги.



Немедленно заменяйте поврежденный кабель питания.



Зарядку осуществляйте только при температуре от 4 °C до 40 °C.



Для использования внутри помещений.



Утилизируйте отработанные батареи безопасным для окружающей среды способом.



Заряжайте аккумуляторные батареи DEWALT только с помощью соответствующих зарядных устройств DEWALT. Зарядка иных аккумуляторных батарей, кроме DEWALT на зарядных устройствах DEWALT может привести к возгоранию аккумуляторных батарей и возникновению других опасных ситуаций.



Не сжигайте аккумуляторную батарею.



ЭКСПЛУАТАЦИЯ (без крышки для транспортировки).
Пример: емкость указана как 108 Вт ч (1 батарея с 108 Вт ч).



ТРАНСПОРТИРОВКА (с крышкой для транспортировки). Пример: емкость указана как 3 x 36 Вт ч (3 батареи по 36 Вт ч).

Тип батареи

DCS578, DCS579, DCS578-XE, DCS579-XE работает от аккумуляторной батареи напряжением ?? В.

Могут применяться следующие типы батарей: DCB546, DCB547, DCB548. Подробную информацию см.

в *Технических характеристиках*.

Комплектация поставки

В упаковку входят:

- 1 Диск пилы
- 1 Пильный диск
- 1 Ключ для установки диска
- 1 Параллельная направляющая
- 1 Патрубок пылеотвода
- 1 Зарядное устройство (только модели T)
- 1 Ионно-литиевая аккумуляторная батарея (модели C1, D1, L1, M1, P1, S1, T1, X1, Y1)
- 2 Ионно-литиевые аккумуляторные батареи (модели C2, D2, L2, M2, P2, S2, T2, X2, Y2)
- 3 Ионно-литиевые аккумуляторные батареи (модели C3, D3, L3, M3, P3, S3, T3, X3, Y3)
- 1 Руководство по эксплуатации

ПРИМЕЧАНИЕ: Аккумуляторные батареи, зарядные устройства и инструментальные ящики не входят в комплект поставки для моделей N. Аккумуляторные батареи и зарядные устройства не входят в комплект поставки для моделей NT. Модели V оснащены аккумуляторной батареей Bluetooth®.

ПРИМЕЧАНИЕ: Словесный товарный знак и логотип Bluetooth® являются зарегистрированными товарными знаками Bluetooth®, SIG, Inc. любое использование этих знаков DEWALT осуществляется на основании лицензии. Другие торговые марки и названия принадлежат их владельцам.

- Проверьте инструмент, детали и дополнительные принадлежности на наличие повреждений, которые могли произойти во время транспортировки.
- Перед эксплуатацией внимательно прочтите данное руководство.

Маркировка на инструменте

На инструмент нанесены следующие обозначения:



Перед началом работы прочтите руководство по эксплуатации.



Используйте защитные наушники.



Используйте защитные очки.



Видимое излучение. Не направляйте луч в глаза.

Место положения кода даты (Рис. А)

Код даты **19**, который также включает в себя год изготовления, отштампован на поверхности корпуса инструмента.

Пример:

2020 XX XX
Год изготовления

Описание (Рис. А)



ВНИМАНИЕ: Никогда не вносите изменения в конструкцию электроинструмента или какой-либо его части. Это может привести к повреждению или травме.

- 1 Курковый пусковой выключатель
- 2 Кнопка блокировки куркового пускового выключателя
- 3 Основная рукоятка
- 4 Крюк для ремня (включен с некоторыми моделями)
- 5 Фиксатор диска
- 6 Торцевая крышка
- 7 Дополнительная рукоятка
- 8 Рычаг регулировки угла наклона
- 9 Механизм регулировки угла скоса
- 10 Светодиодная подсветка
- 11 Основание
- 12 Нижний защитный кожух диска
- 13 Зажимной винт пильного диска
- 14 Рычаг нижнего защитного кожуха
- 15 Верхний защитный кожух диска
- 16 Аккумуляторная батарея
- 17 Отпирающая кнопка батареи
- 18 Код даты (рис. Н)
- 19 Регулятор направляющей (распил с наклоном 0°)
- 20 Регулятор направляющей (распил с наклоном 1–45°)
- 21 Кнопка датчика заряда (на аккумуляторной батарее)

Назначение

Данные циркулярные пилы высокой мощности предназначены для профессиональных работ по распиловке дерева. Не применяйте их для распиловки металла, пластмассы, бетона, кирпичной кладки или фиброцементных материалов.

НЕ ИСПОЛЬЗУЙТЕ в условиях повышенной влажности или поблизости от легковоспламеняющихся жидкостей или газов.

Данные пилы высокой мощности являются профессиональными электроинструментами.

НЕ РАЗРЕШАЙТЕ детям прикасаться к инструменту. Использование инструмента неопытными пользователями должно происходить под контролем опытного лица.

- **Малолетние дети и люди с ограниченными физическими возможностями.** Данный инструмент не предназначен для использования маленькими детьми или людьми с ограниченными физическими возможностями, если они не находятся под присмотром лица, отвечающего за их безопасность.
- Данный инструмент не предназначен для использования лицами (включая детей) с ограниченными физическими, психическими и умственными возможностями, не имеющими опыта, знаний или навыков работы с ним, если они не находятся под наблюдением лица, ответственного за их безопасность. Никогда не оставляйте детей без присмотра с этим инструментом.

СБОРКА И РЕГУЛИРОВКА



ВНИМАНИЕ: Чтобы снизить риск получения серьезной травмы, необходимо выключить инструмент и отсоединить батарею, прежде чем выполнять какую-либо регулировку либо удалять/устанавливать какие-либо насадки или дополнительные принадлежности.

Случайный запуск может привести к травме.



ВНИМАНИЕ: Используйте только зарядные устройства и аккумуляторные батареи марки DEWALT.

Установка и извлечение аккумуляторной батареи из инструмента (Рис. В)

ПРИМЕЧАНИЕ: Убедитесь, что аккумуляторная батарея **4** полностью заряжена.

Установка батареи в рукоятку инструмента

1. Совместите аккумуляторную батарею **4** с выемкой на внутренней стороне рукоятки (Рис. В).
2. Задвиньте ее в рукоятку так, чтобы аккумуляторная батарея плотно встала на место и убедитесь, что услышали щелчок от вставшего на место замка.

Извлечение батареи из инструмента

1. Нажмите кнопку фиксатора батареи **5** и вытащите батарею из рукоятки.

2. Вставьте батарею в зарядное устройство, как указано в разделе данного руководства, посвященном зарядному устройству.

Датчик уровня заряда аккумуляторной батареи (Рис. В)

В некоторых аккумуляторных батареях DEWALT есть датчик заряда, который включает три зеленых светодиодных индикатора, показывающих уровень оставшегося заряда аккумуляторной батареи.

Для включения датчика заряда, нажмите и удерживайте кнопку датчика заряда **2**. Загорятся три зеленых светодиода, показывая уровень оставшегося заряда. Когда уровень заряда аккумуляторной батареи будет ниже уровня, необходимого для использования, светодиоды перестанут гореть и аккумуляторную батарею следует зарядить.

ПРИМЕЧАНИЕ: Датчик заряда аккумуляторной батареи показывает уровень оставшегося заряда. Он не показывает работоспособность устройства и его показания могут меняться в зависимости от компонентов продукта, температуры и сфер применения.

Смена пильных дисков

Установка диска (рис. В-Е)

1. Извлеките аккумуляторную батарею.
2. При помощи рычага нижнего защитного кожуха **14** втяните нижний защитный кожух диска **12** и установите пильный диск на шпindel пилы вплотную к внутренней зажимной шайбе **22**, при этом убедившись, что диск вращается в правильном направлении (стрелка-индикатор вращения на диске и зубья должны указывать в том же направлении, что и стрелка-индикатор на пиле). Помните, что при правильной установке диска не всегда нанесенная на него печать будет развернута в сторону оператора. При втягивании нижнего защитного кожуха для установки пильного диска проверьте состояние и функционирование нижнего защитного кожуха, чтобы убедиться в его надлежащей работе. Убедитесь в том, что он перемещается свободно и не прикасается к диску или другим деталям при любых углах и глубине распила.
3. Установите внешнюю зажимную шайбу **23** на шпindel пилы скошенной стороной наружу. Убедитесь, что диаметр зажима в 30 мм со стороны полотна входит в 30 мм отверстие в полотне, чтобы обеспечить центровку полотна.
4. Вручную вкрутите зажимной винт пильного диска **13** в шпindel пилы (винт обладает правосторонней резьбой, и должен затягиваться по часовой стрелке).
5. Нажмите на фиксатор пильного диска **5**, вращая при этом шпindel пилы ключом **24**, хранящимся под батарейным отсеком, до тех пор, пока фиксатор не сработает и диск не перестанет вращаться.
6. Крепко затяните зажимной винт пильного диска при помощи ключа для установки диска.

ПРЕДУПРЕЖДЕНИЕ: Не задействуйте фиксатор диска при работе пилы или в попытке

остановить инструмент. Не включайте пилу при задействованном фиксаторе диска. Это приведет к серьезным повреждениям пилы.

обслуживанию с использованием идентичным запасных частей.

Замена диска (рис. В–Е)

1. Извлеките аккумуляторную батарею.
2. Чтобы ослабить зажимной винт пильного диска **13**, нажмите на фиксатор диска **5** и поверните шпиндель пилы ключом для установки диска **24**, хранящимся под поворачивайте отсеком, до тех пор, пока фиксатор диска не сработает и диск не перестанет вращаться. Задействовав фиксатор диска, поверните зажимной винт диска против часовой стрелки ключом диска (винт с правосторонней резьбой, поэтому для ослабления его следует крутить против часовой стрелки).
3. Извлеките зажимной винт пильного диска **13** и внешнюю зажимную шайбу **23**. Снимите старый пильный диск.
4. Вычистите накопившиеся в защитном кожухе или в области зажимной шайбы опилки и проверьте состояние и работу нижнего защитного кожуха диска, как указано выше. Не наносите смазку на данную область.
5. Выберите соответствующий диск для работы (см. Раздел «**Пильные диски**»). Всегда используйте диски правильного размера (диаметра) с соответствующим размером и формой центрального отверстия для установки на шпиндель пилы. Всегда убеждайтесь, что максимальная рекомендуемая скорость (об./мин) пильного диска соответствует или превышает скорость (об./мин) пилы.
6. Следуйте этапам 1–5 в разделе «**Установка диска**», убедившись, что диск будет вращаться в правильном направлении.

Проверка нижнего защитного кожуха (рис. А)

1. Выключите инструмент и отсоедините его от сети.
2. Вращайте рычаг нижнего защитного кожуха **14** из полностью закрытого в полностью открытое положение.
3. Отпустите рычаг и проконтролируйте за возвращением защитного кожуха **12** в полностью закрытое положение.

Инструмент следует сдать в квалифицированный сервисный центр на обслуживание, если защитный кожух:

- не возвращается в полностью закрытое положение,
- двигается рывками, медленно, или
- контактирует с пильным диском или другими частями инструмента при каком-либо угле и глубине распила.

Пильные диски



ВНИМАНИЕ: Для сведения к минимуму риска травмирования глаз всегда носите защитные очки. Карбид является твердым, но хрупким материалом. Посторонние предметы в заготовке наподобие проводов или гвоздей могут привести к трещинам и поломкам кончиков. Работайте с пилой, только если установлен защитный кожух соответствующего типа. Надежно устанавливайте пильный диск в правильном направлении вращения перед использованием и всегда используйте чистые и острые диски.



ВНИМАНИЕ: Не применяйте пилу для распиловки металла, пластмассы, бетона, кирпичной кладки или фиброцементных материалов.

Нижний защитный кожух диска



ВНИМАНИЕ: Нижний защитный кожух диска выполняет функции безопасности и снижает риск получения серьезных травм. Не используйте пилу, если нижний защитный кожух отсутствует, поврежден, неправильно установлен или не работает должным образом. Помните, что нижний защитный кожух не способен защитить вас при любых обстоятельствах. Ваша безопасность зависит от следования всем предупреждениям и предостережениям, а также правильной эксплуатации пилы. Перед каждым использованием проверяйте, правильно ли закрыт нижний защитный кожух диска. Если нижний защитный кожух диска отсутствует или не работает должным образом, сдайте пилу на техническое обслуживание перед использованием. Для обеспечения безопасности и надежности изделия, ремонт, техническое обслуживание и регулировка должны выполняться в авторизованном сервисном центре или другой квалифицированной организации по

Диаметр 190 мм

Применение	Зубья
Быстрый продольный рез	18
Разрез	24
Универсальное применение	40

Диаметр 184 мм

Применение	Зубья
Разрез	24
Универсальное применение	36
Отделка	60

За дополнительной информацией о пильных дисках свяжитесь со своим местным дилером DEWALT.

Отдача

Отдача представляет собой внезапную реакцию на защемление, застревание или смещение пильного диска, что приводит к неконтролируемому подъему пилы из заготовки в направлении оператора. Если пильный диск зажимается или застревает в пропиле, он останавливается, а реакция электродвигателя приводит к тому, что инструмент быстро смещается в направлении оператора. Если диск перекашивается или смещается в пропиле, зубья на его

задней кромке могут войти в верхнюю часть материала, что приведет к выходу диска из пропила и его скачку в направлении оператора.

Вероятность возникновения отдачи повышается в любой из нижеприведенных ситуаций.

1. НЕУСТОЙЧИВАЯ ОПОРА ЗАГОТОВКИ (РИС. X)

- Проседание или неправильное задираание отрезанного участка может зажать диск и привести к отдаче (рис. X).
- Разрезание материала, поддерживаемого только с внешних краев, может привести к отдаче. По мере ослабления материала он проседает, сужая пропил и зажимая диск (рис. X).
- Отрезание свисающего или выступающего участка материала снизу вверх в вертикальном направлении может привести к отдаче. Падающий отрезанный участок может зажать пильный диск.
- Отрезание длинных узких полос может привести к отдаче. Отрезанная полоса может просесть или перекошиться, тем самым закрыв пропил и зажав диск.
- Цепляние нижним защитным кожухом поверхности под разрезаемым материалом ненадолго снижает управляемость со стороны пользователя. Пила может частично выйти из пропила, тем самым повышая риск перекоса пильного диска.

2. НЕПРАВИЛЬНО УСТАНОВЛЕННАЯ ГЛУБИНА ПРОПИЛА (РИС. H)

Для наиболее эффективного распила, зубья должны выступать наружу как показано на рис. H. Это позволяет подошве поддерживать диск и сводит к минимуму перекосы и зажимы в материале. См. раздел «*Регулировка глубины пиления*».

3. ПЕРЕКОС ПИЛЬНОГО ДИСКА (НАРУШЕНИЕ ЦЕНТРОВКИ В РАСПИЛЕ)

- Слишком сильное нажатие на диск во время пиления может привести к искривлению диска.
- Попытки повернуть пилу в процесс распиловки (при попытке вернуться к линии разметки) может привести к перекосу диска.
- Попытки дотянуться до удаленной поверхности или неправильное (неустойчивое) держание пилы может привести к перекосу диска.
- Смена положения рук или тела во время пропила может стать причиной перекашивания диска.
- Отвод пилы назад для высвобождения диска может привести к его перекосу.

4. ИСПОЛЬЗОВАНИЕ ТУПЫХ ИЛИ ГЯЗНЫХ ПИЛЬНЫХ ДИСКОВ

Использование тупых пильных дисков увеличивает нагрузку пилы. Для компенсации пользователь обычно прилагает большее усилие, которое еще больше нагружает инструмент и создает риск перекашивания диска в пропиле. Изношенные пильные диски также могут обладать недостаточным зазором от корпуса, что увеличивает шанс заклинивания и увеличения нагрузки.

5. ВОЗОБНОВЛЕНИЕ ПИЛЕНИЯ ПРИ ЗАСТРЯВШИХ В МАТЕРИАЛЕ ЗУБЦАХ ДИСКА

Пилу следует разогнать до рабочей скорости перед началом распила или перезапуске распиловки после остановки инструмента с диском в пропиле. В противном случае возможны остановки и отдача.

Прочие условия, которые могут привести к зажиму, заклиниванию, перекосу или нарушению центровки диска могут привести к отдаче. См. разделы «*Дополнительные правила техники безопасности для всех пил*» и «*Пильные диски*» за процедурами и методиками минимизации случаев возникновения отдачи.

Настройка глубины распила (рис. F–H)

- Поднимите рычаг регулировки глубины пиления **25**, чтобы ослабить.
- Чтобы достичь нужной глубины пиления, совместите соответствующую отметку на ремне регулировки глубины **26** с меткой **27** на верхнем защитном кожухе диска.
- Затяните рычаг регулировки глубины.
- Для более эффективного пропила с использованием пильных дисков с твердосплавными напайками устанавливайте глубину пропила таким образом, чтобы половина зуба диска выступала под поверхностью распиливаемой деревянной заготовки.
- На рис. H приведен метод проверки правильности глубины распила. Положите вдоль диска кусок материала, который хотите распилить, как показано на рисунке, и посмотрите, насколько зубец выступает за пределы материала.

Регулировка рычага регулировки глубины (рис. G)

Возможно, что понадобится регулировка рычага регулировки глубины **25**. Со временем он может ослабнуть и упереться в основание пилы до затяжки.

Затяжка рычага

- Удерживая рычаг регулировки глубины **25**, ослабьте стопорную гайку **28**.
- Отрегулируйте рычаг регулировки глубины, повернув его в нужном направлении примерно на 1/8 оборота.
- Затяните гайку.

Регулировка угла скоса (рис. A, I)

Механизм регулировки угла скоса **9** можно отрегулировать в пределах от 0° до 57°.

Для достижения лучшей точности распила, используйте пометки для точной регулировки, расположенные на кронштейне шарнира **29**.

- Поднимите рычаг установки угла наклона **8**, чтобы ослабить.
- Наклоните основание пилы под нужным углом, совместив точный указатель угла наклона **30** с нужной меткой угла на кронштейне шарнира **29**.
- Опустите рычаг установки угла наклона, чтобы затянуть его.

Фиксатор угла наклона (рис. I)

DCS578 и DCS579 оснащены фиксатором угла наклона. По мере наклона основания вы услышите щелчок и ощутите остановку основания на углах в 22,5 и 45 градусов. Если какой-либо из данных углов является желаемым, затяните рычаг **8**, опустив его. Если вам нужен другой угол, продолжайте наклонять основание пилы до тех пор, пока приблизительный указатель угла наклона **31** или точный указатель **30** не достигнет нужной метки.

Индикатор длины распила (рис. J)

Отметки на боковой части основания пилы **11** указывают на длину вырезаемого в материала паза при полной глубине пиления. Отметки расположены с шагом в 5 мм друг от друга.

Установка и регулировка параллельной направляющей (рис. K)

Параллельная направляющая **33** используется для резки параллельно кромке заготовки.

Установка

1. Ослабьте регулировочную рукоятку параллельной направляющей **32**, чтобы обеспечить проход параллельной направляющей.
2. Вставьте параллельную направляющую **33** в основание **11**, как показано на рисунке.
3. Затяните регулировочную рукоятку параллельной направляющей **32**.

Регулировка

1. Ослабьте регулировочную рукоятку параллельной направляющей **32** и установите параллельную направляющую **33** на нужную ширину. Параметры регулировки обозначены на параллельной направляющей.
2. Затяните рукоятку регулировки направляющей **32**.

Установка патрубков пылеотвода (рис. A, F, L)

Циркулярные пилы DCS578/DCS579 поставляются вместе с патрубком пылеотвода.

Установка патрубка пылеотвода

1. Полностью ослабьте рычаг регулировки глубины **25**.
2. Установите основание **11** в самое нижнее положение.
3. Совместите левую половину патрубка пылеотвода **34** с верхним защитным кожухом диска **15**, как показано. Убедитесь, что язычок вошел в выемку на инструменте. При правильной установке она полностью закроется над оригинальным указателем глубины распила.
4. Совместите правую деталь с левой.
5. Вставьте винты и крепко затяните.

Система направляющих (рис. M)

DCS579

Направляющие различной длины можно приобрести дополнительно. Они обеспечивают точный, прямой и чистый распил дисковой пилой, одновременно с этим защищая поверхность заготовки от повреждений. В сочетании с дополнительными принадлежностями система направляющих позволяет выполнять распилы под углом, косые распилы и подгонку.

Зажимы **37** используются для крепления направляющей **35** к заготовке **36** (рис. M). Использование зажимов **37** гарантирует надежное крепление направляющих **35** к заготовке **36** и безопасность в работе. Установка направляющих на линии пропила и надежное крепление к заготовке предотвратит малейшее движение заготовки во время пиления.

ВАЖНО: При не использовании направляющих на инструмент устанавливается шкала высоты. При использовании пилы с направляющими разница в высоте должна составлять приблизительно 5,0 мм.

Установка циркулярной пилы на направляющие (рис. A, N)

Для достижения наилучших результатов при пилении зазор между циркулярной пилой и направляющими (рис. N, **35**) должен быть минимальным. Чем меньше зазор, тем качественнее прямая линия распила на заготовке.

Зазор устанавливается при помощи двух регуляторов направляющих **19**, **20** (рис. A) для каждого паза в основании для прямого реза под углом 0° **19** и для пиления с наклоном от 1–45° **20**. Данные регуляторы точной настройки позволяют уменьшать зазор между инструментом и направляющей. После настройки при помощи регуляторов поперечное перемещение пилы во время распила сводится к минимуму, гарантируя плавный распил.

ПРИМЕЧАНИЕ: Регуляторы настроены на минимальный зазор на заводе; перед использованием инструмента может понадобиться дополнительная настройка и регулировка. Для установки дисковой пилы на направляющие следуйте приведенным ниже инструкциям.

ПОМНИТЕ: Настройте регуляторы рельсов на инструменте соответственно направляющим.

1. Для взаимной подгонки пилы и направляющих ослабьте винт внутри регулятора направляющих.
2. Втяните нижний защитный кожух и поместите инструмент на направляющие, убедившись, что пильный диск находится в самом высоком положении.
3. Поворачивайте регулятор до тех пор, пока пила не зафиксируется на направляющих.
ВАЖНО: Проверьте надежность закрепления пилы на направляющих – для этого попытайтесь сдвинуть пилу вперед. Убедитесь, что пила не сдвигается со своего места.
4. Слегка поверните регулятор в обратную сторону, позволяя пиле свободно перемещаться вдоль рельсов.

5. Удерживая регулятор направляющих в таком положении, снова затяните винт.

ПРИМЕЧАНИЕ: ВСЕГДА настраивайте систему для использования с другими направляющими.

Теперь регуляторы направляющих настроены на сведение поперечного перемещения пилы при пилении до минимума с использованием направляющих.

Перед использованием пилы настройте защитное ограждение от щепок **38** на направляющих. См. раздел **Настройка защитного ограждения от щепок**.

Настройка защитного ограждения от щепок (рис. N)

Направляющая **35** оснащена защитным ограждением от щепок **38**, которое необходимо настроить перед первым использованием.

Защитное ограждение от щепок **38** расположено с каждого края направляющей (рис. N). Защитное ограждение от щепок призвано обеспечить пользователю полную видимость линии разреза, одновременно уменьшая расщепление заготовки в процессе резки.

ВАЖНО: ВСЕГДА читайте раздел **Установка циркулярной пилы на направляющие** перед резанием защитного ограждения!

Пошаговые инструкции по настройке защитного ограждения от щепок (рис. O–R)

1. Поместите направляющую **35** на деревянный обрезок **39**, длина которого минимум на 100 мм превышает длину заготовки (рис. O). При помощи зажима надежно закрепите направляющие на заготовке. Это так же обеспечит чистоту пропила.
2. Установите глубину пропила 20 мм.
3. Поместите переднюю часть пилы на выступающий конец направляющих, проследив, чтобы пильный диск был расположен перед краем направляющих (рис. P).
4. Включите пилу и за один прием медленно разрежьте защитное ограждение от щепок вдоль всей длины направляющих. Теперь край защитного ограждения точно соответствует отрезному краю пильного диска (рис. Q).

Для настройки защитного ограждения, расположенного вдоль противоположного края направляющих, снимите пилу с направляющих и разверните их на 180°. Повторите шаги с 1 по 4.

ПРИМЕЧАНИЕ: При желании, во время повторения шагов с 1 по 4 защитное ограждение может быть обрезано с наклоном в 45°. Это позволит использовать одну сторону направляющих для выполнения параллельных распилов, а другую сторону – для резов с наклоном в 45° (рис. R).

ПРИМЕЧАНИЕ: Если защитное ограждение с обеих сторон направляющих рельсов будет настроено под параллельный распил, тогда при настройке инструмента на распил с наклоном пильный диск не будет следовать точно по краю защитного ограждения. Это будет происходить по той причине, что поворотная точка угла наклона не постоянна, и диск будет постоянно съезжать.

Индикатор пропила (рис. S–U)



Передняя часть башмака пилы оснащена индикатором пропила **41** для вертикального распила и скашивания кромок. Данный индикатор позволяет направлять пилу к линиям распила, нанесенным на разрезаемый материал. Индикатор пропила совпадает с левой (внешней) стороной пильного диска, что оставляет паз или «пропил», оставляемый движущимся диском, с правой стороны индикатора. Двигайтесь вдоль обозначенной линии распила, чтобы пропил проходил через лишний или запасной материал. На рис. T изображена пила в положении для параллельного распила относительно направляющих. На рис. U изображена пила в положении для распила с наклоном относительно направляющих.

Подготовка к эксплуатации



- Убедитесь в том, что защитные кожухи установлены правильно. Защитный кожух пильного диска должен находиться в закрытом положении.
- Убедитесь в том, что пильный диск вращается в направлении, обозначенном стрелкой на диске.
- Не используйте крайне изношенные пильные диски.

ЭКСПЛУАТАЦИЯ

Инструкции по использованию

-  **ВНИМАНИЕ:** Всегда следуйте указаниям действующих норм и правил безопасности.
-  **ВНИМАНИЕ:** Чтобы снизить риск получения серьезной травмы, необходимо выключить инструмент и отсоединить батарею, прежде чем выполнять какую-либо регулировку либо удалять/устанавливать какие-либо насадки или дополнительные принадлежности. Случайный запуск может привести к травме.

Правильное положение рук (рис. V)

-  **ВНИМАНИЕ:** Во избежание риска получения серьезных травм, **ВСЕГДА** используйте правильное положение рук как показано на рисунке.
-  **ВНИМАНИЕ:** Во избежание риска получения серьезных травм **ВСЕГДА** крепко держите инструмент, предупреждая внезапную резкую отдачу.

При правильном расположении рук одна рука находится на основной рукоятке **3**, а другая на дополнительной рукоятке **7**.

Светодиодная подсветка (рис. A)

Светодиодная подсветка **10** включается при нажатии на курковый пусковой выключатель. Когда курковый пусковой выключатель инструмента отпускается, подсветка будет гореть еще 20 секунд.

ПРИМЕЧАНИЕ: Подсветка предназначена для освещения рабочей поверхности и не может использоваться в качестве фонаря.

Включение и выключение (рис. А)

Для обеспечения безопасности курковый пусковой выключатель ❶ инструмента оснащается кнопкой блокировки ❷.

Нажмите кнопку блокировки для разблокирования инструмента.

Для включения инструмента нажмите на курковый пусковой выключатель ❶. После отпускания куркового пускового выключателя кнопка блокировки автоматически активируется для предотвращения случайного запуска инструмента.

ПРЕДУПРЕЖДЕНИЕ: Не включайте и не выключайте инструмент, если пильный диск прикасается к заготовке или другим материалам.

Опора заготовки (рис. W–Z)



ВНИМАНИЕ: Для снижения риска получения серьезных травм, обеспечьте заготовке надежную опору и крепко удерживайте пилу, чтобы предотвратить потерю управления.

На рисунках W и Y показано правильное положение для распиловки. На рисунках X и Z показано небезопасное положение. Руки следует держать вдали от области распила.

Для предотвращения отдачи, ВСЕГДА располагайте опору доски или панели РЯДОМ с распилом, (рис. W и Y). НЕ располагайте опору доски или панели вдали от распила, (рис. X, Z).

ВСЕГДА ИЗВЛЕКАЙТЕ АККУМУЛЯТОРНУЮ БАТАРЕЮ ПЕРЕД ВЫПОЛНЕНИЕМ КАКОЙ-ЛИБО РЕГУЛИРОВКИ! Располагайте заготовку «лицевой» стороной – той, внешний вид которой более важен – вниз. Пила пилит вверх, поэтому расщепление во время распила будет происходить на верхней стороне заготовки.

Резка (рис. Y)



ВНИМАНИЕ: Никогда не пытайтесь использовать этот инструмент, положив его вверх ногами на рабочей поверхности и направляя материал на инструмент. Надежно закрепляйте заготовку и подносите инструмент к заготовке, крепко держа инструмент двумя руками, как показано на рис. Y.

Располагайте широкую часть основания пилы на части заготовки с надежной опорой, а не на части, которая отвалится после распила. Как пример, на рис. Y приведен ПРАВИЛЬНЫЙ пример способа отпилить край доски. Всегда закрепляйте заготовку при помощи зажимов. Не пытайтесь удерживать короткие заготовки руками! Не забывайте обеспечивать опору свисающим и выступающим участкам материала. Будьте осторожны, выполняя распил материала снизу.

Убедитесь, что пила разогналась до полной скорости перед контактом диска с разрезаемым материалом. Запуск пилы при прилегающем к материалу или находящемся в пропилах диске может привести к отдаче. Толкайте пилу вперед на скорости, которая позволяет диску работать без перегрузки. Твердость и прочность могут различаться

даже в одном куске материала, а узловые или влажные участки могут сильно увеличить нагрузку на пилу. В таком случае, толкайте пилу медленней, но достаточно твердо, чтобы продолжать работу без слишком сильного падения скорости. Приложение чрезмерного усилия к пиле может привести к грубому распилу, неточности, отдаче и перегреву электродвигателя. Если распил начинает уходить в сторону от линии, не пытайтесь вернуть его на место силой.

Отпустите выключатель и позвольте диску остановиться. После этого вы можете поднять пилу, осмотреть пропил и начать новый рез слегка внутри неверного пропила. В любом случае, чтобы изменить линию пропила, вы должны сначала поднять пилу с заготовки. Попытки изменить направление внутри распила могут остановить пилу и привести к отдаче.

ПРИ ОСТАНОВЕ ПИЛЫ ОТПУСТИТЕ КУРКОВЫЙ ВЫКЛЮЧАТЕЛЬ И ПОТЯНИТЕ ПИЛУ НАЗАД, ВЫВОДЯ ДИСК ИЗ ПРОПИЛА. ПЕРЕД ПОВТОРНЫМ ЗАПУСКОМ УБЕДИТЕСЬ, ЧТО ПИЛЬНЫЙ ДИСК НАХОДИТСЯ В ПРОПИЛЕ И НЕ КАСАЕТСЯ КРАЕВ ПРОПИЛА.

Закончив рез, отпустите курковый выключатель и дождитесь полной остановки диска, прежде чем поднимать пилу с заготовки. По мере поднятия пилы пружинный телескопический защитный кожух автоматически закроется под диском. Помните, что до этого диск ничем не прикрыт. Никогда не держите руки под заготовкой по какой-либо причине. При необходимости ручного вытягивания телескопического защитного кожуха (например, для начала врезного пиления) всегда используйте вытягивающий рычаг.

ПРИМЕЧАНИЕ: При распиле на узкие полосы соблюдайте осторожность, чтобы мелкие отрезанные части не зацепились за нижний защитный кожух.

Врезное пиление (рис. AA)



ВНИМАНИЕ: Никогда не подвязывайте защитный кожух диска в поднятом положении. Никогда не двигайте пилу назад при врезном пилении. Это может привести к падению инструмента с рабочей поверхности, что может привести к травмам.

Врезное пиление выполняется в полу, стенах или других плоских поверхностях.

1. Отрегулируйте основание пилы, чтобы диск резал на нужной глубине.
2. Наклоните пилу вперед и обоприте ее передний край о разрезаемый материал.
3. Втяните нижний защитный кожух диска в верхнее положение при помощи рычага нижнего защитного кожуха. Опустите заднюю часть основания до тех пор, пока зубья не будут почти касаться линии распила.
4. Отпустите защитный кожух диска (его соприкосновение с заготовкой будет удерживать его в открытом положении при начале распила). Снимите руку с рычага защитного кожуха и крепко ухватите вспомогательную рукоятку ❷, как показано на рисунке AA. Следите за положением тела и рук, чтобы эффективно противостоять воздействию отдачи.

- Убедитесь, что пильный диск не контактирует с разрезаемой поверхностью, прежде чем запустить пилу.
- Запустите электродвигатель и постепенно опускайте пилу, пока основание не ляжет всей плоскостью на разрезаемый материал. Двигайтесь вдоль линии распила до завершения распила.
- Отпустите курковый выключатель и позвольте диску полностью остановиться, прежде чем извлечь его из материала.
- При начале каждого нового распила повторяйте вышеописанный порядок действий.

Пылеудаление (Рис. DD)

ВНИМАНИЕ: Риск вдыхания пыли. Во избежание риска получения травм, **ВСЕГДА** надевайте респиратор утвержденного типа.

Патрубок пылеотвода **34** входит в комплект вашего инструмента.

Патрубок пылеотвода позволяет подключить к инструменту внешнее устройство удаления пыли с помощью системы AirLock™ (DWW9000-XJ), или стандартного 35 мм пылеуловителя.

ВНИМАНИЕ: **ВСЕГДА** используйте пылесос, конструкция которого соответствует действующим директивам по выбросу пыли при распиловке дерева. Всасывающие шланги большинства стандартных пылесосов совместимы с патрубком пылеотвода.

Крюк для ремня (рис. А) (включен с некоторыми моделями)

ВНИМАНИЕ: Чтобы снизить риск получения тяжелой травмы, не используйте крюк для подвешивания инструмента на теле. **ЗАПРЕЩАЕТСЯ** использовать крюк для ремня для крепления инструмента во время эксплуатации. **НЕ ПОДВЕШИВАЙТЕ** инструмент над головой и не прицельяйте другие объекты к подвесному крюку.

ВНИМАНИЕ: Для снижения риска получения травм от падения циркулярной пилы на операторов или окружающих, убедитесь, что она надежно закреплена при использовании крючка или находится в безопасном и устойчивом месте, если не используется. Держите пространство снизу свободным, чтобы снизить риск падения материала или разрезанного материала на что-либо или кого-либо внизу.

Циркулярная пила оснащена удобным крючком **4**, который позволяет подвесить ее на подходящую, устойчивую опору в перерывах между использованием. Запрещается использовать крюк для ремня для крепления поднятого инструмента во время эксплуатации.

ТЕХНИЧЕСКОЕ ОБСЛУЖИВАНИЕ

Электроинструмент имеет длительный срок эксплуатации и требует минимальных затрат на техобслуживание. Для

длительной безотказной работы необходимо обеспечить правильный уход за инструментом и его регулярную очистку.



ВНИМАНИЕ: Чтобы снизить риск получения серьезной травмы, необходимо выключить инструмент и отсоединить батарею, прежде чем выполнять какую-либо регулировку либо удалять/устанавливать какие-либо насадки или дополнительные принадлежности.
Случайный запуск может привести к травме.

Зарядное устройство и аккумуляторные батареи неремонтопригодны.



Смазка

Повторная смазка не требуется, так как в инструменте используются самосмазывающиеся шариковые и роликовые подшипники. Тем не менее, рекомендуется раз в год относить или отправлять инструмент в сервисный центр для тщательной чистки, проверки и смазки корпуса редуктора.



Чистка

ВНИМАНИЕ: Выдувайте грязь и пыль из корпуса сухим сжатым воздухом по мере видимого скопления грязи внутри и вокруг вентиляционных отверстий. Надевайте защитные очки и пылезащитную маску при выполнении этих работ.

ВНИМАНИЕ: Никогда не пользуйтесь растворителями или другими сильнодействующими химическими веществами для чистки неметаллических частей инструмента. Эти химикаты могут повредить структуру материала, используемого для производства таких деталей. Используйте ткань, смоченную в мягком мыльном растворе. Не допускайте попадание жидкости внутрь инструмента; никогда не погружайте никакие из деталей инструмента в жидкость.

Нижний защитный кожух

Нижний защитный кожух должен всегда свободно вращаться и закрываться из полностью открытого в полностью закрытое положение. Всегда проверяйте правильную работу защитного кожуха перед распилом, полностью открывая кожух и давая ему закрыться. Если защитный кожух закрывается медленно или не полностью, то ему потребуется чистка или обслуживание. Не используйте пилу до тех пор, пока она не будет исправно функционировать. При чистке защитного кожуха используйте сухой воздух или мягкую щетку, чтобы очистить путь движения защитного кожуха и область вокруг его пружины от набившихся опилок или грязи. Если это не исправит проблему, то инструмент следует отправить в авторизованный сервисный центр.

Регулировка основания (рис. E, BB, CC)

Основание отрегулировано на заводе так, чтобы диск был расположен перпендикулярно основанию. Если после длительного использования необходимо повторно отрегулировать пильный диск:

Регулировка для распила под углом в 90 градусов

1. Верните пилу в положение 0°.
2. Положите пилу набок и втяните нижний защитный кожух.
3. Установите глубину распила в 51 мм.
4. Ослабьте рычаг установки угла наклона (8, рис. CC). Приложите прямоугольник к диску и основанию, как показано на рис. BB.
5. Поворачивайте стопорный болт (42, рис. BB) при помощи шестигранного ключа (24, рис. E) на нижней стороне основания до тех пор, пока диск и основание не будут прилегать к прямоугольнику по всей плоскости. Затяните рычаг регулировки скоса.

Регулировка рычага регулировки скоса (рис. CC)

Возможно, что понадобится регулировка рычага регулировки скоса 8. Со временем он может ослабнуть и упереться в основание пилы до затяжки.

Затяжка рычага

1. Удерживая рычаг регулировки скоса 8, ослабьте стопорную гайку угла наклона 40.
2. Отрегулируйте рычаг регулировки скоса, повернув его в нужном направлении примерно на 1/8 оборота.
3. Затяните гайку.

Пильные диски

Изношенный пильный диск приводит к неэффективному распилу, перегрузке электродвигателя пилы, чрезмерному расщеплению и повышенному риску отдачи. Заменяйте пильный диск, как только пилу станет тяжело проталкивать сквозь распил, возникнет перегрузка электродвигателя или диск станет слишком сильно нагреваться. Хорошей практикой будет хранение запасных дисков под рукой, чтобы острые пильные диски всегда были доступны для немедленного использования. Изношенные пильные диски поддаются заточке в большей части мест.

Затвердевшую камедь на диске можно удалить керосином, скипидаром или чистящим средством для духовых шкафов. В работах с повышенным образованием камеди, таких как обработанный под давлением или сырой пиломатериал, можно использовать диски с антиадгезионным покрытием.

Дополнительные принадлежности



ВНИМАНИЕ: В связи с тем, что дополнительные принадлежности других производителей, кроме DeWALT, не проходили проверку на совместимость с данным изделием, их использование может представлять опасность. Во избежание травм следует использовать для данного инструмента только дополнительные принадлежности, рекомендованные DeWALT.

НЕ ИСПОЛЬЗУЙТЕ ВОДОПИТАТЕЛЬНЫЕ ПРИНАДЛЕЖНОСТИ С ДАННОЙ ПИЛОЙ.

ВЫПОЛНЯЙТЕ ВИЗУАЛЬНЫЙ ОСМОТР КАРБИДНЫХ ДИСКОВ ПЕРЕД ИСПОЛЬЗОВАНИЕМ. ЗАМЕНЯЙТЕ ПРИ НАЛИЧИИ ПОВРЕЖДЕНИЙ.

Проконсультируйтесь со своим продавцом для получения дополнительной информации.

Защита окружающей среды



Отдельная утилизация. Изделия и аккумуляторные батареи с данным символом на маркировке запрещается утилизировать с обычными бытовыми отходами.

Изделия и аккумуляторные батареи содержат материалы, которые могут быть извлечены или переработаны, снижая потребность в исходном сырье. Пожалуйста, утилизируйте электрические изделия и аккумуляторные батареи в соответствии с местными нормами. Дополнительная информация доступна по адресу www.2helpU.com.

Аккумуляторная батарея

Данную аккумуляторную батарею с длительным сроком эксплуатации необходимо перезаряжать, когда она перестает обеспечивать питание, необходимое для выполнения определенных работ. По окончании срока эксплуатации ее следует утилизировать, соблюдая при этом необходимые меры по защите окружающей среды:

- полностью разрядите батарею до конца и извлеките ее из инструмента.
- литий-ионные аккумуляторные батареи подлежат вторичной переработке. Сдайте их нашему дилеру или в местный центр вторичной переработки. В этих пунктах батареи будут подвергнуты повторной переработке или правильной утилизации.



ГАРАНТИЙНЫЙ ТАЛОН



1. Поздравляем Вас с покупкой высококачественного изделия DEWALT и выражаем признательность за Ваш выбор.
2. При покупке изделия требуйте проверки его комплектности и исправности в Вашем присутствии, инструкцию по эксплуатации и заполненный Гарантийный талон на русском языке. В гарантийном талоне должны быть внесены: модель, дата продажи, серийный номер, дата производства инструмента, название, печать и подпись торговой организации. При отсутствии у Вас правильно заполненного Гарантийного талона, а также несоответствия указанных в нем данных, мы будем вынуждены отклонить Ваши претензии по качеству данного изделия.
3. Во избежание недоразумений, убедительно просим Вас перед началом работы с изделием внимательно ознакомиться с инструкцией по его эксплуатации. Правовой основой настоящих гарантийных условий является действующее Законодательство. Гарантийный срок на данное изделие составляет 36 месяцев и исчисляется со дня продажи. В случае устранения недостатков изделия, гарантийный срок продлевается на период его нахождения в ремонте. Срок службы изделия составляет 5 лет со дня продажи.
4. В случае возникновения каких-либо проблем в процессе эксплуатации изделия рекомендуем Вам обращаться только в уполномоченные сервисные центры DEWALT, адреса и телефоны которых Вы сможете найти на сайте www.2helpU.com или узнать в магазине. Наши сервисные станции - это не только квалифицированный ремонт, но и широкий ассортимент запчастей и принадлежностей.
5. Производитель рекомендует проводить периодическую проверку и техническое обслуживание изделия в уполномоченных сервисных центрах.
6. Наши гарантийные обязательства распространяются только на неисправности, выявленные в течение гарантийного срока и вызванные дефектами производства и / или материалов.
7. Гарантийные условия не распространяются на неисправности изделия, возникшие в результате:
 - 7.1. Несоблюдения пользователем предписаний инструкции по эксплуатации изделия, применения изделия не по назначению, неправильном хранении, использовании принадлежностей, расходных материалов и запчастей, не предусмотренных производителем.
 - 7.2. Механического повреждения (сколы, трещины и разрушения) внутренних и внешних деталей изделия, основных и вспомогательных рукояток, сетевого электрического кабеля, вызванного внешним ударным или любым иным воздействием.
 - 7.3. Попадания в вентиляционные отверстия и проникновение внутрь изделия посторонних предметов, материалов или веществ, не являющихся отходами, сопровождающими применение изделия по назначению, такими как: стружка, опилки, песок, и пр.
 - 7.4. Воздействия на изделие неблагоприятных атмосферных и иных внешних факторов, таких как дождь, снег, повышенная влажность, нагрев, агрессивные среды, несоответствие параметров питающей электросети, указанных на инструменте.
 - 7.5. Стихийного бедствия. Повреждение или утрата изделия, связанное с непредвиденными бедствиями, стихийными явлениями, в том числе вследствие действия непреодолимой силы (пожар, молния, потоп и другие природные явления), а также вследствие перепадов напряжения в электросети и других причин, которые находятся вне контроля производителя.
8. Гарантийные условия не распространяются:
 - 8.1. На инструменты, подвергавшиеся вскрытию, ремонту или модификации вне уполномоченного сервисного центра.
 - 8.2. На детали и узлы, имеющие следы естественного износа, такие как: приводные ремни и колеса, угольные щетки, смазка, подшипники, зубчатое зацепление редукторов, резиновые уплотнения, сальники, направляющие ролики, муфты сцепления, бойки, толкатели, стволы, и т.п.
 - 8.3. На сменные и расходные части: цанги, зажимные гайки и фланцы, фильтры, ножи, шлифовальные подошвы, цепи, звездочки, пильные шины, защитные кожухи, пилки, абразивы, пильные и абразивные диски, фрезы, сверла, буры и т.п.
 - 8.4. На неисправности, возникшие в результате перегрузки инструмента (как механической, так и электрической), повлекшей выход из строя одновременно двух и более деталей и узлов, таких как ротора и статора, обеих обмоток статора, ведомой и ведущей шестерни редуктора или других узлов и деталей. К безусловным признакам перегрузки изделия относятся, помимо прочего: появление цветов побелости, деформация или оплавление деталей и узлов изделия, потемнение или обугливание изоляции проводов электродвигателя под воздействием высокой температуры.

Товар получен в исправном состоянии, без видимых повреждений, в полной комплектации, проверен в моем присутствии, претензий по качеству товара не имею. С условиями гарантийного обслуживания ознакомлен и согласен.

Ф. И. О. и подпись покупателя _____

Уважаемые клиенты, наша сеть авторизованных сервисных центров постоянно расширяется. Актуальную информацию об обслуживании в интересующем вас городе вы можете узнать на сайте

www.2helpU.com

Редакция 29-05-2018

Информация об инструменте

Наименование инструмента	
Модель	
Наименование продавца	
Дата продажи	

М.П.
Продавца

Серийный номер / Дата производства

Инструмент	
Зарядное устройство	
Аккумулятор 1	
Аккумулятор 2	

На сайте www.2helpU.com доступны следующие функции:

- Список авторизованных сервисных центров
- Удобный поиск ближайшего сервисного центра
- Руководство по эксплуатации
- Технические характеристики
- Список деталей и запасных частей
- Схема сборки инструмента



Также данную информацию вы можете получить, позвонив по телефону:
8(800) 1000 876

ОТМЕТКА О ПРОВЕДЕНИИ СЕРВИСНОГО ОБСЛУЖИВАНИЯ

№1	№2	№3	№4
№ заказа	№ заказа	№ заказа	№ заказа
Дата поступления	Дата поступления	Дата поступления	Дата поступления
Дата ремонта	Дата ремонта	Дата ремонта	Дата ремонта
Печать и подпись сервисного центра	Печать и подпись сервисного центра	Печать и подпись сервисного центра	Печать и подпись сервисного центра



Приложение к руководству по эксплуатации электрооборудования для определения месяца производства по номеру текущей календарной недели года

Электрооборудование торговых марок "Dewalt", "Stanley", "Stanley FatMAX", "BLACK+DECKER".

Директивы 2014/30/EU ЕВРОПЕЙСКОГО ПАРЛАМЕНТА И СОВЕТА от 26 февраля 2014 г. "О гармонизации законодательств Государств-членов ЕС в области электромагнитной совместимости", 2006/42/ЕС ЕВРОПЕЙСКОГО ПАРЛАМЕНТА И СОВЕТА от 17 мая 2006 г. "О машинах и оборудовании"; 2014/35/EU ЕВРОПЕЙСКОГО ПАРЛАМЕНТА И СОВЕТА от 26 февраля 2014 г. "О гармонизации законодательств государств-членов в области размещения на рынке электрооборудования, предназначенного для использования в определенных пределах напряжения". Серийный выпуск.

ТОВАР СЕРТИФИЦИРОВАН

Орган по сертификации "РОСТЕСТ- Москва", Адрес: 119049, г. Москва, улица Житная, д. 14, стр. 1; 117418, Москва, Нахимовский просп., 31 (фактический), Телефон: (495) 1292311, (495) 6682893, факс: (495) 6682893, E-mail: office@rostest.ru

Изготовитель: Изготовитель: Блэк энд Деккер Холдингс ГмбХ, Германия, 65510, Идштайн, ул. Блэк энд Деккер, 40, тел. +496126212790.

Уполномоченное изготовителем юр.лицо:

ООО "Стэтли Блэк энд Деккер", 117485, город Москва, улица Обручева, дом 30/1, строение 2
Телефон: +7 (495) 258-3981, факс: +7 (495) 258-3984, E-mail: inbox@dewalt.com

Сведения о импортере указаны в сопроводительной документации и/или на упаковке

Хранение.

Необходимо хранить в сухом месте, вдали от источников повышенных температур и воздействия солнечных лучей. При хранении необходимо избегать резкого перепада температур. Хранение без упаковки не допускается

Срок службы.

Срок службы изделия составляет 5 лет. Не рекомендуется к эксплуатации по истечении 5 лет хранения с даты изготовления без предварительной проверки.

Дата изготовления (код даты) указана на корпусе инструмента.

Код даты, который также включает год изготовления, отштампован на поверхности корпуса изделия.

Пример:

2014 46 XX, где 2014 –год изготовления, 46–неделя изготовления.

Определить месяц изготовления по указанной неделе изготовления можно согласно приведенной ниже таблице.

Транспортировка.

Категорически не допускается падение и любые механические воздействия на упаковку при транспортировке.

При разгрузке/погрузке не допускается использование любого вида техники, работающей по принципу зажима упаковки.

Перечень критических отказов, возможные ошибочные действия персонала.

Не допускается эксплуатация изделия:

- При появлении дыма из корпуса изделия
- При поврежденном и/или оголенном сетевом кабеле
- при повреждении корпуса изделия, защитного кожуха, рукоятки
- при попадании жидкости в корпус
- при возникновении сильной вибрации
- при возникновении сильного искрения внутри корпуса

Критерии предельных состояний.

- При поврежденном и/или оголенном сетевом кабеле
- при повреждении корпуса изделия

Месяц	Январь	Февраль	Март	Апрель	Май	Июнь	Июль	Август	Сентябрь	Октябрь	Ноябрь	Декабрь	Год производства
Неделя	1	5	9	14	18	23	27	31	36	40	44	49	2018
	2	6	10	15	19	24	28	32	37	41	45	50	
	3	7	11	16	20	25	29	33	38	42	46	51	
	4	8	12	17	21	26	30	34	39	43	47	52	
			13		22			35			48		
Неделя	1	6	10	14	18	23	27	31	36	40	45	49	2019
	2	7	11	15	19	24	28	32	37	41	46	50	
	3	8	12	16	20	25	29	33	38	42	47	51	
	4	9	13	17	21	26	30	34	39	43	48	52	
	5				22			35		44			
Неделя	1	6	10	14	19	23	27	32	36	40	45	49	2020
	2	7	11	15	20	24	28	33	37	41	46	50	
	3	8	12	16	21	25	29	34	38	42	47	51	
	4	9	13	17	22	26	30	35	39	43	48	52	
	5				18		31			44			
Неделя	2	6	10	14	19	23	27	32	36	41	45	49	2021
	3	7	11	15	20	24	28	33	37	42	46	50	
	4	8	12	16	21	25	29	34	38	43	47	51	
	5	9	13	17	22	26	30	35	39	44	48	52	
					18		31		40			1	
Неделя	2	6	10	15	19	23	28	32	36	41	45	49	2022
	3	7	11	16	20	24	29	33	37	42	46	50	
	4	8	12	17	21	25	30	34	38	43	47	51	
	5	9	13	18	22	26	31	35	39	44	48	52	
				14		27			40			1	

АКУМУЛЯТОРНА ДИСКОВА ПИЛКА 190 мм / 184 мм 54 В

DCS578, DCS579, DCS578-XE, DCS579-XE

Вітаємо вас!

Ви обрали інструмент виробництва компанії DEWALT. Ретельна розробка продукції, багаторічний досвід фірми у виробництві інструментів, різні вдосконалення, все це зробило інструменти DEWALT є одними із найнадійніших помічників для тих, хто використовує електричні інструменти у своїй професії.

Технічні дані

		DCS578	DCS578-XE	DCS579	DCS579-XE
Напруга	В пост. струму	54	54	54	54
Тип		1	1	1	1
Тип батареї		Літій-іонна	Літій-іонна	Літій-іонна	Літій-іонна
Швидкість без навантаження	хв ⁻¹	5800	5800	5800	5800
Діаметр пильного диска	мм	190	184	190	184
Мінімальна глибина розрізу	мм	67	64	61	58
Діаметр отвору диска	мм	30	20	30	20
Регулювання кута нахилу		57	57	57	57
Маса (без акумулятора)	кг	3,6	3,6	3,7	3,7

Значення рівня шуму та/або вібрації (триаксильна векторна сума) відповідно до стандарту EN62841--2-5:

L_{PA} (рівень тиску звукового випромінювання)	дБ(А)	90	–	90	–
L_{WA} (рівень звукового тиску)	дБ(А)	101	–	101	–
K (похибка для даного рівня гучності)	дБ(А)	3	–	3	–
Значення емісії вібрації $a_{H, WB} =$	м/с ²	2,2	–	2,2	–
Похибка K =	м/с ²	1,5	–	1,5	–

Значення вібрації та/або шуму, наведене в цьому документі, було виміряне згідно зі стандартизованим тестом, викладеним в EN62841 та може використовуватись для порівняння інструментів. Це значення вібрації можна також використовувати для попередньої оцінки впливу вібрації.



ПОПЕРЕДЖЕННЯ: Заявлене значення вібрації та/або шуму відповідає вимогам цільового використання інструмента. Однак якщо інструмент використовується для виконання інших завдань, або з іншими витратними матеріалами/насадками, або не обслуговується належним чином, значення вібрації та/або шуму може відхилитися. Це може значно збільшити рівень впливу протягом усього періоду роботи.

Оцінка рівня впливу вібрації та/або шуму має враховувати час, протягом якого інструмент є ввімкненим, а також час, протягом якого він є ввімкненим, але не використовується. Це може значно зменшити рівень впливу протягом усього періоду роботи.

Визначення додаткових заходів безпеки для захисту оператора від впливу вібрації та/або шуму; технічне обслуговування інструмента та приладдя,

утримання рук у теплі (має значення для вібрації), організація режиму роботи.

Декларація про відповідність ЄС

ДИРЕКТИВА ДЛЯ МЕХАНІЧНОГО ОБЛАДНАННЯ



Бездротова дискова пилка DCS578, DCS579, DCS578-XE, DCS579-XE

DEWALT заявляє, що продукти, описані в розділі «Технічні дані», відповідають наступним вимогам:

2006/42/EC, EN62841-2-1:2015, EN62841-2-5:2014.

Ці продукти також відповідають вимогам Директив 2014/30/EU та 2011/65/EU. Для отримання додаткової інформації звертайтеся до компанії DEWALT за зазначеною нижче адресою або на зворотному боці цього посібника.

Нижчепідписаний несе відповідальність за упорядкування файлу технічних характеристик та робить цю заяву від імені компанії DEWALT.

Батареї				Зарядні пристрої/час зарядки (у хвиликах)									
Кат. №	V _{DC}	Ah	Маса (kg)	DCB104	DCB107	DCB112	DCB113	DCB115	DCB116	DCB117	DCB118	DCB132	DCB119
DCB546	18/54	6,0/2,0	1,05	60	270	170	140	90	80	40	60	90	X
DCB547	18/54	9,0/3,0	1,46	75*	420	270	220	135*	110*	60	75*	135*	X
DCB548	18/54	12,0/4,0	1,44	120	540	350	300	180	150	80	120	180	X

*Код дати 201811475B або пізніше



Маркус Ромпель
 Віце-президент з інженерно-технічного забезпечення,
 PTE-Europe
 DEWALT, Richard-Klinger-Straße 11,
 D-65510, Idstein, Німеччина
 27.05.2020



ПОПЕРЕДЖЕННЯ: Уважно прочитайте керівництво з експлуатації для зниження ризику отримання травм.

Позначення: інструкції з техніки безпеки

Умовні позначення, наведені нижче, описують рівень важливості кожної попереджувальної вказівки. Прочитайте керівництво з експлуатації та зверніть увагу на символи, наведені нижче.



НЕБЕЗПЕЧНО: Указує на безпосередню загрозу, яка, якщо її не уникнути, призведе до смерті або серйозної травми.



ПОПЕРЕДЖЕННЯ: Вказує на потенційну загрозу, ігнорування якої може призвести до смерті або серйозної травми.



УВАГА: Вказує на потенційну загрозу, ігнорування якої може призвести до травми легкої або середньої тяжкості.

ПРИМІТКА: Вказує на ситуацію, не пов'язану з особою травмою, ігнорування цієї ситуації може призвести до пошкодження майна.



Вказує на ризик ураження електричним струмом.



Вказує на ризик виникнення пожежі.

ЗАГАЛЬНІ ПРАВИЛА БЕЗПЕКИ ПРИ ЕКСПЛУАТАЦІЇ ЕЛЕКТРИЧНОГО ІНСТРУМЕНТА



ПОПЕРЕДЖЕННЯ: Ознайомтеся з усіма попередженнями, інструкціями з техніки безпеки, зображеннями та специфікаціями, які поставляються з даним електричним інструментом. Невиконання нижченаведених інструкцій може призвести до ураження електричним струмом, пожежі та/або серйозних тілесних ушкоджень.

ЗБЕРІГАЙТЕ ВСІ ПОПЕРЕДЖЕННЯ ТА ІНСТРУКЦІЇ ДЛЯ ПОДАЛЬШОГО ВИКОРИСТАННЯ

Термін «електричний інструмент» в усіх попередженнях стосується використовуваних вами інструментів, що живляться від мережі енергопостачання (з електричним кабелем) або від акумуляторів (без кабелю).

1) Безпека робочої зони

- Робоча зона завжди має бути чистою та добре освітленою.** Захаращена або темна робоча зона призводить до нещасних випадків.
- Не використовуйте електричні інструменти у вибухонебезпечній атмосфері, наприклад поруч із вогнебезпечними рідинами, газами та пилом.** Електричні інструменти створюють іскри, що можуть запалити пил або пилу.
- Тримайте дітей та сторонніх подалі під час використання інструмента.** Відвернення уваги може призвести до втрати контролю.

2) Електрична безпека

- Вилка електричного інструмента повинна відповідати розетці. Ніколи жодним чином не змінюйте вилку. Не використовуйте адаптери з замкнутими на землю (заземленими) електричними інструментами.** Немодифіковані вилки та розетки, що підходять до них, зменшують ризик ураження електричним струмом.
- Уникайте контакту тіла з заземленими поверхнями, такими як труби, радіатори, плити та холодильники.** Якщо ваше тіло заземлене, збільшується ризик ураження електричним струмом.
- Не залишайте електричні інструменти під дощем або в умовах підвищеної вологості.** Вода, що потрапляє в електричний інструмент, підвищує ризик ураження електричним струмом.
- Не використовуйте кабель живлення не за призначенням. Ніколи не переносьте, не тягніть та не відключайте електричний інструмент від розетки живлення за допомогою шнура. Тримайте шнур подалі від високих температур, мастила, гострих предметів та рухомих деталей.** Пошкоджені або перекурені шнури підвищують ризик ураження електричним струмом.
- При використанні електричного інструмента на вулиці, використовуйте подовжувальний шнур, що підходить для використання на вулиці.** Використання шнура, що призначений для

використання поза приміщенням, знижує ризик ураження електричним струмом.

- f) **Якщо неможливо уникнути використання електричного інструмента в умовах підвищеної вологості, використовуйте живлення, захищене пристроєм залишкового струму (RCD).** Використання RCD знижує ризик ураження електричним струмом.

3) Особиста безпека

- a) **Будьте в стані готовності, дивіться, що ви робите, та будьте розсудливі, працюючи з електричним інструментом. Не використовуйте електричний інструмент, коли ви втомлені або знаходитесь під впливом наркотичних речовин, алкоголю або ліків.** Втрата уваги під час роботи з електричним інструментами може призвести до серйозних травм.
- b) **Використовуйте особисті засоби безпеки. Завжди використовуйте засоби захисту очей.** Засоби безпеки, такі як протипилова маска, неслизкі безпечні черевки, захисний шолом та засоби захисту слухового апарату при використанні для відповідних умов зменшують імовірність особистих травм.
- c) **Уникайте випадкового запуску. Переконайтесь в тому, що вимикач знаходиться в позиції Вимк., перш ніж підключати інструмент до джерела живлення та/або акумулятора, переміщувати або переносити.** Може статися нещасний випадок, коли ви переносите інструмент, тримаючи палець на вимикачі, або підключаєте живлення до вимикача в позиції Увімк.
- d) **Зніміть усі ключі для резування або гайкові ключі, перш ніж вмикати електричний інструмент.** Гайковий ключ, що залишився прикріпленим до якоїсь деталі електричного пристрою, що обертається, може призвести до травм.
- e) **Не прикладайте надмірного зусилля. Завжди утримуйте правильну постановку ніг і рівновагу.** Це дає вам змогу краще контролювати інструмент в неочікуваних ситуаціях.
- f) **Одягайтеся відповідним чином. Не вдягайте вільний одяг або прикраси. Тримайте ваше волосся та одяг подалі від рухомих деталей.** Вільний одяг, прикраси або довге волосся можуть зачепитися за рухомі деталі.
- g) **Якщо передбачені пристрої для підключення до засобів виділення та збирання пилу, переконайтесь, що вони правильно підключені та використовуються.** Використання таких пристроїв зменшує ризик виникнення небезпечних ситуацій, що пов'язані з потраплянням пилу.
- h) **Навіть якщо ви добре знаєте інструмент та часто його використовуйте, не розслабляйтесь та не забувайте про принципи**

техніки безпеки. Необережні дії можуть за долю секунди призвести до важких тілесних ушкоджень.

4) Використання електричного інструмента та догляд за ним

- a) **Не прикладайте надмірних зусиль під час роботи з інструментом. Використовуйте електричний інструмент, який відповідає завданню, що виконується.** Правильно обраний інструмент виконає завдання краще та безпечніше за умов, для яких він був розроблений.
- b) **Не використовуйте інструмент, якщо його неможливо ввімкнути та вимкнути за допомогою вимикача.** Будь-який електричний інструмент, яким неможливо керувати за допомогою вимикача, є небезпечним і має бути відремонтований.
- c) **Якщо вилка змінна, відключіть її від джерела живлення та/або вийміть акумулятор, перш ніж виконувати будь-які налаштування, змінювати додаткове обладнання або зберігати інструмент.** Ці профілактичні заходи зменшують ризик випадкового запуску електричного інструмента.
- d) **Зберігайте вимкнені електричні інструменти в недоступному для дітей місці та не дозволяйте особам, що не знайомі з електричним інструментом або цими інструкціями, використовувати електричний інструмент.** Електричні інструменти є небезпечними, якщо вони використовуються некваліфікованими користувачами.
- e) **Технічне обслуговування електричних інструментів та приладдя. Перевіряйте неспівісність, заїдання рухомих деталей, наявність пошкоджених частин та інших факторів, які можуть впливати на роботу електричного інструмента. Якщо є пошкодження, відремонтуйте електричний інструмент перед використанням.** Нещасні випадки часто є результатом того, що інструмент не пройшов відповідного технічного обслуговування.
- f) **Різальні інструменти мають бути гострими та чистими.** Правильно доглянуті різальні інструменти з гострими різальними крокками мають меншу імовірність заїдання, та ними легше керувати.
- g) **Використовуйте електричний інструмент, додаткові інструменти та деталі інструменту тощо у відповідності до цих інструкцій та відповідно до даного типу електричних інструментів, зважаючи на умови використання та роботу, яка має бути виконана.** Використання електричних інструментів не за призначенням може призвести до виникнення небезпечних ситуацій.
- h) **Всі ручки та поверхні для тримання інструмента мають бути сухими, без**

залишків мастила. Слизькі ручки та поверхні для тримання не дозволяють безпечно працювати та контролювати інструмент у неочікуваних ситуаціях.

5) Використання та догляд за інструментом, що живиться від акумулятора

- a) **Заряджайте інструмент лише за допомогою зарядного пристрою, вказаного виробником.** Зарядний пристрій, що підходить до одного типу акумуляторів, може призвести до пожежі в разі використання з іншим акумулятором.
- b) **Використовуйте електричні інструменти лише за призначеннями для них акумуляторами.** Використання інших акумуляторів може призвести до травм або пожежі.
- c) **Коли акумулятори не використовуються, зберігайте їх подалі від металевих предметів, як скріпки, монети, ключі, цвяхи, гвинти або інші невеликі предмети, що можуть призвести до замикання двох контактів.** Коротке замикання клем акумулятора може призвести до вибуху або пожежі.
- d) **За невідповідних умов використання рідина може витікати з акумулятора; уникайте контакту з цією рідиною.** Якщо контакт таки стався, промийте забруднену ділянку водою. Якщо рідина потрапила в очі, промийте водою та зверніться до лікаря. Рідина, що витікає з акумулятора, може призвести до подразнень та опіків.
- e) **Не використовуйте пошкоджений або модифікований акумулятор або інструмент.** Пошкоджені або модифіковані акумулятори можуть поводити себе непередбачуваним чином, призводячи до пожежі, вибуху або тілесним ушкодженням.
- f) **Не піддавайте акумулятор та інструмент дії вогню та надмірних температур.** Дія вогню або температури вище 130 °C може спричинити вибух.
- g) **Виконуйте всі інструкції щодо зарядки; заряджайте акумулятор та інструмент тільки в межах температурного діапазону, вказаного в інструкціях.** Неналежна зарядка або зарядка поза межами вказаного температурного діапазону може пошкодити акумулятор та підвищити ризик пожежі.

6) Обслуговування

- a) **Надавайте ваш електричний інструмент для обслуговування кваліфікованим спеціалістом з ремонту та використовуйте тільки ідентичні замінні деталі.** Це забезпечить безпеку електричного пристрою.
- b) **Ніколи не обслуговуйте пошкоджені акумулятори самостійно.** Обслуговування акумуляторів мають виконувати представники виробника або працівники офіційного сервісного центру.

ДОДАТКОВІ ІНСТРУКЦІЇ З ТЕХНІКИ БЕЗПЕКИ ДЛЯ ВСІХ ПИЛОК

Правили віддачі та відповідні попередження

- Віддача – це раптова реакція на затиснення, заклинювання або розрегулювання пильного диска, що спричиняє рух неконтрольованої пилки вгору в напрямку від заготовки до оператора;
- Якщо пильний диск зайло або заклинило під час розрізання, він зупиняється, а електродвигун спричиняє швидкий рух пристрою назад на оператора;
- Якщо пильний диск викривлюється або займає непрявильне положення в розрізі, зубці на задньому кінці диска можуть вийти з пропилу на поверхню заготовки, що призведе до підстрибування пильного диска в напрямку до оператора.

Віддача є результатом неввірного використання та/або некоректної роботи або невідповідних умов роботи, яких можна уникнути, уживаючи відповідних заходів, наведених нижче:

- a) **Тримайте пилку міцно обома руками та розташуйте руки так, щоб можна було створити опір силам віддачі. Розташуйте тіло з одного боку диска, але не на одній лінії з диском.** Віддача може призвести до відстрибування пилки назад, але сили віддачі можуть бути під контролем оператора, якщо будуть вжиті відповідні заходи.
- b) **Якщо пильний диск затиснений або необхідно перервати розпилювання за якоїсь причини, відпустіть вмикач та утримуйте ножівку нерухомо, доки пильний диск повністю не зупиниться. Ніколи не намагайтесь витягнути пилку з пропилу або потягти на себе, коли пильний диск рухається, тому що може виникнути віддача.** Проаналізуйте та вживайте необхідних заходів для уникнення затиснення диска.
- c) **Під час поновлення розпилювання заготовки виверніть пильний диск у пропили та переконайтеся в тому, що зубці не входять у зчеплення з матеріалом.** Якщо пильний диск затиснений, він може піднятися та може виникнути віддача під час поновлення роботи пилки.
- d) **Закріплюйте великі панелі для зменшення ризику затиснення диска та віддачі. Великі панелі можуть прогинатися під власною вагою.** Опори необхідно розташувати під панеллю з обох боків, біля лінії розтину та біля краю панелі.
- e) **Не використовуйте тупі та пошкоджені пильні диски.** Незагострені та неввірно встановлені пильні диски утворюють вузький пропил, що призводить до надмірного тертя, затиснення диска та віддачі.
- f) **Перед розпилюванням необхідно міцно та надійно зафіксувати стопорні важелі глибини**

розрізання та кута нахилу диска. Якщо налаштування пильного полотна зсуваються під час розпилювання, може виникнути затиснення або віддача.

- g) **Будьте особливо уважні при виконанні розрізів несучих стін або інших місць, де не видно, що знаходиться під поверхнею.** Пильний диск може натрапити на предмет, що спричинить віддачу.

ІНСТРУКЦІЇ З ТЕХНІКИ БЕЗПЕКИ ДЛЯ ПИЛОК З МАЯТНИКОВИМ ЗАХИСНИМ КОЖУХОМ ДИСКА

Функція нижнього захисного кожуха

- a) **Перед використанням перевірте, щоб нижня захисний кожух був зафіксований відповідним чином. Не використовуйте пилку, якщо нижній захисний кожух не рухається вільно та не фіксується відразу ж. Ніколи не затискайте та не підв'язуйте нижній захисний кожух у відкритому положенні. Якщо пилка випадково впаде, нижній захисний кожух може погнутися.** Підніміть нижній захисний кожух за допомогою зворотної ручки та переконайтесь, що він вільно рухається і не торкається пильного диска та інших деталей в жодному з напрямків та за будь-якої глибини розпилювання.
- b) **Перевірте роботу пружини нижнього захисного кожуха. Якщо захисний кожух або пружина працюють невірно, то перед використанням їх необхідно відремонтувати.** Нижній захисний кожух може працювати повільно через пошкоджені деталі, залишки гуми або іншого сміття.
- c) **Можна відвести нижній захисний кожух вручну лише для спеціальних розрізів, наприклад для «врізання» та «складених розрізів». Підніміть нижній захисний кожух за допомогою ручки для відведення, а тільки диск ввійде в матеріал, нижній захисний кожух необхідно відпустити.** Для всіх інших видів розпилювання нижній захисний кожух працює автоматично.
- d) **Не забувайте стежити за тим, щоб нижній захисний кожух накривав пильний диск перед тим, як покласти пилку на верстак або підлогу. Незахищений диск може рухатись за інерцією у зворотному напрямку та порізати будь-що на своєму шляху. Пам'ятайте про час, необхідний для зупинки пильного диска після відпускання перемикача.**

Додаткові інструкції з техніки безпеки для дискових пилок

- **Використовуйте засоби захисту слуху.** Шум може викликати втрату слуху.

- **Використовуйте респіратор.** Вплив пилових частинок може призвести до утруднення дихання та можливості травм.
- **Не використовуйте пильні диски більшого або меншого діаметру, ніж рекомендовано.** Щоб дізнатися, який диск вам потрібен, зверніться до **технічних даних.** Використовуйте лише диски, що вказані в цьому посібнику та відповідають стандарту EN 847-1.
- **Використовуйте лише пильні диски, швидкість яких дорівнює або перевищує швидкість, зазначену на інструменті.**
- **Уникайте перегріву ріжучої кромки диска.**
- **Перед використанням вставте пилку в порт для видалення пилу.**
- **Ніколи не використовуйте абразивні ріжучі колеса.**
- **Не використовуйте насадки з подачею води.**
- **Використовуйте затискач або інший спосіб закріплення деталі, що оброблюється, на стабільній платформі.** Утримування деталі в руці та притискання її до тіла робить її нестабільною та може призвести до втрати контролю.

Залишкові ризики

Дотримання всіх правил техніки безпеки та застосування пристроїв безпеки не гарантує уникнення певних залишкових ризиків. До такого переліку належать:

- Порушення слуху.
- Ризик тілесних ушкоджень через частинки, які розлітаються.
- Ризик опіків через нагрівання приладдя під час роботи.
- Ризик тілесних ушкоджень через занадто тривале використання.

ЗБЕРІГАЙТЕ ЦІ ІНСТРУКЦІЇ

Зарядні пристрої

DeWALT не вимагають налаштувань і розроблені для максимально простого використання.

Електрична безпека

Електричний двигун розроблений для роботи лише з одним значенням напруги. Завжди перевіряйте, що напруга акумулятора відповідає напрузі, що вказана в технічних даних. Також переконайтесь, що напруга зарядного пристрою відповідає напрузі мережі живлення.

Ваш DeWALT Ваш зарядний пристрій виробництва компанії DeWALT має подвійну ізоляцію відповідно до EN60335; тому заземлення не є необхідним.

Якщо кабель живлення пошкоджений, його необхідно замінити на спеціальний кабель, який можна замовити в офіційних сервісних центрах DeWALT. організація обслуговування.

Використання електричного подовжувача

Використовуйте подовжувальний шнур лише за абсолютної необхідності. Використовуйте лише рекомендований подовжувальний шнур, що відповідає споживаній потужності вашого зарядного пристрою (див. **Технічні дані**). Мінімальний розмір січення провідника становить 1 мм²; максимальна довжина — 30 м.

При використанні кабельного барабану завжди витягуйте весь кабель.

Важливі інструкції з техніки безпеки для всіх зарядних пристроїв

ЗБЕРІГАЙТЕ ЦІ ІНСТРУКЦІЇ: У цьому керівництві містяться важливі інструкції з техніки безпеки та використання для сумісних зарядних пристроїв (див. «Технічні дані»).

- Перед використанням зарядного пристрою прочитайте всі інструкції та попередження на зарядному пристрої, акумуляторах та продукті, для якого ці акумулятори використовуються.



ПОПЕРЕДЖЕННЯ: Небезпека ураження електричним струмом. Не допускайте потрапляння рідини в зарядний пристрій. Це може призвести до ураження електричним струмом.



ПОПЕРЕДЖЕННЯ: Ми рекомендуємо використовувати пристрій з керуванням диференціальним струмом з номінальним значенням диференційного струму 30 мА або менше.



УВАГА: Небезпека опіку. Для зниження ризику виникнення травм заряджайте лише акумулятори DEWALT. акумуляторні батареї. Інші типи акумуляторів можуть вибухнути, спричинивши теплесні ушкодження та пошкодження майна.



УВАГА: Уважно слідкуйте за тим, щоб діти не гралися з пристроєм.

ПРИМІТКА: За певних умов, коли зарядний пристрій підключений до мережі живлення, незахищені контакти всередині зарядного пристрою можуть замкнутися будь-яким стороннім предметом. Сторонні предмети, що проводять струм, наприклад металева стружка, алюмінієва фольга або будь-які металеві деталі, необхідно зберігати подалі від зарядного пристрою. Завжди відключайте зарядний пристрій від розетки, коли батарея не встановлена в зарядний пристрій. Відключіть зарядний пристрій від мережі живлення перед його очищенням

- **НЕ намагайтеся заряджати акумулятор зарядними пристроями, що не вказані в цьому керівництві.** Зарядний пристрій та акумулятори даної моделі розроблені для сумісної експлуатації.
- **Ці зарядні пристрої не призначені ні для чого іншого, крім зарядки акумуляторів DEWALT акумуляторні батареї.** Використання з іншими акумуляторами може призвести до виникнення пожежі або ураження електричним струмом.
- **Не надавайте зарядний пристрій впливу дощу або снігу.**
- **При відключенні зарядного пристрою від мережі живлення тягніть за вилку, а не за кабель.** Це зменшить ризик пошкодження вилки та кабелю.
- **Переконайтесь, що кабель розміщений так, щоб на нього не наступали, не ходили по ньому та не піддавали його іншим фізичним впливам.**
- **Не використовуйте подовжувальний шнур окрім випадків, коли це абсолютно необхідно.** Використання невідповідних подовжувальних шнурів може призвести до пожежі або ураження електричним струмом.
- **Не кладіть будь-які предмети на зарядний пристрій та не залишайте зарядний пристрій на м'якій поверхні, що може заблокувати вентиляційні отвори та призвести до надмірного нагрівання.** Розташуйте зарядний пристрій подалі від джерел тепла. Зарядний пристрій вентилюється крізь отвори у верхній та нижній частинах корпусу.
- **Не використовуйте зарядний пристрій із пошкодженим кабелем або вилкою** — їх потрібно негайно замінити.
- **Не використовуйте зарядний пристрій, якщо той отримав різкий удар, впав або був пошкоджений іншим чином.** Віднесіть його до авторизованого сервісного центру.
- **Якщо зарядний пристрій вимагає технічного обслуговування або ремонту, не розбирайте його самотужки, а віднесіть до авторизованого сервісного центру.** Невідповідні способи використання можуть призвести до виникнення пожежі або ураження електричним струмом.
- Якщо кабель живлення пошкоджено, для уникнення небезпеки його необхідно негайно замінити, звернувшись до виробника, спеціаліста сервісного центру або іншого кваліфікованого спеціаліста.
- **Відключайте зарядний пристрій від розетки перед його очищенням.** Це дозволяє знизити ризик ураження електричним струмом. Видалення акумулятора не знижує ризик.
- **НИКОЛИ не намагайтесь з'єднати два зарядні пристрої.**
- **Цей зарядний пристрій розрахований на роботу зі стандартною напругою побутової електромережі 230 В. Не намагайтесь використовувати його з іншою напругою.** Це не стосується автомобільних зарядних пристроїв.

Зарядка акумулятора (Рис. [Fig.] B)

1. Підключіть зарядний пристрій до відповідної розетки перед встановленням акумулятора.
2. Вставте акумулятор **14** у зарядний пристрій до упору. Червоний індикатор («зарядка») буде блимати, вказуючи на початок процесу зарядки.

3. Коли зарядку завершено, червоний індикатор горить, не блимаючи. Це означає, що акумулятор повністю заряджений та може використовуватися одразу або залишатися в зарядному пристрої. Щоб витягнути акумулятор із зарядного пристрою, натисніть кнопку деблокування **15** на акумуляторі.

ПРИМІТКА: щоб забезпечити максимальну продуктивність та тривалість роботи літій-іонного акумулятора, повністю зарядіть його перед першим використанням.

Робота зарядного пристрою

Нижче описані індикатори стану зарядки акумулятора.

Індикатори зарядки	
	Заряджається
	Повністю заряджений
	Затримка через надмірно високу/низьку температуру акумулятора*

*Червоний індикатор буде продовжувати миготіти, а жовтий індикатор буде горіти під час виконання цього завдання. Коли акумулятор досягне прийнятної температури, жовтий індикатор згасне, а зарядний пристрій відновить процес зарядки.

Сумісний зарядний пристрій не буде заряджати несправний акумулятор. Зарядний пристрій розпізнає несправну батарею та не вмикне світловий індикатор.

ПРИМІТКА: Це також може свідчити про проблему з зарядним пристроєм.

Якщо виявлено проблему із зарядним пристроєм, віднесіть зарядний пристрій та акумулятор для перевірки в авторизований сервісний центр.

Затримка через надмірно високу/низьку температуру акумулятора

Якщо зарядний пристрій визначає, що акумулятор є надмірно гарячим або холодним, він автоматично вмикає режим температурної затримки, припиняючи процес зарядки, доки акумулятор не досягне відповідної температури. Після досягнення прийнятної температури зарядний пристрій автоматично перемикається в режим зарядки акумулятора. Ця функція забезпечує максимальний термін служби акумулятора.

Холодний акумулятор буде заряджатися повільніше порівняно з теплим акумулятором. Такий акумулятор буде заряджатися повільніше протягом всього циклу зарядки та не повернеться до максимального значення зарядки, навіть якщо нагріється.

Зарядний пристрій DCB118 оснащений внутрішнім вентилятором, призначеним для охолодження акумулятора. Вентилятор автоматично вмикається, коли акумулятор потребує охолодження. Ніколи не використовуйте зарядний пристрій, якщо вентилятор працює неналежним чином або вентиляційні отвори заблоковані. Уникайте потрапляння сторонніх предметів усередину зарядного пристрою.

Електронна система захисту

Інструменти з літій-іонними акумуляторами XR розроблені з використанням електронної системи захисту, яка захищає акумулятор від перевантаження, перегрівання або глибокої розрядки.

Пристрій автоматично вимикається, якщо спрацює електронна система захисту. Якщо це сталося, встановіть літій-іонний акумулятор в зарядний пристрій до повної зарядки.

Кріплення на стіну

Ці зарядні пристрої можна закріпити на стіні, чи поставити на стіл або іншу робочу поверхню. При кріпленні на стіну розташуйте зарядний пристрій недалеко від електричної розетки, а також подалі від кутів та інших перешкод, що заважають повітряному потоку. Скористайтеся задньою частиною зарядного пристрою в якості шаблону для розташування кріпильних гвинтів на стіні. Надійно зафіксуйте зарядний пристрій за допомогою шурупів (потрібно придбати окремо) довжиною приблизно 25,4 мм з голівкою діаметром 7–9 мм, що закручуються в дерев'яну поверхню до оптимальної глибини, щоб залишилося приблизно 5,5 мм. Вирівняйте отвори на задній поверхні зарядного пристрою з виступаючими шурупами, після чого повністю вставте шурупи в отвори.

Інструкції з очищення зарядного пристрою

⚠ ПОПЕРЕДЖЕННЯ: Небезпека ураження електричним струмом. Відключіть зарядний пристрій від розетки змінного струму перед його очищенням. Бруд та жир можна видалити з поверхні зарядного пристрою за допомогою ганчірки або м'якої неметалевої щітки. Не використовуйте воду та мийні розчини. Не дозволяйте рідині потрапляти всередину інструмента та ніколи не занурюйте деталі інструмента в рідину.

Акумулятор

Важливі інструкції з техніки безпеки для різних типів акумуляторів

При замовленні змінних акумуляторів не забудьте вказати номер за каталогом та напругу.

Новий акумулятор заряджений не повністю. Перед використанням акумулятора та зарядного пристрою прочитайте всі нижче наведені інструкції з техніки безпеки. Після цього виконайте всі вказані пункти процедури зарядки.

ПРОЧИТАЙТЕ ВСІ ІНСТРУКЦІЇ

- **Не заряджайте та не використовуйте акумулятор у вибухонебезпечних умовах, наприклад в присутності легкозаймистих рідин, газів або пилу.** Під час встановлення або виймання батареї з зарядного пристрою може спалахнути пил або пара.
- **На прикладіть зусилля, вставляючи акумулятор в зарядний пристрій. Жодним чином не модифікуйте акумулятор, аби встановити його в несумісний зарядний пристрій, адже**

акумулятор може розірватися та спричинити серйозні травми.

- Використовуйте тільки зарядні пристрої DeWALT для заряджання акумуляторів.
- **НЕ** занурюйте акумулятор у воду та інші рідини та не бризкайте на нього.
- **Не зберігайте та не використовуйте інструмент та акумулятор у місцях, де температура може сягати або перевищувати 40 °C (104 °F) (наприклад, біля гаражів або металевих будівель влітку).**
- **Не спалюйте акумулятор, навіть якщо він сильно пошкоджений або повністю зношений.** Акумулятор може вибухнути у вогні. Коли літій-іонні акумулятори горять, утворюються токсичні випаровування та речовини.
- **Якщо вміст акумулятора потрапив на шкіру, негайно промийте це місце м'яким милом та водою.** Якщо рідина з акумулятора потрапила в очі, промийте відкрите око протягом 15 хвилин або доки подразнення не зникне. Якщо необхідно звернутися до лікаря, акумуляторний електроліт складається з суміші рідких органічних вуглекислих солей та солей літію.
- **Вміст відкритого акумулятора може спричинити подразнення дихальних шляхів.** Видіть на свіже повітря. Якщо симптоми не зникають, зверніться до лікаря.



ПОПЕРЕДЖЕННЯ: Небезпека опіку. Рідина з акумулятора може спалахнути, якщо на неї потрапить іскра або полум'я.



ПОПЕРЕДЖЕННЯ: За жодних умов не намагайтесь відкрити акумулятор. За будь-якого пошкодження акумулятора не встановлюйте його у зарядний пристрій. Не бийте, не кидайте та не пошкоджуйте акумулятор. Не використовуйте акумулятор та зарядний пристрій, якщо ті отримали різкий удар, впали або були пошкоджені іншим чином (наприклад, були проколоті цвяхом, вдарені молотком, на них наступили). Це може призвести до ураження електричним струмом. Пошкоджені акумулятори необхідно повернути до сервісного центру ля переробки.



ПОПЕРЕДЖЕННЯ: Небезпека виникнення пожежі. Зберігайте та переносьте акумулятор так, щоб металеві предмети не торкалися його відкритих контактів. Наприклад, не кладіть акумулятор у фартух, кишені, ящики з інструментами, коробки з наборами приладдя, шухляди тощо, де можуть бути цвяхи, гвинти, ключі тощо.



УВАГА: Якщо інструмент не використовується, залишайте його на боці на стабільній поверхні в такому місці, де через нього не можна перепечитися та впасти. Деякі інструменти з великими акумуляторами можуть стояти на батареї, але їх можна легко перекинути.

Транспортування



ПОПЕРЕДЖЕННЯ: Небезпека виникнення

пожежі. Під час перевезення акумуляторів може виникнути пожежа, якщо контакти акумулятора випадково ввійдуть в контакт з електропровідним матеріалом. Під час перевезення акумуляторів переконайтесь, що їхні контакти захищені та добре ізольовані від матеріалів, які можуть увійти з ними в контакт та викликати коротке замикання.

ПРИМІТКА: При перевезенні літій-іонних акумуляторів не можна здавати їх в багаж.

Акумулятори DeWALT відповідають всім нормам перевезення, описаним у галузевих та законодавчих положеннях, включно з рекомендаціями ООН про перевезення небезпечних вантажів, правилами перевезення небезпечних вантажів Міжнародної організації повітряного транспорту (IATA), міжнародними правилами перевезення небезпечних вантажів водним транспортом (IMDG) та Європейській угоді про міжнародне дорожнє перевезення небезпечних вантажів (ADR). Літій-іонні елементи живлення та акумулятори були перевірені відповідно до розділу 38.3 керівництва з тестів та критеріїв щодо перевезення небезпечних вантажів Рекомендацій ООН.

У більшості випадків перевезення акумуляторів DeWALT може бути класифіковано як перевезення небезпечних речовин, що повністю підпадають під клас 9. Загалом тільки вантажі, що містять літій-іонні акумулятори ємністю більше за 100 ват-годин (Вт-год.), вимагають транспортування відповідно до норм перевезення небезпечних речовин, що повністю підпадають під Клас 9. На всі літій-іонні акумулятори нанесено значення ват-годин. Крім того, через складності законодавчих норм компанія DeWALT не рекомендує транспортування окремо літій-іонних акумуляторів повітряним транспортом, незалежно від показника ват-годин. Перевезення інструментів з акумуляторами (у комплекті) можна виконувати повітряним транспортом, якщо значення ват-годин не перевищує 100 Вт-год.

Незалежно від того, чи вантаж вважається виключеним або повністю регламентованим, вантажовідправник несе відповідальність за відповідність останнім нормам щодо вимог до упаковки, етикеток/маркування та документації. Інформація, що наводиться у цьому розділі керівництва, сумлінно перевірена та вважається дійсною на момент складання документації. Проте чинні нормативи можуть підлягати змінам. Покупець несе відповідальність за те, щоб його дії відповідали певним нормам.

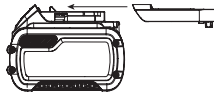
Транспортування батареї FLEXVOLT™

Батарея DeWALT FLEXVOLT™ має два режими: **використання та транспортування.**

Режим використання. при використанні батареї FLEXVOLT™ окремо або в продукті DeWALT 18В вона працює як батарея потужністю 18 В. Якщо батарею FLEXVOLT™ встановлено у пристрій потужністю 54 В або 108 В (дві батареї 54 В), вона буде працювати як батарея 54 В.

Режим транспортування. якщо на батарею FLEXVOLT™ встановлено кришку, вона знаходиться у режимі транспортування. Не знімайте цю кришку при транспортуванні.

У режимі транспортування послідовність електричних елементів акумулятора роз'єднана, що створює 3 акумулятори з меншим значенням Вт-год в порівнянні з 1 акумулятором із більшим значенням цього показника. Ці 3 акумулятори з нижчим значенням ват-годин можуть бути виключені з певних норм транспортування, що застосовуються для акумуляторів з більшим значенням ват-годин.



Наприклад, показник транспортування може бути 3 × 36 Вт-год, що означає 3 акумулятори по 36 Вт-год кожний. При цьому показник Вт-год в режимі використання може бути вказаний як 108 Вт-год (1 акумулятор).

Приклад маркування способів використання та транспортування



Use: 108 Wh
Transport: 3x36 Wh

Рекомендації щодо зберігання

1. Найкращим місцем для зберігання інструмента є прохолодне сухе місце, куди не потрапляють прямі сонячні промені та немає доступу тепла та холоду. Для оптимальної продуктивності та терміну служби батарей зберігайте їх за кімнатної температури, коли вони не використовуються.
2. При тривалому зберіганні для оптимального результату рекомендується помістити повністю заряджений акумулятор у сухе прохолодне місце поза зарядним пристроєм.

ПРИМІТКА: Не рекомендується зберігати акумулятор повністю розрядженим. Акумулятор потрібно перезарядити перед використанням.

Етикетки на зарядному пристрої та акумуляторі

Крім символів, що використовуються у цьому керівництві, етикетки на зарядному пристрої та акумуляторі можуть містити наведені нижче позначки.



Прочитайте інструкції цього керівництва перед використанням.



Див. розділ «Технічні дані» щодо часу зарядки.



Не торкайтеся електропровідними предметами.



Не заряджайте пошкоджені акумулятори.



Не піддавайте впливу води.



Негайно замінійте пошкоджений дрід живлення.



Заряджайте акумулятор за температури 4–40 °С.



Лише для використання в приміщенні.



LI-ION

Утилізуйте акумулятори з належною турботою про навколишнє середовище.



Заряджайте акумулятори DEWALT лише за допомогою спеціальних зарядних пристроїв DEWALT. Зарядка інших акумуляторних батарей, ніж призначені DEWALT, у зарядному пристрої DEWALT може призвести до їх вибуху або інших небезпечних ситуацій.



Не спалюйте акумулятори.



ВИКОРИСТАННЯ (без кришки для транспортування).

Приклад: Значення Вт-год становить 108 Вт-год (1 акумулятор потужністю 108 Вт-год).



ТРАНСПОРТУВАННЯ (зі встановленою кришкою для транспортування). Приклад: Значення Вт-год становить 3 × 36 Вт-год (3 акумулятори потужністю 36 Вт-год).

Тип акумулятора

Пристрій DCS578, DCS579, DCS578-XE, DCS579-XE працює від акумулятора потужністю ?? вольт.

Для експлуатації придатні акумулятори наступних моделей: DCB546, DCB547, DCB548. Див. додаткову інформацію у розділі **Технічні дані**.

Комплект поставки

До комплекту входить:

- 1 Диска пилка
- 1 Пильний диск пилки
- 1 Гайковий ключ для диска
- 1 Напрямна планка
- 1 Порт для видалення пилю
- 1 Зарядний пристрій (лише моделі T)
- 1 Літій-іонний акумулятор (моделі C1, D1, L1, M1, P1, S1, T1, X1, Y1)
- 2 Літій-іонні акумулятори (моделі C2, D2, L2, M2, P2, S2, T2, X2, Y2)
- 3 Літій-іонні акумулятори (моделі C3, D3, L3, M3, P3, S3, T3, X3, Y3)
- 1 Керівництво з експлуатації

ПРИМІТКА. Акумулятори, зарядні пристрої та коробки для зберігання не входять до комплекту моделей N. Акумулятори та зарядні пристрої не входять до комплекту моделей NT. Моделі B включають акумулятори для приладів з підтримкою Bluetooth®.

ПРИМІТКА. Текстовий знак та логотипи Bluetooth® є зареєстрованими товарними знаками, що належать компанії Bluetooth®, SIG, Inc. Будь-яке використання таких знаків компанією DEWALT здійснюється згідно з ліцензією. Інші торгові марки й торгові назви належать відповідним власникам.

- *Перевірте інструмент, деталі та приладдя на пошкодження, що могли виникнути під час транспортування.*
- *Перед використанням уважно прочитайте та повністю зрозумійте це керівництво.*

Маркування інструмента

На інструменті є наступні піктограми:



Прочитайте інструкції цього керівництва перед використанням.



Використовуйте засоби захисту органів слуху.



Використовуйте засоби захисту очей.



Видиме випромінювання. Не дивіться на джерело світла.

Розташування коду дати (Рис. А)

Код дати **19**, що включає також рік виробництва, зазначений на корпусі.

Приклад:

2020 XX XX

Рік виробництва

Опис (рис. А)



УВАГА: Ніколи не модифікуйте електричні інструменти або їх деталі. Це може призвести до пошкодження майна або тілесних ушкоджень.

- 1 Курковий перемикач
- 2 Кнопка блокування тригерного перемикача
- 3 Основна ручка
- 4 Поясний гак (входить до комплекту деяких моделей)
- 5 Блокування диска
- 6 Заглушка
- 7 Допоміжна ручка
- 8 Важіль фіксації куту нахилу
- 9 Механізм регулювання кута нахилу
- 10 Світлодіодне джерело робочого світла
- 11 Опорна пластина
- 12 Нижній захисний кожух диска
- 13 Затискний гвинт диска
- 14 Важіль нижнього кожуха
- 15 Верхній захисний кожух диска
- 16 Акумулятор
- 17 Кнопка розблокування акумулятора
- 18 Код дати (рис. Н)

- 19 Регулятор рейки (розпилювання під 0°)
- 20 Регулятор рейки (розпилювання під кутом 1–45°)
- 21 Акумулятори з індикатором рівня заряду (на акумуляторі)

Сфера застосування

Ці дискові пилки для роботи у важких умовах призначені для професійного розпилювання деревини. Не ріжте метал, пластмасу, бетон, цегляну кладку або фіброцементні матеріали.

НЕ використовуйте за умов підвищеної вологості або в присутності легкозаймистих рідин та газів.

Ці пилки для роботи у важких умовах є професійними інструментами.

Не дозволяйте дітям підходити до небезпечної відстань та торкатися інструмента. Використання інструмента недосвідченими операторами потребує нагляду.

- **Діти та хворі люди.** Цей пристрій не призначений для використання дітьми та особами з обмеженими фізичними або розумовими можливостями без нагляду.
- Цей пристрій не призначений для використання особами (включаючи дітей) із зниженими фізичними, сенсорними або розумовими можливостями або особами, яким бракує досвіду або знань за винятком випадків, коли такі особи працюють під наглядом особи, яка несе відповідальність за їх безпеку. Не можна залишати дітей наодинці з цим приладом.

МОНТАЖ ТА НАЛАШТУВАННЯ



ПОПЕРЕДЖЕННЯ: Щоб знизити ризик серйозних тілесних ушкоджень, вимкніть інструмент та відключіть акумулятор перед виконанням будь-яких налаштувань або змінням/встановленням додаткового обладнання або приладдя. Випадковий запуск може призвести до травм.



ПОПЕРЕДЖЕННЯ: Використовуйте тільки DEWALT акумулятори та зарядні пристрої.

Установка акумулятора в інструмент та його виймання (Рис. В)

ПРИМІТКА. Переконайтесь, що ваш акумулятор **14** повністю заряджений.

Для встановлення акумулятора у ручку інструмента

1. Вирівняйте акумулятор **14** по напрямних у ручці інструменту (Рис. В).
2. Вставте акумулятор у ручку до упору та переконайтесь, що ви почули звук клацання акумулятора, що став на місце.

Виймання акумулятора з інструмента

1. Натисніть кнопку розблокування **15** та витягніть акумулятор з ручки інструмента.
2. Вставте акумулятор у зарядний пристрій, як описано у розділі щодо зарядного пристрою цього керівництва.

Акумулятори з індикатором рівня заряду (Рис. В)

Деякі акумулятори DeWALT оснащені індикатором заряду з трьох зелених світлодіодів, що вказують рівень заряду акумулятора, що залишився.

Щоб увімкнути індикатор заряду, натисніть та утримуйте кнопку індикатора заряду **16**. Три зелені світлодіоди будуть горіти відповідним чином, відображуючи рівень зарядки акумулятора. Коли рівень заряду акумулятора нижче відповідного ліміту, індикатор рівня заряду не горить, а акумулятор потрібно зарядити.

ПРИМІТКА: Індикатор рівня зарядки показує лише рівень зарядки, що залишився в акумуляторі. Він не показує функціональність інструмента, а його показники можуть змінюватись відповідно до комплекстності інструмента, температури та способу застосування.

Заміна пильних дисків

Встановлення пильного диска (рис. В–Е)

1. Зніміть акумулятор.
2. За допомогою важеля нижнього кожуха **14** втягніть нижній кожух диска **12** і помістіть диск на шпindel пилки навпроти внутрішньої шайби затиску **22**, стежачи за тим, щоб диск обертався в правильному напрямку (напрямок стрілки обертання на пильному диску та зубці повинні бути спрямовані в тому ж напрямку, що і стрілка напрямку обертання на пилці). Не думайте, що при правильному встановленні друк на диску завжди буде спрямований до вас. При втягуванні нижнього захисного кожуха для встановлення диска перевірте стан і роботу нижнього захисного кожуха диска, щоб переконатися, що він працює належним чином. Переконайтеся, що він вільно рухається і не торкається пильного диска та інших деталей в жодному з напрямків та за будь-якої глибини розпилювання.
3. Встановіть зовнішню шайбу затиску **23** на шпindel пилки зі скошеною кромкою, спрямованою назовні. Щоб забезпечити центрування полотна, переконайтеся, що 30 мм діаметр на боці леза затискача співпадає з 30 мм отвором у пильному диску.
4. Накрутіть вручну затискний гвинт диска **13** на шпindel пилки (гвинт має праве різьблення і для затягування його необхідно повернути за годинниковою стрілкою).
5. Під час обертання шпиделя пилки натискайте на фіксатор диска **5** за допомогою гайкового ключа **24**, що зберігається під відсіком для акумулятора, до тих пір, поки фіксатор диска не клацне, і диск не перестане обертатися.
6. Добре затягніть затискний гвинт пильного диска за допомогою гайкового ключа.

ПРИМІТКА. Ні в якому разі не задіюйте фіксатор пильного диска під час роботи пилки і не намагайтеся зупинити інструмент. Ніколи не вмикайте пилку із задіяним фіксатором пильного диска. Це призведе до серйозного пошкодження пилки.

Для заміни пильного диска (рис. В–Е)

1. Зніміть акумулятор.
2. Щоб послабити затискний гвинт диска **13**, натисніть на фіксатор диска **5** і поверніть шпindel пилки за допомогою гайкового ключа **24**, що зберігається під відсіком для акумулятора, до тих пір, поки фіксатор диска не клацне, і диск не перестане обертатися. З задіяним фіксатором диска поверніть затискний гвинт диска проти годинникової стрілки за допомогою гайкового ключа (гвинт має праве різьблення і для ослаблення повинен бути повернений проти годинникової стрілки).
3. Зніміть затискний гвинт диска **13** і зовнішню шайбу затиску **23**. Зніміть старий пильний диск.
4. Очистіть всю тирсу, що могла накопичитися в області кожуха або шайби затиску, і перевірте стан і роботу нижнього кожуха диска, як описано вище. Не змащуйте цю область.
5. Виберіть відповідний диск (див. **Пильні диски**). Завжди використовуйте диски правильного розміру (діаметра) з відповідним розміром і формою центрального отвору для встановлення на шпindel пилки. Завжди стежте за тим, щоб максимальна рекомендована частота обертання (об/хв) пильного диска співпадала зі швидкістю обертання (об/хв) пилки або перевищувала її.
6. Виконайте кроки з 1 по 5 в розділі «**Встановлення пильного диска**» і переконайтеся, що диски будуть обертатися в правильному напрямку.

Нижній захисний кожух пильного диска

ЗАСТЕРЕЖЕННЯ. Нижній захисний кожух диска є запобіжним пристроєм, що знижує ризик отримання важких травм. Ніколи не використовуйте пилку, якщо нижній захисний кожух відсутній, пошкоджений, неправильно змонтований або неправильно працює. Ні в якому разі не розраховуйте, що нижній захисний кожух диска захистить вас. Ваша безпека залежить від дотримання всіх застережень і запобіжних заходів, а також від правильної експлуатації пилки. Перед використанням перевірте, щоб нижній захисний кожух диска був зафіксований відповідним чином. Якщо нижній кожух захисний диска відсутній або не працює належним чином, то перед використанням пилки необхідно провести її технічне обслуговування. Для забезпечення безпеки і надійності продукту ремонт, технічне обслуговування та регулювання повинні виконуватися авторизованим сервісним центром або іншою кваліфікованою сервісною організацією, завжди з використанням ідентичних запасних частин.

Перевірка нижнього захисного кожуха (рис. А)

1. Вимкніть інструмент та відключіть його від джерела живлення.
2. Поверніть важіль нижнього захисного кожуха **14** з повністю закритого положення в повністю відкрите.

3. Відпустіть важіль і поспостерігайте за тим, як захисний кожух **12** повертається в повністю закрите положення.

Обслуговування інструменту має здійснюватися кваліфікованим сервісним центром, якщо:

- не повертається у повністю закрите положення,
- рухається з перервами або повільно, або
- стикається з диском або будь-якою частиною інструменту у всіх кутах і глибини розрізу.

Пильні диски

УВАГА: Для зменшення ризику отримання травми очей завжди використовуйте засоби захисту очей. Твердий сплав – твердий, але крихкий матеріал. Сторонні предмети на заготовці, такі як дріт або цвяхи, можуть призвести до тріщин або поломок ріжучої кромки. Працюйте з пилкою тільки при встановленому належному захисному кожусі пильного диска. Перед використанням надійно закріпіть диск в правильному положенні обертання. Завжди використовуйте чистий і гострий пильний диск.

УВАГА: Не ріжте цією пилкою метал, пластмасу, бетон, цегляну кладку або фіброцементні матеріали.

Діаметр 190 мм

Застосування	Кількість зубів
Швидкий поздовжній розпил	18
Поздовжній розпил	24
Загального використання	40

Діаметр 184 мм

Застосування	Кількість зубів
Поздовжній розпил	24
Загального використання	36
Обробка	60

Якщо вам потрібна допомога щодо пильних дисків, зверніться до місцевого дилера DEWALT.

Віддача

Віддача – це раптова реакція на затискання, заїдання або розрегулювання пильного диска, що спричиняє рух неконтрольованої пилки вгору в напрямку від заготовки до оператора. Якщо пильний диск заїло або затиснуло під час розрізання, він зупиняється, а електродвигун спричиняє швидкий рух пристрою назад на оператора. Якщо пильний диск викривлюється або займає неправильне положення в розрізі, зубці на задньому кінці диска можуть вийти з пропилу на поверхню заготовки, що призведе до підстрибування пильного диска в напрямку до оператора. Віддача більш імовірна при наявності будь-якої з наступних умов.

1. НЕПРАВИЛЬНЕ ЗАКРІПЛЕННЯ ЗАГОТОВКИ (РИС. X)

- Провисання або неправильний підйом відрізаного шматка може привести до затискання диска і виникнення віддачі (рис. X).
- Різання матеріалу, закріпленого тільки за крайні точки, може привести лише до віддачі. У міру ослаблення матеріалу він провисає, закриваючи пропил і затискаючи пильний диск (рис. X).
- Різання шматка матеріалу, що виступає або звисає, знизу вгору у вертикальному напрямку, може привести до віддачі. Падаючий відрізаний шматок може затиснути диск.
- Відрізання довгих вузьких смуг може привести лише до віддачі. Відрізана смуга може провисати або скручуватися, закриваючи пропил і затискаючи пильний диск.
- Заїдання нижнього захисного кожуха на поверхні нижче точки різання матеріалу миттєво знижує контроль з боку оператора. Пилка може частково піднятися з розрізу, збільшуючи ймовірність скручування пильного диска.

2. НЕПРАВИЛЬНЕ НАЛАШТУВАННЯ ГЛИБИНИ РІЗАННЯ НА ПИЛЬЦІ (РИС. H)

Для найбільш ефективного різання пильний диск повинен виступати настільки, щоб виглядала половина зубця, як показано на рис. H. Це дозволяє опорній пластині підтримувати пильний диск і знижує ймовірність скручування і защемлення матеріалу. Див. розділ під назвою «**Регулювання глибини різання**».

3. СКРУЧУВАННЯ ПИЛЬНОГО ДИСКА (ЗМІЩЕННЯ ПРИ РОЗПИЛЮВАННІ)

- Більш сильне натискання на пилку при різанні може спричинити скручування леза.
 - Спроба повернути пилку у пропили (спроба повернутися на зазначену лінію) може привести до скручування пильного диска.
 - Прикладання надмірних зусиль до пилки або робота з нею при поганому керуванні корпусом (порушення рівноваги) може привести до скручування пильного диска.
 - Зміна хвату рук або положення тіла під час різання може призвести до скручування пильного диска.
 - Зворотний рух пилки для очищення пильного диска може привести до скручування.
- ### 4. ВИКОРИСТОВУВАННЯ ТУПИХ АБО БРУДНИХ ЛЕЗ
- Тупі леза збільшують навантаження на пилку. Для компенсації оператор, як правило, натискає сильніше, що додатково навантажує пристрій і сприяє скручуванню пильного диска у пропили. Зношені пильні диски можуть також мати недостатню площину холостого ходу, що збільшує ймовірність заїдання і збільшення навантаження.
- ### 5. ВІДНОВЛЕННЯ РІЗАННЯ З ПИЛЬНИМ ДИСКОМ, ЗАТИСНУТИМ У МАТЕРІАЛІ
- Перед початком або відновленням різання після зупинки пристрою з пильним диском у пропили пилку необхідно

довести до повної робочої швидкості. Невиконання цієї вимоги може привести до уповільнення і віддачі.

Будь-які інші умови, які можуть привести до защемлення, заїдання, скручування або зміщення пильного диска, можуть привести до віддачі. Див. розділи «**Додаткові інструкції з техніки безпеки для всіх пилко**» та «Пильні диски», в яких описані процедури і прийоми, що дозволяють звести до мінімуму виникнення віддачі.

Регулювання глибини різання (рис. F–H)

1. Підніміть важіль налаштування глибини **25**, щоб послабити його.
2. Для отримання правильної глибини різання вирівняйте відповідну мітку на реміні регулювання глибини різі **26** з виймкою **27** на верхньому захисному кожусі диска.
3. Затягніть важіль налаштування глибини.
4. Для найбільш ефективного різання за допомогою твердосплавного пильного диска відрегулюйте глибину так, щоб приблизно половина зубця виступала нижче поверхні деревини, що розпилюється.
5. Метод перевірки правильної глибини різання показаний на рис. H. Покладіть шматок матеріалу, який ви плануєте різати вздовж боку диска, як показано на рисунку, і подивіться, наскільки зубці виступають за матеріал.

Регулювання важеля налаштування глибини (рис. G)

Можливо, буде потрібно відрегулювати важіль налаштування глибини **25**. З часом він може ослабнути і вдаритися об опорну пластину перед затягуванням.

Затягування важеля

1. Тримайте важіль налаштування глибини **25** і відкрутіть контргайку **28**.
2. Відрегулюйте важіль налаштування глибини, повертаючи його в потрібному напрямку приблизно на 1/8 оберт.
3. Знов затягніть гайку.

Регулювання кута скосу кромки (рис. A, I)

Механізм регулювання кута нахилу **9** можна відрегулювати в межах від 0° до 57°.

Для досягнення більшої точності різання використовуйте маркування точного регулювання, розташовані на шарнірному кронштейні **29**.

1. Підніміть важіль регулювання кута нахилу **8**, щоб послабити його.
2. Нахиліть опорну пластину на потрібний кут, вирівнявши стрілку точного регулювання нахилу **30** з потрібною позначкою кута на шарнірному кронштейні **29**.
3. Опустіть важіль регулювання кута нахилу, щоб знов затягнути його.

Фіксатор нахилу (рис. I)

DCS578 та DCS579 оснащені функцією фіксації нахилу.

Нахилиючи опорну пластину, ви почуєте клацання і відчуєте, як опорна пластину зупиняється як на 22,5, так і на 45 градусів. Якщо один з цих кутів необхідний, затягніть

важіль **8**, опустивши його. Якщо необхідний інший кут, продовжуйте нахилити опорну пластину до тих пір, поки стрілка грубого регулювання нахилу **31** або стрілка точного регулювання **30** не вирівняється з потрібною позначкою.

Індикатор довжини різання (рис. A)

Маркування на боковій стороні опорної пластини **11** показує довжину вирізуваного пазу в матеріалі на всю глибину пропили. Маркування має крок 5 мм.

Монтаж і регулювання напрямної планки (рис. K)

Напрямна планка **33** використовується для різання паралельно краю заготовки.

Монтаж

1. Відкрутіть ручку регулювання напрямної планки **32**, щоб забезпечити проходження напрямної планки.
2. Вставте напрямну планку **33** в опорну пластину **11**, як показано на рисунку.
3. Затягніть ручку регулювання напрямної планки **32**.

Регулювання

1. Відпустіть ручку регулювання напрямної **32** і встановіть напрямну планку **33** на потрібну ширину. Значення регулювання можна побачити на шкалі напрямної планки.
2. Затягніть ручку регулювання напрямної **32**.

Монтаж порту для видалення пилу (рис. A, F, L)

Дискові пилки DCS578/DCS579 оснащені портом для видалення пилу.

Встановлення порту для видалення пилу

1. Повністю відкрутіть важіль налаштування глибини **25**.
2. Розмістіть опорну пластину **11** у найнижчому положенні.
3. Вирівняйте ліву половину порту для видалення пилу **34** над верхнім захисним кожухом диска **15**, як показано на рисунку. Обов'язково вставте фіксатор в литий паз на інструменті. При правильній установці він буде повністю замикатися на вихідній глибині стрілки розрізу.
4. Вирівняйте праву частину з лівою.
5. Вставте гвинти і надійно затягніть.

Система рольгангів (рис. M)

DCS579

Рольганги, що поставляються в якості приладдя різної довжини, дозволяють використовувати дискову пилу для точного, прямого і чистого розпилювання, а також одночасно захищати поверхню заготовки від пошкоджень. У поєднанні з додатковим приладдям за допомогою системи рольгангів можна виконувати точні розрізи з кутом і нахилом та монтажні роботи.

Затискачі **37** застосовуються для кріплення рольгангу **35** до заготовки **36** (рис. M). Використання цих затискачів **37** забезпечує надійне кріплення рольгангу **35** до

заготовки **36** для безпечної роботи. Після встановлення рольгангу на лінію різання і надійного кріплення до заготовки під час різання руху не відбувається.

ВАЖЛИВО! Шкала висоти на пристрої налаштована на використання пилки без рольгангу. При використанні пилки на рольгангу різниця в висоті складатиме приблизно 5,0 мм.

Встановлення дискової пили на рольгангу (рис. А, N)

Зазор між дисковою пилюкою і рольгангом (рис. N, **35**) має бути найменшим для досягнення найкращих результатів різання. Чим менше цей зазор, тим краще буде оброблена заготовка.

Зазор можна відрегулювати за допомогою двох регулювань рейок **19**, **20** (рис. А) для кожного каналу в опорі для розпилювання під 0° **19** і для розпилювання під кутом під $1-45^\circ$ **20**. Регулятори рейок представляють собою точні кулачки, які дозволяють зменшити зазор між пристроєм і рольгангом. Після встановлення цих регуляторів боковий рух пилки під час різання зводиться до мінімуму, забезпечуючи плавний хід різання.

ПРИМІТКА. Регулятори налаштовані на мінімальний зазор на заводі і можуть потребувати регулювання і налаштування перед початком використання пристрою. Для встановлення дискової пили на рольганг використовуйте наступну інструкцію.

ПАМ'ЯТАЙТЕ: Встановіть регулятори рейок на пилці на рольганг.

1. Відкрутіть гвинт всередині регулятора рейок, щоб забезпечити регулювання між пилюкою і рольгангом.
2. Втягніть нижній кожух і помістіть пристрій на рольганг, переконавшись, що пильний диск знаходиться в найвищому положенні.
3. Повертайте регулятор до тих пір, поки пилка не зафіксується на рольгангу.
ВАЖЛИВО! Спробуйте просунути пилку вперед, щоб переконатися, що вона надійно прикріплена до рейки. Переконайтеся, що пилка не рухається.
4. Злегка повертайте регулятор назад до тих пір, поки пилка не буде легко ковзати по рейці.
5. Тримайте регулятор рейок в потрібному положенні і знову затягніть гвинт.

ПРИМІТКА. ЗАВЖДИ регулюйте систему для використання з іншими рейками.

Регулятори рейок тепер налаштовані таким чином, щоб звести до мінімуму бокові відхилення при розпилюванні пилюкою на рольгангу.

Перед використанням пилки необхідно налаштувати захист від сколювання стружки **38** на рольгангу. Див. розділ «**Налаштування захисту від сколювання стружки**».

Налаштування захисту від сколювання стружки (рис. N)

Рольганг **35** оснащений захистом від сколювання стружки **38**, який необхідно налаштувати на пилці перед першим використанням.

Захист від сколювання стружки **38** розташований з кожного краю рольгангу. Призначення цього захисту від сколювання стружки полягає у забезпеченні користувача видимою лінією розрізу при одночасному зменшенні сколів, що утворюються вздовж ріжучої кромки заготовки під час різання.

ВАЖЛИВО! ЗАВЖДИ читайте і виконуйте розділ «**Встановлення дискової пили на рольгангу**», перш ніж різати із захистом від сколювання стружки!

Кроки для налаштування захисту від сколювання стружки (рис. O–R)

1. Встановіть рольганг **35** на шматок дерева **39**, що звисає над заготовкою не менше ніж на 100 мм (рис. O). Використайте затискач, щоб забезпечити надійне кріплення рольгангу до заготовки. Це забезпечить точність.
2. Встановіть пристрій на глибину різання 20 мм.
3. Встановіть передню частину пилки на кінець, що звисає над рольгангом, при цьому стежте за тим, щоб пильний диск знаходився перед кромкою рейки (рис. P).
4. Увімкніть пилку і повільно виконайте розпил вздовж захисту від сколювання стружки по всій довжині рейки одним безперервним рухом. Кромка захисту від сколювання стружки тепер точно відповідає ріжучій кромці пильного диску (рис. Q).

Для налаштування захисту від сколювання стружки з іншої сторони рольгангу зніміть пилку з рейки і поверніть рейку на 180° . Повторіть кроки 1–4.

ПРИМІТКА. За бажанням захист від сколювання стружки можна нахилити на 45° , і потім повторити кроки 1–4. Це дозволяє виконувати паралельне розпилювання з одного боку рейки, а з іншого боку рейки налаштовувати на розпилювання під нахилом 45° (рис. R).

ПРИМІТКА. Якщо захист від сколювання стружки налаштований на паралельне розпилювання з обох сторін, то при нахилі пристрою пильний диск не буде рухатися в напрямку кромки захисту від сколювання стружки. Це відбувається тому, що точка обертання нахилу пристрою не є нерухою, і пильний диск висувається, коли пристрій нахилиється.

Індикатор пропилу (рис. S–U)

У передній частині опорної пластини пилки є індикатор пропилу **41** для вертикального розпилювання та розпилювання під кутом. Цей індикатор дозволяє направляти пилу уздовж лінії розрізу, накреслених на матеріалі, що розпилюється. Індикатор пропилу збігається з лівою (зовнішньою) стороною пильного диска, в результаті чого паз або «пропил», розрізаний пильним диском, що рухається, йде праворуч від індикатора. Направляйте уздовж накресленої лінії розрізу так, щоб пропил падав в відході або зайвий матеріал. На рис. T зображена пилка, розташована для розпилювання паралельно рольгангу. На рис. U зображена пилка, розташована для розпилювання під кутом відносно рольгангу.

Перед експлуатацією

- Переконайтесь, що запобіжники встановлені вірно. Запобіжник пильного полотна повинен бути в закритому положенні.
- Переконайтесь, що пильний диск обертається у напрямку, вказаному стрілкою на диску.
- Не використовуйте занадто зношені пильні диски.

РЕЖИМ РОБОТИ

Інструкції з використання



ПОПЕРЕДЖЕННЯ: Завжди дотримуйтесь усіх інструкцій з техніки безпеки та відповідних норм.



ПОПЕРЕДЖЕННЯ: Щоб знизити ризик серйозних тілесних ушкоджень, вимкніть інструмент та відключіть акумулятор перед виконанням будь-яких налаштувань або зніманням/встановленням додаткового обладнання або приладдя. Випадковий запуск може призвести до травм.

Належне положення рук (рис. V)



УВАГА: Щоб знизити ризик серйозних травм, **ЗАВЖДИ** правильно розташуйте руки, як показано.



УВАГА! Щоб знизити ризик серйозних травм, **ЗАВЖДИ** надійно тримайте інструмент, щоб попередити випадкову віддачу.

При правильному положенні рук необхідно одну руку тримати на основній ручці **3**, а іншу – на допоміжній ручці **7**.

Світлодіодне джерело робочого світла (рис. A)

Світлодіодне джерело робочого світла **10** активується при натисненні на тригерний перемикач. Після відпускання тригерного перемикача підсвічування буде працювати ще до 20 секунд.

ПРИМІТКА. Джерело робочого світла призначене для освітлення безпосередньої робочої поверхні та не використовується в якості ліхтарика.

Увімкнення/вимкнення (рис. A)

Для підвищення безпеки курковий перемикач **1** вашого інструменту оснащений кнопкою блокування **2**.

Натисніть кнопку блокування, щоб розблокувати інструмент.

Щоб увімкнути інструмент, натисніть курковий перемикач

1. Коли ви відпускаєте тригерний перемикач, автоматично активується кнопка блокування для уникнення випадкового запуску інструменту.

ПРИМІТКА. Не вмикайте/вимикайте інструмент, коли пильний диск торкається заготовки або матеріалу.

Закріплення заготовки (рис. W–Z)



ЗАСТЕРЕЖЕННЯ. Щоб зменшити ризик отримання важких травм, належним чином підтримуйте заготовку і міцно тримайте пилку, щоб запобігти втраті контролю.

На рис. W та Y зображенні правильні положення різання. На рис. X та Z зображенні небезпечні положення. Руки слід тримати подальше від зони різання.

Щоб уникнути віддачі, **ЗАВЖДИ** підтримуйте дошку або панель БЛІЯ місця різання (рис. W та Y). Не підтримуйте дошку або панель далеко від місця різання (рис. X, Z). ПЕРЕД ВИКОНАННЯМ РЕГУЛЮВАНЬ ЗАВЖДИ ВІД'ЄДУЙТЕ АКУМУЛЯТОР! Помістіть заготовку з її «хорошою» стороною – тією, зовнішній вигляд якої найбільш важливий – донизу. Пилка різє вгору, тому при різанні будь-коли будуть на верхній робочій поверхні.

Різнання (рис. Y)



ЗАСТЕРЕЖЕННЯ. Ніколи не використовуйте інструмент у переверненому стані на робочій поверхні та не підносьте до нього матеріал. Необхідно завжди надійно затискати заготовку та підносити інструмент до неї, надійно тримаючи інструмент двома руками, як зображено на рис. Y.

Встановіть ширшу частину опорної пластини пилки на міцно закріплену частину заготовки, а не на частину, яка відпаде при виконанні розрізу. Як приклад на рис. Y показаний ПРАВИЛЬНИЙ спосіб відрізнання кінця дошки. Завжди затискайте заготовку. Не намагайтесь тримати короткі шматки руками! Не забудьте підтримувати матеріал, що виступає або звисає. Будьте обережні при розпилюванні матеріалу знизу.

Перш ніж різати матеріал, переконайтесь в тому, що пилка працює на повній швидкості. Запуск пилки з пильним диском на матеріалі, що підлягає різанню, або штовхання його в пропил може привести до віддачі. Штовхайте пилку вперед зі швидкістю, що дозволяє пильному диску різати без зусиль. Твердість і в'язкість можуть відрізатися навіть в одному і тому ж шматку матеріалу, а сучкуваті або сирі ділянки можуть створювати сильне навантаження на пилку. В такому випадку штовхайте пилку повільніше, але досить сильно, щоб продовжувати роботу без значного зменшення швидкості. Надмірне натискання на пилку може привести до грубих розривів, неточностей, віддачі і перегріву двигуна. Якщо ваш розріз почне відхилятися від лінії, не намагайтесь повернути його назад. Відпустіть перемикач і дайте пильному диску повністю зупинитися. Потім ви можете виїняти пилку, заново навести і почати новий розріз злегка всередині неправильного. У будь-якому випадку виймайте пилку, якщо вам потрібно зрушити розріз. Примусова корекція всередині розрізу може загальмувати пилку і призвести до віддачі.

ЯКЩО ПИЛКА ЗУПИНІТЬСЯ, ВІДПУСТИТЬ ПЕРЕМИКАЧ І ПОТЯГНІТЬ ПИЛКУ НАЗАД ДО ЇЇ ЗВІЛЬНЕННЯ. ПЕРЕД ПОВТОРНИМ ЗАПУСКОМ ПЕРЕКОНАЙТЕСЯ В ТОМУ, ЩО ПИЛЬНИЙ ДИСК ПРЯМО В РОЗРІЗІ І ОЧИСТИТЬ РІЗУЧУ КРОМКУ.

Після закінчення різання відпустіть перемикач і дайте пильному диску зупинитися, перш ніж піднімати пилу з заготовки. При піднятті пилки телескопічний кожух, натягнутий пружиною, автоматично закриється під диском. Пам'ятайте, що до цього моменту пильний диск відкритий. Ніколи не підставляйте руки під деталь. При необхідності втягування телескопічного захисного кожуха вручну (як це необхідно при запуску наскрізного розпилювання) завжди використовуйте важіль втягування.

ПРИМІТКА. При різанні тонких смужок стежте за тим, щоб маленькі відрізані шматки не звисали з внутрішньої сторони нижнього захисного кожуха.

Наскрізне розпилювання (рис. AA)

⚠️ ЗАСТЕРЕЖЕННЯ. Ніколи не затягуйте захисний кожух диска в піднятому положенні. Ніколи не рухайте пилку назад при наскрізному розпилюванні. Це може призвести до підняття пристрою з робочої поверхні, що може стати причиною травм.

Наскрізне розпилювання – це розпилювання, яке виконується на підлозі, стіні або іншій плоскій поверхні.

1. Відрегулюйте опорну пластину пилки таким чином, щоб розрізи пильного диска були бажаної глибини.
2. Нахиліть пилку вперед і встановіть передню частину опорної пластини на матеріал, який підлягає розпилу.
3. За допомогою важеля нижнього захисного кожуха втягніть нижній захисний кожух диска в верхнє положення. Опускайте задню частину опорної пластини до тих пір, поки зубці диска будуть майже торкатися лінії різання.
4. Відпустіть захисний кожух диска (його контакт із заготовкою утримає його у відкритому положенні, щоб він міг вільно відкриватися при початку різання). Зніміть руку з кожуха та надійно стисніть допоміжну ручку **7**, як зображено на рис. AA. Розташуйте тіло та руку таким чином, щоб протистояти віддачі.
5. Перед запуском пилки переконайтеся, що пильний диск не стикається з робочою поверхнею.
6. Запустіть двигун і поступово опускайте пилу до тих пір, поки її опорна пластина не буде прилягати до матеріалу, який підлягає розпилу. Просувайте пилку вздовж лінії розпилу до завершення розпилу.
7. Відпустіть перемикач і дайте пильному диску повністю зупинитися, перш ніж витягати його з матеріалу.
8. При запуску кожного нового розпилу повторюйте процедуру, описану вище.

Видалення пилу (рис. DD)

⚠️ ЗАСТЕРЕЖЕННЯ. Ризик вдихання пилу. Для зменшення ризику отримання травм **ЗАВЖДИ** використовуйте схваленої пилососну маску.

Ваш інструмент оснащений портом для видалення пилу **34**.

Порт для видалення пилу дозволяє підключити інструмент до зовнішнього пилососа, використовуючи систему AirLock™ (DWV9000-XJ), або стандартний пристрій для видалення пилу 35 мм.

⚠️ ЗАСТЕРЕЖЕННЯ. ЗАВЖДИ використовуйте пилосос, розроблений згідно з відповідними директивами щодо викиду пилу при розрізанні деревини. Шланги багатьох пилососів можна прикріпити безпосередньо до отвору для видалення пилу.

Поясний гак (рис. A)

(входить до комплекту деяких моделей)

⚠️ УВАГА: Для зменшення ризику травматизму не використовуйте поясний гак для підвішування інструменту на тіло. НЕ використовуйте поясний гак для підвішування або фіксації інструмента, який працює, на тілі людини або іншому предметі. НЕ підвішуйте інструмент у перевернутому стані та не вішайте предмети на гачок для підвішування.

⚠️ УВАГА: Щоб знизити ризик травмування внаслідок падіння дискової пилки на операторів або сторонніх людей, переконайтеся, що вона надійно тримається на гачку для підвішування або знаходиться в безпечному та стабільному місці, коли не використовується. Тримайте у чистоті область нарізання, щоб зменшити ризик падіння інструмента чи відрізаного матеріалу та удару когось або чогось нижче.

Дискова пилка має зручний гачок для підвішування **4**, який дозволяє підвішувати пилку на придатну непохитну конструкцію, коли вона не використовується. Не використовуйте поясний гак для підвішування або фіксації інструмента, який працює, на тілі людини або іншому предметі.

ТЕХНІЧНЕ ОБСЛУГОВУВАННЯ

Ваш електричний інструмент призначений для роботи протягом довгого часу з мінімальним обслуговуванням. Довга задовільна робота приладу залежить від належного обслуговування приладу та регулярного його очищення.

⚠️ ПОПЕРЕДЖЕННЯ: Щоб знизити ризик серйозних тілесних ушкоджень, вимкніть інструмент та відключіть акумулятор перед виконанням будь-яких налаштувань або змінням/встановленням додаткового обладнання або приладдя. Випадковий запуск може призвести до травм.

Зарядний пристрій та акумулятор не підлягають обслуговуванню.



Змащування

В інструменті використовуються самозмазуючі кулькові і роликіві підшипники, і повторне змащування не потрібне. Однак рекомендується раз на рік доставляти або відправляти інструмент в сервісний центр для ретельного очищення, огляду і змащування редуктора.



Очищення



Застереження. Коли пил та бруд стають помітними та починають накопичуватися біля вентиляційних отворів, видавайте бруд та пил зсередини основного корпусу за допомогою сухого повітря. Використовуйте рекомендовані засоби захисту органів зору та рекомендовану протипилову маску при виконанні цієї операції.



Застереження. Ніколи не використовуйте розчинники та інші агресивні хімічні засоби для очищення неметалевих деталей інструмента. Такі хімічні речовини можуть нанести шкоду матеріалам, що використовуються в цих деталях. Використовуйте вологу тканину, змочену лише водою з м'яким милом. Не дозволяйте рідині потрапляти всередину інструмента та ніколи не занурюйте деталі інструмента в рідину.

Нижній захисний кожух

Нижній захисний кожух завжди повинен вільно обертатися і закриватися від повністю відкритого до повністю закритого положення. Перед різанням завжди перевіряйте правильність роботи, повністю відкриваючи захисний кожух і даючи йому закритися. Якщо кожух закривається повільно або не повністю, його потрібно почистити або відремонтувати. Не використовуйте пилку, поки кожух не буде правильно працювати. Для очищення кожуха використовуйте сухе повітря або м'яку щітку, щоб видалити всі накопичення тирси або сміття зі шляху кожуха і навколо нього. Якщо все ще виникають проблеми, кожух підлягає обслуговуванню в авторизованому сервісному центрі.

Регулювання опорної пластини (рис. E, BB, CC)

Ваша опорна пластина була встановлена на заводі таким чином, щоб пильний диск був перпендикулярний до опорної пластини. Якщо після тривалого використання вам необхідно вирівняти диск заново, дотримуйтесь інструкцій, наведених нижче:

Регулювання для розрізів під 90 градусів

1. Поверніть пилку на 0 градусів нахилу.
2. Поставте пилку на бік і втягніть нижній захисний кожух.
3. Встановіть глибину розрізу на 51 мм.
4. Послабте важіль регулювання кута нахилу (8) (рис. CC). Помістіть косинець між диском і опорною пластиною, як показано на рис. BB.
5. За допомогою гайкового ключа (24, рис. E), повертайте гвинт регулювання (42, рис. BB) на нижній стороні опорної пластини до тих пір, поки диск і опорна пластина не будуть стикатися з косинцем урівень. Знов затягніть важіль регулювання кута нахилу.

Регулювання важеля налаштування глибини (рис. CC)

Можливо, буде потрібно відрегулювати важіль регулювання кута нахилу 8. З часом він може ослабнути і вдаритися об опорну пластину перед затягуванням.

Затягування важеля

1. Тримайте важіль регулювання кута нахилу 8 і відкриті контргайку 40.
2. Відрегулюйте важіль регулювання кута нахилу, повертаючи його в потрібному напрямку приблизно на 1/8 оберту.
3. Знов затягніть гайку.

Пильні диски

Тупий диск призведе до неефективного різання, перевантаження двигуна пилки, надмірного утворення сколів, а також збільшить ймовірність віддачі. Замінійте пильні диски, якщо пилку стає нелегко проштовхнути через розпил, якщо двигун працює з великим навантаженням, або якщо пильний диск занадто сильно нагрівається. Хороша практика – тримати під рукою додаткові диски, щоб гострі диски були доступні для негайного використання. Тупі леза можна заточувати в більшості випадків.

Затверділу жуйку на диску можна видалити гасом, скипидаром або очисним засобом для духовок. Диски з антипригарним покриттям можна використовувати в тих випадках, коли виникає надмірне накопичення налипань, наприклад, при обробці під тиском і обробці зеленої деревини.

Додаткове приладдя



Застереження. Через те, що інші аксесуари, що не рекомендовані компанією DEWALT не були перевірені з цим продуктом, використання таких аксесуарів з цим інструментом може бути небезпечним. Щоб знизити ризик травми використовуйте лише аксесуари, рекомендовані компанією DEWALT.

НЕ ВИКОРИСТОВУЙТЕ З ЦІЄЮ ПИЛКОЮ НАСАДКИ З ПОДАЧЕЮ ВОДИ.

ВИЗУАЛЬНО ОГЛЯНЬТЕ ТВЕРДОСПЛАВНІ ДИСКИ ПЕРЕД ВИКОРИСТАННЯМ. ЗАМІНІТЬ В РАЗІ ПОШКОДЖЕННЯ.

Зверніться до свого дилера для отримання подальшої інформації щодо відповідного приладдя.

Захист навколишнього середовища



Роздільний збір. Пристрої і акумулятори позначені цим символом, не можна викидати зі звичайним побутовим сміттям.

Пристрої і акумулятори містять матеріали, які можна відновити та переробити, що зменшить потребу у сировині. Утилізуйте електротехнічну продукцію і акумулятори відповідно до місцевих положень.

Більш детальну інформацію можна отримати на сайті www.2helpU.com.

Придатність акумулятора для перезарядки

Дана модель акумулятора підлягає перезарядці у випадку зниження його потужності при виконанні завдань, що попередньо не вимагали особливих зусиль. Наприкінці терміну служби акумулятора утилізуйте його у спосіб, безпечний для навколишнього середовища.

- Повністю розрядіть акумулятор, потім витягніть його з інструменту.
- Літій-іонні акумулятори можна повторно переробляти. Відправте їх до свого дилера або на місцеву переробну станцію. Там зібрані акумулятори будуть перероблені або знищені належним чином.



060

Виробник:
"Stanley Black & Decker Deutschland
GmbH" Black-&-Decker Str.40, D-65510
Idstein, Німеччина

DEWALT

ГАРАНТІЙНИЙ ТАЛОН

**3 РОКИ
ГАРАНТІЇ**

1. Вітаємо Вас з покупкою високоякісного виробу DEWALT і висловлюємо вдячність за Ваш вибір.
2. При покупці виробу вимагайте перевірки його комплекстності і справності у Вашій присутності, інструкцію з експлуатації та заповнений гарантійний талон українською мовою. В гарантійному талоні повинні бути внесені: модель, дата продажу, серійний номер, дата виробництва інструменту, назва, печатка і підпис торгової організації. За відсутності у Вас правильно заповненого гарантійного талону, а також при невідповідності зазначених у ньому даних ми будемо змушені відхилити Ваші претензії щодо якості даного виробу.
3. Щоб уникнути непорозумінь, переконливо просимо Вас перед початком роботи з виробом уважно ознайомитися з інструкцією з його експлуатації. Правовою основою справжніх гарантійних умов є чинне Законодавство. Гарантійний термін на даний виріб складає 36 місяці і обчислюється з дня продажу. У разі усунення недоліків виробу, гарантійний строк продовжується на період його перебування в ремонті. Термін служби виробу становить 5 років з дня продажу.
4. У разі виникнення будь-яких проблем у процесі експлуатації виробу рекомендуємо Вам звертатися тільки в уповноважені сервісні центри DEWALT, адреси та телефони яких Ви зможете знайти в гарантійному талоні, на сайті www.2helpU.com або дізнатися в магазині. Наші сервісні станції - це не тільки кваліфікований ремонт, але і широкий асортимент запчастин і аксесуарів.
5. Виробник рекомендує проводити періодичну перевірку і технічне обслуговування виробу в уповноважених сервісних центрах.
6. Наші гарантійні зобов'язання поширюються тільки на несправності, виявлені протягом гарантійного терміну і викликані дефектами виробництва та \ або матеріалів.
7. Гарантійні умови не поширюються на несправності виробу, що виникли в результаті:
 - 7.1. Недотримання користувачем приписів інструкції з експлуатації виробу, застосування виробу не за призначенням, неправильного зберігання, використання приладдя, витратних матеріалів і запчастин, що не передбачені виробником.
 - 7.2. Механічного пошкодження (відколи, тріщини і руйнування) внутрішніх і зовнішніх деталей виробу, основних і допоміжних рукояток, мережевого кабелю, що викликані зовнішнім ударним або будь-яким іншим впливом
 - 7.3. Поتراплення у вентиляційні отвори та проникнення всередину виробу сторонніх предметів, матеріалів або речовин, що не є відходами, які супроводжують застосування виробу за призначенням, такими як: стружка, тирса, пісок, та ін.
 - 7.4. Впливу на виріб несприятливих атмосферних і інших зовнішніх факторів, таких як дощ, сніг, підвищена вологість, нагрівання, агресивне середовище, невідповідність параметрів електромережі, що зазначені на інструменті.
 - 7.5. Стихійного лиха. Пошкодження або втрати виробу, що пов'язані з непередбаченими лихами, стихійними явищами, у тому числі внаслідок дії непереборної сили (пожежа, блискавка, потоп і інші природні явища), а також внаслідок перепадів напруги в електромережі та іншими причинами, які знаходяться поза контролем виробника.
8. Гарантійні умови не поширюються:
 - 8.1. На інструменти, що піддавалися розкриттю, ремонту або модифікації поза уповноваженим сервісним центром.
 - 8.2. На деталі, вузли та матеріали, що мають сліди природного зносу, такі як: приводні ремені і колеса, вугільні щітки, мастило, підшипники, зубчасті зчеплення редукторів, гумові ущільнення, сальники, направляючі ролики, муфти, вижимачі, бойки, штовхачі, стовпи тощо.
 - 8.3. На змінні частини: патрони, цанги, затискні гайки і фланці, фільтри, ножі, шліфувальні підшви, ланцюги, зірочки, пильні шини, захисні кожухи, пилки, абразиви, пильні і абразивні диски, фрези, свердла, бури тощо
 - 8.4. На несправності, що виникли в результаті перевантаження інструменту (як механічного, так і електричного), що спричинили вихід з ладу одночасно двох і більше деталей і вузлів, таких як: ротора і статора, обох обмоток статора, веденої і ведучої шестерень редуктора або інших вузлів і деталей. До безумовних ознак перевантаження виробу відносяться, крім інших: поява кольорів мінливості, деформація або оплвлення деталей і вузлів виробу, потемніння або обуглювання ізоляції проводів електродвигуна під впливом високої температури.

Товар отриманий в справному стані, без видимих ушкоджень, в повній комплектації, перевірений у моїй присутності, претензій щодо якості товару не маю. З умовами гарантійного обслуговування ознайомлений і згоден.

П. І. Б. та підпис власника _____

Шановні клієнти, наша мережа авторизованих сервісних центрів постійно розширюється. Актуальну інформацію про обслуговування в місті, що цікавить вас, ви можете дізнатися на сайті

www.2helpU.com

Редакція ВК/12-12-2018

Інформація про інструмент

Найменування інструменту	
Модель	
Найменування продавця	
Дата продажу	

М.П.
Продавця

Серійний номер/Дата виробництва

Інструмент	
Зарядний пристрій	
Акумулятор 1	
Акумулятор 2	

На сайті www.2helpU.com доступні наступні функції:

- Список авторизованих сервісних центрів
- Зручний пошук найближчого сервісного центру
- Керівництво з експлуатації
- Технічні характеристики
- Список деталей і запасних частин
- Схема складання інструменту



**Також дану інформацію ви можете отримати, зателефонувавши за номером:
0 (800) 211 521 в Україні**

ВІДМІТКА ПРО ПРОВЕДЕННЯ СЕРВІСНОГО ОБСЛУГОВУВАННЯ

№1	№2	№3	№4
№ замовлення	№ замовлення	№ замовлення	№ замовлення
Дата прийому	Дата прийому	Дата прийому	Дата прийому
Дата ремонту	Дата ремонту	Дата ремонту	Дата ремонту
Печатка і підпис сервісного центру	Печатка і підпис сервісного центру	Печатка і підпис сервісного центру	Печатка і підпис сервісного центру

130.com.ua