



ТЕЛЕФОНЫ

0 (800) 800 130
(050) 462 0 130
(063) 462 0 130
(067) 462 0 130

130
COM.UA

Интернет-магазин
автотоваров



SKYPE

km-130

АВТОМАГНИТОЛЫ — Магнитолы • Медиа-ресиверы и станции • Штатные магнитолы • CD/DVD чейнджеры • FM-модуляторы/USB адаптеры • Flash память • Переходные рамки и разъемы • Антенны • Аксессуары | **АВТОЗВУК** — Акустика • Усилители • Сабвуферы • Процессоры • Кроссоверы • Наушники • Аксессуары | **БОРТОВЫЕ КОМПЬЮТЕРЫ** — Универсальные компьютеры • Модельные компьютеры • Аксессуары | **GPS НАВИГАТОРЫ** — Портативные GPS • Встраиваемые GPS • GPS модули • GPS трекеры • Антенны для GPS навигаторов • Аксессуары | **ВИДЕОУСТРОЙСТВА** — Видеорегистраторы • Телевизоры и мониторы • Автомобильные ТВ тюнеры • Камеры • Видеомодули • Транскодеры • Автомобильные ТВ антенны • Аксессуары | **ОХРАННЫЕ СИСТЕМЫ** — Автосигнализации • Мотосигнализации • Механические блокираторы • Имобилайзеры • Датчики • Аксессуары | **ОПТИКА И СВЕТ** — Ксенон • Биксенон • Лампы • Светодиоды • Стробоскопы • Оптика и фары • Омыватели фар • Датчики света, дождя • Аксессуары | **ПАРКТРОНИКИ И ЗЕРКАЛА** — Задние парктроники • Передние парктроники • Комбинированные парктроники • Зеркала заднего вида • Аксессуары | **ПОДОГРЕВ И ОХЛАЖДЕНИЕ** — Подогревы сидений • Подогревы зеркал • Подогревы дворников • Подогревы двигателей • Автохолодильники • Автокондиционеры • Аксессуары | **ТЮНИНГ** — Виброизоляция • Шумоизоляция • Тонировочная пленка • Аксессуары | **АВТОАКСЕССУАРЫ** — Радар-детекторы • Громкая связь Bluetooth • Стеклоподъемники • Компрессоры • Звуковые сигналы, СГУ • Измерительные приборы • Автопылесосы • Автокресла • Разное | **МОНТАЖНОЕ ОБОРУДОВАНИЕ** — Установочные комплекты • Обивочные материалы • Декоративные решетки • Фазоинверторы • Кабель и провод • Инструменты • Разное | **ПИТАНИЕ** — Аккумуляторы • Преобразователи • Пуско-зарядные устройства • Конденсаторы • Аксессуары | **МОРСКАЯ ЭЛЕКТРОНИКА И ЗВУК** — Морские магнитолы • Морская акустика • Морские сабвуферы • Морские усилители • Аксессуары | **АВТОХИМИЯ И КОСМЕТИКА** — Присадки • Жидкости омывателя • Средства по уходу • Полироли • Ароматизаторы • Клеи и герметики | **ЖИДКОСТИ И МАСЛА** — Моторные масла • Трансмиссионные масла • Тормозные жидкости • Антифризы • Технические смазки



В магазине «130» вы найдете и сможете купить в Киеве с доставкой по городу и Украине практически все для вашего автомобиля. Наши опытные консультанты предоставят вам исчерпывающую информацию и помогут подобрать именно то, что вы ищете. Ждем вас по адресу

<https://130.com.ua>

Makita®

Power Planer

Instruction Manual

Falzhobel

Betriebsanleitung

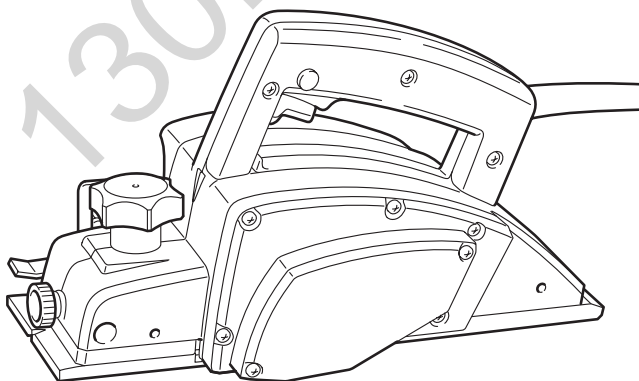
Strugarka elektryczna

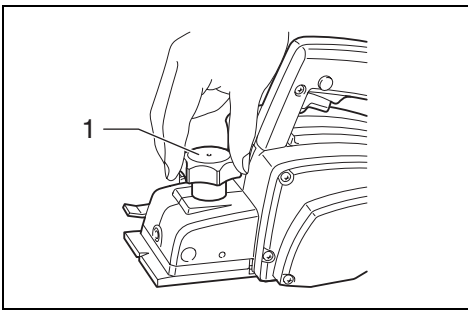
Instrukcja obsługi

Электрический рубанок

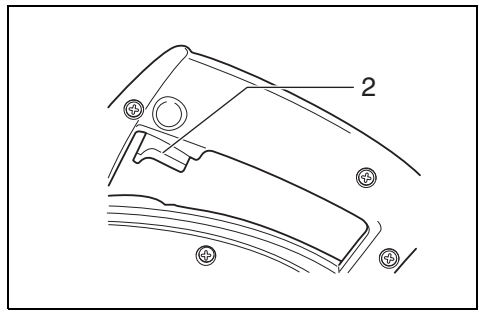
Инструкция по эксплуатации

N1923B

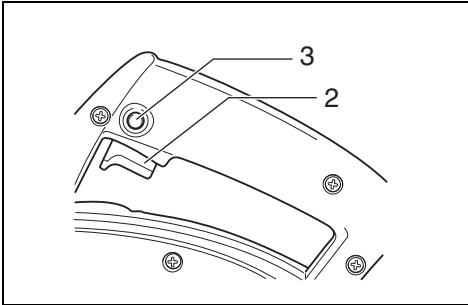




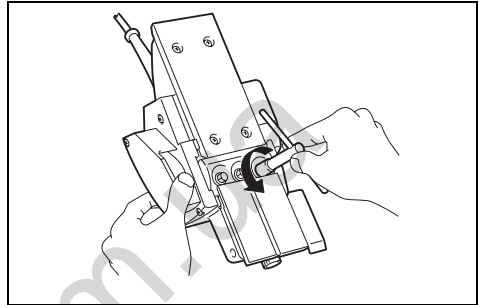
1



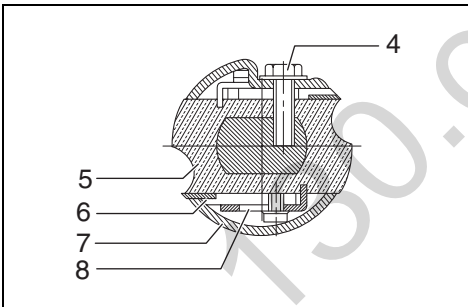
2



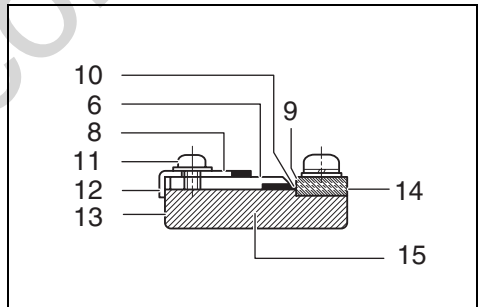
3



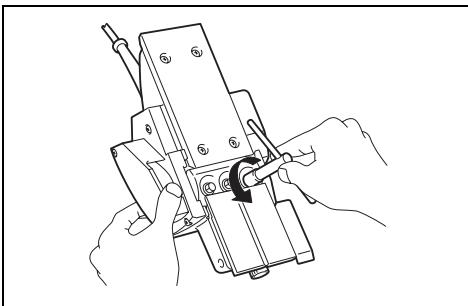
4



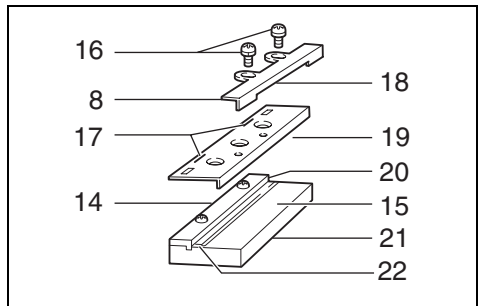
5



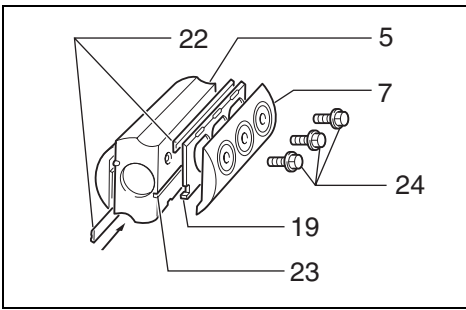
6



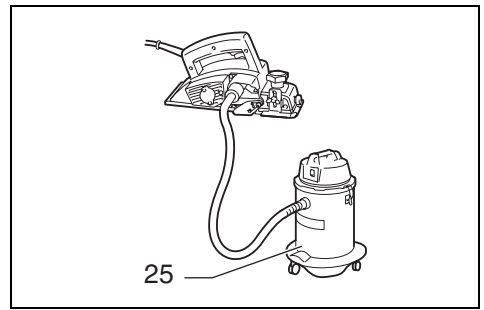
7



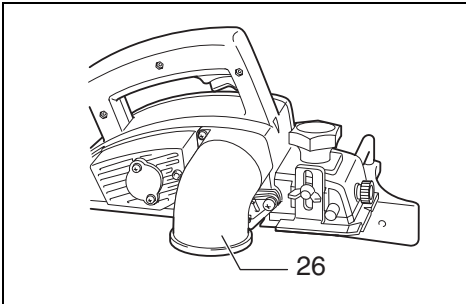
8



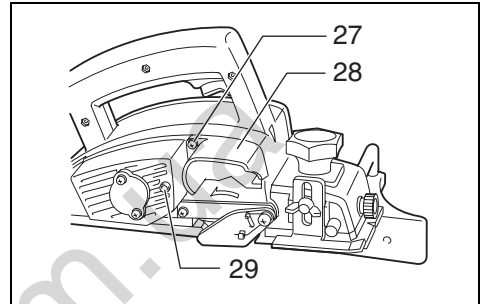
9



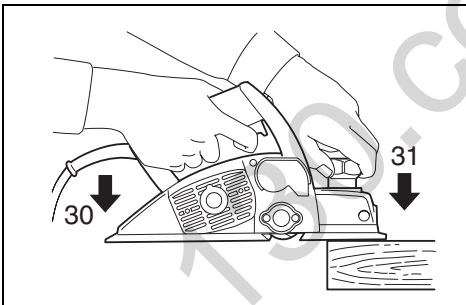
10



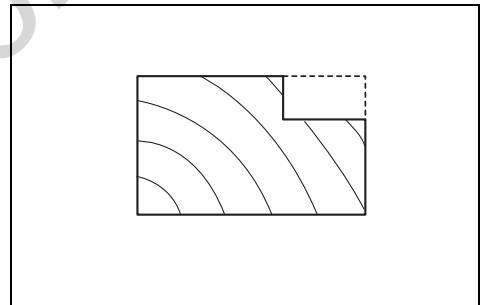
11



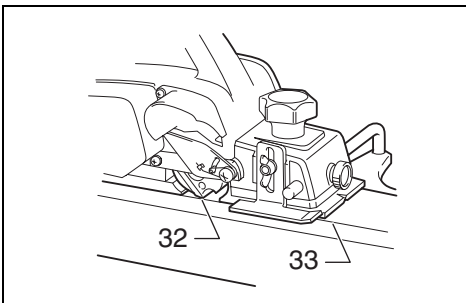
12



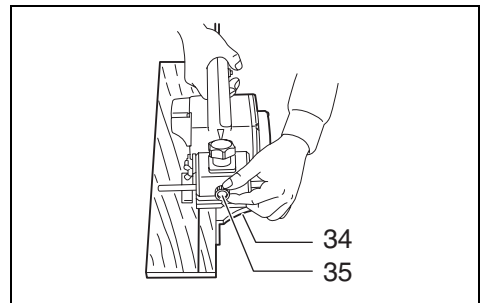
13



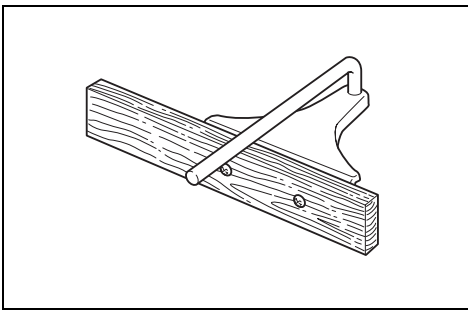
14



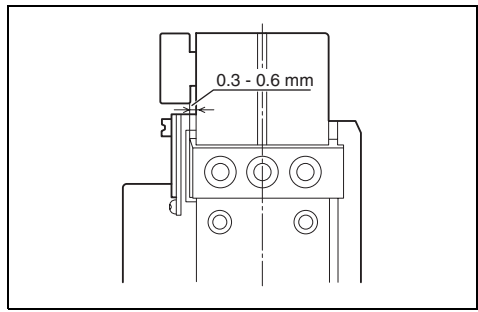
15



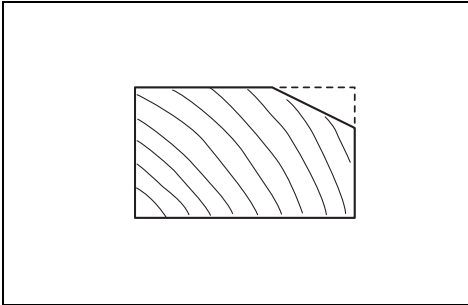
16



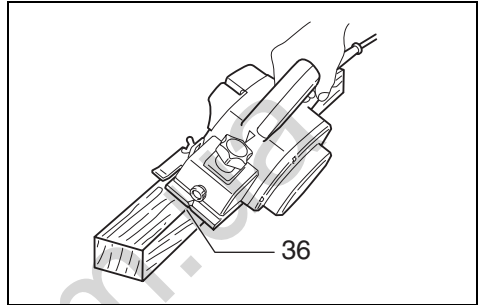
17



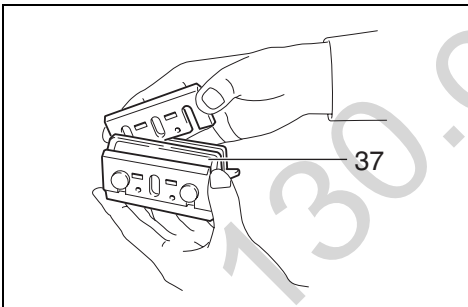
18



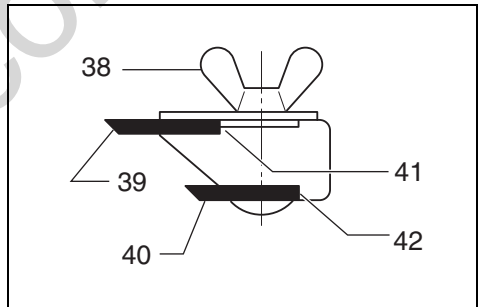
19



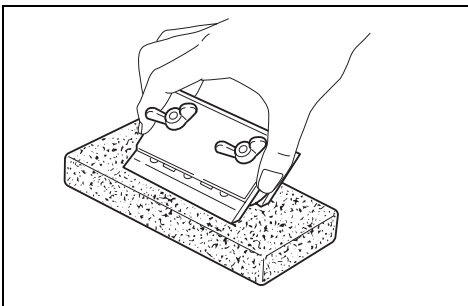
20



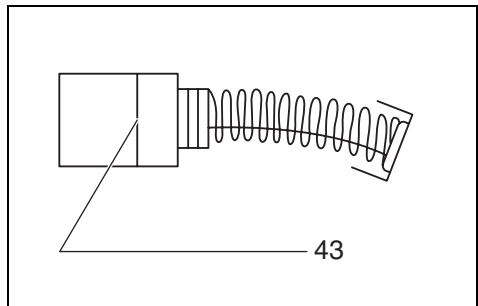
21



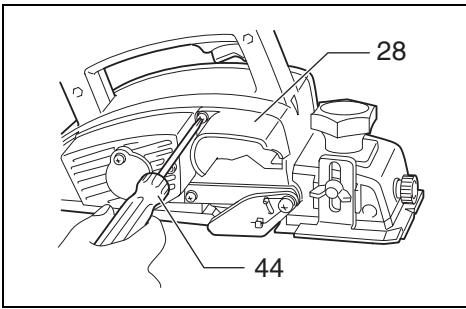
22



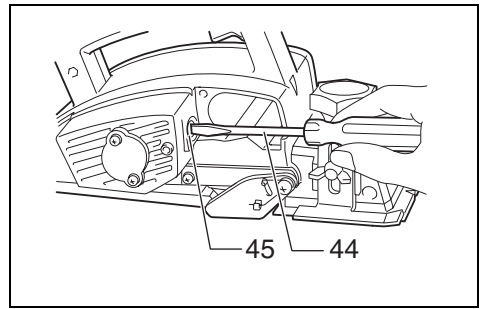
23



24



25



26

Symbols

The followings show the symbols used for the tool. Be sure that you understand their meaning before use.

Symbole

Die folgenden Symbole werden für die Maschine verwendet. Machen Sie sich vor der Benutzung unbedingt mit ihrer Bedeutung vertraut.

Symbole

Poniższe symbole używane są do opisu urządzenia. Przed użyciem należy upewnić się, że rozumie się ich znaczenie.

Символы

Следующие объяснения показывают символы, используемые для инструмента. Убедитесь перед использованием, что Вы понимаете их значение.



- Read instruction manual.
- Bitte Bedienungsanleitung lesen.
- Przeczytaj instrukcję obsługi.
- Прочитайте инструкцию по эксплуатации.



- DOUBLE INSULATION
- DOPPELT SCHUTZISOLIERT
- PODWÓJNA IZOLACJA
- ДВОЙНАЯ ИЗОЛЯЦИЯ



- Only for EU countries

Do not dispose of electric equipment together with household waste material!

In observance of European Directive 2002/96/EC on waste electrical and electronic equipment and its implementation in accordance with national law, electric equipment that have reached the end of their life must be collected separately and returned to an environmentally compatible recycling facility.

- Nur für EU-Länder

Werfen Sie Elektrowerkzeuge nicht in den Hausmüll!

Gemäß Europäischer Richtlinie 2002/96/EG über Elektro- und Elektronik-Altgeräte und Umsetzung in nationales Recht müssen verbrauchte Elektrowerkzeuge getrennt gesammelt und einer umweltgerechten Wiederverwertung zugeführt werden.

- Dotyczy tylko państw UE

Nie wyrzucaj urządzeń elektrycznych wraz z odpadami z gospodarstwa domowego!

Zgodnie z Europejską Dyrektywą 2002/96/WE w sprawie zużytego sprzętu elektrotechnicznego i elektronicznego oraz dostosowaniem jej do prawa krajowego, zużyte urządzenia elektryczne należy posegregować i zutylizować w sposób przyjazny dla środowiska.

- Только для стран ЕС


Не выкидывайте электрическое оборудование вместе с бытовым мусором!

В соответствии с европейской директивой 2002/96/ЕС об утилизации старого электрического и электронного оборудования и её применения в соответствии с местными законами электрическое оборудование, бывшее в эксплуатации, должно утилизироваться отдельно безопасным для окружающей среды способом.

Explanation of general view

1 Knob	17 Planer blade locating lugs	32 Blade edge
2 Switch trigger	18 Heel of adjusting plate	33 Cutting line
3 Lock button/Lock-off button	19 Set plate	34 Edge fence
4 Bolt	20 Inside flank of gauge plate	35 Screw
5 Drum	21 Back side of gauge base	36 V groove
6 Planer blade	22 Mini planer blade	37 Sharpening holder
7 Drum cover	23 Groove	38 Wing nut
8 Adjusting plate	24 Hex. flange head bolt	39 Blade (A)
9 Inside edge of gauge plate	25 Vacuum cleaner	40 Blade (B)
10 Blade edge	26 Nozzle assembly	41 Side (C)
11 Screws	27 Chip cover screw	42 Side (D)
12 Heel	28 Chip cover	43 Limit mark
13 Back side of gauge base	29 Fit pin on nozzle assembly into this hole.	44 Screwdriver
14 Gauge plate	30 End	45 Brush holder cap
15 Gauge base	31 Start	

SPECIFICATIONS

Model	N1923B
Planing width	82 mm
Planing depth	1 mm
Shiplapping depth	23 mm
No load speed (min ⁻¹)	16,000
Overall length	293 mm
Net weight	2.9 kg
Safety class	 /II

- Due to our continuing program of research and development, the specifications herein are subject to change without notice.
- Note: Specifications may differ from country to country.

Intended use

The tool is intended for planing wood.

Power supply

The tool should be connected only to a power supply of the same voltage as indicated on the nameplate, and can only be operated on single-phase AC supply. They are double-insulated in accordance with European Standard and can, therefore, also be used from sockets without earth wire.

GENERAL SAFETY RULES

GEA001-3

WARNING! Read all instructions. Failure to follow all instructions listed below may result in electric shock, fire and/or serious injury. The term "power tool" in all of the warnings listed below refers to your mains-operated (corded) power tool or battery-operated (cordless) power tool.

SAVE THESE INSTRUCTIONS.

Work area safety

1. **Keep work area clean and well lit.** Cluttered and dark areas invite accidents.
2. **Do not operate power tools in explosive atmospheres, such as in the presence of flammable liquids, gases or dust.** Power tools create sparks which may ignite the dust or fumes.
3. **Keep children and bystanders away while operating a power tool.** Distractions can cause you to lose control.

Electrical safety

4. **Power tool plugs must match the outlet. Never modify the plug in any way. Do not use any adapter plugs with earthed (grounded) power tools.** Unmodified plugs and matching outlets will reduce risk of electric shock.
5. **Avoid body contact with earthed or grounded surfaces such as pipes, radiators, ranges and refrigerators.** There is an increased risk of electric shock if your body is earthed or grounded.
6. **Do not expose power tools to rain or wet conditions.** Water entering a power tool will increase the risk of electric shock.
7. **Do not abuse the cord. Never use the cord for carrying, pulling or unplugging the power tool. Keep cord away from heat, oil, sharp edges or moving parts.** Damaged or entangled cords increase the risk of electric shock.
8. **When operating a power tool outdoors, use an extension cord suitable for outdoor use.** Use of a cord suitable for outdoor use reduces the risk of electric shock.

Personal safety

9. **Stay alert, watch what you are doing and use common sense when operating a power tool. Do not use a power tool while you are tired or under the influence of drugs, alcohol or medication.** A moment of inattention while operating power tools may result in serious personal injury.
10. **Use safety equipment. Always wear eye protection.** Safety equipment such as dust mask, non-skid safety shoes, hard hat, or hearing protection used for appropriate conditions will reduce personal injuries.
11. **Avoid accidental starting. Ensure the switch is in the off-position before plugging in.** Carrying power tools with your finger on the switch or plugging in power tools that have the switch on invites accidents.
12. **Remove any adjusting key or wrench before turning the power tool on.** A wrench or a key left attached to a rotating part of the power tool may result in personal injury.
13. **Do not overreach. Keep proper footing and balance at all times.** This enables better control of the power tool in unexpected situations.

14. **Dress properly. Do not wear loose clothing or jewellery. Keep your hair, clothing, and gloves away from moving parts.** Loose clothes, jewellery or long hair can be caught in moving parts.
15. **If devices are provided for the connection of dust extraction and collection facilities, ensure these are connected and properly used.** Use of these devices can reduce dust-related hazards.

Power tool use and care

16. **Do not force the power tool. Use the correct power tool for your application.** The correct power tool will do the job better and safer at the rate for which it was designed.
17. **Do not use the power tool if the switch does not turn it on and off.** Any power tool that cannot be controlled with the switch is dangerous and must be repaired.
18. **Disconnect the plug from the power source and/ or the battery pack from the power tool before making any adjustments, changing accessories, or storing power tools.** Such preventive safety measures reduce the risk of starting the power tool accidentally.
19. **Store idle power tools out of the reach of children and do not allow persons unfamiliar with the power tool or these instructions to operate the power tool.** Power tools are dangerous in the hands of untrained users.
20. **Maintain power tools. Check for misalignment or binding of moving parts, breakage of parts and any other condition that may affect the power tools operation. If damaged, have the power tool repaired before use.** Many accidents are caused by poorly maintained power tools.
21. **Keep cutting tools sharp and clean.** Properly maintained cutting tools with sharp cutting edges are less likely to bind and are easier to control.
22. **Use the power tool, accessories and tool bits etc. in accordance with these instructions and in the manner intended for the particular type of power tool, taking into account the working conditions and the work to be performed.** Use of the power tool for operations different from those intended could result in a hazardous situation.

Service

23. **Have your power tool serviced by a qualified repair person using only identical replacement parts.** This will ensure that the safety of the power tool is maintained.
24. **Follow instruction for lubricating and changing accessories.**
25. **Keep handles dry, clean and free from oil and grease.**

SPECIFIC SAFETY RULES

GEB010-2

DO NOT let comfort or familiarity with product (gained from repeated use) replace strict adherence to planer safety rules. If you use this tool unsafely or incorrectly, you can suffer serious personal injury.

1. **Wait for the cutter to stop before setting the tool down.** An exposed cutter may engage the surface leading to possible loss of control and serious injury.
2. **Use clamps or another practical way to secure and support the workpiece to a stable platform.** Holding the work by hand or against your body leaves it unstable and may lead to loss of control.
3. **Rags, cloth, cord, string and the like should never be left around the work area.**
4. **Avoid cutting nails.** Inspect for and remove all nails from the workpiece before operation.
5. **Use only sharp blades. Handle the blades very carefully.**
6. **Be sure the blade installation bolts are securely tightened before operation.**
7. **Hold the tool firmly with both hands.**
8. **Keep hands away from rotating parts.**
9. **Before using the tool on an actual workpiece, let it run for a while. Watch for vibration or wobbling that could indicate poor installation or a poorly balanced blade.**
10. **Make sure the blade is not contacting the workpiece before the switch is turned on.**
11. **Wait until the blade attains full speed before cutting.**
12. **Always switch off and wait for the blades to come to a complete stop before any adjusting.**
13. **Never stick your finger into the chip chute. Chute may jam when cutting damp wood. Clean out chips with a stick.**
14. **Do not leave the tool running. Operate the tool only when hand-held.**
15. **Always change both blades or covers on the drum, otherwise the resulting imbalance will cause vibration and shorten tool life.**
16. **Use only Makita blades specified in this manual.**
17. **Always use the correct dust mask/respirator for the material and application you are working with.**

SAVE THESE INSTRUCTIONS.

WARNING:

MISUSE or failure to follow the safety rules stated in this instruction manual may cause serious personal injury.

FUNCTIONAL DESCRIPTION

CAUTION:

- Always be sure that the tool is switched off and unplugged before adjusting or checking function on the tool.

Adjusting the depth of cut (Fig. 1)

Depth of cut may be adjusted by simply turning the knob on the front of the tool.

Switch action

CAUTION:

- Before plugging in the tool, always check to see that the switch trigger actuates properly and returns to the "OFF" position when released.

For tool without lock button and lock-off button (Fig. 2)

To start the tool, simply pull the switch trigger. Release the switch trigger to stop.

For tool with lock button (Fig. 3)

To start the tool, simply pull the switch trigger. Release the switch trigger to stop.

For continuous operation, pull the switch trigger and then push in the lock button.

To stop the tool from the locked position, pull the switch trigger fully, then release it.

For tool with lock-off button (Fig. 3)

To prevent the switch trigger from being accidentally pulled, a lock-off button is provided.

To start the tool, depress the lock-off button and pull the switch trigger. Release the switch trigger to stop.

ASSEMBLY

CAUTION:

- Always be sure that the tool is switched off and unplugged before carrying out any work on the tool.

Removing or installing planer blades

CAUTION:

- Tighten the blade installation bolts carefully when attaching the blades to the tool. A loose installation bolt can be dangerous. Always check to see they are tightened securely.
- Handle the blades very carefully. Use gloves or rags to protect your fingers or hands when removing or installing the blades.
- Use only the Makita wrench provided to remove or install the blades. Failure to do so may result in over-tightening or insufficient tightening of the installation bolts. This could cause an injury.

For tool with standard planer blades

(Fig. 4, 5 & 6)

To remove the blades on the drum, unscrew the installation bolts with the socket wrench. The drum cover comes off together with the blades.

To install the blades, first clean out all chips or foreign matter adhering to the drum or blades. Use blades of the same dimensions and weight, or drum oscillation/vibration will result, causing poor planing action and, eventually, tool breakdown.

Place the blade on the gauge base so that the blade edge is perfectly flush with the inside edge of the gauge plate. Place the adjusting plate on the blade, then simply press in the heel of the adjusting plate flush with the back side of the gauge base and tighten two screws on the adjusting plate. Now slip the heel of the adjusting plate into the drum groove, then fit the drum cover on it. Tighten the three installation bolts evenly and alternately with the socket wrench.

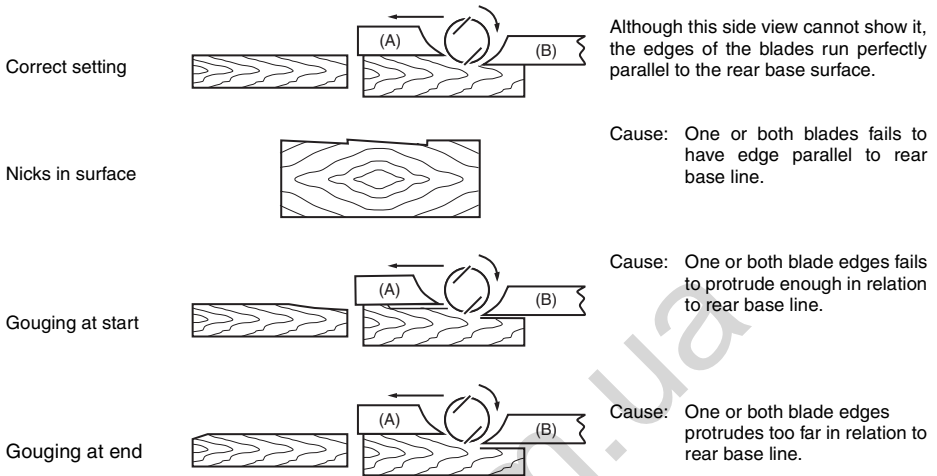
For tool with mini planer blades (Fig. 7, 8 & 9)

1. Remove the existing blade, if the tool has been in use, carefully clean the drum surfaces and the drum cover. To remove the blades on the drum, unscrew the three installation bolts with the socket wrench. The drum cover comes off together with the blades.
2. To install the blades, loosely attach the adjusting plate to the set plate with the pan head screws and set the mini planer blade on the gauge base so that the cutting edge of the blade is perfectly flush with the inside flank of the gauge plate.
3. Set the adjusting plate/set plate on the gauge base so that the planer blade locating lugs on the set plate rest in the mini planer blade groove, then press in the heel of the adjusting plate flush with the back side of the gauge base and tighten the pan head screws.
4. It is important that the blade sits flush with the inside flank of the gauge plate, the planer blade locating lugs sit in the blade groove and the heel of the adjusting plate is flush with the back side of the gauge base. Check this alignment carefully to ensure uniform cutting.
5. Slip the heel of the adjusting plate into the groove of the drum.
6. Set the drum cover over the adjusting plate/set plate and screw in the three hex flange head bolts so that a gap exists between the drum and the set plate to slide the mini planer blade into position. The blade will be positioned by the planer blade locating lugs on the set plate.
7. The blade's lengthwise adjustment will need to be manually positioned so that the blade ends are clear and equidistant from the housing on one side and the metal bracket on the other.
8. Tighten the three hex flange head bolts (with the socket wrench provided) and rotate the drum to check clearances between the blade ends and the tool body.
9. Check the three hex flange head bolts for final tightness.
10. Repeat procedures 1 – 9 for other blade.

For the correct planer blade setting

Your planing surface will end up rough and uneven, unless the blade is set properly and securely. The blade must be mounted so that the cutting edge is absolutely level, that is, parallel to the surface of the rear base. Refer to some examples below for proper and improper settings.

- (A) Front base (Movable shoe)
- (B) Rear base (Stationary shoe)



Connecting a vacuum cleaner

For European countries and areas

When you wish to perform clean planing operation, connect a Makita vacuum cleaner to your machine as shown in Fig. 10.

For other countries and areas

A nozzle and joint (optional accessories) are necessary to connect a Makita vacuum cleaner to your tool. Consult a Makita catalogue or representative on the nozzle and joint.

Nozzle assembly (optional accessory)

Use of the special nozzle assembly will minimize chip scatter, making for a cleaner work area. (Fig. 11)

The nozzle assembly may be attached after the chip cover on the machine body is removed. When slipping on the assembly, fit the pin on it into the rear cover hole. Use the chip cover screws to fasten it in place. (Fig. 12)

Planing operation (Fig. 13)

First, rest the tool front base flat upon the workpiece surface without the blades making any contact. Switch on and wait until the blades attain full speed. Then move the tool gently forward. Apply pressure on the front of tool at the start of planing, and at the back at the end of planing. Planing will be easier if you incline the workpiece in stationary fashion, so that you can plane somewhat downhill.

The speed and depth of cut determine the kind of finish. The power planer keeps cutting at a speed that will not result in jamming by chips. For rough cutting, the depth of cut can be increased, while for a good finish you should reduce the depth of cut and advance the tool more slowly.

Shiplapping (Rabbeting) (Fig. 14, 15, 16 & 17)

To make a stepped cut as shown in Fig. 14, use the edge fence (guide rule).

Draw a cutting line on the workpiece. Insert the edge fence into the hole in the front of the tool. Align the blade edge with the cutting line. (Fig. 15)

Adjust the edge fence until it comes in contact with the side of the workpiece, then secure it by tightening the screw. (Fig. 16)

When planing, move the tool with the edge fence flush with the side of the workpiece. Otherwise uneven planing may result.

Max. shiplapping (Rabbeting) depth is 23 mm.

You may wish to add to the length of the fence by attaching an extra piece of wood. Convenient holes are provided in the fence for this purpose, and also for attaching an extension guide (optional accessory). (Fig. 17)

CAUTION:

- The blade edge should be made to protrude outside slightly (0.3 mm – 0.6 mm). Otherwise, nicks and generally poor shiplapping results. (Fig. 18)

Chamfering (Fig. 19 & 20)

To make a chamfering cut as shown in Fig. 19 & 20, align the "V" groove in the front base with the edge of the workpiece and plane it.

MAINTENANCE

CAUTION:

- Always be sure that the tool is switched off and unplugged before attempting to perform inspection or maintenance.

Sharpening the planer blades (Fig. 21, 22 & 23)

For standard blades only

Always keep your blades sharp for the best performance possible. Use the sharpening holder to remove nicks and produce a fine edge.

First, loosen the two wing nuts on the holder and insert the blades (A) and (B), so that they contact the sides (C) and (D). Then tighten the wing nuts.

Immerse the dressing stone in water for 2 or 3 minutes before sharpening. Hold the holder so that the both blades contact the dressing stone for simultaneous sharpening at the same angle.

Replacomb carbon brush (Fig. 24, 25 & 26)

Remove and check the carbon brushes regularly. Replace when they wear down to the limit mark. Keep the carbon brushes clean and free to slip in the holders. Both carbon brushes should be replaced at the same time. Use only identical carbon brushes.

Use a screwdriver to remove the chip cover.

Take out the worn carbon brushes, insert the new ones and secure the rear cover.

To maintain product SAFETY and RELIABILITY, repairs, any other maintenance or adjustment should be performed by Makita Authorized Service Centers, always using Makita replacement parts.

ACCESSORIES

CAUTION:

- These accessories or attachments are recommended for use with your Makita tool specified in this manual. The use of any other accessories or attachments might present a risk of injury to persons. Only use accessory or attachment for its stated purpose.

If you need any assistance for more details regarding these accessories, ask your local Makita service center.

- High-speed steel Planer blade
- Tungsten-carbide Planer blade (For longer blade life)
- Mini planer blade
- Sharpening holder assembly
- Blade gauge
- Set plate set
- Edge fence (Guide rule)
- Extension guide set
- Dressing stone
- Nozzle assembly
- Dust bag assembly
- Joint
- Socket wrench

For European countries only

Noise and Vibration

ENG005-2-V3

The typical A-weighted noise levels are
sound pressure level: 89 dB (A)
sound power level: 100 dB (A)
Uncertainty is 3 dB (A).

– Wear ear protection. –

The typical weighted root mean square acceleration value is not more than 2.5 m/s².

These values have been obtained according to EN60745.

EC-DECLARATION OF CONFORMITY

ENH101-6

We declare under our sole responsibility that this product is in compliance with the following standards of standardized documents,

EN60745, EN55014, EN61000

in accordance with Council Directives, 89/336/EEC and 98/37/EC.

Yasuhiko Kanzaki **CE 2006**



Director

MAKITA INTERNATIONAL EUROPE LTD.

Michigan Drive, Tongwell, Milton Keynes,
Bucks MK15 8JD, ENGLAND

Responsible manufacturer:
Makita Corporation Anjo Aichi Japan

Übersicht

1	Tiefeneinstellknopf	17	Erhebung	32	Messerschneide
2	Schalter	18	Justierwinkel	33	Schnitlinie
3	Einschaltsperr-/Arretierknopf	19	Druckplatte	34	Parallelanschlag
4	Messermontageschraube	20	Innerer Anschlag	35	Feststellschraube
5	Messerwelle	21	Rückseitiger Anschlag	36	V-Nut
6	Hobelmesser	22	HM-Wendemesser	37	Messerhalter
7	Messerklemmplatte	23	Nut	38	Flügelmutter
8	Justierwinkel	24	Messerklemmschraube	39	Messer (A)
9	Innerer Anschlag	25	Absaugvorrichtung	40	Messer (B)
10	Messerschneide	26	Späneabführung	41	Kante (C)
11	Justierschrauben	27	Befestigungsschraube	42	Kante (D)
12	Hinterkante	28	Abdeckung für Spanauswurf	43	Verschleißgrenze
13	Rückseitiger Anschlag	29	Bohrung zum Einfügen des Stif- tes in die Späneabführung	44	Schraubendreher
14	Anschlagkante	30	Hobelende	45	Bürstenhalterkappe
15	Einstellehre	31	Hobelbeginn		
16	Justierschraube				

TECHNISCHE DATEN

Modell	N1923B
Hobelbreite	82 mm
Spanabnahme stufenlos	1 mm
Falztiefe	23 mm
Leerlaufdrehzahl	16 000 min ⁻¹
Gesamtlänge	293 mm
Nettogewicht	2,9 kg
Sicherheitsklasse	□ // I

- Wir behalten uns vor, Änderungen im Zuge der Entwicklung und des technischen Fortschritts ohne vorherige Ankündigung vorzunehmen.
- Hinweis: Die technischen Daten können von Land zu Land abweichen.

Sicherheitshinweise

Lesen und beachten Sie diese Hinweise, bevor Sie das Gerät benutzen.

Netzanschluß

Die Maschine darf nur an die auf dem Typenschild angegebene Netzspannung angeschlossen werden und arbeitet nur mit Einphasen- Wechsellspannung. Sie ist entsprechend den Europäischen Richtlinien doppelt schutzisoliert und kann daher auch an Steckdosen ohne Erdanschluß betrieben werden.

ALLGEMEINE SICHERHEITSGESETZE

WARNUNG! Alle Anweisungen durchlesen. Eine Missachtung der unten aufgeführten Anweisungen kann zu einem elektrischen Schlag, Brand und/oder schweren Verletzungen führen. Der Ausdruck "Elektrowerkzeug" in allen nachstehenden Warnhinweisen bezieht sich auf Ihr mit Netzstrom (mit Kabel) oder Akku (ohne Kabel) betriebenes Elektrowerkzeug.

DIESE ANWEISUNGEN AUFBEWAHREN.

Sicherheit im Arbeitsbereich

1. Halten Sie den Arbeitsbereich sauber und gut beleuchtet. Unaufgeräumte und dunkle Bereiche führen zu Unfällen.

2. Betreiben Sie Elektrowerkzeuge nicht in explosiven Umgebungen, wie z.B. in Gegenwart von brennbaren Flüssigkeiten, Gasen oder Staub. Elektrowerkzeuge erzeugen Funken, die den Staub oder die Dämpfe entzünden können.
3. Halten Sie Kinder und Umstehende während der Benutzung eines Elektrowerkzeugs vom Arbeitsbereich fern. Ablenkungen können dazu führen, dass Sie die Kontrolle verlieren.

Elektrische Sicherheit

4. Der Stecker des Elektrowerkzeugs muss an die Steckdose angepasst sein. Der Stecker darf auf keinen Fall in irgendeiner Form abgeändert werden. Verwenden Sie keine Adapterstecker mit geerdeten Elektrowerkzeugen. Vorschriftsmäßige Stecker und passende Steckdosen reduzieren die Stromschlaggefahr.
5. Vermeiden Sie Körperkontakt mit geerdeten Gegenständen (z.B. Rohre, Kühler, Herde, Kühlschränke). Es besteht erhöhte Stromschlaggefahr, falls Ihr Körper Erdkontakt hat.
6. Setzen Sie Elektrowerkzeuge keinem Regen oder Nässe aus. Wasser, das in ein Elektrowerkzeug eindringt, erhöht die Stromschlaggefahr.
7. Behandeln Sie das Kabel sorgfältig. Benutzen Sie das Kabel niemals zum Tragen, Ziehen oder Abtrennen des Elektrowerkzeugs. Halten Sie das Kabel von Hitze, Öl, scharfen Kanten oder beweglichen Teilen fern. Ein beschädigtes oder verheddertes Kabel erhöht die Stromschlaggefahr.
8. Wenn Sie ein Elektrowerkzeug im Freien betreiben, verwenden Sie ein für Freiluftbenutzung geeignetes Verlängerungskabel. Die Verwendung eines für Freiluftbenutzung geeigneten Kabels reduziert die Stromschlaggefahr.

Persönliche Sicherheit

9. Bleiben Sie wachsam, und lassen Sie beim Umgang mit einem Elektrowerkzeug Vorsicht und gesunden Menschenverstand walten. Benutzen Sie keine Elektrowerkzeuge, wenn Sie müde sind oder unter dem Einfluss von Drogen, Alkohol oder Medikamenten stehen. Ein Augenblick der Unachtsamkeit während der Benutzung von Elektrowerkzeugen kann zu schweren Verletzungen führen.

10. **Benutzen Sie Schutzausrüstung. Tragen Sie stets eine Schutzbrille.** Sachgemäßer Gebrauch von Schutzausrüstung (z.B. Staubmaske, rutschfesteste Sicherheitsschuhe, Helm und Gehörschutz) trägt zu einer Reduzierung der Verletzungsgefahr bei.
11. **Vermeiden Sie unbeabsichtigtes Einschalten. Vergewissern Sie sich, dass der Schalter in der Aus-Stellung ist, bevor Sie den Netzstecker einstecken.** Das Tragen von Elektrowerkzeugen mit dem Finger am Ein-Aus-Schalter oder das Anschließen bei eingeschaltetem Ein-Aus-Schalter führt zu Unfällen.
12. **Etwaige Einstell- oder Schraubenschlüssel sind vor dem Einschalten des Elektrowerkzeugs zu entfernen.** Ein Schrauben- oder Einstellschlüssel, der auf einem rotierenden Teil des Elektrowerkzeugs stecken gelassen wird, kann zu einer Verletzung führen.
13. **Übernehmen Sie sich nicht. Achten Sie stets auf sicheren Stand und gute Balance.** Sie haben dann in unerwarteten Situationen eine bessere Kontrolle über das Elektrowerkzeug.
14. **Achten Sie auf zweckmäßige Kleidung. Tragen Sie keine lose Kleidung oder Schmuck. Halten Sie Haare, Kleidung und Handschuhe von beweglichen Teilen fern.** Lose Kleidung, Schmuck oder langes Haar kann sich in beweglichen Teilen verfangen.
15. **Wenn Anschlussvorrichtungen für Staubabsaug- und Staubsammelgeräte vorhanden sind, sollten diese montiert und sachgerecht verwendet werden.** Die Verwendung solcher Vorrichtungen kann durch Staub verursachte Gefahren reduzieren.

Gebrauch und Pflege von Elektrowerkzeugen

16. **Setzen Sie Elektrowerkzeuge keiner Gewaltanwendung aus. Verwenden Sie das korrekte Elektrowerkzeug für Ihre Anwendung.** Ein korrektes Elektrowerkzeug verrichtet die anstehende Arbeit bei sachgemäßer Handhabung besser und sicherer.
17. **Benutzen Sie das Elektrowerkzeug nicht, wenn es sich nicht mit dem Ein-Aus-Schalter ein- und ausschalten lässt.** Ein Elektrowerkzeug, das nicht auf die Schalterbetätigung reagiert, ist gefährlich und muss repariert werden.
18. **Trennen Sie den Stecker von der Stromquelle und/oder den Akku vom Elektrowerkzeug, bevor Sie Einstellungen durchführen, Zubehör auswechseln oder das Elektrowerkzeug lagern.** Solche vorbeugenden Sicherheitsmaßnahmen reduzieren die Gefahr eines versehentlichen Einschaltens des Elektrowerkzeugs.
19. **Bewahren Sie unbenutzte Elektrowerkzeuge außer Reichweite von Kindern auf, und lassen Sie nicht zu, dass Personen, die nicht mit dem Elektrowerkzeug oder diesen Anweisungen vertraut sind, das Elektrowerkzeug benutzen.** Elektrowerkzeuge in den Händen unerfahrener Benutzer sind gefährlich.
20. **Pflegen Sie Elektrowerkzeuge. Überprüfen Sie Elektrowerkzeuge auf Fehlausrichtung oder Schleifen beweglicher Teile, Beschädigung von Teilen und andere Zustände, die ihren Betrieb beeinträchtigen können. Lassen Sie das Elektrowerkzeug bei Beschädigung vor der Benutzung reparieren.** Viele Unfälle werden durch schlecht gewartete Elektrowerkzeuge verursacht.

21. **Halten Sie Schneidwerkzeuge scharf und sauber.** Gut instand gehaltene Schneidwerkzeuge mit scharfen Schneiden sind weniger anfällig für Klemmen und lassen sich leichter handhaben.
22. **Benutzen Sie das Elektrowerkzeug, das Zubehör, die Einsatzwerkzeuge usw. gemäß diesen Anweisungen und in der für das jeweilige Elektrowerkzeug vorgesehenen Weise, und berücksichtigen Sie stets die Arbeitsbedingungen und die anstehende Arbeit.** Unsachgemäßer Gebrauch des Elektrowerkzeugs kann zu einer Gefahrensituation führen.

Wartung

23. **Lassen Sie Ihr Elektrowerkzeug nur unter Verwendung identischer Ersatzteile von einem qualifizierten Wartungstechniker warten.** Dadurch wird die Aufrechterhaltung der Sicherheit des Elektrowerkzeugs gewährleistet.
24. **Befolgen Sie die Anweisungen für die Schmirgelung und den Austausch von Zubehör.**
25. **Halten Sie Griffe trocken, sauber und frei von Öl und Fett.**

SPEZIELLE SICHERHEITSREGELN

Lassen Sie sich NICHT durch Bequemlichkeit oder Vertrautheit mit dem Produkt (durch wiederholten Gebrauch erworben) von der strikten Einhaltung der Sicherheitsregeln für Balkenhobel abhalten. Wenn Sie dieses Elektrowerkzeug auf unsichere oder unsachgemäße Weise benutzen, können Sie schwere Verletzungen erleiden.

1. **Warten Sie, bis das Messer zum Stillstand kommt, bevor Sie das Werkzeug ablegen.** Das freiliegende Messer könnte sonst in die Oberfläche eingreifen, was zu einem möglichen Verlust der Kontrolle und ernsthaften Verletzungen führen kann.
2. **Verwenden Sie Klemmen oder eine andere praktische Methode, um das Werkstück auf einer stabilen Unterlage zu sichern und abzustützen.** Wenn Sie das Werkstück nur von Hand oder gegen Ihren Körper halten, befindet es sich in einer instabilen Lage, die zum Verlust der Kontrolle führen kann.
3. **Putztücher, Kleidung, Anschlußleitungen, u. a. sollten nicht in der Nähe des Arbeitsplatzes liegen.**
4. **Prüfen Sie das Werkstück und entfernen Sie Nägel, Schrauben und andere Fremdkörper vor Arbeitsbeginn.**
5. **Verwenden Sie nur scharfe Hobelmesser.** Behandeln Sie die Messer mit größter Sorgfalt.
6. **Stellen Sie sicher, daß die Messerklemmschrauben vor Beginn der Arbeit fest angezogen sind.**
7. **Halten Sie das Werkzeug mit beiden Händen fest.**
8. **Halten Sie Ihre Hände nicht in die Nähe von rotierenden Teilen.**
9. **Lassen Sie die Maschine eine Weile im Leerlauf laufen, bevor Sie mit der Arbeit an einem Werkstück beginnen.** Achten Sie auf Vibrationen und Schlägen; beides gibt Aufschluß über ein schlecht ausgewuchtetes Messer oder nicht fachgerechten Einbau.

10. Stellen Sie sicher, daß das Hobelmesser nicht mit dem Werkstück in Berührung kommt, bevor Sie einschalten.
11. Beginnen Sie mit der Arbeit erst, nachdem das Hobelmesser die volle Leerlaufdrehzahl erreicht hat.
12. Schalten Sie das Gerät stets vor Beginn etwaiger Einstellarbeiten aus und ziehen Sie den Netzstecker. Warten Sie, bis die Maschine zum Stillstand gekommen ist.
13. Halten Sie niemals einen Finger in den Spanauswurf. Der Spanauswurf kann verstopfen, wenn Sie feuchtes Holz hobeln. Entfernen Sie vorsichtig die Späne im Bereich des Spanauswurfs, aber nur bei ausgeschalteter Maschine.
14. Lassen Sie die Maschine nicht unbeaufsichtigt laufen. Schalten Sie das Gerät nur ein, während Sie es in der Hand halten.
15. Wechseln Sie stets Hobelmesser oder Messerklemmplatten paarweise aus, um Unwucht der Messerwelle zu vermeiden, die Vibrationen erzeugt und die Lebensdauer der Maschine verkürzt.
16. Verwenden Sie nur Original Makita-Hobelmesser, die in dieser Anleitung angegeben sind.
17. Verwenden Sie stets die korrekte Staubschutz- oder Atemmaske für das jeweilige Material und die Anwendung.

BEWAHREN SIE DIESE HINWEISE SORGFÄLTIG AUF.

WARNUNG:

MISSBRAUCH oder Missachtung der Sicherheitsvorschriften in dieser Anleitung können schwere Verletzungen verursachen.

FUNKTIONSBESCHREIBUNG

VORSICHT:

- Vergewissern Sie sich vor jeder Einstellung oder Funktionsprüfung der Maschine stets, dass sie ausgeschaltet und vom Stromnetz getrennt ist.

Einstellung der Spanabnahme (Abb. 1)

Die Spanabnahme kann durch Drehen des Tiefeneinstellknopfes an der Vorderseite der Maschine eingestellt werden.

Schalterbedienung

VORSICHT:

- Überprüfen Sie vor dem Anschließen der Maschine an das Stromnetz stets, ob der Schalter ordnungsgemäß funktioniert und beim Loslassen in die AUS-Stellung zurückkehrt.

Werkzeug ohne Einschaltsperrung und Arretierknopf (Abb. 2)

Zum Einschalten der Maschine den Schalter drücken. Zum Ausschalten wieder loslassen.

Werkzeug mit Arretierknopf (Abb. 3)

Zum Einschalten der Maschine den Schalter drücken. Zum Ausschalten wieder loslassen.

Für Dauerbetrieb den Schalter und den Arretierknopf drücken.

Zum Ausschalten den arretierten Schalter nochmals drücken und wieder loslassen.

Werkzeug mit Einschaltsperrung (Abb. 3)

Um ein versehentliches Betätigen des Schalters zu verhindern, ist bei diesem Modell eine Einschaltsperrung eingebaut.

Zum Einschalten der Maschine erst die Einschaltsperrung und dann den Schalter drücken. Zum Ausschalten den Schalter wieder loslassen.

MONTAGE

VORSICHT:

- Vergewissern Sie sich vor der Ausführung von Arbeiten an der Maschine stets, dass sie ausgeschaltet und vom Stromnetz getrennt ist.

Montage und Demontage von Hobelmessern

VORSICHT:

- Ziehen Sie die Messermontageschrauben sorgfältig an, wenn Sie die Messer an der Maschine anbringen. Eine lose Montageschraube kann gefährlich sein. Vergewissern Sie sich stets, dass sie einwandfrei angezogen sind.
- Behandeln Sie die Messer mit größter Sorgfalt. Schützen Sie Ihre Finger oder Hände beim Demontieren oder Montieren der Messer mit Handschuhen oder Lappen.
- Verwenden Sie nur den mitgelieferten Makita-Inbusschlüssel zum Demontieren oder Montieren der Messer. Anderenfalls besteht die Gefahr, dass die Montageschrauben zu stark oder zu schwach angezogen werden, was zu einer Verletzung führen kann.

Bestückung mit Hobelmessern (Abb. 4, 5 u. 6)

Zum Ausbau der Hobelmesser lösen Sie mit dem mitgelieferten Montagewerkzeug die Messerklemmschrauben der Messerwelle. Die Messerklemmplatte der Messerwelle kann zusammen mit den Hobelmessern abgenommen werden.

Messerwelle und Hobelmesser vor dem Einbau reinigen, um Späne und Fremdkörper zu entfernen. Stets Hobelmesser mit gleicher Größe und gleichem Gewicht verwenden. Unwucht durch ungleiche Hobelmesser beeinträchtigt die Hobelleistung und Lebensdauer der Maschine.

Das Hobelmesser so auf die Einstelllehre legen, daß die Messerschneide an der Anschlagkante anliegt. Den Justierwinkel auf das Hobelmesser legen und die Hinterkante gegen die Einstelllehre drücken, bis sie mit der Hinterkante der Einstelllehre bündig abschließt; dann die zwei Schrauben an dem Justierwinkel festziehen. Fügen Sie die Hinterkante des Justierwinkels in die Nut der Messerwelle und bringen Sie die Messerklemmplatte auf der Messerwelle an. Die drei Messerklemmschrauben mit dem mitgelieferten Montagewerkzeug gleichmäßig im Wechsel fest anziehen.

Bestückung mit HM-Wendemessern (Abb. 7, 8 u. 9)

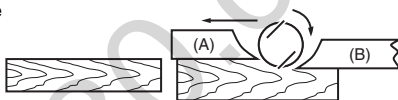
1. Wenn die Maschine in Betrieb war, die vorhandenen Hobelmesser demontieren und die Oberflächen von Messerwelle und Messerklemmplatte sorgfältig reinigen. Zum Ausbau der Hobelmesser von der Messerwelle die drei Messerklemmschrauben mit dem mitgelieferten Steckschlüssel (für alle Länder außer Deutschland und Dänemark) bzw. Innensechskantschlüssel (für Deutschland und Dänemark) lösen. Die Messerklemmplatte kann zusammen mit den Hobelmessern abgenommen werden.
2. Zum Einbau der HM-Wendemeser den Justierwinkel mit den Messerklemmschrauben leicht an der Druckplatte vormontieren und das HM-Wendemeser so auf die Einstelllehre legen, daß die Schneide des HM-Wendemesers an der Anschlagkante anliegt.
3. Den Justierwinkel mit der Druckplatte so auf der Einstelllehre ausrichten, daß die Erhebung der Druckplatte in die Nut des HM-Wendemesers eingreift; dann die Hinterkante des Justierwinkels mit der Rückseite der Einstelllehre abgleichen und die Justierschrauben anziehen.
4. Es ist unbedingt erforderlich, daß das HM-Wendemeser an der Anschlagkante bündig anliegt, die Erhebungen in der Messernut liegen und die Hinterkante des Justierwinkels mit der Rückseite der Einstelllehre bündig abschließt. Die Anordnung dieser Teile sorgfältig vornehmen und überprüfen, um gleichmäßiges Hobeln zu gewährleisten.
5. Die Hinterkante des Justierwinkels in die Nut in der Messerwelle schieben.
6. Die Messerklemmplatte auf die vormontierte Druckplatte setzen und die drei Messerklemmschrauben leicht anziehen, um das HM-Wendemeser in die richtige Schnittposition zu bringen. Das HM-Wendemeser wird durch die Erhebungen auf der Druckplatte fixiert.
7. Die seitliche Justierung des HM-Wendemesers muß von Hand vorgenommen werden: beide Messerenden sollten den gleichem Abstand zum Gehäuse auf der einen Seite und der Metallklammer auf der anderen Seite haben.
8. Die drei Messerklemmschrauben mit dem mitgelieferten Steckschlüssel (für alle Länder außer Deutschland und Dänemark) bzw. Innensechskantschlüssel (für Deutschland und Dänemark) anziehen und die Messerwelle von Hand drehen, um dem Abstand zwischen HM-Wendemeser und Gehäuse zu überprüfen.
9. Die drei Messerklemmschrauben noch einmal auf festen Sitz prüfen.
10. Die Punkte 1 – 9 für das andere HM-Wendemeser wiederholen.

Auswirkungen von Messerfehleinstellungen

Fehleinstellung der Hobelmesser führt zu ungleichmäßigem und unsauberem Hobelergbnissen. Bei richtiger Einstellung befindet sich das Messer fluchtend mit der hinteren Hobelsohle. Die folgenden Beispiele veranschaulichen einige richtige und falsche Einstellungen.

- (A) vordere Hobelsohle
(B) hintere Hobelsohle

Richtige
Einstellung



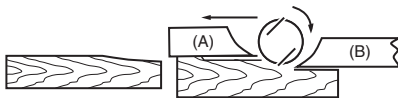
In dieser Seitenansicht nicht zu erkennen, liegen die Messer genau parallel zur hinteren Hobelsohle

Oberflächenvorsprünge



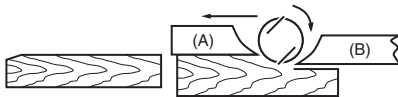
Ursache:
mindestens ein Messer schräg eingebaut

Kehlung
beim Ansetzen



Ursache:
Messer zu tief eingebaut

Kehlung
beim Abheben



Ursache:
mindestens ein Messer zu weit vorstehend eingebaut

Anschluß einer Absaugvorrichtung

Für Europa

Für staubarmes Hobeln kann ein Makita-Absauggerät an die Maschine, wie in **Abb. 10** gezeigt, angeschlossen werden.

Außereuropäische Länder

Zum Anschluß einer Makita-Absaugvorrichtung an das Werkzeug sind eine Saugdüse und ein Stutzen (Sonderzubehör) erforderlich. Einzelheiten über Saugdüse und Stutzen sind einem Makita-Katalog zu entnehmen oder von Ihrem Makita-Fachhändler erhältlich.

Späneabführung (Sonderzubehör)

Die Benutzung der Späneabführung ermöglicht einen gezielten Spanauswurf. (**Abb. 11**)

Zuerst die Abdeckung des Spanauswurfs vom Maschinengehäuse entfernen. Die Späneabführung mit dem Stift in die hintere Bohrung des Gehäuses einführen und mit den Schrauben der Spanauswurfabdeckung befestigen. (**Abb. 12**)

Hobelbetrieb (Abb. 13)

Setzen Sie zuerst die vordere Hobelsohle auf das Werkstück, ohne daß die Hobelmesser mit dem Werkstück oder etwas anderem in Berührung kommen. Schalten Sie den Hobel ein und warten Sie, bis die Messerwelle die volle Drehzahl erreicht hat. Bewegen Sie dann den Hobel langsam vorwärts. Üben Sie zuerst Druck im Bereich der vorderen Hobelsohle und am Ende des Werkstücks Druck auf die hintere Hobelsohle aus. Das Hobeln kann durch schräge Montage des Werkstückes erleichtert werden, wenn abwärts gehobelt wird.

Vorschub und Spanabnahme bestimmen die Oberflächengüte!

Falzen (Abb. 14, 15, 16 u. 17)

Zum Falzen wird, wie in **Abb. 14** gezeigt, der Parallelanschlag (Richtlineal) verwendet.

Zeichnen Sie eine Schnittlinie auf dem Werkstück an. Befestigen Sie den Parallelanschlag in der dafür vorgesehenen Bohrung der Maschine. Richten Sie die Messerschneide auf die Schnittlinie aus. (**Abb. 15**)

Der Parallelanschlag läßt sich durch eine Holzleiste verlängern. Zur Befestigung dieser Holzleiste dienen die im Parallelanschlag vorhandenen Bohrungen, die auch den Anbau eines verlängerten Anschlags ermöglichen (Sonderzubehör). (**Abb. 16**)

Beim Falzen muß die Maschine mit dem Parallelanschlag entlang des Werkstücks geführt werden, um eine gleichmäßige Falz zu erhalten.

Die maximale Falztiefe beträgt 23 mm.

Der Parallelanschlag läßt sich durch eine Holzleiste verlängern. Zur Befestigung dieser Holzleiste dienen die im Parallelanschlag vorhandenen Bohrungen, die auch den Anbau eines verlängerten Anschlags ermöglichen (Sonderzubehör). (**Abb. 17**)

VORSICHT:

- Die Schneide ist so einzustellen, dass sie leicht übersteht (0,3 mm – 0,6 mm). Anderenfalls entstehen Kerben und allgemein schlechte Falzverbindungsergebnisse. (**Abb. 18**)

Fasen (Abb. 19 u. 20)

Um eine Fasung wie in **Abb. 20** herzustellen, die V-Nut der vorderen Hobelsohle auf die Kante des Werkstücks ausrichten und fasen.

WARTUNG

VORSICHT:

- Vor Arbeiten an der Maschine vergewissern Sie sich, daß sich der Schalter in der "OFF"-Position befindet und der Netzstecker gezogen ist.

Schärfen der HSS-Hobelmesser (Abb. 21, 22 u. 23)

Bestückung mit HSS-Hobelmessern

Halten Sie Ihre Messer immer scharf, um bestmögliche Leistung zu erhalten. Benutzen Sie den Messerhalter beim Schleifen mit Schleifgeräten, um die Schneiden zu schärfen und Beschädigungen auszusleifen.

Lösen Sie zuerst die beiden Flügelmuttern auf dem Messerhalter und setzen Sie die Messer (A) und (B) so ein, daß Sie an den Kanten (C) und (D) anliegen. Ziehen Sie dann die Flügelmuttern fest.

Wässern Sie den Schleifstein einige Minuten, bevor Sie schleifen. Führen Sie den Messerhalter so, daß beide Messer den Stein berühren, um ein gleichzeitiges Schleifen unter dem gleichen Winkel zu gewährleisten.

Auswechseln der Kohlebürsten (Abb. 24, 25 u. 26)

Die Kohlebürsten müssen regelmäßig entfernt und überprüft werden. Wenn sie bis zur Verschleißgrenze abgenutzt sind, müssen sie erneuert werden. Halten Sie die Kohlebürsten stets sauber, damit sie ungehindert in den Haltern gleiten können. Beide Kohlebürsten sollten gleichzeitig erneuert werden. Verwenden Sie nur identische Kohlebürsten.

Entfernen Sie die Späneabdeckung mit einem Schraubendreher.

Nehmen Sie die abgenutzten Kohlebürsten heraus, setzen Sie die neuen ein, und befestigen Sie dann die hintere Abdeckung wieder.

Um die SICHERHEIT und ZUVERLÄSSIGKEIT dieses Produkts zu gewährleisten, sollten Reparaturen und andere Wartungs- oder Einstellarbeiten nur von Makita-Vertragswerkstätten oder Makita-Kundendienstzentren unter ausschließlicher Verwendung von Makita-Originalersatzteilen ausgeführt werden.

ZUBEHÖR

VORSICHT:

- Die folgenden Zubehörteile oder Vorrichtungen werden für den Einsatz mit der in dieser Anleitung beschriebenen Makita-Maschine empfohlen. Die Verwendung anderer Zubehörteile oder Vorrichtungen kann eine Verletzungsgefahr darstellen. Verwenden Sie Zubehörteile oder Vorrichtungen nur für ihren vorgesehenen Zweck.

Wenn Sie weitere Einzelheiten bezüglich dieser Zubehörteile benötigen, wenden Sie sich bitte an Ihre Makita-Kundendienststelle.

- Hochdrehzahl-Stahlhobelmesser
- Hartmetall-Hobelmesser (Für längere Messerstandzeit)
- Mini-Wendemesser
- Messerhaltereinheit
- Messerlehre
- Druckplattensatz
- Parallelanschlag (Richtlineal)
- Verlängerungsführungssatz
- Abrichtstein
- Späneabführung
- Staubsackeinheit
- Verbindung
- Steckschlüssel

Nur für europäische Länder

Geräusch- und Vibrationsentwicklung

ENG005-2-V3

Die typischen A-bewerteten Geräuschpegel betragen:

- Schalldruckpegel: 89 dB (A)
- Schalleistungspegel: 100 dB (A)
- Die Abweichung beträgt 3 dB (A).
- Gehörschutz tragen. –

Der gewichtete Effektivwert der Beschleunigung beträgt nicht mehr als 2,5 m/s².

Diese Werte wurden gemäß EN60745 erhalten.

CE-KONFORMITÄTSERKLÄRUNG

ENH101-6

Hiermit erklärt wir unter unserer alleinigen Verantwortung, daß dieses Produkt gemäß den Ratsdirektiven 89/336/EWG und 98/37/EG mit den folgenden Normen von Normendokumenten übereinstimmen:

EN60745, EN55014, EN61000.

Yasuhiko Kanzaki **CE 2006**



Direktor


MAKITA INTERNATIONAL EUROPE LTD.

Michigan Drive, Tongwell, Milton Keynes,
Bucks MK15 8JD, ENGLAND

Verantwortlicher Hersteller:
Makita Corporation Anjo Aichi Japan

1 Pokrętko	16 Śruba z łbem stożkowym ściętym	29 Wsuń sworzeń końcówki wylotowej do tego otworu.
2 Język włącznika	17 Występy położenia noża strugarki	30 Koniec
3 Przycisk blokady/Przycisku blokady włączania	18 Krawędź płytki regulacyjnej	31 Początek
4 Bolec	19 Płytką dociskowa	32 Krawędź noża
5 Bęben	20 Wewnętrzny bok płyty pomiarowej	33 Linia strugania
6 Nóż strugarki	21 Tylny bok bazy pomiarowej	34 Prowadnica krawędziowa
7 Pokrywa bębna	22 Mały nóż strugarki	35 Śruba
8 Płytką regulacyjną	23 Rowek	36 Rowek „V”
9 Wewnętrzna krawędź płyty pomiarowej	24 Śruba wiercowa z łbem sześciokątnym	37 Uchwyt do ostrzenia
10 Krawędź noża	25 Odkurzacz	38 Nakrętka motylkowa
11 Śruby	26 Końcówka wylotowa	39 Nóż (A)
12 Krawędź	27 Śruba do osłony dla wiórów	40 Nóż (B)
13 Tylny bok bazy pomiarowej	28 Osłona dla wiórów	41 Bok (C)
14 Płyta pomiarowa		42 Bok (D)
15 Baza pomiarowa		43 Znak limitu
		44 Śrubokręt
		45 Nasadka szczotki

DANE TECHNICZNE

Model	N1923B
Szerokość strugania	82 mm
Głębokość strugania	1 mm
Głębokość zachodzenia	23 mm
Prędkość bez obciążenia (min ⁻¹)	16.000
Całkowita długość	293 mm
Ciężar netto	2,9 kg
Klasa bezpieczeństwa.....	 /II

- Ze względu na prowadzony program udoskonaleń i badań, podane dane techniczne mogą zostać zmienione bez uprzedzenia.
- Uwaga: Dane techniczne mogą się różnić w zależności od kraju.

Zasilanie

Urządzenie to, powinno być podłączone tylko do źródła zasilania o takim samym napięciu jak pokazano na tabliczce znamionowej i może być używane tylko dla zmiennego prądu jednofazowego. Zgodnie ze standardami Unii Europejskiej zastosowano podwójną izolację i dlatego też możliwe jest zasilanie z gniazda bez uziemienia.

Wskazówki dotyczące bezpieczeństwa.

Dla własnego bezpieczeństwa prosimy o zapoznanie się zamieszczonymi instrukcjami bezpieczeństwa.

OGÓLNE ZASADY BEZPIECZEŃSTWA

UWAGA! Przeczytaj wszystkie instrukcje.

Niestosowanie się do wszystkich instrukcji podanych poniżej może doprowadzić do porażenia prądem, pożaru lub poważnych obrażeń. Określenie „urządzenie zasilane prądem” we wszystkich poniższych ostrzeżeniach odnosi się do urządzeń zasilanych prądem z sieci (przewodowych) lub z akumulatora (beprzewodowych).

ZACHOWAJ TĘ INSTRUKCJĘ.

Bezpieczeństwo miejsca pracy

1. **Miejsce pracy powinno być uporządkowane i dobrze oświetlone.** Nieuporządkowane i ciemne miejsca sprzyjają wypadkom.
2. **Nie używaj urządzeń zasilanych prądem w miejscach, gdzie w powietrzu znajdują się substancje wybuchowe, np. w pobliżu palnych płynów, gazów lub pyłów.** Urządzenia zasilane prądem wytwarzają iskry, które mogą zapalić pyły lub opary.
3. **Podczas pracy z urządzeniem zasilanym prądem dzieci i osoby postronne powinny znajdować się z dala.** Rozproszenie może doprowadzić do utraty panowania.

Bezpieczeństwo elektryczne

4. **Wtyczki urządzeń zasilanych prądem muszą pasować do gniazdek. Nigdy nie przerabiaj wtyczki w żaden sposób.** Dla urządzeń zasilanych prądem z uziemieniem nie używaj żadnych adapterów wtyczek. Nie przerabiane wtyczki i pasujące do nich gniazdko zmniejszają niebezpieczeństwo porażenia prądem.
5. **Unikaj dotykania ciałem uziemionych powierzchni, takich jak rury, kaloryfery, grzejniki i lodówki.** Kiedy ciało jest uziemione, niebezpieczeństwo porażenia prądem jest większe.
6. **Nie narażaj urządzeń zasilanych prądem na deszcz lub wilgoć.** Dostanie się wody do wnętrza urządzenia zasilanego prądem może zwiększyć niebezpieczeństwo porażenia prądem.
7. **Obchodź się starannie z przewodem. Nigdy nie używaj go do przenoszenia, przeciągania lub odłączania od zasilania urządzenia zasilanego prądem.** Trzymaj przewód z dala od źródeł ciepła, oleju ostrych krawędzi i ruchomych części. Uszkodzone lub splecione przewody zwiększają niebezpieczeństwo porażenia prądem.

8. Podczas używania urządzenia zasilanego prądem na zewnątrz korzystaj z przedłużacza przeznaczanego do użytku na zewnątrz. Korzystanie z przedłużacza przeznaczanego do użytku na zewnątrz zmniejsza niebezpieczeństwo porażenia prądem.

Bezpieczeństwo osobiste

9. Podczas pracy z urządzeniem zasilanym prądem zachowuj czujność, uważaj, co robisz, i zachowuj zdrowy rozsądek. Nie używaj urządzeń zasilanych prądem, kiedy jesteś zmęczony lub pod wpływem narkotyków, alkoholu lub lekarstw. Chwila nieuwagi podczas obsługi urządzenia zasilanego prądem może doprowadzić do poważnych obrażeń.

10. Używaj wyposażenia ochronnego. Zawsze zakładaj osłonę oczu. Wyposażenia ochronne, takie jak maska przeciwpyłowa, obuwie z podeszwą antypoślizgową, kask lub osłona uszu, używane w wymagających tego sytuacjach, może zapobiec obrażeniom.

11. Unikaj przypadkowego włączenia urządzenia. Przed podłączeniem do zasilania upewnij się, czy włącznik znajduje się w położeniu wyłączonym. Przenoszenie urządzenia z palcem na włączniku lub podłączenie do zasilania z włączonym włącznikiem prowokuje wypadki.

12. Przed włączeniem urządzenia zasilanego prądem zdejmij z niego wszelkie klucze do regulacji. Pozostawienie klucza założonego na obracającą się część urządzenia zasilanego prądem może spowodować obrażenia.

13. Nie pochylaj się zbyt silnie. Przez cały czas stój pewnie i w równowadze. Pozwala to na lepsze panowanie nad urządzeniem zasilanym prądem w nieoczekiwanych sytuacjach.

14. Ubiierz się właściwie. Nie zakładaj luźnych rzeczy lub biżuterii. Trzymaj włosy, ubranie i rękawice z dala od ruchomych części. Luźne ubranie, biżuteria i długie włosy mogą zaplątać się w ruchome części.

15. Jeżeli posiadasz urządzenia do podłączenia wyciągów pyłu, upewnij się, czy są one podłączone i prawidłowo używane. Korzystanie z takich urządzeń może ograniczyć zagrożenia powodowane przez pył.

Korzystanie i dbanie o urządzenie zasilane prądem

16. Nie przeciążaj urządzeń zasilanych prądem. Korzystaj z urządzeń przeznaczonych do wykonywania danej pracy. Właściwe urządzenie zasilane prądem wykona pracę lepiej i bezpieczniej, kiedy będzie używane w tempie, na jakie zostało zaprojektowane.

17. Nie używaj urządzenia zasilanego prądem, jeżeli nie można go włączyć i wyłączyć włącznikiem. Wszelkie urządzenia zasilane prądem, których nie można kontrolować włącznikiem są niebezpieczne i muszą być naprawione.

18. Przed wykonywaniem wszelkich regulacji, wymianą wyposażenia lub przechowywaniem urządzenia zasilanego prądem odłącz wtyczkę od źródła zasilania lub odłącz akumulator. Taki środek zapobiegawczy zmniejsza niebezpieczeństwo przypadkowego uruchomienia urządzenia.

19. Przechowuj nie używane urządzenia zasilane prądem poza zasięgiem dzieci i nie pozwalaj, aby obsługiwały je osoby nie zaznajomione z nimi lub niniejszą instrukcją obsługi. Urządzenia zasilane prądem w rękach nie przeszkolonych osób są niebezpieczne.

20. Konserwuj urządzenia zasilane prądem. Sprawdzaj, czy ruchome części są prawidłowo ustawione i nie blokują się, czy części nie są pęknięte i czy nie zachodzą inne warunki mogące mieć wpływ na pracę urządzenia zasilanego prądem. Jeżeli urządzenie zasilane prądem będzie uszkodzone, napraw je przed użyciem. Złe utrzymane urządzenia zasilane prądem powodują wiele wypadków.

21. Urządzenia tnące powinny być czyste i naostrzone. Właściwie utrzymane urządzenia tnące z naostrzonymi ostrzami nie zakleszczają się tak łatwo i można nad nimi łatwo panować.

22. Używaj wyposażenia, końcówek roboczych itp. urządzeń zasilanych prądem zgodnie z niniejszą instrukcją obsługi i w sposób przeznaczony dla danego urządzenia, biorąc pod uwagę warunki pracy i wykonywane zadanie. Używanie urządzeń zasilanych prądem do prac, do których nie są one przeznaczone, może doprowadzić do niebezpiecznych sytuacji.

Serwis

23. Serwis urządzeń zasilanych prądem powinien być wykonywany przez wykwalifikowane osoby i przy użyciu wyłącznie jednakowych części zamiennych. Zapewni to zachowanie bezpieczeństwa pracy z urządzeniem zasilanym prądem.

24. Postępuj zgodnie z zaleceniami dotyczącymi smarowania i wymiany wyposażenia.

25. Uchwyty powinny być suche, czyste i nie pokryte olejem lub smarem.

SZCZEGÓŁOWE ZASADY BEZPIECZEŃSTWA

NIE pozwól, aby poczucie bezpieczeństwa i znajomość urządzenia (uzyskane w wyniku wielokrotnego używania) zastąpiły ścisłe przestrzeganie zasad bezpiecznej pracy z heblarką. Jeżeli to urządzenie zasilane prądem będzie używane w sposób niebezpieczny lub nieprawidłowy, może dojść do poważnych obrażeń.

1. Przed odłożeniem urządzenia zaczekaj, aż nóż zatrzyma się. Odsłonięty nóż może wciąż się w powierzchni, prowadząc do utraty panowania nad urządzeniem i obrażeń osobistych.
2. Używaj zacisków lub innych sposobów, aby przymocować i podeprzeć obrabiany przedmiot na stabilnej podstawie. Jeżeli obrabiany przedmiot będzie trzymany ręką lub preciskanie ciałem, będzie on niestabilny i może dojść do utraty kontroli nad nim.
3. Szmaty, ubrania, kable, linki itp. nie powinny nigdy znajdować się w pobliżu miejsca pracy.
4. Unikaj przecinania gwoździ. Przed przystąpieniem do pracy obejrzyj obrabiany przedmiot i usuń z niego wszystkie gwoździe.
5. Używaj wyłącznie ostrych noży. Obchodź się z nimi bardzo ostrożnie.
6. Przed przystąpieniem do pracy upewnij się, czy śruby mocujące nóż są dobrze dokręcone.

7. Trzymaj urządzenie pewnie dwiema rękoma.
8. Trzymaj ręce z dala od obracających się części.
9. Przed zetknięciem urządzenia z obrabianym przedmiotem pozwól mu popracować przez chwilę. Zwróć uwagę na drgania i chybotań, które mogą wskazywać na złe zamocowanie lub wyważenie noża.
10. Upewnij się, że nóż nie dotyka obrabianego przedmiotu przed włączeniem urządzenia.
11. Przed rozpoczęciem heblowania zaczekaj, aż urządzenie osiągnie pełną prędkość.
12. Przed przeprowadzaniem jakiegokolwiek regulacji wyłącz urządzenie i zaczekaj, aż noże zatrzymają się całkowicie.
13. Nie wkładaj nigdy palców do rynny strużyn. Rynna może zapchać się podczas heblowania mokrego drewna. Oczyść ją ze strużyn przy pomocy patyka.
14. Nie odchodź od pracującego urządzenia. Obsługuj urządzenie wyłącznie wtedy, kiedy trzymasz je w rękach.
15. Zawsze wymieniaj oba noże lub pokrywy na bębnie, w przeciwnym razie powstały brak równowagi może spowodować drgania i skrócić żywotność urządzenia.
16. Używaj wyłącznie noży Makita podanych w niniejszej instrukcji.
17. Zawsze używaj maski przeciwpyłowej/respiratora właściwego dla obrabianego materiału i wykonywanej pracy.

ZACHOWAJ TĘ INSTRUKCJĘ.

OSTRZEŻENIE:

NIEWŁAŚCIWE UŻYWANIE lub niestosowanie się do zasad bezpieczeństwa podanych w niniejszej instrukcji obsługi może doprowadzić do poważnych obrażeń.

OPIS DZIAŁANIA

OSTRZEŻENIE:

- Przed regulacjami lub sprawdzaniem działania urządzenia zawsze upewnij się, czy jest ono wyłączone i odłączone od zasilania.

Regulacja głębokości strugania (Rys. 1)

Głębokość strugania może być regulowana poprzez przekręcenie pokrętki na przedzie urządzenia.

Funkcje włącznika

OSTRZEŻENIE:

- Przed podłączeniem urządzenia do zasilania, zawsze sprawdź, czy język włącznika działa poprawnie i czy powraca do pozycji „OFF” (Wyl.) po zwolnieniu.

Dla urządzenia bez przycisku blokady i przycisku blokady włączania (Rys. 2)

Aby uruchomić urządzenie, naciśnij język. Zwolnij język, aby zatrzymać urządzenie.

Dla urządzenia z przyciskiem blokady (Rys. 3)

Aby uruchomić urządzenie, naciśnij język. Zwolnij język, aby zatrzymać urządzenie.

Dla ciągłej pracy naciśnij język, a następnie naciśnij przycisk blokady.

Aby zatrzymać urządzenie w pozycji zablokowanej, naciśnij język do końca, a następnie zwolnij go.

Dla urządzenia z przyciskiem blokady włączania (Rys. 3)

Aby zapobiec przypadkowemu naciśnięciu języka, zamocowany jest przycisk blokady włączania.

Aby uruchomić urządzenie naciśnij przycisk blokady włączania, a następnie naciśnij język. Zwolnij język, aby zatrzymać urządzenie.

SKŁADANIE

OSTRZEŻENIE:

- Przed wykonywaniem jakiegokolwiek pracy nad urządzeniem, zawsze upewnij się, czy jest ono wyłączone i odłączone od zasilania.

Zdejmowanie lub zakładanie noży heblarki

OSTRZEŻENIE:

- Podczas zakładania noży na urządzenie dokręć starannie śruby mocujące. Słabo dokręcone śruby mocujące mogą być przyczyną niebezpieczeństwa. Zawsze sprawdź, czy są one pewnie dokręcone. Obchodź się z nożami bardzo ostrożnie.
- Podczas zdejmowania i zakładania noży używaj rękawic lub szmat do ochrony palców i dłoni.
- Do zdejmowania lub zakładania noży używaj wyłącznie dołączonego klucza Makita. Niestosowanie się do tego zalecenia może spowodować zbyt silne lub za słabe dokręcenie śrub mocujących. Może to doprowadzić do zranienia.

Dla urządzenia ze standardowymi nożami strugarki (Rys. 4, 5 i 6)

Aby wyjąć noże z bębna, odkręć trzy śruby instalacyjne przy pomocy klucza nasadowego. Pokrywa bębna wyjmuje się razem z nożami.

Aby zainstalować noże, najpierw wyczyść przyklejone do bębna lub noży wióry, lub inne przyklejone materiały. Używaj noży o tych samych wymiarach i wadze tak, aby nie wystąpiły rotacje/drgania bębna powodujące słabe struganie i niszczenie urządzenia.

Umieść nóż na bazie pomiarowej tak, aby krawędź noża dokładnie przylegała do wewnętrznej krawędzi płyty pomiarowej. Umieść płytkę regulacyjną na nożu, a następnie naciśnij jej krawędź tak, aby przyległa do tylnego boku bazy pomiarowej i dokręć dwie śruby na płytce regulacyjnej. Teraz wsuń krawędź płytki regulacyjnej do rowka bębna, a następnie dopasuj pokrywę bębna. Dokręć równomiernie trzy śruby instalacyjne, pamiętając o naprzemiennych kolejności dokręcania za pomocą klucza nasadowego.

Dla urządzenia z małymi nożami strugarki (Rys. 7, 8 i 9)

1. Jeżeli urządzenie było używane, wyjmij zainstalowany nóż, dokładnie wyczyść powierzchnie bębna i pokrywę bębna. Aby wyjąć noże z bębna, odkręć trzy śruby instalacyjne przy pomocy klucza nasadowego. Pokrywa bębna wyjmuje się razem z nożami.
2. Aby zainstalować noże, luźno zamocuj płytkę regulacyjną do płytki dociskowej za pomocą śrub z łbem stożkowym ścieętym i ustaw mały nóż na bazie pomiarowej tak, aby krawędź cięcia noża była dokładnie dopasowana do wewnętrzznego boku płyty pomiarowej.

3. Ustaw płytkę regulacyjną/płytkę dociskową na bazie pomiarowej tak, aby występy położenia noża strugarki na płytce dociskowej znajdowały się w rowku małego noża strugarki, a następnie naciśnij krawędź płytki regulacyjnej tak aby przyległa do tylnego boku bazy pomiarowej i dokręć śruby z łbem stożkowym ściętym.
4. Ważne jest, aby nóż był dokładnie dopasowany do wewnętrznego boku płyty pomiarowej, występy położenia noża strugarki znajdowały się w rowku noża i krawędź płytki regulacyjnej była dopasowana do tylnego boku bazy pomiarowej. Sprawdź to ustawienie, aby zapewnić równomierne struganie.
5. Wsuń krawędź płytki regulacyjnej do rowka bębna.
6. Nałóż pokrywę bębna na płytkę regulacyjną/płytkę dociskową i wkręć trzy śruby wieńcowe z łbami sześciokątnymi tak, aby istniała przerwa pomiędzy bębniem a płytką dociskową, aby wsunąć na miejsce mały nóż strugarki. Nóż zostanie ustawiony na płytce dociskowej, przez występy położenia noża strugarki.
7. Potrzebna jest ręczna wzdużna regulacja noża tak, aby jego końce były wolne i jednakowo odległe od obudowy po jednej stronie i metalowego wspornika po drugiej.
8. Dokręć trzy śruby wieńcowe z łbami sześciokątnymi (za pomocą dostarczonego klucza nasadowego) i ręcznie przekręć bęben, aby sprawdzić czy jest przerwa pomiędzy końcami noży a korpusem urządzenia.
9. Sprawdź, czy trzy śruby wieńcowe z łbami sześciokątnymi są mocno przykręcone.
10. Powtórz czynności 1 – 9 dla drugiego noża.

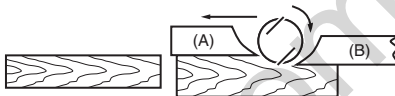
Poprawne ustawienie noża strugarki

Strugana powierzchnia będzie szorstka i nierówna, jeżeli nóż nie jest ustawiony poprawnie i pewnie. Nóż musi być zamontowany tak, aby krawędź tnąca była idealnie pozioma, to znaczy równoległa do powierzchni bazy tylnej. Poniżej pokazane jest parę przykładów poprawnego i niepoprawnego ustawienia.

(A) Baza przednia (Klocek przesuwny)

(B) Baza tylna (Klocek stały)

Poprawne ustawienie



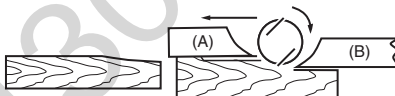
Aczkolwiek widok z boku nie jest w stanie tego pokazać, to krawędzie noży poruszają się idealnie równoległe do powierzchni bazy tylnej.

Nacięcia na powierzchni



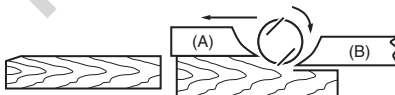
Przyczyna: Jeden lub oba noże nie są ustawione równoległe do linii bazy tylnej.

Wyżłobienia na początku



Przyczyna: Jedna lub obie krawędzie noża nie dostatecznie wystają w stosunku do linii bazy tylnej.

Wyżłobienia na końcu



Przyczyna: Jedna lub obie krawędzie noża za bardzo wystają w stosunku do linii bazy tylnej.

Podłączanie odkurzacza

Dla krajów i regionów europejskich

Gdy chcesz wykonać czyste struganie, podłącz odkurzacza Makita do urządzenia tak, jak pokazano na Rys. 10.

Dla innych krajów i regionów

Końcówka i połączenie (akcesoria dodatkowe) są konieczne w celu podłączenia odkurzacza Makita do urządzenia. Przejrzyj katalog Makita lub odpowiadający mu informator o końcówkach i połączeniach.

Końcówka wylotowa (akcesoria dodatkowe)

Użycie końcówki wylotowej zmniejszy rozrzucanie wiórów i uczyni miejsce pracy czystszy. (Rys. 11)

Końcówka wylotowa może być założona po zdjęciu osłony dla wiórów na korpusie urządzenia. Przy wsuwaniu końcówki, umieść bolec w otworze na tyle osłony. Użyj śrub od osłony dla wiórów do przymocowania końcówki. (Rys. 12)

Czynność strugania (Rys. 13)

Najpierw połóż płasko bazę przednią na powierzchni struganego elementu tak, aby noże nie miały z nim kontaktu. Włącz urządzenie i zaczekaj dopóki noże nie osiągną pełnej prędkości. Następnie delikatnie przesuń urządzenie do przodu. Naciśnij na przód urządzenia przy rozpoczęciu strugania i na jego koniec, przy kończeniu strugania. Struganie będzie łatwiejsze, jeżeli element strugany zostanie trwale pochylony tak, aby możliwe było struganie w kierunku do dołu. Prędkość i głębokość strugania determinuje rodzaj wykończenia. Strugarka elektryczna podtrzymuje struganie z taką prędkością, która nie spowoduje zapchania jej wiórami. Dla zgrubnego strugania, głębokość strugania może być zwiększona, podczas gdy dla dobrego wykończenia konieczna jest redukcja głębokości cięcia i powolne przesuwanie urządzenia.

Zachodzenie (Rys. 14, 15, 16 i 17)

Aby wykonać struganie schodkowe pokazane na Rys. 14, użyj prowadnicy krawędziowej (Prowadnica wzdużna).

Narysuj linię strugania na elemencie struganym. Włóż prowadnicę krawędziową do otworu na przedzie urządzenia. Ustaw krawędź noża na linii strugania. (Rys. 15)

Wyreguluj prowadnicę krawędziową tak, aby była w kontakcie z bokiem struganego elementu, a następnie umocuj ją poprzez dokręcenie śruby. (Rys. 16)

W trakcie strugania przesuwaj urządzenie tak, aby prowadnica krawędziowa dobrze przylegała do boku elementu struganego. W przeciwnym wypadku strugana powierzchnia może być nierówna. Maksymalna głębokość zachodzenia wynosi 23 mm.

Możliwe jest wydłużenie prowadnicy poprzez dołączenie dodatkowego kawałka drewna. Na prowadnicy umieszczone są w tym celu wygodne otwory, które można również użyć do zamontowania prowadnicy wzdużnej (akcesoria dodatkowe). (Rys. 17)

OSTRZEŻENIE:

- Brzeg noża powinien wystawać nieco na zewnątrz (0,3 mm – 0,6 mm). W przeciwnym razie mogą powstawać nacięcia i ogólnie złe zachodzenie elementów. (Rys. 18)

Poszerzanie (Rys. 19 i 20)

Aby wykonać struganie pokazane na Rys. 19 i 20, przyłóż rowek „V”, znajdujący się bazy przedniej, do krawędzi struganego elementu i wykonaj struganie jak pokazano na Rys. 20.

KONSERWACJA

OSTRZEŻENIE:

- Zawsze upewnij się, że urządzenie jest wyłączone i odłączone od zasilania przed wykonywaniem jakichkolwiek prac nad urządzeniem.

Ostrzenie noży strugarki (Rys. 21, 22 i 23)

Tylko dla standardowych noży

Zawsze utrzymuj noże ostre dla lepszej pracy urządzenia. Użyj uchwyty do ostrzenia w celu usunięcia nacięć i uzyskania dobrych ostrzy.

Najpierw poluzuj dwie nakrętki motylkowe uchwyty i włóż noże (A) i (B) tak, aby stykały się z bokami (C) i (D). Następnie dokręć nakrętki motylkowe.

Przed ostrzeniem zanurz kamień do ostrzenia w wodzie na 2 lub 3 minuty. Przytrzymaj uchwyt tak, aby oba noże dotykały kamienia do ostrzenia w celu równoczesnego ostrzenia pod tym samym kątem.

Wymiana szczotek węglowych (Rys. 24, 25 i 26)

Szczotki węglowe należy regularnie kontrolować i w razie potrzeby wymieniać. Potrzebę wymiany szczotek sygnalizuje znacznik stopnia zużycia. Szczotki węglowe powinny być czyste, aby można je było swobodnie wsunąć do uchwyty. Obie szczotki węglowe powinny być wymieniane równocześnie. Należy stosować wyłącznie identyczne szczotki węglowe.

Zdejmij osłonę dla wiórów przy pomocy śrubokręta. Wyjmij zużyte szczoteczki węglowe, włóż nowe i zamknij tylną pokrywę.

W celu zapewnienia BEZPIECZEŃSTWA pracy z urządzeniem i jego NIEZAWODNOŚCI, naprawy i inne konserwacje oraz regulacje powinny być wykonywane w autoryzowanych punktach obsługi Makita, zawsze przy użyciu części zamiennych Makita.

WYPOSAŻENIE

OSTRZEŻENIE:

- Niniejsze wyposażenie i nakładki są zalecane do używania wraz z urządzeniem Makita określonym w tej instrukcji obsługi. Używanie jakiegokolwiek innego wyposażenia lub nakładek może spowodować niebezpieczeństwo zranienia osób. Używaj wyposażenia i nakładek wyłącznie w celu, który podano.

Jeżeli potrzebujesz pomocy związanej z dalszymi szczegółami dotyczącymi niniejszego wyposażenia, zwróć się do miejscowego punktu usługowego Makita.

- Szybkoobrotowy nóż strugarki
- Nóż strugarki z węgliku wolframu (Wydłuża żywotność noża)
- Mały nóż strugarki
- Zespół uchwyty do ostrzenia
- Miernik noża
- Płytki dociskowa
- Prowadnica krawędziowa (Prowadnica wzdluzna)
- Prowadnica wzdluzna
- Kamień do ostrzenia
- Końcówka wylotowa
- Zespół torby na pył
- Połączenie
- Klucz nasadkowy

Tylko dla krajów europejskich

Szummy i drgania

ENG005-2-V3

Typowy A-ważony poziomy szumów
poziom ciśnienia dźwięku: 89 dB (A).
poziom dźwięku w trakcie pracy: 100 dB (A).
Niepewność pomiaru wynosi 3 dB (A).

– Noś ochraniacze uszu. –

Typowa wartość ważonej średniej kwadratowej przyspieszenia nie jest większa niż $2,5 \text{ m/s}^2$.
Wartości niniejsze otrzymano zgodnie z EN60745.

UE-DEKLARACJA ZGODNOŚCI

ENH101-6

Oświadczamy, biorąc za to wyłączną odpowiedzialność, że niniejszy wyrób jest zgodny z następującymi standardami standardowych dokumentów:
EN60745, EN55014, EN61000
zgodnie z Zaleceniami Rady: 89/336/EEC i 98/37/EC.

Yasuhiko Kanzaki **CE 2006**



Dyrektor

MAKITA INTERNATIONAL EUROPE LTD.

Michigan Drive, Tongwell, Milton Keynes,
Bucks MK15 8JD, ENGLAND

Odpowiedzialny producent:
Makita Corporation, Anjo, Aichi, Japonia

1 Кнопка	17 Выступы нахождения лезвия строгального станка	29 Вставьте штифт в сборку сопла через это отверстие.
2 Пусковой механизм	18 Пятка регулировочной пластины	30 Конец
3 Кнопка фиксации/Кнопка выключения фиксации	19 Плита установки	31 Начало
4 Болт	20 Внутренняя поверхность плиты рейсмуса	32 Край лезвия
5 Барабан	21 Задняя сторона основы рейсмуса	33 Линия резки
6 Лезвие строгального станка	22 Мини лезвие строгального станка	34 Ограничитель края
7 Крышка барабана	23 Канавка	35 Винт
8 Регулировочная пластина	24 Болт с шестигранной головкой	36 "V" канавка
9 Внутренняя сторона плиты рейсмуса	25 Пылесос	37 Точильный держатель
10 Край лезвия	26 Сборка форсунки	38 Крыльчатая гайка
11 Винты	27 Винт крышки отсека для стружек	39 Лезвие (A)
12 Пятка	28 Крышка отсека для стружек	40 Лезвие (B)
13 Задняя сторона основы рейсмуса		41 Сторона (C)
14 Плита рейсмуса		42 Сторона (D)
15 Основа рейсмуса		43 Ограничительная метка
16 Винт с круглой головкой		44 Отвертка
		45 Колпачок держателя кисти

ТЕХНИЧЕСКИЕ ХАРАКТЕРИСТИКИ

Модель	N1923B
Ширина строгания	82 мм
Глубина строгания	1 мм
Глубина строгания на фальце	23 мм
Скорость в незагруженном состоянии (мин ⁻¹)	16 000
Общая длина	293 мм
Масса нетто	2,9 кг
Класс безопасности	□ /II

- Вследствие нашей продолжающейся программы поиска и разработок технические характеристики могут быть изменены без уведомления.
- Примечание: Технические характеристики могут различаться в зависимости от страны.

Источник питания

Инструмент должен быть подсоединен только к источнику питания с напряжением, указанным в табличке номиналов, и может функционировать только от однофазного источника питания переменного тока. В соответствии с Европейским стандартом имеется двойная изоляция, следовательно, возможно использование с розетками без провода заземления.

Советы по мерам безопасности

С целью Вашей личной безопасности прочитайте, пожалуйста, приведенные инструкции по мерам безопасности.

ОБЩИЕ ПРАВИЛА БЕЗОПАСНОСТИ

ВНИМАНИЕ! Прочитайте все инструкции. Несоблюдение какой-либо из приведенных ниже инструкций может привести к поражению электрическим током, пожару и/или серьезной травме. Во всех приведенных ниже предупреждениях термин "электрический инструмент" относится к Вашему электрическому инструменту, работающему от сети (проводному), или электрическому инструменту, работающему от батареи (беспроводному).

СОХРАНИТЕ ЭТУ ИНСТРУКЦИЮ.

Правила безопасности для рабочей области

1. **Поддерживайте в рабочей области чистоту и хорошее освещение.** Захламленные и темные области служат причиной несчастных случаев.
2. **Не используйте электрические инструменты во взрывоопасной атмосфере, например, в присутствии огнеопасных жидкостей, газов или пыли.** Электрические инструменты создают искры, которые могут привести к воспламенению пыли или паров.
3. **При эксплуатации электрического инструмента не подпускайте близко детей и окружающих.** Отвлечение внимание может привести к потере Вами контроля.

Правила электробезопасности

4. **Штепсельные вилки электрического инструмента должны соответствовать розетке. Никогда никаким образом не модифицируйте штепсельную вилку. Не используйте никакие штепселя-переходники с заземленными (замкнутыми на землю) электрическими инструментами.** Немодифицированные штепсельные вилки и соответствующие розетки уменьшат риск поражения электрическим током.

5. Избегайте контакта тела с замкнутыми на землю или заземленными поверхностями, например, трубами, радиаторами, кухонными плитами и холодильниками. Риск поражения электрическим током возрастает, если Ваше тело замкнуто на землю или заземлено.
6. Не подвергайте электрические инструменты воздействию дождя или влаги. Попадание воды в электрический инструмент увеличит риск поражения электрическим током.
7. Не нарушайте правила эксплуатации шнура. Никогда не используйте шнур для переноски электрического инструмента, подтягивания или отсоединения его от сети. Держите шнур подальше от тепла, масла, острых углов или движущихся частей. Поврежденные или запутанные шнуры увеличивают риск поражения электрическим током.
8. При эксплуатации электрического инструмента на улице, используйте удлинительный шнур, подходящий для наружного использования. Использование шнура, подходящего для наружного использования, уменьшает риск поражения электрическим током.

Правила личной безопасности

9. Будьте внимательны, смотрите, что Вы делаете, и используйте здравый смысл при эксплуатации электрического инструмента. Не используйте электрический инструмент, когда Вы устали или находитесь под воздействием транквилизаторов, алкоголя или медикаментов. Проявление невнимательности при работе с электрическим инструментом может привести к серьезной травме.
 10. Используйте средства защиты. Всегда применяйте защиту для глаз. Средства защиты, такие как пылезащитная маска, нескользящие защитные ботинки, каска или защита для ушей, используемые в соответствующих условиях, уменьшат риск получения травмы.
 11. Избегайте непреднамеренного запуска. Перед подсоединением к сети убедитесь, что переключатель находится в положении выключено. Переноска электрических инструментов, когда Ваш палец находится на переключателе, или подключение к сети электрических инструментов, у которых переключатель находится в положении включено, служат причиной несчастных случаев.
 12. Перед тем, как включать электрический инструмент, удалите все регулировочные приспособления или гаечные ключи. Гаечный ключ или приспособление, оставленные прикрепленными к вращающимся частям электрического инструмента, могут привести к травме.
 13. Не перенапрягайтесь. Все время сохраняйте надлежащую устойчивость и равновесие. Это обеспечивает лучший контроль над электрическим инструментом в непредвиденных ситуациях.
 14. Одевайтесь надлежащим образом. Не носите свободную одежду или украшения. Держите Ваши волосы, одежду и перчатки подальше от движущихся частей. Провисшая одежда, украшения или длинные волосы могут быть захвачены движущимися частями.
 15. Если устанавливаются устройства для подсоединения пылесобирающих и пылеулавливающих приспособлений, убедитесь в том, что они подсоединены и правильно используются. Использование этих устройств может уменьшить опасность, связанную с вредным воздействием пыли.
- Использование электрического инструмента и уход за ним**
16. Не прикладывайте силу к электрическому инструменту. Используйте подходящий электрический инструмент для Вашей работы. Подходящий электрический инструмент будет делать работу лучше и безопаснее при скорости, для которой он сконструирован.
 17. Не используйте электрический инструмент, если переключатель не включает или не выключает его. Любой электрический инструмент, который не может управляться с помощью переключателя, является опасным и должен быть отремонтирован.
 18. Отсоедините штепсельную вилку от источника питания и/или батарейный блок от электрического инструмента перед выполнением любых регулировок, заменой принадлежностей или хранением электрического инструмента. Такие профилактические меры уменьшают риск непреднамеренного запуска электрического инструмента.
 19. Храните неработающий электрический инструмент вне доступа детей, и не позволяйте лицам, не знакомым с электрическим инструментом или этой инструкцией, эксплуатировать электрический инструмент. Электрический инструмент опасен в руках необученных пользователей.
 20. Осуществляйте техническое обслуживание электрических инструментов. Проверяйте нарушение центровки движущихся частей или их защемление, повреждение деталей и любые другие условия, которые могут влиять на функционирование электрического инструмента. В случае поломки отремонтируйте электрический инструмент перед использованием. Из-за плохого контроля над электрическим инструментом происходит много несчастных случаев.
 21. Сохраняйте режущие инструменты острыми и чистыми. Режущие инструменты, за которыми осуществляется надлежащий уход, имеющие острые режущие кромки, с меньшей вероятностью будут подвергаться защемлению и ими легче управлять.

22. Используйте электрический инструмент, принадлежности, зубила и т.д. в соответствии с этой инструкцией и с помощью метода, предназначенного для конкретного типа электрического инструмента, принимая во внимание рабочие условия и вид выполняемой работы. Использование электрического инструмента для операций, отличающихся от предназначенных операций, может привести к возникновению опасных ситуаций.
10. Убедитесь в том, что лезвие не контактирует с рабочим изделием перед включением инструмента.
11. Подождите, пока лезвие не наберет полную скорость перед выполнением резки.
12. Всегда выключайте инструмент и подождите, пока лезвия полностью не остановятся, перед выполнением любых регулировок.
13. Никогда не засовывайте Ваши пальцы в лоток для стружек.
14. Не оставляйте этот инструмент работающим. Эксплуатируйте инструмент только удерживая его руками.

Техническое обслуживание

23. Выполняйте техническое обслуживание Вашего электрического инструмента только с помощью квалифицированного специалиста по ремонту, используя только идентичные запасные части. Это обеспечит поддержание безопасности электрического инструмента.
24. Выполняйте инструкции по смазке и замене приспособлений.
25. Сохраняйте рукоятки сухими, чистыми и свободными от масла и смазки.
15. Всегда заменяйте оба лезвия или крышки на барабанах, в противном случае результирующий дисбаланс может вызвать вибрацию и сократить срок службы инструмента.
16. Используйте только лезвия фирмы Makita, приведенные в технических характеристиках этой инструкции.
17. Всегда используйте правильную пылезащитную маску/респиратор для материала и способа обработки, которые Вы используете.

ОСОБЫЕ ПРАВИЛА БЕЗОПАСНОСТИ

НЕ позволяйте удобству или близкому знакомству с продуктом (полученным в результате частого использования) заменить строгое соблюдение правил безопасности для продольно-строгального станка. Если Вы используете этот электрический инструмент небезопасно или неправильно, Вы можете получить серьезную травму.

1. Подождите, пока резак не остановится, перед тем, как положить инструмент. Открытый резак может контактировать с поверхностью, что возможно приведет к потере управления и серьезной травме.
2. Используйте тиски или другой подходящий способ, чтобы закрепить и поддерживать рабочее изделие на устойчивой платформе. Выполнение работы руками, или опираясь на Ваше тело, лишает устойчивости и может привести к потере контроля.
3. Коврики, ткань, шнуры, веревки и подобные предметы никогда не следует оставлять возле рабочего места.
4. Избегайте обрезать гвозди. Проверьте наличие и удалите все гвозди из рабочего изделия перед эксплуатацией.
5. Используйте только острые лезвия. Обращайтесь с лезвиями очень осторожно.
6. Перед эксплуатацией убедитесь в том, что установочные болты лезвия плотно завинчены.
7. Крепко удерживайте инструмент обеими руками.
8. Держите руки подальше от вращающихся частей.
9. Перед использованием инструмента на действительном рабочем изделии дайте ему немного поработать. Наблюдайте за вибрацией или колебаниями, которые могут указывать на плохую установку или плохо сбалансированное лезвие.

СОХРАНИТЕ ЭТИ ИНСТРУКЦИИ.

ПРЕДОСТЕРЕЖЕНИЕ:

НЕПРАВИЛЬНОЕ ИСПОЛЬЗОВАНИЕ или невыполнение правил безопасности, приведенных в этой инструкции по эксплуатации, могут привести к серьезной персональной травме.

ФУНКЦИОНАЛЬНОЕ ОПИСАНИЕ

ПРЕДУПРЕЖДЕНИЕ:

• Следует всегда быть уверенным, что инструмент выключен и отсоединен от сети перед выполнением функций регулировки или проверки на инструменте.

Регулировка глубины резки (Рис. 1)

Глубина резки может быть подрегулирована при простом нажатии кнопки спереди инструмента.

Действия при переключении

ПРЕДУПРЕЖДЕНИЕ:

• Перед подсоединением инструмента всегда проверяйте, чтобы видеть, что пусковой механизм действует правильно и возвращается в положение "OFF" (выкл.) при высвобождении.

Для инструмента без кнопки фиксации и кнопки выключения фиксации (Рис. 2)

Для запуска инструмента просто нажмите пусковой механизм. Для остановки высвободите пусковой механизм.

Для инструмента с кнопкой фиксации (Рис. 3)

Для запуска инструмента просто нажмите пусковой механизм. Для остановки высвободите пусковой механизм.

Для непрерывного функционирования нажмите пусковой механизм, а затем нажмите кнопку фиксации.

Для остановки инструмента из фиксированного положения полностью нажмите пусковой механизм, затем высвободите его.

Для инструмента с кнопкой выключения фиксации (Рис. 3)

Кнопка выключения фиксации предназначена для предотвращения случайного нажатия пускового механизма.

Для запуска инструмента нажмите кнопку выключения фиксации и нажмите пусковой механизм. Для остановки высвободите пусковой механизм.

СБОРКА

ПРЕДУПРЕЖДЕНИЕ:

- Следует убедиться, что инструмент выключен и отсоединен от сети перед выполнением любой работы на инструменте.

Удаление или установка лезвий продольно-строгального станка

ПРЕДУПРЕЖДЕНИЕ:

- При присоединении лезвий к инструменту осторожно закрутите установочные болты лезвия. Отвинтившийся установочный болт может быть опасным. Всегда проверяйте, чтобы убедиться, что они плотно закручены.
- Обращайтесь с лезвиями очень осторожно. Используйте перчатки или куски ткани для защиты Ваших пальцев или рук при удалении или установке лезвий.
- Используйте только поставляемый гаечный ключ фирмы Makita для удаления или установки лезвий. Невыполнение этого условия может привести к чрезмерному закручиванию или недостаточному закручиванию установочных болтов. Это может вызвать травму.

Для инструмента со стандартными лезвиями строгального станка (Рис. 4, 5 и 6)

Для удаления лезвий на барабане отвинтите три установочных винта с помощью торцевого гаечного ключа. Крышка барабана отсоединяется вместе с лезвиями.

Для установки лезвий сначала почистите все стружки или посторонние предметы, налипшие на барабан или лезвия. Используйте лезвия тех же размеров и веса, в противном случае возможна осцилляция/вибрация барабана, которая может вызвать плохое строгание, и, возможно, поломку инструмента.

Поместите лезвие на основу рейсмуса так, чтобы край лезвия полностью совпадал с внутренним краем плиты рейсмуса. Поместите регулировочную пластину на лезвие, затем просто нажмите на пятку регулировочной пластины для совмещения с задней стороной основы рейсмуса и закрутите два винта в регулировочную пластину. Сейчас сдвиньте пятку регулировочной пластины в канавку барабана, затем наденьте на него крышку барабана. Постепенно и поочередно закрутите три установочных болта с помощью торцевого гаечного ключа.

Для инструмента с мини лезвиями строгального станка (Рис. 7, 8 и 9)

1. Удалите существующее лезвие, если инструмент был в использовании, тщательно почистите поверхности барабана и крышку барабана. Для удаления лезвий на барабане отвинтите три установочных винта с помощью торцевого гаечного ключа. Крышка барабана отсоединяется вместе с лезвиями.
2. Для установки лезвий свободно присоедините регулировочную пластину к плите установки с помощью винтов с круглыми головками и установите мини лезвия строгального станка на основу рейсмуса так, чтобы край резки лезвия полностью совпадал с внутренним торцом плиты рейсмуса.
3. Установите регулировочную пластину/плиту установки на основу рейсмуса так, чтобы выступы нахождения лезвия строгального станка на плите установки попали в канавку мини лезвий строгального станка, затем нажмите на пятку плиты регулировки для совмещения с задней стороной основы рейсмуса и закрутите винты с круглыми головками.
4. Важно, чтобы лезвие совместилось вровень с внутренним торцом плиты рейсмуса, выступы нахождения лезвия строгального станка в канавку лезвия, и пятка плиты регулировки была вровень с задней стороной основы рейсмуса. Проверьте это совмещение внимательно для обеспечения одинаковой резки.
5. Сдвиньте пятку регулировочной пластины в канавку барабана.
6. Установите крышку барабана поверх регулировочной пластины/плиты установки и закрутите три болта с шестигранными головками так, чтобы имелось расстояние между барабаном и плитой установки для сдвига мини лезвия строгального станка в заданное положение. Лезвие будет расположено рядом с выступами нахождения лезвия строгального станка на плите установки.
7. Потребуется ручная регулировка длины лезвия, такая, чтобы концы лезвия находились точно и на одинаковом расстоянии от корпуса с одной стороны и металлической скобы с другой.
8. Заверните три болта с шестигранными головками (с помощью поставляемого торцевого гаечного ключа) и поверните барабан вручную для проверки зазоров между концами лезвия и корпусом инструмента.
9. Проверьте три болта с шестигранными головками относительно окончательного закручивания.
10. Повторите процедуры 1 – 9 для другого лезвия.

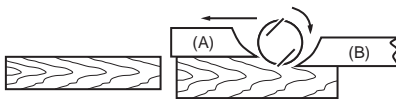
Для правильной установки лезвия строгального станка

Ваша строгальная поверхность будет шероховатой и неровной, если только лезвие не будет установлено правильно и надежно. Следует смонтировать лезвие так, чтобы режущий край был абсолютно ровным, а именно, параллельным к поверхности задней основы. Ниже приведены некоторые примеры правильной и неправильной установки.

(А) Передняя основа (движущаяся часть)

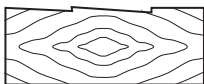
(В) Задняя основа (неподвижная часть)

Правильная установка



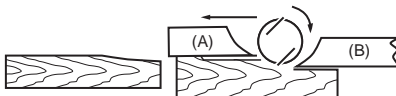
Хотя на этом боком виде этого не видно, края лезвий проходят совершенно параллельно к поверхности задней основы.

Зазубрины на поверхности



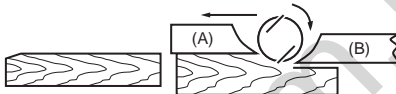
Случай: Одно или оба лезвия не имеют края параллельные линии задней основы.

Выемка в начале



Случай: Края одного или обеих лезвий не выступают достаточно по отношению к линии задней основы.

Выемка в конце



Случай: Края одного или обеих лезвий выступают слишком сильно по отношению к линии задней основы.

Подсоединение пылесоса

Для европейских стран и районов

Если Вы хотите выполнить чистую операцию резки, подсоедините пылесос Makita к Вашему инструменту, как показано на **рис. 10**.

Для других стран и районов

Для подсоединения пылесоса Makita к Вашему инструменту потребуются сопло и соединение (дополнительные принадлежности). Проконсультируйтесь в каталоге Makita или у представителя относительно сопла и соединения.

Сборка форсунки (дополнительная принадлежность)

Использование специальной сборки сопла уменьшит разброс стружек, делая рабочее место более чистым. (**рис. 11**)

Присоединение сборки сопла возможно после удаления крышки отсека для стружек с корпуса инструмента. При вдвигании сборки вставьте штырь на ней в отверстие задней крышки. Используйте винты крышки отсека для стружек для фиксации её на месте. (**рис. 12**)

Операция строгания (Рис. 13)

Сначала поместите переднюю основу инструмента в плоском положении на поверхность рабочего изделия без какого-либо соприкосновения лезвий. Включите и подождите, пока лезвия не наберут полную скорость. Затем медленно продвигайте инструмент вперед. Прикладывайте усилие к передней части инструмента в начале строгания и к задней части в конце строгания. Стругание будет упрощено, если Вы наклоните рабочее изделие в неподвижном состоянии так, что Вы сможете строгать как бы в направлении вниз. Скорость и глубина резки определяют тип отделки. Электрический строгальный станок выполняет резку со скоростью, которая не вызывает в результате замятия стружек. Для грубой резки возможно увеличение глубины резки, в то время как для хорошей отделки Вам следует уменьшить глубину резки и продвигать инструмент более медленно.

Строгание на фальце (выбор фальца) (Рис. 14, 15, 16 и 17)

Для выполнения ступенчатой резки, как показано на рис. 14, используйте ограничитель края (Направляющая линейка).

Нарисуйте линию резки на рабочем изделии. Вставьте ограничитель края в отверстие спереди инструмента. Совместите край лезвия с линией резки. (рис. 15)

Подрегулируйте ограничитель края до тех пор, пока он не придет в контакт со стороной рабочего изделия, затем зафиксируйте его с помощью винта. (рис. 16)

При строгании перемещайте инструмент с ограничителем края вровень со стороной рабочего изделия. В противном случае строгание может быть неровным.

Макс. глубина строгания на фальце составляет 23 мм.

Вы возможно захотите добавить длину ограничителя с помощью присоединения дополнительного куска дерева. С этой целью в ограничителе сделаны удобные отверстия, а также это можно использовать для присоединения расширенной направляющей (дополнительная принадлежность). (рис. 17)

ПРЕДУПРЕЖДЕНИЕ:

- Следует сделать так, чтобы край лезвия немного выступал наружу (0,3 мм – 0,6 мм). В противном случае, возможно возникновение зазубрин и, в основном, некачественное строгание на фальце. (рис. 18)

Снятие фаски (Рис. 19 и 20)

Для выполнения резки, как показано на рис. 19 и 20, совместите “V” канавку на передней основе с краем рабочего изделия и строгайте.

ОБСЛУЖИВАНИЕ

ПРЕДУПРЕЖДЕНИЕ:

- Всегда проверяйте, что инструмент выключен и отсоединен перед выполнением любой работы с инструментом.

Заточка лезвий строгального станка (Рис. 21, 22 и 23)

Только для стандартных лезвий

Всегда держите Ваши лезвия острыми с целью наилучшего возможного функционирования. Используйте точильный держатель для удаления зазубрин и воспроизведения ровного края.

Сначала развинтите две крыльчатых гайки на держателе и вставьте лезвия (А) и (В) так, чтобы они контактировали со сторонами (С) и (D). Затем завинтите крыльчатые гайки.

Перед заточкой опустите шлифовальный камень в воду на 2 или 3 минуты. Удерживайте держатель так, чтобы оба лезвия контактировали с шлифовальным камнем для одновременной заточки под одинаковым углом.

Замена угольных щеток (Рис. 24, 25 и 26)

Регулярно проверяйте и удаляйте угольные щетки. Замените угольные щетки, когда они изнасятся до ограничительной метки. Сохраняйте угольные щетки чистыми и свободно скользящими в держателях. Обе идентичные угольные щетки следует заменять одновременно. Используйте только одинаковые угольные щетки.

Используйте отвертку, чтобы удалить крышку отсека для стружек.

Вытащите изношенные угольные щетки, вставьте новые и закрепите заднюю крышку.

Для поддержания безопасности и долговечности изделия, ремонт, уход или регулировка должны проводиться в уполномоченном центре по техобслуживанию Makita.

ПРИНАДЛЕЖНОСТИ

ПРЕДУПРЕЖДЕНИЕ:

- Эти принадлежности или приспособления рекомендуются для использования с Вашим инструментом Makita, указанным в руководстве. Использование любых других принадлежностей или приспособлений может вызвать риск причинения травмы. Используйте принадлежности или приспособления только для указанных целей.

Если Вам необходима какая-либо помощь относительно дальнейших подробностей об этих принадлежностях, обращайтесь в Ваш местный центр по техобслуживанию Makita.

- Лезвие строгального станка из быстрорежущей стали
- Лезвие строгального станка из карбида вольфрама (Для увеличения срока службы лезвия)
- Мини лезвие строгального станка
- Сборка точильного держателя
- Регулятор лезвия
- Плита установки в сборе
- Ограничитель края (Направляющая линейка)
- Расширенная направляющая в сборе
- Шлифовальный камень
- Сборка форсунки
- Сборка мешка для пыли
- Соединение
- Торцевой гаечный ключ

Только для европейских стран

Шум и вибрация

ENG005-2-V3

Типичные A-взвешенные уровни шума составляют
уровень звукового давления 89 дБ (A).
уровень звуковой мощности 100 дБ (A).
Погрешность 3 дБ (A).

– Надевайте защиту для ушей. –

Типичное взвешенное значение квадратного корня
ускорения составляет не более чем $2,5 \text{ м/с}^2$.
Эти значения были получены в соответствии с
EN60745.

ЕС ДЕКЛАРАЦИЯ СООТВЕТСТВИЯ

Мы заявляем под свою собственную ^{ЕНН101-6}
ответственность, что этот продукт находится в
соответствии со следующими стандартами
документов по стандартизации:

EN60745, EN55014, EN61000

согласно сборникам директив 89/336/ЕЕС и 98/37/
ЕС.

Ясухико Канзаки **CE 2006**



Директор

MAKITA INTERNATIONAL EUROPE LTD.

Michigan Drive, Tongwell, Milton Keynes,
Bucks MK15 8JD, ENGLAND

Ответственный производитель:
Корпорация Makita, Анжо, Аичи, Япония

130.com.ua

130.com.ua

130.com.ua

Makita Corporation
Anjo, Aichi, Japan

883233G202

Автотовары «130»