



ТЕЛЕФОНЫ

0 (800) 800 130  
(050) 462 0 130  
(063) 462 0 130  
(067) 462 0 130

130  
COM.UA

Интернет-магазин  
автотоваров



SKYPE  
km-130

**АВТОМАГНИТОЛЫ** — Магнитолы • Медиа-ресиверы и станции • Штатные магнитолы • CD/DVD чейнджеры • FM-модуляторы/USB адаптеры • Flash память • Переходные рамки и разъемы • Антенны • Аксессуары | **АВТОЗВУК** — Акустика • Усилители • Сабвуферы • Процессоры • Кроссоверы • Наушники • Аксессуары | **БОРТОВЫЕ КОМПЬЮТЕРЫ** — Универсальные компьютеры • Модельные компьютеры • Аксессуары | **GPS НАВИГАТОРЫ** — Портативные GPS • Встраиваемые GPS • GPS модули • GPS трекеры • Антенны для GPS навигаторов • Аксессуары | **ВИДЕОУСТРОЙСТВА** — Видеорегистраторы • Телевизоры и мониторы • Автомобильные ТВ тюнеры • Камеры • Видеомодули • Транскодеры • Автомобильные ТВ антенны • Аксессуары | **ОХРАННЫЕ СИСТЕМЫ** — Автосигнализации • Мотосигнализации • Механические блокираторы • Имобилайзеры • Датчики • Аксессуары | **ОПТИКА И СВЕТ** — Ксенон • Биксенон • Лампы • Светодиоды • Стробоскопы • Оптика и фары • Омыватели фар • Датчики света, дождя • Аксессуары | **ПАРКТРОНИКИ И ЗЕРКАЛА** — Задние парктроники • Передние парктроники • Комбинированные парктроники • Зеркала заднего вида • Аксессуары | **ПОДОГРЕВ И ОХЛАЖДЕНИЕ** — Подогревы сидений • Подогревы зеркал • Подогревы дворников • Подогревы двигателей • Автохолодильники • Автокондиционеры • Аксессуары | **ТЮНИНГ** — Виброизоляция • Шумоизоляция • Тонировочная пленка • Аксессуары | **АВТОАКСЕССУАРЫ** — Радар-детекторы • Громкая связь Bluetooth • Стеклоподъемники • Компрессоры • Звуковые сигналы, СГУ • Измерительные приборы • Автопылесосы • Автокресла • Разное | **МОНТАЖНОЕ ОБОРУДОВАНИЕ** — Установочные комплекты • Обивочные материалы • Декоративные решетки • Фазоинверторы • Кабель и провод • Инструменты • Разное | **ПИТАНИЕ** — Аккумуляторы • Преобразователи • Пуско-зарядные устройства • Конденсаторы • Аксессуары | **МОРСКАЯ ЭЛЕКТРОНИКА И ЗВУК** — Морские магнитолы • Морская акустика • Морские сабвуферы • Морские усилители • Аксессуары | **АВТОХИМИЯ И КОСМЕТИКА** — Присадки • Жидкости омывателя • Средства по уходу • Полироли • Ароматизаторы • Клеи и герметики | **ЖИДКОСТИ И МАСЛА** — Моторные масла • Трансмиссионные масла • Тормозные жидкости • Антифризы • Технические смазки



В магазине «130» вы найдете и сможете купить в Киеве с доставкой по городу и Украине практически все для вашего автомобиля. Наши опытные консультанты предоставят вам исчерпывающую информацию и помогут подобрать именно то, что вы ищете. Ждем вас по адресу

<https://130.com.ua>

# RYOBI®

## ERGO

ORIGINAL INSTRUCTIONS  
TRADUCTION DES INSTRUCTIONS ORIGINALES  
ÜBERSETZUNG DER ORIGINALANLEITUNG  
TRADUCCIÓN DE LAS INSTRUCCIONES ORIGINALES  
TRADUZIONE DELLE ISTRUZIONI ORIGINALI  
VERTALING VAN DE ORIGINELE INSTRUCTIES  
TRADUÇÃO DAS INSTRUÇÕES ORIGINAIS  
OVERSÆTTELSE AF DE ORIGINALE INSTRUKTIONER  
ÖVERSÄTTNING AV DE URSPRUNGLIGA INSTRUKTIONERNA  
ALKUPERÄISTEN OHJEIDEN SUOMENNOUS  
OVERSETTELSE AV DE URSPRUNGLIGA INSTRUKSJONENE  
ПЕРЕВОД ОРИГИНАЛЬНЫХ ИНСТРУКЦИЙ  
TŁUMACZENIE INSTRUKCJI ORYGINALNEJ  
PŘEKLAD ORIGINÁLNÍCH POKYNŮ  
AZ EREDETI ÚTMUTATÓ FORDÍTÁSA  
TRADUCEREA INSTRUCȚIUNILOR ORIGINALE  
TULKOTS NO ORIGINĀLĀS INSTRUKCIJAS  
ORIGINALIŲ INSTRUKCIJŲ VERTIMAS  
ORIGINALIJUHENDI TÖLGE  
PRIJEVOD ORIGINALNIH UPUTA  
PREVOD ORIGINALNIH NAVODIL  
PREKLAD ORIGINÁLNYCH POKYNOV  
ПЕРЕВОД ОТ ОРИГИНАЛНИТЕ ИНСТРУКЦИИ  
PEREKŁAD ORYGINALNYCH INSTRUKCJI  
ORIJ NAL TALIMATLARIN TERCÜMESI  
ΜΕΤΑΦΡΑΣΗ ΤΩΝ ΠΡΩΤΟΤΥΠΩΝ ΟΔΗΓΙΩΝ

EN  
FR  
DE  
ES  
IT  
NL  
PT  
DA  
SV  
FI  
NO  
RU  
PL  
CS  
HU  
RO  
LV  
LT  
ET  
HR  
SL  
SK  
BG  
UK  
TR  
EL





- Important!** It is essential that you read the instructions in this manual before assembling, maintaining and operating the product.
- Attention!** Il est essentiel que vous lisiez les instructions contenues dans ce manuel avant d'assembler, d'entretenir et d'utiliser le produit.
- Achtung!** Es ist wichtig, dass Sie vor Zusammenbau, Wartung und Benutzung des Produktes die Anweisungen in dieser Anleitung lesen.
- ¡Atención!** Resulta fundamental que lea este manual de instrucciones antes de realizar el montaje, el mantenimiento y de utilizar este producto
- Attenzione!** È importante leggere le istruzioni contenute nel presente manuale prima di montare il prodotto, svolgere le operazioni di manutenzione sullo stesso e metterlo in funzione.
- Let op!** Het is van essentieel belang dat u de instructies in deze gebruiksaanwijzing leest voor u het product monteert, onderhoudt en gebruikt.
- Atenção!** É fundamental que leia as instruções deste manual antes da montagem, manutenção e operação do aparelho.
- OBŠ!** Det er vigtigt, at man læser instrukserne i denne brugsanvisning, inden man samler, vedligeholder og betjener produktet.
- Observera!** Det är viktigt att du läser instruktionerna i manualen före montering, användning och underhåll av produkten.
- Huomio!** On tärkeää, että luet tämän käsikirjan ohjeet ennen tuotteen kokoamista, huoltoa ja käyttöä.
- Advarsel!** Det er vigtigt at du leser instruksjonene i denne manualen før sammensetting, vedlikehold og bruk av produktet
- Внимание!** Необходимо прочитать инструкции в данном руководстве перед сборкой, обслуживанием и эксплуатацией этого изделия.
- Uwaga!** Konieczne należy przeczytać instrukcje zawarte w tym podręczniku przed montażem, obsługą oraz konserwacją produktu.
- Důležité upozornění!** Neinstalujte, neprovádějte údržbu ani nepoužívejte tento výrobek dříve, než si přečtete pokyny uvedené v tomto návodu.
- Figyelem!** Fontos, hogy a termék összeszerelése, karbantartása és használatá előtt elolvassa a kézikönyvben található utasításokat.
- Atenție!** Este esențial să citiți instrucțiunile din acest manual înainte de asamblare, efectuarea întreținerii și operarea produsului.
- Uzmanību!** Ir svarīgi izlasīt šīs rokasgrāmatas instrukcijas pirms uzstādīšanas, apkopes un preces darbināšanas.
- Děmesio!** Prieš surenkant, prižiūrint ir naudojam gaminį, būtina perskaityti šiam vadove pateiktus nurodymus.
- Tähtis!** Enne masina kokkupanekut, hooldamist ja kasutama hakkamist tuleb käesolevas juhendis esitatud juhised kindlasti läbi lugeda.
- Upozorenje!** Vrlo je važno da ste prije sklapanja, održavanja i rada s ovim proizvodom pročitali upute u ovom priručniku.
- Pomembno!** Pomembno je da pred montažo vzdrževanjem in uporabo tega izdelka preberete navodila v tem priručniku.
- Upozornenie!** Je dôležité, aby ste si pred montážou, údržbou a obsluhou produktu prečítali pokyny v tomto návode.
- Важно!** Исключительно важно е да прочетете инструкциите в настоящото ръководство, преди да преминете към сглобяване, поддръжка или работа с продукта.
- Важливо!** Дуже важливо, щоб ви прочитали інструкції в цьому керівництві перед складанням, обслуговуванням та експлуатацією цієї машини.
- Dikkat!** Ürünün montajını, bakımını yapmadan ve ürünün çalıştırılmeden önce bu kilavuzda yer alan talimatları okumanız önemlidir.
- Προσοχή!** Είναι πολύ σημαντικό να διαβάσετε τις οδηγίες στο παρόν εγχειρίδιο πριν συναρμολογήσετε, συντηρήσετε ή λειτουργήσετε το προϊόν.

Subject to technical modification | Sous réserve de modifications techniques | Technische Änderungen vorbehalten | Bajo reserva de modificaciones técnicas | Con riserva di eventuali modifiche tecniche | Technische wijzigingen voorbehouden | Com reserva de modificações técnicas | Med forbehold for tekniske ændringer | Med förbehåll för tekniska ändringar | Tekniset muutokset varataan | Med forbehold om tekniske ændringer | могут быть внесены технические изменения | Z zastrzeżeniem modyfikacji technicznych | Změny technických údajů vyhrazeny | A műszaki módosítás jogát fenntartjuk | Sub rezerva modificărilor tehnice | Paturam tiesības mainīt tehniskos raksturlielumus | Pasilieikant teisę daryti techninius pakeitimus | Tehnised muudatused võimalikud | Podložno tehničkim promjenama | Tehnične spremembe dopuščene | Právo na technické zmeny je vyhradené | Подлежи на технички модификации | Є об'єктом для технічних змін | Teknik değişikliği hakkı saklıdır | Υπό την επιφύλαξη τεχνικών τροποποιήσεων



Safety, performance, and dependability have been given top priority in the design of your screwdriver.

### INTENDED USE

The product is intended to be used only by adults who have read and understood the instructions and warnings in this manual, and can be considered responsible for their actions.

The product is intended for fastening and removing screws and bolts.

Do not use the product in any way other than those stated for intended use.

**NOTE:** It is recommended to use pilot holes prior to driving screws.

### ⚠ WARNING

**Read all safety warnings, instructions, illustrations and specifications provided with this power tool.** Failure to follow all instructions listed below may result in electric shock, fire and/or serious injury.

**Save all warnings and instructions for future reference.**

### SCREWDRIVER SAFETY WARNINGS

- **Hold the power tool by insulated gripping surfaces, when performing an operation where the fastener may contact hidden wiring.** Fasteners contacting a “live” wire may make exposed metal parts of the power tool “live” and could give the operator an electric shock.
- Ambient temperature range for tool during operation is between 0°C and 40°C.
- Ambient temperature range for tool storage is between 0°C and 40°C.

### CHARGER SAFETY WARNINGS

- Before using battery charger, read all instructions and cautionary markings in this manual, on battery charger, battery, and product using battery to prevent misuse of the products and possible injury or damage.
- Do not use charger outdoors or expose to wet or damp conditions. Water entering charger will increase the risk of electric shock.
- Use of an attachment not recommended or sold by the battery charger manufacturer may result in a risk of fire, electric shock, or injury to persons. Following this rule will reduce the risk of electric shock, fire, or serious personal injury.
- Do not abuse cord or charger. Never use the cord to carry the charger. Do not pull the charger cord rather than the plug when disconnecting from receptacle. Damage to the cord or charger could occur and create an electric shock hazard. Replace damaged cords immediately.
- Make sure cord is located so that it will not be stepped on, tripped over, come in contact with sharp edges or moving parts or otherwise subjected to damage or stress. This will reduce the risk of accidental falls, which could cause injury, and damage to the cord, which could result in electric shock.
- Keep cord and charger away from heat to prevent damage to housing or internal parts.
- Do not operate charger with a damaged cord or plug, which could cause shorting and electric shock. If damaged, have the charger replaced by an authorised serviceman.

- Do not operate charger if it has received a sharp blow, been dropped, or otherwise damaged in any way. Take it to an authorised serviceman for electrical check to determine if the charger is in good working order.
- Do not disassemble charger. Take it to an authorised serviceman when service or repair is required. Incorrect reassembly may result in a risk of electric shock or fire.
- Unplug charger from outlet before attempting any maintenance or cleaning to reduce the risk of electric shock.
- Disconnect charger from the power supply when not in use. This will reduce the risk of electric shock or damage to the charger if metal items should fall into the opening. It also will help prevent damage to the charger during a power surge.
- Risk of electric shock. Do not touch uninsulated portion of output connector or uninsulated battery terminal.
- Do not recharge primary cells (non-rechargeable).
- The recommended ambient temperature range for the charging system during charging is between 10°C and 38°C.
- Segregate electronic waste properly by removing integrated battery packs from the main unit before disposal. Hand them over to applicable collection points.
- To remove the integrated battery pack: Separate the housing shells from one another by removing the screws. Disconnect the battery pack from the circuit and remove.
- NOTE: When opened, the product is no longer reusable or serviceable and should be disposed of properly.
- Before removing the battery pack from the power tool, switch on the product until the battery pack is fully discharged.
- Ensure that the battery pack to be disposed of cannot come in contact with batteries, other battery packs, or conductive materials by protecting exposed connectors with insulating, non-conductive caps or tape.
- Never charge a damaged battery pack.
- Ambient temperature range for battery during use is between 0°C and 40°C.
- Ambient temperature range for battery storage is between 0°C and 20°C.

## BATTERY SAFETY WARNINGS



Li-ion

- Do not dispose of used battery packs in the household refuse or by burning them. To ensure proper disposal of waste battery packs and protect the environment, hand over old battery packs to your Ryobi distributor.
- Damage to hearing caused by noise  
Wear suitable hearing protection and limit exposure.
- Injury to the eyes  
Wear protective eye shields or goggles when using the product.

## RESIDUAL RISKS

Even when the product is used as prescribed, it is still impossible to completely eliminate certain residual risk factors. The following hazards may arise and the operator should pay special attention to avoid the following:



- Injury caused by vibration  
Limit exposure. Follow the instructions in Risk Reduction.
- Electric shock caused by contact with hidden wires  
Hold the product only by insulated surfaces.
- Injury caused by dust  
Dust created by operating the product can cause respiratory injury. Wear appropriate dust control mask with filters suitable for protecting against particles from the material being worked on.

### RISK REDUCTION

It has been reported that vibrations from handheld tools may contribute to a condition called Raynaud's Syndrome in certain individuals. Symptoms may include tingling, numbness, and blanching of the fingers, usually apparent upon exposure to cold. Hereditary factors, exposure to cold and dampness, diet, smoking, and work practices are all thought to contribute to the development of these symptoms. There are measures that can be taken by the operator to possibly reduce the effects of vibration:

- Keep your body warm in cold weather. When operating the unit, wear gloves to keep the hands and wrists warm. It is reported that cold weather is a major factor contributing to Raynaud's Syndrome.
- After each period of operation, exercise to increase blood circulation.
- Take frequent work breaks. Limit the amount of exposure per day.

If you experience any of the symptoms of this condition, immediately discontinue use and see your doctor about these symptoms.

### ▲ WARNING

Injuries may be caused, or aggravated, by prolonged use of a tool. When using any tool for prolonged periods, ensure you take regular breaks.

### KNOW YOUR PRODUCT

See page 137.

1. Chuck
2. Screwdriver bit
3. Forward/reverse selector
4. Switch trigger
5. Handle
6. Charger plug
7. USB port
8. Charger cable
9. Input jack

### MAINTENANCE

#### ▲ WARNING

The product should never be connected to a power supply when assembling parts, making adjustments, cleaning, performing maintenance, or when the product is not in use. Disconnecting the product will prevent accidental starting that could cause serious injury.

- When servicing, use only identical replacement parts. Use of any other parts may create a hazard or cause product damage.
- Avoid using solvents when cleaning plastic parts. Most plastics are susceptible to various types of commercial solvents and may be damaged by their use. Use clean cloths to remove dirt and carbon dust.
- Do not, at any time, let brake fluids, gasoline, petroleum-based products, penetrating oils, etc., come in contact with plastic parts. They contain

chemicals that can damage, weaken, or destroy plastic.

- Always wear safety goggles or safety glasses with side shields during power tool operation or when blowing dust. If operation is dusty, also wear a dust mask.
- For greater safety and reliability, all repairs should be performed by an authorised service centre.

## LUBRICATION

All of the bearings in the product are lubricated with a sufficient amount of high grade lubricant for the life span of the product under normal operating conditions. Therefore, no further lubrication is required.

## ENVIRONMENTAL PROTECTION



Recycle raw materials instead of disposing of as waste. The machine, accessories, and packaging should be sorted for environment-friendly recycling.

## SYMBOLS



Safety alert



CE conformity



EurAsian Conformity Mark



Ukrainian mark of conformity



Please read the instructions carefully before starting the machine.



Please read the instructions carefully before starting the machine.



Class II equipment



For indoor use only



No-load speed



Polarity of USB plug



Volts



Direct current



Revolutions or reciprocations per minute



Waste electrical products should not be disposed of with household waste. Please recycle where facilities exist. Check with your local authority or retailer for recycling advice.

## SYMBOLS IN THIS MANUAL



Note



Parts or accessories sold separately

The following signal words and meanings are intended to explain the levels of risk associated with this product:

### **DANGER**

Indicates an imminently hazardous situation, which, if not avoided, will result in death or serious injury.

### **WARNING**

Indicates a potentially hazardous situation, which, if not avoided, could result in death or serious injury.

**⚠ CAUTION**

Indicates a potentially hazardous situation, which, if not avoided, may result in minor or moderate injury.

**CAUTION**

(Without Safety Alert Symbol) Indicates a situation that may result in property damage.

EN  
FR  
DE  
ES  
IT  
NL  
PT  
DA  
SV  
FI  
NO  
RU  
PL  
CS  
HU  
RO  
LV  
LT  
ET  
HR  
SL  
SK  
BG  
UK  
TR  
EL

130.com.ua



⊕

Votre visseuse a été conçue en donnant priorité à la sécurité, à la performance et à la fiabilité.

### UTILISATION PRÉVUE

Le produit doit être utilisé seulement par des adultes ayant lu et compris les instructions et les avertissements inclus dans le présent manuel et pouvant être considérés comme responsables de leurs actes.

Ce produit est conçu pour serrer et retirer des vis et des boulons.

Ne vous servez pas de ce produit pour d'autres utilisations que celles décrites au chapitre des utilisations prévues.

**REMARQUE** : Il est recommandé de percer un pré-trou avant le vissage.

### ⚠ AVERTISSEMENT

**Lisez attentivement l'ensemble des avertissements, instructions et spécifications fournis avec cet outil, et reportez-vous aux illustrations.**

Le non-respect des instructions présentées ci-après peut entraîner des accidents tels que des incendies, des décharges électriques et/ou des blessures corporelles graves.

**Conservez tous les avertissements et toutes les instructions pour pouvoir vous y reporter ultérieurement.**

### AVERTISSEMENTS DE SÉCURITÉ RELATIFS À LA VIASSEUSE

■ **Maintenez l'outil électrique par ses surfaces de préhension isolées lorsque vous effectuez des opérations susceptibles de mettre en contact une agrafe avec des câbles cachés.** L'entrée en contact avec un câble « sous tension » pourrait véhiculer cette tension électrique vers

les parties métalliques de l'outil et exposer l'opérateur à une décharge électrique.

- La plage de température ambiante pour l'outil en fonctionnement se situe entre 0 °C et 40 °C.
- La plage de température ambiante pour l'entreposage de l'outil se situe entre 0 °C et 40 °C.

### AVERTISSEMENTS DE SÉCURITÉ CONCERNANT LE CHARGEUR

- Avant d'utiliser le chargeur de la batterie, lisez toutes les instructions et les indications de précaution inscrites dans ce manuel, sur le chargeur de la batterie, sur la batterie et le produit utilisant la batterie afin d'éviter une mauvaise utilisation des produits et tout risque de blessures ou de dommages.
- N'utilisez pas le chargeur à l'extérieur et ne l'exposez pas à un environnement humide ou détrempé. La pénétration d'eau dans le chargeur augmentera le risque d'électrocution.
- L'utilisation d'un accessoire ni recommandé ni vendu par le fabricant du chargeur peut entraîner un incendie, une décharge électrique, ou des blessures. Vous réduirez ainsi les risques de décharge électrique, d'incendie ou de blessure grave.
- Ne maltraitez pas le cordon ou le chargeur. N'utilisez jamais le cordon d'alimentation pour transporter le chargeur. Ne tirez pas sur le cordon du chargeur au lieu de la prise pour débrancher l'appareil. Des dommages au cordon ou au chargeur peuvent survenir et entraîner un risque de décharge électrique. Remplacez immédiatement tout câble endommagé.



- Assurez-vous de placer le cordon de manière à ce qu'il ne soit pas possible de marcher dessus ou de s'y prendre les pieds, à ce qu'il n'entre pas en contact avec des bords tranchants ou des pièces en mouvement, ni qu'il soit soumis à des dommages ou des pressions. Cela réduira le risque de chutes accidentelles pouvant provoquer des blessures ou des dommages au cordon, entraînant à leur tour un risque d'électrocution.
- Éloignez le cordon et le chargeur de la chaleur pour éviter tout dommage au boîtier et aux pièces internes.
- N'utilisez pas le chargeur si le cordon ou la prise sont endommagés, ce qui pourrait provoquer un court-circuit et une électrocution. Si le chargeur est endommagé, faites-le remplacer par un réparateur agréé.
- N'utilisez pas le chargeur s'il a reçu un choc violent, s'il est tombé ou endommagé d'une manière quelconque. Apportez-le chez un réparateur agréé pour qu'il subisse une vérification électrique afin de déterminer si le chargeur est en bon état de fonctionnement.
- Ne démontez pas le chargeur. Apportez-le chez un réparateur agréé quand un entretien ou une réparation est nécessaire. Un remontage incorrect peut entraîner un risque de décharge électrique ou d'incendie.
- Débranchez le chargeur de la prise avant d'entreprendre un entretien ou un nettoyage afin de réduire le risque de décharge électrique.
- Débranchez le chargeur du secteur lorsque vous ne l'utilisez pas. Cela réduira le risque de décharge électrique ou de dommage subi par le chargeur

si des éléments métalliques tombent dans l'ouverture. Cela permettra aussi d'éviter tout dommage au chargeur en cas de surtension.

- Risque de décharge électrique. Ne touchez pas les parties non isolées de la prise de sortie ou des bornes de la batterie.
- Ne tentez jamais de recharger des batteries non rechargeables.
- La plage de température ambiante recommandée pour le système de chargement en fonctionnement se situe entre 10 °C et 38 °C.

### AVERTISSEMENTS DE SÉCURITÉ RELATIFS AUX BATTERIES



Li-ion

- Ne jetez pas les packs batterie usagés avec les ordures ménagères et ne les jetez pas au feu. Afin d'assurer une mise au rebut correcte des blocs de batterie usagés et de protéger l'environnement, apportez-les à votre distributeur RYOBI .
- Séparez correctement les déchets électroniques en retirant les blocs de batterie des appareils avant la mise au rebut. Apportez-les à un point de collecte approprié.
- Pour retirer le bloc de batterie intégré : Séparez les coques du boîtier l'une de l'autre en retirant les vis. Débranchez le bloc de batterie du circuit et retirez-le.
- REMARQUE : Une fois ouvert, le produit n'est ni utilisable ni réparable et doit être jeté de façon appropriée.
- Avant de retirer le bloc de batterie



de l'outil électrique, mettez le produit en marche jusqu'à ce que le bloc de batterie soit complètement déchargé.

- Assurez-vous que le bloc de batterie à mettre au rebut ne puisse pas entrer en contact avec des piles, d'autres blocs de batterie, ou des matériaux conducteurs en protégeant les contacts nus avec des capuchons isolants ou avec du ruban adhésif.
- Ne rechargez jamais un bloc de batterie endommagé.
- La plage de température ambiante pour la batterie en utilisation se situe entre 0 °C et 40 °C.
- La plage de température ambiante pour l'entreposage de la batterie se situe entre 0 °C et 20 °C.

### RISQUES RÉSIDUELS

Même lorsque le produit est utilisé selon les prescriptions, il reste impossible d'éliminer totalement certains facteurs de risque résiduels. Les dangers suivants risquent de se présenter en cours d'utilisation et l'utilisateur doit prêter particulièrement garde aux points suivants :

- **Dompage auditif causé par le bruit**  
Portez une protection auditive adaptée et limitez le temps d'exposition.
- **Blessures oculaires**  
Portez des lunettes ou un masque de protection lorsque vous utilisez le produit.
- **Blessures dues aux vibrations**  
Limitez l'exposition. Suivez les instructions du paragraphe de réduction des risques.
- **Électrocution provoquée par un contact avec des fils cachés**  
Ne tenez le produit que par ses surfaces isolées.
- **Blessures dues à la poussière**  
Les poussières générées lors de l'utilisation du produit peuvent entraîner

une atteinte au système respiratoire. Portez un masque anti-poussière à filtre adapté assurant une protection contre les particules émanant du matériau travaillé.

### RÉDUCTION DES RISQUES

Il a été reporté que les vibrations engendrées par les outils tenus à main peuvent contribuer à l'apparition d'un état appelé le syndrome de Raynaud chez certaines personnes. Les symptômes peuvent comprendre des fourmillements, un engourdissement et un blanchiment des doigts, généralement par temps froid. Des facteurs héréditaires, l'exposition au froid et à l'humidité, le régime alimentaire, le tabagisme et les habitudes de travail peuvent contribuer au développement de ces symptômes. Certaines mesures peuvent être prises par l'utilisateur pour aider à réduire les effets des vibrations :

- Gardez votre corps au chaud par temps froid. Lorsque vous utilisez l'appareil, portez des gants afin de garder vos mains et vos poignets au chaud. Le temps froid est considéré comme un facteur contribuant très largement à l'apparition du syndrome de Raynaud.
- Après chaque session de travail, pratiquez des exercices qui favorisent la circulation sanguine.
- Faites des pauses fréquentes. Limitez la quantité d'exposition journalière.

Si vous ressentez l'un des symptômes associés à ce syndrome, arrêtez immédiatement le travail et consultez votre médecin pour lui en faire part.

### ⚠ AVERTISSEMENT

L'utilisation prolongée d'un outil est susceptible de provoquer ou d'aggraver des blessures. Assurez-vous de faire des pauses de façon régulière lorsque vous utilisez tout outil de façon prolongée.

### APPRENEZ À CONNAÎTRE VOTRE PRODUIT

Voir page 137.

1. Mandrin
2. Embouts de vissage
3. Sélection avant/arrière
4. Gâchette-interrupteur
5. Poignée
6. Prise du chargeur
7. Port USB
8. Câble du chargeur
9. Prise d'entrée

### ENTRETIEN

#### ⚠ AVERTISSEMENT

Le produit ne doit jamais être branché à une source de courant lorsque vous-y montez des pièces, lorsque vous effectuez des réglages, lorsque vous le nettoyez, lorsque vous l'entretenez, ou lorsque vous ne l'utilisez pas. Le fait de débrancher le produit évitera toute mise en marche accidentelle susceptible de provoquer de graves blessures.

- N'effectuez les réparations qu'en utilisant des pièces détachées identiques. L'utilisation de toute autre pièce est susceptible de présenter un danger ou d'endommager votre outil.
- Évitez d'utiliser des solvants pour nettoyer les parties en plastique. La plupart des plastiques sont susceptibles d'être endommagés

par les solvants disponibles dans le commerce. Utilisez un chiffon propre pour retirer la saleté et la poussière de carbone.

- Ne laissez jamais du liquide de frein, de l'essence, des produits pétroliers, des huiles pénétrantes, etc. entrer en contact avec les éléments en plastique. Ces produits chimiques contiennent des substances qui peuvent endommager, fragiliser ou détruire le plastique.
- Portez toujours un masque oculaire ou des lunettes de protection à volets latéraux lorsque vous utilisez l'outil électrique ou lorsque vous soufflez de la poussière. Si l'opération génère des poussières, portez également un masque anti-poussière.
- Pour plus de sécurité et de fiabilité, toutes les réparations doivent être effectuées par un service après-vente agréé.

### LUBRIFICATION

Tous les roulements de ce produit sont lubrifiés avec une quantité suffisante d'huile de haute qualité pour toute sa durée de vie dans des conditions d'utilisation normales. Par conséquent, aucune lubrification supplémentaire n'est nécessaire.

### PROTECTION DE L'ENVIRONNEMENT



Recyclez les matières premières au lieu de les jeter avec les ordures ménagères. Pour protéger l'environnement, l'outil, les accessoires et les emballages doivent être triés.

## SYMBOLES



Alerte de sécurité



Conformité CE



Marque de conformité d'Eurasie



Marque de conformité ukrainienne



Veuillez lire attentivement le mode d'emploi avant de démarrer la machine.



Veuillez lire attentivement le mode d'emploi avant de démarrer la machine.



Équipement de classe II



À usage intérieur uniquement



Vitesse à vide



Polarité de la prise USB



Volts



Courant continu



Nombre de tours ou de mouvements par minute  
Les produits électriques hors d'usage ne doivent pas être jetés avec les ordures ménagères. Recyclez-les par l'intermédiaire des structures disponibles.



Contactez les autorités locales ou votre distributeur pour vous renseigner sur les conditions de recyclage.

## SYMBOLES PRÉSENTS DANS LE MANUEL



Remarque



Pièces détachées et accessoires vendus séparément

Les symboles suivants, et les noms qui leur sont associés, permettent d'expliquer les différents niveaux de risques liés à l'utilisation de cet outil.

### **⚠ DANGER**

Imminence d'un danger qui, si l'on n'y prend garde, peut entraîner des blessures graves voire mortelles.

### **⚠ AVERTISSEMENT**

Situation potentiellement dangereuse qui, si l'on n'y prend garde, peut entraîner des blessures graves voire mortelles.

### **⚠ ATTENTION**

Situation potentiellement dangereuse qui, si l'on n'y prend garde, peut entraîner des blessures moyennes ou légères.

### **ATTENTION**

(Sans symbole de sécurité) Indique une situation pouvant provoquer des dommages matériels.

Sicherheit, Leistung und Zuverlässigkeit hatten oberste Priorität bei der Entwicklung Ihres Schraubers.

### BESTIMMUNGSGEMÄSSE VERWENDUNG

Das Produkt ist nur für den Gebrauch durch Erwachsene vorgesehen, die die Bedienungsanleitung und Warnungen gelesen und verstanden haben und als verantwortlich für ihre Taten erachtet werden können.

Das Produkt ist zum Festziehen und Lösen von Schrauben und Bolzen vorgesehen.

Benutzen Sie das Produkt nicht für andere Aufgaben, als die genannten bestimmungsgemäßen Verwendungen.

**HINWEIS:** Es wird empfohlen vor dem Schrauben vorzubohren.

### ⚠️ WARNUNG

**Lesen Sie aufmerksam alle mit diesem Werkzeug gelieferten Warnungen, Anweisungen und Spezifikationen, beziehen Sie sich auf die Illustrationen.** Die Nichtbeachtung der weiter unten aufgeführten Anweisungen kann Unfälle wie Brände, Elektroschocks und/oder schwere Körperverletzungen zur Folge haben.

**Bewahren Sie alle Sicherheitshinweise und Anweisungen für die Zukunft auf.**

### SICHERHEITSWARNUNGEN FÜR SCHRAUBER

■ Halten Sie das Elektrowerkzeug an den isolierten Griffflächen, wenn Sie Arbeiten ausführen, bei denen die Schraube verborgene Stromleitungen treffen kann. Der Kontakt mit einer spannungsführenden

Leitung kann auch metallene Geräteteile unter Spannung setzen und zu einem elektrischen Schlag führen.

- Der Umgebungstemperaturbereich für das Werkzeug während des Betriebs liegt zwischen 0 °C und 40 °C.
- Der Umgebungstemperaturbereich für die Lagerung des Werkzeugs liegt zwischen 0 °C und 40 °C.

### SICHERHEITSHINWEISE ZUM LADEGERÄT

- Bevor Sie das Batterieladegerät verwenden, lesen Sie alle Anweisungen und Warnhinweise in dieser Bedienungsanleitung zum Batterieladegerät und der Verwendung des Produkts zur Verhinderung von Missbrauch der Produkte und um mögliche Verletzungen oder Schäden zu vermeiden.
- Verwenden Sie das Ladegerät nicht im Freien oder setzen es nassen oder feuchten Bedingungen aus. Ein Eindringen von Wasser in das Ladegerät erhöht die Gefahr eines Stromschlags.
- Die Verwendung von Zubehör, das nicht durch den Hersteller des Ladegeräts empfohlen oder verkauft wurde, kann zu Feuer-, Stromschlag- oder Verletzungsgefahr führen. Das Risiko von elektrischen Schlägen, Bränden oder schweren Verletzungen wird dadurch reduziert.
- Verwenden Sie das Kabel oder das Ladegerät nur für den dafür vorgesehenen Zweck. Verwenden Sie niemals das Kabel zum Tragen des Ladegeräts. Ziehen Sie nicht am Kabel des Ladegeräts, sondern direkt am Stecker, um das Ladegerät aus der

Steckdose zu ziehen. Beschädigungen an Kabel oder Ladegerät könnten einen Stromschlag verursachen. Ersetzen Sie beschädigte Stromkabel unverzüglich.

- Stellen Sie sicher, dass das Kabel so platziert ist, dass nicht daraufgetreten oder darüber gestolpert werden kann, es nicht in Kontakt mit scharfen Kanten oder beweglichen Teilen oder sonstigen Dingen kommen kann, die zu Beschädigung führen könnten. Dadurch wird das Risiko von unbeabsichtigten Stürzen verringert, die zu Verletzungen führen und Schäden am Kabel verursachen und somit einen elektrischen Schlag auslösen könnten.
- Halten Sie das Kabel und das Ladegerät von Hitze fern, um Schäden am Gehäuse oder der Innenteile zu verhindern.
- Benutzen Sie das Ladegerät nicht mit einem beschädigten Kabel oder Stecker. Das könnte einen Kurzschluss und Stromschlag verursachen. Wenn das Produkt beschädigt ist, lassen Sie das Ladegerät von einem autorisierten Servicemitarbeiter ersetzen.
- Verwenden Sie das Ladegerät nicht, wenn es einen harten Schlag erlitten hat, fallen gelassen wurde oder anderweitig beschädigt ist. Lassen Sie von einem autorisierten Servicemitarbeiter eine elektrische Überprüfung durchführen, um zu bestimmen, ob das Ladegerät in einem guten Zustand ist.
- Zerlegen Sie das Ladegerät nicht. Wenn eine Wartung oder eine Reparatur erforderlich ist, bringen Sie es zu einem autorisierten Servicemitarbeiter. Falscher Wiederausammenbau kann zu Stromschlag- oder Feueregefahr

führen.

- Ziehen Sie das Ladegerät aus der Steckdose, bevor Sie Wartungs- oder Reinigungsarbeiten vornehmen, um die Gefahr eines elektrischen Schlags zu reduzieren.
- Trennen Sie das Ladegerät bei Nichtgebrauch vom Stromnetz. Dadurch wird das Risiko von Stromschlägen oder Schäden am Ladegerät reduziert, sollten Metallteile in die Öffnung fallen. Es trägt auch dazu einen Schaden am Ladegerät im Falle eines Stromstoßes zu verhindern.
- Stromschlaggefahr. Berühren Sie niemals den nicht-isolierten Teil des Ausgangsanschlussstücks oder die nicht-isolierten Batteriepole.
- Versuchen Sie niemals, nicht wiederaufladbare Batterien aufzuladen.
- Der empfohlene Umgebungstemperaturbereich für das Ladesystem während des Ladevorgangs liegt zwischen 10 °C und 38 °C.

#### AKKU SICHERHEITSWARNUNGEN



Li-ion

- Entsorgen Sie verbrauchte Akkupacks nicht in dem Hausmüll oder verbrennen sie. Übergeben Sie verbrauchte Akkus Ihrem RYOBI Händler, um die ordnungsgemäße Entsorgung und den Umweltschutz zu gewährleisten..
- Trennen Sie elektronischen Abfall, indem Sie eingebaute Akkus vor der Entsorgung von dem Hauptgerät entfernen. Übergeben Sie sie an passenden Sammelzentren.





EN
FR
<b>DE</b>
ES
IT
NL
PT
DA
SV
FI
NO
RU
PL
CS
HU
RO
LV
LT
ET
HR
SL
SK
BG
UK
TR
EL

- Entfernen von eingebauten Akkus: Öffnen Sie das Gehäuse, indem Sie die Schrauben entfernen. Trennen Sie den Akku von dem Schaltkreis und entfernen ihn.
- HINWEIS: Wenn das Produkt geöffnet ist, kann es nicht mehr verwendet werden und sollte ordnungsgemäß entsorgt werden.
- Schalten Sie das Produkt vor dem Entfernen des Akkus aus dem Elektrowerkzeug an, bis der Akku vollständig entleert ist.
- Stellen Sie sicher, dass der zu entsorgende Akku nicht in Kontakt mit Batterien, anderen Akkus oder leitendem Material kommt, indem Sie die freiliegenden Anschlüsse mit isolierenden Abdeckungen oder Klebeband abdecken.
- Laden Sie niemals einen beschädigten Akku-Pack auf.
- Der Umgebungstemperaturbereich für die Batterie während des Gebrauchs liegt zwischen 0 °C und 40 °C.
- Der Umgebungstemperaturbereich für die Lagerung der Batterie liegt zwischen 0 °C und 20 °C.

### RESTRISIKEN

Sogar wenn das Produkt wie vorgeschrieben benutzt wird, ist es unmöglich ein gewisses Restrisiko vollständig auszuschließen. Die folgenden Gefahren können bei der Benutzung entstehen, und der Benutzer sollte besonders auf folgende Punkte achten:

- Lärm kann zu Gehörschäden führen. Tragen Sie geeigneten Gehörschutz und begrenzen Sie das Risiko.
- Augenverletzungen. Tragen Sie einen Augenschutz oder eine Schutzbrille, wenn Sie das Produkt benutzen.

- Durch Vibrationen verursachte Verletzungen. Begrenzen Sie die Belastung. Folgen Sie den Anweisungen im Abschnitt "Risikoverringung".
- Stromschlag durch Kontakt mit verborgenen Stromleitungen. Halten Sie das Produkt nur an isolierten Flächen.
- Durch Staub verursachte Verletzungen. Staub durch den Betrieb des Produktes kann Atemwegsverletzungen verursachen. Tragen Sie eine geeignete Staubschutzmaske mit Filtern, die für den Schutz vor Partikeln aus dem bearbeiteten Material geeignet ist.

### RISIKOVERRINGERUNG

Vibrationen von in der Hand gehaltenen Werkzeugen können bei einigen Personen zu einem Zustand, der Raynaud-Syndrom genannt wird, führen. Symptome sind u.a. Kribbeln, Taubheitsgefühl und episodische Weißfärbung der Finger und treten normalerweise bei Kälte auf. Man geht davon aus, dass ererbte Faktoren, Kälte und Feuchtigkeit, Essgewohnheiten, Rauchen und Arbeitsweise zur Entwicklung dieser Symptome beitragen. Der Anwender kann Maßnahmen ergreifen, um die Auswirkungen der Vibrationen möglicherweise zu verringern:

- Halten Sie den Körper bei Kälte warm. Tragen Sie beim Betrieb des Geräts Handschuhe, um Hände und Handgelenke warm zu halten. Berichten zu Folge ist kaltes Wetter ein wesentlicher Faktor, der zum Raynaud Syndrom beiträgt.
- Betätigen Sie sich nach jedem Einsatz körperlich, um den Blutkreislauf zu steigern.
- Machen Sie regelmäßig Pausen. Beschränken Sie die Beanspruchung



pro Tag.

Sollten bei Ihnen eines der zuvor beschriebenen Symptome / Zustände auftreten, stellen Sie unverzüglich den Betrieb ein und suchen Sie bezüglich der Symptome einen Arzt auf.

#### **⚠️ WARNUNG**

Verletzungen können durch lange Benutzung eines Werkzeugs entstehen oder verschlimmert werden. Machen Sie regelmäßig Pause, wenn Sie ein Werkzeug für lange Zeit benutzen.

#### **MACHEN SIE SICH MIT IHREM PRODUKT VERTRAUT**

*Siehe Seite 137.*

1. Bohrfutter
2. Schraub-Bit
3. Vorwärts-/Rückwärtswählschalter
4. Ein- /Ausschalter
5. Griff
6. Ladestecker
7. USB-Anschluss
8. Ladekabel
9. Eingangsbuchse

#### **WARTUNG UND PFLEGE**

#### **⚠️ WARNUNG**

Das Produkt darf niemals an die Stromversorgung angeschlossen sein, wenn Sie Teile zusammenbauen, Einstellungen vornehmen, Reinigen, Wartungsarbeiten durchführen, oder wenn das Produkt nicht benutzt wird. Trennen des Produktes von der Stromversorgung verhindert ein unbeabsichtigtes Einschalten, das schwere Verletzungen verursachen könnte.

- Verwenden Sie zur Wartung nur Original Ersatzteile. Der Einsatz von anderen Teilen kann eine Gefahr

verursachen oder das Produkt beschädigen.

- Vermeiden Sie beim Reinigen der Plastikteile den Einsatz von Lösungsmitteln. Die meisten Kunststoffe können durch im Handel erhältliche Lösungsmittel beschädigt werden. Verwenden Sie saubere Tücher, um Schmutz und Kohlenstaub zu entfernen.
- Lassen Sie niemals Bremsflüssigkeiten, Benzine, Produkte auf Erdölbasis, Rostlöser usw. mit den Plastikteilen in Kontakt geraten. Diese chemischen Produkte enthalten Substanzen, die den Kunststoff beschädigen, schwächen oder zerstören können.
- Tragen Sie beim Arbeiten mit motorbetriebenen Werkzeugen oder beim Wegblasen von Staub immer eine Schutzbrille mit Seitenschutz. Tragen Sie außerdem bei staubigen Arbeiten eine Atemschutzmaske.
- Alle Reparaturen sollten zur besseren Sicherheit und Zuverlässigkeit von einem autorisierten Kundendienst durchgeführt werden.

#### **ÖLEN**

Alle Lagerelemente in dem Produkt sind mit genug qualitativ hochwertigem Schmiermittel für die gesamte Lebensdauer des Produktes unter normalen Betriebsbedingungen geölt. Es ist daher keine zusätzliche Schmierung erforderlich.

## UMWELTSCHUTZ



Recyclen Sie die Rohstoffe, anstatt sie im Haushaltsabfall zu entsorgen. Zum Schutz der Umwelt müssen das Gerät, die Zubehörteile und die Verpackungen getrennt entsorgt werden.



Elektrische Geräte sollten nicht mit dem übrigen Müll entsorgt werden. Bitte entsorgen Sie diese an den entsprechenden Entsorgungsstellen. Wenden Sie sich an die örtliche Behörde oder Ihren Händler, um Auskunft über die Entsorgung zu erhalten.

## SYMBOLE



Sicherheitswarnung



CE Konformität



EurAsian Konformitätszeichen



Ukrainisches Prüfzeichen



Bitte lesen Sie die Anweisungen sorgfältig, bevor Sie das Gerät einschalten.



Bitte lesen Sie die Anweisungen sorgfältig, bevor Sie das Gerät einschalten.



Elektrowerkzeug der Schutzklasse II



Nur für die Nutzung im Innenbereich



Leerlaufdrehzahl



Polarität des USB-Steckers



Volt



Gleichstrom



Anzahl Umdrehungen oder Bewegungen pro Minute

## SYMBOLE IN DER BEDIENUNGSANLEITUNG



Hinweis



Teile oder Zubehör getrennt erhältlich

Mit den folgenden Symbolen wird die Bedeutung der verschiedenen Risikostufen, die mit dem Produkt einhergehen, dargestellt.

### ⚠️ GEFAHR

Bezeichnet eine unmittelbare Gefahrensituation, die, falls nicht vermieden, zum Tode oder schweren Verletzungen führen kann.

### ⚠️ WARNUNG

Bezeichnet eine mögliche Gefahrensituation, die, falls nicht vermieden, zum Tode oder schweren Verletzungen führen kann.

### ⚠️ ACHTUNG

Bezeichnet eine mögliche Gefahrensituation, die, falls nicht vermieden, zu kleineren und mittleren Verletzungen führen kann.

### ⚠️ ACHTUNG

(Ohne Warnsymbol) weist auf eine Situation hin, die zu Sachschaden führen kann.

En el diseño de este destornillador, se ha dado prioridad absoluta a la seguridad, el rendimiento y la fiabilidad.

### USO PREVISTO

El producto está destinado a su uso exclusivo por parte de personas adultas que hayan leído y comprendido las instrucciones y las advertencias de este manual, y las cuales se pueden considerar responsables de sus acciones.

El producto está destinado a apretar y quitar tornillos y pernos.

Utilice el producto exclusivamente para el uso para el que fue diseñado.

**NOTA:** Se recomienda utilizar agujeros guía antes de atornillar.

### ⚠ ADVERTENCIA

Lea atentamente todas las advertencias, instrucciones y especificaciones suministradas con la herramienta, y consulte las ilustraciones. El incumplimiento de las instrucciones que se indican a continuación puede ocasionar diversos accidentes como incendios, descargas eléctricas y/o graves heridas corporales.

**Guarde todas estas advertencias e instrucciones para futuras referencias.**

### ADVERTENCIAS DE SEGURIDAD DEL DESTORNILLADOR

- **Sujete la herramienta motorizada por las superficies de agarre aisladas al realizar una operación en la que el fijador pueda estar en contacto con el cableado oculto.** El contacto de las brocas con un cable con corriente puede cargar las partes metálicas de la herramienta y puede provocar una descarga eléctrica.

- El rango de temperatura ambiente para la herramienta en funcionamiento es de entre 0 y 40 °C.
- El rango de temperatura ambiente en el entorno en el que se guarde la herramienta es de entre 0 y 40 °C.

### ADVERTENCIAS DE SEGURIDAD DEL CARGADOR

- Antes de utilizar el cargador de la batería, lea todas las instrucciones y advertencias que aparecen en este manual, sobre el cargador de la batería, la batería y el producto que utiliza batería para evitar el uso incorrecto de los productos y posibles daños o lesiones.
- No utilice el cargador en el exterior ni lo exponga a la humedad. Si el agua penetra en el cargador, aumentará el riesgo de descarga eléctrica.
- El uso de un accesorio no recomendado o vendido por el fabricante del cargador de la batería puede suponer un riesgo de incendio, descargas eléctricas o lesiones personales. Si cumple estrictamente estas consignas reducirá la posibilidad de recibir una descarga eléctrica, de incendio o de heridas graves.
- No maltrate el cable ni el cargador. Nunca tire del cable para mover el cargador. No tire del cable del cargador en lugar de del enchufe al desconectarlo del receptáculo. Se podrían producir daños en el cable o el cargador y generar riesgo de descarga eléctrica. Reemplace los cables dañados inmediatamente.
- Asegúrese de que el cable está colocado de manera que no se puede pisar, tropezar con él, entrar en contacto con bordes afilados o piezas móviles u otra cosa que pueda

generar daños o tensión. Esto reducirá el riesgo de caídas accidentales, que podrían provocar lesiones y dañar el cable, lo que provocaría una descarga eléctrica.

- Aleje el cable y el cargador del calor para evitar daños a las piezas de la carcasa o del interior.
- No utilice el cargador con un cable o enchufe dañado, lo que podría provocar un cortocircuito o descarga eléctrica. Si resulta dañado, que una persona autorizada sustituya el cargador.
- No utilice el cargador si ha recibido un golpe fuerte, se ha caído o ha resultado dañado de manera alguna. Llévelo a una persona autorizada para su comprobación eléctrica para determinar si el cargador está en buen estado.
- No desmonte el cargador. Llévelo a una persona autorizada cuando requiera reparación o mantenimiento. Un montaje incorrecto puede resultar en un riesgo de descargas eléctricas o incendio.
- Desenchufe el cargador de la salida antes de intentar ningún tipo de mantenimiento o limpieza para reducir el riesgo de descarga eléctrica.
- Desconecte el cargador de la toma de corriente cuando no lo esté usando. Esto reducirá el riesgo de descarga eléctrica o de daño al cargador en caso de que artículos de metal caigan en la apertura. También ayudará a evitar daños al cargador durante una subida de tensión.
- Riesgo de descargas eléctricas. No toque la parte que no está aislada del conector de salida o de la terminal de la batería.

- No intente cargar baterías no recargables.
- El rango de temperatura ambiente recomendado para el sistema de carga durante la carga es de entre 10 y 38 °C.

#### ADVERTENCIAS DE SEGURIDAD DE LA BATERÍA



Li-ion

- No tire las baterías usadas con la basura de casa ni las queme. Para garantizar la correcta eliminación de las baterías gastadas y proteger el medio ambiente, lleve las baterías antiguas a su distribuidor RYOBI.
- Separe los residuos eléctricos de forma adecuada retirando las baterías integradas de la unidad principal antes de desecharlas. Llévelas a los puntos de recogida adecuados.
- Para retirar la batería integrada: Separe las carcasas retirando los tornillos. Desconecte la batería del circuito y retírela.
- NOTA: Una vez abierto, el producto no puede reutilizarse ni repararse y debería eliminarse de forma adecuada.
- Antes de retirar la batería de la herramienta, encienda el producto hasta que la batería esté totalmente descargada.
- Asegúrese de que la batería que va a desechar no entra en contacto con pilas, otras baterías o materiales conductores, protegiendo los conectores expuestos con cinta o tapas aislantes no conductoras.
- Nunca cargue una batería dañada.

- El rango de temperatura ambiente para la batería en uso es de entre 0 y 40 °C.
- El rango de temperatura ambiente para el almacenamiento de batería es de entre 0 y 20 °C.

### RIESGOS RESIDUALES

Incluso cuando se utiliza el producto según las instrucciones, sigue siendo imposible eliminar por completo ciertos factores de riesgo residuales. Pueden surgir los siguientes riesgos durante el uso y el operador debe prestar especial atención para evitar lo siguiente:

- Daños auditivos provocados por el ruido  
Lleve protección auditiva adecuada y limite la exposición.
- Daños a los ojos  
Hay que llevar pantallas o gafas de protección para los ojos cuando se utilice el aparato.
- Lesiones por vibración  
Limite la exposición. Siga las instrucciones de reducción de riesgos.
- Descarga eléctrica provocada por el contacto con cables ocultos  
Sujete el aparato únicamente por las superficies aislantes.
- Lesiones causadas por el polvo  
El polvo producido por el uso del aparato puede provocar daños respiratorios. Utilice una máscara contra el polvo adecuada con filtros aptos para proteger frente a partículas procedentes del material trabajado.

### REDUCCIÓN DEL RIESGO

Se ha informado de que las vibraciones de las herramientas manuales pueden contribuir a una enfermedad llamada síndrome de Raynaud en ciertos individuos. Los síntomas pueden incluir hormigueo, entorpecimiento y decoloración de los dedos, generalmente aparentes cuando tiene lugar una

exposición al frío. Se considera que los factores hereditarios, exposición al frío y a la humedad, dieta, tabaquismo y prácticas de trabajo contribuyen al desarrollo de estos síntomas. Existen medidas que pueden ser tomadas por el operador para reducir los efectos de vibración:

- Mantenga su cuerpo caliente durante el tiempo frío. Al manipular la unidad, utilice guantes para mantener las manos y las muñecas calientes. Hay informes que indican que el tiempo frío es un gran factor que contribuye al síndrome de Raynaud.
- Después de cada período de funcionamiento, realice ejercicios para aumentar la circulación sanguínea.
- Haga pausas de trabajo frecuentes. Limite la cantidad de exposición por día.

Si siente alguno de los síntomas de esta enfermedad, interrumpa inmediatamente el uso y consulte a su médico estos síntomas.

### ⚠ ADVERTENCIA

El uso prolongado de la herramienta puede provocar o agravar lesiones. Al utilizar cualquier herramienta durante períodos prolongados asegúrese de tomar descansos regulares.

### CONOZCA EL PRODUCTO

Consulte la página 137.

1. Mandril de sujeción
2. Destornillador de piezas pequeñas
3. Selector adelante/atrás
4. Gatillo del interruptor
5. Mango
6. Enchufe del cargador
7. Puerto USB
8. Cable del cargador

## 9. Conector de entrada

### MANTENIMIENTO

#### ⚠ ADVERTENCIA

El aparato nunca debe estar conectado a una fuente eléctrica mientras se estén montando las piezas, realizando ajustes, limpiando, llevando a cabo el mantenimiento o cuando no esté en uso. Apagar el aparato evitará que se ponga en marcha accidentalmente y cause lesiones graves.

- Utilice solo piezas de recambio idénticas cuando esté realizando labores de mantenimiento de la máquina. El uso de otras piezas puede ocasionar riesgos o daños en el producto.
- Evite el uso de disolventes para limpiar las piezas de plástico. La mayor parte de los plásticos pueden resultar dañados con los disolventes que se venden en el mercado. Utilice trapos limpios para eliminar la suciedad y el polvo de carbón.
- No permita en ningún momento que las piezas de plástico entren en contacto con líquido de frenos, gasolina, productos derivados del petróleo, aceites penetrantes, etc. Estos productos químicos contienen sustancias que pueden deteriorar, debilitar o destruir el plástico.
- Siempre use gafas de seguridad o gafas de seguridad con protección lateral durante el funcionamiento de la herramienta eléctrica o cuando ésta desprenda polvo. Si la superficie de trabajo es polvorienta, use también una careta específica.
- Para una mayor seguridad y fiabilidad,

todas las reparaciones deben ser realizadas por un centro de servicio autorizado.

### LUBRICACIÓN

Todos los cojinetes de este producto están lubricados con una cantidad suficiente de lubricante de alta calidad para la vida del producto en condiciones normales de funcionamiento. Por lo tanto, no es menester prever ninguna lubricación adicional.

### PROTECCIÓN DEL MEDIO AMBIENTE



Recicle las materias primas en lugar de tirarlas a la basura doméstica. Para proteger el medio ambiente, debe separar la herramienta, los accesorios y los embalajes.

### SÍMBOLOS



Alerta de seguridad



Conformidad CE



Certificado EAC de conformidad



Marca de conformidad ucraniana



Por favor lea las instrucciones detenidamente antes de arrancar la máquina.



Por favor lea las instrucciones detenidamente antes de arrancar la máquina.



Equipo de Clase II





Exclusivamente para uso interior

$n_0$

Velocidad sin carga



Polaridad del enchufe USB

V

Voltios



Corriente directa

min<sup>-1</sup>

Número de revoluciones o movimientos por minuto

Los productos eléctricos de desperdicio no deben desecharse con desperdicios caseros.



Por favor recíclelos donde existan dichas instalaciones. Compruebe con su autoridad local o minorista para reciclar.

## SÍMBOLOS EN ESTE MANUAL



Nota



Las piezas o accesorios se venden por separado

Los siguientes símbolos y palabras detallan los niveles de cuidado necesarios para usar este producto.

### **PELIGRO**

Indica una situación inminente de peligro que, si no se evita, provocará la muerte o lesiones graves.

### **ADVERTENCIA**

Indica una situación potencialmente peligrosa que, si no se evita, podría causar la muerte o lesiones graves.

### **PRECAUCIÓN**

Indica una situación potencialmente peligrosa que, si no se evita, puede provocar lesiones leves o moderadas.

### **PRECAUCIÓN**

(Sin símbolo de seguridad) Indica una situación que podría ocasionar daños materiales.

Il design del nostro avvitatore è stato progettato per garantire sicurezza, prestazioni e affidabilità.

## UTILIZZO

Il prodotto è destinato a essere utilizzato solo da adulti che hanno letto e compreso le istruzioni e le avvertenze riportate in questo manuale e che possono essere considerati responsabili delle loro azioni. Il prodotto serve al serraggio e alla rimozione di viti e bulloni.

Non utilizzare il prodotto in modi diversi da quelli indicati.

**NOTE:** Si raccomanda di realizzare i fori guida prima di inserire le viti.

### ▲ AVVERTENZE

**Leggere attentamente tutte le avvertenze, le istruzioni e le specifiche fornite con l'apparecchio e fare riferimento alle illustrazioni.** La mancata osservanza delle istruzioni riportate di seguito potrebbe provocare incidenti quali incendi, scosse elettriche e/o gravi lesioni fisiche.

**Conservare tutte le istruzioni e le avvertenze per eventuali riferimenti futuri.**

### AVVERTENZA SULLA SICUREZZA PER L'AVVITATORE

- **Reggere l'utensile dalle superfici in gomma isolate quando si svolgono operazioni durante le quali i chiodi potranno entrare in contatto con cavi nascosti.** I chiodi che entrano in contatto con un cavo "sotto tensione" potranno mettere sotto tensione le parti in metallo dell'utensile e causare scosse elettriche all'operatore.
- L'intervallo della temperatura ambiente

per l'utensile durante l'azionamento rientra tra 0° C e 40° C.

- L'intervallo della temperatura ambiente per la conservazione dell'utensile rientra tra 0° C e 40° C.

### AVVERTENZE DI SICUREZZA DEL CARICABATTERIE

- Prima di utilizzare il caricabatteria, leggere tutte le istruzioni e le avvertenze riportate nel presente manuale, oltre a quelle apposte sul caricabatteria, sulla batteria e sul prodotto che la utilizza, per prevenire usi impropri dei prodotti e possibili lesioni e danni.
- Non usare il caricatore all'aperto né bagnarlo o esporlo a condizioni di umidità. La penetrazione di acqua nel caricatore aumenta il rischio di scosse elettriche.
- L'utilizzo di un accessorio non raccomandato né venduto dalla ditta produttrice del caricatore potrà risultare in un rischio di incendio, scosse elettriche o lesioni a persona. Il rispetto di tali norme limita il rischio di scosse elettriche, incendi o lesioni gravi.
- Non usare in modo improprio il cavo o il caricatore. Non usare mai il cavo per trasportare il caricatore. Non tirare mai il cavo anziché la spina per scollegare quest'ultima dalla presa. Il cavo o il caricatore potrebbe danneggiarsi e comportare un rischio di folgorazione. Sostituire immediatamente i cavi danneggiati.
- Accertarsi che il cavo sia collocato in modo che non sia pestato, non crei intralcio, non venga in contatto con spigoli taglienti o parti in movimento o sia comunque soggetto a danni o sollecitazioni. Ciò ridurrà il rischio di

EN  
FR  
DE  
ES  
IT  
NL  
PT  
DA  
SV  
FI  
NO  
RU  
PL  
CS  
HU  
RO  
LV  
LT  
ET  
HR  
SL  
SK  
BG  
UK  
TR  
EL

cadute accidentali che potrebbero causare lesioni oppure danni al cavo stesso, con il conseguente rischio di folgorazioni.

- Tenere il cavo e il caricatore lontano da fonti di calore per prevenire danni all'involucro o alle parti interne.
- Non utilizzare il caricatore se il cavo o la spina sono danneggiati, per evitare il rischio di corto circuiti e folgorazioni. In caso di danni, far sostituire il caricatore da un tecnico autorizzato.
- Non utilizzare il caricatore se ha subito un urto violento, è stato fatto cadere o è stato altrimenti danneggiato. Portarlo da un tecnico autorizzato per eseguire verifiche elettriche e per determinare se il caricatore funziona bene.
- Non smontare il caricatore. Quando un intervento o una riparazione sono necessari, portarlo da un tecnico autorizzato. Un montaggio scorretto potrà causare rischi di scosse elettriche o incendi.
- Prima di eseguire un intervento di manutenzione o di pulizia scollegare il caricatore dalla presa elettrica per ridurre il rischio di folgorazione.
- Scollegare il caricatore dall'alimentazione quando non è in uso. Ciò riduce il rischio di folgorazioni o di danni al caricatore nel caso in cui oggetti metallici cadessero nell'apertura. Previene inoltre i danni al caricatore in caso di sovracorrente.
- Rischio di scosse elettriche. Non toccare la parte non isolata del connettore o del terminale della batteria.
- Non tentare mai di ricaricare batterie non ricaricabili.
- L'intervallo della temperatura ambiente raccomandato per il sistema di carica

durante la carica rientra tra 10° C e 38° C.

## ISTRUZIONI DI SICUREZZA RELATIVE AI GRUPPI BATTERIE



Li-ion

- Non smaltire gruppi batterie utilizzati con i rifiuti domestici né tentare di bruciarli. Per assicurare un corretto smaltimento dei gruppi batteria e proteggere l'ambiente, consegnare i gruppi batteria usati al proprio distributore RYOBI.
- Separare i rifiuti elettronici adeguatamente rimuovendo i gruppi batteria integrati dall'unità principale prima dello smaltimento. Smaltirli presso i punti di raccolta designati.
- Per rimuovere i gruppi batteria integrati: Separare le celle l'una dall'altra prima di rimuovere le viti. Scollegare il gruppo batteria dal circuito e rimuoverlo.
- NOTE: Una volta aperto, il prodotto non potrà essere più riutilizzato, né potranno essere svolte le dovute operazioni di manutenzione sullo stesso e dovrà quindi essere smaltito correttamente.
- Prima di rimuovere il gruppo batteria dall'utensile, attivare il prodotto fino a che il gruppo batterie non venga completamente scaricato.
- Assicurarsi che il gruppo batterie venga smaltito e non entri in contatto con batterie, altri gruppi batterie e materiali conduttivi proteggendo i connettori esposti con nastro adesivo isolante o tappi non conduttivi.
- Non modificare mai un pacco batteria

danneggiato.

- L'intervallo della temperatura ambiente per la batteria durante l'utilizzo rientra tra 0° C e 40° C.
- L'intervallo della temperatura ambiente per la conservazione della batteria rientra tra 0° C e 20° C.

### RISCHI RESIDUI

Anche quando il prodotto viene utilizzato come indicato, sarà ancora impossibile eliminare completamente alcuni fattori di rischio residuo. Si potranno verificare i seguenti rischi e l'operatore dovrà prestare particolare attenzione per evitare quanto segue:

- Il rumore può causare danni all'udito. Indossare una protezione idonea per l'udito e limitare l'esposizione.
- Lesioni oculari  
Indossare occhiali o schermi di protezione quando si utilizza il prodotto.
- Lesioni causate da vibrazioni  
Limitare l'esposizione. Seguire le istruzioni riportate in Riduzione dei rischi
- Folgorazione causata dal contatto con fili nascosti  
Reggere il prodotto solo dalle superfici isolate.
- Lesioni causate dalla polvere  
La polvere creata dalla messa in funzione del prodotto potrà causare lesioni all'apparato respiratorio. Indossare una maschera antipolvere dotata di filtri idonei per la protezione contro le particelle generate dal materiale in lavorazione.

### RIDUZIONE DEL RISCHIO

E' stato fatto presente che le vibrazioni da utensili a mano potrebbero contribuire a una condizione chiamata Sindrome di Raynaud in alcuni individui. I sintomi, comprendenti formicolio, intorpidimento e perdita di colore alle dita, si verificano di solito quando ci si espone al freddo.

Fattori ereditari, esposizione a freddo e umidità, una dieta scorretta, fumo e condizioni di lavoro non sicure potranno contribuire allo sviluppo di questi sintomi. è possibile prendere delle precauzioni per ridurre le vibrazioni:

- Tenere il corpo al caldo a basse temperature. Quando si utilizza l'utensile, indossare guanti e tenere le mani e i polsi caldi. Le basse temperature contribuiscono a causare la Sindrome di Raynaud.
- Dopo aver utilizzato l'utensile per un certo periodo, fare degli esercizi per stimolare la circolazione del sangue.
- Fare spesso delle pause. Limitare la quantità di esposizione giornaliera.

Nel caso in cui si provino i sintomi di questa condizione, interrompere immediatamente l'utilizzo dell'utensile e consultare un dottore.

### ⚠ AVVERTENZE

L'utilizzo prolungato dell'utensile potrà causare o aggravare lesioni già esistenti. Quando si utilizza questo utensile per periodi di tempo prolungati, assicurarsi di fare sempre delle pause regolari.

### FAMILIARIZZARE CON IL PRODOTTO

Vedere a pagina 137.

1. Mandrino
2. Punte per giravite
3. Selettore avanti/indietro
4. Grilletto interruttore
5. Manico
6. Spina del caricatore
7. Porta USB
8. Cavo del caricabatterie
9. Jack di ingresso

## MANUTENZIONE

### ▲ AVVERTENZE

Questo prodotto non dovrà mai essere collegato all'alimentazione mentre si montano le sue parti, svolgono regolazioni, operazioni di pulizia e manutenzione o quando il prodotto non viene utilizzato. Scollegare il prodotto per prevenire l'avvio accidentale che potrà causare gravi lesioni.

- Quando si svolgono operazioni di manutenzione, utilizzare solo ricambi identici. Utilizzare parti di ricambio diverse potrebbe causare rischi o danneggiare il prodotto.
- Evitare di utilizzare solventi quando si puliscono le parti in plastica. La maggior parte dei materiali plastici rischia di essere danneggiata dall'uso dei solventi disponibili in commercio. Usare dei panni puliti per rimuovere sporcizia e polveri di carbonio.
- Non lasciare che liquidi per freni, benzina, prodotti a base di petrolio, oli penetranti, ecc. entrino in contatto con le parti in plastica. Tali prodotti chimici contengono sostanze che possono danneggiare, indebolire o distruggere la plastica.
- Indossare sempre occhiali di sicurezza o occhiali di sicurezza con schermi laterali durante le operazioni con l'elettrotensile o quando si aspira la polvere. Nel caso in cui si preveda che le operazioni di lavoro causeranno polvere, indossare sempre una maschera anti-polvere.
- Per maggiore sicurezza e affidabilità, tutte le riparazioni dovranno essere svolte da un centro servizi autorizzato.

## LUBRIFICAZIONE

Tutti i cuscinetti in questo prodotto sono stati lubrificati con una quantità di lubrificante ad alto indice di viscosità per tutta la durata del prodotto nelle normali condizioni di funzionamento. Di conseguenza, non è necessario effettuare alcuna lubrificazione supplementare.

## TUTELA DELL'AMBIENTE



Riciclare le materie prime anziché gettarle tra i rifiuti domestici. Per tutelare l'ambiente, l'apparecchio, gli accessori e gli imballaggi devono essere smaltiti separatamente.

## SIMBOLI



Indicazioni sicurezza



Conformità CE



Marchio di conformità EurAsian



Marchio di conformità ucraino



Leggere attentamente le istruzioni prima di avviare l'utensile.



Leggere attentamente le istruzioni prima di avviare l'utensile.



Apparecchiatura di classe C



Esclusivamente per uso interno



Velocità a vuoto



Polarità del connettore USB

V Volt



Corrente diretta

min<sup>-1</sup>

Numero di giri o di movimenti al minuto



I prodotti elettrici non devono essere smaltiti con i rifiuti domestici. Vi sono strutture per smaltire tali prodotti. Informarsi presso il proprio Comune o rivenditore di sicurezza per smaltire adeguatamente tali rifiuti.

## SIMBOLI NEL MANUALE



Note



Parti o accessori venduti separatamente

I seguenti simboli indicano i livelli di rischio associati a questo prodotto.

### **PERICOLO**

Indica una situazione immediatamente pericolosa che, se non evitata, potrà causare gravi lesioni o morte.

### **AVVERTENZE**

Indica una situazione potenzialmente pericolosa che, se non evitata potrà causare gravi lesioni o morte.

### **ATTENZIONE**

Indica una situazione potenzialmente pericolosa che, se non evitata, potrà causare lesioni minori o moderate.

### **ATTENZIONE**

(Senza simbolo di allarme in materia di sicurezza) Indica una situazione che può provocare danni materiali.

Veiligheid, prestaties en betrouwbaarheid hebben bij het ontwerp van uw schroevendraaier de hoogste prioriteit gekregen.

### BEOOGD GEBRUIK

Dit product mag uitsluitend worden gebruikt door volwassenen die de instructies en waarschuwingen in deze handleiding hebben gelezen en die verantwoordelijk kunnen worden gehouden voor hun daden.

Het product is bedoeld voor het aandraaien en verwijderen van schroeven en bouten.

Gebruik het product niet voor andere doeleinden dan waarvoor het is bestemd.

**OPMERKING:** Het gebruik van pilotopeningen voor u de schroeven inschroeft is aangewezen.

### ⚠ WAARSCHUWING

**Lees aandachtig alle waarschuwingen, aanwijzingen en specificaties die bij deze machine worden meegeleverd en bestudeer de afbeeldingen.** Als u onderstaande voorschriften niet opvolgt, kan dit leiden tot ongelukken zoals brand, elektrische schokken en/of ernstig lichamenlijk letsel.

**Bewaar alle waarschuwingen en instructies voor toekomstig gebruik.**

### VEILIGHEIDSWAARSCHUWINGEN BIJ DEZE SCHROEVENDRAAIER

■ **Neem het gereedschap vast bij de grip wanneer de schroef contact kan maken met een verborgen draad.** Wanneer het apparaat contact maakt met een draad waarop spanning staat, kunnen niet-geïsoleerde onderdelen een elektrische schok veroorzaken.

■ Toegestane omgevingstemperatuur voor het gereedschap tijdens gebruik ligt tussen 0°C en 40°C.

■ Toegestane omgevingstemperatuur voor het gereedschap bij opslag ligt tussen 0°C en 40°C.

### VEILIGHEIDSWAARSCHUWINGEN VOOR OPLADER

■ Lees alle instructies en waarschuwingen in deze handleiding over het acculaadapparaat, de accu en het product dat gebruik maakt van de accu alvorens het acculaadapparaat te gebruiken, om verkeerd gebruik van de producten en eventueel letsel of schade te vermijden.

■ Gebruik het laadapparaat niet buitenshuis en stel het niet bloot aan natte of vochtige omstandigheden. Water dat het laadapparaat binnendringt vergroot de kans op een elektrische schok.

■ Het gebruik van een voorzetstuk dat niet is aangeraden of verkocht door de fabrikant van de batterijlader, kan leiden tot brandgevaar, elektrische schok of lichamenlijk letsel. Zo kunt u het gevaar voor elektrische schokken, brand of ernstig lichamenlijk letsel beperken.

■ Gebruik de kabel of het laadapparaat niet op een verkeerde manier. Gebruik de kabel nooit om het laadapparaat aan te dragen. Trek niet aan de laadkabel maar aan de stekker om de kabel los te koppelen van de stekkeringang. Anders kan de kabel of het laadapparaat beschadigd raken en een elektrische schok veroorzaken. Vervang beschadigde snoeren onmiddellijk.

■ Zorg ervoor dat de kabel zodanig is



gepositioneerd dat men er niet op kan trappen, over kan struikelen en dat de kabel niet tegen scherpe randen of bewegende delen aankomt, of anderszins wordt blootgesteld aan beschadiging of belasting. Hierdoor wordt de kans op struikelen, wat kan leiden tot letsel, en beschadiging van de kabel, wat kan leiden tot elektrische schok, verkleind.

- Houd de kabel en het laadapparaat uit de buurt van hitte om beschadiging van de behuizing of interne delen te voorkomen.
- Gebruik het laadapparaat niet met een beschadigde kabel of stekker. Dit kan kortsluiting en elektrische schok veroorzaken. Als beschadiging is opgetreden moet het laadapparaat door een erkende servicedienst worden vervangen.
- Gebruik het laadapparaat niet als dit is gevallen, een krachtige stoot heeft gekregen of anderszins beschadigd is geraakt. Breng het naar een erkend servicecentrum en laat het elektrische systeem controleren om te bepalen of het laadapparaat goed functioneert.
- Het laadapparaat mag niet worden gedemonteerd. Breng het apparaat naar een erkend servicecentrum als onderhoud of reparatie vereist is. Foutieve hermontage kan leiden tot risico op elektrische schok of brand.
- Koppel het laadapparaat los van het stopcontact voordat u onderhouds- of reinigingswerkzaamheden gaat uitvoeren, om de kans op een elektrische schok te verkleinen.
- Ontkoppel de lader van de stroomtoevoer als deze niet wordt gebruikt. Dit verkleint de kans op een elektrische schok of beschadiging

van het laadapparaat als metalen onderdelen in de opening vallen. Tevens helpt dit beschadiging van het laadapparaat tijdens een stroompiek te voorkomen.

- Gevaar voor elektrische schok. Raak de niet-geïsoleerde delen van de uitlaatconnector of niet-geïsoleerde accuterminal niet aan.
- Probeer nooit om batterijen op te laden die niet oplaadbaar zijn.
- De aanbevolen omgevingstemperatuur voor het laadsysteem tijdens het laden ligt tussen 10°C en 38°C.

## ACCUVEILIGHEIDSWAARSCHUWINGEN



Li-ion

- Gooi gebruikte batterijpacks niet in het huishoudelijk afval weg of verbrand ze niet. Om te verzekeren dat accu's correct worden weggegooid en het milieu wordt beschermd, geeft u de oude accu's terug aan uw RYOBI dealer.
- Scheid elektronisch afval op een degelijke manier door de geïntegreerde accu's uit het hoofdstoel te halen voor ze weg te gooien. Geef ze af op een erkend verzamelpunt.
- Verwijderen van geïntegreerde accu: Open het huis door de schroeven te verwijderen. Ontkoppel de accu van het circuit en verwijder het.
- OPMERKING: Indien het product is geopend, kan het niet langer worden gebruikt en moet dan op correcte wijze worden weggegooid.
- Vóórdat u de accu uit de machine

verwijdert, schakelt u het product in totdat de accu volledig is ontladen.

- Zorg ervoor dat de accu die moet worden weggegooid, niet in contact kan komen met batterijen, accu's, of geleidende materialen door blootgestelde connectoren met isolerende, niet-geleidende doppen of plakband af te dekken.
- Een beschadigde accu mag nooit worden vervangen.
- Toegestane omgevingstemperatuur voor de accu tijdens gebruik ligt tussen 0°C en 40°C.
- Toegestane omgevingstemperatuur voor opslag van de accu ligt tussen 0°C en 20°C.

### RESTRISICO'S

Zelfs wanneer het product zoals voorgeschreven wordt gebruikt, blijft het onmogelijk om alle restrisiko's te voorkomen. De volgende gevaren kunnen optreden bij gebruik en de gebruiker dient speciaal op te letten om het volgende te voorkomen:

- Gehoorbeschadiging veroorzaakt door lawaai  
Draag geschikte gehoorbescherming en zorg ervoor dat u niet teveel aan lawaai wordt blootgesteld.
- Oogletsel  
Draag een veiligheidsbril wanneer u het product gebruikt.
- Letsel veroorzaakt door trillingen  
Beperk blootstelling. Volg de instructies in het hoofdstuk Risico's vermijden.
- Elektrische schok veroorzaakt door contact met verborgen bedrading  
Houd het product uitsluitend aan de geïsoleerde oppervlakken vast.
- Verwonding veroorzaakt door stof  
Stof dat wordt veroorzaakt door het gebruik van het product, kan ademhalingsproblemen veroorzaken. Draag een geschikt stofmasker met

filters dat beschermt tegen deeltjes van het materiaal waarmee wordt gewerkt.

### RISICOBEPERKING

Vibraties van handgereedschap kan in bepaalde individuele gevallen leiden tot het syndroom van Raynaud. Symptomen kunnen ondermeer tintelingen, gevoelloosheid en bleek worden van de vingers omvatten, wat normaal gezien duidelijk wordt bij blootstelling aan koude. Erfelijke factoren, blootstelling aan koude en vocht, dieet, roken en werkrouetine kunnen allemaal bijdragen tot de ontwikkeling van deze symptomen. Er kunnen door de bediener maatregelen worden genomen om de gevolgen van de trillingen te beperken:

- Houd bij koud weer uw lichaam warm.  
Draag handschoenen wanneer u de machine gebruikt om handen en polsen warm te houden. Men neemt aan dat koud weer een belangrijke factor is die bijdraagt tot het Syndroom van Raynaud.
- Doe oefeningen om de bloeddorstrooming te bevorderen na elke periode van gebruik.
- Neem regelmatig een pauze. Beperk het aantal uren dat u per dag wordt blootgesteld.

Wanneer u enige van de symptomen van deze aandoening ervaart, stop dan onmiddellijk met het gebruik van het toestel en raadpleeg uw dokter

### ⚠ WAARSCHUWING

Letsels kunnen optreden of verergeren door langdurig gebruik van een gereedschap. Als u een werktuig gedurende langere periodes gebruikt, neem dan regelmatig pauze.

## KEN UW PRODUCT

Zie pagina 137.

1. Boorhouder
2. Schroevendraaierstiften
3. Keuzeknop voorwaarts/achterwaarts
4. Aan-/uitschakelaar
5. Handvat
6. Stekker van laadapparaat
7. USB-poort
8. Laadkabel
9. Stekkeringang

## ONDERHOUD

### ⚠ WAARSCHUWING

Het product mag nooit worden aangesloten op de netvoeding bij het aansluiten van onderdelen, maken van afstellingen, schoonmaken, uitvoeren van onderhoud of als het product niet wordt gebruikt. Ontkoppelen van het product voorkomt accidenteel opstarten, wat ernstig letsel kan veroorzaken.

- Gebruik voor vervanging uitsluitend originele reserveonderdelen. Gebruik van niet originele onderdelen kan gevaar opleveren of schade aan de machine veroorzaken.
- Voorkom het gebruik van oplosmiddelen wanneer u kunststof onderdelen reinigt. De meeste kunststoffen kunnen worden beschadigd door de in de handel zijnde oplosmiddelen. Gebruik een schone doek om vuil en koolstof te verwijderen.
- Remvloeistof, benzine, producten op basis van petroleum, kruipolie, enz. mogen nooit in contact komen met kunststof onderdelen. Deze chemicaliën bevatten namelijk stoffen die kunststof kunnen beschadigen, verzwakken of aantasten.

- Draag altijd een veiligheidsbril of gezichtsbescherming met zijdelingse bescherming terwijl u het werktuig gebruikt of wanneer u stof blaast. Als het werk stof veroorzaakt, draag dan ook een stofmasker.
- Alle reparaties moeten worden uitgevoerd door een Erkend Ryobi Servicecentrum teneinde de veilige en betrouwbare werking van de machine te garanderen.

## SMERING

Alle lagers in het product zijn gesmeerd met voldoende kwalitatief smeermiddel voor de gehele levensduur van het product bij normale gebruiksomstandigheden. Extra smering is daarom niet noodzakelijk.

## MILIEUBESCHERMING

 Zorg dat grondstoffen worden gerecycleerd in plaats van weggegooid als afval. Om het milieu te beschermen moeten de machine, de accessoires en de verpakking gesorteerd bij een erkend recyclingcentrum worden aangeleverd.

## SYMBOLLEN

-  Veiligheidswaarschuwing
-  EG conformiteit
-  EurAsian-symbool van overeenstemming
-  Oekraïens conformiteitssymbool
-  Lees de instructies zorgvuldig voordat u de machine in gebruik neemt.



Lees de instructies zorgvuldig voordat u de machine in gebruik neemt.



Klasse II apparatuur



Alleen voor gebruik binnenshuis

$n_0$

Onbelast toerental



Polariteit van USB-stekker

V

Volt



Gelijkstroom

min<sup>-1</sup>

Aantal toeren of omwentelingen per minuut



Elektrisch afval mag niet samen met ander huishoudafval worden weggegooid. Gelieve te recyclen indien de mogelijkheid bestaat.



Neem contact op met uw gemeente of handelaar om advies te krijgen over recyclage.

## SYMBOLLEN IN DE GEBRUIKSAANWIJZING



Opmerking



Onderdelen of accessoires afzonderlijk gekocht

De volgende kernwoorden en verklaringen zijn bedoeld om de gevaarniveaus die op dit toestel betrekking hebben, te verklaren.

### **GEVAAR**

Wijst op een gevaarlijke situatie die, indien ze niet wordt vermeden, kan leiden tot ernstige verwondingen of de dood.

### **WAARSCHUWING**

Wijst op een mogelijk gevaarlijke situatie die, indien ze niet wordt vermeden, kan leiden tot ernstige verwondingen of de dood.

### **LET OP**

Wijst op een mogelijk gevaarlijke situatie die, indien ze niet wordt vermeden, kan leiden tot lichte of middelmatige verwondingen.

### **LET OP**

(Zonder veiligheidssymbool) Geeft een situatie aan die materiële schade zou kunnen veroorzaken.

No design da nossa aparafusadora demos prioridade à segurança, ao desempenho e à fiabilidade.

### UTILIZAÇÃO PREVISTA

O produto destina-se a ser utilizada por adultos que tenham lido e compreendido as instruções e os avisos neste Manual e que possam ser considerados responsáveis pelas suas acções.

O produto destina-se a ser utilizado para apertar e desapertar parafusos auto-roscantes e parafusos de porca.

Utilize o produto exclusivamente para o uso para o qual foi concebido.

**NOTA:** Recomenda-se que use furos de orientação antes do aparafusamento.

#### ⚠ AVISO

**Leia com atenção todas as advertências, instruções e especificações fornecidas com a ferramenta, e consulte as ilustrações.** O incumprimento das instruções seguintes pode ocasionar acidentes como incêndios, choques eléctricos e/ou ferimentos graves.

**Guarde todos os avisos e instruções para futuras consultas.**

### AVISOS DE SEGURANÇA DA APARAFUSADORA

- Pegue na ferramenta eléctrica pelas partes isoladas sempre que executar uma operação em que o fixador possa entrar em contacto com fios eléctricos escondidos. O contacto do fixador com um cabo com tensão eléctrica pode expor as peças metálicas da ferramenta à corrente eléctrica, o que pode provocar um choque ao operador.
- A amplitude de temperatura ambiente

para a ferramenta durante o funcionamento é entre 0 °C e 40 °C.

- A amplitude de temperatura ambiente para a ferramenta em armazenamento é entre 0 °C e 40 °C.

### AVISOS DE SEGURANÇA DO CARREGADOR

- Antes de utilizar o carregador de baterias, leia todas as instruções e marcações cautelares neste Manual, no carregador de baterias, na bateria e no produto onde a bateria vai ser utilizada, para evitar a utilização incorrecta dos produtos e para reduzir o risco de ferimentos ou danos materiais.
- Não utilize o carregador ao ar livre nem o exponha a condições de humidade. A entrada de água no carregador aumenta o risco de choque eléctrico.
- O uso de um acessório não recomendado ou vendido pelo fabricante do carregador da bateria pode implicar um risco de incêndio, descargas eléctricas ou danos corporais. Reduz assim os riscos de choque eléctrico, de incêndio ou de ferimentos graves.
- Não maltrate o cabo de corrente nem o carregador. Nunca utilize o cabo de corrente para transportar o carregador à mão. Quando desligar o cabo de corrente da tomada, nunca puxe pelo cabo, mas sim pela ficha. O cabo de corrente ou o carregador poderão ficar danificados e criar um risco de choque eléctrico. Substitua os cabos danificados imediatamente.
- Certifique-se de que o cabo de corrente fica localizado por forma a que não se possa pisar nem tropeçar, que não fique em contacto com arestas

cortantes ou peças móveis, e que não fique sujeito a danos ou esforços. Isto irá reduzir o risco de quedas acidentais (o que poderia causar ferimentos) e irá reduzir o risco de danificar o cabo de corrente (o que poderia resultar em choque eléctrico).

- Mantenha o cabo de corrente e o carregador afastados do calor, para evitar danos à carcaça e aos componentes internos.
- Não utilize o carregador se o cabo de corrente ou a respectiva ficha estiverem danificados, devido ao risco de curto-circuito e de choque eléctrico. Se o carregador estiver danificado, peça a um técnico autorizado para substituir o carregador.
- Não utilize o carregador se tiver sofrido uma pancada forte, se tiver caído, ou se tiver sofrido algum outro tipo de danos. Peça a um técnico autorizado para inspeccionar o seu carregador, para saber se está em bom estado de funcionamento.
- Não desmonte o carregador. Quando precisar de assistência ou de reparações, leve-o a um técnico autorizado. Uma montagem incorrecta pode resultar num risco de descargas eléctricas ou incêndio.
- Desligue a ficha do carregador da tomada antes de fazer qualquer manutenção ou limpeza, para reduzir o risco de choque eléctrico.
- Desligue o carregador da tomada de corrente quando não estiver a usar. Isto irá reduzir o risco de choque eléctrico e o risco de danificar o carregador, no caso de algum objecto metálico cair dentro da abertura. Isto irá também evitar que o carregador seja danificado durante um pico de

corrente.

- Risco de descargas eléctricas. Não toque a parte que não está isolada do conector de saída ou do terminal da bateria.
- Não tente recarregar baterias não recarregáveis.
- A amplitude de temperatura ambiente recomendada para o sistema de carregamento durante o carregamento é entre 10 °C e 38 °C.

#### AVISOS DE SEGURANÇA SOBRE A BATERIA



Li-ion

- Não ponha as baterias usadas no lixo doméstico nem as queime. Para garantir uma eliminação adequada das baterias a deitar fora e para proteger o meio ambiente, entregue as baterias velhas no seu distribuidor RYOBI.
- Separe o lixo eletrónico corretamente, removendo as baterias integradas da unidade principal antes de deitar fora. Entregue-as nos pontos de recolha aplicáveis.
- Para remover a bateria integrada: Separe as tampas da estrutura uma da outra, removendo os parafusos. Desconecte a bateria do circuito e retire.
- NOTA: Quando aberto, o produto já não pode ser reutilizável ou sujeito a reparação e deve ser eliminado adequadamente.
- Antes de retirar a bateria da ferramenta eléctrica, ligue o produto até que a bateria fique totalmente descarregada.
- Certifique-se de que a bateria a

ser eliminada não pode entrar em contacto com pilhas, outras baterias ou materiais condutores, protegendo os conectores expostos com tampões ou fita de isolamento, não condutores.

- Nunca dê carga a um conjunto de baterias que esteja danificado.
- A amplitude de temperatura ambiente para a bateria durante a utilização é entre 0 °C e 40 °C.
- A amplitude de temperatura ambiente para a bateria em armazenamento é entre 0 °C e 20 °C.

### RISCOS RESIDUAIS

Mesmo quando se utiliza o produto segundo as instruções, continua a ser impossível eliminar por completo certos fatores de risco residuais. Podem surgir os seguintes riscos durante o uso e o operador deve prestar especial atenção para evitar o seguinte:

- Danos à audição causados pelo ruído  
Utilize proteção para os ouvidos do tipo adequado e limite a exposição.
- Ferimentos nos olhos  
É preciso levar proteções ou óculos de proteção para os olhos quando se utiliza o produto.
- Lesões por vibração  
Limite a exposição. Siga as instruções dadas em Redução de Riscos.
- Choque eléctrico causado pelo contacto com fios metálicos não visíveis  
Fixe o produto apenas em superfícies isoladoras.
- Prejuízo causado pela poeira  
O pó criado pelo uso do produto pode provocar problemas respiratórios. Use uma máscara respiratória adequada para o controlo de poeiras, com filtros adequados para protecção contra as partículas do material que estiver a ser trabalhado.

### REDUÇÃO DO RISCO

Informou-se que as vibrações das ferramentas manuais podem contribuir para uma doença chamada síndrome de Raynaud em certos indivíduos. Os sintomas podem incluir formigamento, entorpecimento e empalidecimento dos dedos, habitualmente visível aquando da exposição ao frio. Estima-se que os factores hereditários, exposição ao frio e humidade, dieta, tabagismo e práticas de trabalho contribuem todos para o desenvolvimento destes sintomas. Existem medidas que podem ser tomadas pelo operador para possivelmente reduzir os efeitos da vibração:

- Mantenha o seu corpo quente durante o tempo frio. Ao operar a unidade, use luvas para manter as mãos e os pulsos quentes. Encontra-se reportado que o tempo frio é um grande factor que contribui para a Síndrome de Raynaud.
- Após cada período de operação, exercite para aumentar a circulação sanguínea.
- Faça pausas frequentes no trabalho. Limite o tempo de exposição por dia.

Caso sinta algum dos sintomas desta doença, interrompa de imediato a sua utilização e consulte o seu médico sobre estes sintomas.

### ⚠ AVISO

As lesões podem ser causadas ou agravadas pelo uso prolongado de uma ferramenta. Ao usar qualquer ferramenta durante períodos prolongados, assegure-se que faz intervalos regulares.

### CONHEÇA O SEU PRODUTO

Consulte a página 137.

1. Mandril
2. Brocas da chave de parafusos
3. Selector de avançar/recuar
4. Interruptor selector
5. Manipulo
6. Ficha do carregador
7. Tomada USB
8. Cabo do carregador
9. Ficha de entrada (tipo jack)

## MANUTENÇÃO

### ⚠ AVISO

O produto não deve nunca ligado à corrente eléctrica durante a montagem de peças, a realização de ajustes, limpeza, operações de manutenção ou quando não está em uso. Ao desligar o produto estará a evitar um arranque acidental que pode causar lesões graves.

- Ao realizar serviços de manutenção, use apenas peças de substituição idênticas. O uso de quaisquer outras peças pode criar perigo ou causar danos ao aparelho.
- Evite usar solventes ao limpar as peças de plástico. A maioria dos plásticos pode ser danificada pelos solventes vendidos no comércio. Utilize panos limpos para remover sujidade e pó de carvão.
- Nunca, em qualquer momento, deixe que fluidos de travagem, gasolina, produtos petrolíferos, óleos de perfuração, etc., entrem em contacto com as peças de plástico. Estas substâncias contêm produtos químicos que podem danificar, enfraquecer ou destruir o plástico.
- Use sempre óculos de protecção ou óculos de segurança com protecções laterais durante a operação da

ferramenta eléctrica ou quando estiver a levantar poeira no ar. Caso a operação seja poeirenta, use também uma máscara contra o pó.

- Para uma maior segurança e fiabilidade, todas as reparações devem ser realizadas por um centro de assistência autorizado.

## LUBRIFICAÇÃO

Todos os rolamentos deste produto estão lubrificados com um montante suficiente de lubrificante de elevado nível, de acordo com a duração de vida do produto em condições normais de funcionamento. Por conseguinte, não requer nenhuma lubrificação suplementar.

## PROTECÇÃO DO AMBIENTE



Recicle os materiais em vez de pô-los directamente no lixo doméstico. Para proteger o ambiente, a ferramenta, os acessórios e as embalagens devem ser seleccionados.

## SÍMBOLOS



Alerta de segurança



Conformidade CE



Marca de conformidade EurAsian



Marca de conformidade ucraniana



Agradecemos que leia atentamente as instruções antes de iniciar a máquina.



Agradecemos que leia atentamente as instruções antes de iniciar a máquina.





Equipamento da Classe II



Apenas para utilização em recintos fechados

$n_0$

Velocidade em vazio



Polaridade da ficha USB

V

Volts



Corrente directa

min<sup>-1</sup>

Número de rotações ou movimentos por minuto

Os aparelhos eléctricos antigos não devem ser eliminados juntamente com o lixo doméstico. Recicle onde existem instalações para o efeito. Verifique com as suas Autoridades Locais ou revendedor para obter informações sobre reciclagem.



resultar em morte ou ferimentos graves.

### ⚠ CAUTELA

Indica uma situação potencialmente perigosa que, se não for evitada, pode resultar em ferimentos leves ou moderados.

### CAUTELA

(Sem símbolo de segurança) Indica uma situação que pode provocar danos materiais.

## SÍMBOLOS NESTE MANUAL



Nota



As peças ou acessórios vendem-se separadamente

As seguintes palavras de sinal e significados destinam-se a explicar os níveis de risco associados a este produto.

### ⚠ PERIGO

Indica uma situação de perigo iminente, a qual, se não for evitada, pode resultar em morte ou ferimentos graves.

### ⚠ AVISO

Indica uma situação potencialmente perigosa que, se não for evitada, pode

Ved udformningen af skruemaskinen har vi givet toprioritet til sikkerhed, ydeevne og driftssikkerhed.

#### TILTÆNKT ANVENDELSESFORMÅL

Produktet er kun beregnet til at blive brugt af voksne, som har læst og forstået instruktionerne og advarslerne i denne vejledning, og som kan betragtes som værende ansvarlige for deres handlinger. Produktet er beregnet til fastgørelse og afmontering af skruer og bolte.

Produktet må kun bruges til de formål, der er angivet under formålsbestemt/korrekt brug.

**BEMÆRK:** Det anbefales at forbore huller, inden skruerne skrues i.

#### ⚠ ADVARSEL

Læs alle omhyggeligt alle advarsler, anvisninger og specifikationer, som følger med maskinen, og studer illustrationerne. Hvis nedenstående forskrifter ikke overholdes, kan der ske uheld og ulykker som brand, elektrisk stød og/eller alvorlige personskader.

**Gem alle advarsler og brugsanvisninger til senere brug.**

#### SIKKERHEDSADVARSLER FOR SKRUEMASKINE

- Når der udføres arbejde, hvor sømmet/klammen risikerer at komme i kontakt med skjulte elkabler, skal man holde elværktøjet i isolerede håndtag. Søm/klammer, som kommer i kontakt med et strømførende kabel, kan gøre udsatte metaldele af elværktøjet strømførende og kan give operatøren elektrisk stød.
- Omgivelsestemperaturområdet for værktøj under betjening er mellem 0°C og 40°C.

- Omgivelsestemperaturområdet for værktøj under opbevaring er mellem 0°C og 40°C.

#### SIKKERHEDSADVARSLER FOR OPLADER

- Læs alle instruktioner og advarselsmeddelelser i denne vejledning, på batteriopladeren, batteriet og produktet, der anvender batteriet, for at forhindre misbrug af produkterne og eventuel personskade eller tingskade, før du bruger batteriopladeren.
- Brug ikke opladeren udendørs og udsæt den ikke for våde eller fugtige forhold. Hvis der kommer vand ind i opladeren, er der øget risiko for elektrisk stød.
- Brug af tilbehør, som ikke anbefales eller sælges af opladerens producent, kan medføre fare for brand, elektrisk stød eller personskader. Derved formindskes risikoen for elektrisk stød, brand og alvorlige personskader.
- Misbrug ikke ledningen eller opladeren. Brug aldrig ledningen til at bære opladeren. Brug ikke ledningen til at trække stikket ud af stikkontakten. Der kan opstå skader på ledningen eller opladeren, hvilket fører til øget risiko for elektrisk stød. Udskift beskadigede ledninger omgående.
- Sørg for, at ledningen anbringes således, at man ikke kan træde på den, falde over den, at den ikke kan komme i kontakt med skarpe kanter eller bevægelige dele eller på anden måde kan udsættes for skade eller belastning. Dette vil reducere risikoen for faldulykker, der kunne medføre personskade, og skade på ledningen, som kunne medføre elektrisk stød.



- Hold ledningen og opladeren væk fra varmekilder for at forhindre skader på kabinettet og de indvendige dele.
- Brug ikke opladeren med en beskadiget ledning eller et beskadiget stik, da det kan medføre kortslutning og elektrisk stød. Få opladeren udskiftet af en autoriseret servicetekniker, hvis den er beskadiget.
- Brug ikke opladeren, hvis den har fået et kraftigt slag, blevet tabt eller beskadiget på anden vis. Tag den til en autoriseret servicetekniker for et elektrisk eftersyn, så det kan fastslås, om opladeren er i god funktionstilstand.
- Du må ikke adskille opladeren. Tag den til en autoriseret servicetekniker ved behov for service eller reparation. Forkert genmontering kan medføre fare for elektrisk stød eller brand.
- Tag opladerens stik ud af stikkontakten, før vedligeholdelse eller rengøring for at reducere risikoen for elektrisk stød.
- Tag opladeren ud af lysnetstikket, når den ikke er i brug. Dette vil reducere risikoen for elektrisk stød eller beskadigelse af opladeren, hvis der skulle falde metalgenstande ned i åbningen. Det vil ligeledes forhindre beskadigelse af opladeren under et spændingsudsving.
- Risiko for elektrisk stød. Undgå at røre ved uisolerede dele af udgangsstikket eller uisolerede batteriklemmer.
- Forsøg aldrig at oplade batterier, som ikke kan genoplades.
- Det anbefalede omgivelsestemperaturområde for ladesystemet under opladning er mellem 10°C og 38°C.

## BATTERI SIKKERHEDSANVISNINGER



Li-ion

- Undlad at bortskaffe brugte batteripakker som husholdningsaffald eller ved at brænde dem. For at sikre korrekt bortskaffelse af brugte batterier og for at beskytte miljøet skal man aflevere gamle batterier til sin RYOBI-forhandler.
- Elektronisk affald skal separeres korrekt ved at fjerne indbyggede batterier fra hovedenheden inden bortskaffelse. De skal afleveres på autoriserede indsamlingssteder.
- Sådan fjerner man det indbyggede batteri: Man adskiller husets yderbeklædning ved at fjerne skruerne. Man kobler batteriet fra kredsløbet, og tager det ud.
- BEMÆRK: Når produktet er åbnet, kan det ikke længere anvendes eller serviceres og bør derfor bortskaffes efter gældende miljøregler.
- Inden man fjerner batteriet fra elværktøjet, skal man lade produktet køre, indtil batteriet er helt afladet.
- Sørg for, at det batteri, der skal bortskaffes, ikke kan komme i kontakt med andre batterier eller ledende materialer ved at beskytte kontakterne med isolerende, ikke-ledende hætter eller tape.
- Udskift aldrig et beskadiget batterisæt.
- Omgivelsestemperaturområdet for batteri under brug er mellem 0°C og 40°C.



- Omgivelsestemperaturområdet for batteriopbevaring er mellem 0°C og 20°C.

### UUNDGÅELIGE RISICI

Selv om produktet anvendes som foreskrevet, er det stadig umuligt at eliminere visse uundgåelige risikofaktorer fuldstændigt. Følgende risici kan opstå under brug, og operatøren bør være særligt opmærksom for at undgå følgende:

- Høreskade forårsaget af støj  
Brug passende hørevern og begræns eksponeringen.
- Øjenskader  
Benyt beskyttelsesbriller under brug af dette produkt.
- Personskader forårsaget af vibration  
Begræns eksponering. Følg anvisningerne i Risikoreducering.
- Elektrisk stød forårsaget af kontakt med skjulte ledninger  
Produktet må kun holdes i de isolerede overflader.
- Personskader forårsaget af støv  
Støv, som dannes under brug af produktet, kan skade åndedrætsorganerne. Bær passende støvmaske med filtre, der er velegnet til beskyttelse mod partikler fra det materiale, der bliver arbejdet på.

### RISIKOREDUKTION

Der er rapporteret om, at vibrationer fra håndholdte værktøjer kan være medvirkende til en lidelse kaldet Raynauds syndrom hos visse personer. Symptomerne herpå kan være prikken, følelsesløshed og blegning af fingrene, der normalt viser sig ved kuldepåvirkning. Faktorer som arvelighed, udsættelse for kulde og fugt, kost, rygning og arbejdsvaner menes alle at medvirke til udviklingen af disse symptomer. Der findes forholdsregler, som operatøren

kan træffe for at begrænse påvirkningen fra vibrationer:

- Hold kroppen varm i koldt vejr. Brug handsker, så hænder og vriste holdes varme under arbejdet. Der er rapporteret om, at koldt vejr er en væsentlig faktor til Raynauds syndrom.
- Motionér efter hver arbejdsperiode for at øge blodcirkulationen.
- Hold hyppige arbejdspauser. Begræns eksponeringen for vibrationer pr. dag.

Hvis du mærker nogen af symptomerne på denne tilstand, skal du straks ophøre med arbejdet og søge læge.

### ⚠ ADVARSEL

Længere tids brug af et værktøj kan forårsage - eller forværre - personskader. Når man bruger et værktøj i længere perioder ad gangen, skal man huske at holde hyppige pauser.

### KEND PRODUKTET

Se side 137.

1. Spændepatron
2. Skruebits
3. Frem-/tilbagevælger
4. Kontaktudløser
5. Håndtag
6. Opladerstik
7. USB-port
8. Ladekabel
9. Indgangsstik

## VEDLIGEHOVELSE

### ⚠ ADVARSEL

Produktet må aldrig sluttes til en strømforsyning, mens man er i færd med at samle dele, foretage justeringer, rengøre, udføre vedligeholdelsesarbejde, eller når produktet ikke anvendes. Ved at afbryde forbindelsen til strømforsyningen forhindrer man utilsigtet start af produktet, hvilket kan medføre alvorlige personskader.

- I forbindelse med servicearbejde må der kun bruges originale reservedele. Brug af alternative dele kan forårsage farlige situationer eller ødelægge produktet.
- Undgå brug af opløsningsmidler til rengøring af plastdele. De fleste plasttyper bliver ødelagt, hvis de renses med almindelige gængse opløsningsmidler. Brug en ren klud til at fjerne snavs og kulstøv.
- Sørg for, at bremsevæske, benzin, petroleumsbaserede produkter, penetreringsolie, mv., aldrig kommer i kontakt med plastdele. Disse kemiske produkter indeholder stoffer, som kan beskadige, mørne eller ødelægge plastmaterialet.
- Bær altid sikkerhedsbriller med sideskjolde under betjening af elværktøjet eller ved støv-ophvirvling. Hvis der ophvirvles støv under arbejdet, bæres også støvmaske.
- For bedre sikkerhed og pålidelighed skal alt reparationsarbejde udføres på et autoriseret servicecenter.

## SMØRING

Alle lejerne i produktet er smurt for produktets levetid under normale driftsbetingelser med en tilstrækkelig mængde højkvalitetssmøremiddel. Det er derfor ikke nødvendigt med yderligere smøring.

## MILJØBESKYTTELSE



Råmaterialerne skal genbruges og ikke bortskaffes som almindeligt affald. Af hensyn til miljøet skal redskab, tilbehør og emballage sorteres.

## SYMBOLER



Sikkerhedsadvarsel



CE-overensstemmelse



EurAsian overensstemmelsesmærke



Ukrainsk overensstemmelsesmærke



Læs venligst vejledningen grundigt igennem før maskinen tages i brug.



Læs venligst vejledningen grundigt igennem før maskinen tages i brug.



Klasse II-udstyr



Kun til indendørs brug



Tomgangshastighed



Polaritet for USB-stik

V

Volt



Direkte strøm

min<sup>-1</sup>

Antal omdrejninger eller bevægelser pr. Minut  
Elektriske affaldsprodukter bør ikke afskaffes sammen med husholdningsaffald. Genbrug venligst hvor faciliteterne tillader dette.



Tjek med din lokale kommune eller forhandler for genbrugsråd.



## VÆR OPMÆRKSOM

(Uden sikkerhedssymbol) indikerer en situation som kan føre til skade af personlig ejendom.

## SYMBOLER I BRUGSANVISNINGEN



Bemærk



Dele eller tilbehør, der sælges separat

De følgende ikoner og betydninger er beregnet til at forklare risikoen involveret i at anvende denne enhed.

### **FARE**

Indikerer en umiddelbart farlig situation, som - hvis den ikke afværges - vil medføre dødsfald eller alvorlig personskade.

### **ADVARSEL**

Indikerer en potentielt farlig situation, som - hvis den ikke afværges - kan medføre dødsfald eller alvorlig personskade.

### **VÆR OPMÆRKSOM**

Indikerer en potentielt farlig situation, som - hvis den ikke afværges - kan medføre mindre eller middelsvær personskade.

Säkerhet, prestanda och tillförlitlighet har varit högsta prioritet vid utformningen av din skruvdragare.

## ANVÄNDNINGSSOMRÅDE

Produkten är endast avsedd att användas av vuxna som har läst och förstått instruktionerna och varningarna i denna manual och vilka kan anses ansvariga för sina handlingar.

Produkten är avsedd för fästning och borttagning av skruvar och bultar.

Använd inte produkten på något annat sätt än vad som är avsett.

**NOTERA:** Förborring rekommenderar innan skruvarna skruvas i.

### ▲ VARNING

**Läs uppmärksamt alla varningar, instruktioner och specifikationer som bifogas med detta verktyg och studera bilderna.** Underlåtenhet att respektera dessa föreskrifter kan leda till olyckor som brand, elektriska stötar och/eller allvarliga kroppsskador.

**Behåll dessa varningar och anvisningar för framtida referens.**

## SÄKERHETSVARNINGAR FÖR SKRUVDRAGAREN

- Håll elverktyget i de isolerade greppen när du använder verktyget och fastsättaren kan komma i kontakt med dolda ledningar eller sin egen kabel. Om fastsättare kommer i kontakt med en "aktiv" ledning kan metalldelar exponeras och ge användaren en elektrisk stöt.
- Omgivningstemperatur för verktyget vid drift skall ligga mellan 0 °C och 40 °C.
- Omgivningstemperatur för verktyget

vid förvaring skall ligga mellan 0 °C och 40 °C.

## LADDARENS SÄKERHETSVARNINGAR

- Innan du använder laddaren, läs alla instruktioner och försiktighetsuppmärksamningar på batteriladdare, batteri och batteridrivna produkter för att förhindra felaktig användning av produkterna och eventuella skador på person eller produkt.
- Använd inte laddaren utomhus eller utsätt den för våta eller fuktiga förhållanden. Om vatten tränger in i laddaren ökar risken för elektriska stötar.
- Användning av tillbehör som inte rekommenderats eller sålts av laddartillverkaren kan innebära risk för eldsvåda, elektrisk stöt eller personskador. Du minskar därmed riskerna för elstöt, brand eller allvarliga skador.
- Utsätt inte sladd eller laddare för felaktig användning. Bär aldrig laddaren i sladden. Dra inte direkt i laddningssladden, utan ta tag i kontakten när du ska lossa den ur kontakten. Annars kan skador på sladd eller laddare uppstå, vilket i sin tur kan leda till risk för elstötar. Byt ut skadade elsladdar omedelbart.
- Se till att sladden inte kan trampas på, snubblas över, komma i kontakt med vassa kanter eller rörliga delar eller på annat vis utsättas för skador eller påfrestningar. Därmed minskar risken för fallolyckor, vilka kan orsaka personskador och skador på sladden, som i sin tur kan leda till elstötar.
- Placera sladd och laddare på avstånd

från värme för att undvika skador på höljet eller de inre komponenterna.

- Använd aldrig laddaren om sladden eller kontakten är skadade eftersom det kan ge upphov till kortslutning och elstötar. Vid skada, anlita auktoriserad servicepersonal för byte.
- Använd inte laddaren om den har tagit emot ett kraftigt slag, tappats eller på annat sätt skadats. Låt auktoriserad servicepersonal kontrollera elen och avgöra om laddaren är funktionsduglig.
- Plocka aldrig isär laddaren. Låt auktoriserad servicepersonal serva eller reparera laddaren vid behov. Felaktig hopmontering kan leda till risk för brand eller elektrisk stöt.
- Koppla loss laddaren ur uttaget innan du utför underhålls- eller rengöringsarbete för att minska risken för elstötar.
- Koppla från laddaren från strömkälla när den inte används. Det här minskar risken för elstötar och skador på laddaren om metallbitar skulle ramla in i öppningen. Det hjälper också till att förebygga skador på laddaren vid en spänningståg.
- Risk för elektrisk stöt. Rör inte vid icke isolerade delar av utgången eller icke isolerad batteriterminal.
- Försök aldrig ladda upp batterier som inte kan laddas.
- Den rekommenderade omgivningstemperaturen vid laddning av systemet skall ligga mellan 10 °C och 38 °C.

## SÄKERHETSFORESKRIFTER FÖR BATTERI



Li-ion

- Avyttra inte batterier i hushållsavfall eller genom att bränna dem. För att säkerställa korrekt omhändertagande av förbrukade batterier och för att skydda miljön ska gamla batterier lämnas till din RYOBI-återförsäljare
- Sortera elektroniskt avfall korrekt genom att ta ur inbyggda batterier ur enheterna före de slängs. Lämna dem på speciella inlämningsställen.
- För att ta ur ett inbyggt batteri: Öppna höljet på enheten genom att lossa skruvarna. Koppla från batteriet från kretsen och ta ur det.
- NOTERA: När produkten har öppnats kan den inte användas eller repareras och ska slängas på korrekt sätt.
- Innan ett batteri tas ut ur ett elverktyg ska elverktyget vara igång tills batteriet är helt urladdat.
- Se till att batteriet som ska slängas inte kommer i kontakt med andra batterier eller ledande material genom att skydda exponerade kontakter med isolerande, icke ledande skydd eller tejp.
- Ladda aldrig ett skadat batteri.
- Omgivningstemperatur för batteriet vid drift skall ligga mellan 0 °C och 40 °C.
- Omgivningstemperatur för batteriet vid förvaring skall ligga mellan 0 °C och 20 °C.



## RESIDUALRISK

Även om produkten används enligt instruktionerna går det inte att eliminera alla eventuella riskfaktorer. Följande risker kan uppstå vid användning och operatören ska vara extra uppmärksam för att undvika följande:

- Hörselskador orsakade av buller  
Bär lämpligt hörselskydd och begränsa exponeringen.
- Ögonskador  
Bär skyddsglasögon vid användning av produkten.
- Skador orsakad av vibrationer  
Begränsa exponeringen. Följ instruktionerna i Riskreducering.
- Elstötar genom kontakt med dolda trådar  
Håll alltid produkten i de isolerade ytorna.
- Skador orsakade av damm  
Damm som bildas vid användning kan orsaka skador på andningsvägarna. Bär lämplig ansiktsmask med filter som skyddar mot partiklar från det material som bearbetas.

## RISKMINSKNING

Det finns rapporter om att vibrationer från handhållna produkter kan bidra till ett tillstånd som kallas Raynauds syndrom för vissa personer. Symptomen brukar vara att det sticker i fingrarna och att de domnar bort; fingrarna kan också bli vita, särskilt vid kyla. Årftliga faktorer, kyla och fukt, diet, rökning och arbetsrutiner tros alla bidra till att orsaka dessa symptom. Det finns förebyggande åtgärder som du kan vidta för att försöka minska vibrationernas påverkan:

- Håll dig varm när du arbetar i kallt väder. Använd handskar för att hålla kvar värmen i händer och handleder. Kyla har rapporterats som en viktig del i utvecklandet av Raynauds syndrom.

- Träna och rör på dig efter varje användningstillfälle för att öka blodcirkulationen.

- Ta ofta pauser från arbetet. Begränsa tiden du utsätter dig varje dag.

Upphör omedelbart om du upplever några av dessa symptom och uppsök din läkare.

### ⚠ VARNING

Risk för person- eller slitageskador vid användning av verktyget under lång tid. Om verktyget används under längre perioder krävs regelbundna pauser.

## LÄR KÄNNA DIN PRODUKT

Se sidan 137.

1. Chuck
2. Skruvmejselbits
3. Väljare framåt/bakåt
4. Avtryckare
5. Handtag
6. Laddningskontakt
7. USB-port
8. Laddarens kabel
9. Ingångsuttag

## UNDERHÅLL

### ⚠ VARNING

Produkten får aldrig anslutas till strömkälla undre montering, justeringar, rengöring, underhåll eller när produkten inte används. Frånkoppling av produkten förhindrar uppstart av misstag vilket kan orsaka allvarliga skador.

- Använd endast identiska originaldelar när du servar maskinen. Användning av andra delar kan orsaka fara eller produktskada.

- Undvik att använda lösningsmedel

vid rengöring av plastdelar. Flertalet plaster kan skadas vid användning av vissa lösningsmedel som säljs i affärerna. Använd rena dukar för att avlägsna smuts och koldamm.

- Låt aldrig bromsvätska, bensin, petroleumbaserade produkter, penetrerande oljor och liknande komma i kontakt med plastdelar. Dessa ämnen innehåller kemiska produkter som kan skada, försvaga eller förstöra plasten.
- Använd alltid skyddsglasögon när du använder verktyget eller när du blåser damm. Använd en ansiktsmask om det dammar mycket.
- För säkerhet och pålitlighet ska alla reparationer utföras av auktoriserat reparationscenter.

## SMÖRJNING

Alla lager i produkten har smorts med tillräcklig mängd högklassig smörjmedel för produktens livslängd under normala driftsförhållanden. Därför behövs ingen ytterligare smörjning.

## MILJÖSKYDD



Råmaterialen ska återvinnas i stället för att kastas i hushållsavfallet. För att skona miljön ska verktyget, tillbehören och emballagen sorteras.

## SYMBOLER



Säkerhetsvarning



CE-överensstämmelse



EurAsian överensstämmelsesymbol



Ukrainskt märke för överensstämmelse



Läs instruktionerna ordentligt innan start av maskinen.



Läs instruktionerna ordentligt innan start av maskinen.



Klass II-utrustning



Endast för inomhusanvändning



Tomgångshastighet



Polaritet hos USB-kontakt



Volt



Likström



Antal varv eller rörelser per minut

Gamla elektroniska produkter ska inte kastas med hushållssoporna. Återvinn där sådana faciliteter finns. Kontrollera med din lokala myndighet eller säljaren för att få återvinningstips.



## SYMBOLER I MANUALEN



Notera



Delar och utrustning säljs separat

Följande signalord och betydelser är tänkta att förklara de olika risknivåerna som är associerade med denna produkt.

**⚠ FARA**

Visar på en direkt riskfylld situation som, om den inte undviks, kan orsaka dödsfall eller allvarlig personskada.

**⚠ VARNING**

Visar på en potentiellt riskfylld situation som, om den inte undviks, kan orsaka dödsfall eller allvarlig personskada.

**⚠ FÖRSIKTIGHET**

Visar på en potentiellt riskfylld situation som, om den inte undviks, kan orsaka mindre eller måttlig personskada.

**FÖRSIKTIGHET**

(Utan säkerhetssymbolen) Indikerar en situation som kan leda till egendomsskada.

130.com.ua

Ruuvinvääntimesi suunnittelussa on kiinnitetty erityistä huomiota turvallisuuteen, suorituskykyyn ja käyttövarmuuteen

### KÄYTTÖTARKOITUS

Tuotetta saavat käyttää vain aikuiset, jotka ovat lukeneet tässä käyttöohjeessa olevat ohjeet ja varoitukset ja ymmärtävät niiden sisällön ja joiden voidaan katsoa olevan vastuussa omista teoistaan.

Tuote on tarkoitettu ruuvien ja pulttien kiinnitykseen ja irrotukseen.

Älä käytä tätä tuotetta millään muulla tavalla kuin mihin se on tarkoitettu.

**HUOM:** Suositellaan, että ruuveja ruuvattaessa käytetään ohjausreikiä.

### VAROITUS

Lue tarkkaavaisesti kaikki tämän työkalun kanssa toimitetut varoitukset, ohjeet ja spesifikaatiot, ja katso lisäksi kuvat. Seuraavassa esitettyjen ohjeiden laiminlyönnistä saattaa olla seurauksena onnettomuuksia kuten tulipalot, sähköiskut ja/tai vakavia kehon vammoja.

**Säästä kaikki varoitukset ja ohjeet tulevaa käyttöä varten.**

### RUUVINVÄÄNTIMEN TURVAVAROITUKSET

- Pitele sähkötyökalua eristetystä tartuntapinnasta, kun teet työtä, jossa kiinnike voi koskettaa piilossa olevaa johtoa. Jos kiinnitin koskettaa sähköistettyä johtoa, työkalun metalliosat voivat sähköistyä ja aiheuttaa käyttäjälle sähköiskun.
- Ympäristön lämpötila-alue työkalulle käytön aikana on 0 °C ja 40 °C välillä.
- Ympäristön lämpötila-alue työkalulle

varastoinnin aikana on 0 °C ja 40 °C välillä.

### LATURIN TURVAVAROITUKSET

- Ennen kuin käytät akkulaturia, lue kaikki tämän käyttöohjeen ohjeet ja varomerkinnot ohjeessa, akkulaturissa, akussa ja akkua käyttävässä tuotteessa estääksesi tuotteiden väärinkäytön ja mahdollisen loukkaantumisen tai vahingon.
- Älä käytä laturia ulkona tai altista sitä märille tai kosteille olosuhteille. Laturin sisään päässyt vesi lisää sähköiskun vaaraa.
- Muiden kuin akkulaturin valmistajan suosittelemien tai myymien lisävarusteiden käyttö voi johtaa tulipaloon, sähköiskuun tai loukkaantumiseen. Vähennät sähköisku-, tulipalo- ja loukkaantumisvaaraa.
- Älä käytä väärin laturin johtoa. Älä koskaan kanna laturia johdosta. Kun irrotat laturia pistorasiasta, älä vedä johdosta, vaan pistokkeesta. Johto tai laturi saattaisi vaurioitua ja aiheuttaa sähköiskuvaaran. Vaihda vioittunut johto välittömästi.
- Varmista, että johto on asetettu siten, ettei sen päälle astuta, siihen ei kompastuta, eikä se joudu kosketuksiin terävien reunojen tai liikkuvien osien kanssa tai muutoin altistu vauriolle tai rasitukselle. Tämä vähentää putoamisonnettomuuksien riskiä, jotka saattaisivat johtaa vammautumiseen ja vahingoittaa johtoa, mikä saattaisi aiheuttaa sähköiskun.
- Suojaa johto ja laturi kuumuudelta välttääksesi kotelon tai sisäosien vaurioitumista.
- Älä käytä laturia vaurioituneen

johdon tai pistokkeen kanssa, koska seuruksena voi olla oikosulku ja sähköisku. Jos laturi on vahingoittunut, anna valtuutetun huollon vaihtaa se.

- Älä käytä laturia, jos se on saanut kovan iskun, se on pudotettu tai se on muutoin jollain tapaa vaurioitunut. Vie se valtuutettuun huoltoon sähkötarkastukseen, jotta laturin toimivuus voidaan varmistaa.
- Älä pura laturia. Vie laturi valtuutettuun huoltoon, kun tarvitaan huoltoa tai korjausta. Virheellinen kokoaminen voi johtaa sähköiskuun tai tulipaloon.
- Irrota laturi pistorasiasta ennen huoltoa tai puhdistusta vähentääksesi sähköiskun riskiä.
- Irrota laturi virtalähteestä sen ollessa poissa käytöstä. Tämä vähentää sähköiskun ja laturin vaurioitumisen riskiä siinä tapauksessa, että metallia putoaisi aukkoon. Se auttaa myös estämään laturin vaurioitumista virtapiikin aikana.
- Sähköiskun vaara. Älä kosketa lähtöliitännän eristämätöntä osaa tai eristämätöntä akun napaa.
- Älä koskaan yritä ladata ei-ladattavia akkuja.
- Suositeltu ympäristön lämpötila-alue latausjärjestelmän latauksen aikana on 10 °C ja 38 °C välillä.

## AKUN TURVAVAROITUKSET



Li-ion

- Älä kävitä käytettyjä akkuja kotitalousjätteiden kanssa tai polttamalla. Jotta akut hävitetään asianmukaisesti ja

ympäristöystävällisesti, toimita vanhat akut RYOBI-jälleenmyyjälle.

- Erottele elektroniikkajätteet asianmukaisesti poistamalla kiinteät akut laitteesta ennen hävittämistä. Luovuta ne asianmukaiseen keräyspisteeseen.
- Kiinteän akun irrottaminen: Irrota kotelot toisistaan irrottamalla ruuvit. Irrota akku piiristä ja ota se ulos.
- HUOM: Kun tuote on avattu, sitä ei voi enää käyttää eikä huoltaa, ja sen on hävitettävä asianmukaisesti.
- Ennen kuin irrotat akun sähkötyökalusta, kytkie tuote päälle, kunnes akku on täysin tyhjä.
- Varmista, että hävitettävä akku ei voi joutua kosketuksiin paristojen, muiden akkujen tai johtavien materiaalien kanssa, suojaamalla paljaat liitännät eristävillä, sähköä johtamattomilla tulpilla tai teipillä.
- Älä koskaan lataa vahingoittunutta akkua.
- Ympäristön lämpötila-alue akulle käytön aikana on 0 °C ja 40 °C välillä.
- Ympäristön lämpötila-alue akun varastoinnin aikana on 0 °C ja 20 °C välillä.

## KÄYTÖN RISKIT

Vaikka tuotetta käytettäisiin ohjeiden mukaisesti, ei ole mahdollista täysin eliminoida tiettyjä käyttöön liittyviä riskitekijöitä. Käytössä voi aiheutua seuraavia vaaroja, ja käyttäjän tulee kiinnittää erityistä huomiota niiden välttämiseen:

- Melun aiheuttama kuulovaurio  
Käytä sopivia kuulonsuojaimia ja rajoita altistusta.
- Silmävamma  
Käytä kasvosuojainta tai suojalaseja käyttäessäsi tuotetta.

- Tärinän aiheuttama vamma Vältä altistumista. Noudata kohdan Riskien vähentäminen ohjeita.
- Sähköisku kosketuksesta piilossa oleviin johtimiin Pitäele tuotetta vain eristetyistä pinnasta
- Pölyn aiheuttama vamma Tuotteen käytöstä syntyvä pöly saattaa aiheuttaa hengitystievaimman. Käytä kasvoilla pölysuojainta, jossa ovat suodattimet suojaavat hengitystiet työstettävästä materiaalista irtaavilta hiukkasilta.

### RISKIEN VÄHENTÄMINEN

Raporttien mukaan käsityökalujen tärinä voi joidenkin kohdalla myötävaikuttaa Raynaudin oireen ilmenemiseen. Oireita ovat pistely, turtuus ja sormien kalpeneminen, yleensä kylmässä ilmassa. Perinnölliset tekijät, kylmyys ja kosteus, ruokavalio, tupakointi sekä työtavat voivat kaikki myötävaikuttaa näiden oireiden ilmenemiseen. Käyttäjä voi ehkäistä tärinän aiheuttamia vaikutuksia seuraavasti:

- Pidä itsesi lämpimänä kylmällä säällä. Käytä laitteen käytön aikana käsineitä, jotta kätesi ja ranteesi pysyvät lämpöisinä. Raporttien mukaan kylmä ilma on tärkeä tekijä Raynaud's Syndromen (Raunaudin oireiden) ilmenemisessä.
- Harjoita kunkin käyttöjakson jälkeen liikuntaa, jotta verenkierto lisääntyy.
- Pidä työn aikana säännöllisesti taukoja. Rajoita päivittäisen tärinän määrä.

Jos mitään yllä mainittuja oireita ilmenee, lopeta heti laitteen käyttö ja kerro oireista lääkärille.

### VAROITUS

Laitteen pitkittynyt käyttö voi aiheuttaa tai vaikeuttaa vammoja. Kun käytät mitä tahansa laitetta pitkiä aikoja, muista pitää säännöllisiä taukoja.

### TUNNE TUOTTEESI

Katso sivu 137.

1. Istukka
2. Ruuviavainterät
3. Eteenpäin/taaksepäin-valitsin
4. Liipaisin
5. Kädensija
6. Laturin pistoke
7. USB-portti
8. Latauskaapeli
9. Laturiliitäntä

### HUOLTO

### VAROITUS

Tuotetta ei tule koskaan kytkeä pistorasiaan osia koottaessa, säätöjä tehtäessä, puhdistettaessa, huollon aikana tai kun tuotetta ei aiota käyttää. Tuotteen irrottaminen pistorasiasta estää sitä käynnistymättä vahingossa, jolloin välttyään mahdollisilta vakavilta vammoilta.

- Huollossa tulee käyttää ainoastaan identtisiä varaosia. Muunlaisten osien käyttö voi aiheuttaa vaaran tai vioittaa laitetta.
- Älä puhdistu muoviosia liuottimilla. Suurin osa muoveista ei siedä markkinoilla olevia määrättyjä liuotteita, jotka vahingoittavat niitä. Käytä puhtaita kangasliinoja liian ja hiilipölyn pois pyyhkimiseen.
- Älä koskaan päästä jarrunesteitä, bensiniä, öljytuotteita, läpäiseviä öljyjä tms. kosketuksiin muoviosien

kanssa. Nämä kemialliset aineet voivat vaurioittaa, heikentää tai tuhota muovin.

- Käytä aina sähkölaitetta käyttäessäsi tai pölyä puhaltaessasi suojalaseja, joissa on sivusuojaimet. Käytä lisäksi pölynaamaria, jos työ on pölyistä.
- Jotta laite toimisi turvallisesti ja luotettavasti, kaikki korjaukset tulee antaa valtuutetun huoltopisteen hoidettavaksi.

## VOITELU

Tuotteen laitteen laakerit on voideltu laitteen eliniäksi normaaliolosuhteissa riittävällä määrällä korkealaatuista voiteluainetta. Tästä syystä työkalu ei kaipaa lisävoitelua.

## YMPÄRISTÖNSUOJELU



Älä hävitä raaka-aineita jätteinä vaan vie ne kierrätykseen. Ympäristönsuojelun kannalta työkalu, lisäva r usteet ja pakkausmateriaali on lajiteltava.

## SYMBOLIT



Turvallisuusvaroitus



Todistus CE-sääntöjen noudattamisesta



EurAsian-vaatimustenmukaisuusmerkki



Ukrainalainen säädöstenmukaisuusmerkintä



Lue ohjeet huolellisesti ennen laitteen käynnistämistä.



Lue ohjeet huolellisesti ennen laitteen käynnistämistä.



II luokan laitteisto



Käyttö vain sisätiloissa



Tyhjäkäyntinopeus



USB-pistokkeen polariteetti



Voltti



Tasavirta



Kierrosten tai liikkeiden määrä minuutissa  
Käytöstä poistettavia sähkölaitteita ei pidä hävittää talousjätteiden mukana. Ne on mahdollisuuksien mukaan pantava kiertoon. Kierrätysohjeita antavat kunnan viranomaiset ja vähittäiskauppiat.



## KÄSIKIRJAN SYMBOLIT



Huom



Osat ja lisävarusteet on hankittava erikseen

Seuraavat signaalisanat ja merkitykset on tarkoitettu selittämään tähän tuotteeseen liittyviä riskin tasoja.

### ⚠ VAARA

Ilmoittaa välittömästä vaaratilanteesta, joka saattaa aiheuttaa kuoleman tai vakavan vamman.

### ⚠ VAROITUS

Ilmoittaa mahdollisesta vaaratilanteesta, joka saattaa aiheuttaa kuoleman tai

vakavan vamman.

**⚠ VAROITUS**

Ilmoittaa mahdollisesta vaaratilanteesta, joka saattaa aiheuttaa pienen tai kohtalaisen vamman.

**VAROITUS**

(Ilman varoitusmerkkiä) Tilanne, joka voi aiheuttaa materiaalista vahinkoa.

130.com.ua



Sikkerhet, ytelse og pålitelighet har fått topp prioritering ved utformingen av skrutrekkeren.

### TILTENKT BRUK

Den skal bare brukes av voksne som har lest og forstått instruksjonene og advarslene i denne håndboken, og som kan anses som ansvarlige for sine handlinger.

Skrutrekkeren er beregnet på å feste og fjerne skruer og bolter.

Ikke bruk produktet på noe annen måte enn det som er beskrevet som tiltenkt bruk.

**NB:** Det anbefales å forbore før skruer settes i.

### ⚠ ADVARSEL

**Les nøye gjennom alle advarslene, instruksene og spesifikasjonene som følger med verktøyet, og se på tegningene.** Hvis forskriftene nedenfor ikke overholdes, kan det forårsake ulykker som brann, elektrisk støt og/eller alvorlige personskader.

**Ta vare på alle advarsler og anvisninger for senere bruk.**

### SIKKERHETSADVARSLER FOR BRUKEN AV SKRUTREKKEREN

- Hold elektrisk verktøy på de isolerte håndtakene når du jobber på steder der stifter kan komme i kontakt med skjulte ledninger. Stifter som er i kontakt med strømførende ledninger kan gjøre metalldele på elektroverktøyet strømførende, noe som kan føre til at brukeren får elektrisk støt.
- En passende temperatur for verktøyet når det brukes er mellom 0°C og 40°C.
- En passende temperatur for lagring av

verktøyet er mellom 0°C og 40°C.

### SIKKERHETSADVARSLER FOR LADER

- Før du bruker batteriladeren, må du lese alle instruksjonene og advarslene i denne håndboken, på batteriladeren, batteriet og produktet som bruker batteriet, for å hindre at produktene blir brukt feil, med derav følgende skader.
- Ikke bruk laderen utendørs, og la den ikke utsettes for våte eller fuktige forhold. Faren for elektrisk støt øker hvis det trenger vann inn i laderen.
- Bruk av en påsats som ikke er anbefalt eller solgt gjennom produsenten av batteriladeren, kan føre til fare for brann, elektrisk støt eller personskader. Du reduserer dermed faren for elektrisk støt, brann og alvorlige kroppsskader.
- Ikke utsett ledningen eller laderen for hard behandling. Ikke bær laderen etter ledningen. Trekk i støpselet, ikke i ledningen, når du kobler produktet fra stikkkontakten. Hvis du i stedet trekker i ledningen, kan det skade ledningen eller laderen, i tillegg til at det kan føre til elektrisk støt. Erstatt skadet ledning umiddelbart.
- Plasser ledningen slik at ingen kan trække på den eller snuble i den, og slik at den ikke kommer i kontakt med skarpe kanter eller bevegelige deler eller på annen måte kan bli skadet eller utsatt for belastning. Dette vil redusere risikoen for fallulykker, som kan føre til personskader og skader på ledningen, noe som igjen kan føre til elektrisk støt.
- Hold ledningen og laderen unna varme for å hindre at laderhuset og innvendige deler blir skadet.
- Ikke bruk laderen med en skadet ledning eller støpselet, da dette kan føre

til kortslutning og elektrisk støt. Hvis laderen er skadet, må den skiftes ut av en autorisert servicetekniker.

- Ikke bruk laderen hvis den har vært utsatt for kraftig slag, har falt ned på bakken eller har blitt skadet på andre måter. Ta laderen med til en autorisert servicetekniker for kontroll for å finne ut om det fremdeles er trygt å bruke den.
- Ikke demonter laderen. Ta den med til en autorisert servicetekniker når den trenger service eller reparasjon. Feil montering kan føre til elektrisk støt eller brann.
- Koble laderen fra stikkontakten før du vedlikeholder eller rengjør laderen for å redusere risikoen for elektrisk støt.
- Koble laderen fra strømforsyningen når den ikke er i bruk. Dette vil redusere risikoen for elektrisk støt eller skade på laderen i tilfelle det skulle falle metallgjenstander inn i åpningen. Det vil også bidra til å forhindre skade på laderen hvis det oppstår en overspenning.
- Fare for elektrisk støt. Ikke ta på ikke isolerte deler av utgangskoblingspunktet eller de uisolerte batteripolene.
- Forsøk aldri å lade opp batterier som ikke kan lades opp.
- En passende temperatur når systemet opplades er mellom 10°C og 38°C.

#### BATTERI SIKKERHETSADVARSLER



Li-ion

- Ikke kast brukte batteripakker sammen med husholdningsavfall eller brenn

dem. For å sikre korrekt håndtering skal gamle batterier leveres til din RYOBI-forhandler.

- Del opp elektronisk avfall på en korrekt måte ved å fjerne batteriet fra hovedenheten før utstyret kastes. Lever batteriene til passende avfallsmottak.
- For å fjerne den integrerte batteripakken: Skill husskjellet fra hverandre ved å fjerne skruene. Koble batteripakken fra kretsen og fjern.
- NB: Når produktet er åpnet kan det ikke lenger brukes eller gjenbrukes og må avhendes på en forsvarlig måte.
- Før batteripakken fjernes fra apparatet må apparatet stå på inntil batteriet er fullstendig utladet.
- Påse at batteripakken som skal kastes ikke kan komme i kontakt med batterier, andre batteripakker eller ledende materialer ved å beskytte synlige kontakter med isolerende, ikkeledende tape eller lokk.
- Ikke lad en batteripakke som er skadet.
- En passende batteritemperatur når verktøyet brukes er mellom 0°C og 40°C.
- En passende lagringstemperatur for batteriet er mellom 0°C og 20°C.

#### GJENVÆRENDE RISIKO

Også når produktet brukes som beskrevet, er det ikke mulig å utelukke risiko for brukere eller personer i nærheten. Følgende farer kan oppstå ved bruk og operatøren bør være spesielt oppmerksom på å unngå/sikre følgende:

- Hørselsskader på grunn av støy  
Bruk egnet hørselsvern, og begrens eksponeringen.
- Øyeskader  
Bruk vernebriller eller heldekkende briller når du bruker produktet.

- Personskader pga. vibrasjon Begrens eksponering. Følg instruksjonene i Reduksjon av risiko.
- Elektrisk støt som skyldes kontakt med skjulte ledninger Hold produktet kun der overflatene er isolert.
- Skader skapt av støv. Støv som oppstår ved bruk av produktet kan forårsake skader i luftveiene. Bruk en egnet støvmaske med filtre som beskytter mot partikler fra arbeidsstykket.

### FAREDEDUKSJON

Det har blitt rapportert at vibrasjonene fra håndholdt verktøy kan bidra til en tilstand som heter Raynauds syndrom hos enkelte. Symptomene kan omfatte følelsesløshet og gjøre fingrene bleke, vanligvis synlig ved eksponering til lave temperaturer. Arvelige faktorer, eksponering mot lave temperaturer og fuktighet, diett, røyking og arbeidspraksis blir alle ansett for å kunne bidra til å utvikle disse symptomene. Brukeren kan iverksette tiltak for mulig å redusere virkningene av vibrasjonene:

- Hold kroppen din varm i kaldt vær. Bruk hansker og hold hender og vrister varme ved bruk av gressklipperen. Det er rapportert at kaldt vær er en viktig faktor som bidrar til Raynauds Syndrome.
- Etter hver arbeidsperiode bør det utføres øvelser for å øke blodsirkulasjonen.
- Ta ofte pauser fra arbeidet som utføres. Begrens mengden av eksponering pr. dag.

Hvis du opplever noen av symptomene på denne tilstanden må du øyeblikkelig avbryte arbeidet og oppsøke en lege med disse symptomene.

### ⚠ ADVARSEL

Skader kan oppstå eller forsterkes ved forlenget bruk av et verktøy. Når du bruker et verktøy over en lenger tidsperiode, husk å ta regelmessige pauser.

### KJENN DITT PRODUKT.

Se side 137.

1. Chuck
2. Skrutrekkerbits
3. Fram-/bakover-knapp
4. Strømbryter
5. Håndtak
6. Laderplugg
7. USB-inngang
8. Ladekabel
9. Inngangsjack

### VEDLIKEHOLD

#### ⚠ ADVARSEL

Produktet skal aldri kobles til en strømforsyning mens du monterer på deler, gjør justeringer, rengjør, utfører vedlikehold eller når produktet ikke er i bruk. Ved å koble fra produktet hindrer man utilsiktet start som kan forårsake alvorlig personskade.

- Når vedlikehold utføres, må kun identiske reservedeler brukes. Bruk av andre deler kan skape fare eller føre til skade på produktet.
- Unngå bruk av løsemidler når du rengjør plastdelene. De fleste plastmaterialene kan skades ved bruk av løsningsmidlene som fås i handelen. Bruk rene kluter når du fjerner skitt og kullstøv.
- Du må aldri la bremsevæske, drivstoff, petroleumsbaserte produkter, rustoppløsende olje osv. komme

i kontakt med plastikkdeler. Slike kjemiske produkter inneholder stoffer som kan skade, svekke eller ødelegge platen.

- Bruk alltid vernebriller eller sikkerhetsbriller med sidebeskyttelse ved bruk av elektrisk verktøy eller når det blåses støv. Hvis arbeidet utløser støv, bruk også en støvmaske.
- For edre sikkerhet og pålitelighet skal alle reparasjoner utføres av et autorisert verksted.

## SMØRING

Alle lager i dette produktet skal smøres med en tilstrekkelig mengde med et høyverdig smøremiddel for å sikre lang levetid under normale driftsforhold. Det er derfor nødvendig med tilleggs smøring.

## MILJØVERN



Resirkuler råmaterialer istedenfor å kaste dem i søppelen. Verktøyet, tilbehørene og emballasjen bør sorteres for miljøvennlig resirkulering.



Vennligst les instruksjonene nøye før du starter maskinen.



Utstyr av klasse II



Kun til innendørs bruk



Hastighet ubelastet



USB-kontaktens polaritet

V

Volt



Likestrøm

min<sup>-1</sup>

Antall omdreininger eller bevegelser pr. Minutt

Avfall fra elektriske produkter skal ikke kastes sammen med husholdningsavfall.

Vennligst resirkulervedeksisterende avfallsbehandlingssted. Undersøk hos dine lokale myndigheter eller forhandler for råd om resirkulering.

## SYMBOLER



Sikkerhetsadvarsel



CE samsvarserklæring



EurAsian Konformitetstegn



Ukrainsk merke for konformitet



Vennligst les instruksjonene nøye før du starter maskinen.

## SYMBOLER I MANUALEN



Nb



Deler eller tilbehør solgt separat

Følgende symboler og betydninger forklarer risikonivået som er assosiert med dette produktet.

### ⚠ FARE

Indikerer en umiddelbart farlig situasjon, som, dersom den ikke unngås, kan føre

til alvorlig personskade eller død.

**⚠ ADVARSEL**

Indikerer en potensiell farlig situasjon, som, dersom den ikke unngås, kan føre til alvorlig personskade eller død.

**⚠ ADVARSEL**

Indikerer en potensiell farlig situasjon, som, dersom den ikke unngås, kan føre til mindre eller moderate skader.

**ADVARSEL**

(Uten sikkerhetssymbol) Indikerer en situasjon som kan resultere i skader på eiendom.

EN  
FR  
DE  
ES  
IT  
NL  
PT  
DA  
SV  
FI  
NO  
RU  
PL  
CS  
HU  
RO  
LV  
LT  
ET  
HR  
SL  
SK  
BG  
UK  
TR  
EL

При производстве шуруповерта наибольшее внимание уделяется безопасности, эксплуатационным характеристикам и надежности инструмента.

## НАЗНАЧЕНИЕ

Изделие предназначено только для использования взрослыми, изучившими все инструкции и предостережения настоящего руководства и несущими ответственность за свои действия.

Изделие предназначено для закручивания и откручивания винтов и болтов.

Используйте устройство строго по назначению, указанному в настоящем руководстве.

**ПРИМЕЧАНИЕ:** для заворачивания шурупов рекомендуется использовать направляющие отверстия.

## ▲ ОСТОРОЖНО

**Прочтите все указания, инструкции, иллюстрации и спецификации, поставляемый с этим электроинструментом.** Несоблюдение всех инструкций, указанных ниже, может привести к поражению электрическим током, пожару и / или серьезным травмам.

Сохраните все предупреждения и инструкции для дальнейшего использования.

## ПРЕДУПРЕЖДЕНИЯ О БЕЗОПАСНОМ ИСПОЛЬЗОВАНИИ ШУРУПОВЕРТА

■ При выполнении операций, когда скоба может войти в контакт со скрытой проводкой, держите электроинструмент за изолированные поверхности

**захвата.** Контакт зажимов с проводкой, находящейся под напряжением, может привести к попаданию тока на открытые металлические части электроинструмента и к поражению рабочего электрическим током.

- Температура окружающей среды для эксплуатации инструмента должна быть в диапазоне от 0°C до 40°C.
- Температура окружающей среды для хранения инструмента должна быть в диапазоне от 0°C до 40°C.

## ПРЕДУПРЕЖДЕНИЯ О БЕЗОПАСНОМ ИСПОЛЬЗОВАНИИ ЗАРЯДНОГО УСТРОЙСТВА

- Перед использованием зарядного устройства ознакомьтесь со всей информацией и предупреждениями, представленными в настоящем руководстве и касающимися зарядного устройства, аккумулятора и изделия, работающего от аккумулятора, во избежание ненадлежащего использования изделия и, как следствие, получения травмы и поломки оборудования.
- Использование изделия вне помещения не допускается во избежание воздействия на него влаги и неблагоприятных погодных условий. При попадании в зарядное устройство воды возрастает риск поражения электрическим током.
- Если дополнительное приспособление не входит в список рекомендованных моделей или не поставляется в комплекте с зарядным устройством, то его использование может привести к возгоранию, поражению электрическим током или травме.

Таким образом, можно избежать удара током, пожара и тяжелых травм.

- Соблюдайте технику безопасности при использовании кабеля зарядного устройства. Использование кабеля для переноски зарядного устройства не допускается. При отсоединении кабеля от гнезда запрещается тянуть за сам кабель вместо штекера. Это может привести к повреждению кабеля и создать угрозу поражения электрическим током. Незамедлительно замените поврежденный кабель.
- Разместите кабель таким образом, чтобы исключить вероятность того, что кто-то на него наступит или споткнется, исключить его соприкосновение с острыми краями и движущимися деталями или иную угрозу или нагрузку. Это позволит снизить риск случайного падения и получения травмы, повреждения кабеля и возникновения риска поражения электрическим током.
- Защитите шнур и зарядное устройство от воздействия высоких температур во избежание повреждения корпуса и внутренних деталей.
- Использование зарядного устройства с поврежденным кабелем или разъемом не допускается, поскольку это может стать причиной короткого замыкания и поражения электрическим током. В случае его повреждения обратитесь в авторизованный сервисный центр для замены зарядного устройства.
- Воздержитесь от использования зарядного устройства после сильного механического воздействия,

падения или иного повреждения. Обратитесь в авторизованный сервисный центр для проверки электросхемы и оценки состояния зарядного устройства.

- Запрещается разбирать зарядное устройство. При необходимости проведения технического обслуживания или ремонта обратитесь в авторизованный сервисный центр. Неправильная разборка может привести к поражению электрическим током или возгоранию.
- Во избежание риска поражения электрическим током перед проведением обслуживания или очистки отключите зарядное устройство от розетки.
- Отключайте зарядное устройство от источника питания, когда оно не используется. Это позволит снизить риск поражения электрическим током или поломки зарядного устройства при попадании внутрь металлических предметов. Это также поможет избежать выхода зарядного устройства из строя в момент пикового напряжения.
- Опасность поражения электрическим током. Не прикасайтесь к оголенным частям выходного разъема или изолированным клеммам батареи.
- Никогда не пытайтесь заряжать не перезаряжаемые аккумуляторы.
- Рекомендуемая температура окружающей среды для зарядки устройства в процессе зарядки должна быть в диапазоне между 10°C и 38°C.

## ПРЕДОСТЕРЕЖЕНИЯ ОТНОСИТЕЛЬНО БЕЗОПАСНОГО ПОЛЬЗОВАНИЯ БАТАРЕИ



Li-ion

- Не выбрасывайте использованные батареи вместе с бытовым мусором и не сжигайте их. Для обеспечения правильной утилизации батарей и защиты окружающей среды, передавайте старые батареи дистрибьютору RYOBI.
- Отделяйте электронный мусор надлежащим образом, извлекая установленную батарею из основного устройства перед утилизацией. Передавайте батареи в специальные пункты сбора.
- Порядок извлечения установленной батареи: Отделите детали корпуса друг от друга, выкрутив винты. Отсоедините батарею от электрической цепи и извлеките.
- ПРИМЕЧАНИЕ: В случае вскрытия батареи, ее запрещается использовать или ремонтировать, и она должны быть утилизирована надлежащим образом.
- Прежде чем извлечь батарею из электроинструмента, включите устройство и не выключайте, пока батарея полностью не разрядится.
- Убедитесь, что батарея, которая должна быть утилизирована, не контактирует с другими батареями или проводящими материалами. Для этого закройте разъемы изоляционными крышками или изолентой.
- Запрещается заряжать

поврежденный аккумуляторный блок.

- Температура окружающей среды для эксплуатации аккумулятора должна быть в диапазоне от 0°C до 40°C.
- Температура окружающей среды для хранения аккумулятора должна быть в диапазоне от 0°C до 20°C.

## ОСТАТОЧНЫЕ РИСКИ

Даже когда изделие используют согласно инструкциям, невозможно полностью устранить факторы риска. Следующие опасности могут возникнуть во время его использования, и во избежание их рабочий должен обратить особое внимание на следующее:

- Нарушение слуха вследствие шумового воздействия. Используйте подходящее средство защиты органов слуха.
- Повреждение глаз. Всегда носите защитные очки при работе с устройством.
- Травмы, вызываемые вибрацией. Ограничивайте воздействие. Следуйте инструкциям в разделе "Снижение риска".
- Поражение электрическим током при соприкосновении со скрытыми проводами. Держите изделие только за изолированные поверхности.
- Травмы, вызываемые пылью. Пыль, образующаяся во время эксплуатации изделия, может привести к повреждению органов дыхания. Используйте надлежащую пылезащитную маску с фильтрами, защищающими от проникновения частиц обрабатываемого материала.

## СНИЖЕНИЕ РИСКА

Сообщалось, что вибрация ручных электроинструментов у отдельных



лиц может способствовать состоянию, которое называется синдром Рейно. К симптомам могут относиться покалывание, онемение и побеление пальцев (как при переохлаждении). Считают, что наследственные факторы, охлаждение и влажность, диета, курение и практический опыт способствуют развитию этих симптомов. Ниже приводятся меры, которые может принять оператор для снижения воздействия вибрации:

- Одевайтесь теплее в холодную погоду. При работе с устройством пользуйтесь перчатками, чтобы руки и запястья были в тепле. Считается, что холодная погода является основным фактором, способствующим возникновению болезни Рейно (Raynaud's Syndrome).
- После каждого этапа работы выполните упражнения для усиления кровообращения.
- Чаще делайте перерывы в работе. Сократите длительность ежедневного пребывания на открытом воздухе.

При появлении каких-либо из указанных симптомов сразу же прекратите работу и обратитесь по их поводу к врачу.

#### **▲ ОСТОРОЖНО**

Продолжительное использование инструмента без перерыва может привести к травмам. При использовании инструмента в течение длительного времени делайте регулярные перерывы.

#### **ИЗУЧИТЕ ИЗДЕЛИЕ**

Стр 137.

1. Зажимной патрон
2. Сверла шуруповерта
3. Переключатель реверса
4. Курковый выключатель
5. Ручка
6. Разъем зарядного устройства
7. USB-порт
8. Кабель зарядного устройства
9. Гнездо

#### **ТЕХНИЧЕСКОЕ ОБСЛУЖИВАНИЕ**

##### **▲ ОСТОРОЖНО**

Прибор ни в коем случае не должен подсоединяться к источнику питания, когда вы разбираете его компоненты, выполняете регулировку, очистку, проводите техническое обслуживание, или когда прибор не используется. Отсоединение прибора позволит защитить инструмент от случайного запуска, чреватого серьезными физическими травмами.

- При проведении текущего ремонта используйте только идентичные запчасти. Использование других запчастей может представлять опасность или повредить изделия.
- Избегайте использования растворителей во время чистки пластмассовых частей. Многие пластмассы чувствительны к воздействию различных бытовых растворителей и в результате их использования могут разрушиться. С помощью чистой ткани удалите грязь и угольную пыль.
- Никогда не допускайте контакта тормозной жидкости, бензина, продуктов на нефтяной основе, пропиточного масла и т. д. с пластмассовыми частями. Это

EN
FR
DE
ES
IT
NL
PT
DA
SV
FI
NO
<b>RU</b>
PL
CS
HU
RO
LV
LT
ET
HR
SL
BK
BG
UK
TR
EL

химикаты содержат вещества, которые могут испортить, ослабить или разрушить пластмасу.

- Всегда надевайте предохранительные или защитные очки с боковыми защитными экранами при работе с данным инструментом или сдувании пыли. Если во время работы образуется много пыли, также надевайте пылезащитную маску.
- Для большей безопасности и надежности все ремонтные работы должны проводиться авторизованным сервисным центром.

### СМАЗКА

Все подшипники в изделии смазаны достаточным количеством высокосортной смазки для продолжительной эксплуатации изделия в нормальных рабочих условиях. Поэтому дополнительная смазка не требуется.

### ЗАЩИТА ОКРУЖАЮЩЕЙ СРЕДЫ



Утилизируйте как сырье, а не выбрасывайте как мусор. Машина, аксессуары и упаковка должны быть отсортированы.

### УСЛОВНЫЕ ОБОЗНАЧЕНИЯ



Сигнал опасности



Соответствие требованиям CE



Знак Евразийского Соответствия



Украинский знак стандартизации



Перед использованием прибора внимательно ознакомьтесь с данной инструкцией.



Перед использованием прибора внимательно ознакомьтесь с данной инструкцией.



Оборудование класса II



Только для использования в помещении



Скорость на холостом ходу



Полярность USB-разъема



Вольт



Постоянный ток



Оборотов или возвратно-поступательных движений в минуту

Отработанная электротехническая продукция должна уничтожаться вместе с бытовыми отходами. Утилизируйте, если имеется специальное техническое оборудование. По вопросам утилизации проконсультируйтесь с местным органом власти или предприятием розничной торговли.



### ОБОЗНАЧЕНИЯ В РУКОВОДСТВЕ



Примечание



Детали или принадлежности, приобретаемые отдельно

Следующие сигнальные слова и значения предназначены, чтобы объяснить уровни риска, связанного с этим изделием.

**⚠ ОПАСНО**

Указывает на потенциально опасную ситуацию, которая, если ее не избежать, приведет к летальному исходу или серьезной травме.

**⚠ ОСТОРОЖНО**

Указывает на потенциально опасную ситуацию, которая, если ее не избежать, может привести к летальному исходу или серьезной травме.

**⚠ ВНИМАНИЕ**

Указывает на потенциально опасную ситуацию, которая, если ее не избежать, может привести к травме легкой или средней тяжести.

**ВНИМАНИЕ**

(Без Символа Тревоги Безопасности)

Указывает ситуацию, которая может кончиться повреждением собственности.

### Транспортировка:

Категорически не допускается падение и любые механические воздействия на упаковку при транспортировке.

При разгрузке/погрузке не допускается использование любого вида техники, работающей по принципу зажима упаковки.

### Хранение:

Необходимо хранить в сухом месте.

Необходимо хранить вдали от источников повышенных температур и воздействия солнечных лучей.

При хранении необходимо избегать резкого перепада температур.

Хранение без упаковки не допускается.

### Срок службы изделия:

Срок службы изделия составляет 5 лет.

Не рекомендуется к эксплуатации по истечении 5 лет хранения с даты изготовления без предварительной проверки.

**Дата изготовления** (код даты) отштампован на поверхности корпуса изделия.

Пример:

W17 Y2015, где Y2015 - год изготовления

W17 – неделя изготовления

Определить месяц изготовления можно согласно приведенной ниже таблице, на примере 2015 года.

**Обратите внимание!** Количество недель в месяце различается от года в год.

Месяц	Январь	Февраль	Март	Апрель	Май	Июнь	Июль	Август	Сентябрь	Октябрь	Ноябрь	Декабрь	Год
Неделя	01	05	09	14	18	22	27	31	36	40	44	49	2015
	02	06	10	15	19	23	28	32	37	41	45	50	
	03	07	11	16	20	24	29	33	38	42	46	51	
	04	08	12	17	21	25	30	34	39	43	47	52	
	05	09	13	18	22	26	31	35	40	44	48	53	
			14			27							

Najwyższymi priorytetami w trakcie projektowania zakupionego przez Państwa wkrętaka były bezpieczeństwo, wydajność i niezawodność.

## PRZEZNACZENIE

Opisywany produkt przeznaczony jest do stosowania wyłącznie przez osoby dorosłe, które zapoznały się z instrukcjami i ostrzeżeniami zawartymi w niniejszym dokumencie oraz zrozumiały je, a także mogą być uważane za odpowiedzialne za swoje postępowanie.

Produkt przeznaczony jest do wkręcania i wykręcania wkrętów i śrub.

Nie należy używać tego produktu niezgodnie z przeznaczeniem.

**UWAGA:** Zalecane jest użycie otworów prowadzących przed wkręcaniem wkrętów.

## ⚠ OSTRZEŻENIE

Prosimy o uważne zapoznanie się z ostrzeżeniami, instrukcjami i specyfikacjami dostarczonymi z tym narzędziem oraz z zawartymi w nich ilustracjami. Nie przestrzeganie przedstawionych niżej zaleceń mogłoby pociągnąć za sobą wypadki takie jak pożary, porażenia prądem elektrycznym i /lub poważne obrażenia ciała.

Zachowaj wszystkie ostrzeżenia i instrukcje do wykorzystania w przyszłości.

## WKRETAK – OSTRZEŻENIA DOTYCZĄCE BEZPIECZEŃSTWA

- Podczas pracy trzymaj elektronarzędzie izolowane powierzchnie uchwytów, ponieważ element mocujący może zetknąć się z ukrytymi przewodami lub własnym

przewodem. Zetknięcie elementów mocujących z przewodem pod napięciem spowoduje, że wszystkie metalowe części elektronarzędzia będą również pod napięciem, co w rezultacie spowoduje porażenie operatora prądem.

- Zakres temperatury otoczenia dla narzędzia podczas eksploatacji to od 0°C do 40°C.
- Zakres temperatury otoczenia dla narzędzia podczas przechowywania to od 0°C do 40°C.

## ŁADOWARKA – OSTRZEŻENIA DOTYCZĄCE BEZPIECZEŃSTWA

- Przed przystąpieniem do korzystania z ładowarki do akumulatora należy zapoznać się ze wszystkimi zamieszczonymi w niniejszej instrukcji zaleceniami i ostrzeżeniami dotyczącymi ładowarki, akumulatora oraz produktu, w którym umieszczony jest akumulator, tak by zapobiec niewłaściwemu użytkowaniu produktów oraz potencjalnym urazom i szkodom.
- Nie stosować ładowarki poza pomieszczeniami lub w miejscach narażonych na wilgoć. Przedostanie się wody do wnętrza ładowarki powoduje wzrost ryzyka porażenia prądem.
- Stosowanie elementów niezalecanych lub niesprzedawanych przez producenta ładowarki baterii może spowodować pożar, porażenie prądem lub obrażenia ciała. W ten sposób zmniejszycie zagrożenie porażenia prądem elektrycznym, pożaru czy poważnych ran.
- Nie używać przewodu ani ładowarki niezgodnie z przeznaczeniem.

EN  
FR  
DE  
ES  
IT  
NL  
PT  
DA  
SV  
FI  
NO  
RU  
PL  
CS  
HU  
RO  
LV  
LT  
ET  
HR  
SL  
SK  
BG  
UK  
TR  
EL

Nigdy nie przenosić ładowarki za przewód. W trakcie odłączania od gniazda ciągnąć za wtyczkę, a nie za przewód. Ciągnięcie za przewód grozi uszkodzeniem przewodu lub ładowarki, a w rezultacie porażeniem prądem. Natychmiast wymienić uszkodzone przewody.

- Upewnić się, że przewód zasilający jest poprowadzony tak, by nie można było na niego nadepnąć ani potknąć się o niego, jak również by nie miał on styczności z ostrymi krawędziami lub ruchomymi częściami, a także nie był w inny sposób narażony na uszkodzenie lub naprężenia. Pozwoli to na ograniczenie ryzyka potknięć, które mogłyby spowodować obrażenia, a także uszkodzeń przewodu, które mogłyby spowodować porażenie prądem.
- Przewód i ładowarkę należy trzymać z dala od źródeł ciepła, aby zapobiec uszkodzeniom obudowy i części wewnętrznych.
- Nie należy używać ładowarki z uszkodzonym przewodem lub wtyczką, ponieważ mogłoby to spowodować zwarcie lub porażenie prądem. W przypadku uszkodzenia wymianę ładowarki należy zlecić przedstawicielowi autoryzowanego serwisu.
- Nie używać ładowarki, która została gwałtownie uderzona, spadła lub została uszkodzona w dowolny inny sposób. Ładowarkę taką należy zabrać do przedstawiciela autoryzowanego serwisu w celu przeprowadzenia kontroli instalacji elektrycznej i określenia, czy urządzenie jest sprawne.
- Nie demontować ładowarki.

Urządzenie wymagające serwisowania lub naprawy należy przekazać przedstawicielowi autoryzowanego serwisu. Nieprawidłowy montaż może stwarzać ryzyko porażenia prądem lub pożaru.

- Przed rozpoczęciem konserwacji lub czyszczenia odłączyć ładowarkę od gniazda, aby ograniczyć ryzyko porażenia prądem.
- Ładowarkę należy odłączyć od źródła zasilania, gdy nie jest używana. Pozwoli to na ograniczenie ryzyka porażenia prądem lub uszkodzenia ładowarki, gdy przez otwór w obudowie urządzenia wpadną do niego metalowe przedmioty. Możliwe będzie również zapobieżenie uszkodzeniu ładowarki w trakcie przepięcia.
- Ryzyko porażenia prądem. Nie należy dotykać niezaisolowanej części złącza wyjściowego ani niezaisolowanego styku baterii.
- Nigdy nie próbujcie ładować baterii, które się nie nadają do ładowania.
- Zalecany zakres temperatury otoczenia dla układu ładującego podczas ładowania to od 10°C do 38°C.

#### **OSTRZEŻENIA DOTYCZĄCE BEZPIECZEŃSTWA ZWIĄZANEGO Z AKUMULATOREM**



Li-ion

- Nie należy wyrzucać zużytych akumulatorów z odpadami domowymi ani ich palić. Aby zapewnić prawidłową utylizację zużytych akumulatorów oraz chronić środowisko, stare akumulatory należy przekazać dystrybutorowi

## RYOBI.

- Odpady elektroniczne należy odpowiednio segregować – w tym celu należy usunąć zintegrowany akumulator z urządzenia przed jego wyrzuceniem. Akumulator należy przekazać do odpowiedniego punktu zbiórki.
- Aby wymontować zintegrowany akumulator: Rozdziel części obudowy, odkręcając śruby. Odłącz akumulator od modułu elektronicznego i wyjmij go.
- UWAGA: Produkt po otwarciu nie nadaje się już do użytku ani do naprawy i należy zutylizować go w odpowiedni sposób.
- Przed wymontowaniem akumulatora z elektronarzędzia należy pozostawić urządzenie włączone, aż do całkowitego rozładowania akumulatora.
- Należy dopilnować, aby akumulator, który ma być wyrzucony, nie zetknął się z innymi bateriami, akumulatorami ani materiałami przewodzącymi prąd. W tym celu należy zabezpieczyć odkryte złącza taśmą izolacyjną lub odpowiednimi nakładkami z nieprzewodzącego materiału.
- Nigdy nie ładować uszkodzonego akumulatora!
- Zakres temperatury otoczenia dla akumulatora podczas eksploatacji to od 0°C do 40°C.
- Zakres temperatury otoczenia dla akumulatora podczas przechowywania to od 0°C do 20°C.

### RYZIKO ZWIĄZANE Z UŻYTKOWANIEM

Nawet jeśli produkt jest używany zgodnie z zaleceniami, nadal nie jest możliwe wyeliminowanie określonych czynników

ryzyka. Następujące zagrożenia mogą wystąpić podczas używania urządzenia i operator powinien zwracać szczególną uwagę na poniższe punkty:

- Uszkodzenie słuchu spowodowane przez hałas  
Nosić odpowiednie ochronniki słuchu i ograniczać narażenie.
- Urazy oczu  
Należy nosić osłony oczu lub okulary ochronne podczas korzystania z produktu.
- Urazy ciała spowodowane przez wibracje  
Ograniczyć narażenie na kontakt. Stosować się do zaleceń w sekcji „Ograniczanie ryzyka”.
- Porażenie prądem spowodowane kontaktem z ukrytymi przewodami.  
Produkt należy trzymać wyłącznie za izolowane powierzchnie.
- Urazy ciała spowodowane pyłem  
Pył powstający podczas obsługi produktu może powodować podrażnienia i choroby dróg oddechowych. Należy nosić odpowiednią maskę przeciwpyłową z filtrami chroniącymi przed cząstkami materiałów obrabianych.

### OGRANICZENIE RYZYKA

Znane są przypadki wywołania u niektórych osób objawu Raynauda spowodowanego wibracjami ręcznych narzędzi. Typowe objawy to mrowienie, drętwienie i blednięcie palców, widoczne zwykle po wystawieniu na działanie zimna. Uważa się, że czynniki dziedziczne, wystawienie na działanie zimna i wilgoci, dieta, palenie papierosów i przyjęte zwyczaje przyczyniają się do rozwoju tych objawów. Istnieją środki zaradcze, które może podjąć operator narzędzia, aby zmniejszyć efekt wibracji:

- Zadbaj w niskich temperaturach o ciepłotę własnego ciała, zakładając odpowiednie ubranie. Podczas obsługi urządzenia należy nosić rękawice,

aby dłonie i nadgarstki były ciepłe. Wiadomo, że niskie temperatury są główną przyczyną powstawania objawu Raynauda.

- Podczas przerw w pracy należy wykonywać ćwiczenia poprawiające krążenie krwi..
- Podczas pracy robić częste przerwy. Ograniczyć ekspozycję w ciągu dnia.

W razie doświadczenia dowolnego z wymienionych objawów, należy niezwłocznie zaprzestać użytkowania tego urządzenia i skontaktować się z lekarzem.

#### **▲ OSTRZEŻENIE**

Długotrwale użytkowanie narzędzia może spowodować obrażenia ciała lub nasilić dolegliwości zdrowotne. W przypadku używania narzędzia przed dłuższy czas należy pamiętać o regularnych przerwach.

#### **INFORMACJE O PRODUKCIE**

Patrz strona 137.

1. Uchwyt wiertarski
2. Końcówki wkrętaka
3. Przełącznik kierunku obrotów
4. Przycisk uruchamiający
5. Rękojeść
6. Wtyczka ładowarki
7. Port USB
8. Kabel do ładowania
9. Gniazdo wejściowe

#### **KONSERWACJA**

##### **▲ OSTRZEŻENIE**

Produkt nigdy nie może być podłączony do źródła zasilania podczas montażu części, regulacji, czyszczenia, konserwacji lub gdy nie jest używany. Odłączenie produktu zapobiegnie przypadkowemu uruchomieniu, które mogłoby spowodować poważne obrażenia ciała.

- Do napraw używać wyłącznie identycznych zamienników. Użycie jakiegokolwiek innej części mogłoby spowodować zagrożenie lub też uszkodzić wasze narzędzie.
- Nie stosować rozpuszczalników do czyszczenia elementów plastikowych. Większość tworzyw sztucznych, mogłyby zostać uszkodzone przez użycie rozpuszczalników dostępnych w sprzedaży. Usunąć zabrudzenia i pył węglowy czystymi szmatkami.
- Nie wolno dopuścić do kontaktu plastikowych części z płynem hamulcowym, benzyną, produktami ropopochodnymi, olejami penetrującymi itp. Substancje te zawierają produkty chemiczne, które mogłyby uszkodzić, osłabić lub zniszczyć plastik.
- Podczas użytkowania elektronarzędzi lub wydmuchiwania pyłu należy zawsze nosić okulary ochronne z osłonami bocznymi. Jeśli wykonywanej pracy towarzyszy powstawanie pyłu, należy również stosować maskę przeciwpyłową.
- Aby zapewnić wyższy poziom bezpieczeństwa i niezawodności, wszystkie naprawy powinny być



przeprowadzane przez autoryzowany punkt serwisowy.

## SMAROWANIE

Wszystkie łożyska produktu są smarowane przy użyciu odpowiedniej ilości wysokiej jakości smaru na cały okres eksploatacji produktu przy uwzględnieniu normalnych warunków roboczych. W wyniku czego, nie zachodzi potrzeba dodatkowego smarowania.

## OCHRONA ŚRODOWISKA



Surowce należy oddawać do powtórnego przetworzenia zamiast wyrzucać je na śmieci. Z myślą o ochronie środowiska, narzędzie, akcesoria i opakowania powinny być sortowane.

## SYMBOLE



Uwaga dotycząca bezpieczeństwa



Zgodność CE



Znak zgodności EurAsian



Ukraiński znak zgodności



Przed uruchomieniem urządzenia prosimy uważnie przeczytać instrukcję



Przed uruchomieniem urządzenia prosimy uważnie przeczytać instrukcję



Sprzęt klasy II



Tylko do użytku wewnątrz pomieszczeń



Prędkość bez obciążenia



Polaryzacja wtyczki USB

V

Wolt



Prąd stały

min<sup>-1</sup>

Ilość obrotów czy ruchów na minutę



Zużyte produkty elektryczne nie powinny być utylizowane z odpadami domowymi. Prosimy poddawać recyklingowi w odpowiednich miejscach. Informacje o właściwych metodach recyklingu można uzyskać u władz lokalnych lub sprzedawcy.

## SYMBOLE W INSTRUKCJI



Uwaga



Części lub akcesoria sprzedawane oddzielnie

Poniższe symbole i nazwy które im nadano, pozwalają wyjaśnić różne poziomy ryzyka związanego z używaniem tego narzędzia.

### ⚠ NIEBEZPIECZEŃSTWO

Oznacza bezpośrednio niebezpieczną sytuację, która, jeśli nie zostanie uniknięta, spowoduje śmierć lub poważne urazy ciała.

### ⚠ OSTRZEŻENIE

Oznacza potencjalnie niebezpieczną sytuację, która, jeśli nie zostanie uniknięta, może spowodować śmierć lub poważne urazy ciała.

 **UWAGA**

Oznacza potencjalnie niebezpieczną sytuację, która, jeśli nie zostanie uniknięta, może spowodować niewielkie lub umiarkowane urazy ciała.

**UWAGA**

(Bez symbolu bezpieczeństwa)  
Wskazuje na sytuację mogącą spowodować straty materialne.

130.com.ua

Při návrhu šroubováku byl kladen obzvláštní důraz na bezpečnost, výkon a spolehlivost.

### ZAMÝŠLENÉ POUŽITÍ

Produkt smí používat pouze dospělé osoby, které si přečetly a řádně pochopily pokyny a varování v tomto návodu, a mohou být považovány za zodpovědné za své činy.

Produkt je určen k utahování a povolování šroubů a čepů.

Nepoužívejte výrobek jinak než je uvedeno v určeném použití.

**POZNÁMKA:** Doporučuje se použít vodičí otvory před vlastním šroubováním šroubů.

### VAROVÁNÍ

**Přečtěte si pozorně upozornění, pokyny a technické specifikace dodané s náradím a prohlédněte si ilustrace.** Nedodržení uvedených pokynů může způsobit požár, úraz elektrickým proudem a/nebo jiné vážné zranění.

**Uchovejte si všechny pokyny a varování pro budoucí nahlédnutí.**

### BEZPEČNOSTNÍ UPOZORNĚNÍ KE SROUBOVÁKU

- **Držte elektricky poháněný nástroj za izolované úchopové plochy, když nástroj používáte se sponami, které mohou přijít do styku se skrytými vodiči.** Spony zasahující do „živého“ vodiče způsobí, že kovové části elektricky poháněného nástroje se stanou vystavenými a způsobí elektrický úraz obsluze.
- **Rozsah teplot okolí při používání nástroje je od 0 °C do 40 °C.**

- **Rozsah teplot okolí při skladování nástroje je od 0 °C do 40 °C.**

### BEZPEČNOSTNÍ VAROVÁNÍ NA NABÍJEČCE

- **Před použitím nabíječky baterií si přečtěte všechny pokyny a bezpečnostní značky v této příručce, k nabíječce baterií, baterii a používání baterie produktu, aby nedošlo k nedovolenému použití produktů a možným zraněním či škodám.**
- **Nepoužívejte nabíječku ve venkovních prostorách ani ji nevystavujte mokřým či vlhkým podmínkám. Kvůli vodě prosakující do nabíječky se zvyšuje riziko elektrického šoku.**
- **Použití příslušenství, které není doporučeno výrobcem a ani u něj není zakoupeno, může zapříčinit nebezpečí požáru, úrazu elektrickým proudem nebo poranění osob. Tyto pokyny důsledně dodržujte, aby nedošlo ke vzniku požáru, úrazu elektrickým proudem nebo zranění.**
- **Kabel ani nabíječku nepoužívejte k nedovoleným účelům. Nabíječku nikdy nepřeházejte za kabel. Při odpojování ze zásuvky nikdy netahejte za kabel, nýbrž za zástrčku. Může dojít k poškození kabelu nebo nabíječky a následnému úrazu elektrickým proudem. Poškozené kabely ihned vyměňte.**
- **Zajistěte, aby byl kabel umístěn tak, aby na něj nebylo možné vkročit, zakopnout o něj a aby se kabel neotíral o ostré hrany či pohyblivé součásti a nebyl vystaven ani jinému poškození či namáhání. Tím se snižuje riziko náhodných pádů, kvůli nimž by mohlo dojít ke zraněním, poškození kabelu a následnému úrazu elektrickým proudem.**



- Kabel a nabíječku udržujte mimo zdroje tepla, aby nedošlo k poškození pouzdra či interních součástí.
- Neprovazujte nabíječku s poškozeným kabelem či zástrčkou. Mohlo by dojít ke zkratu a úrazu elektrickým proudem. Při poškození nechte nabíječku vyměnit u autorizovaného servisního pracovníka.
- Nepoužívejte nabíječku po ostrém nárazu, upadnutí na zem nebo jakémkoliv jiném poškození. Nabíječku vezměte k autorizovanému servisnímu pracovníkovi, který zkontroluje elektrické zapojení a zjistí, zda je nabíječka v dobrém provozuschopném stavu.
- Nabíječku nerozebírejte. Je-li potřeba provést servis nebo nabíječku opravit, vezměte ji k autorizovanému servisnímu pracovníkovi. Důsledkem nesprávné opakované montáže může být nebezpečí úrazu elektrickým proudem nebo riziko požáru.
- Před provedením jakékoliv údržby nebo čištěním odpojte nabíječku ze zásuvky. Tím omezíte riziko úrazu elektrickým proudem.
- Odpojte nabíječku od zdroje napájení, pokud ji nepoužíváte. Tím se snižuje riziko úrazu elektrickým proudem nebo poškození nabíječky, pokud by do otvoru upadly kovové předměty. Nabíječka je tím také chráněna před poškozením při nárazovém proudu.
- Nebezpečí elektrického úrazu. Nedotýkejte se odizolované části výstupního konektoru nebo odizolované svorky baterie.
- Nikdy se nepokoušejte dobíjet jednorázové nedobíjecí baterie.
- Rozsah doporučených teplot okolí při používání systému nabíjení

akumulátoru je od 10 °C do 38 °C.

## BEZPEČNOSTNÍ VAROVÁNÍ K BATERIIM



Li-ion

- Nelikvidujte baterie v domovním odpadu či ohni. Zajistěte řádnou a ekologickou likvidaci starých a poškozených baterií u distributora RYOBI.
- Elektronický odpad před likvidací řádně roztřídíte odebráním baterie ze zařízení. Likvidujte ve sběrných dvorech.
- Pro vyjmutí integrované baterie: Oddělení proveďte odšroubování šroubů. Odpojte baterii z obvodu a vytáhněte.
- **POZNÁMKA:** Po otevření nelze produkt již dále používat či opravovat a musí být řádně zlikvidován.
- Než baterii odeberete, vybijte ji spuštěním zařízení.
- Zajistěte, aby žádné baterie nepřišly do kontaktu s jinými bateriemi nebo vodivými materiály při transportu pomocí ochrany nekrytých kontaktů prostřednictvím izolace, nevodivých krytek či lepicích pásek.
- Nikdy nevyměňujte poškozenou baterii.
- Rozsah provozních teplot okolí akumulátoru je od 0 °C do 40 °C.
- Rozsah skladovacích teplot okolí akumulátoru je od 0 °C do 20 °C.

## ZBYTKOVÁ RIZIKA

Dokonce, i když se výrobek provozuje jak je předepsáno, je stále nemožné zcela



eliminovat veškeré zbytkové rizikové faktory. Následující nebezpečí mohou nastat při používání; vyhýbejte se:

- Poškození sluchu kvůli hluku  
Noste vhodnou ochranu sluchu a účinkům hluku se příliš nevystavujte.
- Zranění očí  
Používejte ochranné štíty nebo ochranné brýle při používání výrobku.
- Poranění způsobené vibracemi  
Limit expozice. Postupujte podle pokynů v části Omezení rizika.
- Úraz elektrickým proudem kvůli kontaktu se skrytými vodiči  
Elektrický nástroj držte pouze za izolované úchopové oblasti.
- Zranění způsobené prachem  
Prach tvořený provozováním výrobku může způsobit poškození dýchacích cest. Noste vhodnou protipráchovou masku s filtry určenou na ochranu proti částicím z obráběného materiálu.

## SNÍŽENÍ RIZIKA

Bylo zjištěno, že vibrace z nástrojů mohou u některých osob přispívat ke stavu tzv Raynaud's Syndrome (Raynaudovu syndromu). Mezi jeho příznaky patří brnění, necitlivost a zblednutí prstů, patrné obvykle po pobytu v chladu. Vědci se domnívají, že k rozvinutí těchto příznaků přispívají dědičné faktory, pobyt v chladu a vlhku, strava, kouření a pracovní návyky. Uživatel může omezit případné působení vibrací použitím vhodných opatření:

- Za chladného počasí se teple oblečte.  
Při práci s nástrojem si navlékněte rukavice, abyste udrželi ruce a zápěstí v teple. Bylo zjištěno, že chladné počasí je hlavním faktorem přispívajícím k Raynaud's Syndrome (Raynaudovu syndromu).
- Během práce si v pravidelných intervalech zacvičte, abyste zvýšili krevní oběh.

- Zařazujte časté pracovní přestávky.  
Omezte dobu práce za den.

Jakmile pocítíte některý z výše uvedených příznaků tohoto syndromu, okamžitě přerušte práci a vyhledejte lékaře.

## VAROVÁNÍ

Poranění mohou být způsobena, či zhoršena, prodlouženým používáním nástroje. Když používáte jakýkoliv nástroj delší dobu, dělejte pravidelné přestávky.

## SEZNAMTE SE S VÝROBKEM

Viz strana 137.

1. Sklíčidlo
2. Šroubovací nástavce
3. Přepínač směru otáček
4. Spínač spouště
5. Rukojeť
6. Nabíjecí zástrčka
7. Port USB
8. Nabíjecí kabel
9. Vstupní zdířka

## ÚDRŽBA

### VAROVÁNÍ

Výrobek nikdy nepřipojujte ke zdroji napájení, když se montují díly, provádí seřizování, čištění, údržba nebo když se nepoužívá. Odpojením produktu předejdete náhodnému spuštění a tím vážnému osobnímu poranění.

- Při údržbě používejte pouze stejné náhradní díly. Použití jakýchkoliv jiných dílů může vytvořit nebezpečí nebo způsobit poškození výrobku.
- Vyhněte se používání rozpouštědel, když čistíte plastové díly. Většina ředidel běžně dostupných v obchodní síti se nehodí k čištění plastových

částí, neboť narušuje povrch plastů. K odstranění nečistot a uhelného prachu použijte čistý textil.

- Nikdy nenechte přijít brzdové kapaliny, petrolej, výrobky založené na petroleji, pronikavé oleje, atd. do kontaktu s plastovými součástmi. Tyto výrobky obsahují chemikálie, které mohou poškodit, oslabit nebo zničit plastové části, případně snížit jejich životnost.
- Vždy noste bezpečnostní brýle nebo bezpečnostní brýle s postranními štítky, když obsluhujete elektricky poháněný nástroj nebo při rozdmyčávání (tvorbě) prachu. Pokud pracujete v prachu, noste také respirátor.
- Pro lepší bezpečnost a bezporuchovost by mělo opravy provádět pověřené autorizované servisní středisko.

## MAZÁNÍ

Veškerá ložiska nářadí byla výrobcem namazána dostatečným množstvím vysoce účinného maziva, které stačí na celou dobu životnosti produktu při normálních podmínkách používání. Žádné další mazání nářadí není nutné.

## OCHRANA ŽIVOTNÍHO PROSTŘEDÍ



V rámci možností neodhazujte vysloužilé nářadí do domovního odpadu a upřednostněte jeho recyklaci. V souladu s předpisy na ochranu životního prostředí odkládejte vysloužilé nářadí, příslušenství i obalový materiál do tříděného odpadu.

## SYMBOLY



Bezpečnostní výstraha



Shoda CE



Euroasijská značka shody



Ukrajinská značka shody



Před spuštěním přístroje si řádně přečtěte pokyny.



Před spuštěním přístroje si řádně přečtěte pokyny.



Nářadí 2. třídy



Pouze pro použití v domě



Otáčky naprázdno



Polarita konektoru USB



Napětí



Stejnoseměrný proud



Počet otáček nebo pohybů (kmitů) za minutu

Odpad elektrických výrobků se nesmí likvidovat v domovním odpadu. Recyklujte prosím na sběrných místech. Ptejte se u místních úřadů nebo prodejce na postup při recyklaci.



## SYMBOLY POUŽITÉ V NÁVODU



Poznámka



Díly nebo příslušenství jsou v prodeji samostatně

Následující signální slova a významy jsou vhodné pro vysvětlení úrovně nebezpečí spojených s tímto výrobkem.

**⚠ NEBEZPEČÍ**

Upozorňuje na bezprostředně nebezpečnou situaci, která vede k usmrcení nebo těžkému zranění.

**⚠ VAROVÁNÍ**

Upozorňuje na možnou nebezpečnou situaci, která by mohla vést ke smrtelnému úrazu nebo k závažnému zranění.

**⚠ POZOR**

Upozorňuje na možnou nebezpečnou situaci, která může vést k menšímu nebo lehkému zranění.

**POZOR**

(Bez bezpečnostního výstražného symbolu) Určuje situaci, která může mít za následek vážné poškození.

130.com.ua

A csavarhúzó tervezése során elsődleges szempont volt a biztonság, a teljesítmény és a megbízhatóság.

### RENDELTETÉSSZERŰ HASZNÁLAT

A terméket kizárólag beszámítható felnőttek használhatják, ha elolvasták és megértették a jelen kézikönyv utasításait és figyelmeztetéseit.

A termék csavarok és anyák megszorítására és levételére használható.

Ne használja a terméket a rendeltetésétől eltérő célra.

**MEGJEGYZÉS:** A csavarok behajtása előtt javasolt próbát végezni.

### ▲ FIGYELEM

Figyelmesen olvassa el az ehhez a szerszámhoz mellékelt összes figyelmeztetést, utasítást és műszaki adatokat, valamint tanulmányozza az ábrákat is. Az alább részletezett előírások be nem tartása olyan baleseteket okozhat, mint pl. tűz, áramütés és/vagy súlyos testi sérülések.

A jövőbeli felhasználásra őrizze meg az összes figyelmeztetést és útmutatót.

### A CSAVARHÚZÓ BIZTONSÁGOS HASZNÁLATÁVAL KAPCSOLATOS FIGYELMEZTETÉSEK

- A szerszámgépet a szigetelő fogófelületeinél fogja, ha olyan műveletet végez, melynek során a rögzítő rejtett vezetékhez érhet. Az „élő” vezetékkel érintkező rögzítő következtében a szerszám fém alkatrészei áram alá kerülhetnek, minek következtében a kezelőt áramütés érheti.
- Az eszköz környezeti hőmérséklet-

tartománya a működés során: 0°C - 40°C.

- Az eszköz környezeti hőmérséklet-tartománya a tárolás során: 0°C - 40°C.

### TÖLTŐ BIZTONSÁGI FIGYELMEZTETÉSEI

- Az akkumulátortöltő használatát előtt olvasson el minden utasítást és figyelmeztető jelzést a kézikönyvben, az akkumulátortöltőn, az akkumulátoron és az akkumulátorral üzemeltetett terméken, nehogy helytelenül használja és sérülés vagy anyagi kár történjen.
- A töltőt ne használja kültéren, vizes vagy nyirkos környezetben. A töltőbe bejutó víz növeli az áramütés kockázatát.
- Egy az akkumulátortöltő gyártója által nem javasolt vagy nem forgalmazott kiegészítő használata tűzveszélyt, áramütést és személyi sérülést okozhat. Ezen előírás betartása jelentősen csökkenti az áramütés-, a tűz- és a súlyos sérüléssel járó balesetek veszélyét.
- A kábelt és a töltőt csak rendeltetésszerűen használja. Ne vigye a töltőt a kábelnél fogva. A töltőt ne a kábelnél, hanem a villásdugónál fogva húzza ki a dugaszolóaljzatból. Ettől megsérülhet a kábel vagy a töltő, ami áramütést okozhat. Azonnal cserélje ki a sérült kábeleket.
- A kábelt úgy helyezze el, hogy senki ne lépjen rá vagy bukthasson fel benne, a kábel ne érjen hozzá éles tárgyakhoz vagy mozgó alkatrészekhez, illetve más módon se álljon fenn megrongálódás vagy erőltetés veszélye. Így csökkentheti a sérülést okozó elesés veszélyét, illetve



a kábel károsodásának veszélyét, ami pedig áramütést okozhat.

- Ügyeljen, hogy a kábelt és a töltőt ne érje hőhatás, mert ez tönkretelheti a házat vagy a belső alkatrészeket.
- Ha a töltő kábele vagy villásdugója megsérült, ne használja, mert rövidzárlatot és áramütést okozhat. Ha megsérült, a töltőt hivatalos szerelővel cseréltesse ki.
- Ha a töltőt erős ütés érte, leesett vagy más okból megsérült, ne használja. Vigye el egy hivatalos szerelőhöz és ellenőriztesse, hogy a töltő használható állapotban van-e.
- A töltőt ne szerelje szét. Ha javítani kell, vigye el hivatalos szerelőhöz. Hibás összeszerelés tűzveszélyt vagy áramütést eredményezhet.
- Karbantartás vagy tisztítás előtt az áramütés kockázatának csökkentésére húzza ki a töltőt a konnektorból.
- Használaton kívül húzza ki a töltőt a hálózatból. Így csökkenti az áramütés, illetve a töltő megrongálódásának kockázatát, ha fémtárgyak esnek a nyílásba. Azt is megakadályozza, hogy a töltő átmeneti túlfeszültség miatt károsodjon.
- Áramütés veszélye. Ne érjen a kimeneti csatlakozó szigetetlen részéhez vagy az akkumulátor szigetetlen érintkezőihez.
- Soha ne próbáljon töltővel nem újratölthető elemeket /akkumulátorokat tölteni.
- A töltőrendszer ajánlott környezeti hőmérséklet-tartománya töltés során: 10°C - 38°C.

## AKKUMULÁTORRA VONATKOZÓ BIZTONSÁGI ELOIRASOK



Li-ion

- Ne ártalmatlanítsa az akkumulátorokat a háztartási hulladékba dobva vagy elégetéssel. A leselejtezett akkumulátorok helyes megsemmisítése és a környezet védelme érdekében a használt akkumulátorokat adja át a RYOBI forgalmazónak.
- Az akkumulátoroknak az segítségtől való elkülönítésével válogassa szét az elektronikus hulladékot. Adja le azokat az erre szolgáló gyűjtőpontokon.
- A beépített akkumulátor eltávolítása: A csavarok eltávolításával nyissa fel a burkolatot. Válassza le az akkumulátort az áramkörből, és vegye ki a gépből.
- MEGJEGYZÉS: A burkolat felnyitása után a termék többé nem használható és nem szervizelhető, azt az előírt módon ártalmatlanítani kell.
- Az akkumulátor szerszámgépből való eltávolítása előtt a gép beindításával merítse le az akkumulátort.
- Ügyeljen arra, hogy a leselejtezendő akkumulátor ne érhesen más akkumulátorokhoz vagy vezető anyagokhoz; ehhez a szabadon maradt csatlakozókat védje szigetelő fedéllel vagy szalaggal.
- Sérült akkucsomagot soha ne cseréljen le.
- Az akkumulátor környezeti hőmérséklet-tartománya a használat során: 0°C - 40°C.
- Az akkumulátor környezeti

hőmérséklet-tartománya a tárolás során: 0°C - 20°C.

### VISSZAMARADÓ KOCKÁZATOK

Még a termék rendeltetésszerű használata esetén sem lehet teljesen kiküszöbölni minden kockázati tényezőt. A gép használata során a következő veszélyek merülhetnek fel, és a kezelőnek különösen oda kell figyelnie az alábbiak elkerülésére:

- Zaj okozta halláskárosodás  
A fülét ért zajterhelést csökkentse megfelelő hallásvédő eszközzel.
- Szemsérülés  
Viseljen védőszemüveget vagy szemvédőt a termék használatakor.
- Vibráció okozta sérülések  
Korlátozza a kitétséget. Kövesse a Kockázatok csökkentése című rész utasításait.
- Rejtett vezetékek megérintéséből eredő áramütés  
A terméket csak a szigetelt felületeknél fogja.
- Por okozta sérülések  
A termék használata közben képződő por légzőszervi problémákat okozhat. Viseljen megfelelő porvédő maszkot a megmunkált anyag részecskéi ellen védő szűrővel.

### KOCKÁZATCSÖKKENTÉS

Ismert, hogy a kézi szerszámgépek használata során fellépő vibráció bizonyos személyeknél hozzájárulhat az úgynevezett Raynaud-szindróma (Raynaud's Syndrome) nevű állapot kialakulásához. A tünetei lehetnek: az ujjak zsibbadása, elfehéredése, szúrások érzése, amelyek hidegnek kitéve gyakran felerősödnek. Az öröklődő tényezők, a hidegnek kitétségek és verejtékezés, a diéta, a dohányzás és munka közben alkalmazott fogások valószínűleg mind hozzájárulhatnak ezen tünetek

megjelenéséhez. A vibráció hatásainak csökkentése érdekében a kezelőnek be kell tartani az alábbi óvintézkedéseket:

- Hideg időben tartsa melegen a testét.  
A gép használatakor viseljen kesztyűt a kéz és a csukló melegen tartásához. Arról számoltak be, hogy a hideg időjárásnak fontos szerepe van a Raynaud-szindróma kialakulásában.
- Bizonyos időtartamú használat után mindig végezzen gyakorlatokat a vérkeringés javításához.
- Gyakran tartson munkaszünetet.  
Korlátozza a napi munkaidőt.

Ha ezen állapot bármelyik tünetét tapasztalja, azonnal hagyja abba a munkát, és tájékoztassa az orvosát a tünetekről.

### ▲ FIGYELEM

A gép hosszabb idejű folyamatos használata sérüléseket okozhat vagy súlyosbíthatja a tüneteket. Ha a gépet hosszú időn át kell használnia, tartson gyakran szünetet.

### ISMERJE MEG A TERMÉKET

137. oldal.

1. Tokmány
2. Csavarhúzó bitek
3. Menetirányváltó
4. Be - ki kapcsológomb
5. Fogantyú
6. A töltő dugója
7. USB-port
8. Töltőkábel
9. Jack bemenet

## KARBANTARTÁS

### ▲ FIGYELEM

Alkatrészek szerelésekor, beállítások végzésekor, tisztításkor, karbantartás végzésekor, illetve használaton kívül mindig húzza ki a gépet az elektromos hálózatról. A termék hálózatról történő leválasztása megakadályozza a véletlen bekapcsolódást, ami súlyos sérülést okozhat.

- Szervizeléskor csak azonos cserealkatrészeket használjon. Bármilyen más alkatrész használata veszélyes és a termék károsodását okozhatja.
- A műanyag részek tisztításakor tartózkodjon a tisztítószerek használatától. A kereskedelmi forgalomban kapható oldószerek rongáló hatással vannak a műanyagból készült elemek többségére. A szennyeződést és szénport tiszta ruhával törölje le.
- A műanyag részek semmilyen körülmények között nem érintkezhetnek fékolajjal, benzinnel, petróleum alapú termékekkel, beszívódó olajokkal stb. Ezen anyagok olyan vegyületeket tartalmaznak, amelyek károsíthatják, meggyengíthetik vagy tönkretelhetik a műanyagot.
- Elektromos szerszámgépek használatakor vagy a por kifúvásakor mindig viseljen védőszemüveget, ami a szemet oldalról is védi. Ha a használat poros környezetben történik, vegyen fel egy pormaszkit is.
- Anagjobb biztonság és megbízhatóság érdekében minden javítást hivatalos szervizközpontban kell elvégeztetni.

## KENÉS

A termékben lévő összes csapágy a termék teljes élettartamára elegendő kenőanyaggal van feltöltve, normál körülmények közötti használat esetén. Ebből kifolyólag nincs szükség arra, hogy a gép belső részeit kenje.

## KÖRNYEZETVÉDELEM



Segítse elő az alpanyagok újrahasznosítását azzal, hogy nem helyezi el őket a háztartási szemétkben. Környezetvédelmi megfontolásból az elhasználotott gépet és tartozékokat, valamint a csomagolóanyagokat szelektív módon kell gyűjteni.

## SZIMBÓLUMOK



Biztonsági figyelmeztetés



CE megfeleléség



Eurázsiai megfeleléségi jelzés



Ukrainai megfeleléségi nyilatkozat



A gép bekapcsolása előtt figyelmesen olvassa el az útmutatót.



A gép bekapcsolása előtt figyelmesen olvassa el az útmutatót.



II. osztályú berendezés



Csak beltéri használatra.



Üresjárat fordulatszám



USB-dugó polaritása

V Volt



Egyenáram

min<sup>-1</sup>

Fordulatok ill. löketek száma  
percenként

A kiselejtezett elektromos  
termékeket nem szabad  
a háztartási hulladékkal



együtt kidobni. Ezeket  
újra kell hasznosítani,  
ha van rá lehetőség.



Az újrahasznosítással  
kapcsolatban érdeklődjön a  
helyi önkormányzatnál vagy  
a termék forgalmazójánál.

## A KÉZIKÖNYVBEN HASZNÁLT SZIMBÓLUMOK



Megjegyzés



Külön értékesített  
alkatrészek és kiegészítők

A következő jelölőszavak és jelentések  
arra szolgálnak, hogy megmagyarázzák  
a termékkel kapcsolatos veszélyességi  
szinteket.

### **⚠ VESZÉLY**

Egy bekövetkező veszélyes helyzetet  
jelez, ami, ha nem előzik meg, halált  
vagy komoly sérülést eredményez.

### **⚠ FIGYELEM**

Egy potenciálisan bekövetkező  
veszélyes helyzetet jelez, ami, ha nem  
előzik meg, halált vagy súlyos sérülést  
eredményezhet.

### **⚠ VIGYÁZAT**

Egy potenciálisan veszélyes helyzetet  
jelez, ami, ha nem előzik meg, kisebb  
vagy mérsékelt súlyos sérülést  
eredményezhet.

### **VIGYÁZAT**

(Biztonsági figyelmeztető szimbólum  
nélkül) Egy olyan helyzetet jelez, ami  
anyagilag kárt eredményezhet.

Siguranța, performanța și fiabilitatea au fost principalele noastre priorități la proiectarea șurubelniței dvs.

## DOMENIU DE APLICAȚII

Șurubelnița poate fi utilizată doar de persoane adulte care au citit și au înțeles instrucțiunile și avertismentele din acest manual și pot fi considerate responsabile pentru acțiunile proprii.

Aceasta este destinată înșurubării și deșurubării șuruburilor.

Nu folosiți produsul în niciun alt fel decât cel menționat pentru folosirea lui destinată.

**NOTĂ:** Este recomandat să efectuați găuri de ghidare înainte de a înșuruba șuruburi.

## ⚠ AVERTISMENT

**Citiți, cu atenție, toate avertismentele, instrucțiunile și specificațiile furnizate împreună cu aparatul, și consultați ilustrațiile.** Nerespectarea instrucțiunilor prezentate în continuare poate provoca accidente cum ar fi incendii, electrocutare și/sau vătămări corporale grave.

**Salvați toate avertizările și instrucțiunile pentru o consultare ulterioară.**

## AVERTISMENTE DE SIGURANȚĂ PRIVIND ȘURUBELNIȚA

- **Țineți scula de suprafețele de prindere izolate, atunci când îndepliniți o operație acolo unde clemele ar putea intra în contact cu firele ascunse.** Clemele ce fac contact direct cu firele ar putea fi expuse direct la părțile din metal ale sculei și ar putea provoca operatorului electrocutarea.
- Temperatura ambientală în timpul

funcționării uneltei trebuie să fie cuprinsă între 0°C și 40°C.

- Temperatura ambientală în timpul depozitării uneltei trebuie să fie cuprinsă între 0°C și 40°C.

## AVERTISMENTE DE SIGURANȚĂ PRIVIND ÎNCĂRCĂTORUL

- Înainte de a utiliza încărcătorul, citiți toate instrucțiunile și marcasele de avertizare din acest manual, de pe încărcător, baterie și produsul cu care utilizați bateria, pentru a preveni utilizarea incorectă a produselor și posibilele accidente sau avarierea produsului.
- Nu utilizați încărcătorul la exterior și nu îl supuneți la umezeală. În cazul pătrunderii apei în încărcător, crește pericolul de electrocutare.
- Folosirea unui accesoriu nerecomandat sau vândut de către producătorul încărcătorului ar putea rezulta în risc de incendiu, electrocutare sau vătămarea persoanei. Reduceți astfel riscurile de electrocutare, de incendiu și de răniiri grave.
- Nu supuneți cablul sau încărcătorul unor condiții de utilizare improprii sau unor șocuri. Nu apucați niciodată încărcătorul de cablu. Când scoateți încărcătorul din priză, prindeți-l de ștecher, nu de cablu. În această situație cablul sau încărcătorul ar putea fi avariat și apare risc de electrocutare. Înlocuiți cablurile deteriorate imediat.
- Aveți grijă să nu călcați pe cablu sau să nu vă împiedicați de acesta. De asemenea, nu supuneți cablul la contactul cu margini ascuțite, piese în mișcare sau la alte acțiuni care l-ar putea deteriora. Astfel reduceți riscul de accidente și de deteriorare a cablului

care ar putea provoca electrocutare.

- Nu lăsați cablul și încărcătorul în apropierea unei surse de căldură, deoarece carcasa și piesele interne ar putea fi avariate.
- Nu folosiți încărcătorul dacă are cablul sau ștecherul deteriorat, deoarece există riscul de scurtcircuit și electrocutare. Dacă încărcătorul este avariata, acesta trebuie schimbat de un reprezentant de service.
- Nu utilizați încărcătorul dacă a fost lovit cu un obiect ascuțit, a fost scăpat din mână sau deteriorat în orice alt mod. Duceți-l la un centru de service autorizat pentru a stabili dacă se află în stare bună de funcționare.
- Nu dezasamblați încărcătorul. Duceți-l la un centru de service autorizat dacă sunt necesare lucrări de service sau reparații. Reasamblarea incorectă poate cauza risc de electrocutare sau incendiu.
- Deconectați încărcătorul de la priză înainte de curățare sau întreținere, pentru a reduce riscul de electrocutare.
- Deconectați încărcătorul de la priză de alimentare atunci când nu e folosit. Astfel, veți reduce riscul de electrocutare sau deteriorare a încărcătorului dacă în fantă pătrunde un obiect de metal. De asemenea, se previne deteriorarea încărcătorului în cazul unei pene de curent.
- Riscul de electrocutare. Nu atingeți porțiunea neizolată a conectorului de ieșire sau a bornei neizolate a bateriei.
- Nu încercați niciodată să încărcați baterii care nu pot fi reîncărcate.
- Temperatura ambientală în timpul încărcării uneltei (produsului) trebuie să fie cuprinsă între 10°C și 38°C.

## AVERTIZĂRI DE SIGURANȚĂ ASUPRA BATERIEI



Li-ion

- Nu eliminați bateriile folosite împreună cu deșeurile casnice sau să le ardeți. Pentru a elimina corespunzător deșeurile de acumulatori și pentru protejarea mediului, încredințați acumulatorii vechi la distribuitorul dvs RYOBI.
- Separați corespunzător deșeurile electronice prin îndepărtarea acumulatorilor integrați de la unitatea principală înainte de a-i arunca la gunoi. Încredințați-i la punctele de colectare corespunzătoare.
- Pentru îndepărtarea acumulatorului integrat: Separați carcasa de cealaltă prin deșurubarea șuruburilor. Deconectați acumulatorul de la circuit și scoateți-l.
- NOTĂ: Când e deschis, produsul nu mai este re folosibil sau să îi fie efectuat service-ul și trebuie eliminat corespunzător.
- Înainte de îndepărtarea acumulatorului de pe scula electrică, porniți produsul până când acumulatorul este complet descărcat.
- Asigurați-vă că acumulatorul ce vine îndepărtat nu vine în contact cu baterii, alți acumulatori sau materiale conductive prin protejarea bornelor expuse cu bandă sau capace izolatoare non-conductive.
- Nu încărcați niciodată un acumulator deteriorat.
- Temperatura ambientală în timpul

utilizării bateriei trebuie să fie cuprinsă între 0°C și 40°C.

- Temperatura ambientală în timpul depozitării bateriei trebuie să fie cuprinsă între 0°C și 20°C.

## RISCURI REZIDUALE

Chiar dacă produsul este folosit așa cum este descris, este totuși imposibil să se elimine complet anumiți factori de risc reziduali. Următoarele pericole ar putea apărea în timpul folosirii iar operatorul trebuie să acorde o atenție specială pentru a evita următoarele:

- Afectarea auzului datorită zgomotului  
Purtați echipament de protecție a auzului și limitați expunerea.
- Afectarea ochilor  
Purtați ochelari de protecție cu apăraătoare laterală atunci când folosiți acest produs.
- Vătămare cauzată de vibrații.  
Limitați expunerea. Urmați instrucțiunile din secțiunea Reducerea riscului.
- Electrocutare în urma contactului cu cablurile ascunse  
Țineți produsul doar de suprafețele izolate.
- Vătămare cauzată de praf.  
Praful creat prin operarea produsului poate cauza vătămare a căilor respiratorii. Purtați o mască anti-praf cu filtre adecvate pentru a vă proteja de particulele de material prelucrat.

## REDUCEREA RISCULUI

S-a reținut că vibrațiile de la sculele de mână pot contribui la starea numită Sindromul lui Raynaud, la anumite persoane. Simptomele pot include furnicăături, amorțeală și albirea degetelor, care apare, de obicei, după expunerea la frig. Factori ereditari, expunerea la frig și umiditate, dieta, fumatul și practicile de muncă contribuie la dezvoltarea acestor simptome. Există măsurător care pot

fi efectuate de către operator pentru a reduce efectele de vibrațiilor:

- Păstrați-vă temperatura corporală ridicată pe vreme rece. Când operați unitatea purtați mănuși pentru a vă menține mâinile și încheieturile la căldură. S-a constatat că vremea rece este un factor major care contribuie la sindromul Raynaud.
- După fiecare perioadă de operare, trebuie făcute exerciții pentru a crește circulația sângelui.
- Trebuie făcute pauze la intervale de timp regulate. Limitați expunerea zilnică.

Dacă sunt experimentate oricare dintre simptomele acestei afecțiuni, trebuie întreruptă utilizarea și consultat un medic.

## ▲ AVERTISMENT

Poti fi cauzate, sau agravate vătămări prin folosirea prelungită a sculei. Atunci când folosiți o sculă pentru perioade prelungite, asigurați-vă că luați pauze regulate.

## CUNOAȘTEȚI-VĂ PRODUSUL.

*Salt la pagina nr. 137.*

1. Mandrină
2. Burghie cu cap de șurubelniță
3. Selector înainte/înapoi
4. Declanșator comutator
5. Mâner
6. Conector de încărcare
7. Port USB
8. Cablu pentru încărcător
9. Conector de intrare

## ÎNTREȚINEREA

### ▲ AVERTISMENT

Produsul nu trebuie conectat niciodată la priză atunci când asamblați părțile, faceți reglaje, curățați sau faceți întreținerea, sau atunci când produsul nu este folosit. Deconectarea produsului va preveni pornirea accidentală ce poate cauza vătămare gravă.

- Atunci când efectuați proceduri de service, utilizați doar piese de schimb identice. Utilizarea altor piese poate crea situații periculoase sau poate conduce la deteriorarea produsului.
- Evitați utilizarea solvenților atunci când curățați piesele din plastic. Majoritatea materialelor plastice pot să fie deteriorate prin utilizarea unor solvenți vânduți în comerț. Utilizați o cârpă uscată pentru a îndepărta murdăria și reziduurile de carbon.
- Nu lăsați niciun moment ca lichidele de frână, produsele pe bază de petrol, uleiurile penetrante etc să intre în contact cu părțile din plastic. Aceste produse chimice conțin substanțe care pot afecta, slăbi sau distruge plasticul.
- Atunci când operați scula electrică sau când îndepărtați praful, purtați întotdeauna ochelari de protecție sau ochelari de protecție cu apărători laterale. Dacă mediu de lucru este plin de praf, purtați întotdeauna o mască împotriva prafului.
- Pentru o mai mare siguranță și încredere, toate reparațiile trebuie să fie îndeplinite la un centru service autorizat.

## LUBRIFIEREA

Toți rulmenții din interiorul produsului sunt lubrifiați cu o cantitate suficientă de lubrifiant de calitate înaltă pentru durata produsului în condiții normale de folosire. În consecință, nici o ungere suplimentară nu este necesară.

## PROTECȚIA MEDIULUI ÎNCONJURĂTOR



Reciclați materiile prime în loc să le aruncați la gunoi, împreună cu deșeurile menajere. Pentru a proteja mediul înconjurător, mașina, accesoriile acesteia și ambalajele trebuie triate.

## SIMBOLURI



Alertă de siguranță



Conformitate CE



Marcaj de conformitate EurAsian



Semn de conformitate ucrainean



Vă rugăm citiți instrucțiunile cu atenție înainte de pornirea aparatului.



Vă rugăm citiți instrucțiunile cu atenție înainte de pornirea aparatului.



Echipament clasa II



Doar pentru utilizare la interior



Viteză în gol



Polaritatea conectorului USB



V Volți



Curent continuu

min<sup>-1</sup>

Număr de rotații sau de mișcări pe minut



Deșeurile produselor electrice nu trebuie să fie înlăturate împreună cu deșeurile casnice. Vă rugăm să reciclați acolo unde există facilități. Verificați la autoritatea dvs. locală sau la vânzător pentru sfaturi privind reciclarea.

## SIMBOLURILE DIN MANUAL



Notă



Piese sau accesorii vândute separat

Rămătoarele cuvinte simbol și înțelesul lor au intenția de a explica nivelele de risc asociate cu acest produs.

### **PERICOL**

Indică o situație imediată de pericol, care dacă nu este evitată va rezulta în deces sau rănire gravă.

### **AVERTISMENT**

Indică o situație potențială de pericol, care dacă nu este evitată poate rezulta în deces sau rănire gravă.

### **PRECAUȚIE**

Indică o situație potențial periculoasă, care dacă nu este eviată, poate rezulta în vătămare minoră sau moderată.

### **PRECAUȚIE**

(Fără simbol de alertă de siguranță)

Indică o situație ce poate rezulta în distrugerea proprietății.

Drošībai, veikspējai un uzticamībai ir pievērsta vislielākā uzmanība, radot jūsu skrūvgriezi.

## PAREDZĒTĀ LIETOŠANA

Izstrādājums paredzēts lietošanai tikai pieaugušiem, kuri izlasījuši un sapratuši šīs rokasgrāmatas norādes un brīdinājumus un var tikt uzskatīti par atbildīgiem par savu rīcību.

Instrumenti ir paredzēti skrūvju un bultskrūvju ieskrūvēšanai un izskrūvēšanai.

Neizmantojiet ierīci citiem mērķiem, bet tikai tam paredzētajiem.

**PIEZĪME:** Ieteicams izmantot palīgcaurumus skrūvju ieskrūvēšanai.

## ▲ BRĪDINĀJUMS

Izlasiet visus drošības brīdinājumus, instrukcijas, specifiskācijas un apskatiet attēlus šī elektroinstrumenta dokumentācijā. Visu uzskaitīto instrukciju neievērošana ir bīstama; tā var izraisīt elektrisko triecienu, aizdegšanos un/vai nopietnas traumas.

Visus brīdinājumus un norādījumus saglabājiet turpmākām uziņām.

## SKRŪVGRIEŽA DROŠĪBAS BRĪDINĀJUMI

- Veicot darbību, kuras laikā stiprinātājs var saskarties ar slēptiem vadiem, turiet elektroinstrumentu aiz izolētajām satveršanas virsmām. Stiprinātāju saskare ar strāvu vadošiem elementiem var padarīt vadošas arī atklātās metāla daļas un izraisīt elektrošoku operatoram.
- Apkārtējās vides temperatūras diapazons instrumentam lietošanas laikā ir starp 0°C un 40°C.

- Apkārtējās vides temperatūras diapazons instrumenta uzglabāšanai ir starp 0°C un 40°C.

## LĀDĒTĀJA DROŠĪBAS BRĪDINĀJUMI

- Pirms akumulatora lādētāja izmantošanas izlasiet visas norādes un brīdinājuma atzīmes šajā rokasgrāmatā, uz akumulatora lādētāja, akumulatora un instrumenta, kurā tiek lietots akumulators, lai novērstu izstrādājumu nepareizu lietošanu un iespējamus ievainojumus vai bojājumus.
- Neizmantojiet lādētāju ārpus telpām un nepakļaujiet to slapjiem vai mitriem apstākļiem. Lādētājā iekļūvis ūdens palielinās elektrošoka risku.
- Papildinājumu, kas nav ieteikti vai akumulatora ražotāja pārdoti, lietošana var izraisīt aizdegšanos, elektrošoku vai citus miesas bojājumus. Šī noteikuma ievērošana mazinās elektriskā triecienu, aizdegšanās un nopietnu traumu risku.
- Nebojājiet lādētāja vadu. Nekad neizmantojiet vadu, lai nestu lādētāju. Kontaktdakšas vietā nevelciet aiz vada, lai atvienotu kontaktdakšu no sprieguma. Iespējami bojājumi vadam vai lādētājam, kas var radīt elektrošoka briesmas. Nekavējoties nomainiet vadus.
- Pārlicinieties, ka vads ir novietots tā, lai uz tā neuzkāptu, nepakļuptu, tas nenonāktu saskarsmē ar asām malām vai kustīgām daļām, vai citādi netiktu pakļauts mehāniskai ietekmei vai bojājumiem. Tas samazinās nejaušu kritienu risku, kas var izraisīt ievainojumus, bojājumus vadam, kas savukārt var izraisīt elektrošoku.
- Novietojiet vadu un lādētāju atstatu

no siltuma avotiem, lai novērstu bojājumus ārējām vai iekšējām daļām.

- Nelietojiet lādētāju ar bojātu vadu vai kontaktdakšu, kas var izraisīt īssavienojumu vai elektrošoku. Bojājuma gadījumā, veiciet lādētāja nomaiņu pilnvarotā servisa centrā.
- Neizmantojiet lādētāju, ja tas saņēmos asu triecienu, tīcis nomests vai bojāts jebkādā citā veidā. Nogādājiet to pilnvarotā servisa centrā elektriskai pārbaudei, lai pārliecinātos ka lādētājs ir labā darba kārtībā.
- Neizjauciet lādētāju. Nogādājiet pilnvarotā servisa centrā, ja nepieciešams remonts vai apkope. Nepareiza atpakaļ salikšana var radīt aizdegšanās vai elektrošoka draudus.
- Pirms jebkādu apkopes vai tīrīšanas darbu sākšanas atvienojiet lādētāju no sprieguma, lai samazinātu elektrošoka risku.
- Atvienojiet lādētāju no elektrības, kad to neizmantojat. Tas samazinās elektrošoka risku un lādētāja bojājumu iespēju, gadījumos, ja tā atverē iekrīt metāla priekšmeti. Tas palīdzēs novērst lādētāja bojājumus arī elektrotīkla pārsprieguma laikā.
- Elektriskā triecienu risks. Nepieskarieties neizolētajām lādētāja daļām vai neizolētajām akumulatoru spailēm.
- Nelādējiet primāros galvaniskos elementus (tie nav lādējami).
- Ieteicamais apkārtējās vides temperatūras diapazons lādēšanas sistēmai uzlādes laikā ir starp 10°C un 38°C.

## AKUMULATORA DROŠĪBAS BRĪDINĀJUMI



Li-ion

- Nedrīkst atbrīvoties no lietotām bateriju pakām, tās izmetot mājas atkritumu tvertnē vai sadedzinot. Lai pareizi utilizētu izlietotos akumulatorus un aizsargātu vidi, vecos akumulatorus nogādājiet RYOBI izplatītājam.
- Pareizi sašķirojiet elektroniskos atkritumus, pirms utilizācijas izņemot iebūvētos akumulatorus no galvenās ierīces. Nogādājiet tos piemērotā atkritumu savākšanas punktā.
- Lai izņemtu iebūvēto akumulatoru: atdalieliet korpusa detaļas vienu no otras, atskrūvējot skrūves. Atvienojiet akumulatoru no slēguma un izņemiet to.
- PIEZĪME: Tiklīdz ierīce tiek atvērta, tā vairs nav lietojama un darboties spējīga un tā pareizi jāutilizē.
- Vispirms ieslēdziet ierīci, līdz akumulators ir pilnībā izlādējies, un tikai pēc tam izņemiet akumulatoru no elektroinstrumenta.
- Nodrošiniet, lai utilizējamais akumulators nevarētu nonākt saskarē ar baterijām, citiem akumulatoriem vai vadītspējīgiem materiāliem, pasargājot atklātos savienotājus ar nevadāšu izolācijas lenti vai uzmvāmi.
- Nekad neuzlādējiet bojātu akumulatora bloku.
- Apkārtējās vides temperatūras diapazons akumulatoram lietošanas laikā ir starp 0°C un 40°C.
- Apkārtējās vides temperatūras

diapazons akumulatora uzglabāšanai ir starp 0°C un 20°C.

## PALIEKOSĪE RISKI

Pat tad, ja ierīce tiek lietota, kā aprakstīts, joprojām nav iespējams pilnībā novērst atsevišķus riska faktorus. Lietošanas laikā var rasties šādas briesmas un strādniekam īpaša uzmanība jāpievērš šim:

- Trokšņa izraisīti dzirdes bojājumi  
Nēsājiet piemērotus dzirdes aizsarglīdzekļus un ierobežojiet atrašanos šādās vietās.
- Acu ievainojumi  
Lietojot ierīci, valkājiet acu aizsegu vai aizsargbrilles.
- Vibrācijas radīti bojājumi  
Ierobežojiet iedarbību. Sekojiet norādēm sadaļā Risku samazināšana.
- Elektrošoks, ko izraisījusi saskarsme ar apslēptiem vadiem  
Turiet ierīci tikai aiz izolētajām virsmām.
- Putekļu izraisītas traumas  
Precis darbināšanas laikā radušies putekļi var radīt elpceļu savainojumus. Nēsājiet atbilstošu putekļu aizsargmasku ar filtriem, kas piemēroti aizsardzībai pret apstrādājamā materiāla daļiņām.

## RISKA SAMAZINĀŠANA

Ir ziņots, ka rokās turamu preču vibrācijas dažām personām var veicināt „Reino sindromu”. Simptomi var ietvert pirkstu tīkšķēšanu, nejutīgumu un nobālēšanu, parasti aukstā laikā. Tiek uzskatīts, ka tradicionālie faktori, aukstums un mitrums, uzturs, smēķēšana un darba prakse sekmē šo simptomu attīstību. Operators var veikt pasākumus, lai iespējami samazinātu vibrācijas efektu:

- Aukstā laikā ķermenim jābūt siltam.  
Darbinot ierīci, nēsājiet cimdus, lai rokas un plaukstas locītavas būtu siltas. Ir pētījumi, ka auksts laiks ir

galvenais faktors, kas veicina Reino sindromu.

- Ik pēc laika apturiet darbu un veiciet vingrinājumus, kas uzlabo asins cirkulāciju.
- Strādājot jābūt biežiem pārtraukumiem. Ierobežojiet iedarbības ilgumu dienā.

Ja jūs izjūtat kādu no šiem simptomiem, nekavējoties apturiet ierīces lietošanu un sazinieties ar ārstu par šiem simptomiem.

## ▲ BRĪDINĀJUMS

Ilgstoša instrumenta lietošana var izraisīt traumas vai pasliktināt veselības stāvokli. Ilgstoši lietojot jebkuru instrumentu, pārļiecinieties, ka tiek veikti regulāri pārtraukumi.

## IERĪCES IEPAZĪŠANA

Skatīt 137. lpp.

1. Patrona
2. Skrūvgrieža uzgali
3. Turpgaitas/atpakaļgaitas pārslēdzējs
4. Slēdža mēlīte
5. Rokturis
6. Lādētāja kontakts
7. USB pieslēgvietā
8. Lādētāja vads
9. Pieslēgšanas kontakts

## APKOPE

## ▲ BRĪDINĀJUMS

Produktu nekad nedrīkst pievienot barošanas padevei, veicot daļu montāžu, regulēšanu, tīrīšanu vai apkopi, kā arī laikā, kad tas netiek izmantots. Atvienojot produktu, tiek novērsta nejauša ieslēgšanās, kas var izraisīt nopietnu traumu.

- Veicot apkopi, izmantojiet tikai identiskas rezerves daļas. Jebkādi

citū detaļu izmantošana var izraisīt bīstamību vai produkta bojājumus.

- Tīrot plastmasas daļas, izvairieties no šķīdinātāju lietošanas. Vairums plastmasu ir jutīgas pret dažāda veida pārdošanā esošajiem šķīdinātājiem un to izmantošanas rezultātā var tikt bojātas. Lai notīrītu netīrumus un oglekļa putekļus, izmantojiet tīru drānu.
- Nekādā gadījumā plastmasas daļām neļaujiet nonākt saskarē ar benzīnu, naftas izstrādājumiem, eļļām ar paaugstinātu mitrināšanas spēju utt. Ķīmikālijas var sabojāt, novājināt vai iznīcināt plastmasas detaļas.
- Elektroinstrumenta darbības vai putekļu pūšanas laikā vienmēr izmantojiet aizsargbrilles vai drošības brilles ar sānu aizsargiem. Ja darbība ir saistīta ar putekļu rašanos, uzlieciet arī putekļu masku.
- Lielākas drošības un uzticamības labad visi remontu jāveic pilnvarotā apkopes centrā.

## EĻĻOŠANA

Visi izstrādājuma gultņi tiek eļļoti ar pietiekamu augstas kvalitātes smērvielas daudzumu, lai nodrošinātu produkta kalpošanas laiku normālos lietošanas apstākļos. Tāpēc papildu eļļošana nav nepieciešama.

## VIDES AIZSARDZĪBA



Tā vietā, lai izejmateriālus izmestu atkritumos, nododiet tos otrreizējai pārstrādei. Mašīna, aksesuāri un iepakojums ir jāsašķiro un jānodod videi draudzīgā atkārtotas pārstrādes vietā.

## APZĪMĒJUMI



Drošības brīdinājums



CE atbilstība



EurAsian atbilstības marķējums



Ukrainas apstiprinājuma zīme



Pirms iedarbināt mašīnu, lūdzu rūpīgi izlasiet instrukcijas.



Pirms iedarbināt mašīnu, lūdzu rūpīgi izlasiet instrukcijas.



II klases aprīkojums



Lietošanai tikai iekštelpās



Apgrīzieni bez slodzes



USB kontaktdakšas polaritāte

V

Volti



Līdzstrāva

min<sup>-1</sup>

Apgrīzieni minūtē

Izlietotie elektroprodukti nedrīkst tikt izmesti kopā ar mājsaimniecības atkritumiem. Lūdzu, nododiet tos attiecīgajās atkārtojamās izmantošanas vietās. Sazinieties ar savu vietējo varas pārstāvi vai izplatītāju, lai noskaidrotu, kur iespējama atkārtota pārstrāde.



## SIMBOLI ROKASGRĀMATĀ



Piezīme



Atsevišķi nopērkamās daļas  
vai piederumi

Lai izskaidrotu risku, kas saistīti ar izstrādājumu, līmeni, paredzēti šādi norādījuma vārdi un jēdzieni.

### **⚠ BĪSTAMI**

Norāda uz nenovēršami bīstamu situāciju, kas, ja netiks novērsta, izraisīs nāvi vai nopietnus miesas bojājumus.

### **⚠ BRĪDINĀJUMS**

Norāda uz potenciāli bīstamu situāciju, kas, ja netiks novērsta, var izraisīt nāvi vai nopietnus miesas bojājumus.

### **⚠ UZMANĪBU**

Norāda uz potenciāli bīstamu situāciju, kas, ja netiek novērsta, var izraisīt vieglus vai vidējus miesas bojājumus.

### **UZMANĪBU**

(Bez drošības trauksmes simbola), kas norāda, uz situāciju, kas var novest pie tīpašuma bojājuma.

Gaminant šį atsuktuvą didžiausia svarba buvo teikiama jo saugai, efektyvumui ir patikimumui.

### NAUDOJIMO PASKIRTIS

Šis gaminys skirtas naudoti suaugusiems asmenims, perskaičiusiems ir supratusiems šiame vadove pateiktas instrukcijas ir įspėjimus bei atsakingiems už savo veiksmus.

Gaminys skirtas varžtams ir sraigčiams įsukti ir išsukti.

Gaminį galima naudoti tik pagal paskirtį.

**PASTABA:** Prieš įgręžiant varžtus rekomenduojama įspausti bandomąsias skylutes.

### ⚠ ĮSPĖJIMAS

**Perskaitykite visus saugos įspėjimus, visas instrukcijas, paveikslėlius ir techninius reikalavimus, pateikiamus su šiuo elektriniu įrankiu.** Apačioje išdėstyta instrukcijų nesilaikymas gali sukelti elektros smūgį, gaisrą ir (ar) sunkius sužeidimus.

**Kad tinkamai naudotumėte įrankį, žr. visus perspėjimus ir nurodymus.**

### ĮSPĖJIMAI DĖL ATSUKTUVO SAUGOS

■ **Atlikdami darbą, kurio metu tvirtinamasis elementas gali susiliesti su nepastebėtais laidais, elektrinį įrankį laikykite izoliuotais spaustuvais.** Tvirtinamiesiems elementams prisilietus prie laido, kuriuo teka elektros srovė, ši srovė gali pradėti tekėti elektrinio įrankio neapsaugotomis metalinėmis dalimis ir įrankį naudojantis asmuo gali patirti elektros smūgį.

- Įrankio darbinės aplinkos temperatūros diapazonas nuo 0°C iki 40°C.
- Įrankio sandėliavimo aplinkos temperatūros diapazonas nuo 0°C iki 40°C.

### ĮSPĖJIMAI DĖL ĮKROVIKLIO SAUGOS

- Prieš naudodami akumuliatoriaus įkroviklį perskaitykite visas šiame vadove, ant įkroviklio, akumuliatoriaus ir gaminio, kuriame naudojamas akumuliatorius, pateiktas instrukcijas ir įspėjimus, kad išvengtumėte netinkamo jų naudojimo ir sužeidimo ar žalos pavojaus.
- Nenaudokite įkroviklio lauke ir saugokite jį nuo vandens ar drėgmės. Į įkroviklį patekus vandens, padidėja elektros smūgio pavojus.
- Naudojant nerekomenduojamą arba baterijų įkroviklio gamintojo parduotą įtaisą, gali įvykti gaisras, elektros smūgis arba gali būti sužeisti žmonės. Laikantis šių nurodymų, sumažinamas elektros smūgio, gaisro ar sunkių sužeidimų pavojus.
- Kabelį ir įkroviklį naudokite tik pagal paskirtį. Nenešiokite įkroviklio laikydami už kabelio. Atjungdami nuo maitinimo lizdo traukite kištuką, o ne įkroviklio kabelį. Antraip galite sugadinti kabelį arba įkroviklį, kils elektros smūgio pavojus. Pažeistą laidą būtina nedelsiant pakeisti.
- Kabelį laikykite taip, kad negalėtumėte ant jo užminti arba už jo užkliūti, kad jis neliestų aštrių briaunų ar judančių dalių ir būtų apsaugotas nuo gadinimo ar įtempimo. Taip sumažinsite sužeidimais galinčio baigtis griuvimo pavojų ir išvengsite kabelio sugadinimo, kuris gali lemti elektros smūgį.



- Saugokite kabelį ir įkroviklį nuo šilumos šaltinių, kurie gali pakenkti korpusui ir vidinėms dalims.
- Nenaudokite įkroviklio, jei jo kabelis arba kištukas sugadintas, nes tai kelia trumpojo jungimo ir elektros smūgio pavojų. Jei įkroviklio komponentai sugadinami, juos turi pakeisti įgaliotas priežiūros specialistas.
- Nenaudokite įkroviklio, jei jis patyrė stiprų smūgį, buvo numestas ar patyrė kitokią žalą. Nuneškite jį įgaliotam priežiūros specialistui, kad patikrintų elektros sistemą ir nustatytų, ar įkroviklis tinkamas naudoti.
- Neardykite įkroviklio. Prireikus atlikti priežiūros ar remonto darbus, nuneškite jį įgaliotam priežiūros specialistui. Netinkamai surinkus išardytą įkroviklį, galima sukelti elektros smūgį arba gaisrą.
- Prieš atlikdami bet kokius priežiūros ar valymo darbus atjunkite įkroviklį nuo maitinimo linijos, kad sumažintumėte elektros smūgio pavojų.
- Nenaudojamą įkroviklį reikia atjungti iš maitinimo. Taip sumažinsite elektros smūgio arba įkroviklio sugadinimo pavojų, jei į angas įkristų metalinių objektų. Be to, tai padės išvengti žalos dėl maitinimo įtampos svyravimų.
- Elektros smūgio pavojus. Nelieskite neizoliuotos išvado jungties ar baterijos gnybtų.
- Nekraukite pirminių elementų (jie nekraunami).
- Rekomenduojamas įkrovimo sistemų darbinės aplinkos temperatūros diapazonas nuo 10°C iki 38°C.

## BATERIJŲ SAUGOS ĮSPĖJIMAI



Li-ion

- Panaudotų baterijų paketų negalima mesti kartu su buitinėmis atliekomis ar deginti. Norėdami tinkamai utilizuoti baterijų blokus ir apsaugoti aplinką, atiduokite panaudotus blokus RYOBI platintojui.
- Tinkamai rūšiuokite elektronines atliekas ir, prieš išmesdami, ištraukite įmontuotus baterijų blokus iš pagrindinio įrenginio. Perduokite atitinkamoms atliekų surinkimo įmonėms.
- Kad ištrauktumėte įmontuotą baterijų bloką: atsukite varžtus ir atsirkite korpuso gaubtus vienas nuo kito. Atjunkite baterijų bloką nuo grandinės ir ištraukite.
- PASTABA: Atidarius, gaminio daugiau naudoti nebegalima arba remontuoti, jis turi būti tinkamai utilizuotas.
- Prieš ištraukdami baterijų bloką iš elektrinio įrankio, įjunkite gaminį ir laikykite įjungtą, kol baterijų blokas visiškai išsikraus.
- Užtikrinkite, kad baterijų blokas nesiliestų su baterijomis, kitais jų blokais ar laidžiosiomis medžiagomis apsaugodami išlindusias jungtis izoliacija, nelaidžiais gaubtais arba lipnia juosta.
- Niekada neįkraukite sugadintos akumuliatorių pakuotės.
- Baterijos darbinės aplinkos temperatūros diapazonas nuo 0°C iki 40°C.
- Baterijos sandėliavimo aplinkos





temperatūros diapazonas nuo 0°C iki 20°C.

### SALUTINIS PAVOJUS

Net naudojant gaminį griežtai pagal paskirtį neįmanoma visiškai atmesti kai kurių liktinių rizikos veiksnių. Naudojant gali kilti toliau nurodyti pavojai ir naudotojas turi būti ypatingai atsargus, kad išvengtų šių pavojų:

- Triukšmo sukelta žala klausai  
Užsidėkite tinkamas apsaugines ausines ir ribokite darbo laiką.
- Akių sužeidimai  
Naudodami šį gaminį dėvėkite akių apsauginį skydą ar akinius.
- Vibracijos sukeliama pažeidimai  
Ribokite buvimą darbo aplinkoje. Vadovaukitės instrukcijomis, pateiktomis rizikos mažinimo dalyje.
- Elektros smūgis palietus paslėptus laidus  
Laikykitės gaminį tik už izoliuotų paviršių.
- Dulkių sukeliama žala  
Dulkės, susidarancios naudojant gaminį, gali pakenkti kvėpavimo takams. Užsidėkite tinkamą apsaugos nuo dulkių kaukę su filtrais, saugančiais nuo dalelių, skleidžiamų medžiagos, su kuria dirbate.

### RIZIKOS MAŽINIMAS

Pranešama, kad rankinių įrankių keliamos vibracijos kai kuriems asmenims gali paskatinti Reino sindromo vystymąsi. Šios ligos požymiai yra pirštų dilgčiojimas, nutirpimas ir pabalimas, paprastai pasireiškiantis nuo šalčio. Šie simptomai vystosi dėl paveldimų veiksnių, nesisaugant nuo šalčio ir drėgmės, dėl mitybos, rūkymo ir darbo praktikos. Operatorius gali imtis šių priemonių, kurios gali sumažinti vibracijos poveikį:

- Apsirenkite kuo šilčiau šaltu oru. Dirbant šiuo prietaisu mūvėkite pirštines, kad plaštakos ir riešai būtų

laikomi šiltai. Turime pranešimų, kad Raynaud sindromas labiausiai vystosi nuo šalto oro sąlygų.

- po darbo kiekvieną kartą pasportuokite, kad pagerėtų kraujotaka;
- dažnai darykite darbo pertraukas. Apsirenkite darbo laikotarpį per dieną.

Jei jums pasireiškia kokie nors šios būklės simptomai, nedelsdami nutraukite darbą ir kreipkitės į gydytoją.

### ▲ ĮSPĖJIMAS

Ilgai naudojant įrankį, galima susižaloti arba pakenkti sveikatai. Ilgiau naudojant įrankius, reikia reguliariai daryti pertraukas.

### GERAI IŠMANYKITE APIE GAMINĮ

*Žiūrėti 137 psl.*

1. Laikiklis
2. Atsuktuvo antgaliai
3. Darbinės-reversinės eigos jungiklis
4. Perjungiklis
5. Rankena
6. Įkroviklio kištukas
7. USB lizdas
8. Įkroviklio laidas
9. Įvesties lizdas

### PRIEŽIŪRA

### ▲ ĮSPĖJIMAS

Perforatoriaus jokia būdu negalima jungti į maitinimo šaltinį montuojant dalis, reguliuojant, valant, atliekant priežiūros darbus ar jo nenaudojant. Atjungus perforatorių, jis nepasileis atsitiktinai: atsitiktinai pasileidęs, šis įrankis gali sunkiai sužaloti.

- Sugedusias detales keiskite tik originaliomis atsarginėmis detalėmis. Kitų detalių naudojimas gali sukelti

pavojų ar sugadinti įrankį.

- Valydami plastikines detales, nenaudokite tirpiklių. Daugelis plastikų jautrūs įvairių tipų komerciniams tirpikliams ir juos naudojant galima pažeisti plastikines detales. Švaria šluoste nuvalykite nešvarumus ir anglies dulkes.
- Stabdžių skysčiai, gazolinas ir benzino produktai, skvarbi oss alyvos ir pan. joki u būdu negali patekti ant plastiko dalių. Juose yra chemikalų, kurie gali sugadinti, pažeisti arba susilpninti plastiką.
- Dirbdami su elektriniu įrankiu ar kai pučiamos dulkės, visada dėvėkite apsauginius akinius ar akinius su šonine apsauga. Jei darbo metu kyla dulkės, taip pat dėvėkite kaukę nuo dulkių.
- Kad būtų saugiau ir patikimiau, visus remonto darbus turi atlikti įgaliotasis techninio aptarnavimo centras.

## SUTEPIMAS

Kad įprastomis darbo sąlygomis perforatorius ilgai nesusidėvėtų, visi jo guoliai sutepti reikiamu kiekiu aukštos klasės tepalo. Todėl daugiau jo tepti nebereikia.

## APLINKOS APSAUGA



Žaliavines medžiagas perdirbkite pakartotinai, o ne išmeskite kaip atliekas. Mechanizmas, priedai ir pakuotės turi būti laikomi pakartotinai perdirbti aplinkai nekenksmingu būdu.

## ŽENKLAI



Saugos perspėjimas



CE atitiktis



„EurAsian“ atitikties ženklas



Ukrainos atitikties ženklas



Atidžiai perskaitykite instrukcijas prieš pradėdami naudoti mechanizmą.



Atidžiai perskaitykite instrukcijas prieš pradėdami naudoti mechanizmą.



II klasės įranga



Skirta naudoti tik patalpose



Greitis be apkrovimo



USB kištuko poliškumas

V

Voltai



Nuolatinė srovė

min<sup>-1</sup>

Apsukos ar judėjimas per minutę



Elektrinių produktų atliekos neturi būti metamos kartu su namų ūkio atliekomis. Prašome perdirbkite jas ten, kur yra tokios perdirbimo bazės. Dėl perdirbimo patarimo kreipkitės į savo vietinę savivaldybę ar pardavėją.

## SIMBOLIAI VADOVE



Pastaba



Detalės arba priedai yra parduodami atskirai

Šie signaliniai žodžiai yra skirti nurodyti su prietaiso naudojimu susijusio pavojaus lygį.

#### **⚠ PAVOJUS**

Rodo grėšiančią pavojingą situaciją, kurios neišvengus galima patirti mirtiną arba sunkų sužalojimą,

#### **⚠ ĮSPĖJIMAS**

Rodo potencialiai pavojingą situaciją, kurios neišvengus galima patirti mirtiną arba sunkų sužalojimą.

#### **⚠ ATSARGIAI**

Rodo potencialiai pavojingą situaciją, kurios neišvengus galima patirti nesunkų arba vidutinio sunkumo sužalojimą.

#### **ATSARGIAI**

(Be įspėjamojo šauktuko) Reiškia situaciją, kurioje galima sugadinti turtą.

Kruvikeeraja juures on peetud esmatähtsaks selle ohutust, töövõimet ja töökindlust.

### OTSTARBEKOHANE KASUTAMINE

Toode on mõeldud kasutamiseks täiskasvanutele, kes on lugenud läbi selles kasutusjuhendis olevad juhised ja hoiatused ning need endale selgeks teinud, ja kes suudavad oma tegevuse eest vastutada.

Toode on mõeldud kruvide ja poldite kinnitamiseks ja eemaldamiseks.

Ärge kasutage seadet ühelgi muul viisil kui mainitud sihtotstarbeks.

**MÄRKUS:** Enne kruvi sissekeeramist soovitatatakse juhtavad ette puurida.

### ⚠ HOIATUS

**Lugege läbi kõik mehaanilise tööriista kohta esitatud ohuhoiatused ning tutvuge tööriista jooniste ja tehniliste andmetega.** Allpool esitatud hoiatuste ja juhiste eiramise puhul on oht saada elektrilööki või raskeid kehavigastusi ning/või tekitada tulekahju.

**Hoidke kõik hoiatused ja juhised edaspidiseks juhendumiseks alles.**

### KRUVIKEERAJA OHUTUSNÕUDED

- Töötamisel kohtades, kus tööriist võib kokku puutuda varjatud elektrijuhtmetega, hoidke tööriista kinni ainult isoleeritud käepidemetest. Kui kinnituskrugi satub kokkupuutesse pinge all olevate juhtmetega, jäävad tööriista isoleerimata metallosad pinge alla ja kasutaja võib saada elektrilöögi.
- Tööriista ümbritseva keskkonna temperatuur töö ajal jääb vahemikku 0°C–40°C.
- Tööriista ümbritseva keskkonna

temperatuur säilituse ajal on vahemikus 0°C–40°C.

### LAADIJA OHUTUSNÕUDED

- Enne akulaadija kasutamist lugege läbi kõik selles juhendis olevad laadijat, akut ja toodet puudutavad juhised ja hoiatused, et vältida toodete väärikasutust ning võimalikke vigastusi või kahjustusi.
- Ärge kasutage laadijat väljas ega märjas või niiskes keskkonnas. Akuse sattunud vesi suurendab elektrilöögi ohtu.
- Akulaadija tootja poolt mittesoovitatud või mitte müüdüd tarviku kasutamise korral võib tekkida tulekahju, elektrilöögi või kehavigastuse oht. Juhiste jälgimine vähendab elektrilöögi, tulekahju ja raske kehavigastuse ohtu.
- Ärge tarvitage juhet ega laadijat valesti. Ärge iialgi tassige akut, hoides kinni selle juhtmest. Kui te ühendate akut vooluvõrgust lahti, ärge tõmmake juhtmest vaid pistikust. Vastasel juhul võite vigastada juhet või akut ning võib tekkida elektrilöögi oht. Asendage vigastatud toitejuhtmed viivitamatult.
- Jälgige, et juhe on paigaldatud nii, et see ei jää jalgade alla ega sellele ei saa otsa komistada, see ei puutu kokku teravate servade ega liikuvate osadega või ei saa muul viisil kahjustada ega ole pinge all. See vähendab kogemata kukkumiste ohtu, mis võivad tekitada vigastusi, ja juhtme kahjustusi, mis võivad põhjustada elektrilöögi.
- Hoidke juhe ja laadija eemal kuumusest, et vältida korpuse ja sisemiste osade kahjustusi.
- Ärge kasutage laadijat, kui selle juhe või pistik on kahjustatud - see võib põhjustada lühise ja elektrilöögi.

Laske kahjustatud aku välja vahetada volitatud hooldustöötajal.

- Ärge kasutage laadijat, kui see on saanud tugeva löögi, maha kukkunud või saanud kahjustusi mõnel muul viisil. Viige see elektrilisse kontrolli volitatud hooldustöökotta, et kindlaks määrata, kas laadija on töökorras.
- Ärge demonteerige laadijat. Hoolduseks või parandamiseks viige see volitatud hooldustöökotta. Nõuetevastane lahtivõtmine võib põhjustada elektrilöögi või tulekahju.
- Enne mis tahes hooldustöid või puhastamist eemaldage laadija vooluvõrgust, et vähendada elektrilöögi ohtu.
- Kui laadijat ei kasutata, siis võtke pistik pistikupesast välja. See vähendab elektrilöögi või laadija vigastuste ohtu, kui metallesemed peaksid kukkuma avadesse. See aitab vältida ka laadija kahjustusi pingeimpulsi korral.
- Elektrilöögi oht. Ärge puudutage akupesa isoleerimata klemme või akuklemme.
- Ärge taaslaadige patareisid (mittelaetavad).
- Selle laadimissüsteemi soovitatav ümbritseva keskkonna temperatuur laadimise ajal on vahemikus 10°C–38°C.

## AKU OHUHOIATUSED



Li-ion

- Ärge pange kasutatud akupakette majapidamisjäätmete hulka ega püüdke neid põletada. Vanaakude nõuetekohase utiliseerimise

tagamiseks ja keskkonna kaitsmiseks andke vanad akupaketid üle RYOBI edasimüüjale.

- Sortige elektroonikaseadmete jäätmed ja eemaldage sisseehitatud akupaketid seadmest enne utiliseerimist. Andke akud selleks ettenähtud kogumispunktidesse.
- Sisseehitatud akupaketi väljavõtmine: Eraldage korpuse pooled teineteisest kruvide eemaldamise järel. Ühendage akupakett vooluahelast lahti ja võtke välja.
- MÄRKUS: Pärast avamist ei ole seade enam kasutatav ega remonditav ja tuleb nõuetekohaselt utiliseerida.
- Enne akupaketi tööriistast eemaldamist lülitage seade sisse ja laske akul tühjeneda.
- Olge ettevaatlik, et utiliseeritav akupakett ei satuks kokkupuutesse teiste patareide, akupakkettide või elektrit juhtivate materjalidega ja isoleerige nende lahtised voolujuhid või katke voolu mittejuhtivate kübarate või teibiga.
- Ärge kunagi laadige kahjustatud akut.
- Akut ümbritseva keskkonna temperatuur kasutamise ajal on vahemikus 0°C–40°C.
- Akut ümbritseva keskkonna temperatuur ladustamise ajal on vahemikus 0°C–20°C.

## JÄÄKRISKID

Isegi siis, kui seadet kasutatakse kirjeldatud viisil, ei ole võimalik kõrvaldada kõiki jääkriskide mõjureid. Töötamise ajal võivad tekkida järgmised ohud, millele operaator peab pöörama erilist tähelepanu.

- Mürä poolt põhjustatud kuulmiskahjustus

Kandke sobivaid kõrvakaitseid ja piirake kokkupuudet.

- Silmade vigastus  
Seadmega töötamisel kandke silmamaški või kaitseprille.
- Vibratsioonist põhjustatud kehavigastus  
Piirake kokkupuudet. Järgige juhiseid, mis on toodud osas "Ohu vähendamine".
- Kokkupuutest varjatud juhtmetega põhjustatud elektrilöök  
Hoidke seadet käes ainult isoleeritud pindadest.
- Tolmust põhjustatud kehavigastus  
Töötamise ajal tekkiv tolm võib põhjustada tõsisid hingamisorganite kahjustusi. Kandke nõuetekohast tolmu maski, mille filtrid kaitsevad töödeldava materjali osakeste eest.

### RISKI ALANDAMINE

Teadaolevalt võib käsitööriistade kasutamine põhjustada mõnedel inimestel seisundit, mida nimetatakse Raynaud' sündroomiks. Sümptomidena võib ilmuda sõrmede tuimus ja valkjaks muutumine, mis tavaliselt ilmneb külmas töötamisel. Nende sümptomite puhul tuleb hoiduda külmast ja niiskusest, dieedist ning suitsetamisest ja kasutada õigeid töövõtteid. Vibratsiooni mõju vähendamiseks tuleb rakendada järgmisi abinõusid.

- Külma ilmaga hoidke oma keha soe. Kandke kindaid, et hoida oma käed ja randmed soojad. Uuringud näitavad, et Raynaud's Syndrome ilmneb põhiliselt külma ilmaga.
- Pärast külmas töötamist tehke harjutusi, et verevarustust kiirendada.
- Tehke regulaarselt töovaheaegasid. Piirake tööperioodi pikkust.

Kui ilmnevad haigustunnused, lõpetage kohe töö ja pöörduge arsti poole.

### ▲ HOIATUS

Seadme pikaajalisel kasutamisel võite saada kehavigastusi või vigastused võivad süveneda. Seadme kasutamisel pika aja jooksul tuleb teha korralisi vaheaegasid.

### ÕPPIGE OMA TOODET TUNDMA

Vt lk 137.

1. Padrun
2. Kruvikeeraja otsakud
3. Edasi/tagasi liikumise valija
4. Lülitusnupp
5. Käepide
6. Laadija pistik
7. USB port
8. Laadija juhe
9. Sisendpesa

### HOOLDUS

### ▲ HOIATUS

Seade ei tohi mingil juhul olla toitepinge all sel ajal kui kinnitate selle osi, teete reguleerimistoiminguid, puhastate või hooldate seadet ning siis kui seda ei kasutata. Seadme elektrivõrgust lahtiühendamine väldib selle tahtmatu käivitumise, mis võib põhjustada raske kehavigastuse.

- Kasutage teenindamisel ainult täpselt sobivaid varuosi. Muude osade kasutamine võib tekitada ohuolukorra ja põhjustada seadme vigastumise.
- Vältige plastosade puhastamisel lahustite kasutamist. Enamik plaste on tundlikud kaubandusvõrgust saadaolevate lahustite suhtes ja võivad nende mõjul oma omadusi kaotada. Mustuse ja süsinikutolmu eemaldamiseks kasutage puhast lappi.
- Ärge laske plastosadel mitte mingil

juhul sattuda kokkupuutesse auto pidurivedeliku, bensiini, bensiinipõhiste toodete, immutusõlidega või muude samalaadsete vedelikega. Kemikaalid võivad kahjustada, nõrgendada või hävitada plastiku.

- Töötamisel ja tolmu ärapuhumisel kandke alati silmamaski või küljekaitsetega kaitseprille. Kui töötlemine on tolmune, siis kandke tolmumaski.
- Kõik remonttööd tuleb lasta teha volitatud hoolduskeskuses, et tagada masina ohutus ja töövõime.

## MÄÄRIMINE

Kõik selle tööriista laagrid on tehases täidetud piisava hulga kvaliteetse määrdega, mis tagab tavatingimustes nende töövõime kogu kasutusea jooksul. Seetõttu ei ole täiendav määrimine vajalik.

## KESKKONNAKAITSE



Taaskasutage materjale nende jäätmekäitluse andmise asemel. Masin, selle lisaseadmed ja pakend tuleb jäätmekäitluseks keskkonnasõbralikult sorteerida.



Enne seadme kasutamist lugege palun kasutusjuhend hoollega läbi.



Enne seadme kasutamist lugege palun kasutusjuhend hoollega läbi.



II klassi seadmed



Ainult siseruumides kasutamiseks



Kiirus ilma koormuseta



USB pistiku polaarsus



Volt



Alalisvool



Pöörete või löökide arv minutis

Mittekasutatavaid elektritooteid ei tohi visata olmejäätmete hulka. Vaid tuleb viia vastavasse kogumispunkti. Vajadusel küsige sellekohast nõu oma edasimüüjalt või vastavalt kohaliku omavalitsuse instiitutsioonilt.



## SÜMBOLID



Ouhoiatus



CE-vastavus



Euraasia vastavusmärk



Ukraina vastavusmargis

## KASUTUSJUHENDIS KASUTATUD SÜMBOLID



Märkus



Eraldi ostetavad osad või tarvikud

Järgnevad märguandesõnad ja tähendused on mõeldud selle toote kasutamise seotud riskitasemete kirjeldamiseks.

EN  
FR  
DE  
ES  
IT  
NL  
PT  
DA  
SV  
FI  
NO  
RU  
PL  
CS  
HU  
RO  
LV  
LT  
ET  
HR  
SL  
SK  
BG  
UK  
TR  
EL

**⚠ OHT.**

Osutab ähvardavale ohuolukorrale, mille mittevältimine lõpeb surma või tõsise vigastusega.

**⚠ HOIATUS**

Osutab võimalikule ohuolukorrale, mille mittevältimine võib lõppeda surma või tõsise kehavigastusega.

**⚠ ETTEVAATUST**

Osutab võimalikule ohuolukorrale, mille mittevältimine võib lõppeda väiksemate või mõõdukate kehavigastustega.

**ETTEVAATUST**

(Ilma ohutussümbolita) Viitab olukorrale, mis võib põhjustada kahjustusi varale.

130.com.ua



Dizajn Vašeg odvijača počiva na prioritetima sigurnosti, visokih performansi i pouzdanosti.

## NAMJENA

Proizvod smiju koristiti isključivo punoljetne osobe koje su pročitale i razumjele upute i upozorenja u ovom priručniku i koje se mogu smatrati odgovornima za svoje postupke.

Proizvod je namijenjen uvijanju i odvijanju vijaka.

Nemojte koristiti proizvod na bilo koji drugi način od onog za koji je namijenjen.

**NAPOMENA:** Preporučuje se korištenje usmjernih otvora prije uvrtanja vijaka.

## ▲ UPOZORENJE

**Pažljivo pročitajte sva upozorenja, upute i specifikacije priložene uz alat i pogledajte crteže.** Nepoštivanje svih uputa može dovesti do električnog udara, požara i / ili teške ozljede.

**Spremite sva upozorenja i upute za buduće korištenje.**

## SIGURNOSNA UPOZORENJA ZA ODVIJAC

- **Kad izvodite radove na mjestima gdje učvrstni element može doći u kontakt sa skrivenim ožičenjem, držite alat za izoliranu površinu za hvatanje.** Dodirivanje „žive“ žice zatezačem može izložiti metalne dijelove alata električnoj energiji i dovesti do strujnog udara na operatera.
  - Raspon temperatura okoliša za alat za vrijeme rada je između 0 °C i 40 °C.
  - Raspon temperatura okoliša za pohranu alata je između 0 °C i 40 °C.
- Kako biste izbjegli pogrešno korištenje i moguća oštećenja i ozljede, prije korištenja punjača baterije pročitajte sva uputstva i sigurnosne oznake u priručniku, na punjaču baterije i proizvodu koji koristi tu bateriju.
  - Punjač nemojte koristiti vani ili ga izlagati mokrim ili vlažnim uvjetima. Prodor vode u punjač povećava rizik od strujnog udara.
  - Korištenje priključka koji nije preporučen ili prodan od strane proizvođača baterije može dovesti do opasnosti od požara, strujnog udara ili ozljeda osoba. Tako ćete izbjeći opasnost od strujnog udara, požara i teških ozljeda.
  - Kabel ili punjač nemojte koristiti na pogrešan način i u druge namjene. Nikada nemojte postavljati punjač tako da visi na kabelu. Punjač prilikom isključivanja izvucite držeći ga za utikač, a ne povlačeći kabel. Tako možete oštetiti kabel i stvoriti opasnost od električnog udara. Odmah zamijenite oštećene kabele.
  - Kabel mora biti smješten tako da se ne može nagaziti na ili saplesti o njega i tako da ne može doći u kontakt s oštrim rubovima ili pokretnim dijelovima ili se oštetiti na neki drugi način. Na taj način ćete smanjiti opasnost od slučajnih padova koji mogu prouzročiti ozljede te oštećenja kabela koja mogu rezultirati strujnim udarom.
  - Kabel i punjač držite dalje od izvora topline kako biste spriječili oštećenja kućišta ili unutarnjih dijelova.
  - Nemojte uključivati punjač s oštećenim kabelom ili utikačem, jer to može uzrokovati kratki spoj i strujni udar.

## BEZBEČNOSTNI VAROVANÍ NA NABIJEĆE

EN  
FR  
DE  
ES  
IT  
NL  
PT  
DA  
SV  
FI  
NO  
RU  
PL  
CS  
HU  
RO  
LV  
LT  
ET  
HR  
SL  
SK  
BG  
UK  
TR  
EL

Oštećeni punjač zamijenite kod ovlaštenog serviseru.

- Nemojte uključivati punjač ako je punjač pretrpio udarac, pao s visine ili na neki drugi način oštećen. Odnosite ga ovlaštenom serviseru na provjeru električnih dijelova kako bi se utvrdilo je li punjač u ispravnom stanju za rad.
- Nemojte rastavljati punjač. Ako je potreban servis ili popravak, odnesite ga ovlaštenom serviseru. Nepravilno sklapanje može dovesti do opasnosti od strujnog udara ili požara.
- Prije izvođenja radova održavanja ili čišćenja izvucite punjač iz utičnice kako biste smanjili opasnost od strujnog udara.
- Odsvojite punjač iz napajanja kada se ne koristi. Tako ćete smanjiti opasnost od strujnog udara ili oštećenja punjača ako u otvor upadne metalni predmet. Također, time ćete spriječiti oštećivanje punjača u slučaju prenapona.
- Opasnost od strujnog udara. Ne dodirujte neizolirani dio vanjskog priključka ili neizolirani priključak baterije.
- Ne pokušavajte puniti baterije koje se ne mogu puniti.
- Preporučena temperatura okoliša za sustav punjača za vrijeme punjenja je između 10 °C i 38 °C.

#### SIGURNOSNA UPOZORENJA VEZANO ZA BATERIJU



Li-ion

- Ne odlažite iskorištenu bateriju u kućni otpad ili ih spaljivati. Kako biste osigurali pravilno odlaganje otpadnih

baterija i zaštitili okoliš, odnesite svoje stare baterije RYOBI distributeru.

- Pravilno odvojite elektronički otpad uklanjanjem ugrađenih baterija iz glavne jedinice prije odlaganja. Odnosite ih do odgovarajućih točaka za prikupljanje.
- Za uklanjanje ugrađene baterije: Odsvojite ćelije jedne od drugih uklanjanjem vijaka. Odsvojite baterije iz strujnog kruga i uklonite.
- NAPOMENA: Kad se otvori, proizvod se više ne može koristiti ili servisirati i treba ga pravilno odložiti.
- Prije uklanjanja baterije iz AKU-alata, isključite proizvod prije nego je baterija potpuno ispražnjena.
- Osigurajte da odložena baterija ne može doći u kontakt s drugim baterijama ili provodnim materijalima tako da zaštitite izložene priključke s izolacijom, kapicama koje ne provode energiju ili trakom.
- Nikada nemojte puniti oštećeni set baterija.
- Raspon temperatura okoliša za bateriju za vrijeme uporabe je između 0 °C i 40 °C.
- Raspon temperatura okoliša za pohranu baterije je između 0 °C i 20 °C.

#### PREOSTALE OPASNOSTI

Čak i kad je proizvod korišten kao što je prethodno opisano, još uvijek nije moguće potpuno isključiti ostale čimbenike opasnosti. Može doći do sljedećih opasnosti prilikom korištenja i operater mora obratiti posebnu pozornost kako bi izbjegao sljedeće:

- Oštećenja sluha uzrokovana bukom. Nosite odgovarajuću zaštitu za sluh i ograničite izlaganje buci.

- Ozljeđe očiju  
Nosite štitičke za oči ili naočale kada koristite proizvod.
- Ozljeđe uzrokovane vibracijom  
Ograničite izloženost. Slijedite uputstva u odjeljku Smanjivanje rizika.
- Strujni udar zbog dodira sa skrivenim ožičenjem  
Držite proizvod samo za izolirane površine.
- Ozljeđe uzrokovane prašinom  
Prašina stvorena radom proizvoda može uzrokovati povrede disanja. Nosite odgovarajuću masku za zaštitu od prašine s filtrima za zaštitu od čestica s materijala koji se obrađuje.

### SMANJENJE OPASNOSTI

Prijavljeno je da vibracije alata kod određenih pojedinaca mogu doprinijeti stanju pod nazivom Raynaud's Syndrome. Simptomi mogu uključivati trnce, ukočenost i bjelinu prstiju, obično uočljivo po izlaganju hladnoći. Smatra se da nasljedne osobine, izlaganje hladnoći i vlazi, dijeta, pušenje i radni postupci pridonose razvoju ovih simptoma. Postoje mjere koje operator može poduzeti kako bi smanjio moguće učinke vibracije:

- Održavajte svoje tijelo toplim u hladnim vremenskim uvjetima. Kad radite s uređajem nosite rukavice kako biste ruke i zglobove održavali toplima. Prijavljeno je da je hladnoća glavni čimbenik koji doprinosi Raynaud's Syndrome.
- Nakon svakog perioda rada vježbajte kako biste povećali cirkulaciju krvi.
- Uzimajte česte stanke u radu. Ograničite količinu izlaganja po danu.

Ako osjetite neke od simptoma ovog stanja, odmah prekinite korištenje i obratite se svome liječniku vezano uz ove simptome.

### ⚠ UPOZORENJE

Ozljeđe mogu biti uzrokovane ili izazvane produljenim vremenskim razdobljem korištenja alata. Kada koristite bilo koji alat dulje vremena, osigurajte da uzimate povremene stanke.

### UPOZNAJTE SVOJ PROIZVOD

*Pogledajte stranicu 137.*

1. Stezna glava
2. Svrdla s nastavcima za uvrtnje
3. Birač naprijed/natrag
4. Sklopka za pokretanje
5. Ručka
6. Priključak punjača
7. USB ulaz
8. Kabel punjača
9. Ulazni priključak

### ODRŽAVANJE

### ⚠ UPOZORENJE

Proizvod nikad ne smije biti priključen na izvor napajanja kada sastavljate dijelove, vršite podešenja, čistite, izvodite održavanje ili kada se proizvod ne koristi. Iskapčanje proizvoda sprječava slučajno pokretanje koje može dovesti do ozbiljnih osobnih ozljeda.

- Prilikom servisiranja koristite samo identične zamjenske dijelove. Korištenje nekih drugih dijelova može dovesti do opasnosti ili uzrokovati oštećenje alat.
- Prilikom čišćenja plastičnih dijelova izbjegavajte koristiti kemijska sredstva. Većina plastika je podložna različitim vrstama komercijalnih kemijskih sredstava za čišćenje i mogu se oštetiti prilikom njihovog korištenja. Čistom krpom uklonite prljavštinu i ugljičnu

prašinu.

- Nikada ne dopustite kontakt plastičnih dijelova s tekućinom za kočnice, benzinom, proizvodima na bazi petroleja, sredstvima za odmašćivanje, idr. Ti kemijski proizvodi sadrže tvari koje mogu oštetiti, oslabiti ili uništiti plastiku.
- Uvijek tijekom rada s električnim alatom ili prilikom ispuhivanja prašine nosite zaštitne naočale i zaštitne naočale s bočnim štitnicima. Ako radite u prašini nosite i masku za zaštitu od prašine.
- Radi veće sigurnosti i pouzdanosti, sve popravke treba izvoditi ovlašteni servisni centar.

## PODMAZIVANJE

Svi ležajevi u ovom proizvodu podmazani su s dovoljnom količinom visokokvalitetnog sredstva za podmazivanje za životni vijek proizvoda u normalnim radnim uvjetima. Stoga nije potrebno daljnje podmazivanje.

## ZAŠTITA OKOLIŠA



Sirovine reciklirajte, umjesto da ih odlažete kao otpad. Kako biste zaštitili okoliš, alat, dodatke i ambalažu treba odvojeno bacati u otpad.

## SIMBOLI



Sigurnosno upozorenje



CE usklađenost



EurAsian znak konformnosti



Ukrajinska oznaka za sukladnost



Molimo da pažljivo pročitate upute prije pokretanja stroja.



Molimo da pažljivo pročitate upute prije pokretanja stroja.



Oprema klase II



Pouze pro použiti v domě



Brzina bez opterećenja



Polaritet USB priključka



Volti



Istosmjerna struja



Broj okreta ili pokreta u minuti



Otpadni električni proizvodi ne treba da se odlažu s otpadom iz domaćinstva. Molimo da reciklirate gdje je to moguće. Potražite savjet od lokalnih vlasti ili prodavca kako reciklirati.

## SIMBOLI U PRIRUČNIKU



Napomena



Dijelovi ili pribor prodan odvojeno

Slijedeće riječi upozorenja i značenja imaju namjeru da objasne nivo rizika u vezi s ovim proizvodom.

## ⚠ OPASNOST

Naznačuje prijeteću opasnu situaciju, koja ako se ne izbjegne dovodi do smrti ili ozbiljnih ozljeda.

### **⚠ UPOZORENJE**

Naznačuje potencijalno opasnu situaciju, koja ako se ne izbjegne dovodi do smrti ili ozbiljnih ozljeda.

### **⚠ OPREZ**

Naznačuje potencijalno opasnu situaciju, koja ako se ne izbjegne dovodi do lakših ili srednjih ozljeda.

### **OPREZ**

(Bez simbola upozorenja sigurnosti)  
Označava situaciju koja može izazvati oštećenje imovine

EN  
FR  
DE  
ES  
IT  
NL  
PT  
DA  
SV  
FI  
NO  
RU  
PL  
CS  
HU  
RO  
LV  
LT  
ET  
**HR**  
SL  
SK  
BG  
UK  
TR  
EL

130.com.ua

Pri zasnovi tega izvijaja smo se prednostno osredotočali na varnost, učinkovitost in zanesljivost.

### NAMEN UPORABE

Izvijaj lahko uporabljajo samo odrasle osebe, ki so prebrale in razumeje navodila ter opozorila v tem priročniku ter so sposobne prevzeti odgovornost za svoja dejanja.

Izvijaj je namenjen privijanju in odvijanju vijakov ter sornikov.

Izdelka ne uporabljajte na noben način, ki ni predpisan za to napravo.

**OPOMBA:** Priporočamo, da naredite vodilne luknje, preden privijete vijak.

### ⚠ OPOZORILO

**Preberite vsa varnostna opozorila, navodila, ilustracije in specifikacije, ki so priložene temu električnemu orodju.** Če ne upoštevate opozoril in navodil, lahko pride do električnega udara, ognja in/ali hudih poškodb.

**Vsa opozorila in vsa navodila shranite za bodočo referenco.**

### VARNOŠTNA OPOZORILA ZA IZVIJAJ

- Če izvajate opravila, pri katerem bi se pritrdilo lahko dotaknilo skrite napeljave, orodje držite za izolirane površine. Če se pritrdila dotaknejo zive, ki je pod električno napetostjo, se lahko izpostavljeni kovinski deli električnega orodja naelektrijo in povzročijo električni udar.
- Temperatura okolja delovanja orodja je med 0 °C in 40 °C.
- Temperatura okolja za shranjevanje baterije je med 0 °C in 40 °C.

### VARNOŠTNA OPOZORILA ZA POLNJENJE

- Za preprečevanje napačne uporabe naprave in morebitnih telesnih poškodb ali škode pred uporabo polnilnika baterij v celoti preberite navodila v tem priročniku in si oglejte opozorilne oznake na polnilniku baterij, baterijah in napravi, v katero namestite baterijo.
- Polnilnika ne uporabljajte na prostem ali na mokrih ali vlažnih mestih. Vdor vode v polnilnik poveča nevarnost električnega udara.
- Uporaba nastavkov, ki jih proizvajalec polnilnikov ne priporoča ali ne prodaja, lahko povzroči požar, električni udar ali telesne poškodbe. Če boste upoštevali vsa pravila, boste zmanjšali možnost električnega udara, požara in hudih telesnih poškodb.
- Zagotovite pravilno uporabo kabla ali polnilnika. Polnilnika pri prenosu nikoli ne držite za njegov kabel. Pri izključitvi polnilnika iz vtičnice ne vlecite kabla polnilnika, temveč njegov vtič. S tem lahko poškodujete kabel ali polnilnik, kar lahko privede do nevarnosti električnega udara. Poškodovane kable takoj zamenjajte.
- Prepričajte se, da je kabel položen na mestu, kjer ga ne morete pohoditi, se ob njega spotakniti, kjer ne more priti v stik z ostrimi robovi ali vrtečimi deli ali ni izpostavljen drugim poškodbam ali obremenitvam. S tem preprečite nevarnost nenamernih padcev, ki lahko privedejo do telesnih poškodb, in poškodb kabla, ki lahko privedejo do električnega udara.
- Da bi se izognili poškodbam ohišja in notranjih sestavnih delov, kabla in polnilnika ne približujte virom toplote.



- Polnilnika s poškodovanim kablom ali vtičem ne uporabljajte, saj lahko to privede do kratkega stika in električnega udara. Poškodovan polnilnik naj zamenja pooblaščen serviser.
- Polnilnika ne uporabljajte, če je bil izpostavljen močnemu udarcu, če vam je padel iz rok ali če se je kakor koli drugače poškodoval. V tem primeru ga posredujte pooblaščenemu serviserju, da preveri električne povezave in pravilno delovanje.
- Polnilnika ne razstavljajte. Če potrebuje servis ali popravilo, ga posredujte pooblaščenemu serviserju. Če je polnilnik napačno ponovno sestavljen, lahko pride do električnega udara ali požara.
- Polnilnik pred kakršnimi koli vzdrževalnimi deli ali čiščenjem izključite iz vtičnice, da zmanjšate nevarnost električnega udara.
- Polnilnik izključite iz napajanja, kadar ga ne uporabljate. S tem boste zmanjšali nevarnost električnega udara ali poškodb polnilnika, v primeru da v režo pade kovinski delec. Zmanjšali boste tudi nevarnost poškodb polnilnika med napetostnimi udari.
- Nevarnost električnega udara. Ne dotikajte se neizoliranih delov izhodnega priključka ali baterijskega terminala.
- Ne polnite primarnih celic (niso primerne za polnjenje).
- Priporočena temperatura okolja za polnilni sistem med polnjenjem je med 10 °C in 38 °C.

## BATERIJA – VARNOSTNA OPOZORILA



Li-ion

- Uporabljenih baterij ne zavržite med gospodinjne odpadke oziroma jih ne sežgite. Da bi zagotovili ustrezno odstranjevanje uporabljenih baterij in hkrati varovali okolje, stare baterije izročite svojemu RYOBI zastopniku.
- Elektronske odpadke ustrezno ločite tako, da odstranite vloženo baterijo, preden izdelek zavržete. Baterije dostavite na ustrezn zbirni center.
- Kako odstraniti vloženo baterijo: Odvijte vijake in odprite ohišje. Baterijo odklopite in jo odstranite.
- OPOMBA: Po odprtju izdelka ni več mogoče ponovno uporabiti ali popraviti, in ga je treba takoj ustrezno odstraniti.
- Preden baterijo odstranite iz električnega orodja, vklopite napravo, da se baterija popolnoma izprazni.
- Prepričajte se, da baterije, ki jih boste zavrgli, ne pridejo v stik z ostalimi baterijami ali prevodnimi materiali. V ta namen zaščitite izpostavljene konektorje z izolirnim, neprevodnim pokrovčkom ali trakom.
- Nikoli ne polnite poškodovanega baterijskega sklopa.
- Temperatura okolja za baterijo (izdelek) je med 0 °C in 40 °C.
- Temperatura okolja za shranjevanje baterije (izdelka) je med 0 °C in 20 °C.

## PREOSTALA TVEGANJA

Nekateri preostalih dejavnikov tveganja ni mogoče povsem odpraviti, tudi če ta



izdelek uporabljate v skladu z navodili. Med uporabo se lahko pojavijo nekatere nevarnosti, upravljavec pa naj bo pozoren na naslednje:

- Poškodba sluha zaradi hrupa  
Nosite ustrezno zaščito sluha in čim bolj omejite izpostavljenost hrupu.
- Poškodba oči  
Med uporabo izdelka nosite zaščitna očala.
- Poškodbe zaradi vibracij  
Omejite izpostavljenost. Upoštevajte navodila v poglavju »Zmanjševanje nevarnosti«.
- Električni udar zaradi stika s skritimi žicami  
Izdelek držite samo za izolirane površine.
- Poškodbe zaradi prahu  
Prah, ki nastane pri uporabi izdelka, lahko povzroči poškodbe dihal. Nosite ustrezno protiprašno masko s filtri, ki zagotavlja ustrezno zaščito pred delci, ki tvorijo material obdelovancev.

## ZMANJŠANJE TVEGANJA

Poročali so že, da lahko vibracije ročnih orodij pri nekaterih posameznikih pripomorejo k razvoju Raynaudovega sindroma. Simptomi so lahko mravljinци, otrplost in pobeljeni prsti, kar je običajno vidno, kadar je oseba izpostavljena mrazu. Dedni dejavniki, izpostavljenost mrazu in vlagi, dieta, kajenje in delovne navade naj bi pripomogle k razvoju teh simptomov. Za zmanjšanje učinkov vibracij lahko upravljavec upošteva naslednja navodila:

- Poskrbite, da bo vaše telo na mrazu toplo. Med upravljanjem nosite rokavice in tako ohranjajte toploto vaših dlani in zapestij. Kot poročajo, je mraz glavni dejavnik, ki prispeva k Raynaudovemu sindromu.
- Po vsakem obdobju upravljanja naprave telovadite in tako pospešite krvni obtok.

- Pogosto si vzemite odmor. Omejite dnevno količino izpostavljenosti.

Če zaznavate kakršnekoli simptome takšnega stanja, takoj prenehajte z uporabo naprave in se posvetujte z zdravnikom.

### ▲ OPOZORILO

Zaradi daljše uporabe orodja lahko pride do poškodb oz. se morebitne poškodbe poslabšajo. Kadar orodje uporabljate dalj časa, si večkrat vzemite odmor.

## SPOZNAJTE SVOJ IZDELEK

Glej stran 137.

1. Pritezalnik
2. Nastavki za vijachenje
3. Izbirnik delovanja naprej/nazaj
4. Sprožilo stikala
5. Ročaj
6. Vtič polnilnika
7. USB-vhod
8. Polnilni kabel
9. Vhod

## VZDRŽEVANJE

### ▲ OPOZORILO

Ko sestavljate dele, prilagajate, čistite ali vzdržujete orodje, ali ko izdelka ne uporabljate, ga nikoli ne imejte priključenega na vir napajanja. Če izdelek odklopite, preprečite nenameren zagon, ki bi lahko povzročil hude poškodbe.

- Ob servisiranju uporabljajte samo identične nadomestne dele. Uporaba drugih delov lahko pomeni tveganje ali povzroči škodo na izdelku.
- Pri čiščenju plastičnih delov se izogibajte topilom. Večina vrst plastik se lahko pri uporabi različnih komercialnih topil poškoduje. Umazanijo in ogljikov



prah odstranite s čisto krpo.

- Zavorna tekočina, gorivo, izdelki na osnovi nafte, prodirajoče olje ipd. nikoli ne smejo priti v stik s plastičnimi deli. Kemikalije lahko poškodujejo, oslabijo ali uničijo plastiko.
- Vedno nosite zaščitna očala s stranskimi ščitniki, ko uporabljate električna orodja ali ko spihujete prah. Če pri delu nastaja prah, nosite tudi zaščitno masko proti prahu.
- Zaradi večje varnosti in zanesljivosti naj vsa popravila izvaja pooblaščen servisni center.

## MAZANJE

Vsi ležaji na napravi so namazani z dovolj kakovostnega maziva, tako da mazanje naprave ob normalni uporabi do konca življenjske dobe naprave ni več potrebno. Zato dodatno mazanje ni potrebno.

## ZAŠČITA OKOLJA



Namesto, da napravo zavržete, reciklirajte surovine. Napravo, pribor in embalažo je treba sortirati za okolju prijazno recikliranje.

## SIMBOLI



Varnostno opozorilo



Skladnost CE



EurAsian oznaka o skladnosti



Ukrajinska oznaka za skladnost



Prosimo, da si pred zagonom naprave pozorno preberete navodila



Prosimo, da si pred zagonom naprave pozorno preberete navodila



Oprema razreda II



Samo za uporabo v zaprtih prostorih



Hitrost brez obremenitve



Polarnost USB-vtiča

V

Volti



Enosmerni tok

min<sup>-1</sup>

Vrtljajev ali nihajev na minuto



Odpadne električne izdelke ne odlagajte skupaj z ostalimi gospodinjskimi odpadki. Reciklažo opravljajte na predpisanih mestih. Za nasvet se obrnite na lokalne oblasti.

## SIMBOLI V PRIROČNIKU



Opomba



Deli ali dodatki so na prodaj ločeno

Sledeče signalne besede in pomeni naj bi pojasnili ravni tveganja, ki so povezane s tem izdelkom.

### ⚠ NEVARNOST

Označuje neizogibno nevarno stanje, ki lahko povzroči smrt ali hude poškodbe, če ga ne preprečite.

### ⚠ OPOZORILO

Označuje morebitno nevarno stanje, ki bi lahko povzročilo smrt ali hude poškodbe,

če ga ne preprečite.

**⚠ POZOR**

Označuje morebitno nevarno stanje, ki lahko povzroči manjše ali zmerne poškodbe, če se ga ne preprečite.

**POZOR**

(Brez simbola Varnostni alarm) Označuje stanje, ki lahko privede do poškodovanja lastnine.

130.com.ua

Bezpečnosť, efektívnosť a spoľahlivosť boli prvoradé pri navrhovaní vášho skrutkovača.

## ÚČEL POUŽITIA

Tento výrobok môžu používať len svojprávnne dospelé osoby, ktoré si prečítali a porozumeli pokynom a varovaniam v tejto príručke.

Tento výrobok je určený na uťahovanie a povoľovanie skrutiek a svorníkov.

Tento produkt nepoužívajte žiadnym iným spôsobom, ako je uvedené v účele použitia.

**POZNÁMKA:** Odporúča sa pred skrutkovaním použiť vodiace otvory.

## VAROVANIE

**Prečítajte si všetky výstrahy, pokyny, vyobrazenia a špecifikácie dodané k tomuto elektrickému nástroju. Pri nedodržaní týchto výstrah a pokynov môže dôjsť k úrazu elektrickým prúdom, požiaru a/alebo závažnému poraneniu**

**Odložte všetky výstrahy a pokyny pre budúce použitie.**

## BEZPEČNOSTNÉ VÝSTRAHY PRE SKRUTKOVAC

- **Držte elektrický nástroj za izolovaný povrch rukoväte pri vykonávaní prác, pri ktorých môže sponka naraziť na skryté vedenie.** Sponky v kontakte so „živým“ vodičom by mohli spôsobiť, že obnažené kovové diely budú pod prúdom a spôsobiť obsluhujúcemu zásah elektrickým prúdom.
- **Rozsah okolitej teploty počas prevádzkovania náradia je 0 °C až 40 °C.**
- **Rozsah okolitej teploty počas skladovania náradia je 0 °C až 40 °C.**

## BEZPEČNOSTNÉ VÝSTRAHY PRE NABÍJAČKU

- **Pred použitím nabíjačky batérií si prečítajte všetky pokyny a výstražné značky v tejto príručke, nachádzajúce sa na nabíjačke batérií, na batérii a na výrobku, ktorý túto batériu používa, aby sa zabránilo nesprávnemu použitiu výrobkov a možnému zraneniu alebo poškodeniu.**
- **Nepoužívajte nabíjačku vo vonkajšom prostredí a nevystavujte ju vode alebo vlhkým podmienkam.** Vniknutie vody do nabíjačky zvýši riziko úrazu elektrickým prúdom.
- **Pri používaní príslušenstva, ktoré neodporúča alebo nepredáva výrobca nabíjačky akumulátorov, vzniká riziko požiaru, úrazu elektrickým prúdom alebo poranení osôb.** Dodržaním tohto pravidla znižujete riziko úrazu elektrickým prúdom, požiaru alebo závažného poranenia.
- **Nepoškodzujte kábel alebo nabíjačku.** Nikdy nepoužívajte kábel na prenášanie. Neťahajte kábel nabíjačky skôr než zástrčku odpojíte zo zásuvky. Mohlo by dôjsť k poškodeniu kábla alebo nabíjačky a vzniknúť nebezpečenstvo úrazu elektrickým prúdom. Poškodené káble ihneď vymeňte.
- **Uistite sa, že je umiestnený tak, aby nebol možné po ňom stúpať, zakopnúť oň, prísť do styku s ostrými hranami alebo pohyblivými časťami alebo aby nebol iným spôsobom vystavený poškodeniu a namáhaniu.** Zníži sa tým riziko náhodných pádov, ktoré by mohli spôsobiť zranenie a poškodenie kábla, čo by mohlo viesť k úrazu elektrickým prúdom.
- **Udržujte kábel a nabíjačku od zdrojev**

EN  
FR  
DE  
ES  
IT  
NL  
PT  
DA  
SV  
FI  
NO  
RU  
PL  
CS  
HU  
RO  
LV  
LT  
ET  
HR  
SL  
SK  
BG  
UK  
TR  
EL

tepla, aby nedošlo k poškodeniu krytu alebo vnútorných častí.

- Nepoužívajte nabíjačku s poškodeným káblom alebo zástrčkou, ktoré by mohli spôsobiť skrat a úraz elektrickým prúdom. V prípade poškodenia si nechajte nabíjačku vymeniť autorizovaným opravárom.
- Nepoužívajte nabíjačku, ak došlo k prudkému nárazu, jej pádu alebo ak bola poškodená akýmkoľvek iným spôsobom. Odneste ju na elektrické preskúšanie k autorizovanému opravárovi, aby zistil, či je nabíjačka je v dobrom funkčnom stave.
- Nerozoberajte nabíjačku. Keď je nevyhnutný servisný zásah alebo oprava, odneste ju k autorizovanému opravárovi. Pri nesprávnej opätovnej montáži môže vzniknúť riziko úrazu elektrickým prúdom alebo požiaru.
- Odpojte nabíjačku zo zásuvky predtým vykonávaním akejkoľvek údržby alebo čistenia, aby sa znížilo riziko úrazu elektrickým prúdom.
- Odpojte nabíjačku z elektrickej siete, keď sa nepoužíva. Zníži sa tým riziko úrazu elektrickým prúdom alebo poškodenia nabíjačky, ak by do otvoru spadli kovové predmety. Pomôže to tiež zabrániť poškodeniu nabíjačky pri nárazovom prúde.
- Riziko úrazu elektrickým prúdom. Nedotýkajte sa neizolovanej časti výstupného konektora alebo neizolovanej svorky akumulátora.
- Nenabíjajte primárne (nenabíjateľné) články.
- Odporúčaný rozsah okolitej teploty pre nabíjací systém počas nabíjania je 10 °C až 38 °C.

## AKUMULÁTOR – BEZPEČNOSTNÉ POKYNY



Li-ion

- Použité jednotky akumulátorov nevyhadzujte do komunálneho odpadu ani ich nespálujte. Na zabezpečenie správnej likvidácie použitých akumulátorov a na ochranu životného prostredia, staré akumulátory odovzdajte vašmu distribútorovi produktov RYOBI.
- Správne skladovanie elektronického odpadu – pred likvidáciou vyberte akumulátory z náradia. Odovzdajte ich na príslušné zberné miesta.
- Ak vyberiete integrovanú jednotku akumulátora: Oddel'te schránky krytu navzájom od seba odstránením skrutiek. Odpojte akumulátora z obvodu a vyberte ju.
- POZNÁMKA: Po otvorení akumulátora sa stane nepoužiteľným a nie je možné na ňom vykonať servis a musí sa správnym spôsobom zlikvidovať.
- Pred vybratím akumulátora z elektrického nástroja zapnite náradie, kým sa akumulátor úplne nevybijie.
- Zabezpečte, aby akumulátor, ktorého chcete zlikvidovať, nemohol prísť do kontaktu s akumulátormi, či vodivými materiálmi – ochráňte obnažené konektory izolačnými nevodivými viečkami alebo páskou.
- Nikdy nenabíjajte poškodenú sadu batérií.
- Rozsah okolitej teploty počas používania batérie je 0 °C až 40 °C.
- Rozsah okolitej teploty počas

skladovania batérie je 0 °C až 20 °C.

## ZVÝŠKOVÁ RIZIKOVOSŤ

Aj keď sa nástroj používa podľa predpisu, nie je možné eliminovať určité zvyškové rizikové faktory. Pri použití vznikajú nasledujúce riziká a obsluhujúca osoba musí venovať zvláštnu pozornosť, aby nedošlo k nasledovnému:

- Poškodenie sluchu spôsobené hlukom  
Noste vhodnú ochranu sluchu a obmedzte vystavenie účinku hluku.
- Poranenia očí  
Pri práci s produktom používajte ochranné štíty na oči alebo okuliare.
- Zranenie spôsobené vibráciami  
Obmedzte expozíciu. Postupujte podľa pokynov v časti Zníženie riziká.
- Úraz elektrickým prúdom spôsobený kontaktom so skrytými vodičmi  
Produkt držte vždy len za izolované povrchy.
- Zranenie spôsobené prachom  
Prach produkovaný pri práci s produktom môže spôsobiť poranenie dýchacích ciest. Používajte primeranú masku proti prachu s filtermi, vhodnú na ochranu proti časticiam z opracovávaného materiálu.

## OBMEDZENIE RIZIKA

Boli hlásené prípady, kedy vibrácie z ručných nástrojov u niektorých osôb prispeli k stavu nazývanému Raynaudov syndróm. K symptómom patria: tŕpnutie, znecitlivenie a blednutie prstov, zvyčajne zjavné po vystavení zime. Je známe, že k vývoju týchto symptómov prispievajú: dedičné faktory, vystavovanie zime a vlhkosti, diéta, fajčenie a pracovné návyky. Opatrenia, ktoré môže vykonať obsluhujúca osoba na možné zníženie účinkov vibrácií:

- V studenom počasí udržiavajte svoje telo v teple. Pri práci so zariadením

noste rukavice, aby ste mali ruky a zápästia v teple. Boli hlásené prípady, kedy hlavným faktorom prispievajúcim k Raynaudovmu syndrómu bolo studené počasie.

- Po každom určitom časovom úseku prevádzky cvičte, aby ste zlepšili krvný obeh.
- Počas práce si doprajte časté prestávky. Obmedzte počet vystavení za deň.

Ak zistíte ktorýkoľvek zo symptómov tohto stavu, okamžite prerušte používanie zariadenia, navštívte svojho lekára a povedzte mu o symptómoch.

## VAROVANIE

Dlhodobé používanie nástroja môže spôsobiť alebo zhoršiť poranenia. Pri používaní nástroja príliš dlhé obdobia si vždy doprajte pravidelné prestávky.

## OBOZNÁMTE SA S VAŠÍM PRODUKTOM

Viď strana 137.

1. Skľučovadlo
2. Hroty skrutkovača
3. Volič pohybu dopredu/dozadu
4. Spínač
5. Držadlo
6. Zástrčka nabíjačky
7. USB port
8. Kábel na nabíjanie
9. Vstupný konektor

EN  
FR  
DE  
ES  
IT  
NL  
PT  
DA  
SV  
FI  
NO  
RU  
PL  
CS  
HU  
RO  
LV  
LT  
ET  
HR  
SL  
SK  
BG  
UK  
TR  
EL

## UDRŽBA

### VAROVANIE

Tento produkt sa nikdy nesmie pripájať do elektrickej siete, keď montujete diely, vykonávate úpravy, čistíte alebo vykonávate údržbu, alebo keď produkt nepoužívate. Odpojením produktu zabránite náhodnému spusteniu, ktoré by mohlo spôsobiť závažné poranenie.

- Pri servise používajte len originálne náhradné diely. Použitie iných dielov môže predstavovať riziko alebo spôsobiť poškodenie produktu.
- Vyhýbajte sa použitiu rozpúšťadiel pri čistení plastových častí. Veľšina plastických materialov je občutlivá na rôzne vrstvy komerčially dostupných topilín iných z nich z nichovo uporabo ľahko poškodujeme. Používajte čistú handričku na odstránenie nečistôt a uhlíkového prachu.
- Dbajte na to, aby do kontaktu s plastovými dielmi nikdy neprišli do kontaktu brzďové kvapaliny, benzín, ropné produkty, prenikavé oleje a pod. Chemikálie môžu poškodiť, oslabiť či zničiť plast.
- Pri práci s mechanickým nástrojom alebo ofukovaním prachu vždy používajte ochranné okuliare alebo ochranné okuliare s bočnými chráničmi. Ak pri práci vzniká prach, používajte aj protiprachovú masku.
- Pre vyššiu bezpečnosť a spoľahlivosť sa musia všetky opravy vykonávať v autorizovanom servisnom centre.

## MAZANIE

Všetky ložiská v produkte sú namazané dostatočným množstvom mazivom vysokej akosti na celú životnosť

produktu pri bežných prevádzkových podmienkach. Preto nie je potrebné žiadne ďalšie mazanie.

## OCHRANA ŽIVOTNÉHO PROSTREDIA



Surové materiály recyklujte, nelikvidujte ich ako odpad. Stroj, príslušenstvo a obaly by sa mali triedene recyklovať spôsobom šetrným k životnému prostrediu.

## SYMBOLY



Buďte ostražití



Zhoda CE



Euroázijská značka zhody



Ukrajinské označenie zhody



Pred zapnutím zariadenia si prosím prečítajte inštrukcie



Pred zapnutím zariadenia si prosím prečítajte inštrukcie



Zariadenie triedy II



Určené len na vnútorné použitie



Otáčky bez zaťaženia



Polarita USB zástrčky



Napätie



Jednosmerný prúd



Počet otáčok za minútu



Opatrebované elektrické zariadenia by ste nemali odhadzovať do domového odpadu. Prosíme o recykláciu ak je možné. Kontaktujte miestne úrady, alebo predajcu pre viac informácií ohľadom ekologického spracovania.

## SYMBOLY V NÁVODE



Poznámka



Diely alebo príslušenstvo predávané samostatne

Nasledujúce značky a významy vysvetľujú úroveň rizika spojeným s výrobkom.

### **⚠ NEBEZPEČENSTVO**

Označuje bezprostredne nebezpečnú situáciu, ktorá, ak jej nepredídete, spôsobí usmrtenie alebo vážne poranenie.

### **⚠ VAROVANIE**

Označuje potenciálne nebezpečnú situáciu, ktorá, ak jej nepredídete, môže spôsobiť usmrtenie alebo vážne poranenie.

### **⚠ UPOZORNENIE**

Označuje potenciálne nebezpečnú situáciu, ktorá, ak jej nepredídete, môže spôsobiť menšie alebo stredne závažné poranenie.

### **UPOZORNENIE**

(Bez výstražnej značky s výkričníkom)  
Označuje situáciu, ktorá môže zapríčiniť škody na majetku.

Безопасността, работните характеристики и надеждността са аспектите, на които е отделен най-голям приоритет при проектирането на вашия винтоверт.

### ПРЕДНАЗНАЧЕНИЕ

Продуктът е разработен, за да бъде използван от възрастни, които са прочели и разбрали инструкциите и предупрежденията в настоящото ръководство и могат да бъдат считани като отговорни за своите действия.

Този продукт е предназначен само за завинтване и развинтване на винтове и болтове.

Не използвайте продукта по начини, различни от посочените.

**ЗАБЕЛЕЖКА:** Препоръчва се да се използват водещи отвори, преди да се завият винтовете.

### ⚠ ПРЕДУПРЕЖДЕНИЕ

Прочетете всички предупреждения за безопасност инструкции, илюстрации и спецификации, предоставени с този електрически инструмент. Неспазването на инструкциите, изброени по-долу, може да доведе до електрически удар, пожар и/или тежки физически травми.

Съхранявайте всички предупреждения и инструкции за бъдещи справки.

### ПРЕДУПРЕЖДЕНИЯ ЗА БЕЗОПАСНОСТ ПРИ РАБОТА С ВИНТОВЕРТ

■ Хващайте електрическия инструмент за изолираните повърхности за захващане, когато извършвате дейност, при която скрепителният елемент може

да влезе в контакт със скрити кабели. Скрепителни елементи, които влизат в контакт с „оголен“ проводник, може да доведат до протичането на ток по откритите метални елементи на електрическия инструмент и да причинят токов удар на оператора.

- Диапазонът на околната температура при работа с инструмента е между 0°C и 40°C.
- Диапазонът на околната температура при съхранение на инструмента е между 0°C и 40°C.

### ПРЕДУПРЕЖДЕНИЯ ЗА БЕЗОПАСНОСТ НА ЗАРЯДНОТО УСТРОЙСТВО

- Преди да използвате зарядното устройство, прочетете всички инструкции и предупредителни означения в това ръководство, върху зарядното устройство, батерията и продукта, захранван от батерия, за да предотвратите неправилна употреба на продуктите и евентуално нараняване или повреда.
- Не използвайте зарядното устройство на открито и не го излагайте на влага. Проникването на вода в него повишава риска от токов удар.
- Използването на приспособление, което не е препоръчано или не се продава от производителя на зарядното устройство за батерии, може да доведе до риск от пожар, токов удар или физически наранявания. Спазването на това правило ще намали опасността от токов удар, пожар или сериозни физически наранявания.
- Не злоупотребявайте с кабела или



зарядно устройство. Никога не пренасяйте зарядното устройство, като го държите за кабела. При изключване от контакт не дърпайте кабела на зарядното устройство, а вместо това хванете щепсела. Може да възникне повреда в кабела или зарядното устройство и това да създаде риск от токов удар. При повреда в кабелите ги сменете незабавно.

- Уверете се, че кабелът е разположен така, че да не бъде настъпван, да не може да спъне някого, да не влиза в контакт с остри ръбове или движещи се части или да подлежи по друг начин на повреда или натоварване. Това ще намали риска от случаен сблъсък, което може да причини нараняване и повреда на кабела, което може да доведе до електрически удар.
- Дръжте кабела и зарядното устройство далеч от топлина, за да предотвратите щети по корпуса и вътрешните компоненти.
- Не използвайте зарядно устройство с повреден кабел или щепсел, които може да причини късо съединение или токов удар. При повреда зарядното устройство трябва да бъде подменено от упълномощен сервизен техник.
- Не използвайте зарядното устройство, ако е било ударено силно, изпуснато или повредено по какъвто и да е друг начин. Занесете го в упълномощен сервиз за електрическа проверка, за да се определи дали зарядното устройство е в добро работно състояние.
- Не разглобявайте зарядното

устройство. Предайте го на упълномощен сервизен техник, когато се налага сервизно обслужване или ремонт. Неправилното сглобяване може да доведе до риск от токов удар или пожар.

- За да намалите риска от токов удар, изваждайте кабела на зарядното устройство от контакта, преди да извършите профилактика или почистване.
- Изключвайте зарядното устройство от електрическата мрежа, когато не се използва. Така ще се намали рискът от токов удар или повреда на зарядното устройство, ако в отвора попаднат метални предмети. Това ще помогне и за предотвратяването на повреда на зарядното устройство при токов удар.
- Опасност от електрически удар. Не докосвайте неизолирана част на изходящия конектор или неизолирана клемма на акумулатора.
- Не презареждайте основните клетки (неподлежащи на презареждане)
- Препоръчителният диапазон на околната температура при зареждане със зарядната система е между 10°C и 38°C.

#### ПРЕДУПРЕЖДЕНИЯ ЗА БЕЗОПАСНОСТ НА АКУМУЛАТОРА



Li-ion

- Не изхвърляйте използваните акумулаторни батерии в битовите отпадъци или чрез изгаряне. За да гарантирате правилно изхвърляне

EN
FR
DE
ES
IT
NL
PT
DA
SV
FI
NO
RU
PL
CS
HU
RO
LV
LT
ET
HR
SL
BK
<b>BG</b>
UK
TR
EL

на изтощените батерии и да опазите околната среда, предайте старите батерии на своя дистрибутор на Ryobi.

- Разделяте отпадъците от електронни уреди правилно, като отстраните вградените батерии от основния уред преди изхвърляне. Предайте ги на съответните пунктове за събиране.
- За да отстраните вградената батерия: Отделете двете половини на корпуса, като развийте винтовете. Изключете батерията от веригата и я извадете.
- **ЗАБЕЛЕЖКА:** След отваряне продуктът вече не може да бъде използван повторно и не подлежи на обслужване, затова следва да бъде изхвърлен по подходящ начин.
- Преди да отстраните батерията от електрическия инструмент, включете продукта, докато батерията се разрези напълно.
- Уверете се, че батерията, която предстои да бъде изхвърлена, не влиза в контакт с батерии, други батерийни комплекти или електропроводими материали, като обезопасите оголените конектори с изолиращи и непроводими капацити или изолирбанд.
- Никога не зареждайте повредени батерии.
- Диапазонът на околната температура при използване на батерията е между 0°C и 40°C.
- Диапазонът на околната температура при съхранение на батерията е между 0°C и 20°C.

## НЕПРЕДВИДЕНИ РИСКОВЕ.

Дори когато продуктът се използва по предназначение, е невъзможно напълно да се ограничи влиянието на определени рискови фактори. Могат да възникнат следните опасности и операторът трябва да обърне особено внимание, за да ги избегне:

- Увреждане на слуха в следствие на излагане на шум. Носете антифони и ограничете излагането.
- Нараняване на очите. Носете маска за предпазване на очите или предпазни очила, когато използвате продукта.
- Нараняване, причинено от вибрация. Ограничете излагането. Следвайте указанията в „Намаляване на риска“.
- Токов удар след контакт със скрити кабели. Дръжте продукта само за изолираните повърхности.
- Наранявания, причинени от прах. Прахът, генериран при работа с продукта, може да причини респираторно увреждане. Носете маска за контролиране на праха с подходящи филтри, която може да ви предпази от прах от материала, върху който работите.

## ΜΕΙΩΣΗ ΚΙΝΔΥΝΟΥ

Известно е, че вибрациите, произвеждани от ръчни инструменти може да предизвикат у някои индивиди заболяване, наречено Синдром на Рейнолд (Raynaud's Syndrome). Симптомите може да включват изтръпване, схващане и избледняване на пръстите, обикновено се забелязват при излагане на студ. Смята се, че наследствените фактори, излагането на студ и влага, диетите, пушенето и някои работни навици допринасят за развитието на тези симптоми. Могат

да се вземат някои мерки, които могат да се предприемат от оператора, за да се намалят ефектите от вибрациите:

- Поддържайте телесната температура в студено време. Когато боравите с инструмента, носете ръкавици, за да поддържате ръцете и китките си топли. Според изследвания главният фактор, допринасящ за развитието на Raynaud's Syndrome, е студеното време.
- Правете упражнения за активизиране на кръвообращението след всеки работен цикъл.
- Редовно излизайте в почивка. Ограничете излагането на вибрации на ден.

При поява на някои от симптомите на това заболяване, незабавно прекратете употребата на инструмента и посетете лекар.

#### ⚠ ПРЕДУПРЕЖДЕНИЕ

Продължителното използване на инструмента може да доведе до наранявания или влошаване. При използване на инструмента за продължителни периоди от време правете чести почивки.

#### ОПОЗНАЙТЕ ВАШИЯ ПРОДУКТ

Вж. страница 137.

1. Патронник
2. Накрайник на винтоверта
3. Селектор за движение напред/назад
4. Спусък
5. Ръкохватка
6. Конектор за зарядно устройство
7. порт
8. Кабел на зарядното устройство
9. Входящ жак

#### ПОДДРЪЖКА

##### ⚠ ПРЕДУПРЕЖДЕНИЕ

Продуктът не трябва никога да се включва в захранване, когато сглобявате части, правите настройки, почиствате, извършвате поддръжка или когато не го използвате. Изключването на продукта от захранването ще предотврати случайно стартиране, което би могло да причини сериозни наранявания.

- При ремонт използвайте само идентични резервни части. Използването на други части може да ви постави в опасност или да повреди продукта.
- Избягвайте използването на разтворители при почистването на пластмасовите части. Повечето пластмаси са чувствителни към различни видове разтворители и може да се повредят при използването на такива. Използвайте чисти кърпи за отстраняване на замърсявания и въглероден.
- В никакъв случай не позволявайте пластмасовите части да влизат в контакт със спирачни течности, нефтени продукти, проникващи масла и т.н. Те съдържат химически вещества, които могат да повредят, отслабят или разрушат пластмасата.
- Винаги носете предпазна маска или очила със странични екрани, когато боравите с механизирани инструменти или издухвате прах. Ако при работата се отделя прах, използвайте и маска за предпазване от него.

EN  
FR  
DE  
ES  
IT  
NL  
PT  
DA  
SV  
FI  
NO  
RU  
PL  
CS  
HU  
RO  
LV  
LT  
ET  
HR  
SL  
SK  
BG  
UK  
TR  
EL

- За по-голяма безопасност и надеждност всички ремонти трябва да се извършват от оторизиран сервиз.

## СМАЗВАНЕ

Всички лагери в този продукт за смазани с достатъчно количество висококачествено масло, което трябва да стигне за целия експлоатационен живот на инструмента при нормални работни условия. Затова не е необходимо допълнително смазване.

## ОПАЗВАНЕ НА ОКОЛНАТА СРЕДА



Рециклиране на суровини, вместо за обезвреждане като отпадък. Машината, допълнителните приспособления и опаковките трябва да бъдат подложени на подходяща преработка за оползотворяване на съдържащите се в тях вторични суровини.

## СИМВОЛИ



Предупреждение относно безопасността



СЕ съответствие



EurAsian знак за съответствие



Украински знак за съответствие



Прочетете инструкциите внимателно, преди да стартирате машината.



Прочетете инструкциите внимателно, преди да стартирате машината.



Оборудване от клас II



Само за употреба на закрито



Скорост на празен ход



Полярност на USB конектор



Напрежение



Постоянен ток

min<sup>-1</sup>

Обороти или възвратно-постъпателни движения в минута



Електрическите уреди не трябва да се изхвърлят заедно с битовите отпадъци. Рециклирайте, където има възможност. Обърнете се за съвет по рециклирането към местните власти или разпространителите.

## СИМВОЛИ В НАСТОЯЩОТО РЪКОВОДСТВО



Забележка



Частите или принадлежностите се продават отделно

Следните сигнални думи и техните съответни значения обясняват нивата на опасност, свързани с употребата на този продукт:

### ⚠ ОПАСНОСТ

Указва неминуемо опасна ситуация, която ако не бъде избегната, ще доведе до сериозни наранявания или смърт.

### **⚠ ПРЕДУПРЕЖДЕНИЕ**

Указва потенциално опасна ситуация, която ако не бъде избегната, може да доведе до сериозни наранявания или смърт.

### **⚠ ВНИМАНИЕ**

Указва потенциално опасна ситуация, която ако не бъде избегната, може да доведе до дребни или средни наранявания.

### **ВНИМАНИЕ**

(Без предупредителен символ за безопасност) Указва ситуация, която може да доведе до имуществени щети.

EN  
FR  
DE  
ES  
IT  
NL  
PT  
DA  
SV  
FI  
NO  
RU  
PL  
CS  
HU  
RO  
LV  
LT  
ET  
HR  
SL  
SK  
**BG**  
UK  
TR  
EL

130.com.ua

Головними міркуваннями при розробці цього шурупокрута були безпека, ефективність та надійність.

### ПРИЗНАЧЕННЯ

Цей прилад призначено для використання тільки дорослими, які повністю прочитали та зрозуміли інструкції та попередження у цьому керівництві та можуть вважатися відповідальними за власні дії.

Виріб призначений для затягування та видалення шурупів та болтів.

Для довбання та свердлення кам'яної кладки, може бути використаний режим молотка.

**ПРИМІТКА:** Перед тим як закручувати гвинти, рекомендується зробити напрямні отвори.

### ▲ ПОПЕРЕДЖЕННЯ

**Прочитайте всі правила безпеки, інструкції, ілюстрації і специфікації, що поставляються з електроінструментом.**

Недотримання всіх зазначених інструкцій може призвести до ураження електричним струмом, пожежі та/або серйозних травм.

**Збережіть всі інструкції і вказівки для майбутнього використання.**

### ТЕХНІКА БЕЗПЕКИ ПРИ КОРИСТУВАННІ ШУРУПОКРУТОМ

■ Тримайте інструмент за ізольовані поверхні при виконанні дій, при яких затискач може контактувати з прихованою електропроводкою. Кріплення, що контактують з проводом "під напругою" можуть зробити металеві частини електроінструменту "під напругою", і можуть вразити

оператора електричним струмом.

■ Діапазон температури навколишнього середовища для пристрою під час використання від 0°C до 40°C.

■ Діапазон температури навколишнього середовища для пристрою під час зберігання від 0°C до 40°C.

### ВКАЗІВКИ З ТЕХНІКИ БЕЗПЕКИ ДЛЯ ЗАРЯДЖУВАЛЬНОГО ПРИСТРОЮ

■ Перед використанням зарядного пристрою щоб запобігти неправильному використанню приладів та можливих травм або шкоди прочитайте всі інструкції та попереджувальні написи в цьому керівництві, а також на зарядному пристрої, акумуляторній батареї та приладі, в якому використовується акумуляторна батарея.

■ Не використовуйте зарядний пристрій на вулиці та в умовах підвищеної вологості. Попадання води в зарядний пристрій збільшує ризик ураження електричним струмом.

■ Використання насадки, що не рекомендується виробником зарядного пристрою, може призвести до ризику виникнення пожежі, ураження електричним струмом або травмування людей. Слідування цьому правилу знизить ризик ураження електричним струмом, пожежі або серйозної травми.

■ Не допускайте порушення правил експлуатації кабелю та зарядного пристрою. Ніколи не використовуйте шнур для перенесення зарядного пристрою. При відключенні з розетки

втягуйте зарядний пристрій за вилку, а не за шнур. Можна пошкодити кабель або зарядний пристрій, що створюватиме ризик ураження електричним струмом. негайно замініть пошкоджені кабелі.

- Розташуйте кабель таким чином, щоб не наступати на нього, не спіткнутися та не натрапити на гострі края або рухомі частини, а також запобігти стресу або пошкодженню в інший спосіб. Це знизить ризик випадкового падіння, яке може призвести до травмування та пошкодження кабелю, внаслідок чого може відбутись ураження електричним струмом.
- Тримайте кабель та зарядний пристрій подалі від джерел тепла, щоб запобігти пошкодженню зовнішніх та внутрішніх елементів.
- Не використовуйте зарядний пристрій з пошкодженим кабелем або вилкою. Це може привести до короткого замикання та ураження електричним струмом. У разі пошкодження, замініть зарядний пристрій, звернувшись до авторизованого сервісного центру.
- Не використовуйте зарядний пристрій, якщо він зазнав сильного удару, впав або був пошкоджений в інший спосіб. Віднесіть зарядний пристрій до авторизованого сервісного центру для електричної перевірки, щоб визначити чи він знаходиться в задовільному робочому стані.
- Не розбирайте зарядний пристрій. При необхідності обслуговування або ремонту віднесіть його до авторизованого сервісного центру. Неправильне збирання може

призвести до ураження електричним струмом або стати причиною пожежі.

- Перед виконанням будь-якого технічного обслуговування та чищення, від'єднайте зарядний пристрій від розетки, щоб зменшити ризик ураження електричним струмом.
- Від'єднайте зарядний пристрій від джерела живлення, коли він не використовується. Це знизить ризик ураження електричним струмом або пошкодження зарядного пристрою у разі потрапляння в отвір металевих деталей. Це також допоможе запобігти пошкодженню зарядного пристрою під час стрибка напруги.
- Небезпека ураження електричним струмом. Не торкайтеся неізолюваних елементів вихідного роз'єму або неізолюваних клем акумуляторної батареї.
- Не заряджайте первинні секції (не перезаряджуються).
- Рекомендований діапазон температури зовнішнього середовища для системи заряджання під час заряджання між 10°C та 38°C.

#### ТЕХНІКА БЕЗПЕКИ ПРИ ЕКСПЛУАТАЦІІ АКУМУЛЯТОРНОЇ БАТАРЕЇ



Li-ion

- Не викидайте використані акумуляторні батареї разом з побутовими відходами та не спалюйте їх. Для забезпечення належної утилізації непрацюючих акумуляторних батарей та

EN
FR
DE
ES
IT
NL
PT
DA
SV
FI
NO
RU
PL
CS
HU
RO
LV
LT
ET
HR
SL
BG
SK
<b>UK</b>
TR
EL

захисту довкілля, здавайте старі акумуляторні батареї вашому дистриб'юторові RYOBI.

- Відокремлюйте електронні відходи належним чином, знімаючи перед утилізацією інтегровані акумулятори з основного блоку. Здавайте їх до відповідних пунктів збору.
- Для зняття вбудованої акумуляторної батареї: Відокремити стулок корпусу один від одного, відкрутивши гвинти. Від'єднати акумуляторну батарею від ланцюга і видалити.
- ПРИМІТКА: Після відкриття, прилад вже не може використовуватися або ремонтуватися - його слід належним чином утилізувати.
- Перед тим як видалити батарею з електроінструменту, увімкніть прилад та тримайте включеним, поки акумуляторна батарея повністю не розрядиться.
- Переконайтеся, що акумулятор, який слід утилізувати, не вступає в контакт з батареями, іншими акумуляторами або струмопровідними матеріалами та захистіть відкриті роз'єми ізоляційними непровідними кришками або стрічкою.
- Ніколи не заряджайте пошкоджену акумуляторну батарею.
- Діапазон температури навколишнього середовища для акумулятора під час використання між 0°C та 40°C.
- Діапазон температур зовнішнього середовища під час зберігання акумулятора між 0°C та 20°C.

### **ЗАЛИШКОВІ РИЗИКИ**

Навіть коли продукт використовується як написано, залишається неможливим повністю усунути деякі залишкові

чинники ризику. Наступні небезпеки можуть виникнути і оператор повинен звернути особливу увагу, щоб уникнути наступного:

- Пошкодження слуху, викликане шумом  
Надягайте засоби захисту для органів слуху та лімітуйте вплив.
- Травмування очей  
Носіть захисні окуляри або окулярні щити при використанні продукту.
- Травми, викликані вібрацією  
Лімітуйте вплив. Дотримуйтесь інструкцій, зазначених у розділі "Зменшення ризику".
- Ураження електричним струмом через контакт із прихованими проводами  
Тримайте продукт тільки за ізольовані поверхні.
- Травми, викликані пилом.  
Пил, який створюється при використанні виробу, може призвести до травми дихальних шляхів.  
Надягайте відповідну пилозахисну маску з фільтром, придатним для затримання часток матеріалу, що оброблюється.

### **ЗНИЖЕННЯ РИЗИКУ**

Повідомлялося, що вібрації від ручних інструментів у певних осіб можуть сприяти стану, який називається синдромом Рейно. Симптоми можуть включати поколювання, оніміння і збліднення пальців, як правило, очевидні при впливі холоду. Спадкові фактори, вплив холоду і вогкості, дієта, куріння і робоча практика, всі ці чинники роблять свій внесок у розвиток цих симптомів. Ці заходи можуть бути прийняті оператором, щоб можливо зменшити вплив вібрації:

- Тримайте тіло в теплі в холодну погоду. При експлуатації приладу, одягайте рукавички, щоб тримати руки і зап'ястя у теплі. Повідомлялося,



що холодна погода є основним чинником, що сприяє синдрому Рейно.

- Після кожного періоду роботи, здійсніть вправи для підвищення кровообігу.
- Робіть часті перерви в роботі. Зробіть обмеження кількості впливу на день.

Якщо ви відчуваєте будь-які з симптомів цього стану, негайно припиніть використання і зверніться до лікаря з цими симптомами.

#### ▲ ПОПЕРЕДЖЕННЯ

Тривале використання інструменту може викликати або посилити травми. При використанні інструменту протягом тривалого періоду, робіть регулярні перерви.

#### ЗНАЙТЕ СВІЙ ПРОДУКТ.

Див. стор. 137.

1. Затискний патрон
2. Жало викрутки
3. Прямий/зворотній перемикач
4. Гачок перемикача
5. Ручка
6. Штекер для заряджання
7. USB-порт
8. Кабель зарядного пристрою
9. Вхідний роз'єм

#### ОБСЛУГОВУВАННЯ

##### ▲ ПОПЕРЕДЖЕННЯ

Продукт не повинен бути підключений до джерела живлення при складанні деталей, регулюванні, чищенні, проведенні технічного обслуговування або коли продукт не використовується. Відключення продукту допоможе уникнути випадкового запуску, який може призвести до серйозних травм.

- При обслуговуванні використовуйте тільки ідентичні запасні частини. Використання будь-яких інших деталей може створити небезпеку або спричинити пошкодження продукту.
- Не використовуйте розчинники для очищення пластмасових деталей. Більшість пластмас вразлива до різних видів комерційних розчинників і може бути пошкоджена їх використанням. Використовуйте чисті ганчірки для видалення бруду і вугільного пилу.
- Ніколи не дозволяйте гальмівній рідині, бензину, продуктам на основі нафти, і проникаючим маслам вступати в контакт з пластиковими деталями. Вони містять хімічні речовини, які можуть зашкодити, послабити або знищити пластик.
- Завжди надягайте захисні окуляри або захисні окуляри з бічними щитками під час роботи електроінструмента або при здуванні пилу. Якщо робота пильна, також носіть захисну маску.
- Для більшої безпеки і надійності, всі ремонтні роботи повинні

EN  
FR  
DE  
ES  
IT  
NL  
PT  
DA  
SV  
FI  
NO  
RU  
PL  
CS  
HU  
RO  
LV  
LT  
ET  
HR  
SL  
SK  
BG  
UK  
TR  
EL

виконуватися в авторизованому сервісному центрі.

## ЗМАЩУВАННЯ

Всі підшипники в продукті змащені достатньою кількістю високоякісного мастила для всього терміну служби продукту при нормальних умовах експлуатації. Таким чином, додаткове змащення не потрібно.

## ЗАХИСТ НАВКОЛИШНЬОГО СЕРЕДОВИЩА.



Переробляйте сировину замість утилізації в якості відходів. Машини, обладнання та упаковка повинні бути відсортовані для дружньої для навколишнього середовища утилізації.



Полярність USB-роз'єму

V

Вольти



Постійний струм

min<sup>-1</sup>

Оберти або зворотно-поступальні рухи у хвилину

Відходи електротехнічної продукції не слід викидати разом із побутовими відходами. Будь ласка, переробляйте там, де наявне устаткування. Перевірте з вашим місцевим органом влади або продавцем для консультацій з приводу переробки.



## СИМВОЛИ



Попередження безпеки



СЕ відповідність



Євразійський знак відповідності



Український знак відповідності



Будь ласка, уважно прочитайте інструкцію перед запуском продукту.



Будь ласка, уважно прочитайте інструкцію перед запуском продукту.



Обладнання класу II



Для використання тільки всередині приміщень

n<sub>0</sub>

Швидкість без навантаження

## СИМВОЛИ В ЦЬОЇ ІНСТРУКЦІЇ З ЕКСПЛУАТАЦІЇ



Примітка



Запасні деталі або приналежності продаються окремо

Нижчевказані попереджальні слова та символи пояснюють рівень ризику при роботі з цим приладом.

### **⚠ НЕБЕЗПЕКА**

Вказує на неминуче небезпечну ситуацію, яка, якщо її не уникнути, може призвести до смерті або серйозних травм.

### **⚠ ПОПЕРЕДЖЕННЯ**

Вказує на потенційно небезпечну ситуацію, яка, якщо її не уникнути, може призвести до смерті або серйозних травм.

### **⚠ УВАГА**

Вказує на потенційно небезпечну ситуацію, яка, якщо її не уникнути, може призвести до середньої або легкої травми.

### **УВАГА**

(Без Символу попередження про небезпеку) Вказує на ситуацію, яка може привести до матеріальних збитків.

EN  
FR  
DE  
ES  
IT  
NL  
PT  
DA  
SV  
FI  
NO  
RU  
PL  
CS  
HU  
RO  
LV  
LT  
ET  
HR  
SL  
SK  
BG  
UK  
TR  
EL

Tomavidanızın tasarımında en yüksek önceliği güvenlik, performans ve güvenilirliğe verdik.

### KULLANIM AMACI

Ürün sadece bu kılavuzdaki talimatları ve uyarıları okuyup anlamış olan ve hareketlerinden sorumlu tutulabilecek yetişkinlerce kullanılmak üzere geliştirilmiştir.

Ürün vida ve civataları sıkılaştırmak ve sökmek üzere geliştirilmiştir.

Bu ürünü belirtilen kullanım amacı dışında herhangi bir amaçla kullanmayın.

**NOT:** Vidaları vidalamadan önce kılavuz delikleri kullanmanız tavsiye edilir.

### ⚠ UYARI

**Bu aletle birlikte verilen tüm uyarı, talimat ve özellikleri dikkatlice okuyunuz ve resimli açıklamalara bakınız.** Aşağıda belirtilen talimatlara uyulmaması, yangın, elektrik çarpması ve/veya ciddi bedensel yaralanmalar gibi kazalar sebep olabilir.

**Tüm uyarıları ve talimatları daha sonra başvurmak üzere saklayın.**

### TORNAVİDA GÜVENLİK UYARILARI

- Sabitleyicinin gizli kablolarla temas edebileceği yerlerde çalışma yaparken elektrikli aleti yalıtkan tutma yüzeylerinden tutun. "Canlı" bir kabloyla temas eden sabitleyiciler "canlı" elektrikli aletin metal parçalarını açığa çıkartabilir ve operatörün elektrik akımına kapılmasına neden olabilir.
- Alet için ortam sıcaklığı aralığı çalışma sırasında 0°C ile 40°C arasındadır.
- Alet için depolama ortam sıcaklığı aralığı 0°C ile 40°C arasındadır.

### ŞARJ CİHAZI GÜVENLİK UYARILARI

- PİL şarj cihazını kullanmadan önce, ürünün yanlış kullanılmasını ve muhtemel yaralanmaları ve hasarları önlemek için bu el kitabında, pil şarj cihazında, ve pilin kullanıldığı ürünlerdeki bütün talimatları ve dikkat uyarılarını okuyun.
- Şarj cihazını açık havada kullanmayın, ıslak veya nemli koşullara maruz bırakmayın. Şarj cihazına su girmesi elektrik çarpması riskini artırır.
- Batarya şarj cihazı üreticisi tarafından önerilmeyen veya satılmayan bir aksesuar kullanmak yangın, elektrik çarpması veya bireysel yaralanmalara neden olabilir. Böylece elektrik çarpması, yangın ya da ciddi yaralanma riskini önleyeceksiniz.
- Kabloyu ya da şarj aletini amacı dışında kullanmayın. Şarj cihazını taşımak için asla kabloyu kullanmayın. Prizden çıkarırken fiş yerine şarj cihazının kablosunu çekmeyin. Kablo veya şarj cihazı hasar görebilir ve elektrik çarpması tehlikesi yaratabilir. Hasarlı kabloları hemen değiştirin.
- Kablonun ezilmeyecek, takılmayacak, keskin kenarlar veya hareketli aksamla temas etmeyecek veya herhangi bir hasara veya gerilime maruz kalmayacak gibi yerleştirildiğinden emin olun. Böylelikle yaralanmalara ve elektrik çarpmasına neden olacak kazara düşmeler ve bunun sonucunda elektrik şoku tehlikesi önlenebilir.
- Muhafaza ve iç aksamın hasar görmemesi için kablo ve şarj cihazını ısı kaynaklarından uzakta tutun.
- Şarj aletini hasarlı bir kablo ya da fişle kullanmayın; aksine davranış kısa devreye ve elektrik çarpmasına

neden olabilir. Hasar görmüşse, şarj cihazının yetkili bir servis görevlisince değiştirilmesini sağlayın.

- Sert bir darbe almış, düşmüş ya da herhangi bir biçimde zarar görmüş şarj aletini çalıştırmayın. İyi işler durumda olup olmadığını belirleyecek elektrik kontrolü için şarj cihazını yetkili bir servise götürün.
- Şarj cihazını sökmeyin. Bakım veya onarım gerektiğinde, yetkili bir servise götürün. Şarj cihazını yanlış takmak elektrik çarpması veya yangına neden olabilir.
- Elektrik çarpması riskini azaltmak için, herhangi bir bakım ya da temizlik işleminden önce şarj cihazını prizden çıkarın.
- Kullanmadığınızda şarj cihazını elektrikten alın. Böylelikle açıklığa metal aksamın düşmesi halinde oluşacak elektrik çarpması veya şarj cihazında hasar riski düşürülmüş olur. Aynı zamanda, ani akım yükselmeleri sırasında şarj cihazının zarar görmesi de engellenir.
- Elektrik çarpma tehlikesi. Yalıtımsız çıkış bağlantısı parçasına veya yalıtımsız batarya terminaline dokunmayın.
- Asla şarj edilemez bataryaları şarj etmeye çalışmayınız.
- Şarj sırasında şarj sistemi için önerilen ortam sıcaklığı aralığı 10°C ile 38°C arasındadır.

atıklar ile birlikte atmayın ya da yakmayın. Çevreyi korumak ve atılan batarya kutularının düzgün bir şekilde imha edildiğinden emin olmak için eski batarya kutularınızı RYOBI distribütörünüze verin.

- İmha etmeden önce entegre batarya kutularını ana üniteden çıkararak elektronik atıkları düzgün bir şekilde ayırın. Uygun toplama noktalarına verin.
- Entegre batarya kutusunun çıkarılması: Vidaları sökerek yuvaları birbirinden ayırın. Batarya kutusunu devreden kesin ve çıkarın.
- NOT: Açıldığında, ürün tekrar kullanılmaz ya da faydalı olmaz ve uygun şekilde imha edilmelidir.
- Batarya kutusunu elektrikli aletten çıkarmadan önce, ürünü batarya kutusunun şarjı tamamen boşalana kadar çalıştırın.
- Açıkta kalan konnektörleri iletken olmayan kapak veya bantlarla izole ederek imha edilecek batarya kutusunun bataryalar, diğer batarya kutuları veya iletken malzemeler ile temas etmeyeceğinden emin olun.
- Hasarlı bir pil takımını asla değiştirmeyin.
- Batarya için ortam sıcaklığı aralığı çalışma sırasında 0°C ile 40°C arasındadır.
- Batarya için depolama ortam sıcaklığı aralığı 0°C ile 20°C arasındadır.

## BATARYA GÜVENLİK UYARILARI



Li-ion

- Kullanılan batarya takımını evsel

## ARDIL RİSKLER

Ürün belirtildiği şekilde kullanıldığı zaman bile belirli artık risk faktörlerinin tamamen ortadan kaldırılması mümkün değildir. Kullanım sırasında aşağıdaki tehlikeler ortaya çıkabilir ve operatör bunlardan kaçınmak için özellikle dikkat etmelidir:

- Gürültü nedeniyle işitme kaybı  
Uygun kulak tıkacı kullanın ve maruz kalma süresini kısıtlayın.
- Göz yaralanmaları  
Bu ürünü kullanırken uygun bir göz koruması veya gözlük takın.
- Titreşim kaynaklı yaralanma  
Maruziyet seviyesini sınırlayın. Risk Azaltma bölümündeki talimatlara uyun.
- Gizli tellere temastan kaynaklanan elektrik çarpması  
Ürünü yalnızca yalıtkan yüzeylerinden tutun.
- Toz kaynaklı yaralanmalar  
Ürünün kullanımı nedeniyle oluşan toz, solunum yolu hasarına neden olabilir. İşlenen malzemeden çıkabilecek aşındırıcı parçacıklardan korunmaya uygun filtreli, doğru toz kontrol maskesi kullanın.

### RISK AZALTMA

El aletlerinden kaynaklanan titreşimlerin belirli kişilerde Raynaud Sendromu olarak adlandırılan bir durumu etkileyebileceği rapor edilmiştir. Karıncalanma, hissizlik ve parmakların sararması gibi genelde soğuğa maruz kaldıktan sonra görülen semptomlar oluşabilir. Kalıtsal faktörler, soğuğa ve ıslaklığa maruz kalmak, diyet, sigara içmek ve fiziksel yorgunluk gibi etkenlerin hepsinin bu semptomların ortaya çıkmasına zemin hazırlayabileceği bildirilmiştir. Titreşimin etkilerini azaltmak için operatör tarafından alınabilecek önlemler bulunmaktadır:

- Soğuk havalarda vücudunuzu sıcak tutun. Ürünü çalıştırırken ellerinizi ve bileklerinizi sıcak tutmak için eldiven takın. Soğuk havanın Raynaud Sendromunun ana tetikleyicilerinden olduğu bildirilmiştir.
- Her operasyon sürecinden sonra kan dolaşımını arttırmak için egzersiz yapın.
- Sık sık işe ara verin. Günlük maruziyet miktarını sınırlayın.

Bu rahatsızlığın semptomlarından herhangi birini görürseniz, aleti kullanmayı derhal bırakın ve bir doktora görünün.

### ▲ UYARI

Bir aletin uzun süre kullanılması nedeniyle yaralanmalar olabilir veya mevcut yaraların durumu kötüleşebilir. Herhangi bir aleti uzun bir süre boyunca kullanırken düzenli olarak ara vermeyi ihmal etmeyin.

### ÜRÜNÜNÜZÜ TANIYIN

Sayfa 137'ya bakın.

1. Mandren
2. Tornavida uçları
3. İleri/geri seçici
4. Tetik anahtarı
5. Tutamak
6. Şarj cihazı fişi
7. USB portu
8. Şarj cihazı kablosu
9. Takma kolu

### BAKIM

### ▲ UYARI

Parçaları monte ederken, ayar, temizlik, bakım çalışması yaparken veya ürün kullanılmadığı zaman ürünü asla güç kaynağına bağlamayın. Ürünün bağlantısının kesilmesi ciddi yaralanmalara neden olabilecek kazara çalışmayı önleyecektir.

- Servis hizmetinde sadece aynı yedek parçaları kullanın. Diğer parçaları kullanmak tehlike yaratabilir ya da hasara neden olabilir.
- Plastik parçaları temizlerken solventleri kullanmaktan kaçının. Plastiklerin çoğu ticari kullanımlı uçucu maddeler karşı hassastır. Kır ve kömür tozunu gidermek için temiz bezler kullanın.

- Asla fren hidroliğinin, benzinin, petrol esaslı ürünlerin, yüzeye işleyen yağların vb. plastik parçalarla temas etmesine izin vermeyin. Bu kimyasal ürünler, plastiğe zarar verebilecek, kırılır hale getirebilecek ya da yok edebilecek maddeler içermektedir.
- Elektrikli aletlerle çalışma veya toz üfleme işlemi esnasında daima yan siperlikleri bulunan koruyucu gözlükler kullanın. İşlem tozlu olacaksa aynı zamanda bir toz maskesi de kullanın.
- Güvenliği ve güvenilirliği arttırmak için tüm onarım çalışmaları yetkili bir servis merkezi tarafından gerçekleştirilmelidir.

## YAĞLAMA

Üründeki tüm yataklar normal çalışma koşullarında ürünün hizmet ömrü boyunca yeterli miktarda yüksek kalite yağ ile yağlanır. Buna göre, fazladan yağlama yapılmasına gerek yoktur.

## ÇEVRENİN KORUNMASI



Ham maddeleri çöp olarak atmak yerine geri dönüştürün. Çevreyi korumak için, alet, aksesuarlar ve ambalajlar tasnif edilmelidir.

## SEMBOLLER



Güvenlik ikazı



CE uygunluğu



EurAsian Uyumluluk işareti



Ukrayna uygunluk işareti



Makineyi çalıştırmadan talimatları dikkatlice okuyun.



Makineyi çalıştırmadan talimatları dikkatlice okuyun.



Sınıf II ekipman



Yalnızca iç mekanda kullanım için



Bota hız



USB fişi polaritesi



Volt



Doğru akım



Saniyede devir veya hareket sayısı



Atık elektrikli ürünler evsel atıklarla birlikte atılmamalıdır. Tesis bulunuyorsa lütfen geri dönüşüme verin. Geri dönüşümle ilgili tavsiye için Yerel Makamlarla veya bayi ile irtibat kurun.

## KİTAPÇIKTAKİ SEMBOLLER



Not



Parçalar ya da aksesuarlar ayrı olarak satılır.

Aşağıdaki işaret sözcükleri ve anlamları, bu ürünle ilişkili risk seviyelerini açıklamaya yöneliktir:

### ⚠ TEHLİKE

Önlenmemesi durumunda ölüm veya ciddi yaralanma ile sonuçlanacak, tehdit edici tehlikeli bir durumu gösterir.

### ⚠ UYARI

Önlenmemesi durumunda ölüm veya ciddi yaralanma ile sonuçlanabilecek

potansiyel olarak tehlikeli bir durumu gösterir.

**⚠ DİKKAT**

Önlenmemesi durumunda önemsiz veya orta derece yaralanma ile sonuçlanabilecek potansiyel olarak tehlikeli bir durumu gösterir.

**DİKKAT**

(Güvenlik uyarı simgesiz) maddi hasarla sonuçlanabilecek bir durum belirtir.

130.com.ua



Κατά το σχεδιασμό του κατασβιδιού δόθηκε ιδιαίτερη προτεραιότητα στην ασφάλεια, την απόδοση και την αξιοπιστία του.

### ΠΡΟΟΡΙΖΟΜΕΝΗ ΧΡΗΣΗ

Το προϊόν προορίζεται αποκλειστικά για χρήση από ενήλικες που έχουν διαβάσει και κατανοήσει τις οδηγίες και τις προειδοποιήσεις του παρόντος εγχειριδίου, ενώ μπορούν να θεωρηθούν υπεύθυνοι για τις πράξεις τους.

Το προϊόν προορίζεται για τη σύσφιξη και την αφαίρεση μπουλονιών.

Μην χρησιμοποιείτε το προϊόν με τρόπο διαφορετικό από αυτόν που αναφέρεται για τη χρήση του.

**ΣΗΜΕΙΩΣΗ** Προτείνεται η χρήση οπίων οδηγών πριν την τοποθέτηση των βιδών.

### ▲ ΠΡΟΕΙΔΟΠΟΙΗΣΗ

**Διαβάστε προσεκτικά όλες τις προειδοποιήσεις, οδηγίες και προδιαγραφές που παρέχονται με το εργαλείο και ανατρέξτε στις εικόνες.** Η μη τήρηση των ακόλουθων οδηγιών μπορεί να επιφέρει ατυχήματα όπως πυρκαγιές, ηλεκτροπληξίες ή και σοβαρό σωματικό τραυματισμό.

**Φυλάσσετε όλες τις προειδοποιήσεις και οδηγίες για μελλοντική χρήση.**

### ΠΡΟΕΙΔΟΠΟΙΗΣΕΙΣ ΑΣΦΑΛΕΙΑΣ ΓΙΑ ΤΟ ΚΑΤΣΑΒΙΔΙ

- Κρατάτε το ηλεκτρικό εργαλείο από τις μονωμένες επιφάνειες λαβών όταν διεξάγετε μια λειτουργία κατά την οποία ο συνδετήρας μπορεί να έρθει σε επαφή με κρυμμένες καλωδιώσεις. Συνδετήρες που έρχονται σε επαφή με ένα "ρευματοφόρο" καλώδιο μπορεί να εκθέσουν μεταλλικά τμήματα του

ηλεκτρικού εργαλείου σε ρεύμα, προκαλώντας ηλεκτροπληξία στο χειριστή.

- Το εύρος θερμοκρασίας περιβάλλοντος για το εργαλείο στη διάρκεια της λειτουργίας είναι μεταξύ 0 °C και 40 °C.
- Το εύρος θερμοκρασίας περιβάλλοντος για το την αποθήκευση του εργαλείου είναι μεταξύ 0 °C και 40 °C.

### ΠΡΟΕΙΔΟΠΟΙΗΣΕΙΣ ΑΣΦΑΛΕΙΑΣ ΓΙΑ ΤΟ ΦΟΡΤΙΣΤΗ

- Πριν από τη χρήση του φορτιστή μπαταρίας, διαβάστε όλες τις οδηγίες και τις προειδοποιητικές ενδείξεις στο παρόν εγχειρίδιο, πάνω στον φορτιστή μπαταρίας, στην μπαταρία και στο προϊόν, στο οποίο χρησιμοποιείται η μπαταρία, προκειμένου να αποτραπεί η λανθασμένη χρήση των προϊόντων και να αποφευχθεί το ενδεχόμενο τραυματισμού ή υλικών ζημιών.
- Μη χρησιμοποιείτε τον φορτιστή σε εξωτερικούς χώρους και μην τον εκθέτετε σε βροχή ή συνθήκες υγρασίας. Η εισχώρηση νερού στον φορτιστή θα αυξήσει τον κίνδυνο ηλεκτροπληξίας.
- Η χρήση εξαρτημάτων που δεν προτείνονται ή δεν πωλούνται από τον κατασκευαστή του φορτιστή μπαταρίας, μπορεί να οδηγήσει σε κίνδυνο φωτιάς, ηλεκτροπληξίας ή τραυματισμού. Θα μειώσετε έτσι τον κίνδυνο ηλεκτροπληξίας, πυρκαγιάς ή σοβαρού τραυματισμού.
- Μην κακομεταχειρίζεστε το καλώδιο ή τον φορτιστή. Μην μεταφέρετε ποτέ τον φορτιστή από το καλώδιό του. Για να αποσυνδέσετε τον φορτιστή, μην τον τραβάτε από το καλώδιο αλλά μόνο από τος φιν. Η φθορά στο καλώδιο ή τον φορτιστή ενέχει τον κίνδυνο

ηλεκτροπληξίας. Αντικαταστήστε άμεσα τα φθαρμένα καλώδια.

- Διασφαλίστε ότι το καλώδιο θα τοποθετηθεί με τέτοιο τρόπο, ώστε να μην υπάρχει κίνδυνος να το πατήσει κάποιος, να σκοντάψει κάποιος εξαιτίας του, να έλθει σε επαφή με αιχμηρές γωνίες ή κινούμενα εξαρτήματα ούτε να υποστεί οποιαδήποτε άλλη βλάβη ή καταπόνηση. Έτσι θα μειωθεί ο κίνδυνος τυχαίων πτώσεων, οι οποίες θα μπορούσαν να οδηγήσουν σε τραυματισμό ή βλάβη του καλωδίου, με συνέπεια τον κίνδυνο ηλεκτροπληξίας.
- Διατηρείτε το καλώδιο και τον φορτιστή μακριά από τη θερμότητα, προκειμένου να αποφευχθεί η βλάβη στο πλαίσιο ή σε εσωτερικά εξαρτήματα.
- Μην χρησιμοποιείτε τον φορτιστή με φθαρμένο καλώδιο ή φως, αφού αυτό θα οδηγήσει σε βραχυκύκλωμα και ηλεκτροπληξία. Σε περίπτωση βλάβης, ζητήστε την αντικατάσταση του φορτιστή από εξουσιοδοτημένο τεχνικό σέρβις.
- Μη χρησιμοποιήσετε τον φορτιστή, σε περίπτωση που έχει υποστεί ισχυρό χτύπημα, έχει πέσει στο έδαφος ή έχει υποστεί οποιαδήποτε άλλη ζημιά. Ζητήστε έλεγχο του φορτιστή από εξουσιοδοτημένο τεχνικό σέρβις, προκειμένου να διαπιστωθεί εάν βρίσκεται σε καλή κατάσταση λειτουργίας.
- Μην αποσυναρμολογείτε τον φορτιστή. Μεταφέρετε το φορτιστή σε εξουσιοδοτημένο τεχνικό σέρβις, εφόσον απαιτηθεί συντήρηση ή επισκευή. Η εσφαλμένη επανασυναρμολόγηση μπορεί να οδηγήσει σε κίνδυνο ηλεκτροπληξίας ή φωτιάς.
- Αποσυνδέετε τον φορτιστή από

την πρίζα, πριν από οποιαδήποτε εργασία συντήρησης ή καθαρισμού, προκειμένου να ελαχιστοποιηθεί ο κίνδυνος ηλεκτροπληξίας.

- Αποσυνδέστε τον φορτιστή από την πρίζα όταν δεν χρησιμοποιείται. Έτσι θα μειωθεί ο κίνδυνος ηλεκτροπληξίας ή ζημιάς στο φορτιστή, σε περίπτωση που πέσουν μεταλλικά αντικείμενα μέσα στο άνοιγμα. Θα αποτρέψει, επίσης, τη ζημιά στον φορτιστή, σε περίπτωση απότομης αύξησης της τάσης του ρεύματος.
- Κίνδυνος ηλεκτροπληξίας. Μην αγγίζετε το μη μονωμένο τμήμα του συνδέσμου ή το μη μονωμένο τερματικό της μπαταρίας.
- Μην προσπαθήσετε ποτέ να φορτίσετε μη επαναφορτιζόμενες μπαταρίες.
- Το συνιστώμενο εύρος θερμοκρασίας περιβάλλοντος για το σύστημα φόρτισης στη διάρκεια της φόρτισης είναι μεταξύ 10 °C και 38 °C.

#### ΟΔΗΓΙΕΣ ΑΣΦΑΛΕΙΑΣ ΜΠΑΤΑΡΙΑΣ



Li-ion

- Μην απορρίπτετε χρησιμοποιημένες μπαταρίες μαζί με τα οικιακά απόβλητα και μην τις καίτε. Για σωστή απόρριψη των μπαταριών και προστασία του περιβάλλοντος, επιστρέψτε τις παλιές μπαταρίες στον διανομέα RYOBI.
- Χωρίζετε σωστά τα ηλεκτρονικά απόβλητα, αφαιρώντας τις μπαταρίες από την κεντρική μονάδα πριν την απόρριψη. Δίνετε τις μπαταρίες στα σωστά σημεία συλλογής.
- Για να αφαιρέσετε την ενσωματωμένη μπαταρία: Ξεχωρίστε τα περιβλήματα

μεταξύ τους, αφαιρώντας τις βίδες. Αποσυνδέστε την μπαταρία από το κύκλωμα και αφαιρέστε την.

- ΣΗΜΕΙΩΣΗ Αφού ανοιχθεί, το προϊόν δεν χρησιμοποιείται ή επισκευάζεται ξανά και θα πρέπει να απορριφθεί σωστά.
- Πριν αφαιρέσετε τις μπαταρίες από το εργαλείο, ενεργοποιήστε το μέχρι οι μπαταρίες να εκφορτίσουν τελείως.
- Βεβαιωθείτε ότι η μπαταρία που θα απορριφθεί δεν έρχεται σε επαφή με άλλες μπαταρίες, άλλες θήκες μπαταριών ή αγωγίμα υλικά, προστατεύοντας τις εκτεθειμένες συνδέσεις με μονωτικά, μη αγωγίμα πώματα ή ταινίες.
- Μην φορτίζετε ποτέ χαλασμένες μπαταρίες.
- Το εύρος θερμοκρασίας περιβάλλοντος για την μπαταρία στη διάρκεια της χρήσης είναι μεταξύ 0 °C και 40 °C.
- Το εύρος θερμοκρασίας περιβάλλοντος για την αποθήκευση της μπαταρίας είναι μεταξύ 0 °C και 20 °C.

### ΑΛΛΟΙ ΚΙΝΔΥΝΟΙ

Ακόμη και όταν το προϊόν χρησιμοποιείται σύμφωνα με τις οδηγίες, δεν είναι δυνατή η απόλυτη απαλειφή συγκεκριμένων παραγόντων κινδύνου. Κατά τη χρήση μπορεί να προκύψουν οι ακόλουθοι κίνδυνοι και ο χειριστής πρέπει να δίδει ιδιαίτερη προσοχή προς αποφυγή των εξής:

- Βλάβη στην ακοή, λόγω θορύβου. Φοράτε κατάλληλη ωτοπροστασία και περιορίστε την έκθεση.
- Τραυματισμός των ματιών. Φοράτε προστατευτικές ασπίδες ματιών ή ειδικά γυαλιά όταν χρησιμοποιείτε το προϊόν.
- Τραυματισμοί από τον κραδασμό. Περιορίστε την έκθεση. Τηρείτε τις οδηγίες στην Ελαχιστοποίηση

κινδύνου.

- Ηλεκτροπληξία εξαιτίας επαφής με κρυφά καλώδια. Κρατάτε το προϊόν μόνο από τις μονωμένες επιφάνειες.
- Τραυματισμός που προκαλείται από τη σκόνη. Η σκόνη που προκαλείται από το προϊόν μπορεί να προκαλέσει αναπνευστικές βλάβες. Φοράτε κατάλληλη μάσκα προστασίας από τη σκόνη, η οποία διαθέτει κατάλληλα φίλτρα προστασίας από σωματίδια που προέρχονται από το αντικείμενο εργασίας.

### ΜΕΙΩΣΗ ΚΙΝΔΥΝΟΥ

Έχει αναφερθεί ότι οι κραδασμοί των χειροκίνητων εργαλείων μπορεί να συμβάλλει σε μια πάθηση γνωστή ως Σύνδρομο Raynaud σε ορισμένα άτομα. Τα συμπτώματα περιλαμβάνουν κνησμό, μούδιασμα και λευκότητα των δακτύλων, που εμφανίζονται συνήθως μετά την έκθεση σε κρύο. Κληρονομικοί παράγοντες, έκθεση σε κρύο και υγρασία, η διατροφή, το κάπνισμα και οι εργασιακές πρακτικές θεωρείται ότι συμβάλλουν στην ανάπτυξη αυτών των συμπτωμάτων. Υπάρχουν μέτρα που μπορούν να ληφθούν από τον χειριστή για να μειωθούν πιθανώς οι επιδράσεις των κραδασμών:

- Διατηρείτε το σώμα σας ζεστό όταν ο καιρός είναι ψυχρός. Φοράτε γάντια κατά τον χειρισμό του μηχανήματος, για να διατηρείτε ζεστά τα χέρια και τους καρπούς σας. Ο ψυχρός καιρός είναι κύριος παράγοντας που συμβάλλει στην εκδήλωση του συνδρόμου Raynaud.
- Μετά από κάθε περίοδο λειτουργίας, κάνετε ασκήσεις για να αυξάνετε την κυκλοφορία αίματος.
- Κάνετε τακτικά διαλείμματα κατά την εργασία. Περιορίζετε το σύνολο έκθεσης ανά ημέρα.

EN
FR
DE
ES
IT
NL
PT
DA
SV
FI
NO
RU
PL
CS
HU
RO
LV
LT
ET
HR
SL
BK
BG
UK
TR
EL

Αν παρουσιάσετε οποιοδήποτε σύμπτωμα αυτής της πάθησης, διακόψτε αμέσως τη χρήση και συμβουλευτείτε τον γιατρό σας για τα συμπτώματα.

#### **▲ ΠΡΟΕΙΔΟΠΟΙΗΣΗ**

Υπάρχει κίνδυνος πρόκλησης ή επιδείνωσης τραυματισμού, από την παρατεταμένη χρήση εργαλείου. Όταν χρησιμοποιείτε το εργαλείο για μεγάλες περιόδους, κάνετε τακτικά διαλείμματα.

#### **ΓΝΩΡΙΣΤΕ ΤΟ ΠΡΟΪΟΝ ΣΑΣ**

Βλέπε σελίδα 137.

1. Τσοκ
2. Εξαρτήματα κατασβιδιού
3. Εμπρόσθιος/ανάστροφος επιλογέας
4. Διακόπτης
5. Λαβή
6. Φις φορτιστή
7. Θύρα USB
8. Καλώδιο φορτιστή
9. Βύσμα εισόδου

#### **ΣΥΝΤΗΡΗΣΗ**

#### **▲ ΠΡΟΕΙΔΟΠΟΙΗΣΗ**

Το προϊόν δεν πρέπει ποτέ να συνδέεται σε παροχή ισχύος όταν συναρμολογείτε εξαρτήματα, όταν διεξάγετε ρυθμίσεις, καθαρισμό, συντήρηση ή όταν το προϊόν δε χρησιμοποιείται. Μια αποσύνδεση του προϊόντος θα εμποδίσει τυχαία εκκίνηση, η οποία θα μπορούσε να προκαλέσει σοβαρό τραυματισμό.

- Κατά τη συντήρηση, χρησιμοποιείτε μόνο πανομοιότυπα ανταλλακτικά. Η χρήση οποιουδήποτε άλλου ανταλλακτικού μπορεί να παρουσιάσει κίνδυνο ή να προκαλέσει ζημιά στο εργαλείο σας.
- Αποφύγετε τη χρήση διαλυτών κατά τον καθαρισμό πλαστικών εξαρτημάτων.

Τα περισσότερα πλαστικά μπορούν να υποστούν ζημιά από τη χρήση ορισμένων διαλυτών που διατίθενται στο εμπόριο. Χρησιμοποιείτε καθαρά πανιά για την απομάκρυνση της βρομιάς και σκόνης άνθρακα.

- Σε καμία περίπτωση μην επιτρέπεται τα υγρά φρένων, η βενζίνη, προϊόντα με βάση το πετρέλαιο, έλαια που διεισδύουν κλπ. να έρχονται σε επαφή με πλαστικά τμήματα. Τα προϊόντα αυτά περιέχουν χημικές ουσίες που μπορούν να προξενίσουν ζημιά, να μειώσουν ή να καταστρέψουν το πλαστικό.
- Φοράτε πάντα προστατευτικά γυαλιά ή γυαλιά ασφαλείας με πλαϊνές ασπίδες κατά τον χειρισμό μηχανοκίνητων εργαλείων ή σε εργασίες με σκόνη. Αν η εργασία προκαλεί σκόνη, φοράτε και ειδική μάσκα.
- Για μεγαλύτερη ασφάλεια και αξιοπιστία, όλες οι επισκευές πρέπει να διεξάγονται από ένα εξουσιοδοτημένο κέντρο σέρβις.

#### **ΛΙΠΑΝΣΗ**

Όλα τα έδρανα στο προϊόν έχουν λιπανθεί με επαρκή ποσότητα λιπαντικού υψηλής ποιότητας για όλη τη διάρκεια ζωής του προϊόντος, υπό φυσιολογικές συνθήκες λειτουργίας. Συνεπώς, δε χρειάζεται καμία επιπλέον λίπανση.

#### **ΠΡΟΣΤΑΣΙΑ ΤΟΥ ΠΕΡΙΒΑΛΛΟΝΤΟΣ**



Ανακυκλώνετε τις πρώτες ύλες αντί να τις πετάτε ως απορρίμματα. Για την προστασία του περιβάλλοντος, πρέπει να γίνεται η διαλογή του εργαλείου, των εξαρτημάτων και των συσκευασιών του.

## ΣΥΜΒΟΛΑ



Προειδοποίηση ασφαλείας



Συμμόρφωση CE



EurAsian σήμα πιστότητας



Ουκρανικό σήμα συμμόρφωσης



Παρακαλούμε διαβάστε τις οδηγίες προσεκτικά πριν ξεκινήσετε το μηχάνημα.



Παρακαλούμε διαβάστε τις οδηγίες προσεκτικά πριν ξεκινήσετε το μηχάνημα.



Εξοπλισμός Κλάσης II



Για χρήση μόνο σε εσωτερικό χώρο



Ταύτητα στ κεν



Πολικότητα βύσματος USB



Βλτ



Συνεχές ρεύμα



Αριθμός στρών ή κινήσεων ανά λεπτό

Τα ηλεκτρικά προϊόντα προς απόρριψη δεν θα πρέπει να απορρίπτονται μαζί με τα οικιακά απόβλητα.



Παρακαλούμε ανακυκλώστε όπου υπάρχουν οι αντίστοιχες εγκαταστάσεις.

Μιλήστε με τις τοπικές αρχές ή τον πωλητή για να σας ενημερώσουν σχετικά με τα προγράμματα ανακύκλωσης.

## ΣΥΜΒΟΛΑ ΣΤΟ ΕΓΧΕΙΡΙΔΙΟ



Σημείωση



Αναλλακτικά και εξαρτήματα πωλούνται χωριστά

Οι ακόλουθες προειδοποιητικές λέξεις και έννοιες προορίζονται να εξηγήσουν τα επίπεδα κινδύνου που συνδέονται με αυτό το προϊόν:

### ⚠ ΚΙΝΔΥΝΟΣ

Υποδεικνύει μια επικείμενη επικίνδυνη κατάσταση, η οποία, αν δεν αποφευχθεί, θα οδηγήσει σε θάνατο ή σοβαρό τραυματισμό.

### ⚠ ΠΡΟΕΙΔΟΠΟΙΗΣΗ

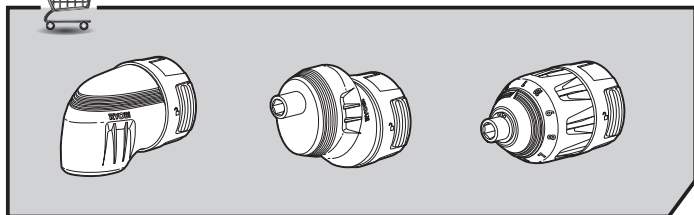
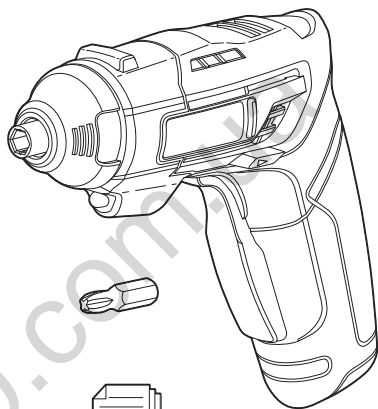
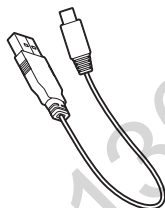
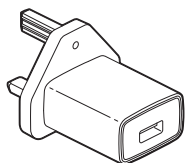
Υποδεικνύει μια δυνητικά επικίνδυνη κατάσταση, η οποία, αν δεν αποφευχθεί, θα οδηγήσει σε θάνατο ή σοβαρό τραυματισμό.

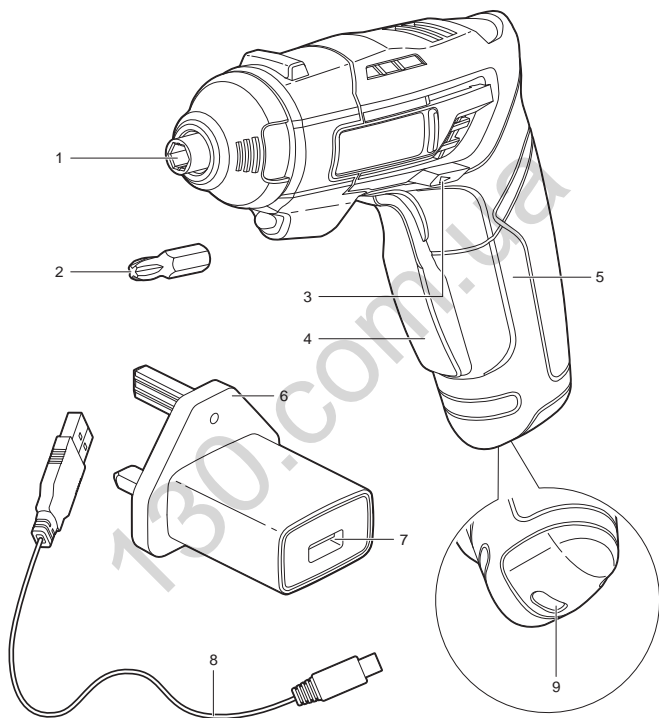
### ⚠ ΠΡΟΣΟΧΗ

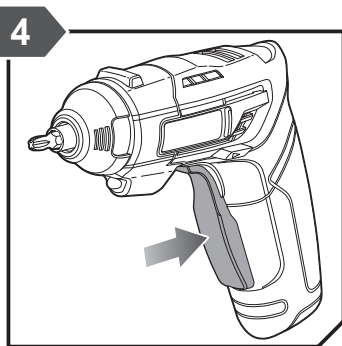
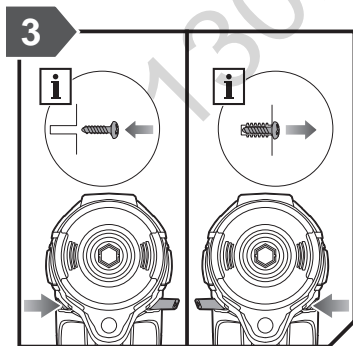
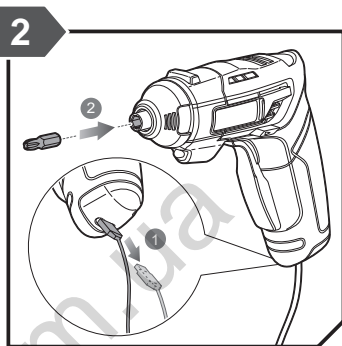
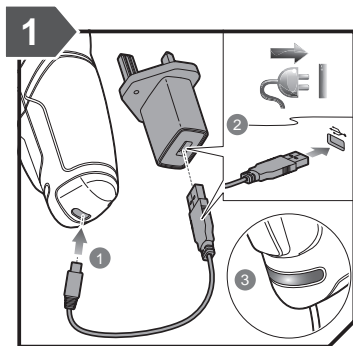
Υποδεικνύει μια δυνητικά επικίνδυνη κατάσταση, η οποία, αν δεν αποφευχθεί, ενδέχεται να οδηγήσει σε ελαφρύ ή μέτριο τραυματισμό.

### ΠΡΟΣΟΧΗ

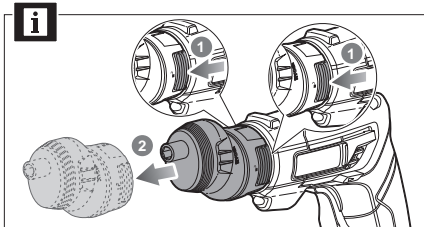
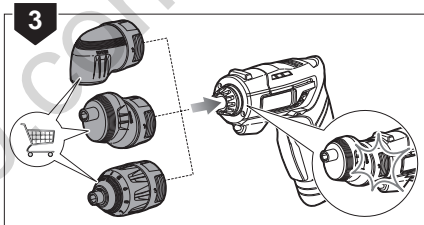
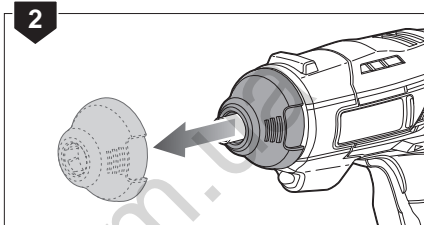
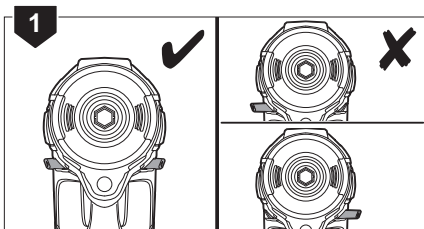
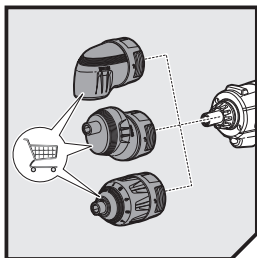
(Χωρίς προειδοποιητικό σύμβολο)  
Επισημαίνει μια κατάσταση που ενδέχεται να προκαλέσει υλικές ζημιές.

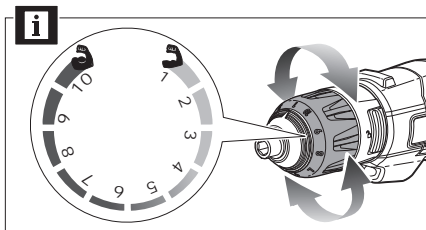












130.com.ua

130.com.ua

English	Français	Deutsch	Español	Italiano	Nederlands	Português
Product specifications	Caractéristiques de l'appareil	Produkt-Spezifikationen	Especificaciones del producto	Specifiche prodotto	Productspecificaties	Especificações do produto
4V screwdriver	4V tournevis	4V schraubendreher	Atornillador de 4V	Avvitatore da 4V	4V-schroevendraaier	Aparafusadora a bateria de 4V
Model	Modèle	Modell	Marca	Marca	Merk	Marca
Voltage	Tension	Spannung	Tensión	Voltaggio	Spanning	Voltagem
Chuck	Mandrin	Bohrfutter	Mandril de sujeción	Mandrino	Boorhouder	Mandril
No-load speed	Vitesse à vide	Leerlaufdrehzahl	Velocidad sin carga	Velocità a vuoto	Onbelast toerental	Velocidade em vazio
Torque	Couple	Drehmoment	Par	Coppia	Koppel	Torque
Weight - including battery pack	Poids - pack batterie inclus	Gewicht - Enthält Akku	Peso - incluye batería	Peso - compreso gruppo batterie	Gewicht - accupack inbegrepen	Peso - Inclui bateria
Charger information	Caractéristiques du Chargeur	Ladegeräteleistung	Clasificación del cargador	Caratteristiche del caricabatterie	Opladerkwalificatie	Classificação do Carregador
Charger model	Laturin malli	Ladegerätmodell	Modelo de cargador	Modello di caricabatterie	Model oplader	Modelo do carregador
Input	Alimentation	Eingangsleistung	Tensión nominal	Alimentazione	Input	Admissão
Output	Sortie	Ausgangsleistung	Potencia de salida	Uscita	Output	Potência de saída
Battery	Batterie	Akku	Batería	Batteria	Accu	Bateria
Battery type:	Type de batterie:	Batterietyp:	Tipo de batería:	Tipo batteria:	Accu type:	Tipo de bateria:
Lithium-Ion	Lithium-Ion	Lithium-Ionen	Ión-litio	Ioni di litio	Lithium-ion	Ião-Lítio
Battery capacity	Capacité de la batterie	Akku-Kapazität	Capacidad de la batería	Capacità batteria	Accu capaciteit	Capacidade da bateria
Number of cell	Nombre d'éléments	Anzahl der Zellen	Número de celdas	Numero di celle	Aantal cellen	Número de células



Dansk	Svenska	Suomi	Norsk	Русский	Polski	
Produktspecifikationer	Produktspecifikationer	Tuotteen tekniset tiedot	Produktspecificasjoner	Характеристики изделия	Parametry techniczne	
4V-skruemaskine	4V skruvdragare	4V ruuvinväännin	4V skrutrekker	Шуруповерт на 18 В	Wkrętarka 4V	
Brand	Modelnummer	Mallinnumero	Merke	Марка	Numer modelu	ERGO
Spænding	Spänning	Jännite	Spenning	Напряжение	Napięcie	4 V $\overline{\text{---}}$
Spændepatron	Chuck	Istukka	Chuck	Зажимной патрон	Uchwyt wiertarski	6,35 mm
Tomgangshastighed	Tomgångshastighet	Tyhjäkäyntinopeus	Hastighet ubelastet	Скорость на холостом ходу	Prędkość bez obciążenia	200 min <sup>-1</sup>
Drejningsmoment	Vridmoment	Vääntömomentti	Moment	Крутящий момент	Moment obrotowy	5 Nm
Vægt - inkl. Batteri	Vikt - inklusive batteri	Paino - sisältää akun	Vekt - Batteri inkludert	Вес - включая аккумуляторную батарею	Waga - z akumulatorem	0,36 kg
Lader klassifikation	Laddarklassning	Laturin luokitus	Ladegrad	Класс зарядного устройства	Parametry ładowarki	
Opladermodel	Laddarmodell	Laturin malli	Lademodellen	Модель зарядного устройства	Model ładowarki	RC4USB
Strømforsyning	Matningsspänning	Virrankulutus	Input	Питание	Zasilanie	220-240 V ~ 50/60 Hz 0.2 A
Effekt	Effekt	Teho	Effekt	Выход	Moc	5V $\overline{\text{---}}$ 500 mA
Batteri	Batteri	Akku	Batteri	Батарея	Akumulator	
Batteritype:	Batterityp:	Akkutyyppi:	Batteritype:	Тип батареи:	Typ akumulatora:	
Lithium-ion	Litiumjon	Litiumioni	Litium-ion	Литий-ионная аккумуляторная батарея	Li-Ion	
Batterikapacitet	Batterikapacitet	Akun kapasiteetti	Batterikapasitet	Емкость батареи	Pojemność akumulatora	1.5Ah
Antal celler	Antal celler	Kennojen määrä	Antall celler	Число элементов	Liczba ogniw	1





Čeština	Magyar	Română	Latviski	Lietuviškai	Eesti
Technické údaje produktu	Termék műszaki adatai	Specificațiile produsului	Produkta specifikācijas	Gaminio techninės savybės	Tooletehnilised andmed
4V šroubovák	4V csavarbehajtő	Șurubelniță de 4V	4V skrūvgriezis	4V atsuktuvas	4V-krivikeeraja
Značka	Márka	Număr serie	Modeļa numurs	Prekės ženklas	Mark
Elektrické napětí	Feszültség	Tensiune	Spriegums	Įtampa	Pinge
Skřídlo	Tokmány	Mandrină	Patrona	Laikiklis	Padrun
Otáčky naprázdno	Üresjáratú fordulatszám	Viteză în gol	Apgrīeziens bez slodzes	Greitis be apkrovimo	Kirus ilma koormuseta
Točivý moment	Nyomaték	Cuplu	Griezes moments	Sukimo momentas	Pöördemoment
Hmotnost - Včetně aku	Tömeg - akkumulátorral szállítva	Greutate - inclusiv set baterii	Svars - akumulatora bloks iekļauts	Svoris - su akumulatoriumi	Mass - koos akupaketiga
Napětí nabíječky	Töltő besorolása	Putere nominală încărcător	Lādētāja jauda	Kroviklio klasė	Akulaadija nimivool
Model nabíječky	Töltő modellje	Model încărcător	Lādētāja modelis	Įkroviklio modelis	Laadija mudel
Vstup	Bemenet	Intrare	Ieeja	Įvestis	Vooluvõrk
Výkon	Kimenet	Randament	Izvade	Išvestis	Väljund
Baterie	Akkumulátor	Baterie	Akumulators	Baterija	Aku
Typ aku:	Akkumulátor típusa:	Tip baterie:	Akumulatora veids:	Akumulatoriaus tipas:	Aku tüüp:
Lithium iontový akumulátor	Lítiumion	Lítium-ion	Litija-jonu	Litis-jonas	Litiumioon
Kapacita akumulátoru	Akkumulátor kapacitása	Capacitatea bateriei	Akumulatora jauda	Akumulatoriaus įkrova	Aku mahtvus
Počet článků	Cellák száma	Număr de celule	Šūnu skaits	Elementų skaičius	Akueleментide arv





Hrvatski	Slovensko	Slovenčina	България	українська мова	Türkçe	Ελληνικά	
Specifikacije proizvoda	Specifikacije izdelka	Špecifikácie produktu	Технически характеристики	Технічні характеристики продукту	Ürün Özellikleri	Προδιαγραφές Προϊόντος	
4V odvijač	4V izvijač	4V skrutkovač	Винтоверт 4 V	Шурупокрут 4В	4V aklülü vidalama	Κατσαβίδι 4V	
Marka	Znamka	Značka	Модел	Модель	Marka	Μάρκα	ERGO
Napon	Napetost	Napätie	Напряжение	Напряжение	Genilim	Τάση	4 V $\overline{\text{---}}$
Stezna glava	Pritezalnik	Skľučovadlo	Затяжной патрон	Патрон	Mandren	Тоок	6,35 mm
Brzina bez opterećenja	Hítrost brez obremenitve	Otáčky bez zaťaženia	Скорост на празен ход	Швидкість без навантаження	Bota hız	Ταχύτητα στ κεν	200 min <sup>-1</sup>
Zakretni moment	Navor	Krútiaci moment	Въртящ момент	Обертальний момент	Tork	Ροπή	5 Nm
Težina - uključujući bateriju	Teža - vključno z baterijo	Hmotnosť - s akumulátorom	#N/A	Вага (із аккумуляторною батареєю)	Ağırlık - akü takımı dahildir	Βάρος - Συμπεριλαμβάνεται μπαταρία	0,36 kg
Oznaka punjača	Nazivne vrednosti polnilnika	Napätie nabijačky	Номинални стойности на зарядното устройство	Номинална характеристика зарядного пристрою	Şarj Cihazı Sınıfı	Βαθμονόμηση Φορτιστή	
Model punjača	Model polnilnika	Model nabijačky	Модел на зарядното устройство	Модель зарядного пристрою	Şarj cihazı modeli	Μοντέλο φορτιστή	RC4USB
Ulaz	Vhod	Vstup	Вход	Введення	Giriş	Είσοδος ρεύματος	220-240 V ~ 50/60 Hz 0.2 A
Izlaz	Izhodna moć	Výkon	Исход	Вихідний	Çıkış	Εξόδος	5V $\overline{\text{---}}$ 500 mA
Baterija	Baterija	Akumulátor	батерия	Акумулятор	Batarya	Μπαταρία	
Vrsta baterije:	Tip baterije:	Typ akumulátora:	Тип батерия:	#N/A	Akü tipi:	Τύπος μπαταρίας:	
Litij-ion	Litij-ionska	Lítium-iónová	Литиево-ионна	Літій-іонний	Lityum-iyon	Λιθίου-Ιόντων	
Kapacitet baterija	Zmogljivost baterije	Kapacita akumulátora	Капацитет на батерията	Ємність акумулятора	Batarya kapasitesi	Δυναμικό μπαταρίας	1.5Ah
Broj ćelija	Število celic	Počet článkov	Брой клетки	Кількість акумуляторів	Hücre sayısı:	Αριθμός κυψελίδων	1



English	Français	Deutsch	Español	Italiano	Nederlands	Português
Product specifications	Caractéristiques de l'appareil	Produkt-Spezifikationen	Especificaciones del producto	Specifiche prodotto	Productspecificaties	Especificações do produto
Measured sound values determined according to EN 62841:	Valeurs du son mesuré déterminées selon EN 62841:	Gemäß EN 62841: gemessene Schallwerte	Valores medidos del sonido en función de la norma EN 62841:	Valori del suono misurati determinati secondo lo standard EN 62841:	Gemeten geluidswaarden bepaald in overeenstemming met EN 62841:	Valores medidos do som em função da norma EN 62841:
A-weighted sound pressure level	Niveau de pression sonore pondéré-A	A-bewerteter Schalldruckpegel	Nivel de presión acústica ponderada en A	Livello di pressione sonora pesato A	A-gewogen geluidsrukniveau	Nível de pressão sonora ponderada A
Uncertainty K	Incertitude K	Unsicherheit K	Incertidumbre K	Incertezza K	Onzekerheid K	Incerteza K
A-weighted sound power level	Niveau de puissance sonore pondéré-A	A-bewerteter Schalleistungspegel	Nivel de potencia acústica ponderada en A	Livello di potenza sonora pesato A	A-gewogen geluidsniveau	Nível de potência sonora ponderada A
Uncertainty K	Incertitude K	Unsicherheit K	Incertidumbre K	Incertezza K	Onzekerheid K	Incerteza K
Wear ear protectors.	Portez une protection acoustique.	Tragen Sie Gehörschutz.	Utilice protección auditiva!	Indossare protezioni acustiche adeguate.	Draag oorbeschermers.	Sempre use a protecção dos ouvidos.
The vibration total values (triaxial vector sum) determined according to EN 62841:	La valeur totale des vibrations (somme vectorielle triaxiale) déterminée selon EN62841:	Die Vibrationsgesamtwerte (dreiaxiale Vektorsumme) ermittelt nach EN62841:	Los valores de vibración total (suma vectorial triaxial), determinado según la norma EN62841:	I valori totali delle vibrazioni (somma vettore triassiale) sono misurati conformemente alla norma EN62841:	De totale trillingswaarden (triaxiale vectorsom) vastgesteld in overeenstemming met EN62841:	Os valores totais de vibração (soma vectorial triaxial) são determinados em conformidade com a EN62841:
Vibration emission value	Valeur d'émission de vibrations	Vibrationsemissionswert	Valor de emisión de vibraciones	Valore delle emissioni vibrazioni	Trillingsemissiewaarde	Valor de emissão de vibrações
Screw driving	Entrainement des vis	Schrauben	Atornillado	Avvitatore	Schroefwerk	Aparafusamento
Uncertainty K	Incertitude K	Unsicherheit K	Incertidumbre K	Incertezza K	Onzekerheid K	Incerteza K
Replacement parts	Pièces de rechange	Ersatzteile	Piezas de repuesto	Ricambi	Vervangende onderdelen	Peças sobresselentes
ERGO Right Angle	ERGO oikea kulma	ERGO rechtwinklig	ERGO ángulo derecho	ERGO angolo retto	ERGO Right Angle	ERGO Ângulo Recto
ERGO Offset	ERGO-offset	ERGO Flachtrieb	ERGO Offset	ERGO con offset	ERGO Offset	ERGO Desfasada
ERGO Clutch	ERGO-kytkin	ERGO Kupplung	ERGO embrague	ERGO con innesto	ERGO Clutch	ERGO Regulador de Força



Dansk	Svenska	Suomi	Norsk	Русский	Polski	
Produktspecifikationer	Produktspecifikationer	Tuotteen tekniset tiedot	Produktspesifikasjoner	Характеристики изделия	Parametry techniczne	
Målte lydverdier bestemt iht. EN 62841:	Uppmåta ljudvärden enligt EN 62841:	Mitatut arvot määritetty EN 62841: standardin mukaan:	Målte lydverdier bestemt iht. EN 62841:	Измеренные значения параметров звука определены в соответствии с EN 62841:	Zmierzone wartości akustyczne zgodnie z normą EN 62841:	
A-vægtet lydtrykniveau	A-vågd ljudtrycksnivå	A-painotettu äänenpainetaso	A-vektet lydtryknivå	Уровень A-взвешенного звукового давления	A-ważony poziom ciśnienia hałasu	$L_p = 56 \text{ dB(A)}$
Usikkerhed K	Osäkerhet K	Epätarkkuus K	Usikkerhet K	Разброс K	Niepewność pomiaru K	3 dB
A-vægtet lydeffektniveau	A-vågd lydeffektsnivå	A-painotettu äänen teho	A-vektet lydeffektnivå	Уровень A-взвешенной звуковой мощности	A-ważony poziom natężenia hałasu	$L_w = 67 \text{ dB(A)}$
Usikkerhed K	Osäkerhet K	epätarkkuus K	Usikkerhet K	Разброс K	Niepewność pomiaru K	3 dB
Bær hørevern.	Bär hörselskydd.	Käytä korvasuojia.	Bruk hørselsvern.	Используйте наушники!	Stosować środki ochrony słuchu!	
Totale vibrationsværdier (triaksial vektorsum) afgøres ifølge EN62841:	Det totala vibrationsvärdet (triaksial vektorsumma) är framtaget enligt EN62841:	Tärinän kokonaisarvot (kolmiakselinen vektorisumma) määritettyä standardin EN62841 mukaisesti:	De totale vibrasjonsverdiene (treaksset vektorsum) er fastsatt i henhold til EN62841:	Суммарное значение вибрации (сумма векторов по трем координатным осям) определено в соответствии со стандартом EN62841:	Wartości sumaryczne drgań (suma wektora trójosiowego) określone zgodnie z normą EN62841:	
Vibrationsemissionsværdi	Vibrationsvärde	Tärinäarvo	Verdier for vibrasjonsutslipp	Значение вибрации	Poziom drgań	
Skruening	Skrudragning	Ruuvinväänin	Tiltrekking av skruer	Вкручивание винта	Wkręcanie śrub/krętwów	$a_s < 2.5 \text{ m/s}^2$
Usikkerhed K	Osäkerhet K	epätarkkuus K	Usikkerhet K	Разброс K	Niepewność pomiaru K	1.5 m/s <sup>2</sup>
Reserve dele	Reservdeler	Varaosat	Reservdeler	Запасные части	Części zamienne	
ERGO Hejrevinkel	ERGO Right Angle	ERGO oikea kulma	ERGO-øyrevinkel	ERGO Right Angle	ERGO Right Angle	5133003692
ERGO Forskudt	ERGO Offset	ERGO-offset	ERGO-erstatning	ERGO Offset	ERGO Offset	5133003691
ERGO Kobling	ERGO Clutch	ERGO-kytkin	ERGO-klutsj	ERGO Clutch	ERGO Clutch	5133003690



Čeština	Magyar	Română	Latviski	Lietuviškai	Eesti
Technické údaje produktu	Termék műszaki adatai	Specificațiile produsului	Produkta specifikācijas	Gaminio techninės sąvokės	Toote tehnilised andmed
Naměřené hodnoty hluku zjištěné dle EN 62841:	A hang értékek meghatározása az EN 62841: szerint történt:	Valori de sunet măsurate determinate în conformitate cu EN 62841:	Izmērītās skaņas vērtības ir noteiktas saskaņā ar EN 62841:	Išmatuotos garso vertės nustatytos pagal EN 62841:	Mõõtetaväärused on kindlaks määratud vastavalt standardile EN 62841:
Hladina akustického tlaku vážená funkci A	A-súlyozott hangnyomásszint	Nivel de presiune acustică ponderată A	A-ílmeņa skaņas spiediena lílmenis	A svertinis garso slėgio lygis	A-kaalutud helirõhu tase
Nejistota K	Bizonytalanság K	Incertitudine K	kļūdas vērtība K	Nepastovumas K	mõõtemääramatus K
Hladina akustického výkonu vážená funkci A	A-súlyozott hangteljesítményszint	Nivel de putere acustică ponderată A	A-ílmeņa skaņas jaudas lílmenis	A svertinis garso galios lygis	A-kaalutud helivõimsuse tase
Nejistota K	Bizonytalanság K	Incertitudine K	kļūdas vērtība K	Nepastovumas K	mõõtemääramatus K
Používejte chrániče sluchu.	Viseľjen hallásvédőt.	Purtați aparatore de urechi.	Lietojiet dzirdes aizsargus.	Naudokite ausų apsaugos priemonės.	Kasutage kuulmiskaitevahendeid.
Celkové hodnoty vibrací (Trojsoj vektorový součet) určené v souladu s EN62841:	Vibráció teljes értékei (háromlengyelű vektorösszeg), az EN 62841 szerint meghatározva:	Valoarea totale ale vibrațiilor (sumă vector triaxială) au fost determinate conform EN62841:	Vibrāciju kopējās vērtības (triaksiālā vektoru summa) tiek noteiktas atbilstoši EN62841:	Bendros vibracijos vertės (triišio vektoriaus suma) nustatomos pagal EN62841:	Vibratsiooni koguväärtused (kolme suuna vektorisumma) on vastavalt standardile EN 62841 määratud järgmiselt:
Úroveň emisí vibrací	Vibráció-kibocsátás értéke	Valoarea emisiilor de vibrații	Vibrāciju emisijas vērtība	Vibrācijas emisijas vērtē	Vibratsiooniemissiooni väärtus
Šroubování	Csaavarbehajtás	Însurubare	Skrūvju skrūvēšana	Varžtų sukimas	Kruvide keeramine
Nejistota K	Bizonytalanság K	Incertitudine K	kļūdas vērtība K	Nepastovumas K	Mõõtemääramatus K
Náhradní díly	Cserealkatrészek	Piese de schimb	Maiņas detaļas	Atsarginės dalys	Varuosad
ERGO Right Angle	ERGO derékszög	Unghi drept ERGO	ERGO labais lenķis	ERGO Right Angle	ERGO Right Angle
ERGO Offset	ERGO kiegyenlítő	Cap flexibil ERGO	ERGO Offset	ERGO Offset	ERGO Offset
ERGO Clutch	ERGO retesz	Cap multi-bit ERGO	ERGO Clutch	ERGO Clutch	ERGO Clutch





Hrvatski	Slovensko	Slovenčina	България	українська мова	Türkçe	Ελληνικά	
Specifikacije proizvoda	Specifikacije izdelka	Špecifikácie produktu	Технически характеристики	Технічні характеристики продукту	Ürün Özellikleri	Προδιαγραφές Προϊόντος	
Mjerenja vrijednost zvuka određena je prema EN 62841:	Izmerjene zvočne vrednosti določene v skladu s standardom EN 62841:	Namerane hodnoty určené podľa EN 62841:	Измерените стойности на звука са определени в съответствие с EN 62841:	Виміряні значення шуму визначаються відповідно до EN 62841:	EN 62841: e göre hesaplanmıştır	Μετρημένες τιμές ήχου σύμφωνα με το EN 62841:	
Ponderirana razina tlaka zvuka	A-izmerjena raven zvočnega tlaka	Vážená A hladina akustického tlaku	Ниво на шумово налягане с равнище А	А-зважений рівень звукового тиску	A ağırlıklı ses basıncı seviyesi	Α-σταθμισμένο επίπεδο πίεσης ήχου	$L_p = 56 \text{ dB(A)}$
neodređenost K	nedoloč. K	odchýlka K	Променливост (K)	Невизначеність К	Belirsizlik K	Αβεβαιότητα K	3 dB
Ponderirana razina zvučne snage	A-izmerjena raven zvočne moči	Vážená A hladina akustického výkonu	Ниво на силата на шума с равнище А	А-зважений рівень звукової потужності	A ağırlıklı ses gücü seviyesi	Α-σταθμισμένο επίπεδο έντασης ήχου	$L_w = 67 \text{ dB(A)}$
neodređenost K	nedoloč. K	odchýlka K	Променливост (K)	Різнуча здатність	Belirsizlik K	Αβεβαιότητα K	3 dB
Nosite štítníky za uši.	Nosite štítníky za ušesa.	Používajte chrániče sluchu.	Носете антифони	Носіть захисні навушники.	Kulak koruyucu kullanın.	Φοράτε ωσποπίδες.	
Ponderirana energetska vrijednost Ukupne vrijednosti vibracija (troosovinski vektorski zbroj) određuju se u skladu s EN62841:	Skupna vrednost vibracij (triaksialna vektorska vsota) določena v skladu z EN62841:	Celkové hodnoty vibrácií (priestorový vektorový súčet) určuje norma EN62841:	Общата стойност на вибрациите (триосна векторна сума) е определена в съответствие с EN 62841:	Загальне значення вібрацій (триаксiальна векторна сума) визначаються відповідно до EN 62841:	EN 62841 potpuno ugovin olarak belirlenmiş titreşim toplamlar deęerleri (üçeksenli vektör toplamları):	Συνολικές αξίες κροσσών (τριαξονικό διανυσματικό άθροισμα) σύμφωνα με EN62841:	
Vrijednost emisija vibracije	Vrednost emisij vibracij	Hodnota emisií vibrácií	Стойност на вибрационните емисии	Значення вібраційної емісії	Titreşim emisyon deęeri	Τιμή εκπομπών κροσσών	
Odvijanje i uvtanje vijaka	Vijačenje	Skrutkovanie	Завиване на винтове	Закручування шурупів	Vidalama	Βίδωμα	$a_v < 2,5 \text{ m/s}^2$
Neodređenost K	Nedoloč. K	Odchýlka K	Променливост (K)	Невизначеність К	Belirsizlik K	Αβεβαιότητα K	1,5 m/s <sup>2</sup>
Zamjenski dijelovi	Vyrmenebné diely	Nadomestni deli	Смяна на части	Запасні частини	Yedek parçalar	Ανταλλακτικά	
desna kutna glava ERGO	desnokotno ERGO	ERGO pre pravý uhol	ERGO Right Angle	правий кут ERGO	ERGO Sağ Açılı	ERGO δεξιά γωνία	5133003692
pomoćna glava ERGO	odmik ERGO	ERGO pre odstup	ERGO Offset	ERGO двостороння кутова вирукта	ERGO Çikintili	ERGO αποστάθμισης	5133003691
stezna glava ERGO	sklopka ERGO	ERGO so sklučovadlom	ERGO Clutch	ERGO з'єднання	ERGO Kenetlenen	ERGO συμπλέκτη	5133003690



**EN** WARNING

The vibration emission level given in this information sheet has been measured in accordance with a standardised test given in EN 62841 and may be used to compare one tool with another. It may be used for a preliminary assessment of exposure. The declared vibration emission level represents the main applications of the tool. However if the tool is used for different applications, with different accessories or poorly maintained, the vibration emission may differ. This may significantly increase the exposure level over the total working period.

An estimation of the level of exposure to vibration should also take into account the times when the tool is switched off or when it is running but not actually doing the job. This may significantly reduce the exposure level over the total working period. Identify additional safety measures to protect the operator from the effects of vibration such as: maintain the tool and the accessories, keep the hands warm, organisation of work patterns.

**FR** AVERTISSEMENT

Le niveau d'émission des vibrations indiqué dans cette feuille d'information a été mesuré en concordance avec un test normalisé fourni par l'EN62841 et peut être utilisé pour comparer un outil à un autre. Il peut être utilisé pour une évaluation préliminaire de l'exposition. Le niveau déclaré d'émission des vibrations s'applique à l'utilisation principale de l'outil. Toutefois, si l'outil est utilisé pour des applications différentes, avec des accessoires différents, ou mal entretenu, l'émission de vibrations peut être différente. Le niveau d'exposition peut en être augmenté de façon significative tout au long de la période de travail.

Une estimation du niveau d'exposition aux vibrations doit aussi prendre en compte les périodes où l'outil est arrêté ainsi que les périodes où il fonctionne sans vraiment travailler. Le niveau d'exposition pendant la durée totale du travail peut en être réduit de façon significative. Prenez en considération les mesures additionnelles de sécurité à prendre pour protéger l'opérateur des effets des vibrations telles que: maintien de l'outil et de ses accessoires, maintien des mains au chaud, organisation du travail.

**DE** WARNUNG

Der in diesem Informationsblatt genannte Schwingungspegel wurde entsprechend dem standardisierten Test von EN62841 gemessen und kann benutzt werden um das Werkzeug mit anderen zu vergleichen. Er kann benutzt werden, um eine vorausgehende Einschätzung der Exposition durchzuführen. Der genannte Schwingungspegel repräsentiert den Haupteinsatzbereich des Werkzeugs. Jedoch kann das Werkzeug für verschiedene Einsatzbereiche benutzt werden. Mit unterschiedlichen Zusatzgeräten oder bei schlechter Wartung kann der Schwingungspegel unterschiedlich sein. Dadurch kann die Expositionshöhe über die gesamte Arbeitszeit signifikant erhöht werden.

Eine Einschätzung der Exposition zu Schwingungen sollte auch die Zeiten wenn das Werkzeug ausgeschaltet ist, oder wenn es angeschaltet aber nicht in Betrieb ist, in Betracht ziehen. Dadurch kann die Expositionshöhe über die gesamte Arbeitszeit signifikant reduziert werden. Identifizieren Sie zusätzliche Sicherheitsmaßnahmen wie die Bedienungsperson vor den Effekten der Schwingungen zu schützen, wie zum Beispiel: Das Werkzeug und Zusatzgeräte warten, Hände warmhalten und Organisation der Arbeitszeiten.

**ES** ADVERTENCIA

El nivel de emisión de las vibraciones que figura en esta hoja de información se ha medido según una prueba estandarizada que figura en EN62841 y puede ser utilizado para comparar una herramienta con otra. Puede ser utilizado para una evaluación preliminar de la exposición. El nivel de emisión de las vibraciones declarado representa las principales aplicaciones de la herramienta. No obstante, si la herramienta se utiliza para diferentes aplicaciones, con diferentes accesorios o no recibe el mantenimiento adecuado, la emisión de las vibraciones puede ser diferente. Esto puede aumentar significativamente el nivel de exposición durante el periodo de trabajo total.

Una estimación del nivel de exposición a la vibración también debe tener en cuenta el tiempo en el que la herramienta está desconectada o cuando está conectada pero no está realizando ningún trabajo. Esto puede reducir significativamente el nivel de exposición durante el periodo de trabajo total. Identificar las medidas de seguridad adicionales para proteger al operador de los efectos de las vibraciones, tales como: mantenimiento de la herramienta y de los accesorios, y la organización de los patrones de trabajo.

**IT** AVVERTENZE

Il livello di vibrazioni indicato in questo foglio informativo è stato misurato seguendo un test svolto secondo i requisiti indicati dallo standard EN62841 e potrà essere utilizzato per paragonare un utensile con un altro. Potrà essere utilizzato per una valutazione preliminare dell'esposizione a vibrazioni. Il livello dichiarato di emissioni di vibrazioni viene indicato tenendo conto delle applicazioni principali dell'utensile. Comunque se l'utensile viene utilizzato per applicazioni diverse con accessori diversi o non viene correttamente conservato, il livello delle vibrazioni potrà variare. Ciò potrà significativamente aumentare il livello di esposizione alle vibrazioni durante il periodo di lavoro totale.

Una valutazione del livello di esposizione alle vibrazioni dovrà inoltre prendere in considerazione i tempi in cui l'utensile viene spento o è acceso ma non viene utilizzato. Ciò potrà significativamente ridurre il livello di esposizione in un periodo totale di funzionamento. Ulteriori misure di sicurezza per proteggere l'operatore dagli effetti delle vibrazioni come: conservare correttamente l'utensile e i suoi accessori, tenere le mani calde e organizzare i tempi di lavoro.

**NL** WAARSCHUWING

Het trillingsemissieniveau dat op dit informatieblad wordt gegeven, is gemeten in overeenstemming met een gestandaardiseerde test, vastgelegd in EN62841 en mag worden gebruikt om machines met elkaar te vergelijken. Het verklaarde trillingsemissieniveau geeft de hoofdtoepassing van het gereedschap weer. Als de machine echter voor andere toepassingen is met andere accessoires wordt gebruikt of slecht wordt onderhouden, kan de trillingsemissie verschillen. Dit kan de blootstelling gedurende de gehele werkduur aanzienlijk verhogen.

Bij een schatting van het niveau van blootstelling aan trillingen moet ook rekening worden gehouden met het aantal keren dat de machine wordt uitgeschakeld of draait, maar niet wordt gebruikt. Dit kan het niveau van blootstelling gedurende de gehele werkduur aanzienlijk verlagen. Stel bijkomende veiligheidsmaatregelen op om de gebruiker tegen de gevolgen van trillingen te beschermen: zoals onderhoud het gereedschap en de accessoires, houd de handen warm, de organisatie van werktijden.

**PT** AVISO

O nível de emissão de vibrações fornecido nesta folha de informações foi medido em conformidade com o teste uniformizado descrito em EN62841 e pode ser usado para comparar uma ferramenta com outra. Este pode ser usado para uma avaliação preliminar da exposição. O nível de emissão de vibrações declarado refere-se a aplicação principal da ferramenta. Contudo, se a ferramenta for usada para aplicações diferentes, com acessórios diferentes ou não for devidamente mantida, a emissão de vibrações pode diferir. Isto pode fazer aumentar significativamente o nível de exposição ao longo do período de trabalho total.

Uma estimativa do nível de exposição às vibrações deve ter, também, em consideração o tempo durante o qual a ferramenta está desligada ou em que está ligada mas não está a realizar qualquer trabalho. Isto pode reduzir significativamente o nível de exposição durante o período total de trabalho. Identifique medidas adicionais de segurança que protejam o operário dos efeitos da vibração como a manutenção da ferramenta e dos acessórios, a manutenção das mãos quentes e a organização de padrões de trabalho.

**DA** ADVARSEL

Det angivne niveau for vibrationsemission på denne oplysningsside er blevet målt iht. en standardtest ifølge EN62841 og kan bruges til at sammenligne værktøjer indbyrdes. Det kan bruges til en foreløbig eksponeringsvurdering. Det opgivne niveau for vibrationsemission gælder, når værktøjet bruges til sit hovedformål. Men hvis værktøjet bruges til andre formål, med forskelligt eller mest dårligt vedligeholdt ekstraudstyr, kan vibrationsmissionen variere. Dette kan medføre en betragtelig stigning i eksponeringsniveauet set over hele arbejdsperioden.

Et skan over niveauet for vibrationseksponering bør også tage højde for de perioder, hvor værktøjet er slukket, eller hvor det er tændt uden faktisk at være i brug. Dette kan medføre en betragtelig reduktion i eksponeringsniveauet set over hele arbejdsperioden. Træk ekstra sikkerhedsforanstaltninger til beskyttelse af operatøren mod virkningerne fra vibrationen som fx: vedligehold værktøj og ekstraudstyr, hold hænderne varme, organisere arbejdsmonstre.

**SV** VARNING

Vibrationsnivånarna som uppges i det här dokumentet har uppmätts i enlighet med ett standardiserat test som beskrivs i EN62841 och som kan användas för att jämföra verktyg. Det kan användas som en preliminär bedömning av den vibration som användaren utsätts för. De deklarerade vibrationsvärdena motsvarar de som uppstår när verktyget används i sitt huvudsyfte. Om verktyget används i andra syften, med andra tillbehör eller om verktygsyfte är dåligt underhållet kan vibrationsnivånarna vara annorlunda. Det kan kraftigt öka vibrationsnivånerna över den totala arbetsperioden.

En uppskattning av vibrationsnivånerna som användaren utsätts för ska också ta hänsyn till de stunder då verktyget är avstängt och när det går på tomgång. Detta kan kraftigt minska vibrationsnivånerna över den totala arbetsperioden. Andra säkerhetsåtgärder som kan skydda användaren från effekterna av vibrationer är: underhållning av verktyget och tillbehören, hålla händerna varma och organisera arbetsstället.

**FI** VAROITUS

Tämän tiedotteen tarinataso on mitattu EN62841-standardien mukaisilla testeillä, ja niitä voidaan käyttää vertailemalla laitteita toisiaan. Sitä voidaan käyttää arvioitaessa tarinaväluksusta. Ilmoitettu tarinataso vastaa laitteen pääasiallisia käyttötarkoituksia. Jos laitetta kuitenkin käytetään muuhun tarkoitukseen, muilla lisälaitteilla tai huonosti huollettuina, tarinataso saattaa poiketa ilmoitetusta arvosta. Tämä voi kasvattaa kokonaisaltistumista huomattavasti koko työjakson kuluessa.

Tarinan altistustasoa arvioitaessa tulee huomioida ajat, jolloin laite on sammutettu tai kun se on käynnissä, mutta sitä ei käytetä varsinaiseen työskentelyyn. Tämä voi vähentää kokonaisaltistumista huomattavasti koko työjakson kuluessa. Käytä muitakin suojauskeinoja turvataksesi käyttäjän tarinaväluksusta, kuten: huolla laite ja lisälaitteet, pidä kätesi lämpiminä, organiso työtyönkulu.

**PL** OSTRZEŻENIE

Deklarowany poziom drgań został zmierzony za pomocą standardowej metody pomiaru określonej normą EN62841 i jego wyniki mogą służyć do porównania tego urządzenia z innymi. Deklarowana wartość drgań może służyć do wstępnej oceny narażenia operatora na drgania. Deklarowany poziom drgań dotyczy podstawowych zastosowań urządzenia. Jednak w przypadku użycia urządzenia do innych zastosowań, z innymi przystawkami lub w przypadku niewłaściwego stanu technicznego urządzenia poziom drgań może odbiegać od deklarowanego. Może być to przyczyną zwiększenia stopnia narażenia operatora na drgania w całym okresie wykonywania pracy.

Podczas oceny narażenia na drgania należy również uwzględnić czas wykonania urządzenia oraz czasy, w których urządzenie jest włączone. Jednak praca nie jest wykonywana. Czas te mogą znacznie zmniejszyć stopień narażenia operatora na drgania w całym okresie wykonywania pracy. Należy określić dodatkowe środki ochrony operatora przed skutkami drgań, przykładowo: dbać o stan techniczny urządzenia i przystawek, dbać o zachowanie ciepłoty dłoni, odpowiednio zorganizować harmonogram wykonywania prac.

**CS** VAROVÁNÍ

Hodnota vibračních emisí uvedená v tomto informačním listu byla naměřena standardizovaným testem podle EN62841 a ji použít k porovnání s hodnotami jiných nástrojů. Může se používat k předběžnému odhadu vystavení vibracím. Uznáná hodnota vibračních emisí reprezentuje hlavní použití nástroje. Nicméně pokud se nástroj používá pro jiné použití, s různými doplňky nebo se nedostatečně neudržuje, mohou se vibrační emise lišit. Toto může výrazně zvýšit úroveň vystavení nad celkové pracovní období.

Odhad úrovně vystavení vibracím by měl vzít v potaz časy, kdy je chvění vypruho, nebo když přístroj běží, ale nevykonává práci. Toto může výrazně snížit úroveň vystavení nad celkové pracovní období. Určete doplňující bezpečnostní opatření pro ochranu obsluhy před různými vibracemi, například: Udržujte nástroj a doplňky, udržujte ruce v teple, organizujte pracovní schéma.

**NO** ADVARSEL

Vibrasjonsnivået som oppgis på dette informasjonsarket er målt i henhold til en standardisert test gitt i EN62841 og kan brukes til å sammenligne ett verktøy med et annet. Det kan brukes til en foreløpig vurdering av eksponering. Det erklærte vibrasjonsnivået representerer hovedanvendelsen for verktøyet. Dersom verktøyet brukes for andre anvendelser, med forskjellige tilbehør eller med dårlig vedlikehold, vil vibrasjonsnivået kunne være annerledes. Det kan gi en betydelig økning av eksponeringsnivået over den totale arbeidsperioden.

En beregning av nivået for eksponering til vibrasjoner må også ta hensyn til den tiden verktøyet er slått av eller er i gang men ikke i faktisk bruk for å utføre den tiltenkte oppgaven. Dette kan gi en betydelig økning av eksponeringsnivået over den totale arbeidsperioden. Identifiser ytterligere sikkerhetstiltak for å beskytte den som bruker verktøyet fra virkningen av vibrasjoner, tilkall m.m.: Vedlikehold verktøyet og tilbehøret, hold hendene varme, organiser arbeidsmetodene.

**HU** FIGYELMEZTÉÉS

A vibráció-kibocsátás adatlapon megadott értéke az EN62841 által meghatározott szabványosított mérési eljárás szerinti lett mérve, amely lehetővé teszi a különböző szerszámok összehasonlítását. Használható a kitérés előzetes felmérésére is. A nyilatkozatban szereplő kibocsátási érték a szerszám fő alkalmazásai területére vonatkozik. Ugyanakkor, ha a szerszámot más alkalmazásokra, más kiegészítőkkel használják vagy rosszul tartják karban, a vibráció-kibocsátás értéke ettől eltérő is lehet. Ez jelentősen növelheti a kitérés szintjét a gép teljes használati időtartama során.

A vibrációnak való kitérés szintjének becslésekor figyelembe kell venni azokat az időintervallumokat is, amikor a szerszám ki van kapcsolva, vagy működik, de nem végzett munkát vele. Ez jelentősen csökkentheti a kitérés szintjét a gép teljes használati időtartama során. Tegyén további óvintézkedéseket a kezelő vibrációval szembeni megvédése érdekében: tartsa karban a szerszámot és a tartozékokat, tartsa melegen a kezét, tervezze meg a munkafolyamatot.

**RU** ОСТОРОЖНО!

Уровень вибрации, приведенный в данном справочном листе, измерен согласно стандартизованным испытаниям, определенным в EN62841 и может использоваться для сравнения различных инструментов. Значение уровня может использоваться для предварительной оценки влияния вибрации. Заявленный уровень вибрации действителен для основного применения инструмента. Однако, если инструмент используется для других целей, с другими приспособлениями, или плохо обслуживается, уровень вибрации может отличаться от указанного. Это может значительно увеличить величину воздействия за общее время работы.

При оценке уровня воздействия вибрации следует также принять во внимание время простоев и холостой ход (когда инструмент выключен и когда включен, но работа не производится). Эти факторы могут значительно уменьшить величину воздействия вибрации за общее время работы. Определите дополнительные меры безопасности, защищающие работающего от влияния вибрации: техническое обслуживание инструмента и принадлежностей, недопущение охлаждения рук, соответствующие приемы и распорядок работы.

**RO** AVERTISMENT

Nivelul emisiilor de vibrații prezentat în cadrul acestei fișe cu informații a fost măsurat în conformitate cu un test standardizat furnizat în EN62841 și poate fi folosit la a compara o unealtă cu o alta. Poate fi folosit la a evalua preliminară a expunerii. Nivelul declarat al emisiilor de vibrații reprezintă aplicațiile principale ale uneltei. Cu toate acestea, în cazul în care unealta este utilizată pentru aplicații diferite, cu accesorii diferite sau întreținute necorespunzător, emisiile de vibrații pot diferi. Acestea pot crește semnificativ nivelul de expunere pe întreaga perioadă de lucru.

O estimare a nivelului de expunere la vibrații trebuie, de asemenea, să țină cont de tălile în care uneala este oprită sau de tălile în care uneala funcționează fără a efectua propriu-zis sarcina de lucru. Acestea pot reduce semnificativ nivelul de expunere pe întreaga perioadă de lucru. Identificați măsuri de siguranță suplimentare pentru a proteja operatorul de efectele vibrațiilor, precum: întreținerea uneltei și a accesoriilor, păstrarea mâinilor calde, organizarea de modele de lucru.

## LV BRĪDINĀJUMS

Šajā datu lapā dotā vibrācijas emisijas vērtība ir mērīta saskaņā ar standartizēto testu, kas dots EN62841 un kuru var izmantot, lai salīdzinātu vienu instrumentu ar citu. To var izmantot aptuvenam emisijas novērtējumam. Deklarētais vibrāciju emisijas līmenis atbilst galvenajiem instrumenta pielietojumiem. Tomēr, ja instrumentu lieto citiem pielietojumiem, ar citiem pieredumiem vai tas tiek slikti apkopots, vibrācijas emisijas vērtība var atšķirties. Tas var ievērojami palielināt emisijas līmeni visā darba periodā.

Vibrāciju emisijas līmenis novērtējumam jāņem vērā laikā, kad instrumentus ir izslēgti vai ir ieslēgti, bet nevis nekādā darbu. Tas var ievērojami samazināt emisijas līmeni visā darba periodā. Identificējiet papīru drošības pasākumus, lai aizsargātu operatoru no vibrāciju iedarbības, piemēram, veiciet instrumentu u pieredumu apkopi, turiet rokas siltas un pielagojiet darba griezumam.

## LT IŠPĒJIMAS

Šiame lape nurodytas vibracijos emisijos lygis buvo išmatuotas pagal standartinį testą, kas aprašytas EN62841, ir gali būti naudojamas vieno įrankio su kitu palyginimui. Jis gali būti naudojamas preliminariam pavojaus įvertinimui. Deklaruotas vibracijos emisijos lygis priskiriamas pagrindinėms įrankio taikymo srityms. Tačiau, jei įrankis naudojamas kitoms tikslams, su kitokiais prietaisais ar įrankiais prastai prižiūrimas, vibracijos emisija gali skirtis. Per visą darbo laikotarpį tai gali žymiai padidinti vibracijos keliamą pavojų.

Nustatant vibracijos keliamą pavojų taip pat būtina atsižvelgti į tai, kiek kartų įrankis yra sujungtas ar kai jis veikia, bet juo iš tikrųjų nedirbama. Per visą darbo laikotarpį tai gali žymiai sumažinti vibracijos keliamą pavojų. Naudokite papildomas apsaugas priemonės dirbančiam asmeniui apsaugoti nuo vibracijos poveikio, pvz.: prižiūrėti įrankį ir jį priedus, rankas laikyti šiltes, organizuoti darbo sejas.

## ET HOIATUS

Sellel infolehel esitatud vibratsioonitase väärtus on mõeldud standardis EN62841 kirjeldatud katsemeetodiga ja seda võib kasutada tööriistade omavaheliseks võrdlemiseks. Seda võib kasutada vibratsiooni mõju eelhindamiseks. Deklaritud vibratsioonitase väärtus kehtib tööriista tavakasutamisel. Kui aga kasutate tööriista muudeks kasutusotstarbeks, erisartarbeliste tarvikutega või kui tööriist on puudulikult hooldatud, siis võib vibratsiooni väärtus erineda. Sellistel juhtudel võib tööperioodi summaarne vibratsioonitase suurendada märgatavalt. Vibratsiooniväärtuse taset tuleb arvestada võtta ka sel ajal, kui tööriist on välja lülitatud või kui tööriist tööriist, kuid ei tee tööoperatsioone. Sellistel juhtudel võib tööperioodi ajal summaarne vibratsioonitase väheneda märgatavalt. Määrake kindlaks täiendavad ohutusmeetmed, et kaitsa operaatorit vibratsioonimõjude eest – tööriistade ja tarvikute hooldamine, kätte soojas hoidmine ja töövahetuste organiseerimine.

## HR UPOZORENJE

Razina vrijednosti vibracija data u ovoj tablici s informacijama mjerena je sukladno normiranom testu pruženom u EN62841 i može se koristiti za usporedbu jednog alata s drugim. Može se koristiti u početnom usklađivanju izloženosti. Objavljena razina vrijednosti vibracija predstavlja glavnu primjenu alata. Međutim, ako se alat koristi za druge primjene, s različitim dodatnim priborom ili je slabo održavan, vrijednost vibracija može se razlikovati. Ovo može značajno povećati razinu izloženosti tijekom ukupnog radnog razdoblja.

U procjeni razine izloženosti na vibraciju također treba uzeti u obzir vrijeme kada je alat isključen ili kada je pokrenut no ne i stvarno vrijeme rada. Ovo može značajno smanjiti razinu izloženosti tijekom ukupnog radnog razdoblja. Odredite dodatne sigurnosne mjere za zaštitu operatera od učinaka vibracije poput: održavanje alata i pribora, održavanje toplih ruku, organizacija rada i rad.

## SL OPOZORILO

Nivo emisij vibracij, naveden v tem informacijskem listu, je bil izmerjen v skladu s standardiziranim testom, ki je podan v EN62841, podatke pa se lahko uporablja za primerjavo enega orodja z drugim. Uporablja se ga lahko za predbežno oceno izpostavljenosti. Naveden nivo emisij vibracij predstavlja glavno uporabo orodja. Zendar, če se orodje uporablja v druge namene in z različnimi nastavitvami oz. če je orodje slabo vzdrževano, se lahko emisije vibracije razlikujejo. To lahko občutno poveča nivo izpostavljenosti v skupnem delovnem času.

Ocena nivoja izpostavljenosti vibracijam bi morala prav tako upoštevati, koliko krat je orodje bilo izključeno ali je v delovanju in pravzaprav ne opravila svojega dela. To lahko občutno zmanjša nivo izpostavljenosti v skupnem delovnem času. Upoštevajte dodatne varnostne ukrepe, da bi upravljalca zaščitili pred vplivom vibracij, kot je: vzdrževanje orodja in nastavke, pazite, da so roke tople, organizirajte delovne vzorce.

## SK VAROVANIE

Úroveň emisie vibrácií, uvedená v tomto informačnom hárku bola nameraná v súlade so štandardizovaným testom, daný normou EN62841 a môže sa použiť na porovnanie navedených nástrojov s druhými. Môže sa použiť na predbežné určenie miery vystavenia sa vibráciám. Uvedená úroveň emisie vibrácií predstavuje hlavnú aplikáciu nástroja. Avšak keď sa nástroj používa na iné aplikácie, s rôznym príslušenstvom alebo má inú odtžbu, úroveň vibrácií sa môže líšiť. Týmto sa môže výrazne zvýšiť úroveň vystavenia sa vibráciám počas celkového času práce. Odhad úrovne vystavenia sa vibráciám by sa mal brať tiež do úvahy, vždy, keď sa nástroj vypne, alebo pôlom, keď beží ale v skutočnosti sa nevykonáva práca. Týmto sa môže výrazne znížiť úroveň vystavenia sa vibráciám počas celkového času práce. Nasledovné dopĺňajúce bezpečnostné opatrenia pomáhajú chrániť operátora od účinkov vibrácií: údržba nástroja a príslušenstva, udržiavanie teplých rúk, organizácia práce.

## BG ВНИМАНИЕ

Посоченото в тази инструкция ниво на вибрациите е измерено в съответствие със стандартизиран в EN 62841 измервателен метод и може да се използва за сравнение на електрическите инструменти помежду им. Подходящ е и за временна оценка на вибрационното натоварване. Посоченото ниво на вибрациите представя основните приложения на електрическия инструмент. Ако обаче електрическият инструмент се използва с друго предназначение, с различни сменними инструменти или при недостатъчна техническа поддръжка, нивото на вибрациите може да е различно. Това чувствително може да увеличи вибрационното натоварване по време на целия работен цикъл.

За точната оценка на вибрационното натоварване трябва да се вземат предвид и перодите от време, в които уредът е изключен или работи, но в действителност не се използва. Това чувствително може да намали вибрационното натоварване по време на целия работен цикъл. Определете допълнителни мерки по техника на безопасност в защита на обслужващия работник от въздействието на вибрациите като например: техническа поддръжка на електрическия инструмент и сменяемите инструменти, поддръжка на ръцете топли, организация на работния цикъл.

## UK ПОПЕРЕДЖЕННЯ

Рівень вібрації, зазначений у цьому інформаційному листку, був розрахований відповідно зі стандартизованими випробуваннями, наведеними в EN 62841 і може використовуватися для порівняння одного інструмента з іншим. Він може бути використаний для попередньої оцінки впливу. Зазначений рівень вібрації представляє основні застосування інструменту. Тим не менш, якщо інструмент використовується для різних додатків, з різними аксесуарями і недостатньою, рівень вібрації може відрізнятись. Це може значно підвищити рівень впливу протягом усього робочого періоду.

При оцінюванні рівня впливу вібрації необхідно також враховувати час, коли інструмент вимкнений або коли він працює, але насправді не виконує ніякої роботи. Це може значно зменшити рівень впливу протягом усього робочого періоду. Для захисту оператора від впливу вібрації, визначте додаткові заходи безпеки, такі як: регулярний догляд за інструментом і приладдям, тримання рук в теплі, і організація схеми роботи.

**TR** UYARI

Bu bilgi sayfasında verilen titreşim emisyon seviyesi, EN62841 standardında belirtilen standartlaştırılmış bir teste uygun olarak ölçülmüş ve bir aleti diğeriyle karşılaştırmak için kullanılabilir. Ön maruz kalma tespiti için kullanılabilir. Beyan edilen titreşim emisyon seviyesi aletin asıl uygulamalarını temsil etmektedir. Ancak alet, farklı aksesuarlarla veya yetersiz bakımlı olarak farklı uygulamalar için kullanılırsa titreşim emisyonu değişebilir. Bu durum toplam çalışma süresi boyunca maruz kalma seviyesini önemli ölçüde artırır.

Titreşime maruz kalma seviyesinin değerlendirilmesi aynı zamanda alet kapalı ve ardından çalışır ancak gerçek anlamda iş yapmadığı zamanlar da göz önünde bulundurulmalıdır. Bu durum toplam çalışma süresi boyunca maruz kalma seviyesini önemli ölçüde azaltır. Operatörün titreşimin etkilerinden korunmak için ilave güvenlik önlemleri belirleyin, örneğin: aletin ve aksesuarlarının bakımını yapmak, operatörün ellerini sıcak tutmak, çalışma modellerini organize etmek.

**EL** ΠΡΟΕΙΔΟΠΟΙΗΣΗ

Τα επίπεδα εκπομπών κραδασμών που παρέχονται στο παρόν ενημερωτικό φυλλάδιο, έχουν μετρηθεί βάσει τυποποιημένης δοκιμής που προβλέπεται στο EN62841 και μπορούν να συγκριθούν για τη σύγκριση του εργαλείου με άλλα. Μπορούν επίσης να χρησιμοποιηθούν για προκαταρκτική αξιολόγηση της έκθεσης. Τα δηλωμένα επίπεδα εκπομπών κραδασμών αφορούν τις βασικές εφαρμογές του εργαλείου. Ωστόσο, αν το εργαλείο χρησιμοποιείται για διαφορετικές εφαρμογές, με διαφορετικά εξαρτήματα ή με κακή συντήρηση, η εκπομπή κραδασμών μπορεί να διαφέρει. Αυτό μπορεί να αυξήσει σημαντικά το επίπεδο έκθεσης στη συνολική περίοδο εργασίας.

Η εκτίμηση των επιπέδων έκθεσης σε κραδασμούς θα πρέπει επίσης να λαμβάνει υπόψη τις χρονικές περιόδους κατά τις οποίες το εργαλείο είναι απενεργοποιημένο ή λειτουργεί χωρίς να χρησιμοποιείται σε συγκεκριμένη εργασία. Αυτό μπορεί να μειώσει σημαντικά το επίπεδο έκθεσης στη συνολική περίοδο εργασίας. Εφαρμόστε επιπρόσθετα μέτρα ασφαλείας για την προστασία του χειριστή από τις επιπτώσεις των κραδασμών, όπως τα εξής: συντηρείτε το εργαλείο και τα εξαρτήματα, διατηρείτε τα χέρια ζεστά, οργανώστε μοτίβα εργασίας.

## EN RYOBI® WARRANTY APPLICATION CONDITIONS

In addition to any statutory rights resulting from the purchase, this product is covered by a warranty as stated below.

- The warranty period is 24 months for consumers and commences on the date the product was purchased. This date has to be documented by an invoice or other proof of purchase. The product is designed and dedicated to consumer and private use only. So there is no warranty provided in case of professional or commercial use. This warranty applies only on new products.
- There is a possibility to extend for a part of the range of power tools (AC/DC) the warranty period over the period described above using the registration on the [www.ryobitools.eu](http://www.ryobitools.eu) website. The eligibility of products for extended warranty is clearly displayed in stores and / or on packaging and is contained within the product documentation. The end user is required to register his/her newly-acquired products online within 30 days from the date of purchase. The end user may register for the extended warranty in his/her country of residence if listed on the online registration form where this option is valid. Furthermore, end users must give their consent to the storage of their personal data that is required to be entered online. They must also accept the terms and conditions. The registration confirmation receipt, which is sent out by e-mail, and the original invoice showing the date of purchase will serve as proof of the extended warranty.
- The warranty covers all defects of the product during the warranty period due to faults in workmanship or material at the purchase date. The warranty is limited to repair and/or replacement and does not include any other obligations including but not limited to incidental or consequential damages. The warranty is not valid if the product has been misused, used contrary to the instruction manual, or has been incorrectly connected to a power supply. This warranty does not apply to:
  - any damage to the product that is the result of improper or lack of maintenance
  - any product that has been altered or modified
  - any product where original identification (trade mark, serial number) markings have been defaced, altered or removed
  - any damage caused by non-observance of the instruction manual
  - any product not displaying the CE approval mark on the rating plate
  - any product that has been attempted to be repaired by a non-authorized warranty service centre or without prior authorisation by Techtronic Industries
  - any product connected to improper power supply (amps, voltage, frequency)
  - any damage caused by external influences (water, chemical, physical, shocks) or foreign substances
  - normal wear and tear spare parts
  - inappropriate use, overloading of the tool
  - use of non-approved accessories or parts
  - Power tool accessories provided with the tool or purchased separately, including but not limited to screw driver bits, drill bits, abrasive discs, sand paper and blades, lateral guide, etc.
  - Components (parts and accessories) subject to natural wear and tear, including but not limited to service & maintenance kits, carbon brushes, bearings, chuck, SDS drill bit attachment or reception, power cord, auxiliary handle, transport carry case, sanding plate, dust bag, dust exhaust tube, felt washers, impact wrench pins & springs, etc.
- For servicing, the product must be sent or presented to a RYOBI authorised service station listed for each country in the following list of service station addresses. In some countries your local RYOBI dealer undertakes to send the product to the RYOBI service organisation. When sending a product to a RYOBI service station, the product should be safely packed without any dangerous contents such as petrol, marked with sender's address and accompanied by a short description of the fault.
- A repair / replacement under this warranty is free of charge. It does not constitute an extension or a new start of the warranty period. Exchanged parts or products become our property. In some countries delivery charges or postage will have to be paid by the sender. Your statutory rights arising from the purchase of the product remain unaffected
- This warranty is valid in the European Community, Switzerland, Iceland, Norway, Liechtenstein, Turkey and Russia. Outside these areas, please contact your authorised RYOBI dealer to determine if another warranty applies.

### AUTHORISED SERVICE CENTRE

To find an authorised service centre near you, visit <http://en.ryobitools.eu/header/service-and-support/service-agents>

## FR RYOBI® CONDITIONS D'APPLICATION DE LA GARANTIE

En plus des droits statutaires liés à l'achat, ce produit est couvert par une garantie telle que décrite ci-dessous.

- La durée de la garantie accordée au consommateur est de 24 mois à partir de la date d'achat. Cette date doit être authentifiée par une facture ou toute autre preuve d'achat. Le produit a été conçu en vue d'une utilisation strictement privée. Aucune garantie ne s'applique donc en cas d'utilisation professionnelle ou commerciale.
- Il existe pour une partie de la gamme d'outils électroportatifs (AC/DC), une possibilité d'étendre la période de garantie au-delà de la période pré-déterminée décrite en utilisant le formulaire d'enregistrement présent sur le site Internet [www.ryobitools.eu](http://www.ryobitools.eu). L'éligibilité d'un outil est clairement affichée dans les points de vente et/ou sur l'emballage et la documentation. L'utilisateur final doit enregistrer son/ses outil(s) nouvellement acheté(s) en ligne dans les 30 jours qui suivent la date d'achat. L'utilisateur a la possibilité de s'enregistrer pour l'extension de garantie dans son pays de résidence si celui-ci est listé dans le formulaire d'enregistrement en ligne où cette option est valide. L'utilisateur final doit donner son consentement pour l'enregistrement des données requises pour accéder au site et doit accepter les termes et conditions. La confirmation d'enregistrement, envoyée par courrier électronique, ainsi que la facture originale mentionnant la date d'achat serviront de preuve de l'extension de garantie.
- La garantie couvre pendant la période de garantie les défauts des produits liés à la fabrication et/ou aux matériaux à la date d'achat. La garantie est limitée à la réparation et/ou au remplacement et n'inclut aucune autre obligation, tel que, mais sans s'y limiter, les dommages accessoires ou indirects. La garantie est non valable en cas de mauvaise utilisation du produit, d'utilisation contraire aux instructions du mode d'emploi, ou en cas de branchement incorrect. Cette garantie ne s'applique pas pour :
  - tout dommage du produit résultant d'un mauvais entretien
  - tout produit ayant été altéré ou modifié
  - tout produit dont les marquages originaux d'identification (marque, numéro de série) ont été dégradés, altérés ou retirés
  - tout dommage causé par le non-respect des instructions du mode d'emploi
  - tout produit non CE
  - tout produit ayant subi une tentative de réparation par du personnel non qualifié ou sans autorisation préalable de Techtronic Industries
  - tout produit raccourci à une alimentation secteur non conforme (ampérage, voltage, fréquence)
  - tout dommage causé par des influences extérieures (chimiques, physiques, chocs) ou par des substances étrangères
  - l'usure normale des pièces consommables
  - une utilisation inappropriée, une surcharge de l'outil
  - l'utilisation de pièces ou accessoires non agréés
  - accessoires de l'outil électrique fournis avec l'outil ou achetés séparément. Cela comprend notamment les embouts de vissage, les forets de perceuse, les disques abrasifs, le papier de verre et les lames, le guide latéral
  - Les composants (pièces et accessoires) sujets à l'usure naturelle, ceci incluant notamment les mandrins, les chabons, adaptateurs SDS, les cordons d'alimentation, les poignées auxiliaires, les mallettes de transport, les plateaux de ponçage, les sacs collecteurs de poussière, les tubes d'extraction de poussière, les carrés de clic à choc, etc.
- Si le produit doit être réparé, envoyez-le à un service après-vente agréé RYOBI dont vous trouverez ci-dessous la liste pour chaque pays. Dans certains pays, votre revendeur RYOBI se chargera d'envoyer le produit à un centre de réparation RYOBI. Lorsque vous envoyez un produit à un service après-vente RYOBI, celui-ci doit être correctement emballé, sans contenir aucun produit dangereux tel que de l'essence, et vous devez indiquer votre adresse ainsi qu'une courte description du problème.
- Une réparation / un remplacement sous garantie est gratuit(e). Ceci ne constituera pas une extension de garantie ni un nouveau début de la période de garantie. Les pièces ou les outils remplacés deviennent notre propriété. Dans certains pays, les frais de port devront être assumés par l'expéditeur. Vos droits statutaires restent inchangés.
- Cette garantie est valable au sein de l'Europe, de la Suisse, de l'Islande, de la Norvège, du Liechtenstein, de la Turquie, de la Russie. En dehors de ces zones, veuillez contacter votre distributeur agréé RYOBI pour déterminer si une autre garantie s'applique.

### SERVICE APRÈS-VENTE AGRÉÉ

Pour trouver le service après-vente agréé le plus proche, rendez-vous sur <http://fr.ryobitools.eu/header/service-and-support/service-agents>.



**DE** RYOBI® GARANTIEBEDINGUNGEN

Zusätzlich zu den gesetzlichen Rechten aus dem Kauf gilt für dieses Produkt die nachstehend aufgeführte Garantie.

- Der Garantiezeitraum beträgt für Verbraucher 24 Monate und beginnt mit dem Datum des Kaufs. Dieses Datum muss durch eine Rechnung oder einen anderen Kaufbeleg dokumentiert werden. Dieses Produkt wurde ausschließlich zur privaten Nutzung durch Verbraucher entwickelt. Für den Fall einer professionellen bzw. kommerziellen Nutzung besteht daher keine Garantie.
- Es besteht die Möglichkeit, für einen Teil des Sortiments der Elektrowerkzeuge (AC/DC) den Garantiezeitraum über den oben genannten Zeitraum hinaus zu verlängern, indem der Verbraucher die Registrierung auf der Website [www.ryobitools.eu](http://www.ryobitools.eu) durchführt. Die Berechtigung der Werkzeuge für die Garantieverlängerung ist deutlich im Geschäft und/oder auf der Verpackung beschrieben und in der Produktdokumentation erwähnt. Der Verbraucher muss das neu erworbene Gerät online innerhalb von 30 Tagen ab dem Kaufdatum registrieren. Der Verbraucher kann das Gerät zwecks Garantieverlängerung in seinem Wohnsitzland/Heimatland registrieren, wenn dieses Land auf dem Online-Registrierungsformular aufgeführt und die Option gültig ist. Darüber hinaus muss der Verbraucher seine Zustimmung zur Speicherung der Daten geben, die online eingegeben werden müssen, und er muss die allgemeinen Geschäftsbedingungen akzeptieren. Die Bestätigung der Registrierung, die per E-Mail versandt wird, und die Originalrechnung mit dem Kaufdatum gelten als Beleg für die Garantieverlängerung.
- Die Garantie deckt alle Defekte des Geräts während des Garantiezeitraums ab, die auf zum Zeitpunkt des Kaufs bestehende Verarbeitungs- oder Materialfehler zurückzuführen sind. Die Garantie beschränkt sich auf Reparatur und/oder Ersatz und beinhaltet keine anderen Verpflichtungen, insbesondere keinen Schadenersatz für Folge- oder Nebenschäden. Die Garantie gilt nicht wenn das Gerät fehlerhaft eingesetzt wurde, gegenseitlich zur Bedienungsanleitung eingesetzt wurde oder falsch angeschlossen wurde. Die Garantie gilt nicht für Folgendes:
  - Schäden am Gerät, die auf unkorrekte Wartung zurückzuführen sind
  - Geräte, an denen Veränderungen vorgenommen wurden
  - Produkte, bei denen die ursprüngliche Identifizierung (Handelsmarke, Seriennummer) unleserlich gemacht, verändert oder entfernt wurde
  - Schäden durch Nichtbeachtung der Bedienungsanleitung
  - nicht-CE-zertifizierte Geräte
  - Geräte, an denen durch nicht-qualifizierte Personen oder ohne vorherige Genehmigung von Technictron Industries Reparaturversuche vorgenommen wurden
  - Geräte, die an unkorrekte Energiequellen (Ampere, Volt, Frequenz) angeschlossen wurden
  - Schäden durch äußere Einflüsse (chemisch, physisch, Stöße) oder Fremdstoffe
  - normaler Verschleiß von Ersatzteilen
  - unangemessene Nutzung, Überlastung des Geräts
  - Nutzung nicht genehmigter Zubehörteile oder Ersatzteile
  - mit dem Gerät gelieferte oder separat erworbene Zubehörteile. Dieser Ausschluss beinhaltet, ist aber nicht beschränkt auf Schraubendreher-Bits, Bohreransätze, Schleifscheiben, Sandpapier und Klängen, Seitenführungen
  - Komponenten (Ersatzteile und Zubehörteile), die natürlichen und normalen Verschleißerscheinungen unterworfen sind, einschließlich aber nicht beschränkt auf: Service- und Wartungssätze, Kohlebürsten, Lager, Spannrollen, SDS-Bohreraufnahme /Bit-Adapter, Netzkabel, Zusatzhandgriff, Transportkoffer / Schleifteller, Staubbeutel, Staubabsaugrohr, Filzunterlegscheiben, Bolzen und Federn von Schlagschraubern usw.
- Das Service muss das Gerät zu einer von RYOBI autorisierten Servicestation gebracht oder dorthin geschickt werden. Die Servicestationen für die einzelnen Länder sind in der folgenden Liste aufgeführt. In einigen Ländern sendet Ihr RYOBI-Händler vor Ort das Gerät an das RYOBI-Serviceunternehmen. Beim Einsenden an die RYOBI-Servicestation sollte das Gerät sicher verpackt sein, ohne gefährliche Inhalte wie Benzin, und es sollte mit der Adresse des Absenders und einer kurzen Beschreibung des Fehlers versehen sein.
- Eine Reparatur bzw. ein Ersatz gemäß dieser Garantie ist kostenlos. Hieraus ergibt sich weder eine Garantieverlängerung noch der Beginn eines neuen Garantiezeitraums. Die ausgetauschten Ersatzteile oder Werkzeuge gehen in unser Eigentum über. In einigen Ländern müssen die Zustellgebühren oder die Versandkosten vom Absender gezahlt werden. Ihre gesetzlichen Rechte aus dem Kauf des Geräts bleiben hiervon unberührt.
- Diese Garantie gilt in der Europäischen Union, der Schweiz, Island, Norwegen, Liechtenstein, der Türkei und Russland. Bitte wenden Sie sich außerhalb dieser Gebiete an Ihren autorisierten RYOBI-Händler, um festzustellen, ob eine andere Garantie gilt.

**AUTORISIERTE KUNDENDIENTS**

Besuchen Sie <http://de.ryobitools.eu/header/service-and-support/service-agents>, um einen autorisierten Kundendienst in Ihrer Nähe zu finden.

**ES** CONDICIONES DE APLICACIÓN DE LA GARANTÍA DE RYOBI®

Además de cualquier derecho legal derivado de la compra, este producto está cubierto por una garantía que se indica a continuación.

- El periodo de garantía es de 24 meses para consumidores y comienza en la fecha en que se compra el producto. Dicha fecha debe documentarse con una factura u otro comprobante de compra. El producto está diseñado y concebido únicamente para el uso privado del consumidor. Por lo tanto, no se ofrece garantía en caso de uso profesional o comercial.
- Existe la posibilidad de ampliar el periodo de garantía respecto a una parte de la gama de herramientas eléctricas (CA/CC) durante el periodo descrito más arriba y mediante el registro en el sitio web [www.ryobitools.eu](http://www.ryobitools.eu). La elegibilidad de las herramientas para que se amplie el periodo de garantía se muestra claramente en las tiendas o en el embalaje y está incluida en la documentación del producto. El usuario final tiene que registrar en línea sus herramientas recientemente adquiridas en un plazo de 30 días a partir de la fecha de compra. El usuario final podrá registrarse para obtener la garantía ampliada en su país de residencia si este aparece en la lista del formulario de registro en línea cuando esta opción sea válida. Además, los usuarios finales deberán dar su consentimiento al almacenamiento de los datos necesarios para el acceso en línea y tienen que aceptar los términos y condiciones. El recibo de confirmación de registro, que se envía por correo electrónico, y la factura original que muestra la fecha de compra servirán como comprobante para la garantía ampliada.
- La garantía cubre todos los defectos del producto durante el periodo de garantía debido a fallos de mano de obra o material en la fecha de compra. La garantía se limita a la reparación o sustitución y no incluye ninguna otra obligación como, por ejemplo, daños accidentales o consecuentes. La garantía no es válida si se ha usado mal el producto, se ha usado contraviniendo el manual de instrucciones o se ha conectado de forma incorrecta. Esta garantía no es aplicable a:
  - ningún daño en el producto que sea consecuencia de un mantenimiento inadecuado
  - ningún producto que haya sido alterado o modificado
  - ningún producto en el que los marcados de identificación originales (marca comercial, número de serie) se hayan borrado, modificado o eliminado
  - ningún daño provocado por no seguir el manual de instrucciones
  - ningún producto que no sea CE
  - ningún producto que haya sufrido un intento de reparación por parte de un profesional no cualificado o sin la autorización previa de Technictron Industries.
  - ningún producto conectado a un suministro eléctrico inadecuado (amperios, voltaje, frecuencia)
  - ningún daño causado por influencias externas (químicas, físicas, impactos) o sustancias extrañas
  - desgaste normal de piezas de repuesto
  - uso inadecuado, sobrecarga de la herramienta
  - uso de accesorios o piezas no aprobados
  - Accesorios de herramientas eléctricas proporcionados con la herramienta o comprados por separado. Tales exclusiones incluyen, entre otros, brocas de destornilladores, brocas de taladro, discos abrasivos, papel de lija y cuchillas, y guías laterales
  - Componentes (piezas y accesorios) sujetos a un desgaste natural, que incluyen, entre otros, equipos de servicio y mantenimiento, escobillas de carbono, cojinetes, pinzas, accesorio o recepción de broca de taladro SDS, cable eléctrico, manillar auxiliar, bolsa de transporte, hoja lijadora, bolsa de polvo, tubo de escape de polvo, disco de fieltro, pasadores y resortes de llave de impacto, etc.
- Para su mantenimiento, el producto debe enviarse o presentarse a una estación de servicio de RYOBI autorizada que figure en la siguiente lista de direcciones de estaciones de servicio por países. En algunos países, su distribuidor RYOBI local se responsabiliza de enviar el producto a la compañía de servicio de RYOBI. Cuando se envíe un producto a una estación de servicio de RYOBI, este debe estar empaquetado de forma segura sin contenidos peligrosos como gasolina, marcado con la dirección del remitente y acompañado de una breve descripción del fallo.
- Una reparación / sustitución con esta garantía es gratuita. No constituye una ampliación ni un nuevo comienzo del periodo de garantía. Las piezas o herramientas intercambiadas pasan a ser de nuestra propiedad. En algunos países, los gastos de envío o correo tendrán que pagarlos el remitente. Sus derechos legales derivados de esta compra de la herramienta no se verán afectados.
- Esta garantía es válida en la Unión Europea, Suiza, Islandia, Noruega, Liechtenstein, Turquía y Rusia. Fuera de estas zonas, póngase en contacto con su distribuidor de RYOBI autorizado para determinar si es aplicable otra garantía.

**SERVICIO TÉCNICO AUTORIZADO**

Para encontrar el servicio técnico autorizado más cercano, visite <http://es.ryobitools.eu/header/service-and-support/service-agents>

## IT CONDIZIONI DI VALIDITÀ DELLA GARANZIA RYOBI®

In aggiunta ai diritti di legge risultanti dall'acquisto, il prodotto è coperto dalla garanzia sotto descritta.

1. Il periodo di garanzia è di 24 mesi per i consumatori, a decorrere dalla data di acquisto del prodotto. La data deve essere documentata da una fattura o altra prova d'acquisto. Il prodotto è progettato e destinato solo all'utilizzo privato dei consumatori. Pertanto non viene fornita alcuna garanzia in caso di uso professionale o commerciale.
2. Per una serie di utensili elettrici (CA/CC) è possibile prolungare il periodo di garanzia oltre quello descritto, registrandosi sul sito web [www.ryobitools.eu](http://www.ryobitools.eu). Gli utensili per i quali è possibile prolungare il periodo di garanzia sono chiaramente indicati nei negozi e/o sulle confezioni e nella documentazione dei prodotti. L'utente deve registrare online l'utensile acquistato entro 30 giorni dalla data di acquisto. L'utente può registrarsi per la garanzia prolungata nel proprio paese di residenza, se questo è elencato nel modulo di registrazione online dove questa opzione sia valida. Inoltre gli utenti devono fornire il proprio consenso alla conservazione dei dati da immettere online e devono accettare le condizioni generali. La conferma di registrazione, inviata tramite e-mail, e la fattura originale indicante la data di acquisto, costituiscono la prova della garanzia prolungata.
3. La garanzia copre tutti i difetti del prodotto durante il periodo di garanzia, risultanti da manodopera o materiali alla data di acquisto. La garanzia è limitata alla riparazione o sostituzione e non include alcun altro obbligo quali, a mero titolo esemplificativo, i danni incidentali o consequenziali. La garanzia non è valida se il prodotto è stato usato scorrettamente, in modo contrario al manuale di istruzioni o se è stato collegato in modo errato. La garanzia non è valida per:
  - qualsiasi danno al prodotto dovuto a manutenzione errata;
  - qualsiasi prodotto che sia stato alterato o modificato;
  - qualsiasi prodotto le cui marcature di identificazione originali (marchi di fabbrica, numero di serie) siano state cancellate, alterate o rimosse;
  - qualsiasi danno causato dalla non osservanza delle istruzioni del manuale;
  - qualsiasi prodotto privo di omologazione CE;
  - qualsiasi prodotto che sia stato sottoposto a un tentativo di riparazione da parte di un professionista non qualificato oppure senza la previa autorizzazione di Techntronic Industries;
  - qualsiasi prodotto collegato a un'alimentazione errata (per ampere, tensione, frequenza);
  - qualsiasi danno causato da influenze esterne (chimiche, fisiche, urti) o sostanze estranee;
  - la normale usura delle parti di ricambio;
  - uso inappropriato, sovraccarico dell'utensile;
  - uso di accessori o parti non omologate;
  - accessori per utensili elettrici forniti con l'utensile o acquistati separatamente. Questa esclusione comprende, a mero titolo esemplificativo, punte per cacciaviti, punte per trapani, dischi abrasivi, carta vetrata, lame e guide laterali;
  - componenti (parti e accessori) soggetti alla normale usura compresi, a mero titolo esemplificativo, kit di servizio e manutenzione, spazzole al carbonio, cuscinetti, mandrini, attacchi per punte a vite autoproforante, cavi di alimentazione, maniglie ausiliarie, custodie di trasporto, piastre di levigatura, sacchetti per la polvere, tubi di scarico della polvere, rondelle di feltro, perni e molle per avvitatori ecc.
4. Per la manutenzione il prodotto dev'essere spedito o portato presso uno dei centri assistenza autorizzati RYOBI elencati per ogni paese nel seguente elenco di indirizzi dei centri. In alcuni paesi il rivenditore locale RYOBI si incarica di inviare il prodotto all'organizzazione di assistenza RYOBI. Quando si invia un prodotto a un centro assistenza RYOBI, imballarlo in modo sicuro senza contenuti pericolosi come la benzina, apporre l'indirizzo del mittente e accompagnarlo da una breve descrizione del guasto.
5. La riparazione/sostituzione ai sensi della presente garanzia è gratuita. Non costituisce un prolungamento o un nuovo inizio del periodo di garanzia. Le parti o gli utensili scambiati diventano di nostra proprietà. In alcuni paesi i costi di consegna o di spedizione postale devono essere pagati dal mittente. I diritti di legge derivanti dall'acquisto dell'utensile rimangono inalterati.
6. La presente garanzia è valida in Unione Europea, Svizzera, Islanda, Norvegia, Liechtenstein, Turchia e Russia. Al di fuori di tali aree contattare il rivenditore autorizzato RYOBI per sapere se è valida un'altra garanzia.

### CENTRO SERVIZI AUTORIZZATO

Per individuare il più vicino centro servizi autorizzato, visitare il sito <http://it.ryobitools.eu/header/service-and-support/service-agents>.

## NL RYOBI® GARANTIEVOORWAARDEN

Naast de wettelijke rechten die voortvloeien uit uw aankoop, wordt dit product gedekt door een garantie, zoals hieronder staat vermeld.

1. De garantietermijn voor consumenten bedraagt 24 maanden en gaat in op de datum waarop het product is gekocht. Deze datum moet worden gedocumenteerd met een factuur of een ander aankoopbewijs. Het product is uitsluitend ontworpen en bedoeld voor persoonlijk gebruik door consumenten. Er wordt dus geen garantie gegeven voor professioneel of commercieel gebruik.
2. Voor een deel van ons aanbod van elektrische gereedschappen (AC/DC) is het mogelijk om de garantietermijn te verlengen over de boven beschreven termijn, met behulp van de website [www.ryobitools.eu](http://www.ryobitools.eu). De gereedschappen die in aanmerking komen voor de verlenging van de garantietermijn wordt duidelijk weergegeven in winkels en/of verpakkingen en staat beschreven in de productdocumentatie. De eindgebruiker moet zijn/haar nieuw gekochte gereedschappen binnen 30 dagen na aankoop online registreren. De eindgebruiker kan zich registreren voor de verlengde garantietermijn als zijn woonland staat vermeld op het online registratieformulier waar deze optie geldig is. Bovendien moeten eindgebruikers toestemming geven voor de opslag van de gegevens die online ingevuld moeten worden en moeten ze de algemene voorwaarden accepteren. Het ontvangstbewijs van de registratie, dat per e-mail wordt verzonden en de oorspronkelijke factuur met de aankoopdatum vormt het bewijs van de verlengde garantietermijn.
3. De garantie dekt tijdens de garantietermijn alle gebreken van het product vanwege defecten in vakmanschap of materiaal op de aankoopdatum. De garantie is beperkt tot reparatie en/of vervanging en bevat geen andere verplichtingen, waaronder maar niet beperkt tot incidentele of gevolg schade. De garantie is niet geldig als het product is misbruikt, in strijd met de gebruiksaanwijzing wordt gebruikt of onjuist is aangesloten. Deze garantie geldt niet voor:
  - alle schade aan het product die het gevolg is van onjuist onderhoud
  - elk product dat is veranderd of aangepast
  - elk product waar de oorspronkelijke identificatie (handelsmerk, serienummer) is beschadigd, gewijzigd of verwijderd
  - alle schade die is veroorzaakt door het niet opvolgen van de gebruiksaanwijzing
  - elk niet-CE-product
  - elk product waar een poging tot reparatie is gedaan door een niet-erkende professional of zonder voorafgaande toestemming door Techntronic Industries.
  - elk product dat is verbonden met een verkeerde voeding (amperage, spanning, frequentie)
  - alle schade die is veroorzaakt door externe invloeden (chemisch, fysisch, schokken) of vreemde stoffen
  - normale slijtage van reserveonderdelen
  - ongepast gebruik, overbelasting van het gereedschap
  - gebruik van niet-goedgekeurde accessoires of onderdelen
  - gereedschapsaccessoires die bij het gereedschap worden geleverd of afzonderlijk zijn aangeschaft. Zulke uitzonderingen bevatten, maar niet beperkt tot schroevendraaierbits, boorbits, slijpschijven, schuurpapier en zagen, laterale geleiding
  - Componenten (onderdelen en accessoires) die onderhevig zijn aan natuurlijke slijtage, waaronder maar niet beperkt tot service-onderhoudssets, voorloofborstels, lagers, boorkoppen, SDS boorbevestigingen of ontvangers, strosmoeren, hulpgrepen, transporttassen, schuurplaatjes, stofzakken, stofafzuurluizen, vitringen, pennen en veren van slagmoersleutels, etc.
4. Voor onderhoud moet het product worden verzonden of gebracht naar een erkend servicestation van RYOBI die voor elk land staan vermeld in de volgende lijst met adressen voor servicestations. In sommige landen zal uw lokale RYOBI-dealer het product verzenden naar de RYOBI-serviceorganisatie. Wanneer u het product naar een servicestation van RYOBI verzendt, moet het product veilig worden verpakt zonder enige gevaarlijke inhoud, zoals benzine, met het adres van de afzender en vergezeld van een korte beschrijving van het defect.
5. Een reparatie/vervanging die onder deze garantie valt is gratis. Het vormt geen verlenging of een nieuwe start van de garantietermijn. Verwisselde onderdelen of gereedschappen worden ons eigendom. In sommige landen moeten de verzendkosten door de afzender worden betaald. Uw wettelijke rechten die voortvloeien uit de aankoop van het gereedschap blijven onaangetast.
6. Deze garantie is geldig in de Europese Gemeenschap, Zwitserland, IJsland, Noorwegen, Liechtenstein, Turkije en Rusland. Buiten deze gebieden moet u contact opnemen met uw erkende RYOBI-dealer om vast te stellen of er een andere garantie van toepassing is.

### GEAUTORISEERD ONDERHOUDSCENTRUM

Om een geautoriseerd onderhoudscentrum in uw buurt te vinden, surf u naar <http://nl.ryobitools.eu/header/service-and-support/service-agents>.

## PT CONDIÇÕES DE APLICAÇÃO DA GARANTIA RYOBI®

Para além de quaisquer direitos previstos por lei resultantes da compra, este produto está coberto por uma garantia conforme descrito abaixo.

1. O período da garantia é de 24 meses para consumidores particulares e inicia-se na data de compra do produto. Esta data tem de ser documentada por uma factura ou por outra prova de compra. O produto foi concebido para a destina-se apenas a consumidores particulares e uso privado. Assim, não é dada garantia em caso de utilização por profissionais ou uso comercial.
2. Para uma parte da gama de ferramentas eléctricas (AC/DC) existe a possibilidade de prolongamento do período da garantia para além do período descrito acima, mediante registo no Web site [www.ryobitools.eu](http://www.ryobitools.eu). A elegibilidade das ferramentas para prolongamento do período da garantia é claramente visível nas lojas e/ou nas embalagens e está contida na documentação do produto. O utilizador final tem de fazer o registo online das suas ferramentas recém-adquiridas no prazo de 30 dias após a data de compra. O utilizador final pode fazer o registo para prolongamento da garantia no seu país de residência, desde que esteja listado no formulário de registo online e para os casos em que esta opção seja válida. Para além disso, os utilizadores finais têm de autorizar o armazenamento dos dados cujo preenchimento lhes for solicitado online e têm de aceitar os termos e as condições. O recibo de confirmação do registo é enviado por e-mail e, em conjunto com a factura original ostentando a data de compra, servirá de prova do prolongamento da garantia.
3. A garantia cobre todos os defeitos do produto durante o período da garantia devidos a defeitos de fabrico ou de material a data da compra. A garantia está limitada à reparação e/ou substituição e não inclui quaisquer outras obrigações, incluindo mas não se limitando a, perdas complementares ou indirectas. A garantia não é válida se o produto tiver sido utilizado incorretamente, utilizado de forma contrária ao Manual de Instruções ou se as respectivas aplicações tiverem sido feitas incorretamente. Esta garantia não se aplica ao seguinte:
  - quaisquer danos ao produto que sejam resultado de manutenção incorrecta
  - qualquer produto que tenha sido alterado ou modificado
  - qualquer produto cujas marcações de identificação de origem (marca comercial, número de série) tiverem sido apagadas, alteradas ou retiradas
  - quaisquer danos causados pelo incumprimento do Manual de Instruções
  - qualquer produto que não seja da Comunidade Europeia
  - qualquer produto ao qual tenha sido feita, ou tentada fazer, uma reparação por outra pessoa que não um profissional habilitado ou sem autorização prévia da Techtronic Industries.
  - qualquer produto ligado a uma fonte de alimentação eléctrica incorrecta (Amperes, Voltagem e Frequência)
  - qualquer dano causado por influências externas (químicas, físicas, impactos) ou substâncias corrosivas
  - desgaste e degradação normal de sobresselentes
  - utilização incorrecta, sobrecarga da ferramenta
  - utilização de acessórios ou peças não aprovados
  - acessórios para ferramentas eléctricas fornecidos com a ferramenta ou comprados em separado. Estes excluídos incluem mas não se limitam a, pontas de aparafusador, brocas, discos abrasivos, papel de lixa e lâminas, guia lateral
  - Componentes (peças e acessórios) sujeitos a desgaste e degradação natural, incluindo mas não se limitando a, Kits de Assistência e Manutenção, escovas de carbono, roletamentos, bucha, acessórios ou recepções de brocas SDS, cabos eléctricos, pegas auxiliares, estojos de transporte, placas de lixagem, sacos de poeiras, tubos de saídas de poeiras, anilhas de filtro, pinos e molas da aparafusadora de impacto, etc.
4. Para assistência, o produto tem de ser enviado para, ou apresentado em, um posto de assistência autorizado RYOBI, conforme listado para cada país na lista de moradas de postos de assistência seguinte. Nalguns países, o seu concessionário RYOBI local encarega-se de enviar o produto para a organização de assistência RYOBI. Quando enviar um produto para um posto de assistência RYOBI, o produto deve ser embalado de forma segura, sem conter nenhum conteúdo perigoso (por exemplo, gasolina), marcado com o endereço do remetente e acompanhado por uma breve descrição da avaria.
5. Uma reparação/substituição ao abrigo desta garantia é gratuita. Não constitui um prolongamento a, nem um novo início de, o período da garantia. As peças ou ferramentas substituídas tornam-se propriedade nossa. Nalguns países, o remetente terá de pagar os custos de entrega ou a remessa postal. Os seus direitos previstos por lei resultantes da compra da ferramenta mantêm-se inalterados
6. Esta garantia é válida na Comunidade Europeia, Suíça, Islândia, Noruega, Liechtenstein, Turquia e Rússia. Fora destas áreas, entre em contacto com o seu concessionário autorizado RYOBI para determinar se existe outra garantia aplicável.

### CENTRO DE ASSISTÊNCIA AUTORIZADO

Para encontrar um centro de assistência autorizado próximo de si, visite <http://pt.ryobitools.eu/header/service-and-support/service-agents>.

## DA RYOBI® BETINGELSER FOR GARANTI

Udover lovbestemte rettigheder, som resulterer af købet, er dette produkt dækket af en garanti, som anført herunder.

1. Garantiperioden er 24 måneder for forbrugere og begynder på den dato, som produktet blev købt. Denne dato skal dokumenteres af en faktura eller andet bevis for køb. Produktet er udelukkende designet og dedikeret til forbrugere og privat brug. Så der ydes ingen garanti i tilfælde af professionel eller kommerciel brug.
2. Der er en mulighed for at forlænge garantiperioden for en del af udvalgt af elværktøj (AC/DC), hen over den ovenfor beskrevne periode vha. registrering på hjemmesiden [www.ryobitools.eu](http://www.ryobitools.eu). Betingelserne for værktøjet til forlængelse af garantiperioden er tydeligt vist i bukker og gyljer på emballage/og indeholdt i produktokumentationen. Slutbruger skal registrere/hands/hænde nyligt indkøbt værktøj online indenfor 30 dage efter købsdatoen. Slutbruger kan registrere sig for den forlængede garanti i sit land, hvis han/hun er opført på den online registreringsformular, hvor denne mulighed er gyldig. Derudover skal slutbrugere give deres samtykke til at opbevare data, som er påkrævet at indtaste online, og de er nødt til at acceptere vilkår og betingelser. Registreringsbekræftelseskvitteringen, som sendes ud på e-mail, og den originale faktura, som viser købsdatoen, vil fungere som bevis for den forlængede garanti.
3. Garantien dækker alle defekter, som et produkt måtte have i løbet af garantiperioden, og som skyldes produktionsfejl eller materialefejl på købsdatoen. Garantien er begrænset til reparation og/eller udskiftning og inkluderer ikke andre forpligtelser, inklusiv men ikke begrænset til tilfældige skader eller følgeskader. Garantien er ugyldig, hvis produktet er blevet misbrugt, brugt uden at overholde vejledningen, eller det er blevet forkert tilsat. Denne garanti gælder ikke:
  - Beskadigelse af produktet, som er et resultat af uegnet vedligeholdelse
  - Et produkt der er blevet ændret eller modificeret
  - Et produkt hvor de originale identifikationsmærkninger (varemærke, serienummer) er blevet ødelagt, ændret eller fjernet.
  - Enhver beskadigelse forårsaget af manglende overholdelse af vejledningen
  - Ethvert ikke CE-produkt
  - Ethvert produkt som er blevet forsigtigt repareret af en ukvalificeret professionel eller uden tidligere autorisation af Techtronic Industries.
  - Ethvert produkt som er tilsat ulovlig strømforstyrrelse (ampere, spænding, frekvens)
  - Enhver skade forårsaget af ekstern påvirkning (kemisk, fysisk, chok) eller fremmedelementer
  - Normal slid på reservedele
  - Uegnet brug, overbelastning af værktøjet
  - Brug af ikke-godkendt tilbehør eller dele
  - Elværktøjs tilbehør som leveres med værktøjet eller købes separat. Sådanne undertagelser inkluderer men ikke begrænset til skruetrækkerbits, bor, bits, silbeskiver, sandpapir og klinger, sidesstyr
  - Komponenter (dele og tilbehør) som er udsat for naturlig slid og ælde, inklusiv men ikke begrænset til Service- og vedligeholdelsesætt, kulbørster, lejer, bøsninger, påsætning eller modtagelse af SDS-bor, EI ledning, hjælpelædning, transporttaske, sandplade, sløvspe, stavudstødninglange, filterkvar, nåle og fedre slagstøje etc.
4. For eftersyn skal produktet sendes til eller præsenteres for en RYOBI- autoriseret service værksted, som er opstillet for hvert land i den følgende liste over service værksted adresser. I nogle lande påtager din lokale RYOBI-forhandler sig ansvaret for at sende produktet til RYOBI-serviceorganisationen. Når et produkt sendes til en RYOBI-service værksted, skal det pakkes sikkert ind uden noget farligt indhold som benzin, mærkes med afsenderens adresse og med en kort beskrivelse af fejlen.
5. En reparation/erstatning under denne garanti er gratis. Den udgør ikke en forlængelse eller en ny start på garantiperioden. Udvekslede dele eller værktøjer bliver vores ejendom. I nogle lande skal leveringsafgifter eller porto betales af afsenderen. Dine lovbestemte rettigheder i forbindelse med købet forbliver uanfægtede
6. Denne garanti gælder i EU, Schweiz, Island, Norge, Liechtenstein, Tyrkiet og Rusland. Udover disse områder bedes du kontakte din autoriserede RYOBI-forhandler for at afgøre, om en anden garanti gælder.

### AUTORISEREDE SERVICE/VÆRKSTEDER

Find nærmeste autoriserede serviceværksted på <http://dk.ryobitools.eu/header/service-and-support/service-agents>.

## SV RYOBI® ANVÄNDNINGSVILLKOR FÖR GARANTI

Förutom eventuella lagstadgade rättigheter som uppstår genom köpet, täcks den här produkten av en garanti som anges nedan.

1. Garantiperioden är 24 månader för konsumenter och börjar gälla från det datum då produkten köptes. Detta datum måste dokumenteras på en faktura eller annat köpbevis. Produkten är utformad och avsedd för konsumenter och privat bruk. Därmed tillhandahålls ingen garanti vid yrkesmässigt eller kommersiellt bruk.
2. Det finns möjlighet att förlänga garantiperioden för en del av utbudet för elverktyg (AC/DC) under den period som anges ovan genom att använda registreringen på webbplatsen [www.ryobitools.eu](http://www.ryobitools.eu). De verktyg som är berättigade till en förlängning av garantiperioden visas tydligt i butik och/eller på förpackningen/och anges i produktdokumentationen. Slut användaren behövs registrera hans/hennes nyförvärdade verktyg online inom 30 dagar från köpdatumet. Slut användaren kan registrera sig för den förlängda garantin i det land där han/hon var om landet finns angivet i registreringsformuläret online och där detta alternativ är giltigt. Dessutom måste slut användaren ge sitt medgivande till lagring av data vilket krävs vid registrering online samt acceptera villkoren. Bekräftelsekvittot för registreringen som skickas ut via e-post och originalfakturan som visar köpdatumet kommer att gälla som bevis för den förlängda garantin.
3. Garantin täcker alla produktdefekter under garantiperioden som beror på brister i utförande eller material vid köpdatumet. Garantin är begränsad gällande reparation och/eller utbyte och inkluderar inte några skyldigheter inklusive men inte begränsat till oförutsedda skador eller följskador. Garantin är inte giltig om produkten har missbrukats, använts i strid med bruksanvisningen eller inte anslutits på rätt sätt. Denna garanti täcker inte:
  - eventuella skador på produkten som uppstått till följd av felaktigt underhåll
  - produkter som har ändrats eller modifierats
  - produkter där ursprungliga identifieringsmärkning (varumärke, serienummer) har målats över, ändrats eller tagits bort
  - eventuella skador som uppstått till följd av att bruksanvisningen inte efterföljts
  - alla icke CE-produkter
  - eventuella produkter som har försökts repareras av en icke-kvalificerad yrkesman eller utan föregående medgivande från Technronic Industries.
  - eventuella produkter som anslutits till felaktig strömförsörjning (ampere, volt, frekvens)
  - eventuella skador som uppstått till följd av yttre påverkan (kemisk, fysisk, stötar) eller främmande ämnen
  - normalt slitage av reservdelar
  - olämplig användning, överbelastning av verktyget
  - användningen av icke-godkända tillbehör eller delar
  - tillbehör till elverktyg som medföljer verktyget eller köpts separatSådana undantag inkluderar men är inte begränsat till skruvmejselbits, borbitts, slipskivor, sandpapper, blad och sidokäna
- Komponenter (delar och tillbehör) är föremål för naturligt slitage, inklusive men inte begränsat till service- och underhållsatsar, kolborstar, kullager, chuck, tillbehör eller tillhörande SDS-borbitt, strömsladd, hjälphandtag, transportväska, slipplatta, dammpåse, dammbutbläsor, filterbickor, stift och fjädrar till mutterdragare osv.
4. Vid service måste produkten skickas eller uppvisas för en RYOBI- auktoriserad servicestation som står angiven för varje land i följande adresslista över servicestationer. I vissa länder tar din lokala RYOBI- återförsäljare på sig ansvaret att skicka produkten till RYOBI- servicestationen. När en produkt skickas till en RYOBI- servicestation, ska produkten paketeras säkert utan något farligt innehåll såsom bensin, markeras med avsändarens adress samt en kort beskrivning av felet.
5. En reparation/ett utbyte under denna garanti är kostnadsfritt. Det utgör inte en förlängning eller förnyelse av garantiperioden. Utbyta delar eller verktyg blir vår egendom. I vissa länder måste leveranskostnader eller porto betalas av avsändaren. Dina lagstadgade rättigheter som härrör från köpet av verktyget förblir opåverkade.
6. Denna garanti är giltig i Europeiska gemenskapen: Schweiz, Island, Norge, Liechtenstein, Turkiet och Ryssland. Utanför dessa länder, kontakta din auktoriserade RYOBI- återförsäljare för att avgöra om en annan garanti gäller.

## AUKTORISERAT SERVICECENTER

Du hittar närmaste auktoriserade servicecenter genom att gå till <http://se.ryobitools.eu/header/service-and-support/service-agents>.

## FI RYOBI®-TAKUUN SOVELTAMISEHDOT

Tällä tuotteella on oston luominen lakisäasteisten oikeuksien ohella alla mainittu mukainen takuu.

1. Takuun kesto on kuluttajille 24 kuukautta ja takuuaika alkaa tuotteen ostohetkestä. Tämän päivämäärän tulee löuke laskussa tai muussa ostotosituksessa. Tuote on suunniteltu ja tarkoitettu vain kuluttajien ja yksityiseen käyttöön. Takuu ei siis kata ammatti- eikä kaupallista käyttöä.
2. Joidenkin sähkötyökalujen (AC/DC) takuun kesto on mahdollista laajentaa yllä mainittua kestoä pidemmäksi verkkoavustuksen [www.ryobitools.eu](http://www.ryobitools.eu) rekisteröinnin kautta. Työkalujen kelvollisuus takuujakson laajennukseen näky selkeästi myymälöissä joltai pakkauksissa ja/ tai tämä tieto sisältyy tuotedokumentaatioon. Loppukäyttäjän täytyy rekisteröidä vasta hankittu työkalu internetissä 30 päivän kuluessa ostopäivämäärästä. Loppukäyttäjät voi rekisteröidä laajennettua takuun koittamaassaan, jos se on luettuna online-rekisteröintiomakkeessa, jossa mainitaan, missä tämä vaihtoehto on voimassa. Loppukäyttäjien täytyy lisäksi hyväksyä tietojen tallennus, jotka heidän täytyy antaa online-talassa sekä ehdot. Rekisteröinnin vahvistuskuitti, joka lähetetään sähköpostitse, ja alkupeirinen ostopäivämäärän itimäiseä luoä toimivat laajennettua takuun tosittieä.
3. Takuu kattaa kaikki tuotteen talleuakausaä tuluvat vtt, jöiden aiheuttamia ovat tuotessaä ostopäivänää enää valmistus- tai materiaaliavtt. Takuu on rajoitettu korjaukseen ja/tai vaihtoon eikä se sisällä mitään muuta velvoitetta mukaan lukien suttunnais- ja seuranaisvähinkö, mutta rajoittumatta niihin. Takuu ei päde, jos tuotetta on käyetty vähinkö, käyttöohjeen vastaisesti tai jos se on liitetty virheellisesti. Tämä takuu ei käty:
  - virheellisestä huollostaä jöhtuvia vaurioita
  - muunnettua tai muutettua tuotetta
  - tuotetta, jonka alkupeiriset tunnistemerkinnät (tavaramerkki, sarjanumero) on turpeltu, muutettu tai poistettu
  - lämän käyttöoppaan läiminnönnistää jöhtuvia vaurioita
  - ei-CE-tuotetta
  - tuotetta, jota on yrittänyt korjata epäpätevä ammattilainen tai joka on korjattu ämän Technronic Industries enääkullaä.
  - tuotetta, joka on liitetty virheelliseen teholähteeseen (ampeirit, lämmttä, taajuuä)
  - ulkoisten valkustusten (kemiallinen, fyysinen, iskutt) tai vieraiden äneiden aiheuttamaa vaurioita
  - normaalejaä kuluvia vaurioita
  - virheellistä käyttöä, työkalun ykköormitusta
  - ei-yyhäksyttöjen tarkkiveiden tai osien käyttöä
  - sähkötyökalun tarkkiveitä, jotka on toimitettu työkalun mukana tai ostettu erikseen. Poissuljettuja osia ovat ruuvastérat, poranterät, hiomalaikat, hiekkapaperi ja terät, sivuohjain, näihin kullekkaan rajoittumatta
  - Luonnollisestiä kuluvia komponenttejä (osia tai tarkkiveitä), jöihin sisältyvät huolto- ja kunnossäpötselit, hiiharjat, laakerit, terästäkut, SDS-porien kiinnittin tai istukka, virtajöhto, apukahva, kuljetusköte, hiomalaikka, polypussi, pölynpoistöputki, huopaväiteet, iskuruväntimen puttit ja jouseä yms. näihin kullekkaan rajoittumatta.
4. Tuote on lähetettävä huollettavaksi välttöettöön RYOBI-huoltoon tai näytettävä silleä. Nöiden osioiteltä kussakaan maassa löyryttä seuraavasta luettelosta. Jöissään maissa paikallinen RYOBI-älleenmyyjä huolletti tuotteen lähetyskestä RYOBI-huolto-organisatöon. Kun tuote lähetetään RYOBI-huoltoon, se täytyy pakata hyvin ilman vaarallisia aineita, kuten polttoainetta, ja pakkaukseen täytyy merkittä lähettäjän nimi sekä vain lyhyt kuvaus.
5. Takuun kattama korjaus/vaihto on maksuttö. Se ei tarkoita takuuaän laajennusta tai alkamistaä alusta. Vähdetet osat tai työkalut siirtyä valmistajän omistukseen. Jöissään maissa lähettäjän täytyy maksaa lähetyskustannukset tai postikulut. Työkalun oston luomat lakisäasteiset öikeudet pysyvät koskettomattöina.
6. Tämä takuu on voimassa Euroopan yhteisöissä, Sveittissä, Islannissa, Norjassa, Liechtensteinissa, Turkissa ja Venäjällä. Ötä näiden alueiden ukopuolella yhteyttä omaan välttöettöön RYOBI-älleenmyyjään ja selvittä, onko jöitain muuta takuuta.

## VALTUUTETTU HUOLTO

Voit etsiä lähimmän välttöetun huolon sivulla <http://fi.ryobitools.eu/header/service-and-support/service-agents>.

**NO** RYOBI® GARANTIBETINGELSER

I tillegg til eventuelle løbestede rettigheter som følger av kjøpet, er dette produktet dekket av en garanti som angitt nedenfor.

1. Garantiperioden er 24 måneder for konsumenter og gjelder fra den datoen som produktet ble kjøpt. Denne datoen skal dokumenteres med en faktura eller annet kjøpsbevis. Produktet er designet og beregnet kun til konsument- og privat bruk. Så det gis ingen garanti ved profesjonell eller kommersiell bruk.
2. For en del av utvalget av elektriske verktøy (AC/DC) er det mulighet til å utvide garantiperioden i den perioden som er beskrevet ovenfor ved bruk av registreringer på nettsidene [www.ryobitools.eu](http://www.ryobitools.eu). Kvalifiseringen av verktøyene for en utvidelse av garantiperioden er tydelig vist i bulkeritt og/eller på pakningen i og finnes innen produktdokumentasjonen. Sluttbrukeren må registrere sine nylig anskaffede verktøy online innen 30 dager etter kjøpsdato. Sluttbrukeren kan registrere seg for den utvidede garantien i sitt land hvis det er opplyst på online registreringsskjemaet der dette alternativet er gyldig. Videre må sluttbrukere gi sitt samtykke til oppbevaring av dataene som kreves for å gå online, og de må godta vilkår og betingelser. Registreringsbekräftelsen, som sendes ut på e-post, og den originale fakturaten som viser kjøpsdato, vil tjene som bevis for den utvidede garantien.
3. Garantien dekker alle defekter i produktet under garantiperioden på grunn av defekter i utførelse eller materiale på kjøpsdato. Garantien er begrenset til å reparere og/eller erstatte og inkluderer ikke noen andre forpliktelser, inkludert, men ikke begrenset til, tilfældige eller følgesmessige skader. Garantien er ikke gyldig hvis produktet har blitt misbrukt, koblet på annen måte enn det som beskrives i bruksanvisningen eller er koblet til på feil måte. Denne garantien gjelder ikke for:
  - enhver skade på produktet som er resultat av utilstrekkelig vedlikehold
  - ethvert produkt som har blitt endret eller modifisert
  - ethvert produkt der de originale identifiseringsmerkene (varemerke, serienummer) har blitt useelig, er endret eller fjernet
  - enhver skade som forårsakes av ikke-overholdelse av instruksjonshåndboken
  - ethvert ikke-CE-produkt
  - ethvert produkt som har blitt forårsaket reparert eller av en ikke-kvalifisert fagperson eller uten tidligere autorisasjon fra Technonic Industries.
  - ethvert produkt tilkoblet feil strømforsyning (ampere, spenning, frekvens)
  - enhver skade som er forårsaket av eksterne påvirkninger (kjemiske, fysiske, støt) eller fremmede stoffer
  - normal slitasje og sliresmedevelder
  - feil bruk, overbelastning av verktøyet
  - bruk av ikke-godkjente tilbehør eller deler
  - Elektrisk verktøytilbehør levert med verktøyet eller kjøpt separat. Slike ekskluderinger, inkludert, men ikke begrenset til skrutrekkerts, drillbits, slipedasker, sandpapir og blader, laterål føring
  - Komponenter (deler og tilbehør) som er utsatt for naturlig slitasje, inkludert, men ikke begrenset til service- og vedlikeholdssett, karbonbørster, lagre, chuck, SDS-borrbliste eller -mottak, strømledning, hjelpehåndtak, transportbæreskive, sliingsplate, støppose, støvutslippsrør, filtkappinger, støttakkeklippen og fjær, osv.
4. For service må produktet sendes eller fremlegges for en RYOBI- autorisert servicestasjon opplyst for hvert land i den følgende listen over servicestasjonsadresser. I noen land sender den lokale RYOBI-forhandleren produktet til RYOBI serviceorganisasjonen. Ved å sende et produkt til en RYOBI servicestasjon skal produktet være sikker pakket uten noe farge innhold, slik som bensin, merket med sendersens adresse og fulgt av en kort beskrivelse av feilen.
5. En reparasjon/erstatning under denne garantien er gratis. Den utgjør ingen forlengelse eller en ny start av garantiperioden. Utviklede deler eller verktøy blir vår eiendom. I noen land vil leveringskostnader eller franking måtte betales av senderen. Den løbestede rettigheter som oppstår fra kjøp av verktøyet forblir uberørt.
6. Denne garantien er gyldig i EU, Sveits, Island, Norge, Liechtenstein, Tyrkia og Russland. Utøver disse områdene ta kontakt med din autoriserte RYOBI-forhandler om en annen garanti gjelder.

**AUTORISERT SERVICECENTER**

For å finne et autorisert servicecenter i nærheten, gå til <http://no.ryobitools.eu/header/service-and-support/service-agents>.

**RU** УСЛОВИЯ ПРИМЕНЕНИЯ ГАРАНТИИ НА ПРОДУКЦИЮ RYOBI®

Помимо законных прав, возникающих при покупке, данное изделие покрывается гарантией в соответствии с приведенными ниже пунктами.

1. Гарантийный период для покупателя составляет 24 месяца с даты покупки изделия. Дата покупки должна быть подтверждена полностью заполненным гарантийным периодом и чеком о покупке. Данное изделие предназначено только для частного использования покупателем. Поэтому гарантия не распространяется на использование в профессиональных или коммерческих целях.
2. Предусмотрена возможность продления для части изделий линейки электроинструментов (AC/DC) гарантийного периода с помощью регистрации на сайте [www.ryobitools.eu](http://www.ryobitools.eu). Право инструмента на продление гарантийного периода четко указано в магазинах и / или на упаковке и содержится в сопутствующей инструменту документации. Конечный пользователь должен зарегистрировать свой приобретенный инструмент в течение 30 дней с даты покупки. Конечный пользователь может зарегистрировать свой инструмент на продление гарантии в стране своего проживания, если она указана в форме онлайн-регистрации. Кроме того, конечный пользователь должен дать свое согласие на хранение данных, которое необходимо ввести в онлайн-форму и принять правила и условия. Подтверждение регистрации, которое вы получите по электронной почте, заполненный гарантийный талон и оригинальный чек, в котором указана дата покупки, будут служить доказательством продленной гарантии.
3. Гарантия покрывает в течение гарантийного периода все дефекты качества или материала изделия на дату покупки. Гарантия ограничена ремонтom и оригинальным идентифицирующим номером обязательства, включая, но не ограничиваясь случайными или косвенными убытками. Гарантия становится недействительной, если изделие использовалось не по назначению, вопреки инструкциям, данным в Руководстве пользователя или было неправильно подключено. Настоящая гарантия не распространяется на:
  - любые повреждения изделия в результате неправильного технического обслуживания или недостаточного ухода за инструментом
  - любые изделия, подвергшиеся изменению и модификации
  - любые изделия, оригинальные идентификационные отметки которого (торговая марка, серийный номер) были повреждены, изменены или удалены
  - любые повреждения, вызванные несоблюдением инструкций Руководства пользователя
  - любые изделия, не сертифицированные маркировкой "CE" для продажи в Европейском союзе
  - любые изделия, подвергшиеся попыткам ремонта неавторизованным работником или без предварительного утверждения компании-производителя
  - любые изделия, подключенные к неправильному источнику питания (сила тока, напряжение, частота)
  - любые повреждения, вызванные внешними воздействиями (химическими, физическими, удары) или посторонними веществами
  - естественный износ запасных деталей
  - несоответствующее использование, перегрузка инструмента
  - использование неутвержденных аксессуаров и неоригинальных запасных деталей
  - аксессуары электроинструментов, поставляемые с инструментом или приобретаемые отдельно. К этому списку относятся, но не исчерпывают его сверла шурупвертов, дрели, абразивные диски, наждачную бумагу, лезвия и боковые направляющие
  - компоненты (детали и аксессуары), поврежденные естественному износу и разрыву, включая, но не ограничиваясь наборами для технического обслуживания, угольные щетки, подшипники, патроны, переходники SDS, кабели питания, дополнительные ручки, футляры для транспортировки, шлифовальные подошвы, пылесборники, трубки для отвода пыли, войлочные шайбы, шпатели и пружины ударных ключей и др.
4. Для проведения технического обслуживания изделие следует направлять в авторизованные сервисные центры RYOBI, указанные для каждой страны в приведенном ниже списке адресов станций сервисного обслуживания. В некоторых странах местные дилеры RYOBI отправляют изделия в сервисные организации RYOBI. При отправке изделия в сервисный центр RYOBI, изделие должно быть безопасно упаковано и не содержать никаких опасных веществ, таких как бензин, должен быть подписан адрес отправителя и сопровождаться кратким описанием неисправности.
5. Ремонт / замена проводится в рамках настоящей гарантии бесплатно. Он не продлевает гарантию и не начинает новый гарантийный период. Замененные детали и инструменты становятся нашей собственностью. В некоторых странах отправитель должен оплачивать стоимость отправки. Ваши законные права, возникшие при покупке инструмента, остаются неизменными.
6. Данная гарантия действительна в Европейском Союзове, Швейцарии, Исландии, Норвегии, Лихтенштейне, Турции и России. Вне указанных территорий обращайтесь к своему авторизованному дилеру RYOBI, чтобы узнать, применяются ли условия каких-либо других гарантий.

**УПОЛНОМОЧЕННЫЙ СЕРВИСНЫЙ ЦЕНТР**

Чтобы найти ближайший уполномоченный сервисный центр, обратитесь к веб-сайту <http://ru.ryobitools.eu/header/service-and-support/service-agents>.

## PL WARUNKI GWARANCJI RYOBI®

Oprócz praw ustawowych wynikających z zakupu produktu jest objęty gwarancją, której warunki podano poniżej.

1. Okres gwarancyjny wynosi 24 miesiące dla konsumentów i rozpoczyna się w dniu zakupu produktu. Datę zakupu należy udokumentować fakturą lub innym dowodem z datą. Produkt został zaprojektowany i jest przeznaczony do użytku konsumencyjnego i prywatnego. W związku z tym gwarancja nie obejmuje zastosowań profesjonalnych i komercyjnych.
2. Istnieje możliwość wyłączenia okresu gwarancyjnego dla części asortymentu narzędzi ręcznych z napędem mechanicznym (AC/DC) poprzez zarejestrowanie produktu na stronie internetowej [www.ryobitools.eu](http://www.ryobitools.eu). Kwalifikowalność narzędzi do wyłączenia okresu gwarancyjnego jest wyraźnie określona w skłópkach i/lub na opakowaniach oraz w dokumentacji produktu. Użytkownik końcowy musi zarejestrować nowo kupione narzędzia online w ciągu 30 dni od daty zakupu. Użytkownik końcowy może zarejestrować się w celu przedłużenia gwarancji w swoim kraju zamieszkania, jeżeli jest on wymieniony w formularzu rejestracji online, gdzie opcja ta obowiązuje. Ponadto użytkownicy końcowi muszą wyrazić zgodę na przechowywanie danych, wprowadzanych na stronie internetowej i zaakceptować regulamin. Dowodem wyłączenia gwarancji jest wysłane pocztą elektroniczną potwierdzenie rejestracji i oryginal faktury potwierdzającej datę zakupu.
3. Gwarancja obejmuje wszystkie wady produktu ujawnione w okresie gwarancyjnym wynikające z usterki wykonania lub materiału obecnych w dniu zakupu. Gwarancja jest ograniczona do naprawy i/lub wymiany i nie obejmuje żadnych innych zobowiązań, w tym między innymi odpowiedzialności za szkody przypadkowe lub wtórne. Gwarancja nie obowiązuje, jeżeli produkt był nieprawidłowo używany, używany niezgodnie z instrukcją lub nie był prawidłowo podłączony. Gwarancja nie obejmuje:
  - uszkodzenia produktu wynikającego z nieprawidłowej konserwacji,
  - produktu, który został zmieniony lub zmodyfikowany,
  - produktu, którego oryginalne oznaczenie (znak towarowy, numer seryjny) zostało zniszczone, zmienione lub usunięte,
  - jakichkolwiek uszkodzeń wynikających z nieprzestrzegania instrukcji,
  - jakiegokolwiek produktu bez certyfikatu CE,
  - jakiegokolwiek produktu, który próbowano naprawiać z pomocą niewykwalifikowanej osoby lub bez uzyskania wcześniejszej zgody firmy Techntron Industries,
  - jakiegokolwiek produktu podłączonego nie nieprawidłowego źródła zasilania (nieprawidłowe napięcie prądu, napięcie, częstotliwość),
  - jakichkolwiek uszkodzeń spowodowanych wpływem czynników zewnętrznych (chemicznych, fizycznych, drgań) lub substancji obcych,
  - normalnego zużycia części zamiennych,
  - nieprawidłowego użycia, przeciążenia narzędzia,
  - stosowania niezatwierdzonych akcesoriów lub części,
  - akcesoriów narzędzi ręcznych z napędem mechanicznym dostarczonych z narzędziami lub kupionych oddzielnie. Takie wyłączenia obejmują, między innymi, wymienne ostrza wkrętaka, wiertła, tarcze ciętne, papier ścierny i ostrza, prowadnicę boczną,
  - elementów (części i akcesoriów) podlegających naturalnemu zużyciu obejmujących, między innymi: zestawy do konserwacji i serwisu, szczotki węglowe, łożyska, uchwyty, przystawki wiertła SDS, gniazdo, przewód zasilania, uchwyty pomiarowe, skrzynię transportową, płytę szlifarską, worek pyłowy, rurę odprowadzania pyłu, podkładki filcowe, kolki i sprężyny klucza udarowego itp.
4. W celu serwisowania produktu należy wysłać lub okazać w autoryzowanym punkcie serwisowym RYOBI znajdującym się na przedstawnym poniżej wykazie punktów serwisowych w poszczególnych krajach. W niektórych krajach lokalny dystrybutor produktów RYOBI podejmuje się wysyłki produktu do centrum serwisowego RYOBI. W przypadku wysyłki do punktu serwisowego RYOBI produkt – pozbawiony jakichkolwiek niebezpiecznych substancji, na przykład benzyny – należy zabezpieczyć zapakować i dołączyć adres nadawcy oraz krótki opis usterki.
5. Naprawa/wymiana w ramach niniejszej gwarancji jest bezpłatna. Nie stanowi jednak o przedłużeniu lub rozpoczęciu od nowa biegu okresu gwarancyjnego. Wymienione części lub narzędzia stają się naszą własnością. W przypadku niektórych krajów nadawca będzie musiał uregulować koszty dostawy lub opłaty pocztowe. Prawa ustawowe wynikające z zakupu narzędzia posiadają niezmienną moc.
6. Niniejsza gwarancja obowiązuje w Unii Europejskiej, Szwajcarii, Islandii, Norwegii, Liechtensteinie, Turcji i Rosji. Poza tymi obszarami należy skontaktować się z autoryzowanym dostawcą produktów RYOBI i ustalić, czy obowiązuje inna gwarancja.

### AUTORYZOWANY PUNKT SERWISOWY

Najbliższy autoryzowany punkt serwisowy można wyszukać w witrynie internetowej <http://pl.ryobitools.eu/header/service-and-support/service-agents>.

## CS ZÁRUČNÍ PODMÍNKY RYOBI®

Kromě zákonných práv vyplývajících z koupě výrobku se na tento výrobek vztahuje také níže uvedená záruka.

1. Záruční doba pro spotřebitele je 24 měsíců a začíná datem nákupu výrobku. Datum musí být zaznamenáno na fakturu nebo jiném dokladu o koupi. Tento výrobek je navržen a určen pouze pro soukromé účely spotřebitele. Záruka se tedy nevztahuje na profesionální nebo komerční využití výrobku.
2. U některých elektrických nástrojů (AC/DC) je možné záruční dobu prodloužit. K tomu je nutná registrace na stránkách [www.ryobitools.eu](http://www.ryobitools.eu). Možnost prodloužení záruční doby výrobku je jasné uvedena v prodejních, popř. na obalech nebo v dokumentech o výrobku. Koncoví uživatelé musí svůj nový nástroj zaregistrovat online do 30 dnů od data nákupu. Koncoví uživatelé se může k prodloužené záruční době zaregistrovat v zemi trvalého pobytu, pokud je tato možnost na internetovém registračním formuláři u výrobku, kde je tato možnost dostupná. Koncoví uživatelé musí dále souhlasit s uložením osobních údajů, která musí zadat na internetu, a přijmout obchodní podmínky. E-mail s potvrzením registrace a původní faktura s datem koupě poslouží jako důkaz o prodloužené záruce.
3. Záruka se vztahuje na veškeré vady na výrobku v rámci záruční doby způsobené výrobními vadami nebo vadami materiálu v době koupě. Záruka je omezena na opravu, popřípadě výměnu a neztahuje žádné další povinnosti, včetně mimo jiné vedlejších či následných odškodnění. Záruka neplatí při použití výrobku k nevhodným účelům, v rozporu s uživatelskou příručkou nebo při nesprávném zapojení. Záruka se nevztahuje na:
  - veškeré škody na výrobku způsobené nesprávnou údržbou
  - veškeré produkty, které byly pozměněny nebo upraveny
  - veškeré produkty, kde byly původní identifikační prvky (obchodní značka, sériové číslo) poškozeny, pozměněny nebo odstraněny
  - veškeré škody způsobené nedodržováním pokynů uživatelské příručky
  - veškeré produkty bez CE certifikace
  - veškeré produkty, které se pokusil opravit nekvalifikovaný odborník nebo opravy bez předchozího svolení společnosti Techntron Industries,
  - veškeré produkty zapojené do nesprávného elektrického zdroje (průd, napětí, frekvence)
  - veškeré škody způsobené externími vlivy (chemickými, fyzickými, nárazy) nebo cizími látkami
  - běžné opotřebování dílů
  - nevhodné použití, přetěžování nástroje
  - použití neschválených příslušenství nebo dílů
  - příslušenství k elektrickému nástroji poskytnuté s nástrojem nebo zakoupené samostatně. Tyto vlivy se vztahují mimo jiné na šroubováky, vrtačky, brusné koly, brusný papír a čepce, postranní vodič lišty
  - komponenty (díly a příslušenství) podléhající přirozenému opotřebování, včetně mimo jiné servisních sad, karbonových kartáčů, ložisek, sklíčidla, SDS nástavce na vrtací bity, napájecího kabelu, pomocné rukojeti, přepravního pouzdra, brusné desky, prachového vaku, výfukové prachové trubice, pístových podložek, západek a pružin rázového úťahovačku atd.
4. K provedení servisu musí být výrobek zaslán nebo předán do autorizovaného servisního centra společnosti RYOBI, jejichž adresy jsou uvedeny podle zemi v seznamu servisních center. V některých zemích za vás výrobek pošle servisní organizaci RYOBI sám prodejce výrobků této značky. Při zasílání výrobku do servisního centra RYOBI je potřeba výrobek bezpečně zabalit bez nebezpečného obsahu jako benzín, opatřit adekvátní ochranou a přiložit krátký popis závady.
5. Oprava, popř. výměna v rámci této záruky je zdarma. Neznamená to prodloužení nebo začátek nové záruční lhůty. Vyměněné díly nebo nástroje přijdou do našeho vlastnictví. V některých zemích platí poštovné odesílatele. Vaše zákonná práva vyplývající z koupě tohoto nástroje zůstávají nedotčena.
6. Tato záruka platí v Evropské Společenství, Švýcarsku, Norsku, Lichtenštejnsku, Turecku, Rusku a na Islandu. Mimo tato území kontaktujte autorizovaného prodejce značky RYOBI, který zjistí, zda se na výrobek vztahuje jiná záruka.

### POVĚŘENÉ SERVISNÍ STŘEDIŠKO

Pro nalezení nejbližšího pověřeného servisního střediska navštivte <http://cz.ryobitools.eu/header/service-and-support/service-agents>.

**(HU) A RYOBI® GARANCIA ALKALMAZÁSÁNAK FELTÉTELEI**

A vásárlásból adódó törvényben rögzített jogok mellett a termékre az alábbi garancia vonatkozik.

1. A foyasztói garancia tartama 24 hónap, mely a termék vásárlásának napjával kezdődik. Ezt a dátumot számlálva vagy a vásárlás igazolónyeb dokumentummal kell bizonyítani. A termék rendeltetése csak foyasztói és magánoldi használat. Ezért professzionális vagy kereskedelmi használat esetén a garancia nem érvényes.
2. A szerszámgepek (egyenáramú/váltóáramú) egy részénél a garancia időtartama a www.ryobitools.eu weblapon regisztrára meghosszabbítható. Az áruházakban, a csomagolóban, illetve a termék dokumentációjában egyértelműen jelezve van, hogy az adott termék garanciája meghosszabbítható-e. A végfelhasználónak a vásárlás dátumától számított 30 napon belül regisztrálnia az az újonnan vásárolt szerszámot. A végfelhasználó akkor regisztrálhat a kiterjesztett garanciára, ha az ország, ahol lakik, fel van sorolva az online regisztrációs lírlapon azon országok között, ahol válászható ez az opció. Ezenkívül a végfelhasználónak bele kell egyeznie az online regisztrálás során szükséges adatok tárolásába, és el kell fogadnia a felhasználási feltételeket. A kiterjesztett garanciát a regisztráció beérkezésétől e-mailben küldött visszajelzés és a vásárlás dátumát tartalmazó eredeti számla igazolja.
3. A garancia a termék vásárlásakor fennálló, a gyártás során keletkezett hibákra és anyaghibákra érvényes a kiterjesztés időtartamán belül. A garancia csak a javításra/cserére vonatkozik, és nem terjed ki semmilyen egyéb kötelezettségre, nem kizárólagosan ideértve a veletlen vagy szándékos rongálást. A garancia nem érvényes, ha a terméket nem megfelelően, a használati utasításban foglaltak ellenentésen, illetve nem megfelelően csatlakoztatva használták. A garancia nem vonatkozik:
  - a terméket a nem megfelelő karbantartás következtében ért károsodásra
  - megváltoztatott vagy átalakított termékre
  - olyan termékre, melyek az eredeti azonosítókat (védjegy, sorozatszám) megváltoztatták, megváltoztatták vagy eltávolították
  - a használati utasítás be nem tartásából eredő kára
  - CE jelöléssel nem rendelkező termékekre
  - olyan termékre, melyek nem képzett, illetve a Technicon Industries által nem feljogosított szerelő javított
  - nem megfelelő (áramerősség, feszültség, frekvenciájú) áramforrásra csatlakoztatott termékre
  - külső (vegyi, fizikai, ütés) hatásokból vagy idegen anyagokból eredő károokra
  - a cserélhető alkatrészek természetes kopására és elhasználódására a szerszám helytelen használatára, túlerhasználásra
  - nem jóváhagyott tartozékok és alkatrészek használatára
  - A szerszámmal adott vagy külön megvásárolt tartozékokra, ilyenek például (de nem kizárólag) a csavarhúzófejek, fűrészek, csiszolókorongok, csiszolópapír, kések, oldallírányú terelők.
  - A természetes kopásnak, elhasználódásnak kitett alkatrészek és kiegészítők, például (de nem kizárólag) fűrész- és karbantartókészletek, szénkefék, csapágyak, tokmány, SDS fűrészár csatlakozója, lápkábel, segédfogantyú, szállítókat, csiszolólap, porzsák, porlevezető cső, fűrészfűrészek, üdömvény csavarbehajító gép csapszepe és rugója stb.
4. A terméket javításra el kell vinni egy meghatalmazott RYOBI szervizbe; ezeket az egyes országokhoz a következők listában találja. Egyes országokban a helyi RYOBI kereskedő vállalja a termékek elszállítását a RYOBI szervizbe. A terméket veszélyes tartalom, például benzín nélküli csomagolva, a feladó címét feltüntetve, a hiba rövid leírásával együtt küldje el a RYOBI szervizbe.
5. A jelen garancia hatálya alatt végzett javítás, illetve csere ingyenes. Nem jelenik a garanciális időtartam újraindítását. A kicserélt alkatrészek és szerszámok a mi tulajdonunkba kerülnek. Egyes országokban a szállítás vagy postázás költségét a feladó viseli. A vevőnek a szerszám megvásárlásából adódó törvényes jogai nem változnak.
6. Jelen garancia az Európai Közösségben, Svájcban, Izlandon, Norvégiaiban, Liechtensteinben, Törökországban és Oroszországban érvényes. E területen kívül kérdezze meg a RYOBI fogalmazót, hogy milyen garancia van érvényben.

**HIVATALOS SZERVIZKÖZPONT**

A legközelebbi hivatalos szervizközpont megtalálásához látogasson el a <http://hu.ryobitools.eu/header/service-and-support/service-agents>.

**(RO) CONDIȚIILE DE APLICARE A GARANȚIEI PENTRU PRODUSELE RYOBI®**

În plus față de condițiile statutare rezultate din achiziționarea acestui produs, acesta este acceptat de garanția stipulată mai jos.

1. Perioada de garanție este de 24 de luni pentru consumatori și începe de la data achiziționării produsului. Data de începere a garanției trebuie demonstrată cu o factură sau altă dovadă a cumpărării produsului. Produsul este destinat și conceput doar pentru utilizare în scopuri personale. Din acest motiv, nu se oferă garanție pentru utilizarea sa în scop profesional sau comercial.
2. Există posibilitatea de extindere a perioadei de garanție pentru gama de unelte electrice (de CA/CC) peste perioada stipulată mai sus prin înscrierea produsului pe [website-ul www.ryobitools.eu](http://www.ryobitools.eu). Eligibilitatea pentru perioada de extindere a garanției este afișată în mod clar în magazinul de vânzare și/sau pe ambalaj sau este inclusă în documentația livrată împreună cu produsul. Utilizatorul final este obligat să-și înregistreze produsul online în termen de maxim 30 de zile de la achiziția acestuia. Utilizatorul final poate înregistra produsul pentru garanția extinsă oferită în țara sa de rezidență dacă aceasta este listată în formularul de înregistrare online și dacă această opțiune este validă. În plus, utilizatorul final trebuie să-și dea acordul pentru stocarea datelor personale solicitate la înregistrare online și trebuie să accepte termenii și condițiile. Mesajul de confirmare a înregistrării, trimis prin e-mail și factura originală cu data achiziției vor dovedi perioada de garanție extinsă.
3. Garanția acoperă toate defecțiunile produsului survenite în perioada de garanție datorate defectelor de execuție sau materialelor folosite, începând de la data achiziției acestuia. Garanția este limitată la reparare și/sau înlocuire și nu include alte obligații, inclusiv, dar fără a se limita la daune accidentale sau rezultate pe cale de consecință. Garanția își pierde valabilitatea dacă produsul este utilizat necorespunzător, utilizat neconform cu instrucțiunile de utilizare din manualul cu instrucțiuni sau conectat incorect. Garanția nu se aplică în cazuri:
  - oricărui defecțiun survenite în urma intruziei necorespunzătoare a produsului
  - oricărui produs alterat sau modificat
  - oricărui produs la care inscripțiile cu datele de identificare (marca comercială, numărul de serie) au fost șterse, modificate sau îndepărtate
  - oricărui defecțiun datorate neconformării cu instrucțiunile din manualul de utilizare
  - oricărui produs necertificat CE
  - oricărui produs asupra căruia au fost efectuate tentative de reparare de către personal necalificat sau fără autorizație prealabilă din partea Technicon Industries.
  - oricărui produs conectat la o sursă de alimentare necorespunzătoare (curent, tensiune, frecvență)
  - oricărui defecțiun datorate unor influențe externe (chimice, fizice, socuri) sau substanțe străine
  - uzurii și fuzurii normale a pieselor de rezervă
  - utilizării neadecvate, suprautilizării uneltei
  - utilizării de piese și accesorii neaprobate
  - accesorilor pentru unelți furnizate odată cu acestua sau achiziționate separat. Aceste excluderi se aplică, dar fără a se limita la următoarele: burghie, bide de șrubelniță, discuri abrazive, hârtie abrazivă și lame de tăiere, ghidaje laterale
  - Componentele (piese și accesorii) supuse uzurii normale, care includ, fără a se limita la, kituri de întreținere și service, peni de cârbut, rulmenți, mandrină, adaptor pentru burghie SDS, cordon de alimentare, mâner auxiliare, cutie de transport, placă pentru găsit, sac pentru praf, tub pentru evacuarea prafului, discuri de șlefuit, adaptoare și resorturi pentru cheile de strângere prin vibrare, etc.
4. Pentru efectuarea reparațiilor, produsul trebuie trimis sau adus la un centru de reparații autorizat RYOBI din lista următoare de centre de reparații prezentate pentru fiecare țară. În anumite țări, reprezentantul local RYOBI va trimite produsul spre reparare la sediul central de reparații RYOBI. Atunci când trimiteți produsul spre reparare la un centru de reparații RYOBI, acesta trebuie ambalat în siguranță, fără conținut periculos (cum ar fi benzina), marcat cu adresa expeditorului și însoțit de o scurtă descriere a defecțiunii.
5. Repararea/inlocuirea în perioada de garanție este gratuită. Aceasta nu este însoțită de o prelungire sau o reințiere a perioadei de garanție. Piese sau uneltele schimbate vor fi trimise la sediul central de reparații RYOBI, taxele de expediție sau poștale vor fi suportate de expeditor. Descrierile dvs. statutare rezultate din achiziția produsului rămân neschimbate.
6. Această garanție este valabilă în Comunitatea Europeană, Elveția, Islanda, Norvegia, Liechtenstein, Turcia și Rusia. În afara acestor zone, vă rugăm să contactați reprezentantul dvs. local RYOBI pentru a determina dacă se aplică alt tip de garanție.

**CENTRU DE SERVICE AUTORIZAT**

Pentru a găsi un centru de service autorizat lângă dvs., vizitați <http://en.ryobitools.eu/header/service-and-support/service-agents>.

## LV RYOBI® GARANTĪJAS PIEMĒROŠANAS NOSACĪJUMI

Papildus jebkādam likumīgajam tiesībmam, kurās rodas, veicot pirkumu, izstrādājums tiek nodrošināts ar tālāk tekstā noteikto garantiju.

1. Garantijas periods patērētājiem ir 24 mēneši, tā saskaņā tiek sākta no datuma, kurā veikta izstrādājuma iegāde. Šim datumam jābūt dokumentātam rēķinā vai citā pirkumu apliecinājošā dokumentā. Izstrādājums ir radīts un paredzēts tikai patērētāja privātai lietošanai. Saistībā ar iepriekšminēto, garantija netiek nodrošināta profesionāļiem vai komercālas lietošanas gadījumā.
2. Pastāv iespēja pagarināt daļas no elektroinstrumentu klāsta (Mainstrāvas/akumulātoru) garantiju īgāk par iepriekš minēto periodu, izmantojot reģistrāciju interneta vietnē [www.ryobitools.eu](http://www.ryobitools.eu). Instrumenti, kas pakļauti garantijas perioda pagarināšanai, tiek skaidri apzīmēti velkolas unīvai uz iepakojuma un izstrādājuma komplektējošajā dokumentācijā. Gala lietotājam nepieciešams reģistrēt tā iegādāto jauno instrumentu 30 dienu laikā no pirkuma datuma. Gala lietotājs var reģistrēties pagarinātajai garantijai savā mīlnes valstī, ja tā mīnēta tiešsaistes reģistrācijas veidlapā, kurā šī iespēja ir aktīva. Bez tam, gala lietotājam ir jānodrošina piekrišana tiešsaistes ieviešanai nepieciešamo datu glabāšanai un jāpiekrīt noteikumiem un nosacījumiem. Reģistrācijas apliecinājums, kas tiek nosūtīts, izmantojot e-pastu, un rēķina oriģināls, kurā norādīts iegādes datums, kalpo kā pagarinātās garantijas apliecinājums.
3. Garantija attiecas uz visiem izstrādājuma defektiem garantijas periodā, kas saistīti ar ražošanas vai materiālu defektiem no pirkuma datuma. Šī garantija tiek ierobežota ar remontu unīvai nomaiņu un neietver jebkādas citas saistības, tajā skaitā, bet ne tikai, cīņosakarīgos vai saistītos bojājumus. Garantija nav spēkā, ja izstrādājums ir nepareizi lietots, izmantots pretēji norādēm lietošanas rokasgrāmatā vai bijis nepareizi pieslēgts. Šī garantija netiek attiecināta uz:
  - jebkādiem izstrādājuma bojājumiem, kas radušies nepareizas uzturēšanas rezultātā
  - jebkuru izstrādājumu, kas ticis pārveidots vai mainīts
  - jebkuru izstrādājumu, kura oriģinālās identifikācijas (preču zīme, sērijas numurs) marķējums ir ticis nodzēsts, mainīts vai noņemts
  - jebkādiem bojājumiem, kuri radušies neievērojot norādes lietošanas rokasgrāmatā
  - jebkādam izstrādājumam bez CE sertifikācijas
  - jebkuru izstrādājumam, kura remontu mēģinājis veikt nekvalificēts personāls vai bez Technonic Industries iepriekšējās autorizācijas
  - jebkuru izstrādājumam, kurš bijis pieslēgts neatbilstoši parametru (strāvas, sprieguma, frekvences) sprieguma avotam
  - jebkuriem bojājumiem, kuri radušies ārējās iedarbības (ķīmiskas, fiziskas, triecieni) vai vielu ietekmē
  - detaļu normāla lietošanas nodiluma rezultātā
  - nepareizas lietošanas vai instrumentu pārdošanas rezultātā
  - neapstrīnātu detaļu vai aprīkojuma lietošanas rezultātā
  - elektroinstrumentu aksešuāriem, kas atrodas instrumenta komplektācijā vai ir iegādāti atsevišķi. Šīs izņēmums attiecināms uz, bet neaprobežojoties ar, skrūvriēzju uzgājiem, urbjiem, abrazīvajiem diskiem, smilšpapīru un asmeņiem, sānu vadītājiem
4. Servisa nodrošināšanai, izstrādājums ir jānodod pilnvarotā RYOBI servisa centrā, kas norādīts katrāl valstī tālāk minētajā servisa centru adrešu sarakstā. Dažās valstīs jūsu vietējais RYOBI izplatītājs uzņemas izstrādājuma nosūtīšanu uz RYOBI servisa organizāciju. Nosūdot izstrādājumu uz RYOBI servisa centru, izstrādājuma jābūt droši iepakotam, tas nedrīkst saturēt bīstamas vielas kā degvielu, sūfijūgājam jābūt marķētam ar sūfijāta adresi un īsu kļēmes aprakstu.
5. Remonts/nomaiņa šīs garantijas ietvaros ir bezmaksas. Tas nerada garantijas perioda pagarināšanu vai jaunu garantiju. Nomainītās daļas vai instrumentu kļūst par mūsu īpašumu. Dažās valstīs piegādes vai pasta izmaksas būs jāpamaksā sūfijūgājam. Jūsu likumiskās tiesības, kas nodibinātas, iegādājoties instrumentu, paliek nemainīgas
6. Šī garantija ir spēkā Eiropas Kopienā, Šveicē, Islandē, Norvēģijā, Līhtenšteinā, Turcijā un Krievijā. Ārpus šīm teritorijām, lūdzu, sazinieties ar jūsu pilnvaroto RYOBI izplatītāju, lai noteiktu, vai ir piemērojama cita garantija.

### AUTORIZĒTS APKALPOŠANAS CENTRS

Lai atrastu tuvāko autorizēto apkalpošanas centru, apmeklējiet <http://en.ryobitools.eu/header/service-and-support/service-agents>.

## LT „RYOBI® GARANTIJOS TAIKYMO SĄLYGOS

Papildut bet kokias įstatymuose nulymatas perkant atirsandāncias teises, šiam įrenginiui taikoma toliau nurodyta garantija.

1. Vartotojas suteikiama 24 mėnesių trukmės garantija nuo įrenginio įsigijimo datos. Ši data turi būti nurodyta sąrašeje faktūroje ar kitame pirkimų įrodančiame dokumente. Šis įrenginys skirtas tik vartotojų rinkai ir asmeniniam naudojimui. Todėl garantija netaikoma, jei įrenginys naudojamas profesionaliems ar komerciniams reikiams.
2. Įsigijus tam tikrus elektrinius įrenginius (AC/DC), suteikiama galimybė prašyti garantiją, kad ji galiojūt ilgiau, nei nurodyta pirmiau, naudojantis registracija interneto svetainėje [www.ryobitools.eu](http://www.ryobitools.eu). Ar galima prašyti įrenginio garantinį laikotarpį, aiškiai nurodant: parduotuviuė ir (arba) interneto pakuotės, ir (arba) įrenginio dokumentuose. Galutinis naudotojas turi užregistruoti savo naujai įsigytą įrenginį per 30 dienų nuo įsigijimo datos. Galutinis naudotojas gal' registruotis išplėstinei garantijai savo gyvenamojoje šalyje, jei ji nurodyta internetinėje registracijos formoje, kurioje siūloma tokia galimybė. Be to, galutiniai naudotojai turi sutikti su duomenų, kuriuos reikia įvesti internetu, saugojimui ir svetainės naudojimo sąlygoms. Kaip išplėstinės garantijos įrodymas naudojamos registracijos patvirtinimo kopijos, atsiūsančias e. paštu, ir originali sąskaita faktūra, kurioje nurodyta įsigijimo data.
3. Ši garantija apima visus garantinio laikotarpio apimtus įrenginio trūkumus, atsiradusius dėl gamybos arba medžiaginių defektu nuo įsigijimo datos. Ši garantija ribojama remotu ir (arba) pakelimi, ji neapima jokių kitų įsipareigojimų, įskaitant bet kurį neapsibrūntų šaltinius arba antrinius nuostolius. Garantija anulyuojama, jei įrenginys buvo naudojamas netinkamai, naudojamas ne pagal naudojimo instrukciją arba netinkamai prijungtas. Ši garantija netaikoma:
  - jokiai įrenginiui padaryti žalai, kurią lėmė netinkama techninė priežiūra;
  - jokiai įrenginiui, kuris buvo keičiamas ar modifikuojamas;
  - jokiai įrenginiui, kurio originalus identifikavimo ženklai (prekės ženklas, serijos numeris) buvo sugadinti, pakeisti arba pašalinti;
  - jokiai žalai, kurią lėmė naudojimo instrukcijos nesilaikymas;
  - jokiems CE ženklu nepažymėtiems įrenginiams;
  - jokiai įrenginiui, kurį bandė remontuoti nekvalifikuoti asmenys arba kuris buvo remontuojamas be „Technonic Industries“ leidimo;
  - jokiai įrenginiui, kuris buvo prijungtas prie netinkamo maitinimo tinklo (netinkamas srovės, įtampos, dažnio);
  - jokiai žalai, kurią lėmė išorinis poveikis (cheminis, fizinis, smūgiai) arba pašalinės medžiagos;
  - dėvimosioms dalims;
  - netinkamam naudojimui, įrenginio perkovai;
  - nepatvirtintų priedų arba dalių naudojimui;
  - su įrenginiu pateiktiems arba atskirai įsigytiems elektrinio įrenginio priedams. Šios išimties apima (tuo neapsibrūnti) atskutųjų antgalių, gražų antgalius, šlifavimo diskus, švitrinį popierių ir geležies, šoninį kreiptuvį;
  - komponentams (dalims ir priedams), kurie natūraliai dėvisi, įskaitant (bet tuo neapsibrūnti) įprastines ir technines priežiūros rinkinius, angulinius šepetėlius, guolius, laikiklį, SDS gražų antgalių priedą arba lizdą, maitinimo kabelį, pagalbę rankena, nešiojimo dėklį, šlifavimo diską, maišęj dujūms, dulkių ištraukimo vamzdelį, pet power'žes, smūginio veržiarakio kaišius ir spyruokles ir pan.
4. Prieikus atlikti priežiūros darbus, įrenginį reikia siūsti arba atveži RYOBI įgaliotajam priežiūros centrui, nurodytam kiekvienos šalies priežiūros centro adrešu sąraše. Kai kuriose šalyse vietinis RYOBI atstovas siūncia įrenginį RYOBI priežiūros organizacijai. Siūnciant įrenginį RYOBI priežiūros centrui, reikia sąlygti j supakuoti pašalinant visas pavojingas medžiagas, pvz., benzina, nurodyti an pakietos siuntėjo adresą ir pridėti trumpą gedimo aprašymą.
5. Pagal šią garantiją remontas / keitimas atliktiems nemokamai. Tikė viskama netaikoma garantijos praleisimu arba naujo garantinio laikotarpio pradžiai. Dalyis arba įrenginiai, kuriuos pakeičiame, lampa mūsų nuosavybe. Kai kuriose šalyse pristatymo ir pašto išlaidas turi padengti siuntėjas. Įstatymuose nulymatos jūsų teisės, atsiandamas perkant įrenginį, lieka nepakeistos
6. Ši garantija galioja Europos bendrijoje, Šveicarijoje, Islandijoje, Norvegiujo, Lichtenšteinu, Turkiujo ir Rusiujo. Jei gyvenate ne šiose šalyse, kreipkitės į galiojantį RYOBI atstovą ir sužinokite, ar jums taikoma kita garantija.

### ĮGALIOTOS TECHNINĖS PRIEŽIŪROS CENTRAS

Jei norite surasti įgaliotą techninės priežiūros centrą netoli Jūsų, apsilankykite interneto svetainėje <http://en.ryobitools.eu/header/service-and-support/service-agents>.



**ET** RYOBI® GARANTIIINGIMUSED

Lisaks toote ostust tulenevatele seadusjärgsetele õigustele, kehtib tootele ka alloodud garantiaga.

- Tarbijatele on garantiiaeg 24 kuud ja algab sellel kuupaeval, mil toode osteti. Selle kuupaeva tõestuseks on vaja arvel või mõnda teist tõendit ostu sooritamise kohta. Toode on mõeldud tarbijatele ainult isiklikuks kasutamiseks. Seega ei kehti garantiid ostu kasutamisel kuseteguseks või kaubanduslikel eesmärkidel.
- Teatud osale elektrilistele (vahelduvvoolu/alalisvoolu) tööriistadele on võimalik pikendada eespool toodud garantiiaega, kasutades toote registreerimist veebilehel [www.ryobitools.eu](http://www.ryobitools.eu). Teave tööriista võimaliku pikendatud garantiiaja kohta on selgelt esile toodud poodides ja/või pakendis / ning see sisaldub toote dokumentatsioon. Lõputarbija peab registreerima oma uued tööristad interneti teel 30 päeva jooksul pärast ostupaeva. Lõppkasutaja võib registreerida pikendatud garantiiaja saamise oma elukohariigis, kui veebis olevas registreerimisvormis on see valik lubatud. Lisaks peavad kasutajad andma oma nõusoleku veebis nõudvate sisetavate andmete saldamiseks ning peavad nõustuma tingimustega. E-posti teel saadetak registreerimise kiitlusi ja arve originaal, kus on näha ostu sooritamise kuupaev, on pikendatud garantiiaja tõestamiseks.
- Garantiid katab kõik defektid toote garantiiaja jooksul, kui ostu kuupaeval äärmelisel viisil või materjalivahel. Garantiid piirub toote remondi ja/ või värvajahetamisega ning ei sisalda muid kohustusi, muu hulgas ettenägematuid või kaudseid kahjusid. Garantiid ei kehti, kui toodet ei ole kasutatud sihtotstarbelistel või kooskõlas kasutusjuhendiga või see on valesti ühendatud. Garantiid ei kehti järgmistel põhjustel:
  - toode on kahjustatud vale hoolitsemise tõttu
  - toodet on muudetud
  - toote algupäraseid identifitseerimisnumereid (kaubamärk, seerianumber) on rikunud, muudetud või eemaldatud
  - kahju on tekkinud kasutusjuhendi mittejärgmisest
  - tootel puudub CE-märgis
  - toodet on püüdnud remondida vastavalt kvalifikatsiooni mitte omav isik või ilma firma Technronic Industries eelneva loata.
  - toode on ühendatud valesse tootealikesse (voolutugevus, pinge, sägedus)
  - välismõjude (keemilised, füüsikalised, elektrilöögid) või võrkehade tekitatud kahju
  - tavapärane kulmine ja katkised varuosad
  - ebaõige kasutamine, tööriista ülekoormamine
  - heaikkimatala tarvikute või osade kasutamine
  - koos tööriistaga saadud või eraldi ostetud elektriliste tööriistade hoolitamine. Need erandid puudutavad muu hulgas kriivkeeraja otsakuid, puurteraseid, lihvkettaid, lihvpaberit ja -taldu, küljühikuid
  - Komponendid (osad ja tarvikud), mida iseloomustab kulmine ja vananemine, muu hulgas remondi- ja hoolduskomplektid, süsinikharijad, laagrid, padrunid, SDS-puurterase tarvikud, tõlkejuhe, lisakäpide, transpordikott, lihvaplat, tolmikott, tolm valjalasketoru, viidist seibid, lookmutrivõlme võllid ja vedruid jne.
- Hoolituseks peab toote saama või viima RYOBI volitatud teenindusse, mille aadressid leiab järgnevalt teeninduspunkti nimekirjast vastava riigi alt. Mõnedes riikides võtab kohalik RYOBI edasimüüja enda kanda kohustuse saata toode RYOBI teenindusorganisatsiooni. Toote saatmisel RYOBI teenindusse peab loode olema ohutult pakitud ja ei tohi sisaldada ohtlikke aineid (nt bensiini), kirjas peab olema saatja aadress ja isatud vea lühikirjeldus.
- Garantiid alusel tehtavad remonditööd / asendamine on tasuta. See ei pikenda garantiit kehtivusaega ega tähistu uue garantiiaja algust. Väljavahetatud osad või tööriistad kuuluvad meile. Mõnedes riikides maksab kätetoimetamis- ja postikulud saatja. Teile jäävad kehtima tööriista ostust tulenevad seadusjärgsed õigused
- See garantiid kehtib Euroopa Ühenduste territooriumil: Šveitsis, Islandil, Norras, Liechtensteinis, Türgis ja Venemaal. Väljaspool neid piirkondi võtke ühendust volitatud RYOBI edasimüüjaga, et teha kindlaks kas kehtib mõni teine garantiid.

**VOLITATUD HOOLDUSKESKUS**

Oma volitatud hoolituskeskuse leiab veebisaidil <http://en.ryobitools.eu/header/service-and-support/service-agents>.

**HR** UVJETI PRIMJENE JAMSTVA TVRTKE RYOBI®

Osim svim zakonskim pravima koja proizlaze iz kupnje, ovaj je proizvod pokriven jamstvom kako je navedeno u nastavku.

- Jamstveno razdoblje za potrošače traje 24 mjeseca i počinje s datumom na koji je proizvod kupljen. Taj datum mora se dokumentirati računom ili drugim dokazom o kupnji. Proizvod je konstruiran i namijenjen samo za privatnu upotrebu korisnika. Stoga se jamstvo ne daje u slučaju profesionalne ili komercijalne uporabe.
- Postoji mogućnost da se za dio asortimana električnih alata pokretanih izmjeničnom strujom (AC/DC) proizvodi gore navedeno jamstveno razdoblje putem registriranja na mrežnom mjestu [www.ryobitools.eu](http://www.ryobitools.eu). Uvjeti koje je potrebno zadovoljiti kako bi se prodlužilo jamstveno razdoblje jasno su istaknuti u prodavnici / ili na pakiranju / i nalaze se unutar dokumentacije proizvoda. Krajnji korisnik mora registrirati svoje novo kupljene alate na mreži u roku od 30 dana od datuma kupnje. Krajnji korisnik može se registrirati za produženo jamstvo u svojoj zemlji boravišta ako se nalazi na popisu u mrežnom orozuju za registraciju gdje je ta opcija važeća. Nadalje, krajnji korisnici moraju dati svoj pristanak na pohranu podataka koji su potrebni za mrežni ulazak i moraju prihvatiti odredbe i uvjete. Potvrda o prijemu registracije, koja se šalje putem e-pošte, kao i originalni račun s vidljivim datumom kupnje poslužić će kao dokaz produženog jamstva.
- Jamstvo pokriva sve nedostatke proizvoda tijekom jamstvenog razdoblja koji su nastali zbog neispravnosti prilikom izrade ili materijala s obuhvatom kupnje. Jamstvo je ograničeno na popravak i/ili zamjenu i ne obuhvaća nikakve druge obveze, uključujući, ali ne ograničavajući se na slučajeve ili posljedice štete. Jamstvo ne vrijedi ako je proizvod bio zlorabijan, korišten u suprotnosti s priručnikom s uputama ili ako je pogrešno spojen. Ovo jamstvo ne primjenjuje se na:
  - svaku štetu koja je na proizvodu nastala kao rezultat nepravilnog održavanja
  - svaki proizvod koji je promijenjen ili izmijenjen
  - svaki proizvod na kojem su izvorne identifikacijske oznake (Zig, serijski broj) bile oštećene, izmijenjene ili uklonjene
  - svaku štetu prouzročenu nepridržavanjem priručnika s uputama
  - svaki proizvod koji nema oznaku CE
  - svaki proizvod koji je pokušao popraviti nekvalificirani profesionalac ili onaj koji je popravljao bez prethodnog odobrenja tvrtke Technronic Industries.
  - svaki proizvod koji je spojen na neprikladan izvor električnog napajanja (neodgovarajuća amperaza, napon, frekvencija)
  - svaku štetu prouzročenu unutarnjim utjecajima (kemijskim, fizikalnim, udarima) ili stranim tvarima
  - normalno habanje i trošenje rezervnih dijelova
  - neodgovarajuću uporabu, preopterećenje alata
  - upotrebu neodobrene pribora ili dijelova
  - dotadnu opremu električnog alata isporučenu s alatom ili kupljenu odvojeno. Takvi izuzetci uključuju ali nisu ograničeni na vrhove odvijča, svrdla bušilice, abrazivne diske, brusni papir i noževe, bočnu vodilicu
  - komponente (dijelovi i pribor) podložne prirodnom trošenju i habanju, što uključuje, ali nije ograničeno na komplecte za servisiranje i održavanje, ugljične četkice, ležajeve, steznu glavu, nastavak ili priključak za svrdla za SDS bušilicu, priključni kabel, pomoćnu ručku, transportne torbe, brusnu ploču, vreću za prašinu, ispušnu cijev za prašinu, podloške od filca, udarni kluč, zati i opruge, itd.
- Za potrebe servisiranja, proizvod se mora poslati ili odnijeti u ovlaštenu servisnu postaju tvrtke RYOBI navedenu na sljedećem popisu s adresama servisnih postaja u svakoj zemlji. U nekim zemljama, vaši lokalni RYOBI zastupnik obvezuje se da će poslati proizvod u servisnu organizaciju tvrtke RYOBI. Kada se proizvod šalje u neku servisnu postaju tvrtke RYOBI, proizvod se mora sigurno pakirati bez ijednog od opasnih sadržaja kao što je bencin, na njemu mora pisati adresa pošiljatelja i mora biti popraćen kratkim opisom kvara.
- Popravak / zamjena pod ovim jamstvom su besplatni. Oni ne predstavljaju produženje ili novi početak jamstvenog razdoblja. Zamijenjeni dijelovi ili alati postaju naše vlasništvo. U nekim državama troškove isporuke iz poštaru mora platiti pošiljatelj. Vaša zakonska prava koja proizlaze iz kupnje alata ostaju nepromijenjena
- Ovo jamstvo vrijedi u Europskoj uniji, Švicarskoj, Islandu, Norveškoj, Litvenštajnu, Turskoj i Rusiji. Izvan tih područja važe molimo da se obratite svojem ovlaštenom zastupniku tvrtke RYOBI kako biste utvrdili primjenjive li se drugo jamstvo.

**OVLAŠTENI SERVISNI CENTAR**

Za pronalazjenje ovlaštenog servisnog centra pored vas posjetite <http://en.ryobitools.eu/header/service-and-support/service-agents>.

## SL POGOJI ZA VELJAVNOST GARANCIJE RYOBI®

Poleg sprotih zakonsko določenih pravic, ki izvirajo iz nakupa, za ta izdelek velja specijalno navedena garancija.

1. Garancijsko obdobje je za potrošnike 24 mesecev in začne teči z dnem nakupa izdelka. Ta datum mora biti dokumentiran z računom ali drugim dokazilom o nakupu. Izdelek je zasnovan in namenjen izključno za potrošniško zasebno uporabo. V primeru strokovne ocizma komercialne uporabe izdelka garancija ne velja.
2. Obstaja možnost podaljšanja garancije na del naše ponudbe električnih orodij (AC/DC) prek obdobja garancije, opisanega zgoraj, s pomočjo registracije na spletnem mestu [www.ryobitools.eu](http://www.ryobitools.eu) website. Ustreznost orodij za podaljšanje garancijskega obdobja je jasno prikazana v trgovinski in/ali na embalaži oziroma je navedena v dokumentaciji izdelka. Končni uporabnik mora registrirati svoje novo orodje na spletu v 30 dneh po datumu nakupa. Končni uporabnik lahko registrira podaljšano garancijo v svoji državi bivanja, če je na obrazcu spletne registracije navedeno, da ta možnost velja za njegovo državo. Poleg tega morajo končni uporabniki podati svoje soglasje za shranjevanje podatkov, ki so potrebni za spletni dostop in morajo sprejeti pogoje in določila uporabe spletnega mesta. Potrtilo o registraciji, ki ga poslejimo prek e-pošte, in originalni račun, ki prikazuje datum nakupa, služijo kot dokazilo o podaljšani garanciji.
3. Garancija krije vse okvare izdelka, do katerih pride v garancijskem obdobju zaradi napak v izdelavi ali materialu, ki so bile prisotne ob datumu nakupa. Garancija je omejena na popravilo in/ali zamenjavo in ne vključuje nobenih drugih obveznosti, med drugim vključuje v naključno ali posledično škodo. Garancija ne velja, če je bil izdelek naparavno uporabljen, uporabljen v nasprotju z navodili iz priročnika za uporabo ali če ni bil pravilno povezan. Ta garancija ne velja za:
  - škodo na izdelku, ki je posledica neustreznega vzdrževanja
  - spremenen ali prilagojen izdelek
  - izdelek, katerega originalna identifikacijska oznaka (blagovna znamka, serijska številka) je bil poškodovana, spremenjena ali odstranjena
  - škodo, ki je posledica neupoštevanja navodil iz priročnika za uporabo
  - izdelek, ki nima oznake CE
  - izdelek, ki ga je poskušal opraviti nekvalificiran strokovnjak ali ki je bil popravljen brez predhodne odobritve s strani družbe Techntron Industries.
  - izdelek, ki je bil povezan na neustrezno napajanje (amperska moč, napetost, frekvenca)
  - škodo, ki jo povzročijo zunanji vplivi (kemični, fizični, mehanski) ali tuje snovi
  - rezervne dele, ki so podvrženi običajni uporabi
  - neprimerno uporabo, preobremenitev orodja
  - uporabo neodobrenih dodatkov ali delov
  - Dodatno električno orodje, priloženo orodju ali kupljeno ločeno. Take izjeme so med drugim nastavitve za izvijače, svedri, abrazivni diski, brusni papir in rezila, stranska vodila.
  - Komponente (sestavni in rezervni deli), ki so podvrženi običajni obrabi, med drugim vključno s kompleti za servisiranje in vzdrževanje, oglikovimi krtačkami, ležaji, vperjalni, svedrni priključki SDS ali sprejemnimi odprtini za varje, napajalnimi kablji, pomožnimi ročaji, prenosnimi kovčki, brusnimi ploščami, vreckami za prah, cevmi za izpuh prahu, tesnilni iz filca, iglami in vzmetni udarnega ključa itd.
4. Za servisiranje morate izdelek poslati ali prinesli v pooblaščen servisni center družbe RYOBI, ki je naveden za vsako državo na naslednjem seznamu naslovov servisnih centrov. V nekaterih državah se vaš lokalni posrednik družbe RYOBI obveže, da bo poslal izdelek na servis družbe RYOBI. Mora pošiljate izdelek v servisni center družbe RYOBI, mora biti izdelek varno zapakiran in ne sme vsebovati nobenih nevarnih snovi, kot je npr. bencin, opremljen pa mora biti z naslovom pošiljatelja in vsebovati kratek opis napake.
5. Popravilo/zamenjava v skladu s to garancijo sta brezplačni storitvi. To pa ne predstavlja podaljšanja ali ponovnega začetka garancijskega obdobja. Zamenjani deli ali orodja postanejo naša last. V nekaterih državah stroške dostave ali poštnino plača pošiljatelj. Vaše zakonsko določene pravice, ki izvirajo iz nakupa orodja, ostajajo nespremenjene.
6. Ta garancija velja v Evropski skupnosti, Švici, Islandiji, na Norveškem, v Lichtenštajnu, v Turčiji in Rusiji. Izven teh območij se obrnite na svojega pooblaščenega posrednika izdelkov RYOBI, dealer ki vam bo povedal, ali velja kakšna druga garancija.

### POOBLAŠČENI SERVISNI CENTER

Pooblaščen servisni center blizu vas poiščite na <http://en.ryobitools.eu/header/service-and-support/service-agents>.

## SK ZÁRUČNÉ PODMIENKY RYOBI®

Na tento výrobek sa okrem všetkých zákonných práv, vyplývajúcich z nákupu, vzťahuje záruka v nasledovnom znení.

1. Záručná doba pre spotrebiteľa je 24 mesiacov a začína plynúť odo dňa, keď bol výrobok zakúpený. Tento dátum musí byť doložený faktúrou alebo iným dokladom o zakúpení. Výrobok je navrhnutý a určený pre spotrebiteľa a len na súkromné používanie. Preto sa záruka sa neposkytuje v prípade použitia na profesionálne a komerčné účely.
2. V prípade elektrického náradia (na striedavý/jednosmerný prúd AC/DC), existuje možnosť predĺženia záručnej doby proti záručnej dobe, uvedenej vyššie, s využitím on-line registrácie na webovej stránke [www.ryobitools.eu](http://www.ryobitools.eu). Označenie na náradí o nároku na predĺženie záručnej doby je zreteľne uvedené v obchodných alebo na obale a je uvedené v dokumentácii k výrobku. Koncový používateľ musí zaregistrovať svoje novozískané náradie on-line do 30 dní odo dňa nákupu. Koncový používateľ sa môže zaregistrovať na prednú záruku v krajine svojho bydliska, ak je v on-line registračnom formulári uvedená táto možnosť. Ďalej musia koncoví používatelia ešte dať svoj súhlas k uchovávaniu údajov, ktoré je potrebné zadať on-line a musia súhlasiť s podmienkami. Potvrdenie o prijatí registrácie, ktorý je zaslané e-mailom a originálna faktúra, v ktorej je uvedený dátum nákupu, slúžia ako dôkaz o predĺžení záruky.
3. Záruka sa vzťahuje na všetky poruchy výrobku v záručnej dobe, spôsobené chybami materiálů alebo spracovaním k dátumu nákupu. Táto záruka je omezená na opravu a/alebo výmenu a nezahŕňa ďalšie povinnosti, vrátane, okrem iných, náhodné alebo následné škody. Táto záruka je neplatná, ak bol výrobok nesprávne používaný, bol používaný v rozpore s návodom na použitie alebo bol nesprávne zapojený. Táto záruka sa nevzťahuje na:
  - akékoľvek poškodenie výrobku, ktoré bolo spôsobené nesprávnou obsluhou
  - akýkoľvek výrobok, ktorý bol zmenený alebo upravený
  - akýkoľvek výrobok, na ktorom bolo poškodené, upravené alebo odstránené identifikačné označenie (ochranné známka, výrobné číslo)
  - akékoľvek škody, spôsobené neodporúčaním návodu na obsluhu
  - akýkoľvek výrobok, ktorý neobsahuje označenie CE
  - akýkoľvek výrobok, ktorý sa pokúšal opraviť nekvalifikovaný odborník alebo bol opravovaný bez predchádzajúceho súhlasu so strany spoločnosti Techntron Industries.
  - akýkoľvek výrobok, pripojený k nesprávnemu napájaciemu zdroju (ampéry, napätie, frekvencia)
  - akékoľvek poškodenia, spôsobené vonkajšími vplyvmi (chemickými, fyzikálnymi, nárazmi) alebo cudzoročnými látkami
  - bežné opotrebovanie náhradných dielov
  - nevhodné používanie, preťažovanie nástroja
  - používanie neschváleného príslušenstva a dielov
  - príslušenstvo k elektrickému náradíu, dodávané spolu s náradím alebo zakúpené oddelene. Takéto vylúčenia sa vzťahujú, okrem iného, na násady srukotvovcov, vrtáky, brusne kotúče, brusny papier a čepele, bočné vodiace lišty
  - Súdiastky (diely a príslušenstvo), ktoré podliehajú prirodzenému opotrebovaniu, okrem iného súpravy na servis a údržbu, utility, ložiská, skrutkovačidlá, SDS vrtáky a príslušenstvo, príloh alebo príjmianie, napájací kábel, pomocná rukoväť, prepravná skrinia, brusna doska, pracovné vrecko, výfuková trubica, plstené podložky, kolký a pružiny na rázový uťahovač atď.
4. Na opravu musí byť výrobok odoslaný alebo doručený do autorizovaného servisného strediska RYOBI, uvedeného pre každú krajinu v nasledovnom zozname adres servisných stredísk. V niektorých krajinách miestny zástupca RYOBI preberá na seba záväzok zaslať tovar do servisnej organizácie RYOBI. Pri odoslaní výrobku do servisného strediska RYOBI je potrebné výrobok bezpečne zabaliť bez akýchkoľvek nebezpečných obsahů, ako je benzín, s vyznačením adresy odosielateľa, s krátkym popisom poruchy.
5. Oprava/výmena je vrátmi teľto záruky bezplatná. Neznámené to predĺženie záruky alebo spustenie novej záručnej doby. Vymenené diely alebo nástroje sa stávajú našim vlastníctvom. V niektorých krajinách náklady na odoslanie alebo poštovné musí zaplatiť odosielateľ. Vaše zákonné práva, vyplývajúce z nákupu náradia, zostávajú nedotknuté
6. Táto záruka platí v Európskej únii, Švajčiarsku, Islande, Nórsku, Lichtenštajnsku, Turesku a Rusku. Ak sa nachádzate mimo týchto oblastí, obráťte sa na autorizovaného predajcu RYOBI na určenie, či sa dá uplatniť iná záruka.

### AUTORIZOVANÉ SERVISNÉ CENTRUM

AK chcete nájsť najbližšie autorizované servisné centrum, navštívte stránku <http://en.ryobitools.eu/header/service-and-support/service-agents>.

**BG УСЛОВИЯ ЗА ВАЛИДНОСТ НА ГАРАНЦИЯТА НА RYOBI®**

В допълнение към законоустановените права, произтичащи от покупката, този продукт е обхванат от гаранцията, както е изложено по-долу.

- Гаранционният срок е 24 месеца за клиенти и започва да тече от датата на закупуване на продукта. Този дата трябва да се докаже с фактура или друго доказателство за покупка. Продуктът е изработен и предназначен само за потребителско и лична употреба. Следователно не се дава гаранция в случай на използване от професионалисти или с търговска цел.
- Съществува възможност за удължаване на гаранционния срок за част от диалоза на гаранцията на електрически инструменти (AC/DC) след изчитане на описания тук чрез регистрация на уеб сайта [www.ryobitools.eu](http://www.ryobitools.eu). В магазините или на опазовата или вътре в документацията на продукта е показано ясно дали инструментът отговаря на условията за таква удължаване на гаранционния срок. Крайният потребител трябва да регистрира своите новопридобити инструменти онлайн в рамките на 30 дни от датата на покупка. Крайният потребител може да се регистрира за удължена гаранция в държавата си на пребиваване, ако е посочена във формуляра за онлайн регистрация като място, където тази опция е валидна. Освен това крайният потребител трябва да дадат съгласието си за съхранение на данните, които са задължителни за потвърждение, и трябва да приемат общите условия. Получено потвърждение за регистрация, изпратено по електронна поща, и оригиналната фактура, показваща датата на покупка, ще служат като доказателство за удължената гаранция.
- Гаранцията покрива всички дефекти на продукта по време на гаранционния срок, които се дължат на изработка или материални грешки момента на покупката. Гаранцията е ограничена до ремонт или вклочва дри и не вклочва други задължения, включително, но не само, случайни или косвени щети. Гаранцията е невалидна, ако продуктът е използван неправилно или в противоречие с ръководството с инструкции, както и ако е свързан неправилно. Тези гаранции не важи за:
  - щети по продукта в резултат на неправилна профилактика
  - продукти, които са били изменени или модифицирани
  - продукт, при който оригиналните маркировки за идентификация (търговска марка, серийн номер) са изтрили, променени или премахнати
  - повреда, причинена от неспазване на ръководството с инструкции
  - продукт без CE маркировка
  - продукт, за който е направен опит за ремонт от невалифициран специалист или без предварително разрешение от Techtronic Industries.
  - продукт, свързан към неподходящо електрозахранване (напрежение, волтаж, честота)
  - щети, причинени от външни влияния (химични, физични, удари) или чужди вещества
  - нормално износване на резервни части
  - неподходяща употреба, претоварване на инструмента
  - използване на необорудани аксесоари или части
  - Аксесоарите за електрически инструмент са предоставени с инструмента или се купуват отделно. Тези изключения включват, но не само, накрайници за отвертка, свердела, абразивни дискове, шкурки и остриета, странични водки
  - Компоненти (части и аксесоари), подложени на естествено износване, включително, но не само, хомплекти за обслужване и поддръжка, карбонни четки, лагер, патронник, приставка със свердело SDS или приемно устройство, захранващ кабел, спомогателна ръкохватка, туба за транспортиране, шифероъчна пластина, торба за прах, тръба за отвеждане на прах, филтови шабви, шифтове и пружини за винтовете и др.
- За обслужване продуктът трябва да се изпрати или занесе на оторизиран сервиз на RYOBI, посочен за всяка държава в следния списък с адреси на сервизи. В някои държави местният търговец на RYOBI поема отговорността да изпрати продукта до сервизен център на RYOBI. При изпращане на продукт до сервиз на RYOBI той трябва да е опакован безопасно без опасна съдържание, напр. бензин, да е маркиран с адреса на подателя и придружен от кратко описание на повредата.
- Ремонтът/замяната по силата на тази гаранция са безплатни. Те не водят до удължаване или подновяване на гаранционния срок. Сменените части или инструментите стават наша собственост. В някои държави таксите за доставка или изпращане трябва да се платят от подателя. Законоустановените ви права, произтичащи от закупуването на инструмента, остават незасегнати
- Тази гаранция е валидна в Европейската общност, Швейцария, Испания, Норвегия, Лихтенщайн, Турция и Русия. Изнав тези области се съобразете с упълномощения търговец на RYOBI, за да се установи дали е приложима друга гаранция.

**УПЪЛНОМОЩЕН СЕРВИЗЕН ЦЕНТЪР**

За да намирате упълномощен сервизен център близо до вас, посетете <http://en.ryobitools.eu/header/service-and-support/service-agents>.

**UK ГАРАНТИЙНИ УМОВИ ДЛЯ RYOBI®**

Окрім загально установлених законом прав, що стосуються покупки, цей пристрій покривається гарантією, що зазначено нижче.

- Гарантійний період для споживачів складає 24 місяці і починається з моменту придбання цього пристрою. Ця дата повинна бути задокументована у гарантійному талоні або чеку. Цей пристрій був розроблений і призначений тільки для споживачого та приватного використання. У разі професійного або комерційного використання цього пристрою, він втрачає гарантію.
- Існує можливість продовжити гарантійний період для частини лінійки електроінструментів (перемінного/постійного струму), понад період описаний вище за допомогою реєстрації на сайті [www.ryobitools.eu](http://www.ryobitools.eu). Пристрій, я має право на продовження гарантійного періоду, мають чіткі позначки щодо цього в магазинах і / або на упаковок / та документації до пристрою. Кінцевий користувач повинен зареєструвати його/її новопридбаний пристрій онлайн протягом 30 днів з дати покупки. Кінцевий користувач може зареєструватися для продовження гарантійного періоду в своїй країні постачальника перебування, якщо вона є доступною у відповідній опції онлайн форми реєстрації. Крім того, кінцеві користувачі повинні давати свою згоду на зберігання даних, які необхідні для введення онлайн, а також вони повинні прийняти правила та умови. Отримання підтвердження реєстрації, яке відправляється на адресу електронної пошти, та оригінал гарантійного талона і зазначеною датою покупки буде слугувати доказом продовженої гарантії.
- Гарантія поширюється на всі дефекти пристрою протягом гарантійного терміну щодо недотримання стандартів виробництва або матеріалів на дату придбання. Гарантія обмежується ремонтом та/або заміною, та не вклочає в себе будь-яких інших зобов'язань, у тому числі, але не обмежена у разі випадкових та подальших пошкоджень. Гарантія не діє, якщо пристрій використовувався ненадлежащим чином, всупереч інструкції з експлуатації або був неправильно підключений до мережі. Дана гарантія не поширюється на:
  - пристрій, що були пошкоджені у результаті неправильного обслуговування;
  - пристрій, що були вилізовані або модифіковані;
  - пристрій, оригінальне ідентифікаційне (товарний знак, серийний номер) маркування яких були пошкоджені, змінені або вилізовані;
  - будь-які пошкодження, заподіяні недотриманням інструкції з експлуатації;
  - пристрій, що не мають маркування CE;
  - пристрій, що були відімовані неваліфікованим фахівцем або за відсутності попереднього дозволу від Techtronic Industries;
  - пристрій, підключені до невідповідного джерела живлення (сила току, напруження, частота);
  - будь-які пошкодження спричинені зовнішнім впливом (хімічним, фізичним, стрибком напруги) або сторонніми речовинами;
  - нормальну амортизацію запасних частин;
  - невідповідне використання, переважанням пристрою;
  - використання невідтверджених запасних частин або аксесуарів;
  - приладдя до електроінструменту, що постачається разом з пристроєм або купуються окремо. Такі винятки включають але не є обмеженнями для наконечників вишукрок, свердел, абразивних дисків, наждачного паперу та леза, бачиків напруги, компонентів/частин та приладдя) з урахуванням нормального зношування, враховуючи, але без обмеження на комплекти профилактики та технічного обслуговування, вугільні щітки, підшипники, патрони, кріплення або прийом SDS свердел, кабелі живлення, додаткові рюкзачки, чохлаи для транспортування, шпательні пластинки, мішки для збору пилу, трубки вилоту, фітрові кільця, шпирі і пружини гайковерту і т.д.
- Для обслуговування, пристрій має бути відправлений або поданий до одного з авторизованих сервісних центрів RYOBI, які перелічені для кожної країни у наступному переліку адрес сервісних центрів. У деяких країнах місцевий дилер RYOBI зобов'язується відправити пристрій до сервісного центру RYOBI. При відправленні пристрою до сервісного центру RYOBI, пристрій має бути надійно упакований і бути будь-якою небезпечною вмісту, наприклад бензину, з позначеною адресою відправника та супроводжується коротким описом несправності.
- Ремонт / заміна відповідно до цієї гарантії здійснюється безкоштовно. Це не є основою для продовження або початку нового гарантійного періоду. Замінені частини або прилади переходять до власності компанії. У деяких країнах вартість доставки або поштової витрати повинні бути сплачені відправником. Загально установлені права покупки на пристрій залишаються беззмінними з позначеною адресою відправника діє в Європійському Союзі, Швейцарії, Іспанії, Норвегії, Лихтенштейні, Туреччині та Росії. За межами цих зон, будь-ласка, зверніться до офіційного дилера RYOBI, щоб визначити, чи застосовується інша гарантія.

**АВТОРИЗОВАНІ СЕРВІСНІ ЦЕНТРИ**

Для отримання оновленого переліку авторизованих сервісних центрів, відвідайте <http://en.ryobitools.eu/header/service-and-support/service-agents>.

## TR RYOBI® GARANTİ UYGULAMA KOŞULLARI

Alımdan kaynaklanan yasal haklara ek olarak, ürün aşağıda belirtilen garanti kapsamındadır.

1. Tüketiciler için 24 ay olan garanti süresi, ürünün satın alındığı tarihte başlar. Bu tarihin bir fatura ya da alım kanıtıyla belgelenmesi gerekir. Ürün sadece tüketim ve özel kullanım için getirilmiştir ve adanmıştır. Bu nedenle, profesyonel ya da ticari kullanım halinde garanti kapsamı sağlanmaz.
2. Elektrikli el aletlerinin bir bölümü (AC/DC) için [www.ryobitools.eu](http://www.ryobitools.eu) sayfasındaki kayıt işlemini kullanarak garanti belirlenir belirlenir olmasına uzatma imkanı mevcuttur. Aletlerin garanti süresinin uzatılmasına uygun olup olmadığı mağazalarda ve / veya ambalaja açılma belirlenmiş olup, ürün dokümantasyonunda gösterilir. Son kullanıcının yeni aldığı aletleri satın alma tarihi izleyen 30 gün içinde kaydedilmesi gerekir. Son kullanıcı imkân ettiği ülkede, bu seçeneğin geçerli olduğu çevrimin kayıt formunda belirtilmiştir, uzatılmış garanti süresi için kayıt yaptırabilir. Dahası, son kullanıcıların çevrimin giriş için gerekli verileri kaydedilmesine izin vermek ve hüküm ve koşulları kabul etmelidir. E-posta ile gönderilen kayıt formu makbuzu ve alım tarihinin gösteren orijinal fatura uzatılmış garantinin kanıtı olarak değerlendirilir.
3. Garanti, ürünün alım tarihindeki işçilik ve malzeme kusurları nedeniyle garanti süresi içinde olabilecek bütün arızaları kapsar. Bu garanti onarım ve değiştirilme sınırlı olup, tesadüf ya da dolojli hasarlar da dahil, ancak bunlarla sınırlı olmayan başka hiçbir taahhüdü kapsamı dışındadır. Garanti, ürünün kötü, kullanici kılavuzuna aykırı kullanılması ya da yanlış başlanması halinde geçerli değildir. Bu garanti aşağıdaki gibi kapsamaz:
  - Üründe, yanlış bakımdan kaynaklanan herhangi bir hasar
  - Değiştirilmiş ya da modifiye edilmiş herhangi bir ürün
  - Orijinal tarama işaretleri (ticari marka, seri numarası) silinmiş, değiştirilmiş ya da kaldırılmış herhangi bir ürün
  - Kullanma kılavuzuna uymamaktan kaynaklanmış herhangi bir hasar
  - Herhangi bir AT dışı ürün
  - Kalifiye olmayan personel tarafından ya da önceden Technrich Industries onayı alınmadan onarım herhangi bir ürün.
  - Uygun güç kaynağına (amper, voltaj, frekans) bağlanmış herhangi bir ürün
  - Harici etkenlerden (kimyasal, fiziksel, darbe) veya yabancı cisimlerden kaynaklanan her türlü hasar
  - Normal aşınır ve yıpranır aksam
  - Uygun kullanım, aletin aşırı yüklenmesi
  - Onaysız aksesuar veya parça kullanımı
4. Alette birlikte sağlanmış ya da ayrıca alınmış elektrikli alet aksesuarları, Tornavida uçları, maklap uçları, aşındırıcı dişler, zmpara kağıdı ve bıçaklar, yanıt kılıfı gibi aksesuarlar, ancak bunlarla sınırlı olmayan eklentiler
- Servis ve Bakım kitiyle, kömür fırçalar, yataklar, kovanlar, SDS maklap uç bağlantısı ya da yuvalar, güç kablosu, yedek tutamak, nakliye ve taşıma kutusu, kumula plakası, toz torbası, tez egoz borusu, keçe rondelalar, Darbeli Tornavida Pim ve yaylar vb. gibi parçaları kapsayan, ancak bunlarla sınırlı olmayan, aşınma ve yıpranmaya tabi bileşenler (aksam ve aksesuarlar).
4. Ürünün servis için her ülkede aşağıdaki servis istasyonları adres listesinde yer alan yetkili bir RYOBI servis istasyonuna gönderilmesi ya götürülmesi gereklidir. Bazı ülkelerde, yerel RYOBI distribütörünüz ürünü RYOBI servis teşkilatına göndermeyi üstlenir. Bir ürün bir RYOBI servis istasyonuna gönderilirse, ürünün güvnlü bir biçimde ambalajlanması, benzin gibi tehlikeli maddeler içermemesi, gönderenin adresini taşıması ve arızanın kısa bir açıklamasını içermesi gerekir.
5. Bu garanti kapsamında yapılacak onarım / değişiklik ücretsizdir. Garanti süresinin uzatılması ya da yeniden başlatılması anlamına gelmez. Değiştirilmiş parçalar veya aletler size ait olur. Bazı ülkelerde teslimat ücretleri veya posta giderlerinin gönderici tarafından ödemesi gerekir. Alımdan kaynaklanan yasal haklarını etkilemez.
6. Bu Garanti Avrupa Toprakları, İsviçre, İtalya, Danimarka, Norveç, Liechtenstein, Türkiye ve Rusya'da geçerlidir. Bu alanların dışında, başka bir garantinin geçerli olup olmadığını belirlemek için lütfen yetkili RYOBI distribütörünüzle irtibata geçin.

### YETKİLİ SERVİS MERKEZİ

En yakın yetkili servis merkezinizi öğrenmek için <http://en.ryobitools.eu/header/service-and-support/service-agents> sitesini girin.

## EL OROİ ΕΦΑΡΜΟΓΗΣ ΤΩΝ ΠΡΟΫΠΟΘΕΣΕΩΝ ΕΓΓΥΗΣΗΣ ΤΗΣ RYOBI®

Εκτός από τα νόμιμα δικαιώματα, τα οποία προκύπτουν από την αγορά, το προϊόν καλύπτεται από εγγύηση, λεπτομέρειες της οποίας ακολουθούν στη συνέχεια.

1. Η διάρκεια της εγγύησης για τους καταναλωτές είναι 24 μήνες και αρχίζει από την ημερομηνία αγοράς. Η ημερομηνία θα πρέπει να αναρτηθεί στην αποδείξη ή σε άλλο αποδεικτικό αγοράς. Το προϊόν έχει σχεδιαστεί και προορίζεται αποκλειστικά για οικιακή χρήση από καταναλωτές. Συναρμολογήστε και πραγματοποιήστε εγγύηση σε περίπτωση επαγγελματικής ή εμπορικής χρήσης.
2. Υπάρχει η δυνατότητα επέκτασης της εγγύησης για ορισμένα ηλεκτρικά εργαλεία (AC/DC), πέραν του παραπάνω αναφερόμενου χρονικού διαστήματος, μέσω εγγύησης στο δικαίωκό τόπο [www.ryobitools.eu](http://www.ryobitools.eu). Η επέκταση αφορά τα εργαλεία που δυνατότητα επέκτασης της περιόδου εγγύησης αναγράφεται ρητά στο καταστήμα κατά την επάνω στη συσκευασία, ενώ περιέχεται στην τεκμηρίωση του προϊόντος. Το τελικό χρήστη θα πρέπει να καταχωρήσει τα προσωπικά αποδεικτικά εργαλεία online, εντός 30 ημερών από την ημερομηνία αγοράς. Ο τελικός χρήστης μπορεί να εγγραφεί για την επέκταση εγγύησης στη χώρα κατοικίας, εφόσον αυτή περιλαμβάνεται στο online έντυπο εγγύησης, εάν υπάρχει η δυνατότητα επέκτασης. Επιπλέον, οι τελικοί χρήστες θα πρέπει να υπάρχουν η συγκατάθεσή τους για την αποδείξη των στοιχείων τους, τα οποία οφείλουν να καταχωρηθούν online, όπως και να αποδοθούν το όρος και της προϋπόθεσης. Η αποδείξη επιβεβαιώνει της εγγύησης, η οποία αποστέλλεται μέσω email, και η πρωτότυπη αποδείξη αγοράς, η οποία αναγράφει την ημερομηνία αγοράς, αποτελεί αποδεικτικό της παρατεταμένης εγγύησης.
3. Η εγγύηση καλύπτει όλα τα ελαττώματα του προϊόντος, κατά τη διάρκεια της περιόδου εγγύησης, λόγω κατασκευαστικών ελαττωμάτων ή αστοχίας υλικού κατά την ημερομηνία αγοράς. Η εγγύηση περιορίζεται στην επουλωτική και/ή αντικατάσταση και/ή περιλαμβανομένης κάποια άλλη υποχρέωση, συμπεριλαμβανομένων, ενδεικτικά, συμπτωμάτων ή παρεπόμενων ζημιών. Η εγγύηση δεν ισχύει εφόσον, έχει σημειωθεί κακομεταχείριση του προϊόντος, δεν έχουν τηρηθεί οι οδηγίες του χειριστηρίου οδηγίων ή το προϊόν έχει συνδεθεί λαθoσάμεια. Η εγγύηση δεν ισχύει για:
  - οποιαδήποτε ζημία από προϊόν, η οποία είναι αποτέλεσμα κακής συντήρησης
  - οποιαδήποτε προϊόν, το οποίο έχει αλλοιωθεί ή τροποποιηθεί
  - οποιαδήποτε προϊόν, στο οποίο έχει αλλοιωθεί, τροποποιηθεί ή αφαιρεθεί το γνήσιο αναγνωριστικό (σημα κατατεθέν, σειριακό αριθμό)
  - οποιαδήποτε ζημία προκληθεί λόγω μη τήρησης του χειριστηρίου οδηγίων
  - οποιαδήποτε προϊόν χωρίς σήμανση CE
  - οποιαδήποτε προϊόν, στο οποίο έχει γίνει προσπάθεια επισκευής από μη καταρτισμένο επαγγελματία ή χωρίς την προηγούμενη έγκριση της Technrich Industries.
  - οποιαδήποτε προϊόν, το οποίο έχει συνδεθεί σε ακατάλληλη παροχή ρεύματος (αμπερ, τάση, συχνότητα)
  - οποιαδήποτε ζημία έχει προκύψει από εξωτερικές επιδράσεις (χημικές, φυσικές, κλιματισμού) ή ξένες ουσίες
  - φυσιολογική φθορά και ρήξη ανταλλακτικών
  - ακατάλληλη χρήση, υπερφόρτιση του εργαλείου
  - χρήση μη ενδοεγγεγραμμένων εξαρτημάτων ή ανταλλακτικών
  - Εξαρτήματα ηλεκτρικών εργαλείων που παρασχημάτισε με το εργαλείο ή αγοράστηκαν χωριστά. Τέτοιες εξαρτήματα περιλαμβάνουν, ενδεικτικά, μίτες καταβίβου, τρυπάνια, δίσκους λείανσης, γυαλόχαρτο και λεπτιές, πλευρικά οδηγία
  - Εξαρτήματα (ανταλλακτικά και αξεσουάρ) που υπόκεινται σε φυσική φθορά και θραύση, συμπεριλαμβανομένων, ενδεικτικά, σε επισκευές ή συντήρησης, ψηφιών ανθρώπου, εφεδρικών, τοκέ, εξαρτημάτων ή υποδοχών τρυπανών SDS, καλωδίων ισχύος, βοηθητικής λαβής, βαλβίδας μεταφοράς, βόσας τριβείου, σακούλας σμολιγής σκόνης, σωλήνα εξαγωγής σκόνης, ροδέλων υδραυλ, μπιλών και ελατρίων κροστικού κλειδιού κοχλίων, κτλ.
4. Το προϊόν θα πρέπει να αποστέλλεται ή να παραδοθεί για επουλωτική ή συντήρηση σε εξουσιοδοτημένο σημείο αερίθ της RYOBI που περιλαμβάνεται στον ακόλουθο κατάλογο διευθύνσεων για κάθε χώρα. Σε ορισμένες χώρες, το τοπικό σημείο πώλησης της RYOBI αναλαμβάνει την αποστολή του προϊόντος στο κεντρικό αερίθ της RYOBI. Κατά την αποστολή του προϊόντος σε σημείο αερίθ της RYOBI, αυτό θα πρέπει να είναι ασφαλώς συσκευασμένο, χωρίς επικίνδυνο περιεχόμενο, όπως, πετρέλαιο, να φέρει τη διεύθυνση του αποστολέα και να συνοδεύεται από σύντομη περιγραφή της βλάβης.
5. Η επιδιόρθωση / αντικατάσταση υπό την παρούσα εγγύηση παρέχεται δωρεάν. Δε συνιστά παράταση της περιόδου εγγύησης ή εκπόνηση νέας περιόδου εγγύησης. Τα μέρη που ανακατασκευάζονται περιέρχονται στην κυριότητά μας. Σε ορισμένες χώρες, τα ενδοχόμενα έσοδα παραδοσης ή μεταφοράς βαρύνουν τον αποστολέα. Τα νόμιμα δικαιώματά μας, τα οποία απορρέουν από την αγορά του εργαλείου, δεν θύγονται.
6. Η παρούσα εγγύηση ισχύει στην Ευρωπαϊκή Κοινότητα, την Ελλάδα, την Ισπανία, τη Νορβηγία, τη Λιχτενστάιν, την Τουρκία και την Ρωσία. Εκτός των παραπάνω περιοχών, σας παρακαλούμε να επικοινωνήσετε με εξουσιοδοτημένο κατάστημα πώλησης της RYOBI, προκειμένου να διαπιστωθεί ένα σχήμα κάποια άλλη εγγύηση.

### ΕΞΟΥΣΙΟΔΟΤΗΜΕΝΟ ΚΕΝΤΡΟ ΣΕΡΒΙΣ

Για να εντοπίσετε ένα εξουσιοδοτημένο κέντρο αερίθ στην περιοχή σας, επισκεφτείτε τη σελίδα <http://en.ryobitools.eu/header/service-and-support/service-agents>.

**(EN) Declaration of conformity**

Technronic Industries GmbH  
Max-Eyth-Straße 10, 71364 Winnenden, Germany

Herewith we declare that the product

4V screwdriver  
Brand: Ryobi  
Model number: ERGO  
Serial number range: 46233701000001 - 46233701999999

is in conformity with the following European Directives and harmonised standards

2006/42/EC, 2014/30/EU, 2011/65/EU,  
EN 62841-1:2015, EN 62841-2-2:2014,  
EN 55014-1:2006+A1:2009+A2:2011,  
EN 55014-2:2015, EN 61000-3-2: 2014, EN 61000-3-3: 2013

RoHS documentation is compiled according to EN 50581:2012

  
Andrew John Eyre (BEng, CEng, MIET)  
Vice President, Regulatory & Safety  
Winnenden, Jun. 28, 2017

Authorised to compile the technical file:  
Alexander Krug, Managing Director  
Technronic Industries GmbH  
Max-Eyth-Straße 10, 71364 Winnenden, Germany

**(FR) DÉCLARATION DE CONFORMITÉ**

Technronic Industries GmbH  
Max-Eyth-Straße 10, 71364 Winnenden, Germany

Déclarons par la présente que le produit

4V tournevis  
Marque: Ryobi  
Numéro de modèle: ERGO  
Etendue des numéros de série: 46233701000001 - 46233701999999

est conforme aux Directives Européennes et Normes Harmonisées suivantes

EN 62841-1:2015, EN 62841-2-2:2014,  
EN 55014-1:2006+A1:2009+A2:2011,  
EN 55014-2:2015, EN 61000-3-2: 2014, EN 61000-3-3: 2013

La documentation RoHS a été dressée d'après EN 50581:2012

  
Andrew John Eyre (BEng, CEng, MIET)  
Vice President, Regulatory & Safety  
Winnenden, Jun. 28, 2017

Autorisé à rédiger le dossier technique:  
Alexander Krug, Managing Director  
Technronic Industries GmbH  
Max-Eyth-Straße 10, 71364 Winnenden, Germany

**(DE) KONFORMITÄTSERKLÄRUNG**

Technronic Industries GmbH  
Max-Eyth-Straße 10, 71364 Winnenden, Germany

Hiermit erklären wir, dass die Produkte

4V schraubendreher  
Marke: Ryobi  
Modellnummer: ERGO  
Seriennummernbereich: 46233701000001 - 46233701999999

den folgenden europäischen Richtlinien und harmonisierten Normen entsprechen

EN 62841-1:2015, EN 62841-2-2:2014,  
EN 55014-1:2006+A1:2009+A2:2011,  
EN 55014-2:2015, EN 61000-3-2: 2014, EN 61000-3-3: 2013

RoHS Dokumentation ist gemäß EN 50581:2012 zusammengestellt

  
Andrew John Eyre (BEng, CEng, MIET)  
Vice President, Regulatory & Safety  
Winnenden, Jun. 28, 2017

Autorisiert die technische Datei zu erstellen:  
Alexander Krug, Managing Director  
Technronic Industries GmbH  
Max-Eyth-Straße 10, 71364 Winnenden, Germany

**(ES) DECLARACIÓN DE CONFORMIDAD**

Technronic Industries GmbH  
Max-Eyth-Straße 10, 71364 Winnenden, Germany

Por la presente declaramos que los productos

Atomizador de 4V  
Marca: Ryobi  
Número de modelo: ERGO  
Intervalo del número de serie: 46233701000001 - 46233701999999

se encuentra en conformidad con las siguientes Directivas Europeas y normas armonizadas

EN 62841-1:2015, EN 62841-2-2:2014,  
EN 55014-1:2006+A1:2009+A2:2011,  
EN 55014-2:2015, EN 61000-3-2: 2014, EN 61000-3-3: 2013

Documentación sobre restricción de sustancias peligrosas (RoHS) recopilada según la norma EN 50581:2012

  
Andrew John Eyre (BEng, CEng, MIET)  
Vice President, Regulatory & Safety  
Winnenden, Jun. 28, 2017

Autorizado para elaborar la ficha técnica:  
Alexander Krug, Managing Director  
Technronic Industries GmbH  
Max-Eyth-Straße 10, 71364 Winnenden, Germany

**(IT) DICHIARAZIONE DI CONFORMITÀ**

Technronic Industries GmbH  
Max-Eyth-Straße 10, 71364 Winnenden, Germany

Si dichiara con la presente che il prodotto

Avvitatore da 4V  
Marca: Ryobi  
Numero modello: ERGO  
Gamma numero seriale: 46233701000001 - 46233701999999

è conforme alle seguenti Direttive Europee e ai seguenti standard armonizzati

EN 62841-1:2015, EN 62841-2-2:2014,  
EN 55014-1:2006+A1:2009+A2:2011,  
EN 55014-2:2015, EN 61000-3-2: 2014, EN 61000-3-3: 2013

La documentazione RoHS è stata compilata come indicato dalle norme EN 50581:2012

  
Andrew John Eyre (BEng, CEng, MIET)  
Vice President, Regulatory & Safety  
Winnenden, Jun. 28, 2017

Autorizzato per compilare il file tecnico:  
Alexander Krug, Managing Director  
Technronic Industries GmbH  
Max-Eyth-Straße 10, 71364 Winnenden, Germany

**(NL) CONFORMITEITSVERKLARING**

Technronic Industries GmbH  
Max-Eyth-Straße 10, 71364 Winnenden, Germany

Hierbij verklaren wij dat het product

4V-schroevendraaier  
Merk: Ryobi  
Modelnummer: ERGO  
Seriennummerbereik: 46233701000001 - 46233701999999

is in overeenstemming met de volgende Europese Richtlijnen en geharmoniseerde normen

EN 62841-1:2015, EN 62841-2-2:2014,  
EN 55014-1:2006+A1:2009+A2:2011,  
EN 55014-2:2015, EN 61000-3-2: 2014, EN 61000-3-3: 2013

RoHS-documentatie is samengesteld in overeenstemming met EN 50581:2012

  
Andrew John Eyre (BEng, CEng, MIET)  
Vice President, Regulatory & Safety  
Winnenden, Jun. 28, 2017

Afgevaardigde voor het samenstellen van de technische fiche:  
Alexander Krug, Managing Director  
Technronic Industries GmbH  
Max-Eyth-Straße 10, 71364 Winnenden, Germany

**(PT) DECLARAÇÃO DE CONFORMIDADE**

Techtronic Industries GmbH  
Max-Eyth-Straße 10, 71364 Winnenden, Germany

*Pelo presente declaramos que os produtos*  
Aparafusadora a bateria de 4V  
Marca: Ryobi  
Número do modelo: ERGO  
Intervalo do número de série: 46233701000001 - 46233701999999

*se encontra em conformidade com as seguintes Directivas Europeias e normas harmonizadas*

EN 62841-1:2015, EN 62841-2-2:2014,  
EN 55014-1:2006+A1:2009+A2:2011,  
EN 55014-2:2015, EN 61000-3-2: 2014, EN 61000-3-3: 2013

*Documentação sobre restrição de substâncias perigosas (RoHS) compilada segundo a norma EN 50581:2012*

  
Andrew John Eyre (BEng, CEng, MIET)  
Vice President, Regulatory & Safety  
Winnenden, Jun. 28, 2017

Autorizado para compilar o ficheiro técnico:  
Alexander Krug, Managing Director  
Techtronic Industries GmbH  
Max-Eyth-Straße 10, 71364 Winnenden, Germany

CE

**(DA) OVERENSSTEMMELSESKLÆRING**

Techtronic Industries GmbH  
Max-Eyth-Straße 10, 71364 Winnenden, Germany

*Vi erklærer hermed, at produktet*  
4V-skruemaskine  
Brand: Ryobi  
Modelnummer: ERGO  
Serienummerområde: 46233701000001 - 46233701999999

*er i overensstemmelse med følgende EU-direktiver og harmoniserede standarder*

EN 62841-1:2015, EN 62841-2-2:2014,  
EN 55014-1:2006+A1:2009+A2:2011,  
EN 55014-2:2015, EN 61000-3-2: 2014, EN 61000-3-3: 2013

*RoHS-dokumentationen er udarbejdet i henhold til EN 50581:2012*

  
Andrew John Eyre (BEng, CEng, MIET)  
Vice President, Regulatory & Safety  
Winnenden, Jun. 28, 2017

Bemyndiget til at udarbejde det tekniske kartotek:  
Alexander Krug, Managing Director  
Techtronic Industries GmbH  
Max-Eyth-Straße 10, 71364 Winnenden, Germany

CE

**(SV) Konformitetsdeklaration**

Techtronic Industries GmbH  
Max-Eyth-Straße 10, 71364 Winnenden, Germany

*Härmed deklarerar vi att produkterna*  
4V skruvdragare  
Märke: Ryobi  
Modellnummer: ERGO  
Serienummerintervall: 46233701000001 - 46233701999999

*är i enlighet med följande EU-direktiv och harmoniserade standarder*

EN 62841-1:2015, EN 62841-2-2:2014,  
EN 55014-1:2006+A1:2009+A2:2011,  
EN 55014-2:2015, EN 61000-3-2: 2014, EN 61000-3-3: 2013

*RoHS-dokumentation sammanställd enligt EN 50581:2012*

  
Andrew John Eyre (BEng, CEng, MIET)  
Vice President, Regulatory & Safety  
Winnenden, Jun. 28, 2017

Godkänd att sammanställa den tekniska filen:  
Alexander Krug, Managing Director  
Techtronic Industries GmbH  
Max-Eyth-Straße 10, 71364 Winnenden, Germany

CE

**(FI) SÄÄNNÖSTEN NOUDATTAMINEN**

Techtronic Industries GmbH  
Max-Eyth-Straße 10, 71364 Winnenden, Germany

*Ilmoitamme täten, että tuotteet*  
4V ruuviväänin  
Tuotemerkki: Ryobi  
Mallinumero: ERGO  
Sarjanumeroalue: 46233701000001 - 46233701999999

*noudattaa seuraavia EU-direktiivejä ja harmonoituja standardeja*

EN 62841-1:2015, EN 62841-2-2:2014,  
EN 55014-1:2006+A1:2009+A2:2011,  
EN 55014-2:2015, EN 61000-3-2: 2014, EN 61000-3-3: 2013

*RoHS-dokumentaatio on koottu standardin EN 50581:2012 mukaisesti*

  
Andrew John Eyre (BEng, CEng, MIET)  
Vice President, Regulatory & Safety  
Winnenden, Jun. 28, 2017

Valtuutettu kokoamaan tekninen tiedosto:  
Alexander Krug, Managing Director  
Techtronic Industries GmbH  
Max-Eyth-Straße 10, 71364 Winnenden, Germany

CE

**(NO) Samsvarserklæring**

Techtronic Industries GmbH  
Max-Eyth-Straße 10, 71364 Winnenden, Germany

*Herved erklærer vi at produktet*  
4V skrutrekker  
Merke: Ryobi  
Modellnummer: ERGO  
Serienummerserie: 46233701000001 - 46233701999999

*er i samsvar med følgende europeiske direktiver og harmoniserte standarder*

EN 62841-1:2015, EN 62841-2-2:2014,  
EN 55014-1:2006+A1:2009+A2:2011,  
EN 55014-2:2015, EN 61000-3-2: 2014, EN 61000-3-3: 2013

*RoHS dokumentasjonen er skrevet i samsvar med EN 50581:2012*

  
Andrew John Eyre (BEng, CEng, MIET)  
Vice President, Regulatory & Safety  
Winnenden, Jun. 28, 2017

Autorisert til å sette sammen den tekniske filen:  
Alexander Krug, Managing Director  
Techtronic Industries GmbH  
Max-Eyth-Straße 10, 71364 Winnenden, Germany

CE

**(RU) ЗАЯВЛЕНИЕ О СООТВЕТСТВИИ ТРЕБОВАНИЯМ**

Techtronic Industries GmbH  
Max-Eyth-Straße 10, 71364 Winnenden, Germany

*Настоящим мы заявляем, что данный продукт*  
Шурупверт на 18 В  
Марка: Ryobi  
Номер модели: ERGO  
Диапазон заводских номеров: 46233701000001 - 46233701999999

*соответствует требованиям следующих Директив ЕС и согласованных стандартов*

EN 62841-1:2015, EN 62841-2-2:2014,  
EN 55014-1:2006+A1:2009+A2:2011,  
EN 55014-2:2015, EN 61000-3-2: 2014, EN 61000-3-3: 2013

*Документация RoHS соответствует стандарту EN 50581:2012*

  
Andrew John Eyre (BEng, CEng, MIET)  
Vice President, Regulatory & Safety  
Winnenden, Jun. 28, 2017

Лицо, ответственное за подготовку технической документации:  
Alexander Krug, Managing Director  
Techtronic Industries GmbH  
Max-Eyth-Straße 10, 71364 Winnenden, Germany

CE

**PL** DEKLARACJA ZGODNOŚCI

Techtronic Industries GmbH  
Max-Eyth-Straße 10, 71364 Winnenden, Germany

*Niniejszym deklarujemy, że produkty*

Wkrętarka 4V  
Marka: Ryobi  
Numer modelu: ERGO  
Zakres numerów seryjnych: 46233701000001 - 46233701999999

*jest zgodny z następującymi dyrektywami europejskimi i zharmonizowanymi normami*

EN 62841-1:2015, EN 62841-2-2:2014,  
EN 55014-1:2006+A1:2009+A2:2011,  
EN 55014-2:2015, EN 61000-3-2: 2014, EN 61000-3-3: 2013

*Dokumentacja RoHS została opracowana zgodnie z normą EN 50581:2012*

  
Andrew John Eyre (BEng, CEng, MIET)  
Vice President, Regulatory & Safety  
Winnenden, Jun. 28, 2017



Osoba upoważniona do sporządzenia dokumentu technicznego:  
Alexander Krug, Managing Director  
Techtronic Industries GmbH  
Max-Eyth-Straße 10, 71364 Winnenden, Germany

**RO** DECLARAȚIE DE CONFORMITATE

Techtronic Industries GmbH  
Max-Eyth-Straße 10, 71364 Winnenden, Germany


*Prin prezenta, declarăm că produsele*

Șurubelniță de 4V  
Marca: Ryobi  
Număr serie: ERGO  
Gamă număr serie: 46233701000001 - 46233701999999

*este în conformitate cu următoarele Directive Europene și standarde armonizate*

EN 62841-1:2015, EN 62841-2-2:2014,  
EN 55014-1:2006+A1:2009+A2:2011,  
EN 55014-2:2015, EN 61000-3-2: 2014, EN 61000-3-3: 2013

*Documentația RoHS este întocmită în conformitate cu EN 50581:2012*

  
Andrew John Eyre (BEng, CEng, MIET)  
Vice President, Regulatory & Safety  
Winnenden, Jun. 28, 2017



Autorizat să completeze fișa tehnică:  
Alexander Krug, Managing Director  
Techtronic Industries GmbH  
Max-Eyth-Straße 10, 71364 Winnenden, Germany

**CS** PROHLÁŠENÍ O SHODĚ

Techtronic Industries GmbH  
Max-Eyth-Straße 10, 71364 Winnenden, Germany

*Tímto prohlašujeme, že výrobky*

4V šroubovák  
Značka: Ryobi  
Číslo modelu: ERGO  
Rozsah sériových čísel: 46233701000001 - 46233701999999

*že tento výrobek je v souladu s evropskými a harmonizovanými standardy*

EN 62841-1:2015, EN 62841-2-2:2014,  
EN 55014-1:2006+A1:2009+A2:2011,  
EN 55014-2:2015, EN 61000-3-2: 2014, EN 61000-3-3: 2013

*RoHS dokumentace sestavena dle EN 50581:2012*

  
Andrew John Eyre (BEng, CEng, MIET)  
Vice President, Regulatory & Safety  
Winnenden, Jun. 28, 2017



Pověření ke kompilaci technického souboru:  
Alexander Krug, Managing Director  
Techtronic Industries GmbH  
Max-Eyth-Straße 10, 71364 Winnenden, Germany

**LV** Atbilstības deklarācija

Techtronic Industries GmbH  
Max-Eyth-Straße 10, 71364 Winnenden, Germany

*Ar šo paziņojam, ka produkti*

4V skrūvņniezis  
Zīmols: Ryobi  
Modeļa numurs: ERGO  
Sērijas numuru intervāls: 46233701000001 - 46233701999999

*atbilst šādām Eiropas direktīvām un saskaņotajiem standartiem*  
EN 62841-1:2015, EN 62841-2-2:2014,  
EN 55014-1:2006+A1:2009+A2:2011,  
EN 55014-2:2015, EN 61000-3-2: 2014, EN 61000-3-3: 2013

*RoHS dokumentācija ir izstrādāta saskaņā ar EN 50581:2012*

  
Andrew John Eyre (BEng, CEng, MIET)  
Vice President, Regulatory & Safety  
Winnenden, Jun. 28, 2017



Pilnvarots sastādīt tehnisko failu:  
Alexander Krug, Managing Director  
Techtronic Industries GmbH  
Max-Eyth-Straße 10, 71364 Winnenden, Germany

**HU** Megfelelőségi nyilatkozat

Techtronic Industries GmbH  
Max-Eyth-Straße 10, 71364 Winnenden, Germany

*Ezúton kijelentjük, hogy a termékek*

4V csavarbehajtó  
Márka: Ryobi  
Típuszám: ERGO  
Sorozatszám tartomány: 46233701000001 - 46233701999999

*megfelel az alábbi Európai Irányelvek és harmonizált szabványok vonatkozású rendelkezésének*

EN 62841-1:2015, EN 62841-2-2:2014,  
EN 55014-1:2006+A1:2009+A2:2011,  
EN 55014-2:2015, EN 61000-3-2: 2014, EN 61000-3-3: 2013

*A RoHS dokumentáció összeállítás az EN 50581:2012 szerint történt*

  
Andrew John Eyre (BEng, CEng, MIET)  
Vice President, Regulatory & Safety  
Winnenden, Jun. 28, 2017



A műszaki dokumentáció összeállítására felhatalmazott:  
Alexander Krug, Managing Director  
Techtronic Industries GmbH  
Max-Eyth-Straße 10, 71364 Winnenden, Germany

**LT** Atitikties pareiškimas

Techtronic Industries GmbH  
Max-Eyth-Straße 10, 71364 Winnenden, Germany

*Mes pareiškiamo, kad šie produktai*

4V atsuktuvais  
Prekės ženklas: Ryobi  
Modelio numeris: ERGO  
Serijinio numerio diapazonas: 46233701000001 - 46233701999999

*pagamintas laikantis toliau nurodytųjų Europos Direktyvų ir darniųjų standartų*

EN 62841-1:2015, EN 62841-2-2:2014,  
EN 55014-1:2006+A1:2009+A2:2011,  
EN 55014-2:2015, EN 61000-3-2: 2014, EN 61000-3-3: 2013

*Tam tikru pavojingų medžiagų naudojimo elektros ir elektroninėje įrangoje aprašymo dokumentai sudaryti pagal standartą EN 50581:2012*

  
Andrew John Eyre (BEng, CEng, MIET)  
Vice President, Regulatory & Safety  
Winnenden, Jun. 28, 2017



Įgaliotas sudaryti techninį failą:  
Alexander Krug, Managing Director  
Techtronic Industries GmbH  
Max-Eyth-Straße 10, 71364 Winnenden, Germany

**(ET) VASTAVUSDEKLARATSIOON**

Techrnic Industries GmbH  
Max-Eyth-Straße 10, 71364 Winnenden, Germany

*Kinnitame, et see toode*  
4V-krukivkeraja  
Mark: Ryobi  
Mudeli number: ERGO  
Seerialnumbri vahemik: 46233701000001 - 46233701999999

*vastab järgmistele Euroopa direktiividele ja harmoniseeritud standarditele*

EN 62841-1:2015, EN 62841-2-2:2014,  
EN 55014-1:2006+A1:2009+A2:2011,  
EN 55014-2:2015, EN 61000-3-2: 2014, EN 61000-3-3: 2013

*RoHS dokumendid on koostatud vastavuses standardi EN 50581:2012 nõuetele.*

  
Andrew John Eyre (BEng, CEng, MIET)  
Vice President, Regulatory & Safety  
Winnenden, Jun. 28, 2017

Tehnilise faili koostamiseks volitatud isik:  
Alexander Krug, Managing Director  
Techrnic Industries GmbH  
Max-Eyth-Straße 10, 71364 Winnenden, Germany

CE

**(SK) PREHLÁSENIE O ZHODNE**

Techrnic Industries GmbH  
Max-Eyth-Straße 10, 71364 Winnenden, Germany

*Týmto vyhlasujeme, že výrobok*  
4V skrutkovač  
Značka: Ryobi  
Číslo modelu: ERGO  
Rozsah sériových čísel: 46233701000001 - 46233701999999

*je v súlade s nasledujúcimi Európskymi smernicami a harmonizovanými normami*

EN 62841-1:2015, EN 62841-2-2:2014,  
EN 55014-1:2006+A1:2009+A2:2011,  
EN 55014-2:2015, EN 61000-3-2: 2014, EN 61000-3-3: 2013

*Dokumentácia RoHS je zostavená podľa EN 50581:2012*

  
Andrew John Eyre (BEng, CEng, MIET)  
Vice President, Regulatory & Safety  
Winnenden, Jun. 28, 2017

Oprávnená osoba na zostavenie technického súboru:  
Alexander Krug, Managing Director  
Techrnic Industries GmbH  
Max-Eyth-Straße 10, 71364 Winnenden, Germany

CE

**(HR) IZJAVA O USKLADENOSTI**

Techrnic Industries GmbH  
Max-Eyth-Straße 10, 71364 Winnenden, Germany

*Ovime izjavljamo da su proizvodi*  
4V odvijač  
Marka: Ryobi  
Broj modela: ERGO  
Raspon serijskog broja: 46233701000001 - 46233701999999

*uskladna sa slijedećim Europskim Direktivama i uskladenim normama*

EN 62841-1:2015, EN 62841-2-2:2014,  
EN 55014-1:2006+A1:2009+A2:2011,  
EN 55014-2:2015, EN 61000-3-2: 2014, EN 61000-3-3: 2013

*RoHS dokumentacija skladna je EN 50581:2012*

  
Andrew John Eyre (BEng, CEng, MIET)  
Vice President, Regulatory & Safety  
Winnenden, Jun. 28, 2017

Ovlašten da sastavi tehničku datoteku:  
Alexander Krug, Managing Director  
Techrnic Industries GmbH  
Max-Eyth-Straße 10, 71364 Winnenden, Germany

CE


**(BG) ДЕКЛАРАЦИЯ НА ЗА СЪОТВЕТСТВИЕ**

Techrnic Industries GmbH  
Max-Eyth-Straße 10, 71364 Winnenden, Germany

*С настоящето декларираме, че продуктите*  
Винтоверт 4 V  
Марка: Ryobi  
Номер на модела: ERGO  
Обхват на серийни номера: 46233701000001 - 46233701999999

*отговаря на следните директиви на ЕС и хармонизирани стандарти*  
EN 62841-1:2015, EN 62841-2-2:2014,  
EN 55014-1:2006+A1:2009+A2:2011,  
EN 55014-2:2015, EN 61000-3-2: 2014, EN 61000-3-3: 2013

*Документацията за RoHS е съставена в съответствие с EN 50581:2012.*

  
Andrew John Eyre (BEng, CEng, MIET)  
Вицепрезидент, Правни Услуги И Безопасност  
Winnenden, Jun. 28, 2017

Упълномощено лице за съставяне на техническия файл:  
Alexander Krug, Изпълнителен Директор  
Techrnic Industries GmbH  
Max-Eyth-Straße 10, 71364 Winnenden, Germany

CE

**(SL) IZJAVA O SKLADNOSTI**

Techrnic Industries GmbH  
Max-Eyth-Straße 10, 71364 Winnenden, Germany

*Izjavljamo, da je izdelek*  
4V izvijač  
Znamka: Ryobi  
Številka modela: ERGO  
Razpon serijskih števil: 46233701000001 - 46233701999999

*v skladu s sledečimi evropskimi direktivami in harmoniziranimi standardi*

EN 62841-1:2015, EN 62841-2-2:2014,  
EN 55014-1:2006+A1:2009+A2:2011,  
EN 55014-2:2015, EN 61000-3-2: 2014, EN 61000-3-3: 2013

*Dokumentacija RoHS je sestavljena skladno s standardom EN 50581:2012*

  
Andrew John Eyre (BEng, CEng, MIET)  
Vice President, Regulatory & Safety  
Winnenden, Jun. 28, 2017

Pooblaščená oseba za sestavo tehnične dokumentacije:  
Alexander Krug, Managing Director  
Techrnic Industries GmbH  
Max-Eyth-Straße 10, 71364 Winnenden, Germany

CE

**(UK) Декларация про відповідність**

Techrnic Industries GmbH  
Max-Eyth-Straße 10, 71364 Winnenden, Germany

*При цьому ми заявляємо, що продукт*  
Шурупокрут 4В  
Марка: Ryobi  
Номер моделі: ERGO  
Діапазон серійного номеру: 46233701000001 - 46233701999999

*у відповідності з наступними європейськими директивами та гармонізованими стандартами*

EN 62841-1:2015, EN 62841-2-2:2014,  
EN 55014-1:2006+A1:2009+A2:2011,  
EN 55014-2:2015, EN 61000-3-2: 2014, EN 61000-3-3: 2013

*Документація RoHS складена відповідно до EN 50581:2012*

  
Andrew John Eyre (BEng, CEng, MIET)  
Vice President, Regulatory & Safety  
Winnenden, Jun. 28, 2017

Дозвіл на складання технічного файлу:  
Alexander Krug, Managing Director  
Techrnic Industries GmbH  
Max-Eyth-Straße 10, 71364 Winnenden, Germany

CE



**TR** Uygunluk beyanı

Teichronic Industries GmbH  
Max-Eyth-Straße 10, 71364 Winnenden, Germany

*Böylelikle beyan ederiz ki; ürün*

4V akülü vidalama

Marka: Ryobi

Model numarası: ERGO

Seri numarası aralığı: 46233701000001 - 46233701999999

*aşağıdaki Avrupa Direktifleri ve uyumlaştırılmış standartlara uygundur*

EN 62841-1:2015, EN 62841-2-2:2014,

EN 55014-1:2006+A1:2009+A2:2011,

EN 55014-2:2015, EN 61000-3-2: 2014, EN 61000-3-3: 2013

*RoHS belgeleri EN 50581:2012 uyarınca derlenmiştir*

Andrew John Eyre (BEng, CEng, MIET)  
Vice President, Regulatory & Safety  
Winnenden, Jun. 28, 2017

CE

Teknik dosya hazırlamaya yetkilidir:

Alexander Krug, Managing Director

Teichronic Industries GmbH

Max-Eyth-Straße 10, 71364 Winnenden, Germany

**EL** Δήλωση συμμόρφωσης

Teichronic Industries GmbH  
Max-Eyth-Straße 10, 71364 Winnenden, Germany

*Δια του παρόντος δηλώνουμε ότι το προϊόν*

Καταβλήδι 4V

Μάρκα: Ryobi

Αριθμός μοντέλου: ERGO

Εύρος σειριακών αριθμών: 46233701000001 - 46233701999999

*είναι σύμφωνο με τις παρακάτω Ευρωπαϊκές Οδηγίες και εναρμονισμένα πρότυπα*

EN 62841-1:2015, EN 62841-2-2:2014,

EN 55014-1:2006+A1:2009+A2:2011,

EN 55014-2:2015, EN 61000-3-2: 2014, EN 61000-3-3: 2013

*Τα έγγραφα RoHS συντάσσονται σύμφωνα με το EN 50581:2012*

Andrew John Eyre (BEng, CEng, MIET)  
Vice President, Regulatory & Safety  
Winnenden, Jun. 28, 2017

CE

Εξουσιοδοτημένο άτομο για σύνταξη τεχνικού αρχείου:

Alexander Krug, Managing Director

Teichronic Industries GmbH

Max-Eyth-Straße 10, 71364 Winnenden, Germany

130.com.ua

130.com.ua

130.com.ua

**Techtronic Industries GmbH**  
Max-Eyth-Straße 10,  
71364 Winnenden, Germany

961075412-01

Автотовары «130»