



ТЕЛЕФОНЫ

0 (800) 800 130
(050) 462 0 130
(063) 462 0 130
(067) 462 0 130

130
COM.UA

Интернет-магазин
автотоваров



SKYPE

km-130

АВТОМАГНИТОЛЫ — Магнитолы • Медиа-ресиверы и станции • Штатные магнитолы • CD/DVD чейнджеры • FM-модуляторы/USB адаптеры • Flash память • Переходные рамки и разъемы • Антенны • Аксессуары | **АВТОЗВУК** — Акустика • Усилители • Сабвуферы • Процессоры • Кроссоверы • Наушники • Аксессуары | **БОРТОВЫЕ КОМПЬЮТЕРЫ** — Универсальные компьютеры • Модельные компьютеры • Аксессуары | **GPS НАВИГАТОРЫ** — Портативные GPS • Встраиваемые GPS • GPS модули • GPS трекеры • Антенны для GPS навигаторов • Аксессуары | **ВИДЕОУСТРОЙСТВА** — Видеорегистраторы • Телевизоры и мониторы • Автомобильные ТВ тюнеры • Камеры • Видеомодули • Транскодеры • Автомобильные ТВ антенны • Аксессуары | **ОХРАННЫЕ СИСТЕМЫ** — Автосигнализации • Мотосигнализации • Механические блокираторы • Имобилайзеры • Датчики • Аксессуары | **ОПТИКА И СВЕТ** — Ксенон • Биксенон • Лампы • Светодиоды • Стробоскопы • Оптика и фары • Омыватели фар • Датчики света, дождя • Аксессуары | **ПАРКТРОНИКИ И ЗЕРКАЛА** — Задние парктроники • Передние парктроники • Комбинированные парктроники • Зеркала заднего вида • Аксессуары | **ПОДОГРЕВ И ОХЛАЖДЕНИЕ** — Подогревы сидений • Подогревы зеркал • Подогревы дворников • Подогревы двигателей • Автохолодильники • Автокондиционеры • Аксессуары | **ТЮНИНГ** — Виброизоляция • Шумоизоляция • Тонировочная пленка • Аксессуары | **АВТОАКСЕССУАРЫ** — Радар-детекторы • Громкая связь Bluetooth • Стеклоподъемники • Компрессоры • Звуковые сигналы, СГУ • Измерительные приборы • Автопылесосы • Автокресла • Разное | **МОНТАЖНОЕ ОБОРУДОВАНИЕ** — Установочные комплекты • Обивочные материалы • Декоративные решетки • Фазоинверторы • Кабель и провод • Инструменты • Разное | **ПИТАНИЕ** — Аккумуляторы • Преобразователи • Пуско-зарядные устройства • Конденсаторы • Аксессуары | **МОРСКАЯ ЭЛЕКТРОНИКА И ЗВУК** — Морские магнитолы • Морская акустика • Морские сабвуферы • Морские усилители • Аксессуары | **АВТОХИМИЯ И КОСМЕТИКА** — Присадки • Жидкости омывателя • Средства по уходу • Полироли • Ароматизаторы • Клеи и герметики | **ЖИДКОСТИ И МАСЛА** — Моторные масла • Трансмиссионные масла • Тормозные жидкости • Антифризы • Технические смазки



В магазине «130» вы найдете и сможете купить в Киеве с доставкой по городу и Украине практически все для вашего автомобиля. Наши опытные консультанты предоставят вам исчерпывающую информацию и помогут подобрать именно то, что вы ищете. Ждем вас по адресу

<https://130.com.ua>

DEWALT®

130.com.ua

www.DEWALT.com

DWE46106

DWE46107

Автотовары «130»

English (original instructions)	4
--	---

Русский (<i>перевод с оригинала инструкции</i>)	12
---	----

Українська (<i>переклад з оригінальної інструкції</i>)	25
--	----

130.com.ua

Fig. A

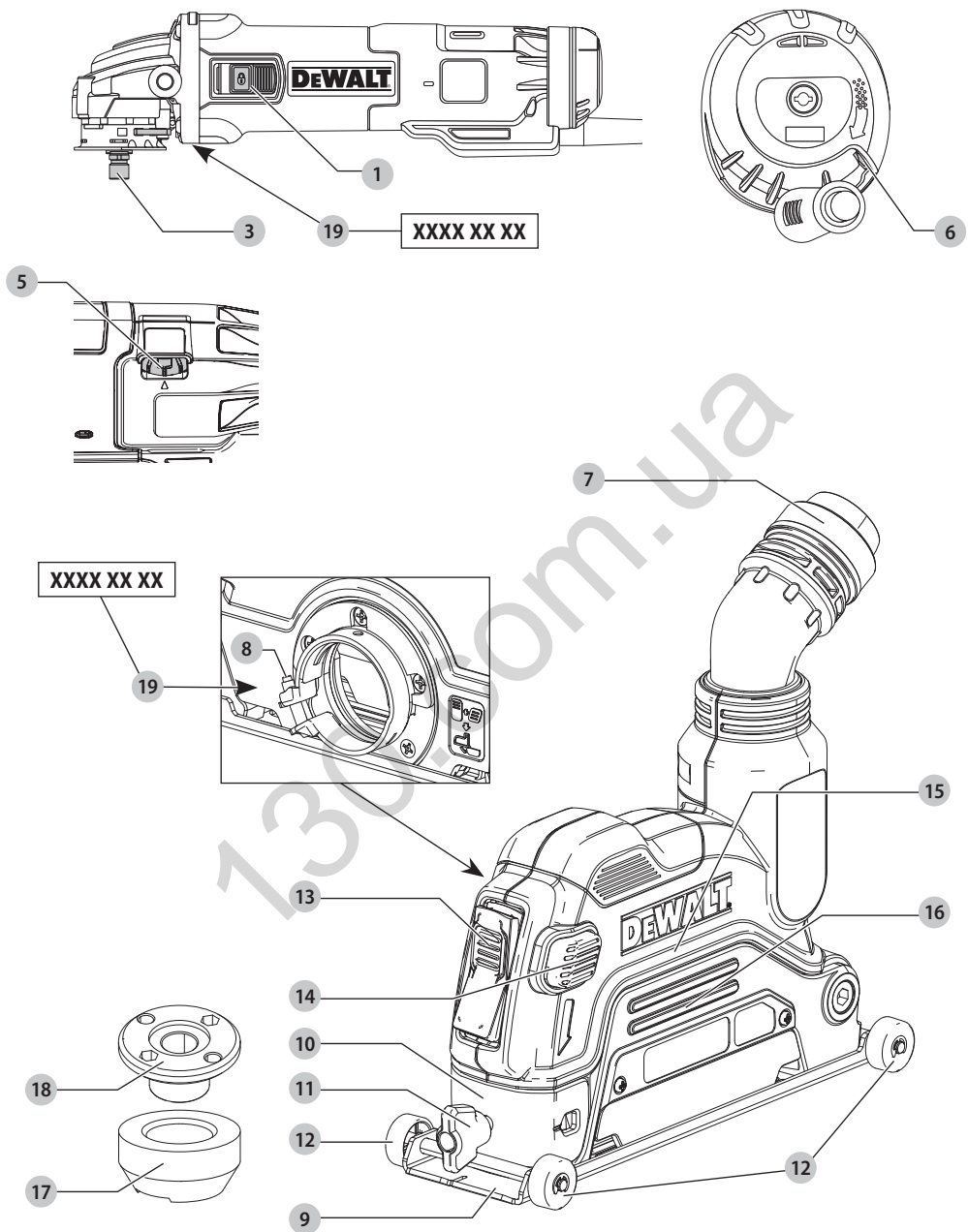


Fig. B

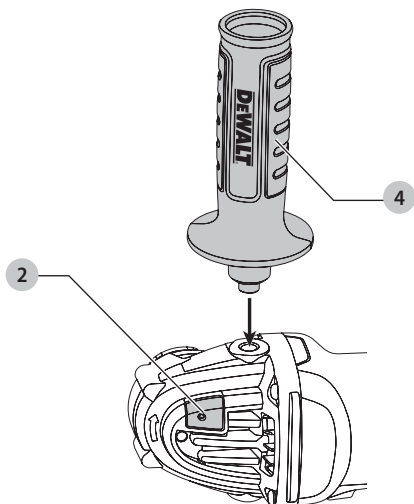


Fig. C

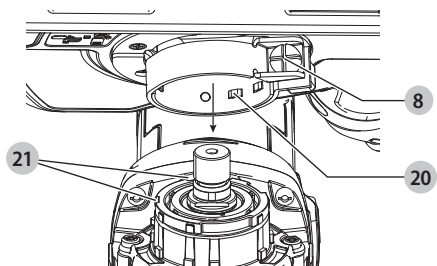


Fig. D

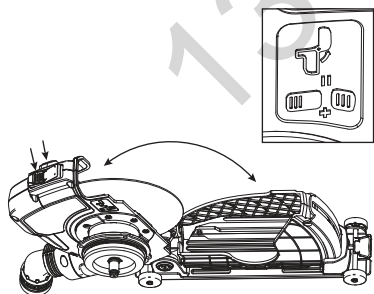


Fig. E

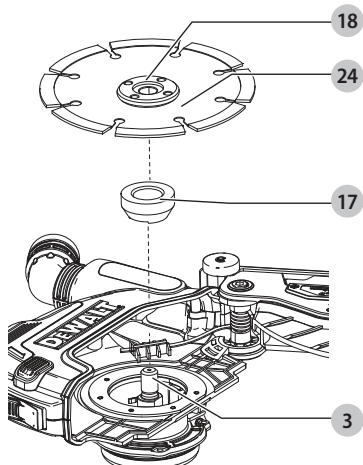


Fig. F

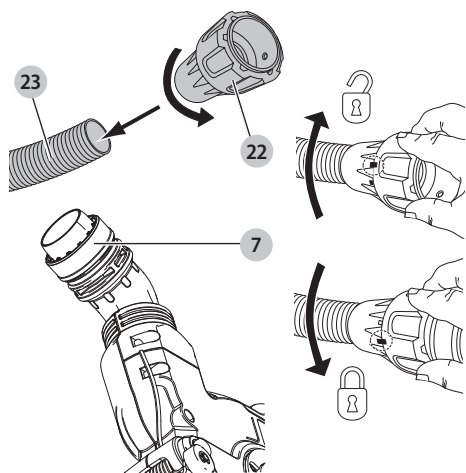


Fig. G

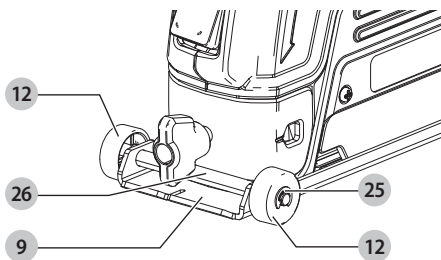
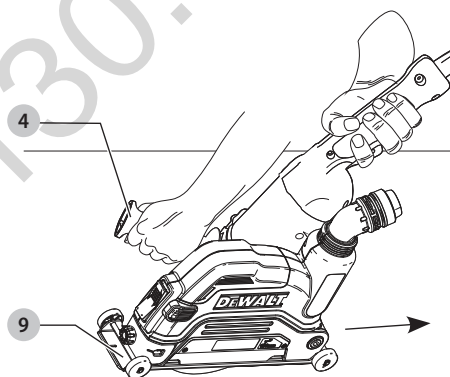


Fig. H



CUT-OFF TOOL WITH 125 mm CUTTING SHROUD

DWE46106, DWE46107

Congratulations!

You have chosen a DEWALT tool. Years of experience, thorough product development and innovation make DEWALT one of the most reliable partners for professional power tool users.

Technical Data

		DWE46106	DWE46107
Voltage	V _{AC}	230	230
Type		1	1
Power output	W	900	1400
Rated speed	min ⁻¹	11800	11500
Wheel diameter	mm	125	125
Wheel body thickness	mm	1.2	1.2
Spindle diameter		M14	M14
Spindle length	mm	14.2	18.5
Weight	kg	2.92	3.2

Noise values and vibration values (tri-ax vector sum) according to EN60745-2-:

L _{PA} (emission sound pressure level)	dB(A)	94	96.5
L _{WA} (sound power level)	dB(A)	105	107.5
K (uncertainty for the given sound level)	dB(A)	3	3
Vibration emission value a _h =	m/s ²	3.4	3.8
Uncertainty K =	m/s ²	1.5	1.5

The vibration emission level given in this information sheet has been measured in accordance with a standardised test given in EN60745 and may be used to compare one tool with another. It may be used for a preliminary assessment of exposure.



WARNING: The declared vibration emission level represents the main applications of the tool. However if the tool is used for different applications, with different accessories or poorly maintained, the vibration emission may differ. This may significantly increase the exposure level over the total working period.

An estimation of the level of exposure to vibration should also take into account the times when the tool is switched off or when it is running but not actually doing the job. This may significantly reduce the exposure level over the total working period.

Identify additional safety measures to protect the operator from the effects of vibration such as: maintain the tool and the accessories, keep the hands warm, organisation of work patterns.

EC-Declaration of Conformity

Machinery Directive



Cut-Off Tool with 125 mm Cutting Shroud DWE46106, DWE46107

DEWALT declares that these products described under **Technical Data** are in compliance with: 2006/42/EC, EN60745-1:2009+A11:2010, EN60745-2-22:2011+A11:2013.

These products also comply with Directive 2014/30/EU and 2011/65/EU. For more information, please contact DEWALT at the following address or refer to the back of the manual.

The undersigned is responsible for compilation of the technical file and makes this declaration on behalf of DEWALT.

Markus Rompel
Vice-President Engineering, PTE-Europa
DEWALT, Richard-Klinger-Straße 11,
D-65510, Idstein, Germany
03.01.2020



WARNING: To reduce the risk of injury, read the instruction manual.

Definitions: Safety Guidelines

The definitions below describe the level of severity for each signal word. Please read the manual and pay attention to these symbols.



DANGER: Indicates an imminently hazardous situation which, if not avoided, **will** result in **death or serious injury**.



WARNING: Indicates a potentially hazardous situation which, if not avoided, **could** result in **death or serious injury**.



CAUTION: Indicates a potentially hazardous situation which, if not avoided, **may** result in **minor or moderate injury**.

NOTICE: Indicates a practice **not related to personal injury** which, if not avoided, **may** result in **property damage**.



Denotes risk of electric shock.



Denotes risk of fire.

General Power Tool Safety Warnings



WARNING: Read all safety warnings, instructions, illustrations and specifications provided with this power tool. Failure to follow all instructions listed below may result in electric shock, fire and/or serious injury.

SAVE ALL WARNINGS AND INSTRUCTIONS FOR FUTURE REFERENCE.

The term "power tool" in the warnings refers to your mains-operated (corded) power tool or battery-operated (cordless) power tool.

1) Work Area Safety

- a) **Keep work area clean and well lit.** Cluttered or dark areas invite accidents.
- b) **Do not operate power tools in explosive atmospheres, such as in the presence of flammable liquids, gases or dust.** Power tools create sparks which may ignite the dust or fumes.
- c) **Keep children and bystanders away while operating a power tool.** Distractions can cause you to lose control.

2) Electrical Safety

- a) **Power tool plugs must match the outlet. Never modify the plug in any way. Do not use any adapter plugs with earthed (grounded) power tools.**
Unmodified plugs and matching outlets will reduce risk of electric shock.
- b) **Avoid body contact with earthed or grounded surfaces such as pipes, radiators, ranges and refrigerators.** There is an increased risk of electric shock if your body is earthed or grounded.
- c) **Do not expose power tools to rain or wet conditions.**
Water entering a power tool will increase the risk of electric shock.
- d) **Do not abuse the cord. Never use the cord for carrying, pulling or unplugging the power tool. Keep cord away from heat, oil, sharp edges or moving parts.** Damaged or entangled cords increase the risk of electric shock.
- e) **When operating a power tool outdoors, use an extension cord suitable for outdoor use.** Use of a cord suitable for outdoor use reduces the risk of electric shock.
- f) **If operating a power tool in a damp location is unavoidable, use a residual current device (RCD) protected supply.** Use of an RCD reduces the risk of electric shock.

3) Personal Safety

- a) **Stay alert, watch what you are doing and use common sense when operating a power tool. Do not use a power tool while you are tired or under the influence of drugs, alcohol or medication.** A moment of inattention while operating power tools may result in serious personal injury.
- b) **Use personal protective equipment. Always wear eye protection.** Protective equipment such as dust mask, non-skid safety shoes, hard hat or hearing protection used for appropriate conditions will reduce personal injuries.

- c) **Prevent unintentional starting. Ensure the switch is in the off-position before connecting to power source and/or battery pack, picking up or carrying the tool.** Carrying power tools with your finger on the switch or energising power tools that have the switch on invites accidents.
- d) **Remove any adjusting key or wrench before turning the power tool on.** A wrench or a key left attached to a rotating part of the power tool may result in personal injury.
- e) **Do not overreach. Keep proper footing and balance at all times.** This enables better control of the power tool in unexpected situations.
- f) **Dress properly. Do not wear loose clothing or jewelry. Keep your hair and clothing away from moving parts.** Loose clothes, jewelry or long hair can be caught in moving parts.
- g) **If devices are provided for the connection of dust extraction and collection facilities, ensure these are connected and properly used.** Use of dust collection can reduce dust-related hazards.
- h) **Do not let familiarity gained from frequent use of tools allow you to become complacent and ignore tool safety principles.** A careless action can cause severe injury within a fraction of a second.

4) Power Tool Use and Care

- a) **Do not force the power tool. Use the correct power tool for your application.** The correct power tool will do the job better and safer at the rate for which it was designed.
- b) **Do not use the power tool if the switch does not turn it on and off.** Any power tool that cannot be controlled with the switch is dangerous and must be repaired.
- c) **Disconnect the plug from the power source and/or the battery pack, if detachable, from the power tool before making any adjustments, changing accessories, or storing power tools.** Such preventive safety measures reduce the risk of starting the power tool accidentally.
- d) **Store idle power tools out of the reach of children and do not allow persons unfamiliar with the power tool or these instructions to operate the power tool.** Power tools are dangerous in the hands of untrained users.
- e) **Maintain power tools and accessories. Check for misalignment or binding of moving parts, breakage of parts and any other condition that may affect the power tool's operation. If damaged, have the power tool repaired before use.** Many accidents are caused by poorly maintained power tools.
- f) **Keep cutting tools sharp and clean.** Properly maintained cutting tools with sharp cutting edges are less likely to bind and are easier to control.
- g) **Use the power tool, accessories and tool bits, etc. in accordance with these instructions, taking into account the working conditions and the work to be performed.** Use of the power tool for operations different from those intended could result in a hazardous situation.

- h) **Keep handles and grasping surfaces dry, clean and free from oil and grease.** Slippery handles and grasping surfaces do not allow for safe handling and control of the tool in unexpected situations.

5) Service

- a) **Have your power tool serviced by a qualified repair person using only identical replacement parts.** This will ensure that the safety of the power tool is maintained.

CUT-OFF MACHINE SAFETY WARNINGS

- a) **The guard provided with the tool must be securely attached to the power tool and positioned for maximum safety, so the least amount of wheel is exposed towards the operator. Position yourself and bystanders away from the plane of the rotating wheel.** The guard helps to protect operator from broken wheel fragments and accidental contact with wheel.
- b) **Use only diamond cut-off wheels for your power tool.** Just because an accessory can be attached to your power tool, it does not assure safe operation.
- c) **The rated speed of the accessory must be at least equal to the maximum speed marked on the power tool.** Accessories running faster than their rated speed can break and fly apart.
- d) **Wheels must be used only for recommended applications. For example: do not grind with the side of cut-off wheel.** Abrasive cut-off wheels are intended for peripheral grinding, side forces applied to these wheels may cause them to shatter.
- e) **Always use undamaged wheel flanges that are of correct diameter for your selected wheel.** Proper wheel flanges support the wheel thus reducing the possibility of wheel breakage.
- f) **The outside diameter and the thickness of your accessory must be within the capacity rating of your power tool.** Incorrectly sized accessories cannot be adequately guarded or controlled.
- g) **The arbour size of wheels and flanges must properly fit the spindle of the power tool.** Wheels and flanges with arbour holes that do not match the mounting hardware of the power tool will run out of balance, vibrate excessively and may cause loss of control.
- h) **Do not use damaged wheels. Before each use, inspect the wheels for chips and cracks. If power tool or wheel is dropped, inspect for damage or install an undamaged wheel. After inspecting and installing the wheel, position yourself and bystanders away from the plane of the rotating wheel and run the power tool at maximum no load speed for one minute.** Damaged wheels will normally break apart during this test time.
- i) **Wear personal protective equipment. Depending on application, use face shield, safety goggles or safety glasses. As appropriate, wear dust mask, hearing protectors, gloves and shop apron capable of stopping small abrasive or workpiece fragments.**

The eye protection must be capable of stopping flying debris generated by various operations. The dust mask or respirator must be capable of filtering particles generated by your operation. Prolonged exposure to high intensity noise may cause hearing loss.

- j) **Keep bystanders a safe distance away from work area. Anyone entering the work area must wear personal protective equipment.** Fragments of workpiece or of a broken wheel may fly away and cause injury beyond immediate area of operation.
- k) **Hold the power tool by insulated gripping surfaces only, when performing an operation where the cutting accessory may contact hidden wiring.** Cutting accessory contacting a "live" wire may make exposed metal parts of the power tool "live" and could give the operator an electric shock.
- l) **Position the cord clear of the spinning accessory.** If you lose control, the cord may be cut or snagged and your hand or arm may be pulled into the spinning wheel.
- m) **Never lay the power tool down until the accessory has come to a complete stop.** The spinning wheel may grab the surface and pull the power tool out of your control.
- n) **Do not run the power tool while carrying it at your side.** Accidental contact with the spinning accessory could snag your clothing, pulling the accessory into your body.
- o) **Regularly clean the power tool's air vents.** The motor's fan will draw the dust inside the housing and excessive accumulation of powdered metal may cause electrical hazards.
- p) **Do not operate the power tool near flammable materials.** Sparks could ignite these materials.
- q) **Do not use accessories that require liquid coolants.** Using water or other liquid coolants may result in electrocution or shock.

FURTHER SAFETY INSTRUCTIONS FOR ALL OPERATIONS

Causes and Operator Prevention of Kickback

Kickback is a sudden reaction to a pinched or snagged rotating wheel, backing pad, brush or any other accessory. Pinching or snagging causes rapid stalling of the rotating accessory which in turn causes the uncontrolled power tool to be forced in the direction opposite of the accessory's rotation at the point of the binding.

For example, if an abrasive wheel is snagged or pinched by the workpiece, the edge of the wheel that is entering into the pinch point can dig into the surface of the material causing the wheel to climb out or kick out. The wheel may either jump toward or away from the operator, depending on direction of the wheel's movement at the point of pinching. Abrasive wheels may also break under these conditions.

Kickback is the result of power tool misuse and/or incorrect operating procedures or conditions and can be avoided by taking proper precautions as given below:

- a) **Maintain a firm grip on the power tool and position your body and arm to allow you to resist kickback forces. Always use auxiliary handle, if provided, for maximum control over kickback or torque reaction during start-up.** The operator can control torque reaction or kickback forces, if proper precautions are taken.
 - b) **Never place your hand near the rotating accessory.** Accessory may kickback over your hand.
 - c) **Do not position your body in line with the rotating wheel.** Kickback will propel the tool in direction opposite to the wheel's movement at the point of snagging.
 - d) **Use special care when working corners, sharp edges etc. Avoid bouncing and snagging the accessory.** Corners, sharp edges or bouncing have a tendency to snag the rotating accessory and cause loss of control or kickback.
 - e) **Do not attach a saw chain, woodcarving blade, segmented diamond wheel with a peripheral gap greater than 10 mm or toothed saw blade.** Such blades create frequent kickback and loss of control.
 - f) **Do not "jam" the wheel or apply excessive pressure. Do not attempt to make an excessive depth of cut.** Overstressing the wheel increases the loading and susceptibility to twisting or binding of the wheel in the cut and the possibility of kickback or wheel breakage.
 - g) **When wheel is binding or when interrupting a cut for any reason, switch off the power tool and hold the power tool motionless until the wheel comes to a complete stop. Never attempt to remove the wheel from the cut while the wheel is in motion otherwise kickback may occur.** Investigate and take corrective action to eliminate the cause of wheel binding.
 - h) **Do not restart the cutting operation in the workpiece. Let the wheel reach full speed and carefully re-enter the cut.** The wheel may bind, walk up or kickback if the power tool is restarted in the workpiece.
 - i) **Support panels or any oversized workpiece to minimize the risk of wheel pinching and kickback.** Large workpieces tend to sag under their own weight. Supports must be placed under the workpiece near the line of cut and near the edge of the workpiece on both sides of the wheel.
 - j) **Use extra caution when making a "pocket cut" into existing walls or other blind areas.** The protruding wheel may cut gas or water pipes, electrical wiring or objects that can cause kickback.
- **Use clamps or another practical way to secure and support the workpiece to a stable platform.** Holding the work by hand or against your body leaves it unstable and may lead to loss of control.
 - **Always use side handle. Tighten the handle securely.** The side handle should always be used to maintain control of the tool at all times.
 - **Avoid bouncing the diamond wheel or giving it rough treatment.** If this occurs, stop the tool and inspect the wheel for cracks or flaws.
 - **Do not attempt to do curved cutting.** Overstressing the diamond wheel increases the loading and susceptibility to twisting or binding of the diamond wheel in the cut and the possibility of kickback or wheel breakage, which can lead to serious injury.
 - Always handle and store wheels in a careful manner.
 - **Never cut into area that may contain electrical wiring or piping.** Serious injury may result.
 - **DO NOT cut metal with a diamond wheel.**
 - **DO NOT use abrasive wheels.**
 - **ALWAYS use with a dust collector.**
 - **Do not operate this tool for long periods of time.** Vibration caused by the operating action of this tool may cause permanent injury to fingers, hands, and arms. Use gloves to provide extra cushion, take frequent rest periods, and limit daily time of use.
 - **Air vents often cover moving parts and should be avoided.** Loose clothes, jewelry or long hair can be caught in moving parts.
 - Threaded mounting of accessories must match the cut-off tool spindle thread. For accessories mounted by flanges, the arbor hole of the accessory must fit the locating diameter of the flange. Accessories that do not match the mounting hardware of the power tool will run out of balance, vibrate excessively and may cause loss of control.
 - The grinding surface of the centre depressed wheels must be mounted below the plane of the shroud lip. An improperly mounted wheel that projects through the plane of the shroud lip cannot be adequately protected.



WARNING: When not in use, place tool on its side on a stable surface where it will not cause a tripping or falling hazard. Serious personal injury may result.



WARNING: We recommend the use of a residual current device with a residual current rating of 30mA or less.

Residual Risks

In spite of the application of the relevant safety regulations and the implementation of safety devices, certain residual risks cannot be avoided. These are:

- Impairment of hearing.
- Risk of personal injury due to flying particles.
- Risk of burns due to accessories becoming hot during operation.
- Risk of personal injury due to prolonged use.

Additional Safety Rules

- **Use of accessories not specified in this manual is not recommended and may be hazardous.** Use of power boosters that would cause the tool to be driven at speeds greater than its rated speed constitutes misuse.

- Health hazards caused by breathing dust developed when working in concrete and/or masonry.



Wear eye protection.

Electrical Safety

The electric motor has been designed for one voltage only. Always check that the power supply corresponds to the voltage on the rating plate.



Your DEWALT tool is double insulated in accordance with EN60745; therefore no earth wire is required.



WARNING: 115 V units have to be operated via a fail-safe isolating transformer with an earth screen between the primary and secondary winding.

Cord shall only be replaced by DEWALT service agencies.

Mains Plug Replacement (U.K. & Ireland Only)

If a new mains plug needs to be fitted:

- Safely dispose of the old plug.
- Connect the brown lead to the live terminal in the plug.
- Connect the blue lead to the neutral terminal.



WARNING: No connection is to be made to the earth terminal.

Follow the fitting instructions supplied with good quality plugs. Recommended fuse: 13 A.

Using an Extension Cable

If an extension cable is required, use an approved 3-core extension cable suitable for the power input of this tool (see **Technical Data**). The minimum conductor size is 1.5 mm²; the maximum length is 30 m.

When using a cable reel, always unwind the cable completely.

Package Contents

The package contains:

- 1 125 mm diamond wheel
- 1 Cut-off tool
- 1 Side handle
- 1 Hex wrench
- 1 Cutting shroud
- 1 Locking flange
- 1 Backing flange
- 1 Instruction manual
- Check for damage to the tool, parts or accessories which may have occurred during transport.
- Take the time to thoroughly read and understand this manual prior to operation.

Markings on Tool

The following pictograms are shown on the tool:



Read instruction manual before use.



Wear ear protection.

Date Code Position (Fig. A)

The date code **19**, which also includes the year of manufacture, is printed into the housing of the cut-off tool and shroud.

Example:

2020 XX XX

Year of Manufacture

Description (Fig. A, B)



WARNING: Never modify the power tool or any part of it. Damage or personal injury could result.

- | | |
|--------------------------------|---------------------------------|
| 1 Slide switch | 11 Depth of cut adjustment knob |
| 2 Spindle lock button (Fig. B) | 12 Removable wheels |
| 3 Spindle | 13 Front shroud button |
| 4 Side handle (Fig. B) | 14 Side shroud button |
| 5 Variable speed dial | 15 Upper shroud |
| 6 Dust ejection system | 16 Lower shroud |
| 7 Swiveling dust port | 17 Locking flange |
| 8 Collar screw | 18 Backing flange |
| 9 Metal base | |
| 10 Depth of cut adjustor | |

Intended Use

Your cut-off tool with cutting shroud has been designed for professional masonry cutting applications. It is not intended for use with metal or wood. It may used only for dry cutting. Using the appropriate diamond wheel and dust extractor vacuum can be used to remove the vast majority of static and airborne dust which without the use of the cutting shroud could otherwise contaminate the working environment or pose an increased health risk to the operator and those in close proximity.

DO NOT use under wet conditions or in the presence of flammable liquids or gases.

The cut-off tool with cutting shroud is a professional tool.

DO NOT let children come into contact with the tool.

Supervision is required when inexperienced operators use this tool.

- **Young children and the infirm.** This appliance is not intended for use by young children or infirm persons without supervision.
- This product is not intended for use by persons (including children) suffering from diminished physical, sensory or mental abilities; lack of experience, knowledge or skills unless they are supervised by a person responsible for their safety. Children should never be left alone with this product.

Anti-vibration Side Handle

The anti-vibration side handle offers added comfort by absorbing the vibrations caused by the tool.

Dust Ejection System (Fig. A)

The dust ejection system **6** prevents dust pile-up around the gear and motor inlet, and minimises the amount of dust entering the motor housing.

Soft Start Feature

The soft start feature allows a slow speed build-up to avoid an initial jerk when starting. This feature is particularly useful when working in confined spaces.

No-Volt

The No-volt function stops the cut-off tool restarting without the switch being cycled if there is a break in the power supply.

Electronic Clutch

The electronic torque limiting clutch reduces the maximum torque reaction transmitted to the operator in case of jamming of a disc. This feature also prevents the gearing and electric motor from stalling. The torque limiting clutch has been factory-set and cannot be adjusted.

ASSEMBLY AND ADJUSTMENTS



WARNING: To reduce the risk of serious personal injury, turn tool off and disconnect tool from power source before making any adjustments or removing/installing attachments or accessories. Be sure the trigger switch is in the OFF position. An accidental start-up can cause injury.

Attaching Side Handle (Fig. B)



WARNING: Before using the tool, check that the handle is tightened securely.

Screw the side handle **4** tightly into one of the holes on either side of the gear case. The side handle should always be used to maintain control of the tool at all times.

Mounting and Removing the Cutting Shroud

Mounting the DWE46225 125 mm Cutting Shroud (Fig. A, C, D)



WARNING: It is not possible to use the cut-off tool with a protective guard for grinding applications.

1. Press the front shroud button **13** and the side shroud button **14** at the same time to fully open the cutting shroud (Fig. D).
2. Loosen the collar screw **8** on the cutting shroud and align the tabs **20** on the cutting shroud with the slots **21** on the cut-off tool gear case.
3. Rotate the shroud into the desired working position. The shroud should be positioned between the spindle and the operator to provide optimum efficiency.
4. Tighten the collar screw **8** to secure the cutting shroud on the gear case. Do not operate the cut-off tool with a loose cutting shroud.
5. To remove the cutting shroud, loosen the collar screw, rotate the cutting shroud to align the slots and tabs and pull up on the cutting shroud.

NOTE: The cutting shroud is pre-adjusted to the diameter of the gear case hub at the factory. If, after a period of time, the cutting shroud becomes loose, tighten the collar screw **8**.

NOTICE: If cutting shroud cannot be secured by tightening the collar screw, do not use tool. Take the tool and cutting shroud to a service centre to repair or replace the cutting shroud.

Mounting and Using Diamond Cutting Wheels (Fig. A, D, E)



WARNING: Only diamond wheels with a negative rake angle shall be used with cutting shroud. Do not cut metal. Do not use with bonded abrasive wheels.

1. With the cutting shroud attached to the cut-off tool, press the front shroud button **13** and the side shroud button **14** at the same time to fully open the cutting shroud.
2. Install the backing flange, **17**, on spindle **3**.
3. Place the wheel **24** on the locking flange **18**, and place both on the spindle, against the backing flange, centering the wheel on the raised center of the backing flange.
4. While depressing the spindle lock button, tighten the locking flange:
 - Tighten standard locking flange using a wrench.
5. After the diamond cutting wheel is mounted, the cutting shroud must be closed by pressing the front shroud button **13** and the side shroud button **14** at the same time.
6. To remove the wheel, depress the spindle lock button and loosen the locking flange.

Depth of Cut Adjustment (Fig. A)

1. Loosen the depth of cut adjustment knob **11**.
2. Slide the depth of cut adjustor **10** to the desired position. note: If the shroud is closed, press the front shroud button **13** to open the shroud. This will make it easier to move the depth of cut adjustor.
3. Tighten the depth of cut adjustment knob.

Dust Extraction (Fig. A, F)



WARNING: Use only power tools recommended by DeWALT with this attachment.

For more information about DeWALT power tools compatible with this attachment, please contact one of the authorized services centers listed on the back cover or refer to the full details of our after-sales service available on the Internet at: www.2helpU.com.



WARNING: This attachment must be used with a dust extractor system. ALWAYS wear certified safety face or dust mask.

NOTE: Ensure hose connection is secure.

NOTE: The amount of dust retained by the dust extractor vacuum is dependent on its filter system. Refer to the dust extractor vacuum instruction manual for more information. All DeWALT dust collection shrouds are designed to work with the DeWALT Airlock DWW9000 connector.

1. Attach the DWV9000 connector **22** to your dust collector hose **23**.
2. Unlock the DWV9000 connector **22** and slide onto dust port **7**.
3. Lock the DWV9000 connector **22** to secure.

Traditional Dust Extractor Vacuum Hoses

Attach recommended dust extractor vacuum hose to dust port **7**.

Removing and Attaching Wheels (Fig. G)

This cutting shroud comes with four removable wheels **12** on the metal base **9** which can be detached if not needed.

1. Remove the clips **25** holding the wheels to the base.
2. Remove the wheels.
3. Remove the pivot pin **26**.

To attach the wheels to the base, reinsert the pivot pin, slide the wheels on their axles and secure the clips in place. Make sure all four wheels are securely attached before using the cutting shroud.

OPERATION

Instructions for Use



WARNING: Always observe the safety instructions and applicable regulations.



WARNING: To reduce the risk of serious personal injury, turn tool off and disconnect tool from power source before making any adjustments or removing/installing attachments or accessories. Be sure the trigger switch is in the OFF position. An accidental start-up can cause injury.

Proper Hand Position (Fig. H)



WARNING: To reduce the risk of serious personal injury, ALWAYS use proper hand position as shown.



WARNING: To reduce the risk of serious personal injury, ALWAYS hold securely in anticipation of a sudden reaction.

Proper hand position requires one hand on the side handle **4**, with the other hand on the body of the tool, as shown in Figure H.

Variable Speed Dial (Fig. A)

The variable speed dial offers added tool control and enables the tool to be used at optimum conditions to suit the accessory and material.

- Turn the dial **5** to the desired level. Turn the dial upward for higher speed and downwards for lower speed.

Slider Switch (Fig. A)



CAUTION: Hold the side handle and body of the tool firmly to maintain control of the tool at start up and during use and until the wheel or accessory stops rotating. Make sure the wheel has come to a complete stop before laying the tool down.

NOTE: To reduce unexpected tool movement, do not switch the tool on or off while under load conditions. Allow the cut-off tool to run up to full speed before touching the work surface. Lift the tool from the surface before turning the tool off. Allow the tool to stop rotating before putting it down.



WARNING: Before connecting the tool to a power supply, be sure the slider switch is in the off position by pressing the rear part of the switch and releasing. Ensure the slider switch is in the off position as described above after any interruption in power supply to the tool, such as the activation of a ground fault interrupter, throwing of a circuit breaker, accidental unplugging, or power failure. If the slider switch is locked on when the power is connected, the tool will start unexpectedly.

To start the tool, slide the ON/OFF slider switch **1** toward the front of the tool. To stop the tool, release the ON/OFF slider switch.

For continuous operation, slide the switch toward the front of the tool and press the forward part of the switch inward. To stop the tool while operating in continuous mode, press the rear part of the slider switch and release.

Spindle Lock (Fig. B)

The spindle lock **2** is provided to prevent the spindle from rotating when installing or removing wheels. Operate the spindle lock only when the tool is turned off, unplugged from the power supply, and has come to a complete stop.

NOTICE: To reduce the risk of damage to the tool, do not engage the spindle lock while the tool is operating. Damage to the tool will result and attached accessory may spin off possibly resulting in injury.

To engage the lock, depress the spindle lock button and rotate the spindle until you are unable to rotate the spindle further.

Tuckpointing and Cutting Application (Fig. A, H)

1. Set the desired depth of cut, see **Depth of Cut Adjustment** under **Assembly and Adjustments**.
2. Allow the tool to reach full speed before touching it to the work surface.
3. Position yourself so the open underside of the shroud and the wheel are facing away from you.
4. Place the depth of cut shoe **9** of the shroud onto the work surface and begin cut by plunging into the work surface. The upper shroud **15** will lock onto the lower shroud **16** after the initial plunge.


NOTE: Keep the depth of cut shoe of the shroud against the work surface to ensure proper dust collection.
5. With the shroud oriented as shown in Figure H, pull the cut-off tool along the work surface.

NOTE: The cut-off tool should ONLY be used in the direction indicated.
6. When finished with the cut, remove the tool from work surface before turning off the tool. Allow the tool to stop rotating before laying it down.

7. Push the side shroud button **(14)** to release the upper shroud and start a new plunge and cut.

MAINTENANCE

Your DeWALT power tool has been designed to operate over a long period of time with a minimum of maintenance. Continuous satisfactory operation depends upon proper tool care and regular cleaning.

 **WARNING:** *To reduce the risk of serious personal injury, turn tool off and disconnect tool from power source before making any adjustments or removing/installing attachments or accessories. Be sure the trigger switch is in the OFF position. An accidental start-up can cause injury.*





Lubrication

Your power tool requires no additional lubrication.




Cleaning

 **WARNING:** *Blow dirt and dust out of the main housing with dry air as often as dirt is seen collecting in and around the air vents. Wear approved eye protection and approved dust mask when performing this procedure.*

 **WARNING:** *Never use solvents or other harsh chemicals for cleaning the non-metallic parts of the tool. These chemicals may weaken the materials used in these parts. Use a cloth dampened only with water and mild soap. Never let any liquid get inside the tool; never immerse any part of the tool into a liquid.*

Optional Accessories


 **WARNING:** *Since accessories, other than those offered by DeWALT, have not been tested with this product, use of such accessories with this tool could be hazardous. To reduce the risk of injury, only DeWALT recommended accessories should be used with this product.*

Consult your dealer for further information on the appropriate accessories.

Protecting the Environment



Separate collection. Products and batteries marked with this symbol must not be disposed of with normal household waste.

 Products and batteries contain materials that can be recovered or recycled reducing the demand for raw materials. Please recycle electrical products and batteries according to local provisions. Further information is available at www.2helpU.com.

ОТРЕЗНАЯ ШЛИФОВАЛЬНАЯ МАШИНА С 125 мм ПЫЛЕЗАЩИТНЫМ КОЖУХОМ DWE46106, DWE46107

Поздравляем!

Вы приобрели инструмент DEWALT. Многолетний опыт, тщательная разработка изделий и инновации делают компанию DEWALT одним из самых надежных партнеров для пользователей профессиональных электроинструментов.

Технические характеристики

		DWE46106	DWE46107
Напряжение	$V_{\text{перем. тока}}$	230	230
Тип		1	1
Выходная мощность	Вт	900	1400
Номинальное количество оборотов	мин ⁻¹	11800	11500
Диаметр круга	мм	125	125
Толщина круга	мм	1,2	1,2
Диаметр шпинделя		M14	M14
Длина шпинделя	мм	14,2	18,5
Вес	кг	2,92	3,2

Значения шума и вибрации (сумма векторов в трех плоскостях) в соответствии с EN60745-2-:

L_{pA} (уровень звукового давления)	дБ(A)	94	96,5
L_{WA} (уровень акустической мощности)	дБ(A)	105	107,5
K (погрешность для заданного уровня мощности)	дБ(A)	3	3
Значение вибрационного воздействия a_{H1}	m/c^2	3,4	3,8
Погрешность K =	m/c^2	1,5	1,5

Значение вибрационного воздействия, указанное в данном справочном листке, было получено в соответствии со стандартным тестом, приведенным в EN60745, и может использоваться для сравнения инструментов. Кроме того, оно может использоваться для предварительной оценки воздействия вибрации.

ВНИМАНИЕ: Заявленное значение вибрационного воздействия относится к основным областям применения инструмента. Однако, если инструмент используется не по основному назначению, с различными дополнительными принадлежностями или при ненадлежащем уходе, уровень вибрации может измениться. Это может привести к значительному увеличению уровня

воздействия вибрации в течение всего рабочего периода.

При расчете приблизительного значения уровня воздействия вибрации также необходимо учитывать время, когда инструмент выключен или то время, когда он работает на холостом ходу. Это может привести к значительному снижению уровня воздействия вибрации в течение всего рабочего периода.

Определите дополнительные меры техники безопасности для защиты оператора от эффектов воздействия вибрации, а именно: следить за состоянием инструмента и принадлежностей, создание комфортных условий работы, хорошая организация рабочего места.

Декларация о соответствии нормам ЕС Директива по механическому оборудованию



Отрезная шлифовальная машина с пылезащитным кожухом 125 мм DWE46106, DWE46107

DEWALT заявляет, что продукция, описанная в разделе «Технические характеристики», соответствует: 2006/42/EC, EN60745-1:2009+A11:2010, EN60745-2-22:2011+A11:2013.

Эти продукты также соответствуют Директивам 2014/30/EU и 2011/65/EU. За дополнительной информацией обращайтесь в компанию DEWALT по адресу, указанному ниже или приведенному на задней стороне обложки руководства.

Нижеподписавший несет ответственность за составление технической документации и составил данную декларацию по поручению компании DEWALT.


Маркус Ромпель Вице-президент отдела по разработке и производству, PTE-Europe DEWALT, Richard-Klinger-Straße 11, D-65510, Idstein, Germany 03.01.2020





ВНИМАНИЕ: Во избежание риска получения травм ознакомьтесь с инструкцией.

Обозначения: Правила техники безопасности

Ниже описывается уровень опасности, обозначаемый каждым из предупреждений. Прочитайте руководство и обратитесь внимание на данные символы.

 **ОПАСНО:** Обозначает опасную ситуацию, которая неизбежно приведет к **серьезной травме или смертельному исходу**, в случае несоблюдения соответствующих мер безопасности.

 **ВНИМАНИЕ:** Указывает на потенциально опасную ситуацию, которая, в случае несоблюдения соответствующих мер безопасности, **может** привести к **серьезной травме или смертельному исходу**.


 **ПРЕДУПРЕЖДЕНИЕ:** Указывает на потенциально опасную ситуацию, которая, в случае несоблюдения соответствующих мер безопасности, **может** стать причиной **травм средней или легкой степени тяжести**.

ПРИМЕЧАНИЕ: Указывает на практики, использование которых не связано с получением травмы, но если ими пренебречь, могут привести к **порче имущества**.

 Указывает на риск поражения электрическим током.

 Указывает на риск возгорания.

Общие правила техники безопасности при использовании электроинструментов

 **ВНИМАНИЕ:** Прочтите все правила техники безопасности, инструкции, иллюстрации и спецификации по данному электроинструменту. Несоблюдение всех приведенных ниже инструкций может стать причиной поражения электрическим током, возгорания и/или тяжелой травмы.

СОХРАНИТЕ ВСЕ ИНСТРУКЦИИ ДЛЯ ПОСЛЕДУЮЩЕГО ИСПОЛЬЗОВАНИЯ.

Термин «электроинструмент» в предупреждениях относится к работающим от сети (проводным) электроинструментам или работающим от аккумуляторной батареи (беспроводным) электроинструментам.

1) Безопасность на рабочем месте

- Следите за чистотой и хорошим освещением на рабочем месте.** Беспорядок или плохое освещение на рабочем месте могут стать причиной несчастного случая.
- Запрещается работать с электроинструментами во взрывоопасных местах, например, вблизи легковоспламеняющихся жидкостей, газов и пыли.** Искры, которые появляются при работе электроинструментов могут привести к воспламенению пыли или паров.
- Следите за тем, чтобы во время работы с электроинструментом в зоне работы не было посторонних и детей.** Отвлекаясь от работы вы можете потерять контроль над инструментом.

2) Электробезопасность

- Штепсельная вилка электроинструмента должна соответствовать розетке. Никогда не меняйте вилку инструмента. Запрещается использовать переходники к вилкам для электроинструментов с заземлением.** Использование оригинальных штепсельных вилок, соответствующих типу сетевой розетки снижает риск поражения электрическим током.
- Избегайте контакта с заземленными поверхностями, такими как трубы, радиаторы и холодильники.** Если вы будете заземлены, увеличивается риск поражения электрическим током.
- Запрещается оставлять электроинструмент под дождем и в местах повышенной влажности.** При попадании воды в электроинструмент риск поражения электротоком возрастает.
- Берегите кабель от повреждений. Никогда не используйте кабель для переноски электроинструмента, не тяните за него, пытайтесь отключить инструмент от сети. Держите кабель подальше от источников тепла, масла, острых углов или движущихся предметов.** Поврежденный или запутанный кабель питания повышает риск поражения электрическим током.
- При работе с электроинструментом на открытом воздухе используйте удлинитель, подходящий для использования на улице.** Использование кабеля питания, предназначенного для использования вне помещения, снижает риск поражения электрическим током.
- Если использование электроинструмента в условиях повышенной влажности неизбежно, используйте устройства защитного отключения (УЗО) для защиты сети.** Использование УЗО снижает риск поражения электрическим током.

3) Обеспечение индивидуальной безопасности

- Будьте внимательны, смотрите, что делаете и не забывайте о здравом смысле при работе с электроинструментом. Запрещается работать с электроинструментом в состоянии усталости, наркотического, алкогольного опьянения или под воздействием лекарственных препаратов.** Невнимательность при работе с электроинструментом может привести к серьезным травмам.
- Используйте средства индивидуальной защиты. Всегда надевайте защитные очки.** Средства защиты, такие как пылезащитная маска, обувь с нескользящей подошвой, каска и защитные наушники, используемые при работе, уменьшают риск получения травм.
- Примите меры для предотвращения случайного включения. Перед тем как**

подключить электроинструмент к сети и/или аккумуляторной батарее, взять инструмент или перенести его в другое место, убедитесь в том, что выключатель находится в положении «Выкл.». Если при переносе электроинструмента он подключен к сети, и при этом ваш палец находится на выключателе, это может стать причиной несчастных случаев.

d) Уберите все регулировочные или гаечные ключи перед включением электроинструмента.

Ключ, оставленный на вращающейся части электроинструмента, может травмировать.

e) Не пытайтесь дотянуться до слишком удаленных поверхностей. Всегда твердо стойте на ногах, сохраняя равновесие.

Это позволит лучше контролировать электроинструмент в непредвиденных ситуациях.

f) Одевайтесь соответствующим образом. Во время работы не надевайте свободную одежду или украшения. Следите за тем, чтобы волосы и одежда не попадали под движущиеся детали.

Свободная одежда, украшения или длинные волосы могут быть затянуты движущимися деталями.

g) При наличии устройств для подключения оборудования для удаления и сбора пыли необходимо обеспечить правильность их подключения и эксплуатации. Использование устройств для пылеудаления сокращает риски, связанные с пылью.

h) Не позволяйте хорошему знанию от частого использования инструментов стать причиной самоуверенности и игнорирования правил техники безопасности. Небрежное действие может повлечь серьезные травмы за долю секунды.

4) Эксплуатация электроинструмента и уход за ним

a) Избегайте чрезмерной нагрузки электроинструмента. Используйте электроинструмент в соответствии с назначением. Правильно подобранный электроинструмент выполнит работу более эффективно и безопасно при стандартной нагрузке.

b) Не пользуйтесь инструментом, если не работает выключатель. Любой инструмент, управлять выключением и включением которого невозможно, опасен, и его необходимо отремонтировать.

c) Перед выполнением любых настроек, сменой аксессуаров или прежде чем убрать инструмент на хранение, отключите его от сети и/или снимите с него аккумуляторную батарею, если ее можно снять. Такие превентивные меры безопасности сокращают риск случайного включения электроинструмента.

d) Храните электроинструмент в недоступном для детей месте и не позволяйте работать с инструментом людям, не имеющим соответствующих навыков работы с такого

рода инструментами. Электроинструмент представляет опасность в руках неопытных пользователей.

e) Поддерживайте электроинструмент и принадлежности в исправном состоянии. Проверьте, не нарушена ли центровка или не заклинены ли движущиеся детали, нет ли поврежденных или иных неисправностей, которые могли бы повлиять на работу электроинструмента. В случае обнаружения повреждений, прежде чем приступить к эксплуатации электроинструмента, его следует отремонтировать. Большинство несчастных случаев происходит из-за электроинструментов, которые не обслуживаются должным образом.

f) Следите за остротой заточки и чистой режущих принадлежностей. Вероятность заклинивания инструмента, за которым следят должным образом и который хорошо заточен, значительно меньше, а работать с ним легче.

g) Используйте данный электроинструмент, а также дополнительные принадлежности и насадки инструмента в соответствии с данными инструкциями и с учетом условий и специфики работы. Использование электроинструмента для выполнения операций, для которых он не предназначен, может привести к опасной ситуации.

h) Все рукоятки и поверхности захватывания должны быть сухими и без следов смазки.

Скользкие рукоятки и поверхности захватывания не позволяют обеспечить безопасность работы и управления инструментом в непредвиденных ситуациях.

5) Сервисное обслуживание

a) Обслуживание электроинструмента должен проводить квалифицированный специалист с использованием только оригинальных запасных частей. Это позволит обеспечить безопасность обслуживаемого инструмента.

ПРАВИЛА ТЕХНИКИ БЕЗОПАСНОСТИ ПРИ РАБОТЕ С ОТРЕЗНЫМИ МАШИНАМИ

a) Поставляемый вместе с инструментом кожух должен быть надежно закреплен на электроинструменте и находиться в положении, обеспечивающем максимальную защиту, чтобы минимально возможная часть круга находилась в одной плоскости с оператором. Не позволяйте людям стоять на одной плоскости с вращением круга и не стойте там сами. Кожух защищает оператора от отколотых от круга фрагментов и случайного прикосновения к нему.

b) Используйте только клеенные усиленные или алмазные отрезные круги с

- электроинструментом.** Возможность установки принадлежности на электроинструмент не обеспечивает безопасности при ее использовании.
- c) **Номинальная скорость принадлежности должна, как минимум, равняться максимальной скорости, указанной на электроинструменте.** Принадлежность, которая вращается со скоростью, превышающей ее номинальную скорость вращения, может разрушиться и отлететь в сторону.
- d) **Используйте круги для выполнения только рекомендованных типов работ. Например, не выполняйте шлифование при помощи отрезного круга.** Абразивные отрезные круги предназначены для работы периферией круга; боковая нагрузка, прилагаемая к таким кругам, может привести к их разрушению.
- e) **Всегда используйте исправные фланцы для кругов, диаметр которых соответствует конкретному кругу.** Соответствующие фланцы надежно фиксируют круг, что снижает вероятность его поломки.
- f) **Внешний диаметр и толщина принадлежности должны соответствовать диапазону мощности электроинструмента.** Принадлежности неправильно подобранного размера не закрываются защитным кожухом и не обеспечивают надлежащего контроля управления.
- g) **Размер оси кругов и фланцев должен точно соответствовать шпindelю электроинструмента.** Круги и фланцы с ромбовидными отверстиями, которые не подходят к монтажной арматуре электроинструмента, работают несбалансированно, слишком сильно вибрируют и могут привести к потере управления.
- h) **Не используйте поврежденные круги. Перед каждым использованием проверяйте круги на предмет сколов и трещин. В случае падения электроинструмента или принадлежности проверьте наличие повреждений круга или установите неповрежденный круг. После проверки и установки круга, оператор и посторонние лица не должны находиться на одной плоскости с вращающимся кругом. Запустите электроинструмент на максимальной скорости без нагрузки и дайте ему поработать одну минуту.** Поврежденные круги, как правило, ломаются в течение этого тестового периода.
- i) **Используйте средства индивидуальной защиты. В зависимости от типа выполняемых работ надевайте щиток для защиты лица или защитные очки. В соответствии с необходимостью надевайте пылезащитную маску, защитные наушники, перчатки и рабочий фартук, способный защитить от**
- мелких абразивных частиц и фрагментов обрабатываемой детали.** Средства защиты для глаз должны останавливать частицы, вылетающие при выполнении различных видов работ.
- Пылезащитная маска или респиратор должны обеспечивать фильтрацию твердых частиц, образующихся при выполнении работ. Длительное воздействие шума высокой мощности может привести к нарушениям слуха.
- j) **Не подпускайте посторонних лиц близко к рабочей зоне. Любое лицо, входящее в рабочую зону, должно использовать средства индивидуальной защиты.** Фрагменты заготовки или разрушенного круга могут отлететь в сторону и стать причиной травмы даже за пределами рабочей зоны.
- k) **Удерживайте инструменты только за изолированные ручки при выполнении работ, во время которых имеется вероятность контакта режущей принадлежности со скрытой электропроводкой.** При удерживании металлических деталей инструмента, в случае перерезания находящегося под напряжением провода, возможно поражение оператора электрическим током.
- l) **Располагайте кабель питания на удалении от вращающейся принадлежности.** В случае потери контроля над инструментом кабель питания может быть разрезан или ободран, а ваша рука может быть затянута вращающимся кругом.
- m) **Никогда не кладите электроинструмент до тех пор, пока он полностью не остановится.** Вращающийся круг может задеть за поверхность, из-за чего электроинструмент может вырваться из рук.
- n) **Не включайте электроинструмент, если принадлежность направлена на вас.** Случайный контакт с вращающейся принадлежностью может привести к наматыванию одежды и контакту принадлежности с вашим телом.
- o) **Регулярно очищайте вентиляционные отверстия электроинструмента.** Вентилятор электродвигателя затягивает пыль внутрь корпуса, а скопление большого количества пыли на металлических частях электродвигателя повышает риск поражения электротоком.
- p) **Не используйте электроинструмент рядом с горячими материалами.** Искры могут привести к их воспламенению.
- q) **Не используйте принадлежности, требующие жидкостного охлаждения.** Использование воды или других жидких охлаждающих средств может привести к поражению электрическим током вплоть до смертельного исхода.

ДОПОЛНИТЕЛЬНЫЕ ИНСТРУКЦИИ ПО ТЕХНИКЕ БЕЗОПАСНОСТИ ДЛЯ ВСЕХ ВИДОВ РАБОТ

Причины возникновения обратного удара и способы его предупреждения

Обратный удар представляет собой внезапную реакцию в результате заклинивания или деформации вращающегося круга, диска-подшвы, щетки или любых других дополнительных принадлежностей. Заклинивание или деформация вызывают мгновенную остановку вращающейся принадлежности, что, в свою очередь, приводит к потере управления инструментом и его резкого смещения в сторону, противоположную направлению вращения принадлежности в точке заклинивания.

Например, в случае заклинивания или деформации абразивного круга в обрабатываемой детали, заклинивающий край круга может врезаться в поверхность материала, что приводит к поднятию или выталкиванию круга. Круг может отскочить в сторону оператора или в другом направлении, в зависимости от направления вращения круга в точке заклинивания. Это может также привести к поломке абразивных кругов.

Обратный удар является результатом неправильного использования инструмента и/или использованием неправильных методов или режимов работы; избежать этого явления можно путем выполнения указанных далее мер предосторожности:

- a) **Прочно удерживайте электроинструмент обеими руками и располагайтесь таким образом, чтобы иметь возможность погасить энергию отдачи. Для эффективного управления инструментом в случае возникновения отдачи или реактивного крутящего момента во время запуска всегда пользуйтесь вспомогательной рукояткой, если таковая имеется.** Оператор может контролировать энергию крутящего момента или отдачи при соблюдении надлежащих мер предосторожности.
- b) **Никогда не держите руки поблизости от вращающейся принадлежности.** Она может отскочить в направлении вашей руки.
- c) **Не стойте на одной линии с вращающимся кругом.** В результате отдачи, инструмент отскакивает в направлении, противоположном вращению круга в точке заклинивания.
- d) **Соблюдайте особую осторожность при обработке углов, острых кромок и т. д. Избегайте дрожания и заклинивания принадлежности.** Углы, острые кромки или дрожание могут вызвать заклинивание принадлежности в заготовке и привести к потере управления в случае возникновения отдачи.
- e) **Не прикрепляйте круги для пильных цепей, круги для резки по дереву, сегментные**

алмазные круги с периферическими зазорами больше 10 мм или зубчатые режущие круги.

Такие круги часто вызывают отдачу и потерю контроля над инструментом.

- f) **Избегайте застревания круга в заготовке и не прилагайте чрезмерных усилий. Не пытайтесь выполнять разрез слишком большой глубины.** Слишком сильное нажатие на круг увеличивает нагрузку и возможность его деформации или заклинивания в заготовке, а также возможность возникновения отдачи или поломки круга.
- g) **В случае заклинивания круга или прекращения резки по какой-либо причине, выключите электроинструмент и удерживайте его в неподвижном состоянии до полной остановки. Никогда не пытайтесь извлечь круг из разреза, когда он находится в движении. В противном случае, это может привести к возникновению отдачи.** Выясните причину и примите надлежащие меры по устранению причины заклинивания круга.
- h) **Не возобновляйте работу, пока круг находится внутри заготовки. Дождитесь, пока круг наберет полные обороты, и осторожно поместите его в начатый разрез.** В случае заклинивания, круг может подскочить вверх из заготовки или привести к отдаче при повторном запуске.
- i) **Для снижения риска заклинивания круга и отдачи обеспечьте надлежащую опору для длинных панелей или прочих заготовок большого размера.** Заготовки большого размера могут провисать под собственным весом. Опоры необходимо поместить под панель возле линии распила и возле края панели по обеим сторонам круга.
- j) **Соблюдайте повышенную осторожность при выполнении врезного пиления стен или в других слепых зонах.** Можно случайно перерезать газовые или водопроводные трубы, электрическую проводку, а также предметы, которые могут вызвать отдачу.

Дополнительные инструкции по технике безопасности

- **Использование принадлежностей, не указанных в данном руководстве, не рекомендуется и может представлять опасность.** Использование усилителей, которые приводят к вращению инструмента на скорости выше максимально разрешенной, является неправильным использованием изделия.
- **Используйте зажимы или другие уместные средства фиксации заготовки на стабильной опоре.** Держать заготовку на весу или в руках перед собой неудобно и это может привести к потере контроля над инструментом.

- **Всегда пользуйтесь боковой рукояткой. Надежно затягивайте рукоятку.** Для обеспечения полного контроля над инструментом во время работы всегда должна использоваться боковая рукоятка.
- **Не допускайте подпрыгивания алмазного круга и не делайте резких движений.** Если это происходит, остановите инструмент и проверьте круг на предмет повреждений.
- **Не пытайтесь выполнять изогнутые резы.** Слишком сильное надавливание на круг увеличивает нагрузку и возможность его деформации или заклинивания в заготовке, а также возможность возникновения отдачи или поломки круга, что может привести к получению тяжелой травмы.
- Всегда храните круги и обращайтесь с ними аккуратно.
- **Не выполняйте резку в местах, которые могут содержать электропроводку или трубопроводы.** Это может привести к серьезной травме.
- **НЕ РЕЖЬТЕ металлы алмазным кругом.**
- **НЕ используйте абразивные круги.**
- **ВСЕГДА используйте пылесборник.**
- **Не используйте данный инструмент в течение длительных промежутков времени.** Вибрация, вызванная выполняемыми работами, может стать причиной хронических заболеваний пальцев, кистей и суставов рук. Надевайте перчатки для дополнительной амортизации, чаще делайте перерывы и ограничивайте время работы в течение рабочего дня.
- **Движущиеся части часто скрываются за вентиляционными прорезями; избегайте контакта с ними.** Свободная одежда, украшения или длинные волосы могут быть затянуты движущимися деталями.
- Винтовая резьба принадлежностей должна соответствовать резьбе оси отрезной шлифовальной машины. Для принадлежностей, установленных на фланцы, отверстие для инструментальной оправки должно соответствовать установочному диаметру фланца. Принадлежности, которые не подходят к монтажной арматуре электроинструмента, работаю на несбалансированно, слишком сильно вибрируют и могут привести к потере контроля.
- Шлифовальная поверхность кругов с утопленным центром должна быть ниже поверхности края кожуха. Невозможно обеспечить надежную защиту при использовании кругов, выступающих за края пылезаститного кожуха.



ВНИМАНИЕ: Когда инструмент не используется, кладите его на бок на устойчивую поверхность в таком месте, где он не может упасть и об него нельзя споткнуться. Это может привести к телесным повреждениям.



ВНИМАНИЕ: Рекомендуется использовать устройство защитного отключения (УЗО) с током утечки до 30 мА.

Остаточные риски

Несмотря на соблюдение соответствующих инструкций по технике безопасности и использование предохранительных устройств, некоторые остаточные риски невозможно полностью исключить. А именно:

- Ухудшение слуха.
- Риск травм от разлетающихся частиц.
- Риск получения ожогов в результате нагревания инструмента в процессе работы.
- Риск получения травмы в результате продолжительной работы.
- Угроза здоровью вследствие вдыхания пыли, которая образуется при работе с бетоном и/или кирпичной кладкой.

Электробезопасность

Электродвигатель рассчитан на работу только при одном напряжении сети. Необходимо обязательно убедиться в том, что напряжение источника питания соответствует указанному на шильдике электроинструмента.



Ваш инструмент DEWALT имеет двойную изоляцию в соответствии с EN60745; поэтому заземления при работе с ним не требуется.



ВНИМАНИЕ: Питание для инструмента с рабочим напряжением 115 В должно поступать через отказоустойчивый изолирующий трансформатор с заземленным экраном между первичной и вторичной обмотками.

Кабель питания должен заменяться службами поддержки DEWALT.

Замена штепсельной вилки (только для Великобритании и Ирландии)

Если нужно установить штепсельную вилку:

- Осторожно снимите старую вилку.
- Подсоедините коричневый провод к терминалу фазы в вилке.
- Подсоедините синий провод к нулевому терминалу.



ВНИМАНИЕ: Заземление не требуется.

Соблюдайте инструкции по установке вилок высокого качества. Рекомендованный предохранитель: 13 А.

Использование удлинительного кабеля

При необходимости использования удлинительного кабеля, используйте только утвержденные 3-х жильные кабели промышленного изготовления, рассчитанные на мощность не меньшую, чем потребляемая мощность данного инструмента (см. раздел «Технические характеристики»). Минимальный размер проводника должен составлять 1,5 мм²; максимальная длина 30 м.

При использовании кабельного барабана всегда полностью разматывайте кабель.

Комплектация поставки

В упаковку входят:

- 1 125 мм алмазный круг
- 1 Отрезная шлифовальная машина
- 1 Боковая рукоятка
- 1 Шестигранный ключ
- 1 Пылезащитный кожух
- 1 Фиксирующий фланец
- 1 Задний фланец
- 1 Руководство по эксплуатации
- Проверьте инструмент, детали и дополнительные принадлежности на наличие повреждений, которые могли произойти во время транспортировки.
- Перед эксплуатацией внимательно прочтите данное руководство.

Маркировка инструмента

На инструмент нанесены следующие обозначения:



Перед началом работы прочтите руководство по эксплуатации.



Используйте защитные наушники.



Используйте защитные очки.

Местоположение кода даты (Рис. А)

Код даты **19**, который также включает год изготовления, напечатан на корпусе и кожухе инструмента.

Пример:

2020 XX XX
Год производства

Описание (Рис. А, В)



ВНИМАНИЕ: Никогда не вносите изменения в конструкцию электроинструмента или какой-либо его части. Это может привести к повреждению или травме.

- | | |
|---------------------------------------|--------------------------------------|
| 1 Передвижной пусковой выключатель | 9 Металлическое основание |
| 2 Кнопка блокировки шпинделя (Рис. В) | 10 Регулятор глубины реза |
| 3 Шпиндель | 11 Рукоятка регулировки глубины реза |
| 4 Боковая рукоятка (Рис. В) | 12 Съемные колеса |
| 5 Дискový регулятор скорости | 13 Передняя кнопка кожуха |
| 6 Система удаления пыли | 14 Боковая кнопка кожуха |
| 7 Поворотный патрубок пылеотвода | 15 Верхний кожух |
| 8 Винт манжеты | 16 Нижний кожух |
| | 17 Зажимной фланец |
| | 18 Задний фланец |

Назначение

Ваша отрезная шлифовальная машина с пылезащитным кожухом предназначена для профессиональных работ по резке кирпичной кладки. Она не предназначена для применения по металлу или дереву. Она

предназначена только для сухой резки. Ее использование с соответствующими кругами и пылесосами позволяет удалить большое количество обычной и взвешенной пыли, которая, в отсутствие пылезащитного кожуха, может загрязнять рабочее пространство или представлять огромный риск для здоровья оператора и тех, кто находится в непосредственной близости к нему.

НЕ ИСПОЛЬЗУЙТЕ в условиях повышенной влажности или близости от легковоспламеняющихся жидкостей или газов.

Отрезная шлифовальная машина с пылезащитным кожухом является профессиональным инструментом.

НЕ РАЗРЕШАЙТЕ детям прикасаться к инструменту. Использование инструмента неопытными пользователями должно происходить под контролем опытного лица.

- **Малолетние дети и люди с ограниченными физическими возможностями.** Этот инструмент не предназначен для использования малолетними детьми или людьми с ограниченными физическими возможностями кроме как под контролем лица, отвечающего за их безопасность.
- Данный инструмент не предназначен для использования лицами (включая детей) с ограниченными физическими, психическими и умственными возможностями, не имеющими опыта, знаний или навыков работы с ним, если они не находятся под наблюдением лица, ответственного за их безопасность. Никогда не оставляйте детей без присмотра с этим инструментом.

Антивибрационная боковая рукоятка

Антивибрационная боковая рукоятка увеличивает комфорт при использовании инструмента, поглощая вибрацию.

Система удаления пыли (Рис. А)

Система удаления пыли **6** предотвращает скопление пыли вокруг защитного кожуха и на вентиляционных отверстиях двигателя и сводит к минимуму попадание пыли в корпус двигателя.

Функция плавного пуска

Функция плавного пуска позволяет постепенно набирать скорость во избежание резкого толчка при запуске. Эта функция также может быть полезной при работе в ограниченном пространстве.

Защита от отключения при падении напряжения

Данная функция предупреждает повторное включение инструмента без предварительного отключения при перебое энергоснабжения.

Электронная муфта

Электронная муфта предельного момента уменьшает реакцию максимального момента, передаваемую оператору в случае заклинивания. Эта функция также позволяет предотвратить остановку привода и электродвигателя. Муфта предельного момента отрегулирована на заводе и не подлежит дополнительной регулировке.

СБОРКА И РЕГУЛИРОВКА

! **ВНИМАНИЕ:** Чтобы снизить риск получения серьезных травм, выключайте инструмент и отключайте его от сети перед тем, как выполнять какие-либо регулировки или снимать/устанавливать приспособления или дополнительные принадлежности. Убедитесь в том, что курковый пусковой выключатель находится в положении «ВЫКЛ.». Случайный запуск может привести к травме.

Установка боковой рукоятки (Рис. В)

! **ВНИМАНИЕ:** Перед использованием инструмента проверьте надежность закрепления рукоятки.

Вставьте боковую рукоятку **4** в одно из резьбовых отверстий, расположенных на обеих сторонах корпуса редуктора, и надежно затяните. Для обеспечения полного контроля над инструментом во время работы всегда должна использоваться боковая рукоятка.

Установка и снятие пылезащитного кожуха

Установка 125 мм пылезащитного кожуха DWE46225 (Рис. А, С, D)

! **ВНИМАНИЕ:** Отрезную шлифовальную машину нельзя использовать для шлифования с установленным кожухом.

1. Одновременно нажмите на переднюю кнопку кожуха **13** и на боковую кнопку кожуха **14**, чтобы полностью раскрыть пылезащитный кожух (Рис. D).
2. Ослабьте винт манжеты **8** на пылезащитном кожухе и совместите язычки **20** на пылезащитном кожухе с пазами **21** на корпусе редуктора шлифовальной машины.
3. Поверните кожух в направлении по часовой стрелке в нужное положение. Кожух должен располагаться между шпинделем и оператором для обеспечения оптимальной эффективности.
4. Тщательно затяните винт манжеты **8**, чтобы зафиксировать кожух на корпусе редуктора. Не используйте отрезную шлифовальную машину с незакрепленным пылезащитным кожухом.
5. Чтобы снять пылезащитный кожух, ослабьте винт манжеты, поверните кожух, совмещая пазы с язычками, и снимите кожух.

ПРИМЕЧАНИЕ: Диаметр кожуха подгоняется под размер корпуса редуктора при производстве. Если через некоторое время фиксация пылезащитного кожуха ослабнет, затяните винт манжеты **8**.

ПРИМЕЧАНИЕ: Если пылезащитный кожух невозможно затянуть винтом манжеты, не используйте инструмент. Отнесите инструмент и кожух в сервисный центр для ремонта или замены кожуха.

Установка и использование алмазных отрезных кругов (Рис. А, D, E)

! **ВНИМАНИЕ:** С пылезащитным кожухом следует использовать только алмазные круги с отрицательным передним углом. Не режьте металл. Не используйте абразивные круги на связке.

1. Установив пылезащитный кожух на шлифовальную машину, одновременно нажмите на переднюю кнопку кожуха **13** и на боковую кнопку кожуха **14**, чтобы полностью раскрыть пылезащитный кожух.
2. Установите задний фланец **17** на шпindel **3**.
3. Установите круг **24** на зажимной фланец **18**, после чего установите их на шпindel вплотную к заднему фланцу, разместив круг на выступающем центре заднего фланца.
4. Удерживая нажатой кнопку блокировки шпинделя, затяните зажимной фланец:
 - Затяните стандартный зажимной фланец при помощи гаечного ключа.
5. Установив алмазный отрезной круг, одновременно нажмите на переднюю кнопку кожуха **13** и на боковую кнопку кожуха **14**, чтобы закрыть его.
6. Чтобы снять круг, нажмите на кнопку блокировки шпинделя и ослабьте зажимной фланец.

Регулировка глубины реза (Рис. А)

1. Ослабьте рукоятку регулировки глубины реза **11**.
2. Переместите регулятор глубины реза **10** в нужное положение. Примечание: Если пылезащитный кожух закрыт, нажмите переднюю кнопку кожуха **13**, чтобы раскрыть кожух. Это облегчит перемещение регулятора глубины реза.
3. Затяните рукоятку регулировки глубины реза.

Удаление пыли (Рис. А, F)

! **ВНИМАНИЕ:** Используйте только рекомендованные DEWALT электроинструменты с этой насадкой.

За дополнительную информацией об электроинструментах DEWALT, совместимых с данной насадкой, обратитесь в авторизованные сервисные центры, указанные на задней крышке или узнайте об этом подробнее в центрах послепродажного обслуживания, доступных через Интернет по адресу: www.2helpU.com.

! **ВНИМАНИЕ:** Данную насадку следует использовать с системой удаления пыли. ВСЕГДА надевайте сертифицированные средства защиты для лица или пылезащитную маску.

ПРИМЕЧАНИЕ: Убедитесь в том, что шланг надежно подсоединен.

ПРИМЕЧАНИЕ: Количество пыли, которое остается в пылесосе, зависит от его системы фильтрации. Подробную информацию см. в инструкциях по эксплуатации пылесоса. Все кожухи с пылесборниками DEWALT разработаны для работы с переходником DEWALT Airlock DWV9000.

1. Установите переходник DWV9000 **22** на шланг пылесборника **23**.

2. Разблокируйте переходник DWV9000 **22** и сдвиньте его к выходу для удаления пыли **7**.
3. Надежно зафиксируйте переходник DWV9000 **22**.

Шланги стандартных пылесосов

Подсоедините шланг рекомендуемого пылесоса к патрубку пылеотвода **7**.

Снятие и установка колес (Рис. G)

Данный пылезащитный кожух поставляется с колесами **12** на металлическом основании **9**, которые при желании можно снять.

1. Снимите зажимы **25**, крепящие колеса к основанию.
2. Снимите колеса.
3. Извлеките ось вращения **26**.

Чтобы установить колеса на основание, установите на место ось вращения, надвиньте на ось колеса и установите на место зажимы. Перед использованием пылезащитного кожуха убедитесь, что все четыре колеса надежно зафиксированы.

ЭКСПЛУАТАЦИЯ

Инструкции по эксплуатации

ВНИМАНИЕ: Всегда соблюдайте правила техники безопасности и применимые законы.

ВНИМАНИЕ: Чтобы снизить риск получения серьезных травм, выключайте инструмент и отключайте его от сети перед тем, как выполнять какие-либо регулировки или снимать/устанавливать приспособления или дополнительные принадлежности. Убедитесь в том, что курковый пусковой выключатель находится в положении «Выкл.». Случайный запуск может привести к травме.

Правильное положение рук (Рис. H)

ВНИМАНИЕ: Во избежание риска получения серьезных травм, **ВСЕГДА** используйте правильное положение рук как показано на рисунке.

ВНИМАНИЕ: Во избежание риска получения серьезных травм, **ВСЕГДА** крепко держите инструмент, предупреждая внезапную резкую отдачу.

Правильное положение рук подразумевает, что одна рука лежит на боковой рукоятке **4**, а другая — на корпусе инструмента, как показано на Рисунке H.

Дисковый регулятор скорости (Рис. A)

Дисковый регулятор скорости обеспечивает точное управление и позволяет использовать инструмент в оптимальных условиях в соответствии с принадлежностью и материалом.

- Поверните регулятор **5** в нужное положение. Для установки высокой скорости поверните регулятор вверх, для установки низкой скорости, поверните регулятор вниз.

Передвижной пусковой выключатель

(Рис. A)

ПРЕДУПРЕЖДЕНИЕ: Прочно удерживайте боковую рукоятку и корпус инструмента для обеспечения контроля над инструментом при запуске и при останове, пока принадлежность не прекратит вращаться. Убедитесь в том, что круг полностью остановился, прежде чем положить инструмент.

ПРИМЕЧАНИЕ: Во избежание непредсказуемого перемещения инструмента не включайте и не выключайте его в условиях нагрузки. Перед тем, как прикоснуться кругом к заготовке, дайте инструменту набрать максимальную скорость. Поднимите инструмент от обрабатываемой поверхности перед его выключением. Прежде чем положить инструмент, дождитесь его остановки.

ВНИМАНИЕ: Перед тем как подключить инструмент к сети, убедитесь в том, что передвижной выключатель находится в положении выключения, нажав и отпустив его заднюю часть. Убедитесь в том, что передвижной выключатель находится в выключенном положении как описано выше, после любого перебора в сетевом питании, таком как срабатывание УЗО, автомата защиты, случайное отключение от сети или перебой в электроснабжении. Если передвижной пусковой выключатель включен при подключенном питании, то инструмент может начать работу неожиданно.

Для запуска инструмента переместите передвижной пусковой выключатель **1** в направлении передней части инструмента. Чтобы остановить работу инструмента, отпустите передвижной пусковой выключатель.

Для непрерывной работы переместите передвижной пусковой выключатель в направлении передней части инструмента и нажмите на его переднюю часть. Чтобы остановить инструмент во время непрерывного режима работы, нажмите на заднюю часть передвижного пускового выключателя и отпустите его.

Блокировка шпинделя (Рис. B)

Кнопка блокировки шпинделя **2** используется для предотвращения вращения шпинделя во время установки или снятия кругов. Используйте блокировку шпинделя только после выключения инструмента, отключения питания и полной остановки круга.

ПРИМЕЧАНИЕ: Для предотвращения повреждения инструмента не используйте блокировку шпинделя при работающем инструменте. Это приведет к повреждению инструмента, а установленная принадлежность может слететь и нанести травму.

Для блокировки, нажмите на кнопку блокировки шпинделя и вращайте шпиндель до тех пор, пока он не зафиксируется и вы не сможете его более повернуть.

Выпуклая расшивка и резка (Рис. А, Н)

1. Установите нужную глубину реза, см. подраздел «**Регулировка глубины реза**» в разделе «**Сборка и регулировка**».
2. Дождитесь, пока инструмент наберет полные обороты, прежде чем прикасаться им к обрабатываемой поверхности.
3. Встаньте так, чтобы открытая нижняя сторона кожуха и круг были направлены в сторону от вас.
4. Поместите подошву глубины резки **9** кожуха на обрабатываемую поверхность и начните резку, врезаясь в обрабатываемую поверхность. Верхний кожух **15** зафиксируется на нижнем кожухе **16** после первого погружения. **ПРИМЕЧАНИЕ:** Удерживайте металлическое основание кожуха прижатым к обрабатываемой поверхности, чтобы обеспечить надлежащий сбор пыли.
5. Направив кожух так, как показано на Рисунке Н, двигайте отрезную шлифовальную машину вдоль обрабатываемой поверхности. **ПРИМЕЧАНИЕ:** Отрезная шлифовальная машина должна использоваться ТОЛЬКО в обозначенном направлении.
6. Закончив рез, сначала поднимите инструмент с обрабатываемой поверхности, а затем выключите его. Прежде чем положить инструмент, дождитесь его остановки.
7. Нажмите на боковую кнопку кожуха **14**, чтобы освободить верхний кожух и начать новое погружение и рез.

ТЕХНИЧЕСКОЕ ОБСЛУЖИВАНИЕ

Электроинструмент DeWALT имеет длительный срок эксплуатации и требует минимальных затрат на техобслуживание. Для длительной безотказной работы необходимо обеспечить правильный уход за инструментом и его регулярную чистку.



ВНИМАНИЕ: Чтобы снизить риск получения серьезных травм, выключайте инструмент и отключайте его от сети перед тем, как выполнять какие-либо регулировки или снимать/устанавливать приспособления или дополнительные принадлежности. Убедитесь в том, что курковый пусковой выключатель находится в положении «ВЫКЛ.». Случайный запуск может привести к травме.



Смазка

Вашему инструменту не требуется дополнительная смазка.



Чистка



ВНИМАНИЕ: Выдувайте грязь и пыль из корпуса сухим сжатым воздухом по мере видимого скопления грязи внутри и вокруг вентиляционных отверстий.

Надевайте защитные очки и пылезащитную маску при выполнении этих работ.



ВНИМАНИЕ: Никогда не пользуйтесь растворителями или другими сильнейдействующими химическими веществами для чистки неметаллических частей инструмента. Эти химикаты могут повредить структуру материала, используемого для производства таких деталей. Используйте ткань, смоченную в мягком мыльном растворе. Не допускайте попадания жидкости внутрь инструмента; никогда не погружайте никакие из деталей инструмента в жидкость.

Дополнительные принадлежности



ВНИМАНИЕ: В связи с тем, что дополнительные приспособления других производителей, кроме DeWALT, не проходили проверку на совместимости с данным изделием, их использование может представлять опасность. Во избежание травм, с данным инструментом следует использовать только дополнительные принадлежности, рекомендованные DeWALT.

Проконсультируйтесь со своим продавцом для получения дополнительной информации.

Защита окружающей среды



Отдельная утилизация. Изделия и аккумуляторные батареи с данным символом на маркировке запрещается утилизировать с обычными бытовыми отходами.

Изделия и аккумуляторные батареи содержат материалы, которые могут быть извлечены или переработаны, снижая потребность в исходном сырье. Пожалуйста, утилизируйте электрические изделия и аккумуляторные батареи в соответствии с местными нормами. Дополнительная информация доступна по адресу www.2helpU.com.



Приложение к руководству по эксплуатации электрооборудования для определения месяца производства по номеру текущей календарной недели года

Электрооборудование торговых марок "Dewalt", "Stanley", "Stanley FatMAX", "BLACK+DECKER".

Директивы 2014/30/EU ЕВРОПЕЙСКОГО ПАРЛАМЕНТА И СОВЕТА от 26 февраля 2014 г. "О гармонизации законодательств Государств-членов ЕС в области электромагнитной совместимости", 2006/42/ЕС ЕВРОПЕЙСКОГО ПАРЛАМЕНТА И СОВЕТА от 17 мая 2006 г. "О машинах и оборудовании"; 2014/35/EU ЕВРОПЕЙСКОГО ПАРЛАМЕНТА И СОВЕТА от 26 февраля 2014 г. "О гармонизации законодательств государств-членов в области размещения на рынке электрооборудования, предназначенного для использования в определенных пределах напряжения". Серийный выпуск.

ТОВАР СЕРТИФИЦИРОВАН

Орган по сертификации "РОСТЕСТ- Москва", Адрес: 119049, г. Москва, улица Житная, д. 14, стр. 1; 117418, Москва, Нахимовский просп., 31 (фактический), Телефон: (495) 1292311, (495) 6682893, факс: (495) 6682893, E-mail: office@rostest.ru
 Изготовитель: Изготовитель: Блэк энд Деккер Холдингс ГмбХ, Германия, 65510, Идштайн, ул. Блэк энд Деккер, 40, тел. +496126212790.

Уполномоченное изготовителем юр.лицо:
 ООО "СтэпЛи Блэк энд Деккер", 117485, город Москва, улица Обручева, дом 30/1, строение 2
 Телефон: + 7 (495) 258-3981, факс: + 7 (495) 258-3984, E-mail: inbox@dewalt.com
 Сведения о импортере указаны в сопроводительной документации и/или на упаковке

Хранение.

Необходимо хранить в сухом месте, вдали от источников повышенных температур и воздействия солнечных лучей. При хранении необходимо избегать резкого перепада температур. Хранение без упаковки не допускается

Срок службы.

Срок службы изделия составляет 5 лет. Не рекомендуется к эксплуатации по истечении 5 лет хранения с даты изготовления без предварительной проверки.

Дата изготовления (код даты) указана на корпусе инструмента. Код даты, который также включает год изготовления, отштампован на поверхности корпуса изделия.

Пример:

2014 46 XX, где 2014 –год изготовления, 46–неделя изготовления.

Определить месяц изготовления по указанной неделе изготовления можно согласно приведенной ниже таблице.

Транспортировка.

Категорически не допускается падение и любые механические воздействия на упаковку при транспортировке. При разгрузке/погрузке не допускается использование любого вида техники, работающей по принципу зажима упаковки.

Перечень критических отказов, возможные ошибочные действия персонала.

- Не допускается эксплуатация изделия:
- При появлении дыма из корпуса изделия
- При поврежденном и/ или оголенном сетевом кабеле
- при повреждении корпуса изделия, защитного кожуха, рукоятки
- при попадании жидкости в корпус
- при возникновении сильной вибрации
- при возникновении сильного искрения внутри корпуса

Критерии предельных состояний.

- При поврежденном и/или оголенном сетевом кабеле
- при повреждении корпуса изделия

Месяц	Январь	Февраль	Март	Апрель	Май	Июнь	Июль	Август	Сентябрь	Октябрь	Ноябрь	Декабрь	Год производства
Неделя	1	5	9	14	18	23	27	31	36	40	44	49	2018
	2	6	10	15	19	24	28	32	37	41	45	50	
	3	7	11	16	20	25	29	33	38	42	46	51	
	4	8	12	17	21	26	30	34	39	43	47	52	
			13		22			35			48		
Неделя	1	6	10	14	18	23	27	31	36	40	45	49	2019
	2	7	11	15	19	24	28	32	37	41	46	50	
	3	8	12	16	20	25	29	33	38	42	47	51	
	4	9	13	17	21	26	30	34	39	43	48	52	
	5				22			35		44			
Неделя	1	6	10	14	19	23	27	32	36	40	45	49	2020
	2	7	11	15	20	24	28	33	37	41	46	50	
	3	8	12	16	21	25	29	34	38	42	47	51	
	4	9	13	17	22	26	30	35	39	43	48	52	
	5				18		31			44			
Неделя	2	6	10	14	19	23	27	32	36	41	45	49	2021
	3	7	11	15	20	24	28	33	37	42	46	50	
	4	8	12	16	21	25	29	34	38	43	47	51	
	5	9	13	17	22	26	30	35	39	44	48	52	
					18		31		40			1	
Неделя	2	6	10	15	19	23	28	32	36	41	45	49	2022
	3	7	11	16	20	24	29	33	37	42	46	50	
	4	8	12	17	21	25	30	34	38	43	47	51	
	5	9	13	18	22	26	31	35	39	44	48	52	
				14		27			40			1	



ГАРАНТИЙНЫЙ ТАЛОН



1. Поздравляем Вас с покупкой высококачественного изделия DEWALT и выражаем признательность за Ваш выбор.
2. При покупке изделия требуйте проверки его комплектности и исправности в Вашем присутствии, инструкцию по эксплуатации и заполненный Гарантийный талон на русском языке. В гарантийном талоне должны быть внесены: модель, дата продажи, серийный номер, дата производства инструмента, название, печать и подпись торговой организации. При отсутствии у Вас правильно заполненного Гарантийного талона, а также несоответствия указанных в нем данных, мы будем вынуждены отклонить Ваши претензии по качеству данного изделия.
3. Во избежание недоразумений, убедительно просим Вас перед началом работы с изделием внимательно ознакомиться с инструкцией по его эксплуатации. Правовой основой настоящих гарантийных условий является действующее Законодательство. Гарантийный срок на данное изделие составляет 36 месяцев и исчисляется со дня продажи. В случае устранения недостатков изделия, гарантийный срок продлевается на период его нахождения в ремонте. Срок службы изделия составляет 5 лет со дня продажи.
4. В случае возникновения каких-либо проблем в процессе эксплуатации изделия рекомендуем Вам обращаться только в уполномоченные сервисные центры DEWALT, адреса и телефоны которых Вы сможете найти на сайте www.2helpU.com или узнать в магазине. Наши сервисные станции - это не только квалифицированный ремонт, но и широкий ассортимент запчастей и принадлежностей.
5. Производитель рекомендует проводить периодическую проверку и техническое обслуживание изделия в уполномоченных сервисных центрах.
6. Наши гарантийные обязательства распространяются только на неисправности, выявленные в течение гарантийного срока и вызванные дефектами производства и / или материалов.
7. Гарантийные условия не распространяются на неисправности изделия, возникшие в результате:
 - 7.1. Несоблюдения пользователем предписаний инструкции по эксплуатации изделия, применения изделия не по назначению, неправильном хранении, использовании принадлежностей, расходных материалов и запчастей, не предусмотренных производителем.
 - 7.2. Механического повреждения (сколы, трещины и разрушения) внутренних и внешних деталей изделия, основных и вспомогательных рукояток, сетевого электрического кабеля, вызванного внешним ударным или любым иным воздействием.
 - 7.3. Попадания в вентиляционные отверстия и проникновение внутрь изделия посторонних предметов, материалов или веществ, не являющихся отходами, сопровождающими применение изделия по назначению, такими как: стружка, опилки, песок, и пр.
 - 7.4. Воздействия на изделие неблагоприятных атмосферных и иных внешних факторов, таких как дождь, снег, повышенная влажность, нагрев, агрессивные среды, несоответствие параметров питающей электросети, указанных на инструменте.
 - 7.5. Стихийного бедствия. Повреждение или утрата изделия, связанное с непредвиденными бедствиями, стихийными явлениями, в том числе вследствие действия непреодолимой силы (пожар, молния, потоп и другие природные явления), а также вследствие перепадов напряжения в электросети и других причин, которые находятся вне контроля производителя.
8. Гарантийные условия не распространяются:
 - 8.1. На инструменты, подвергавшиеся вскрытию, ремонту или модификации вне уполномоченного сервисного центра.
 - 8.2. На детали и узлы, имеющие следы естественного износа, такие как: приводные ремни и колеса, угольные щетки, смазка, подшипники, зубчатое зацепление редукторов, резиновые уплотнения, сальники, направляющие ролики, муфты сцепления, бойки, толкатели, стволы, и т.п.
 - 8.3. На сменные и расходные части: цанги, зажимные гайки и фланцы, фильтры, ножи, шлифовальные подошвы, цепи, звездочки, пильные шины, защитные кожухи, пилки, абразивы, пильные и абразивные диски, фрезы, сверла, буры и т.п.
 - 8.4. На неисправности, возникшие в результате перегрузки инструмента (как механической, так и электрической), повлекшей выход из строя одновременно двух и более деталей и узлов, таких как ротора и статора, обеих обмоток статора, ведомой и ведущей шестерни редуктора или других узлов и деталей. К безусловным признакам перегрузки изделия относятся, помимо прочего: появление цветов побелости, деформация или оплавление деталей и узлов изделия, потемнение или обугливание изоляции проводов электродвигателя под воздействием высокой температуры.

Товар получен в исправном состоянии, без видимых повреждений, в полной комплектации, проверен в моем присутствии, претензий по качеству товара не имею. С условиями гарантийного обслуживания ознакомлен и согласен.

Ф. И. О. и подпись покупателя _____

Уважаемые клиенты, наша сеть авторизованных сервисных центров постоянно расширяется. Актуальную информацию об обслуживании в интересующем вас городе вы можете узнать на сайте

www.2helpU.com

Редакция 29-05-2018

Информация об инструменте

Наименование инструмента	
Модель	
Наименование продавца	
Дата продажи	

М.П.
Продавца

Серийный номер / Дата производства

Инструмент	
Зарядное устройство	
Аккумулятор 1	
Аккумулятор 2	

На сайте www.2helpU.com доступны следующие функции:

- Список авторизованных сервисных центров
- Удобный поиск ближайшего сервисного центра
- Руководство по эксплуатации
- Технические характеристики
- Список деталей и запасных частей
- Схема сборки инструмента



Также данную информацию вы можете
получить, позвонив по телефону:
8(800) 1000 876

ОТМЕТКА О ПРОВЕДЕНИИ СЕРВИСНОГО ОБСЛУЖИВАНИЯ

№1	№2	№3	№4
№ заказа	№ заказа	№ заказа	№ заказа
Дата поступления	Дата поступления	Дата поступления	Дата поступления
Дата ремонта	Дата ремонта	Дата ремонта	Дата ремонта
Печать и подпись сервисного центра	Печать и подпись сервисного центра	Печать и подпись сервисного центра	Печать и подпись сервисного центра

ВІДРІЗНИЙ ІНСТРУМЕНТ З 125 мм КОЖУХОМ РІЗАЛЬНОГО ДИСКА DWE46106, DWE46107

Вітаємо вас!

Ви обрали інструмент DeWALT. Великий досвід компанії у розробці інструментів та постійна робота над їхнім удосконаленням роблять компанію DeWALT надійним партнером професійних користувачів.

Технічні характеристики

		DWE46106	DWE46107
Напруга	$V_{\text{змін. струму}}$	230	230
Тип		1	1
Вихідна потужність	Вт	900	1400
Номинальна швидкість	об/хв	11 800	11 500
Діаметр диска	мм	125	125
Товщина колісного диска	мм	1,2	1,2
Діаметр шпінделя		M14	M14
Довжина шпінделя	мм	14,2	18,5
Маса	кг	2,92	3,2

Значення рівня шуму та вібрації (сума трьох векторів) відповідно до стандарту EN60745-2-:

L_{PA} (рівень тиску звукового випромінювання)	дБ(А)	94	96,5
L_{WA} (рівень звукової потужності)	дБ(А)	105	107,5
K (похибка для даного рівня звукового тиску)	дБ(А)	3	3
Значення вібрації a_h =	m/s^2	3,4	3,8
Похибка K =	m/s^2	1,5	1,5

Значення вібрації, що наведено в цьому документі, було виміряне згідно зі стандартизованим тестом, викладеним у стандарті EN60745, та може використовуватись для порівняння інструментів. Це значення вібрації можна також використовувати для попередньої оцінки впливу вібрації.

⚠ УВАГА! *Задеклароване значення вібрації відповідає вимогам цільового використання інструмента. Однак якщо інструмент використовується для виконання інших завдань, з іншими витратними матеріалами/насадками або не обслуговується відповідно до вимог, значення вібрації може відрізнятись. Це може значно збільшити рівень впливу протягом усього періоду роботи.*

Оцінка рівня впливу вібрації має враховувати час вимкнення інструмента та роботу інструмента без виконання певних завдань. Це може значно

зменшити рівень впливу протягом усього періоду роботи.

Визначення додаткових заходів безпеки для захисту оператора від впливу вібрації: технічне обслуговування інструмента та приладдя, утримання рук у теплі, організація режиму роботи.

Декларація про відповідність ЄС

Директива для механічного обладнання



Відрізний інструмент з 125 мм кожухом різального диска DWE46106, DWE46107

Компанія DeWALT заявляє, що вироби, описані у розділі **Технічні дані**, відповідають наступним стандартам: 2006/42/EC, EN60745-1:2009+A11:2010, EN60745-2-22:2011+A11:2013. Ці продукти також відповідають вимогам Директив 2014/30/EU та 2011/65/EU. Для отримання додаткової інформації зверніться до компанії DeWALT за наступною адресою або прочитайте інформацію на зворотній стороні цього посібника.

Нижчепідписаний несе відповідальність за упорядкування файлу технічних характеристик та робить цю заяву від імені компанії DeWALT.

Маркус Ромпель (Markus Rempel) технічний директор, PTE-Europa DeWALT, Richard-Klinger-Straße 11, D-65510, Idstein, Німеччина 03.01.2020



УВАГА! *Уважно прочитайте керівництво з експлуатації для зниження ризику отримання травм.*

Позначення: Інструкції з техніки безпеки

Умовні позначення, наведені нижче, описують рівень важливості кожної попереджувальної вказівки. Прочитайте керівництво та зверніть увагу на символи, наведені нижче.



НЕБЕЗПЕЧНО! *Вказує на безпосередню загрозу, ігнорування якої призведе до смерті або серйозної травми.*



УВАГА! *Указує на потенційну загрозу, яка, якщо її не уникнути, може призвести до смерті або серйозної травми.*



ОБЕРЕЖНО! *Указує на потенційну загрозу, яка, якщо її не уникнути, може призвести до травми незначної або середньої важкості.*

ПРИМІТКА. *Указує на ситуацію, не пов'язану з особою травмою, яка, якщо її не уникнути, може призвести до пошкодження майна.*



Вказує на ризик ураження електричним струмом.



Вказує на ризик виникнення пожежі.

Загальні правила безпеки при експлуатації електричного інструмента



УВАГА! *Ознайомтеся з усіма попередженнями, інструкціями з техніки безпеки, зображеннями та специфікаціями, які поставляються з цим електричним інструментом. Невиконання нижченаведених інструкцій може призвести до ураження електричним струмом, пожежі та/або серйозних тілесних ушкоджень.*

ЗБЕРІГАЙТЕ ВСІ ПОПЕРЕДЖЕННЯ ТА ІНСТРУКЦІЇ ДЛЯ ПОДАЛЬШОГО ВИКОРИСТАННЯ.

Термін «електричний інструмент» в усіх попередженнях стосується використовуваних вами інструментів, що живляться від мережі енергопостачання (з електричним кабелем) або від акумуляторів (без кабелю).

1) Безпека робочої зони

- Робоча зона завжди має бути чистою та добре освітленою.** Захаращена або темна робоча зона призводить до нещасних випадків.
- Не використовуйте електричні інструменти у вихонебезпечній атмосфері, наприклад поруч із вогнебезпечними рідинами, газами та пилом.** Електричні інструменти створюють іскри, що можуть запалити пил або пару.
- Тримайте дітей та сторонніх спостерігачів подалі під час використання інструмента.** Відвернення уваги може призвести до втрати контролю.

2) Електрична безпека

- Вилка електричного інструмента повинна відповідати розетці. Ніколи жодним чином не змінюйте вилку. Не використовуйте адаптери з заземленими електричними інструментами.** Немодифіковані вилки та розетки, що підходять до них, зменшують ризик ураження електричним струмом.
- Уникайте контакту тіла з заземленими поверхнями, такими як труби, радіатори, плити та холодильники.** Якщо ваше тіло заземлене, збільшується ризик ураження електричним струмом.
- Не залишайте електричні інструменти під дощем або в умовах підвищеної вологості.** Вода, що потрапляє в електричний інструмент, підвищує ризик ураження електричним струмом.
- Не використовуйте кабель живлення не за призначенням. Ніколи не переносьте, не тягніть та не відключайте електричний інструмент**

від розетки електроживлення за допомогою шнура. Тримайте шнур подалі від високих температур, мастил, гострих предметів та рухомих деталей. Пошкоджені або перекручені шнури підвищують ризик ураження електричним струмом.

- При використанні електричного інструмента просто неба використовуйте подовжувальний шнур, що підходить для використання просто неба.** Шнур, що призначений для використання поза приміщенням, знижує ризик ураження електричним струмом.
- Якщо неможливо уникнути використання електричного інструмента в умовах підвищеної вологості, використовуйте живлення, захищене пристроєм з керуванням диференціальним струмом (Residual current device, RCD).** Використання RCD знижує ризик ураження електричним струмом.

3) Особиста безпека

- Будьте уважні дивіться, що ви робите, та будьте розсудливі, працюючи з електричним інструментом. Не використовуйте електричний інструмент, коли ви втомлені або знаходитесь під впливом наркотичних речовин, алкоголю або ліків.** Втрата уваги під час роботи з електричним інструментом може призвести до серйозних тілесних ушкоджень.
- Використовуйте особисті засоби безпеки. Завжди використовуйте засоби захисту очей.** Використання засобів безпеки, таких як протипилова маска, нековзкі безпечні черевики, захисний шолом та засоби захисту слухового апарату, в відповідних умовах зменшує імовірність отримання тілесних пошкоджень.
- Уникайте випадкового запуску. Переконайтесь в тому, що перемикач знаходиться в позиції Вимк., перш ніж підключати інструмент до джерела електроживлення та/або акумулятора, переміщувати або переносити.** Може статися нещасний випадок, коли ви переносите інструмент, тримаючи палець на вимикачі, або підключаєте живлення до вимикача в позиції Увімк.
- Зніміть усі ключі для регулювання або гайкові ключі, перш ніж вмикати електричний інструмент.** Гайковий ключ, що залишився прикріпленим до якоїсь деталі електричного пристрою, що обертається, може призвести до травм.
- Не прикладайте надмірних зусиль. Завжди утримуйте правильну постановку ніг і рівновагу.** Це дає вам змогу краще контролювати інструмент в неочікуваних ситуаціях.
- Одягайтеся відповідним чином. Не вдягайте вільний одяг або прикраси. Тримайте ваше волосся та одяг подалі від рухомих деталей.**

Вільний одяг, прикраси або довге волосся може зачепитися за рухомі деталі.

- g) **Якщо передбачені пристрої для підключення до засобів виділення та збирання пилю, переконайтеся, що вони правильно підключені та використовуються.** Використання таких пристроїв зменшує ризик виникнення небезпечних ситуацій, що пов'язані з потраплянням пилю.
- h) **Навіть якщо ви добре знаєте інструмент та часто його використовуєте, не розслабляйтесь та не забувайте про принципи техніки безпеки.** Необережні дії можуть за долю секунди призвести до важких тілесних ушкоджень.

4) Використання електричного інструмента та догляд за ним

- a) **Не прикладайте надмірних зусиль під час роботи з інструментом. Використовуйте електричний інструмент, який відповідає завданню, що виконується.** Правильно обраний інструмент виконає завдання краще та безпечніше за умов, для яких він був розроблений.
- b) **Не використовуйте інструмент, якщо його неможливо ввімкнути та вимкнути за допомогою вимикача.** Будь-який електричний інструмент, яким неможливо керувати за допомогою вимикача, є небезпечним і має бути відремонтований.
- c) **Якщо вилка знімна, відключіть її від джерела живлення перед тим, як робити будь-які налаштування, зміни додаткового обладнання чи зберігати інструмент.** Ці профілактичні заходи зменшують ризик випадкового запуску електричного інструмента.
- d) **Зберігайте вимкнені електричні інструменти в недоступному для дітей місці та не дозволяйте особам, що не знайомі з електричним інструментом або цими інструкціями, використовувати електричний інструмент.** Електричні інструменти є небезпечними, якщо вони використовуються некваліфікованими користувачами.
- e) **Здійснюйте технічне обслуговування електричних інструментів та аксесуарів. Перевіряйте неспіввсність, заїдання рухомих деталей, наявність пошкоджених частин та інших факторів, які можуть впливати на роботу електричного інструмента. Якщо є пошкодження, відремонтуйте електричний інструмент перед використанням.** Нещасні випадки часто є результатом того, що інструмент не пройшов відповідного технічного обслуговування.
- f) **Різальні інструменти мають бути гострими та чистими.** Правильно доглянуті різальні інструменти з гострими різальними крошками мають меншу імовірність заїдання, і ними легше керувати.
- g) **Використовуйте електричний інструмент, додаткові інструменти, різці тощо у**

відповідності до цих інструкцій та відповідно до даного типу електричних інструментів, зважаючи на умови використання та роботу, яка має бути виконана. Використання електричних інструментів не за призначенням може призвести до виникнення небезпечних ситуацій.

- h) **Всі ручки та поверхні для тримання інструмента мають бути сухими, без залишків мастила.** Слизькі ручки та поверхні для тримання не дозволяють безпечно працювати та контролювати інструмент у неочікуваних ситуаціях.

5) Обслуговування

- a) **Для обслуговування вашого електричного інструменту залучайте кваліфікованих спеціалістів з ремонту та використовуйте тільки ідентичні замініні деталі.** Це забезпечить безпеку електричного пристрою, що обслуговується.

ПРАВИЛА ТЕХНІКИ БЕЗПЕКИ ДЛЯ ВІДРІЗНИХ МАШИН

- a) **Захисний кожух, що надається з інструментом, необхідно надійно прикріпити до електричного інструменту та розмістити для максимальної безпеки так, щоб найменша частина диска була спрямована на оператора. Розташуйте себе та сторонніх людей подалі від площини обертання диска.** Запобіжник допомагає захистити оператора від уламків диска та випадкового контакту з диском.
- b) **Для цього електричного інструменту використовуйте тільки алмазні різальні диски.** Той факт, що приладдя можна прикріпити до інструмента, не гарантує безпечної роботи.
- c) **Номінальна швидкість приладдя повинна щонайменше дорівнювати максимальній швидкості, вказаній на електричному інструменті.** Приладдя з більшою швидкістю може зламатися та розлетітися.
- d) **Диски повинні використовуватись лише для рекомендованих видів діяльності. Наприклад, не проводьте шліфування боковою стороною різального диска.** Абразивні різальні диски призначені для шліфування периферійних ділянок, причому бокові сили, застосовані до цих дисків, можуть призвести до їхнього хитання.
- e) **Завжди використовуйте непошкоджені фланці дисків відповідного діаметра для обраного диска.** Відповідні фланці диску підтримують диск, зменшуючи можливість поломки диска.
- f) **Зовнішній діаметр та товщина вашого приладдя повинні знаходитись у рамках характеристики потужності цього електричного інструмента.** Аксесуари невірних розмірів неможливо контролювати відповідним чином.

- g) **Розмір оправки дисків і фланців повинен відповідати шпindelю електричного інструменту.** Диски і фланці з отворами в оправленні, які не відповідають елементам кріплення електричного інструменту можуть втрачати баланс, надмірно вібрувати та призводити до втрати контролю.
- h) **Не використовуйте пошкоджені диски. Перед кожним використанням перевіряйте диски на наявність поломок та тріщин. Якщо електричний інструмент або диск падав, необхідно оглянути їх на пошкодження та встановити непошкоджений диск. Після огляду та встановлення диска відступіть на певну відстань та попросіть сторонніх відійти від площини обертання диска. Запустіть електричний інструмент при максимальній швидкості без навантаження та залиште його в робочому стані впродовж однієї хвилини.** Пошкоджені диски зазвичай ламаються під час цього запуску.
- i) **Використовуйте засоби індивідуального захисту. У залежності від способу експлуатації інструмента слід використовувати захисний щиток, захисні окуляри або маску. За необхідності вдягайте протипилову маску, засоби захисту слуху, рукавиці або робочий фартух, що захистять вас від маленьких фрагментів абразиву або заготовки.** Захисні окуляри захистять вас від частинок, що здатні розлітатись під час певних видів робіт. Протипилова маска або респіратор повинні фільтрувати частинки, що утворюються під час роботи. Тривалий вплив шуму з високою інтенсивністю може призвести до втрати слуху.
- j) **Сторонні особи повинні перебувати подалі від робочої зони. Будь-яка особа, яка наближається до робочої зони, повинна використовувати засоби особистого захисту.** Фрагменти заготовки або уламки диска можуть відлетіти та призвести до травми навіть поза безпосередньою зоною роботи.
- k) **Тримайте інструмент лише за ізольовану поверхню при виконанні операцій, коли ріжучі аксесуари можуть торкнутися схованої проводки.** Ріжучі елементи при контакті з дротом під напругою може призвести до появи напруги в інструменті та ураження оператора електричним струмом.
- l) **Розмістіть кабель подалі від приладдя, що обертається.** Якщо ви втратите контроль, кабель може бути розрізаний або може зачепитися, а ваша рука або пальці можуть потрапити у диск, що обертається.
- m) **У жодному разі не кладіть інструмент, доки всі його деталі повністю не зупиняться.** Диск,

що обертається, може захопити поверхню та потягнути електричний інструмент з рук.

- n) **Не тримайте увімкнений інструмент біля власного тіла.** Випадковий контакт з приладдям, що обертається, може зачепити одяг, потягнувши інструмент до вашого тіла.
- o) **Регулярно очищуйте вентиляційні отвори електричного інструмента.** Вентилятор двигуна буде втягувати пил всередину корпусу, надмірна кількість металевих частинок може призвести до ризику ураження електричним струмом.
- p) **Не використовуйте електричний інструмент біля легкозаймистих матеріалів.** Іскри можуть викликати спалах цих матеріалів.
- q) **Не використовуйте приладдя, що вимагає рідкого холодоагенту.** Використання води чи інших рідких холодоагентів може призвести до ураження або удару електричним струмом.

ДОДАТКОВІ ІНСТРУКЦІЇ З ТЕХНІКИ БЕЗПЕКИ ПРИ ВИКОНАННІ БУДЬ-ЯКИХ ОПЕРАЦІЙ З ЕЛЕКТРИЧНОГО ІНСТРУМЕНТОМ

Причини та попередження віддачі

Віддача – це раптова реакція на затиснений або деформований поворотний диск, опорну прокладку, щітку або інше приладдя. Затиснення або нерівності викликають різке уповільнення швидкості обертання рухомого приладдя, що може викликати відхилення неконтрольованого електричного інструмента в напрямку протилежному напрямку обертання приладдя в місці зчеплення.

Наприклад, якщо абразивний диск затиснений заготовкою, край диска, що входить у зону затиснення, може увійти в поверхню матеріалу, спричиняючи віддачу диска. Диск може відскочити від оператора або на нього залежно від напрямку руху диска в точці заїдання. Абразивні диски також можуть зламатися за цих умов.

Віддача є результатом невідповідного використання інструменту або/та невідповідних способів чи умов експлуатації. Її можна уникнути, вживаючи нижченаведених заходів:

- a) **Добре тримайте інструмент та розташуйте своє тіло та руки так, щоб можна було протистояти віддачі. Завжди використовуйте додаткову ручку, якщо така є, для максимального контролю віддачі або реактивного крутного моменту при запуску.** Оператор може контролювати реактивний крутний момент або сили віддачі, якщо вжити відповідні заходи.
- b) **Ніколи не розташуйте руки біля різальних поверхонь.** Може виникнути віддача приладдя через руку.
- c) **Не розташуйте своє тіло в одну лінію з диском, що обертається.** Віддача призведе до руху

інструмента в напрямку протилежному руху диска в точці заїдання.

- d) **Будьте особливо уважними коли обробляєте кути, гострі краї тощо. Уникайте відстрибування та заїдання приладдя.** Кути, гострі краї або відстрибування можуть призвести до затиснення приладдя та викликати втрату контролю або віддачу.
- e) **Не прикріплюйте пильний ланцюг, пильне полотно для різьблення по дереву, сегментний алмазний диск з периферійним зазором більше 10 мм або пильне полотно з субцями.** Такі пильні полотна призводять до частих віддач та втрати контролю.
- f) **Не «затискуйте» диск та не застосовуйте надмірний тиск до інструменту. Не намагайтесь створювати надглибокі розрізи.** Надмірний тиск на диск збільшує навантаження й чутливість до заїдання або деформації диска в розрізі та можливість віддачі або поломки диска.
- g) **Якщо диск заїдає або припиняє виконувати розріз з будь-якої причини, вимкніть інструмент та утримуйте його нерухомим, доки диск не буде повністю зупинений. Ніколи не намагайтесь вникнути в розріз, коли він рухається, інакше може виникнути віддача.** Потрібно проаналізувати ситуацію й вжити необхідних заходів для уникнення затиснення диска.
- h) **Не поновлюйте роботу інструмента в заготовці. Дайте диску досягти повної швидкості та обережно вставте його в розпачатий розріз.** Диск може бути затиснений або він може піднятися в разі поновлення роботи інструмента.
- i) **Опорні пластини або заготовки великого розміру можуть допомогти звести до мінімуму ризик заїдання диска та віддачі.** Великі заготовки можуть прогинатися під власною вагою. Опори необхідно розташувати під заготовкою біля лінії розрізу та біля краю заготовки з обох боків диска.
- j) **Будьте особливо уважні під час виконання «врізання» в наявні стіни або інші місця, де не видно, що знаходиться під поверхнею.** Диск, що виступає, може розрізати газу або водяну трубу, електричні кабелі або інші предмети, що може спричинити віддачу.

Додаткові правила техніки безпеки

- **Не рекомендується використання насадок, не вказаних у цьому посібнику; це може бути небезпечним.** Використання підсилювачів потужності, що можуть збільшити швидкість пристрою, яка буде перевищувати номінальну швидкість, вважається невідповідним використанням.
- **Використовуйте затискач або інший спосіб закріплення деталі, що оброблюється, на**

стабільній платформі. Утримувати деталі в руці та притиснення її до тіла робить її нестабільною та може призвести до втрати контролю.

- **Завжди використовуйте бокову ручку. Надійно затягуйте ручку.** Завжди використовуйте бокову ручку для керування інструментом.
- **Уникайте відстрибування алмазного диска та грубого поводження з ним.** Якщо це сталося, зупиніть інструмент і перевірте диск на наявність тріщин або дефектів.
- **Не намагайтесь робити криволінійні розрізи.** Надмірний тиск на алмазний диск збільшує навантаження й чутливість до заїдання або деформації алмазного диска в розрізі та можливість віддачі або поломки диска, що може призвести до серйозних травм.
- **Завжди акуратно поводьтеся і зберігайте диски.**
- **Ніколи не ріжте в місцях, де можуть знаходитись електричні кабелі або труби.** Це може призвести до серйозних травм.
- **НЕ ріжте метал алмазним диском.**
- **НЕ використовуйте абразивні диски.**
- **ЗАВЖДИ використовуйте з пилосбірником.**
- **Не використовуйте інструмент тривалий час.** Вібрація, що виникає під час роботи з цим інструментом, може спричинити невелику травму пальців, рук і кистей. Для забезпечення захисного амортизуючого ефекту слід працювати у рукавицях; слід робити часті перерви для відпочинку та обмежити тривалість роботи з цим інструментом протягом дня.
- **Рухомі частини часто приховані вентиляційними отворами; уникайте контакту з ними.** Вільний одяг, прикраси або довге волосся може зачепитися за рухомі деталі.
- **Приладдя з різьбленням повинно відповідати різьбленню шпинделя відрізного інструмента.** При встановленні приладдя з фланцем отвір оправлення приладдя має відповідати діаметру фланця на інструменті. Приладдя, яке не відповідає елементам кріплення електричного інструмента, може втрачати баланс, надмірно вібрувати та призводити до втрати контролю.
- **Шліфувальна поверхня дисків з опущеним центром повинна знаходитися нижче площини кромки кожуха.** Неправильно встановлений диск, який виступає над площиною кромки кожуха, неможливо адекватно захистити.



УВАГА! Коли інструмент не використовується, залишайте його на боці на стабільній поверхні в такому місці, де через нього не можна перечепитися та впасти. Можливе важке травмування.



УВАГА! Ми рекомендуємо використовувати пристрій залишкового струму з залишковим струмом 30 мА або менше.

Залишкові ризики

Дотримання всіх правил техніки безпеки та застосування пристроїв безпеки не гарантує уникнення певних залишкових ризиків. До такого переліку належать:

- *Порушення слуху.*
- *Ризик тілесних ушкоджень через частинки, які розлітаються.*
- *Ризик опіків через нагрівання приладдя під час роботи.*
- *Ризик тілесних ушкоджень через занадто тривале використання.*
- *Небезпека для здоров'я через вдихання пилу, що утворюється при свердлінні бетону та/або кладки.*

Електрична безпека

Електричний двигун розроблений для роботи лише з одним значенням напруги. Завжди перевіряйте відповідність джерела живлення напрузі, яка зазначена на табличці з паспортними даними.



Ваш інструмент виробництва компанії DeWALT має подвійну ізоляцію відповідно до EN60745; тому заземлення не є необхідним.



УВАГА! Пристрої напругою 115 В підлягають контролю із використанням якісного розділового трансформатора, оснащеного екраном заземлення між первинною та вторинною обмотками.

Шнур мають замінювати лише сервісні установи компанії DEWALT.

Заміна мережевої вилки (тільки для Великої Британії та Ірландії)

Якщо потрібно встановити нову вилку живлення:

- *Зніміть стару вилку та утилізуйте її, дотримуючись правил техніки безпеки.*
- *Приєднайте коричневий провідник до активного виходу вилки.*
- *Приєднайте блакитний провідник до нейтрального виходу.*



УВАГА! Жоден провідник не має бути підключений до клем заземлення.

Дотримуйтеся інструкцій щодо встановлення, які постачаються з якісними вилками. Плавкий запобіжник, що рекомендується: 13 А.

Використання електричного подовжувача

Якщо необхідний подовжувач, використовуйте рекомендований 3-жильний подовжувальний шнур, що підходить для споживаної потужності інструмента (див. «Технічні характеристики»). Мінімальний розмір провідника становить 1,5 мм²; максимальна довжина – 30 м.

При використанні кабельного барабану завжди витягуйте весь кабель.

Комплект поставки

До комплекту входить:

- 1 125 мм алмазний диск

- 1 Відрізний інструмент
 - 1 Бокова ручка
 - 1 Шестигранний гайковий ключ
 - 1 Кожух різального диска
 - 1 Фіксуючий фланець
 - 1 Опорний фланець
 - 1 Посібник з експлуатації
- *Перевірте інструмент, деталі та приладдя на пошкодження, що могли виникнути під час транспортування.*
 - *Перед використанням уважно прочитайте та повністю зрозумійте це керівництво.*

Маркування на інструменті

На інструменті є наступні піктограми:



Прочитайте інструкції цього керівництва перед використанням.



Використовуйте засоби захисту слуху.



Використовуйте засоби захисту очей.

Розташування коду дати (рис. А)

Код дати **19**, що включає також рік виробництва, наноситься на корпус відрізного інструмента і кожуха.

Приклад:

2020 XX XX

Рік виробництва

Опис (рис. А, В)



УВАГА! Ніколи не модифікуйте електричні інструменти або їх деталі. Це може призвести до пошкодження майна або тілесних ушкоджень.

- | | |
|--|--------------------------------------|
| 1 Пересувний перемикач | 10 Регулятор глибини різання |
| 2 Кнопка блокування шпінделя (рис. В) | 11 Ручка регулювання глибини різання |
| 3 Шпіндель | 12 Знімні диски |
| 4 Бокова ручка (рис. В) | 13 Передня кнопка кожуха |
| 5 Дисківий перемикач змінної швидкості | 14 Бокова кнопка кожуха |
| 6 Система видалення пилу. | 15 Верхній кожух |
| 7 Поворотний порт для видалення пилу | 16 Нижній кожух |
| 8 Гвинт з заплициком | 17 Фіксуючий фланець |
| 9 Металева основа | 18 Опорний фланець |

Сфера застосування

Ваш відрізний інструмент з кожухом різального диска розроблений для професійного розпилювання цегляної кладки. Він не призначений для використання з металом або деревом. Його можна використовувати лише для сухого розпилювання. Використовуючи відповідний відрізний інструмент, можна використовувати алмазний диск і

пилос для видалення переважної більшості статичного пилу і такого, що переноситься повітрям, який у разі не використання різального кожуха може забруднити робочу середу або представляти підвищену небезпеку для здоров'я оператора і тих, хто знаходиться в безпосередній близькості від нього.

НЕ використовуйте за умов підвищеної вологості або в присутності легкозаймистих рідин та газів.

Відрізний інструмент з кожухом різального диска – це професійний інструмент.

НЕ дозволяйте дітям підходити на небезпечну відстань та торкатися інструмента. Використання інструмента недосвідченими операторами потребує нагляду.

- **Діти та хворі люди.** Цей пристрій не призначений для експлуатації дітьми та особами з обмеженими розумовими та фізичними можливостями без стороннього контролю.
- Цей пристрій не призначений для використання особами (включаючи дітей) зі зниженими фізичними, сенсорними або розумовими можливостями або особами, яким бракує досвіду або знань, за винятком випадків, коли такі особи працюють під наглядом особи, яка несе відповідальність за їх безпеку. Не можна залишати дітей наодинці з цим приладом.

Противібраційна бокова ручка

Противібраційна бокова ручка гарантує додатковий комфорт завдяки поглинанню вібрації інструмента.

Система видалення пилу (рис. А)

Система видалення пилу б) дозволяє уникнути накопичення пилу біля захисного кожуха та зменшити кількість пилу, що потрапляє в корпус і двигун.

Функція плавного запуску

Функція м'якого старту дозволяє поступово збільшувати швидкість для уникнення ривків при старті. Ця функція є особливо корисною під час роботи в закритому приміщенні.

Функція No-Volt (Без напруги)

Функція No-volt зупиняє перезавантаження відрізного інструмента без зациклювання перемикача, якщо припиняється подача живлення.

Електронна муфта

Електронна муфта обмеження крутного моменту знижує реакцію на максимальний крутний момент, що передається на оператора при заїданні диска. Ця функція дозволяє також уникнути заїдання коробки передач і електричного двигуна. Муфта обмеження крутного моменту налаштована виробником, її неможливо налаштувати самостійно.

МОНТАЖ ТА НАЛАШТУВАННЯ



УВАГА! Щоб знизити ризик серйозних травм, вимкніть інструмент та відключіть його від мережі живлення перед виконанням будь-яких налаштувань або зніманням/встановленням насадок чи аксесуарів. Переконайтеся, що вимикач

знаходиться в положенні Вимк. Випадковий запуск може призвести до травм.

Прикріплення бокової ручки (рис. В)



ОБЕРЕЖНО! Перед використанням інструмента переконайтеся в тому, що ручка надійно затягнена.

Закріпіть бокову ручку 4 до одного з отворів на будь-якій стороні редуктора. Завжди використовуйте бокову ручку для керування інструментом.

Встановлення та зняття кожуха різального диска

Встановлення 125 мм кожуха різального диска DWE46225 (рис. А, С, D)



УВАГА! Не можна використовувати відрізний інструмент із захисним кожухом для шліфування.

1. Одночасно натисніть передню 13 і бокову кнопку кожуха 14, щоб повністю відкрити кожух різального диска (рис. D).
2. Послабте гвинт з заплечиком 8 на кожусі різального диска і вирівняйте виступи 20 на кожусі різального диска з пазами 21 на редукторі відрізного інструмента.
3. Поверніть кожух за годинниковою стрілкою в бажане робоче положення. Кожух потрібно помістити між шпінделем та оператором, щоб забезпечити оптимальну ефективність.
4. Затягніть гвинт з заплечиком 8, щоб закріпити кожух різального диска на редукторі. Не використовуйте відрізний інструмент з погано затягненим кожухом різального диска.
5. Для зняття кожуха різального диска послабте гвинт з заплечиком, поверніть різальний кожух так, щоб вирівняли пазы і виступи, і потягніть кожух різального диска вгору.

ПРИМІТКА. Кожух різального диска попередньо налаштовується на заводі на діаметр маточини редуктора. Якщо з часом кожух різального диска ослабне, затягніть гвинт з заплечиком 8.

ПРИМІТКА. Якщо кожух різального диска неможливо зафіксувати затягуванням гвинта з заплечиком, не використовуйте інструмент. Віднесіть інструмент і кожух різального диска в сервісний центр для ремонту або заміни кожуха різального диска.

Встановлення та використання алмазних різальних дисків (рис. А, D, E)



УВАГА! З кожухом різального диска дозволяється використовувати тільки алмазні диски з негативним переднім кутом. Не ріжте метал. Не використовуйте шліфувальні круги з абразивом на епоксидній зв'язці.

1. Встановивши кожух різального диска на відрізний інструмент, одночасно натисніть передню 13 і бокову 14 кнопки кожуха, щоб повністю відкрити кожух.
2. Встановіть опорний фланець 17 на шпindel 3.

3. Встановіть диск **24** на фіксуючий фланець **18** і помістіть обидва на шпindel навпроти опорного фланця, центруючи диск на піднятому центрі опорного фланця.
4. Утримуючи натиснутою кнопку блокування шпindelа, затягніть блокувальний фланець.
 - Затягніть стандартний фіксуючий фланець, використовуючи гайковий ключ.
5. Після встановлення алмазного різального диска кожух різального диска слід закрити, натиснувши одночасно передню **13** та бокову кнопку кожуха **14**.
6. Щоб зняти диск, натисніть кнопку блокування шпindelа та відпустіть фіксуючий фланець.

Регулювання глибини різання (рис. А)

1. Послабте ручку регулювання глибини різання **11**.
2. Посуньте регулятор глибини різання **10** у потрібне положення. Примітка. Якщо кожух закритий, натисніть передню кнопку кожуха **13**, щоб відкрити його. Це полегшить переміщення регулятора глибини різання.
3. Затягніть ручку регулювання глибини різання.

Видалення пилу (рис. А, F)

УВАГА! З даної насадкою використовуйте тільки рекомендовані DEWALT електричні інструменти.

Для отримання більш докладної інформації про електричні інструменти DEWALT, сумісні з цією насадкою, зверніться в один з авторизованих сервісних центрів, зазначених на задній панелі, або ознайомтеся з докладною інформацією про наше післяпродажне обслуговування, доступне в Інтернеті за адресою www.2helpU.com.

УВАГА! Цю насадку слід використовувати із системою видалення пилу. **ЗАВЖДИ** носіть сертифіковану захисну маску або протипилу маску.

ПРИМІТКА. Переконайтеся, що шланг приєднаний надійно.

ПРИМІТКА. Кількість пилу, що вловлюється пирососом, залежить від його системи фільтрації. Додаткову інформацію див. в керівництві з експлуатації пирососа.

Всі кожухи для збирання пилу DEWALT призначені для роботи з роз'ємом DEWALT Airlock DWV9000.

1. Підключіть роз'єм DWV9000 **22** до шлангу вашого пирососа **23**.
2. Розблокуйте роз'єм DWV9000 **22** і посуньте в порт для видалення пилу **7**.
3. Заблокуйте роз'єм DWV9000 **22**, щоб закріпити його.

Традиційні шланги для вакуумних пирососів

Прикріпіть рекомендований шланг вакуумного пирососа до порту для видалення пилу **7**.

Зняття та підключення дисків (рис. G)

Цей різальний кожух постачається з чотирма знімними дисками **12** на металевій основі **9**, які можна від'єднати, якщо вони не потрібні.

1. Зніміть затискачі **25**, що утримують диски на основі.
2. Зніміть диски.

3. Змініть шарнірний штифт **26**.

Щоб прикріпити диски до основи, вставте шарнірний штифт, посуňte диски на їх осі і закріпіть затискачі на місці. Перед початком використання різального кожуха переконайтеся, що всі чотири диски надійно закріплені.

ЕКСПЛУАТАЦІЯ

Інструкції з використання

УВАГА! Завжди дотримуйтесь усіх інструкцій з техніки безпеки та відповідних норм.

УВАГА! Щоб знизити ризик серйозних травм, **вимкніть інструмент та відключіть його від мережі живлення перед виконанням будь-яких налаштувань або змінанням/встановленням насадок чи аксесуарів.** Переконайтеся, що вимикач знаходиться в положенні Вимк. Випадковий запуск може призвести до травм.

Належне положення рук (рис. H)

УВАГА! Щоб знизити ризик серйозних травм, **ЗАВЖДИ** правильно розташовуйте руки, як показано.

УВАГА! Щоб знизити ризик серйозних травм, **ЗАВЖДИ** надійно тримайте інструмент, щоб попередити випадкову віддачу.

Правильне положення рук полягає в тому, що одна рука розташована на боковій ручці **4**, а інша – на корпусі інструмента, як показано на рис. H.

Регулятор змінної швидкості (рис. A)

Регулятор змінної швидкості пропонує додатковий контроль інструмента та дозволяє використовувати його з оптимальним налаштуваннями для аксесуару та матеріалу.

- Поверніть регулятор **5** у бажане положення. Поверніть регулятор догори для встановлення більшої швидкості та донизу для вибору меншої швидкості.

Пересувний перемикач (рис. A)

УВАГА! **ОБЕРЕЖНО!** Міцно тримайте бокову ручку та корпус інструмента, щоб не втрачати контроль за ним під час запуску та використання, до моменту, коли приладдя перестане обертатися. Перш ніж покласти інструмент переконайтеся, що диск повністю зупинився.

ПРИМІТКА. Щоб зменшити ризик несподіваного руху інструмента, не вмикайте і не вимикайте його під навантаженням. Перед тим, як торкатися оброблюваної поверхні, дайте відрізаному інструменту розігнатися до повної швидкості. Підніміть інструмент з поверхні перед тим, як його вимкнути. Дайте інструменту повністю зупинитися перед тим, як покласти його.

УВАГА! Перед підключенням інструменту до мережі живлення переконайтеся, що пересувний перемикач знаходиться у положенні Вимк.; для цього натисніть і відпустіть задню половину перемикача. Після будь-якого переривання подачі електрики

до інструменту, наприклад, при спрацюванні пристрою аварійного вимкнення, автоматичного вимикача, при випадковому від'єднанні від джерела живлення або при виникненні збою електроживлення, завжди перевіряйте, що пересувний перемикач знаходиться у положенні Вимк., як було описано вище. Якщо пересувний перемикач при подачі живлення знаходиться у положенні Увімк., інструмент раптово почне працювати.

Щоб увімкнути інструмент, змістіть двопозиційний пересувний перемикач 1 в сторону передньої частини інструменту. Щоб зупинити інструмент, відпустіть двопозиційний пересувний перемикач.

Для безперервного режиму роботи пересуньте перемикач у сторону передньої частини інструменту і натисніть на передню половину перемикача. Для вимкнення безперервного режиму роботи інструменту натисніть на задню половину пересувного перемикача і відпустіть.

Блокування шпинделя (рис. В)

Блокування шпинделя 2 призначене для уникнення обертання шпинделя під час встановлення або зняття дисків. Використовуйте цей пристрій лише тоді, коли інструмент вимкнений, відключений від мережі живлення та повністю зупинений.

ПРИМІТКА. Щоб знизити ризик пошкодження інструмента не використовуйте фіксатор для блокування шпинделя в момент роботи інструмента. Це може призвести до пошкодження інструмента та до відкручування приладдя, що може травмувати.

Щоб скористатися блокуванням, натисніть на кнопку блокування шпинделя та поверніть шпиндель далі.

Тактування та розпилювання (рис. А, Н)

1. Встановіть необхідну глибину різання, див. **Регулювання глибини різання** в розділі **Монтаж та налаштування**.
2. Дозвольте інструменту досягти повної швидкості до того, як він торкнеться робочої поверхні.
3. Займіть таке положення, щоб відкрита нижня частина кожуха і диск були спрямовані в бік від вас.
4. Помістіть глибину різального башмака 9 кожуха на робочу поверхню і почніть різати, занурюючись в робочу поверхню. Верхній кожух 15 зафіксується на нижньому кожусі 16 після першого занурення. **ПРИМІТКА.** Різальний башмак кожуха має бути притиснутий до робочої поверхні на таку глибину, щоб забезпечити належний збір пилу.
5. Розташуйте кожух, як показано на рис. Н, потягніть відрізний інструмент уздовж робочої поверхні.

ПРИМІТКА. Відрізний інструмент має використовуватися ТІЛЬКИ в зазначеному напрямку.

6. Після закінчення різання витягніть інструмент з робочої поверхні, перш ніж вимкнути його. Дозвольте інструменту повністю зупинитися перед тим, як покласти його.

7. Натисніть на бокову кнопку кожуха 14, щоб відпустити верхній кожух і почати нове занурення і різання.

ТЕХНІЧНЕ ОБСЛУГОВУВАННЯ

Ваш інструмент виробництва компанії DeWALT призначений для роботи протягом довгого часу з мінімальним обслуговуванням. Довга задовбувана робота приладу залежить від належного обслуговування приладу та регулярного його очищення.



УВАГА! Щоб знизити ризик серйозних травм, вимкніть інструмент та відключіть його від мережі живлення перед виконанням будь-яких налаштувань або змінювання/встановлення насадок чи аксесуарів. Переконайтеся, що вимикач знаходиться в положенні Вимк. Випадковий запуск може призвести до травм.



Змащування

Ваш електричний інструмент не вимагає додаткового змащування.



Очищення



УВАГА! Коли пил та бруд стають помітними та починають накопичуватися біля вентиляційних отворів, видавайте бруд та пил зсередини основного корпусу за допомогою сухого повітря. Використовуйте рекомендовані засоби захисту органів зору та рекомендовану протипилову маску при виконанні цієї операції.



УВАГА! Ніколи не використовуйте розчинники та інші агресивні хімічні засоби для очищення неметалевих деталей інструмента. Такі хімічні речовини можуть нанести шкоду матеріалам, що використовуються в цих деталях. Використовуйте вологу ганчірку, змочену лише водою з м'яким милом. Не дозволяйте рідині потрапляти всередину інструмента та ніколи не занурюйте деталі інструмента в рідину.

Додаткове приладдя



УВАГА! Оскільки інше приладдя, що не рекомендоване компанією DeWALT, не було перевірено з цим виробом, використання такого приладдя з цим інструментом може бути небезпечним. Щоб знизити ризик травми використовуйте лише приладдя, рекомендоване компанією DeWALT.

Зверніться до свого дилера для отримання подальшої інформації щодо відповідного приладдя.

Захист навколишнього середовища



Роздільний збір. Пристрої та батареї, позначені цим символом, не можна викидати зі звичайним побутовим сміттям.

Пристрої та батареї містять матеріали, які можна відновити та переробити, що зменшить потребу у сировині. Будь ласка, віддавайте електричні інструменти та батареї на переробку відповідно до місцевих постанов. Більш детальну інформацію можна отримати на сайті www.2helpU.com.



Виробник:
"Stanley Black & Decker Deutschland
GmbH" Black-&-Decker Str.40, D-65510
Idstein, Німеччина

130.com.ua

DEWALT

ГАРАНТІЙНИЙ ТАЛОН

**3 РОКИ
ГАРАНТІЇ**

1. Вітаємо Вас з покупкою високоякісного виробу DEWALT і висловлюємо вдячність за Ваш вибір.
2. При покупці виробу вимагайте перевірки його комплекtnості і справності у Вашій присутності, інструкцію з експлуатації та заповнений гарантійний талон українською мовою. В гарантійному талоні повинні бути внесені: модель, дата продажу, серійний номер, дата виробництва інструменту, назва, печатка і підпис торгової організації. За відсутності у Вас правильно заповненого гарантійного талону, а також при невідповідності зазначених у ньому даних ми будемо змушені відхилити Ваші претензії щодо якості даного виробу.
3. Щоб уникнути непорозумінь, переконливо просимо Вас перед початком роботи з виробом уважно ознайомитися з інструкцією з його експлуатації. Правовою основою справжніх гарантійних умов є чинне Законодавство. Гарантійний термін на даний виріб складає 36 місяці і обчислюється з дня продажу. У разі усунення недоліків виробу, гарантійний строк продовжується на період його перебування в ремонті. Термін служби виробу становить 5 років з дня продажу.
4. У разі виникнення будь-яких проблем у процесі експлуатації виробу рекомендуємо Вам звертатися тільки в уповноважені сервісні центри DEWALT, адреси та телефони яких Ви зможете знайти в гарантійному талоні, на сайті www.2helpU.com або дізнатися в магазині. Наші сервісні станції - це не тільки кваліфікований ремонт, але і широкий асортимент запчастин і аксесуарів.
5. Виробник рекомендує проводити періодичну перевірку і технічне обслуговування виробу в уповноважених сервісних центрах.
6. Наші гарантійні зобов'язання поширюються тільки на несправності, виявлені протягом гарантійного терміну і викликані дефектами виробництва та \ або матеріалів.
7. Гарантійні умови не поширюються на несправності виробу, що виникли в результаті:
 - 7.1. Недотримання користувачем приписів інструкції з експлуатації виробу, застосування виробу не за призначенням, неправильного зберігання, використання приладдя, витратних матеріалів і запчастин, що не передбачені виробником.
 - 7.2. Механічного пошкодження (відколи, тріщини і руйнування) внутрішніх і зовнішніх деталей виробу, основних і допоміжних рукояток, мережевого кабелю, що викликані зовнішнім ударним або будь-яким іншим впливом
 - 7.3. Потрапляння у вентиляційні отвори та проникнення всередину виробу сторонніх предметів, матеріалів або речовин, що не є відходами, які супроводжують застосування виробу за призначенням, такими як: стружка, тирса, пісок, та ін.
 - 7.4. Впливу на виріб несприятливих атмосферних і інших зовнішніх факторів, таких як дощ, сніг, підвищена вологість, нагрівання, агресивне середовище, невідповідність параметрів електромережі, що зазначені на інструменті.
 - 7.5. Стихійного лиха. Пошкодження або втрати виробу, що пов'язані з непередбаченими лихами, стихійними явищами, у тому числі внаслідок дії непереборної сили (пожежа, блискавка, потоп і інші природні явища), а також внаслідок перепадів напруги в електромережі та інших причинами, які знаходяться поза контролем виробника.
8. Гарантійні умови не поширюються:
 - 8.1. На інструменти, що піддавалися розкриттю, ремонту або модифікації поза уповноваженим сервісним центром.
 - 8.2. На деталі, вузли та матеріали, що мають сліди природного зносу, такі як: приводні ремені і колеса, вугільні щітки, мастило, підшипники, зубчасті зчеплення редукторів, гумові ущільнення, сальники, направляючі ролики, муфти, вижимачі, бойки, штовхачі, стовпи тощо.
 - 8.3. На змінні частини: патрони, цанги, затискні гайки і фланці, фільтри, ножі, шліфувальні підшви, ланцюги, зірочки, пильні шини, захисні кожухи, пилки, абразиви, пильні і абразивні диски, фрези, свердла, бури тощо
 - 8.4. На несправності, що виникли в результаті перевантаження інструменту (як механічного, так і електричного), що спричинили вихід з ладу одночасно двох і більше деталей і вузлів, таких як: ротора і статора, обох обмоток статора, веденої і ведучої шестерень редуктора або інших вузлів і деталей. До безумовних ознак перевантаження виробу відносяться, крім інших: поява кольорів мінливості, деформація або оплвлення деталей і вузлів виробу, потемніння або обуглювання ізоляції проводів електродвигуна під впливом високої температури.

Товар отриманий в справному стані, без видимих ушкоджень, в повній комплектації, перевірений у моїй присутності, претензій щодо якості товару не маю. З умовами гарантійного обслуговування ознайомлений і згоден.

П. І. Б. та підпис власника _____

Шановні клієнти, наша мережа авторизованих сервісних центрів постійно розширюється. Актуальну інформацію про обслуговування в місті, що цікавить вас, ви можете дізнатися на сайті

www.2helpU.com

Редакція ВК/12-12-2018

Інформація про інструмент

Найменування інструменту	
Модель	
Найменування продавця	
Дата продажу	

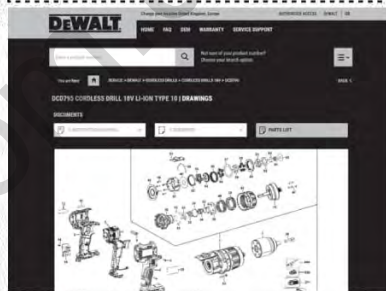
М.П.
Продавця

Серійний номер/Дата виробництва

Інструмент	
Зарядний пристрій	
Акумулятор 1	
Акумулятор 2	

На сайті www.2helpU.com доступні наступні функції:

- Список авторизованих сервісних центрів
- Зручний пошук найближчого сервісного центру
- Керівництво з експлуатації
- Технічні характеристики
- Список деталей і запасних частин
- Схема складання інструменту



Також дану інформацію ви можете отримати, зателефонувавши за номером:
0 (800) 211 521 в Україні

ВІДМІТКА ПРО ПРОВЕДЕННЯ СЕРВІСНОГО ОБСЛУГОВУВАННЯ

№1	№2	№3	№4
№ замовлення	№ замовлення	№ замовлення	№ замовлення
Дата прийому	Дата прийому	Дата прийому	Дата прийому
Дата ремонту	Дата ремонту	Дата ремонту	Дата ремонту
Печатка і підпис сервісного центру	Печатка і підпис сервісного центру	Печатка і підпис сервісного центру	Печатка і підпис сервісного центру

130.com.ua

130.com.ua