



ТЕЛЕФОНЫ

0 (800) 800 130
(050) 462 0 130
(063) 462 0 130
(067) 462 0 130

130
COM.UA

Интернет-магазин
автотоваров



SKYPE
km-130

АВТОМАГНИТОЛЫ — Магнитолы • Медиа-ресиверы и станции • Штатные магнитолы • CD/DVD чейнджеры • FM-модуляторы/USB адаптеры • Flash память • Переходные рамки и разъемы • Антенны • Аксессуары | **АВТОЗВУК** — Акустика • Усилители • Сабвуферы • Процессоры • Кроссоверы • Наушники • Аксессуары | **БОРТОВЫЕ КОМПЬЮТЕРЫ** — Универсальные компьютеры • Модельные компьютеры • Аксессуары | **GPS НАВИГАТОРЫ** — Портативные GPS • Встраиваемые GPS • GPS модули • GPS трекеры • Антенны для GPS навигаторов • Аксессуары | **ВИДЕОУСТРОЙСТВА** — Видеорегистраторы • Телевизоры и мониторы • Автомобильные ТВ тюнеры • Камеры • Видеомодули • Транскодеры • Автомобильные ТВ антенны • Аксессуары | **ОХРАННЫЕ СИСТЕМЫ** — Автосигнализации • Мотосигнализации • Механические блокираторы • Имобилайзеры • Датчики • Аксессуары | **ОПТИКА И СВЕТ** — Ксенон • Биксенон • Лампы • Светодиоды • Стробоскопы • Оптика и фары • Омыватели фар • Датчики света, дождя • Аксессуары | **ПАРКТРОНИКИ И ЗЕРКАЛА** — Задние парктроники • Передние парктроники • Комбинированные парктроники • Зеркала заднего вида • Аксессуары | **ПОДОГРЕВ И ОХЛАЖДЕНИЕ** — Подогревы сидений • Подогревы зеркал • Подогревы дворников • Подогревы двигателей • Автохолодильники • Автокондиционеры • Аксессуары | **ТЮНИНГ** — Виброизоляция • Шумоизоляция • Тонировочная пленка • Аксессуары | **АВТОАКСЕССУАРЫ** — Радар-детекторы • Громкая связь Bluetooth • Стеклоподъемники • Компрессоры • Звуковые сигналы, СГУ • Измерительные приборы • Автопылесосы • Автокресла • Разное | **МОНТАЖНОЕ ОБОРУДОВАНИЕ** — Установочные комплекты • Обивочные материалы • Декоративные решетки • Фазоинверторы • Кабель и провод • Инструменты • Разное | **ПИТАНИЕ** — Аккумуляторы • Преобразователи • Пуско-зарядные устройства • Конденсаторы • Аксессуары | **МОРСКАЯ ЭЛЕКТРОНИКА И ЗВУК** — Морские магнитолы • Морская акустика • Морские сабвуферы • Морские усилители • Аксессуары | **АВТОХИМИЯ И КОСМЕТИКА** — Присадки • Жидкости омывателя • Средства по уходу • Полироли • Ароматизаторы • Клеи и герметики | **ЖИДКОСТИ И МАСЛА** — Моторные масла • Трансмиссионные масла • Тормозные жидкости • Антифризы • Технические смазки



В магазине «130» вы найдете и сможете купить в Киеве с доставкой по городу и Украине практически все для вашего автомобиля. Наши опытные консультанты предоставят вам исчерпывающую информацию и помогут подобрать именно то, что вы ищете. Ждем вас по адресу

<https://130.com.ua>

DEWALT®

130.com.ua

www.DEWALT.com

DCW600

DCW604

English (<i>original instructions</i>)	5
Русский (<i>перевод с оригинала инструкции</i>)	18
Türkçe (<i>orijinal talimatlardan çevrilmiştir</i>)	35
Англійська (<i>оригінальні інструкції</i>)	50

130.com.ua

Fig. A

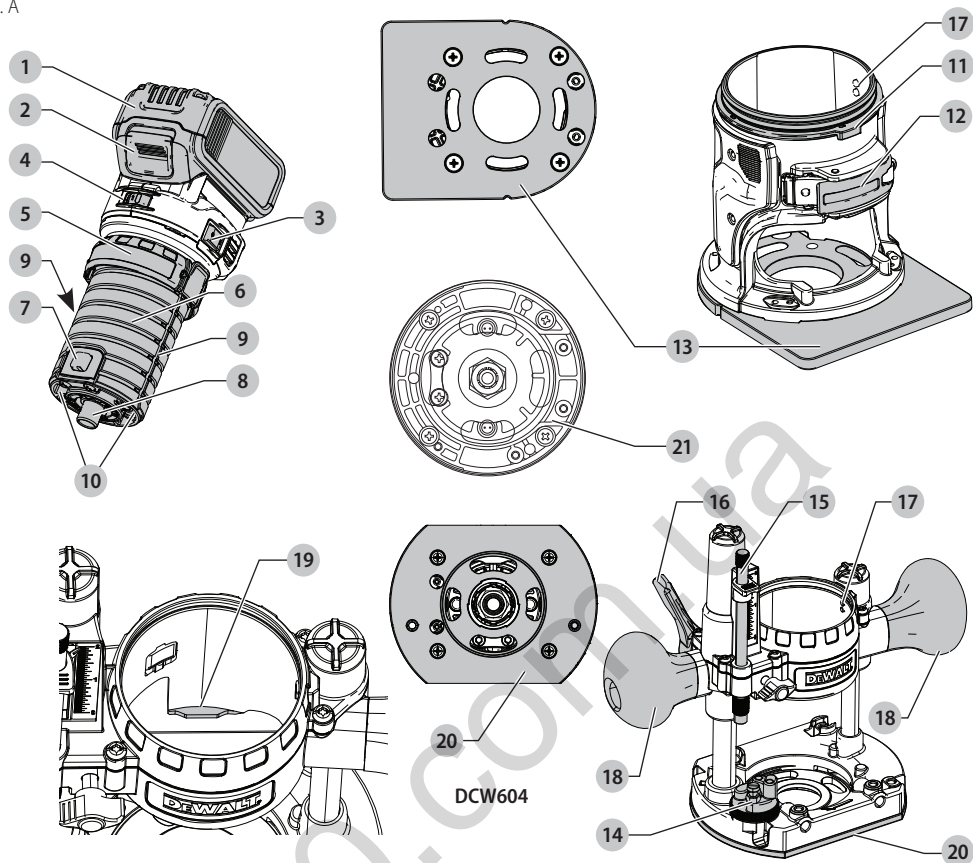


Fig. B

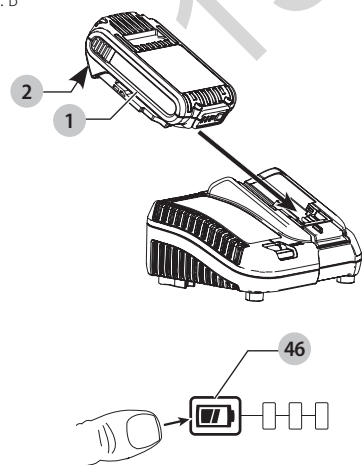


Fig. C

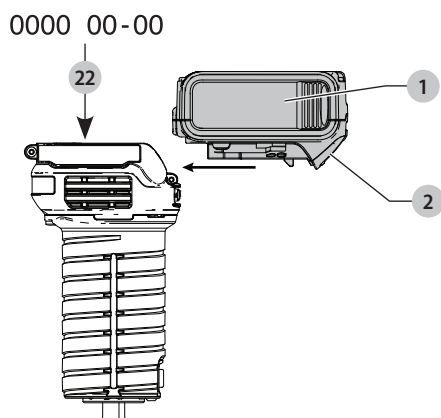


Fig. D

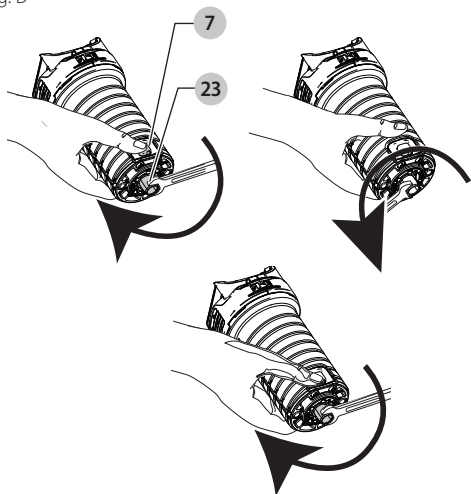


Fig. E

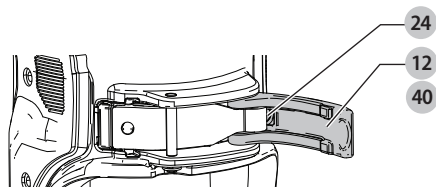


Fig. F1

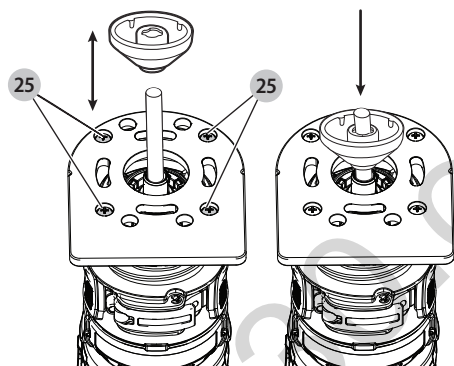


Fig. F2

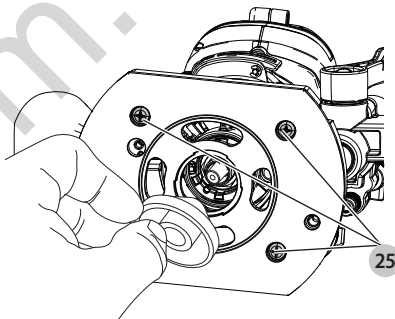


Fig. F3

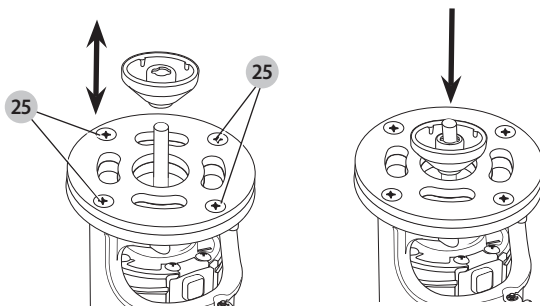


Fig. G

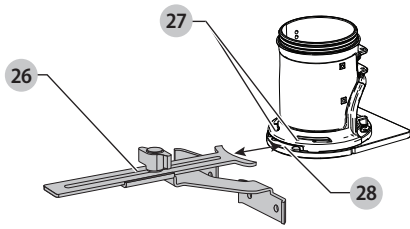


Fig. H

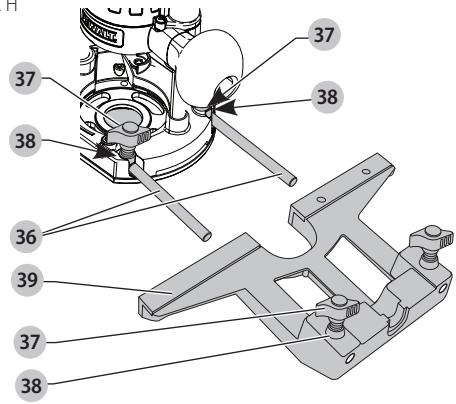


Fig. I

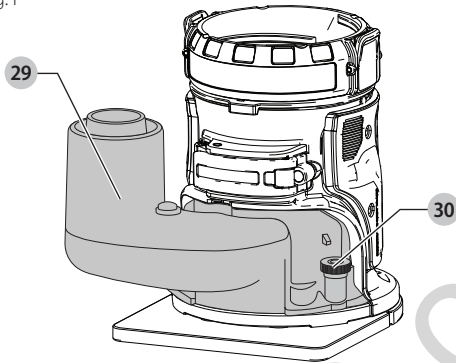


Fig. J

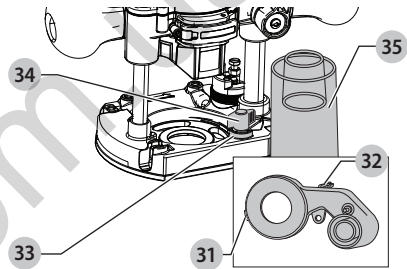


Fig. K

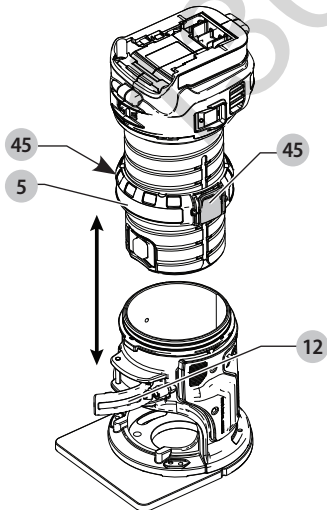


Fig. L

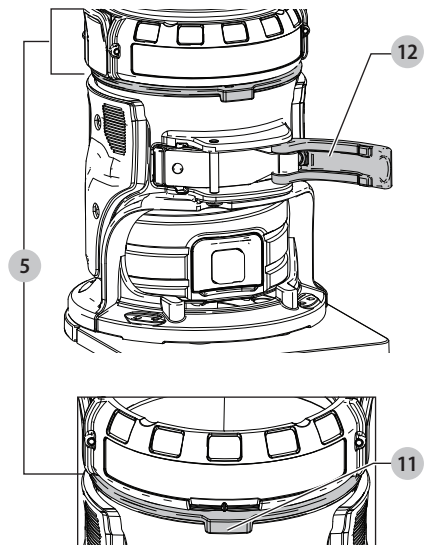


Fig. M

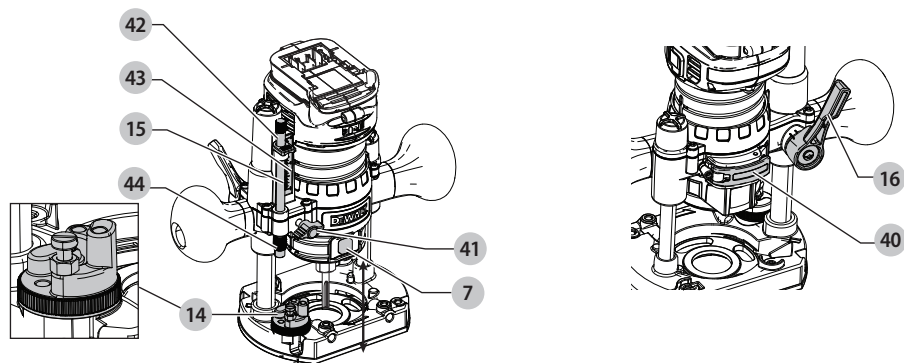


Fig. N1

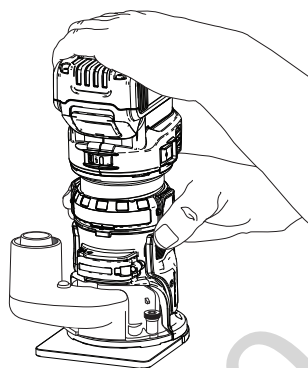


Fig. N2

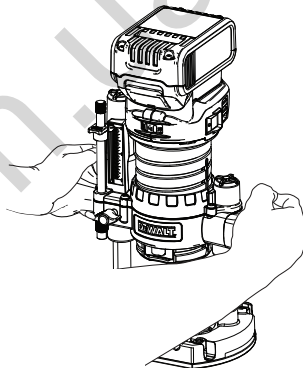
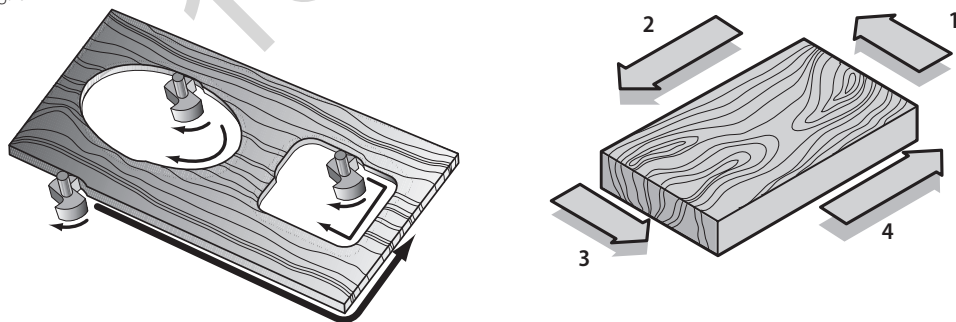


Fig. O



PLUNGE ROUTER

DCW600, DCW604

Congratulations!

You have chosen a DEWALT tool. Years of experience, thorough product development and innovation make DEWALT one of the most reliable partners for professional power tool users.

Technical Data

		DCW600	DCW604
Voltage	V _{bc}	18	18
Type		1	1
Battery type		Li-Ion	Li-Ion
Power output	W	930	930
No-load speed	rpm	16000–25500	16000–25500
Router carriage		1 column	2 columns
Router carriage stroke	mm	55	55
Collet Size	mm	8	8
Cutter Diameter, max		30	30
Weight (without battery pack)	kg	1.54	2.40
Noise and/or vibration values (tri-ax vector sum) according to EN60745-2-17:			
L _{pa} (emission sound pressure level)	dB(A)	73	73
L _{wa} (sound power level)	dB(A)	84	84
K (uncertainty for the given sound level)	dB(A)	3	3
Vibration emission value a _h =			
	m/s ²	4.7	4.7
Uncertainty K =			
	m/s ²	2.7	2.7

The vibration and/or noise emission level given in this information sheet has been measured in accordance with a standardised test given in EN60745 and may be used to compare one tool with another. It may be used for a preliminary assessment of exposure.

WARNING: The declared vibration and/or noise emission level represents the main applications of the tool. However if the tool is used for different applications, with different accessories or poorly maintained, the vibration and/or noise emission may differ. This may significantly increase the exposure level over the total working period.

An estimation of the level of exposure to vibration and/or noise should also take into account the times when the tool is switched off or when it is running but not actually doing the job. This may significantly reduce the exposure level over the total working period.

Identify additional safety measures to protect the operator from the effects of vibration and/or noise such as: maintain the tool and the accessories, keep the hands warm (relevant for vibration), organisation of work patterns.

EC-Declaration of Conformity

Machinery Directive



Plunge Router DCW600, DCW604

DEWALT declares that these products described under **Technical Data** are in compliance with: 2006/42/EC, EN60745-1:2009 +A11:2010, EN60745-2-17:2010. These products also comply with Directive 2014/30/EU and 2011/65/EU. For more information, please contact DEWALT at the following address or refer to the back of the manual.

The undersigned is responsible for compilation of the technical file and makes this declaration on behalf of DEWALT.

Markus Rompel
Vice-President Engineering, PTE-Europe
DEWALT, Richard-Klinger-Straße 11,
D-65510, Idstein, Germany
15.03.2019



WARNING: To reduce the risk of injury, read the instruction manual.

Definitions: Safety Guidelines

The definitions below describe the level of severity for each signal word. Please read the manual and pay attention to these symbols.



DANGER: Indicates an imminently hazardous situation which, if not avoided, **will** result in **death or serious injury**.



WARNING: Indicates a potentially hazardous situation which, if not avoided, **could** result in **death or serious injury**.



CAUTION: Indicates a potentially hazardous situation which, if not avoided, **may** result in **minor or moderate injury**.

NOTICE: Indicates a practice **not related to personal injury** which, if not avoided, **may** result in **property damage**.



Denotes risk of electric shock.



Denotes risk of fire.

Batteries				Chargers/Charge Times (Minutes)							
Cat #	V _{DC}	Ah	Weight (kg)	DCB104	DCB107	DCB112	DCB113	DCB115	DCB118	DCB132	DCB119
DCB546	18/54	6.0/2.0	1.05	60	270	170	140	90	60	90	X
DCB547	18/54	9.0/3.0	1.46	75*	420	270	220	135*	75*	135*	X
DCB548	18/54	12.0/4.0	1.44	120	540	350	300	180	120	180	X
DCB181	18	1.5	0.35	22	70	45	35	22	22	22	45
DCB182	18	4.0	0.61	60/40**	185	120	100	60	60/40**	60	120
DCB183/B	18	2.0	0.40	30	90	60	50	30	30	30	60
DCB184/B	18	5.0	0.62	75/50**	240	150	120	75	75/50**	75	150
DCB185	18	1.3	0.35	22	60	40	30	22	22	22	X
DCB187	18	3.0	0.54	45	140	90	70	45	45	45	90
DCB189	18	4.0	0.54	60	185	120	100	60	60	60	120

*Date code 201811475B or later

**Date code 201536 or later

GENERAL POWER TOOL SAFETY WARNINGS



WARNING: Read all safety warnings, instructions, illustrations and specifications provided with this power tool. Failure to follow all instructions listed below may result in electric shock, fire and/or serious injury.

SAVE ALL WARNINGS AND INSTRUCTIONS FOR FUTURE REFERENCE

The term "power tool" in the warnings refers to your mains-operated (corded) power tool or battery-operated (cordless) power tool.

1) Work Area Safety

- Keep work area clean and well lit.** Cluttered or dark areas invite accidents.
- Do not operate power tools in explosive atmospheres, such as in the presence of flammable liquids, gases or dust.** Power tools create sparks which may ignite the dust or fumes.
- Keep children and bystanders away while operating a power tool.** Distractions can cause you to lose control.

2) Electrical Safety

- Power tool plugs must match the outlet. Never modify the plug in any way. Do not use any adapter plugs with earthed (grounded) power tools.** Unmodified plugs and matching outlets will reduce risk of electric shock.
- Avoid body contact with earthed or grounded surfaces, such as pipes, radiators, ranges and refrigerators.** There is an increased risk of electric shock if your body is earthed or grounded.
- Do not expose power tools to rain or wet conditions.** Water entering a power tool will increase the risk of electric shock.
- Do not abuse the cord. Never use the cord for carrying, pulling or unplugging the power tool. Keep cord away from heat, oil, sharp edges or moving parts.** Damaged or entangled cords increase the risk of electric shock.

- When operating a power tool outdoors, use an extension cord suitable for outdoor use.** Use of a cord suitable for outdoor use reduces the risk of electric shock.
- If operating a power tool in a damp location is unavoidable, use a residual current device (RCD) protected supply.** Use of an RCD reduces the risk of electric shock.

3) Personal Safety

- Stay alert, watch what you are doing and use common sense when operating a power tool. Do not use a power tool while you are tired or under the influence of drugs, alcohol or medication.** A moment of inattention while operating power tools may result in serious personal injury.
- Use personal protective equipment. Always wear eye protection.** Protective equipment such as a dust mask, non-skid safety shoes, hard hat or hearing protection used for appropriate conditions will reduce personal injuries.
- Prevent unintentional starting. Ensure the switch is in the off-position before connecting to power source and/or battery pack, picking up or carrying the tool.** Carrying power tools with your finger on the switch or energising power tools that have the switch on invites accidents.
- Remove any adjusting key or wrench before turning the power tool on.** A wrench or a key left attached to a rotating part of the power tool may result in personal injury.
- Do not overreach. Keep proper footing and balance at all times.** This enables better control of the power tool in unexpected situations.
- Dress properly. Do not wear loose clothing or jewellery. Keep your hair and clothing away from moving parts.** Loose clothes, jewellery or long hair can be caught in moving parts.
- If devices are provided for the connection of dust extraction and collection facilities, ensure these are connected and properly used.** Use of dust collection can reduce dust-related hazards.

- h) **Do not let familiarity gained from frequent use of tools allow you to become complacent and ignore tool safety principles.** A careless action can cause severe injury within a fraction of a second.

4) Power Tool Use and Care

- a) **Do not force the power tool. Use the correct power tool for your application.** The correct power tool will do the job better and safer at the rate for which it was designed.
- b) **Do not use the power tool if the switch does not turn it on and off.** Any power tool that cannot be controlled with the switch is dangerous and must be repaired.
- c) **Disconnect the plug from the power source and/or remove the battery pack, if detachable, from the power tool before making any adjustments, changing accessories, or storing power tools.** Such preventive safety measures reduce the risk of starting the power tool accidentally.
- d) **Store idle power tools out of the reach of children and do not allow persons unfamiliar with the power tool or these instructions to operate the power tool.** Power tools are dangerous in the hands of untrained users.
- e) **Maintain power tools and accessories. Check for misalignment or binding of moving parts, breakage of parts and any other condition that may affect the power tool's operation. If damaged, have the power tool repaired before use.** Many accidents are caused by poorly maintained power tools.
- f) **Keep cutting tools sharp and clean.** Properly maintained cutting tools with sharp cutting edges are less likely to bind and are easier to control.
- g) **Use the power tool, accessories and tool bits etc. in accordance with these instructions, taking into account the working conditions and the work to be performed.** Use of the power tool for operations different from those intended could result in a hazardous situation.
- h) **Keep handles and grasping surfaces dry, clean and free from oil and grease.** Slippery handles and grasping surfaces do not allow for safe handling and control of the tool in unexpected situations.

5) Battery Tool Use and Care

- a) **Recharge only with the charger specified by the manufacturer.** A charger that is suitable for one type of battery pack may create a risk of fire when used with another battery pack.
- b) **Use power tools only with specifically designated battery packs.** Use of any other battery packs may create a risk of injury and fire.
- c) **When battery pack is not in use, keep it away from other metal objects, like paper clips, coins, keys, nails, screws or other small metal objects, that can make a connection from one terminal to another.** Shorting the battery terminals together may cause burns or a fire.
- d) **Under abusive conditions, liquid may be ejected from the battery; avoid contact. If contact accidentally occurs, flush with water. If liquid**

contacts eyes, additionally seek medical help. Liquid ejected from the battery may cause irritation or burns.

- e) **Do not use a battery pack or tool that is damaged or modified.** Damaged or modified batteries may exhibit unpredictable behaviour resulting in fire, explosion or risk of injury.
- f) **Do not expose a battery pack or tool to fire or excessive temperature.** Exposure to fire or temperature above 130 °C may cause explosion.
- g) **Follow all charging instructions and do not charge the battery pack or tool outside the temperature range specified in the instructions.** Charging improperly or at temperatures outside the specified range may damage the battery and increase the risk of fire.

6) Service

- a) **Have your power tool serviced by a qualified repair person using only identical replacement parts.** This will ensure that the safety of the power tool is maintained.
- b) **Never service damaged battery packs.** Service of battery packs should only be performed by the manufacturer or authorized service providers.

Additional Specific Safety Rules for Compact Routers

- **Use clamps or another practical way to secure and support the workpiece to a stable platform.** Holding the work by hand or against your body leaves it unstable and may lead to loss of control.
- **DO NOT cut metal.**
- **Keep handles and gripping surfaces dry, clean, and free from oil and grease.** This will enable better control of the tool.
- **Maintain firm grip with both hands on the tool to resist starting torque.** Maintain a firm grip on the tool at all times while operating.
- **Always follow the bit manufacturer's speed recommendations as some bit designs require specific speeds for safety or performance.** If you are unsure of the proper speed or are experiencing any type of problem, contact the bit manufacturer.
- **Keep hands away from cutting area. Never reach under the workpiece for any reason.** Keep the router base firmly in contact with the workpiece when cutting.
- **Never run the motor unit when it is not inserted in one of the router bases.** The motor is not designed to be handheld.
- **Keep cutting pressure constant.** Do not overload motor.
- **Use sharp bits.** Dull bits may cause the router to swerve or stall under pressure.
- **Be sure that the motor has stopped completely before you lay the router down.** If the bit is still spinning when the tool is laid down, it could cause injury or damage.
- **Be sure that the router bit is clear of the workpiece before starting the motor.** If the bit is in contact with the workpiece when the motor starts it could make the router jump, causing damage or injury.

- **ALWAYS** remove the battery before making adjustments or changing bits.
- **Keep hands clear of bits when motor is running to prevent personal injury.**
- **Never touch the bit immediately after use.** It may be extremely hot.
- **Provide clearance under workpiece for router bit when through-cutting.**
- **Tighten collet nut securely to prevent the bit from slipping.**
- **Never tighten collet nut without a bit.**
- **Do not use router bits with a diameter in excess of 30 mm in this tool.**
- **Avoid climb-cutting (cutting in direction opposite than shown in Figure O). Climb-cutting increases the chance for loss of control resulting in possible injury.** When climb-cutting is required (backing around a corner), exercise extreme caution to maintain control of router. Make smaller cuts and remove minimal material with each pass.
- Always use straight-cutters, rabbet-cutters, profile cutters, slotter cutters or grooved knives with a shank diameter that corresponds to the size of the collet in your tool.
- Always use bits suitable for a speed of min. 30000 min⁻¹ and marked accordingly.
- **Do not hand-hold the router in an upside-down or horizontal position.** The motor can separate from the base if not properly attached according to the instructions.
- **Before starting the motor clear the work area of all foreign objects.**
- **Do not use in a router table.**
- **Always keep the chip shield (if included) clean and in place.**
- **Do not press spindle lock button while the motor is running.** Doing so can damage the spindle lock.
- **Always make sure the work surface is free from nails and other foreign objects.** Cutting into a nail can cause the bit and the tool to jump.

Residual Risks

In spite of the application of the relevant safety regulations and the implementation of safety devices, certain residual risks cannot be avoided. These are:

- Impairment of hearing.
- Risk of personal injury due to flying particles.
- Risk of burns due to accessories becoming hot during operation.
- Risk of personal injury due to prolonged use.

SAVE THESE INSTRUCTIONS

Chargers

DEWALT chargers require no adjustment and are designed to be as easy as possible to operate.

Electrical Safety

The electric motor has been designed for one voltage only. Always check that the battery pack voltage corresponds to the voltage on the rating plate. Also make sure that the voltage of your charger corresponds to that of your mains.



Your DEWALT charger is double insulated in accordance with EN60335; therefore no earth wire is required.

If the supply cord is damaged, it must be replaced by a specially prepared cord available through the DEWALT service organisation.

Mains Plug Replacement (U.K. & Ireland Only)

If a new mains plug needs to be fitted:

- Safely dispose of the old plug.
- Connect the brown lead to the live terminal in the plug.
- Connect the blue lead to the neutral terminal.



WARNING: No connection is to be made to the earth terminal.

Follow the fitting instructions supplied with good quality plugs. Recommended fuse: 3 A.

Using an Extension Cable

An extension cord should not be used unless absolutely necessary. Use an approved extension cable suitable for the power input of your charger (see **Technical Data**). The minimum conductor size is 1 mm²; the maximum length is 30 m.

When using a cable reel, always unwind the cable completely.

Important Safety Instructions for All Battery Chargers

SAVE THESE INSTRUCTIONS: This manual contains important safety and operating instructions for compatible battery chargers (refer to **Technical Data**).

- Before using charger, read all instructions and cautionary markings on charger, battery pack, and product using battery pack.



WARNING: Shock hazard. Do not allow any liquid to get inside charger. Electric shock may result.



WARNING: We recommend the use of a residual current device with a residual current rating of 30mA or less.



CAUTION: Burn hazard. To reduce the risk of injury, charge only DEWALT rechargeable batteries. Other types of batteries may burst causing personal injury and damage.



CAUTION: Children should be supervised to ensure that they do not play with the appliance.

NOTICE: Under certain conditions, with the charger plugged into the power supply, the exposed charging contacts inside the charger can be shorted by foreign material. Foreign materials of a conductive nature such as, but not limited to, steel wool, aluminum foil or any buildup of metallic particles should be kept away from charger cavities. Always unplug the charger from the

power supply when there is no battery pack in the cavity.
Unplug charger before attempting to clean

- **DO NOT attempt to charge the battery pack with any chargers other than the ones in this manual.** The charger and battery pack are specifically designed to work together.
- **These chargers are not intended for any uses other than charging DeWALT rechargeable batteries.** Any other uses may result in risk of fire, electric shock or electrocution.
- **Do not expose charger to rain or snow.**
- **Pull by plug rather than cord when disconnecting charger.** This will reduce risk of damage to electric plug and cord.
- **Make sure that cord is located so that it will not be stepped on, tripped over, or otherwise subjected to damage or stress.**
- **Do not use an extension cord unless it is absolutely necessary.** Use of improper extension cord could result in risk of fire, electric shock, or electrocution.
- **Do not place any object on top of charger or place the charger on a soft surface that might block the ventilation slots and result in excessive internal heat.** Place the charger in a position away from any heat source. The charger is ventilated through slots in the top and the bottom of the housing.
- **Do not operate charger with damaged cord or plug—** have them replaced immediately.
- **Do not operate charger if it has received a sharp blow, been dropped, or otherwise damaged in any way.** Take it to an authorised service centre.
- **Do not disassemble charger; take it to an authorised service centre when service or repair is required.** Incorrect reassembly may result in a risk of electric shock, electrocution or fire.
- *In case of damaged power supply cord the supply cord must be replaced immediately by the manufacturer, its service agent or similar qualified person to prevent any hazard.*
- **Disconnect the charger from the outlet before attempting any cleaning.** This will reduce the risk of electric shock. Removing the battery pack will not reduce this risk.
- **NEVER attempt to connect two chargers together.**
- **The charger is designed to operate on standard 230V household electrical power. Do not attempt to use it on any other voltage.** This does not apply to the vehicular charger.

Charging a Battery (Fig. B)







1. Plug the charger into an appropriate outlet before inserting battery pack.
2. Insert the battery pack ① into the charger, making sure the battery pack is fully seated in the charger. The red (charging) light will blink repeatedly indicating that the charging process has started.
3. The completion of charge will be indicated by the red light remaining ON continuously. The battery pack is fully charged and may be used at this time or left in the charger.

To remove the battery pack from the charger, push the battery release button ② on the battery pack.

NOTE: To ensure maximum performance and life of lithium-ion battery packs, charge the battery pack fully before first use.

Charger Operation

Refer to the indicators below for the charge status of the battery pack.

Charge Indicators	
 Charging	
 Fully Charged	
 Hot/Cold Pack Delay*	

*The red light will continue to blink, but a yellow indicator light will be illuminated during this operation. Once the battery pack has reached an appropriate temperature, the yellow light will turn off and the charger will resume the charging procedure.

The compatible charger(s) will not charge a faulty battery pack. The charger will indicate faulty battery by refusing to light.

NOTE: This could also mean a problem with a charger.

If the charger indicates a problem, take the charger and battery pack to be tested at an authorised service centre.

Hot/Cold Pack Delay

When the charger detects a battery pack that is too hot or too cold, it automatically starts a Hot/Cold Pack Delay, suspending charging until the battery pack has reached an appropriate temperature. The charger then automatically switches to the pack charging mode. This feature ensures maximum battery pack life.

A cold battery pack will charge at a slower rate than a warm battery pack. The battery pack will charge at that slower rate throughout the entire charging cycle and will not return to maximum charge rate even if the battery pack warms.

Electronic Protection System

XR Li-Ion tools are designed with an Electronic Protection System that will protect the battery pack against overloading, overheating or deep discharge.

The tool will automatically turn off if the Electronic Protection System engages. If this occurs, place the lithium-ion battery pack on the charger until it is fully charged.

Wall Mounting

These chargers are designed to be wall mountable or to sit upright on a table or work surface. If wall mounting, locate the charger within reach of an electrical outlet, and away from a corner or other obstructions which may impede air flow. Use the back of the charger as a template for the location of the mounting screws on the wall. Mount the charger securely using drywall screws (purchased separately) at least 25.4 mm long with a screw head diameter of 7–9 mm, screwed into wood to an optimal depth leaving approximately 5.5 mm of the screw exposed. Align the slots on the back of the charger with the exposed screws and fully engage them in the slots.

Charger Cleaning Instructions



WARNING: Shock hazard. Disconnect the charger from the AC outlet before cleaning. Dirt and grease may be removed from the exterior of the charger using a cloth or soft non-metallic brush. Do not use water or any cleaning solutions. Never let any liquid get inside the tool; never immerse any part of the tool into a liquid.

Battery Packs

Important Safety Instructions for All Battery Packs

When ordering replacement battery packs, be sure to include catalogue number and voltage.

The battery pack is not fully charged out of the carton. Before using the battery pack and charger, read the safety instructions below. Then follow charging procedures outlined.

READ ALL INSTRUCTIONS

- **Do not charge or use battery in explosive atmospheres, such as in the presence of flammable liquids, gases or dust.** Inserting or removing the battery from the charger may ignite the dust or fumes.
- **Never force battery pack into charger. Do not modify battery pack in any way to fit into a non-compatible charger as battery pack may rupture causing serious personal injury.**
- Charge the battery packs only in DEWALT chargers.
- **DO NOT** splash or immerse in water or other liquids.
- **Do not store or use the tool and battery pack in locations where the temperature may reach or exceed 40 °C (104 °F) (such as outside sheds or metal buildings in summer).**
- **Do not incinerate the battery pack even if it is severely damaged or is completely worn out.** The battery pack can explode in a fire. Toxic fumes and materials are created when lithium-ion battery packs are burned.
- **If battery contents come into contact with the skin, immediately wash area with mild soap and water.** If battery liquid gets into the eye, rinse water over the open eye for 15 minutes or until irritation ceases. If medical attention is needed, the battery electrolyte is composed of a mixture of liquid organic carbonates and lithium salts.
- **Contents of opened battery cells may cause respiratory irritation.** Provide fresh air. If symptoms persists, seek medical attention.



WARNING: Burn hazard. Battery liquid may be flammable if exposed to spark or flame.



WARNING: Never attempt to open the battery pack for any reason. If battery pack case is cracked or damaged, do not insert into charger. Do not crush, drop or damage battery pack. Do not use a battery pack or charger that has received a sharp blow, been dropped, run over or damaged in any way (i.e., pierced with a nail, hit with a hammer, stepped on). Electric shock or electrocution may result. Damaged battery packs should be returned to service centre for recycling.



WARNING: Fire hazard. Do not store or carry the battery pack so that metal objects can contact exposed battery terminals. For example, do not place the battery pack in aprons, pockets, tool boxes, product kit boxes, drawers, etc., with loose nails, screws, keys, etc.



CAUTION: When not in use, place tool on its side on a stable surface where it will not cause a tripping or falling hazard. Some tools with large battery packs will stand upright on the battery pack but may be easily knocked over.

Transportation



WARNING: Fire hazard. Transporting batteries can possibly cause fire if the battery terminals inadvertently come in contact with conductive materials. When transporting batteries, make sure that the battery terminals are protected and well insulated from materials that could contact them and cause a short circuit. **NOTE:** Lithium-ion batteries should not be put in checked baggage.

DEWALT batteries comply with all applicable shipping regulations as prescribed by industry and legal standards which include UN Recommendations on the Transport of Dangerous Goods; International Air Transport Association (IATA) Dangerous Goods Regulations, International Maritime Dangerous Goods (IMDG) Regulations, and the European Agreement Concerning The International Carriage of Dangerous Goods by Road (ADR). Lithium-ion cells and batteries have been tested to section 38.3 of the UN Recommendations on the Transport of Dangerous Goods Manual of Tests and Criteria.

In most instances, shipping a DEWALT battery pack will be excepted from being classified as a fully regulated Class 9 Hazardous Material. In general, only shipments containing a lithium-ion battery with an energy rating greater than 100 Watt Hours (Wh) will require being shipped as fully regulated Class 9. All lithium-ion batteries have the Watt Hour rating marked on the pack. Furthermore, due to regulation complexities, DEWALT does not recommend air shipping lithium-ion battery packs alone regardless of Watt Hour rating. Shipments of tools with batteries (combo kits) can be air shipped as excepted if the Watt Hour rating of the battery pack is no greater than 100 Wh. Regardless of whether a shipment is considered excepted or fully regulated, it is the shipper's responsibility to consult the latest regulations for packaging, labeling/marketing and documentation requirements.

The information provided in this section of the manual is provided in good faith and believed to be accurate at the time the document was created. However, no warranty, expressed or implied, is given. It is the buyer's responsibility to ensure that its activities comply with the applicable regulations.

Storage Recommendations

1. The best storage place is one that is cool and dry away from direct sunlight and excess heat or cold. For optimum battery performance and life, store battery packs at room temperature when not in use.

2. For long storage, it is recommended to store a fully charged battery pack in a cool, dry place out of the charger for optimal results.

NOTE: Battery packs should not be stored completely depleted of charge. The battery pack will need to be recharged before use.

Labels on Charger and Battery Pack

In addition to the pictographs used in this manual, the labels on the charger and the battery pack may show the following pictographs:



Read instruction manual before use.



See **Technical Data** for charging time.



Do not probe with conductive objects.



Do not charge damaged battery packs.



Do not expose to water.



Have defective cords replaced immediately.



Charge only between 4 °C and 40 °C.



Only for indoor use.



Discard the battery pack with due care for the environment.

LI-ION



Charge DEWALT battery packs only with designated DEWALT chargers. Charging battery packs other than the designated DEWALT batteries with a DEWALT charger may make them burst or lead to other dangerous situations.



Do not incinerate the battery pack.

Battery Type

The DCW600, DCW604 operate on a 18 volt battery pack. These battery packs may be used: DCB181, DCB182, DCB183, DCB183B, DCB184, DCB184B, DCB185, DCB187, DCB189, DCB546, DCB547, DCB548. Refer to **Technical Data** for more information.

Package Contents

The package contains:

DCW600

- 1 Router with fixed base
- 1 Fixed base dust collection
- 1 Basic parallel fence
- 1 Collet 8 mm
- 1 Collet 1/4"
- 1 Wrench
- 1 Round subbase

DCW604

- 1 Router with fixed base and plunge base
- 1 Round subbase
- 1 Plunge base dust collection
- 1 Fixed base dust collection
- 1 Basic parallel fence
- 1 Plunge base parallel fence
- 1 Collet 8 mm
- 1 Collet 1/4"
- 1 Wrench
- 1 Centring tool

Package includes:

- 1 Li-Ion battery pack (C1, D1, L1, M1, P1, S1, T1, X1, Y1 models)
- 2 Li-Ion battery packs (C2, D2, L2, M2, P2, S2, T2, X2, Y2 models)
- 3 Li-Ion battery packs (C3, D3, L3, M3, P3, S3, T3, X3, Y3 models)
- 1 Instruction manual

NOTE: Battery packs, chargers and kitboxes are not included with N models. Battery packs and chargers are not included with NT models. B models include Bluetooth® battery packs.

NOTE: The Bluetooth® word mark and logos are registered trademarks owned by the Bluetooth®, SIG, Inc. and any use of such marks by DEWALT is under license. Other trademarks and trade names are those of their respective owners.

- Check for damage to the tool, parts or accessories which may have occurred during transport.
- Take the time to thoroughly read and understand this manual prior to operation.

Markings on Tool

The following pictographs are shown on the tool:



Read instruction manual before use.



Wear ear protection.



Wear eye protection.



Visible radiation. Do not stare into light.

Date Code Position (Fig. C)

The date code **22**, which also includes the year of manufacture, is printed into the housing.

Example:

2019 XX XX
Year of Manufacture

Description (Fig. A)

WARNING: Never modify the power tool or any part of it. Damage or personal injury could result.

- | | |
|---------------------------|-----------------------------|
| 1 Battery pack | 12 Locking lever |
| 2 Battery release button | 13 D-shaped subbase |
| 3 On/Off switch | 14 Turret stop |
| 4 Variable speed dial | 15 Depth adjustment rod |
| 5 Depth adjustment ring | 16 Plunge lock lever |
| 6 Motor | 17 Guide pins |
| 7 Spindle lock button | 18 Plunge base side handles |
| 8 Spindle | 19 Motor stop |
| 9 Guide pin groove | 20 Plunge subbase |
| 10 Worklights | 21 Round subbase |
| 11 Micro-adjustment scale | |

Intended Use

This tool is designed for professional medium-duty routing of wood, wood products and plastics with 6–8 mm shank bits.

DO NOT use under wet conditions or in the presence of flammable liquids or gases.

DO NOT let children come into contact with the tool. Supervision is required when inexperienced operators use this tool.

- **Young children and the infirm.** This appliance is not intended for use by young children or infirm persons without supervision.
- This product is not intended for use by persons (including children) suffering from diminished physical, sensory or mental abilities; lack of experience, knowledge or skills unless they are supervised by a person responsible for their safety. Children should never be left alone with this product.

ASSEMBLY AND ADJUSTMENTS

WARNING: To reduce the risk of serious personal injury, turn tool off and disconnect battery pack before making any adjustments or removing/installing attachments or accessories. An accidental start-up can cause injury.



WARNING: Use only DeWALT battery packs and chargers.

Inserting and Removing the Battery Pack from the Tool (Fig. B)

NOTE: Make sure your battery pack **1** is fully charged.

To Install the Battery Pack into the Tool Handle

1. Align the battery pack **1** with the rails inside the tool's handle (Fig. B).
2. Slide it into the handle until the battery pack is firmly seated in the tool and ensure that you hear the lock snap into place.

To Remove the Battery Pack from the Tool

1. Press the release button **2** and firmly pull the battery pack out of the tool handle.
2. Insert battery pack into the charger as described in the charger section of this manual.

Fuel Gauge Battery Packs (Fig. B)

Some DeWALT battery packs include a fuel gauge which consists of three green LED lights that indicate the level of charge remaining in the battery pack.

To actuate the fuel gauge, press and hold the fuel gauge button **46**. A combination of the three green LED lights will illuminate designating the level of charge left. When the level of charge in the battery is below the usable limit, the fuel gauge will not illuminate and the battery will need to be recharged.

NOTE: The fuel gauge is only an indication of the charge left on the battery pack. It does not indicate tool functionality and is subject to variation based on product components, temperature and end-user application.

Bit Installation and Removal (Fig. D)**To Install the Bit**

1. Remove the motor unit from the base unit. Refer to **Removing the Motor from the Fixed Base** or **Removing the Motor from the Plunge Base** (if needed).
2. Clean and insert the round shank of the desired router bit into the loosened collet as far as it will go and then pull it out about 1.6 mm.
3. Depress the spindle lock button **7** to hold the spindle shaft in place while turning the collet nut **23** clockwise with the wrench provided.

NOTE: The unit is equipped with multiple spindle lock detents allowing an optional "manual ratchet" method of tightening the bit.

To tighten with the "manual ratchet" method:

- a. Without removing the wrench from the collet nut **23**, release pressure on the spindle lock button **7**.
- b. With the wrench still on the collet nut, reverse the tightening direction to reset the wrench position.
- c. Depress the spindle lock button again and turn the wrench clockwise.
- d. Repeat the procedure until the collet nut reaches desired tightness.

NOTICE: Avoid possible damage to the collet. Never tighten the collet without a bit.

To Remove the Bit

1. Remove the motor unit from the base unit (refer to **Removing the Motor from the Fixed Base** or **Removing the Motor from the Plunge Base**).
2. Depress the spindle lock button **7** to hold the spindle shaft in place while turning the collet nut **23** anticlockwise with the wrench provided.

To loosen using the "manual ratchet" method:

1. Without removing the wrench from the collet nut **23**, release pressure on the spindle lock button **7**.
2. With the wrench still on the collet nut **23**, reverse the loosening direction to reset the wrench position.
3. Depress the spindle lock button **7** again and turn the wrench anticlockwise.
4. Repeat the procedure until the collet nut **23** is loose and the bit can be removed.

Collets

NOTE: Never tighten the collet without first installing a router bit in it. Tightening an empty collet, even by hand, can damage the collet.

To change collet sizes, unscrew the collet assembly as described above. Install the desired collet by reversing the procedure.

The collet and the collet nut are connected. Do not attempt to remove the collet from the collet nut.

Locking Lever Adjustment (Fig. E)

Excessive force should not be used to clamp the locking lever. Using excessive force may damage the base.

When the locking lever is clamped, the motor should not move in the base.

Adjustment is needed if the locking lever will not clamp without excessive force or if the motor moves in the base after clamping.

To adjust the locking lever's clamping force:

1. Open the locking lever **12** (fixed base) or **40** (plunge base).
2. Using a hex wrench turn locking lever adjustment screw **24** in small increments. Turning the screw clockwise tightens the lever, while turning the screw anticlockwise loosens the lever.

Centring the Subbase (Fig. A, F1–F3)

If you need to adjust, change, or replace a subbase, a centring tool is recommended. The centring tool consists of a cone and a pin.

To adjust a subbase, follow the steps below.

Figure F1 shows adjusting the D-shaped subbase on the fixed base.

Figure F2 shows adjusting the subbase on the plunge base.

Figure F3 shows adjusting the round subbase on the fixed base.

1. Loosen but do not remove the subbase screws **25** so the subbase moves freely.
2. Insert the pin into the collet and tighten the collet nut.
3. Insert the motor into the base and clamp the locking lever **12** / **40** on the base.

4. Place the cone on the pin and lightly press down on the cone until it stops. This will centre the subbase.
5. While holding down on the cone, tighten the subbase screws.

Using Template Guides

The plunge subbase will accept template guides. On the fixed base, the round subbase will be needed to accept template guides.

NOTE: The D-shaped subbase does not accommodate template guides and is designed to accommodate cutters up to 30 mm in diameter.

To Use Template Guides

1. Install template guide to subbase using two screws and tighten securely.
2. Centre the subbase. Refer to **Centring the Subbase**.

Installing a Fixed Base Parallel Fence (Fig. G)

A parallel fence (model DE6913) for your fixed base is included.

1. Remove the motor from the fixed base. Refer to **Removing the Motor from the Fixed Base**.
2. Remove flat head screws **27** from storage holes on parallel fence.
3. Slide parallel fence **26** into parallel fence slot **28** on side of fixed base (Fig. G). Insert the two flat head screws through the appropriate holes in the subbase to secure the edge guide. Tighten hardware.
4. Follow all instructions included with the parallel fence.

NOTE: To remove the parallel fence, reverse the above procedure. After removing parallel fence always replace the two flat head screws **27** into the storage holes on the parallel fence to prevent loss.

Installing a Plunge Base Parallel Fence with Guide Rods, DCW604 Only (Fig. H)

A parallel fence with guide rods may be included with your plunge base unit. A premium parallel fence (model DE6913) is also available from your local retailer or service centre at extra cost.

1. Attach the guide rods **36** to the plunge router base.
2. Attach the thumb screws **37** and springs **38** to the base.
3. Tighten the thumb screws **37**.
4. Slide the parallel fence **39** over the rods.
5. Attach thumb screws **37** and springs **38** to the parallel fence.
6. Tighten the thumb screws temporarily. Refer to **Adjusting the Parallel Fence**.

Adjusting the Parallel Fence (Fig. A, H)

Follow the assembly instructions included with the parallel fence.

1. Draw a cutting line on the material.
2. Lower the router carriage until the cutter is in contact with the workpiece.

- Lock the plunge mechanism by releasing the plunge lock lever **16**.
- Position the router on the cutting line. The outer cutting edge of the cutter must coincide with the cutting line.
- Slide the parallel fence **39** against the workpiece and tighten the thumb screws **37**.

Attaching a Dust Extraction System to the Fixed Base (Fig. I)

To connect the router to a dust extraction system for dust collection, follow these steps:

- Remove the motor unit from the base. Refer to **Removing the Motor from the Fixed Base**.
- Attach dust extraction system attachment accessory **29** to the base as shown. Tighten thumb screws **30** securely by hand.
- Attach hose adapter to dust extraction system attachment accessory.
- When using dust extraction system attachment, be aware of the placement of the dust extraction system. Be sure that the dust extraction system is stable and that its hose will not interfere with the work.

Attaching a Dust Extraction System to the Plunge Base, DCW604 Only (Fig. J)

- Remove the motor unit from the base. Refer to **Removing the Motor from the Plunge Base**.
- Slide tab **31** (inset) on dust extraction system attachment **35** into slot in plunge base and snap tab **32** (inset) into hole in plunge base.
- Secure to base with supplied plastic washer **33** and thumb screw **34**. Tighten thumb screw securely by hand.
- Attach hose adaptor to dust extraction system attachment.

When using dust extraction system attachment, be aware of the placement of the dust extraction system. Be sure the dust extraction system is stable and its hose will not interfere with the work.

Set-Up: Fixed Base (Fig. A, K, L)

Inserting the Motor into the Fixed Base

- Open the locking lever **12** on the base.
- If the depth adjustment ring **5** is not on the motor **6**, thread the depth adjustment ring onto the motor until the ring is about halfway between the top and bottom of the motor as shown. Insert the motor into the base by aligning the groove on the motor **6** with the guide pins **17** on the base. Slide the motor down until the depth adjustment ring snaps into place.
NOTE: Guide pin grooves **9** are located on either side of the motor so it can be positioned in two orientations.
- Adjust the depth of cut by turning the depth adjustment ring. Refer to **Adjusting the Depth of Cut**.

- Close the locking lever **12** when the desired depth is achieved. For information on setting the cutting depth, refer to **Adjusting the Depth of Cut**.

Adjusting the Depth of Cut (Fig. L)

- Open the locking lever **12** and turn the depth adjustment ring **5** until the bit just touches the work piece. Turning the ring clockwise raises the cutting head while turning it anticlockwise lowers the cutting head.
- Turn the micro-adjustment scale **11** clockwise until the 0 on the scale lines up with the pointer on the bottom of the depth adjustment ring.
- Turn the depth adjustment ring until the pointer lines up with desired depth of cut marking on the micro-adjustment scale **11**.

NOTE: Each mark on the adjustment scale represents a depth change of 0.4 mm and one full (360°) turn of the ring changes the depth 12.7 mm.

- Close the locking lever **12** to lock the base.

Removing the Motor from the Fixed Base (Fig. K)





- Remove the battery pack from the motor. Refer to **Inserting and Removing the Battery Pack from the Tool**.
- Open the locking lever **12** on the base.
- Grasp the motor unit with one hand, depressing both quick release tabs **45**.
- With the other hand, grasp the base and pull motor from the base.

Set-Up: Plunge Base, DCW604 Only (Fig. A, M)

Inserting the Motor into the Plunge Base

- Remove the depth adjustment ring **5** from the motor **6**. It is not used with the plunge base.
NOTE: Snap depth adjustment ring onto fixed base, when not in use, to prevent loss.
- Open the plunge base locking lever **40**.
- Making sure the spindle lock button is facing front, insert the motor **6** into the base by aligning the groove on the motor with the guide pins **17** on the base. Slide the motor down until the motor stops on the motor stop **19**.
- Close the locking lever **40**.

Adjusting the Plunge Routing Depth (Fig. M)

-  **WARNING: Laceration hazard. Do not change the turret stop while the router is running.** This will place your hands too near the cutter head.
-  **WARNING: To prevent loss of control, ALWAYS tighten the travel-limiting nuts together.** Inadvertent movement could prevent full bit retraction.
-  **WARNING: To prevent loss of control, set the travel-limiting nuts so that bit can be retracted into the base of the router, clear of the workpiece.**
-  **WARNING: To reduce the risk of injury, NEVER adjust or remove the stop nut.** Motor can disengage resulting in loss of control.

CAUTION: Turn the router on before plunging the cutter head into the workpiece.

1. Unlock the plunge mechanism by pulling down the plunge lock lever **16**. Gently push down on the two handles to plunge the router down as far as it will go, allowing the bit to just touch the workpiece.
2. Lock the plunge mechanism by releasing the plunge lock lever **16**.
3. Loosen the depth adjustment rod **15** by turning the thumb screw **41** anticlockwise.
4. Slide the depth adjustment rod **15** down so that it meets the lowest turret stop **14**.
5. Slide the zero adjuster tab **42** on the depth adjustment rod down so that the top of it meets zero on the depth adjustment scale **43**.
6. Grasping the top, knurled section of the depth adjustment rod **15**, slide it up so that the tab **42** aligns with the desired depth of cut on the depth adjustment scale **43**.
7. Tighten the thumb screw **41** to hold the depth adjustment rod in place.
8. Keeping both hands on the handles, unlock the plunge mechanism by pulling the plunge lock lever **16** down. The plunge mechanism and the motor will move up. When the router is plunged, the depth adjustment rod will hit the turret stop, allowing the router to reach exactly the desired depth.

Using the Rotating Turret for Stepped Cuts (Fig. M)

If the depth of cut required is more than is acceptable in a single pass, rotate the turret so the depth rod **15** lines up with taller turret stop initially. After each cut, rotate the turret so the depth stop lines up with shorter post until the final depth of cut is reached.

WARNING: Do not change the turret stop while the router is running. This will place your hands too near the cutter head.

Fine Adjustment of Routing Depth (Fig. M)

The knurled knob **44** at the bottom end of the depth adjustment rod can be used to make minor adjustments.

1. To decrease the cutting depth, rotate the knob clockwise (looking down from the top of the router).
2. To increase the cutting depth, rotate the knob anticlockwise (looking down from the top of the router).

NOTE: One complete rotation of the knob results in a change of about 1 mm in depth.

Removing the Motor from the Plunge Base (Fig. M)

1. Remove the battery pack from the motor. Refer to *Inserting and Removing the Battery Pack from the Tool*.
2. Open the locking lever **40** on the base.
3. Grasp the motor unit with one hand and the base with the other hand, pull motor from the plunge base.

OPERATION

Instructions for Use

WARNING: Always observe the safety instructions and applicable regulations.

WARNING: To reduce the risk of serious personal injury, turn tool off and disconnect battery pack before making any adjustments or removing/ installing attachments or accessories. An accidental start-up can cause injury.

Proper Hand Position (Fig. N1, N2)

WARNING: To reduce the risk of serious personal injury, ALWAYS use proper hand position as shown.

WARNING: To reduce the risk of serious personal injury, ALWAYS hold securely in anticipation of a sudden reaction.

When using the fixed base, one hand should be on top of the battery and the other hand around the fixed base (Fig. N1). When using the plunge base, grasp the side handles firmly as shown in Fig. N2.

Starting and Stopping the Motor (Fig. A)

CAUTION: Before starting the tool, clear the work area of all foreign objects. Also keep firm grip on tool to resist starting torque.

CAUTION: To avoid personal injury and/or damage to finished work, always allow the power unit to come to COMPLETE STOP before putting the tool down.

To turn unit on, depress the side of the dust-protected switch **3** that reads "ON" and corresponds to the symbol "I." To turn the unit off, depress the side of the switch that reads "OFF" and corresponds with the symbol "O."

Cutting with the Fixed Base (Fig. C)

Set up the router to use the fixed base by following the instructions in the *Assembly and Adjustments* section.

After the router is set-up, install the battery pack as shown in Fig. C, then set your router speed (refer to *Choosing Router Speed*).

NOTE: Always feed the router opposite to the direction in which the cutter is rotating.

Cutting with the Plunge Base, DCW604 Only (Fig. A)

NOTE: The depth of cut is locked in the plunge base's default state. The plunge lock requires user actuation to enable the "release to lock" plunge mechanism.

1. Depress the plunge lock lever **16** and plunge the router down until the bit reaches the set depth.
2. Release the plunge lock lever **16** when desired depth is reached.

NOTE: Releasing the plunge lock lever automatically locks the motor in place.

NOTE: If additional resistance is needed, use the hand to depress the plunge lock lever.

NOTE: If additional clamping strength is required, press the lock lever further to tighten in the clockwise direction.

3. Perform the cut.
4. Depressing the plunge lock lever will disable the locking mechanism allowing the router bit to disengage from the workpiece.
5. Turn the router off.

Direction of Feed (Fig. 0)

The direction of feed is very important when routing and can make the difference between a successful job and a ruined project. The figures show the proper direction of feed for some typical cuts. A general rule to follow is to move the router in an anticlockwise direction on an outside cut and a clockwise direction on an inside cut.

Shape the outside edge of a piece of stock by following these steps:

1. Shape the end grain, left to right.
2. Shape the straight grain side moving left to right.
3. Cut the other end grain side.
4. Finish the remaining straight grain edge.

Choosing Router Speed (Fig. A)

Refer to the **Speed Selection Chart** to choose a router speed. Turn the variable speed dial **4** to control router speed.

Soft Start Feature

The compact routers are equipped with electronics to provide a soft start feature that minimizes the start up torque of the motor.

Variable Speed Control (Fig. A)

This router is equipped with a variable speed dial **4** with 7 speeds between 16000 and 25500 RPM. Adjust the speed by turning the variable speed dial **4**.

NOTICE: In low and medium speed operation, the speed control prevents the motor speed from decreasing. If you expect to hear a speed change and continue to load the motor, you could damage the motor by overheating. Reduce the depth of cut and/or slow the feed rate to prevent tool damage.

The compact routers are equipped with electronics to monitor and maintain the speed of the tool while cutting.

SPEED SELECTION CHART*

DIAL SETTING	APPROX. RPM	APPLICATION
1	16000	Large diameter bits and cutters
2	17500	
3	19100	
4	20700	Small diameter bits and cutters. Softwoods, plastics, laminates.
5	22300	
6	23900	
7	25500	

*The speeds in this chart are approximate and are for reference only. Your router may not exactly produce the speed listed for the dial setting.

NOTE: Make several light passes instead of one heavy pass for better quality work.

Worklights (Fig. A)

The worklights **10** are located at the front of the motor **6**. To turn on the worklight, switch on the on/off switch **3**. Worklights will remain on 20 seconds after the on/off switch is moved to the off position.

NOTE: The worklights are for lighting the immediate work surface and are not intended to be used as a flashlight.

NOTE: If worklights flash, check the charge on the battery; it could be low. If they still flash with a charged battery, the unit should be taken to a service centre for evaluation.

MAINTENANCE

Your power tool has been designed to operate over a long period of time with a minimum of maintenance. Continuous satisfactory operation depends upon proper tool care and regular cleaning.



WARNING: To reduce the risk of serious personal injury, turn tool off and disconnect battery pack before making any adjustments or removing/ installing attachments or accessories. An accidental start-up can cause injury.

The charger and battery pack are not serviceable.



Lubrication

Your power tool requires no additional lubrication.



Cleaning



WARNING: Blow dirt and dust out of the main housing with dry air as often as dirt is seen collecting in and around the air vents. Wear approved eye protection and approved dust mask when performing this procedure.



WARNING: Never use solvents or other harsh chemicals for cleaning the non-metallic parts of the tool. These chemicals may weaken the materials used in these parts. Use a cloth dampened only with water and mild soap. Never let any liquid get inside the tool; never immerse any part of the tool into a liquid.

Waxing Motor and Base

To maintain a smooth action when moving the motor unit in relation to the base, the outside of the motor unit and the inside of the base can be waxed using any standard paste or liquid wax. Per the manufacturers instructions, rub the wax onto the outside diameter of the motor unit and the inside diameter of the base. Allow wax to dry and buff off residue with a soft cloth.

Optional Accessories



WARNING: *Since accessories, other than those offered by DEWALT, have not been tested with this product, use of such accessories with this tool could be hazardous.*

To reduce the risk of injury, only DEWALT recommended accessories should be used with this product.

Consult your dealer for further information on the appropriate accessories.

Protecting the Environment



Separate collection. Products and batteries marked with this symbol must not be disposed of with normal household waste.

Products and batteries contain materials that can be recovered or recycled reducing the demand for raw materials. Please recycle electrical products and batteries according to local provisions. Further information is available at www.2helpU.com.

Rechargeable Battery Pack

This long life battery pack must be recharged when it fails to produce sufficient power on jobs which were easily done before. At the end of its technical life, discard it with due care for our environment:

- Run the battery pack down completely, then remove it from the tool.
- Li-Ion cells are recyclable. Take them to your dealer or a local recycling station. The collected battery packs will be recycled or disposed of properly.

130.com.ua

ФРЕЗЕР

DCW600, DCW604

Поздравляем!

Вы приобрели инструмент DEWALT. Многолетний опыт, тщательная разработка изделий и инновации делают компанию DEWALT одним из самых надежных партнеров для пользователей профессионального электроинструмента.

Технические характеристики

		DCW600	DCW604
Напряжение	V _{пост. тока}	18	18
Тип		1	1
Тип батареи		Ионно-литиевая	Ионно-литиевая
Выходная мощность	Вт	930	930
Скорость холостого хода	об/мин	16000-25500	16000-25500
Фрезерный блок		1 база	2 база
Ход фрезерного блока	мм	55	55
Размер цанги	мм	8	8
Диаметр фрезы, макс.		30	30
Вес (без аккумуляторной батареи)	кг	1,54	2,40

Значения шума и/или вибрации (сумма векторов в трех плоскостях) в соответствии с EN60745-2-17:

L _{рА} (уровень звукового давления)	дБ(А)	73	73
L _{вдА} (уровень звуковой мощности)	дБ(А)	84	84
K (погрешность для заданного уровня мощности)	дБ(А)	3	3
Значение вибрационного воздействия a _h =	м/с ²	4,7	4,7
Погрешность K =	м/с ²	2,7	2,7

Значение шумовой эмиссии и/или эмиссии вибрации, указанное в данном справочном листке, было получено в соответствии со стандартным тестом, приведенным в EN60745, и может использоваться для сравнения инструментов. Кроме того, оно может использоваться для предварительной оценки воздействия вибрации.



ОСТОРОЖНО! Заявленное значение шумовой эмиссии и/или эмиссии вибрации относится к основным областям применения инструмента. Однако, если инструмент используется для различных целей, с различными дополнительными принадлежностями или при ненадлежащем уходе, то уровень шума и/или вибрации может измениться. Это может привести к значительному увеличению уровня воздействия вибрации в течение всего рабочего периода.

При расчете приблизительного значения уровня воздействия шума и/или вибрации также необходимо учитывать время, когда инструмент выключен или то время, когда он работает на холостом ходу. Это может привести к значительному снижению уровня воздействия вибрации в течение всего рабочего периода. Определите дополнительные меры техники безопасности для защиты оператора от воздействия шума и/или вибрации, а именно: поддержание инструмента и дополнительных принадлежностей в рабочем состоянии, создание комфортных условий работы (соответствующих вибрации), хорошая организация рабочего места.

Декларация о соответствии нормам ЕС

Директива по механическому оборудованию



Фрезер DCW600, DCW604

DEWALT заявляет, что продукция, описанная в **Технические характеристики**, соответствует:

2006/42/ЕС, EN60745-1:2009 +A11:2010, EN60745-2-17:2010.

Эти продукты также соответствуют Директиве 2014/30/EU и 2011/65/EU. За дополнительной информацией обращайтесь в компанию DEWALT по адресу, указанному ниже или приведенному на задней стороне обложки руководства.

Нижеподписавшийся несет ответственность за составление технической документации и составил данную декларацию по поручению компании DEWALT.

Маркус Ромпель
Вице-президент отдела по разработке и производству,
PTE-Europe
DEWALT, Richard-Klinger-Straße 11,
D-65510, Idstein, Германия
15.03.2019



ВНИМАНИЕ: Во избежание риска получения травм ознакомьтесь с инструкцией.

Обозначения: правила техники безопасности

Ниже описывается уровень опасности, обозначаемый каждым из предупреждений. Прочитайте руководство и обратите внимание на данные символы.

Батареи				Зарядные устройства/время зарядки (мин)							
Кат. №	V _{носк. тока}	Ah	Вес (kg)	DCB104	DCB107	DCB112	DCB113	DCB115	DCB118	DCB132	DCB119
DCB546	18/54	6.0/2.0	1.05	60	270	170	140	90	60	90	X
DCB547	18/54	9.0/3.0	1.46	75*	420	270	220	135*	75*	135*	X
DCB548	18/54	12.0/4.0	1.44	120	540	350	300	180	120	180	X
DCB181	18	1.5	0.35	22	70	45	35	22	22	22	45
DCB182	18	4.0	0.61	60/40**	185	120	100	60	60/40**	60	120
DCB183/B	18	2.0	0.40	30	90	60	50	30	30	30	60
DCB184/B	18	5.0	0.62	75/50**	240	150	120	75	75/50**	75	150
DCB185	18	1.3	0.35	22	60	40	30	22	22	22	X
DCB187	18	3.0	0.54	45	140	90	70	45	45	45	90
DCB189	18	4.0	0.54	60	185	120	100	60	60	60	120

*Код даты 201811475В или новее

**Код даты 201536 или новее



ОПАСНО: Обозначает опасную ситуацию, которая неизбежно приведет к **серьезной травме или смертельному исходу**, в случае несоблюдения соответствующих мер безопасности.



ВНИМАНИЕ: Указывает на потенциально опасную ситуацию, которая, в случае несоблюдения соответствующих мер безопасности, может привести к **серьезной травме или смертельному исходу**.



ПРЕДУПРЕЖДЕНИЕ: Указывает на потенциально опасную ситуацию, которая, в случае несоблюдения соответствующих мер безопасности **может** стать причиной травм **средней или легкой степени тяжести**.

ПОЯСНЕНИЕ: Указывает на практики, использование которых не связано с получением травмы, но если ими пренебречь, могут привести к **порче имущества**.



Указывает на риск поражения электрическим током.



Указывает на риск возгорания.

ОБЩИЕ ПРАВИЛА ТЕХНИКИ БЕЗОПАСНОСТИ ПРИ ИСПОЛЬЗОВАНИИ ЭЛЕКТРОИНСТРУМЕНТОВ



ВНИМАНИЕ: Прочитайте и просмотрите все предупреждения, инструкции, иллюстрации и спецификации по данному электроинструменту. Несоблюдение всех приведенных ниже инструкций может стать причиной поражения электрическим током, возгорания и/или тяжелой травмы.

СОХРАНИТЕ ВСЕ ИНСТРУКЦИИ ДЛЯ ПОСЛЕДУЮЩЕГО ИСПОЛЬЗОВАНИЯ.

Термин «электроинструмент» в предупреждениях относится к работающим от сети (проводным) электроинструментам или

работающим от аккумуляторной батареи (беспроводным) электроинструментам.

1) Безопасность на рабочем месте

- Следите за чистотой и хорошим освещением на рабочем месте.** Захламленное или плохо освещенное рабочее место может стать причиной несчастного случая.
- Запрещается работать с электроинструментами во взрывоопасных местах, например, вблизи легковоспламеняющихся жидкостей, газов и пыли.** Искры, которые появляются при работе электроинструментов могут привести к воспламенению пыли или паров.
- Следите за тем, чтобы во время работы с электроинструментом в зоне работы не было посторонних и детей.** Отвлекаясь от работы вы можете потерять контроль над инструментом.

2) Электробезопасность

- Штепсельная вилка электроинструмента должна соответствовать розетке. Никогда не меняйте вилку инструмента. Запрещается использовать переходники к вилкам для электроинструментов с заземлением.** Использование оригинальных штепсельных вилок, соответствующих типу сетевой розетки снижает риск поражения электрическим током.
- Избегайте контакта с заземленными поверхностями, такими как трубы, радиаторы и холодильники.** Если вы будете заземлены, увеличивается риск поражения электрическим током.
- Запрещается оставлять электроинструмент под дождем и в местах повышенной влажности.** При попадании воды в электроинструмент риск поражения электротоком возрастает.
- Берегите кабель от повреждений. Никогда не используйте кабель для переноски**

инструмента, не тяните за него, пытайтесь отключить инструмент от сети. Держите кабель подальше от источников тепла, масла, острых углов или движущихся предметов.

Поврежденный или запутанный кабель питания повышает риск поражения электрическим током.

- e) **При работе с электроинструментом на открытом воздухе используйте удлинитель, подходящий для использования на улице.**
Использование кабеля питания, предназначенного для использования вне помещения, снижает риск поражения электрическим током.
- f) **Если использование электроинструмента в условиях повышенной влажности неизбежно, используйте устройства защитного отключения (УЗО) для защиты сети.**
Использование УЗО сокращает риск поражения электрическим током.

3) Обеспечение индивидуальной безопасности

- a) **Будьте внимательны, смотрите, что делаете и не забывайте о здравом смысле при работе с электроинструментом. Запрещается работать с электроинструментом в состоянии усталости, наркотического, алкогольного опьянения или под воздействием лекарственных препаратов.** Невнимательность при работе с электроинструментом может привести к серьезным телесным повреждениям.
- b) **Используйте индивидуальные средства защиты. Всегда используйте защитные очки.** Средства защиты, такие как пылезащитная маска, обувь с нескользящей подошвой, каска и защитные наушники, используемые при работе, уменьшают риск получения травм.
- c) **Примите меры для предотвращения случайного включения. Перед тем как подключить электроинструмент к сети и/или аккумуляторной батарее, взять инструмент или перенести его на другое место, убедитесь в том, что выключатель находится в положении «Выкл.».** Если при переноске электроинструмента он подключен к сети, и при этом ваш палец находится на выключателе, это может стать причиной несчастных случаев.
- d) **Уберите все регулировочные или гаечные ключи перед включением электроинструмента.** Ключ, оставленный на вращающейся части электроинструмента, может привести к травме.
- e) **Не пытайтесь дотянуться до слишком удаленных поверхностей. Обувь должна быть удобной, чтобы вы всегда могли сохранять равновесие.** Это позволит лучше контролировать электроинструмент в непредвиденных ситуациях.
- f) **Одевайтесь соответствующим образом. Избегайте носить свободную одежду и ювелирные украшения. Следите за тем, чтобы волосы и одежда не попадали под**

движущиеся детали. Возможно наматывание свободной одежды, ювелирных изделий и длинных волос на движущиеся детали.

- g) **При наличии устройств для подключения оборудования для удаления и сбора пыли необходимо обеспечить правильность их подключения и эксплуатации.** Использование устройства для пылеудаления сокращает риски, связанные с пылью.
- h) **Не позволяйте хорошему знанию от частого использования инструментов стать причиной самонадеянности и игнорирования правил техники безопасности.** Небрежное действие может повлечь серьезные травмы за долю секунды.

4) Эксплуатация электроинструмента и уход за ним

- a) **Избегайте чрезмерной нагрузки электроинструмента. Используйте электроинструмент в соответствии с назначением.** Правильно подобранный электроинструмент выполнит работу более эффективно и безопасно при стандартной нагрузке.
- b) **Не пользуйтесь инструментом, если не работает выключатель.** Любой инструмент, управляемый выключением и включением которого невозможно, опасен, и его необходимо отремонтировать.
- c) **Перед выполнением любых настроек, сменой аксессуаров или прежде чем убрать инструмент на хранение, отключите его от сети и/или снимите с него аккумуляторную батарею, если ее можно снять.** Такие превентивные меры безопасности сокращают риск случайного включения электроинструмента.
- d) **Храните электроинструмент в недоступном для детей месте и не позволяйте работать с инструментом людям, не имеющим соответствующих навыков работы с такого рода инструментами.** Электроинструмент представляет опасность в руках неопытных пользователей.
- e) **Поддерживайте электроинструмент и принадлежность в исправном состоянии. Проверьте, не нарушена ли центровка или не заклинены ли движущиеся детали, нет ли повреждений или иных неисправностей, которые могли бы повлиять на работу электроинструмента. В случае обнаружения повреждений, прежде чем приступить к эксплуатации электроинструмента, его нужно отремонтировать.** Большинство несчастных случаев происходит из-за электроинструментов, которые не обслуживаются должным образом.
- f) **Содержите режущий инструмент в остро заточенном и чистом состоянии.** Вероятность заклинивания инструмента, за которым следят

должным образом и который хорошо заточен, значительно меньше, а работать с ним легче.

- g) **Используйте электроинструменты, принадлежности и насадки в соответствии с данными инструкциями, принимая во внимание условия работы и характер выполняемой работы.** Использование электроинструмента для выполнения операций, для которых он не предназначен, может привести к созданию опасных ситуаций.
- h) **Все рукоятки и поверхности захватывания должны быть сухими и без следов смазки.** Скользкие рукоятки и поверхности захватывания не позволяют обеспечить безопасность работы и управления инструментом в непредвиденных ситуациях.

5) Использование аккумуляторных электроинструментов и уход за ними

- a) **Используйте для зарядки аккумуляторной батареи только указанное производителем зарядное устройство.** Использование зарядного устройства определенного типа для зарядки других батарей может привести к возгоранию.
- b) **Используйте для электроинструмента только батареи указанного типа.** Использование других аккумуляторных батарей может стать причиной травмы и пожара.
- c) **Оберегайте батарею от попадания в нее скрепок, монет, ключей, гвоздей, болтов или других мелких металлических предметов, которые могут вызывать замыкание контактов.** Короткое замыкание контактов аккумуляторной батареи может привести к пожару или получению ожогов.
- d) **При повреждении батареи, из нее может вытечь электролит. Не прикасайтесь к нему. При случайном контакте с электролитом смойте его водой. При попадании электролита в глаза обратитесь за медицинской помощью.** Жидкость, находящаяся внутри батареи, может вызвать раздражение или ожоги.
- e) **Не используйте поврежденные или измененные аккумуляторные батареи или инструменты.** Поврежденные или измененные аккумуляторные батареи могут работать непредсказуемо, что может привести к возгоранию, взрыву или риску получения травм.
- f) **Не подвергайте аккумуляторные батареи или инструмент воздействию огня или повышенной температуры.** Открытый огонь или воздействие высокой температуры выше 130 °C может привести к взрыву.
- g) **Следуйте всем инструкциям по зарядке и не заряжайте аккумуляторную батарею или инструмент вне температурного диапазона, указанного в инструкции.** Неправильная зарядка или зарядка вне указанного температурного

диапазона может привести к повреждению батареи и увеличить риск возгорания.

6) Обслуживание

- a) **Обслуживание электроинструмента должен проводить квалифицированный специалист с использованием только оригинальных запасных частей.** Это позволит обеспечить безопасность обслуживаемого электрифицированного инструмента.
- b) **Не выполняйте обслуживание поврежденных аккумуляторных батарей.** Обслуживание аккумуляторных батарей должно выполняться только производителем или авторизованными поставщиками услуг.

Дополнительные правила техники безопасности для компактных фрезеров

- **Используйте зажимы или другие уместные средства фиксации заготовки на стабильной опоре.** Держать заготовку на весу или в руках перед собой неудобно и это может привести к потере контроля над инструментом.
- **НЕ РЕЖЬТЕ металл.**
- **Все рукоятки и поверхности для захвата должны быть сухими и без следов смазки.** Это позволит лучше контролировать инструмент.
- **Крепко удерживайте инструмент обеими руками в момент пуска.** Во время работы всегда держите инструмент крепко.
- **При выборе скорости всегда следуйте рекомендациям производителя насадок, поскольку особенности конструкции некоторых насадок в целях обеспечения безопасности или производительности требуют определенных скоростей.** Если вы не уверены в правильности выбора скорости или столкнулись с какими-либо проблемами, обратитесь к производителю насадки.
- **Держите руки подальше от зоны разреза. Никогда ни по какой причине не держите руки под заготовкой.** При резке держите основание фрезера плотно прилегающим к заготовке.
- **Никогда не запускайте моторный блок, если он не вставлен в основание фрезера.** Двигатель не предназначен для удержания в руках.
- **При фрезеровании поддерживайте постоянное усилие нажима.** Не перегружайте двигатель.
- **Используйте хорошо заточенные насадки.** Тупая насадка может привести к тому, что фрезер отклонится или заклинит под давлением.
- **Прежде чем положить фрезер, убедитесь, что двигатель полностью остановился.** Если положить фрезер, когда насадка еще вращается, можно спровоцировать травмы или повреждения.
- **Перед запуском двигателя, убедитесь, что насадка фрезера снята с заготовки.** Касание заготовки насадкой при запуске двигателя может вызвать

резкий скачок фрезера, и стать причиной повреждений или травм.

- **ВСЕГДА** извлекайте аккумуляторную батарею перед регулировкой или заменой насадок.
- Во избежание травм при работающем двигателе держите руки подальше от насадки.
- Не прикасайтесь к насадке непосредственно после работы. Она может быть очень горячей.
- При сквозной резке обеспечьте зазор под заготовкой для фрезы.
- Надежно затяните гайку цанги, чтобы предотвратить соскальзывание насадки.
- Никогда не затягивайте гайку цанги без насадки.
- Не используйте с этим инструментом фрезу диаметром более 30 мм.
- Избегайте встречного фрезерования (в направлении, противоположном показанному на Рис. O). Встречное фрезерование повышает вероятность потери контроля над инструментом, что может привести к травме. Если требуется встречное фрезерование (при смене направления в угле), чтобы сохранить контроль над фрезером, соблюдайте предельную осторожность. С каждым проходом делайте небольшие разрезы и снимайте минимальное количество материала.
- Используйте прямые фрезы, фальцевые фрезы, профильные фрезы, пазовые фрезы и врезные фрезы с диаметром хвостовика, который соответствует установленному на инструмент цанговому патрону.
- Используйте насадки, пригодные для работы на оборотах 30000 мин⁻¹ и имеющие соответствующую маркировку.
- Не держите в руках фрезер в перевернутом или горизонтальном положении. Двигатель может отсоединиться от основания, если он был неправильно прикреплен.
- Перед запуском двигателя очистите рабочую зону от посторонних предметов.
- Не использовать на фрезерном столе.
- Защитный экран (если он есть) всегда держите в чистоте и на рабочем месте.
- Не нажимайте кнопку блокировки шпинделя во время работы двигателя. Это может повредить фиксатор шпинделя.
- Всегда следите за тем, чтобы на рабочей поверхности не было гвоздей и других посторонних предметов. Попадание на гвоздь может привести к резкому скачку насадки и инструмента.

Остаточные риски

Несмотря на соблюдение соответствующих инструкций по технике безопасности и использование предохранительных устройств, некоторые остаточные риски невозможно полностью исключить. А именно:

- ухудшение слуха;
- риск травм от разлетающихся частиц;
- риск получения ожогов в результате нагревания инструмента в процессе работы;
- риск получения травмы в результате продолжительной работы.

СОХРАНИТЕ НАСТОЯЩЕЕ РУКОВОДСТВО

Зарядные устройства

Зарядные устройства DEWALT не требуют регулировки и максимально просты в использовании.

Электробезопасность

Электродвигатель рассчитан на работу только при одном напряжении сети. Необходимо обязательно убедиться в том, что напряжение источника питания соответствует указанному на шильдике устройства. Необходимо также убедиться в том, что напряжение работы зарядного устройства соответствует напряжению в сети.



Зарядное устройство DEWALT оснащено двойной изоляцией в соответствии с требованиями EN60335; поэтому провод заземления не требуется.

В случае повреждения кабеля питания его необходимо заменить специально подготовленным кабелем, который можно приобрести в сервисных центрах DEWALT.

Использование удлинительного кабеля

Используйте удлинитель только в случаях крайней необходимости. Используйте только утвержденные удлинители промышленного изготовления, рассчитанные на мощность не меньшую, чем потребляемая мощность зарядного устройства (см. *Технические характеристики*). Минимальное поперечное сечение провода электрического кабеля должно составлять 1 мм²; максимальная длина 30 м. При использовании кабельного барабана всегда полностью разматывайте кабель.

Важные инструкции по технике безопасности для всех зарядных устройств

СОХРАНИТЕ НАСТОЯЩЕЕ РУКОВОДСТВО. В данном руководстве содержатся важные инструкции по технике безопасности для совместимых зарядных устройств (см. *Технические характеристики*).

- Перед тем как использовать зарядное устройство, внимательно изучите все инструкции и предупреждающие этикетки на зарядном устройстве, батарее и инструменте, для которого используется батарея.



ВНИМАНИЕ: Опасность поражения электрическим током. Не допускайте попадания жидкости

в зарядное устройство. Это может привести к поражению электрическим током.



ВНИМАНИЕ: Рекомендуется использовать устройство защитного отключения (УЗО) с током утечки до 30 мА.



ВНИМАНИЕ: Опасность ожога. Во избежание травм, следует использовать только аккумуляторные батареи производителя DEWALT. Использование батарей другого типа может привести к взрыву, травмам и повреждениям.



ПРЕДУПРЕЖДЕНИЕ: Не позволяйте детям играть с данным устройством.

ПОЯСНЕНИЕ: В определенных условиях, при подключении зарядного устройства к источнику питания, может произойти короткое замыкание контактов внутри зарядного устройства посторонними материалами. Не допускайте попадания в полости зарядного устройства таких токопроводящих материалов, как стальная стружка, алюминиевая фольга или другие металлические частицы и т. п. Всегда отключайте зарядное устройство от источника питания, если в нем нет аккумуляторной батареи. Всегда отключайте зарядное устройство от сети перед тем, как приступить к очистке инструмента

- **НЕ ПЫТАЙТЕСЬ** заряжать батареи с помощью каких-либо других зарядных устройств, кроме тех, которые указаны в данном руководстве. Зарядное устройство и батареи предназначены для совместного использования.
- Эти зарядные устройства не предназначены ни для какого другого использования, помимо зарядки аккумуляторных батарей DEWALT. Использование любых других батарей может привести к возгоранию, поражению электротоком или гибели от электрического шока.
- **Не подвержайте зарядное устройство воздействию снега или дождя.**
- **При отключении зарядного устройства от сети всегда тяните за штепсельную вилку, а не за кабель.** Это поможет избежать повреждения штепсельной вилки и розетки.
- **Убедитесь в том, что кабель расположен таким образом, чтобы на него не наступили, не споткнулись об него, а также в том, что он не натянут и не может быть поврежден.**
- **Не используйте удлинительный кабель без крайней необходимости.** Использование удлинительного кабеля неподходящего типа может привести к пожару или поражению электрическим током.
- **Не ставьте на зарядное устройство никакие предметы и не устанавливайте зарядное устройство на мягкую поверхность, которая может закрыть вентиляционные отверстия и привести к перегреву.** Не размещайте зарядное устройство поблизости от источников тепла.

Вентиляция зарядного устройства происходит с помощью отверстий в верхней и нижней части корпуса.

- **Не используйте зарядное устройство при наличии поврежденной кабеля или штепсельной вилки – в этом случае необходимо немедленно их заменить.**
- **Не используйте зарядное устройство, если его роняли, либо если оно подвергалось сильным ударам или было повреждено каким-либо иным образом.** Обратитесь в авторизованный сервисный центр.
- **Не разбирайте зарядное устройство. При необходимости обратитесь в специализированный сервисный центр, если нужно провести обслуживание или ремонт инструмента.** Неправильная сборка может стать причиной пожара или поражения электрическим током.
- В случае повреждения кабеля питания его необходимо немедленно заменить у производителя, в его сервисном центре или с привлечением другого специалиста аналогичной квалификации для предотвращения несчастного случая.
- **Перед очисткой отключите зарядное устройство от сети. В противном случае, это может привести к поражению электрическим током.** Извлечение аккумуляторной батареи не приведет к снижению степени этого риска.
- **НИКОГДА** не подключайте два зарядных устройства вместе.
- **Зарядное устройство предназначено для работы при стандартном напряжении сети в 230 В. Не пытайтесь использовать его при каком-либо ином напряжении.** Это не относится к автомобильному зарядному устройству.







Зарядка батарей (Рис. [Fig.] В)

1. Перед установкой батареи подключите зарядное устройство к соответствующей сетевой розетке.
2. Вставьте аккумуляторную батарею 1 в зарядное устройство, убедившись в том, что она хорошо установлена. Красный индикатор зарядки начнет мигать. Это означает, что процесс зарядки начался.
3. По окончании зарядки красный индикатор будет гореть непрерывно, не мигая. Теперь батарея полностью заряжена, и ее можно использовать или оставить в зарядном устройстве. Чтобы извлечь аккумуляторную батарею из зарядного устройства, нажмите кнопку фиксатора батареи 2 и извлеките батарею.

ПРИМЕЧАНИЕ: Чтобы обеспечить максимальную производительность и срок службы ионно-литиевых батарей, перед первым использованием полностью зарядите аккумуляторную батарею.

Работа с зарядным устройством

См. состояние зарядки аккумуляторной батареи на приведенных ниже индикаторах.

Индикаторы зарядки	
 Зарядка	
 Полностью заряжен	
 Температурная задержка*	

*В это время красный индикатор продолжит мигать, а когда начнется зарядка, загорится желтый. После того, как батарея достигнет рабочей температуры, желтый индикатор погаснет, и зарядка продолжится.

Зарядное(-ые) устройство(-а) не может(-гут) полностью зарядить неисправную аккумуляторную батарею. При неисправной аккумуляторной батарее, индикатор на зарядном устройстве не загорится.

ПРИМЕЧАНИЕ: Также это может указывать на проблему с зарядным устройством.

Если зарядное устройство указывает на наличие проблемы, проверьте аккумулятор и зарядное устройство в специализированном сервисном центре.

Температурная задержка

Если температура батареи слишком низкая или слишком высокая, зарядное устройство автоматически переходит в режим температурной задержки; при этом зарядка не начинается до тех пор, пока батарея не достигнет нужной температуры. После того, как нужный уровень температуры будет достигнут, устройство перейдет в режим зарядки. Данная функция обеспечивает максимальный срок эксплуатации батареи.

Зарядка холодной батареи занимает больше времени, чем теплой. Аккумуляторная батарея заряжается медленнее во время цикла зарядки и максимального заряда не удастся добиться даже после того, как аккумуляторная батарея будет теплой.

Система электронной защиты

Ионно-литиевые аккумуляторные батареи XR оснащены системой электронной защиты, которая защищает аккумуляторную батарею от перегрузки, перегрева или глубокой разрядки.

При срабатывании системы электронной защиты инструмент автоматически отключается. В этом случае поставьте ионно-литиевую батарею на зарядку до тех пор, пока она полностью не зарядится.

Крепление на стену

Данные зарядные устройства могут крепиться на стены или устанавливаться на стол или рабочую поверхность. При креплении на стену расположите зарядное устройство в пределах досягаемости розетки и подальше от углов и других препятствий, которые могут помешать потоку воздуха. Используйте заднюю часть зарядного устройства в качестве образца для положения монтажных болтов на стене. Надежно закрепите зарядное устройство при помощи саморезов (приобретаются отдельно) длиной минимум в 25,4 мм с диаметром шляпки самореза в 7–9 мм, вкрученных в дерево до оптимальной глубины, оставляющей

на поверхности примерно 5,5 мм самореза. Совместите отверстия на задней стороне зарядного устройства с выступающими саморезами и полностью вставьте их в отверстия.

Инструкции по очистке зарядного устройства

⚠ ВНИМАНИЕ: Опасность поражения электрическим током. **Перед чисткой отключите зарядное устройство от сети питания.** Грязь и жир можно удалить с наружной поверхности зарядного устройства с помощью тряпки или мягкой неметаллической щетки. Не используйте воду или чистящие растворы. Не допускайте попадания жидкости внутрь инструмента; никогда не погружайте никакие из деталей инструмента в жидкость.

Аккумуляторные батареи

Важные инструкции по технике безопасности для всех батарей

При заказе запасных батарей не забудьте указать номер по каталогу и напряжение.

При покупке батарея заряжена не полностью. Перед тем, как использовать батарею и зарядное устройство, прочтите следующие инструкции по технике безопасности. Затем выполните необходимые действия для зарядки.

ВНИМАТЕЛЬНО ПРОЧИТЕ ВСЕ ИНСТРУКЦИИ

- **Не заряжайте и не используйте батарею во взрывоопасной атмосфере, например, при наличии горючих жидкостей, газов или пыли.** Установка или удаление батареи из зарядного устройства может привести к воспламенению пыли или газов.
- **Никогда не прилагайте больших усилий, вставляя батарею в зарядное устройство. Не вносите изменения в конструкцию батарей с целью установить их в зарядное устройство, к которому они не подходят. Это может привести к серьезным травмам.**
- **Заряжайте батареи только с помощью зарядных устройств DEWALT.**
- **НЕ ПРОЛИВАЙТЕ на них и не погружайте их в воду или другие жидкости.**
- **Не храните и не используйте данное устройство и батарею при температуре выше 40 °C (например, на внешних пристройках или на металлических поверхностях зданий в летнее время).**
- **Не сжигайте батареи, даже поврежденные или полностью отработавшие.** При попадании в огонь батареи могут взорваться. При сжигании ионно-литиевых батарей образуются токсичные вещества и газы.
- **При попадании содержимого батареи на кожу, немедленно промойте это место водой с мылом.** При попадании содержимого батареи в глаза, необходимо промыть открытые глаза проточной

водой в течение 15 минут или до тех пор, пока не пройдет раздражение. При необходимости обращения к врачу, может пригодиться следующая информация: электролит представляет собой смесь жидких органических углекислых и литиевых солей.

- **При вскрытии батареи, ее содержимое может вызвать раздражение дыхательных путей.** Обеспечьте наличие свежего воздуха. Если симптомы сохраняются, обратитесь к врачу.



ВНИМАНИЕ: Опасность ожога. Содержимое батареи может воспламениться при попадании искр или огня.



ВНИМАНИЕ: Ни в коем случае не разбирайте батарею. При наличии трещин или других повреждений батареи, не устанавливайте ее в зарядное устройство. Не роняйте батарею и не подвергайте ее ударам или другим повреждениям. Не используйте батарею или зарядное устройство после удара, падения или получения каких-либо других повреждений (например, после того, как ее проткнули гвоздем, ударили молотком или наступили на нее). Это может привести к удару или поражению электрическим током. Поврежденные батареи необходимо вернуть в сервисный центр для повторной переработки.



ВНИМАНИЕ: Риск воспламенения. Избегайте замыкание выводов батарей металлическими предметами во время хранения или переноски. Например, не кладите аккумуляторные батареи в передники, карманы, ящики для инструментов, выдвижные ящики и т. п. с гвоздями, гайками, ключами и т. п.



ПРЕДУПРЕЖДЕНИЕ: Когда устройство не используется, кладите его на бок на устойчивую поверхность в таком месте, где оно не может упасть и об него нельзя споткнуться. Некоторые устройства с батареями большого размера, стоят сверху на батарее, и могут легко упасть.

Транспортировка



ВНИМАНИЕ: Риск воспламенения. При транспортировке аккумуляторных батарей может произойти возгорание, если терминалы аккумуляторных батарей случайно будут замкнуты электропроводящими материалами. При транспортировке аккумуляторных батарей убедитесь в том, что терминалы защищены и хорошо изолированы от материалов, контакт с которыми может привести к короткому замыканию.

ПРИМЕЧАНИЕ: Ионно-литиевые аккумуляторные батареи запрещается сдавать в багаж.

Батареи DeWALT соответствуют всем применимым правилам транспортировки, как предусмотрено промышленными и юридическими стандартами, включая рекомендации ООН по транспортировке опасных грузов; Ассоциация

международных авиаперевозчиков (IATA) правила перевозки опасных грузов, Международные правила перевозки опасных грузов морским путем (IMDG), и европейское соглашение о международной дорожной перевозке опасных грузов (ADR). Ионно-литиевые элементы и аккумуляторные батареи были протестированы в соответствии с разделом 38.3 Рекомендаций ООН по транспортировке опасных грузов руководства по тестам и критериям.

В большинстве случаев транспортировка аккумуляторных батарей DeWALT не попадает под классификацию, поскольку они не являются опасными материалами Класса 9. В целом, полностью под правила Класса 9 подпадают только перевозки ионно-литиевых батарей с энергоемкостью выше 100 Ватт час (Вт ч). Энергоемкость всех ионно-литиевых аккумуляторных батарей в Ватт-часах указана на упаковке. Кроме того, из-за сложности правил, DeWALT не рекомендует перевозку ионно-литиевых батарей по воздуху вне зависимости от их энергоемкости. Поставки инструментов с батареями (комбинированные наборы) могут перевозиться по воздуху согласно исключениям, если энергоемкость батареи не превышает 100 Вт ч.

Независимо от того, является ли перевозка исключением или выполняется по правилам, перевозчик должен уточнить последние требования к упаковке, маркировке и оформлению документации.

Информация, изложенная в данном руководстве обоснована и на момент создания данного документа может считаться точной. Но эта гарантия не является ни выраженной, ни подразумеваемой. Покупатель должен обеспечить то, что бы его деятельность соответствовала всем применимым законам.

Рекомендации по хранению

1. Лучшим местом для хранения является прохладное и сухое место, защищенное от прямых солнечных лучей, высокой или низкой температуры. Для оптимальной работы и продолжительного срока службы, храните неиспользуемые аккумуляторные батареи при комнатной температуре.
2. Для достижения максимальных результатов при продолжительном хранении рекомендуется полностью зарядить батарейный комплект и хранить его в прохладном сухом месте вне зарядного устройства.

ПРИМЕЧАНИЕ: Аккумуляторные батареи не должны храниться в полностью разряженном состоянии. Перед использованием аккумуляторная батарея требует повторной зарядки.

Маркировка на зарядном устройстве и аккумуляторной батарее

Помимо пиктограмм, используемых в данном руководстве, на зарядном устройстве и батарее имеются следующие обозначения:



Перед началом работы прочтите руководство по эксплуатации.



Чтобы узнать время зарядки, см. **Технические характеристики**.



Не касайтесь токопроводящими предметами контактов батареи и зарядного устройства.



Не пытайтесь заряжать поврежденную батарею.



Не подвергайте электроинструмент или его элементы воздействию влаги.



Немедленно заменяйте поврежденный кабель питания.



Зарядку осуществляйте только при температуре от 4 °C до 40 °C.



Для использования внутри помещений.



Утилизируйте отработанные батареи безопасным для окружающей среды способом.



Заряжайте аккумуляторные батареи DEWALT только с помощью соответствующих зарядных устройств DEWALT. Зарядка иных аккумуляторных батарей, кроме DEWALT на зарядных устройствах DEWALT может привести к возгоранию аккумуляторных батарей и возникновению других опасных ситуаций.



Не сжигайте аккумуляторную батарею.

Тип батареи

DCW600, DCW604 работает от аккумуляторной батареи напряжением 18 В.

Могут применяться следующие типы батарей: DCB181, DCB182, DCB183, DCB183B, DCB184, DCB184B, DCB185, DCB187, DCB189, DCB546, DCB547, DCB548. Подробную информацию см. в **Технических характеристиках**.

Комплектация поставки

В комплектацию входит:

DCW600

- 1 Фрезер с кромочной базой
- 1 Пылесборник омочной базы
- 1 Параллельная направляющая линейка
- 1 Цанга 8 мм
- 1 Цанговый патрон 1/4"
- 1 Гаечный ключ
- 1 Дополнительный круглый слой базы

DCW604

- 1 Фрезер с кромочной базой и погружной базой
- 1 Дополнительный круглый слой базы
- 1 Пылесборник погружной базы
- 1 Пылесборник кромочной базы
- 1 Параллельная направляющая линейка
- 1 Параллельная линейка погружной базы
- 1 Цанга 8 мм
- 1 Цанговый патрон 1/4"
- 1 Гаечный ключ
- 1 Центровочный инструмент

Пакет включает в себя:

- 1 Ионно-литиевая аккумуляторная батарея (модели C1, D1, L1, M1, P1, S1, T1, X1, Y1)
- 2 Ионно-литиевые аккумуляторные батареи (модели C2, D2, L2, M2, P2, S2, T2, X2, Y2)
- 3 Ионно-литиевые аккумуляторные батареи (модели C3, D3, L3, M3, P3, S3, T3, X3, Y3)
- 1 Руководство по эксплуатации

ПРИМЕЧАНИЕ: Аккумуляторные батареи, зарядные устройства и инструментальные ящики не входят в комплект поставки для моделей N. Аккумуляторные батареи и зарядные устройства не входят в комплект поставки для моделей NT. Модели B включают в себя аккумуляторные батареи Bluetooth®.

ПРИМЕЧАНИЕ: Словесный товарный знак и логотип Bluetooth® являются зарегистрированными товарными знаками Bluetooth®, SIG, Inc. любое использование этих знаков DEWALT осуществляется на основании лицензии. Другие торговые марки и названия принадлежат их владельцам.

- Проверьте на наличие повреждений инструмента, его деталей или дополнительных принадлежностей, которые могли возникнуть во время транспортировки.
- Перед эксплуатацией внимательно прочтите данное руководство.

Место положения кода даты (Рис. С)

Код даты **22**, который также включает в себя год изготовления, отштампован на поверхности корпуса инструмента.

Пример:

2019 XX XX
Год изготовления

Маркировка на инструменте

На инструмент нанесены следующие обозначения:



Перед началом работы прочтите руководство по эксплуатации.



Используйте защитные наушники.



Используйте защитные очки.



Видимое излучение. Не направляйте луч в глаза.

Описание (Рис. А)



ОСТОРОЖНО: *Никогда не вносите изменения в конструкцию электроинструмента или какой-либо его части. Это может привести к повреждению или травме.*

- | | |
|------------------------------------|---|
| 1 Аккумуляторная батарея | 12 Рычаг блокировки |
| 2 Кнопка фиксатора батареи | 13 Дополнительный дугообразный слой основания |
| 3 Пусковой выключатель | 14 Ограничитель головки |
| 4 Дисковый регулятор скорости | 15 Глубиномер |
| 5 Кольцо глубины фрезерования | 16 Рычаг блокировки погружения |
| 6 Двигатель | 17 Направляющие штифты |
| 7 Кнопка блокировки шпинделя | 18 Боковые ручки погружной базы |
| 8 Шпиндель | 19 Останов двигателя |
| 9 Канавка для направляющих штифтов | 20 Дополнительный слой погружной базы |
| 10 Подсветка | 21 Дополнительный круглый слой базы |
| 11 Микрорегулировочная шкала | |

Сфера применения

Инструмент предназначен для профессионального фрезерования дерева, изделий из дерева, пластмассы в умеренном режиме и с использованием насадок с хвостовиком диаметром 6–8 мм.

Не используйте в условиях повышенной влажности или поблизости от легковоспламеняющихся жидкостей или газов.

Не разрешайте детям прикасаться к инструменту.

Использование инструмента неопытными пользователями должно происходить под контролем опытного лица.

- Данный инструмент не предназначен для использования лицами (включая детей) с ограниченными физическими, психическими и умственными возможностями, не имеющими опыта, знаний или навыков работы с ним, если они не находятся под наблюдением лица, ответственного за их безопасность. Никогда не оставляйте детей без присмотра с этим инструментом.

СБОРКА И РЕГУЛИРОВКА



ВНИМАНИЕ: *Чтобы снизить риск получения серьезной травмы, необходимо выключить инструмент и отсоединить батарею, прежде чем выполнять какую-либо регулировку либо удалять/устанавливать какие-либо насадки или дополнительные принадлежности.*

Случайный запуск может привести к травме.



ВНИМАНИЕ: *Используйте только зарядные устройства и аккумуляторные батареи марки DeWALT.*

Установка и извлечение аккумуляторной батареи из инструмента (Рис. В)

ПРИМЕЧАНИЕ: Убедитесь, что аккумуляторная батарея 1 полностью заряжена.

Установка батареи в рукоятку инструмента

- 1 Совместите аккумуляторную батарею 1 с выемкой на внутренней стороне рукоятки (Рис. В).
- 2 Задвиньте ее в рукоятку так, чтобы аккумуляторная батарея плотно встала на место и убедитесь, что услышали щелчок от вставшего на место замка.

Извлечение батареи из инструмента

1. Нажмите кнопку фиксатора батареи 2 и вытащите батарею из рукоятки.
2. Вставьте батарею в зарядное устройство, как указано в разделе данного руководства, посвященном зарядному устройству.

Датчик уровня заряда аккумуляторной батареи (Рис. В)

В некоторых аккумуляторных батареях DeWALT есть датчик заряда, который включает три зеленых светодиодных индикатора, показывающих уровень оставшегося заряда аккумуляторной батареи.

Для включения датчика заряда, нажмите и удерживайте кнопку датчика заряда 46. Загорятся три зеленых светодиода, показывая уровень оставшегося заряда. Когда уровень заряда аккумуляторной батареи будет ниже уровня, необходимого для использования, светодиоды перестанут гореть и аккумуляторную батарею следует зарядить.

ПРИМЕЧАНИЕ: Датчик заряда аккумуляторной батареи показывает уровень оставшегося заряда. Он не показывает работоспособность устройства и его показания могут меняться в зависимости от компонентов продукта, температуры и сфер применения.

Установка и снятие насадки (Рис. D)

Установка насадки

1. Снимите модуль двигателя с модуля основания. См. разделы «Снятие двигателя с фиксированного основания» или «Снятие двигателя с погружного основания» (если необходимо).
2. Очистите и вставьте до упора круглый стержень нужной насадки фрезера в ослабленный цанговый патрон, а затем вытащите его примерно на 1,6 мм.
3. Нажмите кнопку блокировки шпинделя 7, чтобы зафиксировать вал шпинделя, одновременно поворачивая по часовой стрелке цангу 23 с помощью прилагаемого гаечного ключа.

ПРИМЕЧАНИЕ: Устройство оснащено несколькими фиксаторами шпинделя, что позволяет затягивать насадку также вручную с помощью храпового механизма.

Затяжка насадки вручную с помощью храпового механизма:

- a. Не снимая гаечный ключ с цанги **23**, отпустите кнопку блокировки шпинделя **7**.
- b. Держа гаечный ключ на цанге, сделайте круг в направлении затяжки и верните гаечный ключ в исходное положение.
- c. Снова нажмите кнопку блокировки шпинделя и поверните ключ по часовой стрелке.
- d. Повторяйте процедуру до тех пор, пока цанга не будет затянута достаточно.

ПРЕДУПРЕЖДЕНИЕ: Избегайте возможного повреждения цанги. Никогда не затягивайте цанговый патрон без насадки.

Снятие насадки

1. Снимите модуль двигателя с модуля основания (см. Разделы «Снятие двигателя с фиксированного основания» или «Снятие двигателя с погружного основания»).
2. Нажмите кнопку блокировки шпинделя **7**, чтобы зафиксировать вал шпинделя, одновременно поворачивая против часовой стрелке цангу **23** с помощью прилагаемого гаечного ключа.

Ослабление затяжки вручную с помощью храпового механизма:

1. Не снимая гаечный ключ с цанги **23**, отпустите кнопку блокировки шпинделя **7**.
2. Держа гаечный ключ на цанге **23**, сделайте круг в направлении ослабления затяжки и верните гаечный ключ в исходное положение.
3. Снова нажмите кнопку блокировки шпинделя **7** и поверните ключ против часовой стрелки.
4. Повторяйте процедуру до тех пор, пока цанга **23** не ослабнет достаточно, чтобы можно было снять насадку.

Цанги

ПРИМЕЧАНИЕ. Никогда не затягивайте цангу, не установив на нее сначала насадку. Затягивание пустой цанги, даже рукой, может повредить ее.

Чтобы поменять размер цанги, открутите цанговый узел, как описано выше. Установите желаемую цангу в обратном описанному порядку. Цанга и гайка цанги соединены. Не пытайтесь снять цангу с гайки.

Регулировка рычага блокировки (Рис. Е)

Не следует применять чрезмерное усилие при нажатии рычага блокировки. Чрезмерное усилие может повредить основание.

Когда рычаг блокировки нажат, двигатель не должен двигаться в основании.

Если рычаг блокировки без чрезмерного усилия не нажимается, или двигатель перемещается в основании после нажатия рычага, необходима регулировка.

Регулировка зажима рычага блокировки:

1. Откройте рычаг блокировки **12** (фиксированное основание) или **40** (погружное основание).
2. С помощью шестигранного ключа небольшими шагами поворачивайте регулировочный винт рычага блокировки **24**. Поворот винта по часовой стрелке затягивает рычаг, а поворот винта против часовой стрелки ослабляет рычаг.

Центрирование дополнительного слоя основания (Рис. А, F1–F3)

При необходимости отрегулировать, изменить или заменить дополнительный слой основания, рекомендуется воспользоваться инструментом для центрирования. Инструмент для центрирования состоит из конуса и штифта.

Чтобы отрегулировать дополнительный слой основания, действуйте согласно шагам ниже.

На рисунке F1 показана регулировка дополнительного дугообразного слоя на фиксированном основании.

На рисунке F2 показана регулировка дополнительного слоя на погружном основании.

На рисунке F3 показана регулировка дополнительного круглого слоя на фиксированном основании.

1. Ослабьте винты **25** дополнительного слоя основания, не снимая их, чтобы дополнительный слой основания свободно перемещался.
2. Вставьте штифт в цангу и затяните гайку цанги.
3. Вставьте двигатель в основание и опустите рычаг блокировки **12** / **40** на основании.
4. Поместите конус на штифт и слегка нажмите на него, пока он не остановится. Это будет центрировать дополнительный слой основания.
5. Удерживая конус, затяните винты дополнительного слоя основания.

Использование шаблонов направляющих

Дополнительный слой погружного основания принимает шаблоны направляющих. Для применения шаблонов направляющих на фиксированном основании, потребуется круглый дополнительный слой основания.

ПРИМЕЧАНИЕ: Дополнительный дугообразный слой основания не подходит для шаблонов направляющих и предназначен для резцов диаметром 30 мм.

Использование шаблонов направляющих

1. Установите шаблон направляющей на дополнительный слой основания с помощью двух винтов и крепко затяните.
2. Центрируйте дополнительный слой основания. См. раздел «Центрирование дополнительного слоя основания».

Установка параллельной направляющей кромочную базу (Рис. G)

Параллельная направляющая (модель DE6913) для фиксированного основания включена в комплект поставки.

1. Снимите двигатель с фиксированного основания. См. раздел «**Снятие двигателя с фиксированного основания**».
2. Выкрутите винты с плоской головкой **27** из отверстий на параллельной направляющей, предназначенных для хранения.
3. Вставьте параллельную направляющую **26** в паз **28** на стороне фиксированного основания (Рис. G). Вставьте два винта с плоской головкой в соответствующие отверстия в дополнительном слое основания, чтобы закрепить угловую направляющую. Затяните элементы.
4. Следуйте всем инструкциям в комплекте с параллельной направляющей.

ПРИМЕЧАНИЕ: Чтобы снять параллельную направляющую, выполните процедуру выше в обратном порядке. После снятия параллельной направляющей всегда оставляйте два винта с плоской головкой **27** в отверстиях для хранения, чтобы они не потерялись.

Установка параллельной направляющей погружного основания с направляющими стержнями, только DCW604 (Рис. H)

В комплект с блоком погружного основания может быть включена параллельная направляющая с направляющими стержнями. Параллельную направляющую премиум-класса (модель DE6913) также можно за дополнительную плату приобрести в магазине или сервисном центре.

1. Прикрепите направляющие стержни **36** к основанию погружного фрезера.
2. Прикрепите к основанию винты с накатанной головкой **37** и пружины **38**.
3. Затяните винты с накатанной головкой **37**.
4. Поместите параллельную направляющую **39** на стержни.
5. Прикрепите винты с накатанной головкой **37** и пружины **38** к параллельной направляющей.
6. Временно затяните винты с направляющей головкой. См. раздел «**Регулирование параллельной направляющей**».

Регулирование параллельной направляющей (Рис. A, H)

Следуйте инструкциям по сборке в комплекте с параллельной направляющей.

1. Начертите на заготовке линию пиления.
2. Опускайте фрезерный блок, пока фреза не соприкоснется с заготовкой.
3. Заблокируйте механизм погружения, отпустив рычаг блокировки **16**

4. Расположите фрезер на линии пиления. Наружная режущая кромка фрезы должна совпадать с линией пиления.
5. Поместите параллельную направляющую **39** вдоль заготовки и затяните винты с накатанной головкой **37**.

Установка системы пылеудаления на кромочную базу (Рис. I)

Чтобы подключить фрезер к системе пылеудаления, выполните следующие действия:

1. Снимите модуль двигателя с основания. См. раздел «**Снятие двигателя с фиксированного основания**».
2. Закрепите на основании держатель системы пылеудаления **29**, как показано на рисунке. Вручную затяните винты с накатанной головкой **30**.
3. Подсоедините переходник шланга к держателю системы пылеудаления.
4. При использовании держателя системы пылеудаления следует учитывать расположение системы пылеудаления. Убедитесь, что система пылеудаления установлена стабильно, и ее шланг не мешает работе.

Установка системы пылеудаления на погружное основание, только DCW604 (Рис. J)

1. Снимите модуль двигателя с основания. См. раздел «**Снятие двигателя с погружного основания**».
2. Вдвиньте петлю **31** (вставку) держателя системы пылеудаления **35** в паз погружного основания защелкните язычок/ушко **32** (вставку) в отверстии погружного основания.
3. Закрепите на основании пластиковой шайбой **33** в комплекте и винтом с накатанной головкой **34**. Вручную затяните винт с накатанной головкой.
4. Подсоедините переходник шланга к держателю системы пылеудаления.

При использовании держателя системы пылеудаления следует учитывать расположение системы пылеудаления. Убедитесь, что система пылеудаления установлена стабильно, и ее шланг не мешает работе.

Настройка: Кромочная база (Рис. A, K, L)

Установка двигателя в фиксированное основание

1. Откройте рычаг блокировки **12** на основании.
2. Если кольца регулировки глубины **5** на двигателе **6** нет, то навинчивайте кольцо регулировки глубины на двигатель, пока оно не окажется примерно по середине между верхней и нижней частью двигателя, как показано на рисунке. Вставьте двигатель в основание, совместив паз двигателя **6** с направляющими штифтами **17** основания. Перемещайте двигатель вниз, пока кольцо регулировки глубины не щелкнет.

ПРИМЕЧАНИЕ: Канавки направляющего штифта **9**

расположены с обеих сторон двигателя, поэтому его можно установить в двух направлениях.

- Отрегулируйте глубину распила поворотом колеса. См. раздел «**Регулирование глубины распила**».
- Закройте рычаг блокировки **12**, когда нужная глубина будет достигнута. Информацию о настройке глубины пиления см. в разделе «**Регулирование глубины распила**».

Регулировка глубины распила (Рис. L)

- Откройте рычаг блокировки **12** и поворачивайте кольцо глубины распила **5** до тех пор, пока сверло не коснется заготовки. Поворот кольца по часовой стрелке поднимает режущую головку, а поворот кольца против часовой стрелки опускает ее.
 - Поворачивайте микрорегулировочную шкалу **11** по часовой стрелке, пока 0 на шкале не выровняется с указателем внизу кольца глубины распила.
 - Поворачивайте кольцо глубины распила, пока указатель не выровняется с нужной отметкой на микрорегулировочной шкале **11**.
- ПРИМЕЧАНИЕ:** Каждое деление на регулировочной шкале обозначает изменение глубины на 0,4 мм. Один полный (360°) поворот кольца меняет глубину на 12,7 мм.
- Закройте рычаг блокировки **12** на основании.

Снятие двигателя с фиксированного основания (Рис. K)






- Снимите аккумуляторную батарею с двигателя. См. раздел «**Установка и извлечение аккумуляторной батареи**».
- Откройте рычаг блокировки **12** на основании.
- Возьмитесь одной рукой за блок двигателя, нажимая на оба ушка быстрого снятия **45**.
- Другой рукой держитесь за основание и вытягивайте двигатель из него.

Настройка: Погружная база, только DCW604 (Рис. A, M)

Установка двигателя в погружную базу

- Снимите кольцо глубины распила **5** с двигателя **6**. С погружным основанием оно не используется.
ПРИМЕЧАНИЕ: Прикрепляйте кольцо глубины распила к фиксированному основанию, когда оно не используется, чтобы не потерялось.
- Откройте рычаг блокировки **40** погружного основания.
- Убедившись, что кнопка блокировки шпинделя на лицевой стороне, вставьте двигатель **6** в основание, совместив паз двигателя с направляющими штифтами **17** основания. Перемещайте двигатель вниз пока он не достигнет позиции останова **19**.
- Закройте рычаг блокировки **40**.

Регулировка глубины погружения фрезера (Рис. M)

-  **ОСТОРОЖНО:** Опасность глубокого пореза. Не меняйте положение ограничителя головки во время работы фрезера. Так ваши руки окажутся слишком близко к фрезерной головке.
-  **ОСТОРОЖНО:** Чтобы предотвратить потерю управления, ВСЕГДА затягивайте ограничительные гайки вместе. Случайное движение может помешать полному отводу насадки.
-  **ОСТОРОЖНО:** Чтобы предотвратить потерю управления, устанавливайте ограничительные гайки так, чтобы насадка могла полностью уйти в глубину фрезера и не касаться заготовки.
-  **ОСТОРОЖНО:** Чтобы снизить риск получения травмы, НИКОГДА не регулируйте и не снимайте стопорную гайку. Двигатель может отсоединиться, что приведет к потере управления.
-  **ВНИМАНИЕ:** Включите фрезер перед тем, как помещать фрезерную головку на заготовку.

- Разблокируйте механизм погружения, отпустив рычаг блокировки **16**. Осторожно надавливайте на две ручки и погружайте фрезер до конца, позволяя насадке только коснуться заготовки.
- Заблокируйте механизм погружения, отпустив рычаг блокировки **16**.
- Ослабьте глубиномер **15**, поворачивая винт с накатанной головкой **41** против часовой стрелки.
- Сдвиньте глубиномер **15** вниз, чтобы он достиг самого низкого ограничителя головки **14**.
- Сдвиньте язычок регулятора нуля **42** на глубиномере вниз так, чтобы его верхняя часть соответствовала нулю на шкале регулировки глубины **43**.
- Возьмитесь за верхнюю, накатную часть глубиномера **15** и подвиньте ее вверх так, чтобы язычок **42** выровнялся с указателем требуемой глубины распила на регулировочной шкале **43**.
- Затяните винт с накатанной головкой **41**, чтобы зафиксировать глубиномер.
- Держась обеими руками за ручки, потяните рычаг блокировки **16** вниз и разблокируйте механизм погружения. Механизм погружения и двигатель передвинутся вверх. Когда фрезер погружается, глубиномер касается ограничителя головки, указывая на достижение нужной глубины.

Использование вращающейся головки для ступенчатого среза (Рис. M)

Если требуемая глубина распила превышает ту, которая допустима за один проход, поверните головку так, чтобы глубиномер **15** выровнялся с ее наиболее высоким ограничителем. После каждого среза поворачивайте головку так, чтобы ограничитель глубины совпадал с

более коротким уровнем, пока не будет достигнута нужная глубина распила.

ОСТОРОЖНО: Не меняйте положение ограничителя головки во время работы фрезера. Так ваши руки окажутся слишком близко к фрезерной головке.

Тонкая регулировка глубины фрезерования (Рис. М)

Накатную гайку **44** на нижнем конце глубиномера можно использовать для тонкой регулировки.

1. Для уменьшения глубины пиления поворачивайте гайку по часовой стрелке (если смотреть сверху фрезера).
2. Для увеличения глубины пиления поворачивайте гайку против часовой стрелки (если смотреть сверху фрезера).

ПРИМЕЧАНИЕ: Один полный поворот гайки меняет глубину примерно на 1 мм.

Снятие двигателя на погружной базе (Рис. М)

1. Снимите аккумуляторную батарею с двигателя. См. раздел **Установка и извлечение аккумуляторной батареи из инструмента.**
2. Откройте рычаг блокировки **40** на основании.
3. Держитесь одной рукой за блок двигателя и другой рукой за основание, вытягивайте двигатель из погружного основания.

ЭКСПЛУАТАЦИЯ

Инструкции по использованию

ВНИМАНИЕ: Всегда следуйте указаниям действующих норм и правил безопасности.

ВНИМАНИЕ: Чтобы снизить риск получения серьезной травмы, необходимо выключить инструмент и отсоединить батарею, прежде чем выполнять какую-либо регулировку либо удалять/устанавливать какие-либо насадки или дополнительные принадлежности. Случайный запуск может привести к травме.

Правильное положение рук во время работы (Рис. N1, N2)

ВНИМАНИЕ: Для уменьшения риска получения тяжелой травмы, **ВСЕГДА** правильно удерживайте инструмент, как показано на рисунке.

ВНИМАНИЕ: Для уменьшения риска получения тяжелой травмы, **ВСЕГДА** надёжно удерживайте инструмент, предупреждая внезапные сбои в работе.

При использовании фиксированного основания одна рука должна лежать сверху на батарее, а другая — на основании (рис. N1). При использовании погружного основания крепко держите боковые рукоятки, как показано на рис. N2.

Запуск и остановка двигателя (Рис. А)

ВНИМАНИЕ: Перед запуском двигателя очистите рабочую зону от всех посторонних предметов.

Также крепко удерживайте инструмент, чтобы противостоять пусковому моменту.

ВНИМАНИЕ: Чтобы избежать травм и/или повреждения завершенной работы, перед тем, как положить инструмент, всегда дожидаетесь **ПОЛНОЙ ОСТАНОВКИ** силового блока.

Для включения устройства нажмите на сторону защищенного от пыли выключателя **3**, где написано «ON» («ВКЛ.»), соответствует символу «I». Чтобы выключить устройство, нажмите на сторону выключателя, где написано «OFF» «ВЫКЛ.», соответствует символу «O».

Резка на кромоочной базе (Рис. С)

Настройте фрезер для использования с фиксированным основанием согласно инструкции в разделе **«Сборка и регулировка»**.

После настройки установите аккумуляторную батарею, как показано на рис. С, а затем выберите скорость фрезера (см. Раздел **Выбор скорости фрезера**).

ПРИМЕЧАНИЕ. Всегда следите, чтобы направление подачи было противоположно направлению вращения фрезы.

Резка на погружной базе, только DCW604 (Рис. А)

ПРИМЕЧАНИЕ: Глубина распила фиксируется положением погружного основания по умолчанию. Пользователю необходимо переключить фиксатор погружения, чтобы разблокировать механизм.

1. Нажмите рычаг блокировки погружения **16** и погрузите фрезер, пока насадка не достигнет нужной глубины.
2. Отпустите рычаг блокировки погружения **16**, когда нужная глубина будет достигнута.

ПРИМЕЧАНИЕ: Освобождение рычага блокировки погружения автоматически фиксирует двигатель на месте.

ПРИМЕЧАНИЕ: Если нужно дополнительное сопротивление, нажимайте на рычаг блокировки погружения рукой.

ПРИМЕЧАНИЕ: Если для зажима требуется дополнительная сила, нажмите рычаг блокировки сильнее, чтобы затянуть его по часовой стрелке.

3. Сделайте распил.
4. Разблокировка рычага погружения отключает механизм фиксации, что позволяет насадке фрезера отсоединиться от заготовки.
5. Выключите фрезер.

Направление подачи (рис. О)

Направление подачи очень важно при фрезеровке и может играть решающую роль как в успешном выполнении, так и провале проекта. На рисунках показано правильное направление подачи для некоторых типичных распилов. Общее правило, которое необходимо соблюдать, — на внешнем срезе перемещать фрезер в направлении против часовой стрелки, а на внутреннем срезе в направлении по часовой стрелке.

Сформируйте внешний край заготовки, выполнив следующие действия:

1. Концы волокон формируйте слева направо.
2. Прямую сторону волокон формируйте движениями слева направо.
3. Отпилите другой конец стороны волокон.
4. Закончите обработку оставшийся прямой стороны волокон.

Выбор скорости фрезера (Рис. А)

Скорость фрезера выбирайте по **Диаграмме выбора скорости**. Управляйте скоростью фрезера с помощью дискового регулятора 4.

Функция плавного запуска

Компактные фрезеры оснащены электроникой для обеспечения плавного запуска, чтобы свести к минимуму пусковой момент двигателя.

Управление регулируемой скоростью (Рис. А)

Фрезер оборудован дисковым регулятором скорости 4 с 7 скоростями от 16000 до 25500 об/мин. Устанавливайте скорость путем вращения дискового регулятора 4.

ПРЕДУПРЕЖДЕНИЕ: При работе на низких и средних скоростях управление скоростью предотвращает снижение оборотов двигателя. Если вы ожидаете услышать изменения скорости и продолжаете нагружать двигатель, вы можете его перегреть и повредить. Уменьшите глубину распила и/или скорость подачи фрезы, чтобы предотвратить повреждение инструмента.

Компактные фрезеры оснащены электроникой для контроля и поддержания скорости во время резки.

ДИАГРАММА ВЫБОРА СКОРОСТИ*

РЕГУЛЯТОР СКОРОСТИ	ПРИБЛ. ОБ/МИН:	ПРИМЕНЕНИЕ
1	16000	Насадки и фрезы большого диаметра
2	17500	
3	19100	
4	20700	Насадки и фрезы малого диаметра. Мягкие породы древесины, пластик, ламинат.
5	22300	
6	23900	
7	25500	

* Скорости в данной таблице приблизительные и приведены только для справки. Фрезер может не точно воспроизводить скорость, установленную на регуляторе.

ПРИМЕЧАНИЕ: Чтобы обеспечить лучшее качество работы, сделайте несколько проходов на малой мощности вместо одного на большой.

Рабочая подсветка (Рис. А)

Рабочая подсветка 10 расположена в передней части двигателя 6. Для включения подсветки нажмите на пусковой выключатель 3. При переводе пускового

выключателя в положение «ВЫКЛ» рабочая подсветка будет гореть еще 20 секунд.

ПРИМЕЧАНИЕ: Подсветка предназначена для освещения рабочей поверхности и не может использоваться в качестве фонаря.

ПРИМЕЧАНИЕ: Если рабочая подсветка мигает, проверьте заряд аккумулятора, он может быть низким. Если рабочая подсветка продолжает мигать при заряженной батарее, модуль следует передать на обслуживание в сервисный центр.

ТЕХНИЧЕСКОЕ ОБСЛУЖИВАНИЕ

Электроинструмент DeWALT имеет длительный срок эксплуатации и требует минимальных затрат на техобслуживание. Для длительной безотказной работы необходимо обеспечить правильный уход за инструментом и его регулярную очистку.



ВНИМАНИЕ: Чтобы снизить риск получения серьезной травмы, необходимо выключить инструмент и отсоединить батарею, прежде чем выполнять какую-либо регулировку либо удалять/устанавливать какие-либо насадки или дополнительные принадлежности.

Случайный запуск может привести к травме.

Зарядное устройство и аккумуляторные батареи неремонтопригодны.



Смазка

Ваш электроинструмент не требует дополнительной смазки.



Чистка



ВНИМАНИЕ: Выдувайте грязь и пыль из корпуса сухим сжатым воздухом по мере видимого скопления грязи внутри и вокруг вентиляционных отверстий. Выполняйте очистку, надев средство защиты глаз и респиратор утвержденного типа.



ВНИМАНИЕ: Никогда не используйте растворители или другие агрессивные химические средства для очистки неметаллических деталей инструмента. Эти химикаты могут ухудшить свойства материалов, примененных в данных деталях. Используйте ткань, смоченную в воде с мягким мылом. Не допускайте попадания какой-либо жидкости внутрь инструмента; ни в коем случае не погружайте какую-либо часть инструмента в жидкость.

Обработка двигателя и основания воском

Чтобы обеспечить плавное движение моторного блока относительно основания, зоны снаружи моторного блока и внутри основания можно обрабатывать стандартной пастой или жидким воском. Нанесите воск по наружному диаметру моторного блока и внутреннему диаметру основания в соответствии с инструкциями производителя. Дайте воску высохнуть, затем удалите излишки мягкой тканью.

Дополнительные принадлежности



ВНИМАНИЕ: Поскольку принадлежности, отличные от тех, которые предлагает DEWALT, не проходили тесты на данном изделии, то использование этих принадлежностей может привести к опасной ситуации. Во избежание риска получения травмы, с данным продуктом должны использоваться только рекомендованные DEWALT дополнительные принадлежности.

По вопросу приобретения дополнительных принадлежностей обращайтесь к Вашему дилеру.

Защита окружающей среды



Отдельная утилизация. Изделия и аккумуляторные батареи с данным символом на маркировке запрещается утилизировать с обычными бытовыми отходами.

Изделия и аккумуляторные батареи содержат материалы, которые могут быть извлечены или переработаны, снижая потребность в исходном сырье. Пожалуйста, утилизируйте электрические изделия и аккумуляторные батареи в соответствии с местными нормами. Дополнительная информация доступна по адресу www.2helpU.com.

Аккумуляторная батарея

Данную аккумуляторную батарею с длительным сроком эксплуатации необходимо перезаряжать, когда она перестает обеспечивать питание, необходимое для выполнения определенных работ. По окончании срока эксплуатации ее следует утилизировать, соблюдая при этом необходимые меры по защите окружающей среды:

- полностью разрядите батарею до конца и извлеките ее из инструмента;
- ионно-литиевые аккумуляторные батареи подлежат вторичной переработке. Сдайте их нашему дилеру или в местный центр вторичной переработки. В этих пунктах батареи будут подвергнуты повторной переработке или правильной утилизации.



Приложение к руководству по эксплуатации электрооборудования для определения месяца производства по номеру текущей календарной недели года

Электрооборудование торговых марок "Dewalt", "Stanley", "Stanley FatMAX", "BLACK+DECKER".

Директивы 2014/30/EU ЕВРОПЕЙСКОГО ПАРЛАМЕНТА И СОВЕТА от 26 февраля 2014 г. "О гармонизации законодательства Государств-членов ЕС в области электромагнитной совместимости", 2006/42/ЕС ЕВРОПЕЙСКОГО ПАРЛАМЕНТА И СОВЕТА от 17 мая 2006 г. "О машинах и оборудовании"; 2014/35/EU ЕВРОПЕЙСКОГО ПАРЛАМЕНТА И СОВЕТА от 26 февраля 2014 г. "О гармонизации законодательств государств-членов в области размещения на рынке электрооборудования, предназначенного для использования в определенных пределах напряжения". Серийный выпуск.

ТОВАР СЕРТИФИЦИРОВАН

Орган по сертификации "РОСТЕСТ-Москва". Адрес: 119049, г. Москва, улица Житная, д. 14, стр. 1; 117418, Москва, Нахимовский просп., 31 (фактический). Телефон: (499) 1292311, (495) 6682893, Факс: (495) 6682893, E-mail: office@rostest.ru
Изготовитель: Изготовитель: Блэк энд Деккер Холдингс ГмБХ, Германия, 65510, Идштайн, ул. Блэк энд Деккер, 40, тел. +496126212790.

Уполномоченное изготовителем юр.лицо:

ООО "Стэнли Блэк энд Деккер", 117485, город Москва, улица Обручева, дом 30/1, строение 2
Телефон: + 7 (495) 258-3981, факс: + 7 (495) 258-3984, E-mail: info@dewalt.com
Сведения о импортере указаны в сопроводительной документации и/или на упаковке

Хранение.

Необходимо хранить в сухом месте, вдали от источников повышенных температур и воздействия солнечных лучей. При хранении необходимо избегать резкого перепада температур. Хранение без упаковки не допускается

Срок службы.

Срок службы изделия составляет 5 лет. Не рекомендуется к эксплуатации по истечении 5 лет хранения с даты изготовления без предварительной проверки.

Дата изготовления (код даты) указана на корпусе инструмента. Код даты, который также включает год изготовления, отштампован на поверхности корпуса изделия.

Пример:

2014 46 XX, где 2014 –год изготовления, 46-неделя изготовления. Определить месяц изготовления по указанной неделе изготовления можно согласно приведенной ниже таблице.

Транспортировка.

Категорически не допускается падение и любые механические воздействия на упаковку при транспортировке. При разгрузке/погрузке не допускается использование любого вида техники, работающей по принципу зажима упаковки.

Перечень критических отказов, возможные ошибочные действия персонала.

Не допускается эксплуатация изделия:

- При появлении дыма из корпуса изделия
 - При поврежденном и/или оголенном сетевом кабеле
 - при повреждении корпуса изделия, защитного кожуха, рукоятки
 - при попадании жидкости в корпус
 - при возникновении сильной вибрации
 - при возникновении сильного искрения внутри корпуса
- Критерии предельных состояний.**
- При поврежденном и/или оголенном сетевом кабеле
 - при повреждении корпуса изделия

Месяц	Январь	Февраль	Март	Апрель	Май	Июнь	Июль	Август	Сентябрь	Октябрь	Ноябрь	Декабрь	Год производства
Неделя	1	5	9	14	18	23	27	31	36	40	44	49	2018
	2	6	10	15	19	24	28	32	37	41	45	50	
	3	7	11	16	20	25	29	33	38	42	46	51	
	4	8	12	17	21	26	30	34	39	43	47	52	
			13		22			35			48		
Неделя	1	6	10	14	18	23	27	31	36	40	45	49	2019
	2	7	11	15	19	24	28	32	37	41	46	50	
	3	8	12	16	20	25	29	33	38	42	47	51	
	4	9	13	17	21	26	30	34	39	43	48	52	
	5					22		35		44			
Неделя	1	6	10	14	19	23	27	32	36	40	45	49	2020
	2	7	11	15	20	24	28	33	37	41	46	50	
	3	8	12	16	21	25	29	34	38	42	47	51	
	4	9	13	17	22	26	30	35	39	43	48	52	
	5				18		31		40	44			
Неделя	2	6	10	14	19	23	27	32	36	41	45	49	2021
	3	7	11	15	20	24	28	33	37	42	46	50	
	4	8	12	16	21	25	29	34	38	43	47	51	
	5	9	13	17	22	26	30	35	39	44	48	52	
				18			31		40			1	
Неделя	2	6	10	15	19	23	28	32	36	41	45	49	2022
	3	7	11	16	20	24	29	33	37	42	46	50	
	4	8	12	17	21	25	30	34	38	43	47	51	
	5	9	13	18	22	26	31	35	39	44	48	52	
				14			27		40			1	

ŞARJLI FIRÇASIZ FREZE

DCW600, DCW604

Tebrikler!

Bir DeWALT aleti seçtiniz. Uzun süreli deneyim, sürekli ürün geliştirme ve yenilik DeWALT markasının profesyonel elektrikli alet kullanıcıları için en güvenilir ortaklardan birisi haline gelmesini sağlamaktadır.

Teknik Özellikleri

		DCW600	DCW604
Voltaj	V _{oc}	18	18
Tip		1	1
Akü tipi		Li-Ion	Li-Ion
Çıkış gücü	W	930	930
Yüksüz hız	rpm	16000–25500	16000–25500
Freze taşıyıcı		1 kolom	2 kolommen
Freze taşıyıcı stroku	mm	55	55
Bilezik Boyutu	mm	8	8
Kesici Çapı, maksimum	mm	30	30
Ağırlık (akü hariç)	kg	1,54	2,40

Bu standart uyarınca gürültü ve/veya titreşim değerleri (triaks vektör toplamı): EN60745-2-17:

L _{PA} (ses basıncı düzeyi)	dB(A)	73	73
L _{WA} (akustik güç düzeyi)	dB(A)	84	84
K (akustik gücü belirsizliği)	dB(A)	3	3
Titreşim emisyon değeri a _h =	m/s ²	4,7	4,7
Belirsizlik K =	m/s ²	2,7	2,7

Bu bilgi sayfasında verilen titreşim ve/veya gürültü emisyonu düzeyi, EN60745'de belirtilen standart teste uygun olarak ölçülmüştür ve aletleri birbiriyle karşılaştırmak için kullanılabilir. Maruz kalmaya dönük bir ön değerlendirme olarak kullanılabilir.

UYARI: Beyan edilen titreşim ve/veya gürültü emisyon düzeyi, aletin ana uygulamalarını yansıtır. Bununla birlikte alet farklı uygulamalar için, farklı aksesuarlar veya yeterince bakım yapılmadan kullanıldığında, titreşim ve/veya gürültü emisyonu değişebilir. Bu, toplam çalışma süresindeki maruz kalma seviyesini önemli ölçüde artırabilir.

Titreşim ve/veya gürültü maruz kalma seviyesine ilişkin bir tahminde bulunurken aletin kapalı kaldığı veya çalıştığı ancak gerçekte işi yapmadığı zamanlar da dikkate alınmalıdır. Bu, toplam çalışma süresindeki maruziyet düzeyini önemli ölçüde azaltabilir.

Operatörü titreşim ve/veya gürültünün etkilerinden korumak için aşağıdakiler gibi ilave güvenlik önlemleri tanımlayın: aleti ve aksesuarları iyi koruyun, ellerinizi sıcak tutun (titreşim için uygundur), çalışma sürelerini iyi organize edin.

Makine Direktifi



Şarjlı Fırçasız Freze DCW600, DCW604

DeWALT, **Teknik Özellikleri** bölümünde açıklanan bu ürünlerin aşağıda belirtilen yönergelerle uygun olduğunu beyan eder: 2006/42/AT, EN60745-1:2009 +A11:2010, EN60745-2-17:2010. Bu ürünler ayrıca 2014/30/EU ve 2011/65/EU Direktiflerine de uygundur. Daha ayrıntılı bilgi için, lütfen aşağıdaki adresten DeWALT ile temas kurun veya kılavuzun arka kapağına bakın. Bu belge altında imzası bulunan yetkili, teknik dosyanın derlenmesinden sorumludur ve bu beyanı DeWALT adına vermiştir.

Markus Rempel
PTE-Avrupa, Mühendislik Birimi Genel Müdür Yardımcısı
DeWALT, Richard-Klinger-Straße 11,
D-65510, Idstein, Almanya
15.03.2019



UYARI: Yaralanma riskini azaltmak için, kullanım kılavuzunu okuyun.

Tanımlar: Güvenlik Talimatları

Aşağıdaki tanımlar her işaret sözcüğü ciddiyet derecesini gösterir. Lütfen kılavuzu okuyunuz ve bu simgelere dikkat ediniz.



TEHLİKE: Engellenmemesi halinde **ölüm veya ciddi yaralanma** ile sonuçlanabilecek **çok yakın bir tehlikeli durumu** gösterir.



UYARI: Engellenmemesi halinde **ölüm veya ciddi yaralanma** ile sonuçlanabilecek **potansiyel bir tehlikeli durumu** gösterir.



DİKKAT: Engellenmemesi halinde **önemsiz veya orta dereceli yaralanma** ile sonuçlanabilecek **potansiyel bir tehlikeli durumu** gösterir.

İKAZ: Engellenmemesi halinde **maddi hasara neden olabilecek, yaralanma ile ilişkisi olmayan durumları** gösterir.



Elektrik çarpması riskini belirtir.



Yangın riskini belirtir.

Aküler				Şarj Aletleri/Şarj Süreleri (Dakika)							
Kat. #	V _{DC}	Ah	Ağırlık (kg)	DCB104	DCB107	DCB112	DCB113	DCB115	DCB118	DCB132	DCB119
DCB546	18/54	6,0/2,0	1,05	60	270	170	140	90	60	90	X
DCB547	18/54	9,0/3,0	1,46	75*	420	270	220	135*	75*	135*	X
DCB548	18/54	12,0/4,0	1,44	120	540	350	300	180	120	180	X
DCB181	18	1,5	0,35	22	70	45	35	22	22	22	45
DCB182	18	4,0	0,61	60/40**	185	120	100	60	60/40**	60	120
DCB183/B	18	2,0	0,40	30	90	60	50	30	30	30	60
DCB184/B	18	5,0	0,62	75/50**	240	150	120	75	75/50**	75	150
DCB185	18	1,3	0,35	22	60	40	30	22	22	22	X
DCB187	18	3,0	0,54	45	140	90	70	45	45	45	90
DCB189	18	4,0	0,54	60	185	120	100	60	60	60	120

*Veri kodu 201811475B veya sonrası

**Veri kodu 201536 veya sonrası

ELEKTRİKLİ EL ALETLERİ İÇİN GENEL GÜVENLİK TALİMATLARI



UYARI: Bu elektrikli aletle verilen tüm güvenlik uyarılarını, talimatları, resimleri ve teknik özellikleri okuyun. Aşağıda listelenen tüm talimatlara uyulmaması elektrik çarpmasına, yangına ve/veya ciddi yaralanmalara neden olabilir.

BÜTÜN UYARI VE GÜVENLİK TALİMATLARINI İLERİDE BAKMAK ÜZERE SAKLAYIN

Uyarılarda yer alan «elektrikli alet» terimi şebeke elektrifiyle (kablolu) veya akü/pille (şarjlı) çalışan elektrikli aletinizi ifade etmektedir.

1) Çalışma alanının Güvenliği

- Çalışma alanını temiz ve aydınlık tutun.** Karışık ve karanlık alanlar kazaya davetiye çıkarır.
- Elektrikli aletleri, yanıcı sıvılar, gazlar ve tozların bulunduğu yerler gibi yanıcı ortamlarda çalıştırmayın.** Elektrikli aletler, toz veya dumanları ateşleyebilecek kıvılcımlar çıkarır.
- Bir elektrikli aleti çalıştırırken çocuklardan ve etraftaki kişilerden uzak tutun.** Dikkatinizi dağıtıcı şeyler kontrolü kaybetmenize neden olabilir.

2) Elektrik Güvenliği

- Elektrikli aletlerin fişleri prizlere uygun olmalıdır. Fiş üzerinde kesinlikle hiçbir değişiklik yapmayın. Topraklı elektrikli aletlerde hiçbir adaptör fişi kullanmayın.** Değiştirilmemiş fişler ve uygun prizler elektrik çarpması riskini azaltacaktır.
- Borular, radyatörler, ocaklar ve buzdolapları gibi topraklanmamış yüzeylerle vücut temasından kaçının.** Vücudunuzun topraklanması halinde yüksek bir elektrik çarpması riski vardır.
- Elektrikli aletleri yağmura maruz bırakmayın veya ıslatmayın.** Elektrikli alete su girmesi elektrik çarpması riskini arttıracaktır.

- Elektrik kablosunu uygun olmayan amaçlarla kullanmayın. Elektrikli aleti kesinlikle kablodan tutarak taşımayın, çekmeyin veya prizden çıkartmayın. Kabloyu sıcağtan, yağdan, keskin kenarlardan veya hareketli parçalardan uzak tutun.** Hasarlı veya dolaşmış kablolar elektrik çarpması riskini artırır.
- Elektrikli bir aleti açık havada çalıştırıyorsanız, açık havada kullanıma uygun bir uzatma kablosu kullanın.** Açık havada kullanıma uygun bir kablolu kullanılması elektrik çarpması riskini azaltır.
- Eğer bir elektrikli aletin nemli bir bölgede çalıştırılması zorunluysa, bir artık akım aygıtı (RCD) korumalı bir kaynak kullanın.** Bir RCD kullanılması elektrik şoku riskini azaltır.

3) Kişisel Güvenlik

- Elektrikli bir aleti kullanırken her zaman dikkatli olun, yaptığınız işe yoğunlaşın ve sağduyulu davranın. Elektrikli bir aleti yorgunken veya ilaç ya da alkolün etkisi altındayken kullanmayın.** Elektrikli aletleri kullanırken bir anlık dikkatsizlik ciddi kişisel yaralanmayla sonuçlanabilir.
- Kişisel koruyucu ekipmanları mutlaka kullanın. Daima koruyucu gözlük takın.** Koşullara uygun toz maskesi, kaymayan güvenlik ayakkabıları, baret veya kulaklık gibi koruyucu donanımların kullanılması kişisel yaralanmaları azaltacaktır.
- İstem dışı çalıştırılmasını önleyin. Aleti güç kaynağına ve/veya aküye bağlamadan, yerden kaldırmadan veya taşımadan önce düğmenin kapalı konumda olduğundan emin olun.** Aleti, parmağınız düğme üzerinde bulunacak şekilde taşımak veya açık konumdaki elektrikli aletleri elektrik şebekesine bağlamak kazaya davetiye çıkarır.
- Elektrikli aleti açmadan önce tüm ayarlama anahtarlarını çıkartın.** Elektrikli aletin hareketli bir parçasına takılı kalmış bir anahtar kişisel yaralanmaya neden olabilir.

- e) **Ulaşmakta zorlandığınız yerlerde kullanmayın. Daima sağlam ve dengeli basın.** Bu, beklenmedik durumlarda elektrikli aletin daha iyi kontrol edilmesine olanak tanır.
- f) **Uygun şekilde giyinin. Bol elbiseler giymeyin ve takı takmayın. Saçınızı, elbiselerinizi ve eldivenlerinizi hareketli parçalardan uzak tutun.** Bol elbiseler ve takılar veya uzun saç hareketli parçalara takılabilir.
- g) **Eğer kullandığınız üründe toz emme ve toplama özellikleri olan ataşmanlar varsa bunların bağlı olduğundan ve doğru şekilde kullanıldığında emin olun.** Bu ataşmanların kullanılması tozla ilgili tehlikeleri azaltabilir.
- h) **Aletlerin sık kullanımı sonucu oluşan aşınalığın keyfi davranışta bulunmanıza ve aletle ilgili güvenlik ikeleri ihmal etmenize neden olmasına izin vermeyin.** Dikkatsiz bir hareket bir anda ciddi yaralanmalara neden olabilir.

4) Elektrikli Aletlerin Kullanımı ve Bakımı

- a) **Elektrikli aleti zorlamayın. Uygulanmaz için doğru elektrikli aleti kullanın.** Doğru elektrikli alet, belirlendiği kapasite ayarında kullanıldığında daha iyi ve güvenli çalışacaktır.
- b) **Düğme açmıyor ve kapatmıyorsa elektrikli aleti kullanmayın.** Düğmeyle kontrol edilemeyen tüm elektrikli aletler tehlikelidir ve tamir edilmesi gerekmektedir.
- c) **Herhangi bir ayar, aksesuar değişimi veya elektrikli aletlerin saklanması öncesinde fişi güç kaynağından çekin ve/veya eğer demonte edilebilir tipteyse, bataryayı aletten ayırın.** Bu tür önleyici güvenlik tedbirleri elektrikli aletin istem dışı olarak çalıştırılması riskini azaltacaktır.
- d) **Elektrikli aleti, çocukların ulaşamayacağı yerlerde saklayın ve elektrikli aleti tanımayan veya bu talimatları bilmeyen kişilerin elektrikli aleti kullanmasına izin vermeyin.** Elektrikli aletler, eğitimsiz kullanıcıların elinde tehlikelidir.
- e) **Elektrikli aletleri iyi durumda muhafaza edin. Hareketli parçalardaki hizalama hatalarını ve tutuklukları, parçalardaki kırılmalar ve elektrikli aletin çalışmasını etkileyebilecek tüm diğer koşulları kontrol edin. Hasarlı ise, elektrikli aleti kullanmadan önce tamir ettirin.** Kazaların çoğu, elektrikli aletlerin bakımının yeterli şekilde yapılmamasından kaynaklanır.
- f) **Kesim aletlerini keskin ve temiz tutun.** Bakımı uygun şekilde yapılmış keskin kesim uçlu kesim aletlerinin sıkışma ihtimali daha düşüktür ve kontrol edilmesi daha kolaydır.
- g) **Elektrikli aleti, aksesuarlarını ve aletin diğer parçalarını kullanırken bu talimatlara mutlaka uyun ve çalışma ortamının koşullarını ve yapılacak işin ne olduğunu göz önünde bulundurun.** Elektrikli aletin öngörülen işlemler dışındaki işlemler için kullanılması tehlikeli durumlara neden olabilir.

- h) **Tüm tutamakları ve tutma yerlerini kuru, temiz ve üzerinde yağ ile gres bulunmayacak şekilde muhafaza edin.** Kaygan tutamaklar ve tutma yerleri, beklenmedik durumlarda aletin güvenli bir şekilde tutulması ve kontrol edilmesine izin vermez.

5) Şarjlı Aletlerin kullanımı ve bakımı

- a) **Sadece üretici tarafından belirtilen şarj cihazı ile şarj edin.** Bir akü tipine uygun bir şarj cihazı başka tipte bir aküyü şarj etmek için kullanıldığında yangın riski yaratabilir.
- b) **Elektrikli aletleri yalnızca özel olarak tanımlanmış akülerle kullanın.** Başka akülerin kullanılması yaralanma ve yangın riskine yol açabilir.
- c) **Akü kullanımında değilken, ataç, bozuk para, anahtar, çivi, vida veya terminaler arasında kontağa neden olabilecek diğer küçük metal nesnelere uzak tutulmalıdır.** Akü terminallerinin birbirine kısa devre yapılması yanıklara veya yangına neden olabilir.
- d) **Uygun olmayan koşullarda, akü sıvı sızıntısı yapabilir; sıvıya temas etmekten kaçının. Kazara temas etmeniz halinde suyla yıkayın. Sıvı, gözlerinize temas ederse, ayrıca bir doktora başvurun.** Aküden sıvı sızması tahriş veya yanıklara neden olabilir.
- e) **Hasarlı ya da modifiye edilmiş bir batarya veya aleti kullanmayın.** Hasarlı ya da modifiye edilmiş bataryalar yangın, patlama veya yaralanma riskiyle sonuçlanan beklenmedik durumlara neden olabilir.
- f) **Bir batarya veya aleti ateşe veya aşırı ısıya maruz bırakmayın.** 130 °C üzeri ısı veya ateşe maruz kalması patlamaya neden olabilir.
- g) **Tüm şarj talimatlarına uyun ve talimatlarda belirtilen sıcaklık aralığı dışında batarya veya aleti şarj etmeyin.** Doğru olmayan şekilde veya belirtilen aralık dışındaki sıcaklıklarda şarj edilmesi bataryaya hasar verebilir ve yangın riskini artırabilir.

6) Servis

- a) **Elektrikli aletinizi, sadece orijinal yedek parçaların kullanıldığı yetkili DEWALT servisine tamir ettirin.** Bu, elektrikli aletin güvenliğinin muhafaza edilmesini sağlayacaktır.
- b) **Hasar görmüş bataryalara asla serviste bulunmayın.** Bataryaların servisi sadece üretici veya yetkili servis tarafından yapılabilir.

Kompakt Frezeler için Özel Ek Güvenlik Önlemleri

- **İş parçasını stabil bir yüzeye sabitlemek ve desteklemek için kelepçe veya başka pratik yöntemler kullanın.** İş parçasını elle tutmak veya vücudunuza dayamak dengesizliğe ve kontrol kaybına neden olabilir.
- **Metal KESMEYİN.**
- **Tüm tutamakları ve tutma yerlerini kuru, temiz ile üzerinde yağ ve gres bulunmayacak şekilde muhafaza edin.** Bu, aletin daha iyi kontrol edilmesini sağlar.

- **Başlangıç torkuna karşı koymak için aleti iki elinizle tutmaya devam edin.** Aleti çalışırken daima sıkıca kavrayın.
- **Bazı uç tasarımları, güvenlik veya performans açısından belirli hızlar gerektirdiğinden, daima uç üreticisinin hız önerilerini izleyin.** Uygun hızdan emin değilseniz veya herhangi bir sorunla karşılaşıyorsanız, uç üreticisine başvurun.
- **Ellerinizi kesme alanından uzak tutun. İş parçasının altına asla hiç bir sebepten ötürü uzanmayın.** Keserken, freze tabanını iş parçasıyla sıkıca temas halinde tutun.
- **Motor ünitesini freze tabanlarından birine takılı olmadığı zaman asla çalıştırmayın.** Motor elle kullanılmak üzere tasarlanmamıştır.
- **Kesme basıncını sabit tutun.** Motora aşırı yüklenmeyin.
- **Keskin uçlar kullanın.** Kör uçlar frezenin basınç altında sapmasına veya durmasına neden olabilir.
- **Frezezi aşağı koymadan önce motorun tamamen durduğundan emin olun.** Alet aşağı koyulduğu zaman uç halen dönyorsa bu durum kaza ya da hasara neden olabilir.
- **Motoru çalıştırmadan önce freze ucunun iş parçasına temas etmediğinden emin olun.** Motor çalıştırıldığı zaman freze ucu iş parçasına temas ediyorsa, freze hasar ya da kazaya neden olacak şekilde zıplayabilir.
- **Ayarlamaları yapmadan veya uçları değiştirmeden önce DAİMA bataryayı çıkartın.**
- **Fiziksel yaralanmayı önlemek için motor çalışırken ellerinizi uçlardan uzak tutun.**
- **Kullanımdan hemen sonra uca asla dokunmayın.** Aşırı derecede sıcak olabilir.
- **Boya boyda keserken freze ucu için iş parçasının altında boşluk bırakın.**
- **Ucun kaymasını önlemek için bilezik somununu iyice sıkın.**
- **Bilezik somununu bir uç olmadan asla sıkmayın.**
- **Bu alette 30 mm'yi aşan bir çapa sahip freze uçlarını kullanmayın.**
- **Yükselerek kesmeden (Şekil O'da gösterilenden ters yönde kesme) kaçının. Yükselerek kesme, olası yaralanmalara neden olacak türden kontrol kaybını artırır.** Yükselerek kesme gerekli olduğu zaman (bir köşe çevresinde takviye yapma), frezenin kontrolünü kaybetmemek için son derece dikkatli olun. Küçük kesikler açın ve her geçişte en az malzemeyi çıkarın.
- **Daima aletinizin bileziğine uygun mil çapına sahip düz kesiciler, yivli kesiciler, profil kesiciler, yarma kesiciler veya oluklu bıçaklar kullanın.**
- **Daima min. 30000 min-1 hıza uygun ve ilgili şekilde işaretlenmiş uçlar kullanın.**
- **Frezezi baş aşağı veya yatay konumda elle tutmayın.** Talimatlara göre uygun şekilde takılmazsa motor tabandan ayrılabilir.
- **Motoru çalıştırmadan önce, çalışma alanındaki tüm yabancı maddeleri temizleyin.**
- **Bir freze tezgahında kullanmayın.**
- **Kıymık kalkanını (varsa) daima temiz ve yerinde tutun.**

- **Motor çalışırken mil kilitleme düğmesine basmayın.** Bunu yapmanız durumunda mil kilidi hasar görebilir.
- **Çalışma yüzeyinin çiviler ve diğer yabancı cisimlerden daima arınmış olduğundan emin olun.** Bir çiviye kesmek, ucun ve aletin sapmasına neden olabilir.

Diğer Tehlikeler

Emniyet tedbirlerini düzenleyen yönetmeliğin uygulanmasına ve emniyet sağlayıcı aygıtların kullanılmasına rağmen, başka belirli risklerden kaçınılamaz. Bunlar:

- *Duyma bozukluğu.*
- *Sıçrayan parçacıklardan kaynaklanan yaralanma riski.*
- *Çalışma sırasında ısınan aksesuarlardan kaynaklanan yanık tehlikesi.*
- *Uzun süreli kullanımdan kaynaklanan yaralanma riski.*

BU TALİMATLARI SAKLAYIN

Şarj Cihazları

DEWALT şarj cihazlarının ayara ihtiyacı yoktur ve olabildiğince kolay çalıştırılmak üzere tasarlanmıştır.

Elektrik Güvenliği

Elektrik motoru, sadece tek bir gerilim ile çalışacak şekilde ayarlanmıştır. Her zaman akü voltajının aletin üretim etiketinde belirlenmiş değerlere uyup uymadığını kontrol edin. Aynı zamanda şarj cihazınızın voltajının ana şebeke voltajınızla aynı olduğundan emin olun.



DEWALT şarj cihazınız EN60335 standardına uygun olarak çift yalıtımlıdır; bu nedenle, topraklama kablosuna gerek yoktur.

Güç kablosu hasarlıysa, DEWALT yetkili servisinden temin edilebilen özel olarak hazırlanmış bir kabloyla değiştirilmelidir.

Uzatma Kablolarının Kullanımı

Kesinlikle gerekli olmadıkça bir uzatma kablosu kullanılmamalıdır. Daima şarj cihazınızın elektrik girişine uygun (**Teknik Özellikleri** bölümüne bakın), onaylı bir uzatma kablosu kullanın. Minimum iletken boyutu 1 mm² dir; maksimum uzunluk 30 m'dir.

Bir kablo makarası kullanırken, kabloyu daima sonuna kadar açın.

Tüm Akü Şarj Cihazları İçin Önemli Güvenlik Talimatları

BU TALİMATLARI SAKLAYIN: Bu kılavuz uyumlu şarj cihazları hakkında önemli güvenlik ve çalışma talimatları içerir (**Teknik Özellikleri** bölümüne bakın).

- **Şarj cihazını kullanmadan önce şarj cihazının, akünün ve üründe kullanılan akünün üzerindeki talimatları ve uyarıcı işaretleri okuyun.**



UYARI: Elektrik çarpması tehlikesi. Şarj cihazının içine sıvı kaçmasına izin vermeyin. Elektrik çarpmasına neden olabilir.



UYARI: Alet, 30mA akımı aşmayan akım kesici cihazla beraber kullanılmaya tavsiye edilir.



DİKKAT: Yanma tehlikesi. Yaralanma riskini azaltmak için, yalnızca DEWALT şarj edilebilir akülerini şarj edin.

Diğer akü tipleri patlayarak yaralanmanıza veya hasar meydana gelmesine yol açabilir.



DİKKAT: Çocuklar, cihazla oynamalarını önlemek amacıyla kontrol altında tutulmalıdır.

İKAZ: Belirli koşullar altında, şarj cihazı güç kaynağına takılıyken, şarj içindeki açık şarj kontakları yabancı maddeler tarafından kısa devre yapılabilir. Bunlarla sınırlı olmamak kaydıyla iletken nitelikteki çelik yünü, alüminyum folyo veya metal parçacık birikimi gibi yabancı maddeler şarj cihazının yuvalarından uzak tutulmalıdır. Yuvalarda akü yokken şarj cihazını daima güç kaynağından çıkarın. Şarj cihazının fişini temizlemeden önce çıkarın.

- **Aküyü bu kılavuzdaki şarj cihazlarından başka cihazlarla şarj etmeye ÇALIŞMAYIN.** Şarj cihazı ve akü özellikle birlikte çalışacak şekilde tasarlanmıştır.
- **Bu şarj cihazları DEWALT şarj edilebilir akülerini şarj etmekten başka kullanımlar için tasarlanmamıştır.** Başka kullanımlar yangın veya elektrik çarpmasına yol açabilir.
- **Şarj cihazını yağmura veya kara maruz bırakmayın.**
- **Şarj cihazını fişten çıkarırken kablonun değil fişten tutarak çekin.** Bu, elektrik fişine ve kablosuna hasar verilmesi riskini azaltır.
- **Kablonun üzerine basılmayacak, ortalıkta gezinmeyecek veya başka şekilde hasara ve gerginliğe maruz kalmayacak şekilde yerleştirildiğinden emin olun.**
- **Kesinlikle gerekli olmadıkça uzatma kablosu kullanmayın.** Yanlış uzatma kablosu kullanımı yangın veya elektrik çarpmasına neden olabilir.
- **Şarj cihazının üzerine herhangi bir eşya koymayın veya şarj cihazını havalandırma deliklerini kapatıp aşırı iç sıcaklığa neden olabilecek yumuşak bir yüzeye yerleştirme.** Şarj cihazını herhangi bir ısı kaynağından uzaktaki bir yere koyun. Şarj cihazı muhafazanın üstündeki ve altındaki delikler aracılığıyla havalandırılır.
- **Şarj cihazını hasarlı kordon veya fişle çalıştırmayın—** bunları derhal değiştirin.
- **Şarj cihazını sert bir darbe aldıysa, düştüyse veya herhangi bir şekilde hasar gördüyse çalıştırmayın.** Yetkili bir servis merkezine götürün.
- **Şarj cihazını sökmeyin; servis veya onarım gerektiğinde yetkili bir servis merkezine götürün.** Yanlış yeniden takma elektrik çarpmasına veya yangına yol açabilir.
- **Elektrik kablosu hasarlı ise, bir tehlike oluşmasını önlemek için üretici ya da yetkili Servis Merkezi tarafından değiştirilmelidir.**
- **Herhangi bir temizlik işlemi yapmadan önce şarj cihazının fişini prizden çekin.** Bu, elektrik çarpması riskini azaltır. Aküyü çıkarmak bu riski azaltmaz.
- **ASLA 2 şarj cihazını bir arada bağlamaya çalışmayın.**
- **Şarj cihazı standart 230 V ev elektrik gücüyle çalışmak üzere tasarlanmıştır. Başka herhangi bir voltaj ile kullanmayı denemeyin.** Bu araba şarj cihazı için geçerli değildir.

Bir Bataryanın Şarj Edilmesi (Şek. [Fig.] B)

1. Bataryayı takmadan önce şarj cihazını uygun prize takın.

2. Bataryayı 1 şarj cihazına takın, bataryanın şarj cihazına tamamen oturduğundan emin olun. Devamlı yanıp sönen kırmızı (şarj) ışık, şarj işleminin başladığını gösterir.
3. Şarjın tamamlandığı, kırmızı ışığın sürekli yanmasıyla belirtilir. Batarya tam olarak şarj edildikten sonra hemen kullanılabilir veya şarj cihazından bırakılabilir. Bataryayı şarj cihazından çıkarmak için, bataryanın üzerindeki batarya bırakma düğmesine 2 basın.

NOT: Lityum iyon bataryalardan maksimum performans almak ve bataryaların kullanım ömrünü uzatmak için, ilk kullanım öncesinde tam olarak şarj edin.

Şarj Cihazının Çalışması

Bataryanın şarj durumu için aşağıdaki göstergelere bakın.

Şarj Işıkları

	şarj edilmesi		
	tamamen şarj oldu		
	sıcak/soğuk akü gecikmesi*		

*Bu işlem esnasında kırmızı ışık yanıp sönmeye devam edecek, fakat bir sarı ışık da yanacaktır. Akü uygun bir sıcaklığa ulaştığında, sarı ışık kapanacak ve şarj aleti şarj işlemine devam edecektir.

Uyumlu şarj cihazı arızalı bir aküyü şarj etmeyecektir. Şarj cihazı lambası yanmayarak arızalı bir bataryayı gösterecektir.

NOT: Bu aynı zamanda şarj cihazının arızalı olduğu anlamına da gelebilir.

Şarj cihazı bir sorun gösteriyorsa, şarj cihazını ve akü takımını test edilmek üzere yetkili bir servis merkezine gönderin.

Sıcak/Soğuk Paket Gecikmesi

Şarj aleti çok sıcak veya çok soğuk bir batarya tespit ettiğinde, otomatik olarak Sıcak/Soğuk Gecikmesini başlatarak batarya uygun sıcaklığa gelene kadar şarjı durdurur. Şarj aleti sonrasında otomatik olarak şarj moduna geçer. Bu özellik maksimum batarya ömrünü garanti eder.

Soğuk bir batarya sıcak bir bataryaya göre daha yavaş bir hızla şarj olacaktır. Akü takımı tüm şarj döngüsü boyunca daha yavaş bir hızda şarj olacaktır ve akü ısındığında bile maksimum şarj oranına geri dönmeyecektir.

Elektronik Koruma Sistemi

XR Li-Ion cihazları aşırı yük, aşırı ısınma veya tamamen boşalmadan koruyacak bir Elektronik Koruma Sistemi ile birlikte tasarlanmıştır.

Elektronik Koruma Sistemi devreye girerse alet otomatik olarak kapatılacaktır. Bu durum gerçekleşirse lityum iyon aküyü tamamen şarj olana dek bir şarj cihazının üzerine koyun.

Duvara Montaj

Bu şarj cihazları duvara monte edilebilir veya bir masa veya çalışma tezgahı üzerinde yukarı doğru durabilir şekilde tasarlanır. Duvara monte edilecekse şarj aletini bir elektrik prizinin yakınında veya bir köşe veya hava akımını engelleyebilecek diğer engellerden uzakta konumlandırın. Şarj cihazının arka tarafını montaj vidalarının duvar üzerindeki yerini belirlemek amacıyla

TÜRKÇE

şablon olarak kullanın. Şarj aletini (ayrıca satın alınan) en az 25,4 mm uzunluğunda ve 7–9 mm bir vida başı çapına sahip, ahşap üzerine vidalandığında vida başının açıkta olan kısmı yaklaşık 5,5 mm optimal bir derinlik bırakacak şekilde vidalayarak monte edin. Şarj cihazının arkasındaki yuvaları vidaların açıkta olan kısımlarıyla hizalayın ve onları yuvalara tam olarak oturtun.

Şarj Cihazı Temizlik Talimatları

UYARI: Elektrik çarpması tehlikesi. Temizlik öncesinde AC çıkışı bağlantısını kesin. Şarj cihazının dış yüzeyindeki kir ve yağ bir bez parçası yada metal olmayan bir fırça kullanılarak çıkarılabilir. Su veya temizlik çözümlerini kullanmayın. Aletin içine herhangi bir sıvının girmesine izin vermeyin; aletin herhangi bir parçasını bir sıvı içine daldırmayın.

Akü

Tüm Aküler İçin Önemli Güvenlik Talimatları

Yedek aküleri sipariş ederken, katalog numarasını ve voltajı eklediğinizden emin olun.

Akü, kutudan şarjı dolu olarak çıkmaz. Aküyü ve şarj cihazını kullanmadan önce, aşağıdaki güvenlik talimatlarını dikkatlice okuyun. Daha sonra belirtilen şarj işlemlerini uygulayın.

TÜM TALİMATLARI OKUYUN

- Aküyü yanıcı sıvılar, gazlar ve tozların bulunduğu yerler gibi yanıcı ortamlarda şarj etmeyin veya kullanmayın.** Aküyü şarj cihazına takmak veya cihazdan çıkarmak toz veya dumanları tutuşturabilir.
- Aküyü şarj cihazının içine doğru zorlamayın.** Akü kırılarak ciddi kişisel yaralanmaya neden olabileceğinden akünün üzerinde hiçbir şekilde uyumsuz bir şarj cihazına uydurmak için değişiklik yapmayın.
- Aküleri yalnızca DeWALT şarj cihazlarında şarj edin.
- Su veya diğer sıvıları sıçratmayın veya bunlara DALDIRMAYIN.**
- Aleti ve bataryayı, sıcaklığın 4 °C'nin (34 °F) altına düştüğü (örneğin, kışın kulübeler veya metal yapıların dışında) veya 40 °C'nin (104 °F) üzerine ulaştığı yerlerde (örneğin, yazın kulübeler veya metal yapıların dışında) depolamayın veya kullanmayın.**
- Önemli ölçüde hasarlı veya tamamen eskimiş olsa bile aküyü ateşe atmayın.** Akü ateşe atılırsa patlayabilir. Lityum iyon aküler yanıcı zehirli buharlar ve materyaller açığa çıkar.
- Akü içeriği cildinizle temas ederse, etkilenen alanı derhal yumuşak bir sabun ve suyla yıkayın.** Akü sıvısı gözlerinize bulaşır, gözünüzü açık tutarak 15 dakika boyunca veya tahriş hissi geçene kadar suyla yıkayın. Tıbbi yardım gerekirse, akü elektroliti sıvı organik karbonatlar ve lityum tuzları karışımından oluşmaktadır.
- Açılan akü hücrelerinin içeriği solunum yolunu tahriş edebilir.** Ortama temiz hava girmesini sağlayın. Belirtiler geçmezse tıbbi yardım alın.

UYARI: Yanık tehlikesi. Akü sıvısı kıvılcıma veya ateşe maruz kalırsa yanıcı olabilir.



UYARI: Aküyü hiçbir nedenle asla açmayın. Akünün muhafazası çatlarsa veya hasar görürse, şarj cihazına takmayın. Aküyü çarpmayın, düşürmeyin veya pakete hasar vermeyin. Sert bir darbe almış, düşmüş, çığnemiş veya herhangi bir şekilde hasar görmüş (örn. çiviyle delinmiş, çekiçle vurulmuş veya üzerine basılmış) bir aküyü veya şarj cihazını kullanmayın. Elektrik çarpmasına yol açabilir. Hasarlı aküler geri dönüşüm için servis merkezine gönderilmelidir.



UYARI: Yangın tehlikesi. Bataryayı metal nesnelere batarya terminallerine değmeyecekleri şekilde saklayın veya taşıyın. Örneğin, bataryayı içerisinde gevşek çiviler, vidalar, anahtarlar vb. bulunan kayışlı taşıyıcı, cep, alet kutuları, ürün kiti kutuları, çekmece vb. içerisine koymayın.



DİKKAT: Aleti kullanmadığınız zaman, devrilme veya düşme tehlikesine yol açmayacağı dengeli bir yüzeye yan tarafının üzerine yerleştirin. Büyük akülere sahip bazı aletler akünün üzerinde dik durabilir, ancak bunlar kolayca devrilebilir.

Nakliyat



UYARI: Yangın tehlikesi. Batarya nakliyatında, batarya kutuplarının istemsiz şekilde iletken maddelerle temas ederek yangına sebep vermesi ihtimali vardır. Batarya nakliyatı yaparken, batarya kutuplarının iyi korunduğundan ve kutuplarla temas edip kısa devreye sebep olabilecek maddelerden iyi şekilde izole edildiğinden emin olun.
NOT: Lityum-iyon piller kontrol edilmiş bagaja konmamalıdır.

DeWALT bataryalar, Tehlikeli Maddelerin Nakliyesi Hakkında BM Tavsiyeleri; Uluslararası Hava Taşımacılığı Birliği (IATA) Tehlikeli Madde Düzenlemeleri, Uluslararası Deniz Taşımacılığı Tehlikeli Madde (IMDG) Düzenlemeleri ve Uluslararası Karayoluyla Tehlikeli madde Taşıma Konulu Avrupa Anlaşması içeriklerinde belirtilen sektörel ve hukuki standartların tüm düzenlemeleriyle uyumludur. Lityum-iyon bataryalar, Tehlikeli Madde Taşımacılığı Kılavuzu Testleri ve Kriterleri Hakkındaki BM Tavsiyelerinin 38,3. bölümüne kadar test edilmiştir.

Çoğu durumda bir DeWALT bataryanın nakliyesinin tam olarak düzenlenmiş bir Sınıf 9 Tehlikeli Maddeler kapsamında sınıflandırılması beklenir. Genelde sadece 100 Watt Saat (Wh) üzeri bir enerji değerine sahip bir lityum iyon bataryayı içeren taşıma işlemlerinin tam olarak düzenlenmiş bir Sınıf 9 Tehlikeli Maddeler kapsamında sınıflandırılarak yapılması gerekmektedir. Tüm lityum iyon bataryalarda ambalajın üzerinde Watt Saati değeri mevcuttur. Buna ilave olarak, düzenlemedeki karışıklıklar nedeniyle, DeWALT lityum iyon bataryaların Watt Saati değeri göz önünde bulundurulmaksızın havayolu kargosuyla tek başına taşınmasını önermez. Bataryası bulunan aletlerin (kombo setler) havayoluyla nakliyesi ancak bataryanın sahip olduğu Watt Saati değerinin 100 Watt Saatinde yüksek olmaması şartıyla yapılabilir.

Nakliyat kapsamı dışında da kalsa, tamamen düzenlenmiş de olsa, paketleme, etiketleme ve belgeleme

gereklilikleri hakkındaki son düzenlemeleri takip etmek nakliyatçıların sorumluluğudur.

Kılavuzun bu bölümünde bulunan bilgiler iyi niyetle yazılmıştır ve kılavuzun hazırlandığı tarih itibarıyla doğru olduğuna inanılmaktadır. Fakat, sözlü veya zimnen hiçbir garanti verilmemektedir. Gerçekleştirdiği işlemlerin geçerli düzenlemelerle uyumlu olduğundan emin olmak alıcının sorumluluğundadır.

Saklama Önerileri

1. En iyi saklama ortamı serin ve kuru, doğrudan güneş ışığı almayan, aşırı sıcak ve soğuk olmayan yerlerdir. En uygun akü performansı ve ömrü için kullanımda değilken aküleri oda sıcaklığında saklayın.
2. Uzun süreli saklama için, en iyi sonuç için şarj cihazından uzak serin, kuru bir yerde tamamen dolu bir akü saklamak için tavsiye edilir.

NOT: Aküler tamamen şarj boşalmış halinde saklanmamalıdır. Akünün kullanılmadan önce yeniden şarj edilmesi gerekir.

Şarj Cihazı ve Akü Üzerindeki Etiketler

Bu kılavuzda kullanılan sembollere ilave olarak, şarj cihazı ve akü üzerinde bulunan etiketler aşağıdaki sembolleri belirtmektedir:



Aletle çalışmaya başlamadan önce bu kılavuzu okuyun.



Şarj süresi için **Teknik Özellikleri** bölümüne bakın.



İletken nesnelere temas etmeyin.



Hasarlı aküleri şarj etmeyin.



Suya maruz bırakmayın.



Hasarlı kabloların hemen değiştirilmesini sağlayın.



Sadece 4 °C ve 40 °C arasında şarj edin.



Yalnızca kapalı alanda kullanın.



Aküleri çevremize gerekli ozeni göstererek atın.



DEWALT aküler, yalnızca onlar için tasarlanmış olan DEWALT şarj cihazlarında şarj edin. DEWALT aküleri haricindeki akülerin DEWALT şarj cihazlarıyla şarj edilmesi patlamalarına veya diğer tehlikeli durumların ortaya çıkmasına sebep olabilir.



Aküyü ateşe atmayın.

Akü tipi

DCW600, DCW604 18 volt akülerle çalışır.

Bu bataryalar kullanılmalıdır: DCB181, DCB182, DCB183, DCB183B, DCB184, DCB184B, DCB185, DCB187, DCB189, DCB546, DCB547, DCB548. Daha fazla bilgi için **Teknik Özellikleri** bölümüne bakın.

Ambalaj İçeriği

Ambalaj, aşağıdaki parçaları içermektedir:

DCW600

- 1 Sabit tabanlı freze
- 1 Sabit taban toz toplama
- 1 Basit paralel korkuluk
- 1 Bilezik 8 mm
- 1 Bilezik 1/4"
- 1 Anahtar
- 1 Yuvarlak alt taban

DCW604

- 1 Sabit tabanlı ve daldırma tabanlı freze
- 1 Yuvarlak alt taban
- 1 Daldırma taban toz toplama
- 1 Sabit taban toz toplama
- 1 Basit paralel korkuluk
- 1 Daldırma taban paralel korkuluk
- 1 Bilezik 8 mm
- 1 Bilezik 1/4"
- 1 Anahtar
- 1 Ortalama aleti

Ambalaj, aşağıdaki parçaları içermektedir:

- 1 Li-lyon batarya (C1, D1, L1, M1, P1, S1, T1, X1, Y1 modelleri)
- 2 Li-lyon bataryalar (C2, D2, L2, M2, P2, S2, T2, X2, Y2 modelleri)
- 3 Li-lyon bataryalar (C3, D3, L3, M3, P3, S3, T3, X3, Y3 modelleri)
- 1 Kullanım kılavuzu

NOT: Bataryalar, şarj cihazları ve alet kutuları N modellerinde bulunmaz. Bataryalar ve şarj cihazları NT modellerinde bulunmaz. B modelleri Bluetooth® bataryaları içerir.

NOT: Bluetooth® kelimesi tescilli ve logoları Bluetooth®, SIG, Inc.'in tescilli markalarıdır ve bunların DEWALT tarafından kullanımı lisanslıdır. Diğer ticari markalar ve ticari isimler ilgili sahibine aittir.

- Alet, parçalar ve aksesuarlarda nakliye sırasında hasar oluşup oluşmadığını kontrol edin.
- Çalıştırmadan önce bu kılavuzu iyice okuyup anlamak için zaman ayırın.

Alet Üzerindeki Etiketler

Alet üzerinde, aşağıdaki uyarı sembolleri bulunmaktadır:



Aletle çalışmaya başlamadan önce bu kılavuzu okuyun.



Kulaklık takın.



Koruyucu gözlük takın.



Görünür radyasyon. Işığa bakmayın.

Tarih Kodu Konumu (Şek. C)

İmalat yılını da içeren Tarih Kodu **22** gövdeye basılıdır.

Örnek:

2019 XX XX

İmalat Yılı

Açıklama (Şek. A)



UYARI: Hiçbir zaman elektrikli aleti veya herhangi bir parçasını değiştirmeyin. Hasarla veya yaralanmayla sonuçlanabilir.

- | | |
|-----------------------------|----------------------------------|
| 1 Batarya | 12 Kilitleme kolu |
| 2 Batarya çıkarma düğmesi | 13 D şekilli alt taban |
| 3 Açma/kapama düğmesi | 14 Torna durdurma parçası |
| 4 Değişken hız düğmesi | 15 Derinlik ayarlama çubuğu |
| 5 Derinlik ayarlama halkası | 16 Daldırma kilit kolu |
| 6 Motor | 17 Kılavuz pimleri |
| 7 Mil kilidi düğmesi | 18 Daldırma taban yan tutamaklar |
| 8 Mil | 19 Motor freni |
| 9 Kılavuz pim oluşu | 20 Daldırma alt tabanı |
| 10 Çalışma lambaları | 21 Yuvarlak alt taban |
| 11 Mikro ayarlama ölçeği | |

Kullanım Amacı

Bu alet, ahşabın, ahşap ürünlerin ve plastiklerin 6–8 mm saplı uçlar ile profesyonel orta dereceli frezelenmesi için tasarlanmıştır.

Islak koşullarda veya yanıcı sıvı ya da gazların mevcut olduğu ortamlarda **KULLANMAYIN**.

Çocukların aleti ellemesine **İZİN VERMEYİN**. Bu alet deneyimsiz kullanıcılar tarafından kullanılırken nezaret edilmelidir.

- Bu ürün fiziksel ve zihinsel kapasitesinin yanı sıra algılama gücü azalmış olan veya yeterince deneyim ve bilgisi bulunmayan kişiler (çocuklar dahil) tarafından kullanılmak üzere üretilmemiştir. Bu tür kişiler ürünü ancak güvenliklerinden sorumlu bir kişi tarafından cihazın kullanımıyla ilgili talimatların verilmesi veya sürekli kontrol altında tutulması durumunda kullanılabilir. Çocuklar, bu ürün ile kontrol altında tutulmalıdır.

MONTAJ VE AYARLAMALAR



UYARI: Ciddi yaralanma riskini azaltmak için herhangi bir ayar yapmadan ya da parça veya aksesuarları söküp takmadan önce aleti kapatın ve aküyü ayırın. Aletin yanlışlıkla çalıştırılması yaralanmaya neden olabilir.



UYARI: Yalnızca DEWALT akü ve şarj cihazlarını kullanın.

Alete Akü Takma Ve Çıkartma (Şek. B)

NOT: Akünün **1** tamamen şarj olduğundan emin olun.

Aküyü Aletin Koluna Takma

- Aküyü **1** kolun içindeki raylarla hizalayın (Şek. B).
- Aküyü, yerine oturduğuna duyan kadar ve alette tamamen oturana kadar kolun içine kaydırın.

Aküyü Aletten Çıkarma

- Serbest bırakma düğmesine **2** basın ve aküyü sıkıca çekerek aletin kolundan çıkarın.
- Aküyü bu kılavuzun şarj cihazı kısmında açıklandığı gibi şarj cihazına takın.

Akü Şarj Seviyesi Göstergesi (Şek. B)

Bazı DEWALT aküler, aküde kalan şarj seviyesini gösteren üç yeşil LED ışından oluşan bir şarj seviyesi göstergesini içerir.

Şarj seviyesi göstergesini çalıştırmak için gösterge düğmesine **46** basın ve basılı tutun. Üç yeşil LED ışığının bir kombinasyonu kalan şarj seviyesini gösterecek şekilde yanacaktır. Aküdeki şarj seviyesi kullanılabilir limitin altındayken, gösterge yanmaz ve akünün şarj edilmesi gerekir.

NOT: Bu gösterge sadece aküde kalan şarj seviyesini gösterir. Bu alet işlevini göstermez; ürün parçaları, sıcaklık ve son kullanıcı uygulamaya göre değişime tabidir.

Ucu Takma ve Sökme (Şek. D)

Ucu Takmak İçin

- Motor ünitesini taban ünitesinden sökün. **Motoru Sabit Tabandan Sökme** veya **Motoru Daldırma Tabandan Sökme** bölümlerine bakın (gerektiğinde).
- İstenilen freze ucunun yuvarlak sapını temizleyin, gevşetilen bileziğe gidebildiği yere kadar takın ve ardından 1,6 mm kadar çekin.
- Bilezik somununu **23** sunulan anahtarla saat yönünde çevirirken mil şaftını tutmak için mil kilidi düğmesine **7** basın.

NOT: Ünite, isteğe bağlı bir «manuel cırcır» uç sıkma yöntemine izin veren birden çok mil kilidi mandalı ile donatılmıştır.

«Manuel cırcır» yöntemi ile sıkmak:

- Anahtar bilezik somunundan **23** çıkarmadan, mil kilit düğmesindeki **7** basıncı serbest bırakın.
- Anahtar halen bilezik somunundayken, anahtar konumunu yeniden ayarlamak için sıkma yönünü tersine çevirin.
- Mil kilit düğmesine tekrar basın ve anahtar saat yönünde çevirin.
- Somun bileziği istenen sıklığa ulaşıncaya dek prosedürü tekrar edin.

İKAZ: Olası bilezik hasarını önleyin. Bileziği bir uç takılı olmadan asla sıkmayın.

Ucun Çıkartılması

1. Motor ünitesini taban ünitesinden sökün (bkz. *Motoru Sabit Tabandan Sökme* veya *Motoru Daldırma Tabandan Sökme*).
2. Bilezik somununu **23** sunulan anahtarla saatin tersi yönde çevirirken mil şaftını tutmak için mil kilidi düğmesine **7** basın.

"Manuel cırcır" yöntemi ile gevşetmek:

1. Anahtarı bilezik somunundan **23** çıkarmadan, mil kilit düğmesindeki **7** basıncı serbest bırakın.
2. Anahtar hala bilezik somunundayken **23**, anahtar konumunu yeniden ayarlamak için gevşetme yönünü tersine çevirin.
3. Mil kilit düğmesine **7** tekrar basın ve anahtarı saat yönünün tersine çevirin.
4. Bilezik somunu **23** gevşeyinceye dek prosedürü tekrar edin ve ucu çıkartın.

Bilezikler

NOT: Bir freze ucu takmadan bileziği asla sıkmayın. Boş bir bileziği sıkılmak, elle dahi olsa, bileziğe zarar verebilir.

Bilezik boyutlarını değiştirmek için, bilezik aksamının vidalarını yukarıda tarif edildiği şekilde sökün. İstenilen bileziği prosedürü tersine çevirerek takın. Bilezik ve bilezik somunu bağlıdır. Bileziği bilezik somunundan sökmeye çalışmayın.

Kilitleme Kolu Ayarı (Şek. E)

Kilitleme kolunu kelepçelemek için aşırı güç kullanılmamalıdır. Aşırı güç kullanmak tabana zarar verebilir.

Kilitleme kolu kelepçelendiği zaman motor tabanda hareket ettirilmemelidir.

Kilitleme kolu aşırı güç olmadıkça kelepçelenmiyorsa ya da kelepçeleme sonrası motor tabanda hareket ediyorsa, ayarlama gereklidir.

Kilitleme kolunun kelepçeleme kuvvetini ayarlamak için:

1. Kilitleme kolunu **12** (sabit taban) veya **40** (daldırma taban) açın.
2. Bir altıgen anahtar kullanarak kilit kolu ayar vidasını **24** yavaşça döndürün. Vidayı saat yönünde çevirmek kolu sıkarken saat yönünün tersine çevirmek kolu gevşetir.

Alt Tabanın Ortalanması (Şek. A, F1–F3)

Bir alt tabanını ayarlamaz, değiştirmeniz veya yenilemeniz gerekirse, bir ortalama aleti önerilir. Ortalama aleti bir koni ve bir pimden oluşur.

Bir alt tabanı ayarlamak için aşağıdaki adımları takip edin.

Şekil F1'de, sabit tabandaki D-şekilli alt-tabanın ayarlanması gösterilmektedir.

Şekil F2'de, daldırma tabandaki alt-tabanın ayarlanması gösterilmektedir.

Şekil F3'te, sabit tabandaki yuvarlak alt-tabanın ayarlanması gösterilmektedir.

1. Alt taban vidalarını **25** alt taban serbest hareket edecek şekilde gevşetin ancak sökmeyin.
2. Pimi bileziğe takın ve bilezik somununu sıkın.

3. Motoru tabana takın ve kilitleme kolunu **12** / **40** tabana kelepçeleğin.
4. Koniye ve pimi yerleştirin ve durana dek koninin üzerine hafifçe bastırın. Bu işlem, alt tabanı merkeze alacaktır.
5. Koniye basılı tutarken, alt taban vidalarını sıkın.

Şablon Kılavuzlarını Kullanma

Daldırma alt tabanı şablon kılavuzlarını kabul edecektir. Sabit tabanda, şablon kılavuzlarını kabul etmek için yuvarlak alt tabana ihtiyaç duyulacaktır.

NOT: D şekilli alt taban şablon kılavuzlarını içermez ve çapı 30 mm'ye kadar olan kesicileri alacak şekilde tasarlanmıştır.

Şablon Kılavuzlarını Kullanmak

1. Şablon kılavuzunu iki vida kullanarak alt tabana takın ve iyice sıkın.
2. Alt tabanı ortalayın. Bkz. *Alt tabanın Ortalanması*.

Bir Sabit Taban Paralel Korkuluk Takılması (Şek. G)

Sabit taban için bir paralel korkuluk (model DE6913) mevcuttur.

1. Motoru sabit tabandan sökün. Bkz. *Motoru Sabit Tabandan Sökme*.
2. Düz başlı vidaları **27** paralel korkuluktaki depo deliklerden sökün.
3. Paralel korkuluğu **26** tabanın yanındaki paralel korkuluk yuvasına **28** kaydırın (Şek. G). Paralel korkuluğu sabitlemek için iki düz başlı vidayı alt tabandaki uygun deliklere takın. Donanımı sıkın.
4. Paralel korkulukla ilgili tüm talimatları takip edin.

NOT: Paralel korkuluğu çıkarmak için yukarıdaki talimatları tersten uygulayın. Paralel korkuluğu sökmek için, tabayı önlemek üzere paralel korkuluktaki depo deliklerine iki düz başlı vidayı **27** daima yeniden takın.

Daldırma Taban Paralel Korkuluğu Kılavuz Çubuklarla Takma, Sadece DCW604 (Şek. H)

Kılavuz çubuklu paralel korkuluk daldırma taban ünitenize dahil edilmiş olabilir. Ayrıca birinci sınıf bir paralel korkuluk (model DE6913) yerel bayiden ya da servis merkezinden ek ücret karşılığında temin edilebilir.

1. Kılavuz çubuklarını **36** daldırma freze tabanına takın.
2. El vidalarını **37** ve yayları **38** tabana takın.
3. El vidalarını **37** sıkın.
4. Paralel korkuluğu **39** çubuklar üzerinden kaydırın.
5. El vidalarını **37** ve yayları **38** paralel korkuluğa takın.
6. El vidalarını geçici olarak sıkın. Bkz. *Paralel Korkuluğun Ayarlanması*.

Paralel Korkuluğun Ayarlanması (Şek. A, H)

Paralel korkulukla ilgili montaj talimatlarını takip edin.

1. Malzeme üzerinde bir kesim çizgisi çizin.
2. Freze taşıyıcısını, kesici iş parçası ile temas edine kadar indirin.

3. Daldırma kilit kolunu **16** serbest bırakarak daldırma mekanizmasını kilitleyin
4. Frezeyi kesim çizgisi üzerine getirin. Kesicinin dış kesim kenarı, kesim çizgisi ile örtüşmelidir.
5. Paralel korkuluğu **39** iş parçasına doğru kaydırın ve el vidalarını **37** sıkın.

Bir Toz Toplama Sisteminin Sabit Tabana Takılması (Şek. I)

Frezeyle toz toplama amaçlı bir toz temizleme sistemine bağlamak için şu adımları takip edin:

1. Motor ünitesini tabandan sökün. Bkz. **Motoru Sabit Tabandan Sökme**.
2. Toz toplama sistemi ataşman aksesuarını **29** gösterildiği şekilde tabana takın. El vidalarını **30** elle sağlam şekilde sıkın.
3. Hortum adaptörünü toz toplama sistemi ataşman aksesuarına takın.
4. Toz toplama sistemi ataşmanı kullanılırken toz toplama sisteminin yerleştirilmesine dikkat edin. Toz toplama sisteminin sabit olduğundan ve hortumun iş parçasına temas etmediğinden emin olun.

Bir Toz Toplama Sisteminin Daldırma Tabanına Takılması, Sadece DCW604 (Şek. J)

1. Motor ünitesini tabandan sökün. Bkz. **Motoru Daldırma Tabanından Sökme**.
2. Toz toplama sistemi ataşmanındaki **35** küçük resim) tırnağı **31** daldırma tabanındaki yuvaya kaydırın ve tırnağı **32** küçük resim) daldırma tabanındaki deliğe iterek takın.
3. Ürünle birlikte gelen plastik pul **33** ve el vidası **34** ile tabana sabitleyin. El vidasını elle sağlam şekilde sıkın.
4. Hortum adaptörünü toz toplama sistemi ataşmanına takın.

Toz toplama sistemi ataşmanı kullanılırken toz toplama sisteminin yerleştirilmesine dikkat edin. Toz toplama sisteminin sabit olduğundan ve hortumun iş parçasına teması bulunmadığından emin olun.

Ayar: Sabit Taban (Şek. A, K, L)

Motoru Sabit Tabana Takma

1. Tabandaki kilitleme kolunu **12** açın.
2. Derinlik ayarlama halkası **5** motorda **6** değıleş halka, gösterildiği gibi motorun üst ve alt kısmı arasında yarıya kadar ilerleyene dek derinlik ayarlama halkasını vidalayın. Motordaki oluğu **6** tabandaki kılavuz pimleri **17** ile hizalayarak motoru tabana takın. Derinlik ayarlama halkası yerine oturuncaya kadar motoru aşağıya kaydırın.
NOT: Kılavuz pimi olukları **9** motorun her iki yanında da bulunur ve iki yönde konumlandırılabilir.
3. Kesimin derinliğini derinlik ayarlama halkasını çevirerek ayarlayın. **Kesme Derinliğinin Ayarı** bölümüne bakın.

4. İstenen derinliğe ulaşıldığında kilit kolunu **12** kapatın. Kesme derinliği ayarıyla ilgili bilgiler için **Kesme Derinliğinin Ayarı** bölümüne bakın.

Kesme Derinliğinin Ayarı (Şek. L)

1. Kilitleme kolunu **12** açın ve derinlik ayarlama halkasını **5** kesici, iş parçasına temas edene kadar çevirin. Halkayı saat yönünde çevirmek kesme başını yükseltir, saat yönünün tersi çevirmek kesme başını alçaltır.
2. Mikro ayarlanabilir ölçeği **11** ölçekteki 0 derinlik ayarlama halkasının en altındaki ibre ile hizalanana kadar saat yönünde çevirin.
3. Derinlik ayarlama halkasını, ibre mikro ayarlanabilir ölçekteki **11** kesme işaretinin istenilen derinliğiyle hizalanana kadar çevirin.
NOT: Ayarlanabilir ölçekteki her bir işaret 0,4 mm'lik bir derinlik değışikliğini temsil eder ve halkanın bir tam tur (360°) çevrilmesi derinliği 12,7 mm olarak değıştirir.
4. Tabanı kilitlemek için kilitleme kolunu **12** kapatın.

Motoru Sabit Tabandan Sökme (Şek. K)





1. Bataryayı motordan sökün. Bkz. **Alete Akü Takma Ve Çıkartma**.
2. Tabandaki kilitleme kolunu **12** açın.
3. Her iki hızlı açma tırnağına **45** basarak motor ünitesini tek elle kavrayın.
4. Diğeri elinizle, tabanı kavrayın ve motoru tabandan çekin.

Ayar: Daldırma Tabanı, Sadece DCW604 (Şek. A, M)

Motoru Daldırma Tabana Takma

1. Derinlik ayarlama halkasını **5** motordan **6** sökün. Daldırma tabanı ile kullanılmaz.
NOT: Kaybı önlemek için kullanılmadığı zaman derinlik ayarlama halkasını sabit tabana takın.
2. Daldırma taban kilit kolunu **40** açın.
3. Mil kilidi düğmesinin ön tarafa baktığından emin olarak, motoru **6** motor üzerindeki oluk tabandaki kılavuz pimleri **17** ile hizalanacak şekilde tabana yerleştirin. Motoru, motor durdurucuda **19** durana kadar aşağıya kaydırın.
4. Kilitleme kolunu **40** kapatın.

Daldırma Frezeleme Derinliğini Ayarlama (Şek. M)

-  **UYARI: Yaralanma tehlikesi. Freze çalışırken torna durdurma parçasını değıştirmeyin.** Bu, ellerinizin kesici kafasına çok yaklaşmasına neden olur.
-  **UYARI: Kontrol kaybını önlemek için, hareket sınırlayıcı somunları DAİMA birlikte sıkın.** İstenmeyen hareket, ucun tam olarak geri çekilmesini engelleyebilir.
-  **UYARI: Kontrol kaybını önlemek için, hareket sınırlayıcı somunları, ucun iş parçasından uzakta, freze tabanına geri çekilebilmesini sağlayacak şekilde ayarlayın.**
-  **UYARI: Yaralanma riskini azaltmak için, durdurma somununu ASLA ayarlamayın veya çıkarmayın.**

Motor, kontrol kaybıyla sonuçlanacak şekilde devreden çıkabilir.



DİKKAT: Frezeyi, kesici kafasını iş parçasına daldırmadan önce açın.

1. Daldırma kilit kolunu **16** aşağıya iterek daldırma mekanizmasının kilidini açın. Frezeyi, iş parçasına temas etmesini sağlayarak, gidebildiği yere kadar daldırma amacıyla iki elinizi hafifçe aşağı doğru bastırın.
2. Daldırma kilit kolunu **16** serbest bırakarak daldırma mekanizmasını kilitleyin.
3. El vidasını **41** saat yönünün tersinde çevirerek derinlik ayarlama çubuğunu **15** gevşetin.
4. Derinlik ayarlama çubuğunu **15** en düşük torna durdurma parçasına **14** gelene dek kaydırın.
5. Derinlik ayarlama çubuğundaki sıfır noktası ayarlama tırnağını **42** aşağıya kaydırın, böylece üst kısmı derinlik ayarlama ölçeğindeki **43** sifıra gelir.
6. Derinlik ayarlama çubuğunun **15** tırtıklı üst kısmını kavrayıp, tırnağın **42** derinlik ayarlama ölçeğinde **43** kesiyen istenilen derinlikle hizalanacağı şekilde yukarı kaydırın.
7. Derinlik ayarlama çubuğunu yerinde tutmak için el vidasını **41** sıkın.
8. Her iki elinizi de tutamaklarda tutarak daldırma kilit kolunu **16** aşağıya itmek suretiyle daldırma mekanizmasının kilidini açın. Daldırma mekanizması ve motor yukarı doğru hareket edecektir. Freze daldırıldığı zaman, derinlik ayarlama çubuğu, frezenin tam olarak istenen derinliğe ulaşmasını sağlayacak şekilde torna durdurma parçasına çarpar.

Kademeli Kesmeler için Döner Tornayı Kullanma (Şek. M)

İstediğiniz kesik derinliği tek bir geçişte kabul edilenden fazlaysa, derinlik çubuğu **15** ilk olarak daha uzun torna durdurma parçasıyla hizalanacak şekilde tornayı döndürün. Her bir kesikten sonra, tornayı derinlik durdurma parçası son kesme derinliğine ulaşılıncaya dek daha kısa kolla hizalanacak şekilde döndürün.



UYARI: Freze çalışırken torna durdurma parçasını değiştirmeyin. Bu, ellerinizin kesici kafasına çok yaklaşmasına neden olur.

Frezeleme Derinliğinin İnce Ayarı (Şek. M)

Derinlik ayarlama çubuğunun en alt kısmındaki tırtıklı düğme **44** küçük ayarlamalar yapmak üzere kullanılabilir.

1. Kesme derinliğini azaltmak için, düğmeyi saat yönünden döndürün (frezenin üstünden aşağıya bakarak).
2. Kesme derinliğini arttırmak için, düğmeyi saat yönünün tersine döndürün (frezenin üstünden aşağıya bakarak).

NOT: Düğmenin tam bir dönüşü derinlik olarak 1 mm'lik bir değişime yol açar.

Motoru Daldırma Tabanından Sökme (Şek. M)

1. Bataryayı motordan sökün. Bkz. **Alete Akü Takma Ve Çıkartma**.
2. Tabandaki kilitleme kolunu **40** açın.
3. Motor ünitesini bir elinizle ve tabanı ise diğer elinizle kavrayarak motoru dalma tabanından çekin.

KULLANMA

Kullanma Talimatları



UYARI: Güvenlik talimatlarına ve geçerli yönetmeliklere daima uyun.



UYARI: Ciddi yaralanma riskini azaltmak için herhangi bir ayar yapmadan ya da parça veya aksesuarları söküp takmadan önce aleti kapatın ve aküyü ayırın. Aletin yanlışlıkla çalıştırılması yaralanmaya neden olabilir.

Uygun El Pozisyonu (Şek. N1, N2)



UYARI: Ciddi yaralanma riskini azaltmak için, DAİMA şekilde gösterilen uygun el pozisyonunu kullanın.



UYARI: Ciddi yaralanma riskini azaltmak için, ani tepki ihtimaline karşı aleti DAİMA sıkıca tutun.

Sabit taban kullanıldığında, bir el bataryanın üstünde ve diğer el sabit tabanın etrafında olmalıdır (Şek. N1). Daldırma tabanını kullanırken, yan tutamakları Şekil N2'de gösterildiği gibi sıkıca kavrayın.

Motoru Başlatma ve Durdurma (Şek. A)



DİKKAT: Aleti çalıştırmadan önce, çalışma alanındaki tüm yabancı maddeleri temizleyin. Ayrıca aleti başlangıç torkuna karşı direnç gösterecek şekilde sıkı tutun.



DİKKAT: Fiziksel yaralanmadan ve/veya tamamlanan işe hasar vermektten kaçınmak için, aleti yere koymadan önce güç ünitesinin daima TAM DURMA konumuna geçmesini sağlayın.

Üniteyi çalıştırmak için, toz korumalı düğmenin **3** "ON" (AÇIK) yazan ve "I" sembolüne denk gelen tarafına basın. Üniteyi kapatmak için, düğmenin "OFF" (KAPALI) yazan ve "O" sembolüne denk gelen tarafına basın.

Sabit Tabanla Kesme (Şek. C)

Montaj ve Ayarlamalar bölümündeki talimatları uygulayarak frezeyle sabit tabanı kullanmak için ayarlayın.

Freze ayarlandıktan sonra, bataryayı Şekil C'de gösterildiği gibi takın, daha sonra frezenin hızını ayarlayın (bu konuda **Freze Hızını Seçme** başlığına bakın).

NOT: Frezeyi, daima kesicinin dönme yönünden ters yönde besleyin.

Daldırma Tabanıyla Kesme, Sadece DCW604 (Şek. A)

NOT: Kesiyen derinliği daldırma tabanının varsayılan halinde kilittir. Daldırma kilidi "kilitlemek üzere serbest bırak" daldırma mekanizmasını etkinleştirmek için kullanıcının çalıştırmasını gerektirir.

1. Daldırma kilit koluna **16** bastırın ve frezeyle aşağıya doğru, kesici ayarlanan derinliğe ulaşılıncaya dek daldırın.
2. Daldırma kilit kolunu **16**, istenilen derinliğe ulaşılıncaya dek serbest bırakın.

NOT: Daldırma kilit kolunu serbest bırakmak motoru otomatik olarak yerine kilitlet.

NOT: Ek basınç gerekiyorsa, daldırma kilit koluna bastırmak için elinizi kullanın.

NOT: Ek kelepçeleme kuvveti gerekiyorsa, saat yönünde sıkılmak üzere kilit koluna daha fazla bastırın.

3. Kesmeyi gerçekleştirin.
4. Daldırma kilit koluna bastırmak, freze kesicisinin iş parçasından kurtulmasını sağlayarak kilitleme mekanizmasını devre dışı bırakır.
5. Frezeyi kapatın.

Besleme Yönü (Şek. 0)

Frezeleme sırasında besleme yönü çok önemlidir ve başarılı bir iş ile başarısız bir proje arasındaki farkı yaratabilir. Şekiller bazı tipik kesmeler için düzgün besleme yönünü göstermektedir. İzlenmesi gereken genel kural, frezeyi bir dış kesmede saat yönünün tersinde hareket ettirmek ve iç kesmede saat yönünde hareket ettirmektir.

Stoktaki bir parçanın dış kenarını aşağıdaki adımları takip ederek şekillendirin:

1. Uç damarı soldan sağa şekillendirin.
2. Boyuna damar kısmını soldan sağa hareket ederek şekillendirin.
3. Diğer uç damar kısmını kesin.
4. Geriye kalan boyuna damar kenarını tamamlayın.

Freze Hızını Seçme (Şek. A)

Bir freze hızı seçmek için **Hız Seçim Tablosu** bakın. Freze hızını kontrol etmek için değişken hız düğmesini **4** çevirin.

Yumuşak ilk hareket Özelliği

Kompakt frezeler, motorun başlangıç torkunu en az indiren yumuşak ilk hareket özelliğini sunan elektronik birimlerle donatılmıştır.

Değişken Hız Kontrolü (Şek. A)

Bu frezede, 16000 ve 25500 RPM arasında 7 farklı hız ayarlanabilen bir değişken hız ayar düğmesi **4** mevcuttur. Değişken hız düğmesini **4** çevirerek hızı ayarlayın.

İKAZ: Düşük ve orta hızlı çalıştırmada, hız kontrolü motor hızının düşmesini önler. Bir hız değişimi duymayı ve motoru yüklemeye devam etmeyi umuyorsanız, aşırı ısınma nedeniyle motora zarar verebilirsiniz. Kesim derinliğini azaltın ve/veya aletin zarar görmesini önlemek için besleme hızını yavaşlatın.

Kompakt frezelerde, kesme sırasında aletin hızını takip etmeyi ve korumayı sağlayan elektronik birimler mevcuttur.

HIZ SEÇİM TABLOSU*

DÜĞME AYARI	YAKL. RPM	UYGULAMA
1	16000	Büyük çaplı uçlar ve kesiciler
2	17500	
3	19100	
4	20700	Küçük çaplı uçlar ve kesiciler. Yumuşak ahşaplar, plastikler, laminatlar.
5	22300	
6	23900	
7	25500	

*Bu grafikteki hızlar yaklaşık değeri ifade eder ve sadece referans içindir.

Frezeniz, düğme ayarı için listede belirtilen hızı tam olarak üretmeyebilir.

NOT: Daha iyi kalitede bir iş için tek bir ağır geçiş yerine birden fazla hafif geçişler yapın.

Çalışma lambaları (Şek. A)

Çalışma lambaları **10** motorun **6** önünde yer alır. Çalışma lambasını açmak için açma/kapama düğmesini **3** açın. Çalışma lambaları, açma/kapama düğmesi kapalı konuma getirildikten sonra 20 saniye boyunca açık kalır.

NOT: Çalışma lambaları, el feneri olarak kullanılmak üzere değil yakın çalışma yüzeyinin aydınlatılması için tasarlanmıştır.

NOT: Çalışma lambaları yanıp söniyorsa, düşük olabileceği için batarya şarjını kontrol edin. Lamba şarj edilmiş bir batarya ile helen yanıp söniyorsa, inceleme için bir servis merkezine götürülmelidir.

BAKIM

Elektrikli aletiniz minimum bakımla uzun bir süre çalışacak şekilde tasarlanmıştır. Kesintisiz olarak memnuniyet verici bir şekilde çalışması gerekli özenin gösterilmesine ve düzenli temizliğe bağlıdır.



UYARI: Ciddi yaralanma riskini azaltmak için herhangi bir ayar yapmadan ya da parça veya aksesuarları söküp takmadan önce aleti kapatın ve aküyü ayırın. Aletin yanlışlıkla çalıştırılması yaralanmaya neden olabilir.

Şarj cihazı ve akü bakım gerektirmezler.



Yağlama

Elektrikli aletiniz ek bir yağlama gerektirmemektedir.



Temizleme



UYARI: Havalandırma deliklerinde ve etrafında toz toplanması halinde bu tozu ve kırı kuru hava kullanarak ana gövdeden uzaklaştırın. Bu işlemi gerçekleştirirken onaylı bir göz koruması ve onaylı toz maskesi takın.



UYARI: Aletin metalik olmayan parçalarını temizlemek için asla çözücü veya başka sert kimyasal kullanmayın. Bu kimyasallar bu parçalarda kullanılan malzemeleri güçsüzleştirir. Yalnızca su ve yumuşak sabunla

nemlendirilmiş bir bez kullanın. Aletin içine herhangi bir sıvının girmesine izin vermeyin; aletin herhangi bir parçasını bir sıvı içine daldırmayın.

Motoru ve Tabanı Cilalama

Motor ünitesini tabana göre pürüzsüz hareket ettirirken pürüzsüz bir hareketi sürdürmek için, motor ünitesinin dışı ve tabanın içi herhangi standart bir macun ya da sıvı cila kullanılarak cilalanabilir. Cilayı, üreticinin talimatlarına uygun şekilde, motor ünitesinin dış çapına ve tabanın iç çapına sürün. Cilanın kurumasını bekleyin ve kalıntıları yumuşak bir bezle silin.

İlave Aksesuarlar



UYARI: DEWALT tarafından tedarik veya tavsiye edilenlerin dışındaki aksesuarlar bu ürün üzerinde test edilmediğinden, söz konusu aksesuarların bu aletle birlikte kullanılması tehlikeli olabilir. Yaralanma riskini azaltmak için bu ürünle birlikte sadece DEWALT tarafından tavsiye edilen aksesuarlar kullanılmalıdır.

Uygun aksesuarlarla ilgili daha fazla bilgi almak için satış noktalarıyla görüşün.

Çevrenin Korunması



Ayrı toplama. Bu işaretlenmiş simgeyle ürün ve piller normal evsel atıklarla birlikte çöpe atılmamalıdır.

Bazı malzemeleri içeren ürün ve piller geri

dönüştürülebilir veya geri kazanılabilir, bu da bazı hammaddeler için talebi azaltabilir. Lütfen elektrikli ürünleri ve pilleri yerel yasal mevzuata uygun şekilde geri dönüşüme tabi tutun. Daha ayrıntılı bilgiler www.2helpU.com adresinde mevcuttur.

Şarj Edilebilir Aküler

Bu uzun ömürlü akü, daha önce kolayca yapılan işlerde yeterince güç üretemeyecek duruma geldiğinde şarj edilmelidir. Teknik ömürlерinin sonunda, aküleri çevremize gerekli özeni göstererek atın:

- Aküyü bitene kadar aleti çalıştırın, sonra aletten çıkartın.
- Lityum İyon hücreler geri dönüştürülebilir. Bunları yetkili servise veya yerel toplama merkezine teslim edin. Toplanan aküler geri dönüştürülecek veya uygun şekilde atılacaktır.

Sanayi ve Ticaret Bakanlığı tebliğince kullanım ömrü 7 yıldır.

Türkiye Distribütörü

Stanley Black & Decker Turkey Alet Üretim San. Tic. Ltd.Şti.

AND Kozyatağı - İçerenköy Mah. Umut Sok. AND Ofis Sit. No: 10-12 / 82-83-84

Ataşehir/İstanbul, Türkiye

Tel: +90 216 665 2900

Faks: +90 216 665 2901

www.dewalt.com.tr

info-tr@sbdinc.com

DEWALT GARANTİ BELGESİ

İTHALATÇI FIRMA

Ünvanı : STANLEY BLACK&DECKER TURKEY ALET ÜRETİM SAN. TİC. LTD.ŞTİ.
Adresi : AND Kozyatağı - İçerenköy Mah. Umut Sok. AND Ofis Sit. No: 10-12 / 82-83-84
 Ataşehir/İstanbul, TÜRKYE
Telefon No. : 0216 665 29 00
Faks No. : 0216 665 29 01
E-mail : info-tr@sbdinc.com

ÜRÜNÜN

Cinsi :
Markası : **DEWALT**
Modeli :
Seri Numarası :
Garanti Süresi : 2 YIL
Azami Tamir Süresi : 20 İŞ GÜNÜ

SATICI FİRMANIN

Ünvanı :
Adresi :
Telefon No. :
Faks No. :
Fatura Tarih ve No. :
Ürün Teslim Tarihi :
Ürün Teslim Yeri :
Belgeyi Dolduranın Adı Soyadı :

Keşe - Yetkili İmza

GARANTİ ŞARTLARI

- Garanti süresi, malın teslim tarihinden itibaren başlar ve 2 yıldır.
- Malın bütün parçaları dahil olmak üzere tamamı firmamızın garantisine kapsamındadır.
- Malın ayıplı olduğunun anlaşılması durumunda tüketici, 6502 sayılı Tüketici Korunması Hakkında Kanununun 11 inci maddesinde yer alan;
 - Sözleşmeden dönme,
 - Satış bedelinden indirim isteme
 - Ücretsiz onarılmasını isteme
 - Satılanın ayıpsız bir misli ile değiştirilmesini isteme,
 haklarından birini kullanabilir.
- Tüketicinin bu haklardan ücretsiz onarım hakkını seçmesi durumunda satıcı; işçilik masrafı, değiştirilen parça bedeli ya da başka herhangi bir ad altında hiçbir ücret talep etmeksizin malın onarımını yapmak veya yaptırmakla yükümlüdür. Tüketici ücretsiz onarım hakkını üretici veya ithalatçıya karşı da kullanabilir.
- Satıcı, üretici ve ithalatçı tüketici bu hakkını kullanmasından müteselsilen sorumludur.
 - Tüketicinin, ücretsiz onarım hakkını kullanması halinde malın;
 - Garanti süresi içinde tekrar arızalanması,
 - Tamiri için gereken azami sürenin aşılması,
 - Tamirinin mümkün olmadığını, yetkili servis istasyonu, satıcı, üretici veya ithalatçı tarafından bir raporla belirlenmesi durumlarında; tüketici malın bedel iadesini, ayıp oranında bedel indirimini veya imkan varsa malın ayıpsız misli ile değiştirilmesini satıcıdan talep edebilir.
- Satıcı, tüketicinin talebini reddedemez. Bu talebin yerine getirilmemesi durumunda satıcı, üretici ve ithalatçı müteselsilen sorumludur.
- Malın tamir süresi 20 iş gününü geçemez. Bu süre, garanti süresi içerisinde mala ilişkin arızanın yetkili servis istasyonuna veya satıcıya bildirim tarihinde, garanti süresi dışında ise malın yetkili servis istasyonuna teslim tarihinden itibaren başlar. Malın arızasının 10 iş günü içerisinde giderilmemesi halinde, üretici veya ithalatçı; malın tamiri tamamlanıncaya kadar, benzer özelliklere sahip başka bir malı tüketicinin kullanımına tahsis etmek zorundadır. Malın garanti süresi içerisinde arızalanması durumunda, tamirde geçen süre garanti süresine eklenir.
- Malın kullanma kılavuzunda yer alan hususlara aykırı kullanılmasından kaynaklanan arızalar garanti kapsamı dışındadır.
 - Garanti kapsam şartları ;
 - Ürün hatalı kullanılmamıştır.
 - Ürün yıpranmamış, hırpalanmamış ve aşınmamıştır.
 - Yetkili olmayan kişilerce tamire çalışmamıştır.
 - Satın alma belgesi (fatura) ibraz edilmiştir.
 - Ürün, tüm orijinal parçaları ile iade edilmiştir.
- Tüketici, garantiden doğan haklarının kullanılması ile ilgili olarak çıkabilecek uyuşmazlıklarda yerleşim yerinin bulunduğu veya tüketici işleminin yapıldığı yerdeki Tüketici Hakem Heyetine veya Tüketici Mahkemesine başvurabilir.
- Satıcı tarafından bu Garanti Belgesinin verilmesi durumunda, tüketici Gümrük ve Ticaret Bakanlığı Tüketicinin Korunması ve Piyasa Gözetimi Genel Müdürlüğüne başvurabilir.

EEE Yönetmeliğine uygundur.

CE

KULLANMA KILAVUZU İÇİN EK BİLGİLER

-Taşıma ve nakliye sırasında dikkat edilecek hususlar;
Cihazı taşıma ve nakliye esnasında hasar verecek şekilde taşınmamalı, bir yerden bir yere fırlatılmamalı, istifleme yapılırken dikkat edilmeli.

-Gümrük ve Ticaret Bakanlığı uyarınca belirlenen kullanım ömürleri aşağıdaki gibidir;

Testere Makineleri	7 yıl
Polisaj Makineleri	7 yıl
Matkaplar	7 yıl
Vidalama Makineleri	7 yıl
Zımpara Makineleri	7 yıl

-Malın ayıplı olduğunun anlaşılması durumunda tüketici, 6502 sayılı Tüketici Korunması Hakkında Kanununun 11 inci maddesinde yer alan;

a- Sözleşmeden dönme,

b-Satış bedelinden indirim isteme

c-Ücretsiz onarılmasını isteme

d-Satılanın ayıpsız bir misli ile değiştirilmesini isteme,

haklarından birini kullanabilir.

-Tüketici, garantiden doğan haklarının kullanılması ile ilgili olarak çıkabilecek uyuşmazlıklarda yerleşim yerinin bulunduğu veya tüketici işleminin yapıldığı yerdeki Tüketici Hakem Heyetine veya Tüketici Mahkemesine başvurabilir.

ЗАГЛИБНИЙ ФРЕЗЕР

DCW600, DCW604

Вітаємо вас!

Ви обрали інструмент виробництва компанії DeWALT. Ретельна розробка продукції, багаторічний досвід фірми у виробництві інструментів, різні вдосконалення, все це зробило інструменти DeWALT є одними із найнадійніших помічників для тих, хто використовує електричні інструменти у своїй професії.

Технічні дані

		DCW600	DCW604
Напруга	V_{oc}	18	18
Тип		1	1
Тип акумулятора		Літій-іонний	Літій-іонний
Вихідна потужність	Вт	930	930
Швидкість без навантаження	об/хв	16000-25500	16000-25500
Каретка фрезера		1 стійка	2 стійки
Хід каретки фрезера	мм	55	55
Розмір затискової втулки	мм	8	8
Макс. діаметр ріжучого елемента		30	30
Маса (без акумулятора)	кг	1,54	2,40

Значення рівня шуму та вібрації (триаксимальна векторна сума) відповідно до стандарту EN60745-2-17:

L_{pA} (рівень тиску звукового випромінювання)	дБ(A)	73	73
L_{WA} (рівень акустичної потужності)	дБ(A)	84	84
K (похибка для даного рівня звукового тиску)	дБ(A)	3	3

Значення вібрації $ah =$	m/s^2	4,7	4,7
Похибка K =	m/s^2	2,7	2,7

Значення вібрації та/або шуму, наведене в цьому документі, було виміряне згідно зі стандартизованим тестом, викладеним в EN60745 та може використовуватись для порівняння інструментів. Це значення вібрації можна також використовувати для попередньої оцінки впливу вібрації.

⚠ ОБЕРЕЖНО: Заявлене значення вібрації та/або шуму відповідає вимогам цільового використання інструмента. Однак якщо інструмент використовується для виконання інших завдань, або з іншими витратними матеріалами/насадками, або не обслуговується належним чином, значення вібрації та/або шуму може відхилитися. Це може значно збільшити рівень впливу протягом усього періоду роботи.

Оцінка рівня впливу вібрації та/або шуму має враховувати час, протягом якого інструмент є вимкненим, а також час, протягом якого він є

ввімкненим, але не використовується. Це може значно зменшити рівень впливу протягом усього періоду роботи.

Визначення додаткових заходів безпеки для захисту оператора від впливу вібрації та/або шуму: технічне обслуговування інструмента та приладдя, утримання рук у теплі (має значення для вібрації), організація режиму роботи.

Декларація про відповідність ЄС

ДИРЕКТИВА ДЛЯ МЕХАНІЧНОГО ОБЛАДНАННЯ



Заглибний фрезер DCW600, DCW604

DeWALT заявляє, що описані в розділі **Технічні дані** пристрої відповідають стандартам:

2006/42/EC, EN60745-1:2009 +A11:2010, EN60745-2-17:2010.

Ці продукти також відповідають вимогам Директив 2014/30/EU та 2011/65/EU. Для отримання додаткової інформації звертайтеся до компанії DeWALT за адресою, зазначеною нижче або наприкінці цього керівництва.

Нижчепідписаний несе відповідальність за упорядкування файлу технічних характеристик та робить цю заяву від імені компанії DeWALT..

Маркус Ромпель

Віце-президент з машинобудування, PTE-Europe
DeWALT, Richard-Klinger-Straße 11,
D-65510, Ідштайн, Німеччина
15.03.2019



ПОПЕРЕДЖЕННЯ: Уважно прочитайте керівництво з експлуатації для зниження ризику отримання травм.

Позначення: інструкції з техніки безпеки

Умовні позначення, наведені нижче, описують рівень важливості кожної попереджувальної вказівки. Прочитайте керівництво з експлуатації та зверніть увагу на символи, наведені нижче.



НЕБЕЗПЕЧНО: Указує на безпосередню загрозу, яка, якщо її не уникнути, призведе до смерті або серйозної травми.



ПОПЕРЕДЖЕННЯ: Вказує на потенційну загрозу, ігнорування якої може призвести до смерті або серйозної травми.

Батареї				Зарядні пристрої/час зарядки (у хвиликах)							
Кат. №	V _{вс}	Ah	Маса (kg)	DCB104	DCB107	DCB112	DCB113	DCB115	DCB118	DCB132	DCB119
DCB546	18/54	6.0/2.0	1.05	60	270	170	140	90	60	90	X
DCB547	18/54	9.0/3.0	1.46	75*	420	270	220	135*	75*	135*	X
DCB548	18/54	12.0/4.0	1.44	120	540	350	300	180	120	180	X
DCB181	18	1.5	0.35	22	70	45	35	22	22	22	45
DCB182	18	4.0	0.61	60/40**	185	120	100	60	60/40**	60	120
DCB183/B	18	2.0	0.40	30	90	60	50	30	30	30	60
DCB184/B	18	5.0	0.62	75/50**	240	150	120	75	75/50**	75	150
DCB185	18	1.3	0.35	22	60	40	30	22	22	22	X
DCB187	18	3.0	0.54	45	140	90	70	45	45	45	90
DCB189	18	4.0	0.54	60	185	120	100	60	60	60	120

*Код дати 201811475В або пізніше

**Код дати 201536 або пізніше



УВАГА: Вказує на потенційну загрозу, ігнорування якої може призвести до травми легкої або середньої тяжкості.

ПРИМІТКА: Вказує на ситуацію, не пов'язану з особою травмою, ігнорування цієї ситуації може призвести до пошкодження майна.



Вказує на ризик ураження електричним струмом.



Вказує на ризик виникнення пожежі.

ЗАГАЛЬНІ ПРАВИЛА БЕЗПЕКИ ПРИ ЕКСПЛУАТАЦІЇ ЕЛЕКТРИЧНОГО ІНСТРУМЕНТА



ПОПЕРЕДЖЕННЯ: Ознайомтеся з усіма попередженнями, інструкціями з техніки безпеки, зображеннями та специфікаціями, які поставляються з даним електричним інструментом. Невиконання нижченаведених інструкцій може призвести до ураження електричним струмом, пожежі та/або серйозних тілесних ушкоджень.

ЗБЕРІГАЙТЕ ВСІ ПОПЕРЕДЖЕННЯ ТА ІНСТРУКЦІЇ ДЛЯ ПОДАЛЬШОГО ВИКОРИСТАННЯ

Термін «електричний інструмент» в усіх попередженнях стосується використовуваних вами інструментів, що живляться від мережі енергопостачання (з електричним кабелем) або від акумуляторів (без кабелю).

1) Безпека робочої зони

- Робоча зона завжди має бути чистою та добре освітленою. Захаращена або темна робоча зона призводить до нещасних випадків.
- Не використовуйте електричні інструменти у вибухонебезпечній атмосфері, наприклад поруч із вогнебезпечними рідинами, газами та пилом. Електричні інструменти створюють іскри, що можуть запалити пил або пару.

- Тримайте дітей та сторонніх подалі під час використання інструмента. Відвернення уваги може призвести до втрати контролю.

2) Електрична безпека

- Вилка електричного інструмента повинна відповідати розетці. Ніколи жодним чином не змінюйте вилку. Не використовуйте адаптери з замкнутими на землю (заземленими) електричними інструментами. Немодифіковані вилки та розетки, що підходять до них, зменшують ризик ураження електричним струмом.
- Уникайте контакту тіла з заземленими поверхнями, такими як труби, радіатори, плити та холодильники. Якщо ваше тіло заземлене, збільшується ризик ураження електричним струмом.
- Не залишайте електричні інструменти під дощем або в умовах підвищеної вологості. Вода, що потрапляє в електричний інструмент, підвищує ризик ураження електричним струмом.
- Не використовуйте кабель живлення не за призначенням. Ніколи не переносьте, не тягніть та не відключайте електричний інструмент від розетки живлення за допомогою шнура. Тримайте шнур подалі від високих температур, мастила, гострих предметів та рухомих деталей. Пошкоджені або перекручені шнури підвищують ризик ураження електричним струмом.
- При використанні електричного інструмента на вулиці, використовуйте подовжувальний шнур, що підходить для використання на вулиці. Використання шнура, що призначений для використання поза приміщенням, знижує ризик ураження електричним струмом.
- Якщо неможливо уникнути використання електричного інструмента в умовах підвищеної вологості, використовуйте живлення, захищене пристроєм залишкового струму (RCD). Використання RCD знижує ризик ураження електричним струмом.

3) Особиста безпека

- a) **Будьте в стані готовності, дивіться, що ви робите, та будьте розсудливі, працюючи з електричним інструментом. Не використовуйте електричний інструмент, коли ви втомлені або знаходитесь під впливом наркотичних речовин, алкоголю або ліків.** Втрата уваги під час роботи з електричними інструментами може призвести до серйозних травм.
- b) **Використовуйте особисті засоби безпеки. Завжди використовуйте засоби захисту очей.** Засоби безпеки, такі як протипилова маска, неслизькі безпечні черевки, захисний шолом та засоби захисту слухового апарату при використанні для відповідних умов зменшують імовірність особистих травм.
- c) **Уникайте випадкового запуску. Переконайтесь в тому, що вимикач знаходиться в позиції Вимк., перш ніж підключати інструмент до джерела живлення та/або акумулятора, переміщувати або переносити.** Може статися нещасний випадок, коли ви переносите інструмент, тримаючи палець на вимикачі, або підключаєте живлення до вимикача в позиції Увімк.
- d) **Зніміть усі ключі для регулювання або гайкові ключі, перш ніж вмикати електричний інструмент.** Гайковий ключ, що залишився прикріпленим до якоїсь деталі електричного пристрою, що обертається, може призвести до травм.
- e) **Не прикладайте надмірного зусилля. Завжди утримуйте правильну постановку ніг і рівновагу.** Це дає вам змогу краще контролювати інструмент в неочікуваних ситуаціях.
- f) **Одягайтеся відповідним чином. Не вдягайте вільний одяг або прикраси. Тримайте ваше волосся та одяг подалі від рухомих деталей.** Вільний одяг, прикраси або довге волосся можуть зачепитися за рухомі деталі.
- g) **Якщо передбачені пристрої для підключення до засобів виділення та збирання пилу, переконайтесь, що вони правильно підключені та використовуються.** Використання таких пристроїв зменшує ризик виникнення небезпечних ситуацій, що пов'язані з потраплянням пилу.
- h) **Навіть якщо ви добре знаєте інструмент та часто його використовуєте, не розслабляйтесь та не забувайте про принципи техніки безпеки.** Необережні дії можуть за долю секунди призвести до важких тілесних ушкоджень.

4) Використання електричного інструмента та догляд за ним

- a) **Не прикладайте надмірних зусиль під час роботи з інструментом. Використовуйте електричний інструмент, який відповідає завданню, що виконується.** Правильно обраний

інструмент виконає завдання краще та безпечніше за умов, для яких він був розроблений.

- b) **Не використовуйте інструмент, якщо його неможливо ввімкнути та вимкнути за допомогою вимикача.** Будь-який електричний інструмент, яким неможливо керувати за допомогою вимикача, є небезпечним і має бути відремонтований.
- c) **Якщо вилка знімна, відключіть її від джерела живлення та/або вийміть акумулятор, перш ніж виконувати будь-які налаштування, змінювати додаткове обладнання або зберігати інструмент.** Ці профілактичні заходи зменшують ризик випадкового запуску електричного інструмента.
- d) **Зберігайте вимкнені електричні інструменти в недоступному для дітей місці та не дозволяйте особам, що не знайомі з електричним інструментом або цими інструкціями, використовувати електричний інструмент.** Електричні інструменти є небезпечними, якщо вони використовуються некваліфікованими користувачами.
- e) **Технічне обслуговування електричних інструментів та приладдя. Перевіряйте неспівівність, заїдання рухомих деталей, наявність пошкоджених частин та інших факторів, які можуть впливати на роботу електричного інструмента.** Якщо є пошкодження, відремонтуйте електричний інструмент перед використанням. Нещасні випадки часто є результатом того, що інструмент не пройшов відповідного технічного обслуговування.
- f) **Різальні інструменти мають бути гострими та чистими.** Правильно доглянуті різальні інструменти з гострими різальними кромками мають меншу імовірність заїдання, та ними легше керувати.
- g) **Використовуйте електричний інструмент, додаткові інструменти та деталі інструменту тощо у відповідності до цих інструкцій та відповідно до даного типу електричних інструментів, зважаючи на умови використання та роботу, яка має бути виконана.** Використання електричних інструментів не за призначенням може призвести до виникнення небезпечних ситуацій.
- h) **Всі ручки та поверхні для тримання інструмента мають бути сухими, без залишків мастила.** Слизькі ручки та поверхні для тримання не дозволяють безпечно працювати та контролювати інструмент у неочікуваних ситуаціях.
- 5) Використання та догляд за інструментом, що живиться від акумулятора**
- a) **Заряджайте інструмент лише за допомогою зарядного пристрою, вказаного виробником.** Зарядний пристрій, що підходить до одного типу

акумуляторів, може призвести до пожежі в разі використання з іншим акумулятором.

- b) **Використовуйте електричні інструменти лише з призначеними для них акумуляторами.** Використання інших акумуляторів може призвести до травм або пожежі.
- c) **Коли акумулятори не використовуються, зберігайте їх подалі від металевих предметів, як скріпки, монети, ключі, цвяхи, гвинти або інші невеликі предмети, що можуть призвести до замикання двох контактів.** Коротке замикання клем акумулятора може призвести до вибуху або пожежі.
- d) **За невідповідних умов використання рідина може витекти з акумулятора; уникайте контакту з цією рідиною.** Якщо контакт таки стався, промийте забруднену ділянку водою. Якщо рідина потрапила в очі, промийте водою та зверніться до лікаря. Рідина, що витікає з акумулятора, може призвести до подразнень та опіків.
- e) **Не використовуйте пошкоджений або модифікований акумулятор або інструмент.** Пошкоджені або модифіковані акумулятори можуть поводити себе непередбачуваним чином, призводячи до пожежі, вибуху або тілесним ушкодженням.
- f) **Не надавайте акумулятор та інструмент дії вогню та надмірних температур.** Дія вогню або температури вище 130 °C може спричинити вибух.
- g) Виконуйте всі інструкції щодо зарядки; **заряджайте акумулятор та інструмент тільки в межах температурного діапазону, вказаного в інструкціях.** Неналежна зарядка або зарядка поза межами вказаного температурного діапазону може пошкодити акумулятор та підвищити ризик пожежі.

6) Обслуговування

- a) **Надавайте ваш електричний інструмент для обслуговування кваліфікованим спеціалістом з ремонту та використовуйте тільки ідентичні замінні деталі.** Це забезпечить безпеку електричного пристрою.
- b) **Ніколи не обслуговуйте пошкоджені акумулятори самостійно.** Обслуговування акумуляторів мають виконувати представники виробника або працівники офіційного сервісного центру.

Додаткові спеціальні правила безпеки для компактних фрезерів

- **Використовуйте затискач або інший спосіб закріплення деталі, що оброблюється, на стабільній платформі.** Утримування деталі в руці та притискання її до тіла робить її нестабільною та може призвести до втрати контролю.
- **НЕ ріжте метал.**
- **Всі ручки та поверхні для тримання інструменту повинні бути сухими, без залишків мастила.** Це поліпшить контроль над інструментом.
- **Міцно тримайте інструмент обома руками, щоб протистояти пусковому моменту.** За будь-яких обставин міцно тримайте інструмент під час роботи.
- **Завжди дотримуйтесь рекомендацій виробника щодо швидкості, оскільки різці певної конструкції потребують певної швидкості для безпечної та продуктивної роботи.** Якщо ви не певні щодо належної швидкості або стикаєтеся з проблемами, зверніться до виробника різця.
- **Тримайте руки подалі від ріжучої поверхні. Ніколи не підставляйте руки під деталь.** Під час різання міцно тримайте основу фрезера в контакт з деталлю.
- **Ніколи не запускайте блок двигуна, якщо він не вставлений в одну з основ фрезера.** Двигун не призначений для роботи в переносному режимі.
- **Зберігайте постійне навантаження під час різання.** Не перевантажуйте двигун.
- **Використовуйте гострі різці.** Затуплені пильні різці спричиняють відхилення фрезера від прямої лінії та заїдання під навантаженням.
- **Перш ніж покласти фрезер, переконайтеся, що двигун повністю зупинився.** Якщо різець обертається, коли ви кладете інструмент, це може призвести до тілесного ушкодження або пошкодження інструмента.
- **Перед запуском двигуна переконайтеся, що різець фрезера знаходиться на достатній відстані від деталі.** Якщо при запуску двигуна різець знаходиться в контакт з деталлю, фрезер може підстрибнути й призвести до тілесного ушкодження або пошкодження інструмента.
- **ЗАВЖДИ виймайте акумулятор, перш ніж виконувати будь-які налаштування або заміняти різці.**
- **Коли двигун працює, тримайте руки на достатній відстані від різців, щоб уникнути тілесних ушкоджень.**
- **Ніколи не торкайтесь різця відразу після використання.** Він може бути надто гарячим.
- **При різанні забезпечуйте для різця фрезера зазор під деталлю.**
- **Надійно затягуйте гайку затискної втулки, щоб запобігти ковзанню різця.**
- **Ніколи не затягуйте гайку затискної втулки без різця.**
- **Не використовуйте для цього інструмента різці, діаметр яких перевищує 30 мм.**
- **Уникайте зустрічного різання (різання у напрямку, протилежному показаному на рис. O). Зустрічне різання підвищує ризик втрати контролю, що може призвести до тілесних ушкоджень.** Якщо необхідно виконувати зустрічне різання (зміна

напрямку на куті), дійте з надзвичайною обережністю, щоб не втратити контроль над фрезером. З кожним проходом здійснюйте дрібніші розрізи та знімайте мінімум матеріалу.

- Використовуйте тільки прямі, пазові, фасонні, довбальні ріжучі елементи або жолобчасті ножи з діаметром хвостовика, який відповідає розміру затискної втулки в вашому інструменті.
- Завжди використовуйте різці, що призначені для мінімальної швидкості 30 000 хв.-1 і відповідно позначені.
- **Не тримайте фрезер в перевернутому або в горизонтальному положенні.** Якщо двигун не встановити належним чином згідно з інструкціями, він може відокремитися від основи.
- **Перед запуском двигуна очистіть робочу зону від всіх сторонніх предметів.**
- **Не використовуйте у фрезерному столі.**
- **Стружковідбивач (при його наявності) завжди має бути чистим і на своєму місці.**
- **Не натискайте кнопку блокування шпинделя, коли двигун працює.** Це може пошкодити блокування шпинделя.
- **Завжди переконуйтеся, що на робочій поверхні немає цвяхів та інших сторонніх предметів.** Врізання у цвях може призвести до стрибка різця та інструменту.

Залишкові ризики

Дотримання всіх правил техніки безпеки та застосування пристроїв безпеки не гарантує уникнення певних залишкових ризиків. До такого переліку належать:

- Порушення слуху.
- Ризик тілесних ушкоджень через частинки, які розлітаються.
- Ризик опіків через нагрівання приладдя під час роботи.
- Ризик тілесних ушкоджень через занадто тривале використання.


ЗБЕРІГАЙТЕ ЦІ ІНСТРУКЦІЇ

Зарядні пристрої

DEWALT не вимагають налаштувань і розроблені для максимально простого використання.

Електрична безпека

Електричний двигун розроблений для роботи лише з одним значенням напруги. Завжди перевіряйте, що напруга акумулятора відповідає напрузі, що вказана в технічних даних. Також переконайтеся, що напруга зарядного пристрою відповідає напрузі мережі живлення.

 Ваш DEWALT Ваш зарядний пристрій виробництва компанії DEWALT має подвійну ізоляцію відповідно до EN60335; тому заземлення не є необхідним.

Якщо кабель живлення пошкоджений, його необхідно замінити на спеціальний кабель, який можна замовити в офіційних сервісних центрах DEWALT. організація обслуговування.

Використання електричного подовжувача

Використовуйте подовжувальний шнур лише за абсолютної необхідності. Використовуйте лише рекомендований подовжувальний шнур, що відповідає споживаній потужності вашого зарядного пристрою (див. **Технічні дані**). Мінімальний розмір січення провідника становить 1 мм²; максимальна довжина — 30 м.

При використанні кабельного барабану завжди витягуйте весь кабель.

Важливі інструкції з техніки безпеки для всіх зарядних пристроїв

ЗБЕРІГАЙТЕ ЦІ ІНСТРУКЦІЇ: У цьому керівництві містяться важливі інструкції з техніки безпеки та використання для сумісних зарядних пристроїв (див. «**Технічні дані**»).

- *Перед використанням зарядного пристрою прочитайте всі інструкції та попередження на зарядному пристрої, акумуляторах та продукті, для якого ці акумулятори використовуються.*



ПОПЕРЕДЖЕННЯ: Небезпека ураження електричним струмом. Не допускайте потрапляння рідини в зарядний пристрій. Це може призвести до ураження електричним струмом.



ПОПЕРЕДЖЕННЯ: Ми рекомендуємо використовувати пристрій з керуванням диференційним струмом з номінальним значенням диференційного струму 30 мА або менше.



УВАГА: Небезпека опіку. Для зниження ризику виникнення травм заряджайте лише акумулятори DEWALT. акумуляторні батареї. Інші типи акумуляторів можуть вибухнути, спричинивши тілесні ушкодження та пошкодження майна.



УВАГА: Уважно слідкуйте за тим, щоб діти не гралася з пристроєм.

ПРИМІТКА: За певних умов, коли зарядний пристрій підключений до мережі живлення, незахищені контакти всередині зарядного пристрою можуть замкнутися будь-яким стороннім предметом. Сторонні предмети, що проводять струм, наприклад металева стружка, алюмінієва фольга або будь-які металеві деталі, необхідно зберігати подалі від зарядного пристрою. Завжди відключайте зарядний пристрій від розетки, коли батарея не встановлена в зарядний пристрій. Відключіть зарядний пристрій від мережі живлення перед його очищенням

- **НЕ намагайтеся заряджати акумулятор зарядними пристроями, що не вказані в цьому керівництві.** Зарядний пристрій та акумулятори даної моделі розроблені для сумісної експлуатації.
- **Ці зарядні пристрої не призначені ні для чого іншого, крім зарядки акумуляторів DEWALT акумуляторні батареї.** Використання з іншими акумуляторами може призвести до виникнення пожежі або ураження електричним струмом.

- **Не надавайте зарядний пристрій впливу дощу або снігу.**
- **При відключенні зарядного пристрою від мережі живлення тягніть за вилку, а не за кабель.** Це зменшить ризик пошкодження вилки та кабелю.
- **Переконайтесь, що кабель розміщений так, щоб на нього не наступали, не ходили по ньому та не піддавали його іншим фізичним впливам.**
- **Не використовуйте подовжувальний шнур окрім випадків, коли це абсолютно необхідно.** Використання невідповідних подовжувальних шнурів може призвести до пожежі або ураження електричним струмом.
- **Не кладіть будь-які предмети на зарядний пристрій та не залишайте зарядний пристрій на м'якій поверхні, що може заблокувати вентиляційні отвори та призвести до надмірного нагрівання.** Розташуйте зарядний пристрій подалі від джерел тепла. Зарядний пристрій вентилюється крізь отвори у верхній та нижній частинах корпусу.
- **Не використовуйте зарядний пристрій із пошкодженим кабелем або вилкою — їх потрібно негайно замінити.**
- **Не використовуйте зарядний пристрій, якщо той отримав різкий удар, впав або був пошкоджений іншим чином.** Віднесіть його до авторизованого сервісного центру.
- **Якщо зарядний пристрій вимагає технічного обслуговування або ремонту, не розбирайте його самотужки, а віднесіть до авторизованого сервісного центру.** Невідповідні способи використання можуть призвести до виникнення пожежі або ураження електричним струмом.
- Якщо кабель живлення пошкоджено, для уникнення небезпеки його необхідно негайно замінити, звернувшись до виробника, спеціаліста сервісного центру або іншого кваліфікованого спеціаліста.
- **Відключайте зарядний пристрій від розетки перед його очищенням.** Це дозволяє знизити ризик ураження електричним струмом. Видалення акумулятора не знижує ризик.
- **НИКОЛИ не намагайтесь з'єднувати два зарядні пристрої.**
- **Цей зарядний пристрій розрахований на роботу зі стандартною напругою побутової електромережі 230 В. Не намагайтесь використовувати його з іншою напругою.** Це не стосується автомобільних зарядних пристроїв.

Зарядка акумулятора (Рис. [Fig.] B)

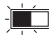





1. Підключіть зарядний пристрій до відповідної розетки перед встановленням акумулятора.
2. Вставте акумулятор **1** у зарядний пристрій до упору. Червоний індикатор («зарядка») буде блимати, вказуючи на початок процесу зарядки.

3. Коли зарядку завершено, червоний індикатор горить, не блимаючи. Це означає, що акумулятор повністю заряджений та може використовуватися одразу або залишатися в зарядному пристрої. Щоб витягнути акумулятор із зарядного пристрою, натисніть кнопку деблокування **2** на акумуляторі.

ПРИМІТКА: щоб забезпечити максимальну продуктивність та тривалість роботи літій-іонного акумулятора, повністю зарядіть його перед першим використанням.

Робота зарядного пристрою

Нижче описані індикатори стану зарядки акумулятора.

Індикатори зарядки	
 Заряджається	
 Повністю заряджений	
 Затримка через надмірно високу/низьку температуру акумулятора*	

*Червоний індикатор буде продовжувати миготіти, а жовтий індикатор буде горіти під час виконання цього завдання. Коли акумулятор досягне прийнятної температури, жовтий індикатор згасне, а зарядний пристрій відновить процес зарядки.

Сумісний зарядний пристрій не буде заряджати несправний акумулятор. Зарядний пристрій розпізнає несправну батарею та не ввімкне світловий індикатор.

ПРИМІТКА: Це також може свідчити про проблему з зарядним пристроєм.

Якщо виявлено проблему із зарядним пристроєм, віднесіть зарядний пристрій та акумулятор для перевірки в авторизований сервісний центр.

Затримка через надмірно високу/низьку температуру акумулятора

Якщо зарядний пристрій визначає, що акумулятор є надмірно гарячим або холодним, він автоматично вмикає режим температурної затримки, припиняючи процес зарядки, доки акумулятор не досягне відповідної температури. Після досягнення прийнятної температури зарядний пристрій автоматично перемикається в режим зарядки акумулятора. Ця функція забезпечує максимальний термін служби акумулятора.

Холодний акумулятор буде заряджатися повільніше порівняно з теплим акумулятором. Такий акумулятор буде заряджатися повільніше протягом всього циклу зарядки та не повернеться до максимального значення зарядки, навіть якщо нагріється.

Електронна система захисту

Інструменти з літій-іонними акумуляторами XR розроблені з використанням електронної системи захисту, яка захищає акумулятор від перевантаження, перегрівання або глибокої розрядки.


Пристрій автоматично вимикається, якщо спрацює електронна система захисту. Якщо це сталося, встановіть

літій-іонний акумулятор в зарядний пристрій до повної зарядки.

Кріплення на стіну

Ці зарядні пристрої можна закріпити на стіні, чи поставити на стіл або іншу робочу поверхню. При кріпленні на стіну розташуйте зарядний пристрій недалеко від електричної розетки, а також подаль від кутів та інших перешкод, що заважають повітряному потоку. Скористайтеся задньою частиною зарядного пристрою в якості шаблону для розташування кріпильних гвинтів на стіні. Надійно зафіксуйте зарядний пристрій за допомогою шурупів (потрібно придбати окремо) довжиною приблизно 25,4 мм з голівкою діаметром 7–9 мм, що закручуються в дерев'яну поверхню до оптимальної глибини, щоб залишилося приблизно 5,5 мм. Вирівняйте отвори на задній поверхні зарядного пристрою з виступаючими шурупами, після чого повністю вставте шурупи в отвори.

Інструкції з очищення зарядного пристрою

 **ПОПЕРЕДЖЕННЯ: Небезпека ураження електричним струмом. Відключіть зарядний пристрій від розетки змінного струму перед його очищенням.** Бруд та жир можна видалити з поверхні зарядного пристрою за допомогою ганчірки або м'якої неметалевої щітки. Не використовуйте воду та миїні розчини. Не дозволяйте рідині потрапляти всередину інструмента та ніколи не занурюйте деталі інструмента в рідину.

Акумулятор

Важливі інструкції з техніки безпеки для різних типів акумуляторів

При замовленні змінних акумуляторів не забудьте вказати номер за каталогом та напругу.

Новий акумулятор заряджений не повністю. Перед використанням акумулятора та зарядного пристрою прочитайте всі нижче наведені інструкції з техніки безпеки. Після цього виконайте всі вказані пункти процедури зарядки.

ПРОЧИТАЙТЕ ВСІ ІНСТРУКЦІЇ

- **Не заряджайте та не використовуйте акумулятор у вибухонебезпечних умовах, наприклад в присутності легкозаймистих рідин, газів або пилу.** Під час встановлення або виймання батареї з зарядного пристрою може спалахнути пил або пара.
- **На прикладайте зусилля, вставляючи акумулятор в зарядний пристрій. Жодним чином не модифікуйте акумулятор, аби встановити його в несумісний зарядний пристрій, адже акумулятор може розірватися та спричинити серйозні травми.**
- Використовуйте тільки зарядні пристрої DEWALT для заряджання акумуляторів.
- **НЕ занурюйте акумулятор у воду та інші рідини та не бризкайте на нього.**
- **Не зберігайте та не використовуйте інструмент та акумулятор у місцях, де температура може**

сягати або перевищувати 40 °C (104 °F) (наприклад, біля гаражів або металевих будівель влітку).

- **Не спалюйте акумулятор, навіть якщо він сильно пошкоджений або повністю зношений.** Акумулятор може вибухнути у вогні. Коли літій-іонні акумулятори горять, утворюються токсичні випаровування та речовини.
- **Якщо вміст акумулятора потрапив на шкіру, негайно промийте це місце м'яким милом та водою.** Якщо рідина з акумулятора потрапила в очі, промийте відкрите око протягом 15 хвилин або доки подразнення не зникне. Якщо необхідно звернутися до лікаря, акумуляторний електроліт складається з суміші рідких органічних вуглекислих солей та солей літію.
- **Вміст відкритого акумулятора може спричинити подразнення дихальних шляхів.** Вийдіть на свіже повітря. Якщо симптоми не зникають, зверніться до лікаря.



ПОПЕРЕДЖЕННЯ: Небезпека опіку. Рідина з акумулятора може спалахнути, якщо на неї потрапить іскра або полум'я.



ПОПЕРЕДЖЕННЯ: За жодних умов не намагайтесь відкрити акумулятор. За будь-якого пошкодження акумулятора не встановлюйте його у зарядний пристрій. Не бийте, не кидайте та не пошкоджуйте акумулятор. Не використовуйте акумулятор та зарядний пристрій, якщо ті отримали різкий удар, впали або були пошкоджені іншим чином (наприклад, були проколоті цвяхом, вдарені молотком, на них наступили). Це може призвести до ураження електричним струмом. Пошкоджені акумулятори необхідно повернути до сервісного центру ля переробки.



ПОПЕРЕДЖЕННЯ: Небезпека виникнення пожежі. Зберігайте та переносьте акумулятор так, щоб металеві предмети не торкалися його відкритих контактів. Наприклад, не кладіть акумулятор у фартух, кишені, ящики з інструментами, коробки з наборами приладдя, шухляди тощо, де можуть бути цвяхи, гвинти, ключі тощо.



УВАГА: Коли інструмент не використовується, залишайте його на боці на стабільній поверхні в такому місці, де через нього не можна перечепитися та впасти. Деякі інструменти з великими акумуляторами можуть стояти на батареї, але їх можна легко перекинути.

Транспортування



ПОПЕРЕДЖЕННЯ: Небезпека виникнення пожежі. Під час перевезення акумуляторів може виникнути пожежа, якщо контакти акумулятора випадково вийдуть в контакт з електропровідним матеріалом. Під час перевезення акумуляторів переконайтесь, що їхні контакти захищені та добре ізольовані від матеріалів, які можуть увійти з ними в контакт та викликати коротке замикання.

ПРИМІТКА: При перевезенні літій-іонних акумуляторів не можна здавати їх в багаж.

Акумулятори DEWALT відповідають всім нормам перевезення, описаним у галузевих та законодавчих положеннях, включно з рекомендаціями ООН про перевезення небезпечних вантажів, правилами перевезення небезпечних вантажів Міжнародної організації повітряного транспорту (IATA), міжнародними правилами перевезення небезпечних вантажів водним транспортом (IMDG) та Європейській угоді про міжнародне дорожнє перевезення небезпечних вантажів (ADR). Літій-іонні елементи живлення та акумулятори були перевірені відповідно до розділу 38.3 керівництва з тестів та критеріїв щодо перевезення небезпечних вантажів Рекомендацій ООН.

У більшості випадків перевезення акумуляторів DEWALT може бути класифіковано як перевезення небезпечних речовин, що повністю підпадають під клас 9. Загалом тільки вантажі, що містять літій-іонні акумулятори ємністю більше за 100 ват-годин (Вт-год.), вимагають транспортування відповідно до норм перевезення небезпечних речовин, що повністю підпадають під Клас 9. На всі літій-іонні акумулятори нанесено значення ват-годин. Крім того, через складності законодавчих норм компанія DEWALT не рекомендує транспортування окремо літій-іонних акумуляторів повітряним транспортом, незалежно від показника ват-годин. Перевезення інструментів з акумуляторами (у комплекті) можна виконувати повітряним транспортом, якщо значення ват-годин не перевищує 100 Вт-год.

Незалежно від того, чи вантаж вважається виключеним або повністю регламентованим, вантажовідправник несе відповідальність за відповідність останнім нормам щодо вимог до упаковки, етикеток/маркування та документації. Інформація, що наводиться у цьому розділі керівництва, сумлінно перевірена та вважається дійсною на момент складання документації. Проте чинні нормативи можуть підлягати змінам. Покупець несе відповідальність за те, щоб його дії відповідали певним нормам.

Рекомендації щодо зберігання

1. Найкращим місцем для зберігання інструмента є прохолодне сухе місце, куди не потрапляють прямі сонячні промені та немає доступу тепла та холоду. Для оптимальної продуктивності та терміну служби батарей зберігайте їх за кімнатної температури, коли вони не використовуються.
2. При тривалому зберіганні для оптимального результату рекомендується помістити повністю заряджений акумулятор у сухе прохолодне місце поза зарядним пристроєм.

ПРИМІТКА: Не рекомендується зберігати акумулятор повністю розрядженим. Акумулятор потрібно перезарядити перед використанням.

Етикетки на зарядному пристрої та акумуляторі

Крім символів, що використовуються у цьому керівництві, етикетки на зарядному пристрої та акумуляторі можуть містити наведені нижче позначки.



Прочитайте інструкції цього керівництва перед використанням.



Див. розділ «Технічні дані» щодо часу зарядки.



Не торкайтеся електропровідними предметами.



Не заряджайте пошкоджені акумулятори.



Не піддавайте впливу води.



Негайно замінійте пошкоджений дріт живлення.



Заряджайте акумулятор за температури 4–40 °C.



Лише для використання в приміщенні.



Утилізуйте акумулятори з належною турботою про навколишнє середовище.



Заряджайте акумулятори DEWALT лише за допомогою спеціальних зарядних пристроїв DEWALT. Зарядка інших акумуляторних батарей, ніж призначені DEWALT, у зарядному пристрої DEWALT може призвести до їх вибуху або інших небезпечних ситуацій.



Не спляйте акумулятори.

Тип акумулятора

Пристрій DCW600, DCW604 працює від акумулятора потужністю 18 вольт.

Для експлуатації придатні акумулятори наступних моделей: DCB181, DCB182, DCB183, DCB183B, DCB184, DCB184B, DCB185, DCB187, DCB189, DCB546, DCB547, DCB548. Див. додаткову інформацію у розділі **Технічні дані**.

Комплект поставки

Комплект містить:

DCW600

- 1 Фрезер з фіксованою основою
- 1 Пиловловлювач фіксованої основи
- 1 Основна напрямна планка
- 1 Затискна втулка 8 мм

- 1 Затискна втулка 1/4"
- 1 Гайковий ключ
- 1 Кругла підшва

DCW604

- 1 Фрезер з фіксованою основою та заглибною основою
- 1 Кругла підшва
- 1 Пиловловлювач заглибної основи
- 1 Пиловловлювач фіксованої основи
- 1 Основна напрямна планка
- 1 Напрямна планка заглибної основи
- 1 Затискна втулка 8 мм
- 1 Затискна втулка 1/4"
- 1 Гайковий ключ
- 1 Інструмент для центрування

Пакет включає:

- 1 Літій-іонний акумулятор (моделі C1, D1, L1, M1, P1, S1, T1, X1, Y1)
- 2 Літій-іонні акумулятори (моделі C2, D2, L2, M2, P2, S2, T2, X2, Y2)
- 3 Літій-іонні акумулятори (моделі C3, D3, L3, M3, P3, S3, T3, X3, Y3)
- 1 Керівництво з експлуатації

ПРИМІТКА: Акумулятори, зарядні пристрої та коробки для зберігання не входять до комплекту моделей N. Акумулятори та зарядні пристрої не входять до комплекту моделей NT. Моделі B мають акумулятори для пристроїв з підтримкою Bluetooth®.

ПРИМІТКА: текстовий знак та логотипи Bluetooth® є зареєстрованими товарними знаками, що належать компанії Bluetooth®, SIG, Inc. Будь-яке використання таких знаків компанією DEWALT здійснюється згідно з ліцензією. Інші торгові марки та торгові назви є власністю відповідних власників.

- *Перевірте інструмент, деталі та приладдя на пошкодження, що могли виникнути під час транспортування.*
- *Перед використанням уважно прочитайте та повністю зрозумійте це керівництво.*

Маркування інструмента

На інструменті є наступні піктограми:



Прочитайте інструкції цього керівництва перед використанням.



Використовуйте засоби захисту органів слуху.



Використовуйте засоби захисту очей.



Видиме випромінювання. Не дивіться на джерело світла.

Розташування коду дати (Рис. С)

Код дати **22**, що включає також рік виробництва, зазначений на корпусі.

Приклад:

2019 XX XX

Рік виробництва

Опис (рис. А)

УВАГА: ніколи не модифікуйте електричні інструменти та їхні деталі. Це може призвести до пошкодження майна або тілесних ушкоджень.

- | | |
|--|---------------------------------------|
| 1 Акумулятор | 11 Шкала мікрорегулятора |
| 2 Кнопка розблокування акумулятора | 12 Фіксатор |
| 3 Вимикач | 13 D-подібна підшва |
| 4 Дисковий перемикач змінної швидкості | 14 Револьверний упор |
| 5 Кільце налаштування глибини | 15 Шток налаштування глибини |
| 6 Двигун | 16 Важіль блокування глибини врізання |
| 7 Кнопка блокування шпинделя | 17 Напрямні штифти |
| 8 Шпиндель | 18 Бічні ручки заглибної основи |
| 9 Жолобок напрямного штифта | 19 Упор двигуна |
| 10 Лампи підсвічування | 20 Заглибна підшва |
| | 21 Кругла підшва |

Область застосування

Цей інструмент призначений для професійного фрезерування при середніх режимах різки деревини, виробів з деревини та пластмас різцями з хвостовиками діаметром 6–8 мм.

НЕ використовуйте за умов підвищеної вологості або в присутності легкозаймистих рідин та газів.

НЕ дозволяйте дітям торкатися інструмента. Використання інструмента недосвідченими операторами потребує нагляду.

- Цей пристрій не призначений для використання особами (включаючи дітей) зі зниженими фізичними, сенсорними або розумовими можливостями або особами, яким бракує досвіду або знань, за винятком випадків, коли такі особи працюють під наглядом особи, яка несе відповідальність за їхню безпеку. Не можна залишати дітей наодинці з цим пристроєм.

МОНТАЖ ТА НАЛАШТУВАННЯ

ПОПЕРЕДЖЕННЯ: Щоб знизити ризик серйозних тілесних ушкоджень, вимкніть інструмент та відключіть акумулятор перед виконанням будь-яких налаштувань або змінанням/встановленням додаткового обладнання або приладдя. Випадковий запуск може призвести до травм.



ПОПЕРЕДЖЕННЯ: Використовуйте тільки DEWALT акумулятори та зарядні пристрої.

Установка акумулятора в інструмент та його виймання (Рис. В)

ПРИМІТКА. Переконайтесь, що ваш акумулятор ❶ повністю заряджений.

Для встановлення акумулятора у ручку інструмента

1. Вирівняйте акумулятор ❶ по напрямних у ручці інструменту (Рис. В).
2. Вставте акумулятор у ручку до упору та переконайтесь, що ви почули звук клацання акумулятора, що став на місце.

Виймання акумулятора з інструмента

1. Натисніть кнопку розблокування ❷ та витягніть акумулятор з ручки інструмента.
2. Вставте акумулятор у зарядний пристрій, як описано у розділі щодо зарядного пристрою цього керівництва.

Акумулятори з індикатором рівня заряду (Рис. В)

Деякі акумулятори DEWALT оснащені індикатором заряду з трьох зелених світлодіодів, що вказують рівень заряду акумулятора, що залишився.

Щоб увімкнути індикатор заряду, натисніть та утримуйте кнопку індикатора заряду ❹. Три зелені світлодіоди будуть горіти відповідним чином, відображуючи рівень зарядки акумулятора. Коли рівень заряду акумулятора нижче відповідного ліміту, індикатор рівня заряду не горить, а акумулятор потрібно зарядити.

ПРИМІТКА: Індикатор рівня зарядки показує лише рівень зарядки, що залишився в акумуляторі. Він не показує функціональність інструмента, а його показники можуть змінюватись відповідно до комплектиності інструмента, температури та способу застосування.

Встановлення та зняття різця (рис. D)

Для встановлення різця

1. Зніміть блок двигуна з блока основи. Див. **Зняття двигуна з фіксованої основи** або **Зняття двигуна із заглибної основи** (за потреби).
2. Очистіть і вставте круглий хвостовик потрібного різця фрезера в ослаблену затиску втулку до упору, а потім витягніть її приблизно на 1,6 мм.
3. Натисніть кнопку блокування ❷ шпинделя, щоб утримувати вал шпинделя на місці при повертанні гайки ❸ затискної втулки за годинниковою стрілкою за допомогою наданого ключа.

ПРИМІТКА: блок оснащено кількома фіксаторами шпинделя, що дозволяє використовувати для затягування різця додатковий метод ручного храповика.

Для затягування методом ручного храповика:

- a. Не знімаючи ключ з гайки ❸ затискної втулки, відпустіть кнопку ❷ блокування шпинделя.
- b. Встановіть у вихідне положення гайковий ключ, який ще знаходиться на гайці затискної втулки,

повернувши його в напрямку, протилежному напрямку затягування.

- c. Натисніть кнопку блокування шпинделя ще раз і поверніть ключ за годинниковою стрілкою.
- d. Повторіть процедуру, доки гайка затискної втулки не досягне необхідного ступеня затягнення.

ПРИМІТКА: уникайте пошкодження затискної втулки. Ніколи не затягуйте затиску втулку без різця.

Для зняття різця

1. Зніміть блок двигуна з блока основи (див. **Зняття двигуна з фіксованої основи** або **Зняття двигуна з заглибної основи**).
2. Натисніть кнопку блокування ❷ шпинделя, щоб утримувати вал шпинделя на місці при повертанні гайки ❸ затискної втулки проти годинникової стрілки за допомогою наданого ключа.

Для ослаблення методом ручного храповика:

1. Не знімаючи ключ з гайки ❸ затискної втулки, відпустіть кнопку ❷ блокування шпинделя.
2. Встановіть у вихідне положення гайковий ключ, який ще знаходиться на гайці ❸ затискної втулки, повернувши його в напрямку, протилежному напрямку ослаблення.
3. Натисніть кнопку блокування шпинделя ❷ ще раз і поверніть ключ проти годинникової стрілки.
4. Повторіть процедуру, доки гайка ❸ затискної втулки не ослабиться до необхідного ступеня для зняття різця.

Затискні втулки

ПРИМІТКА: ніколи не затягуйте затиску втулку без попереднього встановлення різця фрезера. Затягування затискної втулки без попередньо встановленої насадки, навіть вручну, може її пошкодити.

Для зміни розміру затискної втулки відкрутіть її збірку, як описано вище. Встановіть потрібну затиску втулку, виконавши процедуру в зворотному порядку. Затискна втулка та її гайка з'єднані. Не намагайтеся знімати затиску втулку з її гайки.

Налаштування фіксатора (Рис. E)

Не слід прикладати надмірних зусиль для затискання фіксатора. Надмірні зусилля можуть призвести до пошкодження основи.

При затиснутому фіксаторі двигун не повинен рухатися в основі.

Налаштування необхідне, якщо фіксатор не затискається без надмірних зусиль або якщо двигун рухається в основі після затискання.

Щоб налаштувати зусилля затиску фіксатора:

1. Відкрийте фіксатор ❶ (фіксована основа) або ❷ (заглибна основа).
2. За допомогою шестигранного ключа повертайте невеликими кроками гвинт налаштування фіксатора ❸. Повертання гвинта за годинниковою стрілкою затягує

фіксатор, а повертання гвинта проти годинникової стрілки ослаблює фіксатор.

Центрування підшови (Рис. А, F1–F3)

Якщо вам потрібно налаштувати, замінити або переставити підшову, рекомендується використовувати інструмент для центрування. Інструмент для центрування складається з конуса і штифта.

Щоб налаштувати підшову, виконайте наступні кроки.

На рисунку F1 показано, як налаштувати D-подібну підшову на фіксованій основі.

На рисунку F2 показано, як налаштувати підшову на заглибній основі.

На рисунку F3 показано, як налаштувати круглу підшову на фіксованій основі.

1. Ослабте, але не виймайте гвинти **25** основи, щоб підшова вільно рухалася.
2. Вставте штифт у затискну втулку і затягніть гайку затискної втулки.
3. Вставте двигун в основу і затисніть фіксатор **12** / **40** на основі.
4. Помістіть конус на штифт і злегка натискайте на конус, поки він не зупиниться. Це відцентрує підшову.
5. Утримуючи конус, затягніть гвинти підшови.

Використання шаблонних напрямних

Заглибна підшова прийме шаблонні напрямні. На фіксованій основі для прийняття шаблонних напрямних потрібна кругла підшова.

ПРИМІТКА: D-подібна підшова не пристосована для шаблонних напрямних і призначена для різців діаметром до 30 мм.

Для використання шаблонних напрямних

1. Встановіть шаблонну напрямну в підшову за допомогою двох гвинтів і надійно затягніть.
2. Відцентруйте підшову Див. *Центрування підшови*.

Встановлення напрямної планки фіксованої основи (рис. G)

До комплекту входить напрямна планка (модель DE6913) для фіксованої основи.

1. Зніміть двигун з фіксованої основи. Див. *Зняття двигуна з фіксованої основи*.
2. Вийміть гвинти **27** з плоскою головкою з отворів для зберігання на напрямній планці.
3. Просуньте напрямну планку **26** в отвір **28** для напрямної планки на боці фіксованої основи (рис. G). Вставте два гвинти з плоскою головкою через відповідні отвори в підшові, щоб закріпити напрямну кромку. Затягніть обладнання.
4. Виконуйте всі інструкції, що входять до комплект.

ПРИМІТКА: для зняття напрямної планки виконайте всі процедури у зворотному порядку. Після зняття напрямної планки завжди переставляйте два гвинти **27** з плоскими

головками в отвори для зберігання на напрямній планці, щоб не загубити.

Встановлення напрямної планки заглибної основи з напрямними штоками, тільки для моделі DCW604 (рис. H)

До комплекту блока заглибної основи може входити напрямна планка з напрямними штоками. За додаткову плату у вашому місцевому магазині або сервісному центрі можна купити напрямну планку (модель DE6913).

1. Вставте напрямні штоки **36** в основу заглибного фрезера.
2. Вставте гвинти-баранчики **37** та пружини **38** в основу.
3. Затягніть гвинти-баранчики **37**.
4. Просуньте напрямну планку **39** на штоки.
5. Вставте гвинти-баранчики **37** та пружини **38** в напрямну планку.
6. Тимчасово затягніть гвинти-баранчики. Див. *Налаштування напрямної планки*.

Налаштування напрямної планки (Рис. А, H)

Виконуйте інструкції зі збірки, що входять до комплекту напрямної планки.

1. Намалюйте на матеріалі лінію різання.
2. Опускайте каретку фрезера до контакту різця з деталлю.
3. Заблокуйте заглибний механізм, відпустивши важіль блокування глибини врізання **16**.
4. Розташуйте фрезер на лінії різання. Зовнішня різальна кромка різця повинна збігатися з лінією різання.
5. Просуньте напрямну планку **39** на деталь та затягніть гвинти-баранчики **37**.

Прикріплення системи збирання пилу до фіксованої основи (рис. I)

Щоб під'єднати фрезер до системи збирання пилу, виконайте наступні кроки:

1. Зніміть блок двигуна з основи. Див. *Зняття двигуна з фіксованої основи*.
2. Прикріпіть приладдя **29** для кріплення системи збирання пилу до основи, як показано на рисунку. Надійно затягніть рукою гвинти-баранчики **30**.
3. Приєднайте до приладдя для кріплення системи збирання пилу шланговий штуцер.
4. У разі використання приладдя для кріплення системи збирання пилу слід знати, як розташовувати цю систему. Переконайтеся, що система збирання пилу нерухома і що шланг не перешкоджатиме роботі.

Прикріплення системи збирання пилу до заглибної основи, модель DCW604 (рис. J)

1. Зніміть блок двигуна з основи. Див. *Витягування двигуна з заглибної основи*.
2. Просуньте вушко **31** (прокладку) на приладдя **35** для кріплення системи збирання пилу в гніздо

заглибної основи, а застібку **32** (прокладку) – в отвір заглибної основи.

- Закріпіть на основі пластиковою шайбою **33**, що йде в комплекті, та гвинтом-баранчиком **34**. Надійно затягніть рукою гвинт-баранчик.
- Приєднайте до кріплення системи збирання пилу шланговий штуцер.

У разі використання приладдя для кріплення системи збирання пилу слід знати, як розташовувати цю систему. Переконайтеся, що система збирання пилу нерухома і що шланг не перешкоджатиме роботі.

Налагодження: Фіксована основа (Рис. А, К, L)

Встановлення двигуна у фіксовану основу

- Відкрийте фіксатор **12** на основі.
- Якщо кільце **5** налаштування глибини не знаходиться на двигуні **6**, натягніть це кільце на двигун приблизно до середини між верхньою та нижньою частинами двигуна, як показано на рисунку. Вставте двигун в основу, вирівнявши жолобок на двигуні **6** з напрямними штифтами **17** на основі. Просувайте двигун вниз, доки кільце налаштування глибини не зацепиться на місці.
ПРИМІТКА: жолобки напрямного штифта **9** є на кожній стороні двигуна, тому його можна розташовувати в обох напрямках.
- Налаштуйте глибину різання, повертаючи кільце налаштування глибини. Див. **Налаштування глибини різання**.
- Досягнувши потрібної глибини, закрийте фіксатор **12**. Інформацію про встановлення глибини різання див. у розділі **Налаштування глибини різання**.

Налаштування глибини різання (рис. L)

- Відкрийте фіксатор **12** і повертайте кільце **5** налаштування глибини, поки воно не торкнеться деталі. Повертання кільця за годинниковою стрілкою піднімає ріжучу головку, а повертання проти годинникової стрілки опускає ріжучу головку.
- Повертайте шкалу мікрорегулятора **11** за годинниковою стрілкою, доки позначка 0 на ній не відповідатиме вказівнику на нижній частині кільця налаштування глибини.
- Повертайте кільце налаштування глибини, доки вказівник не відповідатиме потрібній глибині розмітки для різання на шкалі мікрорегулятора **11**.
ПРИМІТКА: Кожна позначка на шкалі регулювання відповідає зміні глибини на 0,4 мм, а один повний (360°) оберт кільця змінює глибину на 12,7 мм.
- Закрийте фіксатор **12**, щоб заблокувати основу.

Зняття двигуна з фіксованої основи (рис. К)

- Витягніть акумулятор із двигуна. Див. **Установка акумулятора в інструмент та його виймання**.
- Відкрийте фіксатор **12** на основі.

- Обхопіть блок двигуна однією рукою, відтиснувши обидва фіксатори **45**.
- Іншою рукою обхопіть основу і витягніть із неї двигун.

Налагодження: Заглибна основа, тільки для моделі DCW604 (рис. А, М)

Встановлення двигуна в заглибну основу

- Зніміть кільце **5** налаштування глибини з двигуна **6**. Воно не використовується з заглибною основою.
ПРИМІТКА: якщо ви не використовуєте кільце налаштування глибини, зацепіть його на фіксовану основу, щоб не загубити.
- Відкрийте фіксатор заглибної основи **40**.
- Переконавшись, що кнопка блокування шпинделя знаходиться спереду, вставте двигун **6** в основу, вирівнявши жолобок на двигуні з напрямними штифтами **17** на основі. Просувайте двигун, доки його не зупинить упор **19**.
- Закрийте фіксатор **40**.

Налаштування глибини заглибного фрезерування (Рис. М)

⚠ ОБЕРЕЖНО! Небезпека порізу. Не змінюйте револьверний упор під час роботи фрезера. Ваші руки знаходяться занадто близько до головки ріжучого елемента.

⚠ ОБЕРЕЖНО! Щоб не втратити контроль, ЗАВЖДИ стягуйте між собою гайки обмеження ходу. Ненавмисне зміщення може запобігти повному втягуванню різця.

⚠ ОБЕРЕЖНО! Щоб не втратити контроль, встановіть гайки обмеження ходу так, щоб різець міг втягуватися в основу фрезера на достатню відстань від деталі.

⚠ ОБЕРЕЖНО! Щоб знизити ризик тілесних ушкоджень, НІКОЛИ не налаштовуйте і не знімайте стопорну гайку. Двигун може відчепитися, що призведе до втрати контролю.

⚠ ОБЕРЕЖНО: увімкніть фрезер, перш ніж заглибити головку ріжучого елемента в деталь.

- Розблокуйте заглибний механізм, потягнувши вниз важіль блокування глибини врізання **16**. Обережно натисніть на дві ручки, щоб заглибити фрезер до упору, коли різець тільки торкнеться деталі.
- Заблокуйте заглибний механізм, відпустивши важіль блокування глибини врізання **16**.
- Ослабте шток **15** налаштування глибини, повертаючи гвинт-баранчик **41** проти годинникової стрілки.
- Просуньте шток **15** налаштування глибини вниз так, щоб він відповідав нижньому револьверному упору **14**.
- Просуньте виступ налаштування нуля **42** на штоку налаштування глибини вниз так, щоб верхня його частина відповідала нулю на шкалі налаштування глибини **43**.

- Обхопивши верхню, рифлену ділянку штоку налаштування глибини **15**, просуньте його вгору так, щоб виступ **42** відповідав необхідній глибині різання на шкалі налаштування глибини **43**.
- Затягніть гвинт-баранчик **41** таким чином, щоб він утримував шток налаштування глибини на місці.
- Тримавши обидві руки на ручках, розблокуйте механізм заглиблення, потягнувши вниз важіль блокування глибини врізання **16**. Заглибний механізм і двигун рухатимуться вгору. Коли фрезер заглиблюється, шток налаштування глибини потрапляє на револьверний упор, дозволяючи досягти потрібної глибини.

Використання револьверного упора для ступінчастого різання (рис. М)

Якщо потрібна більша глибина різання, ніж припустимо за один прохід, повертайте головку упора так, щоб шток налаштування глибини **15** спочатку відповідав більш високому стрижню. Після кожного розрізу повертайте головку упора так, щоб фіксатор глибини переходив на більш низький стрижень упора, і так до досягнення остаточної глибини різання.



УВАГА: Не змінюйте револьверний упор під час роботи фрезера. Ваші руки знаходяться занадто близько до головки ріжучого елемента.

Точне налаштування глибини фрезерування (рис. М)

Рифлену ручку **44** на нижньому кінці штоку налаштування глибини можна використовувати для незначних коригувань.

- Щоб зменшити глибину різання, повертайте ручку за годинниковою стрілкою (дивлячись вниз із верхньої частини фрезера).
- Щоб збільшити глибину різання, повертайте ручку проти годинникової стрілки (дивлячись вниз із верхньої частини фрезера).

ПРИМІТКА: одне повне обертання ручки призводить до зміни глибини приблизно на 1 мм.

Витягування двигуна з заглибної основи (рис. М)

- Витягніть акумулятор із двигуна. Див. **Установка акумулятора в інструмент та його виймання**.
- Відкрийте фіксатор **40** на основі.
- Обхопіть блок двигуна однією рукою, а основу – другою рукою і витягніть двигун з заглибної основи.

РЕЖИМ РОБОТИ

Інструкції з використання



ПОПЕРЕДЖЕННЯ: Завжди дотримуйтесь усіх інструкцій з техніки безпеки та відповідних норм.



ПОПЕРЕДЖЕННЯ: Щоб знизити ризик серйозних тілесних ушкоджень, вимкніть інструмент та відключіть акумулятор перед виконанням будь-яких налаштувань або змінням/встановленням додаткового обладнання або

приладдя. Випадковий запуск може призвести до травм.

Належне положення рук (Рис. N1, N2)



ПОПЕРЕДЖЕННЯ: Щоб знизити ризик серйозних травм, **ЗАВЖДИ** правильно розташуйте руки, як показано.



ПОПЕРЕДЖЕННЯ: Щоб знизити ризик серйозних травм, **ЗАВЖДИ** надійно тримайте інструмент, щоб попередити випадкову віддачу.

При використанні фіксованої основи одна рука має бути на верхній частині акумулятора, а інша має розташовуватися навколо фіксованої основи (Рис. N1). При використанні заглибної основи міцно обхопіть бічні ручки, як показано на рис. N2.

Запуск і зупинка двигуна (Рис. А)



ОБЕРЕЖНО: Перед запуском інструмента очистіть робочу зону від всіх сторонніх предметів. Міцно тримайте інструмент, щоб протистояти пусковому моменту.



ОБЕРЕЖНО: щоб уникнути тілесних ушкоджень та/або пошкоджень готового виробу, завжди давайте силовому блоку ПОВНІСЬКО ЗУПИНІТИСЯ, перш ніж покласти інструмент.

Щоб увімкнути блок, відтисніть вбік пілозахисений перемикач **3**, на якому написано «ON» і який відповідає символу «I». Щоб вимкнути блок, відтисніть вбік вимикач, на якому написано «OFF» і який відповідає символу «O».

Різання з фіксованою основою (рис. С)

Налаштуйте фрезер для використання фіксованої основи, виконуючи інструкції в розділі **Монтаж та налаштування**.

Після налаштування фрезера встановіть акумулятор, як показано на рис. С, а потім встановіть швидкість фрезера (див. **Вибір швидкості фрезера**).

ПРИМІТКА: завжди подавайте фрезер проти напрямку обертання різця.

Різання з заглибною основою, тільки для моделі DCW604 (Рис. А)

ПРИМІТКА: глибина різання фіксується в стандартному стані заглибної основи. Важіль блокування глибини приводиться в дію користувачем, який активує заглибний механізм «блокуванням при відпусканні».

- Відтисніть важіль блокування глибини **16** і заглиблюйте фрезер, доки різець не досягне встановленої глибини.
- Досягнувши потрібної глибини, відпустіть важіль блокування глибини **16**.

ПРИМІТКА: відпускання важеля блокування глибини автоматично блокує двигун на місці.

ПРИМІТКА: якщо необхідний додатковий опір, відтисніть рукою важіль блокування глибини.

ПРИМІТКА: якщо необхідна додаткова жорсткість затиску, протисніть важіль блокування далі, щоб затягнути за годинниковою стрілкою.

3. Виконайте розріз.
4. При відтисканні важеля блокування глибини вимикається механізм блокування, що дозволяє відчепити різець фрезера від деталі.
5. Вимкніть фрезер.

Напрямок подачі (Рис. 0)

Напрямок подачі є дуже важливим при фрезеруванні, від нього залежить різниця між успішною роботою та зруйнованим проектом. На рисунках показано правильний напрямок подачі для деяких типових розрізів. Слід дотримуватися загального правила: переміщати фрезер проти годинникової стрілки на зовнішньому розрізі та за годинниковою стрілкою на внутрішньому розрізі.

Проточіть зовнішню кромку дерев'яної деталі, виконавши наступні кроки:

1. Проточіть поперечний розпил зліва направо.
2. Проточіть поздовжній розпил, рухаючись зліва направо.
3. Проріжте інший поперечний розпил.
4. Завершіть поздовжній розпил, що залишився.

Вибір швидкості фрезера (Рис. А)

Щоб вибрати швидкість фрезера, див. **Таблицю вибору швидкості**. Для керування швидкістю фрезера повертайте регулятор змінної швидкості **4**.

Функція плавного запуску

Компактні фрезери оснащено електронікою, яка забезпечує функцію плавного запуску, що мінімізує пусковий момент двигуна.

Контроль змінної швидкості (рис. А)

Цей фрезер оснащено регулятором змінної швидкості **4** з 7 швидкостями від 16 000 до 25 500 об/хв. Регулюйте швидкість, повертаючи регулятор швидкості **4**.

ПРИМІТКА: при роботі з низькою та середньою швидкістю контроль швидкості запобігає зниженню швидкості двигуна. Якщо ви очікуєте почути зміну швидкості та продовжуєте навантажувати двигун, ви можете пошкодити двигун через перегрівання. Зменшіть глибину різання та/або зменшіть швидкість подачі, щоб запобігти пошкодженню інструмента.

Компактні фрезери оснащено електронікою для моніторингу та підтримки швидкості інструмента під час різання.

ТАБЛИЦЯ ВИБОРУ ШВИДКОСТІ *

НАЛАШТУВАННЯ РЕГУЛЯТОРА	ПРИБЛ. ОБ./ХВ.	ЗАСТОСУВАННЯ
1	16000	Різці ті ріжучі елементи великого діаметра
2	17500	
3	19100	
4	20700	Різці ті ріжучі елементи маленького діаметра Деревина м'яких порід, пластик, ламінати
5	22300	
6	23900	
7	25500	

* Швидкість у цій таблиці є приблизною. Її вказано лише для довідки. Ваш фрезер може неточно відтворити швидкість, вказану для налаштувань регулятора.

ПРИМІТКА: з метою покращення якості роботи робіть декілька легких проходів замість одного важкого проходу.

Лампи підсвічування (Рис. А)

Лампи підсвічування **10** розташовано в передній частині двигуна **6**. Для ввімкнення лампи підсвічування натисніть перемикач «Увімк./Вимк.» **3**. Лампи підсвічування світитимуться ще 20 секунд після того, як перемикач «Увімк./Вимк.» буде переведено в позицію «Вимк.».

ПРИМІТКА: лампи підсвічування призначено лише для підсвічування безпосередньої робочої зони і не мають використовуватися як ліхтарик.

ПРИМІТКА: якщо лампи підсвічування блимають, перевірте заряд акумулятора; він може бути низьким. Якщо вони продовжують блимати з зарядженим акумулятором, блок слід віднести до сервісного центру для проведення експертизи.

ТЕХНІЧНЕ ОБСЛУГОВУВАННЯ

Ваш електричний інструмент призначений для роботи протягом довгого часу з мінімальним обслуговуванням. Довга задовільна робота приладу залежить від належного обслуговування приладу та регулярного його очищення.



ПОПЕРЕДЖЕННЯ: Щоб знизити ризик серйозних тілесних ушкоджень, вимкніть інструмент та відключіть акумулятор перед виконанням будь-яких налаштувань або зніманням/встановленням додаткового обладнання або приладдя. Випадковий запуск може призвести до травм.

Зарядний пристрій та акумулятор не підлягають обслуговуванню.



Змашування

Ваш електричний інструмент не вимагає додаткового змашування.



Очищення



ПОПЕРЕДЖЕННЯ: Коли пил та бруд стають помітними та починають накопичуватися біля вентиляційних отворів, видувайте бруд та пил зсередини основного корпусу за допомогою сухого повітря. Використовуйте рекомендовані засоби захисту органів зору та рекомендовану протипилову маску при виконанні цієї операції.



ПОПЕРЕДЖЕННЯ: Ніколи не використовуйте розчинники та інші агресивні хімічні засоби для очищення неметалевих деталей інструмента. Такі хімічні речовини можуть нанести шкоду матеріалам, що використовуються в цих деталях. Використовуйте вологу ганчірку, змочену лише водою з м'яким милом. Не дозволяйте рідині потрапляти всередину інструмента та ніколи не занурюйте деталі інструмента в рідину.

Воскування двигуна та основи

Для підтримання плавної роботи при переміщенні блока двигуна відносно основи можна воскувати зовнішню частину блока двигуна та внутрішню частину основи, використовуючи будь-яку стандартну пасту або рідкий віск. Згідно з інструкціями виробників нанесіть віск на зовнішній діаметр блока двигуна та внутрішній діаметр основи. Дайте воску висохнути та видаліть залишок м'якою ганчіркою.

Додаткові аксесуари



ПОПЕРЕДЖЕННЯ: Оскільки інше приладдя, що не зазначене виробником DEWALT, не перевірялося з цим пристроєм, його використання з інструментом може бути небезпечним. Необхідно використовувати лише рекомендовані DEWALT приладдя з цим пристроєм, щоб знизити ризик отримання травми.

Зверніться до свого дилера для отримання подальшої інформації щодо відповідного приладдя.

Захист навколишнього середовища



Роздільний збір. Пристрої і акумулятори позначені цим символом, не можна викидати зі звичайним побутовим сміттям.

Пристрої і акумулятори містять матеріали, які можна відновити та переробити, що зменшить потребу у сировині. Утилізуйте електротехнічну продукцію і акумулятори відповідно до місцевих положень. Більш детальну інформацію можна отримати на сайті www.2helpU.com.

Придатність акумулятора для перезарядки

Дана модель акумулятора підлягає перезарядці у випадку зниження його потужності при виконанні завдань, що попередньо не вимагали особливих зусиль. Наприкінці

терміну служби акумулятора утилізуйте його у спосіб, безпечний для навколишнього середовища.

- Повністю розрядіть акумулятор, потім витягніть його з інструменту.
- Літій-іонні акумулятори можна повторно переробляти. Відправте їх до свого дилера або на місцеву переробну станцію. Там зібрані акумулятори будуть перероблені або знищені належним чином.



Виробник:
"Stanley Black & Decker Deutschland GmbH" Black-&-Decker Str.40, D-65510 Idstein, Німеччина

130.com.ua

130.com.ua