



ТЕЛЕФОНЫ

0 (800) 800 130  
(050) 462 0 130  
(063) 462 0 130  
(067) 462 0 130

130  
COM.UA

Интернет-магазин  
автотоваров



SKYPE

km-130

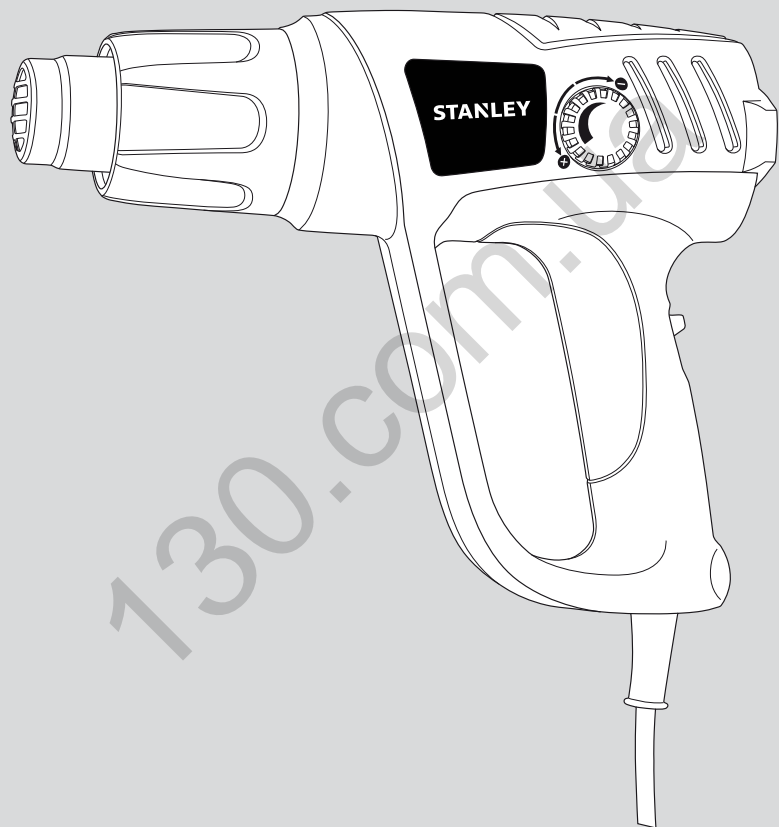
**АВТОМАГНИТОЛЫ** — Магнитолы • Медиа-ресиверы и станции • Штатные магнитолы • CD/DVD чейнджеры • FM-модуляторы/USB адаптеры • Flash память • Переходные рамки и разъемы • Антенны • Аксессуары | **АВТОЗВУК** — Акустика • Усилители • Сабвуферы • Процессоры • Кроссоверы • Наушники • Аксессуары | **БОРТОВЫЕ КОМПЬЮТЕРЫ** — Универсальные компьютеры • Модельные компьютеры • Аксессуары | **GPS НАВИГАТОРЫ** — Портативные GPS • Встраиваемые GPS • GPS модули • GPS трекеры • Антенны для GPS навигаторов • Аксессуары | **ВИДЕОУСТРОЙСТВА** — Видеорегистраторы • Телевизоры и мониторы • Автомобильные ТВ тюнеры • Камеры • Видеомодули • Транскодеры • Автомобильные ТВ антенны • Аксессуары | **ОХРАННЫЕ СИСТЕМЫ** — Автосигнализации • Мотосигнализации • Механические блокираторы • Имобилайзеры • Датчики • Аксессуары | **ОПТИКА И СВЕТ** — Ксенон • Биксенон • Лампы • Светодиоды • Стробоскопы • Оптика и фары • Омыватели фар • Датчики света, дождя • Аксессуары | **ПАРКТРОНИКИ И ЗЕРКАЛА** — Задние парктроники • Передние парктроники • Комбинированные парктроники • Зеркала заднего вида • Аксессуары | **ПОДОГРЕВ И ОХЛАЖДЕНИЕ** — Подогревы сидений • Подогревы зеркал • Подогревы дворников • Подогревы двигателей • Автохолодильники • Автокондиционеры • Аксессуары | **ТЮНИНГ** — Виброизоляция • Шумоизоляция • Тонировочная пленка • Аксессуары | **АВТОАКСЕССУАРЫ** — Радар-детекторы • Громкая связь Bluetooth • Стеклоподъемники • Компрессоры • Звуковые сигналы, СГУ • Измерительные приборы • Автопылесосы • Автокресла • Разное | **МОНТАЖНОЕ ОБОРУДОВАНИЕ** — Установочные комплекты • Обивочные материалы • Декоративные решетки • Фазоинверторы • Кабель и провод • Инструменты • Разное | **ПИТАНИЕ** — Аккумуляторы • Преобразователи • Пуско-зарядные устройства • Конденсаторы • Аксессуары | **МОРСКАЯ ЭЛЕКТРОНИКА И ЗВУК** — Морские магнитолы • Морская акустика • Морские сабвуферы • Морские усилители • Аксессуары | **АВТОХИМИЯ И КОСМЕТИКА** — Присадки • Жидкости омывателя • Средства по уходу • Полироли • Ароматизаторы • Клеи и герметики | **ЖИДКОСТИ И МАСЛА** — Моторные масла • Трансмиссионные масла • Тормозные жидкости • Антифризы • Технические смазки



В магазине «130» вы найдете и сможете купить в Киеве с доставкой по городу и Украине практически все для вашего автомобиля. Наши опытные консультанты предоставят вам исчерпывающую информацию и помогут подобрать именно то, что вы ищете. Ждем вас по адресу

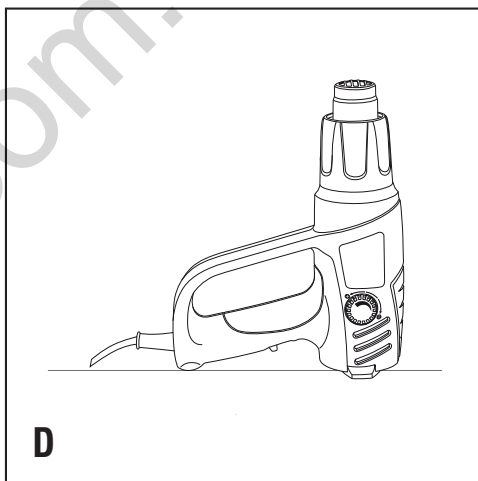
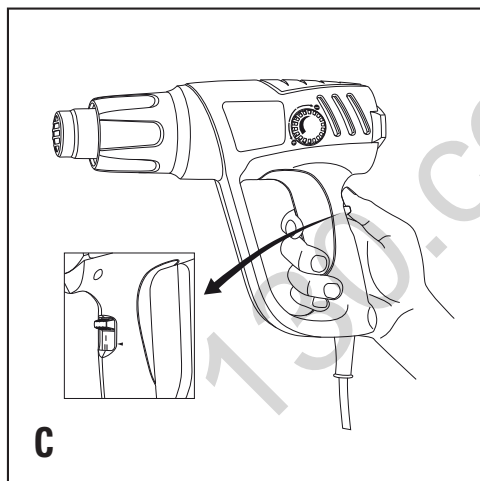
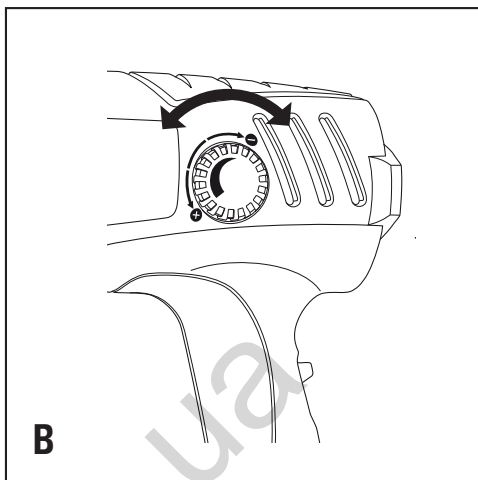
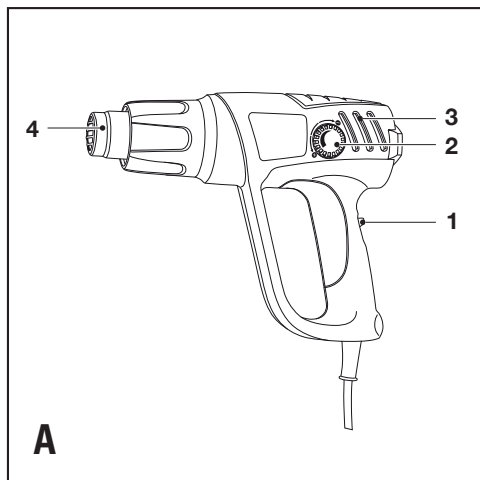
<https://130.com.ua>

# STANLEY



STXH2000

English	Page 3
Russian	Page 9
Ukrainian	Page 16



## Intended Use

Your STANLEY heat gun has been designed for various heating applications (eg. Paint stripping)

## General safety rules



**Warning!** Read all instructions. Failure to follow all instructions listed below may result in electric shock, fire and/or serious injury. The term "power tool" in all of the warnings listed below refers to your mains operated (corded) power tool or battery operated (cordless) power tool.

## SAVE THESE INSTRUCTIONS.

### 1. Work area

- a. **Keep work area clean and well lit.** Cluttered and dark areas invite accidents.
- b. **Do not operate power tools in explosive atmospheres, such as in the presence of flammable liquids, gases or dust.** Power tools create sparks which may ignite the dust or fumes.
- c. **Keep children and bystanders away while operating a power tool.** Distractions can cause you to lose control.

### 2. Electrical safety

- a. **Power tool plugs must match the outlet. Never modify the plug in any way. Do not use any adapter plugs with earthed (grounded) power tools.** Unmodified plugs and matching outlets will reduce risk of electric shock.
- b. **Avoid body contact with earthed or grounded surfaces such as pipes, radiators, ranges and refrigerators.** There is an increased risk of electric shock if your body is earthed or grounded.
- c. **Do not expose power tools to rain or wet conditions.** Water entering a power tool will increase the risk of electric shock.
- d. **Do not abuse the cord. Never use the cord for carrying, pulling or unplugging the power tool. Keep**

**cord away from heat, oil, sharp edges or moving parts.** Damaged or entangled cords increase the risk of electric shock.

- e. **When operating a power tool outdoors, use an extension cord suitable for outdoor use.** Use of a cord suitable for outdoor use reduces the risk of electric shock.
- ### 3. Personal safety
- a. **Stay alert, watch what you are doing and use common sense when operating a power tool. Do not use a power tool while you are tired or under the influence of drugs, alcohol or medication.** A moment of inattention while operating power tools may result in serious personal injury.
  - b. **Use safety equipment. Always wear eye protection.** Safety equipment such as dust mask, non-skid safety shoes, hard hat, or hearing protection used for appropriate conditions will reduce personal injuries.
  - c. **Avoid accidental starting. Ensure the switch is in the off position before plugging in.** Carrying power tools with your finger on the switch or plugging in power tools that have the switch on invites accidents.
  - d. **Remove any adjusting key or wrench before turning the power tool on.** A wrench or a key left attached to a rotating part of the power tool may result in personal injury.
  - e. **Do not overreach. Keep proper footing and balance at all times.** This enables better control of the power tool in unexpected situations.
  - f. **Dress properly. Do not wear loose clothing or jewellery. Keep your hair, clothing and gloves away from moving parts.** Loose clothes, jewellery or long hair can be caught in moving parts.
  - g. **If devices are provided for the connection of dust extraction and collection facilities, ensure these are connected and properly used.** Use of these devices can reduce dust related hazards.

- h. Use clamps or another practical way to secure and support the workpiece to a stable platform. Holding the work by hand or against your body leaves it unstable and may lead to loss of control.  
Before drilling into walls, floors or ceilings check for the location of wiring and pipes.  
Avoid touching the tip of a drill bit just after drilling, as it may be hot.
4. Power tool use and care
- a. Do not force the power tool. Use the correct power tool for your application. The correct power tool will do the job better and safer at the rate for which it was designed.
- b. Do not use the power tool if the switch does not turn it on and off. Any power tool that cannot be controlled with the switch is dangerous and must be repaired.
- c. Disconnect the plug from the power source before making any adjustments, changing accessories, or storing power tools. Such preventive safety measures reduce the risk of starting the power tool accidentally.
- d. Store idle power tools out of the reach of children and do not allow persons unfamiliar with the power tool or these instructions to operate the power tool. Power tools are dangerous in the hands of untrained users.
- e. Maintain power tools. Check for misalignment or binding of moving parts, breakage of parts and any other condition that may affect the power tools operation. If damaged, have the power tool repaired before use. Many accidents are caused by poorly maintained power tools.
- f. Keep cutting tools sharp and clean. Properly maintained cutting tools with sharp cutting edges are less likely to bind and are easier to control.
- g. Use the power tool, accessories and tool bits etc., in accordance with these instructions and in the manner intended for the particular type of power tool, taking into account the working conditions and the work to be performed. Use of the power tool for operations different from those intended could result in a hazardous situation.
5. Service
- a. Have your power tool serviced by a qualified repair person using only identical replacement parts. This will ensure that the safety of the power tool is maintained.
- Be aware that heat may be conducted to combustible materials that are out of sight
  - Place the appliance on site after use and allow it to cool down before storage
  - Do not leave the appliance unattended when it is switched on.
- **Always switch off before putting tool down.**
  - **Extreme care should be taken when stripping paint,** the peelings, residue and vapors of paint may contain lead, which is poisonous. Once deposited on surfaces, hand to mouth contact can result in the ingestion of lead. Exposures to even low levels of lead can cause irreversible brain and nervous system damage; young and unborn children are particularly vulnerable. Do not smoke, eat or drink in a work area that could or may be contaminated by lead. **Lead based paints should only be removed by a professional and should not be removed using a heat gun.**
  - **When removing paints you should ensure that your work area is enclosed.** It is advisable to wear a dust mask.
  - **Do not burn the paint.** Keep the nozzle at least 25mm (1") from the surface as this keeps the temperature below the required 450°C. If you are scraping from a vertical position then you should scrape downwards to prevent the paint from falling back into the heat gun and burning. Dispose of all paint debris safely and ensure that the work area is thoroughly cleaned after completing the job.
  - **Do not use in a damp atmosphere or where flammable gases may be present** or use near combustible materials. Spaces behind boards, ceilings and floors and wall cavities in timber frame constructed houses can contain flammable materials. Check before using the heat gun.
  - **Allow the tool to cool fully before storing.**
  - **Ensure adequate ventilation** when using heat guns as toxic fumes may be produced.
  - **Do not use as a hairdryer!** The air temperature is far higher than a hairdryer.
  - **Do not obstruct** either the air intake or nozzle outlet as this may cause excessive heat build up resulting in damage to the tool.
  - **Do not direct the hot air blast at other people.**
  - **Do not touch the metal nozzle** as it becomes very hot during use and remains hot for up to 30 minutes after use. Do not look down the nozzle while the unit is working because of the high temperatures being produced.







### Additional Safety Instructions for Heat Guns

- 1) A fire may result if the appliance is not used with care, therefore
- Do not apply to the same place for long time
  - Do not use in presence of an explosive atmosphere

- **Do not allow paint to adhere** to the nozzle or scraper as it could ignite after a time.
- **Do not operate your heat gun** whilst it is hanging by the hanging hook.
- **A fire may arise if the appliance is not used with care.**
- **Do not place the nozzle against anything while using** or immediately after use.
- **Do not poke anything down the nozzle as it could** give you an electric shock.

## Labels on tool

The label on your tool may include the following symbols:

	Read Instructions Manual	Hz ..... Hertz		Class II Construction
	Use Eye Protection	W ..... Watts		Earthing Terminal
	Use Ear Protection	min ..... minutes		Safety Alert Symbol
V ..... Volts		~ ..... Alternating Current	.../min... Revolutions or Reciprocation per minute	
A ..... Amperes		— — — Direct Current		
		n <sub>0</sub> ..... No-Load Speed		

## Position of date barcode

The Date Code, which also includes the year of manufacture, is printed into the housing.

Example:

2014 XX JN  
Year of manufacturing

## Features (fig. A)

1. Switch
2. Heat control knob
3. Ventilation slots
4. Nozzle

## Handling Your Heat Gun

Do not place your hand over the ventilation slots (3) or block these vents in any way. This restricts the airflow through the element and causes over heating.

## Setting the temperature (fig. B)

- To increase the temperature setting, turn the heat control knob (2) anti-clockwise.
- To reduce the temperature setting, turn the heat control knob clockwise.

## Operating Your Heat Gun (fig. C)

- To switch your heat gun on at the low temperature setting, press the switch (1) to depress to position "I".
- To switch the tool on at the high temperature setting, set the switch (1) to position "II".
- To switch the tool off, set the on/off switch (1) to position "0".

**Note:** Allow the element to heat up for a few seconds before use. Initially, some smoke may emit from your heat gun. This is normal and will soon cease.

## Cooling Down

In use, the nozzle (4) of your heat gun becomes extremely hot. Great care is necessary when cooling your heat gun after use.

## Hands Free Use (fig. D)

This tool can also be used in stationary mode.

- Place the tool onto a firm and stable surface as shown.
- Always point your heat gun away from you.
- Secure the cable to prevent pulling your heat gun off the stand.



Do not touch the nozzle (4) and ensure that nothing is dropped into the nozzle. Carefully switch off your heat gun and then allow it to cool

## Paint Stripping

Your heat gun is designed to soften paint and lacquer enabling it to be removed using a good quality hand scraper. Proceed as follows: Direct the hot air onto the area to be removed. When the paint softens, scrape firmly. Experiment to establish the length of time necessary to apply the heat to obtain optimum results. Scrape the softened paint immediately or it will harden again.

Your heat gun is not suitable for stripping metal-framed windows. This is because the heat from the heat gun is conducted through the metal and can crack the glass. Scrape with the grain of the wood wherever possible. Do not linger on one spot for too long as the surface may char or ignite.

## Accessories

The performance of your tool depends on the accessory used. Stanley and Piranha accessories are engineered to high quality standards and designed to enhance the performance of your tool. By using these accessories you will get the very best from your tool.

## Maintenance

Your tool has been designed to operate over a long period of time with a minimum of maintenance. Continuous satisfactory operation depends upon proper tool care and regular cleaning.

**Warning!** Before performing any maintenance, switch off and unplug the tool.

- Regularly clean the ventilation slots in your tool using a soft brush or dry cloth.
- Regularly clean the motor housing using a damp cloth. Do not use any abrasive or solvent-based cleaner.

## Technical Data

SPECIFICATION		STXH2000
POWER	W	2000
HEAT SETTING		Variable
SWITCH CONTROL		2 Stage ( I / II)
TEMPERATURE	°C	50-450/ 90-600
AIR FLOW	/min	300/ 500
CABLE LENGTH	m	3

## Protecting the environment



Separate collection. This product must not be disposed of with normal household waste.

Should you find one day that your Stanley product needs replacement, or if it is of no further use to you, do not dispose of it with household waste. Make this product available for separate collection.



Separate collection of used products and packaging allows materials to be recycled and used again. Re-use of recycled materials helps prevent environmental pollution and reduces the demand for raw materials.

Local regulations may provide for separate collection of electrical products from the household, at municipal waste sites or by the retailer when you purchase a new product. STANLEY provides a facility for the collection and recycling of STANLEY products once they have reached the end of their working life. To take advantage of this service please return your product to any authorised repair agent who will collect them on our behalf.

You can check the location of your nearest authorised repair agent by contacting your local STANLEY office at the address indicated in this manual. Alternatively, a list of authorised STANLEY repair agents and full details of our after-sales service and contacts are available on the Internet at: [www.2helpU.com](http://www.2helpU.com)

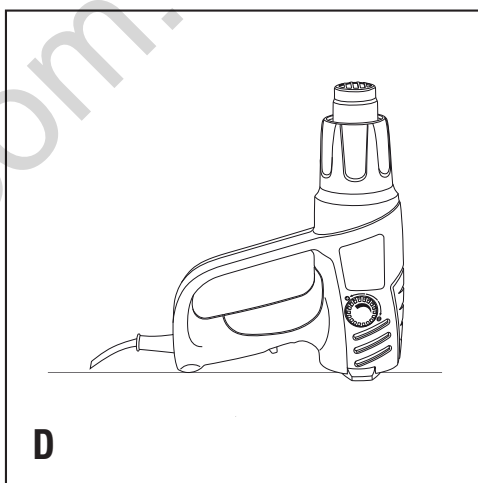
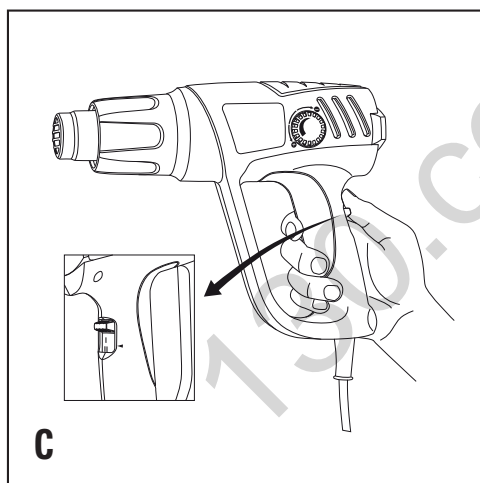
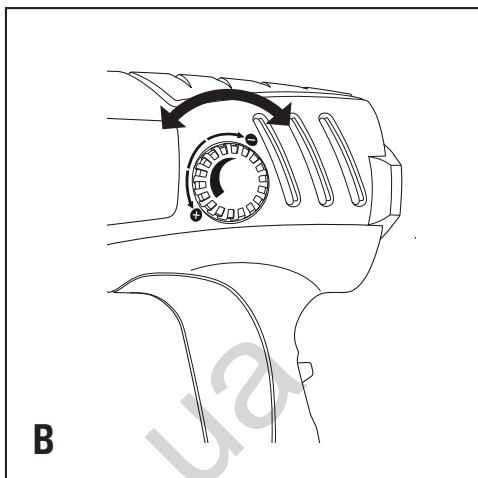
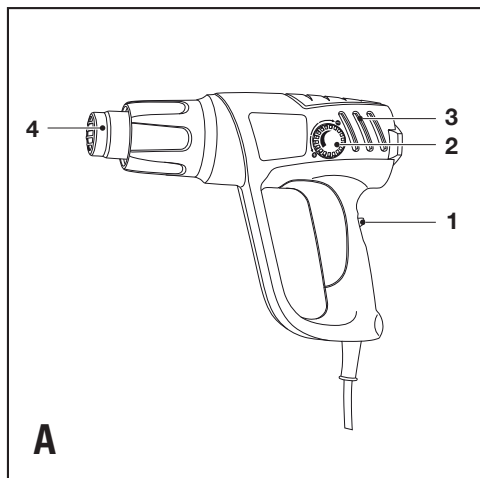
## Two years full warranty

If your Stanley product becomes defective due to faulty materials or workmanship within 24 months from the date of purchase, Stanley Europe guarantees to replace all defective parts free of charge or – at our discretion – replace the unit free of charge provided that:

- The product has not been misused and has been used in accordance with the instruction manual.
- The product has been subject to fair wear and tear;
- Repairs have not been attempted by unauthorised persons;
- Proof of purchase is produced.
- The Stanley product is returned complete with all original components

If you wish to make a claim, contact your seller or check the location of your nearest authorised Stanley repair agent in the Stanley catalogue or contact your local Stanley office at the address indicated in this manual. A list of authorised Stanley repair agents and full details of our after sales service is available on the internet at: [www.stanley.eu/3](http://www.stanley.eu/3)





## Использование по назначению

Ваша тепловая пушка STANLEY была разработана для различных работ с применением тепла, например, снятие краски.

## Общие правила безопасности



**Предостережение!** Ознакомьтесь со всеми инструкциями. Несоблюдение инструкций, указанных ниже, может привести к поражению электрическим током, пожару и/или серьезной травме. Термин "электроинструмент" во всех предупреждениях, указанных ниже, относится к вашему сетевому (с кабелем) электроинструменту или аккумуляторному электроинструменту (без кабеля питания).

## СОХРАНИТЕ ЭТИ ИНСТРУКЦИИ

### 1. Безопасность рабочего места

- a. Содержите рабочее место в чистоте и хорошо освещенным. Беспорядок на рабочем месте или отсутствие освещения рабочего места может привести к аварии.
- b. Не работайте с электроинструментом в месте хранения взрывоопасных материалов, например, в присутствии огнеопасных жидкостей, газов или пыли. Электрические инструменты создают искры, которые могут воспламенить пыль или пары.
- c. Дети и посторонние лица должны находиться как можно дальше во время работы с электроинструментом. Вы можете отвлечься и потерять контроль.

### 2. Электробезопасность

- a. Вилка электроинструмента должна соответствовать розетке. Никогда не модифицируйте вилку каким-либо образом. Не используйте никакие вилки-переходники с заземленными (замкнутыми на землю) электроинструментами. Вилки и розетки, которые не подвергались никаким изменениям снижают риск поражения электрическим током.
- b. Избегайте контакта тела с заземленными поверхностями, такими как трубы, радиаторы, плиты и холодильники. Существует повышенный риск поражения электрическим током, если ваше тело заземлено.
- c. Избегайте любого воздействия дождя или влаги на электроинструменты. Вода, попавшая в электроинструмент, увеличивает риск поражения электрическим током.
- d. Аккуратно обращайтесь со шнуром питания. Никогда не используйте шнур питания для переноски, перемещения или извлечения вилки

из розетки. Держите шнур вдали от источников тепла, масла, острых краев или движущихся частей. Поврежденные или запутанные шнуры увеличивают риск поражения электрическим током.

- e. При работе с электроинструментом на улице, используйте удлинители, подходящий для наружного использования. Использование кабеля, пригодного для использования на открытом воздухе, снижает риск поражения электрическим током.
  - f. При необходимости работы с электроинструментом во влажной среде, используйте устройство защитного отключения (УЗО). Использование УЗО снижает риск поражения электрическим током. Примечание: Термин "устройство защитного отключения (УЗО)" может быть заменен на "аварийный прерыватель заземления" или "автоматический выключатель тока утечки".
- ### 3. Личная безопасность
- a. Будьте внимательны, смотрите, что вы делаете, используйте здравый смысл при работе с электроинструментом. Не используйте электроинструмент, если вы устали или находитесь под влиянием наркотиков, алкоголя или лекарств. Малейшая неосторожность при работе с электроинструментом может привести к серьезным травмам.
  - b. Используйте средства индивидуальной защиты. Всегда надевайте защитные очки. Другое защитное оборудование, включая респиратор, ботинки на нескользящей подошве, защитный шлем или средства защиты органов слуха, используемые в надлечащих условиях, уменьшат риск получения травм.
  - c. Избегайте случайного включения. Убедитесь, что переключатель находится в выключенном положении перед подключением. Переноска электроинструмента с пальцем на выключателе или включение электроинструментов с включенным выключателем может привести к несчастному случаю.
  - d. Перед включением электроинструмента снимайте регулировочный или гаечный ключ. Гаечный или регулировочный ключ, оставленный на вращающейся части электроинструмента, может привести к травме.
  - e. Не тянитесь. Сохраняйте правильную стойку и баланс все время. Это позволяет лучше контролировать инструмент в неожиданных ситуациях.
  - f. Одевайтесь правильно. Не надевайте свободную одежду или украшения. Держите волосы, одежду и перчатки вдали от движущихся частей. Свободная одежда, украшения или длинные волосы могут попасть в движущиеся части.

- g. Если имеются устройства для подключения пылесборника или вытяжки, убедитесь в том, что они подсоединены и используются правильно. Использование пылесборника снижает вероятность возникновения рисков, связанных с пылью.
- h. **Используйте зажимы или еще один практический способ для обеспечения поддержания работающего изделия на устойчивой платформе.** Проведение работы по направлению руки или против вашего тела, лишает устойчивости и может привести к потере контроля. Перед сверлением стен, полов и потолков проверить их на наличие электропроводки и трубопроводов. Старайтесь не прикасаться к кончику сверла сразу же после окончания сверления, так как оно может быть горячим.

#### 4. Использование и уход за электроинструментом

- a. **Не перегружайте электроинструмент. Используйте подходящий электрический инструмент для соответствующего применения.** Правильно подобранный электроинструмент позволит выполнить работу лучше и безопаснее при скорости, для которой он был разработан.
- b. **Не используйте электроинструмент, если переключатель не может его включить и выключить.** Любой электроинструмент, который нельзя контролировать с помощью переключателя, опасен и должен быть отремонтирован.
- c. **Отключите кабель питания от источника питания и/или аккумуляторный блок от электрического инструмента перед выполнением любых регулировок, замены принадлежностей или при хранении электроинструмента.** Такие профилактические меры безопасности уменьшают риск непреднамеренного запуска электрического инструмента.
- d. **Храните неиспользуемые электроинструменты в недоступном для детей месте и не позволяйте лицам, не знакомым с электроинструментом или данными инструкциями, работать с электроинструментом.** Электроинструменты опасны в руках неопытных пользователей.
- e. **Поддержание электроинструмента. Проверяйте разрегулированность или соединение подвижных частей, поломки частей и любые другие условия, которые могут повлиять на работу электроинструмента. При наличии повреждения, отремонтируйте электроинструмент перед использованием.** Многие несчастные случаи являются следствием плохого ухода за электроинструментом.
- f. **Держите режущий инструмент острым и чистым.** Хорошо ухоженный режущий инструмент с острыми режущими кромками легче контролировать.

- g. **Используйте электроинструмент, принадлежности и сопла в соответствии с данными инструкциями и в порядке, предназначенном для конкретного типа электрического инструмента, принимая во внимание условия работы и характер выполняемой работы.** Использование электрического инструмента для операций, отличающихся от тех, для которых он предназначен может привести к опасной ситуации.

#### 5. Обслуживание

- a. **Обеспечьте, чтобы обслуживание и ремонт вашего электроинструмента проводился в авторизованном сервисном центре по ремонту с использованием только оригинальных запасных частей.** Это станет гарантией безопасности электроинструмента.







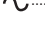

#### Дополнительные инструкции по технике безопасности для тепловых пушек

- 1) Существует опасность возникновения пожара, если прибор не используется с осторожностью, поэтому:
  - Не применяйте прибор в одном и том же месте в течение длительного времени
  - Не используйте во взрывоопасной атмосфере
  - Имейте в виду, что тепло может быть проводником к горючим материалам, которые находятся вне поля зрения
  - Отставьте прибор для полного остывания после использования, прежде чем упаковать его для хранения
  - Не оставляйте прибор без присмотра, когда он включен.
- **Всегда выключайте электроинструмент, прежде чем положить его на хранение.**
- **Особая осторожность должна быть принята при снятии краски, остатки и пары краски могут содержать свинец, который является ядовитым.** После осаждения на поверхности, и в случае попадания рук в рот может привести к проглатыванию свинца. Воздействие даже при низких уровнях свинца может вызвать необратимые повреждения мозга и нервной системы; молодые и еще не родившиеся дети особенно уязвимы. Не курите, не ешьте и не пейте в месте осуществления работ, которое могло бы быть или может быть загрязнено свинцом. Краски на основе свинца должны быть удалены только профессионалами и не должны быть удалены с помощью тепловой пушки.
- **При удалении краски, вы должны убедиться, что ваша рабочая зона изолирована. Желательно носить защитную маску.**

- **Не сжигайте краску.** Держите распылитель на расстоянии минимум 25 мм (1") от поверхности, так как это сохраняет температуру ниже требуемой 450°C. Если вы выскабливаете из вертикального положения, то вы должны очистить низ, чтобы предотвратить краску от падения обратно в тепловую пушку и сгорания внутри. Утилизируйте весь мусор от краски безопасно и убедитесь, что рабочая зона тщательно очищается после завершения работы.
- **Не используйте во влажной атмосфере или там, где могут присутствовать горючие газы, а также вблизи горючих материалов.** Пространства за досками, потолки, полы и стеновые пустоты в деревянных каркасных строящихся домах могут содержать легковоспламеняющиеся материалы. Проверьте это перед использованием тепловой пушки.
- **Дайте инструменту полностью остыть прежде,** чем поставить его на хранение.
- **Обеспечьте достаточную вентиляцию при использовании тепловых пушек,** так как в процессе работы могут образовываться токсичные пары.
- **Не используйте в качестве фена! Температура воздуха** намного выше, чем температура фена.
- **Не закрывайте воздухозаборник или выход из сопла,** так как это может вызвать перегрев и привести к повреждению инструмента.
- **Не направляйте струю горячего воздуха на других людей.**
- **Не прикасайтесь к металлическому соплу, так как оно становится очень горячим во время использования и остается горячим в течение 30 минут** после использования. Не смотрите вниз на сопло во время работы, поскольку во время работы создается очень высокая температура.
- **Не позволяйте краске прилипнуть к соплу или скребку,** поскольку это может привести к воспламенению через некоторое время.
- **Не пользуйтесь тепловой пушкой, пока она висит на крючке.**
- **Может возникнуть пожар, если устройство не использовать с осторожностью.**
- **Не направляйте сопло на людей или предметы во время использования или сразу же после использования.**
- **Ничего не трогайте соплом, так как это может привести к поражению электрическим током.**

## Этикетки на инструменте

Этикетка на вашем инструменте может включать следующие символы:

	Читайте инструкции по эксплуатации	Гц ..... Герц		..... Конструкция класса II
	Используйте средства защиты глаз	Вт ..... Ватт		..... Терминал заземления
	Используйте средства защиты органов слуха	мин..... минуты		..... Символ предупреждения об опасности
			Переменный ток	..... обороты или возвратно-поступательное движение в минуту
			Постоянный ток	..... мин.
V .....	Вольт	n <sub>0</sub> .....	Скорость без нагрузки	
A .....	Ампер			

## Положение даты штрих-кода

Дата кода, который также включает год изготовления, печатается на корпусе.

Пример:

2014 XX JN

Год изготовления

## Характеристики (рис. А)

1. Переключатель
2. Ручка управления теплом
3. Вентиляционные отверстия
4. Сопло

## Работа с тепловой пушкой

Не кладите руку на вентиляционные прорези (3) и не блокируйте эти вентиляционные отверстия ни в каком случае. Это ограничивает поток воздуха через элемент и вызывает перегрев.

## Установка температуры (рис. В)

- Для увеличения температуры, вращайте ручку регулятора тепла (2) против часовой стрелки.
- Чтобы уменьшить установленную температуру, поверните ручку регулятора тепла по часовой стрелке.

## Эксплуатация вашей тепловой пушки (рис. С)

- Чтобы переключить свою тепловую пушку на низкие температуры, нажмите на переключатель (1) и переведите в положение "I".
- Чтобы переключить инструмент на высокие температуры, установите переключатель (1) в положение "II".

- Чтобы выключить инструмент, установите переключатель включения/выключения (1) в положение "0".

**Примечание:** Позвольте элементу нагреваться в течение нескольких секунд перед использованием. Первоначально может появиться немного дыма из вашей тепловой пушки. Это нормально и скоро прекратится.

#### Охлаждение

При использовании сопло (4) вашей тепловой пушки становится очень горячим. Необходимо охлаждение тепловой пушки после использования.

#### Использование без помощи рук (рис. D)

Этот инструмент также может быть использован в стационарном режиме.

- Поместите инструмент на твердую и устойчивую поверхность, как показано на рисунке.
- Никогда не наводите тепловую пушку на себя.

Закрепите кабель, чтобы предотвратить перемещение тепловой пушки за кабель. Не прикасайтесь к соплу (4) и убедитесь, что ничего не попадет в сопло. Выключите тепловую пушку, а затем дайте ей остыть.

#### Снятие краски

Ваше тепловая пушка предназначена для размягчения краски и лака, что позволит удалить их с помощью скребка хорошего качества. Действуйте следующим образом: направьте горячий воздух на площадь, с которой надо удалить краску. Когда краска размягчится, очистите поверхность скребком. Экспериментальным путем установите интервал времени, необходимый для применения тепла, чтобы получить оптимальные результаты. Сразу очистите размягченную краску иначе она снова застынет.

Ваша тепловая пушка не подходит для зачистки металлических рам. Это происходит потому, что тепло от тепловой пушки проводится через металл, и стекло может треснуть. Не задерживайтесь на одном месте слишком долго, ведь поверхность может обуглиться или загореться.

#### Аксессуары

Производительность вашего электроинструмента зависит от используемых аксессуаров. Аксессуары Stanley и Piranha разработаны согласно высоким стандартам качества, и они способны увеличить производительность вашего электроинструмента. Используя эти принадлежности, вы сможете наиболее эффективно использовать ваш инструмент.

#### Обслуживание

Ваш инструмент рассчитан на работу в течение длительного периода времени при минимальном техническом обслуживании. Продолжительный срок службы и надежность обеспечивается правильным уходом и регулярной чисткой.

**Предостережение!** Перед проведением технического обслуживания, выключите и отсоедините прибор.

- Регулярно очищайте вентиляционные прорезы вашего инструмента мягкой щеткой или сухой тканью.
- Регулярно очищайте корпус двигателя влажной тканью. Не используйте абразивные материалы или чистящие средства на основе растворителя.

#### Технические данные

СПЕЦИФИКАЦИИ		STXH2000
НАПРЯЖЕНИЕ	W	2000
УСТАНОВКИ ТЕПЛА		различные <sup>1</sup>
ПЕРЕКЛЮЧАТЕЛЬ		2 ступени (I/II)
ТЕМПЕРАТУРА	°C	50-450/ 90-600
ПОТОК ВОЗДУХА	/мин	300/ 500
ДЛИНА КАБЕЛЯ	м	3

## Защита окружающей среды



Раздельный сбор и утилизация. Этот продукт не следует утилизировать вместе с бытовым мусором.

Если вы поймете, что ваш продукт Stanley нуждается в замене, или если он не имеет никакого дальнейшего применения для вас, не выбрасывайте его вместе с бытовыми отходами. Предоставьте этот продукт для раздельного сбора/утилизации.



Раздельный сбор продуктов и упаковок позволяет осуществить их переработку и использовать их повторно. Повторное использование переработанных материалов помогает защищать окружающую среду от загрязнения и снижает расход сырьевых материалов.

Местное законодательство может обеспечить сбор старых электроинструментов отдельно от бытового мусора на муниципальных свалках отходов или в торговом предприятии при покупке нового изделия. Stanley обеспечивает возможность для сбора и утилизации продуктов Stanley, как только они достигли конца своего срока службы. Для того чтобы воспользоваться этой услугой, вы можете сдать ваше изделие в любой авторизованный сервисный центр, который собирает их по нашему поручению.

Вы можете узнать место нахождения вашего ближайшего авторизованного сервисного центра, обратившись в местное отделение Stanley по адресу, указанному в данном руководстве. Кроме того, список авторизованных ремонтных агентов Stanley и полную информацию о нашем послепродажном обслуживании и контактах вы можете найти в Интернете: [www.2helpU.com10](http://www.2helpU.com10)

## Два год полной гарантии

Если ваш продукт STANLEY выходит из строя из-за дефектных материалов или изготовления в течение 24 месяцев с даты покупки, STANLEY Europe гарантирует замену всех неисправных деталей бесплатно или - по своему усмотрению - замену продукта бесплатно при условии, что:

- Продукт использовался правильно, его эксплуатация проводилась строго в соответствии с инструкцией по эксплуатации.
- Продукт подвергался естественному износу;
- Ремонт не проводился посторонними лицами;
- Представлены документы, подтверждающие покупку.
- Продукт STANLEY возвращается в полном комплекте со всеми оригинальными компонентами

Если вы хотите сделать заявку, свяжитесь с продавцом или узнайте место нахождения вашего ближайшего авторизованного сервисного агента Stanley в каталоге Stanley или обратитесь в местное представительство Stanley по адресу, указанному в данном руководстве. Список авторизованных сервисных агентов Stanley и полную информацию о нашем послепродажном обслуживании можно найти в Интернете по адресу: [www.stanleytools.com](http://www.stanleytools.com)

# STANLEY

## Гарантийные условия

### Уважаемый покупатель!

1. Поздравляем Вас с покупкой высококачественного изделия STANLEY и выражаем признательность за Ваш выбор.
2. При покупке изделия требуйте проверки его комплектности и исправности в Вашем присутствии, инструкцию по эксплуатации и заполненный гарантийный талон на русском языке.

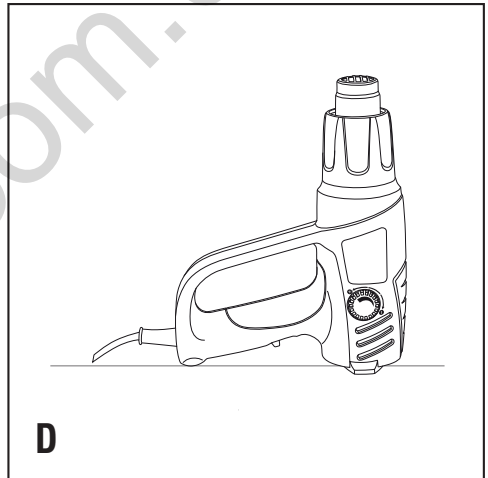
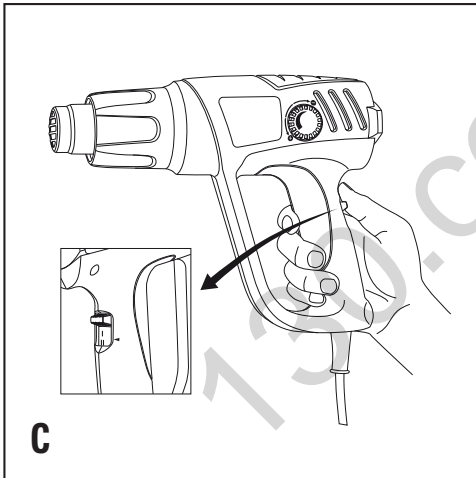
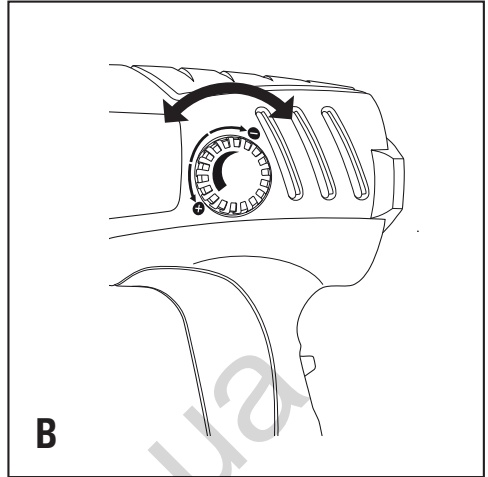
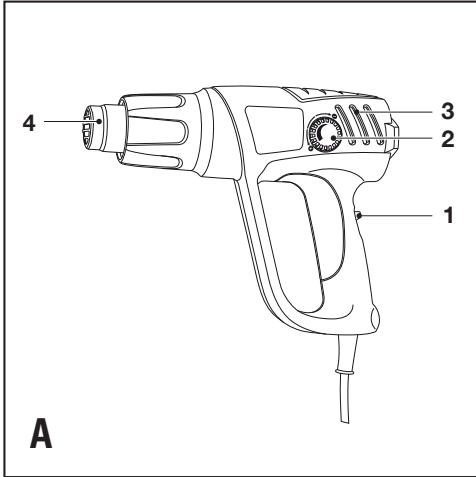
В гарантийном талоне должны быть внесены: модель, дата продажи, серийный номер, дата производства инструмента; название, печать и подпись торговой организации. При отсутствии у Вас правильно заполненного гарантийного талона, а также несоответствия указанных в нем данных мы будем вынуждены отклонить Ваши претензии по качеству данного изделия.

3. Во избежание недоразумений убедительно просим Вас перед началом работы с изделием внимательно ознакомиться с инструкцией по его эксплуатации. Правовой основой настоящих гарантийных условий является действующее Законодательство. Гарантийный срок на данное изделие составляет 24 месяца и исчисляется со дня продажи. В случае устранения недостатков изделия, гарантийный срок продлевается на период его нахождения в ремонте. Срок службы изделия составляет 5 лет со дня продажи.
4. В случае возникновения каких-либо проблем в процессе эксплуатации изделия рекомендуем Вам обращаться только в уполномоченные сервисные центры STANLEY, адреса и телефоны которых Вы сможете найти в гарантийном талоне, на сайте [www.2helpU.com](http://www.2helpU.com) или узнать в магазине. Наши сервисные станции - это не только квалифицированный ремонт, но и широкий ассортимент запчастей и принадлежностей.
5. Производитель рекомендует проводить периодическую проверку и техническое обслуживание изделия в уполномоченных сервисных центрах.



Изготовитель  
Блэк энд Деккер Холдингс ГмБХ  
Германия, 65510, Идштайн,  
ул. Блэк энд Деккер, 40

6. Наши гарантийные обязательства распространяются только на неисправности, выявленные в течение гарантийного срока и вызванные дефектами производства и/или материалов.
7. **Гарантийные условия не распространяются на неисправности изделия, возникшие в результате:**
  - 7.1. Несоблюдения пользователем предписаний инструкции по эксплуатации изделия, применения изделия не по назначению, неправильном хранении, использования принадлежностей, расходных материалов и запчастей, не предусмотренных производителем.
  - 7.2. Механического повреждения (сколы, трещины и разрушения) внутренних и внешних деталей изделия, основных и вспомогательных рукояток, сетевого электрического кабеля, вызванного внешним ударным или любым иным воздействием
  - 7.3. Попадания в вентиляционные отверстия и проникновение внутрь изделия посторонних предметов, материалов или веществ, не являющихся отходами, сопровождающими применение изделия по назначению, такими как: стружка, опилки, песок, и пр.
  - 7.4. Воздействия на изделие неблагоприятных атмосферных и иных внешних факторов, таких как дождь, снег, повышенная влажность, нагрев, агрессивные среды, несоответствие параметров питающей электросети, указанных на инструменте.
  - 7.5. Стихийного бедствия. Повреждение или утрата изделия, связанное с непредвиденными бедствиями, стихийными явлениями, в том числе вследствие действия непреодолимой силы (пожар, молния, потоп и другие природные явления), а так же вследствие перепадов напряжения в электросети и другими причинами, которые находятся вне контроля производителя.
8. **Гарантийные условия не распространяются:**
  - 8.1. На инструменты, подвергавшиеся вскрытию, ремонту или модификации вне уполномоченного сервисного центра.
  - 8.2. На детали и узлы, имеющие следы естественного износа, такие как: приводные ремни и колеса, угольные щетки, смазка, подшипники, зубчатое зацепление редукторов, резиновые уплотнения, сальники, направляющие ролики, муфты, выключатели, бойки, толкатели, стволы, и т.п.
  - 8.3. На сменные части: патроны, цанги, зажимные гайки и фланцы, фильтры, аккумуляторные батареи, ножи, шлифовальные подошвы, цепи, звездочки, пыльные шины, защитные кожухи, пилки, абразивы, пыльные и абразивные диски, фрезы, сверла, буры и т.п.
  - 8.4. На неисправности, возникшие в результате перегрузки инструмента (как механической, так и электрической), повлекшей выход из строя одновременно двух и более деталей и узлов, таких как: ротора и статора, обеих обмоток статора, ведомой и ведущей шестерни редуктора или других узлов и деталей. К безусловным признакам перегрузки изделия относятся, помимо прочего: появление цветот побежалости, деформация или оплавление деталей и узлов изделия, потемнение или облупливание изоляции проводов электродвигателя под воздействием высокой температуры.





## Використання за призначенням

Ваша теплова пушка STANLEY була розроблена для різних робіт із застосуванням тепла, наприклад, зняття фарби.

## Загальні правила безпеки

**Застереження!** Ознайомтеся з усіма інструкціями. Недотримання інструкцій, зазначених нижче, може призвести до ураження електричним струмом, пожежі та/або серйозної травми. Термін "електроінструмент" у всіх попередженнях, зазначених нижче, відноситься до мережевого (з кабелем) електроінструменту або акумуляторної батареї (без кабелю живлення).

## ЗБЕРЕЖІТЬ ЦІ ІНСТРУКЦІЇ

### 1. Безпека робочого місця

- a. Утримуйте робоче місце в чистоті і добре освітленим. Безлад на робочому місці або відсутність освітлення робочого місця може призвести до аварії.
- b. Не працюйте з електроінструментом в місці зберігання вибухонебезпечних матеріалів, наприклад, у присутності легкозаймистих рідин, газів або пилу. Електричні інструменти створюють іскри, що можуть запалити пил або пари.
- c. Діти і сторонні особи повинні знаходитися якнайдалі під час роботи з електроприладами. Ви можете відволіктися і втратити контроль.

### 2. Електробезпека

- a. Вилка електроінструмента повинна відповідати розетці. Ніколи не змінюйте вилку будь-яким чином. Не використовуйте ніякі вилки-перехідники з заземленими (замкнутими на землю) електроінструментами. Вилки і розетки, які не піддавалися ніяким змінам знижують ризик ураження електричним струмом.
- b. Уникайте контакту тіла з заземленими поверхнями, такими як труби, радіатори, плити та холодильники. Існує підвищений ризик ураження електричним струмом, якщо ваше тіло заземлене.
- c. Уникайте будь-якого впливу дощу або вологи на електроінструменти. Вода, що потрапила в електроінструмент, збільшує ризик ураження електричним струмом.
- d. Обережно поводьтеся зі шнуром живлення. Ніколи не використовуйте шнур живлення для перенесення, переміщення або вилучення вилки з розетки. Тримайте шнур подалі від джерел тепла, масла, гострих країв або рухомих частин.

Пошкоджені або заплутані шнури збільшують ризик ураження електричним струмом.

- e. При роботі з електроінструментом на вулиці, використовуйте подовжувач, відповідний для зовнішнього використання. Використання кабелю, придатного для використання на відкритому повітрі, знижує ризик ураження електричним струмом.
  - f. При необхідності роботи з електроінструментом у вологому середовищі, використовуйте пристрій захисного відключення (ПЗВ). Використання ПЗВ знижує ризик ураження електричним струмом.  
Примітка: Термін "пристрій захисного відключення (ПЗВ)" може бути замінений на "аварійний перемикач заземлення" або "автоматичний вимикач струму витоку".
- ### 3. Особиста безпека
- a. Будьте уважні, дивіться, що ви робите, використовуйте здоровий глузд при роботі з електроприладами. Не використовуйте електроінструмент, якщо ви втомилися або перебуваєте під впливом наркотиків, алкоголю або ліків. Найменша необережність при роботі з електроінструментом може призвести до серйозних травм.
  - b. Використовуйте засоби індивідуального захисту. Завжди надягайте захисні окуляри. Інше захисне обладнання, включаючи респіратор, черевики на нековзній підшві, захисний шолом або засоби захисту органів слуху, використовувати в належних умовах, зменшать ризик отримання травми.
  - c. Уникайте випадкового включення. Переконайтеся, що перемикач знаходиться у вимкненому положенні перед підключенням. Перенесення електроінструменту з пальцем на вимикач або включення електроінструментів з включеним вимикачем може призвести до нещасного випадку.
  - d. Перед включенням електроінструменту знімайте регулювальний або гайковий ключ. Гайковий або регулювальний ключ, залишений на обертовій частині електроінструменту, може призвести до травми.
  - e. Не тягніться. Зберігайте правильну стійку і баланс весь час. Це дозволяє краще контролювати інструмент в несподіваних ситуаціях.
  - f. Одягайтеся правильно. Не надягайте вільний одяг або прикраси. Тримайте волосся, одяг і рукавички далеко від рухомих частин. Вільний одяг, прикраси або довге волосся можуть потрапити в рухомі частини.
  - g. Якщо є пристрої для підключення пилозбірника або витяжки, переконайтеся в тому, що вони під'єднані і використовуються правильно. Використання пилозбірника знижує ймовірність виникнення ризиків, пов'язаних з пилом.

**h. Використовуйте затискачі або інший практичний спосіб для забезпечення підтримання оброблюваного виробу на стійкій платформі.**

Проведення роботи по напрямку руки або проти вашого тіла, позбавляє стійкості і може призвести до втрати контролю.

Перед свердлінням стін, підлог і стелі перевірити їх на наявність електропроводів і трубопроводів. Намагайтеся не доторкатися до кінчика свердла відразу ж після закінчення свердління, оскільки воно може бути гарячим.

**4. Використання та догляд за електроінструментом**

**a. Не перевантажуйте електроінструмент.**

**Використовуйте відповідний електричний інструмент для відповідного застосування.** Правильно підібраний електроінструмент дозволить виконати роботу краще і безпечніше при швидкості, для якої він був розроблений.

**b. Не використовуйте електроінструмент, якщо перемикач не може його включити і вимкнути.**

Будь-який електроінструмент, який не можна контролювати за допомогою перемикача, є небезпечний і повинен бути відремонтований.

**c. Від'єднайте кабель живлення від джерела живлення та/або акумулятора від електричного інструменту перед виконанням будь-яких регулювань, заміни приладдя або при зберіганні електроінструменту.** Такі профілактичні заходи безпеки зменшують ризик ненавмисного запуску електричного інструменту.

**d. Зберігайте електроприлади в недоступному для дітей місці і не дозволяйте особам, які не знайомі з електричним інструментом або даними інструкціями, працювати з електроприладами.** Електроінструменти небезпечні в руках недосвідчених користувачів.

**e. Підтримання електроінструменту. Перевіряйте розрегульованість або з'єднання рухомих частин, поломки частин і будь-які інші умови, які можуть вплинути на роботу електроінструменту.** При наявності пошкодження, відремонтуйте електроінструмент перед використанням. Багато нещасних випадків є наслідком поганого догляду за електроінструментом.

**f. Тримайте ріжучий інструмент гострим і чистим.**

Добре доглянутий ріжучий інструмент з гострими ріжучими краями легше контролювати.

**g. Використовуйте електроінструмент, аксесуари і насадки відповідно до даних інструкцій, зважаючи на умови роботи, і ті роботи, які мають бути виконані.** Використання електроінструменту для операцій, що відрізняються від тих, для яких він призначений, може привести до небезпечної ситуації.

**5. Обслуговування**

**a. Забезпечте, щоб обслуговування і ремонт вашого електроінструменту проводився в авторизованому сервісному центрі по ремонту з використанням тільки оригінальних запасних**

частин. Це стане гарантією безпеки електроінструменту.

**Додаткові інструкції з техніки безпеки для теплової пушки**

**1) Існує небезпека виникнення пожежі, якщо прилад не використовується з обережністю, тому:**

- Не застосовуйте прилад в одному і тому ж місці протягом тривалого часу
- Не використовуйте у вибухонебезпечній атмосфері
- Майте на увазі, що тепло може бути провідником до горючих матеріалів, які знаходяться поза полем зору
- Відставте прилад для повного охолодження після використання, перш ніж упакувати його для зберігання
- Не залишайте прилад без нагляду, коли він включений.

**• Завжди вимикайте електроінструмент, перш ніж покласти його на зберігання.**

**• Особлива обережність повинна бути прийнята при знятті фарби, залишки і пари фарби можуть містити свинець, який є отруйним.** Після осадження на поверхні, і в разі потраплення рук в рот, може призвести до проковтування свинцю. Вплив, навіть при низьких рівнях свинцю, може викликати незворотні пошкодження мозку і нервової системи; молоді і ще не народжені діти особливо уразливі. Не паліть, не їжте і не пийте в місці здійснення робіт, яке могло бути або може бути забруднене свинцем. Фарби на основі свинцю повинні бути видалені тільки професіоналами і не повинні бути вилучені за допомогою теплової гармати.

**• При видаленні фарби, ви повинні переконатися, що ваша робоча зона ізольована.** Бажано носити захисну маску.

**• Не спалюйте фарбу.** Тримайте розпилювач на відстані мінімум 25 мм (1") від поверхні, так як це зберігає температуру нижче необхідної 450°C. Якщо ви будете вискрібати з вертикального положення, то ви повинні очистити низ, щоб запобігти падіння фарби назад в теплову пушку і згорання всередині. Утилізуйте все сміття від фарби безпечно і переконатися, що робоча зона ретельно очищається після завершення роботи.

**• Не використовуйте у вологій атмосфері або там, де можуть бути горючі гази, а також поблизу горючих матеріалів.** Місця за дошками, стелі, підлоги і стінові порожнечі в дерев'яних каркасних будинках можуть містити легкозаймисті матеріали. Перевірте це перед використанням теплової пушки.

**• Дайте інструменту повністю охолонути перш, ніж поставити його на зберігання.**

**• Забезпечте достатню вентиляцію при використанні теплової пушки, так як в процесі роботи можуть утворюватися токсичні пари.**

- **Не використовуйте як фен! Температура повітря** набагато вища, ніж температура фена.
- **Не блокуйте повітрязбірник або вихід з сопла, так як це може викликати перегрів і привести до пошкодження інструменту.**
- **Не наводьте струмінь гарячого повітря на інших людей.**
- **Не торкайтеся металевого сопла, так як воно стає дуже гарячим під час використання і залишається гарячим протягом 30 хвилин після використання.** Не дивіться вниз на сопло під час роботи, оскільки під час роботи створюється дуже висока температура.
- **Не дозволяйте фарбі прилипати до сопла або шкребку, оскільки це може призвести до займання через деякий час.**
- **Не використовуйте теплову пушку, поки вона висить на гачку.**
- **Може виникнути пожежа, якщо пристрій не використовувати з обережністю.**
- **Не наводьте сопло на людей або предмети під час використання або відразу ж після використання.**
- **Нічого не чіпайте соплом, так як це може призвести до ураження електричним струмом.**

3. Вентиляційні отвори
4. Сопло

## Робота з тепловою пушкою

Не кладіть руку на вентиляційні прорізи (3) і не блокуйте вентиляційні отвори ні в якому випадку. Це обмежує потік повітря через елемент і викликає перегрів.

## Установка температури (мал. В)

- Для збільшення температури, обертайте ручку регулятора тепла (2) проти годинникової стрілки.
- Щоб зменшити встановлену температуру, поверніть ручку регулятора тепла за годинниковою стрілкою.






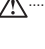

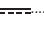
## Експлуатація вашої теплової пушки (мал. С)

- Щоб переключити свою теплову пушку на низькій температурі, натисніть на перемикач (1) і переведіть у положення "I".
- Щоб переключити інструмент на високі температури, встановіть перемикач (1) у положення "II".
- Щоб вимкнути інструмент, встановіть перемикач включення/виключення (1) у положення "0".

**Примітка:** Дозвольте елементу нагріватися протягом декількох секунд перед використанням. Спочатку може з'явитися трохи диму з вашої теплової пушки. Це нормально і скоро припиниться.

## Етикетки на інструменті

Етикетки на вашому інструменті можуть включати такі символи:

	Читайте інструкції з експлуатації	Гц ..... Герц		Конструкція класу II
	Використовуйте засоби захисту очей	Вт ..... Ватт		Термінал заземлення
	Використовуйте засоби захисту органів слуху	мин ..... хвилини		Символ попередження про небезпеку
V ..... Вольт			Змінний струм	обороти або зворотно-поступальний рух в хвилину
A ..... Ампер			Постійний струм	хв..
		П <sub>0</sub> ..... Швидкість без навантаження		

## Охолодження

При використанні сопло (4) вашої теплової пушки стає дуже гарячим. Необхідно охолодження теплової пушки після використання.

## Використання без допомоги рук (мал. D)

Цей інструмент також може бути використаний в стаціонарному режимі.

- Помістіть інструмент на тверду і стійку поверхню, як показано на малюнку.
- Ніколи не наводіть теплову пушку на себе.



Закріпіть кабель, щоб запобігти переміщенню теплової пушки за кабель. Не торкайтеся до сопла (4) і переконайтеся, щоб нічого не потрапило в сопло. Вимкніть теплову пушку, а потім дайте їй охолонути.

## Положення дати штрих-коду

Дата коду, який також включає рік виготовлення, друкується на корпусі.

Приклад:

2014 XX JN  
Рік виготовлення

## Характеристики (мал. А)

1. Перемикач
2. Ручка управління теплом

## Зняття фарби

Ваша теплова пушка призначена для розм'якшення фарби і лаку, що дозволить видаляти їх за допомогою скребка хорошої якості.

Дійте наступним чином: направте гаряче повітря на площу, з якої треба видалити фарбу. Коли фарба розм'якшиться, очистіть поверхню скребком. Експериментальним шляхом встановіть інтервал часу, необхідний для застосування тепла, щоб отримати оптимальні результати. Відразу очистіть розм'якшену фарбу, інакше вона знову застигне.

Ваша тепла пушка не підходить для зачистки металевих рам. Це відбувається тому, що тепло від теплової пушки проводиться через метал, і скло може тріснути. Не затримуйтеся на одному місці занадто довго, адже поверхня може обвуглитися або спалахнути.

## Аксесуари

Продуктивність електроінструменту залежить від його аксесуарів. Аксесуари Stanley і Piranha розроблені у відповідності з високими стандартами якості, щоб підвищити продуктивність електроінструменту. Використання цих аксесуарів може допомогти вам зручно працювати з інструментом.

## Обслуговування

Ваш інструмент був розроблений для використання протягом тривалого часу при мінімальному технічному обслуговуванні. Послідовне задовільне використання залежить від належного технічного обслуговування і регулярного чищення інструменту.



**Застереження!** Перед виконанням будь-яких робіт з техобслуговування вимкніть живлення інструменту.

- Регулярно очищуйте вентиляційні отвори вашого інструменту, використовуючи м'яку щітку або суху ганчірку.
- Регулярно очищуйте корпус двигуна, використовуючи вологу ганчірку. Не використовуйте абразивні чистячі засоби або чистячі засоби на основі розчинників.

## Технічні дані

СПЕЦИФІКАЦІЇ		STXH2000
НАПРУГА	W	2000
УСТАНОВКИ ТЕПЛА		різні
ПЕРЕМИКАЧ		2 ступені (I/II)
ТЕМПЕРАТУРА	°C	50-450/ 90-600
ПОТІК ПОВІТРЯ	/хвил.	300/ 500
ДОВЖИНА КАБЕЛЮ	M	3

## Захист навколишнього середовища



Роздільний збір і утилізація. Цей продукт не слід утилізувати разом з побутовим сміттям.

Якщо ви зрозумієте, що ваш продукт Stanley потребує заміни, або якщо він не має ніякого подальшого застосування для вас, не викидайте його разом з побутовими відходами. Надайте цей продукт для роздільного збору/утилізації.



Роздільний збір продуктів і упаковок дозволяє здійснити їх переробку і використати їх повторно. Повторне використання перероблених матеріалів допомагає захищати довкілля від забруднення і знижує витрату сировинних матеріалів.

Міське законодавство може забезпечити збір старих електроінструментів окремо від побутового сміття на муніципальних звалищах відходів або в торговому підприємстві при купівлі нового виробу. Stanley забезпечує можливість для збору і утилізації продуктів Stanley, як тільки вони досягли кінця свого терміну служби. Для того, щоб скористатися цією послугою, ви можете здати ваш виріб у будь-який авторизований сервісний центр, який збирає їх за нашим дорученням.

Ви можете упізнати місце знаходження вашого найближчого авторизованого сервісного центру, звернувшись в міське відділення Stanley за адресою, вказаною в цьому керівництві. Крім того, список авторизованих ремонтних агентів Stanley і повну інформацію про наше післяпродажне обслуговування і контакти ви можете знайти в Інтернеті:

[www.2helpu.com10](http://www.2helpu.com10)

## Два рік повної гарантії

Якщо ваш продукт STANLEY виходить з ладу із-за дефектних матеріалів або виготовлення впродовж 24 місяців з дати купівлі, STANLEY Europe гарантує заміну усіх несправних деталей безкоштовно або - на власний розсуд - заміну продукту безкоштовно за умови, що:

- Продукт використовувався правильно, його експлуатація проводилася строго відповідно до інструкції з експлуатації.
- Продукт піддавався звичайному зносу;
- Ремонт не проводився сторонніми особами;
- Представлені документи, що підтверджують купівлю.
- Продукт STANLEY повертається в повному комплекті з усіма оригінальними компонентами

Якщо ви хочете зробити заявку, зв'яжіться з продавцем або з'ясуйте місце знаходження вашого найближчого авторизованого сервісного агента Stanley в каталозі Stanley або зверніться в місцеве представництво Stanley за адресою, вказаною в цьому посібнику. Список авторизованих сервісних агентів Stanley і повну інформацію про наше післяпродажне обслуговування можна знайти в Інтернеті за адресою:  
[www.stanleytools.com](http://www.stanleytools.com)

**STANLEY**

Гарантійні умови

Шановний покупець!

1. Вітаємо Вас з покупкою високоякісного виробу STANLEY і висловлюємо вдячність за Ваш вибір.
2. При покупці виробу вимагайте перевірки його комплекtnості і справності у Вашій присутності, інструкцію з експлуатації та заповнений гарантійний талон українською мовою

В гарантійному талоні повинні бути внесені: модель, дата продажу, серійний номер, дата виробництва інструменту; назва, печатка і підпис торгової організації. За відсутності у Вас правильно заповненого гарантійного талону, а також при невідповідності зазначених у ньому даних ми будемо змушені відхилити Ваші претензії щодо якості даного виробу.

3. Щоб уникнути непорозумінь, переконливо просимо Вас перед початком роботи з виробом уважно ознайомитися з інструкцією з його експлуатації. Правовою основою справжніх гарантійних умов є чинне Законодавство. Гарантійний термін на даний виріб складає 24 місяці і обчислюється з дня продажу. У разі усунення недоліків виробу, гарантійний строк продовжується на період його перебування в ремонті. Термін служби виробу становить 5 років з дня продажу.
4. У разі виникнення будь-яких проблем у процесі експлуатації виробу рекомендуємо Вам звертатися тільки в уповноважені сервісні центри STANLEY, адреси та телефони яких Ви зможете знайти в гарантійному талоні, на сайті [www.2helpU.com](http://www.2helpU.com) або дізнатися в магазині. Наші сервісні станції - це не тільки кваліфікований ремонт, але і широкий асортимент запчастин і аксесуарів.
5. Виробник рекомендує проводити періодичну перевірку і технічне обслуговування виробу в уповноважених сервісних центрах.
6. Наші гарантійні зобов'язання поширюються тільки на несправності, виявлені протягом гарантійного терміну і викликані дефектами виробництва та \ або матеріалів.
7. Гарантійні умови не поширюються на несправності виробу, що виникли в результаті:
  - 7.1 Недотримання користувачем приписів інструкції з експлуатації виробу, застосування виробу не за призначенням, неправильного зберігання, використання приладдя, витратних матеріалів і запчастин, що не передбачені виробником.
  - 7.2 Механічного пошкодження (відколи, тріщини і руйнування) внутрішніх і зовнішніх деталей виробу, основних і допоміжних рукояток, мережевого кабелю, що викликані зовнішнім ударним або будь-яким іншим впливом

- 7.3 Потрапляння у вентиляційні отвори та проникнення всередину виробу сторонніх предметів, матеріалів або речовин, що не є відходами, які супроводжують застосування виробу за призначенням, такими як: стружка, тирса, пісок, та ін.
- 7.4 Впливу на виріб несприятливих атмосферних і інших зовнішніх факторів, таких як дощ, сніг, підвищена вологість, нагрівання, агресивні середовища, невідповідність параметрів електромережі, що зазначені на інструменті.
- 7.5 Стихійного лиха. Пошкодження або втрати виробу, що пов'язані з непередбаченими лихами, стихійними явищами, у тому числі внаслідок дії непереборної сили (пожежа, блискавка, потоп і інші природні явища), а також внаслідок перепадів напруги в електромережі та іншими причинами, які знаходяться поза контролем виробника.
8. Гарантійні умови не поширюються:
  - 8.1. На інструменти, що піддавалися розкриттю, ремонту або модифікації поза уповноваженим сервісним центром.
  - 8.2. На деталі, вузли та матеріали, що мають сліди природного зносу, такі як: приводні ремені і колеса, вугільні щітки, мастило, підшипники, зубчасті зчеплення редукторів, гумові ущільнення, сальники, направляючі ролики, муфти, вимикачі, бойки, штовхачі, стволи тощо.
  - 8.3. На змінні частини: патрони, цанги, затискні гайки і фланці, фільтри, акумуляторні батареї, ножі, шліфувальні підшви, ланцюги, зірочки, пильні шини, захисні кожухи, пилки, абразиви, пильні і абразивні диски, фрези, свердла, бури тощо
  - 8.4. На несправності, що виникли в результаті перевантаження інструменту (як механічного, так і електричного), що спричинили вихід з ладу одночасно двох і більше деталей і вузлів, таких як: ротора і статора, обох обмоток статора, веденої і ведучої шестерень редуктора або інших вузлів і деталей. До безумовних ознак перевантаження виробу відносяться, крім інших: поява кольорів мінливості, деформація або оплавлення деталей і вузлів виробу, потемніння або обуглювання ізоляції проводів електродвигуна під впливом високої температури.



Виробник:

"Stanley Black & Decker Deutschland GmbH" Black-&-Decker Str.40, D-65510 Idstein, Німеччина

130.com.ua

130.com.ua



## Names & Addresses for STANLEY Service Concessionaries - MIDDLE EAST & AFRICA

ALGERIA: Sarl Outillage Corporation, 08 Rue Med Boudiaf - Cheraga - Algiers, Algeria. Tel: (213-21) 375130, Fax: (213-21) 369667. **ANGOLA:** Angoferraria, Lda., Rua Robert Shields, No. 61, Luanda, Angola. Tel: 00244-222-395837 / 222-395034, Fax: 00244-222-394790. **AZERBAIJAN:** Royalton Holdings Ltd. 41 Khagani St. Apt. 47 AZ 1001, Baku. Tel: (994-12) 4935544, Fax: (994-12) 5980378. **BAHRAIN:** Kavalani & Sons W.L.L., P.O. Box 71, Sitra, Manama, Tel: (973) 17732888, Fax: (973) 17737379. Alfouz Services Co. W.L.L., P.O. Box 26562, Tubli, Manama. Tel: (973) 17783562, Fax: (973) 17783479. **Egypt:** El Farab S.A.E., 15-Nabil El Wakkad Street, Dokki, Giza, Egypt. Tel: 00202-37603946 / 002-010-2582544, Fax: 00202-33352796. **ETHIOPIA:** Seif Tewfik Sherif, Arada Sub-City, Kebele 01/02, Global Insurance Building, 2nd Floor, Room 43, P.O. Box 2525, Addis Ababa, Ethiopia. Tel: (251-11) 1563968/ 1563969, Fax: (251-11) 1558009. **IRAQ:** Financial Links, Kazzaz Building Ararat Al-Hindia Block No: 629 Street: 31 Building No: 1 Baghdad - Iraq. Tel: 00964 (0)780 195 2223/ 00964 (0)781 3763044. Al Sard Co. for General Trading Ltd. Jbara Bldg. 3Flr, Al Rasheed St. Bagdad. Tel: (964) 18184102. Sakhar Group, Arrasat al-hindya Al Masbah, Baghdad. (964) 7400144446. **JORDAN:** Palestine Intl. Matl. (Bashiti Hardware), 93 King Abdullah 2nd Street. Opp. ELBA House, P.O. Box 3005, Amman 11953, Tel: (962-6) 5349098, Fax: (962-6) 5330731. **KENYA:** Dextron Tools Ltd., P.O. Box 20121-00200, Shariff House, Kimathi Street, Nairobi. Tel: (254-20) 6905000/ 2358021, Fax: (254-20) 6905111/ 6905112. **KUWAIT:** Al Omar Technical Co., P.O. Box 4062, 13041 Safat, Kuwait. Tel: (965) 24848595/ 24840039, Fax: (965) 24845652. Fawaz Al Zayani Establishment, P.O. Box 42426, Shop No. 18, Al Humaizi Commercial Complex, Khalifa Al Jassim, Shuwaikh, Kuwait. Tel: (965) 24828710, Fax: (965) 24828716. Fawaz Al Zayani Establishment, Fahaleh Industrial Area, Main St., Sanaya, Kuwait. Tel: (965) 23925830, Fax: (965) 24828716. **LEBANON:** Est. Shaya & Azar S.A.R.L., Boulevard Jdeideh - Mar Takla - Bouchrieh P.O. Box 90545 Jdeideh.Beirut - Lebanon. Tel: 00961 1 872305 / 306 , Fax: 00961 1 872303. **LIBYA:** North Africa Trading ( El Ghoul Brothers), AlHilal Service Center Tawergha St. Misurata. Tel: 00218-091-3221408. **(Benghazi)** Sniydal st., Amr Ibn El-Aas Rd. Tel: (+218) 92 5771120. **(Tripoli)** Al Barniq Service Center, Mokhazin elskur st., ElFallah. Tel: (+218) 21 4808019. **(Misrata)** Al Hilal Service Center, Tawergha st. Tel: (+218) 51 2626743. **MAURITIUS:** Robert Le Marie Limited, Old Moka Road, Bell Village, P.O. Box 161, Port Louis, Tel: 00230-212 1865/ 212 2847, Fax: 00230-2080843. **MOROCCO:** Ets Louis Guillaud & Cie, 149, Quartier Industriel, Moulay Rachid, Casablanca, Postal Code 20450, Morocco. Tel: 00212-522729233, Fax: 00212-522729096. **NIGERIA:** Meridian Power Tools Ltd., Gr.Floor, #1 Alhaji Masha Rd, Next to Teslim Balogun Stadium, Near National Stadium Surulere, Lagos, Nigeria. Tel: 00234-1-7740431 / 7740410, Fax: 00234-1-7913798. **OMAN:** Al Jizzi Company LLC, P.O. Box 1704, PC 112 Ruwi, Oman. Tel: (968) 24832618/ 24835153, Fax: (968) 24831334/24836460. Al Hassan Technical & Construction Supplies Co. LLC, P.O. Box 1948, P.C. 112, Ruwi, Tel: (968) 24810575 / 24837054, Fax: (968) 24810287/ 24833080. Oman Hardware Co. LLC, P.O. Box 635, Ruwi Postal Code 112, Te. (968) 24815131, Fax: (968) 24816491. Khimji Ramdas, P.O. Box 19, Post Code 100, Ghalia, Muscat, Oman. Tel: (968) 24595906/ 907, Fax: (968) 24852752. Oman Marketing & Service Co. (Omasco), P.O. Box 2734, Behind Honda Showroom, Wattayah, Oman. Tel: (968) 24560232/ 24560255, Fax: (968) 24560993. Oman Marketing & Service Co. (Omasco), Al Ohi, Sohar, Oman. Tel: (968) 26846379, Fax: (968) 26846379. Oman Marketing & Service Co. (Omasco), Sanaya, Salalah, Oman. Tel: (968) 23212290, Fax: (968) 23210936. **PAKISTAN:** ZIT Co - Nasir & Bros., 2nd Floor, Qadri Center, Chokwal Dargan Railway Road, Lahore, Pakistan. Tel: 0092 42 37670839, Fax: 0092 42 37652989. Ammar Service & Spares, 60-Bank Arcade, Serai Road, Karachi, Pakistan. Tel: (92-21) 32426905, Fax: (92-21) 32427214. **QATAR:** Teyseer Industrial Supplies & Services Co. W.L.L, 55, Al Wakalat St. (Between St. 18 & 19) Salwa Industrial Area, P.O. Box 40523 Doha, Qatar. Tel: (974) 44581536, Fax: (974) 44682024. Shaheen Electrical Works & Trading Co. W.L.L, Gate 34, St. 44 Industrial Area P.O. Box 9756, Doha, Qatar. Tel: (974) 44600230 / 44600525, Fax: (974) 44601338. Al Mufthah Service Centre, Al Wakrah Road, P.O. Box 875, Doha, Qatar. Tel: (974) 44650880/ 44650110/ 44446868, Fax: (974) 44441415 / 44662599. **SAUDI ARABIA: (Al Bahr)** Mohamed Ahmed Bin Afif Est., P.O. Box 530, Yanbu, Al Bahr. Tel: (966-4) 3222626/ 3228867, Fax: (966-4) 3222210. **(Al Khobar)** Fawaz Ebrahim Al Zayani Trading Est., P.O. Box 76026, Al Khobar # 31952, Tel: (966-3) 8140914, Fax: (966-3) 8140824. **MSS (Al-Mojil Supply & Services)** P.O. Box 450, Jubail 31951, Opp. Gulf Bridge Library & Riyadh House. Tel: (966-3) 3612850/ 3624487/ 3621729, Fax: (966-3) 3623589/ 3620783. **(Dammam)** MSS (Al-Mojil Supply & Services), P.O. Box 450, Jubail 31951, Opp-Gulf Bridge Library & Riyadh House. Tel: (966-3) 3612850 / 3624487 / 3621729, Fax: (966-3) 3623589 / 3620783. **(Al Bawardi Tools & Hardware)**, P.O. Box 112, Dammam, Tel: (966-3) 8330780 Ext.24 / 8348585 Ext. 24 / +966-3-8335555, Fax: (966-3) 8336303. **(Al Hassa)** Mutawa Trading & Gen. Services, Maliki road Hafuf city, Al Hassa, KSA. Tel: (966-6) 50284675 **(Jeddah)** Al Bawardi Tools & Hardware, P.O. Box 16905, Jeddah 21474, Tel: (966-2) 6444547 / 6439035 / 6456095, Fax: (966-2) 6439024. **EAC (Al Yousef Contg. & Trdg. Est.)**, P.O. Box 30377, Jeddah -21477, Tel: (966-2) 6519912, Fax: (966-2) 6511153. **(Madina)** Garziz Trading for Bldg Mat & Decoration, P.O. Box 3364, Madina. Tel: (966-4) 826 14 90 / 8227636, Fax: (966-4) 8265741. **(Riyadh)** Industrial Material Organization (IMO), P.O. Box 623, Rial Street, Riyadh, Tel: (966-1) 4028010 Ext 26 / 8001245757, Fax: (966-1) 4037970. Sultan Garment Factory (RSC), P.O. Box 29912, Riyadh 11467, KSA, Tel: (966-1) 4055148 / 4042889, Fax: (966-1) 4055148. Al Bawardi Tools & Hardware, P.O. Box 68, Riyadh 11411, Tel: (966-1) 4484999, Fax: (966-1) 4487877. **(Yanbu)** Fawaz Ebrahim Al Zayani, Opposite to Al Fouzan, Jeddah highway or King Abdul Aziz road, Yanbu. Tel: (966-4) 3960980, Fax: (966-4) 3961980. Mohamed Ahmed Bin Afif Est., P.O. Box 530, Yanbu, Al Bahr, Tel: (966-4) 3222626/ 3228867, Fax: (966-4) 3222210. **SOUTH AFRICA:** Stanley Black & Decker - RSA, 199 Winetree Drive Stormill Exit 9 Rooodepoort. Tel: (2711) 472 0454, Fax: (2711) 472 0482. Trecco Power Tool Service 14 Steenbok Street, Koedoespoort, 0186, Pretoria, South Africa. Tel: (27-86) 1873826, Fax: (27-86) 5001771. **TANZANIA:** General Motors investment Ltd., P.O. Box 16541, 14 Nyerere Road, Vingunguti, Dar-es-Salaam. Tel: (255 22) 2862661/ 2865022, Fax: (255 22) 2862667. **TUNISIA:** Societe Tunisienne De Maintenance (STM), Rue de la Physique. Nouvelle Zone Industrielle Ben Arous, 2013 Ben Arous, Tunisia. Tel: (+216) 79 389687, Fax: (+216) 71 385154. **UAE: (Abu Dhabi)** Light House Electrical, P.O. Box 120, Abu Dhabi. Tel: (971-2) 6726131, Fax: (971-2) 6720667. Galaxy Equipment Trading, Madinat Zayed (Baada Zaid), Abu Dhabi P.C. 58910, Tel: (971-2) 8844279, Fax: (971-2) 8844297 **(Ajman)** Al Suukon Gen. Trdg. Co. LLC, P.O. Box 2975, Ajman. Tel: (971-6) 7435725/ 7438317, Fax: (971-6) 7437350, Al Suukon Gen. Trdg. Co. LLC, P.O. Box 2975, Ajman, Tel: (971-6) 7435725 / 7438317, Fax: (971-6) 7437350 **(Al Ain)** Zillion Equipment and Spare Parts Trading LLC, P.O. Box 19740, Opp. Bin Sada/ Trimix Redymy Sanaiya, Al Ain. Tel: (971-3) 7216690, Fax: (971-3) 7216103. **(Dubai)** Black & Decker (Overseas) GmbH, P.O. Box 5420, Dubai. Tel: (971-4) 8127400/ 8127406, Fax: (971-4) 812822765. Ideal Star Workshop Eqp't.Trading LLC, P.O. Box 37116, Al Quoz, Dubai. Tel: (971-4) 3474160, Fax: (971-4) 3474157, Fine Tools, P.O.Box 30139, Al Quoz, Dubai, Tel: (971-4) 3385240, Fax: (971-4) 3385239, Albrech Engineering Service, P.O. Box 78954, Al Qusais, Dubai. Tel: (971-4) 2850044, Fax: (971-4) 2844802. **(Musafah)** Light House Electrical, P.O. Box 120, Abu Dhabi. Tel: (971-2) 5548315, Fax: (971-2) 5540641. **(Sharjah)** Mc Coy Middle East LLC, P.O. Box 25793, Sharjah. Tel: (971-6) 5395931, Fax: (971-6) 5395932. Burj Al Madeena, Industrial Area No.1, Opp. Pakistani Masjid, P.O. Box 37635, Sharjah. Tel: (971-6) 5337747, Fax: (971-6) 5337719. Burj Al Madeena , Industrial Area No 1 opp Pakistani Masjid P.O. Box 37635, Sharjah. Tel: (971-6) 5337747, Fax: (971-6) 5337719 **(Ras Al Khaimah)** Mc Coy Middle East LLC, P.O. Box 10584, Ras Al Khaimah. Tel: (971-7) 2277095, Fax: (971-7) 2277096. **THE BUILDING CENTER (U) Ltd.**, 52 Station Road, Kitgum House, P.O. Box 7436, Kampala, Uganda. Tel: (256-41) 4234567/ 4259754, Fax: (256-41) 4236413. **YEMEN: (Aden)** Middle East Trad. Co. Ltd. (METCO), Mualla Dakka, Aden, Yemen. Tel: (967-2) 222670, Fax: (967-2) 222670. **(Sana'a)** Middle East Trad. Co. Ltd. (METCO), Hayel St., Sana'a, Yemen. Tel: (967-1) 204201, Fax: (967-1) 204204. **(Taiz)** Middle East Trading Co. (METCO), P.O. Box 12363, 5th Flr, Hayel Saeed Anam Bldg, Al-Mugamma St. Taiz, Yemen. Tel: (967-4) 213455, Fax: (967-4) 219869.