



ТЕЛЕФОНЫ

0 (800) 800 130
(050) 462 0 130
(063) 462 0 130
(067) 462 0 130

130
COM.UA

Интернет-магазин
автотоваров



SKYPE

km-130

АВТОМАГНИТОЛЫ — Магнитолы • Медиа-ресиверы и станции • Штатные магнитолы • CD/DVD чейнджеры • FM-модуляторы/USB адаптеры • Flash память • Переходные рамки и разъемы • Антенны • Аксессуары | **АВТОЗВУК** — Акустика • Усилители • Сабвуферы • Процессоры • Кроссоверы • Наушники • Аксессуары | **БОРТОВЫЕ КОМПЬЮТЕРЫ** — Универсальные компьютеры • Модельные компьютеры • Аксессуары | **GPS НАВИГАТОРЫ** — Портативные GPS • Встраиваемые GPS • GPS модули • GPS трекеры • Антенны для GPS навигаторов • Аксессуары | **ВИДЕОУСТРОЙСТВА** — Видеорегистраторы • Телевизоры и мониторы • Автомобильные ТВ тюнеры • Камеры • Видеомодули • Транскодеры • Автомобильные ТВ антенны • Аксессуары | **ОХРАННЫЕ СИСТЕМЫ** — Автосигнализации • Мотосигнализации • Механические блокираторы • Иммобилайзеры • Датчики • Аксессуары | **ОПТИКА И СВЕТ** — Ксенон • Биксенон • Лампы • Светодиоды • Стробоскопы • Оптика и фары • Омыватели фар • Датчики света, дождя • Аксессуары | **ПАРКТРОНИКИ И ЗЕРКАЛА** — Задние парктроники • Передние парктроники • Комбинированные парктроники • Зеркала заднего вида • Аксессуары | **ПОДОГРЕВ И ОХЛАЖДЕНИЕ** — Подогревы сидений • Подогревы зеркал • Подогревы дворников • Подогревы двигателей • Автохолодильники • Автокондиционеры • Аксессуары | **ТЮНИНГ** — Виброизоляция • Шумоизоляция • Тонировочная пленка • Аксессуары | **АВТОАКСЕССУАРЫ** — Радар-детекторы • Громкая связь Bluetooth • Стеклоподъемники • Компрессоры • Звуковые сигналы, СГУ • Измерительные приборы • Автопылесосы • Автокресла • Разное | **МОНТАЖНОЕ ОБОРУДОВАНИЕ** — Установочные комплекты • Обивочные материалы • Декоративные решетки • Фазоинверторы • Кабель и провод • Инструменты • Разное | **ПИТАНИЕ** — Аккумуляторы • Преобразователи • Пуско-зарядные устройства • Конденсаторы • Аксессуары | **МОРСКАЯ ЭЛЕКТРОНИКА И ЗВУК** — Морские магнитолы • Морская акустика • Морские сабвуферы • Морские усилители • Аксессуары | **АВТОХИМИЯ И КОСМЕТИКА** — Присадки • Жидкости омывателя • Средства по уходу • Полироли • Ароматизаторы • Клеи и герметики | **ЖИДКОСТИ И МАСЛА** — Моторные масла • Трансмиссионные масла • Тормозные жидкости • Антифризы • Технические смазки



В магазине «130» вы найдете и сможете купить в Киеве с доставкой по городу и Украине практически все для вашего автомобиля. Наши опытные консультанты предоставят вам исчерпывающую информацию и помогут подобрать именно то, что вы ищете. Ждем вас по адресу

<https://130.com.ua>

DEWALT®

130.com.ua

www.DeWALT.com

DCM849

ENGLISH

English (*original instructions*) 3

Русский (*перевод с оригинала инструкции*) 14

Türkçe (*orijinal talimatlardan çevrilmiştir*) 29

Англійська (*оригінальні інструкції*) 42

130.com.ua

Fig. A

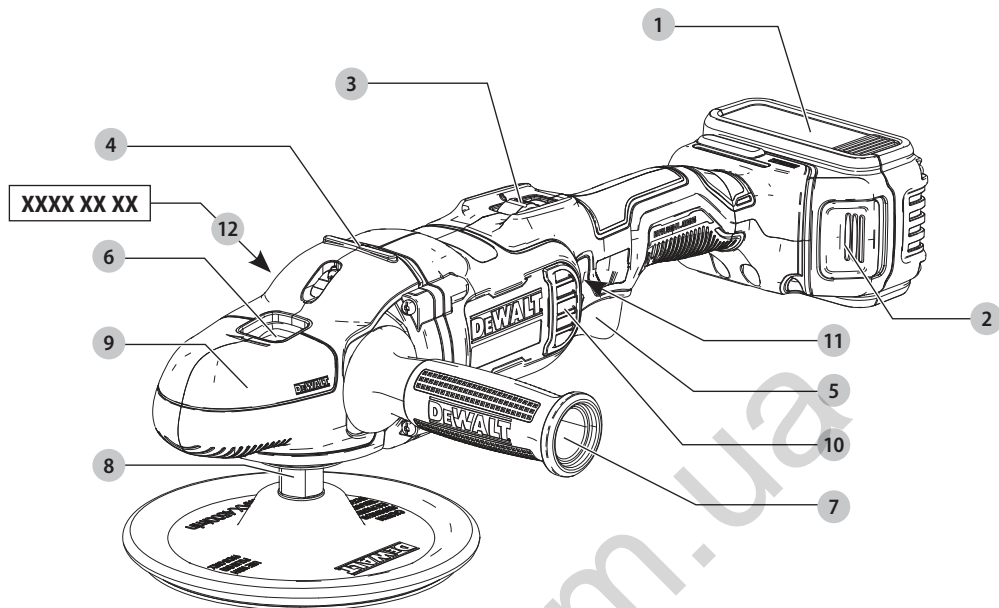


Fig. B

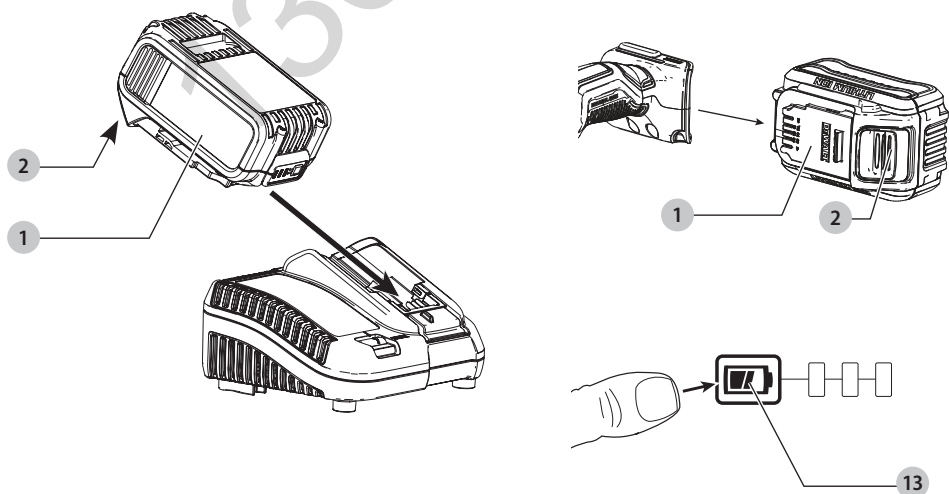


Fig. C

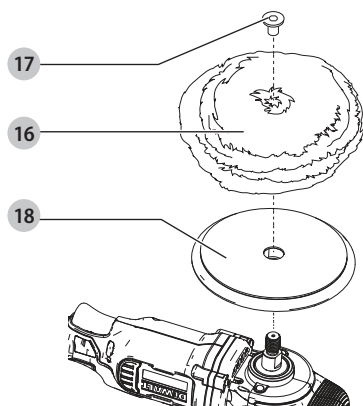


Fig. D

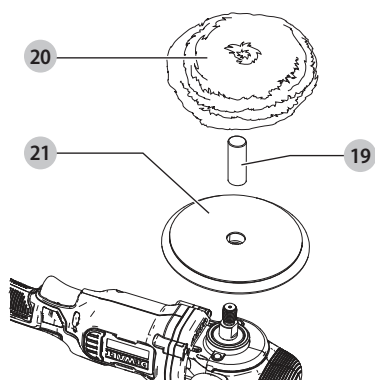
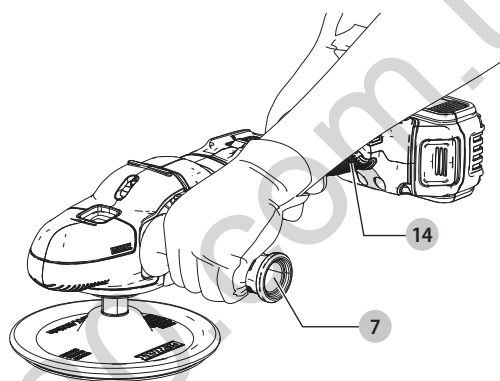


Fig. E



POLISHER

DCM849

Congratulations!

You have chosen a DeWALT tool. Years of experience, thorough product development and innovation make DeWALT one of the most reliable partners for professional power tool users.

Technical Data

		DCM849
Voltage	V_{bc}	18
Type		1
Battery type		Li-Ion
No-load speed	min^{-1}	800–2200
Rated speed	min^{-1}	2200
Max. backing pad diameter	mm	180
Spindle		M14
Weight (without battery pack)	kg	1.90
Noise values and/or vibration values (tri-ax vector sum) according to EN60745-2-:		
L_{pA} (emission sound pressure level)	dB(A)	78
L_{WA} (sound power level)	dB(A)	89
K (uncertainty for the given sound level)	dB(A)	3
Vibration emission value a_{hp}	m/s^2	2.5
Uncertainty K =	m/s^2	1.5

The vibration and/or noise emission level given in this information sheet has been measured in accordance with a standardised test given in EN60745 and may be used to compare one tool with another. It may be used for a preliminary assessment of exposure.

WARNING: The declared vibration and/or noise emission level represents the main applications of the tool. However if the tool is used for different applications, with different accessories or poorly maintained, the vibration and/or noise emission may differ. This may significantly increase the exposure level over the total working period.

An estimation of the level of exposure to vibration and/or noise should also take into account the times when the tool is switched off or when it is running but not actually doing the job. This may significantly reduce the exposure level over the total working period.

Identify additional safety measures to protect the operator from the effects of vibration and/or noise such as: maintain the tool and the accessories, keep the hands warm (relevant for vibration), organisation of work patterns.

EC-Declaration of Conformity

Machinery Directive



Polisher DCM849

DeWALT declares that these products described under **Technical Data** are in compliance with: 2006/42/EC, EN60745-1:2009+A11:2010, EN60745-2-3:2011 +A2:2013 +A11:2014+A12:2014 +A13:2015.

These products also comply with Directive 2014/30/EU and 2011/65/EU. For more information, please contact DeWALT at the following address or refer to the back of the manual.

The undersigned is responsible for compilation of the technical file and makes this declaration on behalf of DeWALT.

Markus Rompel
Vice-President Engineering, PTE-Europe
DeWALT, Richard-Klinger-Straße 11,
D-65510, Idstein, Germany
12.09.2019



WARNING: To reduce the risk of injury, read the instruction manual.

Definitions: Safety Guidelines

The definitions below describe the level of severity for each signal word. Please read the manual and pay attention to these symbols.



DANGER: Indicates an imminently hazardous situation which, if not avoided, **will** result in **death or serious injury**.



WARNING: Indicates a potentially hazardous situation which, if not avoided, **could** result in **death or serious injury**.



CAUTION: Indicates a potentially hazardous situation which, if not avoided, **may** result in **minor or moderate injury**.

NOTICE: Indicates a practice **not related to personal injury** which, if not avoided, **may** result in **property damage**.



Denotes risk of electric shock.



Denotes risk of fire.

Batteries				Chargers/Charge Times (Minutes)							
Cat #	V _{DC}	Ah	Weight (kg)	DCB104	DCB107	DCB112	DCB113	DCB115	DCB118	DCB132	DCB119
DCB546	18/54	6.0/2.0	1.05	60	270	170	140	90	60	90	X
DCB547	18/54	9.0/3.0	1.46	75*	420	270	220	135*	75*	135*	X
DCB548	18/54	12.0/4.0	1.44	120	540	350	300	180	120	180	X
DCB181	18	1.5	0.35	22	70	45	35	22	22	22	45
DCB182	18	4.0	0.61	60/40**	185	120	100	60	60/40**	60	120
DCB183/B	18	2.0	0.40	30	90	60	50	30	30	30	60
DCB184/B	18	5.0	0.62	75/50**	240	150	120	75	75/50**	75	150
DCB185	18	1.3	0.35	22	60	40	30	22	22	22	X
DCB187	18	3.0	0.54	45	140	90	70	45	45	45	90
DCB189	18	4.0	0.54	60	185	120	100	60	60	60	120

*Date code 201811475B or later

**Date code 201536 or later

GENERAL POWER TOOL SAFETY WARNINGS



WARNING: Read all safety warnings, instructions, illustrations and specifications provided with this power tool. Failure to follow all instructions listed below may result in electric shock, fire and/or serious injury.

SAVE ALL WARNINGS AND INSTRUCTIONS FOR FUTURE REFERENCE

The term "power tool" in the warnings refers to your mains-operated (corded) power tool or battery-operated (cordless) power tool.

1) Work Area Safety

- Keep work area clean and well lit.** Cluttered or dark areas invite accidents.
- Do not operate power tools in explosive atmospheres, such as in the presence of flammable liquids, gases or dust.** Power tools create sparks which may ignite the dust or fumes.
- Keep children and bystanders away while operating a power tool.** Distractions can cause you to lose control.

2) Electrical Safety

- Power tool plugs must match the outlet. Never modify the plug in any way. Do not use any adapter plugs with earthed (grounded) power tools.** Unmodified plugs and matching outlets will reduce risk of electric shock.
- Avoid body contact with earthed or grounded surfaces, such as pipes, radiators, ranges and refrigerators.** There is an increased risk of electric shock if your body is earthed or grounded.
- Do not expose power tools to rain or wet conditions.** Water entering a power tool will increase the risk of electric shock.
- Do not abuse the cord. Never use the cord for carrying, pulling or unplugging the power tool. Keep cord away from heat, oil, sharp edges or moving parts.** Damaged or entangled cords increase the risk of electric shock.

- When operating a power tool outdoors, use an extension cord suitable for outdoor use.** Use of a cord suitable for outdoor use reduces the risk of electric shock.
- If operating a power tool in a damp location is unavoidable, use a residual current device (RCD) protected supply.** Use of an RCD reduces the risk of electric shock.

3) Personal Safety

- Stay alert, watch what you are doing and use common sense when operating a power tool. Do not use a power tool while you are tired or under the influence of drugs, alcohol or medication.** A moment of inattention while operating power tools may result in serious personal injury.
- Use personal protective equipment. Always wear eye protection.** Protective equipment such as a dust mask, non-skid safety shoes, hard hat or hearing protection used for appropriate conditions will reduce personal injuries.
- Prevent unintentional starting. Ensure the switch is in the off-position before connecting to power source and/or battery pack, picking up or carrying the tool.** Carrying power tools with your finger on the switch or energising power tools that have the switch on invites accidents.
- Remove any adjusting key or wrench before turning the power tool on.** A wrench or a key left attached to a rotating part of the power tool may result in personal injury.
- Do not overreach. Keep proper footing and balance at all times.** This enables better control of the power tool in unexpected situations.
- Dress properly. Do not wear loose clothing or jewellery. Keep your hair and clothing away from moving parts.** Loose clothes, jewellery or long hair can be caught in moving parts.
- If devices are provided for the connection of dust extraction and collection facilities, ensure these are connected and properly used.** Use of dust collection can reduce dust-related hazards.

- h) **Do not let familiarity gained from frequent use of tools allow you to become complacent and ignore tool safety principles.** A careless action can cause severe injury within a fraction of a second.

4) Power Tool Use and Care

- a) **Do not force the power tool. Use the correct power tool for your application.** The correct power tool will do the job better and safer at the rate for which it was designed.
- b) **Do not use the power tool if the switch does not turn it on and off.** Any power tool that cannot be controlled with the switch is dangerous and must be repaired.
- c) **Disconnect the plug from the power source and/or remove the battery pack, if detachable, from the power tool before making any adjustments, changing accessories, or storing power tools.** Such preventive safety measures reduce the risk of starting the power tool accidentally.
- d) **Store idle power tools out of the reach of children and do not allow persons unfamiliar with the power tool or these instructions to operate the power tool.** Power tools are dangerous in the hands of untrained users.
- e) **Maintain power tools and accessories. Check for misalignment or binding of moving parts, breakage of parts and any other condition that may affect the power tool's operation. If damaged, have the power tool repaired before use.** Many accidents are caused by poorly maintained power tools.
- f) **Keep cutting tools sharp and clean.** Properly maintained cutting tools with sharp cutting edges are less likely to bind and are easier to control.
- g) **Use the power tool, accessories and tool bits etc. in accordance with these instructions, taking into account the working conditions and the work to be performed.** Use of the power tool for operations different from those intended could result in a hazardous situation.
- h) **Keep handles and grasping surfaces dry, clean and free from oil and grease.** Slippery handles and grasping surfaces do not allow for safe handling and control of the tool in unexpected situations.

5) Battery Tool Use and Care

- a) **Recharge only with the charger specified by the manufacturer.** A charger that is suitable for one type of battery pack may create a risk of fire when used with another battery pack.
- b) **Use power tools only with specifically designated battery packs.** Use of any other battery packs may create a risk of injury and fire.
- c) **When battery pack is not in use, keep it away from other metal objects, like paper clips, coins, keys, nails, screws or other small metal objects, that can make a connection from one terminal to another.** Shorting the battery terminals together may cause burns or a fire.
- d) **Under abusive conditions, liquid may be ejected from the battery; avoid contact. If contact accidentally occurs, flush with water. If liquid**

contacts eyes, additionally seek medical help. Liquid ejected from the battery may cause irritation or burns.

- e) **Do not use a battery pack or tool that is damaged or modified.** Damaged or modified batteries may exhibit unpredictable behaviour resulting in fire, explosion or risk of injury.
- f) **Do not expose a battery pack or tool to fire or excessive temperature.** Exposure to fire or temperature above 130 °C may cause explosion.
- g) **Follow all charging instructions and do not charge the battery pack or tool outside the temperature range specified in the instructions.** Charging improperly or at temperatures outside the specified range may damage the battery and increase the risk of fire.

6) Service

- a) **Have your power tool serviced by a qualified repair person using only identical replacement parts.** This will ensure that the safety of the power tool is maintained.
- b) **Never service damaged battery packs.** Service of battery packs should only be performed by the manufacturer or authorized service providers.

ADDITIONAL SPECIFIC SAFETY RULES

Safety Instructions for All Operations

- a) **This power tool is intended to function as a polisher. Read all safety warnings, instructions, illustrations and specifications provided with this power tool.** Failure to follow all instructions listed below may result in electric shock, fire and/or serious injury.
- b) **Operations such as grinding, sanding, wire brushing or cutting-off are not recommended to be performed with this power tool.** Operations for which the power tool was not designed may create a hazard and cause personal injury.
- c) **Do not use accessories which are not specifically designed and recommended by the tool manufacturer.** Just because the accessory can be attached to your power tool, it does not assure safe operation.
- d) **The rated speed of the accessory must be at least equal to the maximum speed marked on the power tool.** Accessories running faster than their rated speed can break and fly apart.
- e) **The outside diameter and the thickness of your accessory must be within the capacity rating of your power tool.** Incorrectly sized accessories cannot be adequately guarded or controlled.
- f) **Threaded mounting of accessories must match the grinder spindle thread. For accessories mounted by flanges, the arbor hole of the accessory must fit the locating diameter of the flange.** Accessories that do not match the mounting hardware of the power tool will run out of balance, vibrate excessively and may cause loss of control.
- g) **Do not use a damaged accessory. Before each use inspect the accessory such as abrasive wheel for**

chips and cracks, backing pad for cracks, tear or excess wear, wire brush for loose or cracked wires. If power tool or accessory is dropped, inspect for damage or install an undamaged accessory. After inspecting and installing an accessory, position yourself and bystanders away from the plane of the rotating accessory and run the power tool at maximum no-load speed for one minute. Damaged accessories will normally break apart during this test time.

- h) **Wear personal protective equipment. Depending on application, use face shield, safety goggles or safety glasses. As appropriate, wear dust mask, hearing protectors, gloves and workshop apron capable of stopping small abrasive or workpiece fragments.** The eye protection must be capable of stopping flying debris generated by various operations. The dust mask or respirator must be capable of filtering particles generated by your operation. Prolonged exposure to high intensity noise may cause hearing loss.
- i) **Keep bystanders a safe distance away from work area. Anyone entering the work area must wear personal protective equipment.** Fragments of workpiece or of a broken accessory may fly away and cause injury beyond immediate area of operation.
- j) **Position the cord clear of the spinning accessory.** If you lose control, the cord may be cut or snagged and your hand or arm may be pulled into the spinning accessory.
- k) **Never lay the power tool down until the accessory has come to a complete stop.** The spinning accessory may grab the surface and pull the power tool out of your control.
- l) **Do not run the power tool while carrying it at your side.** Accidental contact with the spinning accessory could snag your clothing, pulling the accessory into your body.
- m) **Regularly clean the power tool's air vents.** The motor's fan will draw the dust inside the housing and excessive accumulation of powdered metal may cause electrical hazards.
- n) **Do not operate the power tool near flammable materials.** Sparks could ignite these materials.
- o) **Do not use accessories that require liquid coolants.** Using water or other liquid coolants may result in electrocution or shock.
- p) **Always use side handle. Tighten the handle securely.** The side handle should always be used to maintain control of the tool at all times.

FURTHER SAFETY INSTRUCTIONS FOR ALL OPERATIONS

Causes and Operator Prevention of Kickback

Kickback is a sudden reaction to a pinched or snagged rotating wheel, backing pad, brush or any other accessory. Pinching or

snagging causes rapid stalling of the rotating accessory which in turn causes the uncontrolled power tool to be forced in the direction opposite of the accessory's rotation at the point of the binding.

For example, if an abrasive wheel is snagged or pinched by the workpiece, the edge of the wheel that is entering into the pinch point can dig into the surface of the material causing the wheel to climb out or kick out. The wheel may either jump toward or away from the operator, depending on direction of the wheel's movement at the point of pinching. Abrasive wheels may also break under these conditions.

Kickback is the result of power tool misuse and/or incorrect operating procedures or conditions and can be avoided by taking proper precautions as given below:

- a) **Maintain a firm grip on the power tool and position your body and arm to allow you to resist kickback forces. Always use auxiliary handle, if provided, for maximum control over kickback or torque reaction during start-up.** The operator can control torque reaction or kickback forces, if proper precautions are taken.
- b) **Never place your hand near the rotating accessory.** Accessory may kickback over your hand.
- c) **Do not position your body in the area where power tool will move if kickback occurs.** Kickback will propel the tool in direction opposite to the wheel's movement at the point of snagging.
- d) **Use special care when working corners, sharp edges etc. Avoid bouncing and snagging the accessory.** Corners, sharp edges or bouncing have a tendency to snag the rotating accessory and cause loss of control or kickback.
- e) **Do not attach a saw chain woodcarving blade or toothed saw blade.** Such blades create frequent kickback and loss of control.

Safety Warnings Specific for Polishing Operations

- a) **Do not allow any loose portion of the polishing bonnet or its attachment strings to spin freely. Tuck away or trim any loose attachment strings.** Loose and spinning attachment strings can entangle your fingers or snag on the workpiece.

Additional Specific Safety Instructions for Polishers

- **Clean out your tool often, especially after heavy use.** Dust and grit containing metal particles often accumulate on interior surfaces and could create an electric shock hazard.
- **Do not operate this tool for long periods of time.** Vibration caused by the operating action of this tool may cause permanent injury to fingers, hands and arms. Use gloves to provide extra cushion, take frequent rest periods and limit daily time of use.

- **Air vents often cover moving parts and should be avoided.** Loose clothes, jewellery or long hair can be caught in moving parts.
- **Ensure the switch is in the lock-off position when not in use and before connecting to the power source or battery pack.**

Residual Risks

In spite of the application of the relevant safety regulations and the implementation of safety devices, certain residual risks cannot be avoided. These are:

- Impairment of hearing.
- Risk of personal injury due to flying particles.
- Risk of burns due to accessories becoming hot during operation.
- Risk of personal injury due to prolonged use.


SAVE THESE INSTRUCTIONS

Chargers

DeWALT chargers require no adjustment and are designed to be as easy as possible to operate.

Electrical Safety

The electric motor has been designed for one voltage only. Always check that the battery pack voltage corresponds to the voltage on the rating plate. Also make sure that the voltage of your charger corresponds to that of your mains.

 Your DeWALT charger is double insulated in accordance with EN60335; therefore no earth wire is required.

If the supply cord is damaged, it must be replaced by a specially prepared cord available through the DeWALT service organisation.

Mains Plug Replacement (U.K. & Ireland Only)

If a new mains plug needs to be fitted:

- Safely dispose of the old plug.
- Connect the brown lead to the live terminal in the plug.
- Connect the blue lead to the neutral terminal.

 **WARNING:** No connection is to be made to the earth terminal.

Follow the fitting instructions supplied with good quality plugs. Recommended fuse: 3 A.

Using an Extension Cable

An extension cord should not be used unless absolutely necessary. Use an approved extension cable suitable for the power input of your charger (see **Technical Data**). The minimum conductor size is 1 mm²; the maximum length is 30 m.

When using a cable reel, always unwind the cable completely.

Important Safety Instructions for All Battery Chargers

SAVE THESE INSTRUCTIONS: This manual contains important safety and operating instructions for compatible battery chargers (refer to **Technical Data**).

- Before using charger, read all instructions and cautionary markings on charger, battery pack, and product using battery pack.



WARNING: Shock hazard. Do not allow any liquid to get inside charger. Electric shock may result.



WARNING: We recommend the use of a residual current device with a residual current rating of 30mA or less.



CAUTION: Burn hazard. To reduce the risk of injury, charge only DeWALT rechargeable batteries. Other types of batteries may burst causing personal injury and damage.



CAUTION: Children should be supervised to ensure that they do not play with the appliance.

NOTICE: Under certain conditions, with the charger plugged into the power supply, the exposed charging contacts inside the charger can be shorted by foreign material. Foreign materials of a conductive nature such as, but not limited to, steel wool, aluminum foil or any buildup of metallic particles should be kept away from charger cavities. Always unplug the charger from the power supply when there is no battery pack in the cavity. Unplug charger before attempting to clean

- **DO NOT attempt to charge the battery pack with any chargers other than the ones in this manual.** The charger and battery pack are specifically designed to work together.
- **These chargers are not intended for any uses other than charging DeWALT rechargeable batteries.** Any other uses may result in risk of fire, electric shock or electrocution.
- **Do not expose charger to rain or snow.**
- **Pull by plug rather than cord when disconnecting charger.** This will reduce risk of damage to electric plug and cord.
- **Make sure that cord is located so that it will not be stepped on, tripped over, or otherwise subjected to damage or stress.**
- **Do not use an extension cord unless it is absolutely necessary.** Use of improper extension cord could result in risk of fire, electric shock, or electrocution.
- **Do not place any object on top of charger or place the charger on a soft surface that might block the ventilation slots and result in excessive internal heat.** Place the charger in a position away from any heat source. The charger is ventilated through slots in the top and the bottom of the housing.
- **Do not operate charger with damaged cord or plug—** have them replaced immediately.
- **Do not operate charger if it has received a sharp blow, been dropped, or otherwise damaged in any way.** Take it to an authorised service centre.
- **Do not disassemble charger; take it to an authorised service centre when service or repair is required.** Incorrect

reassembly may result in a risk of electric shock, electrocution or fire.

- In case of damaged power supply cord, the supply cord must be replaced immediately by the manufacturer, its service agent or similar qualified person to prevent any hazard.
- **Disconnect the charger from the outlet before attempting any cleaning. This will reduce the risk of electric shock.** Removing the battery pack will not reduce this risk.
- **NEVER** attempt to connect two chargers together.
- **The charger is designed to operate on standard 230V household electrical power. Do not attempt to use it on any other voltage.** This does not apply to the vehicular charger.

Charging a Battery (Fig. B)

1. Plug the charger into an appropriate outlet before inserting battery pack.
2. Insert the battery pack 1 into the charger, making sure the battery pack is fully seated in the charger. The red (charging) light will blink repeatedly indicating that the charging process has started.
3. The completion of charge will be indicated by the red light remaining ON continuously. The battery pack is fully charged and may be used at this time or left in the charger. To remove the battery pack from the charger, push the battery release button 2 on the battery pack.

NOTE: To ensure maximum performance and life of lithium-ion battery packs, charge the battery pack fully before first use.

Charger Operation

Refer to the indicators below for the charge status of the battery pack.

Charge Indicators	
 Charging	
 Fully Charged	
 Hot/Cold Pack Delay*	

*The red light will continue to blink, but a yellow indicator light will be illuminated during this operation. Once the battery pack has reached an appropriate temperature, the yellow light will turn off and the charger will resume the charging procedure. The compatible charger(s) will not charge a faulty battery pack. The charger will indicate faulty battery by refusing to light.

NOTE: This could also mean a problem with a charger.

If the charger indicates a problem, take the charger and battery pack to be tested at an authorised service centre.

Hot/Cold Pack Delay

When the charger detects a battery pack that is too hot or too cold, it automatically starts a Hot/Cold Pack Delay, suspending charging until the battery pack has reached an appropriate temperature. The charger then automatically switches to the pack charging mode. This feature ensures maximum battery pack life.

A cold battery pack will charge at a slower rate than a warm battery pack. The battery pack will charge at that slower rate throughout the entire charging cycle and will not return to maximum charge rate even if the battery pack warms.

The DCB118 charger is equipped with an internal fan designed to cool the battery pack. The fan will turn on automatically when the battery pack needs to be cooled. Never operate the charger if the fan does not operate properly or if ventilation slots are blocked. Do not permit foreign objects to enter the interior of the charger.

Electronic Protection System

XR Li-Ion tools are designed with an Electronic Protection System that will protect the battery pack against overloading, overheating or deep discharge.

The tool will automatically turn off if the Electronic Protection System engages. If this occurs, place the lithium-ion battery pack on the charger until it is fully charged.

Wall Mounting

These chargers are designed to be wall mountable or to sit upright on a table or work surface. If wall mounting, locate the charger within reach of an electrical outlet, and away from a corner or other obstructions which may impede air flow. Use the back of the charger as a template for the location of the mounting screws on the wall. Mount the charger securely using drywall screws (purchased separately) at least 25.4 mm long with a screw head diameter of 7–9 mm, screwed into wood to an optimal depth leaving approximately 5.5 mm of the screw exposed. Align the slots on the back of the charger with the exposed screws and fully engage them in the slots.

Charger Cleaning Instructions

⚠ WARNING: Shock hazard. Disconnect the charger from the AC outlet before cleaning. Dirt and grease may be removed from the exterior of the charger using a cloth or soft non-metallic brush. Do not use water or any cleaning solutions. Never let any liquid get inside the tool; never immerse any part of the tool into a liquid.

Battery Packs

Important Safety Instructions for All Battery Packs

When ordering replacement battery packs, be sure to include catalogue number and voltage.

The battery pack is not fully charged out of the carton. Before using the battery pack and charger, read the safety instructions below. Then follow charging procedures outlined.

READ ALL INSTRUCTIONS

- **Do not charge or use battery in explosive atmospheres, such as in the presence of flammable liquids, gases or dust.** Inserting or removing the battery from the charger may ignite the dust or fumes.
- **Never force battery pack into charger. Do not modify battery pack in any way to fit into a non-compatible charger as battery pack may rupture causing serious personal injury.**

- Charge the battery packs only in DeWALT chargers.
- **DO NOT** splash or immerse in water or other liquids.
- **Do not store or use the tool and battery pack in locations where the temperature may reach or exceed 40 °C (104 °F) (such as outside sheds or metal buildings in summer).**
- **Do not incinerate the battery pack even if it is severely damaged or is completely worn out.** The battery pack can explode in a fire. Toxic fumes and materials are created when lithium-ion battery packs are burned.
- **If battery contents come into contact with the skin, immediately wash area with mild soap and water.** If battery liquid gets into the eye, rinse water over the open eye for 15 minutes or until irritation ceases. If medical attention is needed, the battery electrolyte is composed of a mixture of liquid organic carbonates and lithium salts.
- **Contents of opened battery cells may cause respiratory irritation.** Provide fresh air. If symptoms persists, seek medical attention.



WARNING: Burn hazard. Battery liquid may be flammable if exposed to spark or flame.



WARNING: Never attempt to open the battery pack for any reason. If battery pack case is cracked or damaged, do not insert into charger. Do not crush, drop or damage battery pack. Do not use a battery pack or charger that has received a sharp blow, been dropped, run over or damaged in any way (i.e., pierced with a nail, hit with a hammer, stepped on). Electric shock or electrocution may result. Damaged battery packs should be returned to service centre for recycling.



WARNING: Fire hazard. Do not store or carry the battery pack so that metal objects can contact exposed battery terminals. For example, do not place the battery pack in aprons, pockets, tool boxes, product kit boxes, drawers, etc., with loose nails, screws, keys, etc.



CAUTION: When not in use, place tool on its side on a stable surface where it will not cause a tripping or falling hazard. Some tools with large battery packs will stand upright on the battery pack but may be easily knocked over.

Transportation



WARNING: Fire hazard. Transporting batteries can possibly cause fire if the battery terminals inadvertently come in contact with conductive materials. When transporting batteries, make sure that the battery terminals are protected and well insulated from materials that could contact them and cause a short circuit. **NOTE:** Lithium-ion batteries should not be put in checked baggage.

DeWALT batteries comply with all applicable shipping regulations as prescribed by industry and legal standards which include UN Recommendations on the Transport of Dangerous Goods; International Air Transport Association (IATA) Dangerous Goods Regulations, International Maritime Dangerous Goods (IMDG) Regulations, and the European Agreement Concerning

The International Carriage of Dangerous Goods by Road (ADR). Lithium-ion cells and batteries have been tested to section 38.3 of the UN Recommendations on the Transport of Dangerous Goods Manual of Tests and Criteria.

In most instances, shipping a DeWALT battery pack will be excepted from being classified as a fully regulated Class 9 Hazardous Material. In general, only shipments containing a lithium-ion battery with an energy rating greater than 100 Watt Hours (Wh) will require being shipped as fully regulated Class 9. All lithium-ion batteries have the Watt Hour rating marked on the pack. Furthermore, due to regulation complexities, DeWALT does not recommend air shipping lithium-ion battery packs alone regardless of Watt Hour rating. Shipments of tools with batteries (combo kits) can be air shipped as excepted if the Watt Hour rating of the battery pack is no greater than 100 Whr. Regardless of whether a shipment is considered excepted or fully regulated, it is the shipper's responsibility to consult the latest regulations for packaging, labeling/marketing and documentation requirements.

The information provided in this section of the manual is provided in good faith and believed to be accurate at the time the document was created. However, no warranty, expressed or implied, is given. It is the buyer's responsibility to ensure that its activities comply with the applicable regulations.

Transporting the FLEXVOLT™ Battery

The DeWALT FLEXVOLT™ battery has two modes: **Use** and **Transport**.

Use Mode: When the FLEXVOLT™ battery stands alone or is in a DeWALT 18V product, it will operate as an 18V battery. When the FLEXVOLT™ battery is in a 54V or a 108V (two 54V batteries) product, it will operate as a 54V battery.

Transport Mode: When the cap is attached to the FLEXVOLT™ battery, the battery is in Transport mode. Keep the cap for shipping.

When in Transport mode, strings of cells are electrically disconnected within the pack resulting in 3 batteries with a lower Watt hour (Wh) rating as compared to 1 battery with a higher Watt hour rating. This increased quantity of 3 batteries with the lower Watt hour rating can exempt the pack from certain shipping regulations that are imposed upon the higher Watt hour batteries.

For example, the Transport Wh rating might indicate 3 x 36 Wh, meaning 3 batteries of 36 Wh each. The Use Wh rating might indicate 108 Wh (1 battery implied).

Example of Use and Transport Label Marking



Storage Recommendations

1. The best storage place is one that is cool and dry away from direct sunlight and excess heat or cold. For optimum battery performance and life, store battery packs at room temperature when not in use.

- For long storage, it is recommended to store a fully charged battery pack in a cool, dry place out of the charger for optimal results.

NOTE: Battery packs should not be stored completely depleted of charge. The battery pack will need to be recharged before use.

Labels on Charger and Battery Pack

In addition to the pictographs used in this manual, the labels on the charger and the battery pack may show the following pictographs:



Read instruction manual before use.



See **Technical Data** for charging time.



Do not probe with conductive objects.



Do not charge damaged battery packs.



Do not expose to water.



Have defective cords replaced immediately.



Charge only between 4 °C and 40 °C.



Only for indoor use.



Discard the battery pack with due care for the environment.

LI-ION



Charge DEWALT battery packs only with designated DEWALT chargers. Charging battery packs other than the designated DEWALT batteries with a DEWALT charger may make them burst or lead to other dangerous situations.



Do not incinerate the battery pack.



USE (without transport cap). Example: Wh rating indicates 108 Wh (1 battery with 108 Wh).



TRANSPORT (with built-in transport cap). Example: Wh rating indicates 3 x 36 Wh (3 batteries of 36 Wh).

Battery Type

The DCM849 operate on a 18 volt battery pack.

These battery packs may be used: DCB181, DCB182, DCB183, DCB183B, DCB184, DCB184B, DCB185, DCB187, DCB189, DCB546, DCB547, DCB548. Refer to **Technical Data** for more information.

Package Contents

The package contains:

- Polisher
- Auxiliary handle
- Wool ingestion shields
 - 180 mm hook and loop backing pad
- Li-Ion battery pack (C1, D1, L1, M1, P1, S1, T1, X1, Y1 models)
- Li-Ion battery packs (C2, D2, L2, M2, P2, S2, T2, X2, Y2 models)
- Li-Ion battery packs (C3, D3, L3, M3, P3, S3, T3, X3, Y3 models)
- Instruction manual

NOTE: Battery packs, chargers and kitboxes are not included with N models. Battery packs and chargers are not included with NT models. B models include Bluetooth® battery packs.

NOTE: The Bluetooth® word mark and logos are registered trademarks owned by the Bluetooth®, SIG, Inc. and any use of such marks by DEWALT is under license. Other trademarks and trade names are those of their respective owners.

- Check for damage to the tool, parts or accessories which may have occurred during transport.
- Take the time to thoroughly read and understand this manual prior to operation.

Markings on Tool

The following pictographs are shown on the tool:



Read instruction manual before use.



Wear ear protection.



Wear eye protection.

Date Code Position (Fig. A)

The date code **12**, which also includes the year of manufacture, is printed into the housing.

Example:

2019 XX XX

Year of Manufacture

Description (Fig. A)



WARNING: Never modify the power tool or any part of it. Damage or personal injury could result.

- Battery
- Battery release button
- Speed control wheel
- Cushion tool rest
- Variable speed trigger switch
- Spindle lock button
- Auxiliary handle
- Spindle
- Soft rubber gear case grip
- Wool ingestion shield
- Lock-on button

Intended Use

Your DCM849 heavy-duty polisher has been designed for polishing painted or unfinished metal, fiberglass, and composite surfaces in professional applications. Common examples of use include but are not limited to: auto/marine/RV/motorcycle detailing and finish correction, boat construction and repair, and metal or concrete finishing.

DO NOT use under wet conditions or in the presence of flammable liquids or gases.


This heavy-duty polisher is a professional power tool.


DO NOT let children come into contact with the tool.

Supervision is required when inexperienced operators use this tool.

- **Young children and the infirm.** This appliance is not intended for use by young children or infirm persons without supervision.
- This product is not intended for use by persons (including children) suffering from diminished physical, sensory or mental abilities; lack of experience, knowledge or skills unless they are supervised by a person responsible for their safety. Children should never be left alone with this product.

ASSEMBLY AND ADJUSTMENTS

 **WARNING:** To reduce the risk of serious personal injury, turn tool off and disconnect battery pack before making any adjustments or removing/installing attachments or accessories. An accidental start-up can cause injury.

 **WARNING:** Use only DEWALT battery packs and chargers.

Inserting and Removing the Battery Pack from the Tool (Fig. B)

NOTE: Make sure your battery pack **1** is fully charged.

To Install the Battery Pack into the Tool Handle

1. Align the battery pack **1** with the rails inside the tool's handle (Fig. B).
2. Slide it into the handle until the battery pack is firmly seated in the tool and ensure that you hear the lock snap into place.

To Remove the Battery Pack from the Tool

1. Press the release button **2** and firmly pull the battery pack out of the tool handle.
2. Insert battery pack into the charger as described in the charger section of this manual.

Fuel Gauge Battery Packs (Fig. B)

Some DeWALT battery packs include a fuel gauge which consists of three green LED lights that indicate the level of charge remaining in the battery pack.

To actuate the fuel gauge, press and hold the fuel gauge button **13**. A combination of the three green LED lights will illuminate designating the level of charge left. When the level of charge in the battery is below the usable limit, the fuel gauge will not illuminate and the battery will need to be recharged.

NOTE: The fuel gauge is only an indication of the charge left on the battery pack. It does not indicate tool functionality and is subject to variation based on product components, temperature and end-user application.

Auxiliary Handle (Fig. A)

 **WARNING:** Before using the tool, check that the handle is tightened securely.

An auxiliary handle **7** is supplied with your tool and can be installed on either side of the gear case. This handle should be used at all times to maintain complete control of the tool.

Wool Ingestion Shields (Fig. A)

The wool ingestion shields **10** are designed to reduce the amount of wool, dust, and debris that gets ingested by the motor during normal use.

Clean the shields as soon as you start to see buildup on the outside. To clean the wool ingestion shields:

Each ingestion shield can be easily removed for cleaning by slipping a finger or coin underneath the removal recess and pulling to release the cover.


Spindle Lock Button (Fig. A)

NOTICE: To reduce the risk of damage to the tool, do not engage the spindle lock while the tool is operating. Damage to the tool will result and attached accessory may spin off possibly resulting in injury.

In order to prevent the spindle of the tool from rotating while installing or removing accessories, a spindle lock button **6** has been provided in the gear head of the machine.

To lock the spindle, depress and hold the lock button. NEVER DEPRESS THE SPINDLE LOCK BUTTON WITH THE TOOL RUNNING OR COASTING.

Attaching and Removing Polishing Pads (Fig. A, C, D)

 **WARNING:** To reduce the risk of serious personal injury, do not allow any loose portion of the polishing bonnet or its attachment strings to spin freely. Tuck away or trim any loose attachment strings. Loose and spinning attachment strings can entangle your fingers or snag on the workpiece.

Polishing pads with a diameter of 150, 180 or 230 mm may be used with the DCM849.

NOTE: The DCM849 may use either type of polishing pad assembly described below.

To Attach Polishing Pad With Rubber Backing Pad (Fig. A, C)

1. Engage the hexagonal hole in the backing pad **18**. Holding the clamp washer **17** and backing pad firmly together, place the assembly on the tool spindle **8**.
2. Hold the spindle lock button **6** while turning the backing pad and clamp washer clockwise to thread them completely on the spindle. Tighten firmly by hand.
3. Fix the polishing pad **16** onto the backing pad.

To Attach Polishing Pad With Hook And Loop Backing Pad (Fig. A, D)

1. Insert the centring tube **19** into the centre hole in the hook and loop backing pad **21**.
2. Line up the centre hole on the hook and loop pad **20** with the centring tube **19** and attach the pad to the hook and loop backing pad **21**.
3. Screw backing pad **21** onto spindle **8**, while depressing spindle lock button **6**.

To Remove Pads

Turn the pads by hand in the opposite direction from normal rotation to allow lock button to engage spindle, then unscrew pads in normal direction for right-hand thread.

Prior to Operation

1. Be sure the polishing pad is mounted correctly.
2. Make sure the pad rotates in the direction of the arrows on the accessory and the tool.
3. Make sure any dirt is washed off the workpiece surface.

OPERATION

Instructions for Use



WARNING: Always observe the safety instructions and applicable regulations.



WARNING: To reduce the risk of serious personal injury, turn tool off and disconnect battery pack before making any adjustments or removing/installing attachments or accessories. An accidental start-up can cause injury.

Proper Hand Position (Fig. E)



WARNING: To reduce the risk of serious personal injury, ALWAYS use proper hand position as shown.



WARNING: To reduce the risk of serious personal injury, ALWAYS hold securely in anticipation of a sudden reaction.

Proper hand position requires one hand on the auxiliary handle **7** with the other hand on the main handle **14**.

Variable Speed Trigger Switch (Fig. A)

The variable speed trigger switch permits speed control from 0 to 2200 RPM.

To turn the tool on, squeeze the trigger switch **5**. The farther you depress the trigger, the faster it will operate. Releasing the trigger turns the tool off.

Use lower speeds for applying compounds, and higher speeds for polishing.

Trigger Locking Button

The tool can be locked on for continuous use by squeezing the trigger switch **5** fully and depressing the lock button **11** shown in Figure A. Hold the lock button in as you gently release the trigger switch.

To turn the tool off from a locked-on position, squeeze and release the trigger switch once.

NOTE: The trigger switch can only be locked on with the tool running at the maximum RPM designated by the speed control wheel **3**.

Speed Control Wheel (Fig. A)

The maximum speed of your tool can be changed by rotating the speed control wheel **3** to the desired setting. For added versatility, the trigger switch **5** may be locked in its full on position and tool speed changed by means of the speed control wheel alone.

The speed control wheel can be set for any speed between 800 and 2200 RPM and the variable speed trigger switch will then control tool speed from zero to the wheel setting. For example: A control wheel setting of 2200 RPM will allow the variable speed trigger switch to operate the tool between zero and 2200 RPM, depending on how far the trigger switch is depressed.

Electronic Speed Control

The electronic speed control feature functions whenever the trigger switch is fully depressed and the tool is running at the selected speed determined by the setting of the control wheel.

As you load the tool by pushing it down on the work surface, the tool will compensate for the loading and maintain the selected speed. If the speed selected by the control wheel is 2200 RPM, the tool will maintain 2200 RPM, as it is loaded.

- The electronic speed control operates only when the trigger switch **5** is fully depressed.
- The effect of electronic speed control is much easier to observe at lower speed settings (1400 RPM and below), than at high speeds.

A conventional polisher running at a typical no-load speed of 2200 RPM slows down to about 1800 RPM under a polishing load. Your polisher will continue to run at 2200 RPM (or any speed you select with the control wheel) as a load is applied. If the speed is too great, slow the tool down with either the trigger switch or the control wheel.

Polishing (Fig. E)

1. Without turning the tool on, grasp the handles of the tool and pick it up.
2. Keep the tool away from your body and depress the trigger switch.
3. Make sure you have a firm grip on the handles.
4. Move the tool evenly over the surface of the workpiece, without applying pressure.
5. Switch off the machine before taking the tool from the surface.
6. Check your work at short intervals.

The auxiliary handle **7** can be easily changed to either side of the tool for left-handed or right-handed operation.

Use utmost care when power polishing around or over sharp objects and contours. It is very important to use the correct pressure while polishing various sections of an automobile body. For example, light pressure should be applied when

polishing over sharp edges of body panels, or over edges of the rain gutter along the top.

WARNING: *High-speed rubbing action of the polishing bonnet upon the workpiece surface can build a static charge on the metal portions of this tool resulting in a static shock when touched.*

MAINTENANCE

Your power tool has been designed to operate over a long period of time with a minimum of maintenance. Continuous satisfactory operation depends upon proper tool care and regular cleaning.

WARNING: *To reduce the risk of serious personal injury, turn tool off and disconnect battery pack before making any adjustments or removing/installing attachments or accessories. An accidental start-up can cause injury.*

The charger and battery pack are not serviceable.



Lubrication

Your power tool requires no additional lubrication.



Cleaning

WARNING: *Blow dirt and dust out of the main housing with dry air as often as dirt is seen collecting in and around the air vents. Wear approved eye protection and approved dust mask when performing this procedure.*

WARNING: *Never use solvents or other harsh chemicals for cleaning the non-metallic parts of the tool. These chemicals may weaken the materials used in these parts. Use a cloth dampened only with water and mild soap. Never let any liquid get inside the tool; never immerse any part of the tool into a liquid.*

Optional Accessories

WARNING: *Since accessories, other than those offered by DEWALT, have not been tested with this product, use of such accessories with this tool could be hazardous. To reduce the risk of injury, only DEWALT recommended accessories should be used with this product.*

Consult your dealer for further information on the appropriate accessories.

Protecting the Environment



Separate collection. Products and batteries marked with this symbol must not be disposed of with normal household waste.



Products and batteries contain materials that can be recovered or recycled reducing the demand for raw materials. Please recycle electrical products and batteries according to local provisions. Further information is available at www.2helpU.com.

Rechargeable Battery Pack

This long life battery pack must be recharged when it fails to produce sufficient power on jobs which were easily done before. At the end of its technical life, discard it with due care for our environment:

- Run the battery pack down completely, then remove it from the tool.
- Li-Ion cells are recyclable. Take them to your dealer or a local recycling station. The collected battery packs will be recycled or disposed of properly.

ПОЛИРОВАЛЬНАЯ МАШИНА

DCM849

Поздравляем!

Вы приобрели инструмент DEWALT. Многолетний опыт, тщательная разработка изделий и инновации делают компанию DEWALT одним из самых надежных партнеров для пользователей профессионального электроинструмента.

Технические характеристики

		DCM849
Напряжение	$V_{\text{пост. тока}}$	18
Тип		1
Тип батареи		Ионно-литиевая
Скорость без нагрузки	мин ⁻¹	800-2200
Номинальное количество оборотов	мин ⁻¹	2200
Макс. диаметр диска-подшвы	мм	180
Шпиндель		M14
Вес (без аккумуляторной батареи)	кг	1,90

Значения шума и/или вибрации (сумма векторов в трех плоскостях) в соответствии с EN60745-2-:

L_{pa} (уровень звукового давления)	дБ(A)	78
L_{wa} (уровень акустической мощности)	дБ(A)	89
K (погрешность измерения акустической мощности)	дБ(A)	3
Значения вибрационного воздействия $a_{hp} <$		
	m/s^2	2,5
Погрешность K =	m/s^2	1,5

Значение шумовой эмиссии и/или эмиссии вибрации, указанное в данном справочном листке, было получено в соответствии со стандартным тестом, приведенным в EN60745, и может использоваться для сравнения инструментов. Кроме того, оно может использоваться для предварительной оценки воздействия вибрации.

⚠ ОСТОРОЖНО! Заявленное значение шумовой эмиссии и/или эмиссии вибрации относится к основным областям применения инструмента. Однако, если инструмент используется для различных целей, с различными дополнительными принадлежностями или при ненадлежащем уходе, то уровень шума и/или вибрации может измениться. Это может привести к значительному увеличению уровня воздействия вибрации в течение всего рабочего периода.

При расчете приблизительного значения уровня воздействия шума и/или вибрации также необходимо учитывать время, когда инструмент выключен или то время, когда он работает на холостом ходу. Это может привести к значительному снижению уровня воздействия вибрации в течение всего рабочего периода.

Определите дополнительные меры техники безопасности для защиты оператора от воздействия шума и/или вибрации, а именно: поддержание инструмента и дополнительных принадлежностей в рабочем состоянии, создание комфортных условий работы (соответствующих вибрации), хорошая организация рабочего места.

Декларация о соответствии нормам ЕС

Директива по механическому оборудованию



Полировальная машина DCM849

DEWALT заявляет, что продукция, описанная в **Технические характеристики**, соответствует:

2006/42/EC, EN60745-1:2009+A11:2010, EN60745-2-3:2011 +A2:2013 +A11:2014+A12:2014 +A13:2015.

Эти продукты также соответствуют Директиве 2014/30/EU и 2011/65/EU. За дополнительной информацией обращайтесь в компанию DEWALT по адресу, указанному ниже или приведенному на задней стороне обложки руководства.

Нижеподписавший несет ответственность за составление технической документации и составил данную декларацию по поручению компании DEWALT.

Маркус Ромпель
Вице-президент отдела по разработке и производству,
PTE-Europe
DEWALT, Richard-Klinger-Straße 11,
D-65510, Idstein, Германия
12.09.2019

⚠ ВНИМАНИЕ: Во избежание риска получения травм ознакомьтесь с инструкцией.

Обозначения: правила техники безопасности

Ниже описывается уровень опасности, обозначаемый каждым из предупреждений. Прочитайте руководство и обратите внимание на данные символы.

⚠ ОПАСНО: Обозначает опасную ситуацию, которая неизбежно приведет к серьезной травме или смертельному исходу, в случае несоблюдения соответствующих мер безопасности.

⚠ ВНИМАНИЕ: Указывает на потенциально опасную ситуацию, которая, в случае несоблюдения соответствующих мер безопасности,

Батареи				Зарядные устройства/время зарядки (мин)							
Кат. №	V _{пост. тока}	Ah	Вес (kg)	DCB104	DCB107	DCB112	DCB113	DCB115	DCB118	DCB132	DCB119
DCB546	18/54	6.0/2.0	1.05	60	270	170	140	90	60	90	X
DCB547	18/54	9.0/3.0	1.46	75*	420	270	220	135*	75*	135*	X
DCB548	18/54	12.0/4.0	1.44	120	540	350	300	180	120	180	X
DCB181	18	1.5	0.35	22	70	45	35	22	22	22	45
DCB182	18	4.0	0.61	60/40**	185	120	100	60	60/40**	60	120
DCB183/B	18	2.0	0.40	30	90	60	50	30	30	30	60
DCB184/B	18	5.0	0.62	75/50**	240	150	120	75	75/50**	75	150
DCB185	18	1.3	0.35	22	60	40	30	22	22	22	X
DCB187	18	3.0	0.54	45	140	90	70	45	45	45	90
DCB189	18	4.0	0.54	60	185	120	100	60	60	60	120

*Код даты 201811475В или новее

**Код даты 201536 или новее

может привести к **серьезной травме или смертельному исходу**.



ПРЕДУПРЕЖДЕНИЕ: Указывает на потенциально опасную ситуацию, которая, в случае несоблюдения соответствующих мер безопасности **может** стать причиной травм **средней или легкой степени тяжести**.

ПОЯСНЕНИЕ: Указывает на практики, использование которых не связано с получением травмы, но если ими пренебречь, могут привести к **порче имущества**.



Указывает на риск поражения электрическим током.



Указывает на риск возгорания.

ОБЩИЕ ПРАВИЛА ТЕХНИКИ БЕЗОПАСНОСТИ ПРИ ИСПОЛЬЗОВАНИИ ЭЛЕКТРОИНСТРУМЕНТОВ



ВНИМАНИЕ: Прочитайте и просмотрите все предупреждения, инструкции, иллюстрации и спецификации по данному электроинструменту. Несоблюдение всех приведенных ниже инструкций может стать причиной поражения электрическим током, возгорания и/или тяжелой травмы.

СОХРАНИТЕ ВСЕ ИНСТРУКЦИИ ДЛЯ ПОСЛЕДУЮЩЕГО ИСПОЛЬЗОВАНИЯ

Термин «электроинструмент» в предупреждениях относится к работающим от сети (проводным) электроинструментам или работающим от аккумуляторной батареи (беспроводным) электроинструментам.

1) Безопасность на рабочем месте

- Следите за чистотой и хорошим освещением на рабочем месте. Захламленное или плохо освещенное рабочее место может стать причиной несчастного случая.

- Запрещается работать с электроинструментами во взрывоопасных местах, например, вблизи легковоспламеняющихся жидкостей, газов и пыли. Искры, которые появляются при работе электроинструментов могут привести к воспламенению пыли или паров.
- Следите за тем, чтобы во время работы с электроинструментом в зоне работы не было посторонних и детей. Отвлекаясь от работы вы можете потерять контроль над инструментом.

2) Электробезопасность

- Штепсельная вилка электроинструмента должна соответствовать розетке. Никогда не меняйте вилку инструмента. Запрещается использовать переходники к вилкам для электроинструментов с заземлением. Использование оригинальных штепсельных вилок, соответствующих типу сетевой розетки снижает риск поражения электрическим током.
- Избегайте контакта с заземленными поверхностями, такими как трубы, радиаторы и холодильники. Если вы будете заземлены, увеличивается риск поражения электрическим током.
- Запрещается оставлять электроинструмент под дождем и в местах повышенной влажности. При попадании воды в электроинструмент риск поражения электротоком возрастает.
- Берегите кабель от повреждений. Никогда не используйте кабель для переноски инструмента, не тяните за него, пытаться отключить инструмент от сети. Держите кабель подальше от источников тепла, масла, острых углов или движущихся предметов. Поврежденный или запутанный кабель питания повышает риск поражения электрическим током.
- При работе с электроинструментом на открытом воздухе используйте удлинитель,

подходящий для использования на улице.

Использование кабеля питания, предназначенного для использования вне помещения, снижает риск поражения электрическим током.

- f) **Если использование электроинструмента в условиях повышенной влажности неизбежно, используйте устройства защитного отключения (УЗО) для защиты сети.**
Использование УЗО сокращает риск поражения электрическим током.

3) Обеспечение индивидуальной безопасности

- a) **Будьте внимательны, смотрите, что делаете и не забывайте о здравом смысле при работе с электроинструментом. Запрещается работать с электроинструментом в состоянии усталости, наркотического, алкогольного опьянения или под воздействием лекарственных препаратов.** *Невнимательность при работе с электроинструментом может привести к серьезным телесным повреждениям.*
- b) **Используйте индивидуальные средства защиты. Всегда используйте защитные очки.** *Средства защиты, такие как пылезащитная маска, обувь с нескользящей подошвой, каска и защитные наушники, используемые при работе, уменьшают риск получения травм.*
- c) **Примите меры для предотвращения случайного включения. Перед тем как подключить электроинструмент к сети и/или аккумуляторной батарее, взять инструмент или перенести его на другое место, убедитесь в том, что выключатель находится в положении «Выкл.».** *Если при переноске электроинструмента он подключен к сети, и при этом ваш палец находится на выключателе, это может стать причиной несчастных случаев.*
- d) **Уберите все регулировочные или гаечные ключи перед включением электроинструмента.** *Ключ, оставленный на вращающейся части электроинструмента, может привести к травме.*
- e) **Не пытайтесь дотянуться до слишком удаленных поверхностей. Обувь должна быть удобной, чтобы вы всегда могли сохранять равновесие.** *Это позволит лучше контролировать электроинструмент в непредвиденных ситуациях.*
- f) **Одевайтесь соответствующим образом. Избегайте носить свободную одежду и ювелирные украшения. Следите за тем, чтобы волосы и одежда не попали под движущиеся детали.** *Возможно наматывание свободной одежды, ювелирных изделий и длинных волос на движущиеся детали.*
- g) **При наличии устройств для подключения оборудования для удаления и сбора пыли необходимо обеспечить правильность их подключения и эксплуатации.** *Использование*

устройства для пылеудаления сокращает риски, связанные с пылью.

- h) **Не позволяйте хорошему знанию от частого использования инструментов стать причиной самонадеянности и игнорирования правил техники безопасности.** *Небрежное действие может повлечь серьезные травмы за долю секунды.*

4) Эксплуатация электроинструмента и уход за ним

- a) **Избегайте чрезмерной нагрузки электроинструмента. Используйте электроинструмент в соответствии с назначением.** *Правильно подобранный электроинструмент выполнит работу более эффективно и безопасно при стандартной нагрузке.*
- b) **Не пользуйтесь инструментом, если не работает выключатель.** *Любой инструмент, управляемый выключением и включением которого невозможно, опасен, и его необходимо отремонтировать.*
- c) **Перед выполнением любых настроек, сменой аксессуаров или прежде чем убрать инструмент на хранение, отключите его от сети и/или снимите с него аккумуляторную батарею, если ее можно снять.** *Такие превентивные меры безопасности сокращают риск случайного включения электроинструмента.*
- d) **Храните электроинструмент в недоступном для детей месте и не позволяйте работать с инструментом людям, не имеющим соответствующих навыков работы с такого рода инструментами.** *Электроинструмент представляет опасность в руках неопытных пользователей.*
- e) **Поддерживайте электроинструмент и принадлежности в исправном состоянии. Проверьте, не нарушена ли центровка или не заклинены ли движущиеся детали, нет ли повреждений или иных неисправностей, которые могли бы повлиять на работу электроинструмента. В случае обнаружения повреждений, прежде чем приступить к эксплуатации электроинструмента, его нужно отремонтировать.** *Большинство несчастных случаев происходит из-за электроинструментов, которые не обслуживаются должным образом.*
- f) **Содержите режущий инструмент в остро заточенном и чистом состоянии.** *Вероятность заклинивания инструмента, за которым следят должным образом и который хорошо заточен, значительно меньше, а работать с ним легче.*
- g) **Используйте электроинструменты, принадлежности и насадки в соответствии с данными инструкциями, принимая во внимание условия работы и характер выполняемой работы.** *Использование*

электроинструмента для выполнения операций, для которых он не предназначен, может привести к созданию опасных ситуаций.

- h) **Все рукоятки и поверхности захватывания должны быть сухими и без следов смазки.** Скользкие рукоятки и поверхности захватывания не позволяют обеспечить безопасность работы и управления инструментом в непредвиденных ситуациях.

5) Использование аккумуляторных электроинструментов и уход за ними

- a) **Используйте для зарядки аккумуляторной батареи только указанное производителем зарядное устройство.** Использование зарядного устройства определенного типа для зарядки других батарей может привести к возгоранию.
- b) **Используйте для электроинструмента только батареи указанного типа.** Использование других аккумуляторных батарей может стать причиной травмы и пожара.
- c) **Оберегайте батарею от попадания в нее скрепок, монет, ключей, гвоздей, болтов или других мелких металлических предметов, которые могут вызывать замыкание контактов.** Короткое замыкание контактов аккумуляторной батареи может привести к пожару или получению ожогов.
- d) **При повреждении батареи, из нее может вытечь электролит. Не прикасайтесь к нему. При случайном контакте с электролитом смойте его водой.** При попадании электролита в глаза обратитесь за медицинской помощью. Жидкость, находящаяся внутри батареи, может вызвать раздражение или ожоги.
- e) **Не используйте поврежденные или измененные аккумуляторные батареи или инструменты.** Поврежденные или измененные аккумуляторные батареи могут работать непредсказуемо, что может привести к возгоранию, взрыву или риску получения травм.
- f) **Не подвергайте аккумуляторные батареи или инструмент воздействию огня или повышенной температуры.** Открытый огонь или воздействие высокой температуры выше 130 °C может привести к взрыву.
- g) **Следуйте всем инструкциям по зарядке и не заряжайте аккумуляторную батарею или инструмент вне температурного диапазона, указанного в инструкции.** Неправильная зарядка или зарядка вне указанного температурного диапазона может привести к повреждению батареи и увеличить риск возгорания.

6) Обслуживание

- a) **Обслуживание электроинструмента должен проводить квалифицированный специалист с использованием только оригинальных запасных частей.** Это позволит

обеспечить безопасность обслуживаемого электрифицированного инструмента.

- b) **Не выполняйте обслуживание поврежденных аккумуляторных батарей.** Обслуживание аккумуляторных батарей должно выполняться только производителем или авторизованными поставщиками услуг.

ДОПОЛНИТЕЛЬНЫЕ СПЕЦИАЛЬНЫЕ ИНСТРУКЦИИ ПО ТЕХНИКЕ БЕЗОПАСНОСТИ

Инструкции по технике безопасности для всех видов работ

- a) **Данный инструмент предназначен для полирования. Прочитайте и просмотрите все предупреждения, инструкции, иллюстрации и спецификации по данному электроинструменту.** Несоблюдение всех приведенных ниже инструкций может стать причиной поражения электрическим током, возгорания и/или тяжелой травмы.
- b) **Не рекомендуется выполнять с помощью данного инструмента такие работы, как заточку, шлифование, крацевание и отрезание.** Выполнение операций, не предусмотренных для данного инструмента, представляет опасность и может привести к травме.
- c) **Не используйте дополнительные принадлежности, которые не рекомендованы производителем инструмента и не предназначены для него специально.** Возможность установки принадлежности на электроинструмент не обеспечивает безопасности при ее использовании.
- d) **Номинальная скорость принадлежности должна, как минимум, равняться максимальной скорости, указанной на электроинструменте.** Принадлежность, которая вращается со скоростью, превышающей ее номинальную скорость вращения, может разрушиться и отлететь в сторону.
- e) **Внешний диаметр и толщина принадлежности должны соответствовать диапазону мощности электроинструмента.** Принадлежности неправильно выбранного размера не закрываются защитным кожухом и не обеспечивают надлежащего контроля управления.
- f) **Винтовая резьба принадлежностей должна соответствовать резьбе оси шлифовальной машины. Для принадлежностей, установленных на фланцы, отверстие для инструментальной оправки должно соответствовать установочному диаметру фланца.** Насадки, не соответствующие крепежным деталям электроинструмента, могут стать причиной разбалансированности,

повышенной вибрации и потери контроля над электроинструментом.

- г) **Не используйте поврежденные принадлежности. Перед каждым использованием проверяйте оснастку, как то, абразивные круги, на наличие сколов и трещин, проставки – на наличие надрывов и трещин, проволочные щетки – на наличие ослабленной или сломанной проволоки. В случае падения электроинструмента или принадлежности проверьте наличие поврежденной или установленной неповрежденную принадлежность. После проверки и установки принадлежности оператор и посторонние лица не должны находиться на одной плоскости с вращающейся принадлежностью. Запустите электроинструмент на максимальной скорости без нагрузки и дайте ему поработать одну минуту. Поврежденные принадлежности, как правило, ломаются в течение этого тестового периода.**
- h) **Используйте средства индивидуальной защиты. В зависимости от типа выполняемых работ надевайте щиток для защиты лица или защитные очки. В соответствии с необходимостью надевайте респиратор, защитные наушники, перчатки и рабочий фартук, способный защитить от мелких абразивных частиц и фрагментов обрабатываемой детали. Средства защиты для глаз должны останавливать частицы, вылетающие при выполнении различных видов работ. Пылезащитная маска или респиратор должны обеспечивать фильтрацию твердых частиц, образующихся при выполнении работ. Длительное воздействие шума высокой мощности может привести к нарушениям слуха.**
- i) **Не подпускайте посторонних лиц близко к рабочей зоне. Любое лицо, входящее в рабочую зону, должно использовать средства индивидуальной защиты. Фрагменты обрабатываемой детали или разрушенной оснастки могут отлететь в сторону и стать причиной травмы даже за пределами рабочей зоны.**
- j) **Располагайте кабель питания на удалении от вращающейся принадлежности. В случае потери контроля над инструментом кабель питания может быть разрезан или ободран, а ваша рука может быть затянута вращающейся принадлежностью.**
- k) **Никогда не кладите электроинструмент до тех пор, пока он полностью не остановится. Вращающаяся принадлежность может задеть за поверхность, из-за чего электроинструмент может вырваться из рук.**
- l) **Не включайте электроинструмент, если принадлежность направлена на вас. Случайный**

контакт с вращающейся принадлежностью может привести к наматыванию одежды и контакту принадлежности с вашим телом.

- m) **Регулярно очищайте вентиляционные отверстия электроинструмента. Вентилятор электродвигателя затягивает пыль внутрь корпуса, а скопление большого количества пыли на металлических частях электродвигателя повышает риск поражения электротоком.**
- n) **Не используйте электроинструмент рядом с горючими материалами. Искры могут привести к их воспламенению.**
- o) **Не используйте принадлежности, требующие жидкостного охлаждения. Использование воды или других жидких охлаждающих средств может привести к поражению электрическим током вплоть до смертельного исхода.**
- p) **Всегда пользуйтесь боковой рукояткой. Надежно затягивайте рукоятку. Для постоянного контроля работы инструмента нужно обязательно использовать боковую рукоятку.**

ДОПОЛНИТЕЛЬНЫЕ ИНСТРУКЦИИ ПО ТЕХНИКЕ БЕЗОПАСНОСТИ ДЛЯ ВСЕХ ВИДОВ РАБОТ

Причины возникновения отдачи и способы ее предупреждения

Обратный удар представляет собой внезапную реакцию в результате заклинивания или деформации вращающегося круга, круга-подшвы, щетки или любых других насадок. Заклинивание или деформация вызывают мгновенную остановку вращающейся насадки, что, в свою очередь, приводит к потере управления инструментом и его резкого смещения в сторону, противоположную направлению вращения насадки в точке заклинивания.

Например, в случае заклинивания или деформации абразивного круга в обрабатываемой детали, заклинивающий край круга может врезаться в поверхность материала, что приводит к поднятию или выталкиванию круга. Круг может отскочить в сторону оператора или в другом направлении, в зависимости от направления вращения круга в точке заклинивания. Это может также привести к поломке абразивных кругов.

Отдача является результатом неправильного использования инструмента и/или использованием неправильных методов или режимов работы; избежать этого явления можно путем выполнения указанных далее мер предосторожности.

- a) **Прочно удерживайте электроинструмент обеими руками и располагайтесь таким образом, чтобы иметь возможность погасить энергию отдачи. Для эффективного управления инструментом в случае возникновения отдачи или реактивного крутящего момента во время**

запуска всегда пользуйтесь вспомогательной рукояткой (при наличии). Оператор может контролировать энергию крутящего момента или отдачи при соблюдении надлежащих мер предосторожности.

- b) **Никогда не держите руки поблизости от вращающейся принадлежности.** Она может отскочить в направлении вашей руки.
- c) **Не стойте с той стороны, куда будет сдвигаться инструмент в случае возникновения отдачи.** В результате отдачи, инструмент отскакивает в направлении, противоположном вращению круга в точке заклинивания.
- d) **Соблюдайте особую осторожность при обработке углов, острых кромок и т. д. Избегайте дрожания и заклинивания принадлежности.** Углы, острые кромки или дрожание могут вызвать заклинивание насадки в заготовке и привести к потере управления в случае возникновения отдачи.
- e) **Не устанавливайте диски для пильных цепей или зубчатые режущие диски.** Такие полотна часто вызывают отдачу и потерю контроля над инструментом.

Меры безопасности при полировании

- a) **Не допускайте потери части шлифовальной юбки или свисания и закручивания бечевки.** Уберите или отрежьте все выступающие концы завязок. Свободно свисающие и вращающиеся завязки могут запутать ваши пальцы или застрять в обрабатываемой заготовке.

Дополнительные правила техники безопасности для полировальных машин

- **Часто прочищайте инструмент, особенно после интенсивного использования.** На внутренних поверхностях часто оседают пыль и грязь, содержащие металлические частицы, что может создать опасность поражения электрическим током.
- **Не используйте данный инструмент в течение длительных промежутков времени.** Вибрация, вызванная выполняемыми работами, может стать причиной хронических заболеваний пальцев, кистей и суставов рук. Надевайте перчатки для дополнительной амортизации, чаще делайте перерывы и ограничивайте время работы в течение рабочего дня.
- **Движущиеся части часто скрываются за вентиляционными прорезями; избегайте контакта с ними.** Возможно наматывание свободной одежды, ювелирных изделий и длинных волос на движущиеся детали.
- **Если инструмент не используется, а также перед подключением инструмента к источнику питания или установкой аккумуляторной**

батареи убедитесь, что пусковой выключатель заблокирован.

Остаточные риски

Несмотря на соблюдение соответствующих инструкций по технике безопасности и использование предохранительных устройств, некоторые остаточные риски невозможно полностью исключить. А именно:

- ухудшение слуха;
- риск травм от разлетающихся частиц;
- риск получения ожогов в результате нагревания инструмента в процессе работы;
- риск получения травмы в результате продолжительной работы.

СОХРАНИТЕ НАСТОЯЩЕЕ РУКОВОДСТВО

Зарядные устройства

Зарядные устройства DEWALT не требуют регулировки и максимально просты в использовании.

Электробезопасность

Электродвигатель рассчитан на работу только при одном напряжении сети. Необходимо обязательно убедиться в том, что напряжение источника питания соответствует указанному на шильдике устройства. Необходимо также убедиться в том, что напряжение работы зарядного устройства соответствует напряжению в сети.



Зарядное устройство DEWALT оснащено двойной изоляцией в соответствии с требованиями EN60335; поэтому провод заземления не требуется.

В случае повреждения кабеля питания его необходимо заменить специально подготовленным кабелем, который можно приобрести в сервисных центрах DEWALT.

Использование удлинительного кабеля

Используйте удлинитель только в случаях крайней необходимости. Используйте только утвержденные удлинители промышленного изготовления, рассчитанные на мощность не меньшую, чем потребляемая мощность зарядного устройства (см. **Технические характеристики**). Минимальное поперечное сечение провода электрического кабеля должно составлять 1 мм²; максимальная длина 30 м. При использовании кабельного барабана всегда полностью разматывайте кабель.

Важные инструкции по технике безопасности для всех зарядных устройств

СОХРАНИТЕ НАСТОЯЩЕЕ РУКОВОДСТВО. В данном руководстве содержатся важные инструкции по технике безопасности для совместимых зарядных устройств (см. **Технические характеристики**).

- **Перед тем как использовать зарядное устройство, внимательно изучите все инструкции и предупреждающие этикетки на зарядном устройстве, батарее и инструменте, для которого используется батарея.**



ВНИМАНИЕ: Опасность поражения электрическим током. Не допускайте попадания жидкости в зарядное устройство. Это может привести к поражению электрическим током.



ВНИМАНИЕ: Рекомендуется использовать устройство защитного отключения (УЗО) с током утечки до 30 мА.



ВНИМАНИЕ: Опасность ожога. Во избежание травм, следует использовать только аккумуляторные батареи производства DeWALT. Использование батарей другого типа может привести к взрыву, травмам и повреждениям.



ПРЕДУПРЕЖДЕНИЕ: Не позволяйте детям играть с данным устройством.

ПОЯСНЕНИЕ: В определенных условиях, при подключении зарядного устройства к источнику питания, может произойти короткое замыкание контактов внутри зарядного устройства посторонними материалами. Не допускайте попадания в полости зарядного устройства таких токопроводящих материалов, как стальная стружка, алюминиевая фольга или другие металлические частицы и т. п. Всегда отключайте зарядное устройство от источника питания, если в нем нет аккумуляторной батареи. Всегда отключайте зарядное устройство от сети перед тем, как приступить к очистке инструмента

- **НЕ ПЫТАЙТЕСЬ** заряжать батареи с помощью каких-либо других зарядных устройств, кроме тех, которые указаны в данном руководстве. Зарядное устройство и батарея предназначены для совместного использования.
- Эти зарядные устройства не предназначены ни для какого другого использования, помимо зарядки аккумуляторных батарей DeWALT. Использование любых других батарей может привести к возгоранию, поражению электротоком или гибели от электрического шока.
- Не подвержайте зарядное устройство воздействию снега или дождя.
- При отключении зарядного устройства от сети всегда тяните за штепсельную вилку, а не за кабель. Это поможет избежать повреждения штепсельной вилки и розетки.
- Убедитесь в том, что кабель расположен таким образом, чтобы на него не наступили, не споткнулись об него, а также в том, что он не натянут и не может быть поврежден.
- Не используйте удлинительный кабель без крайней необходимости. Использование удлинительного кабеля неподходящего типа может привести к пожару или поражению электрическим током.
- Не ставьте на зарядное устройство никакие предметы и не устанавливайте зарядное устройство на мягкую поверхность, которая может закрыть вентиляционные отверстия

и привести к перегреву. Не размещайте зарядное устройство поблизости от источников тепла. Вентиляция зарядного устройства происходит с помощью отверстий в верхней и нижней части корпуса.

- **Не используйте зарядное устройство при наличии поврежденной кабеля или штепсельной вилки** – в этом случае необходимо немедленно их заменить.
- **Не используйте зарядное устройство, если его роняли, либо если оно подвергалось сильному ударам или было повреждено каким-либо иным образом.** Обратитесь в авторизованный сервисный центр.
- **Не разбирайте зарядное устройство. При необходимости обратитесь в специализированный сервисный центр, если нужно провести обслуживание или ремонт инструмента.** Неправильная сборка может стать причиной пожара или поражения электрическим током.
- В случае повреждения кабеля питания его необходимо немедленно заменить у производителя, в его сервисном центре или с привлечением другого специалиста аналогичной квалификации для предотвращения несчастного случая.
- **Перед очисткой отключите зарядное устройство от сети. В противном случае, это может привести к поражению электрическим током.** Извлечение аккумуляторной батареи не приведет к снижению степени этого риска.
- **НИКОГДА** не подключайте два зарядных устройства вместе.
- **Зарядное устройство предназначено для работы при стандартном напряжении сети в 230 В. Не пытайтесь использовать его при каком-либо ином напряжении.** Это не относится к автомобильному зарядному устройству.

Зарядка батареи (Рис. [Fig.] В)

1. Перед установкой батареи подключите зарядное устройство к соответствующей сетевой розетке.
2. Вставьте аккумуляторную батарею 1 в зарядное устройство, убедившись в том, что она хорошо установлена. Красный индикатор зарядки начнет мигать. Это означает, что процесс зарядки начался.
3. По окончании зарядки красный индикатор будет гореть непрерывно, не мигая. Теперь батарея полностью заряжена, и ее можно использовать или оставить в зарядном устройстве. Чтобы извлечь аккумуляторную батарею из зарядного устройства, нажмите кнопку фиксатора батареи 2 и извлеките батарею.

ПРИМЕЧАНИЕ: Чтобы обеспечить максимальную производительность и срок службы ионно-литиевых батарей, перед первым использованием полностью зарядите аккумуляторную батарею.

Работа с зарядным устройством

См. состояние зарядки аккумуляторной батареи на приведенных ниже индикаторах.

Индикаторы зарядки	
	Зарядка
	Полностью заряжен
	Температурная задержка*

*В это время красный индикатор продолжит мигать, а когда начнется зарядка, загорится желтый. После того, как батарея достигнет рабочей температуры, желтый индикатор погаснет, и зарядка продолжится.

Зарядное(-ые) устройство(-а) не может(-гут) полностью зарядить неисправную аккумуляторную батарею. При неисправной аккумуляторной батарее, индикатор на зарядном устройстве не загорится.

ПРИМЕЧАНИЕ: Также это может указывать на проблему с зарядным устройством.

Если зарядное устройство указывает на наличие проблемы, проверьте аккумулятор и зарядное устройство в специализированном сервисном центре.

Температурная задержка

Если температура батареи слишком низкая или слишком высокая, зарядное устройство автоматически переходит в режим температурной задержки; при этом зарядка не начинается до тех пор, пока батарея не достигнет нужной температуры. После того, как нужный уровень температуры будет достигнут, устройство перейдет в режим зарядки. Данная функция обеспечивает максимальный срок эксплуатации батареи.

Зарядка холодной батареи занимает больше времени, чем теплой. Аккумуляторная батарея заряжается медленнее во время цикла зарядки и максимального заряда не удастся добиться даже после того, как аккумуляторная батарея будет теплой.

Зарядное устройство DCB118 оснащено внутренним вентилятором для охлаждения батареи. Вентилятор включится автоматически, если батарея нуждается в охлаждении. Не используйте зарядное устройство, если вентилятор не функционирует или если забиты вентиляционные отверстия. Не позволяйте посторонним предметам попадать внутрь зарядного устройства.

Система электронной защиты

Ионно-литиевые аккумуляторные батареи XR оснащены системой электронной защиты, которая защищает аккумуляторную батарею от перегрузки, перегрева или глубокой разрядки.

При срабатывании системы электронной защиты инструмент автоматически отключается. В этом случае поставьте ионно-литиевую батарею на зарядку до тех пор, пока она полностью не зарядится.

Крепление на стену

Данные зарядные устройства могут крепиться на стены или устанавливаться на стол или рабочую поверхность. При креплении на стену расположите зарядное устройство в пределах досягаемости розетки и подальше от углов и других препятствий, которые могут помешать потоку воздуха. Используйте заднюю часть зарядного устройства в качестве образца для положения монтажных болтов на стене. Надежно закрепите зарядное устройство при помощи саморезов (приобретаются отдельно) длиной минимум в 25,4 мм с диаметром шляпки самореза в 7–9 мм, вкрученных в дерево до оптимальной глубины, оставляющей на поверхности примерно 5,5 мм самореза. Совместите отверстия на задней стороне зарядного устройства с выступающими саморезами и полностью вставьте их в отверстия.

Инструкции по очистке зарядного устройства



ВНИМАНИЕ: Опасность поражения электрическим током. Перед чисткой отключите зарядное устройство от сети питания. Грязь и жир можно удалить с наружной поверхности зарядного устройства с помощью тряпки или мягкой неметаллической щетки. Не используйте воду или чистящие растворы. Не допускайте попадания жидкости внутрь инструмента; никогда не погружайте никакие из деталей инструмента в жидкость.

Аккумуляторные батареи

Важные инструкции по технике безопасности для всех батарей

При заказе запасных батарей не забудьте указать номер по каталогу и напряжение.

При покупке батарея заряжена не полностью. Перед тем, как использовать батарею и зарядное устройство, прочтите следующие инструкции по технике безопасности. Затем выполните необходимые действия для зарядки.

ВНИМАТЕЛЬНО ПРОЧИТЕ ВСЕ ИНСТРУКЦИИ

- **Не заряжайте и не используйте батарею во взрывоопасной атмосфере, например, при наличии горючих жидкостей, газов или пыли.** Установка или удаление батареи из зарядного устройства может привести к воспламенению пыли или газов.
- **Никогда не прилагайте больших усилий, вставляя батарею в зарядное устройство. Не вносите изменения в конструкцию батарей с целью установить их в зарядное устройство, к которому они не подходят. Это может привести к серьезным травмам.**
- **Заряжайте батарею только с помощью зарядных устройств DEWALT.**
- **НЕ ПРОЛИВАЙТЕ** на них и не погружайте их в воду или другие жидкости.
- **Не храните и не используйте данное устройство и батарею при температуре выше 40 °C**

(например, на внешних пристройках или на металлических поверхностях зданий в летнее время).

- **Не сжигайте батареи, даже поврежденные или полностью отработавшие.** При попадании в огонь батареи могут взорваться. При сжигании ионно-литиевых батарей образуются токсичные вещества и газы.
- **При попадании содержимого батареи на кожу, немедленно промойте это место водой с мылом.** При попадании содержимого батареи в глаза, необходимо промыть открытые глаза проточной водой в течение 15 минут или до тех пор, пока не пройдет раздражение. При необходимости обращения к врачу, может пригодиться следующая информация: электролит представляет собой смесь жидких органических углекислых и литиевых солей.
- **При вскрытии батареи, ее содержимое может вызвать раздражение дыхательных путей.** Обеспечьте наличие свежего воздуха. Если симптомы сохраняются, обратитесь к врачу.



ВНИМАНИЕ: Опасность ожога. Содержимое батареи может воспламениться при попадании искр или огня.



ВНИМАНИЕ: Ни в коем случае не разбирайте батарею. При наличии трещин или других повреждений батареи, не устанавливайте ее в зарядное устройство. Не роняйте батарею и не подвергайте ее ударам или другим повреждениям. Не используйте батарею или зарядное устройство после удара, падения или получения каких-либо других повреждений (например, после того, как ее проткнули гвоздем, ударили молотком или наступили на нее). Это может привести к удару или поражению электрическим током. Поврежденные батареи необходимо вернуть в сервисный центр для повторной переработки.



ВНИМАНИЕ: Риск воспламенения. Избегайте замыкание выводов батарей металлическими предметами во время хранения или переноски. Например, не кладите аккумуляторные батареи в передники, карманы, ящики для инструментов, выдвижные ящики и т. п. с гвоздями, гайками, ключами и т. п.



ПРЕДУПРЕЖДЕНИЕ: Когда устройство не используется, кладите его на бок на устойчивую поверхность в таком месте, где оно не может упасть и об него нельзя споткнуться. Некоторые устройства с батареями большого размера, стоят сверху на батарее, и могут легко упасть.

Транспортировка



ВНИМАНИЕ: Риск воспламенения. При транспортировке аккумуляторных батарей может произойти возгорание, если терминалы аккумуляторных батарей случайно будут

замкнуты электропроводящими материалами. При транспортировке аккумуляторных батарей убедитесь в том, что терминалы защищены и хорошо изолированы от материалов, контакт с которыми может привести к короткому замыканию.

ПРИМЕЧАНИЕ: Ионно-литиевые аккумуляторные батареи запрещается сдавать в багаж.

Батареи DEWALT соответствуют всем применимым правилам транспортировки, как предусмотрено промышленными и юридическими стандартами, включая рекомендации ООН по транспортировке опасных грузов; Ассоциация международных авиаперевозчиков (IATA) правила перевозки опасных грузов, Международные правила перевозки опасных грузов морским путем (IMDG), и европейское соглашение о международной дорожной перевозке опасных грузов (ADR). Ионно-литиевые элементы и аккумуляторные батареи были протестированы в соответствии с разделом 38.3 Рекомендаций ООН по транспортировке опасных грузов руководства по тестам и критериям.

В большинстве случаев транспортировка аккумуляторных батарей DEWALT не попадает под классификацию, поскольку они не являются опасными материалами Класса 9. В целом, полностью под правила Класса 9 подпадают только перевозки ионно-литиевых батарей с энергоемкостью выше 100 Ватт час (Вт ч). Энергоемкость всех ионно-литиевых аккумуляторных батарей в Ватт-часах указана на упаковке. Кроме того, из-за сложности правил, DEWALT не рекомендует перевозку ионно-литиевых батарей по воздуху вне зависимости от их энергоемкости. Поставки инструментов с батареями (комбинированные наборы) могут перевозиться по воздуху согласно исключениям, если энергоемкость батареи не превышает 100 Вт ч.

Независимо от того, является ли перевозка исключением или выполняется по правилам, перевозчик должен уточнить последние требования к упаковке, маркировке и оформлению документации.

Информация, изложенная в данном руководстве обоснована и на момент создания данного документа может считаться точной. Но эта гарантия не является ни выраженной, ни подразумеваемой. Покупатель должен обеспечить то, что бы его деятельность соответствовала всем применимым законам.

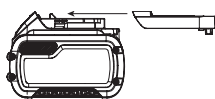
Транспортировка батареи FLEXVOLT™

Батарея DEWALT FLEXVOLT™ оснащена двумя режимами: **эксплуатация** и **транспортировка**.

Режим эксплуатации: если батарея FLEXVOLT™ используется отдельно или в изделии DEWALT на 18 В, то она будет работать в качестве батареи 18 В. Если батарея FLEXVOLT™ используется в изделии на 54 В или 108 В (две батареи 54 В), то она будет работать в качестве батареи 54 В.

Режим транспортировки: если к батарее FLEXVOLT™ прикреплена крышка, то батарея находится в режиме транспортировки. Сохраните крышку для транспортировки.

При режиме транспортировки ряды элементов электрически отсоединяются внутри батареи, что в итоге дает



3 батареи с более низкой энергоемкостью в ватт-часах (Вт ч) по сравнению с 1 батареей с более высокой емкостью в ватт-часах. Данное увеличенное количество в 3 батареи с более низкой энергоемкостью может исключить комплект из некоторых ограничений на перевозку, налагаемых на батареи с более высокой энергоемкостью.

Например, энергоемкость в режиме транспортировки указана как 3 × 36 Вт ч, что может означать

Пример маркировки режимов эксплуатации и транспортировки



3 батареи с емкостью

в 36 Вт ч каждая. Энергоемкость в режиме эксплуатации указана как 108 Вт ч (подразумевается 1 батарея).

Рекомендации по хранению

1. Лучшим местом для хранения является прохладное и сухое место, защищенное от прямых солнечных лучей, высокой или низкой температуры. Для оптимальной работы и продолжительного срока службы, храните неиспользуемые аккумуляторные батареи при комнатной температуре.
2. Для достижения максимальных результатов при продолжительном хранении рекомендуется полностью зарядить батарейный комплект и хранить его в прохладном сухом месте вне зарядного устройства.

ПРИМЕЧАНИЕ: Аккумуляторные батареи не должны храниться в полностью разряженном состоянии. Перед использованием аккумуляторная батарея требует повторной зарядки.

Маркировка на зарядном устройстве и аккумуляторной батарее

Помимо пиктограмм, используемых в данном руководстве, на зарядном устройстве и батарее имеются следующие обозначения:



Перед началом работы прочтите руководство по эксплуатации.



Чтобы узнать время зарядки, см. **Технические характеристики**.



Не касайтесь токопроводящими предметами контактов батареи и зарядного устройства.



Не пытайтесь заряжать поврежденную батарею.



Не подвергайте электроинструмент или его элементы воздействию влаги.



Немедленно заменяйте поврежденный кабель питания.



Зарядку осуществляйте только при температуре от 4 °C до 40 °C.



Для использования внутри помещений.



LI-ION

Утилизируйте отработанные батареи безопасным для окружающей среды способом.



DCBXXX

Заряжайте аккумуляторные батареи DeWALT только с помощью соответствующих зарядных устройств DeWALT. Зарядка иных аккумуляторных батарей, кроме DeWALT на зарядных устройствах DeWALT может привести к возгоранию аккумуляторных батарей и возникновению других опасных ситуаций.



Не сжигайте аккумуляторную батарею.



ЭКСПЛУАТАЦИЯ (без крышки для транспортировки). Пример: энергоемкость указана как 108 Вт ч (1 батарея с 108 Вт ч).



ТРАНСПОРТИРОВКА (с крышкой для транспортировки). Пример: энергоемкость указана как 3 × 36 Вт ч (3 батареи по 36 Вт ч).

Тип батареи

DCM849 работает от аккумуляторной батареи напряжением 18 В.

Могут применяться следующие типы батарей: DCB181, DCB182, DCB183, DCB183B, DCB184, DCB184B, DCB185, DCB187, DCB189, DCB546, DCB547, DCB548. Подробную информацию см. в **Технических характеристиках**.

Комплектация поставки

В комплектацию входит:

- 1 Полировальная машина
- 1 Дополнительная рукоятка
- 1 180 мм диск-подшова на "липучке"
- 1 Ионно-литиевая аккумуляторная батарея (модели C1, D1, L1, M1, P1, S1, T1, X1, Y1)
- 2 Ионно-литиевые аккумуляторные батареи (модели C2, D2, L2, M2, P2, S2, T2, X2, Y2)
- 3 Ионно-литиевые аккумуляторные батареи (модели C3, D3, L3, M3, P3, S3, T3, X3, Y3)
- 1 Руководство по эксплуатации

ПРИМЕЧАНИЕ: Аккумуляторные батареи, зарядные устройства и инструментальные ящики не входят в комплект поставки для моделей N. Аккумуляторные батареи и зарядные устройства не входят в комплект поставки для

моделей NT. Модели В включают в себя аккумуляторные батареи Bluetooth®.

ПРИМЕЧАНИЕ: Словесный товарный знак и логотип Bluetooth® являются зарегистрированными товарными знаками Bluetooth®, SIG, Inc. любое использование этих знаков DEWALT осуществляется на основании лицензии. Другие торговые марки и названия принадлежат их владельцам.

- Проверьте инструмент, детали и дополнительные приспособления на наличие повреждений, которые могли произойти во время транспортировки.
- Перед началом работы необходимо внимательно прочитать настоящее руководство и принять к сведению содержащуюся в нем информацию.

Маркировка на инструменте

На инструмент нанесены следующие обозначения:



Перед началом работы прочтите руководство по эксплуатации.



Используйте защитные наушники.



Используйте защитные очки.

Место положения кода даты (Рис. А)

Код даты **12**, который также включает в себя год изготовления, отштампован на поверхности корпуса инструмента.

Пример:

2019 XX XX
Год изготовления

Описание (Рис. А)



ОСТОРОЖНО: Никогда не вносите изменения в конструкцию электроинструмента или какой-либо его части. Это может привести к повреждению или травме.

- 1 Аккумуляторная батарея
- 2 Отпирающая кнопка батареи
- 3 Регулятор скорости
- 4 Опора для хранения инструмента
- 5 Курковый пусковой выключатель с регулировкой скорости
- 6 Кнопка блокировки шпинделя
- 7 Дополнительная рукоятка
- 8 Шпиндель
- 9 Крышка корпуса редуктора из мягкой резины
- 10 Защитная сетка
- 11 Кнопка блокировки

Сфера применения

Ваша DCM849 полировальная машина высокой мощности предназначена для профессиональных работ по полировке крашенных и необработанных металлов, стекловолокна и сложных поверхностей. Типичные примеры использования включают, но не ограничиваются: тщательная чистка и конечная отделка автомобилей/морских транспортных средств/фургонов/мотоциклов, строительство и ремонт лодок, конечная отделка металла и бетона.

НЕ используйте в условиях повышенной влажности или поблизости от легковоспламеняющихся жидкостей или газов.

Данная высокомоощная полировальная машина является профессиональным электроинструментом.

НЕ РАЗРЕШАЙТЕ детям прикасаться к инструменту.

Использование инструмента неопытными пользователями должно происходить под контролем опытного лица.

- Данный инструмент не предназначен для использования лицами (включая детей) с ограниченными физическими, психическими и умственными возможностями, не имеющими опыта, знаний или навыков работы с ним, если они не находятся под наблюдением лица, ответственного за их безопасность. Никогда не оставляйте детей без присмотра с этим инструментом.

СБОРКА И РЕГУЛИРОВКА



ВНИМАНИЕ: Чтобы снизить риск получения серьезной травмы, необходимо выключить инструмент и отсоединить батарею, прежде чем выполнять какую-либо регулировку либо удалять/устанавливать какие-либо насадки или дополнительные принадлежности.

Случайный запуск может привести к травме.



ВНИМАНИЕ: Используйте только зарядные устройства и аккумуляторные батареи марки DEWALT.

Установка и извлечение аккумуляторной батареи из инструмента (Рис. В)

ПРИМЕЧАНИЕ: Убедитесь, что аккумуляторная батарея **1** полностью заряжена.

Установка батареи в рукоятку инструмента

- 1 Совместите аккумуляторную батарею **1** с выемкой на внутренней стороне рукоятки (Рис. В).
- 2 Задвиньте ее в рукоятку так, чтобы аккумуляторная батарея плотно встала на место и убедитесь, что услышали щелчок от вставшего на место замка.

Извлечение батареи из инструмента

- 1 Нажмите кнопку фиксатора батареи **2** и вытащите батарею из рукоятки.
- 2 Вставьте батарею в зарядное устройство, как указано в разделе данного руководства, посвященном зарядному устройству.

Датчик уровня заряда аккумуляторной батареи (Рис. В)

В некоторых аккумуляторных батареях DeWALT есть датчик заряда, который включает три зеленых светодиодных индикатора, показывающих уровень оставшегося заряда аккумуляторной батареи.

Для включения датчика заряда, нажмите и удерживайте кнопку датчика заряда **13**. Загорятся три зеленых светодиода, показывая уровень оставшегося заряда. Когда уровень заряда аккумуляторной батареи будет ниже уровня, необходимого для использования, светодиоды перестанут гореть и аккумуляторную батарею следует зарядить.

ПРИМЕЧАНИЕ: Датчик заряда аккумуляторной батареи показывает уровень оставшегося заряда. Он не показывает работоспособность устройства и его показания могут меняться в зависимости от компонентов продукта, температуры и сфер применения.

Дополнительная рукоятка (Рис. А)

ОСТОРОЖНО: Перед использованием инструмента проверьте надежность закрепления рукоятки.

В комплект с инструментом входит дополнительная рукоятка **7**, которую можно устанавливать с любой стороны корпуса редуктора. Для полного контроля инструментов рекомендуется всегда использовать дополнительную рукоятку.

Защитная сетка (Рис. А)

Защитная мелкоячеистая сетка **10** предназначена для снижения количества шерсти, пыли и другого мусора, который попадает в двигатель при обычном использовании. Чистите сетку как только вы увидите накопление с внешней стороны. Для очистки сетки:

Каждая сетка легко снимается с инструмента. Для этого достаточно пальцем или монетой поддеть выемку и потянув, открыть крышку.

Кнопка блокировки шпинделя (Рис. А)

ПОЯСНЕНИЕ: Для предотвращения риска повреждения инструмента не используйте блокировку шпинделя при работающем инструменте. Это приведет к повреждению инструмента, а установленная принадлежность может слететь и нанести травму.

Во избежание вращения шпинделя инструмента во время установки или снятия принадлежностей кнопка блокировки шпинделя **6** установлена в головной части редуктора инструмента.

Чтобы заблокировать шпиндель, нажмите и удерживайте кнопку блокировки шпинделя. НИКОГДА НЕ НАЖИМАЙТЕ НА КНОПКУ БЛОКИРОВКИ ШПИНДЕЛЯ, ЕСЛИ ИНСТРУМЕНТ РАБОТАЕТ ИЛИ НАХОДИТСЯ ПОД НАПРЯЖЕНИЕМ.

Установка и снятие полировальных насадок (Рис. А, С, D)

ОСТОРОЖНО: Во избежание серьезных травм следите за тем, чтобы полировальная насадка была плотно установлена на подошве, а концы завязок были убраны. Уберите или отрежьте все выступающие концы завязок. Свободно свисающие и вращающиеся завязки могут запутать ваши пальцы или застрять в обрабатываемой заготовке.

С DCM849 можно использовать полировальные насадки 150, 180 или 230 мм.

ПРИМЕЧАНИЕ: С DCM849 можно использовать любой из представленных ниже типов сборки полировальных насадок.

Установка полировальной насадки на резиновый диск-подошву (Рис. А, С)

1. Используйте шестигранное отверстие в диске-подошве **18**. Крепко удерживая вместе зажимную шайбу **17** и диск-подошву поместите сборку на шпindel инструмента **8**.
2. Во время закручивания диска-подошвы и зажимной шайбы по часовой стрелке удерживайте нажатой кнопку блокировки шпинделя **6**, чтобы плотно затянуть их на шпинделе. Крепко затяните вручную.
3. Установите полировальную насадку **16** на диск-подошву.

Установка полировальной насадки на диск-подошву с застежкой-липучкой (Рис. А, D)

1. Вставьте центральный стержень **19** в центральное отверстие в диске-подошве с застежкой-липучкой **21**.
2. Выровняйте центральное отверстие в полировальной насадке **20** по центральному штифту **19** и установите насадку на диск-подошву с застежкой-липучкой **21**.
3. Навинтите диск-подошву **21** на шпindel **8**, удерживая нажатой кнопку блокировки шпинделя **6**.

Снятие насадок

Вручную поверните насадку в обратную сторону от обычного направления вращения, чтобы кнопка блокировки взаимодействовала со шпинделем, затем отвинтите насадку в обычном направлении правосторонней резьбы.

Подготовка к эксплуатации

1. Убедитесь, что полировальная насадка установлена надлежащим образом.
2. Убедитесь, что указанные стрелки направления вращения на насадке и на инструменте совпадают.
3. Убедитесь, что с поверхности заготовки удалена вся пыль.

ЭКСПЛУАТАЦИЯ

Инструкции по использованию



ВНИМАНИЕ: Всегда следуйте указаниям действующих норм и правил безопасности.



ВНИМАНИЕ: Чтобы снизить риск получения серьезной травмы, необходимо выключить инструмент и отсоединить батарею, прежде чем выполнять какую-либо регулировку либо удалять/устанавливать какие-либо насадки или дополнительные принадлежности.

Случайный запуск может привести к травме.

Правильное положение рук во время работы (Рис. Е)



ВНИМАНИЕ: Для уменьшения риска получения тяжелой травмы, **ВСЕГДА** правильно удерживайте инструмент, как показано на рисунке.



ВНИМАНИЕ: Для уменьшения риска получения тяжелой травмы, **ВСЕГДА** надёжно удерживайте инструмент, предупреждая внезапные сбои в работе.

При правильном расположении рук одна рука находится на дополнительной рукоятке **7**, а другая - на основной рукоятке **14**.

Курковый пусковой выключатель с регулировкой скорости (Рис. А)

Курковый пусковой выключатель с регулировкой скорости обеспечивает контроль скорости от 0 до 2200 об/мин.

Чтобы включить инструмент, нажмите на курковый пусковой выключатель **5**. Чем сильнее нажатие на курковый пусковой выключатель, тем быстрее работает инструмент. Для отключения инструмента отпустите курковый выключатель.

Используйте более низкие скорости для нанесения составов и более высокие скорости для полировки.

Кнопка блокировки куркового пускового выключателя

Инструмент можно заблокировать для непрерывного использования путем нажатия на курковый пусковой выключатель **5** до упора и нажатия на кнопку блокировки **11** как показано на Рисунке А. Удерживая нажатой кнопку блокировки, медленно отпустите курковый пусковой выключатель.

Для отключения инструмента из заблокированного положения, один раз нажмите на курковый пусковой выключатель и отпустите.

ПРИМЕЧАНИЕ: Курковый пусковой выключатель можно заблокировать только во время работы инструмента на максимальных оборотах, контролируемых регулятором скорости **3**.

Регулятор скорости (Рис. А)

Можно менять максимальную скорость инструмента посредством вращения регулятора скорости **3** до нужного положения. Для дополнительной универсальности курковый пусковой выключатель **5** можно заблокировать в положении включения и изменять скорость при помощи одного регулятора скорости.

Регулятор скорости можно установить для работы в любой скорости от 800 до 2200 об/мин. Курковый пусковой выключатель затем управляет скоростью инструмента от нуля до настройки регулятора. Например: Регулятор скорости в положении 2200 об/мин позволяет курковому пусковому выключателю управлять инструментом в диапазоне от нуля до 2200 об/мин, в зависимости от степени нажатия на курковый пусковой выключатель.

Электронный регулятор скорости

Функция электронного регулятора скорости работает при полностью выжатом курковом пусковом выключателе, а инструмент работает в выбранной скорости, которая указана на регуляторе скорости.

По мере нагрузки инструмента посредством прижатия к обрабатываемой поверхности инструмент будет компенсировать за потерю на нагрузку и поддерживать выбранную скорость. Если скорость на регуляторе скорости составляет 2200 об/мин, то инструмент будет поддерживать скорость 2200 об/мин по мере нагрузки.

- Электронный регулятор скорости работает только тогда, когда курковый пусковой выключатель **5** полностью выжат.
- Эффективность электронного регулятора скорости особенно заметна на низких скоростях (1400 об/мин и ниже), чем на более высоких скоростях.

Стандартная полировальная машина, которая работает на обычной скорости без нагрузки 2200 об/мин, снижает скорость до 1800 об/мин во время полировальной нагрузки. Полировальная машина продолжит работать при 2200 об/мин (или при любой другой скорости, выбранной на регуляторе скорости) по мере увеличения нагрузки. Если инструмент работает слишком быстро, то снижайте скорость посредством куркового пускового выключателя или регулятора скорости.

Полировка (Рис. Е)

1. Возьмите инструмент за рукоятки и поднимите инструмент, не включая его.
2. Направьте инструмент в противоположную сторону от своего тела и нажмите на курковый пусковой выключатель.
3. Убедитесь, что вы крепко держите инструмент за рукоятки.
4. Равномерно двигайте инструмент по поверхности обрабатываемой детали, не надавливая на него.
5. Перед снятием инструмента с поверхности выключите его.

6. Проверяйте выполненную работу через короткие промежутки.

Дополнительную рукоятку **7** можно быстро установить с другой стороны инструмента для работы левой или правой рукой.

Будьте предельно внимательны во время механического полирования вокруг или поверх острых объектов и контуров. Очень важно равномерно распределять давление во время полирования разных частей кузова автомобиля. Например, при полировке острых краев панелей кузова или краев водосточного желоба вдоль верхней части кузова следует применять легкое давление.



ОСТОРОЖНО: *Высокоскоростное трение полирующего колпака по поверхности автомобиля может создавать заряды статического электричества на металлических деталях инструмента, что может привести к поражению электрическим током при соприкосновении.*

ТЕХНИЧЕСКОЕ ОБСЛУЖИВАНИЕ

Электроинструмент DEWALT имеет длительный срок эксплуатации и требует минимальных затрат на техобслуживание. Для длительной безотказной работы необходимо обеспечить правильный уход за инструментом и его регулярную очистку.



ВНИМАНИЕ: *Чтобы снизить риск получения серьезной травмы, необходимо выключить инструмент и отсоединить батарею, прежде чем выполнять какую-либо регулировку либо удалять/устанавливать какие-либо насадки или дополнительные принадлежности. Случайный запуск может привести к травме.*

Зарядное устройство и аккумуляторные батареи неремонтопригодны.



Смазка

Ваш электроинструмент не требует дополнительной смазки.



Чистка



ВНИМАНИЕ: *Выдувайте грязь и пыль из корпуса сухим сжатым воздухом по мере видимого скопления грязи внутри и вокруг вентиляционных отверстий. Выполняйте очистку, надев средство защиты глаз и респиратор утвержденного типа.*



ВНИМАНИЕ: *Никогда не используйте растворители или другие агрессивные химические средства для очистки неметаллических деталей инструмента. Эти химикаты могут ухудшить свойства материалов, примененных в данных деталях. Используйте ткань, смоченную в воде с мягким мылом. Не допускайте попадания какой-либо жидкости внутрь инструмента; ни в коем случае*

не погружайте какую-либо часть инструмента в жидкость.

Дополнительные принадлежности



ВНИМАНИЕ: *Поскольку принадлежности, отличные от тех, которые предлагает DEWALT, не проходили тесты на данном изделии, то использование этих принадлежностей может привести к опасной ситуации. Во избежание риска получения травмы, с данным продуктом должны использоваться только рекомендованные DEWALT дополнительные принадлежности.*

По вопросу приобретения дополнительных принадлежностей обращайтесь к Вашему дилеру.

Защита окружающей среды



Отдельная утилизация. Изделия и аккумуляторные батареи с данным символом на маркировке запрещается утилизировать с обычными бытовыми отходами.

Изделия и аккумуляторные батареи содержат материалы, которые могут быть извлечены или переработаны, снижая потребность в исходном сырье. Пожалуйста, утилизируйте электрические изделия и аккумуляторные батареи в соответствии с местными нормами. Дополнительная информация доступна по адресу www.2helpU.com.

Аккумуляторная батарея

Данную аккумуляторную батарею с длительным сроком эксплуатации необходимо перезаряжать, когда она перестает обеспечивать питание, необходимое для выполнения определенных работ. По окончании срока эксплуатации ее следует утилизировать, соблюдая при этом необходимые меры по защите окружающей среды:

- полностью разрядите батарею до конца и извлеките ее из инструмента;
- ионно-литиевые аккумуляторные батареи подлежат вторичной переработке. Сдайте их нашему дилеру или в местный центр вторичной переработки. В этих пунктах батареи будут подвергнуты повторной переработке или правильной утилизации.



Приложение к руководству по эксплуатации электрооборудования для определения месяца производства по номеру текущей календарной недели года

Электрооборудование торговых марок "Dewalt", "Stanley", "Stanley FatMAX", "BLACK+DECKER".

Директивы 2014/30/EU ЕВРОПЕЙСКОГО ПАРЛАМЕНТА И СОВЕТА от 26 февраля 2014 г. "О гармонизации законодательства Государств-членов ЕС в области электромагнитной совместимости", 2006/42/ЕС ЕВРОПЕЙСКОГО ПАРЛАМЕНТА И СОВЕТА от 17 мая 2006 г. "О машинах и оборудовании"; 2014/35/EU ЕВРОПЕЙСКОГО ПАРЛАМЕНТА И СОВЕТА от 26 февраля 2014 г. "О гармонизации законодательств государств-членов в области размещения на рынке электрооборудования, предназначенного для использования в определенных пределах напряжения". Серийный выпуск.

ТОВАР СЕРТИФИЦИРОВАН

Орган по сертификации "РОСТЕСТ-Москва". Адрес: 119049, г. Москва, улица Житная, д. 14, стр. 1; 117418, Москва, Нахимовский просп., 31 (фактический). Телефон: (499) 1292311, (495) 6682893, Факс: (495) 6682893, E-mail: office@rostest.ru
Изготовитель: Изготовитель: Блэк энд Деккер Холдингс ГмБХ, Германия, 65510, Идштайн, ул. Блэк энд Деккер, 40, тел. +496126212790.

Уполномоченное изготовителем юр.лицо:

ООО "Стэнли Блэк энд Деккер", 117485, город Москва, улица Обручева, дом 30/1, строение 2
Телефон: + 7 (495) 258-3981, факс: + 7 (495) 258-3984, E-mail: info@dewalt.com
Сведения о импортере указаны в сопроводительной документации и/или на упаковке

Хранение.

Необходимо хранить в сухом месте, вдали от источников повышенных температур и воздействия солнечных лучей. При хранении необходимо избегать резкого перепада температур. Хранение без упаковки не допускается

Срок службы.

Срок службы изделия составляет 5 лет. Не рекомендуется к эксплуатации по истечении 5 лет хранения с даты изготовления без предварительной проверки.

Дата изготовления (код даты) указана на корпусе инструмента. Код даты, который также включает год изготовления, отштампован на поверхности корпуса изделия.

Пример:

2014 46 XX, где 2014 – год изготовления, 46–неделя изготовления. Определить месяц изготовления по указанной неделе изготовления можно согласно приведенной ниже таблице.

Транспортировка.

Категорически не допускается падение и любые механические воздействия на упаковку при транспортировке. При разгрузке/погрузке не допускается использование любого вида техники, работающей по принципу зажима упаковки.

Перечень критических отказов, возможные ошибочные действия персонала.

Не допускается эксплуатация изделия:

- При появлении дыма из корпуса изделия
 - При поврежденном и/или оголенном сетевом кабеле
 - при повреждении корпуса изделия, защитного кожуха, рукоятки
 - при попадании жидкости в корпус
 - при возникновении сильной вибрации
 - при возникновении сильного искрения внутри корпуса
- Критерии предельных состояний.**
- При поврежденном и/или оголенном сетевом кабеле
 - при повреждении корпуса изделия

Месяц	Январь	Февраль	Март	Апрель	Май	Июнь	Июль	Август	Сентябрь	Октябрь	Ноябрь	Декабрь	Год производства
Неделя	1	5	9	14	18	23	27	31	36	40	44	49	2018
	2	6	10	15	19	24	28	32	37	41	45	50	
	3	7	11	16	20	25	29	33	38	42	46	51	
	4	8	12	17	21	26	30	34	39	43	47	52	
			13		22			35			48		
Неделя	1	6	10	14	18	23	27	31	36	40	45	49	2019
	2	7	11	15	19	24	28	32	37	41	46	50	
	3	8	12	16	20	25	29	33	38	42	47	51	
	4	9	13	17	21	26	30	34	39	43	48	52	
	5					22		35		44			
Неделя	1	6	10	14	19	23	27	32	36	40	45	49	2020
	2	7	11	15	20	24	28	33	37	41	46	50	
	3	8	12	16	21	25	29	34	38	42	47	51	
	4	9	13	17	22	26	30	35	39	43	48	52	
	5				18		31			44			
Неделя	2	6	10	14	19	23	27	32	36	41	45	49	2021
	3	7	11	15	20	24	28	33	37	42	46	50	
	4	8	12	16	21	25	29	34	38	43	47	51	
	5	9	13	17	22	26	30	35	39	44	48	52	
				18			31		40			1	
Неделя	2	6	10	15	19	23	28	32	36	41	45	49	2022
	3	7	11	16	20	24	29	33	37	42	46	50	
	4	8	12	17	21	25	30	34	38	43	47	51	
	5	9	13	18	22	26	31	35	39	44	48	52	
				14			27		40			1	

POLİSAJ MAKİNESİ

DCM849

Tebrikler!

Bir DEWALT aleti seçtiniz. Uzun süreli deneyim, sürekli ürün geliştirme ve yenilik DEWALT markasının profesyonel elektrikli alet kullanıcıları için en güvenilir ortaklardan birisi haline gelmesini sağlamaktadır.

Teknik Özellikleri

		DCM849
Voltaaj	V_{DC}	18
Tip		1
Akü tipi		Li-Ion
Yüksüz hız	min^{-1}	800–2200
Anma hızı	min^{-1}	2200
Maksimum taban çapı	mm	180
Mil		M14
Ağırlık (akü hariç)	kg	1,90

Bu standart uyarınca gürültü ve/veya titreşim değerleri (triaks vektör toplam): EN60745-2-

L_{PA} (ses basıncı düzeyi)	dB(A)	78
L_{WA} (akustik güç düzeyi)	dB(A)	89
K (akustik gücü belirsizliği)	dB(A)	3
Titreşim emisyon değeri $a_{r,P} <$	m/s^2	2,5
Belirsizlik K =	m/s^2	1,5

Bu bilgi sayfasında verilen titreşim ve/veya gürültü emisyonu düzeyi, EN60745'de belirtilen standart teste uygun olarak ölçülmüştür ve aletleri birbiriyle karşılaştırmak için kullanılabilir. Maruz kalmaya dönük bir ön değerlendirme olarak kullanılabilir.

UYARI: *Beyan edilen titreşim ve/veya gürültü emisyon düzeyi, aletin ana uygulamalarını yansıtır. Bununla birlikte alet farklı uygulamalar için, farklı aksesuarla veya yeterince bakım yapılmadan kullanıldığında, titreşim ve/veya gürültü emisyonu değişebilir. Bu, toplam çalışma süresindeki maruz kalma seviyesini önemli ölçüde artırabilir.*

Titreşim ve/veya gürültü maruz kalma seviyesine ilişkin bir tahminde bulunurken aletin kapalı kaldığı veya çalıştığı ancak gerçekte işi yapmadığı zamanlar da dikkate alınmalıdır. Bu, toplam çalışma süresindeki maruziyet düzeyini önemli ölçüde azaltabilir.

Operatörü titreşim ve/veya gürültünün etkilerinden korumak için aşağıdakiler gibi ilave güvenlik önlemleri tanımlayın: aleti ve aksesuarları iyi koruyun, ellerinizi sıcak tutun (titreşim için uygundur), çalışma sürelerini iyi organize edin.

AT Uygunluk Beyanatı

Makine Direktifi



Polisaj Makinesi DCM849

DEWALT, **Teknik Özellikleri** bölümünde açıklanan bu ürünlerin aşağıda belirtilen yönergelere uygun olduğunu beyan eder: 2006/42/AT, EN60745-1:2009+A11:2010, EN60745-2-3:2011 +A2:2013 +A11:2014+A12:2014 +A13:2015.

Bu ürünler ayrıca 2014/30/EU ve 2011/65/EU Direktiflerine de uygundur. Daha ayrıntılı bilgi için, lütfen aşağıdaki adresten DEWALT ile temas kurun veya kılavuzun arka kapağına bakın.

Bu belge altında imzası bulunan yetkili, teknik dosyanın derlenmesinden sorumludur ve bu beyanı DEWALT adına vermiştir.

Markus Rompel
PTE-Avrupa, Mühendislik Birimi Genel Müdür Yardımcısı
DEWALT, Richard-Klinger-Straße 11,
D-65510, Idstein, Almanya
12.09.2019



UYARI: Yaralanma riskini azaltmak için, kullanım kılavuzunu okuyun.

Tanımlar: Güvenlik Talimatları

Aşağıdaki tanımlar her işaret sözcüğü ciddiyet derecesini gösterir. Lütfen kılavuzu okuyunuz ve bu simgelere dikkat ediniz.



TEHLİKE: Engellenmemesi halinde ölüm veya ciddi yaralanma ile sonuçlanabilecek çok yakın bir tehlikeli durumu gösterir.



UYARI: Engellenmemesi halinde ölüm veya ciddi yaralanma ile sonuçlanabilecek potansiyel bir tehlikeli durumu gösterir.



DİKKAT: Engellenmemesi halinde önemsiz veya orta dereceli yaralanma ile sonuçlanabilecek potansiyel bir tehlikeli durumu gösterir.

İKAZ: Engellenmemesi halinde maddi hasara neden olabilecek, yaralanma ile ilişkisi olmayan durumları gösterir.



Elektrik çarpması riskini belirtir.



Yangın riskini belirtir.

Aküler				Şarj Aletleri/Şarj Süreleri (Dakika)							
Kat. #	V _{DC}	Ah	Ağırlık (kg)	DCB104	DCB107	DCB112	DCB113	DCB115	DCB118	DCB132	DCB119
DCB546	18/54	6,0/2,0	1,05	60	270	170	140	90	60	90	X
DCB547	18/54	9,0/3,0	1,46	75*	420	270	220	135*	75*	135*	X
DCB548	18/54	12,0/4,0	1,44	120	540	350	300	180	120	180	X
DCB181	18	1,5	0,35	22	70	45	35	22	22	22	45
DCB182	18	4,0	0,61	60/40**	185	120	100	60	60/40**	60	120
DCB183/B	18	2,0	0,40	30	90	60	50	30	30	30	60
DCB184/B	18	5,0	0,62	75/50**	240	150	120	75	75/50**	75	150
DCB185	18	1,3	0,35	22	60	40	30	22	22	22	X
DCB187	18	3,0	0,54	45	140	90	70	45	45	45	90
DCB189	18	4,0	0,54	60	185	120	100	60	60	60	120

*Veri kodu 201811475B veya sonrası

**Veri kodu 201536 veya sonrası

ELEKTRİKLİ EL ALETLERİ İÇİN GENEL GÜVENLİK TALİMATLARI



UYARI: Bu elektrikli aletle verilen tüm güvenlik uyarılarını, talimatları, resimleri ve teknik özellikleri okuyun. Aşağıda listelenen tüm talimatlara uyulmaması elektrik çarpmasına, yangına ve/veya ciddi yaralanmalara neden olabilir.

BÜTÜN UYARI VE GÜVENLİK TALİMATLARINI İLERİDE BAKMAK ÜZERE SAKLAYIN

Uyarılarda yer alan «elektrikli alet» terimi şebeke elektrifiyle (kablolu) veya akü/pille (şarjlı) çalışan elektrikli aletinizi ifade etmektedir.

1) Çalışma alanının Güvenliği

- Çalışma alanını temiz ve aydınlık tutun.** Karışık ve karanlık alanlar kazaya davetiye çıkarır.
- Elektrikli aletleri, yanıcı sıvılar, gazlar ve tozların bulunduğu yerler gibi yanıcı ortamlarda çalıştırmayın.** Elektrikli aletler, toz veya dumanları ateşleyebilecek kıvılcımlar çıkarır.
- Bir elektrikli aleti çalıştırırken çocuklardan ve etraftaki kişilerden uzak tutun.** Dikkatinizi dağıtıcı şeyler kontrolü kaybetmenize neden olabilir.

2) Elektrik Güvenliği

- Elektrikli aletlerin fişleri prizlere uygun olmalıdır.** Fiş üzerinde kesinlikle hiçbir değişiklik yapmayın. Topraklı elektrikli aletlerde hiçbir adaptör fişi kullanmayın. Değiştirilmemiş fişler ve uygun prizler elektrik çarpması riskini azaltacaktır.
- Borular, radyatörler, ocaklar ve buzdolapları gibi topraklanmamış yüzeylerle vücut temasından kaçının.** Vücudunuzun topraklanması halinde yüksek bir elektrik çarpması riski vardır.
- Elektrikli aletleri yağmura maruz bırakmayın veya ıslatmayın.** Elektrikli alete su girmesi elektrik çarpması riskini arttıracaktır.
- Elektrik kablosunu uygun olmayan amaçlarla kullanmayın.** Elektrikli aleti kesinlikle kablosundan

tutarak taşımayın, çekmeyin veya prizden çıkartmayın. Kabloyu sıcağıktan, yağdan, keskin kenarlardan veya hareketli parçalardan uzak tutun. Hasarlı veya dolaşmış kablolar elektrik çarpması riskini artırır.

- Elektrikli bir aleti açık havada çalıştırıyorsanız, açık havada kullanıma uygun bir uzatma kablosu kullanın.** Açık havada kullanıma uygun bir kablolu kullanılması elektrik çarpması riskini azaltır.
- Eğer bir elektrikli aletin nemli bir bölgede çalıştırılması zorunluysa, bir artık akım aygıtı (RCD) korumalı bir kaynak kullanın.** Bir RCD kullanılması elektrik şoku riskini azaltır.

3) Kişisel Güvenlik

- Elektrikli bir aleti kullanırken her zaman dikkatli olun, yaptığınız işe yoğunlaşın ve sağduyulu davranın.** Elektrikli bir aleti yorgunken veya ilaç ya da alkolün etkisi altındayken kullanmayın. Elektrikli aletleri kullanırken bir anlık dikkatsizlik ciddi kişisel yaralanmayla sonuçlanabilir.
- Kişisel koruyucu ekipmanları mutlaka kullanın. Daima koruyucu gözlük takın.** Koşullara uygun toz maskesi, kaymayan güvenlik ayakkabıları, baret veya kulaklık gibi koruyucu donanımların kullanılması kişisel yaralanmaları azaltacaktır.
- İstem dışı çalıştırılmasını önleyin. Aleti güç kaynağına ve/veya aküye bağlamadan, yerden kaldırmadan veya taşımadan önce düğmenin kapalı konumda olduğundan emin olun.** Aleti, parmağınız düğme üzerinde bulunacak şekilde taşımak veya açık konumdaki elektrikli aletleri elektrik şebekesine bağlamak kazaya davetiye çıkarır.
- Elektrikli aleti açmadan önce tüm ayarlamaları anahtarlarını çıkartın.** Elektrikli aletin hareketli bir parçasına takılı kalmış bir anahtar kişisel yaralanmaya neden olabilir.
- Ulaşmakta zorlandığımız yerlerde kullanmayın. Daima sağlam ve dengeli basın.** Bu, beklenmedik

durumlarda elektrikli aletin daha iyi kontrol edilmesine olanak tanır.

- f) **Uygun şekilde giyinin. Bol elbiseler giymeyin ve takı takmayın. Saçınızı, elbiselerinizi ve eldivenlerinizi hareketli parçalardan uzak tutun.** Bol elbiseler ve takılar veya uzun saç hareketli parçalara takılabilir.
- g) **Eğer kullandığınız üründe toz emme ve toplama özellikleri olan ataşmanlar varsa bunların bağlı olduğundan ve doğru şekilde kullanıldığından emin olun.** Bu ataşmanların kullanılması tozla ilgili tehlikeleri azaltabilir.
- h) **Aletlerin sık kullanımı sonucu oluşan aşınalığın keyfi davranışta bulunmanıza ve aletle ilgili güvenlik ilkeleri ihmal etmenize neden olmasına izin vermeyin.** Dikkatsiz bir hareket bir anda ciddi yaralanmalara neden olabilir.

4) Elektrikli Aletlerin Kullanımı ve Bakımı

- a) **Elektrikli aleti zorlamayın. Uygulamanız için doğru elektrikli aleti kullanın.** Doğru elektrikli alet, belirlediği kapasite ayarında kullanıldığında daha iyi ve güvenli çalışacaktır.
- b) **Düğme açmıyor ve kapatmıyorsa elektrikli aleti kullanmayın.** Düğmeyle kontrol edilemeyen tüm elektrikli aletler tehlikelidir ve tamir edilmesi gerekmektedir.
- c) **Herhangi bir ayar, aksesuar değişimi veya elektrikli aletlerin saklanması öncesinde fişi güç kaynağından çekin ve/veya eğer demonte edilebilir tipte ise, bataryayı aletten ayırın.** Bu tür önleyici güvenlik tedbirleri elektrikli aletin istem dışı olarak çalıştırılması riskini azaltacaktır.
- d) **Elektrikli aleti, çocukların ulaşamayacağı yerlerde saklayın ve elektrikli aleti tanımayan veya bu talimatları bilmeyen kişilerin elektrikli aleti kullanmasına izin vermeyin.** Elektrikli aletler, eğitimsiz kullanıcıların elinde tehlikelidir.
- e) **Elektrikli aletleri iyi durumda muhafaza edin. Hareketli parçalardaki hizalama hatalarını ve tutuklukları, parçalardaki kırılmalar ve elektrikli aletin çalışmasını etkileyebilecek tüm diğer koşulları kontrol edin. Hasarlı ise, elektrikli aleti kullanmadan önce tamir ettirin.** Kazaların çoğu, elektrikli aletlerin bakımının yeterli şekilde yapılmamasından kaynaklanır.
- f) **Kesim aletlerini keskin ve temiz tutun.** Bakımı uygun şekilde yapılmış keskin kesim uçlu kesim aletlerinin sıkışma ihtimali daha düşüktür ve kontrol edilmesi daha kolaydır.
- g) **Elektrikli aleti, aksesuarlarını ve aletin diğer parçalarını kullanırken bu talimatlara mutlaka uyun ve çalışma ortamının koşullarını ve yapılacak işin ne olduğunu göz önünde bulundurun.** Elektrikli aletin öngörülen işlemler dışındaki işlemler için kullanılması tehlikeli durumlara neden olabilir.
- h) **Tüm tutamakları ve tutma yerlerini kuru, temiz ve üzerinde yağ ile gres bulunmayacak şekilde muhafaza edin.** Kaygan tutamaklar ve tutma yerleri,

beklenmedik durumlarda aletin güvenli bir şekilde tutulması ve kontrol edilmesine izin vermez.

5) Şarjlı Aletlerin kullanımı ve bakımı

- a) **Sadece üretici tarafından belirtilen şarj cihazı ile şarj edin.** Bir akü tipine uygun bir şarj cihazı başka tipte bir aküyü şarj etmek için kullanıldığında yangın riski yaratabilir.
- b) **Elektrikli aletleri yalnızca özel olarak tanımlanmış akülerle kullanın.** Başka akülerin kullanılması yaralanma ve yangın riskine yol açabilir.
- c) **Akü kullanımda değilken, ataç, bozuk para, anahtar, çivi, vida veya terminaller arasında kontağa neden olabilecek diğer küçük metal nesnelere uzak tutulmalıdır.** Akü terminallerinin birbirine kısa devre yapılması yanıklara veya yangına neden olabilir.
- d) **Uygun olmayan koşullarda, akü sıvı sızıntısı yapabilir; sıvıya temas etmekten kaçının. Kazara temas etmeniz halinde suyla yıkayın. Sıvı, gözlerinize temas ederse, ayrıca bir doktora başvurun.** Aküden sıvı sızması tahriş veya yanıklara neden olabilir.
- e) **Hasarlı ya da modifiye edilmiş bir batarya veya aleti kullanmayın.** Hasarlı ya da modifiye edilmiş bataryalar yangın, patlama veya yaralanma riskiyle sonuçlanan beklenmedik durumlara neden olabilir.
- f) **Bir batarya veya aleti ateşe veya aşırı ısıya maruz bırakmayın.** 130 °C üzeri ısı veya ateşe maruz kalması patlamaya neden olabilir.
- g) **Tüm şarj talimatlarına uyun ve talimatlarda belirtilen sıcaklık aralığı dışında batarya veya aleti şarj etmeyin.** Doğru olmayan şekilde veya belirtilen aralık dışındaki sıcaklıklarda şarj edilmesi bataryaya hasar verebilir ve yangın riskini artırabilir.

6) Servis

- a) **Elektrikli aletinizi, sadece orijinal yedek parçaların kullanıldığı yetkili DEWALT servisine tamir ettirin.** Bu, elektrikli aletin güvenliğinin muhafaza edilmesini sağlayacaktır.
- b) **Hasar görmüş bataryalara asla servise bulunmayın.** Bataryaların servisi sadece üretici veya yetkili servis tarafından yapılabilir.

İLAVE ÖZEL GÜVENLİK KURALLARI

Tüm İşlemler için Güvenlik Talimatları

- a) **Bu elektrikli alet polisaj makinesi olarak kullanılmak üzere tasarlanmıştır. Bu elektrikli aletle verilen tüm güvenlik uyarılarını, talimatları, resimleri ve teknik özellikleri okuyun.** Aşağıda listelenen tüm talimatlara uyulmaması elektrik çarpmasına, yangına ve/veya ciddi yaralanmalara neden olabilir.
- b) **Bu elektrikli aletle taşlama, satinaj veya kesim türü işlemlerin yapılması tavsiye edilmez.** Elektrikli aletin kullanım amacı dışındaki işlemler tehlike yaratarak yaralanmalara neden olabilir.

- c) **Üretici firma tarafından özel olarak tasarlanmamış ve tavsiye edilmemiş aksesuarları kullanmayın.**
Aksesuarın elektrikli aletinize takılabiliyor olması güvenli çalışacağını garanti etmez.
- d) **Aksesuarın nominal hızı en az elektrikli alet üzerinde yazan maksimum hıza eşit olmalıdır. İlgili nominal hızından daha hızlı çalışan aksesuarlar kırılabilir ve etrafa saçılabilir.**
- e) **Aksesuarınızın dış çapı ve kalınlığı elektrikli aletinizin kapasite değerleri dahilinde olmalıdır.**
Boyutu hatalı olan aksesuarlar yeterli derecede korunamaz ve kontrol edilemezler.
- f) **Aksesuarların dişli montajı, taşlama makinesinin mil dişine uymalıdır. Flanşlarla monte edilen aksesuarlar için, aksesuarın mil çaplarının flanjin yerleştirme çapına uyması gerekmektedir.** Elektrikli aletin montaj donanımına uymayan aksesuarlar dengesiz çalışır, aşırı titreşim yapar ve kontrolü kaybetmeye neden olabilir.
- g) **Hasar görmüş olan bir aksesuarı kullanmayın. Her kullanımdan önce aksesuarları inceleyin, örneğin aşındırıcı diski talaş ve çatlaklara karşı, disk tabanı çatlak, kopma ya da aşırı kullanıma karşı, tel fırçayı gevşek ya da kırık tellere karşı kontrol edin. Elektrikli alet ya da aksesuar düşürülürse, hasar olup olmadığını kontrol edin ya da sağlam aksesuar takın. Aksesuarın incelenmesi ve monte edilmesinden sonra, kendinizi ve etraftaki insanları dönen aksesuar düzleminde uzakta tutun ve bir dakika boyunca elektrikli aleti boşta ve maksimum hızda çalıştırın. Bu test süresince hasarlı aksesuarlar normal olarak kırılarak dağılacaktır.**
- h) **Koruyucu ekipman kullanın. Uygulamaya bağlı olarak yüz siperi veya güvenlik gözlüğü kullanın. Duruma bağlı olarak toz maskesi, kulaklık, eldiven ve aşındırıcı maddeleri ya da işleme tabi tutulan parçaları durdurabilecek iş önlüğü kullanın. Göz koruyucu, çeşitli işlemlerin neden olduğu uçan parçacıkları durdurabilecek özellikte olmalıdır. Toz maskesi veya solunum aygıtı, yaptığınız işlemin neden olduğu parçacıkları filtreleyebilecek özellikte olmalıdır. Yüksek yoğunluklu gürültüye uzun süre maruz kalınması, işitme kaybına yol açabilir.**
- i) **Etrafta bulunanların çalışma alanından güvenli bir mesafede durmalarını sağlayın. Çalışma alanına giren herkes koruyucu ekipman giymelidir.** İş parçasının veya kırılan bir aksesuarın parçaları uçarak çalışılan alanın hemen yakınında bulunanların yaralanmasına neden olabilir.
- j) **Elektrik kablounu dönen aksesuardan uzak tutun.** Kontrolü kaybetmeniz durumunda kablo kesilerek elinizin veya kolunuzun dönen aksesuara çekilmesine neden olabilir.
- k) **Aksesuar tam olarak durmadan elektrikli aleti asla yere koymayın.** Dönen aksesuar yüzeyi kaparak elektrikli aletin kontrolünüzden çıkmasına neden olabilir.

- l) **Elektrikli aleti sağınızda veya solunuzda taşıırken çalıştırmayın.** Kaza ile temas halinde, dönen aksesuar giysinize takılabılır, aksesuarı vücudunuza doğru çekebilir.
- m) **Elektrikli aletin havalandırma deliklerini düzenli olarak temizleyin.** Motor fanı tozu gövdenin içine çeker ve toz metallerin aşırı miktarda birikmesi elektrik hasarlarına yol açabilir.
- n) **Elektrikli aleti yanıcı malzemelerin yanında çalıştırmayın.** Kıvılcımlar bu malzemelerin tutuşmasına neden olabilir.
- o) **Sıvı soğutucu gerektiren aksesuarları kullanmayın.** Su veya başka soğutma sıvılarının kullanılması elektrik çarpmasına neden olabilir.
- p) **Daima yan tutamağı kullanın. Tutamağı iyice sıkın.** Aleti sürekli kontrol altında tutmak için yan tutamak daima kullanılmalıdır.

TÜM İŞLEMLER İÇİN EK GÜVENLİK TALİMATLARI

Geri Tepmenin Nedenleri ve Önlenmesi

Geri tepme, dönen diskin, zımpara tabanının, fırçanın veya başka bir aksesuarın sıkışma veya takılmaya karşı gösterdiği reaksiyondur. Sıkışma veya takılma dönen aksesuarın aniden durmasına neden olur, bu daha sonra kontrolsüz elektrikli aletin bağlanma noktasında, aksesuarın dönme yönünün tersine doğru zorlanmasına yol açar.

Örneğin, bir aşındırıcı diskin işleme tabi tutulan parçaya takılması ya da sıkışması durumunda sıkışma noktasına giren disk kenarı malzemenin yüzeyini kazıyarak diskin yükselmesine ya da fırlamasına neden olabilir. Disk, sıkışma noktasındaki hareket yönüne bağlı olarak kullanıcıya doğru veya kullanıcıdan uzağa fırlayabilir. Aşındırıcı diskler ayrıca bu koşullar altında kırılabilir.

Geri tepme, aletin yanlış kullanılmasında ve/veya hatalı kullanma prosedür veya şartlarından kaynaklanır ve aşağıda verilen uygun tedbirler alınarak önlenebilir:

- a) **Elektrikli aleti sağlam bir şekilde tutun ve vücudunuz ile kolunuzu geri tepme güçlerine dayanacak şekilde yerleştirin. Geri tepmeye veya başlama sırasında tork tepkisine karşı her zaman varsa yardımcı tutamağı kullanın.** Gerekli tedbirlerin alınması durumunda kullanıcı tork tepkisini veya geri tepme güçlerini kontrol edebilir.
- b) **Elinizi daima dönen aksesuardan uzak tutun.** Aksesuar elinizin üzerinde geri tepebilir.
- c) **Vücudunuzu, geri tepme olması halinde elektrikli aletin hareket edebileceği alana yerleştirmeyin.** Geri tepme aleti, sıkışma noktasındaki taş hareketinin aksi yönünde itecektir.
- d) **Köşelerde, keskin kenarlarda vs. çalışırken özel dikkat gösterin. Aksesuarın zıplamasına veya takılmasına engel olun.** Köşeler, keskin kenarlar veya zıplama, dönen aksesuarın takılmasına neden olarak kontrolün kaybolmasına veya geri tepmeye yol açabilir.

- e) **Zincirli testere bıçağı veya dişli testere bıçağı takmayın.** Bu tür bıçaklar sık sık geri tepme yaparak kontrol kaybına neden olur.

Polisaj İşleri için Özel Güvenlik Uyarıları

- a) **Polisaj başlığında veya bağlı iplerinde gevşek parça bırakmayın. Bağlı ipleri gizleyin veya kısaltın.** Gevşek ve dönen bağlı ipler parmaklarınızı kapabilir veya iş parçasına sarılabılır.

Polisaj Makineleri için Ek Özel Güvenlik

Talimatları

- **Özellikle ağır kullanımdan sonra aletinizi sık sık temizleyin.** Metal içeren toz ve parçacıklar sık sık iş yüzeylerde birikir ve elektrik şoku tehlikesine neden olabilir.
- **Bu aleti uzun süre çalıştırmayın.** Çalışma hareketinin neden olduğu titreşim parmak, el ve kollarda kalıcı yaralanmaya neden olabilir. Fazladan koruma sağlamak için eldiven kullanın, sık sık dinlenin ve günlük kullanma zamanını sınırlayın.
- **Havalandırma delikleri genellikle hareketli parçaların üstünü örter ve bunlardan kaçınılmalıdır.** Bol elbiseler ve takılar veya uzun saç hareketli parçalara takılabilir.
- **Kullanılmadığında ve herhangi bir güç kaynağına bağlanmadan veya batarya takmadan önce, düğmenin kilitli konumda olduğundan emin olun.**

Diğer Tehlikeler

Emniyet tedbirlerini düzenleyen yönetmeliğin uygulanmasına ve emniyet sağlayıcı aygıtların kullanılmasına rağmen, başka belirli risklerden kaçınılamaz. Bunlar:

- Duyma bozukluğu.
- Sıçrayan parçacıklardan kaynaklanan yaralanma riski.
- Çalışma sırasında ısınan aksesuarlardan kaynaklanan yanık tehlikesi.
- Uzun süreli kullanımdan kaynaklanan yaralanma riski.


BU TALİMATLARI SAKLAYIN

Şarj Cihazları

DEWALT şarj cihazlarının ayara ihtiyacı yoktur ve olabildiğince kolay çalıştırılmak üzere tasarlanmıştır.

Elektrik Güvenliği

Elektrik motoru, sadece tek bir gerilim ile çalışacak şekilde ayarlanmıştır. Her zaman akü voltajının aletin üretim etiketinde belirtilmiş değerlere uyup uymadığını kontrol edin. Aynı zamanda şarj cihazının voltajının ana şebeke voltajınızla aynı olduğundan emin olun.

 DEWALT şarj cihazını EN60335 standardına uygun olarak çift yalıtımlıdır; bu nedenle, topraklama kablosuna gerek yoktur.

Güç kablosu hasarlıysa, DEWALT yetkili servisinden temin edilebilen özel olarak hazırlanmış bir kabloyla değiştirilmelidir.

Uzatma Kablolarının Kullanımı

Kesinlikle gerekli olmadıkça bir uzatma kablosu kullanılmamalıdır. Daima şarj cihazınızın elektrik girişine uygun (**Teknik Özellikleri** bölümüne bakın), onaylı bir uzatma kablosu kullanın. Minimum iletken boyutu 1 mm²'dir; maksimum uzunluk 30 m'dir.

Bir kablo makarası kullanırken, kabloyu daima sonuna kadar açın.

Tüm Akü Şarj Cihazları İçin Önemli Güvenlik Talimatları

BU TALİMATLARI SAKLAYIN: Bu kılavuz uyumlu şarj cihazları hakkında önemli güvenlik ve çalıştırma talimatları içerir (**Teknik Özellikleri** bölümüne bakın).

- **Şarj cihazını kullanmadan önce şarj cihazının, akünün ve üründe kullanılan akünün üzerindeki talimatları ve uyarıcı işaretleri okuyun.**



UYARI: Elektrik çarpması tehlikesi. Şarj cihazının içine sıvı kaçmasına izin vermeyin. Elektrik çarpmasına neden olabilir.



UYARI: Alet, 30mA akımı aşmayan akım kesici cihazla beraber kullanılmaya tavsiye edilir.



DİKKAT: Yanma tehlikesi. Yaralanma riskini azaltmak için, yalnızca DEWALT şarj edilebilir akülerini şarj edin. Diğer akü tipleri patlayarak yaralanmanıza veya hasar meydana gelmesine yol açabilir.



DİKKAT: Çocuklar, cihazla oynamalarını önlemek amacıyla kontrol altında tutulmalıdır.

İKAZ: Belirli koşullar altında, şarj cihazı güç kaynağına takılıyken, şarj içindeki açık şarj kontakları yabancı maddeler tarafından kısa devre yapılabilir. Bunlarla sınırlı olmamak kaydıyla iletken nitelikteki çelik yünü, alüminyum folyo veya metal parçacık birikimi gibi yabancı maddeler şarj cihazının yuvalarından uzak tutulmalıdır. Yuvalarda akü yokken şarj cihazını daima güç kaynağından çıkarın. Şarj cihazının fişini temizlemeyen önce çıkarın.

- **Aküyü bu kılavuzdaki şarj cihazlarından başka cihazlarla şarj etmeye ÇALIŞMAYIN.** Şarj cihazı ve akü özellikle birlikte çalışacak şekilde tasarlanmıştır.
- **Bu şarj cihazları DEWALT şarj edilebilir akülerini şarj etmekten başka kullanımlar için tasarlanmamıştır.** Başka kullanımlar yarıya veya elektrik çarpmasına yol açabilir.
- **Şarj cihazını yağmura veya kara maruz bırakmayın.**
- **Şarj cihazını fişten çıkarırken kablodan değil fişten tutarak çekin.** Bu, elektrik fişine ve kablosuna hasar verilmesine riskini azaltır.
- **Kablonun üzerine basılmayacak, ortalıkta gezinmeyecek veya başka şekilde hasara ve gerginliğe maruz kalmayacak şekilde yerleştirildiğinden emin olun.**
- **Kesinlikle gerekli olmadıkça uzatma kablosu kullanmayın.** Yanlış uzatma kablosu kullanımı yangın veya elektrik çarpmasına neden olabilir.
- **Şarj cihazının üzerine herhangi bir eşya koymayın veya şarj cihazını havalandırma deliklerini kapatıp aşırı iç sıcaklığa neden olabilecek yumuşak bir yüzeye**

yerleştirmeyin. Şarj cihazını herhangi bir ısı kaynağından uzaktaki bir yere koyun. Şarj cihazı muhafazanın üstündeki ve altındaki delikler aracılığıyla havalandırılır.

- **Şarj cihazını hasarlı kordon veya fişle çalıştırmayın—** bunları derhal değiştirin.
- **Şarj cihazını sert bir darbe aldıysa, düştüyse veya herhangi bir şekilde hasar gördüyse çalıştırmayın.** Yetkili bir servis merkezine götürün.
- **Şarj cihazını sökmeyin; servis veya onarım gerektiğinde yetkili bir servis merkezine götürün.** Yanlış yeniden takma elektrik çarpmasına veya yangına yol açabilir.
- **Elektrik kablosu hasarlı ise, bir tehlike oluşmasını önlemek için üretici ya da yetkili Servis Merkezi tarafından değiştirilmelidir.**
- **Herhangi bir temizlik işlemi yapmadan önce şarj cihazının fişini prizden çekin. Bu, elektrik çarpması riskini azaltır.** Aküyü çıkarmak bu riski azaltmaz.
- **ASLA 2 şarj cihazını bir arada bağlamaya çalışmayın.**
- **Şarj cihazı standart 230 V ev elektrik gücüyle çalışmak üzere tasarlanmıştır. Başka herhangi bir voltaj ile kullanmayı denemeyin.** Bu araba şarj cihazı için geçerli değildir.



Bir Bataryanın Şarj Edilmesi (Şek. [Fig.] B)

1. Bataryayı takmadan önce şarj cihazını uygun prize takın.
2. Bataryayı 1 şarj cihazına takın, bataryanın şarj cihazına tamamen oturduğundan emin olun. Devamlı yanıp sönen kırmızı (şarj) ışık, şarj işleminin başladığını gösterir.
3. Şarjın tamamlandığı, kırmızı ışığın sürekli yanmasyela belirtilir. Batarya tam olarak şarj edildikten sonra hemen kullanılabilir veya şarj cihazından bırakılabilir. Bataryayı şarj cihazından çıkarmak için, bataryanın üzerindeki batarya bırakma düğmesine 2 basın.

NOT: Lityum iyon bataryalardan maksimum performans almak ve bataryaların kullanım ömrünü uzatmak için, ilk kullanım öncesinde tam olarak şarj edin.

Şarj Cihazının Çalışması

Bataryanın şarj durumu için aşağıdaki göstergelere bakın.

Şarj ışıkları	
 şarj ediliyor	
 tamamen şarj oldu	
 sıcak/soğuk akü gecikmesi*	

*Bu işlem esnasında kırmızı ışık yanıp sönmeye devam edecek, fakat bir sarı ışık da yanacaktır. Akü uygun bir sıcaklığa ulaştığında, sarı ışık kapanacak ve şarj aleti şarj işlemine devam edecektir.

Uyumlu şarj cihazı arızalı bir aküyü şarj etmeyecektir. Şarj cihazı lambası yanmayarak arızalı bir bataryayı gösterecektir.

NOT: Bu aynı zamanda şarj cihazının arızalı olduğu anlamına da gelebilir.

Şarj cihazı bir sorun gösteriyorsa, şarj cihazını ve akü takımını test edilmek üzere yetkili bir servis merkezine gönderin.

Sıcak/Soğuk Paket Gecikmesi

Şarj aleti çok sıcak veya çok soğuk bir batarya tespit ettiğinde, otomatik olarak Sıcak/Soğuk Gecikmesini başlatarak batarya uygun sıcaklığa gelene kadar şarjı durdurur. Şarj aleti sonrasında otomatik olarak şarj moduna geçer. Bu özellik maksimum batarya ömrünü garanti eder.

Soğuk bir batarya sıcak bir bataryaya göre daha yavaş bir hızla şarj olacaktır. Akü takımı tüm şarj döngüsü boyunca daha yavaş bir hızda şarj olacaktır ve akü ısındığında bile maksimum şarj oranına geri dönmeyecektir.

DCB118 şarj cihazında bataryayı soğutmak için tasarlanmış bir dahili fan bulunmaktadır. Bataryanın soğutulması gerektiğinde bu fan otomatik olarak devreye girecektir. Fan doğru şekilde çalışmıyorsa veya havalandırma yuvaları tıkanmışsa şarj cihazını kesinlikle kullanmayın. Şarj cihazının içerisine yabancı maddelerin girmesine izin vermemeyin.

Elektronik Koruma Sistemi

XR Li-Ion cihazları aşırı yük, aşırı ısınma veya tamamen boşalmadan koruyacak bir Elektronik Koruma Sistemi ile birlikte tasarlanmıştır.

Elektronik Koruma Sistemi devreye girerse alet otomatik olarak kapatılacaktır. Bu durum gerçekleşirse lityum iyon aküyü tamamen şarj olana dek bir şarj cihazının üzerine koyun.

Duvara Montaj

Bu şarj cihazları duvara monte edilebilir veya bir masa veya çalışma tezgahı üzerinde yukarı doğru durabilir şekilde tasarlanırlar. Duvara monte edilecek şarj aletini bir elektrik prizinin yakınında veya bir köşe veya hava akımını engelleyebilecek diğer engellerden uzakta konumlandırın. Şarj cihazının arka tarafını montaj vidalarının duvar üzerindeki yerini belirlemek amacıyla şablon olarak kullanın. Şarj aletini (ayrıca satın alınan) en az 25,4 mm uzunluğunda ve 7–9 mm bir vida başı çapına sahip, ahşap üzerine vidalandığında vida başının açıkta olan kısmı yaklaşık 5,5 mm optimal bir derinlik bırakacak şekilde vidalayarak monte edin. Şarj cihazının arkasındaki yuvaları vidaların açıkta olan kısımlarıyla hizalayın ve onları yuvalara tam olarak oturtun.

Şarj Cihazı Temizlik Talimatları

UYARI: Elektrik çarpması tehlikesi. Temizlik öncesinde AC çıkışı bağlantısını kesin. Şarj cihazının dış yüzeyindeki kir ve yağ bir bez parçası yada metal olmayan bir fırça kullanılarak çıkarılabilir. Su veya temizlik solüsyonları kullanmayın. Aletin içine herhangi bir sıvının girmesine izin vermemeyin; aletin herhangi bir parçasını bir sıvı içine daldırmayın.

Akü

Tüm Aküler İçin Önemli Güvenlik Talimatları

Yedek aküleri sipariş ederken, katalog numarasını ve voltajı eklediğinizden emin olun.

Akü, kutudan şarjı dolu olarak çıkmaz. Aküyü ve şarj cihazını kullanmadan önce, aşağıdaki güvenlik talimatlarını dikkatlice okuyun. Daha sonra belirtilen şarj işlemlerini uygulayın.

TÜM TALİMATLARI OKUYUN

- **Aküyü yanıcı sıvılar, gazlar ve tozların bulunduğu yerler gibi yanıcı ortamlarda şarj etmeyin veya kullanmayın.**

Aküyü şarj cihazına takmak veya cihazdan çıkarmak toz veya dumanları tutuşturabilir.

- **Aküyü şarj cihazının içine doğru zorlamayın. Akü kırılarak ciddi kişisel yaralanmaya neden olabileceğinden akünün üzerinde hiçbir şekilde uyumsuz bir şarj cihazına uydurmak için değişiklik yapmayın.**
- Aküleri yalnızca DeWALT şarj cihazlarında şarj edin.
- **Su veya diğer sıvıları sıçratmayın veya bunlara DALDIRMAYIN.**
- **Aleti ve bataryayı, sıcaklığın 4 °C'nin (34 °F) altına düşüğü (örneğin, kışın kulübeler veya metal yapıların dışında) veya 40 °C'nin (104 °F) üzerine ulaştığı yerlerde (örneğin, yazın kulübeler veya metal yapıların dışında) depolamayın veya kullanmayın.**
- **Önemli ölçüde hasarlı veya tamamen eskimiş olsa bile aküyü ateşe atmayın.** Akü ateşe atılırsa patlayabilir. Lityum iyon aküler yanınca zehirli buharlar ve materyaller açığa çıkar.
- **Akü içeriği cildinizle temas ederse, etkilenen alanı derhal yumuşak bir sabun ve suyla yıkayın.** Akü sıvısı gözlerinize bulaşırsa, gözünüzü açık tutarak 15 dakika boyunca veya tahriş hissi geçene kadar suyla yıkayın. Tıbbi yardım gerekirse, akü elektroliti sıvı organik karbonatlar ve lityum tuzları karışımından oluşmaktadır.
- **Açılan akü hücrelerinin içeriği solunum yolunu tahriş edebilir.** Ortama temiz hava girmesini sağlayın. Belirtiler geçmezse tıbbi yardım alın.



UYARI: Yanık tehlikesi. Akü sıvısı kıvılcıma veya ateşe maruz kalırsa yanıcı olabilir.



UYARI: Aküyü hiçbir nedenle asla açmayın. Akünün muhafazası çatırsa veya hasar görürse, şarj cihazına takmayın. Aküyü çarpmayın, düşürmeyin veya pakete hasar vermeyin. Sert bir darbe almış, düşmüş, çiğnenmiş veya herhangi bir şekilde hasar görmüş (örn. çiviyle delinmiş, çekiçle vutulmuş veya üzerine basılmış) bir aküyü veya şarj cihazını kullanmayın. Elektrik çarpmasına yol açabilir. Hasarlı aküler geri dönüşüm için servis merkezine gönderilmelidir.



UYARI: Yangın tehlikesi. Bataryayı metal nesnelere batarya terminallerine değmeyecekleri şekilde saklayın veya taşıyın. Örneğin, bataryayı içerisinde gevşek çiviler, vidalar, anahtarlar vb. bulunan kayışlı taşıyıcı, cep, alet kutuları, ürün kiti kutuları, çekmece vb. içerisine koymayın.



DİKKAT: Aleti kullanmadığınız zaman, devrilmeye veya düşme tehlikesine yol açmayacağı dengeli bir yüzeye yan tarafının üzerine yerleştirin. Büyük akülere sahip bazı aletler akünün üzerinde dik durabilir, ancak bunlar kolayca devrilebilir

Nakliyat



UYARI: Yangın tehlikesi. Batarya nakliyatında, batarya kutuplarının istemsiz şekilde iletken maddelerle temas ederek yangına sebep vermesi ihtimali vardır.

Batarya nakliyatı yaparken, batarya kutuplarının iyi korunduğundan ve kutuplarla temas edip kısa devreye sebep olabilecek maddelerden iyi şekilde izole edildiğinden emin olun.

NOT: Lityum-iyon piller kontrol edilmiş bagaja konmamalıdır.

DeWALT bataryalar, Tehlikeli Maddelerin Nakliyesi Hakkında BM Tavsiyeleri; Uluslararası Hava Taşımacılığı Birliği (IATA) Tehlikeli Madde Düzenlemeleri, Uluslararası Deniz Taşımacılığı Tehlikeli Madde (IMDG) Düzenlemeleri ve Uluslararası Karayoluyla Tehlikeli madde Taşıma Konulu Avrupa Anlaşması içeriklerinde belirtilen sektörel ve hukuki standartların tüm düzenlemeleriyle uyumludur. Lityum-iyon bataryalar, Tehlikeli Madde Taşımacılığı Kılavuzu Testleri ve Kriterleri Hakkındaki BM Tavsiyelerinin 38.3. bölümüne kadar test edilmiştir.

Çoğu durumda bir DeWALT bataryanın nakliyesinin tam olarak düzenlenmiş bir Sınıf 9 Tehlikeli Maddeler kapsamında sınıflandırılması beklenir. Genelde sadece 100 Watt Saat (Wh) üzeri bir enerji değerine sahip bir lityum iyon bataryayı içeren taşıma işlemlerinin tam olarak düzenlenmiş bir Sınıf 9 Tehlikeli Maddeler kapsamında sınıflandırılarak yapılması gerekmektedir. Tüm lityum iyon bataryalarda ambalajın üzerinde Watt Saati değeri mevcuttur. Buna ilave olarak, düzenlemedeki karışıklıklar nedeniyle, DeWALT lityum iyon bataryaların Watt Saati değeri göz önünde bulundurulmaksızın havayolu kargosuyla tek başına taşınmasını önermez. Bataryası bulunan aletlerin (kombo setler) havayoluyla nakliyesi ancak bataryanın sahip olduğu Watt Saati değerinin 100 Watt Saatinden yüksek olmaması şartıyla yapılabilir.

Nakliyat kapsam dışında da kalsa, tamamen düzenlenmiş de olsa, paketleme, etiketleme ve belgeleme gereklilikleri hakkındaki son düzenlemeleri takip etmek nakliyatçıların sorumluluğudur.

Kılavuzun bu bölümünde bulunan bilgiler iyi niyetle yazılmıştır ve kılavuzun hazırlandığı tarih itibarıyla doğru olduğuna inanılmaktadır. Fakat, sözlü veya zımnın hiçbir garanti verilmemektedir. Gerçekleştiği işlemlerin geçerli düzenlemelerle uyumlu olduğundan emin olmak alıcının sorumluluğundadır.

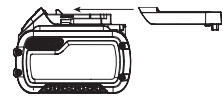
FLEXVOLT™ Bataryanın Taşınması

DeWALT FLEXVOLT™ bataryanın iki farklı modu mevcuttur: ve **Taşıma** modunu kullanın.

Kullanım Modu: FLEXVOLT™ batarya tek başına olduğunda veya bir DeWALT 18V ürün içerisinde bulunduğu, bir 18V batarya olarak çalışacaktır. FLEXVOLT™ batarya 54V veya 108V (iki adet 54V batarya) ürün olduğunda, bir 54V batarya olarak çalışacaktır.

Taşıma Modu: FLEXVOLT™ bataryaya kapak takıldığında batarya taşıma modundadır. Taşıma için kapağı muhafaza edin.

Taşıma modundayken pil dizileri, 3 bataryanın daha yüksek bir Watt saati (Wh) değerine sahip 1 bataryaya kıyasla daha düşük bir



Watt saatiyle sonuçlanacak şekilde elektriksiz olarak birbirinden ayrılır. Daha düşük bir Watt saati değerine sahip 3 bataryanın bu artan miktarı bataryanın daha yüksek bir Watt saati değerine

TÜRKÇE

sahip bataryaların tabi olduğu belirli taşımacılık düzenlemelerinden muaf olmasına neden olabilir.

Örneğin, 3 x 36 Wh olarak belirtilen Transport (Taşıma) Wh değeri, her biri 36 Wh olan 3 bataryanın

bulunduğu anlamına gelir. Use (Kullanım) Wh değeri ise 108 Wh olarak belirtilebilir (1 batarya kastedilir).

Kullanım ve taşıma modu etiket işareti örneği



Saklama Önerileri

1. En iyi saklama ortamı serin ve kuru, doğrudan güneş ışığı almayan, aşırı sıcak ve soğuk olmayan yerlerdir. En uygun akü performansı ve ömrü için kullanımda değilken aküleri oda sıcaklığında saklayın.
2. Uzun süreli saklama için, en iyi sonuç için şarj cihazından uzak serin, kuru bir yerde tamamen dolu bir akü saklamak için tavsiye edilir.

NOT: Aküler tamamen şarj boşalmış halinde saklanmamalıdır. Akünün kullanılmadan önce yeniden şarj edilmesi gerekir.

Şarj Cihazı ve Akü Üzerindeki Etiketler

Bu kılavuzda kullanılan sembollere ilave olarak, şarj cihazı ve akü üzerinde bulunan etiketler aşağıdaki sembolleri belirtmektedir:



Aletle çalışmaya başlamadan önce bu kılavuzu okuyun.



Şarj süresi için **Teknik Özellikleri** bölümüne bakın.



İletken nesnelere temas etmeyin.



Hasarlı aküleri şarj etmeyin.



Suya maruz bırakmayın.



Hasarlı kabloların hemen değiştirilmesini sağlayın.



Sadece 4 °C ve 40 °C arasında şarj edin.



Yalnızca kapalı alanda kullanım içindir.



Aküleri çevremize gerekli ozeni göstererek atın.



DEWALT aküler, yalnızca onlar için tasarlanmış olan DEWALT şarj cihazlarında şarj edin. DEWALT aküleri haricindeki akülerin DEWALT şarj cihazlarıyla şarj edilmesi patlamalarına veya diğer tehlikeli durumların ortaya çıkmasına sebep olabilir.



Aküyü ateşe atmayın.



USE (KULLANIM) (taşıma başlığı olmadan). Örnek: Wh değeri 108 Wh olarak belirtilir (108 Wh değerindeki 1 batarya).



TRANSPORT (TAŞIMA) (dahili taşıma başlığı ile). Örnek: Wh değeri 3 x 36 Wh olarak belirtilir (36 Wh değerindeki 3 batarya).

Akü tipi

DCM849 18 volt akülerle çalışır.

Bu bataryalar kullanılmaktadır: DCB181, DCB182, DCB183, DCB183B, DCB184, DCB184B, DCB185, DCB187, DCB189, DCB546, DCB547, DCB548. Daha fazla bilgi için **Teknik**

Özellikleri bölümüne bakın.

Ambalaj içeriği

Ambalaj, aşağıdaki parçaları içermektedir:

- 1 Polisaj makinesi
- 1 Yardımcı tutamak
- 2 Yün emme korumaları
- 1 180 mm kanca ve döngü destek tamponu
- 1 Li-lyon batarya (C1, D1, L1, M1, P1, S1, T1, X1, Y1 modelleri)
- 2 Li-lyon bataryalar (C2, D2, L2, M2, P2, S2, T2, X2, Y2 modelleri)
- 3 Li-lyon bataryalar (C3, D3, L3, M3, P3, S3, T3, X3, Y3 modelleri)
- 1 Kullanım kılavuzu

NOT: Bataryalar, şarj cihazları ve alet kutuları N modellerinde bulunmaz. Bataryalar ve şarj cihazları NT modellerinde bulunmaz. B modelleri Bluetooth® bataryaları içerir.

NOT: Bluetooth® kelimesi tescilli ve logoları Bluetooth®, SIG, Inc.'in tescilli markalarıdır ve bunların DEWALT tarafından kullanımı lisanslıdır. Diğer ticari markalar ve ticari isimler ilgili sahibine aittir.

- Alet, parçalar ve aksesuarlarda nakliye sırasında hasar oluşup oluşmadığını kontrol edin.
- Çalıştırmadan önce bu kılavuzu iyice okuyup anlamak için zaman ayırın.

Alet Üzerindeki Etiketler

Alet üzerinde, aşağıdaki uyarı sembolleri bulunmaktadır:



Aletle çalışmaya başlamadan önce bu kılavuzu okuyun.



Kulaklık takın.



Koruyucu gözlük takın.

Tarih Kodu Konumu (Şek. A)

İmalat yılını da içeren Tarih Kodu **12** gövdeye basılıdır.

Örnek:

2019 XX XX

İmalat Yılı

Açıklama (Şek. A)

UYARI: Hiçbir zaman elektrikli aleti veya herhangi bir parçasını değiştirmeyin. Hasarla veya yaralanmayla sonuçlanabilir.

- 1 Aküyü
- 2 Batarya çıkarma düğmesi
- 3 Hız kontrol çarkı
- 4 Yastık aleti dayanağı
- 5 Değişken hız tetik düğmesi
- 6 Mil kilidi düğmesi
- 7 Yardımcı tutamak
- 8 Mil
- 9 Yumuşak kauçuk dişli kutusu kavraması
- 10 Yün emme koruması
- 11 Kilitleme düğmesi

Kullanım Amacı

DCM849 ağır hizmet tipi polisaj makineniz profesyonel uygulamalarda boyanmış veya bitmemiş metal, fiberglas ve kompozit yüzeylerin cilalanması için tasarlanmıştır. Genel kullanım örnekleri bunlarla sınırlı olmamak kaydıyla şu şekildedir: otomobil/deniz aracı/karavan/motosiklet detaylandırma ve rötuş düzeltme, gemi yapımı ve onarımı ile metal veya beton rötuşu. Islak koşullarda veya yanıcı sıvı ya da gazların mevcut olduğu ortamlarda **KULLANMAYIN**.

Bu ağır hizmet tipi polisaj makinesi profesyonel kullanım amaçlı bir elektrikli alettir.

Çocukların aleti ellemesine **İZİN VERMEYİN**. Bu alet deneyimsiz kullanıcılar tarafından kullanılırken nezaret edilmelidir.

- Bu ürün fiziksel ve zihinsel kapasitesinin yanı sıra algılama gücü azalmış olan veya yeterince deneyim ve bilgisi bulunmayan kişiler (çocuklar dahil) tarafından kullanılmak üzere üretilmemiştir. Bu tür kişiler ürünü ancak güvenliklerinden sorumlu bir kişi tarafından cihazın kullanımıyla ilgili talimatların verilmesi veya sürekli kontrol altında tutulması durumunda kullanılabilir. Çocuklar, bu ürün ile kontrol altında tutulmalıdır.

MONTAJ VE AYARLAMALAR

UYARI: Ciddi yaralanma riskini azaltmak için herhangi bir ayar yapmadan ya da parça veya aksesuarları söküp takmadan önce aleti kapatın ve aküyü ayırın. Aletin yanlışlıkla çalıştırılması yaralanmaya neden olabilir.



UYARI: Yalnızca DeWALT akü ve şarj cihazlarını kullanın.

Alete Akü Takma Ve Çıkartma (Şek. B)

NOT: Akünün **1** tamamen şarj olduğundan emin olun.

Aküyü Aletin Koluna Takma

1. Aküyü **1** kolun içindeki raylarla hizalayın (Şek. B).
2. Aküyü, yerine oturduğuna duyan kadar ve alette tamamen oturana kadar kolun içine kaydırın.

Aküyü Aletten Çıkarma

1. Serbest bırakma düğmesine **2** basın ve aküyü sıkıca çekerek aletin kolundan çıkarın.
2. Aküyü bu kılavuzun şarj cihazı kısmında açıklandığı gibi şarj cihazına takın.

Akü Şarj Seviyesi Göstergesi (Şek. B)

Bazı DeWALT aküler, aküde kalan şarj seviyesini gösteren üç yeşil LED ışından oluşan bir şarj seviyesi göstergesini içerir.

Şarj seviyesi göstergesini çalıştırmak için gösterge düğmesine **13** basın ve basılı tutun. Üç yeşil LED ışığının bir kombinasyonu kalan şarj seviyesini gösterecek şekilde yanacaktır. Aküdeki şarj seviyesi kullanılabilir limitin altındayken, gösterge yanmaz ve akünün şarj edilmesi gerekir.

NOT: Bu gösterge sadece aküde kalan şarj seviyesini gösterir. Bu alet işlevini göstermez; ürün parçaları, sıcaklık ve son kullanıcı uygulamaya göre değişime tabidir.

Yardımcı Tutamak (Şek. A)

UYARI: Aleti kullanmadan önce kolun içine sıkıldığından emin olun.

Aletinizle birlikte bir yardımcı tutamak **7** tedarik edilir ve bu tutamak dişli kutusunun her iki tarafına da takılabilir. Alet üzerinde tam kontrol sağlamak için bu tutamak her zaman kullanılmalıdır.

Yün Emme Korumaları (Şek. A)

Yün emme korumaları **10** normal kullanım sırasında motor tarafından emilen yün, toz ve kir miktarının azaltılması için tasarlanmıştır.

Dış kısımda birikme görür görmez korumaları temizleyin. Yün emme korumalarını temizlemek için:

Her bir emme koruması, temizleme deliğinin altına bir parmağınızı veya madeni parayı kaydırarak ve kapağı açmak için çekerek kolayca çıkarılabilir.

Mil Kilidi Düğmesi (Şek. A)

İKAZ: Aletin hasar görmesini engellemek için alet çalışırken mil kilidini kullanmayın. Alet hasar görecektir ve takılı aksesuar yerinden çıkarak yaralanmaya neden olabilecektir.

Aksesuarları takarken veya çıkarırken alet milinin dönmesini önlemek için makinenin dişli başlığına bir mil kilidi düğmesi **6** eklenmiştir.

Mili kilitlemek için, kilit düğmesine basın ve düğmeyi basılı tutun. ALET ÇALIŞIRKEN VEYA DURMAK ÜZERE YAVAŞLARKEN MİL KİLİDİ DÜĞMESİNE ASLA BASMAYIN

Polisaj Tamponlarının Takılması ve Çıkarılması (Şek. A, C, D)

UYARI: Ciddi yaralanma riskini azaltmak için polisaj başlığındaki herhangi bir gevşek parçanın ya da bağlantı iplerinin serbestçe dönmesine izin vermeyin. Bağlı ipleri gizleyin veya kısıtın. Gevşek ve dönen bağlı ipler parmaklarınızı kapabilir veya iş parçasına sarılabilir.

DCM849 ile 150, 180 veya 230 mm çapındaki polisaj tamponları kullanılabilir.

NOT: DCM849 aşağıda belirtilen polisaj tampon grubu tiplerinden biriyle kullanılabilir.

Kauçuk destek tamponuna sahip polisaj tamponunun takılması (Şek. A, C)

1. Altıgen şeklindeki deliği destekleme tamponuna **18** geçirin. Kelepçe contası **17** ve destekleme tamponunu birlikte sıkıca tutarken montaj grubunu alet milinin **8** üzerine yerleştirin.
2. Mil kilidi düğmesini **6** basılı tutarken destek tamponunu ve kelepçe contasını saat yönünde döndürerek mil üzerine tamamen geçirin. Elinizle iyice sıkın.
3. Polisaj tamponunu **16** destek tamponu üzerine oturtun.

Polisaj tamponunu kanca ve döngü destek tamponu ile takmak için (Şek. A, D)

1. Merkezleme borusunu **19** kanca ve dönme destek yastığında **21** ortadaki deliğe yerleştirin.
2. Kanca ve dönme destek yastığında **20** ortada bulunan deliği merkezleme borusuyla **19** hizalayın ve yastığı kancaya ve dönme destek yastığına **21** takın.
3. Destek tamponunu **21** mil **8** üzerinde vidayla sabitleyin, bunu yaparken mil kilidi düğmesine **6** basın.

Tamponları çıkarmak için

Kilit düğmesinin mile geçmesini sağlamak için tamponları elinizle normal dönme yönünün tersi yönde çevirin ve ardından sağ elle kullanım için tamponların vidalarını normal yönde çevirerek çıkarın.

Çalıştırmadan Önce

1. Polisaj tamponunun doğru bir şekilde monte edildiğinden emin olun.
2. Tabanın, aksesuar ve alet üzerindeki oklar yönünde döndüğünden emin olun.
3. İş parçası yüzeyindeki tüm kirin temizlenmiş olduğundan emin olun.

KULLANMA

Kullanma Talimatları

UYARI: Güvenlik talimatlarına ve geçerli yönetmeliklere daima uyun.

UYARI: Ciddi yaralanma riskini azaltmak için herhangi bir ayar yapmadan ya da parça veya aksesuarları söküp takmadan önce aleti kapatın ve aküyü ayırın. Aletin yanlışlıkla çalıştırılması yaralanmaya neden olabilir.

Uygun El Pozisyonu (Şek. E)

UYARI: Ciddi yaralanma riskini azaltmak için, **DAİMA** şekilde gösterilen uygun el pozisyonunu kullanın.

UYARI: Ciddi yaralanma riskini azaltmak için, ani tepki ihtimaline karşı aleti **DAİMA** sıkıca tutun.

Doğru el pozisyonu bir el yan tutamak **7** diğer el ana tutamak **14** üzerinde olacak şekildedir.

Değişken Hız Tetik Düğmesi (Şek. A)

Değişken hız tetik düğmesi 0 ile 2200 RPM arasında hız kontrolüne olanak tanır.

Aleti açmak için, tetik düğmesine **5** basın. Tetiğe ne kadar çok basarsanız, alet o kadar hızlı çalışır. Tetik düğmesinin serbest bırakılması aleti kapatır.

Zımpara macunu uygularken düşük hızlar ve polisaj için yüksek hızlar kullanın.

Tetik kilitleme düğmesi

Alet Şek. 1'de gösterildiği gibi tetik düğmesine **5** tam olarak basılarak ve kilit düğmesine **11** basılarak sürekli kullanım için kilitlenebilir. Tetik düğmesini yavaşça serbest bırakırken kilit düğmesini yerinde tutun.

Aleti açık hâlde kilitli konumundan çıkarmak için, tetik düğmesine bir defa basın ve düğmeyi serbest bırakın.

NOT: Tetik düğmesi yalnızca hız kontrol tekerinin **3** gösterdiği maksimum RPM değerinde çalışırken açık hâlde kilitlenebilir.

Hız Kontrol Teker (Şek. A)

Aletinizin maksimum hızı, hız kontrol tekerinin **3** döndürülmesiyle istenen ayara değiştirilebilir. Daha fazla seçenek için, tetik düğmesi **5** tamamen açık konumunda kilitlenebilir ve alet hızı yalnızca hız kontrol tekeri vasıtasıyla değiştirilebilir.

Hız kontrol tekeri 800 ve 2200 RPM arasında herhangi bir hıza ayarlanabilir ve değişken hız tetik düğmesi bundan sonra alet hızını sıfır ile teker ayarı arasında kontrol eder. Örneğin: 2200 RPM kontrol tekeri ayarı, tetik düğmesine ne kadar basıldığına bağlı olarak değişken hız tetik düğmesinin aleti sıfır ile 2200 RPM arasında çalışmasına olanak tanır.

Elektronik Hız kontrolü

Elektronik hız kontrolü özelliği tetik düğmesine tam olarak basıldığında ve alet, kontrol tekeri ayarıyla belirlenen seçili hızda çalıştığında etkinleşir.

Aleti çalışma yüzeyinde aşağıya bastırarak yüklerken alet yükü dengeler ve seçili hızı korur. Kontrol tekeriyle seçilen hız 2200 RPM ise, alet yüklenirken 2200 RPM değerini korur.

- Elektronik hız kontrolü yalnızca tetik düğmesine **5** tam olarak basıldığında çalışır.
- Elektronik hız kontrolünün etkisi düşük hız ayarlarında (1400 RPM ve altı) yüksek hız ayarlarında olduğundan daha kolay gözlemlenir.

2200 RPM tipik yüksüz hızda çalışan geleneksel polisaj makinesi, polisaj yükü altında yavaşlayarak yaklaşık 1800 RPM değerine düşer. Polisaj makineniz, yük uygulanırken 2200 RPM'de (veya kontrol çarkıyla seçtiğiniz bir hızda) çalışmaya devam

eder. Hız çok büyükse, aleti tetik düğmesinden ya da kontrol tekerinden yavaşlatın.

Polisaj (Şek. E)

1. Aleti açmadan, aleti tutamaklarından kavrayın ve yukarı kaldırın.
2. Aleti vücudunuzdan uzak tutun ve tetik düğmesine basın.
3. Tutamakları sıkıca kavradığınızdan emin olun.
4. Aleti iş parçası yüzeyi üzerinde baskı uygulamaksızın dengeli bir şekilde hareket ettirin.
5. Aleti yüzeyden kaldırmadan önce makineyi kapatın.
6. İş kısa aralıklarla kontrol edin.

Yardımcı tutamak 7 sol veya sağ elle çalışmak üzere aletin her iki tarafına da kolaylıkla takılabilir.

Polisaj makinesini keskin nesnelere ve konturların çevresinde veya üzerindeyken çalıştırdığınızda azami özen gösterin. Otomobil gövdesinin farklı bölümlerini cilalarken doğru basıncı kullanmanız oldukça önemlidir. Örneğin, gövde panellerinin keskin kenarları üzerinde veya üst taraf boyunca yağmur oluğu kenarları üzerinde cilalama yaparken düşük basınç uygulanmalıdır.



UYARI: Polisaj bonesinin iş parçası yüzeyi üzerindeki yüksek hızlı sürtmeye hareketi dokunulduğunda statik şoka neden olan statik elektrik birikmesine neden olabilir.

BAKIM

Elektrikli aletinizin minimum bakımla uzun bir süre çalışacak şekilde tasarlanmıştır. Kesintisiz olarak memnuniyet verici bir şekilde çalışması gerekli özenin gösterilmesine ve düzenli temizliğe bağlıdır.



UYARI: Ciddi yaralanma riskini azaltmak için herhangi bir ayar yapmadan ya da parça veya aksesuarları söküp takmadan önce aleti kapatın ve aküyü ayırın. Aletin yanlışlıkla çalıştırılması yaralanmaya neden olabilir.

Şarj cihazı ve akü bakım gerektirmezler.



Yağlama

Elektrikli aletinizin ek bir yağlama gerektirmemektedir.



Temizleme



UYARI: Havalandırma deliklerinde ve etrafında toz toplanması halinde bu tozu ve kiri kuru hava kullanarak ana gövdeden uzaklaştırın. Bu işlemi gerçekleştirirken onaylı bir göz koruması ve onaylı toz maskesi takın.



UYARI: Aletin metalik olmayan parçalarını temizlemek için asla çözücü veya başka sert kimyasal kullanmayın. Bu kimyasallar bu parçalarda kullanılan malzemeleri güçsüzlendirir. Yalnızca su ve yumuşak sabunla nemlendirilmiş bir bez kullanın. Aletin içine herhangi

bir sıvının girmesine izin vermeyin; aletin herhangi bir parçasını bir sıvı içine daldırmayın.

İlave Aksesuarlar



UYARI: DEWALT tarafından tedarik veya tavsiye edilenlerin dışındaki aksesuarlar bu ürün üzerinde test edilmediğinden, söz konusu aksesuarların bu aletle birlikte kullanılması tehlikeli olabilir. Yaralanma riskini azaltmak için bu ürüne birlikte sadece DEWALT tarafından tavsiye edilen aksesuarlar kullanılmalıdır.

Uygun aksesuarlarla ilgili daha fazla bilgi almak için satış noktalarıyla görüşün.

Çevrenin Korunması



Aynı toplama. Bu işaretlenmiş simgeyle ürün ve piller normal evsel atıklarla birlikte çöpe atılmamalıdır.



Bazı malzemeleri içeren ürün ve piller geri dönüştürülebilir veya geri kazanılabilir, bu da bazı hammaddeler için talebi azaltabilir. Lütfen elektrikli ürünleri ve pilleri yerel yasal mevzuata uygun şekilde geri dönüşümü tabi tutun. Daha ayrıntılı bilgiler www.2helpU.com adresinde mevcuttur.

Şarj Edilebilir Aküler

Bu uzun ömürlü akü, daha önce kolayca yapılan işlerde yeterince güç üretmeyecek duruma geldiğinde şarj edilmelidir. Teknik ömürlerinin sonunda, aküleri çevremize gerekli özeni göstererek atın:

- Aküyü bitene kadar aleti çalıştırın, sonra aletten çıkartın.
- Lityum İyon hücreler geri dönüştürülebilir. Bunları yetkili servise veya yerel toplama merkezine teslim edin. Toplanan aküler geri dönüştürülecek veya uygun şekilde atılacaktır.

Sanayi ve Ticaret Bakanlığı tebliğince kullanım ömrü 7 yıldır.

Türkiye Distribütörü

Stanley Black & Decker Turkey Alet Üretim San. Tic. Ltd.Şti.

AND Kozyatağı - İçerenköy Mah. Umut Sok. AND Ofis Sit. No: 10-12 / 82-83-84

Ataşehir/İstanbul, Türkiye

Tel: +90 216 665 2900

Faks: +90 216 665 2901

www.dewalt.com.tr

info-tr@sbdinc.com

DEWALT GARANTİ BELGESİ

İTHALATÇI FIRMA

Ünvanı : STANLEY BLACK&DECKER TÜRKİYE ALET ÜRETİM SAN. TİC. LTD.ŞTİ.
Adresi : AND Kozyatağı - İçerenköy Mah. Umut Sok. AND Ofis Sit. No: 10-12 / 82-83-84
 Ataşehir/İstanbul, TÜRKİYE
Telefon No. : 0216 665 29 00
Faks No. : 0216 665 29 01
E-mail : info-tr@sbdinc.com

ÜRÜNÜN

Cinsi :
Markası : **DEWALT**
Modeli :
Seri Numarası :
Garanti Süresi : 2 YIL
Azami Tamir Süresi : 20 İŞ GÜNÜ

SATICI FİRMANIN

Ünvanı :
Adresi :
Telefon No. :
Faks No. :
Fatura Tarih ve No. :
Ürün Teslim Tarihi :
Ürün Teslim Yeri :
Belgeyi Dolduranın Adı Soyadı :

Keşe - Yetkili İmza

GARANTİ ŞARTLARI

- Garanti süresi, malın teslim tarihinden itibaren başlar ve 2 yıldır.
- Malın bütün parçaları dahil olmak üzere tamamı firmamızın garantisine kapsamındadır.
- Malın ayıplı olduğunun anlaşılması durumunda tüketici, 6502 sayılı Tüketici Korunması Hakkında Kanununun 11 inci maddesinde yer alan;
 - Sözleşmeden dönme,
 - Satış bedelinden indirim isteme
 - Ücretsiz onarılmasını isteme
 - Satılanın ayıpsız bir misli ile değiştirilmesini isteme,
 haklarından birini kullanabilir.
- Tüketicinin bu haklardan ücretsiz onarım hakkını seçmesi durumunda satıcı; işçilik masrafı, değiştirilen parça bedeli ya da başka herhangi bir ad altında hiçbir ücret talep etmeksizin malın onarımını yapmak veya yaptırmakla yükümlüdür. Tüketici ücretsiz onarım hakkını üretici veya ithalatçıya karşı da kullanabilir.
- Satıcı, üretici ve ithalatçı tüketiciyi bu hakkını kullanmasından müteselsilen sorumludur.
 - Tüketicinin, ücretsiz onarım hakkını kullanması halinde malın;
 - Garanti süresi içinde tekrar arızalanması,
 - Tamiri için gereken azami sürenin aşılması,
 - Tamirinin mümkün olmadığını, yetkili servis istasyonu, satıcı, üretici veya ithalatçı tarafından bir raporla belirlenmesi durumlarında; tüketici malın bedel iadesini, ayıp oranında bedel indirimini veya imkan varsa malın ayıpsız misli ile değiştirilmesini satıcıdan talep edebilir.
- Satıcı, tüketiciyi talebini reddedemez. Bu talebin yerine getirilmemesi durumunda satıcı, üretici ve ithalatçı müteselsilen sorumludur.
- Malın tamir süresi 20 iş gününü geçemez. Bu süre, garanti süresi içerisinde mala ilişkin arızanın yetkili servis istasyonuna veya satıcıya bildirim tarihinde, garanti süresi dışında ise malın yetkili servis istasyonuna teslim tarihinden itibaren başlar. Malın arızasının 10 iş günü içerisinde giderilmemesi halinde, üretici veya ithalatçı; malın tamiri tamamlanıncaya kadar, benzer özelliklere sahip başka bir malı tüketiciyi kullanmasına tahsis etmek zorundadır. Malın garanti süresi içerisinde arızalanması durumunda, tamirde geçen süre garanti süresine eklenir.
- Malın kullanma kılavuzunda yer alan hususlara aykırı kullanılmasından kaynaklanan arızalar garanti kapsamı dışındadır.
 - Garanti kapsam şartları ;
 - Ürün hatalı kullanılmamıştır.
 - Ürün yıpranmamış, hırpalanmamış ve aşınmamıştır.
 - Yetkili olmayan kişilerce tamire çalışmamıştır.
 - Satın alma belgesi (fatura) ibraz edilmiştir.
 - Ürün, tüm orijinal parçaları ile iade edilmiştir.
- Tüketici, garantiden doğan haklarının kullanılmasında ilgili olarak çıkabilecek uyuşmazlıklarda yerleşim yerinin bulunduğu veya tüketici işleminin yapıldığı yerdeki Tüketici Hakem Heyetine veya Tüketici Mahkemesine başvurabilir.
- Satıcı tarafından bu Garanti Belgesinin verilmesi durumunda, tüketici Gümrük ve Ticaret Bakanlığı Tüketicinin Korunması ve Piyasa Gözetimi Genel Müdürlüğüne başvurabilir.

EEE Yönetmeliğine uygundur.

CE

KULLANMA KILAVUZU İÇİN EK BİLGİLER

-Taşıma ve nakliye sırasında dikkat edilecek hususlar;
Cihazı taşıma ve nakliye esnasında hasar verecek şekilde taşınmamalı, bir yerden bir yere fırlatılmamalı, istifleme yapılırken dikkat edilmeli.

-Gümrük ve Ticaret Bakanlığı uyarınca belirlenen kullanım ömürleri aşağıdaki gibidir;

Testere Makineleri	7 yıl
Polisaj Makineleri	7 yıl
Matkaplar	7 yıl
Vidalama Makineleri	7 yıl
Zımpara Makineleri	7 yıl

-Malın ayıplı olduğunun anlaşılması durumunda tüketici, 6502 sayılı Tüketici Korunması Hakkında Kanununun 11 inci maddesinde yer alan;

a- Sözleşmeden dönme,

b-Satış bedelinden indirim isteme

c-Ücretsiz onarılmasını isteme

d-Satılanın ayıpsız bir misli ile değiştirilmesini isteme,

haklarından birini kullanabilir.

-Tüketici, garantiden doğan haklarının kullanılması ile ilgili olarak çıkabilecek uyuşmazlıklarda yerleşim yerinin bulunduğu veya tüketici işleminin yapıldığı yerdeki Tüketici Hakem Heyetine veya Tüketici Mahkemesine başvurabilir.

ПОЛІРУВАЛЬНА МАШИНА

DCM849

Вітаємо вас!

Ви обрали інструмент виробництва компанії DeWALT. Ретельна розробка продукції, багаторічний досвід фірми у виробництві інструментів, різні вдосконалення, все це зробило інструменти DeWALT є одними із найнадійніших помічників для тих, хто використовує електричні інструменти у своїй професії.

Технічні дані

		DCM849
Напруга	$V_{\text{жк}}$	18
Тип		1
Тип акумулятора		Літій-іонний
Швидкість без навантаження	хв. ⁻¹	800-2200
Номинальна швидкість	хв. ⁻¹	2200
Макс. діаметр диска-підшви	мм	180
Шпindel		M14
Маса (без акумулятора)	кг	1,90

Значення рівня шуму та вібрації (триаксильна векторна сума) відповідно до стандарту EN60745-2-:

L_{pa} (рівень тиску звукового випромінювання)	дБ(A)	78
L_{wa} (рівень акустичної потужності)	дБ(A)	89
K (похибка для даного рівня гучності)	дБ(A)	3
Значення вібрації $a_{p,r} <$	м/с ²	2,5
Похибка K =	м/с ²	1,5

Значення вібрації та/або шуму, наведене в цьому документі, було виміряне згідно зі стандартизованим тестом, викладеним в EN60745 та може використовуватись для порівняння інструментів. Це значення вібрації можна також використовувати для попередньої оцінки впливу вібрації.

⚠ ОБЕРЕЖНО: Заявлене значення вібрації та/або шуму відповідає вимогам цільового використання інструмента. Однак якщо інструмент використовується для виконання інших завдань, або з іншими витратними матеріалами/насадками, або не обслуговується належним чином, значення вібрації та/або шуму може відхилитися. Це може значно збільшити рівень впливу протягом усього періоду роботи.

Оцінка рівня впливу вібрації та/або шуму має враховувати час, протягом якого інструмент є вимкненим, а також час, протягом якого він є ввімкненим, але не використовується. Це може значно зменшити рівень впливу протягом усього періоду роботи.

Визначення додаткових заходів безпеки для захисту оператора від впливу вібрації та/або шуму:

технічне обслуговування інструмента та приладдя, утримання рук у теплі (має значення для вібрації), організація режиму роботи.

Декларація про відповідність ЄС

ДИРЕКТИВА ДЛЯ МЕХАНІЧНОГО ОБЛАДНАННЯ



Полірувальна машина DCM849

DeWALT заявляє, що описані в розділі **Технічні дані** пристрої відповідають стандартам:

2006/42/EC, EN60745-1:2009+A11:2010, EN60745-2-3:2011+A2:2013+A11:2014+A12:2014+A13:2015.

Ці продукти також відповідають вимогам Директив 2014/30/EU та 2011/65/EU. Для отримання додаткової інформації звертайтеся до компанії DeWALT за адресою, зазначеною нижче або наприкінці цього керівництва.

Нижчепідписаний несе відповідальність за упорядкування файлу технічних характеристик та робить цю заяву від імені компанії DeWALT..

Маркус Ромпель
Віце-президент з машинобудування, PTE-Europe
DeWALT, Richard-Klinger-Straße 11,
D-65510, Ідштайн, Німеччина
12.09.2019



ПОПЕРЕДЖЕННЯ: Уважно прочитайте керівництво з експлуатації для зниження ризику отримання травм.

Позначення: інструкції з техніки безпеки

Умовні позначення, наведені нижче, описують рівень важливості кожної попереджувальної вказівки. Прочитайте керівництво з експлуатації та зверніть увагу на символи, наведені нижче.



НЕБЕЗПЕЧНО: Указує на безпосередню загрозу, яка, якщо її не уникнути, призведе до смерті або серйозної травми.



ПОПЕРЕДЖЕННЯ: Вказує на потенційну загрозу, ігнорування якої може призвести до смерті або серйозної травми.



УВАГА: Вказує на потенційну загрозу, ігнорування якої може призвести до травми легкої або середньої тяжкості.

ПРИМІТКА: Вказує на ситуацію, не пов'язану з особою травмою, ігнорування цієї ситуації може призвести до пошкодження майна.

Батареї				Зарядні пристрої/час зарядки (у хвиликах)							
Кат. №	V _{вс}	Ah	Маса (kg)	DCB104	DCB107	DCB112	DCB113	DCB115	DCB118	DCB132	DCB119
DCB546	18/54	6.0/2.0	1.05	60	270	170	140	90	60	90	X
DCB547	18/54	9.0/3.0	1.46	75*	420	270	220	135*	75*	135*	X
DCB548	18/54	12.0/4.0	1.44	120	540	350	300	180	120	180	X
DCB181	18	1.5	0.35	22	70	45	35	22	22	22	45
DCB182	18	4.0	0.61	60/40**	185	120	100	60	60/40**	60	120
DCB183/B	18	2.0	0.40	30	90	60	50	30	30	30	60
DCB184/B	18	5.0	0.62	75/50**	240	150	120	75	75/50**	75	150
DCB185	18	1.3	0.35	22	60	40	30	22	22	22	X
DCB187	18	3.0	0.54	45	140	90	70	45	45	45	90
DCB189	18	4.0	0.54	60	185	120	100	60	60	60	120

*Код дати 201811475В або пізніше

**Код дати 201536 або пізніше



Вказує на ризик ураження електричним струмом.



Вказує на ризик виникнення пожежі.

ЗАГАЛЬНІ ПРАВИЛА БЕЗПЕКИ ПРИ ЕКСПЛУАТАЦІЇ ЕЛЕКТРИЧНОГО ІНСТРУМЕНТА



ПОПЕРЕДЖЕННЯ: Ознайомтеся з усіма попередженнями, інструкціями з техніки безпеки, зображеннями та специфікаціями, які поставляються з даним електричним інструментом. Невиконання нижченаведених інструкцій може призвести до ураження електричним струмом, пожежі та/або серйозних тілесних ушкоджень.

ЗБЕРІГАЙТЕ ВСІ ПОПЕРЕДЖЕННЯ ТА ІНСТРУКЦІЇ ДЛЯ ПОДАЛЬШОГО ВИКОРИСТАННЯ

Термін «електричний інструмент» в усіх попередженнях стосується використовуваних вами інструментів, що живляться від мережі енергопостачання (з електричним кабелем) або від акумуляторів (без кабелю).

1) Безпека робочої зони

- Робоча зона завжди має бути чистою та добре освітленою. Захаращена або темна робоча зона призводить до нещасних випадків.
- Не використовуйте електричні інструменти у вибухонебезпечній атмосфері, наприклад поруч із вогненебезпечними рідинами, газами та пилом. Електричні інструменти створюють іскри, що можуть запалити пил або пилу.
- Тримайте дітей та сторонніх подалі під час використання інструмента. Відвернення уваги може призвести до втрати контролю.

2) Електрична безпека

- Вилка електричного інструмента повинна відповідати розетці. Ніколи жодним чином не змінюйте вилку. Не використовуйте адаптери

з замкнутими на землю (заземленими)

електричними інструментами. Немодифіковані вилки та розетки, що підходять до них, зменшують ризик ураження електричним струмом.

- Уникайте контакту тіла з заземленими поверхнями, такими як труби, радіатори, плити та холодильники. Якщо ваше тіло заземлене, збільшується ризик ураження електричним струмом.
- Не залишайте електричні інструменти під дощем або в умовах підвищеної вологості. Вода, що потрапляє в електричний інструмент, підвищує ризик ураження електричним струмом.
- Не використовуйте кабель живлення не за призначенням. Ніколи не переносьте, не тягніть та не відключайте електричний інструмент від розетки живлення за допомогою шнура. Тримайте шнур подалі від високих температур, мастила, гострих предметів та рухомих деталей. Пошкоджені або перекручені шнури підвищують ризик ураження електричним струмом.
- При використанні електричного інструмента на вулиці, використовуйте подовжувальний шнур, що підходить для використання на вулиці. Використання шнура, що призначений для використання поза приміщенням, знижує ризик ураження електричним струмом.
- Якщо неможливо уникнути використання електричного інструмента в умовах підвищеної вологості, використовуйте живлення, захищене пристроєм залишкового струму (RCD). Використання RCD знижує ризик ураження електричним струмом.

3) Особиста безпека

- Будьте в стані готовності, дивіться, що ви робите, та будьте розсудливі, працюючи з електричним інструментом. Не використовуйте електричний інструмент, коли ви втомлені або знаходитесь під впливом наркотичних речовин, алкоголю

або ліків. Втрата уваги під час роботи з електричним інструментом може призвести до серйозних травм.

- b) **Використовуйте особисті засоби безпеки. Завжди використовуйте засоби захисту очей.** Засоби безпеки, такі як протипилова маска, неслизькі безпечні черевики, захисний шолом та засоби захисту слухового апарату при використанні для відповідних умов зменшують імовірність особистих травм.
- c) **Уникайте випадкового запуску. Переконайтесь в тому, що вимикач знаходиться в позиції Вимк., перш ніж підключати інструмент до джерела живлення та/або акумулятора, переміщувати або переносити.** Може статися нещасний випадок, коли ви переносите інструмент, тримаючи палець на вимикачі, або підключаєте живлення до вимикача в позиції Увімк.
- d) **Зніміть усі ключі для регулювання або гайкові ключі, перш ніж вмикати електричний інструмент.** Гайковий ключ, що залишився прикріпленим до якоїсь деталі електричного пристрою, що обертається, може призвести до травм.
- e) **Не прикладайте надмірного зусилля. Завжди утримуйте правильну постановку ніг і рівновагу.** Це дає вам змогу краще контролювати інструмент в неочікуваних ситуаціях.
- f) **Одягайтеся відповідним чином. Не вдягайте вільний одяг або прикраси. Тримайте ваше волосся та одяг подалі від рухомих деталей.** Вільний одяг, прикраси або довге волосся можуть зачепитися за рухомі деталі.
- g) **Якщо передбачені пристрої для підключення до засобів виділення та збирання пилу, переконайтесь, що вони правильно підключені та використовуються.** Використання таких пристроїв зменшує ризик виникнення небезпечних ситуацій, що пов'язані з потраплянням пилу.
- h) **Навіть якщо ви добре знаєте інструмент та часто його використовуєте, не розслабляйтесь та не забувайте про принципи техніки безпеки.** Необережні дії можуть за долю секунди призвести до важких тілесних ушкоджень.

4) Використання електричного інструмента та догляд за ним

- a) **Не прикладайте надмірних зусиль під час роботи з інструментом. Використовуйте електричний інструмент, який відповідає завданню, що виконується.** Правильно обраний інструмент виконає завдання краще та безпечніше за умов, для яких він був розроблений.
- b) **Не використовуйте інструмент, якщо його неможливо ввімкнути та вимкнути за допомогою вимикача.** Будь-який електричний інструмент, яким неможливо керувати за допомогою вимикача, є небезпечним і має бути відремонтований.

- c) **Якщо вилка знімна, відключіть її від джерела живлення та/або вийміть акумулятор, перш ніж виконувати будь-які налаштування, змінювати додаткове обладнання або зберігати інструмент.** Ці профілактичні заходи зменшують ризик випадкового запуску електричного інструмента.
- d) **Зберігайте вимкнені електричні інструменти в недоступному для дітей місці та не дозволяйте особам, що не знайомі з електричним інструментом або цими інструкціями, використовувати електричний інструмент.** Електричні інструменти є небезпечними, якщо вони використовуються некваліфікованими користувачами.
- e) **Технічне обслуговування електричних інструментів та приладдя. Перевіряйте неспіввісність, заїдання рухомих деталей, наявність пошкоджених частин та інших факторів, які можуть впливати на роботу електричного інструмента.** Якщо є пошкодження, відремонтуйте електричний інструмент перед використанням. Нещасні випадки часто є результатом того, що інструмент не пройшов відповідного технічного обслуговування.
- f) **Різальні інструменти мають бути гострими та чистими.** Правильно доглянуті різальні інструменти з гострими різальними кромками мають меншу імовірність заїдання, та ними легше керувати.
- g) **Використовуйте електричний інструмент, додаткові інструменти та деталі інструменту тощо у відповідності до цих інструкцій та відповідно до даного типу електричних інструментів, зважаючи на умови використання та роботу, яка має бути виконана.** Використання електричних інструментів не за призначенням може призвести до виникнення небезпечних ситуацій.
- h) **Всі ручки та поверхні для тримання інструмента мають бути сухими, без залишків мастила.** Слизькі ручки та поверхні для тримання не дозволяють безпечно працювати та контролювати інструмент у неочікуваних ситуаціях.

5) Використання та догляд за інструментом, що живиться від акумулятора

- a) **Заряджайте інструмент лише за допомогою зарядного пристрою, вказаного виробником.** Зарядний пристрій, що підходить до одного типу акумуляторів, може призвести до пожежі в разі використання з іншим акумулятором.
- b) **Використовуйте електричні інструменти лише за призначеннями для них акумуляторами.** Використання інших акумуляторів може призвести до травм або пожежі.
- c) **Коли акумулятори не використовуються, зберігайте їх подалі від металевих предметів,**

як скріпки, монети, ключі, цвяхи, гвинти або інші невеликі предмети, що можуть призвести до замикання двох контактів. Коротке замикання клем акумулятора може призвести до вибуху або пожежі.

- d) **За невідповідних умов використання рідина може витекти з акумулятора; уникайте контакту з цією рідиною. Якщо контакт таки стався, промийте забруднену ділянку водою. Якщо рідина потрапила в очі, промийте водою та зверніться до лікаря.** Рідина, що витікає з акумулятора, може призвести до подразнень та опіків.
- e) **Не використовуйте пошкоджені або модифікований акумулятор або інструмент.** Пошкоджені або модифіковані акумулятори можуть поводити себе непередбачуваним чином, призводячи до пожежі, вибуху або тілесним ушкодженням.
- f) **Не надавайте акумулятор та інструмент дії вогню та надмірних температур.** Дія вогню або температури вище 130 °C може спричинити вибух.
- g) Виконуйте всі інструкції щодо зарядки; **заряджайте акумулятор та інструмент тільки в межах температурного діапазону, вказаного в інструкціях.** Неналежна зарядка або зарядка поза межами вказаного температурного діапазону може пошкодити акумулятор та підвищити ризик пожежі.

6) Обслуговування

- a) **Надавайте ваш електричний інструмент для обслуговування кваліфікованим спеціалістом з ремонту та використовуйте тільки ідентичні замініні деталі.** Це забезпечить безпеку електричного пристрою.
- b) **Ніколи не обслуговуйте пошкоджені акумулятори самостійно.** Обслуговування акумуляторів мають виконувати представники виробника або працівники офіційного сервісного центру.

ДОДАТКОВІ СПЕЦІАЛЬНІ ПРАВИЛА ТЕХНІКИ БЕЗПЕКИ

Інструкції з техніки безпеки при виконанні будь-яких робіт

- a) **Цей електричний інструмент призначений для полірування. Ознайомтеся з усіма попередженнями, інструкціями з техніки безпеки, зображеннями та специфікаціями, які поставляються з даним електричним інструментом.** Невиконання наведених нижче інструкцій, може призвести до ураження електричним струмом, пожежі та/або серйозних травм.
- b) **Цей електричний інструмент не рекомендується використовувати для виконання таких робіт, як шліфування,**

очищення металевою щіткою або розрізання. Використання інструмента не за призначенням може бути небезпечним та призвести до особистих травм.

- c) **Не використовуйте приладдя, що не було розроблено спеціально для цього інструмента та не рекомендовано виробником.** Той факт, що приладдя можна прикріпити до інструмента, не гарантує безпечної роботи.
- d) **Номінальна швидкість приладдя повинна щонайменше дорівнювати максимальній швидкості, вказаній на електричному інструменті.** Приладдя з більшою швидкістю може зламатися та розлетітися.
- e) **Зовнішній діаметр та товщина вашого приладдя повинні знаходитись у рамках характеристики потужності цього електричного інструмента.** Аксесуари невірних розмірів неможливо контролювати відповідним чином.
- f) **Приладдя з різьбою повинно відповідати різьбленню шпинделя шліфувального станка.** При встановленні приладдя з фланцем **отвір оправлення приладдя має відповідати діаметру фланця на інструменті.** Приладдя, яке не відповідає елементам кріплення електричного інструмента, може втрачати баланс, надмірно вібрувати та призводити до втрати контролю.
- g) **Не використовуйте пошкоджене приладдя.** Перед кожним використанням необхідно оглянути приладдя, наприклад, абразивні диски на наявність пошкоджень та тріщин, дисци-підшви — на наявність тріщин або надмірний знос, дровову щітку — на міцність з'єднань чи тріщини. Якщо електричний інструмент або приладдя падали, необхідно оглянути їх на пошкодження та встановити приладдя без дефектів. Після огляду та встановлення насадки відступіть на певну відстань та попросіть сторонніх відійти від площини обертання приладдя. Запустіть електричний інструмент при максимальній швидкості без навантаження та залиште його в робочому стані впродовж однієї хвилини. Пошкоджене приладдя зламається під час цього запуску.
- h) **Використовуйте особисті засоби безпеки.** У залежності від способу експлуатації інструмента слід використовувати захисний щиток, захисні окуляри або маску. За необхідності одягайте протипилову маску, засоби захисту слуху, рукавиці або робочий фартух, що захистять вас від попадання абразивних частинок або фрагментів заготовки. Захисні окуляри захистять вас від частинок, що здатні розлітатись під час певних видів робіт. Протипилова маска або респіратор повинні фільтрувати частинки, що утворюються

під час роботи. Тривалий вплив шуму з високою інтенсивністю може призвести до втрати слуху.

- i) **Сторонні особи повинні перебувати подалі від робочої зони. Будь-яка особа, яка наближається до робочої зони, повинна використовувати засоби особистого захисту.** Фрагменти заготовки або уламки можуть відлетіти та призвести до травми, навіть поза безпосередньою зоною роботи.
- j) **Розмістіть кабель подалі від приладдя, що обертається.** Якщо ви втратите контроль, кабель може бути розрізаний або може зачепитися, а ваша рука або пальці можуть потрапити до приладдя, що обертається.
- k) **У жодному разі не кладіть інструмент, доки всі його деталі повністю не зупиняться.** Приладдя, що обертається, може захопити поверхню та потягнути електричний інструмент з рук.
- l) **Не тримайте увімкнений інструмент біля власного тіла.** Випадковий контакт з приладдям, що обертається, може зачепити одяг, потягнувши інструмент до вашого тіла.
- m) **Регулярно очищуйте вентиляційні отвори електричного інструмента.** Вентилятор двигуна буде втягувати пил всередину корпусу, надмірна кількість металевих частинок може призвести до ризику ураження електричним струмом.
- n) **Не використовуйте електричний інструмент біля легкозаймистих матеріалів.** Іскри можуть викликати спалах цих матеріалів.
- o) **Не використовуйте приладдя, що вимагає рідкого холодоагенту.** Використання води чи інших рідких холодоагентів може призвести до смертельної електротравми або шоку.
- p) **Завжди використовуйте бокову ручку. Надійно затягуйте ручку.** Завжди використовуйте бокову ручку для керування інструментом.

ДОДАТКОВІ ІНСТРУКЦІЇ З ТЕХНІКИ БЕЗПЕКИ ПРИ ВИКОНАННІ БУДЬ-ЯКИХ ОПЕРАЦІЙ З ЕЛЕКТРИЧНИМ ІНСТРУМЕНТОМ

Причини та попередження віддачі

Віддача — це раптова реакція на затиснений або деформований, поворотний диск, диск-підшову, шітку або інші приладдя. Затиснення або нерівності викликають різке уповільнення швидкості обертання рухомого приладдя, що, в свою чергу, викликає відхилення неконтрольованого електричного інструмента в напрямку протилежному напрямку обертання приладдя в місці зчеплення.

Наприклад, якщо абразивний диск затиснений заготовкою, край диска, що входить у зону затиснення, може увійти в поверхню матеріалу, спричиняючи віддачу диска. При цьому диск відскочить від оператора або на оператора,

в залежності від напрямку руху диска в точці заїдання. Абразивні диски також можуть зламатися за цих умов.

Віддача є результатом невідповідного використання інструменту або/та невідповідних способів чи умов експлуатації. Її можна уникнути, вживаючи нижченаведених заходів:

- a) **Добре тримайте інструмент та розташуйте своє тіло та руки так, щоб можна було протистояти віддачі. Завжди використовуйте додаткову ручку, якщо така є, для максимального контролю віддачі або реактивного крутного моменту при запуску.** Оператор може контролювати реактивний крутний момент або сили віддачі, якщо вжити відповідні заходи.
- b) **Ніколи не розташуйте руки біля різальних поверхонь.** Може виникнути віддача приладдя через руку.
- c) **Не розташуйте своє тіло в зоні, куди буде рухатися інструмент у разі віддачі.** Віддача призведе до руху інструмента в напрямку протилежному руху диска в точці заїдання.
- d) **Будьте особливо уважними коли обробляєте кути, гострі краї тощо. Уникайте відстрибування та заїдання приладдя.** Кути, гострі краї або відстрибування можуть призвести до затиснення приладдя та викликати втрату контролю або віддачу.
- e) **Не прикріплюйте полотно для різьблення ланцюгової пилки чи зубчастого полотна.** Такі пильні полотна призводять до частих віддач та втрати контролю.

Попередження з техніки безпеки для виконання полірування

- a) **Не дозволяйте вільно обертатися частинкам, що утворюються при поліруванні, або фіксуємим пружинам.** Сховайте або обріжте всі вільні фіксуємі пружини. Вільні фіксуємі пружини можуть заплутати ваші пальці або застрягти на заготовці.

Додаткові інструкції з техніки безпеки при роботі з полірувальними машинами

- **Часто очищуйте свій інструмент, особливо після інтенсивного використання.** Пил та сміття, що містять частинки металу, часто накопичуються на внутрішніх поверхнях інструменту і можуть спричинити ураження електричним струмом.
- **Не використовуйте інструмент тривалий час.** Вібрація, що виникає під час роботи з цим інструментом, може спричинити невелику травму пальців рук і кистей. Для забезпечення захисного амортизуючого ефекту слід працювати у рукавицях; слід робити часті перерви для відпочинку та обмежити тривалість роботи з цим інструментом протягом дня.

- **Рухомі частини часто приховані вентиляційними отворами; уникайте контакту з ними.** Вільний одяг, прикраси або довге волосся можуть зачепитися за рухомі деталі.
- **Переконайтесь, що перемикач знаходиться в положенні блокування, коли він не використовується та перед підключенням джерела живлення або акумулятора.**

Залишкові ризики

Дотримання всіх правил техніки безпеки та застосування пристроїв безпеки не гарантує уникнення певних залишкових ризиків. До такого переліку належать:

- *Порушення слуху.*
- *Ризик тілесних ушкоджень через частинки, які розлітаються.*
- *Ризик опіків через нагрівання приладдя під час роботи.*
- *Ризик тілесних ушкоджень через занадто тривале використання.*


ЗБЕРІГАЙТЕ ЦІ ІНСТРУКЦІЇ

Зарядні пристрої

DeWALT не вимагають налаштувань і розроблені для максимально простого використання.

Електрична безпека

Електричний двигун розроблений для роботи лише з одним значенням напруги. Завжди перевіряйте, що напруга акумулятора відповідає напрузі, що вказана в технічних даних. Також переконайтесь, що напруга зарядного пристрою відповідає напрузі мережі живлення.

 Ваш DeWALT Ваш зарядний пристрій виробництва компанії DeWALT має подвійну ізоляцію відповідно до EN60335; тому заземлення не є необхідним.

Якщо кабель живлення пошкоджений, його необхідно замінити на спеціальний кабель, який можна замовити в офіційних сервісних центрах DeWALT. організація обслуговування.

Використання електричного подовжувача

Використовуйте подовжувальний шнур лише за абсолютної необхідності. Використовуйте лише рекомендований подовжувальний шнур, що відповідає споживаній потужності вашого зарядного пристрою (див. **Технічні дані**). Мінімальний розмір сичення провідника становить 1 мм²; максимальна довжина — 30 м.

При використанні кабельного барабану завжди витягуйте весь кабель.

Важливі інструкції з техніки безпеки для всіх зарядних пристроїв

ЗБЕРІГАЙТЕ ЦІ ІНСТРУКЦІЇ: У цьому керівництві містяться важливі інструкції з техніки безпеки та використання для сумісних зарядних пристроїв (див. «**Технічні дані**»).

- *Перед використанням зарядного пристрою прочитайте всі інструкції та попередження на*

зарядному пристрої, акумуляторах та продукті, для якого ці акумулятори використовуються.



ПОПЕРЕДЖЕННЯ: Небезпека ураження електричним струмом. Не допускайте потрапляння рідини в зарядний пристрій. Це може призвести до ураження електричним струмом.



ПОПЕРЕДЖЕННЯ: Ми рекомендуємо використовувати пристрій з керуванням диференційним струмом з номінальним значенням диференційного струму 30 мА або менше.



УВАГА: Небезпека опіку. Для зниження ризику виникнення травм заряджайте лише акумулятори DeWALT. акумуляторні батареї. Інші типи акумуляторів можуть вибухнути, спричинивши тілесні ушкодження та пошкодження майна.



УВАГА: Уважно слідкуйте за тим, щоб діти не гралися з пристроєм.

ПРИМІТКА: За певних умов, коли зарядний пристрій підключений до мережі живлення, незахищені контакти всередині зарядного пристрою можуть замкнутися будь-яким стороннім предметом. Сторонні предмети, що проводять струм, наприклад металева стружка, алюмінієва фольга або будь-які металеві деталі, необхідно зберігати подалі від зарядного пристрою. Завжди відключайте зарядний пристрій від розетки, коли батарея не встановлена в зарядний пристрій. Відключіть зарядний пристрій від мережі живлення перед його очищенням

- **НЕ намагайтеся заряджати акумулятор зарядними пристроями, що не вказані в цьому керівництві.** Зарядний пристрій та акумулятори даної моделі розроблені для сумісної експлуатації.
- **Ці зарядні пристрої не призначені ні для чого іншого, крім зарядки акумуляторів DeWALT акумуляторні батареї.** Використання з іншими акумуляторами може призвести до виникнення пожежі або ураження електричним струмом.
- **Не піддавайте зарядний пристрій впливу дощу або снігу.**
- **При відключенні зарядного пристрою від мережі живлення тягніть за вилку, а не за кабель.** Це зменшить ризик пошкодження вилки та кабелю.
- **Переконайтесь, що кабель розміщений так, щоб на нього не наступали, не ходили по ньому та не піддавали його іншим фізичним впливам.**
- **Не використовуйте подовжувальний шнур окрім випадків, коли це абсолютно необхідно.** Використання невідповідних подовжувальних шнурів може призвести до пожежі або ураження електричним струмом.
- **Не кладіть будь-які предмети на зарядний пристрій та не залишайте зарядний пристрій на м'якій поверхні, що може заблокувати вентиляційні отвори та призвести до надмірного нагрівання.** Розташуйте зарядний пристрій подалі від

джерел тепла. Зарядний пристрій вентилюється крізь отвори у верхній та нижній частинах корпусу.

- **Не використовуйте зарядний пристрій із пошкодженим кабелем або вилкою** — їх потрібно негайно замінити.
- **Не використовуйте зарядний пристрій, якщо той отримує різкий удар, впає або був пошкоджений іншим чином.** Віднесіть його до авторизованого сервісного центру.
- **Якщо зарядний пристрій вимагає технічного обслуговування або ремонту, не розбирайте його самотужки, а віднесіть до авторизованого сервісного центру.** Невідповідні способи використання можуть призвести до виникнення пожежі або ураження електричним струмом.
- Якщо кабель живлення пошкоджено, для уникнення небезпеки його необхідно негайно замінити, звернувшись до виробника, спеціаліста сервісного центру або іншого кваліфікованого спеціаліста.
- **Відключайте зарядний пристрій від розетки перед його очищенням. Це дозволяє знизити ризик ураження електричним струмом.** Віддалення акумулятора не знижує ризик.
- **НИКОЛИ** не намагайтесь з'єднувати два зарядні пристрої.
- **Цей зарядний пристрій розрахований на роботу зі стандартною напругою побутової електромережі 230 В. Не намагайтесь використовувати його з іншою напругою.** Це не стосується автомобільних зарядних пристроїв.










Зарядка акумулятора (Рис. [Fig.] B)

1. Підключіть зарядний пристрій до відповідної розетки перед встановленням акумулятора.
2. Вставте акумулятор **1** у зарядний пристрій до упору. Червоний індикатор («зарядка») буде блимати, вказуючи на початок процесу зарядки.
3. Коли зарядку завершено, червоний індикатор горить, не блимаючи. Це означає, що акумулятор повністю заряджений та може використовуватися одразу або залишатися в зарядному пристрої. Щоб витягнути акумулятор із зарядного пристрою, натисніть кнопку деблокування **2** на акумуляторі.

ПРИМІТКА: щоб забезпечити максимальну продуктивність та тривалість роботи літій-іонного акумулятора, повністю зарядіть його перед першим використанням.

Робота зарядного пристрою

Нижче описані індикатори стану зарядки акумулятора.

Індикатори зарядки	
 Заряджається	 
 Повністю заряджений	 
 Затримка через надмірно високу/низьку температуру акумулятора*	 

*Червоний індикатор буде продовжувати миготіти, а жовтий індикатор буде горіти під час виконання цього завдання. Коли акумулятор досягне прийнятної температури, жовтий індикатор згасне, а зарядний пристрій відновить процес зарядки.

Сумісний зарядний пристрій не буде заряджати несправний акумулятор. Зарядний пристрій розпізнає несправну батарею та не ввімкне світловий індикатор.

ПРИМІТКА: Це також може свідчити про проблему з зарядним пристроєм.

Якщо виявлено проблему із зарядним пристроєм, віднесіть зарядний пристрій та акумулятор для перевірки в авторизований сервісний центр.

Затримка через надмірно високу/низьку температуру акумулятора

Якщо зарядний пристрій визначає, що акумулятор є надмірно гарячим або холодним, він автоматично вмикає режим температурної затримки, припиняючи процес зарядки, доки акумулятор не досягне відповідної температури. Після досягнення прийнятної температури зарядний пристрій автоматично перемикається в режим зарядки акумулятора. Ця функція забезпечує максимальний термін служби акумулятора.

Холодний акумулятор буде заряджатися повільніше порівняно з теплим акумулятором. Такий акумулятор буде заряджатися повільніше протягом всього циклу зарядки та не повернеться до максимального значення зарядки, навіть якщо нагріється.

Зарядний пристрій DCB118 оснащений внутрішнім вентилятором, призначеним для охолодження акумулятора. Вентилятор автоматично вмикається, коли акумулятор потребує охолодження. Ніколи не використовуйте зарядний пристрій, якщо вентилятор працює неналежним чином або вентиляційні отвори заблоковані. Уникайте потрапляння сторонніх предметів усередину зарядного пристрою.

Електронна система захисту

Інструменти з літій-іонними акумуляторами XR розроблені з використанням електронної системи захисту, яка захищає акумулятор від перевантаження, перегрівання або глибокої розрядки.

Пристрій автоматично вимикається, якщо спрацює електронна система захисту. Якщо це сталося, встановіть літій-іонний акумулятор в зарядний пристрій до повної зарядки.

Кріплення на стіну

Ці зарядні пристрої можна закріпити на стіні, чи поставити на стіл або іншу робочу поверхню. При кріпленні на стіну

розташуйте зарядний пристрій недалеко від електричної розетки, а також подалі від кутів та інших перешкод, що заважають повітряному потоку. Скористайтеся задньою частиною зарядного пристрою в якості шаблону для розташування кріпильних гвинтів на стіні. Надійно зафіксуйте зарядний пристрій за допомогою шурупів (потрібно придбати окремо) довжиною приблизно 25,4 мм з голівкою діаметром 7–9 мм, що закручуються в дерев'яну поверхню до оптимальної глибини, щоб залишилося приблизно 5,5 мм. Вирівняйте отвори на задній поверхні зарядного пристрою з виступаючими шурупами, після чого повністю вставте шурупи в отвори.

Інструкції з очищення зарядного пристрою



ПОПЕРЕДЖЕННЯ: *Небезпека ураження електричним струмом. Відключіть зарядний пристрій від розетки змінного струму перед його очищенням. Бруд та жир можна видалити з поверхні зарядного пристрою за допомогою ганчірки або м'якої неметалевої щітки. Не використовуйте воду та мийні розчини. Не дозволяйте рідині потрапляти всередину інструмента та ніколи не занурюйте деталі інструмента в рідину.*

Акумулятор

Важливі інструкції з техніки безпеки для різних типів акумуляторів

При замовленні змінних акумуляторів не забудьте вказати номер за каталогом та напругу.

Новий акумулятор заряджений не повністю. Перед використанням акумулятора та зарядного пристрою прочитайте всі нижче наведені інструкції з техніки безпеки. Після цього виконайте всі вказані пункти процедури зарядки.

ПРОЧИТАЙТЕ ВСІ ІНСТРУКЦІЇ

- **Не заряджайте та не використовуйте акумулятор у вибухонебезпечних умовах, наприклад в присутності легкозаймистих рідин, газів або пилу.** Під час встановлення або виймання батареї з зарядного пристрою може спалахнути пил або пара.
- **На прикладі зусилля, вставляючи акумулятор в зарядний пристрій. Жодним чином не модифікуйте акумулятор, аби встановити його в несумісний зарядний пристрій, адже акумулятор може розірватися та спричинити серйозні травми.**
- Використовуйте тільки зарядні пристрої DEWALT для зарядження акумуляторів.
- **НЕ занурюйте акумулятор у воду та інші рідини та не бризкайте на нього.**
- **Не зберігайте та не використовуйте інструмент та акумулятор у місцях, де температура може сягати або перевищувати 40 °C (104 °F) (наприклад, біля гаражів або металевих будівель влітку).**
- **Не спалюйте акумулятор, навіть якщо він сильно пошкоджений або повністю зношений.** Акумулятор може вибухнути у вогні. Коли літій-іонні акумулятори

горять, утворюються токсичні випаровування та речовини.

- **Якщо вміст акумулятора потрапив на шкіру, негайно промийте це місце м'яким милом та водою.** Якщо рідина з акумулятора потрапила в очі, промийте відкрите око протягом 15 хвилин або доки подразнення не зникне. Якщо необхідно звернутися до лікаря, акумуляторний електроліт складається з суміші рідких органічних вулканічних солей та солей літію.
- **Вміст відкритого акумулятора може спричинити подразнення дихальних шляхів.** Вийдіть на свіже повітря. Якщо симптоми не зникають, зверніться до лікаря.



ПОПЕРЕДЖЕННЯ: *Небезпека опіку. Рідина з акумулятора може спалахнути, якщо на неї потрапить іскра або полум'я.*



ПОПЕРЕДЖЕННЯ: *За жодних умов не намагайтесь відкрити акумулятор. За будь-якого пошкодження акумулятора не встановлюйте його у зарядний пристрій. Не бийте, не кидайте та не пошкоджуйте акумулятор. Не використовуйте акумулятор та зарядний пристрій, якщо ті отримали різкий удар, впали або були пошкоджені іншим чином (наприклад, були проколоті цвяхом, вдарені молотком, на них наступили). Це може призвести до ураження електричним струмом. Пошкоджені акумулятори необхідно повернути до сервісного центру для переробки.*



ПОПЕРЕДЖЕННЯ: *Небезпека виникнення пожежі. Зберігайте та переносьте акумулятор так, щоб металеві предмети не торкалися його відкритих контактів.* Наприклад, не кладіть акумулятор у фартух, кишені, ящики з інструментами, коробки з наборами приладдя, шухляди тощо, де можуть бути цвяхи, гвинти, ключі тощо.



УВАГА: *Коли інструмент не використовується, залишайте його на боці на стабільній поверхні в такому місці, де через нього не можна перекритися та впасти.* Деякі інструменти з великими акумуляторами можуть стояти на батареї, але їх можна легко перекинути.

Транспортування



ПОПЕРЕДЖЕННЯ: *Небезпека виникнення пожежі.* Під час перевезення акумуляторів може виникнути пожежа, якщо контакти акумулятора випадково ввійдуть в контакт з електропровідним матеріалом. Під час перевезення акумуляторів переконайтесь, що їхні контакти захищені та добре ізольовані від матеріалів, які можуть увійти з ними в контакт та викликати коротке замикання.

ПРИМІТКА: *При перевезенні літій-іонних акумуляторів не можна здавати їх в багаж.*

Акумулятори DEWALT відповідають всім нормам перевезення, описаним у галузевих та законодавчих положеннях, включно з рекомендаціями ООН про

перевезення небезпечних вантажів, правилами перевезення небезпечних вантажів Міжнародної організації повітряного транспорту (IATA), міжнародними правилами перевезення небезпечних вантажів водним транспортом (IMDG) та Європейській угоді про міжнародне дорожнє перевезення небезпечних вантажів (ADR). Літій-іонні елементи живлення та акумулятори були перевірені відповідно до розділу 38.3 керівництва з тестів та критеріїв щодо перевезення небезпечних вантажів Рекомендацій ООН.

У більшості випадків перевезення акумуляторів DeWALT може бути класифіковано як перевезення небезпечних речовин, що повністю підпадають під клас 9. Загалом тільки вантажі, що містять літій-іонні акумулятори ємністю більше за 100 ват-годин (Вт-год.), вимагають транспортування відповідно до норм перевезення небезпечних речовин, що повністю підпадають під Клас 9. На всі літій-іонні акумулятори нанесено значення ват-годин. Крім того, через складності законодавчих норм компанія DeWALT не рекомендує транспортування окремо літій-іонних акумуляторів повітряним транспортом, незалежно від показника ват-годин. Перевезення інструментів з акумуляторами (у комплекті) можна виконувати повітряним транспортом, якщо значення ват-годин не перевищує 100 Вт-год.

Незалежно від того, чи вантаж вважається виключеним або повністю регламентованим, вантажовідправник несе відповідальність за відповідність останнім нормам щодо вимог до упаковки, етикеток/маркування та документації. Інформація, що наводиться у цьому розділі керівництва, сумлінно перевірена та вважається дійсною на момент складання документації. Проте чинні нормативи можуть підлягати змінам. Покупець несе відповідальність за те, щоб його дії відповідали певним нормам.

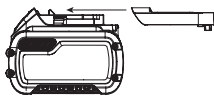
Транспортування батареї FLEXVOLT™

Батарея DeWALT FLEXVOLT™ має два режими: **використання** та **транспортування**.

Режим використання. при використанні батареї FLEXVOLT™ окремо або в продукті DeWALT 18В вона працює як батарея потужністю 18 В. Якщо батарею FLEXVOLT™ встановлено у пристрій потужністю 54 В або 108 В (дві батареї 54 В), вона буде працювати як батарея 54 В.

Режим транспортування. якщо на батарею FLEXVOLT™ встановлено кришку, вона знаходиться у режимі транспортування. Не знімайте цю кришку при транспортуванні.

У режимі транспортування послідовність електричних елементів акумулятора роз'єднана, що створює 3 акумулятори з меншим значенням Вт-год в порівнянні з 1 акумулятором із більшим значенням цього показника. Ці



3 акумулятори з нижчим значенням ват-годин можуть бути виключені з певних норм транспортування, що застосовуються для акумуляторів з більшим значенням ват-годин.

Наприклад, показник транспортування може бути 3 × 36 Вт-год, що означає 3 акумулятори по 36 Вт-год кожний. При цьому показник Вт-год в режимі використання може бути вказаний як 108 Вт-год (1 акумулятор).

Приклад маркування способів використання та транспортування



Рекомендації щодо зберігання

1. Найкращим місцем для зберігання інструмента є прохолодне сухе місце, куди не потрапляють прямі сонячні промені та немає доступу тепла та холоду. Для оптимальної продуктивності та терміну служби батарей зберігайте їх за кімнатної температури, коли вони не використовуються.
2. При тривалому зберіганні для оптимального результату рекомендується помістити повністю заряджений акумулятор у сухе прохолодне місце поза зарядним пристроєм.

ПРИМІТКА: Не рекомендується зберігати акумулятор повністю розрядженим. Акумулятор потрібно перезарядити перед використанням.

Етикетки на зарядному пристрої та акумуляторі

Крім символів, що використовуються у цьому керівництві, етикетки на зарядному пристрої та акумуляторі можуть містити наведені нижче позначки.



Прочитайте інструкції цього керівництва перед використанням.



Див. розділ «Технічні дані» щодо часу зарядки.



Не торкайтеся електропровідними предметами.



Не заряджайте пошкоджені акумулятори.



Не піддавайте впливу води.



Негайно замінійте пошкоджений дріт живлення.



Заряджайте акумулятор за температури 4–40 °С.



Лише для використання в приміщенні.



Утилізуйте акумулятори з належною турботою про навколишнє середовище.



Заряджайте акумулятори DEWALT лише за допомогою спеціальних зарядних пристроїв DEWALT. Зарядка інших акумуляторних батарей, ніж призначені DEWALT, у зарядному пристрої DEWALT може призвести до їх вибуху або інших небезпечних ситуацій.



Не спалюйте акумулятори.



ВИКОРИСТАННЯ (без кришки для транспортування). Приклад: Значення Вт-год становить 108 Вт-год (1 акумулятор потужністю 108 Вт-год).



ТРАНСПОРТУВАННЯ (зі встановленою кришкою для транспортування). Приклад: Значення Вт-год становить 3 x 36 Вт-год (3 акумулятори потужністю 36 Вт-год).

Тип акумулятора

Пристрій DCM849 працює від акумулятора потужністю 18 вольт.

Для експлуатації придатні акумулятори наступних моделей: DCB181, DCB182, DCB183, DCB183B, DCB184, DCB184B, DCB185, DCB187, DCB189, DCB546, DCB547, DCB548. Див. додаткову інформацію у розділі **Технічні дані**.

Комплект поставки

Комплект містить:

- 1 Полірувальна машина
- 1 Допоміжна ручка
- 2 Пристрої захисту від попадання вовни
- 1 Диск-підшва на липучці 180 мм
- 1 Літій-іонний акумулятор (моделі C1, D1, L1, M1, P1, S1, T1, X1, Y1)
- 2 Літій-іонні акумулятори (моделі C2, D2, L2, M2, P2, S2, T2, X2, Y2)
- 3 Літій-іонні акумулятори (моделі C3, D3, L3, M3, P3, S3, T3, X3, Y3)
- 1 Керівництво з експлуатації

ПРИМІТКА: акумулятори, зарядні пристрої та коробки для зберігання не входять до комплекту моделей N. Акумулятори та зарядні пристрої не входять до комплекту моделей NT. Моделі B мають акумулятори для пристроїв з підтримкою Bluetooth®.

ПРИМІТКА: текстовий знак та логотипи Bluetooth® є зареєстрованими товарними знаками, що належать компанії Bluetooth®, SIG, Inc. Будь-яке використання таких знаків компанією DEWALT здійснюється згідно з ліцензією. Інші торгові марки та торгові назви є власністю відповідних власників.

- Перевірте інструмент, деталі та приладдя на пошкодження, що могли виникнути під час транспортування.
- Перед використанням уважно прочитайте та повністю зрозумійте це керівництво.

Маркування інструмента

На інструменті є наступні піктограми:



Прочитайте інструкції цього керівництва перед використанням.



Використовуйте засоби захисту органів слуху.



Використовуйте засоби захисту очей.

Розташування коду дати (Рис. А)

Код дати **12**, що включає також рік виробництва, зазначений на корпусі.

Приклад:

2019 XX XX

Рік виробництва

Опис (рис. А)



УВАГА! Ніколи не модифікуйте електричні інструменти та їхні деталі. Це може призвести до пошкодження майна або тілесних ушкоджень.

- 1 Акумулятор
- 2 Кнопка розблокування акумулятора
- 3 Дисковий перемикач швидкості
- 4 Амортизуюча підкладка
- 5 Тригерний перемикач змінної швидкості
- 6 Кнопка блокування шпинделя
- 7 Допоміжна ручка
- 8 Шпиндель
- 9 Ручка корпусу редуктора з м'якого каучуку
- 10 Пристрій захисту від попадання вовни
- 11 Кнопка розблокування

Область застосування

Полірувальна машина DCM849 для роботи у важких умовах призначена для професійного полірування пофарбованих або необроблених металевих, скловолоконних і композитних поверхонь. Типові приклади використання включають, але не обмежуються наступними: деталізація і корекція обробки автомобілів/ човнів/ візків/ мотоциклів, будівництво і ремонт човнів, а також обробка металу або бетону.

НЕ використовуйте за умов підвищеної вологості або в присутності легкозаймистих рідин та газів.

Ця полірувальна машина для роботи у важких умовах є професійним електричним інструментом.

НЕ дозволяйте дітям підходити на небезпечно відстань та торкатися інструмента. Використання інструмента недовідченими операторами потребує нагляду.

- Цей пристрій не призначений для використання особами (включаючи дітей) зі зниженими фізичними, сенсорними або розумовими можливостями або особами, яким бракує досвіду або знань, за винятком випадків, коли такі особи працюють під наглядом особи, яка несе відповідальність за їхню безпеку. Не можна залишати дітей наодинці з цим пристроєм.

МОНТАЖ ТА НАЛАШТУВАННЯ

! **ПОПЕРЕДЖЕННЯ:** Щоб знизити ризик серйозних тілесних ушкоджень, вимкніть інструмент та відключіть акумулятор перед виконанням будь-яких налаштувань або зміння/встановленням додаткового обладнання або приладдя. Випадковий запуск може призвести до травм.

! **ПОПЕРЕДЖЕННЯ:** Використовуйте тільки DEWALT акумулятори та зарядні пристрої.

Установка акумулятора в інструмент та його виймання (Рис. В)

ПРИМІТКА. Переконайтесь, що ваш акумулятор **1** повністю заряджений.

Для встановлення акумулятора у ручку інструмента

1. Вирівняйте акумулятор **1** по напрямних у ручці інструменту (Рис. В).
2. Вставте акумулятор у ручку до упору та переконайтесь, що ви почули звук клацання акумулятора, що став на місце.

Виймання акумулятора з інструмента

1. Натисніть кнопку розблокування **2** та витягніть акумулятор з ручки інструмента.
2. Вставте акумулятор у зарядний пристрій, як описано у розділі щодо зарядного пристрою цього керівництва.

Акумулятори з індикатором рівня заряду (Рис. В)

Деякі акумулятори DEWALT оснащені індикатором заряду з трьох зелених світлодіодів, що вказують рівень заряду акумулятора, що залишився.

Щоб увімкнути індикатор заряду, натисніть та утримуйте кнопку індикатора заряду **13**. Три зелені світлодіоди будуть горіти відповідним чином, відображуючи рівень зарядки акумулятора. Коли рівень заряду акумулятора нижче відповідного ліміту, індикатор рівня заряду не горить, а акумулятор потрібно зарядити.

ПРИМІТКА: Індикатор рівня зарядки показує лише рівень зарядки, що залишився в акумуляторі. Він не показує функціональність інструмента, а його показники можуть змінюватись відповідно до комплекстності інструмента, температури та способу застосування.

Допоміжна ручка (рис. А)

! **УВАГА!** Перед використанням інструмента перевірте, що ручка надійно затягнена.

Допоміжна ручка **7** поставляється в комплекті з інструментом і може бути встановлена по обидві сторони редуктора. Цю ручку слід використовувати завжди для підтримки повного контролю над інструментом.

Пристрої захисту від попадання вовни (рис. А)

Пристрої захисту від попадання вовни **10** призначені для зменшення кількості вовни, пилу та сміття, які потрапляють в двигун під час нормальної експлуатації.

Очищайте пристрої захисту, як тільки починаєте бачити налипання зовні. Очищення пристроїв захисту від попадання вовни:

Кожен пристрій захисту від попадання вовни можна легко зняти для очищення, просунувши палець або монету під виїмку і потягнувши за неї, щоб зняти кришку.

Кнопка блокування шпинделя (рис. А)

ПРИМІТКА: щоб знизити ризик пошкодження інструменту не використовуйте фіксатор для блокування шпинделя в момент роботи інструменту. Це може призвести до пошкодження інструмента та до відкручування приладдя, що може травмувати.

Для запобігання обертання шпинделя інструменту при установці або знятті приладдя з зубчастого редуктора машини **6** передбачена кнопка блокування шпинделя. Щоб заблокувати шпиндель, натисніть і утримуйте кнопку блокування. **НІКОЛИ НЕ НАТИСКАЙТЕ КНОПКУ ФІКСАЦІЇ ШПИНДЕЛЯ, КОЛИ ІНСТРУМЕНТ ЗНАХОДИТЬСЯ ПІД НАПРУГОЮ АБО РУХАЄТЬСЯ ЗА ІНЕРЦІЄЮ.**

Встановлення і демонтаж полірувальних накладок (рис. А, С, D)

! **УВАГА!** Для зниження ризику отримання серйозної травми не дозволяйте вільно обертатися частинкам, що утворюються при поліруванні, або фіксуючим пружинам. Сховайте або обріжте всі вільні фіксуючі пружини. Вільні фіксуючі пружини можуть заплутати ваші пальці або застряти на заготовці.

Полірувальні накладки діаметром 150, 180 або 230 мм можна використовувати з DCM849.

ПРИМІТКА: з DCM849 можна використовувати будь-який тип полірувальних накладок в зборі, описаний нижче.

Встановлення полірувальної накладки з гумовим диском-підшоною (рис. А, С)

1. Вставте шестигранний отвір в диск-підшосу **18**. Міцно утримуючи шайбу затиску **17** і диск-підшосу разом, встановіть вузол на шпиндель інструменту **8**.

- Утримуючи кнопку блокування шпindelя **6** повертаючи диск-підшову і затиснувши шайбу за годинниковою стрілкою, повністю закріпіть їх на шпindelі. Міцно затягніть вручну.
- Зафікуйте полірувальну накладку **16** на диску-підшові.

Встановлення полірувальної накладки з диском-підшовою на липучці (рис. А, D)

- Вставте центральну трубку **19** в центральний отвір липучки диска-підшови **21**.
- Зіставте центральний отвір на липучці **20** з центральною трубкою **19** і закріпіть накладку на липучці диска-підшови **21**.
- Накрутіть диск-підшову **21** на шпindel **8**, утримуючи кнопку блокування шпindelя **6**.

Демонтаж накладок

Поверніть накладки вручну в напрямку, протилежному нормальному обертанню, щоб кнопка блокування зафіксувала шпindel, потім відкрутіть накладки в нормальному напрямку для правобічного різьблення.

Перед експлуатацією

- Переконайтесь, що полірувальна накладка встановлена правильно.
- Переконайтесь, що накладка обертається в тому напрямку, який вказано стрілками на приладді чи інструменті.
- Переконайтесь, що з поверхні заготовки видалено весь бруд.

РЕЖИМ РОБОТИ

Інструкції з використання



ПОПЕРЕДЖЕННЯ: Завжди дотримуйтесь усіх інструкцій з техніки безпеки та відповідних норм.



ПОПЕРЕДЖЕННЯ: Щоб знизити ризик серйозних тілесних ушкоджень, вимкніть інструмент та відключіть акумулятор перед виконанням будь-яких налаштувань або змінами/встановленням додаткового обладнання або приладдя. Випадковий запуск може призвести до травм.

Належне положення рук (Рис. Е)



ПОПЕРЕДЖЕННЯ: Щоб знизити ризик серйозних травм, **ЗАВЖДИ** правильно розташуйте руки, як показано.



ПОПЕРЕДЖЕННЯ: Щоб знизити ризик серйозних травм, **ЗАВЖДИ** надійно тримайте інструмент, щоб попередити випадкову віддачу.

При правильному положенні рук необхідно одну руку тримати на допоміжній ручці **7**, а іншу — на основній ручці **14**.

Тригерний перемикач змінної швидкості (рис. А)

Тригерний перемикач змінної швидкості дозволяє регулювати швидкість обертання в діапазоні від 0 до 2200 об/хв.

Для ввімкнення інструмента натисніть тригерний перемикач **5**. Чим сильніше ви тиснете на тригерний перемикач, тим швидше працює пристрій. Відпустіть перемикач, щоб вимкнути пристрій.

Використовуйте більш низькі швидкості для нанесення сумішей і більш високі — для полірування.

Кнопка блокування перемикача

Інструмент можна заблокувати для безперервного використання, повністю натиснувши на критичний перемикач **5** і натиснувши кнопку блокування **11**, як показано на Рисунку А. Тримайте кнопку блокування натиснутою, обережно відпускаючи тригерний перемикач. Щоб інструмент вийшов із заблокованого положення, натисніть і відпустіть тригерний перемикач один раз.

ПРИМІТКА: тригерний перемикач можна заблокувати тільки при роботі інструмента при максимальній швидкості обертання, встановленій дисковим перемикачем швидкості **3**.

Дисковий перемикач швидкості (рис. А)

Максимальну швидкість інструменту можна змінити, повернувши дисковий перемикач швидкості **3** в потрібне положення. Для більшої універсальності тригерний перемикач **5** може бути повністю заблокований в заданому положенні, а швидкість інструменту може змінюватися тільки за допомогою дискового перемикача швидкості.

Дисковий перемикач швидкості може бути встановлений на будь-яку частоту обертання в діапазоні від 800 до 2200 об/хв, тоді тригерний перемикач змінної швидкості буде регулювати швидкість інструменту від нуля до положення дискового перемикача. Наприклад: налаштування дискового перемикача на 2200 об/хв дозволить тригерному перемикачу змінної швидкості регулювати швидкість роботи інструменту від нуля до 2200 об/хв, в залежності від рівня встановлення тригерного перемикача.

Електронний регулятор швидкості

Електронний регулятор швидкості працює при повному натисканні тригерного перемикача і роботі інструменту із заданою швидкістю, заданою за допомогою дискового перемикача.

При навантаженні інструменту натисканням на робочу поверхню, він компенсує навантаження і підтримує обрану швидкість. Якщо обрана за допомогою дискового перемикача швидкість становить 2200 об/хв, то при навантаженні інструмент буде підтримувати 2200 об/хв.


- Електронний регулятор швидкості працює тільки при **5** повному натисканні тригерного перемикача.

- Вплив електронного регулятора швидкості набагато простіше спостерігати при більш низькій швидкості обертання (1400 об/хв і нижче), ніж при високій.


Звичайна полірувальна машина, яка працює на стандартній швидкості 2200 об/хв без навантаження, при навантаженні від полірування сповільнюється приблизно до 1800 об/хв. Ваша полірувальна машина при навантаженні продовжить працювати зі швидкістю 2200 об/хв (або будь-якою іншою швидкістю, обраною за допомогою дискового перемикача). Якщо швидкість занадто велика, сповільніть роботу інструменту за допомогою тригерного або дискового перемикача.

Полірування (рис. Е)

1. Візьміться за ручки інструменту і підніміть його, не вмикаючи.
2. Тримайте інструмент подалі від тіла і натисніть на тригерний перемикач.
3. Переконайтесь, що ви міцно тримаєтесь за ручки.
4. Рівномірно переміщуйте інструмент по поверхні заготовки, не докладаючи тиску.
5. Перед зняттям інструменту з поверхні вимкніть машину.
6. Перевіряйте свою роботу через короткі проміжки часу.


Допоміжну ручку  можна легко переставити на будь-яку сторону інструменту для лівостороннього або правостороннього керування.

Дотримуйтесь особливої обережності під час полірування гострих предметів і контурів навколо або поверх них. При поліруванні різних частин кузова автомобіля дуже важливо застосовувати правильний тиск. Наприклад, при поліруванні гострих країв панелей кузова або країв ринви зверху слід застосовувати невеликий тиск.

 **УВАГА!** Високошвидкісне тертя частинок об поверхню заготовки може призвести до утворення статичного заряду на металевих частинах цього інструменту і, як наслідок, до удару статичною електрикою при торканні.

ТЕХНІЧНЕ ОБСЛУГОВУВАННЯ

Ваш електричний інструмент призначений для роботи протягом довгого часу з мінімальним обслуговуванням. Довга задовільна робота приладу залежить від належного обслуговування приладу та регулярного його очищення.

 **ПОПЕРЕДЖЕННЯ:** Щоб знизити ризик серйозних тілесних ушкоджень, вимкніть інструмент та відключіть акумулятор перед виконанням будь-яких налаштувань або знімання/встановлення додаткового обладнання або приладдя. Випадковий запуск може призвести до травм.

Зарядний пристрій та акумулятор не підлягають обслуговуванню.



Змащування

Ваш електричний інструмент не вимагає додаткового змащування.



Очищення



ПОПЕРЕДЖЕННЯ: Коли пил та бруд стають помітними та починають накопичуватися біля вентиляційних отворів, вивувайте бруд та пил зсередини основного корпусу за допомогою сухого повітря. Використовуйте рекомендовані засоби захисту органів зору та рекомендовану протипилову маску при виконанні цієї операції.



ПОПЕРЕДЖЕННЯ: Ніколи не використовуйте розчинники та інші агресивні хімічні засоби для очищення неметалевих деталей інструмента. Такі хімічні речовини можуть нанести шкоду матеріалам, що використовуються в цих деталях. Використовуйте вологу ганчірку, змочену лише водою з м'яким милом. Не дозволяйте рідині потрапляти всередину інструмента та ніколи не занурюйте деталі інструмента в рідину.

Додаткові аксесуари



ПОПЕРЕДЖЕННЯ: Оскільки інше приладдя, що не зазначене виробником DEWALT, не перевірялося з цим пристроєм, його використання з інструментом може бути небезпечним. Необхідно використовувати лише рекомендовані DEWALT приладдя з цим пристроєм, щоб знизити ризик отримання травми.

Зверніться до свого дилера для отримання подальшої інформації щодо відповідного приладдя.

Захист навколишнього середовища



Роздільний збір. Пристрої і акумулятори позначені цим символом, не можна викидати зі звичайним побутовим сміттям.



Пристрої і акумулятори містять матеріали, які можна відновити та переробити, що зменшить потребу у сировині. Утилізуйте електротехнічну продукцію і акумулятори відповідно до місцевих положень. Більш детальну інформацію можна отримати на сайті www.2helpU.com.

Придатність акумулятора для перезарядки

Дана модель акумулятора підлягає перезарядці у випадку зниження його потужності при виконанні завдань, що попередньо не вимагали особливих зусиль. Наприкінці терміну служби акумулятора утилізуйте його у спосіб, безпечний для навколишнього середовища.

- Повністю розрядіть акумулятор, потім витягніть його з інструменту.

- Літій-іонні акумулятори можна повторно переробляти. Відправте їх до свого дилера або на місцеву переробну станцію. Там зібрані акумулятори будуть перероблені або знищені належним чином.



060

Виробник:
"Stanley Black & Decker Deutschland
GmbH" Black-&-Decker Str.40, D-65510
Idstein, Німеччина

130.com.ua

130.com.ua

130.com.ua

130.com.ua