



ТЕЛЕФОНЫ

0 (800) 800 130  
(050) 462 0 130  
(063) 462 0 130  
(067) 462 0 130

130  
COM.UA

Интернет-магазин  
автотоваров



SKYPE

km-130

**АВТОМАГНИТОЛЫ** — Магнитолы • Медиа-ресиверы и станции • Штатные магнитолы • CD/DVD чейнджеры • FM-модуляторы/USB адаптеры • Flash память • Переходные рамки и разъемы • Антенны • Аксессуары | **АВТОЗВУК** — Акустика • Усилители • Сабвуферы • Процессоры • Кроссоверы • Наушники • Аксессуары | **БОРТОВЫЕ КОМПЬЮТЕРЫ** — Универсальные компьютеры • Модельные компьютеры • Аксессуары | **GPS НАВИГАТОРЫ** — Портативные GPS • Встраиваемые GPS • GPS модули • GPS трекеры • Антенны для GPS навигаторов • Аксессуары | **ВИДЕОУСТРОЙСТВА** — Видеорегистраторы • Телевизоры и мониторы • Автомобильные ТВ тюнеры • Камеры • Видеомодули • Транскодеры • Автомобильные ТВ антенны • Аксессуары | **ОХРАННЫЕ СИСТЕМЫ** — Автосигнализации • Мотосигнализации • Механические блокираторы • Имобилайзеры • Датчики • Аксессуары | **ОПТИКА И СВЕТ** — Ксенон • Биксенон • Лампы • Светодиоды • Стробоскопы • Оптика и фары • Омыватели фар • Датчики света, дождя • Аксессуары | **ПАРКТРОНИКИ И ЗЕРКАЛА** — Задние парктроники • Передние парктроники • Комбинированные парктроники • Зеркала заднего вида • Аксессуары | **ПОДОГРЕВ И ОХЛАЖДЕНИЕ** — Подогревы сидений • Подогревы зеркал • Подогревы дворников • Подогревы двигателей • Автохолодильники • Автокондиционеры • Аксессуары | **ТЮНИНГ** — Виброизоляция • Шумоизоляция • Тонировочная пленка • Аксессуары | **АВТОАКСЕССУАРЫ** — Радар-детекторы • Громкая связь Bluetooth • Стеклоподъемники • Компрессоры • Звуковые сигналы, СГУ • Измерительные приборы • Автопылесосы • Автокресла • Разное | **МОНТАЖНОЕ ОБОРУДОВАНИЕ** — Установочные комплекты • Обивочные материалы • Декоративные решетки • Фазоинверторы • Кабель и провод • Инструменты • Разное | **ПИТАНИЕ** — Аккумуляторы • Преобразователи • Пуско-зарядные устройства • Конденсаторы • Аксессуары | **МОРСКАЯ ЭЛЕКТРОНИКА И ЗВУК** — Морские магнитолы • Морская акустика • Морские сабвуферы • Морские усилители • Аксессуары | **АВТОХИМИЯ И КОСМЕТИКА** — Присадки • Жидкости омывателя • Средства по уходу • Полироли • Ароматизаторы • Клеи и герметики | **ЖИДКОСТИ И МАСЛА** — Моторные масла • Трансмиссионные масла • Тормозные жидкости • Антифризы • Технические смазки



В магазине «130» вы найдете и сможете купить в Киеве с доставкой по городу и Украине практически все для вашего автомобиля. Наши опытные консультанты предоставят вам исчерпывающую информацию и помогут подобрать именно то, что вы ищете. Ждем вас по адресу

<https://130.com.ua>

# RYOBI®

## RSDS1050

ORIGINAL INSTRUCTIONS  
TRADUCTION DES INSTRUCTIONS ORIGINALES  
ÜBERSETZUNG DER ORIGINALANLEITUNG  
TRADUCCIÓN DE LAS INSTRUCCIONES ORIGINALES  
TRADUZIONE DELLE ISTRUZIONI ORIGINALI  
VERTALING VAN DE ORIGINELE INSTRUCTIES  
TRADUÇÃO DAS INSTRUÇÕES ORIGINAIS  
OVERSETTELSE AF DE ORIGINELE INSTRUKTIONER  
ÖVERSÄTTNING AV DE URSPRUNGLIGA INSTRUKTIONERNA  
ALKUPERÄISTEN OHJEIDEN SUOMENNO  
OVERSETTELSE AV DE ORIGINELE INSTRUKSJONENE  
ПЕРЕВОД ОРИГИНАЛЬНЫХ ИНСТРУКЦИЙ  
TŁUMACZENIE INSTRUKCJI ORYGINALNEJ  
PŘEKLAD ORIGINÁLNÍCH POKYNŮ  
AZ EREDETI ÚTMUTATÓ FORDÍTÁSA  
TRADUCEREA INSTRUCȚIUNILOR ORIGINALE  
TULKOTS NO ORIGINĀLĀS INSTRUKCIJAS  
ORIGINALIŲ INSTRUKCIJŲ VERTIMAS  
ORIGINAALJUHENDI TÕLGE  
PRIJEVOD ORIGINALNIH UPUTA  
PREVOD ORIGINALNIH NAVODIL  
PREKLAD ORIGINÁLNYCH POKYNOV  
ПРЕВОД ОТ ОРИГИНАЛНИТЕ ИНСТРУКЦИИ  
PEREKŁAD ORYGINALNYCH INSTRUKCJI  
ORIJ NAL TALIMATLARIN TERCÜMESI  
ΜΕΤΑΦΡΑΣΗ ΤΩΝ ΠΡΩΤΟΤΥΠΩΝ ΟΔΗΓΙΩΝ



EN  
FR  
DE  
ES  
IT  
NL  
PT  
DA  
SV  
FI  
NO  
RU  
PL  
CS  
HU  
RO  
LV  
LT  
ET  
HR  
SL  
SK  
BG  
UK  
TR  
EL





- Important!** It is essential that you read the instructions in this manual before assembling, maintaining and operating the product.
- Attention!** Il est essentiel que vous lisiez les instructions contenues dans ce manuel avant d'assembler, d'entretenir et d'utiliser le produit.
- Achtung!** Es ist wichtig, dass Sie vor Zusammenbau, Wartung und Benutzung des Produktes die Anweisungen in dieser Anleitung lesen.
- ¡Atención!** Resulta fundamental que lea este manual de instrucciones antes de realizar el montaje, el mantenimiento y de utilizar este producto
- Attenzione!** È importante leggere le istruzioni contenute nel presente manuale prima di montare il prodotto, svolgere le operazioni di manutenzione sullo stesso e metterlo in funzione.
- Let op!** Het is van essentieel belang dat u de instructies in deze gebruiksaanwijzing leest voor u het product monteert, onderhoudt en gebruikt.
- Atenção!** É fundamental que leia as instruções deste manual antes da montagem, manutenção e operação do aparelho.
- OBS!** Det er vigtigt, at man læser instrukserne i denne brugsanvisning, inden man samler, vedligeholder og betjener produktet.
- Observera!** Det är viktigt att du läser instruktionerna i manualen före montering, användning och underhåll av produkten.
- Huomio!** On tärkeää, että luet tämän käsikirjan ohjeet ennen tuotteen kokoamista, huoltoa ja käyttöä.
- Advarsel!** Det er viktig at du leser instruksjonene i denne manualen før sammensetning, vedlikehold og bruk av produktet
- Внимание!** Необходимо прочитать инструкции в данном руководстве перед сборкой, обслуживанием и эксплуатацией этого изделия.
- Uwaga!** Koniecznie należy przeczytać instrukcje zawarte w tym podręczniku przed montażem, obsługą oraz konserwacją produktu.
- Důležité upozornění!** Neinstalujte, neprovádějte údržbu ani nepoužívejte tento výrobek dřív, než si přečtete pokyny uvedené v tomto návodu.
- Figyelem!** Fontos, hogy a termék összeszerelése, karbantartása és használatá elött elolvassa a kézikönyvben található utasításokat.
- Atenție!** Este esențial să citiți instrucțiunile din acest manual înainte de asamblare, efectuarea întreinerii și operarea produsului.
- Uzmanību!** Ir svarīgi izlasīt šīs rokasgrāmatas instrukcijas pirms uzstādīšanas, apkopes un preces darbināšanas.
- Děmesio!** Prieš surenkant, prižiūrint ir naudojant gaminį, būtina perskaityti šiam vadove pateiktus nurodymus.
- Tähtis!** Enne masina kokkupanekut, hooldamist ja kasutama hakkamist tuleb käesolevas juhendis esitatud juhised kindlasti läbi lugeda.
- Upozorenie!** Vrlo je važno da ste prije sklapanja, održavanja i rada s ovim proizvodom pročitali upute u ovom priručniku.
- Pomembno!** Pomembno je da pred montažo vzdrževanjem in uporabo tega izdelka preberete navodila v tem priručniku.
- Upozornenie!** Je dôležité, aby ste si pred montážou, údržbou a obsluhou produktu prečítali pokyny v tomto návode.
- Важно!** Исключительно важно е да прочетете инструкциите в настоящото ръководство, преди да преминете към сглобяване, поддръжка или работа с продукта.
- Важливо!** Дуже важливо, щоб ви прочитали інструкції в цьому керівництві перед складанням, обслуговуванням та експлуатацією цієї машини.
- Dikkat!** Ürünün montajını, bakımını yapmadan ve ürünü çalıştırmadan önce bu kılavuzda yer alan talimatları okumanız önemlidir.
- Προσοχή!** Είναι πολύ σημαντικό να διαβάσετε τις οδηγίες στο παρόν εγχειρίδιο πριν συναρμολογήσετε, συντηρήσετε ή λειτουργήσετε το προϊόν.

Subject to technical modification | Sous réserve de modifications techniques | Technische Änderungen vorbehalten | Bajo reserva de modificaciones técnicas | Con riserva di eventuali modifiche tecniche | Technische wijzigingen voorbehouden | Com reserva de modificações técnicas | Med forbehold for tekniske ændringer | Med förbehåll för tekniska ändringar | Tekniset muutokset varataan | Med forbehold om tekniske endringer | могут быть внесены технические изменения | Z zastrzeżeniem modyfikacji technicznych | Změny technických údajů vyhrazeny | A műszaki módosítás jogát fenntartjuk | Sub rezerva modifiцаiilor tehnice | Paturam tiesības mainīt tehnisko raksturlielumus | Pasiliekan teisę daryti techninius pakeitimus | Tehnilised muudatused võimalikud | Podložno tehničkim promjenama | Tehnične spremembe dopuščene | Právo na technické zmeny je vyhradené | Подлежи на технически модификации | Є об'єктом для технічних змін | Teknik değişiklik hakkı saklıdır | Υπό την επιφύλαξη τεχνικών τροποποιήσεων



Safety, performance, and dependability have been given top priority in the design of your rotary hammer drill.

### INTENDED USE

This rotary hammer drill is intended to be used only by adults who have read and understood the instructions and warnings in this manual and can be considered responsible for their actions. It is to be used by a single operator by grasping both trigger and side handles.

The rotary hammer drill is designed to operate without hammer function into wood and metal. For chiselling and masonry drilling, the hammer mode may be used.

The rotary hammer drill is designed to operate with drill bits up to the maximum diameter defined in the product specification table.

Do not use the rotary hammer drill for any other purpose not described above.

### ⚠ WARNING

**Read all safety warnings and all instructions.** Failure to follow the warnings and instructions may result in electric shock, fire and/or serious injury.

Save all warnings and instructions for future reference.

### HAMMER SAFETY WARNINGS

- **Wear ear protectors.** Exposure to noise can cause hearing loss.
- **Use auxiliary handle(s), if supplied with the tool.** Loss of control can cause personal injury.
- **Hold power tool by insulated gripping surfaces, when performing an operation where the cutting accessory may contact hidden wiring or its own cord.** Cutting accessory contacting a "live" wire may make exposed metal parts of the power tool "live" and could give the operator an electric shock.

### ADDITIONAL SAFETY WARNINGS

- Wear safety goggles to protect your eyes from flying particles and splinters.
- When working in walls ceiling, or floor, take care to avoid electric cables and gas or water pipes.
- Wear dust mask.
- Switch the product off immediately if the insertion tool stalls. Do not switch the product on again while the insertion tool is stalled, as doing so could trigger a sudden recoil with a high reactive force. Determine why the insertion tool stalled and rectify this, paying heed to the safety instructions.
- The following are the possible causes of insertion tool stall:
  - The insertion tool is tilted in the workpiece
  - The insertion tool has pierced through the workpiece
  - The power tool is overloaded
- Clamp the workpiece with a clamping device. Unclamped workpieces can cause severe injury and damage.
- Do not reach into the product while it is running.

- Do not let familiarity gained from frequent use of tools allow you to become complacent and ignore tool safety principals. A careless action can cause severe injury within a fraction of a second.
- Make sure the cord is located so that it will not be stepped on, tripped over, come in contact with sharp edges or moving parts or otherwise subjected to damage or stress. This will reduce the risk of accidental falls, which could cause injury, and damage to the cord, which could result in electric shock.
- Keep handles and grasping surfaces dry, clean and free from oil and grease. Slippery handles and grasping surfaces do not allow for safe handling and control of the tool in unexpected situations.
- The insertion tool may become hot during use. Danger of burns:
  - When changing tools/ bits
  - When setting the device down

### KNOW YOUR PRODUCT

See page 83.

1. SDS+ Chuck
2. Auxiliary handle
3. Grease cap
4. Switch Trigger
5. Mode selector
6. Secondary mode selector
7. Carbon brush cap
8. Wrench
9. Depth guide rod
10. Lubricant tube
11. Spare carbon brushes
12. Dust cover
13. Handle, insulated gripping surface

### RESIDUAL RISKS

Even when the rotary hammer drill is used as prescribed, it is still impossible to completely eliminate certain residual risk factors. The following hazards may arise and the operator should pay special attention to avoid the following:

- Risk of electrocution if electric cables are drilled into. Always grasp the tool by designated handles, do not touch the drill bits.
- Kick-back whilst drilling if the bit jams. Always use the side handle and grip the tool firmly.
- Damage to the respiratory system. Wear respiratory protection masks containing filters appropriate to the materials being worked. Ensure adequate workplace ventilation. Do not eat, drink or smoke in the work area.
- Damage to hearing. Always wear effective hearing protection and limit exposure to noise.
- Damage to eyes from flying dust and debris particles. Always wear suitable eye protection.
- Injury caused by vibration. Hold the tool by designated handles and limit exposure to vibration. See "RISK REDUCTION".



## RISK REDUCTION

It has been reported that vibrations from hand-held tools may contribute to a condition called Raynaud's Syndrome in certain individuals. Symptoms may include tingling, numbness and blanching of the fingers, usually apparent upon exposure to cold. Hereditary factors, exposure to cold and dampness, diet, smoking and work practices are all thought to contribute to the development of these symptoms. There are measures that can be taken by the operator to possibly reduce the effects of vibration:

- Keep your body warm in cold weather. When operating the unit wear gloves to keep the hands and wrists warm. It is reported that cold weather is a major factor contributing to Raynaud's Syndrome.
- After each period of operation, exercise to increase blood circulation.
- Take frequent work breaks. Limit the amount of exposure per day.

If you experience any of the symptoms of this condition, immediately discontinue use and see your doctor about these symptoms.

### WARNING

Injuries may be caused, or aggravated, by prolonged use of a tool. When using any tool for prolonged periods, ensure you take regular breaks.

## MAINTENANCE

### WARNING

The product should never be connected to a power supply when you are assembling parts, making adjustments, cleaning, performing maintenance, or when the product is not in use. Disconnecting the product will prevent accidental starting that could cause serious injury.

### WARNING

When servicing use only original manufacturer's replacement parts. Use of any other parts may create a hazard or cause product damage.

- Avoid using solvents when cleaning plastic parts. Most plastics are susceptible to various types of commercial solvents and may be damaged by their use. Use clean cloths to remove dirt, carbon dust, etc.

### WARNING

Do not at any time let brake fluids, gasoline, petroleum-based products, penetrating oils, etc., come in contact with plastic parts. They contain chemicals that can damage, weaken or destroy plastic.

- Electrical tools used on fiberglass material, wallboard, spackling compounds, or plaster are subject to accelerated wear and possible premature failure

because the fiberglass chips and grindings are highly abrasive to bearings, brushes, and commutators. We do not recommend using the product for extended periods of time on these types of materials.

### WARNING

Always wear safety goggles or safety glasses with side shields during power tool operation or when blowing dust. If operation is dusty, also wear a dust mask.

- If the power supply cord is damaged, it must be replaced only by the manufacturer or by an authorised service centre to avoid risk. Contact authorised service centre.
- For greater safety and reliability, all repairs should be performed by an authorised RYOBI service centre.

## LUBRICATION

All of the bearings in the product are lubricated with a sufficient amount of high grade lubricant for the life span of the product under normal operating conditions.

### LUBRICATION FOR GEAR BOX

Add 10g of grease after 45 hours continuous use or after 55 hours accumulative use into the gear box.

## ENVIRONMENTAL PROTECTION



Recycle raw materials instead of disposing of as waste. The machine, accessories and packaging should be sorted for environment-friendly recycling.

## SYMBOLS ON THE PRODUCT



Safety alert

V

Volts

Hz

Hertz

~

Alternating current

W

Watts

n<sub>o</sub>

No-load speed

min<sup>-1</sup>

Revolutions or reciprocations per minute



Please read the instructions carefully before starting the machine.



Wear eye, hearing and respiratory protection.



CE conformity



EurAsian Conformity Mark



Ukrainian mark of conformity

001



Class II tool, double insulation



Hammer mode



Hammer drill mode



Drill mode



Waste electrical products should not be disposed of with household waste. Please recycle where facilities exist. Check with your local authority or retailer for recycling advice.

### SYMBOLS IN THIS MANUAL



Note



Connect to the power supply.



Disconnect from the power supply.



Parts or accessories sold separately



Lock



Unlock



Off



On



Tile



Masonry



Wood



Metal

explain the levels of risk associated with this product:

#### **DANGER**

Indicates an imminently hazardous situation, which, if not avoided, will result in death or serious injury.

#### **WARNING**

Indicates a potentially hazardous situation, which, if not avoided, could result in death or serious injury.

#### **CAUTION**

Indicates a potentially hazardous situation, which, if not avoided, may result in minor or moderate injury.

#### **CAUTION**

(Without Safety Alert Symbol) Indicates a situation that may result in property damage.

EN

FR

DE

ES

IT

NL

PT

DA

SV

FI

NO

RU

PL

CS

HU

RO

LV

LT

ET

HR

SL

SK

BG

UK

TR

EL

The following signal words and meanings are intended to



Votre perforateur a été conçu en donnant priorité à la sécurité, à la performance et à la fiabilité.

### UTILISATION PRÉVUE

Ce perforateur est destiné à n'être utilisé que par des adultes ayant lu et compris les instructions et avertissements présents dans ce manuel et pouvant être considérés responsables de leurs actions. Il doit être utilisé par un seul opérateur en maintenant à la fois la poignée de la gâchette et les poignées latérales.

Le perforateur est conçu pour percer le bois et le métal sans utiliser la percussion. La percussion peut être utilisée pour le burinage et le perçage de la maçonnerie.

Le perforateur peut utiliser des forets d'un diamètre allant jusqu'au diamètre maximum tel que spécifié dans la tableau des caractéristiques du produit.

N'utilisez pas le perforateur à des fins autres que celles décrites ci-dessus.

### ⚠ AVERTISSEMENT

**Lisez tous les avertissements de sécurité et toutes les instructions.** Le non-respect des avertissements et instructions peut entraîner une décharge électrique, un incendie et/ou de graves blessures.

**Conservez tous les avertissements et toutes les instructions pour pouvoir vous y reporter ultérieurement.**

### AVERTISSEMENTS DE SÉCURITÉ CONCERNANT LE PERFORATEUR

- **Portez une protection acoustique.** L'influence du bruit peut provoquer la surdité.
- **Utilisez la poignée auxiliaire fournie avec l'outil.** Une perte de contrôle peut entraîner des blessures.
- **Ne tenez l'outil que par les parties isolées et antidérapantes lorsque vous travaillez sur une surface pouvant cacher des fils électriques ou lorsque le travail requis est susceptible de placer le cordon d'alimentation sur la trajectoire de l'outil.** Un accessoire de coupe qui entre en contact avec un câble « sous tension » est susceptible de véhiculer le courant électrique vers les parties métalliques de l'outil et de provoquer une décharge électrique à l'opérateur.

Instructions de sécurité additionnelles

- Portez des lunettes de protection afin de vous protéger des éventuels éclats et projections.
- Lorsque vous travaillez sur des murs, des plafonds ou des sols, prenez garde de ne pas entrer en contact avec des câbles électriques ou des tuyaux d'eau ou de gaz.
- Portez un masque anti poussière.
- En cas de blocage de l'outil d'insertion, arrêtez immédiatement le produit. Ne réactivez pas le produit tant que l'outil d'insertion est bloqué. Ceci risquerait de déclencher un recul soudain, avec une force réactive élevée. Identifiez la raison du blocage de l'outil d'insertion et corrigez le problème, en tenant compte

des instructions de sécurité.

- Causes possibles du blocage de l'outil d'insertion :
  - L'outil d'insertion est incliné dans la pièce à usiner
  - L'outil d'insertion a percé la pièce à usiner
  - L'outil électrique est surchargé
- Sécurisez la pièce à usiner à l'aide d'un dispositif de serrage. Une pièce à usiner non fixée peut être la cause de blessures graves et de dommages.
- N'accédez pas à l'intérieur du produit tant qu'il est en marche.
- Ne relâchez pas votre vigilance en cas d'utilisation fréquente de certains outils et n'ignorez pas les principes de sécurité des outils. Une action imprudente, ne serait-ce que pendant une fraction de seconde, peut entraîner de graves blessures.
- Assurez-vous de placer le cordon de manière à ce qu'on ne marche pas dessus, qu'on ne s'y prenne pas les pieds, à ce qu'il n'entre pas en contact avec des bords tranchants ou de pièces en mouvement, ni qu'il soit soumis à des dommages ou des pressions. Cela réduira le risque de chutes accidentelles pouvant provoquer des blessures ou des dommages au cordon, entraînant à leur tour un risque d'électrocution.
- Maintenez les surfaces de préhension et les poignées sèches, propres et exemptes d'huile ou de graisse. Des surfaces de préhension ou des poignées glissantes empêchent de contrôler et de manipuler l'outil de façon sécurisée en cas de situation inattendue.
- L'outil d'insertion peut atteindre une température très élevée en cours d'utilisation. Risque de brûlures :
  - Lors du remplacement des outils/mèches
  - Lors de la dépose de l'outil

### APPRENEZ À CONNAÎTRE VOTRE PRODUIT

Voir page 83.

1. Mandrin SDS+
2. Poignée auxiliaire
3. Bouchon de graisse
4. Gâchette-interrupteur
5. Sélecteur de mode
6. Sélecteur de mode secondaire
7. Bouchon de balai de carbone
8. Clé de service
9. Jauge de profondeur
10. Tube de lubrifiant
11. Balais de carbone de rechange
12. Couvercle anti-poussière
13. Poignée, surface de préhension isolée

### RISQUES RÉSIDUELS

Même lorsque le perforateur est utilisé selon les prescriptions, il reste impossible d'éliminer totalement certains facteurs de risque résiduels. Les dangers suivants risquent de se présenter en cours d'utilisation et l'utilisateur doit prêter particulièrement garde aux points suivants :

- Risque d'électrocution en cas de perçage de câbles électriques. Maintenez toujours l'outil par les poignées destinées à cet effet, ne touchez pas les forets.
- Retour de force en cours de perçage si le foret





se coince. Utilisez toujours la poignée latérale et maintenez fermement l'outil.

- Atteinte du système respiratoire. Portez un masque de protection respiratoire adapté aux matériaux coupés. Assurez une ventilation correcte à l'espace de travail. Ne mangez pas, ne buvez pas, et ne fumez pas dans l'espace de travail.
- Atteinte à l'audition. Portez toujours une protection auditive efficace et limitez l'exposition au bruit.
- Atteinte aux yeux due à la projection de sciure et de débris. Portez toujours une protection oculaire adaptée.
- Blessures dues aux vibrations. Maintenez l'outil par les poignées destinées à cet effet et limitez l'exposition aux vibrations. Voir "Réduction Des Risques".

### RÉDUCTION DES RISQUES

Il a été reporté que les vibrations engendrées par les outils tenus à la main peuvent contribuer à l'apparition d'un état appelé le syndrome de Raynaud chez certaines personnes. Les symptômes peuvent comprendre des fourmillements, un engourdissement et un blanchiment des doigts, généralement par temps froid. Des facteurs héréditaires, l'exposition au froid et à l'humidité, le régime alimentaire, le tabagisme et les habitudes de travail peuvent contribuer au développement de ces symptômes. Certaines mesures peuvent être prises par l'utilisateur pour aider à réduire les effets des vibrations:

- Gardez votre corps au chaud par temps froid. Lorsque vous utilisez l'appareil, portez des gants afin de garder vos mains et vos poignets au chaud. Le temps froid est considéré comme un facteur contribuant très largement à l'apparition du syndrome de Raynaud.
- Après chaque session de travail, pratiquez des exercices qui favorisent la circulation sanguine.
- Faites des pauses fréquentes. Limitez la quantité d'exposition journalière.

Si vous ressentez l'un des symptômes associés à ce syndrome, arrêtez immédiatement le travail et consultez votre médecin pour lui en faire part.

### ⚠ AVERTISSEMENT

L'utilisation prolongée d'un outil est susceptible de provoquer ou d'aggraver des blessures. Assurez-vous de faire des pauses de façon régulière lorsque vous utilisez tout outil de façon prolongée.

### ENTRETIEN

### ⚠ AVERTISSEMENT

Le produit ne doit jamais être branché sur une source de courant lorsque vous y montez des pièces, lorsque vous effectuez des réglages, lorsque vous le nettoyez, lorsque vous l'entretenez, ou lorsque vous ne l'utilisez pas. Le fait de débrancher le produit évitera toute mise en marche accidentelle susceptible de provoquer de graves blessures.

### ⚠ AVERTISSEMENT

N'effectuez pas les opérations de réparation et d'entretien qu'avec des pièces détachées d'origine constructeur. L'utilisation de toute autre pièce est susceptible de présenter un danger ou d'endommager votre outil.

- Évitez d'utiliser des solvants pour nettoyer les parties en plastique. La plupart des plastiques sont susceptibles d'être endommagés par les solvants disponibles dans le commerce. Utilisez un chiffon propre pour essuyer les impuretés, la poussière, etc.

### ⚠ AVERTISSEMENT

Ne laissez jamais du liquide de frein, de l'essence, des produits pétroliers, des huiles pénétrantes, etc. entrer en contact avec les éléments en plastique. Ces produits chimiques contiennent des substances qui peuvent endommager, fragiliser ou détruire le plastique.

- Les outils électriques utilisés sur des matériaux en fibre de verre, des plaques de plâtre, des panneaux de revêtement, ou du plâtre ont tendance à s'user plus rapidement et à présenter des défaillances prématurées car les poussières en provenance de ces matériaux sont très abrasives pour les roulements, les charbons, les interrupteurs, etc. Nous ne recommandons pas l'utilisation du produit pendant de longues périodes de temps avec ce genre de matériau.

### ⚠ AVERTISSEMENT

Portez toujours un masque oculaire ou des lunettes de protection à volets latéraux lorsque vous utilisez l'outil électrique ou lorsque vous soufflez de la poussière. Si l'opération génère des poussières, portez également un masque anti-poussières.

- Si le câble d'alimentation est endommagé, il ne doit être remplacé que par le fabricant ou par un service après-vente agréé, pour éviter tout danger. Contactez un service après-vente agréé.
- Pour plus de sécurité et de fiabilité, toutes les réparations doivent être effectuées par un service après-vente RYOBI agréé.

### LUBRIFICATION

Tous les roulements de ce produit sont lubrifiés avec une quantité suffisante d'huile de haute qualité pour toute sa durée de vie dans des conditions d'utilisation normales.

### LUBRIFICATION POUR BOÎTE D'ENGRENAGES

Ajouter 10g de graisse dans la boîte d'engrenages au bout de 45 heures d'utilisation continue ou de 55 heures d'utilisation cumulée.

EN  
FR  
DE  
ES  
IT  
NL  
PT  
DA  
SV  
FI  
NO  
RU  
PL  
CS  
HU  
RO  
LV  
LT  
ET  
HR  
SL  
SK  
BG  
UK  
TR  
EL





## PROTECTION DE L'ENVIRONNEMENT



Recyclez les matières premières au lieu de les jeter avec les ordures ménagères. Pour protéger l'environnement, l'outil, les accessoires et les emballages doivent être triés.

## SYMBOLES APPLIQUÉS SUR LE PRODUIT



Alerte de sécurité

V

Volts

Hz

Hertz

~

Courant alternatif

W

Watts

n°

Vitesse à vide

min<sup>-1</sup>

Nombre de tours ou de mouvements par minute



Veillez lire attentivement le mode d'emploi avant de démarrer la machine.



Portez une protection oculaire, auditive et respiratoire.



Conformité CE



Marque de conformité d'Eurasie



Marque de conformité ukrainienne

001



Équipement à isolation de classe II, double isolation



Mode percussion



Mode perçage avec burinage



Mode perçage



Les produits électriques hors d'usage ne doivent pas être jetés avec les ordures ménagères. Recyclez-les par l'intermédiaire des structures disponibles. Contactez les autorités locales ou votre distributeur pour vous renseigner sur les conditions de recyclage.

## SYMBOLES PRÉSENTS DANS LE MANUEL



Remarque



Raccordement au secteur.



Déconnexion du secteur.



Pièces détachées et accessoires vendus séparément



Verrouillage



Déverrouillage



Arrêt



Marche



Carrelage



Maçonnerie



Bois



Métal

Les symboles suivants, et les noms qui leur sont associés, permettent d'expliquer les différents niveaux de risques liés à l'utilisation de cet outil.

### ⚠ DANGER

Imminence d'un danger qui, si l'on n'y prend garde, peut entraîner des blessures graves voire mortelles.

### ⚠ AVERTISSEMENT

Situation potentiellement dangereuse qui, si l'on n'y prend garde, peut entraîner des blessures graves voire mortelles.

### ⚠ ATTENTION

Situation potentiellement dangereuse qui, si l'on n'y prend garde, peut entraîner des blessures moyennes ou légères.

### ATTENTION

(Sans symbole de sécurité) Indique une situation pouvant provoquer des dommages matériels.

Sicherheit, Leistung und Zuverlässigkeit hatten oberste Priorität bei der Entwicklung Ihres Bohrhammers.

### BESTIMMUNGSGEMÄSSE VERWENDUNG

Dieser Bohrhammer ist nur für den Gebrauch durch Erwachsene vorgesehen, die die Bedienungsanleitung gelesen und verstanden haben und als verantwortlich für ihre Handlungen erachtet werden können. Er muss von einem einzelnen Benutzer bedient werden, indem der Hand- und Zusatzhandgriff gehalten werden.

Der Bohrhammer wurde konstruiert, um ohne Hammerfunktion in Holz und Metall zu arbeiten. Zum Meißeln und Bohren in Mauerwerk kann die Hammerfunktion benutzt werden.

Der Bohrhammer wurde konstruiert, um mit Bohren bis zu dem in den technischen Daten angegebenen Maximaldurchmesser benutzt zu werden.

Verwenden Sie den Bohrhammer nicht zu anderen Zwecken als den oben beschriebenen.

### ⚠️ WARNUNG

**Lesen Sie alle Sicherheitshinweise und Anweisungen.** Versäumnisse bei der Einhaltung der Sicherheitshinweise und Anweisungen können elektrischen Schlag, Brand und/oder schwere Verletzungen verursachen.

**Bewahren Sie alle Sicherheitshinweise und Anweisungen für die Zukunft auf.**

### SICHERHEITSHINWEISE FÜR DEN HAMMER

- **Tragen Sie Gehörschutz.** Die Einwirkung von Lärm kann Gehörverlust bewirken.
- **Benutzen Sie mit dem Gerät gelieferte Zusatzhandgriffe.** Der Verlust der Kontrolle kann zu Verletzungen führen.
- **Halten Sie das Elektrowerkzeug an den isolierten Griffflächen, wenn Sie Arbeiten ausführen, bei denen das Einsatzwerkzeug verbogene Stromleitungen oder das eigene Netzkabel treffen kann.** Der Kontakt mit einer spannungsführenden Leitung kann auch metallene Geräteteile unter Spannung setzen und zu einem elektrischen Schlag führen.

Zusätzliche Sicherheitswarnungen

- Tragen Sie eine Schutzbrille, um sich vor eventuellen Splintern oder Spritzern zu schützen.
- Achten Sie beim Arbeiten in Wänden, Decken oder Böden darauf keine elektrischen Kabel oder Gas- oder Wasserleitungen zu treffen.
- Tragen Sie eine Staubschutzmaske.
- Schalten Sie das Produkt sofort ab, wenn das Einsatzwerkzeug blockiert. Schalten Sie das Produkt nicht erneut ein, während das Einsatzwerkzeug blockiert, um einen plötzlichen Rückstoß mit hoher Reaktionskraft zu verhindern. Stellen Sie die Ursache des Blockierens des Einsatzwerkzeugs fest und beheben Sie das Problem unter Beachtung der Sicherheitshinweise.
- Ein Blockieren des Einsatzwerkzeugs kann folgenden Ursachen haben:
  - Das Einsatzwerkzeug sitzt schief im Werkstück
  - Das Einsatzwerkzeug hat das Werkstück durchstoßen
  - Das elektrisch betriebene Werkzeug ist überlastet.

- **Sichern Sie Ihr Werkstück mit einer Spannvorrichtung.** Ungesicherte Werkstücke können schwere Verletzungen und Schäden verursachen.
- **Greifen Sie nicht in das Produkt, während dieses in Betrieb ist.**
- **Auch wenn Sie aufgrund der häufigen Handhabung mit Werkzeugen vertraut sind, sollten Sie nicht nachlässig werden und Sicherheitshinweise ignorieren.** Jede Unachtsamkeit - selbst für nur den Bruchteil einer Sekunde - kann zu schweren Verletzungen führen.
- **Stellen Sie sicher, dass das Kabel so platziert ist, dass nicht daraufgetreten oder darüber gestolpert werden kann, es nicht in Kontakt mit scharfen Kanten oder beweglichen Teilen oder sonstigen Dingen kommen kann, die zu Beschädigung führen könnten.** Dadurch wird das Risiko von unbeabsichtigten Stürzen verringert, die zu Verletzungen führen und Schäden am Kabel verursachen und somit einen elektrischen Schlag auslösen könnten.
- **Halten Sie Griffe und Griffflächen trocken, sauber und frei von Öl und Schmiermittel.** Rutschige Griffe und Griffflächen verhindern die sichere Handhabung des Werkzeugs in unvorhergesehenen Situationen.
- **Das Einsatzwerkzeug kann sich bei der Verwendung erhitzen. Gefahr von Verbrennungen:**
  - Beim Austausch der Werkzeuge/Bits
  - Beim Absetzen des Geräts

### MACHEN SIE SICH MIT IHREM PRODUKT VERTRAUT

Siehe Seite 83.

1. SDS+-Bohrfutter
2. Zusatzhandgriff
3. Kappe Schmiermittel
4. Druckschalter
5. Betriebsart-Wählschalter
6. Schalter Sekundärmodus
7. Carbonbürstenabdeckung
8. Schraubenschlüssel
9. Tiefenanschlag
10. Schmiermittel-Tube
11. Ersatz-Carbonbürsten
12. Staubschutz
13. Handgriff, isolierte Grifffläche

### RESTRISIKEN

Sogar wenn der Bohrhammer wie vorgeschrieben benutzt wird, ist es unmöglich ein gewisses Restrisiko vollständig zu beseitigen. Die folgenden Gefahren können bei der Benutzung entstehen, und der Benutzer sollte besonders auf folgende Punkte achten:

- Gefahr von Stromschlag, wenn Stromkabel angebohrt werden. Halten Sie das Werkzeug immer an den vorgesehenen Griffen und berühren nicht den Bohrer.
- Rückschlag beim Bohren, wenn der Bohrer verklemmt. Benutzen Sie immer den Zusatzhandgriff und halten das Werkzeug fest.
- Verletzung der Atemwege. Tragen Sie eine für das zu

bearbeitende Material geeignete Atemschutzmaske mit Filter. Sorgen Sie für ausreichende Belüftung des Arbeitsbereichs. Essen, trinken oder rauchen Sie nicht in dem Arbeitsbereich.

- Schädigung des Gehörs. Tragen Sie immer einen effektiven Gehörschutz und schränken die Lärmbelastung ein.
- Verletzung der Augen durch Staub und fliegende Schmutzteilchen. Tragen Sie immer einen geeigneten Augenschutz.
- Durch Vibrationen verursachte Verletzungen. Halten Sie das Werkzeug an den vorgesehenen Griffen und schränken die Vibrationsbelastung ein. Siehe "Risikoverringern".

### RISIKOVERRINGERUNG

Vibrationen von in der Hand gehaltenen Werkzeugen können bei einigen Personen zu einem Zustand, der Raynaud-Syndrom genannt wird, führen. Symptome sind u.a. Kribbeln, Taubheitsgefühl und episodische Weißfärbung der Finger und treten normalerweise bei Kälte auf. Man geht davon aus, dass ererbte Faktoren, Kälte und Feuchtigkeit, Essgewohnheiten, Rauchen und Arbeitsweise zur Entwicklung dieser Symptome beitragen. Der Anwender kann Maßnahmen ergreifen, um die Auswirkungen der Vibrationen möglicherweise zu verringern:

- Halten Sie den Körper bei Kälte warm. Tragen Sie beim Betrieb des Geräts Handschuhe, um Hände und Handgelenke warm zu halten. Berichten zu Folge ist kaltes Wetter ein wesentlicher Faktor, der zum Raynaud Syndrom beiträgt.
- Betätigen Sie sich nach jedem Einsatz körperlich, um den Blutkreislauf zu steigern.
- Machen Sie regelmäßige Pausen. Beschränken Sie die Beanspruchung pro Tag.

Sollten bei Ihnen eines der zuvor beschriebenen Symptome / Zustände auftreten, stellen Sie unverzüglich den Betrieb ein und suchen Sie bezüglich der Symptome einen Arzt auf.

### ⚠️ WARNUNG

Verletzungen können durch lange Benutzung eines Werkzeugs entstehen oder verschlimmert werden. Machen Sie regelmäßig Pause, wenn Sie ein Werkzeug für lange Zeit benutzen.

### WARTUNG UND PFLEGE

### ⚠️ WARNUNG

Das Produkt darf niemals an die Stromversorgung angeschlossen sein, wenn Sie Teile zusammenbauen, Einstellungen vornehmen, reinigen, Wartungsarbeiten durchführen, oder wenn das Produkt nicht benutzt wird. Trennen des Produktes von der Stromversorgung verhindert ein unbeabsichtigtes Einschalten, das schwere Verletzungen verursachen könnte.

### ⚠️ WARNUNG

Verwenden Sie zur Wartung ausschließlich Original-Ersatzteile des Herstellers. Der Einsatz von anderen Teilen kann eine Gefahr verursachen oder das Produkt beschädigen.

- Vermeiden Sie beim Reinigen der Plastikteile den Einsatz von Lösungsmitteln. Die meisten Kunststoffe können durch im Handel erhältliche Lösungsmittel beschädigt werden. Verwenden Sie einen sauberen Lappen für die Reinigung von Verschmutzungen, Kohlenstaub usw.

### ⚠️ WARNUNG

Lassen Sie niemals Bremsflüssigkeiten, Benzine, Produkte auf Erdölbasis, Rostlöser usw. mit den Plastikteilen in Kontakt geraten. Diese chemischen Produkte enthalten Substanzen, die den Kunststoff beschädigen, schwächen oder zerstören können.

- Elektrische Geräte, die zur Bearbeitung von Glasfasermaterial, Gipsplatten und Verkleidungsplatten verwendet werden, werden schneller abgenutzt und versagen möglicherweise vorzeitig, weil die Späne und Sägespäne dieser Materialien sehr angreifend für Lager, Bürsten, Kollektoren usw. sind. Wir empfehlen nicht das Produkt für längere Zeit mit diesen Materialien zu benutzen.

### ⚠️ WARNUNG

Tragen Sie beim Arbeiten mit motorbetriebenen Werkzeugen oder beim Wegblasen von Staub immer eine Schutzbrille mit Seitenschutz. Tragen Sie außerdem bei staubigen Arbeiten eine Atemschutzmaske.

- Falls das Stromkabel beschädigt sein sollte, darf es, um jegliche Risiken zu vermeiden, ausschließlich durch den Hersteller oder ein autorisiertes Kundendienstzentrum ausgetauscht werden. Wenden Sie sich an den autorisierten Kundendienst.
- Alle Reparaturen sollten zur besseren Sicherheit und Zuverlässigkeit von einem autorisierten Kundendienst durchgeführt werden.

### ÖLEN

Alle Lagerelemente in dem Produkt sind mit genug qualitativ hochwertigem Schmiermittel für die gesamte Lebensdauer des Produktes unter normalen Betriebsbedingungen geölt.

### SCHMIERSTOFF FÜR DAS GETRIEBE

Geben Sie nach 45 Stunden kontinuierlicher bzw. nach 55 Stunden addierter Nutzung 10 g Schmierstoff in das Getriebegehäuse.

**UMWELTSCHUTZ**



Recyceln Sie die Rohstoffe, anstatt sie im Haushaltsabfall zu entsorgen. Zum Schutz der Umwelt müssen das Gerät, die Zubehörteile und die Verpackungen getrennt entsorgt werden.

**SYMBOLE AUF DEM PRODUKT**



Sicherheitswarnung

**V** Volt

**Hz** Hertz

~ Wechselstrom

**W** Watt

**n<sub>o</sub>** Leerlaufdrehzahl

**min<sup>-1</sup>** Anzahl Umdrehungen oder Bewegungen pro Minute



Bitte lesen Sie die Anweisungen sorgfältig, bevor Sie das Gerät einschalten.



Tragen Sie Augen- Gehör- und Atemschutz.



CE Konformität



EurAsian Konformitätszeichen



Ukrainisches Prüfzeichen



Schutzklasse II



Schlagbohren



Hammerbohren



Bohren



Elektrische Geräte sollten nicht mit dem übrigen Müll entsorgt werden. Bitte entsorgen Sie diese an den entsprechenden Entsorgungsstellen. Wenden Sie sich an die örtliche Behörde oder Ihren Händler, um Auskunft über die Entsorgung zu erhalten.

**SYMBOLE IN DER BEDIENUNGSANLEITUNG**



Hinweis



An das Stromnetz anschließen.



Von dem Stromnetz trennen.



Teile oder Zubehör getrennt erhältlich



Sperren



Öffnen



Aus



Ein



Kachel



Mauerwerk



Holz



Metall

Mit den folgenden Symbolen wird die Bedeutung der verschiedenen Risikostufen, die mit dem Produkt einhergehen, dargestellt.

**⚠ GEFAHR**

Bezeichnet eine unmittelbare Gefahrensituation, die, falls nicht vermieden, zum Tode oder schweren Verletzungen führen kann.

**⚠ WARNUNG**

Bezeichnet eine mögliche Gefahrensituation, die, falls nicht vermieden, zum Tode oder schweren Verletzungen führen kann.

**⚠ ACHTUNG**

Bezeichnet eine mögliche Gefahrensituation, die, falls nicht vermieden, zu kleineren und mittleren Verletzungen führen kann.

**ACHTUNG**

(Ohne Warnsymbol) weist auf eine Situation hin, die zu Sachschaden führen kann.





Seguridad, desempeño y fiabilidad han sido las prioridades en el diseño de su taladro percutor giratorio.

### USO PREVISTO

Este taladro percutor rotatorio está diseñado para ser utilizado por adultos que hayan leído y comprendido las instrucciones y advertencias recogidas en este manual y que puedan ser considerados responsables de sus acciones. Debe ser utilizado por un solo operario que sujete el gatillo y los mangos laterales.

No se debe utilizar la función percutora sobre madera y metal. Para cincelado y taladrado de albañilería, puede utilizar el modo percutor.

El taladro percutor rotatorio está diseñado para utilizar brocas hasta el diámetro máximo definido en la tabla de especificaciones del producto.

No utilice el taladro percutor giratorio para ningún otro fin aparte de los descritos anteriormente.

### ⚠ ADVERTENCIA

**Lea todas las instrucciones y advertencias de seguridad.** No seguir las advertencias e instrucciones correctamente puede provocar descargas eléctricas, incendios y/o daños graves.

**Guarde todas estas advertencias e instrucciones para futuras referencias.**

### ADVERTENCIAS DE SEGURIDAD DEL PERCUTOR

- **Utilice protección auditiva!** La exposición a niveles de ruido excesivos puede causar pérdida de audición.
- **Utilice el asa auxiliar suministrada con la herramienta.** La pérdida de control de la herramienta puede causar daños personales.
- **Sujete la máquina por la parte engomada cuando trabaje en una superficie debajo de la cual puedan pasar cables eléctricos o cuando el trabajo que desee realizar puede hacer que el cable de alimentación esté en la trayectoria de la máquina.** El accesorio de corte que esté en contacto con un cable "vivo" puede transmitir corriente a las piezas metálicas de la herramienta que estén expuestas y el operador podría sufrir una descarga eléctrica.

Avisos de seguridad adicionales

- Póngase gafas de protección para protegerse de posibles astillas o proyecciones.
- Cuando se trabaja en paredes, techos o pisos, tenga cuidado para evitar los cables eléctricos y tuberías de gas o agua.
- Utilice una máscara antipolvo.
- Apague el producto inmediatamente si se produce un atasco en la herramienta de inserción. No vuelva a encender el producto mientras la herramienta de inserción esté atascada, ya que podría generar un retroceso repentino con una elevada fuerza reactiva. Analice por qué se ha atascado la herramienta de inserción y solucione este problema, prestando

atención a las instrucciones de seguridad.

- Estas son las posibles causas del atasco de la herramienta de inserción:
  - La herramienta de inserción está inclinada en la pieza de trabajo
  - La herramienta de inserción ha perforado la pieza de trabajo
  - La herramienta eléctrica está sobrecargada
- Sujete la pieza de trabajo con un dispositivo de sujeción. Las piezas de trabajo mal sujetas pueden causar daños y lesiones graves.
- No se acerque a la máquina cuando esté en funcionamiento.
- Aunque esté familiarizado con el uso de la herramienta, no se relaje e ignore los principios de seguridad. Las acciones descuidadas, incluso durante una fracción de segundo, puede resultar en lesiones personales graves.
- Asegúrese de que el cable está colocado de manera que no se puede pisar, tropezar con él, entrar en contacto con bordes afilador o piezas móviles u otra cosa que pueda generar daños o tensión. Esto reducirá el riesgo de caídas accidentales, que podrían provocar lesiones y dañar el cable, lo que provocaría una descarga eléctrica.
- Mantenga las asas y las superficies de agarre secas, limpias y sin aceite ni grasa. Las asas y las superficies de agarre resbaladizas no permiten manejar y controlar con seguridad la herramienta en situaciones inesperadas.
- La herramienta de inserción puede calentarse durante su uso. Peligro de quemaduras:
  - Al cambiar herramientas/brocas
  - Al dejar el dispositivo

### CONOZCA EL PRODUCTO

Consulte la página 83.

1. Portabrocas SDS+
2. Empuñadura auxiliar
3. Tapón de engrase
4. Gatillo del interruptor
5. Selector de modo
6. Selector de modo secundario
7. Tapón de la escobilla de carbono
8. Llave de servicio
9. Varilla guía de profundidad
10. Tubo de lubricante
11. Escobillas de carbono de recambio
12. Guardapolvo
13. Asa, superficie de agarre aislada

### RIESGOS RESIDUALES

Incluso utilizando el taladro percutor rotatorio como es debido, es imposible eliminar totalmente ciertos factores de riesgo residuales. Pueden surgir los siguientes riesgos durante el uso y el operador debe prestar especial atención para evitar lo siguiente:

- Riesgo de electrocución si se perforan cables eléctricos. Sujete siempre la herramienta mediante los





correspondientes mangos, no toque las brocas.

- Si la broca se atasca durante el taladrado, existe riesgo de rebote. Use siempre el mango lateral y sujete la herramienta con firmeza.
- Daños al sistema respiratorio. Use mascarillas protectoras con filtros adecuados para los materiales con los que va a trabajar. Asegure una ventilación adecuada del lugar de trabajo. No comer, beber o fumar en el área de trabajo.
- Lesiones auditivas. Use siempre protección auditiva eficaz y limite el tiempo de exposición al ruido.
- Las partículas de residuos y polvo pueden causar daños oculares. Use siempre protección ocular adecuada.
- Lesiones por vibración. Sujete la herramienta mediante los correspondientes mangos y limite su exposición a la vibración. Consulte el apartado "Reducción De Riesgos".

### REDUCCIÓN DEL RIESGO

Se ha informado de que las vibraciones de las herramientas de mano puede contribuir a una condición llamada síndrome de Raynaud en ciertos individuos. Los síntomas pueden incluir hormigueo, entorpecimiento y decoloración de los dedos, generalmente aparentes cuando tiene lugar una exposición al frío. Se considera que los factores hereditarios, exposición al frío y a la humedad, dieta, tabaquismo y prácticas de trabajo contribuyen al desarrollo de estos síntomas. Existen medidas que pueden ser tomadas por el operador para reducir los efectos de vibración:

- Mantenga su cuerpo caliente durante el tiempo frío. Al manipular la unidad, utilice guantes para mantener las manos y las muñecas calientes. Hay informes que indican que el tiempo frío es un gran factor que contribuye al síndrome de Raynaud.
- Después de cada período de funcionamiento, realice ejercicios para aumentar la circulación sanguínea.
- Haga pausas de trabajo frecuentes. Limite la cantidad de exposición por día.

Si siente alguno de los síntomas de esta enfermedad, interrumpa inmediatamente el uso y consulte a su médico estos síntomas.

### ⚠ ADVERTENCIA

El uso prolongado de la herramienta puede provocar o agravar lesiones. Al utilizar cualquier herramienta durante períodos prolongados asegúrese de tomar descansos regulares.

### MANTENIMIENTO

### ⚠ ADVERTENCIA

El aparato nunca debe estar conectado a una fuente eléctrica mientras se estén montando las piezas, realizando ajustes, limpiando, llevando a cabo el mantenimiento o cuando no esté en uso. Apagar el aparato evitará que se ponga en marcha accidentalmente y cause lesiones graves.

### ⚠ ADVERTENCIA

En las operaciones de reparación, utilice solo piezas de repuesto originales del fabricante. El uso de otras piezas puede ocasionar riesgos o daños en el producto.

- Evite el uso de disolventes para limpiar las piezas de plástico. La mayor parte de los plásticos pueden resultar dañados con los disolventes que se venden en el mercado. Utilice un paño limpio para quitar las impurezas, el polvo, etc.

### ⚠ ADVERTENCIA

No permita en ningún momento que las piezas de plástico entren en contacto con líquido de frenos, gasolina, productos derivados del petróleo, aceites penetrantes, etc. Estos productos químicos contienen sustancias que pueden deteriorar, debilitar o destruir el plástico.

- Las herramientas eléctricas utilizadas en material de fibra de vidrio, placas de yeso o paneles de revestimiento suelen desgastarse más rápidamente y tener fallos o averías prematuramente ya que la viruta y el serrín resultantes de la fibra de vidrio son muy abrasivos para los cojinetes, las escobillas, los interruptores, etc. No recomendamos utilizar el aparato durante largos períodos de tiempo en estos tipos de materiales.

### ⚠ ADVERTENCIA

Siempre use gafas de seguridad o gafas de seguridad con protección lateral durante el funcionamiento de la herramienta eléctrica o cuando ésta desprenda polvo. Si la superficie de trabajo es polvorienta, use también una careta específica.

- Si el cable de alimentación está dañado, debería ser reemplazado únicamente por el fabricante o por un centro de servicio autorizado para evitar riesgos. Póngase en contacto con el centro de servicio autorizado.
- Para una mayor seguridad y fiabilidad, todas las reparaciones deben ser realizadas por un centro de servicio autorizado RYOBI.

### LUBRICACIÓN

Todos los cojinetes de este producto están lubricados con una cantidad suficiente de lubricante de alta calidad para la vida del producto en condiciones normales de funcionamiento.

### LUBRICACIÓN DE LA CAJA DE ENGRANAJES

Añada 10 g de grasa a la caja de engranajes después de 45 horas seguidas de uso o después de 55 horas acumuladas de uso.



## PROTECCIÓN DEL MEDIO AMBIENTE



Recicle las materias primas en lugar de tirarlas a la basura doméstica. Para proteger el medio ambiente, debe separar la herramienta, los accesorios y los embalajes.

## SÍMBOLOS EN EL PRODUCTO



Alerta de seguridad

V

Voltios

Hz

Hertzios

~

Corriente alterna

W

Vatios

n<sub>o</sub>

Velocidad sin carga

min<sup>-1</sup>

Número de revoluciones o movimientos por minuto



Por favor lea las instrucciones detenidamente antes de arrancar la máquina.



Proteja los ojos, los oídos y la nariz.



Conformidad CE



Certificado EAC de conformidad



Marca de conformidad ucraniana

001



Clase II, doble aislamiento



Modo martillo



Modo taladro percutor



Modo de taladrado



Los productos eléctricos de desperdicio no deben desecharse con desperdicios caseros. Por favor recíclelos donde existan dichas instalaciones. Compruebe con su autoridad local o minorista para reciclar.

## SÍMBOLOS EN ESTE MANUAL



Nota



Conectarse a la red eléctrica.



Desconectar de la red eléctrica.



Las piezas o accesorios se venden por separado



Bloquear



Desbloquear



Botón de apagado



Encendido



Baldosa



Mampostería



Madera



Metal

Los siguientes símbolos y palabras detallan los niveles de cuidado necesarios para usar este producto.

### PELIGRO

Indica una situación inminente de peligro que, si no se evita, provocará la muerte o lesiones graves.

### ADVERTENCIA

Indica una situación potencialmente peligrosa que, si no se evita, podría causar la muerte o lesiones graves.

### PRECAUCIÓN

Indica una situación potencialmente peligrosa que, si no se evita, puede provocar lesiones leves o moderadas.

### PRECAUCIÓN

(Sin símbolo de seguridad) Indica una situación que podría ocasionar daños materiales.

E' stata data massima priorità a sicurezza, prestazioni e affidabilità nel design di questo martello pneumatico demolitore.

## UTILIZZO

Questo martello demolitore rotativo è adatto per essere utilizzato da adulti che hanno letto e compreso le istruzioni e gli avvertimenti nel presente manuale e che possono quindi essere considerati responsabili delle loro azioni. Deve essere utilizzato da un solo operatore che afferri il grilletto e i manici laterali.

Il martello demolitore rotativo è progettato per funzionare senza funzione martello nel legno e nel metallo. Per lavori che implicano operazioni di scalpellatura e muratura, si dovrà utilizzare la modalità martello.

Il martello demolitore rotativo è progettato per funzionare con punte con un diametro massimo definito nella tabella specifiche del prodotto.

Non usare il trapano rotativo battente per qualsiasi altro scopo non qui descritto.

## ⚠ AVVERTENZE

**Leggere tutti gli avvertimenti e le istruzioni di sicurezza.** La mancata osservanza delle avvertenze e delle istruzioni potrà causare scosse elettriche, incendi e/o gravi lesioni personali.

Conservare tutte le istruzioni e le avvertenze per eventuali riferimenti futuri.

## AVVERTENZE DI SICUREZZA PER IL TRAPANO BATTENTE

- **Indossare protezioni acustiche adeguate.** L'esposizione prolungata al rumore senza protezione può causare danni all'udito.
- **Utilizzare il manico secondario fornito con l'utensile.** La perdita di controllo potrebbe causare lesioni personali.
- **Quando si lavora su una superficie che potrebbe nascondere fili elettrici o se il lavoro da eseguire può portare il cavo d'alimentazione a trovarsi sulla traiettoria dell'apparecchio, afferrare quest'ultimo tenendolo soltanto per le parti isolate ed antiscivolo.** Se la lama taglia un cavo "vivo" le parti esposte dell'elettrotensile potrebbero fare da conduttore e causare scosse elettriche.

Ulteriori avvertenze di sicurezza

- Indossare occhiali di protezione per proteggersi da eventuali frammenti o schegge.
- Quando si lavora su pareti, soffitti o pavimenti, evitare cavi elettrici o tubi del gas o dell'acqua.
- Indossare una maschera per la polvere.
- Se l'utensile di inserimento va in stallo, spegnere il prodotto immediatamente. Non riaccendere il prodotto mentre l'utensile è ancora in stallo, in quanto si potrebbe produrre un improvviso contraccolpo con un'elevata forza reattiva. Determinare la causa dello stallo e correggerla, prestando attenzione alle istruzioni

di sicurezza.

- Seguono le possibili cause di stallo dell'utensile di inserimento:
  - l'utensile di inserimento è inclinato nel pezzo da lavorare;
  - l'utensile di inserimento ha trapassato il pezzo da lavorare;
  - l'elettrotensile è sovraccarico.
- Agganciare il pezzo sul quale si sta lavorando con un morsetto. Pezzi non assicurati correttamente potranno causare gravi lesioni e danni.
- Non toccare l'interno del prodotto mentre è in funzione.
- La familiarità d'uso proveniente dall'impiego frequente degli utensili non deve indurre a operare con eccessiva disinvoltura o a ignorare le norme di sicurezza. Azioni sconsiderate, anche per una frazione di un secondo, potranno causare gravi lesioni personali.
- Accertarsi che il cavo sia collocato in modo che non sia pestato, non crei intralcio, non venga in contatto con spigoli taglienti o parti in movimento o sia comunque soggetto a danni o sollecitazioni. Ciò ridurrà il rischio di cadute accidentali che potrebbero causare lesioni oppure danni al cavo stesso, con il conseguente rischio di folgorazioni.
- Mantenere le maniglie e le superfici di presa asciutte, pulite e prive di olio o grasso. Maniglie e superfici di presa scivolose non consentono di maneggiare e controllare in sicurezza lo strumento in caso di situazioni impreviste.
- Durante l'utilizzo l'utensile di inserimento può riscaldarsi. Pericolo di ustioni:
  - durante la sostituzione di utensili/punte;
  - quando si ripone il prodotto.

## FAMILIARIZZARE CON IL PRODOTTO

Vedere a pagina 83.

1. Mandrino SDS+
2. Impugnatura ausiliaria
3. Tappo per l'ingrassaggio
4. Grilletto interruttore
5. Selettore di modalità
6. Selettore modalità secondaria
7. Coperchio spazzole al carbonio
8. Chiave di servizio
9. Asta guida di profondità
10. Tubetto di lubrificante
11. Spazzole al carbonio di ricambio
12. Coperchio antipolvere
13. Impugnatura con superficie isolata antiscivolo

## RISCHI RESIDUI

Anche quando il martello demolitore rotativo viene utilizzato come indicato, è impossibile eliminare completamente alcuni fattori di rischio residuo. Si potranno verificare i seguenti rischi e l'operatore dovrà prestare particolare attenzione per evitare quanto segue:

- Rischio di scosse elettriche nel caso in cui si foreranno cavi elettrici. Afferrare l'utensile sempre dai manici indicati, non toccare le punte.





- Rischio di rimbalzo se la punta si incastra. Utilizzare sempre il manico laterale e afferrare l'utensile saldamente.
- Danni al sistema respiratorio. Indossare maschere di protezione contenenti filtri adeguati ai materiali che si stanno manipolando. Assicurarsi una adeguata ventilazione del luogo di lavoro. Non mangiare, bere, né fumare nell'area di lavoro.
- Danni all'udito. Indossare sempre efficaci cuffie di protezione e limitare l'esposizione al rumore.
- Danni agli occhi da polveri volanti e particelle di detriti. Indossare sempre una adeguata protezione per occhi.
- Lesioni causate da vibrazioni. Reggere l'utensile dai manici indicati e limitare l'esposizione alle vibrazioni. Vedere "Riduzione Rischio".

### RIDUZIONE DEL RISCHIO

Si è accertato che le vibrazioni causate da utensili a mano possono contribuire a causare una condizione chiamata Sindrome di Raynaud in alcune persone. I sintomi, comprendenti formicolio, intorpidimento e perdita di colore alle dita, si verificano di solito quando ci si espone al freddo. Fattori ereditari, esposizione a freddo e umidità, una dieta scorretta, fumo e condizioni di lavoro non sicure potranno contribuire allo sviluppo di questi sintomi. È possibile prendere delle precauzioni per ridurre le vibrazioni:

- Tenere il corpo al caldo a basse temperature. Quando si utilizza l'utensile, indossare guanti e tenere le mani e i polsi caldi. Le basse temperature contribuiscono a causare la Sindrome di Raynaud.
- Dopo aver utilizzato l'utensile per un certo periodo, fare degli esercizi per stimolare la circolazione del sangue.
- Fare spesso delle pause. Limitare la quantità di esposizione giornaliera.

Nel caso in cui si provino i sintomi di questa condizione, interrompere immediatamente l'utilizzo dell'utensile e consultare un dottore.

### ⚠ AVVERTENZE

L'utilizzo prolungato dell'utensile potrà causare o aggravare lesioni già esistenti. Quando si utilizza questo utensile per periodi di tempo prolungati, assicurarsi di fare sempre delle pause regolari.

### MANUTENZIONE

#### ⚠ AVVERTENZE

Questo prodotto non dovrà mai essere collegato all'alimentazione mentre si montano le sue parti, svolgono regolazioni, operazioni di pulizia e manutenzione o quando il prodotto non viene utilizzato. Scollegare il prodotto per prevenire l'avvio accidentale che potrà causare gravi lesioni.

### ⚠ AVVERTENZE

Quando si svolgono le operazioni di manutenzione, utilizzare solo parti di ricambio originali della ditta produttrice. Utilizzare parti di ricambio diverse potrebbe causare rischi o danneggiare il prodotto.

- Evitare di utilizzare solventi quando si puliscono le parti in plastica. La maggior parte dei materiali plastici rischia di essere danneggiata dall'uso dei solventi disponibili in commercio. Utilizzare un panno pulito per rimuovere lo sporco, la polvere, ecc.

### ⚠ AVVERTENZE

Non lasciare che liquidi per freni, benzina, prodotti a base di petrolio, oli penetranti, ecc, entrino in contatto con le parti in plastica. Tali prodotti chimici contengono sostanze che possono danneggiare, indebolire o distruggere la plastica.

- Gli apparecchi elettrici utilizzati su prodotti in fibra di vetro, lastre di gesso o pannelli di rivestimento tendono ad usurarsi più rapidamente e a presentare precoci problemi di funzionamento dal momento che trucioli e segatura prodotti da tali materiali risultano molto abrasivi nei confronti dei componenti di apparecchi elettrici quali gli ingranaggi, le spazzole, gli interruttori, ecc. Non raccomandiamo di utilizzare il prodotto per lunghi periodi di tempo su questi tipi di materiali.

### ⚠ AVVERTENZE

Indossare sempre occhiali di sicurezza o occhiali di sicurezza con schermi laterali durante le operazioni con l'elettro-utensile o quando si aspira della polvere. Nel caso in cui si preveda che le operazioni di lavoro causeranno polvere, indossare sempre una maschera anti-polvere.

- Se il cavo di alimentazione è danneggiato deve essere sostituito solo dalla ditta produttrice o dal centro servizi autorizzato per evitare eventuali rischi. Contattare il centro servizi autorizzato.
- Per una maggior sicurezza e affidabilità, tutte le riparazioni dovranno essere svolte da un centro servizi autorizzato RYOBI.

### LUBRIFICAZIONE

Tutti i cuscinetti in questo prodotto sono stati lubrificati con una quantità di lubrificante ad alto indice di viscosità per tutta la durata del prodotto nelle normali condizioni di funzionamento.

### LUBRIFICAZIONE PER CAMBIO

Aggiungere 10 g di grasso dopo 45 ore di uso continuo o dopo 55 ore di uso cumulativo nel cambio.



**TUTELA DELL'AMBIENTE**



Riciclare le materie prime anziché gettarle tra i rifiuti domestici. Per tutelare l'ambiente, l'apparecchio, gli accessori e gli imballaggi devono essere smaltiti separatamente.

**SIMBOLI SUL PRODOTTO**

- Indicazioni sicurezza
- V** Volt
- Hz** Hertz
- ~ Corrente alternata
- W** Watt
- n<sub>o</sub>** Velocità a vuoto
- min<sup>-1</sup>** Numero di giri o di movimenti al minuto
- Leggere attentamente le istruzioni prima di avviare l'utensile.
- Indossare occhiali, cuffie e maschere anti-polvere di protezione.
- CE** Conformità CE
- EAC** Marchio di conformità EurAsian
- Marchio di conformità ucraino  
001
- Classe II con doppio isolamento
- T** Modalità demolitore
- T<sub>2</sub>** Modalità demolizione
- Modalità perforatore
- I prodotti elettrici non devono essere smaltiti con i rifiuti domestici. Vi sono strutture per smaltire tali prodotti. Informarsi presso il proprio Comune o rivenditore di sicurezza per smaltire adeguatamente tali rifiuti.

**SIMBOLI NEL MANUALE**

Note

- Collegare all'alimentazione.
- Scollegare dall'alimentazione.
- Parti o accessori venduti separatamente
- Blocco
- Sblocco
- Spento
- Acceso
- Piastrella
- Laterizi
- Legno
- Metallo

I seguenti simboli indicano i livelli di rischio associati a questo prodotto.

**⚠ PERICOLO**  
Indica una situazione immediatamente pericolosa che, se non evitata, potrà causare gravi lesioni o morte.

**⚠ AVVERTENZE**  
Indica una situazione potenzialmente pericolosa che, se non evitata potrà causare gravi lesioni o morte.

**⚠ ATTENZIONE**  
Indica una situazione potenzialmente pericolosa che, se non evitata, potrà causare lesioni minori o moderate.

**ATTENZIONE**  
(Senza simbolo di allarme in materia di sicurezza) Indica una situazione che può provocare danni materiali.



Veiligheid, prestaties en betrouwbaarheid kregen topprioriteit in het ontwerp van uw hamerboormachine.

## BEOOGD GEBRUIK

Deze boorhamermachine is uitsluitend geschikt om te worden gebruikt door volwassenen die de instructies en waarschuwingen in deze gebruiksaanwijzing hebben gelezen en begrepen en die als verantwoordelijk voor hun handelingen kunnen worden beschouwd. Ze moet worden gebruikt door een gebruiker die de boormachine aan beide hendels en zijdelingse handvatten vasthoudt.

De boorhamermachine is geschikt om zonder hamerfunctie te worden gebruikt in hout en metaal. Voor de beitelfunctie en om in metselwerk te boren, kan de hamermodus worden gebruikt.

De boorhamermachine is ontworpen om te worden gebruikt met boorstiften waarvan de diameter is bepaald in de productspecificatietabel.

Gebruik de roterende boorhamer niet voor andere doeleinden dan hierboven omschreven.

## ⚠ WAARSCHUWING

**Lees alle veiligheidswaarschuwingen en instructies.** Wanneer u deze en instructies niet opvolgt, kan dit leiden tot electrocutie, brand en/of ernstige letsels.

**Bewaar alle waarschuwingen en instructies voor toekomstig gebruik.**

## VEILIGHEIDSWAARSCHUWINGEN VOOR DE BOORHAMER

- **Draag oorbeschermers.** Blootstelling aan geluid kan het gehoor beschadigen.
- **Gebruik de extra handvatten die met de machine worden meegeleverd.** Controleverlies kan leiden tot lichamelijk letsel.
- **Houd de machine alleen vast aan geïsoleerde en slipvrije delen als u in een oppervlak of ondergrond werkt waarin zich elektrische leidingen kunnen bevinden of als bij het uitvoeren van de werkzaamheden het netsnoer in de buurt van het werktuig zou kunnen komen.** Wanneer de accessoire een spanningvoerende leiding raakt, kunnen de blootgestelde onderdelen van de machine onder spanning komen waardoor de gebruiker wordt geëlectrocuteerd.

Aanvullende veiligheidswaarschuwingen

- Draag een veiligheidsbril om u te beschermen tegen mogelijke opspattende deeltjes.
- Wanneer u werkt in muren, plafonds of vloeren, moet u voorzichtig zijn om elektrische kabels en gas- of waterleidingen te vermijden.
- Draag een stofmasker.
- Schakel het product onmiddellijk uit als het inbrenginstrument afslaat. Schakel het product niet opnieuw in als het inbrenginstrument is afgeslagen, omdat dit een plotselinge terugslag met hoge reactieve kracht kan veroorzaken. Bepaal waarom het inbrenginstrument is stilgevallen en corrigeer dit overeenkomstig de veiligheidsinstructies.

- Hieronder staan mogelijke oorzaken vermeld waarom het inbrenginstrument kan afslaan:
  - het inbrenginstrument wordt in het werkstuk gekanteld
  - het inbrenginstrument is door het werkstuk heen geboord
  - het gereedschap is overbelast
- Klem het werkstuk met een klem vast. Werkstukken die niet zijn vastgeklemd kunnen ernstige letsels en schade veroorzaken.
- Grijp niet in het product terwijl de motor draait.
- Voorkom dat u door het veelvoudige gebruik van gereedschappen laks wordt en de veiligheidsvoorschriften uit het oog verliest. Zorgeloze handelingen, al duren ze maar een fractie van een seconde, kunnen leiden tot ernstige letsels.
- Zorg ervoor dat de kabel zodanig is gepositioneerd dat men er niet op kan trappen, over kan struikelen en dat de kabel niet tegen scherpe randen of bewegende delen aankomt, of anderszins wordt blootgesteld aan beschadiging of belasting. Hierdoor wordt de kans op struikelen, wat kan leiden tot letsel, en beschadiging van de kabel, wat kan leiden tot elektrische schok, verkleind.
- Handvatten en grijpvlakken moeten droog, schoon en vrij van vet en olie worden gehouden. Als handvatten en grijpvlakken glibberig zijn, kan het gereedschap in onverwachte situaties niet veilig worden gebruikt en beheerst.
- Het inbrenginstrument kan tijdens het gebruik heet worden. Gevaar voor brandwonden:
  - bij het verwisselen van gereedschappen/bits
  - bij het neerleggen van het product

## KEN UW PRODUCT

Zie pagina 83.

1. SDS+-boorkop
2. Hulphandgreep
3. Smeerpap
4. Aan-/uitschakelaar
5. Werkstandkiezer
6. Keuzeknop secundaire modus
7. Dop koolstofborstel
8. Speciale sleutel
9. Dieptegeleider
10. Tube smeermiddel
11. Reserve koolstofborstels
12. Stofkap
13. Hendel, geïsoleerd grijpoppervlak

## RESTRISCO'S

Zelfs wanneer de hamerboormachine zoals voorgeschreven wordt gebruikt, is het onmogelijk om alle restrisiko's volledig uit te sluiten. De volgende gevaren kunnen optreden bij gebruik en de gebruiker dient speciaal op te letten om het volgende te voorkomen:

- Gevaar voor electrocutie als men in elektrische leidingen boort. Neem de boormachine altijd aan de handvatten vast, raak de boorstiften niet aan.
- Terugslag tijdens het boren als de boorstift klem raakt. Gebruik altijd het zijdelingse handvat en houd de machine stevig vast.



- Schade aan de luchtwegen. Draag ademhalingsbeschermingsmaskers met filters die aangepast zijn aan het materiaal waarmee wordt gewerkt. Zorg voor voldoende ventilatie op de werkplaats. Eten, drinken of roken verboden in het werkgebied.
- Gehoorschade. Draag altijd een goede gehoorbescherming en beperk de blootstelling aan geluid.
- Schade aan de ogen door rondvliegend stof en afvaldeeltjes. Draag altijd geschikte oogbescherming
- Letsel veroorzaakt door trillingen Houd het werktuig aan de handvatten vast en beperk de blootstelling aan trillingen. Zie "Risico's Beperken".

### RISICOBEPERKING

Er zijn meldingen dat trillingen van handwerktuigen bij sommige mensen bijdragen tot het Syndroom van Raynaud. Symptomen kunnen ondermeer tintelingen, gevoelloosheid en bleek worden van de vingers omvatten, wat normaal gezien duidelijk wordt bij blootstelling aan koude. Erfelijke factoren, blootstelling aan koude en vocht, dieet, roken en werkroutine kunnen allemaal bijdragen tot de ontwikkeling van deze symptomen. Er kunnen door de bediener maatregelen worden genomen om de gevolgen van de trillingen te beperken:

- Houd bij koud weer uw lichaam warm. Draag handschoenen wanneer u de machine gebruikt om handen en polsen warm te houden. Men neemt aan dat koud weer een belangrijke factor is die bijdraagt tot het Syndroom van Raynaud.
- Doe oefeningen om de bloeddoorstroming te bevorderen na elke periode van gebruik.
- Neem regelmatig een pauze. Beperk het aantal uren dat u per dag wordt blootgesteld.

Wanneer u enige van de symptomen van deze aandoening ervaart, stop dan onmiddellijk met het gebruik van het toestel en raadpleeg uw dokter

### ⚠ WAARSCHUWING

Letsels kunnen optreden of verergeren door langdurig gebruik van een gereedschap. Als u een werktuig gedurende langere periodes gebruikt, neem dan regelmatig pauze.

### ONDERHOUD

### ⚠ WAARSCHUWING

Het product mag nooit worden aangesloten op de netvoeding bij het aansluiten van onderdelen, maken van afstellingen, schoonmaken, uitvoeren van onderhoud of als het product niet wordt gebruikt. Ontkoppelen van het product voorkomt accidenteel opstarten, wat ernstig letsel kan veroorzaken.

### ⚠ WAARSCHUWING

Gebruik voor het onderhoud uitsluitend originele vervangonderdelen van de fabrikant. Gebruik van niet originele onderdelen kan gevaar opleveren of schade aan de machine veroorzaken.

- Voorkom het gebruik van oplosmiddelen wanneer u kunststof onderdelen reinigt. De meeste kunststoffen kunnen worden beschadigd door de in de handel zijnde oplosmiddelen. Gebruik een schone doek om vuil of stof te verwijderen.

### ⚠ WAARSCHUWING

Remvloeistof, benzine, producten op basis van petroleum, kruipolie, enz mogen nooit in contact komen met kunststof onderdelen. Deze chemicaliën bevatten namelijk stoffen die kunststof kunnen beschadigen, verzwakken of aantasten.

- Gereedschap dat voor bewerking van glasvezeldelen, gipsplaten of bekledingsplaten wordt gebruikt, loopt meer risico om voortijdig te slijten of defect te raken. Het zaagsel en slijpsel dat uit deze materialen ontstaat, heeft een zeer schurende werking op bepaalde onderdelen van elektrisch gereedschap, zoals overbrengingen, borstels, schakelaars, enz. We raden niet aan dat u het product gebruik gedurende langere periodes op deze types materiaal.

### ⚠ WAARSCHUWING

Draag altijd een veiligheidsbril of gezichtsbescherming met zijdelingse bescherming terwijl u het werktuig gebruikt of wanneer u stof blaast. Als het werk stof veroorzaakt, draag dan ook een stofmasker.

- Als het stroomsnoer beschadigd is, mag deze uitsluitend worden vervangen door de fabrikant of door een geautoriseerd onderhoudscentrum om risico te voorkomen. Neem contact op met een geautoriseerd onderhoudscentrum.
- Voor meer veiligheid en betrouwbaarheid, moeten alle herstellingen door een geautoriseerd RYOBI onderhoudscentrum worden uitgevoerd.

### SMERING

Alle lagers in het product zijn gesmeerd met voldoende kwalitatief smeermiddel voor de gehele levensduur van het product bij normale gebruiksomstandigheden.

### SMERING VOOR DE TRANSMISSIEKAST

Voeg na 45 uur continu gebruik of 55 uur opgeteld gebruik 10 g smeermiddel toe aan de transmissiekast.



## MILIEUBESCHERMING



Zorg dat grondstoffen worden gerecycleerd in plaats van weggegooid als afval. Om het milieu te beschermen moeten de machine, de accessoires en de verpakking gesorteerd bij een erkend recyclingcentrum worden aangeleverd.

## SYMBOLEN OP HET PRODUCT



Veiligheidswaarschuwing

V

Volt

Hz

Hertz

~

Wisselstroom

W

Watt

n<sub>o</sub>

Onbelast toerental

min<sup>-1</sup>

Aantal toeren of omwentelingen per minuut



Lees de instructies zorgvuldig voordat u de machine in gebruik neemt.



Draag gezichts-, gehoor- en ademhalingsbescherming.



EG conformiteit



EurAsian-symbool van overeenstemming



Oekraïens conformiteitssymbool

001



Klasse II, dubbelgeïsoleerd



Hamerstand



Hamerboormodus



boorstand



Elektrisch afval mag niet samen met ander huishoudafval worden weggegooid. Gelieve te recycleren indien de mogelijkheid bestaat. Neem contact op met uw gemeente of handelaar om advies te krijgen over recyclage.

## SYMBOLEN IN DE GEBRUIKSAANWIJZING



Opmerking



Verbind met de stroombron.



Ontkoppel van de stroombron.



Onderdelen of accessoires afzonderlijk gekocht



Vergrendeling



Ontgrendeling



Uit



Aan



Tegel



Metselwerk



Hout



Metaal

De volgende kernwoorden en verklaringen zijn bedoeld om de gevaarniveaus die op dit toestel betrekking hebben, te verklaren.

### GEVAAR

Wijst op een gevaarlijke situatie die, indien ze niet wordt vermeden, kan leiden tot ernstige verwondingen of de dood.

### WAARSCHUWING

Wijst op een mogelijk gevaarlijke situatie die, indien ze niet wordt vermeden, kan leiden tot ernstige verwondingen of de dood.

### LET OP

Wijst op een mogelijk gevaarlijke situatie die, indien ze niet wordt vermeden, kan leiden tot lichte of middelmatige verwondingen.

### LET OP

(Zonder veiligheidssymbool) Geeft een situatie aan die materiële schade zou kunnen veroorzaken.



Segurança, desempenho e fiabilidade foram as prioridades na conceção do seu martelo perfurador rotativo.

### UTILIZAÇÃO PREVISTA

Este berbequim percutor rotatório foi desenhado para ser utilizado por adultos que tenham lido e compreendido as instruções e avisos recolhidos neste manual e que possam ser considerados responsáveis das suas ações. Deve ser utilizado por um único operário que segure o gatilho e as mangas laterais.

Não se deve utilizar a função percutora sobre madeira e metal. Para cinzelagem y berbequim de alvenaria, pode utilizar o modo percutor.

O berbequim percutor rotatório foi desenhado para utilizar brocas até o diâmetro máximo definido na tabela de especificações do produto.

Não utilize o martelo de percussão rotativo para qualquer outro fim que não o descrito acima.

### ⚠ AVISO

**Leia todos os avisos de segurança e todas as instruções.** O incumprimento em seguir os s e as instruções pode ter como consequências o choque eléctrico, incêndio e/ou lesões graves.

**Guarde todos os avisos e instruções para futuras consultas.**

### AVISOS DE SEGURANÇA DO MARTELO

- **Sempre use a protecção dos ouvidos.** A influência de ruídos pode causar surdez.
- **Use as pegas auxiliares fornecidas com a ferramenta.** A perda de controlo pode provocar ferimentos.
- **Segure a ferramenta unicamente pelas partes isoladas e anti-derrapantes quando trabalhar numa superfície que pode esconder fios eléctricos ou quando o trabalho requerido possa pôr o fio de alimentação na trajectória da ferramenta.** O acessório de corte que entre em contacto com um fio "ligado" pode tornar as peças de metal da ferramenta eléctrica condutivas e tal pode causar um choque eléctrico ao operador.

Avisos de segurança adicionais

- Use óculos de protecção para se proteger contra eventuais estilhaços e projecções.
- Quando trabalhar em paredes, tetos ou pisos, tome cuidado para evitar cabos eléctricos e tubos de gás ou água.
- Use máscara contra pó.
- Desligue imediatamente o produto se a ferramenta de inserção parar. Não ligue o produto novamente enquanto a ferramenta de inserção estiver parada, pois ao fazê-lo poderá causar um ressalto súbito com uma elevada força de reação. Descubra o problema que fez a ferramenta de inserção entrar em paragem espontânea e corrija-o, certificando-se de que cumpre todas as instruções de segurança.

- Seguem-se as causas possíveis para a paragem da ferramenta de inserção:
  - A ferramenta de inserção está inclinada na peça de trabalho
  - A ferramenta de inserção perfurou a peça de trabalho
  - Sobrecarga da ferramenta eléctrica.
- Fixe a peça de trabalho com um dispositivo de fixação. As peças de trabalho mal presas podem causar danos e lesões graves.
- Não se debruce sobre o produto enquanto estiver em funcionamento.
- Estar familiarizado com as ferramentas por as utilizar com frequência não é razão para se tornar descuidado e para ignorar os princípios de segurança referentes a ferramentas. Acções descuidadas, mesmo por uma fracção de segundo, podem resultar em graves lesões pessoais.
- Certifique-se de que o cabo de corrente fica localizado por forma a que não se possa pisar nem tropeçar, que não fique em contacto com arestas cortantes ou peças móveis, e que não fique sujeito a danos ou esforços. Isto irá reduzir o risco de quedas acidentais (o que poderia causar ferimentos) e irá reduzir o risco de danificar o cabo de corrente (o que poderia resultar em choque eléctrico).
- Mantenha as pegas e as superfícies de prensão secas, limpas, e livres de óleo e de gordura. Pegas e superfícies de prensão escorregadias não permitem manusear a ferramenta em segurança, nem permitem manter o controlo da ferramenta em situações inesperadas.
- A ferramenta de inserção pode ficar quente durante a utilização. Perigo de queimaduras:
  - Ao trocar ferramentas/pontas
  - Ao pousar o dispositivo

### CONHEÇA O SEU PRODUTO

Consulte a página 83.

1. Mandril SDS+
2. Pega auxiliar
3. Tampão de lubrificante
4. Interruptor selector
5. Selector de modo
6. Seletor de modo secundário
7. Tampa da escova de carbono
8. Chave de serviço
9. Hasta guia de profundidade
10. Tubo de lubrificante
11. Escovas de carbono sobresselentes
12. Tampa de pó
13. Pega, superfícies de prensão isoladas

### RISCOS RESIDUAIS

Mesmo utilizando o berbequim percutor rotatório como é devido, é impossível eliminar totalmente certos fatores de risco residuais. Podem surgir os seguintes riscos durante o uso e o operador deve prestar especial atenção para evitar o seguinte:





- Risco de electrocução se se perfurarem cabos elétricos. Segure sempre a ferramenta através das mangas correspondentes, não toque nas brocas.
- Se a broca se obstruir durante os furos, existe risco de ricochete. Use sempre a manga lateral e segure a ferramenta com firmeza.
- Danos no sistema respiratório. Use máscaras protetoras com filtros adequados para os materiais com que vai trabalhar. Assegure uma ventilação adequada do local de trabalho. Não coma, beba ou fume na área de trabalho.
- Lesões auditivas. Use sempre proteção auditiva eficaz e limite o tempo de exposição ao ruído.
- As partículas de resíduos e pó podem causar danos oculares. Use sempre proteção ocular adequada.
- Lesões por vibração. Segure a ferramenta através das mangas correspondentes e limite a sua exposição à vibração. Consulte o ponto "Redução De Riscos".

### REDUÇÃO DO RISCO

Foi reportado que as vibrações das ferramentas de mão podem contribuir para uma doença designada de Síndrome de Raynaud em determinados indivíduos. Os sintomas podem incluir formigamento, entorpecimento e empalidecimento dos dedos, habitualmente visível aquando da exposição ao frio. Estima-se que os factores hereditários, exposição ao frio e humidade, dieta, tabagismo e práticas de trabalho contribuem todos para o desenvolvimento destes sintomas. Existem medidas que podem ser tomadas pelo operador para possivelmente reduzir os efeitos da vibração:

- Mantenha o seu corpo quente durante o tempo frio. Ao operar a unidade, use luvas para manter as mãos e os pulsos quentes. Encontra-se reportado que o tempo frio é um grande factor que contribui para o Síndrome de Raynaud.
- Após cada período de operação, exercite para aumentar a circulação sanguínea.
- Faça pausas frequentes no trabalho. Limite o tempo de exposição por dia.

Caso sinta algum dos sintomas desta doença, interrompa de imediato a sua utilização e consulte o seu médico sobre estes sintomas.

#### ⚠ AVISO

As lesões podem ser causadas ou agravadas pelo uso prolongado de uma ferramenta. Ao usar qualquer ferramenta durante períodos prolongados, assegure-se que faz intervalos regulares.

### MANUTENÇÃO

#### ⚠ AVISO

O produto não deve nunca ligado à corrente elétrica durante a montagem de peças, a realização de ajustes, limpeza, operações de manutenção ou quando não está em uso. Ao ligar o produto estará a evitar um arranque acidental que pode causar lesões graves.

#### ⚠ AVISO

Na reparação só devem ser utilizadas peças sobresselentes do fabricante. O uso de quaisquer outras peças pode criar perigo ou causar danos ao aparelho.

- Evite usar solventes ao limpar as peças de plástico. A maioria dos plásticos pode ser danificada pelos solventes vendidos no comércio. Utilize um pano limpo para remover as sujidades, o pó, etc.

#### ⚠ AVISO

Nunca, em qualquer momento, deixe que fluidos de travagem, gasolina, produtos petrolíferos, óleos de perfuração, etc., entrem em contacto com as peças de plástico. Estas substâncias contêm produtos químicos que podem danificar, enfraquecer ou destruir o plástico.

- As ferramentas eléctricas utilizadas em equipamentos de fibra de vidro, placas de gesso, painéis de revestimento têm tendência a desgastarem-se mais rapidamente e a apresentar falhas prematuras, dado que as aparas e a serradura provenientes destes materiais são com efeito muito abrasivas para as peças das ferramentas eléctricas como por exemplo as engrenagens, as escovas, os interruptores, etc. Não recomendamos a utilização do aparelho durante longos períodos de tempo nestes tipos de materiais.

#### ⚠ AVISO

Use sempre óculos de protecção ou óculos de segurança com protecções laterais durante a operação da ferramenta eléctrica quando estiver a levantar poeira no ar. Caso a operação seja poeirenta, use também uma máscara contra o pó.

- Se o cabo de alimentação estiver danificado, deverá ser substituído unicamente pelo fabricante ou por um centro de serviço autorizado para evitar riscos. Contacte o centro de serviço autorizado.
- Para uma maior segurança e fiabilidade, todas as reparações devem ser realizadas por um centro de assistência autorizado RYOBI.

### LUBRIFICAÇÃO

Todos os rolamentos deste produto estão lubrificados com um montante suficiente de lubrificante de elevado nível, de acordo com a duração de vida do produto em condições normais de funcionamento.



## LUBRIFICAÇÃO DA CAIXA DE ENGENHAGENS

Adicione 10 g de lubrificante após 45 horas de utilização continuada ou após 55 horas de horas cumulativas de utilização da caixa de engrenagens.

## PROTECÇÃO DO AMBIENTE



Recicle os materiais em vez de pô-los directamente no lixo doméstico. Para proteger o ambiente, a ferramenta, os acessórios e as embalagens devem ser seleccionados.

## SÍMBOLOS NO PRODUTO



Alerta de segurança

V

Volts

Hz

Hertz

~

Corrente alterna

W

Watts

n<sup>o</sup>

Velocidade em vazio

min<sup>-1</sup>

Número de rotações ou movimentos por minuto



Agradecemos que leia atentamente as instruções antes de iniciar a máquina.



Use protecção para os olhos, ouvidos e nariz.



Conformidade CE



Marca de conformidade EurAsian



Marca de conformidade ucraniana

001



Classe II, com duplo isolamento



Modo martelo



Modo de perfuração a martelo



Modo de perfuração



Os aparelhos eléctricos antigos não devem ser eliminados juntamente com o lixo doméstico. Recicle onde existem instalações para o efeito. Verifique com as suas Autoridades Locais ou revendedor para obter informações sobre reciclagem.

## SÍMBOLOS NESTE MANUAL



Nota



Conecte à fonte de alimentação.



Desconecte da fonte de alimentação.



As peças ou acessórios vendem-se separadamente



Bloqueio



Abrir



Desligar



Desligado



Azulejo



Alvenaria



Madeira



Metal

As seguintes palavras de sinal e significados destinam-se a explicar os níveis de risco associados a este produto.

### PERIGO

Indica uma situação de perigo iminente, a qual, se não for evitada, pode resultar em morte ou ferimentos graves.

### AVISO

Indica uma situação potencialmente perigosa que, se não for evitada, pode resultar em morte ou ferimentos graves.

### CAUTELA

Indica uma situação potencialmente perigosa que, se não for evitada, pode resultar em ferimentos leves ou moderados.

### CAUTELA

(Sem símbolo de segurança) Indica uma situação que pode provocar danos materiais.



Sikkerhed, ydelse og driftssikkerhed har fået topprioritet i designet af din roterende borehammer.

### TILTÆNK ANVENDELSESFORMÅL

Denne roterende borehammer er kun beregnet til at blive brugt af voksne, som har læst og forstået instrukserne og advarslerne i denne brugsanvisning, og som kan betragtes som værende ansvarlige for deres handlinger. Det skal bruges af en enkelt operatør, som holder den i både udløser og sidehåndtag.

Den roterende borehammer er designet til at kunne fungere uden hammerfunktion i træ og metal. Til mejsling og boring i murværk, kan man anvende hammermodus.

Den roterende borehammer er designet til at fungere med borebits op til den maksimale diameter i produktspecifikationstabellen.

Brug ikke det roterende borehammer til andre formål end beskrevet ovenstående.

### ⚠ ADVARSEL

**Alle sikkerhedsadvarsler og alle anvisninger skal læses.** Hvis advarslen og instruktionerne ikke følges, kan det medføre elektrisk stød og/eller alvorlig personskade.

Gem alle advarsler og brugsanvisninger til senere brug.

### SIKKERHEDSADVARSLER FOR HAMMER

- **Bær høreværn.** Støjpåvirkning kan bevirke tab af hørelse.
- **Brug støttegrebet, der medfølger værktøjet.** Hvis kontrollen mistes, kan det medføre personskade.
- **Hold udelukkende værktøjet de isolerede gribesteder ved arbejde på flader, hvor der kan ligge el-ledninger skjult, eller når den strømførende ledning kan komme til at befinde sig i værktøjets arbejdsfelt.** Hvis der skæres i en strømførende ledning, kan det gøre udsatte metaldele af maskinværktøjet strømførende og give operatøren elektrisk stød.

Ekstra sikkerhedsadvarsler

- Brug sikkerhedsbriller for at beskytte øjnene mod eventuelle udslyngede spåner og splinter.
- Når der arbejdes i vægge, lofter eller gulve, skal man sørge for at undgå el-, gas- eller vandledninger.
- Bær støvmaske.
- Sluk straks for produktet, hvis indsætningsværktøjet kører fast. Tænd ikke for produktet, mens indsætningsværktøjet sidder fast, fordi et pludseligt tilbageslag med stor reaktiv kraft kan blive udløst herved. Fastslå, hvorfor indsætningsværktøjet kørte fast, og foretag udbedring af dette, og vær opmærksom på sikkerhedsanvisningerne.
- Følgende er de mulige årsager til, at indsætningsværktøjet kører fast:
  - Indsætningsværktøjer er vipet i arbejdsemnet
  - Indsætningsværktøjet har gennemboret arbejdsemnet

- Elværktøjet er overbelastet

- Emnet skal fastspændes med en fastspændingsanordning. Ikke-spændte emner kan forårsage alvorlige (person)skader.
- Ræk ikke ind i produktet, mens det kører.
- Lad ikke fortroligheden, der er opstået ud fra hyppig brug af et redskab, påvirke dig til at være tilbagelænet og ignorere sikkerhedsprincipper. Uforsigtige handlinger, selv i brøkdeler af sekunder, kan medføre alvorlige personskader.
- Sørg for, at ledningen anbringes således, at man ikke kan træde på den, falde over den, at den ikke kan komme i kontakt med skarpe kanter eller bevægelige dele eller på anden måde kan udsættes for skade eller belastning. Dette vil reducere risikoen for faldulykker, der kunne medføre personskade, og skade på ledningen, som kunne medføre elektrisk stød.
- Hold håndtag og gribeflader tørre og fri for olie og fedt. Glatte håndtag og gribeflader muliggør ikke sikker håndtering og styring af værktøjet under ikke forventede situationer.
- Indsætningsværktøjet kan blive varmt under brug. Fare for forbrændinger:
  - Ved udskiftning af værktøj/bits
  - Når værktøjet sættes ned

### KEND PRODUKTET

Se side 83.

1. SDS+ patron
2. Hjælpehåndtag
3. Smørehætte
4. Kontaktudløser
5. Driftsmådevælger
6. Sekundær tilstandsvælger
7. Kulbørstehætte
8. Servicenøgle
9. Dybdestyrestang
10. Smørerør
11. Reserverkulbørster
12. Støvhætte
13. Håndtag, isoleret gribeflade

### UUNDGÅELIGE RISICI

Selv om den roterende borehammer anvendes som foreskrevet, er det stadig umuligt at eliminere visse uundgåelige risikofaktorer fuldstændigt. Følgende risici kan opstå under brug, og operatøren bør være særligt opmærksom for at undgå følgende:

- Der er fare for elektrisk stød, hvis der bores ind i kabler. Hold altid værktøjet i de hertil indrettede håndtag; undlad at røre ved borebitsene.
- Fare for tilbageslag ('kickback'), hvis bitten sætter sig fast. Brug altid sidehåndtaget, og hold godt fast i værktøjet.
- Fare for skader på åndedrætsorganerne. Benyt åndedrætsværn med filtre, der svarer til det materiale, der arbejdes med. Sørg for tilstrækkelig ventilation på arbejdspladsen. Undlad at spise, drikke eller ryge i arbejdsområdet.





- Høreskader. Benyt altid effektivt høreværn, og begræns eksponeringen for støj.
- Fare for øjenskader pga. flyvende støv- og affaldspartikler. Brug altid passende øjenværn.
- Personskader forårsaget af vibration. Hold værktøjet i de hertil indrettede håndtag, og begræns eksponeringen for vibrationer. Se "Risikoreduktion".

## RISIKOREDUKTION

Der er rapporteret om, at vibrationer fra håndholdte værktøjer kan være medvirkende til en lidelse kaldet Raynauds syndrom hos visse personer. Symptomerne herpå kan være prikken, følelsesløshed og blegning af fingrene, der normalt viser sig ved kuldepåvirkning. Faktorer som arvelighed, udsættelse for kulde og fugt, kost, rygning og arbejdsvaner menes alle at medvirke til udviklingen af disse symptomer. Der findes forholdsregler, som operatøren kan træffe for at begrænse påvirkningen fra vibrationer:

- Hold kroppen varm i koldt vejr. Brug handsker, så hænder og vrister holdes varme under arbejdet. Der er rapporteret om, at koldt vejr er en væsentlig faktor til Raynauds syndrom.
- Motionér efter hver arbejdsperiode for at øge blodcirkulationen.
- Hold hyppige arbejdspauser. Begræns eksponeringen for vibrationer pr. dag.

Hvis du mærker nogen af symptomerne på denne tilstand, skal du straks ophøre med arbejdet og søge læge.

### ⚠ ADVARSEL

Længere tids brug af et værktøj kan forårsage - eller forværrer - personskader. Når man bruger et værktøj i længere perioder ad gangen, skal man huske at holde hyppige pauser.

## VEDLIGEHOLDELSE

### ⚠ ADVARSEL

Produktet må aldrig sluttes til en strømforsyning, mens man er i færd med at samle dele, foretage justeringer, rengøre, udføre vedligeholdelsesarbejde, eller når produktet ikke anvendes. Ved at afbryde forbindelsen til strømforsyningen forhindrer man utilsigtet start af produktet, hvilket kan medføre alvorlige personskader.

### ⚠ ADVARSEL

Brug kun originale reservedele fra maskinproducenten i forbindelse med servicearbejde. Brug af alternative dele kan forårsage farlige situationer eller ødelægge produktet.

- Undgå brug af opløsningsmidler til rengøring af plastdele. De fleste plasttyper bliver ødelagt, hvis de renses med almindelige gængse opløsningsmidler. Jern snavs, støv m.v. med en ren klud.

### ⚠ ADVARSEL

Sørg for, at bremsevæske, benzin, petroleumsbaserede produkter, penetreringsolie, mv., aldrig kommer i kontakt med plastdele. Disse kemiske produkter indeholder stoffer, som kan beskadige, mørne eller ødelægge plastmaterialet.

- Elektriske værktøjer, som bruges på glasfiber, gipsplader og beklædningsplader har tendens til at blive slidt hurtigere og evt. få flere driftsproblemer. Spåner og savsmuld fra disse materialer har nemlig en kraftig slibevirkning på det elektriske værktøjs dele, fx lejer, kulbørster, omskiftere osv. Vi anbefaler, at man ikke bruger produktet i længere tid med disse typer materialer.

### ⚠ ADVARSEL

Bær altid sikkerhedsbriller med sideskjolde under betjening af elværktøjet eller ved støv-ophvirvling. Hvis der ophvirvles støv under arbejdet, bæres også støvmaske.

- Hvis strømforsyningskablet beskadiges, skal det udskiftes af producenten eller på et autoriseret servicecenter for at undgå risici. Kontakt et autoriseret servicecenter.
- Af hensyn til større sikkerhed og pålidelighed skal alt reparationsarbejde udføres på et autoriseret RYOBI-servicecenter.

## SMØRING

Alle lejerne i produktet er smurt for produktets levetid under normale driftsbetingelser med en tilstrækkelig mængde højkvalitetssmøremiddel.

## SMØRING TIL GEARKASSER

Tilsæt 10 g smørefedt efter 45 minutters kontinuerlig brug eller efter 55 timers samlet brug til gearkassen.

## MILJØBESKYTTELSE



Råmaterialerne skal genbruges og ikke bortskaffes som almindeligt affald. Af hensyn til miljøet skal redskab, tilbehør og emballage sorteres.

## SYMBOLER PÅ PRODUKTET



Sikkerhedsadvarsel

V Volt

Hz Hertz

~ Vekselstrøm

W Watt

n<sub>o</sub> Tomgangshastighed

min<sup>-1</sup> Antal omdrejninger eller bevægelser pr. Minut







Læs venligst vejledningen grundigt igennem før maskinen tages i brug.



Benyt øjen-, høre- og åndedrætsværn



CE-overensstemmelse



EurAsian overensstemmelsesmærke



Ukrainsk overensstemmelsesmærke



Klasse II, dobbeltisoleret



Hammertilstand



Hammerboring-tilstand



Boretilstand



Elektriske affaldsprodukter bør ikke afskaffes sammen med husholdningsaffald. Genbrug venligst hvor faciliteterne tillader dette. Tjek med din lokale kommune eller forhandler for genbrugsråd.



Tænd



Flise



Murværk



Træ



Metal

De følgende ikoner og betydninger er beregnet til at forklare risikoen involveret i at anvende denne enhed.

#### FARE

Indikerer en umiddelbart farlig situation, som - hvis den ikke afværges - vil medføre dødsfald eller alvorlig personskade.

#### ADVARSEL

Indikerer en potentielt farlig situation, som - hvis den ikke afværges - kan medføre dødsfald eller alvorlig personskade.

#### VÆR OPMÆRKSOM

Indikerer en potentielt farlig situation, som - hvis den ikke afværges - kan medføre mindre eller middelsvær personskade.

#### VÆR OPMÆRKSOM

(Uden sikkerhedssymbol) indikerer en situation som kan føre til skade af personlig ejendom.

### SYMBOLER I BRUGSANVISNINGEN



Bemærk



Slut til strømforsyningen.



Kobl fra strømforsyningen.



Dele eller tilbehør, der sælges separat



Lås



Oplås



Slukket

Säkerhet, prestanda och pålitlighet har varit högsta prioritet vid design av din roterande borrhammare.

### ANVÄNDNINGSSOMRÅDE

Denna rotationshammare är enbart avsedd att användas av vuxna som har läst och är införstådda med instruktioner och varningar i denna bruksanvisning och kan anses vara ansvariga för sina åtgärder. Den ska användas av en ensam användare som håller i både avtryckare och sidohandtag.

Rotationshammaren är avsedd att användas utan hammarfunktion i trä och metall. För mejsling och att borra i murbruk kan hammarläget användas.

Rotationshammaren är gjord för användning med borbbits upp till den maximala diameter som anges i specifikationstabellen.

Använd inte slagborren för något annat ändamål de som beskrivs ovan.

### ⚠ VARNING

**Läs alla säkerhetsvarningar och anvisningar.** Att inte följa en och instruktionerna kan resultera i elstöt, brand och/eller allvarlig skada.

Behåll dessa varningar och anvisningar för framtida referens.

### SÄKERHETSVARNINGAR FÖR SLAGBORR

- **Bär hörselskydd.** Bullerbelastning kan orsaka hörselskador.
- **Använd extrahandtaget som följer med verktyget.** Om du tappar kontrollen över verktyget kan det resultera i personskador.
- **Håll i verktyget endast i de isolerade och halksäkra delarna då du arbetar på en yta som kan dölja elektriska ledningar eller då arbetet är sådant att nåtsladden kan placeras i verktygets bana.** Vid kontakt med en strömförande kabel kan de exponerade delarna på verktyget bli strömförande och ge användaren en elektrisk stöt.

Ytterligare säkerhetsföreskrifter

- Använd skyddsglasögon för att skydda dig mot eventuella flisor och splitter.
- Vid arbete i väggar, golv eller tak ska du vara noga med att undvika el-, gas- och vattenledningar.
- Använd dammskydd.
- Stäng av produkten omedelbart om det monterade verktyget låser sig. Sätt inte på produkten igen om det monterade verktyget fortfarande sitter fast, eftersom detta kan utlösa en plötslig rekyl med hög reaktiv kraft. Fastställ varför insättningsverktyget låste sig och åtgärda detta, samtidigt som du beaktar säkerhetsanvisningarna.
- Följande är de troliga anledningar till att det monterade verktyget har fastnat:
  - Det monterade verktyget är vinklat i arbetsstycket
  - Det monterade verktyget har gått igenom

arbetsstycket

- Det elektriska verktyget är överbelastat
- Fest arbetsstycket med klämanordning. Icke fastklämda arbetsstycken kan orsaka allvarliga skador och skada på egendom.
- Försök inte att ta tag i produkten när den är igång.
- Låt inte den erfarenhet som följer med vana vid verktygsanvändning göra dig oförsiktig och ignorera säkerhetsprinciper för verktygsanvändningen. En bråkdel av en sekunds oaksamhet kan resultera i allvarlig personskada.
- Se till att sladden inte kan trampas på, snubblas över, komma i kontakt med vassa kanter eller rörliga delar eller på annat vis utsätts för skador eller påfrestningar. Därmed minskar risken för fallolyckor, vilka kan orsaka personskador och skador på sladden, som i sin tur kan leda till elstöt.
- Håll handtag och greppytor torra, rena och fria från olja och smörj fett. Hala handtag och greppytor tillåter inte säker hantering och kontroll av verktyget i oväntade situationer.
- Det monterade verktyget kan bli varmt vid användning. Risk för brännskador:
  - Vid byte av verktyg/bits
  - När du lägger ner apparaten

### LÄR KÄNNA DIN PRODUKT

Se sidan 83.

1. SDS+ Chuck
2. Hjälp-handtag
3. Smörjlock
4. Avtryckare
5. Funktionsväljare
6. Väljare för sekundärt läge
7. Lock för kolborste
8. Servicenöckel
9. Stav för djupmätning
10. Smörjmedelstub
11. Extra kolborstar
12. Dammlock
13. Handtag, isolerad greppyta

### RESIDUALRISK

Även om rotationshammaren används enligt instruktionerna går det inte att eliminera alla eventuella riskfaktorer. Följande risker kan uppstå vid användning och operatören ska vara extra uppmärksam för att undvika följande:

- Det finns risk för elektrisk stöt om man borrar i elkablar. Håll alltid verktyget i dess handtag, rör inte vid borbbitsen.
- Kickback kan uppstå vid borrar i biten sätter sig. Använd alltid sidohandtaget och ha ett fast grepp om verktyget.
- Skador på andningsvägarna. Använd andningskydd med filter som är lämpliga för de material som du arbetar med. Se till att arbetsplatsen är tillräckligt ventilerad. Ät, drick eller rök inte på arbetsområdet.
- Hörselskador. Använd alltid hörselskydd och begränsa exponering för buller.

- Ögonskador på grund av flygande damm- och skräppartiklar. Använd alltid lämpliga skyddsglasögon.
- Skador orsakad av vibrationer. Håll produkten i de avsedda handtagen och begränsa exponering för vibrationer. Se "Riskreducering".

### RISKMINSKNING

Det finns rapporter om att vibrationer från handhållna verktyg kan bidra till ett tillstånd som kallas Raynauds syndrom för vissa personer. Symptomen brukar vara att det sticker i fingrarna och att de domnar bort; fingrarna kan också bli vita, särskilt vid kyla. Årftliga faktorer, kyla och fukt, diet, rökning och arbetsrutiner tros alla bidra till att orsaka dessa symptom. Det finns förebyggande åtgärder som du kan vidta för att försöka minska vibrationernas påverkan:

- Håll dig varm när du arbetar i kallt väder. Använd handskar för att hålla kvar värmen i händer och handleder. Kyla har rapporterats som en viktig del i utvecklandet av Raynauds syndrom.
- Träna och rör på dig efter varje användningstillfälle för att öka blodcirkulationen.
- Ta ofta pauser från arbetet. Begränsa tiden du utsätter som du kan vidta för att försöka minska vibrationernas påverkan.

Upphör omedelbart om du upplever några av dessa symptom och uppsök din läkare.

### ⚠ VARNING

Risk för person- eller slitageskador vid användning av verktyget under lång tid. Om verktyget används under längre perioder krävs regelbundna pauser.

### UNDERHÅLL

### ⚠ VARNING

Produkten får aldrig anslutas till strömkälla under montering, justeringar, rengöring, underhåll eller när produkten inte används. Frånkoppling av produkten förhindrar uppstart av misstag vilket kan orsaka allvarliga skador.

### ⚠ VARNING

Under servicearbete ska enbart tillverkarens originaltillbehör användas. Användning av andra delar kan orsaka fara eller produktskada.

- Undvik att använda lösningsmedel vid rengöring av plastdelar. Flertalet plaster kan skadas vid användning av vissa lösningsmedel som säljs i affärerna. Använd en ren tygtrasa för att torka bort smuts, damm, osv.

### ⚠ VARNING

Låt aldrig bromsvätska, bensin, petroleumbaserade produkter, penetrerande oljor och liknande komma i kontakt med plastdelar. Dessa ämnen innehåller kemiska produkter som kan skada, försvaga eller förstöra plasten.

- Elektriska verktyg som används på glasfiber, gipsplattor eller beklädnadspaneler tenderar att slitas snabbare och få funktionsavbrott i förtid på grund av att spån och sågspån som härstammar från dessa material angriper kugghjul, elborstar, strömbrytare, osv. Vi rekommenderar inte att produkten används under längre tidsperioder på dessa typer av material.

### ⚠ VARNING

Använd alltid skyddsglasögon när du använder verktyget eller när du blåser damm. Använd en ansiktsmask om det dammar mycket.

- För att minska risken får en skadad strömladd endast repareras av tillverkaren eller ett auktoriserat servicecenter. Kontakta auktoriserat servicecenter.
- För säkerhet och pålitlighet ska alla reparationer utföras av auktoriserat RYOBI reparationscenter.

### SMÖRJNING

Alla lager i produkten har smorts med tillräcklig mängd högklassig smörjmedel för produktens livslängd under normala driftförhållanden.

### SMÖRJNING FÖR VÄXELLÅDA

Tillsätt 10 g smörjolja efter 45 timmars kontinuerlig användning eller efter totalt 55 timmars användning till växellådan.

### MILJÖSKYDD



Råmaterialen ska återvinnas i stället för att kastas i hushållsavfallet. För att skona miljön ska verktyget, tillbehören och emballagen sorteras.

### SYMBOLER PÅ PRODUKTEN



Säkerhetsvarning

V

Volt

Hz

Hertz

~

Växelström

W

Watt

n<sub>o</sub>

Tomgångshastighet

min<sup>-1</sup>

Antal varv eller rörelser per minut



Läs instruktionerna ordentligt innan start av maskinen.



Använd ögon-, hörsel- och andningskydd.



CE-överensstämmelse



EurAsian överensstämmelsesymbol



Ukrainskt märke för överensstämmelse



Klass II, dubbelisolerad



Slagborrningsläge



Borrhamarläge



Borrningsläge



Gamla elektroniska produkter ska inte kastas med hushållssoporna. Återvinn där sådana faciliteter finns. Kontrollera med din lokala myndighet eller säljaren för att få återvinningstips.



Kakel



Sten



Trä



Metall

Följande signalord och betydelser är tänkta att förklara de olika risknivåerna som är associerade med denna produkt.

#### **FARA**

Visar på en direkt riskfylld situation som, om den inte undviks, kan orsaka dödsfall eller allvarlig personskada.

#### **VARNING**

Visar på en potentiellt riskfylld situation som, om den inte undviks, kan orsaka dödsfall eller allvarlig personskada.

#### **FÖRSIKTIGHET**

Visar på en potentiellt riskfylld situation som, om den inte undviks, kan orsaka mindre eller måttlig personskada.

#### **FÖRSIKTIGHET**

(Utan säkerhetssymbolen) Indikerar en situation som kan leda till egendomsskada.

- EN
- FR
- DE
- ES
- IT
- NL
- PT
- DA
- SV**
- FI
- NO
- RU
- PL
- CS
- HU
- RO
- LV
- LT
- ET
- HR
- SL
- SK
- BG
- UK
- TR
- EL

## SYMBOLER I MANUALEN



Notera



Anslut till eluttag.



Koppla bort från eluttag.



Delar och utrustning säljs separat



Lås



Lås upp



Av



På



Iskuporakoneesi suunnittelussa on pidetty etusijalla turvallisuutta, suorituskykyä ja luotettavuutta.

## KÄYTTÖTARKOITUS

Tämä iskuporakone on tarkoitettu vain sellaisten aikuisten käytettäväksi, jotka ovat lukeneet ja ymmärtäneet tämän käsikirjan ohjeet ja varoitukset ja joita voidaan pitää vastuullisina teoistaan. Se on tarkoitettu yhden hengen käytettäväksi tarttumalla sekä liipaisimeen että sivukahvoihin.

Iskuporakone on suunniteltu toimimaan ilman iskutoimintoa puuta tai metallia porattaessa. Iskutilaa voidaan käyttää talttaukseen ja kiviporaukseen.

Iskuporakone on suunniteltu tuotetietotaulukossa määritettyjen maksimimitaisten poranterien kanssa.

Älä käytä pyörivää poravasaraa tarkoituksiin, joita ei edellä ole mainittu.

## VAROITUS

**Lue kaikki turvallisuusvaroitukset ja ohjeet.** ten ja ohjeiden laiminlyönnistä voi seurata sähköisku, tulipalo ja/tai vakava loukkaantuminen.

Säästä kaikki varoitukset ja ohjeet tulevaa käyttöä varten.

## PORAVASARAN TURVALLISUUSVAROITUKSET

- Käytä korvasuojia. Altistuminen melulle voi vahingoittaa kuuloa.
- Käytä laitteen mukana tullutta lisäkahvaa. Hallinnan menetys voi aiheuttaa vamman.
- Pidä työkalusta kiinni vain eristetyistä luistamattomista osista työskennellessäsi pinnalla, joka saattaa kätkeä sähköjohtoja tai milloin vaadittu työ edellyttää mahdollisesti sähköjohdon asettamista työkalun liikeradalle. Jos leikkuri koskettaa sähköistettyä johtoa, työkalun metalliosat voivat sähköistyä ja aiheuttaa käyttäjälle sähköiskun.

Muita turvallisuusvaroituksia

- Käytä suojalaseja mahdollisesti sinkoutuvien sirujen ja pölyn johdosta.
- Kun käsittelet siniä, kattoja tai lattioita, varo osumasta sähköjohtoihin ja kaasu- tai vesiputkiin.
- Käytä pölynaamaria.
- Sammuta poravasara välittömästi, jos työntötyökalu pysähtyy. Älä käynnistä poravasaraa uudelleen työntötyökalun ollessa pysähdyksissä, muutoin seurauksena voi olla äkillinen ja voimakas takapotku. Määritä, miksi työntötyökalu pysähtyi, ja korjaa tilanne noudattaen turvallisuusohjeita.
- Työntötyökalu on voinut jumittua seuraavista syistä:
  - Työntötyökalu on jäänyt kiinni työkalupaleeseen
  - Työntötyökalu on lävistänyt työkalupaleen
  - Sähkötyökalu on ylikuormittunut
- Kiinnitä työkalupale paikoilleen puristimella. Kiinnittämätön työkalupale voi aiheuttaa vakavan vamman ja vaurioita.

- Älä koske poravasaran runkoon käytön aikana.
- Älä ole huolimaton ja laiminlyö turvaohjeita vain siksi, että olet usein ennenkin käyttänyt tämänkaltaisia työkaluja. Varomaton toiminta – vaikka vain sekunnin murto-osan ajan – voi aiheuttaa vakavan loukkaantumisen.
- Varmista, että johto on asetettu siten, ettei sen päälle astuta, siihen ei kompastuta, eikä se joudu kosketuksiin terävien reunojen tai liikkuvien osien kanssa tai muutoin altistu vauriolle tai rasitukselle. Tämä vähentää putoamisenonnettomuuksien riskiä, jotka saattaisivat johtaa vammautumiseen ja vahingoittaa johtoa, mikä saattaisi aiheuttaa sähköiskun.
- Pidä kahvat ja tarttumispinnat kuivina, puhtaina ja öljystä ja rasvasta tahriintumattomina. Liukkaat kahvat ja tarttumispinnat vaarantavat laitteen turvallisen käsittelyn ja hallinnan ylläpitävissä tilanteissa.
- Työntötyökalu voi kuumentua käytössä. Palovammaaara:
  - Työkaluja/poranteriä vaihdettaessa
  - Poravasaran käytön loputtua (kun haluat laskea sen esim. pöydälle)

## TUNNE TUOTTEESI

Katso sivu 83.

1. SDS+-istukka
2. Sivukahva
3. Rasvakorkki
4. Liipaisin
5. Käyttötavan valitsin
6. Toimintatilan valintakytkin
7. Hiiliharjan korkki
8. Säättövain
9. Syvyysohjain
10. Voiteluaineputkilo
11. Vaihtohiiliharjat
12. Pölysuojus
13. Kahva, eristetty tartuntapinta

## KÄYTÖN RISKIT

Vaikka iskuporakonetta käytettäisiin ohjeiden mukaisesti, ei ole mahdollista täysin eliminoida tiettyjä käyttöön liittyviä riskitekijöitä. Käytössä voi aiheutua seuraavia vaaroja, ja käyttäjän tulee kiinnittää erityistä huomiota niiden välttämiseen:

- Sähköiskun vaara, jos porataan sähköjohtoja. Pitele laitetta aina kahvoista äläkä kosketa poranterää.
- Takapotku porattaessa, jos terä jumittuu. Käytä aina sivukahvoja ja tartu laitteeseen tukevasti.
- Hengitystieauriot. Käytä suodattimella varustettua hengityssuojainta, joka sopii käsiteltävälle materiaalille. Huolehdi työpaikalla riittävästä tuuletuksesta. Älä syö, juo tai tupakoi työalueella.
- Kuulovamma. Käytä aina tehokkaita kuulosuojaimia ja rajoita melulle altistumista.
- Silmävaurioita johtuen lentävästä pölystä ja roskista. Käytä aina sopivia suojalaseja.
- Tärinän aiheuttama vamma. Pitele laitetta kahvoista ja rajoita tärinälle altistumista. Katso kohta Riskien



Vähentäminen.

## RISKIEN VÄHENTÄMINEN

Raporttien mukaan käsikäyttöisten laitteiden tärinä voi joidenkin kohdalla myötävaikuttaa Raynaud's Syndromen (Raynaudin oireen) ilmenemiseen. Oireita ovat pistely, turtuus ja sormien kalpeneminen, yleensä kylmässä ilmassa. Perinnölliset tekijät, kylmyys ja kosteus, ruokavalio, tupakointi sekä työtavat voivat kaikki myötävaikuttaa näiden oireiden ilmenemiseen. Käyttäjä voi ehkäistä tärinän aiheuttamia vaikutuksia seuraavasti:

- Pidä itsesi lämpimänä kylmällä säällä. Käytä laitteen käytön aikana käsineitä, jotta kätesi ja ranteesi pysyvät lämpöisinä. Raporttien mukaan kylmä ilma on tärkeä tekijä Raynaud's Syndromen (Raunaudin oireiden) ilmenemisessä.
- Harjoita kunkin käyttöjakson jälkeen liikuntaa, jotta verenkierto lisääntyisi.
- Pidä työn aikana säännöllisesti taukoja. Rajoita päivittaisen tärinän määrä.

Jos mitään yllä mainittuja oireita ilmenee, lopeta heti laitteen käyttö ja kerro oireista lääkärille.

### VAROITUS

Laitteen pitkittynyt käyttö voi aiheuttaa tai vaikeuttaa vammoja. Kun käytät mitä tahansa laitetta pitkiä aikoja, muista pitää säännöllisiä taukoja.

## HUOLTO

### VAROITUS

Tuotetta ei tule koskaan kytkeä pistorasiaan osia koottaessa, säätöjä tehtäessä, puhdistettaessa, huollon aikana tai kun tuotetta ei aiota käyttää. Tuotteen irrottaminen pistorasiasta estää sitä käynnistymättä vahingossa, jolloin vältetään mahdollisilta vakavilta vammoilta.

### VAROITUS

Käytä huollossa ainoastaan alkuperäisiä valmistajan tuottamia varaosia. Muunlaisten osien käyttö voi aiheuttaa vaaran tai vioittaa laitetta.

- Älä puhdista muoviosia liuottimilla. Suurin osa muoveista ei siedä markkinoilla olevia määrättyjä liuotteita, jotka vahingoittavat niitä. Käytä puhdasta riepua lian, pölyn jne. puhdistukseen.

### VAROITUS

Älä koskaan päästä jarrunesteitä, bensiniä, öljytuotteita, lämpäiseviä öljyjä tms. kosketuksiin muoviosien kanssa. Nämä kemialliset aineet voivat vaurioittaa, heikentää tai tuhota muovin.

- Lasikuidun, kipsin, pinnoitteiden ja laastin käsittelyyn

käytetyillä sähkötyökaluilla on taipumus kulua nopeammin, ja ne saattavat rikkoutua nopeammin sen takia, että lasikuitulastut ja hiomapöly kuluttavat laakereita, harjoja, kollektoreja jne. nopeasti. Emme suosittele, että tuotetta käytetään pitkiä aikoja tämän tyyppisten materiaalien kanssa.

### VAROITUS

Käytä aina sähkölaitetta käyttäessäsi tai pölyä puhaltaessasi suojalaseja, joissa on sivusuojaimet. Käytä lisäksi pölynaamaria, jos työ on pölyistä.

- Jos virtajohto vioittuu, se on vaihdettava ainoastaan valmistajalla tai valtuutetussa huollossa, jotta vältetään vaaroilta. Ota yhteys valtuutettuun huoltoon.
- Jotta laite toimisi turvallisesti ja luotettavasti, kaikki korjaukset tulee antaa valtuutetun RYOBI-huoltopisteen hoidettavaksi.

## VOITELU

Tuotteen laitteen laakerit on voideltu laitteen eliniäksi normaaliolosuhteissa riittävällä määrällä korkealaatuista voiteluainetta.

## VAIHEISTON VOITELUAINE

Lisää vaihdelaatikkoon 10 g voiteluainetta 45 tunnin jatkuvan käytön tai 55 tunnin kertyvän käytön jälkeen.

## YMPÄRISTÖNSUOJELU



Älä hävitä raaka-aineita jätteinä vaan vie ne kierrätykseen. Ympäristönsuojelun kannalta työkalu, lisäva r usteet ja pakkausmateriaali on lajiteltava.

## TUOTTEESSA OLEVAT SYMBOLIT



Turvallisuusvaroitus

V

Voltti

Hz

Hertz

~

Vaihtovirta

W

Watti

n<sub>o</sub>

Tyhjäkäyntinopeus

min<sup>-1</sup>

Kierrosten tai liikkeiden määrä minuutissa



Lue ohjeet huolellisesti ennen laitteen käynnistämistä.



Käytä suojalaseja, kuulosuojaimia ja hengityssuojainta.



Todistus CE-sääntöjen noudattamisesta



EurAsian-vaatimustenmukaisuusmerkki





Ukrainalainen säädöstenmukaisuusmerkintä



Luokka II, kaksoiseristetty



Iskutila



Iskuporaustila



Poraustila



Käytöstä poistettavia sähkölaitteita ei pidä hävittää talusjätteiden mukana. Ne on mahdollisuuksien mukaan pantava kiertoon. Kierrätysohjeita antavat kunnan viranomaiset ja vähittäiskauppiat.



Metalli

Seuraavat signaalisanat ja merkitykset on tarkoitettu selittämään tähän tuotteeseen liittyviä riskin tasoja.

**VAARA**

Ilmoittaa välittömästä vaaratilanteesta, joka saattaa aiheuttaa kuoleman tai vakavan vamman.

**VAROITUS**

Ilmoittaa mahdollisesta vaaratilanteesta, joka saattaa aiheuttaa kuoleman tai vakavan vamman.

**VAROITUS**

Ilmoittaa mahdollisesta vaaratilanteesta, joka saattaa aiheuttaa pienen tai kohtalaisen vamman.

**VAROITUS**

(Ilman varoitusmerkkiä) Tilanne, joka voi aiheuttaa materiaalista vahinkoa.

**KÄSIKIRJAN SYMBOLIT**



Huom



Kytke virtalähteeseen.



Irrota virtalähteestä.



Osat ja lisävarusteet on hankittava erikseen



Lukko



Avaa



Sammuksissa



Käynnistys



Tiili



Kivityöt



Puu



Sikkerhet, ytelse og driftssikkerhet er gitt topp prioritet i konstruksjonen av din roterende slagdrill.

### TILTENKT BRUK

Denne roterende slagdrillen skal kun brukes av voksne som har lest og forstått anvisningene og advarslene i denne brukermanualen og som kan anses å være ansvarlige for sine handlinger. Verktøyet skal brukes av én person om gangen; vedkommende må holde i både utløseren og sidehåndtaket.

Slagdrillen er ment å brukes uten slagfunksjonen ved drilling i tre og metall. Ved meisling og drilling i mur kan slagfunksjonen tas i bruk.

Slagdrillen er ment å brukes med bor som ikke overskrider maks. diameter som er angitt på produktets spesifikasjonsplate.

Ikke bruk det roterende slagboret til noe annet formål enn det som beskrives ovenfor.

### ⚠ ADVARSEL

**Les alle sikkerhetsadvarslene og alle instruksjonene.** Dersom man ikke holder seg til advarsler og instruksjoner kan det føre til elektrisk støt, brann og/eller alvorlig personskade.

Ta vare på alle advarsler og anvisninger for senere bruk.

### SIKKERHETSADVARSLER FOR HAMMER

- **Bruk hørselsvern.** Støy kan føre til tap av hørselen.
- **Bruk ekstrahåndtaket som følger med drillen.** Tap av kontroll kan føre til personskader.
- **Hold verktøyet kun i de isolerte og sklisikre delene når du arbeider på en flate som kan skjule elektriske ledninger eller når arbeidet kan plassere ledningen i verktøyets bane.** Skjæreredskap som får kontakt med strømførende elektriske ledninger kan føre til at metalldelene på verktøyet blir strømførende og at brukeren kan få støt.

Spesielle sikkerhetsadvarsler

- Bruk vernebriller for å beskytte deg mot eventuelle splinter og utslyngede partikler.
- Når det arbeides på vegger, tak eller gulv må det påses at det ikke bores i elektriske ledninger og vann- eller gassrør.
- Bruk støvmaske.
- Slå av produktet umiddelbart hvis innføringsverktøyet stopper. Ikke slå på produktet igjen mens innføringsverktøyet er stoppet, da dette kan utløse en plutselig rekyl med høy reaksjonskraft. Bestem hvorfor innføringsverktøyet stoppet og utbedre dette, samtidig som sikkerhetsanvisningene overholdes.
- Følgende er mulige årsaker til innføringsverktøyets stopp:
  - Innføringsverktøyet er skråstilt i arbeidsstykket
  - Innføringsverktøyet har hullet gjennom arbeidsstykket

- Det elektriske verktøyet er overbelastet.

- Fest arbeidsstykket med en tvinge. Ikke festede emner kan påføre alvorlig personskade og materielle skader.
- Ikke strekk deg inn i produktet når det er i drift.
- Ikke la hyppig bruk av verktøyet føre til at du blir uvøren og ikke tar hensyn til sikkerhetsprinsippene. Tankeløse handlinger i bare en brøkdelen av et sekund kan føre til alvorlige personskader.
- Plasser ledningen slik at ingen kan trække på den eller snuble i den, og slik at den ikke kommer i kontakt med skarpe kanter eller bevegelige deler eller på annen måte kan bli skadet eller utsatt for belastning. Dette vil redusere risikoen for fallulykker, som kan føre til personskader og skader på ledningen, noe som igjen kan føre til elektrisk støt.
- Hold håndtakene og gripeflatene tørre, rene og fri for olje og fett. Hvis håndtakene og gripeflatene er glatte, fører det til mindre sikker håndtering og styring av verktøyet i uventede situasjoner.
- Innføringsverktøyet kan bli varmt under bruk. Fare for forbrenninger:
  - Ved utskifting av verktøy/bits
  - Ved nedsetting av enheten

### KJENN DITT PRODUKT.

Se side 83.

1. SDS+ Chuck
2. Støttehåndtak
3. Smørefettlokk
4. Strømbryter
5. Modusvalg-bryter
6. Sekundær modusvelger
7. Karbonbørsteloikk
8. Skrunøkkel
9. Dybde styrestang
10. Smøremiddeltube
11. Reservekarbonbørster
12. Støvdeksel
13. Håndtak, isolert gripeoverflate

### GJENVÆRENDE RISIKO

Også når slagdrillen brukes helt som beskrevet, er det ikke mulig å utelukke fullstendig at det foreligger noe restrisiko. Følgende farer kan oppstå ved bruk og operatøren bør være spesielt oppmerksom på å unngå/sikre følgende:

- Fare for dødelig elektroshokk dersom man driller inn i elektriske ledninger. Hold verktøyet alltid i håndtakene, ikke ta på borene.
- Fare for tilbakeslag dersom et bor setter seg fast under drilling. Bruk alltid sidehåndtakene og ha et godt grep om disse.
- Skade på åndedrettsystemet. Bruk åndedrettsbeskyttelse med filter som er tilpasset materialene som skal kappes Sørg for tilfredsstillende ventilasjon av arbeidsområdet. Ikke spis, drikk eller røyk i arbeidsområdet.
- Hørselskader. Bruk alltid effektivt hørselsvern og begrenns eksponeringen for støv.
- Skader på øynene på grunn av støv og små biter som

EN  
FR  
DE  
ES  
IT  
NL  
PT  
DA  
SV  
FI  
NO  
RU  
PL  
CS  
HU  
RO  
LV  
LT  
ET  
HR  
SL  
SK  
BG  
UK  
TR  
EL



kan bli slengt i luften. Bruk alltid passende øyevern.

- Personskader pga. vibrasjon. Hold verktøyet i håndtakene og begrens eksponeringen for vibrasjon. Se "Farereduksjon".

### FAREREDUKSJON

Det foreligger rapporter om at vibrasjoner fra håndholdt verktøy for enkelte personer kan bidra til en tilstand som kalles Raynauds Syndrome. Symptomene kan omfatte følelsesløshet og gjøre fingrene bleke, vanligvis synlig ved eksponering til lave temperaturer. Arvelige faktorer, eksponering mot lave temperaturer og fuktighet, diett, røyking og arbeidspraksis blir alle ansett for å kunne bidra til å utvikle disse symptomene. Brukeren kan iverksette tiltak for mulig å redusere virkningene av vibrasjonene:

- Hold kroppen din varm i kaldt vær. Bruk hansker og hold hender og vrister varme ved bruk av gressklipperen. Det er rapportert at kaldt vær er en viktig faktor som bidrar til Raynauds Syndrome.
- Etter hver arbeidsperiode bør det utføres øvelser for å øke blodsirkulasjonen.
- Ta ofte pauser fra arbeidet som utføres. Begrens mengden av eksponering pr. dag.

Hvis du opplever noen av symptomene på denne tilstanden må du øyeblikkelig avbryte arbeidet og oppsøke en lege med disse symptomene.

### ⚠ ADVARSEL

Skader kan oppstå eller forsterkes ved forlenget bruk av et verktøy. Når du bruker et verktøy over en lenger tidsperiode, husk å ta regelmessige pauser.

### VEDLIKEHOLD

### ⚠ ADVARSEL

Produktet skal aldri kobles til en strømforsyning mens du monterer på deler, gjør justeringer, rengjør, utfører vedlikehold eller når produktet ikke er i bruk. Ved å koble fra produktet hindrer man utilsiktet start som kan forårsake alvorlig personskade.

### ⚠ ADVARSEL

Bruk bare produsentens originale reservedeler til reparasjoner og vedlikehold. Bruk av andre deler kan skape fare eller føre til skade på produktet.

- Unngå bruk av løsemidler når du rengjør plastdelene. De fleste plastmaterialene kan skades ved bruk av løsningsmidlene som fås i handelen. Bruk en ren klut til å tørke bort smuss, støv osv.

### ⚠ ADVARSEL

Du må aldri la bremsevæske, drivstoff, petroleumbaserte produkter, rustoppløsende olje osv. komme i kontakt med plastikkdeler. Slike kjemiske produkter inneholder stoffer som kan skade, svekke eller ødelegge platen.

- Elektroverktøy som brukes på glassfibermaterialer, sponplater og bekledningspaneler slites hurtigere og svikter tidligere siden flis og spon fra disse materialene er meget slipende for enkelte deler av elektriske verktøy som lagere, børster, brytere osv. Vi anbefaler ikke at produktet brukes over lengre tid på slike typer materialer.

### ⚠ ADVARSEL

Bruk alltid vernebriller eller sikkerhetsbriller med sidebeskyttelse ved bruk av elektrisk verktøy eller når det blåses støv. Hvis arbeidet utføres støv, bruk også en støvmaske.

- Hvis strømledningen skades må den kun erstattes av produsenten eller et autorisert servicesenter for å unngå risiko. Kontakt et autorisert servicesenter.
- Før store sikkerhet og pålitelighet, bør alle reparasjoner utføres av et autorisert RYOBI servicesenter.

### SMØRING

Alle lager i dette produktet skal smøres med en tilstrekkelig mengde med et høyverdig smøremiddel for å sikre lang levetid under normale driftsforhold.

### SMØRING FOR GIRKASSE

Tilsett 10 g smørefett etter 45 timers kontinuerlig bruk eller etter 55 timer sammenlagt bruk til girkassen.

### MILJØVERN



Resirkuler råmaterialer istedenfor å kaste dem i søppelen. Verktøyet, tilbehørene og emballasjen bør sorteres for miljøvennlig resirkulering.

### SYMBOLER PÅ PRODUKTET



Sikkerhetsadvarsel

V

Volt

Hz

Hertz

~

Vekselstrøm

W

Watt

n<sub>o</sub>

Hastighet ubelastet

min<sup>-1</sup>

Antall omdreininger eller bevegelser pr. Minutt



Vennligst les instruksjonene nøye før du starter maskinen.



Bruk øyne-, øre-og åndedrettsbeskyttelse.



CE samsvarserklæring



EurAsian Konformitetstegn



Ukrainsk merke for konformitet



Class II, dobbeltisolert



Slagborings-modus



Slagbormodus



Drill-modus



Avfall fra elektriske produkter skal ikke kastes sammen med husholdningsavfall. Vennligst resirkulervedeksisterende avfallsbehandlingssted. Undersøk hos dine lokale myndigheter eller forhandler for råd om resirkulering.



Flis



Mur



Tre



Metall

Følgende symboler og betydninger forklarer risikonivået som er assosiert med dette produktet.

#### **FARE**

Indikerer en umiddelbart farlig situasjon, som, dersom den ikke unngås, kan føre til alvorlig personskade eller død.

#### **ADVARSEL**

Indikerer en potensiell farlig situasjon, som, dersom den ikke unngås, kan føre til alvorlig personskade eller død.

#### **ADVARSEL**

Indikerer en potensiell farlig situasjon, som, dersom den ikke unngås, kan føre til mindre eller moderate skader.

#### **ADVARSEL**

(Uten sikkerhetssymbol) Indikerer en situasjon som kan resultere i skader på eiendom.

- EN
- FR
- DE
- ES
- IT
- NL
- PT
- DA
- SV
- FI
- NO**
- RU
- PL
- CS
- HU
- RO
- LV
- LT
- ET
- HR
- SL
- SK
- BG
- UK
- TR
- EL

## SYMBOLER I MANUALEN



Nb



Koble til strømmettet.



Koble fra strømmettet.



Deler eller tilbehør solgt separat



Lås



Låse opp



Av



På



При разработке этого перфоратора особое внимание уделялось безопасности, производительности и надежности.

### НАЗНАЧЕНИЕ

Перфоратором с функцией дрели могут пользоваться только компетентные взрослые, которые прочли инструкции по технике безопасности, осознали опасность, связанные с эксплуатацией изделия, и могут считаться ответственными за свои действия. Он должен эксплуатироваться одним оператором, держащим изделие за ручку выключателя и боковую ручку.

Перфоратор с функцией дрели может использоваться для безударного сверления древесины и металла. Ударный режим предназначен для долбления и сверления каменной кладки.

Перфоратор с функцией дрели может работать со сверлами, диаметр которых достигает максимального размера, указанного в таблице технических характеристик изделия.

Использование перфораторной дрели в иных целях, кроме указанных выше, не допускается.

### ⚠ ОСТОРОЖНО

**Прочтите все указания и инструкции по технике безопасности.** Несоблюдение предостережений и инструкций может привести к поражению электрическим током, возгоранию и/или серьезным травмам.

**Сохраните все предупреждения и инструкции для дальнейшего использования.**

### ТЕХНИКА БЕЗОПАСНОСТИ ПРИ ИСПОЛЬЗОВАНИИ ПЕРФОРАТОРА

- **Используйте наушники!** Воздействие шума может привести к потере слуха.
- **При работе с инструментом используйте входящие в комплект поставки дополнительные рукоятки.** Потеря управления может стать причиной травмы.
- **Держите электрические инструменты за изолированные поверхности только при выполнении операций, когда режущий инструмент может контактировать со скрытой проводкой или с собственным проводом.** В результате контакта полотна с проводом, находящимся под напряжением, металлические части инструмента также могут оказаться под напряжением, что приведет к поражению работающего электрическим током.

Дополнительные предупреждения по технике безопасности

- Пользуйтесь защитными очками! Защищайтесь от осколков! Следите за тем, чтобы работающие вместе с Вами также пользовались защитными очками.

- При выполнении работ на стенах, потолках или полах следите за тем, чтобы не задеть электрические кабели и газовые или водопроводные трубы.
- Надевайте пылезащитную маску.
- В случае заклинивания установочного инструмента незамедлительно отключите изделие. Не включайте изделие повторно после заклинивания установочного инструмента, так как это может привести к его внезапному отскоку с большой инерцией. Определите причину заклинивания установочного инструмента и устраните ее, уделяя особое внимание технике безопасности.
- Далее приводятся возможные причины заклинивания установочного инструмента:
  - Произошло смещение инструмента внутри обрабатываемой детали
  - Установочный инструмент пробил обрабатываемую деталь
  - Электроинструмент перегружен
- Зажимайте обрабатываемое изделие зажимным устройством. Незажатые обрабатываемые изделия могут стать причиной тяжелых травм и повреждений.
- Запрещается просовывать руки в работающее изделие.
- Не нарушайте правила техники безопасности, даже несмотря на длительный опыт работы с инструментами. Даже секундная неосторожность может привести к тяжким телесным повреждениям.
- Разместите кабель таким образом, чтобы исключить вероятность того, что кто-то на него наступит или споткнется, исключить его соприкосновение с острыми краями и движущимися деталями или иную угрозу или нагрузку. Это позволит снизить риск случайного падения и получения травмы, повреждения кабеля и возникновения риска поражения электрическим током.
- Поддерживайте захватные поверхности в сухом, чистом виде, без масла и смазки. Скользкие рукоятки и захватные поверхности не дают возможности контролировать инструмент в нестандартных ситуациях.
- В процессе работы установочный инструмент может нагреваться. Опасность ожога:
  - При замене инструментов/ сверел
  - При опускании инструмента

### ИЗУЧИТЕ ИЗДЕЛИЕ

Стр 83.

1. Патрон SDS+
2. Вспомогательная рукоятка
3. Крышка для смазки
4. Курковый выключатель
5. Переключатель режимов
6. Дополнительный переключатель режимов
7. Крышка отсека для графитовой щетки
8. Гаечный ключ
9. Стержень направляющей глубины
10. Тюбик со смазкой
11. Запасные графитовые щетки



- 12. Пылезащитная крышка
- 13. Ручка, изолированная поверхность захвата

### ОСТАТОЧНЫЕ РИСКИ

Даже когда перфоратор с функцией дрели используется согласно инструкциям, невозможно полностью устранить факторы риска. Следующие опасности могут возникнуть во время его использования, и во избежание их рабочий должен обратить особое внимание на следующее:

- Риск поражения электрическим током в случае повреждения сверлом электрического кабеля. Всегда держите инструмент за ручки, не дотрагивайтесь до сверла.
- Отбрасывание во время сверления при застревании сверла. Всегда используйте боковую ручку и крепко держите инструмент в руках.
- Повреждение дыхательной системы. Носите средства защиты органов дыхания, содержащие фильтры, соответствующие обрабатываемым материалам. Обеспечьте надлежащую вентиляцию на рабочем месте. Не ешьте, не пейте и не курите в рабочей зоне.
- Повреждение слуха. Всегда носите средства защиты органов слуха и ограничивайте неблагоприятное воздействие шума.
- Повреждение глаз от летящих частиц, пыли и мусора. Работайте в надлежащих защитных очках.
- Травмы, вызываемые вибрацией. Держите инструмент только за предназначенные для этого ручки и соблюдайте рабочий режим. См. "Снижение Риска".

### СНИЖЕНИЕ РИСКА

Считается, что вибрация ручного инструмента может привести к проявлению у отдельных лиц так называемой болезни Рейно (Raynaud's Syndrome). К симптомам могут относиться покалывание, онемение и побеление пальцев (как при переохлаждении). Считают, что наследственные факторы, охлаждение и влажность, диета, курение и практический опыт способствуют развитию этих симптомов. Ниже приводятся меры, которые может принять оператор для снижения воздействия вибрации:

- Одевайтесь теплее в холодную погоду. При работе с устройством пользуйтесь перчатками, чтобы руки и запястья были в тепле. Считается, что холодная погода является основным фактором, способствующим возникновению болезни Рейно (Raynaud's Syndrome).
- После каждого этапа работы выполните упражнения для усиления кровообращения.
- Чаще делайте перерывы в работе. Сократите длительность ежедневного пребывания на открытом воздухе.

При появлении каких-либо из указанных симптомов сразу же прекратите работу и обратитесь по их поводу к врачу.

### ⚠ ОСТОРОЖНО

Продолжительное использование инструмента без перерыва может привести к травмам. При использовании инструмента в течение длительного времени делайте регулярные перерывы.

### ТЕХНИЧЕСКОЕ ОБСЛУЖИВАНИЕ

### ⚠ ОСТОРОЖНО

Прибор ни в коем случае не должен подсоединяться к источнику питания, когда вы разбираете его компоненты, выполняете регулировку, очистку, проводите техническое обслуживание, или когда прибор не используется. Отсоединение прибора позволит защитить инструмент от случайного запуска, чреватого серьезными физическими травмами.

### ⚠ ОСТОРОЖНО

При выполнении технического обслуживания используйте только оригинальные запчасти от производителя. Использование других запчастей может представлять опасность или повредить изделия.

- Избегайте использования растворителей во время чистки пластмассовых частей. Многие пластмассы чувствительны к воздействию различных бытовых растворителей и в результате их использования могут разрушиться. Для снятия грязи, пыли и пр. пользуйтесь чистой тряпкой.

### ⚠ ОСТОРОЖНО

Никогда не допускайте контакта тормозной жидкости, бензина, продуктов на нефтяной основе, пропиточного масла и т. д. с пластмассовыми частями. Эти химикаты содержат вещества, которые могут испортить, ослабить или разрушить пластмассу.

- Электрические инструменты, используемые для обработки материалов из стекловолокна, древесноволокнистых плит, поверхностей, покрытых шпатлевкой или штукатуркой, подвержены более быстрому износу и преждевременному выходу из строя, так как крошка стекловолокна и шлифовальная пыль оказывают сильное истирающее действие на подшипники, щетки, коллектор и т.д. Мы не рекомендуем эксплуатировать изделие в течение длительного периода времени без перерыва с этими видами материалов.



### **⚠ ОСТОРОЖНО**

Всегда надевайте предохранительные или защитные очки с боковыми защитными экранами при работе с данным инструментом или сдувании пыли. Если во время работы образуется много пыли, также надевайте пылезащитную маску.

- Если кабель питания поврежден, во избежание опасности его должен заменить либо сам производитель, либо специалист авторизованного сервисного центра. Свяжитесь с авторизованным сервисным центром.
- Для большей безопасности и надежности все ремонтные работы должны выполняться в авторизованном сервисном центре RYOBI.

### **СМАЗКА**

Все подшипники в изделии смазаны достаточным количеством высокосортной смазки для продолжительной эксплуатации изделия в нормальных рабочих условиях.

### **МАСЛО ДЛЯ КОРОБКИ ПЕРЕДАЧ**

Доливайте 10 г масла в коробку передач каждые 45 часов непрерывного использования или через 55 часов суммарного использования.

### **ЗАЩИТА ОКРУЖАЮЩЕЙ СРЕДЫ**



Утилизируйте как сырье, а не выбрасывайте как мусор. Машина, аксессуары и упаковка должны быть отсортированы.

### **УСЛОВНЫЕ ОБОЗНАЧЕНИЯ НА ПРОДУКТЕ**



Сигнал опасности

V

Вольт

Hz

Герц

~

Переменный ток

W

Ватт

n<sub>o</sub>

Скорость на холостом ходу

min<sup>-1</sup>

Оборотов или возвратно-поступательных движений в минуту



Перед использованием прибора внимательно ознакомьтесь с данной инструкцией.



Носите средства защиты глаз, слуха и органов дыхания.



Соответствие требованиям CE

Знак Евразийского Соответствия  
Сертификат Соответствия  
№ TC RU C-DE.PC52.B.01311  
Срок действия Сертификата Соответствия  
По 25.06.2023  
АНО Экспертизы и контроля качества –  
Центр сертификации «Евро-Тест»  
109147 РФ, город Москва,  
улица Малая Калитниковская дом 7



Украинский знак стандартизации



Класс защиты II, двойная изоляция



Ударный режим



Режим ударной дрели



Режим сверления



Отработанная электротехническая продукция должна уничтожаться вместе с бытовыми отходами. Утилизируйте, если имеется специальное техническое оборудование. По вопросам утилизации проконсультируйтесь с местным органом власти или предпрятием розничной торговли.

### **ОБОЗНАЧЕНИЯ В РУКОВОДСТВЕ**



Примечание



Подключите к источнику питания.



Отключите от источника питания.



Детали или принадлежности, приобретаемые отдельно



Зафиксировать



Расцепить



Выкл



Включение

Кафельная плитка

Каменная кладка

Древесина

Металл

Следующие сигнальные слова и значения предназначены, чтобы объяснить уровни риска, связанного с этим изделием.

### **⚠ ОПАСНО**

Указывает на потенциально опасную ситуацию, которая, если ее не избежать, приведет к летальному исходу или серьезной травме.

### **⚠ ОСТОРОЖНО**

Указывает на потенциально опасную ситуацию, которая, если ее не избежать, может привести к летальному исходу или серьезной травме.

### **⚠ ВНИМАНИЕ**

Указывает на потенциально опасную ситуацию, которая, если ее не избежать, может привести к травме легкой или средней тяжести.

### **ВНИМАНИЕ**

(Без Символа Тревоги Безопасности) Указывает ситуацию, которая может кончиться повреждением собственности.

### **ТРАНСПОРТИРОВКА:**

Категорически не допускается падение и любые механические воздействия на упаковку при транспортировке.

При разгрузке/погрузке не допускается использование любого вида техники, работающей по принципу зажима упаковки.

### **ХРАНЕНИЕ:**

Необходимо хранить в сухом месте.

Необходимо хранить вдали от источников повышенных температур и воздействия солнечных лучей.

При хранении необходимо избегать резкого перепада температур.

Хранение без упаковки не допускается.

### **СРОК СЛУЖБЫ ИЗДЕЛИЯ:**

Срок службы изделия составляет 5 лет.

Не рекомендуется к эксплуатации по истечении 5 лет хранения с даты изготовления без предварительной проверки.

**Дата изготовления** (код даты) отштампован на поверхности корпуса изделия.

Пример:

W17 Y2015, где Y2015 - год изготовления

W17 – неделя изготовления

Определить месяц изготовления можно согласно приведенной ниже таблице, на примере 2015 года.

**Обратите внимание!** Количество недель в месяце различается от года в год.

МЕСЯЦ	ЯНВАРЬ	ФЕВРАЛЬ	МАРТ	АПРЕЛЬ	МАЙ	ИЮНЬ	ИЮЛЬ	АВГУСТ	СЕНТЯБРЬ	ОКТАБРЬ	НОЯБРЬ	ДЕКАБРЬ	Год
Неделя	01	05	09	14	18	22	27	31	36	40	44	49	2015
	02	06	10	15	19	23	28	32	37	41	45	50	
	03	07	11	16	20	24	29	33	38	42	46	51	
	04	08	12	17	21	25	30	34	39	43	47	52	
	05	09	13	18	22	26	31	35	40	44	48	53	
			14			27							



W przypadku tej wiertarki udarowej zwrócono szczególną uwagę na zapewnienie bezpieczeństwa, wysokiej wydajności oraz niezawodności.

### PRZEZNACZENIE

Ten obrotowy młot udarowy może być używany wyłącznie przez dorosłe osoby, które przeczytały i zrozumiały instrukcje oraz ostrzeżenia podane w tym podręczniku oraz, które mogą odpowiadać za swoje działania. Może być on używany przez jednego operatora – należy chwycić spust oraz boczne uchwyty.

Obrotowy młot udarowy może pracować z wyłączoną funkcją udarów przy wierceniu w drewnie i metalu. W przypadku dłutowania oraz wiercenia w betonie można użyć 3 trybu młota udarowego.

Obrotowy młot udarowy jest przeznaczony do pracy z wiertłami o maksymalnej średnicy podanej w tabeli specyfikacji produktu.

Nie używać młotowiertarki do jakiegokolwiek celu, który nie został opisany powyżej.

### ⚠ OSTRZEŻENIE

**Zapoznaj się ze wszystkimi zasadami bezpieczeństwa i instrukcjami.** Nieprzestrzeganie instrukcji i zasad bezpieczeństwa zawartych w ostrzeżeniach grozi porażeniem prądem elektrycznym, pożarem lub poważnymi obrażeniami.

**Zachowaj wszystkie ostrzeżenia i instrukcje do wykorzystania w przyszłości.**

### MŁOTOWIERTARKA – OSTRZEŻENIA DOTYCZĄCE BEZPIECZEŃSTWA

- **Stosować środki ochrony słuchu!** Narażenie na hałas może spowodować utratę słuchu.
- **Używać rękawiczki pomocniczej dołączonej do wiertarki.** Utrata panowania nad wiertarką grozi zranieniem.
- **Kiedy pracujecie na powierzchni mogącej skrywać przewody elektryczne, lub gdy podczas pracy przewód zasilający może być na trasie cięcia, trzymajcie narzędzie wyłącznie za izolowane i nieśliskie części.** Kontakt z przewodem pod napięciem może spowodować przepływ prądu przez metalowe elementy urządzenia i porażenie operatora.

Dodatkowe ostrzeżenia bezpieczeństwa

- Zakładajcie okulary ochronne, tak by zabezpieczyć się przed ewentualnymi odpryskami czy odbiciami.
- Przy wykonywaniu prac na ścianach, sufitach lub podłogach należy unikać kontaktu z przewodami elektrycznymi oraz rurami gazowymi i wodnymi.
- Noś maskę przeciwpyłową.
- Natychmiast wyłączyć produkt w przypadku zakleszczenia narzędzia wprowadzanego w materiał. Bezpośrednio po zakleszczeniu narzędzia wprowadzanego w materiał nie włączać produktu ponownie, ponieważ może to spowodować nagłe odbicie spowodowane wysoką siłą reakcji. Określić przyczynę zakleszczenia narzędzia wprowadzanego w materiał i usunąć ją, zwracając uwagę na zalecenia dotyczące bezpieczeństwa.

- Oto możliwe przyczyny zakleszczenia narzędzia wprowadzanego w materiał:

- Narzędzie wprowadzane w materiał odchyliło się w obrabianym przedmiocie
- Narzędzie wprowadzane w materiał przebiło obrabiany przedmiot
- Narzędzie jest przeciążone

- Obrabiany element należy zamocować za pomocą zacisku. Niezabezpieczone elementy mogą spowodować poważne obrażenia ciała i uszkodzenia.

- Nie sięgać do produktu w trakcie jego pracy.

- Nie należy dopuszczać do tego, aby wcześniejsza znajomość obsługi podobnych narzędzi doprowadziła do ignorowania zasad bezpiecznego posługiwania się narzędziami. Należy pamiętać o tym, że nieostrożność trwająca nawet ułamek sekundy może być powodem bardzo poważnych obrażeń.

- Upewnić się, że przewód zasilający jest poprowadzony tak, by nie można było na niego nadepnąć ani potknąć się o niego, jak również by nie miał on styczności z ostrymi krawędziami lub ruchomymi częściami, a także nie był w inny sposób narażony na uszkodzenie lub naprężenia. Pozwoli to na ograniczenie ryzyka potknięć, które mogłyby spowodować obrażenia, a także uszkodzeń przewodu, które mogłyby spowodować porażenie prądem.

- Należy dbać o to, aby uchwyty i powierzchnie chwytne były zawsze suche, czyste i niezatłuszczone. Śliskie uchwyty i powierzchnie chwytne nie umożliwiają bezpiecznego manipulowania narzędziem i kontrolowania go w nieoczekiwanych sytuacjach.

- Narzędzie wprowadzane w materiał może nagrzewać się do wysokich temperatur w trakcie użytkowania. Zagrożenie poparzeniem:

- W trakcie wymiany narzędzi/wiertel
- W trakcie dociskania narzędzia

### INFORMACJE O PRODUKCIE

Patrz strona 83.

1. Uchwyt SDS+
2. Uchwyt pomocniczy (dodatkowa rękawiczka)
3. Smarownica
4. Przycisk uruchamiający
5. Wybierak trybu pracy
6. Wybierak trybu drugorzędowego
7. Nasadka szczotki węglowej
8. Kluczyk
9. Pręt regulacji głębokości
10. Smar w tubce
11. Zapasowe szczotki węglowe
12. Osłona przeciwpyłowa
13. Uchwyt, izolowana powierzchnia chwytna

### RYZYKO ZWIĄZANE Z UŻYTKOWANIEM

Nawet jeśli elektryczny młot udarowy jest używany zgodnie z zaleceniami, nadal nie jest możliwe wyeliminowanie określonych czynników ryzyka. Następujące zagrożenia mogą wystąpić podczas używania urządzenia i operator powinien zwracać szczególną uwagę na poniższe punkty:

- Ryzyko śmiertelnego porażenia prądem elektrycznym w przypadku przewiercenia kabli elektrycznych. Narzędzie zawsze należy chwycać w przeznaczonych do tego miejscach; nie należy dotykać wiertel.





EN
FR
DE
ES
IT
NL
PT
DA
SV
FI
NO
RU
<b>PL</b>
CS
HU
RO
LV
LT
ET
HR
SL
SK
BG
UK
TR
EL

- Odskok w przypadku wiercenia, jeśli wiertło zablokuje się. Zawsze należy używać bocznych uchwytów i dobrze trzymać narzędzie.
- Uszkodzenie układu oddechowego. Należy nosić maskę ochronną z filtrem odpowiednim do obrabianego materiału. Należy zapewnić odpowiednią wentylację miejsca pracy. Nie jeść, nie pić i nie palić w miejscu pracy.
- Uszkodzenie słuchu. Zawsze należy stosować skuteczne środki ochrony uszu oraz ograniczyć narażenie na hałas.
- Uszkodzenie oczu na skutek unoszącego się pyłu i cząstek ciał stałych. Zawsze należy nosić odpowiednie okulary ochronne.
- Urazy ciała spowodowane przez wibracje. Należy trzymać urządzenie za odpowiednie uchwyty oraz ograniczyć narażenie na wibracje. Patrz "Ograniczenie Ryzyka".

### OGRANICZENIE RYZYKA

Badania dowodzą, że wibracje powodowane przez narzędzia ręczne mogą wywoływać u niektórych osób objawy syndromu Raynauda. Typowe objawy to mrowienie, drętwienie i blednięcie palców, widoczne zwykle po wystawieniu na działanie zimna. Uważa się, że czynniki dziedziczne, wystawienie na działanie zimna i wilgoci, dieta, palenie papierosów i przyjęte zwyczaje przyczyniają się do rozwoju tych objawów. Istnieją środki zaradcze, które może podjąć operator narzędzia, aby zmniejszyć efekt wibracji:

- Zadać w niskich temperaturach o ciepłotę własnego ciała, zakładając odpowiednie ubranie. Podczas obsługi urządzenia należy nosić rękawice, aby dłonie i nadgarstki były ciepłe. Wiadomo, że niskie temperatury są główną przyczyną powstawania objawu Raynauda.
- Podczas przerw w pracy należy wykonywać ćwiczenia poprawiające krążenie krwi..
- Podczas pracy robić częste przerwy. Ograniczyć ekspozycję w ciągu dnia.

W razie doświadczenia dowolnego z wymienionych objawów, należy niezwłocznie zaprzestać użytkowania tego urządzenia i skontaktować się z lekarzem.

**⚠ OSTRZEŻENIE**

Długotrwałe użytkowanie narzędzia może spowodować obrażenia ciała lub nasilić dolegliwości zdrowotne. W przypadku używania narzędzia przed dłuższy czas należy pamiętać o regularnych przerwach.

### KONSERWACJA

**⚠ OSTRZEŻENIE**

Produkt nigdy nie może być podłączony do źródła zasilania podczas montażu części, regulacji, czyszczenia, konserwacji lub gdy nie jest używany. Odłączenie produktu zapobiegnie przypadkowemu uruchomieniu, które mogłoby spowodować poważne obrażenia ciała.

**⚠ OSTRZEŻENIE**

Do serwisowania należy stosować wyłącznie oryginalne części zamienne producenta. Użycie jakiegokolwiek innej części mogłoby spowodować zagrożenie lub też uszkodzić wasze narzędzie.

- Nie stosować rozpuszczalników do czyszczenia elementów plastikowych. Większość tworzyw sztucznych, mogłoby zostać uszkodzone przez użycie rozpuszczalników dostępnych w sprzedaży. Używajcie czystej szmatki do mycia zabrudzeń, pyłu, itd.

**⚠ OSTRZEŻENIE**

Nie wolno dopuścić do kontaktu plastikowych części z płynem hamulcowym, benzyną, produktami ropopochodnymi, olejami penetrującymi itp. Substancje te zawierają produkty chemiczne, które mogłyby uszkodzić, osłabić lub zniszczyć plastik.

- Stosowanie elektronarzędzi do obróbki włókna szklanego, płyt gipsowo-kartonowych, tynku lub innych materiałów budowlanych powoduje ich szybsze zużycie i ryzyko przedwczesnego uszkodzenia z powodu właściwości ściernych pyłu i opiółków przedostających się do łożysk, szczerok, komutatora itp. Nie zalecamy używania produktu przed długi czas do obróbki materiałów tego typu.

**⚠ OSTRZEŻENIE**

Podczas użytkowania elektronarzędzi lub wydmuchiwania pyłu należy zawsze nosić okulary ochronne z osłonami bocznymi. Jeśli wykonywanej pracy towarzyszy powstawanie pyłu, należy również stosować maskę przeciwpyłową.

- Uszkodzony przewód sieciowy powinien zostać wymieniony przez autoryzowany punkt serwisowy, samodzielna wymiana zagraża bezpieczeństwu użytkownika. Należy skontaktować się z autoryzowanym centrum serwisowym.
- Dla większego bezpieczeństwa i lepszej pewności, wszystkie naprawy powinny być wykonywane w Autoryzowanym Punkcie Serwisowym RYOBI.

**SMAROWANIE**  
Wszystkie łożyska produktu są smarowane przy użyciu odpowiedniej ilości wysokiej jakości smaru na cały okres eksploatacji produktu przy uwzględnieniu normalnych warunków roboczych.

**SMAROWANIE PRZEKŁADNI**  
Po 45 godzinach ciągłej pracy lub po 55 godzinach pracy z przerwami dodać do skrzynki przekładniowej 10 g smaru.

**OCHRONA ŚRODOWISKA**

Surowce należy oddawać do powtórnego przetworzenia zamiast wyrzucać je na śmieci. Z myślą o ochronie środowiska, narzędzie, akcesoria i opakowania powinny być sortowane.



## SYMBOLE PRODUKTU

	Uwaga dotycząca bezpieczeństwa
V	Wolt
Hz	Herc
~	Prąd przemienny
W	Wat
n <sub>0</sub>	Prędkość bez obciążenia
min <sup>-1</sup>	Ilość obrotów czy ruchów na minutę
	Przed uruchomieniem urządzenia prosimy uważnie przeczytać instrukcję
	Stosować środki ochrony oczu, uszu i dróg oddechowych.
CE	Zgodność CE
EAC	Znak zgodności EurAsian
	Ukraiński znak zgodności
001	
	Klasa II, podwójna izolacja
	Tryb wiercenia z udarem
	Tryb wiercenia z udarem
	Tryb wiercenia
	Zużyte produkty elektryczne nie powinny być utylizowane z odpadami domowymi. Prosimy poddawać recyklingowi w odpowiednich miejscach. Informacje o właściwych metodach recyklingu można uzyskać u władz lokalnych lub sprzedawcy.

## SYMBOLE W INSTRUKCJI

	Uwaga
	Podłączyć do źródła zasilania.
	Odłączyć od źródła zasilania.

	Części lub akcesoria sprzedawane oddzielnie
	Blokada
	Odkręcenie uchwytu
	Wyłączone
	Wł
	Dachówka
	Beton
	Drewno
	Metal

Poniższe symbole i nazwy które im nadano, pozwalają wyjaśnić różne poziomy ryzyka związanego z używaniem tego narzędzia.

### NIEBEZPIECZEŃSTWO

Oznacza bezpośrednio niebezpieczną sytuację, która, jeśli nie zostanie uniknięta, spowoduje śmierć lub poważne urazy ciała.

### OSTRZEŻENIE

Oznacza potencjalnie niebezpieczną sytuację, która, jeśli nie zostanie uniknięta, może spowodować śmierć lub poważne urazy ciała.

### UWAGA

Oznacza potencjalnie niebezpieczną sytuację, która, jeśli nie zostanie uniknięta, może spowodować niewielkie lub umiarkowane urazy ciała.

### UWAGA

(Bez symbolu bezpieczeństwa) Wskazuje na sytuację mogącą spowodować straty materialne.



Bezpečnost, výkon a spolehlivost byli hlavní prioritou při návrhu vašeho rotačního vrtacího kladiva.

### ZAMÝŠLENÉ POUŽITÍ

Toto vrtací kladivo je určeno pouze pro používání dospělými osobami, které si přečetly a řádně pochopily pokyny a varování v této příručce a jsou zodpovědné za své konání. Je určena k obsluze jednou obsluhou uchopením jak rukojetí se spouští, tak boční rukojetí.

Vrtací kladivo je určeno pro provoz bez funkce přiklepu do dřeva a kovu. Přiklep lze použít pro sekání a vrtání do dřeva.

Vrtací kladivo je navržen pro práci s vrtáky do maximálního průměru definovaného v tabulce specifikací výrobku.

Nepoužívejte rotační přiklepovou vrtáčku pro jiný než výše popsany účel.

### ⚠ VAROVÁNÍ

**Přečtěte si všechny pokyny a bezpečnostní varování.** Nedodržování upozornění a těchto pokynů může vést k úrazu elektrickým proudem, ke vzniku požáru nebo vážnému zranění.

Uchovejte si všechny pokyny a varování pro budoucí nahlédnutí.

### BEZPEČNOSTNÍ UPOZORNĚNÍ K VRTAČCE

- **Používejte chrániče sluchu.** Působením hluku může dojít k poškození sluchu.
- **Používejte pomocné rukojeti dodávané s nástrojem.** Ztráta kontroly může způsobit vážný úraz osob.
- **Držte nářadí pouze za izolované části s protiskluzovou úpravou, pokud pracujete s materiálem, ve kterém mohou být elektrické kabely nebo pokud pracujete v poloze, při které by se napájecí kabel mohl dostat do trasy řezu.** Kontakt s „živými“ vodičem způsobí, že kovové části elektricky poháněného nástroje se stanou také „živými“ a způsobí elektrický úraz obsluze.

Doplňující bezpečnostní varování

- Používejte ochranné brýle, chráníte tím svůj zrak před odlétajícími odřezky a vrtnou suti.
- Při práci na stěnách, střepech nebo podlahách buďte opatrní a vyhněte se elektrickým kabelům a plynovému nebo vodnímu potrubí.
- Noste respirátor.
- Pokud se otáčení nástroje při zapnutém nářadí zastaví, okamžitě nářadí vypněte. Nářadí znovu nezapínajte dokud přetrvává příčina zastavení, jinak by mohlo dojít k silnému zpětnému rázu. Určete příčinu zastavení nástroje a odstraňte tuto příčinu při dodržování bezpečnostních pokynů.
- Následují možné příčiny zastavení nástroje během chodu nářadí:
  - Nástroj se v obrobku vzpříčil.
  - Nástroj obrobek propíchl.
  - Nářadí je přetíženo.

- Upínadlo obrobku s upínacím zařízením. Neupnuté obrobky mohou způsobit vážné zranění nebo škody na majetku.
- Během chodu nářadí se nedotýkejte pohyblivých dílů.
- Nenechte se ukolébat znalostmi získanými při častém používání nástrojů a neignorujte bezpečnostní pravidla. Nedbalosti, dokonce na zlomek vteřiny, mohou vést dokonce k vážnému poranění.
- Zajistěte, aby byl kabel umístěn tak, aby na něj nebylo možné vkročit, zakopnout o něj a aby se kabel neatíral o ostré hrany či pohyblivé součásti a nebyl vystaven ani jinému poškození či namáhání. Tím se snižuje riziko náhodných pádů, kvůli nimž by mohlo dojít ke zraněním, poškození kabelu a následnému úrazu elektrickým proudem.
- Rukojeti a úchopy udržujte suché a čisté, bez olejí a tuků. Kluzké rukojeti a úchopy brání bezpečné manipulaci a ovládání nářadí v neočekávaných situacích.
- Nástroj se může během používání přehřát. Nebezpečí popálení:
  - Při výměně nástrojů/nástavců
  - Při pokládání nářadí

### SEZNAMTE SE S VÝROBKEM

Viz strana 83.

1. Kleštiny SDS+
2. Přídavná rukojeť
3. Krytka maznice
4. Spínač spouště
5. Přepínač provozních režimů (volba otáček)
6. Druhý přepínač režimu
7. Krytka uhlíkového kartáče
8. Servisní utahovací klíč
9. Tyč hloubkoměru
10. Tuba maziva
11. Náhradní uhlíkové kartáče
12. Protiprachový kryt
13. Rukojeť s izolací a protiskluzovým povrchem

### ZBYTKOVÁ RIZIKA

Dokonce, i když se vrtací kladivo provozuje jak je předepsáno, je stále nemožné zcela eliminovat veškeré zbytkové rizikové faktory. Následující nebezpečí mohou nastat při používání; vyhýbejte se:

- Nebezpečí úrazu elektrickým proudem, pokud jsou elektrické kabely provrtány. Vždy držte nástroj za určené rukojeti, nedotýkejte se vrtáků.
- Zpětný vrh při zaseknutí vrtáku při vrtání. Vždy používejte boční rukojeť a nástroj držte pevně.
- Poškození dýchacího ústrojí. Noste dýchací masky obsahující filtry vhodné pro obráběné materiály. Zajistit dostatečné větrání pracoviště. V pracovní oblasti výrobku nejíst, nepít, ani nekouřit.
- Poškození sluchu. Vždy noste vhodnou ochranu sluchu a omezte vystavení hluku.
- Poškození zraku odletujícími částicemi suti a prachu. Vždy noste ochranu očí.
- Poranění způsobené vibracemi. Držte nástroj za





rukojetě určené a omezte expozici vibracím. Viz "Snižování Rizik".

## SNÍŽENÍ RIZIKA

Bylo zjištěno, že vibrace z ručních pracovních nástrojů mohou u některých osob přispívat ke stavu tzv. Raynaud's Syndrome (Raynaudovu syndromu). Mezi jeho příznaky patří brnění, necitlivost a zbledení prstů, patrné obvykle po pobytu v chladu. Vědci se domnívají, že k rozvinutí těchto příznaků přispívají dědičné faktory, pobyt v chladu a vlhku, strava, kouření a pracovní návyky. Uživatel může omezit případné působení vibrací použitím vhodných opatření:

- Za chladného počasí se teple oblečte. Při práci s nástrojem si navlékněte rukavice, abyste udrželi ruce a zápěstí v teple. Bylo zjištěno, že chladné počasí je hlavním faktorem přispívajícím k Raynaud's Syndrome (Raynaudovu syndromu).
- Během práce si v pravidelných intervalech zacvičte, abyste zvýšili krevní oběh.
- Zařazujte časté pracovní přestávky. Omezte dobu práce za den.

Jakmile pocítíte některý z výše uvedených příznaků tohoto syndromu, okamžitě přerušete práci a vyhledejte lékaře.

## VAROVÁNÍ

Poranění mohou být způsobena, či zhoršena, prodlouženým používáním nástroje. Když používáte jakýkoliv nástroj delší dobu, dělejte pravidelné přestávky.

## ÚDRŽBA

## VAROVÁNÍ

Výrobek nikdy nepřipojujte ke zdroji napájení, když se montují díly, provádí seřizování, čištění, údržba nebo když se nepoužívá. Odpojením produktu předejete náhodnému spuštění a tím vážnému osobnímu poranění.

## VAROVÁNÍ

Při údržbě používejte pouze původní náhradní díly výrobce. Použití jakýchkoliv jiných dílů může vytvořit nebezpečí nebo způsobit poškození výrobku.

- Vyhněte se používání rozpouštědel, když čistíte plastové díly. Většina ředidel běžně dostupných v obchodní síti se nehodí k čištění plastových částí, neboť narušuje povrch plastů. K odstranění nečistot, prachu apod. používejte čistý hadr.

## VAROVÁNÍ

Nikdy nenechte přijít brzdové kapaliny, petrolej, výrobky založené na petroleji, pronikavé oleje, atd. do kontaktu s plastovými součástmi. Tyto výrobky obsahují chemikálie, které mohou poškodit, oslabit nebo zničit plastové části, případně snížit jejich životnost.

- Elektrické nářadí používané k opracování materiálu ze skleněného vlákna, sádrových desek, obkladových desek se snadněji opotřebovává a má kratší životnost, protože třísky a kovové piliny vznikající při řezání kovů odírají některé díly elektronářadí, jako jsou převody, kartáče, spouštěče apod. Proto se nedoporučuje používat tento nástroj po dlouhou dobu na tyto druhy materiálů.

## VAROVÁNÍ

Vždy noste bezpečnostní brýle nebo bezpečnostní brýle s postranními štítky, když obsluhujete elektrický poháněný nástroj nebo při rozdmychávání (tvorbě) prachu. Pokud pracujete v prachu, noste také respirátor.

- Pokud je napájecí kabel poškozen, musí být nahrazen pouze výrobcem nebo pověřeným servisním střediskem za účelem odstranění nebezpečí. Obratě se na autorizované servisní středisko.
- Pro větší bezpečnost a spolehlivost by veškeré opravy měly být prováděny autorizovaným servisním střediskem RYOBI.

## MAZÁNÍ

Veškerá ložiska nářadí byla výrobcem namazána dostatečným množstvím vysoce účinného maziva, které stačí na celou dobu životnosti produktu při normálních podmínkách používání.

## MAZIVO PRO PŘEVODOVKU

Po 45 hodinách nepřetržitého používání nebo 55 hodinách přerušovaného používání přidejte do převodovky 10 g vazelíny.

## OCHRANA ŽIVOTNÍHO PROSTŘEDÍ



V rámci možností neodhazujte vysloužilé nářadí do domovního odpadu a upřednostněte jeho recyklaci. V souladu s předpisy na ochranu životního prostředí odkládejte vysloužilé nářadí, příslušenství i obalový materiál do tříděného odpadu.

## SYMBOLY NA VÝROBKU



Bezpečnostní výstraha

V

Napětí

Hz

Hertz

~

Střídavý proud

W

Watt

n<sub>o</sub>

Otáčky naprázdno

min<sup>-1</sup>

Počet otáček nebo pohybů (kmitů) za minutu



Před spuštěním přístroje si řádně přečtěte pokyny.



Noste ochranné prostředky pro oči a sluch a dýchací cesty.



Shoda CE



Euroasijská značka shody



Ukrajinská značka shody



Třída II, dvojitě izolováno



Režim přiklepu



Režim vrtání s přiklepem



Režim vrtání



Odpad elektrických výrobků se nesmí likvidovat v domovním odpadu. Recyklujte prosím na sběrných místech. Ptejte se u místních úřadů nebo prodejce na postup při recyklaci.



Dlaždice



Zdivo



Dřevo



Kov

Následující signální slova a významy jsou vhodné pro vysvětlení úrovně nebezpečí spojených s tímto výrobkem.

#### **NEBEZPEČÍ**

Upozorňuje na bezprostředně nebezpečnou situaci, která vede k usmrcení nebo těžkému zranění.

#### **VAROVÁNÍ**

Upozorňuje na možnou nebezpečnou situaci, která by mohla vést ke smrtelnému úrazu nebo k závažnému zranění.

#### **POZOR**

Upozorňuje na možnou nebezpečnou situaci, která může vést k menšímu nebo lehkému zranění.

#### **POZOR**

(Bez bezpečnostního výstražného symbolu) Určuje situaci, která může mít za následek vážné poškození.

- EN
- FR
- DE
- ES
- IT
- NL
- PT
- DA
- SV
- FI
- NO
- RU
- PL
- CS**
- HU
- RO
- LV
- LT
- ET
- HR
- SL
- SK
- BG
- UK
- TR
- EL

### SYMBOLY POUŽITÉ V NÁVODU



Poznámka



Připojte k elektrické síti.



Odpojte od elektrické sítě.



Díly nebo příslušenství jsou v prodeji samostatně



Zamknuto



Odemknuto



Vypnout



Zapnuto



A kalapácsfúró tervezésekor a biztonság, a teljesítmény és a megbízhatóság voltak a legfontosabb szempontok.

### RENDELTETÉSSZERŰ HASZNÁLAT

Ezt a fúrókalapácsot csak felnőttek használhatják, akik elolvasták és megértették a kézikönyvben lévő utasításokat és figyelmeztetéseket, és felelősnek lehet őket tekinteni a tetteikért. Ezt egyetlen kezelőnek kell használnia a kioldó és az oldalsó fogantyúk megfogásával.

A fúrókalapács fa és fém anyagokban a kalapács funkció nélkül használható. A véséshez és a beton fúrásához a kalapács funkció használható.

A fúrókalapáccsal használható fúrószárok maximális átmérője a termék műszaki adataiban van megadva.

Ne használja a fúrókalapácsot semmilyen, fent meg nem említett célra.

### ⚠ FIGYELEM

**Olvassa el az összes biztonsági figyelmeztetést és utasítást.** A figyelmeztetések és előírások be nem tartása elektromos áramütést, tüzet és/vagy súlyos sérülést eredményezhet.

**A jövőbeli felhasználásra őrizze meg az összes figyelmeztetést és útmutatót.**

### BIZTONSÁGI FIGYELMEZTETÉSEK A FÚRÓKALAPÁCSHOZ

- **Viseljen hallásvédőt.** A fokozott zajhatás hosszú távon a hallás elvesztését eredményezheti.
- **Használja a szerszámhoz mellékelt kisegítő fogantyúkat.** Az irányítás elvesztése személyi sérülést okozhat.
- **A gépet kizárólag a szigetelt, csúszásgátló részénél fogja, ha olyan felületen dolgozik, amelyben elektromos vezeték lehet, vagy amikor olyan munkát kell végeznie, melynek során a tápvezeték a gép útjába kerülhet.** A feszültség alatt lévő vezetékkel történő érintkezés során a szerszám fém alkatrészei áram alá kerülhetnek, minek következtében a kezelőt áramütés érheti.

További biztonsági figyelmeztetések

- Használjon védőszemüveget, óvja szemét az esetlegesen kirepülő részecskéktől / törmeléktől!
- Ha falon, mennyezeten vagy padlón dolgozik, vigyázzon az azokban található elektromos kábelekkel, gáz- és vízcsövekkel.
- Viseljen pormaszkot.
- Azonnal kapcsolja ki a terméket, ha az illesztőszerszám elakad! Ne kapcsolja vissza a terméket, amíg az illesztőszerszám elakadt állapotban van, mert az nagy reaktív erővel hirtelen visszalökést válthat ki. Határozza meg, miért akadt el az illesztőszerszám, igazítsa ki, tekintettel a biztonsági utasításokra.
- Az illesztőszerszám a következők miatt akadhat el:
  - az illesztőszerszám meg van döntve a munkadarabban,

- az illesztőszerszám átlukasztotta a munkadarabot,
- a szerszám túl van terhelve.

- Szorítsa le a munkadarabot egy szorítóval. A nem rögzített munkadarabok súlyos sérüléseket és károkat okozhatnak.
- Ne nyúljon bele a termékbe működés közben.
- Ne töltsse el elégedettséggel az, hogy a gyakori eszközhasználatból kellő jártasságot szerzett, és ne hagyja figyelmen kívül az eszköz biztonsági alapelveit. A figyelmetlen műveletek akár egy másodperc töredéke alatt is súlyos személyi sérülést eredményezhetnek.
- A kábelt úgy helyezze el, hogy senki ne lépjen rá vagy bukhasson fel benne, a kábel ne érjen hozzá éles tárgyakhoz vagy mozgó alkatrészekhez, illetve más módon se álljon fenn megrongálódás vagy erőltetés veszélye. Így csökkentheti a sérülést okozó elesés veszélyét, illetve a kábel károsodásának veszélyét, ami pedig áramütést okozhat.
- A markolatokat és a fogófelületeket tartsa szárazon, tisztán és ne legyenek zsírosak, olajosak. A csúszós markolatokkal és fogófelületekkel váratlan helyzetekben az eszköz kezelése és irányítása nem biztonságos.
- Az illesztőszerszám használat közben átforrósodhat. Égésveszély:
  - szerszám/fej cseréjekor,
  - a készülék letételekor.

### ISMERJE MEG A TERMÉKET

83. oldal.

1. SDS+ befogatókmány
2. Kisegítő fogantyú
3. Zsírfedél
4. Be - ki kapcsológomb
5. Üzem mód-váltó
6. Másodlagosüzemmód-választó
7. Szénkefe felce
8. Szorítókulcs
9. Mélység szabályozó rúd
10. Kenőanyag csőve
11. Tartalék szénkefék
12. Porfedél
13. Kar, szigetelt fogófelület

### VISSZAMARADÓ KOCKÁZATOK

Még a fúrókalapács rendeltetés szerű használata esetén sem lehet teljesen kiküszöbölni minden kockázati tényezőt. A gép használata során a következő veszélyek merülhetnek fel, és a kezelőnek különösen oda kell figyelnie az alábbiak elkerülésére:

- Áramütés veszélye, ha belefúrnak az elektromos vezetékbe. Mindig a kialakított fogantyúknál fogja a szerszámot, ne érjen a fúrószárokhoz.
- Fúrás közbeni visszarúgás történik, ha a fúrószárok beakad. Mindig használja az oldalsó fogantyút és erősen markolja meg a szerszámot.
- Légzőszervi károsodás. Viseljen légzésvédő maszkot, ami a megmunkálendő anyagoknak megfelelő szűrőket tartalmaz Biztonsítson megfelelő szellőztetést. Ne egyen, igyon vagy dohányozzon a munkaterületen.





- Halláskárosodás. Mindig viseljen hatékony fülvédőt, és kerülje a zajnak való kitétséget.
- Szemsérülés a szálló portól és a törmelék szemcséitől. Mindig viseljen megfelelő védőszemüveget.
- Vibráció okozta sérülések. A gépet az arra szolgáló fogantyúknál tartsa, és korlátozza a vibrációnak való kitétséget. Lásd "Kockázatcsökkentés".

### KOCKÁZATCSÖKKENTÉS

Arról számoltak be, hogy a kéziszerszámok használata során fellépő vibráció bizonyos személyeknél hozzájárulhat az úgynevezett Raynaud-szindróma (Raynaud's Syndrome) nevű állapot kialakulásához. A tünetei lehetnek: az ujjak zsibbadása, elfehéredése, szúrások érzése, amelyek hidegnek kitéve gyakran felerősödnek. Az örökklődő tényezők, a hidegnek kitétség és verejtékezés, a diéta, a dohányzás és munka közben alkalmazott fogások valószínűleg mind hozzájárulhatnak ezen tünetek megjelenéséhez. A vibráció hatásainak csökkentése érdekében a kezelőnek be kell tartani az alábbi óvintézkedéseket:

- Hideg időben tartsa melegen a testét. A gép használatakor viseljen kesztyűt a kéz és a csukló melegen tartásához. Arról számoltak be, hogy a hideg időjárásnak fontos szerepe van a Raynaud-szindróma kialakulásában.
- Bizonyos időtartamú használat után mindig végezzen gyakorlatokat a vérkeringés javításához.
- Gyakran tartson munkaszünetet. Korlátozza a napi munkaidőt.

Ha ezen állapot bármelyik tünetét tapasztalja, azonnal hagyja abba a munkát, és tájékoztassa az orvosát a tünetekről.

### FIGYELEM

A gép hosszabb idejű folyamatos használata sérüléseket okozhat vagy súlyosbíthatja a tüneteket. Ha a gépet hosszú időn át kell használnia, tartson gyakran szünetet.

### KARBANTARTÁS

### FIGYELEM

Alkatrészek szerelésekor, beállítások végzésekor, tisztításkor, karbantartás végzésekor, illetve használaton kívül mindig húzza ki a gépet az elektromos hálózathoz. A termék hálózathoz történő leválasztása megakadályozza a véletlen bekapcsolódást, ami súlyos sérülést okozhat.

### FIGYELEM

Szervizeléskor csak eredeti, a gyártó által biztosított cserealkatrészeket használjon. Bármilyen más alkatrész használata veszélyes és a termék károsodását okozhatja.

- A műanyag részek tisztításakor tartózkodjon a tisztítószerek használatától. A kereskedelmi

forgalomban kapható oldószerek rongáló hatással vannak a műanyagból készült elemek többségére. A por és egyéb szennyeződések stb. tisztítására használjon egy tiszta ruhadarabot.

### FIGYELEM

A műanyag részek semmilyen körülmények között nem érintkezhetnek fékollajjal, benzinnel, petróleum alapú termékekkel, beszívódó olajokkal stb. Ezen anyagok olyan vegyületeket tartalmaznak, amelyek károsíthatják, meggyengíthetik vagy tönkretelthetik a műanyagot.

- Azok az elektromos szerszámok, amelyeket üvegszálas munkadarabokon, gipszkartonon lapokon ill. burkolólapokon használnak, jobban ki vannak téve a gyors elhasználódásnak és az idő előtti meghibásodásoknak, mert az ilyen anyagokból származó forgács és por rendkívül sűrű hatású az elektromos szerszámok alkatrészeire (fogaskerekek, szénkefék, kapcsolók stb.). Nem javasoljuk a termék ezen típusú anyagokon való hosszabb idejű használatát.

### FIGYELEM

Elektromos szerszámgépek használatakor vagy a por kifűvásakor mindig viseljen védőszemüveget, ami a szemet oldalról is védi. Ha a használat poros környezetben történik, vegyen fel egy pormaszkot is.

- Ha a tápkábel sérült, azt a veszélyek elkerülése érdekében csak a gyártó vagy annak hivatalos szervizközpontja cserélheti ki. Lépjen kapcsolatba egy hivatalos szervizközponttal.
- A nagyobb biztonság és megbízhatóság érdekében minden javítást hivatalos RYOBI szervizközpontban kell elvégeztetni.

### KENÉS

A termékben lévő összes csapágy a termék teljes élettartamára elegendő kenőanyaggal van feltöltve, normál körülmények közötti használat esetén.

### A HAJTÓMŰ KENÉSE

45 óra folyamatos használat után vagy 55 óra halmozott használat után adjon hozzá 10 g kenőanyagot.

### KÖRNYEZETVÉDELEM



Segítse elő az alapanyagok újrahasznosítását azzal, hogy nem helyezi el őket a háztartási szemétkorba. Környezetvédelmi megfontolásból az elhasznált gépet és tartozékokat, valamint a csomagolóanyagokat szelektív módon kell gyűjteni.

EN
FR
DE
ES
IT
NL
PT
DA
SV
FI
NO
RU
PL
CS
<b>HU</b>
RO
LV
LT
ET
HR
SL
SK
BG
UK
TR
EL



## SZIMBÓLUMOK A TERMÉKEN



Biztonsági figyelmeztetés

V

Volt

Hz

Hertz

~

Váltóáram (AC)

W

Watt

n<sub>o</sub>

Üresjárat fordulatszám

min<sup>-1</sup>

Fordulatok ill. löketek száma percenként



A gép bekapcsolása előtt figyelmesen olvassa el az útmutatót.



Viseljen szem-, fül- és légzésvédőt



CE megfelelés



Eurázsiai megfelelési jelzés



Ukrainai megfelelési nyilatkozat



II. osztály, kettős szigetelés



Kalapács üzemmód



Ütvefúrás üzemmód



Fúrás üzemmód



A kiselejtezett elektromos termékeket nem szabad a háztartási hulladékkal együtt kidobni. Ezeket újra kell hasznosítani, ha van rá lehetőség. Az újrahasonosítással kapcsolatban érdeklődjön a helyi önkormányzatnál vagy a termék forgalmazójánál.

## A KÉZIKÖNYVBEN HASZNÁLT SZIMBÓLUMOK



Megjegyzés



Csatlakoztassa az elektromos hálózathoz.



Húzza ki az elektromos hálózathoz.



Külön értékesített alkatrészek és kiegészítők



Retesz



Szétnyitás



Ki



Be



Csempe



Falazat



Fa



Fém

A következő jelölőszavak és jelentések arra szolgálnak, hogy megmagyarázzák a termékkel kapcsolatos veszélyességi szinteket.

### ⚠ VESZÉLY

Egy bekövetkező veszélyes helyzetet jelez, ami, ha nem előzik meg, halált vagy komoly sérülést eredményez.

### ⚠ FIGYELEM

Egy potenciálisan bekövetkező veszélyes helyzetet jelez, ami, ha nem előzik meg, halált vagy súlyos sérülést eredményezhet.

### ⚠ VIGYÁZAT

Egy potenciálisan veszélyes helyzetet jelez, ami, ha nem előzik meg, kisebb vagy mérsékelt súlyos sérülést eredményezhet.

### VIGYÁZAT

(Biztonsági figyelmeztető szimbólum nélkül) Egy olyan helyzetet jelez, ami anyagi kárt eredményezhet.



Au fost acordate priorități maxime asupra siguranței, performanței și fiabilității în proiectarea ciocanului dvs. rotopercutor.

## DOMENIU DE APLICAȚII

Acest ciocan rotopercutor este destinat a fi folosit doar de adulții care au citit și înțeles instrucțiunile și avertizările din acest manual și pot fi considerați responsabili pentru acțiunile lor. A fi folosit de către un singur operator prin prinderea atât a trăgaciului cât și a mânerelor laterale.

Acest ciocan rotopercutor este proiectat să funcționeze fără funcția de ciocan în lemn și metal. Pentru dăltuire și găurirea zidăriei, modul ciocan poate fi folosit.

Acest ciocan rotopercutor este proiectat să opereze cu burghie cu diametrul maxim definit în tabelul cu specificații ale produsului.

A nu se utiliza bormașina pentru alte scopuri nespicate mai sus.

### ⚠ AVERTISMENT

**Citiți toate avertismentele și instrucțiunile de siguranță.** Neurmarea avertizării și instrucțiunilor ar putea cauza electrocutare, incendii și/sau vătămare gravă.

**Salvați toate avertizările și instrucțiunile pentru o consultare ulterioară.**

## AVERTISMENTE DE SIGURANȚĂ PRIVIND UTILIZAREA BORMAȘINII

- **Purtați aparatoare de urechi.** Expunerea la zgomot poate produce pierderea auzului.
- **Utilizați mânerul lateral furnizat împreună cu sula.** Pierderea controlului poate conduce la rănirea operatorului.
- **Nu țineți aparatul decât de părțile izolate și antiderapante când lucrați pe o suprafață care poate ascunde fire electrice sau când lucrarea de efectuat poate aduce cablul de alimentare pe traiectoria aparatului.** Accesoriul de tăiere ce intră în contact cu un cablu sub curent ar putea alimenta electric părțile metalice expuse ale uneltei electrice și ar putea expune operatorul la un șoc electric.

Avertizări suplimentare de siguranță

- Purtați ochelari de protecție pentru a vă proteja ochii de așchii sau alte proiecții.
- Atunci când lucrați la pereți, tavane sau podele, fiți atent pentru a evita cablurile electrice și țevile de gaz sau apă.
- Purtați mască de praf.
- Comutați bormașina pe poziția off imediat ce burghiul inserat se oprește. Nu reporniți bormașina când burghiul inserat este blocat, deoarece riscăți producerea unui recul puternic. Identificați cauza blocării uneltei de inserare și eliminați-o respectând instrucțiunile de siguranță.
- Blocarea burghiului poate avea următoarele cauze:

- Burghiul vibrează în piesa de prelucrat
- Burghiul a perforat piesa de prelucrat
- Bormașina electrică este în suprasarcină.
- Prindeți piesa de lucru cu un dispozitiv de prindere. Piesele de lucru nefixate cu clemă pot cauza vătămare gravă și pagube.
- Nu faceți intervenții la bormașină în timpul funcționării acesteia.
- Obişnuința dobândită prin utilizarea frecventă a uneltelor nu trebuie să vă facă neglijent sau să vă determine să ignorați principiile de siguranță privind uneltele. Acțiunile neglijente, chiar și pentru o fracțiune de secundă, pot conduce la rănirea gravă.
- Aveți grijă să nu călcați pe cablu sau să nu vă împiedicați de acesta. De asemenea, nu supuneți cablul la contactul cu margini ascuțite, piese în mișcare sau la alte acțiuni care l-ar putea deteriora. Astfel reduceți riscul de accidente și de deteriorare a cablului care ar putea provoca electrocutare.
- Păstrați mânerele și suprafețele de prindere uscate, curate și fără urme de ulei sau unsoare. Mânerele și suprafețele de prindere alunecoase nu permit mânăuirea în siguranță și controlul uneltei în situații neașteptate.
- Burghiul se poate încinge în timpul funcționării. Pericol de arsură:
  - Când se schimbă accesoriile/ burghiele
  - Când se lasă bormașina jos

## CUNOAȘTEȚI-VĂ PRODUSUL.

*Salt la pagina nr. 83.*

1. Sistem de prindere + Mandrină de strângere
2. Mâner auxiliar
3. Cutie de ungere
4. Declanșator comutator
5. Selector de mod
6. Selector mod secundar
7. Capac perie carbon
8. Cheie de serviciu
9. Tijă de ghidare a adâncimii
10. Tub lubrifiere
11. Perii carbon de rezervă
12. Acoperitoare antiplaf
13. Mâner, suprafață de contact izolată

## RISCURI REZIDUALE

Chiar dacă ciocanul rotopercutor este folosit așa cum este prescris, cu toate acestea este imposibil să se elimine complet anumiți factori reziduali de risc. Următoarele pericole ar putea apărea în timpul folosirii iar operatorul trebuie să acorde o atenție specială pentru a evita următoarele:

- Risc de electrocutare dacă sunt găurite cablurile electrice. Apucați aparatul întotdeauna de mânerele proiectate, nu atingeți burghiul.
- Recul în timpul găuririi dacă burghiul se înțepenește. Folosiți întotdeauna mânerul lateral și prindeți ferm aparatul.
- Deteriorare a sistemului respirator. Purtați mască de protecție a respirației conținând filtre corespunzătoare cu materialele ce vin prelucrate. Asigurați aerisire



adecvată la locul de muncă. Nu mâncați, beți sau fumați în zona de lucru.

- Deteriorare a auzului. Purtați întotdeauna protecție eficientă a auzului și limitați expunerea la zgomot.
- Vătămarea ochilor de la praful ridicat și particulele de resturi. Purtați întotdeauna protecție corespunzătoare pentru ochi.
- Vătămare cauzată de vibrații. Țineți aparatul de mânerle proiectate și limitați expunerea la vibrații. Vezi "Reducerea Riscului"

## REDUCEREA RISCULUI

S-a raportat faptul că vibrațiile produse de uneltele manuale pot contribui, la anumite persoane, la o afecțiune denumită Sindromul Raynaud. Simptomele pot include fumicături, amorțeală și albirea degetelor, care apare, de obicei, după expunerea la frig. Factori ereditari, expunerea la frig și umiditate, dieta, fumatul și practicile de muncă contribuie la dezvoltarea acestor simptome. Există măsurători care pot fi efectuate de către operator pentru a reduce efectele de vibrațiilor:

- Păstrați-vă temperatura corporală ridicată pe vreme rece. Când operați unitatea purtați mănuși pentru a vă menține mâinile și încheieturile la căldură. S-a constatat că vremea rece este un factor major care contribuie la sindromul Raynaud.
- După fiecare perioadă de operare, trebuie făcute exerciții pentru a crește circulația sângelui.
- Trebuie făcute pauze la intervale de timp regulate. Limitați expunerea zilnică.

Dacă sunt experimentate oricare dintre simptomele acestei afecțiuni, trebuie întreruptă utilizarea și consultat un medic.

### ⚠️ AVERTISMENT

Poti fi cauzate, sau agravate vătămări prin folosirea prelungită a sculei. Atunci când folosiți o sculă pentru perioade prelungite, asigurați-vă că luați pauze regulate.

## ÎNȚEȚINEREA

### ⚠️ AVERTISMENT

Produsul nu trebuie conectat niciodată la priză atunci când asamblați părțile, faceți reglaje, curățați sau faceți întreținerea, sau atunci când produsul nu este folosit. Deconectarea produsului va preveni pornirea accidentală ce poate cauza vătămare gravă.

### ⚠️ AVERTISMENT

La efectuarea service-ului folosiți doar piese de schimb originale ale producătorului. Utilizarea altor piese poate crea situații periculoase sau poate conduce la deteriorarea produsului.

- Evitați utilizarea solvenților atunci când curățați piesele din plastic. Majoritatea materialelor plastice pot să fie deteriorate prin utilizarea unor solvenți vânduți

în comerț. Utilizați o cârpă curată pentru a curăța murdăriile, praful etc.

### ⚠️ AVERTISMENT

Nu lăsați niciun moment ca lichidele de frână, produsele pe bază de petrol, uleiurile penetrante etc să intre în contact cu părțile din plastic. Aceste produse chimice conțin substanțe care pot afecta, slăbi sau distruge plasticul.

- Aparatele electrice utilizate pentru fibra de sticlă, plăci de fibră, compuși de mastic sau ipsos sunt supuse uzurii accelerate și riscului de deteriorare prematură, deoarece așchile și resturile provenind din prelucrarea fibrei de sticlă sunt foarte abrazive pentru rulmenți, bușe, comutatoare etc. Nu recomandăm folosirea produsului pentru perioade prelungite de timp pe aceste tipuri de materiale.

### ⚠️ AVERTISMENT

Atunci când operați scula electrică sau când îndepărtați praful, purtați întotdeauna ochelari de protecție sau ochelari de protecție cu apărători laterale. Dacă mediu de lucru este plin de praf, purtați întotdeauna o mască împotriva prafului.

- Dacă cordonul de alimentare electrică este deteriorat, acesta trebuie înlocuit de către producător sau de către un centru de service autorizat pentru a evita riscurile. Contactați centrul service autorizat.
- Pentru o siguranță și fiabilitate sporită, toate reparațiile trebuie să fie efectuate la un centru service RYOBI autorizat.

## LUBRIFIEREA

Toți rulmenții din interiorul produsului sunt lubrifiați cu o cantitate suficientă de lubrifianț de calitate înaltă pentru durata produsului în condiții normale de folosire.

## UNGerea LA MECANISMUL DE ANGRENARE

Adăugați 10g de unsoare după 45 de ore de utilizare continuă, sau după 55 de ore acumulate de funcționare a mecanismului de angrenare.

## PROTECȚIA MEDIULUI ÎNCONJURĂTOR



Reciclați materiile prime în loc să le aruncați la gunoi, împreună cu deșeurile menajere. Pentru a proteja mediul înconjurător, mașina, accesoriile acesteia și ambalajele trebuie triate.

## SIMBOLURILE DE PE PRODUS.



Alertă de siguranță










V

Volți

Hz

Herți



-  Curent alternativ
- W** Wați
- n<sub>o</sub>** Viteză în gol
- min<sup>-1</sup>** Număr de rotații sau de mișcări pe minut
-  Vă rugăm citiți instrucțiunile cu atenție înainte de pornirea aparatului.
-  Purtați protecție pentru ochi, auz și respirație.
- CE** Conformitate CE
- EAC** Marcaj de conformitate EurAsian
-  Semn de conformitate ucrainean  
001
-  Clasa II, dublu izolat
-  Mod perforare
-  Mod de găurire rotopercutantă
-  Mod găurire
-  Deșeurile produselor electrice nu trebuie să fie eliminate împreună cu deșeurile casnice. Vă rugăm să reciclați acolo unde există facilități. Verificați la autoritatea dvs. locală sau la vânzător pentru sfaturi privind reciclarea.

## SIMBOLURILE DIN MANUAL

-  Notă
-  Conectați la sursa de curent.
-  Deconectați de la sursa de curent.
-  Piese sau accesorii vândute separat
-  Piedică

-  Deblocare
-  Oprit
-  Pornire
-  Placă de ceramică
-  Zidărie
-  Lemn
-  Metal

Rmătoarele cuvinte simbol și înțelesul lor au intenția de a explica nivelele de risc asociate cu acest produs.

### PERICOL

Indică o situație imediată de pericol, care dacă nu este evitată va rezulta în deces sau rănire gravă.

### AVERTISMENT

Indică o situație potențială de pericol, care dacă nu este evitată poate rezulta în deces sau rănire gravă.

### PRECAUȚIE

Indică o situație potențial periculoasă, care dacă nu este eviată, poate rezulta în vătămare minoră sau moderată.

### PRECAUȚIE

(Fără simbol de alertă de siguranță) Indică o situație ce poate rezulta în distrugerea proprietății.



Drošība, sniegums un uzticamība ir augstākā prioritāte jūsu rotējošais perforators.

## PAREDZĒTĀ LIETOŠANA

Šo rotējošu triecienurbjmašīnu drīkst lietot tikai pieaugušie, kuri ir izlasījuši un sapratuši šīs rokasgrāmatas norādījumus un brīdinājumus un kuri spēj atbildēt par savu rīcību. To drīkst lietot tikai viens operators, satverot gan slēdža rokturi, gan sāna rokturi.

Rotējošo triecienurbjmašīnu ir paredzēts lietot bez triecienfunkcijas kokā un metālā. Veicot kalšanas darbus un urbjot mūrī, var izmantot triecienrežīmu.

Rotējošo triecienurbjmašīnu ir paredzēts lietot ar urbja uzgaļiem, kuru diametrs nepārsniedz ierīces specifiskāciju tabulā norādīto.

Neizmantojiet perforatoru nekādām no vajadzībām, kas nav aprakstītas iepriekš.

## ▲ BRĪDINĀJUMS

**Izlasiet visus drošības brīdinājumus un visas instrukcijas.** Brīdinājumu un instrukciju neievērošana var izraisīt elektrošoku, aizdegšanos un/vai nopietnus ievainojumus.

Visus brīdinājumus un norādījumus saglabājiet turpmākām uziņām.

## PERFORATORA DROŠĪBAS BRĪDINĀJUMI

- **Lietojiet dzirdes aizsargus.** Ausu pakļaušana trokšņa iedarbībai var izraisīt dzirdes traucējumus.
- **Izmantojiet perforatora rokturus, kas ir iekļauti komplektācijā.** Kontroles zaudēšana var izraisīt traumas.
- **Darbos, kuros griešanas piederums var saskarties ar slēptiem vadiem vai savu barošanas vadu, turiet instrumentu tikai aiz izolētajām satveršanas virsmām.** Griezējinstrumenta saskare ar strāvu vadošajām vietām var padarīt arī atklātās metāla daļas vadošas un radīs operatoram elektrisko triecienu.

Papildu drošības brīdinājumi

- Valkājiet aizsargbrilles, lai aizsargātu acis no lidojošām daļiņām vai šķembām.
- Veicot darbus sienās, griestos vai grīdā, uzmanieties, lai nezonāktu saskarē ar elektrības kabeļiem un gāzes vai ūdens caurulēm.
- Valkājiet putekļu masku.
- Nekavējoties izslēdziet produktu, ja perforācijas uzgalis iestrēgst. Neieslēdziet produktu, kamēr perforācijas uzgalis ir iestrēdzis, jo šādā veidā var izraisīt pēkšņu augsta reaktīvā pretpēka atbrīvošanos. Nosakiet, kāpēc iegremdējamais rīks ir nosprostojies, un novērsiet traucējumus, pievēršot uzmanību drošības instrukcijām.
- Tālāk nosaukti iespējamie iemesli perforācijas uzgaļa iesprūšanai:
  - Uzgalis apstrādājamā materiālā ir noliekts
  - Uzgalis ir izdūries cauri apstrādājamam materiālam

- Elektroinstrumenti ir pārslogots.

- Nostipriniet apstrādājamo objektu ar nostiprinājuma skavu. Neiespīlētas sagataves var izraisīt nopietnas traumas un bojājumus.
- Neaiztieciot produktu, kamēr tas darbojas.
- Neļaujiet biežas instrumentu lietošanas radītam pieradumam ļaut palikt nevērīgam un neievērot instrumentu drošības principus. Neuzmanīga rīcība, pat ja tā ilgst tikai daļu sekundes, var izraisīt nopietnu traumu.
- Pārliecinieties, ka vads ir novietots tā, lai uz tā neuzkāptu, nepakļūtu, tas nenonāktu saskarsmē ar asām malām vai kustīgām daļām, vai citādi netiktu pakļauts mehāniskai ietekmei vai bojājumiem. Tas samazinās nejausu kritienu risku, kas var izraisīt ievainojumus, bojājumus vadam, kas savukārt var izraisīt elektrošoku.
- Uzturiet rokturus un satveršanas virsmas sausas un tīras, arī no eļļas un smērvielām. Slideni rokturi un satvēriena virsmas nenodrošina drošu apiešanos un instrumenta vadību neparedzētās situācijās.
- Uzgalis lietošanas laikā var sakarst. Apdegumu briesmas:
  - Mainot rīkus/uzgaļus
  - Noliekot ierīci

## IERĪCES IEPAZĪŠANA

Skatīt 83. lpp.

1. SDS+ patrona
2. Papild rokturis
3. Smērvielas vāciņš
4. Slēdža mēlīte
5. Režīma slēdzis
6. Sekundārā režīma pārslēdzējs
7. Oglīšu vāciņš
8. Uzgrieznis
9. Dziļuma vadītājs
10. Smērvielas tūbiņa
11. Rezerves motora ogļītes
12. Putekļu aizsargs
13. Rokturis, izolēta satveršanas virsma

## PALIEKOŠIE RISKI

Pat tad, ja rotējošā triecienurbjmašīna tiek lietota kā aprakstīts, joprojām nav iespējams pilnībā novērst atsevišķus atlikušā riska faktoros. Lietošanas laikā var rasties šādas briesmas un strādniekam īpaša uzmanība jāpievērš šim:

- Elektrotraumas risks, ieurbjot elektrokabeļos. Vienmēr satveriet instrumentu aiz speciālajiem rokturiem un nepieskarities urbja uzgaļiem.
- Atsitiens urbšanas laikā uzgaļa iestrēgšanas gadījumā. Vienmēr izmantojiet sāna rokturi un cieši satveriet instrumentu.
- Bojājums elpošanas sistēmai. Valkājiet elpošanas aizsargmaskas, kurām ir apstrādājamiem materiāliem atbilstoši filtri. Darba vietā nodrošiniet atbilstošu ventilāciju. Darba vietā neēdiet, nedzeriet un nesmēķējiet.





- Dzirdes bojājumi. Vienmēr lietojiet efektīvus dzirdes aizsarglīdzekļus un ierobežojiet trokšņa iedarbību.
- Bojājums acīm no lidojošiem putekļiem un grūžu daļiņām. Vienmēr nēsājiet acu aizsardzību.
- Vibrācijas radīti bojājumi. Turiet instrumentu aiz speciālajiem rokturiem un ierobežojiet vibrācijas iedarbību. Skatīt "Risku Samazināšana".

### RISKA SAMAZINĀŠANA

Ir ticis ziņots, ka vibrācijas no rokas instrumentiem atsevišķos cilvēkos var veicināt kaiti, ko sauc par Reino sindromu. Simptomi var ietvert pirkstu tīkšķēšanu, nejutīgumu un nobālēšanu, parasti aukstā laikā. Tiek uzskatīts, ka tradicionālie faktori, aukstums un mitrums, uzturs, smēķēšana un darba prakse sekmē šo simptomu attīstību. Operators var veikt pasākumus, lai iespējami samazinātu vibrācijas efektu:

- Aukstā laikā ķermenim jābūt siltam. Darbinot ierīci, nēsājiet cimdus, lai rokas un plaukstu locītavas būtu siltas. Ir pētījumi, ka auksts laiks ir galvenais faktors, kas veicina Reino sindromu.
- Ik pēc laika apturiet darbu un veiciet vingrinājumus, kas uzlabo asins cirkulāciju.
- Strādājot jābūt biežiem pārtraukumiem. Ierobežojiet iedarbības ilgumu dienā.

Ja jūs izjūtat kādu no šiem simptomiem, nekavējoties apturiet ierīces lietošanu un sazinieties ar ārstu par šiem simptomiem.

### ⚠ BRĪDINĀJUMS

Ilgstoša instrumenta lietošana var izraisīt traumas vai pasliktināt veselības stāvokli. Ilgstoši lietojot jebkuru instrumentu, pārliecinieties, ka tiek veikti regulāri pārtraukumi.

### APKOPE

### ⚠ BRĪDINĀJUMS

Produktu nekad nedrīkst pievienot barošanas padevei, veicot daļu montāžu, regulēšanu, tīrīšanu vai apkopi, kā arī laikā, kad tas netiek izmantots. Atvienojot produktu, tiek novērsta nejauša ieslēgšanās, kas var izraisīt nopietnu traumu.

### ⚠ BRĪDINĀJUMS

Veicot apkopi, izmantojiet tikai oriģinālās ražotāja rezerves daļas. Jebkādi citu detaļu izmantošana var izraisīt bīstamību vai produkta bojājumus.

- Tīrot plastmasas daļas, izvairieties no šķīdinātāju lietošanas. Vairums plastmasu ir jutīgas pret dažāda veida pārdošanā esošajiem šķīdinātājiem un to izmantošanas rezultātā var tikt bojātas. Izmantojiet tīru drānu, lai notīrītu nefirmus, oglekļa putekļus utt.

### ⚠ BRĪDINĀJUMS

Nekādā gadījumā plastmasas daļām neļaujiet nonākt saskarē ar bremžu šķidrumu, benzīnu, naftas izstrādājumiem, eļļām ar paaugstinātu mitrināšanas spēju utt. Ķīmikālijas var sabojāt, novājināt vai iznīcināt plastmasas detaļas.

- Elektroinstrumenti, kurus izmanto stikla šķiedras materiāla, gipsa plāksnes, plastikāta savienojumu vai apmetuma apstrādei, ātrāk nodilst un var priekšlaicīgi nolietoties, jo stikla šķiedras šķembas un putekļi ļoti abrazīvi iedarbojas, piemēram, uz gultņiem, sukām un komutatoriem. Nav ieteicams lietot ierīci ilgstoši, griežot šāda veida materiālus.

### ⚠ BRĪDINĀJUMS

Elektroinstrumenta darbības vai putekļu pūšanas laikā vienmēr izmantojiet aizsargbrilles vai drošības brilles ar sānu aizsargiem. Ja darbība ir saistīta ar putekļu rašanos, uzlieciet arī putekļu masku.

- Ja bojāts strāvas padeves vads, lai izvairītos no riska, to drīkst nomainīt tikai ražotājs vai pilnvarotā apkopes centrā. Saazinieties ar pilnvarotu servisa centru.
- Lielākai drošībai un uzticamībai, visus remontdarbus jāveic RYOBI pilnvarotam servisa centram.

### EĻĻOŠANA

Visi izstrādājuma gultņi tiek eļļoti ar pietiekamu augstas kvalitātes smērvielas daudzumu, lai nodrošinātu produkta kalpošanas laiku normālos lietošanas apstākļos.

### PĀRNESUMKĀRBAS EĻĻOŠANA

Pievienojiet pārnēsukārbā 10 g smērvielas pēc 45 stundu nepārtrauktas lietošanas vai pēc 55 stundu uzkrātā lietošanas laika.

### VIDES AIZSARDZĪBA



Tā vietā, lai izejmateriālus izmestu atkritumos, nododiet tos otrreizējai pārstrādei. Mašīna, aksesuāri un iepakojums ir jāsašķiro un jānodod videi draudzīgā atkārtotas pārstrādes vietā.

### UZ PRECES ESOŠIE SIMBOLI



Drošības brīdinājums

V

Volts

Hz

Herci

~

Mainstrāva

W

Vati

n<sub>o</sub>

Apgrīzieni bez slodzes

min<sup>-1</sup>

Apgrīzieni minūtē

EN  
FR  
DE  
ES  
IT  
NL  
PT  
DA  
SV  
FI  
RU  
NO  
PL  
CS  
HU  
RO  
LV  
LT  
ET  
HR  
SL  
SK  
BG  
UK  
TR  
EL





Pirms iedarbināt mašīnu, lūdzu rūpīgi izlasiet instrukcijas.



Lietojiet acu, dzirdes un elpceļu aizsarglīdzekļus.



CE atbilstība



EurAsian atbilstības marķējums



Ukrainas apstiprinājuma zīme



II klase, dubulta izolācija



Perforēšanas režīms



Perforēšanas režīms



Urbšanas režīms



Izlietotie elektroprodukti nedrīkst tikt izmesti kopā ar mājtsaimniecības atkritumiem. Lūdzu, nododiet tos attiecīgajās atk ār tolas izmantošanas vietās. Sazinieties ar savu vietējo varas pārstāvi vai izplatītāju, lai noskaidrotu, kur iespējama atkārtota pārstrāde.



Izslēgt



Ieslēgšanas



Flīze



Mūris



Koks



Metāls

Lai izskaidrotu risku, kas saistīti ar izstrādājumu, līmeni, paredzēti šādi norādījuma vārdi un jēdzieni.

### **BĪSTAMI**

Norāda uz nenovēršami bīstamu situāciju, kas, ja netiks novērsta, izraisīs nāvi vai nopietnus miesas bojājumus.

### **BRĪDINĀJUMS**

Norāda uz potenciāli bīstamu situāciju, kas, ja netiks novērsta, var izraisīt nāvi vai nopietnus miesas bojājumus.

### **UZMANĪBU**

Norāda uz potenciāli bīstamu situāciju, kas, ja netiek novērsta, var izraisīt vieglus vai vidējus miesas bojājumus.

### **UZMANĪBU**

(Bez drošības trauksmes simbola), kas norāda, uz situāciju, kas var novest pie īpašuma bojājuma.

## SIMBOLI ROKASGRĀMATĀ



Piezīme



Pievienojiet elektropadevi.



Atvienojiet no elektropadeves.



Atsevišķi nopērkamās daļas vai piederumi



Bloķētājs



Atbloķēt



Projektuojant rotacinį kūjinį grąžtą, didžiausias prioritetas suteiktas saugai, eksploatacinėms savybėms ir patikimumui.

## NAUDOJIMO PASKIRTIS

Šis rotacinis kūjinis grąžtas skirtas naudoti tik suaugusiems, kurie yra perskaitę ir suprato šiame vadove pateiktus nurodymus bei įspėjimus ir gali būti laikomi atsakingi už savo veiksmus. Jį gali naudoti tik vienas asmuo, suimdamas spragtuką ir šonines rankenėles.

Rotacinis kūjinis grąžtas skirtas gręžti medieną ir metalą nenaudojant kūjo funkcijos. Raižymui ar mūro gręžimui galima naudoti kūjo režimą.

Rotacinis kūjinis grąžtas skirtas gręžti su antgaliais, kurių maksimalus skersmuo nurodytas gaminio specifikacijų lentelėje.

Naudokite suktuvą-smūginį gręžtuvą tik pagal pirmiau aprašytą naudojimo paskirtį.

## ⚠ ĮSPĖJIMAS

**Perskaitykite visus saugos įspėjimus ir visą instrukciją.** Įspėjimų ir instrukcijų nesilaikymas gali sukelti elektros smūgį, gaisrą ir (ar) sunkius sužeidimus.

**Kad tinkamai naudotumėte įrankį, žr. visus perspėjimus ir nurodymus.**

## KALTO NAUDOJIMO SAUGOS TAISYKLĖS

- **Naudokite ausų apsaugos priemones.** Jei ausų neapsaugosite, galite prarasti klausą.
- **Naudokite papildomas su įrankiu tiekiamas rankenas.** Įrankio nesuvaldžius, galima susižeisti.
- **Elektrinį įrankį laikykite tik izoliavę sukibimo paviršius, kad darbo metu pjovimo įrankio priedas nesusiliestų su paslėptais laidais ar paties šlifuko kablo laidu.** Pjovimo metu priedas, prisilietęs prie laido, prijungto prie maitinimo šaltinio, gali aktyvuoti metalines elektrinio įrankio detales ir sukelti operatoriui elektros smūgį.

Papildomi saugos perspėjimai

- Dėvėkite apsauginius akinius, kad apsaugotumėte akis nuo skriejančių dalelių ir skeveldrų.
- Šlifuojant sienas ar pjaunant jose angas, reikia būti atsargiems ir nepažeisti elektros laidų ar dujotiekio arba vandentiekio vamzdžių.
- Dėvėkite kaukę nuo dulkių.
- Jei antgalis užstrigtų, tuoj pat išjunkite įrenginį. Kol antgalis užstrigęs, nebandykite įrenginio įjungti, antraip kils stiprios atatranks pavojus. Nustatykite antgalio užstrigimo priežastį ir pašalinkite ją, laikydamiesi saugos taisyklių.
- Antgalis gali užstrigti dėl toliau nurodytų priežasčių:
  - Antgalis yra pakreiptas ruošinio atžvilgio, o ne tiesiai
  - Antgalis kiaurai pragrėžė ruošinį
  - Įvyko elektrinio įrankio perkrova
- Suspauskite ruošinį spaustuvu. Neprispausti ruošiniai gali pajudėti ir sukelti sunkių traumų ar apgadinti vietą,

prie kurios yra tvirtinami.

- Laikykite rankas atokiai nuo veikiančio įrenginio antgalio.
- Nepasitikėkite vien savo patirtimi, įgyta dažnai naudojantis įrankiais,– neignorokite prietaiso naudojimo saugos taisyklių. Neatsargūs veiksmai, net ir mažiausią sekundę, gali sukelti sunkius sužeidimus.
- Kabelį laikykite taip, kad negalėtumėte ant jo užminti arba už jo užkliūti, kad jis neliestų aštrių briaunų ar judančių dalių ir būtų apsaugotas nuo gadinimo ar įtempimo. Taip sumažinsite sužeidimais galinčio baigtis griuvimo pavojų ir išvengsite kabelio sugadinimo, kuris gali lemti elektros smūgį.
- Rankenos ir paviršiai, už kurių yra laikomas prietaisas, privalo būti sausi, švarūs, netepaluoti ir nealyvuoti. Slidžios rankenos ir laikymo paviršiai neleidžia saugiai naudotis prietaisu ir suvaldyti jo netikėtomis sąlygomis.
- Naudojimo metu antgalis gali įkaisti. Nudėgimo pavojus:
  - Keičiant įrankius / antgalius
  - Padedant įrenginį į vietą

## GERAI IŠMANYKITE APIE GAMINĮ

*Žiūrėti 83 psl.*

1. SDS+ kumštelinis griebtuvas
2. Pagalbinė rankena
3. Tepalinės dangtelis
4. Perjungiklis
5. Režimo valdiklis
6. Antrinio režimo jungiklis
7. Anglinio šepetėlio gaubtelis
8. Veržliaraktis
9. Gylis atskaitos strypas
10. Tepalo vamzdelis
11. Atsarginiai angliniai šepetėliai
12. Dulkių gaubtuvas
13. Rankena, izoliuotu paviršiumi

## ŠALUTINIS PAVOJUS

Net naudojant rotacinį kūjinį grąžtą pagal taisykles, negalima visiškai atmesti tam tikrų liekamųjų rizikos veiksnių. Naudojant gali kilti toliau nurodyti pavojai ir naudotojas turi būti ypatingai atsargus, kad išvengtų šių pavojų:

- Pavojus žūti nuo elektros srovės pragrėžus elektros laidus. Įrankį būtina laikyti už specialiai tam skirtų rankenėlių: negalima liesti grąžto antgalių.
- Atatranka gręžiant įstrigus grąžto antgaliai. Būtina tvirtai laikyti įrankį už šoninių rankenėlių.
- Žala kvėpavimo sistemai. Dėvėkite kvėpavimo sistemos apsaugines kaukes su atitinkamais filtrais, nepalaidžiančiais nuo pjaunamų medžiagų atsiskiriančių dalelių. Darbo vieta turi būti tinkamai vėdinama. Darbo vietoje negalima valgyti, gerti ar rūkyti.
- Žala klausai. Būtina dėvėti veiksmingas klausos apsaugos priemones ir riboti buvimą triukšme.
- Žala akims nuo pasklidusių dulkių ir nuolaužų dalelių. Būtina dėvėti tinkamą akių apsaugą.
- Vibracijos sukelti pažeidimai. Įrankį laikyti už



specialiai tam skirtų rankenėlių ir roboti buvimą vibracijos poveikio srityje. Žr. "Rizikos Veiksnių Mažinimas".

## RIZIKOS MAŽINIMAS

Turime pranešimų, kad vibracija nuo ranka laikomų įrankių kai kuriems asmenims gali turėti neigiamos įtakos vystantis Raynaud sindromui. Šios ligos požymiai yra pirštų dilgčiojimas, nutirpimas ir pabalimas, paprastai pasireiškiantis nuo šalčio. Šie simptomai vystosi dėl paveldimų veiksnių, nesisaugant nuo šalčio ir drėgmės, dėl mitybos, rūkymo ir darbo praktikos. Operatorius gali imtis šių priemonių, kurios gali sumažinti vibracijos poveikį:

- Apsirenkite kuo šilčiau šaltu oru. Dirbant šiuo prietaisu mūvėkite pirštines, kad plaštakos ir riešai būtų laikomi šilti. Turime pranešimų, kad Raynaud sindromas labiausiai vystosi nuo šalto oro sąlygų.
- po darbo kiekvieną kartą pasportuokite, kad pagerėtų kraujo apytaka;
- dažnai darykite darbo pertraukas. Apribokite darbo laikotarpį per dieną.

Jei jums pasireiškia kokie nors šios būklės simptomai, nedelsdami nutraukite darbą ir kreipkitės į gydytoją.

## ⚠️ ĮSPĖJIMAS

Ilgai naudojant įrankį, galima susižaloti arba pakenkti sveikatai. Ilgiau naudojant įrankius, reikia reguliariai daryti pertraukas.

## PRIEŽIŪRA

## ⚠️ ĮSPĖJIMAS

Perforatoriaus joku būdu negalima jungti į maitinimo šaltinį montuojant dalis, reguliuojant, valant, atliekant priežiūros darbus ar jo nenaudojant. Atjungus perforatorių, jis nepasileis atsiktinai: atsiktinai pasileidęs, šis įrankis gali sunkiai sužaloti.

## ⚠️ ĮSPĖJIMAS

Atliekant techninės priežiūros darbus, galima naudoti tik gamintojo atsargines dalis. Kitų detalių naudojimas gali sukelti pavojų ar sugadinti įrankį.

- Valydami plastikines detales, nenaudokite tirpiklių. Daugelis plastikų jautrūs įvairių tipų komerciniams tirpikliams ir juos naudojant galima pažeisti plastikines detales. Valydami purvą, anglies dulkes ir kt. naudokite švarią šluostę.

## ⚠️ ĮSPĖJIMAS

Stabdžių skysčiai, gazolinas ir benzino produktai, skvarbios alyvos ir pan. joku būdu negali patekti ant plastiko dalių. Juose yra chemikalų, kurie gali sugadinti, pažeisti arba susilpninti plastiką.

- Su stiklo pluošto medžiagomis, sieninėmis plokštėmis,

kibirkščiuojančiais junginiais ar tinku darbo metu naudojami elektriniai įrankiai greitai susidėvi ir sugenda todėl, kad stiklo pluošto atplaišos ir šlifavimo likučiai agresyviai veikia guolius, šepetčius, komutatorius, ir t. t. Nepatartina labai ilgai gaminiu pjauti šio tipo medžiagų.

## ⚠️ ĮSPĖJIMAS

Dirbdami su elektriniu įrankiu ar kai pučiamos dulės, visada dėvėkite apsauginius akinius ar akinius su šonine apsauga. Jei darbo metu kyla dulės, taip pat dėvėkite kaukę nuo dulkių.

- Jeigu maitinimo laidas pažeistas, jį turi pakeisti tik gamintojas arba įgaliota techninės priežiūros įmonė, kad būtų išvengta pavojaus. Kreipkitės į įgaliotąjį techninio aptarnavimo centrą.
- Siekiant užtikrinti didesnę saugumą ir patikimumą, visus taisymo darbus turi atlikti įgaliotas "RYOBI" techninio aptarnavimo centras.

## SUTEPIMAS

Kad įprastomis darbo sąlygomis perforatorius ilgai nesusidėvėtų, visi jo guoliai sutepti reikiamu kiekiu aukštos klasės tepalo.

## PAVARŲ DĖŽĖS TEPIMAS

Įpilkite į pavarų dėžę 10 g tepalo po 45 nepertraukiamo darbo valandų arba po 55 kaupiamųjų darbo valandų.

## APLINKOS APSAUGA



Žaliavines medžiagas perdirbkite pakartotinai, o ne išmeskite kaip atliekas. Mechanizmas, priedai ir pakuotės turi būti laikomi pakartotinai perdirbti aplinkai nekenksmingu būdu.

## SIMBOLIAI ANT ĮRENGINIO



Saugos perspėjimas

V

Volta

Hz

Hercai

~

Kintamoji srovė

W

Vatai

no

Greitis be apkrovimo

min<sup>-1</sup>

Apsukos ar judėjimas per minutę



Atidžiai persikaitykite instrukcijas prieš pradėdami naudoti mechanizmą.



Dėvėkite akių, ausų ir kvėpavimo takų apsaugos priemones.



CE atitiktis



„EurAsian“ atitikties ženklas



Ukrainos atitikties ženklas



II klasė, dviguba izoliacija



Plaktuko režimas



Kalamojo gręžimo režimas



Gręžimo režimas



Elektrinių produktų atliekos neturi būti metamos kartu su namų ūkio atliekomis. Prašome perdirbkite jas ten, kur yra tokios perdirbimo bazės. Dėl perdirbimo patarimo kreipkitės į savo vietinę savivaldybę ar pardavėją.



Metalas

Šie signaliniai žodžiai yra skirti nurodyti su prietaisu naudojamu susijusio pavojaus lygį.

**PAVOJUS**

Rodo grėšiančią pavojingą situaciją, kurios neišvengus galima patirti mirtiną arba sunkų sužalojimą,

**ISPĖJIMAS**

Rodo potencialiai pavojingą situaciją, kurios neišvengus galima patirti mirtiną arba sunkų sužalojimą.

**ATSARGIAI**

Rodo potencialiai pavojingą situaciją, kurios neišvengus galima patirti nesunkų arba vidutinio sunkumo sužalojimą.

**ATSARGIAI**

(Be įspėjamojo šauktuko) Reiškia situaciją, kurioje galima sugadinti turtą.

EN
FR
DE
ES
IT
NL
PT
DA
SV
FI
NO
RU
PL
CS
HU
RO
LV
<b>LT</b>
ET
HR
SL
SK
BG
UK
TR
EL

**SIMBOLIAI VADOVE**



Pastaba



Jungimas prie maitinimo lizdo.



Išjungimas iš maitinimo lizdo.



Detalės arba priedai yra parduodami atskirai



Blokėtąjs



Atrakinti



Išjungta



Ijungimo



Plytelė



Mūras



Mediena





Teie pöörleva puurvasara konstrueerimisel on peaeesmärgiks olnud toote ohutus, tootlikkus ja töökindlus.

### OTSTARBEKOHANE KASUTAMINE

Este taladro percutor rotatorio está diseñado para ser utilizado por adultos que hayan leído y comprendido las instrucciones y advertencias recogidas en este manual y que puedan ser considerados responsables de sus acciones. Debe ser utilizado por un solo operario que sujete el gatillo y los mangos laterales.

No se debe utilizar la función percutora sobre madera y metal. Para cincelado y taladrado de albañilería, puede utilizarse el modo percutor.

El taladro percutor rotatorio está diseñado para utilizar brocas hasta el diámetro máximo definido en la tabla de especificaciones del producto.

Kasutage puurvasarat vaid ülalpool kirjeldatud eesmärgil.

### ⚠ HOIATUS

**Lugege kõik ohuhoiatused ja juhised läbi.** Hoiatuse ja juhiste eiramise puhul on oht saada elektrilööki või raskeid kehavigastusi ning/või põhjustada tulekahju.

Hoidke kõik hoiatused ja juhised edaspidiseks juhindumiseks alles.

### VASARA OHUTUSJUHISED

- **Kasutage kuulmiskaitsevahendeid.** Tugev müra võib põhjustada kuulmiskaotuse.
- **Kasutage töötamisel tööriistaga kaasa antud lisakäepidet.** Kontrolli alt väljunud tööriist võib põhjustada kehavigastuse.
- **Töötamisel kohtades, kus löikeriist võib kokku puutuda varjatud elektrijuhtmetega, hoidke tööriista kinni ainult isoleeritud käepidemetest.** Kui kinnitusdetail või puur satub kontakti pingele all olevate juhtmetega, jäävad tööriista isoleerimata metallosad pingele alla ja kasutaja võib saada elektrilöögi.

Täiendavad ohutusjuhised

- Silmade kaitsmiseks lendavate osakeste või kildude eest kasutage kaitseprille.
- Avade puurimisel seintesse, põrandatesse olge ettevaatlik, et vältida kaableid, gaasi- ja veetorustikke.
- Kandke tolumumaski.
- Lülitage toode otsekohe välja, kui tarvik kinni kiilub. Ärge lülitage toodet uuesti sisse, kui tarvik on kinni kiilunud, vastasel korral võib tekkida ootamatu tugeva reaktsioonijõuga tagasipõrge. Tehke kindlaks, miks tarvik kinni kiilus ja kõrvaldage selle põhjus, sealjuures pidage kinni ohutusjuhistest.
- Tarvik võib kinni kiiluda järgmistel põhjustel:
  - Tarvik on töödeldavas detailis kaldu
  - Tarvik on töödeldavast detailist läbi läinud
  - Tööriist on ülekoormatud
- Kinnitage toorik pitskruviga. Kinnitamata toorik võib põhjustada raske kehavigastuse või tekitada varakahju.
- Ärge pange käsi töötava toote lähedale.

- Ärge muutuge hooletuks ega ignoreerige tööriista ohutusnõudeid, kui te seadet juba tunnete ja olete seda tihti kasutanud. Pidage meeles, murdosa sekundist piisab, et saada raske kehavigastus.
- Jälgige, et juhe on paigaldatud nii, et see ei jää jalgade alla ega sellele ei saa otsa komistada, see ei puutu kokku teravate servade ega liikuvate osadega või ei saa muul viisil kahjustada ega ole pinges all. See vähendab kogemata kukkumiste ohtu, mis võivad tekitada vigastusi, ja juhtme kahjustusi, mis võivad põhjustada elektrilöögi.
- Hoidke käepidemed ja haardepinnad kuivad, puhtad ning õli- ja määrdevabad. Ootamatutes olukordades ei saa libedate käepidemete ja haardepindadega tööriista ohutult käsitseda ega kontrollida.
- Tarvik võib kasutamise ajal kuumaks minna. Põletuste oht:
  - tarvikute/otsakute vahetamisel
  - seadet maha asetades

### ÕPPIGE OMA TOODET TUNDMA

Vt lk 83.

1. SDS+ padrun
2. Lisakäepide
3. Määrdekork
4. Lülitisnupp
5. Režiimivalits
6. Teise režiimi valik
7. Süsiharja kate
8. Võti
9. Puurimissügavuse piiraja
10. Määrdeaine tuub
11. Tagavara süsiharjad
12. Tolmukate
13. Isoleeritud haardepinnaga käepide

### JÄÄKRISKID

Incluso utilizando el taladro percutor rotatorio como es debido, es imposible eliminar totalmente ciertos factores de riesgo residuales. Töötamise ajal võivad tekkida järgmised ohud, millele operaator peab pöörama erilist tähelepanu.

- Riesgo de electrocución si se perforan cables eléctricos. Sujete siempre la herramienta mediante los correspondientes mangos, no toque las brocas.
- Si la broca se atasca durante el taladrado, existe riesgo de rebote. Use siempre el mango lateral y sujete la herramienta con firmeza.
- Daños al sistema respiratorio. Kandke hingamismaski, milles on filter vastavalt lõigatavale materjalile. Tagage töökohal nõuetekohane ventilatsioon. Ärge töökohal sööge, jooge ega suitsetage.
- Kuulmise kahjustumine. Use siempre protección auditiva eficaz y limite el tiempo de exposición al ruido.
- Las partículas de residuos y polvo pueden causar daños oculares. Kandke alati sobivaid kaitseprille.
- Vibratsioonist põhjustatud kehavigastus. Sujete la herramienta mediante los correspondientes mangos y limite su exposición a la vibración. Vadake Osa "Riskide Vältimine".



## RISKI ALANDAMINE

Teadaolevalt võib käsitööriistade kasutamine põhjustada mõnedel inimestel seisundit, mida nimetatakse Raynaud' sündroomiks. Sümptomidena võib ilmneda sõrmede tuimus ja valkjaks muutumine, mis tavaliselt ilmneb külmas töötamisel. Nende sümptomite puhul tuleb hoiduda külmast ja niiskusest, dieedist ning suitsetamisest ja kasutada õigeid töövõtteid. Vibratsiooni mõju vähendamiseks tuleb rakendada järgmisi abinõusid.

- Külma ilmaga hoidke oma keha soe. Kandke kindaid, et hoida oma käed ja randmed soojad. Uuringud näitavad, et Raynaud's Syndrome ilmneb põhiliselt külma ilmaga.
- Pärast külmas töötamist tehke harjutusi, et verevarustust kiirendada.
- Tehke regulaarselt töövaheaegasid. Piirake tööperioodi pikkust.

Kui ilmnevad haigustunnused, lõpetage kohe töö ja pöörduge arsti poole.

## HOIATUS

Seadme pikaajalisel kasutamisel võite saada kehavigastusi või vigastused võivad süveneda. Seadme kasutamisel pika aja jooksul tuleb teha korralisi vaheaegasid.

## HOOLDUS

### HOIATUS

Seade ei tohi mingil juhul olla toitepinge all sel ajal kui kinnitate selle osi, teete reguleerimistoiminguid, puhastate või hooldate seadet ning siis kui seda ei kasutata. Seadme elektrivõrgust lahtiühendamine väldib selle tahtmatu käivitumise, mis võib põhjustada raske kehavigastuse.

### HOIATUS

Kasutage hooldamisel ainult tootja originaalvaruosi. Muude osade kasutamine võib tekitada ohuolukorra ja põhjustada seadme vigastumise.

- Vältige plastosade puhastamisel lahustite kasutamist. Enamik plaste on tundlikud kaubandusvõrgust saadaolevate lahustite suhtes ja võivad nende mõjul oma omadusi kaotada. Tolmust, õlist, määrdest ja muust mustusest puhastamiseks kasutage puhast riidelappi.

### HOIATUS

Ärge laske plastosadel mitte mingil juhul sattuda kokkupuutesse auto pidurivedeliku, bensiini, bensiinipõhiste toodete, immutusõlidega või muude samalaadsete vedelikega. Kemikaalid võivad kahjustada, nõrgendada või hävitada plastiku.

- Elektritööriistade kasutamisel klaaskiudmaterjalide,

seinapaneelide, pahtlase või kipsi lihvimiseks võib kaasnedes masinaosade kiirenenud kulumine ning võimalikud rikked, sest klaaskiududest ja teistest peenosakestest koosnev väga abrasiivne lihvimistolm kulutab laagreid, kollektori harju, kommutaatorit ja teisi mootoriosi. Seda tüüpi materjalide pikaajaline töötlemine selle seadme abil ei ole soovitatav.

## HOIATUS

Töötamisel ja tolmu ärapuhumisel kandke alati silmamaski või kühjekaitsetega kaitseprille. Kui töötlemine on tolmune, siis kandke tolmumaski.

- Kui toitejuhe on vigastatud, siis tuleb see lasta asendada tootja või klienditeenindaja poolt, et ohtusid vältida. Pöörduge volitatud hoolduskeskuse poole.
- Kõik remonttööd tuleb lasta teha RYOBI volitatud hoolduskeskuses, et tagada masina ohutus ja töövõime.

## MÄÄRIMINE

Kõik selle tööriista laagrid on tehases täidetud piisava hulga kvaliteetse määrdega, mis tagab tavatingimustes nende töövõime kogu kasutusea jooksul.

## ÜLEKANDEPEA MÄÄRIMINE

Lisage ülekandepesasse 10 g määret pärast 45-tunnist pikaajalist kasutamist või pärast 55-tunnist kumulatiivset kasutamist.

## KESKKONNAKAITSE



Taaskasutage materjale nende jäätmekäitlusesse andmise asemel. Masin, selle liseseadmed ja pakend tuleb jäätmekäitluseks keskkonnasõbralikult sorteerida.

## MASINAL OLEVAD SÜMBOLID



Ohuhoiatus

V

Volt

Hz

Hertz

~

Vahelduvvool

W

Watt

no

Kiirus ilma koormuseta

min<sup>-1</sup>

Pöörete või löökide arv minutis



Enne seadme kasutamist lugege palun kasutusjuhend hoolega läbi.



Kandke silmakaitseid, kõrvaklappe ja hingamisteede kaitsevahendeid.



CE-vastavus



Euraasia vastavusmärk



Ukraina vastavusmargis



Klass II, topeltisolatsiooniga



Löögirežiimi sümbol



Löökpuurimisrežiim



Puurimisrežiimi sümbol



Mittekasutatavaid elektritooteid ei tohi visata olmejäätmete hulka. Vaid tuleb viia vastavasse kogumispunkti. Vajadusel küsige sellekohast nõu oma edasimüüjalt või vastavalt kohaliku omavalitsuse institutsioonilt.



Metall

Järgnevad märguandesõnad ja tähendused on mõeldud selle toote kasutamise seotud riskitasemetega kirjeldamiseks.

**OHT.**

Osutab ähvardavale ohuolukorrale, mille mittevältimine lõpeb surma või tõsise vigastusega.

**HOIATUS**

Osutab võimalikule ohuolukorrale, mille mittevältimine võib lõppeda surma või tõsise kehavigastusega.

**ETTEVAATUST**

Osutab võimalikule ohuolukorrale, mille mittevältimine võib lõppeda väiksemate või möödukate kehavigastustega.

**ETTEVAATUST**

(Ilma ohutussümbolita) Viitab olukorrale, mis võib põhjustada kahjustusi varale.

**KASUTUSJUHENDIS KASUTATUD SÜMBOLID**



Märkus



Ühendage toitevõrku.



Ühendage seade toitevõrgust lahti.



Eraldi ostetavad osad või tarvikud



Lukk



Lahtikeeramine



Väljas



Sisse



Keraamiline plaat



Müüritis



Puit



U razvoju ove rotacijska udarna bušilica dati su maksimalni prioriteta sigurnosti, performansama i pouzdanosti.

### NAMJENA

Ova rotacijska udarna bušilica namijenjena je za korištenje samo od strane odraslih osoba koje su pročitale i razumiju upute i upozorenja u ovom priručniku te se mogu smatrati odgovornim za svoje radnje. Koristi je jedan krisnik na način da uhvati sklopku za pokretanje i bočne ručke.

Rotacijska udarna bušilica namijenjena je za rad bez udarne funkcije u drvetu i metalu. Za blanjanje i bušenje u zidarstvu, može se koristiti čekić.

Rotacijska udarna bušilica namijenjena je za rada sa svrdlima za bušenje do maksimalnog promjera koji je definiran u tablici specifikacija proizvoda.

Rotacijsku čekić bušilicu ne koristite za drugu svrhu ako nije opisana u nastavku.

### ⚠ UPOZORENJE

**Pročitajte sva sigurnosna upozorenja i sve upute.** Nepridržavanje upozorenja i uputa navedenih u nastavku može dovesti do električnog udara, požara i/ili ozbiljnih tjelesnih ozljeda.

**Spremite sva upozorenja i upute za buduće korištenje.**

### SIGURNOSNA UPOZORENJA ZA ČEKIĆ

- **Nosite štitnike za uši.** Izlaganje buci može izazvati gubitak sluha.
- **Koristite pomoćne ručke koje su isporučene uz alat.** Gubitak kontrole može dovesti do tjelesnih ozljeda.
- **Držite uređaj po izoliranim ručkama površina samo pri obavljanju operacije u kojoj rezanje skrivene ožičenja ili vlastiti kabel.** Dodirivanje „žive“ žice priborom za rezanje može izložiti metalne dijelove alata električnoj energiji i može dovesti do strujnog udara na operatera.

Dodatna sigurnosna upozorenja

- Nosite zaštitne naočale da biste se zaštitili od eventualnih lomova i izbacivanja materijala.
- Kada radite u zidovima, podovima ili stropovima, pazite da izbjegnute električne kabele, cijevi za plin i vodu.
- Nosite masku protiv prašine.
- Odmah isključite proizvod ako je došlo do zastoja alata za umetanje. Nemojte ponovno uključivati proizvod dok je alat za umetanje u zastoju, pošto tako možete uzrokovati naglo odbijanje i odskakanje proizvoda sa snažnom reaktivnom silom. Odredite zašto dolazi do zastoja u radu alata za umetanje i ispravite to, obračunavaju pažnju na sigurnosne upute.
- Mogući uzroci zastoja alata za umetanje su sljedeći:
  - Alat za umetanje je nakošen u obratku
  - Alat za umetanje probio je obradku
  - Električni alat je preopterećen.
- Spojite uradak s uređajem za spajanje. Odspojenu izratku mogu uzrokovati ozbiljne ozljede i oštećenje.
- Ne stavljajte ruke u proizvod dok radi.

- Nemojte dopustiti da vas poznavanje alata zbog česte uporabe opusti toliko da zanemarite sigurnosne principe rukovanja alatom. Nepažljive radnje čak i za djelić sekunde mogu dovesti do teških osobnih ozljeda.
- Kabel mora biti smješten tako da se ne može nagaziti na ili saplesti o njega i tako da ne može doći u kontakt s oštrim rubovima ili pokretnim dijelovima ili se oštetiti na neki drugi način. Na taj način ćete smanjiti opasnost od slučajnih padova koji mogu prouzročiti ozljede te oštećenja kabela koja mogu rezultirati strujnim udarom.
- Ručke i zahvatne površine održavajte suhima, čistima i vodite računa da na njima nema ulja i masti. Skliske ručke i zahvatne površine ne omogućavaju sigurno rukovanje i nadzor nad alatom u neočekivanim situacijama.
- Alat za umetanje može postati vruć tijekom uporabe. Opasnost od opekline:
  - Promjena alata/vrhova
  - Odlaganje uređaja

### UPOZNAJTE SVOJ PROIZVOD

Pogledajte stranicu 83.

1. SDS+ stezna glava
2. Pomoćna ručka
3. Poklopac za mast
4. Sklopka za pokretanje
5. Sklopka za odabir načina rada
6. Sekundarni birač načina rada
7. Poklopac ugljične četke
8. Iščašenje
9. Vodičica šipke za dubinu
10. Cijev za mazivo
11. Rezervne ugljične četke
12. Poklopac za prašinu
13. Drška, izolirana površina za hvatanje

### PREOSTALE OPASNOSTI

Čak i kad je rotacijska udarna bušilica korištena kao što je prethodno opisano, još uvijek nije moguće potpuno isključiti ostale čimbenike opasnosti. Može doći do sljedećih opasnosti prilikom korištenja i operater mora obratiti posebnu pozornost kako bi izbjegao sljedeće:

- Opasnost od strujnog udara ako se probuše alakrični kabeli. uvijek uhvatite alat za označene ručke, nemojte dodirivati svrdlo.
- Ako se zaglavi svrdlo može doći do povratnog udara. Uvijek koristite bočnu ručku i čvrsto držite alat.
- Oštećenja na respiratornom sustavu. Nosite respiratorne maske koje sadrže odgovarajuće filtere za materijale s kojima se radi Osigurajte odgovarajuću ventilaciju radnog mjesta. Nemojte jesti, piti ili pušiti u radom području.
- Opasnost po sluh. Uvijek nosite učinkovitu zaštitu za sluh i ograničite izloženost buci.
- Oštećenja ne vidu od čestica leteće prašine i ostataka. Uvijek nosite prikladna zaštitna sredstva za oči.
- Ozljede uzrokovane vibracijom Držite alat za označene ručke i ograničite izlaganje vibraciji. Pogledajte „Smanjenje Opasnosti“.

EN
FR
DE
ES
IT
NL
PT
DA
SV
FI
NO
RU
PL
CS
HU
RO
LV
LT
ET
<b>HR</b>
SL
SK
BG
UK
TR
EL



## SMANJENJE OPASNOSTI

Prijavljeno je da vibracije alata koje se drži u ruci kod određenih pojedinaca mogu doprinijeti stanju pod nazivom Raynaud's Syndrome. Simptomi mogu uključivati trnce, ukočenost i bjelinu prstiju, obično uočljivo po izlaganju hladnoći. Smatra se da nasljedne osobine, izlaganje hladnoći i vlazi, dijeta, pušenje i radni postupci pridonose razvoju ovih simptoma. Postoje mjere koje operator može poduzeti kako bi smanjio moguće učinke vibracije:

- Održavajte svoje tijelo toplim u hladnim vremenskim uvjetima. Kad radite s uređajem nosite rukavice kako biste ruke i zglobove održavali toplima. Prijavljeno je da je hladnoća glavni čimbenik koji doprinosi Raynaud's Syndrome.
- Nakon svakog perioda rada vježbajte kako biste povećali cirkulaciju krvi.
- Uzimajte česte stanke u radu. Ograničite količinu izlaganja po danu.

Ako osjetite neke od simptoma ovog stanja, odmah prekinite korištenje i obratite se svome liječniku vezano uz ove simptome.

## ⚠ UPOZORENJE

Ozljede mogu biti uzorkovane ili izazvane produljenim vremenskim razdobljem korištenja alata. Kada koristite bilo koji alat dulje vremena, osigurajte da uzimate povremene stanke.

## ODRŽAVANJE

## ⚠ UPOZORENJE

Proizvod nikad ne smije biti priključen na izvor napajanja kada sastavljate dijelove, vršite podešenja, čistite, izvodite održavanje ili kada se proizvod ne koristi. Iskapčanje proizvoda sprječava slučajno pokretanje koje može dovesti do ozbiljnih osobnih ozljeda.

## ⚠ UPOZORENJE

Prilikom servisiranja, koristite samo originalne zamjenske dijelove od proizvođača. Korištenje nekih drugih dijelova može dovesti do opasnosti ili uzrokovati oštećenje alat.

- Prilikom čišćenja plastičnih dijelova izbjegavajte koristiti kemijska sredstva. Većina plastika je podložna različitim vrstama komercijalnih kemijskih sredstava za čišćenje i mogu se oštetiti prilikom njihovog korištenja. Za uklanjanje nečistoća, prašine, ulja masti i drugog upotrebljavajte čistu krpu.

## ⚠ UPOZORENJE

Nikada ne dopustite kontakt plastičnih dijelova s tekućinom za kočnice, benzinom, proizvodima na bazi petroleja, sredstvima za odmašćivanje, idr. Ti kemijski proizvodi sadrže tvari koje mogu oštetiti, oslabiti ili uništiti plastiku.

- Električni alati korišteni na stakloplastici, zidnim pločama, pregradnim pločama ili plastici podložni su ubrzanom trošenju i mogućem prijevremenom kvaru jer iverje i strugotine stakloplastike su vrlo abrazivni za ležajeve, četkice, sklopke itd. Ne preporučujemo korištenje proizvoda za dulje vremensko razdoblje na ovim vrstama materijala.

## ⚠ UPOZORENJE

Uvijek tijekom rada s električnim alatom ili prilikom ispuhivanja prašine nosite zaštitne naočale i zaštitne naočale s bočnim štitnicima. Ako radite u prašini nosite i masku za zaštitu od prašine.

- Ako je kabel za napajanje oštećen, mora ga zamijeniti samo proizvođač ili ovlašten servisni centar kako bi se izbjegla opasnost. Obratite se ovlaštenom servisnom centru.
- Radi veće sigurnosti i pouzdanosti, sve popravke treba izvoditi ovlašten RYOBI servisni centar.

## PODMAZIVANJE

Svi ležajevi u ovom proizvodu podmazani su s dovoljnom količinom visokokvalitetnog sredstva za podmazivanje za životni vijek proizvoda u normalnim radnim uvjetima.

## PODMAZIVANJE MJENJAČA

U mjenjač dodajte 10 g masti nakon 45 sati neprekidnog korištenja ili nakon 55 sati ukupnog korištenja.

## ZAŠTITA OKOLIŠA



Sirovine reciklirajte, umjesto da ih odlažete kao otpad. Kako biste zaštitili okoliš, alat, dodatke i ambalažu treba odvojeno baciti u otpad.

## SIMBOLI NA PROIZVODU



Sigurnosno upozorenje

V

Volti

Hz

Herzi

~

Izmjenična struja

W

Wati

n<sub>o</sub>

Brzina bez opterećenja

min<sup>-1</sup>

Broj okreta ili pokreta u minuti



Molimo da pažljivo pročitate upute prije pokretanja stroja.



Nosite odgovarajuću zaštitu za vid, sluh i disanje.



CE usklađenost



EurAsian znak konformnosti



Ukrajinska oznaka za sukladnost



Klasa II, dvostruka izolacija



Način rada udarnog bušenja



Način rada bušenja s čekićem



Način rada bušenja



Otpadni električni proizvodi ne treba da se odlažu s otpadom iz domaćinstva. Molimo da reciklirate gdje je to moguće. Potražite savjet od lokalnih vlasti ili prodavca kako reciklirati.



Uklj.



Pila



Zidarstvo



Drvo



Metal

Slijedeće riječi upozorenja i značenja imaju namjeru da objasne nivo rizika u vezi s ovim proizvodom.

#### OPASNOST

Naznačuje prijetecu opasnu situaciju, koja ako se ne izbjegne dovodi do smrti ili ozbiljnih ozljeda.

#### UPOZORENJE

Naznačuje potencijalno opasnu situaciju, koja ako se ne izbjegne dovodi do smrti ili ozbiljnih ozljeda.

#### OPREZ

Naznačuje potencijalno opasnu situaciju, koja ako se ne izbjegne dovodi do lakših ili srednjih ozljeda.

#### OPREZ

(Bez simbola upozorenja sigurnosti) Označava situaciju koja može izazvati oštećenje imovine

## SIMBOLI U PRIRUČNIKU



Napomena



Priključite na napajanje.



Odspojite iz napajanja.



Dijelovi ili pribor prodan odvojeno



Brava



Otključavanje



Isključeno



Varnost, učinkovitost in zanesljivost so bile pri načrtovanju vašega rotacijskega udarnega vrtnika ključnega pomena.

### NAMEN UPORABE

Ta udarni vrtnik je namenjen odraslim, ki so prebrali in razumejo navodila in opozorila v tem priročniku in ki so odgovorni za svoja dejanja. Namenjen je za uporabo s strani enega upravljavca, ki drži tako za sprožilno kot stranske ročice.

Ta udarni vrtnik je brez udarne funkcije namenjen za vijačenje v les in kovino. Za dletenje in vrtnje v zidove se lahko uporablja udarna funkcija.

Udarni vrtnik je namenjen za delovanje s svedrji do maksimalnega premera, navedenega v tabeli s tehničnimi podatki.

Rotacijskega udarnega vrtnika ne uporabljajte za noben namen, ki ni opisan spodaj.

### ⚠ OPOZORILO

**Preberite vsa varnostna opozorila in navodila.** Neupoštevanje opozoril in navodil lahko privede do električnega udara, požara in/ali resnih poškodb.

Vsa opozorila in vsa navodila shranite za bodočo referenco.

### VARNOSTNA OPOZORILO ZA KLADIVO

- **Nosite ščitnike za ušesa.** Izpostavljenost hrupu lahko povzroči izgubo sluha.
- **Uporabljajte pomožne ročaje, ki so priloženi orodju.** Če izgubite nadzor nad orodjem, se lahko poškodujete.
- **Ko izvajate operacijo, pri kateri lahko dodatek za rezanje pride v stik s skritim ožičenjem ali s svojim lastnim kablom, držite električno orodje le na izoliranih površinah, predvidenih za držanje.** Če se pripomočki za rezanje dotaknejo žice, ki je pod električno napetostjo, lahko izpostavljeni kovinski deli električnega orodja povzročijo električni udar.

Dodatna varnostna opozorila

- Za zaščito oči pred letječimi delci in drobci nosite zaščitna očala.
- Pri delu v stenah, stropih ali tleh pazite, da se izognite električnim kablom ali plinskimi ali vodovodnim napeljavam.
- Nosite protiprašno masko.
- Če vstavitevno orodje zastane, takoj izklopite izdelek. Če je vstavitevno orodje zastalo, izdelka ne vklopite znova, ker lahko s tem sprožite nenaden sunek z veliko reakcijsko silo. Ugotovite vzrok za zastoj vstavitvenega orodja in ga odpravite, pri čemer upoštevajte varnostna navodila.
- Možni razlogi za zastoj vstavitvenega orodja so:
  - Vstavitevno orodje je poševno vstavljeno v obdelovanca
  - Vstavitevno orodje je prebilo obdelovanca
  - Električno orodje je preobremenjeno
- Obdelovanec vpnite z vpenjalno napravo. Obdelovanci,

ki niso vpeti, lahko povzročijo hude poškodbe in škodo.

- Ne segajte v izdelek, ko ta deluje.
- Pazite, da zaradi pogoste uporabe orodja ne postanete preveč samozavestni pri svojem delu in ne namenite pozornosti upoštevanju varnostnih načel uporabe. Neprevidna dejanja, ki lahko trajajo le delček sekunde, lahko povzročijo hude poškodbe.
- Prepričajte se, da je kabel položen na mestu, kjer ga ne morete pohoditi, se ob njega spotakniti, kjer ne more priti v stik z ostrimi robovi ali vrtečimi deli ali ni izpostavljen drugim poškodbam ali obremenitvam. S tem preprečite nevarnost nenamernih padcev, ki lahko privedejo do telesnih poškodb, in poškodb kabla, ki lahko privedejo do električnega udara.
- Ročaji in držalne površine naj bodo suhi, čisti in brez olja ter masti. Spolzki ročaji in držalne površine ne omogočajo varnega ravnanja z orodjem ter njegovega upravljanja v nepričakovanih situacijah.
- Vstavitevno orodje se lahko med uporabo segreje. Nevarnost opeklin:
  - Ob menjavi orodja/nastavkov
  - Ob odlaganju naprave

### SPozNAJTE SVOJ IZDELEK

Glej stran 83.

1. Vpenjalna glava SDS+
2. Pomožna ročica
3. Mazalni pokrov
4. Sprožilo stikala
5. Izbirno stikalo načina
6. Izbirnik sekundarnega načina
7. Pokrov karbonske krtače
8. Ključ
9. Palica za vodilo globine
10. Cev za mazivo
11. Rezervne karbonske krtače
12. Protiprašni pokrov
13. Ročaj, izolirano držalo

### PREOSTALA TVEGANJA

Tudi če udarni vrtnik uporabljate, kot je predpisano, ni mogoče izključiti določenih preostalih dejavnikov tveganja. Med uporabo se lahko pojavijo nekatere nevarnosti, upravljavec pa naj bo pozoren na naslednje:

- Nevarnost električnega udara, če vrtate v električne kable. Vedno držite orodje za temu namenjene ročaje, ne dotikajte se svetrov.
- Če se sveder zatakne, obstaja možnost povratnega udarca. Vedno uporabljajte stranski ročaj in ga čvrsto držite.
- Poškodbe dihal. Nosite zaščitne dihalne maske s primernimi filtri za obdelovane materiale. Zagotovite primerno prezračevanje prostora. V delovnem območju je prepovedano jesti, piti in kaditi.
- Poškodba sluha. Vedno nosite delujočo zaščito za sluh in omejite izpostavljenost hrupu.
- Poškodbe oči zaradi prahu in letelih delcev. Vedno nosite ustrezno zaščito za oči.
- Poškodbe zaradi vibracij. Orodje držite za temu





namenjene ročaje ter omejite izpostavljenost vibracijam. Glejte »Zmanjševanje Tveganj«.

### ZMANJŠANJE TVEGANJA

Ugotovljeno je bilo, da lahko pri nekaterih posameznikih vibracije ročnih orodij povzročijo Raynaudov sindrom. Simptomi so lahko mravljinци, otrplost in pobledele prsti, kar je običajno vidno, kadar je oseba izpostavljena mrazu. Dedni dejavniki, izpostavljenost mrazu in vlagi, dieta, kajenje in delovne navade naj bi pripomogle k razvoju teh simptomov. Za zmanjšanje učinkov vibracij lahko upravljavec upošteva naslednja navodila:

- Poskrbite, da bo vaše telo na mrazu toplo. Med upravljanjem nosite rokavice in tako ohranjate toploto vaših dlani in zapestij. Kot poročajo, je mraz glavni dejavnik, ki prispeva k Raynaudovemu sindromu.
- Po vsakem obdobju upravljanja naprave telovadite in tako pospešite krvni obtok.
- Pogosto si vzemite odmor. Omejite dnevno količino izpostavljenosti.

Če zaznavate kakršnekoli simptome takšnega stanja, takoj prenehajte z uporabo naprave in se posvetujte z zdravnikom.

#### ⚠ OPOZORILO

Zaradi daljše uporabe orodja lahko pride do poškodb oz. se morebitne poškodbe poslabšajo. Kadar orodje uporabljate dalj časa, si večkrat vzemite odmor.

### VZDRŽEVANJE

#### ⚠ OPOZORILO

Ko sestavljate dele, prilagajate, čistite ali vzdržujete orodje, ali ko izdelka ne uporabljate, ga nikoli ne imejte priključenega na vir napajanja. Če izdelek odklopite, preprečite nenameren zagon, ki bi lahko povzročil hude poškodbe.

#### ⚠ OPOZORILO

Za servisiranje uporabljajte samo nadomestne dele originalnega proizvajalca. Uporaba drugih delov lahko pomeni tveganje ali povzroči škodo na izdelku.

- Pri čiščenju plastičnih delov se izogibajte toplomu. Večina vrst plastik se lahko pri uporabi različnih komercialnih topil poškoduje. Za odstranjevanje umazanije, saj in podobnega uporabljajte čisto krpo.

#### ⚠ OPOZORILO

Zavorna tekočina, gorivo, izdelki na osnovi nafte, prodirajoče olje ipd. nikoli ne smejo priti v stik s plastičnimi deli. Kemikalije lahko poškodujejo, oslabijo ali uničijo plastiko.

- Električna orodja, ki jih uporabljate na steklenih vlaknih,

zidnih ali mavčnih ploščah ter izravnalnih masah se hitreje obrabijo in se lahko hitreje okvarijo, saj odkruški in ostružki steklenih vlaken lahko odrgnejo ležaje, ščetke, komutatorje itd. Ne priporočamo uporabe izdelka za daljše obdobje pri tovrstnih materialih.

#### ⚠ OPOZORILO

Vedno nosite zaščitna očala s stranskimi ščitniki, ko uporabljate električna orodja ali ko spihujete prah. Če pri delu nastaja prah, nosite tudi zaščitno masko proti prahu.

- Če je napajalni kabel poškodovan, ga mora zaradi izogibanja tveganja zamenjati proizvajalec ali pooblaščen servis. Kontaktirajte pooblaščen servisni center.
- Za večjo varnost in zanesljivost mora vsa popravila izvesti pooblaščen servisni center RYOBI.

### MAZANJE

Vsi ležaji na napravi so namazani z dovolj kakovostnega maziva, tako da mazanje naprave ob normalni uporabi do konca življenjske dobe naprave ni več potrebno.

### MAZANJE MENJALNIKA

Po 45 urah neprekinjene uporabe ali 55 urah občasne uporabe v menjalnik dodajte 10 g masti.

### ZAŠČITA OKOLJA



Namesto, da napravo zavržete, reciklirajte surovine. Napravo, pribor in embalažo je treba sortirati za okolju prijazno recikliranje.

### SIMBOLI NA IZDELKU



Varnostno opozorilo

V

Volti

Hz

Hertz

~

Izmenični tok

W

Watt

n<sub>0</sub>

Hitrost brez obremenitve

min<sup>-1</sup>

Vrtljave ali nihajev na minuto



Prosimo, da si pred zagonom naprave pozorno preberete navodila



Nosite zaščito za oči, ušesa in dihala.



Skladnost CE



EurAsian oznaka o skladnosti



Ukrajinska oznaka za skladnost



Razred II, dvojno izolirano



Način udarjanja



Udarno vrtnje



Način vrtnja



Odpadne električne izdelke ne odlagajte skupaj z ostalimi gospodinjskimi odpadki. Reciklažo opravljajte na predpisanih mestih. Za nasvet se obrnite na lokalne oblasti.



Kovina

Sljedeće signalne besede in pomeni naj bi pojasnili ravni tveganja, ki so povezane s tem izdelkom.

**NEVARNOST**

Označuje neizogibno nevarno stanje, ki lahko povzroči smrt ali hude poškodbe, če ga ne preprečite.

**OPOZORILO**

Označuje morebitno nevarno stanje, ki bi lahko povzročilo smrt ali hude poškodbe, če ga ne preprečite.

**POZOR**

Označuje morebitno nevarno stanje, ki lahko povzroči manjše ali zmerne poškodbe, če se ga ne preprečite.

**POZOR**

(Brez simbola Varnostni alarm) Označuje stanje, ki lahko privede do poškodovanja lastnine.

**SIMBOLI V PRIROČNIKU**



Opomba



Priključite na električno napajanje.



Odklopite z električnega napajanja.



Deli ali dodatki so na prodaj ločeno



Zaklenjeno



Odklenjeno



Izklop



Vklop



Ploščica



Zidovi



Les



EN
FR
DE
ES
IT
NL
PT
DA
SV
FI
NO
RU
PL
CS
HU
RO
LV
LT
ET
HR
SL
<b>SK</b>
BG
UK
TR
EL

Pri navrhovaní [tohto rotačného vrtacieho kladiva] boli najvyššou prioritou bezpečnosť, výkon a spoľahlivosť.

### ÚČEL POUŽITIA

Tento rotačný vrtací skrutkovač je určený len na použitie dospelými osobami, ktoré si prečítali a porozumeli pokynom a výstrahám v tomto návode a možno ich považovať za zodpovedajúce za svoje činy. Je určený na použitie jednou obsluhujúcou osobou, ktorá ho drží za rukoväť so spúšťou aj bočnú rukoväť.

Tento rotačný vrtací skrutkovač je určený na použitie bez funkcie kladiva do dreva a kovu. Na dlabanie a vrtanie do muriva možno použiť režim kladiva.

Tento rotačný vrtací skrutkovač je určený na použitie s vrtákmi do maximálneho priemeru definovaného v tabuľke špecifikácií produktu.

Rotačnú priklepovú vrtáčku používajte len na hore uvedený účel.

### ⚠ VAROVANIE

**Prečítajte si všetky bezpečnostné výstrahy a pokyny.** Ak nerešpektujete a inštrukcie, môže to mať za následok úraz elektrickým prúdom, požiar a/alebo vážne zranenie.

**Odložte všetky výstrahy a pokyny pre budúce použitie.**

### BEZPEČNOSTNÉ VÝSTRAHY PRE VRTÁČKU

- **Používajte chrániče sluchu.** Vystavovanie hluku môže spôsobiť stratu sluchu.
- **Používajte pomocné rukoväte dodané s nástrojom.** Pri strate kontroly môže dôjsť k poraneniu osôb.
- **Pri vykonávaní operácie, kedy môže rezacie náradie prísť do kontaktu so skrytým vedením alebo vlastným káblom, držte náradie za izolované úchopné miesta.** Pri kontakte rezacieho príslušenstva so „živým“ vodičom by mohli byť obnažené kovové diely pod prúdom a spôsobiť obsluhujúcemu úder elektrickým prúdom.

**Akumulátor – bezpečnostné výstrahy**

- Používajte ochranné okuliare na ochranu očí pred odlietavajúcimi častočkami a trieskami.
- Pri práci na stenách, stropoch alebo dlážkach dávajte pozor, aby ste nezasiahli elektrické káble a plynové či vodovodné potrubie.
- Používajte protiprachovú masku.
- Ak sa zasúvacie náradie zastaví, výrobok okamžite vypnite. Kým zasúvacie náradie stojí, výrobok nezapínajte, pretože by mohlo dôjsť k spusteniu náhleho spätného účinku s vysokou reakčnou silou. Zistite, prečo sa zasúvacie náradie zastavilo, odstráňte príčinu zastavenia a dodržiavajte pritom bezpečnostné pokyny.
- Možné príčiny zastavenia zasúvacieho zariadenia sú:
  - zasúvacie zariadenie sa v obrobku naklonilo,
  - zasúvacie zariadenie prepichlo obrobok,
  - elektrické náradie je preťažené.
- Upnite obrobok pomocou upínacieho zariadenia.

Neupnuté obrobky môžu spôsobiť závažné poranenie a škody.

- Počas prevádzky nezasahujte do výrobku.
- Nedovoľte, aby znalosti získané počas častého používania náradia spôsobili, že budete ignorovať princípy bezpečnosti pre náradie. Nedbalosť, aj keď len na zlomok sekundy, môže spôsobiť vaše osobné poranenie.
- Uistite sa, že je umiestnený tak, aby nebolo možné po ňom stúpať, zakopnúť oň, prísť do styku s ostrými hranami alebo pohyblivými časťami alebo aby nebol iným spôsobom vystavený poškodeniu a namáhaniu. Zníži sa tým riziko náhodných pádov, ktoré by mohli spôsobiť zranenie a poškodenie kábla, čo by mohlo viesť k úrazu elektrickým prúdom.
- Rúčky a úchopné povrchy uchovávajte suché, čisté a bez oleja a maziva. Šmyklivé rúčky a úchopné povrchy neumožňujú bezpečnú manipuláciu a ovládanie náradia v neočakávaných situáciách.
- Zasúvacie náradie môže byť počas používania horúce. Nebezpečenstvo popálenín:
  - pri výmene nástrojov/vrtákov,
  - pri odkladaní náradia.

### OBOZNÁMTE SA S VAŠIM PRODUKTOM

Viď strana 83.

1. Skľučovadlo SDS+
2. Pomocná rukoväť
3. Kryt mazania
4. Spínač
5. Volič režimu
6. Sekundárny volič režimu
7. Kryt uhlíkovej kefky
8. Kľúč
9. Vodiaca tyč hĺbky
10. Hadička vedenia maziva
11. Náhradné uhlíkové kefky
12. Kryt proti prachu
13. Rúčka, izolovaný povrch na držanie

### ZVYŠKOVÁ RIZIKOVOSŤ

Aj keď sa rotačný vrtací skrutkovač používa podľa predpisu, nie je možné eliminovať určité zvyškové rizikové faktory. Pri použití vznikajú nasledujúce riziká a obsluhujúca osoba musí venovať zvláštnu pozornosť, aby nedošlo k nasledovnému:

- Pri zavrtaní do elektrických káblov hrozí nebezpečenstvo usmrtenia elektrickým prúdom. Nástroj vždy držte za určené rukoväte a nedotýkajte sa vrtákov.
- Pri zaseknutí vrtáka pri vrtaní hrozí spätný náraz. Vždy používajte bočnú rukoväť a držte nástroj pevne.
- Hrozí poškodenie respiračného systému. Používajte dýchacie masky obsahujúce filtre vhodné pre obrábané materiály Zabezpečte primerané vetranie pracoviska. Na pracovisku nejedzte, nepite ani nefajčite.
- Poškodenie sluchu. Vždy používajte ochranu sluchu a obmedzujte vystavovanie hluku.
- Hrozí poškodenie zraku odletávajúcim prachom a častočkami sutiny. Vždy používajte vhodné chrániče



zraku.

- Zranenie spôsobené vibráciami. Nástroj držte za určené rukoväte a obmedzte vystavovanie vibráciám. Pozrite časť "Znižovanie Rizika".

### OBMEDZENIE RIZIKA

Boli hlásené prípady, kedy vibrácie z ručných nástrojov u niektorých osôb prispeli k stavu nazývanému Raynaudov syndróm. K symptómom patria: trpnutie, znecitlivenie a blednutie prstov, zvyčajne zjavné po vystavení zime. Je známe, že k vývoju týchto symptómov prispievajú: dedičné faktory, vystavovanie zime a vlhkosti, diéta, fajčenie a pracovné návyky. Opatrenia, ktoré môže vykonať obsluhujúca osoba na možné zníženie účinkov vibrácií:

- V studenom počasí udržiavajte svoje telo v teple. Pri práci so zariadením noste rukavice, aby ste mali ruky a zápästia v teple. Boli hlásené prípady, kedy hlavným faktorom prispievajúcim k Raynaudovmu syndrómu bolo studené počasie.
- Po každom určitom časovom úseku prevádzky cvičte, aby ste zlepšili krvný obeh.
- Počas práce si doprajte časté prestávky. Obmedzte počet vystavení za deň.

Ak zistíte ktorýkoľvek zo symptómov tohto stavu, okamžite prerušte používanie zariadenia, navštívte svojho lekára a povedzte mu o symptómoch.

### VAROVANIE

Dlhodobé používanie nástroja môže spôsobiť alebo zhoršiť poranenia. Pri používaní nástroja príliš dlhé obdobia si vždy doprajte pravidelné prestávky.

### ÚDRŽBA

### VAROVANIE

Tento produkt sa nikdy nesmie pripájať do elektrickej siete, keď montujete diely, vykonávate úpravy, čistíte alebo vykonávate údržbu, alebo keď produkt nepoužívate. Odpojením produktu zabránite náhodnému spusteniu, ktoré by mohlo spôsobiť závažné poranenie.

### VAROVANIE

Pri servise používajte len originálne náhradné diely výrobcu. Použitie iných dielov môže predstavovať riziko alebo spôsobiť poškodenie produktu.

- Vyhýbajte sa použitiu rozpúšťadiel pri čistení plastových častí. Veľšina plastických materiálov je občutlivosť na rozlične vrstve komerčially dostupných topilín a jich z njihovo uporabo lahko poškozujemo. Na odstránenie špiny, uhlíkového prachu a pod. použite čisté tkaniny.

### VAROVANIE

Dbajte na to, aby do kontaktu s plastovými dielmi nikdy neprišli do kontaktu brzdové kvapaliny, benzín, ropné produkty, prenikavé oleje a pod. Chemikálie môžu poškodiť, oslabiť či zničiť plast.

- Elektrické náradie, ktoré sa používa na prácu so sklenenými vláknami, sádkartónovými a obkladovými doskami, majú tendenciu sa rýchlejšie opotrebovať a prednostne sa poškodiť. Prach z týchto materiálov pôsobí na časti náradia ako sú ozubené kolesá, uhlíky, vypínače, veľmi abrazívne. Neodporúčame používanie tohto produktu na dlhšie práce na týchto typoch materiálov.

### VAROVANIE

Pri práci s mechanickým nástrojom alebo ofukovaní prachu vždy používajte ochranné okuliare alebo ochranné okuliare s bočnými chráničmi. Ak pri práci vzniká prach, používajte aj protiprachovú masku.

- Ak dôjde k poškodeniu napájacieho kábla, aby nedošlo k ohrozeniu, musí ho vymeniť výrobca alebo autorizované servisné stredisko. Obráťte sa na autorizované servisné centrum.
- Pre vyššiu bezpečnosť a spoľahlivosť sa musia všetky opravy vykonávať v autorizovanom servisnom centre RYOBI.

### MAZANIE

Všetky ložiská v produkte sú namazané dostatočným množstvom mazivom vysokej akosti na celú životnosť produktu pri bežných prevádzkových podmienkach.

### MAZANIE PREVODOVKY

Po 45 hodinách nepretržitého používania alebo po 55 hodinách celkového používania pridajte do prevodovky 10 g maziva.

### OCHRANA ŽIVOTNÉHO PROSTREDIA



Surové materiály recyklujte, nelikvidujte ich ako odpad. Stroj, príslušenstvo a obaly by sa mali triedene recyklovať spôsobom šetrným k životnému prostrediu.

### SYMBOLY NA PRODUKTE



Budte ostražití

V Napätie

Hz Hertz

~ Striedavý prúd

W Watty

n<sub>o</sub> Otáčky bez zaťaženia

min<sup>-1</sup> Počet otáčok za minútu



Pred zapnutím zariadenia si prosím prečítajte inštrukcie



Používajte chrániče zraku, sluchu a dýchacieho aparátu.



Zhoda CE



Euroázijská značka zhody



Ukrajinské označenie zhody



Trieda II, dvojitá izolácia



Režim kladiva



Režim vrtania kladivom



Režim vrtania



Opotrebované elektrické zariadenia by ste nemali odhadzovať do domového odpadu. Prosíme o recykláciu ak je možné. Kontaktujte miestne úrady, alebo predajcu pre viac informácií ohľadom ekologického spracovania.



Zap



Dlaždica



Murivo



Drevo



Kov

Nasledujúce značky a významy vysvetľujú úroveň rizika spojeným s výrobkom.

#### NEBEZPEČENSTVO

Označuje bezprostredne nebezpečnú situáciu, ktorá, ak jej nepredídete, spôsobí usmrtenie alebo vážne poranenie.

#### VAROVANIE

Označuje potenciálne nebezpečnú situáciu, ktorá, ak jej nepredídete, môže spôsobiť usmrtenie alebo vážne poranenie.

#### UPOZORNENIE

Označuje potenciálne nebezpečnú situáciu, ktorá, ak jej nepredídete, môže spôsobiť menšie alebo stredne závažné poranenie.

#### UPOZORNENIE

(Bez výstražnej značky s výkričníkom) Označuje situáciu, ktorá môže zapríčiniť škody na majetku.

### SYMBOLY V NÁVODE



Poznámka



Pripojte do elektrickej siete.



Odpojte z elektrickej siete.



Diely alebo príslušenstvo predávané samostatne



Zamknuté



Odomknuté



Vyp



Безопасността, производителността и надеждността са аспектите, на които е отделен най-голям приоритет при проектирането на вашия ротационен къртач.

## ПРЕДНАЗНАЧЕНИЕ

Този ротационен къртач е предназначен за използване само от възрастни, които са прочели и разбрали инструкциите и предупрежденията в настоящото ръководство и могат да бъдат считани като отговорни за своите действия. Предназначен е за използване от един оператор, който държи както пистолетната, така и страничната ръкохватка.

Ротационният къртач е проектиран за работа без функция като чук в дърво и метал. Режимът на работа като чук може да се използва за сечене и пробиване в зидария.

Ротационният къртач е предназначен за работа със свредла до максималния диаметър, определен в таблицата със спецификации на продукта.

Не използвайте продукта за цели, различни от описаните по-горе.

## ⚠ ПРЕДУПРЕЖДЕНИЕ

**Прочетете всички предупреждения относно безопасността и всички инструкции.** Неспазването на предупрежденията и инструкциите може да доведе до токов удар, пожар и/или сериозни наранявания.

**Съхранявайте всички предупреждения и инструкции за бъдещи справки.**

## ПРЕДУПРЕЖДЕНИЯ ЗА БЕЗОПАСНОСТ ПРИ РАБОТА С КЪРТАЧА

- Носете антифони. Излагането на шум може да доведе до увреждане на слуха.
- Използвайте спомагателната/спомагателните ръкохватка/ръкохватки, ако има предоставена/предоставени такава/такива с инструмента. Загубата на контрол може да причини физически наранявания.
- Дръжте електрическия инструмент само за изолираните повърхности за хващане, когато извършвате операция, при която режещият аксесоар може да влезе в контакт със скрити проводници или със собствения си кабел. Режещ аксесоар, който влезе в контакт с проводник, по който тече ток, може да доведе до протичането на ток по неизолираните метални части на електрическия инструмент и да причини токов удар на оператора.

Допълнителни предупреждения за безопасност

- Носете защитни очила за предпазване на очите ви от летящи частици и отломки.
- Когато работите в стени, тавани или подове, избягвайте засягането на електрически кабели, газове и водни тръби.
- Носете подходяща маска против прах.

- Изключете устройството незабавно, ако монтажният инструмент блокира. Не включвайте устройството отново, докато монтажният инструмент е блокиран, тъй като това може да предизвика внезапен откат с голяма реактивна сила. Определете причината за блокиране на монтажния инструмент и я отстранете, като се съобразите с инструкциите за безопасност.
- По-долу са посочени възможните причини за блокиране на монтажния инструмент:
  - Монтажният инструмент е наклонен в работния детайл
  - Монтажният инструмент е пробил работния детайл
  - електрическият инструмент е претоварен.
- Закрепете работния детайл с устройство за захващане. Незакрепени обработвани детайли могат да причинят сериозно нараняване или щети.
- Не се пресягайте в процукта, докато работи.
- Не позволявайте опита ви с често използване на инструменти да ви направи прекалено самоуверени и да ви накара да игнорирате принципите за безопасност. Едно небрежно действие може да доведе до сериозно нараняване в рамките само на секунда.
- Уверете се, че кабелът е разположен така, че да не бъде настъпван, да не може да спъне някого, да не влиза в контакт с остри ръбове или движещи се части или да подлежи по друг начин на повреда или натоварване. Това ще намали риска от случаен сблъсък, което може да причини нараняване и повреда на кабела, което може да доведе до електрически удар.
- Поддържайте ръкохватките и повърхностите за захващане сухи, чисти и неомаслени. Хлъзгавите ръкохватки и повърхности за захващане не дават възможност за безопасно управление и контролиране на инструмента при възникване на неочаквани ситуации.
- Монтажният инструмент може да се нагорещи по време на употреба. Опасност от изгаряния:
  - При смяна на инструменти/накрайници
  - При поставяне на устройството на земята

## ОПОЗНАЙТЕ ВАШИЯ ПРОДУКТ

Вж. страница 83.

1. Патронник SDS+
2. Спомагателна ръкохватка
3. Капачка за смазка
4. Спусък
5. Селектор на режим
6. Селектор за вторичен режим
7. Капачка за въглеродните четки
8. Гаечен ключ
9. Направляващ прът в дълбочина
10. Туба със смазка
11. Резервни въглеродни четки
12. Капак за прах
13. Ръкохватка, изолирана повърхност за захващане



**НЕПРЕДВИДЕНИ РИСКОВЕ**

Дори когато продуктът се използва по предназначение, е невъзможно напълно да се ограничи влиянието на определени рискови фактори. Могат да възникнат следните опасности и операторът трябва да обърне особено внимание, за да ги избегне:

- Съществува риск от токов удар, ако се пробива в електрически кабели. Винаги дръжте продукта за определените за това ръкохватки; не докосвайте свредлата.
- Откат при пробиване, ако свредлото заседне. Винаги използвайте страничната ръкохватка и дръжте здраво инструмента.
- Увреждане на дихателната система. Носете маски за защита на дихателните пътища, които съдържат филтри, подходящи за материалите, които ще бъдат обработвани. Осигурете подходяща вентилация на работното място. Не употребявайте храни, напитки или цигари в зоната на работа.
- Увреждане на слуха. Винаги носете ефективни антифони и ограничавайте излагането на шум.
- Увреждане на очите от прах и летящи частици от отломки. Винаги носете защитни очила.
- Нараняване, причинено от вибрация. Дръжте изделието за определените дръжки и ограничете излагането на вибрации. Вижте „Намаляване на риска“.

**НАМАЛЯВАНЕ НА РИСКА**

Известно е, че вибрациите, произвеждани от ръчни инструменти може да предизвикат у някои индивиди заболяване, наречено Синдром на Рейнолд (Raynaud's Syndrome). Симптомите може да включват изтръпване, схващане и избледняване на пръстите, обикновено се забелязват при излагане на студ. Смята се, че наследствените фактори, излагането на студ и влага, диетите, пушенето и някои работни навици допринасят за развитието на тези симптоми. Могат да се вземат някои мерки, които могат да се предприемат от оператора, за да се намалят ефектите от вибрациите:

- Поддържайте телесната температура в студено време. Когато боравите с инструмента, носете ръкавици, за да поддържате ръцете и китките си топли. Според изследвания главният фактор, допринасящ за развитието на Raynaud's Syndrome, е студеното време.
- Правете упражнения за активизиране на кръвообращението след всеки работен цикъл.
- Редовно излизайте в почивка. Ограничете излагането на вибрации на ден.

При поява на някой от симптомите на това заболяване, незабавно прекратете употребата на инструмента и посетете лекар.

**⚠ ПРЕДУПРЕЖДЕНИЕ**

Продължителното използване на инструмента може да доведе до наранявания или влошаване. При използване на инструмента за продължителни периоди от време правете чести почивки.

**ПОДДРЪЖКА**

**⚠ ПРЕДУПРЕЖДЕНИЕ**

Продуктът не трябва никога да се включва в захранване, когато сглобявате части, правите настройки, почиствате, извършвате поддръжка или когато не го използвате. Изключването на продукта от захранването ще предотврати случайно стартиране, което би могло да причини сериозни наранявания.

**⚠ ПРЕДУПРЕЖДЕНИЕ**

При извършване на сервизни дейности използвайте само оригинални резервни части от производителя. Използването на други части може да ви постави в опасност или да повреди продукта.

- Избягвайте използването на разтворители при почистването на пластмасовите части. Повечето пластмаси са чувствителни към различни видове разтворители и може да се повредят при използването на такива. Използвайте меки кърпи за отстраняване на замърсявания, въглероден прах и др.

**⚠ ПРЕДУПРЕЖДЕНИЕ**

В никакъв случай не позволявайте пластмасовите части да влизат в контакт със спирални течности, нефтени продукти, проникващи масла и т.н. Те съдържат химически вещества, които могат да повредят, отслабят или разрушат пластмасата.

- Електрически инструменти, които се използват върху материали от фибростъкло, гипскартон, шпакловъчни съединения или мазилка са подложени на ускорено износване и могат да бъдат повредени преждевременно, тъй като пукнатините и ръбовете на фибростъклото са силно абразивни за лагери, четки, колектори и др. Не препоръчваме използването на продукта за продължителни периоди от време върху тези видове материали.

**⚠ ПРЕДУПРЕЖДЕНИЕ**

Винаги носете предпазна маска или очила със странични екрани, когато боравите с механизирани инструменти или издухвате прах. Ако при работата се отделя прах, използвайте и маска за предпазване от него.



- Ако захранващият кабел е повреден, той трябва да бъде заменен само от производителя или от упълномощен сервизен център, за да се избегнат рискове. Свържете се с упълномощен сервизен център.
- За по-голяма безопасност и надеждност всички ремонти трябва да се извършват от оторизиран сервиз на RYOBI.

### СМАЗВАНЕ

Всички лагери в този продукт за смазани с достатъчно количество висококачествено масло, което трябва да стигне за целия експлоатационен живот на инструмента при нормални работни условия.

### СМАЗКА ЗА ПРЕДАВАТЕЛНА КУТИЯ

Добавете в предавателната кутия 10 g масло след 45 часа непрекъсната употреба или след 55 часа употреба общо.

### ОПАЗВАНЕ НА ОКОЛНАТА СРЕДА



Рециклиране на суровини, вместо за обезвреждане като отпадък. Машината, допълнителните приспособления и опаковките трябва да бъдат подложени на подходяща преработка за оползотворяване на съдържащите се в тях вторични суровини.

### СИМВОЛИ НА ПРОДУКТА



Предупреждение относно безопасността

V

Напрежение

Hz

Херц

~

Променлив ток

W

Ватове

n°

Скорост на празен ход

min<sup>-1</sup>

Обороти или възвратно-постъпателни движения в минута



Прочетете инструкциите внимателно, преди да стартирате машината.



Носете очила, антифони и маска за дихателна защита.



CE съответствие



EurAsian знак за съответствие



Украински знак за съответствие

001



Инструмент от клас II, двойна изолация



Режим на работа като чук



Режим на къртач



Режим на бормашина



Електрическите уреди не трябва да се изхвърлят заедно с битовите отпадъци. Рециклирайте, където има възможност. Обърнете се за съвет по рециклирането към местните власти или разпространителите.

### СИМВОЛИ В НАСТОЯЩОТО РЪКОВОДСТВО



Забележка



Включете в захранването.



Изключете от електрическото захранване.



Частите или принадлежностите се продават отделно



Ключалка



Отключване



Изкл.



Вкл.



Плочки



Зидария



Дърво



Метален

Следните сигнални думи и техните съответни значения обясняват нивата на опасност, свързани с употребата на този продукт:

EN
FR
DE
ES
IT
NL
PT
DA
SV
FI
NO
RU
PL
CS
HU
RO
LV
LT
ET
HR
SL
SK
<b>BG</b>
UK
TR
EL

**⚠ ОПАСНОСТ**

Указва неминуемо опасна ситуация, която ако не бъде избегната, ще доведе до сериозни наранявания или смърт.

**⚠ ПРЕДУПРЕЖДЕНИЕ**

Указва потенциално опасна ситуация, която ако не бъде избегната, може да доведе до сериозни наранявания или смърт.

**⚠ ВНИМАНИЕ**

Указва потенциално опасна ситуация, която ако не бъде избегната, може да доведе до дребни или средни наранявания.

**ВНИМАНИЕ**

(Без предупредителен символ за безопасност) Указва ситуация, която може да доведе до имуществени щети.

130.com.ua



Безпеці, продуктивності і надійності наданий вищий пріоритет в дизайні вашої роторний перфторатор-дріль.

### ПРИЗНАЧЕННЯ

Цей перфторатор-дріль призначений для використання тільки дорослими, які читали і зрозуміли інструкції та попередження в цьому посібнику і можуть вважатися відповідальними за свої дії. Має використовуватися одним оператором, тримаючи за обидві пускову і бічну ручки.

Перфторатор-дріль призначений для роботи без ударної функції з деревом і металом. Для довбання та свердлення кам'яної кладки, може бути використаний режим молотка.

Перфторатор-дріль призначений для роботи зі свердлами до максимального діаметра, визначеного в таблиці специфікації продукту.

Не використовуйте перфторатор для будь-яких інших цілей, не описаних вище.

### ⚠ ПОПЕРЕДЖЕННЯ

**Читайте всі правила безпеки та інструкції.** Недотримання попереджень та інструкцій може призвести до ураження електричним струмом, пожежі та / або серйозної травми.

**Збережіть всі інструкції і вказівки для майбутнього використання.**

### ПОПЕРЕДЖЕННЯ З БЕЗПЕКИ ДЛЯ МОЛОТКА

- **Носіть захисні навушники.** Вплив шуму може призвести до втрати слуху.
- **Використовуйте допоміжну ручку (и), якщо постачається з інструментом.** Втрата контролю може призвести до травми.
- **Тримайте електроінструмент за ізольовані поверхні при виконанні дій, при яких ріжучий інструмент може торкнутися прихованої проводки або власного шнура.** Ріжучі приладдя при контакті з проводом під напругою можуть зробити незахищені металеві частини електроінструменту під напругою і можуть вдарити оператора електричним струмом.

Додаткові заходи безпеки.

- Носіть захисні окуляри, щоб захистити очі від летаючих частинок і осколків.
- При роботі на стінах, стелі, або підлозі, дбайте про уникнення електричних кабелів і газових або водопровідних труб.
- Носіть маску.
- Негайно вимкнути прилад, якщо застопорилося устаткування для монтажу компонентів! Не вмикайте пристрій знову, поки устаткування для монтажу компонентів нерухоме, оскільки це може викликати раптовий відкат з високою реактивною силою. Визначте, чому устаткування для монтажу компонентів застопорилось і виправте це, звертаючи увагу на інструкції з безпеки.

■ Нижче наведені можливі причини припинення роботи інструмента:

- Монтажне пристосування нахилене у заготовку
- Монтажне пристосування пробило заготовку
- Електроінструмент перевантажений.
- Затисніть заготовку за допомогою затискного пристрою. Незатиснені заготовки можуть привести до серйозних травм і пошкоджень.
- Не відкривайте пристрій, поки він працює.
- Не дозволяйте звичці від частого використання пристрою стати причиною втрати пильності та не ігноруйте правила безпеки під час роботи з пристроєм. Необережна дія, впродовж навіть долі секунди, може призвести до серйозної травми.
- Розташуйте кабель таким чином, щоб не наступати на нього, не спіткнутися та не натрапити на гострі края або рухомі частини, а також запобігти стресу або пошкодженню в інший спосіб. Це знизить ризик випадкового падіння, яке може призвести до травмування та пошкодження кабелю, внаслідок чого може відбутись ураження електричним струмом.
- Тримайте ручки та різальні поверхні сухими, чистими та очищеними від олії та мастил. Ковзкі ручки та поверхні утримання не призначені для безпечного утримання та контролювання пристрою у неочікуваних ситуаціях.
- Устаткування для монтажу компонентів може стати гарячим під час використання. Небезпека опіку:
  - При зміні інструментів / свердел
  - при відключенні пристрою

### ЗНАЙТЕ СВІЙ ПРОДУКТ

Див. стор. 83.

1. SDS+ затискний пристрій
2. Додаткова ручка
3. Маслянка
4. Гачок перемикача
5. Перемикач режимів роботи
6. Перемикач вторинного режиму
7. Вугільна щітка
8. Гайковий ключ
9. Направляючий стрижень глибини
10. Змашувальна трубка
11. Запасні вугільні щітки
12. Пильовик
13. Ручка, ізольована поверхня для утримання

### ЗАЛИШКОВІ РИЗИКИ

Навіть коли перфторатор-дріль використовується як написано, неможливо повністю усунути деякі залишкові чинники ризику. Наступні небезпеки можуть виникнути і оператор повинен звернути особливу увагу, щоб уникнути наступного:

- Небезпека ураження електрострумом, якщо просвердлили електричні кабелі. Завжди беріть інструмент за позначені ручки, не торкайтеся свердла.
- Віддача під час свердління, якщо свердло застрягло.





Завжди використовуйте бічну ручку і тримайте інструмент міцно.

- Пошкодження дихальної системи. Носіть респіраторні захисні маски, що містять фільтри, відповідні до обробляємих матеріалів. Забезпечте достатню вентиляцію на робочому місці. Не їжте, не пийте і не паліть в робочій зоні.
- Пошкодження слуху. Завжди носіть ефективний захист слуху і обмежить вплив шуму.
- Пошкодження очей від літаючих частинок пилу та сміття. Завжди вдягайте захисні окуляри.
- Травми, викликані вібрацією. Тримайте інструмент за позначені ручки і обмежить вплив вібрації. Дивіться «ЗНИЖЕННЯ РИЗИКУ».

### ЗНИЖЕННЯ РИЗИКУ

Повідомлялося, що вібрації від ручних інструментів у певних осіб можуть сприяти стану, який називається синдромом Рейно. Симптоми можуть включати поколювання, оніміння і збліднення пальців, як правило, очевидні при впливі холоду. Спадкові фактори, вплив холоду і вогкості, діста, куріння і робоча практика, всі ці чинники роблять свій внесок у розвиток цих симптомів. Ці заходи можуть бути прийняті оператором, щоб можливо зменшити вплив вібрації:

- Тримайте тіло в теплі в холодну погоду. При експлуатації приладу, одягайте рукавички, щоб тримати руки і зап'ястя у теплі. Повідомлялося, що холодна погода є основним чинником, що сприяє синдрому Рейно.
- Після кожного періоду роботи, здійсніть вправи для підвищення кровообігу.
- Робіть часті перерви в роботі. Зробіть обмеження кількості впливу на день.

Якщо ви відчуваєте будь-які з симптомів цього стану, негайно припиніть використання і зверніться до лікаря з цими симптомами.

### ПОПЕРЕДЖЕННЯ

Тривале використання інструменту може викликати або посилити травми. При використанні інструменту протягом тривалого періоду, робіть регулярні перерви.

### ОБСЛУГОВУВАННЯ

#### ПОПЕРЕДЖЕННЯ

Продукт не повинен бути підключений до джерела живлення, коли ви збираєте деталі, регулюєте, чистите, проводите технічне обслуговування або коли продукт не використовується. Відключення продукту допоможе уникнути випадкового запуску, який може призвести до серйозних травм.

### ПОПЕРЕДЖЕННЯ

При обслуговуванні використовуйте тільки оригінальні запасні частини виробника. Використання будь-яких інших деталей може створити небезпеку або спричинити пошкодження продукту.

- Не використовуйте розчинники для очищення пластмасових деталей. Більшість пластмас вразливі до різних видів комерційних розчинників і може бути пошкоджена їх використанням. Використовуйте чисті ганчірки для видалення бруду і вугільного пилю.

### ПОПЕРЕДЖЕННЯ

Ніколи не дозволяйте гальмівній рідині, бензину, продуктам на основі нафти, і проникаючим маслам вступати в контакт з пластиковими деталями. Вони містять хімічні речовини, які можуть зашкодити, послабити або знищити пластик.

- Електричні інструменти, використовувані на скловолоконному матеріалі, стінних панелях, мастиках або штукатурці підлягають прискореному зносу і можлива їх передчасна відмова, бо скловолокнята стружка і шліфування є дуже абразивним для підшипників, щіток, комутаторів і т.д. Отже, ми не рекомендуємо використовувати продукт для тривалої роботи з цими видами матеріалів.

### ПОПЕРЕДЖЕННЯ

Завжди надягайте захисні окуляри або захисні окуляри з бічними щитками під час роботи електроінструмента або при здуванні пилю. Якщо робота пильна, також носіть захисну маску.

- Якщо шнур живлення пошкоджений, він повинен бути замінений тільки виробником або в авторизованому сервісному центрі, щоб уникнути ризику. Зв'яжіться з авторизованим сервісним центром.
- Для більшої безпеки і надійності, всі ремонтні роботи повинні виконуватися уповноваженим RYOBI сервісним центром.

### ЗМАЩУВАННЯ

Всі підшипники в продукт змащені достатньою кількістю високоякісного мастила для всього терміну служби продукту при нормальних умовах експлуатації.

### ЗМАЩЕННЯ КОРОБКИ ПЕРЕДАЧ

Додати 10 гр мастила у коробку передач після 45 годин постійного використання або після 55 годин додаткового використання.

EN  
FR  
DE  
ES  
IT  
NL  
PT  
DA  
SV  
FI  
NO  
RU  
PL  
CS  
HU  
RO  
LV  
LT  
ET  
HR  
SK  
SL  
BG  
**UK**  
TR  
EL



## ЗАХИСТ НАВКОЛИШНЬОГО СЕРЕДОВИЩА



Переробляйте сировину замість утилізації в якості відходів. Машини, обладнання та упаковка повинні бути відсортовані для дружньої для навколишнього середовища утилізації.

## СИМВОЛИ НА ПРОДУКТІ



Попередження безпеки

V

Вольти

Hz

Герц

~

Змінний струм

W

Ватти

n°

Швидкість без навантаження

min<sup>-1</sup>

Оберти або зворотно-поступальні рухи у хвилину



Будь ласка, уважно прочитайте інструкцію перед запуском продукту.



Носіть засоби захисту очей, слуху та органів дихання.



CE відповідність



Євразійський знак відповідності



Український знак відповідності

001



Інструмент II класу, подвійна ізоляція



Режим молотка



Режим перфоратора



Режим дрелі



Відходи електротехнічної продукції не слід викидати разом із побутовими відходами. Будь ласка, переробляйте там, де наявне устаткування. Перевірте з вашим місцевим органом влади або продавцем для консультацій з приводу переробки.

## СИМВОЛИ В ЦІЙ ІНСТРУКЦІЇ З ЕКСПЛУАТАЦІЇ



Примітка



Підключіть до джерела живлення.



Відключіть від джерела живлення.



Запасні деталі або приналежності продаються окремо



Блокувати



Розблокувати



Вимкнений



Увімкнений



Плитка



Цегельна кладка



Дерево



Метал

Нижчезказані попереджальні слова та символи пояснюють рівень ризику при роботі з цим приладом.

### НЕБЕЗПЕКА

Вказує на неминуче небезпечну ситуацію, яка, якщо її не уникнути, може призвести до смерті або серйозних травм.

### ПОПЕРЕДЖЕННЯ

Вказує на потенційно небезпечну ситуацію, яка, якщо її не уникнути, може призвести до смерті або серйозних травм.

### УВАГА

Вказує на потенційно небезпечну ситуацію, яка, якщо її не уникнути, може призвести до середньої або легкої травми.

### УВАГА

(Без Символу попередження про небезпеку) Вказує на ситуацію, яка може привести до матеріальних збитків.

Kırıcı delici matkabınız tasarlanırken temel öncelik güvenlik, performans ve güvenilirlik özelliklerine verilmiştir.

### KULLANIM AMACI

Bu kırıcı delici matkabın sadece, bu kılavuzdaki talimatları ve uyarıları okumuş ve anlamış ve eylemlerinden sorumlu tutulabilecek yetişkinler tarafından kullanılması amaçlanmaktadır. Hem tetiği hem de yan kolları kavrayarak bir kişi tarafından kullanılmalıdır.

Kırıcı delici matkap, odun ve metal malzemelerde kırma fonksiyonu olmadan çalışabilecek şekilde tasarlanmıştır. Yontma ve duvar delme işlemleri için kırma modu kullanılabilir.

Kırıcı delici matkap, ürünün teknik özellikler tablosunda belirlenen maksimum çapa kadar olan matkap uçları ile çalışacak şekilde tasarlanmıştır.

Darbeli döner matkabınızı yukarıda tanımlanmamış başka hiçbir amaç için kullanmayın.

### ⚠ UYARI

**Tüm güvenlik uyarılarını ve talimatlarını okuyun.** Uyarıların ve talimatların yerine getirilmemesi elektrik çarpması, yangın ve/veya ciddi yaralanmalara yol açabilir.

Tüm uyarıları ve talimatları daha sonra başvurmak üzere saklayın.

### ÇEKİÇ GÜVENLİK UYARILARI

- **Kulak koruyucu kullanın.** Gürültüye maruz kalmak işitme kaybına neden olabilir.
- **Aletle birlikte verilen yardımcı tutamakları kullanın.** Kontrol kaybı kişisel yaralanmalara neden olabilir.
- **Elektrik kablolarını gizleyen bir yüzey üzerinde çalıştığınızda veya yapılan çalışmanın elektrik kablosunu aletin yürüncesine getirmeye elverişli olduğunda cihazı sadece yalıtımlı ve kaymaz kısımlarından tutun.** Kesici aksesuarın elektrik geçen kabloyla temas etmesi, elektrikli aletin metal parçalarının elektrikle yüklenmesine ve kullanıcının elektrikle çarpılmasına neden olabilir.

İlave güvenlik uyarıları

- Sıçrayabilecek parçalardan korunmak için güvenli gözlüğü kullanınız.
- Duvar, tavan veya zemin üzerinde çalışırken elektrik kablolarından ve gaz veya su borularından uzak durmaya dikkat edin.
- Toz maskesi kullanın.
- Yerleştirme aleti sıkışırsa ürünü hemen durdurun. Yerleştirme aleti hala sıkışmış haldeyken ürünü yeniden çalıştırmayın, böylesi bir davranış çok güçlü bir geri tepmeye yol açabilir. Güvenlik talimatlarını göz önünden uzaklaştırmadan, yerleştirme aletinin neden stop ettiği belirleyin.
- Aşağıdakiler, yerleştirme aleti sıkışmasının muhtemel nedenleridir:
  - Yerleştirme aleti işlenecek parça içinde eğilmiştir

- Yerleştirme aleti işlenecek parçayı delmiştir
- Elektrikli alete aşırı yük binmiştir.
- İş parçasını bir mengene ile sıkıştırın. Sabitlenmemiş parçalar ciddi yaralanmaya ve hasara sebep olabilir.
- Ürün çalışır haldeyken elinizi içine uzatmayın.
- Ürünü sık kullanmanın verdiği alışkanlığın dikkatsiz davranmanıza neden olmasına izin vermeyin ve alet güvenliği ilkelerini göz ardı etmeyin. Dikkatsiz hareketler, hatta bir anlığına bölünme bile ciddi kişisel yaralanmalara neden olabilir.
- Kablonun ezilmeyecek, takılmayacak, keskin kenarlar veya hareketli aksamlarla temas etmeyecek veya herhangi bir hasara veya gerilime maruz kalmayacak gibi yerleştirildiğinden emin olun. Böylelikle yaralanmalara ve elektrik çarpmasına neden olacak kazara düşmeler ve bunun sonucunda elektrik şoku tehlikesi önenebilir.
- Tutamakların ve kavrama yüzeylerinin kuru, temiz, yağ ve gresten arınmış olmasını sağlayın. Kaygan tutamaklar ve kavrama yüzeyleri güvenli kullanıma ve aletin beklenmedik durumlarda kontrol edilmesine imkan vermez.
- Yerleştirme aleti kullanım sırasında ısınabilir. Yanık tehlikesi:
  - Alet/matkap değiştirirken
  - Cihazı bir yere bırakırken

### ÜRÜNÜZÜ TANIYIN

Sayfa 83'ya bakın.

1. SDS+ Matkap kovası
2. Yardımcı tutamak
3. Gresör kapağı
4. Tetik anahtar
5. Mod seçicisi
6. İkincil mod anahtar
7. Kömür fırçası kapağı
8. Servis anahtar
9. Derinlik kılavuz çubuğu
10. Yağlayıcı tüpü
11. Yedek kömür fırçaları
12. Toz örtüsü
13. Tutamak, yalıtılmış kavrama yüzeyi

### ARDIL RİSKLER

Kırıcı delici matkap, verilen talimatlara uygun şekilde kullanıldığında bile belirli risk faktörlerini ortadan kaldırmak mümkün olmamaktadır. Kullanım sırasında aşağıdaki tehlikeler ortaya çıkabilir ve operatör bunlardan kaçınmak için özellikle dikkat etmelidir:

- Elektrik kabloları delinirse elektrik kaynaklı ölüm riski vardır. Aleti daima belirlenen kollardan tutun, asla matkap uçlarına dokunmayın.
- Uç sıkışırca delme işlemi sırasında geri tepme olabilir. Daima yan kolu kullanın ve aleti sıkıca tutun.
- Solunum sistemi hasar görebilir. İşlenecek materyaller uygun filtreler içeren solunum koruma maskeleri takın Çalışma yerinin uygun şekilde havalandırıldığından emin olun. Çalışma alanı içinde bir şey yemeyin, içmeyin veya sigara içmeyin.
- İşitme kaybı. Daima etkili bir koruyucu kulaklık kullanın

ve gürültü maruziyetini azaltın.

- Uçan toz ve kalıntı parçacıkları göze zarar verebilir. Her zaman uygun göz koruması takın.
- Titreşim kaynaklı yaralanma. Aleti belirtilen kollarla tutun ve titreşim maruziyetini azaltın. Bkz. "Risk Azaltma".

## RİSK AZALTMA

El aletlerinden gelen titreşimlerin bazı kişilerde Raynaud Sendromu denen bir duruma neden olabileceği bildirilmiştir. Karıncalanma, hissizlik ve parmakların sararması gibi genelde soğuğa maruz kaldıktan sonra görülen semptomlar oluşabilir. Kalıtsal faktörler, soğuğa ve neme maruz kalmak, diyet, sigara ve çalışma pratikleri de bu semptomların oluşmasına neden olabilecek etkenler olarak kabul edilmektedir. Titreşimin etkilerini azaltmak için operatör tarafından alınabilecek önlemler bulunmaktadır:

- Soğuk havalarda vücudunuzu sıcak tutun. Ürünü çalıştırırken ellerinizi ve bileklerinizi sıcak tutmak için eldiven takın. Soğuk havanın Raynaud Sendromunun ana tetikleyicilerinden olduğu bildirilmiştir.
- Her operasyon sürecinden sonra kan dolaşımını arttırmak için egzersiz yapın.
- Sık sık işe ara verin. Günlük maruziyet miktarını sınırlandırın.

Bu rahatsızlığın semptomlarından herhangi birini görürseniz, aleti kullanmayı derhal bırakın ve bir doktora görünün.

## UYARI

Bir aletin uzun süre kullanılması nedeniyle yaralanmalar olabilir veya mevcut yaraların durumu kötüleşebilir. Herhangi bir aleti uzun bir süre boyunca kullanırken düzenli olarak ara vermeyi ihmal etmeyin.

## BAKIM

## UYARI

Parçaları monte ederken, ayar, temizlik, bakım çalışması yaparken veya ürün kullanılmadığı zaman ürünü asla güç kaynağına bağlamayın. Ürünün bağlantısının kesilmesi ciddi yaralanmalara neden olabilecek kazara çalışmayı önleyecektir.

## UYARI

Uygulama sırasında yalnızca üreticinin orijinal yedek parçalarını kullanın. Diğer parçaları kullanmak tehlike yaratabilir ya da hasara neden olabilir.

- Plastik parçaları temizlerken solventleri kullanmaktan kaçının. Plastiklerin çoğu ticari kullanımlı uçucu maddeler karşı hassastır. Lekeleri, tozu, vb. temizlemek için temiz bir bez kullanınız.

## UYARI

Asla fren hidroliğinin, benzinin, petrol esaslı ürünlerin, yüzeye işleyen yağların vb. plastik parçalarla temas etmesine izin vermeyin. Bu kimyasal ürünler, plastiğe zarar verebilecek, kırılır hale getirebilecek ya da yok edebilecek maddeler içermektedir.

- Cam elyaflı malzemeler, alçı plakaları, dolgu alçısı veya alçı üzerinde kullanılan elektrikli aletler daha hızlı aşınabilir ve erken arızalara neden olabilir, çünkü cam elyaflı malzemelerin talaşları ile kalıntılarının rulmanlar, fırçalar, komütatör gibi parçalar üzerinde son derece aşındırıcı etkisi vardır. Ürünün bu tür materyaller üzerinde uzun süre kullanılmasını önermiyoruz.

## UYARI

Elektrikli aletlerle çalışma veya toz üfleme işlemi esnasında daima yan siperikleri bulunan koruyucu gözlükler kullanın. İşlem tozlu olaksa aynı zamanda bir toz maskesi de kullanın.

- Elektrik kablosu hasar görmüşse tehlikeyi önlemek için sadece üretici veya yetkili bir servis merkezi tarafından değiştirilmelidir. Yetkili servis merkezini arayın.
- Daha yüksek güvenlik ve güvenilirlik için tüm onarım çalışmaları yetkili bir RYOBI servis merkezi tarafından yapılmalıdır.

## YAĞLAMA

Üründeki tüm yataklar normal çalışma koşullarında ürünün hizmet ömrü boyunca yeterli miktarda yüksek kalite yağ ile yağlanır.

## DIŞLI KUTUSU İÇİN YAĞLAMA

45 saat sürekli kullanma ya da 55 saat toplam kullanma sonrasında dişli kutusuna 10g gres ekleyin.

## ÇEVRENİN KORUNMASI



Ham maddeleri çöp olarak atmak yerine geri dönüştürün. Çevreyi korumak için, alet, aksesuarlar ve ambalajlar tasnif edilmelidir.

## ÜRÜN ÜZERİNDEKİ SEMBOLLER



Güvenlik ikazı

V

Volt

Hz

Hertz

~

Alternatif akım

W

Watt

n<sub>o</sub>

Bota hız

min<sup>-1</sup>

Saniyede devir veya hareket sayısı





Makineyi çalıştırmadan talimatları dikkatlice okuyun.



Göz, kulak ve solunum koruması giyin.



CE uygunluğu



EurAsian Uyumluluk işareti



Ukrayna uygunluk işareti



Sınıf II, çift yalıtımlı



Darbeli delme modu



Darbeli delme modu



Delme modu



Atık elektrikli ürünler evsel atıklarla birlikte atılmamalıdır. Tesis bulunuyorsa lütfen geri dönüşüme verin. Geri dönüşümle ilgili tavsiye için Yerel Makamlarla veya bayi ile irtibat kurun.



Açma



Fayans



Duvar



Ahşap



Metal

Aşağıdaki işaret sözcükleri ve anlamları, bu ürünle ilişkili risk seviyelerini açıklamaya yöneliktir:

#### TEHLİKE

Önlenmemesi durumunda ölüm veya ciddi yaralanma ile sonuçlanacak, tehdit edici tehlikeli bir durumu gösterir.

#### UYARI

Önlenmemesi durumunda ölüm veya ciddi yaralanma ile sonuçlanabilecek potansiyel olarak tehlikeli bir durumu gösterir.

#### DİKKAT

Önlenmemesi durumunda önemsiz veya orta derece yaralanma ile sonuçlanabilecek potansiyel olarak tehlikeli bir durumu gösterir.

#### DİKKAT

(Güvenlik uyarı simgesi) maddi hasarla sonuçlanabilecek bir durum belirtir.

### KİTAPÇIKTAKİ SEMBOLLER



Not



Güç kaynağına bağlayın.



Güç kaynağından ayırın.



Parçalar ya da aksesuarlar ayrı olarak satılır.



Kilit



Kilidi açma



Kapalı



Στον σχεδιασμό του περιστρεφόμενου σφυροδρέπανου έχει δοθεί μέγιστη προτεραιότητα στην ασφάλεια, την απόδοση και την αξιοπιστία.

### ΠΡΟΟΡΙΖΟΜΕΝΗ ΧΡΗΣΗ

Το περιστροφικό σφυροτρίπανο διατίθεται για χρήση μόνο από ενήλικες που έχουν διαβάσει και κατανοήσει τις οδηγίες και τις προειδοποιήσεις του παρόντος εγχειριδίου και μπορούν να θεωρηθούν υπεύθυνοι για τις πράξεις τους. Διατίθεται για χρήση από έναν χειριστή που θα κρατά τον διακόπτη και τις πλευρικές λαβές.

Το περιστροφικό σφυροτρίπανο είναι σχεδιασμένο για να λειτουργεί χωρίς λειτουργία σφυριού σε ξύλο και μέταλλο. Για σμίλευση και διάτρηση τοιχοποιίας, μπορεί να χρησιμοποιηθεί η λειτουργία σφυριού.

Το περιστροφικό σφυροτρίπανο είναι σχεδιασμένο για να λειτουργεί χωρίς λειτουργία σφυριού έως τη μέγιστη διάμετρο που ορίζεται στον πίνακα προδιαγραφών προϊόντων.

Μην χρησιμοποιείτε το περιστροφικό σφυροτρίπανο για άλλες εργασίες από αυτές που αναφέρονται παραπάνω.

### ⚠ ΠΡΟΕΙΔΟΠΟΙΗΣΗ

**Διαβάστε όλες τις συστάσεις ασφαλείας και τις οδηγίες.** Αν δεν τηρηθούν οι προειδοποιήσεις και οδηγίες, υπάρχει κίνδυνος ηλεκτροπληξίας, φωτιάς και / ή σοβαρού τραυματισμού.

**Φυλάσσετε όλες τις προειδοποιήσεις και οδηγίες για μελλοντική χρήση.**

### ΠΡΟΕΙΔΟΠΟΙΗΣΕΙΣ ΑΣΦΑΛΕΙΑΣ ΓΙΑ ΤΟ ΣΦΥΡΟΤΡΥΠΑΝΟ

- **Φοράτε ωτοασπίδες.** Η επίδραση θορύβου μπορεί να προκαλέσει απώλεια ακοής.
- **Χρησιμοποιείτε τις βοηθητικές λαβές που παρέχονται με το εργαλείο.** Η απώλεια ελέγχου μπορεί να προκαλέσει τραυματισμό.
- **Κρατάτε το εργαλείο μόνο από τα μονωμένα και αντιολισθητικά τμήματα όταν εργάζεστε σε επιφάνεια η οποία μπορεί να κρύβει ηλεκτρικά καλώδια ή όταν η εργασία που θα πραγματοποιήσετε κινδυνεύει να φέρει το καλώδιο παροχής ρεύματος στην διαδρομή του εργαλείου.** Η επαφή του εξαρτήματος κοπής με «ζωντανό» καλώδιο (ηλεκτροφόρο) μπορεί να μεταφέρει τον ηλεκτρισμό στα εκτεθειμένα μεταλλικά εξαρτήματα του εργαλείου, προκαλώντας ηλεκτροπληξία στον χειριστή.

Επιπρόσθετες προειδοποιήσεις ασφαλείας

- Φορέστε γυαλιά ασφαλείας για να προστατευτείτε από ενδεχόμενα θραύσματα ή προβολές.
- Όταν εργάζεστε σε τοίχους, οροφές ή δάπεδα, φροντίστε να αποφεύγετε ηλεκτρικά καλώδια και σωλήνες αερίου ή νερού.
- Φοράτε μάσκα προστασίας από πριονίδια/σωματίδια.
- Απενεργοποιήστε αμέσως τη συσκευή εάν το εργαλείο εισαγωγής φρακάρει. Μην ενεργοποιήσετε ξανά τη

συσκευή ενόσω το εργαλείο εισαγωγής παραμένει φρακαρισμένο, διότι κάτι τέτοιο θα μπορούσε να πυροδοτήσει ξαφνική και ισχυρή ανάκρουση. Προσδιορίστε την αιτία του προβλήματος στο εργαλείο εισαγωγής και διορθώστε την, προσέχοντας την τήρηση των οδηγιών ασφαλείας.

- Πιθανές αιτίες για το φρακάρισμα του εργαλείου εισαγωγής:
  - Το εργαλείο εισαγωγής μπήκε υπό κλίση στο τεμάχιο εργασίας
  - Το εργαλείο εισαγωγής έχει διαπεράσει το τεμάχιο εργασίας
  - Η συσκευή έχει υποστεί υπερφόρτωση
- Αγκιστρώστε το τεμάχιο με μια συσκευή συγκράτησης. Ελεύθερα τεμάχια εργασίας μπορούν να προκαλέσουν σοβαρό τραυματισμό και ζημιές.
- Μην βάζετε τα χέρια σας μέσα στη συσκευή ενώ λειτουργεί.
- Μην παραλείπετε την εφαρμογή των κανόνων ασφαλείας της συσκευής όσο κι έχετε εξοικειωθεί με την χρήση της. Η απροσεξία, ακόμη και για ένα κλάσμα του δευτερολέπτου, μπορεί να οδηγήσει σε σοβαρό τραυματισμό.
- Διασφαλίστε ότι το καλώδιο θα τοποθετηθεί με τέτοιο τρόπο, ώστε να μην υπάρχει κίνδυνος να το πατήσει κάποιος, να σκοντάψει κάποιος εξαιτίας του, να έλθει σε επαφή με αιχμηρές γωνίες ή κινούμενα εξαρτήματα ούτε να υποστεί οποιαδήποτε άλλη βλάβη ή καταπόνηση. Έτσι θα μειωθεί ο κίνδυνος τυχαίων πτώσεων, οι οποίες θα μπορούσαν να οδηγήσουν σε τραυματισμό ή βλάβη του καλωδίου, με συνέπεια τον κίνδυνο ηλεκτροπληξίας.
- Διατηρείτε τις λαβές και τις επιφάνειες συγκράτησης στεγνές και καθαρές χωρίς λάδια και γράσα. Τυχόν γλιστερές λαβές και επιφάνειες συγκράτησης δεν επιτρέπουν τον ασφαλή χειρισμό και τον έλεγχο του εργαλείου σε μη αναμενόμενες καταστάσεις.
- Μπορεί να καταστεί καυτή κατά την χρήση. Υπάρχει κίνδυνος εγκαύματος:
  - Κατά την αλλαγή εργαλείων/τρυπανιών
  - Κατά την απενεργοποίηση της συσκευής

### ΓΝΩΡΙΣΤΕ ΤΟ ΠΡΟΪΟΝ ΣΑΣ

Βλέπε σελίδα 83.

1. Τσοκ SDS+
2. Βοηθητική λαβή
3. Πλώμα γράσου
4. Διακόπτης
5. Επιλογέας λειτουργίας
6. Δευτερεύον επιλογέας λειτουργίας
7. Καπάκι για καρβουνάκια
8. Κλειδί
9. Ράβδος οδηγός βαθους
10. Σωλήνας λίπανσης
11. Ανταλλακτικά καρβουνάκια
12. Κάλυμμα σκόνης
13. Λαβή, μονωμένη επιφάνεια λαβής





## ΑΛΛΟΙ ΚΙΝΔΥΝΟΙ

Ακόμη και όταν το περιστροφικό σφυροτρίπανο χρησιμοποιείται σύμφωνα με τις οδηγίες, είναι αδύνατο να απαλειφθούν ολοκληρωτικά ορισμένοι παράγοντες κινδύνου. Κατά τη χρήση μπορεί να προκύψουν οι ακόλουθοι κίνδυνοι και ο χειριστής πρέπει να δίδει ιδιαίτερη προσοχή προς αποφυγή των εξής:

- Κίνδυνος ηλεκτροπλυξίας εάν διατρηθούν ηλεκτρικά καλώδια. Πίνετε πάντα το εργαλείο από τις ειδικές λαβές και μην αγγίζετε τα εξαρτήματα τρυπανιού.
- Αν κολλήσει το εξάρτημα, υπάρχει κίνδυνος επιστροφής κατά τη διάτρηση. Χρησιμοποιείτε πάντα την πλευρική λαβή και πίνετε καλά το εργαλείο.
- Βλάβες στο αναπνευστικό σύστημα. Φορέστε μάσκα προστασίας της αναπνοής που περιέχουν κατάλληλα φίλτρα για τα υλικά που επεξεργάζεστε Βεβαιωθείτε ότι υπάρχει επαρκής εξαερισμός του χώρου εργασίας. Μην τρώτε, πίνετε ή καπνίζετε στον χώρο εργασίας.
- Βλάβες στην ακοή. Φοράτε πάντα αποτελεσματικά προστατευτικά ακοής και περιορίζετε την έκθεση στον θόρυβο.
- Βλάβες στα μάτια από εκπινασόμενο πριονίδι και υπολείμματα. Φοράτε πάντα κατάλληλα προστατευτικά ματιών.
- Τραυματισμοί από τον κραδασμό. Κρατάτε το εργαλείο από τις ειδικές λαβές και περιορίζετε την έκθεση στους κραδασμούς. Βλ. "Μείωση Κινδύνου".

## ΜΕΙΩΣΗ ΚΙΝΔΥΝΟΥ

Υπάρχουν αναφορές ότι οι κραδασμοί από εργαλεία χειρός ενδεχομένως να συμβάλλουν στην εκδήλωση της πάθησης Συνδρόμου Raynaud, σε ορισμένα άτομα. Τα συμπτώματα περιλαμβάνουν κνησμό, μούδιασμα και λευκότητα των δακτύλων, που εμφανίζονται συνήθως μετά την έκθεση σε κρύο. Κληρονομικοί παράγοντες, έκθεση σε κρύο και υγρασία, κάπνισμα και πρακτικές εργασίας θεωρείται ότι συμβάλλουν στην εκδήλωση των συμπτωμάτων. Υπάρχουν μέτρα που μπορούν να ληφθούν από τον χειριστή για να μειωθούν πιθανώς οι επιδράσεις των κραδασμών:

- Διατηρείτε το σώμα σας ζεστό όταν ο καιρός είναι ψυχρός. Φοράτε γάντια κατά τον χειρισμό του μηχανήματος, για να διατηρείτε ζεστά τα χέρια και τους καρπούς σας. Ο ψυχρός καιρός είναι κύριος παράγοντας που συμβάλλει στην εκδήλωση του συνδρόμου Raynaud.
- Μετά από κάθε περίοδο λειτουργίας, κάνετε ασκήσεις για να αυξάνετε την κυκλοφορία αίματος.
- Κάνετε τακτικά διαλείμματα κατά την εργασία. Περιορίζετε το σύνολο έκθεσης ανά ημέρα.

Αν παρουσιάσετε οποιοδήποτε σύμπτωμα αυτής της πάθησης, διακόψτε αμέσως τη χρήση και συμβουλευτείτε τον γιατρό σας για τα συμπτώματα.

## ΠΡΟΕΙΔΟΠΟΙΗΣΗ

Υπάρχει κίνδυνος πρόκλησης ή επιδείνωσης τραυματισμού, από την παρατεταμένη χρήση εργαλείου. Όταν χρησιμοποιείτε το εργαλείο για μεγάλες περιόδους, κάνετε τακτικά διαλείμματα.

## ΣΥΝΤΗΡΗΣΗ

### ΠΡΟΕΙΔΟΠΟΙΗΣΗ

Το προϊόν δεν πρέπει ποτέ να συνδέεται σε παροχή ισχύος όταν συναρμολογείτε εξαρτήματα, όταν διεξάγετε ρυθμίσεις, καθαρισμό, συντήρηση ή όταν το προϊόν δε χρησιμοποιείται. Μια αποσύνδεση του προϊόντος θα εμποδίσει τυχαία εκκίνηση, η οποία θα μπορούσε να προκαλέσει σοβαρό τραυματισμό.

### ΠΡΟΕΙΔΟΠΟΙΗΣΗ

Στις εργασίες σέρβις χρησιμοποιείτε μόνο αυθεντικά ανταλλακτικά του κατασκευαστή. Η χρήση οποιουδήποτε άλλου ανταλλακτικού μπορεί να παρουσιάσει κίνδυνο ή να προκαλέσει ζημιά στο εργαλείο σας.

- Αποφύγετε τη χρήση διαλυτών κατά τον καθαρισμό πλαστικών εξαρτημάτων. Τα περισσότερα πλαστικά μπορούν να υποστούν ζημιά από τη χρήση ορισμένων διαλυτών που διατίθενται στο εμπόριο. Χρησιμοποιήστε ένα καθαρό πανάκι για να καθαρίσετε τις ακαθαρσίες, τη σκόνη, κλπ.

### ΠΡΟΕΙΔΟΠΟΙΗΣΗ

Σε καμία περίπτωση μην επιτρέπτε τα υγρά φρένων, η βενζίνη, προϊόντα με βάση το πετρέλαιο, έλαια που διεισδύουν κλπ. να έρχονται σε επαφή με πλαστικά τμήματα. Τα προϊόντα αυτά περιέχουν χημικές ουσίες που μπορούν να προξενήσουν ζημιά, να μειώσουν ή να καταστρέψουν το πλαστικό.

- Τα ηλεκτρικά εργαλεία που χρησιμοποιούνται σε εξοπλισμούς από φάιμπεργκλας, σε γυψοσανίδες, σε πανο επένδυσης ή σε γύψο, έχουν την τάση να φθείνουν γρηγορότερα και να παρουσιάζουν πρόωρες βλάβες, επειδή τα ρινιάματα και το πριονίδι που προέρχονται από τα υλικά αυτά είναι πολύ λειαντικά για έδρανα, βούρτσες, διακόπτες κλπ. Δεν προτείνουμε τη χρήση του προϊόντος για παρατεταμένο χρονικό διάστημα σε αυτούς τους τύπους υλικών.

### ΠΡΟΕΙΔΟΠΟΙΗΣΗ

Φοράτε πάντα προστατευτικά γυαλιά ή γυαλιά ασφαλείας με πλαϊνές ασπίδες κατά τον χειρισμό μηχανοκίνητων εργαλείων ή σε εργασίες με σκόνη. Αν η εργασία προκαλεί σκόνη, φοράτε και ειδική μάσκα.

- Αν το καλώδιο παροχής ρεύματος φθαρεί, πρέπει να αντικατασταθεί μόνο από τον παρασκευαστή ή



εξουσιοδοτημένο κέντρο σέρβις για αποφυγή κινδύνων.  
Επικοινωνήστε με το εξουσιοδοτημένο κέντρο σέρβις.

- Για μεγαλύτερη ασφάλεια και αξιοπιστία, όλες οι επισκευές πρέπει να εκτελούνται από εξουσιοδοτημένο κέντρο σέρβις της RYOBI.

#### ΛΙΠΑΝΣΗ

Όλα τα έδρανα στο προϊόν έχουν λιπανθεί με επαρκή ποσότητα λιπαντικού υψηλής ποιότητας για όλη τη διάρκεια ζωής του προϊόντος, υπό φυσιολογικές συνθήκες λειτουργίας.

#### ΛΙΠΑΝΣΗ ΜΕΙΩΤΗΡΑ

Βάλτε 10 γρ. γράσο στο μειωτήρα μετά από 45 ώρες συνεχούς χρήσης ή μετά από 55 ώρες συνολικής χρήσης.

#### ΠΡΟΣΤΑΣΙΑ ΤΟΥ ΠΕΡΙΒΑΛΛΟΝΤΟΣ



Ανακυκλώνετε τις πρώτες ύλες αντί να τις πετάτε ως απορρίμματα. Για την προστασία του περιβάλλοντος, πρέπει να γίνεται η διαλογή του εργαλείου, των εξαρτημάτων και των συσκευασιών του.

#### ΣΥΜΒΟΛΑ ΣΤΟ ΠΡΟΪΟΝ



Προειδοποίηση ασφαλείας

V

Βλτ

Hz

ερτς

~

Εναλλασσμεν ρεύμα

W

Βατ

n°

Ταύτητα στ κεν

min<sup>-1</sup>

Αριθμ στρών ή κινήσεων ανά λεπτ



Παρακαλούμε διαβάστε τις οδηγίες προσεκτικά πριν ξεκινήσετε το μηχάνημα.



Φοράτε προστατευτικά για τα μάτια, τα αυτιά και αναπνοή.



Συμμόρφωση CE



EurAsian σήμα πιστότητας



Ουκρανικό σήμα συμμόρφωσης

001



Κατηγορία II, διπλή μόνωση



Λειτουργία σφυριού



Λειτουργία σφυροτράπανου



Λειτουργία τρυπανιού



Τα ηλεκτρικά προϊόντα προς απόρριψη δεν θα πρέπει να απορρίπτονται μαζί με τα οικιακά απόβλητα. Παρακαλούμε ανακυκλώστε όπου υπάρχουν οι αντίστοιχες εγκαταστάσεις. Μιλήστε με τις τοπικές αρχές ή τον πωλητή για να σας ενημερώσουν σχετικά με τα προγράμματα ανακύκλωσης.

#### ΣΥΜΒΟΛΑ ΣΤΟ ΕΓΧΕΙΡΙΔΙΟ



Σημείωση



Συνδέστε στην παροχή ηλεκτρικού ρεύματος.



Αποσυνδέστε από την παροχή ρεύματος.



Ανταλλακτικά και εξαρτήματα πωλούνται χωριστά



Κλειδωμα



Ξεκλειδωμα



Απενεργοποίηση



Ενεργοποίησης



Πλακάκι



Τοιχοποιία



Ξύλο



Μέταλλο

Οι ακόλουθες προειδοποιητικές λέξεις και έννοιες προορίζονται να εξηγήσουν τα επίπεδα κινδύνου που συνδέονται με αυτό το προϊόν:

#### ΚΙΝΔΥΝΟΣ

Υποδεικνύει μια επικείμενη επικίνδυνη κατάσταση, η οποία, αν δεν αποφευχθεί, θα οδηγήσει σε θάνατο ή σοβαρό τραυματισμό.

### ΠΡΟΕΙΔΟΠΟΙΗΣΗ

Υποδεικνύει μια δυνητικά επικίνδυνη κατάσταση, η οποία, αν δεν αποφευχθεί, θα οδηγήσει σε θάνατο ή σοβαρό τραυματισμό.

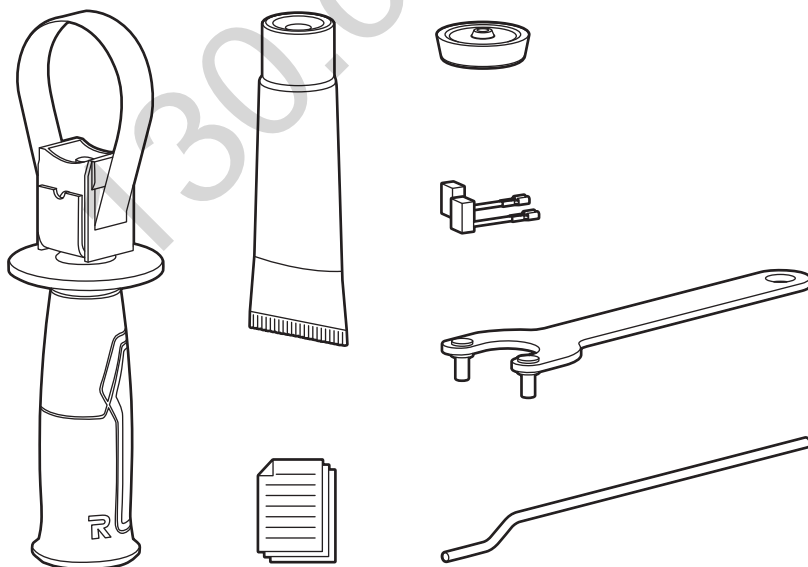
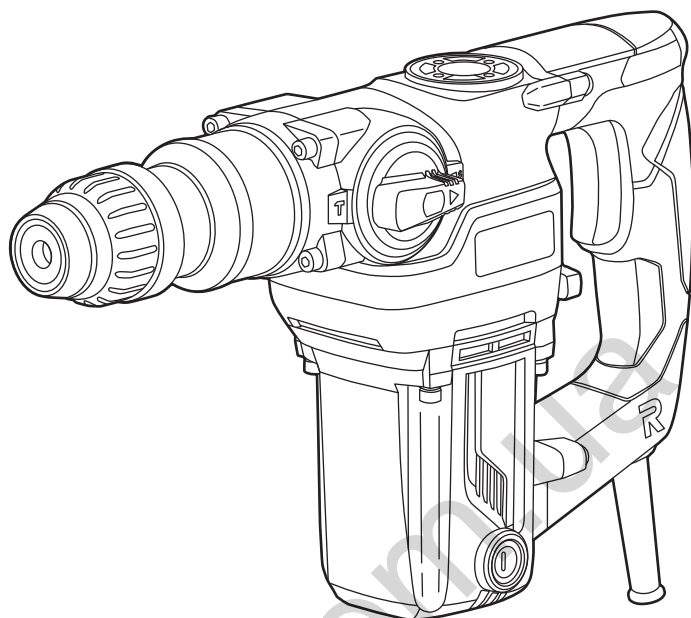
### ΠΡΟΣΟΧΗ

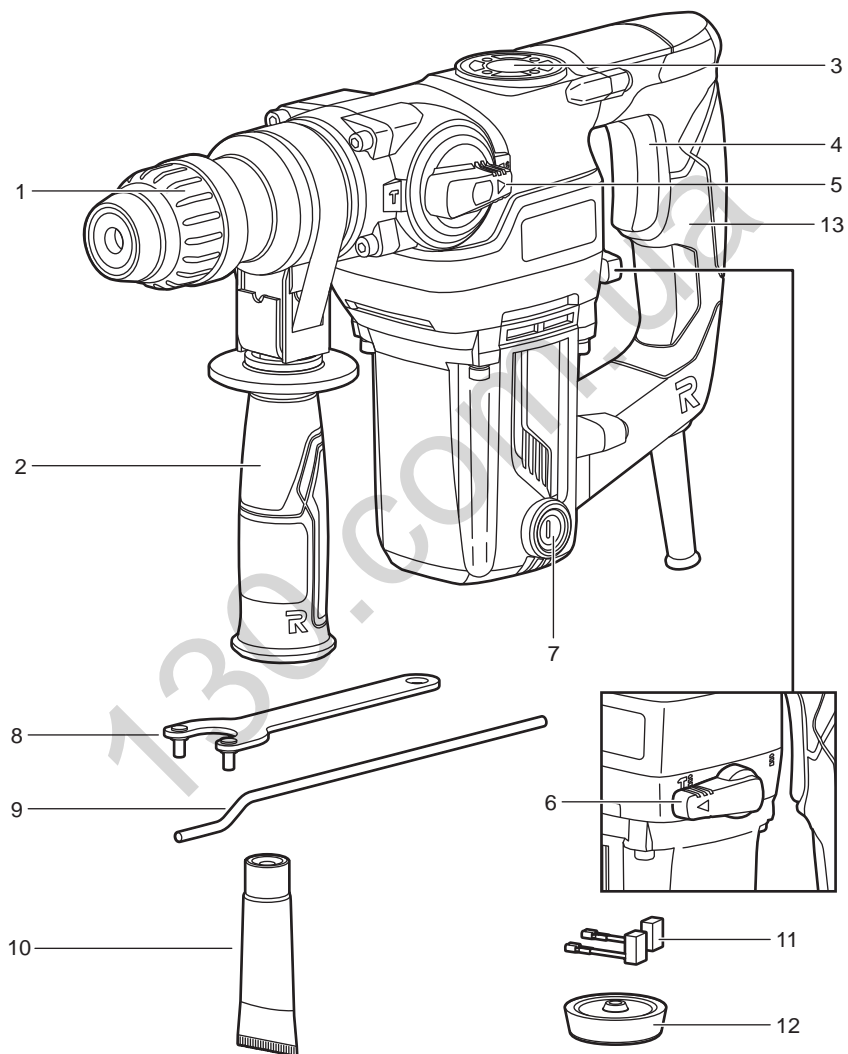
Υποδεικνύει μια δυνητικά επικίνδυνη κατάσταση, η οποία, αν δεν αποφευχθεί, ενδέχεται να οδηγήσει σε ελαφρύ ή μέτριο τραυματισμό.

### ΠΡΟΣΟΧΗ

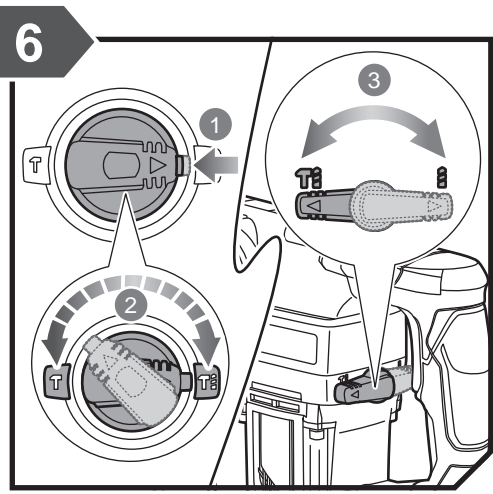
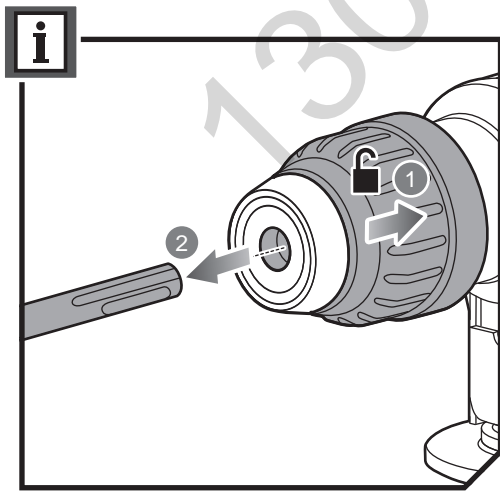
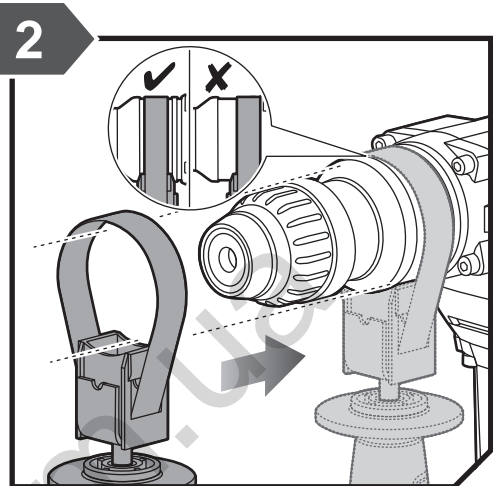
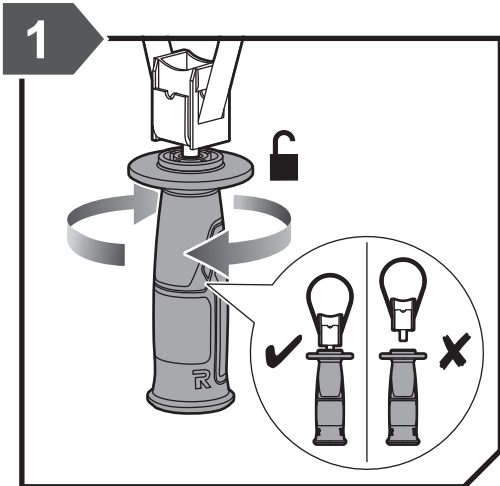
(Χωρίς προειδοποιητικό σύμβολο) Επισημαίνει μια κατάσταση που ενδέχεται να προκαλέσει υλικές ζημιές.

EN  
FR  
DE  
ES  
IT  
NL  
PT  
DA  
SV  
FI  
NO  
RU  
PL  
CS  
HU  
RO  
LV  
LT  
ET  
HR  
SL  
SK  
BG  
UK  
TR  
EL



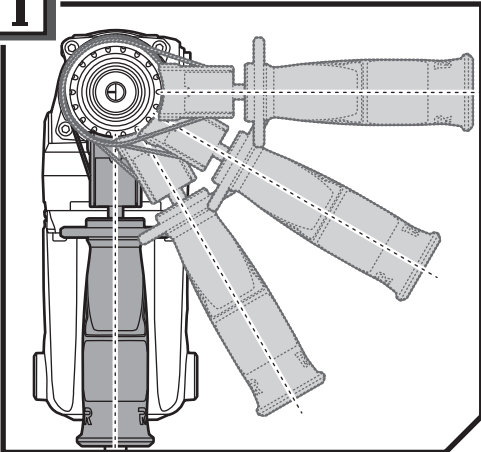




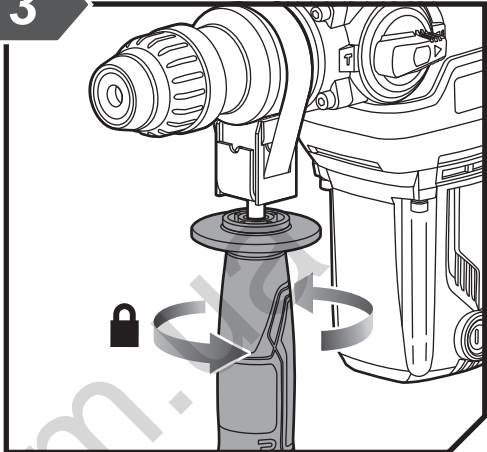




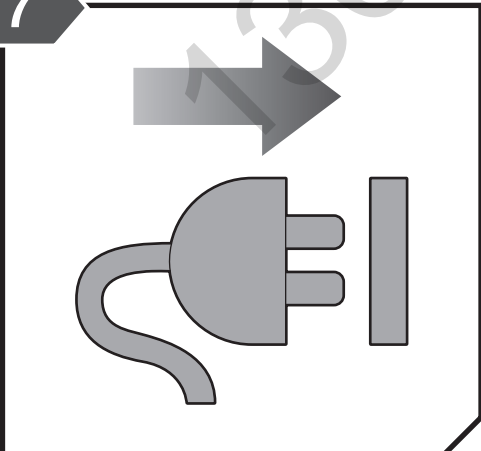
**i**



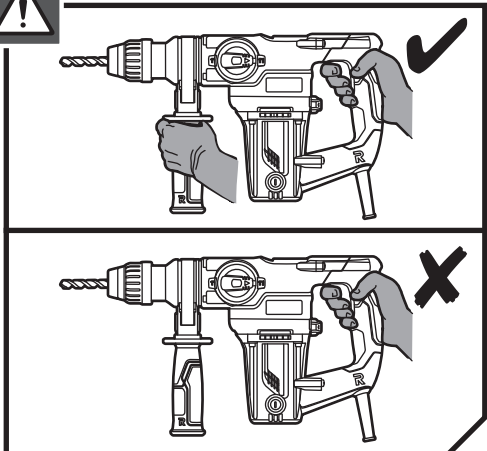
**3**

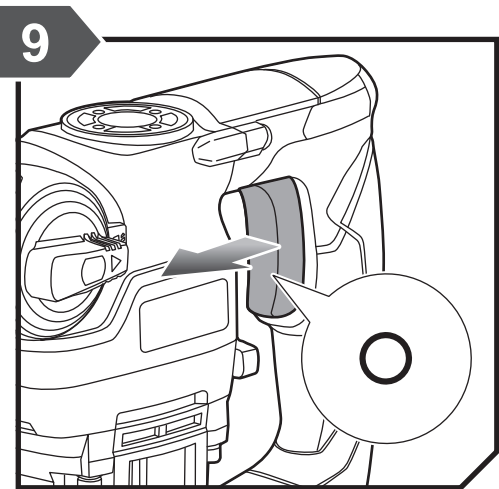
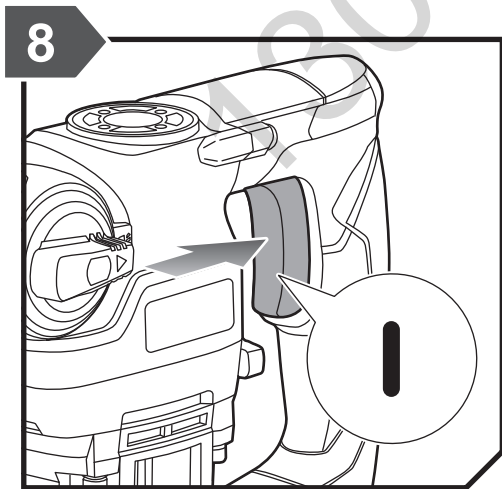
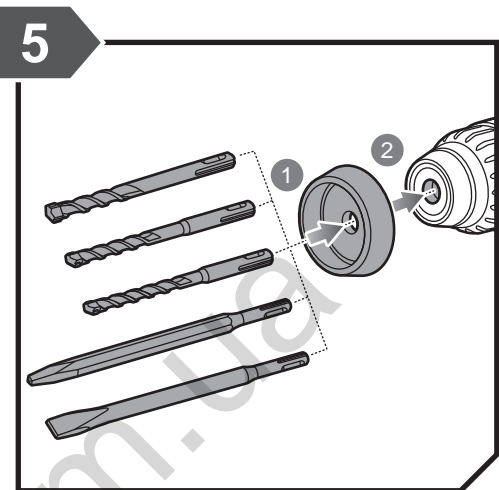
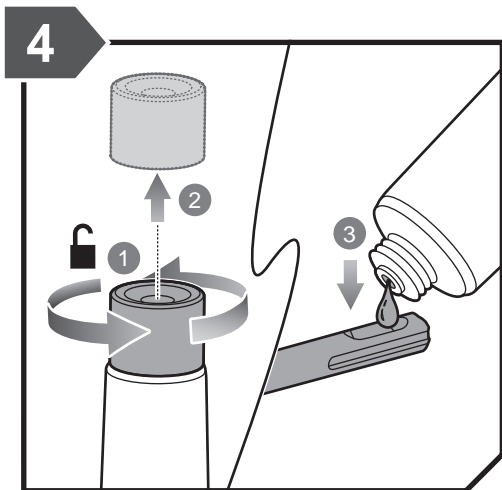


**7**



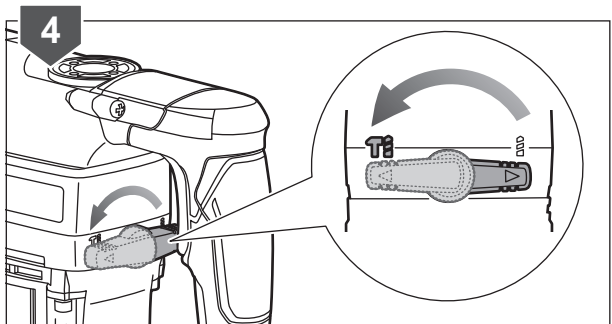
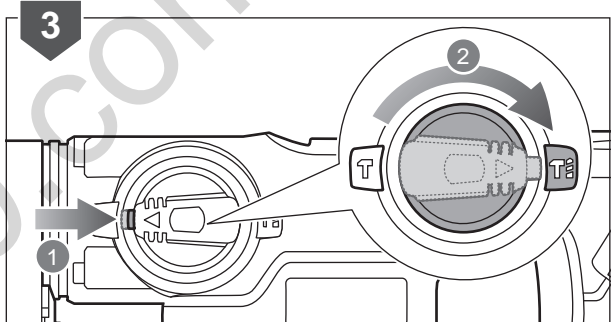
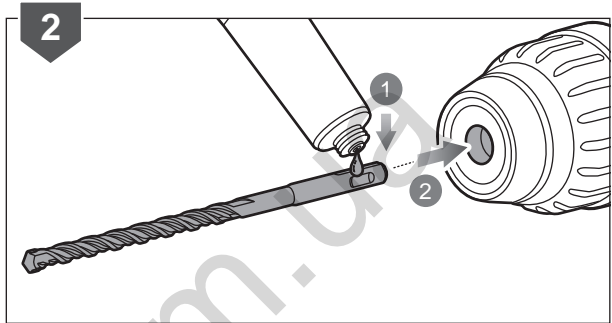
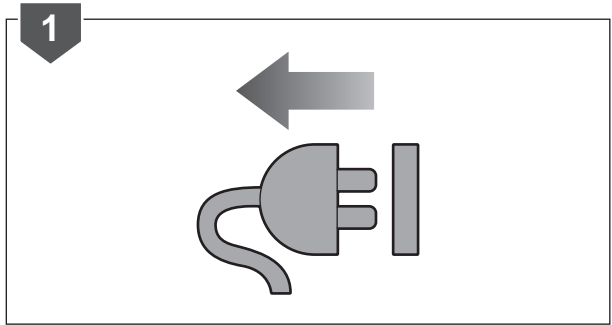
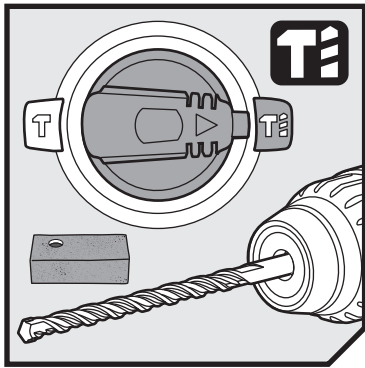
**!**

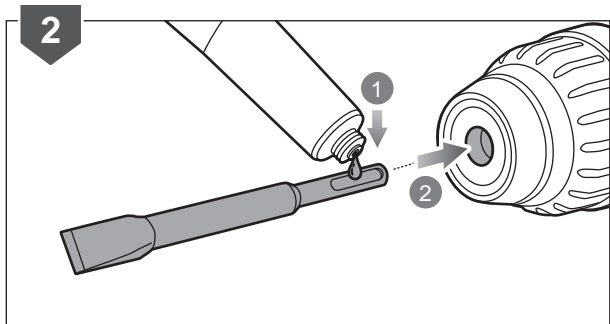
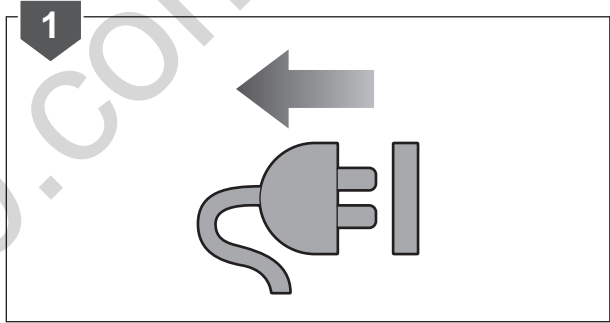
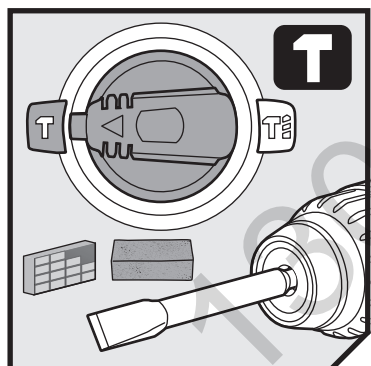
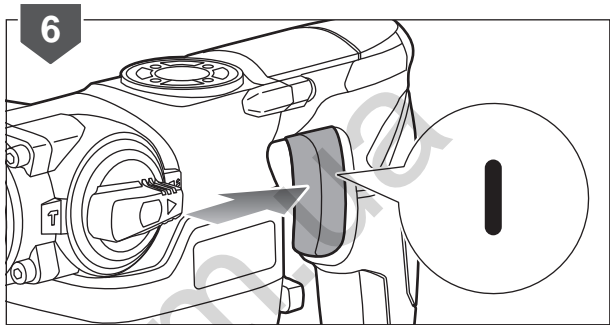
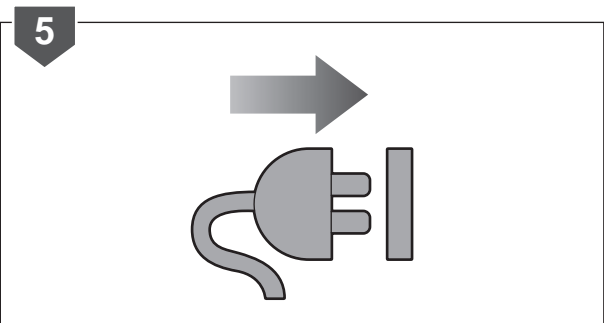




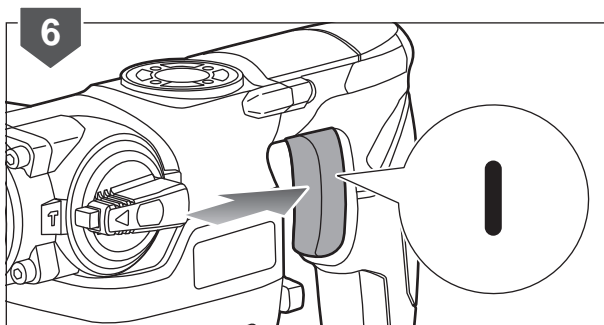
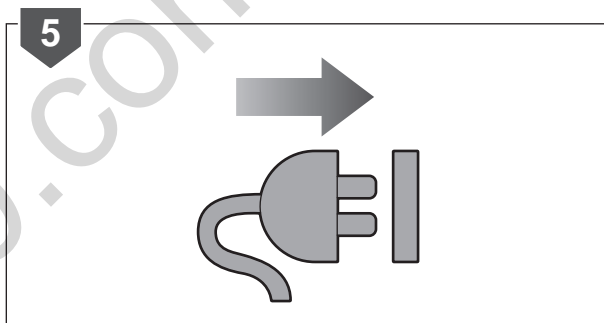
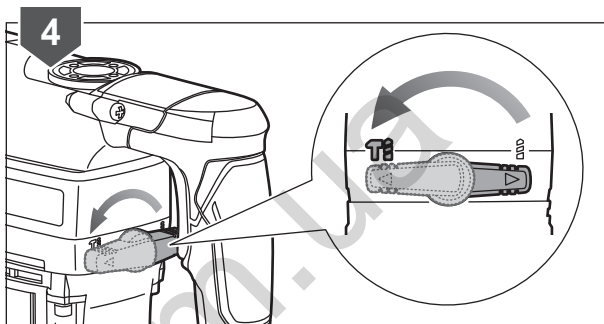
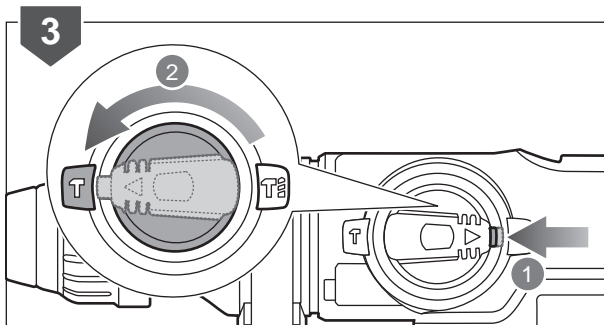
130.com.ua

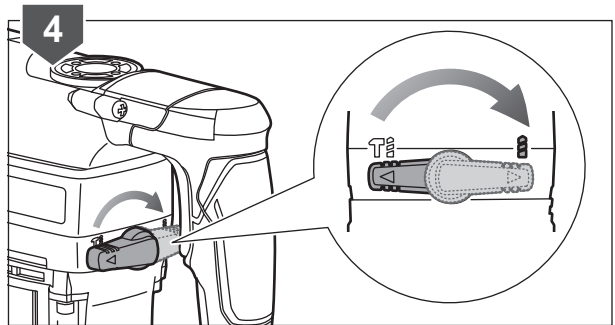
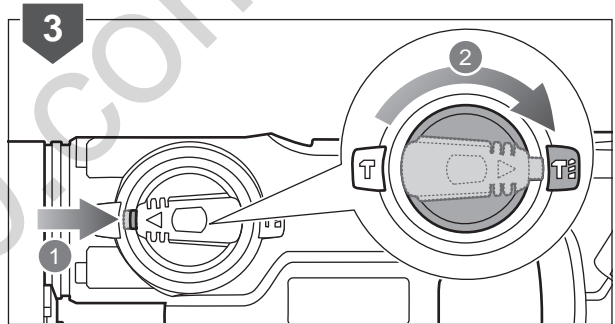
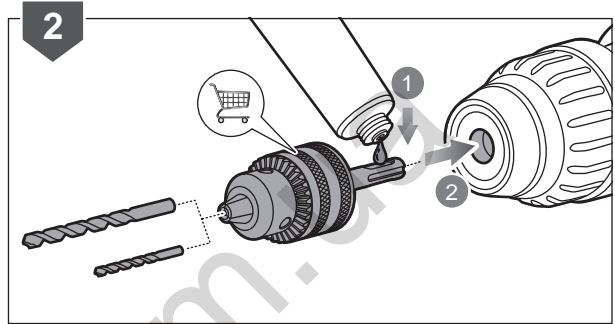
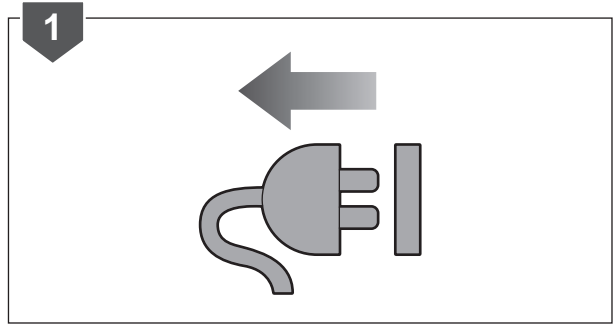
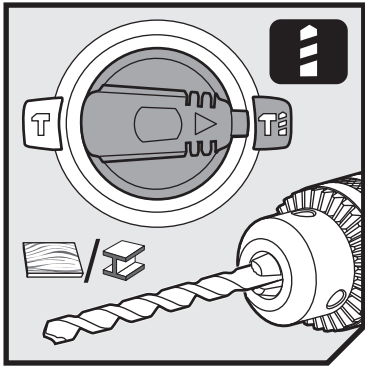
130.com.ua

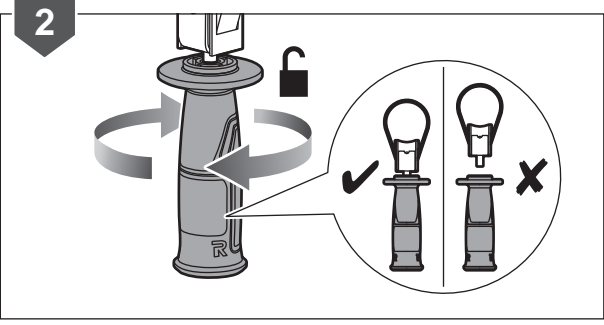
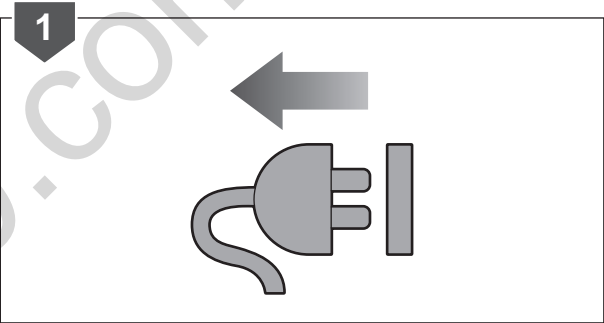
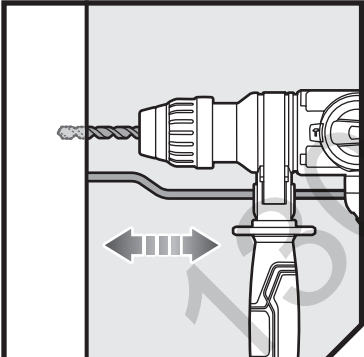
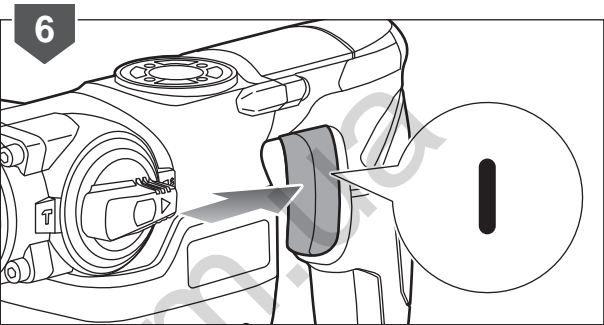
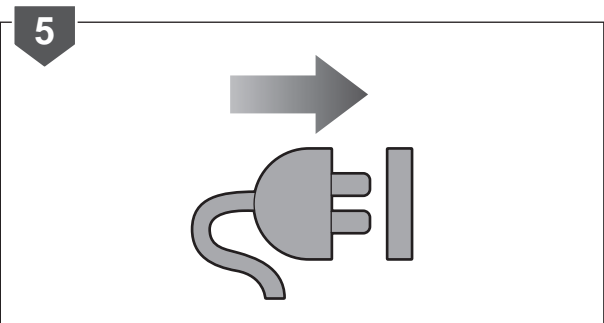


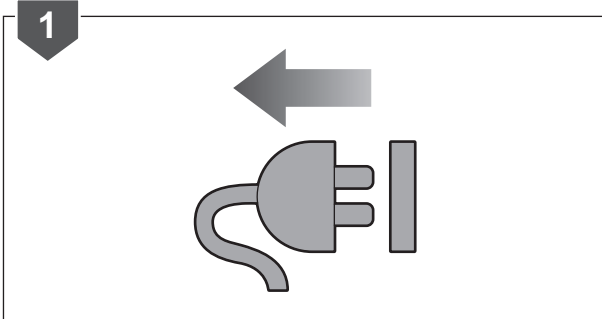
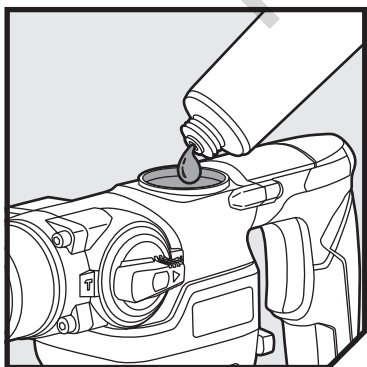
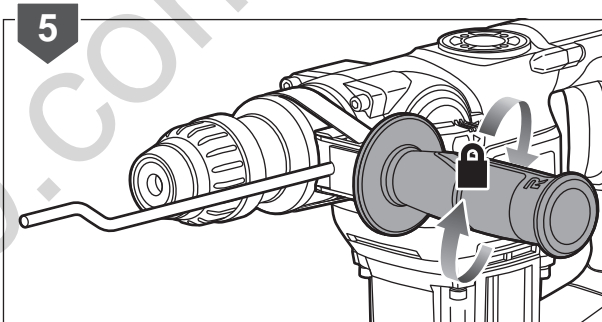
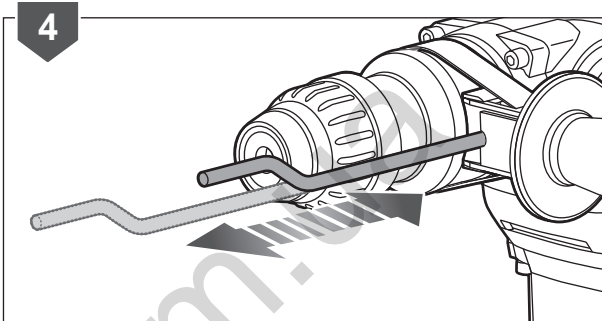
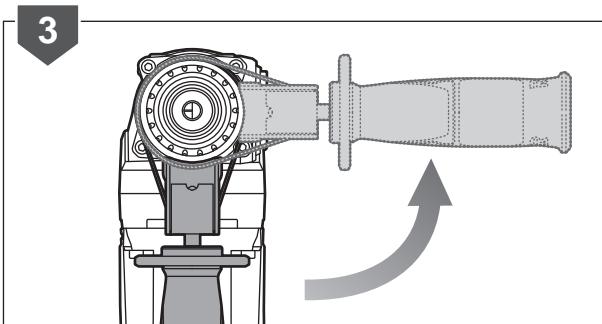


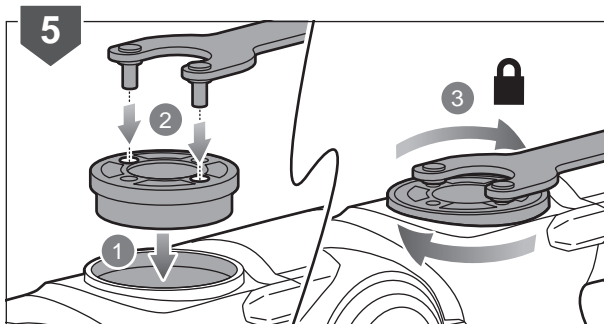
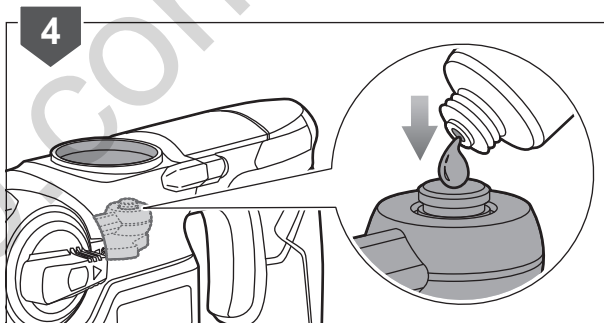
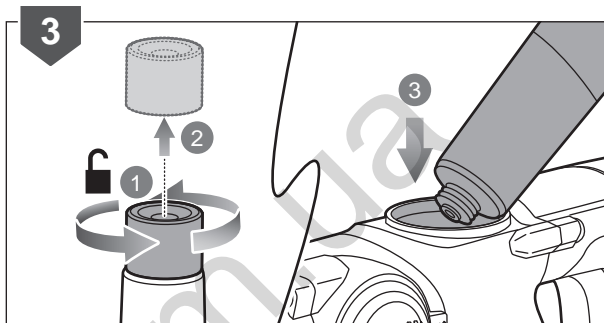
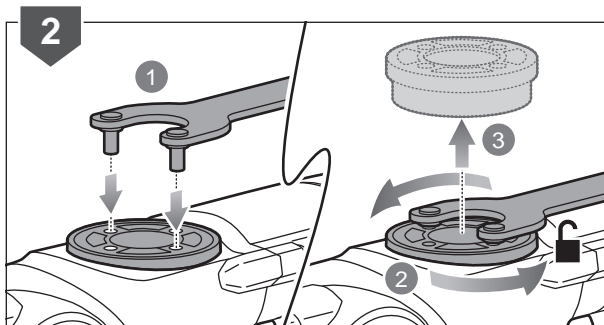














English	Français	Deutsch	Español	Italiano	Nederlands	Português
<b>Product specifications</b>	<b>Caractéristiques de l'appareil</b>	<b>Produkt-Spezifikationen</b>	<b>Especificaciones del producto</b>	<b>Specifiche prodotto</b>	<b>Productspecificaties</b>	<b>Especificações do produto</b>
SDS+ Rotary Hammer Drill	SDS+ Perforeur Rotatif	SDS+ Bohrhammer	SDS+ Taladro percutor giratorio	SDS+ Martello pneumatico a rotazione	SDS+ Roterende hamerboormachine	SDS+ Martelo perfurador rotativo
Model	Modèle	Modell	Modelo	Modello	Model	Modelo
Voltage	Tension	Spannung	Tensión	Voltaggio	Spanning	Voltagem
Input	Alimentation	Eingangleistung	Tensión nominal	Alimentazione	Input	Admissão
No-load speed (Drill mode)	Vitesse à vide (Mode perçage)	Leerlaufdrehzahl (Bohren)	Velocidad sin carga (Modo de taladrado)	Velocità a vuoto (Modalità perforatore)	Onbelast toerental (boorstand)	Velocidade em vazio (Modo de perfuração)
Blows per minute (Hammer speed)	Coups par minute (Fréquence de burinage)	Schläge pro Minute (Hammergeschwindigkeit)	Soplidos por minuto (Velocidad de martilleo)	Soffi al minuto (Velocità martello)	Blaasvermogen per minuut (Hammersnelheid)	Sopros por minuto (Velocidade do martelo)
Impact energy	Energie d'impact	Einzelerschlagenergie	Energía de impacto	Energia di impatto	Impactkracht	Energia de impacto
Tool attachment	Fixation	Werkzeugaufnahme	Sujeción	Fissaggio	Boorhouder	Fixação
Drilling capacity	Capacité de perçage	Bohrleistung	Capacidad de perforación	Capacità di trapanazione	Boorvermogen	Capacidade de perfuração
in metal	dans le métal	in Metall	en metal	nel metallo	in metaal	em metal
in wood	dans le bois	in Holz	en madera	nel legno	in hout	em madeira
in masonry	dans la maçonnerie	in Mauerwerk	en mampostería	nei laterizi	in metselwerk	em alvenaria
Weight (According to EPTA procedure 01/2003)	Poids (Selon la procédure EPTA 01/2003)	Gewicht (Gemäß EPTA-Verfahren 01/2003)	Peso (Según el procedimiento EPTA 01/2003)	Peso (Secondo quanto indicato dalla EPTA-Procedure 01/2003)	Gewicht (Overeenkomstig de EPTA-procedure 01/2003)	Peso (De acordo com o Procedimento EPTA 01/2003)
Measured sound values determined according to EN 60745:	Valeurs du son mesuré déterminées selon EN 60745:	Gemäß EN 60745: gemessene Schallwerte	Valores medidos del sonido en función de la norma EN 60745:	Valori del suono misurati determinati secondo lo standard EN 60745:	Gemeten geluidswaarden bepaald in overeenstemming met EN 60745:	Valores medidos do som em função da norma EN 60745:
A-weighted sound pressure level	Niveau de pression sonore pondéré-A	A-bewerteter Schalldruckpegel	Nivel de presión acústica ponderada en A	Livello di pressione sonora pesato A	A-gewogen geluidsdrukniveau	Nível de pressão sonora ponderada A
Uncertainty K	Incertitude K	Unsicherheit K	Incertidumbre K	Incertezza K	Onzekerheid K	Incerteza K
A-weighted sound power level	Niveau de puissance sonore pondéré-A	A-bewerteter Schalleistungspegel	Nivel de potencia acústica ponderada en A	Livello di potenza sonora pesato A	A-gewogen geluidsniveau	Nível de potência sonora ponderada A
Uncertainty K	Incertitude K	Unsicherheit K	Incertidumbre K	Incertezza K	Onzekerheid K	Incerteza K
Wear ear protectors.	Portez une protection acoustique.	Tragen Sie Gehörschutz.	Utilice protección auditiva!	Indossare protezioni acustiche adeguate.	Draag oorbeschermers.	Sempre use a proteção dos ouvidos.
The vibration total values (triaxial vector sum) determined according to EN 60745:	La valeur totale des vibrations (somme vectorielle triaxiale) a été déterminée selon EN 60745:	Die Vibrationsgesamtwerte (dreiaxiale Vektorsumme) ermittelt entsprechend EN 60745:	Los valores totales de vibración (Suma vectorial triaxial) se han determinado según la norma EN 60745:	I valori di vibrazione totali (somma vettore triassiale) sono determinati secondo gli standard EN 60745:	De totale trillingswaarden (triaxiale vectorsom) werden vastgesteld in overeenstemming met EN 60745:	Os valores totais de vibração (Soma vectorial triaxial) foram determinados de acordo com a norma EN 60745:
Hammer drilling into concrete	Perçage à percussion dans le béton	Hammerbohren in Beton	Taladro percutor para hormigón	Operazioni con martello pneumatico nel cemento	Hamerboren in beton	Martelo de perfuração em betão
Uncertainty K	Incertitude K	Unsicherheit K	Incertidumbre K	Incertezza K	Onzekerheid K	Incerteza K
Chiseling	Ciselure	Meißeln	Cinzelado	Scalpellare	Beitelen	Cinzelagem
Uncertainty K	Incertitude K	Unsicherheit K	Incertidumbre K	Incertezza K	Onzekerheid K	Incerteza K





Dansk	Svenska	Suomi	Norsk	Русский	Polski	
Produktspecifikation	Produktspecifikation	Tuotteen tekniset tiedot	Produktspecificasjoner	Характеристики изделия	Parametry techniczne	
SDS+ Roterende borehammer	SDS+ Roterande borhammare	SDS+ Iskuporakone	SDS+ Slagdrill	SDS+ Дрель-перфоратор	SDS+ Wiertarka udarowa	
Model	Modell	Malli	Modell	Модель	Model	RSDS1050
Spænding	Spänning	Jännite	Spenning	Напряжение	Napięcie	220 - 240 V ~ 50/60 Hz
Strømforsyning	Matningsspänning	Virrrankulutus	Input	Питание	Zasilanie	1050 W
Tomgangshastighed (Boretillstand)	Tomgångshastighet (Borringsläge)	Tyhjäkäyntinopeus (Poraustila)	Hastighet ubelastet (Drill-modus)	Скорость на холостом ходу (Режим сверления)	Prędkość bez obciążenia (Tryb wiercenia)	950 min <sup>-1</sup>
Slag pr. minut (Hammerslag)	Slag per minut (Hammarhastighet)	Puhallusta minuutissa (Iskunopeudet)	Blåsing i minuttet (Slagboringshastighet)	Ударов в минуту (Скорость в ударном режиме)	Uderzeń na minutę (Częstotliwość uderu)	4 400 min <sup>-1</sup>
Slagenergi	Slagenergi	Iskuenergia	Støtenergi	Ударная энергия	Energia pojedynczego uderu	3,6 J
Indsatsopspænding	Fäste	Kytcentä	Festesystem	Крепление	System mocowania narzędzi	SDS-plus
Borekapacitet	Borrkapacitet	Porauskapasiteetti	Borekapasitet	Наибольший диаметр сверления	Dopuszczalna średnica wiercenia	
i metal	i metall	metallissa	i metall	в металле	w metalu	13 mm
i træ	i trä	puussa	i tre	в древесине	w drewnie	40 mm
i murværk	i sten	kivessä	i mur	в каменной кладке	w betonie	26 mm
Vægt (I henhold til EPTA-procedure 01/2003)	Vikt (Enligt EPTA 01/2003)	Paino (EPTA-menetelmän 01/2003 mukaan)	Vekt (I henhold til EPTA-prosedyre 01/2003)	Вес (Соответствует требованиям EPTA-Procedure 01/2003)	Waga (Zgodnie z procedurą EPTA 01/2003)	4,75 kg
Målte lydverdier bestemt iht. EN 60745.	Uppmåttade ljudvärden enligt EN 60745.	Mitatut arvot määritetty EN 60745 standardin mukaan.	Målte lydverdier bestemt iht. EN 60745.	Измеренные значения параметров звука определены в соответствии с EN 60745.	Zmierzone wartości akustyczne zgodnie z normą EN 60745.	
A-vægtet lydtryksniveau	A-vägd ljudtrycksnivå	A-painotettu äänenpainetaso	A-vektet lydtryknivå	Уровень А-взвешенного звукового давления	A-ważony poziom ciśnienia hałasu	$L_{pA} = 91,5 \text{ dB(A)}$
Usikkerhed K	Osäkerhet K	Epätarkkuus K	Usikkerhet K	Погрешность K	Niepewność pomiaru K	$K_A = 3 \text{ dB}$
A-vægtet lydeffektniveau	A-vägd ljudeffektnivå	A-painotettu äänenleho	A-vektet lydeffektnivå	Уровень А-взвешенной звуковой мощности	A-ważony poziom natężenia hałasu	$L_{wA} = 102,5 \text{ dB(A)}$
Usikkerhed K	Osäkerhet K	Epätarkkuus K	Usikkerhet K	Погрешность K	Niepewność pomiaru K	$K_M = 3 \text{ dB}$
Bær høreværn.	Bär hörselskydd.	Käytä korvasuojia.	Bruk hørselsvern.	Используйте наушники!	Stosować środki ochrony słuchu!	
De totale vibrationsværdier (triaksial vektorsum) er bestemt i henhold til EN 60745.	De totala vibrationsvärdena (triaksial vektorsumma) bestäms enligt EN 60745.	Tärinän kokonaisarvot (kolmiakselinen vektorisumma) määritettyä standardien EN 60745 mukaisesti.	De totale vibrationsverdiene (triax vektor-sum) er fastsatt i henhold til EN 60745.	Суммарное значение вибрации (сумма векторов по трем координатным осям) определено в соответствии со стандартом EN 60745.	Wartości sumaryczne drgań (suma wektora trójosiowego) określone zgodnie z normą EN 60745.	
Slagboring i beton	Hammaré för att borra i betong	Betonin iskuporaus	Slagboring i betong	Ударное сверление по бетону	Wiercenie udarowe w betonie	$a_{h,HD} = 18,8 \text{ m/s}^2$
Usikkerhed K	Osäkerhet K	Epätarkkuus K	Usikkerhet K	Погрешность K	Niepewność pomiaru K	$1,5 \text{ m/s}^2$
Mejsling	Hugga	Taltaus	Meisling	Рубка	Łutowanie	$a_{h,CH90} = 16,3 \text{ m/s}^2$
Usikkerhed K	Osäkerhet K	Epätarkkuus K	Usikkerhet K	Погрешность K	Niepewność pomiaru K	$1,5 \text{ m/s}^2$







Čeština	Magyar	Română	Latviski	Lietuviškai	Eesti	Hrvatski
<b>Technické údaje produktu</b>	<b>Termék műszaki adatai</b>	<b>Specificațiile produsului</b>	<b>Produkta specifikācijas</b>	<b>Gaminio techninės savybės</b>	<b>Toote tehnilised andmed</b>	<b>Specifikacije proizvoda</b>
SDS+ Rotační vrtací kladivo	SDS+ Fúrókalapács	SDS+ Ciocan rotopercutor	SDS+ Rotācijas triecienurbis	SDS+ Rotacinis kalamasis grąžtas	SDS+ Põõrlev puurvasar	SDS+ Rotacijska udarna bušilica
Model	Típus	Model	Modelis	Modelis	Mudeli tähis	Model
Elektrické napětí	Feszültség	Tensiune	Spriegums	Įtampa	Pinge	Napon
Vstup	Bemenet	Intrare	ļeeja	Įvestis	Vooluvõrk	Ulaz
Otáčky naprázdno (Režim vrtní)	Üresjárati fordulatszám (Fúrás üzemmód)	Viteză în gol (Mod găurire)	Apgrīezienu bez slodzes (Urbšanas režīms)	Greitis be apkrovimo (Gręžimo režimas)	Kiirus ilma koormuseta (Puurimisrežiimi sümbol)	Brzina bez opterećenja (Način rada bušenja)
Údery za minutu (Rychlost přiklepů)	Lökés percenként (Kalapács sebessége)	Lovituri pe minut (Viteză de perforare)	Pūtieni minūtē (Perforatora ātrums)	Pūtimai per minutę (Plaktuko greitis)	Löögisagedus minutis (Vasara löögisagedus)	Udari po minuti (Brzina udara čekića)
Síla úderu	Ütési energia	Energie de impact	Triecienu enerģija	Smūgio jėga	Löögienergia	Energija udara
Systém upínání	Szerszám-befogás	Fixare	Instrumenta piederums	Įrankio priedas	Tööriista kinnitussüsteem	Učvršćivanje
Vrtací kapacita	Fúrási kapacitás	Putere de găurire	Urbšanas dziļjums	Gręžimo gylis	Puuritava ava max läbimõõt	Kapacitet bušenja
do kovu	fémben	în metal	metālā	į metalą	metallile	u metalu
do dřeva	fában	în lemn	kokā	į medieną	puidule	u drvetu
do zdiva	falazatban	în zidărie	mūrī	į mūrą	müüritisele	u zidarstvu
Hmotnost (Dle protokolu EPTA 01/2003)	Tömeg (A 01/2003 EPTA-eljárás szerint)	Greutate (În conformitate cu Procedura EPTA din 01/2003)	Svars (Saskaņā ar EPTA procedūru 01/2003)	Svoris (Pagal Europos elektrinių įrankių asociacijos (EPTA) nustatytą tvarką 01/2003)	Mass (Vastavalt EPTA-protseduurile 01/2003)	Težina (Prema EPTA-postupku 01/2003)
Naměřené hodnoty hluku zjištěné dle EN 60745:	A mért értékek meghatározása az EN 60745 szerint történt	Valori măsurate determinate în conformitate cu EN 60745	Izmērītās skaņas vērtības ir noteiktas saskaņā ar EN 60745:	Išmatuotos garso vertės nustatytos pagal EN 60745:	Mõõteväärtused on kindlaks määratud vastavalt standardile EN 60745:	Mjerena vrijednost zvuka određena je prema EN 60745:
Hladina akustického tlaku vážená funkció A	A-súlyozott hangnyomásszint	Nivel de presiune acustică ponderată A	A-līmeņa skaņas spiediena līmenis	A svertinis garso slėgio lygis	A-kaalutud helirõhu tase	Ponderirana razina tlaka zvuka
Nejistota K	Bizonytalanság K	Incertitudine K	Nenoteiktība K	Nepastovumas K	Määramatus K	Neodređenost K
Hladina akustického výkonu vážená funkció A	A-súlyozott hangteljesítményszint	Nivel de putere acustică ponderată A	A-līmeņa skaņas jaudas līmenis	A svertinis garso galios lygis	A-kaalutud helivõimsuse tase	Ponderirana razina zvučne snage
Nejistota K	Bizonytalanság K	Incertitudine K	Nenoteiktība K	Nepastovumas K	Määramatus K	Neodređenost K
Používejte chrániče sluchu.	Viseljen hallásvédőt.	Purtați aparatoare de urechi.	Lietojiet dzirdes aizsargus.	Naudokite ausų apsaugos priemonės.	Kasutage kuulmis-kaitsevahendeid.	Nosite štitive za uši.
Celkové hodnoty vibrací (Trojsoj vektorový součet) určené v souladu s EN 60745:	A vibráció teljes értékei (háromtengelyű vektorösszeg), az EN 60745 szerint meghatározza:	Valorile totale ale vibrațiilor (sumă vector triaxială) au fost determinate în conformitate cu EN 60745:	Vibrācijas kopējās vērtības (triksiālā vektoru summa) ir noteiktas atbilstoši EN 60745:	Bendros vibracijos vertės (triacišo vektoriaus suma) nustatomos pagal EN 60745:	Vibratsiooni üldväärtus (kolme suuna vektorsumma) on kindlaks määratud vastavalt standarditele EN 60745:	Ukupne vrijednosti vibracija (troosni vektorski zbir) određuju se u skladu s EN 60745:
Vrtací kladivo do betonu	Útfúrás betonba	Găurirea în beton	Triecienurbšana betonā	Betono gręžimas kalnu	Betooni lõõkpuurimine	Udarno bušenje u beton
Nejistota K	Bizonytalanság K	Incertitudine K	Nenoteiktība K	Nepastovumas K	Määramatus K	Neodređenost K
Drážkování	Vésés	Dălțuire	Kalšana	Kalimas kalnu	Meisliga puhastamine	Isklesavanje
Nejistota K	Bizonytalanság K	Incertitudine K	Nenoteiktība K	Nepastovumas K	Määramatus K	Neodređenost K





Slovensko	Slovenčina	България	Українська мова	Türkçe	Ελληνικά	
Specifikacije izdelka	Špecifikácia	Технически характеристики	Технічні характеристики продукту	Ürün özellikleri	Προδιαγραφές προϊόντος	
SDS+ Udarni vrtalnik	SDS+ Rotačné vŕtacie kladivo	SDS+ Ротационен къртач	SDS+ Роторний перфоратор-дринл	SDS+ Kırcı Delici Matkap	SDS+ Περιστροφόμενο Σφυροδρέπανο	
Model	Model	Модел	Модель	Model	Μοντέλο	RSDS1050
Napetost	Napätie	Напряжение	Напруга	Gerilim	Τάση	220 - 240 V ~ 50/60 Hz
Vhod	Vstup	Вход	Вхідний	Giriş	Είσοδος ρεύματος	1050 W
Hitrost brez obremenitve (Način vrtnja)	Otlácky bez zafáženia (Režim vŕtania)	Скорост без натоварване (Режим на бормашина):	Швидкість без навантаження (режим свердління)	Bota hız (Delme modu)	Ταχύτητα σε κεν (Λειτουργία τρυπανιού)	950 min <sup>-1</sup>
Pihov na minuto (Hitrost kladiva)	Počet priklepov (Rýchlost kladiva)	Удари в минута (Скорост на чука)	Удари в хвилину (швидкість молотка)	Dakikadaki üfleme miktarı (Darbe hızı)	Ριπής ανά λεπτό (Ταχύτητα σφυριού)	4 400 min <sup>-1</sup>
Energija udarca	Energia nárazu	Енергия на удара	Енергія ударної сили	Darbe enerjisi	Ενέργεια κρούσης	3,6 J
Priključek orodja	Násady nástroja	Приспособление на инструмент	Приладдя інструменту	Tespit	Συναρμογή	SDS-plus
Zmogljivost vrtnja	Kapacita vŕtania	Диаметър на пробиване	Свердлілйна здатність	Delme kapasitesi	Δυναμικό τρυπανιού	
za kovino	do kovu	в метал	у метал	metalde	σε μέταλλο	13 mm
za les	do dreva	в дърво	у дерево	odunda	σε ξύλο	40 mm
za zidove	do muriva	в зидария	у цегляну кладку	duvarda	σε τοιχοποιία	26 mm
Teža (Skladno s postopkom EPTA 01/2003)	Hmotnosť (Podľa EPTA-Procedure 01/2003)	Тегло (Съгласно процедура 01/2003 на ЕРТА)	Вага (Згідно Процедури ЕРТА 01/2003)	Ağırlık (EPTA-Prosedürü 01/2003'e göre)	Βάρος (Σύμφωνα με την Διαδικασία EPTA 01/2003)	4,75 kg
Izmerjene zvočne vrednosti določene v skladu s standardom EN 60745:	Namerané hodnoty určené podľa EN 60745:	Измерените стойности на звука са определени в съответствие с EN 60745:	Вимірні значення шуму визначаються відповідно до EN 60745:	EN 60745 ile uyumlu olarak belirlenen ölçülen değerler	Οι υπολογισμένες τιμές καθορίστηκαν σύμφωνα με το EN 60745	
A-izmerjena raven zvočnega tlaka	Vážená A hladina akustického tlaku	Ниво на шумово налягане с равнище А	А-зважений рівень звукового тиску	A ağırlıklı ses basınç seviyesi	Α-σταθμισμένο επίπεδο πίεσης ήχου	$L_{pA} = 91,5 \text{ dB(A)}$
Negotovost K	Neurčitost' K	Променливост (К)	Невизначеність К	Belirsizlik K	Αβεβαιότητα Κ	$K_A = 3 \text{ dB}$
A-izmerjena raven zvočne moči	Vážená A hladina akustického výkonu	Ниво на силата на шума с равнище А	А-зважений рівень звукової потужності	A ağırlıklı ses gücü seviyesi	Α-σταθμισμένο επίπεδο έντασης ήχου	$L_{wA} = 102,5 \text{ dB(A)}$
Negotovost K	Neurčitost' K	Променливост (К)	Невизначеність К	Belirsizlik K	Αβεβαιότητα Κ	$K_A = 3 \text{ dB}$
Nosite ščitnike za ušesa.	Používajte chrániče sluchu.	Носете антифони.	Носіть захисні навушники.	Kulak koruyucu kullanın.	Φοράτε ωτοασπίδες.	
Efektivna vrednost vibracij (triaksialna vektorska vsota) določena v skladu z EN 60745:	Celkové hodnoty vibráci (suma trojosového vektora) stanovené podľa EN 60745:	Общата стойност на вибрациите (триосна векторна сума) е определена в съответствие с EN 60745:	Загальне значення вібрації (триаксiальна векторна сума) визначається відповідно до EN 60745:	Titreşim toplam değerleri (üç eksenli vektör toplamı) EN 60745 standartlarına göre belirlenmiştir.	Οι συνολικές τιμές κραδασμών (τριαξονικό διανυσματικό άθροισμα) καθορίστηκαν σύμφωνα με τα EN 60745:	
Udarno vrtnje v beton	Prikléповé vŕtanie do betónu	Пробиване с чука в бетон	Свердління з ударом у бетон	Betonu darbeli matkap ile delmek	Χρήση σφυροτρυπανου σε τσιμέντο	$a_{h,HD} = 18,8 \text{ m/s}^2$
Negotovost K	Neurčitost' K	Променливост (К)	Невизначеність К	Belirsizlik K	Αβεβαιότητα Κ	1,5 m/s <sup>2</sup>
Klesanje	Sekanie	Изсичане със секач	Вирубування	Yontma	Χρήση σκαρπέλου	$a_{h,CHES} = 16,3 \text{ m/s}^2$
Negotovost K	Neurčitost' K	Променливост (К)	Невизначеність К	Belirsizlik K	Αβεβαιότητα Κ	1,5 m/s <sup>2</sup>





## EN WARNING

The vibration emission level given in this information sheet has been measured in accordance with a standardised test given in EN 60745 and may be used to compare one tool with another. It may be used for a preliminary assessment of exposure. The declared vibration emission level represents the main applications of the tool. However if the tool is used for different applications, with different accessories or poorly maintained, the vibration emission may differ. This may significantly increase the exposure level over the total working period.

An estimation of the level of exposure to vibration should also take into account the times when the tool is switched off or when it is running but not actually doing the job. This may significantly reduce the exposure level over the total working period. Identify additional safety measures to protect the operator from the effects of vibration such as: maintain the tool and the accessories, keep the hands warm, organisation of work patterns.

## IT AVVERTENZE

Il livello di vibrazioni indicato in questo foglio informativo è stato misurato seguendo un test svolto secondo i requisiti indicati dallo standard EN60745 e potrà essere utilizzato per paragonare un utensile con un altro. Potrà essere utilizzato per una valutazione preliminare dell'esposizione a vibrazioni. Il livello dichiarato di emissioni di vibrazioni viene indicato tenendo conto delle applicazioni principali dell'utensile. Comunque se l'utensile viene utilizzato per applicazioni diverse con accessori diversi o non viene correttamente conservato, il livello delle vibrazioni potrà variare. Ciò potrà significativamente aumentare il livello di esposizione alle vibrazioni durante il periodo di lavoro totale.

Una valutazione del livello di esposizione alle vibrazioni dovrà inoltre prendere in considerazione i tempi in cui l'utensile viene spento o è acceso ma non viene utilizzato. Ciò potrà significativamente ridurre il livello di esposizione in un periodo totale di funzionamento. Ulteriori misure di sicurezza per proteggere l'operatore dagli effetti delle vibrazioni come: conservare correttamente l'utensile e i suoi accessori, tenere le mani calde e organizzare i tempi di lavoro.

## FR AVERTISSEMENT

Le niveau d'émission des vibrations indiqué dans cette feuille d'information a été mesuré en concordance avec un test normalisé fourni par EN60745 et peut être utilisé pour comparer un outil à un autre. Il peut être utilisé pour une évaluation préliminaire de l'exposition. Le niveau déclaré d'émission des vibrations s'applique à l'utilisation principale de l'outil. Toutefois, si l'outil est utilisé pour des applications différentes, avec des accessoires différents, ou mal entretenu, l'émission de vibrations peut être différente. Le niveau d'exposition peut en être augmenté de façon significative tout au long de la période de travail.

Une estimation du niveau d'exposition aux vibrations doit aussi prendre en compte les périodes où l'outil est arrêté ainsi que les périodes où il fonctionne sans vraiment travailler. Le niveau d'exposition pendant la durée totale du travail peut en être réduit de façon significative. Prenez en considération les mesures additionnelles de sécurité à prendre pour protéger l'opérateur des effets des vibrations telles que: maintien de l'outil et de ses accessoires, maintien des mains au chaud, organisation du travail.

## NL WAARSCHUWING

Het trillingsemissieniveau dat op dit informatieblad wordt gegeven, is gemeten in overeenstemming met een gestandaardiseerde test, vastgelegd in EN60745 en mag worden gebruikt om machines met elkaar te vergelijken. Het verklaarde trillingsemissieniveau geeft de hoofdtoepassing van het gereedschap weer. Als de machine echter voor andere toepassingen of met andere accessoires wordt gebruikt of slecht wordt onderhouden, kan de trillingsemisie verschillen. Dit kan de blootstelling gedurende de gehele werkduur aanzienlijk verhogen.

Bij een schatting van het niveau van blootstelling aan trillingen moet ook rekening worden gehouden met het aantal keren dat de machine wordt uitgeschakeld of draait, maar niet wordt gebruikt. Dit kan het niveau van blootstelling gedurende de gehele werkduur aanzienlijk verlagen. Stel bijkomende veiligheidsmaatregelen op om de gebruiker tegen de gevolgen van trillingen te beschermen: zoals onderhouden het gereedschap en de accessoires, houd de handen warm, de organisatie van werktijden.

## DE WARNUNG

Der in diesem Informationsblatt genannte Schwingungspegel wurde entsprechend dem standardisierten Test von EN60745 gemessen und kann benutzt werden um das Werkzeug mit anderen zu vergleichen. Er kann benutzt werden, um eine vorausgehende Einschätzung der Exposition durchzuführen. Der genannte Schwingungspegel repräsentiert den Haupteinsatzbereich des Werkzeugs. Jedoch kann das Werkzeug für verschiedene Einsatzbereiche benutzt werden. Mit unterschiedlichen Zusatzgeräten oder bei schlechter Wartung kann der Schwingungspegel unterschiedlich sein. Dadurch kann die Expositionshöhe über die gesamte Arbeitszeit signifikant erhöht werden.

Eine Einschätzung der Exposition zu Schwingungen sollte auch die Zeiten wenn das Werkzeug ausgeschaltet ist, oder wenn es angeschaltet aber nicht in Betrieb ist, in Betracht ziehen. Dadurch kann die Expositionshöhe über die gesamte Arbeitszeit signifikant reduziert werden. Identifizieren Sie zusätzliche Sicherheitsmaßnahmen um die Bedienungsperson vor den Effekten der Schwingungen zu schützen, wie zum Beispiel: Das Werkzeug und Zusatzgeräte warten, Hände warmhalten und Organisation der Arbeitszeiten.

## PT AVISO

O nível de emissão de vibrações fornecido nesta folha de informações foi medido em conformidade com o teste uniformizado descrito em EN60745 e pode ser usado para comparar uma ferramenta com outra. Este pode ser usado para uma avaliação preliminar da exposição. O nível de emissão de vibração declarado refere-se à aplicação principal da ferramenta. Contudo, se a ferramenta for usada para aplicações diferentes, com acessórios diferentes ou não for devidamente mantida, a emissão de vibrações pode diferir. Isto pode fazer aumentar significativamente o nível de exposição ao longo do período de trabalho total.

Uma estimativa do nível de exposição às vibrações deve ter, também, em consideração o tempo durante o qual a ferramenta está desligada ou em que está ligada mas não está a realizar qualquer trabalho. Isto pode reduzir significativamente o nível de exposição durante o período total de trabalho. Identifique medidas adicionais de segurança que protejam o operário dos efeitos da vibração como a manutenção da ferramenta e dos acessórios, a manutenção das mãos quentes e a organização de padrões de trabalho.

## ES ADVERTENCIA

El nivel de emisión de las vibraciones que figura en esta hoja de información se ha medido según una prueba estandarizada que figura en EN60745 y puede ser utilizado para comparar una herramienta con otra. Puede ser utilizado para una evaluación preliminar de la exposición. El nivel de emisión de las vibraciones declarado representa las principales aplicaciones de la herramienta. No obstante, si la herramienta se utiliza para diferentes aplicaciones, con diferentes accesorios o no recibe el mantenimiento adecuado, la emisión de las vibraciones puede ser diferente. Esto puede aumentar significativamente el nivel de exposición durante el período de trabajo total.

Una estimación del nivel de exposición a la vibración también debe tener en cuenta el tiempo en el que la herramienta está desconectada o cuando está conectada pero no está realizando ningún trabajo. Esto puede reducir significativamente el nivel de exposición durante el período de trabajo total. Identificar las medidas de seguridad adicionales para proteger al operador de los efectos de las vibraciones, tales como: mantenimiento de la herramienta y de los accesorios, y la organización de los patrones de trabajo.

## DA ADVARSEL

Det angivne niveau for vibrationsemission på denne oplysningside er blevet målt iht. en standardtest ifølge EN60745 og kan bruges til at sammenligne værktøjer indbyrdes. Det kan bruges til en foreløbig eksponeringsvurdering. Det opgivne niveau for vibrationsemission gælder, når værktøjet bruges til sit hovedformål. Men hvis værktøjet bruges til andre formål, med forskelligt eller med dårligt vedligeholdt ekstraudstyr, kan vibrationsemissionen variere. Dette kan medføre en betragtelig stigning i eksponeringsniveauet set over hele arbejdsperioden.

Et skøn over niveauet for vibrationseksponering bør også tage højde for de perioder, hvor værktøjet er slukket, eller hvor det er tændt uden faktisk at være i brug. Dette kan medføre en betragtelig reduktion i eksponeringsniveauet set over hele arbejdsperioden. Træf ekstra sikkerhedsforanstaltninger til beskyttelse af operatøren mod virkningerne fra vibrationen som fx: vedligehold værktøj og ekstraudstyr, holde hænderne varme, organisere arbejdsmonstre.





## SV VARNING

Vibrationsnivåerna som uppges i det här dokumentet har uppmäts i enlighet med ett standardiserat test som beskrivs i EN60745 och som kan användas för att jämföra verktyg. Det kan användas som en preliminär bedömning av den vibration som användaren utsätts för. De deklarerade vibrationsvärdena motsvarar de som uppstår när verktyget används i sitt huvudsyfte. Om verktyget används i andra syften, med andra tillbehör eller om verktyget är dåligt underhållet kan vibrationsnivåerna vara annorlunda. Det kan kraftigt öka vibrationsnivåerna över den totala arbetsperioden.

En uppskattning av vibrationsnivåerna som användaren utsätts för ska också ta hänsyn till de stunder då verktyget är avstängt och när det går på tomgång. Detta kan kraftigt minska vibrationsnivåerna över den totala arbetsperioden. Andra säkerhetsåtgärder som kan skydda användaren från effekterna av vibrationer är: underhållning av verktyget och tillbehören, hålla händerna varma och organisera arbets sättet.

## FI VAROITUS

Tämän tiedotteen tärinäso on mitattu EN60745-standardien mukaisilla testeillä, ja niitä voidaan käyttää verrattaessa laitetta toiseen. Sitä voidaan käyttää arvioitaessa tärinävaikutusta. Ilmoitettu tärinäso vastaa laitteen pääasiallista käyttötarkoitusta. Jos laitetta kuitenkin käytetään muuhun tarkoitukseen, muilla lisälaitteilla tai huonosti huolletuna, tärinäso saattaa poiketa ilmoitetusta arvosta. Tämä voi kasvattaa kokonaisaltistumista huomattavasti koko työjakson kuluessa.

Tärinän altistumistasoa arvioitaessa tulee huomioida ajat, jolloin laite on sammutettu tai kun se on käynnissä, mutta sitä ei käytetä varsinaiseen työskentelyyn. Tämä voi vähentää kokonaisaltistumista huomattavasti koko työjakson kuluessa. Käytä muitakin suojauskeinoja turvataksesi käyttäjän tärinävaikutukselta, kuten: huolla laite ja lisälaitteet, pidä kätesi lämpiminä, organisoi työnkulku.

## NO ADVARSEL

Vibrasjonsnivået som oppgis på dette informasjonsarket er målt i henhold til en standardisert test gitt i EN60745 og kan brukes til å sammenligne ett verktøy med et annet. Det kan brukes til en foreløpig vurdering av eksponering. Det erklærte vibrasjonsnivået representerer hovedanvendelsen for verktøyet. Dersom verktøyet brukes for andre anvendelser, med forskjellige tilbehør eller med dårlig vedlikehold, vil vibrasjonsnivået kunne være annerledes. Det kan gi en betydelig økning av eksponeringsnivået over den totale arbeidsperioden.

En beregning av nivået for eksponering til vibrasjoner må også ta hensyn til den tiden verktøyet er slått av eller er i gang men ikke i faktisk bruk for å utføre den tiltenkte oppgaven. Dette kan gi en betydelig økning av eksponeringsnivået over den totale arbeidsperioden. Identifiser ytterligere sikkerhetstiltak for å beskytte den som bruker verktøyet fra virkningen av vibrasjoner, tiltak som: Vedlikehold verktøyet og tilbehøret, hold hendene varme, organiser arbeidsmetodene.

## RU ОСТОРОЖНО!

Уровень вибрации, приведенный в данном справочном листе, измерен согласно стандартизованным испытаниям, определенным в EN60745 и может использоваться для сравнения различных инструментов. Значение уровня может использоваться для предварительной оценки влияния вибрации. Заявленный уровень вибрации действителен для основного применения инструмента. Однако, если инструмент используется для других целей, с другими приспособлениями, или плохо обслуживается, уровень вибрации может отличаться от указанного. Это может значительно увеличить величину воздействия за общее время работы.

При оценке уровня воздействия вибрации следует также принять во внимание время простоя и холостой ход (когда инструмент выключен и когда включен, но работа не производится). Эти факторы могут значительно уменьшить величину воздействия вибрации за общее время работы. Определите дополнительные меры безопасности, защищающие работающего от влияния вибрации: техническое обслуживание инструмента и принадлежностей, недопущение охлаждения рук, соответствующие приемы и распорядок работы.

## PL OSTRZEŻENIE

Deklarowany poziom drgań został zmierzony za pomocą standardowej metody pomiaru określonej normą EN60745 i jego wyniki mogą służyć do porównywania tego urządzenia z innymi. Deklarowana wartość drgań może służyć do wstępnej oceny narażenia operatora na drgania. Deklarowany poziom drgań dotyczy podstawowych zastosowań urządzenia. Jednak w przypadku użycia urządzenia do innych zastosowań, z innymi przystawkami lub w przypadku niewłaściwego stanu technicznego urządzenia poziom drgań może odbiegać od deklarowanego. Może być to przyczyną zwiększenia stopnia narażenia operatora na drgania w całym okresie wykonywania pracy.

Podczas oceny narażenia na drgania należy również uwzględnić czas wyłączenia urządzenia oraz czas, w którym urządzenie jest włączone, jednak praca nie jest wykonywana. Czas te mogą znacznie zmniejszyć stopień narażenia operatora na drgania w całym okresie wykonywania pracy. Należy określić dodatkowe środki ochrony operatora przed skutkami drgań, przykładowo: dbać o stan techniczny urządzenia i przystawek, dbać o zachowanie ciepłoty dłoni, odpowiednio zorganizować harmonogram wykonywania prac.

## CS VAROVÁNÍ

Hodnota vibračních emisí uvedená v tomto informačním listu byla naměřena standardizovaným testem podle EN60745 a ji použít k porovnání s hodnotami jiných nástrojů. Může se používat k předběžnému odhadu vystavování vibračím. Uznaná hodnota vibračních emisí reprezentuje hlavní použití nástroje. Nicméně pokud se nástroj používá pro jiné použití, s různými doplňky nebo se nedostatečně neudržuje, mohou se vibrační emise lišit. Toto může výrazně zvýšit úroveň vystavení nad celkové pracovní období.

Odhad úrovně vystavení vibračím by měl vzít taktéž v potaz časy, kdy je chvění vypnuto, nebo když přístroj běží, ale nevykonává práci. Toto může výrazně snížit úroveň vystavení nad celkové pracovní období. Určete doplňující bezpečnostní opatření pro ochranu obsluhy před různými vibračím, například: Udržujte nástroj a doplňky, udržujte ruce v teple, organizujte pracovní schéma.

## HU FIGYELMEZTÉTES

A vibráció-kibocsátás adattalapon megadott értéke az EN60745 által meghatározott szabványosított mérési eljárás szerint lett megmértve, amely lehetővé teszi a különböző szerszámok összehasonlítását. Használható a kitettség előzetes felmérésére is. A nyilatkozatban szereplő kibocsátási érték a szerszám főbb alkalmazási területeire vonatkozik. Ugyanakkor, ha a szerszámot más alkalmazásokra, más kiegészítőkkel használják vagy rosszul tartják karban, a vibráció-kibocsátás értéke ettől eltérő is lehet. Ez jelentősen növelheti a kitettség szintjét a gép teljes használati időtartama során.

A vibrációnak való kitettség szintjének becslésekor figyelembe kell venni azokat az időintervallumokat is, amikor a szerszám ki van kapcsolva, vagy működik, de nem végeznek munkát vele. Ez jelentősen csökkentheti a kitettség szintjét a gép teljes használati időtartama során. Tegyen további óvintézkedéseket a kezelő vibrációval szembeni megvédése érdekében: tartsa karban a szerszámot és a tartozékokat, tartsa melegen a kezét, tervezzék meg a munkafolyamatot.

## RO AVERTISMENT

Nivelul emisiilor de vibrații prezentat în cadrul acestei fișe cu informații a fost măsurat în conformitate cu un test standardizat furnizat în EN60745 și poate fi folosit la a compara o unealtă cu o alta. Poate fi folosit la o evaluare preliminară a expunerii. Nivelul declarat al emisiilor de vibrații reprezintă aplicațiile principale ale unelei. Cu toate acestea, în cazul în care uneala este utilizată pentru aplicații diferite, cu accesorii diferite sau întreținute necorespunzător, emisiile de vibrații pot diferi. Acestea pot crește semnificativ nivelul de expunere pe întreaga perioadă de lucru.

O estimare a nivelului de expunere la vibrații trebuie, de asemenea, să țină cont de tălțile în care uneala este oprită sau de tălțile în care aceasta funcționează fără a efectua propriu-zis sarcina de lucru. Acestea pot reduce semnificativ nivelul de expunere pe întreaga perioadă de lucru. Identificați măsurile de siguranță suplimentare pentru a proteja operatorul de efectele vibrațiilor, precum: întreținerea unelei și a accesoriilor, păstrarea mâinilor calde, organizarea de modele de lucru.





## LV BRĪDINĀJUMS

Šajā datu lapā dotā vibrāciju emisijas vērtība ir mērīta saskaņā ar standartizēto testu, kas dots EN60745 un kuru var izmantot, lai salīdzinātu vienu instrumentu ar citu. To var izmantot aptuvenam ekspozīcijas novērtējumam. Deklarētais vibrāciju emisijas līmenis atbilst galvenajiem instrumenta pielietojumiem. Tomēr, ja instrumentu lieto citiem pielietojumiem, ar citiem piederumiem vai tas tiek slikti apkopots, vibrāciju emisijas vērtība var atšķirties. Tas var ievērojami palielināt ekspozīcijas līmeni visā darba periodā.

Vibrāciju ekspozīcijas līmeņa novērtējumam jāņem vērā laiks, kad instruments ir izslēgts vai ir ieslēgts, bet nevis nekādu darbu. Tas var ievērojami samazināt ekspozīcijas līmeni visā darba periodā. Identificējiet papildu drošības pasākumus, lai aizsargātu operatoru no vibrācijas iedarbības, piemēram, veiciet instrumenta un piederumu apkopi, turiet rokas siltas un pielāgojiet darba grafiku.

## LT ĮSPĖJIMAS

Šīme lape nurodytas vibracijos emisijos lygis buvo išmatuotas pagal standartinį testą, aprašytą EN60745, ir gali būti naudojamas vieno įrankio su kitu palyginimui. Jis gali būti naudojamas preliminariam pavojaus įvertinimui. Deklaruotas vibracijos emisijos lygis priskiriamas pagrindinems įrankio taikymo sritims. Tačiau, jei įrankis naudojamas kitiems tikslams, su kitokiais priedais ar įrankis prastai prižiūrimas, vibracijos emisija gali skirtis. Per visą darbo laikotarpį tai gali žymiai padidinti vibracijos keliamą pavojų.

Nustatant vibracijos keliamą pavojų taip pat būtina atsižvelgti į tai, kiek kartų įrankis yra išjungtas ar kai jis veikia, bet juo iš tikrųjų nedirbama. Per visą darbo laikotarpį tai gali žymiai sumažinti vibracijos keliamą pavojų. Naudokite papildomas apsaugos priemones dirbančiam asmeniui apsaugoti nuo vibracijos poveikio, pvz.: prižiūrėti įrankį ir jo priedus, rankas laikyti šiltai, organizuoti darbo sesijas.

## ET HOIATUS

Sellel infolehel esitatud vibratsioonitaseme väärtus on mõõdetud standardis EN60745 kirjeldatud katsemeetodiga ja seda võib kasutada tööriistade omavaheliseks võrdlemiseks. Seda võib kasutada vibratsioonimõju eelhindamiseks. Deklareeritud vibratsioonitaseme väärtus kehtib tööriista tavakasutamisel. Kui aga kasutate tööriista muudeks kasutusotstarveteks, eriolehtarbeliste tarvikutega või kui tööriist on puudulikult hooldatud, siis võib vibratsiooniväärtus erineda. Sellistel juhtudel võib tööperioodi summaarne vibratsioonitaseme suureneda märgatavalt.

Vibratsiooniväärtuse taset tuleb arvesse võtta ka sel ajal, kui tööriist on välja lülitatud või kui tööriist tööle, kuid ei tee tööoperatsiooni. Sellistel juhtudel võib tööperioodi ajal summaarne vibratsioonitaseme väheneda märgatavalt. Maarake kindlaks täiendavad ohutusmeetmed, et kaitsa operaatorit vibratsioonimõjude eest – tööriistade ja tarvikute hooldamine, käte soojas hoidmine ja töövahetuste organiseerimine.

## HR UPOZORENJE

Razina vrijednosti vibracija data u ovoj tablici s informacijama mjerenja je skladno normiranom testu pruženom u EN60745 i može se koristiti za usporedbu jednog alata s drugim. Može se koristiti u početnom usklađivanju izloženosti. Objavljena razina vrijednosti vibracija predstavlja glavnu primjenu alata. Međutim, ako se alat koristi za druge primjene, s različitim dodatnim priborom ili je slabo održavan, vrijednost vibracija može se razlikovati. Ovo može značajno povećati razinu izloženosti tijekom ukupnog radnog razdoblja.

U procjeni razine izloženosti na vibraciju također treba uzeti u obzir vrijeme kada je alat isključen ili kada je pokrenut no ne i stvarno vrijeme rada. Ovo može značajno smanjiti razinu izloženosti tijekom ukupnog radnog razdoblja. Odredite dodatne sigurnosne mjere za zaštitu operatora od učinaka vibracije poput: održavanje alata i pribora, održavanje toplih ruku, organizacija obrazaca za rad.

## SL OPOZORILO

Nivo emisij vibracij, naveden v tem informacijskem listu, je bil izmerjen v skladu s standardiziranim testom, ki je podan v EN60745, podatek pa se lahko uporablja za primerjavo enega orodja z drugim. Uporablja se ga lahko za predhodno oceno izpostavljenosti. Navedeni nivo emisij vibracij predstavlja glavne uporabe orodja. Vendar, če se orodje uporablja v druge namene in z različnimi nastavki oz. če je orodje slabo vzdrževano, se lahko emisije vibracij razlikujejo. To lahko občutno poveča nivo izpostavljenosti v skupnem delovnem času.

Ocena nivoja izpostavljenosti vibracijam bi morala prav tako upoštevati, koliko krat je orodje bilo izključeno ali je v delovanju in pravzaprav ne opravlja svojega dela. To lahko občutno zmanjša nivo izpostavljenosti v skupnem delovnem času. Upoštevajte dodatne varnostne ukrepe, da bi upravljavca zaščitili pred vplivom vibracij, kot je: vzdržujte orodje in nastavke, pazite, da so roke tople, organizirajte delovne vzorce.

## SK VAROVANIE

Úroveň emisie vibrácií, uvedená v tomto informačnom hárku bola nameraná v súlade so štandardizovaným testom, daný normou EN60745 a môže sa použiť na porovnanie jedného nástroja s druhým. Môže sa použiť na predbežné určenie miery vystavenia sa vibráciám. Uvedená úroveň emisie vibrácií predstavuje hlavné aplikácie nástroja. Avšak keď sa nástroj používa na iné aplikácie, s rôznym príslušenstvom alebo má zlú údržbu, úroveň vibrácií sa môže líšiť. Týmto sa môže výrazne zvýšiť úroveň vystavenia sa vibráciám počas celkového času práce.

Odhad úrovne vystavenia sa vibráciám by sa mal brať tiež do úvahy, vždy, keď sa nástroj vypne, alebo potom, keď beží ale v skutočnosti sa nevykonáva práca. Týmto sa môže výrazne znížiť úroveň vystavenia sa vibráciám počas celkového času práce. Nasledovné dopĺňajúce bezpečnostné opatrenia pomáhajú chrániť operátora od účinkov vibrácií: údržba nástroja a príslušenstva, udržiavanie teplých rúk, organizácia práce.

## BG ВНИМАНИЕ

Посоченото в тези инструкции ниво на вибрациите е измерено в съответствие със стандартизиран в EN 60745 измервателен метод и може да се използва за сравнение на електрически инструменти помежду им. Подходящ е и за временна оценка на вибрационното натоварване. Посоченото ниво на вибрациите представя основните приложения на електрическия инструмент. Ако обаче електрическият инструмент се използва с друго предназначение, с различни сменяемите инструменти или при недостатъчна техническа поддръжка, нивото на вибрациите може да е различно. Това чувствително може да увеличи вибрационното натоварване по време на целия работен цикъл.

За точната оценка на вибрационното натоварване трябва да се вземат предвид и периодите от време, в които уредът е изключен или работи, но в действителност не се използва. Това чувствително може да намали вибрационното натоварване по време на целия работен цикъл. Определете допълнителни мерки по техника на безопасност в защита на обслужващия работник от въздействието на вибрациите като например: техническа поддръжка на електрическия инструмент и сменяемите инструменти, поддръжане на ръцете топли, организация на работния цикъл.

## UK ПОПЕРЕДЖЕННЯ

Рівень вібрації, зазначений у цьому інформаційному листку був розрахований відповідно зі стандартизованим випробуванням, наведеним в EN 60745 і може використовуватися для порівняння одного інструмента з іншим. Він може бути використаний для попередньої оцінки впливу. Зазначений рівень вібрації представляє основні застосування інструменту. Тим не менш, якщо інструмент використовується для різних додатків, з різними аксесуарамі і недоглянутий, рівень вібрації може відрізнятись. Це може значно підвищити рівень впливу протягом усього робочого періоду.

При оцінюванні рівня впливу вібрації необхідно також враховувати час, коли інструмент вимкнений або коли він працює, але насправді не виконує ніякої роботи. Це може значно зменшити рівень впливу протягом усього робочого періоду. Для захисту оператора від впливу вібрації, визначте додаткові заходи безпеки, такі як: ретельний догляд за інструментом і приладдям, тримання рук в теплі, і організація схеми роботи.



**TR** UYARI

Bu bilgi sayfasında verilen titreşim emisyon seviyesi, EN60745 standardında belirtilen standartlaştırılmış bir teste uygun olarak ölçülmüş ve bir aleti diğeriyle karşılaştırmak için kullanılabilir. On maruz kalma tespiti için kullanılabilir. Beyan edilen titreşim emisyon seviyesi aletin asıl uygulamalarını temsil etmektedir. Ancak alet, farklı aksesuarlarla veya yetersiz bakımlı olarak farklı uygulamalar için kullanılırsa titreşim emisyonu değişebilir. Bu durum toplam çalışma süresi boyunca maruz kalma seviyesini önemli ölçüde artırır.

Titreşime maruz kalma seviyesinin değerlendirilmesi aynı zamanda alet kapalı ve ardından çalışır ancak gerçek anlamda iş yapmadığı zamanlar da göz önünde bulundurulmalıdır. Bu durum toplam çalışma süresi boyunca maruz kalma seviyesini önemli ölçüde azaltır. Operatörü titreşimin etkilerinden korumak için ilave güvenlik önlemleri belirleyin, örneğin: aletin ve aksesuarlarının bakımını yapmak, operatörün ellerini sıcak tutmak, çalışma modellerini organize etmek.

**EL** ΠΡΟΕΙΔΟΠΟΙΗΣΗ

Τα επίπεδα εκπομπών κραδασμών που παρέχονται στο παρόν ενημερωτικό φυλλάδιο, έχουν μετρηθεί βάσει τυποποιημένης δοκιμής που προβλέπεται στο EN60745 και μπορούν να συγκριθούν για τη σύγκριση του εργαλείου με άλλα. Μπορούν επίσης να χρησιμοποιηθούν για προκαταρκτική αξιολόγηση της έκθεσης. Τα δηλωμένα επίπεδα εκπομπών κραδασμών αφορούν τις βασικές εφαρμογές του εργαλείου. Ωστόσο, αν το εργαλείο χρησιμοποιείται για διαφορετικές εφαρμογές, με διαφορετικά εξαρτήματα ή με κακή συντήρηση, η εκπομπή κραδασμών μπορεί να διαφέρει. Αυτό μπορεί να αυξήσει σημαντικά το επίπεδο έκθεσης στη συνολική περίοδο εργασίας.

Η εκτίμηση των επιπέδων έκθεσης σε κραδασμούς θα πρέπει επίσης να λαμβάνει υπόψη τις χρονικές περιόδους κατά τις οποίες το εργαλείο είναι απενεργοποιημένο ή λειτουργεί χωρίς να χρησιμοποιείται σε συγκεκριμένη εργασία. Αυτό μπορεί να μειώσει σημαντικά το επίπεδο έκθεσης στη συνολική περίοδο εργασίας. Εφαρμόστε επιπρόσθετα μέτρα ασφαλείας για την προστασία του χειριστή από τις επιπτώσεις των κραδασμών, όπως τα εξής: συντηρείτε το εργαλείο και τα εξαρτήματα, διατηρείτε τα χέρια ζεστά, οργανώστε μοτίβα εργασίας.



## EN RYOBI® WARRANTY APPLICATION CONDITIONS

In addition to any statutory rights resulting from the purchase, this product is covered by a warranty as stated below.

- The warranty period is 24 months for consumers and commences on the date the product was purchased. This date has to be documented by an invoice or other proof of purchase. The product is designed and dedicated to consumer and private use only. So there is no warranty provided in case of professional or commercial use. This warranty applies only on new products.
- There is a possibility to extend for a part of the range of power tools (AC/DC) the warranty period over the period described above using the registration on the [www.ryobitools.eu](http://www.ryobitools.eu) website. The eligibility of products for extended warranty is clearly displayed in stores and / or on packaging and is contained within the product documentation. The end user is required to register his/her newly-acquired products online within 30 days from the date of purchase. The end user may register for the extended warranty in his/her country of residence if listed on the online registration form where this option is valid. Furthermore, end users must give their consent to the storage of their personal data that is required to be entered online. They must also accept the terms and conditions. The registration confirmation receipt, which is sent out by e-mail, and the original invoice showing the date of purchase will serve as proof of the extended warranty.
- The warranty covers all defects of the product during the warranty period due to faults in workmanship or material at the purchase date. The warranty is limited to repair and/or replacement and does not include any other obligations including but not limited to incidental or consequential damages. The warranty is not valid if the product has been misused, used contrary to the instruction manual, or has been incorrectly connected to a power supply. This warranty does not apply to:
  - any damage to the product that is the result of improper or lack of maintenance
  - any product that has been altered or modified
  - any product where original identification (trade mark, serial number) markings have been defaced, altered or removed
  - any damage caused by non-observance of the instruction manual
  - any product not displaying the CE approval mark on the rating plate
  - any product that has been attempted to be repaired by a non-authorized warranty service centre or without prior authorisation by Techtronic Industries
  - any product connected to improper power supply (amps, voltage, frequency)
  - any damage caused by external influences (water, chemical, physical, shocks) or foreign substances
  - normal wear and tear spare parts
  - inappropriate use, overloading of the tool
  - use of non-approved accessories or parts
  - Power tool accessories provided with the tool or purchased separately, including but not limited to screw driver bits, drill bits, abrasive discs, sand paper and blades, lateral guide, etc.
  - Components (parts and accessories) subject to natural wear and tear, including but not limited to service & maintenance kits, carbon brushes, bearings, chuck, SDS drill bit attachment or reception, power cord, auxiliary handle, transport carry case, sanding plate, dust bag, dust exhaust tube, felt washers, impact wrench pins & springs, etc.
- For servicing, the product must be sent or presented to a RYOBI authorised service station listed for each country in the following list of service station addresses. In some countries your local RYOBI dealer undertakes to send the product to the RYOBI service organisation. When sending a product to a RYOBI service station, the product should be safely packed without any dangerous contents such as petrol, marked with sender's address and accompanied by a short description of the fault.
- A repair / replacement under this warranty is free of charge. It does not constitute an extension or a new start of the warranty period. Exchanged parts or products become our property. In some countries delivery charges or postage will have to be paid by the sender. Your statutory rights arising from the purchase of the product remain unaffected
- This warranty is valid in the European Community, Switzerland, Iceland, Norway, Liechtenstein, Turkey and Russia. Outside these areas, please contact your authorised RYOBI dealer to determine if another warranty applies.

### AUTHORISED SERVICE CENTRE

To find an authorised service centre near you, visit <http://en.ryobitools.eu/header/service-and-support/service-agents>

## FR RYOBI® CONDITIONS D'APPLICATION DE LA GARANTIE

En plus des droits statutaires liés à l'achat, ce produit est couvert par une garantie telle que décrite ci-dessous.

- La durée de la garantie accordée au consommateur est de 24 mois à partir de la date d'achat. Cette date doit être authentifiée par une facture ou toute autre preuve d'achat. Le produit a été conçu en vue d'une utilisation strictement privée. Aucune garantie ne s'applique donc en cas d'utilisation professionnelle ou commerciale.
- Il existe pour une partie de la gamme d'outils électroportatifs (AC/DC), une possibilité d'étendre la période de garantie au-delà de la période précédemment décrite en utilisant le formulaire d'enregistrement présent sur le site Internet [www.ryobitools.eu](http://www.ryobitools.eu). L'éligibilité d'un outil est clairement affichée dans les points de vente et/ou sur l'emballage et la documentation. L'utilisateur final doit enregistrer son/ses outil(s) nouvellement acheté(s) en ligne dans les 30 jours qui suivent la date d'achat. L'utilisateur a la possibilité de s'enregistrer pour l'extension de garantie dans son pays de résidence si celui-ci est listé dans le formulaire d'enregistrement en ligne où cette option est valide. L'utilisateur final doit donner son consentement pour l'enregistrement des données requises pour accéder au site et doit accepter les termes et conditions. La confirmation d'enregistrement, envoyée par courrier électronique, ainsi que la facture originale mentionnant la date d'achat serviront de preuve de l'extension de garantie.
- La garantie couvre pendant la période de garantie les défauts des produits liés à la fabrication et aux matériaux à la date d'achat. La garantie est limitée à la réparation et/ou au remplacement et n'inclut aucune autre obligation, tel que, mais sans s'y limiter, les dommages accessoires ou indirects. La garantie est non valable en cas de mauvaise utilisation du produit, d'utilisation contraire aux instructions du mode d'emploi, ou en cas de branchement incorrect. Cette garantie ne s'applique pas pour :
  - tout dommage au produit résultant d'un mauvais entretien
  - tout produit ayant été altéré ou modifié
  - tout produit dont les marquages originaux d'identification (marque, numéro de série) ont été dégradés, altérés ou retirés
  - tout dommage causé par le non-respect des instructions du mode d'emploi
  - tout produit non CE
  - tout produit ayant subi une tentative de réparation par du personnel non qualifié ou sans autorisation préalable de Techtronic Industries
  - tout produit raccordé à une alimentation secteur non conforme (ampérage, voltage, fréquence)
  - tout dommage causé par des influences extérieures (chimiques, physiques, chocs) ou par des substances étrangères
  - l'usure normale des pièces consommables
  - une utilisation inappropriée, une surcharge de l'outil
  - l'utilisation de pièces ou accessoires non agréés
  - accessoires de l'outil électrique fournis avec l'outil ou achetés séparément. Cela comprend notamment les embouts de vissage, les forets de perceuse, les disques abrasifs, le papier de verre et les lames, le guide latéral
  - Les composants (pièces et accessoires) sujets à l'usure naturelle, ceci incluant notamment les mandrins, les charbons, adaptateurs SDS, les cordons d'alimentation, les poignées auxiliaires, les mallettes de transport, les plateaux de ponçage, les sacs collecteurs de poussière, les tubes d'extraction de poussière, les carrés de clé à choc, etc.
- Si le produit doit être réparé, envoyez-le à un service après-vente agréé RYOBI dont vous trouverez ci-dessous la liste pour chaque pays. Dans certains pays, votre revendeur RYOBI se chargera d'envoyer le produit à un centre de réparation RYOBI. Lorsque vous envoyez un produit à un service après-vente RYOBI, celui-ci doit être correctement emballé, sans contenir aucun produit dangereux tel que de l'essence, et vous devez indiquer votre adresse ainsi qu'une courte description du problème.
- Une réparation / un remplacement sous garantie est gratuit(e). Ceci ne constituera pas une extension de garantie ni un nouveau départ de la période de garantie. Les pièces ou les outils remplacés deviennent notre propriété. Dans certains pays, les frais de port devront être assumés par l'expéditeur. Vos droits statutaires restent inchangés.
- Cette garantie est valable au sein de l'Europe, de la Suisse, de l'Islande, de la Norvège, du Liechtenstein, de la Turquie, et de la Russie. En dehors de ces zones, veuillez contacter votre distributeur agréé RYOBI pour déterminer si une autre garantie s'applique.

### SERVICE APRÈS-VENTE AGRÉÉ

Pour trouver le service après-vente agréé le plus proche, rendez-vous sur <http://fr.ryobitools.eu/header/service-and-support/service-agents>.



## DE RYOBI® GARANTIEBEDINGUNGEN

Zusätzlich zu den gesetzlichen Rechten aus dem Kauf gilt für dieses Produkt die nachstehend aufgeführte Garantie.

- Der Garantiezeitraum beträgt für Verbraucher 24 Monate und beginnt mit dem Datum des Kaufs. Dieses Datum muss durch eine Rechnung oder einen anderen Kaufbeleg dokumentiert werden. Dieses Produkt wurde ausschließlich zur privaten Nutzung durch Verbraucher entwickelt. Für den Fall einer professionellen bzw. kommerziellen Nutzung besteht daher keine Garantie.
- Es besteht die Möglichkeit, für einen Teil des Sortiments der Elektrogeräte (AC/DC) den Garantiezeitraum über den oben genannten Zeitraum hinaus zu verlängern, indem der Verbraucher die Registrierung auf der Website [www.ryobitools.eu](http://www.ryobitools.eu) durchführt. Die Berechtigung der Werkzeuge für die Garantieverlängerung ist deutlich im Geschäft und/oder auf der Verpackung beschrieben und in der Produktdokumentation erwähnt. Der Verbraucher muss das neu erworbene Gerät online innerhalb von 30 Tagen ab dem Kaufdatum registrieren. Der Verbraucher kann das Gerät zwecks Garantieverlängerung in seinem Wohnsitzland/Heimatland registrieren, wenn dieses Land auf dem Online-Registrierungsformular aufgeführt ist und die Option gültig ist. Darüber hinaus muss der Verbraucher seine Zustimmung zur Speicherung der Daten geben, die online eingegeben werden müssen, und er muss die allgemeinen Geschäftsbedingungen akzeptieren. Die Bestätigung der Registrierung, die per E-Mail versandt wird, und die Originalrechnung mit dem Kaufdatum gelten als Beleg für die Garantieverlängerung.
- Die Garantie deckt alle Defekte des Geräts während des Garantiezeitraums ab, die auf zum Zeitpunkt des Kaufs bestehende Verarbeitungs- oder Materialfehler zurückzuführen sind. Die Garantie beschränkt sich auf Reparatur und/oder Ersatz und beinhaltet keine anderen Verpflichtungen, insbesondere keinen Schadenersatz für Folge- oder Nebenschäden. Die Garantie gilt nicht, wenn das Gerät fehlerhaft eingesetzt wurde, gegenseitlich zur Bedienungsanleitung eingesetzt wurde oder falsch angeschlossen wurde. Die Garantie gilt nicht für Folgendes:
  - Schäden am Gerät, die auf unkorrekte Wartung zurückzuführen sind
  - Geräte, an denen Veränderungen vorgenommen wurden
  - Produkte, bei denen die ursprüngliche Identifizierung (Handelsmarke, Seriennummer) unleserlich gemacht, verändert oder entfernt wurde
  - Schäden durch Nichtbeachtung der Bedienungsanleitung
  - nicht-CE-zertifizierte Geräte
  - Geräte, an denen durch nicht-qualifizierte Personen oder ohne vorherige Genehmigung von Techtronic Industries Reparaturversuche vorgenommen wurden
  - Geräte, die an unkorrekte Energiequellen (Ampere, Volt, Frequenz) angeschlossen wurden
  - Schäden durch äußere Einflüsse (chemisch, physisch, Stöße) oder Fremdstoffe
  - normaler Verschleiß von Ersatzteilen
  - unangemessene Nutzung, Überlastung des Geräts
  - Nutzung nicht genehmigter Zubehörteile oder Ersatzteile
  - mit dem Gerät gelieferte oder separat erworbene Zubehörteile. Dieser Ausschuss beinhaltet, ist aber nicht beschränkt auf Schraubendreher-Bits, Bohreinsätze, Schleifscheiben, Sandpapier und Klingen, Seitenführungen
  - Komponenten (Ersatzteile und Zubehörteile), die natürlichen und normalen Verschleißerscheinungen unterworfen sind, einschließlich aber nicht beschränkt auf: Service- und Wartungssätze, Kohlebürsten, Lager, Spannfutter, SDS-Bohreraufnahme /Bit-Adapter, Netzkabel, Zusatzhandgriff, Transportkoffer, Schleifteller, Staubbeutel, Staubabsaugrohr, Filzunterlegscheiben, Bolzen und Federn von Schlagschraubern usw.
- Zum Service muss das Gerät zu einer von RYOBI autorisierten Servicestation gebracht oder dorthin gesendet werden. Die Servicestationen für die einzelnen Länder sind in der folgenden Liste aufgeführt. In einigen Ländern sendet Ihr RYOBI-Händler vor Ort das Gerät an das RYOBI-Serviceunternehmen. Beim Einsenden an die RYOBI-Servicestation sollte das Gerät sicher verpackt sein, ohne gefährliche Inhalte wie Benzin, und es sollte mit der Adresse des Absenders und einer kurzen Beschreibung des Fehlers versehen sein.
- Eine Reparatur bzw. ein Ersatz gemäß dieser Garantie ist kostenlos. Hieraus ergibt sich weder eine Garantieverlängerung noch der Beginn eines neuen Garantiezeitraums. Die ausgetauschten Ersatzteile oder Werkzeuge gehen in unser Eigentum über. In einigen Ländern müssen die Zustellgebühren oder die Versandkosten vom Absender gezahlt werden. Ihre gesetzlichen Rechte aus dem Kauf des Geräts bleiben hiervon unberührt.
- Diese Garantie gilt in der Europäischen Union, der Schweiz, Island, Norwegen, Liechtenstein, der Türkei und Russland. Bitte wenden Sie sich außerhalb dieser Gebiete an Ihren autorisierten RYOBI-Händler, um festzustellen, ob eine andere Garantie gilt.

### AUTORISIERTER KUNDENDIENST

Besuchen Sie <http://de.ryobitools.eu/header/service-and-support/service-agents>, um einen autorisierten Kundendienst in Ihrer Nähe zu finden.

## ES CONDICIONES DE APLICACIÓN DE LA GARANTÍA DE RYOBI®

Además de cualquier derecho legal derivado de la compra, este producto está cubierto por una garantía que se indica a continuación.

- El periodo de garantía es de 24 meses para consumidores y comienza en la fecha en que se compra el producto. Dicha fecha debe documentarse con una factura u otro comprobante de compra. El producto está diseñado y concebido únicamente para el uso privado del consumidor. Por lo tanto, no se ofrece garantía en caso de uso profesional o comercial.
- Existe la posibilidad de ampliar el periodo de garantía respecto a una parte de la gama de herramientas eléctricas (CA/CC) durante el periodo descrito más arriba y mediante el registro en el sitio web [www.ryobitools.eu](http://www.ryobitools.eu). La elegibilidad de las herramientas para que se amplíe el periodo de garantía se muestra claramente en las tiendas o en el embalaje y está incluida en la documentación del producto. El usuario final tiene que registrar en línea sus herramientas recientemente adquiridas en un plazo de 30 días a partir de la fecha de compra. El usuario final podrá registrarse para obtener la garantía ampliada en su país de residencia si este aparece en la lista del formulario de registro en línea cuando esta opción sea válida. Además, los usuarios finales deberán dar su consentimiento al almacenamiento de los datos necesarios para el acceso en línea y tienen que aceptar los términos y condiciones. El recibo de confirmación de registro, que se envía por correo electrónico, y la factura original que muestra la fecha de compra servirán como comprobante para la garantía ampliada.
- La garantía cubre todos los defectos del producto durante el periodo de garantía debido a fallos de mano de obra o material en la fecha de compra. La garantía se limita a la reparación o sustitución y no incluye ninguna otra obligación como, por ejemplo, daños accidentales o consecuentes. La garantía no es válida si se ha usado mal el producto, se ha usado contraviniendo el manual de instrucciones o se ha conectado de forma incorrecta. Esta garantía no es aplicable a:
  - ningún daño en el producto que sea consecuencia de un mantenimiento inadecuado
  - ningún producto que haya sido alterado o modificado
  - ningún producto en el que los marcados de identificación originales (marca comercial, número de serie) se hayan borrado, modificado o eliminado
  - ningún daño provocado por no seguir el manual de instrucciones
  - ningún producto que no sea CE
  - ningún producto que haya sufrido un intento de reparación por parte de un profesional no cualificado o sin la autorización previa de Techtronic Industries.
  - ningún producto conectado a un suministro eléctrico inadecuado (amperios, voltaje, frecuencia)
  - ningún daño causado por influencias externas (químicas, físicas, impactos) o sustancias extrañas
  - desgaste normal de piezas de repuesto
  - uso inadecuado, sobrecarga de la herramienta
  - uso de accesorios o piezas no aprobados
  - Accesorios de herramientas eléctricas proporcionados con la herramienta o comprados por separado. Tales exclusiones incluyen, entre otros, brocas de destornilladores, brocas de taladro, discos abrasivos, papel de lija y cuchillas, y guías laterales
  - Componentes (piezas y accesorios) sujetos a un desgaste natural, que incluyen, entre otros, equipos de servicio y mantenimiento, escobillas de carbono, cojinetes, pinzas, accesorio o recepción de broca de taladro SDS, cable eléctrico, manillar auxiliar, bolsa de transporte, hoja lijadora, bolsa de polvo, tubo de escape de polvo, disco de fieltro, pasadores y resortes de llave de impacto, etc.
- Para su mantenimiento, el producto debe enviarse o presentarse a una estación de servicio de RYOBI autorizada que figure en la siguiente lista de direcciones de estaciones de servicio por países. En algunos países, su distribuidor RYOBI local se responsabiliza de enviar el producto a la compañía de servicio de RYOBI. Cuando se envíe un producto a una estación de servicio de RYOBI, este debe estar empaquetado de forma segura sin contenidos peligrosos como gasolina, marcado con la dirección del remitente y acompañado de una breve descripción del fallo.
- Una reparación / sustitución con esta garantía es gratuita. No constituye una ampliación ni un nuevo comienzo del periodo de garantía. Las piezas o herramientas intercambiadas pasan a ser de nuestra propiedad. En algunos países, los gastos de envío o correo tendrá que pagarlos el remitente. Sus derechos legales derivados de esta compra de la herramienta no se verán afectados.
- Esta garantía es válida en la Unión Europea, Suiza, Islandia, Noruega, Liechtenstein, Turquía y Rusia. Fuera de estas zonas, póngase en contacto con su distribuidor de RYOBI autorizado para determinar si es aplicable otra garantía.

### SERVICIO TÉCNICO AUTORIZADO

Para encontrar el servicio técnico autorizado más cercano, visite <http://es.ryobitools.eu/header/service-and-support/service-agents>





## IT CONDIZIONI DI VALIDITÀ DELLA GARANZIA RYOBI®

In aggiunta ai diritti di legge risultanti dall'acquisto, il prodotto è coperto dalla garanzia sotto descritta.

- Il periodo di garanzia è di 24 mesi per i consumatori, a decorrere dalla data di acquisto del prodotto. La data deve essere documentata da una fattura o altra prova d'acquisto. Il prodotto è progettato e destinato solo all'utilizzo privato dei consumatori. Pertanto non viene fornita alcuna garanzia in caso di uso professionale o commerciale.
- Per una serie di utensili elettrici (CA/CC) è possibile prolungare il periodo di garanzia oltre quello descritto, registrandosi sul sito web [www.ryobitools.eu](http://www.ryobitools.eu). Gli utensili per i quali è possibile prolungare il periodo di garanzia sono chiaramente indicati nei negozi e/o sulle confezioni e nella documentazione dei prodotti. L'utente deve registrare online l'utensile acquistato entro 30 giorni dalla data di acquisto. L'utente può registrarsi per la garanzia prolungata nel proprio paese di residenza, se questo è elencato nel modulo di registrazione online dove questa opzione sia valida. Inoltre gli utenti devono fornire il proprio consenso alla conservazione dei dati da immettere online e devono accettare le condizioni generali. La conferma di registrazione, inviata tramite e-mail, e la fattura originale indicante la data di acquisto, costituiscono la prova della garanzia prolungata.
- La garanzia copre tutti i difetti del prodotto durante il periodo di garanzia, risultati da manodopera o materiali alla data di acquisto. La garanzia è limitata alla riparazione e/o sostituzione e non include alcun altro obbligo quali, a mero titolo esemplificativo, i danni incidentali o consequenziali. La garanzia non è valida se il prodotto è stato usato scorrettamente, in modo contrario al manuale di istruzioni o se è stato collegato in modo errato. La garanzia non è valida per:
  - qualsiasi danno al prodotto dovuto a manutenzione errata;
  - qualsiasi prodotto che sia stato alterato o modificato;
  - qualsiasi prodotto le cui marcature di identificazione originali (marchi di fabbrica, numero di serie) siano state cancellate, alterate o rimosse;
  - qualsiasi danno causato dalla non osservanza delle istruzioni del manuale;
  - qualsiasi prodotto privo di omologazione CE;
  - qualsiasi prodotto che sia stato sottoposto a un tentativo di riparazione da parte di un professionista non qualificato oppure senza la previa autorizzazione di Techtronic Industries;
  - qualsiasi prodotto collegato a un'alimentazione errata (per ampere, tensione, frequenza);
  - qualsiasi danno causato da influenze esterne (chimiche, fisiche, urti) o sostanze estranee;
  - la normale usura delle parti di ricambio;
  - uso inappropriato, sovraccarico dell'utensile;
  - uso di accessori o parti non omologate;
  - accessori per utensili elettrici forniti con l'utensile o acquistati separatamente. Questa esclusione comprende, a mero titolo esemplificativo, punte per cacciaviti, punte per trapani, dischi abrasivi, carta vetrata, lame e guide laterali;
  - componenti (parti e accessori) soggetti alla normale usura compresi, a mero titolo esemplificativo, kit di servizio e manutenzione, spazzole al carbonio, cuscinetti, mandrini, attacchi per punte a vite autopoterforante, cavi di alimentazione, maniglie ausiliarie, custodie di trasporto, piastre di levigatura, sacchetti per la polvere, tubi di scarico della polvere, rondelle di feltro, perni e molle per avvitatori ecc.
- Per la manutenzione il prodotto dev'essere spedito o portato presso uno dei centri assistenza autorizzati RYOBI elencati per ogni paese nel seguente elenco di indirizzi dei centri. In alcuni paesi il rivenditore locale RYOBI si incarica di inviare il prodotto all'organizzazione di assistenza RYOBI. Quando si invia un prodotto a un centro assistenza RYOBI, imballarlo in modo sicuro senza contenuti pericolosi come la benzina, apporre l'indirizzo del mittente e accompagnarlo da una breve descrizione del guasto.
- La riparazione/sostituzione ai sensi della presente garanzia è gratuita. Non costituisce un prolungamento o un nuovo inizio del periodo di garanzia. Le parti o gli utensili scambiati diventano di nostra proprietà. In alcuni paesi i costi di consegna o di spedizione postale devono essere pagati dal mittente. I diritti di legge derivanti dall'acquisto dell'utensile rimangono inalterati.
- La presente garanzia è valida in Unione Europea, Svizzera, Islanda, Norvegia, Liechtenstein, Turchia e Russia. Al di fuori di tali aree contattare il rivenditore autorizzato RYOBI per sapere se è valida un'altra garanzia.

### CENTRO SERVIZI AUTORIZZATO

Per individuare il più vicino centro servizi autorizzato, visitare il sito <http://it.ryobitools.eu/header/service-and-support/service-agents>.

## NL RYOBI® GARANTIEVOORWAARDEN

Naast de wettelijke rechten die voortvloeien uit de aankoop, wordt dit product gedekt door een garantie, zoals hieronder staat vermeld.

- De garantietermijn voor consumenten bedraagt 24 maanden en gaat in op de datum waarop het product is gekocht. Deze datum moet worden gedocumenteerd met een factuur of een ander aankoopbewijs. Het product is uitsluitend ontworpen en bedoeld voor persoonlijk gebruik door consumenten. Er wordt dus geen garantie gegeven voor professioneel of commercieel gebruik.
- Voor een deel van ons aanbod van elektrische gereedschappen (AC/DC) is het mogelijk om de garantietermijn te verlengen over de boven beschreven termijn, met behulp van de website [www.ryobitools.eu](http://www.ryobitools.eu). De gereedschappen die in aanmerking komen voor de verlenging van de garantietermijn wordt duidelijk weergegeven in winkels en/of verpakkingen en staat beschreven in de productdocumentatie. De eindgebruiker moet zijn/haar nieuw gekochte gereedschappen binnen 30 dagen na aankoop online registreren. De eindgebruiker kan zich registreren voor de verlengde garantietermijn als zijn woonland staat vermeld op het online registratieformulier waar deze optie geldt is. Bovendien moeten eindgebruikers toestemming geven voor de opslag van de gegevens die online ingevuld moeten worden en moeten ze de algemene voorwaarden accepteren. Het ontvangstbewijs van de registratie, dat per e-mail wordt verzonden en de oorspronkelijke factuur met de aankoopdatum vormt het bewijs van de verlengde garantietermijn.
- De garantie dekt tijdens de garantietermijn alle gebreken van het product vanwege defecten in vakmanschap of materiaal op de aankoopdatum. De garantie is beperkt tot reparatie en/of vervanging en bevat geen andere verplichtingen, waaronder maar niet beperkt tot incidentele of gevolgschade. De garantie is niet geldig als het product is misbruikt, in strijd met de gebruiksaanwijzing wordt gebruikt of onjuist is aangesloten. Deze garantie geldt niet voor:
  - alle schade aan het product die het gevolg is van onjuist onderhoud
  - elk product dat is veranderd of aangepast
  - elk product waar de oorspronkelijke identificatie (handelsmerk, serienummer) is beschadigd, gewijzigd of verwijderd
  - alle schade die is veroorzaakt door het niet opvolgen van de gebruiksaanwijzing
  - elk niet-CE-product
  - elk product waar een poging tot reparatie is gedaan door een niet-erkende professional of zonder voorafgaande toestemming door Techtronic Industries.
  - elk product dat is verbonden met een verkeerde voeding (amperage, spanning, frequentie)
  - alle schade die is veroorzaakt door externe invloeden (chemisch, fysisch, schokken) of vreemde stoffen
  - normale slijtage van reserveonderdelen
  - ongepast gebruik, overbelasting van het gereedschap
  - gebruik van niet-goedgekeurde accessoires of onderdelen
  - gereedschapsaccessoires die bij het gereedschap worden geleverd of afzonderlijk zijn aangeschaft. Zulke uitzonderingen bevatten, maar niet beperkt tot schroevendraaibits, boorbits, slijpschijven, schuurpapier en zagen, laterale geleiding
  - Componenten (onderdelen en accessoires) die onderhevig zijn aan natuurlijke slijtage, waaronder maar niet beperkt tot service-onderhoudsets, koolstofborstels, lagers, boorkoppen, SDS boorbitbevestigingen of ontvangers, stroomsoeren, hulpprepen, transporttassen, schuurplateaus, stofzakken, stofafvoerbuizen, vilttringen, pennen en veren van slagmoersleutels, etc.
- Voor onderhoud moet het product worden verzonden of gebracht naar een erkend servicecenter van RYOBI die voor elk land staan vermeld in de volgende lijst met adressen voor servicecentra. In sommige landen zal uw lokale RYOBI-dealer het product verzenden naar de RYOBI-serviceorganisatie. Wanneer u het product naar een servicecenter van RYOBI verzendt, moet het product veilig worden verpakt zonder enige gevaarlijke inhoud, zoals benzine, met het adres van de afzender en vergezeld van een korte beschrijving van het defect.
- Een reparatie/vervanging die onder deze garantie valt is gratis. Het vormt geen verlenging of een nieuwe start van de garantietermijn. Verwisselde onderdelen of gereedschappen worden ons eigendom. In sommige landen moeten de verzendkosten door de afzender worden betaald. Uw wettelijke rechten die voortvloeien uit de aankoop van het gereedschap blijven onaangetaast.
- Deze garantie is geldig in de Europese Gemeenschap, Zwitserland, Usland, Noorwegen, Liechtenstein, Turkije en Rusland. Buiten deze gebieden moet u contact opnemen met uw erkende RYOBI-dealer om vast te stellen of er een andere garantie van toepassing is.

### GEAUTORISEERD ONDERHOUDSCENTRUM

Om een geautoriseerd onderhoudscentrum in uw buurt te vinden, surf u naar <http://nl.ryobitools.eu/header/service-and-support/service-agents>.



## PT CONDIÇÕES DE APLICAÇÃO DA GARANTIA RYOBI®

Para além de quaisquer direitos previstos por lei resultantes da compra, este produto está coberto por uma garantia conforme descrição abaixo.

- O período da garantia é de 24 meses para consumidores particulares e inicia-se na data de compra do produto. Esta data tem de ser documentada por uma factura ou por outra prova de compra. O produto foi concebido para e destina-se apenas a consumidores particulares e uso privado. Assim, não é dada garantia em caso de utilização por profissionais ou uso comercial.
- Para uma parte da gama de ferramentas eléctricas (AC/DC) existe a possibilidade de prolongamento do período da garantia para além do período descrito acima, mediante registo no Web site [www.ryobitools.eu](http://www.ryobitools.eu). A elegibilidade das ferramentas para prolongamento do período da garantia é claramente visível nas lojas e/ou nas embalagens e está contida na documentação do produto. O utilizador final tem de fazer o registo online das suas ferramentas recém-adquiridas no prazo de 30 dias após a data de compra. O utilizador final pode fazer o registo para prolongamento da garantia no seu país de residência, desde que esteja listado no formulário de registo online e para os casos em que esta opção seja válida. Para além disso, os utilizadores finais têm de autorizar o armazenamento dos dados cujo preenchimento lhes for solicitado online e têm de aceitar os termos e as condições. O recibo de confirmação do registo é enviado por e-mail e, em conjunto com a factura original ostentando a data de compra, servirá de prova do prolongamento da garantia.
- A garantia cobre todos os defeitos do produto durante o período da garantia devidos a defeitos de fabrico ou de material à data da compra. A garantia está limitada à reparação e/ou substituição e não inclui quaisquer outras obrigações, incluindo mas não se limitando a, perdas complementares ou indirectas. A garantia não é válida se o produto tiver sido utilizado incorrectamente, utilizado de forma contrária ao Manual de Instruções ou se as respectivas ligações tiverem sido feitas incorrectamente. Esta garantia não se aplica ao seguinte:
  - quaisquer danos ao produto que sejam resultado de manutenção incorrecta
  - qualquer produto que tenha sido alterado ou modificado
  - qualquer produto cujas marcações de identificação de origem (marca comercial, número de série) tiverem sido apagadas, alteradas ou retradas
  - quaisquer danos causados pelo incumprimento do Manual de Instruções
  - qualquer produto que não seja da Comunidade Europeia
  - qualquer produto ao qual tenha sido feita, ou tentada fazer, uma reparação por outra pessoa que não um profissional habilitado ou sem autorização prévia da Techtronic Industries.
  - qualquer produto ligado a uma fonte de alimentação eléctrica incorrecta (Amperes, Voltagem e Frequência)
  - qualquer dano causado por influências externas (químicas, físicas, impactos) ou substâncias estranhas
  - desgaste e degradação normal de sobresselentes
  - utilização incorrecta, sobrecarga da ferramenta
  - utilização de acessórios ou peças não aprovados
  - acessórios para ferramentas eléctricas fornecidos com a ferramenta ou comprados em separado. Estas exclusões incluem mas não se limitam a, pontas de aparafusadora, brocas, discos abrasivos, papel de lixa e lâminas, guia lateral
  - Componentes (peças e acessórios) sujeitos a desgaste e degradação natural, incluindo mas não se limitando a, Kits de Assistência e Manutenção, escovas de carvão, rolos, bucha, acessórios ou recepções de brocas SDS, cabos eléctricos, pegas auxiliares, estojos de transporte, placas de lixagem, sacos de poeiras, tubos de saída de poeiras, anilhas de feltro, pinos e molas da aparafusadora de impacto, etc.
- Para assistência, o produto tem de ser enviado para, ou apresentado em, um posto de assistência autorizado RYOBI, conforme listado para cada país na lista de moradas de postos de assistência seguinte. Nalguns países, o seu concessionário RYOBI local encarrega-se de enviar o produto para a organização de assistência RYOBI. Quando enviar um produto para um posto de assistência RYOBI, o produto deve ser embalado de forma segura, sem conter nenhuns conteúdos perigosos (por exemplo, gasolina), marcado com o endereço do remetente e acompanhado por uma breve descrição da avaria.
- Uma reparação/substituição ao abrigo desta garantia é gratuita. Não constitui um prolongamento a, nem um novo início de, o período da garantia. As peças ou ferramentas substituídas tornam-se propriedade nossa. Nalguns países, o remetente terá de pagar os custos de entrega ou a remessa postal. Os seus direitos previstos por lei resultantes da compra da ferramenta mantêm-se inalterados
- Esta garantia é válida na Comunidade Europeia, Suíça, Islândia, Noruega, Liechtenstein, Turquia e Rússia. Fora destas áreas, entre em contacto com o seu concessionário autorizado RYOBI para determinar se existe outra garantia aplicável.

### CENTRO DE ASSISTÊNCIA AUTORIZADO

Para encontrar um centro de assistência autorizado próximo de si, visite <http://pt.ryobitools.eu/header/service-and-support/service-agents>.

## DA RYOBI® BETINGELSER FOR GARANTI

Udover lovbestemte rettigheder, som resulterer af købet, er dette produkt dækket af en garanti, som anført herunder.

- Garantiperioden er 24 måneder for forbrugere og begynder på den dato, som produktet blev købt. Denne dato skal dokumenteres af en faktura eller andet bevis for køb. Produktet er udelukkende designet og dedikeret til forbrugere og privat brug. Så der ydes ingen garanti i tilfælde af professionel eller kommerciel brug.
- Der er en mulighed for at forlænge garantiperioden for en del af udvalget af elværktøj (AC/DC), hen over den ovenfor beskrivne periode vha. registrering på hjemmesiden [www.ryobitools.eu](http://www.ryobitools.eu). Betingelsen af værktøjet til forlængelse af garantiperioden er tydeligt vist i butikker og/eller på emballage/og indeholdt i produktokumentationen. Slutbrugeren skal registrere hans/hendes nyligt indkøbte værktøj online indenfor 30 dage efter købsdatoen. Slutbrugeren kan registrere sig for den forlængede garanti i sit land, hvis han/hun er opført på den online registreringsformular, hvor denne mulighed er gyldig. Derudover skal slutbrugere give deres samtykke til at opbevare data, som er påkrævet at indtaste online, og de er nødt til at acceptere vilkår og betingelser. Registreringsbekræftelseskvitteringen, som sendes ud på e-mail, og den originale faktura, som viser købsdatoen, vil fungere som bevis for den forlængede garanti.
- Garanti dækker alle defekter, som et produkt måtte have i løbet af garantiperioden, og som skyldes produktionsfejl eller materialefejl på købsdatoen. Garantien er begrænset til reparation og/eller udfiskning og inkluderer ikke andre forpligtelser, inklusiv men ikke begrænset til tilfældige skader eller følgeskader. Garantien er ugyldig, hvis produktet er blevet misbrugt, brugt uden at overholde vejledningen, eller det er blevet forkert tilsluttet. Denne garanti gælder ikke:
  - Beskadigelse af produktet, som er et resultat af uegnet vedligeholdelse
  - Et produkt der er blevet ændret eller modificeret
  - Et produkt hvor de originale identifikationsmærkninger (varemærke, serienummer) er blevet ødelagt, ændret eller fjernet.
  - Enhver beskadigelse forårsaget af manglende overholdelse af vejledningen
  - Ethvert ikke CE-produkt
  - Ethvert produkt som er blevet forsøgt repareret af en ukvalificeret professionel eller uden tidligere autorisation af Techtronic Industries.
  - Ethvert produkt som er tilsluttet uegnede strømforsyning (ampere, spænding, frekvens)
  - Enhver skade forårsaget af ekstern påvirkning (kemisk, fysisk, chok) eller fremmedelementer
  - Normal slid på reservedele
  - Uegnet brug, overbelastning af værktøjet
  - Brug af ikke-godkendt tilbehør eller dele
  - Elværktøjstilbehør som leveres med værktøjet eller købes separat. Sådanne undtagelser inkluderer men er ikke begrænset til skruetrækkerbits, bor, bits, slibeskiver, sandpapir og klinger, sidestyr
  - Komponenter (dele og tilbehør) som er udsat for naturligt slid og ælde, inklusiv men ikke begrænset til Service- og vedligeholdelsessæt, kulbrøster, lejer, bøsninger, påsætning eller modtagelse af SDS-bor, El ledning, hjælpehåndtag, transporttaske, sandplade, støvpose, støvdudstødningslange, filterkiver, nåle og fjedre slagngøle etc.
- For eftersyn skal produktet sendes til eller præsenteres for en RYOBI-autoriseret service værksted, som er oplyst for hvert land i den følgende liste over service værksted adresser. I nogle lande påtager din lokale RYOBI-forhandler sig ansvaret for at sende produktet til RYOBI-serviceorganisationen. Når et produkt sendes til en RYOBI-service værksted, skal det pakkes sikkert ind uden noget farligt indhold som benzin, mærkes med afsenderens adresse og med en kort beskrivelse af fejlen.
- En reparation/erstatning under denne garanti er gratis. Den udgør ikke en forlængelse eller en ny start på garantiperioden. Udvekslede dele eller værktøjer bliver vores ejendom. I nogle lande skal leveringsafgifter eller porto betales af afsenderen. Dine lovbestemte rettigheder i forbindelse med købet forbliver uanfægtede
- Denne garanti gælder i EU, Schweiz, Island, Norge, Liechtenstein, Tyrkiet og Rusland. Udenfor disse områder bedes du kontakte din autoriserede RYOBI-forhandler for at afgøre, om en anden garanti gælder.

### AUTORISERED E SERVICE/VÆRKSTEDER

Find nærmeste autoriserede serviceværksted på <http://dk.ryobitools.eu/header/service-and-support/service-agents>.

## SV RYOBI® ANVÄNDNINGSVILLKOR FÖR GARANTI

Förutom eventuella lagstadgade rättigheter som uppstår genom köpet, täcks den här produkten av en garanti som anges nedan.

- Garantiperioden är 24 månader för konsumenter och börjar gälla från det datum då produkten köptes. Detta datum måste dokumenteras på en faktura eller annat köpbevis. Produkten är utformad och avsedd för konsumenter och privat bruk. Därmed tillhandahålls ingen garanti vid yrkesmässigt eller kommersiellt bruk.
- Det finns möjlighet att förlänga garantiperioden för en del av utbudet för elverktyg (AC/DC) under den period som anges ovan genom att använda registreringen på webbplatsen [www.ryobitools.eu](http://www.ryobitools.eu). De verktyg som är berättigade till en förlängning av garantiperioden visas tydligt i butiker och/eller på förpackningen/och anges i produktdokumentationen. Slut användaren behöver registrera hans/hennes nyförvävade verktyg online inom 30 dagar från köpdatumet. Slut användaren kan registrera sig för den förlängda garantin i det land där han/hon bor om landet finns angivet i registreringsformuläret online och där detta alternativ är giltigt. Dessutom sådana slut användaren ge sitt medgivande till lagring av data vilket krävs vid registrering online samt acceptera villkoren. Bekräftelsekvittot för registreringerna som skickas ut via e-post och originalfakturan som skickas köpdatumet kommer att gälla som bevis för den förlängda garantin.
- Garanti täcker alla produktdefekter under garantiperioden som beror på brister i utförande eller material vid köpdatumet. Garantin är begränsad gällande reparation och/eller utbyte och inkluderar inte några skyldigheter inklusive men inte begränsat till oförutsedda skador eller följskador. Garantin är inte giltig om produkten har missbrukats, använts i strid med bruksanvisningen eller inte anslutits på rätt sätt. Denna garanti täcker inte:
  - eventuella skador på produkten som uppstått till följd av felaktigt underhåll
  - produkter som har ändrats eller modifierats
  - produkter där ursprungliga identifieringsmärkningar (varumärke, serienummer) har målats över, ändrats eller tagits bort
  - eventuella skador som uppstått till följd av att bruksanvisningen inte efterföljts
  - alla icke CE-produkter
  - eventuella produkter som har försökts repareras av en icke-kvalificerad yrkesman eller utan föregående medgivande från Techntron Industries.
  - eventuella produkter som anslutits till felaktig strömförsörjning (ampere, volt, frekvens)
  - eventuella skador som uppstått till följd av yttre påverkan (kemisk, fysisk, stöt) eller främmande ämnen
  - normalt slitage av reservdelar
  - olämplig användning, överbelastning av verktyget
  - användningen av icke-godkända tillbehör eller delar
  - tillbehör till elverktyg som medföljde verktyget eller köpts separat. Sådana undantag inkluderar men är inte begränsat till skruvmejselbits, borrbits, slipskivor, sandpapper, blad och sidoskena
  - Komponenter (delar och tillbehör) är föremål för naturligt slitage, inklusive men inte begränsat till service- och underhållsatsar, kolborstar, kullager, chuck, tillbehör eller tillhörande SDS-borrbitt, strömsladd, hjälphandtag, transportväska, slipplatta, dammpåse, dammutblåsror, filterbrickor, stift och fjädrar till mutterdragare osv.
- Vid service måste produkten skickas eller uppvisas för en RYOBI- auktoriserad servicestation som står angiven för varje land i följande adresslista över servicestationer. I vissa länder tar din lokala RYOBI- återförsäljare på sig ansvaret att skicka produkten till RYOBI- serviceorganisationen. När en produkt skickas till en RYOBI- servicestation, ska produkten paketeras säkert utan något farligt innehåll såsom bensin, markeras med avsändarens adress samt en kort beskrivning av felet.
- En reparation/ett utbyte under denna garanti är kostnadsfri. Det utgör inte en förlängning eller förnyelse av garantiperioden. Utbyta delar eller verktyg blir vår egendom. I vissa länder måste leveranskostnader eller porto betalas av avsändaren. Dina lagstadgade rättigheter som härrör från köpet av verktyget förblir opåverkade
- Denna garanti är giltig i Europeiska gemenskapen: Schweiz, Island, Norge, Liechtenstein, Turkiet och Ryssland. Utanför dessa länder, kontakta din auktoriserade RYOBI- återförsäljare för att avgöra om en annan garanti gäller.

### AUKTORISERAT SERVICECENTER

Du hittar närmaste auktoriserade servicecenter genom att gå till <http://se.ryobitools.eu/header/service-and-support/service-agents>.

## FI RYOBI®-TAKUUN SOVELTAMISEHDOT

Tällä tuotteella on oston luomien lakisäasteiden oikeuksien ohella alla mainitun mukainen takuu.

- Takuun kesto on kuluttajille 24 kuukautta ja takuuaika alkaa tuotteen ostopäivästä. Tämän päivämäärän tulee lukea laskussa tai muussa ostotositteessa. Tuote on suunniteltu ja tarkoitettu vain kuluttajien ja yksityiseen käyttöön. Takuu ei sisäytä ammatti- eikä kaupallista käyttöä.
- Joidenkin sähkötyökalujen (AC/DC) takuun kesto on mahdollista laajentaa yllä mainittua kestoä pidemmäksi verkossivuston [www.ryobitools.eu](http://www.ryobitools.eu) rekisteröinnin kautta. Työkalujen kelppisuus takuujakson laajennukseen näkyy selkeästi myymälöissä ja/tai pakkauksissa ja/ tai tämä tieto sisältyy tuotedokumentaation. Loppukäyttäjän täytyy rekisteröidä vasta hankitut työkalut internetissä 30 päivän kuluessa ostopäivämäärästä. Loppukäyttäjät voi rekisteröidä laajennettun takuun kotimaassaan, jos se on luetteluna online-rekisteröintilomakkeessa, jossa mainitaan, missä tämä vaihtoehto on voimassa. Loppukäyttäjien täytyy lisäksi hyväksyä tietojen tallennus, jotka heidän täytyy antaa online-tilassa sekä ehdot. Rekisteröinnin vahvistuskuitti, joka lähetetään sähköpostitse, ja alkuperäinen ostopäivämäärän ilmaiseva lasku toimivat laajennettun takuun tositteina.
- Takuu kattaa kaikki tuotteeseen takuuaikana tulevat viat, joiden aiheuttajina ovat tuotteessa ostopäivänä olleet valmistus- tai materiaali- viat. Takuu on rajoitettu korjaukseen ja/tai vaihtoon eikä se sisällä mitään muuta velvoitetta mukaan lukien satunnais- ja seuranaisvahinkoja, mutta rajoittumatta niihin. Takuu ei päde, jos tuotetta on käylytty väärin, käyttöohjeen vastaisesti tai jos se on liitetty virheellisesti. Tämä takuu ei kata:
  - virheellisestä huollosta johtuvia vaurioita
  - muunnettua tai muutettua tuotetta
  - tuotetta, jonka alkuperäiset tunnistemerkinnät (tavaramerkki, sarjanumero) on turmeltu, muutettu tai poistettu
  - tämän käyttöoppaan laiminlyönnistä johtuvia vaurioita
  - ei-CE-tuotetta
  - tuotetta, jota on yrittänyt korjata epäpätevä ammattilainen tai joka on korjattu ilman Techntron Industriesin ennakkolupa.
  - tuotetta, joka on liitetty virheelliseen teholahteeseen (ampeirit, jännite, taajuus)
  - ulkoisten vaikutusten (kemiallinen, fyysinen, iskut) tai vieraiden aineiden aiheuttamaa vauriota
  - normaaleja kuluvia vaurioita
  - virheellistä käyttöä, työkalun ylikuormitusta
  - ei-hyväksytyjen tarvikkeiden tai osien käyttöä
  - sähkötyökalun tarvikkeita, jotka on toimitettu työkalun mukana tai ostettu erikseen. Poissuljettuja osia ovat ruuvausterät, poranterät, hiomalaikat, hiekkapaperi ja terät, sivuohjain, näihin kuitenkaan rajoittumatta
  - Luonnollisesti kuluvia komponentteja (osia tai tarvikkeita), joihin sisältyvät huolto- ja kunnossapitoset, hiiliharjat, laakerit, terästäkat, SDS-porien kiinnittin tai istukka, virtajohto, apukahva, kuljetuskotelo, hiomalaikka, pölypussi, pölynpoistoputki, huopatiivisteet, iskunvääntimen pultit ja jouset yms. näihin kuitenkaan rajoittumatta.
- Tuote on lähetettävä huollettavaksi valtuutettuun RYOBI-huoltoon tai näytettävä siellä. Niiden osoitteet kussakin maassa löytyvät seuraavasta luettelosta. Joissakin maissa paikallinen RYOBI-jälleenmyyjä huolehtii tuotteen lähetyksestä RYOBI-huolto-organisaatioon. Kun tuote lähetetään RYOBI-huoltoon, se täytyy pakata hyvin ilman vaarallisia aineita, kuten polttoainetta, ja pakkaukseen täytyy merkitä lähettäjän nimi sekä vain lyhyt kuvaus.
- Takuun kattama korjaus/vaihto on maksuton. Se ei tarkoita takuuaajan laajennusta tai alkamista alusta. Vaihdetut osat tai työkalut siirtyvät valmistajan omistukseen. Joissakin maissa lähettäjän täytyy maksaa lähetyksustannukset tai postikulut. Työkalun oston luomat lakisäasteet oikeudet pysyvät koskemattomina
- Tämä takuu on voimassa Euroopan yhteisössä, Sveitsissä, Islannissa, Norjassa, Liechtensteinissä, Turkissa ja Venäjällä. Ota näiden alueiden ulkopuolella yhteyttä omaan valtuutettuun RYOBI-jälleenmyyjään ja selvitä, onko jotain muuta takuuta.

### VALTUUTETTU HUOLTO

Voit etsiä lähimmän valtuutetun huollon sivulta <http://fi.ryobitools.eu/header/service-and-support/service-agents>.

## NO RYOBI® GARANTIBETINGELSER

I tillegg til eventuelle lovbestemte rettigheter som følger av kjøpet, er dette produktet dekket av en garanti som angitt nedenfor.

1. Garantiperioden er 24 måneder for konsumenter og gjelder fra den datoen som produktet ble kjøpt. Denne datoen skal dokumenteres med en faktura eller annet kjøpsbevis. Produktet er designet og beregnet kun til konsument- og privat bruk. Så det gis ingen garanti ved profesjonell eller kommersiell bruk.
2. For en del av utvalget av elektriske verktøy (AC/DC) er det mulighet til å utvide garantiperioden i den perioden som er beskrevet ovenfor ved bruk av registreringer på nettsidene [www.ryobitools.eu](http://www.ryobitools.eu). Kvalifisering av verktøyene for en utvidelse av garantiperioden er tydelig vist i butikker og/eller på pakningen / og finnes innen produktdokumentasjonen. Sluttbrukeren må registrere sine nylig anskaffede verktøy online innen 30 dager etter kjøpsdato. Sluttbrukeren kan registrere seg for den utvidede garantien i sitt land hvis det er opplistet på online registreringsskjemaet der dette alternativet er gyldig. Videre må sluttbrukere gi sitt samtykke til oppbevaring av dataene som kreves for å gå online, og de må godta vilkår og betingelser. Registreringsbekreftelsen, som sendes ut på e-post, og den originale fakturaen som viser kjøpsdato, vil tjene som bevis for den utvidede garantien.
3. Garantien dekker alle defekter i produktet under garantiperioden på grunn av defekter i utførelse eller materiale på kjøpsdato. Garantien er begrenset til å reparere og/eller erstatte og inkluderer ikke noen andre forpliktelser, inkludert, men ikke begrenset til, tilfældige eller følgesmessige skader. Garantien er ikke gyldig hvis produktet har blitt misbrukt, brukt på annen måte enn det som beskrives i bruksanvisningen eller er koblet til på feil måte. Denne garantien gjelder ikke for:
  - enhver skade på produktet som er resultat av utlitterkkelig vedlikehold
  - ethvert produkt som har blitt endret eller modifisert
  - ethvert produkt der de originale identifiseringsmerkene (varemerke, serienummer) har blitt uleselig, er endret eller fjernet
  - enhver skade som forårsakes av ikke-overholdelse av instruksjonsboken
  - ethvert ikke-CE-produkt
  - ethvert produkt som har blitt forsøkt reparert eller av en ikke-kvalifisert fagperson eller uten tidligere autorisasjon fra Techtronic Industries.
  - ethvert produkt tilkoblet feil strømforsyning (ampere, spenning, frekvens)
  - enhver skade som er forårsaket av eksterne påvirkninger (kjemiske, fysiske, støt) eller fremmede stoffer
  - normal slitasje og slitereservedeler
  - feil bruk, overbelastning av verktøyet
  - bruk av ikke-godkjent tilbehør eller deler
  - Elektrisk verktøytilbehør levert med verktøyet eller kjøpt separat. Slike ekskluderinger, inkludert, men ikke begrenset til skrutrekkerbits, drillbits, slipedisker, sandpapir og blader, lateral føring
  - Komponenter (deler og tilbehør) som er utsatt for naturlig slitasje, inkludert, men ikke begrenset til service- og vedlikeholdssett, karbonborster, lagre, chuck, SDS-borrbifeste eller -mottak, strømledning, hjelpehåndtak, transportbæreske, sandingsplate, støvpose, støvutslippsrør, filtpakninger, støttokkelpinner og fjær, osv.
4. For service må produktet sendes eller fremlegges for en RYOBI-autorisert servicestasjon opplistet for hvert land i den følgende listen over servicestasjonsadresser. I noen land sender den lokale RYOBI-forhandleren produktet til RYOBI serviceorganisasjonen. Ved å sende et produkt til en RYOBI servicestasjon skal produktet være sikkert pakket uten noe farlig innhold, slik som bensin, merket med senderens adresse og fulgt av en kort beskrivelse av feilen.
5. En reparasjon/erstatning under denne garantien er gratis. Den utgjør ingen forlengelse eller en ny start av garantiperioden. Utvekslede deler eller verktøy blir vår eiendom. I noen land vil leveringskostnader eller frankering måtte betales av senderen. Dine lovbestemte rettigheter som oppstår fra kjøp av verktøyet forblir uberørt.
6. Denne garantien er gyldig i EU, Sveits, Island, Norge, Liechtenstein, Tyrkia og Russland. Utenfor disse områdene ta kontakt med din autoriserte RYOBI-forhandler om en annen garanti gjelder.

### AUTORISERT SERVICESENTER

For å finne et autorisert servicecenter i nærheten, gå til <http://no.ryobitools.eu/header/service-and-support/service-agents>.

## RU УСЛОВИЯ ПРИМЕНЕНИЯ ГАРАНТИИ НА ПРОДУКЦИЮ RYOBI®

Помимо законных прав, возникающих при покупке, данное изделие покрывается гарантией в соответствии с приведенными ниже пунктами.

1. Гарантийный период для покупателя составляет 24 месяца с даты покупки изделия. Дата покупки должна быть подтверждена полностью заполненным гарантийным талоном и чеком о покупке. Данное изделие предназначено только для частного использования покупателем. Поэтому гарантия не распространяется на использование в профессиональных или коммерческих целях.
2. Предусмотрена возможность продления для части изделий линейки электроинструментов (AC/DC) гарантийного периода с помощью регистрации на сайте [www.ryobitools.eu](http://www.ryobitools.eu). Право инструмента на продление гарантийного периода четко указано в магазинах и / или на упаковке / и содержится в сопутствующей инструменту документации. Конечный пользователь должен зарегистрировать свой приобретенный инструмент в течение 30 дней с даты покупки. Конечный пользователь может зарегистрировать свой инструмент на продление гарантии в стране своего проживания, если она указана в форме онлайн-регистрации. Кроме того, конечный пользователь должен дать свое согласие на хранение данных, которые необходимо ввести в онлайн-форму и принять правила и условия. Подтверждение регистрации, которое вы получите по электронной почте, заполненный гарантийный талон и оригинальный чек, в котором указана дата покупки, будут служить доказательством продленной гарантии.
3. Гарантия покрывает в течение гарантийного периода все дефекты качества или материала изделия на дату покупки. Гарантия ограничена ремонтом и / или заменой и не включает никакие другие обязательства, включая, но не ограничиваясь случайными или косвенными убытками. Гарантия становится недействительной, если изделие использовалось не по назначению, вопреки инструкциям, данным в Руководстве пользователя или было неправильно подключено. Настоящая гарантия не распространяется на:
  - любые повреждения изделия в результате неправильного технического обслуживания или недостаточного ухода за инструментом
  - любые изделия, подвергшиеся изменениям и модификации
  - любые изделия, оригинальные идентификационные отметки которого (торговая марка, серийный номер) были повреждены, изменены или удалены
  - любые повреждения, вызванные несоблюдением инструкций Руководства пользователя
  - любые изделия, не сертифицированные маркировкой "CE" для продажи в Европейском союзе
  - любые изделия, подвергшиеся попыткам ремонта неквалифицированным работником или без предварительного утверждения компанией Techtronic Industries.
  - любые изделия, подключенные к неправильному источнику питания (сила тока, напряжение, частота)
  - любые повреждения, вызванные внешними воздействиями (химические, физические, удары) или посторонними веществами
  - естественный износ запасных деталей
  - несоответствующее использование, перегрузка инструмента
  - использование неутвержденных аксессуаров и неофициальных запасных частей
  - аксессуары электроинструментов, поставляемые с инструментом или приобретаемые отдельно. К этому списку относятся, но не исчерпывают его: сверла шуруповертов, дрелей, абразивные диски, наждачную бумагу, лезвия и боковые направляющие компоненты (детали и аксессуары), подверженные естественному износу и развалу, включая, но не ограничиваясь наборы для технического обслуживания, угольные щетки, подшипники, патроны, переходники SDS, кабели питания, дополнительные ручки, футляры для транспортировки, шифовальные подошвы, пылесборники, трубки для отвода пыли, войлочные шайбы, штыри и пружины ударных ключей и др.
4. Для проведения технического обслуживания изделие следует направлять в авторизованные сервисные центры RYOBI, указанные для каждой страны в приведенном ниже списке адресов станций сервисного обслуживания. В некоторых странах местные дилеры RYOBI отправляют изделия в сервисные организации RYOBI. При отправке изделия в сервисный центр RYOBI, изделие должно быть безопасно упаковано и не содержать никаких опасных веществ, таких как бензин, должен быть подписан адрес отправителя и сопровождаться кратким описанием неисправности.
5. Ремонт / замена проводится в рамках настоящей гарантии бесплатно. Он не продлевает гарантию и не начинает новый гарантийный период. Заменяемые детали и инструменты становятся нашей собственностью. В некоторых странах отправитель должен оплачивать стоимость отправки. Ваши законные права, возникшие при покупке инструмента, остаются неизменными.
6. Данная гарантия действительна в Европейском Союзе, Швейцарии, Исландии, Норвегии, Лихтенштейне, Турции и России. Вне указанных территорий обращайтесь к своему авторизованному дилеру RYOBI, чтобы узнать, применяются ли условия каких-либо других гарантий.

### УПОЛНОМОЧЕННЫЙ СЕРВИСНЫЙ ЦЕНТР

Чтобы найти ближайший уполномоченный сервисный центр, обратитесь к веб-сайту <http://ru.ryobitools.eu/header/service-and-support/service-agents>.

## PL WARUNKI GWARANCJI RYOBI®

Oprócz praw ustawowych wynikających z zakupu produkt jest objęty gwarancją, której warunki podano poniżej.

1. Okres gwarancyjny wynosi 24 miesiące dla konsumentów i rozpoczyna się w dniu zakupu produktu. Datę zakupu należy udokumentować fakturą lub innym dowodem zakupu. Produkt został zaprojektowany i jest przeznaczony do użytku konsumenckiego i prywatnego. W związku z tym gwarancja nie obejmuje zastosowań profesjonalnych i komercyjnych.
2. Istnieje możliwość wydłużenia okresu gwarancyjnego dla części asortymentu narzędzi z napędem mechanicznym (AC/DC) poprzez zarejestrowanie produktu na stronie internetowej [www.ryobitools.eu](http://www.ryobitools.eu). Kwalifikowalność narzędzi do wydłużenia okresu gwarancyjnego jest wyraźnie określona w sklepach i/lub na opakowaniu oraz w dokumentacji produktu. Użytkownik końcowy musi zarejestrować nowo kupione narzędzia online w ciągu 30 dni od daty zakupu. Użytkownik końcowy może zarejestrować się w celu przedłużenia gwarancji w swoim kraju zamieszkania, jeżeli jest on wymieniony w formularzu rejestracji online, gdzie opcja ta obowiązuje. Ponadto użytkownicy końcowi muszą wyrazić zgodę na przechowywanie danych, wprowadzanych na stronie internetowej i zaakceptować regulamin. Dowodem wydłużenia gwarancji jest wysłane pocztą elektroniczną potwierdzenie rejestracji i oryginalny faktury potwierdzającej datę zakupu.
3. Gwarancja obejmuje wszystkie wady produktu ujawnione w okresie gwarancyjnym wynikające usterek wykonania lub materiału obecnego w dniu zakupu. Gwarancja jest ograniczona do naprawy i/lub wymiany i nie obejmuje żadnych innych zobowiązań, w tym między innymi odpowiedzialności za szkody przypadkowe lub wtórne. Gwarancja nie obowiązuje, jeżeli produkt był nieprawidłowo używany, używany niezgodnie z instrukcją lub nie był prawidłowo podłączony. Gwarancja nie obejmuje:
  - uszkodzenia produktu wynikającego z nieprawidłowej konserwacji,
  - produktu, który został zmieniony lub zmodyfikowany,
  - produktu, którego oryginalne oznaczenie (znak towarowy, numer seryjny) zostało zniszczone, zmienione lub usunięte,
  - jakiegokolwiek uszkodzeń wynikających z nieprzestrzegania instrukcji,
  - jakiegokolwiek produktu bez certyfikatu CE,
  - jakiegokolwiek produktu, który próbowano naprawiać z pomocą niewykwalifikowanej osoby lub bez uzyskania wcześniejszej zgody firmy Techtronic Industries.
  - jakiegokolwiek produktu podłączonego nie prawidłowego źródła zasilania (nieprawidłowe napięcie prądu, napięcie, częstotliwość),
  - jakiegokolwiek uszkodzeń spowodowanych wpływem czynników zewnętrznych (chemicznych, fizycznych, drgań) lub substancji obcych,
  - normalnego zużycia części zamiennych,
  - nieprawidłowego użycia, przeciążenia narzędzia,
  - stosowania niezatwierdzonych akcesoriów lub części,
  - akcesoriów narzędzi ręcznych z napędem mechanicznym dostarczonych z narzędziem lub kupionych oddzielnie. Takie wykluczenia obejmują, między innymi, wymienne ostrza wkrętaka, wiertła, tarcze cierne, papier ścierny i ostrza, prowadnicę boczną.
  - elementów (części i akcesoriów) podlegających naturalnemu zużyciu obejmujących, między innymi, zestawy do konserwacji i serwisu, szczotki węglowe, łożyska, uchwyty, przystawkę wiertła SDS, gniazdo, przewód zasilania, uchwyty pomocnicze, skrzynię transportową, płytę szlifierską, worek pyłowy, turę odprowadzania pyłu, podkładki filcowe, kolki i sprężyny klucza udarowego itp.
4. W celu serwisowania produkt należy wysłać lub okazać w autoryzowanym punkcie serwisowym RYOBI znajdującym się na przedstawionym poniżej wykazie punktów serwisowych w poszczególnych krajach. W niektórych krajach lokalny dystrybutor produktów RYOBI podejmuje się wysyłki produktu do centrum serwisowego RYOBI. W przypadku wysyłki do punktu serwisowego RYOBI produkt — pozbawiony jakiegokolwiek niebezpiecznych substancji, na przykład benzyny — należy bezpiecznie zapakować i dołączyć adres nadawcy oraz krótki opis usterek.
5. Naprawa/wymiana w ramach niniejszej gwarancji jest bezpłatna. Nie stanowi jednak o przedłużeniu lub rozpoczęciu od nowa biegu okresu gwarancyjnego. Wymienione części lub narzędzia stają się naszą własnością. W przypadku niektórych krajów nadawca będzie musiał uregulować koszty dostawy lub opłaty pocztowe. Prawa ustawowe wynikające z zakupu narzędzia pozostają niezmienione.
6. Niniejsza gwarancja obowiązuje w Unii Europejskiej, Szwajcarii, Islandii, Norwegii, Liechtensteinie, Turcji i Rosji. Poza tymi obszarami należy skontaktować się z autoryzowanym dostawcą produktów RYOBI i ustalić, czy obowiązuje inna gwarancja.

### AUTORYZOWANY PUNKT SERWISOWY

Najbliższy autoryzowany punkt serwisowy można wyszukać w witrynie internetowej <http://pl.ryobitools.eu/header/service-and-support/service-agents>.

## CS ZÁRUČNÍ PODMÍNKY RYOBI®

Kromě zákonných práv vyplývajících z koupě výrobku se na tento výrobek vztahuje také níže uvedená záruka.

1. Záruční doba pro spotřebitele je 24 měsíců a začíná datem nákupu výrobku. Datum musí být zaznamenáno na fakturě nebo jiném dokladu o koupi. Tento výrobek je navržen a určen pouze pro soukromé účely spotřebitelů. Záruka se tedy nevztahuje na profesionální nebo komerční využití výrobku.
2. U některých elektrických nástrojů (AC/DC) je možné záruční dobu prodloužit. K tomu je nutná registrace na stránkách [www.ryobitools.eu](http://www.ryobitools.eu). Možnost prodloužení záruční doby výrobků je jasně uvedena v prodejních, popř. na obalech nebo v dokumentech o výrobku. Koncový uživatel musí svůj nový nástroj zaregistrovat online do 30 dnů od data nákupu. Koncový uživatel se může k prodloužení záruční doby zaregistrovat v zemi trvalého pobytu, pokud je tato uvedena na internetovém registračním formuláři u výrobku, kde je tato možnost dostupná. Koncoví uživatelé musí dále souhlasit s uložením osobních údajů, která musí zadat na internetu, a přijmout obchodní podmínky. E-mail s potvrzením registrace a původní faktura s datem koupě poslouží jako důkaz o prodloužení záruce.
3. Záruka se vztahuje na veškeré vady na výrobku v rámci záruční doby způsobené výrobními vadami nebo vadami materiálu v době koupě. Záruka je omezena na opravu, popřípadě výměnu a nezahrnuje žádná další povinnosti, včetně mimo jiné vedlejších či následných odškodnění. Záruka neplatí při použití výrobku k nevhodným účelům, v rozporu s uživatelskou příručkou nebo při nesprávném zapojení. Záruka se nevztahuje na:
  - veškeré škody na výrobku způsobené nesprávnou údržbou
  - veškeré produkty, které byly pozměněny nebo upraveny
  - veškeré produkty, kde byly původní identifikační prvky (obchodní značka, sériové číslo) poničeny, pozměněny nebo odstraněny
  - veškeré škody způsobené nedodržením pokynů uživatelské příručky
  - veškeré produkty bez CE certifikace
  - veškeré produkty, které se pokusil opravit nequalifikovaný odborník nebo opravy bez předchozího svolení společnosti Techtronic Industries.
  - veškeré produkty zapojené do nesprávného elektrického zdroje (proud, napětí, frekvence)
  - veškeré škody způsobené externími vlivy (chemickými, fyzickými, nárazy) nebo cizími látkami
  - běžné opotřebování dílů
  - nevhodné použití, přetěžování nástroje
  - použití neschválených příslušenství nebo dílů
  - příslušenství k elektrickému nástroji poskytnuté s nástrojem nebo zakoupené samostatně. Tyto výjimky se vztahují mimo jiné na šroubovací bity, vrtáky, brusné disky, brusný papír a čepele, postranní vodič lišty
  - komponenty (díly a příslušenství) podléhající přirozenému opotřebování, včetně mimo jiné servisních sad, karbonových kartáčů, ložisek, sklíčidla, SDS nástavce na vrtací bity, napájecího kabelu, pomocné rukojeti, přepravního pouzdra, brusné desky, prachového vaku, výfukové prachové trubice, plstěných podložek, západek a pružin rážového utahávkou atd.
4. K provedení servisu musí být výrobek zaslán nebo předán do autorizovaného servisního centra společnosti RYOBI, jejichž adresy jsou uvedeny podle zemí v seznamu servisních center. V některých zemích za vás výrobek pošle servisní organizaci RYOBI sám prodejce výrobků této značky. Při zasílání výrobku do servisního centra RYOBI je potřeba výrobek bezpečně zabalit bez nebezpečného obsahu jako benzín, opatřit adresou odesílatele a přiložit krátký popis závady.
5. Oprava, popř. výměna v rámci této záruky je zdarma. Neznamená to prodloužení nebo začátek nové záruční lhůty. Vyměněné díly nebo nástroje přejdou do našeho vlastnictví. V některých zemích platí poštovné odesílatele. Vaše zákonná práva vyplývající z koupě tohoto nástroje zůstávají nedotčena.
6. Tato záruka platí v Evropském Společenství, Švýcarsku, Norsku, Lichtenštejnsku, Turecku, Rusku a na Islandu. Mimo tato území kontaktujte autorizovaného prodejce značky RYOBI, který zjistí, zda se na výrobek vztahuje jiná záruka.

### POVĚŘENÉ SERVISNÍ STŘEDISKO

Pro nalezení nejbližšího pověřeného servisního střediska navštivte <http://cz.ryobitools.eu/header/service-and-support/service-agents>.



## **HU** A RYOBI® GARANCIA ALKALMAZÁSÁNAK FELTÉTELEI

A vásárlásból adódó törvényben rögzített jogok mellett a termékre az alábbi garancia vonatkozik.

1. A fogyasztói garancia tartama 24 hónap, mely a termék vásárlásának napjával kezdődik. Ezt a dátumot számlával vagy a vásárlást igazoló egyéb dokumentummal kell bizonyítani. A termék rendeltetése csak fogyasztói és magáncéllú használathoz. Ezért professzionális vagy kereskedelmi használat esetén a garancia nem érvényes.
2. A szerszámgépek (egyenáramú/váltóáramú) egy részénél a garancia időtartama a [www.ryobitools.eu](http://www.ryobitools.eu) weblapon regisztrálva meghosszabbítható. Az áruházakban, a csomagolásban, illetve a termék dokumentációjában egyértelműen jelezzük, hogy az adott termék garanciája meghosszabbítható-e. A végfelhasználónak a vásárlás dátumától számított 30 napon belül regisztrálnia kell az újonnan vásárolt szerszámot. A végfelhasználó akkor regisztrálhatja a kiterjesztett garanciáira, ha az ország, ahol lakik, fel van sorolva az online regisztrációs úrlapon azon országok között, ahol választható ez az opció. Ezenkívül a végfelhasználónak bele kell egyeznie az online regisztrálás során szükséges adatok tárolásába, és el kell fogadnia a felhasználási feltételeket. A kiterjesztett garanciát a regisztráció beérkezésétől e-mailben küldött visszaigazolás és a vásárlás dátumát tartalmazó eredeti számla igazolja.
3. A garancia a termék vásárlásakor fennálló, a gyártás során keletkezett hibákra és anyaghibákra érvényes a garanciális időtartamon belül. A garancia csak a javításra/cserére korlátozódik, és nem terjed ki semmilyen egyéb kötelezettségre, nem kizárólagosan ideértve a véletlen vagy szándékos rongálást. A garancia nem érvényes, ha a terméket nem megfelelően, a használati utasításban foglaltakkal ellentétben, illetve nem megfelelően csatlakoztatva használták. A garancia nem vonatkozik:
  - a terméket a nem megfelelő karbantartás következtében ért károsodásra
  - megváltoztatott vagy átalakított termékre
  - olyan termékre, melyen az eredeti azonosítókat (védjegy, sorozatszám) megrongálták, megváltoztatták vagy eltávolították
  - a használati utasítás be nem tartásából eredő kárra
  - CE jelöléssel nem rendelkező termékekre
  - olyan termékre, melyet nem képzett, illetve a Techtronic Industries által nem fejlesztett szerelvény javított
  - nem megfelelő (áramerősség, feszültségű, frekvenciájú) áramforrásra csatlakoztatott termékre
  - külső (vegyi, fizikai, ütés) hatásokból vagy idegen anyagokból eredő károkkra
  - a cserélhető alkatrészek természetes kopására és elhasználódására
  - a szerszám helytelen használatára, túlterhelésére
  - nem jóváhagyott tartozékok és alkatrészek használatára
  - A szerszámmal adott vagy külön megvásárolt tartozékokra. Ilyenek például (de nem kizárólag) a csavarhúzófejek, fűrészárak, csiszolókorongok, csiszolópapír, kések, oldallirányú terelők.
  - A természetes kopásnak, elhasználódásnak kitett alkatrészek és kiegészítők, például (de nem kizárólag) szervíz- és karbantartókészletek, szénkéfek, csapagykák, tokmány, SDS fűrészár csatlakozója, tápkábel, segédfogantyú, szállítók, csiszolólap, porzsák, porelvezető cső, filcaltátek, útműtöves csavarbehajtó gép csapszege és rugója stb.
4. A terméket javításra el kell vinni egy meghatalmazott RYOBI szervizbe; ezeket az egyes országokhoz a következő listában találja. Egyes országokban a helyi RYOBI kereskedő vállalja a termék kiszállítását a RYOBI szervizbe. A terméket veszélyes tartalom, például benzín nélkül csomagolja, a feladó címét feltüntetve, a hiba rövid leírásával együtt küldje el a RYOBI szervizbe.
5. A jelen garancia hatálya alatt végzett javítás, illetve csere ingyenes. Nem jelenti a garanciális időtartam újraindulását. A kicserélt alkatrészek és szerszámok a mi tulajdonunkba kerülnek. Egyes országokban a szállítás vagy postázás költségét a feladó viseli. A vevőnek a szerszám megvásárlásából adódó törvényes jogai nem változnak.
6. Jelen garancia az Európai Közösségben, Svájcban, Izlandon, Norvégiában, Liechtensteinben, Törökországban és Oroszországban érvényes. E területeken kívül kérdezze meg a RYOBI forgalmazót, hogy milyen garancia van érvényben.

### **HIVATALOS SZERVIZKÖZPONT**

A legközelebbi hivatalos szervizközpont megtalálásához látogasson el a <http://hu.ryobitools.eu/header/service-and-support/service-agents>.

## **RO** CONDIȚII DE APLICARE A GARANȚIEI PENTRU PRODUSELE RYOBI®

În plus față de condițiile statutare rezultate din achiziționarea acestui produs, acesta este acoperit de garanția stipulată mai jos.

1. Perioada de garanție este de 24 de luni pentru consumatori și începe de la data achiziționării produsului. Data de începere a garanției trebuie demonstrată cu o factură sau altă dovadă a cumpărării produsului. Produsul este destinat și conceput doar pentru utilizare în scopuri personale. Din acest motiv, nu se oferă garanție pentru utilizarea sa în scop profesional sau comercial.
2. Există posibilitatea de a extinde a perioadei de garanție pentru gama de unelte electrice (de CA/CC) peste perioada stipulată mai sus prin înscrierea produsului pe [website-ul www.ryobitools.eu](http://www.ryobitools.eu). Eligibilitatea pentru perioada de extindere a garanției este afișată în mod clar în magazinele de vânzare și/sau pe ambalaj sau este inclusă în documentația livrată împreună cu produsul. Utilizatorul final este obligat să-și înregistreze produsul online în termen de maxim 30 de zile de la data achiziției acestuia. Utilizatorul final poate înregistra produsul pentru garanția extinsă oferită în țara sa de rezidență dacă aceasta este listată în formularul de înregistrare online și dacă această opțiune este validă. În plus, utilizatorul final trebuie să-și dea acordul pentru stocarea datelor personale solicitate la înregistrarea online și trebuie să accepte termenii și condițiile. Mesajul de confirmare a înregistrării, trimis prin e-mail și factura originală cu data achiziției vor dovedi perioada de garanție extinsă.
3. Garanția acoperă toate defecțiunile produsului survenite în perioada de garanție datorate defectelor de execuție sau materialelor folosite, începând cu data achiziției acestuia. Garanția este limitată la reparare și/sau înlocuire și nu include alte obligații, inclusiv, dar fără a se limita la daune accidentale sau rezultate pe cale de consecință. Garanția își pierde valabilitatea dacă produsul este utilizat necorespunzător, utilizat neconform cu instrucțiunile de utilizare din manualul cu instrucțiuni sau conectat incorect. Garanția nu se aplică în cazul:
  - oricărei defecțiuni survenite în urma întreținerii necorespunzătoare a produsului
  - oricărui produs alterat sau modificat
  - oricărui produs la care inscripțiile cu datele de identificare (marca comercială, numărul de serie) au fost șterse, modificate sau îndepărtate
  - oricărei defecțiuni datorate neconformării cu instrucțiunile din manualul de utilizare
  - oricărui produs necertificat CE
  - oricărui produs asupra căruia au fost efectuate tentative de reparare de către personal necalificat sau fără autorizație prealabilă din partea Techtronic Industries.
  - oricărui produs conectat la o sursă de alimentare necorespunzătoare (curent, tensiune, frecvență)
  - oricărui defecțiuni datorate unor influențe externe (chimice, fizice, socuri) sau substanțe străine
  - uzurii și fisurării normale a pieselor de rezervă
  - utilizării neadecvate, suprasolicitării uneltei
  - utilizării de piese și accesorii neaprobate
  - accesorilor pentru uneltele furnizate odată cu acestea sau achiziționate separat. Acestea sunt excluse și aplică, dar fără a se limita la următoarele: burghie, biți de șurubelniță, discuri abrazive, hărte abrazive și lame de tăiere, ghidaje laterale
  - Componentele (piese și accesorii) supuse uzurii normale, care includ, fără a se limita la, kituri de întreținere și service, perle de carbon, rulmenți, mandrină, adaptor pentru burghie SDS, cordon de alimentare, manere auxiliare, cutie de transport, placă pentru șlefuit, suport praf, tub pentru evacuarea prafului, discuri de păsă, adaptoare și resorturi pentru cheile de strângere prin vibrație, etc.
4. Pentru efectuarea reparațiilor, produsul trebuie trimis sau adus la un centru de reparații autorizat RYOBI din lista următoare de centre de reparații prezentate pentru fiecare țară. În anumite țări, reprezentantul local RYOBI va trimite produsul spre reparare la sediul central de reparații RYOBI. Atunci când trimiteți produsul spre reparare la un centru de reparații RYOBI, acesta trebuie ambalat în siguranță, fără conținut periculos (cum ar fi benzina), marcat cu adresa expeditorului și însoțit de o scurtă descriere a defecțiunii.
5. Repararea/inlocuirea în perioada de garanție este gratuită. Aceasta nu este însoțită de o prelungire sau o reinținerire a perioadei de garanție. Piesele sau uneltele schimbate devin proprietatea dvs. În anumite țări, taxele de expediție sau poștale vor fi suportate de expeditor. Drepturile dvs. statutare rezultate din achiziția produsului rămân neschimbate
6. Această garanție este valabilă în Comunitatea Europeană, Elveția, Islanda, Norvegia, Liechtenstein, Turcia și Rusia. În afara acestor zone, vă rugăm să contactați reprezentantul dvs. local RYOBI pentru a determina dacă se aplică alt tip de garanție.

### **CENTRU DE SERVICE AUTORIZAT**

Pentru a găsi un centru de service autorizat lângă dvs., vizitați <http://en.ryobitools.eu/header/service-and-support/service-agents>.

## LV RYOBI® GARANTIJAS PIEMĒROŠANAS NOSACĪJUMI

Papildus jebkādam likumiskajām tiesībām, kuras rodas, veicot pirkumu, izstrādājums tiek nodrošināts ar tālāk tekstā noteikto garantiju.

1. Garantijas periods patērētājiem ir 24 mēneši, tā atskaitē tiek sākta no datuma, kurā veikta izstrādājuma iegāde. Šim datumam jābūt dokumentētam rēķinā vai citā pirkumu apliecināšā dokumentā. Izstrādājums ir radīts un paredzēts tikai patērētāja privātai lietošanai. Saistībā ar iepriekšminēto, garantija netiek nodrošināta profesionālas vai komerciālas lietošanas gadījumā.
2. Pastāv iespēja pagarināt daļas no elektroinstrumentu klāsta (Mainstrāvas/akumulatoru) garantiju ilgāk par iepriekš minēto periodu, izmantojot reģistrāciju interneta vietnē [www.ryobitools.eu](http://www.ryobitools.eu). Instrumenti, kas pakļauti garantijas perioda pagarināšanai, tiek skaidri apzīmēti veikalos un/vai uz iepakojuma un izstrādājumu komplektējošajā dokumentācijā. Gala lietotājam nepieciešams reģistrēt lai iegādātu jauno instrumentu 30 dienu laikā no pirkuma datuma. Gala lietotājs var reģistrēties pagarinātajai garantijai savas mitnes valstī, ja tā minēta tiešsaistes reģistrācijas veidlapā, kurā šī iespēja ir aktīva. Bez tam, gala lietotājam ir jāsniedz pierādīšana tiešsaistes ievadīšanai nepieciešamo datu glabāšanai un jāpiekrīt noteikumiem un nosacījumiem. Reģistrācijas apstiprinājums, kas tiek nosūtīts, izmantojot e-pastu, un rēķina oriģināls, kurā norādīts iegādes datums, kalpo kā pagarinātās garantijas apstiprinājums.
3. Garantija attiecas uz visiem izstrādājuma defektiem garantijas periodā, kas saistīti ar ražošanas vai materiālu defektiem no pirkuma datuma. Šī garantija tiek ierobežota ar remontu un/vai nomainītu neietver jebkādas citas saistības, tajā skaitā, bet ne tikai, cēloņsakarīgos vai saistītos bojājumus. Garantija nav spēkā, ja izstrādājums ir nepareizi lietots, izmantots pretēji norādēm lietošanas rokasgrāmatā vai bijis nepareizi pieslēgts. Šī garantija netiek attiecināta uz:
  - jebkādiem izstrādājuma bojājumiem, kas radušies nepareizas uzturēšanas rezultātā
  - jebkuru izstrādājumu, kas ticis pārveidots vai mainīts
  - jebkuru izstrādājumu, kura oriģinālās identifikācijas (preču zīme, sērijas numurs) marķējums ir ticis nodzēsts, mainīts vai noņemts
  - jebkādiem bojājumiem, kuri radušies neievērojot norādes lietošanas rokasgrāmatā
  - jebkādam izstrādājumam bez CE sertifikācijas
  - jebkuru izstrādājumam, kura remontu mēģinājis veikt nekvalificēts personāls vai bez Techtronic Industries iepriekšējas autorizācijas.
  - jebkuru izstrādājumam, kurš bijis pieslēgts neatbilstošu parametru (strāvas, sprieguma, frekvences) sprieguma avotam
  - jebkuriem bojājumiem, kuri radušies ārējas iedarbības (ķīmiskas, fiziskas, triecieni) vai vielu ietekmē
  - detaļu normāla lietošanas nodiluma rezultātā
  - nepareizas lietošanas vai instrumentu pārslodzes rezultātā
  - neapstiprinātu detaļu vai aprīkojuma lietošanas rezultātā
  - elektroinstrumentu aksesuāriem, kas atrodas instrumenta komplektācijā vai ir iegādāti atsevišķi. Šis izņēmums attiecināms uz, bet neaprobežojoties ar, skrūvgrīvju uzgaļiem, urbjiem, abrazīvajiem diskkiem, smilšpapīru un asmeņiem, sānu vadotnēm
  - komponentiem (daļām un aksesuāriem), kas pakļauti normālam nodilumam, ieskaitot, bet neaprobežojoties ar Servisa un apkopju komplekti, oglekļa sukuks, gultņi, pātrona, SDS urbju uztverējiem vai uzlikas, elektrības vads, papildus rukturis, transportēšanas un pārnēsāšanas kaste, slīpmašīnas plāksne, putekļu maisis, putekļu izvadīšanas caurule, paplākšņi, triecienatslēgu tapas un atsperes, u.t.t.
4. Servisa nodrošināšanai, izstrādājums ir jānodod pilnvarotā RYOBI servisa centrā, kas norādīts katrā valstij tālāk minētajā servisa centru adresē sarakstā. Dažas valstīs jūs vietējais RYOBI izplatītājs uzņemas izstrādājuma nosūtīšanu uz RYOBI servisa organizāciju. Nosūtīt izstrādājumu uz RYOBI servisa centru, izstrādājuma jābūt droši iepakotam, tas nedrīkst saturēt bīstamas vielas kā degvielu, sūtfūjumam jābūt marķētam ar sūtfūta adresi un īsu kļūmes aprakstu.
5. Remonts/nomainīšana šīs garantijas ietvaros ir bezmaksas. Tas nerada garantijas perioda pagarināšanu vai jaunu garantiju. Nomainītās daļas vai instrumentu kļūst par mūsu īpašumu. Dažas valstīs piegādes vai pasta izmaksas būs jāapmaksā sūtfūtam. Jūsu likumiskās tiesības, kas nodibinās, iegādājoties instrumentu, paliek nemainīgas
6. Šī garantija ir spēkā Eiropas Kopienā, Šveicē, Islandē, Norvēģijā, Līhtenšteinā, Turcijā un Krievijā. Ārpus šīm teritorijām, lūdzu, sazinieties ar jūsu pilnvaroto RYOBI izplatītāju, lai noteiktu, vai ir piemērojama cita garantija.

### AUTORIZĒTS APKALPOŠANAS CENTRS

Lai atrastu tuvāko autorizēto apkalpošanas centru, apmeklējiet <http://en.ryobitools.eu/header/service-and-support/service-agents>.

## LT „RYOBI®“ GARANTIJOS TAIKYMO SĄLYGOS

Papildant bet kokias įstatybose numatytas perkant atsirandančias teises, šiam įrenginiui taikoma toliau nurodyta garantija.

1. Vartotojams suteikiama 24 mėnesių trukmės garantija nuo įrenginio įsigijimo datos. Ši data turi būti nurodyta sąskaitoje faktūroje ar kitame pirkimą įrodančiame dokumente. Šis įrenginys skirtas tik vartotojų rinkai ir asmeniniam naudojimui. Todėl garantija netaikoma, jei įrenginys naudojamas profesiniams ar komerciniams reikmėms.
2. Įsigijus tam tikrus elektrinius įrenginius (AC/DC), suteikiama galimybė pratęsti garantiją, kad ji galiojūt ilgiau, nei nurodyta. Suteikiama registracija interneto svetainėje [www.ryobitools.eu](http://www.ryobitools.eu). Ar galima pratęsti įrenginio garantinį laikotarpį, aiškiai nurodoma parduotuvėse ir (arba) ant įrenginio pakuočės, ir (arba) įrenginio dokumentuose. Galutinis naudotojas turi užregistruoti savo naujai įsigytą įrenginį per 30 dienų nuo įsigijimo datos. Galutinis naudotojas gali registruotis išplėstinei garantijai savo gyvenamojoje šalyje, jei ji nurodyta internetinėje registracijos formoje, kurioje siūloma tokia galimybė. Be to, galutiniai naudotojai turi sutikti su duomenų, kuriuos reikia įvesti internetu, saugojimu ir svetainės naudojimo sąlygomis. Kaip išplėstinės garantijos įrodymas naudojamas registracijos patvirtinimo kuitas, atsiunčiamas el. paštu, ir originali sąskaita faktūra, kurioje nurodyta įsigijimo data.
3. Ši garantija apima visus garantiniu laikotarpiu aptiktus įrenginio trūkumus, atsiradusius dėl gamybos arba medžiaginių defektų nuo įsigijimo datos. Ši garantija nįbjoama remontu ir (arba) pakeitimu, jei neapima jokių kitų įsipareigojimų, įskaitant (bet tuo neapsiribojant) šaltinius arba antrinius nuostolius. Garantija anuliuojama, jei įrenginys buvo naudojamas netinkamai, naudojamas ne pagal naudojimo instrukciją arba netinkamai prijungtas. Ši garantija netaikoma:
  - jokiai įrenginiui padarytai žalai, kurią lemė netinkama techninė priežiūra;
  - jokiai įrenginiui, kuris buvo keičiamas ar modifikuojamas;
  - jokiai įrenginiui, kurio originalūs identifikavimo ženklai (prekės ženklas, serijos numeris) buvo sugadinti, pakeisti arba pašalinti;
  - jokiai žalai, kurią lemė naudojimo instrukcijos nesilaikymas;
  - jokiems CE ženklų nepažymėtiems įrenginiams;
  - jokiai įrenginiui, kurį bandė remontuoti nekvalifikuoti asmenys arba kuris buvo remontojamas be „Techtronic Industries“ leidimo;
  - jokiai įrenginiui, kuris buvo prijungtas prie netinkamo maitinimo tinklo (netinkamos srovės, įtampos, dažnio);
  - jokiai žalai, kurią lemė išorinis poveikis (cheminis, fizinis, smūgiai) arba pašalinės medžiagos;
  - dvišimosios dalimis;
  - netinkamam naudojimui, įrenginio perkrovai;
  - nepatvirtintų priedų arba dalių naudojimui;
  - su įrenginiu pateiktiems arba atskirai įsigytiems elektrinio įrenginio priedams. Šios išimty apima (tuo neapsiribojant) atsektuvų angalius, gražtų angalius, šlifavimo diskus, švitrinį popierių ir geležtes, šoninį kreiptuvą;
  - komponentams (dailims ir priedams), kurie natūraliai dėvisi, įskaitant (bet tuo neapsiribojant) įprastines ir technines priežiūros rinkinius, anglinius šepetėlius, guolius, laikiklį, SDS gražtų angalių priedą arba lizdą, maitinimo kabelį, pagalbinę rankeną, nešiojimo dėklą, šlifavimo diską, maišelį dulkmėms, dulkių ištraukimo vamzdelį, fetro poveržles, smūginio veržliarakčio kaiščius ir spyruokles ir pan.
4. Prireikus atlikti priežiūros darbus, įrenginį reikia siųsti arba atvežti RYOBI įgaliotajam priežiūros centrui, nurodytam kiekvienos šalies priežiūros centrų adresų sąrašė. Kai kuriose šalyse vietinis RYOBI atstovas siunčia įrenginį RYOBI priežiūros organizacijai. Siunčiant įrenginį RYOBI priežiūros centrui, reikia saugiai įj supakuoti pašalinant visas pavojingas medžiagas, pvz., benzina, nurodyti ant pakuotės siuntytoje adresą ir pridėti trumpą gedimo aprašymą.
5. Pagal šią garantiją remontas / keitimas atliekami nemokamai. Tokie veiksmai netaikomi garantijos pratęsimu arba naujo garantinio laikotarpio pradžia. Dailys arba įrenginiai, kuriuos pakeitėme, tampa mūsų nuosavybe. Kai kuriose šalyse pristatymo ir pašto išlaidas turi padengti siuntėjas. Įstaty muose numatytos Europos teisės, atsirandančios perkant įrenginį, lieka nepakeistos
6. Ši garantija galioja Europos bendrijoje, Šveicarijoje, Islandijoje, Norvegi joje, Lichtenšteine, Turki joje ir Rusi joje. Jei gyvenate ne šiose šalyse, kreipkitės į įgaliotąjį RYOBI atstovą ir sužinokite, ar jums taikoma kita garantija.

### ĮGALIOTOS TECHNINĖS PRIEŽIŪROS CENTRAS

Jei norite surasti įgaliotą techninės priežiūros centrą netoli Jūsų, apsilankykite interneto svetainėje <http://en.ryobitools.eu/header/service-and-support/service-agents>.

Lisaks toote ostust tulenevatele seadusjärgsetele õigustele, kehtib tootele ka alltoodud garantiiga.

- Tarbijatele on garantiiaeg 24 kuud ja algab sellel kuupäeval, mil toode osteti. Selle kuupäeva tõestuseks on vaja arvet või mõnda teist tõendit ostu sooritamise kohta. Toode on mõeldud eratarbijatele ainult isiklikuks kasutamiseks. Seega ei kehti garantii ostu kasutamisel kutsetegevuses või kaubanduslikel eesmärkidel.
- Teatud osale elektrilistele (vahelduvvoolu/alalisvoolu) tööriistadele on võimalik pikendada tõestuseks toodud garantiiaega, kasutades toote registreerimist veebilehel [www.ryobitools.eu](http://www.ryobitools.eu). Teave tööriista võimaliku pikendatud garantiiaja kohta on selgelt esile toodud poodides ja/või pakendil / ning see sisaldub toote dokumentatsioonis. Lõpparbiaja peab registreerima oma uued tööriistad interneti teel 30 päeva jooksul pärast ostmise. Lõppkasutaja võib registreerida pikendatud garantiiaja saatmisel oma elukohariigis, kui veebis olevas registreerimisvormis on see valik lubatud. Lisaks peavad kasutajad andma oma nõusoleku veebis nõutud sisestatavate andmete säilitamiseks ning nad peavad nõustuma tingimustega. E-posti teel saatetav registreerimise kinnitus ja arve originaal, kus on näha ostu sooritamise kuupäev, on pikendatud garantiiaja tõestuseks.
- Garantii katab kõik defektid toote garantiiaja jooksul, kui ostu kuupäeval ilmnevad talitlus- või materjalivead. Garantii piirub toote remondi ja/või väljavahetamisega ning ei sisalda muid kohustusi, muu hulgas ettenägematuid või kaudseid kahjusid. Garantii ei kehti, kui toodet ei ole kasutatud sihtotstarbelselt või kooskõlas kasutusjuhendiga või see on valesti ühendatud. Garantii ei kehti järgmistel põhjustel:
  - toode on kahjustatud vale hoolduse tõttu
  - toodet on muudetud
  - toote algsuunatud identifitseerimisnumbrid (kaubamärk, seerianumber) on rikutud, muudetud või eemaldatud
  - kahju on tekkinud kasutusjuhendi mittejärgmisest
  - tootel puudub CE-märgis
  - toodet on püüdnud remontida vastavat kvalifikatsiooni mitte omav isik või ilma firma Techronic Industries eelneva loata.
  - toode on ühendatud valesse toiteallikasse (voolutugevus, pingeline, sagedus)
  - välismõjude (keemilised, füüsilised, elektrilöögid) või võrkehade tekitatud kahju
  - tavapärane kulumine ja katkised varuosad
  - ebaõige kasutamine, tööriista ülekoormamine
  - hea kiitmatatavate tarvikute või osade kasutamine
  - koos tööriistaga saadud või eraldi ostetud elektriliste tööriistade tarvikud. Need erandid puudutavad muu hulgas kruvikeeraja otsakuid, puuriterasid, lihvkettaid, lihvpaberit ja -taldud, küljuhukuid
  - Komponendid (osad ja tarvikud), mida iseloomustab kulumine ja vananemine, muu hulgas remondi- ja hoolduskomplektid, süsinikharjad, laagrid, padrunid, SDS-puuriterade tarvikud, toltejuhted, lisakäepide, transpordikott, lihvplaat, tolmuokott, tolmu väljalasketoru, vildist seibid, löökmutrivõtme võllid ja vedrud jne.
- Hoolduseks peab toote saatma või viima RYOBI volitatud teenindusse, mille aadressi leiab järgnevat teeninduspunkti nimekirjast vastava riigi alt. Mõnedes riikides võtab kohalik RYOBI edasimüüja enda kanda kohustuse saata toode RYOBI teenindusorganisatsiooni. Toote saatmisel RYOBI teenindusse peab toode olema ohutult pakitud ja ei tohi sisaldada ohtlikke aineid (nt bensini), kirjas peab olema saatja aadress ja lisatud vea lühikirjeldus.
- Garantii alusel tehtavad remonditööd / asendamine on tasuta. See ei pikenda garantii kehtivusaega ega tähistata uue garantiiaja algust. Väljavahetatud osad või tööriistad kuuluvad meile. Mõnedes riikides maksab kätetoimetamis- ja postikulud saatja. Teile jäävad kehtima tööriista ostust tulenevad seadusjärgsed õigused
- See garantii kehtib Euroopa Ühenduse territooriumil, Šveitsis, Islandil, Norras, Liechtensteinis, Türgis ja Venemaal. Väljaspool neid piirkondi võtke ühendust volitatud RYOBI edasimüüjaga, et teha kindlaks kas kehtib mõni teine garantii.

#### VOLITATUD HOOLDUSKESKUS

Oma volitatud hoolduskeskuse leiate veebisaidilt <http://en.ryobitools.eu/header/service-and-support/service-agents>.

Osim svim zakonskim pravima koja proizlaze iz kupnje, ovaj je proizvod pokriven jamstvom kako je navedeno u nastavku.

- Jamstveno razdoblje za potrošače traje 24 mjeseca i počinje s datumom na koji je proizvod kupljen. Taj datum mora se dokumentirati računom ili drugim dokazom o kupnji. Proizvod je konstruiran i namijenjen samo za privatnu upotrebu korisnika. Stoga se jamstvo ne daje u slučaju profesionalne ili komercijalne uporabe.
- Postoji mogućnost da se za dio asortimana električnih alata pokretanih izmjeničnom strujom (AC/DC) proizvodi gore navedeno jamstveno razdoblje putem registriranja na mrežnom mjestu [www.ryobitools.eu](http://www.ryobitools.eu). Uvjeti koje je potrebno zadovoljiti kako bi se produžilo jamstveno razdoblje jasno su istaknuti u prodavaonicama i / ili na pakiranju / i nalaze se unutar dokumentacije proizvoda. Krajnji korisnik mora registrirati svoje novo kupljene alate na mreži u roku od 30 dana od datuma kupnje. Krajnji korisnik može se registrirati za produženo jamstvo u uvjetoj zemlji boravišta ako se nalazi na popisu u mrežnom obrascu za registraciju gdje je ta opcija važeća. Nadalje, krajnji korisnici moraju dati svoj pristanak na pohranu podataka koji su potrebni za mrežni ulazak i moraju prihvatiti odredbe i uvjete. Potvrda o prijemu registracije, koja se šalje putem e-pošte, kao i originalni račun s vidljivim datumom kupnje poslužit će kao dokaz produženog jamstva.
- Jamstvo pokriva sve nedostatke proizvoda tijekom jamstvenog razdoblja koji su nastali zbog neispravnosti prilikom izrade ili materijala s datumom kupnje. Jamstvo je ograničeno na popravak i/ili zamjenu i ne obuhvaća nikakve druge obveze, uključujući, ali ne ograničavajući se na slučajne ili posljedične štete. Jamstvo ne vrijedi ako je proizvod bio zlorabljeno, korišten u suprotnosti s priručnikom s uputama ili ako je pogrešno spojen. Ovo jamstvo ne primjenjuje se na:
  - svaku štetu koja je na proizvodu nastala kao rezultat nepravilnog održavanja
  - svaki proizvod koji je promijenjen ili izmijenjen
  - svaki proizvod na kojem su izvorne identifikacijske oznake (žig, serijski broj) bile oštećene, izmijenjene ili uklonjene
  - svaku štetu prouzročenu neprikladnim upotrebom priručnika s uputama
  - svaki proizvod koji nema oznaku CE
  - svaki proizvod koji je pokušao popraviti neovlašćen profesionalac ili onaj koji je popravljao bez prethodnog odobrenja tvrtke Techronic Industries.
  - svaki proizvod koji je spojen na neprikladan izvor električnog napajanja (neodgovarajuća amperaza, napon, frekvencija)
  - svaku štetu prouzročenu unutarnjim utjecajima (kemijskim, fizikalnim, udarima) ili stranim tvarima
  - normalno habanje i trošenje rezervnih dijelova
  - neodgovarajuću uporabu, preopterećenje alata
  - upotrebu neodobrenog pribora ili dijelova
  - dotadnu opremu električnog alata isporučenu s alatom ili kupljenu odvojeno. Takvi izuzetci uključuju ali nisu ograničeni na vrhove odvijачa, svrdla bušilice, abrazivne diske, brusni papir i noževe, bočnu vodilicu
  - Komponente (dijelovi i pribor) podložne prirodnom trošenju i habanju, što uključuje, ali nije ograničeno na komplecte za servisiranje i održavanje, ugljične četkice, ležajeve, steznu glavu, nastavak ili priključak za svrdla za SDS bušilicu, priključni kabel, pomoćnu ručku, transportne torbe, brusnu ploču, vreću za prašinu, ispušnu cijev za prašinu, podloške od filca, udami ključ, zatici i opruge, itd.
- Za potrebe servisiranja, proizvod se mora poslati ili odnijeti u ovlaštenu servisnu postaju tvrtke RYOBI navedenu na sljedećem popisu s adresama servisnih postaja u svakoj zemlji. U nekim zemljama, vaš lokalni RYOBI zastupnik obavezuje se da će poslati proizvod u servisnu organizaciju tvrtke RYOBI. Kada se proizvod šalje u neku servisnu postaju tvrtke RYOBI, proizvod se mora sigurno pakirati bez jednog od opasnih sadržaja kao što je benzin, na njemu mora pisati adresa pošiljatelja i mora biti popraćen kratkim opisom kvara.
- Popravak / zamjena pod ovim jamstvom su besplatni. Oni ne predstavljaju produženje ili novi početak jamstvenog razdoblja. Zamijenjeni dijelovi ili alati postaju vaše vlasništvo. U nekim državama troškove isporuke ili poštarinu mora platiti pošiljatelj. Vaša zakonska prava koja proizlaze iz kupnje alata ostaju nepromijenjena
- Ovo jamstvo vrijedi u Europskoj uniji, Švicarskoj, Islandu, Norveškoj, Lihtenštajnu, Turskoj i Rusiji. Izvan tih područja vas molimo da se obratite svojem ovlaštenom zastupniku tvrtke RYOBI kako biste utvrdili primjenjuje li se drugo jamstvo.

#### OVLAŠTENI SERVISNI CENTAR

Za pronalazjenje ovlaštenog servisnog centra pored vas posjetite <http://en.ryobitools.eu/header/service-and-support/service-agents>.



## SL POGOJI ZA VELJAVNOST GARANCIJE RYOBI®

Poleg morebitnih zakonsko določenih pravic, ki izvirajo iz nakupa, za ta izdelek velja spodaj navedena garancija.

- Garancijsko obdobje je za potrošnike 24 mesecev in začne teči z dnem nakupa izdelka. Ta datum mora biti dokumentiran z računom ali drugim dokazilom o nakupu. Izdelek je zasnovan in namenjen izključno za potrošniško zasebno uporabo. V primeru strokovne oziroma komercialne uporabe izdelka garancija ne velja.
- Obstaja možnost podaljšanja garancije na del naše ponudbe električnih orodij (AC/DC) prek obdobja garancije, opisaneega zgoraj, s pomočjo registracije na spletnem mestu [www.ryobitools.eu](http://www.ryobitools.eu) website. Ustreznost orodij za podaljšanje garancijskega obdobja je jasno prikazana v trgovinah in/ali na embalaži oziroma je navedena v dokumentaciji izdelka. Končni uporabnik mora registrirati svoje novo orodje na spletu v 30 dneh po datumu nakupa. Končni uporabnik lahko registrira podaljšano garancijo v svoji državi bivanja, če je na obrazcu spletne registracije navedeno, da ta možnost velja za njegovo državo. Poleg tega morajo končni uporabniki podati svoje soglasje za shranjevanje podatkov, ki so potrebni za spletni dostop in morajo sprejeti pogoje in določila uporabe spletnega mesta. Potrdilo o registraciji, ki ga pošljemo prek e-pošte, in originalni račun, ki prikazuje datum nakupa, služita kot dokazilo o podaljšani garanciji.
- Garancija krije vse okvare izdelka, do katerih pride v garancijskem obdobju zaradi napak v izdelavi ali materialu, ki so bile prisotne ob datumu nakupa. Garancija je omejena na popravilo in/ali zamenjavo in ne vključuje nobenih drugih obveznosti, med drugim vključno z naključno ali posledično škodo. Garancija ne velja, če je bil izdelek napačno uporabljen, uporabljen v nasprotju z navodili iz priročnika za uporabo ali če ni bil pravilno povezan. Ta garancija ne velja za:
  - škodo na izdelku, ki je posledica neustreznega vzdrževanja
  - spremenjen ali prilagojen izdelek
  - izdelek, katerega originalna identifikacijska oznaka (blagovna znamka, serijska številka) je bil poškodovan, spremenjena ali odstranjena
  - škodo, ki je posledica neupoštevanja navodil iz priročnika za uporabo izdelka, ki nima oznake CE
  - izdelek, ki ga je poskušal opraviti nequalificiran strokovnjak ali ki je bil popraviljen brez predhodne odobritve s strani družbe Techtronic Industries.
  - izdelek, ki je bil povezan na neustrezno napajanje (amperska moč, napetost, frekvenca)
  - škodo, ki jo povzročijo zunanji vplivi (kemični, fizični, mehanski) ali tuje snovi
  - rezervne dele, ki so podvrženi običajni uporabi
  - neprimerno uporabo, preobremenitev orodja
  - uporabo neodobrenih dodatkov ali delov
  - Dodatno električno orodje, priloženo orodju ali kupljeno ločeno. Take izjeme so med drugim nastavki za izvijače, svedri, abrazivni diski, brusni papir in rezila, stranska vodila.
  - Komponente (sestavni in rezervni deli), ki so podvrženi običajni obrabi, med drugim vključno s kompleti za servisiranje in vzdrževanje, oglikovimi krtačkami, ležaji, penjalji, svedrni priključki SDS ali sprejemnimi odprtini zanje, napajalnimi kablji, pomožnimi ročajji, prenosnimi kovčki, brusnimi ploščami, vrečkami za prah, cevmi za izpuh prahu, tesnilni iz filca, iglami in vzmetni udamega ključa itd.
- Za servisiranje morate izdelek poslati ali prinesiti v pooblaščen servisni center družbe RYOBI, ki je naveden za vsako državo na naslednjem seznamu naslovov servisnih centrov. V nekaterih državah se vaš lokalni posrednik družbe RYOBI obveže, da bo poslal izdelek na servis družbe RYOBI. Ko pošiljate izdelek v servisni center družbe RYOBI, mora biti izdelek varno zapakiran in ne sme vsebovati nobenih nevarnih snovi, kot je npr. bencin, opremljen pa mora biti z naslovom pošiljatelja in vsebovati kratek opis napake.
- Popravilo/zamenjava v skladu s to garancijo sta brezplačni storitvi. To pa ne predstavlja podaljšanja ali ponovnega začetka garancijskega obdobja. Zamenjani deli ali orodja postanejo naša last. V nekaterih državah stroške dostave ali poštno plača pošiljatelj. Vaše zakonsko določene pravice, ki izvirajo iz nakupa orodja, ostajajo nespremenjene.
- Ta garancija velja v Evropski skupnosti, Švici, Islandiji, na Norveškem, v Lichtenštajnu, v Turčiji in Rusiji. Izven teh območij se obrnite na svojega pooblaščenega posrednika izdelkov RYOBI, dealer ki vam bo povedal, ali velja kakšna druga garancija.

### POOBLAŠČEN SERVISNI CENTER

Pooblaščen servisni center blizu vas poiščite na <http://en.ryobitools.eu/header/service-and-support/service-agents>.

## SK ZÁRUČNÉ PODMIENKY RYOBI®

Na tento výrobok sa okrem všetkých zákonných práv, vyplývajúcich z nákupu, vzťahuje záruka v nasledovnom znení.

- Záručná doba pre spotrebiteľa je 24 mesiacov a začína plynúť odo dňa, kedy bol výrobok zakúpený. Tento dátum musí byť doložený faktúrou alebo iným dokladom o zakúpení. Výrobok je navrhnutý a určený pre spotrebiteľov a ten na súkromné používanie. Preto sa záruka sa neposkytuje v prípade použitia na profesionálne a komerčné účely.
- V prípade elektrického náradia (na striedavý/jednosmerný prúd AC/DC), existuje možnosť predĺženia záručnej doby oproti záručnej dobe, uvedenej vyššie, s využitím on-line registrácie na webovej stránke [www.ryobitools.eu](http://www.ryobitools.eu). Označenie na náradí o nároku na predĺženie záručnej doby je zreteľne uvedené v obchodoch a/alebo na obale a je uvedené v dokumentácii k výrobku. Koncový používateľ musí zaregistrovať svoje novozískané náradie on-line do 30 dní odo dňa nákupu. Koncový používateľ sa môže zaregistrovať na predĺženie záruky v krajine svojho bydliska, ak je v on-line registračnom formulári uvedená táto možnosť. Ďalej musia koncoví používatelia ešte dať svoj súhlas k uchovávaniu údajov, ktoré je potrebné zadať on-line a musia súhlasiť s podmienkami. Potvrdenie o prijatí registrácie, ktoré je zasielané e-mailom a originálny faktúra, v ktorej je uvedený dátum nákupu, slúžia ako dôkaz o predĺženej záruke.
- Záruka sa vzťahuje na všetky poruchy výrobku v záručnej dobe, spôsobené chybami materiálů alebo spracovania k dátumu nákupu. Táto záruka je obmedzená na opravu a/alebo výmenu a nezahŕňa ďalšie povinnosti, vrátane, okrem iných, náhodné alebo následné škody. Táto záruka je neplatná, ak bol výrobok nesprávne používaný, bol používaný v rozpore s návodom na použitie alebo bol nesprávne zapojený. Táto záruka sa nevzťahuje na:
  - akékoľvek poškodenie výrobku, ktoré bolo spôsobené nesprávnou obsluhou
  - akýkoľvek výrobok, ktorý bol zmenený alebo upravený
  - akýkoľvek výrobok, na ktorom bolo poškodené, upravené alebo odstránené identifikačné označenie (ochranná známka, výrobné číslo)
  - akékoľvek škody, spôsobené nedodržením návodu na obsluhu
  - akýkoľvek výrobok, ktorý neobsahuje označenie CE
  - akýkoľvek výrobok, ktorý sa pokúšal opraviť nequalifikovaný odborník alebo bol opravovaný bez predchádzajúceho súhlasu so strany spoločnosti Techtronic Industries.
  - akýkoľvek výrobok, pripojený k nesprávnemu napájaciemu zdroju (ampéry, napätie, frekvencia)
  - akékoľvek poškodenia, spôsobené vonkajšími vplyvmi (chemickými, fyzikálnymi, nárazmi) alebo cudzorodnými látkami
  - bežné opotrebovanie náhradných dielov
  - nevhodné používanie, preťažovanie nástroja
  - používanie neschváleného príslušenstva a dielov
  - príslušenstvo k elektrickému náradiu, dodávané spolu s náradím alebo zakúpené oddelene. Takéto vylúčenia sa vzťahujú, okrem iného, na nástady skrutkovačov, vrtáky, brusné kotúče, brusný papier a čepele, bočné vodiace lišty
  - Súčiastky (diely a príslušenstvo), ktoré podliehajú prirodzenému opotrebeniu, okrem iného súpravy na servis a údržbu, uhličky, ložiská, skľučovadlá, SDS vrtáky a príslušenstvo, príloh alebo prijímanie, napájací kábel, pomocná rukoväť, prepravná skriňa, brusná doska, pracovné vrecko, výfuková trubica, pistené podložky, kotlíky a pružiny na rázový uťahovač atď.
- Na opravu musí byť výrobok odoslaný alebo doručený do autorizovaného servisného strediska RYOBI, uvedeného pre každú krajinu v nasledovnom zozname adries servisných stredísk. V niektorých krajinách miestny zástupca RYOBI preberá na seba záväzok zaslať tovar do servisnej organizácie RYOBI. Pri odoslaní výrobku do servisného strediska RYOBI je potrebné výrobok bezpečne zabaliť bez akéhokoľvek nebezpečného obsahu, ako je benzín, s vyznačením adresy odosielateľa, s krátkym popisom poruchy.
- Oprava/výmena je vrámci tejto záruky bezplatná. Neznamená to predĺženie záruky alebo spustenie novej záručnej doby. Vymenené diely alebo nástroje sa stávajú našim vlastníctvom. V niektorých krajinách náklady na odoslanie alebo poštovné musí zaplatiť odosielateľ. Vaše zákonné práva, vyplývajúce z nákupu náradia, zostávajú nedotknuté.
- Táto záruka platí v Európskej únii, Švajčiarsku, Islande, Nórsku, Lichtenštajnsku, Turesku a Rusku. Ak sa nachádzate mimo týchto oblastí, obráťte sa na autorizovaného predajcu RYOBI na určenie, či sa dá uplatniť iná záruka.

### AUTORIZOVANÉ SERVISNÉ CENTRUM

Ak chcete nájsť najbližšie autorizované servisné centrum, navštívte stránku <http://en.ryobitools.eu/header/service-and-support/service-agents>.

## **BG** УСЛОВИЯ ЗА ВАЛИДНОСТ НА ГАРАНЦИЯТА НА RYOBI®

В допълнение към законоустановените права, произтичащи от покупката, този продукт е обхванат от гаранция, както е изложено по-долу.

- Гаранционният срок е 24 месеца за клиенти и започва да тече от деня на закупуване на продукта. Тази дата трябва да се докаже с фактура или друго доказателство за покупка. Продуктът е изработен и предназначен само за потребителска и лична употреба. Следователно не се дава гаранция в случай на използване от професионалисти или с търговска цел.
- Съществува възможност за удължаване на гаранционния срок за част от диалогана на гаранцията на електрически инструменти (AC/DC) след изтичането на описания тук чрез регистрация на уеб сайта [www.ryobitools.eu](http://www.ryobitools.eu). В магазините и/или на опаковката или вътре в документацията на продукта е показано ясно дали инструментът отговаря на условията за такова удължаване на гаранционния срок. Крайният потребител трябва да регистрира своите новопридобити инструменти онлайн в рамките на 30 дни от датата на покупка. Крайният потребител може да се регистрира за удължена гаранция в държавата си на пребиваване, ако е посочена във формуляра за онлайн регистрация като място, където тази опция е валидна. Освен това крайните потребители трябва да дадат съгласието си за съхранение на данните, които са задължителни за ползване онлайн, и трябва да приемат общите условия. Полученото потвърждение за регистрация, изпратено по електронна поща, и оригиналната фактура, показваща датата на покупка, ще служат като доказателство за удължената гаранция.
- Гаранцията покрива всички дефекти на продукта по време на гаранционния срок, които се дължат на проблеми в изработката или материалите към момента на покупката. Гаранцията е ограничена до ремонт и/или замяна и не включва други задължения, включително, но не само, случайни или косвени щети. Гаранцията е невалидна, ако продуктът е използван неправилно или в противоречие с ръководството с инструкции, както и ако е свързан неправилно. Тази гаранция не важи за:
  - щети по продукта в резултат на неправилна профилактика
  - продукти, които са били изменени или модифицирани
  - продукт, при който оригиналните маркировки за идентификация (търговска марка, серийен номер) са изтрети, променени или премахнати
  - повреда, причинена от неспазване на ръководството с инструкции
  - продукт без CE маркировка
  - продукт, за който е направен опит за ремонт от невалифициран специалист или без предварително разрешение от Techtronic Industries.
  - продукт, свързан към неподходящо електрозахранване (ампераж, волтаж, честота)
  - щети, причинени от външни влияния (химични, физични, удари) или чужди вещества
  - нормално износване на резервни част
  - неподходяща употреба, претоварване на инструмента
  - използване на неободбени аксесоари или части
  - Аксесоарите за електрически инструмент са предоставени с инструмента или се кулват отделно. Тези изключения включват, но не само, накрайници за отвертка, средела, абразивни дискове, шкурка и остриета, страничен водач
  - Компоненти (части и аксесоари), подложени на естествено износване, включително, но не само, комплекти за обслужване и поддръжка, карбонови четки, лагери, патронник, приставка със средло SDS или приемно устройство, захранващ кабел, спомогателна ръкохватка, кутия за транспортиране, шлифовна пластина, торба за прах, тръба за отвеждане на прах, филцови шаблони, цифрове и пружини за винтоверти и др.
- За обслужване продуктът трябва да се изпрати или занесе на авторизиран сервиз на RYOBI, посочен за всяка държава в следния списък с адреси на сервиси. В някои държави местният търговец на RYOBI поема отговорността да изпрати продукта до сервизен център на RYOBI. При изпращане на продукт до сервиз на RYOBI той трябва да е опакован безопасно без опасност съдържане, напр. бензин, да е маркиран с адреса на подателя и придружен от кратко описание на повредата.
- Ремонтът/замяната по силата на тази гаранция са безплатни. Те не водят до удължаване или подновяване на гаранционния срок. Сменените части или инструменти стават наша собственост. В някои държави таксите за доставка или изпращане трябва да се платят от подателя. Законоустановените ни права, произтичащи от закупуването на инструмента, остават незасегнати.
- Тази гаранция е валидна в Европейската общност, Швейцария, Исландия, Норвегия, Лихтенщайн, Турция и Русия. Извън тези области се свържете с упълномощения търговец на RYOBI, за да се установи дали е приложима друга гаранция.

### УПЪЛНОМОЩЕН СЕРВИЗЕН ЦЕНТЪР

За да намерите упълномощен сервизен център близо до вас, посетете <http://en.ryobitools.eu/header/service-and-support/service-agents>.

## **UK** ГАРАНТИЙНИ УМОВИ ДЛЯ RYOBI®

Окрім загалом установених законом прав, що стосуються покупки, цей пристрій покривається гарантією, що зазначено нижче.

- Гарантійний період для споживачів складає 24 місяці і починається з моменту придбання цього пристрою. Ця дата повинна бути задокументована у гарантійному талоні або чеку. Цей пристрій був розроблений і призначений тільки для споживчого та приватного використання. У разі професійного або комерційного використання цього пристрою, він втрачає гарантію.
- Існує можливість подовжити гарантійний період для частини лінійки електричних інструментів (перемінного/постійного струму), понад період описаний вище за допомогою реєстрації на сайті [www.ryobitools.eu](http://www.ryobitools.eu). Пристрої, які мають право на подовження гарантійного періоду, мають чіткі позначки щодо цього в магазинах і / або на упакуванні / та документації до пристрою. Кінцевий користувач повинен зареєструвати його/її новопридбаний пристрій онлайн протягом 30 днів з дати покупки. Кінцевий користувач може зареєструватися для подовження гарантійного періоду в своїй країні постійного перебування, якщо вона є доступною у відповідній опції онлайн форми реєстрації. Крім того, кінцеві користувачі повинні дати згоду на збірвання даних, які необхідні для ведення онлайн, а також вони повинні прийняти правила та умови. Отримання підтвердження реєстрації, яке відправляється на адресу електронної пошти, та оригінал гарантійного талона і/або зазначеною датою покупки буде служити доказом подовженої гарантії.
- Гарантія поширюється на всі дефекти пристрою протягом гарантійного терміну щодо недотримання стандартів виробництва або матеріалів на дату придбання. Гарантія обмежується ремонтом та/або заміною, та не включає в себе будь-яких інших зобов'язань, в тому числі, але не обмежена у разі випадкових та подальших пошкоджень. Гарантія не діє, якщо пристрій використовувався ненадлежащим чином, всупереч інструкції з експлуатації або був неправильно підключений до мережі. Дана гарантія не поширюється на:
  - пристрої, що були пошкоджені у результаті неправильного технічного обслуговування;
  - пристрої, що були видозміннені або модифіковані;
  - пристрої, оригінальні ідентифікаційні (товарний знак, серійний номер) маркування яких було пошкоджене, змінене або видалено;
  - будь-які пошкодження, заподіяні недотриманням інструкції з експлуатації;
  - пристрої, що не мають маркування CE;
  - пристрої, що були відремонтовані невалідованим фахівцем або за відсутності попереднього дозволу від Techtronic Industries;
  - пристрої, підключені до невідповідного джерела живлення (сила току, напруга, частота);
  - будь-які пошкодження спричинені зовнішнім впливом (хімічним, фізичним, стрибком напруги) або сторонніми речовинами;
  - нормальну амортизацію запасних частин;
  - невідповідне використання, перевантаження пристрою;
  - використання не підтверджених запасних частин або аксесуарів;
  - приладдя до електронного інструменту, що постачається разом з пристроєм або купуються окремо. Такі винятки враховують але не є обмеженнями для наконечників викруток, свердел, абразивних дисків, наждачного паперу та лез, бічних напрямних – компоненти (частини та приладдя) з урахуванням нормального зношування, враховуючи, але без обмеження на комплекти профілактики та технічного обслуговування, вугільні штикти, підшипники, патрони, кріплення або прийом SDS свердел, кабелі живлення, додаткові рукоятки, чохла для транспортування, шліфувальні пластини, мішки для збору пилу, трубки вихлопу, фітрові кільця, штири і пружини гайковерту і т.д.
- Для обслуговування пристрій має бути відправлений або поданий до одного з авторизованих сервісних центрів RYOBI, які перелічені для кожної країни у наступному переліку адрес сервісних центрів. У деяких країнах місцевий дилер RYOBI зобов'язується відправити пристрій до сервісного центру RYOBI. При відправленні пристрою до сервісного центру RYOBI, пристрій має бути надійно упакуваний без будь-якого небезпечного вмісту, наприклад бензину, з позначеною адресою відправника та супроводжуватися коротким описом несправності.
- Ремонт / заміна відповідно до цієї гарантії здійснюється безкоштовно. Це не є основою для подовження або початку нового гарантійного періоду. Замінені частини або прилади переходять до власності компанії. У деяких країнах вартість доставки або поштові витрати повинні бути сплачені відправником. Загально встановлені права покупця на пристрій залишаються незмінними.
- Ця гарантія діє в Європейському Союзі, Швейцарії, Ісландії, Норвегії, Лихтенштейні, Туреччині та Росії. За межами цих зон, будь ласка, зверніться до офіційного дилера RYOBI, щоб визначити, чи застосовується інша гарантія.

### АВТОРИЗОВАНІ СЕРВІСНІ ЦЕНТРИ

Для отримання оновленого переліка авторизованих сервісних центрів, відвідайте <http://en.ryobitools.eu/header/service-and-support/service-agents>.

## TR RYOBI® GARANTİ UYGULAMA KOŞULLARI

Alımdan kaynaklanan yasal haklara ek olarak, ürün aşağıda belirtilen garanti kapsamındadır.

1. Tüketiciler için 24 ay olan garanti süresi, ürünün satın alındığı tarihte başlar. Bu tarihin bir fatura ya da alım kanıtıyla belgelenmesi gerekir. Ürün sadece tüketim ve özel kullanım için geliştirilmiş ve adanmıştır. Bu nedenle, profesyonel ya da ticari kullanımı halinde garanti kapsamı sağlanmaz.
2. Elektrikli el aletlerinin bir bölümü (AC/DC) için [www.ryobitools.eu](http://www.ryobitools.eu) sayfasındaki kayıt işlemini kullanarak garantinin belirtilen süresini ötesine uzatma imkanı mevcuttur. Aletlerin garanti süresinin uzatılmasına uygun olup olmadığı mağazalarda ve / veya ambalajda açıkça belirtilmiş olup, ürün dokümantasyonunda gösterilir. Son kullanıcının yeni aldığı aletleri satın alma tarihini izleyen 30 gün içinde kaydetmesi gerekir. Son kullanıcı ikamet ettiği ülkede, bu seçeneğin geçerli olduğu çevrimiçi kayıt formunda belirtilmişse, uzatılmış garanti süresi için kayıt yapılabilir. Dahası, son kullanıcıların çevrimiçi giriş için gerekli verilerin kaydedilmesine izin vermek ve hüküm ve koşulları kabul etmelidir. E-posta ile gönderilen kayıt teyit makbuzu ve alım tarihini gösteren orijinal fatura uzatılmış garantinin kanıtı olarak değerlendirilir.
3. Garanti, ürünün alım tarihindeki işçilik ve malzeme kusurları nedeniyle garanti süresi içinde oluşacak bütün arızaları kapsar. Bu garanti onarım ve değiştirilmeyle sınırlı olup, tasadufi ya da dolaylı hasarlar da dahil, ancak bunlarla kısıtlı olmayan başka hiçbir taahhüdün kapsamına girmez. Garanti, ürünün kötü, kullanici kılavuzuna aykırı kullanımıyla ya da yanlış bağlanmış olması halinde geçerli değildir. Bu garanti aşağıdakileri kapsamaz:
  - üründe, yanlış bakımın kaynaklanan herhangi bir hasar
  - değiştirilmiş ya da modifiye edilmiş herhangi bir ürün
  - orijinal tanıtmış işaretleri (ticari marka, seri numarası) silinmiş, değiştirilmiş ya da kaldırılmış herhangi bir ürün
  - kullanma kılavuzuna uymamaktan kaynaklanmış herhangi bir hasar
  - herhangi bir AT dışı ürün
  - kalifiye olmamış personel tarafından ya da önceden Techtronic Industries onayı alınmadan onarılmış herhangi bir ürün.
  - uygunsuz güç kaynağına (amper, voltaj, frekans) bağlanmış herhangi bir ürün
  - harici etkenlerden (kimyasal, fiziksel, darbe) veya yabancı cisimlerden kaynaklanan her türlü hasar
  - normal aşınır ve yıpranır aksam
  - uygunsuz kullanım, aletin aşırı yüklenmesi
  - onaysız aksesuar veya parça kullanımı
4. Aletle birlikte sağlanmış ya da ayrıca alınmış elektrikli alet aksesuarları. Tornavida uçları, matkap uçları, aşındırıcı diskler, zımpara kağıdı ve bıçakları, yanal kılavuz gibi aksesuarlar içerir, ancak bunlarla sınırlı olmayan eklentiler
5. Servis ve Bakım kitiyle, kömür fırçalar, yataklar, kovanlar, SDS matkap ucu bağlantısı ya da yuvaları, güç kablosu, yedek tutamak, nakliye ve taşıma kutusu, kuşlama plakası, toz torbası, toz egzoz borusu, keçe rondelalar, Darbeli Tornavida Pim ve yayları vb. gibi parçaları kapsayan, ancak bunlarla sınırlı olmayan, aşınma ve yıpranmaya tabi bileşenler (aksam ve aksesuarlar).
4. Ürünün servis için her ülkede aşağıdaki servis istasyonları adres listesinde yer alan yetkili bir RYOBI servis istasyonuna gönderilmesi ya götürülmesi gereklidir. Bazı ülkelerde, yerel RYOBI distribütörünüz ürünü RYOBI servis teklifinize göndermeyi üstlenir. Bir ürün bir RYOBI servis istasyonuna gönderilirse, ürünün güvenli bir biçimde ambalajlanması, benzin gibi tehlikeli maddeler içermemesi, gönderinin adresini taşıması ve arızanın kısa bir açıklamasını içermesi gerekir.
5. Bu garanti kapsamında yapılacak onarım / değişiklik ücretsizdir. Garanti süresinin uzatılması ya da yeniden başlatılması anlamına gelmez. Değiştirilmiş parçalar veya aletler bize ait olur. Bazı ülkelerde teslimat ücretleri veya posta giderlerinin gönderici tarafından ödenmesi gerekir. Alımdan kaynaklanan yasal haklarınıza etkilenmez
6. Bu Garanti Avrupa Topluçluğu, İsviçre, İzlanda, Norveç, Liechtenstein, Türkiye ve Rusya'da geçerlidir. Bu alanların dışında, başka bir garantinin geçerli olup olmadığını belirlemek için lütfen yetkili RYOBI distribütörünüzle iletişime geçin.

### YETKİLİ SERVİS MERKEZİ

En yakın yetkili servis merkezini öğrenmek için <http://en.ryobitools.eu/header/service-and-support/service-agents> sitesine girin.

## EL OROİ ΕΦΑΡΜΟΓΗΣ ΤΩΝ ΠΡΟΫΠΟΘΕΣΕΩΝ ΕΓΓΥΗΣΗΣ ΤΗΣ RYOBI®

Εκτός από τα νόμιμα δικαιώματα, τα οποία προκύπτουν από την αγορά, το προϊόν καλύπτεται από εγγύηση, λεπτομέρειες της οποίας ακολουθούν στη συνέχεια.

1. Η διάρκεια της εγγύησης για τους καταναλωτές είναι 24 μήνες και αρχίζει από την ημερομηνία αγοράς. Η ημερομηνία θα πρέπει να αναγράφεται στην απόδειξη ή σε άλλο αποδεικτικό αγοράς. Το προϊόν έχει σχεδιαστεί και προορίζεται αποκλειστικά για οικιακή χρήση από καταναλωτές. Συνεπώς, δεν παρέχεται εγγύηση σε περίπτωση επαγγελματικής ή εμπορικής χρήσης.
2. Υπάρχει η δυνατότητα επέκτασης της εγγύησης για ορισμένα ηλεκτρικά εργαλεία (AC/DC), πέραν του παραπάνω αναφερόμενου χρονικού διαστήματος, μέσω εγγραφής στο δικτυακό τόπο [www.ryobitools.eu](http://www.ryobitools.eu). Η επλεξιμότητα των εργαλείων με δυνατότητα επέκτασης της περιόδου εγγύησης αναγράφεται ρητά στα καταστήματα και/ή επάνω στη συσκευασία, ενώ περιέχεται στην τεκμηρίωση του προϊόντος. Το τελικό χρήστη θα πρέπει να καταχωρήσει το προσωπικό αποκτηθέντα εργαλείο online, εντός 30 ημερών από την ημερομηνία αγοράς. Ο τελικός χρήστης μπορεί να εγγραφεί για την επέκταση εγγύησης επί χώρα κατοικίας, εφόσον αυτή περιλαμβάνεται στο online έντυπο εγγραφής, εάν υπάρχει η δυνατότητα επέκτασης. Επιπλέον, οι τελικοί χρήστες θα πρέπει να παρέχουν τη συγκατάθεσή τους για την αποθήκευση των στοιχείων τους, τα οποία οφείλουν να καταχωρούνται online, όπως και να αποθηκεύονται του όρους και τις προϋποθέσεις. Η απόδειξη επιβεβαίωσης της εγγραφής, η οποία αποστέλλεται μέσω email, και η πρωτότυπη απόδειξη αγοράς, η οποία αναγράφεται στην ημερομηνία αγοράς, αποτελούν αποδεικτικά της παρατεταμένης εγγύησης.
3. Η εγγύηση καλύπτει όλα τα ελαττώματα του προϊόντος, κατά τη διάρκεια της περιόδου εγγύησης, λόγω κατασκευαστικών ελαττωμάτων ή αστοχίας υλικού κατά την ημερομηνία αγοράς. Η εγγύηση περιορίζεται στην επισκευή και/ή την αντικατάσταση και δεν περιλαμβάνει καμία άλλη υποχρέωση, συμπεριλαμβανομένων, ενδεικτικά, συμπληρωματικών ή παρεπόμενων ζημιών. Η εγγύηση δεν ισχύει εφόσον, έχει σημειωθεί κακομεταχείριση του προϊόντος, δεν έχουν τηρηθεί οι οδηγίες του εγχειριδίου οδηγιών ή το προϊόν έχει συνδεθεί λανθασμένα. Η εγγύηση δεν ισχύει για:
  - οποιαδήποτε ζημία στο προϊόν, η οποία είναι αποτέλεσμα κακής συντήρησης
  - οποιαδήποτε προϊόν, το οποίο έχει αλλοιωθεί ή τροποποιηθεί
  - οποιαδήποτε προϊόν, στο οποίο έχει αλλοιωθεί, τροποποιηθεί ή αφαιρεθεί το γνήσιο αναγνωριστικό (σήμα κατατεθέν, σειριακός αριθμός)
  - οποιαδήποτε ζημία προκλήθει λόγω μη τήρησης του εγχειριδίου οδηγιών
  - οποιαδήποτε προϊόν χωρίς σήμανση CE
  - οποιαδήποτε προϊόν, στο οποίο έχει γίνει προσπάθεια επισκευής από μη καταρτισμένο επαγγελματία ή χωρίς την προηγούμενη έγκριση της Techtronic Industries.
  - οποιαδήποτε προϊόν, το οποίο έχει συνδεθεί σε ακατάλληλη παροχή ρεύματος (αμπερ, ισχύ, συχνότητα)
  - οποιαδήποτε ζημία έχει προκληθεί από εξωτερικές επιδράσεις (χημικές, φυσικές, κλιματιομετρικές) ή ξένες ουσίες
  - φυσιολογική φθορά και ρήξη ανταλλακτικών
  - ακατάλληλη χρήση, υπερφόρτωση του εργαλείου
  - χρήση μη ενδεδειγμένων εξαρτημάτων ή ανταλλακτικών
  - Εξαρτήματα ηλεκτρικών εργαλείων που παρασχεθήκαν με το εργαλείο ή αγοράστηκαν ξεχωριστά. Τέτοιες εξαρτήματα περιλαμβάνουν, ενδεικτικά, μύτες καταβίβησης, τρυπάνια, δίσκους λείανσης, γυαλόχαρτο και λειπίδες, πλευρικό οδηγό
  - Εξαρτήματα (ανταλλακτικά και αξεσουάρ) που υποκείμενα σε φυσική φθορά και θραύση, συμπεριλαμβανομένων, ενδεικτικά, σετ επισκευής & συντήρησης, ψηκτρών άνθρωρα, εφεδράνων, τσοκ, εξαρτημάτων ή υποδοχών τρυπάνιων SDS, καλωδίων ισχύος, βοηθητικής λαβής, βαλίτσας μεταφοράς, βάσης τριβείου, σακούλας συλλογής σκόνης, σωλήνα εξαναγκαστικής σκόνης, ροδελών τόξαδς, μωτών και ελατηρίων κροστικού κλειδιού κοχλίων, κτλ.
4. Το προϊόν θα πρέπει να αποσταλεί ή να παραδοθεί για επισκευή ή συντήρηση σε εξουσιοδοτημένο σημείο σέρβις της RYOBI που περιλαμβάνεται στον ακόλουθο κατάλογο διευθύνσεων για κάθε χώρα. Σε ορισμένες χώρες, το τοπικό σημείο πώλησης της RYOBI αναλαμβάνει την αποστολή του προϊόντος στο κεντρικό σέρβις της RYOBI. Κατά την αποστολή ενός προϊόντος σε σημείο σέρβις της RYOBI, αυτό θα πρέπει να είναι ασφαλώς συσκευασμένο, χωρίς επικίνδυνον περιεχόμενο, όπως, πετρέλαιο, να φέρει τη διευθύνση του αποστολέα και να συνοδεύεται από σύντομη περιγραφή της βλάβης.
5. Η επιδιόρθωση / αντικατάσταση υπό την παρούσα εγγύηση παρέχεται δωρεάν. Δε συνιστά παράταση της περιόδου εγγύησης ή εκκίνηση νέας περιόδου εγγύησης. Τα μέρη που αντικαθίστανται περιέχονται στην κυριότητα μας. Σε ορισμένες χώρες, τα ενδεχόμενα έξοδα παραδοσης ή μεταφοράς βάρουν τον αποστολέα. Τα νόμιμα δικαιώματά σας, τα οποία απορρέουν από την αγορά του εργαλείου, δεν θίγονται.
6. Η παρούσα εγγύηση ισχύει στην Ευρωπαϊκή Κοινότητα, την Ελβετία, την Ισπανία, τη Νορβηγία, το Λιχτενστάιν, την Τουρκία και την Ρωσία. Εκτός των παραπάνω περιοχών, σας παρακαλούμε να επικοινωνήσετε με εξουσιοδοτημένο κατάστημα πώλησης της RYOBI, προκειμένου να διαπιστωθεί εάν ισχύει κάποια άλλη εγγύηση.

### ΕΞΟΥΣΙΟΔΟΤΗΜΕΝΟ ΚΕΝΤΡΟ ΣΕΡΒΙΣ

Για να εντοπίσετε ένα εξουσιοδοτημένο κέντρο σέρβις στην περιοχή σας, επισκεφτείτε τη σελίδα <http://en.ryobitools.eu/header/service-and-support/service-agents>.

**(EN) DECLARATION OF CONFORMITY**

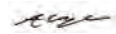
Techtronic Industries GmbH  
Max-Eyth-Straße 10, 71364 Winnenden, Germany

Herewith we declare that the product

SDS+ Rotary Hammer Drill  
Brand: RYOBI  
Model number: RSDS1050  
Serial number range: 46275301000001- 46275301999999

is in conformity with the following European Directives and harmonised standards  
2006/42/EC, 2014/30/EU, 2011/65/EU  
EN 55014-1:2017, EN 55014-2:2015, EN 61000-3-2:2014, EN 61000-3-3:2013,  
EN 60745-1:2009+A11:2010 , EN 60745-2-6:2010

RoHS documentation is compiled according to EN 50581:2012

  
Andrew John Eyre (BEng, CEng, MIET)  
Vice President, Regulatory & Safety  
Winnenden, Jun. 22, 2018

Authorised to compile the technical file:  
Alexander Krug, Managing Director  
Techtronic Industries GmbH  
Max-Eyth-Straße 10, 71364 Winnenden, Germany



**(FR) DÉCLARATION DE CONFORMITÉ**

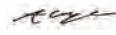
Techtronic Industries GmbH  
Max-Eyth-Straße 10, 71364 Winnenden, Germany

Déclarons par la présente que le produit

SDS+ Perforateur Rotatif  
Marque: RYOBI  
Numéro de modèle: RSDS1050  
Étendue des numéros de série: 46275301000001- 46275301999999

est conforme aux Directives Européennes et Normes Harmonisées suivantes  
2006/42/EC, 2014/30/EU, 2011/65/EU  
EN 55014-1:2017, EN 55014-2:2015, EN 61000-3-2:2014, EN 61000-3-3:2013,  
EN 60745-1:2009+A11:2010 , EN 60745-2-6:2010

La documentation RoHS a été dressée d'après EN 50581:2012

  
Andrew John Eyre (BEng, CEng, MIET)  
Vice-Président, Réglementation & Sécurité  
Winnenden, Jun. 22, 2018

Autorisé à rédiger le dossier technique:  
Alexander Krug, Directeur Général  
Techtronic Industries GmbH  
Max-Eyth-Straße 10, 71364 Winnenden, Germany



**(DE) KONFORMITÄTSERKLÄRUNG**

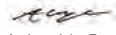
Techtronic Industries GmbH  
Max-Eyth-Straße 10, 71364 Winnenden, Germany

Hiermit erklären wir, dass die Produkte

SDS+ Bohrhammer  
Marke: RYOBI  
Modellnummer: RSDS1050  
Seriennummernbereich: 46275301000001- 46275301999999

den folgenden europäischen Richtlinien und harmonisierten Normen entspricht  
2006/42/EC, 2014/30/EU, 2011/65/EU  
EN 55014-1:2017, EN 55014-2:2015, EN 61000-3-2:2014, EN 61000-3-3:2013,  
EN 60745-1:2009+A11:2010 , EN 60745-2-6:2010

RoHS Dokumentation ist gemäß EN 50581:2012 zusammengestellt

  
Andrew John Eyre (BEng, CEng, MIET)  
Vizepräsident, Vorschriften und Sicherheit  
Winnenden, Jun. 22, 2018

Autorisiert die technische Datei zu erstellen:  
Alexander Krug, Geschäftsführer  
Techtronic Industries GmbH  
Max-Eyth-Straße 10, 71364 Winnenden, Germany



**(ES) DECLARACIÓN DE CONFORMIDAD**

Techtronic Industries GmbH  
Max-Eyth-Straße 10, 71364 Winnenden, Germany

Por la presente declaramos que los productos

SDS+ Taladro percutor giratorio  
Marca: RYOBI  
Número de modelo: RSDS1050  
Intervalo del número de serie: 46275301000001- 46275301999999

se encuentra en conformidad con las siguientes Directivas Europeas y normas armonizadas

2006/42/EC, 2014/30/EU, 2011/65/EU  
EN 55014-1:2017, EN 55014-2:2015, EN 61000-3-2:2014, EN 61000-3-3:2013,  
EN 60745-1:2009+A11:2010 , EN 60745-2-6:2010

Documentación sobre restricción de sustancias peligrosas (RoHS) recopilada según la norma EN 50581:2012

  
Andrew John Eyre (BEng, CEng, MIET)  
Vicepresidente, Director General de Normativa y Seguridad  
Winnenden, Jun. 22, 2018

Autorizado para elaborar la ficha técnica:  
Alexander Krug, Administrador Ejecutivo  
Techtronic Industries GmbH  
Max-Eyth-Straße 10, 71364 Winnenden, Germany



**(IT) DICHIARAZIONE DI CONFORMITÀ**

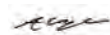
Techtronic Industries GmbH  
Max-Eyth-Straße 10, 71364 Winnenden, Germany

Si dichiara con la presente che il prodotto

SDS+ Martello pneumatico a rotazione  
Marca: RYOBI  
Numero modello: RSDS1050  
Gamma numero seriale: 46275301000001- 46275301999999

è conforme alle seguenti Direttive Europee e ai seguenti standard armonizzati  
2006/42/EC, 2014/30/EU, 2011/65/EU  
EN 55014-1:2017, EN 55014-2:2015, EN 61000-3-2:2014, EN 61000-3-3:2013,  
EN 60745-1:2009+A11:2010 , EN 60745-2-6:2010

La documentazione RoHS è stata compilata come indicato dalle norme EN 50581:2012

  
Andrew John Eyre (BEng, CEng, MIET)  
Vice-Presidente, Dipartimento Regolazioni & Sicurezza  
Winnenden, Jun. 22, 2018

Autorizzato per compilare il file tecnico:  
Alexander Krug, Direttore Amministrativo  
Techtronic Industries GmbH  
Max-Eyth-Straße 10, 71364 Winnenden, Germany



**(NL) CONFORMITEITSVERKLARING**

Techtronic Industries GmbH  
Max-Eyth-Straße 10, 71364 Winnenden, Germany

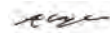
Hierbij verklaren wij dat het product

SDS+ Roterende hamerboormachine  
Mark: RYOBI  
Modelnummer: RSDS1050  
Seriennummerbereik: 46275301000001- 46275301999999

is in overeenstemming met de volgende Europese Richtlijnen en geharmoniseerde normen

2006/42/EC, 2014/30/EU, 2011/65/EU  
EN 55014-1:2017, EN 55014-2:2015, EN 61000-3-2:2014, EN 61000-3-3:2013,  
EN 60745-1:2009+A11:2010 , EN 60745-2-6:2010

RoHS-documentatie is samengesteld in overeenstemming met EN 50581:2012

  
Andrew John Eyre (BEng, CEng, MIET)  
Vice-president, Regelgeving en Veiligheid  
Winnenden, Jun. 22, 2018

Afgevaardigde voor het samenstellen van de technische fiche:  
Alexander Krug, Directeur  
Techtronic Industries GmbH  
Max-Eyth-Straße 10, 71364 Winnenden, Germany



**PT** DECLARAÇÃO DE CONFORMIDADE

Techtronic Industries GmbH  
Max-Eyth-Straße 10, 71364 Winnenden, Germany

*Pelo presente declaramos que os produtos*

SDS+ Martelo perfurador rotativo  
Marca: RYOBI  
Número do modelo: RSDS1050  
Intervalo do número de série: 46275301000001- 46275301999999

*se encontra em conformidade com as seguintes Directivas Europeias e normas harmonizadas*

2006/42/EC, 2014/30/EU, 2011/65/EU  
EN 55014-1:2017, EN 55014-2:2015, EN 61000-3-2:2014, EN 61000-3-3:2013,  
EN 60745-1:2009+A11:2010, EN 60745-2-6:2010

Documentação sobre restrição de substâncias perigosas (RoHS) compilada segundo a norma EN 50581:2012

Andrew John Eyre (BEng, CEng, MIET)  
Vice-Presidente, Regulamentação & Segurança  
Winnenden, Jun. 22, 2018

Autorizado para compilar o ficheiro técnico:  
Alexander Krug, Administrador Executivo  
Techtronic Industries GmbH  
Max-Eyth-Straße 10, 71364 Winnenden, Germany

CE

**DA** OVERENSSTEMMELSESERKLÆRING

Techtronic Industries GmbH  
Max-Eyth-Straße 10, 71364 Winnenden, Germany

*Vi erklærer hermed, at produktet*

SDS+ Roterende borehammer  
Brand: RYOBI  
Modelnummer: RSDS1050  
Serienummerområde: 46275301000001- 46275301999999

*er i overensstemmelse med følgende EU-direktiver og harmoniserede standarder*

2006/42/EC, 2014/30/EU, 2011/65/EU  
EN 55014-1:2017, EN 55014-2:2015, EN 61000-3-2:2014, EN 61000-3-3:2013,  
EN 60745-1:2009+A11:2010, EN 60745-2-6:2010

RoHS-dokumentationen er udarbejdet i henhold til EN 50581:2012

Andrew John Eyre (BEng, CEng, MIET)  
Vicepræsident, Regler og Sikkerhed  
Winnenden, Jun. 22, 2018

Bemyndiget til at udarbejde det tekniske kartotte:  
Alexander Krug, Administrerende Direktør  
Techtronic Industries GmbH  
Max-Eyth-Straße 10, 71364 Winnenden, Germany

CE

**SV** KONFORMITETSDEKLARATION

Techtronic Industries GmbH  
Max-Eyth-Straße 10, 71364 Winnenden, Germany

*Härmed deklarerar vi att produkterna*

SDS+ Roterande borrhammare  
Märke: RYOBI  
Modellnummer: RSDS1050  
Serienummerintervall: 46275301000001- 46275301999999

*är i enlighet med följande EU-direktiv och harmoniserade standarder*

2006/42/EC, 2014/30/EU, 2011/65/EU  
EN 55014-1:2017, EN 55014-2:2015, EN 61000-3-2:2014, EN 61000-3-3:2013,  
EN 60745-1:2009+A11:2010, EN 60745-2-6:2010

RoHS-dokumentation sammanställd enligt EN 50581:2012

Andrew John Eyre (BEng, CEng, MIET)  
Vice President, Regelverk och Säkerhet  
Winnenden, Jun. 22, 2018

Godkänd att sammanställa den tekniska filen:  
Alexander Krug, VD  
Techtronic Industries GmbH  
Max-Eyth-Straße 10, 71364 Winnenden, Germany

CE

**FI** SÄÄNNÖSTEN NOUDATTAMINEN

Techtronic Industries GmbH  
Max-Eyth-Straße 10, 71364 Winnenden, Germany

*Ilmoitamme täten, että tuotteet*

SDS+ Iskuporakone  
Tuotemerkki: RYOBI  
Mallinnumero: RSDS1050  
Sarjanumeroalue: 46275301000001- 46275301999999

*noudattaa seuraavia EU-direktivejä ja harmonoituja standardeja*

2006/42/EC, 2014/30/EU, 2011/65/EU  
EN 55014-1:2017, EN 55014-2:2015, EN 61000-3-2:2014, EN 61000-3-3:2013,  
EN 60745-1:2009+A11:2010, EN 60745-2-6:2010

RoHS-dokumentaatio on koottu standardin EN 50581:2012 mukaisesti

Andrew John Eyre (BEng, CEng, MIET)  
Varatoimitusjohtaja, Sääöstöstenmukaisuus ja Turvallisuus  
Winnenden, Jun. 22, 2018

Valtuutettu kokoamaan tekninen tiedosto:  
Alexander Krug, Toimitusjohtaja  
Techtronic Industries GmbH  
Max-Eyth-Straße 10, 71364 Winnenden, Germany

CE

**NO** SAMSVARERKLÆRING

Techtronic Industries GmbH  
Max-Eyth-Straße 10, 71364 Winnenden, Germany

*Herved erklærer vi at produktet*

SDS+ Slagdnill  
Merke: RYOBI  
Modellnummer: RSDS1050  
Serienummerserie: 46275301000001- 46275301999999

*er i samsvar med følgende europeiske direktiver og harmoniserte standarder*

2006/42/EC, 2014/30/EU, 2011/65/EU  
EN 55014-1:2017, EN 55014-2:2015, EN 61000-3-2:2014, EN 61000-3-3:2013,  
EN 60745-1:2009+A11:2010, EN 60745-2-6:2010

RoHS dokumentasjonen er skrevet i samsvar med EN 50581:2012

Andrew John Eyre (BEng, CEng, MIET)  
Visepresident, Forskrifter og Sikkerhet  
Winnenden, Jun. 22, 2018

Autorisert til å sette sammen den tekniske filen:  
Alexander Krug, Administrerende Direktør  
Techtronic Industries GmbH  
Max-Eyth-Straße 10, 71364 Winnenden, Germany

CE

**RU** ЗАЯВЛЕНИЕ О СООТВЕТСТВИИ ТРЕБОВАНИЯМ

Techtronic Industries GmbH  
Max-Eyth-Straße 10, 71364 Winnenden, Germany

*Настоящим мы заявляем, что данный продукт*

SDS+ Дрель-перфоратор  
Марка: RYOBI  
Номер модели: RSDS1050  
Диапазон заводских номеров: 46275301000001- 46275301999999

*соответствует требованиям следующих Директив ЕС и согласованных стандартов*

2006/42/EC, 2014/30/EU, 2011/65/EU  
EN 55014-1:2017, EN 55014-2:2015, EN 61000-3-2:2014, EN 61000-3-3:2013,  
EN 60745-1:2009+A11:2010, EN 60745-2-6:2010

Документация RoHS соответствует стандарту EN 50581:2012

Andrew John Eyre (BEng, CEng, MIET)  
Вице-Президент По Технике Безопасности И Стандартам  
Winnenden, Jun. 22, 2018

Лицо, ответственное за подготовку технической документации:  
Alexander Krug, Директор  
Techtronic Industries GmbH  
Max-Eyth-Straße 10, 71364 Winnenden, Germany

CE





**PL** DEKLARACJA ZGODNOŚCI

Techtronic Industries GmbH  
Max-Eyth-Straße 10, 71364 Winnenden, Germany

*Niniejszym deklarujemy, że produkt*  
SDS+ Wiertarka udarowa  
Marka: RYOBI  
Numer modelu: RSDS1050  
Zakres numerów seryjnych: 46275301000001- 46275301999999

*jest zgodny z następującymi dyrektywami europejskimi i zharmonizowanymi normami*  
2006/42/EC, 2014/30/EU, 2011/65/EU  
EN 55014-1:2017, EN 55014-2:2015, EN 61000-3-2:2014, EN 61000-3-3:2013,  
EN 60745-1:2009+A11:2010 , EN 60745-2-6:2010

Dokumentacja RoHS została opracowana zgodnie z normą EN 50581:2012

Andrew John Eyre (BEng, CEng, MIET)  
Wiceprezes ds. Zgodności Prawnej i Bezpieczeństwa  
Winnenden, Jun. 22, 2018

Osoba upoważniona do sporządzenia dokumentu technicznego:  
Alexander Krug, Dyrektor Zarządzający  
Techtronic Industries GmbH  
Max-Eyth-Straße 10, 71364 Winnenden, Germany



**RO** DECLARAȚIE DE CONFORMITATE

Techtronic Industries GmbH  
Max-Eyth-Straße 10, 71364 Winnenden, Germany

*Prin prezenta, declarăm că produsul*  
SDS+ Ciocan rotorcutor  
Marcă: RYOBI  
Număr serie: RSDS1050  
Gamă număr serie: 46275301000001- 46275301999999

*este în conformitate cu următoarele Directive Europene și standarde armonizate*  
2006/42/EC, 2014/30/EU, 2011/65/EU  
EN 55014-1:2017, EN 55014-2:2015, EN 61000-3-2:2014, EN 61000-3-3:2013,  
EN 60745-1:2009+A11:2010 , EN 60745-2-6:2010

Documentația RoHS este întocmită în conformitate cu EN 50581:2012

Andrew John Eyre (BEng, CEng, MIET)  
Vicepreședinte, Reglementare & Siguranță  
Winnenden, Jun. 22, 2018

Autorizat să completeze fișa tehnică:  
Alexander Krug, Director General  
Techtronic Industries GmbH  
Max-Eyth-Straße 10, 71364 Winnenden, Germany



**CS** PROHLÁŠENÍ O SHODĚ

Techtronic Industries GmbH  
Max-Eyth-Straße 10, 71364 Winnenden, Germany

*Tímto prohlašujeme, že výrobky*  
SDS+ Rotační vrtací kladivo  
Značka: RYOBI  
Číslo modelu: RSDS1050  
Rozsah sériových čísel: 46275301000001- 46275301999999

*že tento výrobek je v souladu s evropskými a harmonizovanými standardy*  
2006/42/EC, 2014/30/EU, 2011/65/EU  
EN 55014-1:2017, EN 55014-2:2015, EN 61000-3-2:2014, EN 61000-3-3:2013,  
EN 60745-1:2009+A11:2010 , EN 60745-2-6:2010.

RoHS dokumentace sestavena dle EN 50581:2012

Andrew John Eyre (BEng, CEng, MIET)  
Viceprezident, Normy a Bezpečnost  
Winnenden, Jun. 22, 2018

Pověření ke kompilaci technického souboru:  
Alexander Krug, Generální Ředitel  
Techtronic Industries GmbH  
Max-Eyth-Straße 10, 71364 Winnenden, Germany



**LV** ATBILSTĪBAS DEKLARĀCIJA

Techtronic Industries GmbH  
Max-Eyth-Straße 10, 71364 Winnenden, Germany

*Ar šo paziņojam, ka produkti*  
SDS+ Rotācijas triecienubris  
Zīmols: RYOBI  
Modeļa numurs: RSDS1050  
Sērijas numura intervāls: 46275301000001- 46275301999999

*atbilst šādām Eiropas direktīvām un saskaņotajiem standartiem*  
2006/42/EC, 2014/30/EU, 2011/65/EU  
EN 55014-1:2017, EN 55014-2:2015, EN 61000-3-2:2014, EN 61000-3-3:2013,  
EN 60745-1:2009+A11:2010 , EN 60745-2-6:2010

RoHS dokumentācija ir izstrādāta saskaņā ar EN 50581:2012

Andrew John Eyre (BEng, CEng, MIET)  
Viceprezidents, Darba Drošības Noteikumi  
Winnenden, Jun. 22, 2018

Pilnvarots sastādīt tehnisko failu:  
Alexander Krug, Izpilddirektors  
Techtronic Industries GmbH  
Max-Eyth-Straße 10, 71364 Winnenden, Germany



**HU** MEGFELELŐSÉGI NYILATKOZAT

Techtronic Industries GmbH  
Max-Eyth-Straße 10, 71364 Winnenden, Germany

*Ezúton kijelentjük, hogy a termékek*  
SDS+ Fúrókalapács  
Márka: RYOBI  
Típusszám: RSDS1050  
Sorozatszám tartomány: 46275301000001- 46275301999999

*megfelel az alábbi Európai Irányelvek és harmonizált szabványok vonatkozó rendelkezésének*  
2006/42/EC, 2014/30/EU, 2011/65/EU  
EN 55014-1:2017, EN 55014-2:2015, EN 61000-3-2:2014, EN 61000-3-3:2013,  
EN 60745-1:2009+A11:2010 , EN 60745-2-6:2010

A RoHS dokumentáció összeállítás az EN 50581:2012 szerint történt

Andrew John Eyre (BEng, CEng, MIET)  
Alelnök, Megfelelőségi és Biztonsági Területek  
Winnenden, Jun. 22, 2018

A műszaki dokumentáció összeállítására felhatalmazott:  
Alexander Krug, Ügyvezető Igazgató  
Techtronic Industries GmbH  
Max-Eyth-Straße 10, 71364 Winnenden, Germany



**LT** ATITIKTIES PAREIŠKIMAS

Techtronic Industries GmbH  
Max-Eyth-Straße 10, 71364 Winnenden, Germany

*Mes pareiškiamo, kad šie produktai*  
SDS+ Rotacinis kalamasis gražtas  
Prekės ženklas: RYOBI  
Modelio numeris: RSDS1050  
Serijinio numerio diapazonas: 46275301000001- 46275301999999

*pagamintas laikantis toliau nurodytųjų Europos Direktyvų ir damiųjų standartų*  
2006/42/EC, 2014/30/EU, 2011/65/EU  
EN 55014-1:2017, EN 55014-2:2015, EN 61000-3-2:2014, EN 61000-3-3:2013,  
EN 60745-1:2009+A11:2010 , EN 60745-2-6:2010

Tam tikrų pavojingų medžiagų naudojimo elektros ir elektroninėje įrangoje apri bojimo dokumentai sudaryti pagal standartą EN 50581:2012

Andrew John Eyre (BEng, CEng, MIET)  
Kontrolės Ir Saugos Viceprezidentas  
Winnenden, Jun. 22, 2018

Įgaliotas sudaryti techninį failą:  
Alexander Krug, Generalinis Direktorius  
Techtronic Industries GmbH  
Max-Eyth-Straße 10, 71364 Winnenden, Germany



**(ET) VASTAVUSDEKLARATSIOON**

Techtronic Industries GmbH  
Max-Eyth-Straße 10, 71364 Winnenden, Germany

**Kinnitame, et see toode**

SDS+ Põõrlev puurvasar  
Mark: RYOBI  
Mudeli number: RSDS1050  
Seearianumbri vahemik: 46275301000001- 46275301999999

vastab järgmistele Euroopa direktiividele ja harmoniseeritud standarditele  
2006/42/EC, 2014/30/EU, 2011/65/EU  
EN 55014-1:2017, EN 55014-2:2015, EN 61000-3-2:2014, EN 61000-3-3:2013,  
EN 60745-1:2009+A11:2010 , EN 60745-2-6:2010

RoHS dokumendid on koostatud vastavuses standardi EN 50581:2012 nõuetele.



Andrew John Eyre (BEng, CEng, MIET)  
Asepresident Standardiseerimise Ja Ohutuse Alal  
Winnenden, Jun. 22, 2018

**Tehnilise faili koostamiseks volitatud isik:**

Alexander Krug, Tegevdirektor  
Techtronic Industries GmbH  
Max-Eyth-Straße 10, 71364 Winnenden, Germany


**(HR) IZJAVA O USKLADENOSTI**

Techtronic Industries GmbH  
Max-Eyth-Straße 10, 71364 Winnenden, Germany

**Ovime izjavljujemo da su proizvodi**

SDS+ Rotacijska udarna bušilica  
Marka: RYOBI  
Broj modela: RSDS1050  
Raspon serijskog broja: 46275301000001- 46275301999999

usklađeni sa sledećim Europskim Direktivama i usklađenim normama  
2006/42/EC, 2014/30/EU, 2011/65/EU  
EN 55014-1:2017, EN 55014-2:2015, EN 61000-3-2:2014, EN 61000-3-3:2013,  
EN 60745-1:2009+A11:2010 , EN 60745-2-6:2010

RoHS dokumentacija sukladna je EN 50581:2012



Andrew John Eyre (BEng, CEng, MIET)  
Potpredsjednik za Pravila i Sigurnost  
Winnenden, Jun. 22, 2018

**Ovlašten da sastavi tehničku datoteku:**

Alexander Krug, Direktor Upravljanja  
Techtronic Industries GmbH  
Max-Eyth-Straße 10, 71364 Winnenden, Germany


**(SL) IZJAVA O SKLADNOSTI**

Techtronic Industries GmbH  
Max-Eyth-Straße 10, 71364 Winnenden, Germany

**Izjavljamo, da je izdelek**

SDS+ Udarni vrtnik  
Znamka: RYOBI  
Številka modela: RSDS1050  
Razpon serijskih števil: 46275301000001- 46275301999999

v skladu s sledećimi evropskimi direktivami in harmoniziranimi standardi  
2006/42/EC, 2014/30/EU, 2011/65/EU  
EN 55014-1:2017, EN 55014-2:2015, EN 61000-3-2:2014, EN 61000-3-3:2013,  
EN 60745-1:2009+A11:2010 , EN 60745-2-6:2010

Dokumentacija RoHS je sestavljena skladno s standardom EN 50581:2012



Andrew John Eyre (BEng, CEng, MIET)  
Podpredsednik, Zakonodajne In Varnostne Zadeve  
Winnenden, Jun. 22, 2018

**Pooblaščen oseba za sestavo tehnične dokumentacije:**

Alexander Krug, Izvršni Direktor  
Techtronic Industries GmbH  
Max-Eyth-Straße 10, 71364 Winnenden, Germany


**(SK) PREHLÁSENIE O ZHODE**

Techtronic Industries GmbH  
Max-Eyth-Straße 10, 71364 Winnenden, Germany

**Týmto vyhlasujeme, že výrobok**

SDS+ Rotáčne vrtiace kladivo  
Značka: RYOBI  
Číslo modelu: RSDS1050  
Rozsah sériových čísel: 46275301000001- 46275301999999

je v súlade s nasledujúcimi Európskymi smernicami a harmonizovanými normami  
2006/42/EC, 2014/30/EU, 2011/65/EU  
EN 55014-1:2017, EN 55014-2:2015, EN 61000-3-2:2014, EN 61000-3-3:2013,  
EN 60745-1:2009+A11:2010 , EN 60745-2-6:2010

Dokumentácia RoHS je zostavená podľa EN 50581:2012



Andrew John Eyre (BEng, CEng, MIET)  
Viceprezident, Regulácia a Bezpečnosť  
Winnenden, Jun. 22, 2018

**Oprávnená osoba na zostavenie technického súboru:**

Alexander Krug, Generálny Riaditeľ  
Techtronic Industries GmbH  
Max-Eyth-Straße 10, 71364 Winnenden, Germany


**(BG) ДЕКЛАРАЦИЯ НА ЗА СЪОТВЕТСТВИЕ**

Techtronic Industries GmbH  
Max-Eyth-Straße 10, 71364 Winnenden, Germany

**С настоящето декларираме, че продуктите**

SDS+ Ротационен къртач  
Марка: RYOBI  
Номер на модела: RSDS1050  
Обхват на серийни номера: 46275301000001- 46275301999999

отговаря на следните директиви на ЕС и хармонизирани стандарти  
2006/42/EC, 2014/30/EU, 2011/65/EU  
EN 55014-1:2017, EN 55014-2:2015, EN 61000-3-2:2014, EN 61000-3-3:2013,  
EN 60745-1:2009+A11:2010 , EN 60745-2-6:2010

Документацията за RoHS е съставена в съответствие с EN 50581:2012



Andrew John Eyre (BEng, CEng, MIET)  
Вицепрезидент, Правни Услуги И Безопасност  
Winnenden, Jun. 22, 2018

**Упълномощено лице за съставяне на техническия файл:**

Alexander Krug, Изпълнителен Директор  
Techtronic Industries GmbH  
Max-Eyth-Straße 10, 71364 Winnenden, Germany


**(UK) ДЕКЛАРАЦИЯ ПРО ВІДПОВІДНІСТЬ**

Techtronic Industries GmbH  
Max-Eyth-Straße 10, 71364 Winnenden, Germany

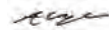
**При цьому ми заявляємо, що продукт**

SDS+ Роторний перфоратор-дріль  
Марка: RYOBI  
Номер моделі: RSDS1050  
Діапазон серійних номерів: 46275301000001- 46275301999999

у відповідності з наступними європейськими директивами та гармонізованими стандартами

2006/42/EC, 2014/30/EU, 2011/65/EU  
EN 55014-1:2017, EN 55014-2:2015, EN 61000-3-2:2014, EN 61000-3-3:2013,  
EN 60745-1:2009+A11:2010 , EN 60745-2-6:2010

Документація RoHS складена відповідно до EN 50581:2012



Andrew John Eyre (BEng, CEng, MIET)  
Віце-президент, регулювання і безпека  
Winnenden, Jun. 22, 2018

**Дозвіл на складання технічного файла:**

Alexander Krug, Керуючий директор  
Techtronic Industries GmbH  
Max-Eyth-Straße 10, 71364 Winnenden, Germany



**TR** UYGUNLUK BEYANI

Techtronic Industries GmbH  
Max-Eyth-Straße 10, 71364 Winnenden, Germany

*Böylelikle beyan ederiz ki; ürün*  
SDS+ Kırıcı Delici Matkap  
Marka: RYOBI  
Model numarası: RSDS1050  
Seri numarası aralığı: 46275301000001- 46275301999999

*aşağıdaki Avrupa Direktifleri ve uyumlaştırılmış standartlara uygundur*  
2006/42/EC, 2014/30/EU, 2011/65/EU  
EN 55014-1:2017, EN 55014-2:2015, EN 61000-3-2:2014, EN 61000-3-3:2013,  
EN 60745-1:2009+A11:2010, EN 60745-2-6:2010

RoHS belgeleri EN 50581:2012 uyarınca derlenmiştir



Andrew John Eyre (BEng, CEng, MIET)  
Başkan Vekili, Düzenleme ve Güvenlik  
Winnenden, Jun. 22, 2018

CE

Teknik dosya hazırlamaya yetkilidir:  
Alexander Krug, Genel Müdür  
Techtronic Industries GmbH  
Max-Eyth-Straße 10, 71364 Winnenden, Germany

**EL** ΔΗΛΩΣΗ ΣΥΜΜΟΡΦΩΣΗΣ

Techtronic Industries GmbH  
Max-Eyth-Straße 10, 71364 Winnenden, Germany

*Δια του παρόντος δηλώνουμε ότι το προϊόν*  
SDS+ Περιστερόφωμο Σφυροδρέπανο  
Μάρκα: RYOBI  
Αριθμός μοντέλου: RSDS1050  
Εύρος σειριακών αριθμών: 46275301000001- 46275301999999

*είναι σύμφωνο με τις παρακάτω Ευρωπαϊκές Οδηγίες και εναρμονισμένα πρότυπα*  
2006/42/EC, 2014/30/EU, 2011/65/EU  
EN 55014-1:2017, EN 55014-2:2015, EN 61000-3-2:2014, EN 61000-3-3:2013,  
EN 60745-1:2009+A11:2010, EN 60745-2-6:2010

Τα έγγραφα RoHS συντάσσονται σύμφωνα με το EN 50581:2012



Andrew John Eyre (BEng, CEng, MIET)  
Αντιπρόεδρος, Τμήμα Ρυθμίσεων & Ασφάλειας  
Winnenden, Jun. 22, 2018

CE

Εξουσιοδοτημένο άτομο για σύνταξη τεχνικού αρχείου:  
Alexander Krug, Διευθύνων Σύμβουλος  
Techtronic Industries GmbH  
Max-Eyth-Straße 10, 71364 Winnenden, Germany



130.com.ua

130.com.ua



130.com.ua

**Techtronic Industries GmbH**  
Max-Eyth-Straße 10,  
71364 Winnenden, Germany

20180907v2