



ТЕЛЕФОНЫ

0 (800) 800 130
(050) 462 0 130
(063) 462 0 130
(067) 462 0 130

130
COM.UA

Интернет-магазин
автотоваров



SKYPE

km-130

АВТОМАГНИТОЛЫ — Магнитолы • Медиа-ресиверы и станции • Штатные магнитолы • CD/DVD чейнджеры • FM-модуляторы/USB адаптеры • Flash память • Переходные рамки и разъемы • Антенны • Аксессуары | **АВТОЗВУК** — Акустика • Усилители • Сабвуферы • Процессоры • Кроссоверы • Наушники • Аксессуары | **БОРТОВЫЕ КОМПЬЮТЕРЫ** — Универсальные компьютеры • Модельные компьютеры • Аксессуары | **GPS НАВИГАТОРЫ** — Портативные GPS • Встраиваемые GPS • GPS модули • GPS трекеры • Антенны для GPS навигаторов • Аксессуары | **ВИДЕОУСТРОЙСТВА** — Видеорегистраторы • Телевизоры и мониторы • Автомобильные ТВ тюнеры • Камеры • Видеомодули • Транскодеры • Автомобильные ТВ антенны • Аксессуары | **ОХРАННЫЕ СИСТЕМЫ** — Автосигнализации • Мотосигнализации • Механические блокираторы • Имобилайзеры • Датчики • Аксессуары | **ОПТИКА И СВЕТ** — Ксенон • Биксенон • Лампы • Светодиоды • Стробоскопы • Оптика и фары • Омыватели фар • Датчики света, дождя • Аксессуары | **ПАРКТРОНИКИ И ЗЕРКАЛА** — Задние парктроники • Передние парктроники • Комбинированные парктроники • Зеркала заднего вида • Аксессуары | **ПОДОГРЕВ И ОХЛАЖДЕНИЕ** — Подогревы сидений • Подогревы зеркал • Подогревы дворников • Подогревы двигателей • Автохолодильники • Автокондиционеры • Аксессуары | **ТЮНИНГ** — Виброизоляция • Шумоизоляция • Тонировочная пленка • Аксессуары | **АВТОАКСЕССУАРЫ** — Радар-детекторы • Громкая связь Bluetooth • Стеклоподъемники • Компрессоры • Звуковые сигналы, СГУ • Измерительные приборы • Автопылесосы • Автокресла • Разное | **МОНТАЖНОЕ ОБОРУДОВАНИЕ** — Установочные комплекты • Обивочные материалы • Декоративные решетки • Фазоинверторы • Кабель и провод • Инструменты • Разное | **ПИТАНИЕ** — Аккумуляторы • Преобразователи • Пуско-зарядные устройства • Конденсаторы • Аксессуары | **МОРСКАЯ ЭЛЕКТРОНИКА И ЗВУК** — Морские магнитолы • Морская акустика • Морские сабвуферы • Морские усилители • Аксессуары | **АВТОХИМИЯ И КОСМЕТИКА** — Присадки • Жидкости омывателя • Средства по уходу • Полироли • Ароматизаторы • Клеи и герметики | **ЖИДКОСТИ И МАСЛА** — Моторные масла • Трансмиссионные масла • Тормозные жидкости • Антифризы • Технические смазки



В магазине «130» вы найдете и сможете купить в Киеве с доставкой по городу и Украине практически все для вашего автомобиля. Наши опытные консультанты предоставят вам исчерпывающую информацию и помогут подобрать именно то, что вы ищете. Ждем вас по адресу

<https://130.com.ua>



Husqvarna®



531RS, 541RS, 541RST



EN	Operator's manual	2-26
ES	Manual de usuario	27-52
PT	Manual do utilizador	53-78
RU	Руководство по эксплуатации	79-105
UK	Посібник користувача	106-132
FR	Manuel d'utilisation	133-159
SR	Priručnik za rukovaoca	160-184

Contents

Introduction.....	2	Troubleshooting.....	22
Safety.....	4	Transportation and storage.....	23
Assembly.....	10	Technical data.....	23
Operation.....	14	Accessories.....	24
Maintenance.....	18	EC Declaration of Conformity.....	26

Introduction

Product description

This product is a brushcutter with a combustion engine.

Work is constantly in progress to increase your safety and efficiency during operation. Speak to your servicing dealer for more information.

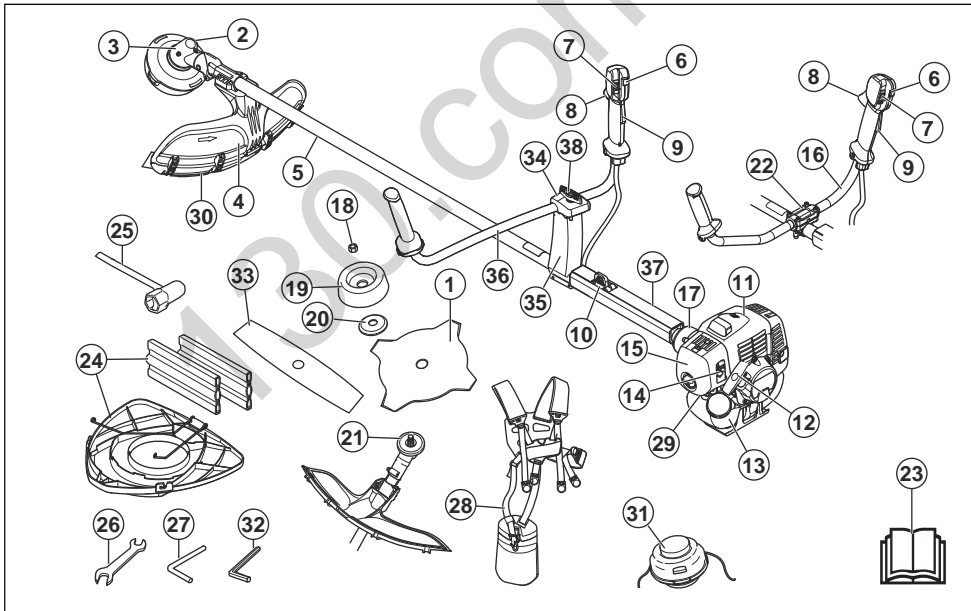
product for other tasks than grass trimming and grass clearing. Use a grass blade or trimmer head to cut grass.

Note: National or local regulations may regulate the use. Comply to given regulations.

Intended use

The product can be used with a grass blade or a trimmer head to cut different types of vegetation. Do not use the

Product overview



1. Blade (not for all markets)
2. Grease filler cap, bevel gear
3. Bevel gear
4. Cutting attachment guard
5. Shaft

6. Start throttle button
7. Stop switch
8. Throttle control
9. Throttle lockout
10. Suspension ring

11. Cylinder cover
12. Starter rope handle
13. Fuel tank
14. Choke control
15. Air filter cover
16. Handlebar (531RS, 541RS)
17. Clutch cover
18. Locknut
19. Support cup
20. Support flange
21. Drive disc
22. Handlebar clamp (531RS, 541RS)
23. Operator's manual
24. Transport guard (not for all markets)
25. Socket wrench
26. Wrench
27. Locking pin (for products without hex key)
28. Harness
29. Air purge bulb
30. Guard extension
31. Trimmer head
32. Hex key
33. 2-teeth blade
34. Cover (541RST)
35. Bracket (541RST)
36. Handlebar (541RST)
37. Protective sleeve
38. Knob (541RST)

Symbols on the product



WARNING: This product can be dangerous and cause serious injury or death to the operator or others. Be careful and use the product correctly.



Read the operator's manual carefully and make sure that you understand the instructions before use.



Use a protective helmet in locations where objects can fall on you. Use approved hearing protection and approved eye protection.



Maximum speed of the output shaft.



The product agrees with the applicable EC directives.



The product can cause objects to eject, which can cause injury.



Keep a minimum distance of 15 m / 50 ft. to persons and animals during operation of the product.



Risk of blade thrust if the cutting equipment touches an object that it does not immediately cut. The product can cut off body parts. Keep a minimum of 15 m / 50 ft. distance to persons and animals during operation of the product.



The arrows shows the limit for the handle position.



Choke.



Air purge bulb.



Use approved protective gloves.



Use heavy-duty slip-resistant boots.



Noise emission to the environment refer to the European Community's Directive. The emission of the product is specified in the Technical data chapter and on the label.

yyyyywwxxxx

The rating plate shows the serial number. **yyyyy** is the production year and **ww** is the production week.

Note: Other symbols/decals on the product refer to certification requirements for other commercial areas.

Product liability

As referred to in the product liability laws, we are not liable for damages that our product causes if:

- the product is incorrectly repaired.
- the product is repaired with parts that are not from the manufacturer or not approved by the manufacturer.
- the product has an accessory that is not from the manufacturer or not approved by the manufacturer.
- the product is not repaired at an approved service center or by an approved authority.

Safety

Safety definitions

The definitions below give the level of severity for each signal word.



WARNING: Injury to persons.



CAUTION: Damage to the product.

Note: This information makes the product easier to use.

General safety instructions



WARNING: Read the warning instructions that follow before you use the product.

- Use the product correctly. Injury or death is a possible result of incorrect use. Only use the product for the tasks found in this manual. Do not use the product for other tasks.
- Obey the instructions in this manual. Obey the safety symbols and the safety instructions. If the operator does not obey the instructions and the symbols, injury, damage or death is a possible result.
- Do not discard this manual. Use the instructions to assemble, to operate and to keep your product in good condition. Use the instructions for correct installation of attachments and accessories. Only use approved attachments and accessories.
- Do not use a damaged product. Obey the maintenance schedule. Only do the maintenance work that you find an instruction about in this manual. An approved service center must do all other maintenance work.
- This manual cannot include all situations that can occur when you use the product. Be careful and use your common sense. Do not operate the product or do maintenance on the product if you are not sure about the situation. Speak to a product expert, your dealer, service agent or approved service center for information.
- Disconnect the spark plug cable before you assemble the product, put the product into storage or do maintenance.
- Do not use the product if it is changed from its initial specification. Do not change a part of the product without approval from the manufacturer. Only use parts approved by the manufacturer. Injury or death is a possible result of incorrect maintenance.

- Do not breathe in the fumes from the engine. Long-term inhalation of the engine's exhaust fumes is a health risk.
- Do not start the product indoors or near flammable material. The exhaust fumes are hot and can contain a spark which can start a fire. Not sufficient airflow can cause injury or death because of asphyxiation or carbon monoxide.
- When you use this product the engine makes an electromagnetic field. The electromagnetic field can cause damage to medical implants. Speak to your physician and medical implant manufacturer before you operate the product.
- Do not let a child operate the product. Do not let a person without knowledge of the instructions operate the product.
- Make sure that you always monitor a person, with decreased physical capacity or mental capacity, that uses the product. A responsible adult must be there at all times.
- Lock the product in an area that children and unapproved persons cannot access.
- The product can eject objects and cause injuries. Obey the safety instructions to decrease the risk of injury or death.
- Do not go away from the product when the engine is on.
- The operator of the product is responsible if an accident occurs.
- Make sure that parts are not damaged before you use the product.
- Make sure that you are at minimum 15 m (50 ft) away from other persons or animals before you use the product. Make sure that persons in the adjacent area know that you will use the product.
- Refer to national or local laws. They can prevent or decrease the operation of the product in some conditions.
- Do not use the product if you are fatigued or influenced by alcohol, drugs or medicine. They can have effects on your vision, alertness, coordination or judgment.

Safety instructions for assembly



WARNING: Read, understand and obey these instructions carefully before you use the product.

- Remove the spark plug cap from the spark plug before you assemble the product.
- Use approved protective gloves.
- When you use a saw blade or a grass blade, make sure that the correct handlebar, the blade guard and the harness are attached to the product.

- A defective or incorrect guard can cause injury. Do not use a cutting attachment that does not have an approved guard attached.
- Attach the clutch cover and shaft correct before you start the product to prevent the clutch to fall of.
- Make sure that you assemble the cover and shaft correct before you start the engine.
- The drive disc and support flange must engage correctly in the centre hole of the cutting attachment. A cutting attachment that is attached incorrectly can cause injury or death.
- To operate the product safely and prevent injury to the operator or other persons, the product must always be attached correctly to the harness.

Safety instructions for operation

- Make sure the product is fully assembled before you use it.
- Before a start, move the product 3 m (10 ft) away from the position where you filled the fuel tank. Put the product on a flat surface. Make sure that the cutting attachment does not touch the ground or other objects.
- The product can cause objects to eject, which can cause damage to the eyes. Always use an approved eye protection when you operate the product.
- Be careful, a child can come near the product without your knowledge during operation.
- Do not operate the product if there are persons in the work area. Stop the product if a person goes into the work area.
- Make sure that you are always in control of the product.
- Do not use the product if you cannot receive aid if an accident occurs. Always make sure others know you will operate the product before you start to operate the product.
- Do not turn with the product before you make sure that no persons or animals are in the safety area.
- Remove all unwanted materials from the work area before you start. If the cutting attachment hits an object, the object can eject and cause injury or damage. Unwanted material can wind around the cutting attachment and cause damage.
- Do not use the product in bad weather (fog, rain, strong winds, risk of lightning or other weather conditions.). Dangerous conditions (such as slippery surfaces) can occur because of bad weather.
- Make sure that you can move freely and work in a stable position.



- Make sure that you cannot fall when you use the product. Do not tilt when you operate the product.
- Always hold the product with your two hands. Hold the product on the right side of your body.



- Operate the product with the cutting attachment below your waist.
- If the choke control is in the choke position when the engine starts, the cutting attachment starts to turn.
- Do not touch the bevel gear after the engine stops. The bevel gear is hot after the engine stops. Hot areas can cause injury.
- Stop the engine before you move the product.
- Do not put down the product with the engine on.
- Before you remove the unwanted materials from the product, stop the engine and wait until the cutting attachment stops. Let the cutting attachment stop before you or an aid remove the cut material.

Personal protective equipment



WARNING: Read the warning instructions that follow before you use the product.

- Always use correct personal protective equipment when you operate the product. The personal protective equipment does not erase the risk of injury. The personal protective equipment decreases the grade of injury if an accident occurs.
- Always use an approved eye protection while you operate the product.
- Do not operate the product with bare feet or with open shoes. Always use heavy-duty slip-resistant boots.
- Use heavy, long pants.
- If it is necessary, use approved protective gloves.
- Use a helmet if it is possible that objects fall on your head.

- Always use approved ear protection while you operate the product. Noise for a long period can cause noise-induced hearing loss.
- Make sure that you have a first aid kit near.

Protective devices on the product

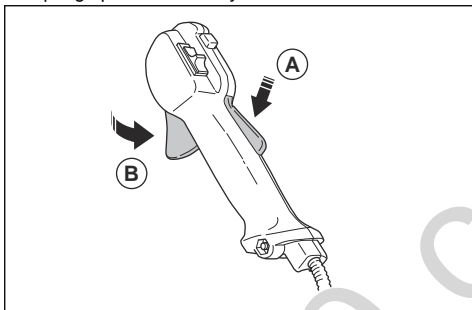
- Make sure that you regularly do the maintenance to the product.
 - The life of the product increases.
 - The risk of accidents decreases.

Let an approved dealer or an approved service center regularly examine the product to do adjustments or repairs.

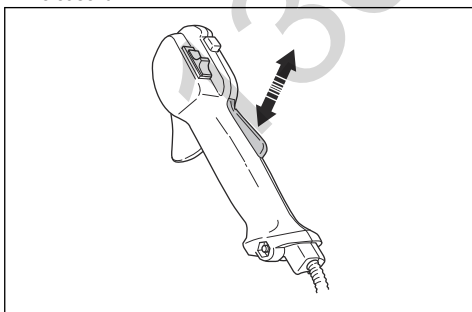
- Do not use a product with damaged protective equipment. If the product is damaged, speak to an approved service center.

To do a check of the throttle trigger lockout

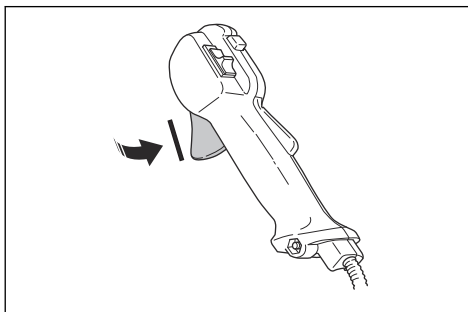
1. Make sure that the throttle trigger lockout (A) and throttle trigger (B) move freely and that the return spring operates correctly.



2. Push down the throttle trigger lockout and make sure that it goes back to its initial position when you release it.



3. Make sure that the throttle trigger is locked at the idle position when the throttle trigger lockout is released.



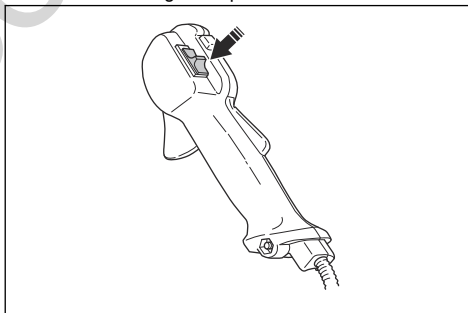
4. Start the product and apply full throttle.
5. Release the throttle trigger and make sure that the cutting attachment stops and stays stationary.



WARNING: If the cutting attachment moves when the throttle trigger is in the idle position, then the carburetor idle speed must be adjusted. Refer to *To adjust the idle speed on page 20.*

To do a check of the stop switch

1. Start the engine.
2. Move the stop switch to the stop position and make sure that the engine stops.

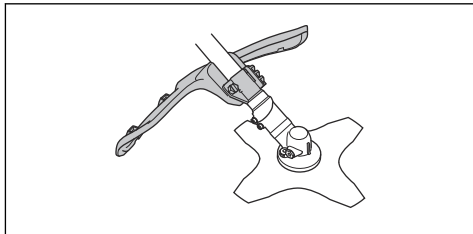


To do a check of the cutting attachment guard

The cutting attachment guard prevents injuries and stops objects that eject in the direction of the operator.

1. Stop the engine.

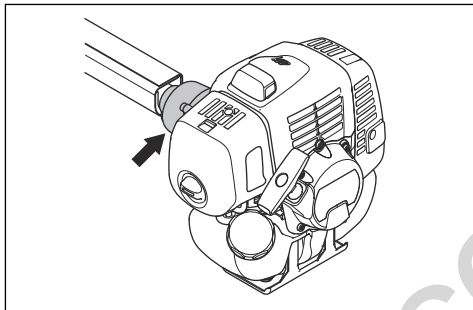
2. Do a visual check for damages, for example cracks.



3. Replace the cutting attachment guard if it is damaged.

To do a check of the vibration damping system

The vibration damping system decreases vibration in the handles to a minimum which makes the operation easier.



1. Stop the engine.
2. Do a visual check for deformation and damage, for example cracks.
3. Make sure that the elements of the vibration damping system are attached correctly.

To do a check of the quick-release mechanism

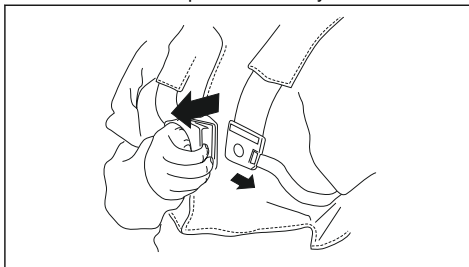


WARNING: Do not use a harness with a defective quick-release mechanism.

The quick-release mechanism lets the operator remove the product quickly from the harness if there is an emergency.

1. Stop the engine.
2. Do a visual check for damage, for example cracks.

3. Release and attach the quick-release mechanism to make sure that it operates correctly.



To do a check of the muffler

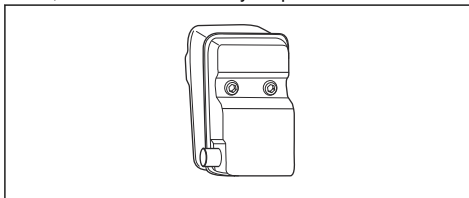


WARNING: Never use a product with a faulty muffler.

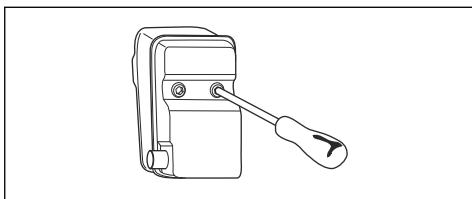


WARNING: Bear in mind that the exhaust fumes from the engine are hot and may contain sparks which can start a fire. Never start the product indoors or near combustible material!

The muffler keeps noise levels to a minimum and sends exhaust fumes away from the operator. For mufflers it is very important that you follow the instructions on how to check, maintain and service your product.



Regularly check that the muffler is securely attached to the product.



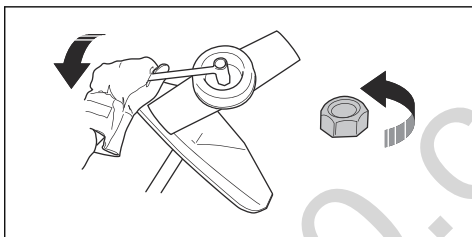
To attach and remove the locknut



WARNING: Stop the engine, use protective gloves and be careful around the sharp edges of the cutting attachment.

A locknut is used to attach some types of cutting attachments. The locknut has a left thread.

- To attach, tighten the locknut in the opposite direction to the direction of turning of the cutting attachment.
- To remove the locknut, loosen the locknut in the same direction as the cutting attachment rotates.
- To loosen and tighten the locknut, use a socket wrench with a long shaft. The arrow in the picture shows the area where you can operate the socket wrench.



WARNING: When you loosen and tighten the locknut, there is a risk of injury from the blade. You must always make sure that the blade guard prevents injury to your hand when you do this.

Note: Make sure that you can not turn the locknut by hand. Replace the nut if the nylon lining does not have a resistance of a minimum of 1.5 Nm. The locknut must be replaced after it has been put on approximately 10 times.

Cutting equipment

Choose and maintain the cutting equipment to:

- Obtain maximum cutting performance.
- Increase life span of the cutting equipment.
- Follow the checking, maintenance and service instructions for the muffler.
- Always use the recommended guard for the cutting equipment. See Technical data.



WARNING: Only use cutting attachments with the guards we recommend! See the chapter on Technical data. Refer to the instructions for the cutting attachment to check the correct way to load the trimmer line and the correct trimmer line diameter.



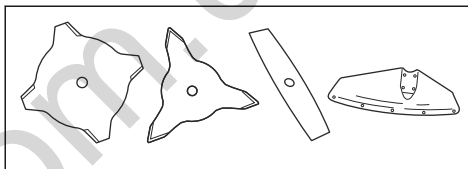
WARNING: A faulty cutting attachment may increase the risk of accidents.



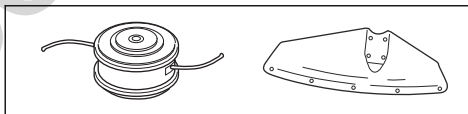
WARNING: Always stop the engine before doing any work on the cutting attachment. This continues to rotate even after the throttle has been released. Ensure that the cutting attachment has stopped completely and disconnect the spark plug cap before you start to work on it.

Cutting equipment

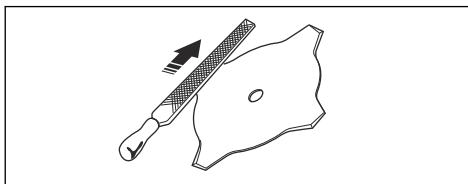
- Use the blades and grass knives to cut thick grass.



- Use the trimmer head to cut grass.



- An incorrectly sharpened or damaged blade increases the risk of accidents. Keep the teeth of the blade correctly sharpened. Follow the instructions in *Maintenance on page 18* and use the recommended file gauge.

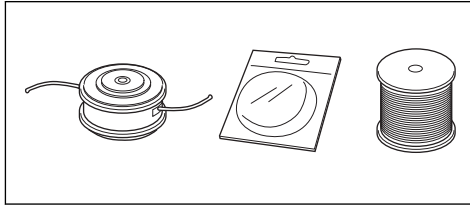


- Examine the cutting attachment for damage and cracks. Replace the damaged cutting attachment.
- Only use cutting attachments with recommended cutting attachment guards. Refer to *Accessories on page 24*.

Trimmer head



WARNING: Always make sure that the trimmer line is wound tightly and equally around the drum to prevent harmful vibration.



- Only use recommended trimmer heads and trimmer lines.
- Only use recommended cutting attachments.
- The length of the trimmer line is important. For a longer trimmer line, more engine power is necessary than for a shorter trimmer line of the same diameter.
- Do not move the installation position of the trimmer guard.
- Make sure that the cutter on the trimmer guard is not damaged. The cutter cuts the trimmer line to the correct length.
- Soak the trimmer line for 2 days before use, to increase its life length.

Grass blades and grass cutters

- Use the product with an approved grass blade. Do not use a grass blade without proper installation of all required parts. Make sure that the installation is done correctly and that the proper parts are used. Improper installation may cause the blade to fly off and seriously injure the operator or the bystanders.
- Wear protective gloves when you handle or do maintenance on the blade.
- Use head protection when you operate a product with a grass blade.
- Grass blades and grass cutters are used to cut rough grass.
- A grass blade can cause injury while it continues to spin after the engine is stopped or the throttle trigger is released. Make sure that the grass blade has completely stopped rotating before any maintenance.
- Stop the engine before you do work on the cutting attachment. Make sure the cutting attachment fully stops. Disconnect the lead from the spark plug.
- Only use an approved cutting attachment or a correctly sharpened blade.
- Keep the teeth of the blade correctly sharpened.
- Do not use a damaged cutting attachment.
- Attach the transport guard to the grass blade when you transport or store the product.

Blade thrust

- A blade thrust is a sudden movement of the product to the side, forward or rearward. A blade thrust occurs when the grass blade hits an object that cannot be cut. In areas where it is not easy to see the material being cut the risk of blade thrust increases.
- When a blade thrust occurs, there is a risk that the product or the operator moves out of position. A blade that moves can hit bystanders and there is a risk of injuries.
- If a blade is bent, has cracks, is broken or damaged, discard the blade.
- Use a sharp blade. The risk of blade thrust increases when a blade is not sharp.

Fuel safety

- Do not start the product if there is fuel or engine oil on the product. Remove the unwanted fuel/oil and let the product dry. Remove unwanted fuel from the product.
- If you spill fuel on your clothing, change clothing immediately.
- Do not get fuel on your body, it can cause injury. If you get fuel on your body, use a soap and water to remove the fuel.
- Do not start the engine if you spill oil or fuel on the product or on your body.
- Do not start the product if the engine has a leak. Examine the engine for leaks regularly.
- Be careful with fuel. Fuel is flammable and the fumes are explosive and can cause injuries or death.
- Do not breathe in the fuel fumes, it can cause injury. Make sure that there is a sufficient airflow.
- Do not smoke near the fuel or the engine.
- Do not put warm objects near the fuel or the engine.
- Do not add the fuel when the engine is on.
- Make sure that the engine is cool before you refuel.
- Before you refuel, open the fuel tank cap slowly and release the pressure carefully.
- Do not add fuel to the engine in an indoor area. Not sufficient airflow can cause injury or death because of asphyxiation or carbon monoxide.
- Tighten the fuel tank cap carefully or a fire can occur.
- Move the product at a minimum of 3 m (10 ft) from the position where you filled the tank before a start.
- Do not put too much fuel in the fuel tank.
- Make sure that a leak cannot occur when you move the product or fuel container.
- Do not put the product or a fuel container where there is an open flame, spark or pilot light. Make sure that the storage area does not contain an open flame.
- Only use approved containers when you move the fuel or put the fuel into storage.

- Empty the fuel tank before long-term storage. Obey the local law on where to dispose fuel.
- Clean the product before long-term storage.
- Remove the spark plug cable before you put the product into storage to make sure that the engine does not start accidentally.

Safety instructions for maintenance

- If you cannot adjust the idle speed to make the cutting attachment stop, speak to your service center. Do not use the product until the product is correctly adjusted or repaired.

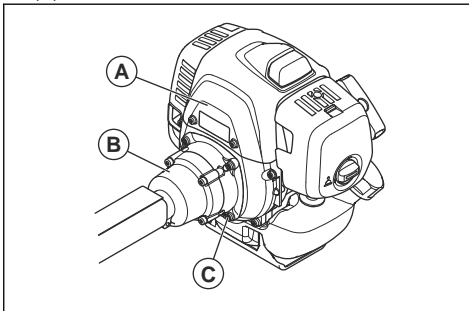
Assembly



WARNING: Read the safety chapter before you assemble the product.

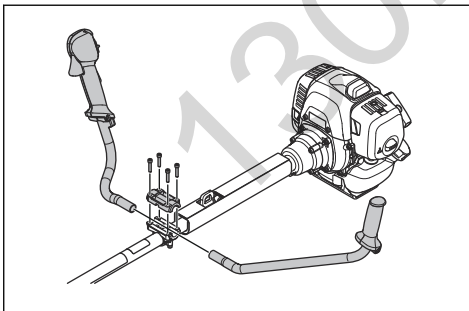
To install the body of the product

- Attach the engine (A) to the tube (B) with 4 screws (C).

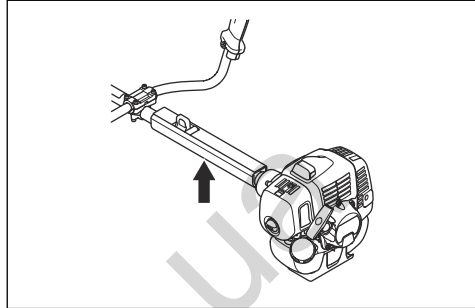


To install the handlebar(531RS, 541RS)

1. Install the handlebar in the handlebar clamp on the shaft.

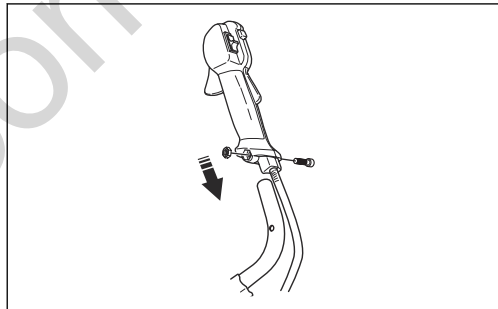


2. Install the protective sleeve.



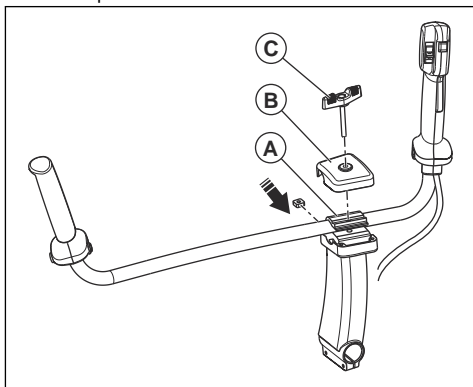
To install the handlebar (541RST)

1. Remove the screw behind the throttle handle.



2. Install the throttle handle to the right handlebar.
3. Align the hole behind the throttle handle with the hole in the handlebar.
4. Put the screw through the holes. Tighten the screw.

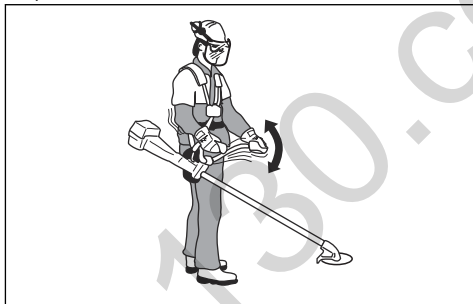
- Put the handlebar assembly and the square nut into the bracket. Make sure that the handlebar is in the correct position.



- Install the handlebar clamp (A), cover (B) and knob (C).
- Align the holes for the knob screw.
- Tighten the knob to lock the handlebar tightly.

To install the harness

- Put on the harness and hang the product from the suspension point.
- Adjust the handle to put the product in a good work position.

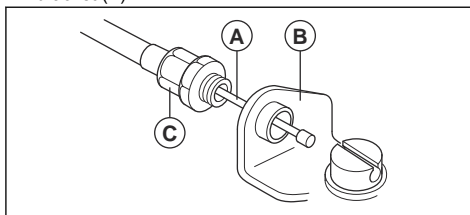


- Tighten the screws fully.

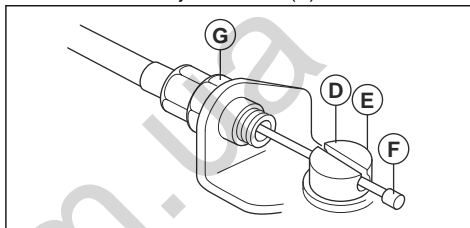
To connect the throttle cable and stop switch wires

- Remove the air filter cover.

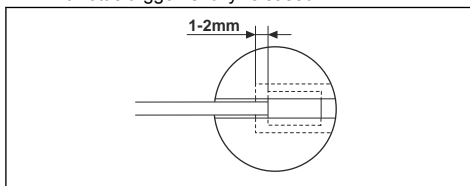
- Install the throttle cable (A) through the carburetor bracket (B).



- Turn the cable adjuster sleeve (C) into the carburetor bracket fully.
- Put the slot fitting (D) on the carburetor. At this time, the recessed hole (E) for the cable lug (F) is away from the cable adjuster sleeve (C).

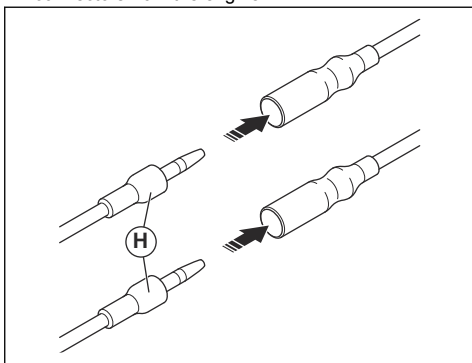


- Rotate the carburetor throttle cam and move the throttle cable (A) through the slot in the slot fitting.
- Make sure the cable lug (F) drops into the recessed hole.
- Operate the throttle trigger some times to make sure that it operates correctly.
- Adjust the cable adjuster sleeve (C).
 - Make sure the stop on the carburetor throttle cam touches the throttle stop correctly.
 - Make sure the cable position keeps 1-2 mm between cable lug (F) and slot fitting when the throttle trigger is fully released.

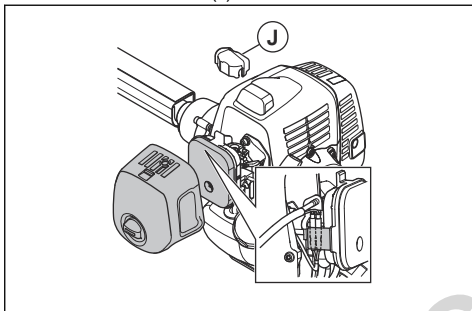


- When the throttle cable (A) is adjusted correctly, tighten the locknut (G).

10. Connect the stop switch wires (H) with the connectors from the engine.



11. Install the dust cover (J).



12. Install the air filter cover.

To install blades and trimmer heads



WARNING: Only use the approved guard for the blades. See *Accessories on page 24*. A defective guard can cause injury.



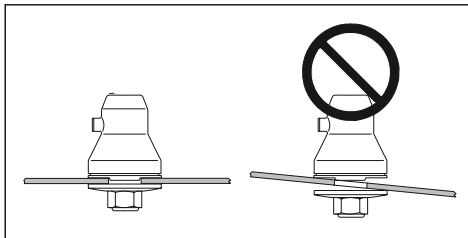
WARNING: If you operate the product with a grass blade, first install the correct handlebar, blade guard and harness .



WARNING: If you do not install the blades correctly, it can cause injury.

1. Make sure that the lifted section on the drive disc/ support flange engages correctly in the center hole of the blades.

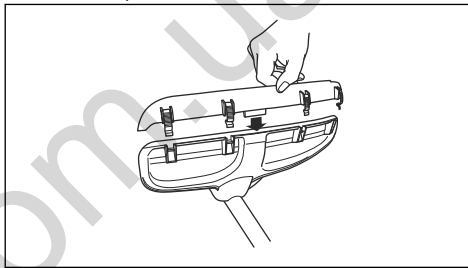
2. Install the blades.



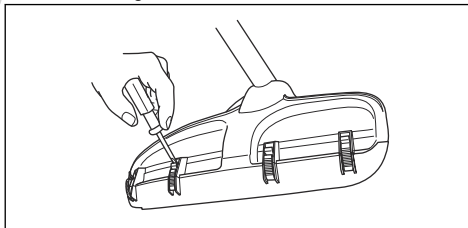
To attach and remove the guard extension

The guard extension is used on the cutting attachment guard. Attach the guard extension when you use a trimmer head or plastic blades. Remove the extension guard when you use a grass blade.

- Put the guide on the guard extension into the slot on the cutting attachment guard. Lock the 4 locking hooks into position.



- Release the locking hooks with a screwdriver to remove the guard extension.



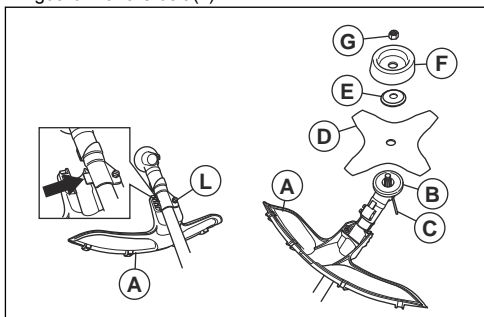
To attach a blade guard, grass blade and grass cutter



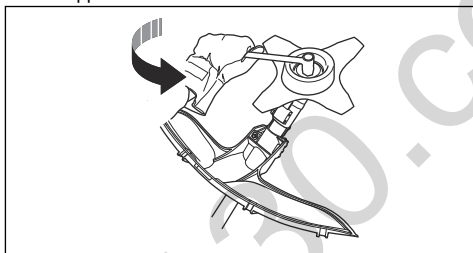
CAUTION: Make sure that the guard extension is removed.

Note: Use the recommended blade guard. Refer to *Accessories on page 24*.

1. Install the blade guard to the shaft. Attach the blade guard with the bolt (L).



2. Attach the drive disc (B) to the output shaft.
3. Turn the output shaft until 1 of the holes in the drive disc aligns with the hole in the gear housing.
4. Put the locking pin or hex key (C) into the hole to lock the shaft.
5. Put the blade (D), support flange (E) and support cup (F) on the output shaft.
6. Install the nut (G). Use the combination wrench and tighten the nut to torque 35-50 Nm. Hold the shaft of the combination wrench as near the blade guard as possible.
7. To tighten the nut, turn the combination wrench in the opposite direction to the direction of rotation.



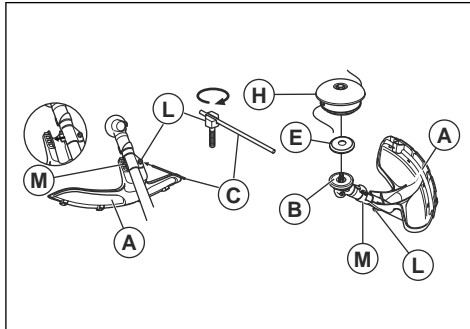
Note: Left hand thread.

To attach the trimmer guard and the trimmer head

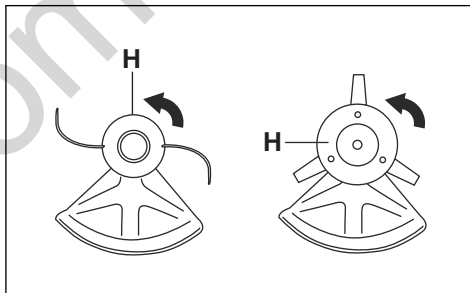
Note: Make sure to use the correct trimmer guard for the correct trimmer head.

1. Attach the correct trimmer guard/combination guard (A) for the trimmer head.
2. Hang the trimmer guard/combination guard (A) on the 2 hooks on the plate holder (M).

3. Install the trimmer guard/combination guard around the shaft and tighten it with the bolt (L). Use the locking pin or hex key (C).



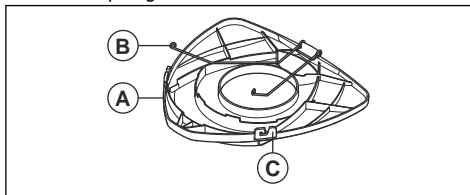
4. Put the locking pin or hex key (C) in the groove on the screw head and tighten.
5. Attach the drive disc (B) and support flange (E) on the output shaft.
6. Turn the output shaft until one of the holes in the drive disc aligns with the hole in the gear housing.
7. Install the locking pin or hex key (C) in the hole to lock the shaft.



8. Assemble the trimmer head/plastic blades (H). Turn the trimmer head/plastic blades counterclockwise.
9. To disassemble, follow the instructions in the opposite sequence.

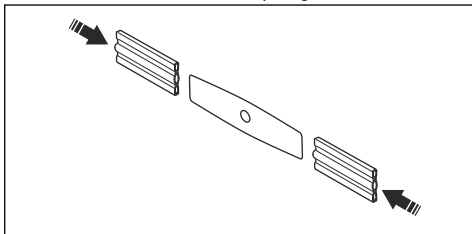
To install the transport guard

1. Install the blade in the transport guard (A).
2. Put the two fasteners (B) into the slots (C) to attach the transport guard.



To install the 2-teeth blade in the guard

1. Install the blade in the transport guard.



To adjust the harness



WARNING: The product must always be correctly attached to the harness. Do not use a defective harness.

1. Put on the harness.
2. Connect the product to the harness.
3. Adjust the harness for the best work position.

4. Adjust the side straps to make the product weigh equally on your shoulders.



5. Adjust the harness until the cutting attachment is parallel to the ground.
6. Let the cutting attachment lightly touch the ground. Adjust the harness clamp to balance the product correctly.

Note: If you use a grass blade, it must balance approximately 10 cm /4 in above the ground.

Operation



WARNING: Read and understand the safety chapter before you operate the product.

Fuel

To use fuel



CAUTION: This product has a two-cycle engine. Use a mixture of gasoline and two-cycle engine oil. Make sure to use the correct quantity of oil in the mixture. Incorrect ratio of gasoline and oil can cause damage to the engine.

Two-cycle engine oil

- Use only the two-cycle engine oil of high quality, especially HUSQVARNA two-cycle oil. Use only the oil of an air cooled engine.
- Mixture ratio 50:1 (2%).
- Oil of low quality and high oil/fuel ratio can decrease the lifetime of catalytic converters.
- Speak to your dealer when you select an oil.
- If Husqvarna two-stroke oil is not available, you can use another two-stroke oil of good quality that is intended for air cooled engines. Contact your dealer when you select oil.
- Do not use the two-stroke oil for water-cooled outboard engines. The two-stroke oil is sometimes referred to as outboard oil.

Gasoline



CAUTION: Do not use gasoline with an octane number less than 90 RON (87 AKI). This can cause damage to the product.



CAUTION: Do not use gasoline with more than 10% ethanol concentration (E10). This can cause damage to the product.

- Always use new unleaded gasoline with a minimum octane number of 90 RON (87 AKI) and with less than 10% ethanol concentration (E10).
- Use gasoline with a higher octane number if you frequently use the product at continuously high engine speed.

Gasoline, liter	Oil, liter
	2%(50:1)
5	0,1
10	0,2
15	0,3
20	0,4

To make the fuel mixture

Note: Always use a clean fuel container when you mix the fuel.

Note: Do not make more than 30 days quantity of fuel mixture.

1. Add half of the gasoline quantity.
2. Add the full quantity of oil.
3. Shake the fuel mixture to mix the contents.
4. Add the remaining gasoline quantity.
5. Shake the fuel mixture to mix the contents.
6. Fill the fuel tank.

To add fuel



WARNING: Do not smoke or put hot objects near fuel. Before you add fuel, stop the engine and let it cool for minutes.



WARNING: When you add fuel, open the fuel tank cap slowly to release unwanted pressure.



WARNING: After you add fuel, tighten the fuel tank cap carefully. Move the machine away from the refuelling area and the power before you start the engine.

- Always use a fuel container with an anti-spill valve.
- Make sure that the area near the fuel tank cap is clean. Contamination in the tank can cause operating problems.
- Shake the fuel container before you add the fuel mixture to the fuel tank.

To start and stop

To examine before start

1. Examine the product for missing, damaged, loose or worn parts.
2. Examine the nuts, screws and bolts.
3. Examine the blades.
4. Examine the locknut. Make sure that the locknut has a minimum locking force of 1.5 Nm (1,1 ft lb). Torque the locknut to 35-50 Nm (26-36 ft lb).
5. Examine the air filter.
6. Examine the throttle trigger lockout and the throttle control.
7. Examine the stop switch.
8. Examine the product for fuel leaks.

To start a cold engine



WARNING: Before you start the product, install the complete clutch cover and shaft. A loose clutch can cause injury. Use gloves.

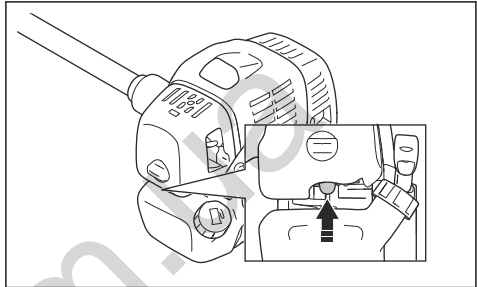


WARNING: Move the product away from the refuelling area and the fuel source. Put it on a flat surface. Make sure that no objects touch the cutting attachment.

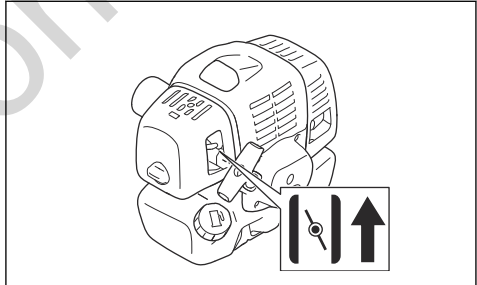


WARNING: Make sure that no unauthorised persons are in the work area. Or it can cause a risk of dangerous injury. The safety distance is 15 m.

1. Put the stop switch to the start position.
2. Push the air purge bulb until fuel starts to fill the bulb.



3. Move the choke control to the choke position.



4. Hold the product to the ground. Pull out the starter rope slowly with your right hand until you feel some resistance.



Note: Do not twist the starter rope around your hand.



CAUTION: Do not pull the starter rope to full extension. Hold the starter rope handle when it is fully extended. Failure to obey these instructions can cause damage to the engine.

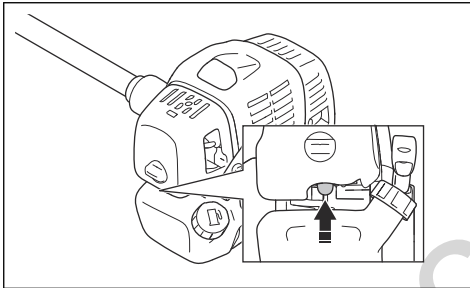
5. Pull the starter rope quickly and with force until you hear that the engine starts.
6. Set the choke control to the run position.



WARNING: Do not touch the cover. It can burn your skin and cause electrical shock if the spark plug cap is damaged. Do not use a product with damaged spark plug cap.

To start a warm engine

1. Put the stop switch to the start position.
2. Push the air purge bulb until fuel starts to fill the bulb.

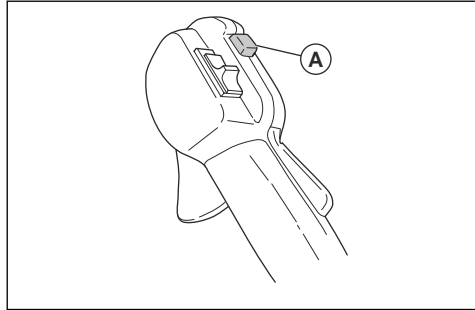


3. Set the choke control to the run position, then pull the start rope until the engine starts.

To start with a throttle handle with a start throttle lock

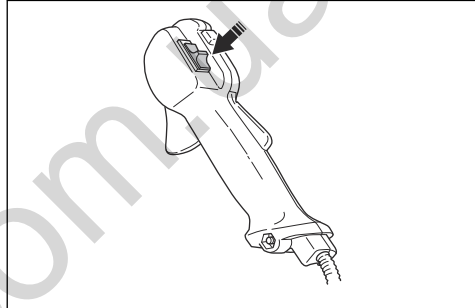
1. Push the throttle lockout and the throttle trigger to set the throttle to the start position. Then push the start throttle button (A).
2. Release the throttle lockout and the throttle trigger, followed by the start throttle button. The throttle function is now activated.

3. To return the engine to idle speed, push the throttle lockout and throttle trigger again.



To stop the engine

1. Push the throttle trigger to the idle position.
2. Move the stop switch to the stop position.



To operate the grass trimmer



CAUTION: Make sure that you slow the engine to idle speed after each operation. A long period at full throttle without a load on the engine can cause damage to the engine.

Note: Clean the cover of the trimmer head when you attach a new trimmer line to prevent vibrations. Examine other parts of the trimmer head and clean if it is necessary.

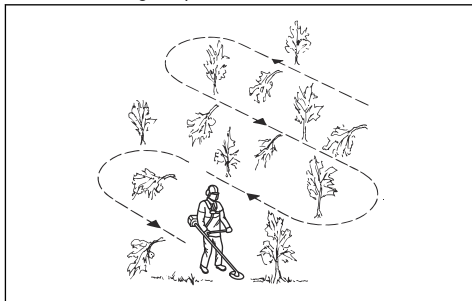
General work instructions



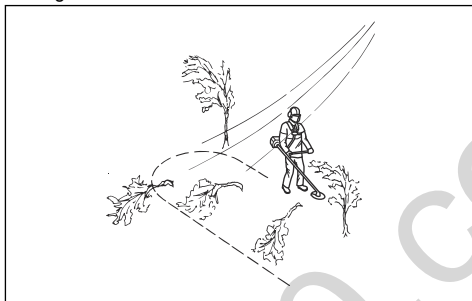
WARNING: Be careful when you cut a tree that is in tension. It can spring back to its normal position before or after the cut and hit you or the product, and cause injury.

- Clear an open space at one end of the work area, and start the work from there.

- Move in a regular pattern across the work area.



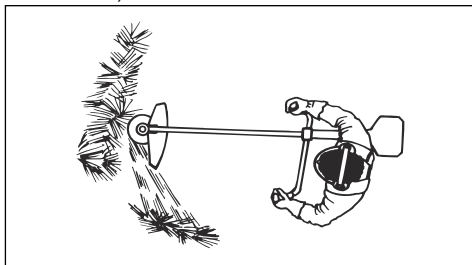
- Move the product fully to the left and right, to clear a width of 4-5 m (13-16 ft) on each turn.
- Clear a length of 75 m (250 ft) before you turn and go back. Move the fuel can along with you as you continue.
- Move in a direction where you do not go across ditches and obstacles more than necessary.
- Move in a direction where the wind makes the cut vegetation fall in the cleared area.



- Move along slopes, not up and down.

To clear grass with a grass blade

1. Keep your feet apart during operation of the product. Make sure feet are tightly against the ground.
2. Put the support cup lightly on the ground. This prevents the blade from touching the ground.
3. Use a sideway movement from right to left for a clear stroke. Use the left side of the blade (between 8 and 12 o'clock) to cut.

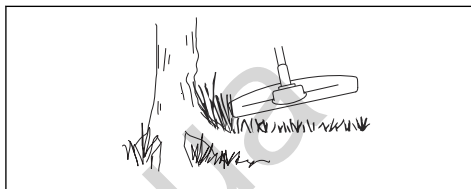


4. Angle the blade to the left when you clear grass.

Note: The grass collects easily in a line.

5. Use a sideway movement from left to right for the return stroke.
6. Do the work rhythmically.
7. Move forward and keep feet tightly against the ground.
8. Stop the engine.
9. Remove the product from the clip on the harness.
10. Put the product on the ground.
11. Collect the cut material.

To clear

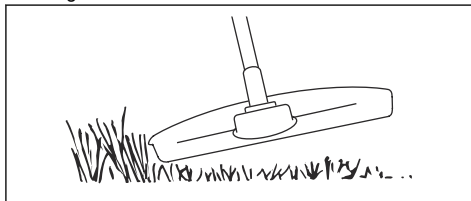


To achieve the best results:

- Hold the trimmer so that the trimmer head is just above the ground.
- Tilt the trimmer head at a slight angle.
- Let the end of the trimmer line strike the ground around objects

To trim the grass

1. Hold the trimmer head immediately above the ground at an angle. Do not push the trimmer line into the grass.

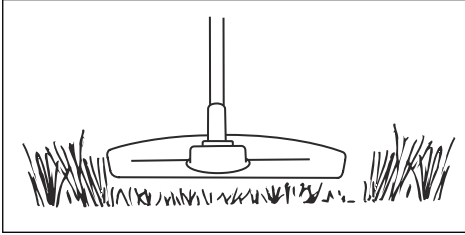


2. Decrease the length of the trimmer line by 10-12 cm / 4-4.75 in.
3. Decrease the engine speed to decrease the risk of damage to plants.
4. Use 80 % throttle when you cut grass near objects.

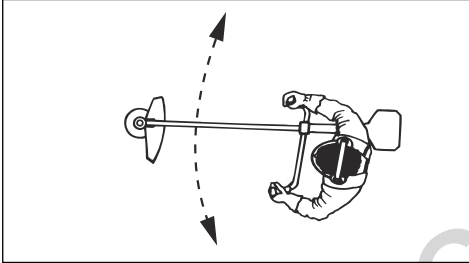


To cut the grass

1. Make sure that the trimmer line is parallel to the ground when you cut.



2. Do not push the trimmer head to the ground. The ground and the product can be damaged.
3. Do not let the trimmer head touch the ground continuously, it can cause damage to the trimmer head.
4. Use full throttle when you move the product from side to side to cut grass.



To sweep the grass

The airflow from the rotating trimmer line can be used to remove cut grass from an area.

1. Hold the trimmer head and its trimmer line parallel to the ground and above the ground.
2. Apply full throttle.
3. Move the trimmer head from side to side and sweep the grass.



WARNING: Clean the trimmer head cover each time you assemble new trimmer line to prevent unbalance and vibrations in the handles. Also do a check of the other parts of the trimmer head and clean it if necessary.

To replace trimmer line

Refer to the last page of this operator's manual.

Maintenance



WARNING: Read and understand the safety chapter before you clean, repair or do maintenance on the product.

Maintenance schedule

Maintenance	Daily	Weekly	Monthly
Clean the external surface.	X		
Examine the harness for damages.	X		
Do a check of the throttle and the throttle trigger.	X		
Make sure that the cutting attachment does not rotate at idle speed.	X		
Do a check of the stop switch. Refer to <i>To do a check of the stop switch on page 6.</i>	X		
Examine the cutting attachment guard for damages and cracks.	X		
Make sure that the grass blade is aligned with the center. Make sure that the grass blade is sharp and that the blade or center hole is not damaged.	X		

Maintenance	Daily	Weekly	Monthly
Examine the trimmer head for damages and cracks. Replace if it is damaged.	X		
Examine the handle and handlebar for damage and make sure that they are attached correctly.	X		
For cutting attachments with a support cup, tighten the locking screw correctly.	X		
For cutting attachments with a locknut, tighten the locknut correctly.	X		
Examine the transport guard for damage and make sure that it can be attached correctly.	X		
Examine the engine, the fuel tank and the fuel lines for leaks.	X		
Clean the air filter. Replace if it is necessary.	X		
Tighten nuts and screws.	X		
Examine the fuel filter for contamination and the fuel hose for cracks and other defects. Replace if it is necessary.	X		
Examine all cables and connections.	X		
Examine the starter and the starter rope for damages.		X	
Examine the spark plug. Refer to <i>To examine the spark plug on page 22.</i>		X	
Make sure that the bevel gear is filled to $\frac{3}{4}$ with grease.		X	
Clean the external surface of the carburetor and the area around it.		X	
Clean the spark plug. Remove the spark plug and do a check of the electrode gap. Adjust the electrode gap or replace the spark plug if it is necessary. Refer to <i>Technical data on page 23.</i> Make sure that the spark plug is assembled with a suppressor.		X	
Examine the clutch, clutch springs and the clutch drum for wear. Replace if it is necessary.			X
Replace the spark plug. Make sure that the spark plug is assembled with a suppressor.			X
Lubricate the drive shaft.			X
Make sure that the vibration damping units are not damaged.		X	
Clean the cooling system of the product.		X	
Clean the muffler.			X

To adjust the carburetor

The basic carburetor settings are adjusted during testing at the factory. Adjustment must be carried out by a trained technician.



WARNING: Do not use a product that has a defective muffler. Always replace a defective muffler.



WARNING: Risk of burn or fire. Mufflers with catalytic converters get very hot during operation.



WARNING: Risk of fire. The muffler decreases the noise level and identifies the exhaust gases from the operator. The exhaust gases are hot and can contain sparks.



CAUTION: The spark arrester screen must be replaced if it is damaged. Do not use a

product if the spark arrester screen on the muffler is missing or defective.



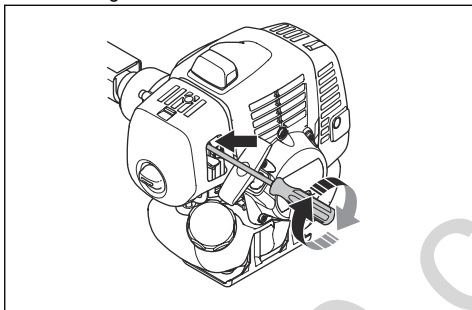
CAUTION: If the spark arrester screen is blocked, the product will be too hot. This will cause damage to the cylinder and piston.

1. Make sure that the muffler is not damaged.
2. Make sure that the muffler is correctly attached to the product.

To adjust the idle speed

Your Husqvarna product is made to specifications that decrease harmful emissions.

1. Make sure that the air filter is clean and the air filter cover is attached before you adjust the idle speed.
2. Adjust the idle speed with the idle speed screw T which is identified with "T" mark.
 - a) Turn the idle speed screw T clockwise until the cutting attachment starts to rotate.



- b) Turn the idle speed screw T counterclockwise until the cutting attachment stops.



WARNING: If the cutting attachment does not stop when you adjust the idle speed, speak to your servicing dealer. Do not use the product until it is correctly adjusted or repaired.

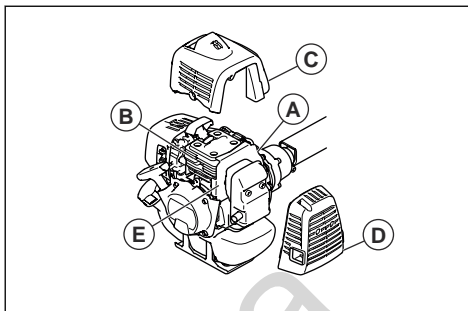
3. The idle speed is correct when the engine operates smoothly in all positions. The idle speed must be below the speed when the cutting attachment starts to rotate.

Note: Refer to *Technical data on page 23* for the recommended idle speed.

Cooling system

The product has a cooling system to keep the work temperature low.

The cooling system has:



- Fins on the flywheel (A)
- Cooling fins on the cylinder (B)
- Cylinder cover (C) (directs cold air over the cylinder)
- Muffler cover (D)
- Muffler plate (E)

To clean the cooling system

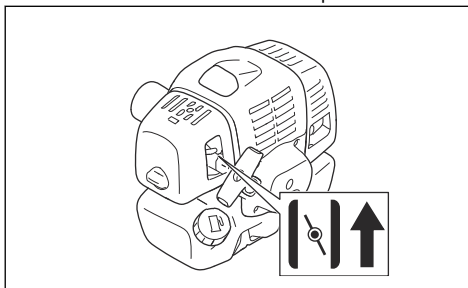


WARNING: A dirty or blocked cooling system causes overheating. It causes damage to the piston and cylinder.

1. Clean the parts of the cooling system with a brush a minimum of one time a week.

Air filter

- Clean the filter at intervals of 25 hours. Clean more regularly if necessary.
- Set the choke control in the choke position.



To clean the air filter

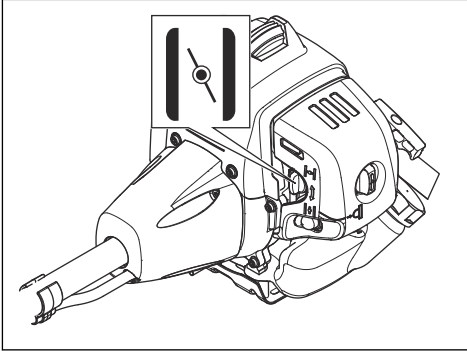
Clean the filter at intervals of 25 hours. Clean more regularly if it is necessary.



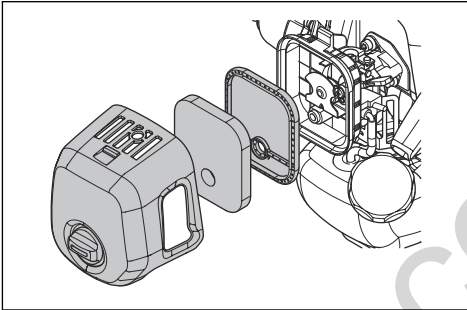
CAUTION: Always replace an air filter that is damaged, very dirty or soaked with fuel.

If you use an air filter for a long time, it cannot be fully cleaned. Replace the air filter with a new one at regular intervals.

1. Close the choke valve.



2. Remove the air filter cover.



3. Remove the air filter.
4. Clean the air filter with warm soap water.
5. Replace the air filter if it is too dirty to fully clean it. Always replace a damaged air filter.
6. Clean the inner surface of the air filter cover. Use air or a brush.
7. Make sure that the air filter is dry.
8. Use Husqvarna two-stroke oil to put oil on the air filter. If there is too much oil on the air filter, remove the unwanted oil before you install the air filter.

To apply oil to the foam air filter



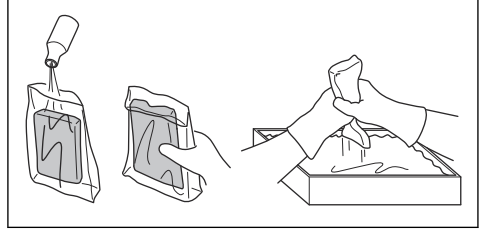
CAUTION: Always use Husqvarna special air filter oil. Do not use other types of oil.



WARNING: Put on protective gloves. The air filter oil can cause skin irritation.

1. Put the foam air filter in a plastic bag.
2. Put the oil in the plastic bag.

3. Rub the plastic bag to supply the oil equally across the foam air filter.
4. Push the unwanted oil out of the foam air filter while in the plastic bag.



Felt filter

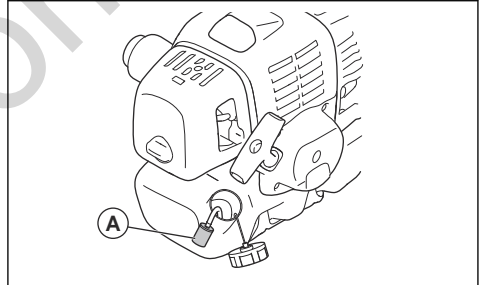
- Hit the felt filter carefully against your hand or use compressed air to clean the felt filter.



CAUTION: Do not use water to clean the felt filter. Water can cause damage to the felt filter.

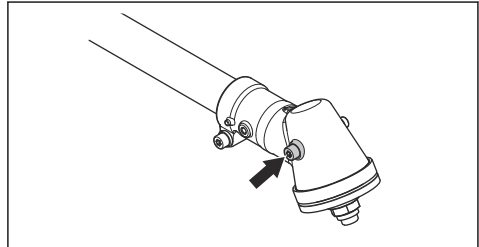
Fuel filter

When the engine runs short of fuel supply, make sure that the fuel tank cap and the fuel filter (A) is not blocked.



To add grease to the bevel gear

- Make sure that the bevel gear is filled 3/4 full with bevel gear grease.

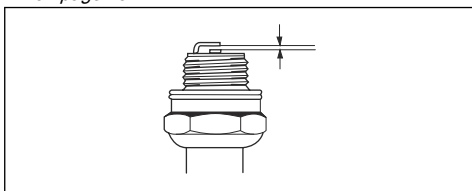


To examine the spark plug



CAUTION: Always use the recommended spark plug type. Incorrect spark plug type can cause damage to the product.

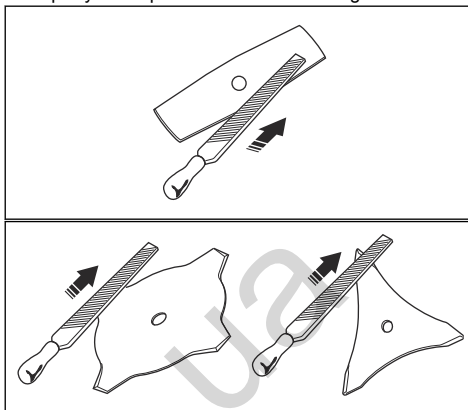
- Examine the spark plug if the engine is low on power, is not easy to start or does not operate correctly at idle speed.
- To decrease the risk of unwanted material on the spark plug electrodes, obey these instructions:
 - Make sure that the idle speed is correctly adjusted.
 - Make sure that the fuel mixture is correct.
 - Make sure that the air filter is clean.
- If the spark plug is dirty, clean it and make sure that the electrode gap is correct, refer to *Technical data on page 23*.



- Replace the spark plug if it is necessary.

To sharpen grass cutters and grass blades

- Sharpen all edges of the grass cutters and blades equally to keep the balance. Use a single-cut flat file.



Troubleshooting

Troubleshooting

Starting failure		
Check	Possible cause	Solution
Stop button	Stop position	Set the stop switch to the start position.
Starter pawls	Binding pawls	Adjust or replace the pawls.
		Clean around the pawls.
		Speak to an approved servicing dealer.
Fuel tank	Incorrect fuel type.	Drain it and use correct fuel.
Carburetor	Adjustment of the idle speed.	Adjust the idle speed with the T screw.
Spark (no spark)	Spark plug dirty or wet.	Make sure that the spark plug is dry and clean.
	Spark plug clearance incorrect.	Clean the spark plug. Check that the electrode gap is correct. Make sure that the spark plug is installed with a suppressor.
		Refer to technical data for correct electrode gap.
Spark plug	Spark plug loose.	Tighten the spark plug.

Starting failure		
Check	Possible cause	Solution
Fuel filter	Clogged fuel filter.	Replace the fuel filter.

Engine starts but does not stay running		
Check	Possible cause	Solution
Fuel tank	Incorrect fuel type.	Drain it and use correct fuel.
Carburetor	Engine will not idle correctly.	Speak to your servicing dealer.
Air filter	Clogged air filter.	Clean the air filter.
Fuel filter	Clogged fuel filter.	Replace the fuel filter.

Transportation and storage

- Keep equipment safe during transportation to prevent damage and accidents.
- Keep the product and equipment in a dry and frost-proof area.
- Clean the product.
- Replace or repair damaged components.
- Use the correct protective cover on the product that does not keep moisture.
- Keep the product tightly attached during transport.

Technical data

Technical data

	531RS	541RS	541RST
Engine			
Cylinder displacement, cm ³	33.6	41.5	41.5
Idle speed, rpm	2500±200	2500±200	2500±200
Recommended max. speed, rpm	12000	12000	12000
Speed of output shaft, rpm	8570	8570	8570
Maximum engine power acc. to ISO 8893, kW/hp @ rpm	1.2/1.6 @ 7000	1.6/2.1 @ 7000	1.6/2.1 @ 7000
Ignition system			
Spark plug	NGK BPMR 7A	NGK BPMR 7A	NGK BPMR 7A
Electrode gap, mm	0.6-0.7	0.6-0.7	0.6-0.7

	531RS	541RS	541RST
Fuel and lubrication system			
Fuel tank capacity, l/cm ³	0.74/740	0.94/940	0.94/940
Weight			
Weight, kg	6.9	7.1	7.3
Noise emissions¹			
Sound power level, measured, dB (A)	107	107	107
Sound power level, guaranteed LWA, dB (A)	108	109	109
Sound levels			
Equivalent sound pressure level at the operator's ear, measured according to EN ISO 11806 and ISO 22868 ²			
Equipped with trimmer head (original), dB (A)	90	94	94
Equipped with grass blade (original), dB (A)	89	95	95
Vibration levels			
Equivalent vibration levels ($a_{hv,eq}$) at handles, measured according to EN ISO 11806 and ISO 22867 ³			
Equipped with trimmer head (original), left/ right, m/s ²	2.8/3.0	3.1/2.8	5.6/5.1
Equipped with grass blade (original), left/ right, m/s ²	4.2/4.0	4.5/5.0	7.1/6.3

Accessories

Accessories

Approved accessories	Accessory type	Cutting attachment guard, art. no.
Grass blade/grass cutter	Multi 255-3 (Ø 255, 3 teeth)	537 33 16-03
	Multi 275-4 (Ø 275, 4 teeth)	537 33 16-03
	Multi 300-3 (Ø 300, 3 teeth)	537 33 16-03
	Multi 330-2 (Ø 330, 2 teeth)	537 33 16-03
Plastic blades	Tricut Ø 300 mm (Separate blades have part number 531 01 77-15)	537 33 16-03

¹ Noise emissions in the environment measured as sound power (L_{WA}) in conformity with EC directive 2000/14/EC. Reported sound power level for the machine has been measured with the original cutting attachment that gives the highest level. The difference between guaranteed and measured sound power is that the guaranteed sound power also includes dispersion in the measurement result and the variations between different machines of the same model according to Directive 2000/14/EC.

² Reported data for noise pressure level has a typical statistical dispersion (standard deviation) of 2.5 dB (A).

³ Reported data for vibration level has a typical statistical dispersion (standard deviation) of 1.5m/s².

Approved accessories	Accessory type	Cutting attachment guard, art. no.
Trimmer head	T35, T35X (Ø 2.4-3.0 mm cord)	537 33 16-03
	S35 (Ø 2.4-3.0 mm cord)	537 33 16-03
	T45x (Ø 2.7-3.3 mm cord)	537 33 16-03
	T55x (Ø 2.7-3.3 mm cord)	537 33 16-03
	S II	537 33 16-03
Support cup	Fixed	-

130.com.ua

EC Declaration of Conformity

EC Declaration of Conformity

Issuer's name: Husqvarna AB, SE-561 82 Huskvarna, Sweden, tel: +46-36-146500.

Husqvarna AB claims sole responsibility for the object of this declaration: Trimmer and/or Brushcutter powered by petrol, platform(s) G45L and G35L representing model(s) **Husqvarna 531RS, 541RS and 541RST** from 2017 serial numbers and onwards. The platform number and model number are clearly stated in plain text on the type plate along with the year with subsequent serial numbers.

The object of the declaration described above is in conformity with the requirements of the Council's Directives:

- of May 17, 2006 "relating to machinery" **2006/42/EC**
- of February 26, 2014 "relating to electromagnetic compatibility" **2014/30/EU**.
- of May 8, 2000 "relating to the noise emissions in the environment" **2000/14/EC**.
- of December 14, 2005 "relating to the noise emissions in the environment" **2005/88/EC**.

In accordance with Annex V, the declared sound values are stated in the technical data sheet of the operator's manual.

The following standards have been applied:

EN ISO 11806-1:2011, EN ISO 14982:2009, EN ISO 12100:2010 CISPR 12:2007+A1:2009

TÜV Rheinland LGA Products GmbH, Tillystrasse 2, D-90431 Nuernberg, Germany, 0197, has carried out a voluntary examination on behalf of Husqvarna AB, providing AM50391783 (541RS, 541RST), AM50391781 (531RS) - Certificate of Conformity to EC Council directive 2006/42/EC for machinery. This certificate is applicable to all manufacturing locations and Countries of Origin, as stated on the product. The supplied grass trimmer and/or brushcutter conforms to the example that underwent examination.

Husqvarna AB, Huskvarna, Sweden, 2017-08-01



Per Gustafsson, Development Manager (Authorized representative for Husqvarna AB and responsible for technical documentation)

Contenido

Introducción.....	27	Resolución de problemas.....	48
Seguridad.....	29	Transporte y almacenamiento.....	49
Montaje.....	35	Datos técnicos.....	50
Funcionamiento.....	39	Accesorios.....	51
Mantenimiento.....	44	Declaración de conformidad CE.....	52

Introducción

Descripción del producto

Este producto es una desbrozadora con motor de combustión.

Trabajamos constantemente para mejorar la seguridad y la eficiencia durante el uso del producto. Póngase en contacto con su distribuidor para obtener más información.

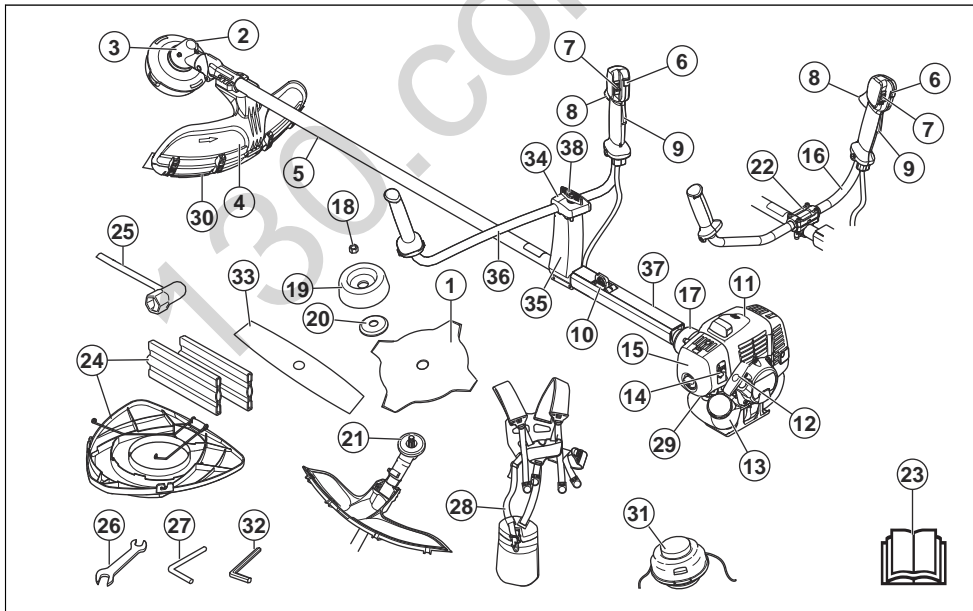
Uso previsto

El producto puede utilizarse con una hoja para hierba o un cabezal de corte para cortar distintos tipos de

vegetación. No utilice el producto para otras tareas diferentes a cortar o desbrozar hierba. Utilice una hoja para hierba o un cabezal de corte para cortar la hierba.

Nota: El uso podría estar regulado por los reglamentos nacionales o locales. Observe los reglamentos indicados.

Descripción del producto



- | | |
|--|-------------------------------------|
| 1. Hoja (no para todos los mercados) | 4. Protección del equipo de corte |
| 2. Recarga de lubricante, engranaje angulado | 5. Tubo |
| 3. Engranaje angulado | 6. Botón de aceleración de arranque |

7. Botón de parada
8. Acelerador
9. Válvula de descompresión
10. Argolla de suspensión
11. Cubierta del cilindro
12. Empuñadura de la cuerda de arranque
13. Depósito de combustible
14. Control del estrangulador
15. Tapa del filtro de aire
16. Manillar (531RS, 541RS)
17. Cubierta del embrague
18. Contratuercia
19. Cazoleta de apoyo
20. Brida de apoyo
21. Pieza de arrastre
22. Abrazadera de fijación del manillar (531RS, 541RS)
23. Manual de usuario
24. Protección para transportes (no para todos los mercados)
25. Llave de cubo
26. combinada
27. Pasador de bloqueo (para productos sin llave hexagonal)
28. Arnés
29. Perilla de la bomba de combustible
30. Manto protector
31. Cabezal de corte
32. Llave hexagonal
33. Disco de dos dientes
34. Cubierta (541RST)
35. Soporte (541RST)
36. Manillar (541RST)
37. Manguito protector
38. Mando (541RST)

Símbolos que aparecen en el producto



ADVERTENCIA: Este producto puede ser peligroso y ocasionar daños graves o mortales tanto al operador como a cualquier otra persona. Tenga cuidado y utilice el producto correctamente.

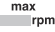


Lea detenidamente el manual de usuario y asegúrese de que entiende las instrucciones antes de usar la máquina.



Utilice un casco protector si trabaja en un lugar donde puedan caerle objetos. Utilice protectores auriculares homologados y protección ocular homologada.



max  rpm Velocidad máxima del eje de salida.



El producto cumple con las directivas CE vigentes.



El producto puede provocar que los objetos salgan despedidos y esto puede causar lesiones.



Mantenga siempre a las personas y los animales a una distancia mínima de 15 m/ 50 pies durante el funcionamiento del producto.



Existe riesgo de lanzada de hoja si el equipo de corte entra en contacto con un objeto que no pueda cortar inmediatamente. El producto puede cortar partes del cuerpo. Mantenga siempre a las personas y animales a una distancia mínima de 15 m/50 pies durante el funcionamiento del producto.



Las flechas muestran el límite de la posición del manillar.



Estrangulador.



Perilla de la bomba de combustible.



Utilice guantes protectores homologados.



Utilice botas de trabajo antideslizantes.



Las emisiones sonoras en el entorno hacen referencia a la directiva de la Comunidad Europea. Las emisiones del producto se indican en el capítulo Datos técnicos y en la etiqueta.

aaaassxxxx

La placa de características muestra el número de serie. **aaaa** es el año de fabricación y **ss** es la semana de fabricación.

Nota: Los demás símbolos/etiquetas que aparecen en el producto corresponden a requisitos de homologación específicos en otras zonas comerciales.

Responsabilidad sobre el producto

Como se estipula en las leyes de responsabilidad del producto, no nos hacemos responsables de los daños y perjuicios causados por nuestro producto si:

- El producto se ha reparado incorrectamente.

- El producto se ha reparado con piezas que no eran del fabricante o no autorizadas por el fabricante.
- El producto tiene un accesorio que no es del fabricante o no está autorizado por este.
- El producto no se ha reparado en un centro de servicio autorizado o por un organismo homologado.

Seguridad

Definiciones de seguridad

Las definiciones siguientes indican el nivel de gravedad para cada palabra de señalización de riesgo.



ADVERTENCIA: Lesiones a personas.



PRECAUCIÓN: Daños en el producto.

Nota: Esta información hace que el producto sea más fácil de usar.

Instrucciones generales de seguridad



ADVERTENCIA: Lea las siguientes instrucciones de advertencia antes de utilizar el producto.

- Use el producto correctamente. Las lesiones o la muerte son un posible resultado de un uso incorrecto. Utilice el producto solo para las tareas indicadas en este manual. No utilice el producto para otras tareas.
 - Respete las instrucciones de este manual. Respete los símbolos de seguridad y las instrucciones de seguridad. Si el operador no respeta las instrucciones y los símbolos, pueden producirse lesiones, daños materiales o la muerte.
 - No se deshaga de este manual. Utilice las instrucciones para montar su producto, utilizarlo y mantenerlo en buen estado. Utilice las instrucciones para la correcta instalación de los complementos y accesorios. Utilice únicamente complementos y accesorios autorizados.
 - No utilice un producto dañado. Respete el programa de mantenimiento. Realice solamente el trabajo de mantenimiento indicado en las instrucciones de este manual. Todos los demás trabajos de mantenimiento debe hacerlos un centro de servicio autorizado.
 - Este manual no puede incluir todas las situaciones que pueden producirse cuando utilice el producto. Proceda con cuidado y utilice el sentido común. No utilice el producto ni realice el mantenimiento del producto si no está seguro de cuál es la situación.
- Hable con un experto en el producto, su distribuidor, un taller de servicio o centro de servicio autorizado para obtener información.
 - Desconecte el cable de la bujía antes de montar el producto, almacenarlo o realizar tareas de mantenimiento.
 - No utilice el producto si se ha modificado respecto de sus especificaciones iniciales. No cambie una parte del producto sin la autorización del fabricante. Utilice únicamente piezas recomendadas por el fabricante. Las lesiones o la muerte son un posible resultado de un mantenimiento incorrecto.
 - No inhale los vapores del motor. La inhalación los gases de escape del motor durante un tiempo prolongado supone un riesgo para la salud.
 - Nunca arranque el producto en interiores ni cerca de material inflamable. Los gases de escape están calientes y pueden contener una chispa que puede iniciar un incendio. Una circulación de aire insuficiente puede causar lesiones o la muerte por asfixia o inhalación de monóxido de carbono.
 - Al utilizar este producto, el motor emite un campo electromagnético. El campo electromagnético puede provocar daños en implantes médicos. Consulte a su médico y al fabricante del implante médico antes de usar el producto.
 - No deje que un niño maneje el producto. No permita que nadie maneje el producto sin conocer las instrucciones.
 - Si una persona con discapacidad física o mental usa el producto, asegúrese de supervisarla en todo momento. Debe haber presente en todo momento una persona mayor de edad responsable.
 - Cierre con llave el producto en un área a la que no puedan acceder las personas no autorizadas ni los niños.
 - El producto puede proyectar objetos con fuerza y causar lesiones. Respete las instrucciones de seguridad para reducir el riesgo de lesiones o muerte.
 - No deje desatendido el producto con el motor encendido.
 - El operador del producto es el responsable si se produce un accidente.
 - Asegúrese de que las piezas no estén dañadas antes de utilizar el producto.
 - Asegúrese de que se encuentra a una distancia mínima de 15 m (50 pies) de otras personas o animales antes de utilizar el producto. Asegúrese de

que las personas que pueda haber en el área circundante sepan que va a usar el producto.

- Consulte las leyes nacionales o locales. Pueden prohibir o limitar el funcionamiento del producto en circunstancias determinadas.
- No utilice el producto si está cansado o se encuentra bajo los efectos de alcohol, drogas o medicamentos, que pueden tener efectos sobre su visión, capacidad de reacción, coordinación o criterio.

Instrucciones de seguridad para el montaje



ADVERTENCIA: Lea detenidamente, entienda y cumpla estas instrucciones antes de utilizar el producto.

- Retire el sombrerete de la bujía antes de montar el producto.
- Utilice guantes protectores homologados.
- Cuando utilice una hoja de sierra o una hoja para hierba, asegúrese de equipar el producto con el manillar, la protección de la hoja y el arnés adecuados.
- Una protección defectuosa o incorrecta puede causar lesiones. No utilice un accesorio de corte que no disponga de una protección homologada.
- Fije la cubierta del embrague y el eje correctos antes de poner en marcha el producto para evitar que el embrague se caiga.
- Asegúrese de montar la cubierta y el eje correctos antes de poner en marcha el motor.
- El disco de arrastre y la brida de apoyo deben acoplarse correctamente en el orificio central del equipo de corte. Un equipo de corte mal acoplado puede provocar lesiones o la muerte.
- Para utilizar el producto de forma segura y evitar daños al usuario o a otras personas, el producto debe estar bien sujeto con el arnés.

Instrucciones de seguridad para el funcionamiento

- Asegúrese de que el producto esté completamente montado antes de utilizarlo.
- Antes de arrancar, aleje el producto 3 m (10 pies) del punto en el que llenó el depósito de combustible. Ponga el producto sobre una superficie plana. Asegúrese de que el equipo de corte no entre en contacto con el suelo u otros objetos.
- El producto puede causar proyección de objetos, lo que puede provocar daños en los ojos. Utilice siempre una protección ocular homologada cuando utilice el producto.
- Tenga cuidado: mientras está trabajando, un niño puede acercarse al producto sin que usted se dé cuenta.

- No utilice el producto si hay otra persona en la zona de trabajo. Detenga el producto si alguien entra en la zona de trabajo.
- Asegúrese de tener siempre el control del producto.
- No utilice el producto si no puede recibir ayuda en caso de accidente. Antes de comenzar a utilizar el producto, asegúrese siempre de que otros saben que va a empezar a usarlo.
- No se gire con el producto sin asegurarse primero de que no hay personas ni animales en la zona de seguridad.
- Retire todos los materiales no deseados de la zona de trabajo antes de empezar. Si el equipo de corte choca contra un objeto, el objeto puede salir despedido y provocar daños o lesiones. El material no deseado puede enrollarse en el equipo de corte y provocar daños.
- No utilice el producto en condiciones climáticas desfavorables (niebla, lluvia, viento fuerte, riesgo de rayos u otras condiciones climáticas peligrosas). Las condiciones climáticas desfavorables pueden provocar condiciones peligrosas (como superficies resbaladizas).
- Asegúrese de que puede moverse libremente y trabajar en una postura estable.



- Asegúrese de que no corre riesgo de caerse mientras utiliza el producto. No se incline mientras utiliza el producto.
- Sujete siempre el producto con ambas manos. Mantenga el producto en el lado derecho del cuerpo.



- Utilice el producto con el equipo de corte por debajo de la cadera.
- Si el mando del estrangulador está en la posición de estrangulamiento cuando arranque el motor, el equipo de corte comienza a girar.
- No toque el engranaje angulado después de parar el motor. El engranaje angulado está caliente después

de parar el motor. Las zonas calientes pueden causar lesiones.

- Pare el motor antes de mover el producto.
- No deje el producto en el suelo con el motor encendido.
- Antes de retirar los materiales no deseados del producto, detenga el motor y espere hasta que el equipo de corte se detenga. Deje que el equipo de corte se detenga antes de que usted o un ayudante retire el material cortado.

Equipo de protección personal



ADVERTENCIA: Lea las siguientes instrucciones de advertencia antes de utilizar el producto.

- Utilice siempre el equipo de protección personal adecuado cuando utilice el producto. El equipo de protección personal no elimina el riesgo de lesiones. El equipo de protección personal reduce la gravedad de las lesiones en caso de accidente.
- Utilice siempre una protección ocular homologada mientras utiliza el producto.
- No utilice el producto con los pies descalzos o con calzado abierto. Utilice siempre botas de trabajo antideslizantes.
- Utilice pantalones largos gruesos.
- Si es necesario, utilice guantes protectores homologados.
- Utilice un casco si existe la posibilidad de caída de objetos sobre la cabeza.
- Utilice siempre protección auditiva homologada mientras utiliza el producto. La exposición al ruido durante un periodo de tiempo prolongado puede causar pérdida de audición.
- Asegúrese de que tiene cerca un botiquín de primeros auxilios.

Dispositivos de seguridad en el producto

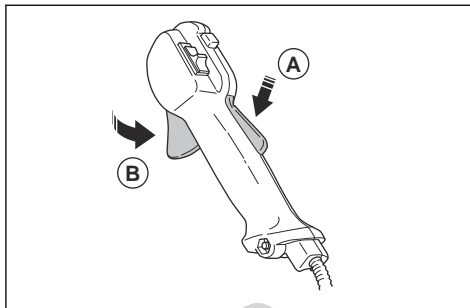
- Asegúrese de efectuar regularmente el mantenimiento del producto.
 - La vida útil del producto aumenta.
 - El riesgo de accidentes disminuye.

Deje que un concesionario autorizado o un centro de servicio autorizado examine regularmente el producto para realizar ajustes o reparaciones.

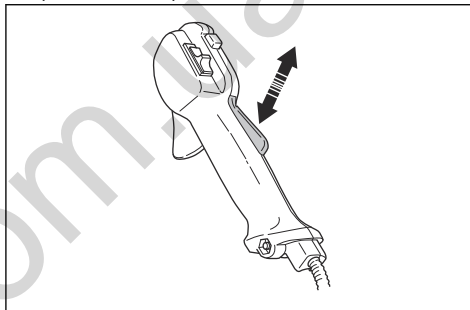
- No utilice un producto con equipo de protección dañado. Si el producto está dañado, hable con un centro de servicio autorizado.

Comprobación del bloqueo del acelerador

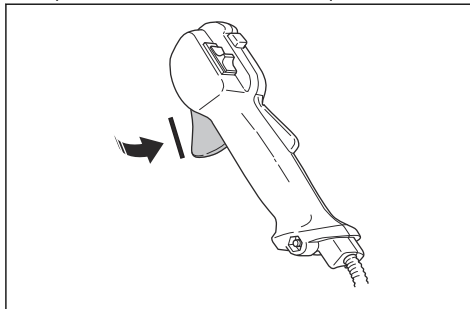
1. Compruebe que el bloqueo del acelerador (A) y el acelerador (B) se muevan con facilidad y que el muelle de retorno funcione correctamente.



2. Presione el bloqueo del acelerador y asegúrese de que vuelve a su posición inicial al soltarlo.



3. Asegúrese de que el acelerador está bloqueado en la posición de ralentí cuando el bloqueo se suelta.



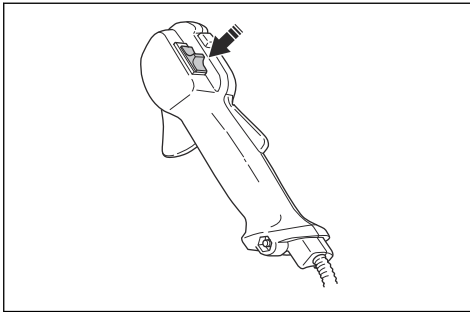
4. Ponga en marcha el producto y acelere al máximo.
5. Suelte el acelerador y asegúrese de que el equipo de corte se detiene y permanece inmóvil.



ADVERTENCIA: Si el equipo de corte se mueve con el acelerador en posición de ralentí, se debe regular el ralentí del carburador. Consulte la sección *Para ajustar el régimen de ralentí en la página 46.*

Comprobación del interruptor de parada

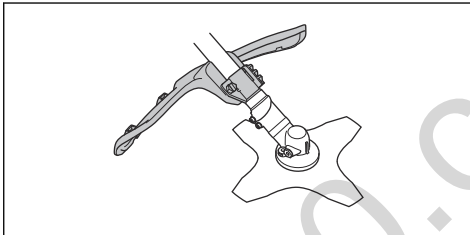
1. Arranque el motor.
2. Mueva el interruptor de parada a la posición de parada y asegúrese de que el motor se detiene.



Comprobación de la protección del equipo de corte

La protección del equipo de corte evita que el usuario sufra daños provocados por los objetos que salen despedidos hacia él.

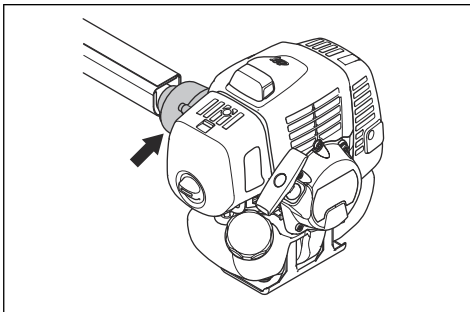
1. Pare el motor.
2. Compruebe visualmente si hay daños como, por ejemplo, grietas.



3. Si la protección del equipo de corte está dañada, cámbiela.

Comprobación del sistema amortiguador de vibraciones

El sistema amortiguador de vibraciones disminuye la vibración en el manillar, lo cual facilita el uso del producto.



1. Pare el motor.
2. Realice una comprobación visual para detectar deformaciones y daños como, por ejemplo, grietas.
3. Asegúrese de que los elementos del sistema amortiguador de vibraciones estén bien acoplados.

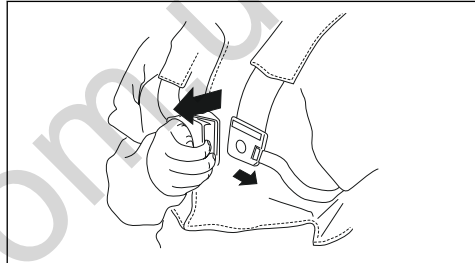
Comprobación del mecanismo de liberación rápida



ADVERTENCIA: No use un arnés con un mecanismo de liberación rápida defectuoso.

El mecanismo de liberación rápida permite al usuario soltar el producto del arnés rápidamente en caso de emergencia.

1. Pare el motor.
2. Compruebe visualmente si hay daños como, por ejemplo, grietas.
3. Suelte y acople el mecanismo de liberación rápida para verificar si funciona correctamente.



Comprobación del silenciador

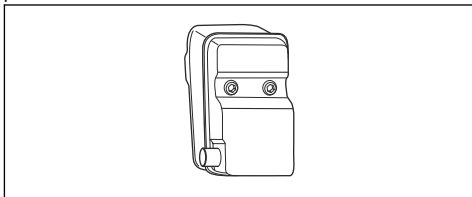


ADVERTENCIA: No utilice nunca un producto con un silenciador defectuoso.

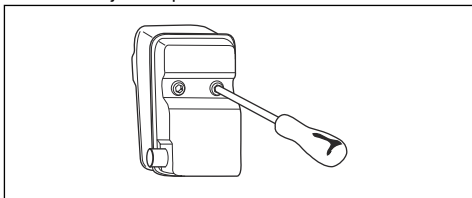


ADVERTENCIA: No olvide que los gases de escape del motor están calientes y pueden contener chispas que pueden provocar incendios. Por esa razón, nunca arranque el producto en interiores o cerca de material inflamable.

El silenciador mantiene al mínimo los niveles de ruido y aleja los gases de escape del usuario. Para el silenciador, es sumamente importante seguir las instrucciones de control, mantenimiento y servicio del producto.



Compruebe regularmente que el silenciador está firmemente fijado al producto.



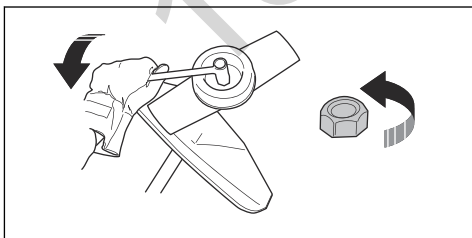
Montaje y extracción de la contratuerca



ADVERTENCIA: Pare el motor, utilice guantes protectores y tenga cuidado con los bordes afilados del equipo de corte.

Se usa una contratuerca para acoplar algunos tipos de equipo de corte. La contratuerca tiene rosca a izquierda.

- Para el montaje, apriete la contratuerca girándola en sentido contrario al sentido de rotación del equipo de corte.
- Para quitar la contratuerca, gírela en la misma dirección en la que gira el equipo de corte.
- Para aflojar y apretar la contratuerca, utilice una llave de cubo con un mango largo. La flecha de la ilustración muestra la zona donde puede utilizar la llave de cubo.



ADVERTENCIA: Al aflojar y apretar la contratuerca, hay riesgo de lesiones provocados por la cuchilla. Siempre debe asegurarse de que la protección de la hoja evite lesiones en las manos al hacerlo.

Nota: Asegúrese de que no pueda girar la contratuerca con la mano. Cambie la tuerca si el forro de nylon no tiene una resistencia de un mínimo de 1,5 Nm. La contratuerca debe sustituirse después de haberla apretado unas 10 veces.

Equipo de corte

Utilice y mantenga el equipo de corte para:

- Obtener un resultado de corte óptimo.
- Alargar la vida útil del equipo de corte.
- Siga las instrucciones de servicio, mantenimiento y comprobación del silenciador.
- Utilice siempre la protección recomendada para el equipo de corte. Consulte el apartado "Datos técnicos".



ADVERTENCIA: ¡Utilice solamente el equipo de corte con la protección recomendada por nosotros! Consulte el capítulo Datos técnicos. Lea las instrucciones del equipo de corte para montar correctamente el hilo de corte y elegir el diámetro de hilo correcto.



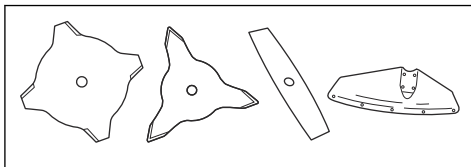
ADVERTENCIA: Un equipo de corte defectuoso puede aumentar el riesgo de accidentes.



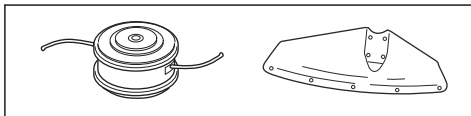
ADVERTENCIA: Pare siempre el motor antes de trabajar con alguna parte del equipo de corte. Éste continúa girando incluso después de haber soltado el acelerador. Asegúrese de que el equipo de corte se ha detenido completamente y desconecte el sombrerete de bujía antes de comenzar a trabajar.

Equipo de corte

- Para cortar hierba gruesa, utilice las hojas y cuchillas para hierba.

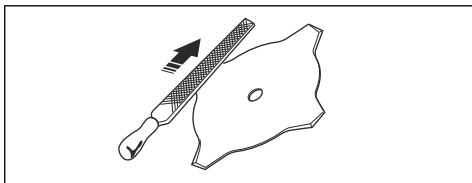


- Utilice el cabezal de corte para cortar hierba normal.



- Una hoja mal afilada o dañada aumenta el peligro de accidentes. Mantenga los dientes de corte de la hoja

afilados y en buen estado. Siga las instrucciones indicadas en *Mantenimiento en la página 44* y utilice el calibrador de afilado recomendado.

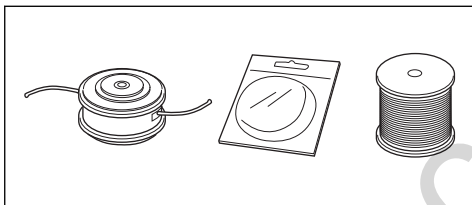


- Examine el equipo de corte para comprobar que no hay daños ni grietas. Sustituya el equipo de corte dañado.
- Utilice únicamente equipos de corte con las protecciones recomendadas. Consulte la sección *Accesorios en la página 51*.

Cabezal de corte



ADVERTENCIA: Asegúrese siempre de que el hilo de corte esté enrollado de forma firme y uniforme en el rodillo, para evitar vibraciones perjudiciales para la salud.



- Utilice únicamente los cabezales e hilos de corte recomendados.
- Utilice únicamente los equipos de corte recomendados.
- La longitud del hilo de corte es importante. Con un hilo de corte más largo, se necesita más potencia del motor que con un hilo de corte más corto del mismo diámetro.
- No mueva la posición de instalación de la protección de la recortadora.
- Asegúrese de que la cuchilla que hay en la protección de la recortadora no esté dañada. La cortadora corta el hilo de corte a la longitud correcta.
- Ponga en agua el hilo de corte durante 2 días antes de usarlo para aumentar su vida útil.

Hojas y cuchillas para hierba

- Utilice el producto con una hoja para hierba aprobada. No utilice una hoja para hierba sin instalar correctamente todas las piezas necesarias. Asegúrese de que ha realizado la instalación correctamente y de que ha utilizado las piezas adecuadas. Una instalación inadecuada puede

hacer que la hoja salga despedida y provoque lesiones graves al operario o a los transeúntes.

- Use guantes protectores cuando manipule la hoja o realice tareas de mantenimiento en ella.
- Utilice protección para la cabeza cuando opere un producto con una hoja de hierba.
- Las hojas y cuchillas para hierba están destinadas a desbrozar hierba más gruesa.
- Una hoja para hierba puede causar lesiones graves mientras sigue girando después de parar el motor o de soltar el gatillo del acelerador. Asegúrese de que la hoja de hierba ha dejado de girar antes de cualquier tipo de mantenimiento.
- Detenga el motor antes de trabajar en el equipo de corte. Asegúrese de que el equipo de corte se detiene completamente. Desconecte el cable de encendido de la bujía.
- Utilice solo un equipo de corte o una hoja correctamente afilados.
- Mantenga los dientes de corte de la hoja afilados y en buen estado.
- No utilice un equipo de corte dañado.
- Coloque la protección para transportes de la hoja de hierba cuando transporte o guarde el producto.

Lanzada de hoja

- Una lanzada de hoja es un movimiento repentino del producto hacia un lado, hacia delante o hacia atrás. Una lanzada de hoja se produce cuando la hoja para hierba golpea un objeto que no puede cortar. En áreas en las que no resulta fácil ver el material que se está cortando el riesgo de lanzadas de hoja aumenta.
- Cuando se produce una lanzada de hoja, hay riesgo de que el producto o el operario se desplace de su posición. Una hoja en movimiento pueden golpear a los transeúntes y existe el riesgo de accidentes.
- Si la hoja está doblada, tiene grietas, está rota o dañada, deséchela.
- Utilice una hoja afilada. El riesgo de lanzada de hoja aumenta cuando la hoja no está bien afilada.

Seguridad en el uso del combustible

- No arranque el producto si está manchado con combustible o aceite del motor. Retire el combustible/aceite no deseado y deje secar el producto. Retire el combustible no deseado del producto.
- Si derrama combustible sobre la ropa, cámbiese inmediatamente.
- Evite el contacto con el combustible; puede provocarle lesiones. Si entra en contacto con el combustible, utilice jabón y agua para eliminar el combustible.
- No arranque el motor si derrama aceite o combustible sobre el producto o sobre su cuerpo.
- No arranque el motor si el producto tiene una fuga. Examine frecuentemente si hay fugas en el motor.

- Tenga cuidado con el combustible. El combustible es inflamable, sus vapores son explosivos y puede provocar lesiones o la muerte.
- No inhale los vapores de combustible, ya que pueden causar lesiones. Asegúrese de que hay ventilación suficiente.
- No fume cerca del combustible o el motor.
- No coloque objetos calientes cerca del combustible o el motor.
- No agregue el combustible con el motor encendido.
- Asegúrese de que el motor esté frío antes repostar.
- Antes de repostar, abra la tapa del depósito de combustible lentamente y deje salir el exceso de presión con cuidado.
- No añada combustible al motor en interiores. Una circulación de aire insuficiente puede causar lesiones o la muerte por asfixia o inhalación de monóxido de carbono.
- Apriete la tapa del depósito de combustible con cuidado o puede producirse un incendio.
- Antes de arrancarlo, lleve el producto a 3 m (10 pies) de distancia como mínimo del punto en el que llenó el depósito.
- No ponga demasiado combustible en el depósito de combustible.
- Asegúrese de que no pueda producirse una fuga al mover el producto o recipiente de combustible.
- No coloque el producto o un recipiente de combustible cerca de una llama descubierta, chispa o llama piloto. Asegúrese de que la zona de almacenamiento no contiene una llama descubierta.
- Utilice únicamente recipientes homologados para transportar o almacenar el combustible.
- Vacíe el depósito de combustible antes de almacenarlo por un tiempo prolongado. Respete la legislación local sobre lugares aptos para desechar combustible.
- Limpie el producto antes de almacenarlo por un tiempo prolongado.
- Desconecte el cable de la bujía antes de almacenar el producto para asegurarse de que el motor no arranque accidentalmente.

Instrucciones de seguridad para el mantenimiento

- Si no puede ajustar el régimen de ralentí para que el equipo de corte se detenga, hable con su centro de servicio. No utilice el producto hasta que esté correctamente ajustado o reparado.

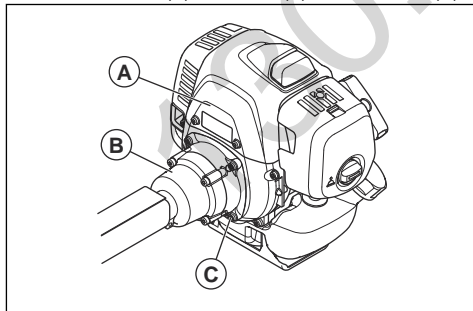
Montaje



ADVERTENCIA: Lea el capítulo de seguridad antes de montar el producto.

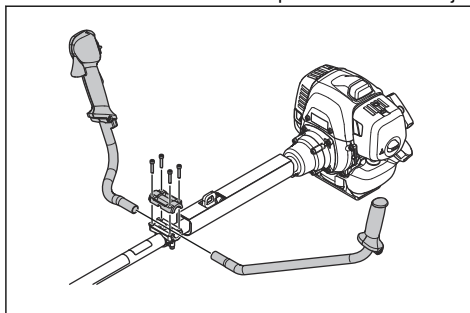
Ajuste de la carcasa del producto

- Monte el motor (A) en el tubo (B) con 4 tornillos (C).

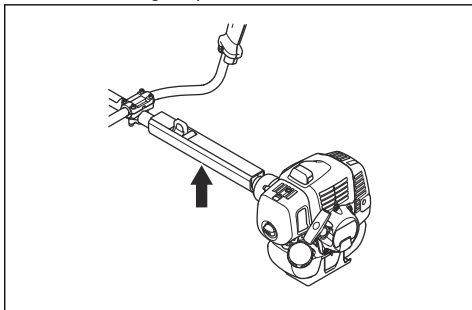


Instalación del manillar (531RS, 541RS)

1. Instale el manillar en la brida para el manillar del eje.

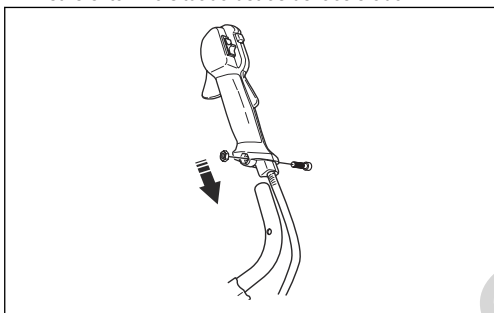


2. Instale el manguito protector.

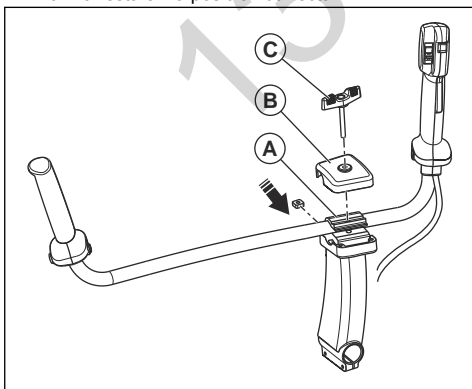


Instalación del manillar (541RST)

1. Retire el tornillo situado detrás del acelerador.



2. Instale el acelerador en el lado derecho del manillar.
3. Haga coincidir el orificio detrás del acelerador con el orificio del manillar.
4. Pase el tornillo por ambos orificios. Apriete el tornillo.
5. Coloque el conjunto del manillar y la tuerca cuadrada en el soporte. Asegúrese de que el manillar esté en la posición correcta.

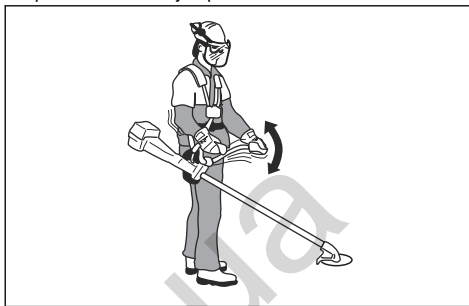


6. Instale la abrazadera de fijación del manillar (A), la cubierta (B) y la mariposa (C).

7. Alinee los orificios del tornillo de mariposa.
8. Gire el tornillo de mariposa para bloquear el manillar.

Instalación del arnés

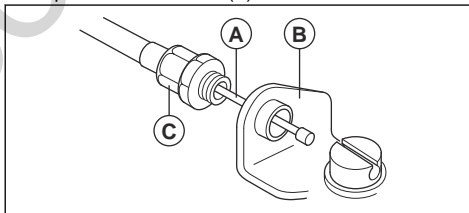
1. Póngase el arnés y cuelgue el producto del punto de suspensión.
2. Ajuste la empuñadura para situar el producto en una posición de trabajo óptima.



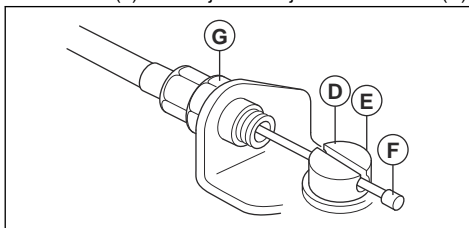
3. Apriete los tornillos completamente.

Conexión del cable del acelerador y los cables del interruptor de parada

1. Saque la cubierta del filtro de aire.
2. Instale el cable del acelerador (A) a través del soporte del carburador (B).

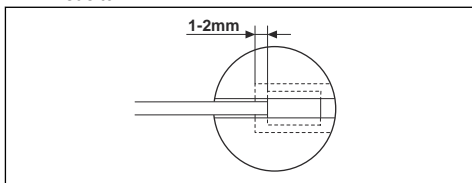


3. Gire el ajustador del cable (C) en el soporte del carburador por completo.
4. Coloque el racor con ranura (D) en el carburador. En este momento, el agujero embutido (E) del terminal del cable (F) está alejado del ajustador del cable (C).

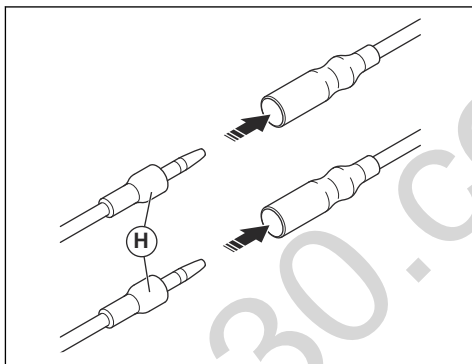


5. Gire la leva aceleradora del carburador y mueva el cable del acelerador (A) a través de la ranura del racor con ranura.

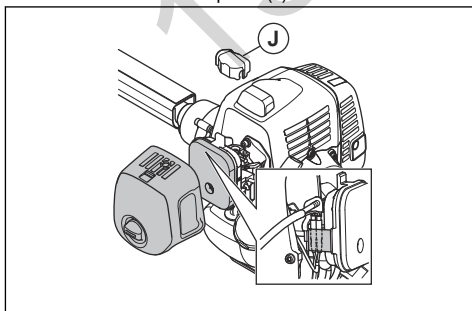
6. Asegúrese de que el terminal del cable (F) entra en el agujero embudido.
7. Accione el acelerador varias veces para asegurarse de que funciona correctamente.
8. Ajuste el ajustador del cable (C).
 - a) Asegúrese de que el tope de la leva aceleradora del carburador toca el tope del acelerador correctamente.
 - b) Asegúrese de que la posición del cable mantiene 1-2 mm entre el terminal del cable (F) y el racor con ranura cuando el acelerador está totalmente suelto.



9. Cuando el cable del acelerador (A) esté ajustado correctamente, apriete la contratuerca (G).
10. Conecte los cables del interruptor de parada (H) con los conectores del motor.



11. Instale la cubierta antipolvo (J).



12. Instale la cubierta del filtro de aire.

Para instalar hojas y cabezales de corte



ADVERTENCIA: Utilice únicamente la protección autorizada para las hojas. Consulte *Accesorios en la página 51*. Una protección defectuosa puede causar lesiones.

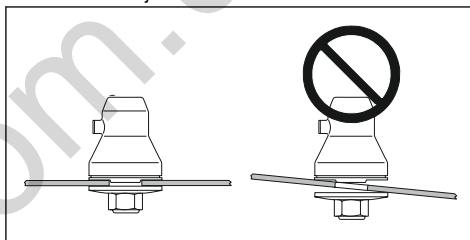


ADVERTENCIA: Si el usa el producto con una hoja para hierba, en primer lugar, instale el manillar, la protección de la hoja y el arnés adecuados.



ADVERTENCIA: Si no instala las hojas correctamente, se pueden causar lesiones.

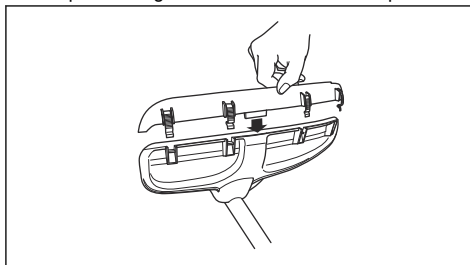
1. Asegúrese de que la sección elevada en el disco de arrastre/brida de apoyo se acopla correctamente en el orificio central de las hojas.
2. Instale las hojas.



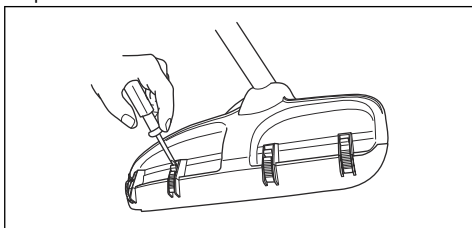
Montaje y desmontaje de la extensión de la protección

La extensión de la protección se usa en la protección del equipo de corte. Monte la extensión de la protección si usa un cabezal de corte u hojas de plástico. Retire la extensión de la protección si utiliza una hoja para hierba.

- Coloque la guía en la extensión de la protección, en la ranura de la protección del equipo de corte. Bloquee los 4 ganchos de retención en su posición.



- Suelte los ganchos de retención con un destornillador para desmontar la extensión de la protección.



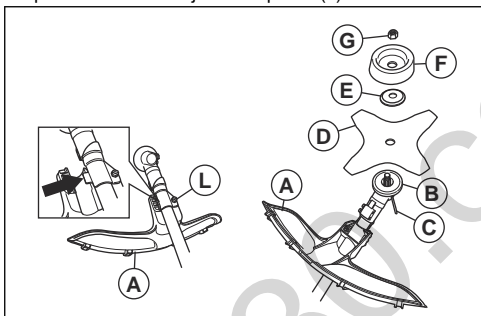
Montaje de una protección de hoja, hoja para hierba y cuchilla de hierba



PRECAUCIÓN: Compruebe que la extensión de la protección está desmontada.

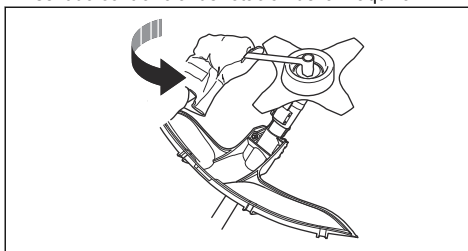
Nota: Utilice la protección de hoja recomendada. Consulte la sección *Accesorios en la página 51*.

1. Instale la protección de la hoja en el tubo. Fije la protección de la hoja con el perno (L).



2. Fije el disco de arrastre (B) en el eje de salida.
3. Gire el eje de salida hasta que uno de los orificios del disco de arrastre coincida con el orificio de la caja de engranajes.
4. Introduzca el pasador de bloqueo o la llave hexagonal (C) en el orificio para bloquear el eje.
5. Coloque la hoja (D), la brida de apoyo (E) y la cazoleta de apoyo (F) en el eje de salida.
6. Instale la tuerca (G). Utilice la llave combinada para apretar la tuerca a un par de 35 a 50 Nm. Sujete la llave combinada lo más cerca posible de la protección de la hoja.

7. La tuerca se aprieta girando la llave combinada en sentido contrario al de rotación de la máquina

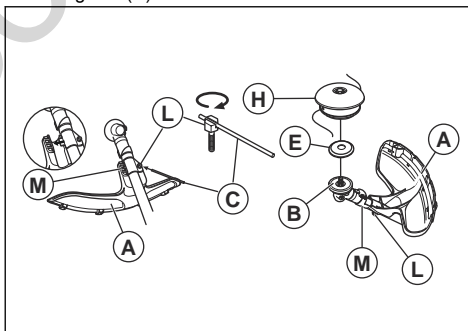


Nota: (rosca a izquierdas).

Montaje de la protección de la recortadora y el cabezal de corte

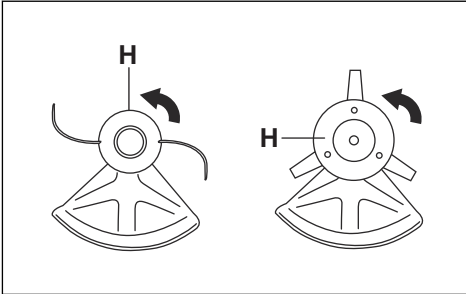
Nota: Asegúrese de que utiliza la protección de la recortadora correcta para el cabezal de corte correcto.

1. Monte la protección de la recortadora/protección combinada (A) correcta para el cabezal de corte.
2. Enganche la protección de la recortadora/protección combinada (A) en los 2 ganchos del soporte de la placa (M).
3. Instale la protección de la recortadora/protección combinada alrededor del tubo y apriétela con el perno (L). Utilice el pasador de bloqueo o la llave hexagonal (C).



4. Coloque el pasador de bloqueo o la llave hexagonal (C) en la ranura de la cabeza del tornillo y apriete.
5. Fije el disco de arrastre (B) y la brida de apoyo (E) en el eje de salida.
6. Gire el eje de salida hasta que uno de los orificios del disco de arrastre coincida con el orificio de la caja de engranajes.

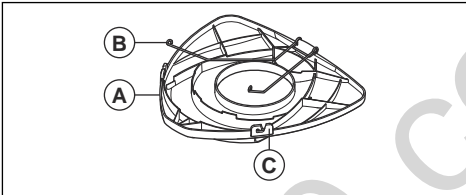
7. Instale el pasador de bloqueo o la llave hexagonal (C) en el orificio para bloquear el eje.



8. Monte el cabezal de corte/las hojas de plástico (H). Gire el cabezal de corte/las hojas de plástico hacia la izquierda.
9. Para efectuar el desmontaje, efectúe estos pasos en el orden inverso.

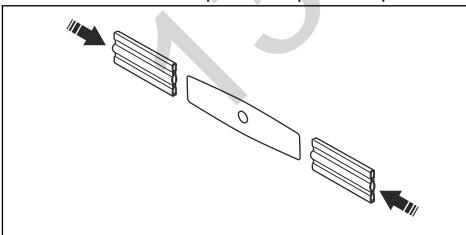
Instalación de la protección para transporte

1. Instale la hoja en la protección para transporte (A).
2. Ponga los dos anclajes (B) en las ranuras (C) para fijar la protección para transporte.



Instalación del disco de dos dientes en la protección

1. Instale el disco en la protección para transporte.



Para ajustar el arnés



ADVERTENCIA: El producto siempre debe engancharse firmemente al arnés. No utilice un arnés defectuoso.

1. Colóquese el arnés.
2. Acople el producto al arnés.
3. Regule el arnés para obtener una postura de trabajo óptima.
4. Ajuste las correas laterales para distribuir uniformemente el peso sobre los hombros.



5. Ajuste el arnés de manera que el equipo de corte quede paralelo al suelo.
6. Deje que el equipo de corte toque ligeramente el suelo. Ajuste la abrazadera del arnés para equilibrar el producto correctamente.

Nota: Si utiliza una hoja para hierba, debe equilibrarse a alrededor de 10 cm/4 pulg. por encima del suelo.

Funcionamiento



ADVERTENCIA: Asegúrese de leer y comprender el capítulo sobre seguridad antes de utilizar el producto.

Carburante

Para usar combustible



PRECAUCIÓN: Este producto tiene un motor de dos tiempos. Utilice una mezcla de gasolina y aceite de motor de dos tiempos. Asegúrese de que utiliza la cantidad correcta de aceite en la mezcla. Una mezcla de gasolina y aceite en proporción incorrecta puede causar daños en el motor.

Gasolina



PRECAUCIÓN: No utilice gasolina con un octanaje inferior a 90 octanos RON (87 AKI). Esto puede provocar daños en el producto.



PRECAUCIÓN: No utilice gasolina con una concentración de etanol de más del 10 % (E10). Esto puede provocar daños en el producto.

- Utilice siempre gasolina sin plomo nueva con un octanaje mínimo de 90 RON (87 AKI) y con una concentración de etanol de menos de 10 % (E10).
- Utilice gasolina con un mayor octanaje si utiliza con frecuencia el producto a un régimen del motor alto de manera continua.

Aceite de motor de dos tiempos

- Utilice únicamente aceite para motores de dos tiempos de alta calidad, especialmente aceite de dos tiempos HUSQVARNA. Utilice únicamente aceite para motores refrigerados por aire.
- Proporción de mezcla 50:1 (2 %).
- Un aceite de baja calidad y una mezcla de aceite/combustible demasiado rica pueden reducir la vida útil del catalizador.
- Consulte al distribuidor al seleccionar un aceite.
- Si no se dispone de aceite Husqvarna, puede utilizarse otro aceite de gran calidad para motores de dos tiempos refrigerados por aire. Consulte a su distribuidor al seleccionar un aceite.
- No utilice aceite para motores de dos tiempos para motores fueraborda refrigerados por agua. El aceite para motores de dos tiempos se denomina a veces "aceite para motores fueraborda".

Gasolina, litros	Aceite, litros
	2 % (50:1)
5	0,1
10	0,2
15	0,3

Gasolina, litros	Aceite, litros
20	0,4

Para hacer la mezcla de combustible

Nota: Utilice siempre un contenedor de combustible limpio cuando mezcle el combustible.

Nota: No prepare cantidad de mezcla de combustible para más de 30 días.

1. Añada la mitad de la cantidad de gasolina.
2. Añada la cantidad total de aceite.
3. Agite bien la mezcla de combustible para mezclar el contenido.
4. Agregue la cantidad restante de gasolina.
5. Agite bien la mezcla de combustible para mezclar el contenido.
6. Llene el depósito de combustible.

Para añadir combustible



ADVERTENCIA: No fume ni ponga objetos calientes cerca del combustible. Antes de añadir combustible, detenga el motor y deje que se enfríe durante varios minutos.



ADVERTENCIA: Cuando añada combustible, abra la tapa del depósito lentamente para liberar presión no deseada.



ADVERTENCIA: Después de añadir combustible, apriete con cuidado el tapón del depósito de combustible. Aleje la máquina del lugar de repostaje y de la fuente de alimentación antes de arrancar el motor.

- Utilice un recipiente de combustible con protección antirreboso.
- Asegúrese de que la zona cercana a la tapa del depósito de combustible está limpia. Los residuos en el depósito ocasionan problemas de funcionamiento.
- Sacuda el contenedor de combustible antes de agregar la mezcla de combustible al depósito de combustible.

Para arrancar y parar

Para examinar el producto antes de comenzar a trabajar

1. Examine el producto para asegurarse de que no faltan piezas, ni están dañadas, sueltas o desgastadas.
2. Inspeccione tuercas, tornillos y pernos.

3. Examine las hojas.
4. Examine la contratuerca. Asegúrese de que la contratuerca está apretada como mínimo a un par de 1,5 Nm (1,1 lb-pie). Apriete la contratuerca a 35-50 Nm (26-36 lb-pie).
5. Examine el filtro de aire.
6. Examine el bloqueo del gatillo del acelerador y el acelerador.
7. Examine el botón de parada.
8. Examine el producto por si hubiera fugas de combustible.

Arranque del motor en frío



ADVERTENCIA: Antes de arrancar el producto, instale la cubierta del embrague completa y el eje. Un embrague suelto puede provocar daños personales. Utilice guantes.

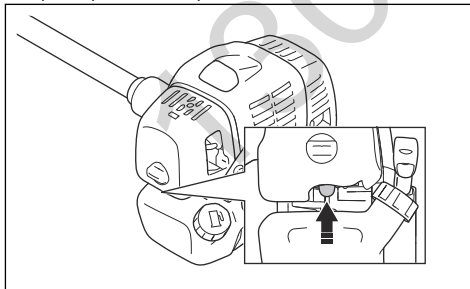


ADVERTENCIA: Aleje el producto del punto de repostaje y del combustible. Póngalo en una superficie plana. Asegúrese de que no haya objetos en contacto con el equipo de corte.

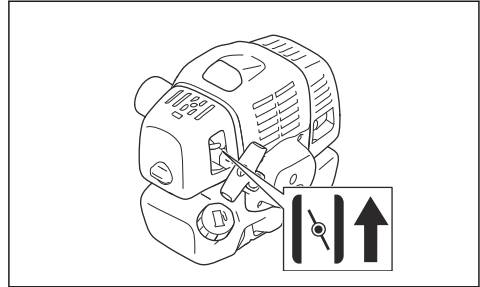


ADVERTENCIA: Asegúrese de que no haya personas no autorizadas en la zona de trabajo. En caso contrario, puede causar un riesgo de lesiones graves. La distancia de seguridad es de 15 metros.

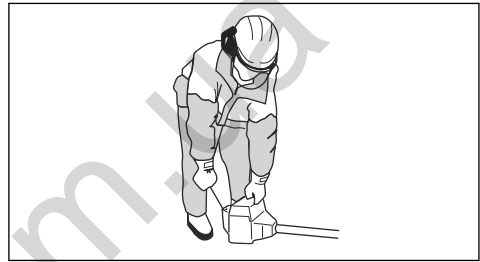
1. Coloque el interruptor de parada en posición de arranque.
2. Presione la perilla de la bomba de combustible hasta que la perilla se empiece a llenar de combustible.



3. Ponga el estrangulador en la posición de estrangulamiento.



4. Mantenga el producto en el suelo. Tire despacio de la cuerda de arranque con la mano derecha hasta sentir resistencia.



Nota: No se enrolle la cuerda de arranque alrededor de la mano.



PRECAUCIÓN: No tire a tope de la cuerda de arranque. Sujete la empuñadura de la cuerda de arranque cuando esté totalmente extendida. Si no se siguen estas instrucciones, se puede dañar el motor.

5. Tire de la cuerda de arranque con fuerza y rapidez hasta que oiga que el motor arranca.
6. Ajuste el estrangulador a la posición de funcionamiento.

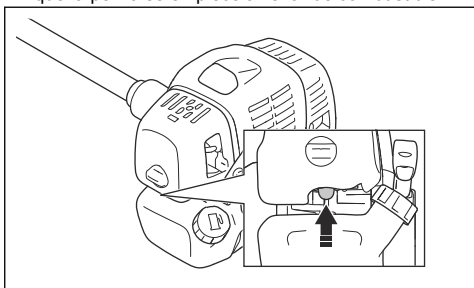


ADVERTENCIA: No toque la cubierta. Se puede quemar la piel y provocar una sacudida eléctrica si el sombrerete de bujía está dañado. No emplee nunca un producto con un sombrerete de bujía defectuoso.

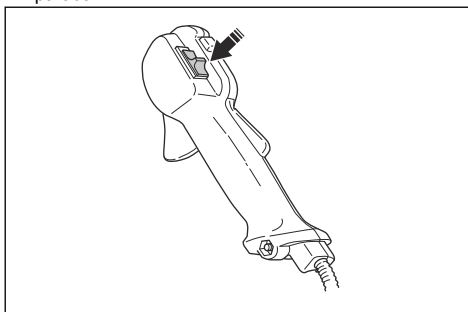
Arranque del motor en caliente

1. Coloque el interruptor de parada en posición de arranque.

- Presione la perilla de la bomba de combustible hasta que la perilla se empiece a llenar de combustible.



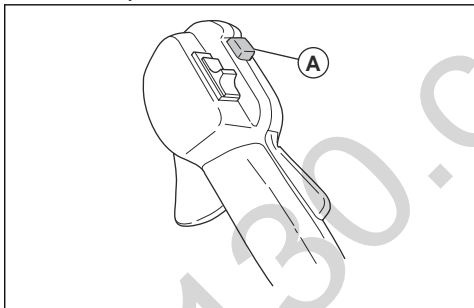
- Sitúe el interruptor de parada en la posición de parada.



- Ponga el control del estrangulador en la posición de funcionamiento y, a continuación, tire de la cuerda de arranque hasta que el motor arranque.

Arranque con un acelerador con fiador

- Pulse el fiador del acelerador y el gatillo para ajustar el acelerador a la posición de arranque. A continuación, pulse el botón de aceleración de arranque (A).
- Suelte el fiador y el acelerador, y después el botón de aceleración de arranque. Ahora, está activada la función de aceleración de arranque.
- Para dejar el motor a ralentí, presione el fiador del acelerador y el acelerador de nuevo.



Para parar el motor

- Mueva el acelerador a la posición de ralentí.

Para manejar la recortadora de césped



PRECAUCIÓN: Asegúrese de que reduce la velocidad del motor al ralentí después de cada operación. Un largo periodo a aceleración máxima sin carga en el motor puede provocar daños en el motor.

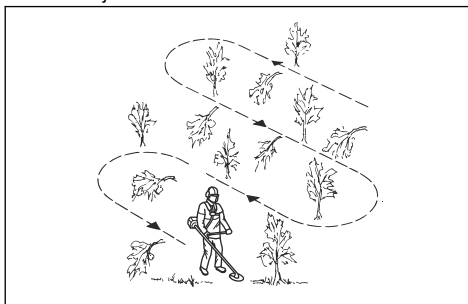
Nota: Limpie la cubierta del cabezal de corte cuando fije un nuevo hilo de corte a la recortadora para evitar vibraciones. Examine las demás piezas del cabezal de corte y límpielas si es necesario.

Instrucciones generales durante el trabajo



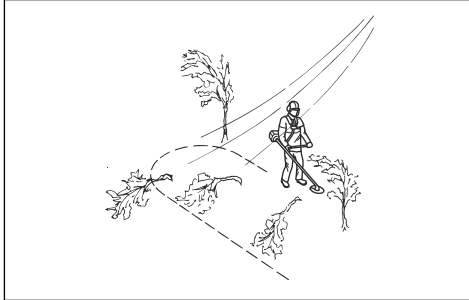
ADVERTENCIA: Tenga cuidado al cortar un árbol en tensión. Puede regresar de forma brusca a su posición normal antes o después de cortarlo y golpearle a usted o al producto, con el consiguiente riesgo de lesiones que esto supone.

- Despeje un espacio abierto en uno de los extremos del lugar de trabajo y empiece a trabajar desde ahí.
- Trace un patrón regular al desplazarse por el lugar de trabajo.



- Mueva el producto totalmente a la derecha y a la izquierda para despejar una superficie de 4-5 m (13-16 pies) de anchura en cada pasada.

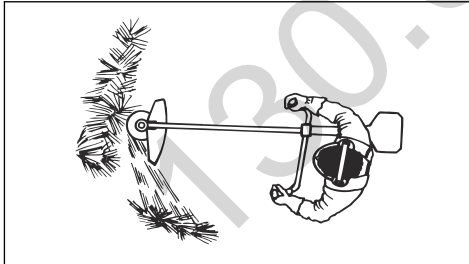
- Despeje una longitud de 75 m (250 pies) antes de girar y regresar. Mueva la lata de combustible a medida que avance con el trabajo.
- Desplácese en una dirección que evite en la medida de lo posible zanjas y obstáculos.
- Desplácese en una dirección en la que el viento facilite que la vegetación cortada caiga sobre el área despejada.



- Desplácese a lo largo de la pendiente, no hacia arriba y hacia abajo.

Para desbrozar hierba con una hoja para hierba

1. Mantenga los pies separados durante el manejo del producto. Asegúrese de que los pies estén firmemente apoyados en el suelo.
2. Apoye ligeramente la cazoleta de apoyo en el suelo. Esto evita que la hoja toque el suelo.
3. Utilice un movimiento lateral de derecha a izquierda para un corte limpio. Utilice la parte izquierda del disco (entre las 8 y las 12 del reloj) para cortar.



4. Incline el disco hacia la izquierda cuando desbroce hierba.

Nota: La hierba se deposita con facilidad en una hilera.

5. Utilice un movimiento lateral de izquierda a derecha para el movimiento de retorno.
6. Mantenga un ritmo constante durante el trabajo.
7. Muévase hacia delante y mantenga los pies firmemente apoyados en el suelo.
8. Pare el motor.

9. Suelte el producto del clip del arnés.
10. Coloque el producto en el suelo.
11. Recoja el material cortado.

Para limpiar

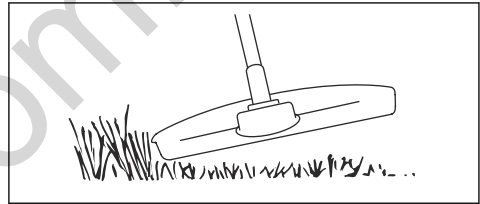


Para obtener los mejores resultados:

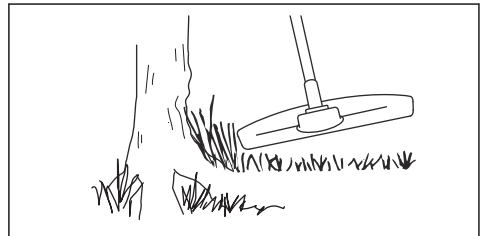
- Mantenga la recortadora de modo que el cabezal de corte esté justo por encima del suelo.
- Incline ligeramente el cabezal de corte.
- Deje que la punta del hilo de corte golpee el suelo alrededor de los objetos

Para recortar la hierba

1. Mantenga el cabezal de corte inclinado justo por encima del suelo. No empuje el hilo de corte contra la hierba.

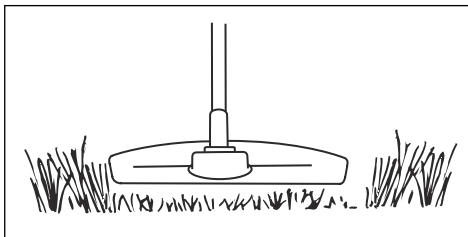


2. Reduzca la longitud del hilo de corte en 10-12 cm / 4-4,75 pulg.
3. Reduzca el régimen del motor para disminuir el riesgo de daños a las plantas.
4. Utilice un 80 % de aceleración para cortar hierba cerca de objetos.

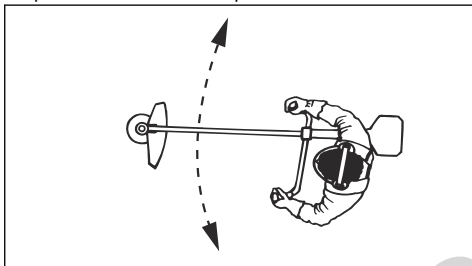


Para cortar la hierba

1. Asegúrese de que el hilo de corte esté paralelo al suelo cuando corte.



2. No empuje el cabezal de corte contra el suelo. El suelo y el producto pueden resultar dañados.
3. No deje que el cabezal de corte toque el suelo continuamente; puede dañarse el cabezal de corte.
4. Utilice la aceleración máxima cuando mueva el producto de lado a lado para cortar hierba.



Barrer la hierba

El flujo de aire que genera el hilo de corte al girar puede usarse para retirar la hierba cortada de una zona.

1. Mantenga el cabezal de corte y el hilo de corte paralelos al suelo sin llegar a tocarlo.
2. Acelere al máximo.
3. Mueva el cabezal de corte de lado a lado para barrer la hierba.



ADVERTENCIA: Limpie la cubierta del cabezal de corte cada vez que coloque hilo de corte nuevo para evitar que las empuñaduras pierdan equilibrio y generen vibraciones. Revise también el resto de componentes del cabezal de corte y límpielos si es necesario.

Sustitución del hilo de corte

Consulte la última página de este manual de usuario.

Mantenimiento



ADVERTENCIA: Asegúrese de leer y comprender el capítulo sobre seguridad

antes de limpiar, reparar o realizar tareas de mantenimiento en el producto.

Programa de mantenimiento

Mantenimiento	Diario	Semanal	Mensual
Limpie la superficie externa.	X		
Examine el arnés para comprobar si presenta daños.	X		
Realice una comprobación del acelerador y del gatillo del acelerador.	X		
Asegúrese de que el equipo de corte no gire a ralentí.	X		
Compruebe el interruptor de parada. Consulte la sección <i>Comprobación del interruptor de parada en la página 32</i> .	X		
Examine la protección del equipo de corte para comprobar que no hay daños ni grietas.	X		
Asegúrese de que la hoja para hierba está alineada con el centro. Asegúrese de que la hoja para hierba está afilada y de que ni la hoja ni su orificio central están dañados.	X		

Mantenimiento	Diario	Semanal	Mensual
Inspeccione el cabezal de corte para comprobar si presenta daños y grietas. Sustitúyalo si está dañado.	X		
Examine la empuñadura y el manillar para comprobar si presentan daños y asegúrese de que estén bien montados.	X		
En equipos de corte con cazoleta de apoyo, apriete el tornillo de fijación correctamente.	X		
En equipos de corte con contratuerca, apriete la contratuerca correctamente.	X		
Examine la protección para transporte para comprobar si presenta daños y asegúrese de que puede montarse correctamente.	X		
Examine el motor, el depósito de combustible y los conductos de combustible para detectar posibles fugas.	X		
Limpie el filtro de aire. Proceda con la sustitución si es necesario.	X		
Apriete las tuercas y los tornillos.	X		
Examine el filtro de combustible para comprobar si está sucio y la manguera de combustible para comprobar si presenta grietas u otros defectos. Proceda con la sustitución si es necesario.	X		
Examine todos los cables y conexiones.	X		
Examine el mecanismo de arranque y la cuerda de arranque en busca de daños.		X	
Examine la bujía. Consulte la sección <i>Para examinar la bujía en la página 48</i> .		X	
Asegúrese de que tres cuartas partes del engranaje angulado están cubiertas con grasa.		X	
Limpie el exterior del carburador y la zona alrededor del mismo.		X	
Limpie la bujía. Quite la bujía y compruebe la distancia entre los electrodos. Ajuste la distancia entre los electrodos o sustituya la bujía si es necesario. Consulte la sección <i>Datos técnicos en la página 50</i> . Asegúrese de que la bujía está equipada con supresor.		X	
Inspeccione si están desgastados el embrague, los muelles de embrague y el tambor de embrague. Proceda con la sustitución si es necesario.			X
Cambie la bujía. Asegúrese de que la bujía está equipada con supresor.			X
Lubrique el eje propulsor.			X
Compruebe que los amortiguadores de vibraciones no están dañados.		X	
Limpie el sistema de refrigeración del producto.		X	
Limpie el silenciador.			X

Ajuste del carburador

El reglaje básico del carburador se lleva a cabo en las pruebas que se hacen en fábrica. El reglaje debe ser realizado por un técnico especializado.

Comprobación del silenciador



ADVERTENCIA: Nunca utilice un producto con un silenciador defectuoso. Sustituya siempre un silenciador defectuoso.



ADVERTENCIA: Riesgo de incendio o de quemaduras. Los silenciadores con catalizadores se calientan mucho durante el funcionamiento.



ADVERTENCIA: Riesgo de incendio. El silenciador amortigua el nivel de ruido y aparta del usuario los gases de escape. Los gases de escape están calientes y pueden contener chispas.



PRECAUCIÓN: Si el apagachispas sufre desperfectos, cámbielo. No utilice un producto sin el apagachispas del silenciador o con uno que esté defectuoso.



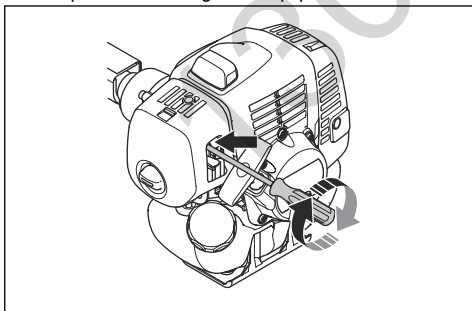
PRECAUCIÓN: Si el apagachispas se bloquea, el producto se sobrecalentará. Esto causará daños en el cilindro y el pistón.

1. Asegúrese de que el silenciador no esté dañado.
2. Compruebe que el silenciador esté firmemente montado en el producto.

Para ajustar el régimen de ralentí

Su producto Husqvarna está fabricado conforme a especificaciones que disminuyen las emisiones de gases de escape tóxicos.

1. Asegúrese de que el filtro de aire está limpio y la cubierta del filtro de aire está conectada antes de ajustar el régimen de ralentí.
2. Ajuste el ralentí con el tornillo de ralentí marcado con una "T".
 - a) Gire el tornillo de ralentí T hacia la derecha hasta que comience a girar el equipo de corte.



- b) Gire el tornillo de ralentí T hacia la izquierda hasta que el equipo de corte se detenga.



ADVERTENCIA: Si el equipo de corte no se detiene al ajustar el régimen de ralentí, acuda a su distribuidor más cercano. No utilice el producto hasta que

no esté regulado o reparado correctamente.

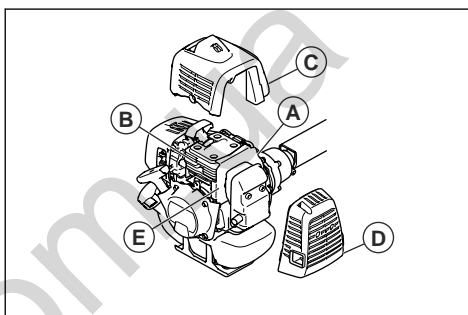
3. El régimen de ralentí es correcto cuando el motor funciona con suavidad en todas las posiciones. El régimen de ralentí debe ser inferior a la velocidad a la que el equipo de corte comienza a girar.

Nota: Consulte *Datos técnicos en la página 50* para obtener información sobre el régimen de ralentí recomendado.

Sistema refrigerante

El producto dispone de un sistema refrigerante para mantener baja la temperatura de funcionamiento.

El sistema de refrigeración incluye lo siguiente:



- Palas de ventilador en el volante (A)
- Aletas de refrigeración en el cilindro (B)
- Cubierta del cilindro (C) (dirige aire frío hacia el cilindro)
- Cubierta del silenciador (D)
- Placa del silenciador (E)

Para limpiar el sistema de refrigeración



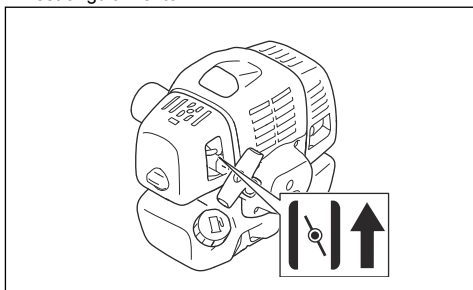
ADVERTENCIA: Un sistema refrigerante sucio u obstruido provoca sobrecalentamiento. Esto provoca daños en el pistón y en el cilindro.

1. Limpie las piezas del sistema refrigerante con un cepillo una vez a la semana como mínimo.

Filtro de aire

- Limpie el filtro a intervalos de 25 horas. Limpie con más frecuencia si es necesario.

- Ponga el estrangulador en la posición de estrangulamiento.



Para limpiar el filtro de aire

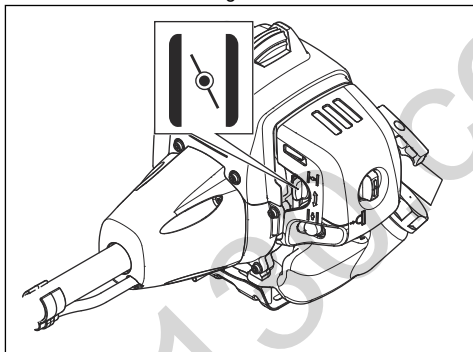
Limpie el filtro a intervalos de 25 horas. Limpie con más frecuencia si es necesario.



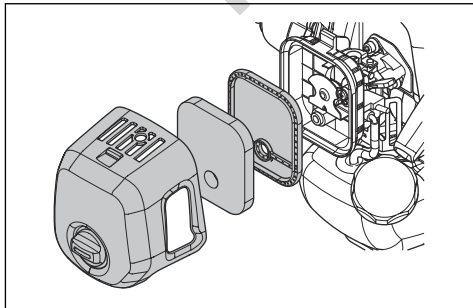
PRECAUCIÓN: Sustituya siempre un filtro de aire que está dañado, sucio o mojado con combustible.

Si se utiliza un filtro de aire durante mucho tiempo, no podrá limpiarse por completo. Sustituya el filtro de aire con uno nuevo en intervalos regulares.

1. Cierre la válvula estranguladora.



2. Saque la cubierta del filtro de aire.



3. Retire el filtro de aire.

4. Limpie el filtro de aire con agua jabonosa tibia.
5. Sustituya el filtro de aire si está demasiado sucio para poder limpiarlo completamente. Sustituya siempre el filtro de aire si se avería.
6. Limpie la superficie interior de la cubierta del filtro de aire. Utilice aire o un cepillo.
7. Asegúrese de que el filtro de aire esté seco.
8. Para el filtro de aire, use aceite para motores de dos tiempos Husqvarna. Si hay demasiado aceite en el filtro de aire, elimine el aceite no deseado antes de instalar el filtro de aire.

Aplicación de aceite al filtro de aire de espuma

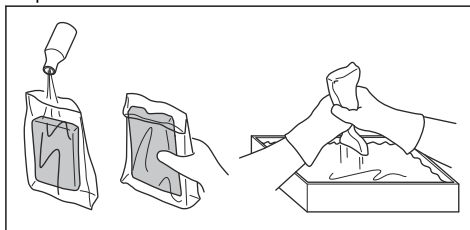


PRECAUCIÓN: Utilice siempre aceite especial para filtros de aire Husqvarna. No utilice otros tipos de aceite.



ADVERTENCIA: Use guantes protectores. El aceite del filtro de aire puede causar irritación en la piel.

1. Coloque el filtro de aire de espuma en una bolsa de plástico.
2. Coloque el aceite en la bolsa de plástico.
3. Frote la bolsa de plástico para suministrar el aceite de forma equilibrada en el filtro de aire de espuma.
4. Empuje el aceite sobrante para sacarlo del filtro de aire de espuma mientras está en la bolsa de plástico.



Filtro de fieltro

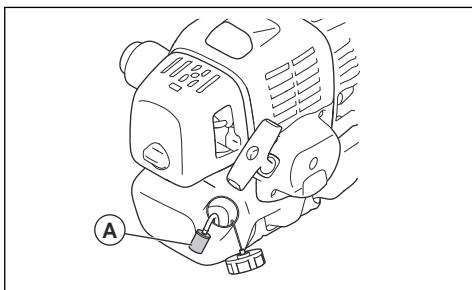
- Golpee el filtro de fieltro con cuidado contra la mano o utilice aire comprimido para limpiarlo.



PRECAUCIÓN: No utilice agua para limpiar el filtro de fieltro. El agua puede dañar el filtro de fieltro.

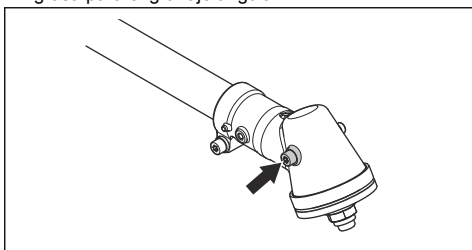
Filtro de combustible

Cuando el motor se quede sin suministro de combustible, asegúrese de que el tapón del depósito de combustible y el filtro de combustible (A) no estén obstruidos.



Para engrasar el engranaje angulado

- Asegúrese de que 3/4 del engranaje estén llenas de grasa para engranaje angular.



Para examinar la bujía



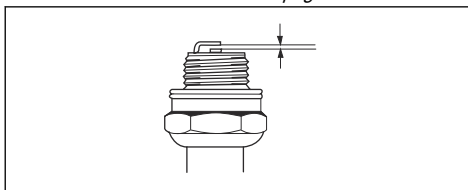
PRECAUCIÓN: Utilice siempre el tipo de bujía recomendado. El uso de un tipo de bujía incorrecto puede causar averías en el producto.

- Examine la bujía si el motor tiene baja potencia, no es fácil de arrancar o no funciona correctamente al régimen de ralentí.
- Para reducir el riesgo de material no deseado en los electrodos de la bujía, siga estas instrucciones:
 - a) Asegúrese de que el régimen de ralentí está bien ajustado.

b) Asegúrese de que la mezcla de combustible sea correcta.

c) Asegúrese de que el filtro de aire esté limpio.

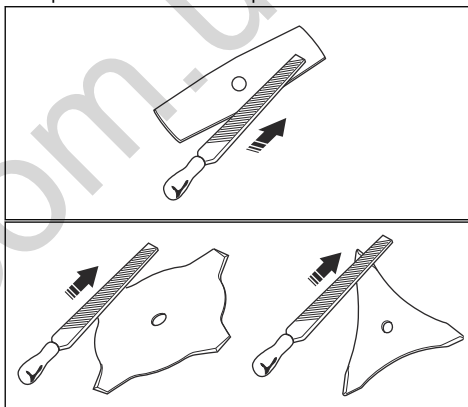
- Si la bujía está sucia, límpiela y asegúrese de que la distancia entre los electrodos sea la correcta, consulte *Datos técnicos en la página 50*.



- Sustituya la bujía si fuese necesario.

Para afilar cuchillas de hierba y hojas para hierba

- Afile todos los bordes de las cuchillas de hierba y hojas para hierba por igual para mantener el equilibrio. Utilice una lima plana con dentado recto.



Resolución de problemas

Detección de averías

Fallo de arranque		
Comprobar	Causa posible	Solución
Botón de parada	Posición de parada	Coloque el mando de detención en posición de arranque.

Fallo de arranque		
Comprobar	Causa posible	Solución
Ganchos de arranque	Ganchos de unión.	Ajuste o sustituya los ganchos.
		Limpie alrededor de los ganchos.
		Acuda a un centro de servicio autorizado.
Depósito de combustible	Tipo de combustible incorrecto.	Vacielo y utilice el combustible adecuado.
Carburador	Reglaje del régimen de ralentí	El ralentí se regula con el tornillo en T.
Chispa (no hay chispa)	Bujía sucia o húmeda.	Asegúrese de que la bujía de encendido está seca y limpia.
	Separación de electrodos de la bujía incorrecta.	Limpie la bujía. Compruebe que la separación entre los electrodos es la correcta. Asegúrese de que la bujía está equipada con supresor.
		Consulte los Datos técnicos para Distancia entre los electrodos correcta.
Bujía	Bujía floja.	Apriete la bujía.
Filtro de combustible	Filtro de combustible obstruido.	Sustituya el filtro de combustible.

El motor arranca pero se vuelve a parar		
Comprobar	Causa posible	Solución
Depósito de combustible	Tipo de combustible incorrecto.	Vacielo y utilice el combustible adecuado.
Carburador	El motor no funciona correctamente al ralentí.	Acuda a su distribuidor.
Filtro de aire	Filtro de aire obstruido.	Limpie el filtro de aire.
Filtro de combustible	Filtro de combustible obstruido.	Sustituya el filtro de combustible.

Transporte y almacenamiento

- Proteja el equipo durante el transporte para evitar daños y accidentes.
- Guarde el producto y el equipo en un lugar seco y resistente a las heladas.
- Limpie el producto.
- Sustituya o repare los componentes dañados.
- Utilice una cubierta protectora correcta sobre el producto que no retenga la humedad.
- Mantenga el producto fijado firmemente durante el transporte.

Datos técnicos

Datos técnicos

	531RS	541RS	541RST
Motor			
Cilindrada, cm ³	33,6	41,5	41,5
Ralentí, rpm	2500±200	2500±200	2500±200
Régimen máximo recomendado, rpm	12 000	12 000	12 000
Velocidad en el eje de salida, rpm	8570	8570	8570
Potencia máxima del motor según ISO 8893, kW/CV a rpm	1,2/1,6 a 7000	1,6/2,1 a 7000	1,6/2,1 a 7000
Sistema de encendido			
Bujía	NGK BPMR 7A	NGK BPMR 7A	NGK BPMR 7A
Distancia entre electrodos, mm	0,6-0,7	0,6-0,7	0,6-0,7
Sistema de combustible y lubricación			
Capacidad del depósito de combustible, l/cm ³	0,74/740	0,94/940	0,94/940
Peso			
Peso, kg	6,9	7,1	7,3
Emisiones de ruido⁴			
Nivel de potencia sonora medida, dB (A)	107	107	107
Nivel de potencia acústica garantizado LWA, dB(A)	108	109	109
Niveles acústicos			
Nivel de presión sonora equivalente en el oído del usuario, medido conforme a EN ISO 11806 e ISO 22868 ⁵			
Equipado con cabezal de corte (original), dB(A)	90	94	94
Equipado con hoja para hierba (original), dB(A)	89	95	95
Niveles de vibraciones			
Niveles de vibración equivalentes ($a_{hv,eq}$) en el manillar, medidos según las normas EN ISO 11806 e ISO 22867 ⁶			

⁴ Emisiones sonoras en el entorno medidas como potencia acústica (L_{WA}) según la directiva CE 2000/14/CE. El nivel referido de potencia sonora de la máquina se ha medido con el equipo de corte original que produce el nivel más elevado. La diferencia entre la potencia sonora garantizada y medida es que la potencia sonora garantizada también incluye la dispersión en el resultado de la medición y las variaciones entre diferentes máquinas del mismo modelo, según la directiva 2000/14/CE.

⁵ Los datos referidos del nivel de presión sonora tienen una dispersión estadística habitual (desviación típica) de 2,5 dB (A).

⁶ Los datos referidos del nivel de vibración poseen una dispersión estadística habitual (desviación típica) de 1,5m/s².

	531RS	541RS	541RST
Equipado con cabezal de corte (original), izquierda/derecha, m/s ²	2,8/3,0	3,1/2,8	5,6/5,1
Equipado con hoja para hierba (original), izquierda/derecha, m/s ²	4,2/4,0	4,5/5,0	7,1/6,3

Accesorios

Accesorios

Accesorios homologados	Tipo de accesorio	Protección del equipo de corte, n.º de referencia
Hoja para hierba/cuchilla para hierba	Multi 255-3 (Ø 255, 3 dientes)	537 33 16-03
	Multi 275-4 (Ø 275, 4 dientes)	537 33 16-03
	Multi 300-3 (Ø 300, 3 dientes)	537 33 16-03
	Multi 330-2 (Ø 330, 2 dientes)	537 33 16-03
Cuchillas de plástico	Tricut Ø 300 mm (los discos separados tienen la referencia 531 01 77-15)	537 33 16-03
Cabezal de corte	T35, T35X (hilo de Ø 2,4-3,0 mm)	537 33 16-03
	S35 (hilo de Ø 2,4-3,0 mm)	537 33 16-03
	T45x (hilo de Ø 2,7-3,3 mm)	537 33 16-03
	T55x (hilo de Ø 2,7-3,3 mm)	537 33 16-03
	S II	537 33 16-03
Cazoleta de apoyo	Fija	-

Declaración de conformidad CE

Declaración de conformidad CE

Nombre del emisor: Husqvarna AB, SE-561 82
Huskvarna (Suecia), tel.: +46 36 146500.

Husqvarna AB declara la responsabilidad exclusiva sobre el objeto de esta declaración: recortadora y desbrozadora que funcionan con gasolina, plataformas G45L y G35L, que representan los modelos **Husqvarna 531RS, 541RS y 541RST** a partir de los números de serie de 2017. El número de plataforma y el número de modelo se indican claramente en texto sin formato en la placa de identificación junto con el año, seguido del número de serie.

El objeto de la declaración, anteriormente mencionado, cumple con los requisitos de las Directivas del Consejo:

- Del 17 de mayo de 2006 "relativa a máquinas", **2006/42/CE**.
- Del 26 de febrero de 2014 "relativa a compatibilidad electromagnética", **2014/30/UE**.
- Del 8 de mayo de 2000 "relativa a emisiones sonoras en el entorno", **2000/14/CE**.
- Del jueves, 14 de diciembre de 2005 "relativa a emisiones sonoras en el entorno", **2005/88/CE**.

De conformidad con lo dispuesto en el Anexo V, los valores de sonido declarados se indican en la ficha de datos técnicos del manual de usuario.

Se han aplicado las normas siguientes:

EN ISO 11806-1:2011, EN ISO 14982:2009, EN ISO 12100:2010 CISPR 12:2007+A1:2009

TÜV Rheinland LGA Products GmbH, Tillystrasse 2, D-90431 Núremberg (Alemania), 0197, ha efectuado un examen de tipo voluntario para Husqvarna AB, que proporciona el certificado AM50391783 (541RS, 541RST), AM50391781 (531RS) de conformidad con la directiva del Consejo Europeo 2006/42/CE referente a máquinas. Este certificado se aplica a todas las ubicaciones de fabricación y países de origen, tal y como se declara en el producto. La recortadora de césped y desbrozadora suministradas concuerdan con los ejemplares que fueron sometidos a examen.

Husqvarna AB, Huskvarna, Suecia, 2017-08-01



Per Gustafsson, director de desarrollo (representante autorizado de Husqvarna AB y responsable de la documentación técnica)

ÍNDICE

Introdução.....	53	Resolução de problemas.....	75
Segurança.....	55	Transporte e armazenamento.....	76
Montagem.....	61	Especificações técnicas.....	76
Funcionamento.....	65	Acessórios.....	77
Manutenção.....	70	Declaração CE de conformidade.....	78

Introdução

Descrição do produto

O produto é uma roçadora com um motor de combustão.

Decorre um trabalho constante para aumentar a sua segurança e eficiência durante o funcionamento. Para mais informações, contacte o revendedor com assistência técnica.

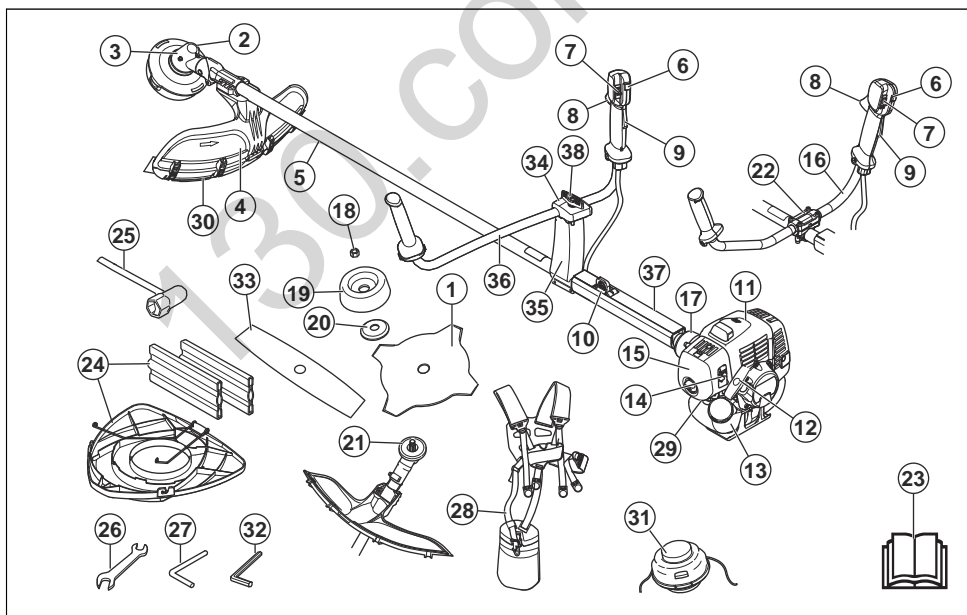
Finalidade

O produto pode ser utilizado com uma lâmina de relva ou uma cabeça do aparador para cortar diferentes tipos

de vegetação. Não utilize o produto para outras tarefas que não aparar e desbastar relva. Utilize uma lâmina de relva ou cabeça do aparador para cortar relva.

Nota: A utilização pode estar sujeita a regulamentos nacionais ou locais. Respeite os regulamentos estabelecidos.

Vista geral do produto



- | | |
|---|-----------------------------------|
| 1. Lâmina (não incluída em todos os mercados) | 3. Engrenagem cônica |
| 2. Enchimento de massa lubrificante, engrenagem angular | 4. Proteção do acessório de corte |
| | 5. Eixo |

6. Botão de aceleração de arranque
7. Interruptor de paragem
8. Acelerador
9. Bloqueio do acelerador
10. Olhal de suspensão
11. Cobertura do cilindro
12. Punho do cabo de arranque
13. Depósito de combustível
14. Controlo do estrangulador
15. Cobertura do filtro de ar
16. Barra de direção (531RS, 541RS)
17. Cobertura da embraiagem
18. Porca de fixação
19. Copo de apoio
20. Flange de apoio
21. Acionador
22. Grampo da barra de direção (531RS, 541RS)
23. Manual do utilizador
24. Proteção para transporte (não incluída em todos os mercados)
25. Chave de caixa
26. Chave
27. Pino de bloqueio (para produtos sem chave sextavada)
28. Cablagem
29. Ampola da purga de ar
30. Extensão da proteção
31. Cabeça do aparador
32. Chave sextavada
33. Lâmina de 2 dentes
34. Cobertura (541RST)
35. Suporte (541RST)
36. Barra de direção (541RST)
37. Manga de proteção
38. Botão (541RST)

Símbolos no produto



AVISO: Este produto pode ser perigoso e provocar ferimentos graves ou a morte do operador ou de terceiros. Seja cuidadoso e utilize o produto corretamente.



Leia o manual do utilizador com atenção e certifique-se de que compreende as instruções antes de utilizar o produto.



Utilize um capacete de proteção em locais onde possam cair objetos sobre si. Utilize protetores acústicos e proteção ocular aprovados.



max rpm Velocidade máxima do eixo de saída.



O produto está em conformidade com as diretivas CE aplicáveis.



O produto pode causar a projeção de objetos, o que pode resultar em ferimentos.



Mantenha pessoas e animais a uma distância mínima de 15 m/50 pés durante o funcionamento do produto.



Risco de arremesso da lâmina se o equipamento de corte tocar num objeto que não é imediatamente cortado. O produto pode cortar partes do corpo. Mantenha pessoas e animais a uma distância mínima de 15 m/50 pés durante o funcionamento do produto.



As setas apresentam o limite para a posição do punho.



Estrangulador.



Ampola da purga de ar.



Utilize luvas de proteção aprovadas.



Use botas antiderrapantes resistentes.



Para informações sobre as emissões de ruído para o meio ambiente consulte a diretiva da Comunidade Europeia. As emissões do produto são indicadas no capítulo de Especificações técnicas e na etiqueta.

yyyywwxxxx

A etiqueta de tipo apresenta o número de série. **yyyy** corresponde ao ano de produção e **ww** à semana de produção.

Nota: Os restantes símbolos/autocolantes existentes no produto dizem respeito a exigências para homologação em outras áreas comerciais.

Responsabilidade pelo produto

Como referido nas leis de responsabilidade pelo produto, não somos responsáveis por danos causados pelo nosso produto se:

- o produto tiver sido incorretamente reparado.
- o produto tiver sido reparado com peças que não sejam do fabricante ou que não sejam aprovadas pelo fabricante.

- o produto tiver um acessório que não seja do fabricante ou que não seja aprovado pelo fabricante.
- o produto não tiver sido reparado por um centro de assistência autorizado ou por uma autoridade aprovada.

Segurança

Definições de segurança

As definições abaixo indicam o nível de gravidade para cada palavra do sinal.



ATENÇÃO: Ferimentos pessoais.



CUIDADO: Danos no produto.

Nota: Esta informação facilita a utilização do produto.

Instruções de segurança gerais



ATENÇÃO: Leia as instruções de aviso que se seguem antes de utilizar o produto.

- Utilize o produto corretamente. Ferimentos ou morte são resultados possíveis de utilização incorreta. Utilize apenas o produto para as tarefas descritas neste manual. Não utilize o produto para outras tarefas.
- Siga as instruções neste manual. Respeite as instruções e os símbolos de segurança. Ferimentos, danos ou morte são um resultado possível se o operador não respeitar as instruções e os símbolos.
- Não elimine este manual. Utilize as instruções para montar, para operar e para manter o seu produto em bom estado. Utilize as instruções para a instalação correta de acessórios. Utilize apenas acessórios aprovados.
- Não utilize um produto danificado. Respeite o esquema de manutenção. Realize apenas tarefas de manutenção descritas neste manual. Todas as outras tarefas de manutenção têm de ser realizadas por um centro de assistência autorizado.
- Este manual não pode incluir todas as situações que podem ocorrer quando utiliza o produto. Seja cuidadoso e use o seu senso comum. Não utilize o produto nem realize tarefas de manutenção no mesmo se não tiver a certeza acerca da situação. Fale com um especialista do produto, o seu concessionário, oficina autorizada ou centro de assistência autorizada para obter informações.
- Desligue o cabo da vela de ignição antes de montar o produto, de o armazenar ou de realizar tarefas de manutenção.
- Não utilize o produto se este for alterado da sua especificação inicial. Não altere uma parte do produto sem a aprovação do fabricante. Utilize apenas peças aprovadas pelo fabricante. Ferimentos ou morte são resultados possíveis de manutenção incorreta.
- Não respire os gases do motor. A inalação prolongada dos gases de escape do motor constitui um risco para a saúde.
- Não arranque o produto em locais fechados ou nas proximidades de material inflamável. Os gases de escape são quentes e podem conter faíscas que podem causar incêndios. O fluxo de ar insuficiente pode causar ferimentos ou morte devido a asfixia ou monóxido de carbono.
- Quando utilizar esse produto, o motor produz um campo eletromagnético. O campo eletromagnético pode causar danos a implantes médicos. Consulte o seu médico e o fabricante do implante antes de utilizar este produto.
- Não deixe uma criança utilizar o produto. Não permita que o produto seja operado por uma pessoa que não conheça as instruções.
- Certifique-se de que monitoriza sempre a utilização do produto por pessoas com diminuição da capacidade física ou mental. Tem de estar sempre presente um adulto responsável.
- Bloqueie o produto numa área à qual crianças e pessoas sem autorização não tenham acesso.
- O produto pode projetar objetos e causar ferimentos. Respeite as instruções de segurança para diminuir o risco de ferimentos ou morte.
- Não se afaste do produto quando o motor estiver ligado.
- O operador do produto é responsável caso ocorra um acidente.
- Certifique-se de que as peças não estão danificadas antes de utilizar o produto.
- Antes de utilizar o produto, certifique-se de que está, no mínimo, a 15 m (50 pés) de distância de outras pessoas ou de animais. Certifique-se de que as

pessoas na área adjacente sabem que irá utilizar o produto.

- Consulte as leis nacionais ou locais. Podem impedir ou diminuir o funcionamento do produto em algumas condições.
- Não utilize o produto se estiver cansado ou sob a influência de álcool, drogas ou medicamentos. Estes podem ter efeitos na sua visão, atenção, capacidade de discernimento ou controlo físico.

Instruções de segurança para montagem



ATENÇÃO: Leia, compreenda e siga atentamente estas instruções antes de utilizar o produto.

- Retire a cobertura da vela de ignição antes de montar o produto.
- Utilize luvas de proteção aprovadas.
- Quando utilizar uma lâmina de serra ou uma lâmina de relva, certifique-se de a barra de direção, a proteção da lâmina e a correia adequadas estão fixadas no produto.
- Uma proteção com defeito ou desadequada pode causar ferimentos. Não utilize um equipamento de corte que não tenha uma proteção aprovada.
- Instale corretamente a cobertura da embraiagem e o eixo antes de ligar o produto para evitar que a embraiagem caia.
- Certifique-se de que instala corretamente a cobertura e o eixo antes de ligar o motor.
- O acionador e a flange de apoio têm de encaixar corretamente no furo central do equipamento de corte. Um equipamento de corte ligado incorretamente pode causar ferimentos ou morte.
- Para utilizar o produto de forma segura e evitar que o operador e terceiros sofram ferimentos, o produto deve estar sempre ligado corretamente à correia.

Instruções de segurança para funcionamento

- Certifique-se de que o produto está totalmente montado antes de o utilizar.
- Antes de começar, desloque o produto a uma distância de 3 m da posição onde abasteceu o depósito de combustível. Coloque o produto numa superfície plana. Certifique-se de que o acessório de corte não toca no solo ou noutros objetos.
- O produto pode causar a projeção de objetos, o que pode causar danos nos olhos. Utilize sempre uma proteção ocular aprovada quando operar o produto.
- Tenha cuidado, uma criança pode aproximar-se do produto sem o seu conhecimento durante o funcionamento.
- Não opere o produto se houver pessoas na área de trabalho. Pare o produto se uma pessoa for para a área de trabalho.

- Certifique-se de que está sempre em controlo do produto.
- Não utilize o produto se não puder receber ajuda em caso de acidente. Certifique-se sempre de que outras pessoas sabem que irá operar o produto antes de começar.
- Não vire com o produto antes de se certificar de que não há pessoas ou animais na área de segurança.
- Remova todos os materiais indesejados da área de trabalho antes de começar. Se o acessório de corte atingir um objeto, este pode ser projetado e causar ferimentos ou danos. Os materiais indesejados podem enrolar-se à volta do acessório de corte e causar danos.
- Não utilize o produto em más condições meteorológicas (nevoeiro, chuva, ventos fortes, risco de relâmpagos ou outras condições meteorológicas). Podem ocorrer condições perigosas (tais como superfícies escorregadias) devido a más condições meteorológicas.
- Certifique-se de que pode mover-se livremente e trabalhar numa posição estável.



- Certifique-se de que não pode cair quando utilizar o produto. Não se incline quando operar o produto.
- Segure sempre o produto com ambas as mãos. Mantenha o produto do lado direito do seu corpo.



- Opere o produto com o acessório de corte abaixo da cintura.
- Se o controlo do estrangulador estiver na posição do estrangulador quando o motor arranca, o acessório de corte começa a rodar.
- Não toque na engrenagem cônica depois de o motor parar. A engrenagem cônica está quente depois de o motor parar. As áreas quentes podem causar ferimentos.
- Pare o motor antes de mover o produto.
- Não pouse o produto com o motor ligado.

- Antes de remover os materiais indesejados do produto, pare o motor e aguarde que o acessório de corte pare. Deixe o acessório de corte parar antes de o material cortado ser retirado por si ou por um ajudante.

Equipamento de proteção pessoal



ATENÇÃO: Leia as instruções de aviso que se seguem antes de utilizar o produto.

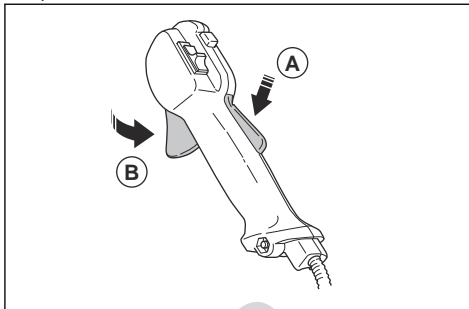
- Utilize sempre equipamento de proteção pessoal adequado quando operar o produto. O equipamento de proteção pessoal não elimina o risco de ferimentos. O equipamento de proteção pessoal diminui a gravidade dos ferimentos em caso de acidente.
- Utilize sempre uma proteção ocular aprovada enquanto opera o produto.
- Não opere o produto com os pés descalços ou com calçado aberto. Use sempre botas antiderrapantes resistentes.
- Use calças compridas e resistentes.
- Se for necessário, use luvas de proteção aprovadas.
- Use um capacete caso haja possibilidade de objetos caírem na sua cabeça.
- Utilize sempre proteção auditiva aprovada enquanto opera o produto. A exposição prolongada a ruído pode causar perda da capacidade auditiva.
- Certifique-se de que tem um kit de primeiros socorros por perto.

Dispositivos de proteção no produto

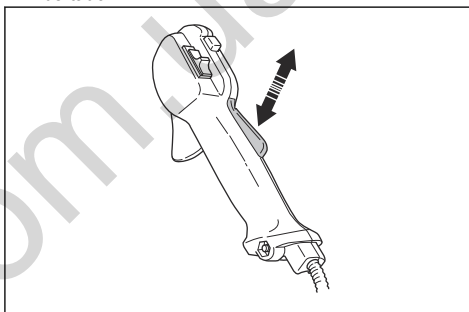
- Certifique-se de que realiza regularmente tarefas de manutenção do produto.
 - A vida útil do produto é aumentada.
 - O risco de acidentes é reduzido.
- Leve regularmente o produto a um concessionário autorizado ou a um centro de assistência autorizado para que o examinem e realizem ajustes ou reparações.
- Não utilize o produto com equipamento de proteção danificado. Se o produto estiver danificado, fale com um centro de assistência autorizado.

Verificar o bloqueio do acelerador

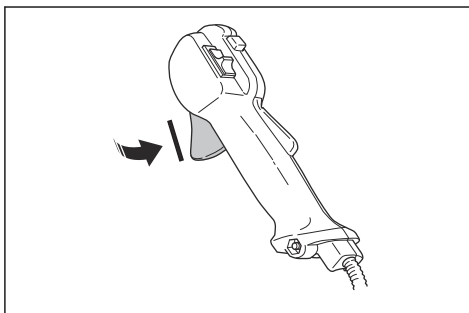
1. Certifique-se de que o bloqueio do acelerador (A) e o respetivo acelerador (B) se movem livremente e que a mola de retorno funciona corretamente.



2. Pressione o bloqueio do acelerador e certifique-se de que este regressa à sua posição inicial quando libertado.



3. Quando soltar o bloqueio do acelerador, certifique-se de que o acelerador está bloqueado na posição de ralenti.



4. Ligue o produto e aplique a aceleração total.
5. Solte o acelerador e certifique-se de que o acessório de corte para e permanece parado.

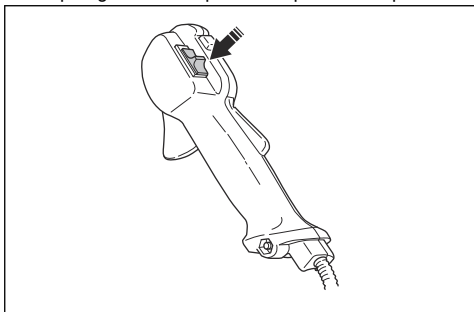


ATENÇÃO: Se o acessório de corte se mover com o acelerador na posição de ralenti, ajuste a velocidade ao ralenti do

carburador. Consulte *Ajustar o ralenti* na página 72.

Verificar o interruptor de paragem

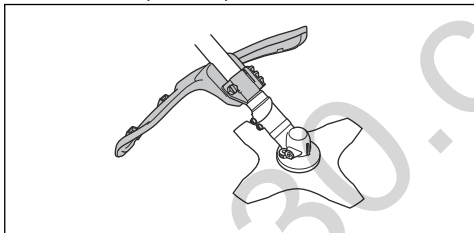
1. Ligue o motor.
2. Desloque o interruptor de paragem para a posição de paragem e certifique-se de que o motor para.



Verificar a proteção do acessório de corte

A proteção do acessório de corte evita lesões e funciona como barreira para objetos ejetados na direção do utilizador.

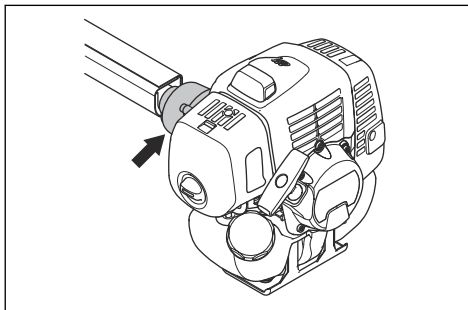
1. Desligue o motor.
2. Efetue uma inspeção visual para verificar se existem danos, como por exemplo fissuras.



3. Substitua a proteção do equipamento de corte, caso esteja danificada.

Verificar o sistema antivibração

O sistema antivibração diminui as vibrações nos punhos para um mínimo que torna o funcionamento mais fácil.



1. Desligue o motor.
2. Efetue uma inspeção visual para verificar se existem deformações e danos, como, por exemplo, fissuras.
3. Certifique-se de que os elementos do sistema antivibração estão corretamente montados.

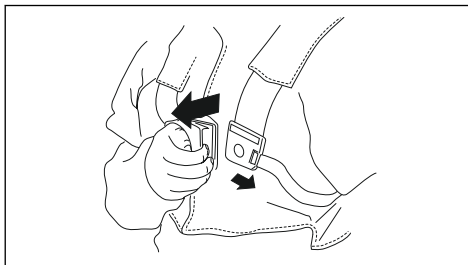
Para verificar o mecanismo de desengate rápido



ATENÇÃO: Não utilize uma correia com um mecanismo de desengate rápido defeituoso.

O mecanismo de desengate rápido permite que o operador retire o produto rapidamente da correia em caso de emergência.

1. Desligue o motor.
2. Efetue uma inspeção visual para verificar se existem danos, como por exemplo fissuras.
3. Liberte e volte a encaixar o mecanismo de desengate rápido para se certificar de que está a funcionar corretamente.



Verificar o silenciador

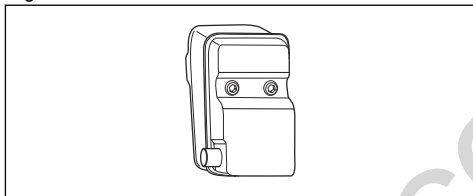


ATENÇÃO: Nunca utilize um produto com um silenciador defeituoso.

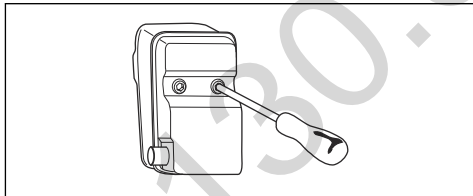


ATENÇÃO: Tenha em atenção que os gases de escape do motor são quentes e podem conter faíscas causadoras de incêndios. Nunca ligue o produto em interiores ou nas proximidades de material inflamável!

O silenciador mantém o mais baixo nível de ruído possível e afasta os gases de escape do utilizador. Para silenciadores, é muito importante que as instruções de verificação, manutenção e assistência do produto sejam seguidas.



Verifique regularmente se o silenciador está fixado ao produto.



Fixar e remover a porca de fixação

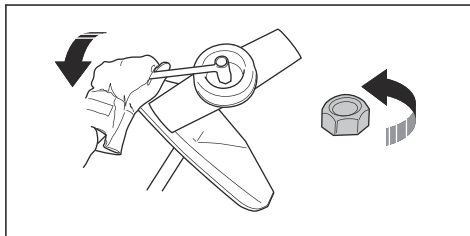


ATENÇÃO: Pare o motor, use luvas de proteção e tenha cuidado junto às extremidades afiadas do acessório de corte.

Uma porca de fixação é utilizada para bloquear alguns tipos de acessórios de corte. A porca de fixação tem uma rosca à esquerda.

- Para fixar, aperte a porca de fixação no sentido oposto ao sentido de rotação do acessório de corte.
- Para remover a porca de fixação, desaperte-a no sentido da rotação do acessório de corte.

- Para desapertar e apertar a porca de fixação, utilize uma chave de caixa com um eixo longo. A seta na imagem mostra a área em que pode utilizar a chave de caixa.



ATENÇÃO: Ao desapertar ou apertar a porca de fixação, existe um risco de ferimentos causados pela lâmina. Quando realizar esta operação, certifique-se sempre de que a proteção da lâmina protege a sua mão de ferimentos.

Nota: Certifique-se de que não pode rodar a porca de fixação com a mão. Substitua a porca, se o revestimento de nylon não tiver uma resistência de, no mínimo, 1,5 Nm. A porca de fixação tem de ser substituída depois de ser apertada cerca de 10 vezes.

Equipamento de corte

Escolher e manter o equipamento de corte para:

- Obter o máximo rendimento de corte.
- Aumentar a vida útil do equipamento de corte.
- Cumpra as instruções de verificação, manutenção e assistência técnica do silenciador.
- Utilize sempre a proteção recomendada para o equipamento de corte. Consulte as Especificações técnicas.



ATENÇÃO: Use somente o equipamento de corte junto com a proteção recomendada! Consulte o capítulo de Especificações Técnicas. Consulte as instruções do acessório de corte para verificar a forma correta de carregar a linha do aparador e o respetivo diâmetro correto.



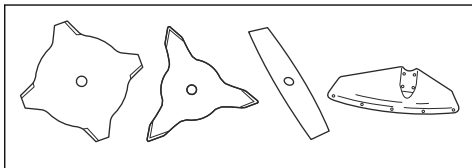
ATENÇÃO: Um equipamento de corte incorrecto pode aumentar o risco de acidentes.



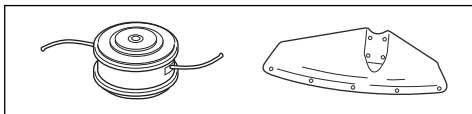
ATENÇÃO: pare sempre o motor antes de trabalhar no equipamento de corte. Este continua a girar mesmo depois de se soltar o acelerador. Certifique-se de que o acessório de corte parou completamente e retire a cobertura da vela de ignição antes de começar qualquer trabalho.

Equipamento de corte

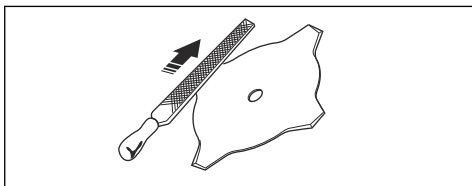
- Utilize as lâminas e lâminas para relva para cortar relva espessa.



- Utilize a cabeça do aparador para cortar a relva.



- Uma lâmina mal afiada ou danificada aumenta o risco de acidente. Mantenha sempre os dentes de corte da lâmina bem afiados. Siga as instruções em *Manutenção na página 70* e utilize o calibrador de lima recomendado.

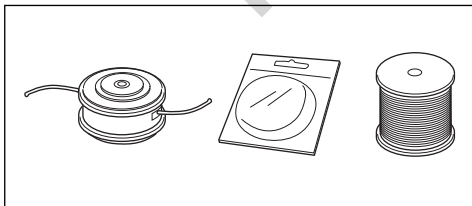


- Verifique se o acessório de corte apresenta danos e fissuras. Substitua o acessório de corte danificado.
- Utilize apenas acessórios de corte com as respectivas proteções recomendadas. Consulte *Acessórios na página 77*.

Cabeça do aparador



ATENÇÃO: Certifique-se sempre de que a linha do aparador é enrolada firme e uniformemente à volta do tambor, para evitar a ocorrência de vibrações prejudiciais.



- Utilize apenas linhas e cabeças do aparador recomendadas.
- Utilize apenas acessórios de corte recomendados.
- O comprimento da linha do aparador é importante. Para uma linha do aparador mais longa, é necessário obter mais potência do motor do que

para uma linha do aparador mais curta do mesmo diâmetro.

- Não desloque a posição de instalação da proteção do aparador.
- Certifique-se de que a lâmina da proteção do aparador não está danificada. A lâmina corta a linha do aparador com o comprimento correto.
- Embeba a linha do aparador em água durante 2 dias antes da utilização para aumentar a vida útil.

Lâminas e cortadoras de relva

- Utilize o produto com uma lâmina de relva aprovada. Não utilize uma lâmina de relva sem instalar adequadamente todas as peças necessárias. Certifique-se de que a instalação é feita corretamente e que são utilizadas as peças adequadas. Uma instalação incorreta pode fazer com que a lâmina se desprenda e cause ferimentos graves ao operador ou a terceiros.
- Use luvas de proteção quando manusear ou realizar tarefas de manutenção na lâmina.
- Utilize proteção para a cabeça quando utilizar um produto com uma lâmina de relva.
- As lâminas e as cortadoras de relva são utilizadas para cortar relva irregular.
- A lâmina de relva pode causar ferimentos se continuar a rodar depois de o motor ser desligado ou o acelerador ser libertado. Certifique-se de que a lâmina de relva parou completamente de rodar antes de realizar qualquer tarefa de manutenção.
- Pare o motor antes de realizar tarefas no acessório de corte. Certifique-se de que o acessório de corte para completamente. Remova o cabo da vela de ignição.
- Utilize apenas um acessório de corte aprovado ou uma lâmina corretamente afiada.
- Mantenha sempre os dentes de corte da lâmina bem afiados.
- Não utilize um acessório de corte danificado.
- Fixe a proteção para transporte na lâmina de relva quando transportar ou armazenar o produto.

Arremesso da lâmina

- Um arremesso da lâmina é um movimento súbito do produto para o lado, para a frente ou para trás. O arremesso da lâmina ocorre quando a lâmina de relva atinge um objeto que não pode ser cortado. Nas zonas onde que não é fácil ver o material a cortar, o risco de arremesso da lâmina aumenta.
- Quando ocorre um arremesso da lâmina, existe o risco de o produto ou o operador mudar de posição. Uma lâmina que se desloque pode atingir terceiros e, por isso, existe o risco de causar ferimentos.
- Se uma lâmina estiver dobrada, apresentar fissuras, estiver partida ou danificada, elimine-a.
- Use uma lâmina afiada. O risco de arremesso da lâmina aumenta quando a lâmina não está afiada.

Segurança no manuseamento do combustível

- Não ligue o produto se houver combustível ou óleo do motor sobre o produto. Remova o combustível/ óleo indesejado e deixe o produto secar. Remova o combustível indesejado do produto.
- Se derramar combustível na sua roupa, troque de roupa imediatamente.
- Não deixe que o combustível entre em contacto com o seu corpo, pois pode causar ferimentos. Se o combustível entrar em contacto com o seu corpo, use sabão e água para o remover.
- Não ligue o motor se derramar óleo ou combustível no produto ou no seu corpo.
- Não ligue o produto se o motor tiver uma fuga. Examine regularmente o motor quanto a fugas.
- Tenha cuidado com o combustível. O combustível é inflamável e os gases são explosivos e podem causar ferimentos ou morte.
- Não respire os gases do combustível, podem causar ferimentos. Certifique-se de que existe um fluxo de ar suficiente.
- Não fume perto de combustível ou do motor.
- Não coloque objetos quentes perto do combustível ou do motor.
- Não acrescente combustível com o motor em funcionamento.
- Certifique-se de que o motor está frio antes de reabastecer.
- Antes de reabastecer, abra lentamente a tampa do depósito de combustível e liberte a pressão com cuidado.
- Não adicione combustível ao motor numa área interior. O fluxo de ar insuficiente pode causar ferimentos ou morte devido a asfíxia ou monóxido de carbono.
- Aperte a tampa do depósito de combustível com cuidado ou pode ocorrer um incêndio.
- Desloque o produto a uma distância mínima de 3 m (10 pés) da posição onde abasteceu o depósito antes de começar.
- Não encha demasiado o depósito de combustível.
- Certifique-se de que não ocorrem fugas quando desloca o produto ou o recipiente de combustível.
- Não coloque o produto ou um recipiente de combustível onde houver uma chama aberta, fâsca ou luz piloto. Certifique-se de que a área de armazenamento não contém uma chama aberta.
- Utilize apenas recipientes aprovados quando deslocar ou armazenar o combustível.
- Esvazie o depósito de combustível antes do armazenamento a longo prazo. Respeite a legislação local sobre a eliminação de combustível.
- Limpe o produto antes do armazenamento a longo prazo.
- Remova o cabo de vela de ignição antes de armazenar o produto, para se certificar de que o motor não arranca acidentalmente.

Instruções de segurança para manutenção

- Se não for possível ajustar o ralenti para parar o acessório de corte, fale com o seu centro de assistência. Não utilize o produto até este estar corretamente regulado ou reparado.

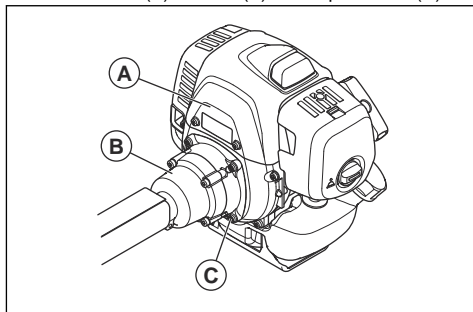
Montagem



ATENÇÃO: Leia o capítulo sobre segurança antes de montar o produto.

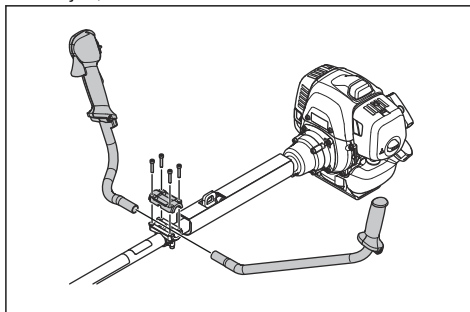
Instalar a estrutura do produto

- Fixe o motor (A) ao tubo (B) com 4 parafusos (C).

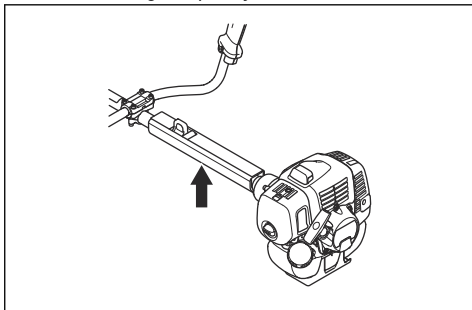


Instalar a barra de direção (531RS, 541RS)

1. Monte a barra de direção no grampo da barra de direção, sobre o eixo.

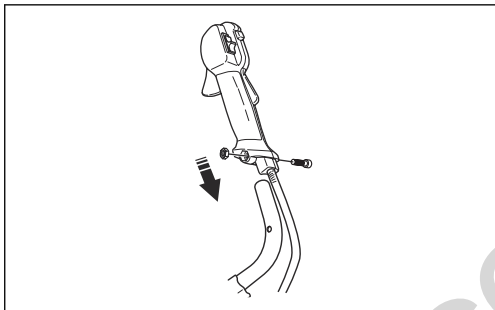


2. Instale a manga de proteção.

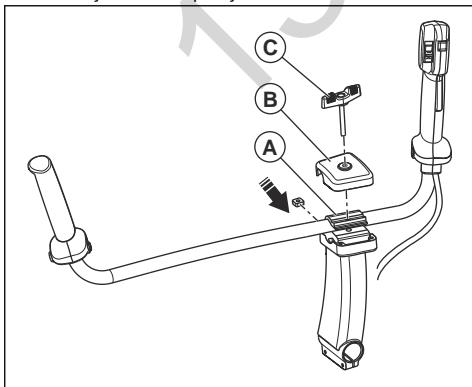


Instalar a barra de direção (541RST)

1. Retire o parafuso que se encontra atrás do punho do acelerador.



2. Instale o punho do acelerador na barra de direção do lado direito.
3. Alinhe o orifício que se encontra atrás do punho do acelerador com o orifício na barra de direção.
4. Passe o parafuso pelos orifícios. Aperte o parafuso.
5. Coloque o conjunto da barra de direção e a porca quadrada no suporte. Certifique-se de que a barra de direção está na posição correta.

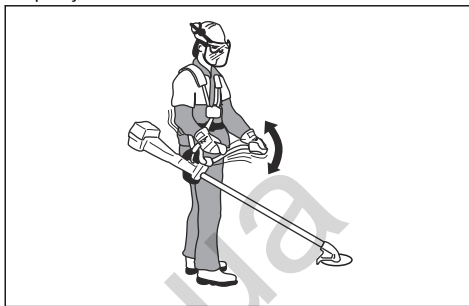


6. Instale o grampo da barra de direção (A), a cobertura (B) e o botão (C).

7. Alinhe os orifícios para o parafuso do botão.
8. Aperte o botão para bloquear firmemente a barra de direção.

Instalar a correia

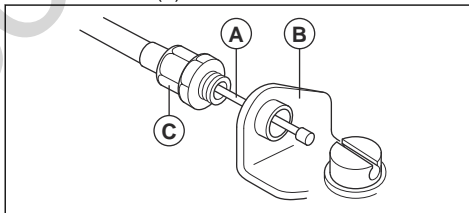
1. Coloque a correia e pendure o produto no ponto de suspensão.
2. Ajuste o punho para colocar o produto numa boa posição de trabalho.



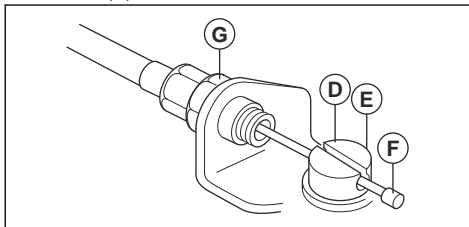
3. Aperte totalmente os parafusos.

Ligar o cabo do acelerador e os fios do cabo de paragem

1. Retire a cobertura do filtro de ar.
2. Instale o cabo do acelerador (A) através do suporte do carburador (B).

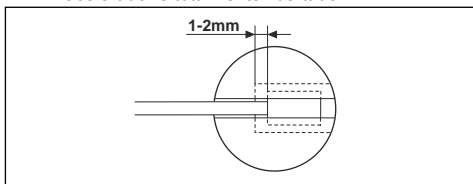


3. Rode a manga de ajuste do cabo (C) completamente no suporte do carburador.
4. Coloque a ranhura de encaixe (D) no carburador. Nesta altura, o orifício rebaixado (E) do terminal do cabo (F) encontra-se afastado da manga de ajuste do cabo (C).

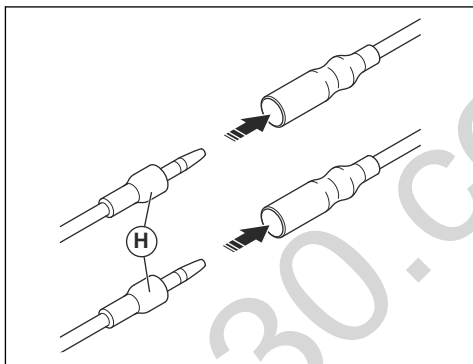


5. Rode o came do acelerador do carburador e deslize o cabo do acelerador (A) através da ranhura para a ranhura de encaixe.

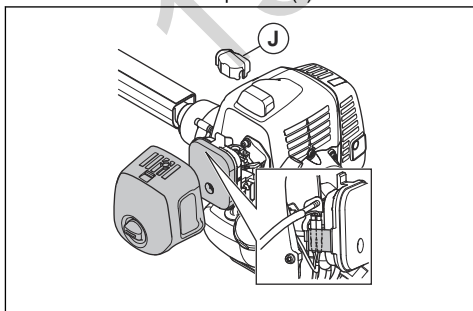
6. Certifique-se de que o terminal do cabo (F) encaixa no orifício rebaixado.
7. Utilize o acelerador algumas vezes para se certificar de que funciona corretamente.
8. Ajuste a manga de ajuste do cabo (C).
 - a) Certifique-se de que o batente do came do acelerador do carburador entra devidamente em contacto com o batente do acelerador.
 - b) Certifique-se de que a posição do cabo mantém uma distância de 1 a 2 mm entre o terminal do cabo (F) e a ranhura de encaixe quando o acelerador é totalmente libertado.



9. Se o cabo do acelerador (A) estiver ajustado corretamente, aperte a porca de fixação (G).
10. Ligue os fios do cabo de paragem (H) aos conectores do motor.



11. Instale a cobertura antipoeiras (J).



12. Instale a cobertura do filtro de ar.

Instalar lâminas e cabeças de aparador



ATENÇÃO: Utilize apenas a proteção aprovada para as lâminas. Consulte o capítulo *Acessórios na página 77*. Uma proteção com defeito pode causar ferimentos.

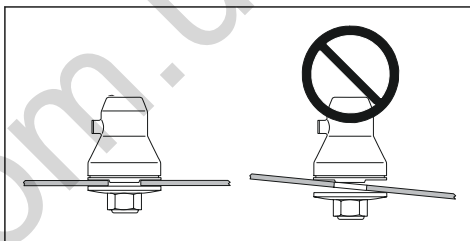


ATENÇÃO: Se utilizar o produto com uma lâmina de relva, instale primeiro a barra de direção, a proteção da lâmina e a correia corretas.



ATENÇÃO: A instalação incorreta das lâminas pode causar ferimentos.

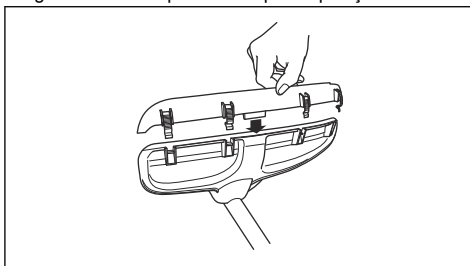
1. Certifique-se de que a secção elevada do acionador/flange de apoio encaixa corretamente no orifício central das lâminas.
2. Instale as lâminas.



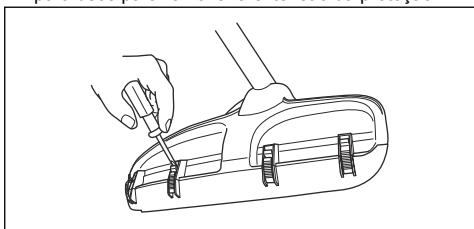
Para fixar e remover a extensão da proteção

A extensão da proteção é utilizada na proteção do acessório de corte. Instale a extensão da proteção quando utilizar a cabeça do aparador ou lâminas de plástico. Remova a extensão da proteção quando utilizar uma lâmina de relva.

- Coloque a guia da extensão da proteção na ranhura da proteção do acessório de corte. Bloqueie os 4 ganchos de bloqueio na respetiva posição.



- Liberte os ganchos de bloqueio com a chave de parafusos para remover a extensão da proteção.



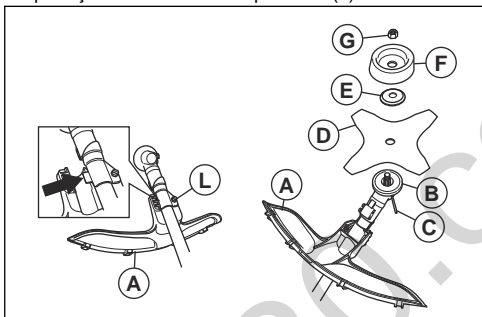
Fixar uma proteção da lâmina, uma lâmina de relva e uma cortadora de relva



GUIADADO: Certifique-se de que extensão da proteção é removida.

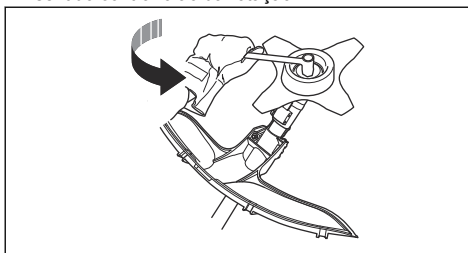
Nota: Use a proteção da lâmina recomendada. Consulte *Acessórios na página 77*.

1. Instale a proteção da lâmina no eixo. Fixe a proteção da lâmina com o parafuso (L).



2. Fixe o acionador (B) ao eixo de saída.
3. Rode o eixo de saída até que 1 dos orifícios do acionador fique alinhado com o orifício na caixa de engrenagem.
4. Coloque o pino de bloqueio ou a chave sextavada (C) no orifício para bloquear o eixo.
5. Coloque a lâmina (D), o flange de apoio (E) e o copo de apoio (F) no eixo de saída.
6. Instale a porca (G). Utilize a chave combinada e aperte a porca com um binário de 35 a 50 Nm. Mantenha o cabo da chave combinada o mais próximo possível da proteção da lâmina.

7. Para apertar a porca, rode a chave combinada no sentido contrário ao da rotação.

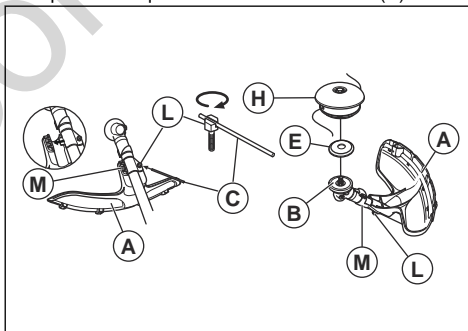


Nota: Rosca do lado esquerdo.

Para fixar a proteção e a cabeça do aparador

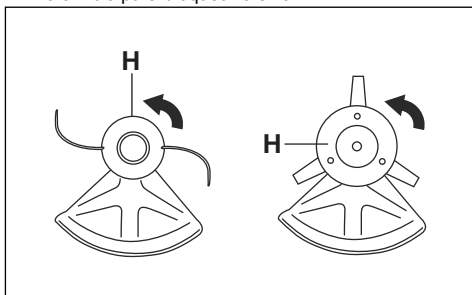
Nota: Certifique-se de que utiliza a proteção do aparador correta para a cabeça do aparador correta.

1. Fixe a proteção do aparador/proteção combinada correta (A) para a cabeça do aparador.
2. Pendure a proteção do aparador/proteção combinada (A) nos 2 ganchos no suporte da placa (M).
3. Instale a proteção do aparador/proteção combinada à volta do eixo e aperte-a com o parafuso (L). Utilize o pino de bloqueio ou a chave sextavada (C).



4. Coloque o pino de bloqueio ou a chave sextavada (C) na ranhura da cabeça do parafuso e aperte.
5. Fixe o acionador (B) e o flange de apoio (E) no eixo de saída.
6. Rode o eixo de saída até que um dos orifícios do acionador fique alinhado com o orifício correspondente na caixa de engrenagem.

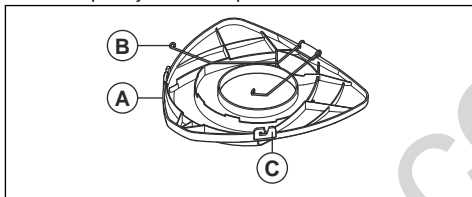
7. Instale o pino de bloqueio ou a chave sextavada (C) no orifício para bloquear o eixo.



8. Monte a cabeça do aparador/as lâminas de plástico (H). Rode a cabeça do aparador/as lâminas de plástico para a esquerda.
9. Para desmontar, siga as instruções na sequência oposta.

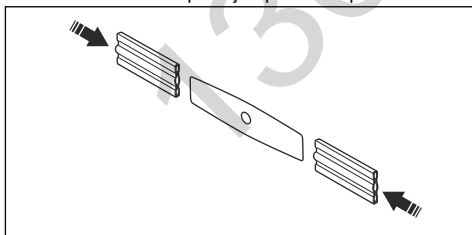
Instalar a proteção para transporte

1. Instale a lâmina na proteção para transporte (A).
2. Encaixe os dois fechos (B) nas ranhuras (C) para fixar a proteção de transporte.



Instalar a lâmina de 2 dentes na proteção

1. Insira a lâmina na proteção para transporte.



Ajustar a correia



ATENÇÃO: O produto tem de estar sempre bem fixo à correia. Não utilize uma correia danificada.

1. Pegue no suporte.
2. Ligue o produto à correia.
3. Ajuste a correia para a melhor posição de trabalho.
4. Ajuste as alças laterais de forma a que o produto exerça o mesmo peso em cada ombro.



5. Ajuste a correia até o acessório de corte ficar paralelo ao chão.
6. Apoie ligeiramente o equipamento de corte no chão. Ajuste o grampo da correia para equilibrar corretamente o produto.

Nota: Se utilizar uma lâmina de relva, tem de equilibrar o produto a cerca de 10 cm/4 pol. do chão.

Funcionamento



ATENÇÃO: Certifique-se de que lê e compreende o capítulo sobre segurança antes de operar o produto.

Combustível

Utilizar combustível



CUIDADO: Este produto tem um motor de dois tempos. Utilize uma mistura de gasolina e óleo de motor de dois tempos. Certifique-

se de utiliza a quantidade correta de óleo na mistura. A relação incorreta de gasolina e óleo pode causar danos ao motor.

Gasolina



CUIDADO: Não utilize gasolina com um índice de octanas inferior a 90 RON (87 AKI). Caso contrário, pode causar danos no produto.



CUIDADO: Não utilize gasolina com mais de 10% de concentração de etanol (E10). Caso contrário, pode causar danos no produto.

- Utilize sempre gasolina sem chumbo nova com um índice de octanas mínimo de 90 RON (87 AKI) e com menos de 10% de concentração de etanol (E10).
- Utilize gasolina com um índice de octanas superior se costumar utilizar o produto a uma velocidade do motor continuamente elevada.

Óleo de motor de dois tempos

- Utilize apenas óleo do motor de dois tempos de elevada qualidade, especialmente o óleo de dois tempos HUSQVARNA. Utilize apenas o óleo de um motor refrigerado a ar.
- Proporção da mistura de 50:1 (2%).
- Um óleo de baixa qualidade e uma mistura de óleo/combustível demasiado rica podem diminuir a vida útil dos catalisadores.
- Fale com o seu revendedor quando selecionar um óleo.
- Se não houver óleo para motor de dois tempos Husqvarna disponível, pode utilizar outro óleo para motor de dois tempos de boa qualidade destinado a motores arrefecidos a ar. Consulte o seu revendedor ao selecionar o óleo.
- Não utilize óleo para motor de dois tempos concebido para motores fora de borda arrefecidos a água. O óleo para motor de dois tempos é também denominado óleo para motores fora de borda.

Gasolina, litros	Óleo, litros
	2% (50:1)
5	0,1
10	0,2
15	0,3
20	0,4

Preparar a mistura de combustível

Nota: Utilize sempre um recipiente de combustível limpo quando misturar o combustível.

Nota: Não prepare uma quantidade de mistura de combustível para mais de 30 dias.

1. Adicione metade da quantidade de gasolina.
2. Adicione a quantidade total de óleo.
3. Agite a mistura de combustível para misturar o conteúdo.
4. Adicione a restante quantidade de gasolina.
5. Agite a mistura de combustível para misturar o conteúdo.
6. Encha o depósito de combustível.

Adicionar combustível



ATENÇÃO: Não fume nem coloque objetos quentes junto ao combustível. Antes de adicionar o combustível, desligue o motor e deixe-o arrefecer durante alguns minutos.



ATENÇÃO: Quando adicionar o combustível, abra a tampa do depósito de combustível lentamente para libertar a pressão indesejada.



ATENÇÃO: Após adicionar o combustível, aperte a tampa do depósito de combustível com cuidado. Afaste a máquina do local de abastecimento e da alimentação antes de ligar o motor.

- Use reservatórios de combustível com proteção contra enchimento excessivo.
- Certifique-se de que a área perto da tampa do depósito de combustível está limpa. A presença de sujidade no depósito causa problemas de funcionamento.
- Agite o recipiente de combustível antes de adicionar a mistura de combustível ao depósito de combustível.

Ligar e desligar

Examinar antes de começar

1. Examine o produto quanto a peças em falta, danificadas, soltas ou desgastadas.
2. Examine as porcas e os parafusos.
3. Examine as lâminas.
4. Examine a porca de fixação. Certifique-se de que a porca de fixação tem uma força de fixação de, no mínimo, 1,5 Nm. Aperte a porca de fixação a 35-50 Nm.
5. Examine o filtro de ar.
6. Examine o bloqueio do acelerador e o acelerador.
7. Examine o interruptor de paragem.
8. Examine o produto quanto a fugas de combustível.

Arrancar com o motor frio



ATENÇÃO: Antes de ligar o produto, monte a cobertura da embraiagem, completa com o eixo. Uma embraiagem solta pode causar ferimentos. Use luvas.

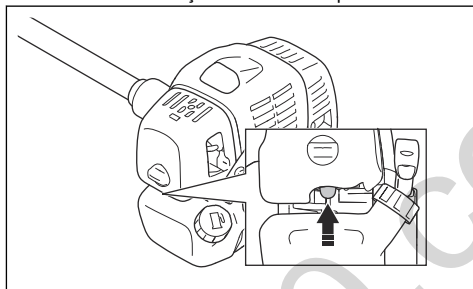


ATENÇÃO: Afaste o produto do local de abastecimento e da fonte de combustível. Coloque-o numa superfície plana. Certifique-se de que não existem objetos em contacto com o acessório de corte.

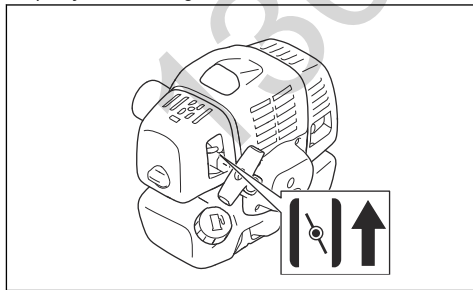


ATENÇÃO: Certifique-se de que não se encontram pessoas não autorizadas na área de trabalho. Caso contrário, existe risco de ferimentos graves. A distância de segurança é de 15 m.

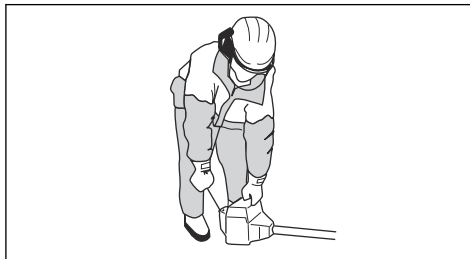
1. Coloque o interruptor de paragem na posição de arranque.
2. Pressione a ampola da purga de ar até o combustível começar a encher a ampola.



3. Desloque o controlo do estrangulador para a posição de estrangular.



4. Segure o produto no solo. Puxe lentamente o cabo de arranque com a mão direita até sentir alguma resistência.



Nota: Não enrole o cabo de arranque na mão.



CUIDADO: Não puxe totalmente o cabo de arranque. Segure o punho do cabo de arranque quando estiver totalmente estendido. O não cumprimento destas instruções pode causar danos ao motor.

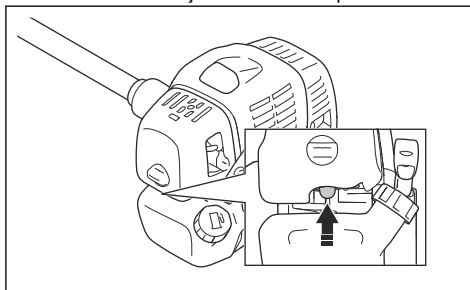
5. Puxe o cabo de arranque rapidamente e com força até ouvir o arranque do motor.
6. Coloque o controlo do estrangulador na posição de arranque.



ATENÇÃO: Não toque na cobertura. Se a cobertura da vela de ignição estiver danificada, pode causar queimaduras na pele e provocar um choque elétrico. Não utilize um produto com uma cobertura da vela de ignição danificada.

Arrancar com o motor quente

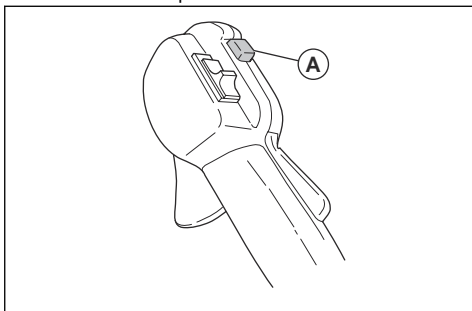
1. Coloque o interruptor de paragem na posição de arranque.
2. Pressione a ampola da purga de ar até o combustível começar a encher a ampola.



3. Coloque o controlo do estrangulador na posição original e, em seguida, puxe o cabo de arranque até o motor arrançar.

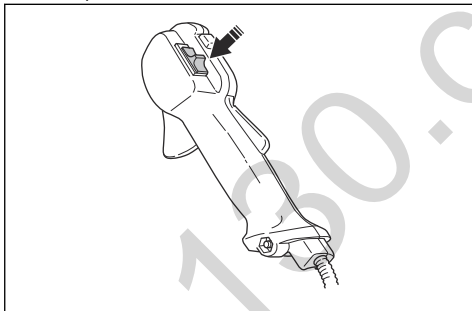
Arranque com um punho do acelerador com um bloqueio de aceleração de arranque

1. Empurre o bloqueio do acelerador e o acelerador para colocar o acelerador na posição de arranque. Prima o botão de aceleração de arranque (A).
2. Solte o bloqueio do acelerador e o acelerador, seguido do botão de aceleração de arranque. A função de aceleração está agora ativada.
3. Para voltar a colocar o motor ao ralenti, pressione novamente o bloqueio do acelerador e o acelerador.



Parar o motor

1. Empurre o interruptor do acelerador para a posição de ralenti.
2. Desloque o interruptor de paragem para a posição de stop.



Operar o aparador de relva



CUIDADO: Certifique-se de que abrande o motor ao ralenti após cada utilização. Um longo período em aceleração total sem carga no motor pode causar danos ao motor.

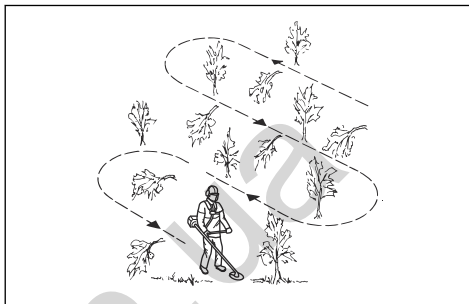
Nota: Limpe a tampa da cabeça do aparador quando montar uma nova linha do aparador para evitar vibrações. Examine outras peças da cabeça do aparador e limpe se necessário.

Instruções gerais de trabalho

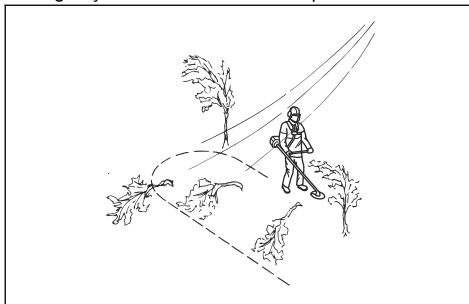


ATENÇÃO: Tenha cuidado ao cortar uma árvore que se encontra sob tensão. Pode voltar à sua posição normal antes ou depois do corte e atingi-lo a si ou ao produto, provocando ferimentos.

- Limpe uma área numa das extremidades da área de trabalho e comece o trabalho a partir daí.
- Desloque-se em padrões regulares ao longo da área de trabalho.



- Mova o produto totalmente para a esquerda e para a direita para limpar uma área de 4-5 m de cada vez.
- Limpe uma área de 75 m antes de se virar e voltar atrás. Mova o recipiente de combustível juntamente consigo à medida que avança.
- Desloque-se numa direção em que não atravesse mais valas e obstáculos do que o necessário.
- Desloque numa direção em que o vento faça cair a vegetação cortada numa área limpa.

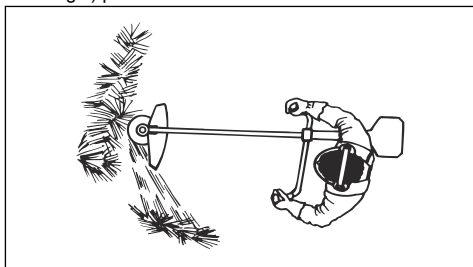


- Mova-se ao longo dos declives e não a subir e a descer.

Limpar a relva com uma lâmina de relva

1. Mantenha os pés afastados ao operar o produto. Certifique-se de que os pés estão bem assentes no solo.
2. Coloque cuidadosamente o copo de apoio no solo. Isto impede o contacto da lâmina com o solo.

- Utilize um movimento lateral da direita para a esquerda para um corte limpo. Utilize o lado esquerdo da lâmina (entre as posições correspondentes às 8 e 12 horas dos ponteiros do relógio) para cortar.

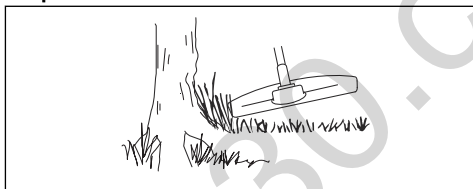


- Incline a lâmina para a esquerda para limpar a relva.

Nota: A relva é recolhida facilmente em linha.

- Utilize um movimento lateral da esquerda para a direita para o movimento de retorno.
- Trabalhe com ritmo.
- Desloque-se para a frente e mantenha os pés bem assentes no solo.
- Desligue o motor.
- Retire o produto do grampo na correia.
- Coloque o produto no solo.
- Recolha o material cortado.

Limpar

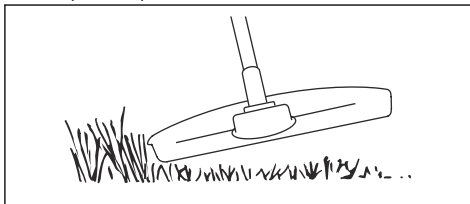


Para obter os melhores resultados:

- Segure o aparador de modo a que a cabeça do aparador esteja ligeiramente acima do solo.
- Incline ligeiramente a cabeça do aparador.
- Permita que a extremidade da linha do aparador toque no solo à volta de objetos

Aparar a relva

- Mantenha a cabeça do aparador um pouco acima do solo a um determinado ângulo. Não empurre a linha do aparador para a relva.

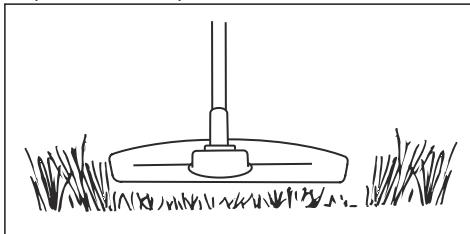


- Reduza o comprimento da linha do aparador em 10-12 cm/4-4,75 pol.
- Reduza a velocidade do motor para diminuir o risco de danos nas plantas.
- Utilize 80% da aceleração quando cortar relva perto de objetos.



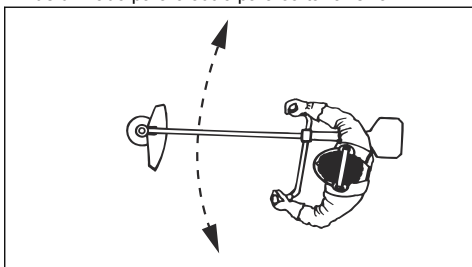
Cortar a relva

- Certifique-se de que a linha do aparador está paralela ao solo quando cortar.



- Não empurre a cabeça do aparador para o solo. O solo e o produto podem ser danificados.
- Não deixe a cabeça do aparador tocar no solo continuamente; pode causar danos à cabeça do aparador.

4. Utilize a aceleração total quando deslocar o produto de um lado para o outro para cortar a relva.



Para aparar a relva

O fluxo de ar da linha do aparador a girar pode ser utilizado para remover a relva cortada de uma área.

1. Mantenha a cabeça e a linha do aparador paralelos ao solo e acima do solo.
2. Acelere ao máximo.
3. Mova a cabeça do aparador de um lado para o outro e apare a relva.



ATENÇÃO: Limpe a cobertura da cabeça do aparador sempre que instalar uma nova linha do aparador para evitar desequilíbrios e vibrações nos punhos. Efetue também uma verificação das outras peças da cabeça do aparador e limpe-as, se necessário.

Substituir a linha do aparador

Consulte a última página deste manual do utilizador.

Manutenção



ATENÇÃO: Certifique-se de que leu e compreendeu o capítulo sobre segurança

antes de limpar, reparar ou realizar tarefas de manutenção no produto.

Esquema de manutenção

Manutenção	Diaria-mente	Semanal-mente	Mensal-mente
Limpe a superfície externa.	X		
Verifique se a correia apresenta sinais de danos.	X		
Verifique o acelerador.	X		
Verifique se o acessório de corte não gira ao ralenti.	X		
Verifique o interruptor de paragem. Consulte <i>Verificar o interruptor de paragem na página 58.</i>	X		
Examine a proteção do acessório de corte quanto a danos e fissuras.	X		
Certifique-se de que a lâmina de relva está alinhada com o centro. Certifique-se de que a lâmina de relva está afiada e que a lâmina ou o orifício central não se encontram danificados.	X		
Examine a cabeça do aparador quanto a danos e fissuras. Se estiver danificado, substitua.	X		
Examine o punho e a barra de direção quanto à existência de danos e certifique-se de que estão ligados corretamente.	X		
Em acessórios de corte com um copo de apoio, aperte corretamente o parafuso de fixação.	X		
Em acessórios de corte com uma porca de fixação, aperte corretamente a porca de fixação.	X		
Examine a proteção para transporte quanto à existência de danos e certifique-se de que pode ser fixada corretamente.	X		

Manutenção	Diariamente	Semanalmente	Mensalmente
Examine o motor, o depósito de combustível e os tubos de combustível quanto a fugas.	X		
Limpe o filtro de ar. Substitua, se necessário.	X		
Aperte as porcas e os parafusos.	X		
Verifique o filtro de combustível quanto à existência de contaminação e a mangueira de combustível quanto a fissuras e outros defeitos. Substitua, se necessário.	X		
Examine todos os cabos e ligações.	X		
Verifique o dispositivo de arranque e a corda de arranque quanto a danos.		X	
Examine a vela de ignição. Consulte <i>Examinar a vela de ignição na página 74</i> .		X	
Certifique-se de que a engrenagem cônica contém $\frac{3}{4}$ do volume total de massa lubrificante.		X	
Limpe a superfície exterior do carburador e a área circundante.		X	
Limpe a vela de ignição. Remova a vela de ignição e efetue uma verificação da distância entre os eletrodos. Ajuste a distância entre os eletrodos ou substitua a vela de ignição, se necessário. Consulte <i>Especificações técnicas na página 76</i> . Certifique-se de que a vela de ignição está instalada com um supressor.		X	
Examine se a embraiagem, as molas da embraiagem e o tambor da embraiagem apresentam sinais de desgaste. Substitua, se necessário.			X
Substitua a vela de ignição. Certifique-se de que a vela de ignição está instalada com um supressor.			X
Lubrifique o eixo motriz.			X
Certifique-se de que as unidades antivibração não estão danificadas.		X	
Limpe o sistema de arrefecimento do produto.		X	
Limpe o silenciador.			X

Ajustar o carburador

As definições básicas do carburador são ajustadas durante os testes na fábrica. O ajuste tem de ser efetuado por um técnico com formação.

Verificar o silenciador



ATENÇÃO: Não utilize um produto com um silenciador defeituoso. Substitua sempre um silenciador defeituoso.



ATENÇÃO: Risco de queimaduras ou incêndio. Os silenciadores com catalisadores aquecem muito durante o funcionamento.



ATENÇÃO: Risco de incêndio. O silenciador reduz o nível de ruído e identifica os gases de escape do operador. Os gases de

escape são quentes e podem conter faíscas.



CUIDADO: A rede retentora de faíscas tem de ser substituída se estiver danificada. Não utilize o produto se este não tiver uma rede retentora de faíscas ou se esta estiver defeituosa.



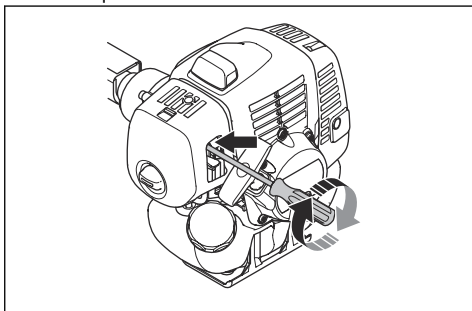
CUIDADO: Se a rede retentora de faíscas estiver bloqueada, o produto fica demasiado quente. Isto provoca danos no cilindro e no pistão.

1. Certifique-se de que o silenciador não está danificado.
2. Certifique-se de que o silenciador está devidamente instalado no produto.

Ajustar o ralenti

O seu produto Husqvarna foi fabricado em conformidade com especificações que reduzem as emissões de gases prejudiciais.

1. Certifique-se de que o filtro de ar está limpo e que a cobertura do filtro de ar está montada antes de ajustar a velocidade de ralenti.
2. Ajuste o ralenti com o parafuso em T do ralenti, identificado com a marca "T".
 - a) Rode o parafuso em T do ralenti para a direita até que o acessório de corte comece a rodar.



- b) Rode o parafuso em T do ralenti para a esquerda até o acessório de corte parar.



ATENÇÃO: Se o acessório de corte não parar quando ajusta o ralenti, contacte o seu revendedor de assistência. Não utilize o produto até que esteja devidamente ajustado ou reparado.

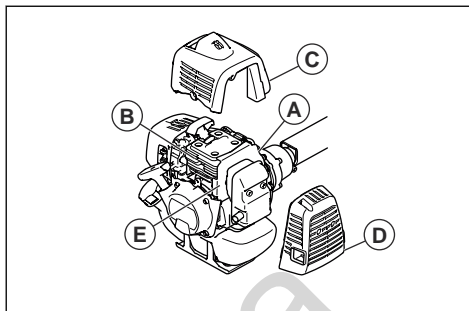
3. O ralenti está correto se o motor funcionar suavemente em todas as posições. O ralenti tem de ser inferior à velocidade quando o equipamento de corte começar a rodar.

Nota: Consulte *Especificações técnicas na página 76* para obter mais informações sobre o ralenti recomendado.

Sistema de arrefecimento

O produto tem um sistema de arrefecimento para manter a temperatura de funcionamento baixa.

O sistema de arrefecimento possui:



- Aletas do volante (A)
- Aletas de arrefecimento no cilindro (B)
- Cobertura do cilindro (C) (conduz o ar de arrefecimento ao cilindro)
- Cobertura do silenciador (D)
- Placa do silenciador (E)

Limpar o sistema de arrefecimento

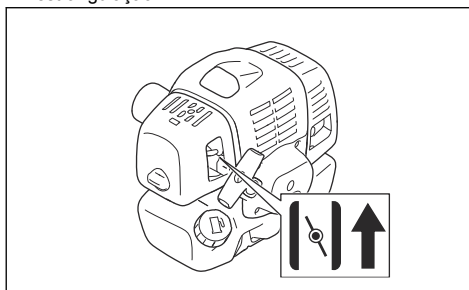


ATENÇÃO: Um sistema de arrefecimento sujo ou obstruído provoca sobreaquecimento. Esta situação provoca danos no pistão e no cilindro.

1. Limpe as peças do sistema de arrefecimento com uma escova pelo menos uma vez por semana.

Filtro de ar

- Limpe o filtro em intervalos de 25 horas. Se necessário, limpe-o mais frequentemente.
- Ponha o controlo do estrangulador na posição de estrangulação.



Para limpar o filtro de ar

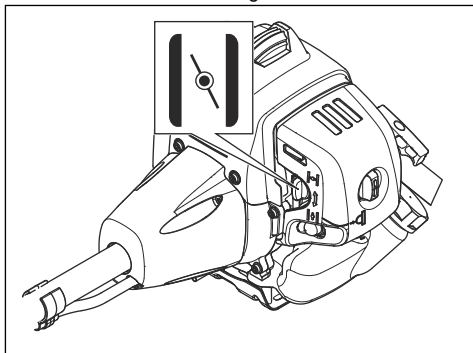
Limpe o filtro em intervalos de 25 horas. Se necessário, limpe-o mais frequentemente.



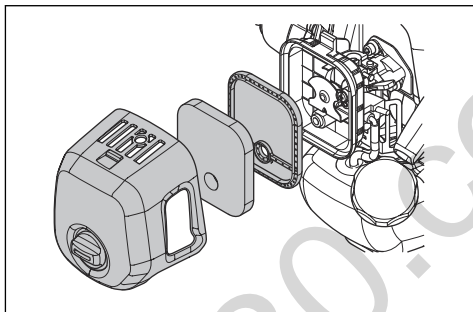
CUIDADO: Substitua sempre um filtro de ar que esteja danificado, muito sujo ou embebido em combustível.

Se utilizar um filtro de ar durante muito tempo, este não pode ser totalmente limpo. Substitua o filtro de ar por um filtro novo em intervalos regulares.

1. Feche a válvula do estrangulador.



2. Retire a cobertura do filtro de ar.



3. Retire o filtro de ar.
4. Limpe o filtro de ar com água quente com sabão.
5. Substitua o filtro de ar caso esteja demasiado sujo para o limpar totalmente. Substitua sempre um filtro de ar danificado.
6. Limpe a superfície interior da cobertura do filtro de ar. Utilize ar ou uma escova.
7. Certifique-se de que o filtro de ar está seco.
8. Utilize óleo para motores de dois tempos Husqvarna para colocar no filtro de ar. Se existir demasiado óleo no filtro de ar, retire o óleo em excesso antes de instalar o filtro de ar.

Aplicar óleo no filtro de ar de espuma

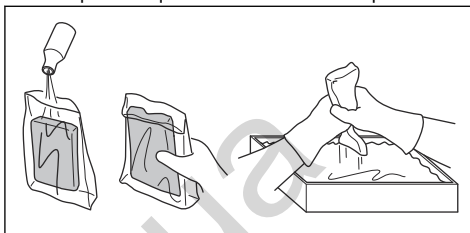


CUIDADO: Utilize sempre o óleo do filtro de ar especial da Husqvarna. Não utilize outros tipos de óleo.



ATENÇÃO: Calce as luvas de proteção. O óleo do filtro de ar pode provocar irritações cutâneas.

1. Coloque o filtro de ar de espuma num saco de plástico.
2. Coloque o óleo no saco de plástico.
3. Esfregue o saco de plástico para distribuir o óleo uniformemente pelo filtro de ar de espuma.
4. Empurre o óleo indesejado para fora do filtro de ar de espuma enquanto estiver no saco de plástico.



Filtro de feltro

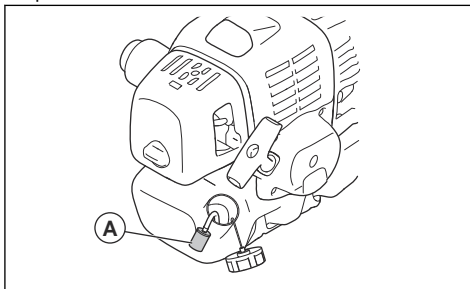
- Bata cuidadosamente com o filtro de feltro na sua mão ou utilize ar comprimido para o limpar.



CUIDADO: Não utilize água para limpar o filtro de feltro. A água pode provocar danos no filtro de feltro.

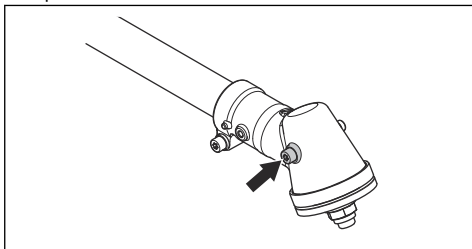
Filtro de combustível

Se a alimentação de combustível ao motor falhar, certifique-se de que a tampa do depósito de combustível e o filtro de combustível (A) não estão bloqueados.



Adicionar massa lubrificante à engrenagem cônica

- Certifique-se de que a engrenagem cônica apresenta 3/4 do volume total de massa lubrificante.

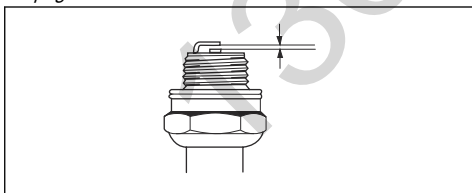


Examinar a vela de ignição



CUIDADO: utilize sempre o tipo de vela de ignição recomendado. Um tipo de vela de ignição incorreto pode provocar danos no produto.

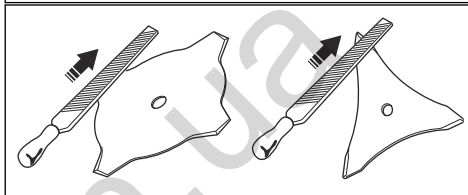
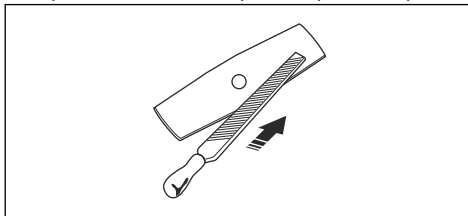
- Examine a vela de ignição para verificar se o motor apresenta uma potência reduzida ou dificuldades de arranque, ou se não funciona corretamente ao ralenti.
- Para diminuir o risco de materiais indesejados nos eletrodos da vela de ignição, siga estas instruções:
 - a) Assegure-se de que a rotação em vazio está corretamente regulada.
 - b) Certifique-se de que a mistura de combustível está correta.
 - c) Certifique-se de que o filtro de ar está limpo.
- Se a vela de ignição estiver suja, limpe-a e certifique-se de que a distância entre os eletrodos está correta; consulte *Especificações técnicas na página 76*.



- Se for necessário, substitua a vela de ignição.

Afiar as lâminas e as cortadoras de relva

- Afie todas as bordas das lâminas e das cortadoras de relva do mesmo modo, a fim de manter o equilíbrio. Use uma lima plana de picado simples.



Resolução de problemas

Resolução de problemas

Falha no arranque		
Verificação	Causa possível	Solução
Botão STOP	Posição de paragem	Leve o contacto de paragem à posição de arranque.
Prendedores de arranque	Prendedores de ligação	Ajuste ou substitua os prendedores.
		Limpe a área em redor dos prendedores.
		Contacte um revendedor com assistência técnica aprovado.
Depósito de combustível	Tipo de combustível errado.	Purgar e utilizar o combustível correto.
Carburador	Ajuste do ralenti.	Ajuste o ralenti com o parafuso em T.
Faisca (ausência de faísca)	Vela de ignição suja ou molhada.	Certifique-se de que a vela de ignição está seca e limpa.
	Folga da vela de ignição incorreta.	Limpe a vela de ignição. Certifique-se de que a folga dos elétrodos é a correta. Certifique-se de que a vela de ignição está instalada com um supressor.
		Consulte as especificações técnicas para obter informações sobre a distância entre elétrodos.
Vela de ignição	Vela de ignição solta.	Aperte a vela de ignição.
Filtro de combustível	Filtro de combustível entupido.	Substitua o filtro de combustível.

O motor arranca mas não se mantém a trabalhar		
Verificação	Causa possível	Solução
Depósito de combustível	Tipo de combustível errado.	Purgar e utilizar o combustível correto.
Carburador	O motor não efetua corretamente o ralenti.	Contacte o seu revendedor com assistência técnica.
Filtro de ar	Filtro de ar entupido.	Limpe o filtro de ar.
Filtro de combustível	Filtro de combustível entupido.	Substitua o filtro de combustível.

Transporte e armazenamento

- Mantenha o equipamento seguro durante o transporte para evitar danos e acidentes.
- Mantenha o produto e o equipamento num local seco e à prova de geada.
- Limpe o produto.
- Substitua ou repare as peças danificadas.
- Utilize a cobertura de proteção correta no produto que não retenha a humidade.
- Mantenha o produto bem fixo durante o transporte.

Especificações técnicas

Especificações técnicas

	531RS	541RS	541RST
Motor			
Cilindrada, cm ³	33,6	41,5	41,5
Velocidade ao ralenti, rpm	2500±200	2500±200	2500±200
Rotação em aceleração máxima recomendada, r/min	12000	12000	12000
Velocidade do eixo de saída, rpm	8570	8570	8570
Potência máxima do motor de acordo com a norma ISO 8893, kW/cv a rpm	1,2/1,6 a 7000	1,6/2,1 a 7000	1,6/2,1 a 7000
Sistema de ignição			
Vela de ignição	NGK BPMR 7A	NGK BPMR 7A	NGK BPMR 7A
Distância entre os elétrodos, mm	0,6-0,7	0,6-0,7	0,6-0,7
Sistema de lubrificação e combustível			
Capacidade do depósito de combustível, l/cm ³	0,74/740	0,94/940	0,94/940
Peso			
Peso, kg	6,9	7,1	7,3
Emissões de ruído⁷			
Nível de potência sonora, medido, dB(A)	107	107	107
Nível de potência sonora, garantido LWA, dB(A)	108	109	109
Níveis acústicos			
Nível de pressão sonora equivalente, ao nível do ouvido do utilizador, medido de acordo com as normas EN ISO 11806 e ISO 22868 ⁸			

⁷ Emissões de ruído para as imediações, medidas sob forma de potência sonora (L_{WA}) em conformidade com a diretiva da CE 2000/14/CE. O nível de potência sonora registado para a máquina foi medido com o acessório de corte original que debita o nível mais alto. A diferença entre a potência sonora garantida e medida é que a potência sonora garantida inclui também a dispersão no resultado da medição e as variações entre diferentes máquinas do mesmo modelo, de acordo com a diretiva 2000/14/CE.

⁸ Os dados comunicados relativamente ao nível de pressão de ruído têm uma dispersão estatística típica (desvio padrão) de 2,5 dB (A).

	531RS	541RS	541RST
Equipado com cabeça do aparador (original), dB (A)	90	94	94
Equipado com lâmina de relva (original), dB (A)	89	95	95
Níveis de vibração			
Níveis de vibração equivalentes ($a_{hv,eq}$) nos punhos, medidos de acordo com as normas EN ISO 11806 e ISO 22867 ⁹			
Equipado com cabeça do aparador (original), esquerda/direita m/s^2	2,8/3,0	3,1/2,8	5,6/5,1
Equipado com lâmina de relva (original), esquerda/direita m/s^2	4,2/4,0	4,5/5,0	7,1/6,3

Acessórios

Acessórios

Acessórios aprovados	Tipo de acessório	Proteção para acessório de corte, art. n.º
Lâmina de relva/cortadora de relva	Multi 255-3 (Ø 255, 3 dentes)	537 33 16-03
	Multi 275-4 (Ø 275, 4 dentes)	537 33 16-03
	Multi 300-3 (Ø 300, 3 dentes)	537 33 16-03
	Multi 330-2 (Ø 330, 2 dentes)	537 33 16-03
Facas de plástico	Tricut Ø 300 mm (Lâminas separadas com número de série 531 01 77-15)	537 33 16-03
Cabeça do aparador	T35, T35X (cabo de Ø 2,4-3,0 mm)	537 33 16-03
	S35 (Ø 2,4-3,0 mm, cabo)	537 33 16-03
	T45x (Ø 2,7-3,3 mm, cabo)	537 33 16-03
	T55x (Ø 2,7-3,3 mm, cabo)	537 33 16-03
	S II	537 33 16-03
Copo de apoio	Fixo	-

⁹ Os dados comunicados relativamente ao nível de vibração têm uma dispersão estatística típica (desvio padrão) de 1,5 m/s^2 .

Declaração CE de conformidade

Declaração CE de conformidade

Nome da entidade emissora: A Husqvarna AB, SE-561
82 Huskvarna, Suécia, tel: +46-36-146500.

A **Husqvarna AB** assume toda a responsabilidade pela seguinte declaração: Aparador e/ou roçadora a gasolina, plataforma(s) G45L e G35L, representando o(s) modelo(s) **Husqvarna 531RS, 541RS e 541RST** de números de série de 2017 e posteriores. Os números da plataforma e do modelo estão claramente indicados em texto simples na etiqueta de tipo, juntamente com o ano e números de série subsequentes.

A declaração supracitada encontra-se em conformidade com os requisitos das Diretivas do Conselho:

- de 17 de maio de 2006 "referente a máquinas" **2006/42/CE**
- de 26 de fevereiro de 2014, "referente à compatibilidade eletromagnética", **2014/30/UE**.
- de 8 de maio de 2000, "referente a emissões de ruído para o ambiente" **2000/14/CE**.
- de quinta-feira, 14 de Dezembro de 2005, "referente a emissões de ruído para o ambiente" **2005/88/CE**.

De acordo com o Anexo V, os valores de som declarados estão indicados na ficha de especificações técnicas do manual do utilizador.

Foram respeitadas as seguintes normas:

EN ISO 11806-1:2011, EN ISO 14982:2009, EN ISO 12100:2010 CISPR 12:2007+A1:2009

A TÜV Rheinland LGA Products GmbH, Tillystrasse 2, D-90431 Nuernberg, Alemanha, 0197 executou um controlo voluntário em nome da Husqvarna AB, de modo a fornecer o certificado AM50391783 (541RS, 541RST), AM50391781 (531RS) – Certificado de conformidade com a Diretiva 2006/42/CE do Conselho da CE referente a máquinas. Este certificado é aplicável a todos os locais de fabrico e países de origem, conforme indicado no produto. O aparador de relva e/ou a roçadora fornecidos estão em conformidade com o exemplo que foi examinado.

Husqvarna AB, Huskvarna, Suécia, 2017-08-01



Per Gustafsson, Chefe de Desenvolvimento
(representante autorizado da Husqvarna AB e responsável pela documentação técnica)

Содержание

Введение.....	79	Поиск и устранение неисправностей.....	101
Безопасность.....	81	Транспортировка и хранение.....	102
Сборка.....	88	Технические данные.....	103
Эксплуатация.....	92	Принадлежности.....	104
Техническое обслуживание.....	97	Декларация соответствия ЕС.....	105

Введение

Описание изделия

Данное изделие представляет собой кусторез с двигателем внутреннего сгорания.

Мы постоянно совершенствуем свою продукцию с целью повысить вашу безопасность и эффективность во время работы. Для получения более подробной информации обратитесь к своему дилеру по обслуживанию.

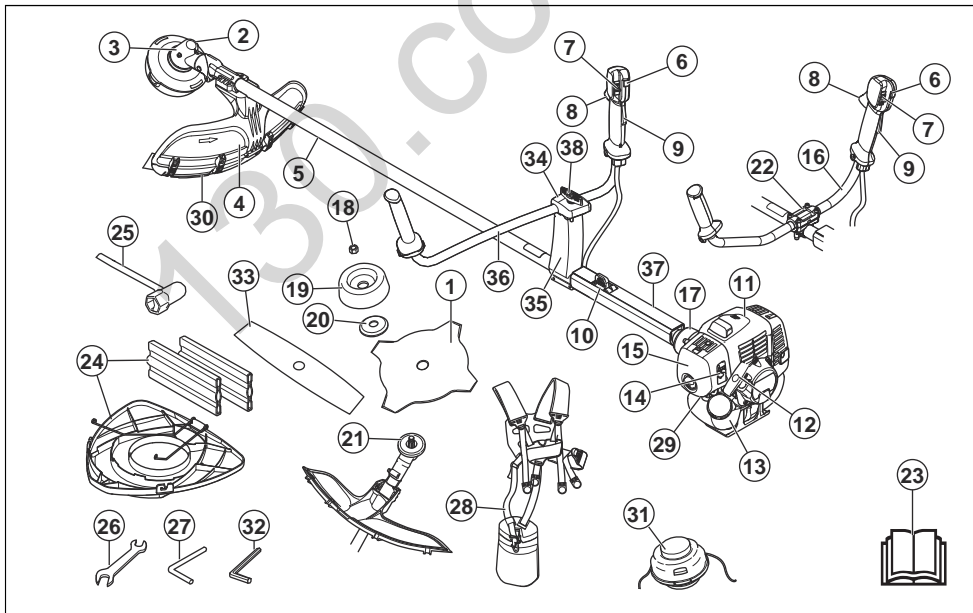
скашивания различных типов растительности. Изделие разрешается использовать только для кошения травы и триммерной стрижки травы. Для стрижки травы используйте лезвие для травы или головку триммера.

Примечание: Использование может ограничиваться государственными или региональными нормативными требованиями. Соблюдайте действующие требования.

Назначение

Изделие предназначено для использования с лезвием для травы или головкой триммера для

Обзор изделия



1. Нож (не для всех рынков)

2. Колпачок отверстия для заправки консистентной смазки, зубчатая передача

3. Угловая зубчатая передача
4. Щиток режущего оборудования
5. Штанга
6. Кнопка пускового положения дросселя
7. Выключатель
8. Ручка дросселя
9. Стопор рычага дросселя
10. Петля для подвешивания
11. Крышка цилиндра
12. Ручка шнура стартера
13. Топливный бак
14. Заслонка
15. Крышка воздушного фильтра
16. Рукоятка (531RS, 541RS)
17. Кожух сцепления
18. Контргайка
19. Опорный колпак
20. Опорный фланец
21. Ведущий диск
22. Фиксатор рукоятки (531RS, 541RS)
23. Руководство по эксплуатации
24. Транспортировочная защита (не для всех рынков)
25. Торцевой ключ
26. Гаечный ключ
27. Стопорный штифт (для изделий без шестигранного ключа)
28. Оснастка
29. Груша нагнетателя
30. Дополнительная секция щитка
31. Головка триммера
32. Шестигранный ключ
33. Нож с 2 зубцами
34. Крышка (541RST)
35. Кронштейн (541RST)
36. Рукоятка (541RST)
37. Защитная муфта
38. Регулятор (541RST)

Условные обозначения на изделии



ПРЕДУПРЕЖДЕНИЕ: Изделие может представлять опасность и стать причиной тяжелой травмы или смерти оператора или окружающих. Соблюдайте осторожность и правила эксплуатации изделия.



Перед началом работы внимательно прочитайте руководство по эксплуатации и убедитесь, что понимаете приведенные в нем инструкции.



Используйте защитный шлем в тех местах, где существует вероятность падения предметов. Используйте одобренные средства защиты глаз и органов слуха.



Максимальная частота вращения выходного вала.



Изделие соответствует действующим директивам ЕС.



Изделие может отбрасывать предметы, что может стать причиной травмы.



Посторонние лица и животные должны находиться на расстоянии не менее 15 м/50 футов от работающего инструмента.



Риск отскоки ножа, если режущее оборудование касается предмета, который не разрезается мгновенно. При работе с изделием существует риск пореза частей тела. Посторонние лица и животные должны находиться на расстоянии не менее 15 м/50 футов от работающего инструмента.



Стрелками обозначены крайние положения рукоятки.



Воздушная заслонка.



Груша нагнетателя.



Используйте проверенные защитные перчатки.



Надевайте прочные нескользкие ботинки.



Уровень излучения шума в окружающую среду соответствует директиве ЕС. Звуковое излучение данного изделия приведено в разделе "Технические данные" и на паспортной табличке.

ууууwwxxxx

На паспортной табличке указан серийный номер. **уууу** означает год производства, **ww** — производственную неделю.

Примечание: Остальные символы/этикетки на изделии отвечают требованиям, предъявляемым к сертификации в других коммерческих зонах.

Ответственность изготовителя

В соответствии с законами об ответственности изготовителя мы не несем ответственности за

ущерб, вызванный эксплуатацией нашего изделия в результате:

- ненадлежащего ремонта изделия;
- использования для ремонта изделия неоригинальных деталей или деталей, не одобренных производителем;
- использования неоригинальных дополнительных принадлежностей или принадлежностей, не одобренных производителем;
- ремонта изделия в неавторизованном сервисном центре или неквалифицированным специалистом;

Безопасность

Инструкции по технике безопасности

Ниже приведены определения уровня опасности для каждого сигнального слова.



ПРЕДУПРЕЖДЕНИЕ: Травмирование человека.



ВНИМАНИЕ: Повреждение изделия.

Примечание: Эта информация поможет упростить эксплуатацию изделия.

Общие инструкции по технике безопасности



ПРЕДУПРЕЖДЕНИЕ: В обязательном порядке прочитайте следующие инструкции по технике безопасности, прежде чем приступать к эксплуатации изделия.

- Пользуйтесь изделием правильно. Неправильное использование может привести к травме или смертельному исходу. Изделие предназначено только для выполнения работ, описанных в данном руководстве. Запрещается использовать изделие для других видов работ.
- Соблюдайте инструкции, изложенные в данном руководстве. Обращайте внимание на знаки безопасности и следуйте инструкциям по технике безопасности. Несоблюдение оператором инструкций и знаков может привести к травме, повреждениям или смерти.
- Не выбрасывайте это руководство. Следуйте инструкциям по сборке, эксплуатации и уходу за изделием. Используйте эти инструкции для правильной установки насадок и дополнительных

принадлежностей. Используйте только апробированные насадки и аксессуары.

- Не используйте поврежденное изделие. Соблюдайте график техобслуживания. Выполняйте самостоятельно только те работы по техобслуживанию, которые описаны в данном руководстве. Все другие работы по техобслуживанию должны выполняться авторизованным сервисным центром.
- В данное руководство невозможно включить все ситуации, которые могут возникнуть при использовании изделия. Будьте осторожны и руководствуйтесь здравым смыслом. Если вы не уверены в ситуации, не используйте изделие и не выполняйте его техобслуживание. Для получения необходимой информации обратитесь к специалисту по продукции, дилеру, специалисту по обслуживанию или в авторизованный сервисный центр.
- Отсоединяйте кабель свечи зажигания перед сборкой изделия, помещением его на хранение или проведением техобслуживания.
- Запрещается использовать изделие, если были изменены его исходные технические характеристики. Запрещено вносить изменения в конструкцию изделия без одобрения производителя. Используйте только рекомендованные производителем запчасти. Неправильное техобслуживание может привести к травме или смертельному исходу.
- Не вдыхайте выхлопные газы двигателя. Продолжительное вдыхание выхлопных газов двигателя опасно для здоровья.
- Запрещается запустить изделие в помещении или рядом с легковоспламеняющимися материалами. Выхлопные газы имеют высокую температуру и могут содержать искры, которые в свою очередь могут привести к пожару. Недостаточная вентиляция может привести к травме или смерти в результате удушья или отравления угарным газом.
- Во время работы вокруг двигателя создается электромагнитное поле. Электромагнитное поле

может привести к повреждению медицинских имплантатов. Проконсультируйтесь с врачом и изготовителем имплантата перед использованием изделия.

- Не позволяйте детям использовать изделие. Не разрешайте пользоваться изделием людям, которые не знакомы с данными инструкциями.
- Не позволяйте людям с ограниченными физическими или умственными способностями пользоваться данным изделием без присмотра. Они должны постоянно находиться под присмотром взрослого.
- Запирайте изделие в месте, не доступном для детей и лиц, не допущенных к эксплуатации изделия.
- Во время работы изделие может отбрасывать находящиеся на земле предметы, что может привести к травме. Чтобы уменьшить риск получения серьезных или смертельных травм, соблюдайте инструкции по технике безопасности.
- Запрещается оставлять изделие с работающим двигателем без присмотра.
- При возникновении несчастного случая ответственность несет оператор изделия.
- Перед использованием изделия проверьте детали на отсутствие повреждений.
- Перед началом эксплуатации изделия убедитесь, что вы находитесь на расстоянии не менее 15 м (50 футов) от других людей или животных. Убедитесь, что находящиеся поблизости люди знают, что вы будете использовать изделие.
- Соблюдайте требования национальных или местных законов. В некоторых случаях они могут запрещать или ограничивать использование изделия.
- Ни в коем случае не используйте изделие, если вы устали или находитесь под воздействием спиртного, наркотических веществ или лекарственных препаратов. Они могут повлиять на ваше зрение, реакцию, координацию или оценку действительности.

Инструкции по технике безопасности во время сборки



ПРЕДУПРЕЖДЕНИЕ: Перед эксплуатацией данного изделия внимательно прочитайте, усвойте и следуйте данными инструкциями.

- Перед сборкой изделия снимите со свечи зажигания колпак свечи зажигания.
- Используйте проверенные защитные перчатки.
- При использовании режущего диска или лезвия для травы убедитесь, что изделие оснащено рукояткой, защитным щитком и оснасткой правильного типа.
- Неисправный или неправильный щиток может стать причиной травмы. Запрещается

использовать режущее оборудование без установленной одобренной защиты.

- Перед началом использования изделия надлежащим образом установите крышку сцепления и вал для предотвращения выпадения сцепления.
- Перед запуском двигателя проверьте правильность установки крышки и вала.
- Ведущий диск и опорный фланец должны правильно входить в центральное отверстие режущего оборудования. Неправильная установка режущего оборудования может привести к травме или смерти.
- Для безопасной эксплуатации изделия и во избежание травм оператора или посторонних лиц изделие всегда должно правильно крепиться к оснастке.

Инструкции по технике безопасности во время эксплуатации

- Прежде чем использовать изделие, убедитесь, что оно полностью собрано.
- Перед запуском уберите изделие на 3 м (10 футов) от места, в котором вы наполняли топливный бак. Положите изделие на ровную поверхность. Убедитесь, что режущее оборудование не касается грунта или других объектов.
- Изделие может отбрасывать находящиеся на земле предметы, что может причинить вред глазам. Всегда пользуйтесь одобренными средствами защиты глаз при использовании изделия.
- Будьте осторожны, во время работы к изделию может незаметно приблизиться ребенок.
- Не пользуйтесь изделием, если в рабочей зоне находятся другие люди. Выключайте изделие при входе другого человека в рабочую зону.
- Всегда держите изделие под контролем.
- Не пользуйтесь изделием, если вы не сможете получить помощь при несчастном случае. Прежде чем начать использовать изделие, всегда сообщайте об этом другим людям.
- Не поворачивайтесь с изделием, не убедившись в отсутствии людей или животных в опасной зоне.
- Перед началом работы уберите все посторонние материалы из рабочей зоны. При ударе режущего оборудования о предмет последний может отскочить и привести к травме или повреждению. Посторонние материалы могут намотаться на режущее оборудование и привести к повреждению.
- Запрещается пользоваться изделием в плохую погоду (при тумане, дожде, сильном ветре, опасности удара молнии и других погодных явлениях). Плохие погодные условия могут создавать опасные условия для работы (например, скользкие поверхности).

- Убедитесь, что вы можете свободно перемещаться и работать в устойчивом положении.



- Убедитесь в отсутствии риска падения во время использования изделия. Запрещается наклоняться во время эксплуатации изделия.
- Всегда держите изделие двумя руками. Держите изделие с правой стороны от тела.



- Во время работы держите режущее оборудование ниже пояса.
- Если при запуске двигателя заслонка находится в закрытом положении, режущее оборудование начинает вращаться.
- Не прикасайтесь к зубчатой передаче после остановки двигателя. После остановки двигателя она имеет высокую температуру. Горячие поверхности могут стать причиной травм.
- Выключайте двигатель перед перемещением изделия.
- Запрещается класть изделие на землю с работающим двигателем.
- Чтобы очистить изделие от посторонних материалов, выключите двигатель и дождитесь полной остановки режущего оборудования. Дождитесь остановки режущего оборудования, прежде чем вы или ваш помощник уберет срезанный материал.

Средства индивидуальной защиты



ПРЕДУПРЕЖДЕНИЕ: В обязательном порядке прочитайте следующие инструкции по технике безопасности, прежде чем приступить к эксплуатации изделия.

- Всегда используйте соответствующее защитное снаряжение при эксплуатации изделия. Защитное снаряжение не исключает риска травмирования.

Оно снижает тяжесть травмы при несчастном случае.

- Всегда пользуйтесь одобренными средствами защиты глаз при использовании изделия.
- При эксплуатации изделия запрещается быть босиком или носить открытую обувь. Всегда надевайте прочные нескользкие ботинки.
- Надевайте прочные длинные брюки.
- При необходимости используйте одобренные защитные перчатки.
- Надевайте шлем, если существует вероятность попадания объектов в голову.
- Всегда надевайте одобренные защитные наушники при использовании изделия. Длительное воздействие шума может привести к снижению слуха.
- Всегда имейте при себе аптечку для оказания первой медицинской помощи.

Защитные устройства на изделии

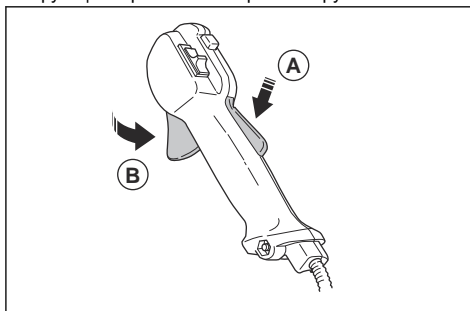
- Регулярно выполняйте техническое обслуживание изделия.
 - Повышается срок службы изделия.
 - Уменьшается риск несчастных случаев.

Ваш авторизованный дилер или сервисный центр должен регулярно проверять изделие и выполнять необходимую регулировку и ремонт.

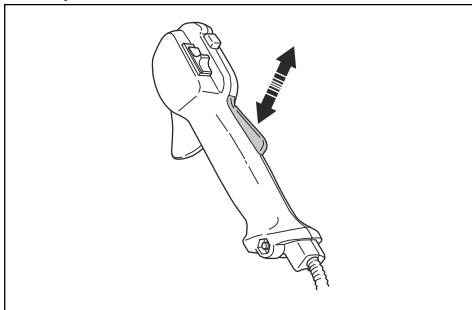
- Запрещается эксплуатировать изделие, если защитное оборудование повреждено. При повреждении изделия обращайтесь в авторизованный сервисный центр.

Проверка стопора рычага дросселя

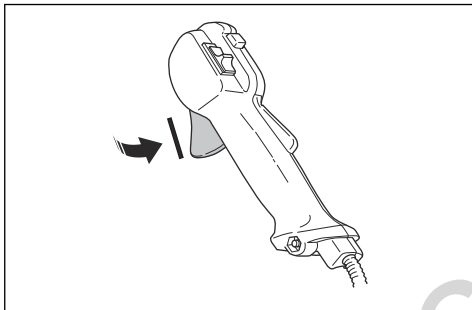
1. Проверьте плавность срабатывания рычага дросселя (B) и его стопора (A), а также функционирование возвратной пружины.



- Нажмите на стопор рычага дросселя и убедитесь, что он возвращается в исходное положение при отпускании.



- Убедитесь, что при отпускании стопора дроссельный регулятор блокируется в положении холостого хода.



- Запустите изделие на полной мощности.
- Отпустите дроссельный регулятор и убедитесь, что режущее оборудование останавливается и остается неподвижным.

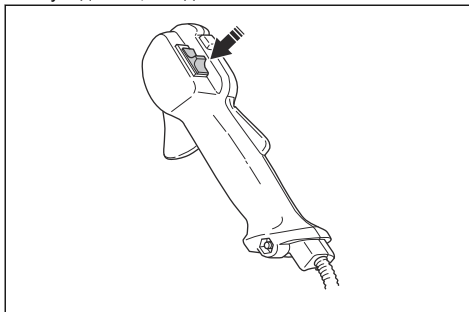


ПРЕДУПРЕЖДЕНИЕ: Если режущее оборудование двигается, когда дроссельный регулятор находится в положении холостого хода, необходимо отрегулировать холостой ход карбюратора. См. раздел *Регулировка оборотов холостого хода на стр. 98.*

Проверка выключателя

- Запустите двигатель.

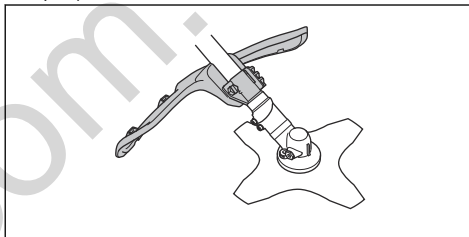
- Переместите выключатель в положение останова и убедитесь, что двигатель останавливается.



Проверка щитка режущего оборудования

Щиток режущего оборудования позволяет избежать травм в результате выброса предметов в сторону оператора.

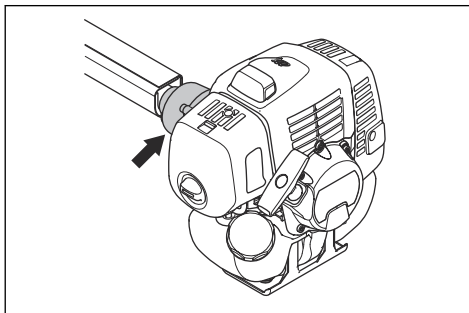
- Остановите двигатель.
- Осмотрите на наличие повреждений, например, трещин.



- Если щиток режущего оборудования поврежден, замените его.

Проверка системы гашения вибрации

Система гашения вибрации снижает уровень вибрации на ручках до минимума, что упрощает работу.



- Остановите двигатель.
- Осмотрите на наличие деформаций и повреждений, например, трещин.

3. Убедитесь, что элементы системы гашения вибрации правильно закреплены.

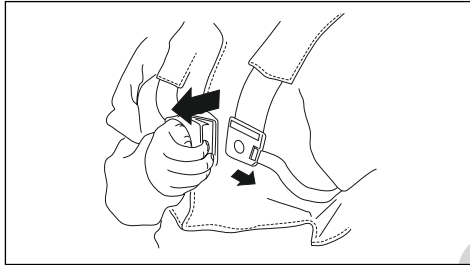
Проверка устройства быстрого расцепления



ПРЕДУПРЕЖДЕНИЕ: Запрещается использовать оснастку со сломанным устройством быстрого расцепления.

Устройство быстрого расцепления позволяет оператору быстро снять изделие с оснастки в случае возникновения аварийной ситуации.

1. Остановите двигатель.
2. Осмотрите на наличие повреждений, например трещин.
3. Отсоедините и подсоедините устройство быстрого расцепления, чтобы проверить его исправность.



Проверка глушителя

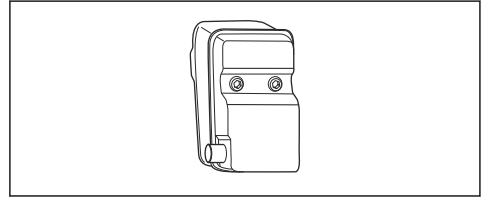


ПРЕДУПРЕЖДЕНИЕ: Ни в коем случае не пользуйтесь изделием с неисправным глушителем.

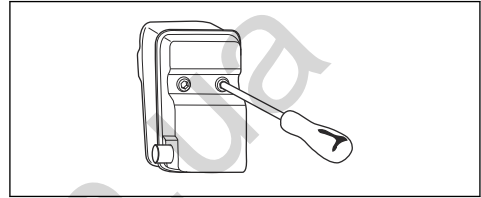


ПРЕДУПРЕЖДЕНИЕ: Помните, что выхлопные газы двигателя имеют высокую температуру и могут содержать искры, которые в свою очередь могут привести к пожару. Поэтому изделие ни в коем случае не следует запускать в помещении или рядом с легковоспламеняющимися материалами!

Глушитель предназначен для максимального снижения уровня шума и отвода выхлопных газов в сторону от оператора. Для надлежащего функционирования глушителя крайне важно строго соблюдать инструкции по проверке изделия, уходу за ним и техническому обслуживанию.



Регулярно проверяйте надежность крепления глушителя к корпусу изделия.



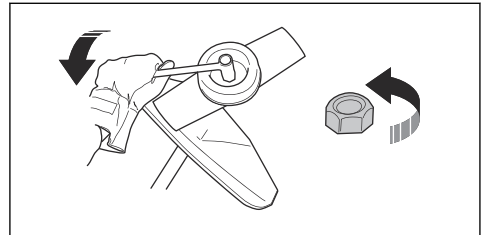
Установка и снятие контргайки



ПРЕДУПРЕЖДЕНИЕ: Остановите двигатель, наденьте защитные перчатки и обращайтесь с острыми краями режущего оборудования с осторожностью.

На некоторых типах режущего оборудования для крепления используется контргайка. Контргайка имеет левостороннюю резьбу.

- При сборке следует затягивать контргайку против направления вращения режущего оборудования.
- При разборке необходимо поворачивать контргайку в направлении вращения режущего оборудования.
- Используйте торцевой ключ с длинной ручкой для ослабления и затягивания контргайки. На рисунке стрелкой показан участок, откуда вы можете управлять торцевым ключом.





ПРЕДУПРЕЖДЕНИЕ: При ослаблении и затягивании контргайки существует риск травмирования лезвием. При выполнении этих операций всегда обеспечивайте защиту рук, используя щиток ножа.

Примечание: Убедитесь, что вы не можете повернуть контргайку вручную. Замените гайку, если сопротивление нейлоновой прокладки не составляет минимум 1,5 Нм. Контргайку следует заменить после примерно 10-кратного использования.

Режущее оборудование

Правильный подбор и надлежащее обслуживание режущего оборудования позволяют:

- Достичь максимального эффекта при резке.
- Продлить срок службы режущего оборудования.
- Следуйте инструкциям по проверке, обслуживанию и ремонту глушителя.
- В обязательном порядке используйте рекомендованный для режущего оборудования щиток. См. раздел "Технические данные".



ПРЕДУПРЕЖДЕНИЕ: Пользуйтесь режущим оборудованием только с рекомендованной защитой! См. раздел "Технические данные". См. инструкции по использованию режущего оборудования для правильной установки режущей лески и выбора правильного диаметра лески.



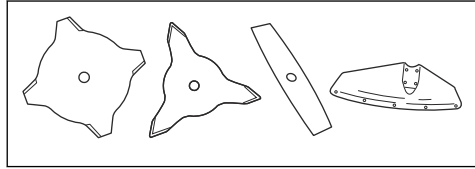
ПРЕДУПРЕЖДЕНИЕ: Неисправное режущее оборудование увеличивает риск несчастных случаев.



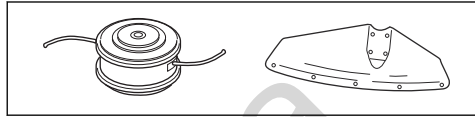
ПРЕДУПРЕЖДЕНИЕ: Всегда выключайте двигатель перед тем, как приступить к работе над какой-либо частью режущего оборудования. Оно продолжает вращаться даже при опущенном дросселе. Убедитесь, что режущее оборудование полностью остановилось, и отсоедините колпачок свечи зажигания, прежде чем приступить к работе с ним.

Режущее оборудование

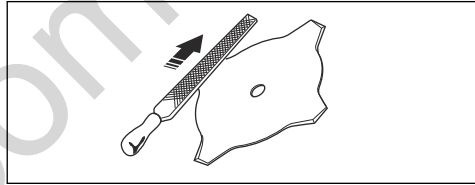
- Для стрижки густой травы используйте лезвия и ножи для травы.



- Для стрижки травы используйте головку триммера.



- Неправильно заточенный или поврежденный нож увеличивает риск несчастных случаев. Режущие зубья ножа должны быть правильно заточены. Точно следуйте инструкциям, приведенным в разделе *Техническое обслуживание на стр. 97*, и используйте рекомендованный шаблон для заточки.

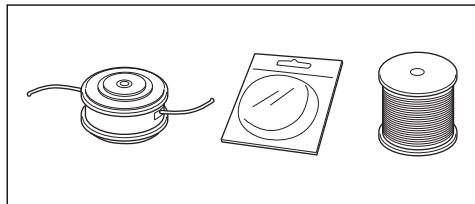


- Осмотрите режущее оборудование на наличие повреждений и трещин. Замените поврежденное режущее оборудование.
- Пользуйтесь режущим оборудованием только с рекомендованной защитой. См. раздел *Принадлежности на стр. 104*.

Головка триммера



ПРЕДУПРЕЖДЕНИЕ: В обязательном порядке убедитесь, что режущая леска плотно и равномерно намотана на барабан во избежание вредной вибрации.



- Используйте только рекомендованные головки триммера и режущие лески.

- Используйте только рекомендованное режущее оборудование.
- Крайне важна длина режущей лески. Для более длинной лески требуется больше мощности двигателя, чем для короткой лески такого же диаметра.
- Не изменяйте установочное положение щитка триммера.
- Убедитесь, что резчик на щитке триммера не поврежден. Резчик обрезает режущую леску до необходимой длины.
- Для продления срока службы режущей лески замочите ее на 2 дня перед использованием.

Лезвия и ножи для травы

- Используйте изделие с одобренным лезвием для травы. Запрещается использовать лезвие для травы, если все необходимые детали не установлены должным образом. Убедитесь, что установка выполнена правильно и используются соответствующие детали. Неправильная установка может привести к вылету ножа и серьезной травме оператора или находящихся рядом посторонних лиц.
- При работе с ножом или техническом обслуживании всегда надевайте защитные перчатки.
- При использовании изделия с лезвием для травы надевайте защитный шлем.
- Лезвие и нож для травы предназначены для выкашивания грубой травы.
- Нож для травы может стать причиной травмы, если он продолжает вращаться после остановки двигателя или отпущения рычага дросселя. Убедитесь, что нож для травы полностью остановился, прежде чем выполнять техническое обслуживание.
- Всегда выключайте двигатель, прежде чем приступить к работе с режущим оборудованием. Убедитесь, что режущее оборудование полностью остановилось. Отсоедините провод свечи зажигания.
- Используйте только одобренное режущее оборудование или правильно заточенный нож.
- Режущие зубья ножа должны быть правильно заточены.
- Не используйте поврежденное режущее оборудование.
- Перед транспортировкой или помещением изделия на хранение установите на лезвие для травы транспортировочный щиток.

Отскакивание ножа

- Отскакивание ножа — это резкое движение изделия в сторону, вперед или назад. Отскакивание происходит, когда лезвие для травы ударяется о предмет, не поддающийся резке. В местах, где затруднен обзор

разрезаемого материала, риск отскакивания ножа возрастает.

- При отскакивании ножа существует риск смещения положения изделия или оператора. Движущийся нож может ударить стоящих рядом людей и стать причиной травм.
- Утилизируйте нож, если он деформирован, имеет трещины, сломан или поврежден.
- Пользуйтесь заточенным ножом. Риск отскакивания ножа возрастает при использовании незаточенного ножа.

Правила безопасного обращения с топливом

- Запрещается запускать изделие, если на него попало топливо или моторное масло. Удалите постороннее топливо/масло и дайте изделию высохнуть. Удалите постороннее топливо с поверхности изделия.
- Если топливо попало на одежду, немедленно смените ее.
- Не допускайте попадания топлива на тело, это может причинить вред здоровью. При попадании топлива на тело смойте его водой с мылом.
- Запрещается запускать двигатель, если вы пролили масло или топливо на изделие или тело.
- Запрещается запускать изделие при наличии утечки из двигателя. Регулярно проверяйте двигатель на наличие утечек.
- Соблюдайте осторожность при обращении с топливом. Топливо является легковоспламеняющейся жидкостью со взрывоопасными парами и может привести к серьезным или смертельным травмам.
- Запрещается вдыхать пары топлива, т. к. это может причинить вред здоровью. Убедитесь в наличии достаточного потока воздуха.
- Запрещается курить вблизи топлива или двигателя.
- Запрещается ставить теплые предметы рядом с топливом или двигателем.
- Запрещается доливать топливо при работающем двигателе.
- Прежде чем заправить изделие, убедитесь, что двигатель полностью остыл.
- Перед заправкой топлива медленно откройте крышку топливного бака и осторожно сбросьте давление.
- Запрещается заливать топливо в двигатель в помещении. Недостаточная вентиляция может привести к травме или смерти в результате удушья или отравления угарным газом.
- Аккуратно затяните крышку топливного бака во избежание возгорания.
- Переместите изделие минимум на 3 м (10 футов) от места заправки топливом, прежде чем запустить его.

- Не наливайте в топливный бак слишком много топлива.
- Убедитесь, что при перемещении изделия или емкости для топлива невозможно возникновение утечки.
- Запрещает размещать изделие или емкость для топлива вблизи открытого огня, искр или горящих фитилей. Убедитесь, что в месте хранения отсутствует открытый огонь.
- Используйте только одобренные емкости для переноски и хранения топлива.
- Сливайте топливо из топливного бака перед размещением изделия на длительное хранение. Соблюдайте требования местного законодательства в отношении места утилизации топлива.

- Очистите изделие, прежде чем поместить его на длительное хранение.
- Прежде чем поместить изделие на хранение, снимите кабель свечи зажигания во избежание случайного запуска двигателя.

Инструкции по безопасности во время технического обслуживания

- Если вы не можете отрегулировать скорость холостого хода для остановки режущего оборудования, обратитесь в сервисный центр. Запрещается пользоваться изделием, пока не будет выполнена точная регулировка или ремонт.

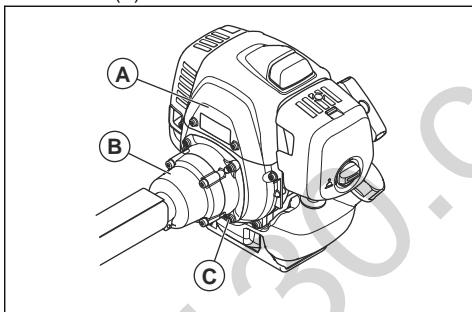
Сборка



ПРЕДУПРЕЖДЕНИЕ: Перед сборкой изделия ознакомьтесь с разделом безопасности.

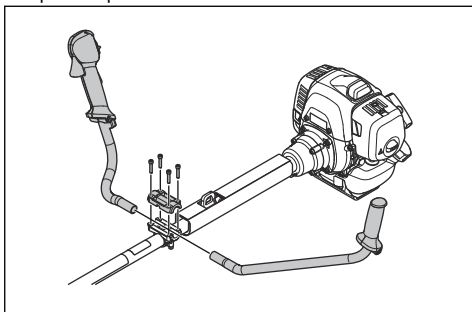
Сборка корпуса изделия

- Прикрепите двигатель (A) к трубке (B) с помощью 4 винтов (C).

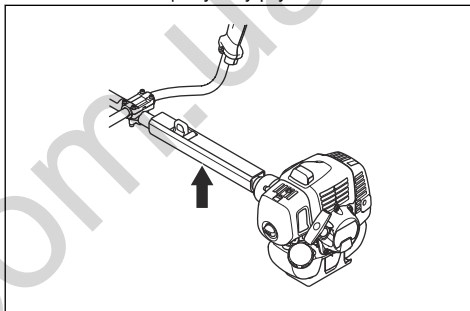


Установка рукоятки (531RS, 541RS)

1. Установите рукоятку в соответствующий фиксатор на штанге.

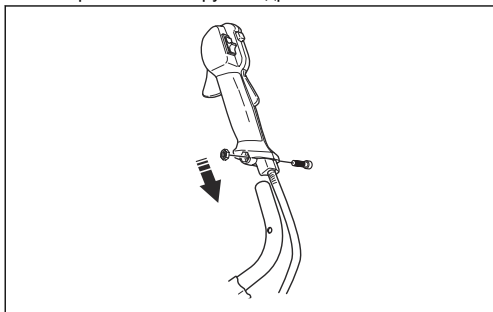


2. Установите защитную муфту.



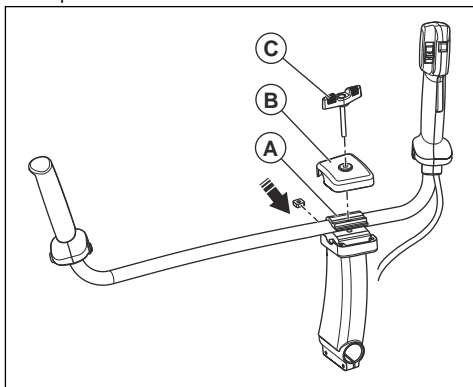
Установка рукоятки (541RST)

1. Отверните винт за ручкой дросселя.



2. Установите ручку дросселя в правую рукоятку.
3. Совместите отверстие за ручкой дросселя с отверстием в рукоятке.
4. Вставьте винт в отверстия. Затяните винт.

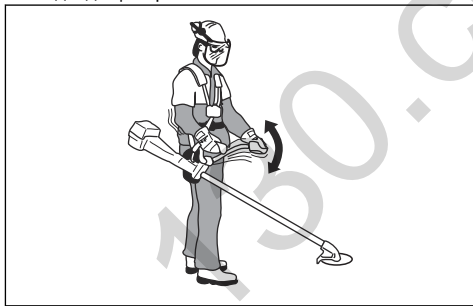
- Установите рукоятку в сборе и квадратную гайку на кронштейн. Убедитесь, что рукоятка находится в правильном положении.



- Установите фиксатор рукоятки (А), крышку (В) и регулятор (С).
- Совместите отверстия под винт регулятора.
- Затяните регулятор, чтобы надежно зафиксировать рукоятку.

Установка оснастки

- Наденьте оснастку и подвесьте изделие за точку подвешивания.
- Отрегулируйте рукоятку для обеспечения подходящего рабочего положения.

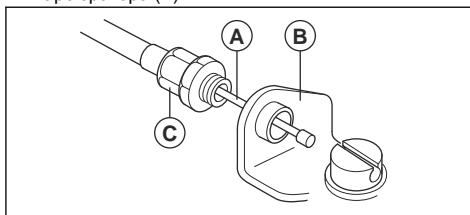


- Полностью затяните винты.

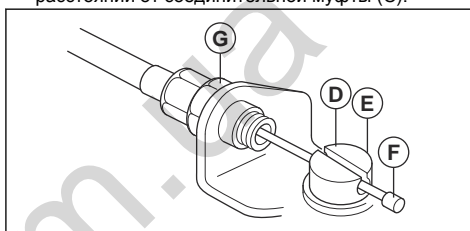
Подключение троса дросселя и проводов выключателя

- Снимите крышку воздушного фильтра.

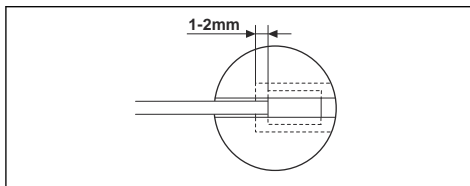
- Пропустите трос дросселя (А) через кронштейн карбюратора (В).



- Установите соединительную муфту (С) полностью в кронштейн карбюратора.
- Разместите фитинг с пазом (D) на карбюраторе. На этом этапе отверстие с пазом (E) для наконечника троса (F) должно находиться на расстоянии от соединительной муфты (С).

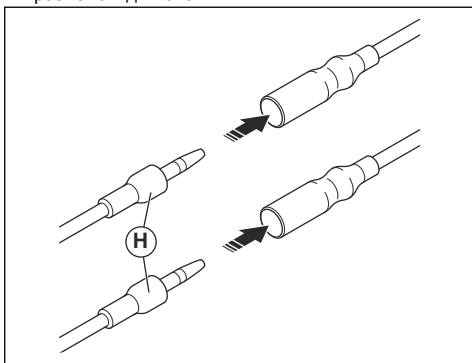


- Поверните кулачок дросселя карбюратора и протяните трос дросселя (А) через паз в фитинге.
- Убедитесь, что наконечник троса (F) входит в отверстие с пазом.
- Несколько раз нажмите на рычаг дросселя, чтобы убедиться в его правильной работе.
- Отрегулируйте соединительную муфту (С).
 - Убедитесь, что стопор на кулачке дросселя карбюратора касается упора надлежащим образом.
 - Убедитесь, что при полном отпуске рычага дросселя трос находится на расстоянии 1-2 мм между наконечником троса (F) и фитингом с пазом.

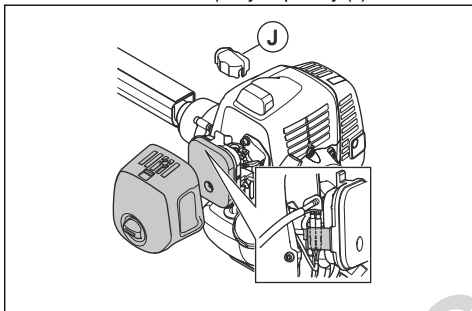


- После правильной регулировки троса дросселя (А) затяните контргайку (G).

10. Подсоедините провода выключателя (Н) к разъемам двигателя.



11. Установите пылезащитную крышку (J).



12. Установите крышку воздушного фильтра.

Установка лезвий для травы и головок триммера



ПРЕДУПРЕЖДЕНИЕ: Используйте для ножей только одобренный щиток. См. раздел *Принадлежности* на стр. 104. Неисправный щиток может стать причиной серьезной травмы.

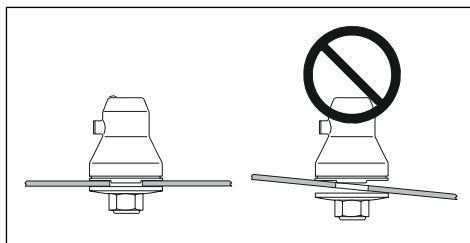


ПРЕДУПРЕЖДЕНИЕ: При использовании изделия с лезвием для травы установите сначала соответствующую рукоятку, щиток лезвия и оснастку.



ПРЕДУПРЕЖДЕНИЕ: Неправильно установленные лезвия могут стать причиной травмы.

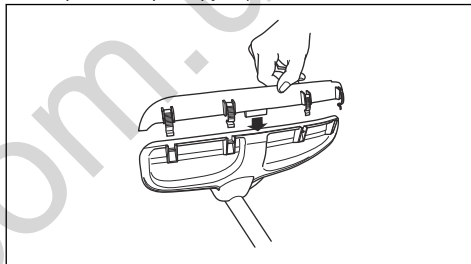
1. Убедитесь, что поднятая секция на ведущем диске/опорном фланце правильно вошла в центральное отверстие в лезвии.
2. Установите лезвия.



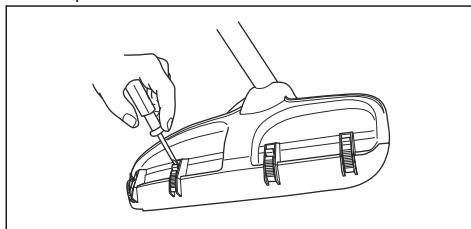
Установка и снятие дополнительной секции щитка

На щиток режущего оборудования можно установить дополнительную секцию. Дополнительную секцию щитка следует устанавливать при использовании головки триммера или пластмассовых ножей. При использовании лезвия для травы дополнительную секцию щитка следует снять.

- Вставьте направляющую дополнительной секции щитка в паз щитка режущего оборудования. Закрепите 4 фиксирующих захвата.



- Для снятия дополнительной секции щитка отсоедините фиксирующие захваты с помощью отвертки.



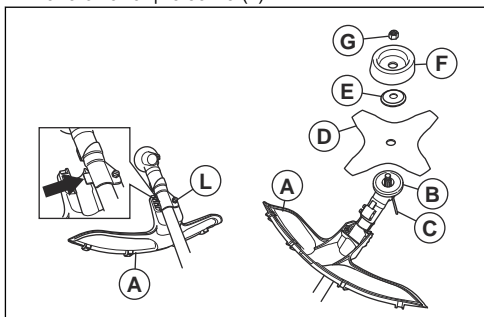
Установка щитка ножа, лезвия для травы и ножа для травы



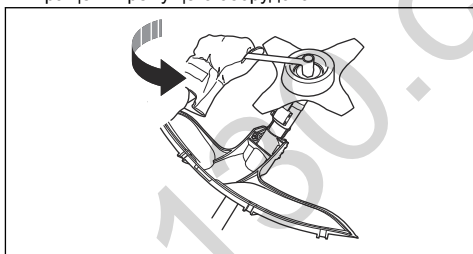
ВНИМАНИЕ: В обязательном порядке снимите дополнительное ограждение.

Примечание: Используйте рекомендованный щиток для лезвия. См. раздел *Принадлежности* на стр. 104.

1. Установите щиток ножа на вал. Закрепите щиток ножа с помощью болта (L).



2. Наденьте ведущий диск (B) на выходной вал.
3. Поворачивайте выходной вал до тех пор, пока одно из отверстий ведущего диска не совместится с отверстием в редукторе.
4. Вставьте стопорный штифт или шестигранный ключ (C) в отверстие, чтобы зафиксировать вал.
5. Установите нож (D), опорный фланец (E) и опорную чашку (F) на выходной вал.
6. Установите гайку (G). С помощью комбинированного ключа затяните гайку моментом 35-50 Н·м. Держите ручку комбинированного ключа как можно ближе к щитку ножа.
7. Гайка затягивается при вращении комбинированного ключа против направления вращения режущего оборудования.



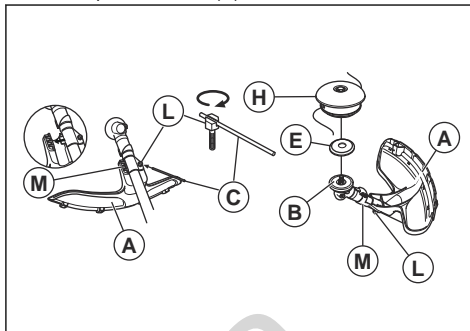
Примечание: Левосторонняя резьба.

Крепление щитка и головки триммера

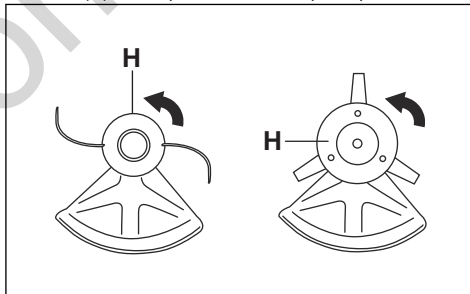
Примечание: Убедитесь, что вы используете щиток, соответствующий головке триммера.

1. Установите щиток триммера/комбинированный щиток (A), подходящий для головки триммера.
2. Навесьте щиток триммера/комбинированный щиток (A) на 2 крючка на держателе пластины (M).

3. Установите щиток триммера/комбинированный щиток вокруг вала и зафиксируйте его болтом (L). Используйте стопорный штифт или шестигранный ключ (C).



4. Вставьте стопорный штифт или шестигранный ключ (C) в паз на головке винта и затяните.
5. Установите ведущий диск (B) и опорный фланец (E) на выходной вал.
6. Поворачивайте выходной вал до тех пор, пока одно из отверстий ведущего диска не совместится с отверстием в редукторе.
7. Вставьте стопорный штифт или шестигранный ключ (C) в отверстие, чтобы зафиксировать вал.

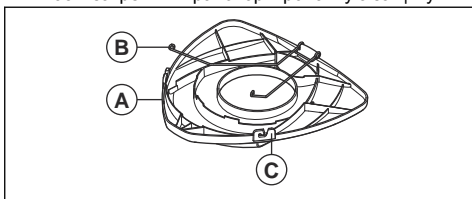


8. Установите головку триммера/пластмассовые ножи (H). Поверните головку триммера/пластмассовые ножи против часовой стрелки.
9. Для снятия выполните все операции в обратном порядке.

Установка транспортировочной защиты

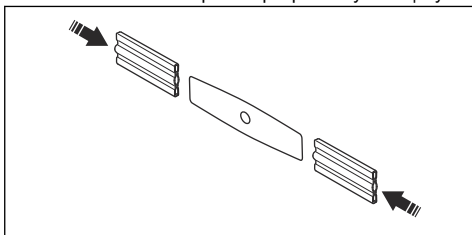
1. Установите лезвие в транспортировочную защиту (A).

2. Зафиксируйте два замка (В) в фиксаторах (С), чтобы закрепить транспортировочную защиту.



Установка ножа с 2 зубцами в защиту

1. Установите нож в транспортировочную защиту.



Регулировка подвески



ПРЕДУПРЕЖДЕНИЕ: Изделие всегда должно быть правильно закреплено на

подвеске. Не используйте неисправную подвеску.

1. Наденьте подвеску.
2. Подключите изделие к подвеске.
3. Отрегулируйте подвеску до оптимального рабочего положения.
4. Отрегулируйте боковые ремни таким образом, чтобы вес изделия равномерно распределялся на плечи.



5. Отрегулируйте положение подвески таким образом, чтобы режущее оборудование находилось параллельно земле.
6. Режущее оборудование должно слегка касаться земли. Затем отрегулируйте фиксатор подвески для правильного баланса изделия.

Примечание: При использовании лезвия для травы сбалансированное положение должно находиться на высоте приблизительно 10 см/4 дюйма над землей.

Эксплуатация



ПРЕДУПРЕЖДЕНИЕ: Перед началом эксплуатации изделия внимательно изучите раздел техники безопасности.

AKI). Это может привести к повреждению изделия.

Топливо

Использование топлива



ВНИМАНИЕ: Изделие оборудовано двухтактным двигателем. Используйте смесь бензина и масла для двухтактных двигателей. Убедись, что смесь содержит соответствующее количество масла. Неправильное соотношение бензина и масла может привести к повреждению двигателя.



ВНИМАНИЕ: Запрещается использовать бензин с концентрацией этанола более 10% (E10). Это может привести к повреждению изделия.

- Всегда используйте свежий неэтилированный бензин с минимальным октановым числом 90 RON (87 AKI) и концентрацией этанола менее 10% (E10).
- Используйте бензин с более высоким октановым числом, если изделие часто используется с постоянно высокой частотой оборотов двигателя.

Бензин



ВНИМАНИЕ: Не используйте бензин с октановым числом меньше 90 RON (87

Масло для двухтактных двигателей

- Используйте только высококачественное масло для двухтактных двигателей. Рекомендуется использовать масло HUSQVARNA для двухтактных двигателей. Используйте только масло для двигателей с воздушным охлаждением.

- Соотношение компонентов смеси 50:1 (2%).
- Низкокачественное масло и высокое соотношение масла/топлива могут сократить срок службы каталитических преобразователей.
- При выборе масла обратитесь к местному дилеру.
- Если у вас нет масла Husqvarna для двухтактных двигателей, вы можете использовать другое высококачественное масло для двухтактных двигателей с воздушным охлаждением. При выборе масла обратитесь к местному дилеру.
- Запрещается использовать масло для двухтактных двигателей с внешним водяным охлаждением. Масло для двухтактных двигателей также иногда называют маслом для подвесных двигателей.

Бензин, л	Масло, л
	2% (50:1)
5	0,1
10	0,2
15	0,3
20	0,4

Приготовление топливной смеси

Примечание: Для приготовления топливной смеси всегда используйте чистую емкость для топлива.

Примечание: Не готовьте топливную смесь в количестве из расчета более чем на 30 дней.

1. Налейте половину от всего количества бензина.
2. Добавьте все количество масла.
3. Встряхните топливную смесь, чтобы смешать компоненты.
4. Добавьте оставшийся бензин.
5. Встряхните топливную смесь, чтобы смешать компоненты.
6. Заполните топливный бак.

Заправка топливом



ПРЕДУПРЕЖДЕНИЕ: Не курите и не размещайте источники тепла вблизи топлива. Перед заправкой топливом остановите двигатель и подождите несколько минут, пока он остынет.



ПРЕДУПРЕЖДЕНИЕ: При доливе топлива медленно откройте крышку топливного бака, чтобы стравить нежелательное давление.



ПРЕДУПРЕЖДЕНИЕ: После доливки топлива осторожно затяните крышку топливного бака. Перед запуском двигателя перенесите изделие в сторону от места заправки и источника питания.

- Пользуйтесь топливным баком с защитой от переполнения.
- Убедитесь, что область вокруг крышки топливного бака чистая. Наличие загрязнений в баке может привести к сбоям в работе.
- Встряхните емкость для топлива, прежде чем налить топливную смесь в топливный бак.

Запуск и остановка

Осмотр перед началом работы

1. Проверьте изделие на наличие всех, поврежденных, ослабленных или изношенных деталей.
2. Проверьте затяжку гаек, винтов и болтов.
3. Проверьте ножи.
4. Проверьте контргайку. Убедитесь, что фиксирующее усилие контргайки составляет не менее 1,5 Нм (1,1 фут/фунт). Затяните контргайку моментом 35-50 Нм (26-36 фут/фунт).
5. Проверьте воздушный фильтр.
6. Проверьте стопор рычага дросселя и ручку газа.
7. Проверьте выключатель двигателя.
8. Проверьте изделие на наличие утечек топлива.

Запуск холодного двигателя



ПРЕДУПРЕЖДЕНИЕ: Перед запуском изделия установите кожух сцепления и вал в сборе. Ослабление крепления сцепления может стать причиной серьезной травмы. Используйте перчатки.



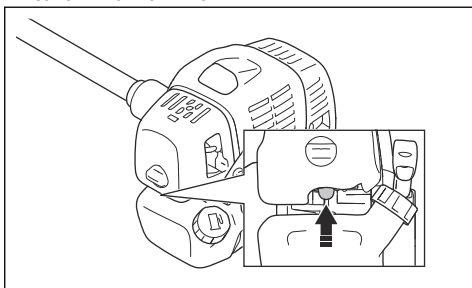
ПРЕДУПРЕЖДЕНИЕ: Переместите изделие в сторону от места заправки и источника топлива. Разместите изделие на ровной поверхности. Убедитесь, что никакие предметы не касаются режущего оборудования.



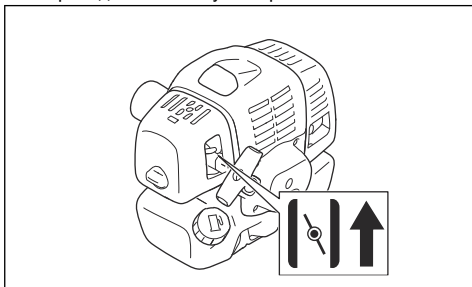
ПРЕДУПРЕЖДЕНИЕ: Убедитесь, что в рабочей зоне нет посторонних. В противном случае возникает риск получения опасных травм. Безопасное расстояние составляет 15 м.

1. Переведите выключатель в положение запуска.

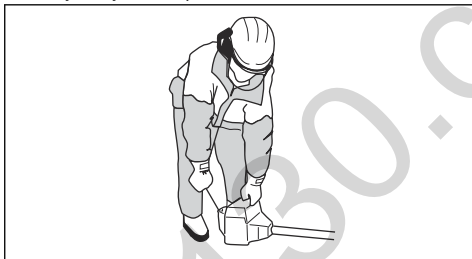
2. Нажимайте на грушу нагнетателя, пока она не заполнится топливом.



3. Переведите заслонку в закрытое положение.



4. Держите изделие на уровне земли. Правой рукой медленно вытягивайте шнур стартера, пока не почувствуете сопротивление.



Примечание: Не накручивайте шнур стартера вокруг руки.



ВНИМАНИЕ: Не вытягивайте шнур стартера целиком. Удерживайте ручку шнура стартера, когда он полностью выдвинут. Несоблюдение этих инструкций может привести к повреждению двигателя.

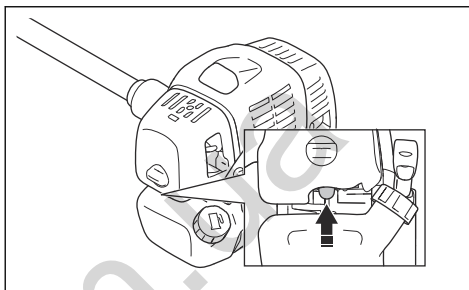
5. Быстро и с усилием потяните шнур стартера, пока не услышите, что двигатель завелся.
6. Переведите заслонку в рабочее положение.



ПРЕДУПРЕЖДЕНИЕ: Не прикасайтесь к крышке. При поврежденном колпачке свечи зажигания возникает риск ожога и поражения электрическим током. Не пользуйтесь изделием с поврежденным колпачком свечи зажигания.

Запуск прогретого двигателя

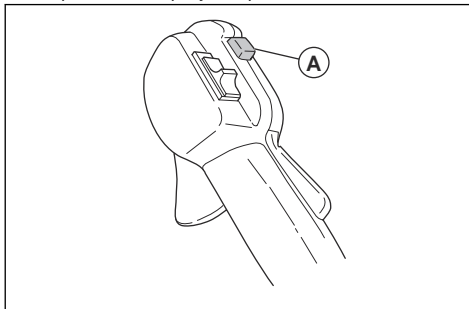
1. Переведите выключатель в положение запуска.
2. Нажимайте на грушу нагнетателя, пока она не заполнится топливом.



3. Установите заслонку в рабочее положение, затем потяните шнур стартера, пока двигатель не запустится.

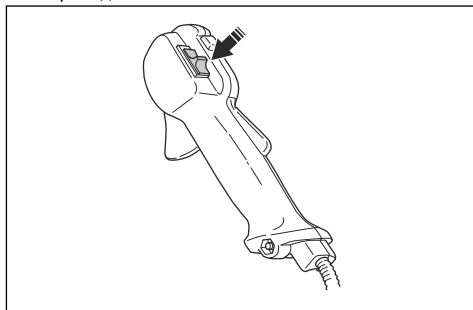
Запуск с помощью дроссельного регулятора со стопором дросселя при запуске

1. Нажмите на стопор дросселя и дроссельный регулятор, чтобы установить дроссель в положение запуска. Затем нажмите кнопку пускового положения дросселя (А).
2. Отпустите стопор дросселя и дроссельный регулятор, затем также отпустите кнопку пускового положения дросселя. Функция газа теперь активирована.
3. Чтобы перевести двигатель обратно в режим холостого хода, снова нажмите стопор дросселя и дроссельный регулятор.



Остановка двигателя

1. Переведите рычаг дросселя в положение холостого хода.
2. Переведите выключатель в положение останова.



Эксплуатация триммера для травы



ВНИМАНИЕ: После каждой операции сбрасывайте обороты двигателя до скорости холостого хода. Работа в течение длительного времени при полном открытии дроссельной заслонки без какой-либо нагрузки на двигатель может привести к повреждению двигателя.

Примечание: Очищайте крышку головки триммера при установке новой режущей лески для предотвращения вибрации. Проверьте другие детали головки триммера и очистите их при необходимости.

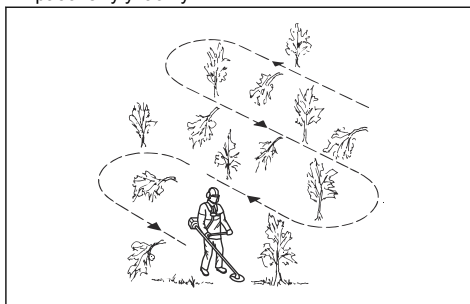
Общие инструкции по эксплуатации



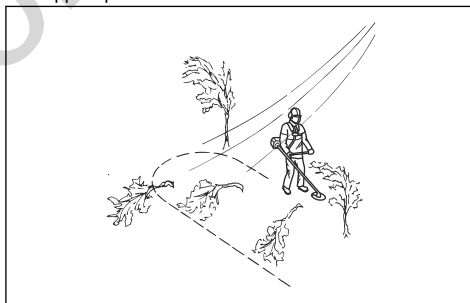
ПРЕДУПРЕЖДЕНИЕ: Соблюдайте осторожность при пилении напряженных стволов деревьев. Ствол может спружинить, вернувшись в первоначальное положение до или после пиления, и повредить изделие или нанести вам травму.

- Создайте открытый участок на одном из концов рабочей зоны и начинайте работу оттуда.

- В ходе работы системно перемещайтесь по рабочему участку.



- Двигайтесь вперед и смещайте изделие влево и вправо до конца, чтобы при каждом смещении в сторону очищать участок шириной 4–5 м (13-16 футов).
- Расчистите участок длиной 75 м (250 футов), после чего поворачивайтесь и возвращайтесь назад. По мере продвижения вперед держите рядом с собой канистру с топливом.
- Двигайтесь в таком направлении, при котором пересечение канав и препятствий будет сведено к минимуму.
- Двигайтесь в таком направлении, при котором срезанная растительность под воздействием ветра будет падать на уже очищенную территорию.

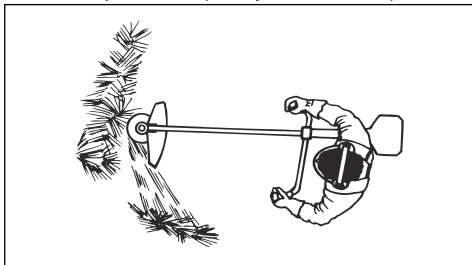


- Работайте поперек склона, не передвигайтесь вверх и вниз по склону.

Подрезка травы с помощью лезвия для травы

1. Во время эксплуатации изделия ноги должны быть расставлены. Убедитесь, что вы устойчиво стоите на земле.
2. Опорный колпак должен слегка касаться земли. Это предотвращает контакт ножа с землей.

3. Подрезайте траву маятниковым движением справа налево. Кошение должно выполняться левым краем ножа (между 8 и 12 часами).



4. При подрезке травы наклоняйте нож влево.

Примечание: Трава будет собираться в одну линию.

5. Возвращайте инструмент в исходное положение маятниковым движением слева направо.
6. Выполняйте работу ритмично.
7. Продвигайтесь вперед, сохраняя устойчивое положение на земле.
8. Остановите двигатель.
9. Извлеките изделие из зажима на оснстке.
10. Положите изделие на землю.
11. Соберите срезанный материал.

Очистка

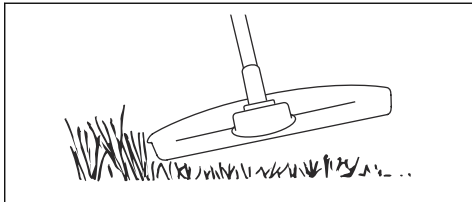


Для достижения оптимального результата:

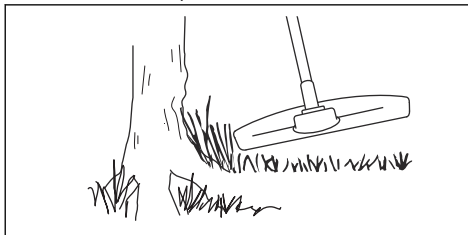
- Держите триммер так, чтобы головка триммера была над землей.
- Немного наклоните головку триммера.
- Конец режущей лески должен касаться земли вокруг предметов

Стрижка травы

1. Держите головку триммера чуть выше земли под углом. Не прижимайте режущую леску к траве.

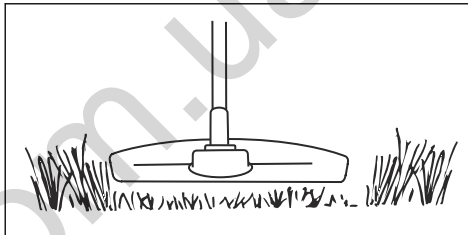


2. Уменьшите длину режущей лески на 10-12 см / 4-4,75 дюйма.
3. Уменьшите частоту вращения двигателя, чтобы уменьшить риск повреждения растений.
4. При стрижке травы вблизи предметов дроссель должен быть открыт на 80%.

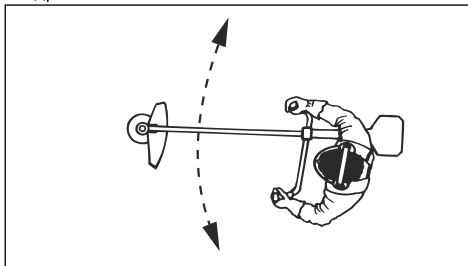


Кошение травы

1. При кошении травы держите режущую леску триммера параллельно земле.



2. Не прижимайте головку триммера к земле. Это может привести к повреждению изделия и грунта.
3. Не позволяйте головке триммера постоянно соприкасаться с землей, это может повредить головку триммера.
4. Для скашивания травы перемещайте изделие из стороны в сторону при полностью открытом дросселе.



Уборка травы

Воздушный поток от вращающейся режущей лески можно использовать для очистки участка от скошенной травы.

1. Держите головку триммера вместе с леской параллельно земле, не касаясь ее.
2. Полностью откройте дроссель.

3. Перемещайте триммер из стороны в сторону и очистите участок от скошенной травы.

проверяйте другие детали головки триммера и при необходимости очищайте их.



ПРЕДУПРЕЖДЕНИЕ: Во избежание разбалансировки и вибраций на рукоятках каждый раз при установке новой режущей лески очищайте кожух головки триммера. Кроме того,

Замена режущей лески

См. последнюю страницу данного руководства по эксплуатации.

Техническое обслуживание



ПРЕДУПРЕЖДЕНИЕ: Перед очисткой, ремонтом или техническим

обслуживанием изделия внимательно изучите раздел техники безопасности.

График технического обслуживания

Техническое обслуживание	Ежедневно	Еженедельно	Ежемесячно
Очистите наружные поверхности.	X		
Осмотрите оснастку на наличие повреждений.	X		
Проверьте дроссель и рычаг дросселя.	X		
Убедитесь, что режущее оборудование не вращается на холостых оборотах.	X		
Проверьте выключатель. См. раздел <i>Проверка выключателя на стр. 84.</i>	X		
Осмотрите щиток режущего оборудования на наличие повреждений и трещин.	X		
Убедитесь, что лезвие для травы выровнено по центру. Убедитесь, что лезвие для травы заточено, отцентрировано и не имеет повреждений, в частности у центрального отверстия.	X		
Осмотрите головку триммера на наличие повреждений и трещин. При необходимости выполните замену.	X		
Осмотрите ручку и рукоятку на наличие повреждений и проверьте правильность их установки.	X		
Если режущее оборудование оснащено опорной чашкой, затяните стопорный винт надлежащим образом.	X		
Если режущее оборудование оснащено контргайкой, затяните контргайку до упора.	X		
Осмотрите транспортировочный щиток на наличие повреждений и убедитесь, что его можно закрепить на изделии надлежащим образом.	X		
Проверьте двигатель, топливный бак и топливопроводы на наличие утечек.	X		
Очистите воздушный фильтр. При необходимости выполните замену.	X		
Затяните гайки и винты.	X		
Проверьте топливный фильтр на наличие загрязнения и топливный шланг на наличие трещин или других дефектов. При необходимости выполните замену.	X		
Осмотрите все провода и соединения.	X		

Техническое обслуживание	Ежедневно	Еженедельно	Ежемесячно
Осмотрите стартер и шнур стартера на наличие повреждений.		X	
Проверьте свечу зажигания. См. раздел <i>Проверка свечи зажигания на стр. 101.</i>		X	
Убедитесь, что зубчатая передача на $\frac{3}{4}$ заполнена смазкой.		X	
Очистите наружные поверхности карбюратора и область вокруг него.		X	
Очистите свечу зажигания. Снимите свечу зажигания и проверьте зазор между электродами. Отрегулируйте зазор между электродами или замените свечу зажигания при необходимости. См. раздел <i>Технические данные на стр. 103.</i> Убедитесь, что свеча зажигания оснащена изоляцией радиопомех.		X	
Проверьте сцепление, пружины сцепления и барабан сцепления на износ. При необходимости выполните замену.			X
Замените свечу зажигания. Убедитесь, что свеча зажигания оснащена изоляцией радиопомех.			X
Смажьте ведущий вал.			X
Проверьте амортизаторы на наличие повреждений.		X	
Очистите систему охлаждения изделия.		X	
Очистите глушитель.			X

Регулировка карбюратора

Основная регулировка карбюратора выполняется на заводе во время испытаний. Регулировка должна выполняться обученным специалистом.

отсутствующей искрогасительной сеткой глушителя.

Проверка глушителя



ПРЕДУПРЕЖДЕНИЕ: Запрещается использовать изделие с неисправным глушителем. В обязательном порядке заменяйте неисправный глушитель.



ВНИМАНИЕ: Если искрогасительная сетка засорена, изделие будет перегреваться. Это ведет к повреждению цилиндра и поршня.

1. Проверьте глушитель на наличие повреждений.
2. Проверьте правильность крепления глушителя к корпусу изделия.



ПРЕДУПРЕЖДЕНИЕ: Риск ожога или пожара. Глушители с каталитическими преобразователями очень сильно нагреваются во время работы.

Регулировка оборотов холостого хода

Ваше изделие Husqvarna изготовлено по спецификациям, обеспечивающим снижение объема вредных выбросов.



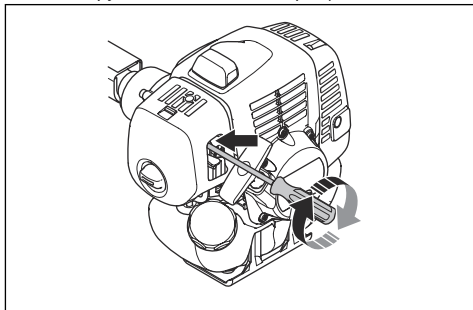
ПРЕДУПРЕЖДЕНИЕ: Риск пожара. Глушитель снижает уровень шума и отводит выхлопные газы от пользователя. Выхлопные газы имеют высокую температуру и могут содержать искры.

1. Перед регулировкой оборотов холостого хода убедитесь, что воздушный фильтр чистый, а крышка воздушного фильтра установлена.
2. Отрегулируйте обороты холостого хода с помощью винта холостого хода T, обозначенного меткой "T".



ВНИМАНИЕ: В случае повреждения искрогасительную сетку следует заменить. Запрещается использовать изделие с поврежденной или

- a) Поворачивайте винт холостого хода Т по часовой стрелке до тех пор, пока режущее оборудование не начнет вращаться.



- b) Затем поворачивайте винт холостого хода Т против часовой стрелки, пока режущее оборудование не остановится.



ПРЕДУПРЕЖДЕНИЕ: Если режущее оборудование не останавливается в ходе регулировки оборотов холостого хода, обратитесь к своему сервисному дилеру. Запрещается пользоваться изделием, пока не будет выполнена его надлежащая регулировка или ремонт.

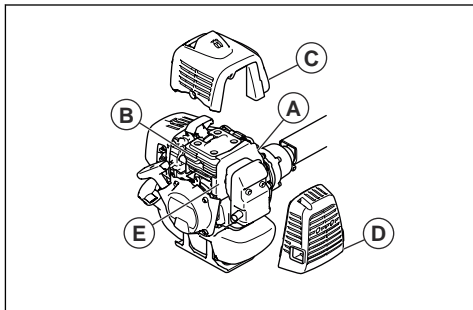
3. Обороты холостого хода правильные, если двигатель работает ровно во всех положениях. Скорость холостого хода должна быть ниже скорости, при которой режущее оборудование начинает вращаться.

Примечание: Рекомендованные обороты холостого хода см. в разделе *Технические данные* на стр. 103.

Система охлаждения

Изделие оснащено системой охлаждения, которая поддерживает рабочую температуру на низком уровне.

Система охлаждения состоит из следующих компонентов:



- Ребра на маховике (А)

- Ребра охлаждения на цилиндре (В)
- Крышка цилиндра (С) (обеспечивает подачу холодного воздуха к цилиндру)
- Крышка глушителя(Д)
- Пластина глушителя (Е)

Очистка системы охлаждения

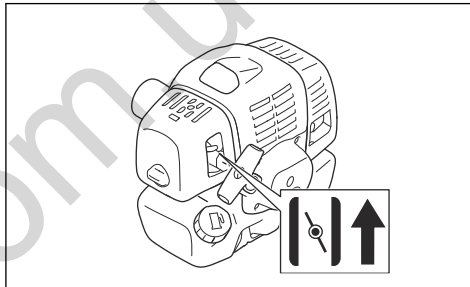


ПРЕДУПРЕЖДЕНИЕ: Загрязнение или засорение системы охлаждения приводит к перегреву двигателя. В результате возникают повреждения поршня и цилиндра.

1. Очищайте компоненты системы охлаждения щеткой не реже одного раза в неделю.

Воздушный фильтр

- Очищайте фильтр каждые 25 часов. При необходимости производите очистку чаще.
- Установите заслонку в закрытое положение.



Очистка воздушного фильтра

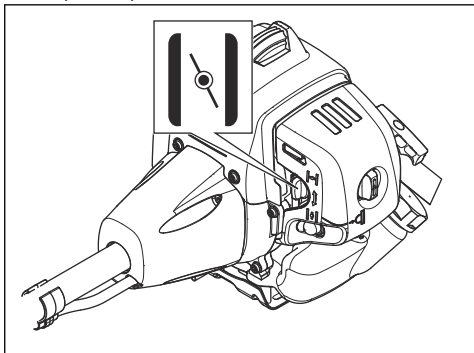
Очищайте фильтр каждые 25 часов. При необходимости производите очистку чаще.



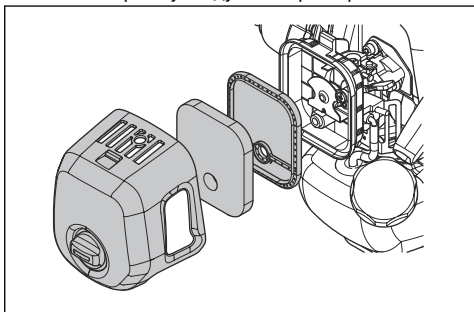
ВНИМАНИЕ: В обязательном порядке заменяйте поврежденный, сильно загрязненный или пропитанный топливом воздушный фильтр.

После эксплуатации воздушного фильтра в течение длительного времени его нельзя очистить полностью. Регулярно заменяйте воздушный фильтр новым.

1. Закройте дроссельный клапан.



2. Снимите крышку воздушного фильтра.



3. Снимите воздушный фильтр.
4. Промойте воздушный фильтр теплой мыльной водой.
5. Если воздушный фильтр слишком грязный, чтобы полностью его очистить, замените его. Всегда заменяйте поврежденный воздушный фильтр.
6. Очистите внутреннюю поверхность крышки воздушного фильтра. Используйте для этого воздух или щетку.
7. Убедитесь, что воздушный фильтр сухой.
8. Смажьте воздушный фильтр маслом Husqvarna для двухтактных двигателей. Если на воздушном фильтре слишком много масла, перед установкой фильтра удалите излишки масла.

Нанесение масла на воздушный фильтр из пеноматериала

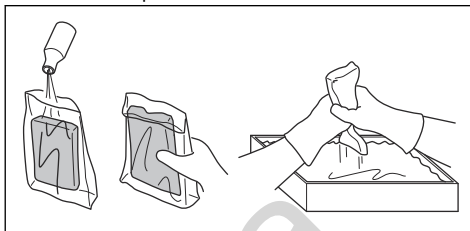


ВНИМАНИЕ: Необходимо использовать специальное масло для воздушных фильтров Husqvarna. Не используйте другие виды масла.



ПРЕДУПРЕЖДЕНИЕ: Наденьте защитные перчатки. Масло для воздушного фильтра может вызвать раздражение кожи.

1. Поместите воздушный фильтр из пеноматериала в полиэтиленовый пакет.
2. Налейте масло в полиэтиленовый пакет.
3. Сожмите пакет, чтобы равномерно распределить масло по воздушному фильтру из пеноматериала.
4. Отожмите излишки масла из воздушного фильтра из пеноматериала в пластиковый пакет.



Войлочный фильтр

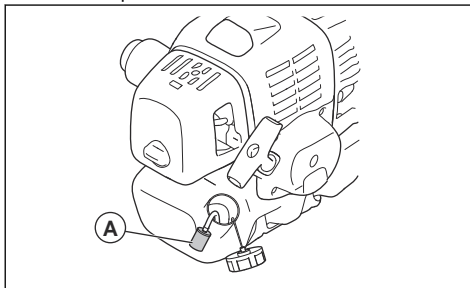
- Осторожно постучите по войлочному фильтру рукой или продуйте его сжатым воздухом для очистки.



ВНИМАНИЕ: Запрещается использовать воду для очистки войлочного фильтра. Вода может повредить войлочный фильтр.

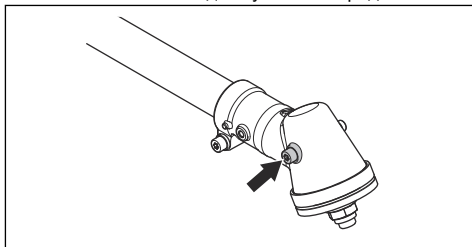
Топливный фильтр

Когда в двигателе заканчивается топливо, проверьте крышку топливного бака и топливный фильтр (A) на наличие засоров.



Добавление смазки в зубчатую передачу

- Убедитесь, что зубчатая передача на 3/4 заполнена смазкой для зубчатой передачи.



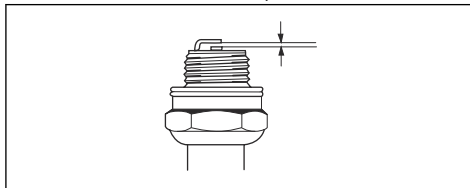
Проверка свечи зажигания



ВНИМАНИЕ: Всегда используйте только указанный тип свечи. Использование неправильного типа свечи зажигания может привести к повреждению изделия.

- Проверьте свечу зажигания, если двигатель не набирает мощность, плохо заводится или плохо работает на холостых оборотах.
- Чтобы уменьшить риск появления нежелательного материала на электродах свечи зажигания, соблюдайте следующие инструкции:
 - Убедитесь в правильности регулировки частоты оборотов холостого хода.
 - Убедитесь, что используется надлежащая топливная смесь.
 - Убедитесь, что воздушный фильтр чист.

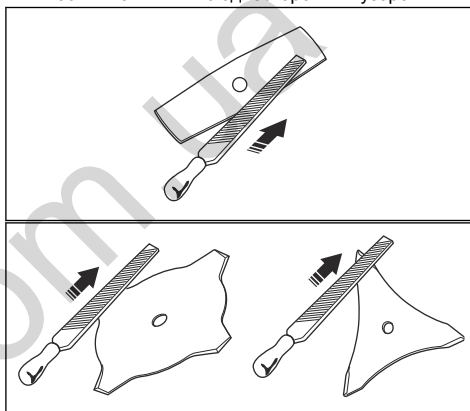
- Если свеча зажигания загрязнена, очистите ее и проверьте зазор между электродами, см. раздел *Технические данные на стр. 103.*



- При необходимости замените свечу зажигания.

Заточка ножей и лезвий для травы

- Равномерно заточите все кромки ножей и лезвий для травы, чтобы сохранить баланс. Используйте плоский напильник с односторонним узором.



Поиск и устранение неисправностей

Поиск и устранение неисправностей

Неисправность запуска		
Проверка	Возможная причина	Решение
Кнопка остановки	Положение остановки	Переведите выключатель в положение запуска.
Собачки стартера	Заедание собачек	Отрегулируйте или замените собачки.
		Очистите поверхность вокруг собачек.
		Обратитесь к авторизованному сервисному дилеру.
Топливный бак	Топливо несоответствующего типа.	Слейте и используйте правильное топливо.

Неисправность запуска		
Проверка	Возможная причина	Решение
Карбюратор	Регулировка оборотов холостого хода.	Отрегулируйте обороты холостого хода с помощью винта Т.
Зажигание (нет искры)	Свеча зажигания загрязнена или намокла.	Убедитесь, что свеча зажигания сухая и чистая.
	Неверный зазор свечи зажигания.	Очистите свечу зажигания. Проверьте правильность зазора между электродами. Убедитесь, что свеча зажигания оснащена изоляцией радиопомех. Правильный зазор между электродами см. в технических данных.
Свеча зажигания	Плохой контакт свечи зажигания.	Затяните свечу зажигания.
Топливный фильтр	Засорение топливного фильтра.	Замените топливный фильтр.

Двигатель запускается, но затем глохнет		
Проверка	Возможная причина	Решение
Топливный бак	Топливо несоответствующего типа.	Слейте и используйте правильное топливо.
Карбюратор	Двигатель не работает надлежащим образом на холостом ходу.	Обратитесь к своему дилеру по обслуживанию.
Воздушный фильтр	Засорение воздушного фильтра.	Очистите воздушный фильтр.
Топливный фильтр	Засорение топливного фильтра.	Замените топливный фильтр.

Транспортировка и хранение

- Обеспечьте безопасность оборудования на время транспортировки во избежание повреждений и несчастных случаев.
- Храните изделие и оборудование в сухом и защищенном от низких температур месте.
- Очистите изделие.

- Замените или отремонтируйте поврежденные детали.
- Накройте изделие подходящим защитным чехлом, не скапливающим влагу.
- Надежно фиксируйте изделие на время транспортировки.

Технические данные

Технические данные

	531RS	541RS	541RST
Двигатель			
Объем цилиндра, см ³	33,6	41,5	41,5
Обороты холостого хода, об/мин	2500±200	2500±200	2500±200
Рекомендованные макс. обороты, об/мин	12 000	12 000	12 000
Частота вращения выходного вала, об/мин	8570	8570	8570
Максимальная мощность двигателя согласно ISO 8893, кВт / л. с. при об/мин	1,2 / 1,6 при 7000	1,6 / 2,1 при 7000	1,6 / 2,1 при 7000
Система зажигания			
Свеча зажигания	NGK BPMR 7A	NGK BPMR 7A	NGK BPMR 7A
Зазор между электродами, мм	0,6-0,7	0,6-0,7	0,6-0,7
Топливная система и система смазки			
Емкость топливного бака, л / см ³	0,74 / 740	0,94 / 940	0,94 / 940
Масса			
Масса, кг	6,9	7,1	7,3
Излучение шума¹⁰			
Уровень мощности звука, измеренный, дБ(А)	107	107	107
Уровень мощности звука, гарантированный (LWA), дБ(А)	108	109	109
Уровни шума			
Эквивалентный уровень шумового давления на уровне уха пользователя, измерен согласно EN ISO 11806 и ISO 22868 ¹¹			
С головкой триммера (оригинальной), дБ(А)	90	94	94

¹⁰ Излучение шума в окружающую среду измеряется как мощность звука (L_{WA}) согласно директиве ЕС 2000/14/ЕС. Указанный уровень мощности звука для изделия измерен с оригинальным режущим оборудованием, дающим наивысший уровень. Разница между гарантированной и измеренной мощностью звука заключается в том, что гарантированная мощность звука включает результаты измерений как диапазон и их отклонение для устройств одной и той же модели согласно директиве 2000/14/ЕС.

¹¹ Указанные данные об уровне шумового давления имеют типичный статистический разброс (стандартное отклонение) в 2,5 дБ(А).

	531RS	541RS	541RST
С лезвием для травы (оригинальным), дБ(А)	89	95	95
Уровни вибрации			
Эквивалентные уровни вибрации ($a_{hv,eq}$) на ручках, измерены согласно EN ISO 11806 и ISO 22867 ¹²			
С головкой триммера (оригинальной), слева/справа, m/s^2	2,8 / 3,0	3,1 / 2,8	5,6 / 5,1
С лезвием для травы (оригинальным), слева/справа, m/s^2	4,2 / 4,0	4,5 / 5,0	7,1 / 6,3

Принадлежности

Принадлежности

Соответствующие принадлежности	Тип принадлежности	Щиток режущего оборудования, арт. №
Лезвие для травы/нож для травы	Multi 255-3 (Ø 255, 3 зубца)	537 33 16-03
	Multi 275-4 (Ø 275, 4 зубца)	537 33 16-03
	Multi 300-3 (Ø 300, 3 зубца)	537 33 16-03
	Multi 330-2 (Ø 330, 2 зубца)	537 33 16-03
Пластмассовые ножи	Tricut Ø 300 мм (отдельные лезвия имеют номер детали 531 01 77-15)	537 33 16-03
Головка триммера	T35, T35X (леска Ø 2,4-3,0 мм)	537 33 16-03
	S35 (леска Ø 2,4-3,0 мм)	537 33 16-03
	T45x (леска Ø 2,7-3,3 мм)	537 33 16-03
	T55x (леска Ø 2,7-3,3 мм)	537 33 16-03
	S II	537 33 16-03
Опорная чашка	Неподвижный	–

¹² Указанные данные об уровне вибрации имеют типичный статистический разброс (стандартное отклонение) 1,5 m/s^2 .

Декларация соответствия ЕС

Декларация соответствия ЕС

Название составителя: Husqvarna AB, SE-561 82
Huskvarna, Швеция, тел.: +46-36-146500.

Компания **Husqvarna AB** несет всю ответственность за объект данной декларации: Бензиновый триммер и/или кусторез, платформа(-ы) G45L и G35L, представленная(-ые) моделью(-ями) **Husqvarna 531RS, 541RS и 541RST**, начиная с серийных номеров 2017 года и далее. Номер платформы и номер модели указаны прямым текстом на табличке с обозначением типа вместе с годом выпуска и следующим за ним серийным номером.

Объект декларации, описанный выше, соответствует требованиям Директив Совета:

- от 17 мая 2006 года "о механическом оборудовании" **2006/42/EC**
- от 26 февраля 2014 года "об электромагнитной совместимости" **2014/30/EU**.
- от 8 мая 2000 года "относительно эмиссии шума в окружающую среду" **2000/14/EC**.
- от 14 декабря 2005 года "об излучении шума в окружающую среду" **2005/88/EC**.

В соответствии с Приложением V, заявленные показатели уровня шума приведены в таблице технических данных руководства по эксплуатации.

Применяются следующие стандарты:

EN ISO 11806-1:2011, EN ISO 14982:2009, EN ISO 12100:2010 CISPR 12:2007+A1:2009

TÜV Rheinland LGA Products GmbH, Tillystrasse 2, D-90431 Nuernberg, Германия, 0197, был проведен добровольный контроль от имени Husqvarna AB, по результатам которого был выдан сертификат соответствия директиве ЕС 2006/42/EC "о механическом оборудовании": AM50391783 (541RS, 541RST), AM50391781 (531RS). Данный сертификат действителен для всех предприятий и стран производителя, как указано на изделии. Поставляемый триммер и/или кусторез соответствует эталону, прошедшему контроль.

Husqvarna AB, Huskvarna, Швеция, 2017-08-01



Пер Густафссон (Per Gustafsson), директор Отдела разработок (уполномоченный представитель компании Husqvarna AB и ответственный за техническую документацию)

Зміст

Вступ.....	106	Усунення несправностей.....	128
Безпека.....	108	Транспортування та зберігання.....	129
Збирання.....	115	Технічні характеристики.....	130
Експлуатація.....	119	Акcesуари.....	131
Технічне обслуговування.....	124	Декларація відповідності ЄС.....	132

Вступ

Опис виробу

Цей виріб – кущоріз із двигуном внутрішнього згоряння.

Ми постійно працюємо над підвищенням вашої безпеки й ефективності роботи. По додаткову інформацію звертайтеся до свого сервісного дилера.

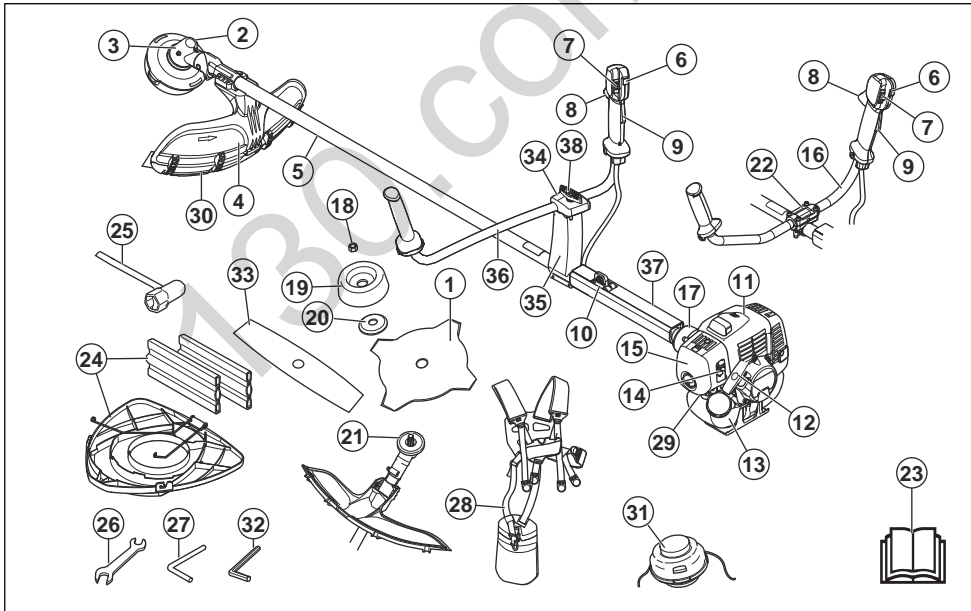
Правильне використання

Виріб може використовуватися з насадками на кшталт ножа для трави або головки тримера для

зрізання різних типів рослинності. Забороняється використовувати виріб для інших завдань, окрім підстригання й скошування трави. Для скошування трави використовуйте ніж для трави або головку тримера.

Зверніть увагу: Дотримуйтесь вимог національних чи місцевих документів, що стосуються поводження з пристроєм.

Огляд виробу



1. Лезо (доступне не в усіх регіонах)
2. Ковпачок отвору для мастила, кінцева зубчаста передача
3. Зубчаста передача
4. Захисний кожух різальної насадки
5. Штанга
6. Кнопка запуску дроселя
7. Вимикач

8. Регулятор газу
9. Стопор курка газу
10. Кільце підвісної системи
11. Кришка циліндра
12. Рукоятка стартера
13. Паливний бак.
14. Керування повітряною заслінкою
15. Кришка повітряного фільтра
16. Рукоятка (531RS, 541RS)
17. Кришка зчеплення
18. Стопорна гайка
19. Опорна манжета
20. Опорний фланець
21. Приводний диск
22. Затискач рукоятки (531RS, 541RS)
23. Посібник користувача
24. Чохол для транспортування (доступний не в усіх регіонах)
25. Торцевий гайковий ключ
26. Ключ
27. Стопорний штифт (для виробів без шестигранного ключа)
28. Пасова підвіска
29. Кнопка продувки повітря
30. Подовження захисного кожуха
31. Головка тримера
32. Шестигранний ключ
33. Лезо з двома зубцями
34. Кришка (541RST)
35. Кронштейн (541RST)
36. Рукоятка (541RST)
37. Захисна муфта
38. Фіксувальна головка (541RST)

Символи на виробі



ПОПЕРЕДЖЕННЯ: Цей виріб може бути небезпечним і здатний спричинити тяжкі травми або смерть оператора чи сторонніх осіб. Будьте обережні й використовуйте виріб правильно.



Перед користуванням виробом уважно прочитайте посібник користувача й переконайтеся, що ви зрозуміли всі вказівки.



На ділянках, де існує ризик падіння предметів, завжди надягайте захисний шолом. Використовуйте сертифіковані засоби захисту органів слуху й очей.



Максимальна частота обертання вихідного вала.



Виріб відповідає належним вимогам директив ЄС.



З-під виробу можуть викидатися предмети, що може призвести до травм.



Під час роботи з виробом відстань між вами й сторонніми особами чи тваринами має становити щонайменше 15 м (50 футів).



Ризик віддачі ножа у випадку, якщо різальне обладнання натрапить на предмет, який не зможе миттєво зрізати. Виріб здатний відтяти частини тіла. Під час роботи з виробом відстань між вами й сторонніми особами чи тваринами має становити щонайменше 15 м (50 футів).



Стрілки показують межі для розміщення рукоятки.



Повітряна заслінка.



Кнопка продувки повітря.



Використовуйте відповідні захисні рукавиці.



Використовуйте надміцні чоботи із захистом від ковзання.



Рівень випромінювання шуму в навколишнє середовище відповідає Директиві ЄС. Рівень випромінювання шуму виробу вказано в розділі «Технічні дані» й на паспортній табличці.

yyyyywwxxxx

Серійний номер вказано на табличці з паспортними даними. **yyyyy** означає рік виробництва, а **ww** – тиждень виробництва.

Зверніть увагу: Інші позначення на виробі відповідають вимогам спеціальних сертифікатів для інших торгових зон.

Відповідальність за якість продукції

Згідно із законом про відповідальність за якість продукції ми не несемо відповідальності за будь-які пошкодження, спричинені роботою наших виробів, якщо:

- виріб було неправильно відремонтовано;
- виріб було відремонтовано із використанням деталей, виготовлених не виробником або не затверджених ним;

- виріб обладнано аксесуаром, виготовленим не виробником або не затвердженим ним;
- виріб було відремонтовано в неавторизованому сервісному центрі або неавторизованою компанією;

Безпека

Визначення щодо безпеки

Визначення, наведені нижче, пояснюють рівень серйозності кожного сигнального слова.



ПОПЕРЕДЖЕННЯ: Небезпека травми для людини.



УВАГА: Небезпека пошкодження виробу.

Зверніть увагу: Ця інформація спрощує використання виробу.

Загальні правила техніки безпеки



ПОПЕРЕДЖЕННЯ: Перш ніж розпочати використання виробу, уважно прочитайте наведені нижче попередження.

- Використовуйте виріб правильно. Неправильне використання може призвести до травм або смерті. Використовуйте виріб лише для завдань, перелічених у цьому посібнику. Забороняється використовувати продукт для інших завдань.
- Дотримуйтеся інструкцій, наведених у цьому посібнику. Дотримуйтеся інструкцій, зазначених на попереджувальних знаках та в правилах техніки безпеки. Недотримання оператором інструкцій, зазначених на попереджувальних знаках та в правилах техніки безпеки, може призвести до травм, пошкоджень або смерті.
- Не викидайте цей посібник. Користуйтеся інструкціями для монтажу, експлуатації та підтримки виробу в задовільному стані. Користуйтеся інструкціями для правильного встановлення насадок та приладдя. Використовуйте лише сертифіковані насадки та приладдя.
- Не користуйтеся пошкодженим виробом. Дотримуйтеся графіка технічного обслуговування. Виконуйте лише те обслуговування, для якого наведені інструкції в

цьому посібнику. Все інше обслуговування повинне виконуватися в авторизованому сервісному центрі.

- Цей посібник не включає всі ситуації, що можуть статися під час використання виробу. Будьте обережні та дотримуйтеся здорового глузду. Не експлуатуйте виріб і не виконуйте технічне обслуговування, якщо ви не можете розібратися в поточній ситуації. Більш детальну інформацію можна дізнатися в експерта з продукції, вашого дилера, центрі обслуговування або в авторизованому сервісному центрі.
- Перед монтажем, зберіганням або технічним обслуговуванням необхідно виймати свічку запалювання.
- Не використовуйте виріб у разі зміни його початкових технічних характеристик. Не замінюйте деталі виробу без дозволу виробника. Використовуйте лише деталі, схвалені виробником. Неправильне технічне обслуговування може призвести до травм або смерті.
- Не вдихайте вихлопні гази, що виходять з двигуна. Тривале вдихання вихлопних газів двигуна може бути небезпечним для здоров'я.
- Не вмикайте виріб у приміщенні чи біля легкозаймистих матеріалів. Вихлопні гази мають високу температуру та можуть містити іскри, від яких можливе загоряння. Недостатнє провітрювання може призвести до травм або смерті внаслідок задухи чи отруєння монооксидом вуглецю.
- Під час використання виробу двигун створює електромагнітне поле. Електромагнітне поле може пошкодити медичні імплантати. Перш ніж працювати з цим приладом, проконсультуйтеся з лікарем і виробником медичного імплантату.
- Не давайте використовувати прилад дітям. Не давайте використовувати прилад особам, що не ознайомилися з інструкціями.
- Завжди спостерігайте за особами з обмеженими фізичними чи розумовими можливостями, що використовують виріб. Біля виробу, що працює, повинна завжди знаходитися відповідальна доросла особа.

- Зачиняйте виріб у місці, куди не зможуть отримати доступ діти та особи, що не мають належної підготовки для використання виробу.
- З під виробу можуть викидатися предмети, що може призвести до травм. Для зменшення ризику травм або смерті дотримуйтеся правил техніки безпеки.
- Не відходьте далеко від працюючого виробу.
- Відповідальність за нещасний випадок несе оператор.
- Перед використанням виробу переконайтеся, що його деталі не мають пошкоджень.
- Перед використанням виробу переконайтеся в тому, що ви перебуваєте на відстані щонайменше 15 м (50 футів) від інших осіб або тварин. Переконайтеся в тому, що особи на прилеглий території знають, що ви збираєтеся використовувати виріб.
- Дотримуйтеся державного та місцевого законодавства. Норми законодавства можуть забороняти або обмежувати використання виробу в деяких умовах.
- Заборонено використовувати виріб, якщо ви втомлені чи перебуваєте під впливом наркотиків, алкоголю або медикаментів. Ці речовини можуть вплинути на зір, реакцію, координацію рухів або спроможність робити зважені рішення.

Правила техніки безпеки під час монтажу



ПОПЕРЕДЖЕННЯ: Перед користуванням виробом уважно прочитайте ці вказівки, переконайтеся, що ви їх зрозуміли, і завжди дотримуйтеся їх.

- Перед збиранням виробу необхідно зняти ковпак свічки запалювання зі свічки запалювання.
- Використовуйте відповідні захисні рукавиці.
- У разі використання полотна пилки або ножа для трави переконайтеся, що на виріб встановлено відповідну рукоятку, кожух ножа й пасову підвіску.
- Використання несправного або невідповідного кожуха може призвести до травмування. Забороняється використовувати ріжучі насадки без сертифікованого захисного кожуха.
- Перед запуском виробу встановіть кришку зчеплення й вал, що будуть утримувати зчеплення на місці.
- Перед запуском двигуна переконайтеся, що кришка й вал змонтовані правильно.
- Приводний диск й опорний фланець повинні зчеплюватися в центральному отворі ріжучої насадки відповідним чином. Неправильне встановлення ріжучої насадки може призвести до травм чи смерті.
- Для забезпечення безпечної експлуатації виробу та уникнення травмування оператора чи

сторонніх осіб, виріб повинен бути завжди закріплений на пасовій підвісці.

Правила техніки безпеки під час використання виробу

- Перед використанням переконайтеся, що виріб повністю змонтований.
- Перед запуском пересуньте виріб на 3 м від місця, де ви заправляли його паливом. Розташуйте виріб на рівній поверхні. При цьому ріжуча насадка не повинна торкатися землі або інших предметів.
- З-під виробу можуть викидатися предмети, що може призвести до пошкодження очей. Під час експлуатації виробу завжди користуйтеся відповідними засобами захисту очей.
- Будьте обережні, адже під час експлуатації виробу до вас може без дозволу підійти дитина.
- Не використовуйте виріб, якщо на робочій ділянці знаходяться люди. Зупиніть виріб у разі, якщо на робочу ділянку зайшла особа.
- Завжди контролюйте місце знаходження виробу.
- Не використовуйте виріб, якщо немає змоги отримати допомогу в разі нещасного випадку. Перед початком експлуатації виробу переконайтеся, що інші особи знають, що ви будете працювати з виробом.
- Не обертайтеся разом з виробом, доки не переконаєтеся, що люди або тварини знаходяться в безпечній зоні.
- Перед початком роботи приборіть всі непотрібні предмети з робочої ділянки. Якщо ріжуча насадка натрапить на якийсь предмет, він може відлетіти та призвести до травм або пошкоджень. Непотрібні предмети можуть намотатися на ріжучу насадку та призвести до пошкоджень.
- Не користуйтеся виробом у погану погоду (туман, дощ, сильний вітер, якщо є ризик виникнення блискавки або за інших несприятливих погодних умов). Через погану погоду можуть утворюватися небезпечні умови (наприклад, слизькі поверхні).
- Переконайтеся, що ви можете вільно переміщуватися та працювати, зберігаючи стабільне положення.



- Переконайтеся, що під час використання виробу ви не впадете. Не нахиляйтеся під час експлуатації виробу.

- Завжди утримуйте виріб обома руками. Тримайте виріб праворуч.



- Використовуйте виріб лише тоді, коли ріжуча насадка знаходиться нижче рівня вашої талії.
- Якщо в момент запуску двигуна керування заслінкою знаходиться в положенні заслінки, ріжуча насадка почне обертатися.
- Не торкайтеся конічної зубчастої передачі після зупинки двигуна. Після зупинки двигуна конічна зубчаста передача має високу температуру. Контакт із гарячими поверхнями може призвести до травм.
- Перед переміщенням виробу зупиняйте двигун.
- Не кладіть працюючий виріб на землю.
- Перед тим як прибрати непотрібні предмети з виробу, зупиніть двигун та дочекайтеся зупинки ріжучої насадки. Дочекайтеся зупинки різальної насадки перед тим як ви або ваш помічник почне прибрати зрізаний матеріал.

Засоби індивідуального захисту



ПОПЕРЕДЖЕННЯ: Перш ніж розпочати використання виробу, уважно прочитайте наведені нижче попередження.

- Під час експлуатації виробу завжди використовуйте відповідні засоби індивідуального захисту. Засоби індивідуального захисту не усувають повністю ризик отримання травм. Засоби індивідуального захисту знижують рівень пошкоджень у разі нещасного випадку.
- Під час експлуатації виробу завжди користуйтеся відповідними засобами захисту очей.
- Не використовуйте виріб, не надягнувши взуття або перебуваючи у відкритому взутті. Завжди використовуйте надміцні чоботи із захистом від ковзання.
- Використовуйте цупкі довгі штани.
- За необхідності використовуйте сертифіковані захисні рукавиці.
- У разі наявності ризику падіння предметів на голову, використовуйте шолом.
- Під час експлуатації виробу завжди користуйтеся відповідними засобами захисту органів слуху. Довготривалий вплив шуму може призвести до втрати слуху.

- Переконайтеся, що поряд є набір засобів для надання першої медичної допомоги.

Захисні засоби на пристрої

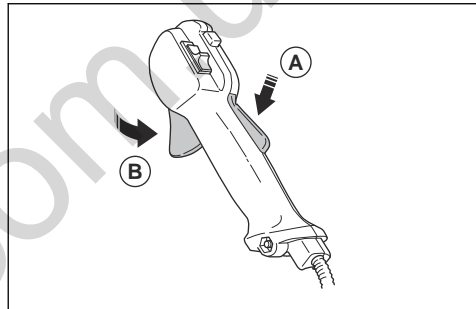
- Переконайтеся, що технічне обслуговування виробу проводиться регулярно.
 - Строк служби виробу збільшується.
 - Небезпека виникнення нещасних випадків зменшується.

Регулярний огляд, регулювання або ремонт виробу повинен проводитися авторизованим дилером або сервісним центром.

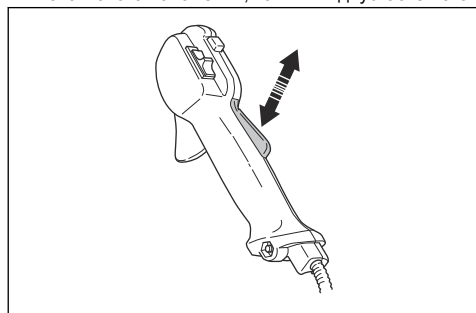
- Не використовуйте виріб з пошкодженим захисним спорядженням. У разі пошкодження виробу, зверніться до авторизованого сервісного центру.

Перевірка блокування курка газу

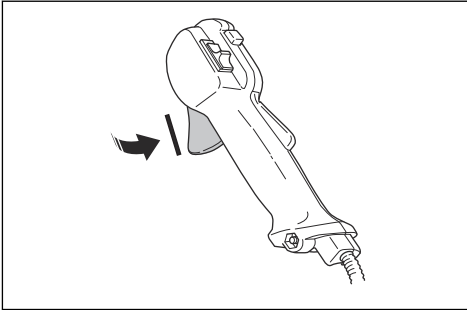
1. Перевірте, чи вільно рухається елемент блокування курка газу (A) і сам курок газу (B), та чи правильно працює зворотна пружина.



2. Натисніть елемент блокування курка газу й переконайтеся, що він повертається до початкового положення, коли ви відпускаєте його.



3. Перевірте, чи блокується курок газу на холостому ході, коли відпускається його блокування.



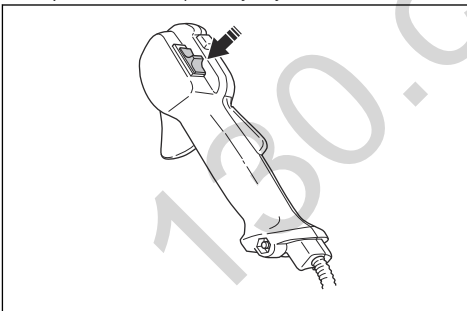
4. Увімкніть виріб і повністю натисніть курок газу.
5. Відпустіть курок газу та переконайтеся, що різальна насадка зупинилася й не рухається.



ПОПЕРЕДЖЕННЯ: Якщо різальна насадка рухається, коли курок газу перебуває в положенні холостого ходу, потрібно відрегулювати частоту холостого ходу карбюратора. Див. *Налаштування частоти холостого ходу на сторінці 125.*

Перевірка вимикача

1. Запустіть двигун.
2. Пересуньте вимикач у положення «зупинити» й переконайтеся, що двигун зупинився.

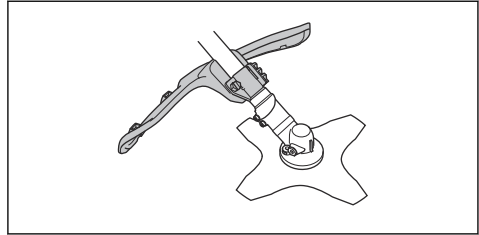


Перевірка захисного кожуха різальної насадки

Кожух різальної насадки захищає від травм і відкидання предметів у напрямку оператора.

1. Зупиніть двигун.

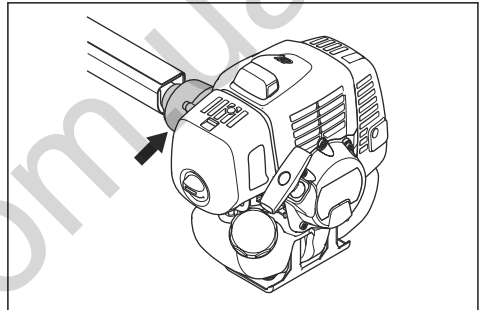
2. Проведіть візуальну перевірку на предмет пошкоджень на кшталт тріщин.



3. Якщо захисний кожух різальної насадки пошкоджений, замініть його.

Перевірка системи поглинання вібрації

Система поглинання вібрації зменшує вібрацію в області рукояток до мінімуму, що полегшує експлуатацію виробу.



1. Зупиніть двигун.
2. Проведіть огляд і переконайтеся у відсутності деформацій та пошкоджень на кшталт тріщин.
3. Переконайтеся в правильності кріплення елементів системи поглинання вібрації.

Перевірка механізму швидкого розмикання

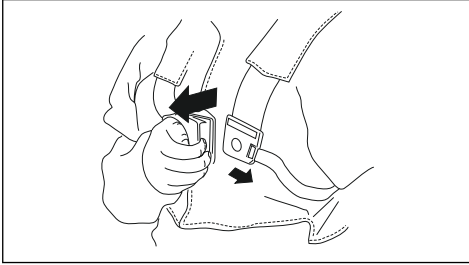


ПОПЕРЕДЖЕННЯ: Не користуйтеся підвіскою з несправним механізмом швидкого розмикання.

Механізм швидкого розмикання дозволяє оператору швидко зняти виріб із підвіски в разі виникнення надзвичайної ситуації.

1. Зупиніть двигун.
2. Проведіть візуальну перевірку на наявність пошкоджень на кшталт тріщин.

3. Зніміть і знову приєднайте механізм швидкого розмикання, щоб переконатися, що він працює належним чином.



Перевірка глушника

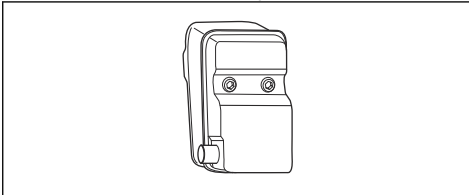


ПОПЕРЕДЖЕННЯ: Ніколи не користуйтеся виробом із несправним глушником.

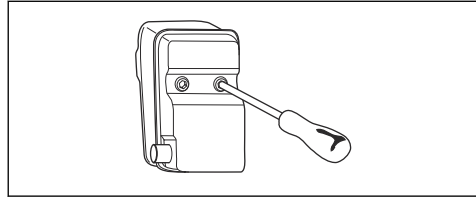


ПОПЕРЕДЖЕННЯ: Пам'ятайте, що вихлопні дими мають високу температуру й можуть супроводжуватися іскрами, що можуть призвести до пожежі. У жодному разі не запускайте виріб у приміщенні чи біля легкозаймистих матеріалів!

Глушник зменшує рівень шуму й відводить вихлопні дими подалі від оператора. У користуванні глушником дуже важливо дотримуватися вказівок щодо перевірки, догляду та обслуговування виробу.



Регулярно перевіряйте, чи надійно глушник прикріплений до виробу.



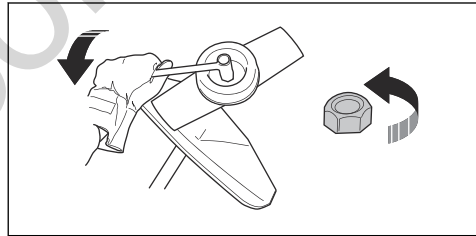
Встановлення й знімання стопорної гайки



ПОПЕРЕДЖЕННЯ: Зупиніть двигун, використовуйте захисні рукавиці й будьте обережні з гострими кромками різальної насадки.

Деякі різальні насадки фіксуються за допомогою стопорних гайок. Стопорна гайка має лівобічну нарізку.

- Для встановлення затягніть стопорну гайку в бік, протилежний напрямку обертання різальної насадки.
- Щоб зняти стопорну гайку, відкручіть її в бік обертання різальної насадки.
- Для послаблення чи затягування стопорної гайки користуйтеся торцевим гайковим воротком із довгою рукояткою. Стрілкою на рисунку позначено напрямки, в якому потрібно рухати гайковий вороток.



ПОПЕРЕДЖЕННЯ: Під час послаблення або затягування стопорної гайки існує ризик травмування об ніж. Перед виконанням цієї операції слід переконатися, що кожух ножа захищає руки від травмування.

Зверніть увагу: Переконайтеся, що обертати стопорну гайку вручну неможливо. Замініть гайку, якщо нейлонова прокладка не забезпечує зусилля, що дорівнює принаймні 1,5 Н·м. Стопорну гайку слід замінити, якщо її було використано близько 10 разів.

Різальне обладнання

Обирайте й обслуговуйте різальне обладнання, щоб:

- отримати максимальну продуктивність різання;
- збільшити термін служби різального обладнання;

- виконувати вказівки щодо перевірки, догляду й обслуговування глушника;
- дотримуватися рекомендацій щодо кожухів для різального обладнання. Див. технічні дані.



ПОПЕРЕДЖЕННЯ: Користуйтеся ріжучими насадками лише з рекомендованими кожухами! Дивіться розділ «Технічні дані». Користуйтеся вказівками для ріжучих насадок для того, щоб перевірити правильність встановлення нитки й відповідність її діаметру.



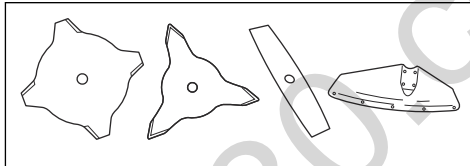
ПОПЕРЕДЖЕННЯ: <ps "Body" 13>УВАГА! дефектна ріжуча насадка може збільшувати ризик аварій.



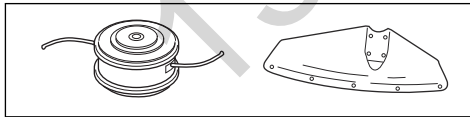
ПОПЕРЕДЖЕННЯ: Завжди зупиняйте двигун перед будь-якою роботою з ріжучою насадкою. Насадка продовжує обертатися, навіть коли важіль звільнено. Переконайтеся, що ріжуча насадка повністю зупинилася, і від'єднайте ковпак свічки запалювання, перш ніж починати роботу з насадкою.

Різальне обладнання

- Для скошування густої трави використовуйте леза й ножі для трави.

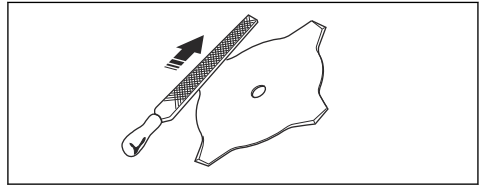


- Для зрізання трави користуйтеся головкою тримера.



- Зубці ножа повинні бути правильно нагострені! дотримуйтеся наших вказівок та використовуйте напильник рекомендованого розміру. Зубці ножа повинні бути правильно загострені. Дотримуйтеся вказівок, наведених у розділі *Технічне*

обслуговування на сторінці 124, і використовуйте напилек рекомендованого розміру.

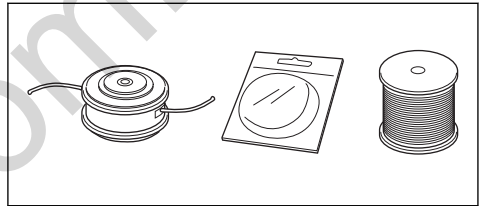


- Перевірка ріжучої насадки на наявність пошкоджень і тріщин. Пошкоджені ріжучі насадки необхідно замінювати.
- Користуйтеся різальними насадками лише з рекомендованими кожухами. Див. *Аксесуари на сторінці 131*.

Головка тримера



ПОПЕРЕДЖЕННЯ: Обов'язково переконайтеся в тому, що нитка тримера надійно й рівномірно намотана на барабан, інакше під час роботи може виникати шкідлива вібрація.



- Використовуйте лише рекомендовані головки й нитки тримера.
- Користуйтеся лише рекомендованими різальними насадками.
- Довжина нитки тримера має значення. Якщо використовується довша нитка, потужність двигуна повинна бути більшою, ніж коли використовується коротша нитка того ж діаметру.
- Забороняється переміщувати поверхню встановлення кожуха тримера.
- Переконайтеся в тому, що різець на кожусі тримера не пошкоджено. Різець обрізує нитку до потрібної довжини.
- Щоб збільшити термін служби нитки тримера, її можна вимочувати протягом двох днів.

Ножі та різці для трави

- Використовуйте лише відповідні ножі для трави. Не використовуйте ніж для трави, доки не буде належним чином встановлено всі необхідні деталі. Упевніться, що використовуються відповідні частини, а також що їх встановлено належним чином. Неправильне встановлення

може призвести до від'єднання й відкидання леза та травмування оператора й інших осіб.

- Під час роботи з лезом або його обслуговування носіть захисні рукавиці.
- Під час роботи з виробом, оснащеним ножом для трави, користуйтеся відповідними засобами захисту голови.
- Ножі та різці для трави призначені для косіння густої трави.
- Ніж для трави може нанести тяжкі травми, коли продовжує обертатися після вимикання двигуна або відпускання курка газу. Перш ніж проводити технічне обслуговування, упевніться, що ніж для трави повністю зупинився.
- Зупиняйте двигун перед будь-якими операціями з різальною насадкою. Упевніться, що різальна насадка повністю зупинилась. Від'єдняйте кабель від свічки запалювання.
- Використовуйте лише схвалену різальну насадку або правильно загострений ніж.
- Зубці ножа повинні бути правильно загострені.
- Не використовуйте пошкоджену різальну насадку.
- Перед транспортуванням або зберіганням виробу надягайте на ніж для трави чохол для транспортування.

Віддача ножа

- Віддача ножа – це несподіваний рух виробу вбік, вперед чи назад. Віддача виникає, коли ніж для трави натрапляє на предмет, який неможливо зрізати. Ризик віддачі зростає під час роботи на ділянках, де погано видно, що саме скошується.
- Віддача ножа може відштовхнути виріб чи оператора. Лезо, що обертається, може нанести травми сторонній особі.
- Якщо лезо зігнулося, тріснуло, зламалося чи ушкоджене будь-яким іншим чином, припиніть його використання.
- Використовуйте гостре лезо. Якщо лезо затупилося, ризик віддачі зростає.

Заходи безпеки при заправці палива

- Не запускайте виріб, якщо на ньому залишилися пальне або моторна олива. Приберіть непотрібне пальне/оливу та дайте виробу просохнути. Приберіть непотрібне пальне з виробу.
- Якщо ви пролили пальне на свій одяг, негайно переодягніться.
- Не допускайте потрапляння пального на тіло, адже це може призвести до травм. Для видалення пального, що потрапило на тіло, використовуйте мило та воду.
- Не запускайте двигун у разі потрапляння оливи або пального на виріб або тіло.

- Не запускайте виріб у разі наявності протікання у двигуні. Регулярно перевіряйте двигун на протікання.
- Будьте обережні при поводженні з паливом. Пальне є легкозаймистою речовиною, а його пари вибухонебезпечні та можуть призвести до травм або смерті.
- Не вдихайте вихлопні гази, це може призвести до травм. Забезпечте належне провітрювання.
- Не паліть біля пального або двигуна.
- Не кладіть біля пального або двигуна теплі предмети.
- Не доливайте пальне в працюючий виріб.
- Перед заправленням переконайтеся, що двигун охолонув.
- Перед заправленням повільно відкриті кришку паливного бака, обережно зменшивши тиск.
- Не заправляйте виріб у приміщенні. Недостатнє провітрювання може призвести до травм або смерті внаслідок задухи чи отруєння монооксидом вуглецю.
- Обережно затягуйте кришку паливного бака, адже існує ризик виникнення пожежі.
- Перед запуском пересуньте виріб на 3 м від місця, де ви заправляли його.
- Не заливайте в паливний бак занадто багато палива.
- Переконайтеся у відсутності ризику протікань під час переміщення виробу або ємності для пального.
- Не залишайте виріб або ємність для пального біля відкритого вогню, джерела іскор або запальника. Переконайтеся, що в зоні зберігання відсутні джерела відкритого вогню.
- Під час переміщення або зберігання палива користуйтеся лише сертифікованими ємностями.
- Спустошуйте паливний бак перед тривалим зберіганням. Дотримуйтеся місцевого законодавства щодо утилізації пального.
- Очищуйте виріб перед тривалим зберіганням.
- Щоб двигун випадково не запустився, перед зберіганням необхідно зняти кабель свічки запалювання.

Правила техніки безпеки під час обслуговування

- Якщо не вдається відрегулювати швидкість холостого ходу таким чином, щоб ріжуча насадка зупинилась, зверніться до сервісного центру. Не користуйтеся виробом, поки його добре не відрегулюють або полагодають.

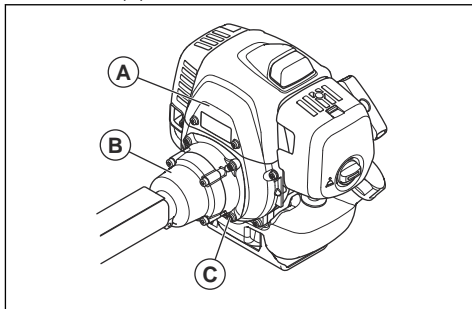
Збирання



ПОПЕРЕДЖЕННЯ: Перед збиранням виробу прочитайте розділ про правила техніки безпеки.

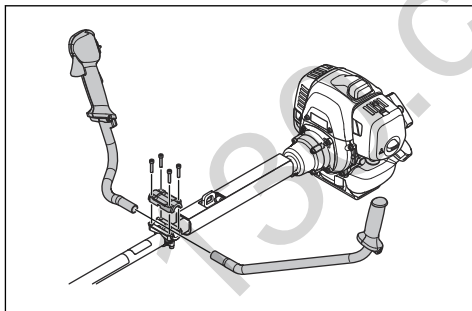
Процедура встановлення корпусу виробу

- Під'єднайте двигун (А) до трубки (В) чотирма гвинтами (С).

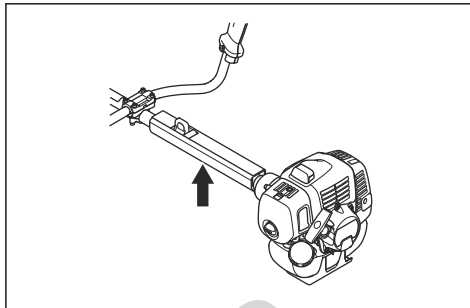


Процедура встановлення рукоятки (531RS, 541RS)

1. Установіть рукоятку в затискач рукоятки на штанзі.

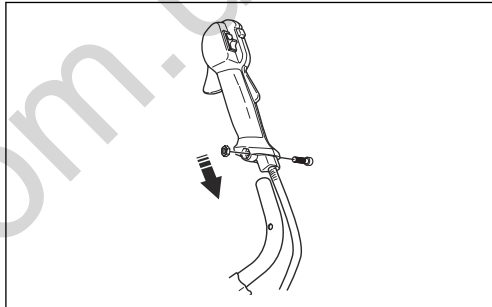


2. Установіть захисний кожух.



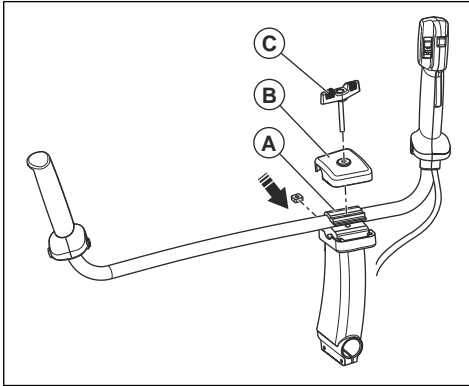
Процедура встановлення рукоятки (541RST)

1. Вийміть гвинт, що знаходиться поза рукою газу.



2. Установіть ручку газу на праву рукоятку.
3. Зіставте гвинтовий отвір на ручці газу з отвором на рукоятці.
4. Просуньте гвинт крізь отвори. Затягніть гвинт.

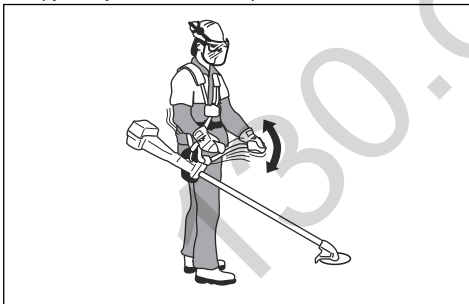
5. Встановіть рукоятку в зборі та квадратну гайку в кріпильну скобу. Переконайтеся, що рукоятка перебуває в належному положенні.



6. Установіть затискач рукоятки (A), кришку (B) та фіксувальну головку (C).
7. Вирівняйте отвори для гвинта фіксувальної головки.
8. Затягніть фіксувальну головку, щоб надійно зафіксувати рукоятку.

Кріплення пасової підвіски

1. Надягніть пасову підвіску й підвісьте виріб на точку підвіски.
2. Налаштуйте рукоятку, щоб виріб перебував у зручному положенні для роботи.

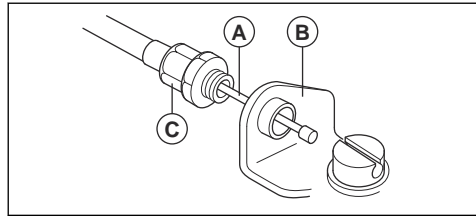


3. Повністю затягніть гвинти.

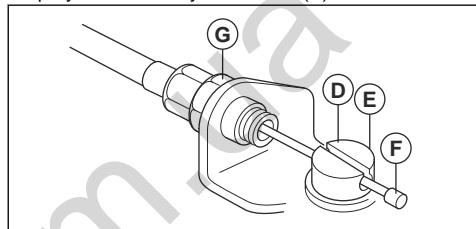
Процедура під'єднання троса газу та дротів вимикача

1. Зніміть кришку повітряного фільтра.

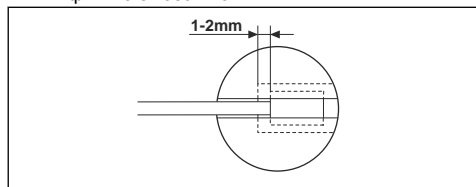
2. Протягніть трос газу (A) через кронштейн карбюратора (B).



3. Повністю вставте регульовальну втулку кабелю (C) у кронштейн карбюратора.
4. Установіть фітинг із пазом (D) на карбюратор. У цей час заглиблений отвір (E) кабельного наконечника (F) перебуватиме поза межами регульовальної втулки кабелю (C).

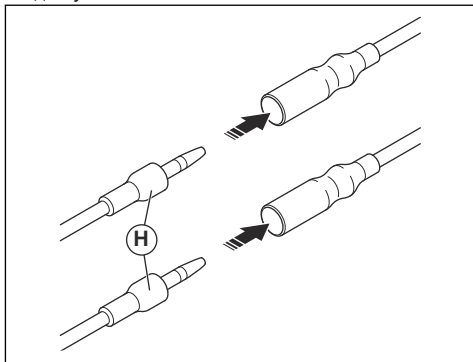


5. Поверніть кулачок дроселя та просуньте трос газу (A) крізь паз у фітинг.
6. Переконайтеся, що кабельний наконечник (F) потрапив у заглиблений отвір.
7. Кілька разів потягніть курок газу, щоб переконатися, що він працює належним чином.
8. Налаштуйте регульовальну втулку кабелю (C).
 - а) Переконайтеся, що обмежувач на кулачку дроселя карбюратора торкається обмежувача дросельної заслінки належним чином.
 - б) Коли курок газу не натиснуто, кабельний наконечник (F) має бути віддалений від фітинга з пазом на 1–2 мм.

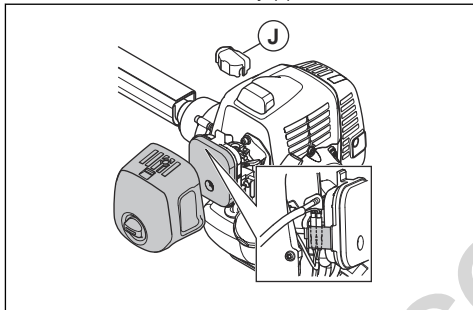


9. Коли трос (A) газу буде відрегульовано, затягніть стопорну гайку (G).

10. Підключіть дроти вимикача (H) до контактів на двигуні.



11. Установіть чохол від пилу (J).



12. Установіть кришку повітряного фільтра.

Установлення лез і головок тримера



ПОПЕРЕДЖЕННЯ: Використовуйте лише сертифіковані кожухи для ножів. Див. *Аксесуари на сторінці 131*. Використання несправного кожуха може призвести до травмування.

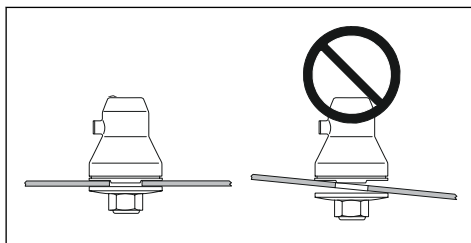


ПОПЕРЕДЖЕННЯ: Якщо ви використовуєте виріб зі встановленим ножом для трави, спочатку слід установити відповідну рукоятку, кожух ножа та пасову підвіску.



ПОПЕРЕДЖЕННЯ: Якщо установити леза неправильно, це може призвести до травмування.

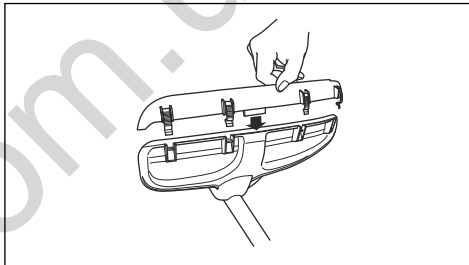
1. Упевніться, що піднята частина приводного диску/опорного фланця належним чином зчіплюється з центральним отвором лез.
2. Установіть леза.



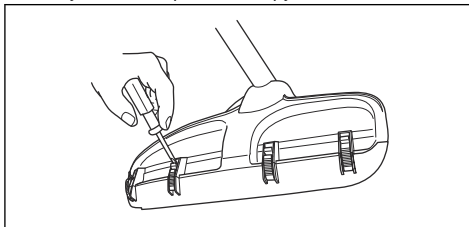
Установлення й від'єднання подовжувача захисного кожуха

Подовжувач захисного кожуха використовується з кожухом різальної насадки. Установлюйте подовжувач захисного кожуха в разі використання головки тримера або пластмасових ножів. Від'єднуйте подовжувач захисного кожуха в разі використання ножа для трави.

- Установіть напрямку подовжувача захисного кожуха в паз кожуха різальної насадки. Зафіксуйте 4 стопорні гаки.



- Щоб від'єднати подовжувач захисного кожуха, відпустіть стопорні гаки викруткою.



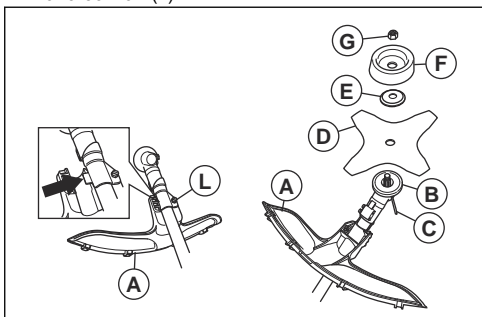
Встановлення кожуха ножа, ножа та різака для трави



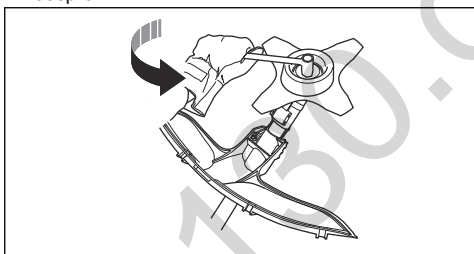
УВАГА: Переконайтеся, що подовжувач захисного кожуха прибраний.

Зверніть увагу: Використовуйте рекомендований кожух для ножа. Див. *Аксесуари на сторінці 131*.

1. Установіть кожух ножа на вал. Закріпіть кожух ножа болтом (L).



2. Під'єднайте приводний диск (B) до вихідного вала.
3. Обертайте вихідний вал, доки один із отворів приводного диска не опиниться напроти отвору в корпусі редуктора.
4. Вставте стопорний штифт або шестигранний ключ (C) в отвір, щоб зафіксувати вал.
5. Установіть ніж (D), опорний фланець (E) й опорну манжету (F) на вихідний вал.
6. Установіть гайку (G). Затягніть гайку комбінованим гайковим воротком із моментом 35–50 Н·м. Тримайте ручку комбінованого гайкового воротка якомога ближче до кожуха ножа.
7. Щоб затягнути гайку, повертайте комбінований вороток у напрямку, протилежному напрямку обертання.



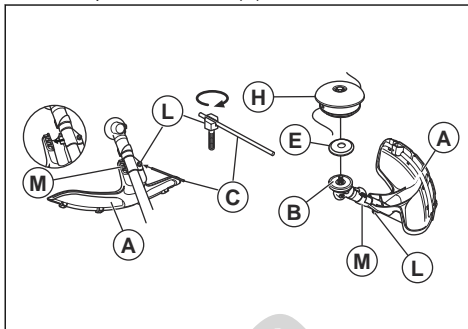
Зверніть увагу: Лівобічна нарізка.

Установлення кожуха тримера й головки тримера

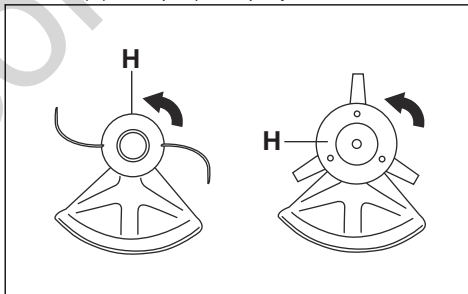
Зверніть увагу: Переконайтеся, що ви використовуєте правильний кожух і головку тримера.

1. Установіть відповідний кожух тримера / комбінований кожух (A) на головку тримера.
2. Підвісьте кожух тримера / комбінований кожух (A) на двох гачках на тримач пластини (M).

3. Установіть кожух тримера / комбінований кожух навколо вала й затягніть його за допомогою болта (L). Скористайтеся стопорним штифтом чи шестигранним ключем (C).



4. Вставте стопорний штифт або шестигранний ключ (C) у шліць на головці гвинта й затягніть гвинт.
5. Установіть приводний диск (B) й опорний фланець (E) на вихідний вал.
6. Обертайте вихідний вал, доки один з отворів приводного диска не суміється з отвором у корпусі редуктора.
7. Вставте стопорний штифт або шестигранний ключ (C) в отвір, щоб зафіксувати вал.

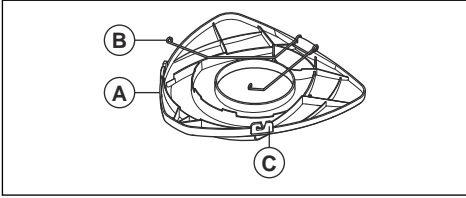


8. Встановіть головку тримера / пластикові леза (H). Повертайте головку тримера / пластикові леза проти годинникової стрілки.
9. Під час демонтажу виконуйте всі кроки у зворотному порядку.

Установлення чохла для транспортування

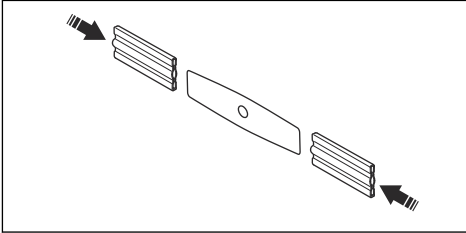
1. Вставте лезо в чохол для транспортування (A).

2. Щоб установити чохол для транспортування, вставте два фіксатори (В) в пази (С).



Процедура встановлення леза з двома зубцями в чохол

1. Вставте лезо в чохол для транспортування.



Регулювання пасової підвіски



ПОПЕРЕДЖЕННЯ: Виріб має бути правильно приєднаним до пасової

підвіски (кріплення). Не користуйтеся пошкодженим кріпленням.

1. Надягніть пасову підвіску.
2. Приєднайте виріб до пасової підвіски.
3. Якнайкраще припасуйте ремені для роботи.
4. Відрегулюйте бокові ремені, щоб маса виробу рівномірно розподілялася по плечах.



5. Відрегулюйте пасову підвіску таким чином, щоб ріжуча насадка була розташована паралельно землі.
6. Ріжуча насадка має легко торкатися землі. Відрегулюйте кріплення ременя таким чином, щоб виріб був правильно врівноважений.

Зверніть увагу: У разі використання ножа для трави він має бути врівноважений на рівні близько 10 см (4 дюйми) над землею.

Експлуатація



ПОПЕРЕДЖЕННЯ: Перед використанням виробу уважно прочитайте розділ про правила техніки безпеки.



УВАГА: Не використовуйте бензин із концентрацією етанолу більше 10% (E10). Це може призвести до пошкодження виробу.

Паливо

Використання палива



УВАГА: Цей виріб оснащений двотактним двигуном. Використовуйте суміш бензину та моторної оливи для двотактних двигунів. Для суміші використовуйте правильну кількість оливи. Невірне співвідношення бензину та оливи може призвести до пошкодження двигуна.

- Завжди використовуйте новий неетилований бензин з мінімальним октановим числом 90 RON (87 AKI) та концентрацією етанолу менше 10% (E10).
- У разі частого використання виробу з високою частотою обертання двигуна, необхідно використовувати бензин з вищим октановим числом.

Моторна олива для двотактних двигунів

- Використовуйте лише високоякісну моторну оливу для двотактних двигунів, зокрема моторну оливу HUSQVARNA. Використовуйте лише моторну оливу для повітряного охолодження.
- Співвідношення компонентів 50:1 (2 %).
- Олива низької якості та надто велика частка олії в суміші може зменшити термін служби каталітичних допалювачів.
- Зверніться до свого дилера, щоб вибрати оливу.

Бензин



УВАГА: Не використовуйте бензин із октановим числом нижче 90 RON (87 AKI). Це може призвести до пошкодження виробу.

- Якщо оливи для двотактних двигунів Husqvarna немає, ви можете використовувати іншу оливу високої якості, призначену для двотактних двигунів із повітряним охолодженням. Під час вибору оливи проконсультуйтеся зі своїм дилером.
- Не використовуйте оливу для зовнішніх двотактних двигунів із водяним охолодженням. Оливу для двотактних двигунів інколи називають оливою для підвісних двигунів.

Бензин, л	Олива, л
	2 % (50:1)
5	0, 1
10	0,2
15	0,3
20	0,4

Створення паливної суміші

Зверніть увагу: Для змішування суміші завжди використовуйте чисту паливну ємність.

Зверніть увагу: Не змішуйте об'єм суміші, яку не зможете використати протягом 30 днів.

1. Додайте половину кількості бензину.
2. Додайте всю оливу.
3. Збовтайте паливну суміш для змішування компонентів.
4. Додайте решту бензину.
5. Збовтайте паливну суміш для змішування компонентів.
6. Наповніть паливний бак.

Додавання палива



ПОПЕРЕДЖЕННЯ: Не куріть і не ставте гарячі предмети поблизу палива. Перед заливанням палива зупиніть двигун і дайте йому охолонути протягом кількох хвилин.



ПОПЕРЕДЖЕННЯ: Під час додавання палива кришку бака необхідно відкривати повільно, щоб скинути зайвий тиск.



ПОПЕРЕДЖЕННЯ: Після додавання палива обережно закрийте кришку бака. Перед запуском двигуна приберіть пристрій із місця заправлення та подаль від джерел живлення.

- Використовуйте паливну ємність з антипропускним клапаном.
- Переконайтеся, що область навколо кришки паливного бака чиста. Забруднення в баку може спричинити проблеми у роботі.
- Перед додаванням паливної суміші в паливний бак збовтайте ємність з паливом.

Запуск і зупинення роботи

Перевірка перед запуском

1. Перевірте виріб на предмет відсутніх, пошкоджених, розхитаних або зношених деталей.
2. Перевірте гайки, гвинти та болти.
3. Перевірте леза.
4. Перевірте стопорну гайку. Упевніться, що стопорна гайка має мінімальну силу затискання 1,5 Н•м (1,1 фута/фунт). Затягніть стопорну гайку, застосовуючи момент 35–50 Н•м (26–36 футів/фунт).
5. Перевірте повітряний фільтр.
6. Перевірте елемент блокування курка газу та керування газом.
7. Перевірте вимикач.
8. Перевірте виріб на наявність витоків палива.

Запуск холодного двигуна



ПОПЕРЕДЖЕННЯ: Перед запуском виробу встановіть кришку зчеплення та вал. Послаблене зчеплення може призвести до травмування. Надягайте рукавиці.



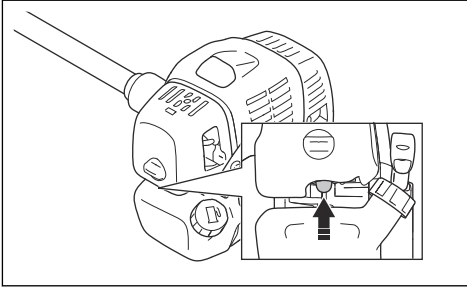
ПОПЕРЕДЖЕННЯ: Перенесіть виріб подаль від місця заправлення та джерела палива. Розташуйте його на рівній поверхні. Переконайтеся, що біля різальної насадки немає предметів, які її торкаються.



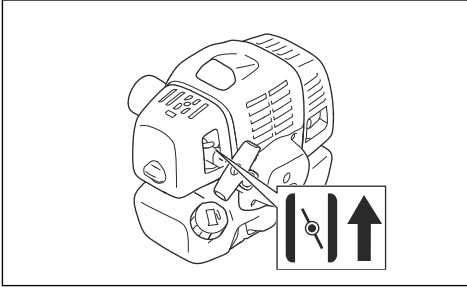
ПОПЕРЕДЖЕННЯ: Впевніться, що в робочій зоні немає сторонніх осіб. Присутність сторонніх осіб може становити ризик отримання небезпечних травм. Безпечна відстань становить щонайменше 15 метрів.

1. Переведіть вимикач у положення запуску.

2. Натискайте кнопку продувки повітрям, доки паливо не почне заповнювати її.



3. Переведіть елемент керування системою запуску холодного двигуна в положення заслінки.



4. Опустіть виріб до землі. Повільно потягніть трос стартера правою рукою, доки не відчуєте спротив.



Зверніть увагу: Не намотуйте трос стартера на руку.



УВАГА: Не витягуйте трос стартера повністю. Коли трос витягнутий повністю, утримуйте ручку. Невиконання цих інструкцій може призвести до пошкодження двигуна.

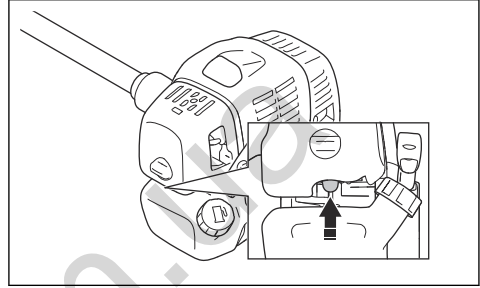
5. Різко із зусиллям смикніть трос стартера; має почутися звук запуску двигуна.
6. Установіть важіль повітряної заслінки в робоче положення.



ПОПЕРЕДЖЕННЯ: Заборонено торкатися кришки. Це може призвести до опіку шкіри або ураження електричним струмом, якщо ковпак свічки запалювання пошкоджено. Не використовуйте виріб із пошкодженим ковпаком свічки запалювання.

Запуск теплового двигуна

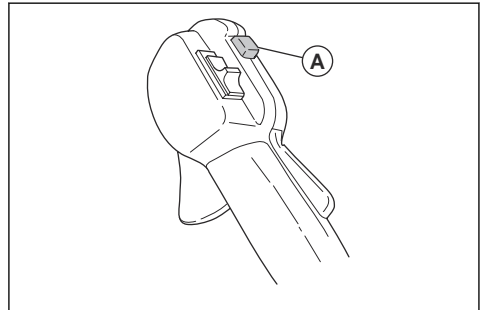
1. Переведіть вимикач у положення запуску.
2. Натискайте кнопку продувки повітрям, доки паливо не почне заповнювати її.



3. Переведіть важіль заслінки в робоче положення й смикайте ручку троса стартера, доки двигун не запуснеться.

Запуск за допомогою ручки газу з фіксатором запуску двигуна

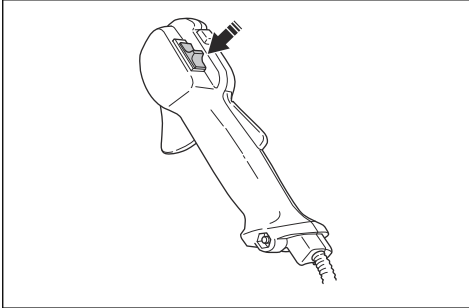
1. Щоб перевести дросель у положення запуску, натисніть стопор курка газу та курок газу. Натисніть кнопку запуску дроселя (А).
2. Відпустіть стопор курка газу й курок газу та кнопку запуску дроселя. Функція дроселя тепер активована.
3. Для перемикання двигуна на швидкість холостого ходу натисніть стопор курка газу й курок газу.



Зупинення двигуна

1. Переведіть курок газу в положення холостого ходу.

2. Пересуньте вимикач у положення «зупинити».



Експлуатація тримера



УВАГА: Після кожного використання зменшуйте швидкість двигуна до холостого ходу. Тривала робота на повних оборотах без навантаження на двигун може призвести до пошкодження двигуна.

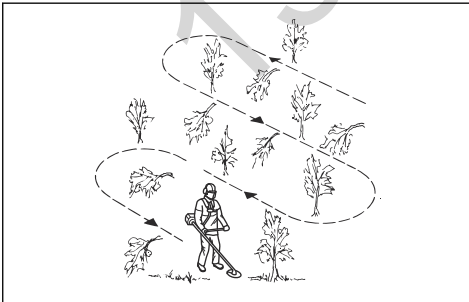
Зверніть увагу: У разі встановлення нової нитки необхідно очистити кришку голівки тримера, щоб уникнути подальших вібрацій. Огляньте інші деталі голівки тримера та за необхідності очистіть їх.

Загальні робочі інструкції



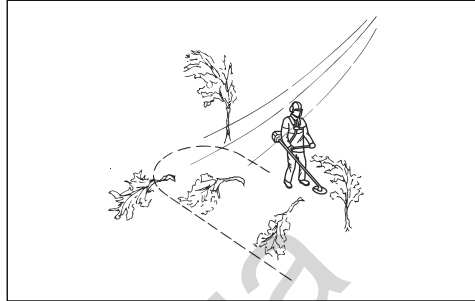
ПОПЕРЕДЖЕННЯ: Будьте обережні під час зрізання нахилених дерев. Воно може розпрямитися до або після зрізання та вдарити вас чи виріб, що може призвести до травм.

- Очистьте ділянку з однієї сторони робочої зони й почніть роботу звідти.
- Переміщення робочою зоною має здійснюватись за запланованим маршрутом.



- Переміщуйте виріб на максимально можливу відстань ліворуч і праворуч, щоб із кожним поворотом очищувати зону в 4–5 м.

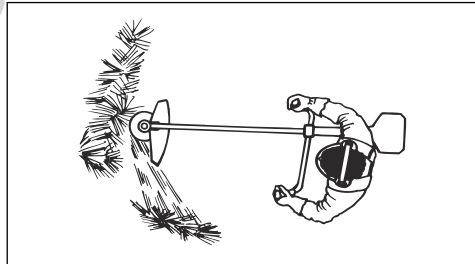
- Перед розвертанням і поверненням прочистьте ділянку довжиною 75 м. У міру просування переміщайте із собою каністру з паливом.
- Рухайтесь у такому напрямку, щоб не зустрічатися з перешкодами частіше, ніж це необхідно.
- Рухайтесь у такому напрямку, щоб вітер здував зрізану рослинність на вже очищену ділянку.



- Рухайтесь вздовж схилів, а не вгору – вниз.

Скошування за допомогою ножа для трави

1. Під час використання виробу не ставте стопи впритул одна до одної. Оператор має займати стабільне положення на землі.
2. Виріб слід обережно опустити на землю на опорну манжету. Це не дасть лезу торкнутися землі.
3. Для зрізання рухайте інструмент із боку в бік справа наліво. Траву слід зрізати лівим краєм леза (що на циферблаті годинника відповідає проміжку між 8 й 12 годинамию).



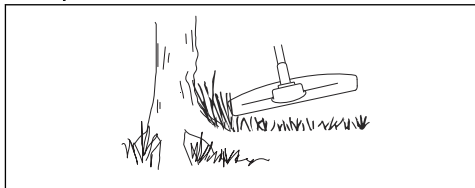
4. Під час зрізання трави нахиліть лезо вліво.

Зверніть увагу: Трава з легкістю складається в один ряд.

5. Під час зворотного руху переміщуйте інструмент зліва направо.
6. Виконуйте роботу в одному ритмі.
7. Рухайтесь вперед, займаючи стабільне положення на землі.
8. Зупиніть двигун.
9. Від'єднайте виріб від затискача на пасовій підвісці.

10. Покладіть виріб на землю.
11. Зберіть зрізану траву.

Очищення

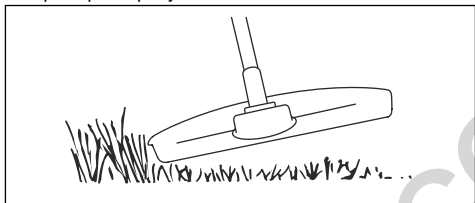


Для досягнення найкращих результатів:

- Тримайте тример так, щоб головка тримера була якомога ближче до землі.
- Дещо нахиліть головку тримера.
- Кінець нитки тримера має торкатися землі навколо предметів.

Підстригання трави

1. Тримайте головку тримера під кутом безпосередньо над землею. Не вдавливайте нитку тримера в траву.

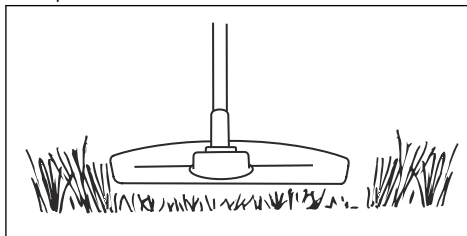


2. Зменште довжину нитки тримера на 10–12 см / 4–4,75 дюйма.
3. Зменште частоту обертання двигуна, щоб зменшити ризик пошкодження рослин.
4. Під час зрізання трави поблизу предметів використовуйте 80 % потужності.

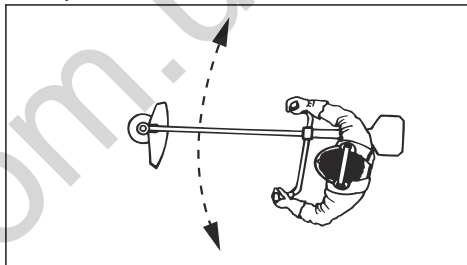


Зрізання трави

1. Під час зрізання нитка тримера має бути паралельна землі.



2. Не вдавливайте головку тримера в землю. Існує ризик пошкодження землі та виробу.
3. Не дозволяйте головці тримера постійно торкатися землі, адже це може призвести до її пошкодження.
4. Під час переміщення виробу зі сторони в сторону для зрізання трави використовуйте повну потужність.



Підмітання трави

Потік повітря від нитки тримера, що обертається, можна використати для прибирання трави.

1. Утримуйте головку та нитку тримера над землею й паралельно землі.
2. Повністю натисніть курок газу.
3. Переміщуйте головку тримера зі сторони в сторону й підмітайте таким чином траву.



ПОПЕРЕДЖЕННЯ: Очищуйте кришку головки тримера кожний раз під час встановлення нової нитки, адже це дозволить уникнути розбалансування й вібрації в рукоятках. Крім того, перевіряйте інші частини головки тримера й за необхідності очищуйте їх.

Заміна нитки тримера

Див. останню сторінку цього посібника користувача.

Технічне обслуговування



ПОПЕРЕДЖЕННЯ: Перед очищенням, ремонтуванням чи технічним

обслуговуванням уважно прочитайте розділ про правила техніки безпеки.

Графік технічного обслуговування

Технічне обслуговування	Щодня	Щотижня	Щомісяця
Очищення зовнішньої поверхні.	X		
Перевірка пасової підвіски на наявність пошкоджень.	X		
Перевірка дроселя й курка газу.	X		
Перевірка відсутності обертання різальної насадки на холостому ходу.	X		
Перевірте перемикач START/STOP (Пуск/Стоп). Див. <i>Перевірка вимикача на сторінці 111.</i>	X		
Перевірка захисного кожуха різальної насадки на наявність пошкоджень і тріщин.	X		
Перевірка рівності поверхні ножа для трави. Перевірка гостроти ножа для трави й відсутності пошкоджень леза та центрального отвору.	X		
Перевірка головки тримера на наявність пошкоджень і тріщин. У разі виявлення пошкоджень її слід замінити.	X		
Перевірка ручок і рукояток на наявність пошкоджень та правильність їх закріплення.	X		
Правильне затягування стопорного гвинта на різальних насадках з опорними манжетами.	X		
Правильне затягування стопорної гайки на різальних насадках зі стопорними гайками.	X		
Перевірка чохла для транспортування на наявність пошкоджень і можливість його правильного закріплення.	X		
Перевірка двигуна, паливного бака й бензопроводів на наявність витоків.	X		
Почистіть повітряний фільтр. Замініть їх, якщо це необхідно.	X		
Затягніть гвинти й гайки.	X		
Перевірка наявності домішок у паливному фільтрі, а також тріщин чи інших дефектів на шлангу подачі палива. Замініть їх, якщо це необхідно.	X		
Перевірка всіх кабелів та з'єднань.	X		
Перевірка стартера й троса стартера на наявність пошкоджень.		X	
Перевірка свічки запалювання. Див. <i>Перевірка свічки запалювання на сторінці 127.</i>		X	
Перевірка, щоб конічна зубчаста передача була заповнена мастилом на $\frac{3}{4}$.		X	
Очищення зовнішньої поверхні карбюратора й місця довкола нього.		X	

Технічне обслуговування	Щодня	Щотижня	Щомісяця
Чищення свічки запалювання. Витягніть свічку запалювання та перевірте проміжок між електродами. Відрегулюйте проміжок або замініть свічку запалювання, якщо у цьому є потреба. Див. <i>Технічні характеристики на сторінці 130</i> . Переконайтеся, що на свічку запалювання встановлено обмежувач напруги.		X	
Перевірка зношення зчеплення, пружин зчеплення й барабана зчеплення. Замініть їх, якщо це необхідно.			X
Замініть свічку запалювання. Переконайтеся, що на свічку запалювання встановлено обмежувач напруги.			X
Змащення приводного вала.			X
Переконайтеся, що елементи поглинання вібрації не ушкоджені.		X	
Очищення системи охолодження виробу.		X	
Необхідно очистити глушник.			X

Регулювання карбюратора

Попереднє регулювання карбюратора виконують під час випробувань інструмента на заводі. Регулювання карбюратора повинен виконувати фахівець.

Перевірка глушника



ПОПЕРЕДЖЕННЯ: Ніколи не користуйтеся виробом із несправним глушником. Несправний глушник необхідно замінювати.



ПОПЕРЕДЖЕННЯ: Існує небезпека виникнення пожежі й опіків. Глушник, обладнаний каталітичним допалювачем газів, дуже сильно нагрівається під час роботи.



ПОПЕРЕДЖЕННЯ: Небезпека загорання. Глушник зменшує рівень шуму й відводить вихлопні гази подалі від користувача. Вихлопні гази мають високу температуру й містять іскри.



УВАГА: Якщо іскрогасник пошкоджений, його необхідно замінити. Забороняється використовувати виріб у разі відсутності або пошкодження іскрогасника.



УВАГА: Через засмічення іскрогасника виріб почне сильно перегріватися. Це призведе до пошкодження циліндру й поршня.

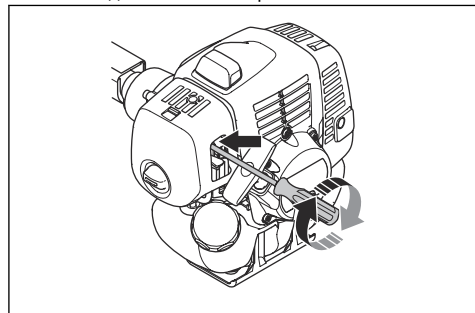
1. Перевірте глушник на відсутність пошкоджень.

2. Переконайтеся, що глушник закріплений на виробі належним чином.

Налаштування частоти холостого ходу

Ваш виріб Husqvarna створений відповідно до технічних вимог щодо зменшення викидів шкідливих газів.

1. Перед налаштуванням частоти холостого ходу переконайтеся, що повітряний фільтр чистий, а кришку повітряного фільтра встановлено.
2. Налаштуйте частоту холостого ходу регулювальним гвинтом T, позначеним літерою «T».
 - a) Повертайте гвинт частоти холостого ходу T за годинниковою стрілкою, доки різальна насадка не почне обертатися.



- b) Повертайте гвинт частоти холостого ходу T проти годинникової стрілки, доки різальна насадка не зупиниться.



ПОПЕРЕДЖЕННЯ: Якщо після регулювання частоти холостого ходу різальна насадка не зупинилася, зверніться в центр обслуговування. Забороняється користуватися несправним або неправильно відрегульованим виробом.

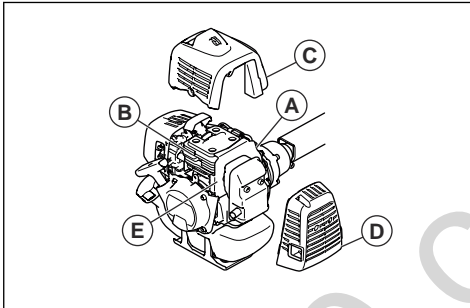
- Частоту обертання на холостому ході відрегульовано правильно, якщо двигун працює рівномірно в будь-якому положенні. Частота холостого ходу має бути нижчою за частоту, на якій починає обертатися насадка.

Зверніть увагу: Рекомендації щодо холостого ходу див. у *Технічні характеристики на сторінці 130.*

Система охолодження

Виріб оснащено системою охолодження, яка забезпечує зменшення робочої температури.

Система охолодження включає наступне:



- ребра на маховику (A);
- ребра охолодження на циліндрі (B);
- кришка циліндра (C) (скеровує холодне повітря на циліндр);
- кришка глушника (D);
- платівка глушника (E).

Очищення системи охолодження



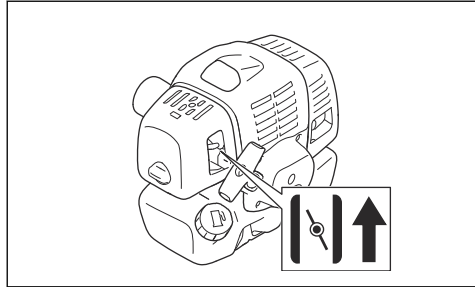
ПОПЕРЕДЖЕННЯ: Забруднена чи забита система охолодження може спричинити перегрівання виробу. Це, у свою чергу, призводить до пошкодження поршня й циліндра.

- Очищуйте елементи системи охолодження щіткою щонайменше щотижня.

Повітряний фільтр

- Очищуйте фільтр кожні 25 годин. За необхідності виконуйте очищення частіше.

- Установіть важіль повітряної заслінки в закрите положення.



Очищення повітряного фільтра

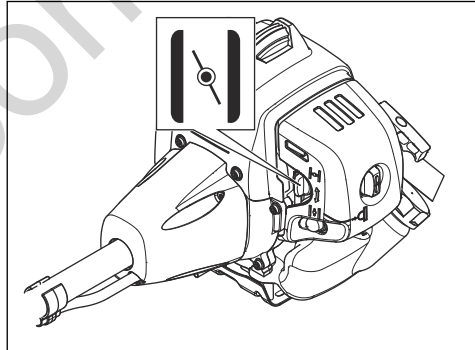
Очищуйте фільтр кожні 25 годин. За необхідності виконуйте очищення частіше.



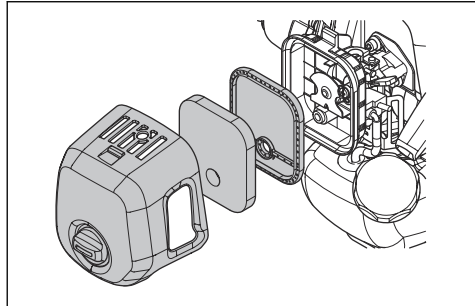
УВАГА: Пошкоджений, дуже брудний або просочений паливом повітряний фільтр підлягає заміні.

Неможливо повністю очистити повітряний фільтр, який використовувався протягом тривалого часу. Регулярно замінюйте повітряний фільтр на новий.

- Закрийте повітряну заслінку.



- Зніміть кришку повітряного фільтра.



- Вийміть повітряний фільтр.

4. Чистити повітряний фільтр потрібно теплою мильною водою.
5. Якщо повітряний фільтр занадто брудний для очищення, замініть його. Пошкоджений повітряний фільтр необхідно замінювати обов'язково.
6. Очищуйте внутрішні поверхні кришки фільтра. Для цього використовуйте стисле повітря чи щітку.
7. Переконайтеся, що повітряний фільтр сухий.
8. Для змащування повітряного фільтра використовуйте моторну оливу для двотактних двигунів Husqvarna. Якщо на повітряному фільтрі забагато оливи, видаліть її перед тим, як установлювати фільтр.

Нанесення оливи на поролоновий повітряний фільтр

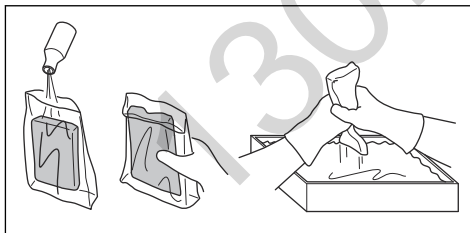


УВАГА: Використовуйте тільки спеціальну оливу Husqvarna для повітряних фільтрів. Не використовуйте інші типи оливи.



ПОПЕРЕДЖЕННЯ: Надягніть захисні рукавиці. Олива для повітряного фільтра може спричинити подразнення шкіри.

1. Покладіть поролоновий повітряний фільтр у пластиковий пакет.
2. Налийте оливу в пластиковий пакет.
3. Притискаючи пластиковий пакет до поролонового повітряного фільтра, рівномірно розподіліть оливу по фільтру.
4. Витисніть надлишок оливи з фільтра, не виймаючи його з пластикового пакета.



Повстятий фільтр

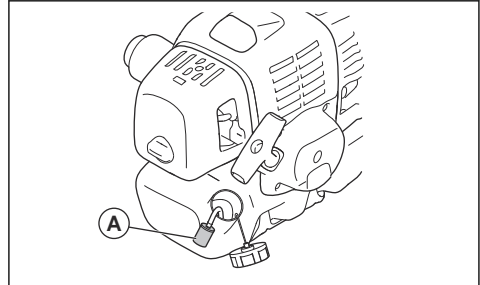
- Обережно витрусіть повстятий фільтр рукою або очистьте його за допомогою стисненого повітря.



УВАГА: Не мийте повстятий фільтр водою. Вода може пошкодити повстятий фільтр.

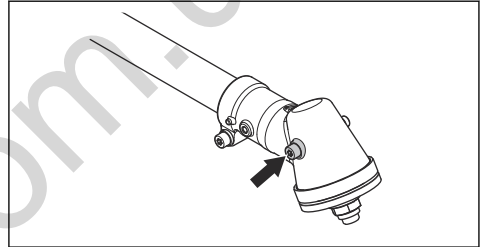
Паливний фільтр

Якщо подача палива у двигун зменшується, перевірте, чи не засмічено паливну кришку й паливний фільтр (A).



Змащування конічної зубчастої передачі

- Конічна зубчаста передача має бути заповнена мастилом для зубчастих передач на три чверті.



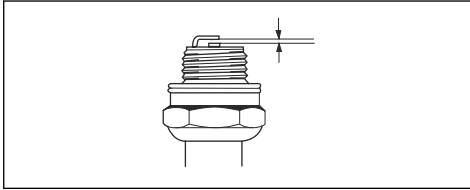
Перевірка свічки запалювання



УВАГА: Завжди користуйтеся рекомендованими свічками запалення. Неправильний тип свічки запалювання може призвести до пошкодження виробу.

- У разі, якщо двигун втрачає потужність, його важко запустити або він погано працює на холостому ходу, необхідно перевірити свічку запалювання.
- Щоб зменшити ризик потрапляння зайвих предметів на електроди свічки запалювання, дотримуйтеся таких інструкцій:
 - а) переконайтеся, що швидкість холостого ходу встановлено правильно;
 - б) переконайтеся в правильності змішування паливної суміші;
 - с) переконайтеся, що повітряний фільтр чистий.

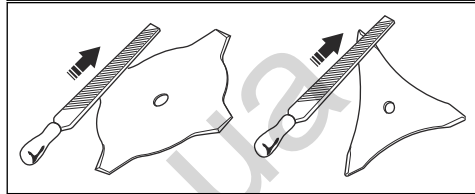
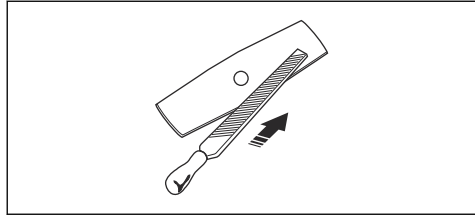
- Якщо свічка запалювання забруднена, її слід очистити й переконатися в тому, що між електродами встановлено правильний проміжок (див. *Технічні характеристики на сторінці 130*).



- За необхідності замініть свічку запалювання.

Загострення різця та ножа для трави

- Усі краї лез і ножів для трави необхідно загострювати однаково, щоб зберегти рівновагу виробу. Використовуйте плаский напилек з одностороннім візерунком.



Усунення несправностей

Усунення несправностей

Помилка запуску		
Перевірка	Можлива причина	Рішення
Кнопка зупинення	Положення "Stop" (Зупинка)	Установіть вимикач у положення запуску.
Собачки стартера	Зуби зчеплення	Налаштуйте чи замініть зуби.
		Очистьте область навколо зубів.
		Зверніться до авторизованого дилера з обслуговування.
Паливний бак	Неправильний тип палива.	Необхідно злити паливо і залити правильне.
Карбюратор	Регулювання швидкості холостого ходу.	Відрегулюйте швидкість холостого ходу за допомогою Т-подібного гвинта.

Помилка запуску		
Перевірка	Можлива причина	Рішення
Іскра (немає іскри)	Свічка запалювання забруднена або волога.	Переконайтеся, що свічка запалювання суха та чиста.
	Неправильна відстань між електродами свічки запалювання.	Чищення свічки запалювання. Перевірте, чи зберігається правильний проміжок між електродами. Переконайтеся, що свічка запалювання має обмежувач напруги.
		Інформація про коректний проміжок між електродами подається у розділі технічних даних.
Свічка запалення	Свічка запалювання від'єднана.	Закрутіть свічку запалювання.
Паливний фільтр	Паливний фільтр забився.	Замініть паливний фільтр.

Двигун запускається, але його тривала робота неможлива.		
Перевірка	Можлива причина	Рішення
Паливний бак	Неправильний тип палива.	Необхідно злити паливо і залити правильне.
Карбюратор	Двигун неправильно працюватиме на холостому ході.	Зверніться до свого дилера з обслуговування.
Повітряний фільтр	Повітряний фільтр забився.	Почистьте повітряний фільтр.
Паливний фільтр	Паливний фільтр забився.	Замініть паливний фільтр.

Транспортування та зберігання

- Забезпечуйте безпеку виробу під час транспортування, щоб уникнути пошкоджень і нещасних випадків.
- Зберігайте виріб й обладнання в сухому місці за температури вище 0 градусів.
- Очистьте виріб.
- Замініть або відремонтуйте пошкоджені частини.
- Використовуйте правильний захисний кожух, що не утримує вологи.
- Під час транспортування надійно закріплюйте виріб.

Технічні характеристики

Технічні характеристики

	531RS	541RS	541RST
Двигун			
Об'єм циліндра, см ³	33,6	41,5	41,5
Холостий хід, об/хв	2500±200	2500±200	2500±200
Рекомендована максимальна частота обертання, об/хв	12000	12000	12000
Частота обертання вихідного вала, об/хв	8570	8570	8570
Максимальна потужність двигуна згідно з ISO 8893, кВт/к. с. за об/хв	1,2/1,6 за 7000	1,6 / 2,1 за 7000	1,6 / 2,1 за 7000
Система запалювання			
Свічка запалення	NGK BPMR 7A	NGK BPMR 7A	NGK BPMR 7A
Проміжок між електродами, мм	0,6–0,7	0,6–0,7	0,6–0,7
Паливна система й система змащування			
Ємність паливного бака, л/см ³	0,74 / 740	0,94 / 940	0,94 / 940
Вага			
Вага, кг	6,9	7,1	7,3
Випромінювання шуму¹³			
Вимірний рівень звукової потужності, дБ (A)	107	107	107
Рівень звукової потужності, гарантований, LWA дБ (A)	108	109	109
Рівні звуку			
Еквівалентний рівень шумового тиску у вусі оператора, вимірний у відповідності до стандартів EN ISO 11806 і ISO 22868 ¹⁴			
Із встановленою (оригінальною) головкою тримера, дБ (A)	90	94	94
Обладнано ножем для трави (оригінальна деталь), дБ (A)	89	95	95
Рівні вібрації			

¹³ Випромінювання шуму в середовище, виміряне як звукова потужність (L_{WA}), відповідає директиві ЄС 2000/14/ЄС. Зазначений рівень звукової потужності для машини було виміряно з оригінальним різальним обладнанням, що дає найвищий рівень. Різниця між гарантованим і вимірюваним рівнем звукової потужності полягає в тому, що гарантована звукова потужність включає також дисперсію результатів вимірювання й відмінності між різними машинами тієї самої моделі відповідно до Директиви 2000/14/ЄС.

¹⁴ Заявлені дані про рівень шумового тиску мають стандартну статистичну розбіжність (стандартне відхилення) в 2,5 дБ(A).

	531RS	541RS	541RST
Еквівалент рівнів вібрації ($a_{hv,eq}$) у рукоятках, виміряний відповідно до стандартів EN ISO 11806 та ISO 22867 ¹⁵			
Із встановленою (оригінальною) головкою тримера, ліва / права ручка, m/c^2	2,8 / 3,0	3,1 / 2,8	5,6 / 5,1
Із встановленим ножом для трави, ліва / права ручка, m/c^2	4,2 / 4,0	4,5 / 5,0	7,1 / 6,3

Акcesуари

Акcesуари

Схвалені акcesуари	Тип акcesуара	Захисний кожух різальної насадки, арт. №
Ніж для трави / різець для трави	Multi 255-3 (Ø 255, 3 зубці)	537 33 16-03
	Multi 275-4 (Ø 275, 4 зубці)	537 33 16-03
	Multi 300-3 (Ø 300, 3 зубці)	537 33 16-03
	Multi 330-2 (Ø 330, 2 зубці)	537 33 16-03
Пластикові леза	Трикат Ø 300 (окремі леза мають номер частини 531 01 77-15)	537 33 16-03
Головка тримера	T35, T35X (шнур Ø 2,4–3,0 мм)	537 33 16-03
	S35 (шнур Ø 2,4–3,0 мм)	537 33 16-03
	T45x (шнур Ø 2,7–3,3 мм)	537 33 16-03
	T55x (шнур Ø 2,7–3,3 мм)	537 33 16-03
	S II	537 33 16-03
Опорна манжета	Фіксована	–

¹⁵ Вказані дані щодо рівня вібрації мають стандартну статистичну розбіжність (стандартне відхилення) у 1,5 m/c^2 .

Декларація відповідності ЄС

Декларація відповідності ЄС

Назва видавця: **Ми, Husqvarna AB**, SE-561 82 місто Гускварна, Швеція, телефон: +46-36-146500.

Husqvarna AB бере на себе повну відповідальність за виріб, що є предметом цієї декларації: тример та / або кущоріз із бензиновим двигуном, на платформах G45L і G35L моделі **Husqvarna 531RS, 541RS і 541RST** із серійними номерами, що датуються 2017 р. і пізніше. Номер платформи, номер моделі, рік випуску та відповідний серійний номер зазначено на заводській паспортній табличці.

Вищезазначений об'єкт декларації відповідає вимогам Директиви Ради ЄС:

- від 17 травня 2006 р. «Стосовно механічного обладнання» **2006/42/EC**;
- Від 26 лютого 2014 р. «Про електромагнітну сумісність» **2014/30/EU**.
- Від 8 травня 2000 р. «Про випромінювання шуму до навколишнього середовища» **2000/14/EC**.
- Від 14 грудня 2005 р. «Про випромінювання шуму до навколишнього середовища» **2000/88/EC**.

Згідно з Додатком V, заявлені шумові характеристики вказані у розділі технічних даних посібника з експлуатації.

Застосовано такі стандарти:

EN ISO 11806-1:2011, EN ISO 14982:2009, EN ISO 12100:2010 CISPR 12:2007+A1:2009

Компанія TÜV Rheinland LGA Products GmbH, Tillystrasse 2, D-90431 Nuernberg, Germany (Німеччина), 0197, виконала добровільну перевірку компанії Husqvarna AB та видала їй сертифікат відповідності нормам директиви Ради ЄС 2006/42/EC «Про машини та механізми» AM50391783 (541RS, 541RST), AM50391781 (531RS). Цей сертифікат діє для всіх місць виробництва та країн-виробників, зазначених на виробі. Тример та / або кущоріз, що постачається, жодним чином не відрізняється від зразка, що пройшов випробування.

Husqvarna AB, Хускварна, Швеція, 2017-08-01



Пер Густафсон (Per Gustafsson), директор із питань розвитку (уповноважений представник компанії Husqvarna AB, що відповідає за технічну документацію)

Sommaire

Introduction.....	133	Dépannage.....	155
Sécurité.....	135	Transport et stockage.....	156
Montage.....	141	Caractéristiques techniques.....	156
Utilisation.....	146	Accessoires.....	158
Entretien.....	150	Déclaration de conformité CE.....	159

Introduction

Description du produit

Ce produit est une débroussailleuse équipée d'un moteur à combustion.

Nous travaillons en permanence à l'amélioration de votre sécurité et de votre efficacité pendant l'utilisation. Pour davantage d'informations, contactez votre atelier d'entretien.

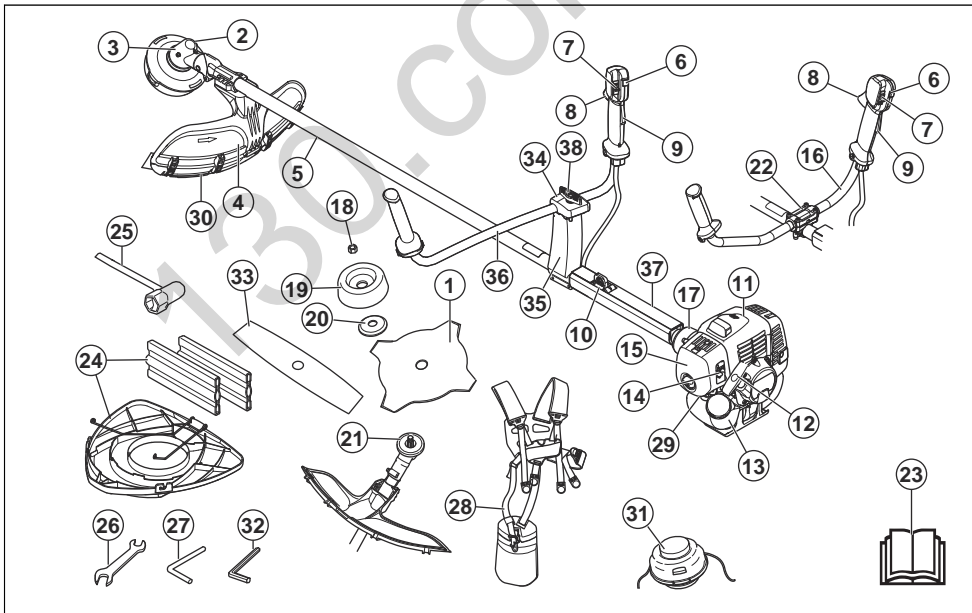
Utilisation prévue

Le produit peut être utilisé avec une lame à herbe ou une tête de désherbage pour couper différents types de

végétation. N'utilisez pas ce produit pour d'autres tâches que le désherbage et débroussaillage. Utilisez une lame à herbe ou tête de désherbage pour couper l'herbe.

Remarque: La législation nationale ou locale peut réglementer l'utilisation. Respectez la législation en vigueur.

Aperçu du produit



1. lame (non incluse sur tous les marchés)
2. Ravitaillement en lubrifiant, renvoi d'angle
3. Renvoi d'angle
4. Protection pour l'équipement de coupe
5. Arbre
6. Bouton de l'accélération au démarrage

7. Bouton d'arrêt
8. Commande d'accélération
9. Blocage de la commande d'accélération
10. Œillet de suspension
11. Capot de cylindre
12. Poignée du câble du démarreur
13. Réservoir de carburant
14. Starter
15. Couvercle de filtre à air
16. Guidon (531RS, 541RS)
17. Carter d'embrayage
18. Contre-écrou
19. Bol de garde au sol
20. Bride de support
21. Toc d'entraînement
22. Pontet (531RS, 541RS)
23. Manuel de l'opérateur
24. Protection pour le transport (non incluse sur tous les marchés)
25. Clé à douille
26. Clé
27. Goupille de blocage (pour les produits sans clé hexagonale)
28. Harnais
29. Poire de la pompe à carburant
30. Bouclier de protection
31. Tête de désherbage
32. Clé hexagonale
33. Lame à 2 dents
34. Capot (541RST)
35. Support (541RST)
36. Guidon (541RST)
37. Manchon de protection
38. Bouton (541RST)

Symboles concernant le produit



AVERTISSEMENT : ce produit peut être dangereux et causer des blessures graves, voire mortelles, à l'opérateur ou à d'autres personnes. Soyez prudent et utilisez le produit correctement.



Lisez attentivement le manuel d'utilisation et assurez-vous de bien comprendre les instructions avant utilisation.



Utilisez un casque de protection dans les endroits où des objets peuvent tomber sur vous. Utilisez des protège-oreilles et des protections pour les yeux homologués.



Régime maximal de l'arbre de sortie.



Le produit est conforme aux directives CE en vigueur.



Le produit peut entraîner la projection d'objets, ce qui peut causer des blessures.



Restez à une distance minimale de 15 m (50 pi) des personnes et des animaux pendant l'utilisation du produit.



Risque de rebond si l'équipement de coupe touche un objet qu'il ne coupe pas immédiatement. Le produit peut couper des parties du corps. Restez à une distance minimale de 15 m (50 pi) des personnes et des animaux pendant l'utilisation du produit.



Les flèches indiquent la limite de la position de la poignée.



Starter.



Poire de la pompe à carburant.



Utilisez des gants de protection homologués.



Utilisez des bottes antidérapantes robustes.



Émissions sonores dans l'environnement conformes à la directive de la Communauté européenne. Les émissions du produit sont indiquées au chapitre Caractéristiques techniques et sur les autocollants.

yyyywwxxxx

La plaque signalétique indique le numéro de série. **yyyy** est l'année de production et **ww** est la semaine de production.

Remarque: Les autres symboles/autocollants présents sur le produit concernent des exigences de certification spécifiques à d'autres zones commerciales.

Responsabilité

Conformément à la loi sur la responsabilité du fait des produits, nous déclinons toute responsabilité pour tout dommage causé par notre produit si :

- le produit n'est pas correctement réparé ;
- le produit est réparé avec des pièces qui ne proviennent pas du fabricant ou qui ne sont pas homologuées par le fabricant ;
- le produit est équipé d'un accessoire qui ne provient pas du fabricant ou qui n'est pas homologué par le fabricant ;
- le produit n'est pas réparé par un centre d'entretien agréé ou par une autorité homologuée.

Sécurité

Définitions de sécurité

Les définitions ci-dessous indiquent le niveau de gravité pour chaque mention d'avertissement.



AVERTISSEMENT: Blessures aux personnes.



REMARQUE: Dommages au produit.

Remarque: Cette information facilite l'utilisation du produit.

Instructions générales de sécurité



AVERTISSEMENT: Lisez les instructions qui suivent avant d'utiliser le produit.

- Utilisez le produit correctement. Une utilisation inappropriée peut causer des blessures graves, voire mortelles. Utilisez uniquement le produit pour les tâches décrites dans le présent manuel. N'utilisez pas ce produit pour d'autres travaux.
- Respectez les instructions de ce manuel. Respectez les symboles et les instructions de sécurité. Le non-respect des instructions et des symboles par l'opérateur peut causer des blessures graves, voire mortelles, ou des dommages.
- Ne jetez pas ce manuel. Utilisez les instructions pour assembler, utiliser et conserver votre produit en bon état. Utilisez les instructions pour l'installation appropriée des équipements et accessoires. Utilisez uniquement des équipements et accessoires homologués.
- N'utilisez pas de produit endommagé. Respectez le schéma d'entretien. Effectuez uniquement les travaux d'entretien dont les instructions sont comprises dans ce manuel. Tous les autres travaux d'entretien doivent être effectués par un centre d'entretien agréé.
- Ce manuel ne peut pas inclure toutes les situations qui peuvent se produire lorsque vous utilisez le produit. Soyez prudent et utilisez votre bon sens. N'utilisez pas ou n'effectuez pas de travaux d'entretien sur le produit si vous n'êtes pas sûr de la situation. Contactez un spécialiste du produit, votre revendeur, votre agent d'entretien ou centre d'entretien agréé pour plus d'informations.
- Déconnectez la bougie avant d'assembler, de stocker ou d'effectuer l'entretien du produit.
- N'utilisez pas le produit si ses caractéristiques initiales ont été changées. Ne remplacez pas une pièce du produit sans l'approbation du fabricant. Utilisez uniquement des pièces approuvées par le fabricant. Un entretien inapproprié peut causer des blessures graves, voire mortelles.
- Ne respirez pas les fumées provenant du moteur. À long terme, l'inhalation de gaz d'échappement dégagés par le moteur constitue un risque pour la santé.
- Ne démarrez pas le produit dans un local clos ou à proximité de matériaux inflammables. Les gaz d'échappement sont très chauds et peuvent contenir une étincelle pouvant provoquer un incendie. Un débit d'air insuffisant peut causer des blessures graves, voire mortelles dues à une asphyxie ou au monoxyde de carbone.
- Lorsque vous utilisez ce produit, le moteur crée un champ électromagnétique. Le champ électromagnétique peut endommager les implants médicaux. Consultez votre médecin et le fabricant de votre implant avant d'utiliser ce produit.
- Ne laissez pas un enfant utiliser le produit. Ne laissez personne utiliser la machine sans en connaître les instructions d'utilisation.
- Assurez-vous de toujours surveiller une personne aux capacités physiques ou mentales réduites qui utilise le produit. Un adulte responsable doit être présent à tout moment.
- Stockez le produit dans une zone dont l'accès est fermé aux enfants et aux personnes non autorisées.
- Le produit peut projeter des objets et causer des blessures. Respectez les consignes de sécurité afin de réduire le risque de blessures graves ou mortelles.
- Ne vous éloignez pas du produit lorsque le moteur est allumé.
- L'opérateur du produit est tenu responsable en cas d'accident.

- Assurez-vous que les pièces ne soient pas endommagées avant d'utiliser le produit.
- Assurez-vous de maintenir une distance minimum de 15 m (50 ft) entre vous et les autres personnes ou animaux avant d'utiliser le produit. Assurez-vous que les personnes présentes dans une zone adjacente sachent que vous allez utiliser le produit.
- Référez-vous aux lois nationales ou locales. Elles peuvent empêcher ou limiter le fonctionnement du produit dans certaines conditions.
- N'utilisez pas le produit si vous êtes fatigué ou sous l'emprise d'alcool, de drogues ou de médicaments. Ces facteurs sont susceptibles d'affecter votre vue, votre vigilance, votre coordination ou votre jugement.

Consignes de sécurité pour l'assemblage



AVERTISSEMENT: Lisez, comprenez et respectez ces instructions attentivement avant d'utiliser le produit.

- Retirez le chapeau de bougie de la bougie d'allumage avant de monter le produit.
- Utilisez des gants de protection homologués.
- Si vous utilisez une lame d'éclaircissage ou une lame à herbe, assurez-vous que le guidon, le protège-lame et le harnais sont fixés correctement au produit.
- Une protection défectueuse ou incorrecte peut provoquer des blessures. N'utilisez pas un accessoire de coupe qui ne dispose pas de protection homologuée.
- Fixez le carter d'embrayage et l'arbre correct avant de démarrer le produit afin d'éviter que l'embrayage tombe.
- Assurez-vous que vous assemblez le carter et l'arbre correct avant de démarrer le moteur.
- Le disque d'entraînement et la bride de support doivent s'engager correctement dans le trou central de l'accessoire de coupe. Un accessoire de coupe qui n'est pas correctement fixé peut provoquer des blessures ou la mort.
- Pour faire fonctionner le produit en toute sécurité et éviter toute blessure à l'opérateur ou à d'autres personnes, le produit doit toujours être correctement fixé au harnais.

Consignes de sécurité pour le fonctionnement

- Assurez-vous que le produit est complètement assemblé avant de l'utiliser.
- Assurez-vous de démarrer le produit 3 m (10 ft) loin de l'endroit où vous avez rempli le réservoir de carburant. Placez le produit sur une surface plane. Vérifiez que l'équipement de coupe ne touche pas le sol ou tout autre objet.

- Le produit peut entraîner la projection d'objets, ce qui peut causer des lésions oculaires. Utilisez toujours des protections pour les yeux homologuées lorsque vous faites fonctionner le produit.
- Soyez prudent, un enfant peut se trouver à proximité du produit durant son fonctionnement sans que vous en ayez connaissance.
- N'utilisez pas le produit si des personnes sont présentes dans la zone de travail. Arrêtez le produit si une personne pénètre dans la zone de travail.
- Assurez-vous de toujours garder le contrôle du produit.
- N'utilisez pas ce produit si vous ne pouvez pas être secouru en cas d'accident. Assurez-vous que d'autres personnes sachent que vous allez utiliser le produit avant de commencer.
- Ne tournez pas avec le produit avant de vous assurer qu'aucune personne ni aucun animal ne se trouvent dans la zone de sécurité.
- Retirez tous les matériaux indésirables de la zone de travail avant de commencer. Si l'équipement de coupe heurte un objet, l'objet peut être projeté et causer des blessures ou des dommages. Les matériaux indésirables peuvent s'enrouler autour de l'équipement de coupe et causer des dommages.
- N'utilisez pas le produit par mauvais temps (brouillard, pluie, vents violents, risque d'éclairs ou autres conditions climatiques). Le mauvais temps peut créer des conditions de travail dangereuses (telles que des surfaces glissantes).
- Assurez-vous que vous pouvez vous déplacer librement et travailler dans une position stable.



- Assurez-vous que vous ne pouvez pas tomber lorsque vous utilisez le produit. Ne vous inclinez pas lorsque vous utilisez le produit.
- Tenez toujours le produit avec vos deux mains. Tenez l'appareil du côté droit du corps.



- Utilisez le produit avec l'équipement de coupe sous le niveau de votre taille.
- Si la commande du starter est sur la position de starter lorsque le moteur démarre, l'équipement de coupe commence à tourner.
- Ne touchez pas le renvoi d'angle après l'arrêt du moteur. Le renvoi d'angle est chaud après l'arrêt du moteur. Les zones de chaleur peuvent causer des blessures.
- Arrêtez le moteur avant de déplacer le produit.
- Ne posez pas le produit lorsque le moteur est allumé.
- Avant de retirer les matériaux indésirables du produit, arrêtez le moteur et attendez jusqu'à l'arrêt de l'équipement de coupe. Attendez l'arrêt de l'équipement de coupe avant de retirer la matière coupée.

Équipement de protection individuelle



AVERTISSEMENT: Lisez les instructions qui suivent avant d'utiliser le produit.

- Utilisez toujours un équipement de protection individuel approprié lorsque vous faites fonctionner le produit. L'équipement de protection individuel n'empêche pas le risque de blessures. L'équipement de protection individuel diminue la gravité des blessures en cas d'accident.
- Utilisez toujours des protections pour les yeux homologuées pendant que vous faites fonctionner le produit.
- N'utilisez pas le produit pieds nus ou avec des chaussures ouvertes. Utilisez toujours des bottes antidérapantes robustes.
- Utilisez des pantalons longs et épais.
- Si nécessaire, utilisez des gants de protection homologués.
- Utilisez un casque s'il est possible que des objets tombent sur votre tête.
- Utilisez toujours des protections auditives homologuées lorsque vous faites fonctionner le produit. Une exposition au bruit sur de longues périodes peut provoquer une perte d'audition.
- Assurez-vous de disposer d'une trousse de premiers soins à proximité.

Dispositifs de protection sur le produit

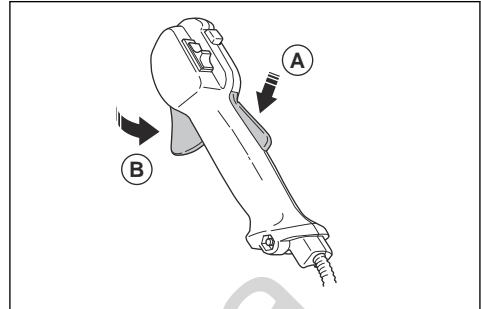
- Assurez-vous de régulièrement entretenir le produit.
 - La durée de vie du produit augmente.
 - Le risque d'accident diminue.

Laissez un revendeur ou un centre d'entretien agréé régulièrement examiner le produit pour effectuer des réglages ou des réparations.

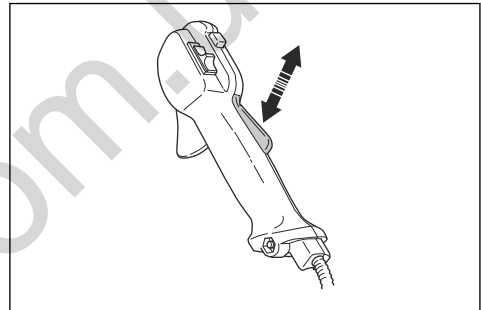
- N'utilisez pas un produit dont les équipements de protection sont endommagés. Si le produit est endommagé, contactez un centre d'entretien agréé.

Pour contrôler le blocage de la gâchette d'accélération

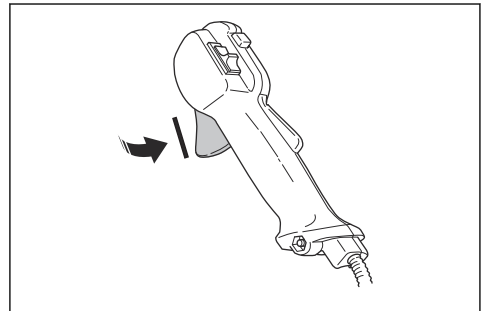
1. Assurez-vous que le blocage de la gâchette d'accélération (A) et que la gâchette d'accélération (B) se déplacent librement et que le ressort de rappel fonctionne correctement.



2. Appuyez sur le blocage de la gâchette d'accélération et assurez-vous qu'il retourne à sa position initiale lorsque vous le relâchez.



3. Vérifiez que la gâchette d'accélération est bloquée en position de ralenti lorsqu'elle est déverrouillée.



4. Démarrez le produit et faites-le fonctionner à plein régime.
5. Relâchez la gâchette d'accélération et vérifiez que l'équipement de coupe s'arrête et s'immobilise.

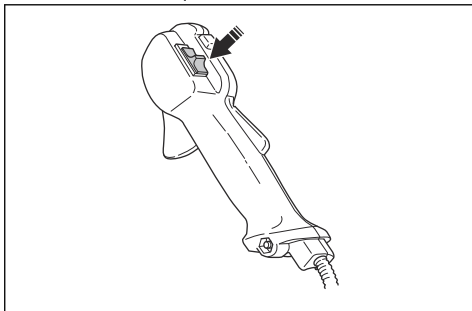


AVERTISSEMENT: Si l'équipement de coupe bouge lorsque la gâchette d'accélération est en position de ralenti, le régime de ralenti du carburateur doit

être réglé. Reportez-vous à la section
*Pour régler le régime de ralenti à la page
152.*

Pour contrôler l'interrupteur d'arrêt

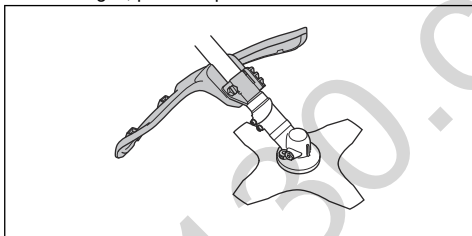
1. Démarrez le moteur.
2. Mettez l'interrupteur de marche/arrêt en position d'arrêt et vérifiez que le moteur s'arrête.



Pour contrôler la protection de l'équipement de coupe

La protection de l'équipement de coupe permet d'éviter les blessures et de bloquer les objets projetés en direction de l'opérateur.

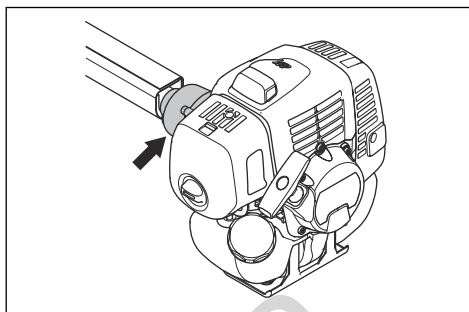
1. Arrêtez le moteur.
2. Réalisez un contrôle visuel pour détecter les dommages, par exemple des fissures.



3. Remplacez la protection de l'accessoire de coupe si celle-ci est endommagée.

Pour contrôler le système anti-vibrations

Le système anti-vibrations réduit au minimum les vibrations dans les poignées, ce qui facilite son utilisation.



1. Arrêtez le moteur.
2. Contrôlez visuellement si une déformation ou un dommage tel qu'une fissure sont présents.
3. Assurez-vous que les éléments du système anti-vibrations sont en bon état et correctement fixés.

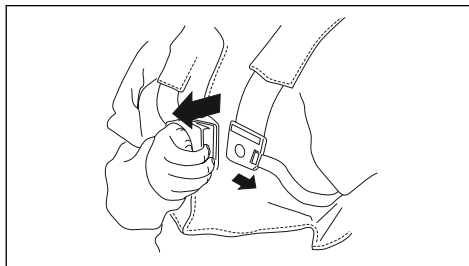
Pour contrôler le mécanisme à libération rapide



AVERTISSEMENT: N'utilisez pas de harnais dont le mécanisme de libération rapide est défectueux.

Le mécanisme de libération rapide permet à l'utilisateur de retirer rapidement le produit du harnais en cas d'urgence.

1. Arrêtez le moteur.
2. Réalisez un contrôle visuel pour détecter les dommages, par exemple des fissures.
3. Relâchez et fixez le mécanisme de libération rapide pour vous assurer que ce dernier fonctionne correctement.



Pour contrôler le silencieux

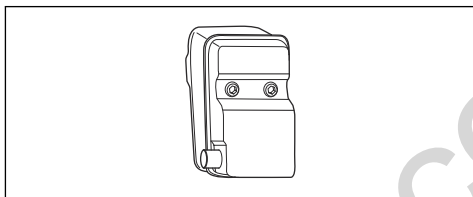


AVERTISSEMENT: N'utilisez jamais un produit avec un silencieux défectueux.

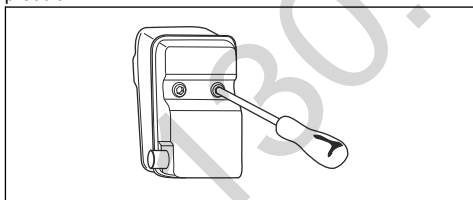


AVERTISSEMENT: Rappelez-vous que les gaz d'échappement du moteur sont chauds et peuvent produire des étincelles susceptibles de déclencher un incendie. Par conséquent, ne démarrez jamais le produit dans un local clos ou à proximité de matériaux inflammables !

Le silencieux est conçu pour réduire au maximum le niveau sonore et rejeter les gaz d'échappement loin de l'utilisateur. En ce qui concerne le silencieux, il importe de bien suivre les instructions de contrôle, de maintenance et d'entretien.



Vérifiez régulièrement la fixation du silencieux au produit.



Fixation et dépose du contre-écrou

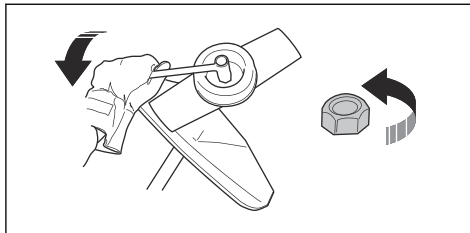


AVERTISSEMENT: Arrêtez le moteur, utilisez des gants de protection et soyez prudent autour des bords tranchants de l'équipement de coupe.

Le contre-écrou est utilisé pour fixer certains types d'accessoires de coupe. Le contre-écrou est fileté à gauche.

- Pour le fixer, serrez le contre-écrou dans le sens inverse de rotation de l'équipement de coupe.

- Pour déposer le contre-écrou, desserrez le contre-écrou dans le sens de rotation de l'accessoire de coupe.
- Pour desserrer et serrer le contre-écrou, utilisez une clé à douille munie d'un arbre long. La flèche sur l'image indique la zone dans laquelle vous pouvez utiliser la clé à douille.



AVERTISSEMENT: Lorsque vous desserrez et serrez le contre-écrou, la lame est susceptible de causer des blessures. Vous devez toujours vous assurer que le protège-lame protège bien vos mains des blessures lorsque vous effectuez cette opération.

Remarque: Assurez-vous que vous ne pouvez pas tourner le contre-écrou à la main. Remplacez l'écrou si le revêtement en nylon ne présente pas une résistance d'au moins 1,5 Nm. Remplacez le contre-écrou après une dizaine de serrages.

Équipement de coupe

Choisissez et entretenez l'équipement de coupe de manière à :

- Obtenir la meilleure coupe possible.
- Augmenter la durée de vie de l'équipement de coupe.
- Respecter les instructions de vérification, de maintenance et d'entretien du silencieux.
- Toujours utiliser la protection recommandée pour l'équipement de coupe. Voir le chapitre Caractéristiques techniques.



AVERTISSEMENT: N'utiliser l'équipement de coupe qu'avec la protection recommandée! Voir le chapitre Caractéristiques techniques. Référez-vous aux instructions relatives à l'équipement de coupe pour poser correctement le fil de coupe et choisir le diamètre de fil de coupe approprié.



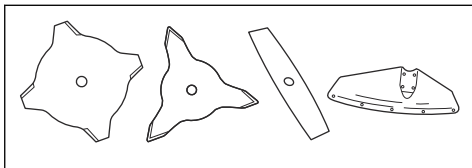
AVERTISSEMENT: Un équipement de coupe inadéquat peut augmenter les risques d'accidents.



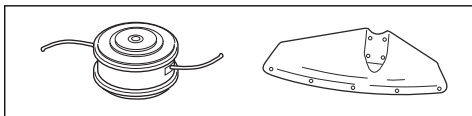
AVERTISSEMENT: Toujours arrêter le moteur avant d'entamer des travaux sur l'équipement de coupe. Celui-ci continue de tourner après qu'on a relâché l'accélérateur. Assurez-vous que l'accessoire de coupe est complètement immobilisé et débranchez le chapeau de bougie avant de commencer l'intervention sur l'accessoire de coupe.

Équipement de coupe

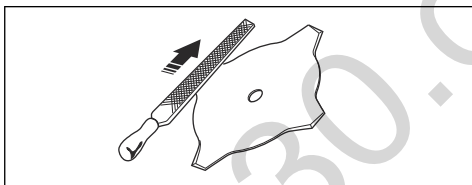
- Utilisez les lames à herbe et les couteaux à herbe pour couper l'herbe épaisse.



- Utilisez la tête de coupe pour couper l'herbe.



- Une lame mal affûtée ou endommagée augmente les risques d'accident. Maintenez les dents de la lame correctement affûtées. Suivez les instructions contenues dans *Entretien* à la page 150 et utilisez la jauge de profondeur recommandée.

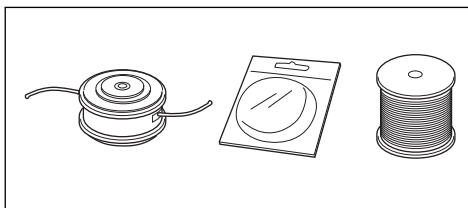


- Vérifiez si l'accessoire de coupe présente des dommages ou des fissures. Remplacez tout accessoire de coupe endommagé.
- Utilisez uniquement des équipements de coupe avec les protections d'équipement de coupe recommandées. Reportez-vous à la section *Accessoires* à la page 158.

Tête de désherbage



AVERTISSEMENT: Veillez à ce que le fil de coupe soit toujours enroulé de manière serrée et régulière autour du tambour pour éviter des vibrations dangereuses.



- Utilisez uniquement les têtes de désherbage et les fils de coupe recommandés.
- Utilisez uniquement les équipements de coupe recommandés.
- La longueur du fil de coupe est importante. Un fil de coupe plus long requiert une puissance moteur supérieure à celle utilisée avec un fil de coupe plus court du même diamètre.
- Ne modifiez pas la position d'installation du carter de protection.
- Assurez-vous que le couteau monté sur le carter de protection n'est pas endommagé. Ce couteau découpe le fil de coupe à la bonne longueur.
- Faites tremper le fil de coupe pendant quelques jours avant utilisation afin d'augmenter sa durée de vie.

Lames et couteaux à herbe

- Utilisez le produit conjointement à une lame à herbe homologuée. N'utilisez pas de lame à herbe sans avoir posé correctement toutes les pièces nécessaires. Assurez-vous que l'installation est effectuée correctement et que les bonnes pièces sont utilisées. Une installation incorrecte peut provoquer l'expulsion de la lame et blesser gravement l'utilisateur ou les personnes se trouvant à proximité.
- Portez des gants de protection lorsque vous manipulez ou que vous procédez à l'entretien de la lame.
- Portez un casque lorsque vous utilisez un produit comportant une lame à herbe.
- Les lames et couteaux à herbe sont utilisés pour la coupe de l'herbe épaisse.
- Une lame à herbe peut provoquer des blessures alors qu'elle continue à tourner après l'arrêt du moteur ou après le relâchement de la gâchette d'accélération. Assurez-vous que la lame à herbe a complètement cessé de tourner avant toute opération de maintenance.
- Arrêtez le moteur avant d'entamer des travaux sur l'équipement de coupe. Assurez-vous que l'équipement de coupe s'arrête complètement. Débranchez le câble de la bougie.
- Utilisez uniquement un équipement de coupe homologué ou une lame correctement affûtée.
- Maintenez les dents de la lame correctement affûtées.
- N'utilisez pas un équipement de coupe endommagé.

- Fixez la protection de transport sur la lame à herbe lorsque vous transportez ou rangez le produit.

Rebond de la lame

- Un rebond est un mouvement brusque du produit sur le côté, vers l'avant ou vers l'arrière. Un rebond se produit lorsque la lame à herbe heurte un objet qui ne peut pas être coupé. Dans les zones où il n'est pas facile de voir le matériau à couper, le risque de rebond est plus élevé.
- Lorsqu'un rebond se produit, il est probable que le produit ou que l'opérateur s'éloigne de son emplacement initial. Une lame qui se déplace peut heurter les personnes aux alentours et risque ainsi de les blesser.
- Si une lame est courbée, présente des fissures, est cassée ou endommagée, mettez-la au rebut.
- Utilisez une lame affûtée. Le risque de rebond est plus élevé lorsque la lame n'est pas affûtée.

Sécurité carburant

- Ne démarrez pas le produit si du carburant ou de l'huile moteur a été renversé(e) sur le produit. Essayez le carburant/l'huile et attendez que le produit sèche. Essayez le carburant déversé sur le produit.
- Si vous avez renversé du carburant sur vos vêtements, changez de vêtements immédiatement.
- Évitez tout contact de la peau avec le carburant. Le carburant peut causer des blessures. Si votre peau entre en contact avec le carburant, lavez les parties qui ont été en contact avec de l'eau et du savon.
- Ne démarrez pas le moteur si vous avez renversé de l'huile ou du carburant sur le produit ou sur vous.
- Ne démarrez pas le produit s'il y a une fuite de moteur. Vérifiez régulièrement s'il y a des fuites de moteur.
- Faites attention avec le carburant. Le carburant est inflammable et ses vapeurs sont explosives. Il peut causer des blessures graves, voire mortelles.
- Ne respirez pas les vapeurs de carburant, elles peuvent causer des blessures. Assurez-vous que la ventilation est suffisante.
- Ne fumez pas à proximité du carburant ou du moteur.

- Ne mettez pas d'objets chauds à proximité du carburant ou du moteur.
- N'ajoutez pas de carburant lorsque le moteur est allumé.
- Assurez-vous que le moteur est froid avant de faire le plein de carburant.
- Avant de faire le plein, ouvrez le bouchon du réservoir de carburant lentement et relâchez la pression avec précaution.
- N'ajoutez pas de carburant au moteur dans un espace intérieur. Un débit d'air insuffisant peut causer des blessures graves, voire mortelles dues à une asphyxie ou au monoxyde de carbone.
- Serrez le bouton du réservoir de carburant avec précaution afin d'éviter tout risque d'incendie.
- Déplacez le produit à un minimum de 3 m (10 ft) de l'endroit où a été fait le plein de carburant avant de démarrer le produit.
- Ne remplissez pas trop le réservoir de carburant.
- Assurez-vous qu'aucune fuite ne peut se produire lorsque vous déplacez le produit ou le bidon de carburant.
- Ne placez pas le produit ni le bidon de carburant dans un espace où il y a une flamme nue, des étincelles ou une veilleuse d'allumage. Assurez-vous qu'il n'y a pas de flamme nue dans le lieu de stockage.
- Utilisez uniquement des récipients homologués pour le transport et le stockage de carburant.
- Avant de remiser le produit pour une période prolongée, videz le réservoir de carburant. Respectez la législation locale sur les lieux d'élimination du carburant.
- Nettoyez le produit avant de le remiser pour une période prolongée.
- Retirez la bougie avant de remiser le produit afin de s'assurer que le moteur ne démarre pas par inadvertance.

Consignes de sécurité pour l'entretien

- Si vous ne pouvez pas régler le régime de ralenti pour arrêter l'équipement de coupe, contactez votre centre d'entretien. N'utilisez pas le produit tant qu'il n'est pas correctement réglé ou réparé.

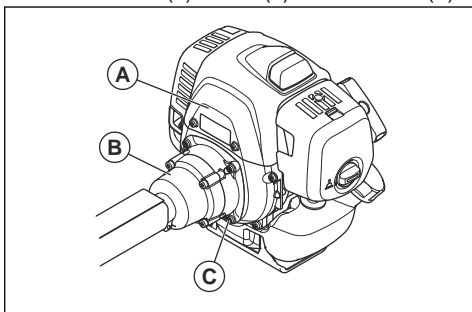
Montage



AVERTISSEMENT: Lisez le chapitre dédié à la sécurité avant de monter le produit.

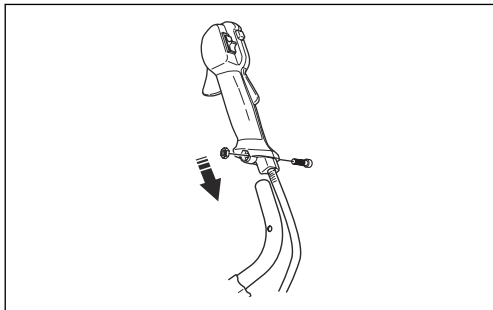
Pour installer le corps du produit

- Fixez le moteur (A) au tube (B) à l'aide de 4 vis (C).



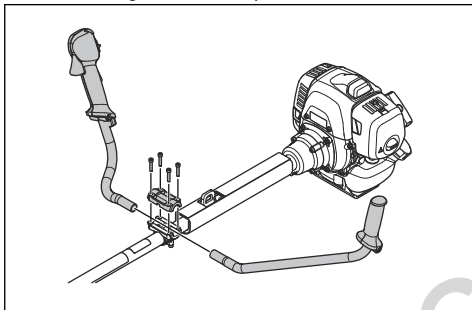
Pour poser le guidon (541RST)

- Déposez la vis située derrière la poignée d'accélération.

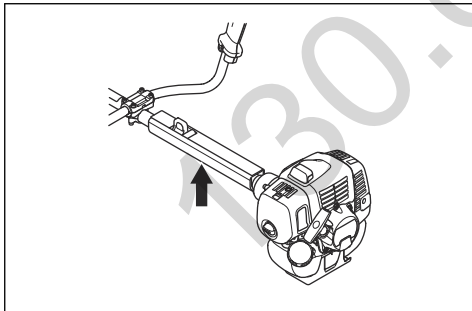


Pour poser le guidon (531RS, 541RS)

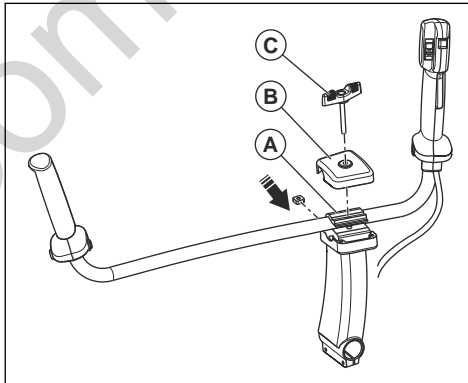
- Installez le guidon dans le pontet sur l'arbre.



- Installez le manchon de protection.



- Installez la poignée d'accélération sur la partie droite du guidon.
- Alignez le trou de fixation de la poignée sur celui du guidon.
- Faites passer la vis dans les trous. Serrez la vis.
- Placez l'ensemble du guidon et l'écrou carré dans le support. Veillez à ce que le guidon soit dans la bonne position.

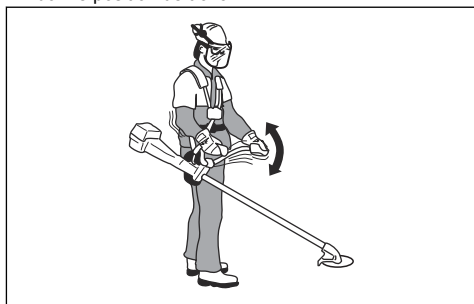


- Installez le pontet du guidon (A), le capot (B) et la molette (C).
- Alignez les trous pour la vis de la molette.
- Serrez fermement la molette pour verrouiller le guidon.

Pour poser le harnais

- Enfilez le harnais et suspendez l'appareil au point de suspension.

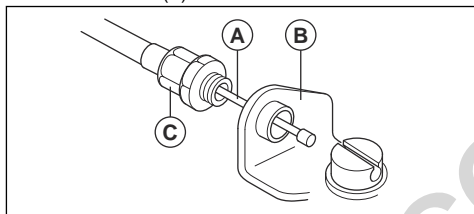
- Réglez la poignée afin de placer le produit dans une bonne position de travail.



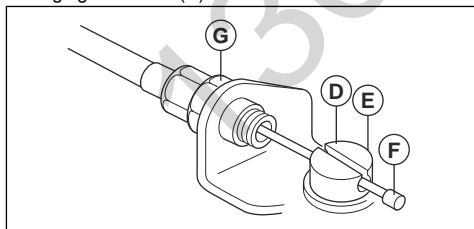
- Serrez complètement les vis.

Pour connecter le câble d'accélération et les câbles du contacteur d'arrêt

- Retirez le couvercle du filtre à air.
- Installez le câble d'accélération (A) dans le support du carburateur (B).

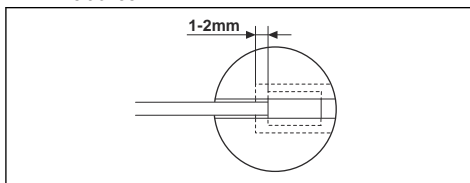


- Tournez complètement le manchon de réglage du câble (C) dans le support du carburateur.
- Placez le raccord à fente (D) sur le carburateur. À ce stade, le trou placé en retrait (E) pour la cosse de câble (F) n'entre pas en contact avec le manchon de réglage du câble (C).

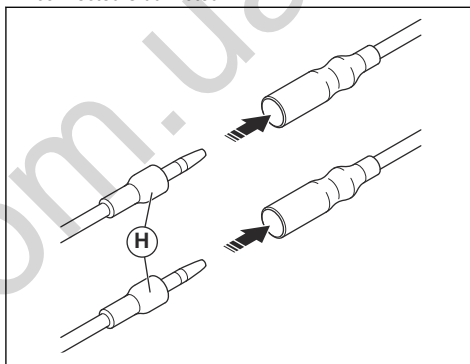


- Faites tourner l'axe d'accélération du carburateur et positionnez le câble d'accélération (A) dans la fente du raccord.
- Assurez-vous que la cosse de câble (F) s'insère dans le trou en retrait.
- Actionnez la gâchette d'accélération à plusieurs reprises pour vous assurer qu'elle fonctionne correctement.
- Réglez le manchon de réglage du câble (C).

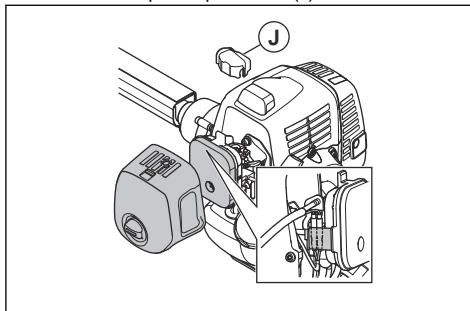
- Assurez-vous que la butée de l'axe d'accélération du carburateur touche correctement la butée de l'accélérateur.
- Assurez-vous que la position du câble permet de maintenir une distance de 1 à 2 mm entre la cosse de câble (F) et le raccord à fente lorsque la gâchette d'accélération est complètement relâchée.



- Une fois le câble d'accélération (A) correctement réglé, serrez le contre-écrou (G).
- Branchez les câbles du contacteur d'arrêt (H) aux connecteurs du moteur.



- Installez le capot de protection (J).



- Installez le couvercle de filtre à air.

Pour poser des lames et des têtes de désherbage



AVERTISSEMENT: Utilisez uniquement la protection homologuée pour les lames. Consultez la section *Accessoires à la page*

158. Une protection défectueuse peut provoquer des blessures.

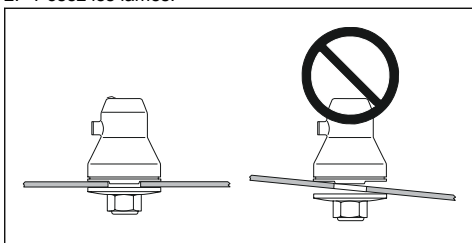


AVERTISSEMENT: Si vous utilisez le produit avec une lame à herbe, commencez par poser un guidon, un protège-lame et un harnais appropriés.



AVERTISSEMENT: Si vous ne posez pas les lames correctement, cela peut provoquer des blessures.

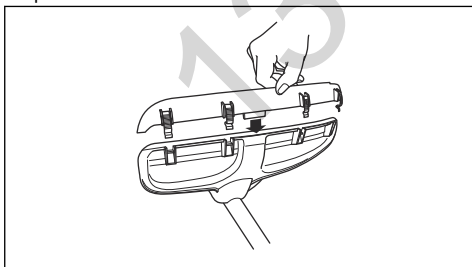
1. Assurez-vous que la partie levée du disque d'entraînement/de la bride de support est positionnée correctement dans le trou central des lames.
2. Posez les lames.



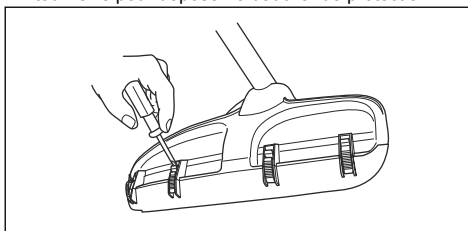
Fixation et dépose du bouclier de protection

Le bouclier de protection est utilisé sur la protection d'accessoire de coupe. Fixez le bouclier de protection lorsque vous utilisez une tête de désherbage ou des couteaux en plastique. Déposez le bouclier de protection lorsque vous utilisez une lame à herbe.

- Placez le guide sur le bouclier de protection dans la fente sur la protection d'accessoire de coupe. Enclenchez les 4 crochets de verrouillage en position.



- Relâchez les crochets de verrouillage avec un tournevis pour déposer le bouclier de protection.



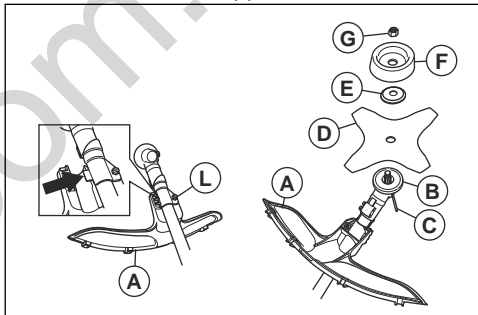
Pour fixer un protège-lame, une lame à herbe et un couteau à herbe



REMARQUE: Veillez à ce que le bouclier de protection soit démonté.

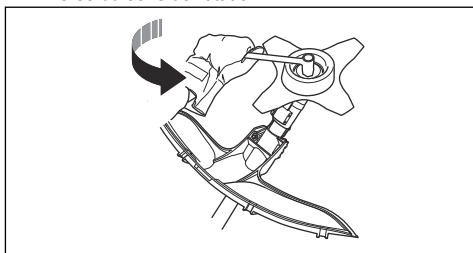
Remarque: Utilisez le protège-lame recommandé. Reportez-vous à la section *Accessoires* à la page 158.

1. Posez le protège-lame sur l'arbre. Fixez le protège-lame à l'aide du boulon (L).



2. Fixez le toc d'entraînement (B) sur l'axe sortant.
3. Faites tourner l'arbre sortant jusqu'à ce qu'1 des trous du disque d'entraînement soit aligné avec le trou du carter.
4. Placez la goupille de blocage ou la clé hexagonale (C) dans le trou afin de bloquer l'arbre.
5. Placez la lame (D), la bride de support (E) et le bol de garde au sol (F) sur l'arbre de sortie.
6. Posez l'écrou (G). Utilisez la clé mixte pour serrer l'écrou au couple de 35-50 Nm. Tenez le manche de la clé mixte le plus près possible du protège-lame.

7. Pour serrer l'écrou, tournez la clé mixte dans le sens inverse du sens de rotation.

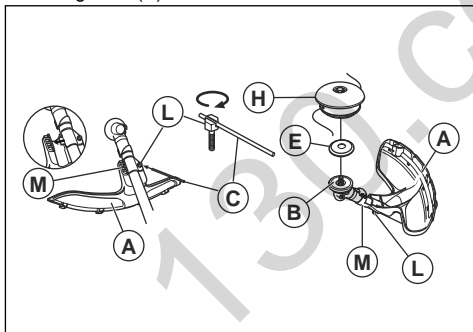


Remarque: Filetage à gauche.

Pour fixer le carter de protection et la tête de désherbage

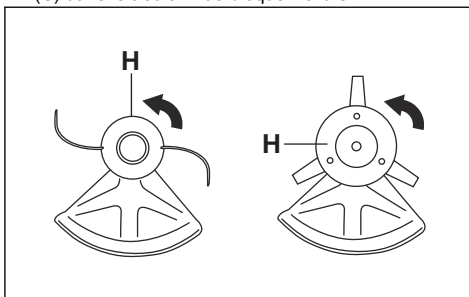
Remarque: Assurez-vous d'utiliser le carter de protection et la tête de désherbage appropriés.

1. Fixez le carter de protection/la protection combinée (A) appropriés pour la tête de désherbage.
2. Emboîtez le carter de protection/la protection combinée (A) sur les 2 crochets du support de tôle (M).
3. Fixez le carter de protection/la protection combinée sur l'arbre de transmission et serrez à l'aide du boulon (L). Utilisez la goupille de blocage ou la clé hexagonale (C).



4. Placez la goupille de blocage ou la clé hexagonale (C) dans la rainure de la tête de vis et serrez.
5. Posez le disque d'entraînement (B) et la bride de support (E) sur l'arbre de sortie.
6. Faites tourner l'arbre de sortie jusqu'à ce que l'un des trous du disque d'entraînement coïncide avec le trou du carter.

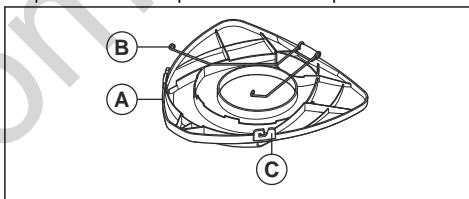
7. Insérez la goupille de blocage ou la clé hexagonale (C) dans le trou afin de bloquer l'arbre.



8. Assemblez la tête de désherbage/les lames en plastique (H). Tournez la tête de désherbage/les lames en plastique dans le sens contraire des aiguilles d'une montre.
9. Pour le démontage, suivez les instructions dans le sens inverse.

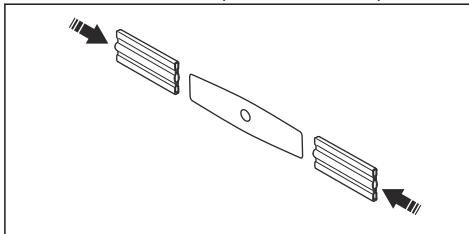
Pose de la protection de transport

1. Poser la lame dans la protection de transport (A).
2. Insérez les deux fixations (B) dans les fentes (C) pour sécuriser la protection de transport.



Pour installer la lame à 2 dents sur la protection

1. Posez la lame dans la protection de transport.



Pour régler le harnais



AVERTISSEMENT: Le produit doit toujours être correctement fixé au harnais. N'utilisez pas de harnais défectueux.

1. Enfiler le harnais.
2. Reliez le produit au harnais.

- Ajustez le harnais afin d'obtenir la position de travail la plus confortable.
- Réglez les courroies latérales pour que le produit pèse uniformément sur les épaules.



- Ajustez le harnais jusqu'à ce que l'équipement de coupe soit parallèle au sol.
- Laissez l'équipement de coupe toucher légèrement le sol. Ajustez l'attache du harnais pour équilibrer correctement le produit.

Remarque: Si vous utilisez une lame à herbe, elle doit être située à environ 10 cm (4 pouces) du sol.

Utilisation



AVERTISSEMENT: Assurez-vous de lire et de comprendre le chapitre dédié à la sécurité avant d'utiliser le produit.

Carburant

Pour utiliser le carburant



REMARQUE: Ce produit est équipé d'un moteur à deux temps. Utilisez un mélange d'essence et d'huile moteur à deux temps. Assurez-vous d'utiliser la quantité correcte d'huile dans le mélange. Un rapport incorrect d'essence et d'huile peut endommager le moteur.

- Ratio de mélange 50:1 (2 %).
- Une huile de mauvaise qualité et un rapport huile/carburant trop élevé peuvent réduire la durée de vie des pots catalytiques.
- Adressez-vous à votre revendeur pour sélectionner une huile.
- Si de l'huile à deux temps Husqvarna n'est pas disponible, vous pouvez utiliser une autre huile à deux temps de haute qualité pour moteurs refroidis à l'air. Contactez votre revendeur pour sélectionner une huile.
- N'utilisez pas d'huile à deux temps pour moteurs hors-bord refroidis par eau. Cette huile à deux temps est parfois appelée huile « outboard ».

Essence



REMARQUE: N'utilisez pas d'essence avec un indice d'octane inférieur à 90 RON (87 AKI). Cela peut endommager le produit.



REMARQUE: N'utilisez pas d'essence avec une concentration d'éthanol (E10) supérieure à 10 %. Cela peut endommager le produit.

- Utilisez toujours de l'essence sans plomb neuve avec un indice d'octane minimal de 90 RON (87 AKI) et une concentration d'éthanol (E10) inférieure à 10 %.
- Utilisez de l'essence avec un numéro d'octane supérieur si vous utilisez fréquemment le produit à une vitesse du moteur élevée en continu.

Huile moteur à deux temps

- Utilisez seulement une huile moteur à deux temps de haute qualité, de préférence l'huile à deux temps HUSQVARNA. Utilisez uniquement une huile pour moteurs refroidis à l'air.

Essence, en litres	Huile, en litres
	2 % (50:1)
5	0,1
10	0,2
15	0,3
20	0,4

Pour effectuer le mélange de carburant

Remarque: Utilisez toujours un bidon de carburant propre lorsque vous mélangez le carburant.

Remarque: Ne préparez pas une quantité de mélange de carburant pour plus de 30 jours.

- Ajoutez la moitié de la quantité d'essence.
- Ajoutez la quantité totale d'huile.
- Agitez le mélange de carburant pour mélanger le contenu.
- Ajoutez la quantité d'essence restante.

5. Agitez le mélange de carburant pour mélanger le contenu.
6. Remplissez le réservoir de carburant.

Pour ajouter du carburant



AVERTISSEMENT: Ne placez jamais d'objet chaud et ne fumez jamais à proximité du carburant. Avant d'ajouter du carburant, arrêtez le moteur et laissez-le refroidir pendant quelques minutes.



AVERTISSEMENT: Lorsque vous ajoutez du carburant, ouvrez lentement le bouchon du réservoir de carburant pour relâcher la pression indésirable.



AVERTISSEMENT: Après avoir ajouté du carburant, serrez soigneusement le bouchon du réservoir de carburant. Éloignez la machine de la zone du plein et de toute source d'alimentation avant de démarrer le moteur.

- Utiliser un bidon d'essence comportant un dispositif d'arrêt de remplissage automatique.
- Assurez-vous que la zone proche du bouchon du réservoir de carburant est propre. Les impuretés dans le réservoir causent des troubles de fonctionnement.
- Agitez le bidon de carburant avant de verser le mélange de carburant dans le réservoir.

Pour démarrer et arrêter

Pour effectuer les contrôles nécessaires avant l'utilisation

1. Vérifiez que le produit n'a pas de pièce manquante, endommagée, desserrée ou usée.
2. Vérifiez les écrous, les vis et les boulons.
3. Examinez les lames.
4. Examinez le contre-écrou. Assurez-vous que le contre-écrou est doté d'une force de blocage d'au moins 1,5 Nm (1,1 pds lb). Serrez le contre-écrou à un couple compris entre 35 et 50 Nm (entre 26 et 36 pds lb).
5. Vérifiez le filtre à air.
6. Vérifiez le blocage de la gâchette d'accélération et la commande d'accélération.
7. Examinez l'interrupteur d'arrêt.
8. Vérifiez qu'il n'y a pas de fuites de carburant au niveau du produit.

Pour démarrer un moteur froid



AVERTISSEMENT: Avant de démarrer le produit, installez le carter d'embrayage et l'arbre complets. Un embrayage serré incorrectement peut provoquer des blessures. Utilisez des gants.

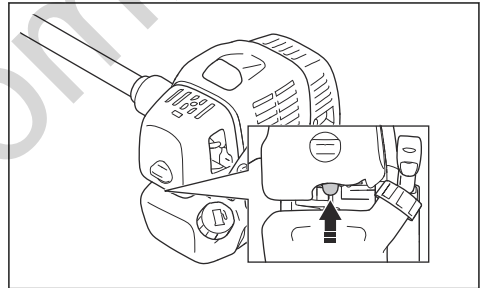


AVERTISSEMENT: Éloignez le produit de la zone et de la source du plein en carburant. Placez-le sur une surface plane. Assurez-vous qu'aucun objet n'entre en contact avec l'accessoire de coupe.

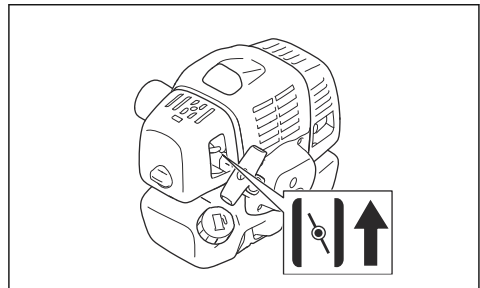


AVERTISSEMENT: Assurez-vous qu'aucune personne non autorisée ne se trouve dans la zone de travail. Cela peut provoquer un risque de blessure grave. La distance de sécurité est de 15 m.

1. Mettez l'interrupteur d'arrêt en position de démarrage.
2. Appuyez sur la poire de la pompe à carburant jusqu'à ce qu'elle commence à se remplir de carburant.



3. Amenez la commande de starter en position de starter.



- Maintenez le produit au sol. Tirez lentement sur le câble du démarreur avec votre main droite jusqu'à sentir une certaine résistance.



Remarque: N'enroulez pas le câble du démarreur autour de votre main.



REMARQUE: Ne tirez pas complètement sur le câble du démarreur. Ne lâchez pas la poignée du câble du démarreur lorsque le câble est complètement déployé. Le non-respect de ces instructions peut endommager le moteur.

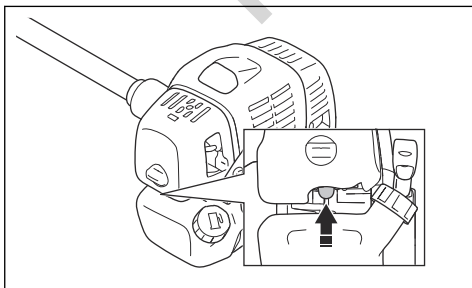
- Tirez le câble du démarreur rapidement et avec force jusqu'à entendre le moteur démarrer.
- Placez le starter sur la position de marche.



AVERTISSEMENT: Ne touchez pas le capot. Cela peut provoquer des brûlures de la peau et un choc électrique si le chapeau de bougie est endommagé. N'utilisez jamais un produit dont le chapeau de bougie est endommagé.

Pour démarrer un moteur chaud

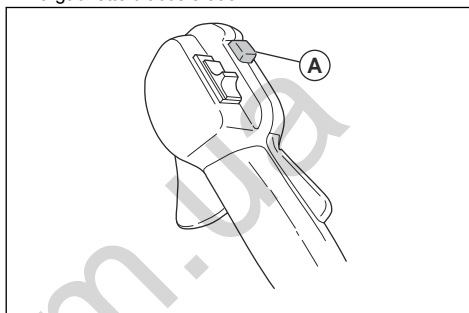
- Mettez l'interrupteur d'arrêt en position de démarrage.
- Appuyez sur la poire de la pompe à carburant jusqu'à ce qu'elle commence à se remplir de carburant.



- Placez le starter en position de marche, puis tirez le câble du démarreur jusqu'à ce que le moteur démarre.

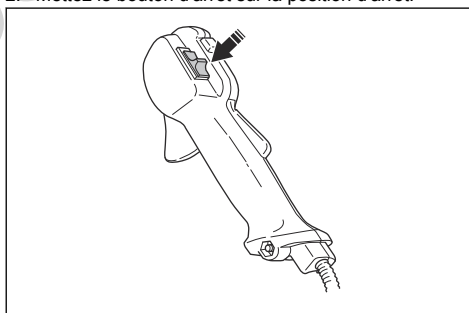
Pour démarrer une poignée d'accélération avec un blocage d'accélération au démarrage

- Appuyez sur le blocage d'accélération et la gâchette d'accélération pour passer l'accélérateur en position de démarrage. Appuyez ensuite sur le bouton d'accélération au démarrage (A).
- Relâchez le blocage d'accélération et la gâchette d'accélération, puis le bouton de l'accélération au démarrage. La fonction d'accélération au démarrage est maintenant activée.
- Pour faire repasser le moteur au régime de ralenti, appuyez à nouveau sur le blocage d'accélération et la gâchette d'accélération.



Pour arrêter le moteur

- Placez la gâchette d'accélération en position de ralenti.
- Mettez le bouton d'arrêt sur la position d'arrêt.



Pour faire fonctionner le coupe-herbe



REMARQUE: Assurez-vous de mettre le moteur au régime de ralenti après chaque utilisation. Une longue période à plein régime sans charge sur le moteur peut endommager le moteur.

Remarque: Nettoyez la protection de la tête de désherbage lorsque vous fixez un nouveau fil de coupe-herbe pour éviter les vibrations. Vérifiez les autres

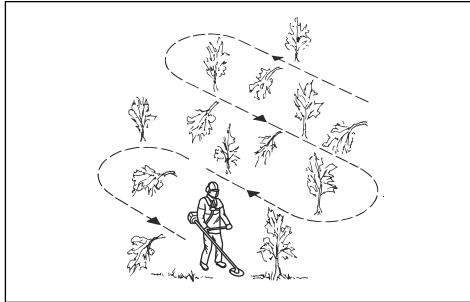
parties de la tête de désherbage et nettoyez-les si nécessaire.

Instructions générales de travail



AVERTISSEMENT: Soyez prudent lorsque vous coupez un arbre plié. Il peut revenir brusquement à sa position normale avant ou après la coupe et vous heurter ainsi que le produit, entraînant des blessures.

- Dégagez un espace ouvert à l'une des extrémités de la zone de travail, et commencez le travail par là.
- Déplacez-vous sur une trajectoire régulière sur la zone de travail.



- Déplacez le produit complètement vers la gauche et la droite, pour dégager une largeur de 4 à 5 m (13-16 ft) à chaque tour.
- Dégagez une longueur de 75 m (250 ft) avant de tourner et de revenir en arrière. Déplacez le bidon de carburant avec vous lorsque vous avancez.
- Déplacez-vous dans une direction à l'écart des fossés et des obstacles si possible.
- Déplacez-vous dans une direction où le vent permet à la végétation coupée de tomber dans la zone dégagée.

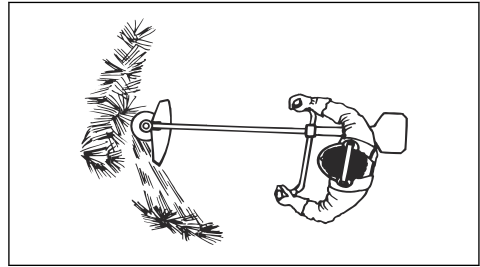


- Déplacez-vous le long des pentes, et non pas vers le haut et vers le bas.

Pour désépaissir l'herbe avec une lame à herbe

1. Gardez les pieds écartés au cours de l'utilisation du produit. Assurez-vous d'avoir des appuis stables.

2. Mettez le bol de garde au sol légèrement en contact avec le sol. Cela empêche la lame de toucher le sol.
3. Déplacez l'appareil dans un mouvement latéral fluide de droite à gauche. Faites travailler la lame du côté gauche (secteur 8 h à 12 h).

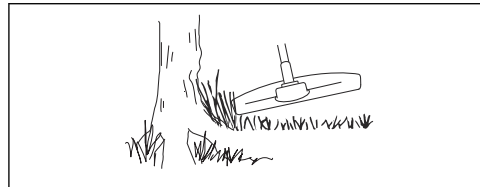


4. Inclinez la lame vers la gauche lorsque vous débroussailliez l'herbe.

Remarque: L'herbe s'accumule pour former une ligne.

5. Faites un mouvement latéral de gauche à droite pour le mouvement de retour.
6. Travaillez de façon régulière.
7. Avancez et gardez les pieds fermement au sol.
8. Arrêtez le moteur.
9. Déposez le produit de l'attache sur le harnais.
10. Placez le produit au sol.
11. Récupérez la matière végétale coupée.

Pour débroussailler

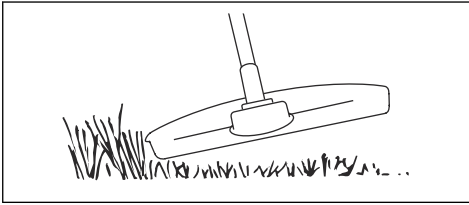


Pour obtenir les meilleurs résultats :

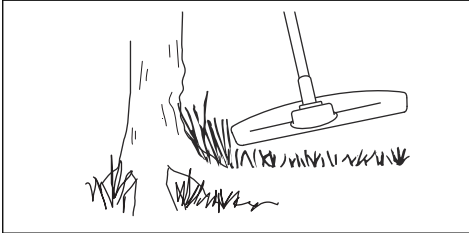
- Tenez le coupe-herbe de manière à ce que la tête de désherbage soit juste au-dessus du sol.
- Inclinez légèrement la tête de désherbage.
- Laissez l'extrémité du fil de coupe toucher le sol autour des objets

Pour tondre l'herbe

1. Maintenez la tête de désherbage juste au-dessus du sol et inclinez-la. Ne poussez pas le fil de coupe dans l'herbe.

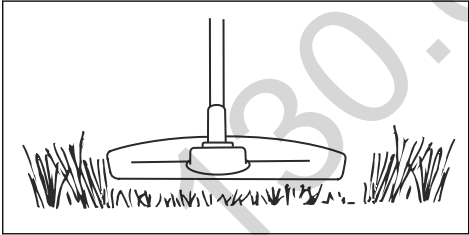


2. Réduisez la longueur du fil de coupe de 10-12 cm (4-4,75 po).
3. Diminuez la vitesse du moteur afin de limiter le risque d'endommager les plantes.
4. Baissez le régime à 80 % lorsque vous coupez l'herbe à proximité d'objets.

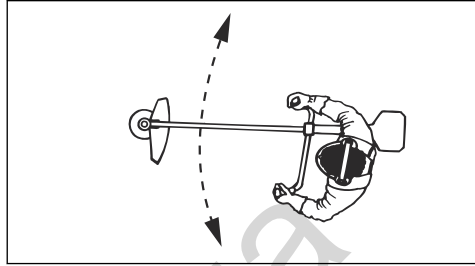


Pour couper l'herbe

1. Assurez-vous que le fil de coupe est parallèle au sol lorsque vous coupez l'herbe.



2. N'appuyez pas la tête de désherbage sur le sol. Le sol et le produit peuvent être endommagés.
3. Ne laissez pas la tête de désherbage toucher le sol en continu. Cela peut endommager la tête de désherbage.
4. Faites tourner le moteur à plein régime lorsque vous déplacez le produit de gauche à droite pour couper l'herbe.



Pour balayer l'herbe

Le débit d'air du fil de coupe en rotation peut être utilisé pour éliminer l'herbe coupée d'une zone.

1. Maintenez la tête de désherbage et son fil de coupe parallèles au sol et au-dessus du sol.
2. Donner les pleins gaz.
3. Déplacez la tête de désherbage d'un côté à l'autre et balayez l'herbe.



AVERTISSEMENT: Nettoyez le capot de la tête de désherbage chaque fois que vous remettez un fil de coupe neuf pour éviter tout déséquilibre et des vibrations dans les poignées. Vérifiez également les autres pièces de la tête de désherbage et nettoyez au besoin.

Pour remplacer le fil de coupe

Reportez-vous à la dernière page de ce manuel de l'opérateur.

Entretien



AVERTISSEMENT: Assurez-vous de lire et de comprendre le chapitre sur la sécurité

avant de nettoyer, de réparer ou de procéder à l'entretien du produit.

Calendrier d'entretien

Entretien	Au quotidien	Toutes les semaines	Une fois par mois
Nettoyez la surface externe.	X		

Entretien	Au quotidien	Toutes les semaines	Une fois par mois
Vérifiez que le harnais n'est pas endommagé.	X		
Contrôlez l'accélération et la gâchette d'accélération.	X		
Assurez-vous que l'équipement de coupe ne tourne pas lorsque le moteur tourne au ralenti.	X		
Contrôlez l'interrupteur d'arrêt. Reportez-vous à la section <i>Pour contrôler l'interrupteur d'arrêt à la page 138.</i>	X		
Vérifiez si la protection de l'équipement de coupe présente des dommages ou des fissures.	X		
Assurez-vous que la lame à herbe est alignée sur le centre. Assurez-vous que la lame à herbe est bien aiguisée et que ni la lame ni le trou central ne sont endommagés.	X		
Inspectez la tête de désherbage afin de repérer d'éventuels dommages ou fissures. Remplacez-la si elle est endommagée.	X		
Examinez la poignée et le guidon afin de détecter d'éventuels dommages et assurez-vous qu'ils sont correctement fixés.	X		
Pour les accessoires de coupe avec un bol de garde au sol, serrez correctement la vis de blocage.	X		
Pour les accessoires de coupe avec un contre-écrou, serrez correctement le contre-écrou.	X		
Examinez la protection de transport afin de détecter d'éventuels dommages et assurez-vous qu'elle peut être fixée correctement.	X		
Vérifiez si le moteur, le réservoir de carburant et les conduites de carburant présentent des fuites.	X		
Nettoyez le filtre à air. Remplacez-les si nécessaire.	X		
Serrez les écrous et les vis.	X		
Vérifiez que le filtre à carburant n'est pas contaminé ou que le tuyau de carburant ne comporte pas de fissures ou d'autres défauts. Remplacez-les si nécessaire.	X		
Vérifiez tous les câbles et toutes les connexions.	X		
Vérifiez si le démarreur et le câble de démarreur sont endommagés.		X	
Vérifiez la bougie. Reportez-vous à la section <i>Pour vérifier la bougie à la page 154.</i>		X	
Veillez à ce que le renvoi d'angle soit aux $\frac{3}{4}$ rempli de graisse.		X	
Nettoyez la surface extérieure du carburateur et la zone autour de celui-ci.		X	
Nettoyez la bougie. Déposez la bougie et vérifiez l'écartement des électrodes. Au besoin, ajustez l'écartement des électrodes ou remplacez la bougie. Reportez-vous à la section <i>Caractéristiques techniques à la page 156.</i> Assurez-vous que la bougie est montée avec un presseur.		X	
Vérifiez l'état d'usure de l'embrayage, des ressorts d'embrayage et du tambour d'embrayage. Remplacez-les si nécessaire.			X

Entretien	Au quoti- dien	Toutes les sem- aines	Une fois par mois
Remplacez la bougie. Assurez-vous que la bougie est montée avec un suppres- seur.			X
Lubrifiez l'arbre d'entraînement.			X
Vérifiez que les dispositifs anti-vibrations ne sont pas endommagés.		X	
Nettoyez le système de refroidissement du produit.		X	
Nettoyez le silencieux.			X

Pour régler le carburateur

Le réglage de base du carburateur est effectué à l'usine.
Le réglage doit être effectué par un technicien qualifié.

Pour contrôler le silencieux



AVERTISSEMENT: N'utilisez pas un produit dont le silencieux est défectueux.
Remplacez systématiquement tout silencieux défectueux.



AVERTISSEMENT: Risque de brûlure ou d'incendie. Les silencieux équipés de pots catalytiques deviennent très chauds lors du fonctionnement.



AVERTISSEMENT: Risque d'incendie. Le silencieux atténue le niveau sonore et éloigne les gaz d'échappement de l'utilisateur. Ces gaz d'échappement sont chauds et peuvent produire des étincelles.



REMARQUE: Il est nécessaire de remplacer l'écran pare-étincelles s'il est endommagé.
N'utilisez pas un produit si l'écran pare-étincelles du silencieux est manquant ou défectueux.



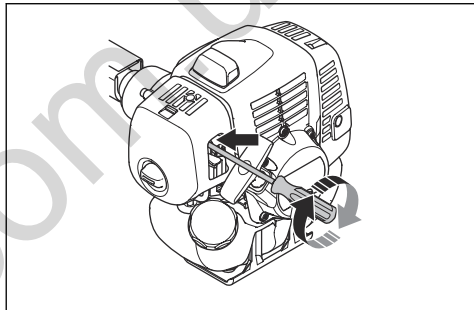
REMARQUE: Si l'écran pare-étincelles est bloqué, le produit surchauffe. Cela peut endommager le cylindre et le piston.

1. Assurez-vous que le silencieux n'est pas endommagé.
2. Assurez-vous que le silencieux est correctement fixé à l'appareil.

Pour régler le régime de ralenti

Votre produit Husqvarna est fabriqué conformément aux spécifications permettant de diminuer les émissions nocives.

1. Assurez-vous que le filtre à air est propre et que le couvercle de filtre à air est fixé avant de régler le régime de ralenti.
2. Réglez le régime de ralenti à l'aide de la vis de ralenti T marquée par le repère « T ».
a) Tournez la vis de ralenti T dans le sens des aiguilles d'une montre, jusqu'à ce que l'équipement de coupe commence à tourner.



- b) Tournez la vis de ralenti T dans le sens contraire des aiguilles d'une montre, jusqu'à l'arrêt de l'équipement de coupe.



AVERTISSEMENT: Si l'accessoire de coupe ne s'arrête pas lorsque vous réglez le régime de ralenti, veuillez contacter votre atelier d'entretien.
N'utilisez pas le produit tant qu'il n'est pas réglé ou réparé correctement.

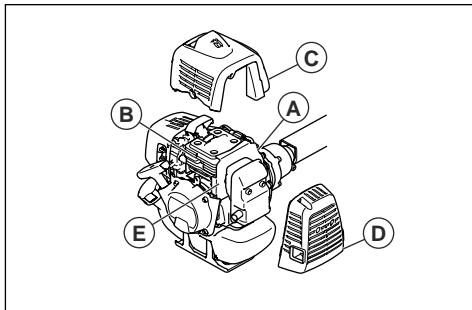
3. Le régime de ralenti est correct lorsque le moteur fonctionne sans à-coups dans toutes les positions. Le régime de ralenti doit être inférieur à la vitesse lorsque l'équipement de coupe commence à tourner.

Remarque: Reportez-vous à la section *Caractéristiques techniques* à la page 156 pour connaître le régime de ralenti recommandé.

Système de refroidissement

Le produit est équipé d'un système de refroidissement permettant de maintenir une température de travail basse.

Le circuit de refroidissement est composé :



- D'ailettes de ventilation sur le volant (A)
- D'ailettes de refroidissement sur le cylindre (B)
- D'un capot de cylindre (C) (dirige l'air de refroidissement vers le cylindre)
- D'un capot de silencieux (D)
- D'une plaque de silencieux (E)

Pour nettoyer le circuit de refroidissement

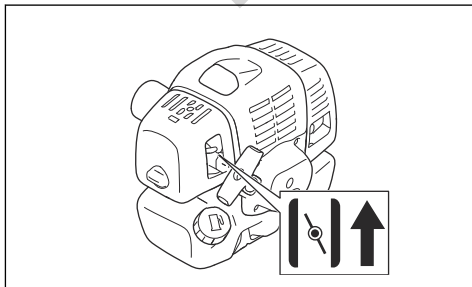


AVERTISSEMENT: Un circuit de refroidissement sale ou colmaté peut entraîner une surchauffe. Cela peut endommager le piston et le cylindre.

1. Nettoyez les pièces du circuit de refroidissement à l'aide d'une brosse au moins une fois par semaine.

Filtre à air

- Nettoyez le filtre toutes les 25 heures. Nettoyez-le plus régulièrement si nécessaire.
- mettez la commande de starter sur la position de starter.



Pour nettoyer le filtre à air

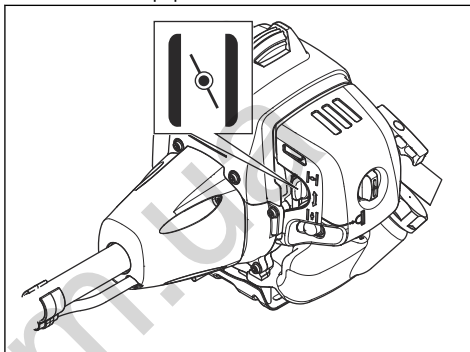
Nettoyez le filtre toutes les 25 heures. Nettoyez-le plus régulièrement si nécessaire.



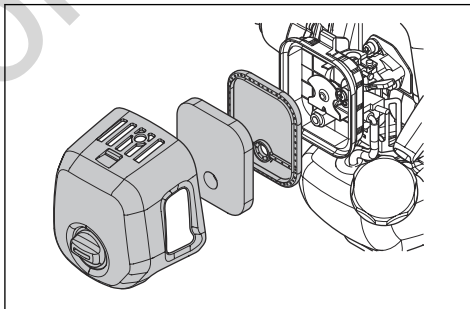
REMARQUE: Remplacez systématiquement le filtre à air s'il est endommagé, très sale ou imbibé de carburant.

Si vous utilisez un filtre à air pendant une longue période, il est impossible de le nettoyer complètement. Remplacez régulièrement le filtre à air par un filtre neuf.

1. Fermez la soupape du starter.



2. Retirez le couvercle du filtre à air.



3. Retirez le filtre à air.
4. Nettoyez le filtre à air avec de l'eau chaude savonneuse.
5. Remplacez le filtre à air s'il est trop sale pour le nettoyer complètement. Remplacez toujours un filtre à air endommagé.
6. Nettoyez la surface intérieure du couvercle du filtre à air. Utilisez un appareil à air comprimé ou une brosse.
7. Assurez-vous que le filtre à air est sec.
8. Utilisez Husqvarna de l'huile à deux temps pour huiler le filtre à air. S'il y a trop d'huile sur le filtre à air, retirez l'excédent d'huile avant d'installer le filtre à air.

Pour appliquer de l'huile sur le filtre à air en mousse

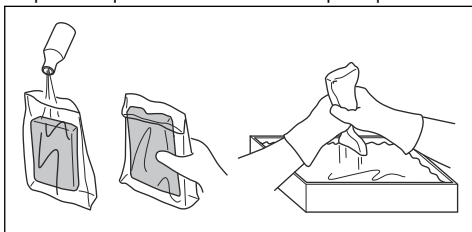


REMARQUE: Utilisez toujours une huile spéciale Husqvarna pour filtre à air. N'utilisez pas d'autres types d'huile.



AVERTISSEMENT: Mettez des gants de protection. L'huile pour filtre à air peut irriter la peau.

1. Mettez le filtre à air en mousse dans un sachet en plastique.
2. Versez l'huile dans le sachet en plastique.
3. Pressez le sachet en plastique pour assurer une répartition uniforme de l'huile dans le filtre à air en mousse.
4. Retirez l'excédent d'huile du filtre à air en mousse pendant qu'il est dans le sachet en plastique.



Filtre en feutre

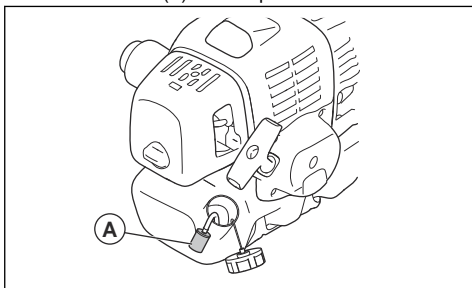
- Frappez avec précaution le filtre en feutre contre votre main ou utilisez de l'air comprimé pour nettoyer le filtre en feutre.



REMARQUE: N'utilisez pas d'eau pour nettoyer le filtre en feutre. L'eau peut endommager le filtre en feutre.

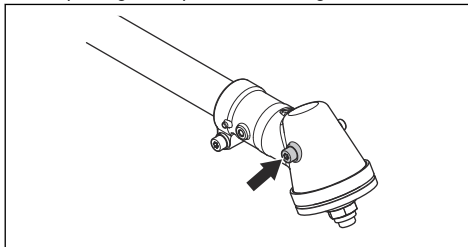
Filtre à carburant

Si l'approvisionnement en carburant commence à être insuffisant pour le moteur, vérifiez si le bouchon du réservoir et le filtre (A) ne sont pas obstrués.



Pour graisser pour le renvoi d'angle

- Assurez-vous que le renvoi d'angle est aux 3/4 rempli de graisse pour renvoi d'angle.

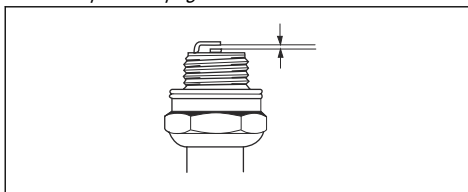


Pour vérifier la bougie



REMARQUE: Utilisez toujours le type de bougie recommandé. Un type de bougie inadéquat peut endommager le produit.

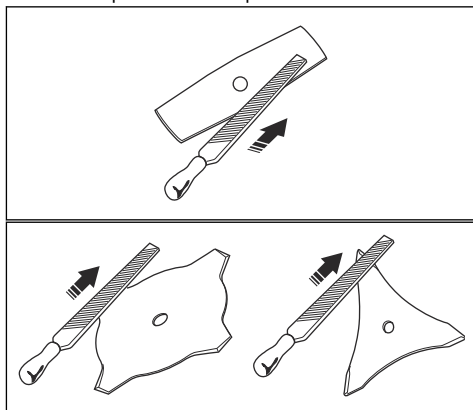
- Inspectez la bougie si le moteur manque de puissance, n'est pas facile à démarrer ou ne fonctionne pas correctement lorsqu'il tourne au régime de ralenti.
- Afin de réduire le risque de matériaux indésirables présents sur les électrodes de la bougie, procédez comme suit :
 - a) Assurez-vous que le régime de ralenti est correctement réglé.
 - b) Assurez-vous que le mélange de carburant est correct.
 - c) Assurez-vous que le filtre à air est propre.
- Si la bougie est encrassée, nettoyez-la et vérifiez que l'écartement des électrodes est correct ; reportez-vous à la section *Caractéristiques techniques* à la page 156.



- Remplacez la bougie si nécessaire.

Pour affûter les lames et couteaux à herbe

- Affûtez les bords des lames et couteaux à herbe de manière égale afin de préserver l'équilibre. Utilisez une lime plate à taille simple.



Dépannage

Dépannage

Échec lors du démarrage		
Contrôle	Cause possible	Solution
Bouton d'arrêt	Position d'arrêt	Mettez l'interrupteur d'arrêt en position de démarrage.
Cliquets du lanceur	Cliquets bloqués	Réglez ou remplacez les cliquets.
		Nettoyez le pourtour des cliquets.
		Contactez un atelier d'entretien agréé.
Réservoir de carburant	Mauvais type de carburant.	Vidangez et utilisez le bon carburant.
Carburateur	Réglage du régime de ralenti.	Réglez le régime de ralenti à l'aide de la vis T.
Allumage (pas d'étincelle)	Bougie sale ou humide.	Assurez-vous que la bougie est sèche et propre.
	Écartement de la bougie incorrect.	Nettoyez la bougie. Vérifiez que l'écartement des électrodes est correct. Assurez-vous que la bougie est installée avec un supprimeur.
		Reportez-vous aux caractéristiques techniques pour obtenir le bon écartement des électrodes.
Bougie	Bougie desserrée.	Serrez la bougie d'allumage.

Échec lors du démarrage		
Contrôle	Cause possible	Solution
Filtre à carburant	Filtre à carburant bouché.	Remplacez le filtre à carburant.

Le moteur démarre, mais ne reste pas en marche		
Contrôle	Cause possible	Solution
Réservoir de carburant	Mauvais type de carburant.	Vidangez et utilisez le bon carburant.
Carburateur	Le moteur ne ralentit pas correctement.	Contactez votre atelier d'entretien.
Filtre à air	Filtre à air bouché.	Nettoyez le filtre à air.
Filtre à carburant	Filtre à carburant bouché.	Remplacez le filtre à carburant.

Transport et stockage

- Sécurisez l'équipement lors du transport afin d'éviter tout dommage ou accident.
- Conservez le produit et l'équipement dans un endroit sec et à l'abri du gel.
- Nettoyez le produit.
- Remplacez ou réparez les composants endommagés.
- Utilisez le capot de protection adéquat afin que le produit ne soit pas exposé à l'humidité.
- Faites en sorte que le produit reste fermement attaché durant le transport.

Caractéristiques techniques

Caractéristiques techniques

	531RS	541RS	541RST
Moteur			
Cylindrée, cm ³	33,6	41,5	41,5
Régime de ralenti, tr/min	2 500 ± 200	2 500 ± 200	2 500 ± 200
Régime d'emballement maximal recommandé, tr/min	12 000	12 000	12 000
Régime de l'arbre de sortie, tr/min	8 570	8 570	8 570
Puissance moteur maximale selon ISO 8893, kW/ch/tr/min	1,2/1,6 à 7 000	1,6/2,1 à 7 000	1,6/2,1 à 7 000
Système d'allumage			

	531RS	541RS	541RST
Bougie	NGK BPMR 7A	NGK BPMR 7A	NGK BPMR 7A
Écartement des électrodes, mm	0,6 à 0,7	0,6 à 0,7	0,6 à 0,7
Système de graissage/de carburant			
Capacité du réservoir de carburant, l/cm ³	0,74/740	0,94/940	0,94/940
Poids			
Poids, kg	6,9	7,1	7,3
Émissions sonores¹⁶			
Niveau de puissance sonore, mesuré, dB (A)	107	107	107
Niveau de puissance sonore garanti LWA dB (A)	108	109	109
Niveaux sonores			
Pression sonore équivalente au niveau des oreilles de l'utilisateur, mesurée selon les normes EN ISO 11806 et ISO 22868 ¹⁷			
Équipé d'une tête de désherbage (d'origine), dB (A)	90	94	94
Équipé d'une lame à herbe (d'origine), dB (A)	89	95	95
Niveaux de vibrations			
Niveaux de vibrations équivalents ($a_{rv,eq}$) mesurés au niveau des poignées selon les normes EN ISO 11806 et ISO 22867 ¹⁸			
Équipé d'une tête de désherbage (d'origine), gauche/droite, m/s ²	2,8/3,0	3,1/2,8	5,6/5,1
Équipé d'une lame à herbe (d'origine), gauche/droite, m/s ²	4,2/4,0	4,5/5,0	7,1/6,3

¹⁶ Émissions sonores dans l'environnement mesurées comme puissance sonore (L_{WA}) selon la directive européenne CE 2000/14/CE. Le niveau de puissance sonore reporté pour la machine a été mesuré avec l'accessoire de coupe d'origine qui donne le niveau le plus élevé. Le niveau de puissance sonore garanti diffère du niveau mesuré en cela qu'il prend également en compte la dispersion et les variations d'une machine à l'autre du même modèle, conformément à la directive 2000/14/CE.

¹⁷ Les données reportées pour le niveau de pression sonore montrent une dispersion statistique typique (déviat-ion standard) de 2,5 dB(A).

¹⁸ Les données reportées pour le niveau de vibrations montrent une dispersion statistique typique (déviat-ion standard) de 1,5m/s².

Accessoires

Accessoires

Accessoires homologués	Type d'accessoire	Protection pour équipement de coupe, réf.
Lame/couteau à herbe	Multi 255-3 (Ø 255, 3 dents)	537 33 16-03
	Multi 275-4 (Ø 275, 4 dents)	537 33 16-03
	Multi 300-3 (Ø 300, 3 dents)	537 33 16-03
	Multi 330-2 (Ø 330, 2 dents)	537 33 16-03
Lames en plastique	Tricut Ø 300 mm (les lames séparées portent le numéro d'article 531 01 77-15)	537 33 16-03
Tête de désherbage	T35, T35X (câble Ø 2,4 - 3,0 mm)	537 33 16-03
	S35 (fil de Ø 2,4 - 3,0 mm)	537 33 16-03
	T45x (câble Ø 2,7-3,3 mm)	537 33 16-03
	T55x (câble Ø 2,7-3,3 mm)	537 33 16-03
	S II	537 33 16-03
Bol de garde au sol	Fixe	-

Déclaration de conformité CE

Déclaration de conformité CE

Nom de l'auteur : Nous, **Husqvarna AB**, SE-561 82 Huskvarna, Suède, tél. : +46-36-146500.

Nous, **Husqvarna AB**, déclarons sous notre seule responsabilité l'objet de cette déclaration : Coupe-bordures et/ou débroussailleuse à essence, plates-formes G45L et G35L représentant les modèles **Husqvarna 531RS, 541RS et 541RST** à partir des numéros de série de 2017 et ultérieurs. Le numéro de plate-forme et le numéro de modèle, ainsi que l'année, sont clairement indiqués sur la plaque d'identification et suivis des numéros de série.

L'objet de cette déclaration décrit ci-dessus est conforme aux dispositions des directives du conseil :

- du 17 mai 2006 « relative aux machines » **2006/42/CE**
- du 26 février 2014 « relative à la compatibilité électromagnétique » **2014/30/UE**.
- du 8 mai 2000 « émissions sonores dans l'environnement » **2000/14/CE**.
- du jeudi 14 décembre 2005 « émissions sonores dans l'environnement » **2005/88/CE**.

Selon l'Annexe V, les valeurs sonores déclarées sont indiquées dans la fiche relative aux données techniques du manuel de l'opérateur.

Les normes harmonisées suivantes ont été appliquées :

EN ISO 11806-1:2011, EN ISO 14982:2009, EN ISO 12100:2010 CISPR 12:2007+A1:2009

TÜV Rheinland LGA Products GmbH, Tillystrasse 2, D-90431 Nuremberg, Allemagne, 0197, a procédé à un examen volontaire pour Husqvarna AB et lui a attribué les certificats suivants de conformité à la directive 2006/42/CE du Conseil de la CE relative aux machines : AM50391783 (541RS, 541RST), AM50391781 (531RS). Le certificat s'applique à l'ensemble des sites de fabrication et pays d'origine, comme indiqué sur le produit. Le coupe-bordures et/ou débroussailleuse fourni(s) correspondent aux exemplaires soumis au contrôle de conformité communautaire européen.

Husqvarna AB, Huskvarna, Suède, 2017-08-01



Per Gustafsson, Directeur du développement
(Représentant autorisé d'Husqvarna AB et responsable de la documentation technique)

Sadržaj

Uvod.....	160	Rešavanje problema.....	181
Bezbednost.....	162	Transport i skladištenje.....	182
Sklapanje.....	168	Tehnički podaci.....	182
Rukovanje.....	172	Oprema.....	183
Održavanje.....	176	EZ deklaracija o usaglašenosti.....	184

Uvod

Opis proizvoda

Proizvod je čistač sa SUS motorom.

Neprestano radimo na povećanju bezbednosti i efikasnosti rada. Obratite se serviseru za više informacija.

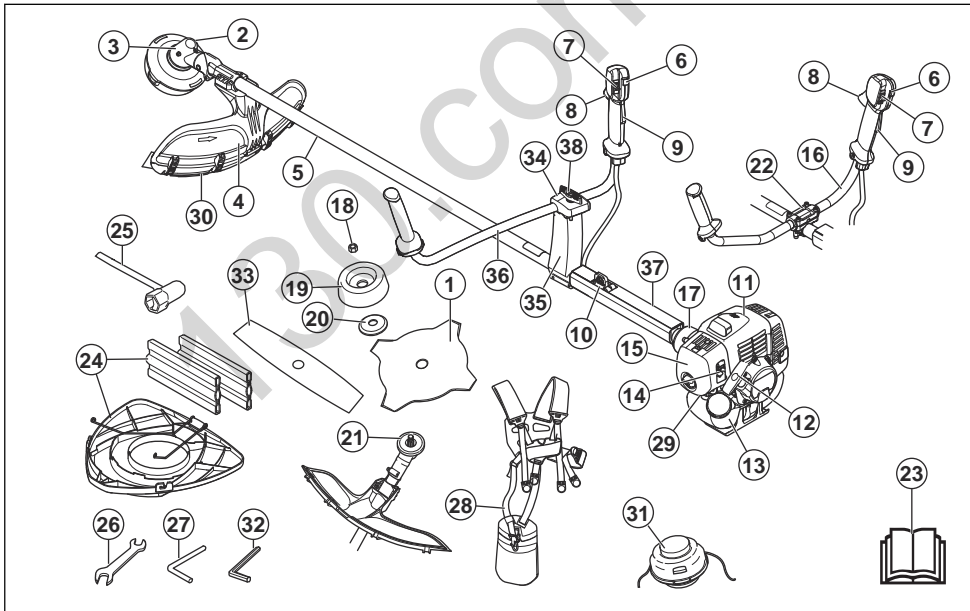
Namena

Proizvod može da se koristi sa listom za travu ili trimi glavom za rezanje različitih tipova vegetacije. Nemojte

koristiti proizvod za druge zadatke osim košenja trave i čišćenja trave. Koristite list za travu ili trimi glavu za košenje trave.

Napomena: Državni ili lokalni propisi mogu da regulišu korišćenje. Poštujte date propise.

Pregled proizvoda



1. Nož (nije dostupan za sva tržišta)
2. Poklopac za sipanje maziva, menjač ugla
3. Menjač ugla
4. Štitnik priključka za košenje
5. Osovina
6. Dugme gasa pri pokretanju
7. Prekidač za zaustavljanje
8. Kontrola gasa
9. Kočnica gasa
10. Prsten vešanja

11. Poklopac cilindra
12. Ručica užeta startera
13. Rezervoar za gorivo
14. Kontrola čoka
15. Poklopac filtera za vazduh
16. Drška (531RS, 541RS)
17. Poklopac kvačila
18. Stezna navrtka
19. Oslona šolja
20. Oslona prirubnica
21. Upravljački zahvatnik
22. Stezaljka drške (531RS, 541RS)
23. Korisničko uputstvo
24. Transportni štitić (nije dostupan za sva tržišta)
25. Ključ
26. Ključ
27. Blokirajuća osovinica (za proizvode bez imbus ključa)
28. Uprtač
29. Pumpa za vazduh
30. Produžetak štitićnika
31. Glava trimera
32. Šestougaojni ključ
33. 2-zubi nož
34. Poklopac (541RST)
35. Nosač (541RST)
36. Drška (541RST)
37. Zaštitna čaura
38. Dugme (541RST)

Simboli na proizvodu



UPOZORENJE: Ovaj proizvod može biti opasan i prouzrokovati teške povrede ili smrt rukovaoca ili drugih osoba. Budite pažljivi i koristite proizvod na pravilan način.



Pre korišćenja pažljivo pročitajte korisničko uputstvo i uverite se da razumete njegov sadržaj.



Koristite zaštitni šlem na lokacijama gde predmeti mogu pasti na vas. Koristite odobrenu zaštitu za uši i oči.



Maksimalna brzina izlazne osovine.



Proizvod je usaglašen sa važećim direktivama EZ.



Proizvod može prouzrokovati izbacivanje predmeta, što može da izazove telesnu povredu.



Održavajte minimalno rastojanje od 15 m/50 stopa od osoba i životinja tokom rada proizvoda.



Opasnost od udara noža ako oprema za rezanje dodirne predmet koji odmah ne odseče. Proizvod može odseći delove tela. Održavajte minimalno rastojanje od 15 m/50 stopa od osoba i životinja tokom rada proizvoda.



Strelice prikazuju ograničenje za položaj ručice.



Čok.



Pumpa za vazduh.



Koristite odobrene zaštitne rukavice.



Nosite neklizauće i čvrste čizme.



Emisije buke u životnoj sredini prema direktivi Evropske zajednice. Emisije proizvoda su naznačene u poglavlju Tehnički podaci i na nalepnici.

Pločica tipa prikazuje serijski broj. **yyyyywwxxxx** **yyyy** je godina proizvodnje, a **ww** je nedelja proizvodnje.

Napomena: Drugi simboli/oznake na proizvodu odnose se na zahteve za sertifikaciju za ostale komercijalne oblasti.

Odgovornost za proizvod

Kako je izloženo u zakonima o odgovornosti za proizvode, mi nismo odgovorni za oštećenja prouzrokovana našim proizvodom u sledećim slučajevima:

- proizvod je popravljen na pogrešan način
- proizvod je popravljen korišćenjem delova koji nisu napravljeni ili odobreni od strane proizvođača
- proizvod ima opremu koja ne potiče ili nije odobrena od strane proizvođača

- proizvod nije popravljen u ovlašćenom servisnom centru ili od strane ovlašćenog stručnjaka

Bezbednost

Bezbednosne definicije

Definicije navedene u nastavku pružaju nivo ozbiljnosti za svaku signalnu reč.



UPOZORENJE: Telesne povrede osoba.



OPREZ: Oštećenje proizvoda.

Napomena: Ove informacije olakšavaju korišćenje proizvoda.

Opšta bezbednosna uputstva



UPOZORENJE: Pročitajte upozoravajuća uputstva koja slede pre korišćenja proizvoda.

- Koristite proizvod na ispravan način. Telesna povreda ili smrt su mogući rezultat neispravnog korišćenja. Koristite proizvod samo za zadatke navedene u ovom uputstvu. Nemojte koristiti proizvod za druge zadatke.
- Pratite instrukcije navedene u ovom uputstvu. Pratite bezbednosne simbole i bezbednosna uputstva. Ako rukovalac ne prati uputstvo i simbole, oštećenje, telesna povreda ili smrt su mogući rezultat.
- Nemojte baciti ovo uputstvo. Koristite uputstva kako biste sklopili, rukovali i održavali proizvod u dobrom stanju. Koristite uputstva za ispravno montiranje dodatka i opreme. Koristite isključivo odobrene dodatke i opremu.
- Nemojte koristiti oštećeni proizvod. Pridržavajte se šeme održavanja. Vršite samo one radove održavanja za koje pronađete instrukcije u ovom uputstvu. Ovlašćeni servisni centar mora izvršiti sve druge radove održavanja.
- Ovo uputstvo ne može sadržavati sve situacije koje se mogu pojaviti prilikom korišćenja proizvoda. Budite pažljivi i koristite zdrav razum. Nemojte rukovati proizvodom ili vršiti održavanje ako niste sigurni u pogledu određene situacije. Obratite se stručnjaku za proizvod, prodavcu, servisnom zastupniku ili ovlašćenom servisnom centru kako biste dobili više informacija.
- Iskopčajte kabl svećice pre nego što sklopite proizvod, uskladištite ga ili izvršite održavanje.
- Nemojte koristiti proizvod ako je izmenjen od inicijalnih specifikacija. Nemojte menjati deo na

proizvodu bez odobrenja od strane proizvođača. Koristite samo delove koji su odobreni od strane proizvođača. Telesna povreda ili smrt su mogući rezultat nepravilnog održavanja.

- Nemojte udisati isparenja iz motora. Dugotrajno udisanje izduvnih gasova motora je opasno za zdravlje.
- Nemojte pokretati proizvod u zatvorenom prostoru ili blizu zapaljivih materijala. Izduvni gasovi su vrući i mogu imati varnicu koja može potpaliti požar. Nedovoljan protok vazduha može izazvati telesnu povredu ili smrt usled gušenja ili prisustva ugljenmonoksida.
- Kada koristite ovaj proizvod, motor stvara elektromagnetno polje. Elektromagnetno polje može izazvati oštećenje medicinskih implantata. Posavetujte se sa svojim lekarom i proizvođačem medicinskog implantata pre nego što počnete da rukujete ovim proizvodom.
- Nemojte dozvoliti da dete rukuje proizvodom. Ne dozvolite neobučanim osobama da rukuju proizvodom.
- Pobrinite se da uvek nadzirete osobu sa smanjenim fizičkim ili mentalnim sposobnostima koja koristi proizvod. Odgovorna odrasla osoba mora biti prisutna sve vreme.
- Proizvod čuvajte na mestu gde deca i neovlašćene osobe nemaju pristup.
- Proizvod može da izbacuje predmete i tako izazove telesne povrede. Pridržavajte se bezbednosnih uputstava kako biste smanjili rizik od telesne povrede ili smrti.
- Nemojte se udaljavati od proizvoda kada motor radi.
- Rukovalac proizvoda je odgovoran u slučaju ako dođe do nesreće.
- Uverite se da delovi nisu oštećeni pre nego što koristite proizvod.
- Uverite se da ste udaljeni najmanje 15 m (50 stopa) od drugih osoba ili životinja pre nego što koristite proizvod. Uverite se da osobe u okolnom području znaju da ćete koristiti proizvod.
- Pogledajte nacionalne ili lokalne zakone. Oni mogu sprečavati ili umanjiti načine za rad proizvoda u određenim slučajevima.
- Ne koristite proizvod ako ste iscrpljeni ili pod uticajem alkohola, droge ili lekova. Oni mogu uticati na vaš vid, budnost, koordinaciju ili prosuđivanje.

Bezbednosna uputstva za sklapanje



UPOZORENJE: Pročitajte, shvatite i pridržavajte se svih uputstava pre korišćenja proizvoda.

- Uklonite kapicu sa svećice pre sklapanja proizvoda.
- Koristite odobrene zaštitne rukavice.
- Kada koristite sečivo testere ili sečivo za travu, pobrinite se da su ispravan upravljač, štitnik sečiva i uprtač pričvršćeni na proizvod.
- Oštećeni ili neispravni štitnik može da izazove telesnu povredu. Nemojte koristiti priključak za košenje koji nema odobreni pričvršćeni štitnik.
- Pričvrstite poklopac kvačila i vratilo pre nego što pokrenete proizvod da biste sprečili da kvačilo otpadne.
- Pobrinite se da sklopite poklopac i vratilo na ispravan način pre pokretanja motora.
- Upravljački zahvatnik i oslona priрубnica moraju da tačno nalegnu u centralni otvor priključka za košenje. Priključak za košenje koji je nepravilno pričvršćen može da izazove telesnu povredu ili smrt.
- Da bi se proizvodom rukovalo bezbedno i da bi se sprečile telesne povrede rukovaoca ili drugih osoba, proizvod uvek mora biti ispravno pričvršćen na uprtač.

Bezbednosna uputstva za rad

- Uverite se da je proizvod u potpunosti sklopljen pre nego što počnete da ga koristite.
- Pre pokretanja, pomerite proizvod 3 m (10 stopa) od položaja gde ste punili rezervoar za gorivo. Položite proizvod na ravnu površinu. Vodite računa da priključak za košenje ne dodiruje tlo ili druge predmete.
- Proizvod može prouzrokovati izbacivanje predmeta što može rezultirati povredom očiju. Uvek koristite odobrenu zaštitu za oči prilikom rada sa proizvodom.
- Budite oprezni, dete se može približiti proizvodu bez vašeg znanja tokom rada.
- Nemojte raditi sa proizvodom ako se osobe nalaze u radnom području. Zaustavite proizvod ako osoba uđe u radno područje.
- Pobrinite se da uvek imate kontrolu nad proizvodom.
- Nemojte koristiti proizvod ako ne postoji mogućnost da primite pomoć ako dođe do nesreće. Uvek se pobrinite da druge osobe znaju da ćete raditi sa proizvodom pre nego što počnete da koristite proizvod.
- Nemojte se okretati dok držite proizvod pre nego što se uverite da nema osoba ili životinja u bezbednom području.
- Uklonite sav neželjeni materijal iz radnog područja pre početka rada. Ako priključak za košenje udari o predmet, predmet može biti izbačen i na taj način izazvati telesnu povredu ili oštećenje. Neželjeni materijal se može namotati oko priključka za košenje i prouzrokovati štetu.
- Nemojte koristiti proizvod tokom lošeg vremena (magla, kiša, jaki vetrovi, rizik od udara groma ili drugi vremenski uslovi). Opasni uslovi (kao što su klizave površine) mogu se pojaviti usled lošeg vremena.

- Uverite se da se možete slobodno kretati i raditi u stabilnom položaju.



- Uverite se da nema opasnosti od pada prilikom korišćenja proizvoda. Nemojte se naginjati kada radite sa proizvodom.
- Uvek držite proizvod sa obe ruke. Držite proizvod sa desne strane tela.



- Radite sa proizvodom tako da vam je priključak za košenje ispod struka.
- Ako je kontrola čoka u položaju čoka prilikom pokretanja motora, priključak za košenje će početi da se okreće.
- Nemojte dodirivati menjač ugla nakon zaustavljanja motora. Menjač ugla je vruć nakon zaustavljanja motora. Vruće površine mogu da izazovu telesnu povredu.
- Zaustavite motor pre nego što pomerite proizvod.
- Nemojte spuštati proizvod kada motor radi.
- Pre uklanjanja neželjenih materijala sa proizvoda, zaustavite motor i sačekajte da se priključak za košenje zaustavi. Sačekajte da se priključak za košenje zaustavi pre nego što vi ili osoba koja vam pomaže u radu uklonite isečeni materijal.

Lična zaštitna oprema



UPOZORENJE: Pročitajte upozoravajuća uputstva koja slede pre korišćenja proizvoda.

- Uvek koristite odgovarajuću ličnu zaštitnu opremu kada radite sa proizvodom. Lična zaštitna oprema ne poništava rizik od telesne povrede. Lična zaštitna oprema umanjuje stepen telesne povrede u slučaju pojave nesreće.
- Uvek koristite odobrenu zaštitu za oči tokom rada sa proizvodom.

- Nemojte raditi sa proizvodom dok ste bosonogi ili u otvorenoj obući. Uvek nosite neklizajuće i čvrste čizme.
- Uvek nosite duge pantalone od čvrstog materijala.
- Ako je neophodno, koristite odobrene zaštitne rukavice.
- Nosite zaštitnu kacigu ako postoji mogućnost da vam predmeti padnu na glavu.
- Uvek koristite odobrenu zaštitu za uši tokom rada sa proizvodom. Izloženost buci tokom dužeg vremenskog perioda može dovesti do gubitka sluha izazvanog bukom.
- Vodite računa da vam u blizini bude komplet za prvu pomoć.

Zaštitni uređaji na proizvodu

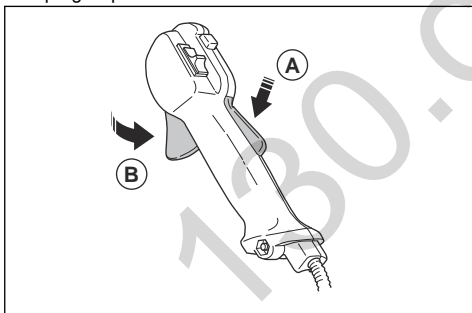
- Pobrinite se da redovno vršite održavanje proizvoda.
 - Time se produžava radni vek proizvoda.
 - Time se smanjuje rizik od nesreća.

Neka ovlašćeni prodavac ili ovlašćeni servisni centar redovno pregledaju proizvod kako bi izvršili podešavanja ili popravke.

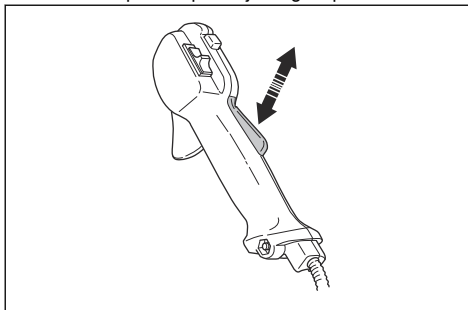
- Nemojte koristiti proizvod na kojem je oštećena zaštitna oprema. Ako je proizvod oštećen, obratite se ovlašćenom servisnom centru.

Provera zaključavanja obarača gasa

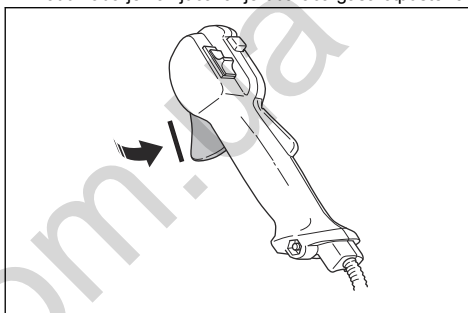
1. Uverite se da se zaključavanje obarača gasa (A) i obarač gasa (B) slobodno pomeraju i da povratna opruga ispravno radi.



2. Pritisnite zaključavanje obarača gasa i uverite se da se vraća u početni položaj kad ga otpustite.



3. Uverite se da je obarač gasa zaključan u praznom hodu kada je zaključavanje obarača gasa otpušteno.



4. Pokrenite proizvod i dajte puni gas.
5. Otpustite obarač gasa i uverite se da se priključak za košenje zaustavlja i ne nastavlja da se kreće.

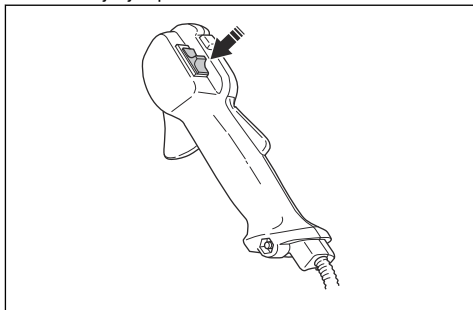


UPOZORENJE: Ako se priključak za košenje kreće dok je obarač gasa u praznom hodu, morate da podesite brzinu praznog hoda karburatora. Pogledajte *Podešavanje brzine praznog hoda na stranici 178.*

Da biste proverili rad prekidača za zaustavljanje

1. Pokrenite motor.

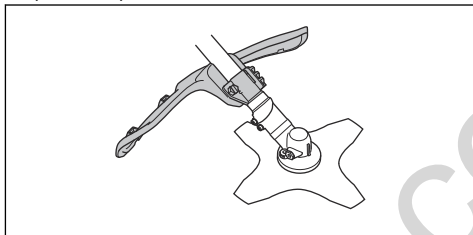
2. Pomerite prekidač za zaustavljanje u položaj za zaustavljanje i proverite da li se motor zaustavio.



Da biste proverili štitič priklučka za košenje

Štitič priklučka za košenje sprečava da dođe do povreda i zaustavlja predmete koji su izbačeni u smeru rukovaoca.

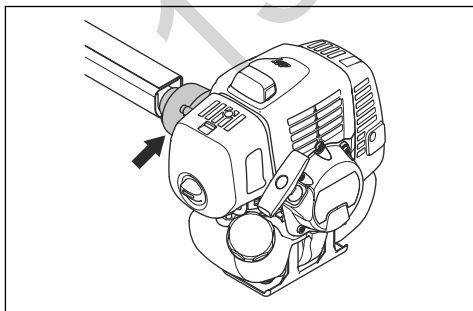
1. Zaustavite motor.
2. Izvršite vizuelni pregled u pogledu oštećenja, na primer, naprslina.



3. Zamenite štitič priklučka za košenje ako je oštećen.

Da biste proverili sistem prigušenja vibracija

Sistem prigušenja vibracija smanjuje vibracije u ručicama na minimum što olakšava proces rada.



1. Zaustavite motor.
2. Izvršite vizuelni pregled deformacija i oštećenja, poput naprslina.

3. Vodite računa o pravilnom postavljanju elemenata sistema za ublažavanje vibracija.

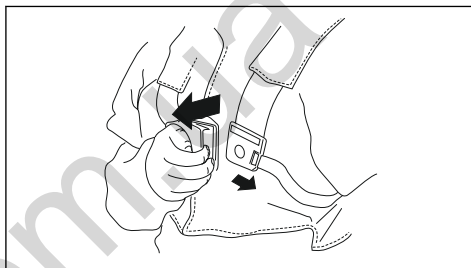
Da biste izvršili pregled mehanizma za brzo oslobađanje



UPOZORENJE: Nemojte koristiti uprtač sa neispravnim mehanizmom za brzo oslobađanje.

Mehanizam za brzo oslobađanje omogućava rukovaocu da brzo ukloni proizvod sa uprtača u hitnom slučaju.

1. Zaustavite motor.
2. Izvršite vizuelni pregled u pogledu oštećenja, na primer, naprslina.
3. Otpustite i pričvrstite mehanizam za brzo oslobađanje da biste se uverili da ispravno funkcioniše.



Da biste proverili prigušivač

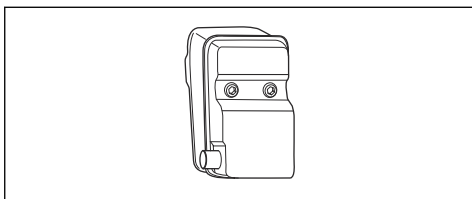


UPOZORENJE: Nikada nemojte koristiti proizvod sa oštećenim prigušivačem.

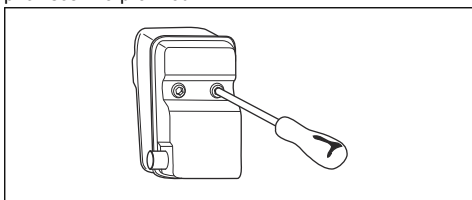


UPOZORENJE: Imajte na umu da su izduvni gasovi motora vrući i mogu sadržati varnice koje mogu da izazovu požar. Nikada nemojte pokretati proizvod u zatvorenom prostoru ili u blizini zapaljivih materijala!

Prigušivač održava nivo buke na minimumu i šalje izduvne gasove od rukovaoca. Za prigušivače je veoma važno da pratite uputstva o tome kako da proverite, održavate i servisirate proizvod.



Redovno proveravajte da li je prigušivač bezbedno pričvršćen na proizvod.



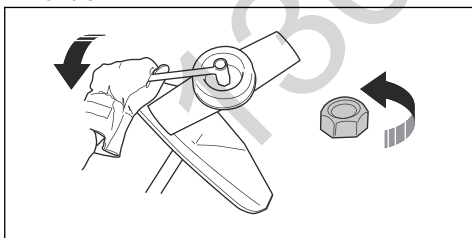
Pričvršćivanje i uklanjanje stezne navrtke



UPOZORENJE: Zaustavite motor, nosite zaštitne rukavice i budite oprezni oko oštrih ivica priključka za košenje.

Stezna navrtka se koristi za postavljanje određenih tipova priključaka za košenje. Stezna navrtka ima levi navoj.

- Da biste postavili, pritegnite steznu navrtku suprotno od smera okretanja priključka za košenje.
- Da biste uklonili steznu navrtku, otpuštanje stezne navrtke se vrši u smeru okretanja priključka za košenje.
- Da biste olabavili i pritegnuli steznu navrtku, koristite nasadni ključ sa dugom osovinom. Strelica na slici prikazuje oblast gde možete rukovati ključem za navrtke.



UPOZORENJE: Kada otpuštate i pritežete steznu navrtku, postoji opasnost od povrede nožem. Kada ovo radite, uvek morate da se uverite da štitnik noža sprečava povredu vaše ruke.

Napomena: Uverite se da se stezna navrtka ne može ručno okretati. Zamenite navrtku ako najlonska obloga nema otpor od najmanje 1,5 Nm. Stezna navrtka se mora zameniti nakon što se stavi oko 10 puta.

Oprema za sečenje

Izaberite i održavajte opremu za sečenje kako bi se:

- Ostvarile maksimalne performanse sečenja.
- Produžio vek trajanja opreme za sečenje.
- Pridržavajte se uputstava za proveru, održavanje i servisiranje prigušivača.
- Uvek koristite preporučeni štitnik za opremu za sečenje. Pogledajte poglavlje Tehnički podaci.



UPOZORENJE: Koristite samo priključke za košenje sa štitnicima koje smo preporučili! Videti poglavlje o Tehničkim podacima. Pogledajte uputstva za priključak za košenje da biste proverili pravilan način postavljanja trimi niti i pravilan prečnik trimi niti.



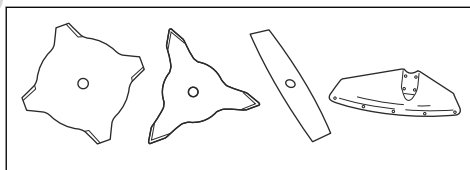
UPOZORENJE: Neispravan uređaj za rezanje može povećati opasnost od nesrećnih slučajeva.



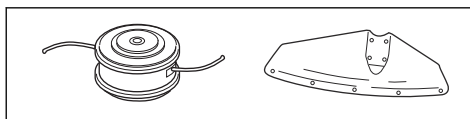
UPOZORENJE: Zaustavite uvek motor pre nego što budete radili nešto na uređaju za rezanje. On nastavlja da se okreće čak i kada se otpusti ručica za gas. Uverite se da se priključak za košenje potpuno zaustavio i skinite kapicu svećice pre nego što budete radili na njemu.

Oprema za sečenje

- Koristite sečiva i noževe za travu za rezanje guste trave.

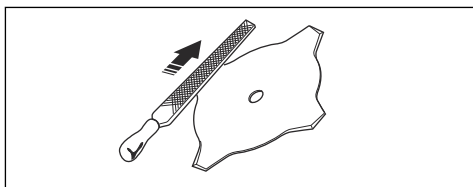


- Glavu trimera koristite za podrezivanje trave.



- Pogrešno naoštren ili oštećen list testere povećava opasnost od nesrećnih slučajeva. Održavajte zube sečiva u dobrom stanju i propisno naoštrene. Pridržavajte se uputstava koje navodi *Održavanje na*

stranici 176 i koristite preporučenu turpiju za oštrenje.

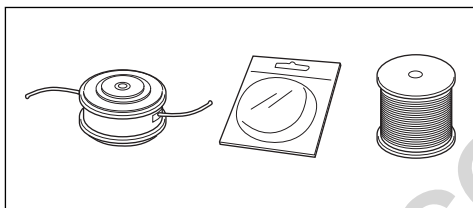


- Pregledajte da li je priključak za košenje oštećen ili naprsao. Zamenite oštećeni priključak za košenje.
- Koristite samo priključke za košenje sa preporučenim štitnicima priključka za košenje. Pogledajte *Oprema na stranici 183*.

Glava trimera



UPOZORENJE: Uvek vodite računa da struna trimera bude čvrsto i ravnomerno omotana oko bubnja da bi se sprečile štetne vibracije.



- Koristite samo preporučene trimi glave i trimi niti.
- Koristite samo preporučene priključke za košenje.
- Dužina strune trimera je važna. Ako koristite dužu nit trimera, potrebna je veća snaga motora nego za kraću nit istog prečnika.
- Ne menjajte originalni položaj štitnika trimera.
- Proverite da li je nož koji se nalazi na štitniku trimera neoštećen. Time se struna trimera skraćuje na ispravnu dužinu.
- Natapajte strunu trimera 2 dana pre upotrebe, da biste joj produžili vek.

Listovi za košenje trave i noževi za košenje trave

- Koristite proizvod sa odobrenim listom za košenje trave. Nemojte koristiti list za košenje trave bez ispravnog postavljanja svih potrebnih delova. Pobrinite se da se postavljanje izvrši na ispravan način i da se koriste odgovarajući delovi. Nepravilno postavljanje može prouzrokovati da nož odleti i na taj način ozbiljno povredi rukovaoca ili prisutne osobe.
- Nosite zaštitne rukavice prilikom rukovanja ili vršenja održavanja na listu.
- Koristite zaštitu za glavu kada radite sa proizvodom sa listom za košenje trave.
- Listovi za košenje trave i noževi za košenje trave su namenjeni za sečenje grublje trave.

- List za košenje trave može prouzrokovati telesnu povredu dok nastavlja da se okreće nakon zaustavljanja motora ili otpuštanja prekidača gasa. Uverite se da se list za košenje trave potpuno zaustavio pre vršenja bilo kakvog održavanja.
- Zaustavite motor pre nego što budete radili nešto na priključku za košenje. Uverite se da se priključak za košenje potpuno zaustavio. Isključite kabl sa svećice.
- Koristite samo odobreni priključak za košenje ili pravilno naoštreni nož.
- Održavajte zube sečiva u dobrom stanju i propisno naoštrene.
- Nemojte da koristite oštećeni priključak za košenje.
- Pričvrstite zaštitu za transportovanje na list za košenje trave prilikom transporta ili skladištenja proizvoda.

Udar noža

- Udar noža je naglo pokretanje proizvoda ustranu, unapred ili unazad. Udar noža nastaje kada nož za košenje trave udari o predmet koji se ne može poseći. Rizik od udara noža se povećava u oblastima u kojima nije lako videti materijal koji se reže.
- Kada se udar noža dogodi, postoji rizik da se proizvod ili rukovalac pomere iz položaja. Nož koji se pokreće može udariti prisutne osobe i postoji rizik od telesnih povreda.
- Ako je nož savijen, ima pukotine, slomljen je ili oštećen, morate ga odbaciti.
- Koristite oštar nož. Rizik od udara noža se povećava kada nož nije oštar.

Bezbednost oko goriva

- Nemojte pokretati proizvod ako na njemu postoje tragovi goriva ili motornog ulja. Uklonite neželjeno gorivo/ulje i sačekajte da se proizvod osuši. Uklonite neželjeno gorivo sa proizvoda.
- Ako prospete gorivo na odeću, odmah je presvucite.
- Nemojte dozvoliti da gorivo dospe na vaše telo, ono može izazvati telesnu povredu. Ako gorivo dospe na vaše telo, uklonite ga pomoću sapuna i vode.
- Nemojte pokretati motor ako prospete ulje ili gorivo na proizvod ili vaše telo.
- Nemojte pokretati proizvod ako postoji curenje iz motora. Redovno proveravajte da li postoji curenje iz motora.
- Budite oprezni pri rukovanju gorivom. Gorivo je zapaljivo a isparenja su eksplozivna i mogu izazvati telesne povrede ili smrt.
- Nemojte udisati isparenja goriva, to može izazvati telesnu povredu. Pobrinite se da ima dovoljno protoka vazduha.
- Nemojte pušiti u blizini goriva ili motora.
- Nemojte stavljati vruće predmete blizu goriva ili motora.
- Nemojte dolivati gorivo kada motor radi.

- Uverite se da je motor hladan pre dopunjavanja goriva.
- Pre dopunjavanja goriva, lagano otvorite poklopac rezervoara za gorivo i pažljivo otpustite pritisak.
- Nemojte dolivati gorivo u motor u zatvorenom prostoru. Nedovoljan protok vazduha može izazvati telesnu povredu ili smrt usled gušenja ili prisustva ugljen-monoksida.
- Pažljivo zategnite poklopac rezervoara za gorivo ili može doći do požara.
- Pomerite proizvod najmanje 3 m (10 stopa) od položaja gde ste punili rezervoar pre pokretanja.
- Nemojte sipati previše goriva u rezervoar za gorivo.
- Pobrinite se da ne može doći do curenja kada pomerite proizvod ili kantu za gorivo.
- Nemojte stavljati proizvod ili kantu za gorivo na mesto gde postoji otvoreni plamen, varnice ili pilot gorionik. Uverite se da u skladišnom prostoru nema otvorenog plamena.

- Koristite samo odobrene kante za gorivo prilikom prenošenja ili skladištenja goriva.
- Ispraznite rezervoar za gorivo pre dugotrajnog skladištenja. Pridržavajte se lokalnog zakona u pogledu mesta odlaganja goriva.
- Očistite proizvod pre dugotrajnog skladištenja.
- Skinite kabl svećice pre skladištenja proizvoda kako biste osigurali da se motor ne može slučajno pokrenuti.

Bezbednosna uputstva za održavanje

- Obratite se servisnom centru ako niste u mogućnosti da podesite brzinu praznog hoda potrebnu za zaustavljanje priključka za košenje. Nemojte koristiti proizvod pre nego što je pravilno podešen ili popravljen.

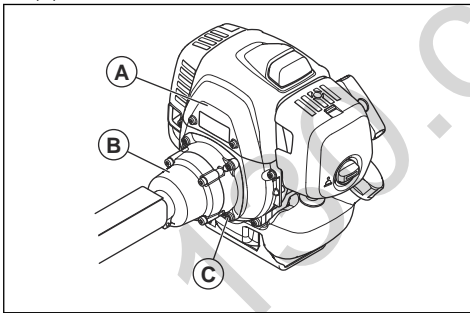
Sklapanje



UPOZORENJE: Pročitajte poglavlje o bezbednosti pre sklapanja proizvoda.

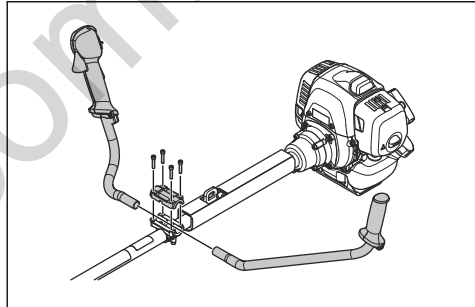
Instalacija tela proizvoda

- Postavite motor (A) na cev (B) pomoću 4 zavrtnja (C).

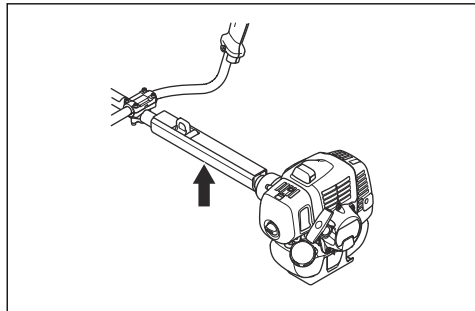


Postavljanje drške(531RS, 541RS)

1. Stavite dršku u stezaljku drške na osovini.

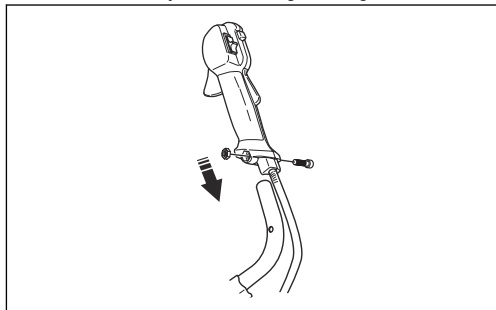


2. Postavite zaštitnu čauru.

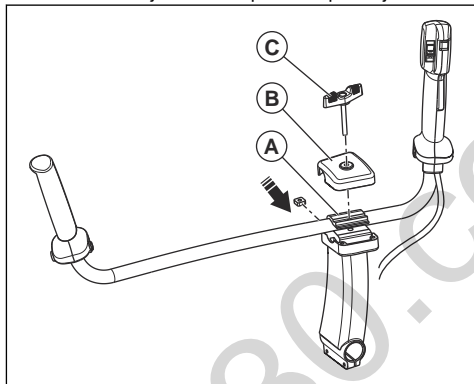


Postavljanje ručice (541RST)

1. Uklonite zavrtanj iza držača regulatora gasa.



2. Postavite ručicu gasa na desnu dršku.
3. Poravnajte otvor iza držača regulatora gasa sa otvorom na ručici.
4. Gurnite zavrtanj kroz otvore. Pritegnite zavrtanj.
5. Stavite sklop drške i četvrtastu navrtku u nosač. Uverite se da je drška u ispravnom položaju.

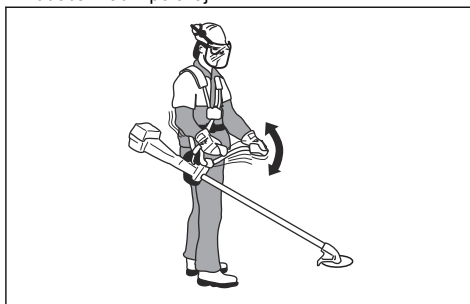


6. Postavite steznik drške (A), poklopac (B) i točkić (C).
7. Poravnajte otvore za zavrtanj točkića.
8. Pritegnite točkić tako da dobro stegnete dršku.

Postavljanje uprtača

1. Namestite uprtač i obesite proizvod na tačku vešanja.

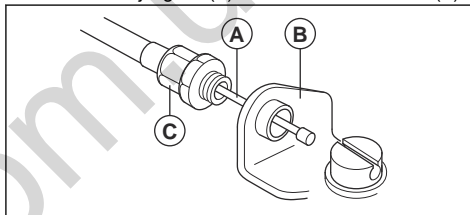
2. Podesite ručicu kako biste postavili proizvod u udoban radni položaj.



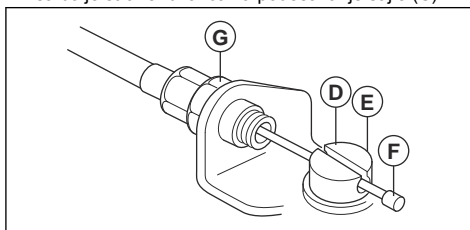
3. Pritegnite zavrtnje do kraja.

Povezivanje sajle gasa i vodova prekidača za zaustavljanje

1. Uklonite poklopac filtera za vazduh.
2. Provedite sajlu gasa (A) kroz nosač karburatora (B).

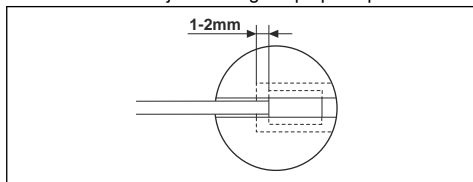


3. Uvrite rukavac za podešavanje sajle (C) do kraja u karburator.
4. Stavite umetak sa žlebom (D) na karburator. U tom trenu, upušteni otvor (E) za ušku kabla (F) se nalazi sa dalje strane rukavca za podešavanje sajle (C).

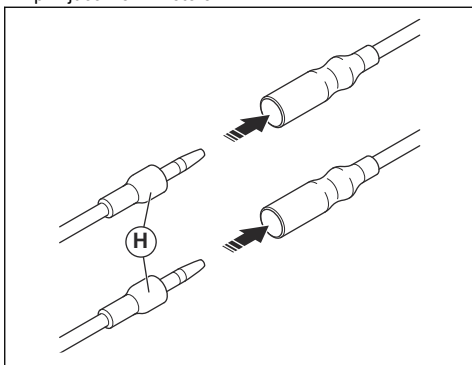


5. Rotirajte ekscentrični točak gasa karburatora i provucite sajlu gasa (A) kroz otvor u umetku sa žlebom.
6. Uverite se da uška kabla (F) upada u upušteni otvor.
7. Povucite obarač gasa nekoliko puta da biste proverili da li pravilno radi.
8. Podesite rukavac za podešavanje sajle (C).
 - a) Uverite se da graničnik na ekscentričnom točku gasa karburatora pravilno naleže na graničnik gasa.

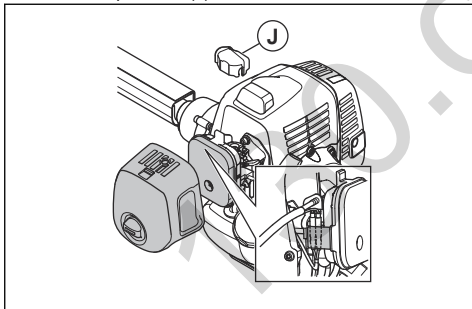
- b) Uverite se da je položaj sajle takav da se nalazi 1–2 mm između uške kabla (F) i umetka sa žlebom kad je obarač gasa potpuno pušten.



9. Kad pravilno podesite sajlu gasa (A), pritegnite blokirajuću navrtku (G).
10. Povežite kablove prekidača za zaustavljanje (H) sa priključcima iz motora.



11. Postavite prašinar (J).



12. Postavite poklopac vazdušnog filtera.

Postavljanje listova i trimi glava



UPOZORENJE: Koristite samo odobreni štitnik za rezne listove. Pogledajte *Oprema na stranici 183*. Oštećeni štitnik može da izazove telesnu povredu.



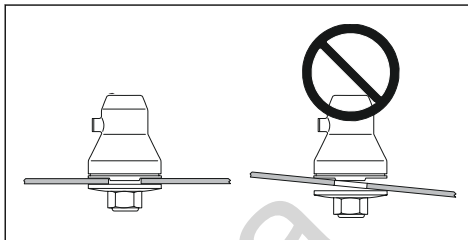
UPOZORENJE: Ako radite sa proizvodom sa listom za košenje trave, prvo postavite ispravnu ručicu, zaštitu reznog lista i uprtač.



UPOZORENJE: Ako ne postavite listove na ispravan način, to može dovesti do telesne povrede.

1. Uverite se da se podignuti odeljak na zahvatniku/ oslonju priрубnici pravilno zaključa u središnji otvor listova.

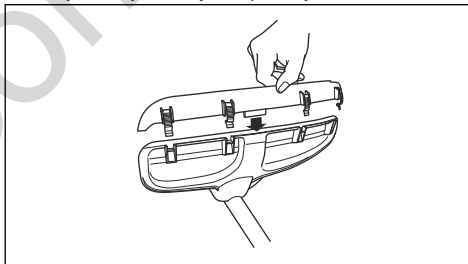
2. Postavite listove.



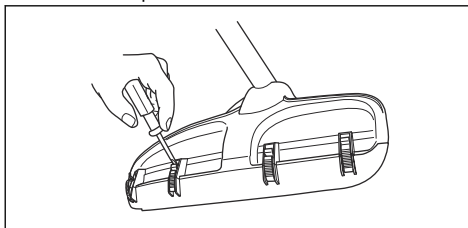
Pričvrščivanje i uklanjanje produžetka štitnika

Produžetak štitnika se koristi na štitniku nastavka za rezanje. Postavite produžetak štitnika kada koristite trimi glavu ili plastične rezne listove. Uklonite produžetak štitnika kada koristite list za travu.

- Postavite vodiču na produžetku štitnika u otvor na štitniku nastavka za rezanje. Pritisnite 4 kuke za zaključavanje u zaključan položaj.



- Otpustite kuke za zaključavanje pomoću odvijača da biste uklonili produžetak štitnika.



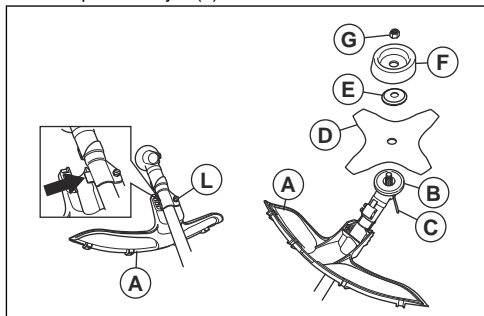
Postavljanje zaštite reznog lista, lista za košenje trave i noža za košenje trave



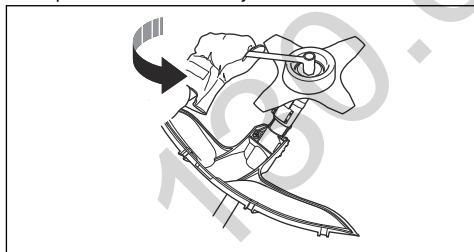
OPREZ: Uverite se da je produžetak štitnika uklonjen.

Napomena: Upotrebite preporučenu zaštitu reznog lista. Pogledajte *Oprema na stranici 183*.

1. Postavite štitnik noža na osovinu. Postavite štitnik noža pomoću vijka (L).



2. Postavite zahvatnik (B) na izlaznoj osovini.
3. Okrećite izlaznu osovinu sve dok se jedan od otvora na zahvatniku ne izravna sa odgovarajućim otvorom na kućištu menjača.
4. Stavite trn za osiguranje ili imbus ključ (C) u otvor tako da se osovina osigura.
5. Postavite sečivo (D), oslonu prirubnicu (E) i oslonu šolju (F) na izlaznu osovinu.
6. Postavite navrtku (G). Pomoću kombinovanog ključa pritegnite navrtku na moment zatezanja od 35–50 Nm. Držite dršku kombinovanog ključa što je moguće bliže zaštitni reznog lista.
7. Navrtka se priteže kada se kombinovani ključ okreće suprotno od smeru rotacije.



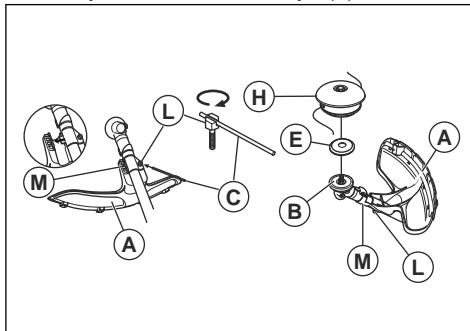
Napomena: Levi navoj.

Postavljanje štitnika trimera i trimi glave

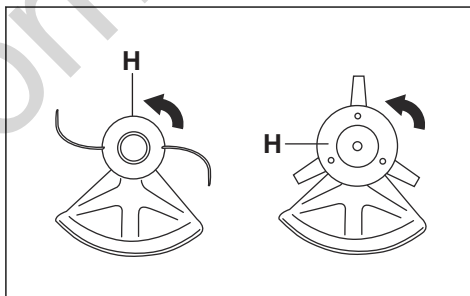
Napomena: Uverite se da koristite odgovarajući štitnik za datu glavu trimera.

1. Postavite odgovarajući štitnik trimera / kombinovani štitnik (A) za glavu trimera.
2. Obesite štitnik sečiva / kombinovani štitnik (A) na 2 kuke koje se nalaze na limenom držaču (M).

3. Postavite štitnik trimera / kombinovani štitnik na osovinu i pričvrstite ga vijkom (L). Koristite blokirajuću osovinicu ili imbus ključ (C).



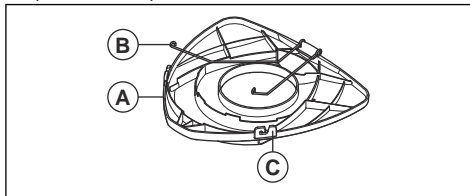
4. Postavite blokirajuću osovinicu ili imbus ključ (C) u žleb na glavi zavrtnja i pritegnite.
5. Postavite pogonski disk (B) i oslonu prirubnicu (E) na izlaznu osovinu.
6. Okrećite izlaznu osovinu sve dok se jedan od otvora na pogonskom disku ne izravna sa odgovarajućim otvorom na kućištu menjača.
7. Stavite trn za osiguranje ili imbus ključ (C) u otvor tako da se osovina blokira.



8. Sastavite glavu trimera / plastične rezne listove (H). Okrećite glavu trimera / plastične rezne listove ulevo.
9. Demontaža se vrši obrnutim redosledom.

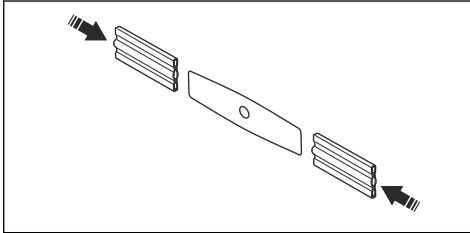
Postavljanje štitnika za transportovanje

1. Postavite nož u transportni štitnik (A).
2. Stavite dva pričvršćivača (B) u otvore (C) da biste postavili transportni štitnik.



Da biste postavili 2-zubi nož u štitnik

1. Postavite nož u transportni štitnik.



Podešavanje uprtača



UPOZORENJE: Proizvod mora uvek biti sigurno pričvršćen na uprtač. Nemojte koristiti oštećeni uprtač.

1. Stavite uprtače.
2. Povežite proizvod na uprtač.
3. Podesite uprtač za najbolji radni položaj.

4. Podesite bočne trake da biste težinu proizvoda ravnomerno raspodelili na ramenima.



5. Podesite uprtač tako da priključak za košenje bude paralelan sa tlom.
6. Pustite da priključak za košenje lako dodirne tlo. Podesite stezaljku uprtača da biste ispravno balansirali proizvod.

Napomena: Ako koristite list za travu, morate ga balansirati približno 10 cm / 4 inča iznad tla.

Rukovanje



UPOZORENJE: Pročitajte i shvatite poglavlje o bezbednosti pre rada sa proizvodom.

Gorivo

Korišćenje goriva



OPREZ: Ovaj proizvod ima dvotaktni motor. Koristite mešavinu benzina i ulja za dvotaktni motor. Pobrinite se da koristite ispravnu količinu ulja u mešavini. Nepravilna razmera benzina i ulja može prouzrokovati oštećenje motora.

Benzin



OPREZ: Nemojte koristiti benzin sa oktanskim brojem manjim od 90 RON (87 AKI). To može prouzrokovati oštećenje proizvoda.



OPREZ: Nemojte koristiti benzin sa više od 10% koncentracije etanola (E10). To može prouzrokovati oštećenje proizvoda.

- Uvek koristite sveži bezolovni benzin sa minimalnim oktanskim brojem od 90 RON (87 AKI) i sa manje od 10% koncentracije etanola (E10).
- Koristite benzin sa višim oktanskim brojem ako često koristite proizvod pri kontinuirano visokoj brzini motora.

Ulje za dvotaktni motor

- Koristite samo kvalitetno ulje za dvotaktne, naročito HUSQVARNA ulje za dvotaktne motore. Koristite samo ulje predviđeno za vazdušno hlađeni motor.
- Razmera mešavine 50:1 (2%).
- Ulje lošeg kvaliteta i visok postotak ulja u gorivu trajanje katalizatora.
- Obratite se prodavcu pri biranju ulja.
- Ako Husqvarna ulje za dvotaktne motore nije dostupno, možete da koristite drugo ulje za dvotaktne motore dobrog kvaliteta koje je formulisano za motore sa vazдушnim hlađenjem. Obratite se prodavcu pri biranju ulja.
- Nemojte koristiti ulje za dvotaktne motore koje je napravljeno za vodeno hlađene vanbrodske motore. Ulje za dvotaktne motore se ponekad naziva „ulje za vanbrodske motore“.

Benzin, litara	Ulje, litar
	2% (50:1)
5	0,1
10	0,2
15	0,3
20	0,4

Pravljenje mešavine goriva

Napomena: Uvek koristite čistu kantu za gorivo kada mešate gorivo.

Napomena: Nemojte praviti zalihe mešavine goriva veće od količine potrebne za 30 dana rada.

1. Dodajte polovinu količine benzina.
2. Dodajte punu količinu ulja.
3. Promućkajte mešavinu goriva kako bi se sadržaj izmešao.
4. Dodajte preostalu količinu benzina.
5. Promućkajte mešavinu goriva kako bi se sadržaj izmešao.
6. Napunite rezervoar za gorivo.

Dolivanje goriva



UPOZORENJE: Nemojte pušiti niti približavati vruće predmete gorivu. Pre dodavanja goriva zaustavite motor i sačekajte nekoliko minuta da se ohladi.



UPOZORENJE: Kad dodate gorivo, polako otvorite čep rezervoara za gorivo da biste izjednačili pritisak.



UPOZORENJE: Kad dodate gorivo, pažljivo zategnite čep rezervoara za gorivo. Udaljite mašinu od prostora za dosipanje goriva i električnih vodova pre pokretanja motora.

- Uvek koristite kantu za gorivo sa ventilom protiv prosipanja.
- Uverite se da je područje oko poklopca rezervoara za gorivo čisto. Nečistoća koja prodre u rezervoar može prouzrokovati smetnje u radu motora.
- Promućkajte kantu za gorivo pre dolivanja mešavine goriva u rezervoar za gorivo.

Pokretanje i zaustavljanje

Pregled pre pokretanja

1. Pregledajte proizvod kako biste se uverili da nema nedostajućih, oštećenih, labavih ili pohabanih delova.
2. Pregledajte navrtke, zavrtnje i vijke.
3. Pregledajte listove.
4. Proverite steznu navrtku. Uverite se da stezna navrtka ima minimalnu silu blokiranja od 1,5 Nm (1,1 ft lb). Pritegnite steznu navrtku na 35-50 Nm (26-36 ft lb).
5. Pregledajte filter za vazduh.
6. Proverite blokadu prekidača gasa i komandu gasa.

7. Proverite prekidač za zaustavljanje.
8. Proverite da li ima curenja goriva iz proizvoda.

Pokretanje hladnog motora



UPOZORENJE: Pre pokretanja proizvoda, postavite kompletan poklopac kvačila i osovinu. Labavo kvačilo može da izazove povrede. Koristite rukavice.

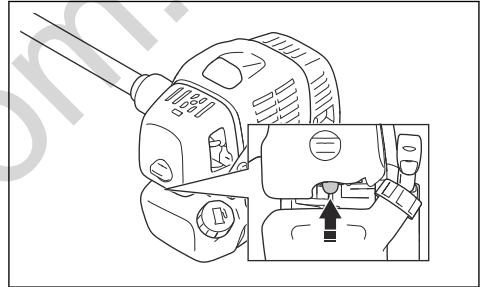


UPOZORENJE: Udaljite proizvod od prostora za dosipanje goriva i izvora goriva. Položite ga na ravnu površinu. Uverite se da ništa ne dodiruje nastavak za rezanje.

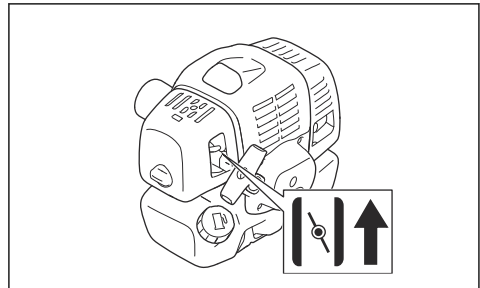


UPOZORENJE: Pobrinite se da samo ovlašćene osobe budu u radnoj oblasti. U suprotnom može da dođe do teških povreda. Bezbedna udaljenost je 15 m.

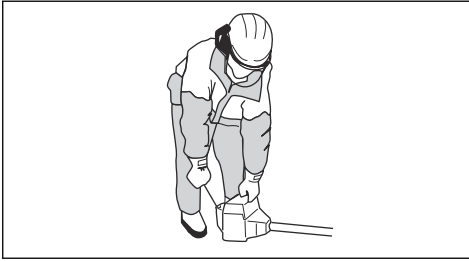
1. Postavite prekidač za zaustavljanje u položaj za pokretanje.
2. Pritiskajte pumpu za vazduh dok gorivo ne počne da ulazi u pumpu.



3. Pomerite kontrolu čoka u položaj čoka.



4. Držite proizvod na tlu. Lagano izvlačite uže startera desnom rukom dok ne osetite određeni otpor.



Napomena: Nemojte namotavati uže startera oko ruke.



OPREZ: Ne izvlačite uže startera do kraja. Držite dršku užeta startera kad ga izvučete do kraja. Ako se ne budete pridržavali ovih uputstava to može imati za posledicu oštećenje motora.

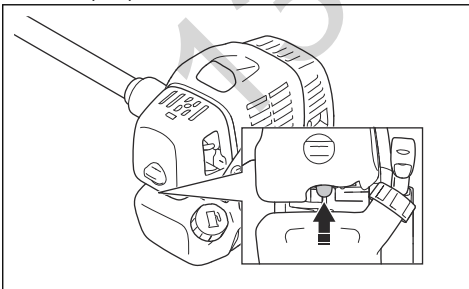
5. Brzo i snažno povucite uže startera dok ne čujete da se motor pokrenuo.
6. Vratite kontrolu čoka u položaj za rad.



UPOZORENJE: Nemojte dodirivati poklopac. To može dovesti do opekotina kože i prouzrokovati strujni udar ako je kapica svećice oštećena. Ne koristite proizvod sa oštećenom kapicom za svećicu.

Pokretanje toplog motora

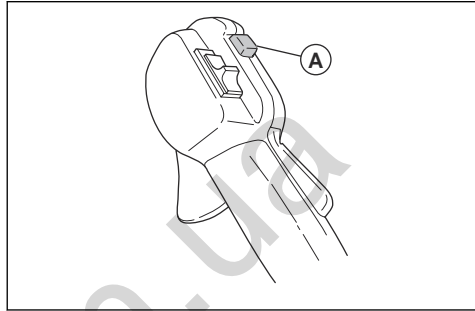
1. Postavite prekidač za zaustavljanje u položaj za pokretanje.
2. Pritiskajte pumpu za vazduh dok gorivo ne počne da ulazi u pumpu.



3. Podesite kontrolu čoka u radni položaj, a zatim vucite uže startera dok se motor ne pokrene.

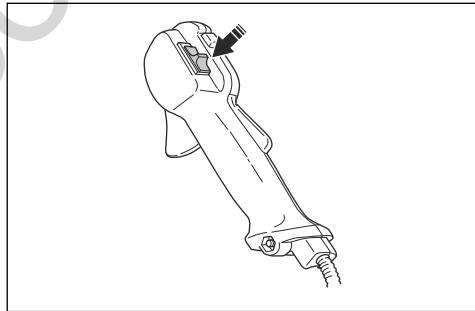
Za pokretanje pomoću ručice gasa sa kočnicom regulatora gasa

1. Gurnite blokadu gasa i prekidač gasa da biste postavili gas u položaj za pokretanje. Zatim pritisnite taster za pokretanje gasa (A).
2. Otpustite kočnicu regulatora gasa i prekidač gasa, pa dugme gasa za pokretanje. Delovanje paljenja gasa je sada aktivirano.
3. Da bi se motor vratio na položaj praznog hoda, ponovo pritisnite kočnicu regulatora gasa i prekidač gasa.



Zaustavljanje motora

1. Gurnite obarač gasa u položaj praznog hoda.
2. Pomerite prekidač za zaustavljanje u položaj za zaustavljanje.



Rad sa trimerom za travu



OPREZ: Pobrinite se da se motor uspori u brzinu praznog hoda nakon svakog rada. Dug period rada pri punom gasu bez opterećenja na motoru može izazvati oštećenje motora.

Napomena: Očistite poklopac trimi glave kada pričvrstite novu trimi nit kako biste sprečili vibracije. Pregledajte ostale delove trimi glave i očistite ih ako je potrebno.

Opšta radna uputstva

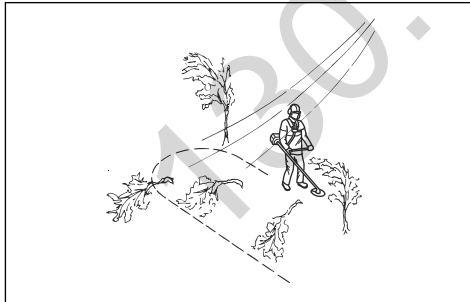


UPOZORENJE: Budite pažljivi prilikom rezanja napetog stabla. Može odskočiti u svoj normalni položaj pre ili nakon reza, i udariti proizvod ili vas, te vam naneti telesnu povredu.

- Raščistite otvoreni prostor na jednom kraju radnog područja i započnite rad sa tog mesta.
- Krećite se preko radnog područja koristeći standardni obrazac kretanja.



- Pomerajte proizvod potpuno ulevo i udesno kako biste očistili širinu od 4–5 m (13-16 stopa) pri svakom okretu.
- Raščistite dužinu od 75 m (250 stopa) pre nego što se okrenete i vratite. Nosite sa sobom kantu za gorivo kako nastavljate kretanje.
- Krećite se u pravcu u kojem ne idete preko jaraka i prepreka više nego što je potrebno.
- Krećite se u pravcu u kojem vetar čini da odrezana vegetacija pada u raščišćeno područje.

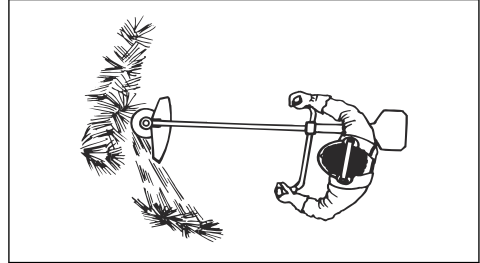


- Krećite se duž nagiba, a ne gore i dole.

Čišćenje trave pomoću lista za košenje trave

1. Razdvojite stopala tokom rada proizvodom. Stojte čvrsto na tlu sa oba stopala.
2. Stavite oslonu šolju da ovlaš leži na tlu. To sprečava da nož dodirne tlo.

3. Za čist rez koristite bočni pokret zdesna nalevo. Koristite levu stranu noža (kao u položaju kazaljki između 8 i 12 časova) za sečenje.

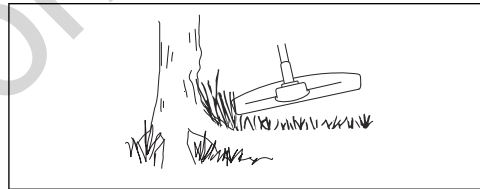


4. Kad raščišćavate travu, nagnite nož ulevo.

Napomena: Trava se lako skuplja u vodu.

5. Za povratni rez koristite bočni pokret sleva nadesno.
6. Radite ritmično.
7. Pomerajte se napred i čvrsto stojte na zemlji.
8. Zaustavite motor.
9. Odvojite proizvod od kopče uprtača.
10. Spustite proizvod na tlo.
11. Skupite odrezani materijal.

Čišćenje

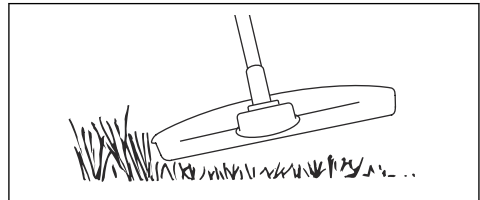


Da biste postigli najbolje rezultate:

- Držite trimmer tako da glava trimera bude odmah iznad tla.
- Nagnite glavu trimera pod blagim uglom.
- Pustite da kraj strune trimera udara tlo oko predmeta

Skraćivanje trave

1. Držite glavu trimera odmah iznad tla i pod uglom. Nemojte pritiskati trimi nit u travu.



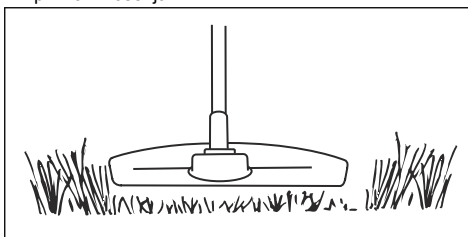
2. Smanjite dužinu trimi niti za 10–12 cm / 4–4,75 inča.
3. Smanjite brzinu motora da biste smanjili rizik od oštećenja biljaka.

4. Koristite 80% gasa kada kosite travu blizu predmeta.

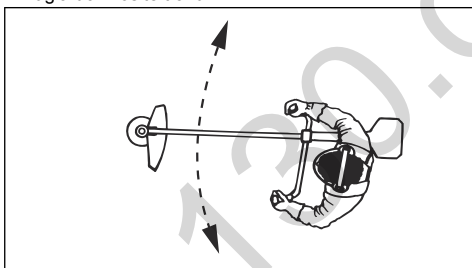


Košenje trave

1. Pazite da struna trimera bude paralelna sa tlom prilikom košenja.



2. Nemojte pritiskati glavu trimera o tlo. Može doći do uništenja tla i oštećenja proizvoda.
3. Nemojte dozvoliti da trimera glava neprestano dodiruje tlo, to može prouzrokovati oštećenje glave trimera.
4. Koristite pun gas kada pomerate proizvod od ugla do ugla dok kosite travu.



Pometanje trave

Protok vazduha iz rotirajuće trimi niti može se koristiti za uklanjanje isečene trave iz područja.

1. Držite trimi glavu i trimi nit paralelno sa tlom i iznad tla.
2. Primenite pun gas.
3. Pomerajte trimi glavu sa strane u stranu i raščišćavajte travu.



UPOZORENJE: Očistite poklopac trimi glave svaki put kada postavljate novu trimi nit kako biste sprečili neravnotežu i vibracije u ručicama. Takođe izvršite pregled drugih delova trimi glave i očistite ih po potrebi.

Zamena trimi niti

Pogledajte poslednju stranicu korisničkog uputstva.

Održavanje



UPOZORENJE: Pročitajte i shvatite poglavlje o bezbednosti pre čišćenja, popravke ili održavanja proizvoda.

Šema održavanja

Održavanje	Dnevno	Nedeljno	Mesečno
Očistite spoljnu površinu.	X		

Održavanje	Dnevno	Nedeljno	Mesečno
Pregledajte uprtač u pogledu oštećenja.	X		
Proverite gas i prekidač gasa.	X		
Uverite se da se priključak za košenje ne okreće pri brzini praznog hoda.	X		
Izvršite proveru prekidača za zaustavljanje. Pogledajte <i>Da biste proverili rad prekidača za zaustavljanje na stranici 164.</i>	X		
Pregledajte štitnik priključka za košenje u pogledu oštećenja i naprslina.	X		
Uverite se da je list za travu poravnat sa sredinom. Uverite se da je list za travu oštar i da list ili centralni otvor nisu oštećeni.	X		
Pregledajte trimi glavu u pogledu oštećenja i naprslina. Zamenite ako je potrebno.	X		
Pregledajte ručicu i upravljač u pogledu oštećenja i uverite se da su ispravno pričvršćeni.	X		
Za nastavke za rezanje sa oslonom šoljom, pravilno zategnite vijak za blokiranje.	X		
Za nastavke za rezanje sa steznom navrtkom, pravilno zategnite steznu navrtku.	X		
Pregledajte zaštitu za transportovanje u pogledu oštećenja i uverite se da se može pravilno postaviti.	X		
Pregledajte motor, rezervoar za gorivo i vodove za gorivo u pogledu curenja.	X		
Očistite filter za vazduh. Zamenite ako je potrebno.	X		
Pritegnite navrtke i zavrtnje.	X		
Proverite da li je filter za gorivo zaprljan. Takođe pregledajte crevo za dovod goriva u pogledu naprslina i drugih oštećenja. Zamenite ako je potrebno.	X		
Pregledajte sve kablove i veze.	X		
Pregledajte starter i uže startera u pogledu oštećenja.		X	
Proverite svećicu. Pogledajte <i>Pregled svećice na stranici 180.</i>		X	
Uverite se da je menjač ugla napunjen mazivom do $\frac{3}{4}$.		X	
Očistite spoljnu površinu karburatora i prostor oko njega.		X	
Očistite svećicu. Uklonite svećicu i proverite zazor elektroda. Podesite zazor elektroda ili zamenite svećicu ako je potrebno. Pogledajte <i>Tehnički podaci na stranici 182.</i> Postarajte se da svećica ima prigušivač.		X	
Proverite da li ima habanja na kvačilu, oprugama kvačila i bubnju kvačila. Zamenite ako je potrebno.			X
Zamenite svećicu. Postarajte se da svećica ima prigušivač.			X
Podmažite pogonsko vratilo.			X
Uverite se da elementi za prigušivanje vibracija nisu oštećeni.		X	
Očistite sistem za hlađenje proizvoda.		X	
Očistite auspuh.			X

Podešavanje karburatora

Karburator je podešen na osnovni režim rada prilikom testiranja u fabrici. Podešavanje mora da obavi obučeni tehničar.

Da biste proverili prigušivač



UPOZORENJE: Nemojte koristiti proizvod koji ima oštećeni prigušivač. Uvek zamenite oštećeni prigušivač.



UPOZORENJE: Rizik od opekotina ili požara. Prigušivači sa katalizatorima se veoma greju tokom rada.



UPOZORENJE: Rizik od požara. Prigušivač umanjuje nivo buke i usmerava izduvne gasove od rukovaoca. Izduvni gasovi su vrući i mogu sadržavati varnice.



OPREZ: Mrežica hvatača varnica mora biti zamenjena ako je oštećena. Nemojte koristiti proizvod ako nedostaje hvatač varnica na prigušivaču ili ako je oštećen.



OPREZ: Ako je hvatač varnica blokiran, proizvod će se pregrevati. To će dovesti do oštećenja cilindra i klipa.

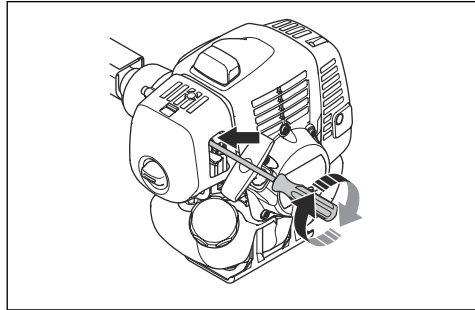
1. Uverite se da prigušivač nije oštećen.
2. Uverite se da je prigušivač pravilno pričvršćen na proizvod.

Podešavanje brzine praznog hoda

Vaš Husqvarna proizvod je napravljen prema specifikacijama tako da smanjuje štetne emisije.

1. Uverite se da je filter za vazduh čist i da je poklopac filtera za vazduh pričvršćen pre podešavanja brzine praznog hoda.
2. Podesite brzinu praznog hoda pomoću zavrtnja za podešavanje praznog hoda T koji je označen oznakom „T”.

- a) Okrećite zavrtnj za prazan hod T u smeru okretanja kazaljke sve dok priključak za košenje ne počne da se okreće.



- b) Okrećite zavrtnj za prazan hod suprotno kretanju kazaljke na satu sve dok se priključak za košenje ne zaustavi.



UPOZORENJE: Ako se priključak za košenje ne zaustavi kada podesite brzinu praznog hoda, obratite se servisu. Nemojte koristiti proizvod pre nego što je ispravno podešen ili popravljen.

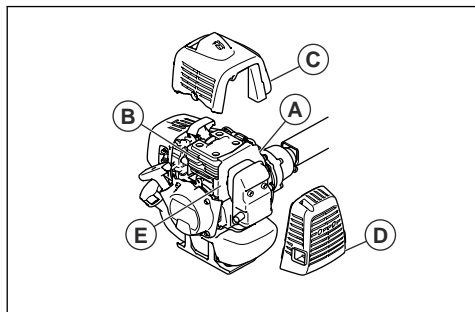
3. Brzina praznog hoda je ispravna kada motor ravnomerno radi u svim položajima. Brzina praznog hoda treba da bude manja od brzine pri okretanju priključka za košenje.

Napomena: Pogledajte *Tehnički podaci na stranici 182* za preporučene brzine praznog hoda.

Sistem za hlađenje

Proizvod ima sistem za hlađenje da bi se radna temperatura održavala nižom.

Sistem za hlađenje uključuje:



- Krilca na zamajcu (A)
- Krilca za hlađenje na cilindru (B)
- Poklopac cilindra (C) (dovodi hladan vazduh na cilindar)
- Poklopac prigušivača (D)
- Ploča prigušivača (E)

Čišćenje sistema za hlađenje

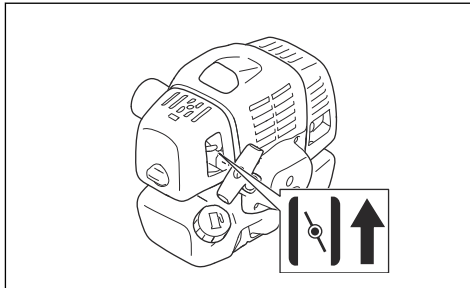


UPOZORENJE: Zaprljan ili zapušen sistem za hlađenje izaziva pregrevanje. To oštećuje klip i cilindar.

1. Čistite delove rashladnog sistema četkom bar jednom nedeljno.

Filter za vazduh

- Čistite filter u intervalima od 25 sati. Po potrebi čistite češće.
- Postavite kontrolu čoka u položaj za čok.



Čišćenje filtera za vazduh

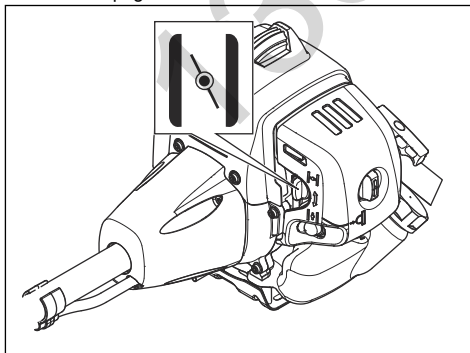
Čistite filter u intervalima od 25 sati. Po potrebi čistite češće.



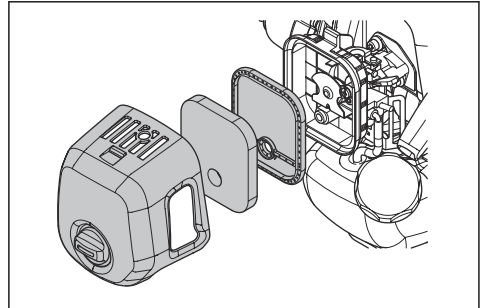
OPREZ: Uvek zamenite filter za vazduh koji je oštećen, veoma zaprljan ili natopljen gorivom.

Ako koristite filter za vazduh duže vreme, on se ne može u potpunosti očistiti. Zamenite filter za vazduh novim u redovnim intervalima.

1. Zatvorite prigušni ventil.



2. Uklonite poklopac filtera za vazduh.



3. Uklonite filter za vazduh.
4. Očistite filter za vazduh toplom sapunjavom vodom.
5. Zamenite filter za vazduh ako je previše zaprljan i ne može se propisno očistiti. Uvek zamenite oštećeni filter za vazduh.
6. Očistite unutrašnju površinu poklopca filtera. Koristite vazduh ili četku.
7. Uverite se da je filter za vazduh suv.
8. Filter za vazduh podmažite Husqvarna uljem za dvotaktne motore. Ako na filteru za vazduh ima previše ulja, uklonite višak pre nego što postavite filter za vazduh.

Nanošenje ulja na penasti filter za vazduh

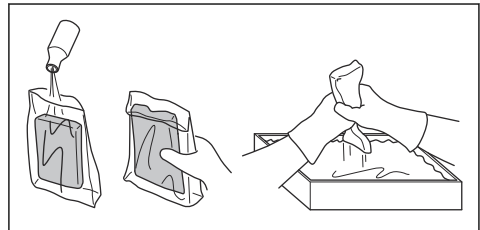


OPREZ: Obavezno koristite Husqvarna specijalno ulje za filter za vazduh. Nemojte koristiti druge tipove ulja.



UPOZORENJE: Navucite zaštitne rukavice. Ulje za filter za vazduh može izazvati iritaciju kože.

1. Stavite penasti filter za vazduh u plastičnu kesicu.
2. Stavite ulje u plastičnu kesicu.
3. Pritisnite plastičnu kesicu kako biste osigurali da se ulje ravnomerno raspodeli preko penastog filtera za vazduh.
4. Istisnite višak ulja iz penastog filtera za vazduh dok je u plastičnoj kesici.



Filter od filca

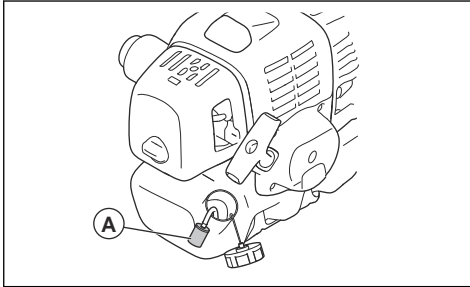
- Pažljivo kucnite filcni filter o dlan ili ga očistite komprimovanim vazduhom.



OPREZ: Nemojte da čiste filcni filter vodom. Voda može da ošteti filcni filter.

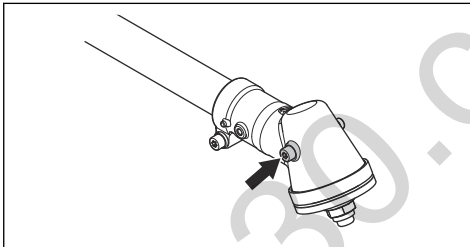
Filter za gorivo

Ako oslabi dovod goriva u motor, uverite se da nije došlo do začepljenja na poklopcu rezervoara za gorivo i na filteru za gorivo (A).



Nanošenje maziva u menjač ugla

- Uverite se da je menjač ugla napunjen mazivom u količini od 3/4.

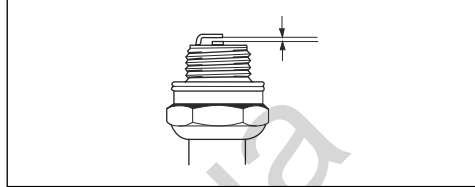


Pregled svećice



OPREZ: Uvek koristite preporučeni tip svećice. Neodgovarajući tip svećice može da ošteti proizvod.

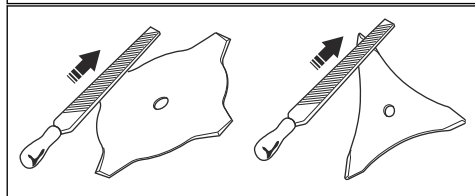
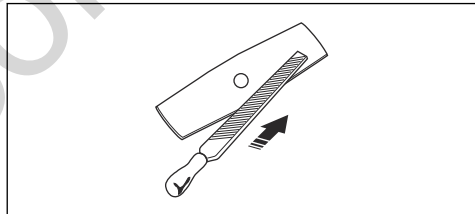
- Pregledajte svećicu ako je snaga motora mala, ako se teško pokreće ili nepravilno radi u praznom hodu.
- Da biste smanjili rizik od nakupljanja neželjenog materijala na elektrodama svećice, poštujujte sledeća uputstva:
 - Uverite se da je broj obrtaja na praznom hodu pravilno podešen.
 - Uverite se da je mešavina dobro napravljena.
 - Uverite se da je filter za vazduh čist.
- Ako je svećica prljava, očistite je i ujedno proverite da li je razmak između elektroda tačan, pogledajte *Tehnički podaci na stranici 182.*



- Zamenite svećicu ako je potrebno.

Oštrenje noževa za košenje trave i listova za košenje trave

- Podjednako naoštrite sve ivice noževa za košenje trave i listova za košenje trave kako bi se održala ravnoteža. Koristite pljosnatu turpiju sa jednostrukim rezom.



Rešavanje problema

Rešavanje problema

Pokretanje nije uspelo		
Provera	Mogući uzrok	Rešenje
Dugme za zaustavljanje	Položaj zaustavljanja	Postavite prekidač za zaustavljanje u položaj za pokretanje.
Startne kopče	Zapinjači koji zapinju	Podesite ili zamenite zapinjače.
		Očistite oko zapinjača.
		Obratite se ovlašćenom servisnom centru.
Rezervoar za gorivo	Neispravni tip goriva.	Ispraznite rezervoar i koristite ispravno gorivo.
Karburator	Podešavanje brzine praznog hoda.	Prilagodite brzinu praznog hoda pomoću T-zavrtnja.
Varničenje (nema varnica)	Svećica je zamašćena ili mokra.	Postarajte se da svećica bude suva i čista.
		Očistite svećicu. Proverite da li je ispravan zazor elektrode. Postarajte se da svećica ima prigušivač.
	Zazor svećice je pogrešan.	Informacije o tačnom rastojanju elektroda potražite u tehničkim podacima.
Svećica	Svećica je labavo postavljena.	Zategnite svećicu.
Filter za gorivo	Filter za gorivo je zapušten.	Zamenite filter za gorivo.

Motor se pokreće ali ne nastavlja da radi		
Provera	Mogući uzrok	Rešenje
Rezervoar za gorivo	Neispravni tip goriva.	Ispraznite rezervoar i koristite ispravno gorivo.
Karburator	Motor ne radi ispravno u praznom hodu.	Obratite se dileru.
Filter za vazduh	Filter za vazduh je zapušten.	Očistite filter za vazduh.
Filter za gorivo	Filter za gorivo je zapušten.	Zamenite filter za gorivo.

Transport i skladištenje

- Oprema mora biti bezbedna tokom transporta kako bi se sprečilo oštećenje i nesrećni slučajevi.
- Držite proizvod i opremu na suvom mestu otpornom na mraz.
- Očistite proizvod.
- Zamenite ili popravite oštećene komponente.
- Koristite odgovarajući zaštitni poklopac na proizvodu koji ne zadržava vlagu.
- Proizvod mora biti dobro pričvršćen tokom transportovanja.

Tehnički podaci

Tehnički podaci

	531RS	541RS	541RST
Motor			
Zapremina cilindra, cm ³	33,6	41,5	41,5
Brzina praznog hoda, o/min	2500±200	2500±200	2500±200
Preporučena maksimalna brzina, o/min	12000	12000	12000
Brzina izlazne osovine, o/min	8570	8570	8570
Maksimalna snaga motora prema ISO standardu 8893, kW/ks na o/min	1,2 / 1,6 @ 7000	1,6 / 2,1 @ 7000	1,6 / 2,1 @ 7000
Sistem paljenja			
Svećica	NGK BPMR 7A	NGK BPMR 7A	NGK BPMR 7A
Zazor elektroda, mm	0,6–0,7	0,6–0,7	0,6–0,7
Sistem za gorivo i podmazivanje			
Kapacitet rezervoara za gorivo, l/cm ³	0,74 / 740	0,94 / 940	0,94 / 940
Težina			
Težina, kg	6,9	7,1	7,3
Emisija buke¹⁹			
Nivo zvučne snage, mereno, dB (A)	107	107	107
Nivo buke, garantovano LWA, dB (A)	108	109	109
Nivoi zvuka			
Ekvivalent nivoa buke kod uha rukovaoca, izmereno prema EN ISO 11806 i ISO 22868 ²⁰			
Opremljeno glavom trimera (originalna), dB (A)	90	94	94

¹⁹ Emisije buke u životnoj sredini merene kao zvučna snaga (L_{WA}) u skladu sa direktivom 2000/14/EZ. Izveštajni nivo zvučne snage za mašinu meren je sa originalnim priključkom za košenje koji daje najviši nivo. Razlika između garantovanog i izmerenog nivoa zvučne snage je da garantovana zvučna snaga takođe obuhvata raspršenje rezultata merenja i razlike između različitih mašina istog modela u skladu sa Direktivom 2000/14/EZ.

²⁰ Prijavljeni podaci za nivo zvučnog pritiska imaju tipičnu statističku disperziju (standardna devijacija) od 2,5 dB (A).

	531RS	541RS	541RST
Opremljeno nožem za travu (originalno), dB (A)	89	95	95
Nivoi vibracije			
Ekvivalentni nivoi vibracija ($a_{hv,eq}$) na ručicama, mereni u skladu sa EN ISO 11806 i ISO 22867 ²¹			
Opremljeno glavom trimera (original), levo/ desno, m/s ²	2,8 / 3,0	3,1 / 2,8	5,6 / 5,1
Opremljeno nožem za travu (original), levo/ desno, m/s ²	4,2 / 4,0	4,5 / 5,0	7,1 / 6,3

Oprema

Oprema

Odobrena oprema	Tip opreme	Štitnik nastavka za rezanje, br. dela
List za travu/nož za travu	Multi 255-3 (Ø 255, 3 zupca)	537 33 16-03
	Multi 275-4 (Ø 275, 4 zupca)	537 33 16-03
	Multi 300-3 (Ø 300, 3 zupca)	537 33 16-03
	Multi 330-2 (Ø 330, 2 zupca)	537 33 16-03
Plastični rezni listovi	Tricut Ø 300 mm (Zasebni noževi imaju broj dela 531 01 77-15)	537 33 16-03
Glava trimera	T35, T35X (Ø 2,4–3,0 mm nit)	537 33 16-03
	S35 (Ø 2,4-3,0 mm nit)	537 33 16-03
	T45x (Ø 2,7-3,3 mm nit)	537 33 16-03
	T55x (Ø 2,7-3,3 mm nit)	537 33 16-03
	S II	537 33 16-03
Oslona šolja	Fiksirano	–

²¹ Podaci o nivou vibracije imaju tipičnu statističku disperziju (standardnu devijaciju) od 1,5m/s².

EZ deklaracija o usaglašenosti

EZ deklaracija o usaglašenosti

Ime izdavača: **Husqvarna AB**, SE-561 82 Huskvarna, Švedska, tel: +46-36-146500.

Husqvarna AB preuzima potpunu odgovornost za predmet ove deklaracije: Benzinski trimer i/ili rezač žbunja, platforme G45L i G35L predstavljajući modele **Husqvarna 531RS, 541RS i 541RST** serijskih brojeva od 2017. i novijih. Broj platforme i broj modela su jasno navedeni jednostavnim jezikom na pločici tipa zajedno sa godinom i sledećim serijskim brojevima.

Svrha gore navedene izjave u skladu je sa zahtevima direktive Veća:

- od 17. maja 2006. „u vezi sa mašinerijom“ **2006/42/EZ**
- od 26. februara 2014., „koja se odnosi na elektromagnetnu kompatibilnost“ **2014/30/EU**.
- od 8. maja 2000., „koja se odnosi na emisije buke u okruženju“ **2000/14/EZ**.
- od 14. decembra 2005. „koja se odnosi na emisije buke u okruženju“ **2005/88/EZ**.

U skladu sa Aneksom V, objavljene zvučne vrednosti su navedene u listu sa tehničkim podacima u uputstvu za rukovaoca.

Primenjeni su sledeći standardi:

EN ISO 11806-1:2011, EN ISO 14982:2009, EN ISO 12100:2010 CISPR 12:2007+A1:2009

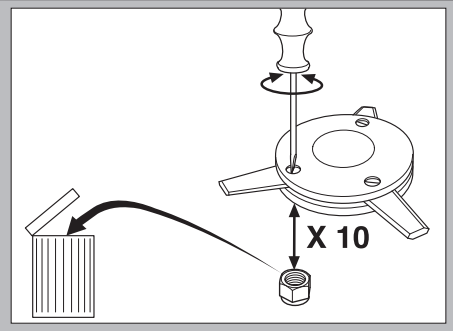
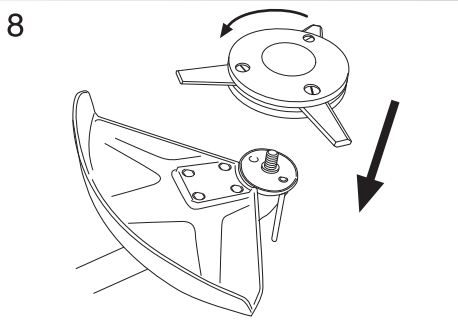
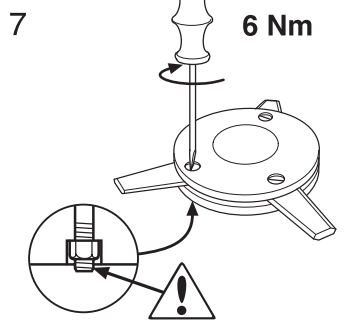
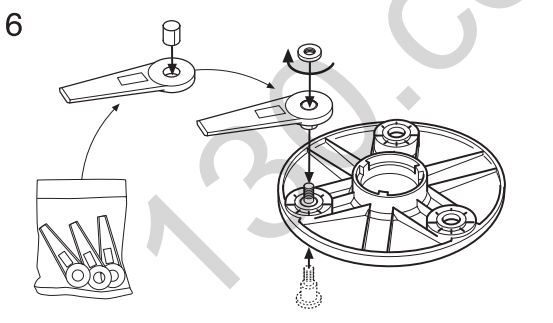
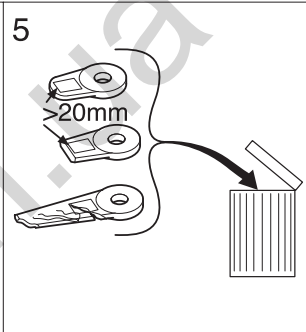
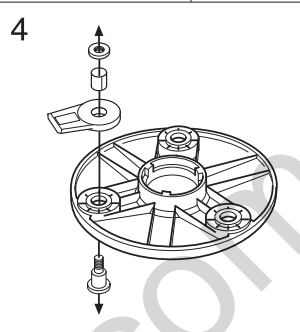
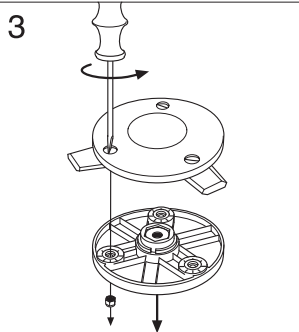
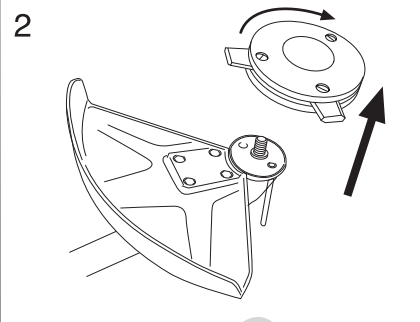
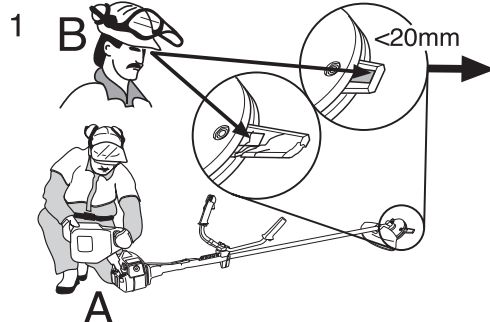
TÜV Rheinland LGA Products GmbH, Tillystrasse 2, D-90431 Nürnberg, Nemačka, 0197 je izvršio volonterski pregled u ime kompanije Husqvarna AB i pružio je AM50391783 (541RS, 541RST), AM50391781 (531RS) – sertifikat o usaglašenosti sa Direktivom Saveta Evrope 2006/42/EZ za mašineriju. Ovaj sertifikat se primenjuje na sve proizvodne lokacije i zemlje porekla, kao što je navedeno na proizvodu. Isporučeni trimer za travu i/ili rezač žbunja usaglašen je primerkom koji je prošao pregled.

Husqvarna AB, Huskvarna, Švedska, 2017-08-01

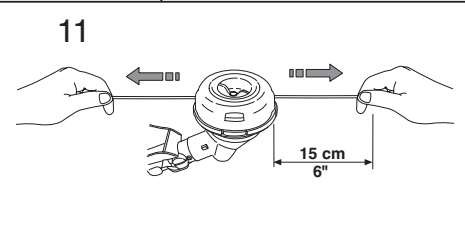
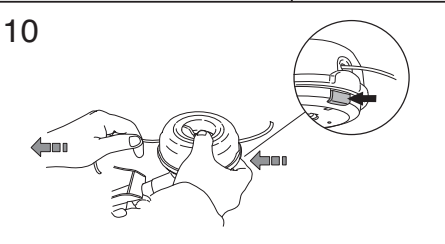
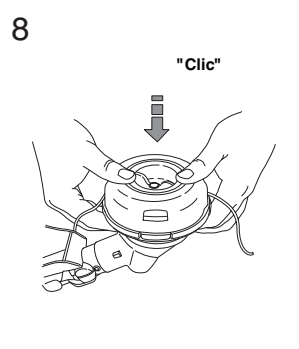
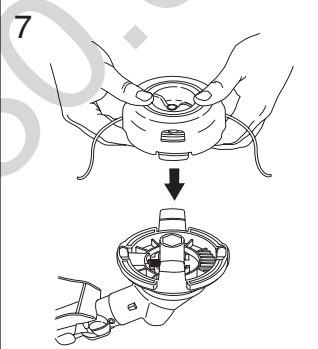
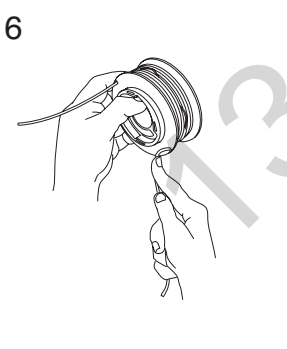
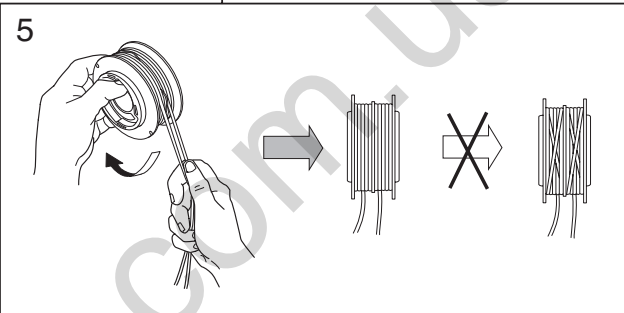
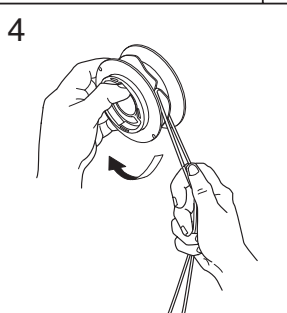
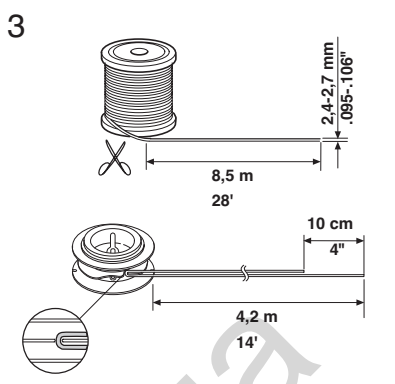
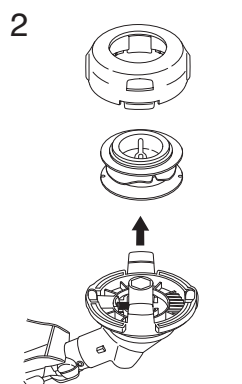
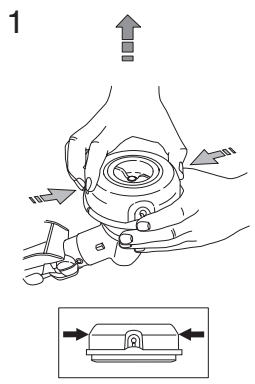


Per Gustafsson, Menadžer razvoja (Ovlašćeni predstavnik kompanije Husqvarna AB i odgovorna osoba za tehničku dokumentaciju)

Tri Cut



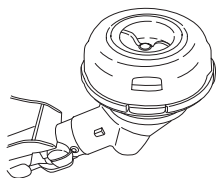
S35



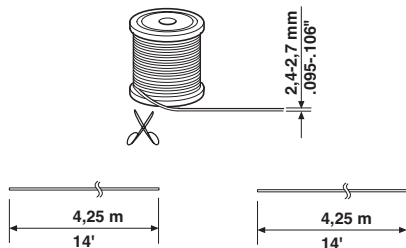
S35



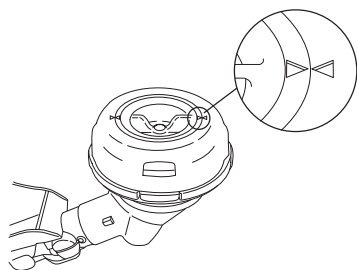
1



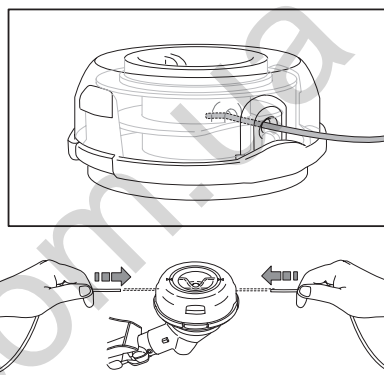
2



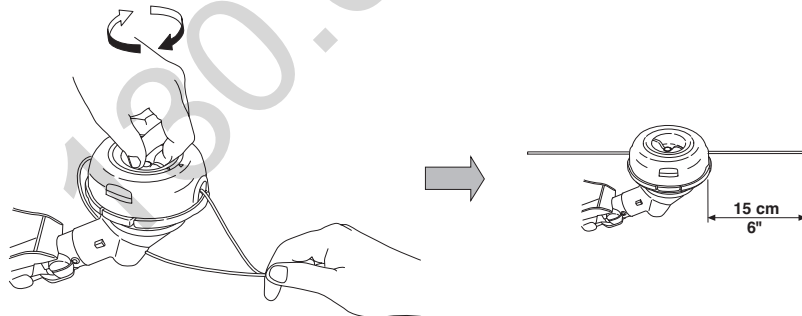
3



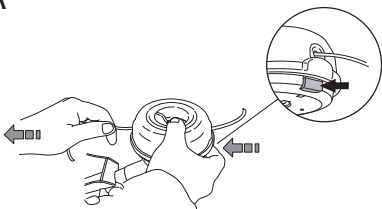
4



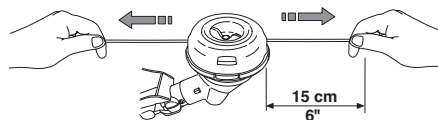
5



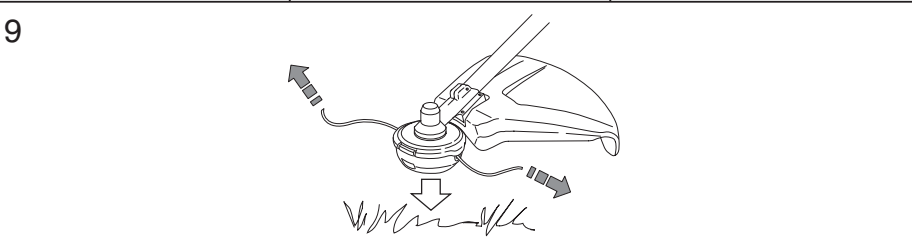
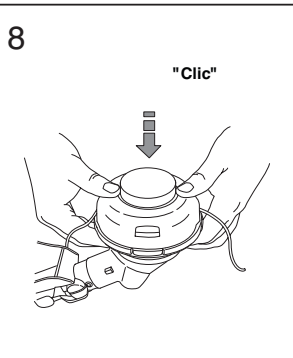
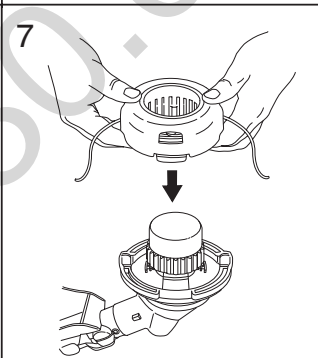
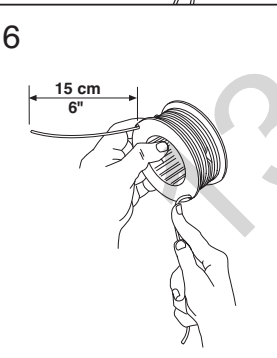
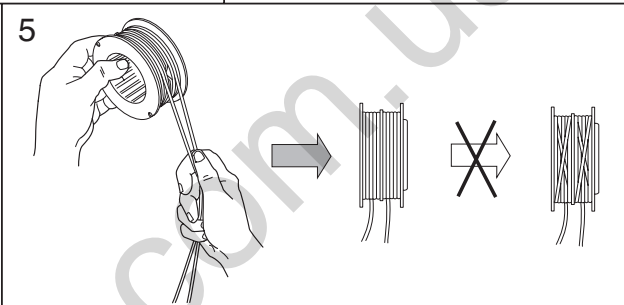
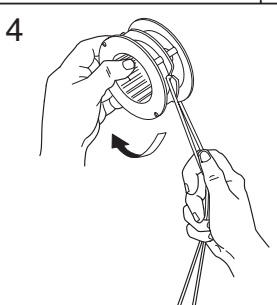
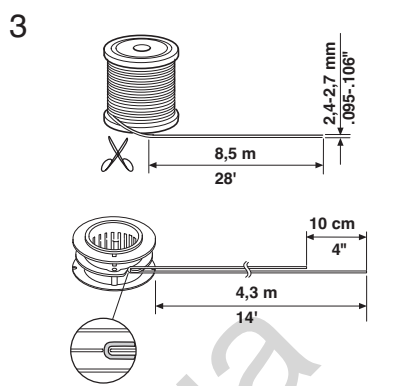
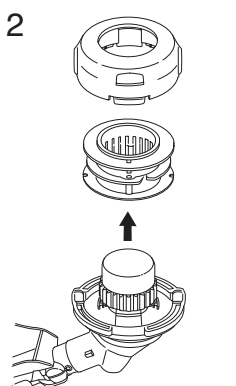
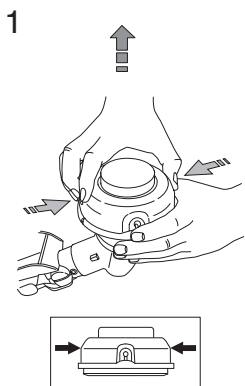
A



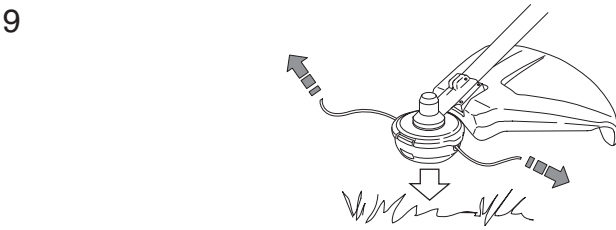
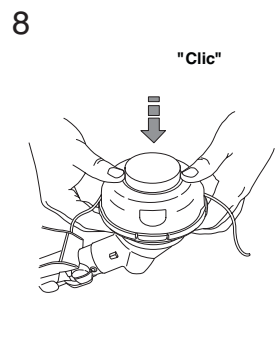
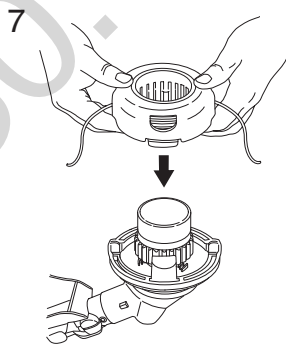
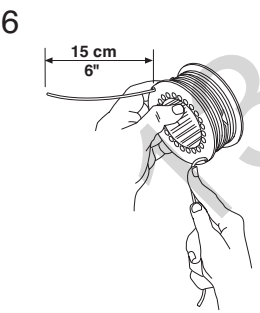
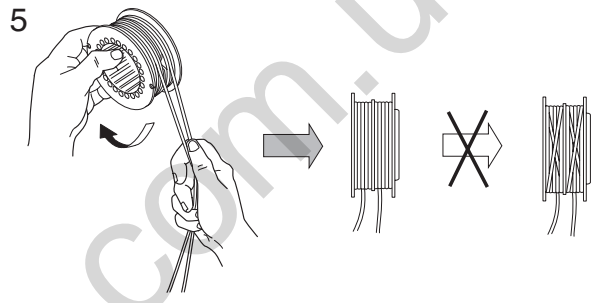
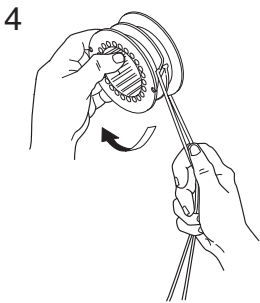
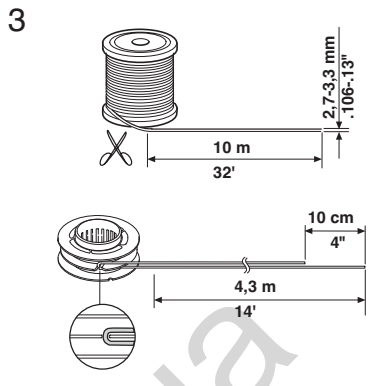
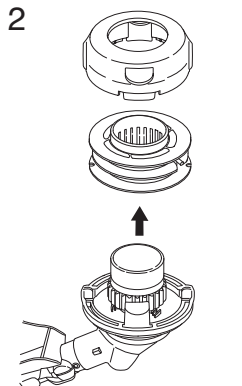
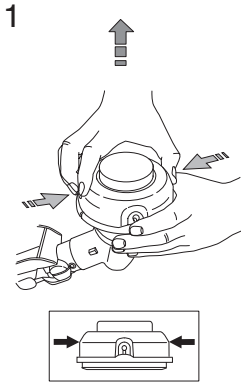
B



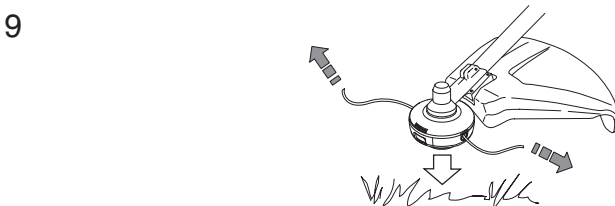
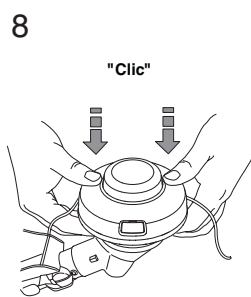
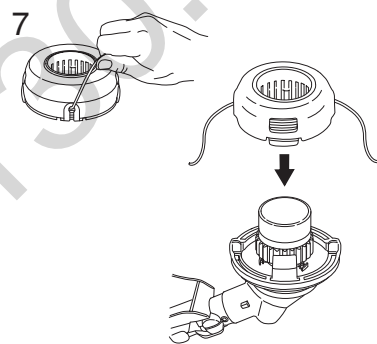
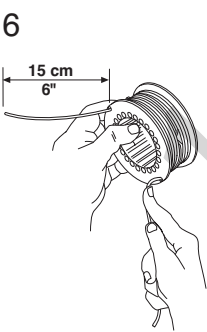
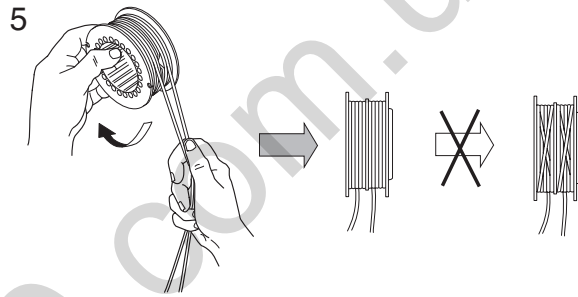
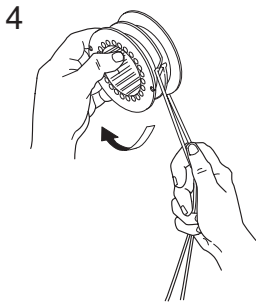
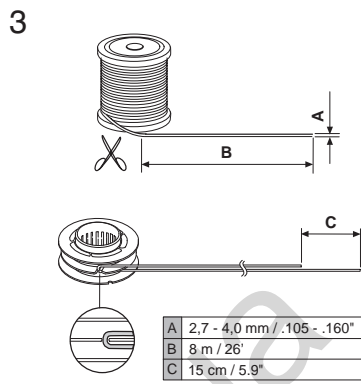
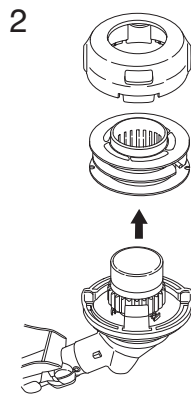
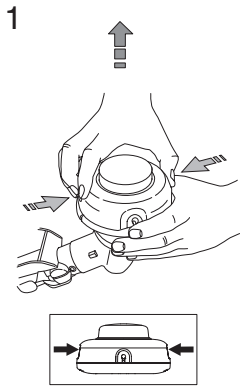
T35, T35x



T45, T45x



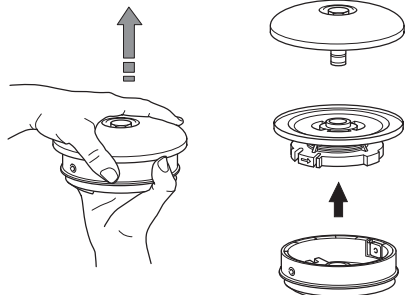
T55x



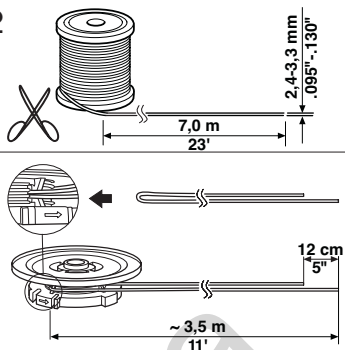
Trimmy SII



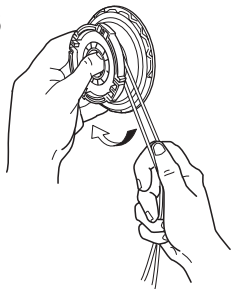
1



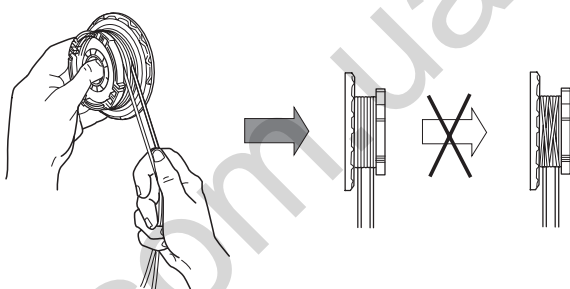
2



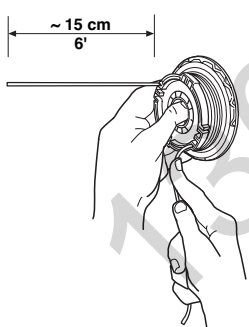
3



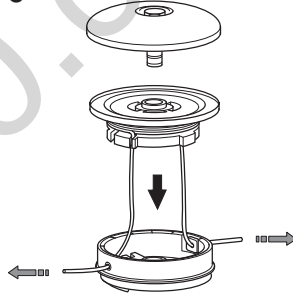
4



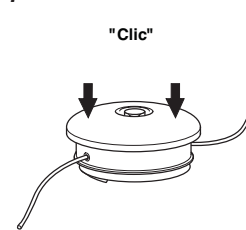
5



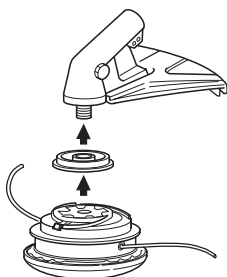
6



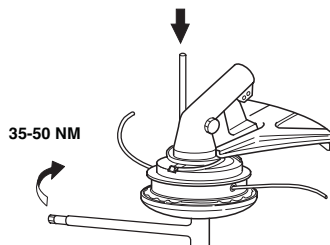
7



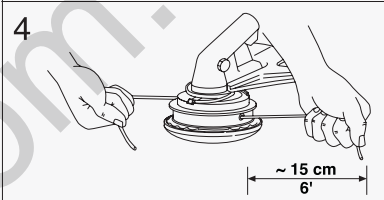
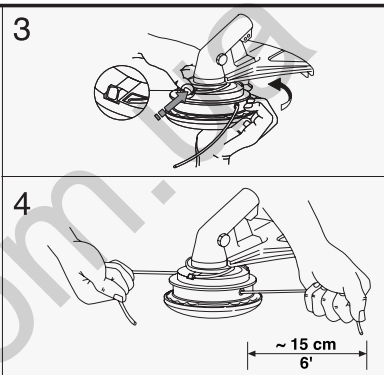
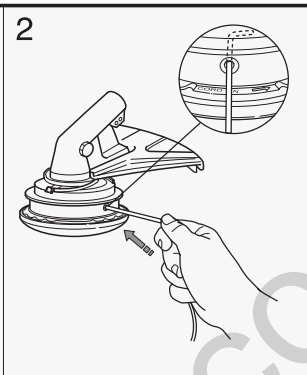
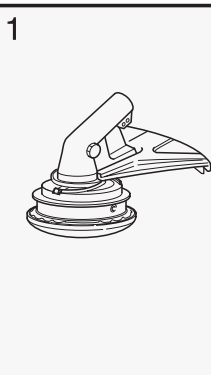
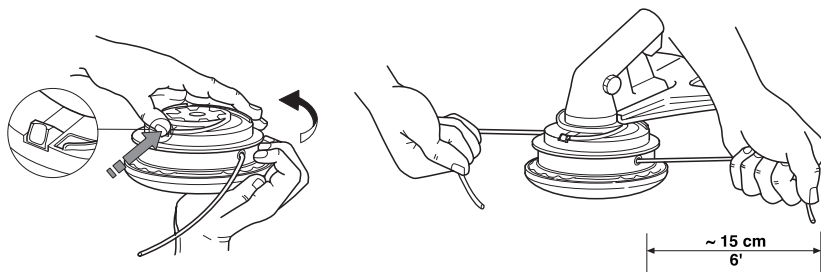
8



9



Trimmy SII



130.com.ua

130.com.ua

130.com.ua



www.husqvarna.com

Original instructions
Instrucciones originales
Instruções originais
Оригинальные инструкции

Оригинальні інструкції
Instructions d'origine
Originalna uputstva

1141521-94



2019-12-13