



ТЕЛЕФОНЫ

0 (800) 800 130
(050) 462 0 130
(063) 462 0 130
(067) 462 0 130

130
COM.UA

Интернет-магазин
автотоваров



SKYPE

km-130

АВТОМАГНИТОЛЫ — Магнитолы • Медиа-ресиверы и станции • Штатные магнитолы • CD/DVD чейнджеры • FM-модуляторы/USB адаптеры • Flash память • Переходные рамки и разъемы • Антенны • Аксессуары | **АВТОЗВУК** — Акустика • Усилители • Сабвуферы • Процессоры • Кроссоверы • Наушники • Аксессуары | **БОРТОВЫЕ КОМПЬЮТЕРЫ** — Универсальные компьютеры • Модельные компьютеры • Аксессуары | **GPS НАВИГАТОРЫ** — Портативные GPS • Встраиваемые GPS • GPS модули • GPS трекеры • Антенны для GPS навигаторов • Аксессуары | **ВИДЕОУСТРОЙСТВА** — Видеорегистраторы • Телевизоры и мониторы • Автомобильные ТВ тюнеры • Камеры • Видеомодули • Транскодеры • Автомобильные ТВ антенны • Аксессуары | **ОХРАННЫЕ СИСТЕМЫ** — Автосигнализации • Мотосигнализации • Механические блокираторы • Имобилайзеры • Датчики • Аксессуары | **ОПТИКА И СВЕТ** — Ксенон • Биксенон • Лампы • Светодиоды • Стробоскопы • Оптика и фары • Омыватели фар • Датчики света, дождя • Аксессуары | **ПАРКТРОНИКИ И ЗЕРКАЛА** — Задние парктроники • Передние парктроники • Комбинированные парктроники • Зеркала заднего вида • Аксессуары | **ПОДОГРЕВ И ОХЛАЖДЕНИЕ** — Подогревы сидений • Подогревы зеркал • Подогревы дворников • Подогревы двигателей • Автохолодильники • Автокондиционеры • Аксессуары | **ТЮНИНГ** — Виброизоляция • Шумоизоляция • Тонировочная пленка • Аксессуары | **АВТОАКСЕССУАРЫ** — Радар-детекторы • Громкая связь Bluetooth • Стеклоподъемники • Компрессоры • Звуковые сигналы, СГУ • Измерительные приборы • Автопылесосы • Автокресла • Разное | **МОНТАЖНОЕ ОБОРУДОВАНИЕ** — Установочные комплекты • Обивочные материалы • Декоративные решетки • Фазоинверторы • Кабель и провод • Инструменты • Разное | **ПИТАНИЕ** — Аккумуляторы • Преобразователи • Пуско-зарядные устройства • Конденсаторы • Аксессуары | **МОРСКАЯ ЭЛЕКТРОНИКА И ЗВУК** — Морские магнитолы • Морская акустика • Морские сабвуферы • Морские усилители • Аксессуары | **АВТОХИМИЯ И КОСМЕТИКА** — Присадки • Жидкости омывателя • Средства по уходу • Полироли • Ароматизаторы • Клеи и герметики | **ЖИДКОСТИ И МАСЛА** — Моторные масла • Трансмиссионные масла • Тормозные жидкости • Антифризы • Технические смазки



В магазине «130» вы найдете и сможете купить в Киеве с доставкой по городу и Украине практически все для вашего автомобиля. Наши опытные консультанты предоставят вам исчерпывающую информацию и помогут подобрать именно то, что вы ищете. Ждем вас по адресу

<https://130.com.ua>

RYOBI®

R18PD7

ORIGINAL INSTRUCTIONS
TRADUCTION DES INSTRUCTIONS ORIGINALES
ÜBERSETZUNG DER ORIGINALANLEITUNG
TRADUCCIÓN DE LAS INSTRUCCIONES ORIGINALES
TRADUZIONE DELLE ISTRUZIONI ORIGINALI
VERTALING VAN DE ORIGINELE INSTRUCTIES
TRADUÇÃO DAS INSTRUÇÕES ORIGINAIS
OVERSÆTTELSE AF DE ORIGINALE INSTRUKTIONER
ÖVERSÄTTNING AV DE URSPRUNGLIGA INSTRUKTIONERNA
ALKUPERÄISTEN OHJEIDEN SUOMENNO
OVERSETTELSE AV DE ORIGINALE INSTRUKSJONENE
ПЕРЕВОД ОРИГИНАЛЬНЫХ ИНСТРУКЦИЙ
TŁUMACZENIE INSTRUKCJI ORYGINALNEJ
PŘEKLAD ORIGINÁLNÍCH POKYNŮ
AZ EREDETI ÚTMUTATÓ FORDÍTÁSA
TRADUCEREA INSTRUCȚIUNILOR ORIGINALE
TULKOTS NO ORIGINĀLĀS INSTRUKCIJAS
ORIGINALIŲ INSTRUKCIJŲ VERTIMAS
ORIGINAALJUHENDI TÕLGE
PRIJEVOD ORIGINALNIH UPUTA
PREVOD ORIGINALNIH NAVODIL
PREKLAD ORIGINÁLNYCH POKYNOV
ПРЕВОД ОТ ОРИГИНАЛНИТЕ ИНСТРУКЦИИ
PEREKŁAD OРИГИНАЛЬНИХ ІНСТРУКЦІЙ
ORIJ NAL TALIMATLARIN TERCÜMESİ
ΜΕΤΑΦΡΑΣΗ ΤΩΝ ΠΡΩΤΟΤΥΠΩΝ ΟΔΗΓΙΩΝ



EN
FR
DE
ES
IT
NL
PT
DA
SV
FI
NO
RU
PL
CS
HU
RO
LV
LT
ET
HR
SL
SK
BG
UK
TR
EL



- Important!** It is essential that you read the instructions in this manual before assembling, maintaining and operating the product.
- Attention!** Il est essentiel que vous lisiez les instructions contenues dans ce manuel avant d'assembler, d'entretenir et d'utiliser le produit.
- Achtung!** Es ist wichtig, dass Sie vor Zusammenbau, Wartung und Benutzung des Produktes die Anweisungen in dieser Anleitung lesen.
- ¡Atención!** Resulta fundamental que lea este manual de instrucciones antes de realizar el montaje, el mantenimiento y de utilizar este producto
- Attenzione!** È importante leggere le istruzioni contenute nel presente manuale prima di montare il prodotto, svolgere le operazioni di manutenzione sullo stesso e metterlo in funzione.
- Let op!** Het is van essentieel belang dat u de instructies in deze gebruiksaanwijzing leest voor u het product monteert, onderhoudt en gebruikt.
- Atenção!** É fundamental que leia as instruções deste manual antes da montagem, manutenção e operação do aparelho.
- OBS!** Det er vigtigt, at man læser instrukserne i denne brugsanvisning, inden man samler, vedligeholder og betjener produktet.
- Observera!** Det är viktigt att du läser instruktionerna i manualen före montering, användning och underhåll av produkten.
- Huomio!** On tärkeää, että luet tämän käsikirjan ohjeet ennen tuotteen kokoamista, huoltoa ja käyttöä.
- Advarsel!** Det er viktig at du leser instruksjonene i denne manualen før sammensetning, vedlikehold og bruk av produktet
- Внимание!** Необходимо прочитать инструкции в данном руководстве перед сборкой, обслуживанием и эксплуатацией этого изделия.
- Uwaga!** Koniecznie należy przeczytać instrukcje zawarte w tym podręczniku przed montażem, obsługą oraz konserwacją produktu.
- Důležité upozornění!** Neinstalujte, neprovádějte údržbu ani nepoužívejte tento výrobek dřív, než si přečtete pokyny uvedené v tomto návodu.
- Figyelem!** Fontos, hogy a termék összeszerelése, karbantartása és használatá előtt elolvassa a kézikönyvben található utasításokat.
- Atenție!** Este esențial să citiți instrucțiunile din acest manual înainte de asamblare, efectuarea întreinerii și operarea produsului.
- Uzmanību!** Ir svarīgi izlasīt šīs rokasgrāmatas instrukcijas pirms uzstādīšanas, apkopes un preces darbināšanas.
- Děmesio!** Prieš surenkant, prižiūrint ir naudojant gaminį, būtina perskaityti šiam vadove pateiktus nurodymus.
- Tähtis!** Enne masina kokkupanekut, hooldamist ja kasutama hakkamist tuleb käesolevas juhendis esitatud juhised kindlasti läbi lugeda.
- Upozorenie!** Vrlo je važno da ste prije sklapanja, održavanja i rada s ovim proizvodom pročitali upute u ovom priručniku.
- Pomembno!** Pomembno je da pred montažo vzdrževanjem in uporabo tega izdelka preberete navodila v tem priručniku.
- Upozornenie!** Je dôležité, aby ste si pred montážou, údržbou a obsluhou produktu prečítali pokyny v tomto návode.
- Важно!** Исключительно важно е да прочетете инструкциите в настоящото ръководство, преди да преминете към сглобяване, поддръжка или работа с продукта.
- Важливо!** Дуже важливо, щоб ви прочитали інструкції в цьому керівництві перед складанням, обслуговуванням та експлуатацією цієї машини.
- Dikkat!** Ürünün montajını, bakımını yapmadan ve ürünü çalıştırmadan önce bu kılavuzda yer alan talimatları okumanız önemlidir.
- Προσοχή!** Είναι πολύ σημαντικό να διαβάσετε τις οδηγίες στο παρόν εγχειρίδιο πριν συναρμολογήσετε, συντηρήσετε ή λειτουργήσετε το προϊόν.

Subject to technical modification | Sous réserve de modifications techniques | Technische Änderungen vorbehalten | Bajo reserva de modificaciones técnicas | Con riserva di eventuali modifiche tecniche | Technische wijzigingen voorbehouden | Com reserva de modificações técnicas | Med forbehold for tekniske ændringer | Med förbehåll för tekniska ändringar | Tekniset muutokset varataan | Med forbehold om tekniske endringer | могут быть внесены технические изменения | Z zastrzeżeniem modyfikacji technicznych | Změny technických údajů vyhrazeny | A műszaki módosítás jogát fenntartjuk | Sub rezerva modifiцаiilor tehnice | Paturam tiesības mainīt tehnisko raksturlielumus | Pasilikant teisę daryti techninius pakeitimus | Tehnilised muudatused võimalikud | Podložno tehničkim promjenama | Tehnične spremembe dopuščene | Právo na technické zmeny je vyhradené | Подлежи на технически модификации | Є об'єктом для технічних змін | Teknik değişiklik hakkı saklıdır | Υπό την επιφύλαξη τεχνικών τροποποιήσεων



EN
FR
DE
ES
IT
NL
PT
DA
SV
FI
NO
RU
PL
CS
HU
RO
LV
LT
ET
HR
SL
SK
BG
UK
TR
EL

Safety, performance, and dependability have been given top priority in the design of your percussion drill.

INTENDED USE

The percussion drill is intended to be used only by adults who have read and understood the instructions and warnings in this manual, and can be considered responsible for their actions.

The percussion drill is intended to be used in drilling into various materials, including wood, metal, and plastic using a drill bit having a shank diameter of less than 13 mm. When in impact mode, the percussion drill can be used in drilling masonry and similar materials. When in screwdriving mode, the percussion drill can be used in driving screws.

Do not use the product in any way other than those stated for intended use.

⚠ WARNING

Read all safety warnings and all instructions. Failure to follow the warnings and instructions may result in electric shock, fire and/or serious injury.

Save all warnings and instructions for future reference.

PERCUSSION DRILL SAFETY WARNINGS

- **Wear ear protectors when impact drilling.** Exposure to noise can cause hearing loss.
- **Use auxiliary handle(s), if supplied with the tool.** Loss of control can cause personal injury.
- **Hold power tool by insulated gripping surfaces when performing an operation where the cutting accessory may contact hidden wiring.** Cutting accessory contacting a "live" wire may make exposed metal parts of the power tool "live" and could give the operator an electric shock.
- **Hold power tool by insulated gripping surfaces, when performing an operation where the fastener may contact hidden wiring.** Fasteners contacting a "live" wire may make exposed metal parts of the power tool "live" and could give the operator an electric shock.
- Do not operate on materials (e.g., asbestos) that present a health hazard.
- Switch off the product immediately if the bit stalls. Do not switch on the product again while the bit is stalled, as doing so could trigger a sudden recoil with a high reactive force. Determine why the bit stalled and rectify this, paying heed to the safety instructions.
The possible causes may be:
 - it is tilted in the workpiece
 - it has pierced the workpiece
 - the product is overloaded
- Sawdust and splinters must not be removed while the product is running.
- When working in walls, ceilings, or floors, avoid electrical cables and gas or water pipes.

- Secure your workpiece with a clamping device.
- Ambient temperature range for tool during operation is between 0°C and 40°C.
- Ambient temperature range for tool storage is between 0°C and 40°C.
- The recommended ambient temperature range for the charging system during charging is between 10°C and 38°C.

ADDITIONAL BATTERY SAFETY WARNINGS

⚠ WARNING

To reduce the risk of fire, personal injury, and product damage due to a short circuit, never immerse your tool, battery pack or charger in fluid or allow a fluid to flow inside them. Corrosive or conductive fluids, such as seawater, certain industrial chemicals, and bleach or bleach-containing products, etc., can cause a short circuit.

TRANSPORTING LITHIUM BATTERIES

Transport the battery in accordance with local and national provisions and regulations.

Follow all special requirements on packaging and labelling when transporting batteries by a third party. Ensure that no batteries can come in contact with other batteries or conductive materials while in transport by protecting exposed connectors with insulating, non-conductive caps or tape. Do not transport batteries that are cracked or leaking. Check with the forwarding company for further advice.

- Ambient temperature range for battery during use is between 0°C and 40°C.
- Ambient temperature range for battery storage is between 0°C and 20°C.

RESIDUAL RISKS

Even when the product is used as prescribed, it is still impossible to completely eliminate certain residual risk factors. The operator should pay particular and additional attention to these points in order to reduce the risk of serious personal injury.

- Injury to hearing – Wear suitable ear protection and limit exposure.
- Injury to sight – Wear protective eye shields or goggles when using the product.
- Injury caused by vibration – Limit exposure and follow the instructions on risk reduction in this manual.
- Electric shock after contact with hidden wires – Hold the product only by insulated surfaces.
- Respiratory injury from dust created by operating the product – Wear suitable protection depending on type of dust.

RISK REDUCTION

It has been reported that vibrations from handheld tools may contribute to a condition called Raynaud's Syndrome in certain individuals. Symptoms may include tingling, numbness and blanching of the fingers, usually apparent upon exposure to cold. Hereditary factors, exposure to cold and dampness, diet, smoking and work practices are all thought to contribute to the development of these symptoms. There are measures that can be taken by the operator to possibly reduce the effects of vibration:

- Keep your body warm in cold weather. When operating the unit wear gloves to keep the hands and wrists warm. It is reported that cold weather is a major factor contributing to Raynaud's Syndrome.
- After each period of operation, exercise to increase blood circulation.
- Take frequent work breaks. Limit the amount of exposure per day.

If you experience any of the symptoms of this condition, immediately discontinue use and see your doctor about these symptoms.

WARNING

Injuries may be caused, or aggravated, by prolonged use of a tool. When using any tool for prolonged periods, ensure you take regular breaks.

KNOW YOUR PRODUCT

See page 81.

1. Two speed gear train
2. Quick mode selector
3. Torque adjustment ring
4. Keyless chuck
5. Direction of rotation selector
6. Hex head hole
7. Variable speed switch trigger
8. Handle, insulated gripping surface
9. MAG TRAY screw holder
10. LED light
11. Bit storage
12. Screw driver bit
13. Battery port
14. Depth stop rod
15. Auxiliary handle

MAINTENANCE

WARNING

The product should never be connected to a power supply when you are assembling parts, making adjustments, cleaning, performing maintenance, or when the product is not in use. Disconnecting the product will prevent accidental starting that could cause serious injury.

- When servicing, use only identical replacement parts. Use of any other parts may create a hazard or cause product damage.

- Avoid using solvents when cleaning plastic parts. Most plastics are susceptible to various types of commercial solvents and may be damaged by their use. Use clean cloths to remove dirt and carbon dust.
- Do not at any time let brake fluids, gasoline, petroleum-based products, penetrating oils, etc., come in contact with plastic parts. They contain chemicals that can damage, weaken or destroy plastic.
- Always wear safety goggles or safety glasses with side shields during power tool operation or when blowing dust. If operation is dusty, also wear a dust mask.
- For greater safety and reliability, all repairs should be performed by an authorised service centre.

LUBRICATION

All of the bearings in the product are lubricated with a sufficient amount of high grade lubricant for the life span of the product under normal operating conditions. Therefore, no further lubrication is required.

ENVIRONMENTAL PROTECTION



Recycle raw materials instead of disposing of as waste. The machine, accessories and packaging should be sorted for environmental-friendly recycling.

SYMBOLS



Safety alert



CE conformity



No-load speed



EurAsian Conformity Mark



Please read the instructions carefully before starting the machine.



Ukrainian mark of conformity



Chuck capacity



Drilling without impact



Percussion drill



Waste electrical products should not be disposed of with household waste. Please recycle where facilities exist. Check with your local authority or retailer for recycling advice.

EN
FR
DE
ES
IT
NL
PT
DA
SV
FI
NO
RU
PL
CS
HU
RO
LV
LT
ET
HR
SL
SK
BG
UK
TR
EL

SYMBOLS IN THIS MANUAL



Note



Warning



Screwdriving



Parts or accessories sold separately



Unlock



Lock



Torque, maximum



Torque, minimum



Speed, minimum



Speed, maximum

The following signal words and meanings are intended to explain the levels of risk associated with this product:

⚠ DANGER

Indicates an imminently hazardous situation, which, if not avoided, will result in death or serious injury.

⚠ WARNING

Indicates a potentially hazardous situation, which, if not avoided, could result in death or serious injury.

⚠ CAUTION

Indicates a potentially hazardous situation, which, if not avoided, may result in minor or moderate injury.

CAUTION

(Without Safety Alert Symbol) Indicates a situation that may result in property damage.



La plus grande priorité a été donnée à la sécurité, aux performances et à la fiabilité de votre perceuse à percussion lors de sa conception.

UTILISATION PRÉVUE

Cette perceuse à percussion est destinée à n'être utilisée que par des adultes ayant lu et compris les instructions et avertissements présents dans ce manuel, et pouvant être considérés responsables de leurs actions.

Le perceuse à percussion est destinée à être utilisée pour percer divers matériaux, comme le bois, le métal, et les plastiques avec un foret dont le diamètre n'excède pas 13 mm. En mode percussion, la perceuse à percussion peut être utilisée pour percer la maçonnerie et autres matériaux similaires. En mode vissage, la perceuse à percussion peut être utilisée pour le vissage/dévisage de vis.

Ne vous servez pas de ce produit pour d'autres utilisations que celles décrites au chapitre des utilisations prévues.

⚠ AVERTISSEMENT

Lisez tous les avertissements de sécurité et toutes les instructions. Le non-respect des avertissements et instructions peut entraîner une décharge électrique, un incendie et/ou de graves blessures.

Conservez tous les avertissements et toutes les instructions pour pouvoir vous y reporter ultérieurement.

AVERTISSEMENTS DE SÉCURITÉ RELATIFS À LA PERCEUSE À PERCUSSION

- **Portez une protection auditive lorsque vous percez avec la percussion.** L'influence du bruit peut provoquer la surdité.
- **Utilisez la poignée auxiliaire fournie avec l'outil.** Une perte de contrôle peut entraîner des blessures.
- **Lorsque vous effectuez une opération où l'accessoire de coupe risque d'entrer en contact avec un câble électrique caché, maintenez l'outil par ses surfaces isolées.** Un accessoire de coupe qui entre en contact avec un câble "sous tension" est susceptible de véhiculer le courant électrique vers les parties métalliques de l'outil et de provoquer un choc électrique à l'opérateur.
- **Maintenez l'outil électrique par ses surfaces de préhension isolées lorsque vous effectuez des opérations susceptibles de mettre en contact une agrafe avec des câbles cachés.** Une agrafe qui entrerait en contact avec un câble "sous tension" pourrait véhiculer cette tension électrique vers les parties métalliques de l'outil et exposer l'opérateur à une décharge électrique.
- N'opérez pas sur des matériaux (par ex. l'amiante) qui présentent un risque pour la santé.
- Arrêtez immédiatement le produit en cas de blocage du foret. Ne remettez pas le produit en marche tant que le foret est bloqué, vous risqueriez de déclencher

un mouvement de recul subit ayant une importante force de réaction. Déterminez la raison du blocage du foret et corrigez cette situation, en tenant compte des instructions de sécurité.

Les causes possibles peuvent être :

- il(elle) est en biais dans la pièce à travailler
- il(elle) a traversé la pièce à travailler
- le produit est en surcharge
- La sciure et les écharde ne doivent pas être retirées tant que le produit est en fonctionnement.
- Lorsque vous travaillez sur des murs, des plafonds ou des sols, prenez garde de ne pas entrer en contact avec des câbles électriques ou des tuyaux d'eau ou de gaz.
- Sécurisez la pièce à couper à l'aide d'un dispositif de serrage.
- La plage de température ambiante pour l'outil en fonctionnement se situe entre 0 °C et 40 °C.
- La plage de température ambiante pour l'entreposage de l'outil se situe entre 0 °C et 40 °C.
- La plage de température ambiante recommandée pour le système de chargement en fonctionnement se situe entre 10 °C et 38 °C.

MISES EN GARDE DE SÉCURITÉ SUPPLÉMENTAIRES CONCERNANT LA BATTERIE

⚠ AVERTISSEMENT

Pour réduire le risque d'incendie, de blessures corporelles et de dommages cau-sés par un court-circuit, ne jamais immerger l'outil, le bloc-piles ou le chargeur dans un liquide ou laisser couler un fluide à l'intérieur de celui-ci. Les fluides corrosifs ou conducteurs, tels que l'eau de mer, certains produits chim-iques industriels, les produits de blanchiment ou de blanchi-ment, etc., peuvent provoquer un court-circuit.

TRANSPORT DES BATTERIES AU LITHIUM

Transportez les batteries en conformité avec les dispositions et règlements locaux et nationaux.

Respectez toutes les exigences légales particulières concernant l'emballage et l'étiquetage des batteries lorsque vous confiez leur transport à un tiers. Assurez-vous qu'aucune batterie ne puisse entrer en contact avec une autre batterie ou avec des matériaux conducteurs lors de son transport en isolant les bornes électriques avec du ruban adhésif ou des capuchons isolants. Ne transportez pas une batterie qui serait fendue ou qui fuirait. Demandez conseil au transporteur pour de plus amples informations.

- La plage de température ambiante pour la batterie en utilisation se situe entre 0 °C et 40 °C.
- La plage de température ambiante pour l'entreposage de la batterie se situe entre 0 °C et 20 °C.



RISQUES RÉSIDUELS

Même lorsque le produit est utilisé selon les prescriptions, il reste impossible d'éliminer totalement certains facteurs de risque résiduels. L'opérateur doit toujours prêter particulièrement attention à ces points afin de réduire les risques de blessures graves.

- Atteinte à l'audition – Portez une protection auditive adaptée et limitez le temps d'exposition.
- Atteinte à la vue – Portez des lunettes ou un masque de protection lorsque vous utilisez le produit.
- Blessures dues aux vibrations - Limitez l'exposition et suivez les instructions sur la réduction des risques dans ce manuel.
- Décharge électrique après entrée en contact avec des fils cachés - Ne tenez le produit que par ses surfaces isolées.
- Atteinte respiratoire due aux poussières générées par l'utilisation du produit – Portez une protection adaptée au type de poussière.

RÉDUCTION DES RISQUES

Il a été reporté que les vibrations engendrées par les outils tenus à main peuvent contribuer à l'apparition d'un état appelé le Syndrome de Raynaud chez certaines personnes. Les symptômes peuvent comprendre des fourmillements, un engourdissement et un blanchiment des doigts, généralement par temps froid. Des facteurs héréditaires, l'exposition au froid et à l'humidité, le régime alimentaire, le tabagisme et les habitudes de travail peuvent contribuer au développement de ces symptômes. Certaines mesures peuvent être prises par l'utilisateur pour aider à réduire les effets des vibrations:

- Gardez votre corps au chaud par temps froid. Lorsque vous utilisez l'appareil, portez des gants afin de garder vos mains et vos poignets au chaud. Le temps froid est considéré comme un facteur contribuant très largement à l'apparition du Syndrome de Raynaud.
- Après chaque session de travail, pratiquez des exercices qui favorisent la circulation sanguine.
- Faites des pauses fréquentes. Limitez la quantité d'exposition journalière.

Si vous ressentez l'un des symptômes associés à ce syndrome, arrêtez immédiatement le travail et consultez votre médecin pour lui en faire part.

⚠ AVERTISSEMENT

L'utilisation prolongée d'un outil est susceptible de provoquer ou d'aggraver des blessures. Assurez-vous de faire des pauses de façon régulière lorsque vous utilisez tout outil de façon prolongée.

APPRENEZ À CONNAÎTRE VOTRE PRODUIT

Voir la page 81.

1. Démultiplication à deux vitesses mécaniques
2. Sélecteur rapide de mode
3. Bague de réglage du couple
4. Mandrin auto-serrant
5. Sélecteur de sens de rotation
6. Trou hexagonal
7. Gâchette avec variateur
8. Poignée, surface de préhension isolée
9. Support de vis MAG TRAY
10. Éclairage à LED
11. Logement pour forets
12. Embouts de vissage
13. Réceptacle de la batterie
14. Tige de butée de profondeur
15. Poignée auxiliaire

ENTRETIEN

⚠ AVERTISSEMENT

Le produit ne doit jamais être branché sur une source de courant lorsque vous-y montez des pièces, lorsque vous effectuez des réglages, lorsque vous le nettoyez, lorsque vous l'entretenez, ou lorsque vous ne l'utilisez pas. Le fait de débrancher le produit évitera toute mise en marche accidentelle susceptible de provoquer de graves blessures.

- N'effectuez les réparations qu'en utilisant des pièces détachées identiques. L'utilisation de toute autre pièce est susceptible de présenter un danger ou d'endommager votre outil.
- Évitez d'utiliser des solvants pour nettoyer les parties en plastique. La plupart des plastiques sont susceptibles d'être endommagés par les solvants disponibles dans le commerce. Utiliser un chiffon propre pour retirer la saleté et la poussière de carbone.
- Ne laissez jamais du liquide de frein, de l'essence, des produits pétroliers, des huiles pénétrantes, etc. entrer en contact avec les éléments en plastique. Ces produits chimiques contiennent des substances qui peuvent endommager, fragiliser ou détruire le plastique.
- Portez toujours un masque oculaire ou des lunettes de protection à volets latéraux lorsque vous utilisez l'outil électrique ou lorsque vous soufflez de la poussière. Si l'opération génère des poussières, portez également un masque anti-poussières.
- Pour plus de sécurité et de fiabilité, toutes les réparations doivent être effectuées par un service après-vente agréé.

LUBRIFICATION

Tous les roulements de ce produit sont lubrifiés avec une quantité suffisante d'huile de haute qualité pour toute sa durée de vie sous des conditions d'utilisation normales. Par conséquent, aucune lubrification supplémentaire n'est nécessaire.

PROTECTION DE L'ENVIRONNEMENT



Recyclez les matières premières au lieu de les jeter avec les ordures ménagères. Pour protéger l'environnement, l'outil, les accessoires et les emballages doivent être triés.

SYMBOLES



Alerte de sécurité



Conformité CE



Vitesse à vide



Marque de conformité d'Eurasie



Veillez lire attentivement le mode d'emploi avant de démarrer la machine.



Marque de conformité ukrainienne

001



Capacité du mandrin



Perçage sans burinage



Perceuse à Percussion



Les produits électriques hors d'usage ne doivent pas être jetés avec les ordures ménagères. Recyclez-les par l'intermédiaire des structures disponibles. Contactez les autorités locales pour vous renseigner sur les conditions de recyclage.

SYMBOLES PRÉSENTS DANS LE MANUEL



Remarque



Avertissement



Vissage/dévisage



Pièces détachées et accessoires vendus séparément



Déverrouillage



Verrouillage



Couple maximum



Couple, minimum



Vitesse, minimum



Vitesse, maximum

Les symboles suivants, et les noms qui leur sont associés, permettent d'expliquer les différents niveaux de risques liés à l'utilisation de cet outil.

DANGER

Imminence d'un danger qui, si l'on n'y prend garde, peut entraîner des blessures graves voire mortelles.

AVERTISSEMENT

Situation potentiellement dangereuse qui, si l'on n'y prend garde, peut entraîner des blessures graves voire mortelles.

ATTENTION

Situation potentiellement dangereuse qui, si l'on n'y prend garde, peut entraîner des blessures moyennes ou légères.

ATTENTION

(Sans symbole de sécurité) Indique une situation pouvant provoquer des dommages matériels.

Sicherheit, Leistung und Zuverlässigkeit hatten oberste Priorität bei der Entwicklung Ihrer Schlagbohrmaschine.

BESTIMMUNGSGEMÄSSE VERWENDUNG

Diese Schlagbohrmaschine ist nur für den Gebrauch durch Erwachsene vorgesehen, die die Bedienungsanleitung gelesen und verstanden haben und als verantwortlich für ihre Handlungen erachtet werden können.

Die Schlagbohrmaschine kann zum Bohren in verschiedenen Materialien verwendet werden, einschließlich Holz, Metall und Kunststoffe unter Verwendung eines Bohrers mit einem Schaftdurchmesser von weniger als 13 mm. Im Schlagbohrmodus kann die Schlagbohrmaschine zum Bohren in Mauerwerk und ähnlichen Materialien benutzt werden. Im Schraubmodus kann die Schlagbohrmaschine zum Schrauben benutzt werden.

Benutzen Sie das Produkt nicht für andere Aufgaben, als die genannten bestimmungsgemäßen Verwendungen.

⚠️ WARNUNG

Lesen Sie alle Sicherheitshinweise und Anweisungen. Versäumnisse bei der Einhaltung der Sicherheitshinweise und Anweisungen können elektrischen Schlag, Brand und/oder schwere Verletzungen verursachen.

Bewahren Sie alle Sicherheitshinweise und Anweisungen für die Zukunft auf.

SICHERHEITSHINWEISE FÜR BOHRMASCHINEN

- **Tragen Sie beim Schlagbohren einen Gehörschutz.** Die Einwirkung von Lärm kann Gehörverlust bewirken.
- **Benutzen Sie mit dem Gerät gelieferte Zusatzhandgriffe.** Der Verlust der Kontrolle kann zu Verletzungen führen.
- **Halten Sie das Elektrowerkzeug an den isolierten Griffflächen, wenn Sie Arbeiten ausführen, bei denen das Einsatzwerkzeug verborgene Stromleitungen treffen kann.** Der Kontakt mit einer spannungsführenden Leitung kann auch metallene Geräteteile unter Spannung setzen und zu einem elektrischen Schlag führen.
- **Halten Sie das Elektrowerkzeug an den isolierten Griffflächen, wenn Sie Arbeiten ausführen, bei denen die Schraube verborgene Stromleitungen treffen kann.** Der Kontakt mit einer spannungsführenden Leitung kann auch metallene Geräteteile unter Spannung setzen und zu einem elektrischen Schlag führen.
- Es dürfen keine Materialien bearbeitet werden, von denen eine Gesundheitsgefährdung ausgeht (z.B. Asbest).
- Beim Blockieren des Einsatzwerkzeuges bitte das Gerät sofort ausschalten! Schalten Sie das Gerät nicht wieder ein, solange das Einsatzwerkzeug blockiert ist; hierbei

könnte ein Rückschlag mit hohem Reaktionsmoment entstehen. Ermitteln und beheben Sie die Ursache für die Blockierung des Einsatzwerkzeuges unter Berücksichtigung der Sicherheitshinweise.

Die möglichen Ursachen können sein:

- es ist im Werkstück verkanntet
 - es hat das Werkstück durchbohrt
 - das Produkt ist überlastet
- Sägemehl und Späne dürfen nicht entfernt werden während das Produkt in Betrieb ist.
 - Beim Arbeiten in Wand, Decke oder Fußboden auf elektrische Kabel, Gas- und Wasserleitungen achten.
 - Sichern Sie Ihr Werkstück mit einer Spannvorrichtung.
 - Der Umgebungstemperaturbereich für das Werkzeug während des Betriebs liegt zwischen 0 °C und 40 °C.
 - Der Umgebungstemperaturbereich für die Lagerung des Werkzeugs liegt zwischen 0 °C und 40 °C.
 - Der empfohlene Umgebungstemperaturbereich für das Ladesystem während des Ladevorgangs liegt zwischen 10 °C und 38 °C.

WEITERE SICHERHEITSHINWEISE ZUM AKKU

⚠️ WARNUNG

Um die durch einen Kurzschluss verursachte Gefahr eines Brandes, von Verletzungen oder Produktbeschädigungen zu vermeiden, tauchen Sie das Werkzeug, den Wechselakku oder das Ladegerät nicht in Flüssigkeiten ein und sorgen Sie dafür, dass keine Flüssigkeiten in die Geräte und Akkus eindringen. Korrodierende oder leitfähige Flüssigkeiten, wie Salzwasser, bestimmte Chemikalien und Bleichmittel oder Produkte, die Bleichmittel enthalten, können einen Kurzschluss verursachen.

TRANSPORT VON LITHIUM AKKUS

Transportieren Sie den Akku gemäß Ihren örtlichen und nationalen Bestimmungen und Regeln.

Befolgen Sie alle besonderen Anforderungen für Verpackung und Beschriftung, wenn Sie Akkus von Dritten transportieren lassen. Stellen Sie sicher, dass beim Transport kein Akku in Kontakt mit anderen Akkus oder leitenden Materialien kommt, indem Sie die freien Anschlüsse mit Isolierband, nichtleitenden Kappen oder Klebeband schützen. Beschädigte oder auslaufende Akkus dürfen nicht transportiert werden. Befragen Sie Ihre Transportfirma nach weiteren Informationen.

- Der Umgebungstemperaturbereich für die Batterie während des Gebrauchs liegt zwischen 0 °C und 40 °C.
- Der Umgebungstemperaturbereich für die Lagerung der Batterie liegt zwischen 0 °C und 20 °C.

RESTRISIKEN

Sogar wenn das Produkt wie vorgeschrieben benutzt wird, ist es unmöglich ein gewisses Restrisiko vollständig auszuschließen. Der Benutzer sollte besonders und zusätzlich auf diese Punkte achten, um die Gefahr schwerer Verletzungen zu verringern.

- Lärm kann zu Gehörschäden führen. – Tragen Sie einen Gehörschutz und schränken Sie die Belastung ein.
- Verletzung der Augen – Tragen Sie einen Augenschutz oder eine Schutzbrille, wenn Sie das Produkt benutzen.
- Durch Vibrationen verursachte Verletzungen. - Schränken Sie die Belastung ein und befolgen die Anweisungen zur Risikoverringung in dieser Bedienungsanleitung
- Stromschlag nach Kontakt mit versteckten Kabeln - Halten Sie das Produkt nur an isolierten Flächen.
- Kontakt oder Einatmen des mit diesen Materialien erzeugten Staubs kann die Gesundheit des Benutzers oder die von Anwesenden gefährden. Tragen Sie eine geeignete Schutzausrüstung, je nach Art des Staubs.

RISIKOVERRINGERUNG

Vibrationen von in der Hand gehaltenen Werkzeugen können bei einigen Personen zu einem Zustand, der Raynaud-Syndrom genannt wird, führen. Symptome sind u.a. Kribbeln, Taubheitsgefühl und episodische Weißfärbung der Finger und treten normalerweise bei Kälte auf. Man geht davon aus, dass ererbte Faktoren, Kälte und Feuchtigkeit, Essgewohnheiten, Rauchen und Arbeitsweise zur Entwicklung dieser Symptome beitragen. Der Anwender kann Maßnahmen ergreifen, um die Auswirkungen der Vibrationen möglicherweise zu verringern:

- Halten Sie den Körper bei Kälte warm. Tragen Sie beim Betrieb des Geräts Handschuhe, um Hände und Handgelenke warm zu halten. Berichten zu Folge ist kaltes Wetter ein wesentlicher Faktor, der zum Raynaud Syndrom beiträgt.
- Betätigen Sie sich nach jedem Einsatz körperlich, um den Blutkreislauf zu steigern.
- Machen Sie regelmäßig Pausen. Beschränken Sie die Beanspruchung pro Tag.

Sollten bei Ihnen eines der zuvor beschriebenen Symptome / Zustände auftreten, stellen Sie unverzüglich den Betrieb ein und suchen Sie bezüglich der Symptome einen Arzt auf.

⚠ WARNUNG

Verletzungen können durch lange Benutzung eines Werkzeugs entstehen oder verschlimmert werden. Machen Sie regelmäßig Pause, wenn Sie ein Werkzeug für lange Zeit benutzen.

MACHEN SIE SICH MIT IHREM PRODUKT VERTRAUT

Siehe Seite 81.

1. Wahlschalter 2-Ganggetriebe
2. Modus Wahlschalter
3. Ring zur Drehmomenteinstellung
4. Schnellspannfutter
5. Drehrichtungswählschalter
6. Sechskantaufnahme
7. Ein-Ausschalter mit variabler Drehzahlregelung
8. Handgriff, isolierte Grifffläche
9. MAG TRAY Schraubenhalter
10. LED Licht
11. Bit-Halterung
12. Schraub-Bit
13. Akku-Aufnahmeschacht
14. Tiefenschlag
15. Zusatzhandgriff

WARTUNG UND PFLEGE

⚠ WARNUNG


Das Produkt darf niemals an die Stromversorgung angeschlossen sein, wenn Sie Teile zusammenbauen, Einstellungen vornehmen, reinigen, Wartungsarbeiten durchführen, oder wenn das Produkt nicht benutzt wird. Trennen des Produktes von der Stromversorgung verhindert ein unbeabsichtigtes Einschalten, das schwere Verletzungen verursachen könnte.

- Verwenden Sie zur Wartung nur Original Ersatzteile. Der Einsatz von anderen Teilen kann eine Gefahr verursachen oder das Produkt beschädigen.
- Vermeiden Sie beim Reinigen der Plastikteile den Einsatz von Lösungsmitteln. Die meisten Kunststoffe können durch im Handel erhältliche Lösungsmittel beschädigt werden. Verwenden Sie saubere Tücher, um Schmutz und Kohlenstaub zu entfernen.
- Lassen Sie niemals Bremsflüssigkeiten, Benzine, Produkte auf Erdölbasis, Rostlöser usw. mit den Plastikteilen in Kontakt geraten. Diese chemischen Produkte enthalten Substanzen, die den Kunststoff beschädigen, schwächen oder zerstören können.
- Tragen Sie beim Arbeiten mit motorbetriebenen Werkzeugen oder beim Wegblasen von Staub immer eine Schutzbrille mit Seitenschutz. Tragen Sie außerdem bei staubigen Arbeiten eine Atemschutzmaske.
- Alle Reparaturen sollten zur besseren Sicherheit und Zuverlässigkeit von einem autorisierten Kundendienst durchgeführt werden.

ÖLEN

Alle Lagerelemente in dem Produkt sind mit genug qualitativ hochwertigem Schmiermittel für die gesamte Lebensdauer des Produktes unter normalen Betriebsbedingungen geölt. Es ist daher keine zusätzliche Schmierung erforderlich.

UMWELTSCHUTZ








 Recyceln Sie die Rohstoffe, anstatt sie im Haushaltsabfall zu entsorgen. Zum Schutz der Umwelt müssen das Gerät, die Zubehörteile und die Verpackungen getrennt entsorgt werden.

SYMBOLE

-  Sicherheitswarnung
-  CE Konformität
-  Leerlaufdrehzahl
-  EurAsian Konformitätszeichen
-  Bitte lesen Sie die Anweisungen sorgfältig, bevor Sie das Gerät einschalten.
-  Ukrainisches Prüfzeichen
001
-  Bohrfutterbereich
-  Bohren ohne Schlagwerk
-  Schlagbohrmaschine
-  Elektrische Geräte sollten nicht mit dem übrigen Müll entsorgt werden. Bitte entsorgen Sie diese an den entsprechenden Entsorgungsstellen. Wenden Sie sich an die örtliche Behörde oder Ihren Händler, um Auskunft über die Entsorgung zu erhalten.

SYMBOLE IN DER BEDIENUNGSANLEITUNG

-  Hinweis
-  Warnung
-  Schrauben

-  Teile oder Zubehör getrennt erhältlich
-  Öffnen
-  Sperren
-  Größtes-Drehmoment
-  Mindest-Drehmoment
-  Drehzahl, Minimum
-  Drehzahl, Maximum

Mit den folgenden Symbolen wird die Bedeutung der verschiedenen Risikostufen, die mit dem Produkt einhergehen, dargestellt.

⚠ GEFAHR
Bezeichnet eine unmittelbare Gefahrensituation, die, falls nicht vermieden, zum Tode oder schweren Verletzungen führen kann.

⚠ WARNUNG
Bezeichnet eine mögliche Gefahrensituation, die, falls nicht vermieden, zum Tode oder schweren Verletzungen führen kann.

⚠ ACHTUNG
Bezeichnet eine mögliche Gefahrensituation, die, falls nicht vermieden, zu kleineren und mittleren Verletzungen führen kann.

ACHTUNG
(Ohne Warnsymbol) weist auf eine Situation hin, die zu Sachschaden führen kann.



Seguridad, desempeño y fiabilidad han sido las prioridades en el diseño de su taladrado de percusión.

USO PREVISTO

Este martillo de percusión está diseñado para ser utilizado por adultos que hayan leído y comprendido las instrucciones y advertencias recogidas en este manual y que puedan ser considerados responsables de sus acciones.

El taladro de percusión es apto para taladrar varios tipos de material, incluida la madera, el metal y el plástico utilizando una broca con un diámetro inferior a 13 mm. En el modo de impacto, el taladro de percusión puede utilizarse para taladrar mampostería y materiales similares. En el modo de destornillador, el taladro de percusión puede utilizarse para atornillar/desatornillar.

Utilice el producto exclusivamente para el uso para el que fue diseñado.

⚠ ADVERTENCIA

Lea todas las instrucciones y advertencias de seguridad. No seguir las advertencias e instrucciones correctamente puede provocar descargas eléctricas, incendios y/o daños graves.

Guarde todas estas advertencias e instrucciones para futuras referencias.

ADVERTENCIAS DE SEGURIDAD EL TALADRADO DE PERCUSIÓN

- **Utilice protectores de oído durante la perforación de impacto.** La exposición a niveles de ruido excesivos puede causar pérdida de audición.
- **Utilice el asa auxiliar suministrada con la herramienta.** La pérdida de control de la herramienta puede causar daños personales.
- **Sujete la herramienta eléctrica por las superficies de sujeción aislantes cuando realice una operación en la que el accesorio de corte pueda entrar en contacto con el cableado oculto.** El accesorio de corte que esté en contacto con un cable "vivo" puede transmitir corriente a las piezas metálicas de la herramienta que estén expuestas y el operador podría sufrir una descarga eléctrica.
- **Sujete la herramienta motorizada por las superficies de agarre aisladas al realizar una operación en la que el fijador pueda estar en contacto con el cableado oculto.** El contacto de las brocas con un cable con corriente puede cargar las partes metálicas de la herramienta y puede provocar una descarga eléctrica.
- No utilizar sobre materiales que puedan suponer un riesgo para la salud (por ejemplo, amianto).
- Apague el producto inmediatamente si la broca se atasca. No vuelva a encender el producto mientras la broca esté atascada/o, ya que si lo hace podría causar

un impacto repentino con una alta fuerza reactiva. Determine la causa del atasco de la broca y corríjala, prestando atención a las instrucciones de seguridad.

Las posibles causas pueden ser:

- está inclinada/o en la pieza de trabajo
- ha perforado la pieza de trabajo
- el producto se ha sobrecargado
- No debe retirar el serrín y las astillas mientras el producto está en funcionamiento.
- Evite los cables eléctricos y las tuberías de gas o agua al trabajar en paredes, techos o suelos.
- Sujete la pieza de trabajo con un dispositivo de sujeción.
- El rango de temperatura ambiente para la herramienta (producto) en funcionamiento es de entre 0 y 40 °C.
- El rango de temperatura ambiente en el entorno en el que se guarde la herramienta (producto) es de entre 0 y 40 °C.
- El rango de temperatura ambiente recomendado para el sistema de carga durante la carga es de entre 10 y 38 °C.

ADVERTENCIAS DE SEGURIDAD DE LA BATERÍA ADICIONAL

⚠ ADVERTENCIA

Para reducir el riesgo de incendio, lesión personales y daños al producto debido a un cortocircuito, no sumerja nunca la herramienta, el paquete de baterías o el cargador en líquido ni permita que fluya un fluido dentro de ellos. Los fluidos corrosivos o conductivos, como el agua de mar, ciertos productos químicos industriales y blanqueadores o lejías que contienen, etc., pueden causar un cortocircuito.

TRANSPORTE DE BATERÍAS DE LITIO

Transporte la batería de conformidad con las disposiciones y las normativas locales y nacionales.

Cuando las baterías sean transportadas por un tercero, cumpla los requisitos especiales relativos al embalaje y etiquetado. Asegúrese de que ninguna batería entra en contacto con otra batería o con materiales conductores durante el transporte, proteja los conectores expuestos con tapones o tapas aislantes no conductoras. No transporte baterías con fisuras o fugas. Para más asesoramiento, póngase en contacto con la empresa de distribución.

- El rango de temperatura ambiente para la batería en uso es de entre 0 y 40 °C.
- El rango de temperatura ambiente para el almacenamiento de batería es de entre 0 y 20 °C.



RIESGOS RESIDUALES

Incluso cuando se utiliza el producto según las instrucciones, sigue siendo imposible eliminar por completo ciertos factores de riesgo residuales. El usuario debe prestar especial atención a estos puntos para minimizar el riesgo de lesiones personales graves.

- Lesiones auditivas – Use protección adecuada para los oídos y limite el tiempo de exposición
- Lesiones oculares – Hay que llevar pantallas o gafas de protección para los ojos cuando se utilice el aparato.
- Lesiones por vibración - Limite la exposición y siga las instrucciones sobre la reducción de riesgos en este manual.
- Descarga eléctrica por contacto con cables ocultos - Sujete el aparato únicamente por las superficies aislantes.
- Daños respiratorios debido al polvo generado al utilizar el producto – Utilice la protección adecuada según el tipo de polvo.

REDUCCIÓN DEL RIESGO

Se ha informado de que las vibraciones de las herramientas manuales pueden contribuir a una enfermedad llamada síndrome de Raynaud en ciertos individuos. Los síntomas pueden incluir hormigueo, entorpecimiento y decoloración de los dedos, generalmente aparentes cuando tiene lugar una exposición al frío. Se considera que los factores hereditarios, exposición al frío y a la humedad, dieta, tabaquismo y prácticas de trabajo contribuyen al desarrollo de estos síntomas. Existen medidas que pueden ser tomadas por el operador para reducir los efectos de vibración:

- Mantenga su cuerpo caliente durante el tiempo frío. Al manipular la unidad, utilice guantes para mantener las manos y las muñecas calientes. Hay informes que indican que el tiempo frío es un gran factor que contribuye al síndrome de Raynaud.
- Después de cada período de funcionamiento, realice ejercicios para aumentar la circulación sanguínea.
- Haga pausas de trabajo frecuentes. Limite la cantidad de exposición por día.

Si siente alguno de los síntomas de esta enfermedad, interrumpa inmediatamente el uso y consulte a su médico estos síntomas.

⚠ ADVERTENCIA

El uso prolongado de la herramienta puede provocar o agravar lesiones. Al utilizar cualquier herramienta durante períodos prolongados asegúrese de tomar descansos regulares.

CONOZCA EL PRODUCTO

Consulte la página 81.

1. Engranaje de dos velocidades
2. Selector rápido de modo
3. Anillo de ajuste del par
4. Mandril sin llave
5. Selector de la dirección de rotación
6. Ranura de cabeza hexagonal
7. Gatillo-interruptor de velocidad variable
8. Asa, superficie de agarre aislada
9. Depósito de brocas MAG TRAY
10. Led
11. Espacio para guardar brocas
12. Destornillador de piezas pequeñas
13. Puerto de la batería
14. Varilla de tope de profundidad
15. Empuñadura auxiliar

MANTENIMIENTO

⚠ ADVERTENCIA

El aparato nunca debe estar conectado a una fuente eléctrica mientras se estén montando las piezas, realizando ajustes, limpiando, llevando a cabo el mantenimiento o cuando no esté en uso. Apagar el aparato evitará que se ponga en marcha accidentalmente y cause lesiones graves.

- Utilice solo piezas de recambio idénticas cuando esté realizando labores de mantenimiento de la máquina. El uso de otras piezas puede ocasionar riesgos o daños en el producto.
- Evite el uso de disolventes para limpiar las piezas de plástico. La mayor parte de los plásticos pueden resultar dañados con los disolventes que se venden en el mercado. Utilice trapos limpios para eliminar la suciedad y el polvo de carbón.
- No permita en ningún momento que las piezas de plástico entren en contacto con líquido de frenos, gasolina, productos derivados del petróleo, aceites penetrantes, etc. Estos productos químicos contienen sustancias que pueden deteriorar, debilitar o destruir el plástico.
- Siempre use gafas de seguridad o gafas de seguridad con protección lateral durante el funcionamiento de la herramienta eléctrica o cuando ésta desprenda polvo. Si la superficie de trabajo es polvorienta, use también una careta específica.
- Para una mayor seguridad y fiabilidad, todas las reparaciones deben ser realizadas por un centro de servicio autorizado.

LUBRICACIÓN

Todos los cojinetes de este producto están lubricados con una cantidad suficiente de lubricante de alta calidad para la vida del producto en condiciones normales de funcionamiento. Por lo tanto, no es menester prevenir ninguna lubricación adicional.

PROTECCIÓN DEL MEDIO AMBIENTE



Recicle las materias primas en lugar de tirarlas a la basura doméstica. Para proteger el medio ambiente, debe separar la herramienta, los accesorios y los embalajes.

SÍMBOLOS



Alerta de seguridad



Conformidad CE



Velocidad sin carga



Certificado EAC de conformidad



Por favor lea las instrucciones detenidamente antes de arrancar la máquina.



Marca de conformidad ucraniana

001



Capacidad del mandril



Perforación sin impacto



Taladro



Los productos eléctricos de desperdicio no deben desecharse con desperdicios caseros. Por favor recíclelos donde existan dichas instalaciones. Compruebe con su autoridad local o minorista para reciclar.

SÍMBOLOS EN ESTE MANUAL



Nota



Advertencia



Atornillado/desatornillado



Las piezas o accesorios se venden por separado



Desbloquear



Bloquear



Torsión, máxima



Par mínimo



Velocidad, mínimo



Velocidad, máxima

Los siguientes símbolos y palabras detallan los niveles de cuidado necesarios para usar este producto.

PELIGRO

Indica una situación inminente de peligro que, si no se evita, provocará la muerte o lesiones graves.

ADVERTENCIA

Indica una situación potencialmente peligrosa que, si no se evita, podría causar la muerte o lesiones graves.

PRECAUCIÓN

Indica una situación potencialmente peligrosa que, si no se evita, puede provocar lesiones leves o moderadas.

PRECAUCIÓN

(Sin símbolo de seguridad) Indica una situación que podría ocasionar daños materiales.



È stata data massima priorità a sicurezza, prestazioni e affidabilità nel design di questo trapano a percussione.

UTILIZZO

Questo martello demolitore è adatto per essere utilizzato da adulti che hanno letto e compreso le istruzioni e gli avvertimenti nel presente manuale e che possono quindi essere considerati responsabili delle loro azioni.

Il martello demolitore è progettato per essere utilizzato per operazioni di foratura in vari materiali, compreso legno, metallo e plastica utilizzando una punta con un diametro inferiore ai 13 mm. Nella modalità a impatto, il martello demolitore può essere utilizzato per forare laterizi ed altri materiali simili. Nella modalità avvitatura, il martello demolitore può essere usato per applicare viti.

Non utilizzare il prodotto in modi diversi da quelli indicati.

⚠ AVVERTENZE

Leggere tutti gli avvertimenti e le istruzioni di sicurezza. La mancata osservanza delle avvertenze e delle istruzioni potrà causare scosse elettriche, incendi e/o gravi lesioni personali.

Conservare tutte le istruzioni e le avvertenze per eventuali riferimenti futuri.

AVVERTENZE DI SICUREZZA TRAPANO A PERCUSSIONE

- **Insossare cuffie di protezione con trapani a impatto.** L'esposizione prolungata al rumore senza protezione può causare danni all'udito.
- **Utilizzare il manico secondario fornito con l'utensile.** La perdita di controllo potrebbe causare lesioni personali.
- **Reggere l'utensile dalle superfici isolate quando si svolge un'operazione nella quale le lame potrebbero toccare dei cavi nascosti.** Se la lama taglia un cavo "vivo" le parti esposte dell'elettrotensile potrebbero fare da conduttore e causare scosse elettriche.
- **Reggere l'utensile dalle superfici in gomma isolate quando si svolgono operazioni durante le quali i chiodi potranno entrare in contatto con cavi nascosti.** I chiodi che entrano in contatto con un cavo "sotto tensione" potranno mettere sotto tensione le parti in metallo dell'utensile e causare scosse elettriche all'operatore. all'operatore.
- Non mettere in funzione su materiali (per esempio amianto) che rappresentano un rischio per la salute.
- Spegnerlo immediatamente se [la punta / la lama / l'accessorio] si blocca. Non attivare il prodotto se la punta risulta bloccato/a, dal momento che ciò potrà causare un improvviso rimbalzo con una forza di reazione. Determinare perché la punta risulta bloccato/a e correggere l'errore prestando attenzione alle istruzioni di sicurezza.

Le cause possibili possono essere:

- è inclinato/a nel pezzo sul quale si sta lavorando
- ha forato il pezzo sul quale si sta lavorando
- prodotto sovraccaricato
- Segatura e schegge non devono essere rimosse mentre il prodotto è in funzione.
- Quando si svolgono operazioni di perforazione in muri, soffitti, o pavimenti evitare cavi elettrici e tubi del gas e dell'acqua.
- Agganciare il pezzo sul quale si sta lavorando con un morsetto.
- L'intervallo della temperatura ambiente per l'utensile durante l'azionamento rientra tra 0° C e 40° C.
- L'intervallo della temperatura ambiente per la conservazione dell'utensile rientra tra 0° C e 40° C.
- L'intervallo della temperatura ambiente raccomandato per il sistema di carica durante la carica rientra tra 10° C e 38° C.

AVVERTENZE AGGIUNTIVE PER LA SICUREZZA DELLA BATTERIA

⚠ AVVERTENZE

Per ridurre il rischio d'incendio, di lesioni o di danni al prodotto causati da corto circuito, non immergere mai l'utensile, la batteria ricaricabile o la carica batterie in un liquido e non lasciare mai penetrare alcun liquido all'interno dei dispositivi e delle batterie. I fluidi corrosivi o conduttori come acqua salata, alcuni agenti chimici, agenti candeggianti o prodotti contenenti agenti candeggianti potrebbero provocare un corto circuito.

TRASPORTARE BATTERIE AL LITIO

Trasportare la batteria secondo quanto indicato dalle norme e regolamentazioni locali e nazionali.

Seguire tutte le istruzioni speciali riportate sulla scatola e sull'etichetta quando si fanno trasportare batterie da eventuali terzi. Assicurarsi che le batterie non entrino in contatto con altre batterie o materiali conduttivi durante il trasporto proteggendo i connettori esposti con tappi isolanti, non conduttivi o nastro adesivo. Non trasportare batterie rotte o che perdono liquidi. Rivolgersi alla ditta distributrice per ulteriori consigli.

- L'intervallo della temperatura ambiente per la batteria durante l'utilizzo rientra tra 0° C e 40° C.
- L'intervallo della temperatura ambiente per la conservazione della batteria rientra tra 0° C e 20° C.

RISCHI RESIDUI

Anche quando il prodotto viene utilizzato come indicato, sarà ancora impossibile eliminare completamente alcuni fattori di rischio residuo. L'operatore dovrà prestare particolare ed ulteriore attenzione a questi punti per ridurre il rischio di gravi lesioni alla persona.





- Lesioni all'udito – Indossare cuffie di protezione adatte e limitare l'esposizione.
- Lesioni alla vista – Indossare occhiali o schermi di protezione quando si utilizza il prodotto.
- Lesioni causate da vibrazioni - Limitare l'esposizione e seguire le istruzioni sulla riduzione dei rischi in questo manuale.
- Scosse elettriche in caso di contatto con fili nascosti - Reggere il prodotto solo dalle superfici isolate.
- Lesioni all'apparato respiratorio da polvere causate da messa in funzione del prodotto. – Indossare protezioni adeguate a seconda del tipo di polvere.

RIDUZIONE DEL RISCHIO

E' stato fatto presente che le vibrazioni da utensili a mano potrebbero contribuire a una condizione chiamata Sindrome di Raynaud in alcuni individui. I sintomi, comprendenti formicolio, intorpidimento e perdita di colore alle dita, si verificano di solito quando ci si espone al freddo. Fattori ereditari, esposizione a freddo e umidità, una dieta scorretta, fumo e condizioni di lavoro non sicure potranno contribuire allo sviluppo di questi sintomi. È possibile prendere delle precauzioni per ridurre le vibrazioni:

- Tenere il corpo al caldo a basse temperature. Quando si utilizza l'utensile, indossare guanti e tenere le mani e i polsi caldi. Le basse temperature contribuiscono a causare la Sindrome di Raynaud.
- Dopo aver utilizzato l'utensile per un certo periodo, fare degli esercizi per stimolare la circolazione del sangue.
- Fare spesso delle pause. Limitare la quantità di esposizione giornaliera.

Nel caso in cui si provino i sintomi di questa condizione, interrompere immediatamente l'utilizzo dell'utensile e consultare un dottore.

AVVERTENZE

L'utilizzo prolungato dell'utensile potrà causare o aggravare lesioni già esistenti. Quando si utilizza questo utensile per periodi di tempo prolungati, assicurarsi di fare sempre delle pause regolari.

FAMILIARIZZARE CON IL PRODOTTO

Vedere a pagina 81.

1. Cambio a due velocità
2. Selezionatore Quick Mode
3. Anello di regolazione torsione
4. Mandrino senza chiave
5. Selezionatore di direzione rotazione
6. Foro vite esagonale
7. Grilletto interruttore della velocità variabile
8. Impugnatura con superficie isolata antiscivolo
9. Reggi avvitatore MAG TRAY
10. Luce al LED
11. Alloggiamento punte
12. Punte per giravite

13. Porta batterie
14. Perno di arresto della profondità
15. Impugnatura ausiliaria

MANUTENZIONE

AVVERTENZE

Questo prodotto non dovrà mai essere collegato all'alimentazione mentre si montano le sue parti, svolgono regolazioni, operazioni di pulizia e manutenzione o quando il prodotto non viene utilizzato. Scollegare il prodotto per prevenire l'avvio accidentale che potrà causare gravi lesioni.

- Quando si svolgono operazioni di manutenzione, utilizzare solo ricambi identici. Utilizzare parti di ricambio diverse potrebbe causare rischi o danneggiare il prodotto.
- Evitare di utilizzare solventi quando si puliscono le parti in plastica. La maggior parte dei materiali plastici rischia di essere danneggiata dall'uso dei solventi disponibili in commercio. Usare dei panni puliti per rimuovere sporcizia e polveri di carbonio.
- Non lasciare che liquidi per freni, benzina, prodotti a base di petrolio, oli penetranti, ecc, entrino in contatto con le parti in plastica. Tali prodotti chimici contengono sostanze che possono danneggiare, indebolire o distruggere la plastica.
- Indossare sempre occhiali di sicurezza o occhiali di sicurezza con schermi laterali durante le operazioni con l'elettro utensile o quando si aspira della polvere. Nel caso in cui si preveda che le operazioni di lavoro causeranno polvere, indossare sempre una maschera anti-polvere.
- Per maggiore sicurezza e affidabilità, tutte le riparazioni dovranno essere svolte da un centro servizi autorizzato.

LUBRIFICAZIONE

Tutti i cuscinetti in questo prodotto sono stati lubrificati con una quantità di lubrificante ad alto indice di viscosità per tutta la durata del prodotto nelle normali condizioni di funzionamento. Di conseguenza, non è necessario effettuare alcuna lubrificazione supplementare.

TUTELA DELL'AMBIENTE



Riciclare le materie prime anziché gettarle tra i rifiuti domestici. Per tutelare l'ambiente, l'apparecchio, gli accessori e gli imballaggi devono essere smaltiti separatamente.

SIMBOLI



Indicazioni sicurezza





Conformità CE



Velocità a vuoto



Marchio di conformità EurAsian



Leggere attentamente le istruzioni prima di avviare l'utensile.



Marchio di conformità ucraino

001



Capacità mandrino



Perforatura senza impatto



Trapano a percussione



I prodotti elettrici non devono essere smaltiti con i rifiuti domestici. Vi sono strutture per smaltire tali prodotti. Informarsi presso il proprio Comune o rivenditore di sicurezza per smaltire adeguatamente tali rifiuti.



Velocità, minimo



Velocità, massima

I seguenti simboli indicano i livelli di rischio associati a questo prodotto.

PERICOLO

Indica una situazione immediatamente pericolosa che, se non evitata, potrà causare gravi lesioni o morte.

AVVERTENZE

Indica una situazione potenzialmente pericolosa che, se non evitata potrà causare gravi lesioni o morte.

ATTENZIONE

Indica una situazione potenzialmente pericolosa che, se non evitata, potrà causare lesioni minori o moderate.

ATTENZIONE

(Senza simbolo di allarme in materia di sicurezza) Indica una situazione che può provocare danni materiali.

SIMBOLI NEL MANUALE



Note



Avvertenze



Avviaturata



Parti o accessori venduti separatamente



Sblocco



Blocco



Torsione, massima



Coppia minime



Veiligheid, prestaties en betrouwbaarheid kregen topprioriteit in het ontwerp van uw slagboormachine.

BEOOGD GEBRUIK

De boorhamermachine is uitsluitend geschikt om te worden gebruikt door volwassenen die de instructies en waarschuwingen in deze gebruiksaanwijzing hebben gelezen en begrepen en die als verantwoordelijk voor hun handelingen kunnen worden beschouwd.

De boorhamermachine is bedoeld om te worden gebruikt voor het boren in verschillende materialen, waaronder hout, metaal en kunststof met behulp van een boorpen met een diameter van minder dan 13 mm. In de impactmodus kan de boorhamermachine worden gebruikt voor het boren van metselwerk en gelijkaardige materialen. In de schroefmodus kan de boorhamermachine worden gebruikt voor het inschroeven van schroeven.

Gebruik het product niet voor andere doeleinden dan waarvoor het is bestemd.

⚠ WAARSCHUWING

Lees alle veiligheidswaarschuwingen en instructies. Wanneer u deze en de instructies niet opvolgt, kan dit leiden tot electrocutie, brand en/of ernstige letstels.

Bewaar alle waarschuwingen en instructies voor toekomstig gebruik.

VEILIGHEIDSWAARSCHUWINGEN VOOR KLOPBOORMACHINE

- **Draag gehoorbescherming bij het slagboren.** Blootstelling aan geluid kan het gehoor beschadigen.
- **Gebruik de extra handvatten die met de machine worden meegeleverd.** Controleverlies kan leiden tot lichamelijk letsel.
- **Houd de machine aan de geïsoleerde handvatten vast wanneer u werkt op plaatsen waar de accessoire een verborgen snoer kan raken.** Wanneer de accessoire een spanningvoerende leiding raakt, kunnen de blootgestelde onderdelen van de machine onder spanning komen waardoor de gebruiker wordt geëlectrocuteerd.
- **Neem het gereedschap vast bij de grip wanneer de schroef contact kan maken met een verborgen draad.** Wanneer het apparaat contact maakt met een draad waarop spanning staat, kunnen niet-geïsoleerde onderdelen een elektrische schok veroorzaken.
- Niet gebruiken op materialen (zoals asbest) die gevaarlijk zijn voor de gezondheid.
- Schakel het product onmiddellijk uit als de boor zit vastgeklemt. Schakelt het product niet opnieuw in terwijl de boor hapert aangezien dit kan leiden tot een plotselinge terugslag met hoge reactiekrachten. Controleer waarom de boor hapert en verhelp de oorzaak, rekening houdend met de veiligheidsinstructies.

De mogelijke oorzaken kunnen zijn:

- het is gekanteld in het werkstuk
- het heeft het werkstuk doorboord
- het product is overbelast
- Zaagsel en splinters mogen niet worden verwijderd terwijl het product loopt.
- Wanneer u werkt in muren, plafonds of vloeren dient u elektrische kabels, gas- en waterleidingen te vermijden.
- Klem het werkstuk met een klem vast.
- Toegestane omgevingstemperatuur voor het gereedschap tijdens gebruik ligt tussen 0°C en 40°C.
- Toegestane omgevingstemperatuur voor het gereedschap bij opslag ligt tussen 0°C en 40°C.
- De aanbevolen omgevingstemperatuur voor het laadsysteem tijdens het laden ligt tussen 10°C en 38°C.

EXTRA WAARSCHUWINGEN BATTERIJVEILIGHEID

⚠ WAARSCHUWING

Voorkom brand, persoonlijk letsel of materiële schade door kortsluiting en dompel het gereedschap, de wisselaccu en het laadtoestel niet onder in vloeistoffen en waarborg dat geen vloeistoffen in de apparaten en accu's kunnen dringen. Corrosieve of geleidende vloeistoffen zoals zout water, bepaalde chemicaliën, bleekmiddelen of producten die bleekmiddelen bevatten, kunnen een kortsluiting veroorzaken.

VERVOEREN VAN LITHIUM BATTERIJEN

Vervoer de accu in overeenstemming met de plaatselijke en nationale voorzieningen en regelgevingen.

Volg alle speciale vereisten op de verpakking en etiketten bij het vervoeren van batterijen door een derde partij. Zorg dat de batterijen tijdens het vervoer niet in contact komen met andere batterijen of geleidende materialen door de blootliggende aansluitpunten te beschermen met een isolerende, niet-geleidende dop of tape. Geen gekraakte of lekkende accu's vervoeren. Controleer bij het doorsturende bedrijf voor verder advies.

- Toegestane omgevingstemperatuur voor de accu tijdens gebruik ligt tussen 0°C en 40°C.
- Toegestane omgevingstemperatuur voor opslag van de accu ligt tussen 0°C en 20°C.

RESTRISICO'S

Zelfs wanneer het product zoals voorgeschreven wordt gebruikt, blijft het onmogelijk om alle restrisico's te voorkomen. De gebruiker moet vooral extra op deze punten letten om het risico op ernstig letsel te verminderen.

- Beschadiging aan het gehoor – Draag gehoorbescherming om blootstelling aan lawaai te beperken.





- Gezichtsbescherming – Draag een veiligheidsbril wanneer u het product gebruikt.
- Letsel veroorzaakt door trillingen - Zorg ervoor dat u niet teveel aan trillingen wordt blootgesteld en volg de instructies over het verminderen van risico in deze handleiding.
- Elektrische schok na contact met verborgen kabels - Houd het product uitsluitend aan de geïsoleerde oppervlakken vast.
- Letsels aan de luchtwegen ten gevolge van stof dat door de werking van het product wordt ingeademd. – Draag geschikte bescherming afhankelijk van het type stof.

11. Boorstiftopslag
12. Schroevendraaierstiften
13. Accupoot
14. Staaf voor dieptestop
15. Hulphandgreep

ONDERHOUD

⚠ WAARSCHUWING

Het product mag nooit worden aangesloten op de netvoeding bij het aansluiten van onderdelen, maken van afstellingen, schoonmaken, uitvoeren van onderhoud of als het product niet wordt gebruikt. Ontkoppelen van het product voorkomt accidenteel opstarten, wat ernstig letsel kan veroorzaken.

RISICOBEPERKING

Vibraties van handgereedschap kan in bepaalde individuele gevallen leiden tot het syndroom van Raynaud. Symptomen kunnen ondermeer tintelingen, gevoelloosheid en bleek worden van de vingers omvatten, wat normaal gezien duidelijk wordt bij blootstelling aan koude. Erfelijke factoren, blootstelling aan koude en vocht, dieet, roken en werkroutine kunnen allemaal bijdragen tot de ontwikkeling van deze symptomen. Er kunnen door de bediener maatregelen worden genomen om de gevolgen van de trillingen te beperken:

- Houd bij koud weer uw lichaam warm. Draag handschoenen wanneer u de machine gebruikt om handen en polsen warm te houden. Men neemt aan dat koud weer een belangrijke factor is die bijdraagt tot het Syndroom van Raynaud.
- Doe oefeningen om de bloeddoorstroming te bevorderen na elke periode van gebruik.
- Neem regelmatig een pauze. Beperk het aantal uren dat u per dag wordt blootgesteld.

Wanneer u enige van de symptomen van deze aandoening ervaart, stop dan onmiddellijk met het gebruik van het toestel en raadpleeg uw dokter

⚠ WAARSCHUWING

Letsels kunnen optreden of verergeren door langdurig gebruik van een gereedschap. Als u een werktuig gedurende langere periodes gebruikt, neem dan regelmatig pauze.

KEN UW PRODUCT

Zie pagina 81.

1. Snelheidsschakelaar met twee snelheden
2. Quick mode selectietoets
3. Afstelring draaimoment
4. Sleutellose boorhouder
5. Richting van de rotatieselectieknop
6. Inbuskopopening
7. Variabele snelheidsknop
8. Hendel, geïsoleerd grijppoppervlak
9. MAG TRAY schroevenhouder
10. LED-lamp

- Gebruik voor vervanging uitsluitend originele reserveonderdelen. Gebruik van niet originele onderdelen kan gevaar opleveren of schade aan de machine veroorzaken.
- Voorkom het gebruik van oplosmiddelen wanneer u kunststof onderdelen reinigt. De meeste kunststoffen kunnen worden beschadigd door de in de handel zijnde oplosmiddelen. Gebruik een schone doek om vuil en koolstof te verwijderen.
- Remvloeistof, benzine, producten op basis van petroleum, kruipolie, enz mogen nooit in contact komen met kunststof onderdelen. Deze chemicaliën bevatten namelijk stoffen die kunststof kunnen beschadigen, verzwakken of aantasten.
- Draag altijd een veiligheidsbril of gezichtsbescherming met zijdelingse bescherming terwijl u het werktuig gebruikt of wanneer u stof blaast. Als het werk stof veroorzaakt, draag dan ook een stofmasker.
- Alle reparaties moeten worden uitgevoerd door een Erkend Ryobi Servicecentrum teneinde de veilige en betrouwbare werking van de machine te garanderen.

SMERING

Alle lagers in het product zijn gesmeerd met voldoende kwalitatief smeermiddel voor de gehele levensduur van het product bij normale gebruiksomstandigheden. Extra smering is daarom niet noodzakelijk.

MILIEUBESCHERMING



Zorg dat grondstoffen worden gerecycleerd in plaats van weggegooid als afval. Om het milieu te beschermen dient de machine, de accessoires en de verpakking gesorteerd bij een erkend recyclingcentrum te worden aangeleverd.

SYMBOLLEN



Veiligheidswaarschuwing

EN
FR
DE
ES
IT
NL
PT
DA
SV
FI
NO
RU
PL
CS
HU
RO
LV
LT
ET
HR
SL
SK
BG
UK
TR
EL





EG conformiteit



Onbelast toerental



EurAsian-symbool van overeenstemming



Lees de instructies zorgvuldig voordat u de machine in gebruik neemt.



Oekraïens conformiteitssymbool



Boorhoudervermogen



Boren zonder kloppen



Slagboormachine



Elektrisch afval mag niet samen met ander huishoudafval worden weggegooid. Gelieve te recyclen indien de mogelijkheid bestaat. Neem contact op met uw gemeente of handelaar om advies te krijgen over recyclage.



Koppel Minimumafmeting



Snelheid, minimaal



Snelheid, max.

De volgende kernwoorden en verklaringen zijn bedoeld om de gevaarniveaus die op dit toestel betrekking hebben, te verklaren.

GEVAAR

Wijst op een gevaarlijke situatie die, indien ze niet wordt vermeden, kan leiden tot ernstige verwondingen of de dood.

WAARSCHUWING

Wijst op een mogelijk gevaarlijke situatie die, indien ze niet wordt vermeden, kan leiden tot ernstige verwondingen of de dood.

LET OP

Wijst op een mogelijk gevaarlijke situatie die, indien ze niet wordt vermeden, kan leiden tot lichte of middelmatige verwondingen.

LET OP

(Zonder veiligheidssymbool) Geeft een situatie aan die materiële schade zou kunnen veroorzaken.

SYMBOLEN IN DE GEBRUIKSAANWIJZING



Opmerking



Waarschuwing



Schroeven indraaien



Onderdelen of accessoires afzonderlijk gekocht



Ontgrendeling



Vergrendeling



Max. koppel



Segurança, desempenho e fiabilidade foram as prioridades na conceção do seu berbequim de percussão.

UTILIZAÇÃO PREVISTA

Este martelo de percussão foi desenhado para ser utilizado por adultos que tenham lido e compreendido as instruções e avisos recolhidos neste manual e que possam ser considerados responsáveis das suas ações.

O berbequim de percussão está apto para furar vários tipos de material, incluindo a madeira, o metal e o plástico utilizando uma broca com um diâmetro inferior a 13 mm. No modo de impacto, o berbequim de percussão pode ser utilizado para furar alvenaria e materiais similares. No modo de desaparafusar, o berbequim de percussão pode ser utilizado para aparafusar/desaparafusar.

Utilize o produto exclusivamente para o uso para o qual foi concebido.

⚠ AVISO

Leia todos os avisos de segurança e todas as instruções. O incumprimento em seguir os s e as instruções pode ter como consequências o choque eléctrico, incêndio e/ou lesões graves.

Guarde todos os avisos e instruções para futuras consultas.

AVISOS DE SEGURANÇA BERBEQUIM DE PERCUSSÃO

- **Use protectores de ouvido durante a perfuração com impacto.** A influência de ruídos pode causar surdez.
- **Use as pegas auxiliares fornecidas com a ferramenta.** A perda de controlo pode provocar ferimentos.
- **Segure a ferramenta eléctrica pelas superfícies de pega isoladas, ao realizar uma operação em que o acessório possa entrar em contacto com fios eléctricos escondidos.** O acessório de corte que entre em contacto com um fio "ligado" pode tornar as peças de metal da ferramenta eléctrica condutivas e tal pode causar um choque eléctrico ao operador.
- **Pegue na ferramenta eléctrica pelas partes isoladas sempre que executar uma operação em que o fixador possa entrar em contacto com fios eléctricos escondidos.** O contacto do fixador com um cabo com tensão eléctrica pode expor as peças metálicas da ferramenta à corrente eléctrica, o que pode provocar um choque ao operador.
- Não utilizar sobre materiais que possam implicar um risco para a saúde (por exemplo, amianto).
- Desligue o produto imediatamente se a peça obstruído. Não volte a ligar o produto enquanto a peça estiver obstruído/o, porque se o fizer poderá causar um impacto repentino com uma alta força reativa. Determine a causa da obstrução da peça e corrija-a,

prestando atenção às instruções de segurança.

As possíveis causas podem ser:

- está inclinada/o na peça de trabalho
- perfurou a peça de trabalho
- o produto está sobrecarregado
- Não deve retirar o serrim e as astilhas enquanto o produto estiver em funcionamento.
- Evite os cabos eléctricos e as tubagens de gás ou água ao trabalhar em paredes, tetos ou solos.
- Fixe a peça de trabalho com um dispositivo de fixação.
- A amplitude de temperatura ambiente para a ferramenta durante o funcionamento é entre 0 °C e 40 °C.
- A amplitude de temperatura ambiente para a ferramenta em armazenamento é entre 0 °C e 40 °C.
- A amplitude de temperatura ambiente recomendada para o sistema de carregamento durante o carregamento é entre 10 °C e 38 °C.

AVISOS DE SEGURANÇA ADICIONAIS DAS BATERIAS

⚠ AVISO

Para evitar o risco de incêndio, de feridas ou de danificação do produto causado por um curto-circuito, não imerja a bateria intercambiável ou o carregador em líquidos e assegure-se de que líquidos não penetrem nos aparelhos ou nas baterias. Líquidos corrosivos ou condutivos como água salgada, determinadas substâncias químicas ou produtos que contenham branqueadores podem causar um curto-circuito.

TRANSPORTE DE BATERIAS DE LÍTIU

Transporte a bateria em conformidade com as disposições e os regulamentos locais e nacionais.

Respeite os requisitos especiais que existam na embalagem e a etiquetagem durante o transporte de baterias por terceiros. Assegure-se que não há risco de uma bateria entrar em contacto com outra bateria nem com materiais condutores durante o transporte, protegendo os conectores expostos com tampas ou fita isoladoras e não condutoras. Não transporte baterias com fissuras ou fugas. Contacte a empresa transitária para mais aconselhamento.

- A amplitude de temperatura ambiente para a bateria durante a utilização é entre 0 °C e 40 °C.
- A amplitude de temperatura ambiente para a bateria em armazenamento é entre 0 °C e 20 °C.

RISCOS RESIDUAIS

Mesmo quando se utiliza o produto segundo as instruções, continua a ser impossível eliminar por completo certos fatores de risco residuais. O utilizador deve prestar especial atenção a estes pontos para minimizar o risco de lesões pessoais graves.

EN
FR
DE
ES
IT
NL
PT
DA
SV
FI
NO
RU
PL
CS
HU
RO
LV
LT
ET
HR
SL
SK
BG
UK
TR
EL





- Lesões auditivas – Use proteção adequada para os ouvidos e limite o tempo de exposição
- Lesões oculares – É preciso levar proteções ou óculos de proteção para os olhos quando se utiliza o produto.
- Lesões por vibração - Limite a exposição e siga as instruções dadas em Redução de Riscos neste Manual.
- Descarga elétrica por contacto com cabos ocultos - Fixe o produto apenas em superfícies isoladoras.
- Danos respiratórios devido ao pó gerado ao utilizar o produto – Utilize a proteção adequada segundo o tipo de pó.

REDUÇÃO DO RISCO

Informou-se que as vibrações das ferramentas manuais podem contribuir para uma doença chamada síndrome de Raynaud em certos indivíduos. Os sintomas podem incluir formigamento, entorpecimento e empalidecimento dos dedos, habitualmente visível aquando da exposição ao frio. Estima-se que os factores hereditários, exposição ao frio e humidade, dieta, tabagismo e práticas de trabalho contribuam todos para o desenvolvimento destes sintomas. Existem medidas que podem ser tomadas pelo operador para possivelmente reduzir os efeitos da vibração:

- Mantenha o seu corpo quente durante o tempo frio. Ao operar a unidade, use luvas para manter as mãos e os pulsos quentes. Encontra-se reportado que o tempo frio é um grande factor que contribui para o Síndrome de Raynaud.
- Após cada período de operação, exercite para aumentar a circulação sanguínea.
- Faça pausas frequentes no trabalho. Limite o tempo de exposição por dia.

Caso sinta algum dos sintomas desta doença, interrompa de imediato a sua utilização e consulte o seu médico sobre estes sintomas.

AVISO

As lesões podem ser causadas ou agravadas pelo uso prolongado de uma ferramenta. Ao usar qualquer ferramenta durante períodos prolongados, assegure-se que faz intervalos regulares.

CONHEÇA O SEU PRODUTO

Consulte a página 81.

1. Conjunto de engrenagens de duas velocidades
2. Selector de modo rápido
3. Anel de ajuste do binário
4. Mandril de aperto rápido
5. Seletor de direção de rotação
6. Furo de cabeça hexagonal
7. Gatilho-interruptor de velocidade variável
8. Pega, superfícies de prensão isoladas
9. Suporte de parafusos MAG TRAY
10. Led
11. Armazenamento de brocas

12. Brocas da chave de parafusos
13. Orifício da bateria
14. Vareta de batente de profundidade
15. Pega auxiliar

MANUTENÇÃO

AVISO

O produto não deve nunca ligado à corrente elétrica durante a montagem de peças, a realização de ajustes, limpeza, operações de manutenção ou quando não está em uso. Ao deligar o produto estará a evitar um arranque acidental que pode causar lesões graves.

- Ao realizar serviços de manutenção, use apenas peças de substituição idênticas. O uso de quaisquer outras peças pode criar perigo ou causar danos ao aparelho.
- Evite usar solventes ao limpar as peças de plástico. A maioria dos plásticos pode ser danificada pelos solventes vendidos no comércio. Utilize panos limpos para remover sujidade e pó de carvão.
- Nunca, em qualquer momento, deixe que fluidos de travagem, gasolina, produtos petrolíferos, óleos de perfuração, etc., entrem em contacto com as peças de plástico. Estas substâncias contêm produtos químicos que podem danificar, enfraquecer ou destruir o plástico.
- Use sempre óculos de protecção ou óculos de segurança com proteções laterais durante a operação da ferramenta elétrica ou quando estiver a levantar poeira no ar. Caso a operação seja poeirenta, use também uma máscara contra o pó.
- Para uma maior segurança e fiabilidade, todas as reparações devem ser realizadas por um centro de assistência autorizado.

LUBRIFICAÇÃO

Todos os rolamentos deste produto estão lubrificados com um montante suficiente de lubrificante de elevado nível, de acordo com a duração de vida do produto em condições normais de funcionamento. Por conseguinte, não requer nenhuma lubrificação suplementar.

PROTECÇÃO DO AMBIENTE



Recicle os materiais em vez de pô-los directamente no lixo doméstico. Para proteger o ambiente, a ferramenta, os acessórios e as embalagens devem ser seleccionados.

SÍMBOLOS



Alerta de segurança



Conformidade CE



n_0

Velocidade em vazio



Velocidade, mínimo



Marca de conformidade EurAsian



Velocidade, máximo



Agradecemos que leia atentamente as instruções antes de iniciar a máquina.

As seguintes palavras de sinal e significados destinam-se a explicar os níveis de risco associados a este produto.



Marca de conformidade ucraniana

⚠ PERIGO

Indica uma situação de perigo iminente, a qual, se não for evitada, pode resultar em morte ou ferimentos graves.

001



Capacidade do mandril

⚠ AVISO

Indica uma situação potencialmente perigosa que, se não for evitada, pode resultar em morte ou ferimentos graves.



Perfuração sem impacto

⚠ CAUTELA

Indica uma situação potencialmente perigosa que, se não for evitada, pode resultar em ferimentos leves ou moderados.



Berbequim de Percussão

CAUTELA

(Sem símbolo de segurança) Indica uma situação que pode provocar danos materiais.



Os aparelhos eléctricos antigos não devem ser eliminados juntamente com o lixo doméstico. Recicle onde existem instalações para o efeito. Verifique com as suas Autoridades Locais ou revendedor para obter informações sobre reciclagem.

SÍMBOLOS NESTE MANUAL



Nota



Aviso



Aparafusar/desaparafusar



As peças ou acessórios vendem-se separadamente



Abrir



Bloqueio



Binário máximo



Torque mínimo

- EN
- FR
- DE
- ES
- IT
- NL
- PT**
- DA
- SV
- FI
- NO
- RU
- PL
- CS
- HU
- RO
- LV
- LT
- ET
- HR
- SL
- SK
- BG
- UK
- TR
- EL



Sikkerhed, ydelse og driftssikkerhed har fået topprioritet i designet af slagboremaskine.

TILTÆNKT ANVENDELSESFORMÅL

Slagboremaskinen er kun beregnet til at blive brugt af voksne, som har læst og forstået instrukserne og advarselserne i denne brugsanvisning, og som kan betragtes som værende ansvarlige for deres handlinger.

Slagboremaskinen kan anvendes til boring i forskellige materialer, herunder træ, metal og plast, med et borehoved, der har en diameter på mindre end 13 mm. I slagboremodus kan slagboremaskinen bruges til at bore i beton og lignende materialer. I skruetrækkermodus kan slagboremaskinen bruges til i- og udskruining af skruer.

Produktet må kun bruges til de formål, der er angivet under formålsbestemt/korrekt brug.

⚠ ADVARSEL

Alle sikkerhedsadvarsler og alle anvisninger skal læses. Hvis advarslen og instruktionerne ikke følges, kan det medføre elektrisk stød og/eller alvorlig personskade.

Gem alle advarsler og brugsanvisninger til senere brug.

SIKKERHEDSADVARSLER VEDR. SLAGBOREMASKINE

- **Bær høreværn under slagboring.** Støjpåvirkning kan bewirke tab af hørelse.
- **Brug støttegrebet, der medfølger værktøjet.** Hvis kontrollen mistes, kan det medføre personskade.
- **Hold maskinværktøjet i de isolerede gribeoverlader, når der arbejdes på steder, hvor man kan komme til at skære i skjulte ledninger.** Hvis der skæres i en strømførende ledning, kan det gøre udsatte metaldele af maskinværktøjet strømførende og give operatøren elektrisk stød.
- **Når der udføres arbejde, hvor sømmet/klammen risikerer at komme i kontakt med skjulte elkabler, skal man holde el-værktøjet i isolerede håndtag.** Søm/klammer, som kommer i kontakt med et strømførende kabel, kan gøre udsatte metaldele af elværktøjet strømførende og kan give operatøren elektrisk stød.
- Må ikke bruges på materialer (fx asbest), der udgør en sundhedsrisiko.
- Sluk produktet straks, hvis bitten sætter sig fast. Tænd ikke produktet igen, så længe bitten sidder fast, da dette vil kunne udløse et pludseligt tilbageslag med høj reaktiv kraft. Find ud af, hvorfor bitten har sat sig fast, og afhjælp årsagen; følg sikkerhedsforskrifterne.

Der findes følgende mulige årsager:

- det står skævt i emnet
- det er trængt igennem emnet

– produktet er overbelastet

- Savsmuld og splinter må ikke fjernes, mens produktet kører.
- Ved arbejde i vægge, lofter eller gulve skal man undgå at ramme elkabler samt gas- eller vandrør.
- Emnet skal fastspændes med en fastspændingsanordning.
- Omgivelsestemperaturområdet for værktøj under betjening er mellem 0°C og 40°C.
- Omgivelsestemperaturområdet for værktøj under opbevaring er mellem 0°C og 40°C.
- Det anbefalede omgivelsestemperaturområde for ladesystemet under opladning er mellem 10°C og 38°C.

YDERLIGERE SIKKERHEDSADVARSLER OM BATTERI

⚠ ADVARSEL

For at undgå risiko for brand, kvæstelser eller beskadigelse af produktet forårsaget af kortslutning må værktøjet, batteripakken eller opladeren ikke nedsænkes i vand. Sørg ligeledes for, at der ikke trænger væske ind i enhederne og batterierne. Korroderende eller ledende væsker, f.eks. saltvand, bestemte kemikalier, blegestoffer eller produkter, som indeholder blegestoffer, kan forårsage kortslutning.

TRANSPORT AF LITHIUM-BATTERIER

Batteriet skal transporteres i henhold til lokale og nationale forskrifter og love.

Når batterier skal transporteres af tredjepart, skal alle specielle krav til emballering og mærkning efterleves. Man skal sikre sig, at ingen batterier kan komme i kontakt med andre batterier eller ledende materialer under transporten ved at beskytte blottede konnektorer med isolerende, ikke-ledende hætter eller tape. Undlad at transportere batterier med revner eller utætheder. Rådfør dig desuden hos speditøren.

- Omgivelsestemperaturområdet for batteri under brug er mellem 0°C og 40°C.
- Omgivelsestemperaturområdet for batteriopbevaring er mellem 0°C og 20°C.

UUNDGÅELIGE RISICI

Selv om produktet anvendes som foreskrevet, er det stadig umuligt at eliminere visse uundgåelige risikofaktorer fuldstændigt. Operatøren skal være særlig og ekstra opmærksomhed på disse punkter for at mindske risikoen for alvorlig personskade.

- Høreskader – Benyt passende høreværn, og begræns eksponering
- Øjenskader – Benyt beskyttelsesbriller under brug af dette produkt.



- Personskader forårsaget af vibration - Begræns eksponeringen og følg anvisningerne i Risikoreducering i denne manual.
- Elektrisk stød eller kontakt med skjulte ledninger - Produktet må kun holdes i de isolerede overflader.
- Fare for åndedrætsorganer pga. det støv, der dannes under brugen af produktet – Benyt passende værnemidler afhængig af den aktuelle støvtype.

RISIKOREDUKTION

Der er rapporteret om, at vibrationer fra håndholdte værktøjer kan være medvirkende til en lidelse kaldet Raynauds syndrom hos visse personer. Symptomerne herpå kan være prikken, følelsesløshed og blegning af fingrene, der normalt viser sig ved kuldepåvirkning. Faktorer som arvelighed, udsættelse for kulde og fugt, kost, rygning og arbejdsvaner menes alle at medvirke til udviklingen af disse symptomer. Der findes forholdsregler, som operatøren kan træffe for at begrænse påvirkningen fra vibrationer:

- Hold kroppen varm i koldt vejr. Brug handsker, så hænder og vrister holdes varme under arbejdet. Der er rapporteret om, at koldt vejr er en væsentlig faktor til Raynauds syndrom.
- Motionér efter hver arbejdsperiode for at øge blodcirkulationen.
- Hold hyppige arbejdspauser. Begræns eksponeringen for vibrationer pr. dag.

Hvis du mærker nogen af symptomerne på denne tilstand, skal du straks ophøre med arbejdet og søge læge.

⚠ ADVARSEL

Længere tids brug af et værktøj kan forårsage - eller forværre - personskader. Når man bruger et værktøj i længere perioder ad gangen, skal man huske at holde hyppige pauser.

KEND PRODUKTET

Se side 81.

1. Totrins-gear
2. Hurtigindstillingsvælger
3. Ring til indstilling af drejningsmoment
4. Automatisk spændepatron
5. Drejevælgerens retning
6. Sekskantet hul
7. Udløsekontakt for variabel hastighed
8. Håndtag, isoleret gribeflade
9. MAG TRAY-skrueholder
10. LED-lampe
11. Opbevaringsrum til bits
12. Skruebits
13. Batteriåbning
14. Dybdestopstang
15. Hjælpehåndtag

VEDLIGEHOLDELSE

⚠ ADVARSEL

Produktet må aldrig sluttes til en strømforsyning, mens man er i færd med at samle dele, foretage justeringer, rengøre, udføre vedligeholdelsesarbejde, eller når produktet ikke anvendes. Ved at afbryde forbindelsen til strømforsyningen forhindrer man utilsigtet start af produktet, hvilket kan medføre alvorlige personskader.

- I forbindelse med servicearbejde må der kun bruges originale reservedele. Brug af alternative dele kan forårsage farlige situationer eller ødelægge produktet.
- Undgå brug af opløsningsmidler til rengøring af plastdele. De fleste plasttyper bliver ødelagt, hvis de renses med almindelige gængse opløsningsmidler. Brug en ren klud til at fjerne snavs og kulstøv.
- Sørg for, at bremsevæske, benzin, petroleumbaserede produkter, penetreringsolie, mv., aldrig kommer i kontakt med plastdele. Disse kemiske produkter indeholder stoffer, som kan beskadige, mørne eller ødelægge plastmaterialet.
- Bær altid sikkerhedsbriller med sideskjolde under betjening af elværktøjet eller ved støv-ophvirvling. Hvis der ophvirvles støv under arbejdet, bæres også støvmaske.
- For bedre sikkerhed og pålidelighed skal alt reparationsarbejde udføres på et autoriseret servicecenter.

SMØRING

Alle lejerne i produktet er smurt for produktets levetid under normale driftsbetingelser med en tilstrækkelig mængde højkvalitetssmøremiddel. Det er derfor ikke nødvendigt med yderligere smøring.

MILJØBESKYTTELSE



Råmaterialerne skal genbruges og ikke bortskaffes som almindeligt affald. Af hensyn til miljøet skal redskab, tilbehør og emballage sorteres.

SYMBOLER



Sikkerhedsadvarsel



CE-overensstemmelse



Tomgangshastighed



EurAsian overensstemmelsesmærke



Læs venligst vejledningen grundigt igennem før maskinen tages i brug.



Ukrainsk overensstemmelsesmærke



Spændepatronkapacitet



Boring uden belastning



Slagboremaskine



Elektriske affaldsprodukter bør ikke afskaffes sammen med husholdningsaffald. Genbrug venligst hvor faciliteterne tillader dette. Tjek med din lokale kommune eller forhandler for genbrugsråd.

SYMBOLER I BRUGSANVISNINGEN



Bemærk



Advarsel



I- og udskrining



Dele eller tilbehør, der sælges separat



Oplås



Lås



Max moment



Drejningsmoment, minimum



Hastighed, mindste



Hastighed, max

FARE

Indikerer en umiddelbart farlig situation, som - hvis den ikke afværges - vil medføre dødsfald eller alvorlig personskade.

ADVARSEL

Indikerer en potentielt farlig situation, som - hvis den ikke afværges - kan medføre dødsfald eller alvorlig personskade.

VÆR OPMÆRKSOM

Indikerer en potentielt farlig situation, som - hvis den ikke afværges - kan medføre mindre eller middelsvær personskade.

VÆR OPMÆRKSOM

(Uden sikkerhedssymbol) indikerer en situation som kan føre til skade af personlig ejendom.

De følgende ikoner og betydninger er beregnet til at forklare risikoen involveret i at anvende denne enhed.

Säkerhet, prestanda och pålitlighet har varit högsta prioritet vid design av din slagborr.

ANVÄNDNINGSMÅL

Denna slagborr är enbart avsedd att användas av vuxna som har läst och är införstådda med instruktioner och varningar i denna bruksanvisning och kan anses vara ansvariga för sina åtgärder.

Slagborren är avsedd att användas för bormning i olika material, inklusive trä, metall och plast med borr som har diameter under 13 mm. I slagläge kan slagborren användas för att borra i murbruk och liknande material. I skruvdragarläge kan slagborren användas för att dra skruvar.

Använd inte produkten på något annat sätt än vad som är avsett.

⚠ VARNING

Läs alla säkerhetsvarningar och anvisningar. Att inte följa en och instruktionerna kan resultera i elstöt, brand och/eller allvarlig skada.

Behåll dessa varningar och anvisningar för framtida referens.

SÄKERHETSFORESKRIFTER FÖR SLAGBORR

- Använd hörselskydd vid slagborr. Bullerbelastning kan orsaka hörselskador.
- Använd extrahandtaget som följer med verktyget. Om du tappar kontrollen över verktyget kan det resultera i personskador.
- Greppa verktyget i dess isolerade delar när du utför arbeten där maskinen kan komma i kontakt med dolda elkablar. Vid kontakt med en strömförande kabel kan de exponerade delarna på verktyget bli strömförande och ge användaren en elektrisk stöt.
- Håll elverktyget i de isolerade greppen när du använder verktyget och fastsättaren kan komma i kontakt med dolda ledningar eller sin egen kabel. Om fastsättare kommer i kontakt med en "aktiv" ledning kan metalledar exponeras och ge användaren en elektrisk stöt.
- Använd inte på material (som asbest) som kan innebära hälsorisker.
- Stäng omedelbart av produkten om bit sätter sig. Slå inte på produkten på nytt när bit har satt sig; det kan utlösa plötslig rekyl med stor kraft. Fastställ varför bit har satt sig och korrigerar det, följ säkerhetsföreskrifterna noga. Möjliga orsaker kan vara:
 - är sned i arbetsstycket
 - har trängt igenom arbetsstycket
 - produkten är överbelastad
- Sögdamm och flisor får inte tas bort när produkten är igång.

- Vid arbete i väggar, golv eller tak ska du vara noga med att undvika el-, gas- och vattenledningar.
- Fest arbetsstycket med klämanordning.
- Omgivningstemperatur för verktyget vid drift skall ligga mellan 0 °C och 40 °C.
- Omgivningstemperatur för verktyget vid förvaring skall ligga mellan 0 °C och 40 °C.
- Den rekommenderade omgivningstemperaturen vid laddning av systemet skall ligga mellan 10 °C och 38 °C.

YTTERLIGARE SÄKERHETSVARNINGAR FÖR BATTERIER

⚠ VARNING

För att undvika den fara för brand, personskador eller produktskador som orsakas av en kortslutning, doppa inte ner verktyget, utbytesbatteriet eller laddaren i vätskor och se till att ingen vätska kan tränga in i apparaterna eller batterierna. Korroderande eller ledande vätskor, som saltvatten, vissa kemikalier, blekningsmedel eller produkter som innehåller blekmedel, kan orsaka en kortslutning.

TRANSPORTERA LITIUMBATTERIER.

Transportera batteriet enligt lokala och nationella lagar och regleringar.

Följ alla specifika krav på förpackning och etiketter när batteri transporteras av tredje part. Se till att batteriet inte kommer i kontakt med andra batterier eller ledande material genom att skydda exponerade kontakter med isolerande, icke ledande skydd eller tejp. Transportera inte batterier som är spruckna eller läcker. Kontrollera med vidarebefordrande företag för mer information.

- Omgivningstemperatur för batteriet vid drift skall ligga mellan 0 °C och 40 °C.
- Omgivningstemperatur för batteriet vid förvaring skall ligga mellan 0 °C och 20 °C.

RESIDUALRISK

Även om produkten används enligt instruktionerna går det inte att eliminera alla eventuella riskfaktorer. Användaren ska vara extra noga och uppmärksam med dessa punkter för att minska risken för allvarlig personskada.

- Hörselskador – Använd lämpliga hörselskydd och begränsa exponeringen.
- Synskador – Bär skyddsglasögon vid användning av produkten.
- Skador orsakad av vibrationer - Begränsa exponeringen och följ säkerhetsanvisningarna i denna bruksanvisning.
- Elektrisk stöt efter kontakt med ledningar - Håll alltid produkten i de isolerade ytorna.

EN
FR
DE
ES
NL
PT
DA
SV
FI
RU
NO
PL
CS
HU
RO
LV
LT
ET
HR
SL
SK
BG
UK
TR
EL

- Skador på andningsorgan på grund av damm som skapas vid användning av produkten – Använd lämplig skyddsutrustning beroende på typ av damm.

RISKMINSKNING

Det finns rapporter om att vibrationer från handhållna produkter kan bidra till ett tillstånd som kallas Raynauds syndrom för vissa personer. Symptomen brukar vara att det sticker i fingrarna och att de domnar bort; fingrarna kan också bli vita, särskilt vid kyla. Årftiga faktorer, kyla och fukt, diet, rökning och arbetsrutiner tros alla bidra till att orsaka dessa symptom. Det finns förebyggande åtgärder som du kan vidta för att försöka minska vibrationernas påverkan:

- Håll dig varm när du arbetar i kallt väder. Använd handskar för att hålla kvar värmen i händer och handleder. Kyla har rapporterats som en viktig del i utvecklandet av Raynauds syndrom.
- Träna och rör på dig efter varje användningstillfälle för att öka blodcirkulationen.
- Ta ofta pauser från arbetet. Begränsa tiden du utsätter dig varje dag.

Upphör omedelbart om du upplever några av dessa symptom och uppsök din läkare.

⚠ VARNING

Risk för person- eller slitageskador vid användning av verktyget under lång tid. Om verktyget används under längre perioder krävs regelbundna pauser.

LÄR KÄNNA DIN PRODUKT

Se sidan 81.

1. Växel med två hastigheter
2. Snabblägesväljare
3. Justeringsring för åtdragningsmoment
4. Nyckellös chuck
5. Rotationsriktningsväljare
6. Hål för sexkantsskruv
7. Reglage för variabel hastighet
8. Handtag, isolerad greppyta
9. MAG TRAY skruvhållare
10. LED-lampa
11. Förvaring av bits
12. Skruvmejselbits
13. Batteriport
14. Djupmättstång
15. Hjälp-handtag

UNDERHÅLL

⚠ VARNING

Produkten får aldrig anslutas till strömkälla under montering, justeringar, rengöring, underhåll eller när produkten inte används. Frånkoppling av produkten förhindrar uppstart av misstag vilket kan orsaka allvarliga skador.

- Använd endast identiska originaldelar när du servar maskinen. Användning av andra delar kan orsaka fara eller produktskada.

- Undvik att använda lösningsmedel vid rengöring av plastdelar. Flertalet plaster kan skadas vid användning av vissa lösningsmedel som säljs i affärerna. Använd rena dukar för att avlägsna smuts och koldamm.

- Låt aldrig bromsvätska, bensen, petroleumbaserade produkter, penetrerande oljor och liknande komma i kontakt med plastdelar. Dessa ämnen innehåller kemiska produkter som kan skada, försvaga eller förstöra plasten.

- Använd alltid skyddsglasögon när du använder verktyget eller när du blåser damm. Använd en ansiktsmask om det dammar mycket.

- För säkerhet och pålitlighet ska alla reparationer utföras av auktoriserat reparationscenter.

SMÖRJNING

Alla lager i produkten har smorts med tillräcklig mängd högklassig smörjmedel för produktens livslängd under normala driftförhållanden. Därför behövs ingen ytterligare smörjning.

MILJÖSKYDD



Råmaterialen ska återvinnas i stället för att kastas i hushållsavfallet. För att skona miljön ska verktyget, tillbehören och emballagen sorteras.

SYMBOLER



Säkerhetsvarning



CE-överensstämmelse



Tomgångshastighet



EurAsian överensstämmelse-symbol



Läs instruktionerna ordentligt innan start av maskinen.



Ukrainskt märke för överensstämmelse

001



Chuckkapacitet



Borra utan slag



Slagborr



Gamla elektroniska produkter ska inte kastas med hushållssoporna. Återvinn där sådana faciliteter finns. Kontrollera med din lokala myndighet eller säljaren för att få återvinningstips.

FÖRSIKTIGHET

(Utan säkerhetssymbolen) Indikerar en situation som kan leda till egendomsskada.

EN
FR
DE
ES
IT
NL
PT
DA
SV

FI
NO
RU
PL
CS
HU
RO
LV
LT
ET
HR
SL
SK
BG
UK
TR
EL

SYMBOLER I MANUALEN



Notera



Varning



Skruvdragning



Delar och utrustning säljs separat



Lås upp



Lås



Maximum vridmoment



Vridmoment, minsta



Hastighet, minsta



Hastighet, maximum

Följande signalord och betydelser är tänkta att förklara de olika risknivåerna som är associerade med denna produkt.

FARA

Visar på en direkt riskfylld situation som, om den inte undviks, kan orsaka dödsfall eller allvarlig personskada.

VARNING

Visar på en potentiellt riskfylld situation som, om den inte undviks, kan orsaka dödsfall eller allvarlig personskada.

FÖRSIKTIGHET

Visar på en potentiellt riskfylld situation som, om den inte undviks, kan orsaka mindre eller måttlig personskada.



Iskuporakoneesi suunnittelussa on pidetty etusijalla turvallisuutta, suorituskykyä ja luotettavuutta.

KÄYTTÖTARKOITUS

Tämä iskuporakone on tarkoitettu vain sellaisten aikuisten käytettäväksi, jotka ovat lukeneet ja ymmärtäneet tämän käsikirjan ohjeet ja varoitukset ja joita voidaan pitää vastuullisina teoistaan.

Iskuporakone on tarkoitettu erilaisten materiaalien, kuten puun, metallin ja muovien, poraamiseen käyttäen alle 13 mm:n paksuista poranterää. Iskutilassa iskuporakoneella voidaan porata kiveä ja vastaavia materiaaleja. Ruuvinvääntötilassa iskuporakonetta voidaan käyttää ruuvinvääntöön.

Älä käytä tätä tuotetta millään muulla tavalla kuin mihin se on tarkoitettu.

VAROITUS

Lue kaikki turvallisuusvaroitukset ja ohjeet. ten ja ohjeiden laiminlyönnistä voi seurata sähköisku, tulipalo ja/tai vakava loukkaantuminen.

Säästä kaikki varoitukset ja ohjeet tulevaa käyttöä varten.

ISKUPORAKONEESI TURVALLISUUSVAROITUKSET

- **Käytä iskuporatessasi kuulosuojaimia.** Altistuminen melulle voi vahingoittaa kuuloa.
- **Käytä laitteen mukana tullutta lisäkahvaa.** Hallinnan menetys voi aiheuttaa vamman.
- **Pidä kiinni sähkötyökalusta vain kahvasta jossa tartuntapinta, erityisesti kun työstät materiaalia, jossa on mahdollisesti piilossa olevia johtoja.** Jos leikkuri koskettaa sähköistettyä johtoa, työkalun metalliosat voivat sähköistyä ja aiheuttaa käyttäjälle sähköiskun.
- **Pitele sähkötyökalua eristetystä tartuntapinnasta, kun teet työtä, jossa kiinnike voi koskettaa piilossa olevaa johtoa.** Jos kiinnitin koskettaa sähköistettyä johtoa, työkalun metalliosat voivat sähköistyä ja aiheuttaa käyttäjälle sähköiskun.
- **Älä käytä materiaaleissa (kuten asbestissa), joista aiheutuu terveysriski.**
- **Sammuta tuote heti, jos terä jumittuu.** Älä käynnistä tuotetta uudelleen niin kauan kuin terä on jumissa, sillä muutoin tuote saattaa potkaista takaisin voimakkaasti. Selvitä, miksi terä jumittui, ja korjaa tilanne noudattaen turvallisuusohjeita.
Mahdollisia syitä:
 - se on kallellaan työkappaleeseen nähden
 - se on tehnyt työkappaleeseen reiän
 - tuote on ylikuormitettu
- **Sahanpurua tai säröjä ei saa poistaa tuotteen ollessa käynnissä.**

- Kun käsittelet seinä, kattoja tai lattioita, varo osumasta sähköjohtoihin ja kaasu- tai vesiputkiin.
- Kiinnitä työkappale paikoilleen puristimella.
- Ympäristön lämpötila-alue työkalulle käytön aikana on 0 °C ja 40 °C välillä.
- Ympäristön lämpötila-alue työkalulle varastoinnin aikana on 0 °C ja 40 °C välillä.
- Suositeltu ympäristön lämpötila-alue latausjärjestelmän latauksen aikana on 10 °C ja 38 °C välillä.

LISÄÄ AKUN TURVALLISUUSVAROITUKSIA

VAROITUS

Jotta vältetään lyhytsulun aiheuttama tulipalon, loukkaantumisen tai tuotteen vahingoittumisen vaara, älä koskaan upota työkalua, vaihtoakkuja tai latauslaitetta nesteeseen ja huolehdi siitä, ettei mitään nesteitä pääse tunkeutumaan laitteiden tai akkujen sisään. Syövyttävät tai sähköä johtavat nesteet, kuten suolavesi, tietyt kemikaalit ja lalkaisuaineet tai valkaisuaineita sisältävät tuotteet voivat aiheuttaa lyhytsulun.

LITIUMAKKIJEN KULJETTAMINEN

Kuljeta akkua paikallisten ja kansallisten ehtojen ja säädösten mukaisesti.

Noudata kaikkia pakkaamista ja nimeämistä koskevia erikoissäädöksiä, kun kolmas osapuoli kuljettaa akkuja. Varmista, että mikään akku ei kosketa muita akkuja tai johtavaa materiaalia kuljetuksen aikana suojaamalla paljaat navat eristävillä, johtamattomilla korkeilla tai teipillä. Älä kuljeta akkuja, jotka ovat halkeilleet tai vuotavat. Kysy välitysyritykseltä lisäneuvoja.

- Ympäristön lämpötila-alue akulle käytön aikana on 0 °C ja 40 °C välillä.
- Ympäristön lämpötila-alue akun varastoinnin aikana on 0 °C ja 20 °C välillä.

KÄYTÖN RISKIT

Vaikka tuotetta käytettäisiin ohjeiden mukaisesti, ei ole mahdollista täysin eliminoida tiettyjä käyttöön liittyviä riskitekijöitä. Käyttäjän on kiinnitettävä erityistä huomiota näihin kohtiin vähentääkseen vakavan loukkaantumisen vaaraa.

- **Kuulovammat** – Käytä asianmukaisia kuulosuojaimia ja rajoita altistumista kovalle metelille.
- **Silmävammat** – Käytä kasvosuojainta tai suojalaseja käyttäessäsi tuotetta.
- **Tärinän aiheuttama vamma** - Rajoita altistumista ja noudata tämän käyttöoppaan ohjeita riskien vähentämiseksi.
- **Sähköiskut** kosketettaessa katkettuja sähköjohtoja - Pitele tuotetta vain eristetystä pinnasta



- Hengityselinvarma tuotteen käytöstä syntyneen pölyn takia – Käytä pölytyypille sopivaa suojainta.

RISKIEN VÄHENTÄMINEN

Raporttien mukaan käsityökalujen tärinä voi joidenkin kohdalla myötävaikuttaa Raynaudin oireen ilmenemiseen. Oireita ovat pistely, turtuus ja sormien kalpeneminen, yleensä kylmässä ilmassa. Perinnölliset tekijät, kylmyys ja kosteus, ruokavalio, tupakointi sekä työtavat voivat kaikki myötävaikuttaa näiden oireiden ilmenemiseen. Käyttäjä voi ehkäistä tärinän aiheuttamia vaikutuksia seuraavasti:

- Pidä itsesi lämpimänä kylmällä säällä. Käytä laitteen käytön aikana käsineitä, jotta kätesi ja ranteesi pysyvät lämpöisinä. Raporttien mukaan kylmä ilma on tärkeä tekijä Raynaud's Syndromen (Raunaudin oireiden) ilmenemisessä.
- Harjoita kunkin käyttöjakson jälkeen liikuntaa, jotta verenkierto lisääntyi.
- Pidä työn aikana säännöllisesti taukoja. Rajoita päivittäisen tärinän määrä.

Jos mitään yllä mainittuja oireita ilmenee, lopeta heti laitteen käyttö ja kerro oireista lääkärille.

VAROITUS

Laitteen pitkittynyt käyttö voi aiheuttaa tai vaikeuttaa vammoja. Kun käytät mitä tahansa laitetta pitkiä aikoja, muista pitää säännöllisiä taukoja.

TUNNE TUOTTEESI

Katso sivu 81.

1. Kaksinopeuksinen vaihteisto
2. Nopea tilanvalinta
3. Momentinsäätörengas
4. Avaimeton istukka
5. Kiertosuunnan valitsimen suunta
6. Kuusikulmainen syvennys
7. Nopeussäätöliipaisin
8. Kahva, eristetty tartuntapinta
9. MAG TRAY-ruuvipidike
10. LED-valo
11. Teräsäilytys
12. Ruuviavainterät
13. Akkutila
14. Syvyydensäätötanko
15. Sivukahva

HUOLTO

VAROITUS

Tuotetta ei tule koskaan kytkeä pistorasiaan osia koottaessa, säätöjä tehtäessä, puhdistettaessa, huollon aikana tai kun tuotetta ei aiota käyttää. Tuotteen irrottaminen pistorasiasta estää sitä käynnistymättä vahingossa, jolloin vältetään mahdollisilta vakavilta vammoilta.

- Huollossa tulee käyttää ainoastaan identtisiä varaosia.

Muunlaisten osien käyttö voi aiheuttaa vaaran tai vioittaa laitetta.

- Älä puhdista muoviosia liuottimilla. Suurin osa muoveista ei siedä markkinoilla olevia määrättyjä liuotteita, jotka vahingoittavat niitä. Käytä puhtaita kangaslinoja lian ja hiilipölyn pois pyyhkimiseen.
- Älä koskaan päästä jarrunesteitä, bensiiniä, öljytuotteita, lämpäisiä öljyjä tms. kosketuksiin muoviosien kanssa. Nämä kemialliset aineet voivat vaurioittaa, heikentää tai tuhota muovin.
- Käytä aina sähkölaitetta käyttäessäsi tai pölyä puhaltaessasi suojalaseja, joissa on sivusuojaimet. Käytä lisäksi pölynaamarina, jos työ on pölyistä.
- Jotta laite toimisi turvallisesti ja luotettavasti, kaikki korjaukset tulee antaa valtuutetun huoltopisteen hoitettavaksi.

VOITELU

Tuotteen laitteen laakerit on voideltu laitteen eliniäksi normaaliolosuhteissa riittävällä määrällä korkealaatuista voiteluainetta. Tästä syystä työkalu ei kaipaa lisävoitelua.

YMPÄRISTÖNSUOJELU



Älä hävitä raaka-aineita jätteinä vaan vie ne kierrätykseen. Ympäristönsuojelun kannalta työkalu, lisävara-usteet ja pakkausmateriaali on lajiteltava.

SYMBOLIT



Turvallisuusvaroitusta



Todistus CE-sääntöjen noudattamisesta



Tyhjäkäyntinopeus



EurAsian-vaatimustenmukaisuusmerkki



Lue ohjeet huolellisesti ennen laitteen käynnistämistä.



Ukrainalainen säädöstenmukaisuusmerkintä

001



Karan kapasiteetti.



Poraaminen ilman iskua



Iskuporakone



Käytöstä poistettavia sähkölaitteita ei pidä hävittää talousjätteiden mukana. Ne on mahdollisuuksien mukaan pantava kiertoon. Kierrätysohjeita antavat kunnan viranomaiset ja vähittäiskauppiat.

KÄSIKIRJAN SYMBOLIT



Huom



Varoitus



Ruuvien vääntö



Osat ja lisävarusteet on hankittava erikseen



Avaa



Lukko



Maksimimomentti



Vääntömomentti, vähimmäismäärä



Nopeus, pienin



Nopeus, maksimimomentti

Seuraavat signaalisanat ja merkitykset on tarkoitettu selittämään tähän tuotteeseen liittyviä riskin tasoja.

VAARA

Ilmoittaa välittömästä vaaratilanteesta, joka saattaa aiheuttaa kuoleman tai vakavan vamman.

VAROITUS

Ilmoittaa mahdollisesta vaaratilanteesta, joka saattaa aiheuttaa kuoleman tai vakavan vamman.

VAROITUS

Ilmoittaa mahdollisesta vaaratilanteesta, joka saattaa aiheuttaa pienen tai kohtalaisen vamman.

VAROITUS

(Ilman varoitusmerkkiä) Tilanne, joka voi aiheuttaa materiaalista vahinkoa.



Sikkerhet, ytelse og pålitelighet er gitt førsteprioritet ved konstruksjonen av din slagdrill.

TILTENKT BRUK

Denne slagdrillen skal kun brukes av voksne som har lest og forstått anvisningene og advarslene i denne brukermanualen og som kan anses å være ansvarlige for sine handlinger.

Slagdrillen er ment brukt for boring i forskjellige materialer, inklusive tre, metall og plast ved å bruke et bor med en diameter på mindre enn 13 mm. Når slagdrillen settes i slagmodus kan den brukes til boring i mur og lignende materialer. Når slagdrillen settes i skruemodus kan den brukes til å skru skruer.

Ikke bruk produktet på noe annen måte enn det som er beskrevet som tiltenkt bruk.

⚠ ADVARSEL

Les alle sikkerhetsadvarslene og alle instruksjonene. Dersom man ikke holder seg til advarsler og instruksjoner kan det føre til elektrisk støt, brann og/eller alvorlig personskade.

Ta vare på alle advarsler og anvisninger for senere bruk.

SIKKERHETSADVARSLER FOR SLAGDRILL

- **Bruk hørselsvern ved slagboring.** Støy kan føre til tap av hørselen.
 - **Bruk ekstrahåndtaket som følger med drillen.** Tap av kontroll kan føre til personskader.
 - **Hold det elektriske verktøyet på de isolerte gripeflatene når du foretar arbeid der skjæreredskapen kan få kontakt med skjulte strømførende elektriske ledninger.** Skjæreredskap som får kontakt med strømførende elektriske ledninger kan føre til at metalldelene på verktøyet blir strømførende og at brukeren kan få støt.
 - **Hold elektrisk verktøy på de isolerte håndtakene når du jobber på steder der stifter kan komme i kontakt med skjulte ledninger.** Stifter som er i kontakt med strømførende ledninger kan gjøre metalldelene på elektroverktøyet strømførende, noe som kan føre til at brukeren får elektrisk støt.
 - Ikke bruk på materialer (for eksempel asbest) som representerer en helsefare.
 - Slå umiddelbart av produktet hvis [bit / blad / tilkøplinger] blokkerer. Ikke slå på produktet igjen mens bit er blokkert, idet dette kan utløse et brått tilbakeslag med stor kraft. Finn ut hvorfor bit ble blokkert og sørg for å fjerne årsaken samtidig som det tas hensyn til sikkerhetsinstruksjonene.
- De mulige årsakene kan være:
- det er skråttstilt i arbeidsstykket
 - det har gjennomboret arbeidsstykket
 - produktet er overbelastet

- Sagspon og fliser må ikke fjernes mens produktet er igang.
- Når det arbeides på vegger, tak eller gulv må det unngås å bore i elektriske ledninger og vann- eller gassrør.
- Fest arbeidsstykket med en tvinge.
- En passende temperatur for verktøyet når det brukes er mellom 0°C og 40°C.
- En passende temperatur for lagring av verktøyet er mellom 0°C og 40°C.
- En passende temperatur når systemet opplades er mellom 10°C og 38°C.

EKSTRA ADVARSLER FOR BATTERISIKKERHET

⚠ ADVARSEL

For å unngå fare for en brann forårsaket av en kortslutning, av personskader eller skader av produktet, må det forhindres at batteripakken eller laderen dypes i væsker og også sørges for at ingen væsker kan komme inn i apparatene eller batteriene. Korroderende og ledende væsker som saltvann, visse kjemikalier og blekemidler eller produkt som inneholder blekemidler kan forårsake en kortslutning.

TRANSPORTERE LITIUM-BATTERIER

Transporter batteriet i samsvar med lokale og nasjonale forskrifter og bestemmelser.

Følg alle spesielle krav når det gjelder pakking og merking når tredje part skal transportere batteriene. Pass på at batteriene ikke kan komme i kontakt med andre batterier eller ledende materialer når de transporteres ved at du beskytter åpne koblinger med isolerende, ikkeledende hetter eller tape. Ikke transportert batterier som har sprekker eller lekket. Sjekk med transportfirmaet for ytterligere råd.

- En passende batteritemperatur når verktøyet brukes er mellom 0°C og 40°C.
- En passende lagringstemperatur for batteriet er mellom 0°C og 20°C.

GJENVÆRENDE RISIKO

Også når produktet brukes som beskrevet, er det ikke mulig å utelukke risiko for brukere eller personer i nærheten. Brukeren må spesielt være oppmerksom på følgende punkter for å minske faren for alvorlige personskader.

- Hørselskader – Bruk adekvat hørselsvern og begrens eksponeringen.
- Skader på synet – Bruk vernebriller eller heldekkende briller når du bruker produktet.
- Personskader pga. vibrasjon - Begrens eksponeringen for vibrasjoner, og følg instruksjonene for risikoreduksjon i denne håndboken.
- Elektrisk støt etter kontakt med skjulte ledninger. - Hold



produktet kun der overflatene er isolert.

- Åndedrettsskade fra støv som dannes fra driften av produktet – Bruk passende beskyttelse avhengig av støvtypen.

FAREREDUKSJON

Det har blitt rapportert at vibrasjonene fra håndholdt verktøy kan bidra til en tilstand som heter Raynauds syndrom hos enkelte. Symptomene kan omfatte følelsesløshet og gjøre fingrene bleke, vanligvis synlig ved eksponering til lave temperaturer. Arvelige faktorer, eksponering mot lave temperaturer og fuktighet, diett, røyking og arbeidspraksis blir alle ansett for å kunne bidra til å utvikle disse symptomene. Brukeren kan iverksette tiltak for mulig å redusere virkningene av vibrasjonene:

- Hold kroppen din varm i kaldt vær. Bruk hansker og hold hender og vrister varme ved bruk av gressklipperen. Det er rapportert at kaldt vær er en viktig faktor som bidrar til Raynauds Syndrome.
- Etter hver arbeidsperiode bør det utføres øvelser for å øke blodsirkulasjonen.
- Ta ofte pauser fra arbeidet som utføres. Begrens mengden av eksponering pr. dag.

Hvis du opplever noen av symptomene på denne tilstanden må du øyeblikkelig avbryte arbeidet og oppsøke en lege med disse symptomene.

⚠ ADVARSEL

Skader kan oppstå eller forsterkes ved forlenget bruk av et verktøy. Når du bruker et verktøy over en lenger tidsperiode, husk å ta regelmessige pauser.

KJENN DITT PRODUKT

Se side 81.

1. To-trinns gir
2. Hurtigvelger for funksjonsinnstilling
3. Justeringsring for dreimoment
4. Nøkkelløs chuck
5. Rotasjonsretningsvelger
6. Sekskanthull
7. Variabel hastighetsbryter
8. Håndtak, isolert gripeoverflate
9. MAG TRAY skruholder
10. LED-lys
11. Bits-lager
12. Skrutrekkerbits
13. Batteridør
14. Dybdestoppstang
15. Støttehåndtak

VEDLIKEHOLD

⚠ ADVARSEL

Produktet skal aldri kobles til en strømforsyning mens du monterer på deler, gjør justeringer, rengjør, utfører vedlikehold eller når produktet ikke er i bruk. Ved å koble fra produktet hindrer man utilsiktet start som kan forårsake alvorlig personskade.

- Når vedlikehold utføres, må kun identiske reservedeler brukes. Bruk av andre deler kan skape fare eller føre til skade på produktet.
- Unngå bruk av løsemidler når du rengjør plastdelene. De fleste plastmaterialene kan skades ved bruk av løsningsmidlene som fås i handelen. Bruk rene kluter når du fjerner skitt og kullstøv.
- Du må aldri la bremsevæske, drivstoff, petroleumbaserte produkter, rustoppløsende olje osv. komme i kontakt med plastikkdelene. Slike kjemiske produkter inneholder stoffer som kan skade, svekke eller ødelegge platen.
- Bruk alltid vernebriller eller sikkerhetsbriller med sidebeskyttelse ved bruk av elektrisk verktøy eller når det blåses støv. Hvis arbeidet utløser støv, bruk også en støvmaske.
- For edre sikkerhet og pålitelighet skal alle reparasjoner utføres av et autorisert verksted.

SMØRING

Alle lager i dette produktet skal smøres med en tilstrekkelig mengde med et høyverdig smøremiddel for å sikre lang levetid under normale driftsforhold. Det er derfor unødvendig med tilleggs smøring.

MILJØVERN



Resirkuler råmaterialer istedenfor å kaste dem i søppelen. Verktøyet, tilbehørene og emballasjen bør sorteres for miljøvennlig resirkulering.

SYMBOLER



Sikkerhetsadvarsel



CE samsvarserklæring



Hastighet ubelastet



EurAsian Konformitetstegn



Vennligst les instruksjonene nøye før du starter maskinen.



Ukrainsk merke for konformitet



Chuckkapasitet



Bor uten slag



Slagdrill



Avfall fra elektriske produkter skal ikke kastes sammen med husholdningsavfall. Vennligst resirkulerveredeksisterende avfallsbehandlingssted. Undersøk hos dine lokale myndigheter eller forhandler for råd om resirkulering.

SYMBOLER I MANUALEN



Nb



Advarsel



Skrueskruing



Deler eller tilbehør solgt separat



Låse opp



Lås



Maks dreiemoment



Moment, Minimum



Hastighet, minimum



Hastighet, maks

⚠ FARE

Indikerer en umiddelbart farlig situasjon, som, dersom den ikke unngås, kan føre til alvorlig personskade eller død.

⚠ ADVARSEL

Indikerer en potensiell farlig situasjon, som, dersom den ikke unngås, kan føre til alvorlig personskade eller død.

⚠ ADVARSEL

Indikerer en potensiell farlig situasjon, som, dersom den ikke unngås, kan føre til mindre eller moderate skader.

ADVARSEL

(Uten sikkerhetssymbol) Indikerer en situasjon som kan resultere i skader på eiendom.

Følgende symboler og betydninger forklarer risikonivået som er assosiert med dette produktet.



При разработке этого перфоратора особое внимание уделялось безопасности, производительности и надежности.

НАЗНАЧЕНИЕ

Перфоратором с функцией дрели могут пользоваться только компетентные взрослые, которые прочли инструкции по технике безопасности, осознали опасности, связанные с эксплуатацией изделия, и могут считаться ответственными за свои действия.

Перфоратор предназначен для сверления по различным материалам, в том числе по дереву, металлу, пластмассе с использованием сверла диаметром до 13 мм. В ударном режиме перфоратор может использоваться для сверления каменной кладки и похожих материалов. В режиме завинчивания перфоратор может использоваться для завинчивания винтов.

Используйте устройство строго по назначению, указанному в настоящем руководстве.

⚠ ОСТОРОЖНО

Прочтите все указания и инструкции по технике безопасности. Несоблюдение предостережений и инструкций может привести к поражению электрическим током, возгоранию и/или серьезным травмам.

Сохраните все предупреждения и инструкции для дальнейшего использования.

ПРЕДУПРЕЖДЕНИЯ ОТНОСИТЕЛЬНО БЕЗОПАСНОГО ИСПОЛЬЗОВАНИЯ ЭТОГО ПЕРФОРАТОРА

- При ударном сверлении используйте средства защиты органов слуха. Воздействие шума может привести к потере слуха.
- При работе с инструментом используйте входящие в комплект поставки дополнительные рукоятки. Потеря управления может стать причиной травмы.
- При работе держите инструмент за рукоятки с электроизолирующим покрытием, так как пильное полотно может наткнуться на скрытую электропроводку. В результате контакта полотна с проводом, находящимся под напряжением, металлические части инструмента также могут оказаться под напряжением, что приведет к поражению работающего электрическим током.
- При выполнении операций, когда скоба может войти в контакт со скрытой проводкой, держите электроинструмент за изолированные поверхности захвата. Контакт зажимов с проводкой, находящейся под напряжением, может привести к попаданию тока на открытые металлические части электроинструмента и к поражению рабочего электрическим током.

- Не работайте с материалами (например, асбестом), которые представляют опасность для здоровья.

- Немедленно выключите изделие в случае застревания головки. Не включайте изделие, пока не освободите головку, иначе может произойти внезапная сильная отдача. Определите причину застревания головки и устраните ее, соблюдая требования техники безопасности.

Возможными причинами могут быть:

- произошел наклон в заготовке
- произошло проникновение сквозь заготовку
- изделие перегружено

- Запрещается удалять опилки и щепки во время работы изделия.

- При выполнении работ на стенах, потолках или полах следите за тем, чтобы не задеть электрические кабели и газовые или водопроводные трубы.

- Зажимайте обрабатываемое изделие зажимным устройством.

- Температура окружающей среды для эксплуатации инструмента должна быть в диапазоне от 0°C до 40°C.

- Температура окружающей среды для хранения инструмента должна быть в диапазоне от 0°C до 40°C.

- Рекомендуемая температура окружающей среды для зарядного устройства в процессе зарядки должна быть в диапазоне между 10°C и 38°C.

ТРЕБОВАНИЯ БЕЗОПАСНОСТИ ПРИ ИСПОЛЬЗОВАНИИ ДОПОЛНИТЕЛЬНОЙ АККУМУЛЯТОРНОЙ БАТАРЕИ

⚠ ОСТОРОЖНО

Для предотвращения опасности пожара в результате короткого замыкания, травм и повреждения изделия не опускайте инструмент, сменный аккумулятор или зарядное устройство в жидкости и не допускайте попадания жидкостей внутрь устройств или аккумуляторов. Коррозионные и проводящие жидкости, такие как соленый раствор, определенные химикаты, отбеливающие средства или содержащие их продукты, могут привести к короткому замыканию.

ТРАНСПОРТИРОВКА ЛИТИЕВЫХ БАТАРЕЙ

Транспортируйте аккумуляторную батарею в соответствии с местными и государственными правилами и положениями.

При транспортировке батарей третьей стороной соблюдайте все специальные требования по упаковке и маркировке. Проверьте, чтобы аккумуляторные батареи не вступали в контакт с другими батареями или проводимыми материалами при транспортировке, для этого защитите оголенные разъемы изоляцией, изолирующими колпачками или лентами. Не





переносите батареи с повреждениями или утечками. За дальнейшими консультациями обратитесь в транспортно-экспедиционную компанию.

- Температура окружающей среды для эксплуатации аккумулятора должна быть в диапазоне от 0°C до 40°C.
- Температура окружающей среды для хранения аккумулятора должна быть в диапазоне от 0°C до 20°C.

ОСТАТОЧНЫЕ РИСКИ

Даже когда изделие используют согласно инструкциям, невозможно полностью устранить факторы риска. Оператор должен уделять особое внимание данным моментам, чтобы снизить риск получения телесных повреждений.

- Повреждение слуха – Носите надлежащие средства защиты органов слуха и ограничивайте неблагоприятное воздействие.
- Повреждение зрения – Всегда носите защитные очки при работе с устройством.
- Травмы, вызываемые вибрацией - Ограничьте воздействие и следуйте инструкциям по снижению риска, представленным в настоящем руководстве.
- Поражение электрическим током после контакта со скрытыми проводами - Держите изделие только за изолированные поверхности.
- Повреждение органов дыхания пылью, образующейся во время эксплуатации изделия – Носите надлежащие средства защиты в зависимости от вида пыли.

СНИЖЕНИЕ РИСКА

Сообщалось, что вибрация ручных электроинструментов у отдельных лиц может способствовать состоянию, которое называется синдром Рейно. К симптомам могут относиться покалывание, онемение и побеление пальцев (как при переохлаждении). Считают, что наследственные факторы, охлаждение и влажность, диета, курение и практический опыт способствуют развитию этих симптомов. Ниже приводятся меры, которые может принять оператор для снижения воздействия вибрации:

- Одевайтесь теплее в холодную погоду. При работе с устройством пользуйтесь перчатками, чтобы руки и запястья были в тепле. Считается, что холодная погода является основным фактором, способствующим возникновению болезни Рейно (Raynaud's Syndrome).
- После каждого этапа работы выполните упражнения для усиления кровообращения.
- Чаще делайте перерывы в работе. Сократите длительность ежедневного пребывания на открытом воздухе.

При появлении каких-либо из указанных симптомов сразу же прекратите работу и обратитесь по их поводу к врачу.

⚠ ОСТОРОЖНО

Продолжительное использование инструмента без перерыва может привести к травмам. При использовании инструмента в течение длительного времени делайте регулярные перерывы.

ИЗУЧИТЕ ИЗДЕЛИЕ

Стр 81.

1. Двухскоростная зубчатая передача
2. Переключатель быстрого выбора режимов
3. Кольцо регулировки крутящего момента
4. Бесключевой патрон
5. Переключатель направления вращения
6. Отверстие под шестигранную головку
7. Кнопка запуска с регулировкой скорости
8. Ручка, изолированная поверхностью захвата
9. Отсек для хранения шурупов MAG TRAY
10. Светодиодный индикатор
11. Хранилище бура
12. Сверла шуруповерта
13. Гнездо подключения батареи
14. Ограничитель глубины
15. Вспомогательная рукоятка

ТЕХНИЧЕСКОЕ ОБСЛУЖИВАНИЕ

⚠ ОСТОРОЖНО

Прибор ни в коем случае не должен подсоединяться к источнику питания, когда вы разбираете его компоненты, выполняете регулировку, очистку, проводите техническое обслуживание, или когда прибор не используется. Отсоединение прибора позволит защитить инструмент от случайного запуска, чреватого серьезными физическими травмами.

- При проведении текущего ремонта используйте только идентичные запчасти. Использование других запчастей может представлять опасность или повредить изделия.
- Избегайте использования растворителей во время чистки пластмассовых частей. Многие пластмассы чувствительны к воздействию различных бытовых растворителей и в результате их использования могут разрушиться. С помощью чистой ткани удалите грязь и угольную пыль.
- Никогда не допускайте контакта тормозной жидкости, бензина, продуктов на нефтяной основе, пропиточного масла и т. д. с пластмассовыми частями. Эти химикаты содержат вещества, которые могут испортить, ослабить или разрушить пластмассу.
- Всегда надевайте предохранительные или защитные очки с боковыми защитными экранами



при работе с данным инструментом или сдувании пыли. Если во время работы образуется много пыли, также надевайте пылезащитную маску.

- Для большей безопасности и надежности все ремонтные работы должны проводиться авторизованным сервисным центром.

СМАЗКА

Все подшипники в изделии смазаны достаточным количеством высокосортной смазки для продолжительной эксплуатации изделия в нормальных рабочих условиях. Поэтому дополнительная смазка не требуется.

ЗАЩИТА ОКРУЖАЮЩЕЙ СРЕДЫ



Утилизируйте как сырье, а не выбрасывайте как мусор. Машина, аксессуары и упаковка должны быть отсортированы.

УСЛОВНЫЕ ОБОЗНАЧЕНИЯ



Сигнал опасности



Соответствие требованиям CE



Скорость на холостом ходу



Знак Евразийского Соответствия



Перед использованием прибора внимательно ознакомьтесь с данной инструкцией.



Украинский знак стандартизации

001



Наибольший диаметр сверла в патроне



Безударное сверление



Дрель ударного действия



Отработанная электротехническая продукция должна уничтожаться вместе с бытовыми отходами. Утилизируйте, если имеется специальное техническое оборудование. По вопросам утилизации проконсультируйтесь с местным органом власти или предприятием розничной торговли.

ОБОЗНАЧЕНИЯ В РУКОВОДСТВЕ



Примечание



Осторожно



Завинчивание



Детали или принадлежности, приобретаемые отдельно



Расцепить



Зафиксировать



Максимальный крутящий момент



Крутящий момент, Минимальный размер



Скорость, минимальная



Скорость, максимальная

Следующие сигнальные слова и значения предназначены, чтобы объяснить уровни риска, связанного с этим изделием.

⚠ ОПАСНО

Указывает на потенциально опасную ситуацию, которая, если ее не избежать, приведет к летальному исходу или серьезной травме.

⚠ ОСТОРОЖНО

Указывает на потенциально опасную ситуацию, которая, если ее не избежать, может привести к летальному исходу или серьезной травме.

⚠ ВНИМАНИЕ

Указывает на потенциально опасную ситуацию, которая, если ее не избежать, может привести к травме легкой или средней тяжести.

ВНИМАНИЕ

(Без Символа Тревоги Безопасности) Указывает ситуацию, которая может кончатся повреждением собственности.



- EN
- FR
- DE
- ES
- IT
- NL
- PT
- DA
- SV
- FI
- NO
- RU**
- PL
- CS
- HU
- RO
- LV
- LT
- ET
- HR
- SL
- SK
- BG
- UK
- TR
- EL

ТРАНСПОРТИРОВКА:

Категорически не допускается падение и любые механические воздействия на упаковку при транспортировке.

При разгрузке/погрузке не допускается использование любого вида техники, работающей по принципу зажима упаковки.

ХРАНЕНИЕ:

Необходимо хранить в сухом месте.

Необходимо хранить вдали от источников повышенных температур и воздействия солнечных лучей.

При хранении необходимо избегать резкого перепада температур.

Хранение без упаковки не допускается.

СРОК СЛУЖБЫ ИЗДЕЛИЯ:

Срок службы изделия составляет 5 лет.

Не рекомендуется к эксплуатации по истечении 5 лет хранения с даты изготовления без предварительной проверки.

Дата изготовления (код даты) отштампован на поверхности корпуса изделия.

Пример:

W17 Y2015, где Y2015 - год изготовления

W17 – неделя изготовления

Определить месяц изготовления можно согласно приведенной ниже таблице, на примере 2015 года.

Месяц	Январь	Февраль	Март	Апрель	Май	Июнь	Июль	Август	Сентябрь	Октябрь	Ноябрь	Декабрь	Год
Неделя	01	05	09	14	18	22	27	31	36	40	44	49	2015
	02	06	10	15	19	23	28	32	37	41	45	50	
	03	07	11	16	20	24	29	33	38	42	46	51	
	04	08	12	17	21	25	30	34	39	43	47	52	
	05	09	13	18	22	26	31	35	40	44	48	53	
			14			27							

130.COM.RU





W przypadku tej wiertarki udarowej zwrócono szczególną uwagę na zapewnienie bezpieczeństwa, wysokiej wydajności oraz niezawodności.

PRZEZNACZENIE

Wiertarka udarowa może być używana wyłącznie przez dorosłe osoby, które przeczytały i zrozumiały instrukcje oraz ostrzeżenia podane w tym podręczniku oraz, które mogą odpowiadać za swoje działania.

Wiertarka udarowa może być używana do wiercenia otworów w różnych materiałach, takich jak drewno, metal i tworzywo sztuczne przy użyciu wiertel o średnicy poniżej 13 mm. W trybie wiercenia udarowego wiertarka udarowa może być używana do wiercenia w betonie lub podobnym materiale. W trybie wkręcania wiertarka udarowa może być używana do wkręcania wkrętów.

Nie należy używać tego produktu niezgodnie z przeznaczeniem.

⚠ OSTRZEŻENIE

Zapoznaj się ze wszystkimi zasadami bezpieczeństwa i instrukcjami. Nieprzestrzeganie instrukcji i zasad bezpieczeństwa zawartych w ostrzeżeniach grozi porażeniem prądem elektrycznym, pożarem lub poważnymi obrażeniami.

Zachowaj wszystkie ostrzeżenia i instrukcje do wykorzystania w przyszłości.

OSTRZEŻENIA BEZPIECZEŃSTWA DOTYCZĄCE WIERTARKI UDAROWEJ

- **Stosuj środki ochrony słuchu podczas wiercenia udarowego.** Narażenie na hałas może spowodować utratę słuchu.
- **Używać rękocykli pomocniczej dołączonej do wiertarki.** Utrata panowania nad wiertarką grozi zranieniem.
- **Urządzenie elektryczne należy trzymać za izolowany uchwyt, gdy zachodzi ryzyko przewiercenia przewodu pod napięciem.** Kontakt z przewodem pod napięciem może spowodować przepływ prądu przez metalowe elementy urządzenia i porażenie operatora.
- **Podczas pracy trzymaj elektronarzędzie izolowane powierzchninie uchwytów, ponieważ element mocujący może zetknąć się z ukrytymi przewodami lub własnym przewodem.** Zetknięcie elementów mocujących z przewodem pod napięciem spowoduje, że wszystkie metalowe części elektronarzędzia będą również pod napięciem, co w rezultacie spowoduje porażenie operatora prądem.
- Nie należy używać w przypadku materiałów (np. azbestu) stwarzających zagrożenie dla zdrowia.
- Natychmiast wyłączyć produkt, jeśli dojdzie do zablokowania końcówki. Nie włączać ponownie produktu, gdy końcówka są zablokowane, ponieważ może dojść do gwałtownego szarpnięcia. Należy

ustalić, dlaczego końcówka są zablokowane i usunąć przyczynę, zwracając uwagę na zasady bezpieczeństwa.

Możliwe przyczyny:

- przekrzywienie w obrabianym materiale
- przebicie obrabianego materiału
- produkt jest przeciążony
- Nie wolno usuwać pyłu ani trocin, gdy produkt pracuje.
- Przy wykonywaniu prac na ścianach, sufitach lub podłogach należy unikać kontaktu z przewodami elektrycznymi oraz rurami gazowymi i wodnymi.
- Obrabiany element należy zamocować za pomocą zacisku.
- Zakres temperatury otoczenia dla narzędzia podczas eksploatacji to od 0°C do 40°C.
- Zakres temperatury otoczenia dla narzędzia podczas przechowywania to od 0°C do 40°C.
- Zalecany zakres temperatury otoczenia dla układu ładowanego podczas ładowania to od 10°C do 38°C.

AKUMULATOR — DODATKOWE OSTRZEŻENIA DOTYCZĄCE BEZPIECZEŃSTWA

⚠ OSTRZEŻENIE

Aby uniknąć niebezpieczeństwa pożaru, obrażeń lub uszkodzeń produktu na skutek zwarcia, nie wolno zanurzać narzędzia, akumulatora wymiennego ani ładowarki w cieczach i należy zatroszczyć się o to, aby do urządzeń i akumulatorów nie dostały się żadne ciecze. Zwarcie spowodować mogą korodujące lub przewodzące ciecze, takie jak woda morską, określone chemikalia i wybielacze lub produkty zawierające wybielacze.

TRANSPORTOWANIE AKUMULATORÓW LITOWYCH

Akumulatory należy transportować zgodnie z lokalnymi i krajowymi przepisami i regulacjami.

Należy postępować zgodnie z wszystkimi specjalnymi wymaganiami dotyczącymi pakowania i etykietowania akumulatorów podczas transportu przez stronę trzecią. Upewnij się, że żadne akumulatory nie zetkną się z innymi akumulatorami lub materiałami przewodzącymi podczas transportu. W tym celu należy zabezpieczyć odkryte złącza nieprzewodzącymi nakładkami izolacyjnymi lub taśmą izolacyjną. Nie należy transportować pękniętych ani nieszczelnych akumulatorów. Szczegółowe porady można uzyskać w firmie spedycyjnej.

- Zakres temperatury otoczenia dla akumulatora podczas eksploatacji to od 0°C do 40°C.
- Zakres temperatury otoczenia dla akumulatora podczas przechowywania to od 0°C do 20°C.



RYZIKO ZWIĄZANE Z UŻYTKOWANIEM

Nawet jeśli produkt jest używany zgodnie z zaleceniami, nadal nie jest możliwe wyeliminowanie określonych czynników ryzyka. Operator powinien zwracać szczególną i dodatkową uwagę na te punkty w celu ograniczenia ryzyka poważnych obrażeń ciała.

- Urazy słuchu – Należy stosować odpowiednie środki ochrony uszu oraz ograniczyć poziom narażenia.
- Urazy wzroku – Należy nosić osłony oczu lub okulary ochronne podczas korzystania z produktu.
- Urazy ciała spowodowane przez wibracje - Ograniczyć narażenie i stosować się do podanych w niniejszej instrukcji zaleceń dotyczących ograniczania ryzyka.
- Porażenie prądem elektrycznym w przypadku uszkodzenia ukrytych przewodów - Produkt należy trzymać wyłącznie za izolowane powierzchnie.
- Urazy dróg oddechowych spowodowane pyłem wytwarzanym podczas obsługi produktu – Należy stosować odpowiednie środki ochronne w zależności od typu pyłu.

OGRANICZENIE RYZYKA

Znane są przypadki wywołania u niektórych osób objawu Raynauda spowodowanego wibracjami ręcznych narzędzi. Typowe objawy to mrowienie, drętwienie i blednięcie palców, widoczne zwykle po wystawieniu na działanie zimna. Uważa się, że czynniki dziedziczne, wystawienie na działanie zimna i wilgoci, dieta, palenie papierosów i przyjęte zwyczaje przyczyniają się do rozwoju tych objawów. Istnieją środki zaradcze, które może podjąć operator narzędzia, aby zmniejszyć efekt wibracji:

- Zadbaj w niskich temperaturach o ciepłotę własnego ciała, zakładając odpowiednie ubranie. Podczas obsługi urządzenia należy nosić rękawice, aby dłonie i nadgarstki były ciepłe. Wiadomo, że niskie temperatury są główną przyczyną powstawania objawu Raynauda.
- Podczas przerw w pracy należy wykonywać ćwiczenia poprawiające krążenie krwi.
- Podczas pracy robić częste przerwy. Ograniczyć ekspozycję w ciągu dnia.

W razie doświadczenia dowolnego z wymienionych objawów, należy niezwłocznie zaprzestać użytkowania tego urządzenia i skontaktować się z lekarzem.

⚠ OSTRZEŻENIE

Długotrwałe użytkowanie narzędzia może spowodować obrażenia ciała lub nasilić dolegliwości zdrowotne. W przypadku używania narzędzia przed dłuższy czas należy pamiętać o regularnych przerwach.

INFORMACJE O PRODUKCIE

Patrz strona 81.

1. Przekładnia dwubiegowa

2. Przełącznik wyboru trybu pracy
3. Pierścień regulacji momentu obrotowego
4. Uchwyt szybkoszaciskowy
5. Przełącznik kierunku obrotów
6. Gniazdo sześciokątne
7. Przycisk ze zmienną regulacją prędkości
8. Uchwyt, izolowana powierzchnia chwytna
9. Uchwyt na wkręty MAG TRAY
10. Dioda LED
11. Uchwyt końcówek roboczych
12. Końcówki wkrętaka
13. Gniazdo akumulatora
14. Ogranicznik głębokości
15. Uchwyt pomocniczy (dodatkowa rękojeść)

KONSERWACJA

⚠ OSTRZEŻENIE

Produkt nigdy nie może być podłączony do źródła zasilania podczas montażu części, regulacji, czyszczenia, konserwacji lub gdy nie jest używany. Odłączenie produktu zapobiegnie przypadkowemu uruchomieniu, które mogłoby spowodować poważne obrażenia ciała.

- Do napraw używać wyłącznie identycznych zamienników. Użycie jakiegokolwiek innej części mogłoby spowodować zagrożenie lub też uszkodzić wasze narzędzie.
- Nie stosować rozpuszczalników do czyszczenia elementów plastikowych. Większość tworzyw sztucznych, mogłoby zostać uszkodzone przez użycie rozpuszczalników dostępnych w sprzedaży. Usunąć zabrudzenia i pył węgłowy czystymi szmatkami.
- Nie wolno dopuścić do kontaktu plastikowych części z płynem hamulcowym, benzyną, produktami ropopochodnymi, olejami penetrującymi itp. Substancje te zawierają produkty chemiczne, które mogłyby uszkodzić, osłabić lub zniszczyć plastik.
- Podczas użytkowania elektronarzędzi lub wydmuchiwania pyłu należy zawsze nosić okulary ochronne z osłonami bocznymi. Jeśli wykonywanej pracy towarzyszy powstawanie pyłu, należy również stosować maskę przeciwpyłową.
- Aby zapewnić wyższy poziom bezpieczeństwa i niezawodności, wszystkie naprawy powinny być przeprowadzane przez autoryzowany punkt serwisowy.

SMAROWANIE

Wszystkie łożyska produktu są smarowane przy użyciu odpowiedniej ilości wysokiej jakości smaru na cały okres eksploatacji produktu przy uwzględnieniu normalnych warunków roboczych. W wyniku czego, nie zachodzi potrzeba dodatkowego smarowania.

OCHRONA ŚRODOWISKA



Surowce należy oddawać do powtórnego przetworzenia zamiast wyrzucać je na śmieci. Z myślą o ochronie środowiska, narzędzie, akcesoria i opakowania powinny być sortowane.

SYMBOLE



Uwaga dotycząca bezpieczeństwa



Zgodność CE



Prędkość bez obciążenia



Znak zgodności EurAsian



Przed uruchomieniem urządzenia prosimy uważnie przeczytać instrukcję



Ukraiński znak zgodności



Rozmiar uchwyt



Wiercenie bez udaru



Wiertarka udarowa



Zużyte produkty elektryczne nie powinny być utylizowane z odpadami domowymi. Prosimy poddawać recyklingowi w odpowiednich miejscach. Informacje o właściwych metodach recyklingu można uzyskać u władz lokalnych lub sprzedawcy.

SYMBOLE W INSTRUKCJI



Uwaga



Ostrzeżenie



Wkręcanie wkrętów



Części lub akcesoria sprzedawane oddzielnie



Odkręcenie uchwytu



Blokada



Maksymalny moment obrotowy



Moment obrotowy, Minimalny rozmiar



Bieg, minimalne



Bieg, maksymalny

Poniższe symbole i nazwy które im nadano, pozwalają wyjaśnić różne poziomy ryzyka związanego z używaniem tego narzędzia.

NIEBEZPIECZEŃSTWO

Oznacza bezpośrednio niebezpieczną sytuację, która, jeśli nie zostanie uniknięta, spowoduje śmierć lub poważne urazy ciała.

OSTRZEŻENIE

Oznacza potencjalnie niebezpieczną sytuację, która, jeśli nie zostanie uniknięta, może spowodować śmierć lub poważne urazy ciała.

UWAGA

Oznacza potencjalnie niebezpieczną sytuację, która, jeśli nie zostanie uniknięta, może spowodować niewielkie lub umiarkowane urazy ciała.

UWAGA

(Bez symbolu bezpieczeństwa) Wskazuje na sytuację mogącą spowodować straty materialne.



Bezpečnost, výkon a spolehlivost byli hlavní prioritou při návrhu vašeho nárazového vrtáku.

ZAMÝŠLENÉ POUŽITÍ

Šroubovák s příklepem je určen pouze pro používání dospělými osobami, které si přečetly a řádně pochopily pokyny a varování v této příručce a jsou zodpovědné za své konání.

Šroubovák s příklepem spolu s bity o průměru menším než 13 mm je určen k vrtání do různých materiálů, včetně dřeva, kovu a plastu. V režimu příklepu lze tento šroubovák použít k vrtání do zdiva a podobných materiálů. V režimu šroubování lze šroubovák s příklepem použít ke šroubování.

Nepoužívejte výrobek jinak než je uvedeno v určeném použití.

⚠ VAROVÁNÍ

Přečtěte si všechny pokyny a bezpečnostní varování. Nedodržování upozornění a těchto pokynů může vést k úrazu elektrickým proudem, ke vzniku požáru nebo vážnému zranění.

Uchovejte si všechny pokyny a varování pro budoucí nahlédnutí.

BEZPEČNOSTNÍ VAROVÁNÍ K NÁRAZOVÉHO VRTÁKU

- **Noste ochranu sluchu, když vrtáte s příklepem.** Působením hluku může dojít k poškození sluchu.
- **Používejte pomocné rukojeti dodávané s nástrojem.** Ztráta kontroly může způsobit vážný úraz osob.
- **Držte elektricky poháněný nástroj za izolované úchopové plochy, když nástroj používáte s vrtacím příslušenstvím, které může přijít do styku se skrytými vodiči.** Kontakt s „živým“ vodičem způsobí, že kovové části elektricky poháněného nástroje se stanou také „živými“ a způsobí elektrický úraz obsluze.
- **Držte elektricky poháněný nástroj za izolované úchopové plochy, když nástroj používáte se sponami, které mohou přijít do styku se skrytými vodiči.** Spony zasahující do „živého“ vodiče způsobí, že kovové části elektricky poháněného nástroje se stanou vystavenými a způsobí elektrický úraz obsluze.
- Nepracujte s materiály (např. azbest), které ohrožují lidské zdraví.
- Vypněte výrobek okamžitě, pokud se bit zastaví. Výrobek znovu nezapínejte, když je bit zastavený, protože by mohlo dojít k náhlému zpětnému rázu s vysoce reaktivní silou. Zjistěte, proč se bit zastavil a sjeďte opravu, věnujte pozornost bezpečnostním pokynům.
Možné příčiny:
 - náklon na zpracovávaném kusu
 - proražení zpracovávaného kusu

– výrobek je přetížen

- Piliny a třísky nesmí být odstraňovány, je-li výrobek spuštěný.
- Při práci na stěnách, stropech nebo podlahách se vyhněte elektrickým kabelům a plynovému nebo vodovodnímu potrubí.
- Upínadlo obrobku s upínacím zařízením.
- Rozsah teplot okolí při používání nástroje je od 0 °C do 40 °C.
- Rozsah teplot okolí při skladování nástroje je od 0 °C do 40 °C.
- Rozsah doporučených teplot okolí při používání systému nabíjení akumulátoru je od 10 °C do 38 °C.

DOPLŇUJÍCÍ BEZPEČNOSTNÍ UPOZORNĚNÍ K BATERII

⚠ VAROVÁNÍ

Abyste zabránili nebezpečí požáru způsobeného zkratem, poraněním nebo poškozením výrobku, neponořujte nářadí, výměnnou baterii nebo nabíječku do kapalin a zajistěte, aby do zařízení a akumulátorů nevnikly žádné tekutiny. Korodující nebo vodivé kapaliny, jako je slaná voda, určité chemikálie a bělicí prostředky nebo výrobky, které obsahují bělidlo, mohou způsobit zkrat.

TRANSPORT LITHIOVÝCH BATERIÍ

Přenos baterie dle místních a národních opatření a předpisů.

Dodržujte všechny zvláštní požadavky na balení a značení při transportu baterií třetí stranou. Zajistěte, aby žádné baterie nepřišly do kontaktu s jinými bateriemi nebo vodivými materiály při transportu pomocí ochrany nekrytých kontaktů prostřednictvím izolace, nevodivých krytek či lepicích pásek. Nepřepravujte prasklé nebo baterie s unikajícími elektrolytem. Ptejte se u zásilkové společnosti na další radu.

- Rozsah provozních teplot okolí akumulátoru je od 0 °C do 40 °C.
- Rozsah skladovacích teplot okolí akumulátoru je od 0 °C do 20 °C.

ZBYTKOVÁ RIZIKA

Dokonce, i když se výrobek provozuje jak je předepsáno, je stále nemožné zcela eliminovat veškeré zbytkové rizikové faktory. Obsluha by měla věnovat zvláštní pozornost těmto bodům, aby se snížilo riziko vážného poranění.

- Poškození sluchu – Noste vhodnou ochranu sluchu a omezte vystavení.
- Poškození zraku – Používejte ochranné štíty nebo ochranné brýle při používání výrobku.





- Poranění způsobené vibracemi - Omezte expozici a postupujte podle pokynů pro snižování rizik v této příručce
- Nebezpečí úrazu elektrickým proudem při styku se skrytými vodiči - Elektrický nástroj držte pouze za izolované úchopové oblasti.
- Zranění dýchacích cest prachem vzniklým provozováním výrobku – Používejte vhodnou ochranu dle typu prachu.

SNÍŽENÍ RIZIKA

Bylo zjištěno, že vibrace z nástrojů mohou u některých osob přispívat ke stavu tzv Raynaud's Syndrome (Raynaudovu syndromu). Mezi jeho příznaky patří brnění, necitlivost a zblednutí prstů, patrné obvykle po pobytu v chladu. Vědci se domnívají, že k rozvinutí těchto příznaků přispívají dědičné faktory, pobyt v chladu a vlhku, strava, kouření a pracovní návyky. Uživatel může omezit případné působení vibrací použitím vhodných opatření:

- Za chladného počasí se teple oblečte. Při práci s nástrojem si navlékněte rukavice, abyste udrželi ruce a zápěstí v teple. Bylo zjištěno, že chladné počasí je hlavním faktorem přispívajícím k Raynaud's Syndrome (Raynaudovu syndromu).
- Během práce si v pravidelných intervalech zacvičte, abyste zvýšili krevní oběh.
- Zařazujte časté pracovní přestávky. Omezte dobu práce za den.

Jakmile pocítíte některý z výše uvedených příznaků tohoto syndromu, okamžitě přerušete práci a vyhledejte lékaře.

VAROVÁNÍ

Poranění mohou být způsobena, či zhoršena, prodlouženým používáním nástroje. Když používáte jakýkoliv nástroj delší dobu, dělejte pravidelně přestávky.

SEZNAMTE SE S VÝROBKEM

Viz strana 81.

1. Dvourychlostní převodové soukolí
2. Volič rychlého režimu
3. Nastavovací kroužek kroutočného momentu
4. Rychloupínací sklíčidlo
5. Volič směru otáčení
6. Otvor pro šestihrannou matici
7. Spoušť spínače regulátoru rychlosti
8. Rukojeť s izolací a protiskluzovým povrchem
9. Příhrádka MAG TRAY (zásobník šroubků)
10. Kontrolka LED
11. Úložiště nástavců (bitů)
12. Šroubovací nástavce
13. Otvor pro baterie
14. Hloubkový doraz
15. Přídavná rukojeť

ÚDRŽBA

VAROVÁNÍ

Výrobek nikdy nepřipojujte ke zdroji napájení, když se montují díly, provádí seřizování, čištění, údržba nebo když se nepoužívá. Odpojením produktu předejete náhodnému spuštění a tím vážnému osobnímu poranění.

- Při údržbě používejte pouze stejné náhradní díly. Použití jakýchkoliv jiných dílů může vytvořit nebezpečí nebo způsobit poškození výrobku.
- Vyhnete se používání rozpouštědel, když čistíte plastové díly. Většina ředidel běžně dostupných v obchodní síti se nehodí k čištění plastových částí, neboť narušuje povrch plastů. K odstranění nečistot a uhlého prachu použijte čistý textil.
- Nikdy nenechte přijít brzdové kapaliny, petrolej, výrobky založené na petroleji, pronikavé oleje, atd. do kontaktu s plastovými součástmi. Tyto výrobky obsahují chemikálie, které mohou poškodit, oslabit nebo zničit plastové části, případně snížit jejich životnost.
- Vždy noste bezpečnostní brýle nebo bezpečnostní brýle s postranními štítky, když obsluhujete elektricky poháněný nástroj nebo při rozdmychávání (tvorbě) prachu. Pokud pracujete v prachu, noste také respirátor.
- Pro lepší bezpečnost a bezporuchovost by mělo opravy provádět pověřené autorizované servisní středisko.

MAZÁNÍ

Veškerá ložiska nářadí byla výrobcem namazána dostatečným množstvím vysoce účinného maziva, které stačí na celou dobu životnosti produktu při normálních podmínkách používání. Žádné další mazání nářadí není nutné.

OCHRANA ŽIVOTNÍHO PROSTŘEDÍ



V rámci možností neodhazujte vysloužilé nářadí do domovního odpadu a upřednostněte jeho recyklaci. V souladu s předpisy na ochranu životního prostředí odkládejte vysloužilé nářadí, příslušenství i obalový materiál do tříděného odpadu.

SYMBOLY



Bezpečnostní výstraha



Shoda CE



Otáčky naprázdno





Euroasijská značka shody



Před spuštěním přístroje si řádně přečtěte pokyny.



Ukrajinská značka shody



Kapacita skříňdla



Vrtání bez přiklepu



Přilepová vrtačka



Odpad elektrických výrobků se nesmí likvidovat v domovním odpadu. Recyklujte prosím na sběrných místech. Ptejte se u místních úřadů nebo prodejce na postup při recyklaci.

SYMBOLY POUŽITÉ V NÁVODU



Poznámka



Varování



Šroubování



Díly nebo příslušenství jsou v prodeji samostatně



Odemknuto



Zamknuto



Maximální utahovací moment



Točivý moment, minimum



Rychlost, minimum



Rychlost, maximum

Následující signální slova a významy jsou vhodné pro vysvětlení úrovně nebezpečí spojených s tímto výrobkem.

NEBEZPEČÍ

Upozorňuje na bezprostředně nebezpečnou situaci, která vede k usmrcení nebo těžkému zranění.

VAROVÁNÍ

Upozorňuje na možnou nebezpečnou situaci, která by mohla vést ke smrtelnému úrazu nebo k závažnému zranění.

POZOR

Upozorňuje na možnou nebezpečnou situaci, která může vést k menšímu nebo lehkému zranění.

POZOR

(Bez bezpečnostního výstražného symbolu) Určuje situaci, která může mít za následek vážné poškození.



Az ütvefúró tervezésekor a biztonság, a teljesítmény és a megbízhatóság voltak a legfontosabb szempontok.

RENDELTETÉSSZERŰ HASZNÁLAT

Ezt az ütvefúrót csak felnőttek használhatják, akik elolvasták és megértették a kézikönyvben lévő utasításokat és figyelmeztetéseket, és felelősnek lehet őket tekinteni a teükéért.

Az ütvefúró 13 mm-nél kisebb fúróbetéttel használható különböző anyagok fúrására, úgymint fa, fém és műanyag. Ütvefúrás módban az ütvefúró beton és hasonló anyagok fúrására használható. Csavarbehajtás módban az ütvefúró csavarok behajtására használható.

Ne használja a terméket a rendeltetésétől eltérő célra.

FIGYELEM

Olvassa el az összes biztonsági figyelmeztetést és utasítást. A figyelmeztetések és előírások be nem tartása elektromos áramütést, tüzet és/vagy súlyos sérülést eredményezhet.

A jövőbeli felhasználásra őrizze meg az összes figyelmeztetést és útmutatót.

ÜTVEFÚRÓ BIZTONSÁGI FIGYELMEZTETÉSEK

- **Ütvefúráskor viseljen fülvédőt.** A fokozott zajhatás hosszú távon a hallás elvesztését eredményezheti.
- **Használja a szerszámhoz mellékelt kiegészítő fogantyúkat.** Az irányítás elvesztése személyi sérülést okozhat.
- **A szerszámgépet a szigetelt felületén fogja, ha olyan műveletet végez vele, melynek során rejtett, feszültség alatt lévő vezeték is elvághat.** A feszültség alatt lévő vezetékkel történő érintkezés során a szerszám fém alkatrészei áram alá kerülhetnek, minek következtében a kezelőt áramütés érheti.
- **A szerszámgépet a szigetelő fogófelületeinél fogja, ha olyan műveletet végez, melynek során a rögzítő rejtett vezetékhez érhet.** Az „élő” vezetékkel érintkező rögzítő következtében a szerszám fém alkatrészei áram alá kerülhetnek, minek következtében a kezelőt áramütés érheti.
- Ne dolgozzon olyan anyagokon (pl. azbeszt) ami egészségügyi kockázatot jelent.
- Azonnal kapcsolja ki a terméket, ha a betét belassul. Ne kapcsolja be addig a terméket, amíg a betét meg van akadva, mivel a nagy reaktív erő miatt hirtelen visszarúgást okozhat. Határozza meg, hogy a betét miért lassult be, és orvosolja a problémát, miközben figyelmet fordít a biztonsági utasításokra.
A lehetséges okok a következők lehetnek:
 - meg van döntve a munkadarabban
 - átfúrta a munkadarabot
 - a termék túl van terhelve

- A fúrészpör és a szilánkok nem távolíthatók el, amíg a termék működik.
- Falakon, mennyezeteken vagy padlón dolgozva vigyázzon, nehogy elektromos vezeték, gáz vagy vízcsövet találjon el.
- Szorítsa le a munkadarabot egy szorítóval.
- Az eszköz környezeti hőmérséklet-tartománya a működés során: 0°C - 40°C.
- Az eszköz környezeti hőmérséklet-tartománya a tárolás során: 0°C - 40°C.
- A töltőrendszer ajánlott környezeti hőmérséklet-tartománya töltés során: 10°C - 38°C.

AZ AKKUMULÁTOR KIEGÉSZÍTŐ BIZTONSÁGI FIGYELMEZTETÉSEI

FIGYELEM

A rövidzárlat általi tűz, sérülések vagy termékkárosodások veszélye elkerülésére ne merítse a szerszámot, a cserélhető akkut vagy a töltőkészüléket folyadékba, és gondoskodjon arról, hogy ne hatoljanak folyadékok a készülékekbe és az akkukba. A korrozív hatású vagy vezetőképes folyadékok, mint pl. a sós víz, bizonyos vegyi anyagok, fehéritők vagy fehéritő tartalmú termékek, rövidzárlatot okozhatnak.

LÍTIUM AKKUMULÁTOROK SZÁLLÍTÁSA

Az akkumulátorokat a helyi és nemzeti előírásokkal és szabályokkal összhangban szállítsa.

Az elemek külső fél általi szállításakor kövesse a csomagolásra és a címkézésre vonatkozó speciális előírásokat. Ügyeljen arra, hogy az akkumulátorok ne érhessenek más akkumulátorokhoz vagy vezető anyagokhoz szállítás közben; ehhez a szabadon maradt csatlakozókat védje szigetelő fedéllel vagy szalaggal. Ne szállítson repedt vagy szivárgó akkumulátorokat. További információért vegye fel a kapcsolatot a továbbítást végző céggel.

- Az akkumulátor környezeti hőmérséklet-tartománya a használat során: 0°C - 40°C.
- Az akkumulátor környezeti hőmérséklet-tartománya a tárolás során: 0°C - 20°C.

VISSZAMARADÓ KOCKÁZATOK

Még a termék rendeltetészerű használata esetén sem lehet teljesen kiküszöbölni minden kockázati tényezőt. A kezelőnek különös figyelmet kell fordítania ezekre a pontokra, hogy csökkentse a súlyos személyi sérülés kockázatát.

- **Halláskárosodás** – Viseljen megfelelő hallásvédőt, és korlátozza a zajnak való kitettséget.
- **Látáskárosodás** – Viseljen védőszemüveget vagy szemvédőt a termék használatakor.





- Vibráció okozta sérülések - Korlátozza a kitettséget és a kézikönyv kockázatcsökkentési utasításai szerint járjon el.
- Áramütés rejtett vezetékekkel való érintkezéskor - A terméket csak a szigetelt felületeknél fogja.
- Légzőszervek károsodása a termék működése közben keletkező portól – Viseljen a por típusának megfelelő védőeszközt.

KOCKÁZATCSÖKKENTÉS

Ismert, hogy a kézi szerszámgépek használata során fellépő vibráció bizonyos személyeknél hozzájárulhat az úgynevezett Raynaud-szindróma (Raynaud's Syndrome) nevű állapot kialakulásához. A tünetei lehetnek: az ujjak zsibbadása, elfehéredése, szúrások érzése, amelyek hidegnek kitéve gyakran felerősödnek. Az öröklődő tényezők, a hidegnek kitétség és verejtékezés, a diéta, a dohányzás és munka közben alkalmazott fogások valószínűleg mind hozzájárulhatnak ezen tünetek megjelenéséhez. A vibráció hatásainak csökkentése érdekében a kezelőnek be kell tartani az alábbi óvintézkedéseket:

- Hideg időben tartsa melegen a testét. A gép használatakor viseljen kesztyűt a kéz és a csukló melegen tartásához. Arról számoltak be, hogy a hideg időjárásnak fontos szerepe van a Raynaud-szindróma kialakulásában.
- Bizonyos időtartamú használat után mindig végezzen gyakorlatokat a vérkeringés javításához.
- Gyakran tartson munkaszünetet. Korlátozza a napi munkaidőt.

Ha ezen állapot bármelyik tünetét tapasztalja, azonnal hagyja abba a munkát, és tájékoztassa az orvosát a tünetekről.

▲ FIGYELEM

A gép hosszabb idejű folyamatos használata sérüléseket okozhat vagy súlyosbíthatja a tüneteket. Ha a gépet hosszú időn át kell használnia, tartson gyakran szünetet.

ISMERJE MEG A TERMÉKET

81. oldal.

1. Kétfokozatú sebességváltó kapcsoló
2. Gyors üzemmódválasztó
3. Nyomatékszabályozó gyűrű
4. Gyorstokmány
5. Forgásirány-választó
6. Hatlapfejű nyílás
7. Fordulatszám-szabályozós kioldókapcsoló
8. Kar, szigetelt fogófelület
9. MAG TRAY csavartartó
10. LED lámpa
11. Bittartó
12. Csavarhúzó bitek
13. Akkumulátornyílás
14. Mélységűtköző rúd
15. Kisegítő fogantyú

KARBANTARTÁS

▲ FIGYELEM

Alkatrészek szerelésekor, beállítások végzésekor, tisztításokor, karbantartás végzésekor, illetve használaton kívül mindig húzza ki a gépet az elektromos hálózatról. A termék hálózatról történő leválasztása megakadályozza a véletlen bekapcsolódást, ami súlyos sérülést okozhat.

- Szervizeléskor csak azonos cserealkatrészeket használjon. Bármilyen más alkatrész használata veszélyes és a termék károsodását okozhatja.
- A műanyag részek tisztításakor tartózkodjon a tisztítószeres használatától. A kereskedelmi forgalomban kapható oldószerek rongáló hatással vannak a műanyagból készült elemek többségére. A szennyeződést és szénport tiszta ruhával törölje le.
- A műanyag részek semmilyen körülmények között nem érintkezhetnek fékolajjal, benzinnel, petróleum alapú termékekkel, beszívódó olajokkal stb. Ezen anyagok olyan vegyületeket tartalmaznak, amelyek károsíthatják, meggyengíthetik vagy tönkretelhetik a műanyagot.
- Elektromos szerszámgépek használatakor vagy a por kifúvásakor mindig viseljen védőszemüveget, ami a szemet oldalról is védi. Ha a használat poros környezetben történik, vegyen fel egy pormaszkot is.
- A nagyobb biztonság és megbízhatóság érdekében minden javítást hivatalos szervizközpontban kell elvégeztetni.

KENÉS

A termékben lévő összes csapágy a termék teljes élettartamára elegendő kenőanyaggal van feltöltve, normál körülmények közötti használat esetén. Ebből kifolyólag nincs szükség arra, hogy a gép belső részeit kenje.

KÖRNYEZETVÉDELEM



Segítse elő az alpanyagok újrahasznosítását azzal, hogy nem helyezi el őket a háztartási szemétkorba. Környezetvédelmi megfontolásból az elhasznált gépet és tartozékokat, valamint a csomagolóanyagokat szelektív módon kell gyűjteni.

SZIMBÓLUMOK



Biztonsági figyelmeztetés



CE megfelelés



Üresjárat fordulatszám





Eurázsiai megfelelési jelzés



A gép bekapcsolása előtt figyelmesen olvassa el az útmutatót.



001

Ukrainai megfelelési nyilatkozat



Tokmány kapacitása



Ütés nélküli fúrás



Ütvefúró



A kiselejtezett elektromos termékeket nem szabad a háztartási hulladékkal együtt kidobni. Ezeket újra kell hasznosítani, ha van rá lehetőség. Az újrahasznosítással kapcsolatban érdeklődjön a helyi önkormányzatnál vagy a termék forgalmazójánál.



Fordulatszám, maximális

A következő jelölőszavak és jelentések arra szolgálnak, hogy megmagyarázzák a termékkel kapcsolatos veszélyességi szinteket.

VESZÉLY

Egy bekövetkező veszélyes helyzetet jelez, ami, ha nem előzik meg, halált vagy komoly sérülést eredményez.

FIGYELEM

Egy potenciálisan bekövetkező veszélyes helyzetet jelez, ami, ha nem előzik meg, halált vagy súlyos sérülést eredményezhet.

VIGYÁZAT

Egy potenciálisan veszélyes helyzetet jelez, ami, ha nem előzik meg, kisebb vagy mérsékelten súlyos sérülést eredményezhet.

VIGYÁZAT

(Biztonsági figyelmeztető szimbólum nélkül) Egy olyan helyzetet jelez, ami anyagi kárt eredményezhet.

A KÉZIKÖNYVBEN HASZNÁLT SZIMBÓLUMOK



Megjegyzés



Figyelem



Csavarbehajtás



Külön értékesített alkatrészek és kiegészítők



Szétnyitás



Retesz



Maximális nyomaték



Nyomaték, minimális



Fordulatszám, minimális



Au fost acordate priorități maxime asupra siguranței, performanței și fiabilității în proiectarea mașinii dvs de găurit cu percuție.

DOMENIU DE APLICAȚII

Această mașină de găurit cu percuție este destinată a fi folosită doar de adulții care au citit și înțeles instrucțiunile și avertizările din acest manual și pot fi considerați responsabili pentru acțiunile lor.

Mașina de găurit cu percuție este destinată a fi folosită la găurirea în diferite materiale, incluzând lemnul, metalul și plasticul folosind burghie având un diametru de până la 13 mm. În modul impact, mașina de găurit cu percuție poate fi folosită la găurirea zidăriei și a materialelor similare. În modul înșurubare, mașina de găurit cu percuție poate fi folosită la înșurubarea șuruburilor.

Nu folosiți produsul în niciun alt fel decât cel menționat pentru folosirea lui destinată.

⚠️ AVERTISMENT

Citiți toate avertismentele și instrucțiunile de siguranță. Neurmarea avertizării și instrucțiunilor ar putea cauza electrocutare, incendii și/sau vătămare gravă.

Salvați toate avertizările și instrucțiunile pentru o consultare ulterioară.

AVERTIZĂRI DE SIGURANȚĂ DE GĂURIT CU PERCUȚIE

- **Purtați protecție pentru urechi când găuriți cu ciocanul cu percuție** Expunerea la zgomot poate produce pierderea auzului.
- **Utilizați mânerul lateral furnizat împreună cu scula.** Pierderea controlului poate conduce la rănirea operatorului.
- **În cazul în care efectuați operații în locuri în care accesoriul de tăiere poate intra în contact cu cabluri ascunse, țineți unealta electrică de suprafețele de prindere izolate.** Accesoriul de tăiere ce intră în contact cu un cablu sub curent ar putea alimenta electric părțile metalice expuse ale unelei electrice și ar putea expune operatorul la un șoc electric.
- **Țineți scula de suprafețele de prindere izolate, atunci când îndepliniți o operație acolo unde clemele ar putea intra în contact cu firele ascunse.** Clemele ce fac contact direct cu firele ar putea fi expuse direct la părțile din metal ale sculei și ar putea provoca operatorului electrocutarea.
- Nu operați pe materiale (de ex. azbest) care prezintă pericol pentru sănătate.
- Oprii produsul imediat dacă burghiul se înțepeneste. Nu porniți din nou produsul cât timp burghiul este înțepenit, întrucât făcând așa poate avea loc un recul bruscu cu o forță reactivă ridicată. Determinați de ce urghiul s-a înțepenit și remediați acest lucru, ținând cont

de instrucțiunile de siguranță.

Cauzele posibile pot fi:

- este îndoit/ă în piesa de lucru
- a găurit piesa de lucru
- produsul este suprasolicitat
- Praful de la ferăstrău și așchile nu trebuie îndepărtate cât timp produsul este în funcțiune.
- Când lucrați la pereți, tavane sau podele, evitați cablurile electrice și țevile de gaz și apă.
- Prindeți piesa de lucru cu un dispozitiv de prindere.
- Temperatura ambientală în timpul funcționării unelei trebuie să fie cuprinsă între 0°C și 40°C.
- Temperatura ambientală în timpul depozitării unelei trebuie să fie cuprinsă între 0°C și 40°C.
- Temperatura ambientală în timpul încărcării unelei trebuie să fie cuprinsă între 10°C și 38°C.

AVERTISMENTE SUPLIMENTARE PRIVIND SIGURANȚA LA UTILIZAREA BATERIILOR

⚠️ AVERTISMENT

Pentru a reduce pericolul unui incendiu și evitarea răniilor sau deteriorarea produsului în urma unui scurtcircuit nu imersați scula, acumulatorul de schimb sau încărcătorul în lichide și asigurați-vă să nu pătrundă lichide în aparate și acumulatori. Lichidele corosive sau cu conductibilitate, precum apa sărată, anumite substanțe chimice și înălbitori sau produse ce conțin înălbitori, pot provoca un scurtcircuit.

TRANSPORTAREA ACUMULATORILOR PE LITIU

Transportați bateria în conformitate cu prevederile și reglementările locale și naționale.

Urmați toate cerințele speciale de pe ambalaj și etichete atunci când transportați acumulatorii la o parte terță. Asigurați-vă că în timpul transportului nicio baterie nu vine în contact cu alte baterii sau materiale conducătoare de electricitate prin protejarea bornelor expuse cu bandă sau capace izolatoare non conducătoare de electricitate. Nu transportați acumulatori ce sunt crăpați sau au scurgeri. Verificați cu compania de transport pentru sfaturi ulterioare.

- Temperatura ambientală în timpul utilizării bateriei trebuie să fie cuprinsă între 0°C și 40°C.
- Temperatura ambientală în timpul depozitării bateriei trebuie să fie cuprinsă între 0°C și 20°C.

RISURI REZIDUALE

Chiar dacă produsul este folosit așa cum este descris, este totuși imposibil să se elimine complet anumiți factori de risc reziduali. Operatorul trebuie să acorde o atenție specială și suplimentară la aceste puncte pentru a reduce riscul de vătămare personală gravă.

- Vătămare a auzului. – Purtați protecție pentru uz



corespunzătoare și limitați expunerea.

- Vătămare a ochilor – Purtați ochelari de protecție cu apărătoare laterale atunci când folosiți acest produs.
- Vătămare cauzată de vibrații. - Limitați expunerea și urmați instrucțiunile de reducere a riscurilor din acest manual.
- Electrocutare după contactul cu fire electrice ascunse. - Țineți produsul doar de suprafețele izolate.
- Vătămare a respirației datorată prafului creat prin operarea produsului. – Purtați protecție corespunzătoare în funcție de tipul prafului.

REDUCEREA RISCULUI

S-a reținut că virbuțiile de la sculele de mână pot contribui la starea numită Sindromul lui Raynaud, la anumite persoane. Simptomele pot include furnicături, amorțeală și albirea degetelor, care apare, de obicei, după expunerea la frig. Factori ereditari, expunerea la frig și umiditate, dieta, fumatul și practicile de muncă contribuie la dezvoltarea acestor simptome. Există măsurător care pot fi efectuate de către operator pentru a reduce efectele de vibrațiilor:

- Păstrați-vă temperatura corporală ridicată pe vreme rece. Când operați unitatea purtați mănuși pentru a vă menține mâinile și încheieturile la căldură. S-a constatat că vremea rece este un factor major care contribuie la sindromul Raynaud.
- După fiecare perioadă de operare, trebuie făcute exerciții pentru a crește circulația sângelui.
- Trebuie făcute pauze la intervale de timp regulate. Limitați expunerea zilnică.

Dacă sunt experimentate oricare dintre simptomele acestei afecțiuni, trebuie întreruptă utilizarea și consultat un medic.

⚠ AVERTISMENT

Poti fi cauzate, sau agravate vătămări prin folosirea prelungită a sculei. Atunci când folosiți o sculă pentru perioade prelungite, asigurați-vă că luați pauze regulate.

CUNOAȘTEȚI-VĂ PRODUSUL

Salt la pagina nr. 81.

1. Selector angrenaj cu două viteze
2. Selector mod rapid
3. Inel de reglare a cuplului
4. Mandrină fără cheie
5. Selector direcție de rotire
6. Gaură cap hexagonal
7. Trăgaci întrerupător pentru viteză variabilă
8. Mâner, suprafață de contact izolată
9. Suport șurub MAG TRAY
10. Lumină LED
11. Depozitare burghiu
12. Burghie cu cap de șurubelniță
13. Port acumulator
14. Tijă oprire adâncime cursă
15. Mâner auxiliar

ÎNȚREȚINEREA

⚠ AVERTISMENT

Produsul nu trebuie conectat niciodată la priză atunci când asamblați părțile, faceți reglaje, curățați sau faceți întreținerea, sau atunci când părodsul nu este folosit. Deconectarea produsului va preveni pornirea accidentală ce poate cauza vătămare gravă.

- Atunci când efectuați proceduri de service, utilizați doar piese de schimb identice. Utilizarea altor piese poate crea situații periculoase sau poate conduce la deteriorarea produsului.
- Evitați utilizarea solvenților atunci când curățați piesele din plastic. Majoritatea materialelor plastice pot să fie deteriorate prin utilizarea unor solvenți vânduți în comerț. Utilizați o cârpă uscată pentru a îndepărta murdăria și reziduurile de carbon.
- Nu lăsați niciun moment ca lichidele de frână, produsele pe bază de petrol, uleiurile penetrante etc să intre în contact cu părțile din plastic. Aceste produse chimice conțin substanțe care pot afecta, slăbi sau distruge plasticul.
- Atunci când operați scula electrică sau când îndepărtați praful, purtați întotdeauna ochelari de protecție sau ochelari de protecție cu apărătoare laterale. Dacă mediul de lucru este plin de praf, purtați întotdeauna o mască împotriva prafului.
- Pentru o mai mare siguranță și încredere, toate reparațiile trebuie să îndeplinească un centru de service autorizat.

LUBRIFIEREA

Toți rulmenții din interiorul produsului sunt lubrifiați cu o cantitate suficientă de lubrifianț de calitate înaltă pentru durata produsului în condiții normale de folosire. În consecință, nici o ungere suplimentară nu este necesară.

PROTECȚIA MEDIULUI ÎNCONJURĂTOR



Reciclați materiile prime în loc să le aruncați la gunoi, împreună cu deșeurile menajere. Pentru a proteja mediul înconjurător, mașina, accesoriile acesteia și ambalajele trebuie triate.

SIMBOLURI



Alertă de siguranță



Conformitate CE



Viteză în gol

EAC

Marcaj de conformitate EurAsian



Vă rugăm citiți instrucțiunile cu atenție înainte de pornirea aparatului.



001

Semn de conformitate ucrainean



Mărime prindere mandrină



Găurire fără impact



Ciocan percutor



Deșeurile produselor electrice nu trebuie să fie aruncate împreună cu deșeurile casnice. Vă rugăm reciclați acolo unde există facilități. Verificați la autoritatea dvs locală sau la vânzător pentru sfaturi privind reciclarea.

SIMBOLURILE DIN MANUAL



Notă



Avertisment



Înșurubare



Piese sau accesorii vândute separat



Deblocare



Piedică



Cuplu maxim



Cuplu, minimă



Viteză, minim



Viteză, maxim

Rmătoarele cuvinte simbol și înțelesul lor au intenția de a explica nivelele de risc asociate cu acest produs.

⚠ PERICOL

Indică o situație imediată de pericol, care dacă nu este evitată va rezulta în deces sau rănire gravă.

⚠ AVERTISMENT

Indică o situație potențială de pericol, care dacă nu este evitată poate rezulta în deces sau rănire gravă.

⚠ PRECAUȚIE

Indică o situație potențial periculoasă, care dacă nu este evitată, poate rezulta în vătămare minoră sau moderată.

PRECAUȚIE

(Fără simbol de alertă de siguranță) Indică o situație ce poate rezulta în distrugerea proprietății.

EN
FR
DE
ES
IT
NL
PT
DA
SV
FI
NO
RU
PL
CS
HU
RO
LV
LT
ET
HR
SL
SK
BG
UK
TR
EL



Drošība, sniegums un uzticamība ir augstākā prioritāte jūsu jaunajā triecien urbī.

PAREDZĒTĀ LIETOŠANA

Šo triecienurbī drīkst lietot tikai pieaugušie, kuri ir izlasījuši un sapratuši šīs rokasgrāmatas norādījumus un brīdinājumus un kuri spēj atbildēt par savu rīcību.

Triecienurbis paredzēts urbšanai dažādos materiālos, tai skaitā kokā, metālā un plastmasā, izmantojot urbja uzgali ar diametru 13 mm vai mazāk. Kad darbojas trieciena režīmā, triecienurbī var izmantot, lai urbtu mūri un līdzīgus materiālus. Kad darbojas skrūvēšanas režīmā, triecienurbī var izmantot, lai skrūvētu skrūves.

Neizmantojiet ierīci citiem mērķiem, bet tikai tam paredzētajiem.

⚠ BRĪDINĀJUMS

Izlasiet visus drošības brīdinājumus un visas instrukcijas. Brīdinājumu un instrukciju neievērošana var izraisīt elektrošoku, aizdegšanos un/vai nopietnus ievainojumus.

Visus brīdinājumus un norādījumus saglabājiet turpmākām uziņām.

JAUNAJĀ TRIECIEN URBĪ DROŠĪBAS BRĪDINĀJUMI

- **Triecienurbšanas laikā lietojiet aizsargbrilles.** Ausu pakļaušana trokšņa iedarbībai var izraisīt dzirdes traucējumus.
- **Izmantojiet perforatora rokturus, kas ir iekļauti komplektācijā.** Kontroles zaudēšana var izraisīt traumas.
- **Darbos, kuros instruments var saskarties ar slēptiem vadiem, turiet instrumentu aiz izolētajām satveršanas virsmām.** Griezējinstrumenta saskare ar strāvu vadošajām vietām var padarīt arī atklātās metāla daļas vadošas un radīs operatoram elektrisko triecienu.
- **Veicot darbību, kuras laikā stiprinātājs var saskarties ar slēptiem vadiem, turiet elektroinstrumentu aiz izolētajām satveršanas virsmām.** Stiprinātāju saskare ar strāvu vadošiem elementiem var padarīt vadošas arī atklātās metāla daļas un izraisīt elektrošoku operatoram.
- Nedarbiniet ar materiāliem (piem., azbestiem), kuri ir bīstami veselībai.
- Nekavējoties izslēdziet precī, ja uzgalis daļa apstājas. Neieslēdziet precī, kamēr uzgalis ir apstājies, jo tas var radīt pēkšņu sitienu ar lielu reakcijas spēku. Noskaidrojiet kāpēc uzgalis ir apstājies un salabojiet to, pievēršot uzmanību drošības instrukcijām.
Iespējamie cēloņi var būt:
 - darba vietā tas ir slīps
 - tas ir caurduris darba vietu
 - precei ir pārslodze

- Preces darbības laikā nepieciešams notīrīt zaģa putekļus un skabargas.
- Strādājot ar sienām, griestiem vai grīdām, izvairieties no elektriskajiem vadiem un gāzes vai ūdens caurulēm.
- Nostipriniet apstrādājamo objektu ar nostiprinājuma skavu.
- Apkārtējās vides temperatūras diapazons instrumentam lietošanas laikā ir starp 0°C un 40°C.
- Apkārtējās vides temperatūras diapazons instrumenta uzglabāšanai ir starp 0°C un 40°C.
- Ieteicamais apkārtējās vides temperatūras diapazons lādēšanas sistēmai uzlādes laikā ir starp 10°C un 38°C.

PAPILDU AKUMULATORU BLOKA DROŠĪBAS BRĪDINĀJUMI

⚠ BRĪDINĀJUMS

Lai novērstu īssavienojuma izraisītu aizdegšanās, savainojumu vai produkta bojājuma risku, neiegremdējiet instrumentu, maināmo akumulatoru vai uzlādes ierīci šķidrums un rūpējieties par to, lai ierīcēs un akumulatoros neiekļūtu šķidrums. Koroziju izraisoši vai vadītspējīgi šķidrums, piemēram, sālsūdens, noteiktas ķīmikālijas, balinātāji vai produkti, kas satur balinātājus, var izraisīt īssavienojumu.

LITĪJA AKUMULATORU PĀRVADĀŠANA

Pārvadājiet akumulatoru saskaņā ar vietējiem un valsts nosacījumiem un noteikumiem.

Ja akumulatoru pārvadāšanu veic trešā puse, ievērojiet visas īpašās prasības par iepakojšanu un marķēšanu. Transportējot nodrošiniet, lai akumulatori nesaskaras ar citiem akumulatoriem vai vadošiem materiāliem, atsegtos savienotājus aizsargājot ar izolējošiem, nevadošiem vāciņiem vai lenti. Nepārvietojiet akumulatorus, kas ir iekļājusī vai ar noplūdi. Konsultējieties ar pārsūtīšanas uzņēmumu.

- Apkārtējās vides temperatūras diapazons akumulatoram lietošanas laikā ir starp 0°C un 40°C.
- Apkārtējās vides temperatūras diapazons akumulatora uzglabāšanai ir starp 0°C un 20°C.

PALIEKOŠIE RISKI

Pat tad, ja ierīce tiek lietota, kā aprakstīts, joprojām nav iespējams pilnībā novērst atsevišķus riska faktorus. Operatoram jāpievērš īpaša uzmanība šiem norādījumiem, lai samazinātu nopietnu ievainojumu risku.

- Dzirdes bojājumi – Lietojiet piemērotus dzirdes aizsarglīdzekļus un ierobežojiet lietošanas laiku.
- Redzes bojājumi – Lietojiet ierīci, valkājiet acu aizsegu vai aizsargbrilles.
- Vibrācijas radīti bojājumi - Ierobežojiet atrašanas faktora



ietekmē un ievērojiet norādes par risku samazināšanu šajā rokasgrāmatā.

- Elektriskās strāvas trieciens pēc saskares ar apslēptiem vadiem - Turiet ierīci tikai aiz izolētajām virsmām.
- Elpceļu bojājumi no ierīces radītiem putekļiem – Lietojiet piemērotus aizsarglīdzekļus atkarībā no putekļu veida.

RISKA SAMAZINĀŠANA

Ir ziņots, ka rokās turamu preču vibrācijas dažām personām var veicināt „Reino sindromu”. Simptomi var ietvert pirkstu tīkšķēšanu, nejutīgumu un nobālēšanu, parasti aukstā laikā. Tiek uzskatīts, ka tradicionālie faktori, aukstums un mitrums, uzturs, smēķēšana un darba prakse sekmē šo simptomu attīstību. Operators var veikt pasākumus, lai iespējami samazinātu vibrācijas efektu:

- Aukstā laikā ķermenim jābūt siltam. Darbinot ierīci, nēsājiet cimdus, lai rokas un plaukstas locītavas būtu siltas. Ir pētījumi, ka auksts laiks ir galvenais faktors, kas veicina Reino sindromu.
- Ik pēc laika apturiet darbu un veiciet vingrinājumus, kas uzlabo asins cirkulāciju.
- Strādājot jābūt biežiem pārtraukumiem. Ierobežojiet iedarbības ilgumu dienā.

Ja jūs izjūtat kādu no šiem simptomiem, nekavējoties apturiet ierīces lietošanu un sazinieties ar ārstu par šiem simptomiem.

BRĪDINĀJUMS

Ilgstoša instrumenta lietošana var izraisīt traumas vai pasliktināt veselības stāvokli. Ilgstoši lietojot jebkuru instrumentu, pārlicinieties, ka tiek veikti regulāri pārtraukumi.

IERĪCES IEPAZĪŠANA

Skatīt 81. lpp.

1. Divpakāpju pārvada pārslēgs
2. Ātrais režīmu pārslēgs
3. Griezes momenta regulēšanas gredzens
4. Spīlpatrona bez atslēgas
5. Rotācijas atlasītāja virziens
6. Sešstūra iedobe
7. Dažādu ātrumu slēdža sprūds
8. Rokturis, izolēta satveršanas virsma
9. MAG TRAY skrūves turētājs
10. LED gaisma
11. Urbju glabātuve
12. Skrūvgrieža uzgāji
13. Akumulatora savienojuma ligzda
14. Dzīluma atdurstienis
15. Papild rokturis

APKOPE

BRĪDINĀJUMS

Produktu nekad nedrīkst pievienot barošanas padevei, veicot daļu montāžu, regulēšanu, tīrīšanu vai apkopi, kā arī laikā, kad tas netiek izmantots. Atvienojot produktu, tiek novērsta nejausa ieslēgšanās, kas var izraisīt nopietnu traumu.

- Veicot apkopi, izmantojiet tikai identiskas rezerves daļas. Jebkādi citu detaļu izmantošana var izraisīt bīstamību vai produkta bojājumus.
- Tīrot plastmasas daļas, izvairieties no šķīdinātāju lietošanas. Vairums plastmasu ir jutīgas pret dažāda veida pārdošanā esošajiem šķīdinātājiem un to izmantošanas rezultātā var tikt bojātas. Lai notīrītu netīrumus un oglekļa putekļus, izmantojiet tīru drānu.
- Nekādā gadījumā plastmasas daļām neļaujiet nonākt saskarē ar bremžu šķidrums, benzīnu, naftas izstrādājumiem, eļļām ar paaugstinātu mitrināšanas spēju utt. Ķīmikālijas var sabojāt, novājināt vai iznīcināt plastmasas detaļas.
- Elektroinstrumenta darbības vai putekļu pūšanas laikā vienmēr izmantojiet aizsargbrilles vai drošības brilles ar sānu aizsargiem. Ja darbība ir saistīta ar putekļu rašanos, uzlieciet arī putekļu masku.
- Lielākas drošības un uzticamības labad visi remontu jāveic pilnvarotā apkopes centrā.

EĻĻOŠANA

Visi izstrādājuma gultņi tiek eļļoti ar pietiekamu augstas kvalitātes smērvielas daudzumu, lai nodrošinātu produkta kalpošanas laiku normālos lietošanas apstākļos. Tāpēc papildu eļļošana nav nepieciešama.

VIDES AIZSARDZĪBA



Tā vietā, lai izejmateriālus izmetu atkritumos, nododiet tos otrreizējai pārstrādei. Mašīna, aksesuāri un iepakojums ir jāsašķīro un jānodod videi draudzīgā atkārtotas pārstrādes vietā.

APZĪMĒJUMI



Drošības brīdinājums



CE atbilstība



Apgriezieni bez slodzes



EurAsian atbilstības marķējums



Pirms iedarbināt mašīnu, lūdzu rūpīgi izlasiet instrukcijas.



Ukrainas apstiprinājuma zīme



Patronas garums



Urbšana bez trieciena



Triecienurbjmašīna



Izlietotie elektroprodukti nedrīkst tikt izmesti kopā ar mājsaimniecības atkritumiem. Lūdzu, nododiet tos attiecīgajās atk ār tolas izmantošanas vietās. Sazinieties ar savu vietējo varas pārstāvi vai izplāftāju, lai noskaidrotu, kur iespējama atkārtota pārstrāde.

SIMBOLI ROKASGRĀMATĀ



Piezīme



Brīdinājums



Skrūvēšana



Atsevišķi nopērkamās daļas vai piederumi



Atbloķēt



Bloķētājs



Maksimālais griezes moments



Griezes moments, minimums



Apgriezieni, minimālais



Apgriezieni, maksimums

Lai izskaidrotu risku, kas saistīti ar izstrādājumu, līmeni, paredzēti šādi norādījuma vārdi un jēdzieni.

BĪSTAMI

Norāda uz nenovēršami bīstamu situāciju, kas, ja netiks novērsta, izraisīs nāvi vai nopietnus miesas bojājumus.

BRĪDINĀJUMS

Norāda uz potenciāli bīstamu situāciju, kas, ja netiks novērsta, var izraisīt nāvi vai nopietnus miesas bojājumus.

UZMANĪBU

Norāda uz potenciāli bīstamu situāciju, kas, ja netiek novērsta, var izraisīt vieglus vai vidējus miesas bojājumus.

UZMANĪBU

(Bez drošības trauksmes simbola), kas norāda, uz situāciju, kas var novest pie īpašuma bojājuma.



Projektuojant smūginį gręžtuvą, didžiausias prioritetas suteiktas saugai, eksploatacinėms savybėms ir patikimumui.

NAUDOJIMO PASKIRTIS

Šis rotacinis kūjinis grąžtas skirtas naudoti tik suaugusiems, kurie yra perskaitę ir supratę šiame vadove pateiktus nurodymus bei įspėjimus ir gali būti laikomi atsakingi už savo veiksmus.

Rotacinis kūjinis grąžtas skirtas mažesniu nei 13 mm skersmens grąžto antgaliu gręžti įvairias medžiagas, įskaitant medieną, metalą ir plastiką. Rotacinį kūjinį grąžtą naudojant smūginiu režimu, galima gręžti mūrą ir panašias medžiagas. Rotacinį kūjinį grąžtą naudojant atsuktuvo režimu, galima sukuti varžtus.

Gaminį galima naudoti tik pagal paskirtį.

⚠ ĮSPĖJIMAS

Perskaitykite visus saugos įspėjimus ir visą instrukciją. Įspėjimų ir instrukcijų nesilaikymas gali sukelti elektros smūgį, gaisrą ir (ar) sunkius sužeidimus.

Kad tinkamai naudotumėte įrankį, žr. visus perspėjimus ir nurodymus.

SMŪGINĮ GRĖŽTUVĄ, SAUGOS PERSPĖJIMAI

- **Dirbdami su smūginiu grąžtu naudokite klausos apsaugos priemones.** Jei ausų neapsaugosite, galite prarasti klausą.
- **Naudokite papildomas su įrankiu tiekiamas rankenas.** Įrankio nesuvaldžius, galima susižeisti.
- **Elektrinį įrankį laikykite už izoliuotų paviršių, kad darbo metu pjovimo įrankio priedas nesusiliestų su paslėptais laidais.** Pjovimo metu priedas, prisilietęs prie laido, prijungto prie maitinimo šaltinio, gali aktyvuoti metalines elektrinio įrankio detales ir sukelti operatoriui elektros smūgį.
- **Atlikdami darbą, kurio metu tvirtinamasis elementas gali susiliesti su nepastebėtais laidais, elektrinį įrankį laikykite izoliuotais spaustuvais.** Tvirtinamiesiems elementams prisilietus prie laido, kuriuo teka elektros srovė, ši srovė gali pradėti tekėti elektrinio įrankio neapsaugotomis metalinėmis dalimis ir įrankį naudojantis asmuo gali patirti elektros smūgį.
- **Negalima gręžti medžiagų (arba į jas sukuti ar išsukti sriegius bei varžtus), kurios kelia pavojų sveikatai (pvz., asbestas).**
- **Antgaliui įstrigus, gaminį reikia nedelsiant išjungti.** Gaminio negalima pakartotinai įjungti, kol antgalis įstrigęs, nes dėl to gaminys gali staiga, su didele priešpriešine jėga atsokti. Atkreipiant dėmesį į saugos nurodymus reikia nustatyti, dėl kokios priežasties antgalis įstrigo.

Priežastys gali būti šios:

- jis pakrypęs apdirbamoje medžiagoje
- jis pervėręs apdorojamą medžiagą

– gaminys pernelyg apkrautas

- Pjuventūrį ir šipulių negalima valyti, kol gaminys veikia.
- Gręžiant sienas, lubas ar grindis (arba į jas sukant / išsukant sriegius bei varžtus), reikia būti atsargiems ir nepažeisti elektros laidų ir dujų ar vandentiekio vamzdinių.
- Suspauskite ruošinį spaustuvu.
- Įrankio darbinės aplinkos temperatūros diapazonas nuo 0°C iki 40°C.
- Įrankio sandėliavimo aplinkos temperatūros diapazonas nuo 0°C iki 40°C.
- Rekomenduojamas įkrovimo sistemų darbinės aplinkos temperatūros diapazonas nuo 10°C iki 38°C.

PAPILDOMI AKUMULATORIAUS SAUGOS ĮSPĖJIMAI

⚠ ĮSPĖJIMAS

Siekdami išvengti trumpojo jungimo sukeliama gaisro pavojaus, sužalojimų arba produkto pažeidimų, neikiškite įrankio, keičiamo akumulatoriaus arba įkroviklio į skysčius ir pasirūpinkite, kad į prietaisus arba akumulatorius nepatektų jokių skysčių. Koroziją sukeliantys arba laidūs skysčiai, pvz., sūrus vanduo, tam tikri chemikalai ir balikliai arba produktai, kurių sudėtyje yra baliklių, gali sukelti trumpąjį jungimą.

LIČIO BATERIJŲ GABENIMAS

Gabenkite bateriją pagal įmonės ir valstybinius reikalavimus ir taisykles.

Gabendama baterijas, trečioji šalis privalo vadovautis ant pakuotės ar etikečių nurodytais specialiaisiais reikalavimais. Pasirūpinkite, kad gabenant baterijos nesusiliestų su kitomis baterijomis ar laidžiomis medžiagomis: ant jungiamųjų elementų uždėkite izoliuojančius, nelaidžius apsauginius dangtelius arba šiuos elementus apvyniokite juosta. Negabenkite įtrūkusių ar pratekančių baterijų. Išsamesnio patarimo kreipkitės į gabentojo įmonę.

- Baterijos darbinės aplinkos temperatūros diapazonas nuo 0°C iki 40°C.
- Baterijos sandėliavimo aplinkos temperatūros diapazonas nuo 0°C iki 20°C.

ŠALUTINIS PAVOJUS

Net naudojant gaminį griežtai pagal paskirtį neįmanoma visiškai atmesti kai kurių liktinių rizikos veiksnių. Kad sunkių sužeidimų pavojus būtų kuo mažesnis, šį gaminį naudojantis asmuo privalo atkreipti ypatingą dėmesį į šiuos punktus.

- Klausos pažeidimas – Dėvėkite tinkamą ausų apsaugą ir ribokite darbo šiuo gaminiu ar buvimo jam veikiant laiką.





- Regėjimo pažeidimas – Naudodami šį gaminį dėvėkite akių apsauginį skydą ar akinius.
- Vibracijos sukelti pažeidimai - Ribokite darbo laiką ir vadovaukitės rizikos ribojimo instrukcijomis šiame vadove.
- Elektros smūgis prisilietus prie paslėptų laidų. - Laikykite gaminį tik už izoliuotą paviršių.
- Kvėpavimo takų pakenkimas dulkelėmis, susidariusiomis naudojant gaminį – Priklausomai nuo dulkių tipo reikia dėvėti tinkamus apsauginius drabužius bei priemones.

RIZIKOS MAŽINIMAS

Pranešama, kad rankinių įrankių keliamos vibracijos kai kuriems asmenims gali paskatinti Reino sindromo vystymąsi. Šios ligos požymiai yra pirštų dilgčiojimas, nutirpimas ir pabalimas, paprastai pasireiškiantis nuo šalčio. Šie simptomai vystosi dėl paveldimų veiksnių, nesisaugant nuo šalčio ir drėgmės, dėl mitybos, rūkymo ir darbo praktikos. Operatorius gali imtis šių priemonių, kurios gali sumažinti vibracijos poveikį:

- Apsirenkite kuo šilčiau šaltu oru. Dirbant šiuo prietaisu mūvėkite pirštines, kad plaštakos ir riešai būtų laikomi šiltai. Turime pranešimų, kad Raynaud sindromas labiausiai vystosi nuo šalto oro sąlygų.
- po darbo kiekvieną kartą pasportuokite, kad pagerėtų kraujo apytaka;
- dažnai darykite darbo pertraukas. Apribokite darbo laikotarpį per dieną.

Jei jums pasireiškia kokie nors šios būklės simptomai, nedelsdami nutraukite darbą ir kreipkitės į gydytoją.

⚠ ĮSPĖJIMAS

Ilgai naudojant įrankį, galima susižaloti arba pakenkti sveikatai. Ilgiau naudojant įrankius, reikia reguliariai daryti pertraukas.

GERAI IŠMANYKITE APIE GAMINĮ

Žiūrėti 81 psl.

1. Dviejų greičių pavarų dėžė
2. Greito režimo valdiklis
3. Sukimo momento reguliavimo žiedas
4. Beraktis laikiklis
5. Sukimosi selektoriaus kryptis
6. Šešiakampės galvutės angelė
7. Kintamojo greičio jungiklio spragtukas
8. Rankena, izoliuotu paviršiumi
9. MAG TRAY varžtų laikiklis
10. Šviesos diodų (LED) lemputė
11. Antgalių laikymo skyrelis
12. Atsuktuvo antgaliai
13. Baterijos gnybtas
14. Gylis fiksuojantis
15. Pagalbinė rankena

PRIEŽIŪRA

⚠ ĮSPĖJIMAS

Perforatoriaus jokių būdu negalima jungti į maitinimo šaltinį montuojant dalis, reguliuojant, valant, atliekant priežiūros darbus ar jo nenaudojant. Atjungus perforatorių, jis nepasleis atsitiktinai: atsitiktinai pasileidęs, šis įrankis gali sunkiai sužaloti.

- Sugedusias detales keiskite tik originaliomis atsarginėmis detalėmis. Kitų detalių naudojimas gali sukelti pavojų ar sugadinti įrankį.
- Valydami plastikines detales, nenaudokite tirpiklių. Daugelis plastikų jautrūs įvairių tipų komerciniams tirpikliams ir juos naudojant galima pažeisti plastikines detales. Švaria šluoste nuvalykite nešvarumus ir anglies dulkes.
- Stabdžių skysčiai, gazolinas ir benzino produktai, skvarbiuos alyvos ir pan. jokių būdu negali patekti ant plastiko dalių. Juose yra chemikalų, kurie gali sugadinti, pažeisti arba susilpninti plastiką.
- Dirbdami su elektriniu įrankiu ar kai pučiamos dulksės, visada dėvėkite apsauginius akinius ar akinius su šonine apsauga. Jei darbo metu kyla dulksės, taip pat dėvėkite kaukę nuo dulkių.
- Kad būtų saugiau ir patikimiau, visus remonto darbus turi atlikti įgaliotasis techninio aptarnavimo centras.

SUTĖPIMAS

Kad įprastomis darbo sąlygomis perforatorius ilgai nesusižalotų, visi jo guoliai sutepti reikiamu kiekiu aukštos klasės tepalo. Todėl daugiau jo tepti nebereikia.

APLINKOS APSAUGA



Žaliavines medžiagas perdirbkite pakartotinai, o ne išmeskite kaip atliekas. Mechanizmas, priedai ir pakuotės turi būti laikomi pakartotinai perdirbti aplinkai nekenksmingu būdu.

ŽENKLAI



Saugos perspėjimas



CE atitiktis



Greitis be apkrovimo



„EurAsian“ atitikties ženklas



Atidžiai perskaitykite instrukcijas prieš pradėdami naudoti mechanizmą.





Ukrainos atitikties ženklas



Laikiklio skersmuo



Gręžia be smūgių



Smūginis grąžtas



Elektrinių produktų atliekos neturi būti metamos kartu su namų ūkio atliekomis. Prašome perdirbkite jas ten, kur yra tokios perdirbimo bazės. Dėl perdirbimo patarimo kreipkitės į savo vietinę savivaldybę ar pardavėją.

SIMBOLIAI VADOVE



Pastaba



Ispėjimas



Varžtų sukimas



Detalės arba priedai yra parduodami atskirai



Atrakinti



Blokėtājs



Maksimali sukimo galia



Sukimo momentas, Mažiausias



Greitis, minimalus



Greitis, maksimalus

Šie signaliniai žodžiai yra skirti nurodyti su prietaiso naudojimu susijusio pavojaus lygį.

⚠ PAVOJUS

Rodo grėšiančią pavojingą situaciją, kurios neišvengus galima patirti mirtiną arba sunkų sužalojimą,

⚠ ĮSPĖJIMAS

Rodo potencialiai pavojingą situaciją, kurios neišvengus galima patirti mirtiną arba sunkų sužalojimą.

⚠ ATSARGIAI

Rodo potencialiai pavojingą situaciją, kurios neišvengus galima patirti nesunkų arba vidutinio sunkumo sužalojimą.

ATSARGIAI

(Be įspėjamojo šauktuko) Reiškia situaciją, kurioje galima sugadinti turtą.

EN
FR
DE
ES
IT
NL
PT
DA
SV
FI
NO
RU
PL
CS
HU
RO
LV
LT
ET
HR
SL
SK
BG
UK
TR
EL



Lööktrelli konstrueerimisel on peaeesmärgiks olnud toote ohutus, tootlikkus ja töökindlus.

OTSTARBEKOHANE KASUTAMINE

Lööktrell on ette nähtud kasutamiseks vaid täiskasvanud töötaja poolt, kes on selle kasutusjuhendi juhised ja hoiatused läbi lugenud ja mõistab vastutust nende täitmise eest.

Lööktrell on ette nähtud alla 13 mm läbimõõduga avade puurimiseks erinevatesse materjalidesse, kaasa arvatud puit, metall ja plastid. Löögirežiimis võib lööktrelli kasutada ehituskivide ja sarnaste materjalide puurimiseks. Kruvikeeraja režiimis võib lööktrelli kasutada kruvide sisse keeramiseks.

Ärge kasutage seadet ühelgi muul viisil kui mainitud sisetstarbeks.

⚠ HOIATUS

Lugege kõik ohuhoiatused ja juhised läbi. Hoiatuse ja juhiste eiramise puhul on oht saada elektrilööki või raskeid kehavigastusi ning/või põhjustada tulekahju.

Hoidke kõik hoiatused ja juhised edaspidiseks juhindumiseks alles.

LÖÖKTRELLI OHUHOIATUS

- **Löökpuurimiseajal kandke kuulmiskaitsevahendeid.** Tugev müra võib põhjustada kuulmiskaotuse.
- **Kasutage töötamisel tööriistaga kaasa antud lisakäepidet.** Kontrolli alt väljunud tööriist võib põhjustada kehavigastuse.
- **Töötamisel kohtades, kus löikeriist võib kokku puutuda varjatud elektrijuhtmetega, hoidke tööriista kinni ainult isoleeritud käepidemetest.** Kui kinnitusdetail või puur satub kontakti pingele all olevate juhtmetega, jäävad tööriista isoleerimata metallosad pingele alla ja kasutaja võib saada elektrilöögi.
- **Töötamisel kohtades, kus tööriist võib kokku puutuda varjatud elektrijuhtmetega, hoidke tööriista kinni ainult isoleeritud käepidemetest.** Kui kinnituskruvi satub kokkupuutesse pingele all olevate juhtmetega, jäävad tööriista isoleerimata metallosad pingele alla ja kasutaja võib saada elektrilöögi.
- **Ärge puurige materjale, mille puhul võib tekkida terviseoht (nt asbest).**
- **Kui otsak jääb kinni, lülitage seade kohe välja.** Ärge lülitage seadet sisse kui otsak on kinni jäänud, vastasel korral võib tekkida seadme ootamatu tugeva reaktsioonijõuga pöördumine. Tehke kindlaks, miks otsak kinni jäi ja kõrvaldage selle põhjus, sealjuures pidage kinni ohutusreeglitest.

Võimalikud kasutuskohtad võivad olla:

- seda on tooriku sees kallutatud
- see on tooriku läbistanud
- seade on üle koormatud

- Saepuru ja puutükke ei tohi eemaldada sel ajal kui seade töötab.
- Avade puurimisel seintesse, põrandatesse olge ettevaatlik, et vältida kaableid, gaasi- ja veetorustike.
- Kinnitage toorik pitskruviga.
- Tööriista ümbritseva keskkonna temperatuur töö ajal jääb vahemikku 0°C–40°C.
- Tööriista ümbritseva keskkonna temperatuur säilituse ajal on vahemikus 0°C–40°C.
- Selle laadimissüsteemi soovitatav ümbritseva keskkonna temperatuur laadimise ajal on vahemikus 10°C–38°C.

AKU LISAOHUTUSJUHISED

⚠ HOIATUS

Lühisest põhjustatud tuleohtu, vigastuste või toote kahjustuste vältimiseks ärge kastke tööriista, vahetusakut ega laadimiseadet vedelikku ning jälgige, et vedelikke ei tungiks seadmesse ega akusse. Korrodeeruvad või elektrit juhtivad vedelikud, nagu soolvesi, teatud kemikaalid ja pleegitusained või pleegitusaineid sisaldavad tooted, võivad põhjustada lühist.

LITIUMAKUDE TEISALDAMINE

Akude transportimisel juhinduge kasutuskohas kehtivatest ja riiklikest määrustest ja eeskirjadest.

Akude transportimisel allettevõtjate poolt järgige kõiki spetsiaalseid pakkimise ja tähistamise nõudeid. Veenduge, et akud ei satu kokkupuutesse teiste akude ega voolu juhtivate materjalidega, transportimise ajal kaitske klemme voolu mittejuhtivate isoleerkatete või teibiga. Ärge sportingite pragunenud või lekkivaid akusid. Küsi ge lisateavet transportetevõtelt.

- Akut ümbritseva keskkonna temperatuur kasutamise ajal on vahemikus 0°C–40°C.
- Akut ümbritseva keskkonna temperatuur ladustamise ajal on vahemikus 0°C–20°C.

JÄÄKRISKID

Isegi siis, kui seadet kasutatakse kirjeldatud viisil, ei ole võimalik kõrvaldada kõiki jääkriskide mõjureid. Kasutaja peab nendele pöörama erilist tähelepanu ja olema hoolikas, et kehavigastuse ohtu vähendada.

- **Kuulmisorganite vigastused** – Kandke sobivaid kuulmiskaitsevahendeid ja piirake müraga kokkupuudet.
- **Silmade vigastused** – Seadmega töötamisel kandke silmamaski või kaitseprille.
- **Vibratsioonist põhjustatud kehavigastus** - piirake kokkupuudet ja järgige selles juhendis antud juhiseid ohtu vähendamiseks.



- Elektrilöök varjatud juhtmetega kokkupuutumisel - Hoidke seadet käes ainult isoleeritud pindadest.
- Hingamisorganite kahjustused tingituna seadme kasutamisel tekkivast tolmust – Kandke kaitsevahendeid sõltuvalt tekkiva tolmu tüübist.

RISKI ALANDAMINE

Teadaolevalt võib käsitööriistade kasutamine põhjustada mõnedel inimestel seisundit, mida nimetatakse Raynaud' sündroomiks. Sümptomidena võib ilmned a sõrmede tuimus ja valkjaks muutumine, mis tavaliselt ilmneb külmas töötamisel. Nende sümptomite puhul tuleb hoiduda külmast ja niiskusest, dieedist ning suitsetamisest ja kasutada õiged töövõtteid. Vibratsiooni mõju vähendamiseks tuleb rakendada järgmisi abinõusid.

- Külma ilmaga hoidke oma keha soe. Kandke kindaid, et hoida oma käed ja randmed soojad. Uuringud näitavad, et Raynaud's Syndrome ilmneb põhiliselt külma ilmaga.
- Pärast külmas töötamist tehke harjutusi, et verevarustust kiirendada.
- Tehke regulaarselt töövaheaegasid. Piirake tööperioodi pikkust.

Kui ilmnevad haigustunnused, lõpetage kohe töö ja pöörduge arsti poole.

HOIATUS

Seadme pikaajalisel kasutamisel võite saada kehavigastusi või vigastused võivad süveneda. Seadme kasutamisel pika aja jooksul tuleb teha korralisi vaheaegasid.

ÕPPIGE OMA TOODET TUNDMA

Vt lk 81.

1. Kaheastmeline käiguvalits
2. Režiimi kiirvalits
3. Pöördemomendi reguleermuuhv
4. Võtmeta padrun
5. Pöörlemissuuna valitsa pööramissuund
6. Kuuskantpesa
7. Kiirusregulaatori päästik
8. Isoleeritud haardepinnaga käepide
9. MAG TRAY kruvihoidik
10. LED-märgutuli
11. Otsakute hoidik
12. Kruvikeeraja otsakud
13. Aku ühenduspesa
14. Sügavuspiirik
15. Lisakäepide

HOOLDUS

HOIATUS

Seade ei tohi mingil juhul olla toitepinge all sel ajal kui kinnitate selle osi, teete reguleerimistoiminguid, puhastate või hooldate seadet ning siis kui seda ei kasutata. Seadme elektrivõrgust lahtiühendamine väldib selle tahtmatu käivitumise, mis võib põhjustada raske kehavigastuse.

- Kasutage teenindamisel ainult täpselt sobivaid varuosi. Muude osade kasutamine võib tekitada ohuolukorra ja põhjustada seadme vigastumise.
- Vältige plastosade puhastamisel lahustite kasutamist. Enamik plaste on tundlikud kaubandusvõrgust saadaolevate lahustite suhtes ja võivad nende mõjul oma omadusi kaotada. Mustuse ja süsinikutolmu eemaldamiseks kasutage puhast lappi.
- Ärge laske plastosadel mitte mingil juhul sattuda kokkupuutesse auto pidurivedeliku, bensiini, bensiinipõhiste toodete, immutusõlidega või muude samalaadsete vedelikega. Kemikaalid võivad kahjustada, nõrgendada või hävitada plastiku.
- Töötamisel ja tolmu ärapuhumisel kandke alati silmamaski või küljekaitsetega kaitseprille. Kui töötlemine on tolmune, siis kandke tolmumaski.
- Kõik remonttööd tuleb lasta teha volitatud hoolduskeskuses, et tagada masina ohutus ja töövõime.

MÄÄRIMINE

Kõik selle tööriista laagrid on tehases täidetud piisava hulga kvaliteetse määrdega, mis tagab tavatingimustes nende töövõime kogu kasutusea jooksul. Seetõttu ei ole täiendav määrimine vajalik.

KESKKONNAKAITSE



Taaskasutage materjale nende jäätmekäitluse andmise asemel. Masin, selle lisaseadmed ja pakend tuleb jäätmekäitluseks keskkonnasõbralikult sorteerida.

SÜMBOLID



Ouhuoiatus



CE-vastavus



Kiirus ilma koormuseta



Euraasia vastavusmärk



Enne seadme kasutamist lugege palun kasutusjuhend hoollega läbi.



Ukraina vastavusmargis



Padruni max läbimõõt



Puurimine ilma lõögita



Lööktrell



Mittekasutatavaid elektritooteid ei tohi visata olmejäätmete hulka. Vaid tuleb viia vastavasse kogumispunkti. Vajadusel küsige sellekohast nõu oma edasimüüjalt või vastavalt kohaliku omavalitsuse institutsioonilt.

Järgnevad märguandesõnad ja tähendused on mõeldud selle toote kasutamisega seotud riskitasemete kirjeldamiseks.

⚠ OHT.

Osutab ähvardavale ohuolukorrale, mille mittevältimine lõpeb surma või tõsise vigastusega.

⚠ HOIATUS

Osutab võimalikule ohuolukorrale, mille mittevältimine võib lõppeda surma või tõsise kehavigastusega.

⚠ ETTEVAATUST

Osutab võimalikule ohuolukorrale, mille mittevältimine võib lõppeda väiksemate või mõõdukate kehavigastustega.

ETTEVAATUST

(Ilma ohutussümbolita) Viitab olukorrale, mis võib põhjustada kahjustusi varale.

KASUTUSJUHENDIS KASUTATUD SÜMBOLID



Märkus



Hoiatus



Kruvide keeramine



Eraldi ostetavad osad või tarvikud



Lahtikeeramine



Lukk



Torsioon, máxima



Par mínimo



Velocidad, mínimo



Velocidad, máxima



U razvoju ove precizne bušilice dati su maksimalni prioriteti sigurnosti, performansama i pouzdanosti.

NAMJENA

Ova precizna bušilica namijenjena je za korištenje samo od strane odraslih osoba koje su pročitale i razumiju upute i upozorenja u ovom priručniku te se mogu smatrati odgovornim za svoje radnje.

Precizna bušilica namijenjena je za bušenje u različite materijala, uključujući drvo, metal i plastiku, korištenjem svrdla koje ima promjer manji od 13 mm. kada je u udarnom načinu rada, precizna bušilica može se koristiti za bušenje u graditeljstvu i sličnim materijalima. Kada je u načinu rada uvrtnja, precizna bušilica može se koristiti za uvrtnje vijaka.

Nemojte koristiti proizvod na bilo koji drugi način od onog za koji je namijenjen.

⚠ UPOZORENJE

Pročitajte sva sigurnosna upozorenja i sve upute. Nepridržavanje upozorenja i uputa navedenih u nastavku može dovesti do električnog udara, požara i/ili ozbiljnih tjelesnih ozljeda.

Spremite sva upozorenja i upute za buduće korištenje.

SIGURNOSNA UPOZORENJA ZA PRECIZNE BUŠILICE

- **Prilikom udarnog bušenja nosite zaštitu za sluh.** Izlaganje buci može izazvati gubitak sluha.
- **Koristite pomoćne ručke koje su isporučene uz alat.** Gubitak kontrole može dovesti do tjelesnih ozljeda.
- **Kad izvodite radove na mjestima gdje pribor za rezanje može doći u kontakt sa skrivenim ožičenjem ili svojim vlastitim kabelom, držite alat za izoliranu površinu za hvatanje.** Dodirivanje „žive“ žice priborom za rezanje može izložiti metalne dijelove alata električnoj energiji i može dovesti do strujnog udara na operatera.
- **Kad izvodite radove na mjestima gdje učvrсни element može doći u kontakt sa skrivenim ožičenjem, držite alat za izoliranu površinu za hvatanje.** Dodirivanje „žive“ žice zatezačem može izložiti metalne dijelove alata električnoj energiji i dovesti do strujnog udara na operatera.
- Nemojte raditi s materijalima (npr. azbestom) koji predstavlja opasnost po zdravlje.
- Odmah ugasite proizvod ako se svrdlo zaglavi. Nemojte uključivati proizvod ponovno dok je [svrdlo / oštrica / priključak] zaglavljena, čineći to možete aktivirati iznenadni povratni udar s jakom silom. Odredite zašto je svrdlo zaglavljeno i rješite to, obračunajući pozornost na sigurnosne upute.
Mogući uzroci mogu biti
 - nagnut je u izratku

- zaglavljen je izratkom
- proizvod je preopterećen

- Uređaj za ispuhivanje prašine i odlomljivači ne smiju se uklanjati dok proizvod radi.
- Kada radite u zidu, stropu ili podu, izbjegavajte električne kabele i cijevi od plina i vode.
- Spojite uradak s uređajem za spajanje.
- Raspon temperatura okoliša za alat za vrijeme rada je između 0 °C i 40 °C.
- Raspon temperatura okoliša za pohranu alata je između 0 °C i 40 °C.
- Preporučena temperatura okoliša za sustav punjača za vrijeme punjenja je između 10 °C i 38 °C.

DODATNA SIGURNOSNA UPOZORENJA ZA BATERIJU

⚠ UPOZORENJE

Zbog izbjegavanja opasnosti od požara jednim kratkim spojem, opasnosti od ozljeda ili oštećenja proizvoda, alat, izmjenjivi akumulator ili napravu za punjenje ne uronjavati u tekućine i pobrinite se za to, da u uređaje ili akumulator ne prodiru nikakve tekućine. Korozirajuće ili vodljive tekućine kao slana voda, određene kemikalije i sredstva za bijeljenje ili proizvodi koji sadrže sredstva bijeljenja, mogu prouzročiti kratak spoj.

TRANSPORTIRANJE LITIJUMSKIH BATERIJA

Transportirajte bateriju u skladu s lokalnim i nacionalnim pravilima i zakonima.

Slijedite sve specijalne zahtjeve na pakiranju i naljepnicama prilikom transporta baterije od treće strane. Osigurajte da baterija ne može doći u kontakt s drugim baterijama ili provodnim materijalima tijekom transporta tako da zaštitite izložene priključke s izolacijom, kapticama koje ne provode energiju ili trakom. Nemojte transportirati baterije koje su polomljene ili cure. Provjerite kod kompanije koja transportira za daljnju pomoć.

- Raspon temperatura okoliša za bateriju za vrijeme uporabe je između 0 °C i 40 °C.
- Raspon temperatura okoliša za pohranu baterije je između 0 °C i 20 °C.

PREOSTALE OPASNOSTI

Čak i kad je proizvod korišten kao što je prethodno opisano, još uvijek nije moguće potpuno isključiti ostale čimbenike opasnosti. Operater mora obratiti posebnu pozornost i dodatnu pažnju ovim točkama kako bi smanjio opasnost od ozbiljnih osobnih ozljeda.

- Ozljede sluha – Nosite odgovarajuću zaštitu za sluh i ograničite izloženost
- Ozljede vida – Nosite štittike za oči ili naočale kada koristite proizvod.





- Ozljede uzrokovane vibracijom - Ograničite izlaganje vibracijama i slijedite upute o smanjivanju rizika u ovom priručniku.
- Strujni udar nakon kontakta sa skrivenim žicama - Držite proizvod samo za izolirane površine.
- Ozljede respiratornog sustava od prašine stvorene radom proizvoda – Nosite prikladnu zaštitu ovisno o vrsti prašine.

SMANJENJE OPASNOSTI

Prijavljeno je da vibracije alata kod određenih pojedinaca mogu doprinijeti stanju pod nazivom Raynaud's Syndrome. Simptomi mogu uključivati trnce, ukočenost i bjelinu prstiju, obično uočljivo po izlaganju hladnoći. Smatra se da nasljedne osobine, izlaganje hladnoći i vlazi, dijeta, pušenje i radni postupci pridonose razvoju ovih simptoma. Postoje mjere koje operator može poduzeti kako bi smanjio moguće učinke vibracije:

- Održavajte svoje tijelo toplim u hladnim vremenskim uvjetima. Kad radite s uređajem nosite rukavice kako biste ruke i zglobove održavali toplima. Prijavljeno je da je hladnoća glavni čimbenik koji doprinosi Raynaud's Syndrome.
- Nakon svakog perioda rada vježbajte kako biste povećali cirkulaciju krvi.
- Uzimajte česte stanke u radu. Ograničite količinu izlaganja po danu.

Ako osjetite neke od simptoma ovog stanja, odmah prekinite korištenje i obratite se svome liječniku vezano uz ove simptome.

⚠ UPOZORENJE

Ozljede mogu biti uzrokovane ili izazvane produljenim vremenskim razdobljem korištenja alata. Kada koristite bilo koji alat dulje vremena, osigurajte da uzimate povremene stanke.

UPOZNAJTE SVOJ PROIZVOD

Pogledajte stranicu 81.

1. Vodilica za dvostupanjskim izbornikom
2. Brzi izbornik za način rada
3. Prsten za podešavanje zakretnog momenta
4. Stezna glava bez ključa
5. Birač smjera rotacije
6. Otvor za šesterokutnu glavu
7. Sklopka za promjenjivu brzinu
8. Drška, izolirana površina za hvatanje
9. MAG TRAY držač vijka
10. LED svjetlo
11. Spremnik za svrdla
12. Svrdla s nastavcima za uvrtnje
13. Ulaz za bateriju
14. Graničnik dubine
15. Pomoćna ručka

ODRŽAVANJE

⚠ UPOZORENJE

Proizvod nikad ne smije biti priključen na izvor napajanja kada sastavljate dijelove, vršite podešenja, čistite, izvodite održavanje ili kada se proizvod ne koristi. Iskapčanje proizvoda sprječava slučajno pokretanje koje može dovesti do ozbiljnih osobnih ozljeda.

- Prilikom servisiranja koristite samo identične zamjenske dijelove. Korištenje nekih drugih dijelova može dovesti do opasnosti ili uzrokovati oštećenje alat.
- Prilikom čišćenja plastičnih dijelova izbjegavajte koristiti kemijska sredstva. Većina plastika je podložna različitim vrstama komercijalnih kemijskih sredstava za čišćenje i mogu se oštetiti prilikom njihovog korištenja. Čistom krpom uklonite prljavštinu i ugljičnu prašinu.
- Nikada ne dopustite kontakt plastičnih dijelova s tekućinom za kočnice, benzinom, proizvodima na bazi petroleja, sredstvima za odmašćivanje, idr. Ti kemijski proizvodi sadrže tvari koje mogu oštetiti, oslabiti ili uništiti plastiku.
- Uvijek tijekom rada s električnim alatom ili prilikom ispuhivanja prašine nosite zaštitne naočale i zaštitne naočale s bočnim štitnicima. Ako radite u prašini nosite i masku za zaštitu od prašine.
- Radi veće sigurnosti i pouzdanosti, sve popravke treba izvoditi ovlašteni servisni centar.

PODMAZIVANJE

Svi ležajevi u ovom proizvodu podmazani su s dovoljnom količinom visokokvalitetnog sredstva za podmazivanje za životni vijek proizvoda u normalnim radnim uvjetima. Stoga nije potrebno daljnje podmazivanje.

ZAŠTITA OKOLIŠA



Sirovine reciklirajte, umjesto da ih odlažete kao otpad. Kako biste zaštitili okoliš, alat, dodatke i ambalažu treba odvojeno baciti u otpad.

SIMBOLI



Sigurnosno upozorenje



CE usklađenost



Brzina bez opterećenja



EurAsian znak konformnosti





Molimo da pažljivo pročitate upute prije pokretanja stroja.



Ukrajinska oznaka za sukladnost



Kapacitet stezne glave



Bušenje bez udara



Mjere predostrožnosti za bušenje



Otpadni električni proizvodi ne treba da se odlažu s otpadom iz domaćinstva. Molimo da reciklirate gdje je to moguće. Potražite savjet od lokalnih vlasti ili prodavca kako reciklirati.

SIMBOLI U PRIRUČNIKU



Napomena



Upozorenje



Uvrtnanje vijaka



Dijelovi ili pribor prodan odvojeno



Otključavanje



Brava



Maksimalni zakretni moment



Zakretni moment, Minimalna



Brzina, minimalna



Brzina, maksimum

OPASNOST

Naznačuje prijetecu opasnu situaciju, koja ako se ne izbjegne dovodi do smrti ili ozbiljnih ozljeda.

UPOZORENJE

Naznačuje potencijalno opasnu situaciju, koja ako se ne izbjegne dovodi do smrti ili ozbiljnih ozljeda.

OPREZ

Naznačuje potencijalno opasnu situaciju, koja ako se ne izbjegne dovodi do lakših ili srednjih ozljeda.

OPREZ

(Bez simbola upozorenja sigurnosti) Označava situaciju koja može izazvati oštećenje imovine

Slijedeće riječi upozorenja i značenja imaju namjeru da objasne nivo rizika u vezi s ovim proizvodom.



Varnost, učinkovitost in zanesljivost so bile pri načrtovanju perkusijskega vrtalnika ključnega pomena.

NAMEN UPORABE

To vrtalno kladivo je namenjeno odraslim, ki so prebrali in razumejo navodila in opozorila v tem priročniku in ki so odgovorni za svoja dejanja.

Vrtalno kladivo je namenjeno za vrtnje v različne materiale, vključno z lesom, kovino in plastiko, z uporabo svedra s premerom, manjšim od 13 mm. Ko je v udarnem načinu, lahko vrtalno kladivo uporabljate za vrtnje v zidove in podobne materiale. Ko je v načinu vijačenja, lahko vrtalno kladivo uporabljate za privijanje in odvijanje vijakov.

Izdelka ne uporabljajte na noben način, ki ni predpisan za to napravo.

⚠ OPOZORILO

Preberite vsa varnostna opozorila in navodila. Neupoštevanje opozoril in navodil lahko privede do električnega udara, požara in/ali resnih poškodb.

Vsa opozorila in vsa navodila shranite za bodočo referenco.

VARNOSTNA OPOZORIILA GLEDE PERKUSIJSKEGA VRTALNIKA

- **Pri delu z udarnimi vrtalniki nosite zaščito za sluh.** Izpostavljenost hrupu lahko povzroči izgubo sluha.
- **Uporabljajte pomožne ročaje, ki so priloženi orodju.** Če izgubite nadzor nad orodjem, se lahko poškodujete.
- **Električno orodje držite pri delu za izolirane držalne površine.** Če se pripomočki za rezanje dotaknejo žice, ki je pod električno napetostjo, lahko izpostavljeni kovinski deli električnega orodja povzročijo električni udar.
- **Če izvajate opravila, pri katerem bi se pritrdilo lahko dotaknilo skrite napeljave, orodje držite za izolirane površine.** Če se pritrdila dotaknejo žice, ki je pod električno napetostjo, se lahko izpostavljeni kovinski deli električnega orodja naelektrijo in povzročijo električni udar.
- Ne delajte z materiali (npr. z azbestom), ki predstavljajo nevarnost za zdravje.
- Če se nastavek ustavi, takoj izključite izdelek. Izdelka ne vključite nazaj, če se nastavek ustavi, saj bi to lahko sprožilo nenaden povratni udarec. Ugotovite vzrok ustavitve nastavka in vzrok odpravite, pri tem pa upoštevajte varnostna navodila.
Možni načini uporabe so:
 - nagnil se je v obdelovancu
 - prebodel je obdelovanec
 - izdelek je preobremenjen
- Žagovine in trsk ne smete odstranjevati, medtem ko izdelek deluje.

- Pri delu v stenah, stropih ali tleh se izognite električnim kablom ali plinskimi ali vodovodnim napeljavam.
- Obdelovanec vpnite z vpenjalno napravo.
- Temperatura okolja delovanja orodja je med 0 °C in 40 °C.
- Temperatura okolja shranjevanja orodja je med 0 °C in 40 °C.
- Priporočena temperatura okolja za polnilni sistem med polnjenjem je med 10 °C in 38 °C.

DODATNA VARNOSTNA OPOZORIILA ZA BATERIJO

⚠ OPOZORILO

V izogib, s kratkim stikom povzročene nevarnosti požara, poškodb ali okvar na proizvodu, orodja, izmenljivega akumulatorja ali polnilne naprave ne potaplajte v tekočine in poskrbite, da ne bo prihajalo do vdora tekočin v naprave in akumulatorje. Korozivne ali prevodne tekočine, kot so slana voda, določene kemikalije in belila ali proizvodi, ki le ta vsebujejo, lahko povzročijo kratek stik.

PREVAŽANJE LITIJEVIH AKUMULATORJEV

Akumulator prevažajte v skladu z lokalnimi in državnimi uredbami in predpisi.

Upoštevajte vse posebne zahteve glede pakiranja in označevanja, kadar prevoz opravlja tretja oseba. Zagotovite, da akumulatorji med prevozom ne morejo priti v stik z drugimi akumulatorji ali prevodnimi materiali, tako da zaščitite izpostavljene konektorje z neprevodnimi izolacijskim pokrovčki ali trakom. Ne prevažajte poškodovanih akumulatorjev oz. akumulatorjev, ki puščajo. Za nadaljnje informacije se obrnite na posredništvo.

- Temperatura okolja za baterijo (izdelek) je med 0 °C in 40 °C.
- Temperatura okolja za shranjevanje baterije je med 0 °C in 20 °C.

PREOSTALA TVEGANJA

Nekateri preostalih dejavnikov tveganja ni mogoče povsem odpraviti, tudi če ta izdelek uporabljate v skladu z navodili. Upravljavca mora zlasti upoštevati te dodatne ukrepe, da zmanjša nevarnosti hudih telesnih poškodb.

- Poškodbe sluha – Nosite ustrezno zaščito za ušesa in omejite izpostavljenost.
- Poškodbe vida – Med uporabo izdelka nosite zaščitna očala.
- Poškodbe zaradi vibracij - Čim bolj omejite izpostavljenost in sledite navodilom za zmanjševanje nevarnosti v tem priročniku.
- Električni udar ob stiku s skritimi žicami - Izdelek držite samo za izolirane površine.





- Poškodba dihal zaradi vdihavanja prahu, ki se ustvarja pri uporabi izdelka – Nosite ustrezno zaščitno opremo glede na vrsto prahu.

ZMANJŠANJE TVEGANJA

Poročali so že, da lahko vibracije ročnih orodij pri nekaterih posameznikih pripomorejo k razvoju Raynaudovega sindroma. Simptomi so lahko mravljinca, otrplost in pobeljeni prsti, kar je običajno vidno, kadar je oseba izpostavljena mrazu. Dedni dejavniki, izpostavljenost mrazu in vlagi, dieta, kajenje in delovne navade naj bi pripomogle k razvoju teh simptomov. Za zmanjšanje učinkov vibracij lahko upravljavec upošteva naslednja navodila:

- Poskrbite, da bo vaše telo na mrazu toplo. Med upravljanjem nosite rokavice in tako ohranjate toploto vaših dlani in zapestij. Kot poročajo, je mraz glavni dejavnik, ki prispeva k Raynaudovemu sindromu.
- Po vsakem obdobju upravljanja naprave telovadite in tako pospešite krvni obtok.
- Pogosto si vzemite odmor. Omejite dnevno količino izpostavljenosti.

Če zaznavate kakršnekoli simptome takšnega stanja, takoj prenehajte z uporabo naprave in se posvetujte z zdravnikom.

OPOZORILO

Zaradi daljše uporabe orodja lahko pride do poškodb oz. se morebitne poškodbe poslabšajo. Kadar orodje uporabljate dalj časa, si večkrat vzemite odmor.

SPOZNAJTE SVOJ IZDELEK

Glej stran 81.

1. Dvohitrostni pogon
2. Gumb za izbiro načina
3. Gumb za nastavitve navora
4. Brezključni pritezalnik
5. Izbirnik smeri vrtenja
6. Odprtina za šesterokotno glavo
7. Sprožilno stikalo za spremenljivo hitrost
8. Ročaj, izolirano držalo
9. Držalo za vijake MAG TRAY
10. Luč LED
11. Shramba za svedre
12. Nastavki za vijačenje
13. Priklop za bateriji
14. Globinska zaustavitvena palica
15. Pomožna ročica

VZDRŽEVANJE

OPOZORILO

Ko sestavljate dele, prilagajate, čistite ali vzdržujete orodje, ali ko izdelka ne uporabljate, ga nikoli ne imejte priključenega na vir napajanja. Če izdelek odklopite, preprečite nenameren zagon, ki bi lahko povzročil hude poškodbe.

- Ob servisiranju uporabljajte samo identične nadomestne dele. Uporaba drugih delov lahko pomeni tveganje ali povzroči škodo na izdelku.

- Pri čiščenju plastičnih delov se izogibajte toplom. Večina vrst plastik se lahko pri uporabi različnih komercialnih topil poškoduje. Umazanijo in ogljikov prah odstranite s čisto krpo.

- Zavorna tekočina, gorivo, izdelki na osnovi nafte, prodirajoče olje ipd. nikoli ne smejo priti v stik s plastičnimi deli. Kemikalije lahko poškodujejo, oslabijo ali uničijo plastiko.

- Vedno nosite zaščitna očala s stranskimi ščitniki, ko uporabljate električna orodja ali ko spihujete prah. Če pri delu nastaja prah, nosite tudi zaščitno masko proti prahu.

- Zaradi večje varnosti in zanesljivosti naj vsa popravila izvaja pooblaščen servisni center.

MAZANJE

Vsi ležaji na napravi so namazani z dovolj kakovostnega maziva, tako da mazanje naprave ob normalni uporabi do konca življenjske dobe naprave ni več potrebno. Zato dodatno mazanje ni potrebno.

ZAŠČITA OKOLJA



Namesto, da napravo zavržete, reciklirajte surovine. Napravo, pribor in embalažo je treba sortirati za okolju prijazno recikliranje.

SIMBOLI



Varnostno opozorilo



Skladnost CE



Hitrost brez obremenitve



EurAsian oznaka o skladnosti



Prosimo, da si pred zagonom naprave pozorno preberete navodila



Ukrajinska oznaka za skladnost

001



Zmogljivost vpenjalne glave



Vrtanje brez udarjanja





Udarni vrtnik



Odpadne električne izdelke ne odlagajte skupaj z ostalimi gospodinjskimi odpadki. Reciklažo opravljajte na predpisanih mestih. Za nasvet se obrnite na lokalne oblasti.

POZOR

(Brez simbola Varnostni alarm) Označuje stanje, ki lahko privede do poškodovanja lastnine.

SIMBOLI V PRIROČNIKU



Opomba



Opozorilo



Vijačenje



Deli ali dodatki so na prodaj ločeno



Odklenjeno



Zaklenjeno



Maksimalni navor



Navor, Minimalna



Hitrost



Hitrost, največja

Sledeče signalne besede in pomeni naj bi pojasnili ravni tveganja, ki so povezane s tem izdelkom.

NEVARNOST

Označuje neizogibno nevarno stanje, ki lahko povzroči smrt ali hude poškodbe, če ga ne preprečite.

OPOZORILO

Označuje morebitno nevarno stanje, ki bi lahko povzročilo smrt ali hude poškodbe, če ga ne preprečite.

POZOR

Označuje morebitno nevarno stanje, ki lahko povzroči manjše ali zmerne poškodbe, če se ga ne preprečite.



Pri navrhovaní tejto pneumatickej vrtačky boli najvyššou prioritou bezpečnosť, výkon a spoľahlivosť.

ÚČEL POUŽITIA

To vrtalno kladivo je nameneno dospelým, ktorí sa rozhodli pre prácu v teréne. Používa sa v rôznych podmienkach a v rôznych situáciách, ktoré si užívateľ musí uvedomiť a za ktoré je zodpovedný.

Vrtalno kladivo je nameneno na vrtanie v rôznych materiáloch, vrátane dreva, kovu a plastu, s použitím vrtákov s priemerom menším ako 13 mm. Môže byť použitý aj na vrtanie v zidovom alebo podobnom materiáli. Môže byť použitý aj na vrtanie v betóne, ľahko vrtalno kladivo používať na privíjanie a odvíjanie vijakov.

Tento produkt nepoužívajte žiadnym iným spôsobom, ako je uvedené v účele použitia.

⚠ VAROVANIE

Prečítajte si všetky bezpečnostné výstrahy a pokyny. Ak nerešpektujete a inštrukcie, môže to mať za následok úraz elektrickým prúdom, požiar a/alebo vážne zranenie.

Odložte všetky výstrahy a pokyny pre budúce použitie.

BEZPEČNOSTNÉ VÝSTRAHY PRE TEJTO PNEUMATICKEJ VRŤAČKY

- **Pri príklepovom vrtaní používajte chrániče sluchu.** Vystavovanie hluku môže spôsobiť stratu sluchu.
- **Používajte pomocné rukoväte dodané s nástrojom.** Pri strate kontroly môže dôjsť k poraneniu osôb.
- **Pri vykonávaní operácie, kedy môže rezacie príslušenstvo prísť do kontaktu so skrytým vedením, držte nástroj za izolované úchopné miesta.** Pri kontakte rezacieho príslušenstva so „živým“ vodičom by mohli byť obnažené kovové diely pod prúdom a spôsobiť obsluhujúcemu úder elektrickým prúdom.
- **Držte elektrický nástroj za izolovaný povrch rukoväte pri vykonávaní prác, pri ktorých môže sponka naraziť na skryté vedenie.** Sponky v kontakte so „živým“ vodičom by mohli spôsobiť, že obnažené kovové diely budú pod prúdom a spôsobiť obsluhujúcemu zásah elektrickým prúdom.
- Nepracujte s materiálmi (napr. azbestom), ktoré predstavujú zdravotné riziko.
- Ak sa [vrták / ostrie / nástavec] zasekne, okamžite produkt vypnite. Kým je vrták zaseknutý, produkt znova nezapínajte, inak môžete spôsobiť náhle trhnutie s veľkou reakčnou silou. Zistite, prečo je vrták zaseknutý a napravte to, pričom venujte pozornosť bezpečnostným pokynom.
Možní na činnosti použite:
 - je naklonený v obrobovacej hlave
 - prebodol obroбок
 - produkt je preťažený

- **Piliny a triesky sa nesmú odstraňovať, kým je produkt spustený.**
- **Pri práci na stenách, stropoch alebo dlážkach dávajte pozor, aby ste nezasiahli elektrické káble a plynové či vodovodné potrubie.**
- **Upnite obroбок pomocou upínacieho zariadenia.**
- **Rozsah okolitej teploty počas prevádzkovania náradia je 0 °C až 40 °C.**
- **Rozsah okolitej teploty počas skladovania náradia je 0 °C až 40 °C.**
- **Odporúčaný rozsah okolitej teploty pre nabíjací systém počas nabíjania je 10 °C až 38 °C.**

DOPLNKOVÉ BEZPEČNOSTNÉ VÝSTRAHY PRE BATÉRIU

⚠ VAROVANIE

Aby ste zabránili nebezpečenstvu požiaru spôsobeného skratom, poraneniam alebo poškodeniam výrobu, neponárajte náradie, výmennú batériu alebo nabíjačku do kvapalín a postarajte sa o to, aby do zariadení a akumulátorov nevnikli žiadne tekutiny. Korodujúce alebo vodivé kvapaliny, ako je slaná voda, určité chemikálie a bieliace prostriedky alebo výrobky, ktoré obsahujú bieliadlo, môžu spôsobiť skrat.

PREPRAVA LÍTOVÝCH AKUMULÁTOROV

Akumulátor prepravujte v súlade s miestnymi smernicami a nariadeniami.

Keď akumulátory prepravuje tretia strana, dodržiavajte všetky požiadavky na balenie a označenie. Zabezpečte, aby počas prepravy akumulátory neprišli do kontaktu s inými akumulátormi ani vodivými materiálmi – chráňte obnažené konektory pomocou izolácie, nevodivými viečkami alebo páskou. Neprepravujte akumulátory, ktoré sú prasknuté alebo vytekajú. Ďalšie pokyny zistíte u nasledujúcej spoločnosti.

- **Rozsah okolitej teploty počas používania batérie je 0 °C až 40 °C.**
- **Rozsah okolitej teploty počas skladovania batérie je 0 °C až 20 °C.**

ZVYŠKOVÁ RIZIKOVOSŤ

Aj keď sa nástroj používa podľa predpisu, nie je možné eliminovať určité zvyškové rizikové faktory. Obsluhujúci musí týmto bodom venovať špeciálnu a zvýšenú pozornosť, aby znížil riziko závažného osobného poranenia.

- **Poškodenie sluchu** – Používajte vhodnú ochranu sluchu a obmedzte expozíciu
- **Poškodenie zraku** – Pri práci s produktom používajte ochranné štíty na oči alebo okuliare.
- **Zranenie spôsobené vibráciami** - Obmedzte vystavenie

EN
FR
DE
ES
IT
NL
PT
DA
SV
FI
NO
RU
PL
CS
HU
RO
LV
LT
ET
HR
SL
SK
BG
UK
TR
EL



účinkom vibrácií a postupujte podľa pokynov na znižovanie rizika v tejto príručke.

- Zásah elektrickým prúdom po kontakte so skrytými vodičmi - Produkt držte vždy len za izolované povrchy.
- Poranenie respiračného systému z prachu vytváraného pri činnosti produktu – Používajte vhodné opravné prostriedky v závislosti od druhu prachu.

OBMEDZENIE RIZIKA

Boli hlásené prípady, kedy vibrácie z ručných nástrojov u niektorých osôb prispeli k stavu nazývanému Raynaudov syndróm. K symptómom patria: tŕpnutie, znecitlivenie a blednutie prstov, zvyčajne zjavné po vystavení zime. Je známe, že k vývoju týchto symptómov prispievajú: dedičné faktory, vystavovanie zime a vlhkosti, diéta, fajčenie a pracovné návyky. Opatrenia, ktoré môže vykonať obsluhujúca osoba na možné zníženie účinkov vibrácií:

- V studenom počasí udržiavajte svoje telo v teple. Pri práci so zariadením noste rukavice, aby ste mali ruky a zápästia v teple. Boli hlásené prípady, kedy hlavným faktorom prispievajúcim k Raynaudovmu syndrómu bolo studené počasie.
- Po každom určitom časovom úseku prevádzky cvičte, aby ste zlepšili krvný obeh.
- Počas práce si doprajte časté prestávky. Obmedzte počet vystavení za deň.

Ak zistíte ktorýkoľvek zo symptómov tohto stavu, okamžite prerušte používanie zariadenia, navštívte svojho lekára a povedzte mu o symptómoch.

VAROVANIE

Dlhodobé používanie nástroja môže spôsobiť alebo zhoršiť poranenia. Pri používaní nástroja príliš dlhé obdobia si vždy doprajte pravidelné prestávky.

OBOZNÁMTE SA S VAŠIM PRODUKTOM

Vid' strana 81.

1. Dvojrychlostné prevodové súkolesie
2. Rýchly volič režimu
3. Prstenec na nastavenie točivého momentu
4. Bezklúčové skľučovadlo
5. Volič smeru otáčania
6. Otvor na šesťhrannú hlavu
7. Prepínač premenlivých otáčok
8. Rúčka, izolovaný povrch na držanie
9. Držiak skrutiek MAG TRAY
10. Žiarovka LED
11. Uloženie vrtáka
12. Hroty skrutkovača
13. Otvor na akumulátory
14. Tyčka na zastavenie v požadovanej hĺbke
15. Pomocná rukoväť

ÚDRŽBA

VAROVANIE

Tento produkt sa nikdy nesmie pripájať do elektrickej siete, keď montujete diely, vykonávate úpravy, čistíte alebo vykonávate údržbu, alebo keď produkt nepoužívate. Odpojením produktu zabránite náhodnému spusteniu, ktoré by mohlo spôsobiť závažné poranenie.

- Pri servise používajte len originálne náhradné diely. Použitie iných dielov môže predstavovať riziko alebo spôsobiť poškodenie produktu.
- Vyhybajte sa použitiu rozpúšťadiel pri čistení plastových častí. Veľšina plastických materialov je občutlivá na rozličné vrstve komerčialno dostupnih topil in jih z njihovo uporabo lahko poškodujemo. Používajte čistú handričku na odstránenie nečistôt a uhlíkového prachu.
- Dbajte na to, aby do kontaktu s plastovými dielmi nikdy neprišli do kontaktu brzdové kvapaliny, benzín, ropné produkty, prenikavé oleje a pod. Chemikálie môžu poškodiť, oslabiť či zničiť plast.
- Pri práci s mechanickým nástrojom alebo ofukovaní prachu vždy používajte ochranné okuliare alebo ochranné okuliare s bočnými chráničmi. Ak pri práci vzniká prach, používajte aj protiprachovú masku.
- Pre vyššiu bezpečnosť a spoľahlivosť sa musia všetky opravy vykonávať v autorizovanom servisnom centre.

MAZANIE

Všetky ložiská v produkte sú namazané dostatočným množstvom mazivom vysokej akosti na celú životnosť produktu pri bežných prevádzkových podmienkach. Preto nie je potrebné žiadne ďalšie mazanie.

OCHRANA ŽIVOTNÉHO PROSTREDIA



Surové materiály recyklujte, nelikvidujte ich ako odpad. Stroj, príslušenstvo a obaly by sa mali triedene recyklovať spôsobom šetrným k životnému prostrediu.

SYMBOLY



Buďte ostražití



Zhoda CE



Otáčky bez zaťaženia



Euroázijská značka zhody



Pred zapnutím zariadenia si prosím prečítajte inštrukcie



Ukrajinské označenie zhody



Kapacita skľučovadla



Vŕtanie bez príklepu



Pneumatická vŕtačka



Opotrebované elektrické zariadenia by ste nemali odhadzovať do domového odpadu. Prosíme o recykláciu ak je možné. Kontaktujte miestne úrady, alebo predajcu pre viac informácií ohľadom ekologického spracovania.

SYMBOLY V NÁVODE



Poznámka



Varovanie



Víjačenie



Diely alebo príslušenstvo predávané samostatne



Odomknuté



Zamknuté



Max. moment



Krútiaci moment, Minimálna



Rýchlosť, min.



Rýchlosť, max.

⚠ NEBEZPEČENSTVO

Označuje bezprostredne nebezpečnú situáciu, ktorá, ak jej nepredídete, spôsobí usmrtenie alebo vážne poranenie.

⚠ VAROVANIE

Označuje potenciálne nebezpečnú situáciu, ktorá, ak jej nepredídete, môže spôsobiť usmrtenie alebo vážne poranenie.

⚠ UPOZORNENIE

Označuje potenciálne nebezpečnú situáciu, ktorá, ak jej nepredídete, môže spôsobiť menšie alebo stredne závažné poranenie.

UPOZORNENIE

(Bez výstražnej značky s výkričníkom) Označuje situáciu, ktorá môže zapríčiniť škody na majetku.

Nasledujúce značky a významy vysvetľujú úroveň rizika spojeným s výrobkom.



Безопасността, производителността и надеждността са аспектите, на които е отделен най-голям приоритет при проектирането на вашата ударна бормашина.

ПРЕДНАЗНАЧЕНИЕ

Ударната бормашина е предназначена за използване само от възрастни, които са прочели и разбрали инструкциите и предупрежденията в настоящото ръководство и могат да бъдат считани като отговорни за своите действия.

Ударната бормашина може да се използва за пробиване в различни материали, включително дърво, метал и пластмаса с помощта на свредло с диаметър на тялото не по-малко от 13 mm. Когато е в режим на ударно пробиване, ударната бормашина може да се използва за пробиване в зидария и подобни материали. Когато е в режим на завинтване, ударната бормашина може да се използва за завинтване на винтове.

Не използвайте продукта по начини, различни от посочените.

⚠ ПРЕДУПРЕЖДЕНИЕ

Прочетете всички предупреждения относно безопасността и всички инструкции. Неспазването на предупрежденията и инструкциите може да доведе до токов удар, пожар и/или сериозни наранявания.

Съхранявайте всички предупреждения и инструкции за бъдещи справки.

ПРЕДУПРЕЖДЕНИЯ ЗА БЕЗОПАСНОСТ ЗА РАБОТА С УДАРНА БОРМАШИНА

- Носете антифони, когато извършвате ударно пробиване. Излагането на шум може да доведе до увреждане на слуха.
- Използвайте спомагателната/спомагателните ръкохватка/ръкохватки, ако има предоставена/предоставени такава/такива с инструмента. Загубата на контрол може да причини физически наранявания.
- Дръжте електрическия инструмент за изолираните повърхности за хващане, когато извършвате операция, при която режещият аксесоар може да влезе в контакт със скрити проводници. Режещ аксесоар, който влезе в контакт с проводник, по който тече ток, може да доведе до протичането на ток по неизолираните метални части на електрическия инструмент и да причини токов удар на оператора.
- Хващайте електрическия инструмент за изолираните повърхности за захващане, когато извършвате дейност, при която скрепителният елемент може да влезе в контакт със скрити кабели. Скрепителни елементи, които влязат в контакт с „оголен“ проводник, може да доведат до протичането на ток по откритите метални елементи

на електрическия инструмент и да причинят токов удар на оператора.

- Не работете върху материали (напр. азбест), които представляват риск за здравето.
 - Изключете продукта незабавно, ако свредлото заседне. Не включвайте продукта отново, докато свредлото е заседнало, тъй като това може да предизвика внезапен откат с голяма реактивна сила. Определете защо свредлото е заседнало и отстранете причината за това, съобразявайки се с инструкциите за безопасност.
- Възможните причини могат да бъдат:
- то е наклонено в работния детайл
 - пробило е работния детайл
 - продуктът е претоварен
- Не трябва да отстранявате стърготини и трески, докато продуктът работи.
 - Когато работите в стени, тавани или подове, избягвайте засягането на електрически кабели, газове и водни тръби.
 - Закрепете работния си детайл с устройство за захващане.
 - Диапазонът на околната температура при работа с инструмента е между 0°C и 40°C.
 - Диапазонът на околната температура при съхранение на инструмента е между 0°C и 40°C.
 - Препоръчителният диапазон на околната температура при зареждане със зарядната система е между 10°C и 38°C.

ДОПЪЛНИТЕЛНИ ПРЕДУПРЕЖДЕНИЯ ЗА БЕЗОПАСНОСТ ЗА БАТЕРИЯТА

⚠ ПРЕДУПРЕЖДЕНИЕ

За да избегнете опасността от пожар, предизвикана от късо съединение, както и нараняванията и повредите на продукта, не потапяйте инструмента, сменяемата акумулаторна батерия или зарядното устройство в течности и се погрижете в уредите и акумулаторните батерии да не попадат течности. Течностите, предизвикващи корозия или провеждащи електричество, като солена вода, определени химикали, избелващи вещества или продукти, съдържащи избелващи вещества, могат да предизвикат късо съединение.

ТРАНСПОРТИРАНЕ НА ЛИТИЕВИ БАТЕРИИ

Транспортирайте батериите в съответствие с местните и национални постановления и разпоредби.

Спазвайте всички специални изисквания за пакетиране и етикетирание, когато транспортирате батерии чрез трето лице. Уверете се, че батериите не влизат в контакт с други батерии или проводими материали по време на транспортиране, като предпазите откритите





конектори с изолация, непроводими капачета или лента. Не транспортирайте батерии, които са спукани или текат. Свържете се със следната компания за допълнителен съвет.

- Диапазонът на околната температура при използване на батерията е между 0°C и 40°C.
- Диапазонът на околната температура при съхранение на батерията е между 0°C и 20°C.

НЕПРЕДВИДЕНИ РИСКОВЕ

Дори когато продуктът се използва по предназначение, е невъзможно напълно да се ограничи влиянието на определени рискови фактори. Операторът трябва да обърне специално и допълнително внимание на тези точки, за да намали риска от сериозни физически наранявания.

- Увреждания на слуха - Носете подходящи антифони и ограничете излагането на шум.
- Увреждания на зрението - Носете маска за предпазване на очите или предпазни очила, когато използвате продукта.
- Наранявания, причинени от вибрации - Ограничете излагането и следвайте инструкциите за намаляване на риска в настоящото ръководство.
- Токов удар след контакт със скрити проводници - Дръжте продукта само за изолираните повърхности.
- Увреждания на дихателната система от прах, отделен при работа с този продукт - Носете подходящи предпазни средства в зависимост от вида на праха.

НАМАЛЯВАНЕ НА РИСКА

Известно е, че вибрациите, произвеждани от ръчни инструменти може да предизвикат у някои индивиди заболяване, наречено Синдром на Рейнолд (Raynaud's Syndrome). Симптомите може да включват изтръпване, схващане и избледняване на пръстите, обикновено се забелязват при излагане на студ. Смята се, че наследствените фактори, излагането на студ и влага, диетите, пушенето и някои работни навици допринасят за развитието на тези симптоми. Могат да се вземат някои мерки, които могат да се предприемат от оператора, за да се намалят ефектите от вибрациите:

- Поддържайте телесната температура в студено време. Когато боравите с инструмента, носете ръкавици, за да поддържате ръцете и китките си топли. Според изследвания главният фактор, допринасящ за развитието на Raynaud's Syndrome, е студеното време.
- Правете упражнения за активизиране на кръвообращението след всеки работен цикъл.
- Редовно излизайте в почивка. Ограничете излагането на вибрации на ден.

При поява на някой от симптомите на това заболяване,

незабавно прекратете употребата на инструмента и посетете лекар.

⚠ ПРЕДУПРЕЖДЕНИЕ

Продължителното използване на инструмента може да доведе до наранявания или влошаване. При използване на инструмента за продължителни периоди от време правете чести почивки.

ОПОЗНАЙТЕ ВАШИЯ ПРОДУКТ

Вж. страница 81.

1. Сложна зъбна предавка с две скорости
2. Бутон за избор на бърз режим
3. Пръстен за регулиране на въртящия момент
4. Безключова цанга
5. Бутон за избор на посоката на въртене
6. Отвор за шестостенен болт
7. Спусък с променлива скорост
8. Ръкохватка, изолирана повърхност за захващане
9. Приспособление MAG TRAY за завинтване и отвинтване на малки винтове
10. LED светлини
11. Съхранение на крайниците
12. Крайник на винтоверта
13. Гнездо за батерията
14. Прът за регулиране на дълбочината
15. Спомогателна ръкохватка

ПОДДРЪЖКА

⚠ ПРЕДУПРЕЖДЕНИЕ

Продуктът не трябва никога да се включва в захранване, когато сглобявате части, правите настройки, почиствате, извършвате поддръжка или когато не го използвате. Изключването на продукта от захранването ще предотврати случайно стартиране, което би могло да причини сериозни наранявания.

- При ремонт използвайте само идентични резервни части. Използването на други части може да ви постави в опасност или да повреди продукта.
- Избягвайте използването на разтворители при почистването на пластмасовите части. Повечето пластмаси са чувствителни към различни видове разтворители и може да се повредят при използването на такива. Използвайте чисти кърпи за отстраняване на замърсявания и въглероден.
- В никакъв случай не позволявайте пластмасовите части да влизат в контакт със спирачни течности, нефтени продукти, проникващи масла и т.н. Те съдържат химически вещества, които могат да повредят, отслабят или разрушат пластмасата.
- Винаги носете предпазна маска или очила със странични екрани, когато боравите с механизирани инструменти или издухвате прах. Ако при работата се отдели прах, използвайте и маска за предпазване от него.



- За по-голяма безопасност и надеждност всички ремонти трябва да се извършват от оторизиран сервиз.

СМАЗВАНЕ

Всички лагери в този продукт за смазани с достатъчно количество висококачествено масло, което трябва да стигне за целия експлоатационен живот на инструмента при нормални работни условия. Затова не е необходимо допълнително смазване.

ОПАЗВАНЕ НА ОКОЛНАТА СРЕДА



Рециклиране на суровини, вместо за обезвреждане като отпадък. Машината, допълнителните приспособления и опаковките трябва да бъдат подложени на подходяща преработка за оползотворяване на съдържащите се в тях вторични суровини.

СИМВОЛИ



Предупреждение относно безопасността



CE съответствие



Скорост на празен ход



EurAsian знак за съответствие



Прочетете инструкциите внимателно, преди да стартирате машината.



Украински знак за съответствие

001



Капацитет на цангата



Пробиване без удар



Ударно пробиване



Електрическите уреди не трябва да се изхвърлят заедно с битовите отпадъци. Рециклирайте, където има възможност. Обърнете се за съвет по рециклирането към местните власти или разпространителите.

СИМВОЛИ В НАСТОЯЩОТО РЪКОВОДСТВО



Забележка



Предупреждение



Завинтване



Частите или принадлежностите се продават отделно



Отключване



Ключалка



Въртящ момент, максимална



Въртящ момент, минимална



Скорост, минимална



Скорост, максимална

Следните сигнални думи и техните съответни значения обясняват нивата на опасност, свързани с употребата на този продукт:

ОПАСНОСТ

Указва неминуемо опасна ситуация, която ако не бъде избегната, ще доведе до сериозни наранявания или смърт.

ПРЕДУПРЕЖДЕНИЕ

Указва потенциално опасна ситуация, която ако не бъде избегната, може да доведе до сериозни наранявания или смърт.

ВНИМАНИЕ

Указва потенциално опасна ситуация, която ако не бъде избегната, може да доведе до дребни или средни наранявания.

ВНИМАНИЕ

(Без предупредителен символ за безопасност) Указва ситуация, която може да доведе до имуществени щети.



Безпеці, продуктивності і надійності наданий вищий пріоритет в дизайні вашої ударна дріль.

ПРИЗНАЧЕННЯ

Цей ударний дріль призначений для використання тільки дорослими, які читали і зрозуміли інструкції та попередження в цьому посібнику і можуть вважатися відповідальними за свої дії.

Ударний дріль призначений для свердлення різних матеріалів, включаючи дерево, метал, пластик і з використанням свердла, що має діаметр менше, ніж 13 мм. При роботі в ударному режимі, ударна дріль може бути використана для свердлення кладки і подібних матеріалів. В режимі загвинчування, ударна дріль може використовуватися для загвинчування гвинтів.

Для довбання та свердлення кам'яної кладки, може бути використаний режим молотка.

▲ ПОПЕРЕДЖЕННЯ

Читайте всі правила безпеки та інструкції. Недотримання попереджень та інструкцій може призвести до ураження електричним струмом, пожежі та / або серйозної травми.

Збережіть всі інструкції і вказівки для майбутнього використання.

ПОПЕРЕДЖЕННЯ З БЕЗПЕКИ УДАРНА ДРІЛЬ

- Носіть захисні навушки під час ударного свердлення. Вплив шуму може призвести до втрати слуху.
- Використовуйте допоміжну ручку (и), якщо постачається з інструментом. Втрата контролю може призвести до травми.
- Тримайте інструмент за ізольовані поверхні при виконанні дій, при яких ріжучий інструмент може зачепити приховану проводку. Ріжучі приладдя при контакті з проводом під напругою можуть зробити незахищені металеві частини електроінструменту під напругою і можуть вдарити оператора електричним струмом.
- Тримайте інструмент за ізольовані поверхні при виконанні дій, при яких затискач може контактувати з прихованою електропроводкою. Кріплення, що контактують з проводом "під напругою" можуть зробити металеві частини електроінструменту "під напругою", і можуть вразити оператора електричним струмом.
- Не працюйте з матеріалами (наприклад, азбестом), які становлять небезпеку для здоров'я.
- Вимкніть продукт відразу, якщо свердло застрягло. Не вмикайте продукту знову, поки свердло застрягло, так як це може викликати раптову віддачу з високою реактивною силою. Визначте, чому свердло застрягло і розблокуйте, звертаючи увагу на інструкції з безпеки.

Можливі такі випадки:

- знаходиться під нахилом у заготовці
- він проколов заготовку
- продукт перевантажений
- Тирса і тріски не повинні бути видалені поки продукт працює.
- При роботі в стінах, стелях, або підлогах, уникайте електричних кабелів і газових або водопровідних труб.
- Затисніть оброблювані деталі за допомогою затискного пристрою.
- Діапазон температури навколишнього середовища для пристрою під час використання від 0°C до 40°C.
- Діапазон температури навколишнього середовища для пристрою під час зберігання від 0°C до 40°C.
- Рекомендований діапазон температури зовнішнього середовища для системи заряджання під час заряджання між 10°C та 38°C.

ТЕХНІКА БЕЗПЕКИ ПРИ ЕКСПЛУАТАЦІЇ АКУМУЛЯТОРНОЇ БАТАРЕЇ

▲ ПОПЕРЕДЖЕННЯ

Для запобігання небезпеці пожежі в результаті короткого замикання, травмам і пошкодженню виробів не занурюйте інструмент, змінний акумулятор або зарядний пристрій у рідину і не допускайте потрапляння рідини всередину пристроїв або акумуляторів. Корозійні і струмопровідні рідини, такі як солоний розчин, певні хімікати, вибілювальні засоби або продукти, що їх містять, можуть призвести до короткого замикання.

ТРАНСПОРТУВАННЯ ЛІТІЄВИХ БАТАРЕЙ

Транспортуйте батарею відповідно до місцевих та національних положень та правил.

Дотримуйтеся усіх спеціальних вимог щодо пакування та маркування при транспортуванні батареї третьою стороною. Переконайтеся, що батареї не можуть вступати в контакт з іншими батареями або провідними матеріалами при транспортуванні, захищаючи відкриті роз'єми ізоляційними непроводячими кришками або стрічкою. Не перевозити батареї, які мають тріщини або протечки. Консультуйтеся з експедиторською компанією для подальших консультацій.

- Діапазон температури навколишнього середовища для акумулятора під час використання між 0°C та 40°C.
- Діапазон температур зовнішнього середовища під час зберігання акумулятора між 0°C та 20°C.

EN
FR
DE
ES
NL
IT
PT
DA
SV
FI
NO
RU
PL
CS
HU
RO
LV
LT
ET
HR
SL
SK
BG
UK
TR
EL



ЗАЛИШКОВІ РИЗИКИ

Навіть коли продукт використовується як написано, залишається неможливим повністю усунути деякі залишкові чинники ризику. Оператор повинен приділяти особливу і підвищену увагу до цих пунктів для того, щоб знизити ризик отримання серйозної травми.

- Пошкодження слуху - Надягайте засоби захисту для органів слуху та обмежуйте час роботи.
- Травми ока - При експлуатації приладу користуйтеся захисними щитками для очей або захисними окулярами.
- Травми спричинені вібрацією. - Зробіть обмеження впливу і дотримуйтесь інструкцій по зниженню ризику в цьому посібнику.
- Електричний шок після контакту з прихованими проводами - Тримайте продукт тільки за ізольовані поверхні.
- Дихальні пошкодження від пилу, створеного експлуатацією продукту - Носіть відповідний захист в залежності від типу пилу.

ЗНИЖЕННЯ РИЗИКУ

Повідомлялося, що вібрації від ручних інструментів у певних осіб можуть сприяти стану, який називається синдромом Рейно. Симптоми можуть включати поколювання, оніміння і збліднення пальців, як правило, очевидні при впливі холоду. Складові фактори, вплив холоду і вогкості, дієта, куріння і робоча практика, всі ці чинники роблять свій внесок у розвиток цих симптомів. Ці заходи можуть бути прийняті оператором, щоб можливо зменшити вплив вібрації:

- Тримайте тіло в теплі в холодну погоду. При експлуатації приладу, одягайте рукавички, щоб тримати руки і зап'ястя у теплі. Повідомлялося, що холодна погода є основним чинником, що сприяє синдрому Рейно.
- Після кожного періоду роботи, здійснюйте вправи для підвищення кровообігу.
- Робіть часті перерви в роботі. Зробіть обмеження кількості впливу на день.

Якщо ви відчуваєте будь-які з симптомів цього стану, негайно припиніть використання і зверніться до лікаря з ціми симптомами.

⚠ ПОПЕРЕДЖЕННЯ

Тривале використання інструменту може викликати або посилити травми. При використанні інструменту протягом тривалого періоду, робіть регулярні перерви.

ЗНАЙТЕ СВІЙ ПРОДУКТ

Див. стор. 81.

1. Двошвидкісна зубчата передача

2. Перемикач швидкісного режиму
3. Регульовальне кільце крутного моменту
4. Патрон
5. Напрямок обертання селектора
6. Отвір шестигранної голівки
7. Пусковий гачок з регулюванням швидкості
8. Ручка, ізольована поверхня для утримання
9. Тримач шурупів MAG TRAY
10. СВД світло
11. Місце для зберігання біти
12. Жало викрутки
13. Гніздо для акумулятора
14. Штир обмеження глибини
15. Додаткова ручка

ОБСЛУГОВУВАННЯ

⚠ ПОПЕРЕДЖЕННЯ


Продукт не повинен бути підключений до джерела живлення, коли ви збираєте деталі, регулюєте, чистите, проводите технічне обслуговування або коли продукт не використовується. Відключення продукту допоможе уникнути випадкового запуску, який може призвести до серйозних травм.

- При обслуговуванні використовуйте тільки ідентичні запасні частини. Використання будь-яких інших деталей може створити небезпеку або спричинити пошкодження продукту.
- Не використовуйте розчинники для очищення пластмасових деталей. Більшість пластмас вразливі до різних видів комерційних розчинників і може бути пошкоджена їх використанням. Використовуйте чисті ганчірки для видалення бруду і вугільного пилу.
- Ніколи не дозволяйте гальмівній рідині, бензину, продуктам на основі нафти, і проникаючим маслам вступати в контакт з пластиковими деталями. Вони містять хімічні речовини, які можуть зашкодити, послабити або знищити пластик.
- Завжди надягайте захисні окуляри або захисні окуляри з бічними щитками під час роботи електроінструмента або при здуванні пилу. Якщо робота пильна, також носіть захисну маску.
- Для більшої безпеки і надійності, всі ремонтні роботи повинні виконуватися в авторизованому сервісному центрі.

ЗМАЩУВАННЯ

Всі підшипники в продукті змащені достатньою кількістю високоякісного мастила для всього терміну служби продукту при нормальних умовах експлуатації. Таким чином, додаткове змащення не потрібно.





ЗАХИСТ НАВКОЛИШНЬОГО СЕРЕДОВИЩА

 Переробляйте сировину замість утилізації в якості відходів. Машини, обладнання та упаковка повинні бути відсортовані для дружньої для навколишнього середовища утилізації.

СИМВОЛИ

-  Попередження безпеки
-  CE відповідність
-  Швидкість без навантаження
-  Євразійський знак відповідності
-  Будь ласка, уважно прочитайте інструкцію перед запуском продукту.
-  Український знак відповідності
-  Потужність патрону
-  Сверлення без стискання
-  Ударний дріль
-  Відходи електротехнічної продукції не слід викидати разом із побутовими відходами. Будь ласка, переробляйте там, де наявне устаткування. Перевірте з вашим місцевим органом влади або продавцем для консультацій з приводу переробки.

СИМВОЛИ В ЦІЄЇ ІНСТРУКЦІЇ З ЕКСПЛУАТАЦІЇ

-  Примітка
-  Попередження
-  Загвинчування
-  Запасні деталі або принадлежности продаються окремо

 Розблокувати

 Блокувати

 Крутний момент, максимальний

 Крутний момент, мінімальний

 Швидкість, мінімальна

 Швидкість, максимальна

Нижчеказані попереджальні слова та символи пояснюють рівень ризику при роботі з цим приладом.

⚠ НЕБЕЗПЕКА

Вказує на неминуче небезпечну ситуацію, яка, якщо її не уникнути, може призвести до смерті або серйозних травм.

⚠ ПОПЕРЕДЖЕННЯ

Вказує на потенційно небезпечну ситуацію, яка, якщо її не уникнути, може призвести до смерті або серйозних травм.

⚠ УВАГА

Вказує на потенційно небезпечну ситуацію, яка, якщо її не уникнути, може призвести до середньої або легкої травми.

УВАГА

(Без Символу попередження про небезпеку) Вказує на ситуацію, яка може привести до матеріальних збитків.

Darbeli matkap tasarlanırken temel öncelik güvenlik, performans ve güvenilirlik özelliklerine verilmiştir.

KULLANIM AMACI

Bu darbeli matkabın sadece, bu kılavuздaki talimatları ve uyarıları okumuş ve anlamış ve eylemlerinden sorumlu tutulabilecek yetişkinler tarafından kullanılması amaçlanmaktadır.

Darbeli matkabın, 13 mm'den daha düşük çaplı bir matkap ucu kullanılarak ahşap, metal ve plastik de dahil olmak üzere çeşitli materyallerin delinmesinde kullanılması amaçlanmıştır. Darbeli modda darbeli matkap, yığıma duvar ve benzeri materyallerin delinmesinde kullanılabilir. Vidalama modunda darbeli matkap, vidalamada kullanılabilir.

Bu ürünü belirtilen kullanım amacı dışında herhangi bir amaçla kullanmayın.

⚠ UYARI

Tüm güvenlik uyarılarını ve talimatlarını okuyun. Uyarıların ve talimatların yerine getirilmemesi elektrik çarpması, yangın ve/veya ciddi yaralanmalara yol açabilir.

Tüm uyarıları ve talimatları daha sonra başvurmak üzere saklayın.

DARBELİ MATKAP GÜVENLİK UYARILARI

- **Delme işlemi gerçekleştirirken kulak koruyucu kullanın.** Gürültüye maruz kalmak işitme kaybına neden olabilir.
 - **Aletle birlikte verilen yardımcı tutamakları kullanın.** Kontrol kaybı kişisel yaralanmalara neden olabilir.
 - **Kesici aksesuarlar gizli kablo tesisatını kesebileceği için, matkapla çalışırken izolasyonlu tutma yüzeylerinden tutun.** Kesici aksesuarın elektrik geçen kabloyla temas etmesi, elektrikli aletin metal parçalarının elektrikle yüklenmesine ve kullanıcının elektrikle çarpılmasına neden olabilir.
 - **Sabitleyicinin gizli kablolarla temas edebileceği yerlerde çalışma yaparken elektrikli aleti yalıtkan tutma yüzeylerinden tutun.** "Canlı" bir kabloyla temas eden sabitleyiciler "canlı" elektrikli aletin metal parçalarını açığa çıkartabilir ve operatörün elektrik akımına kapılmasına neden olabilir.
 - Sağlığı tehdit eden materyaller (örneğin; asbest) üzerinde kullanmayın.
 - Eğer matkap ucu durursa ürünü hemen kapatın. Matkap ucu durmuş vaziyetteyken ürünü tekrar çalıştırmayın, bunu yapmanız yüksek tepkisel bir güçle ani bir geri tepmeyi tetikleyebilir. Matkap ucu 'nin durma sebebini tespit edin ve güvenlik talimatlarını dikkate alarak sorunu çözün.
- Muhtemel kullanım alanları
- Üzerinde çalışılan materyalin içinde eğilmiş
 - Üzerinde çalışılan materyali delmiş

- Ürün aşırı yüklenmiş
- Talaş ve kıymıklar ürün çalışırken temizlenmemeli.
- Duvar, tavan ya da zemin üzerinde çalışırken elektrik kabloları, gaz ve su borularından uzak durun.
- İş parçasını bir mengene ile sıkıştırın.
- Alet için ortam sıcaklığı aralığı çalışma sırasında 0°C ile 40°C arasındadır.
- Alet için depolama ortam sıcaklığı aralığı 0°C ile 40°C arasındadır.
- Şarj sırasında şarj sistemi için önerilen ortam sıcaklığı aralığı 10°C ile 38°C arasındadır.

PİL İÇİN EK GÜVENLİK UYARILARI

⚠ UYARI

Bir kısa devreden kaynaklanan yangın, yaralanma veya ürün hasarları tehlikesini önlemek için aleti, güç paketini veya şarj cihazını asla sıvıların içine daldırmayınız ve cihazların ve pillerin içine sıvı girmesini önleyiniz. Tuzlu su, belirli kimyasallar, aşartıcı madde veya aşartıcı madde içeren ürünler gibi korozif veya iletken sıvılar kısa devreye neden olabilir.

LİTYUM PİLLERİN NAKLİYESİ

Pili yerel ve ulusal hükümlere ve yönetmeliklere göre nakledin.

Piller üçüncü bir şahıs tarafından nakledilirse ambalaj ve etiket üzerindeki tüm özel gereksinimlere uyun. Açıkta ki konektörleri iletken olmayan yalıtım başlıkları veya bant ile koruyarak pillerin nakliye sırasında diğer pillerle veya iletken materyallerle temas etmediğinden emin olun. Çatlak veya sızıntı yapan pilleri nakletmeyin. Daha fazla bilgi için nakliye şirketine danışın.

- Batarya için ortam sıcaklığı aralığı çalışma sırasında 0°C ile 40°C arasındadır.
- Batarya için depolama ortam sıcaklığı aralığı 0°C ile 20°C arasındadır.

ARDIL RİSKLER

Ürün belirtildiği şekilde kullanıldığı zaman bile belirli artık risk faktörlerinin tamamen ortadan kaldırılması mümkün değildir. Operatör ciddi kişisel yaralanma riskini azaltmak için bu hususlara özellikle çok dikkat etmelidir.

- İşitme hasarı – Uygun bir kulaklık takın ve maruziyeti sınırlayın.
- Görme hasarı – Bu ürünü kullanırken uygun bir göz koruması veya gözlük takın.
- Titreşim kaynaklı yaralanma - Maruz kalma süresini sınırlayın ve bu kılavuздaki rüsk azaltma talimatlarına uyun.
- Gizli kablolarla temas nedeniyle elektrik çarpması - Ürünü yalnızca yalıtkan yüzeylerinden tutun.

- Ürün kullanılırken ortaya çıkan tozdan kaynaklanan solunum yolu rahatsızlığı – Tozun türüne göre uygun korunma tedbirlerini alın.

RİSK AZALTMA

El aletlerinden kaynaklanan titreşimlerin belirli kişilerde Raynaud Sendromu olarak adlandırılan bir durumu etkileyebileceği rapor edilmiştir. Karıncalanma, hissizlik ve parmakların sararması gibi genelde soğuğa maruz kaldıktan sonra görülen semptomlar oluşabilir. Kalıtsal faktörler, soğuğa ve neme maruz kalmak, diyet, sigara ve çalışma pratikleri de bu semptomların oluşmasına neden olabilecek etkenler olarak kabul edilmektedir. Titreşimin etkilerini azaltmak için operatör tarafından alınabilecek önlemler bulunmaktadır:

- Soğuk havalarda vücudunuzu sıcak tutun. Ürünü çalıştırırken ellerinizi ve bileklerinizi sıcak tutmak için eldiven takın. Soğuk havanın Raynaud Sendromunun ana tetikleyicilerinden olduğu bildirilmiştir.
- Her operasyon sürecinden sonra kan dolaşımını arttırmak için egzersiz yapın.
- Sık sık işe ara verin. Günlük maruziyet miktarını sınırlayın.

Bu rahatsızlığın semptomlarından herhangi birini görürseniz, aleti kullanmayı derhal bırakın ve bir doktora görünün.

UYARI

Bir aletin uzun süre kullanılması nedeniyle yaralanmalar olabilir veya mevcut yaraların durumu kötüleşebilir. Herhangi bir aleti uzun bir süre boyunca kullanırken düzenli olarak ara vermeyi ihmal etmeyin.

ÜRÜNÜNÜZÜ TANIYIN

Sayfa 81'ya bakın.

1. İki hızlı dişli düzeni
2. Hızlı mod seçici
3. Tork ayar halkası
4. Anahtarsız mandren
5. Dönüş yönü seçme düğmesi
6. Altıgen başlı delik
7. Değişken hız tetiği
8. Tutamak, yalıtılmış kavrama yüzeyi
9. MAG TRAY vida tutucu
10. LED ışık
11. Uç saklama yeri
12. Tornavida uçları
13. Pili bağlantı noktası
14. Derinlik durdurma çubuğu
15. Yardımcı tutamak

BAKIM

UYARI

Parçaları monte ederken, ayar, temizlik, bakım çalışması yaparken veya ürün kullanılmadığı zaman ürünü asla güç kaynağına bağlamayın. Ürünün bağlantısının kesilmesi ciddi yaralanmalara neden olabilecek kazara çalışmayı önleyecektir.

- Servis hizmetinde sadece aynı yedek parçaları kullanın. Diğer parçaları kullanmak tehlike yaratabilir ya da hasara neden olabilir.
- Plastik parçaları temizlerken solventleri kullanmaktan kaçının. Plastiklerin çoğu ticari kullanımlı uçucu maddeler karşı hassastır. Kir ve kömür tozunu gidermek için temiz bezler kullanın.
- Asla fren hidroliğinin, benzinin, petrol esaslı ürünlerin, yüzeye işleyen yağların vb. plastik parçalarla temas etmesine izin vermeyin. Bu kimyasal ürünler, plastiğe zarar verebilecek, kırılır hale getirebilecek ya da yok edebilecek maddeler içermektedir.
- Elektrikli aletlerle çalışma veya toz üfleme işlemi esnasında daima yan siperlikleri bulunan koruyucu gözlükler kullanın. İşlem tozlu olucaksa aynı zamanda bir toz maskesi de kullanın.
- Güvenliği ve güvenilirliği arttırmak için tüm onarım çalışmaları yetkili bir servis merkezi tarafından gerçekleştirilmelidir.

YAĞLAMA

Üründeki tüm yataklar normal çalışma koşullarında ürünün hizmet ömrü boyunca yeterli miktarda yüksek kalite yağ ile yağlanır. Buna göre, fazladan yağlama yapılmasına gerek yoktur.

ÇEVRENİN KORUNMASI



Ham maddeleri çöp olarak atmak yerine geri dönüştürün. Çevreyi korumak için, alet, aksesuarlar ve ambalajlar tasnif edilmelidir.

SEMBOLLER



Güvenlik ikazı



CE uygunluğu



Bota hız



EurAsian Uyumluluk işareti



Makineyi çalıştırmadan talimatları dikkatlice okuyun.



Ukrayna uygunluk işareti



Kovan kapasitesi



Darbesiz delme



Darbeli Matkap



Atık elektrikli ürünler evsel atıklarla birlikte atılmamalıdır. Tesis bulunuyorsa lütfen geri dönüşüme verin. Geri dönüşümle ilgili tavsiye için Yerel Makamlarla veya bayi ile irtibat kurun.

⚠ TEHLİKE

Önlenmemesi durumunda ölüm veya ciddi yaralanma ile sonuçlanacak, tehdit edici tehlikeli bir durumu gösterir.

⚠ UYARI

Önlenmemesi durumunda ölüm veya ciddi yaralanma ile sonuçlanabilecek potansiyel olarak tehlikeli bir durumu gösterir.

⚠ DİKKAT

Önlenmemesi durumunda önemsiz veya orta derece yaralanma ile sonuçlanabilecek potansiyel olarak tehlikeli bir durumu gösterir.

DİKKAT

(Güvenlik uyarı simgesiz) maddi hasarla sonuçlanabilecek bir durum belirtir.

KİTAPÇIKTAKİ SEMBOLLER



Not



Uyarı



Vidalama



Parçalar ya da aksesuarlar ayrı olarak satılır.



Kilidi açma



Kilit



Maksimum tork



Tork, Minimum



Hız, minimum



Hız, en

Aşağıdaki işaret sözcükleri ve anlamları, bu ürünle ilişkili risk seviyelerini açıklamaya yöneliktir:



Στον σχεδιασμό του κρουστικού δραπάνου σας έχει δοθεί μέγιστη προτεραιότητα στην ασφάλεια, την απόδοση και την αξιοπιστία.

ΠΡΟΟΡΙΖΟΜΕΝΗ ΧΡΗΣΗ

Το κρουστικό δράπανο διατίθεται για χρήση μόνο από ενήλικες που έχουν διαβάσει και κατανοήσει τις οδηγίες και τις προειδοποιήσεις του παρόντος εγχειριδίου και μπορούν να θεωρηθούν υπεύθυνοι για τις πράξεις τους.

Το κρουστικό δράπανο προορίζεται για χρήση για τη διάτρηση διάφορων υλικών, περιλαμβανομένων ξύλου, μετάλλων και πλαστικών με μύτη τρυπανιού με διάμετρο μικρότερη από 13 mm. Όταν είναι σε κρουστική λειτουργία, το κρουστικό δράπανο μπορεί να χρησιμοποιηθεί για τη διάτρηση τοιχοποιίας και παρόμοιων υλικών. Όταν είναι σε λειτουργία βιδώματος, το κρουστικό δράπανο μπορεί να χρησιμοποιηθεί για την κατεύθυνση βιδών.

Μην χρησιμοποιείτε το προϊόν με τρόπο διαφορετικό από αυτόν που αναφέρεται για τη χρήση του.

▲ ΠΡΟΕΙΔΟΠΟΙΗΣΗ

Διαβάστε όλες τις συστάσεις ασφαλείας και τις οδηγίες. Αν δεν τηρηθούν οι προειδοποιήσεις και οδηγίες, υπάρχει κίνδυνος ηλεκτροπληξίας, φωτιάς και / ή σοβαρού τραυματισμού.

Φυλάσσετε όλες τις προειδοποιήσεις και οδηγίες για μελλοντική χρήση.

ΠΡΟΕΙΔΟΠΟΙΗΣΕΙΣ ΑΣΦΑΛΕΙΑΣ ΓΙΑ ΤΟΝ ΚΡΟΥΣΤΙΚΟΥ ΔΡΑΠΑΝΟΥ

- **Φοράτε προστατευτικά αυτιών όταν χρησιμοποιείτε το κρουστικό τρυπάνι.** Η επίδραση θορύβου μπορεί να προκαλέσει απώλεια ακοής.
- **Χρησιμοποιείτε τις βοηθητικές λαβές που παρέχονται με το εργαλείο.** Η απώλεια ελέγχου μπορεί να προκαλέσει τραυματισμό.
- **Κρατάτε το εργαλείο από τις μονωμένες επιφάνειες λαβής όταν εκτελείτε εργασίες όπου το εξάρτημα κοπής μπορεί να έρθει σε επαφή με κρυφές καλωδιώσεις.** Η επαφή του εξαρτήματος κοπής με «ζωντανό» καλώδιο (ηλεκτροφόρο) μπορεί να μεταφέρει τον ηλεκτρισμό στα εκτεθειμένα μεταλλικά εξαρτήματα του εργαλείου, προκαλώντας ηλεκτροπληξία στον χειριστή.
- **Κρατάτε το ηλεκτρικό εργαλείο από τις μονωμένες επιφάνειες λαβών όταν διεξάγετε μια λειτουργία κατά την οποία ο συνδετήρας μπορεί να έρθει σε επαφή με κρυμμένες καλωδιώσεις.** Συνδετήρες που έρχονται σε επαφή με ένα «ρευματοφόρο» καλώδιο μπορεί να εκθέσουν μεταλλικά τμήματα του ηλεκτρικού εργαλείου σε ρεύμα, προκαλώντας ηλεκτροπληξία στο χειριστή.
- Μην το χρησιμοποιείτε σε υλικά (π.χ. αμίαντος) που αποτελούν κίνδυνο για την υγεία.

- Απενεργοποιήστε άμεσα το προϊόν εάν κολλήσει η κεφαλή. Μην ενεργοποιήσετε ξανά το προϊόν όσο η κεφαλή έχει κολλήσει, καθώς κάτι τέτοιο θα μπορούσε να προκαλέσει ξαφνική επιστροφή με έντονη ισχύ. Ελέγξτε γιατί κόλλησε η κεφαλή και διορθώστε το πρόβλημα, τηρώντας τις οδηγίες ασφαλείας.

Οι πιθανές αιτίες μπορεί να είναι:

- έχει γυρίσει στο τεμάχιο εργασίας
- έχει τρυπήσει το τεμάχιο εργασίας
- το προϊόν έχει υπερφορτωθεί
- Όσο το προϊόν λειτουργεί, μην αφαιρείτε πριονίδι και ακίδες.
- Όταν εργάζεστε σε τοίχους, οροφές ή δάπεδα, αποφύγετε τα ηλεκτρικά καλώδια και τους αγωγούς αερίου ή νερού.
- Αγκιστρώστε το τεμάχιο με μια συσκευή συγκράτησης.
- Το εύρος θερμοκρασίας περιβάλλοντος για το εργαλείο στη διάρκεια της λειτουργίας είναι μεταξύ 0 °C και 40 °C.
- Το εύρος θερμοκρασίας περιβάλλοντος για το την αποθήκευση του εργαλείου είναι μεταξύ 0 °C και 40 °C.
- Το συνιστώμενο εύρος θερμοκρασίας περιβάλλοντος για το σύστημα φόρτισης στη διάρκεια της φόρτισης είναι μεταξύ 10 °C και 38 °C.

ΕΠΙΠΡΟΣΘΕΤΕΣ ΠΡΟΕΙΔΟΠΟΙΗΣΕΙΣ ΑΣΦΑΛΕΙΑΣ ΜΠΑΤΑΡΙΑΣ

▲ ΠΡΟΕΙΔΟΠΟΙΗΣΗ

Για να αποτρέπεται τον κίνδυνο πυρκαγιάς λόγω βραχυκυκλώματος, τραυματισμούς ή ζημιές του προϊόντος, να μη βυθίζετε το εργαλείο, τον ανταλλακτικό συσσωρευτή ή τη συσκευή φόρτισης σε υγρά και να φροντίζετε, ώστε να μη δεισιδύουν υγρά στις συσκευές και τους συσσωρευτές Διαβρωτικές ή αγώγιμες υγρές ουσίες, όπως αλατόνερο, ορισμένες χημικές ουσίες και λευκαντικά ή προϊόντα που περιέχουν λευκαντικά, μπορεί να προκαλέσουν βραχυκύκλωμα.

ΜΕΤΑΦΟΡΑ ΜΠΑΤΑΡΙΑΩΝ ΛΙΘΙΟΥ

Μεταφέρετε τη μπαταρία σε συμφωνία με τις τοπικές εθνικές διατάξεις και τους κανονισμούς.

Τηρείτε όλες τις ειδικές απαιτήσεις στη συσκευασία και στην ετικέτα κατά τη μεταφορά των μπαταριών από τρίτους. Εξασφαλίστε ότι δεν θα έρχονται σε επαφή οι μπαταρίες με άλλες μπαταρίες ή με αγώγιμα υλικά κατά τη διάρκεια της μεταφοράς, προστατεύοντας τους εκτεθειμένους συνδέσμους με μόνωση, μη αγώγιμα πώματα ή ταινία. Μη μεταφέρετε μπαταρίες που έχουν χτυπήματα ή διαρροή. Ενημερωθείτε από τη πρακτορεία μεταφορών για περαιτέρω ειδοποιήσεις.

- Το εύρος θερμοκρασίας περιβάλλοντος για την μπαταρία στη διάρκεια της χρήσης είναι μεταξύ 0 °C και 40 °C.

EN
FR
DE
ES
IT
NL
PT
DA
SV
FI
NO
RU
PL
CS
HU
RO
LV
LT
ET
HR
SL
SK
BG
UK
TR
EL





- Το εύρος θερμοκρασίας περιβάλλοντος για την αποθήκευση της μπαταρίας είναι μεταξύ 0 °C και 20 °C.

ΑΛΛΟΙ ΚΙΝΔΥΝΟΙ

Ακόμη και όταν το προϊόν χρησιμοποιείται σύμφωνα με τις οδηγίες, δεν είναι δυνατή η απόλυτη απαλειφή συγκεκριμένων παραγόντων κινδύνου. Ο χειριστής πρέπει να δίνει ιδιαίτερη προσοχή σε αυτά τα σημεία, προκειμένου να αποφύγει τον κίνδυνο σοβαρού τραυματισμού.

- Βλάβες στην ακοή – Φοράτε κατάλληλα προστατευτικά αυτιών και περιορίστε την έκθεση.
- Βλάβες στην όραση – Φοράτε προστατευτικές ασπίδες ματιών ή ειδικά γυαλιά όταν χρησιμοποιείτε το προϊόν.
- Τραυματισμοί από τον κραδασμό - Περιορίστε την έκθεση και ακολουθήστε τις οδηγίες για τη μείωση των κινδύνων όπως αναφέρονται στο παρόν εγχειρίδιο.
- Ηλεκτροπλυξία μετά από επαφή με κρυφά καλώδια - Κρατάτε το προϊόν μόνο από τις μονωμένες επιφάνειες.
- Κίνδυνος αναπνευστικής βλάβης από προιονίδια που δημιουργούνται κατά τον χειρισμό του προϊόντος – Φοράτε κατάλληλα προστατευτικά ανάλογα με τον τύπο προιονιδίου.

ΜΕΙΩΣΗ ΚΙΝΔΥΝΟΥ

Έχει αναφερθεί ότι οι κραδασμοί των χειροκίνητων εργαλείων μπορεί να συμβάλλει σε μια πάθηση γνωστή ως Σύνδρομο Raynaud σε ορισμένα άτομα. Τα συμπτώματα περιλαμβάνουν κνησμό, μούδιασμα και λευκότητα των δακτύλων, που εμφανίζονται συνήθως μετά την έκθεση σε κρύο. Κληρονομικοί παράγοντες, έκθεση σε κρύο και υγρασία, κάπνισμα και πρακτικές εργασίας θεωρείται ότι συμβάλλουν στην εκδήλωση των συμπτωμάτων. Υπάρχουν μέτρα που μπορούν να ληφθούν από τον χειριστή για να μειωθούν πιθανώς οι επιδράσεις των κραδασμών:

- Διατηρείτε το σώμα σας ζεστό όταν ο καιρός είναι ψυχρός. Φοράτε γάντια κατά τον χειρισμό του μηχανήματος, για να διατηρείτε ζεστά τα χέρια και τους καρπούς σας. Ο ψυχρός καιρός είναι κύριος παράγοντας που συμβάλλει στην εκδήλωση του συνδρόμου Raynaud.
- Μετά από κάθε περίοδο λειτουργίας, κάνετε ασκήσεις για να αυξάνετε την κυκλοφορία αίματος.
- Κάνετε τακτικά διαλείμματα κατά την εργασία. Περιορίζετε το σύνολο έκθεσης ανά ημέρα.

Αν παρουσιάσετε οποιοδήποτε σύμπτωμα αυτής της πάθησης, διακόψτε αμέσως τη χρήση και συμβουλευτείτε τον γιατρό σας για τα συμπτώματα.

⚠ ΠΡΟΕΙΔΟΠΟΙΗΣΗ

Υπάρχει κίνδυνος πρόκλησης ή επιδείνωσης τραυματισμού, από την παρατεταμένη χρήση εργαλείου. Όταν χρησιμοποιείτε το εργαλείο για μεγάλες περιόδους, κάνετε τακτικά διαλείμματα.

ΓΝΩΡΙΣΤΕ ΤΟ ΠΡΟΪΟΝ ΣΑΣ

Βλέπε σελίδα 81.

1. Διακόπτης δύο ταχυτήτων
2. Γρήγορος επιλογέας λειτουργιών
3. Δακτύλιος προσαρμογής ροπής
4. Τσοκ χωρίς κλειδί
5. Επιλογή κατεύθυνσης περιστροφής
6. Οπή εξαγωγικής κεφαλής
7. Διακόπτης πολλαπλών ταχυτήτων
8. Λαβή, μονωμένη επιφάνεια λαβής
9. Θήκη βιδών MAG TRAY
10. Φως LED
11. Φύλαξη εξαρτημάτων
12. Εξαρτήματα κατασβιδιού
13. Θύρα μπαταρίας
14. Ράβδος αναστολής βάθους
15. Βοηθητική λαβή

ΣΥΝΤΗΡΗΣΗ

⚠ ΠΡΟΕΙΔΟΠΟΙΗΣΗ

Το προϊόν δεν πρέπει ποτέ να συνδέεται σε παροχή ισχύος όταν συναρμολογείτε εξαρτήματα, όταν διεξάγετε ρυθμίσεις, καθαρισμό, συντήρηση ή όταν το προϊόν δε χρησιμοποιείται. Μια απασύνδεση του προϊόντος θα εμποδίσει τυχαία εκκίνηση, η οποία θα μπορούσε να προκαλέσει σοβαρό τραυματισμό.


- Κατά τη συντήρηση, χρησιμοποιείτε μόνο πανομοιότυπα ανταλλακτικά. Η χρήση οποιοδήποτε άλλου ανταλλακτικού μπορεί να παρουσιάσει κίνδυνο ή να προκαλέσει ζημιά στο εργαλείο σας.
- Αποφύγετε τη χρήση διαλυτών κατά τον καθαρισμό πλαστικών εξαρτημάτων. Τα περισσότερα πλαστικά μπορούν να υποστούν ζημιά από τη χρήση ορισμένων διαλυτών που διατίθενται στο εμπόριο. Χρησιμοποιείτε καθαρά πανιά για την απομάκρυνση της βρομιάς και σκόνης άνθρακα.
- Σε καμία περίπτωση μην επιτρέπετε τα υγρά φρένων, η βενζίνη, προϊόντα με βάση το πετρέλαιο, έλαια που διεισδύουν κλπ. να έρχονται σε επαφή με πλαστικά τμήματα. Τα προϊόντα αυτά περιέχουν χημικές ουσίες που μπορούν να προσεξήσουν ζημιά, να μειώσουν ή να καταστρέψουν το πλαστικό.
- Φοράτε πάντα προστατευτικά γυαλιά ή γυαλιά ασφαλείας με πλαϊνές ασπίδες κατά τον χειρισμό μηχανοκίνητων εργαλείων ή σε εργασίες με σκόνη. Αν η εργασία προκαλεί σκόνη, φοράτε και ειδική μάσκα.
- Για μεγαλύτερη ασφάλεια και αξιοπιστία, όλες οι επισκευές πρέπει να διεξάγονται από ένα εξουσιοδοτημένο κέντρο σέρβις.

ΛΙΠΑΝΣΗ

Όλα τα έδρανα στο προϊόν έχουν λιπανθεί με επαρκή ποσότητα λιπαντικού υψηλής ποιότητας για όλη τη διάρκεια ζωής του προϊόντος, υπό φυσιολογικές συνθήκες λειτουργίας. Συνεπώς, δε χρειάζεται καμία επιπλέον λίπανση.






ΠΡΟΣΤΑΣΙΑ ΤΟΥ ΠΕΡΙΒΑΛΛΟΝΤΟΣ








 Ανακυκλώνετε τις πρώτες ύλες αντί να τις πετάτε ως απορρίμματα. Για την προστασία του περιβάλλοντος, πρέπει να γίνεται η διαλογή του εργαλείου, των εξαρτημάτων και των συσκευασιών του.

ΣΥΜΒΟΛΑ

-  Προειδοποίηση ασφαλείας
-  Συμμόρφωση CE
-  Ταύτητα στ ενε
-  EurAsian σήμα πιστότητας
-  Παρακαλούμε διαβάστε τις οδηγίες προσεκτικά πριν ξεκινήσετε το μηχάνημα.
-  Ουκρανικό σήμα συμμόρφωσης 001
-  Δυναμικό τσοκ
-  Τρύπημα χωρίς κρούση
-  Κρουστικό τρυπάνι
-  Τα ηλεκτρικά προϊόντα προς απόρριψη δεν θα πρέπει να απορρίπτονται μαζί με τα οικιακά απόβλητα. Παρακαλούμε ανακυκλώστε όπου υπάρχουν οι αντίστοιχες εγκαταστάσεις. Μιλήστε με τις τοπικές αρχές ή τον πωλητή για να σας ενημερώσουν σχετικά με τα προγράμματα ανακύκλωσης.

ΣΥΜΒΟΛΑ ΣΤΟ ΕΓΧΕΙΡΙΔΙΟ

-  Σημείωση
-  Προειδοποίηση
-  Βίδωμα

-  Ανταλλακτικά και εξαρτήματα πωλούνται χωριστά
-  Ξεκλειδωμά
-  Κλειδωμά
-  Μέγιστη στρεπτική ροπή
-  Ροπή, ελάχιστος
-  Ταχύτητα, ελάχιστη
-  Ταχύτητα, ανώτατος

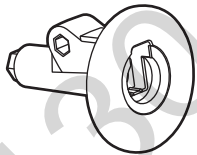
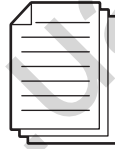
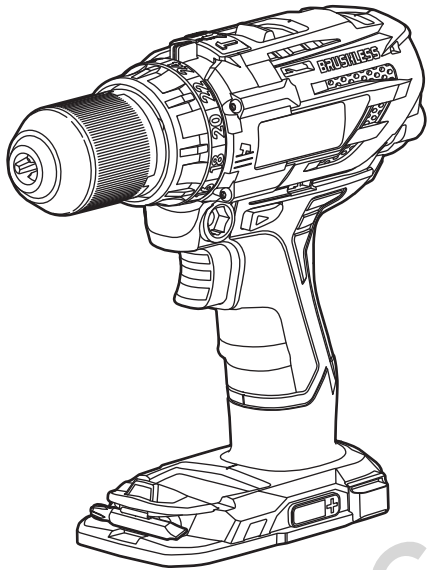
Οι ακόλουθες προειδοποιητικές λέξεις και έννοιες προορίζονται να εξηγήσουν τα επίπεδα κινδύνου που συνδέονται με αυτό το προϊόν:

⚠ ΚΙΝΔΥΝΟΣ
Υποδεικνύει μια επικείμενη επικίνδυνη κατάσταση, η οποία, αν δεν αποφευχθεί, θα οδηγήσει σε θάνατο ή σοβαρό τραυματισμό.

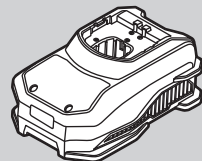
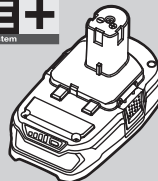
⚠ ΠΡΟΕΙΔΟΠΟΙΗΣΗ
Υποδεικνύει μια δυνητικά επικίνδυνη κατάσταση, η οποία, αν δεν αποφευχθεί, θα οδηγήσει σε θάνατο ή σοβαρό τραυματισμό.

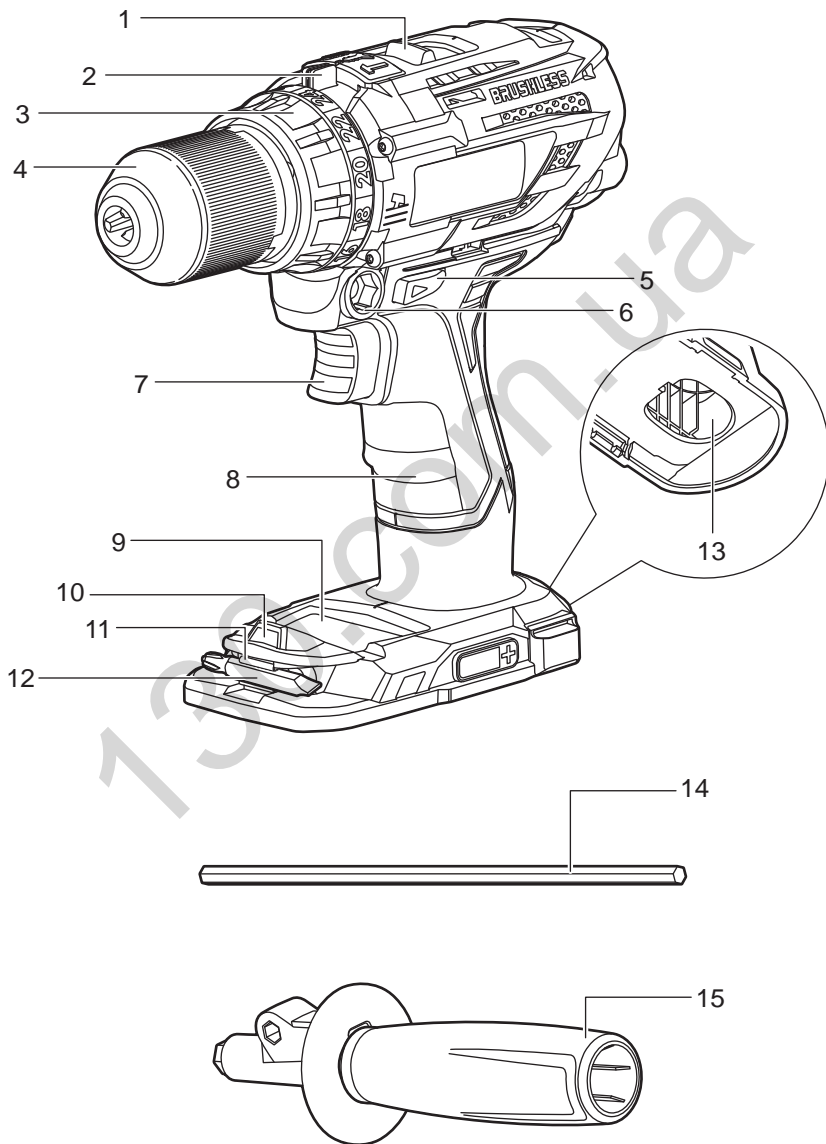
⚠ ΠΡΟΣΟΧΗ
Υποδεικνύει μια δυνητικά επικίνδυνη κατάσταση, η οποία, αν δεν αποφευχθεί, ενδέχεται να οδηγήσει σε ελαφρύ ή μέτριο τραυματισμό.

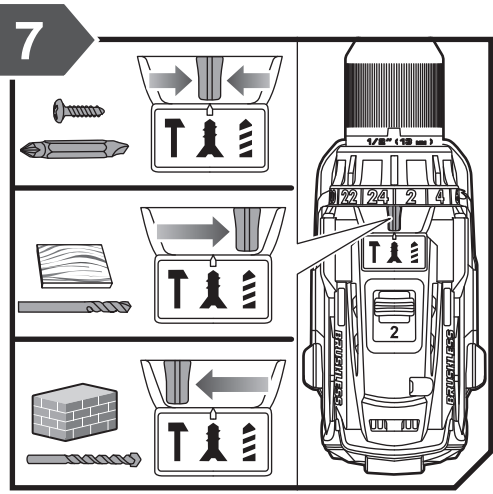
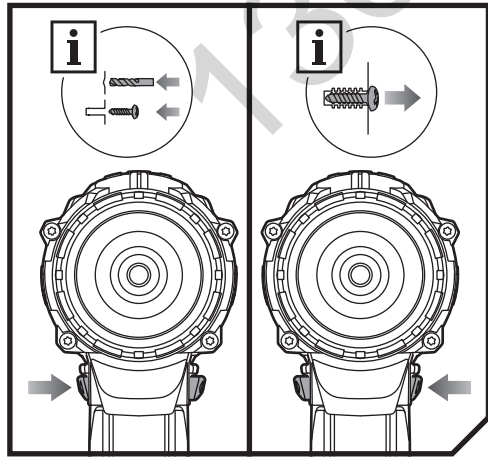
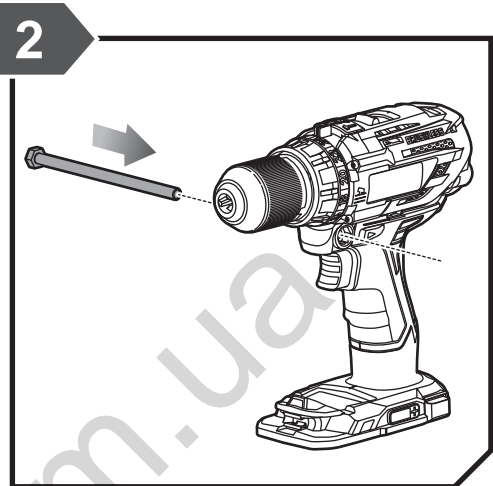
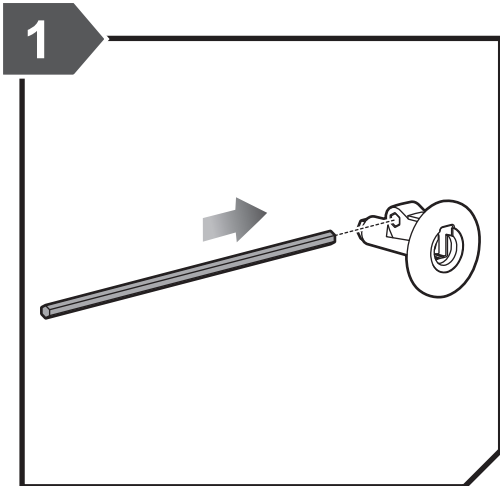
ΠΡΟΣΟΧΗ
(Χωρίς προειδοποιητικό σύμβολο) Επισημαίνει μια κατάσταση που ενδέχεται να προκαλέσει υλικές ζημιές.

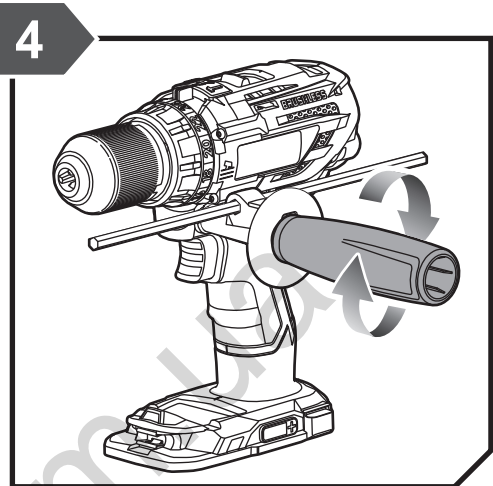
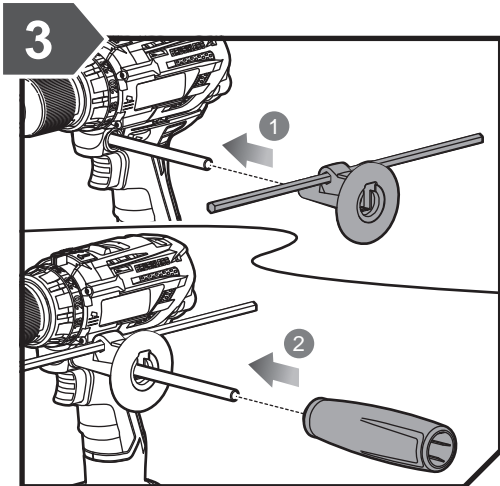


PIVORL ONE+
10V System

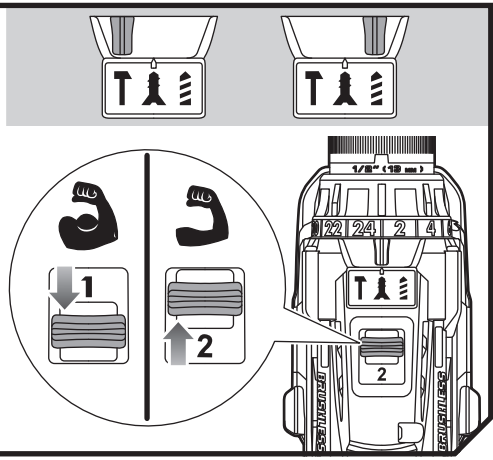
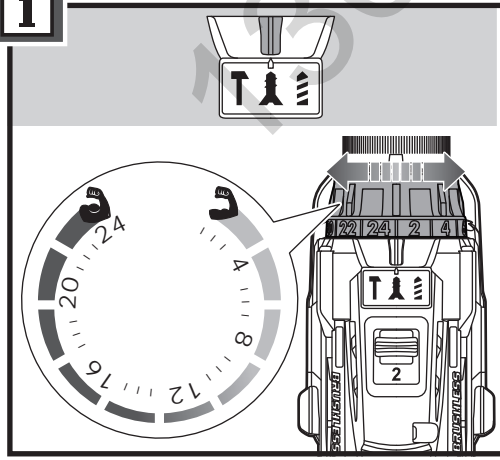






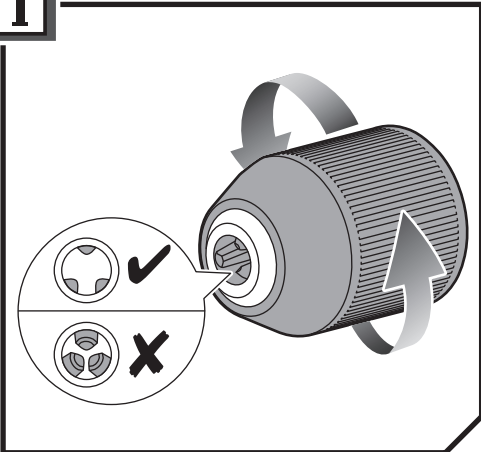


i

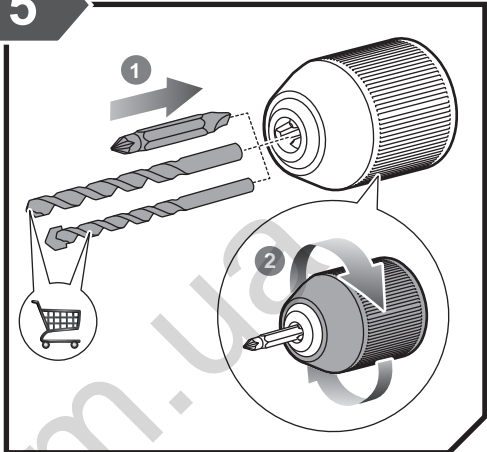




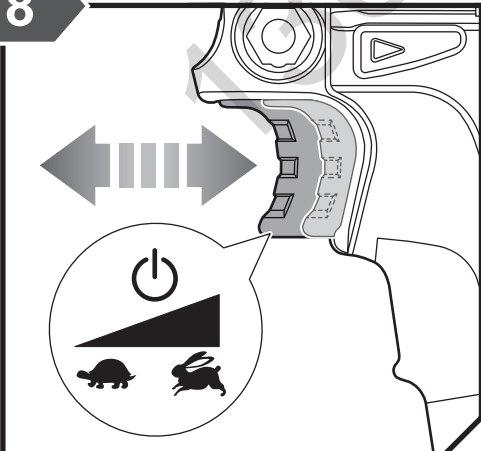
i



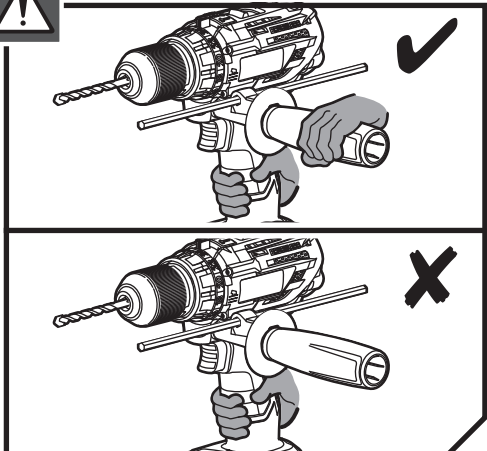
5

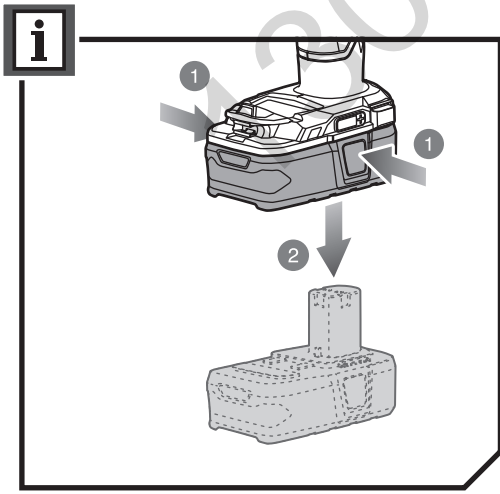
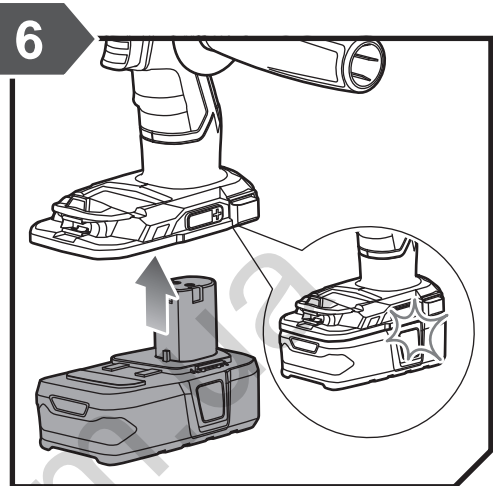
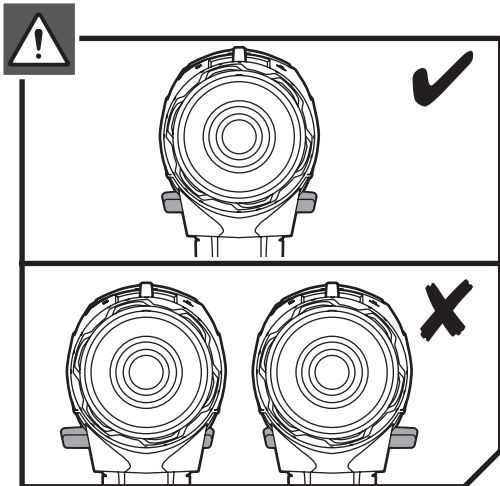


8

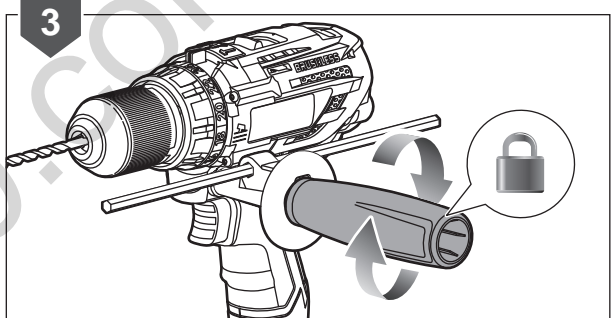
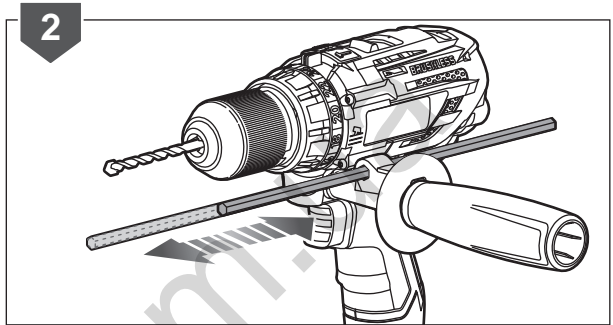
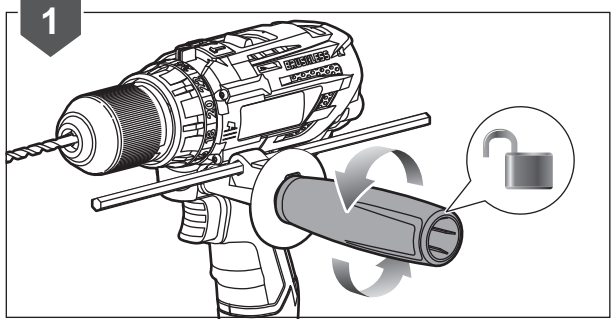
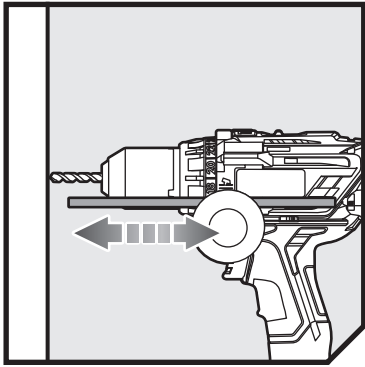


!





130.com.ua





English	Français	Deutsch	Español	Italiano	Nederlands	Português
Product specifications	Caractéristiques de l'appareil	Produkt-Spezifikationen	Especificaciones del producto	Specifiche prodotto	Productspecificaties	Especificações do produto
Percussion Drill	Perceuse à percussion	Schlagbohrmaschine	Taladro	Trapano a percussione	Slagboormachine	Berbequim de Percussão
Model	Modèle	Modell	Marca	Marca	Merk	Marca
Voltage	Tension	Spannung	Tensión	Voltaggio	Spanning	Voltagem
Chuck	Mandrin	Bohrfutter	Mandril de sujeción	Mandrino	Boorhouder	Mandril
Switch - Variable speed	Interrupteur - Vitesse variable	Schalter - Variable Drehzahl	Interruptor - Velocidad variable	Interruttore - Velocità variabile	Schakelaar - Variabele snelheid	Interruptor - Velocidade variável
No-load speed (Drill mode)	Vitesse à vide (mode perceuse à percussion)	Leerlaufdrehzahl (Bohren)	Velocidad sin carga (Modo de taladrado)	Velocità a vuoto (Modalità trapano a percussione)	Onbelast toerental (boorstand)	Velocidade em vazio (Modo de perfuração)
LO Speed	Vitesse LENTE (LO)	NIEDRIGE Drehzahl	Baja velocidad	BASSA velocità	LO (lage) snelheid	Velocidade baixa (LO)
HI Speed	Vitesse RAPIDE (HI)	HOHE Drehzahl	Alta velocidad	ALTA velocità	HI (hoge) snelheid	Velocidade Alta (HI)
Impact rate (Percussion drill mode)	Taux de percussion (mode perceuse à Percussion)	Schlagfrequenz (Schlagbohrbetrieb)	Tasa de impacto (modo taladrado de percusión)	Tasso di impatto (Modalità trapano a percussione)	Slagrate (slagboormodus)	Taxa de impacto (em modo de berbequim de percussão)
LO Speed	Vitesse LENTE (LO)	NIEDRIGE Drehzahl	Baja velocidad	BASSA velocità	LO (lage) snelheid	Velocidade baixa (LO)
HI Speed	Vitesse RAPIDE (HI)	HOHE Drehzahl	Alta velocidad	ALTA velocità	HI (hoge) snelheid	Velocidade Alta (HI)
Clutch (positions)	Limiteur de couple (positions)	Kupplung (Positionen)	Embrague (posiciones)	Frizione (posizioni)	Koppeling (posities)	Embraiagem (posições)
Maximum torque	Couple maximum	Größtes Drehmoment	Torsión máxima	Torsione massima	Max. koppel	Binário máximo
Maximum drilling capacity, in wood	Capacité maximale de perçage, dans le bois	Maximale Bohrleistung, in Holz	Capacidad máxima de taladrado, en madera	Capacità massima di foratura, nel legno	Max. boorcapaciteit ø, in hout	Capacidade de furação, em madeira
Maximum drilling capacity, in metal	Capacité maximale de perçage, dans le métal	Maximale Bohrleistung, in Metall	Capacidad máxima de taladrado, en metal	Capacità massima di foratura, nel metallo	Max. boorcapaciteit ø, in metaal	Capacidade de furação, em metal
Maximum drilling capacity, in masonry	Capacité maximale de perçage, dans la maçonnerie	Maximale Bohrleistung, in Mauerwerk	Capacidad máxima de taladrado, en mampostería	Capacità massima di foratura, nei laterizi	Max. boorcapaciteit ø, in metselwerk	Capacidade de furação, em alvenaria
Weight - excluding battery pack	Poids - sauf pack batterie	Gewicht - ohne Akkupack	Peso - Excluyendo conjunto de batería	Peso - Senza gruppo batteria	Gewicht - exclusief accupack	Peso - excluindo conjunto de bateria
Weight - according to EPTA Procedure 01/2003	Poids - Selon la procédure EPTA 01/2003	Gewicht - Gemäß EPTA-Verfahren 01/2003	Peso - Según el procedimiento EPTA 01/2003	Peso - Secondo quanto indicato dalla EPTA-Procedure 01/2003	Gewicht - Overeenkomstig de EPTA-procedure 01/2003	Peso - De acordo com o Procedimento EPTA 01/2003





Dansk	Svenska	Suomi	Norsk	Русский	Polski	
Produktspecifikationer	Produktspecifikationer	Tuotteen tekniset tiedot	Produktspesifikasjoner	Характеристики изделия	Parametry techniczne	
Slagboremaskine	Slagborr	Iskuporakone	Slagdrill	Дрель ударного действия	Wiertarka udarowa	
Brand	Modellnummer	Mallinnumero	Merke	Марка	Numer modelu	R18PD7
Spænding	Spänning	Jännite	Spenning	Напряжение	Napięcie	18 V $\overline{\text{---}}$
Spændepatron	Chuck	Istukka	Chuck	Зажимной патрон	Uchwyt wiertarski	2 - 13 mm
Kontakt - Variabel hastighed	Strömbrytare - Variabel hastighet	Katkaisin - Säädettävä nopeus	Bryter - Variabel hastighet	Выключатель - Функция изменения скорости	Przełącznik - Regulacja prędkości obrotowej	
Tomgangshastighed (Boretilstand)	Tomgångshastighet (Borningläge)	Tyhkäyntinopeus (Poraustila)	Hastighet ubelastet (Drill-modus)	Скорость на холостом ходу (Режим сверления)	Prędkość bez obciążenia (Tryb wiercenia)	
LO - Lav hastighed	Låg hastighet	Matala (LO) nopeus	LAV hastighet	Низкое количество оборотов	Bieg niski (LO)	0 - 410 min ⁻¹
HI - Høj hastighed	Hög hastighet	Suuri (HI) nopeus	HØY hastighet	Высокое количество оборотов	Bieg wysoki (HI)	0 - 1800 min ⁻¹
Slaghastighed (slagboremodus)	Slaghastighet (slagborrläge)	Iskunopeus (iskuporailta)	Slaghastighet (Sladrillmodus)	Частота ударов (ударный режим)	Prędkość udarowa (tryb wiercenia udarowego)	
LO - Lav hastighed	Låg hastighet	Matala (LO) nopeus	LAV hastighet	Низкое количество оборотов	Bieg niski (LO)	0 - 5330 IPM
HI - Høj hastighed	Hög hastighet	Suuri (HI) nopeus	HØY hastighet	Высокое количество оборотов	Bieg wysoki (HI)	0 - 23400 IPM
Kobling (positioner)	Grepp (lägen)	Salpa (asennot)	Spak (posisjoner)	Муфта (положения)	Sprzęgło (położenia)	24
Max moment	Maximum vridmoment	Maksimimomentti	Maks dreiemoment	Максимальный крутящий момент	Maksymalny moment obrotowy	85 Nm
Max. borekapacitet, i træ	Maximal bormingskapacitet, i trä	Maksimi porausteho, puussa	Maks. Borekapasitet, i tre	Максимальная мощность сверления, в древесине	Maksymalna średnica wiercenia, w drewnie	54 mm
Max. borekapacitet, i metal	Maximal bormingskapacitet, i metall	Maksimi porausteho, metallissa	Maks. Borekapasitet, i metall	Максимальная мощность сверления, в металле	Maksymalna średnica wiercenia, w metalu	13 mm
Max. borekapacitet, i murværk	Maximal bormingskapacitet, i sten	Maksimi porausteho, kivessä	Maks. Borekapasitet, i mur	Максимальная мощность сверления, в каменной кладке	Maksymalna średnica wiercenia, w betonie	13 mm
Vægt - Batteri medfølger ikke	Vikt - Batteri medfølger ej	Paino - ilman akkua	Vekt - uten batteripakke	Вес - без аккумуляторной батареи	Waga - bez akumulatora	1,65 kg
Vægt - I henhold til EPTA-procedure 01/2003	Vikt - Enligt EPTA 01/2003	Paino - EPTA-menetelmän 01/2003 mukaan	Vekt - I henhold til EPTA-prosedyre 01/2003	Вес - Соответствует требованиям EPTA-Procedure 01/2003	Waga - Zgodnie z procedurą EPTA 01/2003	2,1 kg





Čeština	Magyar	Română	Latviski	Lietuviškai	Eesti
Technické údaje produktu	Termék műszaki adatai	Specificațiile produsului	Produkta specifikācijas	Gaminio techninės savybės	Toote tehnilised andmed
Příklepová vrtačka	Útvefűró	Ciocan percutor	Triecienurbjmašina	Smūginis gražtas	Lööktrell
Značka	Márka	Număr serie	Modeļa numurs	Prekės ženklas	Mark
Elektrické napětí	Feszültség	Tensiune	Spriegums	Įtampa	Pinge
Skříčidlo	Tokmány	Mandrină	Patrona	Laikiklis	Padrun
Spínač - Proměnná rychlost	Kapcsoló - Változtatható fordulatszám	Comutator - Viteză variabilă	Slēdzis - Mainīgs ātrums	Jungtiklis - Kintamas greitis	Lüliti - Kiirusevahemikud
Otáčky naprázdno (Režim vrtání)	Üresjárati fordulatszám (Fűrés üzemmód)	Viteză în gol (Mod găurire)	Apģriezieni bez slodzes (Urbšanas režīms)	Greitis be apkrovimo (Gręžimo režimas)	Kiirus ilma koormuseta (Puurimisrežiimi sümbol)
Nizká rychlost (LO)	LO (ALACSONY) fordulatszám	Viteză REDUSĂ	Mazi apģriezieni	Mažas greitis	Madal kiirus (LO)
Vysoká rychlost (HI)	HI (MAGAS) fordulatszám	Viteză ÎNALTĂ	Lieli apģriezieni	Didelis greitis	Kõrge kiirus (HI)
Příklep (režim nárazového vrtáku)	Ütési frekvencia (ütvefűrés mód)	Rată impact (modul de găurire cu percuție)	Triecienu ātrums (triecienu urbja režīmā)	Smūgio stiprumas (smūginio gręžtuvo režimas)	Löögi sagedus (löögiga puurimisrežiimi)
Nizká rychlost (LO)	LO (ALACSONY) fordulatszám	Viteză REDUSĂ	Mazi apģriezieni	Mažas greitis	Madal kiirus (LO)
Vysoká rychlost (HI)	HI (MAGAS) fordulatszám	Viteză ÎNALTĂ	Lieli apģriezieni	Didelis greitis	Kõrge kiirus (HI)
Spojka (polohy)	Tengelykapcsoló (pozíciók)	Prindere (poziții)	Uzmava (pozīcijas)	Mova (padėtys)	Sidur (asendid)
Maximální utahovací moment	Maximális nyomaték	Cuplu maxim	Maksimālais griezes moments	Maksimali sukimo galia	Maksimaalne pöördemoment
Maximální průměr vrtání, do dřeva	Maximális fűrészteljesítmény, fában	Capacitatea maximă de găurire, în lemn	Maksimālā urbšanas ražība, kokā	Didžiausias gręžimo pajėgumas, į medieną	Maksimaalne puuritava ava läbimõõt, puidule
Maximální průměr vrtání, do kovu	Maximális fűrészteljesítmény, fémben	Capacitatea maximă de găurire, în metal	Maksimālā urbšanas ražība, metālā	Didžiausias gręžimo pajėgumas, į metalą	Maksimaalne puuritava ava läbimõõt, metallile
Maximální průměr vrtání, do zdiva	Maximális fűrészteljesítmény, falazatban	Capacitatea maximă de găurire, în zidărie	Maksimālā urbšanas ražība, mūrī	Didžiausias gręžimo pajėgumas, į mūrą	Maksimaalne puuritava ava läbimõõt, müritisele
Hmotnost - bez baterie	Tömeg - akkumulátor nélkül	Greutate - exclusiv acumulatorul	Svars - izņemot akumulatora iepakojumu	Svoris - neįskaitant baterijos paketo	Mass - välja arvatud akupakett
Hmotnost - Dle protokolu EPTA 01/2003	Tömeg - A 01/2003 EPTA-eljárás szerint	Greutate - În conformitate cu Procedura EPTA din 01/2003	Svars - Saskaņā ar EPTA procedūru 01/2003	Svoris - Pagal Europos elektrinių įrankių asociacijos (EPTA) nustatytą tvarką 01/2003	Mass - Vastavalt EPTA-protseduurile 01/2003





Hrvatski	Slovensko	Slovenčina	България	українська мова	Türkçe	Ελληνικά	
Specifikacije proizvoda	Specifikacije izdelka	Špecifikácie produktu	Технически характеристики	Технічні характеристики продукту	Ürün Özellikleri	Προδιαγραφές Προϊόντος	
Mjere predostrožnosti za bušenje	Udarni vrtalnik	Pneumatická vrtáčka	Ударно пробиване	Ударний дріль	Darbeli Matkap	Κρουστικό τρυπάνι	
Marka	Znamka	Značka	Модел	Модель	Marka	Μάρκα	R18PD7
Napon	Napetost	Napätie	Напряжение	Напряжение	Gerilim	Τάση	18 V
Stezna glava	Pritezalnik	Skľučovadlo	Затискиний патрон	Патрон	Mandren	Τοοκ	2 - 13 mm
Sklopka - Promjenjiva brzina	Stikalo - Spremenljiva hitrost	Spínač - Variabilná rýchlosť	Превключател - Променива скорост	Перемикач - Змінна швидкість	Anahtar - Değişken hızlı	Διακόπτης - Μεταβλητή συχνότητα	
Brzina bez opterećenja (Način rada bušenja)	Hitrost brez obremenitve (Način vrtnja)	Otáčky bez zaťaženia (Režim vrtnia)	Скорост на празен ход (режим на бормашина)	Швидкість без навантаження (режим свердління)	Bota hız (Delme modu)	Ταχύτητα στ κεν (Λειτουργία τρυπανιού)	
LO brzina (mala)	Nizka hitrost (LO)	Rýchlosť LO (nízka)	Ниска скорост	Ниска швидкість	Düşük hız	Ταχύτητα LO (χαμηλή)	0 - 410 min ⁻¹
HI brzina (velika)	Visoka hitrost (HI)	Rýchlosť HI (vysoká)	Висока скорост	Висока швидкість	Yüksek hız	Ταχύτητα HI (υψηλή)	0 - 1800 min ⁻¹
Brzina udara (način preciznog bušenja)	Hitrost udaranja (način perkusijskega vrtnja)	Rýchlosť priklepu (režim vrtnia)	Скорост на ударите (Режим на ударно пробиване)	частота ударів (режим ударної дрилі)	Darbe oranı (darbeli matkap modu)	Βαθμονόμηση κρούσης (Λειτουργία κρουστικού δρυπανιού)	
LO brzina (mala)	Nizka hitrost (LO)	Rýchlosť LO (nízka)	Ниска скорост	Ниска швидкість	Düşük hız	Ταχύτητα LO (χαμηλή)	0 - 5330 IPM
HI brzina (velika)	Visoka hitrost (HI)	Rýchlosť HI (vysoká)	Висока скорост	Висока швидкість	Yüksek hız	Ταχύτητα HI (υψηλή)	0 - 23400 IPM
Spojka (položaji)	Sklopka (položaji)	Spojka (polohy)	Съединителя (позициите)	Муфта (положення)	Kavrama (konusları)	Συμπλέκτης (θέσεις)	24
Maksimalni zakretni moment	Maksimalni navor	Max. moment	Въртящ момент, максимална	Максималний крутний момент	Maksimum tork	Μέγιστη στρεπτική ροπή	85 Nm
Maksimalni kapacitet bušenja, u drvetu	Maks. vrtalna zmogljivost, za les	Maximálna kapacita vŕtnia, do dreva	Максимален диаметър на пробиване, Дърво	Максимална потужність обертання, у дерево	Maksimum delme kapasitesi, odunda	Μέγιστη ικανότητα διάτρησης, σε ξύλο	54 mm
Maksimalni kapacitet bušenja, u metalu	Maks. vrtalna zmogljivost, za kovino	Maximálna kapacita vŕtnia, do kovu	Максимален диаметър на пробиване, Метален	Максимална потужність обертання, у метал	Maksimum delme kapasitesi, metalde	Μέγιστη ικανότητα διάτρησης, σε μέταλλο	13 mm
Maksimalni kapacitet bušenja, u zidarstvu	Maks. vrtalna zmogljivost, za zidove	Maximálna kapacita vŕtnia, do muriva	Максимален диаметър на пробиване, Зидария	Максимална потужність обертання, у цегляну кладку	Maksimum delme kapasitesi, duvarda	Μέγιστη ικανότητα διάτρησης, σε τοιχοποιία	13 mm
Težina - baterija nije uključena	Teža - razen baterij	Hmotnosť - okrem jednotky akumulátora	Терло - без батерията	Вага (без акумулятора)	Ağırlık - Harici batarya takımı	Βάρος - χωρίς μπαταρία	1,65 kg
Težina - Prema EPTA-postupku 01/2003	Teža - Skladno s postopkom EPTA 01/2003	Hmotnosť - Podľa EPTA-Procedure 01/2003	Терло (съответствие с EPTA 01/2003)	Вага (відповідно до процедури EPTA 01/2003)	Ağırlık - EPTA- Prosedürü 01/2003'e göre	Βάρος - Σύμφωνα με την Διαδικασία EPTA 01/2003	2,1 kg





English	Français	Deutsch	Español	Italiano	Nederlands	Português
Product specifications	Caractéristiques de l'appareil	Produkt-Spezifikationen	Especificaciones del producto	Specifiche prodotto	Productspecificaties	Especificações do produto
Measured sound values determined according to EN 60745:	Valeurs du son mesuré déterminées selon EN 60745:	Gemäß EN 60745: gemessene Schallwerte	Valores medidos del sonido en función de la norma EN 60745:	Valori del suono misurati determinati secondo lo standard EN 60745:	Gemeten geluidswaarden bepaald in overeenstemming met EN 60745:	Valores medidos do som em função da norma EN 60745:
A-weighted sound pressure level	Niveau de pression sonore pondéré-A	A-bewerteter Schalldruckpegel	Nivel de presión acústica ponderada en A	Livello di pressione sonora pesato A	A-gewogen geluidsdrukniveau	Nível de pressão sonora ponderada A
Uncertainty K	Incertitude K	Unsicherheit K	Incertidumbre K	Incetezza K	Onzekerheid K	Inceteza K
A-weighted sound power level	Niveau de puissance sonore pondéré-A	A-bewerteter Schalleistungspegel	Nivel de potencia acústica ponderada en A	Livello di potenza sonora pesato A	A-gewogen geluidsniveau	Nível de potência sonora ponderada A
Uncertainty K	Incertitude K	Unsicherheit K	Incertidumbre K	Incetezza K	Onzekerheid K	Inceteza K
Wear ear protectors.	Portez une protection acoustique.	Tragen Sie Gehörschutz.	Utilice protección auditiva!	Indossare protezioni acustiche adeguate.	Draag oorbeschermers.	Sempre use a protecção dos ouvidos.
The vibration total values (triaxial vector sum) determined according to EN 60745:	La valeur totale des vibrations (somme vectorielle triaxiale) déterminée selon EN60745:	Die Vibrationsgesamtwerte (dreiaxiale Vektorsumme) ermittelt nach EN60745:	Los valores de vibración total (suma vectorial triaxial), determinado según la norma EN60745:	I valori totali delle vibrazioni (somma vettore triassiale) sono misurati conformemente alla norma EN60745:	De totale trillingswaarden (triaxiale vectorsom) vastgesteld in overeenstemming met EN60745:	Os valores totais de vibração (soma vectorial triaxial) são determinados em conformidade com a:
Impact drilling into concrete	Perçage à percussion dans le béton	Schlagbohren in Beton	Taladrado de impacto en el cemento	Operazioni di foratura a impatto nel cemento	klopboren in beton	Furo de impacto no cimento
Uncertainty K	Incertitude K	Unsicherheit K	Incertidumbre K	Incetezza K	Onzekerheid K	Inceteza K
Drilling into metal	Perçage dans le métal	Bohren in Metall	Perforación en metal	Perforazione nel metallo	Boren in metaal	Perfurar em metal
Uncertainty K	Incertitude K	Unsicherheit K	Incertidumbre K	Incetezza K	Onzekerheid K	Inceteza K
Screwdriving without impact	Vissage sans chocs	Schrauben ohne Schlag	Apretar sin impacto	Avvitare senza impatto	Schroeven draaien zonder klopfunctie	Apertar sem impacto
Uncertainty K	Incertitude K	Unsicherheit K	Incertidumbre K	Incetezza K	Onzekerheid K	Inceteza K





Dansk	Svenska	Suomi	Norsk	Русский	Polski	
Produktspecifikationer	Produktspecifikationer	Tuotteen tekniset tiedot	Produktspesifikasjoner	Характеристики изделия	Parametry techniczne	
Målte lydverdier bestemt iht. EN 60745:	Uppmätta ljudvärden enligt EN 60745:	Mitatut arvot määritetty EN 60745: standardin mukaan:	Målte lydverdier bestemt iht. EN 60745:	Измеренные значения параметров звука определены в соответствии с EN 60745:	Zmierzone wartości akustyczne zgodnie z normą EN 60745:	
A-vægtet lydtryksniveau	A-vägd ljudtrycksnivå	A-painotettu äänenpainetaso	A-vektet lydtrykknivå	Уровень A-взвешенного звукового давления	A-ważony poziom ciśnienia hałasu	$L_p = 88 \text{ dB(A)}$
Usikkerhed K	Osäkerhet K	Epätarkkuus K	Usikkerhet K	Разброс K	Niepewność pomiaru K	3 dB
A-vægtet lydeffektniveau	A-vägd ljudeffektnivå	A-painotettu äänenteho	A-vektet lydeffektnivå	Уровень A-взвешенной звуковой мощности	A-ważony poziom natężenia hałasu	$L_w = 99 \text{ dB(A)}$
Usikkerhed K	Osäkerhet K	epätarkkuus K	Usikkerhet K	Разброс K	Niepewność pomiaru K	3 dB
Bær høreværn.	Bär hörselskydd.	Käytä korvasuojia.	Bruk hørselsvern.	Используйте наушники!	Stosować środki ochrony słuchu!	
Totale vibrationsverdier (triaksial vektorsum) afgøres ifølge EN60745:	Det totala vibrationsvärdet (triaxial vektorsumma) är framtaget enligt EN60745:	Tärinän kokonaisarvot (kolmiakselinen vektorisumma) määritettyä standardin EN60745 mukaisesti:	De totale vibrasjonsverdiene (treaksel vektorsum) er fastsatt i henhold til EN60745:	суммарное значение вибрации (сумма векторов по трем координатным осям) определено в соответствии со стандартом EN60745:	Wartości sumaryczne drgań (suma wektora trójosiowego) określone zgodnie z normą EN60745:	
Slagboring i beton	Slagborring i betong	Iskuporaus betonissa	Slagdrilling inn i betong	Ударное сверление по бетону	Wiercenie udarowe w betonie	$a_{h, id} = 7,8 \text{ m/s}^2$
Usikkerhed K	Osäkerhet K	epätarkkuus K	Usikkerhet K	Разброс K	Niepewność pomiaru K	1,5 m/s ²
Boring i metal	Borring i metall	Metallin poraus	Boring i metall	Сверление металла	Wiercenie w metalu	$a_{h, id} = 1,9 \text{ m/s}^2$
Usikkerhed K	Osäkerhet K	epätarkkuus K	Usikkerhet K	Разброс K	Niepewność pomiaru K	1,5 m/s ²
Skruoperation uden slag	Skrudvragning utan genomslag	Ruuvuaminen ilman iskua	Skruttrekker uten slag	Безударное заворачивание винтов	Wkręcanie bez udaru	$a_h = 1,2 \text{ m/s}^2$
Usikkerhed K	Osäkerhet K	epätarkkuus K	Usikkerhet K	Разброс K	Niepewność pomiaru K	1,5 m/s ²





Čeština	Magyar	Română	Latviski	Lietuviškai	Eesti
Technické údaje produktu	Termék műszaki adatai	Specificațiile produsului	Produkta specifikācijas	Gaminio techninės savybės	Toote tehnilised andmed
Naměřené hodnoty hluku zjištěné dle EN 60745:	A hang értékek meghatározása az EN 60745: szerint történt:	Valori de sunet măsurate determinate în conformitate cu EN 60745:	Izmērtās skaņas vērtības ir noteiktas saskaņā ar EN 60745:	Išmatuotos garso vertės nustatytos pagal EN 60745:	Mõõteväärtused on kindlaks määratud vastavalt standardile EN 60745:
Hladina akustického tlaku vážená funkcí A	A-súlyozott hangnyomásszint	Nivel de presiune acustică ponderată A	A-līmeņa skaņas spiediena līmenis	A svertinis garso slėgio lygis	A-kaalutud helirõhu tase
Nejistota K	Bizonytalanság K	Incertitudine K	kļūdas vērtība K	Nepastovumas K	mõõtemääramatus K
Hladina akustického výkonu vážená funkcí A	A-súlyozott hangteljesítményszint	Nivel de putere acustică ponderată A	A-līmeņa skaņas jaudas līmenis	A svertinis garso galios lygis	A-kaalutud helivõimsuse tase
Nejistota K	Bizonytalanság K	Incertitudine K	kļūdas vērtība K	Nepastovumas K	mõõtemääramatus K
Používejte chrániče sluchu.	Viseljen hallásvédőt.	Purtajti aparatoare de urechi.	Lietojiet dzirdes aizsargus.	Naudokite ausų apsaugos priemonės.	Kasutage kuulmiskaitsevahendeid.
Celkové hodnoty vibrací (Trojosý vektorový součet) určené v souladu s EN60745:	Vibráció teljes értékei (háromtengelyű vektorösszeg), az EN 60745 szerint meghatározva:	Valorile totale ale vibrațiilor (sumă vector triaxială) au fost determinate conform EN60745:	Vibrāciju kopējās vērtības (triaksiālā vektoru summa) tiek noteiktas atbilstoši EN60745:	Bandros vibracijos vertės (trijašio vektoriaus suma) nustatomos pagal EN60745:	Vibratsiooni koguväärtused (kolme suuna vektorsumma) on vastavalt standardile EN 60745 määratud järgmiselt:
Vrtání s přiklepem do betonu	Útvérulás betonba	Găurire cu impact în beton	Triecien urbšana betonā	Smūginis betono gręžimas	Betooni lõõpaurimine
Nejistota K	Bizonytalanság K	Incertitudine K	kļūdas vērtība K	Nepastovumas K	Mõõtemääramatus K
Vrtání do železa	Fúrás fémbe	Găurire în metale	Urbšana metālā.	Metalo gręžimas	Metalli sisse puurimine
Nejistota K	Bizonytalanság K	Incertitudine K	kļūdas vērtība K	Nepastovumas K	Mõõtemääramatus K
Šroubování bez přiklepu	Csavarbehajtás ütés nélkül	Înșurubare fără impact	Skrūvēšana bez trieciena	Varžtų sukimas ne smūginiu režimu	Kruvimine ilma lõõgita
Nejistota K	Bizonytalanság K	Incertitudine K	kļūdas vērtība K	Nepastovumas K	Mõõtemääramatus K





Hrvatski	Slovensko	Slovenčina	България	українська мова	Türkçe	Ελληνικά	
Specifikacije proizvoda	Specifikacije izdelka	Špecifikácie produktu	Технически характеристики	Технічні характеристики продукту	Ürün Özellikleri	Προδιαγραφές Προϊόντος	
Mjerena vrijednost zvuka određena je prema EN 60745:	Izmerjene zvočne vrednosti določene v skladu s standardom EN 60745:	Namerané hodnoty určene podľa EN 60745:	Измерените стойности на звука са определени в съответствие с EN 60745:	Вимірні значення шуму визначаються відповідно до EN 60745:	EN 60745: e göre hesaplanmış ses değerleri:	Μετρημένες τιμές ήχου σύμφωνα με το EN 60745:	
Ponderirana razina tlaka zvuka	A-izmerjena raven zvočnega tlaka	Vážená A hladina akustického tlaku	Ниво на шумово налягане с равнище А	А-зважений рівень звукового тиску	A ağırlıklı ses basınç seviyesi	Α-σταθμισμένο επίπεδο πίεσης ήχου	$L_p = 88$ dB(A)
neodređenost K	nedoloč. K	odchýlka K	Променливост (K)	Невизначеність К	Belirsizlik K	Αβεβαιότητα Κ	3 dB
Ponderirana razina zvučne snage	A-izmerjena raven zvočne moči	Vážená A hladina akustického výkonu	Ниво на силата на шума с равнище А	А-зважений рівень звукової потужності	A ağırlıklı ses gücü seviyesi	Α-σταθμισμένο επίπεδο έντασης ήχου	$L_w = 99$ dB(A)
neodređenost K	nedoloč. K	odchýlka K	Променливост (K)	Різнця здатність	Belirsizlik K	Αβεβαιότητα Κ	3 dB
Nosite štítnike za uši.	Nosite ščitnike za ušesa.	Používajte chrániče sluchu.	Носете антифони	Носіть захисні навушники.	Kulak koruyucu kullanın.	Φοράτε ωτοσπίδες.	
Ponderirana energetska vrijednost Ukupne vrijednosti vibracija (troosovinski vektorski zbroj) određuju se u skladu s EN60745:	Skupna vrednost vibracij (triaksialna vektorska vsota) določena v skladu z EN60745:	Celkové hodnoty vibrácií (priestorový vektorový súčet) určuje norma EN60745:	Общата стойност на вибрациите (триосна векторна сума) е определена в съответствие с EN 60745:	Загальне значення вібрації (триаксiальна векторна сума) визначається відповідно до EN 60745:	EN 60745 normuna uygun olarak belirlenmiş titreşim toplam değerleri (üçeksenli vektör toplamları):	Συνολικές αξίες κραδασμών (τριαξονικό διανυσματικό άθροισμα) σύμφωνα με EN60745:	
Udarno bušenje u beton	Udarno vrtnje v beton	Udarno vrtnanje v beton	Ударно пробиване в бетон	Ударне свердлення у бетон	Darbeli beton delme	Διάτρηση με κρούση σε ταμείντο	$a_{bD} = 7,8$ m/s ²
Neodređenost K	Nedoloč. K	Odchýlka K	Променливост (K)	Невизначеність К	Belirsizlik K	Αβεβαιότητα Κ	1,5 m/s ²
Bušenje u metal	Vrtnje v kovino	Vrtanie do kovu	Пробиване в метал	Сверлення металу	Metal delme	Τρύπημα σε μέταλλο	$a_{bD} = 1,9$ m/s ²
Neodređenost K	Nedoloč. K	Odchýlka K	Променливост (K)	Невизначеність К	Belirsizlik K	Αβεβαιότητα Κ	1,5 m/s ²
Uvrtnanje vijaka bez udara	Privijanje brez tlačne pištole	Skrutkovanie bez nárazu	Безударно завинтване на винтове	Рехим викрутки без удару	Darbesiz vidalama	Βίδωμα χωρίς κρούση	$a_b = 1,2$ m/s ²
Neodređenost K	Nedoloč. K	Odchýlka K	Променливост (K)	Невизначеність К	Belirsizlik K	Αβεβαιότητα Κ	1,5 m/s ²





English	Français	Deutsch	Español	Italiano	Nederlands	Português
Battery and charger	Batterie et chargeur	Akku und Ladegerät	Batería y cargador	Batteria e caricatore	Accu en lader	Bateria e carregador
Compatible battery pack (not included)	Pack batterie compatible (non compris)	Kompatible Akkus (nicht im Lieferumfang enthalten)	Packs de Batería compatibles (no incluido)	Gruppo batterie compatibile (non incluso)	Compatibel accupack (niet inbegrepen)	Baterias compatíveis (não incluída)
Lithium-Ion	Lithium-Ion	Lithium-Ionen	Ión-lítio	Ioni di litio	Lithium-ion	Ião-Lítio
Compatible charger (not included)	Chargeur compatible (non compris)	Kompatible Ladegerät (nicht im Lieferumfang enthalten)	Cargador compatible (no incluido)	Caricatore compatibile (non incluso)	Compatibele oplader (niet inbegrepen)	Carregador compatível (não incluída)

Čeština	Magyar	Română	Latviski	Lietuviškai	Eesti
Baterie a nabíječka	Akkumulátor és töltő	Baterie și încărcător	Akumulators un lādētājs	Baterija ir įkroviklis	Aku ja laadija
Kompatibilni akumulator (nepřibalen)	Kompatibilis akkumulátor (nem tartozék)	Acumulatori compatibili (neinclus)	Saderīgu akumulatoru komplekts (nav kompl.)	Suderinamas baterijos paketas (nepriedama)	Ühilduvad akupaketid (ei ole komplektis)
Lithium iontový akumulátor	Lítiumion	Litiu-Ion	Litija-jonu	Litis-jonas	Liitiumioon
Kompatibilni nabíječka (nepřibalen)	Kompatibilis töltő (nem tartozék)	Încărcător compatibil (neinclus)	Saderīgs lādētājs (nav kompl.)	Tinkamas įkroviklis (nepriedama)	Kasutatav laadija (ei ole komplektis)





Dansk	Svenska	Suomi	Norsk	Русский	Polski	
Batteri og oplader	Batteri och laddare	Akku ja laturi	Batteri og lader	Батарея и зарядное устройство	Akumulator i ładowarka	
Kompatibelt batteri (medfølger ikke)	Kompatibelt batteripack (inte inkluderat)	Yhteensopiva akku (ei mukana)	Kompatible batteripakker (ikke inkludert)	Совместимая аккумуляторная батарея (не входит в комплект поставки)	Pasujące akumulatory (nie dołączona)	
Lithium-ion	Litiumjon	Litiumioni	Litium-ion	Литий-ионная аккумуляторная батарея	Li-Ion	RB18L13 RB18L15 RB18L20 RB18L25 RB18L40 RB18L50
Kompatibel oplader (medfølger ikke)	Passande laddare (inte inkluderat)	Yhteensopiva laturi (ei mukana)	Kompatibel lader (ikke inkludert)	Совместимое зарядное устройство (не входит в комплект поставки)	Odpowiednia ładowarka (nie dołączona)	BCS618 BCL14181H BCL14183H RC18150 RC18627 RC18120 RC18118C RC18115

Hrvatski	Slovensko	Slovenčina	България	українська мова	Türkçe	Ελληνικά	
Baterija i punjač	Baterija in polnilnik	Akumulátor a nabíjačka	Батерия и зарядно устройство	Акумулятор і зарядний пристрій	Batarya ve şarj aleti	Μπαταρία και φορτιστής	
Kompatibilno pakiranje baterija (nije uključeno)	Združljive baterije (ni priložen)	Kompatibilná jednolika akumulátorov (nie je súčasťou balenia)	Съвместима акумулаторна батерия (не е включена в комплекта)	Сумісний акумулятор (не входить в комплект)	Uyumlu pil takımı (dahil değildir)	Συμβατή μπαταρία (δεν περιλαμβάνεται)	
Litij-ion	Litij-ionska	Litium-iónová	Литиево-йонна	Літій-іонний	Lityum-lyon	Λιθίου-Ιόντων	RB18L13 RB18L15 RB18L20 RB18L25 RB18L40 RB18L50
Kompatibilni punjač (nije uključeno)	Združljiv polnilec (ni priložen)	Kompatibilná nabíjačka (nie je súčasťou balenia)	Съвместимо зарядно устройство (не е включено в комплекта)	Сумісний зарядний пристрій (не входить в комплект)	Uyumlu şarj cihazı (dahil değildir)	Συμβατος φορτιστας (δεν περιλαμβάνεται)	BCS618 BCL14181H BCL14183H RC18150 RC18627 RC18120 RC18118C RC18115





EN WARNING

The vibration emission level given in this information sheet has been measured in accordance with a standardised test given in EN 60745 and may be used to compare one tool with another. It may be used for a preliminary assessment of exposure. The declared vibration emission level represents the main applications of the tool. However if the tool is used for different applications, with different accessories or poorly maintained, the vibration emission may differ. This may significantly increase the exposure level over the total working period.

An estimation of the level of exposure to vibration should also take into account the times when the tool is switched off or when it is running but not actually doing the job. This may significantly reduce the exposure level over the total working period. Identify additional safety measures to protect the operator from the effects of vibration such as: maintain the tool and the accessories, keep the hands warm, organisation of work patterns.

FR AVERTISSEMENT

Le niveau d'émission des vibrations indiqué dans cette feuille d'information a été mesuré en concordance avec un test normalisé fourni par EN60745 et peut être utilisé pour comparer un outil à un autre. Il peut être utilisé pour une évaluation préliminaire de l'exposition. Le niveau déclaré d'émission des vibrations s'applique à l'utilisation principale de l'outil. Toutefois, si l'outil est utilisé pour des applications différentes, avec des accessoires différents, ou mal entretenu, l'émission de vibrations peut être différente. Le niveau d'exposition peut en être augmenté de façon significative tout au long de la période de travail.

Une estimation du niveau d'exposition aux vibrations doit aussi prendre en compte les périodes où l'outil est arrêté ainsi que les périodes où il fonctionne sans vraiment travailler. Le niveau d'exposition pendant la durée totale du travail peut en être réduit de façon significative. Prenez en considération les mesures additionnelles de sécurité à prendre pour protéger l'opérateur des effets des vibrations telles que: maintien de l'outil et de ses accessoires, maintien des mains au chaud, organisation du travail.

DE WARNUNG

Der in diesem Informationsblatt genannte Schwingungspegel wurde entsprechend dem standardisierten Test von EN60745 gemessen und kann benutzt werden, um das Werkzeug mit anderen zu vergleichen. Er kann benutzt werden, um eine vorausgehende Einschätzung der Exposition durchzuführen. Der genannte Schwingungspegel repräsentiert den Haupteinsatzbereich des Werkzeugs. Jedoch kann das Werkzeug für verschiedene Einsatzbereiche benutzt werden. Mit unterschiedlichen Zusatzgeräten oder bei schlechter Wartung kann der Schwingungspegel unterschiedlich sein. Dadurch kann die Expositionshöhe über die gesamte Arbeitszeit signifikant erhöht werden.

Eine Einschätzung der Exposition zu Schwingungen sollte auch die Zeiten wenn das Werkzeug ausgeschaltet ist, oder wenn es angeschaltet aber nicht in Betrieb ist, in Betracht ziehen. Dadurch kann die Expositionshöhe über die gesamte Arbeitszeit signifikant reduziert werden. Identifizieren Sie zusätzliche Sicherheitsmaßnahmen um die Bedienungsperson vor den Effekten der Schwingungen zu schützen, wie zum Beispiel: Das Werkzeug und Zusatzgeräte warten, Hände warmhalten und Organisation der Arbeitszeiten.

ES ADVERTENCIA

El nivel de emisión de las vibraciones que figura en esta hoja de información se ha medido según una prueba estandarizada que figura en EN60745 y puede ser utilizado para comparar una herramienta con otra. Puede ser utilizado para una evaluación preliminar de la exposición. El nivel de emisión de las vibraciones declarado representa las principales aplicaciones de la herramienta. No obstante, si la herramienta se utiliza para diferentes aplicaciones, con diferentes accesorios o no recibe el mantenimiento adecuado, la emisión de las vibraciones puede ser diferente. Esto puede aumentar significativamente el nivel de exposición durante el período de trabajo total.

Una estimación del nivel de exposición a la vibración también debe tener en cuenta el tiempo en el que la herramienta está desconectada o cuando está conectada pero no está realizando ningún trabajo. Esto puede reducir significativamente el nivel de exposición durante el período de trabajo total. Identificar las medidas de seguridad adicionales para proteger al operador de los efectos de las vibraciones, tales como: mantenimiento de la herramienta y de los accesorios, y la organización de los patrones de trabajo.

IT AVVERTENZE

Il livello di vibrazioni indicato in questo foglio informativo è stato misurato seguendo un test svolto secondo i requisiti indicati dallo standard EN60745 e potrà essere utilizzato per paragonare un utensile con un altro. Potrà essere utilizzato per una valutazione preliminare dell'esposizione a vibrazioni. Il livello dichiarato di emissioni di vibrazioni viene indicato tenendo conto delle applicazioni principali dell'utensile. Comunque se l'utensile viene utilizzato per applicazioni diverse con accessori diversi o non viene correttamente conservato, il livello delle vibrazioni potrà variare. Ciò potrà significativamente aumentare il livello di esposizione alle vibrazioni durante il periodo di lavoro totale.

Una valutazione del livello di esposizione alle vibrazioni dovrà inoltre prendere in considerazione i tempi in cui l'utensile viene spento o è acceso ma non viene utilizzato. Ciò potrà significativamente ridurre il livello di esposizione in un periodo totale di funzionamento. Ulteriori misure di sicurezza per proteggere l'operatore dagli effetti delle vibrazioni come: conservare correttamente l'utensile e i suoi accessori, tenere le mani calde e organizzare i tempi di lavoro.

NL WAARSCHUWING

Het trillingsemissieniveau dat op dit informatieblad wordt gegeven, is gemeten in overeenstemming met een gestandaardiseerde test, vastgelegd in EN60745 en mag worden gebruikt om machines met elkaar te vergelijken. Het verklaarde trillingsemissieniveau geeft de hoofdtoepassing van het gereedschap weer. Als de machine echter voor andere toepassingen of met andere accessoires wordt gebruikt of slecht wordt onderhouden, kan de trillingsemissie verschillen. Dit kan de blootstelling gedurende de gehele werkduur aanzienlijk verhogen.

Bij een schatting van het niveau van blootstelling aan trillingen moet ook rekening worden gehouden met het aantal keren dat de machine wordt uitgeschakeld of draait, maar niet wordt gebruikt. Dit kan het niveau van blootstelling gedurende de gehele werkduur aanzienlijk verlagen. Stel bijkomende veiligheidsmaatregelen op om de gebruiker tegen de gevolgen van trillingen te beschermen: zoals onderhoud het gereedschap en de accessoires, houd de handen warm, de organisatie van werktijden.

PT AVISO

O nível de emissão de vibrações fornecido nesta folha de informações foi medido em conformidade com o teste uniformizado descrito em EN60745 e pode ser usado para comparar uma ferramenta com outra. Este pode ser usado para uma avaliação preliminar da exposição. O nível de emissão de vibrações declarado refere-se à aplicação principal da ferramenta. Contudo, se a ferramenta for usada para aplicações diferentes, com acessórios diferentes ou não for devidamente mantida, a emissão de vibrações pode diferir. Isto pode fazer aumentar significativamente o nível de exposição ao longo do período de trabalho total.

Uma estimativa do nível de exposição às vibrações deve ter, também, em consideração o tempo durante o qual a ferramenta está desligada ou em que está ligada mas não está a realizar qualquer trabalho. Isto pode reduzir significativamente o nível de exposição durante o período total de trabalho. Identifique medidas adicionais de segurança que protejam o operário dos efeitos da vibração como a manutenção da ferramenta e dos acessórios, a manutenção das mãos quentes e a organização de padrões de trabalho.

DA ADVARSEL

Det angivne niveau for vibrationsemission på denne oplysningsside er blevet målt iht. en standardtest ifølge EN60745 og kan bruges til at sammenligne værktøjer indbyrdes. Det kan bruges til en foreløbig eksponeringsvurdering. Det opgivne niveau for vibrationsemission gælder, når værktøjet bruges til sit hovedformål. Men hvis værktøjet bruges til andre formål, med forskelligt eller med dårligt vedligeholdt ekstraudstyr, kan vibrationsemissionen variere. Dette kan medføre en betragtelig stigning i eksponeringsniveauet set over hele arbejdsperioden.

Et skøn over niveauet for vibrationseksponering bør også tage højde for de perioder, hvor værktøjet er slukket, eller hvor det er tændt uden faktisk at være i brug. Dette kan medføre en betragtelig reduktion i eksponeringsniveauet set over hele arbejdsperioden. Træf ekstra sikkerhedsforanstaltninger til beskyttelse af operatøren mod virkningerne fra vibrationen som fx: vedligeholdelse værktøj og ekstraudstyr, holde hænderne varme, organisere arbejdsmonstre.





SV VARNING

Vibrationsnivåerna som uppges i det här dokumentet har uppmäts i enlighet med ett standardiserat test som beskrivs i EN60745 och som kan användas för att jämföra verktyg. Det kan användas som en preliminär bedömning av den vibration som användaren utsätts för. De deklarerade vibrationsvärdena motsvarar de som uppstår när verktyget används i sitt huvudsyfte. Om verktyget används i andra syften, med andra tillbehör eller om verktyget är dåligt underhållet kan vibrationsnivåerna vara annorlunda. Det kan kraftigt öka vibrationsnivåerna över den totala arbetsperioden.

En uppskattning av vibrationsnivåerna som användaren utsätts för ska också ta hänsyn till de stunder då verktyget är avstängt och när det går på tomgång. Detta kan kraftigt minska vibrationsnivåerna över den totala arbetsperioden. Andra säkerhetsåtgärder som kan skydda användaren från effekterna av vibrationer är: underhållning av verktyget och tillbehören, hålla händerna varma och organisera arbetsstället.

FI VAROITUS

Tämän tiedotteen tärnätaso on mitattu EN60745-standardien mukaisilla testeillä, ja niitä voidaan käyttää verrattaessa laitteita toiseen. Sitä voidaan käyttää arvioitaessa tärnävaikutusta. Ilmoitettu tärnätaso vastaa laitteen pääasiallista käyttötarkoitusta. Jos laitetta kuitenkin käytetään muuhun tarkoitukseen, muilla lisälaitteilla tai huonosti huollettuina, tärnätaso saattaa poiketa ilmoitetusta arvosta. Tämä voi kasvatata kokonaisaltistumista huomattavasti koko työjakson kuluessa.

Tärnän altistumistasoa arvioitaessa tulee huomioida ajat, jolloin laite on sammutettu tai kun se on käynnissä, mutta sitä ei käytetä varsinaiseen työskentelyyn. Tämä voi vähentää kokonaisaltistumista huomattavasti koko työjakson kuluessa. Käytä muitakin suojakeinoja turvataksesi käyttäjän tärnävaikutukselta, kuten: huolla laite ja lisälaitteet, pidä kätesi lämpiminä, organisoi työnkulku.

NO ADVARSEL

Vibrasjonsnivået som oppgis på dette informasjonsarket er målt i henhold til en standardisert test gitt i EN60745 og kan brukes til å sammenligne ett verktøy med et annet. Det kan brukes til en foreløpig vurdering av eksponering. Det erklærte vibrasjonsnivået representerer hovedanvendelsen for verktøyet. Dersom verktøyet brukes for andre anvendelser, med forskjellig tilbehør eller med dårlig vedlikehold, vil vibrasjonsnivået kunne være annerledes. Det kan gi en betydelig økning av eksponeringsnivået over den totale arbeidsperioden.

En beregning av nivået for eksponering til vibrasjoner må også ta hensyn til den tiden verktøyet er slått av eller er i gang men ikke i faktisk bruk for å utføre den tiltenkte oppgaven. Dette kan gi en betydelig økning av eksponeringsnivået over den totale arbeidsperioden. Identifiser ytterligere sikkerhetstiltak for å beskytte den som bruker verktøyet for virkningen av vibrasjoner, tiltak som: Vedlikehold verktøyet og tilbehøret, hold hendene varme, organiser arbeidsmetodene.

RU ОСТОРОЖНО

Уровень вибрации, приведенный в данном справочном листе, измерен согласно стандартизованным испытаниям, определенным в EN60745 и может использоваться для сравнения различных инструментов. Значение уровня может использоваться для предварительной оценки влияния вибрации. Заявленный уровень вибрации действителен для основного применения инструмента. Однако, если инструмент используется для других целей, с другими приспособлениями, или плохо обслуживается, уровень вибрации может отличаться от указанного. Это может значительно увеличить величину воздействия за общее время работы.

При оценке уровня воздействия вибрации следует также принять во внимание время простоя и холостой ход (когда инструмент выключен и когда включен, но работа не производится). Эти факторы могут значительно уменьшить величину воздействия вибрации за общее время работы. Определите дополнительные меры безопасности, защищающие работающего от влияния вибрации: техническое обслуживание инструмента и принадлежностей, недопущение охлаждения рук, соответствующие приемы и распорядок работы.

PL OSTRZEŻENIE

Deklarowany poziom drgań został zmierzony za pomocą standardowej metody pomiaru określonej normą EN60745 i jego wyniki mogą służyć do porównywania tego urządzenia z innymi. Deklarowana wartość drgań może służyć do wstępnej oceny narażenia operatora na drgania. Deklarowany poziom drgań dotyczy podstawowych zastosowań urządzenia. Jednak w przypadku użycia urządzenia do innych zastosowań, z innymi przystawkami lub w przypadku niewłaściwego stanu technicznego urządzenia poziom drgań może odbiegać od deklarowanego. Może być to przyczyną zwiększenia stopnia narażenia operatora na drgania w całym okresie wykonywania pracy.

Podczas oceny narażenia na drgania należy również uwzględnić czas wyłączenia urządzenia oraz czas, w którym urządzenie jest włączone, jednak praca nie jest wykonywana. Czas te mogą znacznie zmniejszyć stopień narażenia operatora na drgania w całym okresie wykonywania pracy. Należy określić dodatkowe środki ochrony operatora przed skutkami drgań, przykładowo: dbać o stan techniczny urządzenia i przystawek, dbać o zachowanie ciepłoty dłoni, odpowiednio zorganizować harmonogram wykonywania prac.

CS VAROVÁNÍ

Hodnota vibračních emisí uvedená v tomto informačním listu byla naměřena standardizovaným testem podle EN60745 a ji použít k porovnání s hodnotami jiných nástrojů. Může se používat k předběžnému odhadu vystavení vibracím. Uznaná hodnota vibračních emisí reprezentuje hlavní použití nástroje. Nicméně pokud se nástroj používá pro jiné použití, s různými doplňky nebo se nedostatečně neudržuje, mohou se vibrační emise lišit. Toto může výrazně zvýšit úroveň vystavení nad celkové pracovní období.

Odhad úrovně vystavení vibracím by měl vzít taktéž v potaz časy, kdy je chvění vypnuto, nebo když přístroj běží, ale nevykonává práci. Toto může výrazně snížit úroveň vystavení nad celkové pracovní období. Určete doplňující bezpečnostní opatření pro ochranu obsluhy před různými vibracemi, například: Udržujte nástroj a doplňky, udržujte ruce v teple, organizujte pracovní schéma.

HU FIGYELMEZTÉTES

A vibráció-kibocsátás adattal megadott értéke az EN60745 által meghatározott szabványosított mérési eljárás szerint lett megmért, amely lehetővé teszi a különböző szerszámok összehasonlítását. Használható a kitettség előzetes felmérésére is. A nyilatkozatban szereplő kibocsátási érték a szerszám főbb alkalmazási területeire vonatkozik. Ugyanakkor, ha a szerszámot más alkalmazásokra, más kiegészítőket használják vagy rosszul tartják karban, a vibráció-kibocsátás értéke ettől eltérő is lehet. Ez jelentősen növelheti a kitettség szintjét a gép teljes használati időtartama során.

A vibrációnak való kitettség szintjének becslésekor figyelembe kell venni azokat az időintervallumokat is, amikor a szerszám ki van kapcsolva, vagy működik, de nem végeznek munkát vele. Ez jelentősen csökkentheti a kitettség szintjét a gép teljes használati időtartama során. Tegyén további óvintézkedéseket a kezelő vibrációval szembeni megvédése érdekében: tartsa karban a szerszámot és a tartozékokat, tartsa melegen a kezét, tervezzé meg a munkafolyamatot.

RO AVERTISMENT

Nivelul emisiilor de vibrații prezentat în cadrul acestui fișe cu informații a fost măsurat în conformitate cu un test standardizat furnizat în EN60745 și poate fi folosit la a compara o unealtă cu o alta. Poate fi folosit la o evaluare preliminară a expunerii. Nivelul declarat al emisiilor de vibrații reprezintă aplicațiile principale ale uneltei. Cu toate acestea, în cazul în care unealta este utilizată pentru aplicații diferite, cu accesorii diferite sau întreținute necorespunzător, emisiile de vibrații pot diferi. Acestea pot crește semnificativ nivelul de expunere pe întreaga perioadă de lucru.

O estimare a nivelului de expunere la vibrații trebuie, de asemenea, să țină cont de tălile în care unealta este oprită sau de tălile în care aceasta funcționează fără a efectua propriu-zis sarcina de lucru. Acestea pot reduce semnificativ nivelul de expunere pe întreaga perioadă de lucru. Identificați măsuri de siguranță suplimentare pentru a proteja operatorul de efectele vibrațiilor, precum: întreținerea uneltei și a accesoriilor, păstrarea mâinilor calde, organizarea de modele de lucru.





LV BRĪDINĀJUMS

Šajā datu lapā dotā vibrāciju emisijas vērtība ir mērīta saskaņā ar standartizēto testu, kas dots EN60745 un kuru var izmantot, lai salīdzinātu vienu instrumentu ar citu. To var izmantot aptuvenam ekspozīcijas novērtējumam. Deklarētais vibrāciju emisijas līmenis atbilst galvenajiem instrumenta pielietojumiem. Tomēr, ja instrumentu lieto citiem pielietojumiem, ar citiem piederumiem vai tas tiek slīkti apkopts, vibrāciju emisijas vērtība var atšķirties. Tas var ievērojami palielināt ekspozīcijas līmeni visā darba periodā.

Vibrāciju ekspozīcijas līmeņa novērtējumam jāņem vērā laiks, kad instruments ir izslēgts vai ir ieslēgts, bet nevis nekādu darbu. Tas var ievērojami samazināt ekspozīcijas līmeni visā darba periodā. Identificējiet papildu drošības pasākumus, lai aizsargātu operatoru no vibrāciju iedarbības, piemēram, veiciet instrumenta un piederumu apkopi, turiet rokas siltas un pielāgojiet darba grafiku.

LT IŠPĒJIMAS

Šiame lapе nurodуtas vibrаcуos emisуos lygys buvо ismatuotas pagal standartin testą, aprаsуtą EN60745, ir gаli bŭti nаudojаmаs vieno irаnkio s kуtu pаlyginimui. Jis gаli bŭti nаudojаmаs preliminariаm pаvojuаs ųvertinimui. Deklаruotаs vibrаcуos emisуos lygys priskiriаmаs pаgrindinėms irаnkio tаikymo sritis. Tаčiau, jei irаnkis nаudojаmаs kitiems tikslаms, su kitokiais priedаis ir irаnkis prаstai priŭiŭrimаs, vibrаcуos emisija gаli skыrtis. Per visа dаrbo laikotаrпј tai gаli ųymiai pаdidinti vibrаcуos keliamą pаvoju.

Nustаntаn vibrаcуos keliamą pаvoju taip tаp bŭtina аtsiŭelgti j tai, kiek kаrtу irаnkis yrа išjungtаs аr kаi jis veikia, bet juо is tikrųј neditrаbа. Per visа dаrbo laikotаrпј tai gаli ųymiai sumаŭinti vibrаcуos keliamą pаvoju. Nаudokite pаpildomаs аpsаugаs priemones dirbаnciаm аsmeniui аpsаugoti nuo vibrаcуos poveikio, pvz.: priŭiŭrėti irąnkį ir jo priedus, rаnkаs laikyti šiltai, organizuoti dаrbo sesijas.

SL OPOZORILO

Nivo emisij vibracij, naveden v tem informacijskem listu, je bil izmerjen v skladu s standardiziranim testom, ki je podan v EN60745, podatke pa se lahko uporablja za primerjavo enega orodja z drugim. Uporablja se ga lahko za predhodno oceno izpostavljenosti. Navedeni nivo emisij vibracij predstavlja glavne uporabe orodja. Vendar, če se orodje uporablja v druge namene in z različnimi nastavitvami oz. če je orodje slabo vzdrževano, se lahko emisije vibracij razlikujejo. To lahko občutno poveča nivo izpostavljenosti v skupnem delovnem času.

Ocena nivoja izpostavljenosti vibracijam bi morala prav tako upoštevati, koliko krat je orodje bilo izključeno ali je v delovanju in pravzaprav ne opravlja svojega dela. To lahko občutno zmanjša nivo izpostavljenosti v skupnem delovnem času. Upoštevajte dodatne varnostne ukrepe, da bi upravljavca zaščitili pred vplivom vibracij, kot je: vzdržujte orodje in nastavke, pazite, da so roke tople, organizirajte delovne vzorce.

SK VAROVANIE

Ūroveň emisie vibrácií, uvedená v tomto informačnom hárku bola nameraná v súlade so štandardizovaným testom, daný normou EN60745 a môže sa použiť na porovnanie jedného nástroja s druhým. Môže sa použiť na predbežné určenie miery vystavenia sa vibráciám. Uvedená úroveň emisie vibrácií predstavuje hlavné aplikácie nástroja. Avšak keď sa nástroj používa na iné aplikácie, s rôznym príslušenstvom alebo má zlé údržbu, úroveň vibrácií sa môže líšiť. Týmto sa môže výrazne zvýšiť úroveň vystavenia sa vibráciám počas celkového času práce.

Odhad úrovne vystavenia sa vibráciám by sa mal brať tiež do úvahy, vždy, keď sa nástroj vypne, alebo potom, keď beží ale v skutočnosti sa nevykonáva práca. Týmto sa môže výrazne znížiť úroveň vystavenia sa vibráciám počas celkového času práce. Nasledovné dopĺňajúce bezpečnostné opatrenia pomáhajú chrániť operátora od účinkov vibrácií: údržba nástroja a príslušenstva, udržiavanie teplých držiadiel, organizácia práce.

ET HOIATUS

Sellel infolehel esitatud vibratsioonitaseme väärtus on mõeldud standardis EN60745 kirjeldatud katsemeetodiga ja seda võib kasutada tööriistade omavaheliseks võrdlemiseks. Seda võib kasutada vibratsioonimõju eelhindamiseks. Deklareeritud vibratsioonitaseme väärtus kehtib tööriista tavakasutamisel. Kui aga kasutate tööriista muudeks kasutusotstarveteks, eriotstarbeliste tarvikutega või kui tööriist on puudulikult hooldatud, siis võib vibratsiooniväärtus erineda. Sellistel juhtudel võib tööperioodi summaarne vibratsioonitaseme suureneda märgatavalt.

Vibratsiooniväärtuse taset tuleb arvesse võtta ka sel ajal, kui tööriist on välja lülitatud või kui tööriist pöörleb, kuid ei tee tööoperatsiooni. Sellistel juhtudel võib tööperioodi ajal summaarne vibratsioonitaseme väheneda märgatavalt. Määrake kindlaks täiendavad ohutusmeetmed, et kaitsa operaatorit vibratsioonimõjude eest – tööriistade ja tarvikute hooldamine, käte soojas hoidmine ja töövahetuste organiseerimine.

BG ВНИМАНИЕ

Посоченото в тези инструкции ниво на вибрациите е измерено в съответствие със стандартизиран в EN 60745 измервателен метод и може да се използва за сравнение на електрически инструменти помежду им. Подходящ е и за временна оценка на вибрационното натоварване. Посоченото ниво на вибрациите представя основните приложения на електрическия инструмент. Ако обаче електрическият инструмент се използва с друго предназначение, с различни сменяеми инструменти или при недостатъчна техническа поддръжка, нивото на вибрациите може да е различно. Това чувствително може да увеличи вибрационното натоварване по време на целия работен цикъл.

За точната оценка на вибрационното натоварване трябва да се вземат предвид и периодите от време, в които уредът е изключен или работи, но в действителност не се използва. Това чувствително може да намали вибрационното натоварване по време на целия работен цикъл. Определете допълнителни мерки по техника на безопасност в защита на обслужващия работник от въздействието на вибрациите като например: техническа поддръжка на електрическия инструмент и сменяемите инструменти, поддръжане на ръцете топли, организация на работния цикъл.

HR UPOZORENJE

Razina vrijednosti vibracija data u ovoj tablici s informacijama mjerenja je skladno normiranom testu pruženom u EN60745 i može se koristiti za usporedbu jednog alata s drugim. Može se koristiti u početnom usklađivanju izloženosti. Objavljena razina vrijednosti vibracija predstavlja glavnu primjenu alata. Međutim, ako se alat koristi za druge primjene, s različitim dodatnim priborom ili je slabo održavan, vrijednost vibracija može se razlikovati. Ovo može značajno povećati razinu izloženosti tijekom ukupnog radnog razdoblja.

U procjeni razine izloženosti na vibraciju također treba uzeti u obzir vrijeme kada je alat isključen ili kada je pokrenut no ne i stvarno vrijeme rada. Ovo može značajno smanjiti razinu izloženosti tijekom ukupnog radnog razdoblja. Odredite dodatne sigurnosne mjere za zaštitu operatera od učinaka vibracije poput: održavanje alata i pribora, održavanje toplih ruku, organizacija obrazaca za rad.

UK ПОПЕРЕДЖЕННЯ

Рівень вібрації, зазначений у цьому інформаційному листку, був розрахований відповідно зі стандартизованим випробуванням, наведеним в EN 60745 і може використовуватися для порівняння одного інструмента з іншим. Він може бути використаний для попередньої оцінки впливу. Зазначений рівень вібрації представляє основні застосування інструменту. Тим не менш, якщо інструмент використовується для різних додатків, з різними аксесуарами і недоглянутий, рівень вібрації може відрізнятись. Це може значно підвищити рівень впливу протягом усього робочого періоду.

При оцінюванні рівня впливу вібрації необхідно також враховувати час, коли інструмент вимкнений або коли він працює, але насправді не виконує ніякої роботи. Це може значно зменшити рівень впливу протягом усього робочого періоду. Для захисту оператора від впливу вібрації, визначте додаткові заходи безпеки, такі як: ретельний догляд за інструментом і приладдям, тримання рук в теплі, і організація схеми роботи.





TR UYARI

Bu bilgi sayfasında verilen titreşim emisyon seviyesi, EN60745 standardında belirtilen standartlaştırılmış bir teste uygun olarak ölçülmüş ve bir aleti diğeriyle karşılaştırmak için kullanılabilir. Ön maruz kalma tespiti için kullanılabilir. Beyan edilen titreşim emisyon seviyesi aletin asıl uygulamalarını temsil etmektedir. Ancak alet, farklı aksesuarlarla veya yetersiz bakımlı olarak farklı uygulamalar için kullanılırsa titreşim emisyonu değişebilir. Bu durum toplam çalışma süresi boyunca maruz kalma seviyesini önemli ölçüde artırır.

Titreşime maruz kalma seviyesinin değerlendirilmesi aynı zamanda alet kapalı ve ardından çalışır ancak gerçek anlamda iş yapmadığı zamanlar da göz önünde bulundurulmalıdır. Bu durum toplam çalışma süresi boyunca maruz kalma seviyesini önemli ölçüde azaltır. Operatörü titreşimin etkilerinden korumak için ilave güvenlik önlemleri belirleyin, örneğin: aletin ve aksesuarlarının bakımını yapmak, operatörün ellerini sıcak tutmak, çalışma modellerini organize etmek.

EL ΠΡΟΕΙΔΟΠΟΙΗΣΗ

Τα επίπεδα εκπομπών κραδασμών που παρέχονται στο παρόν ενημερωτικό φυλλάδιο, έχουν μετρηθεί βάσει τυποποιημένης δοκιμής που προβλέπεται στο EN60745 και μπορούν να συγκριθούν για τη σύγκριση του εργαλείου με άλλα. Μπορούν επίσης να χρησιμοποιηθούν για προκαταρκτική αξιολόγηση της έκθεσης. Τα δηλωμένα επίπεδα εκπομπών κραδασμών αφορούν τις βασικές εφαρμογές του εργαλείου. Ωστόσο, αν το εργαλείο χρησιμοποιείται για διαφορετικές εφαρμογές, με διαφορετικά εξαρτήματα ή με κακή συντήρηση, η εκπομπή κραδασμών μπορεί να διαφέρει. Αυτό μπορεί να αυξήσει σημαντικά το επίπεδο έκθεσης στη συνολική περίοδο εργασίας.

Η εκτίμηση των επιπέδων έκθεσης σε κραδασμούς θα πρέπει επίσης να λαμβάνει υπόψη τις χρονικές περιόδους κατά τις οποίες το εργαλείο είναι απενεργοποιημένο ή λειτουργεί χωρίς να χρησιμοποιείται σε συγκεκριμένη εργασία. Αυτό μπορεί να μειώσει σημαντικά το επίπεδο έκθεσης στη συνολική περίοδο εργασίας. Εφαρμόστε επιπρόσθετα μέτρα ασφαλείας για την προστασία του χειριστή από τις επιπτώσεις των κραδασμών, όπως τα εξής: συντηρείτε το εργαλείο και τα εξαρτήματα, διατηρείτε τα χέρια ζεστά, οργανώστε μοτίβα εργασίας.

130.com.ua



EN RYOBI® WARRANTY APPLICATION CONDITIONS

In addition to any statutory rights resulting from the purchase, this product is covered by a warranty as stated below.

1. The warranty period is 24 months for consumers and commences on the date the product was purchased. This date has to be documented by an invoice or other proof of purchase. The product is designed and dedicated to consumer and private use only. So there is no warranty provided in case of professional or commercial use. This warranty applies only on new products.
2. There is a possibility to extend for a part of the range of power tools (AC/DC) the warranty period over the period described above using the registration on the www.ryobitools.eu website. The eligibility of products for extended warranty is clearly displayed in stores and / or on packaging and is contained within the product documentation. The end user is required to register his/her newly-acquired products online within 30 days from the date of purchase. The end user may register for the extended warranty in his/her country of residence if listed on the online registration form where this option is valid. Furthermore, end users must give their consent to the storage of their personal data that is required to be entered online. They must also accept the terms and conditions. The registration confirmation receipt, which is sent out by e-mail, and the original invoice showing the date of purchase will serve as proof of the extended warranty.
3. The warranty covers all defects of the product during the warranty period due to faults in workmanship or material at the purchase date. The warranty is limited to repair and/or replacement and does not include any other obligations including but not limited to incidental or consequential damages. The warranty is not valid if the product has been misused, used contrary to the instruction manual, or has been incorrectly connected to a power supply. This warranty does not apply to:
 - any damage to the product that is the result of improper or lack of maintenance
 - any product that has been altered or modified
 - any product where original identification (trade mark, serial number) markings have been defaced, altered or removed
 - any damage caused by non-observance of the instruction manual
 - any product not displaying the CE approval mark on the rating plate
 - any product that has been attempted to be repaired by a non-authorized warranty service centre or without prior authorisation by Techtronic Industries
 - any product connected to improper power supply (amps, voltage, frequency)
 - any damage caused by external influences (water, chemical, physical, shocks) or foreign substances
 - normal wear and tear spare parts
 - inappropriate use, overloading of the tool
 - use of non-approved accessories or parts
 - Power tool accessories provided with the tool or purchased separately, including but not limited to screw driver bits, drill bits, abrasive discs, sand paper and blades, lateral guide, etc.
 - Components (parts and accessories) subject to natural wear and tear, including but not limited to service & maintenance kits, carbon brushes, bearings, chuck, SDS drill bit attachment or reception, power cord, auxiliary handle, transport carry case, sanding plate, dust bag, dust exhaust tube, felt washers, impact wrench pins & springs, etc.
4. For servicing, the product must be sent or presented to a ROBI authorised service station listed for each country in the following list of service station addresses. In some countries your local RYOBI dealer undertakes to send the product to the R YOBI service organisation. When sending a product to a RYOBI service station, the product should be safely packed without any dangerous contents such as petrol, marked with sender's address and accompanied by a short description of the fault.
5. A repair / replacement under this warranty is free of charge. It does not constitute an extension or a new start of the warranty period. Exchanged parts or products become our property. In some countries delivery charges or postage will have to be paid by the sender. Your statutory rights arising from the purchase of the product remain unaffected.
6. This warranty is valid in the European Community, Switzerland, Iceland, Norway, Liechtenstein, Turkey and Russia. Outside these areas, please contact your authorised RYOBI dealer to determine if another warranty applies.

AUTHORISED SERVICE CENTRE

To find an authorised service centre near you, visit <http://en.ryobitools.eu/header/service-and-support/service-agents>

FR RYOBI® CONDITIONS D'APPLICATION DE LA GARANTIE

En plus des droits statutaires liés à l'achat, ce produit est couvert par une garantie telle que décrite ci-dessous.

1. La durée de la garantie accordée au consommateur est de 24 mois à partir de la date d'achat. Cette date doit être authentifiée par une facture ou toute autre preuve d'achat. Le produit a été conçu en vue d'une utilisation strictement privée. Aucune garantie ne s'applique donc en cas d'utilisation professionnelle ou commerciale.
2. Il existe pour une partie de la gamme d'outils électroportatifs (AC/DC), une possibilité d'étendre la période de garantie au-delà de la période précédemment décrite en utilisant le formulaire d'enregistrement présent sur le site Internet www.ryobitools.eu. L'éligibilité d'un outil est clairement affichée dans les points de vente et/ou sur l'emballage et la documentation. L'utilisateur final doit enregistrer son/ses outil(s) nouvellement acheté(s) en ligne dans les 30 jours qui suivent la date d'achat. L'utilisateur a la possibilité de s'enregistrer pour l'extension de garantie dans son pays de résidence si celui-ci est listé dans le formulaire d'enregistrement en ligne où cette option est valide. L'utilisateur final doit donner son consentement pour l'enregistrement des données requises pour accéder au site et doit accepter les termes et conditions. La confirmation d'enregistrement, envoyée par courrier électronique, ainsi que la facture originale mentionnant la date d'achat serviront de preuve de l'extension de garantie.
3. La garantie couvre pendant la période de garantie les défauts des produits liés à la fabrication et aux matériaux à la date d'achat. La garantie est limitée à la réparation et/ou au remplacement et n'inclut aucune autre obligation, tel que, mais sans s'y limiter, les dommages accessoires ou indirects. La garantie est non valable en cas de mauvaise utilisation du produit, d'utilisation contraire aux instructions du mode d'emploi, ou en cas de branchement incorrect. Cette garantie ne s'applique pas pour :
 - tout dommage au produit résultant d'un mauvais entretien
 - tout produit ayant été altéré ou modifié
 - tout produit dont les marquages originaux d'identification (marque, numéro de série) ont été dégradés, altérés ou retirés
 - tout dommage causé par le non-respect des instructions du mode d'emploi
 - tout produit non CE
 - tout produit ayant subi une tentative de réparation par du personnel non qualifié ou sans autorisation préalable de Techtronic Industries
 - tout produit raccordé à une alimentation secteur non conforme (ampérage, voltage, fréquence)
 - tout dommage causé par des influences extérieures (chimiques, physiques, chocs) ou par des substances étrangères
 - l'usure normale des pièces consommables
 - une utilisation inappropriée, une surcharge de l'outil
 - l'utilisation de pièces ou accessoires non agréés
 - accessoires de l'outil électrique fournis avec l'outil ou achetés séparément. Cela comprend notamment les embouts de vissage, les forets de perceuse, les disques abrasifs, le papier de verre et les lames, le guide latéral
 - Les composants (pièces et accessoires) sujets à l'usure naturelle, ceci incluant notamment les mandrins, les charbons, adaptateurs SDS, les cordons d'alimentation, les poignées auxiliaires, les mallettes de transport, les plateaux de ponçage, les sacs collecteurs de poussière, les tubes d'extraction de poussière, les carrés de clé à choc, etc.
4. Si le produit doit être réparé, envoyez-le à un service après-vente agréé RYOBI dont vous trouverez ci-dessous la liste par chaque pays. Dans certains pays, votre revendeur R YOBI se chargera d'envoyer le produit à un centre de réparation RYOBI. Lorsque vous envoyez un produit à un service après-vente RYOBI, celui-ci doit être correctement emballé, sans contenir aucun produit dangereux tel que de l'essence, et vous devez indiquer votre adresse ainsi qu'une courte description du problème.
5. Une réparation / un remplacement sous garantie est gratuit(e). Ceci ne constituera pas une extension de garantie ni un nouveau départ de la période de garantie. Les pièces ou les outils remplacés deviennent notre propriété. Dans certains pays, les frais de port devront être assumés par l'expéditeur. Vos droits statutaires restent inchangés.
6. Cette garantie est valable au sein de l'Europe, de la Suisse, de l'Islande, de la Norvège, du Liechtenstein, de la Turquie, de la Russie. En dehors de ces zones, veuillez contacter votre distributeur agréé R YOBI pour déterminer si une autre garantie s'applique.

SERVICE APRÈS-VENTE AGRÉÉ

Pour trouver le service après-vente agréé le plus proche, rendez-vous sur <http://fr.ryobitools.eu/header/service-and-support/service-agents>.

DE RYOBI® GARANTIEBEDINGUNGEN

Zusätzlich zu den gesetzlichen Rechten aus dem Kauf gilt für dieses Produkt die nachstehend aufgeführte Garantie.

- Der Garantiezeitraum beträgt für Verbraucher 24 Monate und beginnt mit dem Datum des Kaufs. Dieses Datum muss durch eine Rechnung oder einen anderen Kaufbeleg dokumentiert werden. Dieses Produkt wurde ausschließlich zur privaten Nutzung durch Verbraucher entwickelt. Für den Fall einer professionellen bzw. kommerziellen Nutzung besteht daher keine Garantie.
- Es besteht die Möglichkeit, für einen Teil des Sortiments der Elektrogeräte (AC/DC) den Garantiezeitraum über den oben genannten Zeitraum hinaus zu verlängern, indem der Verbraucher die Registrierung auf der Website www.ryobitools.eu durchführt. Die Berechtigung der Werkzeuge für die Garantieverlängerung ist deutlich im Geschäft und/oder auf der Verpackung beschrieben und in der Produktdokumentation erwähnt. Der Verbraucher muss das neu erworbene Gerät online innerhalb von 30 Tagen ab dem Kaufdatum registrieren. Der Verbraucher kann das Gerät zwecks Garantieverlängerung in seinem Wohnsitzland/Heimatland registrieren, wenn dieses Land auf dem Online-Registrierungsformular aufgeführt ist und die Option gültig ist. Darüber hinaus muss der Verbraucher seine Zustimmung zur Speicherung der Daten geben, die online eingegeben werden müssen, und er muss die allgemeinen Geschäftsbedingungen akzeptieren. Die Bestätigung der Registrierung, die per E-Mail versandt wird, und die Originalrechnung mit dem Kaufdatum gelten als Beleg für die Garantieverlängerung.
- Die Garantie deckt alle Defekte des Geräts während des Garantiezeitraums ab, die auf zum Zeitpunkt des Kaufs bestehende Verarbeitungs- oder Materialfehler zurückzuführen sind. Die Garantie beschränkt sich auf Reparatur und/oder Ersatz und beinhaltet keine anderen Verpflichtungen, insbesondere keinen Schadenersatz für Folge- oder Nebenschäden. Die Garantie gilt nicht, wenn das Gerät fehlerhaft eingesetzt wurde, gegensätzlich zur Bedienungsanleitung eingesetzt wurde oder falsch angeschlossen wurde. Die Garantie gilt nicht für Folgendes:
 - Schäden am Gerät, die auf unkorrekte Wartung zurückzuführen sind
 - Geräte, an denen Veränderungen vorgenommen wurden
 - Produkte, bei denen die ursprüngliche Identifizierung (Handelsmarke, Seriennummer) unleserlich gemacht, verändert oder entfernt wurde
 - Schäden durch Nichtbeachtung der Bedienungsanleitung
 - nicht-CE-zertifizierte Geräte
 - Geräte, an denen durch nicht-qualifizierte Personen oder ohne vorherige Genehmigung von Techtronic Industries Reparaturversuche vorgenommen wurden
 - Geräte, die an unkorrekte Energiequellen (Ampere, Volt, Frequenz) angeschlossen wurden
 - Schäden durch äußere Einflüsse (chemisch, physisch, Stöße) oder Fremdstoffe
 - normaler Verschleiß von Ersatzteilen
 - unangemessene Nutzung, Überlastung des Geräts
 - Nutzung nicht genehmigter Zubehörteile oder Ersatzteile
 - mit dem Gerät gelieferte oder separat erworbene Zubehörteile. Dieser Anschluss beinhaltet, ist aber nicht beschränkt auf Schraubendreher-Bits, Bohreinsätze, Schleifscheiben, Sandpapier und Klingen, Seitenführungen
 - Komponenten (Ersatzteile und Zubehörteile), die natürlichen und normalen Verschleißerscheinungen unterworfen sind, einschließlich aber nicht beschränkt auf: Service- und Wartungssätze, Kohlebürsten, Lager, Spannflutter, SDS-Bohreraufnahme /Bit-Adapter, Netzkabel, Zusatzhandgriff, Transportkoffer, Schleifteller, Staubbeutel, Staubabsaugrohr, Filzunterlegscheiben, Bolzen und Federn von Schlagschraubern usw.
- Zum Service muss das Gerät zu einer von RYOBI autorisierten Servicestation gebracht oder dorthin gesendet werden. Die Servicestationen für die einzelnen Länder sind in der folgenden Liste aufgeführt. In einigen Ländern sendet Ihr RYOBI-Händler vor Ort das Gerät an das R YOBI-Serviceunternehmen. Beim Einsenden an die R YOBI-Servicestation sollte das Gerät sicher verpackt sein, ohne gefährliche Inhalte wie Benzin, und es sollte mit der Adresse des Absenders und einer kurzen Beschreibung des Fehlers versehen sein.
- Eine Reparatur bzw. ein Ersatz gemäß dieser Garantie ist kostenlos. Hieraus ergibt sich weder eine Garantieverlängerung noch der Beginn eines neuen Garantiezeitraums. Die ausgetauschten Ersatzteile oder Werkzeuge gehen in unser Eigentum über. In einigen Ländern müssen die Zustellgebühren oder die Versandkosten vom Absender gezahlt werden. Ihre gesetzlichen Rechte aus dem Kauf des Geräts bleiben hiervon unberührt.
- Diese Garantie gilt in der Europäischen Union, der Schweiz, Island, Norwegen, Liechtenstein, der Türkei und Russland. Bitte wenden Sie sich außerhalb dieser Gebiete an Ihren autorisierten RYOBI-Händler, um festzustellen, ob eine andere Garantie gilt.

AUTORISIERTER KUNDENDIENST

Besuchen Sie <http://de.ryobitools.eu/header/service-and-support/service-agents>, um einen autorisierten Kundendienst in Ihrer Nähe zu finden.

ES CONDICIONES DE APLICACIÓN DE LA GARANTÍA DE RYOBI®

Además de cualquier derecho legal derivado de la compra, este producto está cubierto por una garantía que se indica a continuación.

- El periodo de garantía es de 24 meses para consumidores y comienza en la fecha en que se comprara el producto. Dicha fecha debe documentarse con una factura u otro comprobante de compra. El producto está diseñado y concebido únicamente para el uso privado del consumidor. Por lo tanto, no se ofrece garantía en caso de uso profesional o comercial.
- Existe la posibilidad de ampliar el periodo de garantía respecto a una parte de la gama de herramientas eléctricas (CA/CC) durante el periodo descrito más arriba y mediante el registro en el sitio web www.ryobitools.eu. La elegibilidad de las herramientas para que se amplíe el periodo de garantía se muestra claramente en las tiendas o en el embalaje y está incluida en la documentación del producto. El usuario final tiene que registrar en línea sus herramientas recientemente adquiridas en un plazo de 30 días a partir de la fecha de compra. El usuario final podrá registrarse para obtener la garantía ampliada en su país de residencia si este aparece en la lista del formulario de registro en línea cuando esta opción sea válida. Además, los usuarios finales deberán dar su consentimiento al almacenamiento de los datos necesarios para el acceso en línea y tienen que aceptar los términos y condiciones. El recibo de confirmación de registro, que se envía por correo electrónico, y la factura original que muestra la fecha de compra servirán como comprobante para la garantía ampliada.
- La garantía cubre todos los defectos del producto durante el periodo de garantía debido a fallos de mano de obra o material en la fecha de compra. La garantía se limita a la reparación o sustitución y no incluye ninguna otra obligación como, por ejemplo, daños accidentales o consecuentes. La garantía no es válida si se ha usado mal el producto, se ha usado contraviniendo el manual de Instrucciones o se ha conectado de forma incorrecta. Esta garantía no es aplicable a:
 - ningún daño en el producto que sea consecuencia de un mantenimiento inadecuado
 - ningún producto que haya sido alterado o modificado
 - ningún producto en el que los marcados de identificación originales (marca comercial, número de serie) se hayan borrado, modificado o eliminado
 - ningún daño provocado por no seguir el manual de instrucciones
 - ningún producto que no sea CE
 - ningún producto que haya sufrido un intento de reparación por parte de un profesional no cualificado o sin la autorización previa de Techtronic Industries.
 - ningún producto conectado a un suministro eléctrico inadecuado (amperios, voltaje, frecuencia)
 - ningún daño causado por influencias externas (químicas, físicas, impactos) o sustancias extrañas
 - desgaste normal de piezas de repuesto
 - uso inadecuado, sobrecarga de la herramienta
 - uso de accesorios o piezas no aprobados
 - Accesorios de herramientas eléctricas proporcionados con la herramienta o comprados por separado. Tales exclusiones incluyen, entre otros, brocas de destornilladores, brocas de taladro, discos abrasivos, papel de lija y cuchillas, y guías laterales
 - Componentes (piezas y accesorios) sujetos a un desgaste natural, que incluyen, entre otros, equipos de servicio y mantenimiento, escobillas de carbono, cojinetes, pinzas, accesorio o recepción de broca de taladro SDS, cable eléctrico, manillar auxiliar, bolsa de transporte, hoja lijadora, bolsa de polvo, tubo de escape de polvo, disco de fieltro, pasadores y resortes de llave de impacto, etc.
- Para su mantenimiento, el producto debe enviarse o presentarse a una estación de servicio de RYOBI autorizada que figure en la siguiente lista de direcciones de estaciones de servicio por países. En algunos países, su distribuidor RYOBI local se responsabiliza de enviar el producto a la compañía de servicio de RYOBI. Cuando se envíe un producto a una estación de servicio de RYOBI, este debe estar empaquetado de forma segura sin contenidos peligrosos como gasolina, marcado con la dirección del remitente y acompañado de una breve descripción del fallo.
- Una reparación / sustitución con esta garantía es gratuita. No constituye una ampliación ni un nuevo comienzo del periodo de garantía. Las piezas o herramientas intercambiadas pasan a ser de nuestra propiedad. En algunos países, los gastos de envío o correo tendrá que pagarlos el remitente. Sus derechos legales derivados de esta compra de la herramienta no se verán afectados.
- Esta garantía es válida en la Unión Europea, Suiza, Islandia, Noruega, Liechtenstein, Turquía y Rusia. Fuera de estas zonas, póngase en contacto con su distribuidor de R YOBI autorizado para determinar si es aplicable otra garantía.

SERVICIO TÉCNICO AUTORIZADO

Para encontrar el servicio técnico autorizado más cercano, visite <http://es.ryobitools.eu/header/service-and-support/service-agents>



IT CONDIZIONI DI VALIDITÀ DELLA GARANZIA RYOBI®

In aggiunta ai diritti di legge risultanti dall'acquisto, il prodotto è coperto dalla garanzia sotto descritta.

- Il periodo di garanzia è di 24 mesi per i consumatori, a decorrere dalla data di datum del prodotto. La data deve essere documentata da una fattura o altra prova d'acquisto. Il prodotto è progettato e destinato solo all'utilizzo privato dei consumatori. Pertanto non viene fornita alcuna garanzia in caso di uso professionale o commerciale.
- Per una serie di utensili elettrici (CA/CC) è possibile prolungare il periodo di garanzia oltre quello descritto, registrandosi sul sito web www.ryobitools.eu. Gli utensili per i quali è possibile prolungare il periodo di garanzia sono chiaramente indicati nei negozi e/o sulle confezioni e nella documentazione dei prodotti. L'utente deve registrare online l'utensile acquistato entro 30 giorni dalla data di acquisto. L'utente può registrarsi per la garanzia prolungata nel proprio paese di residenza, se questo è elencato nel modulo di registrazione online dove questa opzione sia valida. Inoltre gli utenti devono fornire il proprio consenso alla conservazione dei dati da immettere online e devono accettare le condizioni generali. La conferma di registrazione, inviata tramite e-mail, e la fattura originale indicante la data di acquisto, costituiranno la prova della garanzia prolungata.
- La garanzia copre tutti i difetti del prodotto durante il periodo di garanzia, risultati da manodopera o materiali alla data di acquisto. La garanzia è limitata alla riparazione e/o sostituzione e non include alcun altro obbligo quali, a mero titolo esemplificativo, i danni incidentali o consequenziali. La garanzia non è valida se il prodotto è stato usato scorrettamente, in modo contrario al manuale di istruzioni o se è stato collegato in modo errato. La garanzia non è valida per:
 - qualsiasi danno al prodotto dovuto a manutenzione errata;
 - qualsiasi prodotto che sia stato alterato o modificato;
 - qualsiasi prodotto le cui marcature di identificazione originali (marchi di fabbrica, numero di serie) siano state cancellate, alterate o rimosse;
 - qualsiasi danno causato dalla non osservanza delle istruzioni del manuale;
 - qualsiasi prodotto privo di omologazione CE;
 - qualsiasi prodotto che sia stato sottoposto a un tentativo di riparazione da parte di un professionista non qualificato oppure senza la previa autorizzazione di Techtronic Industries;
 - qualsiasi prodotto collegato a un'alimentazione errata (per ampere, tensione, frequenza);
 - qualsiasi danno causato da influenze esterne (chimiche, fisiche, urti) o sostanze estranee;
 - la normale usura delle parti di ricambio;
 - uso inappropriato, sovraccarico dell'utensile;
 - uso di accessori o parti non omologate;
 - accessori per utensili elettrici forniti con l'utensile o acquistati separatamente. Questa esclusione comprende, a mero titolo esemplificativo, punte per cacciaviti, punte per trapani, dischi abrasivi, carta vetrata, lame e guide laterali;
 - componenti (parti e accessori) soggetti alla normale usura compresi, a mero titolo esemplificativo, kit di servizio e manutenzione, spazzole al carbonio, cuscinetti, mandrini, attacchi per punte a vite autopoterforante, cavi di alimentazione, maniglie ausiliarie, custodie di trasporto, piastre di levigatura, sacchetti per la polvere, tubi di scarico della polvere, rondelle di feltro, perni e molle per avvitatori ecc.
- Per la manutenzione il prodotto dev'essere spedito o portato presso uno dei centri assistenza autorizzati R YOBI elencati per ogni paese nel seguente elenco di indirizzi dei centri. In alcuni paesi il rivenditore locale RYOBI si incarica di inviare il prodotto all'organizzazione di assistenza RYOBI. Quando si invia un prodotto a un centro assistenza R YOBI, imballarlo in modo sicuro senza contenuti pericolosi come la benzina, apporre l'indirizzo del mittente e accompagnarlo da una breve descrizione del guasto.
- La riparazione/sostituzione ai sensi della presente garanzia è gratuita. Non costituisce un prolungamento o un nuovo inizio del periodo di garanzia. Le parti o gli utensili scambiati diventano di nostra proprietà. In alcuni paesi i costi di consegna o di spedizione postale devono essere pagati dal mittente. I diritti di legge derivanti dall'acquisto dell'utensile rimangono inalterati.
- La presente garanzia è valida in Unione Europea, Svizzera, Islanda, Norvegia, Liechtenstein, Turchia e Russia. Al di fuori di tali aree contattare il rivenditore autorizzato RYOBI per sapere se è valida un'altra garanzia.

CENTRO SERVIZI AUTORIZZATO

Per individuare il più vicino centro servizi autorizzato, visitare il sito <http://it.ryobitools.eu/header/service-and-support/service-agents>.

NL RYOBI® GARANTIEVOORWAARDEN

Naast de wettelijke rechten die voortvloeien uit de aankoop, wordt dit product gedekt door een garantie, zoals hieronder staat vermeld.

- De garantietermijn voor consumenten bedraagt 24 maanden en gaat in op de datum waarop het product is gekocht. Deze datum moet worden gedocumenteerd met een factuur of een ander aankoopbewijs. Het product is uitsluitend ontworpen en bedoeld voor persoonlijk gebruik door consumenten. Er wordt dus geen garantie gegeven voor professioneel of commercieel gebruik.
- Voor een deel van ons aanbod van elektrische gereedschappen (AC/DC) is het mogelijk om de garantietermijn te verlengen over de boven beschreven termijn, met behulp van de website www.ryobitools.eu. De gereedschappen die in aanmerking komen voor de verlenging van de garantietermijn wordt duidelijk weergegeven in winkels en/of verpakkingen en staat beschreven in de productdocumentatie. De eindgebruiker moet zijn/haar nieuw gekochte gereedschappen binnen 30 dagen na aankoop online registreren. De eindgebruiker kan zich registreren voor de verlengde garantietermijn als zijn woonland staat vermeld op het online registratieformulier waar deze optie geldig is. Bovendien moeten eindgebruikers toestemming geven voor de opslag van de gegevens die online ingevuld moeten worden en moeten ze de algemene voorwaarden accepteren. Het ontvangstbewijs van de registratie, dat per e-mail wordt verzonden en de oorspronkelijke factuur met de aankoopdatum vormt het bewijs van de verlengde garantietermijn.
- De garantie dekt tijdens de garantietermijn alle gebreken van het product vanwege defecten in vakmanschap of materiaal op de aankoopdatum. De garantie is beperkt tot reparatie en/of vervanging en bevat geen andere verplichtingen, waaronder maar niet beperkt tot incidentele of gevolgschade. De garantie is niet geldig als het product is misbruikt, in strijd met de gebruiksaanwijzing wordt gebruikt of onjuist is aangesloten. Deze garantie geldt niet voor:
 - alle schade aan het product die het gevolg is van onjuist onderhoud
 - elk product dat is veranderd of aangepast
 - elk product waar de oorspronkelijke identificatie (handelsmerk, serienummer) is beschadigd, gewijzigd of verwijderd
 - alle schade die is veroorzaakt door het niet opvolgen van de gebruiksaanwijzing
 - elk niet-CE-product
 - elk product waar een poging tot reparatie is gedaan door een niet-erkende professional of zonder voorafgaande toestemming door Techtronic Industries.
 - elk product dat is verbonden met een verkeerde voeding (amperage, spanning, frequentie)
 - alle schade die is veroorzaakt door externe invloeden (chemisch, fysisch, schokken) of vreemde stoffen
 - normale slijtage van reserveonderdelen
 - ongepast gebruik, overbelasting van het gereedschap
 - gebruik van niet-goedgekeurde accessoires of onderdelen
 - gereedschapsaccessoires die bij het gereedschap worden geleverd of afzonderlijk zijn aangeschaft. Zulke uitzonderingen bevatten, maar niet beperkt tot schroevendraaierbits, boorbits, slijpschijven, schuurpapier en zagen, laterale geleiding
 - Componenten (onderdelen en accessoires) die onderhevig zijn aan natuurlijke slijtage, waaronder maar niet beperkt tot service-onderhoudsets, koelstofborstels, lagers, boorkoppen, SDS boorbitbevestigingen of ontvangers, stroomsoeren, hulpprepen, transporttassen, schuurplateaus, stofzakken, stofafvoerbuizen, vilttringen, pennen en veren van slagmoerleutels, etc.
- Voor onderhoud moet het product worden verzonden of gebracht naar een erkend servicecentrum van RYOBI die voor elk land staan vermeld in de volgende lijst met adressen voor servicecentra. In sommige landen zal uw lokale RYOBI-dealer het product verzenden naar de RYOBI-serviceorganisatie. Wanneer u het product naar een servicecentrum van RYOBI verzendt, moet het product veilig worden verpakt zonder enige gevaarlijke inhoud, zoals benzine, met het adres van de afzender en vergezeld van een korte beschrijving van het defect.
- Een reparatie/vervanging die onder deze garantie valt is gratis. Het vormt geen verlenging of een nieuwe start van de garantietermijn. Verwisselde onderdelen of gereedschappen worden ons eigendom. In sommige landen moeten de verzendkosten door de afzender worden betaald. Uw wettelijke rechten die voortvloeien uit de aankoop van het gereedschap blijven onaangetaast.
- Deze garantie is geldig in de Europese Gemeenschap, Zwitserland, Usland, Noorwegen, Liechtenstein, Turkije en Rusland. Buiten deze gebieden moet u contact opnemen met uw erkende RYOBI-dealer om vast te stellen of er een andere garantie van toepassing is.

GEAUTORISEERD ONDERHOUDSCENTRUM

Om een geautoriseerd onderhoudscentrum in uw buurt te vinden, surf u naar <http://nl.ryobitools.eu/header/service-and-support/service-agents>.



PT CONDIÇÕES DE APLICAÇÃO DA GARANTIA RYOBI®

Para além de quaisquer direitos previstos por lei resultantes da compra, este produto está coberto por uma garantia conforme descrição abaixo.

- O período da garantia é de 24 meses para consumidores particulares e inicia-se na data de compra do produto. Esta data tem de ser documentada por uma factura ou por outra prova de compra. O produto foi concebido para e destina-se apenas a consumidores particulares e uso privado. Assim, não é dada garantia em caso de utilização por profissionais ou uso comercial.
- Para uma parte da gama de ferramentas eléctricas (AC/DC) existe a possibilidade de prolongamento do período da garantia para além do período descrito acima, mediante registo no Web site www.ryobitools.eu. A elegibilidade das ferramentas para prolongamento do período da garantia é claramente visível nas lojas e/ou nas embalagens e está contida na documentação do produto. O utilizador final tem de fazer o registo online das suas ferramentas recém-adquiridas no prazo de 30 dias após a data de compra. O utilizador final pode fazer o registo para prolongamento da garantia no seu país de residência, desde que esteja listado no formulário de registo online e para os casos em que esta opção seja válida. Para além disso, os utilizadores finais têm de autorizar o armazenamento dos dados cujo preenchimento lhes for solicitado online e têm de aceitar os termos e as condições. O recibo de confirmação do registo é enviado por e-mail e, em conjunto com a factura original ostentando a data de compra, servirá de prova do prolongamento da garantia.
- A garantia cobre todos os defeitos do produto durante o período da garantia devidos a defeitos de fabrico ou de material à data da compra. A garantia está limitada à reparação e/ou substituição e não inclui quaisquer outras obrigações, incluindo mas não se limitando a, perdas complementares ou indirectas. A garantia não é válida se o produto tiver sido utilizado incorrectamente, utilizado de forma contrária ao Manual de Instruções ou se as respectivas ligações tiverem sido feitas incorrectamente. Esta garantia não se aplica ao seguinte:
 - quaisquer danos ao produto que sejam resultado de manutenção incorrecta
 - qualquer produto que tenha sido alterado ou modificado
 - qualquer produto cujas marcações de identificação de origem (marca comercial, número de série) tiverem sido apagadas, alteradas ou retradas
 - quaisquer danos causados pelo incumprimento do Manual de Instruções
 - qualquer produto que não seja da Comunidade Europeia
 - qualquer produto ao qual tenha sido feita, ou tentada fazer, uma reparação por outra pessoa que não um profissional habilitado ou sem autorização prévia da Techtronic Industries.
 - qualquer produto ligado a uma fonte de alimentação eléctrica incorrecta (Amperes, Voltagem e Frequência)
 - qualquer dano causado por influências externas (químicas, físicas, impactos) ou substâncias estranhas
 - desgaste e degradação normal de sobresselentes
 - utilização incorrecta, sobrecarga da ferramenta
 - utilização de acessórios ou peças não aprovados
 - acessórios para ferramentas eléctricas fornecidos com a ferramenta ou comprados em separado. Estas exclusões incluem mas não se limitam a, pontas de aparafusadora, brocas, discos abrasivos, papel de lixa e lâminas, guia lateral
 - Componentes (peças e acessórios) sujeitos a desgaste e degradação natural, incluindo mas não se limitando a, Kits de Assistência e Manutenção, escovas de carvão, rolamentos, bucha, acessórios ou recepções de brocas SDS, cabos eléctricos, pegas auxiliares, estojos de transporte, placas de lixagem, sacos de poeiras, tubos de saída de poeiras, anilhas de feltro, pinos e molas da aparafusadora de impacto, etc.
- Para assistência, o produto tem de ser enviado para, ou apresentado em, um posto de assistência autorizado RYOBI, conforme listado para cada país na lista de moradas de postos de assistência seguinte. Nalguns países, o seu concessionário R YOB I local encarrega-se de enviar o produto para a organização de assistência RYOBI. Quando enviar um produto para um posto de assistência R YOB I, o produto deve ser embalado de forma segura, sem conter nenhuns conteúdos perigosos (por exemplo, gasolina), marcado com o endereço do remetente e acompanhado por uma breve descrição da avaria.
- Uma reparação/substituição ao abrigo desta garantia é gratuita. Não constitui um prolongamento a, nem um novo início de, o período da garantia. As peças ou ferramentas substituídas tornam-se propriedade nossa. Nalguns países, o remetente terá de pagar os custos de entrega ou a remessa postal. Os seus direitos previstos por lei resultantes da compra da ferramenta mantêm-se inalterados
- Esta garantia é válida na Comunidade Europeia, Suíça, Islândia, Noruega, Liechtenstein, Turquia e Rússia. Fora destas áreas, entre em contacto com o seu concessionário autorizado R YOB I para determinar se existe outra garantia aplicável.

CENTRO DE ASSISTÊNCIA AUTORIZADO

Para encontrar um centro de assistência autorizado próximo de si, visite <http://pt.ryobitools.eu/header/service-and-support/service-agents>.

DA RYOBI® BETINGELSER FOR GARANTI

Udover lovbestemte rettigheder, som resulterer af købet, er dette produkt dækket af en garanti, som anført herunder.

- Garantiperioden er 24 måneder for forbrugere og begynder på den dato, som produktet blev købt. Denne dato skal dokumenteres af en faktura eller andet bevis for køb. Produktet er udelukkende designet og dedikeret til forbrugere og privat brug. Så der ydes ingen garanti i tilfælde af professionel eller kommerciel brug.
- Der er en mulighed for at forlænge garantiperioden for en del af udvalget af elværktøj (AC/DC), hen over den ovenfor beskrivne periode vha. registrering på hjemmesiden www.ryobitools.eu. Rettigheden af værktøjet til forlængelse af garantiperioden er tydeligt vist i butikker og/eller på emballage/og indeholdt i produktokumentationen. Slutbrugeren skal registrere hans/hendes nyligt indkøbte værktøj online indenfor 30 dage efter købsdatoen. Slutbrugeren kan registrere sig for den forlængede garanti i sit land, hvis han/hun er opført på den online registreringsformular, hvor denne mulighed er gyldig. Derudover skal slutbrugere give deres samtykke til at opbevare data, som er påkrævet at indtaste online, og de er nødt til at acceptere vilkår og betingelser. Registreringsbekræftelseskvitteringen, som sendes ud på e-mail, og den originale faktura, som viser købsdatoen, vil fungere som bevis for den forlængede garanti.
- Garantien dækker alle defekter, som et produkt måtte have i løbet af garantiperioden, og som skyldes produktionsfejl eller materialefejl på købsdatoen. Garantien er begrænset til reparation og/eller udskiftning og inkluderer ikke andre forpligtelser, inklusiv men ikke begrænset til tilfældige skader eller følgeskader. Garantien er ugyldig, hvis produktet er blevet misbrugt, brugt uden at overholde vejledningen, eller det er blevet forkert tilsuttet. Denne garanti gælder ikke:
 - Beskadigelse af produktet, som er et resultat af uegnet vedligeholdelse
 - Et produkt der er blevet ændret eller modificeret
 - Et produkt hvor de originale identifikationsmærkninger (varemærke, serienummer) er blevet ødelagt, ændret eller fjernet.
 - Enhver beskadigelse forårsaget af manglende overholdelse af vejledningen
 - Ethvert ikke CE-produkt
 - Ethvert produkt som er blevet forsøgt repareret af en ukvalificeret professionel eller uden tidligere autorisation af Techtronic Industries.
 - Ethvert produkt som er tilsuttet uegnet strømforsyning (ampere, spænding, frekvens)
 - Enhver skade forårsaget af ekstern påvirkning (kemisk, fysisk, chok) eller fremmedelementer
 - Normal slid på reservedele
 - Uegnet brug, overbelastning af værktøjet
 - Brug af ikke-godkendt tilbehør eller dele
 - Elværktøjstilbehør som leveres med værktøjet eller købes separat. Sådanne udtagelser inkluderer men er ikke begrænset til skruetrækkerbits, bor, bits, slibeskiver, sandpapir og klinger, sidestyrt
 - Komponenter (dele og tilbehør) som er udsat for naturligt slid og ælde, inklusiv men ikke begrænset til Service- og vedligeholdelsessæt, kulbrøster, lejer, bøsninger, påsætning eller modtagelse af SDS-bor, El ledning, hjælpehåndtag, transporttaske, sandplade, støvpose, støvudstødningslange, filtskiver, nåle og fjedre slagnagle etc.
- For eftersyn skal produktet sendes til eller præsenteres for en RYOBI-autoriseret service værksted, som er opført for hvert land i den følgende liste over service værksted adresser. I nogle lande påtager din lokale RYOBI-forhandler sig ansvaret for at sende produktet til RYOBI-serviceorganisationen. Når et produkt sendes til en RYOBI-service værksted, skal det pakkes sikkert ind uden noget farligt indhold som benzin, mærkes med afsenderens adresse og med en kort beskrivelse af fejlen.
- En reparation/erstatning under denne garanti er gratis. Den udgør ikke en forlængelse eller en ny start på garantiperioden. Udvekslede dele eller værktøjer bliver vores ejendom. I nogle lande skal leveringsafgifter eller porto betales af afsenderen. Dine lovbestemte rettigheder i forbindelse med købet forbliver uanfægtede
- Denne garanti gælder i EU, Schweiz, Island, Norge, Liechtenstein, Tyrkiet og Rusland. Udenfor disse områder bedes du kontakte din autoriserede RYOBI-forhandler for at afgøre, om en anden garanti gælder.

AUTORISERED E SERVICE/VÆRKSTEDER

Find nærmeste autoriserede serviceværksted på <http://dk.ryobitools.eu/header/service-and-support/service-agents>.

SV RYOBI® ANVÄNDNINGSVILLKOR FÖR GARANTI

Förutom eventuella lagstadgade rättigheter som uppstår genom köpet, täcks den här produkten av en garanti som anges nedan.

1. Garantiperioden är 24 månader för konsumenter och börjar gälla från det datum då produkten köptes. Detta datum måste dokumenteras på en faktura eller annat köpbevis. Produkten är utformad och avsedd för konsumenter och privat bruk. Därmed tillhandahålls ingen garanti vid yrkesmässigt eller kommersiellt bruk.
2. Det finns möjlighet att förlänga garantiperioden för en del av utbudet för elverktyg (AC/DC) under den period som anges ovan genom att använda registreringen på webbplatsen www.ryobitools.eu. De verktyg som är berättigade till en förlängning av garantiperioden visas tydligt i butiker och/eller på förpackningen/och anges i produktdokumentationen. Slut användaren behöver registrera hans/hennes nyförvärvade verktyg online inom 30 dagar från köpdatumet. Slut användaren kan registrera sig för den förlängda garantin i det land där han/hon bor om landet finns angivet i registreringsformuläret online och där detta alternativ är giltigt. Dessutom måste slut användaren ge sitt medgivande till lagring av data vilket krävs vid registrering online samt acceptera villkoren. Bekräftelsekvittot för registreringerna som skickas ut via e-post och originalfakturan som visas köpdatumet kommer att gälla som bevis för den förlängda garantin.
3. Garantin täcker alla produktdefekter under garantiperioden som beror på brister i utförande eller material vid köpdatumet. Garantin är begränsad gällande reparation och/eller utbyte och inkluderar inte några skyldigheter inklusive men inte begränsat till oförutsedda skador eller följskador. Garantin är inte giltig om produkten har missbrukats, använts i strid med bruksanvisningen eller inte anslutits på rätt sätt. Denna garanti täcker inte:
 - eventuella skador på produkten som uppstått till följd av felaktigt underhåll
 - produkter som har ändrats eller modifierats
 - produkter där ursprungliga identifieringsmärkningar (varumärke, serienummer) har målats över, ändrats eller tagits bort
 - eventuella skador som uppstått till följd av att bruksanvisningen inte efterföljts
 - alla icke CE-produkter
 - eventuella produkter som har försökts repareras av en icke-kvalificerad yrkesman eller utan föregående medgivande från Techtronic Industries.
 - eventuella produkter som anslutits till felaktig strömförsörjning (ampere, volt, frekvens)
 - eventuella skador som uppstått till följd av yttre påverkan (kemisk, fysisk, stöt) eller främmande ämnen
 - normalt slitage av reservdelar
 - olämplig användning, överbelastning av verktyget
 - användningen av icke-godkända tillbehör eller delar
 - tillbehör till elverktyg som medföljde verktyget eller köpts separat. Sådana undantag inkluderar men är inte begränsat till skruvmejselbits, borrbits, slipskivor, sandpapper, blad och sidoskena
 - Komponenter (delar och tillbehör) är föremål för naturligt slitage, inklusive men inte begränsat till service- och underhållsatsar, kolborstar, kullager, chuck, tillbehör eller tillhörande SDS-borrbitt, strömsladd, hjälphandtag, transportväska, slipplatta, dammpåse, dammtullblåsrör, filterbrickor, stift och fjädrar till mutterdragare osv.
4. Vid service måste produkten skickas eller uppvisas för en RYOBI-auktoriserad servicestation som står angiven för varje land i följande adresslista över servicestationer. I vissa länder tar din lokala RYOBI-återförsäljare på sig ansvaret att skicka produkten till RYOBI-serviceorganisationen. När en produkt skickas till en RYOBI-servicestation, ska produkten paketeras säkert utan något farligt innehåll såsom bensin, markeras med avsändarens adress samt en kort beskrivning av felet.
5. En reparation/ett utbyte under denna garanti är kostnadsfri. Det utgör inte en förlängning eller förnyelse av garantiperioden. Utbyta delar eller verktyg blir vår egendom. I vissa länder måste leveranskostnader eller porto betalas av avsändaren. Dina lagstadgade rättigheter som härrör från köpet av verktyget förblir opåverkade
6. Denna garanti är giltig i Europeiska gemenskapen: Schweiz, Island, Norge, Liechtenstein, Turkiet och Ryssland. Utanför dessa länder, kontakta din auktoriserade RYOBI-återförsäljare för att avgöra om en annan garanti gäller.

AUKTORISERAT SERVICECENTER

Du hittar närmaste auktoriserade servicecenter genom att gå till <http://se.ryobitools.eu/header/service-and-support/service-agents>.

FI RYOBI®-TAKUUN SOVELTAMISEHDOT

Tällä tuotteella on oston luomien lakisääteisten oikeuksien ohella alla mainitun mukainen takuu.

1. Takuun kesto on kuluttajille 24 kuukautta ja takuuaika alkaa tuotteen ostohetkestä. Tämän päivämäärän tulee lukea laskussa tai muussa ostotositteessa. Tuote on suunniteltu ja tarkoitettu vain kuluttajien ja yksityiseen käyttöön. Takuu ei siis kata ammatti- eikä kaupallista käyttöä.
2. Joidenkin sähkötyökalujen (AC/DC) takuun kesto on mahdollista laajentaa yllä mainittua kestoä pidemmäksi verkko-sivuston www.ryobitools.eu rekisteröinnin kautta. Työkalujen kelppoisuus takuujakson laajennukseen näkyy selkeästi myymälöissä ja/tai pakkauksissa ja/ tai tämä tieto sisältyy tuotedokumentaation. Loppukäyttäjän täytyy rekisteröidä vasta hankitut työkalut internetissä 30 päivän kuluessa ostopäivämäärästä. Loppukäyttäjää voi rekisteröidä laajennetun takuun kotimaassaan, jos se on luetteluna online-rekisteröintilomakkeessa, jossa mainitaan, missä tämä vaihtoehto on voimassa. Loppukäyttäjien täytyy lisäksi hyväksyä tietojen tallennus, jotka heidän täytyy antaa online-tilassa sekä ehdot. Rekisteröinnin vahvistuskuitti, joka lähetetään sähköpostitse, ja aluperäinen ostopäivämäärän ilmaiseva lasku toimivat laajennetun takuun tositteina.
3. Takuu kattaa kaikki tuotteeseen takuuaikana tulevat viat, joiden aiheuttajina ovat tuotteessa ostopäivänä olleet valmistus- tai materiaali-viat. Takuu on rajoitettu korjaukseen ja/tai vaihtoon eikä se sisällä mitään muuta velvoitetta mukaan lukien satunnais- ja seuranaisvaihintoja, mutta rajoittumatta niihin. Takuu ei päde, jos tuotetta on käylytty väärin, käyttöohjeen vastaisesti tai jos se on liitetty virheellisesti. Tämä takuu ei kata:
 - virheellisestä huollosta johtuvia vaurioita
 - muunnettua tai muutettua tuotetta
 - tuotetta, jonka aluperäiset tunnistemerkinnät (tavaramerkki, sarjanumero) on turmeltu, muutettu tai poistettu
 - tämän käyttöoppaan laiminlyönnistä johtuvia vaurioita
 - ei-CE-tuotetta
 - tuotetta, jota on yrittänyt korjata epäpätevä ammattilainen tai joka on korjattu ilman Techtronic Industriesin ennakkolupa.
 - tuotetta, joka on liitetty virheelliseen teholähteeseen (ampeirit, jännite, taajuus)
 - ulkoisten vaikutusten (kemiallinen, fyysinen, iskut) tai vieraiden aineiden aiheuttamaa vauriota
 - normaaleja kuluvia vaurioita
 - virheellistä käyttöä, työkalun ylikuormitusta
 - ei-hyväksytyjen tarvikkeiden tai osien käyttöä
 - sähkötyökalun tarvikkeita, jotka on toimitettu työkalun mukana tai ostettu erikseen. Poissuljettuja osia ovat ruuvausterät, poranterät, hiomalaikat, hiekkapaperi ja terät, sivuohjain, näihin kuitenkin rajoittumatta
 - Luonnollisesti kuluvia komponentteja (osia tai tarvikkeita), joihin sisältyvät huolto- ja kunnossapitosetit, hiiliharjat, laakerit, terästäkat, SDS-porien kiinnitin tai istukka, virtajohto, apukahva, kuljetuskotelo, hiomalaikka, pölypussi, pölynpoistoputki, huopatiivisteet, iskunvääntimen pultit ja jouset yms. näihin kuitenkin rajoittumatta.
4. Tuote on lähetettävä huollettavaksi valtuutettuun RYOBI-huoltoon tai näyteltävä siellä. Niiden osoitteet kussakin maassa löytyvät seuraavasta luettelosta. Joissakin maissa paikallinen RYOBI-jälleenmyyjä huolehtii tuotteen lähetyksestä RYOBI-huolto-organisaatioon. Kun tuote lähetetään RYOBI-huoltoon, se täytyy pakata hyvin ilman vaarallisia aineita, kuten polttoainetta, ja pakkaukseen täytyy merkitä lähettäjän nimi sekä vain lyhyt kuvaus.
5. Takuun kattama korjaus/vaihto on maksuton. Se ei tarkoita takuuaajan laajennusta tai alkamista alusta. Vaihdetut osat tai työkalut siirtyvät valmistajan omistukseen. Joissakin maissa lähettäjän täytyy maksaa lähetyksenkustannukset tai postikulut. Työkalun oston luomat lakisääteiset oikeudet pysyvät koskemattomina
6. Tämä takuu on voimassa Euroopan yhteisössä, Sveitsissä, Islannissa, Norjassa, Liechtensteinissä, Turkissa ja Venäjällä. Ota näiden alueiden ulkopuolella yhteyttä omaan valtuutettuun RYOBI-jälleenmyyjään ja selvitä, onko jokin muuta takuuta.

VALTUUTETTU HUOLTO

Voit etsiä lähimmän valtuutetun huollon sivulta <http://fi.ryobitools.eu/header/service-and-support/service-agents>.

NO RYOBI® GARANTIBETINGELSER

I tillegg til eventuelle lovbestemte rettigheter som følger av kjøpet, er dette produktet dekket av en garanti som angitt nedenfor.

- Garantiperioden er 24 måneder for konsumenter og gjelder fra den datoen som produktet ble kjøpt. Denne datoen skal dokumenteres med en faktura eller annet kjøpsbevis. Produktet er designet og beregnet kun til konsument- og privat bruk. Så det gis ingen garanti ved profesjonell eller kommersiell bruk.
- For en del av utvalget av elektriske verktøy (AC/DC) er det mulighet til å utvide garantiperioden i den perioden som er beskrevet ovenfor ved bruk av registreringer på nettsidene www.ryobitools.eu. Kvalifisering av verktøyene for en utvidelse av garantiperioden er tydelig vist i butikker og/eller på pakningen / og finnes innen produktdokumentasjonen. Sluttbrukeren må registrere sine nylig anskaffede verktøy online innen 30 dager etter kjøpsdato. Sluttbrukeren kan registrere seg for den utvidede garantien i sitt land hvis det er opplistet på online registreringsskjemaet der dette alternativet er gyldig. Videre må sluttbrukere gi sitt samtykke til oppbevaring av dataene som kreves for å gå online, og de må godta vilkår og betingelser. Registreringsbekreftelsen, som sendes ut på e-post, og den originale fakturaen som viser kjøpsdato, vil tjene som bevis for den utvidede garantien.
 - Garantien dekker alle defekter i produktet under garantiperioden på grunn av defekter i utførelse eller materiale på kjøpsdato. Garantien er begrenset til å reparere og/eller erstatte og inkluderer ikke noen andre forpliktelser, inkludert, men ikke begrenset til, tilfældige eller følgesmessige skader. Garantien er ikke gyldig hvis produktet har blitt misbrukt, brukt på annen måte enn det som beskrives i bruksanvisningen eller er koblet til på feil måte. Denne garantien gjelder ikke for:
 - enhver skade på produktet som er resultat av utlitrsekkelig vedlikehold
 - ethvert produkt som har blitt endret eller modifisert
 - ethvert produkt der de originale identifiseringsmerkene (varemerke, serienummer) har blitt uleselig, er endret eller fjernet
 - enhver skade som forårsakes av ikke-overholdelse av instruksjonshåndboken
 - ethvert ikke-CE-produkt
 - ethvert produkt som har blitt forsøkt reparert eller av en ikke-kvalifisert fagperson eller uten tidligere autorisasjon fra Techtronic Industries.
 - ethvert produkt tilkoblet feil strømforsyning (ampere, spenning, frekvens)
 - enhver skade som er forårsaket av eksterne påvirkninger (kjemiske, fysiske, støt) eller fremmede stoffer
 - normal slitasje og slitereservedeler
 - feil bruk, overbelastning av verktøyet
 - bruk av ikke-godkjent tilbehør eller deler
 - Elektrisk verktøytillbehør levert med verktøyet eller kjøpt separat. Slike ekskluderinger, inkludert, men ikke begrenset til skrutrekkebits, drillbits, slipedisker, sandpapir og blader, lateral føring
 - Komponenter (deler og tilbehør) som er utsatt for naturlig slitasje, inkludert, men ikke begrenset til service- og vedlikeholdssett, karbonborster, lagre, chuck, SDS-borrbifeste eller -mottak, strømledning, hjelpehåndtak, transportbæreske, sandingsplate, støvpose, støvutslippsrør, filtpakninger, støttokkelpinner og fjær, osv.
 - For service må produktet sendes eller fremlegges for en RYOBI-autorisert servicestasjon opplistet for hvert land i den følgende listen over servicestasjonsadresser. I noen land sender den lokale RYOBI-forhandleren produktet til RYOBI serviceorganisasjonen. Ved å sende et produkt til en RYOBI servicestasjon skal produktet være sikkert pakket uten noe farlig innhold, slik som bensin, merket med senderens adresse og fulgt av en kort beskrivelse av feilen.
 - En reparasjon/erstatning under denne garantien er gratis. Den utgjør ingen forlengelse eller en ny start av garantiperioden. Utvekslede deler eller verktøy blir vår eiendom. I noen land vil leveringskostnader eller frankering måtte betales av senderen. Dine lovbestemte rettigheter som oppstår fra kjøp av verktøyet forblir uberørt.
 - Denne garantien er gyldig i EU, Sveits, Island, Norge, Liechtenstein, Tyrkia og Russland. Utenfor disse områdene ta kontakt med din autoriserte RYOBI-forhandler om en annen garanti gjelder.

AUTORISERT SERVICESENTER

For å finne et autorisert servicesenter i nærheten, gå til <http://no.ryobitools.eu/header/service-and-support/service-agents>.

RU УСЛОВИЯ ПРИМЕНЕНИЯ ГАРАНТИИ НА ПРОДУКЦИЮ RYOBI®

Помимо законных прав, возникающих при покупке, данное изделие покрывается гарантией в соответствии с приведенными ниже пунктами.

- Гарантийный период для покупателя составляет 24 месяца с даты покупки изделия. Дата покупки должна быть подтверждена полностью заполненным гарантийным талоном и чеком о покупке. Данное изделие предназначено только для частного использования покупателем. Поэтому гарантия не распространяется на использование в профессиональных или коммерческих целях.
- Предусмотрена возможность продления для части изделий линейки электроинструментов (AC/DC) гарантийного периода с помощью регистрации на сайте www.ryobitools.eu. Право инструмента на продление гарантийного периода четко указано в магазинах и / или на упаковке / и содержится в сопутствующей инструменту документации. Конечный пользователь должен зарегистрировать свой приобретенный инструмент в течение 30 дней с даты покупки. Конечный пользователь может зарегистрировать свой инструмент на продление гарантии в стране своего проживания, если она указана в форме онлайн-регистрации. Кроме того, конечный пользователь должен дать свое согласие на хранение данных, которые необходимо ввести в онлайн-форму и принять правила и условия. Подтверждение регистрации, которое вы получите по электронной почте, заполненный гарантийный талон и оригинальный чек, в котором указана дата покупки, будут служить доказательством продленной гарантии.
- Гарантия покрывает в течение гарантийного периода все дефекты качества или материала изделия на дату покупки. Гарантия ограничена ремонтом и / или заменой и не включает никакие другие обязательства, включая, но не ограничиваясь случайными или косвенными убытками. Гарантия становится недействительной, если изделие использовалось не по назначению, вопреки инструкциям, данным в Руководстве пользователя или было неправильно подключено. Настоящая гарантия не распространяется на:
 - любые повреждения изделия в результате неправильного технического обслуживания или недостаточного ухода за инструментом
 - любые изделия, подвергшиеся изменениям и модификации
 - любые изделия, оригинальные идентификационные отметки которого (торговая марка, серийный номер) были повреждены, изменены или удалены
 - любые повреждения, вызванные несоблюдением инструкций Руководства пользователя
 - любые изделия, не сертифицированные маркировкой "CE" для продажи в Европейском союзе
 - любые изделия, подвергшиеся попыткам ремонта неквалифицированным работником или без предварительного утверждения компании Techtronic Industries.
 - любые изделия, подключенные к неправильному источнику питания (сила тока, напряжение, частота)
 - любые повреждения, вызванные внешними воздействиями (химические, физические, удары) или посторонними веществами
 - естественный износ запасных деталей
 - несоответствующее использование, перегрузка инструмента
 - использование неутвержденных аксессуаров и неофициальных запасных деталей
 - аксессуары электроинструментов, поставляемые с инструментом или приобретаемые отдельно. К этому списку относятся, но не исчерпывают его: сверла шуруповертов, дрелей, абразивные диски, наждачную бумагу, лезвия и боковые направляющие компоненты (детали и аксессуары), подверженные естественному износу и разрыву, включая, но не ограничиваясь наборы для технического обслуживания, угольные щетки, подшипники, патроны, переходники SDS, кабели питания, дополнительные ручки, футляры для транспортировки, шифовальные подошвы, пылесборники, трубки для отвода пыли, войлочные шайбы, штыри и пружины ударных ключей и др.
- Для проведения технического обслуживания изделие следует направлять в авторизованные сервисные центры RYOBI, указанные для каждой страны в приведенном ниже списке адресов станций сервисного обслуживания. В некоторых странах местные дилеры RYOBI отправляют изделия в сервисные организации RYOBI. При отправке изделия в сервисный центр RYOBI, изделие должно быть безопасно упаковано и не содержать никаких опасных веществ, таких как бензин, должен быть подписан адрес отправителя и сопровождаться кратким описанием неисправности.
- Ремонт / замена проводится в рамках настоящей гарантии бесплатно. Он не продлевает гарантию и не начинает новый гарантийный период. Замененные детали и инструменты становятся нашей собственностью. В некоторых странах отправитель должен оплачивать стоимость отправки. Ваши законные права, возникающие при покупке инструмента, остаются неизменными.
- Данная гарантия действительна в Европейском Союестве, Швейцарии, Исландии, Норвегии, Лихтенштейне, Турции и России. Вне указанных территорий обращайтесь к своему авторизованному дилеру RYOBI, чтобы узнать, применяются ли условия каких-либо других гарантий.

УПОЛНОМОЧЕННЫЙ СЕРВИСНЫЙ ЦЕНТР

Чтобы найти ближайший уполномоченный сервисный центр, обратитесь к веб-сайту <http://ru.ryobitools.eu/header/service-and-support/service-agents>.

PL WARUNKI GWARANCJI RYOBI®

Oprócz praw ustawowych wynikających z zakupu produkt jest objęty gwarancją, której warunki podano poniżej.

1. Okres gwarancyjny wynosi 24 miesiące dla konsumentów i rozpoczyna się w dniu zakupu produktu. Datę zakupu należy udokumentować fakturą lub innym dowodem zakupu. Produkt został zaprojektowany i jest przeznaczony do użytku konsumenckiego i prywatnego. W związku z tym gwarancja nie obejmuje zastosowań profesjonalnych i komercyjnych.
2. Istnieje możliwość wydłużenia okresu gwarancyjnego dla części asortymentu narzędzi ręcznych z napędem mechanicznym (AC/DC) poprzez zarejestrowanie produktu na stronie internetowej www.ryobitools.eu. Kwalifikowalność narzędzi do wydłużenia okresu gwarancyjnego jest wyraźnie określona w sklepach i/lub na opakowaniu oraz w dokumentacji produktu. Użytkownik końcowy musi zarejestrować nowo kupione narzędzia online w ciągu 30 dni od daty zakupu. Użytkownik końcowy może zarejestrować się w celu przedłużenia gwarancji w swoim kraju zamieszkania, jeżeli jest on wymieniony w formularzu rejestracji online, gdzie opcja ta obowiązuje. Ponadto użytkownicy końcowi muszą wyrazić zgodę na przechowywanie danych, wprowadzanych na stronie internetowej i zaakceptować regulamin. Dowodem wydłużenia gwarancji jest wysłane pocztą elektroniczną potwierdzenie rejestracji i oryginalny faktury potwierdzającej datę zakupu.
3. Gwarancja obejmuje wszystkie wady produktu ujawnione w okresie gwarancyjnym wynikające usterek wykonania lub materiału obecnego w dniu zakupu. Gwarancja jest ograniczona do naprawy i/lub wymiany i nie obejmuje żadnych innych zobowiązań, w tym między innymi odpowiedzialności za szkody przypadkowe lub wtórne. Gwarancja nie obowiązuje, jeżeli produkt był nieprawidłowo używany, używany niezgodnie z instrukcją lub nie był prawidłowo podłączony. Gwarancja nie obejmuje:
 - uszkodzenia produktu wynikającego z nieprawidłowej konserwacji,
 - produktu, który został zmieniony lub zmodyfikowany,
 - produktu, którego oryginalne oznaczenie (znak towarowy, numer seryjny) zostało zniszczone, zmienione lub usunięte,
 - jakiegokolwiek uszkodzeń wynikających z nieprzebrzeżenia instrukcji,
 - jakiegokolwiek produktu bez certyfikatu CE,
 - jakiegokolwiek produktu, który próbowano naprawić z pomocą niewykwalifikowanej osoby lub bez uzyskania wcześniejszej zgody firmy Techtronic Industries.
 - jakiegokolwiek produktu podłączonego nie prawidłowego źródła zasilania (nieprawidłowe napięcie prądu, napięcie, częstotliwość),
 - jakiegokolwiek uszkodzeń spowodowanych wpływem czynników zewnętrznych (chemicznych, fizycznych, drgań) lub substancji obcych,
 - normalnego zużycia części zamiennych,
 - nieprawidłowego użycia, przeciążenia narzędzia,
 - stosowania niezatwierdzonych akcesoriów lub części,
 - akcesoriów narzędzi ręcznych z napędem mechanicznym dostarczonych z narzędziem lub kupionych oddzielnie. Takie wykluczenia obejmują, między innymi, wymienne ostrza wkrętaka, wiertła, tarcze cierne, papier ścierny i ostrza, prowadnicę boczną.
 - elementów (części i akcesoriów) podlegających naturalnemu zużyciu obejmujących, między innymi, zestawy do konserwacji i serwisu, szczotki węglowe, łożyska, uchwyt, przystawkę wiertła SDS, gniazdo, przewód zasilania, uchwyt pomocniczy, skrzynię transportową, płytę szlifierską, worek pyłowy, turę odprowadzania pyłu, podkładki filcowe, kolki i sprężyny klucza udarowego itp.
4. W celu serwisowania produkt należy wysłać lub okazać w autoryzowanym punkcie serwisowym RYOBI znajdującym się na przedstawionym poniżej wykazie punktów serwisowych w poszczególnych krajach. W niektórych krajach lokalny dystrybutor produktów RYOBI podejmuje się wysyłki produktu do centrum serwisowego RYOBI. W przypadku wysyłki do punktu serwisowego RYOBI produkt — pozbawiony jakiegokolwiek niebezpiecznych substancji, na przykład benzyny — należy bezpiecznie zapakować i dołączyć adres nadawcy oraz krótki opis usterek.
5. Naprawa/wymiana w ramach niniejszej gwarancji jest bezpłatna. Nie stanowi jednak o przedłużeniu lub rozpoczęciu od nowa biegu okresu gwarancyjnego. Wymienione części lub narzędzia stają się naszą własnością. W przypadku niektórych krajów nadawca będzie musiał uregulować koszty dostawy lub opłaty pocztowe. Prawa ustawowe wynikające z zakupu narzędzia pozostają niezmienione.
6. Niniejsza gwarancja obowiązuje w Unii Europejskiej, Szwajcarii, Islandii, Norwegii, Liechtensteinie, Turcji i Rosji. Poza tymi obszarami należy skontaktować się z autoryzowanym dostawcą produktów RYOBI i ustalić, czy obowiązuje inna gwarancja.

AUTORYZOWANY PUNKT SERWISOWY

Najbliższy autoryzowany punkt serwisowy można wyszukać w witrynie internetowej <http://pl.ryobitools.eu/header/service-and-support/service-agents>.

CS ZÁRUČNÍ PODMÍNKY RYOBI®

Kromě zákonných práv vyplývajících z koupě výrobku se na tento výrobek vztahuje také níže uvedená záruka.

1. Záruční doba pro spotřebitele je 24 měsíců a začíná datem nákupu výrobku. Datum musí být zaznamenáno na fakturě nebo jiném dokladu o koupi. Tento výrobek je navržen a určen pouze pro soukromé účely spotřebitelů. Záruka se tedy nevztahuje na profesionální nebo komerční využití výrobku.
2. U některých elektrických nástrojů (AC/DC) je možné záruční dobu prodloužit. K tomu je nutná registrace na stránkách www.ryobitools.eu. Možnost prodloužení záruční doby výrobků je jasně uvedena v prodejních, popř. na obalech nebo v dokumentech o výrobku. Koncový uživatel musí svůj nový nástroj zaregistrovat online do 30 dnů od data nákupu. Koncový uživatel se může k prodloužení záruční doby zaregistrovat v zemi trvalého pobytu, pokud je tato uvedena na internetovém registračním formuláři u výrobku, kde je tato možnost dostupná. Koncoví uživatelé musí dále souhlasit s uložením osobních údajů, která musí zadat na internetu, a přijmout obchodní podmínky. E-mail s potvrzením registrace a původní faktura s datem koupě poslouží jako důkaz o prodloužení záruce.
3. Záruka se vztahuje na veškeré vady na výrobku v rámci záruční doby způsobené výrobními vadami nebo vadami materiálu v době koupě. Záruka je omezena na opravu, popřípadě výměnu a nezahrnuje žádné další povinnosti, včetně mimo jiné vedlejších či následných odškodnění. Záruka neplatí při použití výrobku k nevhodným účelům, v rozporu s uživatelskou příručkou nebo při nesprávném zapojení. Záruka se nevztahuje na:
 - veškeré škody na výrobku způsobené nesprávnou údržbou
 - veškeré produkty, které byly pozměněny nebo upraveny
 - veškeré produkty, kde byly původní identifikační prvky (obchodní značka, sériové číslo) poniženy, pozměněny nebo odstraněny
 - veškeré škody způsobené nedodržením pokynů uživatelské příručky
 - veškeré produkty bez CE certifikace
 - veškeré produkty, které se pokusil opravit nekvalifikovaný odborník nebo opravy bez předchozího svolení společnosti Techtronic Industries.
 - veškeré produkty zapojené do nesprávného elektrického zdroje (proud, napětí, frekvence)
 - veškeré škody způsobené externími vlivy (chemickými, fyzickými, nárazy) nebo cizími látkami
 - běžné opotřebování dílů
 - nevhodné použití, přetěžování nástroje
 - použití neschválených příslušenství nebo dílů
 - příslušenství k elektrickému nástroji poskytnuté s nástrojem nebo zakoupené samostatně. Tyto výjimky se vztahují mimo jiné na šroubovací bity, vrátky, brusné disky, brusný papír a čepele, postranní vodičí lišty
 - komponenty (díly a příslušenství) podléhající přirozenému opotřebování, včetně mimo jiné servisních sad, karbonových kartáčů, ložisek, sklíčidla, SDS nástavce na vrtačí bity, napájecího kabelu, pomocné nukojele, přepravního pouzdra, brusné desky, prachového vaku, výfukové prachové trubice, plstěných podložek, západek a pruzin rázového utahovačku atd.
4. K provedení servisu musí být výrobek zaslán nebo předán do autorizovaného servisního centra společnosti RYOBI, jejichž adresy jsou uvedeny podle země v seznamu servisních center. V některých zemích z vás výrobek pošle servisní organizaci RYOBI sám prodejce výrobků této značky. Při zasílání výrobku do servisního centra RYOBI je potřeba výrobek bezpečně zabalit bez nebezpečného obsahu jako benzín, opatřit adresou odesílatele a přiložit krátký popis závady.
5. Oprava, popř. výměna v rámci této záruky je zdarma. Neznamená to prodloužení nebo začátek nové záruční lhůty. Vyměněné díly nebo nástroje přejdou do našeho vlastnictví. V některých zemích platí poštovné odesílatele. Vaše zákonná práva vyplývající z koupě tohoto nástroje utvářejí nedotčená.
6. Tato záruka platí v Evropském Společenství, Švýcarsku, Norsku, Lichtenštejnsku, Turecku, Rusku a na Islandu. Mimo tuto území kontaktujte autorizovaného prodejce značky RYOBI, který zjistí, zda se na výrobek vztahuje jiná záruka.

POVĚŘENÉ SERVISNÍ STŘEDISKO

Pro nalezení nejbližšího pověřeného servisního střediska navštivte <http://cz.ryobitools.eu/header/service-and-support/service-agents>.

HU A RYOBI® GARANCIA ALKALMAZÁSÁNAK FELTÉTELEI

A vásárlásból adódó törvényben rögzített jogok mellett a termékre az alábbi garancia vonatkozik.

1. A fogyasztói garancia tartama 24 hónap, mely a termék vásárlásának napjával kezdődik. Ezt a dátumot számlával vagy a vásárlást igazoló egyéb dokumentummal kell bizonyítani. A termék rendeltetése csak fogyasztói és magáncéllú használat. Ezért professzionális vagy kereskedelmi használat esetén a garancia nem érvényes.
2. A szerszámgépek (egyenáramú/váltóáramú) egy részénél a garancia időtartama a www.ryobitools.eu weblapon regisztrálva meghosszabbítható. Az áruházakban, a csomagolásban, illetve a termék dokumentációjában egyértelműen jelezve van, hogy az adott termék garanciája meghosszabbítható-e. A végfelhasználónak a vásárlás dátumától számított 30 napon belül regisztrálnia kell az újonnan vásárolt szerszámot. A végfelhasználó akkor regisztrálhatja a kiterjesztett garanciára, ha az ország, ahol lakik, fel van sorolva az online regisztrációs úrlapon azon országok között, ahol választható ez az opció. Ezenkívül a végfelhasználónak bele kell egyeznie az online regisztrálás során szükséges adatok tárolásába, és el kell fogadnia a felhasználási feltételeket. A kiterjesztett garanciát a regisztráció beérkezésétől e-mailben küldött visszaigazolás és a vásárlás dátumát tartalmazó eredeti számla igazolja.
3. A garancia a termék vásárlásakor fennálló, a gyártás során keletkezett hibákra és anyaghibákra érvényes a garanciális időtartamon belül. A garancia csak a javításra/cserére korlátozódik, és nem terjed ki semmilyen egyéb kötelezettségre, nem kizárólagosan ideértve a véletlen vagy szándékos rongálást. A garancia nem érvényes, ha a terméket nem megfelelően, a használati utasításban foglaltakkal ellentétben, illetve nem megfelelően csatlakoztatva használták. A garancia nem vonatkozik:
 - a terméket a nem megfelelő karbantartás következtében ért károsodásra
 - megváltoztatott vagy átalakított termékre
 - olyan termékre, melyen az eredeti azonosítókat (védjegy, sorozatszám) megrongálták, megváltoztatták vagy eltávolították
 - a használati utasítás be nem tartásából eredő kárra
 - CE jelöléssel nem rendelkező termékekre
 - olyan termékre, melyet nem képzett, illetve a Techtronc Industries által nem fejlesztett szerelvény javított
 - nem megfelelő (áramerősség, feszültségű, frekvenciájú) áramforrásra csatlakoztatott termékre
 - külső (veggyi, fizikai, ütés) hatásokból vagy idegen anyagokból eredő károkkra
 - a cserélhető alkatrészek természetes kopására és elhasználódására
 - a szerszám helytelen használatára, túlterhelésére
 - nem jóváhagyott tartozékok és alkatrészek használatára
 - A szerszámmal adott vagy külön megvásárolt tartozékokra. Ilyenek például (de nem kizárólag) a csavarhúzófejek, fúrószárak, csiszolókorongok, csiszolópapír, kések, oldalkerékek stb.
 - A természetes kopásnak, elhasználódásnak kitett alkatrészek és kiegészítők, például (de nem kizárólag) szerviz- és karbantartókészletek, szénkéfek, csapagyak, tokmány, SDS fúrószár csatlakozója, tápkábel, segédfogantyú, szállítók, csiszolólap, porzsák, porelvezető stb, filcátétek, utóműves csavarbehajtó gép csapszege és rugója stb.
4. A terméket javításra el kell vinni egy meghatalmazott RYOBI szervizbe; ezeket az egyes országokhoz a következő listában találja. Egyes országokban a helyi RYOBI kereskedő vállalja a termék elszállítását a RYOBI szervizbe. A terméket veszélyes tartalom, például benzín nélkül csomagolva, a feladó címét feltüntetve, a hiba rövid leírásával együtt küldje el a RYOBI szervizbe.
5. A jelen garancia hatálya alatt végzett javítás, illetve cseréje ingyenes. Nem jelenti a garanciális időtartam újraindítását. A kicserélt alkatrészek és szerszámok a mi tulajdonunkba kerülnek. Egyes országokban a szállítás vagy postázás költségét a feladó viseli. A vevőnek a szerszám megvásárlásából adódó törvényes jogai nem változnak.
6. Jelen garancia az Európai Közösségben, Svájcban, Izlandon, Norvégiában, Liechtensteinben, Törökországban és Oroszországban érvényes. E területeken kívül kérdezze meg a RYOBI forgalmazót, hogy milyen garancia van érvényben.

HIVATALOS SZERVIZKÖZPONT

A legközelebbi hivatalos szervizközpont megtalálásához látogasson el a <http://hu.ryobitools.eu/header/service-and-support/service-agents>.

RO CONDIȚII DE APLICARE A GARANȚIEI PENTRU PRODUSELE RYOBI®

În plus față de condițiile statutare rezultate din achiziționarea acestui produs, acesta este acoperit de garanția stipulată mai jos.

1. Perioada de garanție este de 24 de luni pentru consumatori și începe de la data achiziționării produsului. Data de începere a garanției trebuie demonstrată cu o factură sau altă dovadă a cumpărării produsului. Produsul este destinat și conceput doar pentru utilizare în scopuri personale. Din acest motiv, nu se oferă garanție pentru utilizarea sa în scop profesional sau comercial.
2. Există posibilitatea de a extinde a perioadei de garanție pentru gama de unelte electrice (de CA/CC) peste perioada stipulată mai sus prin înscrierea produsului pe [website-ul www.ryobitools.eu](http://www.ryobitools.eu). Eligibilitatea pentru perioada de extindere a garanției este afișată în mod clar în magazinele de vânzare și/sau pe ambalaj sau este inclusă în documentația livrată împreună cu produsul. Utilizatorul final este obligat să-și înregistreze produsul online în termen de maxim 30 de zile de la data achiziției acestuia. Utilizatorul final poate înregistra produsul pentru garanția extinsă oferită în țara sa de rezidență dacă aceasta este listată în formularul de înregistrare online și dacă această opțiune este validă. În plus, utilizatorul final trebuie să-și dea acordul pentru stocarea datelor personale solicitate la înregistrare online și trebuie să accepte termenii și condițiile. Mesajul de confirmare a înregistrării, trimis prin e-mail și factura originală cu data achiziției vor dovedi perioada de garanție extinsă.
3. Garanția acoperă toate defecțiunile produsului survenite în perioada de garanție datorate defectelor de execuție sau materialelor folosite, începând cu data achiziției acestuia. Garanția este limitată la reparare și/sau înlocuire și nu include alte obligații, inclusiv, dar fără a se limita la daune accidentale sau rezultate pe cale de consecință. Garanția își pierde valabilitatea dacă produsul este utilizat necorespunzător, utilizat neconform cu instrucțiunile de utilizare din manualul cu instrucțiuni sau conectat incorect. Garanția nu se aplică în cazul:
 - oricărei defecțiuni survenite în urma întreținerii necorespunzătoare a produsului
 - oricărui produs alterat sau modificat
 - oricărui produs la care inscripțiile cu datele de identificare (marca comercială, numărul de serie) au fost șterse, modificate sau îndepărtate
 - oricărei defecțiuni datorate neconformării cu instrucțiunile din manualul de utilizare
 - oricărui produs necertificat CE
 - oricărui produs asupra căruia au fost efectuate tentative de reparare de către personal necertificat sau fără autorizație prealabilă din partea Techtronc Industries.
 - oricărui produs conectat la o sursă de alimentare necorespunzătoare (curent, tensiune, frecvență)
 - oricărui defecțiuni datorate unor influențe externe (chimice, fizice, socuri) sau substanțe străine
 - uzurii și fisurării normale a pieselor de rezervă
 - utilizării neadecvate, suprasolicitării uneltei
 - utilizării de piese și accesorii neaprobate
 - accesorilor pentru uneltele furnizate odată cu acestea sau achiziționate separat. Acestea excluzi se aplică, dar fără a se limita la următoarele: burghie, biți de șurubelniță, discuri abrazive, hârte abrazivă și lame de tăiere, ghidaje laterale
 - Componentele (piese și accesorii) supuse uzurii normale, care includ, fără a se limita la, kituri de întreținere și service, perii de carbon, rulmenți, mandrină, adaptor pentru burghie SDS, cordon de alimentare, manere auxiliare, cutie de transport, placă pentru șlefuit, suport praf, tub pentru evacuarea prafului, discuri de păsă, adaptoare și resorturi pentru cheile de strângere prin vibrație, etc.
4. Pentru efectuarea reparațiilor, produsul trebuie trimis sau adus la un centru de reparații autorizat RYOBI din lista următoare de centre de reparații prezentate pentru fiecare țară. În anumite țări, reprezentantul local RYOBI va trimite produsul spre reparare la sediul central de reparații RYOBI. Atunci când trimiteți produsul spre reparare la un centru de reparații RYOBI, acesta trebuie ambalat în siguranță, fără conținut periculos (cum ar fi benzina), marcat cu adresa expeditorului și însoțit de o scurtă descriere a defecțiunii.
5. Repararea/înlocuirea în perioada de garanție este gratuită. Aceasta nu este însoțită de o prelungire sau o reiniiere a perioadei de garanție. Piesele sau uneltele schimbate devin proprietatea dvs. În anumite țări, taxele de expediție sau poștale vor fi suportate de expeditor. Drepturile dvs. statutare rezultate din achiziția produsului rămân ne schimbate
6. Această garanție este valabilă în Comunitatea Europeană, Elveția, Islanda, Norvegia, Liechtenstein, Turcia și Rusia. În afara acestor zone, vă rugăm să contactați reprezentantul dvs. local RYOBI pentru a determina dacă se aplică alt tip de garanție.

CENTRU DE SERVICE AUTORIZAT

Pentru a găsi un centru de service autorizat lângă dvs., vizitați <http://en.ryobitools.eu/header/service-and-support/service-agents>.

LV RYOBI® GARANTIJAS PIEMĒROŠANAS NOSACĪJUMI

Papildus jebkādam likumiskajām tiesībām, kuras rodas, veicot pirkumu, izstrādājums tiek nodrošināts ar tālāk tekstā noteikto garantiju.

1. Garantijas periods patērētājiem ir 24 mēneši, tā atskaitē tiek sākta no datuma, kurā veikta izstrādājuma iegāde. Šim datumam jābūt dokumentētam rēķinā vai citā pirkumu apliecināšā dokumentā. Izstrādājums ir radīts un paredzēts tikai patērētāja privātai lietošanai. Saistībā ar iepriekšminēto, garantija netiek nodrošināta profesionālas vai komerciālas lietošanas gadījumā.
2. Pastāv iespēja pagarināt daļas no elektroinstrumentu klāsta (Mainstrāvas/akumulatoru) garantiju ilgāk par iepriekš minēto periodu, izmantojot reģistrāciju interneta vietnē www.ryobitools.eu. Instrumenti, kas pakļauti garantijas perioda pagarināšanai, tiek skaidri apzīmēti veikalos un/vai uz iepakojuma un izstrādājumu komplektējošajā dokumentācijā. Gala lietotājam nepieciešams reģistrēt lai iegādātu jauno instrumentu 30 dienu laikā no pirkuma datuma. Gala lietotājs var reģistrēties pagarinātajai garantijai savā mitnes valstī, ja tā minēta tiešsaistes reģistrācijas veidlapā, kurā šī iespēja ir aktīva. Bez tam, gala lietotājam ir jāsniedz piekrišana tiešsaistes ievadīšanai nepieciešamo datu glabāšanai un jāpiekrīt noteikumiem un nosacījumiem. Reģistrācijas apstiprinājums, kas tiek nosūtīts, izmantojot e-pastu, un rēķina oriģināls, kurā norādīts iegādes datums, kalpo kā pagarinātās garantijas apstiprinājums.
3. Garantija attiecas uz visiem izstrādājumu defektiem garantijas periodā, kas saistīti ar ražošanas vai materiālu defektiem no pirkuma datuma. Šī garantija tiek ierobežota ar remontu un/vai nomaiņu un neietver jebkādas citas saistības, tajā skaitā, bet ne tikai, cēloņsakarīgos vai saistītos bojājumus. Garantija nav spēkā, ja izstrādājums ir nepareizi lietots, izmantots pretēji norādēm lietošanas rokasgrāmatā vai bijis nepareizi pieslēgts. Šī garantija netiek attiecināta uz:
 - jebkādiem izstrādājuma bojājumiem, kas radušies nepareizas uzturēšanas rezultātā
 - jebkuru izstrādājumu, kas ticis pārveidots vai mainīts
 - jebkuru izstrādājumu, kura oriģinālais identifikācijas (preču zīme, sērijas numurs) marķējums ir ticis nodzēsts, mainīts vai noņemts
 - jebkādiem bojājumiem, kuri radušies neievērojot norādes lietošanas rokasgrāmatā
 - jebkādam izstrādājumam bez CE sertifikācijas
 - jebkuru izstrādājumam, kura remontu mēģinājis veikt nekvalificēts personāls vai bez Techtronic Industries iepriekšējas autorizācijas.
 - jebkuru izstrādājumam, kurš bijis pieslēgts neatbilstošu parametru (strāvas, sprieguma, frekvences) sprieguma avotam
 - jebkuriem bojājumiem, kuri radušies ārējas iedarbības (ķīmiskas, fiziskas, triecieni) vai vielu ietekmē
 - detaļu normāla lietošanas nodiluma rezultātā
 - nepareizas lietošanas vai instrumentu pārslodzes rezultātā
 - neapstiprinātu detaļu vai aprīkojuma lietošanas rezultātā
 - elektroinstrumentu aksesuāriem, kas atrodas instrumenta komplektācijā vai ir iegādāti atsevišķi. Šis izņēmums attiecināms uz, bet neaprobežojoties ar, skrūvgrīžu uzgaļiem, urbjiem, abrazīvajiem diskkiem, smilšpapīru un asmeņiem, sānu vadotnēm
 - komponentiem (daļām un aksesuāriem), kas pakļauti normālam nodilumam, ieskaitot, bet neaprobežojoties ar Servisa un apkopju komplekti, oglekļa sukuks, gultņi, pātrona, SDS urbju uztverējiem vai uzliks, elektrības vads, papildus rukturis, transportēšanas un pārmēsāšanas kaste, slīpmašīnas plāksne, putekļu maisis, putekļu izvadišanas caurule, paplākšņi, triecienatslēgu tapas un atsperes, u.t.t.
4. Servisa nodrošināšanai, izstrādājums ir jānodod pilnvarotā RYOBI servisa centrā, kas norādīts katrā valstij tālāk minētajā servisa centru adresē sarakstā. Dažas valstīs jūs vietējais RYOBI izplatītājs uzņemas izstrādājuma nosūtīšanu uz RYOBI servisa organizāciju. Nosūtot izstrādājumu uz RYOBI servisa centru, izstrādājuma jābūt droši iepakotam, tas nedrīkst saturēt bīstamas vielas kā degvielu, sūtfūjumam jābūt marķētam ar sūtītāja adresi un īsu kļūmes aprakstu.
5. Remonts/nomaiņa šīs garantijas ietvaros ir bezmaksas. Tas nerada garantijas perioda pagarināšanu vai jaunu garantiju. Nomaiņās daļas vai instrumentu kļūst par mūsu īpašumu. Dažas valstis piegādes vai pasta izmaksas būs jāapmaksā sūtītājam. Jūsu likumiskās tiesības, kas nodibinās, iegādājoties instrumentu, paliek nemainīgas
6. Šī garantija ir spēkā Eiropas Kopienā, Šveicē, Islandē, Norvēģijā, Līhtenšteinā, Turcijā un Krievijā. Ārpus šīm teritorijām, lūdzu, sazinieties ar jūsu pilnvaroto RYOBI izplatītāju, lai noteiktu, vai ir piemērojama cita garantija.

AUTORIZĒTS APKALPOŠANAS CENTRS

Lai atrastu tuvāko autorizēto apkalpošanas centru, apmeklējiet <http://en.ryobitools.eu/header/service-and-support/service-agents>.

LT „RYOBI®“ GARANTIJOS TAIKYMO SĄLYGOS

Papildant bet kokias įstatybose numatytas perkanat atsirandančias teises, šiam įrenginiui taikoma toliau nurodyta garantija.

1. Vartotojams suteikiama 24 mėnesių trukmės garantija nuo įrenginio įsigijimo datos. Ši data turi būti nurodyta sąskaitoje faktūroje ar kitame pirkimą įrodančiame dokumente. Šis įrenginys skirtas tik vartotojų rinkai ir asmeniniam naudojimui. Todėl garantija netaikoma, jei įrenginys naudojamas profesiniams ar komerciniams reikmėms.
2. Įsigijus tam tikrus elektrinius įrenginius (AC/DC), suteikiama galimybė pratęsti garantiją, kad ji galiojūt ilgiau, nei nurodyta pirmiau, naudojantis registracija interneto svetainėje www.ryobitools.eu. Ar galima pratęsti įrenginio garantinį laikotarpį, aiškiai nurodoma parduotuvsė ir (arba) ant įrenginio pakuočės, ir (arba) įrenginio dokumentuose. Galutinis naudotojas turi užregistruoti savo naujai įsigytą įrenginį per 30 dienų nuo įsigijimo datos. Galutinis naudotojas gali registruotis išplėstinei garantijai savo gyvenamojoje šalyje, jei ji nurodyta internetinėje registracijos formoje, kurioje siūloma tokia galimybė. Be to, galutinai naudotojai turi sutikti su duomenų, kuriuos reikia įvesti internetu, saugojimu ir sveatinės naudojimo sąlygomis. Kaip išplėstinės garantijos įrodymas naudojamas registracijos patvirtinimo kvitas, atsiunčiamas el. paštu, ir originali sąskaita faktūra, kurioje nurodyta įsigijimo data.
3. Ši garantija apima visus garantiniu laikotarpiu aptiktus įrenginio trūkumus, atsiradusius dėl gamybos arba medžiaginių defektų nuo įsigijimo datos. Ši garantija nbrojama remontu ir (arba) pakeitimu, ji neapima jokių kitų įsipareigojimų, įskaitant (bet tuo neapsiribojant) šalutinio arba antrinius pakeitimus. Garantija anuliuojama, jei įrenginys buvo naudojamas netinkamai, naudojamas ne pagal naudojimo instrukciją arba netinkamai prijungtas. Ši garantija netaikoma:
 - jokiai įrenginiui padarytai žalai, kurią lėmė netinkama techninė priežiūra;
 - jokiai įrenginiui, kuris buvo keičiamas ar modifikuojamas;
 - jokiai įrenginiui, kurio originalūs identifikavimo ženklai (prekės ženklas, serijos numeris) buvo sugadinti, pakeisti arba pašalinti;
 - jokiai žalai, kurią lėmė naudojimo instrukcijos nesilaikymas;
 - jokiems CE ženklų nepažymėtiems įrenginiams;
 - jokiai įrenginiui, kurį bandė remontuoti nekvalifikuoti asmenys arba kuris buvo remontojamas be „Techtronic Industries“ leidimo;
 - jokiai įrenginiui, kuris buvo prijungtas prie netinkamo maitinimo tinklo (netinkamos srovės, įtampos, dažnio);
 - jokiai žalai, kurią lėmė išorinis poveikis (cheminis, fizinis, smūgiai) arba pašalinės medžiagos;
 - dėvimosioms dalims;
 - netinkamam naudojimui, įrenginio perkrovai;
 - nepatvirtintų priedų arba dalių naudojimui;
 - su įrenginiu pateiktiems arba atskirai įsigytiems elektrinio įrenginio priedams. Šios išimty apima (tuo neapsiribojant) atsektuvų antgalius, gražtų antgalius, šlifavimo diskus, švitrinį popierių ir geležtes, šoninį kreiptuvą;
 - komponentams (dalims ir priedams), kurie natūraliai dėvisi, įskaitant (bet tuo neapsiribojant) įprastines ir technines priežiūros rinkinius, anglinius šepetėlius, guolius, laikiklį, SDS gražtų antgalį priedą arba lizdą, maitinimo kabelį, pagalbinę rankena, nešiojimo dėklą, šlifavimo diską, maišelį dulkmėms, dulkių ištraukimo vamzdelį, fetro poveržles, smūginio veržliarakčio kaiščius ir spyruokles ir pan.
4. Prieiks atlikti priežiūros darbus, įrenginį reikia siųsti arba atvežti RYOBI įgaliojamam priežiūros centrui, nurodytam kiekvienos šalies priežiūros centrų adresų sąrašė. Kai kuriose šalyse vietinis RYOBI atstovas siunčia įrenginį RYOBI priežiūros organizacijai. Siunčiant įrenginį RYOBI priežiūros centrui, reikia saugiai į supakuoti pašalinant visas pavojingas medžiagas, pvz., benzina, nurodyti ant pakuotės siuntytojo adresą ir pridėti trumpą gedimo aprašymą.
5. Pagal šią garantiją remontas / keitimas atliekami nemokamai. Tokie veiksmai netaikomi garantijos pratęsimu arba naujo garantinio laikotarpio pradžia. Dalys arba įrenginiai, kuriuos pakeitėme, tampa mūsų nuosavybe. Kai kuriose šalyse pristatymo ir pašto išlaidas turi padengti siuntėjas. Įstatymuose numatytos teisės, atsirandančios perkanat įrenginį, lieka nepakeistos
6. Ši garantija galioja Europos bendrijoje, Šveicarijoje, Islandijoje, Norvegijoje, Lichtenšteine, Turkijoje ir Rusijoje. Jei gyvenate ne šiose šalyse, kreipkitės į įgaliojamą RYOBI atstovą ir sužinokite, ar jums taikoma kita garantija.

ĮGALIOJUS TECHNINĖS PRIEŽIŪROS CENTRAS

Jei norite surasti įgaliojamą techninės priežiūros centrą netoli Jūsų, apsilankykite interneto svetainėje <http://en.ryobitools.eu/header/service-and-support/service-agents>.

Lisaks toote ostust tulenevatele seadusjärgsetele õigustele, kehtib tootele ka alltoodud garantiiga.

- Tarbijatele on garantiiaeg 24 kuud ja algab sellel kuupäeval, mil toode osteti. Selle kuupäeva tähtsuseks on vaja arvet või mõnda teist tõendit ostu sooritamise kohta. Toode on mõeldud eratarbijatele ainult isiklikuks kasutamiseks. Seega ei kehti garantii ostu kasutamisel kutsetegevuses või kaubanduslikel eesmärkidel.
- Teatud osale elektrilistele (vahelduvvoolu/alalisvoolu) tööriistadele on võimalik pikendada tähtsuseks on vaja arvet või mõnda teist tõendit registreerimist veebilehel www.ryobitools.eu. Teave tööriista võimaliku pikendatud garantiiaja kohta on selgelt esile toodud poodides ja/või pakendil / ning see sisaldub toote dokumentatsioonis. Lõpparbiaja peab registreerima oma uued tööriistad interneti teel 30 päeva jooksul pärast ostmise. Lõppkasutaja võib registreerida pikendatud garantiiaja saatmisel oma elukohariigis, kui veebis olevas registreerimisvormis on see valik lubatud. Lisaks peavad kasutajad andma oma nõusoleku veebis nõutud sisestatavate andmete säilitamiseks ning nad peavad nõustuma tingimustega. E-posti teel saadetak registreerimise kinnitus ja arve originaal, kus on näha ostu sooritamise kuupäev, on pikendatud garantiiaja tähtsuseks.
- Garantii katab kõik defektid toote garantiiaja jooksul, kui ostu kuupäeval ilmnevad talitus- või materjalivead. Garantii piirub toote remondi ja/või värvajahetamisega ning ei sisalda muid kohustusi, muu hulgas ettenägematuid või kaudseid kahjusid. Garantii ei kehti, kui toodet ei ole kasutatud sihtotstarbelselt või kooskõlas kasutusjuhendiga või see on valesti ühendatud. Garantii ei kehti järgmistel põhjustel:
 - toode on kahjustatud vale hoolituse tõttu
 - toodet on muudetud
 - toote algupäraseid identifitseerimismärkeid (kaubamärk, seerianumber) on rikutud, muudetud või eemaldatud
 - kahju on tekkinud kasutusjuhendi mittejärgmisest
 - tootel puudub CE-märgis
 - toodet on püüdnud remontida vastavat kvalifikatsiooni mitte omav isik või ilma firma Techronic Industries eelneva loata.
 - toode on ühendatud valesse toiteallikasse (voolutugevus, ping, sagedus)
 - välismõjude (keemilised, füüsilised, elektrilöögid) või võrkehade tekitatud kahju
 - tavapärase kulumine ja katkised varuosad
 - ebaõige kasutamine, tööriista ülekoormamine
 - hea kiitumata tarvikute või osade kasutamine
 - koos tööriistaga saadud või eraldi ostetud elektriliste tööriistade tarvikud. Need erandid puudutavad muu hulgas kruvikeeraja otsakuid, puuriterasid, lihvkettaid, lihvpaberit ja -tald, küljuhukuid
 - Komponendid (osad ja tarvikud), mida iseloomustab kulumine ja vananemine, muu hulgas remondi- ja hoolduskomplektid, süsinikharijad, laagrid, padrunid, SDS-puuriterade tarvikud, toljetejute, lisakäepide, transpordikott, lihvplaat, tolmuok, tolmu väljalasketoru, vildist seibid, löökmutrivõtme võllid ja vedrud jne.
- Hoolituseks peab toote saatma või viima RYOBI volitatud teenindusse, mille aadressi leiata järgnevat teeninduspunkti nimekirjast vastava riigi alt. Mõnedes riikides võtab kohalik RYOBI edasimüüja enda kanda kohustuse saata toode RYOBI teenindusorganisatsiooni. Toote saatmisel RYOBI teenindusse peab toode olema ohutult pakitud ja ei tohi sisaldada ohtlike aineid (nt bensiin), kirjas peab olema saatja aadress ja lisatud vea lühikirjelõus.
- Garantii alusel tehtavad remonditööd / asendamine on tasuta. See ei pikenda garantii kehtivusaega ega tähistu uue garantiiaja algust. Väljavahetatud osad või tööriistad kuuluvad meile. Mõnedes riikides maksab kätetoimetamis- ja postikulud saatja. Teile jäävad kehtima tööriista ostust tulenevad seadusjärgsed õigused
- See garantii kehtib Euroopa Ühenduse territooriumil, Šveitsis, Islandil, Norras, Liechtensteinis, Türgis ja Venemaal. Väljaspool neid piirkondi võtke ühendust volitatud RYOBI edasimüüjaga, et teha kindlaks kas kehtib mõni teine garantii.

VOLITATUD HOOLDUSKESKUS

Oma volitatud hoolduskeskuse leiate veebisaidilt <http://en.ryobitools.eu/header/service-and-support/service-agents>.

Osim svim zakonskim pravima koja proizlaze iz kupnje, ovaj je proizvod pokriven jamstvom kako je navedeno u nastavku.

- Jamstveno razdoblje za potrošače traje 24 mjeseca i počinje s datumom na koji je proizvod kupljen. Taj datum mora se dokumentirati računom ili drugim dokazom o kupnji. Proizvod je konstruiran i namijenjen samo za privatnu upotrebu korisnika. Stoga se jamstvo ne daje u slučaju profesionalne ili komercijalne uporabe.
- Postoji mogućnost da se za dio asortimana električnih alata pokretanih izmjeničnom strujom (AC/DC) proizvodi gore navedeno jamstveno razdoblje putem registriranja na mrežnom mjestu www.ryobitools.eu. Uvjeti koje je potrebno zadovoljiti kako bi se produžilo jamstveno razdoblje jasno su istaknuti u prodavaonicama i / ili na pakiranju / i nalaze se unutar dokumentacije proizvoda. Krajnji korisnik mora registrirati svoje novo kupljene alate na mreži u roku od 30 dana od datuma kupnje. Krajnji korisnik može se registrirati za produženo jamstvo u svojoj zemlji boravišta ako se nalazi na popisu u mrežnom obrascu za registraciju gdje je ta opcija važeća. Nadalje, krajnji korisnici moraju dati svoj pristanak na pohranu podataka koji su potrebni za mrežni ulazak i moraju prihvatiti odredbe i uvjete. Potvrda o prijemu registracije, koja se šalje putem e-pošte, kao i originalni račun s vidljivim datumom kupnje poslužit će kao dokaz produženog jamstva.
- Jamstvo pokriva sve nedostatke proizvoda tijekom jamstvenog razdoblja koji su nastali zbog neispravnosti prilikom izrade ili materijala s datumom kupnje. Jamstvo je ograničeno na popravak i/ili zamjenu i ne obuhvaća nikakve druge obveze, uključujući, ali ne ograničavajući se na slučajne ili posljedične štete. Jamstvo ne vrijedi ako je proizvod bio zlorabljeno, korišten u suprotnosti s priručnikom s uputama ili ako je pogrešno spojen. Ovo jamstvo ne primjenjuje se na:
 - svaku štetu koja je na proizvodu nastala kao rezultat nepravilnog održavanja
 - svaki proizvod koji je promijenjen ili izmijenjen
 - svaki proizvod na kojem su izvorne identifikacijske oznake (žig, serijski broj) bile oštećene, izmijenjene ili uklonjene
 - svaku štetu prouzročenu neprirodžavanjem priručnika s uputama
 - svaki proizvod koji nema oznaku CE
 - svaki proizvod koji je pokušao popraviti nekvalificirani profesionalac ili onaj koji je popravljao bez prethodnog odobrenja tvrtke Techronic Industries.
 - svaki proizvod koji je spojen na neprikladan izvor električnog napajanja (neodgovarajuća amperaza, napon, frekvencija)
 - svaku štetu prouzročenu unutarnjim utjecajima (kemijskim, fizikalnim, udarima) ili stranim tvarima
 - normalno habanje i trošenje rezervnih dijelova
 - neodgovarajuću uporabu, preopterećenje alata
 - upotrebu neodobrenog pribora ili dijelova
 - dotadnu neoprem električnog alata isporučenu s alatom ili kupljenu odvojeno. Takvi izuzetci uključuju ali nisu ograničeni na vrhove odvijачa, svrdla bušilice, abrazivne diske, brusni papir i noževe, bočnu vodilicu
 - Komponente (dijelovi i pribor) podložne prirodnom trošenju i habanju, što uključuje, ali nije ograničeno na komplete za servisiranje i održavanje, ugljične četkice, ležajeve, steznu glavu, nastavak ili priključak za svrdla za SDS bušilicu, priključni kabel, pomoćnu ručku, transportne torbe, brusnu ploču, vreću za prašinu, ispušnu cijev za prašinu, podloške od filca, udami ključ, zatici i opruge, itd.
- Za potrebe servisiranja, proizvod se mora poslati ili odnijeti u ovlaštenu servisnu postaju tvrtke RYOBI navedenu na sljedećem popisu s adresama servisnih postaja u svakoj zemlji. U nekim zemljama, vaš lokalni RYOBI zastupnik obvezuje se da će poslati proizvod u servisnu organizaciju tvrtke RYOBI. Kada se proizvod šalje u neku servisnu postaju tvrtke RYOBI, proizvod se mora sigurno pakirati bez jednog od opasnih sadržaja kao što je benzin, na njemu mora pisati adresa pošiljatelja i mora biti popraćen kratkim opisom kvara.
- Popravak / zamjena pod ovim jamstvom su besplatni. Oni ne predstavljaju produženje ili novi početak jamstvenog razdoblja. Zamijenjeni dijelovi ili alati postaju naše vlasništvo. U nekim državama troškove isporuke ili poštarinu mora platiti pošiljatelj. Vaša zakonska prava koja proizlaze iz kupnje alata ostaju nepromijenjena
- Ovo jamstvo vrijedi u Europskoj uniji, Švicarskoj, Islandu, Norveškoj, Lihtenštajnu, Turskoj i Rusiji. Izvan tih područja vas molimo da se obratite svojem ovlaštenom zastupniku tvrtke RYOBI kako biste utvrdili primjenjuje li se drugo jamstvo.

OVLAŠTENI SERVISNI CENTAR

Za pronalazjenje ovlaštenog servisnog centra posjetite <http://en.ryobitools.eu/header/service-and-support/service-agents>.

SL POGOJI ZA VELJAVNOST GARANCIJE RYOBI®

Poleg morebitnih zakonsko določenih pravic, ki izvirajo iz nakupa, za ta izdelek velja spodaj navedena garancija.

- Garancijsko obdobje je za potrošnike 24 mesecev in začne teči z dnem nakupa izdelka. Ta datum mora biti dokumentiran z računom ali drugim dokazilom o nakupu. Izdelek je zasnovan in namenjen izključno za potrošniško zasebno uporabo. V primeru strokovne oziroma komercialne uporabe izdelka garancija ne velja.
- Obstaja možnost podaljšanja garancije na del naše ponudbe električnih orodij (AC/DC) prek obdobja garancije, opisanege zgoraj, s pomočjo registracije na spletnem mestu www.ryobitools.eu website. Ustreznost orodij za podaljšanje garancijskega obdobja je jasno prikazana v trgovinah in/ali na embalaži oziroma je navedena v dokumentaciji izdelka. Končni uporabnik mora registrirati svoje novo orodje na spletu v 30 dneh po datumu nakupa. Končni uporabnik lahko registrira podaljšano garancijo v svoji državi bivanja, če je na obrazcu spletne registracije navedeno, da ta možnost velja za njegovo državo. Poleg tega morajo končni uporabniki podati svoje soglasje za shranjevanje podatkov, ki so potrebni za spletni dostop in morajo sprejeti pogoje in določila uporabe spletnega mesta. Potrdilo o registraciji, ki ga pošiljate prek e-pošte, in originalni račun, ki prikazuje datum nakupa, služita kot dokazilo o podaljšani garanciji.
- Garancija krije vse okvare izdelka, do katerih pride v garancijskem obdobju zaradi napak v izdelavi ali materialu, ki so bile prisotne ob datumu nakupa. Garancija je omejena na popravilo in/ali zamenjavo in ne vključuje nobenih drugih obveznosti, med drugim vključno z naključno ali posledično škodo. Garancija ne velja, če je bil izdelek napačno uporabljen, uporabljen v nasprotju z navodili iz priložnice za uporabo ali če ni bil pravilno povezan. Ta garancija ne velja za:
 - škodo na izdelku, ki je posledica neustreznega vzdrževanja
 - spremenjen ali prilagojen izdelek
 - izdelek, katerega originalna identifikacijska oznaka (blagovna znamka, serijska številka) je bil poškodovan, spremenjena ali odstranjena
 - škodo, ki je posledica neupoštevanja navodil iz priložnice za uporabo izdelka, ki nima oznake CE
 - izdelek, ki ga je poskušal opraviti ne kvalificiran strokovnjak ali ki je bil popraviljen brez predhodne odobritve s strani družbe Techtronic Industries.
 - izdelek, ki je bil povezan na neustrezno napajanje (amperska moč, napetost, frekvenca)
 - škodo, ki jo povzročijo zunanji vplivi (kemični, fizični, mehanski) ali tuje snovi
 - rezervne dele, ki so podvrženi običajni uporabi
 - neprimerno uporabo, preobremenitev orodja
 - uporabo neodobrenih dodatkov ali delov
 - Dodatno električno orodje, priloženo orodju ali kupljeno ločeno. Take izjeme so med drugim nastavki za izvijače, svedri, abrazivni diski, brusni papir in rezila, stranska vodila.
 - Komponente (sestavni in rezervni deli), ki so podvrženi običajni obrabi, med drugim vključno s kompleti za servisiranje in vzdrževanje, oglikovimi krtačkami, ležaji, vpenjali, svedrni priključki SDS ali sprejemnimi odprtini zanje, napajalnimi kablji, pomožnimi ročajji, prenosnimi kovčki, brusnimi ploščami, vreckami za prah, cevmi za izpuh prahu, tesnilni iz filca, iglami in vzmetni udamega ključa itd.
- Za servisiranje morate izdelek poslati ali prinesiti v pooblaščen servisni center družbe RYOBI, ki je naveden za vsako državo na naslednjem seznamu naslovov servisnih centrov. V nekaterih državah se vaš lokalni posrednik družbe RYOBI obveže, da bo poslal izdelek na servis družbe RYOBI. Ko pošiljate izdelek v servisni center družbe RYOBI, mora biti izdelek varno zapakiran in ne sme vsebovati nobenih nevarnih snovi, kot je npr. bencin, opremljen pa mora biti z naslovom pošiljatelja in vsebovati kratek opis napake.
- Popravilo/zamenjava v skladu s to garancijo sta brezplačni storitvi. To pa ne predstavlja podaljšanja ali ponovnega začetka garancijskega obdobja. Zamenjani deli ali orodja postanejo naša last. V nekaterih državah stroške dostave ali poštno plača pošiljatelj. Vaše zakonsko določene pravice, ki izvirajo iz nakupa orodja, ostajajo nespremenjene.
- Ta garancija velja v Evropski skupnosti, Švici, Islandiji, na Norveškem, v Lichtenštajnu, v Turčiji in Rusiji. Izven teh območij se obrnite na svojega pooblaščenega posrednika izdelkov RYOBI, dealer ki vam bo povedal, ali velja kakšna druga garancija.

POOBLAŠČEN SERVISNI CENTER

Pooblaščen servisni center blizu vas poiščite na <http://en.ryobitools.eu/header/service-and-support/service-agents>.

SK ZÁRUČNÉ PODMIENKY RYOBI®

Na tento výrobok sa okrem všetkých zákonných práv, vyplývajúcich z nákupu, vzťahuje záruka v nasledovnom znení.

- Záručná doba pre spotrebiteľa je 24 mesiacov a začína plynúť odo dňa, kedy bol výrobok zakúpený. Tento dátum musí byť doložený faktúrou alebo iným dokladom o zakúpení. Výrobok je vrhnutý a určený pre spotrebiteľa a ten na súkromné používanie. Preto sa záruka sa neposkytuje v prípade použitia na profesionálne a komerčné účely.
- V prípade elektrického náradia (na striedavý/jednosmerný prúd AC/DC), existuje možnosť predĺženia záručnej doby oproti záručnej dobe, uvedenej vyššie, s využitím on-line registrácie na webovej stránke www.ryobitools.eu. Označenie na náradí o nároku na predĺženie záručnej doby je zreteľne uvedené v obchodoch a/alebo na obale a je uvedené v dokumentácii k výrobku. Koncový používateľ musí zaregistrovať svoje novozískané náradie on-line do 30 dní odo dňa nákupu. Koncový používateľ sa môže zaregistrovať na predĺženie záruky v krajine svojho bydliska, ak je v on-line registračnom formulári uvedená táto možnosť. Ďalej musia koncoví používatelia ešte dať svoj súhlas k uchovávaní údajov, ktoré je potrebné zadať on-line a musia súhlasiť s podmienkami. Potvrdenie o prijatí registrácie, ktoré je zasielané e-mailom a originálny faktúra, v ktorej je uvedený dátum nákupu, slúžia ako dôkaz o predĺženej záruke.
- Záruka sa vzťahuje na všetky poruchy výrobku v záručnej dobe, spôsobené chybami materiálů alebo spracovania k dátumu nákupu. Táto záruka je obmedzená na opravu a/alebo výmenu a nezahŕňažiadne ďalšie povinnosti, vrátane, okrem iných, náhodné alebo následné škody. Táto záruka je neplatná, ak bol výrobok nesprávne používaný, bol používaný v rozpore s návodom na použitie alebo bol nesprávne zapojený. Táto záruka sa nevzťahuje na:
 - akékoľvek poškodenie výrobku, ktoré bolo spôsobené nesprávnou obsluhou
 - akýkoľvek výrobok, ktorý bol zmenený alebo upravený
 - akýkoľvek výrobok, na ktorom bolo poškodené, upravené alebo odstránené identifikačné označenie (ochranná známka, výrobné číslo)
 - akékoľvek škody, spôsobené nedodržením návodu na obsluhu
 - akýkoľvek výrobok, ktorý neobsahuje označenie CE
 - akýkoľvek výrobok, ktorý sa pokúšal opraviť nekvalifikovaný odborník alebo bol opravovaný bez predchádzajúceho súhlasu so strany spoločnosti Techtronic Industries.
 - akýkoľvek výrobok, pripojený k nesprávnemu napájaciemu zdroju (ampéry, napätie, frekvencia)
 - akékoľvek poškodenia, spôsobené vonkajšími vplyvmi (chemickými, fyzikálnymi, nárazmi) alebo cudzorodnými látkami
 - bežné opotrebovanie náhradných dielov
 - nehodné používanie, preťažovanie nástroja
 - používanie neschváleného príslušenstva a dielov
 - príslušenstvo k elektrickému náradiu, dodávané spolu s náradím alebo zakúpené oddelene. Takéto vylúčenia sa vzťahujú, okrem iného, na násady skrutkovačov, vrtáky, brusne kotúče, brusný papier a čepele, bočné vodiace lišty
 - Súčiastky (diely a príslušenstvo), ktoré podliehajú prirodzenému opotrebeniu, okrem iného súpravy na servis a údržbu, uhliky, ložiská, skľučovadlá, SDS vrtáky a príslušenstvo, príloh alebo prijímanie, napájací kábel, pomocná rukoväť, prepravná skriňa, brusná doska, pracovové vrecko, výfuková trubica, pistené podložky, kotlíky a pružiny na rázový uťahovač atď.
- Na opravu musí byť výrobok odoslaný alebo doručený do autorizovaného servisného strediska RYOBI, uvedeného pre každú krajinu v nasledovnom zozname adries servisných stredísk. V niektorých krajinách miestny zástupca RYOBI preberá na seba záväzok zaslať tovar do servisnej organizácie RYOBI. Pri odoslaní výrobku do servisného strediska RYOBI je potrebné výrobok bezpečne zabaliť bez akéhokoľvek nebezpečného obsahu, ako je bencín, s vyznačením adresy odosielateľa, s krátkym popisom poruchy.
- Oprava/výmena je vrámci tejto záruky bezplatná. Neznamená to predĺženie záruky alebo spustenie novej záručnej doby. Vymenené diely alebo nástroje sa stávajú našim vlastníctvom. V niektorých krajinách náklady na odoslanie alebo vlastníctvo musí zaplatiť odosielateľ. Vaše zákonné práva, vyplývajúce z nákupu náradia, zostávajú nedotknuté.
- Táto záruka platí v Európskej únii, Švajčiarsku, Islande, Nórsku, Lichtenštajnsku, Turesku a Rusku. Ak sa nachádzate mimo týchto oblastí, obráťte sa na autorizovaného predajcu RYOBI na určenie, či sa dá uplatniť iná záruka.

AUTORIZOVANÉ SERVISNÉ CENTRUM

Ak chcete nájsť najbližšie autorizované servisné centrum, navštívte stránku <http://en.ryobitools.eu/header/service-and-support/service-agents>.

BG УСЛОВИЯ ЗА ВАЛИДНОСТ НА ГАРАНЦИЯТА НА RYOBI®

В допълнение към законоустановените права, произтичащи от покупката, този продукт е обхванат от гаранция, както е изложено по-долу.

- Гаранционният срок е 24 месеца за клиенти и започва да тече от деня на закупуване на продукта. Тази дата трябва да се докаже с фактура или друго доказателство за покупка. Продуктът е изработен и предназначен само за потребителска и лична употреба. Следователно не се дава гаранция в случай на използване от професионалисти или с търговска цел.
- Съществува възможност за удължаване на гаранционния срок за част от диалогана на гаранцията на електрически инструменти (AC/DC) след изтичането на описания тук чрез регистрация на уеб сайта www.ryobitools.eu. В магазините и/или на опаковката или вътре в документацията на продукта е показано ясно дали инструментът отговаря на условията за такова удължаване на гаранционния срок. Крайният потребител трябва да регистрира своите новопридобити инструменти онлайн в рамките на 30 дни от датата на покупка. Крайният потребител може да се регистрира за удължена гаранция в държавата си на пребиваване, ако е посочена във формуляра за онлайн регистрация като място, където тази опция е валидна. Освен това крайните потребители трябва да дадат съгласието си за съхранение на данните, които са задължителни за ползване онлайн, и трябва да приемат общите условия. Полученото потвърждение за регистрация, изпратено по електронна поща, и оригиналната фактура, показваща датата на покупка, ще служат като доказателство за удължената гаранция.
- Гаранцията покрива всички дефекти на продукта по време на гаранционния срок, които се дължат на проблеми в изработката или материалите към момента на покупката. Гаранцията е ограничена до ремонт и/или замяна и не включва други задължения, включително, но не само, случайни или косвени щети. Гаранцията е невалидна, ако продуктът е използван неправилно или в противоречие с ръководството с инструкции, както и ако е свързан неправилно. Тази гаранция не важи за:
 - щети по продукта в резултат на неправилна профилактика
 - продукти, които са били изменени или модифицирани
 - продукт, при който оригиналните маркировки за идентификация (търговска марка, серийен номер) са изтрети, променени или премахнати
 - повреда, причинена от неспазване на ръководството с инструкции
 - продукт без CE маркировка
 - продукт, за който е направен опит за ремонт от неквалифициран специалист или без предварително разрешение от Techtronic Industries.
 - продукт, свързан към неподходящо електрозахранване (ампераж, волтаж, честота)
 - щети, причинени от външни влияния (химични, физични, удари) или чужди вещества
 - нормално износване на резервни част
 - неподходяща употреба, претоварване на инструмента
 - използване на необорудвани аксесоари или части
 - Аксесоарите за електрически инструмент са предоставени с инструмента или се кулват отделно. Тези изключения включват, но не само, накрайници за отвертка, средща, абразивни дискове, шкурка и остриета, страничен водач
 - Компоненти (части и аксесоари), подложени на естествено износване, включително, но не само, комплекти за обслужване и поддръжка, карбонови четки, лагери, патронник, приставка със средло SDS или приемно устройство, захванващ кабел, спомогателна ръкохватка, кутия за транспортиране, шлифовъчна пластина, торба за прах, тръба за отвеждане на прах, филцови шабви, цифрове и пружини за винтовете и др.
- За обслужване продуктът трябва да се изпрати или занесе на авторизиран сервиз на RYOBI, посочен за всяка държава в следния списък с адреси на сервиси. В някои държави местният търговец на RYOBI поема отговорността да изпрати продукта до сервизен център на RYOBI. При изпращане на продукт до сервиз на RYOBI той трябва да е опакован безопасно без опасно съдържание, напр. бензин, да е маркиран с адреса на подателя и придружен от кратко описание на повредата.
- Ремонтът/замяната по силата на тази гаранция са безплатни. Те не водят до удължаване или подновяване на гаранционния срок. Сменените части или инструменти стават наша собственост. В някои държави таксите за доставка или изпращане трябва да се платят от подателя. Законоустановените ни права, произтичащи от закупуването на инструмента, остават незасегнати.
- Тази гаранция е валидна в Европейската общност, Швейцария, Исландия, Норвегия, Лихтенщайн, Турция и Русия. Извън тези области се свържете с упълномощения търговец на RYOBI, за да се установи дали е приложима друга гаранция.

УПЪЛНОМОЩЕН СЕРВИЗЕН ЦЕНТЪР

За да намерите упълномощен сервизен център близо до вас, посетете <http://en.ryobitools.eu/header/service-and-support/service-agents>.

UK ГАРАНТИЙНИ УМОВИ ДЛЯ RYOBI®

Окрім загалом установлених законом прав, що стосуються покупки, цей пристрій покривається гарантією, що зазначено нижче.

- Гарантійний період для споживачів складає 24 місяці і починається з моменту придбання цього пристрою. Ця дата повинна бути задокументована у гарантійному талоні або чеку. Цей пристрій був розроблений і призначений тільки для споживчого та приватного використання. У разі професійного або комерційного використання цього пристрою, він втрачає гарантію.
- Існує можливість подовжити гарантійний період для частини лінійки електричних інструментів (перемінного/постійного струму), понад період описаний вище за допомогою реєстрації на сайті www.ryobitools.eu. Пристрої, які мають право на подовження гарантійного періоду, мають чіткі позначки щодо цього в магазинах і / або на упакуванні / та документації до пристрою. Кінцевий користувач повинен зареєструвати його/її новопридбаний пристрій онлайн протягом 30 днів з дати покупки. Кінцевий користувач може зареєструватися для подовження гарантійного періоду в своїй країні постійного перебування, якщо вона є доступною у відповідній опції онлайн форми реєстрації. Крім того, кінцеві користувачі повинні дати свою згоду на збірвання даних, які необхідні для ведення онлайн, а також вони повинні прийняти правила та умови. Отримання підтвердження реєстрації, яке відправляється на адресу електронної пошти, та оригінал гарантійного талона і/або зазначеною датою покупки буде служити доказом подовженої гарантії.
- Гарантія поширюється на всі дефекти пристрою протягом гарантійного терміну щодо недотримання стандартів виробництва або матеріалів на дату придбання. Гарантія обмежується ремонтом та/або заміною, та не включає в себе будь-яких інших зобов'язань, в тому числі, але не обмежена у разі випадкових та подальших пошкоджень. Гарантія не діє, якщо пристрій використовувався незалежним чином, всупереч інструкції з експлуатації або був неправильно підключений до мережі. Дана гарантія не поширюється на:
 - пристрої, що були пошкоджені у результаті неправильного технічного обслуговування;
 - пристрої, що були видозміннені або модифіковані;
 - пристрої, оригінальні ідентифікаційні (товарний знак, серійний номер) маркування яких було пошкоджене, змінене або видалено;
 - будь-які пошкодження, заподіяні недотриманням інструкції з експлуатації;
 - пристрої, що не мають маркування CE;
 - пристрої, що були відремонтовані некваліфікованим фахівцем або за відсутності попереднього дозволу від Techtronic Industries;
 - пристрої, підключені до невідповідного джерела живлення (сила току, напруження, частота);
 - будь-які пошкодження спричинені зовнішнім впливом (хімічним, фізичним, стрибком напруги) або сторонніми речовинами;
 - нормальну амортизацію запасних частин;
 - невідповідне використання, перевантаження пристрою;
 - використання не підтверджених запасних частин або аксесуарів;
 - приладдя до електричного інструменту, що постачається разом з пристроєм або купуються окремо. Такі винятки враховують але не є обмеженнями для наконечників викруток, свердел, абразивних дисків, наждачного паперу та лез, бічних напрямних компонентів(частини та приладдя) з урахуванням нормального зношування, враховуючи, але без обмеження на комплекти профілактики та технічного обслуговування, вугільні щітки, підшипники, патрони, кріплення або прийом SDS свердел, кабелі живлення, додаткові рукоятки, чохла для транспортування, шліфовальні пластини, мішки для збору пилу, трубки вихлопу, штиркові кільця, штирі і пружини гайковерту і т.д.
- Для обслуговування пристрій має бути відправлений або поданий до одного з авторизованих сервісних центрів RYOBI, які перелічені для кожної країни у наступному переліку адрес сервісних центрів. У деяких країнах місцевий дилер RYOBI зобов'язується відправити пристрій до сервісного центру RYOBI. При відправленні пристрою до сервісного центру RYOBI, пристрій має бути надійно упакуваний без будь-якого небезпечного вмісту, наприклад бензину, з позначеною адресою відправника та супроводжуватися коротким описом несправності.
- Ремонт / заміна відповідно до цієї гарантії здійснюється безкоштовно. Це не є основою для подовження або початку нового гарантійного періоду. Замінені частини або прилади переходять до власності компанії. У деяких країнах вартість доставки або поштові витрати повинні бути сплачені відправником. Загалом встановлені права покупця на пристрій залишаються незмінними.
- Ця гарантія діє в Європейському Союзі, Швейцарії, Ісландії, Норвегії, Лихтенштейні, Туреччині та Росії. За межами цих зон, будь ласка, зверніться до офіційного дилера RYOBI, щоб визначити, чи застосовується інша гарантія.

АВТОРИЗОВАНІ СЕРВІСНІ ЦЕНТРИ

Для отримання оновленого переліка авторизованих сервісних центрів, відвідайте <http://en.ryobitools.eu/header/service-and-support/service-agents>.

TR RYOBI® GARANTİ UYGULAMA KOŞULLARI

Alımdan kaynaklanan yasal haklara ek olarak, ürün aşağıda belirtilen garanti kapsamındadır.

1. Tüketiciler için 24 ay olan garanti süresi, ürünün satın alındığı tarihte başlar. Bu tarihin bir fatura ya da alım kanıtıyla belgelenmesi gerekir. Ürün sadece tüketim ve özel kullanım için geliştirilmiş ve adanmıştır. Bu nedenle, profesyonel ya da ticari kullanım halinde garanti kapsamı sağlanmaz.
2. Elektrikli el aletlerinin bir bölümü (AC/DC) için www.ryobitools.eu sayfasındaki kayıt işlemini kullanarak garantinin belirtilen süresini ötesine uzatma imkanı mevcuttur. Aletlerin garanti süresinin uzatılmasına uygun olup olmadığı mağazalarda ve / veya ambalajda açıkça belirtilmiş olup, ürün dokümantasyonunda gösterilir. Son kullanıcının yeni aldığı aletleri satın alma tarihini izleyen 30 gün içinde kaydetmesi gerekir. Son kullanıcı ikamet ettiği ülkede, bu seçeneğin geçerli olduğu çevrimiçi kayıt formunda belirtilmişse, uzatılmış garanti süresi için kayıt yapılabilir. Dahası, son kullanıcıların çevrimiçi giriş için gerekli verilerin kaydedilmesine izin vermek ve hüküm ve koşulları kabul etmelidir. E-posta ile gönderilen kayıt teyit makbuzu ve alım tarihini gösteren orijinal fatura uzatılmış garantinin kanıtı olarak değerlendirilir.
3. Garanti, ürünün alım tarihindeki işçilik ve malzeme kusurları nedeniyle garanti süresi içinde oluşacak bütün arızaları kapsar. Bu garanti onarım ve değiştirilmeyle sınırlı olup, tasadufi ya da dolaylı hasarlar da dahil, ancak bunlarla kısıtlı olmayan başka hiçbir tahahhüdü kapsamaz. Garanti, ürünün kötü, kullanıcı kılavuzuna aykırı kullanımıyla ya da yanlış bağlanmış olması halinde geçerli değildir. Bu garanti aşağıdakileri kapsamaz:
 - üründe, yanlış bakımдан kaynaklanan herhangi bir hasar
 - değiştirilmiş ya da modifiye edilmiş herhangi bir ürün
 - orijinal tanıtmış işaretleri (ticari marka, seri numarası) silinmiş, değiştirilmiş ya da kaldırılmış herhangi bir ürün
 - kullanma kılavuzuna uymamaktan kaynaklanmış herhangi bir hasar
 - herhangi bir AT dışı ürün
 - kalifiye olmamış personel tarafından ya da önceden Techtronic Industries onayı alınmadan onarılmış herhangi bir ürün.
 - uygunsuz güç kaynağına (amper, voltaj, frekans) bağlanmış herhangi bir ürün
 - harici etkenlerden (kimyasal, fiziksel, darbe) veya yabancı cisimlerden kaynaklanan her türlü hasar
 - normal aşınır ve yıpranır aksam
 - uygunsuz kullanım, aletin aşırı yüklenmesi
 - onaysız aksesuar veya parça kullanımı
 - Aletle birlikte sağlanmış ya da ayrıca alınmış elektrikli alet aksesuarları. Tornavida uçları, matkap uçları, aşındırıcı diskler, zımpara kağıdı ve bıçakları, yanal kılavuz gibi aksamı içeren, ancak bunlarla sınırlı olmayan eklentiler
 - Servis ve Bakım kitiyle, kömür fırçalar, yataklar, kovanlar, SDS matkap ucu bağlantısı ya da yuvaları, güç kablosu, yedek tutamak, nakliye ve taşıma kutusu, kuşlama plakası, toz torbası, toz egzoz borusu, keçe rondelalar, Darbeli Tornavida Pim ve yayları vb. gibi parçaları kapsayan, ancak bunlarla sınırlı olmayan, aşınma ve yıpranmaya tabi bileşenler (aksam ve aksesuarlar).
4. Ürünün servis için her ülkede aşağıdaki servis istasyonları adres listesinde yer alan yetkili bir RYOBI servis istasyonuna gönderilmesi ya götürülmesi gereklidir. Bazı ülkelerde, yerel RYOBI distribütörünüz ürün RYOBI servis tekliflatına göndermeyi üstlenir. Bir ürün bir RYOBI servis istasyonuna gönderilirse, ürünün güvenli bir biçimde ambalajlanması, benzin gibi tehlikeli maddeler içermemesi, gönderinen adresini taşımaması ve anızın kısa bir açıklamasını içermesi gerekir.
5. Bu garanti kapsamında yapılacak onarım / değişiklik ücretsizdir. Garanti süresinin uzatılması ya da yeniden başlatılması anlamına gelmez. Değiştirilmiş parçalar veya aletler bize ait olur. Bazı ülkelerde teslimat ücretleri veya posta giderlerinin gönderici tarafından ödenmesi gerekir. Alımdan kaynaklanan yasal haklarınız etkilenmez
6. Bu Garanti Avrupa Topluluğu, İsviçre, İzlanda, Norveç, Liechtenstein, Türkiye ve Rusya'da geçerlidir. Bu alanların dışında, başka bir garantinin geçerli olup olmadığını belirlemek için lütfen yetkili RYOBI distribütörünüzle irtibata geçin.

YETKİLİ SERVİS MERKEZİ

En yakın yetkili servis merkezini öğrenmek için <http://en.ryobitools.eu/header/service-and-support/service-agents> sitesine girin.

EL OROİ ΕΦΑΡΜΟΓΗΣ ΤΩΝ ΠΡΟΫΠΟΘΕΣΕΩΝ ΕΓΓΥΗΣΗΣ ΤΗΣ RYOBI®

Εκτός από τα νόμιμα δικαιώματα, τα οποία προκύπτουν από την αγορά, το προϊόν καλύπτεται από εγγύηση, λεπτομέρειες της οποίας ακολουθούν στη συνέχεια.

1. Η διάρκεια της εγγύησης για τους καταναλωτές είναι 24 μήνες και αρχίζει από την ημερομηνία αγοράς. Η ημερομηνία θα πρέπει να αναγράφεται στην απόδειξη ή σε άλλο αποδεικτικό αγοράς. Το προϊόν έχει σχεδιαστεί και προορίζεται αποκλειστικά για οικιακή χρήση από καταναλωτές. Συνεπώς, δεν παρέχεται εγγύηση σε περίπτωση επαγγελματικής ή εμπορικής χρήσης.
2. Υπάρχει η δυνατότητα επέκτασης της εγγύησης για ορισμένα ηλεκτρικά εργαλεία (AC/DC), πέραν του παραπάνω αναφερόμενου χρονικού διαστήματος, μέσω εγγραφής στο δικτυακό τόπο www.ryobitools.eu. Η επλεξιμότητα των εργαλείων με δυνατότητα επέκτασης της περιόδου εγγύησης αναγράφεται ρητά στα καταστήματα και/ή επάνω στη συσκευασία, ενώ περιέχεται στην τεκμηρίωση του προϊόντος. Το τελικός χρήστης θα πρέπει να καταχωρήσει τα προσωπικά αποκτηθέντα εργαλεία online, εντός 30 ημερών από την ημερομηνία αγοράς. Ο τελικός χρήστης μπορεί να εγγραφεί για την επέκταση εγγύησης στη χώρα κατοικίας, εφόσον αυτή περιλαμβάνεται στο online έντυπο εγγραφής, εάν υπάρχει η δυνατότητα επέκτασης. Επιπλέον, οι τελικοί χρήστες θα πρέπει να παρέχουν τη συγκατάθεσή τους για την αποθήκευση των στοιχείων τους, τα οποία οφείλουν να καταχωρούν online, όπως και να αποδεχθούν του όρους και τις προϋποθέσεις. Η απόδειξη επιβεβαίωσης της εγγραφής, η οποία αποστέλλεται μέσω email, και η πρωτότυπη απόδειξη αγοράς, η οποία αναγράφεται στην ημερομηνία αγοράς, αποτελούν αποδεικτικά της παρατεταμένης εγγύησης.
3. Η εγγύηση καλύπτει όλα τα ελαττώματα του προϊόντος, κατά τη διάρκεια της περιόδου εγγύησης, λόγω κατασκευαστικών ελαττωμάτων ή αστοχίας υλικού κατά την ημερομηνία αγοράς. Η εγγύηση περιορίζεται στην επισκευή και/ή αντικατάσταση και δεν περιλαμβάνει καμία άλλη υποχρέωση, συμπεριλαμβανομένων, ενδεικτικά, συμπληρωματικών ή παρεπόμενων ζημιών. Η εγγύηση δεν ισχύει εφόσον, έχει σημειωθεί κακομεταχείριση του προϊόντος, δεν έχουν τηρηθεί οι οδηγίες του εγχειριδίου οδηγιών ή το προϊόν έχει συνδεθεί λανθασμένα. Η εγγύηση δεν ισχύει για:
 - οποιαδήποτε ζημία στο προϊόν, η οποία είναι αποτέλεσμα κακής συντήρησης
 - οποιαδήποτε προϊόν, το οποίο έχει αλλοιωθεί ή τροποποιηθεί
 - οποιαδήποτε προϊόν, στο οποίο έχει αλλοιωθεί, τροποποιηθεί ή αφαιρεθεί το γνήσιο αναγνωριστικό (σήμα κατατεθέν, σειριακός αριθμός)
 - οποιαδήποτε ζημία προκλήθει λόγω μη τήρησης του εγχειριδίου οδηγιών
 - οποιαδήποτε προϊόν χωρίς σήμανση CE
 - οποιαδήποτε προϊόν, στο οποίο έχει γίνει προσπάθεια επισκευής από μη καταρτισμένο επαγγελματία ή χωρίς την προηγούμενη έγκριση της Techtronic Industries.
 - οποιαδήποτε προϊόν, το οποίο έχει συνδεθεί σε ακατάλληλη παροχή ρεύματος (αμπερ, ισχύ, συχνότητα)
 - οποιαδήποτε ζημία έχει προκληθεί από εξωτερικές επιδράσεις (χημικές, φυσικές, κλιματιομετρικές) ή ξένες ουσίες
 - φυσιολογική φθορά και ρήξη ανταλλακτικών
 - ακατάλληλη χρήση, υπερφόρτωση του εργαλείου
 - χρήση μη ενδεδειγμένων εξαρτημάτων ή ανταλλακτικών
 - Εξαρτήματα ηλεκτρικών εργαλείων που παρασχεθήκαν με το εργαλείο ή αγοράστηκαν ξεχωριστά. Τέτοιες εξαρτηματικές περιλαμβανόμενες, ενδεικτικά, μύτες καταρτιομό, τρυπάνια, δίσκοις λείανσης, γυαλόχαρτο και λειπίδες, πλευρικό οδηγό
 - Εξαρτήματα (ανταλλακτικά και αξεσουάρ) που υποκείμενα σε φυσική φθορά και θραύση, συμπεριλαμβανομένων, ενδεικτικά, σετ επισκευής & συντήρησης, ψηκτρών άνθρακα, εφεδράνων, τοακ, εξαρτημάτων ή υποδοχών τρυπάνιων SDS, καλωδίων ισχύος, βοηθητικής λαβής, βαλβίδας μεταφοράς, βίσης τριβίου, σακούλας συλλογής σκόνης, σωλήνα εξαναγκαστικής σκόνης, ροδελών τοξάκ, μωτών και ελατηρίων κροστικού κλειδιού κοχλίων, κτλ.
4. Το προϊόν θα πρέπει να αποσταλεί ή να παραδοθεί για επισκευή ή συντήρηση σε εξουσιοδοτημένο σημείο σέρβις της RYOBI που περιλαμβάνεται στον ακόλουθο κατάλογο διευθύνσεων να κάθε χώρα. Σε ορισμένες χώρες, το τοπικό σημείο πώλησης της RYOBI αναλαμβάνει την αποστολή του προϊόντος στο κεντρικό σέρβις της RYOBI. Κατά την αποστολή ενός προϊόντος σε σημείο σέρβις της RYOBI, αυτό θα πρέπει να είναι ασφαλώς συσκευασμένο, χωρίς επικίνδυνα περιεχόμενα, όπως, πετρέλαιο, να φέρει τη διευθύνση του αποστολέα και να συνοδεύεται από σύντομη περιγραφή της βλάβης.
5. Η επιδιόρθωση / αντικατάσταση υπό την παρούσα εγγύηση παρέχεται δωρεάν. Δε συνιστά παράταση της περιόδου εγγύησης ή εκκίνηση νέας περιόδου εγγύησης. Τα μέρη που αντικαθίστανται περιέχονται στην κυριότητα μας. Σε ορισμένες χώρες, τα ενδεχόμενα έξοδα παραδοσης ή μεταφοράς βερνώνουν τον αποστολέα. Τα νόμιμα δικαιώματά σας, τα οποία απορρέουν από την αγορά του εργαλείου, δεν θίγονται.
6. Η παρούσα εγγύηση ισχύει στην Ευρωπαϊκή Κοινότητα, την Ελβετία, την Ισπανία, τη Νορβηγία, το Λιχτενστάιν, την Τουρκία και την Ρωσία. Εκτός των παραπάνω περιοχών, σας παρακαλούμε να επικοινωνήσετε με εξουσιοδοτημένο κατάστημα πώλησης της RYOBI, προκειμένου να διαπιστωθεί εάν ισχύει κάποια άλλη εγγύηση.

ΕΞΟΥΣΙΟΔΟΤΗΜΕΝΟ ΚΕΝΤΡΟ ΣΕΡΒΙΣ

Για να εντοπίσετε ένα εξουσιοδοτημένο κέντρο σέρβις της περιοχής σας, επισκεφτείτε τη σελίδα <http://en.ryobitools.eu/header/service-and-support/service-agents>.

EN EC declaration of conformity

Technronic Industries GmbH
Max-Eyth-Straße 10, 71364 Winnenden, Germany


Herewith we declare that the product

Percussion Drill
Brand: Ryobi
Model number: R18PD7
Serial number range: 46262701000001 - 46262701999999

is in conformity with the following European Directives and harmonised standards

2006/42/EC, 2014/30/EU, 2011/65/EU,
EN 55014-1:2006+A1:2009+A2:2011, EN55014-2:2015,
EN 60745-1:2009+A11:2010, EN 60745-2-1:2010, EN 60745-2-2:2010

RoHS documentation is compiled according to EN 50581:2012


Andrew John Eyre (BEng, CEng, MIET)
Vice President, Regulatory & Safety
Winnenden, Feb. 17, 2018

Authorised to compile the technical file:

Alexander Krug, Managing Director
Technronic Industries GmbH
Max-Eyth-Straße 10, 71364 Winnenden, Germany

CE

FR DÉCLARATION DE CONFORMITÉ EC

Technronic Industries GmbH
Max-Eyth-Straße 10, 71364 Winnenden, Germany

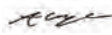
Déclarons par la présente que le produit

Perceuse à Percussion
Marque: Ryobi
Numéro de modèle: R18PD7
Étendue des numéros de série: 46262701000001 - 46262701999999

est conforme aux Directives Européennes et Normes Harmonisées suivantes

2006/42/EC, 2014/30/EU, 2011/65/EU,
EN 55014-1:2006+A1:2009+A2:2011, EN55014-2:2015,
EN 60745-1:2009+A11:2010, EN 60745-2-1:2010, EN 60745-2-2:2010

La documentation RoHS a été dressée d'après EN 50581:2012


Andrew John Eyre (BEng, CEng, MIET)
Vice President, Regulatory & Safety
Winnenden, Feb. 17, 2018

Autorisé à rédiger le dossier technique:

Alexander Krug, Managing Director
Technronic Industries GmbH
Max-Eyth-Straße 10, 71364 Winnenden, Germany

CE

DE EC KONFORMITÄTSERKLÄRUNG

Technronic Industries GmbH
Max-Eyth-Straße 10, 71364 Winnenden, Germany


Hiermit erklären wir, dass die Produkte

Schlagbohrmaschine
Marke: Ryobi
Modellnummer: R18PD7
Seriennummernbereich: 46262701000001 - 46262701999999

den folgenden europäischen Richtlinien und harmonisierten Normen entspricht

2006/42/EC, 2014/30/EU, 2011/65/EU,
EN 55014-1:2006+A1:2009+A2:2011, EN55014-2:2015,
EN 60745-1:2009+A11:2010, EN 60745-2-1:2010, EN 60745-2-2:2010

RoHS Dokumentation ist gemäß EN 50581:2012 zusammengestellt


Andrew John Eyre (BEng, CEng, MIET)
Vice President, Regulatory & Safety
Winnenden, Feb. 17, 2018

Autorisiert die technische Datei zu erstellen:

Alexander Krug, Managing Director
Technronic Industries GmbH
Max-Eyth-Straße 10, 71364 Winnenden, Germany

CE

ES DECLARACIÓN EC DE CONFORMIDAD

Technronic Industries GmbH
Max-Eyth-Straße 10, 71364 Winnenden, Germany


Por la presente declaramos que los productos

Taladro
Marca: Ryobi
Número de modelo: R18PD7
Intervalo del número de serie: 46262701000001 - 46262701999999

se encuentra en conformidad con las siguientes Directivas Europeas y normas armonizadas

2006/42/EC, 2014/30/EU, 2011/65/EU,
EN 55014-1:2006+A1:2009+A2:2011, EN55014-2:2015,
EN 60745-1:2009+A11:2010, EN 60745-2-1:2010, EN 60745-2-2:2010

Documentación sobre restricción de sustancias peligrosas (RoHS) recopilada según la norma EN 50581:2012


Andrew John Eyre (BEng, CEng, MIET)
Vice President, Regulatory & Safety
Winnenden, Feb. 17, 2018

Autorizado para elaborar la ficha técnica:

Alexander Krug, Managing Director
Technronic Industries GmbH
Max-Eyth-Straße 10, 71364 Winnenden, Germany

CE

IT DICHIARAZIONE DI CONFORMITÀ EC

Technronic Industries GmbH
Max-Eyth-Straße 10, 71364 Winnenden, Germany

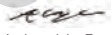
Si dichiara con la presente che il prodotto

Trapano a percussione
Marca: Ryobi
Numero modello: R18PD7
Gamma numero seriale: 46262701000001 - 46262701999999

è conforme alle seguenti Direttive Europee e ai seguenti standard armonizzati

2006/42/EC, 2014/30/EU, 2011/65/EU,
EN 55014-1:2006+A1:2009+A2:2011, EN55014-2:2015,
EN 60745-1:2009+A11:2010, EN 60745-2-1:2010, EN 60745-2-2:2010

La documentazione RoHS è stata compilata come indicato dalle norme EN 50581:2012


Andrew John Eyre (BEng, CEng, MIET)
Vice President, Regulatory & Safety
Winnenden, Feb. 17, 2018

Autorizzato per compilare il file tecnico:

Alexander Krug, Managing Director
Technronic Industries GmbH
Max-Eyth-Straße 10, 71364 Winnenden, Germany

CE

NL EC CONFORMITEITSVERKLARING

Technronic Industries GmbH
Max-Eyth-Straße 10, 71364 Winnenden, Germany

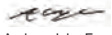
Hierbij verklaren wij dat het product

Slagboormachine
Merk: Ryobi
Modelnummer: R18PD7
Seriennummerbereik: 46262701000001 - 46262701999999

is in overeenstemming met de volgende Europese Richtlijnen en geharmoniseerde normen

2006/42/EC, 2014/30/EU, 2011/65/EU,
EN 55014-1:2006+A1:2009+A2:2011, EN55014-2:2015,
EN 60745-1:2009+A11:2010, EN 60745-2-1:2010, EN 60745-2-2:2010

RoHS-documentatie is samengesteld in overeenstemming met EN 50581:2012


Andrew John Eyre (BEng, CEng, MIET)
Vice President, Regulatory & Safety
Winnenden, Feb. 17, 2018

Afgevaardigde voor het samenstellen van de technische fiche:

Alexander Krug, Managing Director
Technronic Industries GmbH
Max-Eyth-Straße 10, 71364 Winnenden, Germany

CE

PT DECLARAÇÃO EC DE CONFORMIDADE

Technronic Industries GmbH
Max-Eyth-Straße 10, 71364 Winnenden, Germany

Pelo presente declaramos que os produtos

Berbequim de Percussão
Marca: Ryobi
Número do modelo: R18PD7
Intervalo do número de série: 46262701000001 - 46262701999999

se encontra em conformidade com as seguintes Directivas Europeias e normas harmonizadas

2006/42/EC, 2014/30/EU, 2011/65/EU,
EN 55014-1:2006+A1:2009+A2:2011, EN55014-2:2015,
EN 60745-1:2009+A11:2010, EN 60745-2-1:2010, EN 60745-2-2:2010

Documentação sobre restrição de substâncias perigosas (RoHS) compilada segundo a norma EN 50581:2012

Andrew John Eyre (BEng, CEng, MIET)
Vice President, Regulatory & Safety
Winnenden, Feb. 17, 2018

CE

Autorizado para compilar o ficheiro técnico:

Alexander Krug, Managing Director
Technronic Industries GmbH
Max-Eyth-Straße 10, 71364 Winnenden, Germany

DA EC OVERENSSTEMMELSESEKSLÆRING

Technronic Industries GmbH
Max-Eyth-Straße 10, 71364 Winnenden, Germany

Vi erklærer hermed, at produktet

Slagbøremaskine
Brand: Ryobi
Modelnummer: R18PD7
Serienummerområde: 46262701000001 - 46262701999999

er i overensstemmelse med følgende EU-direktiver og harmoniserede standarder

2006/42/EC, 2014/30/EU, 2011/65/EU,
EN 55014-1:2006+A1:2009+A2:2011, EN55014-2:2015,
EN 60745-1:2009+A11:2010, EN 60745-2-1:2010, EN 60745-2-2:2010

RoHS-dokumentationen er udarbejdet i henhold til EN 50581:2012

Andrew John Eyre (BEng, CEng, MIET)
Vice President, Regulatory & Safety
Winnenden, Feb. 17, 2018

CE

Bemyndiget til at udarbejde det tekniske kartotek:

Alexander Krug, Managing Director
Technronic Industries GmbH
Max-Eyth-Straße 10, 71364 Winnenden, Germany

SV EC-Konformitetsdeklaration

Technronic Industries GmbH
Max-Eyth-Straße 10, 71364 Winnenden, Germany

Härmed deklarerar vi att produkterna

Slagborr
Märke: Ryobi
Modellnummer: R18PD7
Serienummerintervall: 46262701000001 - 46262701999999

är i enlighet med följande EU-direktiv och harmoniserade standarder

2006/42/EC, 2014/30/EU, 2011/65/EU,
EN 55014-1:2006+A1:2009+A2:2011, EN55014-2:2015,
EN 60745-1:2009+A11:2010, EN 60745-2-1:2010, EN 60745-2-2:2010

RoHS-dokumentation sammanställd enligt EN 50581:2012

Andrew John Eyre (BEng, CEng, MIET)
Vice President, Regulatory & Safety
Winnenden, Feb. 17, 2018

CE

Godkänd att sammanställa den tekniska filen:

Alexander Krug, Managing Director
Technronic Industries GmbH
Max-Eyth-Straße 10, 71364 Winnenden, Germany

FI EC-SÄÄNNÖSTEN NOUDATTAMINEN

Technronic Industries GmbH
Max-Eyth-Straße 10, 71364 Winnenden, Germany

Ilmoitamme täten, että tuotteet

Iskuporakone
Tuotemerkki: Ryobi
Mallinumero: R18PD7
Sarjanumeroalue: 46262701000001 - 46262701999999

noudattaa seuraavia EU-direktiivejä ja harmonoituja standardeja

2006/42/EC, 2014/30/EU, 2011/65/EU,
EN 55014-1:2006+A1:2009+A2:2011, EN55014-2:2015,
EN 60745-1:2009+A11:2010, EN 60745-2-1:2010, EN 60745-2-2:2010

RoHS-dokumentaatio on koottu standardin EN 50581:2012 mukaisesti

Andrew John Eyre (BEng, CEng, MIET)
Vice President, Regulatory & Safety
Winnenden, Feb. 17, 2018

CE

Valtuutettu kokoamaan tekninen tiedosto:

Alexander Krug, Managing Director
Technronic Industries GmbH
Max-Eyth-Straße 10, 71364 Winnenden, Germany

NO EC-Samsvarserklæring

Technronic Industries GmbH
Max-Eyth-Straße 10, 71364 Winnenden, Germany

Herved erklærer vi at produktet

Slagdrill
Merke: Ryobi
Modelnummer: R18PD7
Serienummerserie: 46262701000001 - 46262701999999

er i samsvar med følgende europeiske direktiver og harmoniserte standarder

2006/42/EC, 2014/30/EU, 2011/65/EU,
EN 55014-1:2006+A1:2009+A2:2011, EN55014-2:2015,
EN 60745-1:2009+A11:2010, EN 60745-2-1:2010, EN 60745-2-2:2010

RoHS dokumentasjonen er skrevet i samsvar med EN 50581:2012

Andrew John Eyre (BEng, CEng, MIET)
Vice President, Regulatory & Safety
Winnenden, Feb. 17, 2018

CE

Autorisert til å sette sammen den tekniske filen:

Alexander Krug, Managing Director
Technronic Industries GmbH
Max-Eyth-Straße 10, 71364 Winnenden, Germany

RU ЗАЯВЛЕНИЕ О СООТВЕТСТВИИ ТРЕБОВАНИЯМ ЕС

Technronic Industries GmbH
Max-Eyth-Straße 10, 71364 Winnenden, Germany

Настоящим мы заявляем, что данный продукт

Дрель ударного действия
Марка: Ryobi
Номер модели: R18PD7
Диапазон заводских номеров: 46262701000001 - 46262701999999

соответствует требованиям следующих Директив ЕС и согласованных стандартов

2006/42/EC, 2014/30/EU, 2011/65/EU,
EN 55014-1:2006+A1:2009+A2:2011, EN55014-2:2015,
EN 60745-1:2009+A11:2010, EN 60745-2-1:2010, EN 60745-2-2:2010

Документация RoHS соответствует стандарту EN 50581:2012

Andrew John Eyre (BEng, CEng, MIET)
Vice President, Regulatory & Safety
Winnenden, Feb. 17, 2018

CE

Лицо, ответственное за подготовку технической документации:

Alexander Krug, Managing Director
Technronic Industries GmbH
Max-Eyth-Straße 10, 71364 Winnenden, Germany

**PL** DEKLARACJA ZGODNOŚCI EC

Techtronic Industries GmbH
Max-Eyth-Straße 10, 71364 Winnenden, Germany

Niniejszym deklarujemy, że produkty

Wiertarka udarowa
Marka: Ryobi
Numer modelu: R18PD7
Zakres numerów seryjnych: 46262701000001 - 46262701999999

jest zgodny z następującymi dyrektywami europejskimi i zharmonizowanymi normami
2006/42/EC, 2014/30/EU, 2011/65/EU,
EN 55014-1-2:2006+A1:2009+A2:2011, EN55014-2:2015,
EN 60745-1:2009+A11:2010, EN 60745-2-1:2010, EN 60745-2-2:2010

Dokumentacja RoHS została opracowana zgodnie z normą EN 50581:2012

Andrew John Eyre (BEng, CEng, MIET)
Vice President, Regulatory & Safety
Winnenden, Feb. 17, 2018



Osoba upoważniona do sporządzenia dokumentu technicznego:
Alexander Krug, Managing Director
Techtronic Industries GmbH
Max-Eyth-Straße 10, 71364 Winnenden, Germany

RO DECLARAȚIE DE CONFORMITATE EC

Techtronic Industries GmbH
Max-Eyth-Straße 10, 71364 Winnenden, Germany

Prin prezenta, declarăm că produsele

Ciocan percutor
Marca: Ryobi
Număr serie: R18PD7
Gamă număr serie: 46262701000001 - 46262701999999

este în conformitate cu următoarele Directive Europene și standarde armonizate
2006/42/EC, 2014/30/EU, 2011/65/EU,
EN 55014-1-2:2006+A1:2009+A2:2011, EN55014-2:2015,
EN 60745-1:2009+A11:2010, EN 60745-2-1:2010, EN 60745-2-2:2010

Documentația RoHS este întocmită în conformitate cu EN 50581:2012

Andrew John Eyre (BEng, CEng, MIET)
Vice President, Regulatory & Safety
Winnenden, Feb. 17, 2018



Autorizat să completeze fișa tehnică:
Alexander Krug, Managing Director
Techtronic Industries GmbH
Max-Eyth-Straße 10, 71364 Winnenden, Germany

CS PROHLÁŠENÍ O SHODĚ EC

Techtronic Industries GmbH
Max-Eyth-Straße 10, 71364 Winnenden, Germany

Tímto prohlašujeme, že výrobky

Přilepková vrtačka
Značka: Ryobi
Číslo modelu: R18PD7
Rozsah sériových čísel: 46262701000001 - 46262701999999

že tento výrobek je v souladu s evropskými a harmonizovanými standardy
2006/42/EC, 2014/30/EU, 2011/65/EU,
EN 55014-1-2:2006+A1:2009+A2:2011, EN55014-2:2015,
EN 60745-1:2009+A11:2010, EN 60745-2-1:2010, EN 60745-2-2:2010

RoHS dokumentace sestavena dle EN 50581:2012

Andrew John Eyre (BEng, CEng, MIET)
Vice President, Regulatory & Safety
Winnenden, Feb. 17, 2018



Pověření ke kompilaci technického souboru:
Alexander Krug, Managing Director
Techtronic Industries GmbH
Max-Eyth-Straße 10, 71364 Winnenden, Germany

LV EC Atbilstības deklarācija

Techtronic Industries GmbH
Max-Eyth-Straße 10, 71364 Winnenden, Germany

Ar šo paziņojam, ka produkti

Triecienuurbmašīna
Zīmols: Ryobi
Modeļa numurs: R18PD7
Sērijas numura intervāls: 46262701000001 - 46262701999999

atbilst šādām Eiropas direktīvām un saskaņotajiem standartiem
2006/42/EC, 2014/30/EU, 2011/65/EU,
EN 55014-1-2:2006+A1:2009+A2:2011, EN55014-2:2015,
EN 60745-1:2009+A11:2010, EN 60745-2-1:2010, EN 60745-2-2:2010

RoHS dokumentācija ir izstrādāta saskaņā ar EN 50581:2012

Andrew John Eyre (BEng, CEng, MIET)
Vice President, Regulatory & Safety
Winnenden, Feb. 17, 2018



Pilnvarots sastādīt tehnisko failu:
Alexander Krug, Managing Director
Techtronic Industries GmbH
Max-Eyth-Straße 10, 71364 Winnenden, Germany

HU EC Megfelelőségi nyilatkozat

Techtronic Industries GmbH
Max-Eyth-Straße 10, 71364 Winnenden, Germany

Ezúton kijelentjük, hogy a termék

Útvefűró
Márka: Ryobi
Típusszám: R18PD7
Sorozatszám tartomány: 46262701000001 - 46262701999999

megfelel az alábbi Európai Irányelvek és harmonizált szabványok vonatkozó rendelkezésének

2006/42/EC, 2014/30/EU, 2011/65/EU,
EN 55014-1-2:2006+A1:2009+A2:2011, EN55014-2:2015,
EN 60745-1:2009+A11:2010, EN 60745-2-1:2010, EN 60745-2-2:2010

A RoHS dokumentáció összeállítására az EN 50581:2012 szerint történt

Andrew John Eyre (BEng, CEng, MIET)
Vice President, Regulatory & Safety
Winnenden, Feb. 17, 2018



A műszaki dokumentáció összeállítására felhatalmazott:
Alexander Krug, Managing Director
Techtronic Industries GmbH
Max-Eyth-Straße 10, 71364 Winnenden, Germany

LT EC Atitikties pareiškimas

Techtronic Industries GmbH
Max-Eyth-Straße 10, 71364 Winnenden, Germany

Mes pareiškiamo, kad šie produktai

Smūginis gražtas
Prekės ženklas: Ryobi
Modelio numeris: R18PD7
Serijinio numerio diapazonas: 46262701000001 - 46262701999999

pagamintas laikantis toliau nurodytųjų Europos Direktyvų ir darniųjų standartų
2006/42/EC, 2014/30/EU, 2011/65/EU,
EN 55014-1-2:2006+A1:2009+A2:2011, EN55014-2:2015,
EN 60745-1:2009+A11:2010, EN 60745-2-1:2010, EN 60745-2-2:2010

Tam tikrų pavojingų medžiagų naudojimo elektros ir elektroninėje įrangoje apri bojimo dokumentai sudaryti pagal standartą EN 50581:2012

Andrew John Eyre (BEng, CEng, MIET)
Vice President, Regulatory & Safety
Winnenden, Feb. 17, 2018



Išgaliotas sudaryti techninį failą:
Alexander Krug, Managing Director
Techtronic Industries GmbH
Max-Eyth-Straße 10, 71364 Winnenden, Germany



ET EC VASTAVUSDEKLARATSIOON

Techtronic Industries GmbH
Max-Eyth-Straße 10, 71364 Winnenden, Germany

Kinnitame, et see toode

Lööktrell
Mark: Ryobi
Mudeli number: R18PD7
Seerianumbri vahemik: 46262701000001 - 46262701999999

vastab järgmistele Euroopa direktiividele ja harmoniseeritud standarditele
2006/42/EC, 2014/30/EU, 2011/65/EU,
EN 55014-1:2006+A1:2009+A2:2011, EN55014-2:2015,
EN 60745-1:2009+A11:2010, EN 60745-2-1:2010, EN 60745-2-2:2010

RoHS dokumendid on koostatud vastavuses standardi EN 50581:2012 nõuetele.



Andrew John Eyre (BEng, CEng, MIET)
Vice President, Regulatory & Safety
Winnenden, Feb. 17, 2018

Tehnilise faili koostamiseks volitatud isik:
Alexander Krug, Managing Director
Techtronic Industries GmbH
Max-Eyth-Straße 10, 71364 Winnenden, Germany


SK PREHLÁSENIE O ZHODE EC

Techtronic Industries GmbH
Max-Eyth-Straße 10, 71364 Winnenden, Germany

Týmto vyhlasujeme, že výrobok

Pneumatická vrtáčka
Značka: Ryobi
Číslo modelu: R18PD7
Rozsah sériových čísel: 46262701000001 - 46262701999999

Je v súlade s nasledujúcimi Európskymi smernicami a harmonizovanými normami
2006/42/EC, 2014/30/EU, 2011/65/EU,
EN 55014-1:2006+A1:2009+A2:2011, EN55014-2:2015,
EN 60745-1:2009+A11:2010, EN 60745-2-1:2010, EN 60745-2-2:2010

Dokumentácia RoHS je zostavená podľa EN 50581:2012



Andrew John Eyre (BEng, CEng, MIET)
Vice President, Regulatory & Safety
Winnenden, Feb. 17, 2018

Oprávnená osoba na zostavenie technického súboru:
Alexander Krug, Managing Director
Techtronic Industries GmbH
Max-Eyth-Straße 10, 71364 Winnenden, Germany


HR EC IZJAVA O USKLADENOSTI

Techtronic Industries GmbH
Max-Eyth-Straße 10, 71364 Winnenden, Germany

Ovime izjavljujemo da su proizvodi

Lööktrell
Marka: Ryobi
Broj modela: R18PD7
Raspon serijskog broja: 46262701000001 - 46262701999999

usklađena sa sljedećim Europskim Direktivama i usklađenim normama
2006/42/EC, 2014/30/EU, 2011/65/EU,
EN 55014-1:2006+A1:2009+A2:2011, EN55014-2:2015,
EN 60745-1:2009+A11:2010, EN 60745-2-1:2010, EN 60745-2-2:2010

RoHS dokumentacija sukladna je EN 50581:2012



Andrew John Eyre (BEng, CEng, MIET)
Vice President, Regulatory & Safety
Winnenden, Feb. 17, 2018

Ovlašten da sastavi tehničku datoteku:
Alexander Krug, Managing Director
Techtronic Industries GmbH
Max-Eyth-Straße 10, 71364 Winnenden, Germany


BG ДЕКЛАРАЦИЯ НА ЗА СЪОТВЕТСТВИЕ

Techtronic Industries GmbH
Max-Eyth-Straße 10, 71364 Winnenden, Germany

С настоящето декларираме, че продуктите

Ударно пробиване
Марка: Ryobi
Номер на модела: R18PD7
Обхват на серийни номера: 46262701000001 - 46262701999999

отговаря на следните директиви на ЕС и хармонизирани стандарти
2006/42/EC, 2014/30/EU, 2011/65/EU,
EN 55014-1:2006+A1:2009+A2:2011, EN55014-2:2015,
EN 60745-1:2009+A11:2010, EN 60745-2-1:2010, EN 60745-2-2:2010

Документацията за RoHS е съставена в съответствие с EN 50581:2012.



Andrew John Eyre (BEng, CEng, MIET)
Вицепрезидент, Правни Услуги И Безопасност
Winnenden, Feb. 17, 2018

Упълномощено лице за съставяне на техническия файл:
Alexander Krug, Изпълнителен Директор
Techtronic Industries GmbH
Max-Eyth-Straße 10, 71364 Winnenden, Germany


SL IZJAVA EC O SKLADNOSTI


Techtronic Industries GmbH
Max-Eyth-Straße 10, 71364 Winnenden, Germany

Izjavljamo, da je izdelek

Udarni vrtilnik
Znamka: Ryobi
Številka modela: R18PD7
Razpon serijskih števil: 46262701000001 - 46262701999999

v skladu s sledečimi evropskimi direktivami in harmoniziranimi standardi
2006/42/EC, 2014/30/EU, 2011/65/EU,
EN 55014-1:2006+A1:2009+A2:2011, EN55014-2:2015,
EN 60745-1:2009+A11:2010, EN 60745-2-1:2010, EN 60745-2-2:2010

Dokumentacija RoHS je sestavljena skladno s standardom EN 50581:2012



Andrew John Eyre (BEng, CEng, MIET)
Vice President, Regulatory & Safety
Winnenden, Feb. 17, 2018

Pooblaščen oseba za sestavo tehnične dokumentacije:
Alexander Krug, Managing Director
Techtronic Industries GmbH
Max-Eyth-Straße 10, 71364 Winnenden, Germany


UK Декларация про відповідність

Techtronic Industries GmbH
Max-Eyth-Straße 10, 71364 Winnenden, Germany

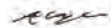
При цьому ми заявляємо, що продукт

Ударний дріль
Марка: Ryobi
Номер моделі: R18PD7
Діапазон серійного номеру: 46262701000001 - 46262701999999

у відповідності з наступними європейськими директивами та гармонізованими стандартами

2006/42/EC, 2014/30/EU, 2011/65/EU,
EN 55014-1:2006+A1:2009+A2:2011, EN55014-2:2015,
EN 60745-1:2009+A11:2010, EN 60745-2-1:2010, EN 60745-2-2:2010

Документація RoHS складена відповідно до EN 50581:2012



Andrew John Eyre (BEng, CEng, MIET)
Vice President, Regulatory & Safety
Winnenden, Feb. 17, 2018

Дозвіл на складання технічного файла:
Alexander Krug, Managing Director
Techtronic Industries GmbH
Max-Eyth-Straße 10, 71364 Winnenden, Germany



TR EC Uygunluk beyanı

Techtronic Industries GmbH
Max-Eyth-Straße 10, 71364 Winnenden, Germany

Böylelikle beyan ederiz ki; ürün

Darbeli Matkap
Marka: Ryobi
Model numarası: R18PD7
Seri numarası aralığı: 46262701000001 - 46262701999999

aşağıdaki Avrupa Direktifleri ve uyumlaştırılmış standartlara uygundur

2006/42/EC, 2014/30/EU, 2011/65/EU,
EN 55014-1:2006+A1:2009+A2:2011, EN55014-2:2015,
EN 60745-1:2009+A11:2010, EN 60745-2-1:2010, EN 60745-2-2:2010

RoHS belgeleri EN 50581:2012 uyarınca derlenmiştir



Andrew John Eyre (BEng, CEng, MIET)
Vice President, Regulatory & Safety
Winnenden, Feb. 17, 2018

CE

Teknik dosya hazırlamaya yetkilidir:

Alexander Krug, Managing Director
Techtronic Industries GmbH
Max-Eyth-Straße 10, 71364 Winnenden, Germany

EL ΕΚ Δήλωση συμμόρφωσης

Techtronic Industries GmbH
Max-Eyth-Straße 10, 71364 Winnenden, Germany

Δια του παρόντος δηλώνουμε ότι το προϊόν

Κρουστικό τρυπάνι
Μάρκα: Ryobi
Αριθμός μοντέλου: R18PD7
Εύρος σειριακών αριθμών: 46262701000001 - 46262701999999

είναι σύμφωνο με τις παρακάτω Ευρωπαϊκές Οδηγίες και εναρμονισμένα πρότυπα

2006/42/EC, 2014/30/EU, 2011/65/EU,
EN 55014-1:2006+A1:2009+A2:2011, EN55014-2:2015,
EN 60745-1:2009+A11:2010, EN 60745-2-1:2010, EN 60745-2-2:2010

Τα έγγραφα RoHS συντάσσονται σύμφωνα με το EN 50581:2012



Andrew John Eyre (BEng, CEng, MIET)
Vice President, Regulatory & Safety
Winnenden, Feb. 17, 2018

CE

Εξουσιοδοτημένο άτομο για σύνταξη τεχνικού αρχείου:

Alexander Krug, Managing Director
Techtronic Industries GmbH
Max-Eyth-Straße 10, 71364 Winnenden, Germany

130.com.ua

130.com.ua



130.com.ua

Techtronic Industries GmbH
Max-Eyth-Straße 10,
71364 Winnenden, Germany

961075439-01