



ТЕЛЕФОНЫ

0 (800) 800 130
(050) 462 0 130
(063) 462 0 130
(067) 462 0 130

130
COM.UA

Интернет-магазин
автотоваров



SKYPE

km-130

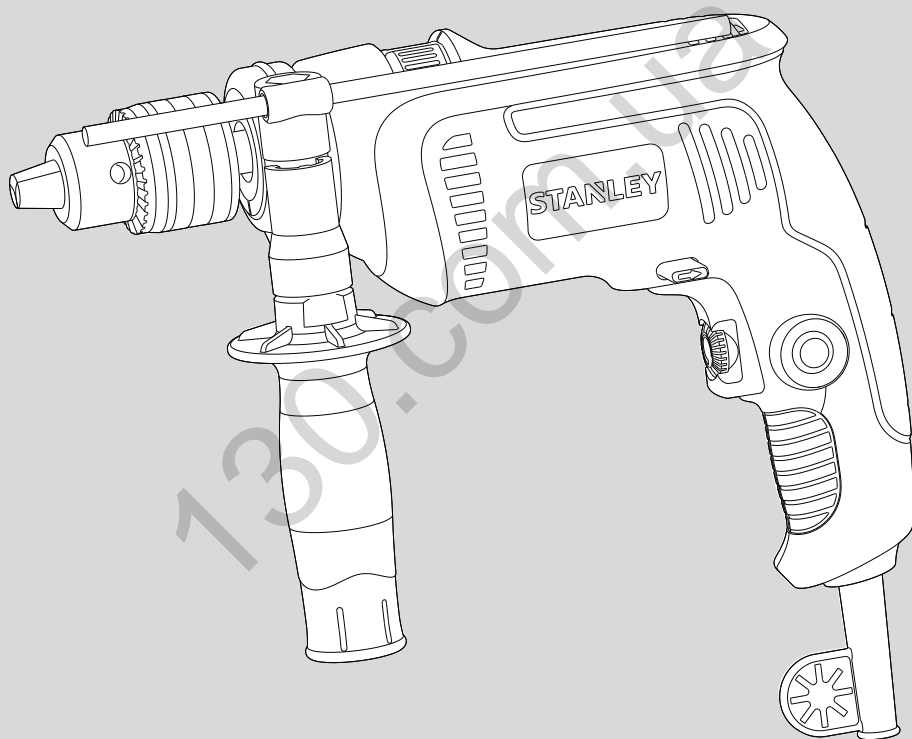
АВТОМАГНИТОЛЫ — Магнитолы • Медиа-ресиверы и станции • Штатные магнитолы • CD/DVD чейнджеры • FM-модуляторы/USB адаптеры • Flash память • Переходные рамки и разъемы • Антенны • Аксессуары | **АВТОЗВУК** — Акустика • Усилители • Сабвуферы • Процессоры • Кроссоверы • Наушники • Аксессуары | **БОРТОВЫЕ КОМПЬЮТЕРЫ** — Универсальные компьютеры • Модельные компьютеры • Аксессуары | **GPS НАВИГАТОРЫ** — Портативные GPS • Встраиваемые GPS • GPS модули • GPS трекеры • Антенны для GPS навигаторов • Аксессуары | **ВИДЕОУСТРОЙСТВА** — Видеорегистраторы • Телевизоры и мониторы • Автомобильные ТВ тюнеры • Камеры • Видеомодули • Транскодеры • Автомобильные ТВ антенны • Аксессуары | **ОХРАННЫЕ СИСТЕМЫ** — Автосигнализации • Мотосигнализации • Механические блокираторы • Имобилайзеры • Датчики • Аксессуары | **ОПТИКА И СВЕТ** — Ксенон • Биксенон • Лампы • Светодиоды • Стробоскопы • Оптика и фары • Омыватели фар • Датчики света, дождя • Аксессуары | **ПАРКТРОНИКИ И ЗЕРКАЛА** — Задние парктроники • Передние парктроники • Комбинированные парктроники • Зеркала заднего вида • Аксессуары | **ПОДОГРЕВ И ОХЛАЖДЕНИЕ** — Подогревы сидений • Подогревы зеркал • Подогревы дворников • Подогревы двигателей • Автохолодильники • Автокондиционеры • Аксессуары | **ТЮНИНГ** — Виброизоляция • Шумоизоляция • Тонировочная пленка • Аксессуары | **АВТОАКСЕССУАРЫ** — Радар-детекторы • Громкая связь Bluetooth • Стеклоподъемники • Компрессоры • Звуковые сигналы, СГУ • Измерительные приборы • Автопылесосы • Автокресла • Разное | **МОНТАЖНОЕ ОБОРУДОВАНИЕ** — Установочные комплекты • Обивочные материалы • Декоративные решетки • Фазоинверторы • Кабель и провод • Инструменты • Разное | **ПИТАНИЕ** — Аккумуляторы • Преобразователи • Пуско-зарядные устройства • Конденсаторы • Аксессуары | **МОРСКАЯ ЭЛЕКТРОНИКА И ЗВУК** — Морские магнитолы • Морская акустика • Морские сабвуферы • Морские усилители • Аксессуары | **АВТОХИМИЯ И КОСМЕТИКА** — Присадки • Жидкости омывателя • Средства по уходу • Полироли • Ароматизаторы • Клеи и герметики | **ЖИДКОСТИ И МАСЛА** — Моторные масла • Трансмиссионные масла • Тормозные жидкости • Антифризы • Технические смазки



В магазине «130» вы найдете и сможете купить в Киеве с доставкой по городу и Украине практически все для вашего автомобиля. Наши опытные консультанты предоставят вам исчерпывающую информацию и помогут подобрать именно то, что вы ищете. Ждем вас по адресу

<https://130.com.ua>

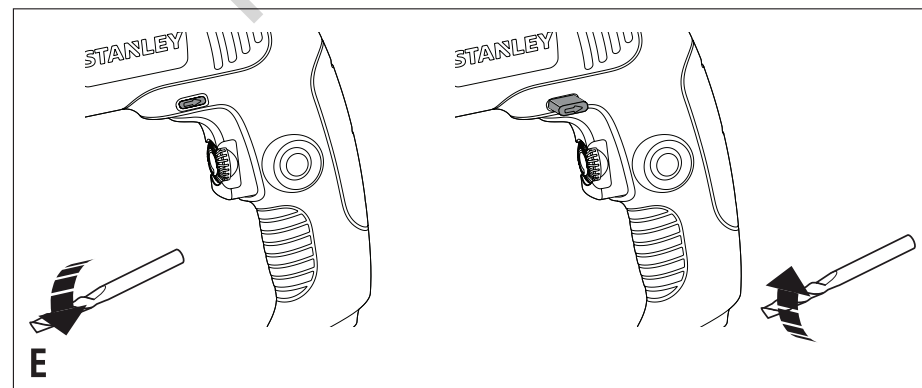
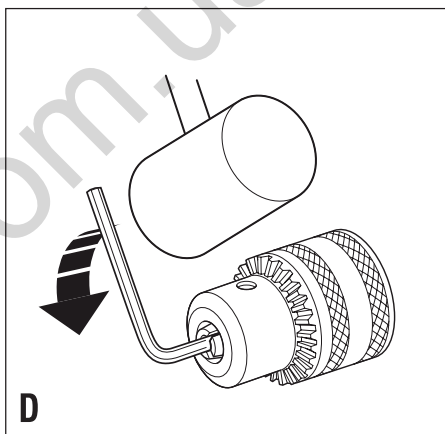
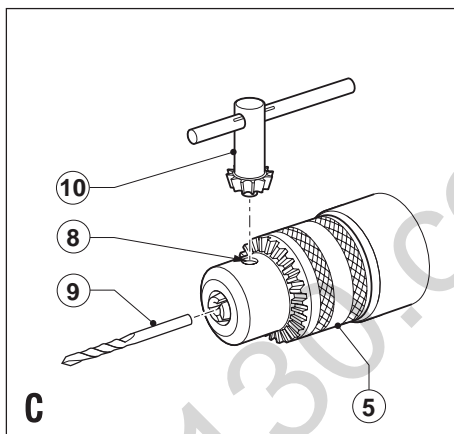
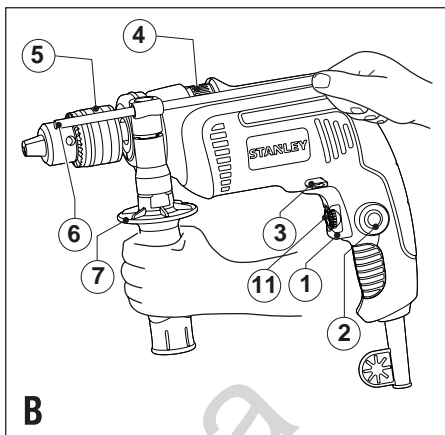
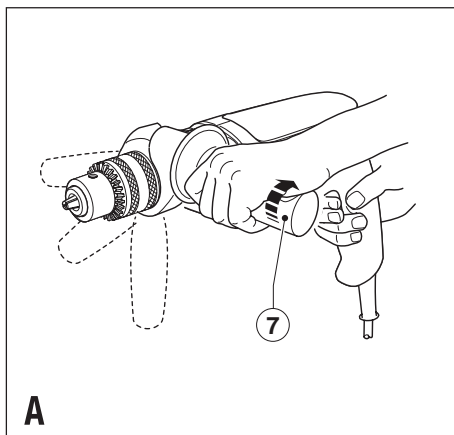
STANLEY



SDH600
SDH700

Автотовары «130»

English	Page 3
Русский	Page 8
Українська	Page 15
Türkçe	Page 21



Intended use

Your STANLEY SDH600-SDH700 impact drill has been designed for drilling in wood, metal, plastics, and masonry as well as for screw driving purposes. This tool is intended for professional use.

Safety instructions

General power tool safety warnings



Warning! Read all safety warnings and all instructions. Failure to follow the warnings and instructions listed below may result in electric shock, fire and/or serious injury.

Save all warnings and instructions for future reference.

The term "power tool" in all of the warnings listed below refers to your mains operated (corded) power tool or battery

1. Work area safety

- a. **Keep work area clean and well lit.** Cluttered or dark areas invite accidents.
- b. **Do not operate power tools in explosive atmospheres, such as in the presence of flammable liquids, gases or dust.** Power tools create sparks which may ignite the dust or fumes.
- c. **Keep children and bystanders away while operating a power tool.** Distractions can cause you to lose control.

2. Electrical safety

- a. **Power tool plugs must match the outlet. Never modify the plug in any way. Do not use any adapter plugs with earthed (grounded) power tools.** Unmodified plugs and matching outlets will reduce risk of electric shock.
- b. **Avoid body contact with earthed or grounded surfaces such as pipes, radiators, ranges and refrigerators.** There is an increased risk of electric shock if your body is earthed or grounded.
- c. **Do not expose power tools to rain or wet conditions.** Water entering a power tool will increase the risk of electric shock.
- d. **Do not abuse the cord. Never use the cord for carrying, pulling or unplugging the power tool. Keep cord away from heat, oil, sharp edges or moving parts.** Damaged or entangled cords increase the risk of electric shock.
- e. **When operating a power tool outdoors, use an extension cord suitable for outdoor use.** Use of a cord suitable for outdoor use reduces the risk of electric shock.

- f. **If operating a power tool in a damp location is unavoidable, use a residual current device (RCD) protected supply.** Use of an RCD reduces the risk of electric shock.
3. **Personal safety**
 - a. **Stay alert, watch what you are doing and use common sense when operating a power tool. Do not use a power tool while you are tired or under the influence of drugs, alcohol or medication.** A moment of inattention while operating power tools may result in serious personal injury.
 - b. **Use personal protective equipment. Always wear eye protection.** Protective equipment such as dust mask, non-skid safety shoes, hard hat, or hearing protection used for appropriate conditions will reduce personal injuries.
 - c. **Prevent unintentional starting. Ensure the switch is in the off-position before connecting to power source and/or battery pack, picking up or carrying the tool.** Carrying power tools with your finger on the switch or energising power tools that have the switch on invites accidents.
 - d. **Remove any adjusting key or wrench before turning the power tool on.** A wrench or a key left attached to a rotating part of the power tool may result in personal injury.
 - e. **Do not overreach. Keep proper footing and balance at all times.** This enables better control of the power tool in unexpected situations.
 - f. **Dress properly. Do not wear loose clothing or jewellery. Keep your hair, clothing and gloves away from moving parts.** Loose clothes, jewellery or long hair can be caught in moving parts.
 - g. **If devices are provided for the connection of dust extraction and collection facilities, ensure these are connected and properly used.** Use of dust collection can reduce dust-related hazards.
 4. **Power tool use and care**
 - a. **Do not force the power tool. Use the correct power tool for your application.** The correct power tool will do the job better and safer at the rate for which it was designed.
 - b. **Do not use the power tool if the switch does not turn it on and off.** Any power tool that cannot be controlled with the switch is dangerous and must be repaired.
 - c. **Disconnect the plug from the power source and/or the battery pack from the power tool before making any adjustments, changing accessories, or storing power tools.** Such preventive safety measures reduce the risk of starting the power tool accidentally.

- d. Store idle power tools out of the reach of children and do not allow persons unfamiliar with the power tool or these instructions to operate the power tool. Power tools are dangerous in the hands of untrained users.
 - e. Maintain power tools. Check for misalignment or binding of moving parts, breakage of parts and any other condition that may affect the power tools operation. If damaged, have the power tool repaired before use. Many accidents are caused by poorly maintained power tools.
 - f. Keep cutting tools sharp and clean. Properly maintained cutting tools with sharp cutting edges are less likely to bind and are easier to control.
 - g. Use the power tool, accessories and tool bits etc. In accordance with these instructions, taking into account the working conditions and the work to be performed. Use of the power tool for operations different from those intended could result in a hazardous situation.
5. Service
- a. Have your power tool serviced by a qualified repair person using only identical replacement parts. This will ensure that the safety of the power tool is maintained.

Additional power tool safety warnings



Warning! Additional safety warnings for drills and impact drills

- ◆ Wear ear protectors when impact drilling. Exposure to noise can cause hearing loss.
- ◆ Use auxiliary handle(s) if supplied with the tool. Loss of control can cause personal injury.
- ◆ Hold power tool by insulated gripping surfaces when performing an operation where the cutting accessory may contact hidden wiring or its own cord. Cutting accessory contacting a "live" wire may make exposed metal parts of the power tool "live" and could give the operator an electric shock.
- ◆ Use clamps or another practical way to secure and support the workpiece to a stable platform. Holding the work by hand or against your body leaves it unstable and may lead to loss of control.
- ◆ Before drilling into walls, floors or ceilings, check for the location of wiring and pipes.
- ◆ Avoid touching the tip of a drill bit just after drilling, as it may be hot.
- ◆ The intended use is described in this instruction manual. The use of any accessory or attachment or performance of any operation with this tool other than those recommended in this instruction manual may present a risk of personal injury and/or damage to property.

Residual risks.

Even with the application of the relevant safety regulations and the implementation of safety devices, certain residual risks can not be avoided. These include:

- ◆ Injuries caused by touching any rotating/moving parts.
- ◆ Impairment of hearing.
- ◆ Risk of injury when changing any parts, or accessories.
- ◆ Health hazards caused by breathing dust developed when sawing wood, especially oak, beech and MDF.
- ◆ Injuries caused by prolonged use of a tool. When using any tool for prolonged periods ensure you take regular breaks.

Safety of others

This appliance is not intended for use by persons (including children) with reduced physical, sensory or mental capabilities, or lack of experience and knowledge, unless they have been given supervision or instruction concerning use of the appliance by a person responsible for their safety.

Children should be supervised to ensure that they do not play with the appliance.

Labels on tool

The label on your tool may include the following symbols:



Warning! To reduce the risk of injury, the user must read the instruction manual.



Always wear safety goggles



Always wear safety hearing protection

Position of date barcode

The Date Code, which also includes the year of manufacture, is printed into the housing.

Example:

2015 XX ZY
Year of manufacturing

Electrical safety



This tool is double insulated; therefore no earth wire is required. Always check that the power supply corresponds to the voltage on the rating plate.

- ◆ If the supply cord is damaged, it must be replaced by the manufacturer or an authorised STANLEY Service Centre in order to avoid a hazard.

Using an extension cable

- ◆ Always use an approved extension cable suitable for the power input of this tool (see technical data). Before use, inspect the extension cable for signs of damage, wear and ageing. Replace the extension cable if damaged or defective. When using a cable reel, always unwind the cable completely. Use of an extension cable not suitable for the power input of the tool or which is damaged or defective may result in a risk of fire and electric shock.

Features

This tool includes some or all of the following features.

1. Variable speed switch
2. Lock-on button
3. Forward/reverse button
4. Drilling mode selector
5. Chuck
6. Depth stop
7. Side handle

Assembly.



Warning! Before assembly, make sure that the tool is switched off and unplugged.

Fitting the side handle and depth stop (fig.A,B)

- ◆ Turn the grip counter clockwise until you can slide the side handle (7) onto the front of the tool as shown (fig.A).
- ◆ Rotate the side handle into the desired position.
- ◆ Insert the depth stop(6) into the mounting hole as shown (fig.B).
- ◆ Set the drilling depth as described below.
- ◆ Tighten the side handle by turning the grip clockwise.

Fitting a drill bit (fig.C)

- ◆ Open the chuck by turning the sleeve (5) counter clockwise.
- ◆ Insert the bit shaft (9) into the chuck (drill bit not included).
- ◆ Insert the chuck key(10) into each hole (8) in the side of the chuck and turn clockwise until it is tight.

Removing and refitting the chuck (fig.D)

- ◆ Open the chuck as far as possible.
- ◆ Remove the chuck retaining screw, located in the chuck, by turning it clockwise using a screwdriver.
- ◆ Tighten an Allen key into the chuck and strike it with a Impact as shown.
- ◆ Remove the Allen key. Remove the chuck by turning it counter clockwise.
- ◆ To refit the chuck, screw it onto the spindle and secure it with the chuck retaining screw.

Use



Warning! Let the tool work at its own pace. Do not overload.



Warning! Before drilling into walls, floors or ceilings, check for the location of wiring and pipes.

Selecting the direction of rotation (fig.E)

For drilling and for tightening screws, use forward (clockwise) rotation For loosening screws or removing a jammed drill bit, use reverse (counter clockwise) rotation.

- ◆ To select forward rotation, push the forward/reverse button (3) to the left position.
- ◆ To select reverse rotation, push the forward/reverse button (3) to the right. **Warning!** Never change the direction of rotation while the motor is running.

Selecting the drilling mode

- ◆ For drilling in masonry, set the drilling mode selector (4) to the **T** position.
- ◆ For drilling in other materials and for screwdriving, set the drilling mode selector to the **2** position.

Setting the drilling depth (fig.B)

- ◆ Slacken the side handle (7) by turning the grip counter clockwise.
- ◆ Set the depth stop(6) to the desired position. The maximum drilling depth is equal to the distance between the tip of the drill bit and the front end of the depth stop.
- ◆ Tighten the side handle by turning the grip clockwise.

Switching on and off

- ◆ To switch the tool on, press the variable speed switch(1). The tool speed depends on how far you press the switch. As a general rule, use low speeds for large diameter drill bits and high speeds for smaller diameter drill bits.
- ◆ For continuous operation, press the lock-on button (2) and release the variable speed switch. This option is available only at full speed in both forward and reverse modes.
- ◆ To switch the tll off, release the variable speed switch. To switch the tool off when in continuous operation, press the variable speed switch again and release it.
- ◆ Based on the different applications, turn around the speed dial(11) to control the maximum speed.

Drilling in metal

Start drilling with slow speed and increase to full power while applying firm pressure on the tool. A smooth even flow of metal chips indicates the proper drilling rate. Use a cutting lubricant when drilling metals. The exceptions are cast iron and brass which should be drilled dry.

NOTE: Large [5/16" (8 mm) to 1/2" (13 mm)] holes in steel can be made easier if a pilot hole [5/32" (4 mm) to 3/16" (5 mm)] is drilled first.

Drilling in wood

Start drilling with slow speed and increase to full power while applying firm pressure on the tool. Holes in wood can be made with the same twist drills used for metal. These bits may overheat unless pulled out frequently to clear chips from the flutes. Work that is apt to splinter should be backed up with a block of wood.

Drilling in masonry

When drilling in masonry, use carbide-tipped bits rated for Impact drilling and be certain that the bits are sharp. Use a constant and firm force on the tool to drill most effectively. A smooth, even flow of dust indicates the proper drilling rate.

Screwdriving

Select forward or reverse rotation.

Accessories

The performance of your tool depends on the accessory used. STANLEY accessories are engineered to high quality standards and designed to enhance the performance of your tool. By using these accessories you will get the very best from your tool.

Maintenance

Your tool has been designed to operate over a long period of time with a minimum of maintenance. Continuous satisfactory operation depends upon proper tool care and regular cleaning.

Warning! Before performing any maintenance, switch off and unplug the tool.

- ◆ Regularly clean the ventilation slots in your tool using a soft brush or dry cloth.
- ◆ Regularly clean the motor housing using a damp cloth. Do not use any abrasive or solvent-based cleaner.

Protecting the environment



Separate collection. This product must not be disposed of with normal household waste.

Should you find one day that your STANLEY product needs replacement, or if it is of no further use to you, do not dispose of it with household waste. Make this product available for separate collection.



Separate collection of used products and packaging allows materials to be recycled and used again. Re-use of recycled materials helps prevent environmental pollution and reduces the demand for raw materials.

Local regulations may provide for separate collection of electrical products from the household, at municipal waste sites or by the retailer when you purchase a new product.

STANLEY provides a facility for the collection and recycling of STANLEY products once they have reached the end of their working life. To take advantage of this service please return your product to any authorised repair agent who will collect them on our behalf.

You can check the location of your nearest authorised repair agent by contacting your local STANLEY office at the address indicated in this manual. Alternatively, a list of authorised STANLEY repair agents and full details of our after-sales service and contacts are available on the Internet at: www.2helpU.com

Notes

- ◆ STANLEY's policy is one of continuous improvement to our products and as such, we reserve the right to change product specifications without prior notice.
- ◆ Standard equipment and accessories may vary by country.
- ◆ Product specifications may differ by country.
- ◆ Complete product range may not be available in all countries. Contact your local STANLEY dealers for range availability.

Technical data

		SDH600	SDH700
Input voltage	V _{AC}	220-240	220-240
Power input	W	600	700
Frequency	Hz	50/60	50/60
No-load speed	min ⁻¹	0-2900	0-2900
Impact rate	ipm	49300	49300
Chuck capacity	mm	1.5-13	1.5-13
Max. Drilling Capacity			
Concrete/Metal/Wood	mm	13/13/25	13/13/30
Weight	kg	1.75	1.87

SDH600

Level of sound pressure according to EN 60745:

Sound pressure (LpA) 97.0 dB(A), uncertainty (K) 3 dB(A)
 Sound power (LWA) 108.0 dB(A), uncertainty (K) 3 dB(A)

Vibration emission value ah:

ah, ID = m/s² 8.2

ah, D = m/s² 3.7

Uncertainty K = m/s² 1.5

SDH700

Level of sound pressure according to EN 60745:

Sound pressure (LpA) 100.0 dB(A), uncertainty (K) 3 dB(A)
 Sound power (LWA) 110.0 dB(A), uncertainty (K) 3 dB(A)

Vibration emission value ah:

ah, ID = m/s² 8.7

ah, D = m/s² 3.8

Uncertainty K = m/s² 1.5

Vibration

The declared vibration emission values stated in the technical data and the declaration of conformity have been measured in accordance with a standard test method provided by EN 60745 and may be used for comparing one tool with another. The declared vibration emission value may also be used in a preliminary assessment of exposure.

Warning! The vibration emission value during actual use of the power tool can differ from the declared value depending on the ways in which the tool is used. The vibration level may increase above the level stated.

When assessing vibration exposure to determine safety measures required by 2002/44/EC to protect persons regularly using power tools in employment, an estimation of vibration exposure should consider, the actual conditions of use and the way the tool is used, including taking account of all parts of the operating cycle such as the times when the tool is switched off and when it is running idle in addition to the trigger time.

Service Information

STANLEY offers a full network of company-owned and/or authorized service agents throughout your country. All STANLEY Service Centers are staffed with trained personnel to provide customers with efficient and reliable power tool service. Whether you need technical advice, repair, or genuine factory replacement parts, contact the STANLEY location nearest to you.

EC declaration of conformity

MACHINERY DIRECTIVE



SDH600-SDH700 - Impact Drills

Stanley Europe declares that these products described under "technical data" are in compliance with:

2006/42/EC, EN 60745-1:2009 + A11:2010, EN 60745-2-1: 2010

These products also comply with Directive 2004/108/EC (until 19/04/2016) 2014/30/EU (from 20/04/2016) and 2011/65/EU.

For more information, please contact Stanley Europe at the following address or refer to the back of the manual.

The undersigned is responsible for compilation of the technical file and makes this declaration on behalf of Stanley Europe.

Ray Laverick
 Engineering Manager
 Stanley Europe, Egide Walschaertsstraat 14-18,
 2800 Mechelen, Belgium
 08/2015

TWO YEAR WARRANTY

If your STANLEY product becomes defective due to faulty materials or workmanship within 24 months from the date of purchase, STANLEY guarantees to replace all defective parts free of charge or – at our discretion – replace the unit free of charge provided that:

- ◆ The product has not been misused and has been used in accordance with the instruction manual;
- ◆ The product has been subject to fair wear and tear;
- ◆ Repairs have not been attempted by unauthorized persons;
- ◆ Proof of purchase is produced;
- ◆ The STANLEY product is returned complete with all original components;
- ◆ The product hasn't been used for hire purposes.

If you wish to make a claim, contact your seller or check the location of your nearest authorised STANLEY repair agent in the STANLEY catalogue or contact your local STANLEY office at the address indicated in this manual. A list of authorised STANLEY repair agents and full details of our after sales service is available on the internet at: www.2helpU.com

Назначение

Ваша ударная электрическая дрель STANLEY SDH600-SDH700 предназначена для сверления отверстий в древесине, металле, пластмассе и кирпичной кладке, а также для заворачивания саморезов. Данный инструмент предназначен для профессионального использования.

Инструкции по технике безопасности

Общие правила безопасности при работе с электроинструментами



Внимание! Внимательно прочтите все инструкции по безопасности и руководство по эксплуатации. Несоблюдение всех перечисленных ниже правил безопасности и инструкций может привести к поражению электрическим током, возникновению пожара и/или получению тяжелой травмы.

Сохраните все инструкции по безопасности и руководство по эксплуатации для их дальнейшего использования. Термин «Электроинструмент» во всех приведенных ниже указаниях относится к Вашему сетевому (с кабелем) или аккумуляторному (беспроводному) электроинструменту.

1. Безопасность рабочего места

- a. **Содержите рабочее место в чистоте и обеспечьте хорошее освещение.** Плохое освещение или беспорядок на рабочем месте может привести к несчастному случаю.
- b. **Не используйте электроинструменты, если есть опасность возгорания или взрыва, например, вблизи легко воспламеняющихся жидкостей, газов или пыли.** В процессе работы электроинструмент создает искровые разряды, которые могут воспалить пыль или горючие пары.
- c. **Во время работы с электроинструментом не подпускайте близко детей или посторонних лиц.** Отвлечение внимания может вызвать у Вас потерю контроля над рабочим процессом.

2. Электробезопасность

- a. **Вилка кабеля электроинструмента должна соответствовать штепсельной розетке. Ни в коем случае не видоизменяйте вилку электрического кабеля. Не используйте соединительные штепсели- переходники, если в силовом кабеле электроинструмента есть провод заземления.** Использование оригинальной вилки кабеля и соответствующей ей штепсельной розетки уменьшает риск поражения электрическим током.

- b. **Во время работы с электроинструментом избегайте физического контакта с заземленными объектами, такими как трубопроводы, радиаторы отопления, электроплиты и холодильники.** Риск поражения электрическим током увеличивается, если Ваше тело заземлено.
 - c. **Не используйте электроинструмент под дождем или во влажной среде.** Попадание воды в электроинструмент увеличивает риск поражения электрическим током.
 - d. **Бережно обращайтесь с электрическим кабелем. Ни в коем случае не используйте кабель для переноски электроинструмента или для вытягивания его вилки из штепсельной розетки. Не подвергайте электрический кабель воздействию высоких температур и смазочных веществ; держите его в стороне от острых кромок и движущихся частей инструмента.** Поврежденный или запутанный кабель увеличивает риск поражения электрическим током.
 - e. **При работе с электроинструментом на открытом воздухе используйте удлинительный кабель, предназначенный для наружных работ.** Использование кабеля, пригодного для работы на открытом воздухе, снижает риск поражения электрическим током.
 - f. **При необходимости работы с электроинструментом во влажной среде используйте источник питания, оборудованный устройством защитного отключения (УЗО).** Использование УЗО снижает риск поражения электрическим током.
- #### 3. Личная безопасность
- a. **При работе с электроинструментами будьте внимательны, следите за тем, что Вы делаете, и руководствуйтесь здравым смыслом. Не используйте электроинструмент, если Вы устали, а также находясь под действием алкоголя или понижающих реакцию лекарственных препаратов и других средств.** Малейшая неосторожность при работе с электроинструментами может привести к серьезной травме.
 - b. **При работе используйте средства индивидуальной защиты. Всегда надевайте защитные очки.** Своевременное использование защитного снаряжения, а именно: пылезащитной маски, ботинок на нескользящей подошве, защитного шлема или противосуммовых наушников, значительно снизит риск получения травмы.
 - c. **Не допускайте непреднамеренного запуска. Перед тем, как подключить электроинструмент к сети и/или аккумулятору, поднять или**

- перенести его, убедитесь, что выключатель находится в положении «выключено». Не переносите электроинструмент с нажатой кнопкой выключателя и не подключайте к сетевой розетке электроинструмент, выключатель которого установлен в положение «включено», это может привести к несчастному случаю.
- d. **Перед включением электроинструмента снимите с него все регулировочные или гаечные ключи.** Регулировочный или гаечный ключ, оставленный закрепленным на вращающейся части электроинструмента, может стать причиной тяжелой травмы.
- e. **Работайте в устойчивой позе. Всегда сохраняйте равновесие и устойчивую позу.** Это позволит Вам не потерять контроль при работе с электроинструментом в непредвиденной ситуации.
- f. **Одевайтесь соответствующим образом. Во время работы не надевайте свободную одежду или украшения.** Следите за тем, чтобы Ваши волосы, одежда или перчатки находились в постоянном отдалении от движущихся частей инструмента. Свободная одежда, украшения или длинные волосы могут попасть в движущиеся части инструмента.
- g. **Если электроинструмент снабжен устройством сбора и удаления пыли, убедитесь, что данное устройство подключено и используется надлежащим образом.** Использование устройства пылеудаления значительно снижает риск возникновения несчастного случая, связанного с запыленностью рабочего пространства.
4. **Использование электроинструментов и технический уход**
- a. **Не перегружайте электроинструмент. Используйте Ваш инструмент по назначению.** Электроинструмент работает надежно и безопасно только при соблюдении параметров, указанных в его технических характеристиках.
- b. **Не используйте электроинструмент, если его выключатель не устанавливается в положение включения или выключения.** Электроинструмент с неисправным выключателем представляет опасность и подлежит ремонту.
- c. **Отключайте электроинструмент от сетевой розетки и/или извлекайте аккумулятор перед регулированием, заменой принадлежностей или при хранении электроинструмента.** Такие меры предосторожности снижают риск случайного включения электроинструмента.
- d. **Храните неиспользуемые электроинструменты в недоступном для детей месте и не позволяйте лицам, не знакомым с электроинструментом или данными инструкциями, работать с электроинструментом.** Электроинструменты представляют опасность в руках неопытных пользователей.
- e. **Регулярно проверяйте исправность электроинструмента. Проверяйте точность совмещения и легкость перемещения подвижных частей, целостность деталей и любых других элементов электроинструмента, воздействующих на его работу. Не используйте неисправный электроинструмент, пока он не будет полностью отремонтирован.** Большинство несчастных случаев являются следствием недостаточного технического ухода за электроинструментом.
- f. **Следите за остротой заточки и чистой режущей принадлежностей.** Принадлежности с острыми кромками позволяют избежать заклинивания и делают работу менее утомительной.
- g. **Используйте электроинструмент, аксессуары и насадки в соответствии с данным Руководством и с учетом рабочих условий и характера будущей работы.** Использование электроинструмента не по назначению может создать опасную ситуацию.
5. **Техническое обслуживание**
- a. **Ремонт Вашего электроинструмента должен производиться только квалифицированными специалистами с использованием идентичных запасных частей.** Это обеспечит безопасность Вашего электроинструмента в дальнейшей эксплуатации.

Дополнительные меры безопасности при работе с электроинструментами



Внимание! Дополнительные меры безопасности при работе дрелями и ударными дрелями

- ◆ При работе ударными дрелями всегда надевайте противושумные наушники. Воздействие шума может привести к потере слуха.
- ◆ При работе пользуйтесь дополнительными рукоятками, прилагающимися к инструменту. Потеря контроля над инструментом может привести к тяжелой травме.
- ◆ Держите инструмент за изолированные ручки при выполнении операций, во время которых режущий инструмент может соприкасаться со скрытой проводкой или собственным кабелем. Контакт режущей принадлежности с находящимся под напряжением проводом делает не покрытые изоляцией металлические части электроинструмента «живыми», что создает опасность поражения оператора электрическим током.

- ♦ Используйте струбины или другие приспособления для фиксации обрабатываемой детали, устанавливая их только на неподвижной поверхности. Если держать обрабатываемую деталь руками или с упором в собственное тело, то можно потерять контроль над инструментом или обрабатываемой деталью.
- ♦ Прежде чем сверлить отверстия в стенах, полах или потолках, проверьте наличие электропроводки и трубопроводов.
- ♦ Не дотрагивайтесь до наконечника сверла сразу же после окончания сверления, так как он может быть горячим.
- ♦ Назначение инструмента описывается в данном руководстве по эксплуатации. Использование любых принадлежностей или приспособлений, а также выполнение данным инструментом любых видов работ, не рекомендованных данным руководством по эксплуатации, может привести к несчастному случаю и/или повреждению личного имущества.

Остаточные риски

Несмотря на соблюдение соответствующих инструкций по технике безопасности и использование предохранительных устройств, некоторые остаточные риски невозможно полностью исключить. К ним относятся:

- ♦ Травмы в результате касания вращающихся/двигающихся частей инструмента.
- ♦ Ухудшение слуха.
- ♦ Риск получения травмы во время смены деталей инструмента или насадок.
- ♦ Ущерб здоровью в результате вдыхания пыли в процессе работы с инструментом при обработке древесины, в особенности, дуба, бука и ДВП.
- ♦ Риск получения травмы, связанный с продолжительным использованием инструмента. При использовании инструмента в течение продолжительного периода времени делайте регулярные перерывы в работе.

Безопасность посторонних лиц

Данное изделие не может использоваться людьми (включая детей) со сниженными физическими, сенсорными и умственными способностями или при отсутствии необходимого опыта или навыка, за исключением, если они выполняют работу под присмотром лица, отвечающего за их безопасность.

Не позволяйте детям играть с электроинструментом.

Маркировка инструмента

Наравне с кодом даты на инструменте могут находиться следующие знаки:



Внимание! Полное ознакомление с руководством по эксплуатации снизит риск получения травмы.



Всегда работайте в защитных очках



Всегда используйте средства защиты слуха

Положение даты штрих-кода

Дата кода, который также включает год изготовления, печатается на корпусе.

Пример:

2015 XX ZY
Год изготовления

Электробезопасность



Данный инструмент защищен двойной изоляцией, что исключает потребность в заземляющем проводе. Следите за напряжением электрической сети, оно должно соответствовать величине, обозначенной на информационной табличке электроинструмента.

Во избежание несчастного случая, замена поврежденного кабеля питания должна производиться только на заводе-изготовителе или в авторизованном сервисном центре STANLEY.

Использование удлинительного кабеля

Всегда используйте удлинительные кабели установленного образца, соответствующие входной мощности данного электроинструмента (см. раздел «Технические характеристики»). Перед использованием проверьте удлинительный кабель на наличие признаков повреждения, старения и износа. В случае обнаружения повреждений удлинительный кабель подлежит замене. При использовании кабельного барабана, всегда полностью разматывайте кабель. Использование поврежденного или соответствующего входному напряжению инструмента и поврежденного или неисправного удлинительного кабеля может привести к возгоранию и поражению электрическим током.

Составные части

Ваш инструмент может содержать все или некоторые из перечисленных ниже составных частей:

1. Курковый пусковой выключатель с регулировкой скорости
2. Кнопка блокировки пускового выключателя
3. Переключатель направления вращения (реверса)
4. Переключатель режимов сверления
5. Зажимной патрон
6. Ограничитель глубины сверления
7. Боковая рукоятка

Сборка



Внимание! Перед началом сборки убедитесь, что электроинструмент выключен и отсоединён от электросети.

Установка боковой рукоятки и ограничителя глубины сверления (Рис. А, В)

- ◆ Поворачивайте ручку в направлении против часовой стрелки до тех пор, пока боковая рукоятка (7) не надвинется на своё посадочное место на корпусе электроинструмента, как показано на Рисунке А.
- ◆ Повернув боковую рукоятку, установите её в необходимое положение.
- ◆ Вставьте ограничитель глубины сверления (6) в крепёжное отверстие, как показано на Рисунке В.
- ◆ Установите глубину сверления, как описано ниже.
- ◆ Затяните боковую рукоятку, поворачивая её ручку в направлении по часовой стрелке.

Установка насадки (Рис. С)

- ◆ Раскройте зажимной патрон (5), вращая зажимное кольцо в направлении против часовой стрелки.
- ◆ Вставьте хвостовик насадки (9) в патрон (насадка не входит в комплект поставки инструмента).
- ◆ Вставьте ключ (10) в каждое из трёх отверстий (8), расположенных на боковой части зажимного патрона, и затяните патрон, поворачивая ключ в направлении по часовой стрелке.

Снятие и установка зажимного патрона (Рис. D)

- ◆ Максимально раскройте зажимной патрон.
- ◆ Извлеките стопорный винт, находящийся в патроне, открутив его по часовой стрелке с помощью отвёртки.
- ◆ Зажмите в патроне ключ-шестигранник и ударьте по нему молотком, как показано на рисунке.
- ◆ Выньте ключ. Снимите зажимной патрон, поворачивая его в направлении против часовой стрелки.
- ◆ Чтобы установить патрон, навинтите его на шпindel и закрепите с помощью стопорного винта.

Эксплуатация



Внимание! Не форсируйте рабочий процесс. Избегайте перегрузки электроинструмента.



Внимание! Прежде чем сверлить отверстия в стенах, полах или потолках, проверьте наличие электропроводки и трубопроводов.

Выбор направления вращения (Рис. E)

Выполняйте сверление и заворачивание саморезов, установив направление вращения вперёд (по часовой стрелке). Для выкручивания саморезов или извлечения заклинившего сверла, устанавливайте реверс (вращение против часовой стрелки).

- ◆ Для установки вращения вперёд переведите переключатель направления вращения (3) влево.
- ◆ Для установки реверса переведите переключатель направления вращения (3) вправо. Внимание! Ни в коем случае не изменяйте направление вращения при работающем электродвигателе!

Выбор режима работы

- ◆ Для сверления в кирпичной кладке установите переключатель режимов сверления (4) в позицию **T**.
- ◆ Для сверления в прочих материалах, а также для заворачивания саморезов установите переключатель режимов сверления (4) в позицию **1**.

Установка глубины сверления (Рис. В)

- ◆ Ослабьте боковую рукоятку (7), поворачивая её ручку в направлении против часовой стрелки.
- ◆ Установите ограничитель глубины сверления (6) на необходимую глубину. Максимальная глубина сверления равна расстоянию между острием сверла и передним торцом ограничителя глубины сверления.
- ◆ Затяните боковую рукоятку, поворачивая её ручку в направлении по часовой стрелке.

Включение и выключение

- ◆ Чтобы включить инструмент, нажмите на курковый пусковой выключатель с регулировкой скорости (1). Скорость инструмента зависит от глубины нажатия на курковый выключатель. Принято использовать малые частоты вращения для свёрл большого диаметра и, соответственно, большие частоты вращения для свёрл малого диаметра.
- ◆ Для непрерывного режима работы нажмите кнопку блокировки пускового выключателя (2) и отпустите курковый пусковой выключатель. Эта функция работает только при максимальной частоте вращения в любом направлении.
- ◆ Чтобы выключить инструмент, отпустите курковый пусковой выключатель. Для выключения непрерывного режима работы инструмента снова

нажмите на курковый пусковой выключатель и отпустите.

- ◆ В зависимости от выполняемой операции и в целях контроля над максимальной скоростью поверните дисковую переключатель скорости (11).

Сверление в металле

Начните сверление на низкой скорости, постепенно увеличивая скорость и одновременно с этим оказывая плотное давление на инструмент. Плавный и равномерный выход металлической стружки из отверстия указывает на надлежащую скорость сверления. При сверлении металлов используйте смазочно-охлаждающую жидкость. Исключение составляют чугун и медь, которые нужно сверлить без смазки.

ПРИМЕЧАНИЕ: Большие отверстия в стали (диаметром 8 мм - 13 мм) легче выполнить, если предварительно просверлить направляющее отверстие (диаметром 4 мм - 5 мм).

Сверление в дереве

Начните сверление на низкой скорости, постепенно увеличивая скорость и одновременно с этим оказывая плотное давление на инструмент. Для сверления в древесине можно использовать сверла для металла. Эти сверла могут перегреваться, поэтому нужно как можно чаще очищать канавки сверла от опилок. Подготовки, способные расколоться при сверлении, подкладывайте деревянный брусок.

Сверление в кирпичной кладке

Для сверления в кирпичной кладке используйте сверла с твёрдосплавными напайками, предназначенные для сверления с ударом. Следите, чтобы сверла оставались остро заточенными. Для наиболее эффективного сверления оказывайте на инструмент постоянное плотное давление. Плавный и равномерный выход отходов из отверстия указывает на надлежащую скорость сверления.

Заворачивание

Выберите направление вращения.

Дополнительные принадлежности

Производительность Вашего электроинструмента напрямую зависит от используемых принадлежностей. Принадлежности STANLEY и Piranha изготовлены в соответствии с самыми высокими стандартами качества и способны увеличить производительность Вашего электроинструмента. Используя эти принадлежности, Вы достигнете наилучших результатов в работе.

Техническое обслуживание

Ваш электроинструмент рассчитан на работу в течение продолжительного времени при минимальном техническом обслуживании. Срок службы и надежность инструмента увеличивается при правильном уходе и регулярной чистке.



Внимание! Перед выполнением любой из следующих операций убедитесь, что электроинструмент выключен и отсоединен от электросети, и что пила остановилась.

- ◆ Регулярно очищайте вентиляционные прорези Вашего электроинструмента и зарядного устройства мягкой щеткой или сухой салфеткой.
- ◆ Регулярно очищайте корпус двигателя влажной салфеткой. Не пользуйтесь абразивными чистящими средствами или растворителями. Не допускайте попадания жидкости внутрь электроинструмента и ни в коем случае не погружайте какую-либо часть электроинструмента в жидкость.

Защита окружающей среды



Раздельный сбор. Данное изделие нельзя утилизировать вместе с обычными бытовыми отходами.

Если однажды Вы захотите заменить Ваш электроинструмент STANLEY, или Вы больше в нем не нуждаетесь, не выбрасывайте его вместе с бытовыми отходами. Отнесите изделие в специальный приемный пункт.



Раздельный сбор изделий с истекшим сроком службы и их упаковок позволяет пускать их в переработку и повторно использовать. Использование переработанных материалов помогает защищать окружающую среду от загрязнения и снижает расход сырьевых материалов.

Местное законодательство может обеспечить сбор старых электроинструментов отдельно от бытового мусора на муниципальных свалках отходов, или Вы можете сдавать их в торговом предприятии при покупке нового изделия.

Фирма STANLEY обеспечивает прием и переработку отслуживших свой срок изделий STANLEY. Чтобы воспользоваться этой услугой, Вы можете сдать Ваше изделие в любой авторизованный сервисный центр, который собирает их по нашему поручению. Вы можете узнать место нахождения Вашего

ближайшего авторизованного сервисного центра, обратившись в Ваш местный офис Black & Decker по адресу, указанному в данном руководстве по эксплуатации. Кроме того, список авторизованных сервисных центров STANLEY и полную информацию о нашем послепродажном обслуживании и контактах Вы можете найти в интернете по адресу: www.2helpU.com.

Примечания

- ◆ Политика Stanley нацелена на постоянное усовершенствование нашей продукции, поэтому фирма оставляет за собой право изменять технические характеристики изделий без предварительного уведомления.
- ◆ Стандартное оборудование и дополнительные принадлежности могут меняться в зависимости от страны продаж.
- ◆ Технические характеристики продуктов могут различаться в зависимости от страны продаж.
- ◆ Полная линия продуктов присутствует на рынках не всех стран. Для получения информации касательно линии продуктов в Вашей стране обратитесь в ближайший сервисный центр Stanley.

Технические характеристики

		SDH600	SDH700
Напряжение питания	Вперем. тока	220-240	220-240
Потребляемая мощность	Вт	600	700
Частота тока	Гц	50/60	50/60
Число оборотов без нагрузки	об/мин	0-2900	0-2900
Кол-во ударов в минуту	уд./мин	49300	49300
Зажимной патрон	мм	1.5-13	1.5-13
Максимальный диаметр сверления			
Бетон/металл/дерево	мм	13/13/25	13/13/30
Вес	кг	1.75	1.87

Информация по техническому обслуживанию
 STANLEY имеет обширную сеть принадлежащих компании и авторизованных сервисных центров. В целях предоставления клиентам эффективного и надёжного технического обслуживания электроинструментов во всех сервисных центрах STANLEY работает обученный персонал. За дополнительной информацией о наших авторизованных сервисных центрах, а также, если Вы нуждаетесь в технической консультации, ремонте или покупке оригинальных запасных частей, обратитесь в ближайший к Вам сервисный центр STANLEY.

STANLEY

Гарантийные условия

Уважаемый покупатель!

1. Поздравляем Вас с покупкой высококачественного изделия STANLEY и выражаем признательность за Ваш выбор.
2. При покупке изделия требуйте проверки его комплектности и исправности в Вашем присутствии, инструкцию по эксплуатации и заполненный гарантийный талон на русском языке.

В гарантийном талоне должны быть внесены: модель, дата продажи, серийный номер, дата производства инструмента; название, печать и подпись торговой организации. При отсутствии у Вас правильно заполненного гарантийного талона, а также несоответствия указанных в нем данных мы будем вынуждены отклонить Ваши претензии по качеству данного изделия.

3. Во избежание недоразумений убедительно просим Вас перед началом работы с изделием внимательно ознакомиться с инструкцией по его эксплуатации. Правовой основой настоящих гарантийных условий является действующее Законодательство. Гарантийный срок на данное изделие составляет 24 месяца и исчисляется со дня продажи. В случае устранения недостатков изделия, гарантийный срок продлевается на период его нахождения в ремонте. Срок службы изделия составляет 5 лет со дня продажи.
4. В случае возникновения каких-либо проблем в процессе эксплуатации изделия рекомендуем Вам обратиться только в уполномоченные сервисные центры STANLEY, адреса и телефоны которых Вы сможете найти в гарантийном талоне, на сайте www.2helpU.com или узнать в магазине. Наши сервисные станции - это не только квалифицированный ремонт, но и широкий ассортимент запчастей и принадлежностей.
5. Производитель рекомендует проводить периодическую проверку и техническое обслуживание изделия в уполномоченных сервисных центрах.



Изготовитель

Блэк энд Деккер Холдингс ГмбХ
Германия, 65510, Идштгайн,
ул. Блэк энд Деккер, 40

6. Наши гарантийные обязательства распространяются только на неисправности, выявленные в течение гарантийного срока и вызванные дефектами производства и/или материалов.
7. **Гарантийные условия не распространяются на неисправности изделия, возникшие в результате:**
 - 7.1. Несоблюдения пользователем предписаний инструкции по эксплуатации изделия, применения изделия не по назначению, неправильном хранении, использования принадлежностей, расходных материалов и запчастей, не предусмотренных производителем.
 - 7.2. Механического повреждения (сколы, трещины и разрушения) внутренних и внешних деталей изделия, основных и вспомогательных рукояток, сетевого электрического кабеля, вызванного внешним ударным или любым иным воздействием
 - 7.3. Попадания в вентиляционные отверстия и проникновения внутрь изделия посторонних предметов, материалов или веществ, не являющихся отходами, сопровождающими применение изделия по назначению, такими как: стружка, опилки, песок, и пр.
 - 7.4. Воздействий на изделие неблагоприятных атмосферных и иных внешних факторов, таких как дождь, снег, повышенная влажность, нагрев, агрессивные среды, несоответствие параметров питающей электросети, указанных на инструменте.
 - 7.5. Стихийного бедствия. Повреждение или утрата изделия, связанное с непредвиденными бедствиями, стихийными явлениями, в том числе вследствие действия непреодолимой силы (пожар, молния, потоп и другие природные явления), а так же вследствие перепадов напряжения в электросети и другими причинами, которые находятся вне контроля производителя.
8. **Гарантийные условия не распространяются:**
 - 8.1. На инструменты, подвергавшиеся вскрытию, ремонту или модификации вне уполномоченного сервисного центра.
 - 8.2. На детали и узлы, имеющие следы естественного износа, такие как: приводные ремни и колеса, угольные щетки, смазка, подшипники, зубчатое зацепление редукторов, резиновые уплотнения, сальники, направляющие ролики, муфты, выключатели, бойки, толкатели, стволы, и т.п.
 - 8.3. На сменные части: патроны, цанги, зажимные гайки и фланцы, фильтры, аккумуляторные батареи, ножи, шлифовальные подошвы, цепи, звездочки, пыльные шины, защитные кожухи, пилки, абразивы, пыльные и абразивные диски, фрезы, сверла, буры и т.п.
 - 8.4. На неисправности, возникшие в результате перегрузки инструмента (как механической, так и электрической), повлекшей выход из строя одновременно двух и более деталей и узлов, таких как: ротора и статора, обеих обмоток статора, ведомой и ведущей шестерни редуктора или других узлов и деталей. К безусловным признакам перегрузки изделия относятся, помимо прочего: появление цветов побежалости, деформация или оплавление деталей и узлов изделия, потемнение или облупление изоляции проводов электродвигателя под воздействием высокой температуры.

Область застосування

Ваш ударний дріль виробництва компанії STANLEY SDH600-SDH700 був розроблений для свердління деревини, металу, пластику та цегли, а також для викомалтання в якості шурупокрута. Інструмент призначений для професійого викомалтання.

Інструкції з техніки безпеки

Загальні правила безпеки для електричного інструменту



Попередження! Прочитайте всі попередження та всі інструкції. Невиконання всіх інструкцій, що наведені нижче, може призвести до ураження електричним струмом, пожежі та/або серйозних травм.

Зберігайте це керівництво для отримання інформації в подальшому. Термін "електричний інструмент" в усіх попередженнях, перерахованих нижче, стосується викомалтовуваних Вами інструментів, що працюють від мережі енергоспоживання або акумуляторів.

1. Безпека робочої зони

- Тримайте робочу зону чистою та добре освітленою. Неупорядковані та темні робочі зони збільшують імовірність нещасного випадку.
- Не використовуйте електричні інструменти у вибухонебезпечній атмосфері, наприклад, в присутності вогненебезпечних рідин, газів та пилу. Електричні інструменти створюють іскри, що можуть запалити пил або випаровування.
- Тримайте дітей та сторонніх подалі під час викомалтання електричного інструменту. Відвернення уваги може призвести до втрати контролю.

2. Електрична безпека

- Вилка електричного інструменту має відповідати розетці. Ніколи ніяким чином не змінюйте розетку. Не використовуйте адаптерів із заземленими електричними інструментами. Оригінальні вилки та розетки, що підходять до них, зменшують ризик ураження електричним струмом.
- Уникайте контакту тіла з заземленими поверхнями, такими як труби, радіатори, плити та холодильники. Якщо Ваше тіло заземлене, ризик ураження електричним струмом збільшується.
- Не залишайте електричні інструменти під дощем або в умовах підвищеної вологості. Вода, що потрапляє в електричний інструмент, підвищує ризик ураження електричним струмом.

- Не використовуйте шнур не за призначенням. Ніколи не використовуйте шнур для переносу, витягнення або відключення електричного інструменту. Тримайте шнур подалі від високих температур, мастила, гострих предметів та рухомих деталей. Ушкоджений або заплутаний шнур підвищує ризик ураження електричним струмом.
- При використанні електричного інструменту на вулиці, використовуйте подовжуючий шнур, що підходить для використання на вулиці. Використання шнура, що підходить для вулиці, знижує ризик ураження електричним струмом.
- Якщо неможливо уникнути використання електричного інструменту в умовах підвищеної вологості, використовуйте живлення, захищене пристроєм залишкового струму (RCD). Використання RCD знижує ризик ураження електричним струмом.

3. Особиста безпека

- Будьте в стані готовності, дивіться, що ви робите, та використовуйте загальний глузд, коли ви працюєте з електричним інструментом. Не використовуйте електричний інструмент, коли ви втомлені або знаходитесь під впливом наркотичних речовин, алкоголю або лікарських засобів. Втрата уваги при роботі з електричними інструментами може призвести до серйозних травм.
- Використовуйте особисті засоби безпеки. Засоби безпеки, такі як протипилова маска, неслизькі безпечні чоботи, твердий капелюх та засоби захисту слухового апарату, які використані для відповідних умов, зменшують імовірність особистих травм.
- Уникнення випадкового запуску. Переконайтесь, що вимикач знаходиться в позиції Вкл. перед підключенням до джерела живлення та/або акумулятора, переміщенням або перенесенням пристрою. Перенесення інструменту, тримаючи палець на вимикачі, або підключення живлення з перемикачем в позиції Вкл. може призвести до нещасного випадку.
- Зніміть всі налаштовувальні ключі або гайкові ключі перед тим, як вимкати електричний інструмент. Гайковий ключ, що залишився прикріпленим до якоїсь деталі, що обертається, може призвести до травм.
- Не перенапружуйтеся. Завжди підтримуйте правильну постановку ніг та рівновагу. Це дозволяє тримати електричний інструмент під кращим контролем у несподіваних ситуаціях.
- Вдягайтеся відповідним чином. Не вдягайте вільний одяг чи прикраси. Тримайте ваше волосся, одяг та рукавички подалі від рухомих

- деталей. Вільний одяг, прикраси або довге волосся може зачепитися за рухомі деталі.
- g. Якщо у інструменті передбачені пристрої для виділення та збирання пилу, переконайтеся, що вони правильно підключені та використовуйте. Використання таких пристроїв зменшує ризик виникнення небезпечних ситуацій, що пов'язані з потраплянням пилу.
4. Використання та догляд за електричним інструментом
- a. Не використовуйте надмірні зусилля при роботі з електричним інструментом. Використовуйте відповідний електричний інструмент для вашої задачі. Правильно обраний електричний інструмент виконає завдання краще та безпечніше за умов, для яких він був розроблений.
- b. Не використовуйте інструмент, вмикач якого не вмикає та не вимикає його. Будь-який електричний інструмент, який не може управлятися вмикачем, є небезпечним і має бути відремонтований.
- c. Відключіть вилку від джерела живлення перед тим, як робити будь-які налаштування, зміну додаткового обладнання та перед зберіганням інструменту. Такі заходи безпеки знижують.
- d. Бережіть вимкнені електричні інструменти від дітей та не дозволяйте особам, що не знайомі з електричним інструментом або цими інструкціями, використовувати електричний інструмент. Електричні інструменти є небезпечними, якщо вони використовуються некваліфікованими користувачами.
- e. Технічне обслуговування електричних інструментів. Перевіряйте на відсутність вирівнювання або заїдання рухомих деталей, ушкоджених частин та інших умов, що можуть впливати на роботу електричного інструменту. Якщо є ушкодження, відремонтуйте інструмент перед використанням. Багато нещасних випадків є результатом того, що інструмент не пройшов відповідного технічного обслуговування.
- f. Тримайте ріжучі інструменти гострими та чистими. Правильно доглянуті ріжучі інструменти з гострими ріжучими кромокками мають меншу ймовірність заїдання, та ними легше керувати.
- g. Використовуйте електричний інструмент, додаткові інструменти та деталі інструменту тощо у відповідності до цих інструкцій та відповідно до даного типу механізованих інструментів, зважаючи на умови використання та роботу, яка має бути виконана. Використання електричних інструментів не за призначенням може призвести до виникнення небезпечних ситуацій.

5. Обслуговування

- a. Надавайте Ваш електричний інструмент для обслуговування кваліфікованим спеціалістом з ремонту та використовуйте тільки ідентичні заміні деталі. Це забезпечить безпеку електричного пристрою, що обслуговується.

Додаткові правила безпеки для електричного інструменту



Попередження! Додаткові попередження з техніки безпеки для дрилу та ударного дрилу

- ◆ Використовуйте засоби захисту органів слуху при роботі з ударним дрилем. Шум може викликати втрату слуху.
- ◆ Використовуйте додаткові ручки, що постаються з інструментом. Втрата контролю над інструментом може викликати травми.
- ◆ Тримайте електричний інструмент за ізольовану поверхню при виконанні операцій, під час яких можливий контакт із схованими дротами або власним дротом інструменту. Ріжучі елементи при контакті з дротом під напругою може призвести до появи напруги в інструменті та ураження оператора електричним струмом
- ◆ Використовуйте затискач або інший спосіб закріплення деталі, що оброблюється, на стабільній платформі. Утримування заготовки в руці та біля тіла робить її нестабільною та може призвести до втрати контролю.
- ◆ Перед свердлінням стін, підлоги та стелі переконайтеся, що в цьому місці не розташована електрична проводка та труби.
- ◆ Уникайте контакту з кінцем свердла відразу після свердління, тому що він може бути гарячим.
- ◆ Використання за призначенням описане в цьому керівництві. Викомалтання аксесуарів або приладдя, або виконання будь-яких дій з інструментом, що суперечать рекомендаціям цього керівництва, може призвести до ризику травмування людини та/або пошкодження майна.

Залишкові ризики

Незважаючи на виконання всіх відповідних правил техніки безпеки та викомалтання ппалтроїв безпеки, неможливо уникнути деяких залишкових ризиків. Сюди належать:

- ◆ Травми через контакт з деталями, що рухаються/обертаються.
- ◆ Порушення слуху.
- ◆ Ризик отримання травми під час заміни певних частин інструменту, або насадок.
- ◆ Загроза для здоров'я, яка виникає під час вдихання деревної тирси, особливо тирси дуба, бука або ДВП.

- ♦ Ризик отримання травм, пов'язаний з довготривалим викомалтанням інструменту. Якщо Ви викомалтовуєте будь-які інструменти досить довго, робіть періодичні перерви.

Безпека інших осіб

Використання цього інструменту особами, які мають фізичні, сенсорні або розумові обмеження, а також недостатній рівень досвіду та знань (в тому числі використання інструменту дітьми) не допускається, окрім випадків, коли такі особи працюють під наглядом особи, яка є відповідальною за їх безпеку, або коли ця відповідальна особа проінструктувала їх щодо особливостей використання інструменту.

Не слід дозволяти дітям гратися з інструментом.

Позначки на корпусі інструменту

Окрім коду, що позначає дату випуску, на корпусі інструменту можуть знаходитись наступні позначки:

Попередження! Щоб зменшити ризик травм,



користувач повинен прочитати керівництво з експлуатації.



Завжди працюйте в захисних окулярах



Завжди використовуйте засоби захисту слуху

друкується на корпусі.

Дата коду, який також включає рік виготовлення, друкується на корпусі.

Приклад:

2015 XX ZY
Рік виготовлення

Електрична безпека

Цей інструмент має подвійну ізоляцію; тому заземлення не є необхідним. Завжди перевіряйте, що джерело живлення відповідає напрузі, яка вказана на таблиці з паспортними даними.



Якщо шнур живлення пошкоджений, його необхідно замінити у виробника або в офіційному сервісному центрі STANLEY для уникнення небезпеки.

Використання кабелю-подовжувача

Завжди використовуйте кабель-подовжувач дозволеного типу, який підходить до силового входу цього інструмента (див. технічні характеристики виробу). Перед тим, як використовувати подовжувач, огляньте його та впевніться в тому, що пошкодження, ознаки зношування та того, що подовжувач використовувався упродовж довгого терміну, відсутні. Пошкоджений або дефектний кабель-подовжувач слід замінити. Якщо Ви використовуєте кабель на барабані, завжди

розмотуйте його повністю. Використання кабелів-подовжувачів, які не підходять під силовий вхід інструменту, або які є пошкодженими чи дефектними, може призвести до виникнення пожежі або ураження оператора електричним струмом.

Основні елементи виробу

Інструмент має наступні елементи (всі перераховані або їх частину):

1. Вмикач/регулятор швидкості
2. Кнопка фіксації
3. Реверсивний перемикач
4. Перемикач режиму роботи
5. Патрон
6. Обмежувач глибини свердління
7. Бокова рукоятка

Збирання інструменту

Попередження! Перед початком збирання інструменту



переконайтеся, що він вимкнений та від'єднаний від джерела живлення.

Приєднання бокової рукоятки та обмежувача глибини свердління (мал. А, В)

- ♦ Відкрутіть затискач в напрямку проти годинникової стрілки так, щоб бокову рукоятку (7) можна було надіти на передню частину інструменту (мал. А).
- ♦ Повертаючи бокову рукоятку, розташуйте її в потрібному положенні.
- ♦ Вставте обмежувач глибини свердління (6) в спеціальний отвір, як то показано на мал. В.
- ♦ Відрегулюйте глибину свердління, як то описано далі.
- ♦ Закріпіть бокову рукоятку, закрутивши затискач в напрямку за годинниковою стрілкою.

Приєднання свердла (мал. С)

- ♦ Розкрийте отвір патрону (5), повертаючи кільце регулювання в напрямку проти годинникової стрілки.
- ♦ Вставте хвостову частину свердла (9) в патрон (робочу частину свердла вставляти не слід).
- ♦ Вставляючи затискний ключ (10) в кожний отвір (8), що знаходиться на боковій частині патрону, і обертаючи ключ в напрямку за годинниковою стрілкою, закріпіть свердло в патроні.

Видалення та перевстановлення патрону (мал. D)

- ♦ Розкрийте отвір патрону якомога більше.
- ♦ Викомалтовуючи викрутку, видаліть фіксуючий гвинт, який вкручено в патрон (повертати в напрямку за годинниковою стрілкою)
- ♦ Закріпіть в патроні шостигранний ключ і вдарте по ньому, як це показано.

- ♦ Вийміть шостигранний ключ з патрону. Повертаючи патрон в напрямку проти годинникової стрілки, викрутіть його.
- ♦ Для того, щоб встановити патрон, накрутіть його на шпindel та зафіксуйте за допомогою фіксуючого гвинта.

Використання інструменту



Попередження! Давайте інструменту працювати в його власному "темпі". Не перевантажуйте інструмент. **T**



Попередження! Перед тим, як свердлити стіни, підлоги та стелі, перевірте, чи не знаходяться в місці свердління електричні дроти або труби. **A**

Вибір напрямку обертання (мал. Е)

Якщо потрібно просвердлити отвір (віймку) або закрутити шуруп, слід використовувати напрямок обертання "вперед" (за годинниковою стрілкою). Якщо потрібно викрутити шуруп або звільнити свердло, яке "заклінило", використовують напрямок обертання "назад" (проти годинникової стрілки).

- ♦ Для того, щоб вибрати напрямок "вперед", переведіть реверсивний перемикач (3) в ліве положення.
- ♦ Для того, щоб вибрати напрямок "назад", переведіть реверсивний перемикач (3) в праве положення. **Попередження!** Не змінійте напрямок обертання свердла, коли двигун працює.

Вибір режиму роботи

- ♦ Для свердління кам'яної або цегляної кладки, переведіть перемикач режиму роботи (4) в положення **T**
- ♦ Для свердління інших матеріалів, а також для закручування шурупів, переведіть перемикач режиму роботи в положення **A**

Регулювання глибини свердління (мал. В)

- ♦ Послабте бокову рукоятку (7), повертаючи затискач в напрямку проти годинникової стрілки.
- ♦ Виставте обмежувач глибини свердління (6) в потрібне положення. Максимальна глибина свердління дорівнює відстані від кінця свердла до переднього кінця обмежувача глибини свердління.
- ♦ Закріпіть бокову рукоятку, закрутивши затискач в напрямку за годинниковою стрілкою.

Вмикання та вимкнення інструменту

- ♦ Для того, щоб увімкнути інструмент, натисніть на вмикач/регулятор швидкості (1). Швидкість обертання залежить від того, настільки сильно Ви "втопили" вмикач. Як правило, якщо використовують свердла великого діаметру, то швидкість обертання повинна бути невеликою, а

якщо використовують свердла великого діаметру - більшою.

- ♦ Якщо Вам потрібно, щоб інструмент працював в "безперервному" режимі, натисніть кнопку фіксації (2) і відпустіть вмикач/регулятор швидкості. Ця функція може застосовуватись для напрямків як "вперед", так і "назад", але тільки на повній швидкості обертання.
- ♦ Для того, щоб вимкнути інструмент, відпустіть вмикач/регулятор швидкості. Для того, щоб вимкнути інструмент, який працює в "безперервному режимі", натисніть на вмикач/регулятор, а потім відпустіть його.
- ♦ Максимальну швидкість обертання регулюють (це може виявитись потрібним, якщо інструмент викомалтовує для виконання різних задач), повертаючи шкалу регулювання швидкості (11).

Свердління металу

Починайте свердлити на малій швидкості і збільшуйте інтенсивність свердління до максимуму після того, як натискання на інструмент стало постійним. Якщо швидкість обертання підібрана належним чином, металева стружка буде виходити плавно і рівномірно. Під час свердління металів слід викомалтовувати мастильно-охолоджуючу рідину. Виключення: чавун та латунь, які свердлять "насуху".

ПРИМІТКА: Свердління великих (діаметром від 5/16 дюйма (8 мм) до 1/2 дюйма (13 мм) отворів в сталі можна полегшити, якщо спочатку зробити направляючий отвір меншого діаметру (від 5/32 дюйма (4 мм) до 3/16 дюйма (5 мм)).

Свердління деревини

Починайте свердлити на малій швидкості і збільшуйте інтенсивність свердління до максимуму після того, як натискання на інструмент стало постійним. Для свердлення деревини можна викомалтовувати ті самі "спіральні" свердла, які викомалтовують для металу. Проте, якщо такі свердла не витягати досить часто, для того, щоб звільнити віймку від стружок, вони можуть перегрітись. Якщо об'єкт під час свердління може расколотись, під нього слід підкласти дерев'яну підставку.

Свердління кам'яної (цегляної) кладки

Для свердління таких об'єктів слід використовувати свердла з твердосплавними наконечниками, які призначені для ударного свердління; перевірте, що ці свердла добре заточені. Якщо швидкість обертання свердла підібрана належним чином, пил з віймки буде виходити плавно і рівномірно.



Попередження! Перед тим як виконувати операції обслуговування та очистки переконайтесь, що інструмент вимкнений та відключений від мережі живлення, а пильне полотно зупинене.

- ♦ Регулярно очищуйте вентиляційний отвір за допомогою м'якої щітки або сухої ганчірки.
- ♦ Регулярно очищуйте корпус мотору вологою ганчіркою. Не викомалтовуйте абразивні засоби та очищаючі засоби, що містять розчинники. Захищайте інструмент від потрапляння будь-якої рідини всередину та ніколи не занурюйте деталі інструменту в рідину

Захист навколишнього середовища



Окреме збирання. Цей продукт не можна викидати разом зі звичайним побутовим сміттям.

Якщо якимось ви вирішите, що ваш виріб фірми STANLEY має бути замінено, або він вам більше не потрібний, не викидайте його на смітник побутового сміття. Зробіть цей виріб доступним для спеціального збирання.



Окремий збір викомалтаних виробів та упаковки дозволяє повторно переробляти та викомалтовувати матеріали. Переробка повторно викомалтовуваних матеріалів допомагає попередити забруднення навколишнього середовища та зменшує потребу в сировині.

Місцеві законодавчі акти можуть передбачати окремий збір електричного обладнання в муніципальних місцях для збору сміття або продавцями при покупці нового обладнання.

Компанія STANLEY має можливість для збору та переробки продуктів власного виробництва після закінчення їхнього терміну служби. Щоб скомалтатися цією послугою, поверніть виріб компанії в офіційний сервісний центр, які збирають відпрацьовані продукти за наш рахунок.

Ви можете знайти місцезнаходження найближчого до Вас сервісного центру, зв'язавшись з місцевим офісом компанії STANLEY за адресою, вказаною в цих інструкціях. Крім того, список офіційних сервісних центрів компанії STANLEY з усіма подробицями нашого післяпродажного обслуговування та контактною інформацією міститься в Інтернеті за адресою: www.2helpU.com

Пояснення

Постійне удосконалення наших виробів є одним із принципів компанії STANLEY, тому ми залишаємо за собою право вносити зміни в конструкцію виробу без попереднього повідомлення про це.

Базовий виріб та допоміжні/змінні елементи можуть мати різну конструкцію під пас постачання продукції в різні країни.

Характеристики виробу також можуть бути відмінними в різних країнах.

Повна лінійка готових виробів в деяких країнах може бути недоступною. З питань асортименту продукції звертайтеся до Вашого місцевого представництва компанії STANLEY.

Технічні дані

		SDH600	SDH700
Вхідна напруга	Взмінн. струму	220-240	220-240
Вхідна потужність	Вт	600	700
Частота	Гц	50/60	50/60
Швидкість обертання в режимі без навантаження	об. / хв.	0-2900	0-2900
Продуктивність	уд/хв	49300	49300
Розмір патрона	мм	1.5-13	1.5-13
Макс.діаметр свердління			
Цегла / Метал / Деревина	мм	13/13/25	13/13/30
Вага	кг	1.75	1.87

STANLEY

Гарантійні умови

Шановний покупець!

1. Вітаємо Вас з покупкою високоякісного виробу STANLEY і висловлюємо вдячність за Ваш вибір.
2. При покупці виробу вимагайте перевірки його комплектності і справності у Вашій присутності, інструкцію за експлуатації та заповнений гарантійний талон українською мовою

В гарантійному талоні повинні бути внесені: модель, дата продажу, серійний номер, дата виробництва інструменту; назва, печатка і підпис торгової організації. За відсутності у Вас правильно заповненого гарантійного талону, а також при невідповідності зазначених у ньому даних ми будемо змушені відхилити Ваші претензії щодо якості даного виробу.

3. Щоб уникнути непорозумінь, переконливо просимо Вас перед початком роботи з виробом уважно ознайомитися з інструкцією з його експлуатації. Правовою основою справних гарантійних умов є чинне Законодавство. Гарантійний термін на даний виріб складає 24 місяці і обчислюється з дня продажу. У разі усунення недоліків виробу, гарантійний строк продовжується на період його перебування в ремонті. Термін служби виробу становить 5 років з дня продажу.
4. У разі виникнення будь-яких проблем у процесі експлуатації виробу рекомендуємо Вам звертатися тільки в уповноважений сервісний центр STANLEY, адреси та телефони яких Ви зможете знайти в гарантійному талоні, на сайті www.2helpU.com або дізнатися в магазині. Наші сервісні станції - це не тільки кваліфікований ремонт, але і широкий асортимент запчастин і аксесуарів.
5. Виробник рекомендує проводити періодичну перевірку і технічне обслуговування виробу в уповноважених сервісних центрах.
6. Наші гарантійні зобов'язання поширюються тільки на несправності, виявлені протягом гарантійного терміну і викликані дефектами виробництва та \ або матеріалів.
7. Гарантійні умови не поширюються на несправності виробу, що виникли в результаті:
 - 7.1 Недотримання користувачем приписів інструкції за експлуатації виробу, застосування виробу не за призначенням, неправильного зберігання, використання приладдя, витратних матеріалів і запчастин, що не передбачені виробником.
 - 7.2 Механічного пошкодження (відколи, тріщини і руйнування) внутрішніх і зовнішніх деталей виробу, основних і допоміжних рукояток, мережевого кабелю, що викликані зовнішнім ударним або будь-яким іншим впливом

- 7.3 Потраплення у вентиляційні отвори та проникнення всередину виробу сторонніх предметів, матеріалів або речовин, що не є відходами, які супроводжують застосування виробу за призначенням, такими як: стружка, тирса, пісок, та ін.
- 7.4 Впливу на виріб несприятливих атмосферних і інших зовнішніх факторів, таких як дощ, сніг, підвищена вологість, нагрівання, агресивні середовища, невідповідність параметрів електромережі, що зазначені на інструменті.
- 7.5 Стихийного лиха. Пошкодження або втрати виробу, що пов'язані з непередбаченими лихами, стихійними явищами, у тому числі внаслідок дії непереборної сили (пожежа, блискавка, потоп і інші природні явища), а також внаслідок перепадів напруги в електромережі та іншими причинами, які знаходяться поза контролем виробника.
8. Гарантійні умови не поширюються:
 - 8.1 На інструменти, що піддавалися розкриттю, ремонту або модифікації поза уповноваженим сервісним центром.
 - 8.2 На деталі, вузли та матеріали, що мають сліди природного зносу, такі як: приводні ремені і колеса, вугільні щітки, мастило, підшипники, зубчасті зчеплення редукторів, гумові ущільнення, сальники, направляючі ролики, муфти, вимикачі, бойки, штовхачі, стовпи тощо.
 - 8.3. На змінні частини: патрони, цанги, затискні гайки і фланці, фільтри, акумуляторні батареї, ножи, шліфувальні підшви, ланцюги, зірочки, пильні шини, захисні кожухи, пилки, абразиви, пильні і абразивні диски, фрези, свердла, бури тощо
 - 8.4. На несправності, що виникли в результаті перевантаження інструменту (як механічного, так і електричного), що спричинили вихід з ладу одночасно двох і більше деталей і вузлів, таких як: ротора і статора, обох обмоток статора, веденої і ведучої шестерень редуктора або інших вузлів і деталей. До безумовних ознак перевантаження виробу відносяться, крім інших: поява кольорів мінливості, деформація або оплавлення деталей і вузлів виробу, потемніння або обуглювання ізоляції проводів електродвигуна під впливом високої температури.



Виробник:
"Stanley Black & Decker Deutschland GmbH" Black-&-Decker Str.40, D-65510 Idstein, Німеччина

Kullanım amacı

STANLEY darbeli matkabınız SDH600-SDH700 ahşap, metal, plastik ve duvar delme işleri ve ayrıca vida takma/ sökme uygulamaları için tasarlanmıştır. Bu alet profesyonel kullanım içindir.

Güvenlik talimatları**Genel elektrikli alet güvenlik uyarıları**

Uyarı! Bütün güvenlik uyarılarını ve talimatlarını mutlaka okuyun. Aşağıda yer alan uyarılar ve talimatların herhangi birisine uyulmaması elektrik çarpması, yangın ve/veya ciddi yaralanma riskine neden olabilir.

Bütün uyarı ve güvenlik talimatlarını ilerde bakmak üzere saklayın.

Aşağıda yer alan uyarılardaki «elektrikli alet» terimi şebeke elektriğiyle (kablolu) veya akü/pille (şarjlı) çalışan elektrikli aletinizi ifade etmektedir.

1. Çalışma alanının güvenliği

- Çalışma alanını temiz ve aydınlık tutun.** Karışık veya karanlık alanlar kazaya davetiye çıkarır.
- Elektrikli aletleri, yanıcı sıvılar, gazlar ve tozların bulunduğu yerler gibi yanıcı ortamlarda çalıştırmayın.** Elektrikli aletler, toz veya dumanları ateşleyebilecek kıvılcımlar çıkarır.
- Bir elektrikli aleti çalıştırırken çocuklardan ve etraftaki kişilerden uzak tutun.** Dikkatinizi dağıtıcı şeyler kontrolü kaybetmenize neden olabilir.

2. Elektrik güvenliği

- Elektrikli aletlerin fişleri prizlere uygun olmalıdır.** Fiş üzerinde kesinlikle hiçbir değişiklik yapmayın. **Topraklı elektrikli aletlerde hiçbir adaptör fişi kullanmayın.** Değiştirilmemiş fişler ve uygun prizler elektrik çarpması riskini azaltacaktır.
- Borular, radyatörler, ocaklar ve buzdolapları gibi topraklanmamış yüzeylerle vücut temasından kaçının.** Vücudunuzun topraklanması halinde yüksek bir elektrik çarpması riski vardır.
- Elektrikli aletleri yağmura maruz bırakmayın veya ıslatmayın.** Elektrikli alete su girmesi elektrik çarpması riskini arttıracaktır.
- Elektrik kablосunu uygun olmayan amaçlarla kullanmayın.** Elektrikli aleti kesinlikle kablосundan tutarak taşımayın, çekmeyin veya prizden çıkartmayın. Kabloyu sıcaktan, yağdan, keskin kenarlardan veya hareketli parçalardan uzak tutun. Hasarlı veya dolaşmış kablolar elektrik çarpması riskini artırır.
- Elektrikli bir aleti açık havada çalıştırıyorsanız, açık havada kullanıma uygun bir uzatma kablосu kullanın.** Açık havada kullanıma uygun bir kablосun kullanılması elektrik çarpması riskini azaltır.

- Eğer bir elektrikli aletin nemli bir bölgede çalıştırılması zorunluysa, bir artık akım aygıtı (RCD) korumalı bir kaynak kullanın.** Bir RCD kullanılması elektrik şoku riskini azaltır.

3. Kişisel güvenlik

- Elektrikli bir aleti kullanırken her zaman dikkatli olun, yaptığınız işe yoğunlaşın ve sağduyulu davranın.** Elektrikli bir aleti yorgunken veya ilaç ya da alkolün etkisi altındayken kullanmayın. Elektrikli aletleri kullanırken bir anlık dikkatsizlik ciddi kişisel yaralanmayla sonuçlanabilir.
 - Kişisel koruyucu ekipmanları mutlaka kullanın. Daima koruyucu gözlük takın.** Koşullara uygun toz maskesi, kaymayan güvenlik ayakkabıları, baret veya kulaklık gibi koruyucu donanımların kullanılması kişisel yaralanmaları azaltacaktır.
 - İstem dışı çalıştırılmasını önleyin. Aleti güç kaynağına ve/veya aküye bağlamadan, yerden kaldırmadan veya taşımadan önce düğmenin kapalı konumunda olduğundan emin olun.** Aleti, parmağınız düğme üzerinde bulunacak şekilde taşımak veya açık konumdaki elektrikli aletleri elektrik şebekesine bağlamak kazaya davetiye çıkarır.
 - Elektrikli aleti açmadan önce tüm ayarlama anahtarlarını çıkartın.** Elektrikli aletin hareketli bir parçasına takılı kalmış bir anahtar kişisel yaralanmaya neden olabilir.
 - Ulaşmakta zorlandığınız yerlerde kullanmayın. Daima sağlam ve dengeli basın.** Bu, beklenmedik durumlarda elektrikli aletin daha iyi kontrol edilmesine olanak tanır.
 - Uygun şekilde giyinin. Bol elbiseler giymeyin ve takı takmayın. Saçınızı, elbiselerinizi ve eldivenlerinizi hareketli parçalardan uzak tutun.** Bol elbiseler ve takılar veya uzun saç hareketli parçalara takılabilir.
 - Eğer kullandığınız üründe toz emme ve toplama özellikleri olan ataşmanlar varsa bunların bağlı olduğundan ve doğru şekilde kullanıldığından emin olun.** Bu toz toplama ataşmanların kullanılması tozla ilgili tehlikeleri azaltabilir.
- Elektrikli aletlerin kullanımı ve bakımı**
 - Elektrikli aleti zorlamayın. Uygulamanız için doğru elektrikli aleti kullanın.** Doğru elektrikli alet, belirlendiği kapasite ayarında kullanıldığında daha iyi ve güvenli çalışacaktır.
 - Düğme açmıyor ve kapatmıyorsa elektrikli aleti kullanmayın.** Düğmeyle kontrol edilemeyen tüm elektrikli aletler tehlikelidir ve tamir edilmesi gerekmektedir.
 - Herhangi bir ayarlama, aksesuar değişimi veya elektrikli aletlerin saklanması öncesinde fişi güç kaynağından çekin ve/veya aküyü elektrikli aletten ayırın.** Bu tür önleyici güvenlik tedbirleri aletin istem dışı olarak çalıştırılması riskini azaltacaktır.

- d. Elektrikli aleti, çocukların ulaşamayacağı yerlerde saklayın ve elektrikli aleti tanımayan veya bu talimatları bilmeyen kişilerin elektrikli aleti kullanmasına izin vermeyin. Elektrikli aletler, eğitimsiz kullanıcıların elinde tehlikelidir.
- e. Elektrikli aletleri iyi durumda muhafaza edin. Hareketli parçalardaki hizalama hatalarını ve tutuklukları, parçalardaki kırılmaları ve elektrikli aletin çalışmasını etkileyebilecek tüm diğer koşulları kontrol edin. Hasarlı ise, elektrikli aleti kullanmadan önce tamir ettirin. Kazaların çoğu, elektrikli aletlerin bakımının yeterli şekilde yapılmamasından kaynaklanır.
- f. Kesim aletlerini keskin ve temiz tutun. Bakımı uygun şekilde yapılmış keskin kesim uçlu kesim aletlerinin sıkışma ihtimali daha düşüktür ve kontrol edilmesi daha kolaydır.
- g. Elektrikli aleti, aksesuarlarını ve aletin diğer parçalarını kullanırken bu talimatlara mutlaka uyun ve çalışma ortamının koşullarını ve yapılacak işin ne olduğunu göz önünde bulundurun. Elektrikli aletin öngörülen işlemler dışındaki işlemler için kullanılması tehlikeli durumlara neden olabilir.
5. Servis
- a. Elektrikli aletinizi, sadece orijinal yedek parçaların kullanıldığı yetkili servise tamir ettirin. Bu, elektrikli aletin güvenliğinin muhafaza edilmesini sağlayacaktır.

Elektrikli el aletleri için ek güvenlik talimatları

Matkaplar ve darbeli matkaplar için ek güvenlik talimatları

- ◆ Darbeli matkap konumunda çalışırken kulaklık takın. Yüksek sese maruz kalmak işitme kaybına yol açabilir.
- ◆ Aletle birlikte verilmiş ise, yardımcı tutma kollarını kullanın. Kontrol kaybı kişisel yaralanmalara neden olabilir.
- ◆ Kesme aksesuarının gizli kablolarına veya kendi kablosuna temas edebileceği yerlerde çalışma yaparken elektrikli aleti yalıtımlı kavrama yüzeylerinden tutun. Kesme aksesuarının "akım taşıyan" bir kabloya temas etmesi durumunda metal kısımları da "akım taşıyıcı" hale gelecek ve operatörün çarpılmasına yol açacaktır.
- ◆ Üzerinde çalıştığınız parçayı sabitlemek ve desteklemek için kelepçeler veya başka pratik yöntemler kullanın. Parçayı elle veya vücudunuza dayamanız dengesiz durmasına neden olacaktır ve aletin kontrolünü kaybetmenize yol açabilir.
- ◆ Duvar, zemin veya tavana delik açmadan önce kablo ve boruların konumunu kontrol edin.
- ◆ Delme işleminin hemen ardından matkap ucuna dokunmaktan kaçının; sıcak olabilir.
- ◆ Kullanım amacı bu kullanım kılavuzunda açıklanmıştır. Herhangi bir aksesuarın veya bağlantının ya da işlemin, bu kılavuzda tavsiye edilen şekilden başka bir şekilde

kullanılması şahısların yaralanmalarına ve/veya mal kaybına yol açabilir.

Diğer tehlikeler

Emniyet tedbirlerini düzenleyen yönetmeliğin uygulanmasına ve emniyet sağlayıcı aygıtların kullanımına rağmen, başka belirli risklerden kaçınılamaz. Bunlar:

- ◆ Aletin dönen ve hareket eden parçalarına dokunma sonucu ortaya çıkan yaralanmalar.
- ◆ Duyma bozukluğu.
- ◆ Herhangi bir parçayı veya aksesuarı değiştirirken yaralanma riski.
- ◆ Özellikle meşe, akgürgeç ve MDF olmak üzere ahşap malzeme ile çalışırken meydana gelen tozun yutulması sonucu oluşan sağlık sorunları.
- ◆ Aletin uzun süreli kullanılması sonucu ortaya çıkan yaralanmalar. Herhangi bir aleti uzun sürelerle kullanacaksanız düzenli olarak çalışmanıza ara verin.

Diğer kişilerin güvenliği

Bu alet fiziksel ve zihinsel kapasitesinin yanı sıra algılama gücü azalmış olan veya yeterince deneyim ve bilgisi bulunmayan kişiler (çocuklar dahil) tarafından kullanılmak üzere üretilmemiştir. Bu tür kişiler aleti ancak güvenliklerinden sorumlu bir kişi tarafından aletin kullanımıyla ilgili talimatların verilmesi veya sürekli kontrol altında tutulması durumunda kullanılabilir.

Çocuklar, aletle oynamalarını önlemek amacıyla kontrol altında tutulmalıdır.

Alet üzerindeki etiketler

Aletin etiketinde aşağıdaki semboller tarih kodu ile birlikte bulunabilir:



Uyarı! Yaralanma riskini en aza indirmek için kullanıcı kullanım talimatlarını mutlaka okumalıdır.



Daima koruyucu gözlük takın



Daima koruyucu kulaklık takın

Tarih kodu konumu

İmalat yılını da içeren Tarih Kodu gövdeye basılıdır.

Örnek:

2015 XX ZY
İmalat Yılı

Elektrik güvenliği



Bu alet çift yalıtımlıdır. Bu yüzden hiçbir topraklama kablosuna gerek yoktur. Her zaman şebeke geriliminin aletin üretim etiketinde belirtilmiş değerlere uyup uymadığını kontrol edin.

Elektrik kablosu hasarlı ise, bir tehlike oluşmasını önlemek için üretici ya da yetkili STANLEY Servis Merkezi tarafından değiştirilmelidir.

Uzatma kablolarının kullanımı

Daima bu aletin elektrik girişine uygun (teknik özelliklerine bakın), onaylı bir uzatma kablosu kullanın. Kullanmadan önce, uzatma kablosunda hasar, aşınma veya eskime olup olmadığını kontrol edin. Hasarlı veya kusurlu ise, uzatma kablosunu değiştirin. Bir kablo makarası kullanırken, kabloyu daima sonuna kadar açın. Güç girişine uygun olmayan veya hasarlı veya hatalı bir uzatma kablosunun kullanılması yangın ve elektrik çarpmasına yol açabilir.

Özellikler

Bu alet, aşağıdaki özelliklerin bir kısmını veya tümünü içermektedir.

1. Değişken hız ayarlı açma/kapama tetiği
2. Kesintisiz çalıştırma düğmesi
3. İleri/geri sürgüsü
4. Delme modu seçicisi
5. Mandren
6. Derinlik çubuğu
7. Yan kol

Montaj



Uyarı! Montajdan önce aletin kapalı ve fişinin çekilmiş olduğundan emin olun.

Yan kol ve derinlik çubuğunun takılması (Şekil A, B)

- ◆ Tutamağı, yan kol (7) resimde gösterildiği gibi aletin ön kısmının üzerine kaydırabilir duruma gelene kadar saatin ters yönünde çevirin (Şekil A).
- ◆ Yan kolu istediğiniz konuma çevirin.
- ◆ Derinlik çubuğunu (6) resimde gösterildiği gibi montaj deliğine takın (Şekil B).
- ◆ Delme derinliğini aşağıda açıkladığı şekilde ayarlayın.
- ◆ Tutamağı saat yönünde çevirerek yan kolu sıkın.

Bir matkap veya tornavida ucunun takılması (Şekil C)

- ◆ Kovani saatin tersi yönde çevirerek mandreni (5) açın.
- ◆ Ucu mil kısmını (9) mandrene sokun (matkap ucu alet ile birlikte verilmemektedir).
- ◆ Mandren anahtarını (10) mandrenin yan tarafındaki her bir deliğe (8) yerleştirin ve sıkışana kadar saat yönünde döndürün.

Mandrenin çıkarılması ve yeniden takılması (Şekil D)

- ◆ Mandreni mümkün olduğunca açın.
- ◆ Mandrenin içindeki tutucu vidayı çıkarmak için, bir tornavidayla saat yönünde döndürün.
- ◆ Mandrenin içine bir Alyan anahtarı takarak sıkın ve gösterildiği gibi bir çekiçle anahtara vurun.
- ◆ Alyan anahtarını çıkarın. Mandreni saat yönünün tersine döndürerek çıkarın.
- ◆ Mandreni tekrar takmak için, onu milin üzerine vidalayın ve mandren tutucu vidayla sabitleyin.

Kullanım



Uyarı! Aletin kendi hızında çalışmasına izin verin. Aşırı yüklenmeyin.



Uyarı! Duvar, zemin veya tavanda delik açmadan önce kablo ve boruların konumunu kontrol edin.

Dönme yönünün seçilmesi (Şekil E)

Delik açma ve vida sıkma uygulamaları için ileri (saat yönünde) dönmeyi kullanın. Vidaları gevşetmek veya sıkışmış bir matkap ucunu çıkartmak için geri (saatin ters yönünde) dönmeyi kullanın.

- ◆ İleri dönmeyi seçmek için ileri/geri sürgüsünü (3) sola itin.
- ◆ Geri dönmeyi seçmek için ileri/geri sürgüsünü (3) sağa itin. **Uyarı!** Dönme yönünü kesinlikle motor çalışır durumdayken değiştirin.

Delme modunun seçilmesi

- ◆ Duvarı delmek için, delme modu seçicisini (4) **T** konumuna ayarlayın.
- ◆ Diğer materyalleri delmek ve vida takip sökmek için delme **A** modu seçicisini **A** konumuna getirin.

Delme derinliğinin ayarlanması (Şekil B)

- ◆ Tutamağı saatin tersi yönde çevirerek yan kolu (7) gevşetin.
- ◆ Derinlik çubuğunu (6) istediğiniz konuma ayarlayın. Maksimum delme derinliği, matkap ucunun uç kısmı ile derinlik çubuğunun ön ucu arasındaki mesafeye eşittir.
- ◆ Tutamağı saat yönünde çevirerek yan kolu sıkın.

Açılması ve kapatılması

- ◆ Aleti açmak için, değişken hız ayarlı tetiğine (1) basın. Aletin hızı, tetiğe ne kadar bastığınıza bağlıdır. Genel kural olarak, büyük çaplı uçlar için düşük hız, küçük çaplı uçlar içinse yüksek hız seçin.
- ◆ Sürekli çalışması için kesintisiz çalıştırma düğmesine (2) basın ve değişken hız ayarlı tetiğini bırakın. Sürekli çalıştırma işlevi ileri ve geri dönme yönlerinde sadece tam hızda çalışır.

Türkçe (Çevirisi orijinal talimatlardan yapılmıştır)

- ◆ Aleti kapatmak için, değişken hız ayarlı tetiğini bırakın. Kesintisiz çalışma konumundayken aleti kapatmak için değişken hız düğmesine bir kez daha basın ve bırakın.
- ◆ Uygulama tipine bağlı olarak, maksimum hızını ayarlamak için değişken hız ayar kadranını (11) çevirin.

Metalde delme

Delmeyi düşük hızla başlatın; alete sıkı bir şekilde bastırırken tam güce arttırın. Metal talaşların düzgün ve pürüzsüz akışı uygun delme hızını gösterir. Metalleri delerken bir yağlayıcı kullanın. Döküm demir ve pirinç istisna olarak kuruyken delinmelidir.

NOT: Çelikte geniş delikleri (8 -13 mm çapında) delmeden önce kılavuz delik (4 - 5 mm çapında) delinmesi işi kolaylaştırır.

Ahşapta delme

Delmeyi düşük hızla başlatın; alete sıkı bir şekilde bastırırken tam güce arttırın. Ahşapta delikler metal için kullanılan aynı matkap uçları ile delinebilir. Yivlerinden talaşların sık sık temizlenmesi için delikten dışarı çıkartılmazsa, bu uçlar aşırı ısınabilirler. Parçalanabilecek parçaları desteklemek için ağaç bir takoz kullanın.

Duvar delme

Duvar delme sırasında darbeli delmeye uygun olan karpit kafalı uçları kullanın ve uçların keskin olduğundan emin olun. En iyi sonuçlar için delme sırasında alete sabit ve sağlam kuvvet uygulayın. Tozun düzgün ve pürüzsüz akışı uygun delme hızını gösterir.

Vida takma ve sökme

İleri veya geri yönde dönme fonksiyonunu seçin.

Aksesuarlar

Aletinizin performansı kullanılan aksesuara bağlıdır. STANLEY aksesuarları, yüksek kalite standartlarına göre üretilmiş ve aletinizin performansını arttıracak şekilde tasarlanmıştır. Bu aksesuarları kullanarak, aletinizen en iyi verimi alacaksınız.

Bakım

Aletinizin minimum bakımla uzun bir süre çalışacak şekilde tasarlanmıştır. Kesintisiz olarak memnuniyet verici bir şekilde çalışması gerekli özenin gösterilmesine ve düzenli temizliğe bağlıdır.



Uyarı! Herhangi bir bakımdan önce aleti kapatın ve fişten çekin.

- ◆ Aletinizdeki havalandırma deliklerini yumuşak bir fırça veya kuru bir bezle düzenli olarak temizleyin.
- ◆ Motor muhafazasını düzenli olarak nemli bir bezle silin. Aşındırıcı veya çözücü bazlı temizleyiciler kullanmayın.

Çevrenin korunması



Ayrı olarak atın. Bu ürün, normal evsel atıklarla birlikte atılmamalıdır.

STANLEY ürününüzün değiştirilmesi gerektiğini düşünmeniz veya artık kullanılamaz durumda olması halinde onu, evsel atıklarla birlikte atmayın. Bu ürünü, ayrı olarak toplanacak şekilde atın.



Kullanılmış ürünlerin ve ambalajların ayrı olarak toplanması bu maddelerin geri dönüşüme sokularak yeniden kullanılmasına olanak tanır. Geri dönüşümlü maddelerin tekrar kullanılması çevre kirliliğinin önlenmesine yardımcı olur ve ham madde ihtiyacını azaltır.

Yerel yönetmelikler, elektrikli ürünlerin evlerden toplanıp belediye atık tesislerine aktarılması veya yeni bir ürün satın alırken perakende satıcı tarafından toplanması yönünde hükümler içerebilir.

STANLEY, hizmet ömrünün sonuna ulaşan STANLEY ürünlerinin toplanması ve geri dönüşüme sokulması için bir imkan sunmaktadır. Bu hizmetin avantajlarından faydalanmak için, lütfen, ürününüzü bizim adımıza teslim edecek herhangi bir yetkili servise iade edin.

Bu kılavuzda belirtilen listeden size en yakın STANLEY yetkili tamir servisinin yerini öğrenebilirsiniz. Ya da, alternatif olarak internet'ten STANLEY yetkili tamir servislerinin listesini ve satış sonrası hizmetlerimizle ilgili tüm bilgiler ve temas bilgilerine aşağıdaki siteden ulaşabilirsiniz. www.2helpU.com

Notlar

- ◆ STANLEY politikasına göre ürünlerimizi sürekli iyileştirme amacıyla, önceden haber vermeden ürün özelliklerini değiştirme hakkını saklı tutarız.
- ◆ Standart ekipman ve aksesuarlar ülkeye göre değişebilir.
- ◆ Ürün özellikleri ülkelere göre farklı olabilir.
- ◆ Komple ürün çeşidi tüm ülkelerde geçerli olmayabilir. Ürün çeşidi durumu hakkında lütfen en yakın STANLEY yetkili servisiyle temas kurun.

Teknik özellikleri

		SDH600	SDH700
Giriş voltajı	VAC	220-240	220-240
Giriş gücü	W	600	700
Frekans	Hz	50/60	50/60
Yüksüz hızı	dev/dak	0-2900	0-2900
Darbe oranı	darbe/dak	49300	49300
Mandren kapasitesi	mm	1.5-13	1.5-13
Maks. delme kapasitesi			
Beton/Metal/ Ahşap	mm	13/13/25	13/13/30
Ağırlık	kg	1.75	1.87

SDH600**EN 60745'e göre ses basıncı düzeyi:**

Ses basıncı (LpA) 97.0 dB(A), belirsizlik (K) 3 dB(A)
Ses gücü (LWA) 108.0 dB(A), belirsizlik (K) 3 dB(A)

Toplam titreşim değerleri ah:

ah, ID = m/s² 8.7

ah, D = m/s² 3.8

Belirsizlik (K) 1.5 m/s²

SDH700**EN 60745'e göre ses basıncı düzeyi:**

Ses basıncı (LpA) 100.0 dB(A), belirsizlik (K) 3 dB(A)
Ses gücü (LWA) 110.0 dB(A), belirsizlik (K) 3 dB(A)

Toplam titreşim değerleri ah:

ah, ID = m/s² 8.7

ah, D = m/s² 3.8

Belirsizlik (K) 1.5 m/s²

Titreşim

Teknik veriler ve uygunluk beyanatu içerisinde belirtilen titreşim emisyon değerleri EN60745 tarafından belirlenen standart bir test yöntemine uygun olarak ölçülmektedir ve diğer bir aletle karşılaştırma yaparken kullanılabilir. Beyan edilen titreşim emisyon değeri aynı zamanda maruz kalmanın önceden değerlendirilmesinde de kullanılabilir.

Uyarı! Elektrikli aletin mevcut kullanımı sırasındaki titreşim emisyon değeri, aletin kullanım yöntemine bağlı olarak, beyan edilen değere göre farklılık sergileyebilir. Titreşim düzeyi belirlenen seviyenin üzerinde artış gösterebilir.

İşyerinde düzenli olarak elektrikli alet kullanan çalışanları korumak amacıyla 2002/44/EC tarafından getirilen elektrik güvenliği önlemlerini belirlemek üzere titreşime maruz kalmayı değerlendirirken, çalışma döngüsü içerisinde örneğin aletin kapalı olduğu ve aktif durumda olmasının yanı sıra boşta çalıştığı zamanlar gibi, bütün zaman dilimleri dahil olmak üzere mevcut kullanım durumu ve aletin kullanım şekli göz önünde bulundurulacak değerlendirilmelidir.

Servis Bilgileri

STANLEY, kendisine ait ve yetkili servisler ile tam bir servis ağı sunmaktadır. Tüm STANLEY Servis Merkezleri müşterilere etkili ve güvenilir elektrikli el aleti hizmeti sunmak için eğitimli personel ile donatılmıştır. Yetkili servis merkezlerimiz hakkında daha fazla bilgi almak istiyorsanız veya teknik danışmanlık, onarım ya da orijinal fabrika yedek parçası ihtiyacınız varsa, size en yakın STANLEY satış noktasına başvururun.

AT Uygunluk Beyanatu**MAKİNE DİREKTİFİ****SDH600-SDH700 - Darbeli Matkaplar**

STANLEY, «teknik özellikleri» bölümünde açıklanan bu ürünlerin aşağıda belirtilen yönergelere uygun olduğunu beyan eder:

2006/42/EC, EN 60745-1:2009 + A11:2010, EN 60745-2-1: 2010

Bu ürünler ayrıca 2004/108/EC (19/04/2016 tarihine kadar), 2014/30/EU (20/04/2016 tarihinden itibaren) ve 2011/65/EU Direktiflerine de uygundur.

Daha fazla bilgi için, lütfen aşağıdaki adresten STANLEY ile irtibata geçin veya kılavuzun arkasına bakın.

Bu belge altında imzası bulunan yetkili, teknik dosyanın derlenmesinden sorumludur ve bu beyanını STANLEY adına vermiştir.

Ray Laverick

Mühendislik Bölümü Müdürü

STANLEY, Europe, Egide Walschaertsstraat 14-18,

2800 Mechelen, Belçika

08/2015

İKİ YIL GARANTİ

Sahip olduğunuz STANLEY ürünü satın alma tarihinden itibaren 24 ay içinde hatalı malzeme veya işçilik nedeniyle bozulursa, STANLEY aşağıdaki şartlara uyulması koşuluyla ücretsiz olarak tüm kusurlu parçaların yenilenmesini veya -kendi inisiyatifine bağlı olarak- satın alınan ürünün değiştirilmesini garanti eder:

- ◆ Ürün, hatalı kullanılmamış kullanım kılavuzuna uygun kullanılmıştır.
- ◆ Ürün yıpranmamış, hırpalanmamış ve aşınmamıştır;
- ◆ Yetkili olmayan kişilerce tamire çalışılmamıştır.
- ◆ Satın alma belgesi (fatura) ibraz edilmiştir;
- ◆ STANLEY ürünü, tüm orijinal parçaları ile birlikte iade edilmiştir;
- ◆ Ürün kiralama amacıyla kullanılmamıştır.

Garanti talebinde bulunmak için, lütfen satıcıyla irtibata geçin veya STANLEY katalogunda belirtilen size en yakın STANLEY yetkili satıcı adresini kontrol edin veya ürünün kılavuzunda belirtilen adresteki yerel STANLEY yetkili tamir servisi ile temas kurun. İnternet'ten STANLEY yetkili tamir servislerinin listesine ve satış sonrası hizmetlerimizle ilgili tüm bilgilerine aşağıdaki siteden ulaşabilirsiniz: www.2helpU.com

Sanayi ve Ticaret Bakanlığı tebliğince kullanım ömrü 7 yıldır.

Türkiye Distribütörü

STANLEY BLACK&DECKER TURKEY ALET ÜRETİM

SAN. TIC. LTD.STİ.

Kozyatağı Mh Değirmen Sk. Nida Kule No:18 Kat:6

34742 Kadıköy İstanbul

Tel : (0216) 665 29 00

Faks : (0216) 665 29 01

E-posta: info-tr@sbdinc.com