



ТЕЛЕФОНЫ

0 (800) 800 130
(050) 462 0 130
(063) 462 0 130
(067) 462 0 130

130
COM.UA

Интернет-магазин
автотоваров



SKYPE
km-130

АВТОМАГНИТОЛЫ — Магнитолы • Медиа-ресиверы и станции • Штатные магнитолы • CD/DVD чейнджеры • FM-модуляторы/USB адаптеры • Flash память • Переходные рамки и разъемы • Антенны • Аксессуары | **АВТОЗВУК** — Акустика • Усилители • Сабвуферы • Процессоры • Кроссоверы • Наушники • Аксессуары | **БОРТОВЫЕ КОМПЬЮТЕРЫ** — Универсальные компьютеры • Модельные компьютеры • Аксессуары | **GPS НАВИГАТОРЫ** — Портативные GPS • Встраиваемые GPS • GPS модули • GPS трекеры • Антенны для GPS навигаторов • Аксессуары | **ВИДЕОУСТРОЙСТВА** — Видеорегистраторы • Телевизоры и мониторы • Автомобильные ТВ тюнеры • Камеры • Видеомодули • Транскодеры • Автомобильные ТВ антенны • Аксессуары | **ОХРАННЫЕ СИСТЕМЫ** — Автосигнализации • Мотосигнализации • Механические блокираторы • Имобилайзеры • Датчики • Аксессуары | **ОПТИКА И СВЕТ** — Ксенон • Биксенон • Лампы • Светодиоды • Стробоскопы • Оптика и фары • Омыватели фар • Датчики света, дождя • Аксессуары | **ПАРКТРОНИКИ И ЗЕРКАЛА** — Задние парктроники • Передние парктроники • Комбинированные парктроники • Зеркала заднего вида • Аксессуары | **ПОДОГРЕВ И ОХЛАЖДЕНИЕ** — Подогревы сидений • Подогревы зеркал • Подогревы дворников • Подогревы двигателей • Автохолодильники • Автокондиционеры • Аксессуары | **ТЮНИНГ** — Виброизоляция • Шумоизоляция • Тонировочная пленка • Аксессуары | **АВТОАКСЕССУАРЫ** — Радар-детекторы • Громкая связь Bluetooth • Стеклоподъемники • Компрессоры • Звуковые сигналы, СГУ • Измерительные приборы • Автопылесосы • Автокресла • Разное | **МОНТАЖНОЕ ОБОРУДОВАНИЕ** — Установочные комплекты • Обивочные материалы • Декоративные решетки • Фазоинверторы • Кабель и провод • Инструменты • Разное | **ПИТАНИЕ** — Аккумуляторы • Преобразователи • Пуско-зарядные устройства • Конденсаторы • Аксессуары | **МОРСКАЯ ЭЛЕКТРОНИКА И ЗВУК** — Морские магнитолы • Морская акустика • Морские сабвуферы • Морские усилители • Аксессуары | **АВТОХИМИЯ И КОСМЕТИКА** — Присадки • Жидкости омывателя • Средства по уходу • Полироли • Ароматизаторы • Клеи и герметики | **ЖИДКОСТИ И МАСЛА** — Моторные масла • Трансмиссионные масла • Тормозные жидкости • Антифризы • Технические смазки



В магазине «130» вы найдете и сможете купить в Киеве с доставкой по городу и Украине практически все для вашего автомобиля. Наши опытные консультанты предоставят вам исчерпывающую информацию и помогут подобрать именно то, что вы ищете. Ждем вас по адресу

<https://130.com.ua>

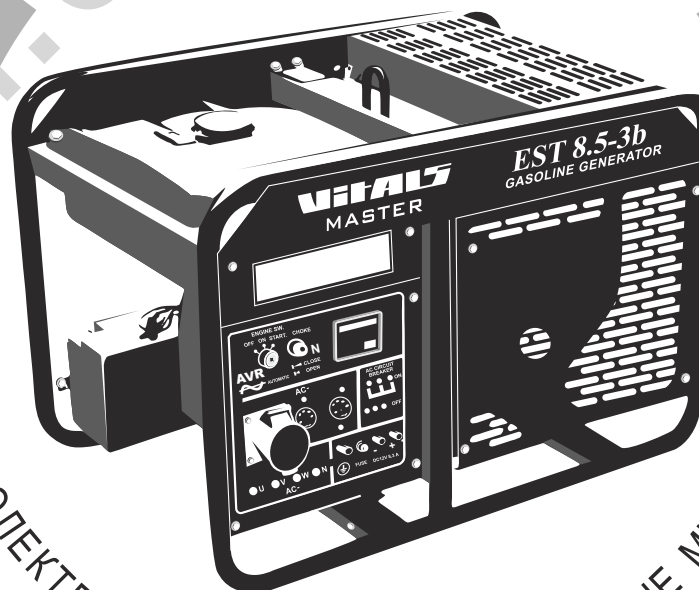
VITALS

MANUAL FOR TECHNICAL USE
ІНСТРУКЦІЯ З ЕКСПЛУАТАЦІЇ
РУКОВОДСТВО ПО ЭКСПЛУАТАЦИИ



WWW.VITALS.COM.UA

GASOLINE MINI POWER STATIONS



БЕНЗИНОВІ

МІНІЕЛЕКТРОСТАНЦІЇ

БЕНЗИНОВЫЕ МИНИЭЛЕКТРОСТАНЦИИ

MODELS

МОДЕЛІ

МОДЕЛИ

EST 8.5b

EST 8.5-3b

CONTENTS

ENGLISH

1. General description	5
2. Delivery kit	8
3. Technical data	9
4. Safety requirements	11
4.1. Important safety information	11
4.2. Operating safety	13
4.3. Grounding	15
5. Operating	17
5.1. Proper use	17
5.2. Before you begin	18
5.3. Operating mini power station	21
6. Maintenance	28
7. Transportation and storage	33
8. Possible malfunctions and how to solve them	35
9. Warranty	37

ЗМІСТ

УКРАЇНСЬКА

1. Загальний опис	39
2. Комплект поставки	42
3. Технічні характеристики	43
4. Вимоги безпеки	46
4.1. Важлива інформація з безпеки	46
4.2. Безпека експлуатації	48
4.3. Заземлення	50
5. Експлуатація	52
5.1. Застосування	52
5.2. Підготовка до роботи	53
5.3. Робота з мініелектростанцією	56
6. Технічне обслуговування	63
7. Транспортування та зберігання	68
8. Можливі несправності та шляхи їх усунення	70
9. Гарантійні зобов'язання	72

СОДЕРЖАНИЕ

РУССКИЙ

1. Общее описание	75
2. Комплект поставки	78
3. Технические характеристики	79
4. Требования безопасности	82
4.1. Важная информация по безопасности	82
4.2. Безопасность эксплуатации	84
4.3. Заземление	86
5. Эксплуатация	87
5.1. Применение	87
5.2. Подготовка к работе	88
5.3. Работа с миниэлектростанцией	91
6. Техническое обслуживание	98
7. Транспортировка и хранение	103
8. Возможные неисправности и пути их устранения	105
9. Гарантийные обязательства	107

DEAR CUSTOMER!

Thank you for buying mini power station Vitals.
TM "Vitals" techniques are being developed according to European quality standards using modern technologies.

Wrong use of the mini power station and inobservance of security measures can lead to damage of the product or to heavy injuries!

This manual contains all necessary information on security measures for work with power stations. Carefully read this manual before using the mini power stations. Please provide this manual to other users before they start to work with the mini power stations. This manual is to be conserved for its further use.

We are constantly working on the improvement and development of our products and therefore reserve the right to make changes in appearance, accessories and production technology without changing the basic principles of control, without any notification of the user. All possible changes will be directed only to improve and modernize the products.

KEY WORDS MEANING



WARNING!

Means potentially dangerous situations, which are to be avoided, otherwise can appear a danger for health or life.



ATTENTION!

Means potentially dangerous situations, which can lead to light injuries or damage of the mini power station.



NOTE!

Marks important additional information.

GENERAL DESCRIPTION

The basis of any mini electrical power stations (hereinafter referred to as power station) is a unit consisting of the internal combustion engine (hereinafter referred to as ICE) and electric generator. The engine and generator are directly connected to each other and strengthened through the shock absorbers on a steel frame.

The maximum simplified principle of power plants is as follows: internal combustion engine "transforms" the fuel into the rotation of the shaft, power generator, connected to the shaft of the motor converts the rotations to electrical current.

Power plants have the control panel, which helps in managing the power plant, control of its state and protection from accidents.

Models EST 8.5b present mobile single-phase power stations alternating-current, models EST 8.5-3b present mobile three-phase power stations alternating-current. The power stations of TM "Vitals" meet modern technical standards and quality standards, ensuring a long and safe operational period.

The difference of the following models is the presence of the electronic module "six in one" (6-in-1) with a numeric display. On the numeric display are shown 6 measures: output AC voltage, output current, connected load, frequency, engine worked hours and output DC voltage.

This module allows to read exact measures of output voltage and output current, frequency and connected load. The timer made the engine control method easy.

The main components of power stations are presented below.

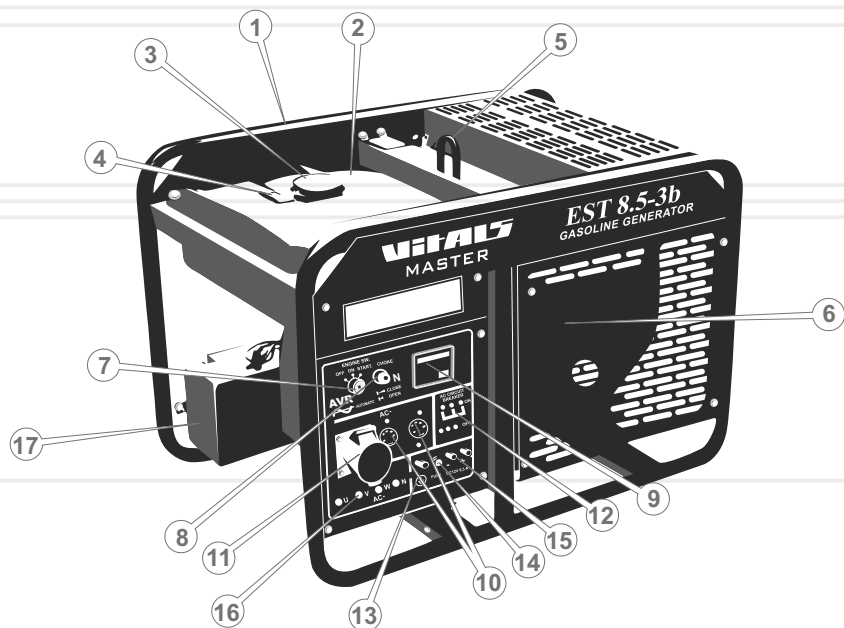


figure 1

- | | |
|--------------------------------|-----------------------------|
| 1. Frame. | 10. Power outlets for 230V. |
| 2. Fuel tank. | 11. Power outlets for 380V. |
| 3. Fuel tank lid. | 12. AC fuse. |
| 4. Fuel level indicator. | 13. Grounding terminal. |
| 5. Unit for lift. | 14. DC fuse. |
| 6. Internal combustion engine. | 15. DC output. |
| 7. Ignition lock. | 16. AC output power. |
| 8. Choke lever. | 17. Accumulator battery. |
| 9. Electronic module 6-in-1. | |

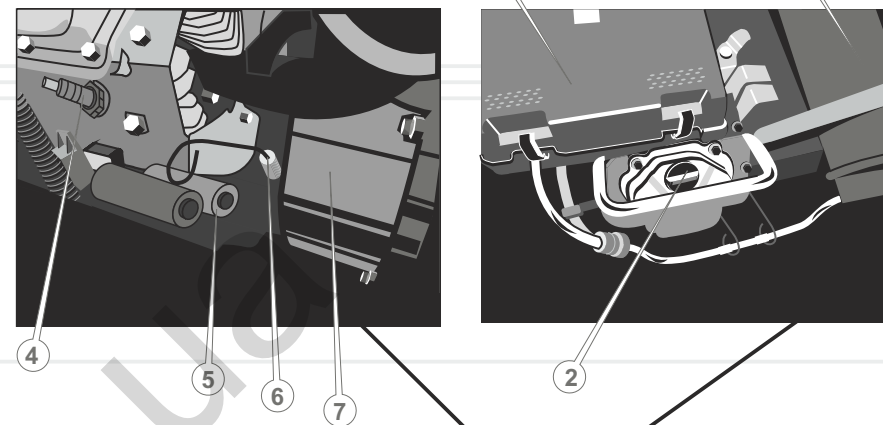
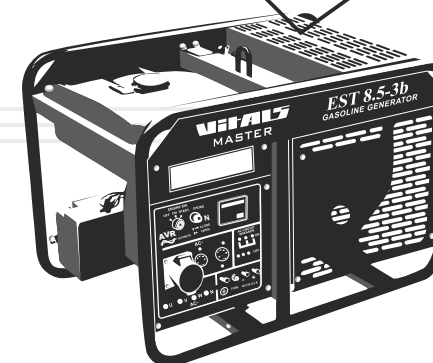


figure 2

- | |
|-----------------------------|
| 1. Air filter body. |
| 2. Opening for pouring oil. |
| 3. Muffler. |
| 4. Spark plug. |
| 5. Electric starter. |
| 6. Oil dipstick. |
| 7. Current generator. |



1. Generator.
2. Plug key.
3. 3 pin plugs 220V (for model EST 8.5b).
4. 2 pin plugs 220V and 1 pin plug 380V (for model EST 8.5-3b).
5. Ignition keys.
6. Accumulator battery.
7. Transportation wheels.
8. Manual for use.



The manufacturer reserves the right to make design and appearance of the power plants minor changes which do not affect its work.

MODEL		EST 8.5b	EST 8,5-3b
Current generator	AC voltage, V	230	230/380
	Current frequency, Hz	50	
	Nominal power, kW	8,5	
	Maximal power, kW	9,5	
	Power factor (cos ϕ)	1	0,8
	DC power	12V - 8,3A	
	Voltage regulator	automatic (AVR)	
Engine	Engine type	four-cycle, twin cylinders	
	Power, h.p.	24,0	
	Cubic capacity, cm ³	688	
	Start system	electric start	
	Ignition system	Transistor magneto	
	Fuel	Gasoline	
	Fuel tank capacity, l	20	
	Average time of continuous work, h	4	
	Oil volume in the crankcase, l	1,4	
	Acoustic level, dB	97	
Low oil level engine sensor	+		
Dimens	Dimens.Dimensions (LxWxH), mm	940x640x745	
	Weight net/gross, kg	140/155	145/160

**ATTENTION!**

During the operation of power station noise level can reach high values! Wear ear protection if necessary.

These models have automatic voltage regulator, DC output, electronic module "six in one", time meter and low level of oil in the engine protection system.

Automatic voltage regulator (AVR)

In power stations there is installed modern automatic voltage regulator, which ensures the stability of the output voltage across the load range. The quality of energy stations, equipped with a voltage regulator, allows them to supply sophisticated electronic equipment, communications, special and residential consumers (computers, televisions, boilers, etc.).

DC output

Power stations are equipped with a DC output 12V, which is used mainly for charging automobile batteries (12V). Red terminal is positive (+), black - negative (-). Connection must be made according to the polarity.

Electronic module "six-in-one" (6-in-1)

Electronic module "six-in-one" has a numeric display, where can be shown the values of output AC voltage, output current, connected power, frequency, engine hours worked and output DC voltage. Electronic module allows to show exact values of voltage and current frequency (with one decimal). Also the electronic module allows to count the engine hours worked.

Timer

These models are equipped with a timer for engine worked hours. The number of hours worked is displayed on the digital display of the electronic module "six in one". The timer is designed for simple and easy estimation of worked hours every moment. This in turn allows to carry out the maintenance of the engine with accurate intervals. This innovation allows to upgrade the quality of the generator maintenance and, thereby, to increase its operation life several times. Worked hours value can be displayed in hours, minutes and seconds.

Engine low oil level protection system

This alarm system is designed to prevent damage to the engine with insufficient oil in the crankcase. At low levels of oil in the crankcase lamp lights, and turn off the engine protection system that prevents damage.



At an emergency engine stop by the protection system the ignition key of the engine will remain in position «On».

4.1. IMPORTANT SAFETY INFORMATION

Before using the power station carefully read the safety precautions, warnings and safety instructions in this manual.

Most accidents occur when operating stations is a result of non-compliance of basic safety rules and precautions. Accidents can be avoided if the time to be able to foresee the potential danger and subject to safeguards.

Situations that result can be a serious bodily injury or damage to the device are marked with the word "WARNING" in this guide.

NEVER use a generator means or purposes not foreseen by this manual.

**PLEASE READ ALL INSTRUCTIONS**

For safe operation of the unit is necessary to get acquainted with the instructions and appropriate training. Improper use of the unit or operation of an untrained person can be dangerous. Carefully read all parts of the power station. Learn how to turn off the power if necessary. Failure to observe the following instructions can cause electric shock, damage to property, serious damage to health or cause death.

**HAZARDOUS EMISSIONS OF CARBON MONOXIDE**

Emissions from power plants contain carbon monoxide - the gas is colorless and odorless. Inhalation of its vapors can cause unconsciousness or death. When you run the power station in a confined space or a room with limited access of air, emission concentration can be dangerous to health. To avoid the accumulation of emissions it is necessary to ensure good ventilation. Do not include a power station in a confined space without sufficient ventilation and hoods.



RISK OF ELECTRIC SHOCK

When malfunctioning power stations there is a risk of electric shock, or death from electrical shock. Using power stations or other electrical devices in high humidity - near the water, on wet grass during rain or snow - may lead to death from electrical shock. Always keep the power generator dry.

The power station is not designed to store unprotected on the street. Moisture or ice can cause a malfunction or an electrical parts, which can lead to death from electrical shock.

Check for damaged parts of all electrical power plants to the control panel every time before you start.

Before connecting, you must first make the grounding. Failure to follow this may damage property or cause death.



INFLAMMABILITY HAZARD

Exhaust system heats up during the operation, which can ignite materials being nearby. During and immediately after turning off the power station must be set to 1 meter from foreign objects. Do not cover the station. Keep flammable materials at a safe distance from power station.

In the process, power muffler gets very hot and remains hot for some time after it is turned off. Do not touch the muffler while the engine, and while it remains hot. Power necessary to cool before packing and shipment.

Gasoline is highly flammable and is very poisonous. Before refueling its power switch off and cool the engine. Do not refill the power station next to an open flame or in a place where there may be a spark. Do not smoke near the power station.

Always check for leaks of gasoline. Spilled fuel must be wiped dry before starting the station. Before performing any operation, make sure that the power station is placed on a horizontal surface and rigidly installed.

4.2. OPERATION SAFETY

1. **DO NOT TOUCH THE PARTS IN MOTION.**
Do not hold hands, fingers and other body parts moving parts power station. Do not touch the fan, it's dangerous.
2. **DO NOT USE THE POWER STATION FOR NOT INTENDED PURPOSES.**
Do not use power station for purposes other than those described in this manual.
3. **KEEP WORK AREA CLEAN.**
Contamination of the working area can lead to injury.
4. **DO NOT LET THE CHILDREN AND STRANGERS ENTER THE WORK AREA.**
5. **WEAR APPROPRIATE CLOTHES WHILE OPERATING THE UNIT.**
Do not wear loose clothing, gloves, neckties, rings, bracelets and other jewelry that can get into the moving parts of the power station. Shoes must not be slippery; you should have a high stability. Gather long hair and wear a cap.
6. **FOR MAINTENANCE USE ONLY ORIGINAL PARTS.**
7. **DO NOT INITIATE TO WORK AT POWER STATION IN THE STATE OF FATIGUE, ALCOHOL OR AFTER TAKING THE DRUG.**
8. **DO NOT PLACE FLAMMABLE MATERIALS NEAR THE POWER STATION.**
Near the power station should not be fuel, matches, gunpowder, greasy clothes, straw, trash and other flammable materials.
9. **DO NOT OPEN THE POWER STATIONS. DO NOT COVER IT.**
The power station is equipped with forced air cooling system and, if covered, it may overheat.
10. **THE POWER STATION MUST BE INSTALLED ON A HORIZONTAL SURFACE.**
No need to create a special stand for the power plant. But it can not be installed on an uneven surface, otherwise it will create vibration. If in the process of work power station is not set stable, it will move, which can pour out fuel and power station itself may tip over, resulting in a precarious situation. If the power station will be installed on a sloping surface, it will not be properly lubricating moving parts, which can lead to jamming cylinder group even if the oil level is normal.

11. WATCH OVER THE ELECTRIC WIRE SITUATION, LEADING TO THE ELECTRIC POWER CONSUMER.

If the power station is standing on the wire or wire is touching its vibrating parts, the wire may be damaged. This can lead to a dangerous situation: the risk of fire, a fire station or electrical shock.

12. DO NOT RUN THE POWER STATION WHILE RAINING OR WITH WET HANDS.

Working with the power station in rain or snow can cause electrical shock or damage to the power station itself. If the plant gets wet, it must be wiped dry before running. Do not pour water to the power station, do not wash it.

13. HANDLE BATTERIES WITH CAUTION.

The battery gives off hydrogen gas which can ignite on contact with open flame. The power station must be located in a well ventilated area. Avoid the appearance of flames, sparks when working with battery.

14. POWER STATION MAKES HIGH LEVEL OF NOISE.

Power station should be located away from work or from the placement of electricity consumers. The optimal distance is 7 m. If you want to work near a power station, wear special ear protection.

4.3. GROUNDING



WARNING!

It is strictly forbidden to use power station without grounding!

Grounding prevents the possibility of electrical shock. To ground you need a ground wire and earthing. They are not supplied with the power station. Ground wire must have cross-section of 3.5mm², preferably of twisted copper wire.

On Figure 3 is shown ground terminal on the power station.

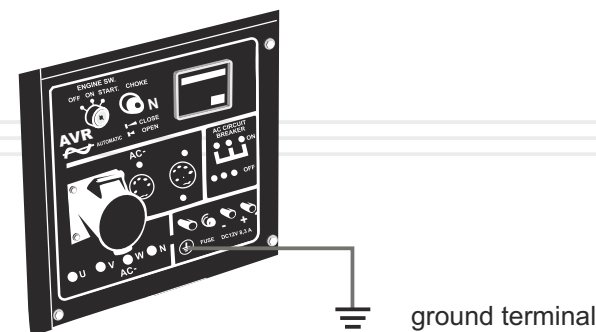


figure 3



ATTENTION!

The ground terminal and earthing switch must have a good contact with the ground wire.

As the earth electrodes can be used the metal pipes of water supply, sewerage located in the ground or metal frames of buildings that have a connection to the ground.

**WARNING!**

For proper earthing connection it should consult a qualified specialist.

If the above mentioned groundings are not available, it is possible to use one of the following earthings:

- a metal rod with a diameter not less than 15 mm and a length of not less than 1500 mm;
- a metal pipe with a diameter not less than 50 mm and a length of not less than 1500 mm;
- a sheet of galvanized steel, uncoated steel size 1000x1500 mm

5.1. PROPER USE

Mini electrical power stations TM “Vitals master” are a source of energy for electrical appliances. They can provide you with electricity in a variety of circumstances: as a source of emergency power supply for buildings and houses, for repairs without access to the main electrical supply network, in the country house, on a picnic, in the garage, etc.

Each model of power station is designed to a maximum capacity of electric power. For proper power selection of the power station, read section 5.3. “Working with the power plant.”

Model EST 8.5b is single phase and generate electric current with voltage of 230V. You can connect single phase electrical consumers only for this model.

ATTENTION!

To single phase power outlet of model EST 8.5b can be connected only single phase electrical consumers with maximal consumer power not more than 6.6kW.

Model EST 8.5-3b is three phase and generate electric current with voltage of 230V and 380V. You can connect single phase and three phase electrical consumers for this model.

ATTENTION!

To single phase power outlet of model EST 8.5-3b can be connected only single phase electrical consumers with maximal consumer power not more than 1/3 of electric station power ($8,5/3=2,8\text{kVA}$). If power of connected electrical consumer will be exceeded acceptable power of one phase (one power outlet) there may be phase imbalance arise and power station failed.

Both models have special developed power outlet to which you can connect maximal acceptable loading (8.5kVA).

Also, these models have a DC output voltage.

5.2. BEFORE YOU BEGIN

Before using the power station you need to perform ongoing inspection:

1. Carefully inspect the power cable for damage. Pay attention to the integrity of all electrical parts.
2. Check hoses, flood openings and the oil tank cover, fuel valve, as well as other possible locations for leaks. If it is needed, fix the leak.
3. Check engine oil level and, if necessary, add oil as needed.
4. Check fuel level and, if necessary, top up with fuel. In the fuel tank should be kept small air lock for the possible expansion of the fuel vapors when heated.
5. Check the mounting of main parts. If necessary, make the tightening of bolts and nuts.
6. Check the integrity of the shock absorbers. If necessary, replace them.

ATTENTION!

Operating the power station with torn or defected shock absorber is prohibited. This can lead to excessive vibration and, consequently, to the failure of the power plant.

7. Check the integrity and purity of the air filter.

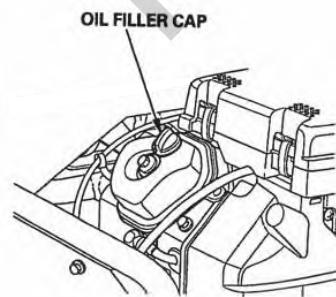
ATTENTION!

It's forbidden to work with a missing air filter or when it is contaminated. This can lead to failure of the engine.

Oil

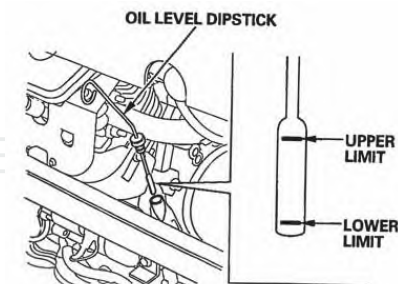
Power stations are supplied without motor engine oil. Pour motor oil into the proper neck (see fig. 4). It is located at the valve cap.

figure 4



Check the oil level with dipstick. Figure 5 shows minimal and maximal oil level at the dipstick.

figure 5



To meet right level of oil you should wait some time after oil filling. This time needed to oil flow down.

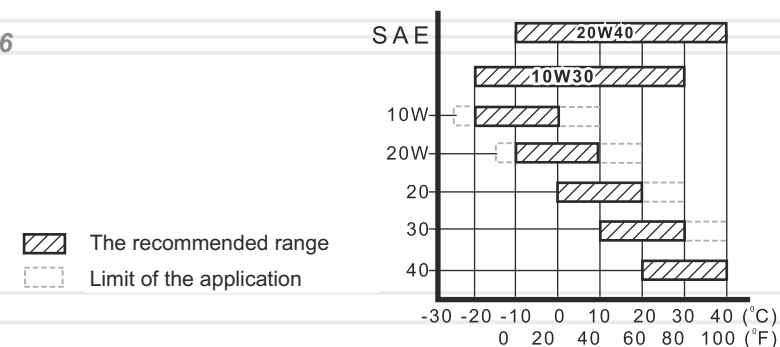
Do not use the power station when there is insufficient or excessive level of motor oil.

Please use the high quality oil. Do not use special additives to the recommended oil. Do not mix oil with gasoline.

It should be remembered that the quality of used oil is one of the main factors that affects the normal and continuous work of the engine. Using low-quality oil, you reduce the life of the engine at times.

Figure 6 shows the recommended oil, depending on the ambient temperature.

figure 6





The oil level should be checked in the horizontal position of the generator.

**ATTENTION!**

It is forbidden to operate without the filter or unfixed filter cover!

Fuel

Use clean, fresh and unleaded fuels with octane number not lower than 92. Gasoline must be used within 30 days after purchase.

5.3. OPERATING THE POWER STATION**ATTENTION!**

At the beginning of the operation should be performed engine break-in. In detail, see the section below.

**ATTENTION!**

Do not use gasoline containing methanol or oil.

Fuel level should be checked before starting the power station. If the engine just stopped, wait for 4-5 minutes or more, so that the engine is cooled down, and only then do the refueling.

START**WARNING!**

Make sure that the AC and DC power fuses are turned off! It is prohibited to start power station, if there are electricity consumers connected to it and powered! The connected load complicates the run of the power station and may damage it.

**ATTENTION!**

Refueling should take place only with the engine off!

Refueling should be made so that the tank remained a small air lock for the possible expansion of the fuel vapors when heated.

Air filter

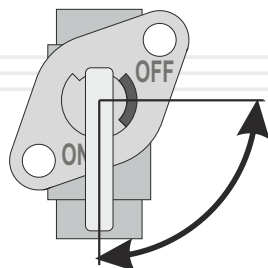
Dirty air filters can cause hard engine starting, power loss, improper operation of the engine. In addition, dirty air filter can significantly reduce engine life.

It is strongly recommended to check the status of the air filter and change it according to the regulations (see Chapter 6 "Maintenance").

START WITH ELECTRIC STARTER

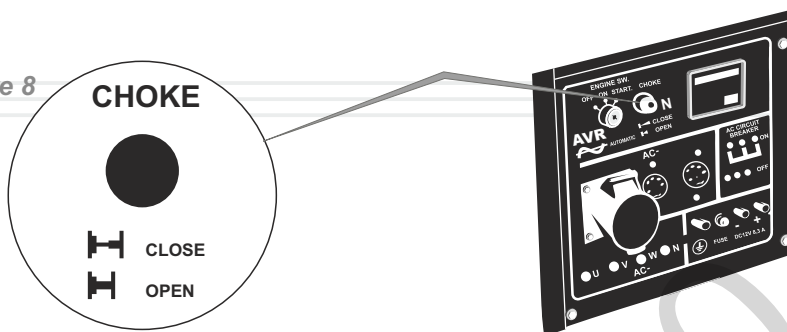
1. Open the fuel valve (see Fig. 7). Turn the fuel cock lever in position "ON".

figure 7



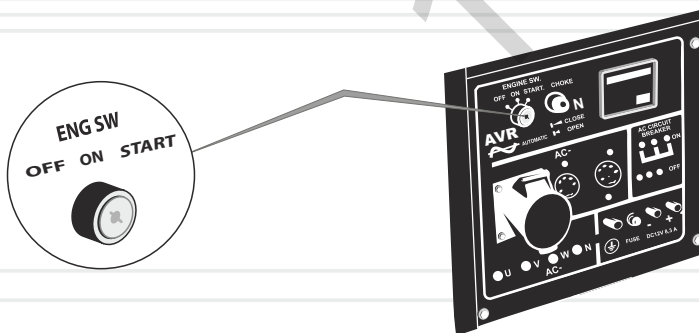
2. If you start a cold engine (or the temperature is low - lower than +15 ° C), turn the choke in position "CLOSE" (see Fig. 8). In this position of the air damper fuel mixture is enriched, which makes it easier to start. When you run a hot engine (or when the temperature is high enough) enrichment of the fuel mixture is usually not required. If the engine had time to cool down significantly, you may need a partial enrichment, i.e., partial overlap of the choke.

figure 8



3. Insert the ignition key and turn it into position "START" (Fig. 9) and hold it until the engine starts. After the start release the key. You shouldn't hold the key in "START" position more than 5 sec. If the engine didn't start, refer to "Possible malfunctions and how to solve them."

figure 9



If after several attempts the engine has not been started, return the carburetor choke in position "RUN" and try to repeat above procedure.



If there is not enough oil in the engine, it will not start. Check the oil level and, if necessary, add oil.

If the engine didn't start, refer to "Possible malfunctions and how to solve them."

5. Warm up the engine, letting it run for 1-5 minutes (depending on ambient temperature). You should not warm up the engine at high speeds, it reduces engine life.

6. Once the engine is warmed up, it is necessary to remove enrichment of the fuel mixture. To do this, put the choke in position "RUN" (see Fig. 8). Adjustment of the choke should be done gradually so as not to drown the engine lean fuel mixture.



The power station should be set on a flat surface in order to ensure sufficient oil lubrication of the engine.

STOPPING

1. Turn off the electricity consumers.
2. Turn off the fuse on the panel of the power station.
3. Turn off the engine by moving the switch to «OFF» (see Fig. 9).
4. Close the fuel valve. Turn the fuel cock lever in position «OFF» (Fig. 7).

NUMERIC DISPLAY

Numeric display shows 6 measures: output AC voltage, output current, connected power, frequency, worked hours number and output DC voltage.

\tilde{V} – AC voltage

A – current

VA – connected power

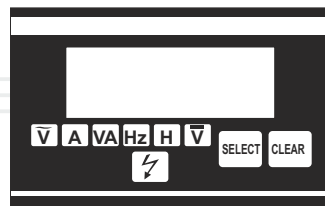
Hz – frequency

H – worked hours number

\bar{V} – DC voltage

By turning on the power station on the numeric display there will be immediately shown the measure of the output AC voltage in V. To display any other measure it is necessary to press the "SELECT" key. Chose measure will light.

figure 10



Worked time can be shown in hours, minutes and seconds. From the start will be shown worked time in hours. When pressed again worked time will be shown in minutes and seconds.

When power station is overloaded signal lamp  is start to light.

This time there are displayed real measures of voltage, current, connected power and frequency. After power station came back into normal condition you should to push button "CLEAR".

RUNNING-IN

One of the most important things is running-in of the new engine. On the correctness of the running time will depend the engine life time. The procedure for running:

- 1) Start the engine and let it warm up. Warmed up engine must work 10 minutes. Turn off the engine and let it cool down. This procedure should be repeated 5 times.
- 2) Then let the engine work for 1 hour without load. Turn off the engine, let it cool down.
- 3) The first 25 hours the generator should have a load of not more than 50%. The work should be carried out stages, allowing the engine to cool. Each stage of the work should not exceed 3 hours.

After 25 hours of use the oil should be changed. It is recommended to make an extra rinse: pour the same motor oil and let engine work for 10 minutes. Drain the flushing oil and pour new oil. The oil for flushing should be selected on the base of the ambient temperature (Fig. 6).

BEFORE CONNECTING ELECTRICAL APPLIANCES

- Make sure the devices to be connected are intact and have no defects. Otherwise can occur electric shock or fire.
- Ensure that the total electric power of all connected devices does not exceed the rated output power (for continuous operation). Do not connect electric loads capacity exceeding the maximum capacity of the power station.
- The work time of the power station in the range between the nominal and maximum power should not exceed 5 minutes. Otherwise, it can cause damage to the power failure.
- If you use an extension cord, make sure it is completely unwound, and the cable cross-section corresponds to the connected load. Unequal extension could lead to voltage drops, the cable overheating and instability of connected devices.
- Do not overload electrical outlets power. Each outlet has a nominal power, to which it is designed. Try to distribute the load by equal parts between the power outlets. The maximum load on the power outlet is 16A.

LOAD CALCULATION AND CONNECTING

These single-phase alternating current power station produce AC 230V with frequency 50 Hz. They can only connect single-phase electric loads.

It should be noted that many appliances have a so-called starting current which momentarily increase their power consumption by several times. That is, to power the device should be submitted to it the power necessary to run. Starting capacity of such devices should not exceed the maximum capacity of the power station. The appliance with the highest starting power should be connected to the power station as first.



ATTENTION!

The starting capacity of the appliances should not exceed the maximum capacity of the power station.

Electricity consumers can be divided by types of loads. Loads are active and reactive.

The active load is the most common load, consumers with such loads of all the energy is converted into heat. Examples: incandescent lamps, irons, heaters, cookers, dryers, etc. To calculate the total power of consumers is sufficient to add the power specified on their labels.

Reactive loads are consumers with an electric motor, where the energy is consumed in addition on the creating an electromagnetic field. These consumers include pumps, machine tools, power tools, refrigerators, washing machines, etc. A measure of the reactivity parameter is $\cos \varphi$. To calculate the actual power consumption of reactive power consumers is need to divide the power by $\cos \varphi$. For example: if the drill 600 Watt power value of $\cos \varphi$ is 0.8, then its work will require power $600W / 0.8 = 750W$. This should be considered when calculating the total power of the consumers connected to the generator. The value of $\cos \varphi$ such devices you can look at the plate, label or instructions of the corresponding device.

It is necessary also to keep in mind the following: each power station has its own $\cos \varphi$, which must be taken into account. For example, if it is equal to 0.8, for the above drill from the power station will require $750 W : 0.8 = 938 W$.



**Model EST 8.5b has the coefficient $\cos \varphi$ equal to 1.
Model EST 8.5-3b has the coefficient $\cos \varphi$ equal to 0.8.**



Maximal acceptable connected loading for single phase of model EST 8.5-3B is $8.5kVA/3*0.8=2.3kW$.

In order to avoid overloading the power station the total power of the connected devices should be calculated not more than 80% of rated power of the power station.

To summarize, according to the rules of selection power station of the electric current:

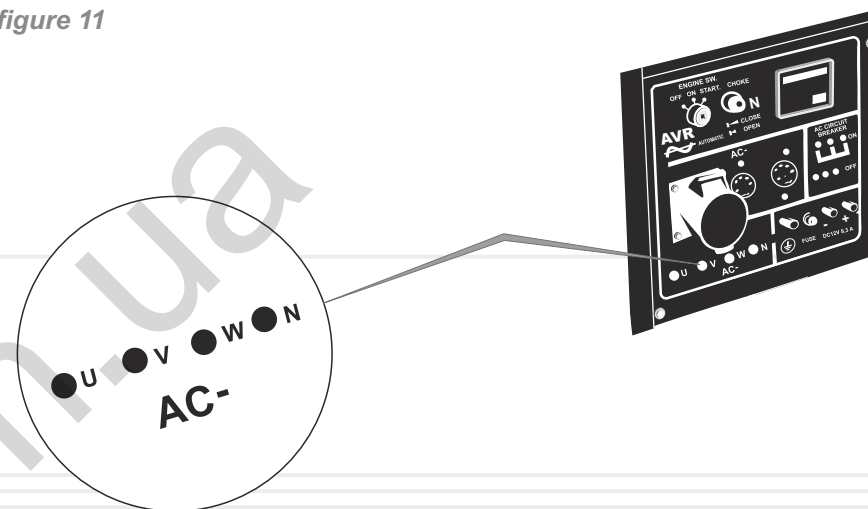
1. Starting power plug device with the highest starting current should not exceed the maximum output the power station.
2. Total power consumption of all devices (with the reactive and active loads) should not exceed the rated output the power station.
3. For proper operation of the power station should create power reserve of 20%.
4. Connected power customers should not exceed the maximum output the power station outlet (16A).

Appliances should be connected to the power station turned on, the fuses and there should be switched off. Turn the fuse, and only then begin to include appliances. The inclusion of multiple appliances should be carried out sequentially and start with a device that consumes the most power.

The engine will automatically increase the speed with increasing load of the generator of electric current.

These power stations are equipped with additional power outlet: for model EST 8.5b single phase outlet, for model EST 8.5-3b three phase outlet. (see fig. 11).

figure 11



Power stations equipped with modern fuel efficient engines that are designed for long-term and continuous operation. Nevertheless, it is important to hold regular simple maintenance work described in this section. Maintenance is recommended that an experienced specialist. In case of difficulties should request assistance from a professional mechanic.

WARNING!

Before you begin to carry out any maintenance work at the power station, turn off the engine and disconnect the ignition wire from the spark.



Table – Power Station Maintenance Schedule

MAINTENANCE / RECOMMENDED TERMS		Every time	First 25 work hours or 1 month	Every 50 work hours or 3 months	Every 100 work hours or 6 months	Every 300 work hours or 1 year
Power station entire	Cleaning	+				
Connections and fastenings	Tightening	+				
Motor oil	Checking	+				
	Change		+		+	
Oil filter	Change					+
Air filter	Checking	+				
	Cleaning			+		
	Change					+
Spark plug	Gap check, cleaning				+	
	Change					+
Valves	Gap check,					+
Spark catcher	Cleaning				+	
Cooling system	Checking for damages				+	
Ignition system	Checking					+
Precipitation tank	Cleaning				+	
Fuel tank and filter	Cleaning				+	
	Change				+	
Fuel pipe	Checking				+	
	Change	Every 3 year or when needed				

* - it is recommended more frequent maintenance when used in dusty area generator
 ** - this type of work should be carried out by a qualified technician

These models of power stations are equipped with worked hours timer. You can measure the worked hours every moment the power station is working. You can measure the passed worked hours. This allows to carry out the maintenance works with strict accordance to the schedule.



The power station should be set on a flat surface in order to ensure sufficient oil lubrication of the engine.

Carrying out the maintenance with strict accordance to the schedule increases the life time several times.

To see the worked hours in the numeric display press "SELECT", until the LED opposite to "H" is on. "H" is for hours.

CLEANING

Cleaning of the power station should be carried out after each use and before refilling engine with oil and fuel. It is not allowed to use the power station with oil and fuel stains. It should be remembered that the dust in the engine oil or fuel significantly reduces the engine life. Do not let the dust in generator of electric current, otherwise it may fail.

CONNECTIONS AND FASTENINGS

Power stations are equipped with internal combustion engines that generate vibration. Vibration is transmitted to the connections and fasteners. Check regularly the tightness of all bolts and nuts and avoid job without any of them. In addition, it is necessary to observe the state of shock absorbers and engine generator. Defective shock absorbers will cause excessive vibration transmission.

ATTENTION!

Check the rubber damper for wear or damage. Damaged shock absorbers should be changed immediately.

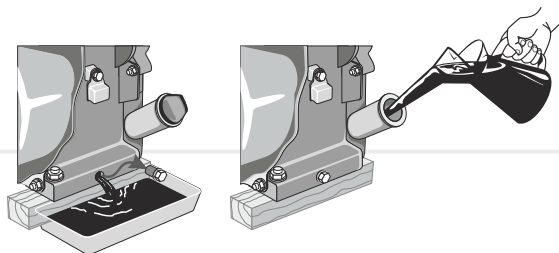


MOTOR OIL**ATTENTION!**

Motor oil should be changed after the first 25 hours of work of the new engine.

Filler neck and drain hole are shown in Figure 12.

figure 12



Do not exceed the life of the oil. Change the oil is strictly by the rules.



Motor oil should be drained hot, then drain the oil completely, and takes with it sediments and contaminants of combustion.

OIL FILTER

These models are equipped with oil filter, which allows for additional cleaning of oil. The oil filter should be changed when changing engine oil.

**ATTENTION!**

First, you must drain the used oil, then replace the oil filter and then upload the new motor oil.

The oil filter is located on the end of the engine.

AIR FILTER

A dirty air filter may cause problems when running, power loss, engine malfunction and extremely reduce engine life.

**ATTENTION!**

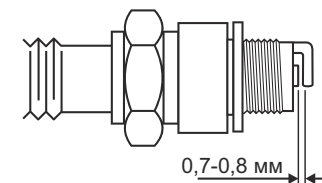
It is forbidden to operate without the filter or filter cover with unfixed filter lid!
To clean the filter element, use soapy water or nonflammable solvent.

The air filter should be replaced in proper time. Dirt and dust that penetrates through the air filter, does more harm engine and reduces its service life several times.

SPARK PLUG

Regularly clean and check by performance spark plug. Faulty, dirty or having snuff the spark plug is the cause of hard starting and poor engine operation. You must also use a spark plug to the recommended gap of 0.7-0.8 mm (see Fig. 13).

figure 13

**VALVES**

Cleaning and check valve clearances must be performed by qualified personnel. Please contact the nearest service center for power stations TM "Vitals".

SPARK CATCHER

The muffler has a spark catcher, which prevents the spread of sparks. Over time, spark catcher may get clogged with soot. Clean the spark arrester in accordance with the regulations.

COOLING SYSTEM

Check the integrity of the impeller engine cooling fan. The absence of even a few wings of impeller may cause overheating of the engine. Partly broken or a broken impeller should be replaced immediately.

**ATTENTION!**

Do not run the engine with a broken cooling impeller. A broken impeller can lead to engine overheating and premature motor failure.

IGNITION SYSTEM

Correct operation check of the ignition system must be carried out by qualified personnel. Please contact the nearest service center for power stations TM "Vitals".

PRECIPITATION TANK

The precipitation tank is designed to precipitate the possible mechanical impurities in the gasoline. It is located in the carburetor. To clean the tank necessary to unscrew lower front bolt of the carburetor and remove the bottom bath carburetor. Fuel valve must be closed.



WARNING!

It is possible to get gasoline on the operator's hands. Before cleaning oil and petrol resistance wear oil and petrol resistance gloves.



WARNING!

The float system, and the needle is not to disassemble and adjust. Wash the bottom of the bath and put it back.

FUEL TANK AND FILTER

It is recommended to clean the fuel filter and fuel tank every 100 hours or every 6 months (whichever comes first). If it is necessary, reduce the interval. These developments will increase the life of the fuel system.

Clean the fuel tank and fuel filter should be made with gasoline.

FUEL PIPE

Fuel pipe is made of rubber products, which are influenced by environmental and mechanical influences. This does not mean that the fuel pipe is made of bad material. Each material has its own life and property inherent in aging. Fuel pipe is an important element of the engine, it should be emphasized. To prevent possible fuel leaks should be made timely inspection of the fuel line and, if necessary, its timely replacement.



WARNING!

The power station is very heavy. During the transportation follow the instructions.



ATTENTION!

Do not touch the engine and exhaust system: they are hot and can cause a fire. Before transporting the power station let it cool down.



ATTENTION!

Do not move the power station with working engine!

TRANSPORTATION

When transporting any the power station should close the fuel valve to prevent fuel leakage.

Transporting the power station is allowed only in the horizontal orientation. Otherwise it may leak oil and fuel.

You should not carry power over long distances with flooded with fuel and engine oil. This can lead to leakage.

Loading and unloading of the power station should be made for a specially designed protective frame. Take care not to damage the power station during the transportation. Do not place heavy objects on it.

STORAGE

Storage of the power station is recommended dry indoors. In preparing the power station to the storage of fuel must be drained from the fuel tank, fuel pipe and carburetor.

- In preparation for the long-term storage (more than 2 months):
1. Make sure the storage area has not excessive humidity and dust. Power station should be stored in a dry place at the temperature not below 0° C.
 2. Drain the fuel from the fuel tank, fuel system and carburetor. Remember that gasoline is extremely flammable and under certain conditions, is explosive.
 3. Change the oil in the crankcase.
 4. Clean the cabinet the power station from dirt and dust. Apply a thin layer of grease on the site, which is subject to corrosion.
 5. Set the power station on a flat surface and cover it with a clean, dry material.

After the long-term storage of the power station do the following:

1. Disconnect the fuel tap and rinse thoroughly.
2. Disconnect the carburetor, clean it with petrol and blow jets.

ATTENTION!

No repair or clean the nozzles with metal objects such as needles and metal wire.

3. Replace the fuel cock. Close the fuel valve, fill 1-1.5 liters of gasoline in the tank and shaking the power station in different directions, rinse tank. Drain the gasoline.
4. Replace the carburetor.
5. Remove the spark plug, wash and clean.
6. Check the oil level.



POSSIBLE MALFUNCTIONS AND HOW TO SOLVE THEM

MALFUNCTION	Possible cause	Possible solution
Engine does not start. The lack of engine power	Engine is turned off	Turn the ignition key into position "ON"
	Fuel is not enough	Refill the fuel
	Closed fuel cock	Open it
	Clogged spark plug / spark plug out of order	Clean/ change
	Not enough oil in the crankcase	Fill up to the level needed
	Inappropriate fuel poured	Drain and change to the proper type
	Air filter is clogged	Clean or change
	Air filter moist	Dry or change
	Carburetor clogged	Clean
	Fuel pipe clogged	Clean or change
	Cold engine	Close the chock
	Spark plug is filled with fuel	Clean or change the spark plug
	Engine starts under load	Turn off all electricity consumers
	Low power of accumulator battery	Recharge or replace the battery
Low power of accumulator battery	Recharge or replace the battery	
Electric starter is out of service	Contact a service center	
Engine power shortage	Non standart spark plug	Change
	Faulty spark plug	Change
	Bad fuel deliveri	Check / clear fuel system
	Throttle position don't change according load	Contact a service center

MALFUNCTION	Possible cause	Possible solution
No electricity produced	Fuse is off	Turn on
	Socket is out of order	Contact a service center
	Consumer power exceeds the power of the generator	It is not allowed to connect to the consumer more power than the power the power station
	Brushes of the generator worked worked out	Contact a service center
	Stator or rotor out of order	Contact a service center
Incorrect operation, machine is out of control	High vibration at the power station (worn shock absorbers)	Change shock absorbers
	Power station operates in spurts (overload)	Reduce the load, turn off consumers of the power exceeding the capacity of the generator
	Generator is out of service	Contact a service center

These malfunctions can not describe all possible cases. If your problems are different, contact the nearest service center or a qualified technician.

The warranty period for the power stations TM «VITALIS» is 2 (two) year from date of retail sale or 1000 (one thousand) working hours (based on whichever comes earlier). Warranties only apply to defects discovered during the warranty period and the resulting production and design factors. These malfunctions are eliminated at no extra cost by replacing parts or repairs. The warranties can be realized in the special warranty workshops only. The experts of warranty workshop must identify the reasons for the defects. The term of the repair can be more than two weeks because the power station design based on higher engineering attainments.

Warranty loses the power in the following cases:

- No warranty card or the warranty card was destroyed.
- Do not fully completed warranty card, no sale date or stamp store.
- The warranty card adulterated.
- The absence of part or all of the serial number of the product or it differ from the serial number listed in the warranty card.
- Not complied with the rules of operation are listed in this manual, including the rules of maintenance.
- Faulty equipment was used and damaged as result.
- Contact with the inside of the engine and of the generator of foreign matter or object.
- Use of substandard materials or consumable parts.
- The presence of the significant mechanical or thermal damage and the consequences of careless using, storage and transporting.
- Using for other purposes.
- Unauthorized repair, or attempts to redesign or to disassemble the power station by the user or a third party.
- Equipment was damaged as result of the natural disaster (fire, water-flood, hurricane etc.).

Equipment must be cleared and fully stocked. Faulty parts and assemblies that was replaced must be transmitted to the warehouse of warranty workshop.

The warranty does not cover defect due to normal wear and overload.

The warranty does not cover consumable parts such as spark plugs, fuel and air filters, pull rope, muffler, amortisseur etc.

The warranty does not cover shortage of parts if it can be detected during sale process.

All costs associated with transporting the power station is at consumer's side.

The warranty is not the ground for another claims or complaints.

ШАНОВНИЙ КОРИСТУВАЧІ!

Дякуємо Вам за придбання мініелектростанції Vitals. Техніка ТМ “Vitals” розробляється за європейськими стандартами якості та з використанням сучасних технологій.

Неправильна експлуатація мініелектростанції та недотримання мір безпеки може призвести до ушкодження виробу або до серйозних травм!

Дана інструкція містить всю необхідну інформацію щодо мір безпеки при роботі з електростанціями. Уважно ознайомтеся з даною інструкцією перед початком роботи з мініелектростанцією.

Будь ласка, надайте іншим користувачам дану інструкцію, перед тим як вони почнуть працювати з мініелектростанцією. Дану інструкцію необхідно зберігати для подальшого її використання.

Ми постійно працюємо над удосконаленням продукції і, в зв'язку з тим, залишаємо за собою право на внесення змін у зовнішньому вигляді, обладнанні та технології виробництва, не змінюючи основних принципів керування, без повідомлення користувача. Всі можливі зміни будуть спрямовані лише на покращення і модернізацію виробів.

ЗНАЧЕННЯ КЛЮЧОВИХ СЛІВ



ОБЕРЕЖНО!

Означає потенційно небезпечні ситуації, яких слід уникати, в противному разі може виникнути небезпека для життя або здоров'я.



УВАГА!

Означає потенційно небезпечні ситуації, що можуть призвести до легких травм або відсуття електростанції.



ПРИМІТКА!

Позначає важливу додаткову інформацію.

ЗАГАЛЬНИЙ ОПИС

Основою будь-якої мініелектростанції (далі по тексту – електростанція) є агрегат, що складається з двигуна внутрішнього згоряння (далі по тексту ДВЗ) та електричного генератора. Двигун і генератор безпосередньо з'єднані між собою та укріплені через амортизатори на сталій рамі.

Максимально спрощений принцип дії електростанції полягає в наступному: двигун внутрішнього згоряння перетворює паливо на обертання свого вала, а генератор електричного струму, з'єднаний з валом двигуна, перетворює оберти на електричний струм.

Електростанції мають панель керування, за допомогою якої здійснюється керування електростанцією, контроль за її станом і захистом від аварійних ситуацій.

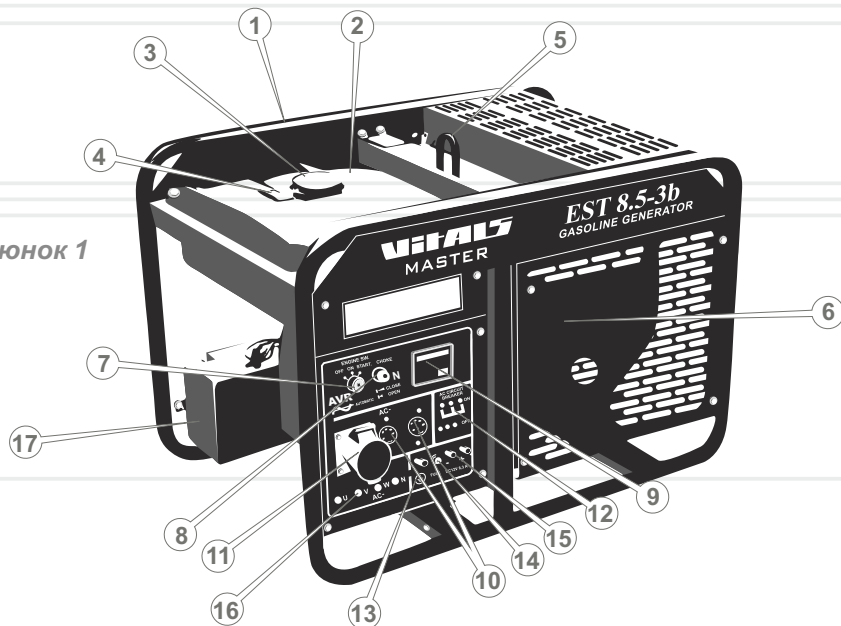
Модель EST 8.5b представляє собою мобільну однофазну електростанцію змінного струму, EST 8.5-3b представляє собою мобільну трифазну електростанцію змінного струму. Електростанції ТМ «Vitals» відповідають сучасним технічним стандартам і стандартам якості, забезпечуючи тривалий та безпечний експлуатаційний період.

Відмінністю даних моделей є наявність електронного модуля «шість в одному» (6 в 1-му) з цифровим табло. На цифровому табло відображаються 6 показників: напруга на виході, сила струму на виході, підключене навантаження, частота струму на виході, кількість мотогодин, напрацьованих двигуном та напруга постійного струму на виході.

Наявність даного модуля дозволяє зчитувати точні показання напруги, сили струму, частоти струму та підключеного навантаження. Завдяки наявності лічильника мотогодин відстеження напрацювання двигуна стало простим.

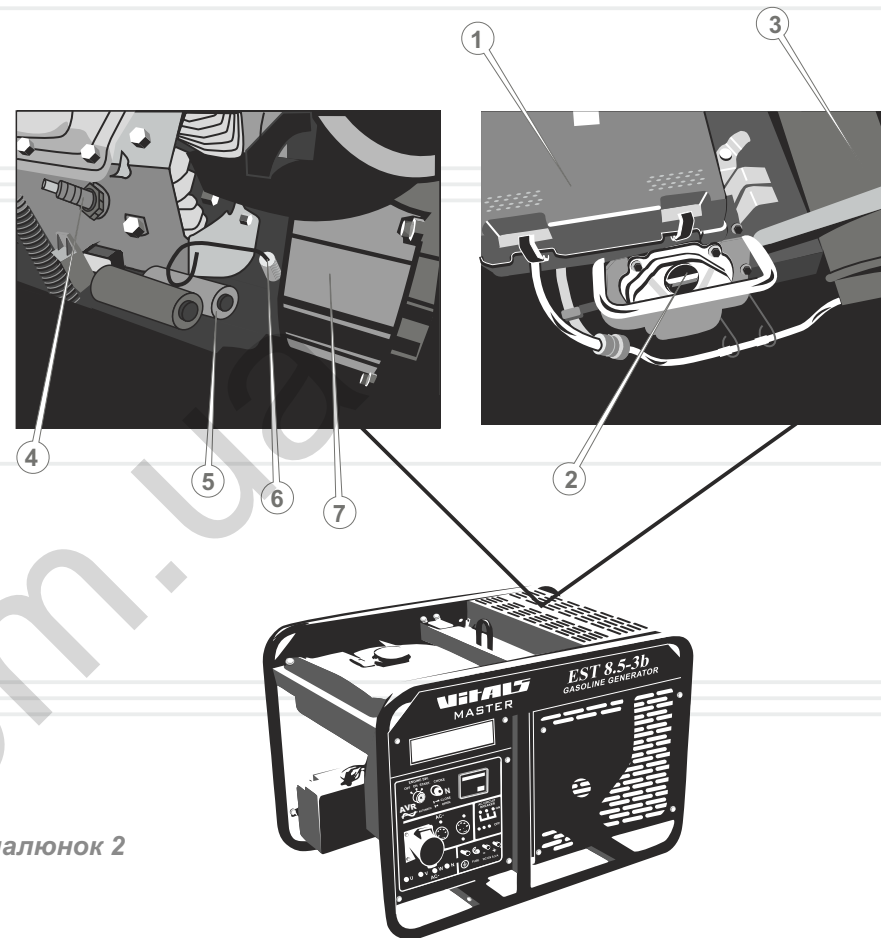
Опис основних компонентів електростанції представлено нижче.

малюнок 1



- | | |
|-----------------------------------|------------------------------------|
| 1. Рама. | 10. Електророзетки на 220В. |
| 2. Паливний бак. | 11. Електророзетка на 380В. |
| 3. Кришка паливного баку. | 12. Запобіжник змінного струму. |
| 4. Індикатор рівня палива в баку. | 13. Клема заземлення. |
| 5. Вузол для підйому. | 14. Запобіжник постійного струму. |
| 6. Двигун внутрішнього згоряння. | 15. Вихід постійного струму. |
| 7. Замок запалювання. | 16. Силовий вихід змінного струму. |
| 8. Важіль повітряної заслінки. | 17. Акумуляторна батарея. |
| 9. Електронний модуль 6 в 1-му. | |

малюнок 2



1. Корпус повітряного фільтру.
2. Отвір для заливання мастила.
3. Глушник.
4. Свічка запалювання.
5. Електростартер.
6. Масляний щуп.
7. Генератор електричного струму.

1. Електростанція.
2. Свічковий ключ.
3. 3 штепсельні вилки на 220В (для моделі EST 8.5b).
4. 2 штепсельні вилки на 220В и 1 штепсельна вилка на 380В (для моделі EST 8.5b).
5. Ключі запалювання.
6. Акумуляторна батарея.
7. Колеса для транспортування.
8. Інструкція з експлуатації.



Завод-виробник залишає за собою право вносити до конструкції і зовнішнього вигляду електростанції незначні зміни, що не впливають на її роботу.

МОДЕЛЬ		EST 8.5b	EST 8,5-3b
генератор електричного струму	Напруга змінного струму, В	230	230/380
	Частота струму, Гц	50	
	Номінальна потужність, кВт	8,5	
	Максимальна потужність, кВт	9,5	
	Коефіцієнт потужності (Cos Φ)	1	0,8
	Потужність постійного струму	12В-8,3А	
Регулятор напруги	автоматичний (AVR)		
двигун	Тип двигуна	4-х тактний двоциліндровий	
	Потужність, к.с.	24,0	
	Робочий об'єм, см ³	688	
	Система запуску	електричний стартер	
	Система запалювання	транзисторне магнето	
	Паливо	Бензин А-92	
	Ємність паливного баку, л	20	
	Середній час безперервної роботи, г	4	
	Об'єм мастила в картері, л	1,4	
	Рівень шуму, дБ	97	
Датчик низького рівня мастила в двигуні	+		
габарити	Габарити (ДхВхШ), мм	940x640x745	
	Вага нетто/брутто, кг	140/155	145/160



УВАГА!

Під час роботи електростанції рівень шуму може досягати високого значення! За необхідності вдягайте захисні навушники.

Дані моделі мають автоматичний регулятор напруги, вивід постійного струму, електронний модуль 6 в 1, лічильник мотогодин та систему захисту від низького рівня мастила в ДВЗ.

Автоматичний регулятор напруги (AVR)

На електростанціях встановлено сучасний автоматичний регулятор напруги, що забезпечує стабільність вихідної напруги в усьому діапазоні навантаження. Якість енергії електростанцій, обладнаних регулятором напруги, дозволяє використовувати їх для електроживлення складного електронного обладнання, засобів зв'язку, спеціальних та побутових споживачів (комп'ютери, телевізори, котли і т.п.).

Вивід постійного струму

Електростанції обладнані виводом постійного струму 12В, що використовується, в основному, для зарядки автомобільних акумуляторних батарей (12В). Клема червоного кольору є позитивною (+), чорна – негативною (-). Підключення повинно виконуватися згідно полярності.

Електронний модуль «шість в одному» (6 в 1-му)

Електронний модуль «шість в одному» має цифрове табло, на яке можуть бути виведені наступні показники: напруга змінного струму, сила струму, підключене навантаження, частота струму, кількість годин, відпрацьованих двигуном, та напруга постійного струму. Електронний модуль дозволяє виводити точні значення напруги та частоти струму. Частота струму виводиться з точністю до одного знака після коми (наприклад - 50,1 Гц). Також електронний модуль дозволяє вести відлік напрацьованих мотогодин.

Лічильник мотогодин

Дані моделі обладнані лічильником годин, відпрацьованих двигуном. Кількість відпрацьованих годин виводиться на цифрове табло електронного модуля «шість в одному». Лічильник мотогодин розроблений для простого та легкого визначення кількості відпрацьованих годин в будь-який момент часу. Що, в свою чергу, дозволяє проводити сервісне обслуговування двигуна чітко за інтервалом. Це нововведення дозволяє підвищити якість обслуговування електростанції та, тим самим, збільшити термін його експлуатації в кілька разів. Значення відпрацьованого часу виводиться в годинах, хвилинах та секундах.

Система захисту від низького рівня мастила в ДВЗ

Дана аварійна система розроблена з ціллю запобігання ушкодження двигуна при недостатній кількості мастила в картері. При низькому рівні мастила в картері загориться сигнальна лампа, і система захисту вимкне двигун, що запобіжить його ушкодженню.



При аварійній зупинці двигуна системою захисту ключ запалювання двигуна залишиться в положенні «On» (укр. – «Вкл»).



НЕБЕЗПЕКА ЕЛЕКТРОШОКУ

За неправильної роботи електростанції існує небезпека електрошоку або смерті від ураження електричним струмом. Використання електростанції або інших електричних приладів при підвищеній вологості – біля води, на мокрій траві, підчас дощу або снігопаду – може призвести до смерті від електричного ураження. Завжди тримайте генератор електричного струму сухим.

Електростанція не призначена для зберігання незахищеною на вулиці. Волога або лід можуть призвести до неправильної роботи або до замикання електричних частин, що може призвести до смерті від електричного ураження.

Перевіряйте справність усіх електричних частин електростанції на панелі керування кожного разу перед початком роботи.

Перед підключенням електростанції необхідно попередньо зробити заземлення. Недотримання цього може заподіяти шкоду майну або призвести до смерті людини.



НЕБЕЗПЕКА ЗАЙМАННЯ

Система вихлопу в процесі роботи сильно нагрівається, що може призвести до запалювання матеріалів, що знаходяться поряд. В процесі роботи і одразу після вимкнення електростанції необхідно встановити її на відстані 1 метра від сторонніх предметів. Забороняється накривати електростанцію. Тримайте легкозаймисті матеріали на безпечній відстані від електростанції.

В процесі роботи електростанції глушник сильно нагрівається і залишається гарячим деякий час після її вимкнення. Не доторкайтеся до глушника підчас роботи двигуна, та доки він лишається гарячим. Електростанцію необхідно вистудити перед упакуванням і транспортуванням.

Бензин легко займається і є дуже отруйним. Перед дозаправкою електростанції її необхідно вимкнути та вистудити двигун. Не заправляйте електростанцію поряд з відкритим вогнем або в місці, де можуть виникати іскри. Забороняється палити поряд з електростанцією.

Завжди перевіряйте, чи немає виток бензину. Паливо, що розлилося, необхідно насухо витерти перед запуском електростанції. Перед виконанням будь-яких операцій треба пересвідчитися, що електростанція знаходиться на горизонтальній поверхні та міцно встановлена.

4.1. ВАЖЛИВА ІНФОРМАЦІЯ З БЕЗПЕКИ

Перед початком роботи з електростанцією уважно ознайомтеся з мірами безпеки, попередженнями та інструкціями з безпеки в даній інструкції.

Більшість нещасних випадків при експлуатації електростанцій виникає в результаті недотримання основних правил безпеки та попереджень. Нещасних випадків можна запобігти, якщо зуміти вчасно передбачити потенційну небезпеку та дотримуватися запобіжних заходів.

Ситуації, результатом яких можуть стати серйозні тілесні травми або поломки приладу, позначені словом «УВАГА» в даній інструкції.

Ніколи не використовуйте електростанцію засобом або в цілях, не передбачених даною інструкцією.



УВАЖНО ОЗНАЙОМТЕСЯ З УСІМА ІНСТРУКЦІЯМИ

Для безпечної роботи з приладом необхідно ознайомлення з інструкціями та відповідне навчання. Неправильна експлуатація приладу або експлуатація ненавченою людиною може бути небезпечною. Уважно ознайомтеся з усіма частинами електростанції. Вивчіть, як вимикати електростанцію в разі необхідності. Недотримання наведених нижче інструкцій може призвести до ураження струмом, нанести шкоду майну, нанести серйозної шкоди здоров'ю або призвести до смерті людини.



НЕБЕЗПЕКА ВИКИДУ МОНООКИСУ ВУГЛЕЦЮ

Викиди електростанції містять моноокис вуглецю – газ без кольору та запаху. Вдихання його парів може призвести до знепритомління та смерті. При запуску електростанції в замкненому просторі або приміщенні з обмеженим доступом повітря концентрація викидів може бути небезпечною для здоров'я. Для запобігання накопичення викидів необхідно забезпечити добру вентиляцію. Не вмикайте електростанцію в замкненому просторі, не забезпеченому доброю вентиляцією та витяжками.

4.2. БЕЗПЕКА ЕКСПЛУАТАЦІЇ

1. **НЕ ДОТОРКАЙТЕСЯ ДО ЧАСТИН, ЩО РУХАЮТЬСЯ.**
Не підносьте руки, пальці та інші частини тіла до частин електростанції, що рухаються. Не доторкайтеся до вентилятора, це небезпечно.
2. **НЕ ВИКОРИСТОВУЙТЕ ЕЛЕКТРОСТАНЦІЮ НЕ ЗА ПРИЗНАЧЕННЯМ.**
Не використовуйте електростанцію засобом або в цілях, що не описані в даній інструкції.
3. **ТРИМАЙТЕ РОБОЧУ ЗОНУ ЧИСТОЮ.**
Забруднення робочої зони може призвести до травм.
4. **НЕ ДОПУСКАЙТЕ ДІТЕЙ ТА СТОРОННІХ ОСІБ ДО РОБОЧОЇ ЗОНИ.**
5. **ВДЯГАЙТЕ ВІДПОВІДНИЙ ОДЯГ ПРИ РОБОТІ З ПРИЛАДОМ.**
Не вдягайте вільний одяг, рукавички, краватки, кільця, браслети та інші прикраси, що можуть потрапити в частини електростанції, що рухаються. Взуття не повинно бути слизьким, Ви повинні мати високу стійкість. Довге волосся підбирайте та надягайте головний убір.
6. **ПРИ ТЕХНІЧНОМУ ОБСЛУГОВУВАННІ ВИКОРИСТОВУЙТЕ ТІЛЬКИ ОРИГІНАЛЬНІ ЗАПАСНІ ЧАСТИНИ.**
7. **НЕ ПРИСТУПАЙТЕ ДО РОБОТИ З ЕЛЕКТРОСТАНЦІЄЮ У СТАНІ СИЛЬНОЇ ВТОМИ, АЛКОЛЬНОГО СП'ЯНІННЯ АБО ПІСЛЯ ПРИЙОМУ ЛІКІВ.**
8. **НЕ РОЗМІЩУЙТЕ ПОРУЧ З ЕЛЕКТРОСТАНЦІЄЮ ЛЕГКОЗАЙМИСТІ МАТЕРІАЛИ.**
Поруч з електростанцією не повинні перебувати паливо, сірники, порох, замаслені одяг, солома, сміття та інші легкозайmistі матеріали.
9. **НЕ ВІДКРИВАЙТЕ ЕЛЕКТРОСТАНЦІЮ ТА НЕ НАКРИВАЙТЕ ЇЇ.**
Електростанція оснащена примусовою системою повітряного охолодження і, якщо її накрити, вона може перегрітися.
10. **ЕЛЕКТРОСТАНЦІЯ ПОВИННА БУТИ ВСТАНОВЛЕНА НА ГОРИЗОНТАЛЬНІЙ ПОВЕРХНІ.**
Немає необхідності створювати спеціальну підставку для електростанції. Але її не можна встановлювати на нерівній поверхні, в іншому випадку будуть створюватися вібрації. Якщо в процесі роботи електростанція не встановлена стійко, вона буде рухатися, в результаті чого може вилитися паливо, а також сама електростанція може перекинутися, що призведе до створення небезпечної ситуації.

Якщо електростанція буде встановлена на похилій поверхні, не буде забезпечуватися належне змащення тертьових деталей, що може призвести до заклинювання циліндропоршневої групи, навіть якщо рівень масла в нормі.

11. СЛІДКУЙТЕ ЗА СТАНОМ ТА РОЗТАШУВАННЯМ ЕЛЕКТРОПРОВОДА, ЩО ВЕДЕ ДО СПОЖИВАЧА ЕЛЕКТРОЕНЕРГІЇ.

Якщо електростанція стоїть на проводі або провід торкається її вібруючих частин, провід може бути пошкоджений. Це може призвести до небезпечної ситуації: можливості виникнення пожежі, загоряння електростанції або ушкодження електричним струмом.

12. НЕ ЗАПУСКАЙТЕ ЕЛЕКТРОСТАНЦІЮ В ДОЩ АБО МОКРИМИ РУКАМИ.

Робота з електростанцією в дощ або сніг може призвести до електрошоку або до поломки самої електростанції. Якщо електростанція намочена, перед запуском її необхідно насухо витерти. Не лейте воду на електростанцію, не мийте її.

13. ПРИ РОБОТІ З АКУМУЛЯТОРОМ СЛІД БУТИ ОБЕРЕЖНИМИ.

Акумулятор випускає водневий газ, який може загорітися при зіткненні з відкритим вогнем. Електростанція повинна знаходитися в добре провітрюваному приміщенні. Уникайте виникнення полум'я, іскор при роботі з акумулятором.

14. ЕЛЕКТРОСТАНЦІЯ СТВОРЮЄ ВИСОКИЙ РІВЕНЬ ШУМУ.

Електростанцію слід розташовувати далеко від місця роботи або від розміщення споживачів електроенергії. Оптимальна відстань становить 7 м. Якщо необхідно працювати поблизу з електростанцією, одягайте спеціальні захисні навушники.

4.3. ЗАЗЕМЛЕННЯ

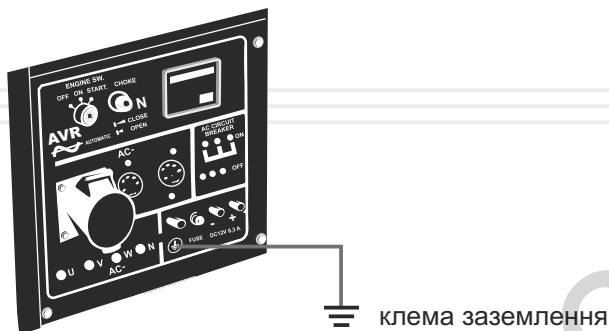
ОБЕРЕЖНО!

Категорично забороняється використовувати електростанцію без заземлення!

Заземлення запобігає можливості електрошоку. Для заземлення Вам знадобиться провід заземлення і заземлювач. Вони не поставляються з електростанцією. Провід заземлення повинен бути перетином не менше 3.5 мм², бажано з крученого мідного дроту.

На малюнку 3 показана клемма заземлення на електростанції.

малюнок 3



УВАГА!

Клемма заземлення та заземлювач повинні мати надійний контакт з проводом заземлення.

В якості заземлювачів можуть використовуватися металеві труби системи водопостачання, каналізації або металеві каркаси будівель, що знаходяться в землі і мають з'єднання з землею.

ОБЕРЕЖНО!

Для правильного підключення заземлювачів слід проконсультуватися з кваліфікованим фахівцем.

Якщо перелічені вище заземлювачі відсутні, можна використати один з таких заземлювачів:

- металевий стрижень діаметром не менше 15 мм та довжиною не менше 1500 мм;
- металеву трубу діаметром не менше 50 мм і довжиною не менше 1500 мм;
- лист з оцинкованої сталі без покриття, розміром 1000x1500 мм.

5.1. ЗАСТОСУВАННЯ

Мініелектростанції ТМ “Vitals master” є джерелом енергії для електричних приладів. Вони можуть забезпечувати Вас електроенергією в різних випадках: як джерело аварійного живлення споруд і домівок, для проведення ремонтних робіт без доступу до основної мережі електрозабезпечення, на дачі, на пікніку, в гаражі і т.п.

Кожна модель електростанції розрахована на певну максимальну потужність електричної енергії. Про правильний підбір потужності електростанції читайте в розділі 5.3. «Робота з електростанцією».

Модель EST 8.5b є однофазною та виробляє електричний струм напругою 230В. До цієї моделі Ви можете підключати тільки однофазні електроприлади.

УВАГА!

До однофазних електророзеток моделі EST 8.5b можна підключати тільки однофазні прилади з максимальною потужністю не більш 6,6 кВт на розетку.

Модель EST 8.5-3b є трьохфазною та виробляє електричний струм напругою 230В/380В. До неї Ви можете підключати однофазні та трьохфазні електроприлади.

УВАГА!

До однофазних електророзеток моделі EST 8.5-3b можна підключати тільки однофазні прилади з максимальною потужністю не більш ніж 1/3 від потужності електростанції ($8,5/3=2,8\text{kVA}$). При перевищенні потужності приладу, що підключається, більше допустимої потужності на одну однофазну розетку може виникнути перекіс фаз та електростанція вийде з ладу.

Обидві моделі мають спеціально розроблений силовий вивід, до якого Ви можете підключити максимально допустиме навантаження (8,5 kVA).

Також дані моделі мають вивід постійного струму напругою 12В.

5.2. ПІДГОТОВКА ДО РОБОТИ

Перед початком роботи з електростанцією ви повинні провести обов'язковий огляд:

1. Ретельно огляньте електростанцію щодо пошкоджень. Зверніть увагу на цілістність всієї електричної частини.
2. Перевірте шланги, заливні отвори паливного баку і масляного відсіку, паливного крану, а також інші можливі місця щодо витоків. Якщо необхідно, усуньте витoki.
3. Перевірте рівень моторного масла і, за необхідності, долийте масло до необхідного рівня.
4. Перевірте рівень палива і, за необхідності, долийте паливо. В паливному баку слід залишати невеликий повітряний об'єм для можливого розширення парів палива при нагріванні.
5. Перевірте надійність кріплення основних деталей. За необхідності зробіть підтяжку болтів та гайок.
6. Перевірте цілість амортизаторів. За необхідності замініть їх.

УВАГА!

Робота електростанції з надірваними амортизаторами або такими, що вийшли з ладу, забороняється. Це може призвести до підвищеної вібрації та, як наслідок, електростанція вийде з ладу.

7. Перевірте наявність, цілістність та чистоту повітряного фільтра.

УВАГА!

Забороняється робота при відсутності повітряного фільтра або при його забрудненні. Це може призвести до того, що двигун вийде з ладу.

Масло

Електростанції постачаються без моторного масла в двигуні. Залийте моторне масло до відповідної горловини (див. мал. 4), що знаходиться на кришці клапанів.

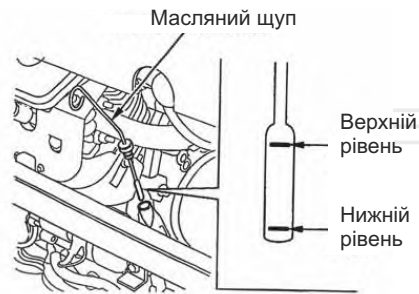
малюнок 4

Горловина
для заливання масла



Перевірте рівень масла за допомогою масляного щупа. На малюнку 5 показані мінімальний та максимальний рівень масла на щупі.

малюнок 5



Після заправки масла слід зачекати деякий час, щоб все масло вспіло стекти униз картера. Тільки в цьому випадку буде відображатися реальний рівень масла.

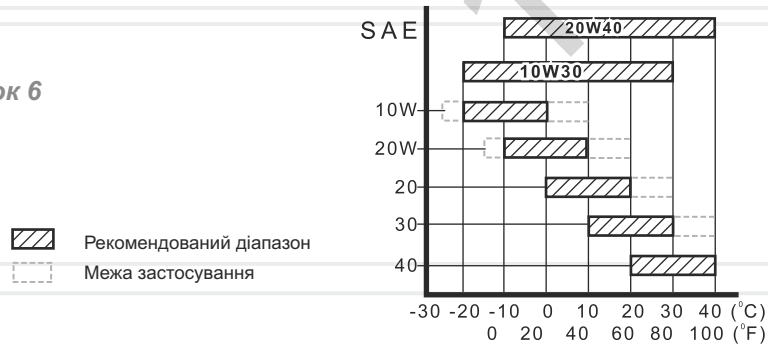
Неможна використовувати електростанцію при недостатньому або надмірному рівні моторного масла.

Будь ласка, використовуйте масло високої якості. Не використовуйте спеціальних добавок до рекомендованого масла. Не змішуйте масло з бензином.

Слід пам'ятати, що якість масла, що використовується, – це один з головних чинників, від якого залежить нормальна та тривала робота двигуна. Використовуючи неякісне масло, ви скорочуєте строк служби двигуна в рази.

На малюнку 6 представлені рекомендації з підбору масла в залежності від температури оточуючого середовища.

малюнок 6



▨ Рекомендований діапазон
 - - - Межа застосування



Рівень масла слід перевіряти при горизонтальному положенні електростанції.

Паливо

Використовуйте чисте, свіже та не етиловане паливо з октановим числом не нижче 92. Бензин повинен бути використаний протягом 30 днів після покупки.

УВАГА!

Не використовуйте бензин, що містить метанол або масло.

Рівень палива в баку слід перевіряти перед запуском електростанції. Якщо двигун щойно був зупинений, зачекайте 4-5 хвилин або більше, щоб двигун охолонув, і тільки після цього починайте заправку паливом.

УВАГА!

Заправку паливом слід здійснювати тільки при вимкненому двигуні.

Заправку паливом слід здійснювати так, щоб в паливному баку залишався невеликий повітряний об'єм для можливого розширення парів палива при нагріванні.

Повітряний фільтр

Забруднений повітряний фільтр може бути причиною важкого запуску двигуна, втрати потужності, некоректної роботи двигуна. Крім того, забруднений повітряний фільтр може суттєво скоротити строк служби двигуна.

Настійно рекомендується регулярно перевіряти стан повітряного фільтра і проводити його заміну відповідно до регламенту (див. розділ 6. «Технічне обслуговування»).

**УВАГА!**

Заборонено працювати без встановленого повітряного фільтра або з незакріпленою кришкою фільтра!

5.3. РОБОТА З ЕЛЕКТРОСТАНЦІЄЮ**УВАГА!**

На початку експлуатації слід провести обкатку двигуна. Детально читайте далі в цьому розділі.

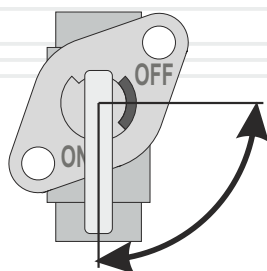
ЗАПУСК**ОБЕРЕЖНО!**

Переконайтеся, що запобіжники змінного та постійного струму вимкнені! Забороняється запуск електростанції, якщо до неї під'єднані увімкнені споживачі електричного струму! Підключене навантаження ускладнює запуск електростанції та може вивести її з ладу.

ЗАПУСК ДВИГУНА

1. Відкрийте паливний кран (див. мал. 7): поверніть важіль паливного крана в положення «ON».

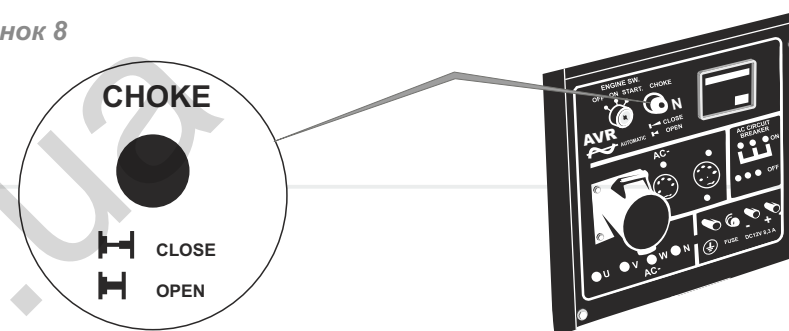
малюнок 7



56

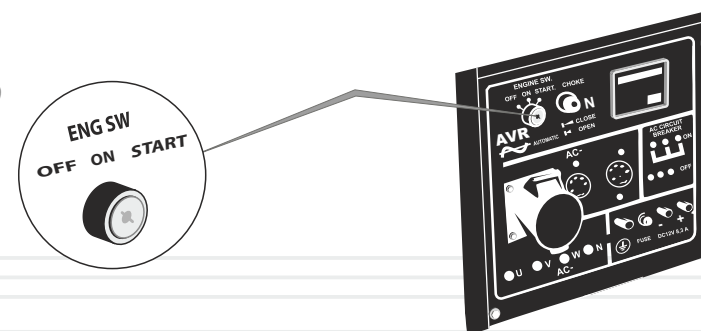
2. У випадку, якщо Ви запускаєте холодний двигун (або ж температура повітря низька – нижче, ніж +15°C), перемістіть повітряну заслінку в положення «CLOSE» (див. мал. 8). В даному положенні повітряної заслінки відбувається збагачення паливної суміші, що дає більш легкий запуск. При запуску теплог двигуна (або ж коли температура повітря достатньо висока) збагачення паливної суміші зазвичай не є потрібним. Якщо двигун успів значно охолонути, може знадобитися часткове збагачення, тобто часткове перекриття повітряної заслінки.

малюнок 8



3. Вставте ключ запалювання, поверніть його в положення «START» (мал. 9) та тримайте до запуску двигуна. Після запуску відпустіть ключ. Не слід тримати ключ в положенні «START» більше ніж 5 сек. Якщо двигун не запустився, зверніться до розділу «Можливі несправності та шляхи їх усунення».

малюнок 9



4. Якщо після декількох спроб двигун не був запущений, поверніть важіль повітряної заслінки в положення «OPEN» та спробуйте повторити вищеописані дії.



Якщо в двигуні недостатньо масла, він не запуститься. Перевірте рівень масла і, при необхідності, додайте мастило.

57

Якщо двигун не запустився, зверніться до розділу «Можливі несправності та шляхи їх усунення».

5. Прогрійте двигун, давши йому попрацювати без навантаження 1-5 хвилин (в залежності від температури оточуючого середовища). Не слід прогрівати двигун на високих обертах, це зменшить ресурс двигуна.

6. Після того як двигун буде прогрітий, необхідно прибрати збагачення паливної суміші. Для цього переведіть повітряну заслінку в положення «OPEN» (див. мал. 8). Регулювання положення повітряної заслінки слід виконувати плавно, щоб не заглушити двигун збідненою паливною сумішшю.



Електростанцію слід встановлювати на рівній поверхні для того, щоб забезпечити достатнє змащування двигуна маслом.

ЗУПИНКА

1. Вимкніть споживачі електричного струму.
2. Вимкніть запобіжники струму на панелі електростанції.
3. Вимкніть двигун, повернувши ключ запалювання у положення «OFF» (див. мал. 9).
4. Закрийте паливний кран: поверніть важіль паливного крана в положення «OFF» (мал. 7).

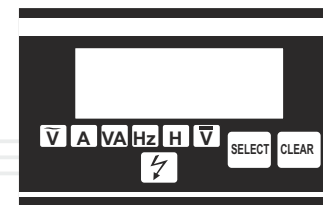
ЦИФРОВИЙ ДИСПЛЕЙ

Цифровий дисплей відображає 6 показників: напругу змінного струму на виході, силу змінного струму, підключене навантаження, частоту струму на виході, кількість напрацьованих годин та напругу постійного струму на виході.


\tilde{V} – напруга змінного струму
 A – сила змінного струму
 VA – навантаження
 Hz – частота струму
 H – кількість відпрацьованих мотогодин
 \bar{V} – напруга постійного струму

При увімкненні електростанції на цифровому дисплеї відразу буде відображатися значення напруги на виході в вольтах. Для відображення наступного показника необхідно натиснути на кнопку «SELECT». Обраний показник буде підсвічений.

малюнок 10



Кількість напрацьованих годин відображається в два прийоми: спочатку дисплей показує кількість повних годин, а після повторного натискання кнопки «SELECT» показує кількість хвилин і секунд, які необхідно додати до кількості повних годин.

При перенавантаженні електростанції (перевищенні напруги, сили струму, припустимого навантаження та частоти струму) спалахує попереджуюча сигнальна лампа .

Під час цього на цифровому табло відображається реальне показання напруги, сили струму, навантаження та частоти струму. Після того як електростанція відновить свою роботу Вам слід натиснути на кнопку «CLEAR» для відновлення показників.

ОБКАТКА

Одним з найголовніших моментів є обкатка нового двигуна. Від правильності проведення обкатки буде залежати строк експлуатації двигуна. Процедура обкатки:

- 1) Заведіть двигун і дайте йому прогрітися. Прогрітий двигун повинен пропрацювати 10 хв. Вимкніть двигун і дайте йому охолонути. Таку процедуру слід повторити 5 разів.
- 2) Після цього дайте двигуну попрацювати 1 годину без навантаження. Вимкніть двигун, дайте йому охолонути.
- 3) Перші 25 годин роботи електростанція повинна мати навантаження не більше 50%. Роботу слід виконувати поетапно, даючи двигуну охолонути. Кожен етап роботи не повинен перевищувати 3 години.

Після напрацьовання 25 годин слід змінити масло. Рекомендується виконати додаткове промивання: залити таке саме моторне масло й дати попрацювати двигуну 10 хв. Злити промивне масло й залити нове масло. Моторне масло для промивки слід підбирати виходячи з температури оточуючого середовища (мал. 6).

ПЕРЕД ПІДКЛЮЧЕННЯМ ЕЛЕКТРОПРИЛАДІВ

- Переконайтеся, що прилади, що підключаються, справні та не мають дефектів. Інакше може виникнути ураження електричним струмом або пожежа.
- Переконайтеся, що сумарна електрична потужність всіх приладів, що підключаються, не перевищує номінальної потужності електростанції (для тривалої роботи). Неможна підключати електроприлади потужністю, що перевищує максимальну потужність електростанції.
- Час роботи електростанції в межах між номінальною та максимальною потужністю не повинен перевищувати 5 хвилин. В іншому разі це може призвести до виходу електростанції з ладу.
- Якщо Ви використовуєте подовжувач, переконайтеся, що він повністю розмотаний, а перетин кабелю відповідає навантаженню, що підключається. Погано підібраний подовжувач може призвести до перепадів напруги, перегріву кабелю та нестабільної роботи приладів, що підключаються.
- Не допускається перевантаження електричних розеток електростанції. Кожна розетка має номінальну потужність, на яку вона розрахована. Намагайтеся рівномірно розподіляти навантаження між розетками електростанції. Максимальне навантаження на розетку електростанції складає 30А.

РОЗРАХУНОК НАВАНТАЖЕННЯ ТА ПІДКЛЮЧЕННЯ

Модель EST 8.5b є однофазною електростанцією та виробляє змінний струм напругою 230В. До неї Ви можете підключати тільки однофазні електроспоживачі.

Модель EST 8.5-3b є трьохфазною електростанцією та виробляє змінний струм напругою 230В та 380В. До неї Ви можете підключати як однофазні так й трьохфазні електроспоживачі. Важливо помітити, що при підключенні однофазних споживачів, максимальне навантаження на одну фазу не повинно бути більше 1/3 потужності генератору. Тобто не більше $8,5/3=2,8$ кВА. Інакше відбудеться нерівність навантаження по фазам так званий перекид фаз, й генератор вийде з ладу.

Слід зазначити, що багато електроприладів має так звані пускові струми, які короточасно збільшують їх потужність споживання в декілька разів. Тобто для живлення приладу слід подати на нього потужність необхідну для запуску. Пускова потужність таких приладів не повинна перевищувати максимальної потужності електростанції. Електроприлад з найбільшою пусковою потужністю слід підключати до електростанції першим.

УВАГА!



Пускова потужність споживачів не повинна перевищувати максимальної потужності електростанції.

Споживачів електроенергії можна розділити за видами навантаження. Навантаження бувають активні та реактивні.

Активні – це найпростіші навантаження, у споживачів з такими навантаженнями вся енергія перетворюється на тепло. Приклади: лампи розжарювання, праски, обігрівачі, електроплити, фени і т.п. Для розрахунку сумарної потужності таких споживачів достатньо скласти потужності, що вказані на їхніх етикетках.

Реактивні навантаження мають споживачі, що мають електродвигун, де енергія додатково витрачається на створення електромагнітного поля. До таких споживачів відносяться насоси, станки, електроінструмент, холодильники, пральні машини і т.п. Мірою реактивності є параметр $\cos \phi$. Щоб підрахувати реальне споживання електроенергії реактивних споживачів необхідно потужність розділити на $\cos \phi$. Наприклад: якщо для дрилі потужністю 600 Вт значення $\cos \phi$ складає 0,8, то для її роботи буде потрібна потужність $600\text{Вт}/0,8=750\text{Вт}$. Це необхідно враховувати при обчисленні сумарної потужності споживачів, що підключаються до генератора. Значення $\cos \phi$ таких приладів Ви можете подивитися на шильдику, етикетці або в інструкції відповідного приладу.

Треба мати на увазі також наступне: кожна електростанція має власний $\cos \phi$, який обов'язково потрібно враховувати. Наприклад, якщо він дорівнює 0,8, то для роботи вищеназваної дрилі від електростанції буде потрібно $750\text{Вт} : 0,8 = 938\text{Вт}$.

УВАГА!



Модель EST 8.5b має коефіцієнт $\cos \phi$ рівний 1.
Модель EST 8.5-3b має коефіцієнт $\cos \phi$ рівний 0,8.

УВАГА!

Максимально допустиме навантаження на одну фазу (230В) трьохфазної електростанції EST 8.5-3b складає 8,5 кВА/3*0,8=2,3кВт!

Для запобігання перевантажень електростанції слід обмежувати сумарну потужність приладів, що підключаються: не більше 80% від номінальної потужності електростанції.

Підведемо підсумок за правилами підбора електростанції та розрахунку навантаження.

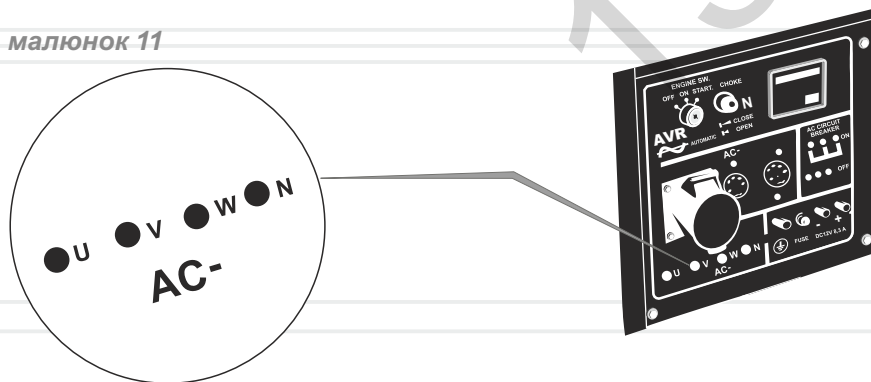
1. Пускова потужність приладу, що підключається з найбільшим пусковим струмом, не повинна перевищувати максимальної потужності електростанції.
2. Повна потужність споживання всіх приладів (з реактивним та активним навантаженням) не повинна перевищувати номінальної потужності електростанції.
3. Для правильної роботи електростанції слід створити запас потужності у 20%.
4. Потужність споживача, що підключається, не повинна перевищувати максимальної потужності розетки електростанції.

Під'єднувати електроприлади слід до увімкненої електростанції, запобіжники при цьому мають бути вимкнені. Увімкніть запобіжники, і тільки після цього починайте вмикати електроприлади. Увімкнення декількох електроприладів слід виконувати послідовно та починати з приладу, що споживає найбільшу потужність.

Двигун автоматично буде збільшувати оберти при збільшенні навантаження генератора електричного струму.

Дані електростанції обладнані додатковим силовим виходом: модель EST8.5b – однофазним, модель EST8.5-3b – трьохфазним (див. мал. 11).

малюнок 11

**ТЕХНІЧНЕ ОБСЛУГОВУВАННЯ**

Електростанції обладнані сучасними економічними двигунами, що розроблені для тривалої та безперервної роботи. Тим не менше, дуже важливо регулярно проводити нескладні роботи з технічного обслуговування, описані в цьому розділі. Технічне обслуговування рекомендується проводити досвідченому фахівцю. У разі виникнення труднощів слід звернутися по допомогу до спеціалізованої майстерні.

ОБЕРЕЖНО!

Перед тим як починати проводити будь-які роботи з техобслуговування електростанції, слід вимкнути двигун та від'єднати провід запалювання від свічі.

Таблиця - Регламент технічного обслуговування електростанції

ТИП ОБСЛУГОВУВАННЯ/ РЕКОМЕНДОВАНІ ТЕРМІНИ		Кожного разу	Перші 25 годин роботи або місяць	Кожні 50 годин роботи або 3 місяці	Кожні 100 годин роботи або 6 місяців	Кожні 300 годин роботи або рік
Електростанція в цілому	очистка	+				
З'єднання та кріплення	підтяжка	+				
Моторне масло	перевірка	+				
	заміна		+		+	
Масляний фільтр	заміна					+
Повітряний фільтр	перевірка	+				
	чистка			+		
	заміна					+
Свічка запалювання	перевірка зазорів, чистка				+	
	заміна					+
Клапани	перевірка зазору, чистка					+
Іскроуловлювач	чистка				+	
Система охолодження	перевірка на наявність ушкоджень				+	
Система запалювання	перевірка					+
Відстійник	чистка				+	
Паливний бак і фільтр	чистка				+	
	перевірка				+	
Паливопровід	перевірка				+	
	заміна	кожні 3 роки або за необхідності				

* - рекомендовано більш часте обслуговування при використанні електростанції в пильній місцевості
 ** - даний тип робіт повинен проводитися кваліфікованим майстром

Дані моделі електростанцій обладнані лічильником годин, відпрацьованих двигуном. В будь-який момент роботи електростанції Ви можете зчитати кількість напрацьованих годин. Це дозволяє проводити технічне обслуговування строго за регламентом.



Проведення технічного обслуговування строго за регламентом збільшує термін служби в декілька разів.

Для відображення напрацьованих годин на цифровому дисплеї натискайте на кнопку "SELECT", доки не засвітиться лампочка навпроти позначки "H". "H" означає мотогодини (англ. hours).

ОЧИСТКА

Очистку електростанції слід проводити після кожного використання та перед заправкою моторного масла і палива. Не допускається використання електростанції з патьоками масла і палива. Слід пам'ятати, що потрапляння пилу в масло двигуна або в паливо значно скорочує строк служби двигуна. Не допускайте запилення генератора електричного струму, інакше він може вийти з ладу.

З'ЄДНАННЯ ТА КРІПЛЕННЯ

Електростанції обладнані двигунами внутрішнього згорання, які створюють вібрацію. Вібрація передається на з'єднання та кріплення. Слід регулярно перевіряти затяжку всіх болтів та гайок і не допускати роботи без будь-чого з них. Крім того, необхідно слідкувати за станом амортизаторів двигуна і генератора. Амортизатори, що вийшли з ладу, будуть спричиняти підвищену вібрацію.



УВАГА!

Перевіряйте гумові амортизатори на знос або ушкодження. Пошкоджені амортизатори слід міняти негайно.

МОТОРНЕ МАСЛО

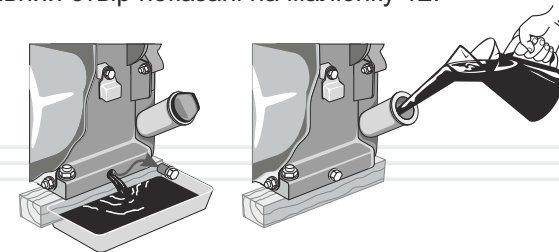


УВАГА!

Моторне масло слід змінити після перших 25 годин роботи нового двигуна.

Заливна горловина і зливний отвір показані на малюнку 12.

малюнок 12



Моторне масло слід зливати гарячим, тоді масло стікає повністю і забирає з собою відкладення і шкідливі домішки від згорання палива.

Не слід перевищувати строк експлуатації мастила. Міняйте мастило чітко за регламентом.

МАСЛЯНИЙ ФІЛЬТР

Данні моделі забезпечені масляним фільтром, який дозволяє здійснювати додаткове очищення мастила. Масляний фільтр необхідно міняти одночасно зі зміною моторного мастила.



УВАГА!

Спочатку слід злити відпрацьоване мастило, потім замінити масляний фільтр та лише після цього заливати нове моторне мастило.

Масляний фільтр розташований с торця двигуна.

ПОВІТРЯНИЙ ФІЛЬТР

Брудний повітряний фільтр може стати причиною проблем при запуску, втрати потужності, несправної роботи двигуна та вкрай скоротити строк служби двигуна.



УВАГА!

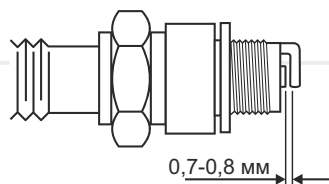
Заборонено працювати без встановленого повітряного фільтра або з незакріпленою кришкою фільтра! Для чистки фільтруючого елемента використовуйте мильну воду або незапалюваний розчинник.

Повітряний фільтр слід міняти своєчасно. Бруд і пил, що проникають через повітряний фільтр, завдають велику шкоду двигуну та скорочують строк його служби в декілька разів.

СВІЧКА ЗАПАЛЮВАННЯ

Необхідно регулярно чистити і перевіряти на придатність до роботи свічку запалювання. Несправна, брудна або з нагаром свічка є причиною важкого запуску і поганої роботи двигуна. Необхідно використовувати свічку з рекомендованим зазором 0,7-0,8 мм (див. мал. 13).

малюнок 13



КЛАПАНИ

Чистку і перевірку зазорів клапанів повинен проводити кваліфікований фахівець. Зверніться до найближчого сервісного центру з обслуговування електростанцій ТМ «Vitals».

ІСКРОУЛОВЛЮВАЧ

Глушник має іскроуловлювач, який запобігає розповсюдженню іскор. З часом іскроуловлювач може забиватися нагаром. Виконуйте чистку іскроуловлювача згідно регламенту.

СИСТЕМА ОХОЛОДЖЕННЯ

Перевіряйте цілісність крильчатки вентилятора охолодження двигуна. Відсутність навіть деяких крилець крильчатки може бути причиною перегріву двигуна. Надламану або зламану крильчатку слід замінити негайно.

УВАГА!

Не допускається робота двигуна з пошкодженою крильчаткою охолодження. Пошкоджена крильчатка може призвести до перегріву двигуна і до передчасного виходу з ладу двигуна.

СИСТЕМА ЗАПАЛЮВАННЯ

Перевірка коректної роботи системи запалювання повинна проводитися кваліфікованим фахівцем. Зверніться до найближчого сервісного центру з обслуговування електростанцій ТМ «Vitals».

ВІДСТІЙНИК

Відстійник призначений для осаджування можливих механічних домішок в бензині. Розташований він в карбюраторі. Для чистки відстійника необхідно відкрутити нижній торцевий болт карбюратора і зняти нижню ванну карбюратора. Паливний кран при цьому повинен бути закритий.

ОБЕРЕЖНО!

Можливе потрапляння бензину на руки оператора. Перед проведенням чистки вдягніть маслобензостійкі рукавички.

УВАГА!

Поплавкову систему та іглу не рекомендується розбирати і регулювати. Промийте нижню ванну і встановіть її на місце.

ПАЛИВНИЙ БАК І ФІЛЬТР

Рекомендується проводити чистку паливного фільтра і паливного баку кожні 100 годин роботи або кожні 6 місяців (що наступить раніше). Якщо необхідно, інтервал треба скоротити. Дані міри дозволять подовжити строк служби паливної системи.

Чистку паливного баку і паливного фільтра слід проводити бензином.

ПАЛИВОПРОВІД

Паливопровід є гумовотехнічний виріб, що схильний до впливу оточуючого середовища і механічних впливів. Це не означає, що паливопровід виконаний з поганого матеріалу. Кожен матеріал має свій строк експлуатації і йому властиве старіння. Паливопровід є важливим елементом двигуна, йому слід приділяти особливу увагу. Для запобігання можливим витокам палива слід проводити своєчасну перевірку стану паливопроводу і, якщо необхідно, його своєчасну заміну.

ОБЕРЕЖНО!

Електростанція дуже важка. При транспортуванні чітко виконуйте інструкції.

УВАГА!

Не доторкайтеся до двигуна та системи вихлопу: вони гарячі та можуть спричинити пожежу. Перед транспортуванням електростанції дайте їй охолонути.

УВАГА!

Не переміщуйте електростанцію з працюючим двигуном!

ТРАНСПОРТУВАННЯ

При будь-якому транспортуванні електростанції слід закрити паливний кран щоб уникнути витoku палива.

Транспортування електростанції допускається тільки в горизонтальному положенні. Інакше може статися виток масла і палива.

Не слід транспортувати електростанцію на велику відстань з залитим паливом і моторним маслом. Це може призвести до витoku.

Завантаження-розвантаження електростанції слід виконувати за спеціально розроблену захисну раму. Попіклуйтеся про те, щоб не пошкодити електростанцію при транспортуванні. Не ставте на неї важкі речі.

ЗБЕРІГАННЯ

Зберігати електростанцію рекомендується в сухому закритому приміщенні.

При підготовці електростанції до зберігання слід злити паливо з паливного баку, паливопроводу і карбюратора.

- При підготовці до тривалого зберігання (більше 2 місяців):
1. Переконайтесь, що в зоні зберігання немає надмірної вологи і пилу. Електростанцію слід зберігати в сухому приміщенні при температурі не нижче 0 °С.
 2. Злийте паливо з паливного баку, паливної системи і карбюратора. Пам'ятайте, що бензин є надмірно вогнєнебезпечним і за певних умов є вибуховою речовиною.
 3. Замініть масло в картері двигуна.
 4. Очистіть корпус електростанції від бруду та пилу. Тонким шаром нанесіть змазку на місця, що піддаються корозії.
 5. Встановіть електростанцію на рівній поверхні і накрийте її чистим сухим матеріалом.

Після тривалого зберігання електростанції виконайте наступне:

1. Від'єднайте паливний кран і ретельно промийте.
2. Від'єднайте карбюратор, промийте його бензином та продуйте жиклери.

УВАГА!

Забороняється здійснювати чистку жиклерів металевими предметами типу ігли і металевого дроту.

3. Встановіть на місце паливний кран. Закрийте паливний кран, залийте 1-1,5 літри бензину в паливний бак і, покачуючи електростанцію в різні боки, промийте паливний бак. Злийте бензин.
4. Встановіть на місце карбюратор.
5. Викрутіть свічку запалювання, промийте і почистіть її.
6. Перевірте рівень масла в картері.

ОПИС ЗБОЮ	Можлива причина	Шляхи усунення
Не заводиться двигун	Вимкнено запалювання	Переведіть ключ запалювання в положення "ON"
	Недостатньо палива в баку	Долейте паливо
	Закритий паливний кран	Відкрийте
	Засмітілася свічка запалювання/свічка запалювання вийшла з ладу	Очистіть/ замініть
	Залито недостатньо масла в картер двигуна	Долейте до необхідного рівня
	Залито невідповідне паливо	Злийте і замініть на відповідне
	Повітряний фільтр засмічений	Почистіть або замініть
	Повітряний фільтр вологий	Висушіть або замініть
	Засмітився карбюратор	Почистіть
	Засмічений паливопровід	Очистите або замініть
	Двигун холодний	Закрийте повітряну заслінку
	Свічка залита паливом	Очистіть / замініть свічку
	Генератор є під навантаженням	Відключіть всі споживачі електроенергії
	Низька потужність акумуляторної батареї	Підзарядіть або замініть батарею
	Електростартер вийшов з ладу	Зверніться до сервісного центру
Недостатня потужність двигуна	Невідповідна свічка запалювання	Замініть
	Свічка відпрацювала свій ресурс	Замініть
	Погана подача палива	Перевірте/почистіть паливну систему
	Положення дроселя не регулюється в залежності від навантаження	Зверніться до сервісного центру

ОПИС ЗБОЮ	Можлива причина	Шляхи усунення
Не виробляється електроенергія	Вимкнений запобіжник	Включіть
	Розетка вийшла з ладу	Зверніться до сервісного центру
	Потужність споживача перевищує потужність генератора	Не допускається підключення споживачів, що мають більшу потужність, ніж потужність електростанції
	Зношені щітки генератора	Зверніться до сервісного центру
Некоректна робота, немає контролю над машиною	Статор або ротор вийшли з ладу	Зверніться до сервісного центру
	Висока вібрація на електростанції (зношені амортизатори)	Замініть амортизатори
	Електростанція працює ривками (перевантаження)	Знизьте навантаження, відключіть споживачі струму, що перевищують потужність
	Вийшов з ладу генератор	Зверніться до сервісного центру

Вищенаведений список несправностей не відображає всі можливі випадки. При виникненні проблем слід звертатися до найближчого сервісного центру або до кваліфікованого фахівця.

Гарантійний термін експлуатації мініелектростанцій ТМ «VITALIS» - 2 (два) роки від зазначеної в гарантійному талоні дати роздрібного продажу або 1000 (одна тисяча) відпрацьованих мотогодин (залежно від того, яка подія настане раніше). Споживач має право на безкоштовне гарантійне усунення несправностей, виявлених і пред'явлених в період гарантійного терміну і обумовлених виробничими і конструктивними факторами. Гарантійне усунення несправностей виконується шляхом ремонту або заміни пошкоджених частин агрегату в сертифікованих сервісних центрах, адреси яких є на сайті vitals.com.ua у розділі "Сервіс". У зв'язку зі складністю конструкції ремонт може тривати більше двох тижнів. Причину виникнення несправностей і терміни їх усунення визначають фахівці сервісного центру.

Гарантійні зобов'язання втрачають свою силу в наступних випадках:

- Відсутність або нечитаємость гарантійного талона.
- Неправильне заповнення гарантійного талона, відсутність в ньому дати продажу або печатки (штампа) і підписи продавця, серійного номера виробу.
- Наявність виправлень або підчисток в гарантійному талоні.
- Повна або часткова відсутність, нечитаємость серійного номера на виробі, невідповідність серійного номера виробу номеру, що вказан у гарантійному талоні.
- Недотримання правил експлуатації, наведених у цьому посібнику, у тому числі порушення регламенту технічного обслуговування.
- Мала місце експлуатація несправного або некомплектного виробу, яка стала причиною виходу виробу з ладу.
- Попадання всередину двигуна або генератора сторонніх речовин або предметів.
- Причиною несправності що виникла стало застосування нестандартних або неякісних витратних матеріалів, або проблеми з підключеними споживачами електроенергії.
- Виріб має значні механічні або термічні ушкодження, явні сліди недбалих експлуатації, зберігання або транспортування.

- Виріб використовувався не за призначенням.
- Виконувались несанкціонований ремонт, розкриття або спроба модернізації виробу споживачем або третіми особами.
- Несправність виникла в результаті стихійного лиха (пожежа, повінь, ураган і т. п.).

Виріб приймається на гарантійне обслуговування тільки в повній комплектності, ретельно очищений від пилу і бруду. Замінені по гарантії деталі й вузли переходять у розпорядження сервісного центру.

Гарантійні зобов'язання не поширюються на несправності, які виникли внаслідок природного зношення або перевантаження виробу.

Гарантійні зобов'язання не поширюються на витратні комплектуючі, такі як: свічка запалювання, паливний і повітряний фільтри, тяговий трос, глушник, амортизатори і т. п.

Гарантійні зобов'язання не поширюються на неповноту комплектації виробу, яка могла бути виявлена при його продажу.

Всі витрати на транспортування виробу несе споживач.

Право на гарантійний ремонт не є підставою для інших претензій.

УВАЖАЕМЫЙ ПОКУПАТЕЛЬ!

Благодарим Вас за приобретение миниэлектростанции Vitals. Техника ТМ «Vitals» разрабатывается по европейским стандартам качества и с использованием современных технологий.

Неправильная эксплуатация миниэлектростанции и несоблюдение мер безопасности может привести к повреждению изделия или к серьезным травмам!

Данное руководство содержит всю необходимую информацию по мерам безопасности при работе с электростанциями. Внимательно ознакомьтесь с данным руководством перед началом работы с миниэлектростанцией.

Пожалуйста, предоставьте другим пользователям данную инструкцию, прежде чем они начнут работать с миниэлектростанцией. Данное руководство необходимо хранить для последующего его использования.

Мы постоянно работаем над совершенствованием продукции и, в связи с этим, оставляем за собой право на внесение изменений во внешний вид, оснащение и технологию производства, не изменяя основных принципов управления, без уведомления потребителя. Все возможные изменения будут направлены только на улучшение и модернизацию изделий.

ЗНАЧЕНИЯ КЛЮЧЕВЫХ СЛОВ

ОСТОРОЖНО!

Обозначает потенциально опасные ситуации, которых следует избегать, в противном случае может возникнуть опасность для жизни или здоровья.

ВНИМАНИЕ!

Обозначает потенциально опасные ситуации, которые могут привести к легким травмам или к поломке электростанции.

ПРИМЕЧАНИЕ!

Отмечает важную дополнительную информацию.

1

ОБЩЕЕ ОПИСАНИЕ

Основой любой миниэлектростанции (далее по тексту электростанция) является агрегат, состоящий из двигателя внутреннего сгорания (далее по тексту ДВС) и электрического генератора. Двигатель и генератор напрямую соединены между собой и укреплены через амортизаторы на стальной раме.

Максимально упрощенный принцип действия электростанции состоит в следующем: двигатель внутреннего сгорания "превращает" топливо во вращение своего вала, а генератор электрического тока, связанный с валом двигателя, преобразует обороты в электрический ток.

Электростанции имеют панель управления, с помощью которой осуществляется управление электростанцией, контроль за ее состоянием и защита от аварийных ситуаций.

Модель EST 8.5b представляет собой передвижную однофазную электростанцию переменного тока, EST 8.5-3b представляет собой передвижную трехфазную электростанцию переменного тока. Электростанции ТМ «Vitals» отвечают современным техническим стандартам и стандартам качества, обеспечивая долгий и безопасный эксплуатационный период.

Отличием данных моделей является наличие электронного модуля «шесть в одном» (6 в 1-м) с цифровым табло. На цифровом табло отображаются 6 показателей: напряжение переменного тока на выходе, сила тока на выходе, подключенная нагрузка, частота тока на выходе, количество наработанных двигателем моточасов и напряжение постоянного тока на выходе.

Наличие данного модуля позволяет считывать точные показания напряжения, силы тока, частоты тока на выходе и подключенной нагрузки. Благодаря наличию счетчика моточасов отслеживание наработки двигателя стало простым.

Описание основных компонентов электростанции представлены ниже.

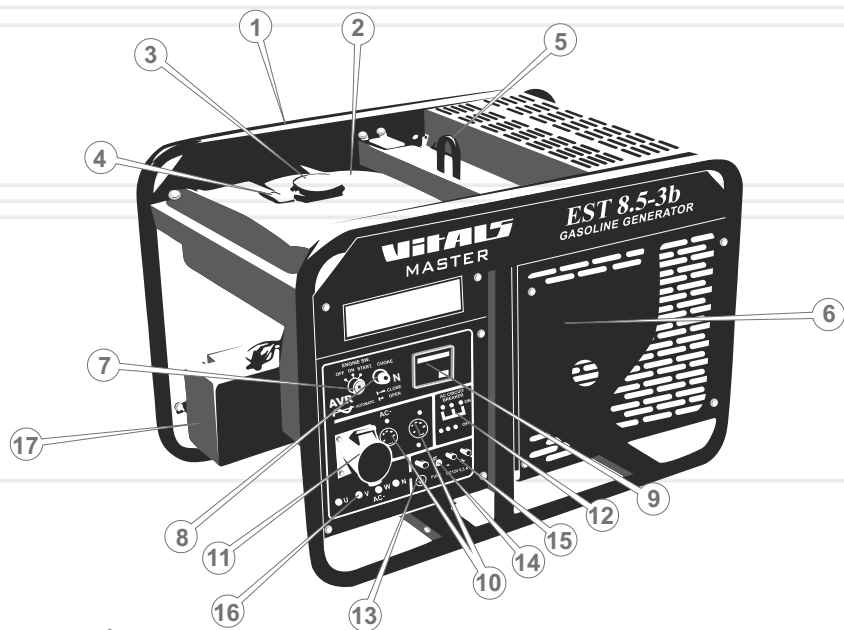


рисунок 1

- | | |
|-------------------------------------|--------------------------------------|
| 1. Рама. | 11. Электророзетка на 380 В. |
| 2. Топливный бак. | 12. Предохранитель переменного тока. |
| 3. Крышка топливного бака. | 13. Клемма заземления. |
| 4. Индикатор уровня топлива в баке. | 14. Предохранитель постоянного тока. |
| 5. Узел для подъема. | 15. Выход постоянного тока. |
| 6. Двигатель внутреннего сгорания. | 16. Силовой выход переменного тока. |
| 7. Замок зажигания. | 17. Аккумуляторная батарея. |
| 8. Рычаг воздушной заслонки. | |
| 9. Электронный модуль 6 в 1-м. | |
| 10. Электророзетки на 220 В. | |

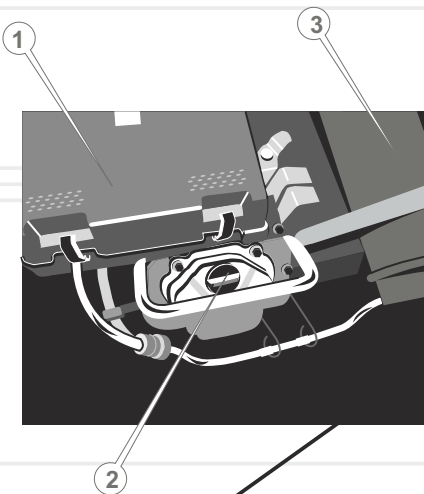
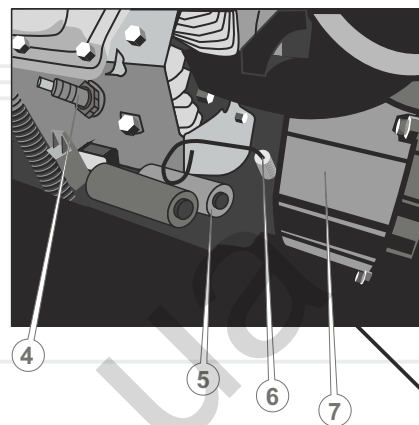
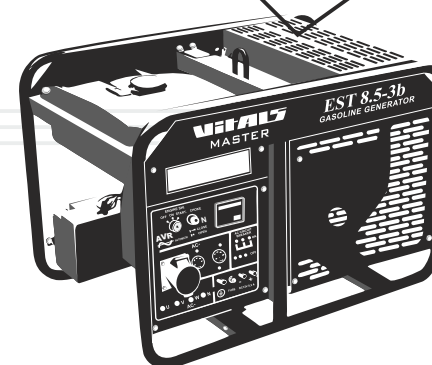


рисунок 2



- | |
|-----------------------------------|
| 1. Корпус воздушного фильтра. |
| 2. Горловина для заливки масла. |
| 3. Глушитель. |
| 4. Свеча зажигания. |
| 5. Электростартер. |
| 6. Масляный щуп. |
| 7. Генератор электрического тока. |

1. Электростанция.
2. Свечной ключ.
3. 3 электровилки на 220В (для модели EST 8.5b).
4. 2 электровилки на 220В и 1 электровилка на 380В (для модели EST 8.5b).
5. Ключи зажигания.
6. Аккумуляторная батарея.
7. Транспортные колеса.
8. Руководство по эксплуатации.



Завод-изготовитель оставляет за собой право вносить в конструкцию и внешний вид электростанции незначительные изменения, не влияющие на её работу.

МОДЕЛЬ		EST 8.5b	EST 8,5-3b
генератор электрического тока	Напряжение переменного тока, В	230	230/380
	Частота тока, Гц	50	
	Номинальная мощность, кВА	8,5	
	Максимальная мощность, кВА	9,5	
	Коэффициент мощности (Cos Φ)	1	0,8
	Мощность постоянного тока	12В-8,3А	
двигатель	Регулятор напряжения	автоматический (AVR)	
	Тип двигателя	четырёхтактный двухцилиндровый	
	Мощность, л.с.	24,0	
	Рабочий объем, см ³	688	
	Система запуска	электрический стартер	
	Система зажигания	транзисторное магнето	
	Топливо	Бензин А-92	
	Емкость топливного бака, л	20	
	Среднее время непрерывной работы, ч	4	
	Объем масла в картере, л	1,4	
	Уровень шума, дБ	97	
Датчик низкого уровня масла в двигателе	+		
габариты	Габариты (ДхВхШ), мм	940x640x745	
	Вес нетто/брутто, кг	140/155	145/160

ВНИМАНИЕ!

Во время работы электростанции уровень шума может достигать высокого значения! При необходимости одевайте защитные наушники.

Данные модели имеют автоматический регулятор напряжения, вывод постоянного тока, электронный модуль 6 в 1, счетчик моточасов и систему защиты от низкого уровня масла в ДВС.

Автоматический регулятор напряжения (AVR)

На электростанциях установлен современный автоматический регулятор напряжения, который обеспечивает стабильность выходного напряжения во всем диапазоне нагрузок. Качество энергии электростанций, оснащенных регулятором напряжения, позволяет использовать их для электропитания сложного электронного оборудования, средств связи, специальных и бытовых потребителей (компьютеры, телевизоры, котлы и т.п.).

Вывод постоянного тока

Электростанции оснащены выводом постоянного тока 12В, который используется, в основном, для зарядки автомобильных аккумуляторных батарей (12В). Клемма красного цвета является положительной (+), черная – отрицательной (-). Подключение должно производиться согласно полярности.

Электронный модуль «шесть в одном» (6 в 1-м)

Электронный модуль «шесть в одном» имеет цифровое табло, на которое могут быть выведены следующие показания: напряжение переменного тока на выходе, сила тока на выходе, подключенная нагрузка, частота тока на выходе, количество наработанных двигателем моточасов и напряжение постоянного тока на выходе. Электронный модуль позволяет выводить точные значения напряжения и частоты тока (с точностью до одного знака после запятой). Также электронный модуль позволяет вести учет наработанных моточасов.

Счетчик моточасов

Данные модели снабжены счетчиком отработанных двигателем часов. Количество отработанных часов выводится на цифровое табло электронного модуля «шесть в одном». Счетчик моточасов разработан для простого и легкого определения количества отработанных часов в любой момент времени. Что, в свою очередь, позволяет проводить сервисное обслуживание двигателя четко по интервалу. Данное нововведение позволяет повысить качество обслуживания электростанции и, тем самым, увеличить срок его эксплуатации в разы. Значение наработанного времени выводится в часах, минутах и секундах.

Система защиты от низкого уровня масла в ДВС

Данная аварийная система разработана с целью предотвращения повреждения двигателя при недостаточном количестве масла в картере. При низком уровне масла в картере загорится сигнальная лампа, и система защиты выключит двигатель, что предотвратит его повреждение.

При аварийной остановке двигателя системой защиты ключ зажигания двигателя останется в положение «On» (рус. – «Вкл»).



ОПАСНОСТЬ ЭЛЕКТРОШОКА

При неправильной работе электростанции существует опасность электрошока или смерти от электрического удара. Использование электростанции или других электрических приборов при повышенной влажности - около воды, на мокрой траве, во время дождя или снегопада - может привести к смерти от электрического удара. Всегда держите генератор электрического тока сухим.

Электростанция не предназначена для хранения незащищенной на улице.

Влага или лед могут привести к неправильной работе или к замыканию электрических частей, что может привести к смерти от электрического удара.

Проверяйте исправность всех электрических частей электростанции на панели управления каждый раз перед началом работы.

Перед подключением электростанции необходимо предварительно сделать заземление. Несоблюдение этого может нанести вред имуществу или привести к смерти человека.



ОПАСНОСТЬ ВОСПЛАМЕНЕНИЯ

Система выхлопа в процессе работы сильно нагревается, что может привести к воспламенению находящихся рядом материалов. В процессе работы и сразу после выключения электростанцию необходимо установить на расстоянии 1 метра от посторонних предметов. Запрещается накрывать электростанцию. Держите легковоспламеняющиеся материалы на безопасном расстоянии от электростанции.

В процессе работы электростанции глушитель сильно нагревается и остается горячим некоторое время после её выключения. Не дотрагивайтесь до глушителя во время работы двигателя, и пока он остается горячим. Электростанцию необходимо остудить перед упаковкой и транспортировкой.

Бензин легко воспламеняется и является очень ядовитым. Перед дозаправкой электростанции ее необходимо выключить и остудить двигатель. Не заправляйте электростанцию рядом с открытым огнем или в месте, где могут возникать искры. Запрещается курить рядом с электростанцией.

Всегда проверяйте, нет ли утечек бензина. Разлившееся топливо необходимо насухо вытереть перед запуском электростанции. Перед выполнением любых операций убедитесь, что электростанция помещена на горизонтальную поверхность и жестко установлена.

4.1. ВАЖНАЯ ИНФОРМАЦИЯ ПО БЕЗОПАСНОСТИ

Перед началом работы с электростанцией внимательно ознакомьтесь с мерами безопасности, предупреждениями и инструкциями по безопасности в данном руководстве.

Большинство несчастных случаев при эксплуатации электростанций возникает в результате несоблюдения основных правил безопасности и предостережений. Несчастных случаев можно избежать, если суметь вовремя предусмотреть потенциальную опасность и соблюдать меры предосторожности.

Ситуации, результатом которых могут стать серьезные телесные травмы или поломки прибора, обозначены словом «ВНИМАНИЕ» в данном руководстве.

Никогда не используйте электростанцию способом или в целях, не предусмотренных данным руководством.



ВНИМАТЕЛЬНО ОЗНАКОМЬТЕСЬ СО ВСЕМИ ИНСТРУКЦИЯМИ

Для безопасной работы с прибором необходимо ознакомление с инструкциями и соответствующее обучение. Неправильная эксплуатация прибора или эксплуатация необученным человеком может быть опасной. Внимательно ознакомьтесь со всеми частями электростанции. Изучите, как выключить электростанцию в случае необходимости. Несоблюдение приведенных ниже инструкций может привести к удару током, нанести вред имуществу, нанести серьезный вред здоровью или привести к смерти человека.



ОПАСНОСТЬ ВЫБРОСА МОНООКСИДИ УГЛЕРОДА

Выбросы электростанции содержат монооксид углерода - газ без цвета и запаха. Вдыхание его паров может привести к потере сознания или к смерти. При запуске электростанции в замкнутом пространстве или помещении с ограниченным доступом воздуха концентрация выбросов может быть опасной для здоровья. Во избежание скопления выбросов необходимо обеспечить хорошую вентиляцию. Не включайте электростанцию в замкнутом пространстве, не обеспеченном хорошей вентиляцией и вытяжками.

4.2. БЕЗОПАСНОСТЬ ЭКСПЛУАТАЦИИ

1. НЕ ДОТРАГИВАЙТЕСЬ ДО ДВИЖУЩИХСЯ ЧАСТЕЙ.

Не подносите руки, пальцы и другие части тела к движущимся частям электростанции. Не дотрагивайтесь до вентилятора, это опасно.

2. НЕ ИСПОЛЬЗУЙТЕ ЭЛЕКТРОСТАНЦИЮ НЕ ПО НАЗНАЧЕНИЮ.

Не используйте электростанцию в целях и способами, не описанными в данном руководстве.

3. ДЕРЖИТЕ РАБОЧУЮ ЗОНУ ЧИСТОЙ.

Загрязнение рабочей зоны может привести к травмам.

4. НЕ ДОПУСКАЙТЕ ДЕТЕЙ И ПОСТОРОННИХ ЛЮДЕЙ К РАБОЧЕЙ ЗОНЕ.

5. НАДЕВАЙТЕ СООТВЕТСТВУЮЩУЮ ОДЕЖДУ ПРИ РАБОТЕ С ПРИБОРОМ.

Не надевайте свободную одежду, перчатки, галстуки, кольца, браслеты и другие украшения, которые могут попасть в двигающиеся части электростанции. Обувь не должна быть скользкой, Вы должны иметь высокую устойчивость. Длинные волосы собирайте и надевайте головной убор.

6. ПРИ ТЕХНИЧЕСКОМ ОБСЛУЖИВАНИИ ИСПОЛЬЗУЙТЕ ТОЛЬКО ОРИГИНАЛЬНЫЕ ЗАПАСНЫЕ ЧАСТИ.

7. НЕ ПРИСТУПАЙТЕ К РАБОТЕ С ЭЛЕКТРОСТАНЦИЕЙ В СОСТОЯНИИ СИЛЬНОЙ УСТАЛОСТИ, АЛКОЛЬНОГО ОПЬЯНЕНИЯ ИЛИ ПОСЛЕ ПРИЕМА ЛЕКАРСТВ.

8. НЕ РАЗМЕЩАЙТЕ РЯДОМ С ЭЛЕКТРОСТАНЦИЕЙ ЛЕГКОВОСПЛАМЕНЯЮЩИЕСЯ МАТЕРИАЛЫ.

Рядом с электростанцией не должны находиться топливо, спички, порох, замасленная одежда, солома, мусор и другие легковоспламеняющиеся материалы.

9. НЕ ВСКРЫВАЙТЕ ЭЛЕКТРОСТАНЦИЮ И НЕ НАКРЫВАЙТЕ ЕЕ.

Электростанция оснащена принудительной системой воздушного охлаждения и, если ее накрыть, она может перегреться.

10. ЭЛЕКТРОСТАНЦИЯ ДОЛЖНА БЫТЬ УСТАНОВЛЕНА НА ГОРИЗОНТАЛЬНОЙ ПОВЕРХНОСТИ.

Нет необходимости создавать специальную подставку для электростанции. Но ее нельзя устанавливать на неровной поверхности, в противном случае будут создаваться вибрации. Если в процессе работы электростанция не установлена устойчиво, она будет двигаться, в результате чего может выливаться топливо, а также сама электростанция может опрокинуться, что приведет к созданию опасной ситуации.

Если электростанция будет установлена на наклонной поверхности, не будет обеспечиваться надлежащая смазка трущихся деталей, что может привести к заклиниванию цилиндропоршневой группы даже если уровень масла в норме.

11. СЛЕДИТЕ ЗА СОСТОЯНИЕМ И РАСПОЛОЖЕНИЕМ ЭЛЕКТРОПРОВОДА, ВЕДУЩЕГО К ПОТРЕБИТЕЛЮ ЭЛЕКТРОЭНЕРГИИ.

Если электростанция стоит на проводе или провод касается ее вибрирующих частей, провод может быть поврежден. Это может привести к опасной ситуации: возможности возникновения пожара, возгоранию электростанции или повреждению электрическим током.

12. НЕ ЗАПУСКАЙТЕ ЭЛЕКТРОСТАНЦИЮ В ДОЖДЬ ИЛИ МОКРЫМИ РУКАМИ.

Работа с электростанцией в дождь или снег может привести к электрошоку или к поломке самой электростанции. Если электростанция намочена, перед запуском ее необходимо насухо вытереть. Не лейте воду на электростанцию, не мойте ее.

13. ПРИ РАБОТЕ С АККУМУЛЯТОРОМ СЛЕДУЕТ СОБЛЮДАТЬ ОСТОРОЖНОСТЬ.

Аккумулятор испускает водородный газ, который может загореться при соприкосновении с открытым огнем. Электростанция должна находиться в хорошо проветриваемом помещении. Избегайте возникновения пламени, искр при работе с аккумулятором.

14. ЭЛЕКТРОСТАНЦИЯ СОЗДАЕТ ВЫСОКИЙ УРОВЕНЬ ШУМА.

Электростанцию следует располагать вдали от места работы или от размещения потребителей электроэнергии. Оптимальное расстояние составляет 7 м. Если необходимо работать вблизи с электростанцией, одевайте специальные защитные наушники.



ОСТОРОЖНО!

Категорически запрещается использовать электростанцию без заземления!

4.3. ЗАЗЕМЛЕНИЕ

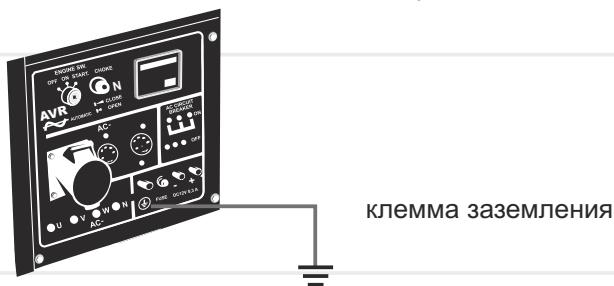
ОСТОРОЖНО!

Категорически запрещается использовать электростанцию без заземления!

Заземление предотвращает возможность электрошока. Для заземления Вам понадобятся провод заземления и заземлитель. Они не поставляются с электростанцией. Провод заземления должен быть сечением не менее 3.5 мм², желательно из витой медной проволоки.

На рисунке 3 показана клемма заземления на электростанции.

рисунок 3



ВНИМАНИЕ!

Клемма заземления и заземлитель должны иметь надежный контакт с проводом заземления.

В качестве заземлителей могут использоваться находящиеся в земле металлические трубы системы водоснабжения, канализации или металлические каркасы зданий, имеющие соединения с землей.

ОСТОРОЖНО!

Для правильного подключения заземлителей следует проконсультироваться с квалифицированным специалистом.

Если перечисленные выше заземлители отсутствуют, можно использовать один из следующих заземлителей:

- металлический стержень диаметром не менее 15 мм и длиной не менее 1500 мм;
- металлическую трубу диаметром не менее 50 мм и длиной не менее 1500 мм;
- лист из оцинкованной стали, стали без покрытия размером 1000x1500 мм.

5

ЭКСПЛУАТАЦИЯ

5.1. ПРИМЕНЕНИЕ

Миниэлектростанции ТМ "Vitals master" являются источником энергии для электрических приборов. Они могут обеспечивать Вас электроэнергией в разнообразных случаях: как источники аварийного питания зданий и домов, для проведения ремонтных работ без доступа к основной сети электрообеспечения, на даче, на пикнике, в гараже и т.п.

Каждая модель электростанции рассчитана на определенную максимальную мощность электрической энергии. Правильный подбор мощности электростанции читайте в разделе 5.3. «Работа с электростанцией».

Модель EST 8.5b является однофазной и вырабатывает электрический ток напряжением 230В. К данной модели Вы можете подключать только однофазные электроприборы.

ВНИМАНИЕ!

К однофазным электророзеткам модели EST 8.5b можно подключать только однофазные приборы с максимальной мощностью потребления не более 6,6 кВт на розетку.

Модель EST 8.5-3b является трехфазной и вырабатывает электрический ток напряжением 230В/380В. К данной модели Вы можете подключать однофазные и трехфазные электроприборы.

ВНИМАНИЕ!

К модели EST 8.5-3b можно подключать однофазные приборы с максимальной мощностью потребления не более 1/3 от мощности электростанции ($8,5/3=2,8$ кВт). При превышении мощности подключаемого прибора выше допустимой мощности на одну однофазную розетку может возникнуть перекос фаз и электростанция выйдет из строя.

Обе модели имеют специально разработанный силовой вывод, к которому Вы можете подключить максимально допустимую нагрузку (8,5 кВА).

Также данные модели имеют вывод постоянного тока напряжением 12 В.

5.2. ПОДГОТОВКА К РАБОТЕ

Перед началом работы с электростанцией вы должны провести обязательный осмотр:

1. Тщательно осмотрите электростанцию на предмет повреждений. Обратите внимание на целостность всей электрической части.
2. Проверьте шланги, заливные отверстия топливного бака и масляного отсека, топливный кран, а также другие возможные места на предмет утечек. Если необходимо устраните утечки.
3. Проверьте уровень моторного масла и, при необходимости, долейте масло до необходимого уровня.
4. Проверьте уровень топлива и, при необходимости, долейте топливо. В топливном баке следует оставлять небольшую воздушную пробку для возможного расширения топлива при нагреве.
5. Проверьте надежность крепления основных деталей. При необходимости сделайте подтяжку болтов и гаек.
6. Проверьте целостность амортизаторов. При необходимости замените их.

ВНИМАНИЕ!

Работа электростанции при надорванных или вышедших из строя амортизаторах запрещается. Это может привести к повышенной вибрации и, как следствие, выходу из строя электростанции.

7. Проверьте наличие, целостность и чистоту воздушного фильтра.

ВНИМАНИЕ!

Запрещается работа при отсутствующем воздушном фильтре или при его загрязнении. Это может привести к выходу из строя двигателя.

Масло

Электростанции поставляются без моторного масла в двигателе. Залейте моторное масло в соответствующую горловину (см. рис. 4). Она находится на крышке клапанов.

рисунок 4

Горловина
для заливки масла



Проверьте уровень масла с помощью щупа. На рисунке 5 показаны минимальный и максимальный уровень масла на щупе.

После заливки масла, следует подождать некоторое время, чтобы все масло успело стечь вниз картера. Только в этом случае будет отображаться реальный уровень масла.

рисунок 5



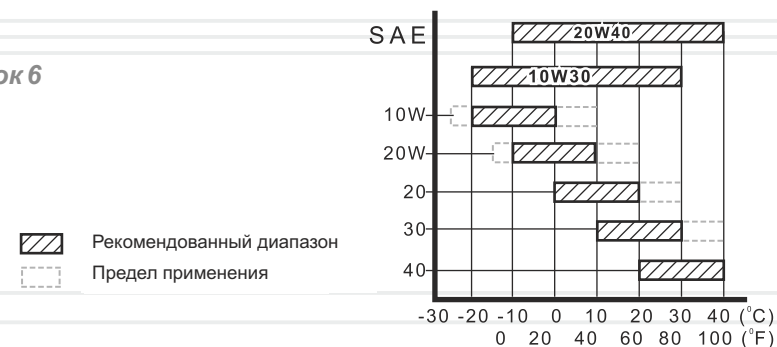
Нельзя использовать электростанцию при недостаточном или избыточном уровне моторного масла.

Пожалуйста, используйте масло высокого качества. Не используйте специальных добавок к рекомендованному маслу. Не смешивайте масло с бензином.

Следует помнить, что качество используемого масла – это один из главных факторов, от которого зависит нормальная и продолжительная работа двигателя. Используя некачественное масло, вы сокращаете срок службы двигателя в разы.

На рисунке 6 представлены рекомендации по подбору масла в зависимости от температуры окружающей среды.

рисунок 6





Уровень масла следует проверять при горизонтальном положении электростанции.

Топливо

Используйте чистое, свежее и неэтилированное топливо с октановым числом не ниже 92. Бензин должен быть использован в течение 30 дней после покупки.

ВНИМАНИЕ!

Не используйте бензин, который содержит метанол или масло.

Уровень топлива в баке следует проверять перед запуском электростанции. Если двигатель только что остановлен, подождите 4-5 минут или более, для того чтобы двигатель остыл, и только после этого производите заправку топливом.

ВНИМАНИЕ!

Заправку топливом следует проводить только при выключенном двигателе!

Заправку топливом следует производить так, чтобы в топливном баке оставался небольшой воздушный объем для возможного расширения паров топлива при нагреве.

Воздушный фильтр

Загрязненный воздушный фильтр может являться причиной тяжелого запуска двигателя, потери мощности, некорректной работы двигателя. Кроме того, загрязненный воздушный фильтр может существенно сократить срок службы двигателя.

Настоятельно рекомендуется регулярно проверять состояние воздушного фильтра и производить его замену согласно регламенту (см. раздел 6. «Техническое обслуживание»).

ВНИМАНИЕ!

Запрещено работать без установленного воздушного фильтра или с незакрепленной крышкой фильтра!

5.3. РАБОТА С ЭЛЕКТРОСТАНЦИЕЙ

ВНИМАНИЕ!

Вначале эксплуатации следует произвести обкатку двигателя. Детально читайте далее в этом разделе.

ЗАПУСК

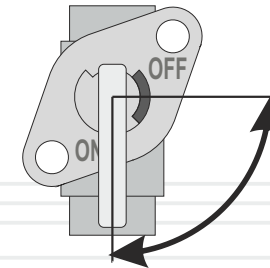
ОСТОРОЖНО!

Убедитесь, что предохранители переменного и постоянного тока выключены! Запрещается запуск электростанции, если к ней подсоединены включенные потребители электрического тока! Подключенная нагрузка усложняет запуск электростанции и может вывести её из строя.

ЗАПУСК ДВИГАТЕЛЯ

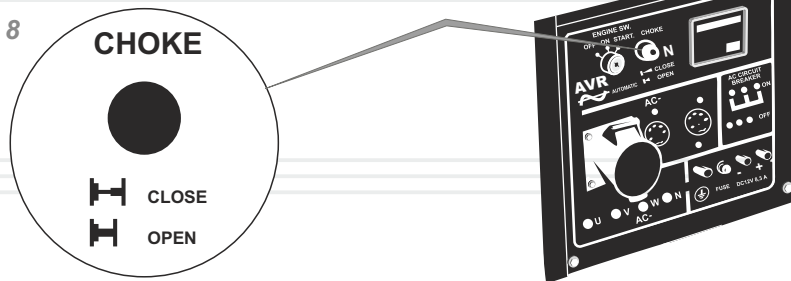
1. Откройте топливный кран (см. рис. 7): поверните рычажок топливного крана в положение «ON».

рисунок 7



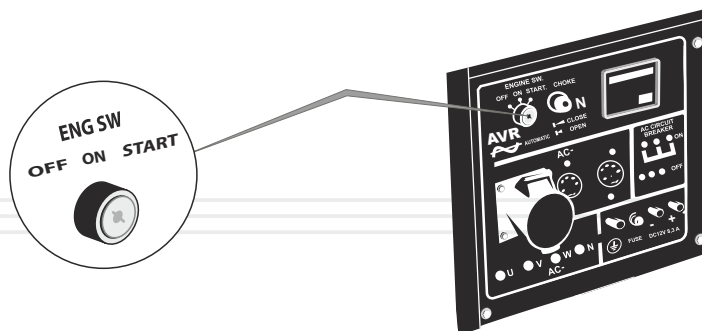
2. В случае если Вы запускаете холодный двигатель (или же температура воздуха низкая – ниже, чем +15°C), выдвиньте рычаг воздушной заслонки в положение «CLOSE» (см. рис.8). В данном положении воздушной заслонки происходит обогащение топливной смеси, что дает более легкий запуск. При запуске теплого двигателя (или же когда температура воздуха достаточно высока) обогащение топливной смеси обычно не требуется – рычаг воздушной заслонки должен быть в положении «OPEN». Если двигатель успел значительно остыть, может потребоваться частичное обогащение, т.е. частичное перекрытие воздушной заслонки.

рисунки 8



3. Вставьте ключ зажигания, поверните его в положение «START» (рис.9) и держите до запуска двигателя. После запуска отпустите ключ. Не следует держать ключ в положение «START» более 5 сек. Если двигатель не запустился, обратитесь к разделу «Возможные неисправности и пути их устранения».

рисунки 9



4. Если после нескольких попыток двигатель не был запущен, верните рычаг воздушной заслонки в положение «OPEN» и попробуйте повторить вышеописанные действия.

Если в двигателе недостаточно масла, он не запустится. Проверьте уровень масла и, при необходимости, добавьте масло.

Если двигатель не запустился, обратитесь к разделу «Возможные неисправности и пути их устранения».

5. Прогрейте двигатель, дав ему поработать без нагрузки 1-5 минут (в зависимости от температуры окружающей среды). Не следует прогревать двигатель на высоких оборотах, это уменьшает ресурс двигателя.

6. После того как двигатель будет прогрет, необходимо убрать обогащение топливной смеси. Для этого переведите рычаг воздушной заслонки в положение «OPEN» (см. рис. 8). Регулировку положения воздушной заслонки следует производить плавно, чтобы не заглушить двигатель обедненной топливной смесью.



Электростанцию следует устанавливать на ровной поверхности для того, чтобы обеспечить достаточное смазывание двигателя маслом.

ОСТАНОВКА

1. Выключите потребители электрического тока.
2. Выключите предохранители тока на панели электростанции.
3. Выключите двигатель, повернув ключ зажигания в положение «OFF» (см. рис. 9).
4. Закройте топливный кран: поверните рычажок топливного крана в положение «OFF» (рис.7).

ЦИФРОВОЙ ДИСПЛЕЙ

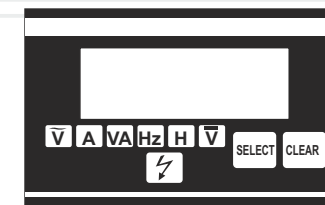
Цифровой дисплей отображает 6 показателей: напряжение переменного тока на выходе, сила тока на выходе, подключенная нагрузка, частота тока на выходе, количество наработанных двигателем моточасов и напряжение постоянного тока на выходе.

- \tilde{V} – напряжение переменного тока
- A – сила переменного тока
- VA – подключенная нагрузка
- Hz – частота тока
- H – количество наработанных моточасов
- \bar{V} – напряжение постоянного тока


При включении электростанции на цифровом дисплее сразу же будет отображаться значение напряжения на выходе в вольтах.

Для отображения следующего показателя необходимо нажать на кнопку «SELECT». Выбранный показатель будет подсвечен.

рисунки 10



Количество наработанных часов отображается в два приема: изначально дисплей показывает количество полных часов, а после повторного нажатия кнопки «SELECT» показывает количество минут и секунд, которые необходимо добавить к количеству полных часов.

При перегрузке станции (превышении напряжения, силы тока, допустимой нагрузки и частоты тока) загорается предупреждающая сигнальная лампа .

При этом на цифровом табло отображается реальный показатель напряжения, силы тока, нагрузки или частоты тока. После того как электростанция вернется в нормальный режим работы, Вам следует нажать кнопку «CLEAR» для сброса данных.

ОБКАТКА

Одним из самых главных моментов является обкатка нового двигателя. От правильности проведения обкатки будет зависеть срок эксплуатации двигателя. Процедура обкатки:

- 1) Заведите двигатель и дайте ему прогреться. Прогретый двигатель должен проработать 10 мин. Выключите двигатель и дайте ему остыть. Такую процедуру следует повторить 5 раз.
- 2) После этого дайте поработать двигателю 1 час без нагрузки. Выключите двигатель, дайте ему остыть.
- 3) Первые 25 часов работы электростанция должна иметь нагрузку не более 50%. Работу следует производить этапами, давая двигателю остыть. Каждый этап работы не должен превышать 3 часа.

После наработки 25 часов следует сменить масло. Рекомендуется сделать дополнительную промывку: залить такое же моторное масло и дать поработать двигателю 10 мин. Слить промывочное масло и залить масло новое. Моторное масло для промывки следует подбирать исходя из температуры окружающей среды (рис. 6).

ПЕРЕД ПОДКЛЮЧЕНИЕМ ЭЛЕКТРОПРИБОРОВ

- Убедитесь, что подключаемые приборы исправны и не имеют дефектов. Иначе может возникнуть поражение электрическим током или пожар.
- Удостоверьтесь, что суммарная электрическая мощность всех подключаемых приборов не превышает номинальной мощности электростанции (для продолжительной работы). Нельзя подключать электропотребители мощностью, превышающей максимальную мощность электростанции.
- Время работы электростанции в пределах между номинальной и максимальной мощностью не должно превышать 5 минут. В противном случае, это может привести к выходу электростанции из строя.

- Если Вы используете удлинитель, убедитесь, что он полностью размотан, а сечение кабеля соответствует подключаемой нагрузке. Плохо подобранный удлинитель может привести к перепадам напряжения, перегреву кабеля и нестабильной работе подключаемых приборов.
- Не допускается перегрузка электрических розеток электростанции. Каждая розетка имеет номинальную мощность, на которую она рассчитана. Старайтесь распределять нагрузку между розетками электростанции равномерно. Максимальная нагрузка на однофазную розетку электростанции составляет 30А.

РАСЧЕТ НАГРУЗКИ И ПОДКЛЮЧЕНИЕ

Модель EST 8.5b является однофазной электростанцией и вырабатывает переменный ток напряжением 230В. К ней Вы можете подключать только однофазные электропотребители.

Модель EST 8.5-3b является трехфазной электростанцией и вырабатывает переменный ток напряжением 230В и 380В. К ней Вы можете подключать как однофазные так и трехфазные электропотребители. Важно заметить, что при подключении однофазных потребителей, максимальная нагрузка на одну фазу не должна быть больше 1/3 мощности генератора. Т.е. не более $8,5/3=2,8$ кВА. Иначе произойдет неравенство нагрузки по фазам - так называемый “перекос фаз”, и генератор выйдет из строя.

Следует заметить, что многие электроприборы имеют так называемые пусковые токи, которые одновременно увеличивают их потребляемую мощность в несколько раз. Т.е. для питания прибора следует подать на него мощность необходимую для запуска. Пусковая мощность таких приборов не должна превышать максимальной мощности электростанции. Электроприбор с наибольшей пусковой мощностью следует подключать к электростанции первым.

ВНИМАНИЕ!

Пусковая мощность потребителей не должна превышать максимальную мощность электростанции.

Потребителей электроэнергии можно разделить по видам нагрузок. Нагрузки бывают активные и реактивные.

Активные – это самые простые нагрузки, у потребителей с такими нагрузками вся энергия преобразуется в тепло. Примеры: лампы накаливания, утюги, обогреватели, электроплиты, фены и т.п.

Для расчета суммарной мощности таких потребителей достаточно сложить мощности, указанные на их этикетках.

Реактивные нагрузки имеют потребители, имеющие электродвигатель, где энергия дополнительно расходуется на создание электромагнитного поля. К таким потребителям относятся насосы, станки, электроинструмент, холодильники, стиральные машины и т.п. Мерой реактивности является параметр $\cos \phi$. Чтобы подсчитать реальное потребление электроэнергии реактивным потребителем необходимо его мощность разделить на $\cos \phi$.

Например: если для дрели мощностью 600 Вт значение $\cos \phi$ составляет 0,8, то для ее работы потребуется мощность $600\text{Вт}/0,8=750\text{Вт}$. Это необходимо учитывать при вычислении суммарной мощности потребителей, подключаемых к генератору. Значение $\cos \phi$ таких приборов Вы можете посмотреть на шильдике, этикетке или в инструкции соответствующего прибора.

Надо иметь в виду также следующее: каждая электростанция имеет собственный $\cos \phi$, который обязательно нужно учитывать. Например, если он равен 0,8, то для работы вышеназванной дрели от электростанции потребуются $750\text{Вт} : 0,8 = 938\text{Вт}$.

Во избежание перегрузок электростанции следует ограничивать суммарную мощность подключаемых приборов не более 80% от номинальной мощности электростанции.

Подведем итог по правилам подбора электростанции и расчету нагрузки:

1. Пусковая мощность подключаемого прибора с наибольшим пусковым током не должна превышать максимальную мощность электростанции.
2. Полная потребляемая мощность всех приборов (с реактивной и активной нагрузками) не должна превышать номинальной мощности электростанции.
3. Для расчета правильной нагрузки необходимо учитывать коэффициент мощности электростанции.
4. Для правильной работы электростанции следует создать запас мощности в 20%.
5. Мощность подключаемого потребителя не должна превышать максимальную мощность розетки электростанции.

Подсоединять электроприборы следует к включенной электростанции, предохранители при этом должны быть выключены. Включите предохранители, и только после этого начинайте включать электроприборы. Включение нескольких электроприборов следует производить последовательно и начинать с прибора, потребляющего наибольшую мощность.

Двигатель автоматически будет увеличивать обороты при увеличении нагрузки генератора электрического тока.

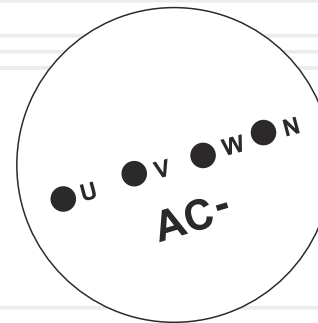
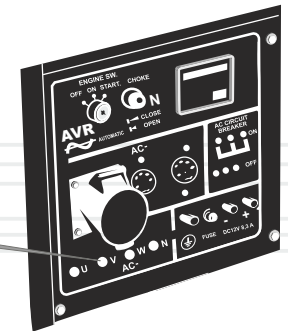
Данные электростанции оборудованы дополнительным силовым выходом: модель EST8.5b – однофазным, модель EST8.5-3b – трехфазным (см. рис. 11).

ВНИМАНИЕ!

Модель EST 8.5b имеет коэффициент $\cos \phi$ равный 1.
Модель EST 8.5-3b имеет коэффициент $\cos \phi$ равный 0,8.

ВНИМАНИЕ!

Максимально допустимая нагрузка на одну фазу (220В) трехфазной электростанции EST 8.5-3b составляет $8,5\text{кВА}/3 \cdot 0,8 = 2,3\text{кВт}$!



Электростанции снабжены современными экономичными двигателями, которые разработаны для долгосрочной и бесперебойной работы. Тем не менее, очень важно регулярно проводить несложные работы по техническому обслуживанию, описанные в данном разделе. Техническое обслуживание рекомендуется проводить опытному специалисту. В случае возникновения трудностей следует обратиться за помощью в специализированную мастерскую.

ОСТОРОЖНО!

Перед тем как начинать проводить какие-либо работы по техобслуживанию электростанции, следует выключить двигатель и отсоединить провод зажигания от свечи.



Таблица - Регламент технического обслуживания электростанции

ТИП ОБСЛУЖИВАНИЯ / РЕКОМЕНДУЕМЫЕ СРОКИ		Каждый раз	Первые 25 часов работы или месяц	Каждые 50 часов работы или 3 месяца	Каждые 100 часов работы или 6 месяцев	Каждые 300 часов работы или год
Электростанция в целом	очистка	+				
Соединения и крепеж	подтяжка	+				
Моторное масло	проверка	+				
	замена		+		+	
Масляный фильтр	замена					+
Воздушный фильтр	проверка	+				
	чистка			+		
	замена					+
Свеча зажигания	проверка зазора, чистка				+	
	замена					+
Клапаны	проверка зазоров, чистка					+
Искроуловитель	чистка				+	
Система охлаждения	проверка на наличие повреждений				+	
Система зажигания	проверка					+
Отстойник	чистка				+	
Топливный бак и фильтр	чистка				+	
Топливопровод	проверка				+	
	замена	каждые 3 года или при необходимости				

- * - рекомендуется более частое обслуживание при использовании электростанции в пыльной местности
- ** - данный тип работ должен проводиться квалифицированным мастером

Данные модели электростанций снабжены счетчиком отработанных двигателем часов. В любой момент работающей электростанции Вы можете считать количество наработанных часов. Это позволяет проводить техническое обслуживание строго по регламенту.



Техническое обслуживание строго по регламенту увеличивает срок службы в несколько раз.

Для отображения наработанных часов на цифровом дисплее нажимайте на кнопку "SELECT", пока не загорится лампочка напротив обозначения "H". "H" обозначает моточасы (англ. hours).

ОЧИСТКА

Очистку электростанции следует проводить после каждого использования и перед заправкой моторного масла и топлива. Не допускается использование электростанции с потеками масла и топлива. Следует помнить, что попадание пыли в масло двигателя или в топливо значительно сокращает срок службы двигателя. Не допускайте запыления генератора электрического тока, иначе он может выйти из строя.

СОЕДИНЕНИЯ И КРЕПЕЖ

Электростанции оборудованы двигателями внутреннего сгорания, которые создают вибрацию. Вибрация передается на соединения и крепежи. Следует регулярно проверять затяжку всех болтов и гаек и не допускать работу без чего-либо из них. Кроме того, необходимо следить за состоянием амортизаторов двигателя и генератора. Вышедшие из строя амортизаторы будут являться причиной повышенной вибрации.

**ВНИМАНИЕ!**

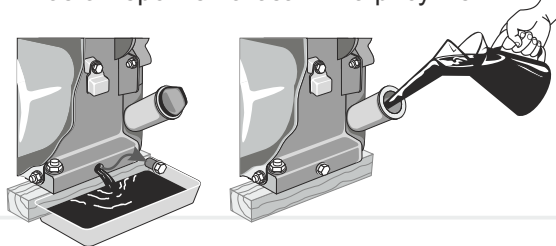
Проверяйте резиновые амортизаторы на износ или повреждение. Поврежденные амортизаторы следует менять немедленно.

ВНИМАНИЕ!

Моторное масло следует сменить после первых 25 часов работы нового двигателя.

Заливная горловина и сливное отверстие показаны на рисунке 12.

рисунок 12



Моторное масло следует сливать горячим, тогда масло стекает полностью и забирает с собой отложения и вредные примеси, сгорания топлива.

Не следует превышать срок эксплуатации масла. Меняйте масло строго по регламенту.

МАСЛЯНЫЙ ФИЛЬТР

Данные модели генераторов снабжены масляным фильтром, который позволяет осуществлять дополнительную очистку масла. Масляный фильтр необходимо менять одновременно со сменой моторного масла.

ВНИМАНИЕ!

Вначале следует слить отработанное масло, потом заменить масляный фильтр и только после этого заливать новое моторное масло.

Масляный фильтр расположен с торца двигателя.

ВОЗДУШНЫЙ ФИЛЬТР

Грязный воздушный фильтр может стать причиной проблем при запуске, потери мощности, нестабильной работы двигателя и крайне сократить срок службы двигателя.

ВНИМАНИЕ!

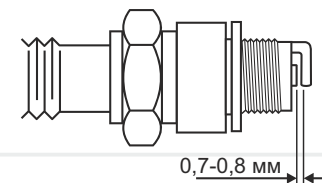
Запрещено работать без установленного воздушного фильтра или с незакрепленной крышкой фильтра! Для чистки фильтрующего элемента используйте мыльную воду или невоспламеняющийся растворитель.

Воздушный фильтр следует менять своевременно. Грязь и пыль, проникающая через воздушный фильтр, наносит большой вред двигателю и сокращает срок его службы в несколько раз.

СВЕЧА ЗАЖИГАНИЯ

Необходимо регулярно чистить и проверять на работоспособность свечу зажигания. Неисправная, грязная или имеющая нагар свеча является причиной трудного запуска и плохой работы двигателя. Необходимо использовать свечу с рекомендованным зазором 0,7-0,8 мм (см. рис. 13).

рисунок 13



КЛАПАНЫ

Чистку и проверку зазоров клапанов должен проводить квалифицированный специалист. Обратитесь в ближайший сервисный центр по обслуживанию электростанций ТМ «Vitals».

ИСКРОУЛОВИТЕЛЬ

Глушитель имеет искроуловитель, который предотвращает распространение искр. Со временем искроуловитель может забиваться нагаром. Производите чистку искроуловителя согласно регламента.

СИСТЕМА ОХЛАЖДЕНИЯ

Проверяйте целостность крыльчатки вентилятора охлаждения двигателя. Отсутствие даже нескольких крыльев крыльчатки может быть причиной перегрева двигателя. Надломанную или поломанную крыльчатку следует менять немедленно.

ВНИМАНИЕ!

Не допускается работа двигателя с поломанной крыльчаткой охлаждения. Поломанная крыльчатка может привести к перегреву двигателя и к преждевременному выходу двигателя из строя.

СИСТЕМА ЗАЖИГАНИЯ

Проверка корректной работы системы зажигания должна проводиться квалифицированным специалистом. Обратитесь в ближайший сервисный центр по обслуживанию электростанций ТМ «Vitals».

ОТСТОЙНИК

Отстойник предназначен для осаивания возможных механических примесей в бензине. Расположен он в карбюраторе. Для чистки отстойника необходимо открутить нижний торцевой болт карбюратора и снять нижнюю ванну карбюратора. Топливный кран при этом должен быть закрыт.

ОСТОРОЖНО!

Возможно попадание бензина на руки оператора. Перед проведением чистки оденьте маслобензостойкие перчатки.

ВНИМАНИЕ!

Поплавковую систему и иглу не рекомендуется разбирать и регулировать. Промойте нижнюю ванну и поставьте ее на место.

ТОПЛИВНЫЙ БАК И ФИЛЬТР

Рекомендуется производить чистку топливного фильтра и топливного бака каждые 100 часов работы или каждые 6 месяцев (что наступит раньше). Если необходимо интервал нужно сократить. Данные меры позволят увеличить срок службы топливной системы.

Чистку топливного бака и топливного фильтра следует производить бензином.

ТОПЛИВОПРОВОД

Топливопровод - это резинотехническое изделие, которое подвержено влиянию окружающей среды и механических воздействий. Это не означает, что топливопровод выполнен из плохого материала. У каждого материала есть свой срок эксплуатации и ему присущи свойства старения. Топливопровод является важным элементом двигателя, ему следует уделять повышенное внимание. Для предотвращения возможных утечек топлива следует производить своевременную проверку состояния топливопровода и, если необходимо, его замену.

7

ТРАНСПОРТИРОВКА И ХРАНЕНИЕ

ОСТОРОЖНО!

Электростанция очень тяжелая. При транспортировке четко следуйте инструкциям.

ВНИМАНИЕ!

Не дотрагивайтесь до двигателя и системы выхлопа: они горячие и могут стать причиной ожога. Перед транспортировкой электростанции дайте ей остыть.

ВНИМАНИЕ!

Не перемещайте электростанцию с работающим двигателем!

ТРАНСПОРТИРОВКА

При любой транспортировке электростанции следует закрывать топливный кран во избежание утечки топлива.

Транспортировка электростанции допускается только при горизонтальном расположении. Иначе может произойти утечка масла и топлива.

Не следует транспортировать электростанцию на большие расстояния с залитым топливом и моторным маслом. Это может привести к утечке.

Погрузку-разгрузку электростанции следует производить за специально разработанный узел для подъема или защитную раму. Позаботьтесь о том, чтобы не повредить электростанцию при транспортировке. Не помещайте на нее тяжелые предметы.

ХРАНЕНИЕ

Хранить электростанцию рекомендуется в сухом закрытом помещении.

При подготовке электростанции к хранению следует слить топливо из топливного бака, топливопровода и карбюратора.



- При подготовке к длительному хранению (более 2 месяцев):
1. Убедитесь, что в зоне хранения нет чрезмерной влажности и пыли. Электростанцию следует хранить в сухом помещении при температуре не ниже 0°C.
 2. Слейте топливо из бензобака, топливной системы и карбюратора. Помните, что бензин чрезвычайно огнеопасен и при определенных условиях является взрывчатым веществом.
 3. Замените масло в картере двигателя.
 4. Очистите корпус электростанции от грязи и пыли. Тонким слоем нанесите смазку на места, подверженные коррозии.
 5. Установите электростанцию на ровной поверхности и накройте ее чистым сухим материалом.

После долгосрочного хранения электростанции выполните следующие работы:

1. Отсоедините топливный кран и тщательно промойте.
2. Отсоедините карбюратор, промойте его бензином и продуйте жиклеры.

ВНИМАНИЕ!

Запрещается производить чистку жиклеров металлическими предметами типа иглы и металлической проволоки.

3. Установите на место топливный кран. Закройте топливный кран, залейте 1-1,5 литра бензина в бензобак и, покачивая электростанцию в разные стороны, промойте бензобак. Слейте бензин.
4. Установите на место карбюратор.
5. Выкрутите свечу зажигания, промойте и очистите ее.
6. Проверьте уровень масла в картере.

ОПИСАНИЕ СБОЯ	Возможная причина	Пути устранения
Не заводится двигатель	Выключено зажигание	Переведите ключ зажигания в положение "ON"
	Недостаточно топлива в баке	Долейте топливо
	Закрыт топливный кран	Откройте
	Засорилась свеча зажигания/свеча зажигания вышла из строя	Очистите/ замените
	Залито недостаточно масла в картер двигателя	Долейте до необходимого уровня
	Залито несоответствующее топливо	Слейте и замените на соответствующее
	Воздушный фильтр засорен	Очистите или замените
	Воздушный фильтр влажный	Высушите или замените
	Засорен карбюратор	Очистите
	Засорен топливопровод	Очистите или замените
	Двигатель холодный	Закройте воздушную заслонку
	Свеча залита топливом	Очистите/замените свечу
	Генератор находится под нагрузкой	Отключите все потребители электричества
Недостаточная мощность двигателя	Низкая мощность аккумуляторной батареи	Подзарядите или замените батарею
	Электростартер вышел из строя	Обратитесь в сервисный центр
	Несоответствующая свеча зажигания	Замените
	Свеча отработала свой ресурс	Замените
	Плохая подача топлива	Проверьте/очистите топливную систему
	Положение дросселя не регулируется в зависимости от нагрузки	Обратитесь в сервисный центр

ОПИСАНИЕ СБОЯ	Возможная причина	Пути устранения
Не вырабатывается электричество	Выключен предохранитель	Включите
	Розетка вышла из строя	Обратитесь в сервисный центр
	Мощность потребителя превышает мощность генератора	Не допускается подключать потребитель больший по мощности, чем мощность генератора
	Изношены щетки генератора	Обратитесь в сервисный центр
	Статор или ротор вышли из строя	Обратитесь в сервисный центр
Некорректная работа, нет контроля над машиной	Высокая вибрация на генераторе (изношены амортизаторы)	Замените амортизаторы
	Генератор работает рывками (перегрузка)	Снизьте нагрузку, отключите потребители тока, превышающие мощность
	Вышел из строя генератор	Обратитесь в сервисный центр

Приведенный выше список неисправностей не отражает все возможные случаи. При возникающих проблемах следует обратиться в ближайший сервисный центр или к квалифицированному специалисту.

Гарантийный срок эксплуатации миниэлектростанций ТМ «VITALIS» составляет 2 (два) года с указанной в гарантийном талоне даты розничной продажи или 1000 (одна тысяча) отработанных моточасов (в зависимости от того, какое событие наступит раньше). Потребитель имеет право на бесплатное гарантийное устранение неисправностей, выявленных и предъявленных в период гарантийного срока и обусловленных производственными и конструктивными факторами. Гарантийное устранение неисправностей производится путем ремонта или замены неисправных частей агрегата в сертифицированных сервисных центрах, адреса которых есть на сайте vitals.com.ua в разделе "Сервис". В связи со сложностью конструкции ремонт может длиться более двух недель. Причину возникновения неисправностей и сроки их устранения определяют специалисты сервисного центра.

Гарантийные обязательства утрачивают свою силу в следующих случаях

- Отсутствие или нечитаемость гарантийного талона.
- Неправильное заполнение гарантийного талона, отсутствие в нем даты продажи или печати (штампа) и подписи продавца, серийного номера изделия.
- Наличие исправлений или подчисток в гарантийном талоне.
- Полное или частичное отсутствие, нечитаемость серийного номера на изделии, несоответствие серийного номера изделия номеру, указанному в гарантийном талоне.
- Несоблюдение правил эксплуатации, приведенных в данном руководстве, в том числе нарушение регламента технического обслуживания.
- Имела место эксплуатация неисправного или некомплектного изделия, ставшая причиной выхода изделия из строя.
- Попадание внутрь двигателя или генератора посторонних веществ или предметов.
- Причиной возникшей неисправности стало применение нестандартных или некачественных расходных материалов, либо проблемы с подключенными потребителями электроэнергии.
- Изделие имеет значительные механические или термические повреждения, явные следы небрежных эксплуатации, хранения или транспортировки.

- Изделие использовалось не по назначению.
- Производились несанкционированный ремонт, вскрытие либо попытка модернизации изделия потребителем или третьими лицами.
- Неисправность произошла в результате стихийного бедствия (пожар, наводнение, ураган и т. п.).

Изделие принимается на гарантийное обслуживание только в полной комплектности, тщательно очищенное от пыли и грязи. Замененные по гарантии детали и узлы переходят в распоряжение сервисного центра.

Гарантийные обязательства не распространяются на неисправности, возникшие вследствие естественного износа или перегрузки изделия.

Гарантийные обязательства не распространяются на расходные комплектующие, такие как свеча зажигания, топливный и воздушный фильтры, тяговый трос, глушитель, амортизаторы и т. п.

Гарантийные обязательства не распространяются на неполноту комплектации изделия, которая могла быть обнаружена при его продаже.

Все расходы на транспортировку изделия несет потребитель.

Право на гарантийный ремонт не является основанием для других претензий.



ГАРАНТІЙНИЙ ТАЛОН

Купуючи виріб, вимагайте перевірки його справності, комплектності і відсутності механічних пошкоджень, наявності відмітки дати продажу, штампа магазину та підпису продавця. Після продажу претензії щодо некомплектності і механічних пошкоджень не приймаються.

Виріб	
Модель	
Серійний номер	
Торговельна організація	
Адреса торговельної організації	
Вироб перевірів і продав	
Дата продажу	
Печатка або штамп торговельної організації	

Претензій до зовнішнього вигляду, справності та комплектності виробу не маю. З правилами користування та гарантійними умовами ознайомлений.

(Підпис покупця)



Виріб	
Модель	
Серійний номер	
Вилучено (дата):	Торговельна організація
	Дата продажу
Видано (дата):	
Майстер (ПІП та підпис)	Печатка або штамп сервісного центру
	Печатка або штамп торговельної організації



Виріб	
Модель	
Серійний номер	
Вилучено (дата):	Торговельна організація
	Дата продажу
Видано (дата):	
Майстер (ПІП та підпис)	Печатка або штамп сервісного центру
	Печатка або штамп торговельної організації



Виріб	
Модель	
Серійний номер	
Вилучено (дата):	Торговельна організація
	Дата продажу
Видано (дата):	
Майстер (ПІП та підпис)	Печатка або штамп сервісного центру
	Печатка або штамп торговельної організації

ФОРМУЛЯР ГАРАНТІЙНИХ РОБІТ

Вироб після гарантійного ремонту отримав у робочому стані, без дефектів. Претензій не маю.

Дата	П.І.П. покупця	Підпис покупця

Вироб після гарантійного ремонту отримав у робочому стані, без дефектів. Претензій не маю.

Дата	П.І.П. покупця	Підпис покупця

Вироб після гарантійного ремонту отримав у робочому стані, без дефектів. Претензій не маю.

Дата	П.І.П. покупця	Підпис покупця

№	Дата проведення ремонту		Опис ремонтних робіт та заміненних деталей	Прізвище майстра та печатка сервісного центру
	Початок	Закінчення		

130.com.ua