



ТЕЛЕФОНЫ

0 (800) 800 130
(050) 462 0 130
(063) 462 0 130
(067) 462 0 130

130
COM.UA

Интернет-магазин
автотоваров



SKYPE

km-130

АВТОМАГНИТОЛЫ — Магнитолы • Медиа-ресиверы и станции • Штатные магнитолы • CD/DVD чейнджеры • FM-модуляторы/USB адаптеры • Flash память • Переходные рамки и разъемы • Антенны • Аксессуары | **АВТОЗВУК** — Акустика • Усилители • Сабвуферы • Процессоры • Кроссоверы • Наушники • Аксессуары | **БОРТОВЫЕ КОМПЬЮТЕРЫ** — Универсальные компьютеры • Модельные компьютеры • Аксессуары | **GPS НАВИГАТОРЫ** — Портативные GPS • Встраиваемые GPS • GPS модули • GPS трекеры • Антенны для GPS навигаторов • Аксессуары | **ВИДЕОУСТРОЙСТВА** — Видеорегистраторы • Телевизоры и мониторы • Автомобильные ТВ тюнеры • Камеры • Видеомодули • Транскодеры • Автомобильные ТВ антенны • Аксессуары | **ОХРАННЫЕ СИСТЕМЫ** — Автосигнализации • Мотосигнализации • Механические блокираторы • Имобилайзеры • Датчики • Аксессуары | **ОПТИКА И СВЕТ** — Ксенон • Биксенон • Лампы • Светодиоды • Стробоскопы • Оптика и фары • Омыватели фар • Датчики света, дождя • Аксессуары | **ПАРКТРОНИКИ И ЗЕРКАЛА** — Задние парктроники • Передние парктроники • Комбинированные парктроники • Зеркала заднего вида • Аксессуары | **ПОДОГРЕВ И ОХЛАЖДЕНИЕ** — Подогревы сидений • Подогревы зеркал • Подогревы дворников • Подогревы двигателей • Автохолодильники • Автокондиционеры • Аксессуары | **ТЮНИНГ** — Виброизоляция • Шумоизоляция • Тонировочная пленка • Аксессуары | **АВТОАКСЕССУАРЫ** — Радар-детекторы • Громкая связь Bluetooth • Стеклоподъемники • Компрессоры • Звуковые сигналы, СГУ • Измерительные приборы • Автопылесосы • Автокресла • Разное | **МОНТАЖНОЕ ОБОРУДОВАНИЕ** — Установочные комплекты • Обивочные материалы • Декоративные решетки • Фазоинверторы • Кабель и провод • Инструменты • Разное | **ПИТАНИЕ** — Аккумуляторы • Преобразователи • Пуско-зарядные устройства • Конденсаторы • Аксессуары | **МОРСКАЯ ЭЛЕКТРОНИКА И ЗВУК** — Морские магнитолы • Морская акустика • Морские сабвуферы • Морские усилители • Аксессуары | **АВТОХИМИЯ И КОСМЕТИКА** — Присадки • Жидкости омывателя • Средства по уходу • Полироли • Ароматизаторы • Клеи и герметики | **ЖИДКОСТИ И МАСЛА** — Моторные масла • Трансмиссионные масла • Тормозные жидкости • Антифризы • Технические смазки



В магазине «130» вы найдете и сможете купить в Киеве с доставкой по городу и Украине практически все для вашего автомобиля. Наши опытные консультанты предоставят вам исчерпывающую информацию и помогут подобрать именно то, что вы ищете. Ждем вас по адресу

<https://130.com.ua>

DEWALT®

XR LI-ION

130.com.ua

WWW.DEWALT.COM

DCMPS567

ENGLISH

English (*original instructions*) 5

Русский (*перевод с оригинала инструкции*) 20

Англійська (*оригінальні інструкції*) 40

130.com.ua

Fig. A

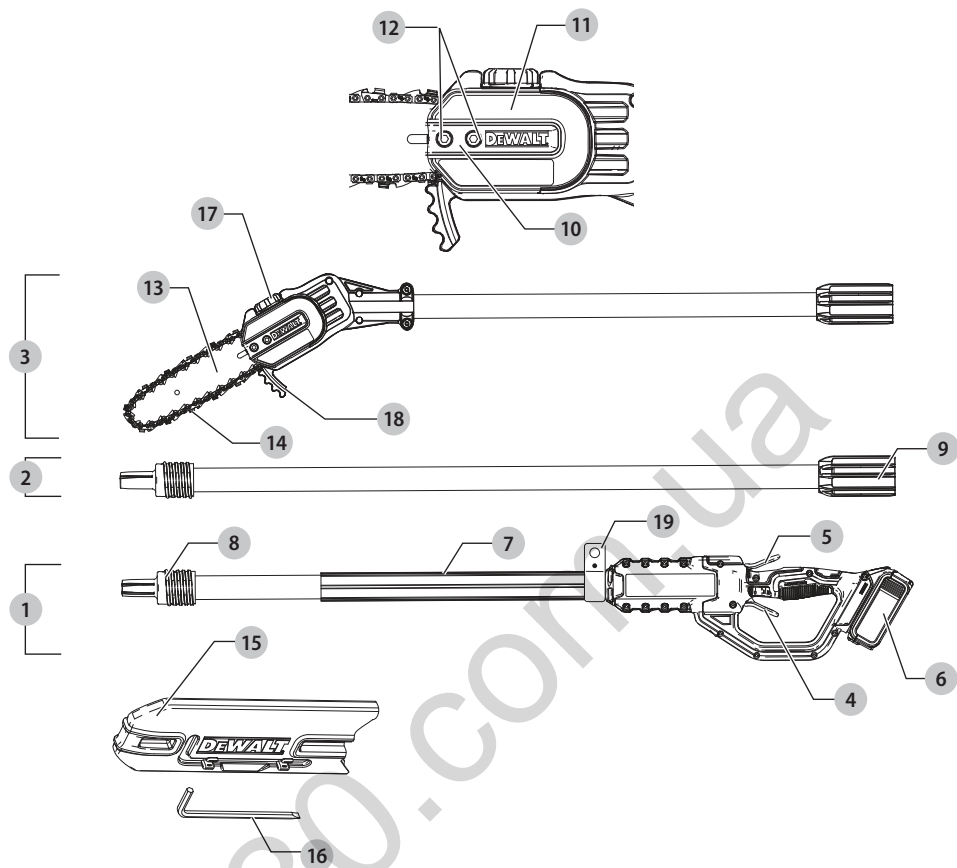


Fig. B

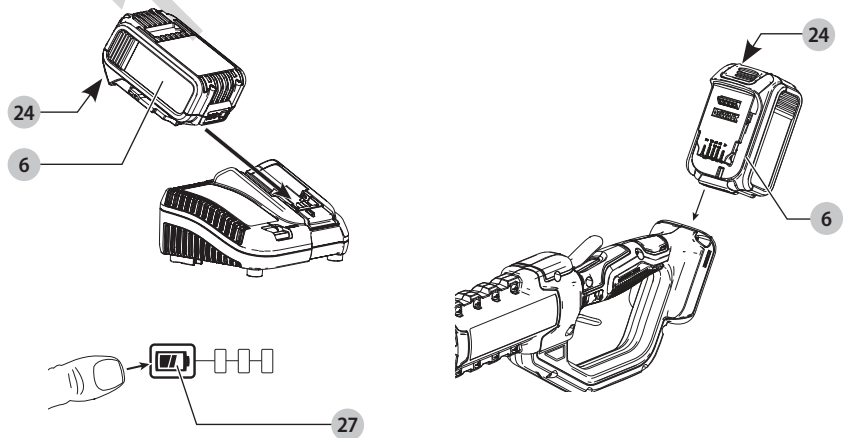


Fig. C

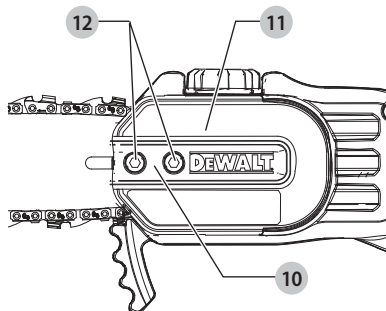


Fig. D

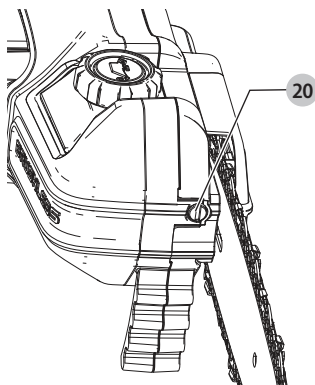


Fig. E

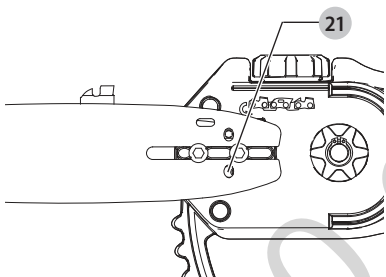


Fig. F

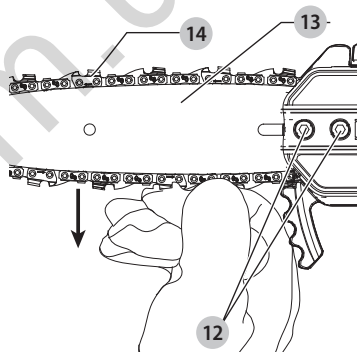


Fig. G

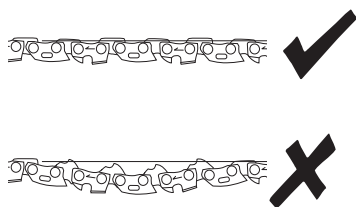


Fig. H

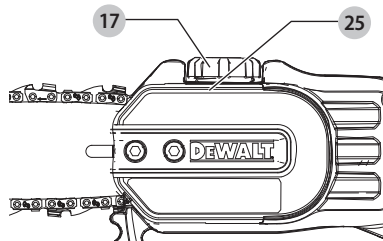


Fig. I

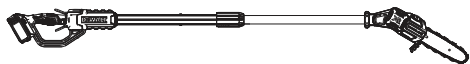


Fig. J

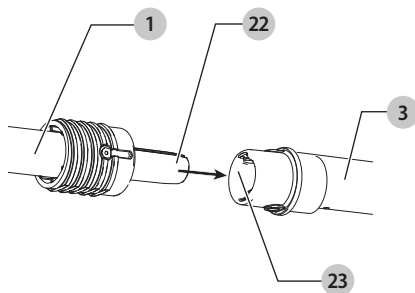


Fig. K

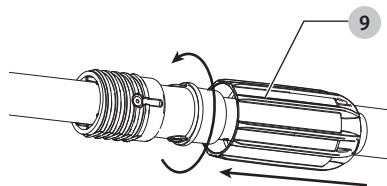


Fig. L

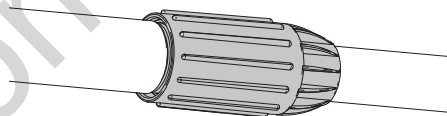


Fig. M



Fig. N

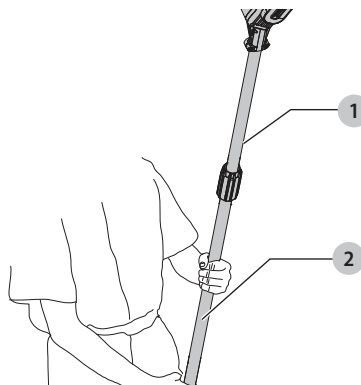


Fig. O

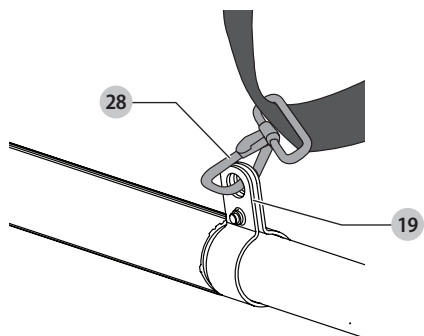


Fig. P

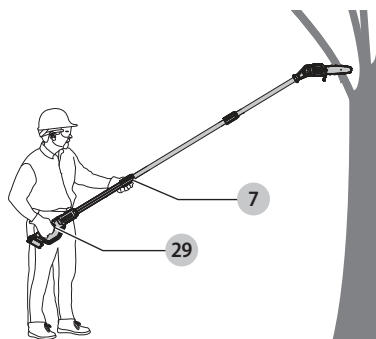


Fig. Q

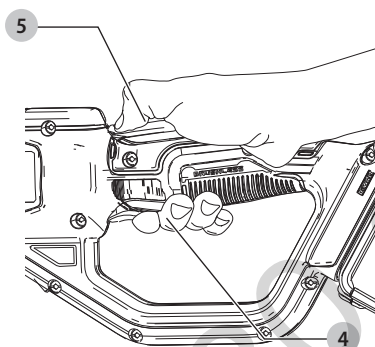
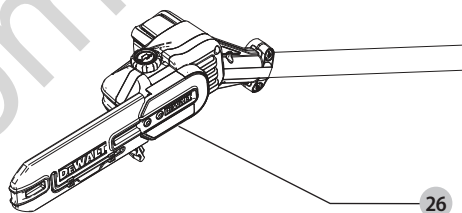


Fig. R



POLE SAW

DCMP5567

Congratulations!

You have chosen a DEWALT tool. Years of experience, thorough product development and innovation make DEWALT one of the most reliable partners for professional power tool users.

Technical Data

		DCMP5567
Voltage	V_{DC}	18
Battery type		Li-Ion
Bar Length	cm	20
Maximum Chain Speed (no-load)	m/s	6,5
Maximum Cutting Length	cm	15
Oil Capacity	ml	115
Weight (without battery pack)	kg	4
Noise values and vibration values (tri-ax vector sum) according to EN ISO 11680-1:2011:		
L_{PA} (emission sound pressure level)	dB(A)	81,9
L_{WA} (sound power level)	dB(A)	92,0
K (uncertainty for the given sound level)	dB(A)	3
Vibration emission value a_{Hv} =		
	m/s^2	<2,5
Uncertainty K =		
	m/s^2	1,5

The vibration and/or noise emission level given in this information sheet has been measured in accordance with a standardised test given in EN ISO 11680-1:2011 and may be used to compare one tool with another. It may be used for a preliminary assessment of exposure.



WARNING: The declared vibration and/or noise emission level represents the main applications of the tool. However if the tool is used for different applications, with different accessories or poorly maintained, the vibration and/or noise emission may differ. This may significantly increase the exposure level over the total working period.

An estimation of the level of exposure to vibration and/or noise should also take into account the times when the tool is switched off or when it is running but not actually doing the job. This may significantly reduce the exposure level over the total working period.

Identify additional safety measures to protect the operator from the effects of vibration and/or noise such as: maintain the tool and the accessories, keep the hands warm (relevant for vibration), organisation of work patterns.

EC-Declaration of Conformity

Machinery Directive



Pole Saw DCMP5567

DEWALT declares that these products described under **Technical Data** are in compliance with: 2006/42/EC, EN 62841-1:2015; EN ISO 11680-1:2011, 2000/14/EC, Annex V DEKRA Certification B.V., Meander 1051 / P.O. Box 5185 6825 MJ ARNHEM / 6802 ED ARNHEM Netherlands
Notified Body ID No.: 0344

LPA (measured sound pressure level) 81.9 dB(A)
LWA (guaranteed sound power) 95.0 dB(A)

These products also comply with Directive 2014/30/EU and 2011/65/EU. For more information, please contact DEWALT at the following address or refer to the back of the manual.

The undersigned is responsible for compilation of the technical file and makes this declaration on behalf of DEWALT.

Markus Rompel
Vice President of Engineering, PTE-Europe
DEWALT, Richard-Klinger-Straße 11,
D-65510, Idstein, Germany
22.07.2019



WARNING: To reduce the risk of injury, read the instruction manual.

Definitions: Safety Guidelines

The definitions below describe the level of severity for each signal word. Please read the manual and pay attention to these symbols.



DANGER: Indicates an imminently hazardous situation which, if not avoided, **will** result in **death or serious injury**.



WARNING: Indicates a potentially hazardous situation which, if not avoided, **could** result in **death or serious injury**.



CAUTION: Indicates a potentially hazardous situation which, if not avoided, **may** result in **minor or moderate injury**.

NOTICE: Indicates a practice **not related to personal injury** which, if not avoided, **may** result in **property damage**.



Denotes risk of electric shock.



Denotes risk of fire.

Batteries				Chargers/Charge Times (Minutes)							
Cat #	V _{DC}	Ah	Weight (kg)	DCB104	DCB107	DCB112	DCB113	DCB115	DCB118	DCB132	DCB119
DCB546	18/54	6.0/2.0	1.05	60	270	170	140	90	60	90	X
DCB547	18/54	9.0/3.0	1.46	75*	420	270	220	135*	75*	135*	X
DCB548	18/54	12.0/4.0	1.44	120	540	350	300	180	120	180	X
DCB181	18	1.5	0.35	22	70	45	35	22	22	22	45
DCB182	18	4.0	0.61	60/40**	185	120	100	60	60/40**	60	120
DCB183/B	18	2.0	0.40	30	90	60	50	30	30	30	60
DCB184/B	18	5.0	0.62	75/50**	240	150	120	75	75/50**	75	150
DCB185	18	1.3	0.35	22	60	40	30	22	22	22	X
DCB187	18	3.0	0.54	45	140	90	70	45	45	45	90
DCB189	18	4.0	0.54	60	185	120	100	60	60	60	120

*Date code 201811475B or later

**Date code 201536 or later

GENERAL POWER TOOL SAFETY WARNINGS



WARNING: Read all safety warnings, instructions, illustrations and specifications provided with this power tool. Failure to follow all instructions listed below may result in electric shock, fire and/or serious injury.

SAVE ALL WARNINGS AND INSTRUCTIONS FOR FUTURE REFERENCE

The term "power tool" in the warnings refers to your mains-operated (corded) power tool or battery-operated (cordless) power tool.

1) Work Area Safety

- Keep work area clean and well lit.** Cluttered or dark areas invite accidents.
- Do not operate power tools in explosive atmospheres, such as in the presence of flammable liquids, gases or dust.** Power tools create sparks which may ignite the dust or fumes.
- Keep children and bystanders away while operating a power tool.** Distractions can cause you to lose control.

2) Electrical Safety

- Power tool plugs must match the outlet. Never modify the plug in any way. Do not use any adapter plugs with earthed (grounded) power tools.** Unmodified plugs and matching outlets will reduce risk of electric shock.
- Avoid body contact with earthed or grounded surfaces, such as pipes, radiators, ranges and refrigerators.** There is an increased risk of electric shock if your body is earthed or grounded.
- Do not expose power tools to rain or wet conditions.** Water entering a power tool will increase the risk of electric shock.
- Do not abuse the cord. Never use the cord for carrying, pulling or unplugging the power tool. Keep cord away from heat, oil, sharp edges or moving parts.** Damaged or entangled cords increase the risk of electric shock.

- When operating a power tool outdoors, use an extension cord suitable for outdoor use.** Use of a cord suitable for outdoor use reduces the risk of electric shock.
- If operating a power tool in a damp location is unavoidable, use a residual current device (RCD) protected supply.** Use of an RCD reduces the risk of electric shock.

3) Personal Safety

- Stay alert, watch what you are doing and use common sense when operating a power tool. Do not use a power tool while you are tired or under the influence of drugs, alcohol or medication.** A moment of inattention while operating power tools may result in serious personal injury.
- Use personal protective equipment. Always wear eye protection.** Protective equipment such as a dust mask, non-skid safety shoes, hard hat or hearing protection used for appropriate conditions will reduce personal injuries.
- Prevent unintentional starting. Ensure the switch is in the off-position before connecting to power source and/or battery pack, picking up or carrying the tool.** Carrying power tools with your finger on the switch or energising power tools that have the switch on invites accidents.
- Remove any adjusting key or wrench before turning the power tool on.** A wrench or a key left attached to a rotating part of the power tool may result in personal injury.
- Do not overreach. Keep proper footing and balance at all times.** This enables better control of the power tool in unexpected situations.
- Dress properly. Do not wear loose clothing or jewellery. Keep your hair and clothing away from moving parts.** Loose clothes, jewellery or long hair can be caught in moving parts.
- If devices are provided for the connection of dust extraction and collection facilities, ensure these are connected and properly used.** Use of dust collection can reduce dust-related hazards.

- h) **Do not let familiarity gained from frequent use of tools allow you to become complacent and ignore tool safety principles.** A careless action can cause severe injury within a fraction of a second.

4) Power Tool Use and Care

- a) **Do not force the power tool. Use the correct power tool for your application.** The correct power tool will do the job better and safer at the rate for which it was designed.
- b) **Do not use the power tool if the switch does not turn it on and off.** Any power tool that cannot be controlled with the switch is dangerous and must be repaired.
- c) **Disconnect the plug from the power source and/or remove the battery pack, if detachable, from the power tool before making any adjustments, changing accessories, or storing power tools.** Such preventive safety measures reduce the risk of starting the power tool accidentally.
- d) **Store idle power tools out of the reach of children and do not allow persons unfamiliar with the power tool or these instructions to operate the power tool.** Power tools are dangerous in the hands of untrained users.
- e) **Maintain power tools and accessories. Check for misalignment or binding of moving parts, breakage of parts and any other condition that may affect the power tool's operation. If damaged, have the power tool repaired before use.** Many accidents are caused by poorly maintained power tools.
- f) **Keep cutting tools sharp and clean.** Properly maintained cutting tools with sharp cutting edges are less likely to bind and are easier to control.
- g) **Use the power tool, accessories and tool bits etc. in accordance with these instructions, taking into account the working conditions and the work to be performed.** Use of the power tool for operations different from those intended could result in a hazardous situation.
- h) **Keep handles and grasping surfaces dry, clean and free from oil and grease.** Slippery handles and grasping surfaces do not allow for safe handling and control of the tool in unexpected situations.

5) Battery Tool Use and Care

- a) **Recharge only with the charger specified by the manufacturer.** A charger that is suitable for one type of battery pack may create a risk of fire when used with another battery pack.
- b) **Use power tools only with specifically designated battery packs.** Use of any other battery packs may create a risk of injury and fire.
- c) **When battery pack is not in use, keep it away from other metal objects, like paper clips, coins, keys, nails, screws or other small metal objects, that can make a connection from one terminal to another.** Shorting the battery terminals together may cause burns or a fire.
- d) **Under abusive conditions, liquid may be ejected from the battery; avoid contact. If contact accidentally occurs, flush with water. If liquid**

contacts eyes, additionally seek medical help. Liquid ejected from the battery may cause irritation or burns.

- e) **Do not use a battery pack or tool that is damaged or modified.** Damaged or modified batteries may exhibit unpredictable behaviour resulting in fire, explosion or risk of injury.
- f) **Do not expose a battery pack or tool to fire or excessive temperature.** Exposure to fire or temperature above 130 °C may cause explosion.
- g) **Follow all charging instructions and do not charge the battery pack or tool outside the temperature range specified in the instructions.** Charging improperly or at temperatures outside the specified range may damage the battery and increase the risk of fire.

6) Service

- a) **Have your power tool serviced by a qualified repair person using only identical replacement parts.** This will ensure that the safety of the power tool is maintained.
- b) **Never service damaged battery packs.** Service of battery packs should only be performed by the manufacturer or authorized service providers.

IMPORTANT SAFETY INSTRUCTIONS

⚠ WARNING: To reduce risk of injury:


- Before any use, be sure everyone using this unit reads and understands all safety instructions and other information contained in this manual.
- Save these instructions and review frequently.

⚠ WARNING: When using electric gardening appliances, basic safety precautions should always be followed to reduce risk of fire, electric shock, and personal injury, including the following.

1. **Avoid Dangerous Environment** – Don't use appliances in damp or wet locations.
2. **Don't Use In Rain.**
3. **Keep Children Away** – All visitors should be kept at a distance from work area.
4. **Dress Properly** – Do not wear loose clothing or jewelry. They can be caught in moving parts. Use of rubber gloves and substantial footwear is recommended when working outdoors. Wear protective hair covering to contain long hair.
5. **Use Safety Glasses** – Always use face or dust mask if operation is dusty.
6. **Use Right Appliance** – Do not use appliance for any job except that for which it is intended.
7. **Don't grasp the exposed cutting blades or cutting edges when picking up or holding the appliance.**
8. **Don't Force Appliance** – It will do the job better and with less likelihood of a risk of injury at the rate for which it was designed.
9. **Don't Overreach** – Keep proper footing and balance at all times.


10. **Stay Alert** – Watch what you are doing. Use common sense. Do not operate appliance when you are tired.
11. **Disconnect Appliance** – Remove the battery when not in use, before servicing, when changing accessories such as blades, and the like.
12. **Store Idle Appliances Indoors** – When not in use, appliances should be stored indoors in dry, and high or locked-up place – out of reach of children.
13. **Maintain Appliance With Care** – Keep cutting edge sharp and clean for best performance and to reduce the risk of injury. Follow instructions for lubricating and changing accessories. Inspect appliance power source periodically, and if damaged, have it repaired by an authorized service facility. Keep handles dry, clean, and free from oil and grease.
14. **Check Damaged Parts** – Before further use of the appliance, a guard or other part that is damaged should be carefully checked to determine that it will operate properly and perform its intended function. Check for alignment of moving parts, binding of moving parts, breakage of parts, mounting, and any other condition that may affect its operation. A guard or other part that is damaged should be properly repaired or replaced by an authorized service center unless indicated elsewhere in this manual.

SAVE THESE INSTRUCTIONS

-  **WARNING - Do not operate near electrical power lines.** The unit has not been designed to provide protection from electric shock in the event of contact with overhead electric lines. Consult local regulations for safe distances from overhead electric power lines and ensure that the operating position is safe and secure before operating the saw chain pole pruner.
- **Keep all parts of the body away from the saw chain. Do not remove cut material or hold material to be cut when blades are moving. Make sure the switch is off when clearing jammed material. Blades coast after turn off.** A moment of inattention while operating the pole saw may result in serious personal injury.
 - **Carry the pole saw by the handle with the saw chain stopped.** When transporting or storing the pole saw always fit the saw chain device cover. Proper handling of the pole saw will reduce possible personal injury from the saw chain.
 - **Hold the power tool by insulated gripping surfaces only, because the cutter blade may contact hidden wiring.** A saw chain contacting a "live" wire may make exposed metal parts of the tool "live" and could give the operator an electric shock.
 - **Do not use the pole saw in bad weather conditions, especially when there is a risk of lightning.** This decreases the risk of being struck by lightning.
 - **Always use two hands when operating the pole saw.** Hold the pole saw with both hands to avoid loss of control.


Always use head protection when operating the pole saw overhead. Falling debris can result in serious personal injury.


SPECIFIC SAFETY RULES

-  **WARNING:** Some dust contains chemicals known to State of California to cause cancer, birth defects or other reproductive harm. Some examples of these chemicals are:
- compounds in fertilizers,
 - compounds in insecticides, herbicides and pesticides,
 - arsenic and chromium from chemically treated lumber.

To reduce your exposure to these chemicals, wear approved safety equipment such as dust masks that are specially designed to filter out microscopic particles.

- **Avoid prolonged contact with dust from power sanding, sawing, grinding, drilling, and other construction activities. Wear protective clothing and wash exposed areas with soap and water.** Allowing dust to get into your mouth, eyes, or lay on the skin may promote absorption of harmful chemicals.

-  **WARNING: Use of this tool can generate and/or disburse dust, which may cause serious and permanent respiratory or other injury.** Always use approved respiratory protection appropriate for the dust exposure. Direct particles away from face and body.

-  **CAUTION:** Wear appropriate personal hearing protection during use. Under some conditions and duration of use, noise from this product may contribute to hearing loss.

Before Operating Pole Saw

- **For safe operation, read and understand all instructions before using the pole saw.** Follow all safety instructions. Failure to follow all safety instructions listed below, can result in serious personal injury.
- **Watch what you are doing.** Use common sense. Do not operate pole saw when you are tired.
- **Use pole saw for cutting tree branches only.** Do not use pole saw for purposes not intended. Do not use for cutting other items.
- **Only well-instructed adults should operate pole saw.** Never allow children to operate.
- **Do not allow children or untrained individuals to use this unit.**
- **Wear the following safety gear when operating pole saw:**
 - heavy-duty gloves
 - steel-toed safety footwear with non-skid soles
 - safety glasses, goggles or face screen
 - safety hard hat
 - ear muffers or ear plugs
 - face or dust mask (if working in dusty areas)
- **Wear heavy long pants and boots.** Do not wear loose fitting clothing, short pants, jewelry of any kind, or go barefoot.
- **Secure long hair so it is above shoulder level to prevent entanglement in any moving parts.**

- Before cutting, always provide the following:
 - clear work area
 - secure footing
 - planned retreat path from falling limbs
- Inspect tree before trimming. Make allowance for branches to fall freely to the ground.
- Do not use your pole saw to fell saplings.
- Inspect pole saw before each use and after dropping or other impacts. Ensure there are no significant defects or damage.

Do Not Operate Pole Saw:

- while under the influence of alcohol, medication, or drugs.
- in rain or in damp or wet areas.
- where highly flammable liquids or gases are present.
- if pole saw is damaged, adjusted incorrectly, or not fully and securely assembled.
- if trigger does not turn pole saw on and off. Chain must stop moving when you release trigger. Have faulty switch replaced by authorized service center. See **Accessories** under **Maintenance**.
- while in a hurry.
- while in a tree or on a ladder.
- while on aerial booms, buckets or platforms.
- during high wind or storming weather.

While Operating Pole Saw



DANGER: To reduce the risk of electric shock do no use on wet surfaces. Do not expose to rain. Store indoors.



DANGER: Avoid Unintentional Starting – with battery installed, don't carry appliance with with finger on switch. Be sure switch is off when installing battery.

- Stay alert. Use common sense while operating the unit.
- Keep work area clean. Cluttered areas invite injuries.
- Always remove battery from pole saw when finished cutting or when left unattended.
- Keep children, animals and bystanders at least 15 m away from pole saw. Only pole saw user should be in work area.
- Do not use the pole saw to cut down trees.
- Do not grasp the exposed saw chain when picking up or holding the pole saw.
- Grip pole saw securely - one hand on the pole, the other on the handle.
- Keep finger off trigger until ready to make cut.
- Before starting pole saw, make sure chain is not touching anything.
- Keep all parts of body away from chain when pole saw is running.
- Do not force pole saw while cutting. Apply light pressure. It will do the job better and safer at the rate for which it was intended.
- Carry pole saw from one place to another:
 - with battery removed,
 - fingers off/away from trigger,
 - by holding pole at balance point, and
 - with guide bar and chain to rear and with scabbard attached.
- Do not cut small brush and saplings with the pole saw. Slender matter may catch in the chain and be whipped toward you. This could also pull you off balance.
- Do not operate in poor lighting.
- Keep firm footing and balance. Do not overreach. Overreaching can result in loss of balance or exposure to hot surfaces.
- Keep all parts of your body away from any moving part.
- Do not, under any circumstance, use any attachment or accessory on this product, which was not provided with the product, or identified as appropriate for use with this product in this instruction manual.

GENERAL SAFETY RULES



DANGER: Shock Hazard. Serious injury or death from electrocution if power lines are contacted. Never use near any electrical source, wires, or power lines.



WARNING: For safe operation read and understand owner's manual. Wear face shield (and/or safety glasses) and hard hat to protect against falling debris. Always have a clear work area, retreat path, and be aware of limb/branch location to avoid falling limbs and debris. Keep bystanders 15 m away when operating saw. To reduce the risk of electric shock do not use on wet surfaces. Do not expose to rain. Store indoors.

- To protect yourself from falling branches do not stand directly under the branch or limb being cut. This unit should not be held at an angle over 60° from ground level.
- Keep the handles dry, clean, and free of oil.
- Before you start the unit, make sure the chain is not contacting any object.
- Make sure the cutting chain has stopped before setting the unit down.

Service

- Tool service must be performed only by qualified repair personnel. Service or maintenance performed by unqualified personnel could result in a risk of injury. Refer to the **Maintenance** section of this manual.
- When servicing a tool, use only identical replacement parts. Follow instructions in the **Maintenance** section of this manual. Use of unauthorized parts or failure to follow maintenance instructions may create a risk of electric shock or injury.

Guard Against Kickback



WARNING: KICKBACK may occur when the nose or tip of the guide bar touches an object, or when the wood closes in and pinches the saw chain in the cut. Tip contact in some cases may cause a lightning fast reverse reaction, kicking the guide bar up and back towards the operator.

Pinching the saw chain along the top of the guide bar may push the guide bar rapidly back towards the operator. Either of these reactions may cause you to lose control of the saw which could result in serious injury to user.



THE FOLLOWING PRECAUTIONS SHOULD BE FOLLOWED TO MINIMIZE KICKBACK:

- Grip pole saw firmly. Hold the saw firmly with both hands when the unit is running. Use a firm grip with thumbs and fingers encircling the saw handle and pole.
- Do not overreach.
- Keep proper footing and balance at all times.
- Don't let the nose of the guide bar contact a log, branch, ground or other obstruction.
- Do not extend pole saw handle above shoulder height.
- Use devices such as reduced kickback chain, chain braking system and special guide bars that reduce the risks associated with kickback.
- Only use replacement bars and chains specified by the manufacturer or the equivalent.
- Never let the moving chain contact any object at the tip of the guide bar.
- Keep the working area free from obstructions such as other trees, branches, rocks, fences, stumps, etc. Eliminate or avoid any obstruction that your saw chain could hit while you are cutting through a particular log or branch.
- Keep your saw chain sharp and properly tensioned. A loose or dull chain can increase the chance of kickback. Check tension at regular intervals with the motor stopped and battery removed.
- Begin and continue cutting only with the chain moving at full speed. If the chain is moving at a slower speed, there is a greater chance for kickback to occur.
- Cut one branch at a time.
- Use extreme caution when re-entering a previous cut. Engage spiked bumpers into wood and allow chain to reach full speed before proceeding with cut.
- Do not attempt plunge cuts or bore cuts.
- Watch for shifting branches or other forces that could close a cut and pinch or fall into chain.

Kickback Safety Features



WARNING: The following features are included on your pole saw to help reduce the hazard of kickback; however such features will not totally eliminate this dangerous reaction. As a pole saw user do not rely only on safety devices. You must follow all safety precautions, instructions, and maintenance in this manual to help avoid kickback and other forces which can result in serious injury.

- **Reduced-Kickback Guide Bar**, designed with a small radius tip which reduces the size of the kickback danger zone on bar tip. A reduced- kickback guide bar is one which has been demonstrated to significantly reduce the number and seriousness of kickbacks when tested in accordance with safety requirements for electric chain saws.

- **Reduced Kickback Chain**, designed with a contoured depth gauge and guard link which deflect kickback force and allow wood to gradually ride into the cutter. A reduced-kickback chain is a chain which has met kickback performance requirements when tested on the representative sample of chain saws.

Pole Saw Names and Terms

- **Drive Sprocket or Sprocket** - The toothed part that drives the saw chain.
- **Guide Bar** - A solid railed structure that supports and guides the saw chain.
- **Guide Bar Scabbard** - Enclosure fitted over guide bar to prevent tooth contact when saw is not in use.
- **Kickback** - The backward or upward motion, or both of the guide bar occurring when the saw chain near the nose of the top area of the guide bar contacts any object such as a log or branch, or when the wood closes in and pinches the saw chain in the cut.
- **Reduced Kickback Chain** - A chain that complies with the kickback performance requirements. (when tested on a representative sample of chain saws.)
- **Reduced Kickback Guide Bar** - A guide bar which has been demonstrated to reduce kickback significantly.
- **Replacement Saw Chain** - A chain that complies with kickback performance requirements when tested with specific chain saws. It may not meet performance requirements when used with other saws.
- **Saw Chain** - A loop of chain having cutting teeth, that cut the wood, and that is driven by the motor and is supported by the guide bar.
- **Spiked Bumper (Spike)** - The pointed tooth or teeth for use when pruning to pivot the saw and maintain position while sawing.
- **Switch** - A device that when operated will complete or interrupt an electrical power circuit to the motor of the chain saw.
- **Switch Lockout** - A movable stop that prevents the unintentional operation of the switch until manually actuated.
- **Trimming (Pruning)** - Process of cutting limbs from a tree.
- **Undercut** - An upward cut from underside of a log or limb. This is done while in normal cutting position and cutting with top of guide bar.

Storage

1. **Store indoors.** The best storage place is one that is cool and dry away from direct sunlight, excess heat or cold and out of the reach of children.
2. **Always reduce the tension off the chain again after finishing work. The chain contracts as it cools down. If tension is not reduced, it can damage the saw.**

Residual Risks

In spite of the application of the relevant safety regulations and the implementation of safety devices, certain residual risks cannot be avoided. These are:

- Impairment of hearing.
- Risk of personal injury due to flying particles.
- Risk of burns due to accessories becoming hot during operation.
- Risk of personal injury due to prolonged use.

SAVE THESE INSTRUCTIONS

Chargers

DEWALT chargers require no adjustment and are designed to be as easy as possible to operate.

Electrical Safety

The electric motor has been designed for one voltage only. Always check that the battery pack voltage corresponds to the voltage on the rating plate. Also make sure that the voltage of your charger corresponds to that of your mains.



Your DEWALT charger is double insulated in accordance with EN60335; therefore no earth wire is required.

If the supply cord is damaged, it must be replaced by a specially prepared cord available through the DEWALT service organisation.

Mains Plug Replacement (U.K. & Ireland Only)

If a new mains plug needs to be fitted:

- Safely dispose of the old plug.
- Connect the brown lead to the live terminal in the plug.
- Connect the blue lead to the neutral terminal.



WARNING: No connection is to be made to the earth terminal.

Follow the fitting instructions supplied with good quality plugs. Recommended fuse: 3 A.

Using an Extension Cable

An extension cord should not be used unless absolutely necessary. Use an approved extension cable suitable for the power input of your charger (see **Technical Data**). The minimum conductor size is 1 mm²; the maximum length is 30 m.

When using a cable reel, always unwind the cable completely.

Important Safety Instructions for All Battery Chargers

SAVE THESE INSTRUCTIONS: This manual contains important safety and operating instructions for compatible battery chargers (refer to **Technical Data**).

- Before using charger, read all instructions and cautionary markings on charger, battery pack, and product using battery pack.



WARNING: Shock hazard. Do not allow any liquid to get inside charger. Electric shock may result.



WARNING: We recommend the use of a residual current device with a residual current rating of 30mA or less.



CAUTION: Burn hazard. To reduce the risk of injury, charge only DEWALT rechargeable batteries. Other types of batteries may burst causing personal injury and damage.



CAUTION: Children should be supervised to ensure that they do not play with the appliance.

NOTICE: Under certain conditions, with the charger plugged into the power supply, the exposed charging contacts inside the charger can be shorted by foreign material. Foreign materials of a conductive nature such as, but not limited to, steel wool, aluminum foil or any buildup of metallic particles should be kept away from charger cavities. Always unplug the charger from the power supply when there is no battery pack in the cavity. Unplug charger before attempting to clean.

- **DO NOT attempt to charge the battery pack with any chargers other than the ones in this manual.** The charger and battery pack are specifically designed to work together.
- **These chargers are not intended for any uses other than charging DEWALT rechargeable batteries.** Any other uses may result in risk of fire, electric shock or electrocution.
- **Do not expose charger to rain or snow.**
- **Pull by plug rather than cord when disconnecting charger.** This will reduce risk of damage to electric plug and cord.
- **Make sure that cord is located so that it will not be stepped on, tripped over, or otherwise subjected to damage or stress.**
- **Do not use an extension cord unless it is absolutely necessary.** Use of improper extension cord could result in risk of fire, electric shock, or electrocution.
- **Do not place any object on top of charger or place the charger on a soft surface that might block the ventilation slots and result in excessive internal heat.** Place the charger in a position away from any heat source. The charger is ventilated through slots in the top and the bottom of the housing.
- **Do not operate charger with damaged cord or plug—** have them replaced immediately.
- **Do not operate charger if it has received a sharp blow, been dropped, or otherwise damaged in any way.** Take it to an authorised service centre.
- **Do not disassemble charger; take it to an authorised service centre when service or repair is required.** Incorrect reassembly may result in a risk of electric shock, electrocution or fire.
- In case of damaged power supply cord, the supply cord must be replaced immediately by the manufacturer, its service agent or similar qualified person to prevent any hazard.
- **Disconnect the charger from the outlet before attempting any cleaning. This will reduce the risk of electric shock.** Removing the battery pack will not reduce this risk.
- **NEVER attempt to connect two chargers together.**
- **The charger is designed to operate on standard 230V household electrical power. Do not attempt to**

use it on any other voltage. This does not apply to the vehicular charger.







Charging a Battery (Fig. B)

1. Plug the charger into an appropriate outlet before inserting battery pack.
2. Insert the battery pack **1** into the charger, making sure the battery pack is fully seated in the charger. The red (charging) light will blink repeatedly indicating that the charging process has started.
3. The completion of charge will be indicated by the red light remaining ON continuously. The battery pack is fully charged and may be used at this time or left in the charger. To remove the battery pack from the charger, push the battery release button **24** on the battery pack.

NOTE: To ensure maximum performance and life of lithium-ion battery packs, charge the battery pack fully before first use.

Charger Operation

Refer to the indicators below for the charge status of the battery pack.

Charge Indicators	
	Charging 
	Fully Charged 
	Hot/Cold Pack Delay* 

*The red light will continue to blink, but a yellow indicator light will be illuminated during this operation. Once the battery pack has reached an appropriate temperature, the yellow light will turn off and the charger will resume the charging procedure.

The compatible charger(s) will not charge a faulty battery pack. The charger will indicate faulty battery by refusing to light.

NOTE: This could also mean a problem with a charger.

If the charger indicates a problem, take the charger and battery pack to be tested at an authorised service centre.

Hot/Cold Pack Delay

When the charger detects a battery pack that is too hot or too cold, it automatically starts a Hot/Cold Pack Delay, suspending charging until the battery pack has reached an appropriate temperature. The charger then automatically switches to the pack charging mode. This feature ensures maximum battery pack life.

A cold battery pack will charge at a slower rate than a warm battery pack. The battery pack will charge at that slower rate throughout the entire charging cycle and will not return to maximum charge rate even if the battery pack warms.

The DCB118 charger is equipped with an internal fan designed to cool the battery pack. The fan will turn on automatically when the battery pack needs to be cooled. Never operate the charger if the fan does not operate properly or if ventilation slots are blocked. Do not permit foreign objects to enter the interior of the charger.

Electronic Protection System

XR Li-Ion tools are designed with an Electronic Protection System that will protect the battery pack against overloading, overheating or deep discharge.

The tool will automatically turn off if the Electronic Protection System engages. If this occurs, place the lithium-ion battery pack on the charger until it is fully charged.

Wall Mounting

These chargers are designed to be wall mountable or to sit upright on a table or work surface. If wall mounting, locate the charger within reach of an electrical outlet, and away from a corner or other obstructions which may impede air flow. Use the back of the charger as a template for the location of the mounting screws on the wall. Mount the charger securely using drywall screws (purchased separately) at least 25.4 mm long with a screw head diameter of 7–9 mm, screwed into wood to an optimal depth leaving approximately 5.5 mm of the screw exposed. Align the slots on the back of the charger with the exposed screws and fully engage them in the slots.

Charger Cleaning Instructions



WARNING: Shock hazard. Disconnect the charger from the AC outlet before cleaning. Dirt and grease may be removed from the exterior of the charger using a cloth or soft non-metallic brush. Do not use water or any cleaning solutions. Never let any liquid get inside the tool; never immerse any part of the tool into a liquid.

Battery Packs

Important Safety Instructions for All Battery Packs

When ordering replacement battery packs, be sure to include catalogue number and voltage.

The battery pack is not fully charged out of the carton. Before using the battery pack and charger, read the safety instructions below. Then follow charging procedures outlined.

READ ALL INSTRUCTIONS

- **Do not charge or use battery in explosive atmospheres, such as in the presence of flammable liquids, gases or dust.** Inserting or removing the battery from the charger may ignite the dust or fumes.
- **Never force battery pack into charger. Do not modify battery pack in any way to fit into a non-compatible charger as battery pack may rupture causing serious personal injury.**
- Charge the battery packs only in DEWALT chargers.
- **DO NOT splash or immerse in water or other liquids.**
- **Do not store or use the tool and battery pack in locations where the temperature may fall below 4 °C (34 °F) (such as outside sheds or metal buildings in winter), or reach or exceed 40 °C (104 °F) (such as outside sheds or metal buildings in summer).**
- **Do not incinerate the battery pack even if it is severely damaged or is completely worn out.** The battery pack can

explode in a fire. Toxic fumes and materials are created when lithium-ion battery packs are burned.

- **If battery contents come into contact with the skin, immediately wash area with mild soap and water.** If battery liquid gets into the eye, rinse water over the open eye for 15 minutes or until irritation ceases. If medical attention is needed, the battery electrolyte is composed of a mixture of liquid organic carbonates and lithium salts.
- **Contents of opened battery cells may cause respiratory irritation.** Provide fresh air. If symptoms persists, seek medical attention.



WARNING: Burn hazard. Battery liquid may be flammable if exposed to spark or flame.



WARNING: Never attempt to open the battery pack for any reason. If battery pack case is cracked or damaged, do not insert into charger. Do not crush, drop or damage battery pack. Do not use a battery pack or charger that has received a sharp blow, been dropped, run over or damaged in any way (i.e., pierced with a nail, hit with a hammer, stepped on). Electric shock or electrocution may result. Damaged battery packs should be returned to service centre for recycling.



WARNING: Fire hazard. Do not store or carry the battery pack so that metal objects can contact exposed battery terminals. For example, do not place the battery pack in aprons, pockets, tool boxes, product kit boxes, drawers, etc., with loose nails, screws, keys, etc.



CAUTION: When not in use, place tool on its side on a stable surface where it will not cause a tripping or falling hazard. Some tools with large battery packs will stand upright on the battery pack but may be easily knocked over.

Transportation



WARNING: Fire hazard. Transporting batteries can possibly cause fire if the battery terminals inadvertently come in contact with conductive materials. When transporting batteries, make sure that the battery terminals are protected and well insulated from materials that could contact them and cause a short circuit. **NOTE:** Lithium-ion batteries should not be put in checked baggage.

DEWALT batteries comply with all applicable shipping regulations as prescribed by industry and legal standards which include UN Recommendations on the Transport of Dangerous Goods; International Air Transport Association (IATA) Dangerous Goods Regulations, International Maritime Dangerous Goods (IMDG) Regulations, and the European Agreement Concerning The International Carriage of Dangerous Goods by Road (ADR). Lithium-ion cells and batteries have been tested to section 38.3 of the UN Recommendations on the Transport of Dangerous Goods Manual of Tests and Criteria.

In most instances, shipping a DEWALT battery pack will be excepted from being classified as a fully regulated Class 9 Hazardous Material. In general, only shipments containing a lithium-ion battery with an energy rating greater than 100 Watt Hours (Wh) will require being shipped as fully regulated Class 9.

All lithium-ion batteries have the Watt Hour rating marked on the pack. Furthermore, due to regulation complexities, DEWALT does not recommend air shipping lithium-ion battery packs alone regardless of Watt Hour rating. Shipments of tools with batteries (combo kits) can be air shipped as excepted if the Watt Hour rating of the battery pack is no greater than 100 Wh. Regardless of whether a shipment is considered excepted or fully regulated, it is the shipper's responsibility to consult the latest regulations for packaging, labeling/marketing and documentation requirements.

The information provided in this section of the manual is provided in good faith and believed to be accurate at the time the document was created. However, no warranty, expressed or implied, is given. It is the buyer's responsibility to ensure that its activities comply with the applicable regulations.

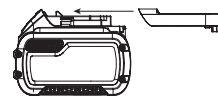
Transporting the FLEXVOLT™ Battery

The DEWALT FLEXVOLT™ battery has two modes: **Use** and **Transport**.

Use Mode: When the FLEXVOLT™ battery stands alone or is in a DEWALT 18V product, it will operate as an 18V battery. When the FLEXVOLT™ battery is in a 54V or a 108V (two 54V batteries) product, it will operate as a 54V battery.

Transport Mode: When the cap is attached to the FLEXVOLT™ battery, the battery is in Transport mode. Keep the cap for shipping.

When in Transport mode, strings of cells are electrically disconnected within the pack resulting in 3 batteries with a lower Watt hour (Wh) rating as compared to 1 battery with a higher Watt hour rating. This increased quantity of 3 batteries with the lower Watt hour rating can exempt the pack from certain shipping regulations that are imposed upon the higher Watt hour batteries.



For example, the Transport Wh rating might indicate 3 x 36 Wh, meaning 3 batteries of 36 Wh each.

Example of Use and Transport Label Marking



The Use Wh rating might indicate 108 Wh (1 battery implied).

Storage Recommendations

1. The best storage place is one that is cool and dry away from direct sunlight and excess heat or cold. For optimum battery performance and life, store battery packs at room temperature when not in use.
2. For long storage, it is recommended to store a fully charged battery pack in a cool, dry place out of the charger for optimal results.

NOTE: Battery packs should not be stored completely depleted of charge. The battery pack will need to be recharged before use.

Labels on Charger and Battery Pack

In addition to the pictographs used in this manual, the labels on the charger and the battery pack may show the following pictographs:



Read instruction manual before use.



See **Technical Data** for charging time.



Do not probe with conductive objects.



Do not charge damaged battery packs.



Do not expose to water.



Have defective cords replaced immediately.



Charge only between 4 °C and 40 °C.



Only for indoor use.



Discard the battery pack with due care for the environment.



Charge DEWALT battery packs only with designated DEWALT chargers. Charging battery packs other than the designated DEWALT batteries with a DEWALT charger may make them burst or lead to other dangerous situations.



Do not incinerate the battery pack.



USE (without transport cap). Example: Wh rating indicates 108 Wh (1 battery with 108 Wh).



TRANSPORT (with built-in transport cap). Example: Wh rating indicates 3 x 36 Wh (3 batteries of 36 Wh).

Battery Type

The following SKUs operate on a 18 volt battery pack: DCMP5567

These battery packs may be used: DCB181, DCB182, DCB183, DCB183B, DCB184, DCB184B, DCB185, DCB187, DCB189, DCB546, DCB547, DCB548. Refer to **Technical Data** for more information.

Date Code Position (Fig. A)

The date code **14**, which also includes the year of manufacture, is printed into the housing.

Example:

2019 XX XX
Year of Manufacture

Package Contents

The package contains:

- 1 Pole saw
- 1 Shoulder strap
- 1 Li-Ion battery pack (C1, D1, L1, M1, P1, S1, T1, X1, Y1 models)
- 2 Li-Ion battery packs (C2, D2, L2, M2, P2, S2, T2, X2, Y2 models)
- 3 Li-Ion battery packs (C3, D3, L3, M3, P3, S3, T3, X3, Y3 models)
- 1 Instruction manual

NOTE: Battery packs, chargers and kitboxes are not included with N models. Battery packs and chargers are not included with NT models. B models include Bluetooth® battery packs.

NOTE: The Bluetooth® word mark and logos are registered trademarks owned by the Bluetooth®, SIG, Inc. and any use of such marks by DEWALT is under license. Other trademarks and trade names are those of their respective owners.

- Check for damage to the tool, parts or accessories which may have occurred during transport.
- Take the time to thoroughly read and understand this manual prior to operation.

Markings on Tool

The following pictograms are shown on the tool:



Read instruction manual before use.



Wear eye protection.



Wear ear protection.



Do not leave in rain.



Wear head protection.



Wear protective gloves.



Cut hazard. Keep fingers away from slot.



Wear protective footwear.



Rotational direction of the saw chain.



Electrocution hazard. Keep at least 10 m away from overhead lines.



Switch the tool off. Before performing any maintenance on the tool, remove the battery from the tool.



Directive 2000/14/EC guaranteed sound power.



Keep bystanders away.



Keep bystanders away.

Description (Fig. A)

WARNING: Never modify the power tool or any part of it. Damage or personal injury could result.

- | | |
|-------------------------|------------------------|
| 1 Handle assembly | 11 Sprocket cover |
| 2 Center extension pole | 12 Hex head screws |
| 3 Saw head assembly | 13 Guide bar |
| 4 Trigger switch | 14 Saw chain |
| 5 Lock button | 15 Scabbard |
| 6 Battery | 16 Hex wrench |
| 7 Foam gripper | 17 Oil cap |
| 8 Threaded pole | 18 Branch removal hook |
| 9 Threaded sleeve | 19 Strap mount |
| 10 Bar clamp | |

Intended Use

This pole saw is ideal for pruning applications and cutting limbs up to 203 mm in diameter.

DO NOT use under wet conditions or in the presence of flammable liquids or gases.

This pole saw is a professional power tool.

DO NOT let children come into contact with the tool.

Supervision is required when inexperienced operators use this tool.

- **Young children and the infirm.** This appliance is not intended for use by young children or infirm persons without supervision.
- This product is not intended for use by persons (including children) suffering from diminished physical, sensory or mental abilities; lack of experience, knowledge or skills unless they are supervised by a person responsible for their safety. Children should never be left alone with this product.

ASSEMBLY AND ADJUSTMENTS

WARNING: To reduce the risk of serious personal injury, turn tool off and disconnect battery pack before making any adjustments or removing/installing attachments or accessories. An accidental start-up can cause injury.

WARNING: Use only DEWALT battery packs and chargers.

Inserting and Removing the Battery Pack from the Tool (Fig. B)

NOTE: Make sure your battery pack 1 is fully charged.

To Install the Battery Pack into the Tool Handle

1. Align the battery pack 1 with the rails inside the tool's handle (Fig. B).
2. Slide it into the handle until the battery pack is firmly seated in the tool and ensure that you hear the lock snap into place.

To Remove the Battery Pack from the Tool

1. Press the release button 24 and firmly pull the battery pack out of the tool handle.
2. Insert battery pack into the charger as described in the charger section of this manual.

Fuel Gauge Battery Packs (Fig. B)

Some DEWALT battery packs include a fuel gauge which consists of three green LED lights that indicate the level of charge remaining in the battery pack.

To actuate the fuel gauge, press and hold the fuel gauge button 27. A combination of the three green LED lights will illuminate designating the level of charge left. When the level of charge in the battery is below the usable limit, the fuel gauge will not illuminate and the battery will need to be recharged.

NOTE: The fuel gauge is only an indication of the charge left on the battery pack. It does not indicate tool functionality and is subject to variation based on product components, temperature and end-user application.

Installing and Removing Saw Chain (Fig. A, C–E)

WARNING: Sharp moving blade. To prevent accidental operation, insure that battery is disconnected from the handle before performing the following operations. Failure to do this could result in serious personal injury.

CAUTION: Sharp moving blade. Always wear protective gloves when installing or removing the chain. The chain is sharp and can cut you when it is not running.

1. Place the pole saw on a firm surface. Rotate the two hex head screws 12 counterclockwise with the hex wrench 16 provided.
2. Remove sprocket cover 11, bar clamp 10, and hex head screws.
3. To remove the saw chain 14, rotate the screw 20 in the front of the housing using the flat screwdriver end of the wrench. Turning the screw counterclockwise allows the guide bar 13 to recede and reduces the tension on the chain so that it may be removed.
4. Lift the worn saw chain out of the groove in the guide bar.
5. Flip guide bar over.
6. To replace the saw chain, check to make sure that the slot in the guide bar is over the location pins 21 shown in Fig. E and that hole below the slot is located over the adjustment pin.
7. Place new chain in groove of guide bar and around sprocket. Make sure saw teeth are facing correct direction by matching the graphic on housing or guide bar.
8. Rotate the screw in the front of the housing clockwise to increase the chain tension.
9. Replace sprocket cover, bar clamp, and hex head screws.
10. Follow the instructions in the section **Adjusting Chain Tension**.

Adjusting Chain Tension (Fig. A, D, F, G)

1. With the pole saw still on a firm surface check the saw chain 14 tension. The tension is correct when the saw chain snaps back after being pulled 3 mm away from the guide bar 13 with light force from the middle finger and thumb as shown in Fig. F. There should be no "sag" between

the guide bar and the saw chain on the underside as shown in Fig. G.

- To adjust saw chain tension, loosen hex head screws **12**.
- Rotate the screw **20** in the front of the housing using the flat screwdriver end of the wrench.
- Do not over-tension the saw chain as this will lead to excessive wear and will reduce the life of the guide bar and saw chain. Overtensioning also reduces the amount of cuts you will get per battery charge.
- Once saw chain tension is correct, tighten hex head screws **12** to clamp bar.
- When the saw chain is new check the tension frequently (after disconnecting battery) during the first 2 hours of use as a new chain stretches slightly.

NOTE: Saw chain tension should be adjusted regularly.

Saw Chain and Guide Bar Oiling (Fig. H)

Auto Oiling System

This pole saw is equipped with an auto oiling system that keeps the saw chain and guide bar constantly lubricated. The oil level indicator **25** shows the level of the oil in the chain saw. If the oil level is less than a quarter full, remove the battery from the pole saw and refill with the correct type of oil.

NOTE: Always empty oil tank when finished cutting.

NOTE: Use a high quality bar and chain oil for proper chain and bar lubrication. As a temporary substitute, a non-detergent SAE30 weight motor oil can be used. The use of a vegetable based bar and chain oil is recommended when pruning trees. Mineral oil is not recommended because it may harm trees. Never use waste oil or very thick oil. These may damage your pole saw.

Filling the Oil Reservoir

- Remove the oil cap **17** and fill the reservoir with the recommended bar and chain oil until the oil level has reached the top of the oil level indicator **25**.
- Refit the oil cap.
- Periodically switch the chain saw off and check the oil level indicator to ensure the bar and chain are being properly oiled.

Transporting Pole Saw (Fig. A)

Always remove the battery pack **6** from the handle and cover the saw chain **14** with the scabbard **15** when transporting the pole saw.

Joining Saw Head Module to Handle Module (Fig. I–L)

WARNING: Sharp moving blade. To prevent accidental operation, insure that battery is disconnected from the handle and that the protective scabbard is in place on the chain before performing the following operations. Failure to do this could result in serious personal injury.

The three assemblies which make up the pole saw are keyed to insure correct assembly. If an assembly does not smoothly attach to another do not force fit.

Combining the handle assembly **1** to the saw head assembly **3** creates a pole saw that is approximately 1.8 m in length as shown in Fig. I.

To attach the handle assembly to the saw head assembly:

- Align the groove **22** on the outside of the coupling end of the handle assembly **1** with the tongue **23** on the inside of the coupling end of the saw head assembly **3**. Refer to Fig. J. Push the two sections completely together. Refer to Fig. K.
- Slide the threaded sleeve **9** on the saw head assembly down as far as possible and rotate the sleeve clockwise until it stops and completely covers the threads as shown in Fig. L.

WARNING: Always check to make sure that the sleeve is completely threaded on and that the red threads are no longer visible. Not threading the sleeve completely on could result in the assembly becoming disconnected creating a hazardous condition. Periodically check the connections to insure that no red threads are visible.

Joining Center Extension to Saw Head Module and Handle Module (Fig. A, M)

Adding the center extension **2** to the handle assembly **1** and saw head assembly **3** creates a pole saw that is approximately 2.7 m in length as shown in Fig. M.

Refer to to **Joining Saw Head Module to Handle Module** for directions on how to attach the middle assembly to the handle assembly and saw head assembly.

WARNING: Always check to make sure that the sleeve is completely threaded on and that the red threads are no longer visible. Not threading the sleeve completely on could result in the assembly becoming disconnected creating a hazardous condition. Periodically check the connections to insure that no red threads are visible.

DISASSEMBLY

WARNING: To reduce the risk of serious personal injury, turn unit off and remove the battery pack before making any adjustments or removing/installing attachments or accessories. An accidental start-up can cause injury.

Detaching Saw Head Module (Fig. N)

WARNING: Sharp moving blade. To prevent accidental operation, insure that battery is disconnected from the handle and that the protective scabbard is in place on the chain before performing the following operations. Failure to do this could result in serious personal injury.

When detaching the assemblies, whether it is in the two assembly or three assembly mode, always detach the saw head assembly **3** first. To do this, rest the handle assembly **1** on the ground and grasp the center of the saw head assembly with

one hand as shown in Fig. N. Use your other hand to loosen the threaded sleeve and then pull the two halves apart. Repeat this process if the center extension was attached.

Attaching and Adjusting the Shoulder Strap (Fig. O)

This pole saw comes with an adjustable shoulder strap.

1. Snap the shoulder strap latch **28** onto the strap mount **19** as shown in Fig. O.
2. Adjust the strap so it fits securely over your shoulder.

OPERATION

Instructions for Use



WARNING: Always observe the safety instructions and applicable regulations.



WARNING: To reduce the risk of serious personal injury, turn tool off and disconnect battery pack before making any adjustments or removing/installing attachments or accessories. An accidental start-up can cause injury.

Proper Hand Position (Fig. P)



WARNING: To reduce the risk of serious personal injury, ALWAYS use proper hand position as shown.



WARNING: To reduce the risk of serious personal injury, ALWAYS hold securely in anticipation of a sudden reaction.

Proper hand position requires one hand on the main handle **29** and one hand on the foam gripper **7**.

Operating the Pole Saw (Fig. A)



WARNING: Read and understand all instructions. Failure to follow all instructions listed below may result in electric shock, fire and/or serious personal injury.



CAUTION: Always reduce the tension off the chain again after finishing work. The chain contracts as it cools down. If it is not slackened off, it can damage the pole saw.

IMPORTANT: Never operate a pole saw that is damaged or improperly adjusted or that is not completely and securely assembled. Be sure that the saw chain **14** stops moving when the trigger switch is released. Never adjust the guide bar **13** or saw chain when the motor is operating or the battery is attached.

Pole Saw Trimming/Pruning



WARNINGS:

- **Never stand directly under the limb you are cutting.** Always position yourself out of the path of falling debris.
- **Always wear head, eye, foot and body protection.** Wearing body protection helps reduce the risk of injury when operating this unit.
- **Never stand on a ladder or other unstable support while using the pole saw.** Always avoid any position which can cause you to lose your balance and cause severe injury.

- **Keep other persons at least 15 m from the work area.** Distractions can cause you to lose control.
- **Electrocution Hazard.** To prevent shock, do not operate within 15 m of overhead electrical lines. Always check surrounding area for hidden electrical lines.
- **Do not extend pole saw switch handle above shoulder height.**

On/Off Switch (Fig. Q)

Always be sure of your footing and grip the pole saw firmly with both hands with the thumb and fingers encircling the handle. To turn the tool ON pull the lock button **5** back with your thumb and then squeeze the trigger switch **4** with your fingers as shown in Fig. Q. (Once the tool is running you can release the lock button.) To turn the tool OFF, release the trigger.

Branch Removal Hook (Fig. A)



CAUTION: The branch removal hook is not a belt hook.

Your pole saw includes a branch removal hook **18** for the intended purpose of helping to remove small to moderately sized pruned branches.

Pruning With the Pole Saw (Fig. A, P, R)



WARNING: Let the tool work at its own pace. Do not overload.



WARNING: When pruning trees: guard against kickback which can result in severe injury or death. See **Guard Against Kickback**, to avoid the risk of kickback. Do not overreach. Make sure your footing is firm. Keep feet apart. Divide your weight evenly on both feet.

1. Use both hands to grip pole saw as shown in Fig. P. Use a firm grip. Thumbs and fingers must wrap around pole saw handle and pole. Keep fingers away from sawdust exhaust chute **26** shown in Fig. R.
2. Never operate while in a tree, in any awkward position or on a ladder or other unstable surface. You may lose control of pole saw causing severe injury.
3. Follow directions below to trim a tree.
 - a. Make sure pole saw is running at full speed before making a cut. When starting a cut, place moving saw chain **14** against limb. Hold pole saw firmly in place to avoid possible bouncing or skating (sideways movement) of pole saw.
 - b. Guide pole saw using light pressure. Make first cut 152 mm from tree trunk on underside of limb. Use top of guide bar **13** to make this cut. Cut 1/3 through diameter of limb. Then make the finish cut from the top. If you try to cut off thick branches from the bottom, the branch may close in and pinch the saw chain in the cut. If you try to cut off thick branches from the top, without a shallow undercut, the branch may splinter. Do not force pole saw. The motor will overload and can burn out. It will do the job better and safer at the rate for which it was intended.
 - c. Remove pole saw from cut while it is running at full speed. Stop pole saw by releasing trigger switch **4**.

Make sure saw chain has stopped before setting pole saw down.

Saw Chain Sharpness



CAUTION: *Sharp chain. Always wear protective gloves when handling the chain. The chain is sharp and can cut you when it is not running.*

IMPORTANT: The chain cutters will dull immediately if they touch the ground, stones, masonry or a nail while cutting.

To get the best possible performance from your chain saw, it is important to keep the teeth of the saw chain sharp. Chain sharpening services are available from your nearest DEWALT service center.

NOTE: Each time the saw chain is sharpened, it loses some of the reduced kickback qualities and extra caution should be used. It is recommended that a saw chain be sharpened no more than four times.

MAINTENANCE

Your power tool has been designed to operate over a long period of time with a minimum of maintenance. Continuous satisfactory operation depends upon proper tool care and regular cleaning.



WARNING: *To reduce the risk of serious personal injury, turn tool off and disconnect battery pack before making any adjustments or removing/installing attachments or accessories. An accidental start-up can cause injury.*

The charger and battery pack are not serviceable.



Lubrication

Your power tool requires no additional lubrication.



Cleaning



WARNING: *Blow dirt and dust out of the main housing with dry air as often as dirt is seen collecting in and around the air vents. Wear approved eye protection and approved dust mask when performing this procedure.*



WARNING: *Never use solvents or other harsh chemicals for cleaning the non-metallic parts of the tool. These chemicals may weaken the materials used in these parts. Use a cloth dampened only with water and mild soap. Never let any liquid get inside the tool; never immerse any part of the tool into a liquid.*

Optional Accessories



WARNING: *Since accessories, other than those offered by DEWALT, have not been tested with this product, use of such accessories with this tool could be hazardous. To reduce the risk of injury, only DEWALT recommended accessories should be used with this product.*

Consult your dealer for further information on the appropriate accessories.

Replacement chain and bar are available from your nearest DEWALT service center.

- DCMP5567 requires replacement chain service part number DT20667-QZ. Replacement 20 cm (8 inch) bar, service part number DT20668-QZ.

Protecting the Environment



Separate collection. Products and batteries marked with this symbol must not be disposed of with normal household waste.



Products and batteries contain materials that can be recovered or recycled reducing the demand for raw materials. Please recycle electrical products and batteries according to local provisions. Further information is available at www.2helpU.com.

Rechargeable Battery Pack

This long life battery pack must be recharged when it fails to produce sufficient power on jobs which were easily done before. At the end of its technical life, discard it with due care for our environment:

- Run the battery pack down completely, then remove it from the tool.
- Li-Ion cells are recyclable. Take them to your dealer or a local recycling station. The collected battery packs will be recycled or disposed of properly.

TROUBLESHOOTING GUIDE

BE SURE TO FOLLOW SAFETY RULES AND INSTRUCTIONS

For assistance with your product, visit our website at www.dewalt.com for a list of service centers.

PROBLEM	POSSIBLE CAUSE	SOLUTION
Unit will not start.	Battery pack not installed properly.	Check battery pack installation.
	Battery pack not charged.	Check battery pack charging requirements.
	Lock button not actuated.	Pull back on lock button/actuate trigger.
	Pole connections not properly tightened.	Refer to Joining Saw Head Module to Handle Module .
Battery pack will not charge.	Battery pack not inserted into charger.	Insert battery pack into charger until LED illuminates.
	Charger not plugged in.	Plug charger into a working outlet. Refer to Charging a Battery for more details.
	Surrounding air temperature too hot or too cold.	Move battery pack to a surrounding air temperature of above 40 °F (4.5 °C) or below 104 °F (+40 °C).
Bar/chain overheated.	Chain too tight.	Refer to Adjusting Chain Tension .
	Lubrication needed.	Refer to Chain Oiling .
Chain is loose.	Chain tension set incorrectly.	Refer to Adjusting Chain Tension .
Poor cut quality.	Chain tension set incorrectly.	Refer to Adjusting Chain Tension . NOTE: Excessive tension leads to excessive wear and reduction in life of bar & chain. Lubricate after every 10 minutes of use.
	Chain needs replacement.	Refer to Installing and Removing Saw Chain .
Unit runs but does not cut.	Chain installed backwards.	Refer to Installing and Removing Saw Chain .

АККУМУЛЯТОРНЫЙ ШТАНГОВЫЙ ЦЕПНОЙ СУЧКОРЕЗ

DCMP5567

Поздравляем!

Вы приобрели инструмент DEWALT. Многолетний опыт, тщательная разработка изделий и инновационные делаю компанию DEWALT одним из самых надёжных партнеров для пользователей профессионального электроинструмента.

Технические характеристики

DCMP5567		
Напряжение	$V_{\text{ностр. тока}}$	18
Тип батареи		Литий-ионная
Длина шины	см	20
Максимальная скорость цепи (без нагрузки)	м/с	6,5
Максимальная длина реза	см	15
Емкость маслоприемника	мл	115
Вес (без аккумуляторной батареи)	кг	4

Значения шума и вибрации (сумма векторов в трех плоскостях) в соответствии с EN ISO 11680-1:2011:

L_{pa} (уровень звукового давления)	дБ(A)	81,9
L_{WA} (уровень акустической мощности)	дБ(A)	92,0
K (погрешность для заданного уровня мощности)	дБ(A)	3
Значение вибрационного воздействия $a_{hh} =$	м/с ²	<2,5
Погрешность K =	м/с ²	1,5

Значение шумовой эмиссии и/или эмиссии вибрации, указанное в данном справочном листке, было получено в соответствии со стандартным тестом, приведенным в EN ISO 11680-1:2011, и может использоваться для сравнения инструментов. Кроме того, оно может использоваться для предварительной оценки воздействия вибрации.

⚠ ОСТОРОЖНО! Заявленное значение шумовой эмиссии и/или эмиссии вибрации относится к основным областям применения инструмента. Однако, если инструмент используется для различных целей, с различными дополнительными принадлежностями или при ненадлежащем уходе, то уровень шума и/или вибрации может измениться. Это может привести к значительному увеличению уровня воздействия вибрации в течение всего рабочего периода.

При расчете приблизительного значения уровня воздействия шума и/или вибрации также необходимо учитывать время, когда инструмент выключен или то время, когда он работает на холостом ходу. Это может привести к значительному снижению уровня воздействия вибрации в течение всего рабочего периода.

Определите дополнительные меры техники безопасности для защиты оператора от воздействия шума и/или вибрации, а именно: поддержание инструмента и дополнительных принадлежностей в рабочем состоянии, создание комфортных условий работы (соответствующих вибрации), хорошая организация рабочего места.

Декларация о соответствии нормам ЕС

Директива по механическому оборудованию



Штанговый сучкорез DCMP5567

DEWALT заявляет, что продукция, описанная в «Технических характеристиках», соответствует:

2006/42/EC, EN 62841-1:2015; EN ISO 11680-1:2011, 2000/14/EC, Приложение V DEKRA Certification B.V., Meander 1051 / P.O. Box 5185 6825 MJ ARNHEM / 6802 ED ARNHEM, Нидерланды
Идентификационный № уведомленного органа: 0344

LPA (измеренное звуковое давление) 81,9 дБ(A)

LWA (гарантированная акустическая мощность) 95,0 дБ(A)

Эти продукты также соответствуют Директивам 2014/30/EU и 2011/65/EU. За дополнительной информацией обращайтесь в компанию DEWALT по адресу, указанному ниже или приведенному на задней стороне обложки руководства.

Нижеподписавший несет ответственность за составление технической документации и составил данную декларацию по поручению компании DEWALT.

Маркус Ромпель

Визе-президент отдела по разработке и производству, PTE-Europe

DEWALT, Richard-Klinger-Straße 11,
D-65510, Idstein, Германия

22.07.2019



ВНИМАНИЕ: Во избежание риска получения травм ознакомьтесь с инструкцией.

Обозначения: правила техники безопасности

Ниже описывается уровень опасности, обозначаемый каждым из предупреждений. Прочитайте руководство и обратите внимание на данные символы.



ОПАСНО: Обозначает опасную ситуацию, которая неизбежно приведет к серьезной травме или смертельному исходу, в случае несоблюдения соответствующих мер безопасности.

Батареи				Зарядные устройства/время зарядки (мин)							
Кат. №	V _{нокт. тока}	Ah	Вес (kg)	DCB104	DCB107	DCB112	DCB113	DCB115	DCB118	DCB132	DCB119
DCB546	18/54	6.0/2.0	1.05	60	270	170	140	90	60	90	X
DCB547	18/54	9.0/3.0	1.46	75*	420	270	220	135*	75*	135*	X
DCB548	18/54	12.0/4.0	1.44	120	540	350	300	180	120	180	X
DCB181	18	1.5	0.35	22	70	45	35	22	22	22	45
DCB182	18	4.0	0.61	60/40**	185	120	100	60	60/40**	60	120
DCB183/B	18	2.0	0.40	30	90	60	50	30	30	30	60
DCB184/B	18	5.0	0.62	75/50**	240	150	120	75	75/50**	75	150
DCB185	18	1.3	0.35	22	60	40	30	22	22	22	X
DCB187	18	3.0	0.54	45	140	90	70	45	45	45	90
DCB189	18	4.0	0.54	60	185	120	100	60	60	60	120

*Код даты 201811475В или новее

**Код даты 201536 или новее



ВНИМАНИЕ: Указывает на потенциально опасную ситуацию, которая, в случае несоблюдения соответствующих мер безопасности, может привести к **серьезной травме или смертельному исходу.**



ПРЕДУПРЕЖДЕНИЕ: Указывает на потенциально опасную ситуацию, которая, в случае несоблюдения соответствующих мер безопасности **может** стать причиной травм **средней или легкой степени тяжести.**

ПОЯСНЕНИЕ: Указывает на практики, использование которых не связано с получением травмы, но если ими пренебречь, могут привести к **порче имущества.**



Указывает на риск поражения электрическим током.



Указывает на риск возгорания.

ОБЩИЕ ПРАВИЛА ТЕХНИКИ БЕЗОПАСНОСТИ ПРИ ИСПОЛЬЗОВАНИИ ЭЛЕКТРОИНСТРУМЕНТОВ



ВНИМАНИЕ: Прочитайте и просмотрите все предупреждения, инструкции, иллюстрации и спецификации по данному электроинструменту. Несоблюдение всех приведенных ниже инструкций может стать причиной поражения электрическим током, возгорания и/или тяжелой травмы.

СОХРАНИТЕ ВСЕ ИНСТРУКЦИИ ДЛЯ ПОСЛЕДУЮЩЕГО ИСПОЛЬЗОВАНИЯ

Термин «электроинструмент» в предупреждениях относится к работающим от сети (проводным) электроинструментам или работающим от аккумуляторной батареи (беспроводным) электроинструментам.

1) Безопасность на рабочем месте

- Следите за чистотой и хорошим освещением на рабочем месте. Захламленное или плохо

освещенное рабочее место может стать причиной несчастного случая.

- Запрещается работать с электроинструментами во взрывоопасных местах, например, вблизи легковоспламеняющихся жидкостей, газов и пыли.** Искры, которые появляются при работе электроинструментов могут привести к воспламенению пыли или паров.
- Следите за тем, чтобы во время работы с электроинструментом в зоне работы не было посторонних и детей.** Отвлекаясь от работы вы можете потерять контроль над инструментом.

2) Электробезопасность

- Штепсельная вилка электроинструмента должна соответствовать розетке. Никогда не меняйте вилку инструмента. Запрещается использовать переходники к вилкам для электроинструментов с заземлением.** Использование оригинальных штепсельных вилок, соответствующих типу сетевой розетки снижает риск поражения электрическим током.
- Избегайте контакта с заземленными поверхностями, такими как трубы, радиаторы и холодильники.** Если вы будете заземлены, увеличивается риск поражения электрическим током.
- Запрещается оставлять электроинструмент под дождем и в местах повышенной влажности.** При попадании воды в электроинструмент риск поражения электротоком возрастает.
- Берегите кабель от повреждений. Никогда не используйте кабель для переноски инструмента, не тяните за него, пытайтесь отключить инструмент от сети. Держите кабель подальше от источников тепла, масла, острых углов или движущихся предметов.** Поврежденный или запутанный кабель питания повышает риск поражения электрическим током.

- e) **При работе с электроинструментом на открытом воздухе используйте удлинитель, подходящий для использования на улице.**

Использование кабеля питания, предназначенного для использования вне помещения, снижает риск поражения электрическим током.

- f) **Если использование электроинструмента в условиях повышенной влажности неизбежно, используйте устройства защитного отключения (УЗО) для защиты сети.**

Использование УЗО сокращает риск поражения электрическим током.

3) Обеспечение индивидуальной безопасности

- a) **Будьте внимательны, смотрите, что делаете и не забывайте о здравом смысле при работе с электроинструментом. Запрещается работать с электроинструментом в состоянии усталости, наркотического, алкогольного опьянения или под воздействием лекарственных препаратов.** Невнимательность при работе с электроинструментом может привести к серьезным телесным повреждениям.
- b) **Используйте индивидуальные средства защиты. Всегда используйте защитные очки.** Средства защиты, такие как пылезащитная маска, обувь с нескользящей подошвой, каска и защитные наушники, используемые при работе, уменьшают риск получения травм.
- c) **Примите меры для предотвращения случайного включения. Перед тем как подключить электроинструмент к сети и/или аккумуляторной батарее, взять инструмент или перенести его на другое место, убедитесь в том, что выключатель находится в положении «Выкл.».** Если при переносе электроинструмента он подключен к сети, и при этом ваш палец находится на выключателе, это может стать причиной несчастных случаев.
- d) **Уберите все регулировочные или гаечные ключи перед включением электроинструмента.** Ключ, оставленный на вращающейся части электроинструмента, может привести к травме.
- e) **Не пытайтесь дотянуться до слишком удаленных поверхностей. Обувь должна быть удобной, чтобы вы всегда могли сохранять равновесие.** Это позволит лучше контролировать электроинструмент в непредвиденных ситуациях.
- f) **Одевайтесь соответствующим образом. Избегайте носить свободную одежду и ювелирные украшения. Следите за тем, чтобы волосы и одежда не попадали под движущиеся детали.** Возможно наматывание свободной одежды, ювелирных изделий и длинных волос на движущиеся детали.
- g) **При наличии устройств для подключения оборудования для удаления и сбора пыли необходимо обеспечить правильность их**

подключения и эксплуатации. Использование устройства для пылеудаления сокращает риски, связанные с пылью.

- h) **Не позволяйте хорошему знанию от частого использования инструментов стать причиной самоуверенности и игнорирования правил техники безопасности.** Небрежное действие может повлечь серьезные травмы за долю секунды.

4) Эксплуатация электроинструмента и уход за ним

- a) **Избегайте чрезмерной нагрузки электроинструмента. Используйте электроинструмент в соответствии с назначением.** Правильно подобранный электроинструмент выполнит работу более эффективно и безопасно при стандартной нагрузке.
- b) **Не пользуйтесь инструментом, если не работает выключатель.** Любой инструмент, управлять включением и выключением которого невозможно, опасен, и его необходимо отремонтировать.
- c) **Перед выполнением любых настроек, сменой аксессуаров или прежде чем убрать инструмент на хранение, отключите его от сети и/или снимите с него аккумуляторную батарею, если ее можно снять.** Такие превентивные меры безопасности сокращают риск случайного включения электроинструмента.
- d) **Храните электроинструмент в недоступном для детей месте и не позволяйте работать с инструментом людям, не имеющим соответствующих навыков работы с такого рода инструментами.** Электроинструмент представляет опасность в руках неопытных пользователей.
- e) **Поддерживайте электроинструмент и принадлежности в исправном состоянии. Проверьте, не нарушена ли центровка или не заклинены ли движущиеся детали, нет ли повреждений или иных неисправностей, которые могли бы повлиять на работу электроинструмента. В случае обнаружения повреждений, прежде чем приступить к эксплуатации электроинструмента, его нужно отремонтировать.** Большинство несчастных случаев происходит из-за электроинструментов, которые не обслуживаются должным образом.
- f) **Содержите режущий инструмент в остро заточенном и чистом состоянии.** Вероятность заклинивания инструмента, за которым следят должным образом и который хорошо заточен, значительно меньше, а работать с ним легче.
- g) **Используйте электроинструменты, принадлежности и насадки в соответствии с данными инструкциями, принимая во внимание условия работы и характер**

выполняемой работы. Использование электроинструмента для выполнения операций, для которых он не предназначен, может привести к созданию опасных ситуаций.

- h) **Все рукоятки и поверхности захватывания должны быть сухими и без следов смазки.** Скользкие рукоятки и поверхности захватывания не позволяют обеспечить безопасность работы и управления инструментом в непредвиденных ситуациях.

5) Использование аккумуляторных электроинструментов и уход за ними

- a) **Используйте для зарядки аккумуляторной батареи только указанное производителем зарядное устройство.** Использование зарядного устройства определенного типа для зарядки других батарей может привести к возгоранию.
- b) **Используйте для электроинструмента только батареи указанного типа.** Использование других аккумуляторных батарей может стать причиной травмы и пожара.
- c) **Оберегайте батарею от попадания в нее скрепок, монет, ключей, гвоздей, болтов или других мелких металлических предметов, которые могут вызывать замыкание контактов.** Короткое замыкание контактов аккумуляторной батареи может привести к пожару или получению ожогов.
- d) **При повреждении батареи, из нее может вытечь электролит. Не прикасайтесь к нему. При случайном контакте с электролитом смойте его водой. При попадании электролита в глаза обратитесь за медицинской помощью.** Жидкость, находящаяся внутри батареи, может вызвать раздражение или ожоги.
- e) **Не используйте поврежденные или измененные аккумуляторные батареи или инструменты.** Поврежденные или измененные аккумуляторные батареи могут работать непредсказуемо, что может привести к возгоранию, взрыву или риску получения травм.
- f) **Не подвергайте аккумуляторные батареи или инструмент воздействию огня или повышенной температуры.** Открытый огонь или воздействие высокой температуры выше 130 °C может привести к взрыву.
- g) **Следуйте всем инструкциям по зарядке и не заряжайте аккумуляторную батарею или инструмент вне температурного диапазона, указанного в инструкции.** Неправильная зарядка или зарядка вне указанного температурного диапазона может привести к повреждению батареи и увеличить риск возгорания.

6) Обслуживание

- a) **Обслуживание электроинструмента должен проводить квалифицированный специалист с использованием только оригинальных запасных частей.** Это позволит

обеспечить безопасность обслуживаемого электрифицированного инструмента.

- b) **Не выполняйте обслуживание поврежденных аккумуляторных батарей.** Обслуживание аккумуляторных батарей должно выполняться только производителем или авторизованными поставщиками услуг.

ВАЖНЫЕ ПРАВИЛА ТЕХНИКИ БЕЗОПАСНОСТИ

⚠ ВНИМАНИЕ: Чтобы снизить риск получения травмы:

- Перед любым использованием убедитесь, что все, кто использует этот инструмент, читают и понимают все инструкции по технике безопасности и другую информацию, содержащуюся в данном руководстве.
- Сохраните данные инструкции для последующего к ним обращения.

⚠ ВНИМАНИЕ: При использовании электрического садового инструмента всегда следует соблюдать основные меры предосторожности, включая нижеприведенные, чтобы снизить риск возникновения пожара, поражения электрическим током и получения травм.

1. **Избегайте опасной окружающей среды** – Не используйте электрические инструменты в мокрых или влажных местах.
2. **Не используйте под дождем.**
3. **Не подпускайте детей к рабочей зоне** – Все посторонние лица должны находиться на расстоянии от рабочей зоны.
4. **Одевайтесь правильно** – Избегайте носить свободную одежду и ювелирные украшения. Они могут быть затянуты в движущиеся части. При работе на улице рекомендуется надевать резиновые перчатки и прочную обувь. Надевайте защитный головной убор, убирая под него длинные волосы.
5. **Надевайте защитные очки** – Если при работе выделяется много пыли, всегда используйте противопылевую маску или респиратор.
6. **Используйте инструмент по назначению** – Не используйте инструмент для каких-либо работ, кроме тех, для которых он предназначен.
7. **Не дотрагивайтесь до открытых режущих лезвий или режущих кромок, когда поднимаете или держите инструмент.**
8. **Избегайте чрезмерной нагрузки инструмента** – Инструмент будет работать лучше и с меньшим риском получить травму при нагрузке, на которую он рассчитан.
9. **Работайте в устойчивой позе** – Всегда твердо стойте на ногах, сохраняя равновесие.

10. **Будьте внимательны** – Следите за тем, что делаете. Руководствуйтесь здравым смыслом. Не работайте инструментом в состоянии усталости.
11. **Отключайте инструмент** – Извлекайте аккумуляторную батарею, когда инструмент не используется, перед проведением обслуживания, при смене насадок, например, ножей и пр.
12. **Храните неиспользуемые инструменты внутри помещений** – Неиспользуемые инструменты должны храниться в помещении, в сухом и высоком или запертом месте, недоступном для детей.
13. **Содержите инструмент в порядке** – Следите, чтобы режущая кромка оставалась острой и чистой, чтобы обеспечить максимальную производительность и снизить риск получения травм. Смазку и замену оснастки выполняйте в соответствии с инструкциями. Выполняйте периодические осмотры инструмента и, если будет обнаружено повреждение, сдайте его на ремонт в авторизованный сервисный центр. Поверхность рукояток должна быть сухой, чистой и не содержать следов масла и смазки.
14. **Проверяйте поврежденные детали** – Перед дальнейшим использованием инструмента необходимо тщательно проверить защитный кожух или другую поврежденную деталь, чтобы определить, будет ли она работать должным образом и выполнять свои функции. Проверьте центровку и качество крепления движущихся деталей, наличие поврежденных деталей, качество монтажа и любые другие условия, которые могут повлиять на работу инструмента. Защитный кожух или другие поврежденные детали должны быть должным образом отремонтированы или заменены в авторизованном сервисном центре, если в настоящем руководстве по эксплуатации не указано иное.

СОХРАНИТЕ НАСТОЯЩЕЕ РУКОВОДСТВО

- ⚠ ВНИМАНИЕ** - Не работайте инструментом вблизи электропроводов. Данный инструмент не предназначен для защиты от поражения электрическим током в случае контакта с линиями электропередачи. Проконсультируйтесь с местными правилами по безопасному расстоянию до линий электропередачи и убедитесь, что рабочее положение безопасно и надежно перед тем как начать работу со штанговым сучкорезом.
- Следите за тем, чтобы все части вашего тела находились на безопасном расстоянии от пильной цепи. Не убирайте срезанные ветки и не держите срезаемые ветки во время движения лезвий. Убирая засорения из инструмента убедитесь в том, что он выключен. Цепь продолжает движение после выключения инструмента. Невнимательность при работе со штанговым сучкорезом может привести к серьезным травмам.
 - Удерживайте штанговый сучкорез за рукоятку до полной остановки пильной цепи. При транспортировке или хранении штангового сучкореза

надевайте на пильную цепь защитный чехол. Соблюдая правила обращения со штанговым сучкорезом позволит избежать травм от пильной цепи.

- **Удерживайте инструмент за изолированные поверхности при выполнении работ, так как существует вероятность контакта цепи со скрытой электропроводкой.** Контакт пильной цепи с находящимся под напряжением проводом может подать ток на незащищенные металлические части инструмента, что может привести к поражению оператора электрическим током.
- **Не используйте штанговый сучкорез в плохих погодных условиях, особенно, в случае опасности удара молнии.** Это уменьшает риск прямого удара молнии.
- **При работе со штанговым сучкорезом всегда удерживайте инструмент обеими руками.** В целях обеспечения полного контроля над штанговым сучкорезом удерживайте его обеими руками.

При работе со штанговым сучкорезом над головой всегда надевайте защитную каску. Падающие обломки могут привести к серьезным травмам.

СПЕЦИАЛЬНЫЕ ИНСТРУКЦИИ ПО ТЕХНИКЕ БЕЗОПАСНОСТИ

- ⚠ ВНИМАНИЕ:** Возможно образование пыли, содержащей химические вещества, вызывающие онкологические заболевания, врожденные пороки или другие нарушения репродуктивных функций. Некоторые примеры этих химических веществ:
- смеси в удобрениях,
 - смеси в инсектицидах, гербицидах и пестицидах,
 - мышьяк и хром из химически обработанной древесины.
- Чтобы снизить риск контакта с данными химическими веществами, используйте соответствующее защитное снаряжение, такое как респиратор для фильтрации микроскопических частиц.
- **Избегайте длительного контакта с пылью при шлифовании, распиловке, сверлении и других строительных работах. Носите защитную одежду и промывайте открытые участки тела водой с мылом.** Попадание пыли в рот, глаза или на кожу может привести к поглощению вредных химических веществ.
 - **⚠ ВНИМАНИЕ:** Использование этого инструмента может генерировать и/или выделять пыль, которая может вызвать серьезные и безвозвратные повреждения дыхательных путей и других органов. Всегда используйте соответствующие средства защиты органов дыхания, подходящие для работы в условиях запыленности. Следите за тем, чтобы лицо и тело было в стороне от линии выброса пыли.

- ⚠ ОСТОРОЖНО:** Надевайте соответствующие защитные наушники во время использования инструмента. В некоторых условиях и во время использования шум данного инструмента может стать причиной нарушения слуха.

Перед использованием штангового сучкореза

- **Для безопасной работы, перед использованием штангового сучкореза внимательно прочтите и поймите все инструкции по эксплуатации.** Соблюдайте все правила техники безопасности. Несоблюдение всех указаний по технике безопасности, перечисленных ниже, может привести к серьезной травме.
- **Следите за своими действиями.** Руководствуйтесь здравым смыслом. Не работайте штанговым сучкорезом в состоянии усталости.
- **Используйте штанговый сучкорез только для спиливания ветвей.** Используйте штанговый сучкорез только по назначению. Не используйте для разрезания других объектов.
- **До работы со штанговым сучкорезом допускаются только соответствующим образом обученные взрослые люди.** Никогда не допускайте детей к эксплуатации инструмента.
- **Не разрешайте детям и неподготовленным лицам использовать данный инструмент.**
- При работе штанговым сучкорезом используйте следующие средства индивидуальной защиты:
 - прочные перчатки
 - защитную обувь со стальным мыском и на нескользящей подошве
 - защитные очки или маску
 - защитную каску
 - наушники или беруши
 - респиратор или пылезащитную маску (при работе в запыленных местах)
- **Надевайте прочные длинные брюки и ботинки.** Не надевайте свободную одежду, короткие штаны, украшения любого рода и не ходите босиком.
- Закрепите длинные волосы так, чтобы они находились выше уровня плеч, чтобы предотвратить запутывание в движущихся частях инструмента.
- Перед резкой всегда обеспечивайте следующее:
 - чистую рабочую зону
 - устойчивую позу
 - спланированный путь отхода от падающих сучьев
- Перед резкой внимательно осмотрите дерево. Учитывайте свободное падение ветвей на землю.
- Не используйте ваш штанговый сучкорез для срезания саженцев.

Во время использования штангового сучкореза

- **⚠ ОПАСНО:** Для снижения риска поражения электрическим током не используйте инструмент под дождем. Хранить в помещении.
- **⚠ ОПАСНО:** Избегайте непреднамеренного пуска – не переносите инструмент с пальцем на выключателе при установленной аккумуляторной батарее. При установке аккумуляторной батареи убедитесь, что инструмент выключен.
- Будьте внимательны. При работе с инструментом используйте здравый смысл.
- Содержите рабочую зону в чистоте. Загромождение рабочей зоны способствует несчастным случаям.
- Закончив резку или оставляя штанговый сучкорез без присмотра, всегда извлекайте из него аккумуляторную батарею.
- Следите, чтобы дети, животные и посторонние лица находились минимум в 15 м от штангового сучкореза. В зоне проведения работ может находиться только оператор.
- Не используйте ваш штанговый сучкорез для валки деревьев.
- Поднимая или удерживая сучкорез, не затрагивайтесь до пильной цепи.
- Крепко удерживайте штанговый сучкорез - одной рукой за штангу, другой рукой за рукоятку.
- Кладите палец на курковый пусковой выключатель только тогда, когда будете готовы включить инструмент.
- Перед тем как запустить инструмент убедитесь, что пильная цепь ни с чем не соприкасается.
- Во время работы штангового сучкореза держитесь подальше от пильной цепи.
- Не перегружайте штанговый сучкорез во время резки. Прилагайте легкое давление. Инструмент будет работать лучше и безопаснее при нагрузке, на которую он рассчитан.
- Переносите штанговый сучкорез с одного места на другое:
 - с извлеченной аккумуляторной батареей,
 - держа пальцы в стороне от куркового пускового выключателя,
 - удерживая штангу в точке равновесия и
 - направив шину и цепь назад и с надетым защитным чехлом.
- Не обрезайте данным штанговым сучкорезом маленькие ветки и саженцы. Гибкий материал может запутаться в пильной цепи и ударить оператора. Это также может привести к потере равновесия.
- Не работайте инструментом при плохом освещении.
- Сохраняйте твердую опору и равновесие. Не пытайтесь дотянуться до слишком удаленных

поверхностей. Попытки дотянуться слишком далеко могут привести к потере равновесия или контакту с горячей поверхностью.

- Следите за тем, чтобы все части вашего тела находились на безопасном расстоянии от любых движущихся деталей.
- Ни при каких обстоятельствах не используйте на этом изделии какие-либо принадлежности или дополнительное оборудование, которое не было предоставлено вместе с продуктом, или не было указано как подходящие для использования с данным продуктом в настоящем руководстве по эксплуатации.
- Осматривайте штанговый сучкорез перед каждым использованием, а также после падения или других ударов. Убедитесь в отсутствии видимых признаков повреждения.

Не используйте штанговый сучкорез:

- находясь под воздействием алкоголя, медикаментов или наркотиков.
- во время дождя или в сырых или влажных местах.
- вблизи легковоспламеняющихся жидкостей или газов.
- если штанговый сучкорез поврежден, неправильно отрегулирован или собран.
- если курковый пусковой выключатель не включает и не выключает штанговый сучкорез. При отпуске куркового пускового выключателя пильная цепь должна останавливаться. Замените неисправный выключатель в авторизованном сервисном центре. См. подраздел «Дополнительные принадлежности» в разделе «Техническое обслуживание».
- в спешке.
- находясь на дереве или на лестнице.
- находясь в корзине или на платформе подъемника.
- при сильном ветре или бушующих погодах.

ОБЩИЕ ПРАВИЛА ТЕХНИКИ БЕЗОПАСНОСТИ

⚠ ОПАСНО: Опасность поражения электрическим током. Серьезные травмы или смерть от поражения электрическим током в случае контакта с линиями электропередач. Никогда не используйте вблизи электрических источников, проводов или линий электропередач.

⚠ ВНИМАНИЕ: Для безопасной работы прочитайте и поймите руководство по эксплуатации. Надевайте защитную маску (и/или защитные очки) и каску для защиты от падающего мусора. Всегда имейте чистую рабочую зону, путь отхода и следите за расположением сучьев/ветвей, чтобы избежать падения сучьев и мусора. Следите, чтобы посторонние лица находились на расстоянии 15 м от зоны работы сучкорезом.

Для снижения риска поражения электрическим током не используйте на мокрых поверхностях.

Не оставляйте инструмент под дождем. Хранить в помещении.

- Чтобы защитить себя от падающих ветвей, не стойте прямо под срезаемой ветвью или суком. Этот инструмент не следует держать под углом более 60° от уровня земли.
- Поверхность рукояток должна быть сухой, чистой и не содержать следов масла и смазки.
- Перед тем как включить инструмент убедитесь, что цепь не контактирует ни с каким объектом.
- Прежде чем опустить инструмент убедитесь, что пильная цепь полностью остановилась.

Сервисное обслуживание

- Сервисное обслуживание инструмента должно выполняться исключительно квалифицированными специалистами. Техническое или сервисное обслуживание, выполненное неквалифицированными лицами, может создать риск получения травм. См. раздел «Техническое обслуживание» в данном руководстве.
- При проведении технического обслуживания инструмента используйте только оригинальные запасные части. Соблюдайте инструкции из раздела Техническое обслуживание данного руководства. Использование неоригинальных запчастей или несоблюдение инструкций по техническому обслуживанию может стать причиной поражения электротоком или получения травм.

Защита от обратного удара

⚠ ВНИМАНИЕ: ОБРАТНЫЙ УДАР возникает, когда концевая часть пильной шины случайно соприкасается с объектом, а также в случае, если древесина перекашивается и зажимает пильную цепь в распиле. В случае соприкосновения кончика пильной шины с препятствием в некоторых случаях может произойти обратный удар, отбрасывая пильную шину назад в сторону оператора. В случае зажатия вдоль верхнего края пильной шины она будет отброшена назад в направлении оператора. Любое из этих физических воздействий может привести к потере контроля над инструментом, что может привести к серьезной травме.

⚠ Для сведения к минимуму риска образования обратного удара, соблюдайте следующие меры предосторожности:

- Надежно удерживайте штанговый сучкорез. Крепко держите инструмент обеими руками при работающем двигателе. Крепко удерживайте инструмент за штангу и рукоятку, плотно обхватив их пальцами.
- Не пытайтесь дотянуться до слишком удаленных поверхностей.
- Всегда твердо стойте на ногах, сохраняя равновесие.

- Не допускайте контакта носовой части пильной шины с бревнами, ветками, землей и другими препятствиями.
- Не поднимайте рукоятку штангового сучкореза выше плеч.
- Используйте такие устройства, как пильная цепь со сниженной отдачей, система торможения цепи и специальные пильные шины, которые снижают риски, связанные с отдачей.
- Используйте только сменные шины и цепи, указанные производителем или аналогичные.
- Следите за тем, чтобы движущаяся цепь не соприкоснулась с чем-либо на кончике пильной шины.
- Следите за тем, чтобы рабочая зона была свободна от препятствий, таких как другие деревья, ветви, камни, заборы, пни и т. д. Исключите или избегайте любых препятствий, которые могут повредить цепь, когда вы распилываете то или иное бревно или ветвь.
- Следите за тем, чтобы пильная цепь была острой и правильно натянутой. Затупившаяся или провисающая пильная цепь может стать причиной возникновения обратного удара. Регулярно проверяйте натяжение пильной цепи при остановленном двигателе и извлеченной аккумуляторной батарее.
- Начиная и продолжайте распил только при движении цепи на максимальной скорости. Если цепь движется с меньшей скоростью, вероятность обратного удара возрастает.
- Срезайте по одной ветви за раз.
- При продолжении имеющегося распила соблюдайте особую осторожность. Перед выполнением реза уприте опорные зубья в древесину и дождитесь набора цепью максимальной скорости.
- Не используйте инструмент для врезного или сквозного пиления.
- Следите, чтобы на линии реза не было веток или других объектов, которые могут помешать резанию и застрять в цепи.

Функции защиты от обратного удара

- ⚠ ВНИМАНИЕ:** Ваш штанговый сучкорез имеет несколько функций защиты, снижающих риск образования обратного удара, однако, они не исключают полностью опасность отдачи. Будучи оператором штангового сучкореза, не полагайтесь только на защитные устройства. Чтобы избежать образования обратного удара и других ситуаций, влекущих за собой получение тяжелых травм, вы обязаны соблюдать все меры предосторожности и следовать всем инструкциям по эксплуатации и техническому обслуживанию, которые изложены в данном руководстве.
- **Снижающая отдачу пильная шина** имеет носовую часть с малым радиусом, которая снижает размер опасной зоны обратного удара на кончике шины. Снижающая отдачу пильная шина продемонстрировала значительное снижение количества и силы обратных

ударов при проведении испытаний в соответствии с требованиями безопасности для электрических цепных пил.

- **Пильная цепь со сниженной отдачей** имеет клиновидные ограничители глубины пропила и предохранительное звено, которые уменьшают обратную отдачу и постепенно подают древесину под режущие зубья. Пильная цепь со сниженной отдачей - это цепь, отвечающая требованиям к характеристикам отдачи при испытании на типичном образце цепных пил.

Штанговый сучкорез - названия и термины

- **Приводная звездочка или звездочка** - Зубчатое колесо, приводящее в движение пильную цепь.
- **Пильная шина** - Прочная конструкция, которая поддерживает и направляет пильную цепь.
- **Защитный чехол пильной шины** - Чехол, устанавливающийся на пильную шину, когда сучкорез не используется.
- **Обратный удар** - Движение пильной шины назад, вверх или назад и вверх, когда пильная цепь в передней верхней части пильной шины соприкасается с каким-либо препятствием, таким как бревно или ветка, или когда древесина зажимает пильную цепь в срезе.
- **Пильная цепь со сниженной отдачей** - Цепь, снижающая силу обратных ударов. (при тестировании на репрезентативной выборке цепных пил.
- **Пильная шина, снижающая отдачу** - Шина, показавшая значительное снижение количества и силы обратных ударов.
- **Запасная пильная цепь** - Цепь, снижающая обратный удар при испытании на определенных цепных пилах. Может не соответствовать требованиям к производительности при использовании с другими пилами.
- **Пильная цепь** - Цепь с режущими зубьями, которая приводится в действие двигателем и удерживается на пильной шине, разрезая древесину.
- **Зубчатый бампер (опорный зуб)** - Заостренный зуб или зубья для использования при обрезании ветвей для поворота сучкореза и поддержания положения во время пиления.
- **Пусковой выключатель** - Устройство, которое замыкает или прерывает цепь электропитания к двигателю штангового сучкореза.
- **Блокировка выключателя** - Передвижной фиксатор, предотвращающий непреднамеренное срабатывание выключателя до тех пор, пока он не будет вручную активирован.
- **Спиливание (Обрезка)** - Процесс срезания сучьев с дерева.

- **Подрез** - Рез снизу вверх по бревну или суку. Это делается, когда вы находитесь в нормальном положении и режете верхней частью пильной шины.

Хранение

1. **Хранить в помещении.** Лучшим местом для хранения является прохладное и сухое место, защищенное от прямых солнечных лучей, высокой или низкой температуры и недоступное для детей.
2. **По окончании работы всегда ослабляйте натяжение пильной цепи.** При охлаждении цепь сжимается. Если не ослабить натяжение цепи, это может привести к повреждению сучкореза.

Остаточные риски

Несмотря на соблюдение соответствующих инструкций по технике безопасности и использование предохранительных устройств, некоторые остаточные риски невозможно полностью исключить. А именно:

- ухудшение слуха;
- риск травм от разлетающихся частиц;
- риск получения ожогов в результате нагревания инструмента в процессе работы;
- риск получения травмы в результате продолжительной работы.

СОХРАНИТЕ НАСТОЯЩЕЕ РУКОВОДСТВО

Зарядные устройства

Зарядные устройства DEWALT не требуют регулировки и максимально просты в использовании.

Электробезопасность

Электродвигатель рассчитан на работу только при одном напряжении сети. Необходимо обязательно убедиться в том, что напряжение источника питания соответствует указанному на шильдике устройства. Необходимо также убедиться в том, что напряжение работы зарядного устройства соответствует напряжению в сети.



Зарядное устройство DEWALT оснащено двойной изоляцией в соответствии с требованиями EN60335; поэтому провод заземления не требуется.

В случае повреждения кабеля питания его необходимо заменить специально подготовленным кабелем, который можно приобрести в сервисных центрах DEWALT.

Использование удлинительного кабеля

Используйте удлинитель только в случаях крайней необходимости. Используйте только утвержденные удлинители промышленного изготовления, рассчитанные на мощность не меньшую, чем потребляемая мощность зарядного устройства (см. **Технические характеристики**). Минимальное поперечное сечение провода электрического кабеля должно составлять 1 мм²; максимальная длина 30 м. При использовании кабельного барабана всегда полностью разматывайте кабель.

Важные инструкции по технике безопасности для всех зарядных устройств

СОХРАНИТЕ НАСТОЯЩЕЕ РУКОВОДСТВО. В данном руководстве содержатся важные инструкции по технике безопасности для совместимых зарядных устройств (см. **Технические характеристики**).

- **Перед тем как использовать зарядное устройство, внимательно изучите все инструкции и предупреждающие этикетки на зарядном устройстве, батарее и инструменте, для которого используется батарея.**



ВНИМАНИЕ: Опасность поражения электрическим током. Не допускайте попадания жидкости в зарядное устройство. Это может привести к поражению электрическим током.



ВНИМАНИЕ: Рекомендуется использовать устройство защитного отключения (УЗО) с током утечки до 30 мА.



ВНИМАНИЕ: Опасность ожога. Во избежание травм, следует использовать только аккумуляторные батареи производства DEWALT. Использование батарей другого типа может привести к взрыву, травмам и повреждениям.




ПРЕДУПРЕЖДЕНИЕ: Не позволяйте детям играть с данным устройством.


ПОЯСНЕНИЕ: В определенных условиях, при подключении зарядного устройства к источнику питания, может произойти короткое замыкание контактов внутри зарядного устройства посторонними материалами. Не допускайте попадания в полость зарядного устройства таких токопроводящих материалов, как стальная стружка, алюминиевая фольга или другие металлические частицы и т. п. Всегда отключайте зарядное устройство от источника питания, если в нем нет аккумуляторной батареи. Всегда отключайте зарядное устройство от сети перед тем, как приступить к очистке инструмента

- **НЕ ПЫТАЙТЕСЬ заряжать батареи с помощью каких-либо других зарядных устройств, кроме тех, которые указаны в данном руководстве.** Зарядное устройство и батарея предназначены для совместного использования.
- **Эти зарядные устройства не предназначены ни для какого другого использования, помимо зарядки аккумуляторных батарей DEWALT.** Использование любых других батарей может привести к возгоранию, поражению электротоком или гибели от электрического шока.
- **Не подвергайте зарядное устройство воздействию снега или дождя.**
- **При отключении зарядного устройства от сети всегда тяните за штепсельную вилку, а не за кабель.** Это поможет избежать повреждения штепсельной вилки и розетки.

- **Убедитесь в том, что кабель расположен таким образом, чтобы на него не наступили, не споткнулись об него, а также в том, что он не натянут и не может быть поврежден.**
- **Не используйте удлинительный кабель без крайней необходимости.** Использование удлинительного кабеля неподходящего типа может привести к пожару или поражению электрическим током.
- **Не ставьте на зарядное устройство никакие предметы и не устанавливайте зарядное устройство на мягкую поверхность, которая может закрыть вентиляционные отверстия и привести к перегреву.** Не размещайте зарядное устройство поблизости от источников тепла. Вентиляция зарядного устройства происходит с помощью отверстий в верхней и нижней части корпуса.
- **Не используйте зарядное устройство при наличии поврежденной кабеля или штепсельной вилки – в этом случае необходимо немедленно их заменить.**
- **Не используйте зарядное устройство, если его роняли, либо если оно подвергалось сильным ударам или было повреждено каким-либо иным образом.** Обратитесь в авторизованный сервисный центр.
- **Не разбирайте зарядное устройство. При необходимости обратитесь в специализированный сервисный центр, если нужно провести обслуживание или ремонт инструмента.** Неправильная сборка может стать причиной пожара или поражения электрическим током.
- **В случае повреждения кабеля питания его необходимо немедленно заменить у производителя, в его сервисном центре или с привлечением другого специалиста аналогичной квалификации для предотвращения несчастного случая.**
- **Перед очисткой отключите зарядное устройство от сети. В противном случае, это может привести к поражению электрическим током.** Извлечение аккумуляторной батареи не приведет к снижению степени этого риска.
- **НИКОГДА не подключайте два зарядных устройства вместе.**
- **Зарядное устройство предназначено для работы при стандартном напряжении сети в 230 В. Не пытайтесь использовать его при каком-либо ином напряжении.** Это не относится к автомобильному зарядному устройству.

Зарядка батареи (Рис. [Fig.] B)

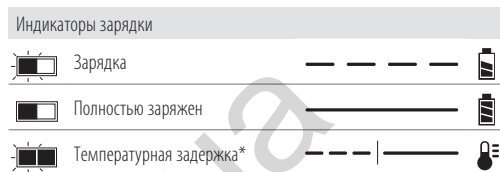
1. Перед установкой батареи подключите зарядное устройство к соответствующей сетевой розетке.
2. Вставьте аккумуляторную батарею  в зарядное устройство, убедившись в том, что она хорошо установлена. Красный индикатор зарядки начнет мигать. Это означает, что процесс зарядки начался.

3. По окончании зарядки красный индикатор будет гореть непрерывно, не мигая. Теперь батарея полностью заряжена, и ее можно использовать или оставить в зарядном устройстве. Чтобы извлечь аккумуляторную батарею из зарядного устройства, нажмите кнопку фиксатора батареи  и извлеките батарею.

ПРИМЕЧАНИЕ: Чтобы обеспечить максимальную производительность и срок службы литий-ионных батарей, перед первым использованием полностью зарядите аккумуляторную батарею.

Работа с зарядным устройством

См. состояние зарядки аккумуляторной батареи на приведенных ниже индикаторах.



*В это время красный индикатор продолжит мигать, а когда начнется зарядка, загорится желтый. После того, как батарея достигнет рабочей температуры, желтый индикатор погаснет, и зарядка продолжится.

Зарядное(-ые) устройство(-а) не может(-гут) полностью зарядить неисправную аккумуляторную батарею. При неисправной аккумуляторной батарее, индикатор на зарядном устройстве не загорится.

ПРИМЕЧАНИЕ: Также это может указывать на проблему с зарядным устройством.

Если зарядное устройство указывает на наличие проблемы, проверьте аккумулятор и зарядное устройство в специализированном сервисном центре.

Температурная задержка

Если температура батареи слишком низкая или слишком высокая, зарядное устройство автоматически переходит в режим температурной задержки; при этом зарядка не начинается до тех пор, пока батарея не достигнет нужной температуры. После того, как нужный уровень температуры будет достигнут, устройство перейдет в режим зарядки. Данная функция обеспечивает максимальный срок эксплуатации батареи.

Зарядка холодной батареи занимает больше времени, чем теплой. Аккумуляторная батарея заряжается медленнее во время цикла зарядки и максимального заряда не удастся добиться даже после того, как аккумуляторная батарея будет теплой.

Зарядное устройство DCB118 оснащено внутренним вентилятором для охлаждения батареи. Вентилятор включится автоматически, если батарея нуждается в охлаждении. Не используйте зарядное устройство, если вентилятор не функционирует или если забиты вентиляционные отверстия. Не позволяйте посторонним предметам попадать внутрь зарядного устройства.

Система электронной защиты

Литий-ионные аккумуляторные батареи XR оснащены системой электронной защиты, которая защищает аккумуляторную батарею от перегрузки, перегрева или глубокой разрядки.

При срабатывании системы электронной защиты инструмент автоматически отключается. В этом случае поставьте литий-ионную батарею на зарядку до тех пор, пока она полностью не зарядится.

Крепление на стену

Данные зарядные устройства могут крепиться на стены или устанавливаться на стол или рабочую поверхность. При креплении на стену расположите зарядное устройство в пределах досягаемости розетки и подальше от углов и других препятствий, которые могут помешать потоку воздуха. Используйте заднюю часть зарядного устройства в качестве образца для положения монтажных болтов на стене. Надежно закрепите зарядное устройство при помощи саморезов (приобретаются отдельно) длиной минимум в 25,4 мм с диаметром шляпки самореза в 7–9 мм, вкрученных в дерево до оптимальной глубины, оставляющей на поверхности примерно 5,5 мм самореза. Совместите отверстия на задней стороне зарядного устройства с выступающими саморезами и полностью вставьте их в отверстия.

Инструкции по очистке зарядного устройства



ВНИМАНИЕ: Опасность поражения электрическим током. Перед чисткой отключите зарядное устройство от сети питания. Грязь и жир можно удалить с наружной поверхности зарядного устройства с помощью тряпки или мягкой неметаллической щетки. Не используйте воду или чистящие растворы. Не допускайте попадания жидкости внутрь инструмента; никогда не погружайте никакие из деталей инструмента в жидкость.

Аккумуляторные батареи

Важные инструкции по технике безопасности для всех батарей

При заказе запасных батарей не забудьте указать номер по каталогу и напряжение.

При покупке батарея заряжена не полностью. Перед тем, как использовать батарею и зарядное устройство, прочтите следующие инструкции по технике безопасности. Затем выполните необходимые действия для зарядки.

ВНИМАТЕЛЬНО ПРОЧТИТЕ ВСЕ ИНСТРУКЦИИ

- **Не заряжайте и не используйте батарею во взрывоопасной атмосфере, например, при наличии горючих жидкостей, газов или пыли.** Установка или удаление батареи из зарядного устройства может привести к воспламенению пыли или газов.
- **Никогда не прилагайте больших усилий, вставляя батарею в зарядное устройство. Не вносите изменения в конструкцию батарей**

с целью установить их в зарядное устройство, к которому они не подходят. Это может привести к серьезным травмам.

- Заряжайте батареи только с помощью зарядных устройств DEWALT.
- **НЕ ПРОЛИВАЙТЕ** на них и не погружайте их в воду или другие жидкости.
- **Не храните и не используйте данное устройство и батарею при температуре выше 40 °C (например, на внешних пристройках или на металлических поверхностях зданий в летнее время).**
- **Не сжигайте батареи, даже поврежденные или полностью отработавшие.** При попадании в огонь батареи могут взорваться. При сжигании литий-ионных батарей образуются токсичные вещества и газы.
- **При попадании содержимого батареи на кожу, немедленно промойте это место водой с мылом.** При попадании содержимого батареи в глаза, необходимо промыть открытые глаза проточной водой в течение 15 минут или до тех пор, пока не пройдет раздражение. При необходимости обращения к врачу, может пригодиться следующая информация: электролит представляет собой смесь жидких органических углекислых и литиевых солей.
- **При вскрытии батареи, ее содержимое может вызвать раздражение дыхательных путей.** Обеспечьте наличие свежего воздуха. Если симптомы сохраняются, обратитесь к врачу.



ВНИМАНИЕ: Опасность ожога. Содержимое батареи может воспалиться при попадании искр или огня.



ВНИМАНИЕ: Ни в коем случае не разбирайте батарею. При наличии трещин или других повреждений батареи, не устанавливайте ее в зарядное устройство. Не роняйте батарею и не подвергайте ее ударам или другим повреждениям. Не используйте батарею или зарядное устройство после удара, падения или получения каких-либо других повреждений (например, после того, как ее проткнули гвоздем, ударили молотком или наступили на нее). Это может привести к удару или поражению электрическим током. Поврежденные батареи необходимо вернуть в сервисный центр для повторной переработки.



ВНИМАНИЕ: Риск воспламенения. Избегайте замыкание выводов батарей металлическими предметами во время хранения или переноски. Например, не кладите аккумуляторные батареи в передники, карманы, ящики для инструментов, выдвинутые ящики и т. п. с гвоздями, гайками, ключами и т. п.



ПРЕДУПРЕЖДЕНИЕ: Когда устройство не используется, кладите его на бок на устойчивую поверхность в таком месте,

где оно не может упасть и об него нельзя споткнуться. Некоторые устройства с батареями большого размера, стоят сверху на батарее, и могут легко упасть.

Транспортировка



ВНИМАНИЕ: Риск воспламенения. При транспортировке аккумуляторных батарей может произойти возгорание, если терминалы аккумуляторных батарей случайно будут замкнуты электропроводящими материалами. При транспортировке аккумуляторных батарей убедитесь в том, что терминалы защищены и хорошо изолированы от материалов, контакт с которыми может привести к короткому замыканию.

ПРИМЕЧАНИЕ: Литий-ионные аккумуляторные батареи запрещается сдавать в багаж.

Батареи DEWALT соответствуют всем применимым правилам транспортировки, как предусмотрено промышленными и юридическими стандартами, включая рекомендации ООН по транспортировке опасных грузов; Ассоциация международных авиаперевозчиков (IATA) правила перевозки опасных грузов, Международные правила перевозки опасных грузов морским путем (IMDG), и европейское соглашение о международной дорожной перевозке опасных грузов (ADR). Литий-ионные элементы и аккумуляторные батареи были протестированы в соответствии с разделом 38.3 Рекомендаций ООН по транспортировке опасных грузов руководства по тестам и критериям.

В большинстве случаев транспортировка аккумуляторных батарей DEWALT не попадает под классификацию, поскольку они не являются опасными материалами Класса 9. В целом, полностью под правила Класса 9 подпадают только перевозки литий-ионных батарей с энергоемкостью выше 100 Ватт час (Вт ч). Энергоемкость всех литий-ионных аккумуляторных батарей в Ватт-часах указана на упаковке. Кроме того, из-за сложности правил, DEWALT не рекомендует перевозку литий-ионных батарей по воздуху вне зависимости от их энергоемкости. Поставки инструментов с батареями (комбинированные наборы) могут перевозиться по воздуху согласно исключениям, если энергоемкость батареи не превышает 100 Вт ч.

Независимо от того, является ли перевозка исключением или выполняется по правилам, перевозчик должен уточнить последние требования к упаковке, маркировке и оформлению документации.

Информация, изложенная в данном руководстве обоснована и на момент создания данного документа может считаться точной. Но эта гарантия не является ни выраженной, ни подразумеваемой. Покупатель должен обеспечить то, что бы его деятельность соответствовала всем применимым законам.

Транспортировка батареи FLEXVOLT™

Батарея DEWALT FLEXVOLT™ оснащена двумя режимами: эксплуатация и транспортировка.

Режим эксплуатации: если батарея FLEXVOLT™ используется отдельно или в изделии DEWALT на 18 В, то она будет работать в качестве батареи 18 В. Если батарея FLEXVOLT™ используется в изделии на 54 В или 108 В (две батареи 54 В), то она будет работать в качестве батареи 54 В.

Режим транспортировки: если к батарее FLEXVOLT™ прикреплена крышка, то батарея находится в режиме транспортировки. Сохраните крышку для транспортировки.

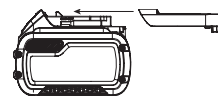
При режиме транспортировки ряды элементов электрически отсоединяются внутри батареи, что в итоге дает

3 батареи с более низкой энергоемкостью в ватт-часах (Вт ч) по сравнению с 1 батареей с более высокой емкостью в ватт-часах. Данное увеличенное количество в 3 батареи с более низкой энергоемкостью может исключить комплект из некоторых ограничений на перевозку, налагаемых на батареи с более высокой энергоемкостью.

Например, энергоемкость в режиме транспортировки

указана как 3 × 36 Вт ч, что может означать 3 батареи с емкостью

в 36 Вт ч каждая. Энергоемкость в режиме эксплуатации указана как 108 Вт ч (подразумевается 1 батарея).



Пример маркировки режимов эксплуатации и транспортировки



Рекомендации по хранению

1. Лучшим местом для хранения является прохладное и сухое место, защищенное от прямых солнечных лучей, высокой или низкой температуры. Для оптимальной работы и продолжительного срока службы, храните неиспользуемые аккумуляторные батареи при комнатной температуре.
2. Для достижения максимальных результатов при продолжительном хранении рекомендуется полностью зарядить батарейный комплект и хранить его в прохладном сухом месте вне зарядного устройства.

ПРИМЕЧАНИЕ: Аккумуляторные батареи не должны храниться в полностью разряженном состоянии. Перед использованием аккумуляторная батарея требует повторной зарядки.

Маркировка на зарядном устройстве и аккумуляторной батарее

Помимо пиктограмм, используемых в данном руководстве, на зарядном устройстве и батарее имеются следующие обозначения:



Перед началом работы прочтите руководство по эксплуатации.



Чтобы узнать время зарядки, см. **Технические характеристики**.



Не касайтесь токопроводящими предметами контактов батареи и зарядного устройства.



Не пытайтесь заряжать поврежденную батарею.



Не подвергайте электроинструмент или его элементы воздействию влаги.



Немедленно заменяйте поврежденный кабель питания.



Зарядку осуществляйте только при температуре от 4 °C до 40 °C.



Для использования внутри помещений.



Утилизируйте отработанные батареи безопасным для окружающей среды способом.



Заряжайте аккумуляторные батареи DEWALT только с помощью соответствующих зарядных устройств DEWALT. Зарядка иных аккумуляторных батарей, кроме DEWALT на зарядных устройствах DEWALT может привести к возгоранию аккумуляторных батарей и возникновению других опасных ситуаций.



Не сжигайте аккумуляторную батарею.



ЭКСПЛУАТАЦИЯ (без крышки для транспортировки). Пример: емкость указана как 108 Вт ч (1 батарея с 108 Вт ч).



ТРАНСПОРТИРОВКА (с крышкой для транспортировки). Пример: емкость указана как 3 x 36 Вт ч (3 батареи по 36 Вт ч).

Тип батареи

DCMP567 работает от аккумуляторной батареи напряжением 18 В.

Могут применяться следующие типы батарей: DCB181, DCB182, DCB183, DCB183B, DCB184, DCB184B, DCB185, DCB187, DCB189, DCB546, DCB547, DCB548. Подробную информацию см. в *Технических характеристиках*.

Место положения кода даты (Рис. А)

Код даты **14**, который также включает в себя год изготовления, отштампован на поверхности корпуса инструмента.

Пример:

2019 XX XX
Год изготовления

Комплектация поставки

В комплектацию входит:

- 1 Штанговый сучкорез
- 1 Наплечный ремень

- 1 Литий-ионная аккумуляторная батарея (модели C1, D1, L1, M1, P1, S1, T1, X1, Y1)
- 2 Литий-ионные аккумуляторные батареи (модели C2, D2, L2, M2, P2, S2, T2, X2, Y2)
- 3 Литий-ионные аккумуляторные батареи (модели C3, D3, L3, M3, P3, S3, T3, X3, Y3)

1 Руководство по эксплуатации

ПРИМЕЧАНИЕ: Аккумуляторные батареи, зарядные устройства и инструментальные ящики не входят в комплект поставки для моделей N. Аккумуляторные батареи и зарядные устройства не входят в комплект поставки для моделей NT. Модели В включают в себя аккумуляторные батареи Bluetooth®.

ПРИМЕЧАНИЕ: Словесный товарный знак и логотип Bluetooth® являются зарегистрированными товарными знаками Bluetooth®, SIG, Inc. любое использование этих знаков DEWALT лицензировано. Другие торговые марки и названия принадлежат их владельцам.

- Проверьте инструмент, детали и дополнительные приспособления на наличие повреждений, которые могли произойти во время транспортировки.
- Перед началом работы необходимо внимательно прочитать настоящее руководство и принять к сведению содержащуюся в нем информацию.

Маркировка инструмента

На инструмент нанесены следующие обозначения:



Перед началом работы прочтите руководство по эксплуатации.



Используйте защитные очки.



Используйте защитные наушники.



Не оставляйте инструмент под дождем.



Надевайте защитную каску.



Надевайте защитные перчатки.



Опасность пореза. Держите пальцы на расстоянии от реза.



Надевайте защитную обувь.



Направление вращения пильной цепи.



Опасность поражения электрическим током. Держитесь на расстоянии как минимум в 10 м от воздушных линий электропередач.



Выключайте инструмент. Перед выполнением любых работ по обслуживанию инструмента, извлекайте из инструмента аккумуляторную батарею.



Гарантированная акустическая мощность в соответствии с Директивой 2000/14/ЕС.



Держите посторонних лиц на безопасном расстоянии.



Держите посторонних лиц на безопасном расстоянии.

Описание (Рис. А)



ВНИМАНИЕ: *Никогда не вносите изменения в конструкцию электроинструмента или какой-либо его части. Это может привести к повреждению или травме.*

- | | |
|---------------------------------|------------------------------------|
| 1 Узел рукоятки | 11 Крышка звездочки |
| 2 Центральная штанга | 12 Винты с шестигранными головками |
| 3 Узел пильной головки | 13 Пильная шина |
| 4 Курковый пусковой выключатель | 14 Пильная цепь |
| 5 Кнопка блокировки | 15 Защитный чехол |
| 6 Аккумуляторная батарея | 16 Шестигранный ключ |
| 7 Место для захвата | 17 Крышка резервуара для масла |
| 8 Резьбовая штанга | 18 Крюк для удаления веток |
| 9 Резьбовая муфта | 19 Крепление для ремня |
| 10 Зажим пильной шины | |

Назначение

Данный штанговый сучкорез идеально подходит для обрезки ветвей и резке сучьев диаметром до 203 мм.

НЕ используйте в условиях повышенной влажности или близости от легковоспламеняющихся жидкостей или газов.

Данный штанговый сучкорез является профессиональным электроинструментом.

НЕ РАЗРЕШАЙТЕ детям прикасаться к инструменту.

Использование инструмента неопытными пользователями должно происходить под контролем опытного лица.

- Данный инструмент не предназначен для использования лицами (включая детей) с ограниченными физическими, психическими и умственными возможностями, не имеющими опыта, знаний или навыков работы с ним, если они не находятся под наблюдением лица, ответственного за их безопасность. Никогда не оставляйте детей без присмотра с этим инструментом.

СБОРКА И РЕГУЛИРОВКА



ВНИМАНИЕ: *Чтобы снизить риск получения серьезной травмы, необходимо выключить инструмент и отсоединить батарею, прежде чем выполнять какую-либо регулировку либо удалять/устанавливать какие-либо насадки или дополнительные принадлежности. Случайный запуск может привести к травме.*



ВНИМАНИЕ: *Используйте только зарядные устройства и аккумуляторные батареи марки DEWALT.*

Установка и извлечение аккумуляторной батареи из инструмента (Рис. В)

ПРИМЕЧАНИЕ: Убедитесь, что аккумуляторная батарея 1 полностью заряжена.

Установка батареи в рукоятку инструмента

1. Совместите аккумуляторную батарею 1 с выемкой на внутренней стороне рукоятки (Рис. В).
2. Задвиньте ее в рукоятку так, чтобы аккумуляторная батарея плотно встала на место и убедитесь, что услышали щелчок от вставшего на место замка.

Извлечение батареи из инструмента

1. Нажмите кнопку фиксатора батареи 24 и вытащите батарею из рукоятки.
2. Вставьте батарею в зарядное устройство, как указано в разделе данного руководства, посвященном зарядному устройству.

Датчик уровня заряда аккумуляторной батареи (Рис. В)

В некоторых аккумуляторных батареях DEWALT есть датчик заряда, который включает три зеленых светодиодных индикатора, показывающих уровень оставшегося заряда аккумуляторной батареи.

Для включения датчика заряда, нажмите и удерживайте кнопку датчика заряда 27. Загорятся три зеленых светодиода, показывая уровень оставшегося заряда. Когда уровень заряда аккумуляторной батареи будет ниже уровня, необходимого для использования, светодиоды перестанут гореть и аккумуляторную батарею следует зарядить.

ПРИМЕЧАНИЕ: Датчик заряда аккумуляторной батареи показывает уровень оставшегося заряда. Он не показывает работоспособность устройства и его показания могут меняться в зависимости от компонентов продукта, температуры и сфер применения.

Установка и снятие пильной цепи (Рис. А, С–Е)



ВНИМАНИЕ: *Острая движущаяся цепь. Перед выполнением следующих действий в целях предотвращения непреднамеренного запуска обязательно снимите аккумуляторную батарею с инструмента. Несоблюдение данного требования может привести к серьезной травме.*



ОСТОРОЖНО: *Острая движущаяся цепь. При снятии или установке пильной цепи всегда надевайте защитные перчатки. Цепь очень острая, и о нее можно порезаться, даже когда инструмент выключен.*

1. Установите сучкорез на плоскую, твердую поверхность. Поверните два шестигранных винта 12 против часовой стрелки, используя шестигранный ключ 16, входящий в комплект поставки.
2. Удалите крышку звездочки 11, зажим пильной шины 10 и шестигранные винты.

3. Чтобы снять пильную цепь **14**, поверните винт **20** в передней части корпуса, используя плоский отверточный конец гаечного ключа. Поворачивание винта против часовой стрелки отодвигает пильную шину **13**, натяжение ослабевает и цепь можно снять.
4. Извлеките старую пильную цепь из канавки пильной шины.
5. Переверните пильную шину.
6. Чтобы заменить пильную цепь, убедитесь, что паз в пильной шине находится над установочными штифтами **21**, показанными на Рис. Е, и что отверстие под пазом расположено над регулировочным штифтом.
7. Поместите в канавку пильной шины и вокруг звездочки новую пильную цепь. Убедитесь, что зубья цепи направлены в правильном направлении, сравнив с рисунком на корпусе или пильной шине.
8. Поверните винт в передней части корпуса в направлении по часовой стрелке, чтобы усилить натяжение.
9. Установите на место крышку звездочки, зажим пильной шины и шестигранные винты.
10. Следуйте инструкциям в разделе «**Регулировка натяжения пильной цепи**».

Регулировка натяжения пильной цепи (Рис. А, D, F, G)

1. Положив штанговый сучкорез на плоскую, твердую поверхность, проверьте натяжение пильной цепи **14**. Натяжение считается правильным, когда цепь отскакивает обратно после того, как она была оттянута на расстояние 3 мм от пильной шины **13** легким усилием указательного и большого пальцев, как показано на Рис. F. Между пильной шиной и пильной цепью не должно быть провисания, как показано на Рис. G.
2. Чтобы отрегулировать натяжение пильной цепи, ослабьте шестигранные винты **12**.
3. Поверните винт **20** в передней части корпуса, используя плоский отверточный конец гаечного ключа.
4. Не натягивайте пильную цепь слишком туго, т.к. это может привести к ее преждевременному износу и сократит срок службы пильной шины и пильной цепи. Чрезмерное натяжение также сокращает количество резов, выполняемых на одной зарядке.
5. Отрегулировав натяжение, затяните шестигранные винты **12**, чтобы сработал зажим шины.
6. При использовании новой пильной цепи натяжение необходимо проверять (предварительно сняв аккумуляторную батарею) как можно чаще в первые 2 часа эксплуатации, так как в этом время она наиболее подвержена растяжению.

ПРИМЕЧАНИЕ: Регулярно проверяйте натяжение пильной цепи.

Смазка пильной цепи и пильной шины (Рис. H)

Автоматическая система смазки

Данный штанговый сучкорез оборудован системой автоматической смазки, которая поддерживает пильную цепь и пильную шину постоянно смазанной. Индикатор уровня масла **25** отображает уровень масла в резервуаре сучкореза. Если резервуар для масла полон менее, чем на четверть, снимите батарею со штангового сучкореза и долейте подходящее масло.

ПРИМЕЧАНИЕ: При завершении работы обязательно сливайте масло.

ПРИМЕЧАНИЕ: В целях обеспечения качественной смазки составляющих необходимо использовать высококачественные пильные цепи и пильные шины. В качестве временной замены допустимо использовать моторное масло класса SAE30 без моющих средств. Для обрезки ветвей рекомендуется использовать смазку для шины и цепи растительного происхождения. Не рекомендуется использовать минеральное масло, поскольку оно может нанести вред деревьям. Никогда не используйте отработанное или очень густое масло. Они могут привести к повреждению штангового сучкореза.

Доливка масла в резервуар

- Снимите крышку резервуара для масла **17** и залейте в резервуар масло, рекомендованное для пильных шин и цепей, пока уровень масла не достигнет верхнего индикатора уровня масла **25**.
- Установите на место крышку резервуара для масла.
- Время от времени выключайте цепную пилу и проверяйте индикатор уровня масла и состояние смазки пильной цепи и шины.

Транспортировка штангового сучкореза (Рис. А)

Всегда извлекайте аккумуляторную батарею **6** из рукоятки и надевайте на пильную цепь **14** защитный чехол **15** при транспортировке штангового сучкореза.

Присоединение модуля пильной головки к модулю рукоятки (Рис. I–L)

⚠ ВНИМАНИЕ: *Острая движущаяся цепь. Перед выполнением следующих действий в целях предотвращения непреднамеренного запуска обязательно снимите аккумуляторную батарею с инструмента и убедитесь, что надет защитный чехол. Несоблюдение данного требования может привести к серьезной травме.*

Три узла, из которых состоит штанговый сучкорез, снабжены креплениями для обеспечения правильной сборки. Если один узел не присоединяется без препятствий к другому, не прилагайте силу.

Соединение узла рукоятки **1** с узлом пильной головки **3** образует штанговый сучкорез длиной приблизительно 1,8 м, как показано на Рис. I.

Чтобы присоединить узел рукоятки к узлу пильной головки:

1. Совместите паз **22** на внешней стороне соединительного конца узла рукоятки **1** с язычком **23** на внутренней стороне соединительного конца узла пильной головки **3**. См. Рис. J. Надавите и полностью соедините обе секции. См. Рис. K.
2. Сдвиньте резьбовую муфту **9** на узле пильной головки как можно дальше и поверните муфту по часовой стрелке, пока она не остановится, полностью закрывая резьбу, как показано на Рис. L.

⚠ ВНИМАНИЕ: Всегда проверяйте, чтобы муфта была полностью навинчена, и красная резьба больше не видна. Неполное навинчивание муфты может привести к отсоединению узлов, что создает опасную ситуацию. Периодически проверяйте соединения, чтобы убедиться, что красная резьба не видна.

Присоединение центральной штанги к модулю пильной головки и модулю рукоятки (Рис. А, М)

Присоединение центральной штанги **2** к узлу рукоятки **1** и узлу пильной головки **3** образует штанговый сучкорез длиной приблизительно 2,7 м, как показано на Рис. М. См. раздел «Присоединение модуля пильной головки к модулю рукоятки» для получения инструкций, как присоединить центральную штангу к узлу рукоятки и узлу пильной головки.

⚠ ВНИМАНИЕ: Всегда проверяйте, чтобы муфта была полностью навинчена, и красная резьба больше не видна. Неполное навинчивание муфты может привести к отсоединению узлов, что создает опасную ситуацию. Периодически проверяйте соединения, чтобы убедиться, что красная резьба не видна.

РАЗБОРКА

⚠ ВНИМАНИЕ: Для снижения риска получения тяжелых травм выключайте инструмент и извлекайте аккумуляторную батарею перед проведением любых действий по регулировке или установке/снятию дополнительных принадлежностей или насадок. Случайный запуск инструмента может привести к травме.

Отсоединение модуля пильной головки (Рис. N)

⚠ ВНИМАНИЕ: Острая движущаяся цепь. Перед выполнением следующих действий в целях предотвращения непреднамеренного запуска обязательно снимите аккумуляторную батарею с инструмента и убедитесь, что надет защитный

чехол. Несоблюдение данного требования может привести к серьезной травме.

При разъединении узлов, будь то в режиме сборки двух или трех узлов, всегда сначала отсоединяйте узел пильной головки **3**. Для этого положите узел рукоятки **1** на землю и возьмитесь одной рукой за центр узла пильной головки, как показано на рис. N. Другой рукой ослабьте резьбовую муфту, а затем разъедините обе половины. Повторите действия, если была присоединена центральная штанга.

Крепление и регулировка наплечного ремня (Рис. O)

Данный штанговый сучкорез поставляется с регулируемым наплечным ремнем.

1. Защелкните зажим наплечного ремня **28** на креплении для ремня **19** как показано на Рис. O.
2. Отрегулируйте ремень под свое плечо.

ЭКСПЛУАТАЦИЯ

Инструкции по использованию

- ⚠ ВНИМАНИЕ:** Всегда следуйте указаниям действующих норм и правил безопасности.
- ⚠ ВНИМАНИЕ:** Чтобы снизить риск получения серьезной травмы, необходимо выключить инструмент и отсоединить батарею, прежде чем выполнять какую-либо регулировку либо удалять/устанавливать какие-либо насадки или дополнительные принадлежности.
- Случайный запуск может привести к травме.

Правильное положение рук во время работы (Рис. P)

- ⚠ ВНИМАНИЕ:** Для уменьшения риска получения тяжелой травмы, ВСЕГДА правильно удерживайте инструмент, как показано на рисунке.
- ⚠ ВНИМАНИЕ:** Для уменьшения риска получения тяжелой травмы, ВСЕГДА надёжно удерживайте инструмент, предупреждая внезапные сбои в работе.

При правильном расположении рук одна рука находится на основной рукоятке **29**, а другая в месте для захвата **7**.

Эксплуатация штангового сучкореза (Рис. A)

- ⚠ ВНИМАНИЕ:** Внимательно прочтите все инструкции. Несоблюдение всех приведенных ниже инструкций может стать причиной поражения электрическим током, возгорания и/или тяжелой травмы.
- ⚠ ОСТОРОЖНО:** По окончании работы всегда ослабляйте натяжение пильной цепи. При охлаждении цепь сжимается. Если не ослабить натяжение цепи, это может привести к повреждению сучкореза.

ВАЖНО: Никогда не используйте штанговый сучкорез, если он поврежден, неправильно отрегулирован или неполностью собран. Убедитесь, что пильная цепь **14** останавливается при отпускании куркового пускового выключателя. Никогда не проводите регулировку пильной шины **13** или пильной цепи при работающем двигателе или установленной аккумуляторной батарее.

Обрезание ветвей штанговым сучкорезом

ВНИМАНИЕ:

- **Никогда не стойте прямо под веткой, которую вы обрезаете.** Всегда стойте вне места падения обрезков.
- **Всегда надевайте снаряжение, защищающее тело, голову, глаза и ноги.** Использование защитного снаряжения помогает снизить риск получения травм при эксплуатации данного инструмента.
- **Никогда не вставляйте на лестницу или другую неустойчивую опору во время использования штангового сучкореза.** Всегда избегайте любого положения, которое может привести к потере баланса и получению серьезной травмы.
- **Держите окружающих на расстоянии в как минимум 15 м от места работ.** Отвлекаясь от работы, вы можете потерять контроль над инструментом.
- **Опасность поражения электрическим током.** Для предотвращения удара электрическим током, не работайте на расстоянии ближе 15 м от линий электропередач. Всегда проверяйте окружающую зону на наличие скрытых линий электропередач.
- **Не поднимайте рукоятку штангового сучкореза выше плеч.**

Пусковой выключатель (Рис. Q)

Всегда прочно стойте на ногах и крепко удерживайте инструмент обеими руками, плотно обхватив рукоятку. Чтобы включить инструмент, большим пальцем руки переведите блокировку выключателя **5** назад и пальцами нажмите на курковый пусковой выключатель **4**, как показано на Рис. Q. (Как только инструмент начнет работать, блокировку выключателя можно отпустить.) Чтобы выключить инструмент, отпустите курковый пусковой выключатель.

Крюк для удаления веток (Рис. A)

ОСТОРОЖНО: Крюк для удаления веток не является крюком для крепления на ремень.

Ваш штанговый сучкорез оборудован крюком для удаления веток **18** помогающий при удалении мелких и небольших по размеру обрезанных веток.

Спиливание ветвей штанговым сучкорезом (Рис. A, P, R)

ВНИМАНИЕ: Инструмент должен работать в обычном режиме. Не подвергайте инструмент повышенным нагрузкам.

ВНИМАНИЕ: При спиливании ветвей с деревьев: принимайте меры предосторожности против возможного обратного удара, который может привести к тяжелым травмам или смерти. См. раздел «Защита от обратного удара», чтобы избежать риска возникновения обратного удара. Не пытайтесь дотянуться до слишком удаленных поверхностей. Крепко стойте на ногах. Ставьте ноги широко. Распределяйте вес между ногами.

1. Крепко удерживайте штанговый сучкорез обеими руками как показано на Рис. P. Большие и остальные пальцы должны прочно удерживать рукоятку и штангу. Держите пальцы в стороне от места выброса опилок **26**, как показано на Рис. R.
2. Запрещается эксплуатировать инструмент, находясь на дереве, в неудобном положении или на стремянке и других нестабильных опорах. Существует опасность потери управления над штанговым сучкорезом, что может стать причиной получения тяжелых травм.
3. При обрезании деревьев следуйте следующим указаниям.
 - a. Убедитесь, что штанговый сучкорез работает на полной скорости, прежде чем делать рез. Во время начала резки поместите движущуюся пильную цепь **14** на сук. Прочно удерживайте штанговый сучкорез на месте, чтобы избежать возможного скачка или соскальзывания (бокового движения) штангового сучкореза.
 - b. Управляйте инструментом, прилагая легкое усилие. Сделайте первый разрез на расстоянии 152 мм от ствола дерева на нижней стороне сучка. Используйте верхнюю часть пильной шины **13**, чтобы сделать этот рез. Сделайте разрез на 1/3 диаметра сучка. Затем сделайте конечный разрез сверху вниз. Если вы попытаетесь отрезать толстые ветки снизу вверх, ветка закроет пильную цепь и зажмет ее в резе. Если вы попытаетесь отрезать толстые ветки сверху вниз, без подрезки снизу, ветка может расколоться. Не применяйте силу к штанговому сучкорезу. В таком случае двигатель можете перегреться и сгореть. Инструмент будет работать лучше и безопаснее при нагрузке, на которую он рассчитан.
 - c. Извлеките штанговый сучкорез из реза, пока он работает на полной скорости. Остановите штанговый сучкорез, отпустив курковый пусковой выключатель **4**. Убедитесь, что пильная цепь остановлена перед тем, как убрать штанговый сучкорез.

Острота пильной цепи



ОСТОРОЖНО: Острая цепь. При выполнении любых работ, связанных с пильной цепью, обязательно надевайте защитные перчатки. Цепь очень острая, и о нее можно порезаться, даже когда инструмент выключен.

ВАЖНО: При соприкосновении во время реза пильной цепи с землей, камнями, кирпичом или гвоздями пильная цепь немедленно затупится.

В целях обеспечения максимальной производительности сучкореза необходимо поддерживать пильную цепь острой. Для заточки пильной цепи обратитесь в ближайший сервисный центр DEWALT.

ПРИМЕЧАНИЕ: При каждом затачивании пильной цепи она частично теряет свойства противодействия обратным ударам, поэтому соблюдайте особую осторожность. Не рекомендуется затачивать пильную цепь больше четырех раз.

ТЕХНИЧЕСКОЕ ОБСЛУЖИВАНИЕ

Электроинструмент имеет длительный срок эксплуатации и требует минимальных затрат на техобслуживание. Для длительной безотказной работы необходимо обеспечить правильный уход за инструментом и его регулярную очистку.



ВНИМАНИЕ: Чтобы снизить риск получения серьезной травмы, необходимо выключить инструмент и отсоединить батарею, прежде чем выполнять какую-либо регулировку либо удалять/устанавливать какие-либо насадки или дополнительные принадлежности. Случайный запуск может привести к травме.

Зарядное устройство и аккумуляторные батареи неремонтопригодны.



Смазка

Ваш электроинструмент не требует дополнительной смазки.



Чистка



ВНИМАНИЕ: Выдувайте грязь и пыль из корпуса сухим сжатым воздухом по мере видимого скопления грязи внутри и вокруг вентиляционных отверстий. Выполняйте очистку, надев средство защиты глаз и респиратор утвержденного типа.



ВНИМАНИЕ: Никогда не используйте растворители или другие агрессивные химические средства для очистки неметаллических деталей инструмента. Эти химикаты могут ухудшить свойства материалов, примененных в данных деталях. Используйте ткань, смоченную в воде с мягким мылом. Не допускайте попадания какой-либо жидкости внутрь инструмента; ни в коем случае

не погружайте какую-либо часть инструмента в жидкость.

Дополнительные принадлежности



ВНИМАНИЕ: Поскольку принадлежности, отличные от тех, которые предлагает DEWALT, не проходили тесты на данном изделии, то использование этих принадлежностей может привести к опасной ситуации. Во избежание риска получения травмы, с данным продуктом должны использоваться только рекомендованные DEWALT дополнительные принадлежности.

По вопросу приобретения дополнительных принадлежностей обращайтесь к Вашему дилеру.

Для замены пильной цепи и шины обратитесь в ближайший сервисный центр DEWALT.

- DCMP5567 требует установки пильной цепи с № детали DT20667-QZ. Запасная шина 20 см, № детали DT20668-QZ.

Защита окружающей среды



Отдельная утилизация. Изделия и аккумуляторные батареи с данным символом на маркировке запрещается утилизировать с обычными бытовыми отходами.

Изделия и аккумуляторные батареи содержат материалы, которые могут быть извлечены или переработаны, снижая потребность в исходном сырье. Пожалуйста, утилизируйте электрические изделия и аккумуляторные батареи в соответствии с местными нормами. Дополнительная информация доступна по адресу www.2helpU.com.

Аккумуляторная батарея

Данную аккумуляторную батарею с длительным сроком эксплуатации необходимо перезаряжать, когда она перестает обеспечивать питание, необходимое для выполнения определенных работ. По окончании срока эксплуатации ее следует утилизировать, соблюдая при этом необходимые меры по защите окружающей среды:

- полностью разрядите батарею до конца и извлеките ее из инструмента;
- литий-ионные аккумуляторные батареи подлежат вторичной переработке. Сдайте их нашему дилеру или в местный центр вторичной переработки. В этих пунктах батареи будут подвергнуты повторной переработке или правильной утилизации.

ВОЗМОЖНЫЕ НЕИСПРАВНОСТИ И СПОСОБЫ ИХ УСТРАНЕНИЯ

СЛЕДУЙТЕ ПРАВИЛАМ И ИНСТРУКЦИЯМ ТЕХНИКИ БЕЗОПАСНОСТИ

Для получения помощи касательно продукта, посетите наш сайт www.dewalt.com , чтобы найти список сервисных центров.

НЕИСПРАВНОСТЬ	ВОЗМОЖНАЯ ПРИЧИНА	РЕШЕНИЕ
Инструмент не включается.	Аккумуляторная батарея установлена неправильно.	Проверьте правильность установки аккумуляторной батареи.
	Аккумуляторная батарея разряжена.	Проверьте требования по зарядке аккумуляторной батареи.
	Не активирована блокировка.	Оттяните назад рычаг блокировки/нажмите на курковый пусковой выключатель.
	Недостаточно затянуты соединительные элементы штанги.	См. раздел «Присоединение модуля пильной головки к модулю рукоятки» .
Аккумуляторная батарея не заряжается.	Аккумуляторная батарея не вставлена в зарядное устройство.	Вставьте аккумуляторную батарею в зарядное устройство так, чтобы загорелся светодиод.
	Зарядное устройство не подключено к сети.	Подключите зарядное устройство к рабочей розетке. См. раздел «Зарядка аккумуляторной батареи» , чтобы получить больше информации.
	Температура окружающей среды слишком высокая или слишком низкая.	Переместите батарею в место с температурой выше 4,5 °C или ниже +40 °C.
Перегрев шины/цепи.	Цепь натянута слишком туго.	См. раздел «Регулировка натяжения пильной цепи» .
	Требуется смазка.	См. раздел «Смазка пильной цепи» .
Цепь натянута слишком слабо.	Натяжение цепи неправильно отрегулировано.	См. раздел «Регулировка натяжения пильной цепи» .
Плохое качество пиления.	Натяжение цепи неправильно отрегулировано.	См. раздел «Регулировка натяжения пильной цепи» . ПРИМЕЧАНИЕ: Чрезмерное натяжение может привести к преждевременному износу и сократить срок службы пильной шины и пильной цепи. Смазывайте цепь каждые 10 минут использования.
	Требуется замена пильной цепи.	См. раздел «Установка и снятие пильной цепи» .
Инструмент работает, но не пилит.	Пильная цепь установлена в обратном направлении.	См. раздел «Установка и снятие пильной цепи» .



Приложение к руководству по эксплуатации электрооборудования для определения месяца производства по номеру текущей календарной недели года

Электрооборудование торговых марок "Dewalt", "Stanley", "Stanley FatMAX", "BLACK+DECKER".

Директивы 2014/30/EU ЕВРОПЕЙСКОГО ПАРЛАМЕНТА И СОВЕТА от 26 февраля 2014 г. "О гармонизации законодательств Государств-членов ЕС в области электромагнитной совместимости", 2006/42/ЕС ЕВРОПЕЙСКОГО ПАРЛАМЕНТА И СОВЕТА от 17 мая 2006 г. "О машинах и оборудовании"; 2014/35/EU ЕВРОПЕЙСКОГО ПАРЛАМЕНТА И СОВЕТА от 26 февраля 2014 г. "О гармонизации законодательств государств-членов в области размещения на рынке электрооборудования, предназначенного для использования в определенных пределах напряжения". Серийный выпуск.

ТОВАР СЕРТИФИЦИРОВАН

Орган по сертификации "РОСТЕСТ- Москва", Адрес: 119049, г. Москва, улица Житная, д. 14, стр. 1; 117418, Москва, Нахимовский просп., 31 (фактический), Телефон: (499) 1292311, (495) 6682893, Факс: (495) 6682893, E-mail: office@rostest.ru
 Изготовитель: Изготовитель: Блэк энд Деккер Холдингс ГмбХ, Германия, 65510, Идштайн, ул. Блэк энд Деккер, 40, тел. +496126212790.

Уполномоченное изготовителем юр.лицо:

ООО "Стэнли Блэк энд Деккер", 117485, город Москва, улица Обручева, дом 30/1, строение 2
 Телефон: + 7 (495) 258-3981, факс: + 7 (495) 258-3984, E-mail: info@dewalt.com
 Сведения о импортере указаны в сопроводительной документации и/или на упаковке

Хранение.

Необходимо хранить в сухом месте, вдали от источников повышенных температур и воздействия солнечных лучей. При хранении необходимо избегать резкого перепада температур. Хранение без упаковки не допускается

Срок службы.

Срок службы изделия составляет 5 лет. Не рекомендуется к эксплуатации по истечении 5 лет хранения с даты изготовления без предварительной проверки.

Дата изготовления (код даты) указана на корпусе инструмента. Код даты, который также включает год изготовления, отштампован на поверхности корпуса изделия.

Пример: 2014 46 XX, где 2014 – год изготовления, 46-неделя изготовления. Определить месяц изготовления по указанной неделе изготовления можно согласно приведенной ниже таблице.

Транспортировка.

Категорически не допускается падение и любые механические воздействия на упаковку при транспортировке. При разгрузке/погрузке не допускается использование любого вида техники, работающей по принципу зажима упаковки.

Перечень критических отказов, возможные ошибочные действия персонала.

- Не допускается эксплуатация изделия:
 - При появлении дыма из корпуса изделия
 - При поврежденном и/или оголенном сетевом кабеле
 - при повреждении корпуса изделия, защитного кожуха, рукоятки
 - при попадании жидкости в корпус
 - при возникновении сильной вибрации
 - при возникновении сильного искрения внутри корпуса
- Критерии предельных состояний.**
- При поврежденном и/или оголенном сетевом кабеле
 - при повреждении корпуса изделия

Месяц	Январь	Февраль	Март	Апрель	Май	Июнь	Июль	Август	Сентябрь	Октябрь	Ноябрь	Декабрь	Год производства
Неделя	1	5	9	14	18	23	27	31	36	40	44	49	2018
	2	6	10	15	19	24	28	32	37	41	45	50	
	3	7	11	16	20	25	29	33	38	42	46	51	
	4	8	12	17	21	26	30	34	39	43	47	52	
			13		22			35			48		
Неделя	1	6	10	14	18	23	27	31	36	40	45	49	2019
	2	7	11	15	19	24	28	32	37	41	46	50	
	3	8	12	16	20	25	29	33	38	42	47	51	
	4	9	13	17	21	26	30	34	39	43	48	52	
	5					22		35		44			
Неделя	1	6	10	14	19	23	27	32	36	40	45	49	2020
	2	7	11	15	20	24	28	33	37	41	46	50	
	3	8	12	16	21	25	29	34	38	42	47	51	
	4	9	13	17	22	26	30	35	39	43	48	52	
	5				18		31			44			
Неделя	2	6	10	14	19	23	27	32	36	41	45	49	2021
	3	7	11	15	20	24	28	33	37	42	46	50	
	4	8	12	16	21	25	29	34	38	43	47	51	
	5	9	13	17	22	26	30	35	39	44	48	52	
				18			31		40			1	
Неделя	2	6	10	15	19	23	28	32	36	41	45	49	2022
	3	7	11	16	20	24	29	33	37	42	46	50	
	4	8	12	17	21	25	30	34	38	43	47	51	
	5	9	13	18	22	26	31	35	39	44	48	52	
			14			27			40			1	

ШТАНГОВИЙ ВИСОТОРІЗ

DCMP567

Вітаємо вас!

Ви обрали інструмент виробництва компанії DEWALT. Ретельна розробка продукції, багаторічний досвід фірми у виробництві інструментів, різні вдосконалення, все це зробило інструменти DEWALT є одними із найнадійніших помічників для тих, хто використовує електричні інструменти у своїй професії.

Технічні дані

		DCMP567
Напруга	V_{DC}	18
Тип акумулятора		Літій-іонний
Довжина бруса	см	20
Максимальна швидкість ланцюга (без навантаження)	м/с	6,5
Максимальна довжина різання	см	15
Ємність масляного баку	мл	115
Маса (без акумулятора)	кг	4
Значення рівня шуму та вібрації (триаксимальна векторна сума) відповідно до стандарту EN ISO 11680-1:2011		
L_{pA} (рівень тиску звукового випромінювання)	дБ(A)	81,9
L_{WA} (рівень звукового тиску)	дБ(A)	92,0
K (похибка для даного рівня гучності)	дБ(A)	3
Значення вібрації $ah =$		
	м/с ²	<2,5
Похибка K =		
	м/с ²	1,5

Значення вібрації та/або шуму, наведене в цьому документі, було виміряне згідно зі стандартизованим тестом, викладеним в EN ISO 11680-1:2011 та може використовуватись для порівняння інструментів. Це значення вібрації можна також використовувати для попередньої оцінки впливу вібрації.

⚠ ОБЕРЕЖНО: Заявлене значення вібрації та/або шуму відповідає вимогам цільового використання інструмента. Однак якщо інструмент використовується для виконання інших завдань, або з іншими витратними матеріалами/насадками, або не обслуговується належним чином, значення вібрації та/або шуму може відхилитися. Це може значно збільшити рівень впливу протягом усього періоду роботи.

Оцінка рівня впливу вібрації та/або шуму має враховувати час, протягом якого інструмент є вимкненим, а також час, протягом якого він є ввімкненим, але не використовується. Це може значно зменшити рівень впливу протягом усього періоду роботи.

Визначення додаткових заходів безпеки для захисту оператора від впливу вібрації та/або шуму: технічне обслуговування інструмента та приладдя, утримання рук у теплі (має значення для вібрації), організація режиму роботи.

Декларація про відповідність ЄС

ДИРЕКТИВА ДЛЯ МЕХАНІЧНОГО ОБЛАДНАННЯ



Штанговий висоторіз

DCMP567

Компанія DEWALT заявляє, що ці продукти, описані у розділі **Технічні дані** відповідають:

2006/42/EC, EN 62841-1:2015; EN ISO 11680-1:2011, 2000/14/EC, Додаток V DEKRA Certification B.V., Meander 1051 / P.O. Box 5185 6825 MJ ARNHEM / 6802 ED ARNHEM Netherlands

Ідентифікаційний № уповноваженого органу: 0344 LPA (вимірний рівень звукового тиску) 81,9 дБ(A) LWA (гарантована акустична потужність) 95,0 дБ(A)

Ці продукти також відповідають вимогам Директив 2014/30/EU та 2011/65/EU. Для отримання додаткової інформації, будь ласка, зверніться до компанії DEWALT за адресою, вказаною нижче, або прочитайте інформацію на зворотній стороні цього посібника.

Нижчепідписаний несе відповідальність за упорядкування файлу технічних характеристик та робить цю заяву від імені компанії DEWALT.

Маркус Ромпель (Markus Rompel)
технічний директор, PTE-Eurogra
DEWALT, Richard-Klinger-Straße 11,
D-65510, Idstein, Німеччина
22.07.2019



ПОПЕРЕДЖЕННЯ: Уважно прочитайте керівництво з експлуатації для зняття ризику отримання травм.

Позначення: інструкції з техніки безпеки

Умовні позначення, наведені нижче, описують рівень важливості кожної попереджувальної вказівки. Прочитайте керівництво з експлуатації та зверніть увагу на символи, наведені нижче.



НЕБЕЗПЕЧНО: Указує на безпосередню загрозу, яка, якщо її не уникнути, призведе до смерті або серйозної травми.



ПОПЕРЕДЖЕННЯ: Вказує на потенційну загрозу, ігнорування якої може призвести до смерті або серйозної травми.

Батареї				Зарядні пристрої/час зарядки (у хвиликах)							
Кат. №	V _{вс}	Ah	Маса (kg)	DCB104	DCB107	DCB112	DCB113	DCB115	DCB118	DCB132	DCB119
DCB546	18/54	6.0/2.0	1.05	60	270	170	140	90	60	90	X
DCB547	18/54	9.0/3.0	1.46	75*	420	270	220	135*	75*	135*	X
DCB548	18/54	12.0/4.0	1.44	120	540	350	300	180	120	180	X
DCB181	18	1.5	0.35	22	70	45	35	22	22	22	45
DCB182	18	4.0	0.61	60/40**	185	120	100	60	60/40**	60	120
DCB183/B	18	2.0	0.40	30	90	60	50	30	30	30	60
DCB184/B	18	5.0	0.62	75/50**	240	150	120	75	75/50**	75	150
DCB185	18	1.3	0.35	22	60	40	30	22	22	22	X
DCB187	18	3.0	0.54	45	140	90	70	45	45	45	90
DCB189	18	4.0	0.54	60	185	120	100	60	60	60	120

*Код дати 201811475В або пізніше

**Код дати 201536 або пізніше



УВАГА: Вказує на потенційну загрозу, ігнорування якої може призвести до травми легкої або середньої тяжкості.

ПРИМІТКА: Вказує на ситуацію, не пов'язану з особистою травмою, ігнорування цієї ситуації може призвести до пошкодження майна.



Вказує на ризик ураження електричним струмом.



Вказує на ризик виникнення пожежі.

ЗАГАЛЬНІ ПРАВИЛА БЕЗПЕКИ ПРИ ЕКСПЛУАТАЦІЇ ЕЛЕКТРИЧНОГО ІНСТРУМЕНТА



ПОПЕРЕДЖЕННЯ: Ознайомтеся з усіма попередженнями, інструкціями з техніки безпеки, зображеннями та специфікаціями, які поставляються з даним електричним інструментом. Невиконання нижченаведених інструкцій може призвести до ураження електричним струмом, пожежі та/або серйозних тілесних ушкоджень.

ЗБЕРІГАЙТЕ ВСІ ПОПЕРЕДЖЕННЯ ТА ІНСТРУКЦІЇ ДЛЯ ПОДАЛЬШОГО ВИКОРИСТАННЯ

Термін «електричний інструмент» в усіх попередженнях стосується використовуваних вами інструментів, що живляться від мережі енергопостачання (з електричним кабелем) або від акумуляторів (без кабелю).

1) Безпека робочої зони

- Робоча зона завжди має бути чистою та добре освітленою. Захаращена або темна робоча зона призводить до нещасних випадків.
- Не використовуйте електричні інструменти у вибухонебезпечній атмосфері, наприклад поруч із вогнебезпечними рідинами, газами та пилом. Електричні інструменти створюють іскри, що можуть запалити пил або пару.

- Тримайте дітей та сторонніх подалі під час використання інструмента. Відвернення уваги може призвести до втрати контролю.

2) Електрична безпека

- Вилка електричного інструмента повинна відповідати розетці. Ніколи жодним чином не змінюйте вилку. Не використовуйте адаптери з замкнутими на землю (заземленими) електричними інструментами. Немодифіковані вилки та розетки, що підходять до них, зменшують ризик ураження електричним струмом.
- Уникайте контакту тіла з заземленими поверхнями, такими як труби, радіатори, плити та холодильники. Якщо ваше тіло заземлене, збільшується ризик ураження електричним струмом.
- Не залишайте електричні інструменти під дощем або в умовах підвищеної вологості. Вода, що потрапляє в електричний інструмент, підвищує ризик ураження електричним струмом.
- Не використовуйте кабель живлення не за призначенням. Ніколи не переносьте, не тягніть та не відключайте електричний інструмент від розетки живлення за допомогою шнура. Тримайте шнур подалі від високих температур, мастила, гострих предметів та рухомих деталей. Пошкоджені або перекручені шнури підвищують ризик ураження електричним струмом.
- При використанні електричного інструмента на вулиці, використовуйте подовжувальний шнур, що підходить для використання на вулиці. Використання шнура, що призначений для використання поза приміщенням, знижує ризик ураження електричним струмом.
- Якщо неможливо уникнути використання електричного інструмента в умовах підвищеної вологості, використовуйте живлення, захищене пристроєм залишкового струму (RCD). Використання RCD знижує ризик ураження електричним струмом.

3) Особиста безпека

- a) **Будьте в стані готовності, дивіться, що ви робите, та будьте розсудливі, працюючи з електричним інструментом. Не використовуйте електричний інструмент, коли ви втомлені або знаходитесь під впливом наркотичних речовин, алкоголю або ліків.** Втрата уваги під час роботи з електричними інструментами може призвести до серйозних травм.
- b) **Використовуйте особисті засоби безпеки. Завжди використовуйте засоби захисту очей.** Засоби безпеки, такі як протипилова маска, неслизькі безпечні черевки, захисний шолом та засоби захисту слухового апарату при використанні для відповідних умов зменшують імовірність особистих травм.
- c) **Уникайте випадкового запуску. Переконайтесь в тому, що вимикач знаходиться в позиції Вимк., перш ніж підключати інструмент до джерела живлення та/або акумулятора, переміщувати або переносити.** Може статися нещасний випадок, коли ви переносите інструмент, тримаючи палець на вимикачі, або підключаєте живлення до вимикача в позиції Увімк.
- d) **Зніміть усі ключі для регулювання або гайкові ключі, перш ніж вмикати електричний інструмент.** Гайковий ключ, що залишився прикріпленим до якоїсь деталі електричного пристрою, що обертається, може призвести до травм.
- e) **Не прикладайте надмірного зусилля. Завжди утримуйте правильну постановку ніг і рівновагу.** Це дає вам змогу краще контролювати інструмент в неочікуваних ситуаціях.
- f) **Одягайтеся відповідним чином. Не вдягайте вільний одяг або прикраси. Тримайте ваше волосся та одяг подалі від рухомих деталей.** Вільний одяг, прикраси або довге волосся можуть зачепитися за рухомі деталі.
- g) **Якщо передбачені пристрої для підключення до засобів виділення та збирання пилу, переконайтесь, що вони правильно підключені та використовуються.** Використання таких пристроїв зменшує ризик виникнення небезпечних ситуацій, що пов'язані з потраплянням пилу.
- h) **Навіть якщо ви добре знаєте інструмент та часто його використовуєте, не розслабляйтесь та не забувайте про принципи техніки безпеки.** Необережні дії можуть за долю секунди призвести до важких тілесних ушкоджень.

4) Використання електричного інструмента та догляд за ним

- a) **Не прикладайте надмірних зусиль під час роботи з інструментом. Використовуйте електричний інструмент, який відповідає завданню, що виконується.** Правильно обраний

інструмент виконає завдання краще та безпечніше за умов, для яких він був розроблений.

- b) **Не використовуйте інструмент, якщо його неможливо ввімкнути та вимкнути за допомогою вимикача.** Будь-який електричний інструмент, яким неможливо керувати за допомогою вимикача, є небезпечним і має бути відремонтований.
- c) **Якщо вилка знімна, відключіть її від джерела живлення та/або вийміть акумулятор, перш ніж виконувати будь-які налаштування, змінювати додаткове обладнання або зберігати інструмент.** Ці профілактичні заходи зменшують ризик випадкового запуску електричного інструмента.
- d) **Зберігайте вимкнені електричні інструменти в недоступному для дітей місці та не дозволяйте особам, що не знайомі з електричним інструментом або цими інструкціями, використовувати електричний інструмент.** Електричні інструменти є небезпечними, якщо вони використовуються некваліфікованими користувачами.
- e) **Технічне обслуговування електричних інструментів та приладдя. Перевіряйте неспіввідповідність, заїдання рухомих деталей, наявність пошкоджених частин та інших факторів, які можуть впливати на роботу електричного інструмента.** Якщо є пошкодження, відремонтуйте електричний інструмент перед використанням. Нещасні випадки часто є результатом того, що інструмент не пройшов відповідного технічного обслуговування.
- f) **Різальні інструменти мають бути гострими та чистими.** Правильно доглянуті різальні інструменти з гострими різальними кромками мають меншу імовірність заїдання, та ними легше керувати.
- g) **Використовуйте електричний інструмент, додаткові інструменти та деталі інструменту тощо у відповідності до цих інструкцій та відповідно до даного типу електричних інструментів, зважаючи на умови використання та роботу, яка має бути виконана.** Використання електричних інструментів не за призначенням може призвести до виникнення небезпечних ситуацій.
- h) **Всі ручки та поверхні для тримання інструмента мають бути сухими, без залишків мастила.** Слизькі ручки та поверхні для тримання не дозволяють безпечно працювати та контролювати інструмент у неочікуваних ситуаціях.
- 5) Використання та догляд за інструментом, що живиться від акумулятора**
- a) **Заряджайте інструмент лише за допомогою зарядного пристрою, вказаного виробником.** Зарядний пристрій, що підходить до одного типу

акумуляторів, може призвести до пожежі в разі використання з іншим акумулятором.

- b) **Використовуйте електричні інструменти лише з призначеними для них акумуляторами.** Використання інших акумуляторів може призвести до травм або пожежі.
- c) **Коли акумулятори не використовуються, зберігайте їх подалі від металевих предметів, як скріпки, монети, ключі, цвяхи, гвинти або інші невеликі предмети, що можуть призвести до замикання двох контактів.** Коротке замикання клем акумулятора може призвести до вибуху або пожежі.
- d) **За невідповідних умов використання рідина може витекти з акумулятора; уникайте контакту з цією рідиною.** Якщо контакт таки стався, промийте забруднену ділянку водою. Якщо рідина потрапила в очі, промийте водою та зверніться до лікаря. Рідина, що витікає з акумулятора, може призвести до подразнень та опіків.
- e) **Не використовуйте пошкоджений або модифікований акумулятор або інструмент.** Пошкоджені або модифіковані акумулятори можуть поводити себе непередбачуваним чином, призводячи до пожежі, вибуху або тілесним ушкодженням.
- f) **Не надавайте акумулятор та інструмент дії вогню та надмірних температур.** Дія вогню або температури вище 130 °C може спричинити вибух.
- g) Виконуйте всі інструкції щодо зарядки; **заряджайте акумулятор та інструмент тільки в межах температурного діапазону, вказаного в інструкціях.** Неналежна зарядка або зарядка поза межами вказаного температурного діапазону може пошкодити акумулятор та підвищити ризик пожежі.

6) Обслуговування

- a) **Надавайте ваш електричний інструмент для обслуговування кваліфікованим спеціалістом з ремонту та використовуйте тільки ідентичні замінні деталі.** Це забезпечить безпеку електричного пристрою.
- b) **Ніколи не обслуговуйте пошкоджені акумулятори самостійно.** Обслуговування акумуляторів мають виконувати представники виробника або працівники офіційного сервісного центру.

ВАЖЛИВІ ІНСТРУКЦІ З ТЕХНІКИ БЕЗПЕКИ

⚠ ЗАСТЕРЕЖЕННЯ: Щоб зменшити ризик отримання травми:

- Перед використанням даного пристрою переконайтесь, що його користувач прочитав і зрозумів всі інструкції з техніки безпеки, а також іншу інформацію, що міститься у цьому посібнику.

- Збережіть ці інструкції та постійно переглядайте.

⚠ ЗАСТЕРЕЖЕННЯ: При використанні електричних приладів необхідно зокрема дотримуватись наступних основних заходів безпеки, щоб знизити ризик виникнення пожежі, ураження електричним струмом та травм.

1. **Уникайте небезпечних умов навколишнього середовища.** Не використовуйте електричні прилади у сухих або вологих місцях.
2. **Не використовуйте під дощем.**
3. **Тримайте дітей подалі.** Усіх відвідувачів слід тримати на відстані від робочої зони.
4. **Одягайтеся належним чином.** Не вдягайте вільний одяг або прикраси. Вони можуть потрапити у рухомі частини. При роботі на свіжому повітрі вдягайте гумові рукавички та міцне взуття. Використовуйте засоби для захисту довгого волосся.
5. **Використовуйте захисні окуляри.** Завжди вдягайте маску для обличчя або респіратор при роботі в умовах пилу.
6. **Використовуйте правильний прилад.** Не використовуйте прилад для будь-якої роботи, крім тієї, для якої він призначений.
7. **Не тримайтесь за відкриті ріжучі леза або краї під час піднімання або тримання приладу.**
8. **Не прикладайте надмірні зусилля до приладу.** Інструмент зробить роботу краще і з меншою ймовірністю отримання травми за умов, для яких він був розроблений.
9. **Не прикладайте надмірного зусилля.** Завжди утримуйте правильну постановку ніг і рівновагу.
10. **Будьте уважні.** Стежте за тим, що робите. Користуйтесь здоровим глуздом. Не використовуйте інструмент, коли ви втомлені.
11. **Роз'єднання пристрою** – Виймайте акумулятор, коли він не використовується, перед обслуговуванням, при зміні аксесуарів, таких як леза тощо.
12. **Зберігайте прилади, що не використовуються, у приміщенні.** Якщо не використовуються, прилади слід зберігати в приміщенні в сухому, високому або замкнутому місці, недоступному для дітей.
13. **Підтримуйте прилад у належному стані.** Тримайте ріжучі краї гострими та чистими, щоб забезпечити найкращі показники роботи та зменшити ризик отримання травм. Дотримуйтесь інструкцій щодо змащування та заміни витратних матеріалів. Періодично обстежуйте джерело живлення приладу. Якщо воно пошкоджене, ремонт необхідно виконувати в авторизованому сервісному центрі. Всі ручки інструменту повинні бути сухими, чистими та без залишків мастила.
14. **Перевірте наявність пошкоджених деталей** Перед подальшим використанням приладу слід ретельно

перевірити захисний кожух та частину, що пошкоджена, щоб впевнитись у її належній роботі та виконанні призначеної функції. Перевірте взаємне положення та зачеплення рухомих деталей, відсутність зламаних деталей, правильність збірки та інші умови, що можуть перешкодити правильній роботі інструменту. Відремонтуйте або замініть пошкоджені деталі або захисне приладдя в офіційному сервісному центрі, якщо інше не вказане в цьому керівництві.

ЗБЕРІГАЙТЕ ЦІ ІНСТРУКЦІЇ



ЗАСТЕРЕЖЕННЯ. Не працюйте поблизу повітряних ліній електропередач. Пристрій не був розроблений для забезпечення захисту від ураження електричним струмом у разі контакту з повітряними лініями електропередач. Проконсультуйтеся з місцевими правилами щодо безпечної відстані від повітряних ліній електропередач та переконайтеся у надійності робочого положення перед тим, як виконувати обрізку дерев за допомогою штангового висоторізу.

- **Тримайте всі частини тіла подалі від ріжучого ланцюга. Не видаляйте обрізані гілки та не тримайте гілки, що підлягають обрізанню, коли ножі рухаються. При очищенні застряглих гілок не забувайте вимкнути пристрій. Леза можуть злегка рухатись після вимикання.** Втрата уваги під час роботи з штанговим висоторізом може призвести до серйозних травм.
- **Переносіть штанговий висоторіз за ручку, коли ланцюг зупинено.** При транспортуванні або зберіганні висоторізу завжди використовуйте кришку для ріжучого пристрою. Відповідний догляд за штанговим висоторізом знизить імовірність отримання травм від ланцюга.
- **Тримайте електричний інструмент лише за ізольовану поверхню ручки, тому що лезо може торкнутися схованих електричних кабелів.** Контакт ланцюга пилки з дротом під напругою може призвести до появи напруги в інструменті та ураження оператора електричним струмом.
- **Не користуйтеся штанговим висоторізом у погану погоду, особливо коли є ризик удару блискавки.** Це зменшує ризик ураження розрядом блискавки.
- **При роботі зі штанговим висоторізом завжди тримайте його двома руками.** Щоб не втратити контроль завжди тримайте штанговий висоторіз обома руками.

При роботі зі штанговим висоторізом завжди вдягайте засоби захисту голови. Сміття, що падає, може призвести до серйозних травм.

СПЕЦІАЛЬНІ ПРАВИЛА ТЕХНІКИ БЕЗПЕКИ



ЗАСТЕРЕЖЕННЯ. Деякий пил містить хімічні речовини, що за даними штату Каліфорнія, можуть спричинити рак, вроджені вади або іншу шкоду

репродуктивній функції організму. Приклади таких хімічних речовин:

- сполуки в добривах,
- сполуки в інсектицидах, гербіцидах та пестицидах,
- миш'як і хром з деревини, що піддавалась хімічній обробці.

Щоб зменшити вплив цих хімічних речовин, використовуйте відповідні засоби безпеки, такі як протипилові маски, які здатні фільтрувати мікроскопічні частинки.

- **Уникайте тривалого контакту з пилом, що утворюється при потужному шліфуванні, розпилюванні, заточуванні, свердління та інших будівельних роботах. Носіть захисний одяг і мийте відкриті ділянки тіла милом і водою.** Потрапляння пилу в рот, очі або на шкіру може сприяти всмоктуванню шкідливих хімічних речовин.



ЗАСТЕРЕЖЕННЯ. Використання цього інструменту може спричинити утворення та/або виділення пилу, що може призвести до серйозних і постійних проблем дихальної системи або інших травм. При контакт з пилом завжди використовуйте відповідні засоби захисту органів дихання. Струшуйте частки пилу з обличчя та тіла.



ОБЕРЕЖНО! Під час використання носіть відповідний персональний захист органів слуху. За певних умов та тривалості використання шум від цього виробу може сприяти втраті слуху.

Перед використанням штангового висоторізу

- **Щоб забезпечити безпечну експлуатацію перед використанням штангового висоторізу уважно прочитайте всі інструкції.** Виконуйте усі інструкції з техніки безпеки. Не виконання усіх інструкцій з техніки безпеки, що наведені нижче, може призвести до серйозних травм.
- **Стежте за тим, що робите.** Користуйтеся здоровим глуздом. Не використовуйте штанговий висоторіз, коли ви втомлені.
- **Використовуйте штанговий висоторіз тільки для обрізання гілок дерев.** Використовуйте штанговий висоторіз лише за призначенням. Не використовуйте його для різання інших речей.
- **Штанговим висоторізом можуть користуватися лише добре проінструктовані дорослі.** Ніколи не дозволяйте дітям працювати з висоторізом.
- **Не дозволяйте дітям або невідповідним особам користуватися цим приладом.**
- Під час роботи штангового висоторізу слід користуватися наступними засобами безпеки:
 - міцні рукавиці

- захисне взуття із сталевим носком та нековзкою підошвою
- захисні шідки, окуляри або лицевий екран
- захисна каска
- навушники або беруші
- респіратор або протипилова маска (при роботі в пиловому середовищі)
- **Носіть важкі довгі штани та черевики.** Не вдягайте вільний одяг, короткі штани, прикраси будь-якого типу та не ходіть босоніж.
- Закріпіть довге волосся, щоб воно було вище рівня плечей та не заплутувалось у будь-яких рухомих частинах.
- Перед різанням завжди передбачте наступне:
 - очистити робочу зону
 - закріпіть опору для ніг
 - заплануйте шлях відступу при падінні гілок
- Огляньте дерево перед обрізанням. Зробіть так, щоб гілки вільно падали на землю.
- Не використовуйте штанговий висоторіз для обрізання саджанців.

При роботі із штанговим висоторізом



НЕБЕЗПЕЧНО! Щоб зменшити ризик ураження електричним струмом, не використовуйте його на вологих поверхнях. Не залишайте прилад під дощем. Зберігайте прилад у приміщенні.



НЕБЕЗПЕЧНО! Уникайте ненавмисного запуску. Не носіть прилад із пальцем на перемикачі, якщо встановлено акумулятор. Переконайтеся, що перемикач вимкнено під час встановлення акумулятора.

- Будьте уважні. Користуйтеся здоровим глуздом під час роботи приладу.
- Тримайте робочу зону чистою. Неупорядковані робочі зони збільшують ймовірність нещасного випадку.
- Завжди виймайте акумулятор з висоторіза після закінчення різання, або коли залишаєте його без нагляду.
- Тримайте дітей, тварин та перехожих на відстані не менше 15 м від штангового висоторізу. У робочій зоні повинен знаходитись лише користувач штангового висоторізу.
- Не використовуйте штанговий висоторіз для рубки дерев.
- Не беріться за відкритий ланцюг під час піднімання або тримання штангового висоторізу.
- Надійно тримайте штанговий висоторіз – одна рука на штанзі, а інша на ручці.
- Тримайте палець подалі від перемикача, доки не будете готові зробити розріз.
- Перед запуском штангового висоторізу переконайтеся, що ланцюг нічого не торкається.
- Під час роботи штангового висоторізу тримайте всі частини тіла подалі від ланцюга.

- Не використовуйте надмірні зусилля під час різання. Прикладайте невелике зусилля. Він виконує роботу краще та безпечніше зі швидкістю, на яку він розрахований.
- Переносіть штанговий висоторіз з одного місця на інше:
 - із знятим акумулятором,
 - з пальцями, що розташовані подалі від перемикача,
 - утримуючи штангу за центр ваги та
 - з чохлом, що надітий на направляючу шину та ланцюг.
- Не підрізайте невеликі куці та саджанці за допомогою штангового висоторізу. Тонкі гілки можуть потрапити у ланцюг та відкинутись у ваш бік. Це може сприяти втраті рівноваги.
- Не працюйте при поганому освітленні.
- Зберігайте стійкість і рівновагу. Не прикладайте надмірні зусилля. Прикладання надмірних зусиль може призвести до втрати рівноваги або нагріванню поверхонь.
- Тримайте всі частини тіла подалі від рухомих частин.
- За жодних обставин не використовуйте на цьому пристрої будь-яке устаткування чи аксесуари, які не були поставлені у комплекті та не вказані у цій інструкції з експлуатації, як відповідні до використання з цим виробом.
- Оглядайте штанговий висоторіз перед кожним використанням та після падіння або інших ударів. Переконайтеся у відсутності будь-яких значних дефектів чи пошкоджень.

Не використовуйте штанговий висоторіз:

- перебуваючи під впливом алкоголю, ліків або наркотиків,
- у дощ або перебуваючи у вологих місцях,
- за наявності легкозаймистих рідин або газів,
- якщо штанговий висоторіз пошкоджений, відрегульований неправильно або не повністю та надійно зібраний,
- якщо перемикач не вмикає та не вимикає штанговий висоторіз. Ланцюг повинен зупинятися при відпусканні перемикача. Пошкоджений перемикач слід замінити в офіційному сервісному центрі. Див. **Додаткові аксесуари** у розділі **Технічне обслуговування**.
- поспішаючи,
- перебуваючи на дереві чи на драбині,
- перебуваючи на повітряних стрілах, ковшах або платформах,
- під час сильного вітру або штормової погоди.

ЗАГАЛЬНІ ПРАВИЛА БЕЗПЕКИ



НЕБЕЗПЕЧНО! Небезпека ураження електричним струмом. Небезпека отримання важких травм або смерті від електричного струму при контакті лінії електропередач. Ніколи не користуйтеся приладом

поблизу електричних джерел живлення, проводів чи ліній електропередач.



ЗАСТЕРЕЖЕННЯ: Для безпечної роботи уважно прочитайте посібник користувача.

Носіть щиток для обличчя (та/або захисні окуляри) та каску для захисту від сміття, що падає. Щоб уникнути падіння гілок і сміття, завжди треба мати чисту робочу зону, планувати шляхи відходу та знати місця падіння гілок. Тримайте сторонніх людей за 15 метрів від місця роботи висоторіза. Щоб зменшити ризик ураження електричним струмом, не використовуйте його на вологих поверхнях. Не залишайте прилад під дощем. Зберігайте прилад у приміщенні.

- Щоб захиститися від гілок, що падають, не стійте безпосередньо під гілками, що відрізаються. Цей пристрій не слід тримати під кутом понад 60° відносно рівня землі.
- Ручки інструменту повинні бути сухими, чистими та без залишків мастила.
- Перед запуском приладу переконайтеся, що ланцюг не торкається жодного предмету.
- Перед опусканням штангового висоторізу переконайтеся, що ланцюг пилки зупинився.

Обслуговування

- Обслуговування інструменту повинен виконувати лише кваліфікований спеціаліст із ремонту. Сервісне або технічне обслуговування, проведене некваліфікованим спеціалістом, може призвести до травми. Див. розділ **Технічне обслуговування** цього посібника.
- При технічному обслуговуванні даного інструменту використовуйте лише ідентичні запасні деталі. Дотримуйтесь інструкцій у розділі **Технічне обслуговування** цього посібника. Використання сторонніх деталей або недотримання інструкцій з технічного обслуговування може призвести до ураження електричним струмом або травми.

Захист проти віддачі



ЗАСТЕРЕЖЕННЯ: ВІДДАЧА може виникнути, коли кінчик направляючої шини торкається іншого предмету або коли ланцюгова пилка застрягає у розпилі дерева. Контакт кінчика шини може спричинити раптову зворотну реакцію, за якої напрямна шина буде відкинута у напрямку оператора. Затиснення ланцюгової пилки вздовж верхньої частини направляючої шини може спричинити швидкий рух направляючої шини у напрямку оператора. Будь-яка з цих реакцій може спричинити втрату контролю над пилкою, що може призвести до серйозних травм.



ЗАХОДИ БЕЗПЕКИ ДЛЯ МІНІМІЗАЦІЇ ВІДДАЧІ:

- Добре тримайте штанговий висоторіз. Коли прилад працює, міцно тримайте його обома руками. Охоплюйте ручку та штангу висоторізу всіма пальцями.

- Не прикладайте надмірного зусилля.
- Завжди утримуйте правильну постановку ніг і рівновагу.
- Уникайте контакту кінчика направляючої шини з гілками, пеньками та іншими перешкодами.
- Не піднімайте ручку штангового висоторіза вище висоти плечей.
- Використовуйте пристрої, що знижують ризик віддачі, наприклад ланцюг з низькою віддачею, гальмівна система ланцюга та направляючі шини з меншою віддачею.
- Використовуйте змінні шини та ланцюги, що вказані виробником, або їх аналоги.
- Уникайте контакту кінця направляючої шини пилки, що рухається, з будь-якими предметами.
- Тримайте робочу зону вільною від перешкод, наприклад, дерев, гілок, каменів, огорож, пеньків тощо. Звільніть її від будь-яких перешкод, яких може торкнутися ланцюг при розпилюванні певної колоди або гілки.
- Підтримуйте ланцюгову пилку гострою та відповідно натягнутою. Погано натягнений або негострий ланцюг збільшує ймовірність віддачі. Регулярно перевіряйте натяг при зупиненому двигуні та від'єднаному акумуляторі.
- Починайте та виконуйте розпил лише, коли ланцюг працює з повною швидкістю. Якщо ланцюг рухається з меншою швидкістю, збільшується ймовірність віддачі.
- Розпилюйте одну гілку за раз.
- Будь-яке особливо обережні при вставленні пилки у попередній розпил. Вставте у дерево зубчастий упор та дозвольте ланцюгу досягти повної швидкості перед виконанням розпилу.
- Не намагайтеся врізатися або виконувати розпили торцем пилки.
- Слідкуйте за зміщенням гілок або іншими силами, що можуть закрити розпил та затиснути або зламати пилку.

Заходи безпеки при віддачі



ЗАСТЕРЕЖЕННЯ: Ваш штанговий висоторіз оснащений наступними функціями, що допомагають знизити небезпеку віддачі, однак вони не дозволяють повністю уникнути небезпечної реакції. Користувачі штангового висоторізу не повинні повністю покладатися на захисні пристрої. Необхідно дотримуватись всіх заходів безпеки, інструкцій та правил обслуговування, вказаних у цьому керівництві, що дозволять уникнути віддачі та інших сил, що можуть спричинити серйозні травми.

- **Направляюча шина зі зниженою віддачею** має малий радіус на кінці, що зменшує розмір небезпечної зони віддачі на кінці шини. Направляюча шина зі зниженою віддачею продемонструвала значно меншу кількість та силу випадків віддачі при перевірці відповідно до вимог щодо техніки безпеки електричних ланцюгових пилкок.

- **Ланцюг з низькою віддачею** оснащений профільованим обмежувачем глибини розпилу та захисним шарніром, що змінює силу віддачі та дозволяє поступово врізатися у дерево. Ланцюг з низькою віддачею – це ланцюг, який відповідає вимогам щодо віддачі при випробуванні на репрезентативному зразку ланцюгових пил.

Назви та терміни штангового висоторізу

- **Приводна зірочка або просто зірочка** — зубчата деталь, що приводить у рух пильний ланцюг.
- **Направляюча шина** — жорстка конструкція, яка підтримує і спрямовує пильний ланцюг.
- **Чохол направляючої шини** – кришка, що встановлюється на направляючу шину для запобігання контакту з зубцями при використанні.
- **Віддача** – рух направляючої шини назад або вгору, або в обидва напрямки, що виникає, коли пильний ланцюг біля кінчика верхньої частини направляючої шини торкається будь-якого предмета, наприклад колоди або гілки, або коли дерево затискає ланцюгову пилку у розрізі.
- **Ланцюг з низькою віддачею** – ланцюг, що знижує вимоги до можливої віддачі. (перевірено на типовому зразку ланцюгових пилوک).
- **Направляюча шина зі зниженою віддачею** – направляюча шина, яка продемонструвала значно нижчий рівень віддачі.
- **Змінний пильний ланцюг** – ланцюг, який відповідає вимогам до віддачі при випробуванні з певними ланцюговими пилками. Він може не відповідати вимогам при роботі з іншими пилками.
- **Пильний ланцюг** – ланцюг з ріжучими зубцями, який може різати деревину, приводиться в дію мотором і підтримується направляючою шиною.
- **Зубчастий упор (шип)** – гострий зуб або зуби, що використовуються під час обрізки для обертання пилки та збереження положення під час пилання.
- **Перемикач** – пристрій, який при роботі може відключити або перервати електричний ланцюг мотора ланцюгової пилки.
- **Блокування перемикача** – рухомий стопор, який запобігає випадковому увімкненню перемикача до моменту його увімкнення вручну.
- **Обрізання (підрізання)** – процес відрізання гілок дерева.
- **Підріз** – відріз вгору від нижньої сторони колоди або гілки. Він робиться при нормальному положенні різання та різанні верхньою частиною направляючої шини.

Зберігання

1. **Зберігайте прилад у приміщенні.** Найкращим місцем для зберігання інструмента є прохолодне сухе місце, куди не потрапляють прямі сонячні промені, немає надмірного тепла та холоду та виключений доступ дітей.
2. **Після завершення робіт завжди зменшуйте натяг ланцюга пилки. Ланцюг стискається під**

час охолодження. Якщо натяг не ослабити, це може пошкодити пилку.

Залишкові ризики

Дотримання всіх правил техніки безпеки та застосування пристроїв безпеки не гарантує уникнення певних залишкових ризиків. До такого переліку належать:

- *Порушення слуху.*
- *Ризик тілесних ушкоджень через частинки, які розлітаються.*
- *Ризик опіків через нагрівання приладдя під час роботи.*
- *Ризик тілесних ушкоджень через занадто тривале використання.*

ЗБЕРІГАЙТЕ ЦІ ІНСТРУКЦІЇ

Зарядні пристрої

DEWALT не вимагають налаштувань і розроблені для максимального простого використання.

Електрична безпека

Електричний двигун розроблений для роботи лише з одним значенням напруги. Завжди перевіряйте, що напруга акумулятора відповідає напрузі, що вказана в технічних даних. Також переконайтеся, що напруга зарядного пристрою відповідає напрузі мережі живлення.



Ваш DEWALT Ваш зарядний пристрій виробництва компанії DEWALT має подвійну ізоляцію відповідно до EN60335; тому заземлення не є необхідним.

Якщо кабель живлення пошкоджений, його необхідно замінити на спеціальний кабель, який можна замовити в офіційних сервісних центрах DEWALT організації обслуговування.

Використання електричного подовжувача

Використовуйте подовжувальний шнур лише за абсолютної необхідності. Використовуйте лише рекомендований подовжувальний шнур, що відповідає споживаній потужності вашого зарядного пристрою (див. **Технічні дані**). Мінімальний розмір сечення провідника становить 1 мм²; максимальна довжина — 30 м.

При використанні кабельного барабану завжди витягуйте весь кабель.




Важливі інструкції з техніки безпеки для всіх зарядних пристроїв

ЗБЕРІГАЙТЕ ЦІ ІНСТРУКЦІЇ: У цьому керівництві містяться важливі інструкції з техніки безпеки та використання для сумісних зарядних пристроїв (див. **«Технічні дані»**).

- *Перед використанням зарядного пристрою прочитайте всі інструкції та попередження на зарядному пристрої, акумуляторах та продукті, для якого ці акумулятори використовуються.*



ПОПЕРЕДЖЕННЯ: Небезпека ураження електричним струмом. Не допускайте потрапляння рідини в зарядний пристрій. Це може призвести до ураження електричним струмом.

-  **ПОПЕРЕДЖЕННЯ:** Ми рекомендуємо використовувати пристрій з керуванням диференційним струмом з номінальним значенням диференційного струму 30 мА або менше.
 -  **УВАГА:** Небезпека опіку. Для зникнення ризику виникнення травм заряджайте лише акумулятори DeWALT. акумуляторні батареї. Інші типи акумуляторів можуть вибухнути, спричинивши тілесні ушкодження та пошкодження майна.
 -  **УВАГА:** Уважно слідкуйте за тим, щоб діти не гралися з пристроєм.
- ПРИМІТКА:** За певних умов, коли зарядний пристрій підключений до мережі живлення, незахищені контакти всередині зарядного пристрою можуть замкнутися будь-яким стороннім предметом. Сторонні предмети, що проводять струм, наприклад металева стружка, алюмінієва фольга або будь-які металеві деталі, необхідно зберігати подалі від зарядного пристрою. Завжди відключайте зарядний пристрій від розетки, коли батарея не встановлена в зарядний пристрій. Відключіть зарядний пристрій від мережі живлення перед його очищенням
- **НЕ намагайтеся заряджати акумулятор зарядними пристроями, що не вказані в цьому керівництві.** Зарядний пристрій та акумулятори даної моделі розроблені для сумісної експлуатації.
 - **Ці зарядні пристрої не призначені ні для чого іншого, крім зарядки акумуляторів DEWALT акумуляторні батареї.** Використання з іншими акумуляторами може призвести до виникнення пожежі або ураження електричним струмом.
 - **Не піддавайте зарядний пристрій впливу дощу або снігу.**
 - **При відключенні зарядного пристрою від мережі живлення тягніть за вилку, а не за кабель.** Це зменшить ризик пошкодження вилки та кабелю.
 - **Переконайтеся, що кабель розміщений так, щоб на нього не наступали, не ходили по ньому та не піддавали його іншим фізичним впливам.**
 - **Не використовуйте подовжувальний шнур окрім випадків, коли це абсолютно необхідно.** Використання невідповідних подовжувальних шнурів може призвести до пожежі або ураження електричним струмом.
 - **Не кладіть будь-які предмети на зарядний пристрій та не залишайте зарядний пристрій на м'якій поверхні, що може заблокувати вентиляційні отвори та призвести до надмірного нагрівання.** Розташуйте зарядний пристрій подалі від джерел тепла. Зарядний пристрій вентилюється крізь отвори у верхній та нижній частинах корпусу.
 - **Не використовуйте зарядні пристрої із пошкодженим кабелем або вилкою** — їх потрібно негайно замінити.

- **Не використовуйте зарядний пристрій, якщо той отримав різкий удар, впав або був пошкоджений іншим чином.** Віднесіть його до авторизованого сервісного центру.
- **Якщо зарядний пристрій вимагає технічного обслуговування або ремонту, не розбирайте його самотужки, а віднесіть до авторизованого сервісного центру.** Невідповідні способи використання можуть призвести до виникнення пожежі або ураження електричним струмом.
- Якщо кабель живлення пошкоджено, для уникнення небезпеки його необхідно негайно замінити, звернувшись до виробника, спеціаліста сервісного центру або іншого кваліфікованого спеціаліста.
- **Відключайте зарядний пристрій від розетки перед його очищенням.** Це дозволяє знизити ризик ураження електричним струмом. Видалення акумулятора не знижує ризик.
- **НИКОЛИ не намагайтеся з'єднувати два зарядні пристрої.**
- **Цей зарядний пристрій розрахований на роботу зі стандартною напругою побутової електромережі 230 В. Не намагайтеся використовувати його з іншою напругою.** Це не стосується автомобільних зарядних пристроїв.







Зарядка акумулятора (Рис. [Fig.] B)

1. Підключіть зарядний пристрій до відповідної розетки перед встановленням акумулятора.
2. Вставте акумулятор **1** у зарядний пристрій до упору. Червоний індикатор («зарядка») буде блимати, вказуючи на початок процесу зарядки.
3. Коли зарядка завершено, червоний індикатор горить, не блимаючи. Це означає, що акумулятор повністю заряджений та може використовуватися одразу або залишатися в зарядному пристрої. Щоб витягнути акумулятор із зарядного пристрою, натисніть кнопку деблокування **24** на акумуляторі.

ПРИМІТКА: щоб забезпечити максимальну продуктивність та тривалість роботи літій-іонного акумулятора, повністю зарядіть його перед першим використанням.

Робота зарядного пристрою

Нижче описані індикатори стану зарядки акумулятора.

Індикатори зарядки	
 Заряджається	
 Повністю заряджений	
 Затримка через надмірно високу/низьку температуру акумулятора*	

*Червоний індикатор буде продовжувати миготіти, а жовтий індикатор буде горіти під час виконання цього завдання. Коли акумулятор досягне прийнятної температури,

живий індикатор згасне, а зарядний пристрій відновить процес зарядки.

Сумісний зарядний пристрій не буде заряджати несправний акумулятор. Зарядний пристрій розпізнає несправну батарею та не ввімкне світловий індикатор.

ПРИМІТКА: Це також може свідчити про проблему з зарядним пристроєм.

Якщо виявлено проблему із зарядним пристроєм, віднесіть зарядний пристрій та акумулятор для перевірки в авторизований сервісний центр.

Затримка через надмірно високу/низьку температуру акумулятора

Якщо зарядний пристрій визначає, що акумулятор є надмірно гарячим або холодним, він автоматично вмикає режим температурної затримки, припиняючи процес зарядки, доки акумулятор не досягне відповідної температури. Після досягнення прийнятної температури зарядний пристрій автоматично перемикається в режим зарядки акумулятора. Ця функція забезпечує максимальний термін служби акумулятора.

Холодний акумулятор буде заряджатися повільніше порівняно з теплим акумулятором. Такий акумулятор буде заряджатися повільніше протягом всього циклу зарядки та не повернеться до максимального значення зарядки, навіть якщо нагріється.

Зарядний пристрій DCB118 оснащений внутрішнім вентилятором, призначеним для охолодження акумулятора. Вентилятор автоматично вмикається, коли акумулятор потребує охолодження. Ніколи не використовуйте зарядний пристрій, якщо вентилятор працює неналежним чином або вентиляційні отвори заблоковані. Уникайте потрапляння сторонніх предметів усередину зарядного пристрою.

Електронна система захисту

Інструменти з літій-іонними акумуляторами XR розроблені з використанням електронної системи захисту, яка захищає акумулятор від перевантаження, перегрівання або глибокої розрядки.

Пристрій автоматично вимикається, якщо спрацював електронна система захисту. Якщо це сталося, встановіть літій-іонний акумулятор в зарядний пристрій до повної зарядки.

Кріплення на стіну

Ці зарядні пристрої можна закріпити на стіні, чи поставити на стіл або іншу робочу поверхню. При кріпленні на стіну розташуйте зарядний пристрій недалеко від електричної розетки, а також подалі від кутів та інших перешкод, що заважають повітряному потоку. Скористайтеся задньою частиною зарядного пристрою в якості шаблону для розташування кріпильних гвинтів на стіні. Надійно зафіксуйте зарядний пристрій за допомогою шурупів (потрібно придбати окремо) довжиною приблизно 25,4 мм з голівкою діаметром 7–9 мм, що закручуються в дерев'яну поверхню до оптимальної глибини, щоб залишилося приблизно 5,5 мм. Вирівняйте отвори на задній поверхні зарядного пристрою

з виступаючими шурупами, після чого повністю вставте шуруп в отвори.

Інструкції з очищення зарядного пристрою



ПОПЕРЕДЖЕННЯ: Небезпека ураження електричним струмом. Відключіть зарядний пристрій від розетки змінного струму перед його очищенням. Бруд та жир можна видалити з поверхні зарядного пристрою за допомогою ганчірки або м'якої неметалевої щітки. Не використовуйте воду та мийні розчини. Не дозволяйте рідина потрапляти всередину інструмента та ніколи не занурюйте деталі інструмента в рідину.

Акумулятор

Важливі інструкції з техніки безпеки для різних типів акумуляторів

При замовленні змінних акумуляторів не забудьте вказати номер за каталогом та напругу.

Новий акумулятор заряджений не повністю. Перед використанням акумулятора та зарядного пристрою прочитайте всі нижче наведені інструкції з техніки безпеки. Після цього виконайте всі вказані пункти процедури зарядки.

ПРОЧИТАЙТЕ ВСІ ІНСТРУКЦІЇ

- **Не заряджайте та не використовуйте акумулятор у вибухонебезпечних умовах, наприклад в присутності легкозаймистих рідин, газів або пилу.** Під час встановлення або виймання батареї з зарядного пристрою може спалахнути пил або пара.
- **На прикладайте зусилля, вставляючи акумулятор в зарядний пристрій. Жодним чином не модифікуйте акумулятор, аби встановити його в несумісний зарядний пристрій, адже акумулятор може розірватися та спричинити серйозні травми.**
- Використовуйте тільки зарядні пристрої DEWALT для заряджання акумуляторів.
- **НЕ занурюйте акумулятор у воду та інші рідини та не брязкайте на ньому.**
- **Не зберігайте та не використовуйте інструмент та акумулятор у місцях, де температура може сягати або перевищувати 40 °C (104 °F) (наприклад, біля гаражів або металевих будівель влітку).**
- **Не спалюйте акумулятор, навіть якщо він сильно пошкоджений або повністю зношений.** Акумулятор може вибухнути у вогні. Коли літій-іонні акумулятори горять, утворюються токсичні випаровування та речовини.
- **Якщо вміст акумулятора потрапив на шкіру, негайно промийте це місце м'яким милом та водою.** Якщо рідина з акумулятора потрапила в очі, промийте відкрите око протягом 15 хвилин або доки подразнення не зникне. Якщо необхідно звернутися до лікаря, акумуляторний електроліт складається з суміші рідких органічних вуглекислих солей та солей літію.

- **Вміст відкритого акумулятора може спричинити подразнення дихальних шляхів.** Вийдіть на свіже повітря. Якщо симптоми не зникнуть, зверніться до лікаря.



ПОПЕРЕДЖЕННЯ: *Небезпека опіку.* Рідина з акумулятора може спалахнути, якщо на неї потрапить іскра або полум'я.



ПОПЕРЕДЖЕННЯ: *За жодних умов не намагайтесь відкрити акумулятор. За будь-якого пошкодження акумулятора не встановлюйте його у зарядний пристрій. Не бийте, не кидайте та не пошкоджуйте акумулятор. Не використовуйте акумулятор та зарядний пристрій, якщо ті отримали різкий удар, впали або були пошкоджені іншим чином (наприклад, були проколоті цвяхом, вдарені молотком, на них наступили). Це може призвести до ураження електричним струмом. Пошкоджені акумулятори необхідно повернути до сервісного центру ля переробки.*



ПОПЕРЕДЖЕННЯ: *Небезпека виникнення пожежі. Зберігайте та переносьте акумулятор так, щоб металеві предмети не торкалися його відкритих контактів.* Наприклад, не кладіть акумулятор у фартух, кишені, ящики з інструментами, коробки з наборами приладдя, шухляди тощо, де можуть бути цвяхи, гвинти, ключі тощо.



УВАГА: *Коли інструмент не використовується, залишайте його на боці на стабільній поверхні в такому місці, де через нього не можна перепечитися та власти.* Деякі інструменти з великими акумуляторами можуть стояти на батареї, але їх можна легко перекинути.

Транспортування



ПОПЕРЕДЖЕННЯ: *Небезпека виникнення пожежі.* Під час перевезення акумуляторів може виникнути пожежа, якщо контакти акумулятора випадково ввійдуть в контакт з електропровідним матеріалом. Під час перевезення акумуляторів переконайтесь, що їхні контакти захищені та добре ізольовані від матеріалів, які можуть увійти з ними в контакт та викликати коротке замикання.

ПРИМІТКА: *При перевезенні літій-іонних акумуляторів не можна здавати їх в багаж.*

Акумулятори DeWALT відповідають всім нормам перевезення, описаним у галузевих та законодавчих положеннях, включно з рекомендаціями ООН про перевезення небезпечних вантажів, правилами перевезення небезпечних вантажів Міжнародної організації повітряного транспорту (IATA), міжнародними правилами перевезення небезпечних вантажів водним транспортом (IMDG) та Європейській угоди про міжнародне дорожнє перевезення небезпечних вантажів (ADR). Літій-іонні елементи живлення та акумулятори були перевірені відповідно до розділу 38.3 керівництва з тестів та критеріїв щодо перевезення небезпечних вантажів Рекомендацій ООН.

У більшості випадків перевезення акумуляторів DeWALT може бути класифіковано як перевезення небезпечних речовин, що повністю підпадають під клас 9. Загалом тільки вантажі, що містять літій-іонні акумулятори ємністю більше за 100 ват-годин (Вт-год.), вимагають транспортування відповідно до норм перевезення небезпечних речовин, що повністю підпадають під Клас 9. На всі літій-іонні акумулятори нанесено значення ват-годин. Крім того, через складності законодавчих норм компанія DeWALT не рекомендує транспортування окремо літій-іонних акумуляторів повітряним транспортом, незалежно від показника ват-годин. Перевезення інструментів з акумуляторами (у комплекті) можна виконувати повітряним транспортом, якщо значення ват-годин не перевищує 100 Вт-год.

Незалежно від того, чи вантаж вважається виключеним або повністю регламентованим, вантажовідправник несе відповідальність за відповідність останнім нормам щодо вимог до упаковки, етикеток/маркування та документації. Інформація, що наводиться у цьому розділі керівництва, сумлінно перевірена та вважається дійсною на момент складання документації. Проте чинні нормативи можуть підлягати зміні. Покупець несе відповідальність за те, щоб його дії відповідали певним нормам.

Транспортування батареї FLEXVOLT™

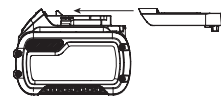
Батарея DeWALT FLEXVOLT™ має два режими: **використання та транспортування.**

Режим використання. при використанні батареї FLEXVOLT™ окремо або в продукті DeWALT 18В вона працює як батарея потужністю 18 В. Якщо батарею FLEXVOLT™ встановлено у пристрій потужністю 54 В або 108 В (дві батареї 54 В), вона буде працювати як батарея 54 В.

Режим транспортування. якщо на батарею FLEXVOLT™ встановлено кришку, вона знаходиться у режимі транспортування. Не знімайте цю кришку при транспортуванні.

У режимі транспортування послідовність електричних елементів акумулятора роз'єднана, що створює 3 акумулятори з меншим значенням Вт-год в порівнянні з 1 акумулятором із більшим значенням цього показника. Ці 3 акумулятори з нижчим значенням ват-годин можуть бути виключені з певних норм транспортування, що застосовуються для акумуляторів з більшим значенням ват-годин.

Наприклад, показник транспортування може бути 3 × 36 Вт-год, що означає 3 акумулятори по 36 Вт-год кожний. При цьому показник Вт-год в режимі використання може бути вказаний як 108 Вт-год (1 акумулятор).



Приклад маркування способів використання та транспортування



Рекомендації щодо зберігання

1. Найкращим місцем для зберігання інструмента є прохолодне сухе місце, куди не потрапляють прямі сонячні промені та немає доступу тепла та холоду. Для оптимальної продуктивності та терміну служби батарей зберігайте їх за кімнатної температури, коли вони не використовуються.
2. При тривалому зберіганні для оптимального результату рекомендується помістити повністю заряджений акумулятор у сухе прохолодне місце поза зарядним пристроєм.

ПРИМІТКА: Не рекомендується зберігати акумулятор повністю розрядженим. Акумулятор потрібно перезарядити перед використанням.

Етикетки на зарядному пристрої та акумуляторі

Крім символів, що використовуються у цьому керівництві, етикетки на зарядному пристрої та акумуляторі можуть містити наведені нижче позначки.



Прочитайте інструкції цього керівництва перед використанням.



Див. розділ «Технічні дані» щодо часу зарядки.



Не торкайтеся електропровідними предметами.



Не заряджайте пошкоджені акумулятори.



Не піддавайте впливу води.



Негайно замінійте пошкоджений дріт живлення.



Заряджайте акумулятор за температури 4–40 °С.



Лише для використання в приміщенні.



Утилізуйте акумулятори з належною турботою про навколишнє середовище.



Заряджайте акумулятори DEWALT лише за допомогою спеціальних зарядних пристроїв DEWALT. Зарядка інших акумуляторних батарей, ніж призначені DEWALT, у зарядному пристрої DEWALT може призвести до їх вибуху або інших небезпечних ситуацій.



Не спалюйте акумулятори.



ВИКОРИСТАННЯ (без кришки для транспортування). Приклад: Значення Вт-год становить 108 Вт-год (1 акумулятор потужністю 108 Вт-год).



ТРАНСПОРТУВАННЯ (зі встановленою кришкою для транспортування). Приклад: Значення Вт-год становить 3 × 36 Вт-год (3 акумулятори потужністю 36 Вт-год).

Тип акумулятора

Пристрій DCMP5567 працює від акумулятора потужністю 18 вольт.

Для експлуатації придатні акумулятори наступних моделей: DCB181, DCB182, DCB183, DCB183B, DCB184, DCB184B, DCB185, DCB187, DCB189, DCB546, DCB547, DCB548. Див. додаткову інформацію у розділі **Технічні дані**.

Розташування коду дати (Рис. А)

Код дати **14**, що включає також рік виробництва, зазначений на корпусі.

Приклад:

2019 XX XX

Рік виробництва

Комплект поставки

Комплект містить:

- 1 Штанговий висоторіз
- 1 Плечовий ремінь
- 1 Літій-іонний акумулятор (моделі C1, D1, L1, M1, P1, S1, T1, X1, Y1)
- 2 Літій-іонні акумулятори (моделі C2, D2, L2, M2, P2, S2, T2, X2, Y2)
- 3 Літій-іонні акумулятори (моделі C3, D3, L3, M3, P3, S3, T3, X3, Y3)
- 1 Посібник з експлуатації

ПРИМІТКА. Акумулятори, зарядні пристрої та коробки для зберігання не входять до комплекту моделей N. Акумулятори та зарядні пристрої не входять до комплекту моделей NT. Моделі V мають акумулятори для пристроїв з підтримкою Bluetooth®.

ПРИМІТКА. Текстовий знак та логотипи Bluetooth® є зареєстрованими товарними знаками, що належать компанії Bluetooth®, SIG, Inc. Будь-яке використання таких знаків компанією DEWALT здійснюється згідно з ліцензією. Інші торгові марки та торгові назви є власністю відповідних власників.

- *Перевірте інструмент, деталі та приладдя на пошкодження, що могли виникнути під час транспортування.*
- *Перед використанням уважно прочитайте та повністю зрозумійте цей посібник.*

Маркування на інструменті

На інструменті є наступні піктограми:



Прочитайте інструкції цього керівництва перед використанням.



Використовуйте засоби захисту очей.



Використовуйте засоби захисту слуху.



Не залишайте під дощем.



Використовуйте засоби захисту для голови.



Одягніть захисні рукавички.



Небезпека порізів. Тримайте пальці подалі від пазу.



Одягніть захисне взуття.



Напрямок обертання пильного ланцюга.



Небезпека ураження електричним струмом.

Тримайтеся на відстані не менше 10 м від повітряних ліній електропередач.



Вимкніть інструмент. Перед виконанням будь-якого обслуговування необхідно витягнути батарею з інструменту.



У Директиві 2000/14/ЕС вказана гарантована звукова потужність.



Сторонні люди повинні знаходитись подалі від інструменту.



Сторонні люди повинні знаходитись подалі від інструменту.

Опис (рис. А)



ЗАСТЕРЕЖЕННЯ. Ніколи не модифікуйте електричні інструменти та їхні деталі. Це може призвести до пошкодження майна або тілесних ушкоджень.

1 Ручка

2 Центральний подовжувач

3 Ріжуча головка

4 Тригерний перемикач

5 Кнопка розблокування

6 Акумулятор

7 Пінопластовий захват

8 Різьбова штанга

9 Різьбова муфта

10 Затискач штанги

11 Кришка зірочки

12 Гвинти з шестигранними головками

13 Направляюча шина

14 Пильний ланцюг

15 Чохол

16 Шестигранний гайковий ключ

17 Кришка резервуара для масла

18 Гак для видалення гілок

19 Кріплення ремня

Область застосування

Цей штанговий висоторіз є ідеальним пристроєм для спилювання гілок та розпилювання колод діаметром до 203 мм.

НЕ використовуйте за умов підвищеної вологості або в присутності легкозаймистих рідин та газів.

Цей штанговий висоторіз є професійним електричним інструментом.

НЕ дозволяйте дітям підходити на небезпечну відстань та торкатися інструмента. Використання інструмента недосвідченими операторами потребує нагляду.

- Цей пристрій не призначений для використання особами (включаючи дітей) із зниженими фізичними, сенсорними або розумовими можливостями або особами, яким бракує досвіду або знань за винятком випадків, коли такі особи працюють під наглядом особи, яка несе відповідальність за їх безпеку. Не можна залишати дитячої наодинці з цим приладом.

МОНТАЖ ТА НАЛАШТУВАННЯ



ПОПЕРЕДЖЕННЯ: Щоб знизити ризик серйозних тілесних ушкоджень, вимкніть інструмент та відключіть акумулятор перед виконанням будь-яких налаштувань або зніманням/встановленням додаткового обладнання або приладдя. Випадковий запуск може призвести до травм.



ПОПЕРЕДЖЕННЯ: Використовуйте тільки DeWALT акумулятори та зарядні пристрої.

Установка акумулятора в інструмент та його виймання (Рис. В)

ПРИМІТКА. Переконайтесь, що ваш акумулятор 1 повністю заряджений.

Для встановлення акумулятора у ручку інструмента

- Вирівняйте акумулятор 1 по напрямних у ручці інструменту (Рис. В).
- Вставте акумулятор у ручку до упору та переконайтесь, що ви почули звук клацання акумулятора, що став на місце.

Виймання акумулятора з інструмента

- Натисніть кнопку розблокування 24 та витягніть акумулятор з ручки інструмента.
- Вставте акумулятор у зарядний пристрій, як описано у розділі щодо зарядного пристрою цього керівництва.

Акумулятори з індикатором рівня заряду (Рис. В)

Деякі акумулятори DeWALT оснащені індикатором заряду з трьох зелених світлодіодів, що вказують рівень заряду акумулятора, що залишився.

Щоб увімкнути індикатор заряду, натисніть та утримуйте кнопку індикатора заряду 27. Три зелені світлодіоди будуть горіти відповідним чином, відображуючи рівень зарядки акумулятора. Коли рівень заряду акумулятора нижче відповідного ліміту, індикатор рівня заряду не горить, а акумулятор потрібно зарядити.

ПРИМІТКА: Індикатор рівня зарядки показує лише рівень зарядки, що залишився в акумуляторі. Він не показує функціональність інструмента, а його показники можуть

змінюватись відповідно до комплектності інструмента, температури та способу застосування.

Встановлення та зняття ланцюга

(рис. А, С–Е)



ЗАСТЕРЕЖЕННЯ. *Леза рухаються та є гострими.*

Для уникнення випадкового запуску перед виконанням наступних операцій переконайтесь, що акумулятор вийнятий з інструменту. Невиконання цього пункту може призвести до серйозних травм.



ОБЕРЕЖНО! *Леза рухаються та є гострими. Завжди використовуйте захисні рукавиці при встановленні або знятті ланцюга. Ланцюг гострий, тому він не працює.*

1. Встановіть штанговий висоторіз на тверду поверхню. Поверніть два гвинти з шестигранными головками **12** проти годинникової стрілки за допомогою ключа **16**, що надається.
2. Зніміть кришку зірочки **11**, затискач штанги **10** та гвинти з шестигранными головками.
3. Щоб зняти ланцюг пилки **14**, поверніть гвинт **20** в передній частині корпусу за допомогою плоскої викрутки ключа. Поворот гвинта проти годинникової стрілки дозволяє направляючій шині **13** відхилитися та зменшувати натяг на ланцюзі, щоб його можна було зняти.
4. Вийміть зношений пильний ланцюг з пазу направляючої шини.
5. Проверніть направляючу шину.
6. Щоб замінити ланцюг пилки, переконайтесь, що паз в направляючій шині знаходиться над центральними штифтами **21**, що зображені на рис. Е, а отвір під пазом розташований над регульованим штифтом.
7. Встановіть новий ланцюг в паз направляючої шини і навколо зірочки. Переконайтесь, що зубці пилки спрямовані в правильному напрямку, що відповідає зображенню на корпусі або на направляючій шині.
8. Поверніть гвинт в передній частині корпусу за годинниковою стрілкою, щоб збільшити натяг ланцюга.
9. Встановіть на місце кришку зірочки, затискач штанги та гвинти з шестигранными головками.
10. Дотримуйтесь інструкцій у розділі **Налаштування натягу ланцюга**.

Налаштування натягу ланцюга

(рис. А, D, F, G)

1. Натяг ланцюга **14** штангового висоторіза перевіряється на рівній стійкій поверхні. Натяг вважається вірним, якщо ланцюг повертається у нормальне положення після його відтягування середнім і великим пальцями на 3 мм від направляючої шини **13** із застосуванням незначного зусилля, як зображено на рис. F. Не повинно бути "провисання" між направляючою шиною та ланцюгом у нижній частині, як зображено на рис. G.

2. Для регулювання натягу ланцюга пилки відпустіть гвинти з шестигранными головками **12**.
3. Поверніть гвинт **20** в передній частині корпусу за допомогою плоскої викрутки ключа.
4. Не перетягніть ланцюг, тому що це призведе до надмірного зносу та скоротить термін придатності направляючої шини та ланцюга. Надмірний натяг також зменшує кількість відрізів, що можливо виконати на одному заряді акумулятора.
5. Після встановлення правильного натягу ланцюга пилки притягніть гвинти з шестигранными головками **12** до притисної планки.
6. Коли ланцюг новий, часто перевіряйте натяг (з витягненим акумулятором) під час перших 2 годин використання, тому що новий ланцюг злегка розтягується.

ПРИМІТКА. Натяг ланцюга пилки слід регулярно перевіряти.

Змащування ланцюга пилки та направляючої шини (рис. H)

Система автоматичного змащування

Цей штанговий висоторіз оснащено системою автоматичного змащування, яка забезпечує постійне змащування ланцюга та направляючої шини. Індикатор рівня масла **25** показує рівень масла у пилці. Якщо масло заповнено менш ніж на чверть, потрібно зняти акумулятор з висоторізу та долити масло відповідного типу.

ПРИМІТКА. Після завершення розрізання завжди виливайте масло з резервуара.

ПРИМІТКА. Використовуйте високоякісне масло для шини та ланцюга для відповідного змащування. В якості тимчасової заміни можна використовувати недетергентне моторне масло SAE30. При обрізанні дерев рекомендується використовувати рослинну олію для шини та ланцюга. Не рекомендується використовувати мінеральну олію, тому що вона може зашкодити деревам. Ніколи не використовуйте відпрацьоване масло або дуже густе масло. Воно може пошкодити штанговий висоторіз.

Заповнення резервуара маслом

- Зніміть кришку резервуара для масла **17** та заповніть резервуар рекомендованим маслом для змащування шини та ланцюга так, щоб рівень масла досягнув верхньої частини індикатора рівня масла **25**.
- Встановіть кришку резервуара для масла на місце.
- Періодично вимикайте ланцюгову пилку та перевіряйте індикатор рівня масла, щоб переконатися, що шина та ланцюг змащуються відповідним чином.

Транспортування штангового висоторізу (рис. А)

При транспортуванні штангового висоторізу завжди знімайте акумуляторну батарею **6** з ручки та закривайте ланцюг пилки **14** чохлам **15**.

Приєднання модуля головки пили до модуля ручки (рис. I–L)

⚠ ЗАСТЕРЕЖЕННЯ. *Леза рухаються та є гострими. Щоб уникнути випадкового запуску перед виконанням наступних операцій переконайтесь, що акумулятор витягнений з ручки, а на пилку встановлено захисний чохол. Невиконання цього пункту може призвести до серйозних травм.*

Три агрегати, з яких складається штанговий висоторіз, забезпечені замками, що гарантує правильність збірки. Якщо агрегат не приєднується легко до іншого, не застосовуйте силу.

З'єднання ручки **1** з ріжучою головою **3** створює штанговий висоторіз, що має довжину приблизно 1,8 м, як зображено на рис. I.

Щоб з'єднати ручку з ріжучою головою:

1. Вирівняйте паз **22** на зовнішній стороні з'єднувального кінця ручки **1** з виступом **23** на внутрішній стороні з'єднувального кінця ріжучої головки **3**. Дивіться рис. J. Міцно з'єднайте обидві секції одна з іншою. Дивіться рис. K.

2. Протягніть різьбову втулку **9** по вузлу пилки якомога далі вниз та обертайте її за годинниковою стрілкою, поки вона не зулягнеться і повністю не сховає різьбу, як зображено на рис. L.

⚠ ЗАСТЕРЕЖЕННЯ. *Завжди перевіряйте, щоб втулка була повністю закручена та не було видно червоних витків різьби. Якщо повністю не закрутити втулку, це може призвести до роз'єднання вузлів та створення небезпечних умов. Періодично перевіряйте з'єднання, щоб переконавшись, що червоні витки різьби не видно.*

З'єднання центрального подовжувача з модулем головки пили та модулем ручки (рис. A, M)

З'єднання центрального подовжувача **2** з рукою пилки **1** та ріжучою головою **3** дозволяє створити штанговий висоторіз, що має довжину приблизно 2,7 м, як зображено на рис. M.

Вказівки щодо з'єднання середнього вузла з вузлом ручки та вузлом ріжучої головки пили приведені у розділі **Приєднання модуля головки пили до модуля ручки.**

⚠ ЗАСТЕРЕЖЕННЯ. *Завжди перевіряйте, щоб втулка була повністю закручена та не було видно червоних витків різьби. Якщо повністю не закрутити втулку, це може призвести до роз'єднання вузлів та створення небезпечних умов. Періодично перевіряйте з'єднання, щоб переконавшись, що червоні витки різьби не видно.*

РОЗБИРАННЯ

⚠ Застереження. *Для зниження ризику отримання серйозної травми вимкніть інструмент та*

зняміть акумулятор перед виконанням будь-яких регулювань або демонтажу/встановлення приладдя або насадок. Випадковий запуск може призвести до травм.

Від'єднання модуля головки пилки (рис. N)

⚠ ЗАСТЕРЕЖЕННЯ. *Леза рухаються та є гострими. Щоб уникнути випадкового запуску перед виконанням наступних операцій переконайтесь, що акумулятор витягнений з ручки, а на пилку встановлено захисний чохол. Невиконання цього пункту може призвести до серйозних травм.*

Під час від'єднання вузлів, незалежно від того, два їх чи три, завжди спочатку від'єднуйте головку пилки **3**. Для цього обіпріть ручку **1** у землю та схопіть за центральну частину головки пилки однією рукою, як показано на рис. N. Іншою рукою відкрутіть різьбову втулку та роз'єднайте дві половинки. Повторіть цей процес, якщо був встановлений центральний подовжувач.

Прикріплення та регулювання плечового ремня (рис. O)

Цей штанговий висоторіз поставляється з плечовим ремнем, що регулюється.

1. Застебніть пряжку ремня **28** за кріплення **19** як зображено на рис. O.
2. Відрегулюйте ремінь так, щоб він надійно прилягав до вашого плеча.

РЕЖИМ РОБОТИ

Інструкції з використання

- ⚠ ПОПЕРЕДЖЕННЯ:** *Завжди дотримуйтесь усіх інструкцій з техніки безпеки та відповідних норм.*
- ⚠ ПОПЕРЕДЖЕННЯ:** *Щоб знизити ризик серйозних тілесних ушкоджень, вимкніть інструмент та відключіть акумулятор перед виконанням будь-яких налаштувань або зніманням/встановленням додаткового обладнання або приладдя. Випадковий запуск може призвести до травм.*

Належне положення рук (Рис. P)

- ⚠ ПОПЕРЕДЖЕННЯ:** *Щоб знизити ризик серйозних травм, ЗАВЖДИ правильно розташовуйте руки, як показано.*
- ⚠ ПОПЕРЕДЖЕННЯ:** *Щоб знизити ризик серйозних травм, ЗАВЖДИ надійно тримайте інструмент, щоб попередити випадкову віддачу.*

При правильному положенні рук необхідно одну руку тримати на основній ручці **29**, а іншу – на пінопластовому захваті **7**.

Використання штангового висоторізу (рис. А)

⚠ ЗАСТЕРЕЖЕННЯ. Уважно прочитайте всі інструкції. Невиконання всіх інструкцій, що наведені нижче, може призвести до ураження електричним струмом, пожежі та/або серйозних травм.

⚠ ОБЕРЕЖНО! Після завершення робіт завжди зменшуйте натяг ланцюга пилки. Ланцюг стискається під час охолодження. Якщо його не ослабити, це може пошкодити штанговий висоторіз.

ВАЖЛИВО! Ніколи не використовуйте штанговий висоторіз, який пошкоджений, неправильно відрегульований або не повністю і надійно зібраний. Потрібно впевнитися, що ланцюг пилки **14** перестає рухатися після відпускання тригерного перемикача. Ніколи не регулюйте направляючу шину **13** або ланцюг пилки, коли працює двигун або приєднаний акумулятор.

Підрізка/спилювання гілок штанговим висоторізом

⚠ ЗАСТЕРЕЖЕННЯ.

- **Ніколи не стійте прямо під гілкою, що відрізається.** Не стійте на шляху падаючого сміття.
- **Завжди носіть засоби захисту голови, очей, стоп і тіла.** Носіння засобів захисту тіла зменшує ризик отримання травм при експлуатації цього пристрою.
- **Ніколи не стійте на драбині чи іншій нестабільній підставці під час використання штангового висоторізу.** Завжди уникайте будь-якого положення, яке може призвести до втрати рівноваги і отримання серйозних травм.
- **Не дозволяйте людям знаходитись ближче, ніж на відстані 15 м від місця роботи пристрою.** Відвернення уваги може призвести до втрати контролю.
- **Небезпека ураження електричним струмом.** Щоб запобігти ураженню електричним струмом, не працюйте ближче 15 м від повітряних ліній електропередач. Завжди перевіряйте прилеглу територію на наявність прихованих ліній електропередач.
- **Не піднімайте ручку вимикача штангового висоторіза вище висоти плечей.**

Вимикач (рис Q)

Слідкуйте за положенням ніг та міцно тримайте штанговий висоторіз обома руками, причому всі пальці повинні бути на ручці. Щоб увімкнути інструмент, потягніть палець кнопку блокування **5** назад та натисніть на тригерний перемикач **4** пальцями, як зображено на рис. Q. (Після запуску інструменту кнопку блокування можна відпустити). Відпустіть перемикач, щоб вимкнути інструмент.

Гак для видалення гілок (рис. А)

⚠ ОБЕРЕЖНО! Гак для видалення гілок не призначений для кріплення інструменту на пояс.

Штанговий висоторіз містить гачок для видалення гілок **18**, що допомагає видалити обрізані гілки невеликого і середнього розміру.

Підрізка гілок за допомогою штангового висоторізу (рис. А, Р, R)

⚠ ЗАСТЕРЕЖЕННЯ. Інструмент повинен працювати з рекомендованою швидкістю. Не перевантажуйте його.

⚠ ЗАСТЕРЕЖЕННЯ. Виконуючи підрізку гілок: уникайте віддачі, що може призвести до серйозних травм або смерті. Дивись розділ **Захист проти віддачі**, щоб уникнути ризику виникнення віддачі. Не прикладайте надмірного зусилля. Слідкуйте за стабільним положенням ніг. Тримайте ноги на відстані одна від одної. Рівномірно розподіляйте вагу на обидві ноги.

1. Тримайте штанговий висоторіз обома руками, як зображено на рис. Р. Використовуйте міцний хват. Великі пальці повинні охоплювати ручку штангового висоторіза. Тримайте пальці подалі від жолобу для тирси **26**, що зображений на рис. R.
2. Не використовуйте висоторіз знаходячись у незручному положенні на дереві, драбині чи хиткій поверхні. Це може призвести до втрати контролю над пилкою, що може стати причиною серйозної травми.
3. Виконайте наступні інструкції під час обрізання дерев.
 - a. Переконайтесь, що інструмент працює на повній швидкості перед тим, як робити зріз. Починаючи зріз, поставте рухомий ланцюг пилки **14** навпроти гілки. Міцно тримайте висоторіз, щоб уникнути його можливого відстрибування або бічного переміщення.
 - b. Керуйте інструментом за допомогою легкого тиску. Зробіть перший надріз на відстані 152 мм від стовбура дерева з нижньої сторони гілки. Скористайтеся верхньою частиною направляючої шини **13**, щоб зробити такий надріз. Розріжте гілку уздовж діаметра на 1/3. Потім зробіть завершальний розріз зверху. При спробі відрізати товсті гілки знизу, гілка може закритися і заціпнути ланцюг пилки в зрізі. При спробі обрізати товсту гілку зверху без дрібного підрізу гілка може відколотися. Не використовуйте надмірного зусилля під час роботи зі штанговим висоторізом. Двигун буде перевантажуватись та може згоріти. Він виконує роботу краще та безпечніше зі швидкістю, на яку він розрахований.
 - c. Вийміть інструмент з розрізу, поки він працює на повній швидкості. Зупиніть висоторіз, відпустивши тригерний перемикач **4**. Перед опусканням штангового висоторізу переконайтесь, що ланцюг пилки зупинився.

Гострота пильного ланцюга

! **ОБЕРЕЖНО!** Наточіть ланцюг. Завжди використовуйте захисні рукавиці при обслуговуванні ланцюга. Ланцюг гострий, тому ви можете порізатися, коли він не працює.

ВАЖЛИВО! Різучі поверхні ланцюга одразу тупляться, якщо під час різання вони торкаються землі, каміння, кладки або цвяха.

Щоб отримати максимально ефективну роботу штангового висоторізу, важливо підтримувати зубці та ланцюг гострими. Послуги із заточення ланцюгів можна отримати у найближчому сервісному центрі DEWALT.

ПРИМІТКА. Кожного разу при заточуванні ланцюга він втрачає свої характеристики низького рівня віддачі, тому потрібно бути дуже уважними під час роботи. Рекомендується заточувати ланцюг не більше чотирьох разів.

ТЕХНІЧНЕ ОБСЛУГОВУВАННЯ

Ваш електричний інструмент призначений для роботи протягом довгого часу з мінімальним обслуговуванням. Довга задовільна робота приладу залежить від належного обслуговування приладу та регулярного його очищення.

! **ПОПЕРЕДЖЕННЯ:** Щоб знизити ризик серйозних тілесних ушкоджень, вимкніть інструмент та відключіть акумулятор перед виконанням будь-яких налаштувань або змінням/встановленням додаткового обладнання або приладдя. Випадковий запуск може призвести до травм.

Зарядний пристрій та акумулятор не підлягають обслуговуванню.



Змашування

Ваш електричний інструмент не вимагає додаткового змашування.



Очищення

! **ПОПЕРЕДЖЕННЯ:** Коли пил та бруд стають помітними та починають накопичуватися біля вентиляційних отворів, видавайте бруд та пил зсередини основного корпусу за допомогою сухого повітря. Використовуйте рекомендовані засоби захисту органів зору та рекомендовану протипилову маску при виконанні цієї операції.

! **ПОПЕРЕДЖЕННЯ:** Ніколи не використовуйте розчинники та інші агресивні хімічні засоби для очищення неметалевих деталей інструмента. Такі хімічні речовини можуть нанести шкоду матеріалам, що використовуються в цих деталях. Використовуйте вологу ганчірку, змочену лише водою з м'яким милом. Не дозволяйте рідині

попадати всередину інструмента та ніколи не занурюйте деталі інструмента в рідину.

Додаткові аксесуари

! **ПОПЕРЕДЖЕННЯ:** Оскільки інше приладдя, що не зазначене виробником DEWALT, не перевірялося з цим пристроєм, його використання з інструментом може бути небезпечним. Необхідно використовувати лише рекомендовані DEWALT приладдя з цим пристроєм, щоб знизити ризик отримання травми.

Зверніться до свого дилера для отримання подальшої інформації щодо відповідного приладдя.

Замінні ланцюги та шини доступні в сервісному центрі компанії DEWALT.

- Для DCMP5567 потрібен ланцюг із номером за каталогом DT20667-QZ. Шина 20 см (8 дюймів), номер за каталогом DT20668-QZ.

Захист навколишнього середовища



Роздільний збір. Пристрої і акумулятори позначені цим символом, не можна викидати зі звичайним побутовим сміттям.

Пристрої і акумулятори містять матеріали, які можна відновити та переробити, що зменшить потребу у сировині. Утилізуйте електротехнічну продукцію і акумулятори відповідно до місцевих положень. Більш детальну інформацію можна отримати на сайті www.2helpU.com.

Придатність акумулятора для перезарядки

Дана модель акумулятора підлягає перезарядці у випадку зниження його потужності при виконанні завдань, що попередньо не вимагали особливих зусиль. Наприкінці терміну служби акумулятора утилізуйте його у спосіб, безпечний для навколишнього середовища.

- Повністю розрядіть акумулятор, потім витягніть його з інструменту.
- Літій-іонні акумулятори можна повторно переробляти. Відправте їх до свого дилера або на місцеву переробну станцію. Там зібрані акумулятори будуть перероблені або знищені належним чином.



060

Виробник:
"Stanley Black & Decker Deutschland GmbH" Black-&-Decker Str.40, D-65510 Idstein, Німеччина

ІНСТРУКЦІЇ ЩОДО ВИЯВЛЕННЯ ТА УСУНЕННЯ НЕСПРАВНОСТЕЙ ОБОВ'ЯЗКОВО ДОТРИМУЙТЕСЬ ПРАВИЛ ТА ІНСТРУКЦІЙ З ТЕХНІКИ БЕЗПЕКИ

Щоб отримати допомогу щодо вашого продукту, відвідайте наш веб-сайт за адресою www.dewalt.com Перелік сервісних центрів.

ПРОБЛЕМА	МОЖЛИВА ПРИЧИНА	РІШЕННЯ
Пристрій не запускається.	Акумулятор встановлений невірно.	Перевірте установку акумулятора.
	Акумулятор не заряджається.	Перевірте вимоги до зарядки акумуляторного блоку.
	Кнопка блокування не натиснена.	Потягніть кнопку блокування/увімкніть перемикач.
	З'єднання висоторізу не затягнуті належним чином.	Див. розділ Приєднання модуля головки пили до модуля ручки.
Акумулятор не заряджається.	Акумулятор не вставлений у зарядний пристрій.	Вставте акумулятор у зарядний пристрій так, щоб загорівся індикатор.
	Зарядний пристрій не підключений до мережі живлення.	Підключіть зарядний пристрій до робочої розетки. Детальнішу інформацію див. у розділі Зарядження акумулятора.
	Температура навколишнього середовища занадто висока або занадто низька.	Помістіть акумулятор у середовище з температурою вище 40 °F (4.5 °C) або нижче 104 °F (+40 °C).
Перегрівання шини/ланцюга.	Дуже сильний натяг ланцюга.	Див. розділ Налаштування натягу ланцюга.
	Потрібно змащування.	Див. розділ Змащування ланцюга.
Ослаблений ланцюг.	Натяг ланцюга встановлено неправильно.	Див. розділ Налаштування натягу ланцюга.
Погана якість розрізання.	Натяг ланцюга встановлено неправильно.	Див. розділ Налаштування натягу ланцюга. ПРИМІТКА. Надмірний натяг призводить до сильного зносу та скорочує термін придатності шини та ланцюга. Змащуйте ланцюг через кожні 10 хвилин використання.
	Ланцюг потребує заміни.	Див. розділ Встановлення та зняття ланцюга.
Пристрій запускається, але не виконує розрізи.	Пильний ланцюг встановлено у зворотньому напрямку.	Див. розділ Встановлення та зняття ланцюга.

130.com.ua