



ТЕЛЕФОНЫ

0 (800) 800 130  
(050) 462 0 130  
(063) 462 0 130  
(067) 462 0 130

130  
COM.UA

Интернет-магазин  
автотоваров



SKYPE

km-130

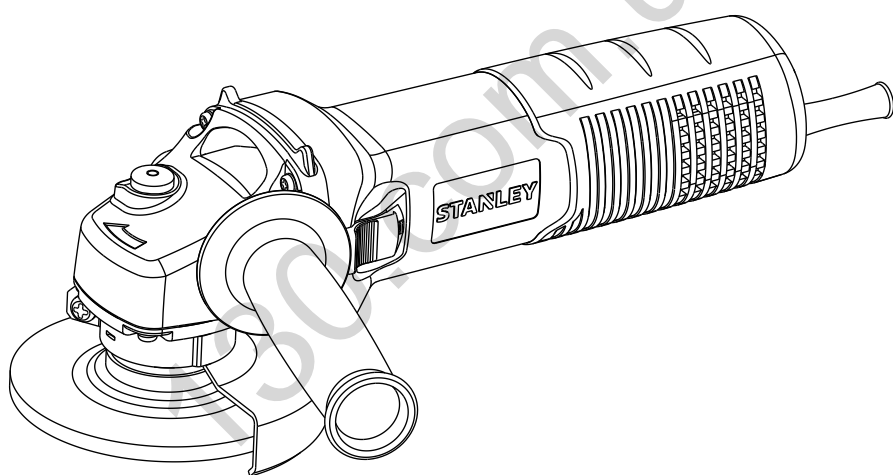
**АВТОМАГНИТОЛЫ** — Магнитолы • Медиа-ресиверы и станции • Штатные магнитолы • CD/DVD чейнджеры • FM-модуляторы/USB адаптеры • Flash память • Переходные рамки и разъемы • Антенны • Аксессуары | **АВТОЗВУК** — Акустика • Усилители • Сабвуферы • Процессоры • Кроссоверы • Наушники • Аксессуары | **БОРТОВЫЕ КОМПЬЮТЕРЫ** — Универсальные компьютеры • Модельные компьютеры • Аксессуары | **GPS НАВИГАТОРЫ** — Портативные GPS • Встраиваемые GPS • GPS модули • GPS трекеры • Антенны для GPS навигаторов • Аксессуары | **ВИДЕОУСТРОЙСТВА** — Видеорегистраторы • Телевизоры и мониторы • Автомобильные ТВ тюнеры • Камеры • Видеомодули • Транскодеры • Автомобильные ТВ антенны • Аксессуары | **ОХРАННЫЕ СИСТЕМЫ** — Автосигнализации • Мотосигнализации • Механические блокираторы • Имобилайзеры • Датчики • Аксессуары | **ОПТИКА И СВЕТ** — Ксенон • Биксенон • Лампы • Светодиоды • Стробоскопы • Оптика и фары • Омыватели фар • Датчики света, дождя • Аксессуары | **ПАРКТРОНИКИ И ЗЕРКАЛА** — Задние парктроники • Передние парктроники • Комбинированные парктроники • Зеркала заднего вида • Аксессуары | **ПОДОГРЕВ И ОХЛАЖДЕНИЕ** — Подогревы сидений • Подогревы зеркал • Подогревы дворников • Подогревы двигателей • Автохолодильники • Автокондиционеры • Аксессуары | **ТЮНИНГ** — Виброизоляция • Шумоизоляция • Тонировочная пленка • Аксессуары | **АВТОАКСЕССУАРЫ** — Радар-детекторы • Громкая связь Bluetooth • Стеклоподъемники • Компрессоры • Звуковые сигналы, СГУ • Измерительные приборы • Автопылесосы • Автокресла • Разное | **МОНТАЖНОЕ ОБОРУДОВАНИЕ** — Установочные комплекты • Обивочные материалы • Декоративные решетки • Фазоинверторы • Кабель и провод • Инструменты • Разное | **ПИТАНИЕ** — Аккумуляторы • Преобразователи • Пуско-зарядные устройства • Конденсаторы • Аксессуары | **МОРСКАЯ ЭЛЕКТРОНИКА И ЗВУК** — Морские магнитолы • Морская акустика • Морские сабвуферы • Морские усилители • Аксессуары | **АВТОХИМИЯ И КОСМЕТИКА** — Присадки • Жидкости омывателя • Средства по уходу • Полироли • Ароматизаторы • Клеи и герметики | **ЖИДКОСТИ И МАСЛА** — Моторные масла • Трансмиссионные масла • Тормозные жидкости • Антифризы • Технические смазки



В магазине «130» вы найдете и сможете купить в Киеве с доставкой по городу и Украине практически все для вашего автомобиля. Наши опытные консультанты предоставят вам исчерпывающую информацию и помогут подобрать именно то, что вы ищете. Ждем вас по адресу

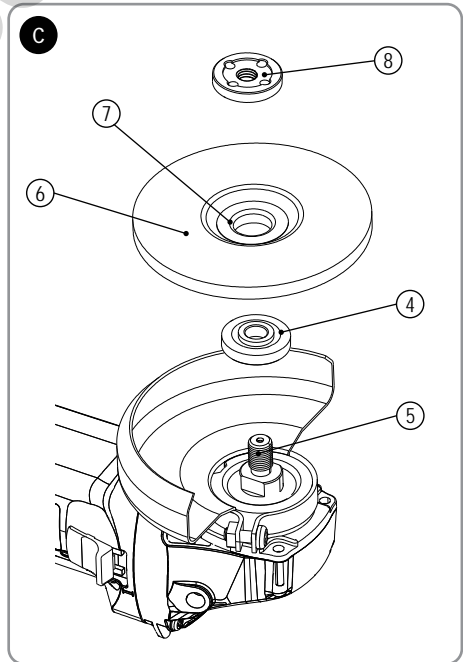
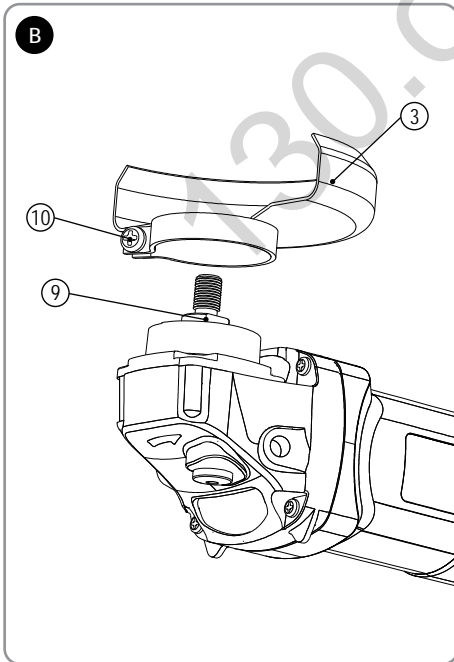
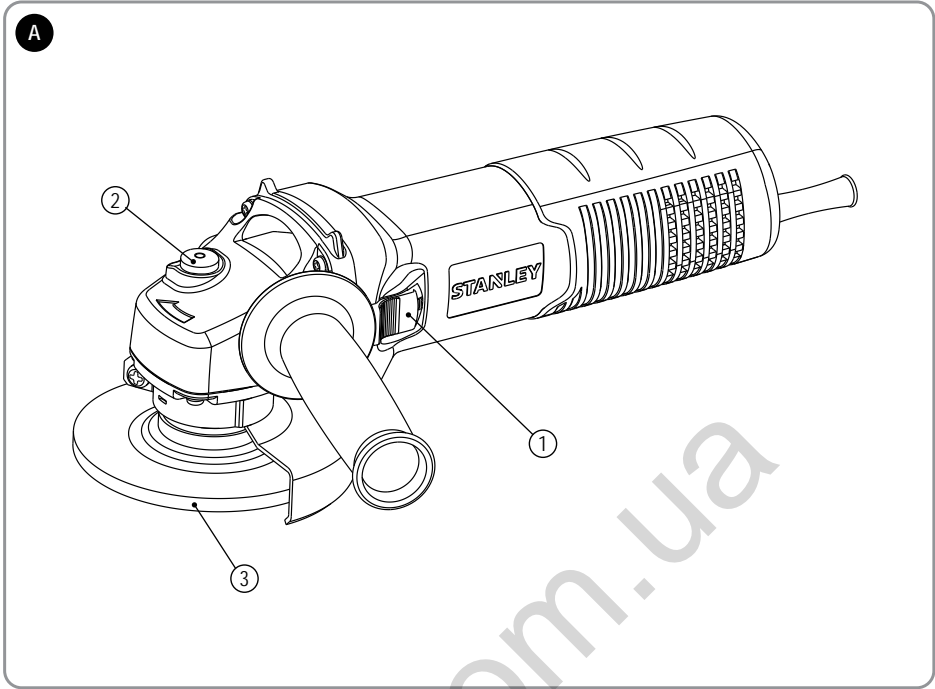
<https://130.com.ua>

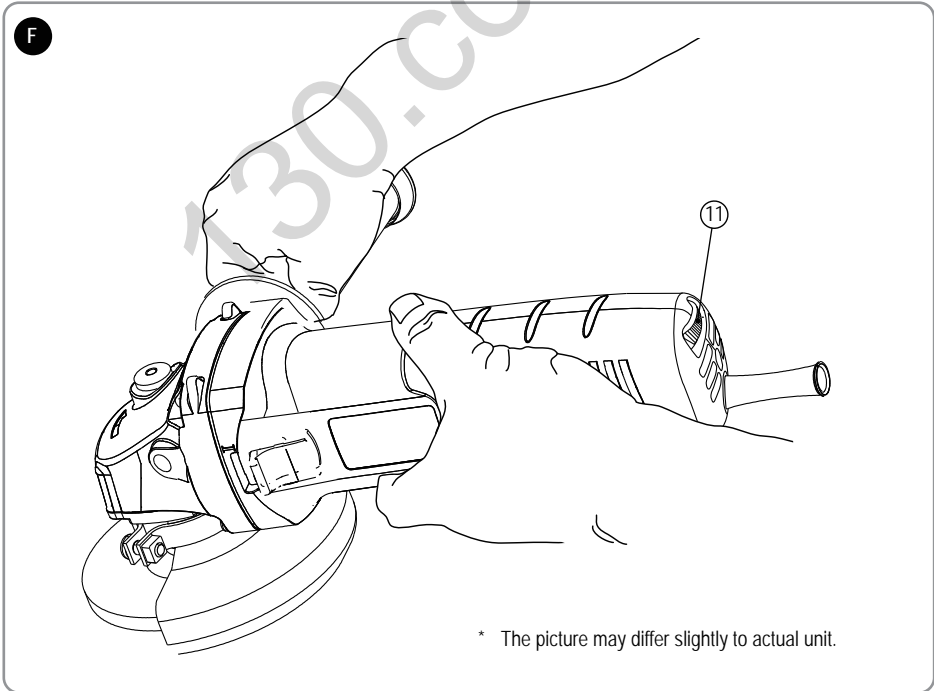
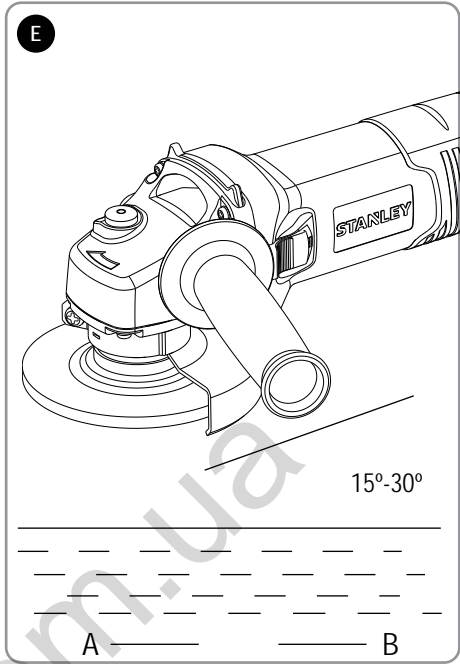
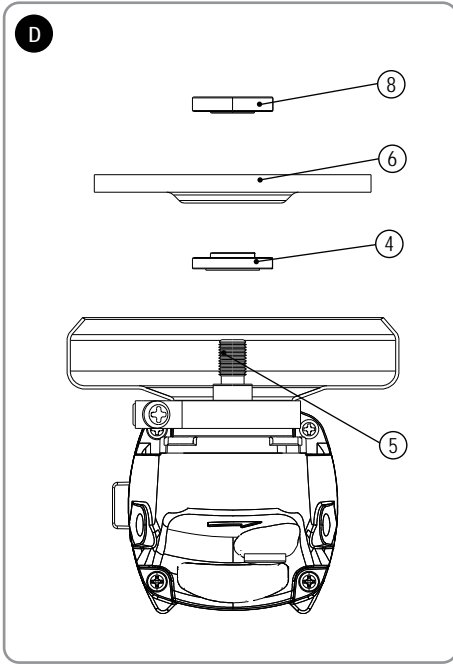
# STANLEY®



**SGV115**

English	Page	04
Russian	Page	12
Ukrainian	Page	22
Turkish	Page	32





## Intended use

Your STANLEY angle grinder SGV115 has been designed for grinding metal using the appropriate type of grinding disc. This tool is intended for professional use.

## Safety instructions

### General Power Tool Safety Warnings



**WARNING!** Read all safety warnings and all instructions. Failure to follow the warnings and instructions may result in electric shock, fire and/or serious injury.

Save all warnings and instructions for future reference. The term "power tool" in the warnings refers to your mains-operated (corded) power tool or battery-operated (cordless) power tool.

1. **Work area safety**
  - a. **Keep work area clean and well lit.** Cluttered and dark areas invite accidents.
  - b. **Do not operate power tools in explosive atmospheres, such as in the presence of flammable liquids, gases or dust.** Power tools create sparks which may ignite the dust or fumes.
  - c. **Keep children and bystanders away while operating a power tool.** Distractions can cause you to lose control.
2. **Electrical safety**
  - a. **Power tool plugs must match the outlet. Never modify the plug in any way.** Do not use any adapter plugs with earthed (grounded) power tools. Unmodified plugs and matching outlets will reduce risk of electric shock.
  - b. **Avoid body contact with earthed or grounded surfaces such as pipes, radiators, ranges and refrigerators.** There is an increased risk of electric shock if your body is earthed or grounded.
  - c. **Do not expose power tools to rain or wet conditions.** Water entering a power tool will increase the risk of electric shock.
  - d. **Do not abuse the cord.** Never use the cord for carrying, pulling or unplugging the power tool. Keep cord away from heat, oil, sharp edges or moving parts. Damaged or entangled cords increase the risk of electric shock.
  - e. **When operating a power tool outdoors, use an extension cord suitable for outdoor use.** Use of a cord suitable for outdoor use reduces the risk of electric shock.
  - f. **If operating a power tool in a damp location is unavoidable, use a residual current device (RCD) protected supply.** Use of an RCD reduces the risk of electric shock. NOTE: The term "residual current device (RCD)" may be replaced by the term "ground fault circuit interrupter (GFCI)" or "earth leakage circuit breaker (ELCB)".
3. **Personal safety**
  - a. **Stay alert, watch what you are doing and use common sense when operating a power tool. Do not use a power tool while you are tired or under the influence of drugs, alcohol or medication.** A moment of inattention while operating power tools may result in serious personal injury.
  - b. **Use personal protective equipment. Always wear eye protection.** Protective equipment such as dust mask, non-skid safety shoes, hard hat, or hearing protection used for appropriate conditions will reduce personal injuries.
  - c. **Prevent unintentional starting.** Ensure the switch is in the off-position before connecting to power source and/or battery pack, picking up or carrying the tool. Carrying power tools with your finger on the switch or energising power tools that have the switch on invites accidents.
  - d. **Remove any adjusting key or wrench before turning the power tool on.** A wrench or a key left attached to a rotating part of the power tool may result in personal injury.
  - e. **Do not overreach.** Keep proper footing and balance at all times. This enables better control of the power tool in unexpected situations.
  - f. **Dress properly.** Do not wear loose clothing or jewellery. Keep your hair, clothing and gloves away from moving parts. Loose clothes, jewellery or long hair can be caught in moving parts.
  - g. **If devices are provided for the connection of dust extraction and collection facilities, ensure these are connected and properly used.** Use of these devices can reduce dust related hazards.
4. **Power tool use and care**
  - a. **Do not force the power tool. Use the correct power tool for your application.** The correct power tool will do the job better and safer at the rate for which it was designed.
  - b. **Do not use the power tool if the switch does not turn it on and off.** Any power tool that cannot be controlled with the switch is dangerous and must be repaired.
  - c. **Disconnect the plug from the power source and/or the battery pack from the power tool before making any adjustments, changing accessories, or storing power tools.** Such preventive safety measures reduce the risk of starting the power tool accidentally.
  - d. **Store idle power tools out of the reach of children and do not allow persons unfamiliar with the power tool or these instructions to operate the power tool.** Power tools are dangerous in the hands of untrained users.
  - e. **Maintain power tools.** Check for misalignment or binding of moving parts, breakage of parts and any other condition that may affect the power tools operation. If damaged, have the power tool repaired before use. Many accidents are caused by poorly maintained power tools.

- f. Keep cutting tools sharp and clean. Properly maintained cutting tools with sharp cutting edges are less likely to bind and are easier to control.
  - g. Use the power tool, accessories and tool bits etc. in accordance with these instructions, taking into account the working conditions and the work to be performed. Use of the power tool for operations different from those intended could result in a hazardous situation.
5. Service
- a. Have your power tool serviced by a qualified repair person using only identical replacement parts. This will ensure that the safety of the power tool is maintained.

### SAFETY INSTRUCTIONS FOR ALL OPERATIONS

Safety warnings common for grinding.

- **This power tool is intended to function as a grinder.** Read all safety warnings, instructions, illustrations and specifications provided with this power tool. Failure to follow all instructions listed below may result in electric shock, fire and/or serious injury.
  - **Operations such as polishing are not recommended to be performed with this power tool.** Operations for which the power tool was not designed may create a hazard and cause personal injury.
  - **Do not use accessories which are not specifically designed and recommended by the tool manufacturer.** Just because the accessory can be attached to your power tool, it does not assure safe operation.
  - **The rated speed of the accessory must be at least equal to the maximum speed marked on the power tool.** Accessories running faster than their rated speed can break and fly apart.
  - **The outside diameter and the thickness of your accessory must be within the capacity rating of your power tool.** Incorrectly sized accessories cannot be adequately guarded or controlled.
  - **Threaded mounting of accessories must match the grinder spindle thread.** For accessories mounted by flanges, the arbour hole of the accessory must fit the locating diameter of the flange. Accessories that do not match the mounting hardware of the power tool will run out of balance, vibrate excessively and may cause loss of control.
  - **Do not use a damaged accessory.** Before each use inspect the accessory such as abrasive wheel for chips and cracks, backing pad for cracks, tear or excess wear, wire brush for loose or cracked wires. If power tool or accessory is dropped, inspect for damage or install an undamaged accessory. After inspecting and installing an accessory, position yourself and bystanders away from the plane of the rotating accessory and run the power tool at maximum no-load speed for one minute. Damaged accessories will normally break apart during this test time.
- **Wear personal protective equipment.** Depending on application, use face shield, safety goggles or safety glasses. As appropriate, wear dust mask, hearing protectors, gloves and work shop apron capable of stopping small abrasive or workpiece fragments. **The eye protection must be capable of stopping flying debris generated by various operations.** The dust mask or respirator must be capable of filtering particles generated by your operation. Prolonged exposure to high intensity noise may cause hearing loss.
  - **Keep bystanders a safe distance away from work area.** Anyone entering the work area must wear personal protective equipment. Fragments of workpiece or a broken accessory may fly away and cause injury beyond immediate area of operation.
  - **Hold power tool by insulated gripping surfaces only,** when performing an operation where the cutting accessory may contact hidden wiring or its own cord. Cutting accessory contacting a "live" wire may make exposed metal parts of the power tool "live" and shock the operator.
  - **Position the cord clear of the spinning accessory.** If you lose control, the cord may be cut or snagged and your hand or arm may be pulled into the spinning accessory.
  - **Never lay the power tool down until the accessory has come to a complete stop.** The spinning accessory may grab the surface and pull the power tool out of your control.
  - **Do not run the power tool while carrying it at your side.** Accidental contact with the spinning accessory could snag your clothing, pulling the accessory into your body.
  - **Regularly clean the power tool's air vents.** The motor's fan will draw the dust inside the housing and excessive accumulation of powdered metal may cause electrical hazards.
  - **Do not operate the power tool near flammable materials.** Sparks could ignite these materials.
  - **Do not use accessories that require liquid coolants.** Using water or other liquid coolants may result in electrocution or shock.

### FURTHER SAFETY INSTRUCTIONS FOR ALL OPERATIONS

#### Kickback and Related Warnings

Kickback is a sudden reaction to a pinched or snagged rotating wheel, backing pad, brush or any other accessory. Pinching or snagging causes rapid stalling of the rotating accessory which in turn causes the uncontrolled power tool to be forced in the direction opposite of the accessory's rotation at the point of the binding.

## ENGLISH (Original instructions)

For example, if an abrasive wheel is snagged or pinched by the workpiece, the edge of the wheel that is entering into the pinch point can dig into the surface of the material causing the wheel to climb out or kick out. The wheel may either jump toward or away from the operator, depending on direction of the wheel's movement at the point of pinching. Abrasive wheels may also break under these conditions. Kickback is the result of tool misuse and/or incorrect operating procedures or conditions and can be avoided by taking proper precautions as given below:

- **Maintain a firm grip on the power tool and position your body and arm to allow you to resist kickback forces. Always use auxiliary handle, if provided, for maximum control over kickback or torque reaction during start up.** The operator can control torque reaction or kickback forces, if proper precautions are taken.
- **Never place your hand near the rotating accessory.** Accessory may kickback over your hand.
- **Do not position your body in the area where power tool will move if kickback occurs.** Kickback will propel the tool in direction opposite to the wheel's movement at the point of snagging.
- **Use special care when working corners, sharp edges etc. Avoid bouncing and snagging the accessory.** Corners, sharp edges or bouncing have a tendency to snag the rotating accessory and cause loss of control or kickback.
- **Do not attach a saw chain woodcarving blade or toothed saw blade.** Such blades create frequent kickback and loss of control.

### Additional Safety Information

- **Do not use Type 11 (flaring cup) wheels on this tool.** Using inappropriate accessories can result in injury.
- **Always use side handle. Tighten the handle securely.** The side handle should always be used to maintain control of the tool at all times.
- **Use clamps or another practical way to secure and support the work piece to a stable platform.** Holding the work by hand or against your body leaves it unstable and may lead to loss of control.

### Personal safety

- No children or pregnant women should enter the work area where the paint sanding is being done until all cleanup is completed.
- A dust mask or respirator should be worn by all persons entering the work area. The filter should be replaced daily or whenever the wearer has difficulty breathing.

Note: only those dust masks suitable for working with lead paint dust and fumes should be used. Ordinary painting masks do not offer this protection. See your local hardware dealer for the NIOSH approved proper mask.









### Environmental safety

- Paint should be removed in such a manner as to minimize the amount of dust generated.
- Areas where paint removal is occurring should be sealed with plastic sheeting of 4 mils thickness.

- Sanding should be done in a manner to reduce tracking of paint dust outside the work area.

### Labels on tool

The label on your tool may include the following symbols:

	WARNING! To reduce the risk of injury, the user must read the instruction manual before use.		
	Wear ear protection.		
	Wear safety glasses or goggles.		
V	Volts		Direct Current
A	Amperes	$n_0$	No-Load Speed
Hz	Hertz		Class II Construction
W	Watts		Earthing Terminal
min	minutes		Safety Alert Symbol
	Alternating Current	/min.	Revolutions or Reciprocation per minute

### Position of Date Code (Fig. A)

The Date Code (10), which also includes the year of manufacture, is printed into the housing.

Example:

2017 XX JN  
Year of manufacturing

### Package Contents

The package contains:

- 1 Angle Grinder
- 1 Guard
- 1 Flange set
- 1 Spanner
- 1 Handle
- 1 Instruction Manual

- Check for damage to the tool, parts or accessories which may have occurred during transport.
- Take the time to thoroughly read and understand this manual prior to operation.

### Electrical Safety



Your tool is double insulated; therefore no earth wire is required. Always check that the main voltage corresponds to the voltage on the rating plate.



Warning! If the power cord is damaged, it must be replaced by the manufacturer, authorized Stanley Service Center or an equally qualified person in order to avoid damage or injury. If the power cord is replaced by an equally qualified person, but not authorized by Stanley, the warranty will not be valid.

## Using an Extension Cable

If it is necessary to use an extension cable, please use an approved extension cable that fits the tool's power input specifications. The minimum cross-sectional area of the conducting wire is 1.5 sq. mm. Cables should be untangled before reeling up.

Cable cross-sectional area (mm <sup>2</sup> ) Cable rated current (Ampere)	Cable cross-sectional area (mm <sup>2</sup> ) Cable rated current (Ampere)
0.75	6
1.00	10
1.50	15
2.50	20
4.00	25

Cable length (m)						
	7.5	15	25	30	45	60

Voltage	Amperes	Cable rated current (Ampere)					
110-127	0 - 2.0	6	6	6	6	6	10
	2.1 - 3.4	6	6	6	6	15	15
	3.5 - 5.0	6	6	10	15	20	20
	5.1 - 7.0	10	10	15	20	20	25
	7.1 - 12.0	15	15	20	25	25	-
220-240	12.1 - 20.0	20	20	25	-	-	-
	0 - 2.0	6	6	6	6	6	6
	2.1 - 3.4	6	6	6	6	6	6
	3.5 - 5.0	6	6	6	6	10	15
	5.1 - 7.0	10	10	10	10	15	15
	7.1 - 12.0	15	15	15	15	20	20
	12.1 - 20.0	20	20	20	20	25	-

## Features

This tool includes some or all of the following features.

- ON/OFF Switch (Fig. A)
- Spindle Lock (Fig. A)
- Guard (Fig. A)
- Variable Speed Dial (Fig. F)

## Soft Start Feature

The soft start feature allows a slow speed build-up to avoid an initial jerk when starting. This feature is particularly useful when working in confined spaces.

## No-Volt

The No-volt function stops the grinder restarting without the

switch being cycled if there is a break in the power supply.

## Assembly

**WARNING!** To prevent accidental operation, turn off and unplug tool before performing the following operations. Failure to do this could result in serious personal injury.

## Attaching and Removing the Wheel Guard (Fig. B)

**WARNING!** To minimize the danger of serious personal injury, please switch off the tool power and disconnect all plugs before adjusting or removing/installing any accessory. Before reassembling the tool, press and release the trigger switch to make sure the tool is already switched off.

## Attaching the Guard

- Place the angle grinder on a work bench, groove facing up.
- Bring the flange of the guard (3) collar over the groove (9) of the gear housing.
- Turn the guard (3) counterclockwise by 150 degrees.
- Make sure that the screws (10) are tightened.

## Removing the Guard

- Loosen the screws (10) on the guard collar.
- Pull up the guard (3).

**WARNING!** Do not operate the tool when the safety guard is not in place.

**Note:** Refer to the grinding accessories chart at the end of this section for accessories that can be used together with this angle grinder.

## Attaching and Removing Grinding Wheels (Fig. C and D)

**WARNING!** Do not use damaged grinding wheels.

- Place the tool on a work bench, groove facing up.
- Figure C: Attach the inner flange (4) correctly on the output shaft (5).
- Place the grinding wheel (6) on the inner flange (4). When attaching a grinding wheel with a raised center, make sure that the raised center (7) faces the inner flange (4).
- Figure D: Tighten the outer flange (h) until the output shaft (5).
- When attaching the grinding wheel, the ring on top of the outer flange (8) must face the wheel.
- Press the spindle lock (2) and prevent the spindle (4) from rotating until it locks in place.
- Use the pin spanner to tighten the outer flange (8).

## Preparation Before Use

- Attach the safety guard and appropriate abrasive or grinding wheels. Do not use abrasive or grinding wheels that are overly worn.
- Make sure that the inner and outer flanges are attached correctly.



- Make sure that the abrasive or grinding wheels are rotating in the direction of the arrows on the accessories and tool.

## OPERATION

**WARNING!** Always observe the safety instructions and applicable regulations.

**WARNING!** To minimize the danger of serious personal injury, please switch off the tool power and disconnect all plugs before adjusting or removing/installing any accessory. Before reassembling the tool, press and release the trigger switch to make sure the tool is already switched off.

### WARNING!

- Make sure all materials to be grinded are secured in position.
- Apply slight pressure to the tool. Do not apply side pressure to the abrasive disc.
- Avoid overloading. If the tool becomes hot, let it spin for a few minutes with no load.
- Be sure to hold the tool tightly with both hands (one hand on housing, the other on side handle). Start the tool and bring the grinding wheel on the workpiece.
- Keep the edge of the wheel tilted at angle from 15 to 30 degrees against the surface of the workpiece.
- When using a new grinding wheel, do not operate the wheel in the B direction, otherwise, it will cut into the workpiece. When the edge of wheel has been rounded off, you are free to operate the grinder in either the A or B direction.

## Starting and Stopping (Fig. A)

**WARNING!** Before using the tool, check whether the handle is tightened securely. Check whether the ON/OFF switch is working normally.

Before plugging in the tool to the power supply, check whether the switch is in the OFF (o) position when pressing the rear end of the switch.

To start the tool, press the rear end of the switch and slide it forward. Then press the front end of the switch to lock it.

Press the rear end of the switch to stop the tool.

**WARNING!** Do not switch the tool on or off while under load conditions.

## Proper Hand Position (Fig. F)

**WARNING!** To reduce the risk of serious personal injury, ALWAYS use proper hand position as shown.

**WARNING!** To reduce the risk of serious personal injury, ALWAYS hold securely in anticipation of a sudden reaction.

Proper hand position requires one hand on the side handle (Figure A), with the other hand on the body of the tool, as shown in Figure F.

## Variable Speed Dial (Fig.F)

The variable speed dial offers added tool control and enables the tool to be used at optimum conditions to suit the accessory and material.

- Turn the dial (11) to the desired level. Turn the dial upward for higher speed and downwards for lower speed.

## Switches

**Caution!** Hold the body of the tool firmly to maintain control of the tool at start up and during use and until the wheel or accessory stops rotating. Make sure the wheel has come to a complete stop before laying the tool down.

**Note:** To reduce unexpected tool movement, do not switch the tool on or off while under load conditions. Allow the grinder to run up to full speed before touching the work surface. Lift the tool from the surface before turning the tool off. Allow the tool to stop rotating before putting it down.

## Slider switch (Fig. A)

**WARNING!** Before connecting the tool to a power supply, be sure the slider switch is in the off position by pressing the rear part of the switch and releasing. Ensure the slider switch is in the off position as described above after any interruption in power supply to the tool, such as the activation of a ground fault interrupter, throwing of a circuit breaker, accidental unplugging, or power failure. If the slider switch is locked on when the power is connected, the tool will start unexpectedly.

To start the tool, slide the slider switch (1) toward the front of the tool. To stop the tool, release the slider switch. For continuous operation, slide the switch toward the front of the tool and press the forward part of the switch inward. To stop the tool while operating in continuous mode, press the rear part of the slider switch and release.

## Spindle lock (Fig. A)

The spindle lock (2) prevents the output shaft from rotating when attaching or removing the grinding wheel. Only use the spindle lock when the tool is switched off, power is unplugged, and wheel stops completely.

**Note:** To minimize tool damages, don't use the spindle lock when the tool is operating.

Otherwise, it may damage the tool. The attached accessories may come off and cause injury.

If using the spindle lock, press the spindle lock button and rotate the output shaft until it stops.

## Application on Metals

When applying the tool on metals, make sure that a residual-current device (RCD) is inserted to prevent danger from metal chips.

If the RCD causes power disconnection, have the tool sent to an authorized Stanley dealer for repair.

**WARNING!** Under extreme working conditions, conductive dust and grit may accumulate on the housing interior when handling metal workpieces.

This could create an electric shock hazard as it weakens the protective insulation in the grinder.

To avoid accumulation of metal chips in the interior of the grinder, we recommend cleaning the ventilation ducts daily. Refer to Maintenance.

## Using Grinding Wheels

**WARNING!** Metal powder accumulates. Excessive use of the grinding wheel on metals may increase the risk of electric shock. To reduce the risk, insert the RCD before use and clean the ventilation ducts daily. Follow the maintenance instructions below to blow dry compressed air into the ventilation ducts.

## GRINDING

### Surface Grinding with Grinding Wheels

1. Allow the tool to reach full speed before touching the tool to the work surface.
2. Apply minimum pressure to the work surface, allowing the tool to operate at high speed. Grinding rate is greatest when the tool operates at high speed.
3. Maintain a 20° to 30° angle between the tool and work surface.
4. Continuously move the tool in a forward and back motion to avoid creating gouges in the work surface.
5. Remove the tool from work surface before turning tool off. Allow the tool to stop rotating before laying it down.

### Precautions to Take when Sanding Paint

- Sanding of lead based paint is **NOT RECOMMENDED** due to the difficulty of controlling the contaminated dust. The greatest danger of lead poisoning is to children and pregnant women.
- Since it is difficult to identify whether or not a paint contains lead without a chemical analysis, we recommend the following precautions when sanding any paint.

## GENERAL INFORMATION

### Helpful Hints

- Hold your angle grinder with one hand on the body and the other hand firmly around the side handle as shown in Fig. J.
- Always position the guard so that as much of the exposed disc as possible is pointing away from you. Be prepared for a stream of sparks when the disc touches the metal.
- Maintain an angle between the disc and work surface (Fig. J) of approximately 30° when grinding and 10° - 15° when sanding (Fig. K) for best tool control, material removal, and minimal loading.

**CAUTION!** Use extra care when grinding into a corner as a sudden, sharp movement of the grinder may be experienced

when the wheel contacts a secondary surface.

**WARNING!** Always wear eye protection while operating this power tool.

## Pop-off Brushes

The motor will be automatically shut off indicating that the carbon brushes are nearly worn out and that the tool needs servicing. The carbon brushes are not user-serviceable. Take the tool to an authorized STANLEY repair agent.

## Maintenance

Your Stanley corded/cordless appliance/tool has been designed to operate over a long period of time with a minimum of maintenance. To ensure satisfactory operations, the tool must be maintained and cleaned regularly.

**WARNING!** To minimize the danger of serious personal injury, please switch off the tool power and disconnect all plugs before adjusting or removing/ installing any accessory. Before reassembling the tool, press and release the trigger switch to make sure the tool is already switched off.

**WARNING!** Before performing any maintenance on corded/ cordless power tools:



### Lubrication

Stanley tools are properly lubricated at the factory and are ready for use.

Tools should be lubricated regularly every year depending on usage. (Tools used on heavy duty jobs and tools exposed to heat may require more frequent lubrication.) This lubrication should be attempted only by trained power tool repairperson's such as those at Stanley service centers or in other qualified service personnel.



### Cleaning

**WARNING!** Dust and grit from metal grinding often accumulate on interior surfaces and could create an electrical shock hazard if not cleaned out. Use only mild soap and a damp cloth to clean the tool. Never let any liquid get inside the tool; never immerse any part of the tool into a liquid.



**WARNING!** Never use solvents or harsh chemicals to clean non-metal parts of the tool. These chemicals may weaken the material of the parts. Use only mild soap and damp cloth to clean the tool. Never let any liquid get inside the tool; never immerse any part of the tool into liquid.



**WARNING!** Do not overload your angle grinder. Overloading causes a reduction in speed and efficiency, causing your angle grinder to become too hot. If this happens, operate your angle grinder under no load for one or two minutes until it has cooled to normal operating temperature. Switching your angle grinder off under load will reduce the life of the switch.



**¡IMPORTANT!** To ensure product SAFETY and RELIABILITY, repairs, maintenance and adjustment (other than those listed in this manual) should be performed by authorized service centers or other qualified organizations, always using identical replacement parts. Unit contains no user service able parts inside.

### Optional Accessories



**WARNING!** Since accessories, other than those offered by Stanley, have not been tested with this product, use of such accessories with this tool could be hazardous. To reduce the risk of injury, only Stanley, recommended accessories should be used with this product.

The performance of any power tool is dependent upon the accessory used. Stanley accessories are engineered to high quality standards and are designed to enhance the performance of power tool. By using Stanley accessories will ensure that you get the very best from your Stanley tool. Stanley offers a large selection of accessories available at our local dealer or authorized service center at extra cost.

### Remarks

Stanley's policy is one of continuous improvement to our products and, as such, we reserve the right to change product specifications without prior notice. Standard equipment and accessories may vary by country. Product specifications may differ by country. Complete product range may not be available in all countries. Contact your local Stanley dealers for range availability.

### Protecting the Environment



Separate collection. This product must not be disposed of with normal household waste.

Should you find one day that your STANLEY product needs replacement, or if it is of no further use to you, do not dispose of it with household waste. Make this product available for separate collection.



STANLEY provides a facility for the collection and recycling of STANLEY products once they have reached the end of their working life. To take advantage of this service please return your product to any authorised repair agent who will collect them on our behalf.

You can check the location of your nearest authorised repair agent by contacting your local STANLEY office at the address indicated in this manual. Alternatively, a list of authorised STANLEY repair agents and full details of our after-sales service and contacts are available on the Internet at: [www.2helpU.com](http://www.2helpU.com).

### Technical Data

GRINDER	SGV115	
Voltage	V	220-240
Frecuency	Hz	50/60
Power	W	1150
No-load Speed	/min	3000~11000
Wheel Diameter	mm	125
Spindle Size		M14
Weight	kg	2.3

### Noise values and vibration values (triax vector sum) according to EN60745-2-3

$L_{pA}$  (emission sound pressure level) dB(A) 86.0

$L_{WA}$  (sound power level) dB(A) 97.0

K (uncertainty for the given sound level) dB(A) 3

### Surface grinding

Vibration emission value  $a_{h,AG} = m/s^2$  6.0

Uncertainty K =  $m/s^2$  1.5

The vibration emission level given in this information sheet has been measured in accordance with a standardised test given in EN60745 and may be used to compare one tool with another. It may be used for a preliminary assessment of exposure.



**WARNING:** The declared vibration emission level represents the main applications of the tool. However if the tool is used for different applications, with different accessories or poorly maintained, the vibration emission may differ. This may significantly increase the exposure level over the total working period.

An estimation of the level of exposure to vibration should also take into account the times when the tool is switched off or when it is running but not actually doing the job. This may significantly reduce the exposure level over the total working period.

Identify additional safety measures to protect the operator from the effects of vibration such as: maintain the tool and the accessories, keep the hands warm, organisation of work patterns.

EC declaration of conformity  
MACHINERY DIRECTIVE



SGV115 - Angle Grinder

Stanley Europe declares that these products described under "technical data" are in compliance with: EN 60745-1:2009+ A11:2010, EN 60745-2-3:2011+ A2:2013 + A11:2014 + A12:2014 + A13:2015

These products also comply with Directive 2014/30/EU and 2011/65/EU.

For more information, please contact Stanley Europe at the following address or refer to the back of the manual.

The undersigned is responsible for compilation of the technical file and makes this declaration on behalf of Stanley Europe.

R.Laverick  
Engineering Manager  
Stanley Europe, Egide Walschaertsstraat 14-18,  
2800 Mechelen, Belgium  
09.2017

TWO YEAR WARRANTY

If your STANLEY product becomes defective due to faulty materials or workmanship within 24 months from the date of purchase, STANLEY guarantees to replace all defective parts free of charge or – at our discretion – replace the unit free of charge provided that:

- The product has not been misused and has been used in accordance with the instruction manual;
- The product has been subject to fair wear and tear;
- Repairs have not been attempted by unauthorized persons;
- Proof of purchase is produced.
- The STANLEY product is returned complete with all original components
- The product hasn't been used for hire purposes

If you wish to make a claim, contact your seller or check the location of your nearest authorised STANLEY repair agent in the STANLEY catalogue or contact your local STANLEY office at the address indicated in this manual. A list of authorised STANLEY repair agents and full details of our after sales service is available on the internet at: [www.2helpU.com](http://www.2helpU.com)

## Назначение

Ваша угловая шлифмашина STANLEY SGV115 предназначена для шлифования металла с использованием шлифовальных кругов соответствующего типа. Данный инструмент предназначен для профессионального использования.

## Инструкции по технике безопасности

### Общие правила безопасности при работе с электроинструментами



**ВНИМАНИЕ!** Внимательно прочтите все инструкции по безопасности и руководство по эксплуатации. Несоблюдение всех перечисленных ниже правил безопасности и инструкций может привести к поражению электрическим током, возникновению пожара и/или получению тяжелой травмы.

**Сохраните все инструкции по безопасности и руководство по эксплуатации для их дальнейшего использования.** Термин «Электроинструмент» во всех приведенных ниже указаниях относится к Вашему сетевому (с кабелем) или аккумуляторному (беспроводному) электроинструменту.

#### 1. Безопасность рабочего места

- a. **Содержите рабочее место в чистоте и хорошо освещенным.** Беспорядок на рабочем месте или отсутствие освещения рабочего места может привести к аварии.
- b. **Не работайте с электроинструментом в месте хранения взрывоопасных материалов, например, в присутствии огнеопасных жидкостей, газов или пыли.** Электрические инструменты создают искры, которые могут воспламенить пыль или пары.
- c. **Дети и посторонние лица должны находиться как можно дальше во время работы с электроинструментом.** Вы можете отвлечься и потерять контроль.

#### 2. Электробезопасность

- a. **Вилка электроинструмента должна соответствовать розетке. Никогда не модифицируйте вилку каким-либо образом. Не используйте никакие вилки-переходники с заземленными (замкнутыми на землю) электроинструментами. Вилки и розетки, которые не подвергались никаким изменениям снижают риск поражения электрическим током.**
- b. **Избегайте контакта тела с заземленными поверхностями, такими как трубы, радиаторы, плиты и холодильники.** Существует повышенный риск поражения электрическим током, если ваше тело заземлено.
- c. **Избегайте любого воздействия дождя или влаги на электроинструменты.** Вода, попавшая в электроинструмент, увеличивает риск поражения электрическим током.

- d. **Аккуратно обращайтесь со шнуром питания. Никогда не используйте шнур питания для переноски, перемещения или извлечения вилки из розетки. Держите шнур вдали от источников тепла, масла, острых краев или движущихся частей.** Поврежденные или запутанные шнуры увеличивают риск поражения электрическим током.
- e. **При работе с электроинструментом на улице, используйте удлинитель, подходящий для наружного использования.** Использование кабеля, пригодного для использования на открытом воздухе, снижает риск поражения электрическим током.
- f. **При необходимости работы с электроинструментом во влажной среде, используйте устройство защитного отключения (УЗО).** Использование УЗО снижает риск поражения электрическим током. ПРИМЕЧАНИЕ: Термин «устройство защитного отключения (УЗО)» может быть заменён на «аварийный прерыватель заземления» или «автоматический выключатель тока утечки».

#### 3. Личная безопасность

- a. **Будьте внимательны, смотрите, что вы делаете, используйте здравый смысл при работе с электроинструментом. Не используйте электроинструмент, если вы устали или находитесь под влиянием наркотиков, алкоголя или лекарств.** Малейшая неосторожность при работе с электроинструментом может привести к серьезным травмам.
- b. **Используйте средства индивидуальной защиты. Всегда надевайте защитные очки. Другое защитное оборудование, включая респиратор, ботинки на нескользящей подошве, защитный шлем или средства защиты органов слуха, используемые в надлежащих условиях, уменьшают риск получения травмы.**
- c. **Для предотвращения случайного запуска, убедитесь, что переключатель находится в выключенном положении перед подключением к источнику питания и/или аккумуляторной батарее, поднятия или переноски инструмента.** Не переносите электроинструмент с пальцем на выключателе и не включайте питание на инструмент с включенным выключателем, что может привести к несчастному случаю.
- d. **Перед включением электроинструмента снимайте регулировочный или гаечный ключ.** Гаечный или регулировочный ключ, оставленный на вращающейся части электроинструмента, может привести к травме.
- e. **Не тянитесь. Сохраняйте правильную стойку и баланс все время.** Это позволяет лучше контролировать инструмент в неожиданных ситуациях.

- f. Одевайтесь правильно. Не надевайте свободную одежду или украшения. Держите волосы, одежду и перчатки вдали от движущихся частей. Свободная одежда, украшения или длинные волосы могут попасть в движущиеся части.
- g. Если имеются устройства для подключения пылесборника или вытяжки, убедитесь в том, что они подсоединены и используются правильно. Использование пылесборника снижает вероятность возникновения рисков, связанных с пылью.
4. **Использование и уход за электроинструментом**
- a. **Не перегружайте электроинструмент. Используйте подходящий электрический инструмент для соответствующего применения.** Правильно подобранный электроинструмент позволит выполнить работу лучше и безопаснее при скорости, для которой он был разработан.
- b. **Не используйте электроинструмент, если переключатель не может его включить и выключить.** Любой электроинструмент, который нельзя контролировать с помощью переключателя, опасен и должен быть отремонтирован.
- c. **Отключите кабель питания от источника питания и/или аккумуляторный блок от электрического инструмента перед выполнением любых регулировок, замены принадлежностей или при хранении электроинструмента.** Такие профилактические меры безопасности уменьшают риск непреднамеренного запуска электрического инструмента.
- d. **Храните неиспользуемые электроинструменты в недоступном для детей месте и не позволяйте лицам, не знакомым с электроинструментом или данными инструкциями, работать с электроинструментом.** Электроинструменты опасны в руках неопытных пользователей.
- e. **Поддержание электроинструмента. Проверяйте разрегулированность или соединение подвижных частей, поломки частей и любые другие условия, которые могут повлиять на работу электроинструмента. При наличии повреждения, отремонтируйте электроинструмент перед использованием.** Многие несчастные случаи являются следствием плохого ухода за электроинструментом.
- f. **Держите режущий инструмент острым и чистым.** Хорошо ухоженный режущий инструмент с острыми режущими кромками легче контролировать.
- g. **Используйте электроинструмент, принадлежности, насадки и т.д. в соответствии с этими инструкциями, принимая во внимание рабочие условия и характер выполняемой работы.** Использование электроинструмента иным способом может привести к опасным ситуациям.

## 5. Обслуживание

- a. **Обеспечьте, чтобы обслуживание и ремонт вашего электроинструмента проводился в авторизованном сервисном центре по ремонту с использованием только оригинальных запасных частей.** Это станет гарантией безопасности электроинструмента.

## МЕРЫ БЕЗОПАСНОСТИ ПРИ ВЫПОЛНЕНИИ ВСЕХ ОПЕРАЦИЙ

### Общие правила безопасности при работе шлифовальными машинами

- Данный электроинструмент предназначен для шлифования. Внимательно прочтите все инструкции по использованию, правила безопасности, спецификации, а также рассмотрите все иллюстрации, входящие в руководство по эксплуатации данного электроинструмента. Несоблюдение всех перечисленных ниже инструкций может привести к поражению электрическим током, возникновению пожара и/или получению серьезной травмы.
- **Не рекомендуется выполнение данным инструментом работ по полировке.** Использование инструмента не по назначению может привести к повреждению инструмента и получению телесной травмы.
- **Не используйте дополнительные принадлежности и насадки, специально не разработанные и не рекомендованные производителем инструмента.** Возможность установки принадлежностей и насадок на электроинструмент не обеспечивает безопасности при его использовании.
- **Номинальная скорость вращения насадок должна соответствовать скорости, указанной на электроинструменте.** Диски и прочие насадки при вращении на скорости, превышающей их номинальную скорость, могут разрушиться и сорваться с крепления.
- **Внешний диаметр и толщина насадки должны соответствовать диапазону мощности Вашего электроинструмента.** Насадка неправильного размера не закрывается надлежащим образом защитным кожухом и не обеспечивает контроля при управлении инструментом.
- **Монтажная резьба насадок должна соответствовать резьбе шпинделя шлифмашины. Для насадок, устанавливаемых на фланцы: посадочное отверстие насадки должно соответствовать установочному диаметру фланца.** Насадки, не соответствующие крепёжным деталям электроинструмента, могут стать причиной разбалансированности, повышенной вибрации и потери контроля над электроинструментом.

- **Не используйте повреждённые насадки.** Перед каждым использованием проверьте абразивные диски на наличие сколов и трещин, диски-подошвы - на наличие надрывов и трещин, проволочные щётки - на наличие ослабленной или сломанной проволоки. В случае падения электроинструмента или насадки проверьте их на наличие повреждений или установите неповреждённую насадку. После проверки и установки насадки отведите электроинструмент от себя и посторонних лиц в сторону и запустите его на максимальной скорости без нагрузки в течение одной минуты. Повреждённые насадки отлетят в сторону в течение данного тестового периода.
- **Используйте средства индивидуальной защиты.** В зависимости от типа выполняемых работ надевайте щиток для защиты лица, защитную маску или защитные очки. В соответствии с необходимостью надевайте респиратор, защитные наушники, перчатки и рабочий фартук, способный защитить от отлетающих мелких абразивных частиц и фрагментов обрабатываемой детали. Средства защиты для глаз должны останавливать частицы, вылетающие при выполнении различных видов работ. Противоопылевая маска или респиратор должны обеспечивать фильтрацию твёрдых частиц, образующихся в ходе работ. Длительное воздействие шума высокой интенсивности может привести к нарушениям слуха.
- **Не подпускайте посторонних лиц близко к рабочей зоне.** Любое лицо, входящее в рабочую зону, должно использовать средства индивидуальной защиты. Отлетающие фрагменты обрабатываемой детали и л и разрушенной насадки могут стать причиной получения травмы даже за пределами рабочей зоны.
- **Держите электроинструмент только за изолированные поверхности при выполнении работ, во время которых режущая принадлежность может задеть скрытую проводку или кабель подключения к электросети.** При контакте с находящимся под напряжением проводом, на неизолированных металлических частях инструмента также появляется напряжение, что приводит к поражению электрическим током.
- **Располагайте кабель подключения к электросети на удалении от вращающейся насадки.** В случае потери контроля кабель может быть разрезан или защёмлён, а Ваша рука может быть затянута вращающейся насадкой.
- **Никогда не кладите электроинструмент, пока насадка полностью не остановится.** Вращающаяся насадка может задеть за поверхность, и электроинструмент вырвется из Ваших рук.
- **Не включайте электроинструмент, если насадка направлена на Вас.** Случайный контакт с вращающейся насадкой может привести к захвату насадкой Вашей одежды и получению телесной травмы.
- **Регулярно очищайте вентиляционные отверстия электроинструмента.** Вентилятор электродвигателя затягивает пыль внутрь корпуса, а скопление большого количества пыли на металле электродвигателя повышает риск поражения электрическим током.
- **Не используйте электроинструмент вблизи с пожароопасными материалами.** Искровые разряды могут привести к их воспламенению.
- **Не используйте насадки, требующие жидкостного охлаждения.** Использование воды или других жидких охлаждающих средств может привести к поражению электрическим током вплоть до смертельного исхода.

### **ДОПОЛНИТЕЛЬНЫЕ МЕРЫ БЕЗОПАСНОСТИ ПРИ ВЫПОЛНЕНИИ ВСЕХ ОПЕРАЦИЙ**

#### **Причины обратного удара и меры по его предотвращению**

Обратный удар является внезапной реакцией на защемление или застревание вращающегося диска, диска-подошвы, щётки или какой-либо другой насадки. Защемление или застревание могут стать причиной мгновенной остановки вращающейся насадки, что в свою очередь приводит к потере контроля над электроинструментом и его внезапному отбрасыванию назад в направлении, противоположном вращению насадки.

Например, если абразивный круг был защёмлён или застрял в заготовке, край круга в момент защемления может врезаться в поверхность заготовки, в результате чего круг поднимается или отскакивает назад. В зависимости от направления движения круга в момент защемления, круг может резко подняться в сторону или от оператора. В этот момент абразивные круги могут также сломаться. Обратный удар является результатом использования инструмента не по назначению и/или неправильных действий оператора и условий работы, и его можно избежать, соблюдая следующие меры безопасности:

- **Крепко удерживайте электроинструмент и следите за положением тела и рук, чтобы эффективно противостоять воздействию обратного удара.** Для максимального контроля силы обратного удара или реакции от крутящего момента всегда используйте вспомогательную рукоятку, если она предусмотрена. При соблюдении соответствующих мер предосторожности оператор может контролировать силу обратного удара и реакцию от крутящего момента.

- **Никогда не держите руки вблизи от вращающейся насадки.** При обратном ударе насадка может поранить Ваши руки.
- **Не стойте в зоне действия обратного удара электроинструмента.** В момент заклинивания сила обратного удара отбросит инструмент в направлении, обратном движению диска.
- **Будьте особенно осторожны при обрабатывании углов, острых кромок и пр. Избегайте отскакивания и заклинивания насадки.** Именно при обработке углов, острых кромок или при отскакивании высока вероятность заклинивания вращающейся насадки, что может послужить причиной потери контроля над инструментом или образования обратного удара.
- **Не устанавливайте на инструмент диск для резьбы по дереву или зубчатый пильный диск.** Данные диски увеличивают вероятность возникновения обратного удара и потери контроля над инструментом.

### Дополнительные инструкции по безопасности

- **Не используйте диски Тип 11 (конусные чашеобразные) с данным инструментом.** Использование насадок несоответствующего типа может привести к получению травмы.
- **Всегда используйте боковую рукоятку. Надёжно затягивайте боковую рукоятку.** Для обеспечения полного контроля над инструментом во время работы всегда должна использоваться боковая рукоятка.
- **Используйте струбцины или другие приспособления для фиксации обрабатываемой детали, устанавливая их только на неподвижной поверхности.** Если держать обрабатываемую деталь руками или с упором в собственное тело, то можно потерять контроль над инструментом или обрабатываемой деталью.

Национальным институтом США по охране труда и промышленной гигиене (NIOSH) типа.

### Экологическая безопасность

- Краску следует снимать таким образом, чтобы свести к минимуму количество образующейся пыли.
- Зоны, где выполняется удаление краски, должны быть герметизированы пластиковыми панелями толщиной 4 мм.
- Шлифование поверхности должно выполняться таким образом, чтобы свести к минимуму проникновение пыли за пределы рабочей зоны.

### Маркировка инструмента

На инструменте имеются следующие знаки:

	ВНИМАНИЕ! Полное ознакомление с руководством по эксплуатации перед использованием инструмента снизит риск получения травмы.		
	Используйте средства защиты органов слуха.		
	Надевайте защитные очки или маску.		
V	Вольт	===	Постоянный ток
A	Ампер	$I_0$	Скорость без нагрузки
Hz	Герц		Конструкция Класса II
W	Ватт		Клемма заземления
min	минут		Символ опасности
	Переменный ток	/min.	Кол-во оборотов или шагов в минуту

### Место положения кода даты (Рис. А)

Код даты (10), который также включает в себя год изготовления, отштампован на поверхности корпуса инструмента.

Пример:

2017 XX JN  
Год изготовления

### Комплект поставки

В упаковку входят:

- 1 Угловая шлифмашина
  - 1 Защитный кожух
  - 1 Набор дисковых фланцев
  - 1 Ключ
  - 1 Боковая рукоятка
  - 1 Руководство по эксплуатации
- Проверьте инструмент, детали и дополнительные приспособления на наличие повреждений, которые могли произойти во время транспортировки.

### Личная безопасность

- Не допускайте детей или беременных женщин в рабочую зону, где выполняется шлифование окрашенных поверхностей до тех пор, пока рабочая зона не будет полностью очищена.
- Все люди, входящие в рабочую зону, должны надевать пылезащитные маски или респираторы. Фильтр следует заменять ежедневно или по мере его загрязнения.

**Примечание: Следует использовать только те пылезащитные маски, которые предназначены для работы с пылью и парами красок, содержащих свинец. Обычные маски для лакокрасочных работ не обеспечивают достаточной защиты. Купите в строительном магазине респиратор, утверждённого**



## РУССКИЙ (Перевод с оригинала инструкции)

- Перед началом работы необходимо внимательно прочитать настоящее руководство и принять к сведению содержащуюся в нем информацию.

### Электробезопасность



Данный инструмент защищён двойной изоляцией, что исключает потребность в заземляющем проводе. Всегда проверяйте, соответствует ли напряжение, указанное на табличке с техническими параметрами, напряжению электросети.



**Внимание!** Во избежание повреждений или получения травмы, замена повреждённого кабеля питания должна производиться только на заводе-изготовителе, в авторизованном сервисном центре Stanley или квалифицированным персоналом. При замене кабеля питания квалифицированным лицом, но не имеющим авторизацию Stanley, гарантия на продукт будет недействительной.

### Использование удлинительного кабеля

При необходимости использования удлинительного кабеля, используйте только утверждённые кабели промышленного изготовления, рассчитанные на мощность не меньшую, чем потребляемая мощность данного инструмента. Минимальный размер проводника должен составлять 1,5 мм<sup>2</sup>. При использовании кабельного барабана, всегда полностью разматывайте кабель.

Поперечное сечение проводника (мм <sup>2</sup> ) Номинал кабеля (Ампер)	Поперечное сечение проводника (мм <sup>2</sup> ) Номинал кабеля (Ампер)
0,75	6
1,00	10
1,50	15
2,50	20
4,00	25

Длина кабеля (м)						
	7,5	15	25	30	45	60

Напряжение Ампер	Номинал кабеля (Ампер)						
110-127	0 - 2,0	6	6	6	6	6	10
	2,1 - 3,4	6	6	6	6	15	15
	3,5 - 5,0	6	6	10	15	20	20
	5,1 - 7,0	10	10	15	20	20	25
	7,1 - 12,0	15	15	20	25	25	-
	12,1 - 20,0	20	20	25	-	-	-

220-240	0 - 2,0	6	6	6	6	6	6
	2,1 - 3,4	6	6	6	6	6	6
	3,5 - 5,0	6	6	6	6	10	15
	5,1 - 7,0	10	10	10	10	15	15
	7,1 - 12,0	15	15	15	15	20	20
	12,1 - 20,0	20	20	20	20	25	-

### Описание

Данный инструмент может содержать все или некоторые из перечисленных ниже составных частей:

1. Клавиша пускового выключателя (Рис. А)
2. Кнопка блокировки шпинделя (Рис. А)
3. Защитный кожух (Рис. А)
11. Дисковый регулятор скорости (Рис. F)

### Плавный пуск

С помощью функции плавного пуска набор частоты (скорости) вращения электродвигателя шлифмашины происходит плавно, без рывков. Данная функция особенно удобна при работе в ограниченном пространстве.

### Отключение при падении напряжения

Данная функция отключит инструмент без последующего запуска при исчезновении или сильном понижении напряжения.

### Сборка

**ВНИМАНИЕ!** Чтобы избежать случайного включения, перед проведением нижеследующих действий выключите инструмент и отсоедините его от источника питания. Несоблюдение этого требования может привести к получению тяжёлой травмы.

### Установка и снятие защитного кожуха (Рис. B)

**ВНИМАНИЕ!** Для снижения риска получения серьёзной травмы, перед регулировкой или снятием/установкой насадок выключайте инструмент и отсоединяйте его от электросети. Перед повторной сборкой инструмента нажмите и отпустите пусковой выключатель, чтобы убедиться, что инструмент действительно выключен.

### Установка защитного кожуха

1. Положите угловую шлифмашину на рабочий стол прорезью вверх.
2. Поместите фланец воротника защитного кожуха (3) поверх прорези (9) на коробке редуктора.
3. Поверните защитный кожух (3) на 150 градусов против часовой стрелки.
4. Убедитесь, что винты (10) затянуты.

### Снятие защитного кожуха

1. Ослабьте винты (10) на воротнике защитного кожуха.
2. Снимите защитный кожух (3).

**ВНИМАНИЕ!** Не используйте инструмент без установленного защитного кожуха.

**Примечание:** В конце данного раздела Вы найдете Таблицу принадлежностей для шлифования, в которой обозначены дополнительные принадлежности и аксессуары, которые могут быть использованы с данной угловой шлифмашиной.

### Установка и снятие шлифовальных кругов (Рис. С и D)

**ВНИМАНИЕ!** Не используйте повреждённые шлифовальные круги.

1. Положите инструмент на рабочий стол прорезью вверх.
2. Рисунок С: Установите на шпindel (5) проставочный фланец (4).
3. Установите шлифовальный круг (6) на проставочный фланец (4). При установке шлифовальных кругов с выпуклым центром проследите, чтобы выпуклый центр (7) примыкал к проставочному фланцу (4).
4. Рисунок D: Затяните внешний фланец (8) на шпindel (5).
- 4). При установке шлифовального круга кольцо в верхней части внешнего фланца (8) должно быть обращено к кругу.
5. Нажмите кнопку блокировки шпинделя (2) и удерживайте шпindel (4) от вращения до его полной фиксации на месте.
6. Спецключом затяните внешний фланец (8).

### Подготовка к использованию

- Установите защитный кожух и соответствующий абразивный или шлифовальный круг. Не используйте очень изношенные абразивные или шлифовальные круги.
- Убедитесь в правильной установке наружного и внутреннего фланцев.
- Проследите, чтобы абразивный или шлифовальный круг вращался в соответствии с указательными стрелками на шлифмашине и на самой насадке.

### ЭКСПЛУАТАЦИЯ

**ВНИМАНИЕ!** Всегда следуйте указаниям действующих норм и правил безопасности.

**ВНИМАНИЕ!** Для снижения риска получения серьёзной травмы, перед регулировкой или снятием/установкой насадок выключайте инструмент и отсоединяйте его от электросети. Перед повторной сборкой инструмента нажмите и отпустите пусковой выключатель, чтобы убедиться, что инструмент действительно выключен.

#### ВНИМАНИЕ!

- Следите, чтобы все обрабатываемые заготовки были надёжно зафиксированы на месте.
- Не прилагайте к инструменту чрезмерного усилия. Ни в коем случае не прилагайте бокового усилия к абразивному диску!

- Избегайте перегрузки. Если инструмент очень нагрелся, дайте ему поработать несколько минут на холостом ходу.
- Крепко удерживайте инструмент обеими руками (одной рукой за корпус, другой рукой за боковую рукоятку). Включите инструмент и опустите шлифовальный круг на заготовку.
- Следите, чтобы край шлифовального круга находился под углом 15-30° к поверхности заготовки.
- При использовании нового шлифовального круга, не ведите шлифмашину в направлении В, иначе шлифовальный круг врежется в заготовку. Когда край шлифовального круга округлится, Вы сможете свободно работать в любом направлении – А или В.

### Включение и выключение (Рис. А)

**ВНИМАНИЕ!** Перед использованием инструмента убедитесь, что рукоятка надёжно затянута. Проверьте функциональность пускового выключателя.

Перед подключением инструмента к источнику питания убедитесь, что пусковой выключатель находится в положении «Выкл.» (о); для этого нажмите и отпустите заднюю половину выключателя.

Чтобы запустить инструмент, нажмите на заднюю половину выключателя и передвиньте её вперёд. Затем нажмите на переднюю половину выключателя, фиксируя выключатель во включённом положении.

Чтобы выключить инструмент, нажмите на заднюю часть клавиши пускового выключателя.

**ВНИМАНИЕ!** Не включайте и не выключайте инструмент, находящийся под нагрузкой.

### Правильное положение рук во время работы (Рис. F)

**ВНИМАНИЕ!** Для уменьшения риска получения тяжёлой травмы, ВСЕГДА правильно удерживайте электроинструмент, как показано на рисунке.

**ВНИМАНИЕ!** Для уменьшения риска получения тяжёлой травмы ВСЕГДА надёжно удерживайте инструмент, предупреждая внезапные сбои в работе.

Правильное положение рук во время работы: одной рукой возьмитесь за боковую рукоятку (Рисунок А), другой рукой удерживайте корпус инструмента, как показано на Рис. F.

### Дисковой регулятор скорости (Рис. F)

Дисковой регулятор скорости расширяет возможности шлифмашины и содействует её использованию в оптимальных режимах с учётом обрабатываемого материала и сменных принадлежностей.

- Поверните регулятор (11) и установите его на необходимый уровень. Для установки высокой скорости поверните регулятор вверх, для установки низкой скорости, поверните регулятор вниз.

## Выключатели

**Предупреждение!** Крепко удерживайте корпус инструмента для обеспечения контроля над инструментом при запуске, во время работы и до тех пор, пока диск или насадка не прекратят вращаться. Прежде чем положить инструмент убедитесь, что диск полностью остановился.

**Примечание:** Для предотвращения неожиданного движения инструмента не включайте/не выключайте инструмент, находящийся под нагрузкой. Перед началом работы с заготовкой дождитесь, пока инструмент не наберёт полную скорость. Перед выключением инструмента, сначала поднимите его с заготовки. Прежде чем положить инструмент, дождитесь полной остановки двигателя.

### Передвижной пусковой выключатель (Рис. А)

**ВНИМАНИЕ!** Перед подключением инструмента к источнику питания убедитесь, что передвижной пусковой выключатель находится в положении «ВЫКЛ.»; для этого нажмите и отпустите заднюю половину выключателя. После любого прерывания электроснабжения инструмента, например, при срабатывании аварийного прерывателя заземления или автоматического выключателя, при случайном отсоединении от источника питания или при нарушении электропитания, всегда проверяйте, что передвижной пусковой выключатель находится в положении «ВЫКЛ.», как было описано выше. Если передвижной пусковой выключатель при подаче питания находится в положении «ВКЛ.», инструмент внезапно начнёт работать.

Чтобы включить инструмент, передвиньте пусковой выключатель (1) в сторону передней части инструмента. Чтобы выключить инструмент, отпустите клавишу пускового выключателя. Для непрерывного режима работы передвиньте пусковой выключатель в сторону передней части инструмента и нажмите на переднюю половину выключателя. Для выключения непрерывного режима работы инструмента нажмите на заднюю половину передвижного пускового выключателя и отпустите.

### Блокировка шпинделя (Рис. А)

Кнопка блокировки шпинделя (2) предотвращает вращение шпинделя во время установки или снятия шлифовального круга. Используйте кнопку блокировки шпинделя только при выключенном инструменте, отключённом от источника питания или при полностью остановленном круге.

**Примечание:** Для сведения к минимуму повреждения инструмента не нажимайте на кнопку блокировки шпинделя при работающем инструменте.

Это действие может привести к поломке инструмента.

Установленная насадка может соскочить со шпинделя и стать причиной получения травмы.

При использовании блокировки шпинделя нажмите на кнопку блокировки шпинделя и поворачивайте шпиндель до его полной фиксации на месте.

## Обработка металла

При использовании инструмента для обработки металла убедитесь, в наличии устройства защитного отключения (УЗО), предотвращения опасности в связи с металлической стружкой.

Если УЗО провоцирует отключение электроэнергии, отнесите инструмент в авторизованный сервисный центр Stanley для проведения ремонта.

**ВНИМАНИЕ!** В экстремальных условиях работы токопроводящая пыль и песок могут накапливаться на внутренней поверхности корпуса при обработке металлических деталей.

Это ослабляет изоляцию шлифмашины и может создать опасность поражения электрическим током.

Во избежание скапливания внутри шлифмашины металлической стружки рекомендуется ежедневная очистка вентиляционных прорезей. См. раздел «Техническое обслуживание».

## Использование шлифовальных кругов

**ВНИМАНИЕ!** Скапливание металлической пыли. Чрезмерное использование шлифовального круга для обработки металла может увеличить риск поражения электрическим током. Для снижения риска, перед использованием устанавливайте УЗО и ежедневно прочищайте вентиляционные прорези. Для прочистки вентиляционных прорезей сухим сжатым воздухом см. инструкции по техническому обслуживанию.

## ШЛИФОВАНИЕ

### Шлифование поверхности с использованием шлифовальных кругов

1. Дождитесь, пока инструмент не наберёт полную скорость, прежде чем прикасаться им к обрабатываемой поверхности.
2. Нажимайте на поверхность с минимальным усилием, чтобы инструмент работал на высокой скорости. Эффективность шлифования максимальна, когда инструмент работает на высокой скорости.
3. Удерживайте инструмент под углом от 20° до 30° по отношению к обрабатываемой поверхности.
4. Непрерывно перемещайте инструмент вперёд и назад для предотвращения образования канавок на обрабатываемой поверхности.
5. Прежде чем выключить инструмент поднимите его с обрабатываемой поверхности. Прежде чем положить инструмент, дождитесь полной остановки двигателя.

## Меры предосторожности при шлифовании лакокрасочных покрытий

- НЕ РЕКОМЕНДУЕТСЯ шлифование красок с содержанием свинца, так как это приводит к образованию вредной для здоровья пыли. Наибольшую опасность отравление свинцом представляет для детей и беременных женщин.
- Так как определить наличие свинца в краске без проведения химического анализа достаточно сложно, мы рекомендуем соблюдать следующие меры предосторожности при выполнении шлифования окрашенных поверхностей.

пусковой выключатель, чтобы убедиться, что инструмент действительно выключен.

**ВНИМАНИЕ!** Перед проведением технического обслуживания электрического/аккумуляторного инструмента:



### Смазка

Инструменты Stanley смазаны должным образом на производстве и готовы к использованию.

Инструменты должны регулярно смазываться каждый год, в зависимости от интенсивности использования. (Инструменты, используемые в тяжёлом режиме, и инструменты, подвергающиеся влиянию высоких температур, должны смазываться более часто). Смазка инструмента должна производиться только обученным персоналом по ремонту электроинструментов, например, в авторизованном сервисном центре Stanley.



### Чистка

**ВНИМАНИЕ!** На внутренних поверхностях инструмента часто собирается содержащая металлические частицы пыль, повышая риск поражения электрическим током. Для чистки инструмента используйте только слабый мыльный раствор и влажную ткань. Не допускайте попадания какой-либо жидкости внутрь инструмента; ни в коем случае не погружайте какую-либо часть инструмента в жидкость.



**ВНИМАНИЕ!** Никогда не используйте растворители или агрессивные химические средства для очистки неметаллических деталей инструмента. Эти химикаты могут ухудшить свойства материалов, применённых в данных деталях. Для чистки инструмента используйте только слабый мыльный раствор и влажную ткань. Не допускайте попадания какой-либо жидкости внутрь инструмента; ни в коем случае не погружайте какую-либо часть инструмента в жидкость.



**ВНИМАНИЕ!** Избегайте перегрузки Вашей угловой шлифмашины. Перегрузка приведёт к снижению скорости и производительности, а также перегреву угловой шлифмашины. Если это произошло, дайте поработать шлифмашине без нагрузки в течение одной-двух минут – это позволить ей остыть до нормальной рабочей температуры. Включение и выключение угловой шлифмашины, находящейся под нагрузкой, значительно снизит срок службы выключателя.

## ОБЩАЯ ИНФОРМАЦИЯ

### Рекомендации по оптимальному использованию

- Одной рукой держите угловую шлифмашину за корпус, другой рукой крепко удерживайте боковую рукоятку, как показано на Рисунке J.
- Всегда располагайте защитный кожух таким образом, чтобы наиболее выступающая часть диска была направлена в противоположную сторону от Вас. Будьте готовы к сильному выбросу искр при соприкосновении диска с металлом.
- Для наилучшего контроля над инструментом и снижения нагрузки во время удаления материала держите круг под углом приблизительно 30° к обрабатываемой поверхности во время шлифования (Рис. J) и под углом 10°- 15° во время зачистки (Рис. K).

**ПРЕДУПРЕЖДЕНИЕ!** Будьте особенно внимательны при шлифовании углов - при контакте круга со вторичной поверхностью шлифмашина может резко отскочить.

**ВНИМАНИЕ!** Всегда при работе с данным электроинструментом надевайте защитные очки.

### Износ угловых щёток

Двигатель автоматически выключится по истечении срока службы угловых щёток, указывая на то, что инструмент нуждается в сервисном обслуживании. Угловые щётки не подлежат самостоятельной замене оператором. Отнесите инструмент в авторизованный сервисный центр STANLEY.

## Техническое обслуживание

Ваш электрический/аккумуляторный инструмент Stanley рассчитан на работу в течение продолжительного времени при минимальном техническом обслуживании. Срок службы и надёжность инструмента увеличивается при правильном уходе и регулярной чистке.

**ВНИМАНИЕ!** Для снижения риска получения серьёзной травмы, перед регулировкой или снятием/установкой насадок выключайте инструмент и отсоединяйте его от электросети. Перед повторной сборкой инструмента нажмите и отпустите



**ВАЖНО!** В целях обеспечения БЕЗОПАСНОСТИ и ДОЛГОВЕЧНОСТИ в использовании продукта ремонт, техническое обслуживание и регулировка (кроме перечисленных в данном руководстве по эксплуатации) должны производиться только в авторизованных сервисных центрах или других квалифицированных мастерских и только с использованием идентичных запасных частей. Внутри инструмента нет обслуживаемых пользователем деталей.

### Дополнительные принадлежности



**ВНИМАНИЕ!** Поскольку принадлежности, отличные от тех, которые предлагает Stanley, не проходили тесты на данном изделии, то использование этих принадлежностей может привести к опасной ситуации. Во избежание риска получения травмы, с данным продуктом должны использоваться только дополнительные принадлежности, рекомендованные Stanley.

Производительность любого электроинструмента напрямую зависит от того, какие дополнительные принадлежности с ним используются. Принадлежности Stanley изготовлены в соответствии с самыми высокими стандартами качества и способны увеличить производительность вашего электроинструмента. Использование принадлежностей Stanley гарантирует самые наилучшие результаты в работе Вашего инструмента Stanley. Stanley предоставляет широкий выбор насадок и дополнительных принадлежностей, которые можно приобрести за дополнительную плату у местного дилера или в авторизованном сервисном центре.

### Примечания

Политика Stanley нацелена на постоянное усовершенствование нашей продукции, поэтому фирма оставляет за собой право изменять технические характеристики изделий без предварительного уведомления. Стандартное оборудование и дополнительные принадлежности могут меняться в зависимости от страны продаж. Технические характеристики продуктов могут различаться в зависимости от страны продаж. Полная линия продуктов присутствует на рынках не всех стран. Для получения информации касательно линии продуктов в Вашей стране обратитесь в ближайший сервисный центр Stanley.

### Защита окружающей среды



Раздельный сбор. Данное изделие нельзя утилизировать вместе с обычными бытовыми отходами.

Если однажды Вы захотите заменить Ваш электроинструмент STANLEY, или Вы больше в нем не нуждаетесь, не выбрасывайте его вместе с бытовыми отходами. Отнесите изделие в специальный приемный пункт.



Фирма STANLEY обеспечивает прием и переработку отслуживших свой срок изделий STANLEY. Чтобы воспользоваться этой услугой,

Вы можете сдать Ваше изделие в любой авторизованный сервисный центр, который собирает их по нашему поручению. Вы можете узнать место нахождения Вашего

ближайшего авторизованного сервисного центра, обратившись в Ваш местный офис STANLEY по адресу, указанному в данном руководстве по эксплуатации. Кроме того, список авторизованных сервисных центров STANLEY и полную информацию о нашем послепродажном обслуживании и контактах Вы можете найти в интернете по адресу: [www.2helpU.com](http://www.2helpU.com).

### Технические характеристики

УГЛОВАЯ ШЛИФМАШИНА		SGV115
Напряжение	В	220-240
Частота	Гц	50/60
Потребляемая мощность	Вт	1150
Номинальная скорость	об/мин.	3000~11000
Диаметр диска	мм	125
Размер шпинделя		M14
Вес	кг	2,3

# STANLEY

## Гарантийные условия

### Уважаемый покупатель!

1. Поздравляем Вас с покупкой высококачественного изделия STANLEY и выражаем признательность за Ваш выбор.
2. При покупке изделия требуйте проверки его комплектности и исправности в Вашем присутствии, инструкцию по эксплуатации и заполненный гарантийный талон на русском языке.  
В гарантийном талоне должны быть внесены: модель, дата продажи, серийный номер, дата производства инструмента; название, печать и подпись торговой организации. При отсутствии у Вас правильно заполненного гарантийного талона, а также несоответствия указанных в нем данных мы будем вынуждены отклонить Ваши претензии по качеству данного изделия.
3. Во избежание недоразумений убедительно просим Вас перед началом работы с изделием внимательно ознакомиться с инструкцией по его эксплуатации. Правовой основой настоящих гарантийных условий является действующее Законодательство. Гарантийный срок на данное изделие составляет 24 месяца и исчисляется со дня продажи. В случае устранения недостатков изделия, гарантийный срок продлевается на период его нахождения в ремонте. Срок службы изделия составляет 5 лет со дня продажи.
4. В случае возникновения каких-либо проблем в процессе эксплуатации изделия рекомендуем Вам обратиться только в уполномоченные сервисные центры STANLEY, адреса и телефоны которых Вы сможете найти в гарантийном талоне, на сайте [www.2helpU.com](http://www.2helpU.com) или узнать в магазине. Наши сервисные станции - это не только квалифицированный ремонт, но и широкий ассортимент запчастей и принадлежностей.
5. Производитель рекомендует проводить периодическую проверку и техническое обслуживание изделия в уполномоченных сервисных центрах.



Изготовитель  
Блэк энд Деккер Холдингс ГмБХ  
Германия, 65510, Идштайн,  
ул. Блэк энд Деккер, 40

6. Наши гарантийные обязательства распространяются только на неисправности, выявленные в течение гарантийного срока и вызванные дефектами производства и \ или материалов.
7. **Гарантийные условия не распространяются на неисправности изделия, возникшие в результате:**
  - 7.1. Несоблюдения пользователем предписаний инструкции по эксплуатации изделия, применения изделия не по назначению, неправильном хранении, использования принадлежностей, расходных материалов и запчастей, не предусмотренных производителем.
  - 7.2. Механического повреждения (сколы, трещины и разрушения) внутренних и внешних деталей изделия, основных и вспомогательных рукояток, сетевого электрического кабеля, вызванного внешним ударным или любым иным воздействием
  - 7.3. Попадания в вентиляционные отверстия и проникновение внутрь изделия посторонних предметов, материалов или веществ, не являющихся отходами, сопровождающими применение изделия по назначению, такими как: стружка, опилки, песок, и пр.
  - 7.4. Воздействий на изделие неблагоприятных атмосферных и иных внешних факторов, таких как дождь, снег, повышенная влажность, нагрев, агрессивные среды, несоответствие параметров питающей электросети, указанных на инструменте.
  - 7.5. Стихийного бедствия. Повреждение или утрата изделия, связанное с непредвиденными бедствиями, стихийными явлениями, в том числе вследствие действия непреодолимой силы (пожар, молния, потоп и другие природные явления), а так же вследствие перепадов напряжения в электросети и другими причинами, которые находятся вне контроля производителя.
8. **Гарантийные условия не распространяются:**
  - 8.1. На инструменты, подвергавшиеся вскрытию, ремонту или модификации вне уполномоченного сервисного центра.
  - 8.2. На детали и узлы, имеющие следы естественного износа, такие как: приводные ремни и колеса, угольные щетки, смазка, подшипники, зубчатое зацепление редукторов, резиновые уплотнения, сальники, направляющие ролики, муфты, выключатели, бойки, толкатели, стволы, и т.п.
  - 8.3. На сменные части: патроны, цанги, зажимные гайки и фланцы, фильтры, аккумуляторные батареи, ножи, шлифовальные подошвы, цепи, звездочки, пыльные шины, защитные кожухи, пилки, абразивы, пыльные и абразивные диски, фрезы, сверла, буры и т.п.
  - 8.4. На неисправности, возникшие в результате перегрузки инструмента (как механической, так и электрической), повлекшей выход из строя одновременно двух и более деталей и узлов, таких как: ротора и статора, обеих обмоток статора, ведомой и ведущей шестерни редуктора или других узлов и деталей. К безусловным признакам перегрузки изделия относятся, помимо прочего: появление цветов побеглости, деформация или оплавление деталей и узлов изделия, потемнение или обугливание изоляции проводов электродвигателя под воздействием высокой температуры.

## Призначення

Кутова шліфмашина STANLEY SGV115 розроблена для обробки металу за допомогою кіл належного типу. Цей інструмент призначений для професійного використання.

## ВКАЗІВКИ З ТЕХНІКИ БЕЗПЕКИ

**Загальні правила техніки безпеки під час роботи з електричним інструментом**



**УВАГА! Уважно прочитайте всі попереджувальні написи та вказівки з техніки безпеки.** Порушення попереджувальних написів і вказівок може призвести до ураження електричним струмом, пожежі та/або серйозних травм.

**Збережіть усі застереження та вказівки з техніки безпеки для подальшого використання.** Термін «електричний інструмент», що використовується в попереджувальних написах та вказівках щодо техніки безпеки, відноситься до електричного інструмента, який працює від мережі (зі шнуром електроживлення) або від акумуляторної батареї (без шнура живлення).

### 1. Вказівки з техніки безпеки на робочому місці

- a. **Утримуйте робоче місце в чистоті і добре освітленим.** Безлад або погане освітлення на робочому місці можуть призвести до нещасного випадку.
- b. **Не працюйте з електроінструментом в місці зберігання вибухонебезпечних матеріалів, наприклад, у присутності легкозаймистих рідин, газів або пилу.** Електричні інструменти створюють іскри, що можуть запалити пил або пари.
- c. **Забороняється перебування дітей та сторонніх осіб поблизу працюючого електричного інструменту.** Ви можете відволіктися і втратити контроль за роботою інструменту.

### 2. Електрична безпека

- a. **Вилка шнура живлення інструмента повинна відповідати мережевій розетці.** Забороняється вносити будь-які зміни у вилку шнура живлення. Не використовуйте жодних вилок-перехідників із заземленими (зануленими) електроінструментами. Відсутність змін у вилках шнурів живлення та відповідність електричних вилок і розеток знижує ризик ураження електричним струмом.
- b. **Не торкайтеся поверхонь заземлених чи занулених предметів, наприклад труб, радіаторів, електроплит або холодильників.** Заземлення чи занулення тіла підвищує ризик ураження електричним струмом.
- c. **Забороняється надавати електричні інструменти впливу дощу чи підвищеної вологості.** При попаданні вологи всередину електричного

інструмента підвищується ризик ураження електричним струмом.

- d. **Забороняється пошкоджувати шнур живлення. У жодному разі не використовуйте шнур живлення для перенесення чи зміни положення інструмента; не тягніть за шнур, виймаючи вилку з розетки. Не прокладайте шнур живлення поруч із гарячими предметами, мастилом, гострими краями і рухомими деталями.** Пошкодження й заплутування шнурів живлення підвищує ризик ураження електричним струмом.
- e. **Під час роботи з електричним інструментом за межами приміщень використовуйте відповідний подовжувач.** Використання подовжувача, призначеного для роботи поза приміщеннями, знижує ризик ураження електричним струмом.
- f. **Якщо електричним інструментом необхідно користуватись у вологому місці, слід використовувати пристрій захисного відключення (ПЗВ) електричної мережі.** Використанн Прімітка: Термін «пристрій захисного відключення» (ПЗВ) може бути замінений терміном «вимикач короткого замикання на землю» (ВКЗЗ) або терміном «автоматичний вимикач витоку на землю» (АВВЗ).я ПЗВ знижує ризик ураження електричним струмом.

### 3. Безпека персоналу

- a. **Під час роботи з електричним інструментом необхідно бути обачним, слідкувати за виконуваною роботою та керуватися здоровим глуздом.** Забороняється працювати з електричним інструментом у стані втоми чи під впливом наркотиків, алкоголю й лікарських препаратів. Ослаблення уваги навіть на мить може призвести до серйозної травми.
- b. **Використовуйте засоби індивідуального захисту. Завжди користуйтеся засобами захисту очей.** Використання у відповідних умовах засобів індивідуального захисту, наприклад пилозахисної маски, протиковзного захисного взуття, захисної каски або засобів захисту органів слуху, завжди знижує ризик отримання травми.
- c. **Не допускайте ненавмисного вмикання інструмента.** Перш ніж підключити джерело живлення та/або акумулятор, піднімати чи переносити інструмент, переконайтесь, що його вимикач переведено у положення «вимкнено». Якщо тримати палець на вимикачі під час перенесення інструмента чи підключення увімкненого інструмента до мережі, це підвищує ризик нещасного випадку.
- d. **Перш ніж увімкнути електричний інструмент, обов'язково вийміть із нього регульовальний чи гайковий ключ.** Ключ, залишений ключ на обертальній деталі інструмента, може призвести до травмування.

- e. Не намагайтеся дотягнутися до важкодоступних місць. Завжди міцно тримайтеся на ногах і зберігайте рівновагу під час роботи. Це дозволяє краще контролювати електричний інструмент у непередбачуваних ситуаціях.
- f. **Одягайте відповідний одяг. Забороняється одягати вільний одяг або прикраси. Волосся, одяг та рукавиці повинні знаходитися на максимальній відстані від рухомих деталей інструмента.** Вільний одяг, прикраси або довге волосся можуть бути захоплені рухомими деталями.
- g. **Якщо встановлені пристрої підключення засобів пилословлювання та пилосбійників, необхідно перевіряти, щоб вони були підключені та використовувалися належним чином.** Використання цих пристроїв знижує рівень ризику, пов'язаного з пилом.
- 4. Використання та догляд за електричним інструментом**
- a. **Не застосовуйте надмірне зусилля до електричного інструмента. Використовуйте електричний інструмент тільки за призначенням.** Правильно підібраний електроінструмент дозволить виконати роботу краще і безпечніше при швидкості, для якої він був розроблений.
- b. **Забороняється використовувати цей електричний інструмент, якщо не вдається ввімкнути чи вимкнути його вимикачем.** Будь-який електричний інструмент, роботою якого неможливо керувати за допомогою вимикача, є небезпечним, і його обов'язково потрібно відремонтувати.
- c. **Перш ніж регулювати електричний інструмент, замінювати на ньому приладдя чи класти на зберігання, необхідно витягти вилку живлення з розетки та/або зняти з нього акумулятор.** Такий превентивний захід безпеки знижує ризик випадкового увімкнення інструмента.
- d. **Зберігайте електричний інструмент, який в даний момент не використовується, в недоступному для дітей місці та не дозволяйте працювати з інструментом особам, які не знайомі з ним або з цими вказівками.** Електричний інструмент є небезпечним в руках ненавченої людини.
- e. **Підтримуйте інструмент в робочому стані. Перевіряйте центрування та з'єднання рухомих деталей, наявність пошкоджених деталей та будь-які фактори, які можуть негативно позначитися на роботі електричного інструмента.** У разі виявлення пошкодження електричний інструмент необхідно відремонтувати перед використанням. Багато нещасних випадків трапляється через неналежне технічне обслуговування електричних інструментів.
- f. **Ріжучі інструменти мають бути загостреними й чистими.** Підтримуваний у належному робочому стані ріжучий інструмент з гострими лезами менше застряє, ним легше керувати.
- g. **Використовуйте електричний інструмент, приладдя, вставні різці і т. п. відповідно до даних вказівок, враховуючи умови експлуатації та роботу, яка має бути виконана.** Використання електричного інструменту не за призначенням може призвести до небезпечної ситуації.
- 5. Обслуговування**
- a. **Обслуговувати електричний інструмент повинен тільки кваліфікований ремонтний персонал із використанням лише ідентичних запасних частин.** Це забезпечить утримання електричного інструмента у безпечному стані.

### ВКАЗІВКИ ЩОДО БЕЗПЕЧНОГО ВИКОНАННЯ ВСІХ ОПЕРАЦІЙ

Запобіжні заходи, загальні для усіх операцій шліфування.

- **Цей електричний інструмент призначений для використання в якості шліфувальної машини. Уважно вивчіть усі попереджувальні знаки, вказівки щодо безпечної роботи, графічні матеріали та технічні описи, що додаються до даного електричного інструмента.** Недотримання вказівок щодо безпечної роботи може призвести до ураження електричним струмом, пожежі та/або серйозних травм персоналу.
- **Цим електричним інструментом не рекомендується виконувати такі операції як полірування, різання і оброблення дротяною щіткою.** Операції, на які не розрахована конструкція цього електричного інструмента, можуть призвести до виникнення аварійної ситуації та травм персоналу.
- **Не використовуйте приладдя, яке не було розроблене і не рекомендоване виробником інструменту.** Якщо приладдя можна встановити на ваш інструмент, це ще не є гарантією безпечної роботи.
- **Номінальна швидкість приладдя повинна щонайменше дорівнювати максимальній швидкості, зазначеній на електричному інструменті.** Приладдя, що працює з швидкістю, яка перевищує свою номінальну швидкість, може зруйнуватися та розлетітися в сторони.
- **Зовнішній діаметр і товщина приладдя повинні лежати в межах характеристик вашого електричного інструмента.** Приладдя неправильного розміру не можуть бути належним чином захищені запобіжним щитком, і їх роботу неможливо нормально контролювати.



- Різьбове кріплення приладдя має збігатися з різьбою шпинделя шліфувальної машини. Для приладдя, що кріпиться за допомогою фланців, центровий отвір повинен відповідати кріпильному діаметру фланця. Приладдя, що не збігається з елементами кріплення електричного інструмента, буде розбалансованим, буде відчувати надмірні вібрації та може стати причиною втрати контролю за інструментом.
- **Забороняється використовувати пошкоджене приладдя.** Перед початком роботи завжди перевіряйте приладдя, таке як шліфувальні кола, на наявність сколів та тріщин, підшоув на наявність тріщин, дір та надмірного зносу, і дротяну щітку на наявність обламаною дроту. У випадку падіння електричного інструмента та приладдя перевірте їх на наявність пошкоджень або замініть пошкоджене приладдя. Після перевірки та установки приладдя весь персонал повинен відійти у бік від площини обертання приладдя, після чого необхідно увімкнути електричний інструмент на максимальну швидкість холостого ходу без навантаження. Пошкоджене приладдя за цей час зазвичай розлітається.
- Використовуйте засоби індивідуального захисту. Залежно від способу використання, використовуйте лицьовий щиток, відкриті або закриті захисні окуляри. У разі необхідності одягайте пілозахисну маску, засоби захисту органів слуху, захисні рукавички та робочий фартух, що здатні зупинити дрібні абразивні частки або осколки робочої деталі. Засіб захисту очей повинен зупиняти частинки, які розлітаються під час роботи. Пілозахисна маска або респіратор мають відфільтрувати частинки, які з'являються під час роботи. Тривалий вплив сильного шуму може призвести до погіршення слуху.
- **Сторонні особи повинні перебувати на безпечній відстані від робочої зони. Будь-які особи, які входять до робочої зони, повинні використовувати засоби індивідуального захисту.** Уламки робочої деталі або зруйнованого приладдя можуть розлітатися і стати причиною травмування персоналу за межами безпосередньої зони роботи.
- Під час виконання робіт, коли ріжуча деталь електричного інструменту може стикатися з прихованою електропроводкою або зі своїм шнуром, інструмент необхідно тримати тільки за діелектричну поверхню. Під час контакту ріжучої деталі з дротом, який знаходиться під напругою, під напругу можуть потрапити металеві деталі електричного інструмента, внаслідок чого виникає небезпека ураження оператора електричним струмом.
- Шнур електроживлення повинен знаходитися на максимальному віддаленні від робочого приладдя. У разі втрати контролю шнур може бути обрізаний, або з нього може бути зідрана ізоляція, і рука чи долоня оператора може втягнутись в приладдя, яке обертається.
- **Ніколи не кладіть електроінструмент до повної зупинки рухомих деталей.** Рухомі деталі можуть захопити частину поверхні, в результаті чого інструмент вийде з-під контролю.
- Під час роботи з інструментом не тримайте його збоку. При випадковому контакті обертового приладдя може порватися ваш одяг, і приладдя може увійти в тіло.
- Виконуйте регулярне очищення вентиляційних отворів електричного інструмента. Вентилятор двигуна може втягувати пил всередину його корпусу, і через надмірне скупчення металевого пилу може виникнути небезпека ураження електричним струмом.
- Не використовуйте електроінструмент поблизу легкозаймистих матеріалів. Такі матеріали можуть займатися від іскор.
- Не використовуйте приладдя, що потребує рідких охолоджувачів. Використання води та інших рідких охолоджувачів може призвести до ураження електричним струмом або навіть до летального наслідку.

### **ДОДАТКОВІ ВКАЗІВКИ ЩОДО БЕЗПЕЧНОГО ВИКОНАННЯ УСІХ ОПЕРАЦІЙ**

#### **Віддача та пов'язані з нею вказівки щодо безпечної роботи**

Віддача — це миттєва реакція на затиснутий або застопорене, підшоув, щітку та інше приладдя, яке обертається. Затискання або стопоріння призводить до швидкої зупинки обертового приладдя, що, у свою чергу, призводить до того, що некерований електричний інструмент починає обертатися в напрямку, протилежному напрямку обертання приладдя, в точці зчеплення.

Наприклад, якщо шліфувальне коло застопорився або був затиснутий робочою деталлю, край диска, який заходить в місце стопоріння, може заглибитися в поверхню матеріалу, що призведе до виштовхування або віддачі диска. В залежності від напрямку обертання кола в точці стопоріння, коло може відскочити в напрямку оператора або від нього. У таких умовах шліфувальні диски можуть також руйнуватися. Віддача є результатом неправильного використання інструмента та/або неправильної послідовності виконання дій і неправильних умов роботи, і може бути усунута при дотриманні заходів безпеки, зазначених нижче:

- Міцно тримайте інструмент і станьте в таке положення, щоб ви усім тілом могли чинити опір силам віддачі. Завжди використовуйте додаткове руків'я, якщо воно входить в комплект, щоб максимально контролювати віддачу і реакцію від крутного моменту під час пуску. Оператор завжди зможе контролювати реакцію від крутного моменту або віддачу, якщо були зроблені належні запобіжні заходи.
- Категорично забороняється тримати руки поблизу обертового приладдя. Приладдя може відскочити назад на руку.
- Не ставите в зоні, куди ваш інструмент може піти при віддачі. Віддача буде штовхати інструмент в напрямку, протилежному напрямку руху кола в місці стопоріння.
- Будьте особливо уважними під час роботи з кутами, гострими краями тощо. Попереджайте стрибки і стопоріння приладдя. Кути, гострі краї та підстрибування призводять до стопоріння обертового приладдя і втрати контролю або віддачі.
- Забороняється прикріплювати до інструмента ніж ланцюгової пилки для дерева або зубчастий різальний диск. Такі полотна часто створюють віддачу і призводять до втрати контролю над інструментом.

#### Додаткові вказівки з техніки безпеки

- В цьому інструменті забороняється використовувати шліфувальні кола типу 11 (чашкоподібні). Використання неналежного приладдя може призвести до травмування персоналу.
- Завжди використовуйте тільки бічне руків'я. Його необхідно міцно закрутити в інструменті. Щоб надійно тримати інструмент під час роботи, потрібно завжди використовувати бічне руків'я.
- Для фіксації положення оброблюваної деталі на стійкій основі використовуйте затискачі або інший зручний і практичний спосіб. Якщо тримати деталь руками або притискати її до тіла, вона буде перебувати в незакріпленому положенні, що може призвести до втрати контролю за роботою інструмента.

#### Індивідуальна техніка безпеки

- Дітям і вагітним жінкам забороняється заходити у зону виконання робіт зі зняття фарби аж до закінчення прибирання.
- Усі особи, які заходять у зону виконання робіт, повинні одягати пилозахисні маски чи респиратори. Фільтр пилозахисної маски чи респиратора слід замінювати щодня, а також якщо під час користування маскою відчувається ускладнення дихання.

**Примітка.** Слід користуватися тільки пилозахисними

масками, придатними для використання в умовах пилу і випарів фарб, які містять свинець. Звичайні малярні маски не забезпечують такого захисту. Зверніться до місцевого продавця індивідуальних засобів захисту по відповідну маску з сертифікатом NIOSH.

#### Екологічна безпека

- Фарбу необхідно знімати таким чином, щоб зменшити до мінімуму кількість пилу, який при цьому утвориться.
- Ділянки, на яких буде виконуватись операція зняття фарби, повинні бути щільно обгороджені пластмасовими листами товщиною 4 мм.
- Шліфування необхідно виконувати таким чином, щоб зменшити попадання пилу фарби за межі робочої ділянки.

#### Наклейки на інструменті

Наклейка на вашому інструменті може містити наступні символи:

	УВАГА! Для зниження ризику травмування оператор повинен прочитати цю інструкцію з експлуатації перед початком роботи.		
	Застосовуйте засоби захисту органів слуху.		
	Використовуйте відкриті і закриті захисні окуляри.		
V	Напруга	===	Постійний струм
A	Ампери	$\Pi_0$	Швидкість холостого ходу
Гц	Герци		Конструкція класу II
Вт	Вати		Клема заземлення
хв.	хвилини		Попереджувальний знак
	Змінний струм	/хв	Кількість обертів або зворотно-поступальних рухів за хвилину

#### Розташування коду дати (рис. А)

Штрих-код з датою (10), який також включає рік виготовлення, надрукований на корпусі.

Приклад:

2017 XX JN  
Рік виготовлення

#### Вміст комплекту постачання

Упаковка містить:

- 1 кутову шліфувальну машини
- 1 запобіжний щиток
- 1 набір фланців
- 1 ключ

- 1 руків'я
  - 1 інструкцію з експлуатації
- Переверте, чи не має інструмент, його деталі та приладдя пошкоджень, які могли з'явитися під час транспортування.
  - Перш ніж починати роботу з інструментом, уважно прочитайте і вивчіть вказівки, які містяться у цій інструкції.

### Електрична безпека



Цей інструмент має подвійну ізоляцію, тому дріт заземлення для нього не потрібен. Завжди перевіряйте, чи мережева напруга відповідає значенню, вказаному в таблиці з паспортними даними.



**Увага!** Щоб уникнути травм персоналу і пошкодження інструмента збитків у разі пошкодження шнура живлення, його необхідно замінити, звернувшись до виробника, в уповноважений сервісний центр Stanley або до особи, яка має відповідну кваліфікацію. Якщо заміну шнура живлення виконає особа, яка має відповідну кваліфікацію, але не уповноважена компанією Stanley, гарантійні зобов'язання будуть анульовані.

### Використання подовжувача

Якщо необхідно використовувати подовжувач, користуйтеся сертифікованим подовжувачем, який відповідає споживаній потужності інструмента. Мінімальна площа поперечного перерізу електричного дроту становить 1,5 кв. мм. Кабелі перед намотуванням на барабан необхідно розплутати.

Площа перерізу кабелю, мм <sup>2</sup> Номінальний струм кабелю, А	Площа перерізу кабелю, мм <sup>2</sup> Номінальний струм кабелю, А
0,75	6
1,00	10
1,50	15
2,50	20
4,00	25

Довжина кабелю, м

	7,5	15	25	30	45	60
--	-----	----	----	----	----	----

Напруга, В	Струм, А	Номінальний струм кабелю, А					
110-127	0 - 2,0	6	6	6	6	6	10
	2,1 - 3,4	6	6	6	6	15	15
	3,5 - 5,0	6	6	10	15	20	20
	5,1 - 7,0	10	10	15	20	20	25
	7,1 - 12,0	15	15	20	25	25	-
220-240	0 - 2,0	6	6	6	6	6	6
	2,1 - 3,4	6	6	6	6	6	6
	3,5 - 5,0	6	6	6	6	10	15
	5,1 - 7,0	10	10	10	10	15	15
	7,1 - 12,0	15	15	15	15	20	20
	12,1 - 20,0	20	20	20	20	25	-

### Функції

Цей інструмент може мати усі або деякі з перерахованих нижче функцій.

1. Вимикач (Рис. А)
2. Кнопка фіксації шпинделя (Рис. А)
3. Запобіжний щиток (Рис. А)
11. Функція регулювання швидкості (мал. F)

### Функція "повільний запуск"

"Повільний запуск" дозволяє інструменту при включенні повільно нарощувати швидкість обертів та уникати початкового поштовху. Ця особливість особливо корисна працюючи в обмеженому просторі.

### Функція "NO-VOLT" (відсутність напруги живлення)

Функція "NO-VOLT" (відсутність напруги живлення) зупиняє повторний запуск інструменту у випадку відсутності напруги живлення. Ця функція забезпечує безпечне використання у випадку перерви джереля живлення.

### Монтаж

**ОБЕРЕЖНО!** Щоб запобігти випадковому увімкненню, перед виконанням описаних далі дій вимкніть інструмент і витягніть із розетки вилку шнура живлення. Недотримання цієї вимоги може призвести до важких травм.

### Встановлення і зняття захисного щитка кола (рис. В)

**ОБЕРЕЖНО!** Щоб запобігти травмуванню, перед початком регулювання або зняття/встановлення приладдя завжди вимикайте інструмент і від'єднуйте джерело живлення. Перед повторним складанням інструмента короткочасно натисніть пусковий вимикач, щоб упевнитися, що інструмент вимкнено.

### Прикріплення запобіжного щитка

1. Установіть кутову шліфувальну машину на верстак пазом вгору.
2. Установіть фланець кільця запобіжного щитка (3) в паз (9) корпусу редуктора.
3. Поверніть запобіжний щиток (3) проти годинникової стрілки на 150 градусів.
4. Перевірте затяжку гвинтів (10).

### Зняття захисного щитка

1. Послабте гвинти (10) на кільці запобіжного щитка.
2. Зніміть щиток (3).

**ОБЕРЕЖНО!** Забороняється робота інструмента, якщо запобіжний щиток не встановлений на місці.

**Примітка.** В кінці цього розділу наведена таблиця шліфувального приладдя, яке може використовуватись з цією кутовою шліфувальною машиною.

### Встановлення та зняття шліфувальних кіл (рис. D, E)

**ОБЕРЕЖНО!** Забороняється використовувати пошкоджені кола.

1. Установіть інструмент на верстак пазом вгору.
2. Рисунок С: Установіть внутрішній фланець (4) на вихідний вал (5) у правильному положенні.
3. Установіть шліфувальне коло (6) на внутрішній фланець (4). При встановленні кола з піднятим центром переконайтесь, що піднятий центр (7) направлений до фланця (4).
4. Рисунок D: Затягніть зовнішній фланець (h) до вихідного вала (5).
- 4). Під час встановлення шліфувального кола кільце зверху на зовнішньому фланці (8) повинно бути направлене до кола.
5. Натисніть кнопку фіксації шпинделя (2) і не давайте шпинделю (4) обертатись, поки він не зафіксується по місцю.
6. Затягніть зовнішній фланець (8) за допомогою двохштифтового ключа.

### Підготовка до роботи

- Установіть запобіжний щиток і відповідні абразивні та шліфувальні кола. Не використовуйте надмірно зношені абразивні та шліфувальні кола.
- Перевірте, чи правильно встановлені внутрішній та зовнішній фланці.
- Перевірте, щоб абразивний чи шліфувальне коло оберталося в напрямку, вказаному стрілками на приладді та інструменті.

### ЕКСПЛУАТАЦІЯ

**ОБЕРЕЖНО!** Завжди дотримуйтесь вказівок з безпечної роботи і відповідних норм.

**ОБЕРЕЖНО!** Щоб запобігти травмуванню, перед початком регулювання або зняття/встановлення приладдя завжди вимикайте інструмент і від'єднуйте джерело живлення. Перед повторним складанням інструмента короткочасно натисніть пусковий вимикач, щоб упевнитися, що інструмент вимкнено.

### УВАГА!

- Перевірте, щоб усі матеріали, що підлягають шліфуванню, були закріплені.
- Прикладайте помірні зусилля до інструмента. Не прикладайте бічне зусилля до абразивного кола.
- Уникайте перевантажень інструмента. Якщо інструмент нагрівся, дайте йому попрацювати декілька хвилин без навантаження.
- Міцно тримайте інструмент двома руками (однією рукою тримайте корпус, іншою — руків'я). Увімкніть інструмент і підведіть коло до робочої деталі.
- Підтримуйте кут нахилу кола до поверхні робочої деталі в межах 15 - 30 градусів.
- При використанні нового шліфувального кола не працюйте з ним в напрямку B, інакше він почне врізатися в робочу деталь. Коли край кола стане заокругленим, шліфувальну машину можна буде використовувати як в напрямку A, так і в напрямку B.

### Запуск і зупинка (Рис. А)

**ОБЕРЕЖНО!** Перед використанням інструмента переконайтесь, що руків'я надійно закріплене. Перевірте, чи нормально працює вимикач.

Перед тим, як вставити вилку шнура в мережеву розетку, натисніть задній кінець вимикача, перевівши його тим самим у вимкнене положення.

Щоб запустити інструмент, натисніть задній кінець перемикача і перемістіть перемикач в переднє положення. Потім натисніть на передню частину перемикача, щоб зафіксувати його положення. Щоб зупинити інструмент, натисніть на задній кінець вимикача.

**ОБЕРЕЖНО!** Не перемикайте перемикач під час роботи інструмента в режимі навантаження.

### Правильне положення рук (рис. F)

**ОБЕРЕЖНО!** Щоб зменшити ризик отримання серйозної травми, ЗАВЖДИ тримайте руки в положенні, показаному на рисунку.

**ОБЕРЕЖНО!** Щоб зменшити ризик отримання серйозної травми, ЗАВЖДИ міцно тримайте інструмент та будьте готовим до раптової реакції.

Правильне положення рук вимагає, щоб одна рука була на бічному руків'ї (рис. A), а інша - на корпусі інструмента, як показано на Рисунку С.

## Функція регулювання швидкості (мал.Ф)

Регулювання швидкості дає змогу керування інструментом у необхідному діапазоні, що надає можливість оптимальних умов роботи з різними аксесуарами та по різних матеріалах.

- Встановіть клавшу (11) до бажаного рівня. Оберніть клавшу вгору для вищої швидкості або вниз для нижчої швидкості.

## Перемикачі

**Увага!** Міцно тримайте корпус інструмента і належним чином керуйте ним під час запуску, під час роботи і до повної зупинки кола чи приладдя. Перш ніж покласти інструмент, переконайтесь, що коло повністю зупинився.

**Примітка.** Щоб зменшити ризик несподіваного руху інструмента, не вмикайте і не вимикайте інструмент під час роботи з навантаженням. Перед тим, як доторкнутись робочої поверхні, дайте шліфувальній машині набрати повні оберти. Перед вимиканням інструмента підніміть його над поверхнею. Перш ніж опустити інструмент, почекайте, поки він не перестане обертатись.

## Пересувний перемикач (рис. А)

**ОБЕРЕЖНО!** Перед під'єднанням до джерела живлення переконайтесь, що пересувний перемикач вимкнений. Для цього короткочасно натисніть на задню частину перемикача. Встановлюйте пересувний вимикач у вимкнене положення, як описано вище, після кожного відключення живлення інструмента, такого як спрацювання переривача замикання на землю, спрацювання автоматичного вимикача, випадкове випадання вилки шнура з розетки або збій живлення. Якщо пересувний перемикач встановлений в увімкнене положення в момент підключення джерела живлення, інструмент раптово увімкнеться.

Щоб запустити інструмент, перемістіть пересувний перемикач (1) вперед. Щоб вимкнути інструмент, відпустіть пересувний перемикач. Для неперервної роботи перемістіть пересувний перемикач вперед і натисніть на його передню частину в напрямку до центру. Щоб зупинити роботу інструмента в неперервному режимі, короткочасно натисніть на задню частину пересувного перемикача.

## Фіксатор шпинделя (рис. А)

Фіксатор шпинделя (2) не дозволяє обертатись вихідному валу, коли прикріплюється або знімається шліфувальне коло. Застосовувати фіксатор шпинделя дозволяється тільки тоді, коли інструмент вимкнено, вилку шнура електроживлення витягнуто з розетки і коло повністю зупинився.

**Примітка.** Щоб зменшити до мінімуму пошкодження інструмента, не застосовуйте фіксатор шпинделя, коли інструмент працює.

Інакше інструмент може пошкодитись. Прикріплене приладдя може вилетіти з інструмента і травмувати персонал.

Щоб застосувати фіксатор шпинделя, натисніть на його кнопку і прокрутіть вихідний вал, поки він не зупиниться.

## Робота з металами

При використанні інструменту для обробки металів, перевірте, щоб було встановлено пристрій захисного відключення (ПЗВ) для запобігання небезпечного впливу металевої стружки.

Якщо встановлений ПЗВ призводить до відключення живлення, надішліть інструмент на ремонт в уповноважений сервісний центр BLACK+DECKER.

**ОБЕРЕЖНО!** В умовах граничного режиму обробки металевих робочих деталей електропровідний пиломатеріал і металеві крихти можуть осідати на внутрішній поверхні корпусу.

Внаслідок цього виникає небезпека ураження електричним струмом, оскільки послаблюється захисна ізоляція шліфувальної машини.

Щоб уникнути накопичення металевих крихт всередині шліфувальної машини, ми рекомендуємо виконувати щоденне очищення повітряних отворів. Дивіться розділ технічного обслуговування.

## Використання шліфувальних кіл

**ОБЕРЕЖНО!** Накопичення металевого пиломатеріалу при обробці металів шліфувальним колом може призвести до виникнення небезпеки ураження електричним струмом. Щоб зменшити такий ризик, установіть перед роботою ПЗВ і щодня очищайте повітряні отвори. Щоб прочистити стисненим повітрям повітряні канали, керуйтеся вказівками з технічного обслуговування, які наведені нижче.

## ШЛІФУВАННЯ

### Шліфування поверхонь шліфувальними колами

1. Перед тим, як інструмент увійде в контакт з робочою поверхнею, він повинен набрати повні оберти.
2. Щоб інструмент працював на максимальних обертах, прикладайте до нього мінімальне зусилля. Щоб швидкість шліфування була максимальною, інструмент повинен працювати на максимальних обертах.
3. Підтримуйте кут між інструментом і робочою поверхнею в межах 20° - 30°.
4. Щоб запобігти утворенню заглиблень на робочій поверхні, постійно рухайте інструментом вперед і назад.
5. Перед вимиканням інструмента підніміть його над робочою поверхнею. Перш ніж опустити інструмент, почекайте, поки він не перестане обертатись.

## Заходи безпеки під час фарби

- НЕ РЕКОМЕНДОВАНО шліфування фарби, яка містить свинець, оскільки складно контролювати забруднений свинцем пил. Найбільшу небезпеку свинець становить для дітей і вагітних жінок.
- Оскільки без хімічного аналізу важко визначити, містить чи не містить фарба свинець, ми рекомендуємо дотримуватись наступних заходів безпеки під час зняття будь-якої фарби.

## ЗАГАЛЬНА ІНФОРМАЦІЯ

### Корисні поради

- Кутуво шліфувальну машину тримайте однією рукою за корпус, а іншою міцно тримайте за бічне руків'я, як показано на Рис. J.
- Завжди встановлюйте запобіжний щиток таким чином, щоб відкрита частина кола була спрямована максимально від вас. Будьте готові до зливи іскор, коли коло буде торкатися металу.
- Для забезпечення максимальної керованості інструментом, оптимального зняття матеріалу і мінімального навантаження, під час операції шліфування кут між диском і робочою поверхнею (Рис. J) підтримуйте на рівні близько 30°, під час операції обробки наждачною шкуркою - на рівні 10°-15° (Рис. K).

**УВАГА!** Будьте дуже уважними під час шліфування в кутах, оскільки контакт диска з другою поверхнею (яка прилягає до основної), може призвести до різкої віддачі інструмента.

**ОБЕРЕЖНО!** Під час роботи з цим інструментом завжди одягайте захисні окуляри.

### Автоматичне відключення вугільних щіток

Двигун інструменту буде автоматично відключений при отриманні інформації, що вугільні щітки мають великий ступінь зносу і що інструменту потрібне обслуговування. Вугільні щітки не призначені для самостійної зміни користувачем. Прохання до користувачів, проводити зміну частин та обслуговування інструменту тільки у авторизованого сервісного агента STANLEY

### Технічне обслуговування

Конструкція вашого дротового/бездротового побутового приладу/інструмента Stanley розрахована на роботу протягом тривалого періоду часу при мінімальному технічному обслуговуванні. Щоб забезпечити належне виконання робочих операцій, необхідно регулярно виконувати технічне обслуговування і очищення інструмента.

**УВАГА!** Щоб зменшити до мінімуму небезпеку отримання важкої травми, вимикайте живлення інструмента і виймайте з розеток усі вилки, перш ніж регулювати або знімати/встановлювати будь-яке приладдя. Перед повторним складанням інструмента

короткочасно натисніть пусковий вимикач, щоб упевнитися, що інструмент вимкнено.

**ОБЕРЕЖНО!** Перед виконанням будь-яких робіт з технічного обслуговування інструмента з дротовим/бездротовим живленням:



### Змащування

Інструменти Stanley належним чином змащені на заводі і готові до використання.

Залежно від режиму використання, інструменти слід змащувати щороку. (Інструменти, які використовуються для важких робіт або працюють в інтенсивному режимі, можливо, необхідно буде змащувати частіше.) Таке змащування мають виконувати тільки досвідчені спеціалісти з обслуговування електричного інструмента, наприклад працівники уповноважених сервісних центрів Stanley або інші кваліфіковані спеціалісти з обслуговування.



### Очищення

**УВАГА!** Пил і абразив, що містять металеві частинки, часто накопичуються на внутрішніх поверхнях деталей, і якщо їх не вилучити, може виникнути небезпека ураження електричним струмом. Для очищення інструмента дозволяється користуватися тільки м'яким мильним розчином і вологою ганчіркою. В жодному разі не дозволяйте попадати рідині всередину інструменту і не занурюйте інструмент будь-якою частиною в рідину.



**УВАГА!** Забороняється використовувати для очищення неметалевих частин інструмента розчинники й агресивні хімічні речовини. Ці хімічні речовини можуть погіршити міцність матеріалів цих частин. Для очищення інструмента можна користуватися тільки м'яким мильним розчином і вологою ганчіркою. В жодному разі не дозволяйте попадати рідині всередину інструменту і не занурюйте інструмент будь-якою частиною в рідину.



**УВАГА!** Не перевантажуйте вашу кутуво шліфувальну машину. Перевантаження призводить до зниження швидкості та ефективності роботи машини, внаслідок чого вона почне сильно нагріватися. У такому випадку машина повинна декілька хвилин працювати без навантаження, поки її температура не опуститься до нормального робочого значення. Вимкнення кутувої шліфувальної машини в режимі роботи під навантаженням призведе до скорочення терміну служби перемикача.



**ВАЖЛИВО!** Щоб гарантувати БЕЗПЕКУ та НАДІЙНІСТЬ інструмента, ремонт, обслуговування та регулювання (окрім описаних в цій інструкції) повинні виконувати уповноважені сервісні центри чи інші кваліфіковані організації; для виконання цих робіт обов'язково слід використовувати ідентичні запасні частини. Виріб не містить деталей, призначених для обслуговування користувачем.

Ви можете знайти місцезнаходження найближчого до Вас сервісного центру, зв'язавшись з місцевим офісом компанії STANLEY за адресою, вказаною в цих інструкціях. Крім того, список офіційних сервісних центрів компанії STANLEY з усіма подробицями нашого післяпродажного обслуговування та контактної інформацією міститься в Інтернеті за адресою: [www.2helpU.com](http://www.2helpU.com)

### Технічні дані

ШЛІФУВАЛЬНА МАШИНА	SGV115	
Напруга	В	220 – 240
Частота	Гц	50/60
Потужність	Вт	1150
Швидкість холостого ходу	/хв	3000~11000
Діаметр диска	мм	125
Діаметр шпинделя		M14
Вага	кг	2,3

### Додаткове приладдя



**ОБЕРЕЖНО!** Оскільки приладдя інших виробників не проходило випробування з цим виробом, використання такого приладдя із цим інструментом може бути небезпечним. Щоб обмежити ризик отримання травми, з цим виробом слід використовувати тільки рекомендоване приладдя компанії Stanley.

Ефективність роботи будь-якого електричного інструмента залежить від використовуваного приладдя. Приладдя Stanley розроблено відповідно до високих стандартів якості, і його конструкція розширює можливості інструмента. Використання цього приладдя дає змогу отримувати від інструмента максимальну користь. Компанія Stanley випускає широкий асортимент приладдя, яке можна за додаткову плату придбати у місцевих дилерів чи в уповноважених сервісних центрах.

### Примітки

Одним із принципів політики компанії Stanley є постійне вдосконалення виробів, тому компанія залишає за собою право змінювати характеристики своїх виробів без попереднього сповіщення. Стандартне обладнання та приладдя у різних країнах може відрізнятися. Технічні характеристики виробів можуть відрізнятися залежно від країни. Повна лінійка продуктів може бути доступна не в усіх країнах. З питання можливості придбання наших виробів зверніться до місцевих дилерів компанії Stanley.

### Захист навколишнього середовища



Окреме збирання. Цей продукт не можна викидати разом зі звичайним побутовим сміттям.

Якщо якимось ви вирішите, що ваш виріб фірми STANLEY має бути замінено, або він вам більше не потрібний, не викидайте його на смітник побутового сміття. Зробіть цей виріб доступним для спеціального збирання.



Компанія STANLEY має можливість для збору та переробки продуктів власного виробництва після закінчення їхнього терміну служби. Щоб скористатися цією послугою, поверніть виріб компанії в офіційний сервісний центр, які збирають відпрацьовані продукти за наш рахунок.

# STANLEY

## Гарантійні умови

Шановний покупець!

1. Вітаємо Вас з покупкою високоякісного виробу STANLEY і висловлюємо вдячність за Ваш вибір.
2. При покупці виробу вимагайте перевірки його комплекності і справності у Вашій присутності, інструкцію з експлуатації та заповнений гарантійний талон українською мовою

В гарантійному талоні повинні бути внесені: модель, дата продажу, серійний номер, дата виробництва інструменту; назва, печатка і підпис торгової організації. За відсутності у Вас правильно заповненого гарантійного талону, а також при невідповідності зазначених у ньому даних ми будемо змушені відхилити Ваші претензії щодо якості даного виробу.

3. Щоб уникнути непорозумінь, переконливо просимо Вас перед початком роботи з виробом уважно ознайомитися з інструкцією з його експлуатації. Правовою основою справжніх гарантійних умов є чинне Законодавство. Гарантійний термін на даний виріб складає 24 місяці і обчислюється з дня продажу. У разі усунення недоліків виробу, гарантійний строк продовжується на період його перебування в ремонті. Термін служби виробу становить 5 років з дня продажу.
4. У разі виникнення будь-яких проблем у процесі експлуатації виробу рекомендуємо Вам звертатися тільки в уповноважені сервісні центри STANLEY, адреси та телефони яких Ви зможете знайти в гарантійному талоні, на сайті [www.2helpU.com](http://www.2helpU.com) або дізнатися в магазині. Наші сервісні станції - це не тільки кваліфікований ремонт, але і широкий асортимент запчастин і аксесуарів.
5. Виробник рекомендує проводити періодичну перевірку і технічне обслуговування виробу в уповноважених сервісних центрах.
6. Наші гарантійні зобов'язання поширюються тільки на несправності, виявлені протягом гарантійного терміну і викликаними дефектами виробництва та \ або матеріалів.
7. Гарантійні умови не поширюються на несправності виробу, що виникли в результаті:
  - 7.1 Недотримання користувачем приписів інструкції з експлуатації виробу, застосування виробу не за призначенням, неправильного зберігання, використання приладдя, витратних матеріалів і запчастин, що не передбачені виробником.
  - 7.2 Механічного пошкодження (відколи, тріщини і руйнування) внутрішніх і зовнішніх деталей виробу, основних і допоміжних рукояток, мережевого кабелю, що викликані зовнішнім ударним або будь-яким іншим впливом

7.3 Потраплення у вентиляційні отвори та проникнення всередину виробу сторонніх предметів, матеріалів або речовин, що не є відходами, які супроводжують застосування виробу за призначенням, такими як: стружка, тирса, пісок, та ін.

7.4 Впливу на виріб несприятливих атмосферних і інших зовнішніх факторів, таких як дощ, сніг, підвищена вологість, нагрівання, агресивні середовища, невідповідність параметрів електромережі, що зазначені на інструменті.

7.5 Стихійного лиха. Пошкодження або втрати виробу, що пов'язані з непередбаченими лихами, стихійними явищами, у тому числі внаслідок дії непереборної сили (пожежа, блискавка, потоп і інші природні явища), а також внаслідок перепадів напруги в електромережі та іншими причинами, які знаходяться поза контролем виробника.

8. Гарантійні умови не поширюються:

- 8.1. На інструменти, що піддавалися розкриттю, ремонту або модифікації поза уповноваженим сервісним центром.
- 8.2. На деталі, вузли та матеріали, що мають сліди природного зносу, такі як: приводні ремені і колеса, вугільні щітки, мастило, підшипники, зубчасті зчеплення редукторів, гумові ущільнення, сальники, направляючі ролики, муфти, вимикачі, бойки, штовхачі, ствольні тощо.
- 8.3. На змінні частини: патрони, цанги, затисні гайки і фланці, фільтри, акумуляторні батареї, ножі, шліфувальні підшови, ланцюги, зірочки, пильні шини, захисні кожухи, пили, абразиви, пильні і абразивні диски, фрези, свердла, бури тощо
- 8.4. На несправності, що виникли в результаті перевантаження інструменту (як механічного, так і електричного), що спричинили вихід з ладу одночасно двох і більше деталей і вузлів, таких як: ротора і статора, обох обмоток статора, веденої і ведучої шестерень редуктора або інших вузлів і деталей. До безумовних ознак перевантаження виробу відносяться, крім інших: поява кольорів мінливості, деформація або оплавлення деталей і вузлів виробу, потемніння або обуглювання ізоляції проводів електродвигуна під впливом високої температури.



Виробник:

"Stanley Black & Decker Deutschland GmbH" Black-&-Decker Str.40, D-65510 Idstein, Німеччина



**Kullanım amacı**

SGV115 STANLEY taşlama makineniz uygun tipte taşlama diskini kullanarak metal taşlanması için tasarlanmıştır. Bu alet profesyonel kullanım içindir.

**Güvenlik talimatları****Elektrikli el aletleri için genel güvenlik talimatları**

**UYARI!** Bütün güvenlik uyarılarını ve talimatlarını mutlaka okuyun. Bu uyarılar ve talimatların herhangi birisine uyulmaması elektrik çarpması, yanığın ve/veya ciddi yaralanma riskine neden olabilir.

**Bütün uyarı ve güvenlik talimatlarını ileride bakmak üzere saklayın.** Uyarılarda yer alan «elektrikli alet» terimi şebeke elektrigiyle (kablolu) veya akü/pille (şarjlı) çalışan elektrikli aletinizi ifade etmektedir.

**1. Çalışma alanının güvenliği**

- Çalışma alanını temiz ve aydınlık tutun.** Dağınık ve karanlık alanlar kazaya davetiyeye çıkarır.
- Elektrikli aletleri, yanıcı sıvılar, gazlar ve tozların bulunduğu yerler gibi yanıcı ortamlarda çalıştırmayın.** Elektrikli aletler, toz veya dumanları ateşleyebilecek kıvılcımlar çıkarır.
- Bir elektrikli aleti çalıştırırken çocuklardan ve etraftaki kişilerden uzak tutun.** Dikkatinizi dağıtıcı şeyler kontrolü kaybetmenize neden olabilir.

**2. Elektrik güvenliği**

- Elektrikli aletlerin fişleri prizlere uygun olmalıdır. Fiş üzerinde kesinlikle hiçbir değişiklik yapmayın. Topraklı (topraklanmış) elektrikli aletlerde hiçbir adaptor fişi kullanmayın.** Değiştirilmemiş fişler ve uygun prizler elektrik çarpması riskini azaltacaktır.
- Borular, radyatörler, ocaklar ve buzdolapları gibi topraklanmış yüzeylerle vücut temasından kaçının.** Vücudunuzun topraklanması halinde yüksek elektrik çarpması riski vardır.
- Elektrikli aletleri yağmura maruz bırakmayın veya ıslatmayın.** Elektrikli alete su girmesi, elektrik çarpması riskini artıracaktır.
- Kablosuna zarar vermeyin. Elektrikli aleti kesinlikle kablosundan tutarak taşımayın, çekmeyin veya prizden çıkarmayın. Kabloyu sıcaktan, yağdan, keskin kenarlardan veya hareketli parçalardan uzak tutun.** Hasarlı veya dolaşmış kablolar elektrik çarpması riskini artırır.
- Elektrikli aleti açık havada kullanırken, açık hava kullanımına uygun bir uzatma kablosu kullanın.** Açık havada kullanıma uygun bir kablunun kullanılması elektrik çarpması riskini azaltır.
- Eğer bir elektrikli aleti nemli bir bölgede çalıştırması zorluyorsa, bir artık akım aygıtı (RCD) korumalı bir kaynak kullanın.** Bir RCD kullanılması elektrik çarpması

riskini azaltır. NOT: «Artık Akım Aygıtı (RCD)» tanımı, «Kaçak Akım Koruma Cihazı (GFCI)» veya «Toprak Kaçağı Devre Kesici (ELCB)» tanımları ile değiştirilebilir.

**3. Kişisel güvenlik**

- Elektrikli bir alet kullanırken her zaman dikkatli olun, yaptığınız işe yoğunlaşın ve sağduyulu davranın. Elektrikli bir aleti yorgunken veya ilaç ya da alkolün etkisi altındayken kullanmayın.** Elektrikli aletleri kullanırken bir anlık dikkatsizlik ciddi yaralanmalara yol açabilir.
- Kişisel koruyucu ekipmanları mutlaka kullanın.** Daima koruyucu gözlük takın. Koşullara uygun toz maskesi, kaymayan güvenlik ayakkabıları, baret veya kulaklık gibi koruyucu donanımların kullanılması kişisel yaralanmaları azaltacaktır.
- İstem dışı çalıştırılmasını önleyin. Cihazı güç kaynağına ve/veya aküye bağlamadan, kaldırmadan veya taşımadan önce düğmenin kapalı konumda olduğundan emin olun.** Aleti, parmağınız düğme üzerinde bulunacak şekilde taşımak veya açık konumdaki elektrikli aletleri elektrik şebekesine bağlamak kazaya davetiyeye çıkarır.
- Elektrikli aleti çalıştırmadan önce herhangi bir ayarlama anahtarını veya vida anahtarını çıkarın.** Elektrikli aletin hareketli parçasına takılı bırakılan bir vida anahtarı veya anahtar, kişisel yaralanmaya neden olabilir.
- Ulaşmakta zorlandığınız yerlerde kullanmayın. Her zaman sağlam ve dengeli basın.** Bu, beklenmedik durumlarda elektrikli aletin daha iyi kontrol edilmesine olanak tanır.
- Uygun şekilde giyinin. Bol giysiler giymeyin ve takı takmayın. Saçınızı, giysinizi ve eldivenlerinizi hareketli parçalardan uzak tutun.** Bol giysiler, takılar veya uzun saçlar hareketli parçalara takılabilir.
- Eğer kullandığınız üründe toz emme ve toplama özellikleri olan ataşmalar varsa bunların bağlı olduğundan ve doğru şekilde kullanıldığından emin olun.** Bu toz toplama ataşmanların kullanılması tozla ilgili tehlikeleri azaltabilir.
- Elektrikli aletlerin kullanımı ve bakımı**
  - Elektrikli aleti zorlamayın. Uygulamanız için doğru elektrikli aleti kullanın.** Doğru elektrikli alet, belirlendiği kapasite ayarında kullanıldığında daha iyi ve güvenli çalışacaktır.
  - Düğme açmıyor ve kapatmıyorsa elektrikli aleti kullanmayın.** Düğmeyle kontrol edilemeyen tüm elektrikli aletler tehlikelidir ve tamir edilmesi gerekmektedir.
  - Herhangi bir ayarlama, aksesuar değişimi veya elektrikli aletlerin saklanması öncesinde fiş güç kaynağından çekin.** Bu tür önleyici güvenlik tedbirleri aletin istem dışı çalıştırılması riskini azaltır.

- d. Elektrikli aleti, çocukların ulaşamayacağı yerlerde saklayın ve elektrikli aleti tanımayan veya bu talimatları bilmeyen kişilerin elektrikli aleti kullanmasına izin vermeyin. Elektrikli aletler, eğitimsiz kullanıcıların elinde tehlikelidir.
- e. Elektrikli aletlerin bakımını yapın. Hareketli parçalardaki hizalama hatalarını ve tutuklulukları, parçalardaki kırılmaları ve elektrikli aletin çalışmasını etkileyebilecek tüm koşulları kontrol edin. Hasarlı ise, elektrikli aleti kullanmadan önce tamir ettirin. Kazaların çoğu, elektrikli aletlerin bakımının yeterli şekilde yapılmamasından kaynaklanır.
- f. Kesim aletlerini keskin ve temiz tutun. Bakımı uygun şekilde yapılmış keskin kesim uçlu kesim aletlerinin sıkışma ihtimali daha düşüktür ve kontrol edilmesi kolaydır.
- g. Elektrikli aleti, aksesuarlarını ve aletin diğer parçalarını vs. kullanırken bu talimatlar mutlaka uyun ve elektrikli alet türü için öngörüldüğü şekilde, çalışma ortamının koşullarını ve yapılacak işin ne olduğunu göz önünde bulundurun. Elektrikli aletin öngörülen işlemler dışındaki işlemler için kullanılması tehlikeli durumlara neden olabilir.
5. Servis
- a. Elektrikli aletinizi, sadece orijinal yedek parçaların kullanıldığı yetkili servise tamir ettirin. Bu, elektrikli aletin güvenliğinin muhafaza edilmesini sağlayacaktır.

## BÜTÜN UYGULAMALAR İÇİN GÜVENLİK TALİMATLARI

### Taşılama uygulamaları için güvenlik talimatları.

- Bu elektrikli alet bir taşıma makinesi olarak kullanılmak üzere tasarlanmıştır. Bu elektrikli alet ile verilen tüm güvenlik uyarıları, talimatlar, resimli açıklamalar ve teknik özellikleri okuyun. Aşağıda belirtilen tüm talimatların herhangi birisine uyulmaması elektrik çarpması, yangın ve/veya ciddi yaralanma riskine neden olabilir.
- Polisaj işlerinin bu elektrikli alet ile yapılması tavsiye edilmez. Elektrikli aletin tasarlanma amacı dışındaki işlemler tehlike ve kişisel yaralanmalara neden olabilir.
- Üretici firma tarafından özel olarak tasarlanmamış ve tavsiye edilmemiş aksesuarları kullanmayın. Aksesuarın elektrikli aletinize takılabilir olması güvenli bir çalışma temin edeceği anlamına gelmemektedir.
- Aksesuarın nominal hızı en az elektrikli alet üzerinde yazan maksimum hıza eşit olmalıdır. Nominal hızından daha hızlı çalışan aksesuarlar kırılabilir ve etrafa saçılabilir.
- Aksesuarınızın dış çapı ve kalınlığı elektrikli aletinizin kapasite oranı içinde olmalıdır. Yanlış ebatlı aksesuarlar yeteri kadar korunamaz ve kontrol edilemez.
- Metrik dişli aksesuarlar taşımanın mil boyutuna

- uymalıdır. Flanşla monte edilen aksesuarların delikleri flanşın geçme çapına uygun uymalıdır. Elektrikli aletin montaj donanımına uymayan aksesuarlar dengesiz çalışır, aşırı titreşim yapar ve kontrolü kaybetmeye neden olabilir.
- Hasar görmüş olan bir aksesuarı kullanmayın. Her kullanımdan önce aksesuarları inceleyin, örneğin disk talaş ve çatlaklara karşı, tabanı çatlak, kopma ya da aşırı kullanıma karşı, tel fırçayı gevşek ya da kırık tellere karşı kontrol edin. Elektrikli alet ya da aksesuar düşürülürse, hasar olup olmadığını kontrol edin ya da sağlam aksesuar takın. Aksesuarı incelenmesi ve monte edilmesinden sonra kendinizi ve etraftaki kişileri dönen aksesuarın düzleminden uzakta yerleştirin ve bir dakika boyunca elektrikli aleti boşa ve maksimum hızda çalıştırın. Bu test süresince hasarlı aksesuarlar normal olarak kırılarak dağılacaktır.
- Kişisel koruyucu ekipmanları mutlaka kullanın. Uygulamaya bağlı olarak yüz kalkanı, koruyucu gözlük ya da güvenlik gözlükleri kullanın. Yeri geldiğinde küçük aşındırıcı maddeleri ya da işleme tabi tutulan parçaları durdurabilen toz maskesi, kulaklık, eldiven ve iş önlüğü giyin. Göz koruması, çeşitli işlemler sonucu açığa çıkan uçan parçacıkları durdurabilmelidir. Toz maskesi ya da gaz maskesi yaptığınız işlem sonucu açığa çıkan parçacıkları filtreleyebilmelidir. Uzun süreli yüksek şiddetli gürültüye maruz kalınması işitme kaybına neden olabilir.
- Çevrede bulunan şahısları çalışma alanından uzakta güvenli bir mesafede tutun. Çalışma alanına giren şahıslar kişisel koruyucu ekipman giymelidir. İşleme tabi tutulan parçanın ya da kırık bir aksesuarın parçacıkları fırlayabilir ve çalışma alanının yakın çevresinde yaralanmalara neden olabilir.
- Kesme aksesuarının gizli kabloları veya kendi kablosuna temas edebileceği yerlerde çalışma yaparken elektrikli aleti yalıtımlı kavrama yüzeylerinden tutun. Kesme aksesuarının «akım taşıyan» bir kabloya temas etmesi durumunda elektrikli aletin metal kısımları da «akım taşıyıcı» hale gelecek ve kullanıcının çarpmasına neden olabilir.
- Kabloyu dönen aksesuardan uzak tutun. Kontrolü kaybederseniz kablo kesilebilir ya da kopabilir ve eliniz ya da kolunuz dönen aksesuar içine çekilebilir.
- Aksesuar tamamen durmadıkça elektrikli aleti asla yere koymayın. Dönen aksesuar yüzeyi yakalayabilir ve elektrikli aleti kontrolünüzden çıkarabilir.
- Elektrikli aleti yalnızca taşırken çalıştırmayın. Kaza ile temas halinde, dönen aksesuar gıysinize takılabilir, aksesuarı vücudunuza doğru çekebilir.
- Elektrikli aletin hava çıkışlarını düzenli olarak temizleyin. Motor fanı, tozu muhafaza içine çeker ve aşırı metal toplanması elektriksel tehlike yaratabilir.

- **Elektrikli aleti yanıcı malzemelerin yakınında çalıştırmayın.** Kıvılcım bu malzemeleri tutuşturabilir.
- **Sıvı soğutucu gerektiren aksesuarlar kullanmayın.** Su ya da diğer sıvı soğutucuların kullanılması elektrik çarpması ya da şok ile sonuçlanabilir.

## BÜTÜN UYGULAMALAR İÇİN EK GÜVENLİK TALİMATLARI

### Geri tepme ve ilgili uyarılar

Geri tepme, sıkışmış veya takılmış bir disk, taban, fırça veya diğer aksesuarlara verilen ani tepkidir. Sıkışma veya takılma dönen aksesuarın aniden durmasına neden olur, bu daha sonra temas noktasında elektrikli aletin kontrolsüzce, aksesuarın dönme yönünün tersine doğru zorlanmasına yol açar.

Örneğin, bir aşındırıcı disk, işleme tabi tutulan parçaya takılır ya da sıkışırsa; sıkışma noktasına giren disk kenarı malzemenin yüzeyine saplanarak, diskin geri tepmesine ya da fırlamasına neden olabilir. Disk, sıkışma noktasındaki hareket yönüne bağlı olarak ya kullanıcıya doğru ya da kullanıncıdan uzağa fırlayabilir. Aşındırıcı diskler bu koşullar altında kırılabilir. Geri tepme, aletin yanlış kullanılmasından ve/veya yanlış çalıştırma işlemleri veya koşullarından kaynaklanır ve aşağıda da belirtilen uygun tedbirler alınarak önlenir:

- **Elektrikli aleti sıkıca tutun, vücudunuzu ve kolunuzu geri tepme gücüne karşı koyacak şekilde konumlandırın.** Geri tepmeye ya da çalıştırma sırasındaki döndürme momenti tepkisine karşı maksimum kontrol sağlamak için eğer varsa yan tutma kolunu kullanın. Doğru önlemler alınırsa döndürme momenti tepkileri ya da geri tepmeler kullanıcı tarafından kontrol edilebilir.
- **Döner aksesuar civarına asla elinizi sokmayın.** Aksesuar elinizde geri tepme etkisi yapabilir.
- **Geri tepmenin meydana gelmesi durumunda vücudunuzu elektrikli aletin hareket edeceği alanda bulundurmayın.** Geri tepme hareketi aleti takılma noktasında disk hareketine ters yönde itecektir.
- **Köşe, keskin kenarlar vb. yerlerle çalışırken özellikle dikkatli olun.** Aksesuarın sekmesinden ve takılmasından kaçının. Köşeler, keskin kenarlar ya da sektirme hareketi döner aksesuarı engelleme eğilimindedir ve kontrolün kaybedilmesine ya da geri tepmeye neden olabilir
- **Zincirli testere zinciri, ahşap oyma bıçağı ya da dişli daire/gönye testere bıçağı takmayın.** Bu tür bıçaklar sık sık geri tepme ve kontrol kaybı oluşturur.

### Ek güvenlik talimatları

- **Bu alette Tip 11 (havşa kabı) diskleri kullanmayın.** Uygun olmayan aksesuar kullanımı yaralanmalara neden olur.
- **Daima yan kolu kullanın. Kolu güvenli bir şekilde**

**sıkıştırın.** Bu kol, aletin tam kontrolünü sağlamak için her zaman kullanılmalıdır.

- **Üzerinde çalıştığınız parçayı sabitlemek ve desteklemek için kelepçeler veya başka pratik yöntemler kullanın.** Parçayı elle veya vücudunuza dayamanız dengesiz durmasına neden olacaktır ve aletin kontrolünü kaybetmenize yol açabilir.

### Kişisel güvenlik

- Boya zımparasının yapıldığı çalışma alanına temizlik tamamlanuncaya kadar hiçbir çocuk veya hamile kadın girmemelidir.
- Çalışma alanına giren herkes tarafından toz maskesi veya solunum korumasını kullanılmalıdır. Filtre, her gün veya kullanıcı zorla nefes alırken değiştirilmelidir.





**Not: Yalnızca kurşun boya tozu ve dumanlar ile çalışmaya uygun toz maskeleri kullanılmalıdır. Genel resim maskeleri bu korumayı sunmazlar. NIOSH tarafından onaylanmış uygun maske için yerel donanım satıcınıza başvurun.**

### Çevrenin korunması

- Boya, üretilen toz miktarını en aza indirecek şekilde çıkarılmaktadır.
- Boya çıkartılmakta olan alanlar 4 mil kalınlığında plastik kaplama ile kapatılmaktadır.
- Zımparalama, çalışma alanının dışındaki boya tozunun çıkmasını azaltacak bir şekilde yapılmalıdır.

### Alet üzerindeki etiketler

Aletin etiketinde aşağıdaki semboller bulunabilir:

	UYARI! Yaralanma riskini en aza indirmek için kullanıcı kullanım talimatlarını mutlaka okumalıdır.		
	Kulaklık takın.		
	Koruyucu gözlük takın.		
V	Volt	===	Doğru akım
A	Amper	$\Omega$	Yüksüz hızı
Hz	Hertz		Çift yalıtım
W	Watt		Topraklı terminal
min	dakikalar		Güvenlik uyarı sembolü
	Dalgalı akım	/min.	Dakikada devir sayısı

### Tarih kodu konumu (Şekil A)

İmalat yılını da içeren Tarih Kodu (10) gövdeye basılıdır.

Örnek:

2017 XX JN

İmalat Yılı

**Ambalajın içeriği**

Ambalaj, aşağıdaki parçaları içermektedir:

- 1 Avuç taşıma makinesi
- 1 Muhafaza
- 1 Flaş seti
- 1 Anahtar
- 1 Yan kol
- 1 Kullanım kılavuzu

- Alette, parçalarda veya aksesuarlarda nakliye sırasında meydana gelmiş olabilecek hasarı kontrol edin.
- Aleti çalıştırmadan önce, bu kullanım kılavuzunu baştan sonra okuyup anlamak için gerekli zamanı ayırın.

**Elektrik güvenliği**

Bu alet çift yalıtımlıdır. Bu yüzden hiçbir topraklama kablosuna gerek yoktur. Her zaman şebeke geriliminin aletin üretim etiketinde belirlenmiş değerlere uyup uymadığını kontrol edin.



**Uyarı!** Elektrik kablosu hasarlı ise, bir tehlike oluşmasını önlemek için üretici ya da yetkili Stanley Servis Merkezi tarafından değiştirilmelidir. Elektrik kablosu Stanley yetkili servisi haricinde değiştirilirse, garanti geçerli olmayacaktır.

**Uzatma kablolarının kullanımı**

Bir uzatma kablosu gerekli ise, bu aletin elektrik girişine uygun, onaylı bir uzatma kablo kullanın. Minimum iletken boyutu 1,5 mm<sup>2</sup>'dir. Bir kablo makarası kullanırken, kabloyu daima sonuna kadar açın.

İletken boyutu (mm <sup>2</sup> ) Kablo gücü (Amper)	İletken boyutu (mm <sup>2</sup> ) Kablo gücü (Amper)
0,75	6
1,00	10
1,50	15
2,50	20
4,00	25

Kablo uzunluğu (m)						
	7,5	15	25	30	45	60

Voltaj	Amper	Kablo gücü (Amper)					
110-127	0 - 2,0	6	6	6	6	6	10
	2,1 - 3,4	6	6	6	6	15	15
	3,5 - 5,0	6	6	10	15	20	20
	5,1 - 7,0	10	10	15	20	20	25
	7,1 - 12,0	15	15	20	25	25	-
	12,1 - 20,0	20	20	25	-	-	-

220-240	0 - 2,0	6	6	6	6	6	6
	2,1 - 3,4	6	6	6	6	6	6
	3,5 - 5,0	6	6	6	6	10	15
	5,1 - 7,0	10	10	10	10	15	15
	7,1 - 12,0	15	15	15	15	20	20
	12,1 - 20,0	20	20	20	20	25	-

**Özellikler**

Bu alet, aşağıdaki özelliklerin bir kısmını veya tümünü içermektedir.

1. Açma/kapama düğmesi (Şekil A)
2. Mil kilidi düğmesi (Şekil A)
3. Muhafaza (Şekil A)
11. Değişken hız ayar kadranı (Şekil F)

**Yumuşak ilk hareket özelliği**

Yumuşak ilk hareket özelliği, başlarken başlangıç sarsıntısını önlemek için yavaşça hızlanmayı sağlar. Bu özellik, kısıtlı alanlarda çalışırken kullanışlıdır.

**Akım korumalı tetik**

Akım korumalı tetik, güç kaynağında bir arıza olduğunda, açma/kapama düğmesi devreye sokulmadan taşıma makinesinin yanlışlıkla çalıştırılmasını önler.

**Montaj**

**UYARI!** Kazara çalıştırmayı önlemek için aşağıdaki işlemleri yapmadan önce aleti kapatın ve fişini çekin. Bunların yapılmaması ciddi yaralanmaya yol açabilir.

**Muhafazanın takılması ve çıkartılması (Şekil B)**

**UYARI!** Ciddi yaralanma riskini azaltmak için herhangi bir ayar yapmadan ya da parça veya aksesuarları söküp takmadan önce aleti kapatın ve güç kaynağından ayırın. Aleti yeniden bağlamadan önce aletin kapalı olduğundan emin olmak için tetik düğmesine basıp bırakın.

**Muhafazanın takılması**

1. Taşıma makinesini, oluğu yukarı gelecek şekilde bir çalışma tezgahına yatırın.
2. Muhafaza (3) desteğinin flaşını vites muhafazasının oluğunun (9) üzerine takın.
3. Muhafazayı (3) 150 derece saatin ters yönünde çevirin.
4. Vidaların (10) sıkıldığından emin olun.

**Muhafazanın çıkartılması**

1. Muhafaza desteğindeki vidayı (10) gevşetin.
2. Muhafazayı (3) aletten çıkartın.

**UYARI!** Muhafaza yerinde değilse aleti kesinlikle kullanmayın.

**Not:** Bu avuç taşlama makinesi ile kullanılabilen diğer aksesuarlar için lütfen bu kısmın sonundaki Taşlama Aksesuar Çizelgesine bakınız.

### **Taşlama disklerinin takılması ve çıkartılması (Şekil C ve D)**

**UYARI!** Hasar görmüş olan taşlama disklerini kullanmayın.

1. Taşlama makinesini, olduğu yukarı bakacak şekilde bir çalışma tezgahına yatırın.
2. Şekil C: İç flanş (4) uç tutucunun (5) üzerine doğru bir şekilde takın.
3. Taşlama diskini (6) i flanşın (4) üzerine yerleştirin. Yüksek merkezli bir taşlama diskini takarken yüksek merkezin (7) iç flanşa (4) baktığından emin olun.
4. Şekil D: Dış flanş (8) uç tutucuya (5) kadar vidalayın.
4. Taşlama diskini takarken dış flanşın (8) üst kısmındaki halkası diske bakmalıdır.
5. Mil kilidi düğmesini (2) basılı tutun ve mili (4) yerinde kilitlene kadar sabitleyin.
6. Mil anahtar yardımıyla dış flanş (8) sıkın.

### **Aleti kullanmadan önce**

- Muhafazayı ve uygun bir aşındırıcı veya taşlama diskini takın. Çok yıpranmış aşındırıcı veya taşlama disklerini kullanmayın.
- İç ve dış flanşın düzgün takıldığından emin olun.
- Aşındırıcı veya taşlama diskinin, aksesuar ve aletin üzerindeki oklar yönünde dönmeye dikkat edin.

### **KULLANIM**

**UYARI!** Güvenlik talimatlarına ve geçerli yönetmeliklere daima uyun.

**UYARI!** Ciddi yaralanma riskini azaltmak için herhangi bir ayar yapmadan ya da parça veya aksesuarları söküp takmadan önce aleti kapatın ve güç kaynağından ayırın. Aleti yeniden bağlamadan önce aletin kapalı olduğundan emin olmak için tetik düğmesine basıp bırakın.

### **UYARI!**

- Taşlanacak tüm malzemelerin yerlerine sıkıca sabitlendiklerinden emin olun.
- Alete yalnızca hafif bir bası uygulayın. Aşındırıcı diske yanal basınç uygulamayın.
- Aşırı yüklemekten kaçının. Alet çok fazla ısındığında yüksüz durumdayken birkaç dakika çalıştırın.
- Aleti iki elinizle sıkıca tutun (bir el alet gövdesinin, diğer el yan kolun üzerinde olacak şekildedir). Aleti çalıştırın ve taşlama diskini iş parçasının üzerine getirin.
- İş parçasının yüzeyine karşı 15 ila 30 derece arasında açı ile disk kenarını eğimli tutun.
- Yeni bir taşlama diskini kullanırken B yönünde çalışmayın, aksi takdirde disk iş parçasını kesebilir. Diskin kenarı yuvarlanmış olduktan sonra her yönünde, A ya da B, serbestçe çalışabilirsiniz.

### **Açılması ve kapatılması (Şekil A)**

**UYARI!** Aleti kullanmadan önce yan kolun iyice sıkıldığından emin olun. Açma/kapama düğmesinin düzgün çalıştığını kontrol edin.

Elektrik prizine takmadan önce açma/kapama düğmesinin arka kısmına basarak aletin kapalı olduğundan mutlaka emin olun.

Aleti çalıştırmak için, açma/kapama düğmesinin arka kısmına basın ve öne doğru kaydırın. Açma/kapama düğmesini kilitlemek için ön kısmına basın.

Aleti kapatmak için açma/kapama düğmesinin arka kısmına basın.

**UYARI!** Aleti yük altındayken açıp kapamayın.

### **Değişken hız ayar kadranı (Şekil F)**

Değişken hız ayar kadranı, kullanılan aksesuar ve malzemeye uygun ek kontrol ve en iyi koşullarda kullanım sunar.

- Kadranı (11) gerekli seviyeye çevirin. Kadranı, daha yüksek hızlar için yukarı, daha düşük hızlar için aşağı çevirin.

### **Uygun el pozisyonu (Şekil F)**

**UYARI!** Ciddi yaralanma riskini azaltmak için, DAİMA şekilde gösterilen uygun el pozisyonunu kullanın.

**UYARI!** Ciddi yaralanma riskini azaltmak için, ani tepki ihtimaline karşı aleti DAİMA sıkıca tutun.

Uygun el pozisyonu Şekil F'de gösterildiği gibi bir elin yan kolunda (Şekil A) ve diğer elin aletin gövdesinde olmasını gerektirir.

### **Anahtarlar**

**Uyarı!** Daya iyi kontrol sağlamak için aleti çalıştırırken, kullanımı sırasında ve diskin veya aksesuarın dönmesi durana kadar aletin gövdesini sıkı bir şekilde tutun. Disk tamamen durmadıkça elektrikli aleti asla yere koymayın.

**Not:** Beklenmeyen alet hareketini önlemek için aleti yük altındayken açıp kapamayın. Taşlama makinesi iş yüzeyine dokunmadan önce tam hızı kadar çalıştırın. Kapatmadan önce aleti iş yüzeyinden kaldırın. Aleti elinizden bırakırken mutlaka diskin durmasını bekleyin.

### **Açma/Kapama Sürgülü Düğmesi (Şekil A)**

**UYARI!** Elektrik prizine takmadan önce açma/kapama sürgülü düğmesinin arka kısmını basıp brarak elektrikli aletin kapalı olduğundan mutlaka emin olun. Kaçak akım koruma cihazının ve devre kesicinin çalışması, yanlışlıkla prizden çıkartma veya güç kesintisi gibi herhangi bir elektrik kesintisi sonrasında yukarıda açıklandığı gibi açma/kapama sürgülü düğmesinin kapalı olduğundan emin olun. Alet güç kaynağına bağlanırken sürgülü düğmesi açık konumunda kilitli ise, alet hemen çalışmaya başlayacaktır.

Aleti çalıştırmak için, açma/kapama sürgülü düğmesini (1) aletin önüne doğru kaydırın. Aleti durdurmak için sürgülü düğmeyi bırakın. Kesintisiz çalıştırma için sürgülü düğmeyi aletin önüne doğru kaydırın ve düğmenin ön kısmına basın. Kesintisiz çalışma konumundayken aleti kapatmak için sürgülü düğmenin arka kısmına basın ve bırakın.

### Mil kilidi düğmesi (Şekil A)

Mil kilidi düğmesi (2), taşlama diskinin takılması veya çıkarılması sırasında uç tutucunun dönmesini önler. Mil kilidini, aleti kapadıktan, fişini güç kaynağından çıkardıktan ve disk tamamen durduktan sonra kullanın.

**Not:** Alet hasarlarını en aza indirmek için, alet çalışırken mil kilidini kullanmayın.

Bu alete zarar verebilir. Takılmış olan aksesuarlar fırlayabilir ve yaralanmaya neden olabilir.

Mil kilidi düğmesini basılı tutun ve uç tutucuyu yerinde kilitlenene kadar döndürün.

### Metal uygulamalar

Aleti metal uygulamalarda kullanırken metal talaşının neden olduğu kalıcı riskleri engellemek için bir artık akım aygıtının (RCD) takılı olduğundan emin olun.

Artık akım aygıtı güç kesilmesine neden olunca aleti yetkili Stanley servis merkezine tamir için getirin.

**UYARI!** Uç çalışma koşullarında, metalle çalışırken makine gövdesinde iletken toz birikebilir.

Bu ise makinenin içindeki koruyucu izolasyonun bozulmasına ve olası elektrik çarpması risklerine neden olabilir.

Aletin içinde metal toplanmasını önlemek için havalandırma deliklerinin her gün temizlemesi tavsiye edilir. «Bakım» kısmına bakın.

### Taşlama disklerinin kullanılması

**UYARI!** Metal tozu toplama riski. Taşlama diskinin metalde yoğun kullanılması elektrik çarpması riskini arttıracaktır. Bu riski azaltmak için aleti kullanmadan önce artık akım aygıtını (RCD) takın ve her gün havalandırma deliklerini temizleyin. Havalandırma deliklerinin basınçlı hava ile temizlemesi için aşağıdaki bakım talimatlarını izleyin.

### TAŞLAMA

#### Taşlama disklerini kullanarak yüzey taşlaması

1. Alet iş yüzeyine dokunmadan önce tam hıza kadar çalıştırın.
2. Aletin yüksek hızda çalışmasına izin vererek, çalışma yüzeyine minimum basınç uygulayın. Alet yüksek hızda çalıştığında taşlama sonuçları en iyidir.
3. Alet ve iş yüzeyi arasındaki 20°-30° açığı koruyun.
4. Çalışma yüzeyinde olukları yaratmayı kaçınmak için aleti devamlı ileri geri hareketi kullanarak ilerleyin.

5. Kapatmadan önce aleti iş yüzeyinden kaldırın. Aleti elinizden bırakırken mutlaka diskin durmasını bekleyin.

### Boya zımparalama sırasında alınması gereken önlemler

- Kurşun bazlı boya zımparalanması, kirli tozu kontrol etmesi zor olduğu nedeniyle ÖNERİLMEMEKTEDİR. Kurşun zehirlenmesi en çok çocuklar ve gebe kadınlar açısından tehlike arz etmektedir.
- Bir boya üzerinde kimyasal analiz yapılmadan kurşun olup olmadığını tespit etmek zor olduğundan herhangi bir boya zımparasında aşağıdaki talimatlara uymanızı öneririz.

### GENEL BİLGİLER

#### Yararlı tavsiyeler

- Taşlama makinenizi Şekil J'de gösterildiği gibi tek elinizle gövde tutma alanından diğer elinizle ise yan kolun etrafından sıkı bir şekilde tutun.
- Muhafazayı her zaman diskin açık kalan tarafı sizden uzağa bakacak şekilde konumlandırın. Disk metale temas ettiğinde bir kıvılcım akımına hazırlıklı olun.
- En iyi, kontrol, malzeme çıkartılması ve minimum yüklenme için disk ile üzerinde çalıştığınız parçanın yüzeyi arasında taşlama yaparken (Şekil J) yaklaşık 30°'lik bir açı, zımparalama yaparken (Şekil K) yaklaşık 10-15°'lik bir açı bırakın.

**DİKKAT!** Diskin ikinci yüzeye temas ettiğinde taşlama makinesi keskin bir hareket yapabileceği için köşelerde taşlama yaparken çok dikkat gösterin.

**UYARI!** Bu elektrikli aleti kullanırken her zaman koruyucu gözlük takın.

### Kullanım ömrü dolmuş kömürler

Karbon kömürlerin kullanım ömrünün hemen hemen dolduğunu ve aletin servise ihtiyaç duyduğunu göstermek üzere motor otomatik olarak kapanır. Karbon kömürlere kullanıcı tarafından servis yapılamaz. Aleti yetkili STANLEY servisine götürün.

### Bakım

Stanley elektrikli/şarjlı aletinin minimum bakımla uzun bir süre çalışacak şekilde tasarlanmıştır. Kesintisiz olarak memnuniyet verici bir şekilde çalışması gerekli özenin gösterilmesine ve düzenli temizliğe bağlıdır.

**UYARI!** Ciddi yaralanma riskini azaltmak için herhangi bir ayar yapmadan ya da parça veya aksesuarları söküp takmadan önce aleti kapatın ve güç kaynağından ayırın. Aleti yeniden bağlamadan önce aletin kapalı olduğundan emin olmak için tetik düğmesine basıp bırakın.

**UYARI!** Elektrikli/şarjlı alet üzerinde herhangi bir bakım işlemi gerçekleştirmeden önce:



## Yağlama

Stanley el aletleri, fabrikada uygun bir şekilde yağlanmıştır ve çalışmaya hazırdır.

Aletler, kullanımına bağlı olarak, her sene düzenli bir şekilde yağlanmalıdır. (Ağır hizmet tipi işlerde kullanılan ve ısıya maruz kalan aletlere daha sık yağlama gerekebilir.) Bu yağlama sadece Stanley servislerindeki gibi eğitilmiş elektrikli el aleti tamir personeli tarafından yapılmalıdır.



## Temizleme



**UYARI!** Metal taşlama sırasında oluşan toz ve parçacıklar sıkça iç yüzeylerde birikir ve düzenli olarak temizlenmezse elektrik şoku tehlikesine neden olabilir. Aleti temizlemek için, sadece yumuşak sabun ve nemli bir bez kullanın. Aletin içine sıvı kaçmasına kesinlikle izin vermeyin; aletin herhangi bir parçasını bir sıvı içine daldırmayın.



**UYARI!** Aletin metalik olmayan parçalarını temizlemek için asla çözücü veya başka sert kimyasal kullanmayın. Bu kimyasallar bu parçalarda kullanılan malzemeleri güçsüzeleştirir. Aleti temizlemek için, sadece yumuşak sabun ve nemli bir bez kullanın. Aletin içine sıvı kaçmasına kesinlikle izin vermeyin; aletin herhangi bir parçasını bir sıvı içine daldırmayın.



**UYARI!** Taşlama makinenize aşırı yüklenmeyin. Aşırı yüklenme hızda ve verimlilikte azalmaya yol açarak taşlama makinenizin aşırı ısınmasına neden olabilir. Bu meydana gelirse taşlama makinenizi normal çalışma derecesine gelene kadar boşta 1-2 dakika çalıştırın. Taşlama makinenizi yük altında iken kapatmanız açma/kapama düğmesinin ömrünü azaltacaktır.



**ÖNEMLİ!** Alet EMNİYET GÜVENLİĞİ ve GÜVENİLİRLİK için bu kılavuzda belirtilenler dışında tamir, bakım ve ayarlamaların her zaman orijinal yedek parça kullanılarak, yetkili servisler tarafından yapılması gerekmektedir. Aletin içinde bakımı kullanıcı tarafından yapılabilecek herhangi bir parça yoktur.

## İlave Aksesuarlar



**UYARI!** Stanley tarafından tedarik veya tavsiye edilenlerin dışındaki aksesuarlar bu ürün üzerinde test edilmediğinden, söz konusu aksesuarların bu aletle birlikte kullanılması tehlikeli olabilir. Yaralanma riskini azaltmak için bu ürünle birlikte sadece Stanley tarafından tavsiye edilen aksesuarlar kullanılmalıdır.

Herhangi bir elektrikli aletin performansı kullanılan aksesuarlara bağlıdır. Stanley aksesuarları, yüksek kalite standartlarına göre üretilmiş ve elektrikli aletinizin performansını arttıracak şekilde tasarlanmıştır. Stanley

aksesuarlarını kullanmak, Stanley aletinizden en iyi verimi almanızı sağlayacaktır. Stanley satış noktalarından veya yetkili servisten temin edilebilir geniş bir aksesuar çeşidi sunar.

## Notlar

Stanley politikası gibi, ürünlerimizi sürekli iyileştirme amacıyla önceden haber vermeden ürün özelliklerini değiştirme hakkını saklı tutarız. Standart ekipman ve aksesuarlar ülkeye göre değişebilir. Ürün özellikleri ülkelere göre farklı olabilir. Komple ürün çeşidi tüm ülkelerde geçerli olmayabilir. Ürün çeşidi durumu hakkında lütfen en yakın Stanley yetkili servisiyle temas kurun.

## Çevrenin korunması



Ayrı olarak atın. Bu ürün, normal evsel atıklarla birlikte atılmamalıdır.

STANLEY ürününüzün değiştirilmesi gerektiğini düşünmeniz veya artık kullanılamaz durumda olması halinde onu, evsel atıklarla birlikte atmayın. Bu ürünü, ayrı olarak toplanacak şekilde atın.



STANLEY, hizmet ömrünün sonuna ulaşan STANLEY ürünlerinin toplanması ve geri dönüşüme sokulması için bir imkân sunmaktadır. Bu hizmetin avantajlarından faydalanmak için, lütfen, ürününüzü bizim adımıza teslim edecek herhangi bir yetkili servise iade edin.

Bu kılavuzda belirtilen listeden size en yakın STANLEY yetkili tamir servisinin yerini öğrenebilirsiniz. Ya da, alternatif olarak internet'ten STANLEY yetkili tamir servislerinin listesini ve satış sonrası hizmetlerimizle ilgili tüm bilgiler ve temas bilgilerine aşağıdaki siteden ulaşabilirsiniz. [www.2helpU.com](http://www.2helpU.com)

## Teknik özellikleri

TAŞLAMA MAKİNESİ		SGV115
Voltaj	V	220-240
Frekans	Hz	50/60
Güç	W	1150
Yüksüz hızı	dev/dak	3000~11000
Disk çapı	mm	125
Mil boyutu		M14
Ağırlık	kg	2,3

## EN60745-2-3'e göre tespit edilen toplam gürültü ve titreşim değerleri (üç yönün vektör toplamı):

L <sub>PA</sub> (ses basıncı düzeyi) dB(A)	86,0
L <sub>WA</sub> (akustik güç düzeyi) dB(A)	97,0
K (akustik gücü belirsizliği) dB(A)	3

**Yüzey taşıma**Titreşim emisyon değeri  $a_{h,AG} = m/s^2$  6,0Belirsizlik  $K = m/s^2$  1,5

Bu bilgi sayfasında verilen titreşim emisyon düzeyi, EN 60745'te sağlanan standart teste uygun olarak ölçülmüştür ve aletleri birbiriyle karşılaştırmak için kullanılabilir. Ön maruziyet değerlendirmesi için kullanılabilir.



**UYARI:** Beyan edilen titreşim emisyon düzeyi, aletin ana uygulamalarını yansıtır. Ancak alet farklı aksesuarlarla farklı uygulamalar için kullanılırsa veya bakımı kötü yapılırsa, titreşim emisyonu değişebilir. Bu, toplam çalışma süresindeki maruziyet düzeyini önemli ölçüde artırabilir.

Tahmini titreşim maruziyeti, aletin kapalı kaldığı veya çalışmasına karşın iş görmediği zamanları da dikkate almalıdır. Bu, toplam çalışma süresindeki maruziyet düzeyini önemli ölçüde azaltabilir.

Kullanıcıyı titreşim etkilerinden korumak için belirtilen ek güvenlik önlemlerini alın: aletin ve aksesuarların bakımını yapın, elleri sıcak tutun, çalışma modellerini düzenleyin.

**AT Uygunluk Beyanati**

MAKİNE DİREKTİFİ

**SGV115 – Taşıma Makinesi**

STANLEY, «teknik özellikleri» bölümünde açıklanan bu ürünlerin aşağıda belirtilen yönergelere uygun olduğunu beyan eder: EN 60745-1:2009+ A11:2010, EN 60745-2-3:2011+ A2:2013 + A11:2014 + A12:2014 + A13:2015

Bu ürünler ayrıca 2014/30/EU ve 2011/65/EU Direktiflerine de uygundur.

Daha fazla bilgi için, lütfen aşağıdaki adresten STANLEY ile irtibata geçin veya kılavuzun arkasına bakın. Bu belge altında imzası bulunan yetkili, teknik dosyanın derlenmesinden sorumludur ve bu beyanı STANLEY adına vermiştir.

**R.Laverick**

Mühendislik Bölümü Müdürü

STANLEY Europe, Egide Walschaertsstraat 14-18,

2800 Mechelen, Belçika

09.2017



## **iki yıl garanti**

Sahip olduğunuz STANLEY ürünü satın alma tarihinden itibaren 24 ay içinde hatalı malzeme veya işçilik nedeniyle bozulursa, STANLEY aşağıdaki şartlara uyulması koşuluyla ücretsiz olarak tüm kusurlu parçaların yenilenmesini veya -kendi inisiyatifine bağlı olarak- satın alınan ürünün değiştirilmesini garanti eder:

- Ürün, hatalı kullanılmamış kullanım kılavuzuna uygun kullanılmıştır.
- Ürün yıpranmamış, hırpalanmamış ve aşınmamıştır;
- Yetkili olmayan kişilerce tamire çalışılmamıştır.
- Satın alma belgesi (fatura) ibraz edilmiştir;
- STANLEY ürünü, tüm orijinal parçaları ile birlikte iade edilmiştir;
- Ürün kiralama amacıyla kullanılmamıştır.

Garanti talebinde bulunmak için, lütfen satıcıyla irtibata geçin veya STANLEY katalogunda belirtilen size en yakın STANLEY yetkili satıcı adresini kontrol edin veya ürünün kılavuzunda belirtilen adresteki yerel STANLEY yetkili tamir servisi ile temas kurun. İnternet'ten STANLEY yetkili tamir servislerinin listesine ve satış sonrası hizmetlerimizle ilgili tüm bilgilerine aşağıdaki siteden ulaşabilirsiniz: [www.2helpU.com](http://www.2helpU.com)

Sanayi ve Ticaret Bakanlığı tebliğince kullanım ömrü 7 yıldır.

Türkiye Distribütörü  
STANLEY BLACK&DECKER TURKEY ALET ÜRETİM SAN.  
TIC. LTD.STİ.  
Kozyatağı Mh Değirmen Sk. Nida Kule  
No:18 Kat:6 34742 Kadıköy İstanbul  
Tel : (0216) 665 29 00  
Faks : (0216) 665 29 01  
E-posta: info-tr@sbdlnc.com