



ТЕЛЕФОНЫ

0 (800) 800 130
(050) 462 0 130
(063) 462 0 130
(067) 462 0 130

130
COM.UA

Интернет-магазин
автотоваров



SKYPE
km-130

АВТОМАГНИТОЛЫ — Магнитолы • Медиа-ресиверы и станции • Штатные магнитолы • CD/DVD чейнджеры • FM-модуляторы/USB адаптеры • Flash память • Переходные рамки и разъемы • Антенны • Аксессуары | **АВТОЗВУК** — Акустика • Усилители • Сабвуферы • Процессоры • Кроссоверы • Наушники • Аксессуары | **БОРТОВЫЕ КОМПЬЮТЕРЫ** — Универсальные компьютеры • Модельные компьютеры • Аксессуары | **GPS НАВИГАТОРЫ** — Портативные GPS • Встраиваемые GPS • GPS модули • GPS трекеры • Антенны для GPS навигаторов • Аксессуары | **ВИДЕОУСТРОЙСТВА** — Видеорегистраторы • Телевизоры и мониторы • Автомобильные ТВ тюнеры • Камеры • Видеомодули • Транскодеры • Автомобильные ТВ антенны • Аксессуары | **ОХРАННЫЕ СИСТЕМЫ** — Автосигнализации • Мотосигнализации • Механические блокираторы • Имобилайзеры • Датчики • Аксессуары | **ОПТИКА И СВЕТ** — Ксенон • Биксенон • Лампы • Светодиоды • Стробоскопы • Оптика и фары • Омыватели фар • Датчики света, дождя • Аксессуары | **ПАРКТРОНИКИ И ЗЕРКАЛА** — Задние парктроники • Передние парктроники • Комбинированные парктроники • Зеркала заднего вида • Аксессуары | **ПОДОГРЕВ И ОХЛАЖДЕНИЕ** — Подогревы сидений • Подогревы зеркал • Подогревы дворников • Подогревы двигателей • Автохолодильники • Автокондиционеры • Аксессуары | **ТЮНИНГ** — Виброизоляция • Шумоизоляция • Тонировочная пленка • Аксессуары | **АВТОАКСЕССУАРЫ** — Радар-детекторы • Громкая связь Bluetooth • Стеклоподъемники • Компрессоры • Звуковые сигналы, СГУ • Измерительные приборы • Автопылесосы • Автокресла • Разное | **МОНТАЖНОЕ ОБОРУДОВАНИЕ** — Установочные комплекты • Обивочные материалы • Декоративные решетки • Фазоинверторы • Кабель и провод • Инструменты • Разное | **ПИТАНИЕ** — Аккумуляторы • Преобразователи • Пуско-зарядные устройства • Конденсаторы • Аксессуары | **МОРСКАЯ ЭЛЕКТРОНИКА И ЗВУК** — Морские магнитолы • Морская акустика • Морские сабвуферы • Морские усилители • Аксессуары | **АВТОХИМИЯ И КОСМЕТИКА** — Присадки • Жидкости омывателя • Средства по уходу • Полироли • Ароматизаторы • Клеи и герметики | **ЖИДКОСТИ И МАСЛА** — Моторные масла • Трансмиссионные масла • Тормозные жидкости • Антифризы • Технические смазки



В магазине «130» вы найдете и сможете купить в Киеве с доставкой по городу и Украине практически все для вашего автомобиля. Наши опытные консультанты предоставят вам исчерпывающую информацию и помогут подобрать именно то, что вы ищете. Ждем вас по адресу

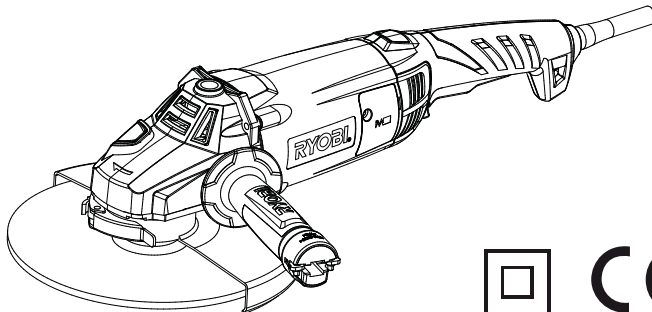
<https://130.com.ua>

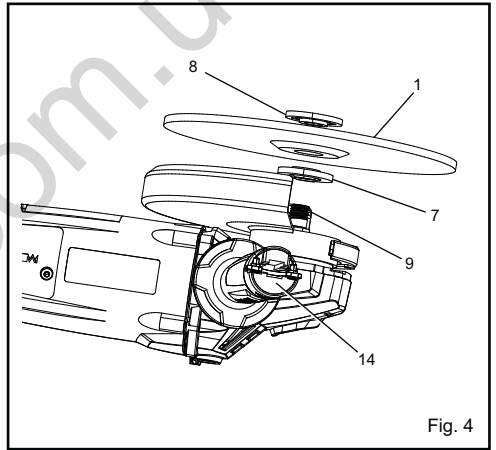
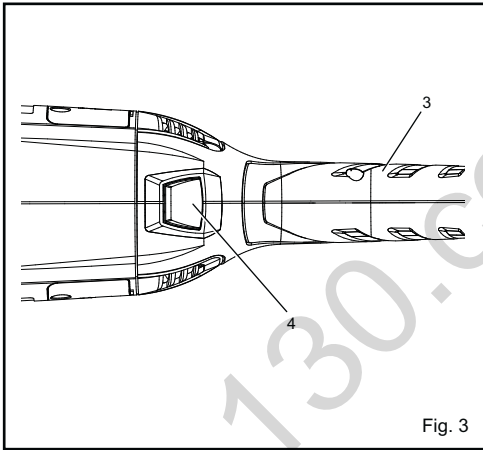
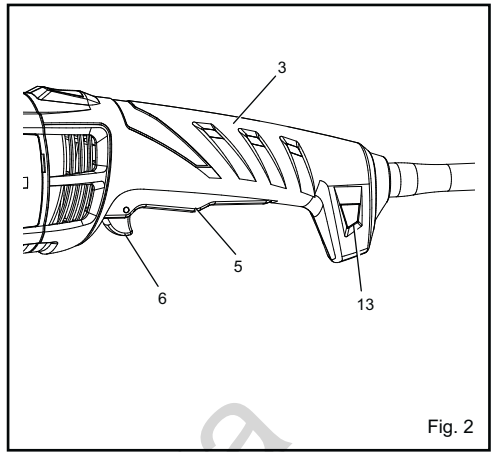
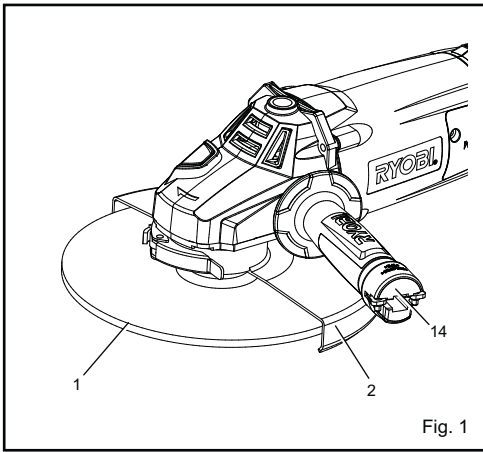
RYOBI®

EAG2000RS

GB	2000W 230MM ANGLE GRINDER	USER'S MANUAL	1
FR	MEULEUSE D'ANGLE 230MM 2000W	MANUEL D'UTILISATION	5
DE	2000W 230MM WINKELSCHLEIFER	BEDIENUNGSANLEITUNG	10
ES	REBARBADORA 230 MM 2000W	MANUAL DE UTILIZACIÓN	15
IT	SMERIGLIATRICE ANGOLARE DA 2000W 230 MM	MANUALE D'USO	20
NL	2000W 230MM HAAKSE SLIJMACHINE	GEBRUIKSHANDLEIDING	25
PT	AFIADORA ANGULAR 230MM DE 2000W	MANUAL DE UTILIZAÇÃO	30
DK	2000W 230MM VINKELSLIBER	BRUGERVEJLEDNING	35
SE	VINKELSLIP 230 MM/2000 W	INSTRUKTIONSBOK	39
FI	2000 W 230 MM KULMAHIOMAKONE	KÄYTTÄJÄN KÄSIKIRJA	43
NO	2000 W 230 MM VINKELSLIPER	BRUKSANVISNING	47
RU	УГЛОВАЯ ШЛИФОВАЛЬНАЯ МАШИНА, 230 ММ, 2000 Вт	РУКОВОДСТВО ПО ЭКСПЛУАТАЦИИ	51
PL	SZLIFIERKA KĄTOWA 2000 W, 230 MM	INSTRUKCJA OBSŁUGI	56
CZ	2000 W 230MM RUČNÍ ROZBRUŠOVAČKA	NÁVOD K OBSLUZE	61
HU	2000 W-OS 230 MM-ES SAROKCSISZOLÓ	HASZNÁLATI ÚTMUTATÓ	65
RO	POLIZOR UNGHIULAR 230 MM 2000 W	MANUAL DE UTILIZARE	70
LV	2000 W 230 MM LEŅĶA SLĪPMAŠĪNA	LIETOTĀJA ROKASGRĀMATA	75
LT	2000 W 230 MM KAMPINIS ŠLIFUOKLIS	NAUDOJIMO VADOVAS	79
EE	KETASLÕIKUR 230 MM 2000 W	KASUTAJAjuhend	83
HR	KUTNA BRUSILICA 230 MM OD 2000 W	KORISNIČKI PRIRUČNIK	87
SI	2000 W 230 MM KOTNI BRUSILNIK	UPORABNIŠKI PRIROČNIK	91
SK	2000W 230 MM ÚHĽOVÁ ROZBRUSOVAČKA	NÁVOD NA POUŽITIE	95
GR	2000W 230MM ΓΩΝΙΑΚΟΣ ΤΡΟΧΟΣ	ΟΔΗΓΙΕΣ ΧΡΗΣΗΣ	99
TR	2000W 230 MM AÇILI TAŞLAMA MAKİNESİ	KULLANIM KILAVUZU	104

GB ORIGINAL INSTRUCTIONS | **FR** TRADUCTION DES INSTRUCTIONS ORIGINALES | **DE** ÜBERSETZUNG DER ORIGINALANLEITUNG | **ES** TRADUCCIÓN DE LAS INSTRUCCIONES ORIGINALES | **IT** TRADUZIONE DELLE ISTRUZIONI ORIGINALI | **NL** VERTALING VAN DE ORIGINELE INSTRUCTIES | **PT** TRADUÇÃO DAS INSTRUÇÕES ORIGINAIS | **DK** OVERSÆTTELSE AF DE ORIGINALE INSTRUKTIONER | **SE** ÖVERSÄTTNING AV DE URSRUNGLIGA INSTRUKTIONERNA | **FI** ALKUPERÄISTEN OHJEIDEN SUOMENNOS | **NO** OVERSETTELSE AV DE ORIGINALE INSTRUKSJONENE | **RU** ПЕРЕВОД ОРИГИНАЛЬНЫХ ИНСТРУКЦИЙ | **PL** TŁUMACZENIE INSTRUKCJI ORYGINALNEJ | **CZ** PŘEKLAD ORIGINÁLNÍCH POKYNŮ | **HU** AZ EREDETI ÚTMUTATÓ FORDÍTÁSA | **RO** TRADUCEREA INSTRUCȚIUNILOR ORIGINALE | **LV** TULKOTS NO ORIGINĀLĀS INSTRUKCIJAS | **LT** ORIGINALIŲ INSTRUKCIJŲ VERTIMAS | **EE** ORIGINALJUHENDI TÕLGE | **HR** PRIJEVOD ORIGINALNIH UPUTA | **SI** PREVOD ORIGINALNIH NAVODIL | **SK** PŘEKLAD POKYNOV V ORIGINÁLI | **GR** ΜΕΤΑΦΡΑΣΗ ΤΩΝ ΠΡΩΤΟΤΥΠΩΝ ΟΔΗΓΙΩΝ | **TR** ORJINAL TALIMATLARIN TERCÜMESİ





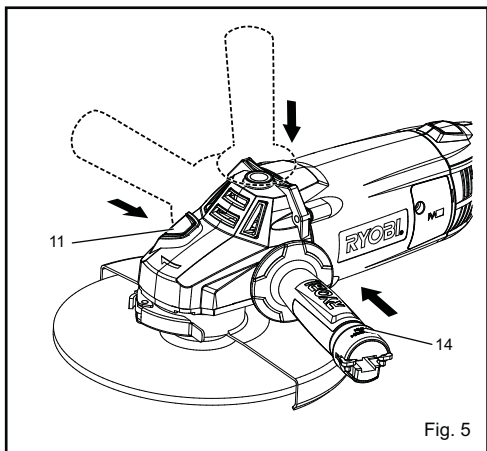


Fig. 5

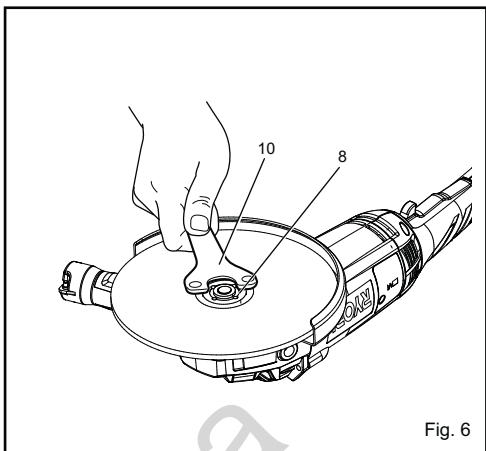


Fig. 6

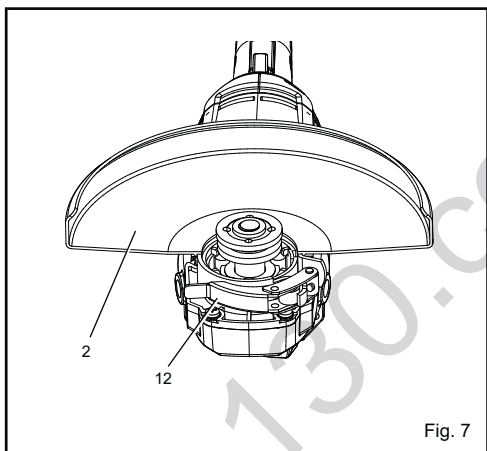


Fig. 7

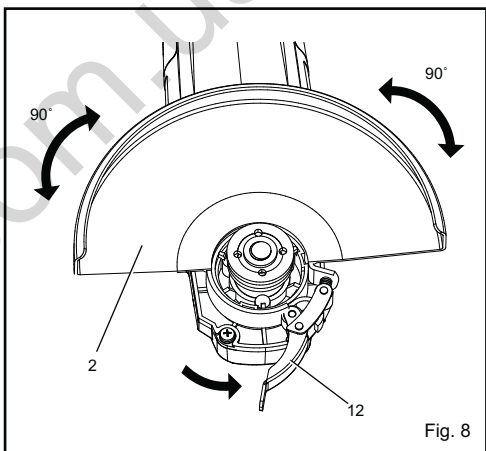


Fig. 8

Important!	It is essential that you read the instructions in this manual before operating this machine.
Attention!	Il est indispensable que vous lisez les instructions contenues dans ce manuel avant la mise en service de l'appareil.
Achtung!	Bitte lesen Sie unbedingt vor Inbetriebnahme die Hinweise dieser Bedienungsanleitung.
¡Atención!	Es imprescindible que lea las instrucciones de este manual antes de la puesta en servicio.
Attenzione!	Prima di procedere alla messa in funzione, è indispensabile leggere attentamente le istruzioni contenute nel manuale.
Let op!	Het is van essentieel belang dat u de instructies in deze gebruiksaanwijzing leest vooraleer u dit toestel in gebruik neemt.
Atenção!	É indispensável que leia as instruções deste manual antes de utilizar a máquina.
OBS!	Denne brugervejledning skal gennemlæses inden maskinen tages i brug.
Observera!	Det är nödvändigt att läsa instruktionerna i denna bruksanvisning innan användning.
Huomio!	On ehdottoman välttämätöntä lukea tässä käyttöohjeessa annetut ohjeet ennen käyttöönottoa.
Advarsel!	Det er meget viktig at du leser denne brukerveiledningen før du tar maskinen i bruk.
Внимание!	Перед сборкой и запуском инструмента необходимо ознакомиться с инструкцией по эксплуатации.
Uwaga!	Przed przystąpieniem do użytkowania tego urządzenia, należy koniecznie zapoznać się z zaleceniami zawartymi w niniejszym podręczniku.
Dôležité upozornění!	Nepoužívejte tento přístroj dříve, než si přečtete pokyny uvedené v tomto návodu.
Figyelem!	Feltétlenül fontos, hogy a jelen használati útmutatóban foglalt előírásokat az üzembe helyezés előtt elolvassa!
Atenție!	Este esențial să citiți instrucțiunile din acest manual înainte de operarea acestui aparat.
Uzmanību!	Svarīgi, lai jūs pirms mašīnas darbināšanas izlasītu instrukcijas šajā rokasgrāmatā.
Dėmesio!	Prieš pradėdami eksploatuoti šį prietaisą, svarbu, kad perskaitytumėte šiose instrukcijose pateiktus nurodymus.
Tähtis!	Enne trelli kasutama hakkamist tuleb käesolevas juhendis esitatud juhised kindlasti läbi lugeda.
Upozorenje!	Neophodno je da pročitate ove upute prije uporabe ovog uređaja.
Pomembno!	Pred uporabo tega stroja, obvezno preberite navodila iz tega priročnika.
Dôležité!	Pre prácou s týmto zariadením je dôležité, by ste si prečítali pokyny v tomto návode.
Προσοχή!	Είναι απαραίτητο να διαβάσετε τις συστάσεις των οδηγιών αυτών πριν και τη θέση σε λειτουργία.
Dikkat!	Cihazın çalıştırılmasından önce bu kılavuzda bulunan talimatları okumanız zorunludur.

Subject to technical modifications / Sous réserve de modifications techniques / Technische Änderungen vorbehalten /
 Sujeto a modificaciones técnicas / Con riserva di eventuali modifiche tecniche / Technische wijzigingen voorbehouden /
 Com reserva de modificações técnicas / Med forbehold for tekniske ændringer / Med förbehåll för tekniska ändringar /
 Tekniset muutokset varataan / Med forbehold om tekniske ændringer / Могут быть внесены технические изменения /
 Z zastrzeżeniem modyfikacji technicznych / Změny technických údajů vyhrazeny / A műszaki módosítás jogát fenntartjuk /
 Sub rezerva modificajilor tehnice / Paturam tiesības mainīt tehniskos raksturlielumus / Pasiliekan teisę daryti techninius pakeitimus /
 Tehnilised muudatused võimalikud / Подložено tehničkim promjenama / Tehnične spremembe dopuščene /
 Technické zmeny vyhradené / Υπό την επιφύλαξη τεχνικών τροποποιήσεων / Teknik değışiklik hakkı saklıdır

English

DESCRIPTION

1. Grinding wheel
2. Tool-less wheel guard
3. Rotating handle
4. Handle lock button
5. On/off switch
6. Safety lock
7. Disc flange
8. Clamp nut
9. Spindle shaft
10. Wrench
11. Spindle lock button
12. Wheel guard lock lever
13. Live tool indicator
14. Auxiliary handle

SAFETY WARNINGS SPECIFIC FOR GRINDING OPERATIONS

- a. **This power tool is intended to function as a grinder tool. Read all safety warnings, instructions, illustrations and specifications provided with this power tool.** Failure to follow all instructions listed below may result in electric shock, fire and/or serious injury.
- b. **Operations for which the power tool was not designed may create a hazard and cause personal injury.**
- c. **Do not use accessories which are not specifically designed and recommended by the tool manufacturer.** Just because the accessory can be attached to your power tool, it does not assure safe operation.
- d. **The rated speed of the accessory must be at least equal to the maximum speed marked on the power tool.** Accessories running faster than their rated speed can break and fly apart.
- e. **The outside diameter and the thickness of your accessory must be within the capacity rating of your power tool.** Incorrectly sized accessories cannot be adequately guarded or controlled.
- f. **The arbour size of wheels, flanges, backing pads or any other accessory must properly fit the spindle of the power tool.** Accessories with arbour holes that do not match the mounting hardware of the power tool will run out of balance, vibrate excessively and may cause loss of control.
- g. **Do not use a damaged accessory. Before each use inspect the accessory such as abrasive wheels for chips and cracks, backing pad for cracks, tear or excess wear, wire brush for loose or cracked wires. If power tool or accessory is dropped, inspect for damage**

or install an undamaged accessory. After inspecting and installing an accessory, position yourself and bystanders away from the plane of the rotating accessory and run the power tool at maximum no-load speed for one minute. Damaged accessories will normally break apart during this test time.

- h. **Wear personal protective equipment. Depending on application, use face shield, safety goggles or safety glasses. As appropriate, wear dust mask, hearing protectors, gloves and workshop apron capable of stopping small abrasive or workpiece fragments.** The eye protection must be capable of stopping flying debris generated by various operations. The dust mask or respirator must be capable of filtering particles generated by your operation. Prolonged exposure to high intensity noise may cause hearing loss.
- i. **Keep bystanders a safe distance away from work area. Anyone entering the work area must wear personal protective equipment.** Fragments of workpiece or of a broken accessory may fly away and cause injury beyond immediate area of operation.
- j. **Hold power tool by insulated gripping surfaces only, when performing an operation where the cutting accessory may contact hidden wiring or its own cord.** Cutting accessory contacting a "live" wire may make exposed metal parts of the power tool "live" and shock the operator.
- k. **Position the cord clear of the spinning accessory.** If you lose control, the cord may be cut or snagged and your hand or arm may be pulled into the spinning accessory.
- l. **Never lay the power tool down until the accessory has come to a complete stop.** The spinning accessory may grab the surface and pull the power tool out of your control.
- m. **Do not run the power tool while carrying it at your side.** Accidental contact with the spinning accessory could snag your clothing, pulling the accessory into your body.
- n. **Regularly clean the power tool's air vents.** The motor's fan will draw the dust inside the housing and excessive accumulation of powdered metal may cause electrical hazards.
- o. **Do not operate the power tool near flammable materials.** Sparks could ignite these materials.
- p. **Do not use accessories that require liquid coolants.** Using water or other liquid coolants may result in electrocution or shock.
- q. **Use only wheel types that are recommended for your power tool and the specific guard**

English

designed for the selected wheel. Wheels for which the power tool was not designed cannot be adequately guarded and are unsafe.

- r. **The guard must be securely attached to the power tool and positioned for maximum safety, so the least amount of wheel is exposed towards the operator.** The guard helps to protect operator from broken wheel fragments and accidental contact with wheel.
- s. **Wheels must be used only for recommended applications. For example, do not grind with the side of cut-off wheel.** Abrasive cut-off wheels are intended for peripheral grinding, side forces applied to these wheels may cause them to shatter.
- t. **Always use undamaged wheel flanges that are of correct size and shape for your selected wheel.** Proper wheel flanges support the wheel thus reducing the possibility of wheel breakage. Flanges for cut-off wheels may be different from grinding wheel flanges.
- u. **Do not use worn down wheels from larger power tools.** Wheel intended for larger power tool is not suitable for the higher speed of a smaller tool and may burst.

KICKBACK AND RELATED WARNINGS

Kickback is a sudden reaction to a pinched or snagged rotating wheel, backing pad, brush or any other accessory. Pinching or snagging causes rapid stalling of the rotating accessory which in turn causes the uncontrolled power tool to be forced in the direction opposite of the accessory's rotation at the point of the binding.

For example, if an abrasive wheel is snagged or pinched by the workpiece, the edge of the wheel that is entering into the pinch point can dig into the surface of the material causing the wheel to climb out or kick out. The wheel may either jump toward or away from the operator, depending on direction of the wheel's movement at the point of pinching. Abrasive wheels may also break under these conditions.

Kickback is the result of power tool misuse and/or incorrect operating procedures or conditions and can be avoided by taking proper precautions as given below.

- a. **Maintain a firm grip on the power tool and position your body and arm to allow you to resist kickback forces. Always use auxiliary handle, if provided, for maximum control over kickback or torque reaction during start-up.** The operator can control torque reactions or kickback forces, if proper precautions are taken.
- b. **Never place your hand near the rotating accessory.** Accessory may kickback over your hand.
- c. **Do not position your body in the area where**

power tool will move if kickback occurs. Kickback will propel the tool in direction opposite to the wheel's movement at the point of snagging.

- d. **Use special care when working corners, sharp edges etc.**
Avoid bouncing and snagging the accessory. Corners, sharp edges or bouncing have a tendency to snag the rotating accessory and cause loss of control or kickback.
- e. **Do not attach a saw chain woodcarving blade or toothed saw blade.** Such blades create frequent kickback and loss of control.

ADDITIONAL SAFETY WARNINGS SPECIFIC FOR GRINDING OPERATIONS

- a. Check that the speed marked on the grinding wheel is equal to or greater than the rated speed of the tool.
- b. Ensure that the dimensions of the grinding wheel are compatible with the tool and that the wheel fits the spindle.
- c. Grinding wheels must be stored in a dry place.
- d. Do not store objects on top of the grinding wheels.
- e. Grinding wheels must not be used for any operation other than grinding.
- f. Inspect the grinding wheel before use to ensure that it is not chipped or cracked. Chips or cracks can cause the wheels to shatter, resulting in possible serious injury.
- g. Ensure that the grinding wheel is correctly mounted and tightened before use and run the tool at no-load speed for 30 seconds in a safe position. Stop immediately if there is considerable vibration or if other defects are detected. If this condition occurs, check the tool to determine the cause.
- h. Do not use separate reducing bushings or adapters to adapt large hole grinding wheels.
- i. Check that the workpiece is properly supported.
- j. Ensure that sparks resulting from use do not create a hazard e.g. do not hit people, or ignite flammable substances.
- k. Always use protective safety glasses and ear protectors.
- l. Use other personal protective equipment such as gloves, apron and helmet when necessary.
- m. Never place the tool on the floor or other surfaces while it is running. Grinding wheels continue to rotate after the tool is switched off. Never touch the wheel or place it on the floor or other surfaces while it is rotating.
- n. The flange and clamp nut must have same outer diameter.
- o. Use the tool only for approved applications. Never use coolants or water or use the tool as a fixed

English

tool.

- p. Grip the tool securely with both hands while operating.

SYMBOL



Safety Alert

V Volts

Hz Hertz

~ Alternating Current

W Watts

n_0 No-load speed

n Rated speed

min^{-1} Revolutions or reciprocations per minute



CE Conformity



Double insulation



Wear ear protection



Wear eye protection



Please read the instructions carefully before starting the machine.



Waste electrical products should not be disposed of with household waste. Please recycle where facilities exist. Check with your Local Authority or retailer for recycling advice.



Recycle raw materials instead of disposing of as waste. The machine, accessories and packaging should be sorted for environmental-friendly recycling.

SPECIFICATIONS

Grinding wheel	230 mm (9 in)
Frequency	50 Hz
Voltage	230 V - 240 V ~
Input	2000 W
Spindle thread	M14
Rated speed	6000 min^{-1}

Overall length 470 mm

Net weight 6.0 kg

NOTE: Be sure to check the nameplate on the product, because the voltage is subject to change depending on the area in which the product is to be used.

Maximum circumferential speed of grinding wheel: 4,800 m/min.

Example of calculation

$$3.14 \times 230 \times 6,000/1,000 = 4,333.2$$

$$3.14 \times 180 \times 6,000/1,000 = 3,391.2$$

Circumferential speed of grinding wheel 4,333.2/3,391.2

Wheel diameter 230/180

Rated speed of grinder 6,000

STANDARD ACCESSORIES

Auxiliary handle

A grinding wheel is included in the standard accessories for some countries.

OPERATION

See figure 4.

WARNING

Keep safety guards in place. Never cover the air vents since they must always be open for proper motor cooling.

The key to efficient operating is controlling the pressure and surface contact between the disc and workpiece. Flat surfaces are ground at an acute angle, usually 10 to 20 degrees with the workpiece. Allow the disc to reach full speed before starting to grind. Too great an angle causes concentration of pressure on a small area which may gouge or burn work surface.

SWITCH

See figure 2.

- To switch on the unit, press forward the safety lock and then press the on/off switch.
- To switch off the unit, release the on/off switch.

ADJUSTING THE ROTATING HANDLE POSITION

See figure 3.

1. Turn off the tool.
2. Press and hold the handle lock button, then turn the rotating handle to the desired position until it snaps in place.

⚠ WARNING

Do not adjust the rotating handle while the tool is in operation.

THREE-POSITION AUXILIARY HANDLE

See figure 5.

Specifically designed and angled to three-position for maximum comfort and control.

MOUNTING THE GRINDING WHEEL

See figure 4 - 6.

⚠ WARNING

Check carefully whether or not there are cracks in the wheel. Replace a cracked wheel immediately.

- Attach the disc flange, the grinding wheel and the clamp nut to the spindle shaft.
- Be sure the disc flange is properly seated on the spindle shaft.
- Depress the lock button located on the right side of gear case.
- Using the wrench provided, tighten the clamp nut in a clockwise direction.

TOOL-LESS WHEEL GUARD

See figure 7 - 8.

Release the wheel guard lock lever then turn the tool-less wheel guard to the desired position. The maximum turning angle is 90° on either side; otherwise the guard cannot be locked.

LIVE TOOL INDICATOR

This tool features a live tool indicator which illuminates as soon as the tool is connected to the supply. This warns the user that the tool is connected and will operate when the switch is pressed.

MAINTENANCE

After use, check the tool to make sure that it is in good condition.

It is recommended that you take this tool to a Ryobi authorized service center for a through cleaning and lubrication at least once a year.

⚠ WARNING

Do not make any adjustments while the motor is in motion.

Always disconnect the power cord from the socket before changing removable or expendable parts (grinding disc, cutting disc etc.), before lubricating or working on the unit.

⚠ WARNING

To ensure safety and reliability, all repairs should be performed by an authorized service center or other qualified service organization.

DESCRIPTION

1. Meule à ébarber
2. Carter de protection
3. Poignée pivotante
4. Bouton de verrouillage de la poignée
5. Interrupteur marche/arrêt
6. Dispositif de déverrouillage de la gâchette
7. Flasque
8. Flasque extérieur
9. Arbre d'entraînement
10. Clé de service
11. Bouton de verrouillage de l'arbre
12. Levier de verrouillage du carter de protection
13. Témoin de mise sous tension
14. Poignée auxiliaire

**AVERTISSEMENTS DE SÉCURITÉ
PARTICULIERS POUR LES OPÉRATIONS DE
MEULAGE**

- a. **Cet outil est conçu pour être utilisé comme meuleuse. Lisez attentivement l'ensemble des avertissements, instructions et spécifications fournis avec cet outil, et reportez-vous aux illustrations.** Le non-respect des instructions présentées ci-après peut entraîner des accidents tels que des incendies, des chocs électriques et/ou des blessures corporelles graves.
- b. **Le non-respect de cette consigne peut entraîner des accidents et des blessures corporelles graves.**
- c. **N'utilisez pas des accessoires qui ne sont pas spécifiquement conçus pour cet outil et qui ne sont pas recommandés par le fabricant** Même si un accessoire peut être monté sur un outil, cela ne garantit pas que vous pourrez utiliser cet outil en toute sécurité.
- d. **La vitesse nominale de l'accessoire doit être égale ou supérieure à la vitesse maximale indiquée sur l'outil.** Les accessoires fonctionnant à une vitesse supérieure à leur vitesse nominale peuvent se casser et être éjectés.
- e. **Le diamètre extérieur et l'épaisseur de l'accessoire doivent correspondre aux caractéristiques spécifiées pour l'outil** Si les accessoires ne correspondent pas aux caractéristiques données, les systèmes de protection et de réglage de l'outil ne pourront pas fonctionner correctement.
- f. **Les meules, flasques, patins ou autres accessoires doivent être parfaitement adaptés à l'alésage de l'arbre de l'outil.** Les accessoires non adaptés à l'arbre sur lequel ils doivent être

montés ne tourneront pas correctement, vibreront de manière excessive et vous feront perdre le contrôle de l'outil.

- g. **N'utilisez pas un accessoire endommagé. Avant chaque utilisation, vérifiez que l'accessoire que vous utilisez est en bon état: assurez-vous que les disques abrasifs ne sont pas ébréchés ou fissurés, que les patins ne sont pas déchirés ou usés, que les poils des brosses métalliques ne sont pas trop usés ou cassés.** En cas de chute de l'outil ou de l'accessoire, vérifiez qu'aucun élément n'est endommagé et, si besoin, installez un accessoire neuf. En cas de chute de l'outil ou de l'accessoire, vérifiez qu'aucun élément n'est endommagé et, si besoin, installez un accessoire neuf. Si l'accessoire est endommagé, il se cassera pendant ce test.
- h. **Porter des équipements de protection individuelle.** Selon l'utilisation que vous faites de votre outil, portez un masque de protection, des lunettes de sécurité ou des lunettes de protection. Selon l'utilisation que vous faites de votre outil, portez un masque de protection, des lunettes de sécurité ou des lunettes de protection. Si besoin, portez un masque anti-poussière, des protections auditives, des gants et un tablier de protection afin de vous protéger de toute projection de corps étrangers (éléments abrasifs, copeaux de bois, etc.). Les masques anti-poussière permettent de filtrer les particules générées par l'opération que vous menez. Les masques anti-poussière permettent de filtrer les particules générées par l'opération que vous menez.
- i. **Maintenez les visiteurs à bonne distance de la zone de travail. Maintenez les visiteurs à bonne distance de la zone de travail et veillez à ce qu'ils portent un équipement de protection.** Des fragments de pièce à usiner ou d'un accessoire cassé peuvent être projetés au-delà de la zone de travail et causer des blessures corporelles graves.
- j. **Ne tenez l'outil que par les parties isolées et antidérapantes lorsque vous travaillez sur une surface pouvant cacher des fils électriques ou lorsque le travail requis est susceptible de placer le cordon d'alimentation sur la trajectoire de l'outil.** Un contact avec des fils sous tension pourrait transmettre le courant dans les parties en métal et provoquer un choc électrique.
- k. **Positionnez le cordon d'alimentation de façon à ce qu'il soit à distance de l'accessoire en rotation.** Si vous perdez le contrôle de votre outil, le cordon d'alimentation pourrait être coupé ou se

Français

coincer et votre main ou votre bras pourrait être entraîné vers l'accessoire en rotation.

- l. **Ne posez jamais votre outil avant que l'accessoire ne soit complètement arrêté.** L'accessoire en rotation pourrait entrer en contact avec la surface sur laquelle il est posé et vous faire perdre le contrôle de l'outil.
- m. **N'faites pas fonctionner votre outil lorsque vous le transportez.** L'accessoire en rotation pourrait se prendre dans vos vêtements et vous blesser gravement.
- n. **Nettoyez régulièrement les fentes de ventilation de l'outil.** La ventilation du moteur fait pénétrer les poussières à l'intérieur du carter moteur, ce qui peut générer une accumulation excessive de particules métalliques et provoquer des chocs électriques.
- o. **N'utilisez pas votre outil à proximité de produits inflammables.** Des étincelles risqueraient de les enflammer.
- p. **N'utilisez pas d'accessoires nécessitant des fluides de refroidissement.** L'utilisation d'eau ou de liquides de refroidissement peut causer des électrocutions ou des chocs électriques.
- q. **N'utilisez que des types de meule recommandés pour votre outil électrique ainsi que la protection spécifique à la meule utilisée.** Les meules pour lesquelles l'outil électrique n'a pas été prévu ne peuvent pas être protégées de façon adéquate et présentent un danger.
- r. **La protection doit être bien fixée sur l'outil électrique et positionnée de façon à offrir la meilleure sécurité, afin que la plus petite partie possible de la meule soit dirigée vers l'opérateur.** La protection aide à protéger l'opérateur des fragments d'une meule brisée ainsi que du contact accidentel avec la meule.
- s. **Les meules ne doivent être utilisées que dans leur domaine d'application recommandé. Par exemple, n'utilisez pas le flanc d'un disque à tronçonner pour meuler.** Les disques abrasifs de découpe sont destinés à des découpes périphériques, les forces latérales y étant appliquées peuvent entraîner leur bris.
- t. **Assurez-vous de toujours utiliser des supports de disques en bon état et dont la taille et la forme sont adaptées au disque à utiliser.** Un support de disque adapté maintient le flanc du disque et réduit le risque de bris. Les supports des disques à découper peuvent être différents des supports pour meules.
- u. **N'utilisez pas de disques usés en provenance d'outils plus puissants.** Les meules destinées à un outil plus important ne sont pas adaptées à

la vitesse de rotation supérieure d'un petit outil et sont susceptibles d'éclater.

AVERTISSEMENTS RELATIFS AU REBOND ET AUTRES RISQUES ASSOCIÉS

Le rebond est une réaction soudaine qui a lieu lorsque la meule en mouvement, le patin, la brosse ou tout autre accessoire se pince ou se tord, ce qui entraîne le blocage rapide de l'accessoire. L'outil, qui continue à fonctionner, est alors projeté dans la direction opposée au sens d'utilisation de l'accessoire.

Par exemple, si un disque abrasif se pince ou se tord dans la pièce à usiner, le tranchant du disque risque de s'enfoncer dans la surface de la pièce à usiner, ce qui fera brusquement sortir le disque de la pièce à usiner et le projettera vers l'utilisateur ou à distance, en fonction du sens de rotation du disque lorsque celui-ci s'est bloqué. En cas de rebond, le disque abrasif peut également se casser. Le rebond est donc le résultat d'une mauvaise utilisation de l'outil et/ou de procédures ou de conditions d'utilisation incorrectes.

Il peut être évité en veillant à respecter quelques précautions:

- a. **Maintenez fermement l'outil et positionnez votre corps et votre bras de façon à pouvoir contrôler un éventuel rebond.** Si l'outil dispose d'une poignée auxiliaire, veillez à toujours la tenir pour avoir un contrôle optimal de l'outil en cas de rebond ou de couple de réaction lors de la mise en marche de l'outil. Prenez les mesures nécessaires afin de pouvoir contrôler votre outil en cas de rebond ou de couple de réaction.
- b. **Ne placez jamais votre main à proximité de l'accessoire en rotation afin d'éviter tout risque de blessures corporelles graves en cas de rebond.** Accessoire risque de rebondir sur votre main.
- c. **Ne vous placez pas dans la zone où l'outil risque d'être projeté en cas de rebond.** En cas de rebond, l'outil est projeté dans la direction opposée au sens de rotation du disque.
- d. **Faites particulièrement attention lorsque vous travaillez sur des angles, des bords tranchants, etc.** Évitez de faire déraiper ou de coincer l'accessoire. Lorsque vous travaillez sur des angles ou des bords tranchants ou lorsque vous faites déraiper l'outil, le risque est plus élevé de bloquer l'accessoire, et donc de perdre le contrôle de l'outil et provoquer un rebond.
- e. **N'utilisez jamais de lame de tronçonneuse à bois ou de lame de scie avec cet outil.** De telles lames augmentent le risque de rebond et de perte de contrôle de l'outil.

Français

AVERTISSEMENTS DE SÉCURITÉ PARTICULIERS POUR LES OPÉRATIONS DE MEULAGE

- Vérifiez que la vitesse indiquée sur la meule à ébarber est égale ou supérieure à la vitesse nominale de l'outil.
- Assurez-vous que le diamètre de la meule à ébarber est compatible avec l'outil et que la meule s'insère correctement sur l'arbre.
- Les meules à ébarber doivent être rangées dans un endroit sec.
- Ne placez aucun objet sur les meules.
- Les meules ne doivent pas être utilisées à d'autres fins que des opérations de meulage.
- Avant d'utiliser la meule, assurez-vous qu'elle n'est pas ébréchée ou fissurée. Si tel est le cas, la meule peut se briser, ce qui peut entraîner des blessures corporelles graves.
- Assurez-vous avant utilisation que la meule est correctement montée et serrée, puis faites tourner votre outil à vide pendant 30 secondes en l'orientant de telle sorte qu'il ne présente aucun danger. Arrêtez votre outil immédiatement s'il vibre excessivement ou si vous remarquez d'autres problèmes. Dans cette éventualité, contrôlez votre outil pour déterminer la cause du problème.
- N'utilisez pas de bagues de réduction ou d'entretoises pour réduire l'alséage de meules à grand alséage.
- Vérifiez que la pièce à usiner est correctement maintenue.
- Assurez-vous que les étincelles produites par l'utilisation de l'outil ne créent pas de situation dangereuse, par exemple qu'elles ne sont pas projetées sur des personnes ou des substances inflammables.
- Veillez à toujours porter des lunettes de protection et des protections auditives.
- Si nécessaire, utilisez d'autres équipements de protection tels que des gants, un tablier ou un casque.
- Ne posez jamais votre outil sur le sol ou sur d'autres surfaces lorsqu'il est en marche. Attention, la meule tourne par inertie après l'arrêt de l'outil. Vous ne devez jamais ni toucher la meule, ni la poser sur le sol ou d'autres surfaces lorsqu'elle est en rotation.
- Le flasque de la meule et le flasque extérieur doivent avoir le même diamètre extérieur.
- N'utilisez votre outil que pour les applications pour lesquelles il a été conçu. N'utilisez jamais de fluide de refroidissement ou d'eau. N'utilisez pas votre outil comme un outil fixe.
- Lorsque vous utilisez votre outil, tenez-le fermement avec les deux mains.

SYMBÔLE



Alerte de Sécurité

V Volts

Hz Hertz

~ Courant alternatif

W Watts

n_0 Vitesse à vide

n Vitesse nominale

min⁻¹ Nombre de tours ou de mouvements par minute



Conformité CE



Double isolation



Portez une protection auditive



Portez une protection oculaire



Veillez lire attentivement le mode d'emploi avant de démarrer la machine.



Les produits électriques hors d'usage ne doivent pas être jetés avec les ordures ménagères. Recyclez-les par l'intermédiaire des structures disponibles. Contactez les autorités locales pour vous renseigner sur les conditions de recyclage.



Recyclez les matières premières au lieu de les jeter aux ordures ménagères. Pour protéger l'environnement, l'outil, les accessoires et les emballages doivent être triés.

CARACTÉRISTIQUES

Meule à ébarber	230 mm (9 in)
Fréquence	50 Hz
Tension	230 V - 240 V ~
Alimentation	2000 W
Filetage de l'arbre	M14
Vitesse nominale	6000 min ⁻¹
Longueur totale	470 mm

Français

Poids net 6.0 kg

NOTE: Vérifiez la plaque signalétique du produit, car la tension peut être différente en fonction de l'endroit où le produit doit être utilisé.

Vitesse périphérique maximale de la meule: 4,800 m/min.

Exemple de calcul

$$3.14 \times 230 \times 6,000/1,000 = 4\,333.2$$

$$3.14 \times 180 \times 6,000/1,000 = 3\,391.2$$

Vitesse périphérique de la meule 4,333.2/3,391.2

Diamètre de la meule 230/180

Vitesse à vide de la meuleuse 6 000

ACCESSOIRES STANDARD

Poignée auxiliaire

Une meule à ébarber est fournie avec les accessoires dans certains pays.

UTILISATION

Voir figure 4.

⚠ AVERTISSEMENT

Les carters de protection doivent toujours être en place. Veillez à ne pas couvrir les fentes de ventilation pour permettre un refroidissement correct du moteur.

Pour un travail efficace, il est important de bien contrôler la pression exercée sur l'outil ainsi que la surface de contact entre la meule et la pièce à usiner. Pour meuler des surfaces planes, la meuleuse doit former un angle aigu, en général entre 10° et 20°, avec la pièce à usiner. Laissez à la meule le temps d'atteindre sa vitesse maximale avant de commencer le meulage. Un angle trop grand provoque une concentration de la pression sur une petite surface ce qui peut creuser ou brûler la surface de travail.

INTERRUPTEUR

Voir figure 2.

- Pour mettre l'appareil en marche, poussez le verrouillage de sécurité vers l'avant puis enfoncez l'interrupteur marche/arrêt.
- Pour arrêter l'appareil, relâchez l'interrupteur marche/arrêt.

RÉGLAGE DE LA POIGNÉE PIVOTANTE

Voir figure 3.

1. Arrêtez l'outil.
2. Maintenez enfoncé le bouton de verrouillage de la poignée, puis faites-la pivoter à la position désirée jusqu'à ce qu'elle se bloque dans un cran.

⚠ AVERTISSEMENT

Ne changez pas les réglages de la poignée rotative lorsque l'outil est en fonctionnement.

POIGNÉE AUXILIAIRE À TROIS POSITIONS

Voir figure 5.

Conçue spécialement avec un angle à trois positions pour un maximum de confort et de contrôle.

MONTAGE DE LA MEULE À ÉBARBER

Voir figure 4 - 6.

⚠ AVERTISSEMENT

Vérifiez attentivement que la meule ne présente pas de fissures. Remplacez immédiatement toute meule fissurée.

- Montez le flasque, la meule à ébarber et le flasque extérieur sur l'arbre d'entraînement.
- Assurez-vous que le flasque du disque est bien en place sur l'arbre de broche.
- Enfoncez le bouton de verrouillage de l'arbre situé sur le côté droit du carter moteur.
- Serrez le flasque extérieur dans le sens des aiguilles d'une montre à l'aide de la clé de service fournie.

CARTER DE PROTECTION

Voir figure 7 - 8.

Ouvrez le levier de verrouillage du carter de protection puis placez le carter de protection dans la position souhaitée. L'angle de pivotement maximum est de 90° de chaque côté; autrement, il ne serait pas possible de verrouiller le carter de protection.

TÉMOIN DE MISE SOUS TENSION

Votre meuleuse d'angle est équipée d'un témoin de mise sous tension qui s'allume lorsque l'outil est branché. Ce témoin attire votre attention sur le fait que la meuleuse est sous tension et qu'elle se mettra en marche dès que vous ferez coulisser l'interrupteur vers l'avant.

Français

ENTRETIEN

Après utilisation, assurez-vous que votre outil est en bon état de marche.

Nous vous recommandons d'apporter votre outil au moins une fois par an dans un Centre Service Agréé Ryobi pour une lubrification et un nettoyage complets.

⚠ AVERTISSEMENT

N'effectuez aucun réglage lorsque le moteur est en marche.

Débranchez toujours la meuleuse avant de remplacer une pièce (meule diamant, meule à ébarber, etc.), de lubrifier l'outil et avant toute opération d'entretien.

⚠ AVERTISSEMENT

Pour plus de sécurité et de fiabilité, toutes les réparations doivent être effectuées par un Centre Service Agréé Ryobi.

BESCHREIBUNG

1. Schleifscheibe
2. Schutzgehäuse
3. Drehbarer Griff
4. Sperrvorrichtung des Griffs
5. Ein/Aus Schalter
6. Sperrknopf des Ein/Aus-Schalter
7. Flansch
8. Äußere Scheibe
9. Antriebswelle
10. Bedienungsschlüssel
11. Blockierknopf der Welle
12. Sperrhebel des Schutzgehäuses
13. Spannungs-LED
14. Seitengriff

SPEZIELLE SICHERHEITSWARNUNGEN FÜR DEN SCHLEIFBETRIEB

- a. **Dieses Werkzeug wurde konzipiert, um als Winkelschleifer. Lesen Sie aufmerksam alle mit diesem Werkzeug gelieferten Warnungen, Anweisungen und Spezifikationen, beziehen Sie sich auf die Illustrationen.** Die Nichtbeachtung der weiter unten aufgeführten Anweisungen kann Unfälle wie Brände, Elektroschocks und/oder schwere Körperverletzungen zur Folge haben.
- b. **Die Nichtbeachtung dieser Vorschrift kann Unfälle und schwere Körperverletzungen zur Folge haben.**
- c. **Benutzen Sie kein Zubehör, das nicht speziell für dieses Werkzeug konzipiert worden ist und das nicht vom Hersteller empfohlen wird.** Selbst wenn es möglich ist, ein Zubehörteil auf ein Werkzeug zu montieren, ist dies keine Garantie dafür, dass dieses Gerät in aller Sicherheit benutzt werden kann.
- d. **Die nominale Geschwindigkeit des Zubehörs muss gleich oder schneller sein, als die maximale, auf dem Werkzeug angegebene Geschwindigkeit.** Zubehörteile, die schneller drehen als ihre Nominalgeschwindigkeit, können brechen und weggeschleudert werden.
- e. **Der Außendurchmesser und die Dicke des Zubehörteils müssen den spezifischen Eigenschaften des Werkzeuges entsprechen.** Wenn die Zubehörteile nicht den angegebenen Eigenschaften entsprechen, können die Schutz- und Einstellsysteme des Werkzeuges nicht korrekt funktionieren.
- f. **Schleifscheiben, Flansche, Schleifschuhe oder anderen Zubehörteile müssen ganz genau an die Bohrung der Werkzeugwelle angepasst**

sein. Zubehörteile, die nicht für die Welle, auf die sie montiert werden sollen, geeignet sind, drehen nicht richtig, vibrieren zu stark und lassen Sie die Kontrolle über das Werkzeug verlieren.

- g. **Benutzen Sie kein beschädigtes Zubehör. Überprüfen Sie vor jeder Benutzung, ob das Zubehör, das Sie benutzen, in gutem Zustand ist: Prüfen Sie, ob die Schleifscheiben nicht brüchig oder rissig, die Kufen nicht beschädigt oder abgenutzt, die Stahlbürsten nicht zu sehr abgenutzt oder abgebrochen. Überprüfen Sie, für den Fall, dass Ihr Werkzeug oder ein Zubehörteil herunterfällt, ob kein Element beschädigt worden ist, montieren Sie bei Bedarf ein neues Zubehörteil. Nachdem Sie den korrekten Zustand des Zubehörs geprüft und sie es montiert haben, nehmen Sie Abstand vom beweglichen Zubehörteil und lassen das Werkzeug eine Minute lang auf Höchstgeschwindigkeit laufen. Wenn das Zubehörteil beschädigt ist, bricht es bei diesem Test.**
- h. **Persönliche Schutzausrüstung tragen. Tragen Sie je nach Verwendungsart Ihres Werkzeuges eine Schutzmaske, Sicherheitsbrille, oder Schutzbrille. Tragen Sie bei Bedarf eine Staubschutzmaske, einen Gehörschutz, Handschuhe und eine Schutzschürze, um sich gegen fliegende Fremdkörper (Schleifelemente, Holzspäne, usw.) zu schützen.** Die Schutzbrille soll die Augen vor Verletzung durch fliegende Teilchen schützen. Staubschutzmasken dienen dazu, die bei der durchgeführten Arbeit erzeugten Partikel zu filtern. Anhaltender, starker Lärm kann zu Gehörverlust führen.
- i. **Bitten Sie Besucher darum, sich in gebührendem Abstand vom Arbeitsbereich aufzuhalten und Schutzkleidung zu tragen. Jeder, der den Arbeitsbereich betritt muss eine persönliche Schutzausrüstung tragen.** Splitter des zu bearbeitenden Teils oder zerbrochenes Zubehör können bis außerhalb des Arbeitsbereiches geschleudert werden und schwere Verletzungen verursachen.
- j. **Halten Sie das Werkzeug nur an den isolierten und rutschsicheren Griffen fest, wenn Sie an einer Fläche arbeiten, die elektrische Leitungen verstecken könnte, oder wenn das Stromkabel auf den Arbeitsweg des Werkzeuges geraten könnte.** Der Kontakt mit unter Strom stehenden Leitungen kann Strom in die Metallteile leiten und einen Elektroschock auslösen.
- k. **Halten Sie das Stromkabel weit genug vom sich drehenden Zubehörteil entfernt. Falls Sie**

Deutsch

die Kontrolle über Ihr Werkzeug verlieren, könnte das Stromkabel durchtrennt oder verklemmt und Ihre Hand oder Ihr Arm vom drehenden Zubehörteil mitgerissen werden.

- l. **Legen Sie Ihr Werkzeug nie ab, bevor das Zubehörteil vollständig zum Stillstand gekommen ist.** Das drehende Zubehörteil könnte mit der Oberfläche, auf der es abgelegt wurde, in Kontakt kommen und es besteht die Gefahr, dass Sie die Kontrolle über das Werkzeug verlieren.
- m. **Lassen Sie Ihr Werkzeug nicht eingeschaltet, während Sie es transportieren.** Das sich drehende Zubehörteil könnte sich in Ihren Kleidern verfangen und Sie schwer verletzen.
- n. **Säubern Sie regelmäßig die Lüftungspalten des Werkzeugs.** Die Motorlüftung lässt Staub ins Motorgehäuseinnere eindringen, dies kann zur Ansammlung von Metallpartikeln führen und Elektroschocks auslösen.
- o. **Benutzen Sie Ihr Werkzeug nicht in der Nähe leicht entflammbarer Produkte.** Funken könnten sie entflammen.
- p. **Benutzen Sie kein Zubehör, das Kühlwasser benötigt.** Die Benutzung von Wasser oder Kühlfüssigkeiten kann elektrische Schläge oder Elektroschocks verursachen.
- q. **Verwenden Sie ausschließlich die für Ihr Werkzeug empfohlenen Radarten, sowie die für das gewählte Rad vorgesehene Schutzvorrichtung.** Räder für die das Werkzeug nicht entwickelt wurde, können nicht ausreichend abgedeckt werden und sind unsicher.
- r. **Die Schutzvorrichtung muss zur Gewährleistung einer optimalen Sicherheit fest angebracht werden und so, dass der Benutzer dem Rad so wenig wie möglich ausgesetzt ist.** Die Schutzvorrichtung hilft, den Benutzer vor abgebrochenen Radfragmenten und einem versehentlichen Kontakt mit dem Rad zu schützen.
- s. **Räder dürfen nur für die empfohlenen Anwendungen verwendet werden.** Zum Beispiel, schleifen Sie nicht mit der Seite eines Schneidrades. Die Schleifräder dienen dem Radialschliff; falls seitliche Kräfte auf sie ausgeübt werden, können sie zerbrechen.
- t. **Verwenden Sie immer nur Radflansche in der richtigen Größe und mit der richtigen Form für das gewünschte Rad.** Ein korrekter Radflansch unterstützt das Rad, wodurch das Risiko eines Zerbrechens des Rades verringert wird. Flansche für Schneidräder können sich von denen für Schleifräder unterscheiden.
- u. **Verwenden Sie keine abgenutzten Räder von größeren Werkzeugen!** Räder, die für große

Werkzeuge vorgesehen sind, sind für die höhere Geschwindigkeit des kleineren Werkzeugs nicht geeignet und können zerbrechen.

RÜCKSCHLAG UND ANDERE WARNUNGEN

Der Rückprall ist eine plötzliche Reaktion, die auftreten kann, wenn die sich drehende Schleifscheibe, der Schleifschuh, die Bürste oder ein anderes Zubehörteil sich verklemmt oder verbiegt und die schnelle Blockierung des Zubehörs verursacht. Das weiter funktionierende Werkzeug schleudert das Werkzeug dann in die Richtung, die der Benutzungsrichtung des Zubehörs entgegen liegt.

Wenn zum Beispiel eine Schleifscheibe sich im zu bearbeitenden Teil verklemmt oder verbiegt, besteht die Gefahr, dass die Schnittfläche der Scheibe sich in die Oberfläche des zu bearbeitenden Teils einfrisst, was die Scheibe unvermittelt aus dem Teil schnellen lässt und es, gemäß der Drehrichtung der blockierten Scheibe, zum Benutzer hin oder weg schleudert. Die Schleifscheibe kann beim Rückprall auch brechen. Der Rückprall ist die Folge unangebrachter Benutzung des Werkzeugs und/oder des Verfahrens oder unangemessener Benutzungsbedingungen.

Er kann durch die Beachtung bestimmter Sicherheitsmaßnahmen vermieden werden:

- a. **Halten Sie das Werkzeug gut fest und positionieren Sie Ihren Körper und Ihren Arm so, dass Sie einen eventuellen Rückprall kontrollieren können.** Wenn das Werkzeug über einen zusätzlichen Handgriff verfügt, dann halten Sie ihn stets fest, um im Falle eines Rückpralls oder eines Gegenwirmoments beim Einschalten des Werkzeugs eine optimale Kontrolle über das Werkzeug zu haben. Ergreifen Sie die erforderlichen Maßnahmen, um Ihr Werkzeug im Falle eines Rückpralls oder Gegenwirmoments kontrollieren zu können.
- b. **Bringen Sie Ihre Hand niemals in die Nähe des drehenden Zubehörteils, dies kann im Falle eines Rückpralls schwere Körperverletzungen vermeiden.** Zubehör kann über Ihre Hand zurückschlagen.
- c. **Stellen Sie sich nicht in den Bereich, in deren Richtung das Werkzeug im Falle eines Rückpralls geschleudert werden könnte.** Das Werkzeug wird bei einem Rückprall in die entgegen gesetzte Richtung der Scheibendrehung geschleudert.
- d. **Geben Sie besonders Acht, wenn Sie an Ecken, scharfen Kanten usw. arbeiten.** Vermeiden Sie es, mit dem Zubehörteil abzurutschen oder es einzuklemmen. Wenn Sie an Ecken oder scharfen Kanten arbeiten, oder mit dem Werkzeug abrutschen, ist das Risiko, das

Deutsch

Zubehörteil zu blockieren, die Kontrolle über das Werkzeug zu verlieren und einen Rückprall zu verursachen, größer.

- e. **Benutzen Sie mit diesem Werkzeug niemals ein Holztrennsäge- oder Sägeblatt.** Solche Sägeblätter steigern das Rückprallrisiko und die Gefahr, die Kontrolle über das Werkzeug zu verlieren.

ZUSÄTZLICHE SICHERHEITSHINWEISE FÜR DEN SCHLEIFBETRIEB

- Prüfen Sie, ob die auf der Schleifscheibe angegebene Höchstdrehzahl mindestens der Nenndrehzahl des Geräts entspricht.
- Vergewissern Sie sich, dass der Durchmesser der Schleifscheibe dem Gerät entspricht und dass die Schleifscheibe einwandfrei auf der Welle sitzt.
- Die Schleifscheiben müssen an einem trockenen Ort aufbewahrt werden.
- Stellen Sie kein Objekt auf die Schleifscheiben.
- Die Schleifscheiben dürfen ausschließlich zu Schleifarbeiten verwendet werden.
- Vergewissern Sie sich vor Verwendung der Schleifscheibe, dass diese keine ausgebrochenen Stellen oder Risse aufweist. Falls dies der Fall ist, kann die Scheibe brechen und dies kann zu schweren Körperverletzungen führen.
- Vergewissern Sie sich vor der Verwendung, dass die Schleifscheibe korrekt montiert und angezogen ist, und lassen Sie Ihr Gerät dann während 30 Sekunden ohne Belastung laufen; halten Sie das Gerät dabei so, dass keine gefährliche Situation auftritt. Halten Sie Ihr Gerät sofort an, wenn es zu stark vibriert oder wenn Sie andere Probleme feststellen. Kontrollieren sie in diesem Fall Ihr Gerät, um die Ursache des Problems festzustellen.
- Verwenden Sie keine Reduzierringe oder Zwischenstücke, um die Bohrung von Schleifscheiben mit zu großer Bohrung zu verkleinern.
- Prüfen Sie, ob das zu bearbeitende Werkstück korrekt befestigt ist.
- Vergewissern Sie sich, dass die bei der Verwendung des Geräts erzeugten Funken keine gefährlichen Situationen herbeiführen, wie z. B. dass diese nicht auf Personen oder entzündliche Substanzen spritzen.
- Tragen Sie stets eine Schutzbrille und einen Gehörschutz.
- Verwenden Sie falls erforderlich andere Schutzausrüstungen, wie z. B. Handschuhe, eine Schürze oder einen Helm.
- Stellen Sie Ihr Gerät niemals auf den Boden oder auf andere Flächen, während es in Betrieb

ist. Beachten Sie, dass die Schleifscheibe nach dem Ausschalten erst nach einigen Momenten zu einem vollständigen Stillstand kommt. Sie dürfen die Schleifscheibe niemals berühren oder auf den Boden oder andere Flächen stellen, während sie rotiert.

- Der Flansch der Schleifscheibe und der äußere Flansch müssen denselben Außendurchmesser haben.
- Verwenden Sie Ihr Gerät nur für die Anwendungen, für die es entwickelt wurde. Setzen Sie Ihr Gerät niemals als ein stationäres Gerät ein. Verwenden Sie niemals Kühlfüssigkeit oder Kühlwasser.
- Halten Sie Ihr Gerät bei der Verwendung fest mit beiden Händen.

SYMBOL



Sicherheitswarnung

V

Volt

Hz

Hertz

~

Wechselstrom

W

Watt

n_0

Leerlaufdrehzahl

n

Nenndrehzahl

min⁻¹

Anzahl Umdrehungen oder Bewegungen pro Minute



CE-Konformität



Doppelisolierung



Gehörschutz tragen



Augenschutz tragen



Bitte lesen Sie die Anweisungen sorgfältig, bevor Sie das Gerät einschalten.



Elektrische Geräte sollten nicht mit dem übrigen Müll entsorgt werden. Bitte entsorgen Sie diese an den entsprechenden Entsorgungsstellen. Wenden Sie sich an die örtliche Behörde oder Ihren Händler, um Auskunft über die Entsorgung zu erhalten.



Recyceln Sie die Rohstoffe anstatt sie in die Haushaltsabfälle zu geben. Zum Schutz der Umwelt müssen das Gerät, die Zubehörteile und die Verpackungen getrennt entsorgt werden.

TECHNISCHE DATEN

Schleifscheibe	230 mm (9 in)
Frequenz	50 Hz
Spannung	230 V - 240 V ~
Eingangsleistung	2000 W
Gewinde der Welle	M14
Nenn Drehzahl	6000 min ⁻¹
Gesamtlänge	470 mm
Nettogewicht	6.0 kg

BITTE BEACHTEN: Prüfen Sie das Typenschild des Geräts, denn die Spannung kann je nach Land unterschiedlich sein.

Maximale Umfangsgeschwindigkeit der Schleifscheibe: 4.800 m/min.

Berechnungsbeispiel

$$3.14 \times 230 \times 6.000/1.000 = 4.333,2$$

$$3.14 \times 180 \times 6.000/1.000 = 3.391,2$$

Umfangsgeschwindigkeit der Schleifscheibe 4,333.2/3,391.2

Durchmesser der Schleifscheibe 230/180

Leerlaufgeschwindigkeit der Schleifscheibe 6.000

STANDARDZUBEHÖR

Seitengriff

In manchen Ländern wird eine Schleifscheibe mit dem Zubehör geliefert.

BETRIEB

Siehe Abbildung 4.

⚠️ WARNUNG

Die Schutzgehäuse müssen stets montiert sein. Achten Sie darauf, dass sie die Belüftungsschlitze nicht abdecken, um ein korrektes Abkühlen des Motors zu gewährleisten.

Für eine effiziente Arbeit, müssen der auf das Gerät ausgeübte Druck sowie die Kontaktfläche zwischen der Schleifscheibe und dem zu bearbeitenden Teil kontrolliert werden. Flache Flächen werden mit einem spitzen Winkel zwischen der Schleifscheibe und dem Werkstück (normalerweise zwischen 10° und 20°) bearbeitet. Warten Sie, bis die Schleifscheibe ihre maximale Geschwindigkeit erreicht hat, bevor Sie mit dem Schleifen beginnen. Ein zu großer Winkel bewirkt eine Konzentration des Druckes auf eine kleine Fläche und dies kann die Arbeitsfläche aushöhlen oder verbrennen.

EIN-/AUS-SCHALTER

Siehe Abbildung 2.

- Drücken Sie zum Einschalten des Geräts die Sicherheitssperre nach vorne und drücken Sie dann den Ein/Aus-Schalter.
- Lassen Sie zum Ausschalten des Geräts den Ein/Aus-Schalter los.

EINSTELLUNG DER POSITION DES DREHBAREN GRIFFS

Siehe Abbildung 3.

1. Schalten Sie das Werkzeug aus.
2. Halten Sie den Verriegelungsknopf des Griffs gedrückt, drehen Sie dann den Griff in die gewünschte Position bis er einrastet.

⚠️ WARNUNG

Verstellen Sie den Drehgriff nicht, während das Werkzeug in Betrieb ist.

ZUSATZHANDGRIFF MIT DREI STELLUNGEN

Siehe Abbildung 5.

Speziell entwickelt und ausrichtbar auf drei Stellungen für ein Höchstmaß an Komfort und Kontrolle.

MONTAGE DER SCHLEIFSCHEIBE

Siehe Abbildung 4 - 6.

⚠ WARNUNG

Prüfen Sie sorgfältig, ob die Schleifscheibe keine Risse aufweist. Ersetzen Sie alle Schleifscheiben mit Rissen sofort.

- Montieren Sie den Flansch, die Schleifscheibe und den äußeren Flansch an der Antriebswelle.
- Vergewissern Sie sich, dass die Scheibenkrumpe richtig auf dem Spindelschaft sitzt.
- Drücken Sie den Blockierknopf der Welle, der sich rechts vom Motorgehäuse befindet.
- Ziehen Sie den äußeren Flansch mit dem im Lieferumfang enthaltenen Bedienschlüssel im Uhrzeigersinn an.

SCHUTZGEHÄUSE

Siehe Abbildung 7 - 8.

Öffnen Sie den Sperrhebel des Schutzgehäuses und setzen Sie das Schutzgehäuse in der gewünschten Position ein. Der maximale Drehwinkel ist auf beiden Seiten 90°; sonst kann die Schutzhaube nicht verriegelt werden.

SPANNUNGS-LED

Ihr Winkelschleifer ist mit einer Spannungs-LED ausgestattet, die leuchtet, wenn das Gerät an das Stromnetz angeschlossen wird. Diese LED zeigt an, dass der Winkelschleifer unter Spannung steht und in Betrieb gesetzt wird, sobald Sie den Ein-/Aus-Schalter nach vorne schieben.

WARTUNG UND PFLEGE

Vergewissern Sie sich nach der Verwendung, dass Ihr Gerät in einwandfreiem Zustand ist.

Es empfiehlt sich, Ihr Gerät mindestens einmal pro Jahr zu einem autorisierten Ryobi-Kundendienst zu bringen, um es komplett zu schmieren und zu reinigen.

⚠ WARNUNG

Nehmen sie keine einstellung vor, während der motor in betrieb ist.

Ziehen sie stets das netzkabel ab, bevor sie ein teil auswechseln (diamantscheibe, schleifscheibe usw.), das gerät schmieren sowie vor allen wartungsarbeiten am gerät.

⚠ WARNUNG

Für eine höhere Sicherheit und Zuverlässigkeit müssen alle Reparaturen von einem autorisierten Ryobi-Kundendienst durchgeführt werden.

DESCRIPCIÓN

1. Disco para desbarbar
2. Cártér de protección
3. Mango giratorio
4. Dispositivo de bloqueo de la empuñadura
5. Interruptor de encendido/apagado
6. Botón para liberar el gatillo
7. Brida
8. Disco de sujeción exterior
9. Árbol de arrastre
10. Llave de servicio
11. Botón de bloqueo del árbol
12. Palanca de bloqueo del cártér de protección
13. Indicador de puesta en tensión
14. Empuñadura auxiliar

INSTRUCCIONES DE SEGURIDAD ESPECÍFICAS PARA OPERACIONES DE AMOLADO

- a. **Esta herramienta ha sido diseñada para ser utilizada como amoladora. Lea atentamente todas las advertencias, instrucciones y especificaciones suministradas con la herramienta, y consulte las ilustraciones.** El incumplimiento de las instrucciones que se indican a continuación puede ocasionar diversos accidentes como incendios, descargas eléctricas y/o graves heridas corporales.
- b. **El incumplimiento de esta instrucción puede ocasionar accidentes y graves heridas corporales.**
- c. **No utilice accesorios que no han sido específicamente diseñados para esta herramienta y que no han sido recomendados por el fabricante.** Aun cuando pueda montar un accesorio en una herramienta, esto no le garantiza que pueda utilizar la herramienta con total seguridad.
- d. **La velocidad nominal del accesorio debe ser igual o superior a la velocidad máxima indicada en la herramienta.** Los accesorios que funcionen a una velocidad superior a su velocidad nominal pueden romperse y resultar proyectados de la herramienta.
- e. **El diámetro exterior y el grosor del accesorio deben corresponder a las características especificadas para la herramienta.** Si los accesorios no corresponden a las características indicadas, los sistemas de protección y ajuste de la herramienta no podrán funcionar correctamente.
- f. **Las muelas, discos de sujeción, patines y demás accesorios deben adaptarse perfectamente al diámetro interior de la**

herramienta. Los accesorios que no se adaptan al árbol en el que se deben montar no girarán correctamente, vibrarán en exceso y le harán perder el control de la máquina.

- g. **No utilice accesorios deteriorados. Antes de cada utilización, compruebe que el accesorio que va a utilizar se encuentra en buenas condiciones: compruebe que los discos abrasivos no están mellados o agrietados, que los patines no están desgarrados o gastados, que las cerdas de los cepillos metálicos no están demasiado gastadas o rotas.** Si se cae la herramienta o el accesorio, controle que ningún elemento está deteriorado y, si fuera necesario, instale un accesorio nuevo. Después de comprobar que el accesorio se encuentra en buenas condiciones y una vez que lo haya montado, manténgase a distancia del accesorio móvil y deje que la herramienta alcance su velocidad máxima durante un minuto. Si el accesorio está dañado, se romperá al realizar esta prueba.
- h. **Use el equipo de protección personal. En función del uso que haga de la herramienta, lleve una máscara de protección, gafas de seguridad o de protección. Si fuera necesario, lleve una mascarilla antipolvo, protecciones auditivas, guantes y un delantal de protección para protegerse de las proyecciones de cuerpos extraños (elementos abrasivos, virutas de madera, etc.).** Las gafas de protección permiten evitar las proyecciones de residuos que pueden dañar los ojos. Las mascarillas antipolvo permiten filtrar las partículas producidas por la operación que está realizando. La exposición prolongada a ruidos de fuerte intensidad puede causar una pérdida de audición.
- i. **Mantenga a las demás personas a una distancia prudente de la zona de trabajo y cerciórese de que lleven un equipo de protección. Cualquiera que entre en el área de trabajo debe utilizar equipo de protección personal.** Fragmentos de la pieza trabajada o de un accesorio roto pueden resultar proyectados más allá de la zona de trabajo y causar heridas graves.
- j. **Sujete la máquina por sus partes aisladas y antideslizantes cuando trabaje en una superficie debajo de la cual puedan pasar cables eléctricos o cuando el trabajo que desea realizar puede hacer que el cable de alimentación esté en la trayectoria de la máquina.** Si la máquina se pusiera en contacto con cables eléctricos en tensión, la corriente pasaría por sus partes metálicas y usted podría

recibir una descarga eléctrica.

- k. **Coloque el cable de alimentación de manera que esté alejado del accesorio en movimiento.** Si pierde el control de la herramienta, el cable de alimentación puede cortarse o atascarse, y su mano o su brazo puede ser arrastrado hacia el accesorio en movimiento.
- l. **No deje nunca la herramienta hasta que el accesorio se haya detenido completamente.** El accesorio en movimiento puede entrar en contacto con la superficie donde lo ha dejado y hacerle perder el control de la herramienta.
- m. **No transporte la herramienta mientras está funcionando.** El accesorio en movimiento podría engancharse en su ropa y causarle heridas graves.
- n. **Limpie con frecuencia las ranuras de ventilación de la herramienta.** La ventilación del motor arrastra el polvo hacia el cárter del motor, lo que puede producir una acumulación excesiva de partículas metálicas y provocar descargas eléctricas.
- o. **No utilice la herramienta cerca de productos inflamables.** Las chispas podrían provocar un incendio.
- p. **No utilice accesorios que requieran el uso de fluidos de refrigeración.** El uso de agua o de líquidos de refrigeración puede provocar electrocuciones o descargas eléctricas.
- q. **Utilice sólo los tipos de disco recomendados para esta herramienta eléctrica y la protección específica diseñada para el disco seleccionado.** Los discos para los que la herramienta no ha sido diseñada no pueden quedar suficientemente protegidos y seguros.
- r. **La protección debe estar firmemente sujeta a la herramienta y colocada para una seguridad máxima, de forma que se exponga la menor cantidad de disco hacia el operador.** La protección ayuda a proteger al operario de los fragmentos del disco y del contacto accidental con el disco.
- s. **Los discos sólo deben utilizarse para las aplicaciones recomendadas. Por ejemplo, no use los laterales de los discos de corte para amolar.** Las ruedas de corte abrasivas están diseñadas para el amolado periférico, aplicar fuerzas laterales a estos discos puede provocar su rotura.
- t. **Utilice siempre bridas en perfecto estado que tengan el tamaño la y forma correctos para el disco seleccionado.** Las bridas adecuadas soportan el disco, reduciendo así la posibilidad de rotura del mismo. Las bridas para los discos de corte pueden ser diferentes a las bridas para afilar.

- u. **No use discos desgastados de herramientas de mayor potencia.** Los discos diseñados para herramientas eléctricas más grandes no son adecuados para una velocidad más alta de las herramientas más pequeñas y podrían romperse.

ADVERTENCIAS DE REBOTE Y SIMILARES

El rebote es una reacción repentina que se produce cuando una muela en movimiento, el patín, el cepillo o cualquier otro accesorio se atasca o se tuerce, provocando el bloqueo rápido del accesorio. La herramienta, que sigue funcionando, es entonces expulsada en el sentido opuesto al sentido de uso del accesorio.

Por ejemplo, si se atasca o se tuerce un disco abrasivo en la pieza trabajada, el filo del disco puede hundirse en la superficie de la pieza trabajada, provocando la salida brusca del disco fuera de la pieza trabajada y proyectándolo hacia el usuario o a cierta distancia, dependiendo del sentido de rotación del disco cuando éste se bloquea. El disco salte hacia o desde el operador, dependiendo de la dirección del movimiento de la rueda en el punto de pellizco. Si se produce un rebote, el disco abrasivo puede incluso romperse.

Por lo tanto, el rebote es el resultado de una mala utilización de la máquina y/o de procedimientos o condiciones de corte incorrectas. Puede evitarse cumpliendo con algunas precauciones:

- a. **Sostenga firmemente la herramienta y mantenga el cuerpo y el brazo de manera que pueda controlar un posible rebote.** Si la herramienta cuenta con una empuñadura auxiliar, sosténgala siempre para tener un óptimo control de la herramienta en caso de producirse algún rebote o par de reacción al poner en marcha la herramienta. Adopte las medidas necesarias para poder controlar la herramienta en caso de producirse algún rebote o par de reacción.
- b. **No coloque nunca las manos cerca del accesorio en movimiento para evitar el riesgo de heridas graves en caso de producirse algún rebote.** Accesorio puede contragolpe sobre la mano.
- c. **No se ponga en la zona donde la herramienta puede resultar expulsada si se produce algún rebote.** De producirse algún rebote, la herramienta sería expulsada en el sentido opuesto al sentido de rotación del disco.
- d. **Preste especial atención cuando trabaje en ángulos, bordes cortantes, etc.** Evite que el accesorio resbale o se atasque. Cuando trabaja en ángulos o bordes cortantes o cuando la herramienta resbala, aumenta el riesgo de bloqueo del accesorio, lo que le puede hacer

Español

perder el control de la herramienta y provocar un rebote.

- e. **No utilice nunca hojas de tronadoras de madera u hojas de sierra con esta herramienta.** Este tipo de hojas aumenta el riesgo de rebote y de pérdida de control de la herramienta.

ADVERTENCIAS ADICIONALES DE SEGURIDAD PARA OPERACIONES DE AFILAR

- a. Verifique que la velocidad indicada en el disco para desbarbar sea igual o superior a la velocidad nominal de la herramienta.
- b. Compruebe que el diámetro del disco para desbarbar sea compatible con la herramienta y que se inserte correctamente en el árbol.
- c. Los discos para desbarbar deben guardarse en un lugar seco.
- d. No coloque ningún objeto sobre los discos.
- e. Los discos sólo se deben utilizar para las operaciones de pulido o esmerilado.
- f. Antes de utilizar el disco para desbarbar, cerciórese de que no esté mellado o fisurado. De ser así, el disco podría quebrarse produciendo graves heridas.
- g. Antes de utilizarlo, compruebe que el disco esté correctamente montado y apretado y, después, haga girar la herramienta en vacío durante 30 segundos orientándola de forma que no represente ningún peligro. Pare inmediatamente la herramienta si vibra excesivamente o si observa otros problemas. En este caso, contrólela para determinar la causa de dicho problema.
- h. No utilice anillos de reducción o distanciadores para reducir el diámetro interior de algunos discos.
- i. Verifique que la pieza trabajada esté bien sujeta.
- j. Compruebe que las chispas producidas por la utilización de la herramienta no crean una situación peligrosa, por ejemplo que no se proyectan sobre personas o sustancias inflamables.
- k. Utilice gafas de protección y dispositivos de protección auditiva.
- l. Si fuera necesario, utilice otros equipos de protección como guantes, delantales o cascos.
- m. No ponga nunca la herramienta en el suelo o sobre otras superficies cuando esté en marcha. Atención, la muela sigue girando por inercia después de que se pare la herramienta. No debe tocar nunca la muela, ni ponerla en el suelo o sobre otras superficies cuando esté girando.
- n. La brida de la muela y el disco de sujeción exterior deben tener el mismo diámetro exterior.
- o. Utilice el aparato únicamente para aquellos trabajos para los que ha sido diseñado. No utilice nunca fluido de refrigeración o agua. No utilice la

herramienta como una herramienta fija.

- p. Cuando ponga la herramienta en marcha, sujétela bien con las dos manos.

SÍMBOLO



Alerta de seguridad

V Voltios

Hz Hertzios

~ Corriente alterna

W Vatios

n_0 Velocidad sin carga

n Velocidad nominal

min⁻¹ Número de revoluciones o movimientos por minuto



Conformidad con CE



Doble aislamiento



Utilice dispositivos de protección para los oídos



Utilice gafas de seguridad



Por favor lea las instrucciones detenidamente antes de arrancar la máquina.



Los productos eléctricos de desperdicio no deben desecharse con desperdicios caseros. Por favor recíclelos donde existan dichas instalaciones. Compruebe con su autoridad local o minorista para reciclar.



Recicle las materias primas en lugar de tirarlas a la basura doméstica. Para proteger el medio ambiente, debe separar la herramienta, los accesorios y los embalajes.

ESPECIFICACIONES

Disco para desbarbar	230 mm (9 in)
Frecuencia	50 Hz
Tensión	230 V - 240 V ~
Cargador	2000 W

Español

Roscado del árbol	M14
Velocidad nominal	6000 min ⁻¹
Longitud total	470 mm
Peso neto	6.0 kg

NOTA: Compruebe la placa de características del producto, ya que la tensión puede ser diferente en función del lugar en el que se utilice la herramienta.

Velocidad periférica máxima de la muela: 4,800 m/min.

Ejemplo de cálculo

$$3.14 \times 230 \times 6,000/1,000 = 4.333,2$$

$$3.14 \times 180 \times 6,000/1,000 = 3.391,2$$

Velocidad periférica de la muela 4,333.2/3,391.2

Diámetro de la muela 230/180

Velocidad de la amoladora en vacío 6.000

ACCESORIOS ESTÁNDARES

Empuñadura auxiliar

En algunos países, los accesorios incluyen un disco para desbarbar.

FUNCIONAMIENTO

Ver figura 4.

⚠ ADVERTENCIA

Los cárteres de protección deben estar colocados. No cubra las ranuras de ventilación para que el motor se ventile correctamente.

Para un trabajo eficaz, es importante controlar bien la presión que se ejerce sobre la herramienta, así como la superficie de contacto entre la muela y la pieza trabajada. Para trabajar superficies planas, la amoladora debe formar un ángulo agudo, generalmente de 10° a 20°, con la pieza trabajada. Deje que el disco alcance su velocidad máxima antes de comenzar a trabajar. Un ángulo excesivo provoca una concentración de la presión en una superficie pequeña, lo que puede perforar o quemar la superficie de trabajo.

INTERRUPTOR

Ver figura 2.

- Para encender la unidad, empuje hacia adelante el bloqueo de seguridad y presione el interruptor de encendido.
- Para apagar la unidad, suelte el interruptor de encendido.

AJUSTE DE LA POSICIÓN DEL MANGO GIRATORIO

Ver figura 3.

1. Apague la herramienta.
2. Mantenga pulsado el botón de bloqueo del mango y, a continuación, gire el mango a la posición deseada hasta que encaje en su lugar.

⚠ ADVERTENCIA

No ajuste el asa giratoria mientras la herramienta se encuentre en funcionamiento.

MANGO AUXILIAR CON TRES POSICIONES

Ver figura 5.

Diseñado específicamente y con angulares para tres posiciones para máximo confort y control.

INSTALACIÓN DEL DISCO PARA DESBARBAR

Ver figura 4 - 6.

⚠ ADVERTENCIA

Verifique atentamente que el disco no tenga fisuras. Cambie inmediatamente los discos fisurados.

- Monte la brida, el disco para desbarbar y el disco de sujeción en el árbol de arrastre.
- Asegúrese de que la brida del disco está bien asentada en el eje del husillo.
- Presione el botón de bloqueo del árbol situado del lado derecho del cárter del motor.
- Apriete el disco de sujeción exterior en el sentido de las agujas del reloj con la llave de servicio suministrada.

CÁRTER DE PROTECCIÓN

Ver figura 7 - 8.

Abra la palanca de bloqueo del cárter de protección y, después, coloque el cárter de protección en la posición que desee. El máximo ángulo de giro es de 90° a ambos lados; de lo contrario la cubierta no puede bloquearse.

INDICADOR DE PUESTA EN TENSIÓN

La amoladora de ángulo cuenta con un indicador de puesta en tensión que se enciende cuando la herramienta está

enchufada. Este indicador sirve para llamar su atención sobre el hecho de que la amoladora está en tensión y se pondrá en marcha cuando deslice el interruptor hacia adelante.

MANTENIMIENTO

Después de utilizar la máquina, cerciórese de que se encuentre en perfecto estado de marcha.

Le recomendamos que lleve la máquina al menos una vez al año a un Centro de Servicio Habilitado Ryobi para una lubricación y una limpieza completas.

⚠ ADVERTENCIA

No haga ningún ajuste cuando el motor esté en marcha. Desenchufe siempre la amoladora antes de cambiar cualquier pieza (disco de diamante, disco para desbarbar, etc.), antes de lubricar la herramienta y antes de cualquier operación de mantenimiento.

⚠ ADVERTENCIA

Para mayor seguridad y fiabilidad, todas las reparaciones deben realizarse en un Centro de Servicio Habilitado Ryobi.

DESCRIZIONE

1. Mola per sbavatura
2. Carter di protezione
3. Manico rotante
4. Pulsante di bloccaggio dell'impugnatura
5. Interruttore On/Off (Acceso/Spento)
6. Dispositivo di sblocco del grilletto
7. Flangia
8. Flangia esterna
9. Albero di trasmissione
10. Chiave di servizio
11. Pulsante di bloccaggio dell'albero
12. Leva di bloccaggio del carter di protezione
13. Spia luminosa di presenza tensione
14. Impugnatura ausiliaria

SPECIFICHE DI SICUREZZA PER OPERAZIONI DI SMERIGLIATURA

- a. **Questo apparecchio è stato progettato per essere utilizzato come molatrice. Leggere attentamente tutte le avvertenze, le istruzioni e le specifiche fornite con l'apparecchio e fare riferimento alle illustrazioni.** La mancata osservanza delle istruzioni riportate di seguito potrebbe provocare incidenti quali incendi, scosse elettriche e/o gravi lesioni fisiche.
- b. **La mancata osservanza di questa norma può provocare incidenti e gravi lesioni fisiche.**
- c. **Non utilizzare accessori che non sono stati appositamente progettati per questo apparecchio e che non sono raccomandati dal produttore.** Anche se un accessorio può essere montato su un apparecchio, ciò non garantisce che l'apparecchio possa comunque essere utilizzato in totale sicurezza.
- d. **La velocità nominale dell'accessorio deve essere pari o superiore alla velocità massima indicata sull'apparecchio.** Gli accessori utilizzati ad una velocità superiore alla loro velocità nominale possono infatti rompersi ed essere proiettati verso l'esterno.
- e. **Il diametro esterno e lo spessore dell'accessorio devono corrispondere alle caratteristiche specificate per l'apparecchio.** Se gli accessori non corrispondono alle caratteristiche indicate, i sistemi di protezione e di regolazione dell'apparecchio non possono funzionare correttamente.
- f. **Le mole, le flange, i pattini o gli altri accessori devono essere perfettamente idonei all'alesaggio dell'albero dell'apparecchio.** Gli accessori non adatti all'albero sul quale devono

essere montati non saranno infatti in grado di girare correttamente, vibreranno in modo eccessivo e faranno perdere il controllo dell'apparecchio.

- g. **Non utilizzare un accessorio danneggiato. Prima di ciascun impiego, assicurarsi che l'accessorio utilizzato sia in buono stato: accertarsi quindi che i dischi abrasivi non siano scheggiati né fessurati, che i pattini non siano lacerati né usurati e che le setole delle spazzole metalliche non siano eccessivamente usurate né rotte.** In caso di caduta dell'apparecchio o dell'accessorio, assicurarsi che non vi siano componenti danneggiati e, all'occorrenza, installare un accessorio nuovo. Dopo avere verificato che l'accessorio è in buono stato e dopo averlo installato, tenersi a debita distanza dall'accessorio mobile ed attendere circa un minuto affinché l'apparecchio raggiunga la velocità massima. Se l'accessorio è danneggiato, si romperà durante questo test.
- h. **Indossare dispositivi equipaggiamento di protezione personale. A seconda dell'uso a cui è destinato l'apparecchio, indossare una maschera protettiva, occhiali di sicurezza o occhiali di protezione. All'occorrenza, indossare una maschera antipolvere, dispositivi di protezione uditiva, guanti ed un grembiule di protezione per proteggersi da eventuali proiezioni di corpi estranei (elementi abrasivi, trucioli di legno, ecc.).** Gli occhiali di protezione consentono di evitare le lesioni oculari dovute alle proiezioni di frammenti. Le maschere antipolvere permettono di filtrare le particelle generate dall'operazione eseguita. L'esposizione prolungata ad un rumore di forte intensità può comportare la perdita dell'udito.
- i. **Tenere le persone estranee a debita distanza dalla zona di lavoro ed assicurarsi che indossino un'attrezzatura di protezione. Persone che entrano nella zona di lavoro deve indossare dispositivi di protezione individuale.** Eventuali frammenti del pezzo da lavorare o di un accessorio rotto possono essere scagliati oltre la zona di lavoro e causare gravi lesioni fisiche.
- j. **Quando si lavora su una superficie che potrebbe nascondere fili elettrici o se il lavoro da eseguire può portare il cavo d'alimentazione a trovarsi sulla traiettoria dell'apparecchio, afferrare quest'ultimo tenendolo soltanto per le parti isolate ed antiscivolo.** Il contatto con fili sotto tensione potrebbe trasmettere corrente alle parti in metallo e provocare scosse elettriche.
- k. **Posizionare il cavo d'alimentazione in**

modo tale che si trovi a debita distanza dall'accessorio in rotazione. Se si perde il controllo dell'apparecchio, il cavo d'alimentazione potrebbe venire tagliato o incastrarsi e la mano o il braccio dell'operatore potrebbero essere trascinati verso l'accessorio in rotazione.

- l. **Non posare mai l'apparecchio prima che l'accessorio si sia completamente arrestato.** L'accessorio in rotazione potrebbe entrare a contatto con la superficie sulla quale è posato e fare perdere il controllo dell'apparecchio.
- m. **Non fare funzionare l'apparecchio mentre lo si trasporta.** L'accessorio in rotazione potrebbe impigliarsi nei propri indumenti e causare gravi lesioni.
- n. **Pulire regolarmente le aperture di ventilazione dell'apparecchio.** La ventilazione del motore fa penetrare le polveri all'interno del carter del motore, con conseguente accumulo eccessivo di particelle metalliche e possibilità di scosse elettriche.
- o. **Non utilizzare l'apparecchio nelle vicinanze di prodotti infiammabili.** Le eventuali scintille generate rischierebbero di incendiarli.
- p. **Non utilizzare accessori che richiedono fluidi di raffreddamento.** L'utilizzo di acqua o di liquidi di raffreddamento può causare episodi di elettrocuzione o scosse elettriche.
- q. **Utilizzare solo con il tipo di ruote indicate con questo elettrotensile e con i pararuote specifici per queste ruote.** Le ruote non indicate per questo elettrotensile non possono garantire una protezione sicura.
- r. **I pararuote devono essere collegati all'elettrotensile in modo da garantire una massima sicurezza, lasciando solo una minima parte delle ruote esposta verso l'operatore.** I pararuote aiutano a proteggere l'operatore da frammenti di ruote rotte e da contatto accidentale con le ruote.
- s. **Le ruote devono essere utilizzate solo per le applicazioni raccomandate. Per esempio, non svolgere operazioni di smerigliatura con la parte laterale delle ruote di taglio.** Le ruote di taglio abrasive andranno utilizzate per operazioni di smerigliatura periferiche, applicare pressione laterale a queste ruote potrà farle rompere.
- t. **Utilizzare sempre flange per ruote non danneggiate delle corrette dimensioni e misure, adatte alle ruote selezionate.** Le flange per le ruote sostengono le ruote riducendo la possibilità di rottura. Le flange per le ruote di taglio possono essere diverse dalle flange delle ruote di smerigliatura.

- u. **Non utilizzare ruote consumate per elettrotensili grandi.** Le ruote indicate per elettrotensili più grandi non sono adatte per velocità più alte di utensili più piccoli e potranno scioppiare.

RIMBALZI E AVVERTENZE CORRELATE

Il contraccolpo è una reazione improvvisa che si verifica quando la mola in movimento, il pattino, la spazzola o qualunque altro accessorio si incastra o si piega, con conseguente bloccaggio rapido dell'accessorio. L'apparecchio, che continua a funzionare, viene quindi proiettato nella direzione opposta a quella di utilizzo dell'accessorio.

Ad esempio, se un disco abrasivo si incastra o si piega nel pezzo dal lavorare, il tagliente del disco rischia di penetrare nella superficie del pezzo facendo uscire bruscamente il disco dal pezzo e scagliandolo verso l'operatore o comunque a distanza, a seconda del senso di rotazione del disco nel momento in cui si è bloccato. La ruota può saltare verso o lontano dall'operatore, a seconda della direzione del movimento della ruota al punto di pizzicamento. In caso di contraccolpo, il disco abrasivo può anche rompersi.

Il contraccolpo è pertanto il risultato di un utilizzo errato dell'apparecchio e/o di procedimenti o di condizioni di impiego inappropriati. Questa evenienza può essere evitata assicurandosi di adottare alcune misure precauzionali:

- a. **Tenere l'apparecchio saldamente e posizionare il proprio corpo e il braccio in modo tale da riuscire a controllare un eventuale contraccolpo.** Se l'apparecchio dispone di un'impugnatura ausiliaria, assicurarsi sempre di afferrarla per avere il controllo ottimale dell'apparecchio in caso di contraccolpo o di controcoppia al momento della sua messa in funzione. Adottare le misure necessarie per riuscire a controllare l'apparecchio in caso di contraccolpo o di controcoppia.
- b. **Non avvicinare mai la mano all'accessorio in rotazione, onde evitare qualunque rischio di gravi lesioni fisiche in caso di contraccolpo.** Accessorio possono causare contraccolpi alla mano.
- c. **Non sistemarsi nella zona in cui l'apparecchio rischia di essere scagliato in caso di contraccolpo.** In caso di contraccolpo, l'apparecchio viene scagliato nella direzione opposta al senso di rotazione del disco.
- d. **Prestare particolare attenzione quando si lavora su angoli, bordi taglienti, ecc.** Evitare di fare slittare o di incastrare l'accessorio. Quando si lavora su angoli o bordi

Italiano

taglienti o si fa slittare l'apparecchio, si accentua il rischio di bloccare l'accessorio e pertanto di perdere il controllo dell'apparecchio stesso e di provocare un contraccolpo.

- e. **Non utilizzare mai lame adatte alle troncatrici per legno o lame da sega con questo apparecchio.** Queste lame aumentano infatti il rischio di contraccolpo e di perdita di controllo dell'apparecchio.

CON ULTERIORI AVVERTENZE DI SICUREZZA PER OPERAZIONI DI TRITURAZIONE

- Verificare che la velocità indicata sulla mola per sbavatura sia uguale o superiore alla velocità nominale dell'apparecchio.
- Accertarsi che il diametro della mola per sbavatura sia compatibile con l'apparecchio e che la mola si inserisca correttamente sull'albero.
- Riporre le mole per sbavatura in un luogo asciutto.
- Non collocare alcun oggetto sopra le mole.
- Non utilizzare le mole per effettuare lavorazioni diverse dalla molatura.
- Prima di utilizzare la mola, accertarsi che non sia scheggiata o fessurata. Nel caso in cui risultasse scheggiata o fessurata, la mola potrebbe rompersi e provocare gravi lesioni fisiche.
- Prima dell'uso, accertarsi altresì che la mola sia montata e serrata correttamente, quindi fare girare l'apparecchio a vuoto per 30 secondi orientandolo in modo tale che non rappresenti un pericolo. Arrestare immediatamente l'apparecchio nel caso in cui vibri eccessivamente oppure se si notano altre anomalie. In tal caso, controllare l'apparecchio per determinare la causa del problema.
- Non utilizzare riduttori o adattatori per ridurre l'alesaggio di mole a grande alesaggio.
- Verificare che il pezzo da lavorare sia bloccato in modo corretto.
- Assicurarsi che le scintille prodotte durante l'uso dell'apparecchio non creino situazioni pericolose, quali ad esempio quelle causate dalla loro proiezione su persone o sostanze infiammabili.
- Indossare sempre occhiali protettivi e dispositivi di protezione uditiva.
- Se necessario, utilizzare altre attrezzature di protezione, come ad esempio guanti, grembiuli o caschi.
- Non adagiare mai l'apparecchio acceso sul pavimento o su altre superfici. Attenzione: Dopo l'arresto dell'apparecchio, la mola continua a girare per inerzia. Non toccare mai né posare a terra o su altre superfici la mola in rotazione.
- La flangia della mola e la flangia esterna devono avere lo stesso diametro esterno.

- Utilizzare l'apparecchio solo per le applicazioni per cui è stato concepito. Non utilizzare mai liquido di raffreddamento o acqua. Non utilizzare l'apparecchio come un apparecchio fisso.
- Durante l'uso, tenere l'apparecchio ben saldo con entrambe le mani.

SIMBOLO



Allarme di sicurezza

V Volt

Hz Hertz

~ Corrente alternata

W Watt

n_0 Velocità a vuoto

n Velocità nominale

min^{-1} Numero di giri o di movimenti al minuto



Conformità CE



Doppio isolamento



Indossare cuffie di protezione



Indossare occhiali di protezione



Leggere attentamente le istruzioni prima di avviare l'utensile.



I prodotti elettrici non devono essere smaltiti con i rifiuti domestici. Vi sono strutture per smaltire tali prodotti. Informarsi presso il proprio Comune o rivenditore di sicurezza per smaltire adeguatamente tali rifiuti.



Riciclare le materie prime anziché gettarle tra i rifiuti domestici. Per tutelare l'ambiente, l'apparecchio, gli accessori e gli imballaggi devono essere smaltiti separatamente.

SPECIFICHE

Mola per sbavatura	230 mm (9 in)
Frequenza	50 Hz
Voltaggio	230 V - 240 V ~

Italiano

Alimentazione	2000 W
Filettatura dell'albero	M14
Velocità nominale	6000 min ⁻¹
Lunghezza totale	470 mm
Peso netto	6.0 kg

NOTE: Verificare la targhetta d'identificazione del prodotto, in quanto la tensione potrebbe variare in funzione del luogo in cui viene utilizzato il prodotto.

Velocità periferica massima della mola: 4,800 m/min.

Esempio di calcolo

$$3.14 \times 230 \times 6,000/1,000 = 4.333,2$$

$$3.14 \times 180 \times 6,000/1,000 = 3.391,2$$

Velocità periferica della mola 4,333.2/3,391.2

Diametro della mola 230/180

Velocità a vuoto della molatrice 6.000

ACCESSORI STANDARD

Impugnatura ausiliaria

In alcuni paesi, tra gli accessori viene fornita in dotazione una mola per sbavatura.

FUNZIONAMENTO

Vedere la figura 4.

⚠ AVVERTENZE

I carter di protezione devono sempre essere installati. Fare attenzione a non coprire le aperture di aerazione, onde consentire un adeguato raffreddamento del motore.

Per effettuare un lavoro efficace, è importante controllare attentamente la pressione esercitata sull'apparecchio e la superficie di contatto tra la mola ed il pezzo da lavorare. Per molare superfici piane, la molatrice deve formare un angolo acuto, in generale compreso tra 10° e 20°, con il pezzo da lavorare. Prima di iniziare la fase di molatura, attendere che la mola raggiunga la velocità massima. Un angolo troppo ampio provoca una concentrazione della pressione su una piccola superficie; in questo caso, la superficie di lavoro potrebbe perforarsi o bruciarsi.

INTERRUTTORE

Vedere la figura 2.

- Per avviare l'unità, posizionare in avanti l'interruttore di blocco e quindi premere l'interruttore on/off (Acceso/Spento).
- Per spegnere l'unità, rilasciare l'interruttore on/off (Acceso/Spento).

REGOLARE LA POSIZIONE DEL MANICO ROTANTE

Vedere la figura 3.

1. Arrestare l'utensile.
2. Premere e tenere premuto il tasto di blocco del manico, quindi girare il manico rotante nella posizione desiderata fino a che non sia correttamente inserito al suo posto.

⚠ AVVERTENZE

Non regolare il manico rotante mentre l'utensile è in funzione.

MANICO SECONDARIO REGOLABILE IN TRE POSIZIONI

Vedere la figura 5.

Disegnato specificatamente e regolabile in tre posizioni per massimo comfort e controllo.

INSTALLAZIONE DELLA MOLA PER SBAVATURA

Vedere la figura 4 - 6.

⚠ AVVERTENZE

Verificare attentamente che la mola non presenti fessure. Sostituire immediatamente una mola fessurata.

- Montare la flangia, la mola per sbavatura e la flangia esterna sull'albero di trasmissione.
- Assicurarsi che la flangia del disco sia correttamente inserita sull'albero.
- Premere il pulsante di bloccaggio dell'albero posto sul lato destro del carter del motore.
- Mediante la chiave di servizio fornita in dotazione, serrare la flangia esterna in senso orario.

CARTER DI PROTEZIONE

Vedere la figura 7 - 8.

Aprire la leva di bloccaggio del carter di protezione, quindi portare il carter di protezione nella posizione desiderata. L'angolo massimo di rotazione è di 90° su ciascun lato; in caso contrario lo schermo di blocco non potrà essere

bloccato.

SPIA LUMINOSA DI PRESENZA TENSIONE

La molatrice angolare è dotata di una spia luminosa di presenza tensione, che si illumina quando l'apparecchio è collegato all'alimentazione elettrica. Questa spia attira l'attenzione dell'utilizzatore sul fatto che la molatrice è sotto tensione e si mette in funzione non appena l'interruttore viene spostato in avanti.

MANUTENZIONE

Dopo l'uso, verificare sempre lo stato dell'apparecchio.

Si raccomanda di portare l'apparecchio almeno una volta l'anno presso un Centro di Assistenza Autorizzato Ryobi per sottoporlo ad una completa lubrificazione e pulitura.

AVVERTENZE

Non effettuare alcun tipo di regolazione quando il motore è in funzione.

Scollegare sempre la molatrice dall'alimentazione elettrica prima di sostituire un componente (mola diamantata, mola per sbavatura, ecc.) O di lubrificare l'apparecchio e comunque prima di effettuare qualsiasi intervento di manutenzione.

AVVERTENZE

Per maggiore sicurezza ed affidabilità, effettuare tutte le riparazioni presso un Centro di Assistenza Autorizzato Ryobi.

BESCHRIJVING

1. Afbraamschijf
2. Beschermkap
3. Ronddraaiend handvat
4. Vergrendelknop van handgreep
5. Aan-/uitschakelaar
6. Ontgrendelknop van de aan/uit-drukschakelaar
7. Flens
8. Buitenflens
9. Aandrijfas
10. Speciale sleutel
11. Asvergrendelingsknop
12. Hendel van de vergrendeling van de beschermkap
13. Netspanningsverklikker
14. Hulphandgreep

SPECIEFIEKE VEILIGHEIDSWAARSCHUWINGEN VOOR SLIJPWERKZAAMHEDEN:

- a. Dit apparaat is bedoeld om gebruikt te worden als slijper. Lees aandachtig alle waarschuwingen, aanwijzingen en specificaties die bij dit apparaat zijn meegeleverd en bestudeer de afbeeldingen. Als u onderstaande voorschriften niet opvolgt, kan dit leiden tot ongelukken zoals brand, elektrische schokken en/of ernstig lichamenlijk letsel.
- b. Niet naleving van dit voorschrift kan ongelukken en ernstig lichamenlijk letsel veroorzaken.
- c. Gebruik geen accessoires die niet specifiek voor dit apparaat zijn bedoeld en die niet zijn aanbevolen door de fabrikant. Ook al kan een accessoire wel op een apparaat worden gemonteerd, garandeert dit niet dat u dit apparaat geheel veilig kunt gebruiken.
- d. De nominale snelheid van het accessoire moet hoger of gelijk zijn aan de maximale snelheid die op het apparaat is aangegeven. Als accessoires op een snelheid werken die hoger is dan hun nominale snelheid, kunnen ze breken of weggeslingerd worden.
- e. De buitendiameter en de dikte van het accessoire moeten overeenkomen met de specificaties die zijn voorgeschreven voor het apparaat. Als de accessoires niet overeenkomen met de voorgeschreven specificaties, werken de beveiligings- en afstellingsystemen van het apparaat mogelijk niet naar behoren.
- f. Slijpschijven, flenzen, schuurzolen en andere accessoires moeten perfect zijn aangepast aan de asdikte van het apparaat. Accessoires die niet geschikt zijn voor de as waarop ze moeten worden

gemonteerd, zullen niet op de juiste manier ronddraaien, gaan overmatig trillen en kunnen u de macht over het apparaat doen verliezen.

- g. **Gebruik een accessoire niet als het beschadigd is. Controleer eerst of het accessoire in goede staat is voordat u het gaat gebruiken: controleer of doorslijpschijven niet ingekeperd of gescheurd zijn en of haren van staalborstels niet te veel versleten of afgebroken zijn. Controleer of er geen enkele element is beschadigd en installeer zodanig een nieuw accessoire als een apparaat of accessoire gevallen is. Na te hebben gecontroleerd of het accessoire in goede staat is en na dit te hebben geïnstalleerd, zorgt u dat u op afstand blijft van het mobiele accessoire en laat u het apparaat gedurende één minuut op volle toeren draaien. Als het accessoire beschadigd is, zal het gedurende deze test breken.**
- h. **Draag persoonlijke beschermingsmiddelen. Afhankelijk van het gebruik dat u van uw apparaat maakt, dient u een veiligheidsmasker, veiligheidsbril of beschermbril te dragen. Draag al naar behoefte een stofmasker, gehoorbeschermers, handschoenen en een veiligheidsschoort om u te beschermen tegen alle eventueel rondgeslingerde voorwerpen (slijpsel, zaagsel, stukjes hout, enz.). Een beschermbril helpt te voorkomen dat wegsplattend vuil uw ogen beschadigt. Door stofmaskers worden de deeltjes weggefilterd die ontstaan door het werk dat u aan het doen bent. Langdurige blootstelling aan intens geluid kan gehoorverlies veroorzaken.**
- i. **Houd omstanders op redelijke afstand van de werkzone en zorg dat zij een veiligheidsuitrusting dragen. Iedereen die zich binnen de werkzone moeten dragen van persoonlijke beschermingsmiddelen. Fragmenten van het werkstuk of een accessoire kunnen buiten de werkzone worden weggeslingerd en ernstig lichamenlijk letsel veroorzaken.**
- j. **Houd het apparaat alleen vast aan geïsoleerde en slijpvrije delen als u in een oppervlak of ondergrond werkt waarin zich eventueel elektrische leidingen bevinden of als bij het uitvoeren van de werkzaamheden het netsnoer in de buurt van het werktuig zou kunnen komen. Metalen delen kunnen bij aanraking met stroomvoerende leidingen zelf onder stroom komen te staan en een elektrische schok veroorzaken.**
- k. **Plaats het netsnoer op zodanige wijze dat het uit de buurt blijft van het draaiende accessoire. Als u de macht over het apparaat verliest, zou**

Nederlands

- het netsnoer kunnen worden doorgesneden of beklemd kunnen raken en zou uw hand of arm naar het draaiende accessoire kunnen worden toetrokken.
- l. **Leg het apparaat nooit neer voordat het accessoire volledig tot stilstand is gekomen.** Een nog draaiend accessoire zou in aanraking kunnen komen met het oppervlak waarop u het neerlegt en u de macht over het apparaat doen verliezen.
 - m. **Laat het apparaat niet werken terwijl u het vervoert.** Het draaiende accessoire zou in uw kleding verstrikt kunnen raken en u ernstig kunnen verwonden.
 - n. **Reinig regelmatig de ventilatieopeningen van het apparaat.** De ventilatie van de motor doet stof in de motorombouw binnendringen, wat een overmatige opeenhoping van metaaldeeltjes kan verwekken en elektrische schokken kan veroorzaken.
 - o. **Gebruik het apparaat niet in de buurt van brandbare stoffen.** Door vorming kunnen deze in brand worden gestoken.
 - p. **Gebruik geen accessoires waarvoor koelvloeistoffen zijn vereist.** Het gebruik van water of koelvloeistoffen kan elektrocuties of elektrische schokken veroorzaken.
 - q. **Gebruik uitsluitend wieltypen die voor uw werktuig worden aanbevolen en de specifieke beschermer, ontworpen voor het geselecteerde wiel.** Wielen waarvoor het werktuig niet was ontworpen kunnen degelijk worden beschermd en zijn onveilig.
 - r. **De beschermer moet stevig aan het werktuig worden vastgemaakt en afgesteld voor maximale veiligheid zodat zo weinig mogelijk van het wiel aan de gebruiker is blootgesteld.** De beschermer helpt de gebruiker te beschermen tegen gebroken wielfragmenten en accidenteel contact met het wiel.
 - s. **Wielen mogen uitsluitend worden gebruikt voor de aanbevolen toepassingen. Bijvoorbeeld, is het verboden te slijpen met de rand van het afsnijwiel.** Schurende afsnijwielen zijn bedoeld voor periferisch slijpen, zijdelingse krachten die op deze wielen worden uitgeoefend kunnen ervoor zorgen dat deze breken.
 - t. **Gebruik altijd onbeschadigde wielflensen met de juiste afmetingen en vorm voor het wiel dat u heeft geselecteerd.** Degelijke wielflensen ondersteunen het wiel zodanig dat de kans dat het wiel breekt, kleiner wordt. Flensen voor afsnijwielen kunnen verschillen van flenzen voor slijpwielen.

- u. **Gebruik geen versleten wielen van grotere werktuigen.** Wielen, bedoeld voor grotere werktuigen is niet geschikt voor de hogere snelheid van een kleiner werktuig en kan breken.

TERUGSLAG EN AANVERWANTE WAARSCHUWINGEN

Een terugslag is een plotselinge reactie die optreedt wanneer een draaiende slijpschijf, schuurvoet, borstel of ander accessoire zich vastklemt of verbuigt, wat de snelle blokkering van het accessoire veroorzaakt. Het apparaat dat nog steeds werkt, werpt dan het apparaat in de tegengestelde richting van de gebruiksrichting van het accessoire.

Als bijvoorbeeld een doorslijpschijf zich vastklemt of verbogen raakt in het werkstuk, bestaat het gevaar dat de slijpkant van de schijf zich diep in het oppervlak van het werkstuk drukt, wat de schijf plotseling uit het werkstuk doet komen en het apparaat in de richting van de gebruiker of ver weg doet springen, afhankelijk van de draairichting van de schijf op het moment dat deze geblokkeerd raakte. Het wiel kan zowel springen naar of uit de buurt van de exploitant, afhankelijk van de richting van de beweging van het wiel op de plaats van knippen. Bij een terugslag kan de doorslijpschijf ook breken.

Een terugslag is dus het gevolg van een verkeerd gebruik van het apparaat en/of van onjuiste procedures of omstandigheden. Terugslag kan vermeden worden door de volgende voorzorgen te nemen:

- a. **Houd het apparaat stevig vast en plaats uw lichaam en uw armen zo dat ze een eventuele terugslag kunnen opvangen. Als het apparaat voorzien is van een hulphandgreep, dient u deze altijd te benutten om optimale macht over het apparaat te behouden bij terugslag of reactiekoppel wanneer u het apparaat inschakelt.** Neem de nodige maatregelen om het apparaat in uw macht te kunnen houden ingeval van terugslag of reactiekoppel.
- b. **Plaats uw hand nooit in de nabijheid van het draaiende accessoire om gevaar voor ernstig lichamelijk letsel te voorkomen in geval van terugstuiten.** Accessoire kan terugslaan over je hand.
- c. **Plaats uzelf niet in het gebied waarheen het apparaat zou kunnen terugstuiten ingeval van terugslag.** Bij een terugslag wordt het apparaat in de tegenovergestelde richting van de draairichting van de schijf weggeslingerd.
- d. **Wees bijzonder waakzaam als u werkt aan de hoeken, scherpe randen, enz. Voorkom dat het accessoire uitschiet of beklemd raakt.** Wanneer u aan hoeken of scherpe randen werkt of wanneer u het apparaat

Nederlands

laat uitschieten, is het gevaar om het accessoire te blokkeren veel groter, en om dus de macht over het apparaat te verliezen en een terugslag te veroorzaken.

- e. **Gebruik nooit een blad van een afkortzaag of een cirkelzaagblad met dit apparaat.** Dergelijke bladen verhogen het risico voor terugslag en verlies van de macht over het apparaat.

BIJKOMENDE VEILIGHEIDSWAARSCHUWINGEN SPECIFIEK VOOR SLIJPWERKZAAMHEDEN

- Controleer of de snelheid die op de afbraamschijf is aangegeven, minstens gelijk is aan de nominale snelheid van het apparaat.
- Controleer of de diameter van de afbraamschijf compatibel is met het apparaat en of de schijf goed op de opname-as past.
- Bewaar afbraamschijven op een droge plaats.
- Leg niets bovenop de schijven.
- Gebruik de schijven niet voor andere doeleinden dan voor afbraamwerk.
- Controleer vóór gebruik of er scheuren te zien zijn of dat er stukken zijn weggeslagen. De schijf zou in een dergelijk geval kunnen breken, wat ernstig lichamelijk letsel kan veroorzaken.
- Controleer voordat u de slijpmachine gaat gebruiken of de schijf juist is gemonteerd en goed vastzit; laat het apparaat vervolgens 30 seconden onbelast draaien en richt het daarbij zo dat het geen gevaar kan opleveren. Zet het apparaat onmiddellijk uit als het buitensporig gaat trillen of als u andere problemen opmerkt. Probeer in dit geval uit te vinden wat de oorzaak van het probleem is.
- Gebruik geen reduceeringen of opvulstukken om het gat te verkleinen van schijven met een te groot asgat.
- Zorg dat het werkstuk voldoende vastgeklemd is.
- Zorg dat de vonken die tijdens het gebruik van uw slijper ontstaan geen enkel gevaar kunnen opleveren en dat ze bijvoorbeeld niet naar personen of ontvlambare stoffen worden wegsparren.
- Zorg ervoor dat u altijd een veiligheidsbril en gehoorbescherming draagt.
- Gebruik zonodig ook andere persoonlijke beschermingsmiddelen, zoals handschoenen, een schort of een helm.
- Leg het apparaat nooit op de grond of ergens anders als het nog draait. Pas op: door inertie draait de schijf na uitschakeling van het apparaat nog een tijdje door. U mag de schijf nooit zelf aanraken of de grond of een ander oppervlak laten aanraken als hij nog draait.

- De flens van de schijf en de buitenflens moeten dezelfde uitwendige diameter hebben.
- Gebruik uw apparaat uitsluitend voor de toepassingen waarvoor het bestemd is. Gebruik nooit koelvloeistof of water. Gebruik de slijper nooit in een stationaire opstelling.
- Houd het apparaat tijdens het gebruik altijd stevig met twee handen vast.

SYMBOOL



Veiligheidswaarschuwing

V

Volt

Hz

Hertz

~

Wisselstroom

W

Watt

n_0

Toerental bij nullast

n

Nominaal toerental

min⁻¹

Aantal toeren of omwentelingen per minuut



EU-conformiteit



Dubbele isolatie



Draag gehoorbescherming



Draag gezichtsbescherming



Gelieve de instructies zorgvuldig te lezen voordat u de machine in gebruik neemt.



Elektrisch afval mag niet samen met ander huishoudafval worden weggegooid. Gelieve te recyclen indien de mogelijkheid bestaat. Neem contact op met uw lokaal bestuur of handelaar om advies te krijgen over recycling.



Zorg dat grondstoffen gerecycleerd worden. Zet daarom een afgedankte elektrische machine niet bij het huishoudafval. Om het milieu te beschermen moeten de machine, de accessoires en de verpakking gesorteerd bij een erkend recyclingcentrum worden aangeleverd.

SPECIFICATIES

Afbraamschijf

230 mm (9 in)

Nederlands

Frequentie	50 Hz
Spanning	230 V - 240 V ~
Input	2000 W
Schroefdraad van as	M14
Nominaal toerental	6000 min ⁻¹
Totale lengte	470 mm
Netto gewicht	6.0 kg

OPMERKING: Controleer het kenplaatje van het product, want de spanning kan verschillen al naar gelang de plaats waar het product wordt gebruikt.

Maximum omtreksnelheid van de schijf: 4,800 m/min.

Rekenvoorbeeld

$$3.14 \times 230 \times 6,000/1,000 = 4.333,2$$

$$3.14 \times 180 \times 6,000/1,000 = 3.391,2$$

Omtreksnelheid van de schijf 4,333.2/3,391.2

Schijf-diameter 230/180

Onbelast toerental van de slijper 6.000

STANDAARD ACCESSOIRES

Hulphandgreep

Voor sommige landen behoort ook een afbraamschijf tot de standaard accessoires.

BEDIENING

Zie afbeelding 4.

⚠ WAARSCHUWING

De beschermkappen moeten altijd op hun plaats zitten. Laat de ventilatieopeningen vrij zodat de motor voldoende koeling krijgt.

Voor de goede werking is het belangrijk dat u let op hoeveel druk u op het apparaat uitoefent en dat u let op het contactoppervlak tussen de schijf en het werkstuk. Om platte oppervlakken af te bramen moet de slijper onder een scherpe hoek, in het algemeen tussen 10° en 20°, staan ten opzichte van het werkstuk. Wacht tot de motor het maximale toerental heeft bereikt voordat u met slijpen begint. Door een te grote slijphoek komt er een veel druk

op een klein oppervlak: dit zou het werkopervlak kunnen doen insnijden of verbranden.

AAN-UITSCHAKELAAR

Zie afbeelding 2.

- Om de machine in te schakelen, drukt u de veiligheidsvergrendeling naar voor en drukt u dan op de aan-/uitschakelaar.
- Om de machine uit te schakelen, laat u de aan-/uitschakelaar los.

POSITIE RONDRAAIEND HANDVAT AFSTELLEN

Zie afbeelding 3.

1. Schakel het werktuig uit.
2. Druk op de vergrendelknop voor het handvat en houd deze knop ingedrukt; draai het ronddraaiend handvat in de gewenste positie tot het op zijn plaats klikt.

⚠ WAARSCHUWING

Stel het roterend handvat niet af terwijl het werktuig draait.

EXTRA HANDVAT MET DRIE STANDEN

Zie afbeelding 5.

Speciaal ontworpen en afgesteld op drie standen voor maximaal comfort en maximale controle.

EEN AFBRAAMSCHIJF INSTALLEREN

Zie afbeelding 4 - 6.

⚠ WAARSCHUWING

Controleer nauwlettend of de schijf geen scheuren vertoont. Vervang een gescheurde schijf onmiddellijk.

- Monteer de schijfflens, de afbraamschijf en de buitenflens op de aandrijfas.
- Zorg ervoor dat de schijfflens goed is vastgemaakt op de spindelass.
- Houd de asvergrendelingsknop die zich op het tandwielhuis bevindt, ingedrukt.
- Draai de buitenflens rechtsom vast met behulp van de bijgeleverde speciale sleutel.

BESCHERMKAP

Zie afbeelding 7 - 8.

Zet de hendel van de vergrendeling van de beschermkap open en plaats de beschermkap daarna in de gewenste stand. De maximale draaihoek is 90° aan beide zijden;

anders kan de beschermer niet worden vergrendeld.

NETSPANNINGSVERKLIKKER

De haakse slijper is voorzien van een netspanningsverklikker die gaat branden zodra het apparaat op een stopcontact is aangesloten. Dit controlelampje dient om u te waarschuwen dat de slijper onder spanning staat en dat het apparaat gaat werken zodra u de schakelaar naar voren schuift.

ONDERHOUD

Controleer na elk gebruik of uw machine in goede staat van werking verkeert.

Aanbevolen wordt om uw machine minstens éénmaal per jaar door een erkend Ryobi servicecentrum volledig te laten doorsmeren en schoonmaken.

⚠ WAARSCHUWING

Probeer niet om een afstelling te wijzigen als de motor draait.

Trek altijd eerst de stekker van de slijper uit het stopcontact voordat u iets vervangt (de diamantschijf, de afbraamschijf, enz.), het apparaat smeert of ander onderhoud uitvoert.

⚠ WAARSCHUWING

Alle reparaties moeten worden uitgevoerd door een Erkend Ryobi Servicecentrum om de veilige en betrouwbare werking van de machine te waarborgen.

Português

DESCRIÇÃO

1. Disco de rebarbar
2. Tapa de protecção
3. Punho rotativo
4. Botão de bloqueio da pega
5. Interruptor desligado/ligado
6. Dispositivo de desbloqueio do gatilho
7. Flange
8. Flange externo
9. Eixo de accionamento
10. Chave de serviço
11. Botão de bloqueio do eixo
12. Alavanca de bloqueio da tampa de protecção
13. Luz avisadora de ligação
14. Pega auxiliar

AVISOS DE SEGURANÇA ESPECÍFICOS PARA AS OPERAÇÕES DE TRITURAÇÃO

- a. **Esta ferramenta foi concebida para ser utilizada como rebarbadora. Leia com atenção todas as advertências, instruções e especificações fornecidas com a ferramenta, e consulte as ilustrações.** O incumprimento das instruções seguintes pode ocasionar acidentes como incêndios, choques eléctricos e/ou ferimentos graves.
- b. **O incumprimento desta recomendação pode ocasionar acidentes e ferimentos graves.**
- c. **Não utilize acessórios que não são concebidos especificamente para esta ferramenta e que não são recomendados pelo fabricante.** Mesmo se um acessório puder ser montado numa ferramenta, isso não garante que possa utilizar esta ferramenta com toda a segurança.
- d. **A velocidade nominal do acessório deve ser igual ou superior à velocidade máxima indicada na ferramenta.** Os acessórios que funcionam a uma velocidade superior à sua velocidade nominal podem quebrar e ser ejectados.
- e. **O diâmetro externo e a espessura do acessório devem corresponder às características especificadas para a ferramenta.** Se os acessórios não corresponderem às características indicadas, os sistemas de protecção e de ajuste da ferramenta não poderão funcionar correctamente.
- f. **Os rebolos, as porcas de aperto, placas de lixar e outros acessórios devem ser perfeitamente adaptados ao furo do veio da ferramenta.** Os acessórios não adaptados ao veio em que devem ser montados não giram correctamente, vibram excessivamente e farão perder o controlo da ferramenta.

- g. **Não utilize um acessório danificado.** Antes de cada utilização, verifique se o acessório que vai utilizar está em bom estado. Confirme que os discos abrasivos não estão rachados ou fissurados, que as placas de lixar não estão rasgadas ou usadas, que os pêlos das escovas metálicas não estão usados demais ou quebrados. Se a ferramenta ou o acessório cair, verifique se nenhum elemento ficou danificado e, sendo necessário, instale um acessório novo. Se a ferramenta ou o acessório cair, verifique se nenhum elemento ficou danificado e, sendo necessário, instale um acessório novo. Se o acessório estiver danificado, vai quebrar durante este teste.
- h. **Usar equipamento de protecção pessoal.** Conforme a utilização que faz da sua ferramenta, use uma máscara de protecção, óculos de segurança ou óculos de protecção. Conforme a utilização que faz da sua ferramenta, use uma máscara de protecção, óculos de segurança ou óculos de protecção. Se necessário, use uma máscara anti-poeira, protecções auditivas, luvas e um avental de protecção, de modo a proteger-se contra qualquer projecção de corpos estranhos (elementos abrasivos, aparas de madeira, etc.). As máscaras anti-poeira permitem filtrar as partículas criadas pela operação realizada. As máscaras anti-poeira permitem filtrar as partículas criadas pela operação realizada.
- i. **Mantenha os visitantes a boa distância da zona de trabalho e verifique se usam equipamento de protecção.** Mantenha os visitantes a boa distância da zona de trabalho e verifique se usam equipamento de protecção. Os fragmentos da peça a trabalhar, ou de um acessório quebrado, podem ser projectados além da zona de trabalho e causar ferimentos graves.
- j. **Segure a ferramenta unicamente pelas partes isoladas e anti-derrapantes quando trabalhar numa superfície que pode esconder fios eléctricos ou quando o trabalho requerido possa pôr o fio de alimentação na trajectória da ferramenta.** Um contacto com fios sob tensão poderia transmitir a corrente às partes metálicas e provocar choques eléctricos.
- k. **Posicione o fio de alimentação de modo que fique distante do acessório em rotação.** Se perder o controlo da sua ferramenta, o fio de alimentação pode ser cortado ou ficar entalado, e a mão ou o braço poderia ser arrastado para o acessório em rotação.
- l. **Nunca assente a ferramenta enquanto o acessório não estiver completamente parado.**

Português

O acessório em rotação poderia entrar em contacto com a superfície onde está assente e fazer perder o controlo da ferramenta.

- m. **Não faça funcionar a ferramenta quando a transporta.** O acessório em rotação poderia prender-se nas roupas e causar ferimentos graves.
- n. **Limpe regularmente as fendas de ventilação da ferramenta.** A ventilação do motor faz penetrar as poeiras no cárter do motor, o que pode ocasionar uma acumulação excessiva de partículas metálicas e provocar choques eléctricos.
- o. **Não utilize a sua ferramenta próximo de produtos inflamáveis.** As chispas poderiam inflamá-los.
- p. **Não utilize acessórios que requerem fluidos de arrefecimento.** A utilização de água ou de líquidos de arrefecimento pode provocar electrocussões ou choques eléctricos.
- q. **Utilize exclusivamente tipos de discos recomendados para a sua ferramenta e a protecção específica concebida para o disco seleccionado.** Os discos para os quais a ferramenta não foi concebida não podem ser devidamente protegidos pelo que não são seguros.
- r. **A protecção deve estar firmemente presa à ferramenta e posicionada para proporcionar a máxima segurança, de modo a que a menor quantidade de disco fique exposto face ao operador.** A protecção ajuda a proteger o operador de fragmentos de disco partido e de contactos acidentais com o disco.
- s. **Os discos só devem ser usados para as aplicações recomendadas. Por exemplo, não triture com a parte lateral do disco de corte.** Os discos de corte destinam-se à trituração periférica; pressões laterais sobre estes discos podem fazer com que os mesmos se partam.
- t. **Utilize sempre aletas em boas condições e do tamanho e forma correctos para o disco seleccionado.** As adequadas aletas de disco suportam o disco reduzindo, assim, a possibilidade de este se partir. As aletas dos discos de corte podem ser diferentes das aletas dos discos de trituração.
- u. **Não use discos desgastados de ferramentas eléctricas maiores.** Os discos destinados a ferramentas maiores não são adequados à velocidade superior de ferramentas mais pequenas e podem rebentar.

RECUO E AVISOS ASSOCIADOS

O contra-golpe é uma reacção súbita que se produz quando o rebolo em movimento, a placa de lixar, a escova

ou qualquer outro acessório fica entalado ou torcido, o que provoca o bloqueio repentino do acessório. A ferramenta, que continua a funcionar, é então projectada na direcção oposta ao sentido de utilização do acessório.

Por exemplo, se um disco abrasivo ficar entalado ou torcido na peça a trabalhar, o gume do disco pode encravar-se na superfície da peça a trabalhar, o que faz sair bruscamente o disco da peça a trabalhar e o projecta para o utilizador ou à distância, conforme o sentido de rotação do disco, quando este fica bloqueado. Em caso de contra-golpe, o disco abrasivo também pode quebrar. Em caso de contra-golpe, o disco abrasivo também pode quebrar.

O contra-golpe é portanto o resultado de uma má utilização da ferramenta e/ou de procedimentos ou condições de utilização incorrectas. Pode ser evitado tendo o cuidado de respeitar certas precauções.

- a. **Mantenha a ferramenta bem firme e coloque o corpo e o braço de modo a poder controlar um eventual contra-golpe. Se a ferramenta tiver uma pega auxiliar, esta deve ser sempre utilizada para ter um óptimo controlo da ferramenta em caso de contra-golpe ou binário de reacção ao pôr a ferramenta a trabalhar.** Tome as disposições necessárias de modo a poder controlar a ferramenta em caso de contra-golpe ou binário de reacção.
- b. **Nunca ponha a mão próximo do acessório em rotação, de modo a evitar qualquer risco de ferimentos graves no caso de contra-golpe.** O acessório pode recuar mais de sua mão.
- c. **Não fique na zona onde a ferramenta pode ser projectada em caso de contra-golpe.** Em caso de contra-golpe, a ferramenta é projectada na direcção oposta ao sentido de rotação do disco.
- d. **Preste uma atenção particular quando trabalha em ângulos, bordos cortantes, etc. Evite fazer derrapar ou entalar o acessório.** Quando trabalhar em ângulos ou bordos cortantes ou quando fizer derrapar a ferramenta, o risco de bloquear o acessório é maior, e por isso de perder o controlo da ferramenta e provocar um contra-golpe.
- e. **Nunca utilize uma lâmina de corte para madeira ou uma lâmina de serra com esta ferramenta.** Estas lâminas aumentam o risco de contra-golpe e de perda de controlo da ferramenta.

AVISOS ADICIONAIS DE SEGURANÇA ESPECÍFICOS PARA OPERAÇÕES DE ESMERILAR

- a. Verifique se a velocidade indicada no disco de rebarbar é igual ou superior à velocidade nominal da ferramenta.
- b. Certifique-se de que o diâmetro do disco de

Português

rebarbar é compatível com a ferramenta e que o disco encaixa correctamente no eixo.

- c. Os discos de rebarbar devem ser arrumados num lugar seco.
- d. Nunca coloque nenhum objecto sobre os discos.
- e. Os discos não devem ser utilizados para fins diferentes das operações de rebarbar.
- f. Antes de utilizar o disco, confirme que não está rachado ou fissurado. Se for o caso, o disco pode quebrar, o que pode provocar ferimentos graves.
- g. Certifique-se antes da utilização que o disco está correctamente montado e apertado e em seguida ponha a sua ferramenta a trabalhar em vazio durante 30 segundos dirigindo-a de forma que não apresente nenhum perigo. Pare a sua ferramenta imediatamente se vibrar excessivamente ou se descobrir outros problemas. Se este caso ocorrer, verifique a sua ferramenta para determinar a causa do problema.
- h. Não utilize casquilhos de redução ou adaptadores para reduzir o furo de discos de grande diâmetro de furo.
- i. Verifique se a peça a trabalhar está correctamente segura.
- j. Certifique-se de que as chispas produzidas pela utilização da ferramenta não criam uma situação perigosa, como por exemplo se não são projectadas sobre pessoas ou substâncias inflamáveis.
- k. Use sempre óculos de protecção e protecções dos ouvidos.
- l. Se necessário, utilize outros equipamentos de protecção, como por exemplo luvas, avental ou capacete.
- m. Nunca ponha a sua ferramenta no chão ou sobre outras superfícies quando estiver em funcionamento. Atenção, o disco gira por inércia durante alguns momentos depois da paragem da ferramenta. Nunca deve tocar no disco, nem colocá-lo no chão ou sobre outras superfícies quando estiver em rotação.
- n. O flange do disco e o flange externo devem ter o mesmo diâmetro externo.
- o. Não utilize a ferramenta para trabalhos para os quais não foi concebida. Nunca utilize fluido de arrefecimento ou água. Não utilize a sua ferramenta como uma ferramenta fixa.
- p. Quando utilizar a sua ferramenta, segure-a firmemente com ambas as mãos.

SÍMBOLO



Alerta de Segurança

V Volts

Hz Hertz

~ Corrente alterna

W Watts

n_0 Velocidade em vazio

n Velocidade Nominal

min^{-1} Número de rotações ou movimentos por minuto



Conformidade CE



Isolamento duplo



Use protecção para os ouvidos



Use protecção para os olhos



Agradecemos que leia atentamente as instruções antes de iniciar a máquina.



Os aparelhos eléctricos antigos não devem ser eliminados juntamente com o lixo doméstico. Recicle onde existem instalações para o efeito. Verifique com as suas Autoridades Locais ou revendedor para obter informações sobre reciclagem.



Recicle os materiais em vez de pô-los directamente no lixo doméstico. Para proteger o ambiente, a ferramenta, os acessórios e as embalagens devem ser seleccionados.

ESPECIFICAÇÕES

Disco de rebarbar	230 mm (9 in)
Frequência	50 Hz
Voltagem	230 V - 240 V ~
Admissão	2000 W
Rosca do eixo	M14
Velocidade Nominal	6000 min^{-1}
Comprimento total	470 mm

Português

Peso líquido 6.0 kg

NOTA: Verifique a placa de identificação do produto, porque a tensão pode ser diferente em função do lugar onde o produto deve ser utilizado.

Velocidade periférica máxima do disco: 4,800 m/min.

Exemplo de cálculo

$$3.14 \times 230 \times 6,000/1,000 = 4.333,2$$

$$3.14 \times 180 \times 6,000/1,000 = 3.391,2$$

Velocidade periférica do disco 4,333.2/3,391.2

Diâmetro do disco 230/180

Velocidade em vazio da rebarbadora 6.000

ACESSÓRIOS STANDARD

Pega auxiliar

Um disco de rebarbar é fornecido com os acessórios em certos países.

OPERAÇÃO

Ver figura 4.

⚠ AVISO

As tampas de protecção devem estar sempre colocadas. Nunca cubra as fendas de ventilação para permitir um arrefecimento correcto do motor.

Para um trabalho eficaz, é importante controlar bem a pressão exercida na ferramenta assim como a superfície de contacto entre o disco e a peça a trabalhar. Para desbastar superfícies planas, a rebarbadora deve formar um ângulo agudo, em geral entre 10° e 20°, com a peça a trabalhar. Deixe que o disco atinja a velocidade máxima antes de começar a rebarbar. Um ângulo muito grande provoca uma concentração da pressão sobre uma pequena superfície, o que pode escavar ou queimar a superfície de trabalho.

INTERRUPTOR

Ver figura 2.

- Para ligar a unidade, pressione para a frente o travão de segurança e, em seguida, pressione o interruptor ligar/desligar.
- Para desligar a unidade, solte o interruptor de ligar/

desligar.

AJUSTE DA POSIÇÃO DO PUNHO ROTATIVO

Ver figura 3.

1. Desligue a ferramenta.
2. Prima e mantenha o botão de bloqueio do punho, em seguida gire o punho rotativo até à posição pretendida até que se encaixe no lugar.

⚠ AVISO

Não ajuste o manípulo rotativo, enquanto a ferramenta estiver a funcionar.

MANÍPULO AUXILIAR COM TRÊS POSIÇÕES

Ver figura 5.

Especificamente concebido e com angulares para três posições para um máximo conforto e controlo.

INSTALAÇÃO DO DISCO DE REBARBAR

Ver figura 4 - 6.

⚠ AVISO

Verifique cuidadosamente se o disco não tem fissuras. Substitua imediatamente qualquer disco fissurado.

- Monte o flange, o disco de rebarbar e o flange externo no eixo de accionamento.
- Certifique-se de que a flange do disco está apropriadamente assente no eixo do fuso.
- Aperte o botão de bloqueio do eixo situado no lado direito da tampa do motor.
- Aperte o flange externo no sentido dos ponteiros de um relógio com a chave de serviço fornecida.

TAMPA DE PROTECÇÃO

Ver figura 7 - 8.

Abra a alavanca de bloqueio da tampa de protecção e coloque a tampa de protecção na posição desejada. O ângulo de viragem máximo é de 90° em ambos os lados; caso contrário a protecção não pode ser bloqueada.

LUZ AVISADORA DE LIGAÇÃO

A rebarbadora angular está equipada com uma luz avisadora de ligação que acende quando a ferramenta está ligada. Esta luz avisadora chama a sua atenção para o facto que a rebarbadora está ligada à corrente e que ela entrará em funcionamento assim que mover o interruptor para a frente.

Português

MANUTENÇÃO

Depois da utilização, certifique-se de que a sua ferramenta está em bom estado de funcionamento.

Recomenda-se de levar a sua ferramenta pelo menos uma vez por ano a um Centro de Serviço Autorizado Ryobi para uma lubrificação e uma limpeza completa.

⚠ AVISO

Nunca efectue nenhum ajuste quando o motor está em funcionamento.

Desligue sempre a rebarbadora da corrente antes de substituir uma peça (disco diamante, disco de rebarbar, etc.), de lubrificar a ferramenta e antes de qualquer operação de manutenção.

⚠ AVISO

Para mais segurança e fiabilidade, todas as reparações devem ser feitas por um Centro de Serviço Autorizado Ryobi.

BESKRIVELSE

1. Slibeskive
2. Sikkerhedsafskærmning
3. Drejeligt håndtag
4. Håndtagets låseknap
5. Tænd/Sluk-kontakt
6. Start-stopknappens oplåsningsanordning
7. Flange
8. Yderflange
9. Drivaksel
10. Servicenøgle
11. Aksellåseknap
12. Låsegreb for sikkerhedsafskærmning
13. Kontrollampe for strømtilslutning
14. Hjælpehåndtag

SPECIFIKKE SIKKERHEDSADVARSLER FOR SLIBEARBEJDE

- a. **Dette værktøj er beregnet til at blive anvendt som slibe. Læs alle omhyggeligt alle advarsler, anvisninger og specifikationer, som følger med maskinen, og studer illustrationerne.** Hvis nedenstående forskrifter ikke overholdes, kan der ske uheld og ulykker som brand, elektrisk stød og/eller alvorlige personskader.
- b. **Hvis denne regel ikke overholdes, kan der ske ulykker, så man kommer alvorligt til skade.**
- c. **Anvend ikke tilbehør, som ikke er specielt beregnet til dette værktøj, og som ikke anbefales af fabrikanten.** Selv om en tilbehørsdel kan monteres på et værktøj, er der ingen garanti for, at det er forsvarligt at bruge værktøjet.
- d. **Tilbehørets mærkehastighed skal være lig med eller højere end maksimalhastigheden anført på værktøjet.** Hvis tilbehøret anvendes med en hastighed, der er højere end dets mærkehastighed, kan det knække og rive sig løs.
- e. **Tilbehørets udvendige diameter og tykkelse skal svare til det for værktøjet specificerede.** Hvis tilbehøret ikke svarer til de anførte specifikationer, virker værktøjets sikkerheds- og indstillingssystemer måske ikke efter hensigten.
- f. **Slibeskiver, flanger, slibepuder og andet tilbehør skal passe fuldstændigt til værktøjets akselboring.** Tilbehør, som ikke passer til akslen, de skal monteres på, vil ikke dreje ordentligt rundt og kan vibrere kraftigt, så man mister kontrollen over værktøjet.
- g. **Brug aldrig en beskadiget tilbehørsdel. Inden værktøjet bruges, undersøges den anvendte tilbehørsdel: se slibeskiverne efter for revner og skår, slibepuderne for flænger og slitage og**

metalbørsterne for kraftig slitage og knækkede træde. Hvis værktøjet eller redskabet falder på gulvet, undersøges alle dele for skader, og om nødvendigt monteres nyt tilbehør. Efter tilbehøret er undersøgt for skader og monteret, holdes afstand til det roterende tilbehør, mens værktøjet kører et minut på fuld hastighed. Hvis tilbehøret er beskadiget, vil det knække under denne test.

- h. **Bær personlige værnemidler. Brug beskyttelsesmaske, sikkerheds- eller beskyttelsesbriller afhængig af den pågældende opgave. Om nødvendigt bruges støvmaske, høreværn, handsker og beskyttelsesforklæde som sikring mod løsevne fremmedlegemer (slibeelementer, spåner m.v.).** Med beskyttelsesbriller undgår man øjenskader på grund af udslyngede stumper. Støvmasken filtrerer partikler dannet under arbejdet. Hvis man udsættes for kraftigt støj i længere tid, kan hørelsen tage skade.
 - i. **Sørg for at holde tilskuere i god afstand fra arbejdsstedet, og for at få dem til at bruge beskyttelsesudstyr. Alle kommer ind i arbejdsområdet skal bære personlige værnemidler.** Stumper fra arbejdsstykket eller et knækket tilbehør kan springe langt væk fra arbejdsstedet og forårsage alvorlige ulykker.
 - j. **Hold udelukkende værktøjet de isolerede gribesteder ved arbejde på flader, hvor der kan ligge el-ledninger skjult, eller når den strømførende ledning kan komme til at befinde sig i værktøjets arbejdsfelt.** Ved kontakt med strømførende ledninger kan metaldelene lede strømmen og give elektrisk stød.
 - k. **Anbring ledningen således, at den ikke kommer i nærheden af det roterende tilbehør.** Hvis man mister kontrollen over værktøjet, kan ledningen blive skåret over eller sætte sig fast, og hånden eller armen kan blive trukket hen mod det roterende tilbehør.
 - l. **Læg ikke værktøjet ned, før tilbehøret står helt stille.** Det roterende tilbehør kan gribe fat i fladen, det lægges på, så man mister kontrollen over værktøjet.
 - m. **Lad ikke værktøjet arbejde, mens det flyttes eller bæres.** Det roterende tilbehør kan hænge fast i tøjet og forårsage alvorlige skader.
 - n. **Rens værktøjets ventilationsåbninger med jævne mellemrum.** Motorens ventilation bevirker, at der trænger støv ind i motorkassen, og at der derfor ophobes for mange metalpartikler, som kan forårsage elektrisk stød.
 - o. **Anvend ikke værktøjet i nærheden af**

Dansk

- brændbare stoffer.** De kan blive antændt af gnister.
- p. **Brug ikke tilbehør, som kræver kølemiddel.** Hvis der anvendes vand eller flydende kølemiddel, kan man få elektrisk stød, måske livsfarligt.
- q. **Brug kun hjul typer, der er anbefalet til elværktøjet, og brug det specifikke skærm, der er beregnet til det pågældende hjul.** Hjul, som elværktøjet ikke er beregnet til, kan ikke afdækkes tilstrækkeligt og er derfor usikre at bruge.
- r. **Skærmen skal fastgøres ordentligt til elværktøjet og positioneres for maksimal sikkerhed, således at så lille en del af hjulet er blottet for operatøren.** Skærmen hjælper til at beskytte operatøren mod afknækkede hjulsegmenter og utilsigtet kontakt med hjulet.
- s. **Hjul må kun bruges til de anbefalede anvendelsesformål. For eksempel, man ikke slibe med siden af skærehjulet.** Abrasive skærehjul er beregnet til periferislibning; hjulene kan begynde at ryste, hvis de udsættes for sidekræfter.
- t. **Brug altid uskadede hjulflanger med korrekt størrelse og form i forhold til det valgte hjul.** Ordentlige hjulflanger understøtter hjulet og reducerer dermed faren for, at hjulet knækker. Flanger til skærehjul kan være forskellige fra slibehjulflanger.
- u. **Brug ikke udslidte hjul fra større elværktøjer.** Hjul beregnet til større elværktøjer er uegnede til de højere hastigheder på mindre værktøjer og risikerer at knække.

TILBAGESLAG ('KICKBACK') OG TILHØRENDE ADVARSLER

Tilbageslag er en pludselig reaktion, som opstår, når den roterende slibeskive, slibepude, børste eller andet tilbehør kommer i klemme eller vrider sig og derefter sætter sig fast. Værktøjet, som arbejder videre, bliver så kastet modsat tilbehørets driftsretning.

Hvis f.eks. en slibeskive kommer i klemme eller vrider sig i arbejdsstykket, kan skivens skær trænge ned i arbejdsstykkets overflade, hvorefter skiven pludselig springer ud af arbejdsstykket, så værktøjet bliver slynget mod brugeren eller ud i lokalet, alt efter hvilken retning, skiven drejede rundt, da den satte sig fast. Hjulet kan enten hoppe mod eller væk fra operatøren, afhængigt af retning af hjulets bevægelse på det sted, klemmer. Ved tilbageslag kan slibeskiven tilmed knække.

Tilbageslag skyldes altså, at værktøjet bruges forkert, og/eller at fremgangsmåden eller driftsforholdene er u hensigtsmæssige. Det kan undgås, hvis der tages nogle forholdsregler.

- a. **Grib godt fat om værktøjet, og hold kroppen og armen i en stilling, hvor et eventuelt tilbageslag kan kontrolleres.** Hvis værktøjet har et hjælpehåndtag, skal det altid bruges for at kunne styre værktøjet optimalt, hvis der opstår tilbageslag eller et reaktionsmoment, når værktøjet sættes i gang. Tag de nødvendige forholdsregler for at kunne styre værktøjet, hvis der opstår tilbageslag eller et reaktionsmoment ved start.
- b. **Anbring aldrig hånden i nærheden af det roterende tilbehør for ikke at komme alvorligt til skade i tilfælde af tilbageslag.** Tilbehør kan tilbageslag over din hånd.
- c. **Stå ikke i det område, hvor værktøjet kan blive slynget hen i tilfælde af tilbageslag.** Hvis der opstår tilbageslag, bliver værktøjet kastet modsat skivens omdrejningsretning.
- d. **Vær særlig opmærksom ved bearbejdning af hjørner, skarpe kanter o.l.** Undgå, at tilbehøret skrider eller bliver klemt fast. Ved bearbejdning af hjørner eller skarpe kanter eller hvis værktøjet kommer til at skride, er der større risiko for, at tilbehøret sætter sig fast og altså for at miste kontrollen over værktøjet, så der opstår tilbageslag.
- e. **Brug aldrig skæreklinger til træ eller savklinger med dette værktøj.** Den slags klinger øger risikoen for tilbageslag og for at miste kontrollen over værktøjet.

EKSTRA SIKKERHEDSADVARSLER FOR SLIBEARBEJDE

- a. Se efter, om hastigheden anført på slibeskiven er den samme som eller højere end værktøjets mærkehastighed.
- b. Undersøg, om slibeskivens diameter passer til værktøjet og slibeskiven til akslen.
- c. Slibeskiver skal opbevares tørt.
- d. Læg ikke genstande oven på slibeskiverne.
- e. Slibeskiverne må ikke anvendes til andre formål end slibearbejder.
- f. Inden slibeskiven tages i brug, skal den ses efter for revner og brud. Hvis slibeskiven er revnet eller skåret, kan den knække og forårsage alvorlige ulykker.
- g. Inden brug kontrolleres, at slibeskiven er monteret rigtigt og forsvarligt fastspændt, og derefter startes værktøjet i tomgang i 30 sekunder, mens det holdes, så det ikke er til fare for nogen eller noget. Stands straks værktøjet, hvis det vibrerer kraftigt eller udviser andre fejl. I så fald undersøges værktøjet for at finde årsagen.
- h. Brug aldrig reduktionsmuffer eller overgangsstykker

Dansk

- for at tilpasse slibeskiver med større hul diameter.
- Sørg for, at arbejdsstykket er forsvarligt fastholdt.
 - Vær opmærksom på, at de under slibearbejdet dannede gnister ikke fremkalder farlige situationer, at de f.eks. ikke kan springe hen på tilskuere eller brændbare stoffer.
 - Brug altid sikkerhedsbriller og høreværn.
 - Eventuelt anvendes andet beskyttelsesudstyr som handsker, forklæde eller hjelm.
 - Læg aldrig værktøjet ned på jorden eller andre flader, mens det er i drift. Pas på! Slibeskiven bliver ved med at dreje rundt, efter værktøjet er slukket, på grund af inertien. Rør aldrig ved slibeskiven, og læg aldrig maskinen ned på jorden eller andre flader, så længe skiven drejer rundt.
 - Skiveflangen og yderflangen skal have samme udvendige diameter.
 - Brug kun værktøjet til de formål, det er beregnet til. Brug aldrig kølevæske eller vand. Brug ikke værktøjet fastmonteret.
 - Når der arbejdes med værktøjet, skal det holdes fast med begge hænder.

SYMBOL



Sikkerheds Varsel

V Volt

Hz Hertz

~ Vekselstrøm

W Watt

n_o Tomgangshastighed

n Mærkehastighed

min^{-1} Antal omdrejninger eller bevægelser pr. Minut



CE Overensstemmelse



Dobbelt-isolering



Benyt høreværn



Benyt øjenværn



Læs venligst vejledningen grundigt igennem før maskinen tages i brug.



Elektriske affaldsprodukter bør ikke afskaffes sammen med husholdningsaffald. Genbrug venligst hvor faciliteterne tillader dette. Tjek med din lokale kommune eller forhandler for genbrugsråd.



Råmaterialerne skal genvindes og ikke bortkastes med almindeligt affald. Af hensyn til miljøet skal redskab, tilbehør og emballage sorteres.

SPECIFIKATIONER

Slibeskive	230 mm (9 in)
Frekvens	50 Hz
Spænding	230 V - 240 V ~
Strømforsyning	2000 W
Akselgevind	M14
Mærkehastighed	6000 min^{-1}
Samlet længde	470 mm
Nettovægt	6.0 kg

BEMÆRK: Kontroller produktets mærkeplade, spændingen kan nemlig være forskellig de steder, hvor produktet skal anvendes.

Slibeskvens højeste omkredshastighed: 4,800 m/min.

Beregningseksempel

$$3.14 \times 230 \times 6,000/1,000 = 4.333,2$$

$$3.14 \times 180 \times 6,000/1,000 = 3.391,2$$

Slibeskvens omkredshastighed 4,333.2/3,391.2

Slibeskvens diameter 230/180

Slibemaskinens tomgangshastighed 6.000

STANDARDTILBEHØR

Hjælpehåndtag

En slibeskive leveres med tilbehøret i visse lande.

BETJENING

Se figur 4.

Dansk

⚠ ADVARSEL

Sikkerhedsafskærmningerne skal altid sidde på plads. Pas på ikke at dække ventilations-åbningerne til, så motoren altid bliver tilstrækkeligt afkølet.

For at arbejde effektivt er det vigtigt at styre og kontrollere trykket på værktøjet og kontaktfladen mellem slibeskiven og arbejdsstykket. Ved slibning af plane flader skal slibeskiven holdes i en spids vinkel, som regel mellem 10° og 20°, i forhold til arbejdsstykket. Lad slibeskiven komme op på fuld hastighed, inden slibningen påbegyndes. Hvis vinklen er for stor, koncentrerer trykket på en lille flade, som så bliver udulet eller brændt.

START-STOPKNAP

Se figur 2.

- Man tænder enheden ved at presse sikkerhedslåsen frem og dernæst trykke på kontakten ON/OFF (=TÆND/SLUK).
- Man slukker enheden ved at udløse kontakten ON/OFF (=TÆND/SLUK).

INDSTILLING AF POSITION FOR DREJELIGT HÅNDTAG

Se figur 3.

- Sluk værktøjet.
- Hold håndtags-låseknappen inde, og drej samtidigt det drejelige håndtag i den ønskede position, til det går i indgreb.

⚠ ADVARSEL

Justér ikke drejhåndtaget, mens værktøjet kører.

HJÆLPEHÅNDTAG MED 3 POSITIONER

Se figur 5.

Specialdesignet og vinklet til tre positioner for maksimal komfort og kontrol.

MONTERING AF SLIBESKIVE

Se figur 4 - 6.

⚠ ADVARSEL

Se slibeskiven omhyggeligt efter for revner. Hvis den har revner, skal den straks skiftes.

- Sæt flangen, slibeskiven og yderflangen på drivakslen.
- Kontrollér, at skiveflangen er korrekt indsat i

spindelakslen.

- Tryk aksellåseknappen på højre side af motor-huset ind.
- Spænd yderflangen fast ved drejning med uret ved hjælp af den medleverede servicenøgle.

SIKKERHEDSAFSKÆRMNING

Se figur 7 - 8.

Åbn sikkerhedsafskærmningens låsegreb, og sæt sikkerhedsafskærmningen i den ønskede stilling. Den maksimale drejevinkel er 90° på hver side; ellers kan skærmen ikke lukkes.

KONTROLLAMPE FOR STRØMTILSLUTNING

Vinkelsliberen har en kontrollampe for strømtilslutning, som tænder, når værktøjets stik er sat i stikkontakten. Denne kontrollampe skal minde om, at der er strøm på vinkelsliberen, og at maskinen starter, så snart start-stopknappen skubbes fremad.

VEDLIGEHOLDELSE

Efter brug skal værktøjet ses efter.

Det anbefales at aflevere værktøjet mindst en gang om året på et autoriseret Ryobi serviceværksted for grundig smøring og rensning.

⚠ ADVARSEL

Der må aldrig foretages justeringer med motoren gående.

Træk altid stikket ud af stik-kontakten inden udskiftning af dele (diamantskive, slibeskive m.v.), smøring eller vedligeholdelse af værktøjet.

⚠ ADVARSEL

Af hensyn til brugersikkerheden og drifts-sikkerheden skal reparationer udføres på et autoriseret Ryobi serviceværksted.

BESKRIVNING

1. Slipskiva
2. Skyddskåpa
3. Vridbart handtag
4. Låsknapp för handtaget
5. Av/på-knapp
6. Anordning för upplåsning av strömbrytaren
7. Fläns
8. Yttre fläns
9. Drivaxel
10. Servicenyckel
11. Låsknapp för axeln
12. Låsspak för skyddskåpa
13. Indikator för nätanslutning
14. Hjälp-handtag

SÄKERHETSVARNINGAR SOM SPECIFIKT BERÖR SLIPNINGSAKTIVITETER

- a. **Detta verktyg har konstruerats för att användas som slipmaskin. Läs uppmärksamta alla varningar, instruktioner och specifikationer som bifogas med detta verktyg och studera bilderna.** Underlåtenhet att respektera dessa föreskrifter kan leda till olyckor som brand, elektriska stötar och/eller allvarliga kroppsskador.
- b. **Underlåtenhet att följa denna föreskrift kan försäkra olyckor och allvarliga kroppsskador.**
- c. **Använd inte tillbehör som inte speciellt konstruerats för detta verktyg och som inte rekommenderas av tillverkaren.** Även om ett tillbehör kan monteras på ett verktyg är detta ingen garanti för att du kan använda verktyget helt tryggt.
- d. **Tillbehörets nominella hastighet ska vara lika med eller högre än den maximala hastighet som anges på verktyget.** Tillbehör som fungerar i en hastighet som är högre än deras nominella hastighet kan brytas av och slungas ut.
- e. **Tillbehörets ytterdiameter och tjocklek bör motsvara de karakteristiska som getts för verktyget.** Om tillbehören inte motsvarar givna karakteristiska, kan det hända att verktygets skyddssystem och inställning inte fungerar normalt.
- f. **Slipskivor, flänsar, slipydnor eller andra tillbehör måste vara fullständigt anpassade till spindelns håldiameter.** Tillbehör som inte är anpassade till det verktyg de monteras på fungerar inte normalt, vibrerar extremt och får dig att förlora kontrollen över verktyget.
- g. **Använd inte ett skadat tillbehör. Kontrollera före varje användning att tillbehöret som du använder är i gott skick: kontrollera att slipskivorna inte är kantstötta eller spruckna,**

att slipydnorna inte är trasiga eller slitna, att håren på metallborstarna inte är för slitna eller avbrutna. Om verktyget eller tillbehöret faller, kontrollera att ingen del har skadats och montera vid behov ett nytt tillbehör. Efter att ha kontrollerat att tillbehöret är i gott skick och efter att ha monterat det, håll dig på avstånd från det rörliga tillbehöret och låt verktyget gå i maximal hastighet under en minut. Om tillbehöret är skadat bryts det av under denna kontroll.

- h. **Använd personlig skyddsutrustning.** Beroende på vad du använder verktyget till bör du använda en skyddsmask, säkerhetsglasögon eller skyddsglasögon. Använd även vid behov en skyddsmask mot damm, hörselskydd, handskar och skyddsförkläde för att skydda dig mot utslungade främmande föremål (slipdelar, träspån, osv.). Skyddsglasögon hindrar att utslungat avfall skadar ögonen. Skyddsmasken mot damm filtrerar partiklarna som alstras av det arbete du utför. Långvarig exponering för kraftigt ljud kan leda till hörselörlust.
 - i. **Håll besökare på ett lämpligt avstånd från arbetsområdet och se till att de använder en skyddsutrustning.** Den som kommer in i arbetsområdet måste bära personlig skyddsutrustning. Bitar av arbetsstycket eller ett trasigt tillbehör kan slungas ut från arbetsområdet och försäkra allvarliga kroppsskador.
 - j. **Håll i verktyget endast i de isolerade och halksäkra delarna då du arbetar på en yta som kan dölja elektriska ledningar eller då arbetet är sådant att nätsladden kan placeras i verktygets bana.** Kontakt med kablar under spänning kunde överföra ström till metalldelar och försäkra elstötar.
 - k. **Placera nätsladden så att den är på avstånd från det roterande tillbehöret.** Om du förlorar kontrollen över verktyget kan nätsladden skäras av eller kllas fast och din hand eller din arm kan dras emot det roterande tillbehöret.
 - l. **Lägg aldrig ned verktyget innan tillbehöret stannat helt.** Det roterande tillbehöret kan komma i kontakt med ytan det är ställt på och få dig att förlora kontrollen över verktyget.
 - m. **Ha inte verktyget i gång medan du transporterar det.** Det roterande tillbehöret skulle kunna fastna i kläderna och skada dig allvarligt.
 - n. **Rengör regelbundet verktygets ventilationsöppningar.** Motorventilationen gör att damm tränger in i motorhuset, vilket kan försäkra en extrem anhopning av metallpartiklar och framkalla elektriska stötar.

Svenska

- o. **Använd inte verktyget i närheten av lättantändliga produkter.** Gnistor kan antända dem.
- p. **Använd inte tillbehör som kräver kylvätskor.** Användning av vatten eller kylvätskor kan förorsaka elektriska stötar.
- q. **Använd endast skivtyper som rekommenderas till ditt verktyg och använd endast det skydd som är avsett för den valda skivtypen.** Skivor som verktyget inte är anpassat för att hantera kan inte skyddet hantera på ett tillförlitligt sätt och de är därför inte säkra att använda.
- r. **Skyddet måste sitta fast ordentligt på verktyget och vara placerat så att det erbjuder maximalt skydd där användaren exponeras för en så liten del av skivan som möjligt.** Skyddet hindrar oavsiktlig kontakt med skivan och skyddar användaren från splittr från en trasig skiva.
- s. **Skivorna får endast användas till de aktiviteter som de är avsedda för. Exempel, använd inte sidorna på en kapskiva för att slipa.** Slipande kapskivor är avsedda för yttre slipning; om du trycker dem i sidled kan de splittras.
- t. **Använd alltid oskadade skivflänsar i rätt storlek och form så att de passar den skiva du använder.** Korrekta skivflänsar stärker skivan och minskar risken att den går sönder. Flänsarna för kapskivor kan vara annorlunda än flänsarna för slipskivor.
- u. **Använd inte nedslitna skivor från större maskiner.** Skivor som är avsedda för större verktyg är inte lämpliga att använda till mindre verktyg med högre hastighet eftersom skivan kan splittras.
- a. **Håll stadigt i verktyget och placera kroppen och armen så att du kan kontrollera ett eventuellt återslag. Om verktyget har ett hjälphandtag, håll alltid i det för att kunna kontrollera verktyget optimalt i händelse av återslag eller reaktionsmoment vid start av verktyget.** Vidta nödvändiga åtgärder för att kunna kontrollera verktyget i händelse av återslag eller reaktionsmoment.
- b. **Ha aldrig handen i närheten av det roterande tillbehöret för att undvika risker för allvariga kroppsskador vid återslag.** Tillbehör kan kast över din hand.
- c. **Stå inte i det område dit verktyget kan slungas vid återslag.** Vid återslag slungas verktyget i motsatt riktning jämfört med skivans rotation.
- d. **Var speciellt på din vakt då du arbetar i hörn, på vassa kanter, osv.** Låt inte tillbehöret slira eller kilas fast. Då du arbetar i hörn eller på vassa kanter eller då verktyget slirar är risken större att tillbehöret blockeras, att du förlorar kontrollen över verktyget och att ett återslag uppstår.
- e. **Använd aldrig en kapskiva för trä eller en sågklinga med detta verktyg.** Dylika skivor eller klingor ökar risken för återslag och för att man förlorar kontrollen över verktyget.

YTTERLIGARE SÄKERHETSVARNINGAR SPECIFIKT FÖR SLIPNING

- a. Kontrollera att hastigheten som anges på slipskivan är lika hög eller högre än verktygets nominella hastighet.
- b. Försäkra dig om att slipskivans diameter är förenlig med verktyget och att slipskivan fogas in korrekt i axeln.
- c. Slipskivorna skall förvaras på en torr plats.
- d. Placera inget föremål på slipskivorna.
- e. Slipskivorna får inte användas för andra arbeten än slipning.
- f. Kontrollera före användning av slipskivan att den inte är kantstött eller sprucken. Om det är fallet kan slipskivan brytas av, vilket kan förorsaka allvariga kroppsskador.
- g. Kontrollera före användning att slipskivan är rätt monterad och åtdragen och ha verktyget att gå på tomgång i 30 sekunder inriktat på ett sådant sätt att det inte innebär någon fara. Stanna verktyget omedelbart om det vibrerar extremt mycket eller om du konstaterar andra problem. Inspektera i så fall verktyget för att fastställa orsaken till problemet.
- h. Använd inte reduktionsringar eller mellanlägg för att minska innerdiametern i slipskivor med stor diameter.

ÅTERKAST OCH RELATERADE VARNINGAR

Återslaget är en plötslig reaktion som inträffar då slipskivan som är i rörelse, slippyndan, borsten eller annat tillbehör fastnar eller vrids, vilket leder till att tillbehöret snabbt läses fast. Verktyget, som fortsätter att fungera, kastar då verktyget i motsatt riktning jämfört med tillbehörets användningsriktning.

Om till exempel en slipskiva kläms ihop eller vrids inne i arbetsstycket, kan eggen på skivan tryckas in i arbetsstyckets yta, vilket gör att skivan snabbt går ut ur arbetsstycket och slungas mot användaren eller på avstånd, beroende på skivans rotationsriktning då den blockeras. I händelse av återslag kan slipskivan även brytas av. I händelse av återslag kan slipskivan även brytas av.

Ett återslag är alltså resultatet av en felaktig användning av verktyget och/eller av felaktiga arbetsmetoder eller arbetsförhållanden. Det kan undvikas genom att vidta några försiktighetsåtgärder.

Svenska

- i. Kontrollera att arbetsstycket är ordentligt fastspänt.
- j. Försäkra dig om att gnistorna som alstras vid användning av verktyget inte skapar en farlig situation. De får till exempel inte slungas mot personer eller lättantändliga ämnen.
- k. Kom ihåg att alltid använda skyddsglasögon och hörselskydd.
- l. Använd vid behov även andra skydd, som till exempel handskar, förkläde eller hjälm.
- m. Lägg aldrig ned verktyget på golvet eller andra ytor, när det är i gång. Lägg märke till att slipskivan fortsätter att rotera en stund efter att verktyget stängts av. Rör aldrig vid slipskivan och lägg inte ned den på golvet eller på andra ytor medan den roterar.
- n. Slipskivans fläns och den yttre flänsen skall ha samma ytterdiameter.
- o. Använd verktyget endast för arbeten till vilka det är anpassat. Använd aldrig kylmedel eller vatten. Använd inte verktyget som ett fast verktyg.
- p. Håll stadigt i verktyget med båda händerna när du använder det.



Gamla elektroniska produkter ska inte kastas med hushållssoporna. Återvinn där sådana faciliteter finns. Kontrollera med din lokala myndighet eller säljaren för att få återvinningstips.



Råmaterialen bör återanvändas i stället för att kastas i hushållsavfallet. För att skona miljön ska verktyget, tillbehören och emballagen sorteras.

SPECIFIKATIONER

Slipskiva	230 mm (9 in)
Frekvens	50 Hz
Spänning	230 V - 240 V ~
Matningsspänning	2000 W
Axelgångning	M14
Hastighet	6000 min ⁻¹
Totallängd	470 mm
Nettovikt	6.0 kg

NOTERA: Kontrollera produktens typskylt, för spänningen kan vara annorlunda beroende på den plats där produkten används.

Max. periferhastighet för slipskivan: 4,800 m/min.

Exempel på beräkning

$$3.14 \times 230 \times 6,000/1,000 = 4\,333,2$$

$$3.14 \times 180 \times 6,000/1,000 = 3\,391,2$$

Slipskivans periferhastighet 4,333.2/3,391.2

Slipskivans diameter 230/180

Slipmaskinens tomgångshastighet 6 000

SYMBOL



Säkerhetsvarning

V Volt

Hz Hertz

~ Växelström

W Watt

n_o Tomgångshastighet

n Hastighet

min⁻¹ Antal varv eller rörelser per minut



CE-konformitet



Dubbelisolering



Bär hörselskydd



Använd skyddsglasögon



Läs instruktionerna ordentligt innan start av maskinen.

STANDARDTILLBEHÖR

Hjälphandtag

En slipskiva bifogas med tillbehör i vissa länder.

ANVÄNDNING

Se bild 4.

Svenska

⚠ VARNING

Skyddskåporna måste alltid vara monterade. Kom ihåg att inte täcka över ventilationsöppningarna, för att möjliggöra en tillräcklig avkyllning av motorn.

För att uppnå ett lyckat resultat är det viktigt att noga kontrollera trycket som anbringas på verktyget samt kontaktytan mellan slipskivan och arbetsstycket. Vid slipning av plana ytor skall slipmaskinen bilda en spetsig vinkel, vanligtvis mellan 10 och 20°, med arbetsstycket. Låt slipskivan uppnå maximal hastighet, innan du börjar slipa. Om vinkeln är för stor, leder det till att trycket koncentreras på en liten yta, vilket kan urholka eller bränna arbetsytan.

STRÖMBRYTARE

Se bild 2.

- Tryck fram säkerhetslåset och tryck ned strömbrytaren för att sätta på enheten.
- Släpp upp strömbrytaren för att stänga av enheten.

JUSTERA POSITIONEN FÖR DET VRIDBARA HANDTAGET

Se bild 3.

1. Slå av verktyget.
2. Tryck in och håll nere låsknappen för handtaget och vrid sedan det vridbara handtaget till önskad position och tills det knäpper på plats.

⚠ VARNING

Justera inte det roterande handtaget när verktyget används.

SEKUNDÄRHANDTAG MED TRE POSITIONER

Se bild 5.

Specifikt utvecklat för, och inriktat mot, 3-position för maximal komfort och kontroll.

MONTERING AV SLIPSKIVAN

Se bild 4 - 6.

⚠ VARNING

Kontrollera noggrant att slipskivan inte har några sprickor. Byt omedelbart ut slipskivan om den är sprucken.

- Montera flänsen, slipskivan och den yttre flänsen på drivaxeln.
- Kontrollera att skivflänsen sitter ordentligt på

spindelskaftet.

- Tryck in låsknappen för axeln som finns på den högra sidan av motorhuset.
- Dra åt den yttre flänsen medurs med hjälp av den bifogade servicenyckeln.

SKYDDSKÅPA

Se bild 7 - 8.

Öppna låsspaken för skyddskåpan och placera skyddskåpan i önskat läge. Den maximala vridvinkeln är 90° på ena eller andra sidan, annars kan inte skyddet spärras.

INDIKATOR FÖR NÄTANSLUTNING

Vinkelslipen är utrustad med en indikator för nätanslutning som tänds då verktyget ansluts till nätet. Denna indikator gör dig uppmärksam på att vinkelslipen är spänningsatt och att den sätts i gång så fort du skjuter strömbrytaren framåt.

UNDERHÅLL

Försäkra dig om att verktyget är i gott skick efter avslutad användning.

Vi rekommenderar att lämna in verktyget för smörjning och komplett rengöring på en godkänd serviceverkstad, minst en gång per år.

⚠ VARNING

Utför ingen inställning medan motorn är i gång.

Koppla alltid ur slipmaskinen innan du byter ut en del (diamantslipskiva, slipskiva, etc.), smörjer verktyget och före alla underhållsarbeten.

⚠ VARNING

Av säkerhetsskäl är det viktigt att alla reparationer utförs på en serviceverkstad som auktoriserats av Ryobi.

Kuvaus

1. Tasoitushiomalaikka
2. Suojus
3. Kääntyvä kahva
4. Kahvan lukintanappi
5. Käynnistys/sammutuskytkin
6. Lipaisimen lukinnan vapautin
7. Laippa
8. Ulkolaippa
9. Vetoakseli
10. Säätoövain
11. Akselin lukintanappi
12. Suojakotelon lukintavipu
13. Jännitteen merkivalo
14. Sivukahva

ERITYISESTI HIOMISTA KOSKEVIA TURVALLISUUSOHJEITA

- a. Tämä työkalu on suunniteltu käytettäväksi hiomakoneena. Lue tarkkaavaisesti kaikki tämän työkalun kanssa toimitetut varoitukset, ohjeet ja spesifikaatiot, ja katso lisäksi kuvat. Seuraavassa esitettyjen ohjeiden laiminlyönnistä saattaa olla seurauksena onnettomuuksia kuten tulipalot, sähköiskut ja/tai vakavia kehon vammoja.
- b. Tämän ohjeen laiminlyönnistä saattaa olla seurauksena onnettomuuksia ja vakavia kehon vammoja.
- c. Älä käytä lisälisävarusteita, joita ei ole suunniteltu juuri tälle työkalulle ja joita valmistaja ei suosittele. Vaikka lisälisävarusteen voi mahdollisesti asentaa työkaluun, tämä ei takaa, että työkalua voi käyttää täysin turvallisesti.
- d. Lisävarusteen nimellinopeuden on oltava sama tai korkeampi kuin lisävarustelle mainittu maksiminopeus. Yli nimellinopeudella käytetyt lisävarusteet saattavat rikkoutua ja joutuvat hylätyiksi.
- e. Lisävarusteen ulkohalkaisijan ja paksuuden on vastattava työkalun ilmoitettuja ominaisuuksia. Ellei lisävarusteiden ominaisuudet vastaa annettuja ominaisuuksia, työkalun suoja- ja säätöjärjestelmä elleivät voi toimia oikein.
- f. Hiomakiekkojen, laikkojen, jalaksien tai muiden lisävarusteiden on oltava täydellisesti työkalun akselin halkaisijaan sopivia. Lisävarusteet, jotka ovat sopimattomia akselille, jolle ne pitäisi asentaa, eivät pyöri kunnolla, tärisivät liikaa ja menettävät työkalun hallinnan.
- g. Älä käytä voittuneita lisävarusteita. Tarkista ennen jokaista käyttöä, että käyttämäsi lisävaruste on hyväkuntoinen: varmista, että

hiontalaikan reunat ovat ehjät eikä siinä ole halkeamia ja etteivät kengät eivät ole repeytyneet tai kuluneet, ettei metalliharjojen harjakset ole liian kuluneet tai katkeilleet. Jos työkalu tai lisävaruste putoaa, tarkista, ettei mikään niiden osa ole vioittunut ja vaihda tarvittaessa uuteen. Kun olet todennut lisävarusteen hyvän kunnon ja kun olet asentanut sen, pysy loitolla liikkuvasta lisävarusteesta sallien työkalun saavuttaa maksiminopeuden minuutin aikana. Jos lisävaruste on viallinen, se särkyä tämän kokeen aikana.

- h. Käytä henkilökohtaisia suojavarusteita. Sent mukaan, mihin käytät työkalua, pidä suojanaamaria, turva- tai suojalaseja. Pidä tarvittaessa pölynsuojanaamaria, kuulosuojaimia, suojakäsineitä ja suojaesiliiniä kaikkia ulkoisten kappaleiden sinkoamista vastaan (hankaavat kappaleet, puun lastut jne.). Suojalasit estävät lentäviä jätetalasia vahingoittamasta silmiä. Pölynsuojanaamareilla voidaan suodattaa käytetyssä työssä syntyneet hiukkaset. Pitkäaikaisesta altistuksesta kovalle melulle saattaa aiheutua kuulon huononeminen.
- i. Pidä vieraat hyvin loitolla työalueesta ja huolehdi, että heillä on suojalisävarusteet. Jokaisella, joka tulee työalueelle on käytettävä henkilökohtaisia suojavarusteita. Työstettävistä kappaleista tai rikkoutuneesta välineestä saattaa singota palasia työalueen ulkopuolellekin aiheuttaen vakavia vammoja.
- j. Pidä työkalusta kiinni vain eristetyistä luistamattomista osista työskennellessäsi pinnalla, joka saattaa katkea sähköjohtoja tai milloin vaadittu työ edellyttää mahdollisesti sähköjohton asettamista työkalun liikeradalle. Kosketus jännitteessä oleviin virtajohtoihin saattaa johtaa virran metalliosiin aiheuttaen sähköiskun.
- k. Aseta virtajohto niin, että se on kaukana laitteen pyöriävästä osasta. Jos menetat työkalun hallinnan, virtajohto saattaa katketa tai kiertyä käteen tai käsivarsi saattaa joutua pyöriivään terään.
- l. Älä laske työkalua koskaan kädestäsi ennen kuin lisävaruste on kokonaan pysähtynyt. Pyörivä lisävaruste saattaa koskettaa pintaa, jolle se lasketaan ja menettää laitteen hallinnan.
- m. Älä käynnistä työkalua sitä kuljetettaessa. Pyörivä lisävaruste saattaa takertua vaatteisiisi ja aiheuttaa vakavan vamman.
- n. Puhdista säännöllisesti työkalun puhallinaukot. Moottorin puhallin imee pölyä moottorin kuoren sisään, mistä saattaa johtua metallihiukkasten

Suomi

liiallinen kertyminen aiheuttaen sähköiskuja.

- o. **Älä käytä laitetta syttyvien aineiden läheisyydessä.** Kipinät saattavat sytyttää ne.
- p. **Älä käytä lisävarusteita, jotka tarvitsevat jäähdytysnestettä.** Vesi tai jäähdytysnesteet voivat aiheuttaa sähkösurman tai sähköiskun.
- q. **Käytä ainoastaan sähkötyökalulle suositeltuja laikkoja ja kyseiselle laikalle tarkoitettua suojusta.** Laikkoja, joita ei ole tarkoitettu tälle sähkötyökalulle, ei voi suojata riittävästi, ja ne ovat vaarallisia.
- r. **Suojan on oltava tukevasti kiinnitetty sähkötyökaluun ja sijoitettu siten, että se tekee laitteesta mahdollisimman turvallisen ja että käyttäjän puolella on mahdollisimman vähän paljasta laikkaa.** Suoja suojelee käyttäjää irronneilta laikan osasilta ja estävät häntä koskettamatta laikkaa vahingossa.
- s. **Laikkoja saa käyttää ainoastaan niille tarkoitettuun käyttötarkoitukseen.** Esimerkiksi, **älä hio katkaisulaikan sivulla.** Katkaisulaikoilla hionnassa on käytettävä niiden ulkoreunaa; sivuttaisvoimat voivat saada ne murtumaan.
- t. **Käytä aina kunnossa olevia laikan laippoja, jotka vastaavat valitun laikan kokoa ja muotoa.** Asianmukaiset laipat tukevat laikkaa ja pienentävät siten mahdollisuutta, että laikka rikkoutuu. Katkaisulaikkojen laipat voivat poiketa hiomalaikkojen laipoista.
- u. **Älä käytä suurempien sähkötyökalujen kuluneita laikkoja.** Suuremmille sähkötyökaluille tarkoitettut laikat eivät sovi pienemmän laitteen suuremmalle nopeudelle, sillä ne voivat lohjeta.

TAKAPOTKU JA SIIHEN LIITTYVÄT VAROITUKSET

Pomppaus on äkillinen reaktio, kun liikkeessä oleva hiomalaikka, kenkä, harja tai jokin muu lisävaruste tarttuu kiinni tai vääntyy, mikä aiheuttaa lisälaitteen äkillisen jumutumisen. Edelleen käynnissä oleva työkalu linkoaa tällöin lisälaitteen liikkeensä vastakkaiseen suuntaan.

Esimerkiksi, jos hiomalaikka jumutuu ta vääntyy työstettävässä kappaleessa, on vaara, että laikan hiomapinta painuu työstettävään pintaan, jolloin laikka hyppää äkkinäisesti pinnasta ponnahtaen käyttäjään päin tai ulospäin kiertoliikkeen suunnasta riippuen jumutumishetkellä. Hiomalaikka saattaa myös haljeta pomppauksen seurauksena. Hiomalaikka saattaa myös haljeta pomppauksen seurauksena.

Pomppaus on siis seuraus työkalun vääristä käytöstä ja/ tai menetelmistä tai vääristä käyttöolosuhteesta. Sen voi välttää erällisiä varoitusmenipiteillä:

- a. **Pidä tukevasti kiinni työkalusta ja pidä vartalosi ja käsivarret niin, että voit hallita mahdollisen pomppauksen. Jos työkalussa**

on lisäkahva, pidä aina siitä kiinni parhaan hallinnan saamiseksi pomppauksen sattuessa tai työkalun käynnistyksessä syntyvälle reaktiivääntömomentille. Suorita tarvittavat toimenpiteet voidaksesi hallita työkalun pomppauksen tai käynnistysreaktion sattuessa.

- b. **Älä vie koskaan kättä pyörivän lisävarusteen lähelle vakavien kehonvammojen välttämiseksi pomppauksen sattuessa.** Lisälaitte voidaan takapotkun aikana kätesi.
- c. **Älä asetu paikkaan, mihin työkalu mahdollisesti sinkoaa pomppauksen sattuessa.** Työkalu sinkoaa pomppauksessa laikan pyörimissuunnan vastaiseen suuntaan.
- d. **Ole erikoisen valpas työstäessäsi särmiiä, teräviä reunoja jne.**
Vältä lisävarusteen liusumista tai jumittumista. Kun työskentelet särmillä tai terävillä reunoilla tai jos työkalu pääsee luiskahtamaan, on sen jumittumisvaara suurempi. Tällöin saatat menettää työkalun hallinnan ja aiheuttaa pomppauksen.
- e. **Älä käytä koskaan puun katkaisuterää tai puun sahausterää tällä työkalulla.** Sellaisilla terillä on suurempi pomppausvaara ja työkalun hallinnan menetys.

HIONTAAN LIITTYVIÄ TURVALLISUUDEN LISÄVAROITUKSIA

- a. Tarkista, että tasoitushiomalaikassa oleva nopeus on tasan tai yli työkalun nimellinopeuden.
- b. Varmista, että tasoitushiomalaikan mitat sopivat työkalulle ja että se soveltuu akselille.
- c. Tasoitusiomalaikat on varastoitava kuivaan tilaan.
- d. Älä aseta mitään hiomalaikkojen päälle.
- e. Hiomalaikkoja ei saa käyttää muuhun tarkoitukseen kuin hiomatöihin.
- f. Varmista ennen käyttöä, ettei hiomalaikassa ole säröjä tai halkeamia. Laikka voi rikkoutua, mikäli säröjä ja halkeamia on ja seurauksena on vakavia ruumiinvammoja.
- g. Varmista ennen käyttöä, että hiomalaikka on oikein asennettu ja kiristetty ja käytä sitten työkalua tyhjäkäynnillä 30 sekuntia kohdistaan sen niin, ettei se osoitaudu vaaralliseksi. Sammuta työkalu välittömästi, mikäli liiallista värinää ilmaantuu tai havaitset muita vikoja. Tässä tapauksessa, tarkista työkalu mahdollisen vian aiheuttajan löytämiseksi.
- h. Älä käytä erillisiä pelkistintenkaita tai sovitimia isomman kaliiberin omavien hiomakiekkujen sovitamiseksi.
- i. Tarkista, että työkalu pysyy oikein paikallaan.
- j. Varmista, ettei työkalusta lähtevät kipinät aiheuta vaaratilanteita, esim. etteivät ne lennä kohti henkilöitä tai tulenarkoja aineita.

Suomi

- k. Pidä aina suolaseja ja kuulonsuojaimia.
- l. Tarvittaessa, käytä muita suojavarusteita kuten käsineitä, suojaesiliinoja tai kypärää.
- m. Älä koskaan laske työkalua maahan tai muulle pinnalle kun se on käynnissä. Hiomalaikka jatkaa pyörimistä inertian avulla työkalun sammutuksen jälkeen. Älä koskaan kosketa hiomalaikkaan, äläkä aseta sitä maahan tai muulle pinnalle kun se pyörii.
- n. Hiomalaikan laipan ja ulkolaipan ulkohalkaisijoiden on oltava samat.
- o. Älä käytä työkalua muihin kuin sille tarkoitettuihin sovelluksiin. Älä koskaan käytä jäähdytysnestettä tai vettä. Älä käytä työkalua kiinteän työkalun tapaan.
- p. Kun käytät työkalua, pidä sitä tukevasti kaksin käsin.

SYMBOLI



Turvavaroitus

V Voltti

Hz Hertz

~ Vaihtovirta

W Watti

n₀ Tyhjäkäyntinopeus

n Nimellinopeus

min⁻¹ Kierrosten tai liikkeiden määrä minuutissa

CE-vastaavuus



Kaksoiseristys



Käytä kuulonsuojaimia



Käytä suolaseja



Lue ohjeet huolellisesti ennen laitteen käynnistämistä.



Käytöstä poistettavia sähkölaitteita ei pidä hävittää talousjätteiden mukana. Ne on mahdollisuuksien mukaan pantava kiertoon. Kierrätysohjeita antavat kunnan viranomaiset ja hävittäiskauppiat.



Älä heitä raaka-aineita kotitalousjätteisiin, vaan vie ne kierrätykseen. Ympäristönsuojelun kannalta työkalu, lisävarusteet ja pakkauksimateriaali on lajiteltava.

TEKNISET TIEDOT

Tasoitushiomalaikka	230 mm (9 in)
Taajuus	50 Hz
Jännite	230 V - 240 V ~
Virrankulutus	2000 W
Akselin kierteitys	M14
Nimellinopeus	6000 min ⁻¹
Kokonaispituus	470 mm
Kokonaispaino	6.0 kg

HUOM: Tarkista tuotteen arvokilpi, sillä jännite poikkeaa tuotteen käyttöpaikan mukaisesti.

Hiomalaikan maksimi kehänopeus: 4,800 m/min.

Laskentaesimerkki

$$3.14 \times 230 \times 6,000/1,000 = 4\,333,2$$

$$3.14 \times 180 \times 6,000/1,000 = 3\,391,2$$

$$\text{Hiomalaikan kehänopeus} \quad 4,333.2/3,391.2$$

$$\text{Hiomalaikan halkaisija} \quad 230/180$$

$$\text{Hiomalaikan tyhjäkäyntinopeus} \quad 6\,000$$

VAKIOLISÄVARUSTEET

Sivukahva

Joissakin maissa lisävarusteiden mukana toimitetaan tasoitushiomalaikka.

OPERATION

Katso kuvaa 4.

VAROITUS

Suojakoteloiden on oltava aina paikoillaan. Älä peitä tuuletusaukkoja moottorin oikean jäähtymisen sallimiseksi.

Suomi

Tehokasta työtä varten työkaluun sekä hiomalaikan ja työkalupaleen kosketuspintaan kohdistuva painovoima on hallittava tarkoin. Tasaisten pintojen hiontaa varten hiomalaikan on muodostettava yleensä 10° - 20° terävä kulma työkalupaleen kanssa. Anna moottorin saavuttaa maksimi nopeus ennen kuin aloitat hionnan. Liian suuri kulma aiheuttaa paineen keskittymistä pienelle alalle, mikä voi kovettaa tai polttaa pintaa.

KATKAISIN

Katso kuvaa 2.

- Voit kytkeä laitteen päälle painamalla suojalukitusta eteenpäin ja painamalla sitten on/off-kytkintä.
- Voit kytkeä laitteen pois päältä vapauttamalla on/off-kytkimen.

KÄÄNTYVÄN KAHVAN ASENNON SÄÄTÄMINEN

Katso kuvaa 3.

1. Sammuta laite.
2. Pidä kahvan lukituspainiketta pohjassa ja käännä kahva haluamaasi asentoon siten, että se napsahtaa paikoilleen.

VAROITUS

Älä säädä kääntyvää kahvaa laitteen ollessa toiminnassa.

KOLMIASENTOINEN LISÄKAHVA

Katso kuvaa 5.

Eriyisesti suunniteltu ja taitettu kolmeen kulmaan takaamaan maksimaalinen mukavuus ja hallintakyky.

TASOITUSHIOMALAIKAN ASENTAMINEN

Katso kuvaa 4 - 6.

VAROITUS

Tarkista hyvin, ettei hiomalaikassa ole halkeamia. Vaihda välittömästi haljennut hiomalaikka.

- Asenna laippa, tasoitushiomalaikka ja ulkolaippa vetoakselille.
- Tarkista, että laippa istuu karan akselilla asianmukaisesti.
- Paina akselin lukintanappia, joka sijaitsee moottorikotelon oikealla sivulla.
- Kiristä ulkolaippaa myötöpäivään mukana toimitetulla säätöavaimella.

SUOJUS

Katso kuvaa 7 - 8.

Avaa suojakotelon lukintavipu ja asennoi sitten suojakotelo toivottuun asentoon. Suurin mahdollinen kulma on 90° molemmilla puolilla; muutoin suojusta ei voi lukita.

JÄNNITTEEN MERKKIVALO

Hiomalaikkasi on varustettu jännitteen merkkivalolla, joka syttyy, kun laite on kytketty verkkoon. Tämä merkkivalo kiinnittää huomiosi siihen, että hiomalaikassa on virtaa ja se käynnistyy heti, kun liu'utat katkaisijaa eteenpäin.

HUOLTO

Varmista käytön jälkeen, että työkalu on hyvässä kunnossa.

On suositeltavaa, että työkalu viedään vähintään kerran vuodessa valtuutettuun Ryobi-huoltokeskukseen voitelua ja puhdistusta varten.

VAROITUS

Älä tee säätöjä moottorin käydessä.

Irtikytkie hiomakone aina verkkovirrasta ennen osien (timanti, tasoitus- ym.Laikka) vaihtoa, työkalun voitelua ja huoltotöitä.

VAROITUS

Lisäturvallisuuden ja luotettavuuden takaamiseksi kaikki korjaustyöt on annettava valtuutetun Ryobi-huoltokeskuksen tehtäväksi.

BESKRIVELSE

1. Slipeskive
2. Beskyttelsesdeksel
3. Roterende håndtak
4. Håndtakets låseknapp
5. Av/På-bryter
6. Strømbryterens frigjøringsinnretning
7. Sidestykke
8. Utvendig sidestykke
9. Drivaksel
10. Skrunøkkel
11. Spindellåseknapp
12. Låsehendel til beskyttelsesdekslet
13. Strømindikator
14. Støttehåndtak

SIKKERHETSADVARSLER SPESIFIKT FOR SLIPEARBEIDER

- a. Dette verktøyet er beregnet til å brukes som slipemaskin. Les nøye gjennom alle advarene, instruksene og spesifikasjonene som følger med verktøyet, og se på tegningene. Hvis forskriftene nedenfor ikke overholdes, kan det forårsake ulykker som brann, elektrisk støt og/eller alvorlige personskader.
- b. Hvis denne forskriften ikke overholdes, kan det forårsake ulykker og alvorlige personskader.
- c. Bruk ikke tilbehør som ikke er spesialkonstruert for dette verktøyet og som ikke er anbefalt av produsenten. Selv om et tilbehør kan monteres på et verktøy, garanterer det ikke at du kan bruke det verktøyet på en sikker måte.
- d. Tilbehørets nominelle hastighet skal være lik eller høyere enn maksimalhastigheten som står på verktøyet. Tilbehørene som brukes i høyere hastighet enn sin nominelle hastighet kan brekkes og slynges ut.
- e. Tilbehørets ytre diameter og tykkelse skal svare til egenskapene som spesifiseres for verktøyet. Hvis tilbehørene ikke svarer til de angitte egenskapene, kan ikke verktøyets beskyttelses- og innstillingssystemer virke ordentlig.
- f. Slipeskiver, underlagsskiver, sliperondeller eller andre tilbehør skal passe nøyaktig til verktøyets spindeldiameter. Tilbehør som ikke passer til spindelen som de skal monteres på vil ikke rotere riktig, vil vibrere for mye og føre til at du mister kontroll over verktøyet.
- g. Bruk ikke et skadet tilbehør. Før hver bruk, skal det sjekkes at tilbehøret du bruker er i god stand: Påse at slipeskivene ikke er sprukket eller ødelagt, at sliperondellene ikke er revnet eller slitt, at busten på metallbørstene ikke er altfor slitt eller brukket. Hvis verktøyet eller tilbehøret faller, skal du sjekke at ingenting er blitt skadet og, om nødvendig, installere et nytt tilbehør. Etter at du har kontrollert at tilbehøret er i god stand og installert det, skal du holde deg på avstand fra det bevegelige tilbehøret og la verktøyet komme opp i maksimal hastighet i ett minutt. Hvis tilbehøret er skadet, vil det brekkes under denne testen.
- h. Bruk Personlig verneutstyr. Alt etter hva du bruker verktøyet til, skal du bruke beskyttelsesmaske, sikkerhetsbriller eller vernebriller. Bruk om nødvendig støvmaske, hørselsvern, hansker og beskyttelsesforne for å beskytte deg mot utslynging av fremmedlegemer (slipeavfall, trespon, osv.). Vernebriller hindrer at partikler slynges ut og skader øynene dine. Støvmaske filtrerer partiklene som dannes ved arbeidsoppgaven din. Langvarig eksponering for sterkt støy kan svekke hørselen.
- i. Hold besøkende i god avstand fra arbeidsområdet og påse at de har verneutstyr på seg. Alle som kommer inn i arbeidsområdet må bruke personlig verneutstyr. Små elementer fra arbeidsstykket eller et brukket tilbehør kan slynges ut utenfor arbeidsområdet og forårsake alvorlige kroppsskader.
- j. Hold verktøyet kun i de isolerte og sklisikre delene når du arbeider på en flate som kan skjule elektriske ledninger eller når arbeidet kan plassere ledninger i verktøyets bane. Kontakt med strømførende ledninger kan føre strøm til metalldelene og forårsake elektrisk støt.
- k. Posisjoner ledningen slik at det ligger unna det roterende tilbehøret. Hvis du mister kontroll over verktøyet, kan ledningen kuttes eller kile seg fast og hånden eller armen din kan da trekkes mot det roterende tilbehøret.
- l. Legg aldri fra deg verktøyet før tilbehøret har sluttet helt å rotere. Det roterende tilbehøret kan komme i kontakt med underlaget det står på og få deg til å miste kontroll over verktøyet.
- m. Ikke la verktøyet gå når du frakter det. Det roterende tilbehøret kan henge seg fast i klærne dine og skade deg alvorlig.
- n. Rengjør regelmessig verktøyets ventilasjonsspalter. Motorens ventilasjon får støv til å komme inn i motorhuset, noe som kan medføre altfor stor oppsamling av metallpartikler og forårsake elektrisk støt.
- o. Bruk ikke verktøyet i nærheten av brannfarlige produkter. Gnister kan sette fyr i dem.
- p. Bruk ikke tilbehør som krever kjølevæsker.

- Bruken av vann eller kjølevæsker kan forårsake elektrisk støt, som kan være livsfarlig.
- q. **Brukl kun hjul typer er anbefalt for dette verktøyet og en spesifikk skjerm som er utformet for det valgte verktøyet.** Hjul som verktøyet ikke er konstruert for kan ikke beskyttes i tilstrekkelig grad og vil derfor kunne være utrygge.
 - r. **Skjemen må være godt festet til verktøyet og posisjonert for maksimum sikkerhet slik at minst mulig av hjulet eksponeres mot brukeren.** Skjermen bidrar til å beskytte brukeren mot avbrutte hjulfragmenter og utilsiktet kontakt med hjulet.
 - s. **Hjul må kun benyttes til anbefalte applikasjoner. For eksempel, må du ikke slippe med kanten på et kappehjul.** Slipende kappehjul er ment for periferisliping, når disse hjulene utsettes for sidekrefter kan det oppstå splintring.
 - t. **Bruk alltid ubeskadigede hjulflenser som har korrekt størrelse og form for det valgte hjulet.** Korrekt hjulflens støtter hjulet og reduserer dermed muligheten for at hjulet skal brette. Flenser for kappehjul kan skille seg fra flenser for slipehjul.
 - u. **Ikke bruk nedslitte hjul fra større elektrisk verktøy.** Hjul som er ment for større verktøy egner seg ikke for de små verktøyenes høyere hastighet og kan gå i oppløsning.

TILBAKESLAG OG RELATERTE ADVARSLER

Tilbakeslag er en plutselig reaksjon som oppstår når den bevegende slipeskiven, sliperondellen, børsten eller et annet tilbehør klemmes fast eller vris, noe som raskt får tilbehøret til å låses fast. Verktøyet blir da slynget ut i motsatt retning til tilbehørets bruksretning.

For eksempel, hvis en slipeskive klemmes eller vris i arbeidsstykket, vil skivens skarpe del trenge inn i arbeidsstykket overflate, noe som vil få skiven til å komme plutselig ut av arbeidsstykket og slynges mot brukeren eller lengre unna, avhengig av skivens rotasjonsretning når denne låses fast. I tilfelle tilbakeslag, kan slipeskiven også brekkes. I tilfelle tilbakeslag, kan slipeskiven også brekkes.

Tilbakeslag er altså forårsaket av en dårlig bruk av verktøyet og/eller feil bruksprosedyrer eller –forhold. Det kan unngås ved å ta visse forholdsregler:

- a. **Hold godt i verktøyet og still kroppen og armen din slik at du kan kontrollere et eventuelt tilbakeslag. Hvis verktøyet har et støttehåndtak, skal du alltid holde i det så du får optimal kontroll over verktøyet i tilfelle tilbakeslag eller reaksjonskraft når verktøyet startes.** Ta nødvendige foranstaltninger så du kan kontrollere verktøyet ditt i tilfelle tilbakeslag eller reaksjonskraft.

- b. **Legg aldri hånden din i nærheten av det roterende tilbehøret for å unngå all fare for kroppsskader i tilfelle tilbakeslag.** Tilbehøret kan kast over hånden din.
- c. **Ikke still deg i området der verktøyet kan risikere å slynges ut i i tilfelle tilbakeslag.** I tilfelle tilbakeslag slynges verktøyet ut i motsatt retning til skivens rotasjonsretning.
- d. **Vær spesielt forsiktig når du arbeider på hjørner, skarpe kanter, osv. Unngå at tilbehøret gliir eller kiles fast.** Når du arbeider på hjørner eller skarpe kanter eller når verktøyet gliir, er det større fare for at tilbehøret låses fast, og dermed at du mister kontroll over verktøyet og at det oppstår tilbakeslag.
- e. **Bruk aldri blad til kjedesag eller sagblad sammen med dette verktøyet.** De kan øke faren for tilbakeslag og tap av kontroll over verktøyet.

YTTERLIGERE SIKKERHETSADVARSLER SPESIFIKT FOR SLIPEARBEIDER:

- a. Sjekk at hastigheten som angis på slipeskiven er lik eller større enn verktøyets nominelle hastighet.
- b. Sjekk at slipeskivens diameter passer til verktøyet og at slipeskiven er lagt godt inn på spindelen.
- c. Slipeskivene skal ryddes bort på et tørt sted.
- d. Ikke legg noen gjenstand på slipeskivene.
- e. Slipeskivene skal ikke brukes til andre formål enn slipeoppgaver.
- f. Før du bruker slipeskiven, se etter at den ikke er ødelagt eller sprukket. I så fall kan den nemlig brette, noe som kan forårsake alvorlige kroppsskader.
- g. Påse før bruk at slipeskiven er riktig montert og skrudd fast, og la verktøyet gå i tomgang i 30 sekunder samtidig som du passer på at det ikke peker i en farlig retning. Stopp verktøyet øyeblikkelig dersom det vibrerer for mye eller hvis du merker andre problemer. Kontroller i så fall verktøyet for å finne ut problemets årsak.
- h. Bruk ikke reduksjonsringer eller mellomstykker for å redusere senterhullet til slipeskiven som har stort senterhull.
- i. Se etter at arbeidsstykket er skikkelig fastspent.
- j. Sjekk at gnistene som oppstår ved bruk av verktøyet ikke skaper farlige situasjoner, for eksempel at de ikke kommer på mennesker eller brannfarlige stoffer.
- k. Bruk alltid beskyttelsesbriller og hørselsvern.
- l. Om nødvendig, bruk andre verneutstyr som hansker, forkle eller hjelm.
- m. Legg aldri verktøyet på gulvet eller på andre flater når det er i gang. Pass opp, slipeskiven går rundt av seg selv etter at verktøyet har stanset. Du må

Norsk

- aldrig verken ta i slipeskiven eller legge den på gulvet eller andre overflater når den går rundt.
- Slipeskivens sidestykke og ytre sidestykke må ha samme diameter.
 - Bruk verktøyet kun til de arbeidsoppgavene som det er konstruert for. Bruk aldri kjølevæske eller vann. Bruk ikke verktøyet som et stasjonært verktøy.
 - Når du bruker verktøyet, hold godt i det med begge hender.

SYMBOL



Sikkerhetsalarm

V Volt

Hz Hertz

~ Vekselstrøm

W Watt

n₀ Hastighet ubelastet

n Nominell hastighet

min⁻¹ Antall omdreininger eller bevegelser pr. Minutt

CE samsvar



Dobbel isolering



Bruk hørselsvern



Bruk øyeskyttrelse



Vennligst les instruksjonene nøye før du starter maskinen.



Avfall fra elektriske produkter skal ikke kastes sammen med husholdningsavfall. Vennligst resirkulervedeksisterende avfallsbehandlingssted. Undersøk hos dine lokale myndigheter eller forhandler for råd om resirkulering.



Resirkuler råmaterialer istedenfor å kaste dem i søppelen. Verktøyet, tilbehørene og emballasjen bør sorteres for miljøvennlig resirkulering.

SPESIFIKASJONER

Slipeskive 230 mm (9 in)

Frekvens	50 Hz
Spenning	230 V - 240 V ~
Input	2000 W
Spindelgjenge	M14
Nominell hastighet	6000 min ⁻¹
Total lengde	470 mm
Nettovekt	6.0 kg

NB: Sjekk produktets merkeplate, da spenningen kan variere alt etter hvor produktet skal brukes.

Slipeskivens maksimum periferhastighet: 4,800 m/min.

Eksempel på beregning

$$3.14 \times 230 \times 6,000/1,000 = 4\,333,2$$

$$3.14 \times 180 \times 6,000/1,000 = 3\,391,2$$

Slipeskivens periferhastighet 4,333.2/3,391.2

Slipeskivens diameter 230/180

Sliperens hastighet ubelastet 6 000

STANDARD TILBEHØR

Støttehåndtak

En slipeskive følger med tilbehørene i enkelte land.

BRUK

Se fig 4.

⚠ ADVARSEL

Beskyttelsesdekslene skal alltid være på plass. Påse at luftehullene ikke er tildekket slik at motoren får kjølnet godt.

For at verktøyet skal arbeide effektivt, er det viktig å kontrollere trykket som øves på verktøyet og kontaktoverflaten mellom slipeskiven og arbeidsstykket. For å slippe plane overflater skal sliperen danne en spiss vinkel, som regel mellom 10° og 20°, med arbeidsstykket. La slipeskiven komme opp i full hastighet før du begynner å slippe. En for stor vinkel medfører konsentrasjon av trykket på en liten overflate, noe som kan hule ut eller berne arbeidsoverflaten.

Norsk

STRØMBRYTER

Se fig 2.

- For å slå enheten på, trykk sikkerhetslåsen forover og trykk deretter inn på/av-bryteren.
- For å slå av enheten, løs ut på/av-bryteren.

JUSTERING AV POSISJONEN TIL DET ROTERENDE HÅNDTAKET

Se fig 3.

1. Slå av verktøyet.
2. Trykk og hold håndtaklåseknappen, dernest dreies det roterende håndtaket til ønsket posisjon inntil det klikker på plass.

⚠ ADVARSEL

Ikke juster det roterende håndtaket mens verktøyet brukes.

THREE-POSITION AUXILIARY HANDLE

Se fig 5.

Spesielt utformet og vinklet i tre posisjoner for maksimum komfort og kontroll.

INSTALLERING AV SLIPESKIVEN

Se fig 4 - 6.

⚠ ADVARSEL

Se nøye etter om slipeskiven har sprekker. Skift straks ut en sprukket slipeskive.

- Monter sidestykket, slipeskiven og det utvendige sidestykket på drivakselen.
- Vær sikker på at flensen er solid festet på spindelakselen.
- Trykk inn spindellåseknappen som sitter på motorhusets høyre side.
- Stram til det ytre sidestykket med urviseren ved hjelp av skrunøkkel som følger med.

BESKYTTELSESDEKSEL

Se fig 7 - 8.

Frigjør låsehendelen til beskyttelsesdekselet og plasser dekselet i ønsket stilling. Maksimum snuvinkel er 90° på begge sider; i motsatt fall kan ikke skjermen låses.

STRØMINDIKATOR

Vinkelsliperen er utstyrt med en strømindikatur som tennes når verktøyet er koblet til strømmen. Indikatoren gjør deg oppmerksom på at sliperen er koblet til strømmen og at den vil starte straks du skyver strømmeren forover.

VEDLIKEHOLD

Etter bruk skal det sjekkes at verktøyet er i god arbeidsstand.

Det anbefales å bringe verktøyet minst en gang i året til et godkjent Ryobi serviceverksted for grundig rengjøring og smøring.

⚠ ADVARSEL

Det skal ikke foretas noen innstilling mens motoren går. Kople alltid sliperen fra strømmen før du skifter ut en del (diamantskive, slipeskive, osv.), smører verktøyet og før enhver vedlikeholdsprosedyre.

⚠ ADVARSEL

For større sikkerhet og pålitelighet skal alle reparasjoner foretas av et godkjent Ryobi serviceverksted.

Русский

ОПИСАНИЕ

1. Шлифовальный круг
2. Инструмент менее защитный кожух
3. Вращающаяся ручка
4. Ручка кнопка блокировки
5. Выключатель
6. Предохранительный зам 'ок
7. Внешняя щетка
8. Зажим гайки
9. Вал шпинделя
10. Гаечный ключ
11. Блокировка шпинделя кнопку
12. Защитный кожух диска рычаг блокировки
13. жить индикатором инструмент
14. Вспомогательная рукоятка

МЕРЫ ПРЕДОСТОРОЖНОСТИ, СВЯЗАННЫЕ С ШЛИФОВАЛЬНЫМИ РАБОТАМИ

- a. Этот электроинструмент предназначен для функции шлифовальный инструмент. Прочтите все указания, инструкции, иллюстрации и спецификации, поставляемый с этим электроинструментом. Несоблюдение всех инструкций, указанных ниже, может привести к поражению электрическим током, пожару и / или серьезным травмам.
- b. Операции, для которых власть Программа не рассчитана может создавать опасность и привести к травме.
- c. Не используйте аксессуары, которые не являются специально разработан и рекомендован производителем инструмента. Просто потому, что аксессуар может быть подключен к вашей власти инструмент, он не обеспечивает безопасную эксплуатацию.
- d. Номинальная скорость аксессуар должен быть по меньшей мере равную максимальной скорости отмечается электроинструмента. Аксессуары работает быстрее, чем их номинальная скорость может привести к поломке и развалится.
- e. Наружный диаметр и толщина ваших аксессуаров должна быть в пределах возможностей рейтинг вашего электроинструмента. Неправильно размера принадлежности не может быть адекватно охраняется или контролируется.
- f. Беседка размер колес, фланцы, бэк-прокладками или любой другой принадлежности должны надлежащим

образом соответствовать шпиндель электроинструмента. Аксессуары с беседкой отверстия, которые не совпадают с крепежом из электроинструмент бежать из состояния равновесия, вибрирует чрезмерно и может привести к потере управления.

- g. Не используйте поврежденный аксессуар. Перед каждым использованием проверьте рабочее состояние аксессуара, которым собираетесь работать: проверьте, чтобы абразивные диски не были треснувшими или разбитыми, чтобы полшвы не были порваны или изношены, чтобы волоски металлических щеток не были сильно изношены или сломаны. Если инструмента или аксессуара упал, проверьте, за повреждение или установки неповрежденных аксессуара. После осмотра и установке устройства, позиционировать себя и окружающих от плоскости вращающегося принадлежности и запуска инструмента при максимальной скорости без нагрузки в течение одной минуты. Поврежденные аксессуары, как правило, развалится в течение этого времени испытания.
- h. Использовать средства индивидуальной защиты. В зависимости от приложения, используйте маску, защитные очки или защитные очки. В случае необходимости надевайте маску от пыли, защитными наушниками, перчатки и фартук семинар, способных остановить малых абразивные или заготовки фрагментов. Для защиты глаз должны быть в состоянии остановить полеты мусора в различных операций. Респиратор или противогаз должен быть способен фильтрации частиц, созданных на операцию. Длительное воздействие высокой интенсивности шума может привести к потере слуха.
- i. Держите прохожих на безопасном расстоянии от рабочей области. Лица, которые прибывают области работы должны носить средства индивидуальной защиты. Фрагменты заготовки или сломанный инструмент может улететь и стать причиной травм вне непосредственной близости от места работы.
- j. Держите электрические инструменты за изолированные поверхности только при выполнении операций, когда режущий инструмент может контактировать со скрытой проводкой или с собственным проводом. Резка аксессуар, обратившись в "живой" провод может сделать открытые

металлические части электроинструмента и ведет к оператору.

- k. **Позиция шнур подальше от вращающегося устройства.** Если вы потеряете контроль, шнур может сократить или зацепил и рукой или рукой может быть втянута в прядильных аксессуар.
- l. **Никогда не лежал электрический инструмент, пока аксессуар пришла к полной остановке.** Прядильных инструмент может захватить поверхность и вытащить из розетки вне вашего контроля.
- m. **Не запускайте электроинструмента при проведении его на вашей стороне.** Случайный контакт с прядильных аксессуар может загвоздка одежду, потянув за принадлежность в ваше тело.
- n. **Регулярно очищайте воздушные силы инструмента отверстия.** Вентилятор двигателя будет опираться пыли внутри корпуса и чрезмерное накопление сухого металла может привести к опасности поражения электрическим током.
- o. **Не работайте с электроинструментом вблизи легковоспламеняющихся материалов.** Искры могут воспламенить эти материалы.
- p. **Не используйте аксессуары, которые требуют жидких хладагентов.** Использование воды или других жидких хладагентов может привести к поражению электрическим током или удара.
- q. **Рекомендуется использование кругов, предназначенных для вашего инструмента, а также защитных экранов соответствующего размера.** При использовании не предназначенных для инструмента кругов невозможно обеспечить достаточную защиту и безопасность.
- г. **Экран должен быть надежно прикреплен к инструменту и расположен так, чтобы обеспечить наибольшую безопасность - чтобы оператору была открыта наименьшая часть круга.** Защитный экран предназначен для защиты оператора от разлета осколков и случайного контакта с кругом.
- s. **Круги должны использоваться только для рекомендуемого применения.** Ниже приведены примеры, не допускается шлифование боковыми поверхностями отрезного круга. Абразивные отрезные круги предназначены для работы периферией круга и боковое усилие, приложенное к нему, может привести к обламыванию краев.
- t. **Не допускается использование кругов с поврежденной рубашкой, всегда**

используйте круги, подходящие по размеру и форме. Соответствующие рубашки дисков поддерживают диски, препятствуя их разрушению. Рубашки отрезных кругов могут отличаться от рубашек шлифовальных кругов.

- u. **Не допускается использование изношенных кругов от более мощных и крупных устройств.** Круги, предназначенные для использования с более мощным инструментом, не подходят для более высоких скоростей малых инструментов и могут при работе разрушиться.

МЕРЫ ПРЕДОСТОРОЖНОСТИ, СВЯЗАННЫЕ С ОТСКОКОМ ИНСТРУМЕНТА

Отдача является внезапная реакция пережат или зацепил вращающееся колесо, бэк-панели, кистью или любой другой принадлежности. Щемящие или непредусмотренные причины быстрого срыва вращающегося принадлежности, которые в свою очередь вызывает неконтролируемый инструмент власти будут вынуждены в сторону, противоположную от аксессуар в поворот в точке силы.

Например, если абразивные колеса зацепил не зажали по заготовке, край колеса, которое вступает в щепотку точка может врезаться в поверхность материала вызывает колесо вылезти или выбить. Колесо может либо переходить к наблюдателю или от оператора, в зависимости от направления движения колеса в точке защемления. Абразивные круги могут сломать и в этих условиях.

Отдача является результатом злоупотребления властью инструмента и / или неправильный оперативных процедур или условий, и ее можно избежать путем принятия надлежащих мер предосторожности, которые приводятся ниже.

- a. **Поддержание крепко электроинструмент и положение тела и рук, чтобы вас не поддаваться отдачи сил.** Всегда используйте дополнительную ручку, если это предусмотрено для максимального контроля над отдачей или крутящего момента реакции во время запуска. Оператор может контролировать крутящий момент реакции или отдачи сил, если соответствующие меры предосторожности приняты.
- b. **Никогда не кладите руки вблизи вращающегося устройства.** Аксессуары могут откат за руку.
- c. **Не размещайте тела в районе, где власти инструмент будет двигаться, если откат происходит.** Отдача будет двигать этот инструмент в направлении, противоположном движению колеса в точке зацепления.

Русский

- d. **Использование специальных осторожны при работе с углам, острых краев т.д. Избегайте подпрыгивая и непредусмотренные аксессуар.** Уголки, острых кромок или подпрыгивая имеют тенденцию к топляк вращающиеся принадлежности и привести к потере контроля и отдачи.
- e. **Не отключайте цепи пилы дереву лезвия или зубчатой пилы.** Такие лопасти создают частые отдачи и потери контроля.

ДОПОЛНИТЕЛЬНЫЕ ПРЕДУПРЕЖДЕНИЯ ПО БЕЗОПАСНОСТИ СПЕЦИАЛЬНО ДЛЯ ОПЕРАЦИЙ ШЛИФОВАНИЯ

- a. Убедитесь, что скорость отмечается шлифовального круга равна или превышает номинальную скорость инструмента.
- b. Убедитесь, что размеры шлифовального круга, совместимых с инструментом и, что колесо подходит шпинделя.
- c. Круги должны храниться в сухом месте.
- d. Не храните предметы на шлифовальных кругах.
- e. Круги не должны использоваться для любой операции, кроме шлифования.
- f. Проверьте шлифовального круга до использования, чтобы она не сколы или трещины. Фишки или трещин может привести к колесам, чтобы разрушить, в результате возможных серьезных травм.
- g. Убедитесь, что шлифовального круга правильно установлена и ужесточили перед началом работы и запустить данное средство на холостом ходу в течение 30 секунд в безопасном положении. Немедленно остановитесь, если есть значительные вибрации или других дефектов обнаружено. Если это условие имеет место, проверить инструмент, чтобы определить причину.
- h. Не используйте отдельную сокращения втулки или адаптеры адаптировать большое отверстие шлифовальных кругов.
- i. Убедитесь, что обрабатываемая деталь должную поддержку.
- j. Убедитесь, что искры в результате использования не создают опасности, например, не попали люди, или возгорания горячих веществ.
- k. Всегда используйте защитные очки безопасности и защиты слуха.
- l. Использование других средств индивидуальной защиты, таких как перчатки, фартук и шлем, когда это необходимо.
- m. Никогда не кладите инструмент на пол или

другие поверхности во время его работы. Круги продолжать вращаться после того, инструмент выключен. Никогда не прикасайтесь к колеса или разместить его на полу или другой поверхности во время его вращения.

- n. Фланец и гайку зажима должен иметь ту же наружный диаметр.
- o. Используйте инструмент только для утвержденных заявок. Никогда не используйте охлаждающие воды или использовать средство в виде фиксированной инструмент.
- p. При работе крепко держите инструмент обеими руками.

СИМВОЛ

Внимание

V

Вольт

Hz

Герц

~

Переменный ток

W

Ватт

n₀

Скорость на холостом ходу

n

Номинальная скорость

min⁻¹

Оборотов или возвратно-поступательных движений в минуту



Соответствие требованиям CE



Двойная изоляция



Применяйте средства защиты органов слуха



Применяйте средства защиты органов зрения



Перед использованием прибора внимательно ознакомьтесь с данной инструкцией.



Отработанная электротехническая продукция должна уничтожаться вместе с бытовыми отходами. Утилизируйте, если имеется специальное техническое оборудование. По вопросам утилизации проконсультируйтесь с местным органом власти или предприятием розничной торговли.

Русский

Не выбрасывайте сырье. Сдавайте его в переработку. Машина, аксессуары и упаковка должны быть отсортированы.

ТЕХНИЧЕСКИЕ ХАРАКТЕРИСТИКИ

Шлифовальный круг	230 mm (9 in)
Частота	50 Hz
Напряжение	230 V - 240 V ~
Питание	2000 W
Резьба шпинделя	M14
Номинальная скорость	6000 min ⁻¹
Общая длина	470 mm
Вес нетто	6.0 kg

ПРИМЕЧАНИЕ: Не забудьте проверить паспортные о продукте, так как напряжение может изменяться в зависимости от района, в которой продукт будет использоваться.

Максимальная окружная скорость шлифовального круга: 4,800 m/min.

Пример расчета

$$3.14 \times 230 \times 6,000/1,000 = 4\,333.2$$

$$3.14 \times 180 \times 6,000/1,000 = 3\,391.2$$

Окружная скорость шлифовального круга 4,333.2/3,391.2

Диаметр колеса 230/180

Номинальная скорость точильщик 6 000

СТАНДАРТНАЯ КОМПЛЕКТАЦИЯ

Вспомогательная рукоятка

Шлифовальный круг входит в стандартную комплектацию для некоторых стран.

ЭКСПЛУАТАЦИЯ

См. рис. 4.

▲ ОСТОРОЖНО

Держите предохранительных на месте. Никогда не накрывайте вентиляционные отверстия, так как они должны быть всегда открыты для охлаждения двигателя.

Ключ к эффективной операционной контроле давления и поверхности контакта между диском и обрабатываемой детали. Плоские поверхности шлифуются под острым углом, как правило, от 10 до 20 градусов с заготовкой. Разрешить диск для достижения полной скорости, прежде чем начать молоть. Слишком большой угол причины концентрации давления на небольшой площади, которые могут обманывать или записать рабочей поверхности:

ВЫКЛЮЧАТЕЛЬ

См. рис. 2.

- Для включения устройства нажмите на предохранитель от себя, затем нажмите выключатель.
- Для выключения устройства снимите блокировку выключателя.

РЕГУЛИРОВКА ПОЛОЖЕНИЯ ВРАЩАЮЩЕЙСЯ РУЧКИ

См. рис. 3.

1. Выключите инструмент.
2. Нажмите и удерживайте кнопку блокировки ручки, затем поверните вращающуюся ручку в нужное положение до ее фиксации на месте.

▲ ОСТОРОЖНО

Не регулируйте поворотную ручку во время работы с инструментом.

ДОПОЛНИТЕЛЬНАЯ РУЧКА С ТРЕМЯ ПОЛОЖЕНИЯМИ

См. рис. 5.

Специальная конструкция с установкой под тремя углами обеспечивает максимальное удобство и управляемость.

МОНТАЖ ШЛИФОВАЛЬНОГО КРУГА

См. рис. 4 - 6.

▲ ОСТОРОЖНО

Проверьте внимательно или не Есть трещины в колеса. Замените треснувший колеса сразу.

- Подключите диск фланец, шлифовальные круги и зажим гайки шпинделя вала.
- Фланец диска должен быть установлен надлежащим образом на валу шпинделя.
- Нажмите на кнопку блокировки, расположенный на правой стороне коробки передач.
- Использование гаечного ключа, затянуть гайку зажима по часовой стрелке.

ИНСТРУМЕНТ МЕНЕЕ ЗАЩИТНЫЙ КОЖУХ

См. рис. 7 - 8.

Выпуск защитный кожух фиксирующий рычаг, то включите инструмент менее защитный кожух в нужное положение. Наибольший угол поворота в обе стороны составляет 90°, иначе щиток не будет зафиксирован.

ЖИТЬ ИНДИКАТОРОМ ИНСТРУМЕНТ

В этом инструменте есть индикатор питания, загорающийся при подключении инструмента к сети питания. Он предупреждает, что инструмент подключен и будет работать при нажатии выключателя.

ТЕХНИЧЕСКОЕ ОБСЛУЖИВАНИЕ

После использования, проверить инструмент, чтобы убедиться, что он находится в хорошем состоянии.

Мы рекомендуем Вам принять этот инструмент Ryobi Авторизованный Сервисный Центр, путем очистки и смазки не реже одного раза в год.

⚠ ОСТОРОЖНО

Не следует вносить корректировки в то время как двигатель находится в движении.

Всегда отсоединяйте шнур питания из розетки перед заменой съемным или расходные материалы (шлифовка, Ådisc, резка, Ådisc и т.д.), прежде, Ålubricating или работающих на единицу.

⚠ ОСТОРОЖНО

Для обеспечения безопасности и надежности, все ремонтные работы должны выполняться в авторизованный сервисный центр или другие организации квалифицированного обслуживания.

OPIS

1. Tarcza zdzierająca (ściernica)
2. Pokrywa ochronna
3. Uchwyt obrotowy
4. Pokrętko blokady uchwytu
5. Przełącznik Wł-Wył
6. Urządzenie odblokowania spustu
7. Kołnierz oporowy
8. Zewnętrzny kołnierz oporowy
9. Wał napędowy
10. Kluczyk
11. Przycisk blokady wrzeczona
12. Dźwignia blokady pokrywy ochronnej
13. Lampka kontrolna podłączenia pod napięcie
14. Uchwyt pomocniczy (dodatkowa rękojeść)

OSTRZEŻENIA ZWIĄZANE Z CZYNNOŚCIĄ SZLIFOWANIA

- a. Narzędzie to zostało zaprojektowane do zastosowania jako szlifierka kątowa. Prosimy o uważne zapoznanie się z ostrzeżeniami, instrukcjami i specyfikacjami dostarczonymi z tym narzędziem oraz z zawartymi w nich ilustracjami. Nie przestrzeganie przedstawionych niżej zaleceń mogłoby pociągnąć za sobą wypadki takie jak pożary, porażenia prądem elektrycznym i /lub poważne obrażenia ciała.
- b. Nie zastosowanie się do tego wymogu może spowodować wypadki lub też ciężkie obrażenia ciała.
- c. Nie należy używać akcesoriów, które nie zostały zaprojektowane specjalnie do tego urządzenia i które nie są zalecane przez producenta. Nawet jeżeli da się zamontować jakąś przystawkę na narzędziu, nie oznacza to, że można bezpiecznie używać narzędzia z tą przystawką.
- d. Prędkość znamionowa przystawki powinna być równa lub większa od prędkości maksymalnej oznaczonej na narzędziu. Przystawki (akcesoria) funkcjonujące przy prędkości większej od ich prędkości znamionowej, mogą się połamać i zostać odrzucone.
- e. Średnica zewnętrzna i grubość akcesoria powinny odpowiadać charakterystyce podanej dla narzędzia. Jeżeli akcesoria nie są zgodne z podaną charakterystyką, systemy zabezpieczenia i ustawiania narzędzia nie będą należycie funkcjonowały.
- f. Ściernice, kołnierze oporowe, płyty oporowe czy inne akcesoria powinny być doskonale dostosowane do otworu mocującego wrzeczona. Akcesoria nie dostosowane do

wrzeczona, na którym mają być zamontowane nie będą się należycie obracały, będą nadmiernie wibrowały i mogą spowodować utratę kontroli nad narzędziem.

- g. Nie należy używać uszkodzonych akcesoriów. Przed każdym użyciem należy sprawdzić czy narzędzie jest w dobrym stanie: upewnijcie się, że tarcze ściernie nie są wyszczerbione lub pęknięte, że płyty szlifierskie nie są rozerwane lub zużyte, że druty szczotek metalowych nie są zbyt zużyte czy połamane. Kiedy narzędzie czy akcesoria spadną na ziemię, należy sprawdzić czy żadna część nie została uszkodzona i w razie potrzeby, zainstalować nowe akcesoria. Po sprawdzeniu, że przystawka jest w dobrym stanie i po jej zainstalowaniu, należy pozostać na dystans od ruchomych przystawek i poczekać przez minutę, aż narzędzie osiągnie maksymalną prędkość. Jeżeli przystawka jest uszkodzona, połamie się ona podczas tego testu.
- h. Stosować środki ochrony osobistej. W zależności od tego do czego używacie wasze narzędzie, załóżcie maskę zabezpieczającą, lub okulary zabezpieczające. W razie potrzeby, załóżcie maskę przeciwpyłową, ochronniki słuchu, rękawice i fartuch ochronny, które zabezpieczają przed odrzutem ciał obcych (opiłki, wióry, itd.). Okulary ochronne umożliwiają uniknąć skaleczenia oczu spowodowanego odrzutem odpadów. Maski przeciwpyłowe służą do filtrowania mikroskopijnych cząstek wydzielających się podczas wykonywanych prac. Wystawienie na wysoki poziom hałasu, może spowodować utratę słuchu.
- i. Wszystkie osoby wizytujące powinny nosić wyposażenie ochronne i zostawać w odpowiedniej odległości od strefy roboczej. Każdy, kto wchodzi do strefy roboczej muszą nosić sprzęt ochrony osobistej. Elementy połamanego przedmiotu do obróbki czy akcesoria, mogą być odrzucone poza zakres strefy roboczej i spowodować poważne obrażenia cielesne.
- j. Kiedy pracujecie na powierzchni mogącej ukrywać przewody elektryczne, lub gdy podczas pracy przewód zasilający może być na trasie cięcia, trzymajcie narzędzie wyłącznie za izolowane i niesłiskie części. Kontakt z przewodami pod napięciem mógłby przewodzić prąd do części metalowych i spowodować porażenie prądem elektrycznym.
- k. Należy umieścić przewód zasilający w taki sposób, by nie stykał się z obracającymi się akcesoriami. W przypadku utraty kontroli nad narzędziem, może dojść do przecięcia lub

pochwycenia przewodu zasilającego i wciągnięcia dłoni czy ramienia do obracającego się akcesoria.

- I. **Nie odkładajcie narzędzia zanim przystawka nie będzie zupełnie zatrzymana.** Obracająca się przystawka mogłaby się zetknąć z powierzchnią, na którą ją położono i doprowadzić do utraty kontroli nad narzędziem.
- m. **Nie należy używać narzędzia podczas transportu.** Obracająca się przystawka mogłaby zostać pochwycona przez ubrania i doprowadzić do poważnego zranienia.
- n. **Należy regularnie czyścić szczeliny wentylacyjne narzędzia.** Wentylacja silnika wprowadza kurz wewnątrz obudowy silnika, co może być przyczyną nadmiernego nagromadzenia cząsteczek stalowych i spowodować porażenie prądem elektrycznym.
- o. **Nigdy nie używajcie waszego narzędzia w pobliżu produktów łatwopalnych.** Iskry mogłyby spowodować podpalenie narzędzia.
- p. **Nie używajcie akcesoriów wymagających płynów chłodzących.** Używanie wody czy płynów chłodzących może spowodować porażenie prądem elektrycznym, nawet śmiertelne.
- q. **Stosować wyłącznie tarcze przeznaczone do tego narzędzia i osłonę bezpieczeństwa przeznaczoną do wybranej tarczy.** Tarcze nieprzeznaczone do tego urządzenia nie będą prawidłowo osłonięte i mogą zagrażać bezpieczeństwu.
- r. **Osłona musi być w bezpieczny sposób przymocowana do elektronarzędzia i ustawiona tak, aby zapewnić maksymalne bezpieczeństwo;** tarcza powinna być jak w najmniejszym stopniu odsłonięta w stronę operatora. Osłona pomaga chronić operatora przed fragmentami pękniętej tarczy i przypadkowym kontaktem z tarczą.
- s. **Tarczy należy używać wyłącznie do zalecanych zastosowań. Na przykład, nie należy szlifować boczną powierzchnią tarczy tnącej.** Tarcze ściernie przeznaczone są do szlifowania obwodowego, przyłożenie siły bocznej do tarczy grozi jej uszkodzeniem.
- t. **Należy stosować kołnierze tarcz w dobrym stanie technicznym, o właściwym rozmiarze i kształcie dopasowanym do wybranej tarczy.** Odpowiedni kołnierz tarczy podpira ją, zmniejszając ryzyko pęknięcia tarczy. Kołnierze do tarcz tnących mogą być inne niż kołnierze do tarcz ściernych.
- u. **Nie używać zużytych tarcz z większych elektronarzędzi.** Tarcze przeznaczone do większych elektronarzędzi nie nadają się do

współpracy z mniejszym elektronarzędziem pracującym z wyższą prędkością i mogą ulec pęknięciu.

ZJAWISKO ODBICIA I ZWIĄZANE Z NIM OSTRZEŻENIA

Odbicie (odrzut) jest nagłą reakcją, występującą podczas ruchu ściernicy kiedy dochodzi do pochwycenia czy wygięcia płyty szlifierskiej, szczotki czy innego akcesoria, powodującego szybkie zablokowanie akcesoria. Narzędzie dalej działa, powodując odrzut w kierunku odwrotnym do kierunku użytkowania akcesoria.

Przykładowo, jeżeli tarcza ścierna zostanie pochwycona lub wygięta przez przedmiot do obróbki, zachodzi ryzyko że krawędź tnąca tarczy wgłębi się w powierzchnię przedmiotu do obróbki, powodując gwałtowne wyskoczenie tarczy z przedmiotu do obróbki i odrzucenie jej w stronę użytkownika czy też na odległość w zależności od kierunku obrotów tarczy podczas zablokowania. W przypadku odicia, tarcza ścierna może również się połamać. W przypadku odicia, tarcza ścierna może również się połamać.

Odbicie jest wynikiem złego użycia narzędzia i /lub niepoprawnej procedury i/ lub niepoprawnych warunków obsługi. Można go uniknąć podejmując środki ostrożności.

- a. **Trzymajcie mocno narzędzie dwoma rękami i ustawcie ciało i ramię tak, by móc skontrolować ewentualne odbicie. Posługujcie się uchwytem pomocniczym, jeżeli jest na wyposażeniu waszego narzędzia; zapewni to optymalną kontrolę w przypadku odbicia czy sprzężenia zwrotnego podczas uruchamiania narzędzia.** Należy podjąć odpowiednie środki, by móc panować nad narzędziem w przypadku odbicia czy sprzężenia zwrotnego.
- b. **Nie należy umieszczać ręki w pobliżu obracającego się akcesoria, celem uniknięcia poważnych obrażeń ciała w przypadku odrzutu.** Akcesoria mogą odrzucić rękę.
- c. **Nie należy znajdować się w strefie, do której mogłoby zostać odrzucone narzędzie w przypadku odbicia.** W przypadku odbicia, narzędzie odrzucane jest w kierunku odwrotnym do kierunku obrotów tarczy.
- d. **Należy zwracać szczególną uwagę przy obrabianiu kątów, ostrych krawędzi, itd. Unikaj wpadnięcia w poślizg lub pochwycenia akcesoria.** Przy obrabianiu kątów, ostrych krawędzi, czy wpadnięciu w poślizg narzędzia, zachodzi większe ryzyko zablokowania akcesoria, co może doprowadzić do utraty panowania nad narzędziem i odrzutu.
- e. **Nie należy używać z tym narzędziem tarczy przecinarki do drewna czy tarczy piły.** Mogłoby to spowodować ryzyko odrzutu i utratę kontroli nad

narzędziem.

DODATKOWE ZNAKI OSTRZEGAWCZE, SPECYFICZNE DLA DZIAŁAŃ ZWIĄZANYCH ZE ŚCIERANIEM

- Należy sprawdzić czy prędkość wskazana na tarczy zdzierającej jest równa lub większa od prędkości nominalnej narzędzia.
- Upewnijcie się, że wymiary tarczy zdzierającej są odpowiednie dla waszego narzędzia, oraz czy tarcza zdzierająca dobrze osadza się na wrzecionie.
- Tarcze zdzierające powinny być przechowywane w suchym miejscu.
- Nie kładźcie żadnego przedmiotu na tarcze szlifierskie.
- Tarcze szlifierskie powinny być używane jedynie w celu wykonywania szlifowania.
- Przed użyciem tarczy, należy się upewnić czy nie jest ona wyszczerbiona lub pęknięta. W takiej sytuacji mogłaby się ona połamać, co może pociągnąć za sobą poważne obrażenia cielesne.
- Przed użyciem upewnijcie się, że tarcza szlifierska jest poprawnie zamontowana i dokręcona a następnie obracajcie ją na na biegu jałowym przez 30 sekund, skierowując ją w taki sposób, aby nie stwarzała zagrożenia. Jeżeli wasze narzędzie wibruje zbyt mocno, lub gdy stwierdzicie inne problemy, należy natychmiast wyłączyć narzędzie. Jeżeli znajdzie taka sytuacja, skontrolujcie wasze narzędzie w celu znalezienia przyczyny zaistniałego problemu.
- Nie używajcie złączek zwęzkowych czy rozpórek w celu zmniejszenia otworu w tarczach o dużym otworze.
- Sprawdźcie czy obrabiany przedmiot jest poprawnie podtrzymywany.
- Upewnijcie się, że iskry tworzące się w trakcie używania narzędzia nie powodują niebezpiecznej sytuacji, na przykład czy nie spadają one na osoby lub na palne substancje.
- Należy zawsze nosić okulary ochronne i ochronniki słuchu.
- Jeżeli zachodzi potrzeba, używajcie innego wyposażenia ochronnego, jak rękawice, fartuch czy kask.
- Nigdy nie kładźcie waszego narzędzia na ziemi czy innych powierzchniach, kiedy jest ono w trakcie działania. Uwaga, tarcza szlifierska obraca się bezwład-nościowo po wyłączeniu narzędzia. Nigdy nie należy dotykać tarczy szlifierskiej, ani jej kłaść na ziemi czy innych powierzchniach, kiedy tarcza się obraca.
- Kołnierz oporowy tarczy i kołnierz zewnętrzny

muszą mieć zawsze taką samą średnicę zewnętrzną.

- Używajcie tego narzędzia jedynie do zastosowań zgodnych z przeznaczeniem. Nigdy nie używajcie płynu chłodzącego czy wody. Nie używajcie waszego przenośnego narzędzia jak narzędzia stacjonarnego.
- Podczas dwoma rękami.

SYMBOL



Alarm bezpieczeństwa

V Volt

Hz Herc

~ Prąd przemienny

W Wat

n_0 Prędkość bez obciążenia

n Prędkość znamionowa

min^{-1} Ilość obrotów czy ruchów na minutę



Zgodność CE



Podwójna izolacja



Stosować środki ochrony słuchu



Stosować środki ochrony wzroku



Przed uruchomieniem urządzenia prosimy uważnie przeczytać instrukcję



Użyte produkty elektryczne nie powinny być utylizowane z odpadami domowymi. Prosimy poddawać recyklingowi w odpowiednich miejscach. Informacje o właściwych metodach recyklingu można uzyskać u władz lokalnych lub sprzedawcy.



Surowce należy oddawać do recyklingu zamiast wyrzucać je na śmieci. Z myślą o ochronie środowiska, narzędzie, akcesoria i opakowania powinny być sortowane.

PARAMETRY TECHNICZNE

Tarcza zdzierająca 230 mm (9 in)
(ściernica)

Polski

Częstotliwość	50 Hz
Napięcie	230 V - 240 V ~
Zasilanie	2000 W
Gwint wrzeciona	M14
Prędkość znamionowa	6000 min ⁻¹
Całkowita długość	470 mm
Masa netto	6.0 kg

UWAGA: Sprawdźcie tabliczkę znamionową produktu, gdyż napięcie może być różne w zależności od miejsca, w którym używa się produktu.

Maksymalna prędkość obwodowa tarczy szlifierskiej: 4,800 m/min.

Przykład wyliczenia

$$3.14 \times 230 \times 6,000/1,000 = 4\,333,2$$

$$3.14 \times 180 \times 6,000/1,000 = 3\,391,2$$

Prędkość obwodowa tarczy szlifierskiej 4,333.2/3,391.2

Średnica tarczy 230/180

Bieg jałowy szlifierki 6 000

AKCESORIA STANDARDOWE

Uchwyt pomocniczy (dodatkowa rękojeść)

W niektórych krajach tarcza zdzierająca dostarczana jest wraz z akcesoriami.

OBSŁUGA

Zobacz rysunek 4.

⚠ OSTRZEŻENIE

Pokrywy ochronne muszą być zawsze na swoim miejscu. Nie należy zakrywać otworów wentylacyjnych aby umożliwić poprawne chłodzenie silnika.

Aby praca była wydajna, istotnym jest poprawne kontrolowanie siły nacisku na narzędzie oraz powierzchni styku tarczy z obrabianym przedmiotem. Aby szlifować powierzchnie płaskie, szlifierka musi być pod kątem ostrym, zazwyczaj między 10° i 20° w stosunku do obrabianego przedmiotu. Zanim przystąpicie do szlifowania, należy poczekać aż tarcza szlifierska osiągnie

maksymalną prędkość. Zbyt duży kąt powoduje skupienie nacisku na małej powierzchni, co może wydrążyć lub spalić powierzchnię pracy.

WŁĄCZNIK

Zobacz rysunek 2.

- Aby włączyć urządzenie, należy przesunąć do przodu blokadę bezpieczeństwa, następnie nacisnąć przycisk WŁ/WYŁ.
- Aby wyłączyć urządzenie, należy zwolnić przycisk WŁ/WYŁ.

USTAWIANIE POŁOŻENIA UCHWYTU OBROTOWEGO

Zobacz rysunek 3.

1. Wyłączyć narzędzie.
2. Nacisnąć i przytrzymać przycisk blokady uchwytu, a następnie obrócić uchwyt obrotowy w odpowiednie położenie, aż zaskoczy.

⚠ OSTRZEŻENIE

Nie regulować uchwytu obrotowego, gdy narzędzie pracuje.

TRÓJPOZYCYJNY UCHWYT DODATKOWY

Zobacz rysunek 5.

Specjalnie zaprojektowany i wyprofilowany, aby zapewnić komfort i kontrolę.

ZAINSTALOWANIE TARCZY ZDZIERAJĄCEJ

Zobacz rysunek 4 - 6.

⚠ OSTRZEŻENIE

Sprawdźcie dokładnie czy tarcza szlifierska nie ma pęknięć powierzchniowych. Wymieńcie natychmiast pękniętą tarczę.

- Zamontujcie zewnętrzny kołnierz oporowy, tarczę zdzierającą i kołnierz oporowy na wale napędowym.
- Upewnij się, że kołnierz tarczy jest dobrze osadzony na wale wrzeciona.
- Wciśnijcie przycisk blokady wrzeciona usytuowany po prawej stronie obudowy silnika.
- Dokręćcie zewnętrzny kołnierz oporowy zgodnie z ruchem wskazówek zegara przy pomocy dostarczonego klucza.

POKRYWA OCHRONNA

Zobacz rysunek 7 - 8.

Otwórzcie dźwignię blokady pokrywy ochronnej a następnie ustawcie pokrywę ochronną w pożądanej pozycji. Maksymalny kąt obrotu wynosi 90° z każdej strony, w przeciwny razie zablokowanie osłony nie będzie możliwe.

LAMPKA KONTROLNA PODŁĄCZENIA POD NAPIĘCIE

Waszą szlifierką kątową wyposażoną jest w lampkę kontrolną podłączenia pod napięcie, która zaświeca się, gdy narzędzie jest podłączone do zasilania. Kontrolka ta zwraca uwagę na fakt, że szlifierka jest pod napięciem i że się uruchomi gdy tylko przesuniecie włącznik do przodu.

KONSERWACJA

Po użyciu upewnijcie się, że wasze narzędzie jest sprawne.

Zalecamy zanieśenie waszego narzędzia, przynajmniej raz w roku, do Autoryzowanego Punktu Serwisowego Ryobi w celu dokonania smarowania i kompletnego czyszczenia.

▲ OSTRZEŻENIE

Kiedy silnik jest w trakcie działania nie wolno wykonywać żadnych regulacji.

Należy zawsze odłączyć wasze narzędzie od zasilania zanim przystąpicie do wymiany części (tarczy diamentowej czy zdzierającej itd.) Smarowania narzędzia, czy do prac konserwacyjnych.

▲ OSTRZEŻENIE

Dla większego bezpieczeństwa i pewności działania, wszystkie naprawy powinny być wykonywane w Autoryzowanym Punkcie Serwisowym Ryobi.

Čeština

POPIS

1. Brusný kotouč
2. Ochranný kryt
3. Otočná rukojeť
4. Pojistka rukojeti (zablokování)
5. Spínač On/Off (Zapnuto/Vypnuto)
6. Pojistka proti nechtěnému spuštění nářadí
7. Příruba
8. Vnější příruba
9. Vřeteno pohonu
10. Servisní utahovací klíč
11. Tlačítko pro aretaci vřetene
12. Blokační páčka ochranného krytu
13. Světelný indikátor napětí
14. Předavná rukojeť

ZVLÁŠTNÍ BEZPEČNOSTNÍ PŘEDPISY BROUŠENÍ

- a. To nářadí lze používat jako brusku. Přečtěte si pozorně upozornění, pokyny a technické specifikace dodané s nářadím a prohlédněte si ilustrace. Nedodržení uvedených pokynů může způsobit požár, úraz elektrickým proudem a/nebo jiné vážné zranění.
- b. Nedodržení tohoto pokynu může způsobit vážné zranění či materiální škody.
- c. Nepoužívejte příslušenství, které není vyrobeno pro tento nástroj a které není doporučeno výrobcem. I když lze příslušenství jiných výrobců nasadit na nářadí, neznamená to, že je jeho používání bezpečné.
- d. Jmenovitá rychlost příslušenství musí být stejná nebo vyšší než je maximální rychlost uvedená na nářadí. Příslušenství, které pracuje vyšší rychlostí, než je jeho jmenovitá rychlost, se může rozlomit a vymrštit z nářadí.
- e. Vnější průměr a tloušťka příslušenství musí odpovídat technickým údajům pro dané nářadí. Pokud příslušenství neodpovídá technickým údajům, ochranný systém nebude pracovat správně a nářadí nebude dobře seřízené.
- f. Brusné kotouče, příruba, brusné desky a ostatní příslušenství musí být voleno v souladu s velikostí upínacího otvoru vřetena. Příslušenství, které nelze dobře nasadit na hřídel, se nebude správně otáčet, bude nadměrně kmitat a může vést ke ztrátě kontroly nad nářadím.
- g. Nepoužívejte poškozené příslušenství. Po každém použití nářadí zkontrolujte, zda je příslušenství, které jste používali, v dobrém stavu: ujistěte se, že brusné kotouče nejsou tupé nebo prasklé, brusné desky opotřebované

nebo roztržené a že hroty kovových kartáčů nejsou tupé nebo zlomené. V případě pádu nářadí nebo příslušenství zkontrolujte, zda žádný prvek nářadí nebyl poškozen a v případě nutnosti, použijte nové příslušenství. Po provedení kontroly stavu příslušenství a po jeho nasazení na nářadí se postavte do bezpečné vzdálenosti a počkejte, dokud nářadí nedosáhne své maximální rychlosti. Nechte nářadí běžet na maximální otáčky zhruba po dobu jedné minuty. Pokud je příslušenství poškozené, během této zkoušky dojde k jeho rozbití.

- h. Používejte osobní ochranné pomůcky. V závislosti na používání nářadí, noste bezpečnostní nebo uzavřené ochranné brýle, nebo ochranné brýle s bočními kryty. V případě potřeby používejte protiprašný respirátor, sluchovou ochranu, ochranné rukavice a ochrannou zástěru s laclem, abyste se chránili před odlétajícími kusky obráběného materiálu (kovový prach a piliny, třísky apod.). Ochranné brýle chrání před vniknutím cizích těles do očí, které může způsobit zranění. Protiprašný respirátor filtruje částice prachu vytvářející se při práci. Dlouhodobá expozice vysokému hluku může způsobit poškození sluchu.
- i. Dbejte, aby se přibližující osoby zdržovaly v dostatečné vzdálenosti a aby byly vybaveny osobními ochrannými prostředky. Všechny osoby vstupující na pracoviště musí používat osobní ochranné prostředky. Úlomky obráběného materiálu nebo rozlomené příslušenství může být vymršteno i mimo pracovní zónu a způsobit vážný úraz.
- j. Držte nářadí pouze za izolované části s protiskluzovou úpravou, pokud pracujete s materiálem, ve kterém mohou být elektrické kabely nebo pokud pracujete v poloze, při které by se napájecí kabel mohl dostat do trasy řezu. Při náhodném kontaktu s vodiči pod napětím jsou pod proudem i kovové části nářadí (vzhledem k elektrické vodivosti) a můžete dostat elektrickou ránu.
- k. Napájecí kabel ved'te tak, aby byl v bezpečné vzdálenosti od otáčejícího se příslušenství. V případě ztráty kontroly nad nářadím by mohl dojít k přeríznutí elektrického kabelu nebo k jeho zablokování. Ruka nebo paže uživatele by tak mohly přijít do kontaktu s otáčejícím se příslušenstvím.
- l. Nikdy nepokládejte nářadí, pokud se příslušenství ještě otáčí. Nikdy nepokládejte nářadí, pokud se příslušenství ještě otáčí.

Čeština

- m. **Při přenášení nářadí vypněte.** Otáčející se příslušenství by se mohlo zachytit o váš oděv a způsobit vám závažný úraz.
- n. **Pravidelně čistíte větrací otvory v nářadí.** Při větrání motoru se pod kryt motoru dostává prach, proto je nutné větrací otvory pravidelně čistit, aby nedocházelo k usazování kovových částic, které by mohly způsobit úraz elektrickým proudem.
- o. **Nepoužívejte nářadí v blízkosti hořlavých předmětů.** Jiskřením by mohlo dojít k jejich vznícení.
- p. **Nepoužívejte příslušenství, které si vyžaduje chladicí médium.** Používání vody nebo chladicí kapaliny může způsobit úraz elektrickým proudem nebo elektrickou ránu.
- q. **Používejte pouze typy kotoučů, které jsou doporučeny pro váš elektrický nástroj a určený kryt navržený pro zvolený kotouč.** Kotouče nenavrhzené pro danou brusku nelze dostatečně chránit a jsou nebezpečné.
- r. **Kryt musí být bezpečně připojen k elektrickému nástroji a umístěn pro maximální bezpečnost, tím je obsluze vystavena minimální plocha kotouče.** Kryt pomáhá obsluhu chránit před rozbitými fragmenty kotouče a kontaktem s kotoučem.
- s. **Kotouče se smí používat pouze pro doporučená použití. Například, nebruste stranou brusného kotouče.** Hrubé rozbrušovací kotouče jsou určeny pro okrajová broušení, boční síly použité na tyto kotouče mohou způsobit jejich poničení.
- t. **Vždy používejte nepoškozené okolky kotouče se správnou velikostí a tvarem pro váš vybraný kotouč.** Správné okolky kotouče podporují kotouč, čímž snižují možnost zaseknutí kotouče. Okolky pro rozbrušovací kotouče mohou být jiné než okolky brusných kotoučů.
- u. **Nepoužívejte opotřebované kotouče z větších nástrojů.** Kotouč zvolený pro větší nástroj je nevhodný pro vysoké rychlosti malého nástroje a může prasknout.

ZPĚTNÝ VRH A SOUVISEJÍCÍ VAROVÁNÍ

Zpětný ráz je prudká reakce nářadí, ke které dojde, když se otáčející kotouč, brusný kotouč, kartáč či jiné příslušenství ohne, uvízne či zablokuje v obráběném materiálu. Nářadí se nezastaví a stále se otáčí, tím vyvíjí tlak v opačném směru, než je pracovní směr zablokováného příslušenství. Například pokud uvízne brusný kotouč v obráběném dílu nebo se kotouč ohne, řezná hrana kotouče se zanoří do obráběného dílu a dojde k prudké reakci kotouče, který „vyskočí“ nekontrolovaně ze své dráhy směrem k uživateli, v závislosti na směru otáčení kotouče před jeho zablokováním. Kotouč může vyskočit buď směrem k nebo

od operátora, v závislosti na směru kola hnutí v místě skřípnutí. Při zpětném rázu se brusný kotouč může zlomit.

Zpětný ráz je tudíž způsoben nesprávným používáním nářadí a/nebo nevhodným postupem při řezání, případně nevhodnými podmínkami řezání. Zpětnému rázu lze předcházet dodržováním několika základních opatření.

- Držte nářadí pevně a postavte se tak, abyste mohli kontrolovat případný zpětný ráz nářadí.** Pokud je nářadí vybaveno pomocnou rukojetí, vždy držte nářadí oběma rukama. Tím se usnadní kontrola nad nářadím v případě zpětného rázu nebo reakčního momentu při spuštění nářadí. Při zpětném rázu nebo reakčním momentu je třeba přijmout odpovídající opatření.
- Nikdy nepřibližujte ruce do blízkosti otáčejícího se příslušenství, abyste si nezpůsobili vážné zranění v případě zpětného rázu.** Příslušenství může odskočit zpět přes vaše ruce.
- Nestavte se do místa možného zpětného rázu nářadí.** V případě zpětného rázu je nářadí vymrštěno opačným směrem, než je směr otáčení kotouče.
- Postupujte opatrně při práci v rozích, při opracování ostrých hran apod. Dávejte pozor, aby se vám nářadí nevysemklo a aby se příslušenství nezablokovalo.** Při práci v rozích a při opracování ostrých hran se zvyšuje nebezpečí vysemknutí nářadí a zablokování příslušenství, které mají za následek ztrátu kontroly a zpětný ráz.
- Toto nářadí nepoužívejte s kotoučem, který je určen pro zkracovací či jinou pilu na řezání dřeva.** Tyto kotouče zvyšují riziko zpětného rázu a ztráty kontroly nad nářadím.

DOPLŇKOVÉ BEZPEČNOSTNÍ VAROVNÉ PŘEDPISY BROUŠENÍ

- Zkontrolujte, zda rychlost otáček uvedená na brusném kotouči souhlasí s jmenovitou rychlostí brusky.
- Zkontrolujte, zda je průměr brusného kotouče kompatibilní s nářadím a se závitem na větenu.
- Brusné kotouče je nutné skladovat v suchu.
- Na brusné kotouče nepokládejte žádný předmět.
- Brusné kotouče se nesmí používat k jiným účelům než k broušení materiálu.
- Než začnete používat brusný kotouč, zkontrolujte, zda není tupý nebo prasklý. Prasklý kotouč se může rozlomit a být příčinou vážného úrazu.
- Před použitím brusky zkontrolujte správné nasazení a utažení brusného kotouče, pak ponechte brusku pracovat naprázdno zhruba po dobu 30 sekund. Bruska musí být přítom nasměrována tak, abyste neohrozili sami sebe a své okolí. Pokud je

Čeština

slyšitelné podezřelé chvění kotouče nebo je patrný jakýkoliv jiný problém, brusku okamžitě vypněte. Brusku pečlivě prohlédněte, abyste odhalili příčinu problému.

- h. Nepoužívejte redukce ani adaptéry, abyste mohli nasadit brusný kotouč na velký upínací průměr.
- i. Zkontrolujte správné upevnění opracovávaného materiálu.
- j. Dávejte pozor, aby jiskření, které vzniká při používání nářadí, nevytvářelo nebezpečné situace, například že jiskry nemohou zasáhnout osoby ve Vaší blízkosti nebo přijít do styku s hořlavými předměty.
- k. Při práci noste ochranné brýle a sluchovou ochranu.
- l. V případě potřeby používejte i další osobní ochranné prostředky, jako jsou ochranné rukavice, ochranný pracovní oděv nebo přilba.
- m. Pokud je nářadí v provozu, nikdy je nepokládejte na zem ani neodkládejte na jinou plochu. Vlivem setrvačnosti se kotouč ještě chvíli otáčí i po vypnutí nářadí. Pokud je bruska v provozu, nikdy se nedotýkejte brusného kotouče, brusku nepokládejte na zem ani na žádnou jinou plochu.
- n. Příruba brusného kotouče a vnější příruba musí mít stejný vnější průměr.
- o. Nářadí použijte pouze k předepsaným účelům. Ke chlazení kotouče nikdy nepoužívejte chladicí kapalinu nebo vodu. Nepoužívejte nářadí jako pevný nástroj.
- p. Při práci držte nářadí pevně oběma rukama.



Noste ochranu očí



Před spuštěním přístroje si řádně přečtěte pokyny.



Odpad elektrických výrobků se nesmí likvidovat v domovním odpadu. Recyklujte prosím na sběrných místech. Ptejte se u místních úřadů nebo prodejce na postup při recyklaci.



V rámci možnosti neodhazujte vysloužilý výrobek nebo jeho části do domovního odpadu a snažte se o jejich recyklaci. V souladu s předpisy na ochranu životního prostředí odkládejte vysloužilé nářadí, příslušenství i obalový materiál do tříděného odpadu.

TECHNICKÉ ÚDAJE

Brusný kotouč	230 mm (9 in)
Frekvence	50 Hz
Elektrické napětí	230 V - 240 V ~
Vstup	2000 W
Závit na vřetenu	M14
Jmenovitá rychlost	6000 min ⁻¹
Celková délka	470 mm
Čistá hmotnost	6.0 kg

POZNÁMKA: Zkontrolujte údaje na typovém štítku nářadí, napětí elektrické sítě se může různit podle místa používání nářadí.

Maximální rychlost otáčení brusného kotouče: 4,800 / min.

Příklad výpočtu

$$3.14 \times 230 \times 6,000/1,000 = 4\,333,2$$

$$3.14 \times 180 \times 6,000/1,000 = 3\,391,2$$

Rychlost otáčení brusného kotouče 4,333.2/3,391.2

Průměr brusného kotouče 230/180

Otáčky brusky naprázdno 6 000

SYMBOL



Bezpečnostní výstraha

V Volt

Hz Hertz

~ Střídavý proud

W Watt

n_o Otáčky naprázdno

n Jmenovitá rychlost

min⁻¹ Počet otáček nebo pohybů (kmitů) za minutu



Shoda CE



Dvojitá izolace



Noste ochranu sluchu

Čeština

STANDARDNÍ PŘÍSLUŠENSTVÍ

Přídavná rukojeť

V některých zemích je v příslušenství dodáván další brusný kotouč.

OBSLUHA

Viz obrázek 4.

VAROVÁNÍ

Ochranné kryty musí být vždy nasazeny. Dávejte pozor, abyste nezakryli větrací otvory, které slouží k přirozenému chlazení motoru.

Abyste Vaše práce byla efektivní, na brusku se nesmí tlačit a je nutné kontrolovat místo záběru mezi brusným kotoučem a opracovávaným materiálem. Při broušení rovných ploch musí bruska svírat ostrý úhel s opracovávaným materiálem, obvykle v rozmezí od 10° do 20°. Než začnete brousit, počkejte, než motor dosáhne své plné rychlosti. Příliš velký úhel může vytvořit nadměrný tlak na malou plochu. To může vést k vybroušení plochy nebo k jejímu pálení.

SPÍNAČ

Viz obrázek 2.

- Pro zapnutí zařízení zatlačte vpřed bezpečnostní zámek a pak stiskněte spínač on/off (vypnout/zapnout).
- Pro vypnutí zařízení uvolněte spínač on/off (vypnout/zapnout).

SEŘÍZENÍ POLOHY OTOČNÉ RUKOJETI

Viz obrázek 3.

1. Vypněte nástroj.
2. Stiskněte a držte tlačítko zámku rukojeti, pak otáčejte otočnou rukojeť do požadované polohy, až zaklapne do své polohy.

VAROVÁNÍ

Neseřizujte otočnou rukojeť, když je nástroj v provozu.

TŘÍPOLOHOVÁ POMOCNÁ RUKOJEŤ

Viz obrázek 5.

Speciálně navrženo a tvarováno pro tři polohy pro maximum pohodlí a ovládní.

INSTALACE BRUSKY

Viz obrázek 4 - 6.

VAROVÁNÍ

Pečlivě zkontrolujte, zda brusný kotouč není prasklý. Prasklý kotouč okamžitě vyměňte.

- Nasadte přírubu, brusný kotouč a vnější přírubu na vřeteno pohonu.
- Ujistěte se, že je příruba řádně nasazena na hřídeli vřetena.
- Zamáčkněte blokovací tlačítko vřetene, které se nachází na pravé straně krytu.
- Pomocí dodaného utahovacího klíče utáhněte přírubu ve směru hodinových ručiček.

OCHRANNÝ KRYT

Viz obrázek 7 - 8.

Otevřete blokační páčku ochranného krytu a nastavte ochranný kryt do požadované polohy. Maximální úhel natočení je na každé straně 90°; jinak se kryt neuzamkne.

SVĚTELNÝ INDIKÁTOR NAPĚTÍ

Úhlová bruska je vybavena světelným indikátorem napětí, který se rozsvítí, jakmile je bruska připojena ke zdroji napětí. Tato kontrolka upozorňuje uživatele nářadí, že je bruska pod napětím a že se uvede do provozu při přepnutí přepínače do přední polohy.

ÚDRŽBA

Po skončení práce zkontrolujte, zda je nářadí v dobrém stavu.

Doporučuje se nechat nářadí zkontrolovat alespoň jedenkrát ročně v některém z autorizovaných servisních středisek výrobků Ryobi a nechat nářadí kompletně vyčistit a namazat.

VAROVÁNÍ

Neprovádějte žádná seřizování, pokud je motor v provozu.

Před výměnou dílů (diamantového kotouče, brusného kotouče apod.), před mazáním a údržbou vždy odpojte brusku ze zásuvky elektrické sítě.

VAROVÁNÍ

Z bezpečnostních důvodů a pro zajištění spolehlivosti nářadí musí být veškeré opravy prováděny v autorizované servisní opravě výrobků Ryobi.

LEÍRÁS

1. Csiszolókorong (tárcsa)
2. Védőlemez
3. Forgatható fogantyú
4. Reteszgomb a fogantyún
5. Be/ki kapcsoló
6. Ravasz kireteszelő gomb
7. Alátét
8. Külső alátét
9. Hajtótengely
10. Szorítókulcs
11. Tengely reteszgomb
12. Védőlemez reteszelő kar
13. Működésjelző lámpa
14. Kisegítő fogantyú

A CSISZOLÁSI MŰVELETRE VONATKOZÓ SPECIÁLIS FIGYELMEZTETÉSEK

- a. Ezt a szerszámot oly módon tervezték és alakították ki, hogy csiszolóként. Figyelmesen olvassa el az ehhez a szerszámhoz mellékelte összes figyelmeztetést, utasítást és műszaki adatokat, valamint tanulmányozza az ábrákat is. Az alább részletezett előírások be nem tartása olyan baleseteket okozhat, mint pl. tűz, áramütés és/vagy súlyos testi sérülések.
- b. Ezen előírás be nem tartása baleseteket és súlyos testi sérüléseket okozhat.
- c. Ne használjon olyan tartozékokat, amelyeket nem speciálisan ehhez a szerszámhoz terveztek és a gyártó által nincs előírva a használatuk. Még ha egy tartozékot fel is lehet a szerszámra szerelni / helyezni, ez nem jelenti azt, hogy teljes biztonságban is lehetne ezt a szerszámot ily módon használni.
- d. A tartozék névleges sebessége (fordulatszám) nagyobb vagy egyenlő kell hogy legyen, mint a szerszámon jelölt maximális sebesség (fordulatszám). A saját névleges sebességűknél nagyobb sebességen üzemelő tartozékok eltörhetnek és kidobódhatnak / kirepülhetnek a szerszámból.
- e. A tartozék külső átmérője és vastagsága meg kell hogy feleljen a szerszám megjelölt műszaki adatainak. Amennyiben a tartozékok nem felelnek meg a megadott adatoknak, akkor a szerszám védelmi- és beállítási rendszerei nem képesek megfelelőképp működni.
- f. A csiszolókorongok (tárcsák), alátétek, talpak és egyéb tartozékok meg kell hogy feleljenek a szerszámtengely furatátmérőjének. A meghajtó-tengelyeknek nem megfelelő tartozékok

nem fognak megfelelőképp forogni, túlságosan vibrálnak és általuk elveszíti a szerszám felett az uralmát.

- g. Ne használjon sérült tartozékokat. Minden használat előtt ellenőrizze, hogy a használt tartozék jó állapotban van-e: bizonyosodjon meg arról, hogy a csiszoló korongok nem csorbultak / deformálódtak vagy repedtek, a talpak nem szakadtak vagy kopottak, valamint hogy a drótfékek sörtéi nem túlságosan kopottak vagy töröttek. Amennyiben a szerszám vagy a tartozék leesett, ellenőrizze hogy semelyik alkatelen nem sérült, szükség esetén pedig szereljen / tegyen fel egy új tartozékot. Miután leellenőrizte, hogy a tartozék jó állapotban van, és felszerelte / felhelyezte azt, akkor helyezkedjen el biztonságos távolságban a mozgó tartozéktól és hagyja hogy a szerszám egy percig maximális fordulatszámra működjön. Ha a tartozék sérült, akkor el fog törni e teszt során.
- h. Viseljen személyi védőfelszerelést. Aszerint, hogy mire használja a szerszámot, viseljen védőmaszkot, biztonsági- vagy védőszemüveget. Szükség esetén hordjon porvédő maszkot, hallásvédő eszközt (fülvédőt, fül dugót), kesztyűt, védőköntényt az idegen testek (súroló darabok, fagorgács stb.) becsapódása elleni védelem érdekében. A védőszemüveg lehetővé teszi, hogy a kipattogó törmelék ne sértse meg a szemet. A porvédő maszk lehetővé teszi a munkafolyamat által keltett részecskék kiszűrését. Halláskárosodást okozhat, ha erős zajnak hosszabb időn keresztül ki van téve.
- i. A munkát szemlélőket tartsa megfelelő távolságban a munkaterülettől és ügyeljen arra, hogy hordjanak megfelelő védőfelszerelést. Bárki beléphet a munkaterületen kell viselniük egyéni védőeszközöket. A munkadarab ill. egy sérült tartozék töredékei a munkaterületen túlra repülhetnek és súlyos testi sérüléseket okozhatnak.
- j. A szerszámot kizárólag a szigetelt, csúszásálló részénél fogja, ha olyan felületen dolgozik, amelyben elektromos vezeték lehet, vagy amikor olyan munkát kell végeznie, melynek során a tápvezetékek a szerszám útjába kerülhetnek. A feszültség alatt lévő villanyvezetékek történő érintkezés által a szerszám fém részeibe vezetődhet az áram, ami áramütést okozhat.
- k. Oly módon vezesse a hálózati tápvezetéket, hogy távol maradjon a forgásban lévő tartozéktól. Ha elveszíti uralmát a szerszám felett,

a tápvezeték elszakadhat vagy becsipődhet és a keze ill. a karja a forgó tartozék felé mozdulhat el.

- I. **Soha ne tegye le addig a szerszámot, amíg a tartozék teljesen le nem áll.** A forgó tartozék érintkezésbe léphet azzal felülettel, amelyre helyezték, emiatt elveszítheti a szerszám felett az uralmát.
- m. **Szállítás közben soha ne működtesse a szerszámot.** A forgó tartozék bekaphatja a ruháját és súlyos sérülést okozhat.
- n. **Rendszeresen tisztítsa a szerszám szellőzőnyílásait.** A motor légáramlása a motorház belsejébe szívja a port, ami által felhalmozódhatnak ott a fémrészekkék és ez áramütést idézhet elő.
- o. **Ne használja a szerszámot gyúlékony, tűzveszélyes anyagok közelében.** A szerszám által keltett szikrák meggyújthatják ezeket.
- p. **Ne használjon hűtőfolyadékkal működő tartozékokat.** A víz ill. a hűtőfolyadékok használata áramütést okozhat.
- q. **Csak a géphez javasolt tárcsákat használja, melyekhez van speciális védőburkolat.** Azok a tárcsák, melyeknek használatára a gép nincs felkészítve, nem védhetők megfelelően és ezért nem biztonságosak.
- r. **A védőt biztosan kell rögzíteni a gépen, és úgy kell beállítani, hogy a maximális biztonságot nyújtsa, azaz a tárcsa lehető legkisebb nem védett része nézzen a kezelő felé.** A védőburkolat megvédi a kezelőt a szétörtött tárcsa darabjaitól és a tárcsával való véletlen érintkezéstől.
- s. **A tárcsákat csak a javasolt alkalmazásokra szabad használni.** Például, ezért ne csiszoljon a vágótárcsa oldalával. A csiszoló vágótárcsák oldalirányú csiszolásra valók, ezért nagy oldalsó erőknél vannak kitéve, melyek akár a tárcsa összetörését is okozhatják.
- t. **Mindig sérülésektől mentes tárcsarögzítő peremeket használjon, melyek mérete és alakja megfelelő a kiválasztott tárcsához.** A tárcsarögzítő peremek megtámasztják a tárcsát, így csökkentik a tárcsa eltörésének veszélyét. A vágótárcsák rögzítőperemei különbözhetnek a csiszolókorongokhoz szükséges peremektől.
- u. **Ne használjon nagyobb gépekről származó szerszámgépekhez való tárcsa a kisebb gép nagyobb fordulatszáma miatt nem használható, mert szétröbbranhat.**

VISSZARÚGÁS ÉS AHHOZ KAPCSOLÓDÓ FIGYELMEZTETÉSEK

A megugrás egy olyan hirtelenszerű reakció, amely akkor léphet fel, ha a mozgásban lévő csiszolókorong, talp, drótkéfe vagy egyéb tartozék beszorul vagy elgörbül, ami az adott tartozék gyors blokkolásában nyilvánul meg. A szerszám tovább működik, így a tartozék használati irányával ellenkező irányban megdobja a szerszámot.

Például, ha egy vágótárcsa beszorul vagy elgörbül a munkadarabban, akkor a tárcsa éle belemélyülhet a munkadarab felületébe, ami a tárcsát a munkadarabról hirtelen a szerszámot használó személy irányába ill. – a leblokkolt tárcsa forgásirányának függvényében – távolra is vetheti. A kerék akkor sem ugrik irányába, vagy távol az üzemeltető, attól függően, irány a kerék mozgását ponton csipkedte. Megugrás esetén a vágótárcsa el is törhet.

A megugrás ily módon a szerszám nem megfelelő használatának és/vagy a helytelen használati módoknak / körülményeknek az eredménye. Néhány óvintézkedés meghozatalával ill. figyelmes betartásával azonban elkerülhető ez a veszélyes jelenség.

- a. **Tartsa erősen a szerszámot és oly módon pozicionálja a testét és a kezeit, hogy egy esetleges megugrást kontrollálni tudjon. Ha a szerszámon segédfogantyú van, mindig ügyeljen a fogására.** Ekkor optimális kontroll alatt tartja a szerszámot egy esetleges megugrás vagy a szerszám beindítása során jelentkező ellenhatás-nyomaték esetén. Hozza meg a szükséges intézkedéseket ahhoz, hogy uralma alatt maradjon a szerszám megugrás vagy ellenhatás-nyomaték esetén.
- b. **Soha ne helyezze a kezét a forgó tartozék közelébe, a súlyos testi sérülések veszélyének elkerülése érdekében.** Tartozékok kezeit át.
- c. **Ne helyezkedjen abba a térrészbe, ahova a szerszám kidobódhat egy esetleges megugrás esetén.** Megugrás esetén a szerszám a tárcsa forgásirányával ellentétes irányba repül ki.
- d. **Különös figyelemmel járjon el, ha sarkokon, éles peremeken stb. dolgozik. Kerülje a tartozék megcsúszását és beszorulását.** Amikor sarkokon, éles peremeken dolgozik, vagy megcsúszik a szerszám, akkor a tartozék blokkolásának – ily módon az uralom elvesztésnek és a szerszám megugrásának – nagyobb a veszélye.
- e. **Soha ne használjon ezzel a szerszámmal fadaraboló- és fűrésztárcsát.** Az ilyen típusú tárcsák növelik a szerszám megugrásának és uralomvesztésének veszélyét.

A CSISZOLÁSI MŰVELETRE VONATKOZÓ TOVÁBBI BIZTONSÁGI FIGYELMEZTETÉSEK

- Ellenőrizze, hogy a csiszolókorongon feltüntetett fordulatszám-érték nagyobb vagy egyenlő legyen, mint a szerszám névleges fordulatszám-értéke.
- Bizonyosodjon meg arról, hogy a csiszolókorong méretei (átmérő) megfelelőek legyenek a szerszámhoz és hogy a korong tökéletesen illeszkedjen a tengelyre.
- A csiszolókorongokat száraz helyen tárolja.
- Soha ne tegyen semmilyen tárgyat a korongokra.
- A csiszolókorongokat kizárólag csiszolásra szabad használni.
- A csiszolókorong használata előtt bizonyosodjon meg arról, hogy a korong ne legyen csorbult vagy repedt. Ilyen esetben a korong eltörhet és ez súlyos testi sérüléssel járó balesetet eredményezhet.
- A sarokcsiszoló használata előtt bizonyosodjon meg arról, hogy a korongot jól tette-e fel és rendesen megszorította-e. Ezután használja a szerszámot üresjáraton 30 másodpercig, eközben tartsa úgy, hogy az ne legyen senkire és semmire nézve veszélyes. Ha a készülék túlságosan vibrál ill. ha bármilyen más problémát észlel, azonnal állítsa le a készüléket. Ilyenkor ellenőrizze a készüléket és keresse meg a probléma okát.
- Nem szabad szűkítő közygűrűvel, támcsavarral stb. nagyobb lyukátmérőjű, a készülékhez nem alkalmas korongot használni.
- Ellenőrizze, hogy a munkadarab / megmunkálendő felület kellő módon rögzítve legyen.
- Bizonyosodjon meg arról, hogy a készülék használatakor keletkező szikrák ne idézzenek elő veszélyes helyzetet, vagyis hogy például ne pattan hassanak emberekre vagy gyúlékony anyagokra.
- Munka közben viseljen mindig védőszemüveget és fülvédőt.
- Amennyiben szükséges, használjon más olyan személyes védőfelszereléseket is, mint pl. védőkesztyű, -kötény vagy -sisak.
- Soha ne tegye a bekapcsolt készüléket földre ill. más felületre. A sarokcsiszoló kikapcsolása után a korong még lendületből forog pár másodpercig. Soha ne érintse és ne tegye le a földre ill. bármilyen más felületre a csiszolót forgó koronggal.
- A korong alátét ill. a külső alátét külső átmérője meg kell hogy egyezzen.
- A szerszámot kizárólag olyan munkálatokra használja, amelyre azt tervezték. Soha ne használjon hűtővizet vagy hűtőfolyadékot. Ne használja a szerszámot fixen kítámasztva vagy befogva.
- A sarokcsiszolót két kézzel szilárdan fogva

használja.

SZIMBÓLUM



Biztonsági figyelmeztetés

V

Volt

Hz

Hertz

~

Váltóáram (AC)

W

Watt

n_0

Üresjáratú fordulatszám

n

Névleges fordulatszám

min^{-1}

Fordulatok ill. löketek száma percenként



CE megfeleléség



Kettős szigetelés



Viseljen fülvédőt



Viseljen szemvédőt



A gép bekapcsolása előtt figyelmesen olvassa el az útmutatót.

A kiselejtezett elektromos termékeket nem szabad a háztartási hulladékkal együtt kidobni. Ezeket újra kell hasznosítani, ha van rá lehetőség. Az újrahasonosítással kapcsolatban érdeklődjön a helyi önkormányzatnál vagy a termék forgalmazójánál.

Segítse elő az alapanyagok újrahasonosítását azzal, hogy nem helyezi el őket a háztartási szemétkorba. Környezetvédelmi megfontolásból a kiszolgált berendezést, tartozékokat és csomagolóanyagokat szelektív módon kell elhelyezni.

MŰSZAKI ADATOK

Csiszolókorong (tárcsa)	230 mm (9 in)
Frekvencia	50 Hz
Feszültség	230 V - 240 V ~
Bemenet	2000 W
Tengely csavarmenet	M14

Magyar

N é v l e g e s 6000 min⁻¹
fordulatszám

Teljes hossz 470 mm

Nettó tömeg 6.0 kg

MEGJEGYZÉS: Ellenőrizze a készülék típusabláját, mivel a hálózati feszültségérték ott, ahol a szerszámot használik más lehet.

Korong maximális kerületi sebessége: 4,800 m/min.

Számítási példa

$$3.14 \times 230 \times 6,000/1,000 = 4\,333.2$$

$$3.14 \times 180 \times 6,000/1,000 = 3\,391.2$$

Korong kerületi sebessége 4,333.2/3,391.2

Korong átmérője 230/180

A sarokcsiszoló üresjárati
fordulatszáma 6 000

MELLÉKELT TARTOZÉKOK

Kisegítő fogantyú

Bizonyos országokban egy csiszolókorong még standard tartozékként mellékelve van.

HASZNÁLAT

Lásd 4. ábrát.

▲ FIGYELEM

A védőlemezeknek mindig a helyükön kell lenniük. Ügyeljen arra, hogy a szellőző réseket ne takarja semmi, mert ezeken keresztül biztosított a motor megfelelő hűtése.

A hatékony munkavégzéshez mindenképpen megfelelően kontrollálni kell a sarokcsiszolóra kifejtett nyomást ill. az érintkezési felületet a korong és a megmunkálandó munkadarab között. Sík felületek csiszolásánál a sarokcsiszolóknak hegyesszögben (általában 10° - 20°-ban) kell állni a megmunkálandó felületre. Várja meg, amíg a szerszám motorja eléri a maximális fordulatszámot és csak ezután kezdjen el csiszolni. Amennyiben túl nagy szögben tartja a szerszámot, akkor kis felületen túl nagy nyomás jelentkezik, ami kivághatja vagy megpörkölteti a munkafelületet.

KAPCSOLÓGOMB

Lásd 2. ábrát.

- A készülék bekapcsolásához nyomja előre a biztonsági rezeszt, majd nyomja be a be-/kikapcsolót.
- A készülék kikapcsolásához engedje fel a be-/kikapcsolót.

A FORGATHATÓ FOGANTYÚ POZÍCIÓJÁNAK BEÁLLÍTÁSA

Lásd 3. ábrát.

1. Kapcsolja ki a gépet.
2. Nyomja le és tartsa úgy a fogantyúrögzitő gombot, majd fordítsa a fogantyút a kívánt állásba, míg be nem kattant a helyére.

▲ FIGYELEM

Ne állítsa a forgatható fogantyút, ha a gép be van kapcsolva.

HÁROMÁLLÁSÚ KISEGÍTŐ FOGANTYÚ

Lásd 5. ábrát.

Három szögben is beállítható kialakítás, mely maximális kényelmet és irányíthatóságot biztosít.

A CSISZOLÓKORONG FELTÉTELE

Lásd 4 - 6. ábrát.

▲ FIGYELEM

Figyelmesen ellenőrizze, hogy a korong anyagában ne legyenek repedések. Minden repedt korongot haladéktalanul cseréljen ki.

- Helyezze fel a korong alátétet, a csiszolókorongot és a külső alátétet a hajtótengelyre.
- Ellenőrizze, hogy a tárcsa illesztőpereme megfelelően rögzítve van a tengelyen.
- Nyomja be a hajtóműszekrény jobboldalán lévő tengelyrögzitő gombot.
- A tartozékként mellékelt szorítókulcs segítségével az óramutató járásával megegyező irányban szorítsa meg a külső alátétet.

VÉDŐLEMEZ

Lásd 7 - 8. ábrát.

Nyissa ki a védőlemez rezeselőkarját, majd állítsa a védőlemezt a kívánt állásba. A maximális elfordítási szög 90° mindkét oldalra, máskülönben a védőburkolat nem rögzíthető.

MŰKÖDÉSJELZŐ LÁMPA

A sarokcsiszolót egy működésjelző lámpával látták el, mely akkor kezd el világítani, amikor a szerszám csatlakoztatva lett az elektromos hálózatra. Ez a lámpa arra figyelmeztet, hogy a sarokcsiszoló feszültség alatt van, és be fog indulni, amint a kapcsolót előre csúsztatja.

KARBANTARTÁS

Használat után ellenőrizze, hogy a készülék jó, üzemképes állapotban van-e.

Tanácsos évente legalább egyszer egy hivatalos, szerződött Ryobi Szervizközpontba vinni a készüléket általános tisztításra és olajozásra.

▲ FIGYELEM

Semmilyen beállítást ne végezzen a készüléken, ha a motor üzemben van.

Alkatrészcsere (gyémánt vágótárcsa, csiszolókorong, stb.), olajozás és minden karbantartási művelet előtt mindig áramtalanítsa a sarokcsiszolót!

▲ FIGYELEM

A biztonság és megbízhatóság érdekében minden javítási munkálatot egy hivatalos, szerződött Ryobi Szervizközpontban végeztessen el.

Română

DESCRIERE

1. Disc de polizare
2. Capac de protecție
3. Mâner rotativ
4. Buton de blocare a mânerului
5. Întrerupător pornire/oprire
6. Dispozitiv de deblocare a trăgaciului
7. Flanșă
8. Flanșă exterioară
9. Ax de antrenare
10. Cheie de serviciu
11. Buton de blocare a axului
12. Mâner de blocare a capacului de protecție
13. Indicator de punere sub tensiune
14. Mâner auxiliar

AVERTISMENTE SPECIFICE DE SIGURANȚĂ PRIVIND OPERAȚIILE DE ȘLEFUIRE

- a. **Acest aparat este conceput pentru a fi utilizat ca polizor. Citiți, cu atenție, toate avertismentele, instrucțiunile și specificațiile furnizate împreună cu aparatul, și consultați ilustrațiile.** Nerespectarea instrucțiunilor prezentate în continuare poate provoca accidente cum ar fi incendii, electrocutare și/sau vătămări corporale grave.
- b. **Nerespectarea acestei reguli poate produce accidente și vătămări corporale grave.**
- c. **Nu utilizați accesorii care nu sunt concepute special pentru acest aparat și care nu sunt recomandate de către producător.** Chiar dacă un accesoriu se poate monta pe aparat, acesta nu garantează că veți putea utiliza aparatul în deplină siguranță.
- d. **Viteza nominală a accesoriului trebuie să fie egală sau mai mare decât viteza maximă indicată pe aparat.** Accesoriile care funcționează la o viteză mai mare decât viteza lor nominală se pot rupe și pot fi aruncate.
- e. **Diametrul exterior al accesoriului și grosimea acestuia trebuie să corespundă caracteristicilor specificate pentru aparat.** În cazul în care accesoriile nu corespund caracteristicilor date, sistemele de protecție și de reglare ale aparatului nu vor putea funcționa corect.
- f. **Polizoarele, flanșele, tălpile sau alte accesorii trebuie să fie perfect adaptate la diametrul axului aparatului.** Accesoriile neadaptate la axul pe care trebuie să fie montate nu se vor roti corect, vor vibra excesiv și vă vor face să pierdeți controlul aparatului.
- g. **Nu utilizați accesorii deteriorate. Înainte**

de fiecare utilizare, verificați dacă accesoriul pe care-l utilizați este în stare corespunzătoare: asigurați-vă că discurile abrazive nu sunt știrbite sau fisurate, că tălpile nu sunt crăpate sau uzate, că firele periiilor metalice nu sunt foarte uzate sau rupte. În cazul căderii aparatului sau accesoriului, verificați ca niciun element să nu fie deteriorat și, dacă este nevoie, instalați un accesoriu nou. După ce ați verificat că accesoriul este în stare corespunzătoare și după ce l-ați instalat, îndepărtați-vă de accesoriul mobil și lăsați aparatul timp de un minut să ajungă la viteza maximă. În cazul în care accesoriul este deteriorat, acesta se va rupe în timpul acestui test.

- h. **Purtați echipament de protecție personală. În funcție de utilizarea aparatului dumneavoastră, purtați o mască de protecție, ochelari de siguranță sau ochelari de protecție. Dacă este necesar, purtați o mască antipraf, protecții auditive, mănuși și un șorț pentru a vă proteja de proiectarea de corpuri străine (elemente abrazive, așchii de lemn, etc.).** Ochelarii de protecție vă permit să evitați ca proiectiile de resturi să vă rănească ochii. Măștile antipraf permit filtrarea particulelor generate de operația pe o care o faceți. Expunerea prelungită la un zgomot de intensitate mare poate duce la pierderea auzului.
- i. **Țineți vizitatorii la o distanță suficientă de zona de lucru și asigurați-vă că aceștia poartă echipament de protecție. Oricine intră în zona de lucru trebuie să poarte echipament personal de protecție.** Este posibil ca fragmente din piesele de prelucrat sau de la un accesoriu rupt să fie proiectate dincolo de zona de lucru și să provoace vătămări corporale grave.
- j. **Nu țineți aparatul decât de părțile izolate și antiderapante când lucrați pe o suprafață care poate ascunde fire electrice sau când lucrarea de efectuat poate aduce cablul de alimentare pe traiectoria aparatului.** Un contact cu firele sub tensiune poate transmite curentul spre părțile metalice și poate provoca un șoc electric.
- k. **Așezați cablul de alimentare în așa fel încât să fie la distanță de accesoriul în rotație.** În cazul în care pierdeți controlul aparatului, cablul de alimentare ar putea fi tăiat sau s-ar putea agăța, iar mâna sau brațul dumneavoastră ar putea fi antrenată spre accesoriul în rotație.
- l. **Nu așezați niciodată aparatul înainte ca accesoriul să se fi oprit complet.** Accesoriul în rotație ar putea intra în contact cu suprafața pe care este așezat, ducând la pierderea controlului asupra aparatului.

Română

- m. **Nu lăsați aparatul în funcțiune când îl transportați.** Accesoriul în rotație ar putea să se agațe în îmbrăcămintea dumneavoastră și v-ar putea răni grav.
- n. **Curațiți în mod regulat orificiile de ventilație ale aparatului.** Ventilația motorului face ca praful să pătrundă în interiorul carcasei motorului, ceea ce poate produce o acumulare excesivă de particule metalice și poate provoca șocuri electrice.
- o. **Nu utilizați aparatul în apropiere de produse inflamabile.** Scânteile ar risca să le aprindă.
- p. **Nu utilizați accesorii care necesită lichide de răcire.** Utilizarea apei sau a lichidelor de răcire poate cauza electrocutări sau șocuri electrice.
- q. **Utilizați numai flanșele recomandate pentru unealta dvs. electrică și elementul de apărare specifi proiectat pentru unealta selectată.** Pietrele pentru care această unealtă electrică nu este destinată, nu pot fi protejată și securizată adecvat.
- r. **Elementul de apărare trebuie atașat în siguranță la unealta electrică și poziționat pentru o siguranță maximă, astfel încât doar o mică parte din piatră să fie expusă înspere operator.** Elementul de apărare ajută la protejarea operatorului de fragmentele de piatră sfărmată și de contactul accidental cu piatră.
- s. **Pietrele trebuie folosite numai pentru aplicațiile recomandate. De exemplu, nu șlefuiți cu partea laterală a pietre abrazive.** Pietrele abrazive pentru retezare sunt destinate șlefuirii periferice, forțele laterale aplicate acestor pietre putând conduce la sfărmearea lor.
- t. **Întotdeauna utilizați flanșe nedeteriorate, având mărimea și forma corecte pentru piatră selectată.** Flanșele corespunzătoare sprijină piatră, reducând astfel posibilitatea sfărării pietrei. Flanșele pentru pietrele abrazive de retezare pot diferi de flanșele discurilor de rectificare.
- u. **Nu utilizați pietre uzate aparținând altor unelte electrice mai mari.** Pietrele destinate uneltelor electrice mai mari nu se potrivesc cu viteza mare a uneltelor mai mici și se pot sfărma.

REculul și alte avertizări asociate

Reculul este o reacție bruscă, care are loc când discul în mișcare, talpa, peria sau orice alt accesoriu se agață sau se îndoiaie, ceea ce antrenează blocarea rapidă a accesoriului. Aparatul, care continuă să funcționeze, proiectează atunci aparatul în direcția opusă sensului de utilizare a accesoriului.

De exemplu, dacă un disc abraziv se agață sau se îndoiaie în piesa de prelucrat, există riscul ca tăișul discului să intre

în suprafața piesei de prelucrat, ceea ce va face ca discul să iasă brusc din aceasta și va fi proiectat către utilizator sau la distanță, în funcție de sensul de rotație al discului când acesta este blocat. Discul poate sări sau nu către din partea operatorului, în funcție de direcția de mișcare roata de la punctul de blocare. În caz de recul, discul abraziv se poate și rupe.

Reculul este deci rezultatul unei utilizări incorecte a aparatului și/sau al procedurilor sau al condițiilor de utilizare incorecte. Reculul poate fi evitat printr-o atenție deosebită acordată respectării unor precauțiuni:

- a. **Țineți aparatul cu putere și poziționați-vă corpul și brațele astfel încât să puteți controla un eventual recul. Dacă aparatul are un mâner auxiliar, țineți-l întotdeauna pentru a avea un control optim asupra aparatului în caz de recul sau cuplu de reacție când puneți aparatul în funcțiune.** Luați măsurile necesare pentru a putea controla aparatul în caz de recul sau de cuplu de reacție.
- b. **Nu vă așezați mâna niciodată în apropierea accesoriului în rotație pentru a evita orice risc de răniri corporale grave în caz de recul.** Accesoriul poate recula peste mâna dumneavoastră.
- c. **Nu vă așezați în zona în care există riscul ca aparatul să fie proiectat în caz de recul.** În caz de recul, aparatul este proiectat în direcția opusă sensului de rotație al discului.
- d. **Fiți foarte atenți când lucrați pe unghiuri, muchii tăioase, etc. Evitați deraparea sau blocarea accesoriului.** Când lucrați pe unghiuri sau muchii tăioase sau când aparatul derapează, există un risc mai mare de blocare a accesoriului și deci de pierdere a controlului asupra aparatului și de provocare a unui recul.
- e. **Nu utilizați niciodată lamă de ferăstrău cu lanț pentru lemn sau lamă de ferăstrău cu acest aparat.** Astfel de lame măresc riscul de recul și de pierdere a controlului asupra aparatului.

AVERTIZĂRI DE SIGURANȚĂ SUPPLEMENTARE PENTRU OPERAȚII DE POLIZARE

- a. Verificați dacă viteza indicată pe discul de polizare este egală sau mai mare decât viteza nominală a utilajului.
- b. Asigurați-vă că diametrul discului de polizare este compatibil cu utilajul și că discul se înserează corect pe ax.
- c. Discurile de polizare trebuie păstrate într-un loc uscat.
- d. Nu așezați nici un obiect pe discuri.
- e. Discurile nu trebuie folosite în alte scopuri decât

Română

- pentru operațiuni de polizare.
- Înainte de a utiliza discul de polizare, asigurați-vă că acesta nu este știrbit sau fisurat. În aceste cazuri discul se poate sparge, ceea ce poate duce la răniri corporale grave.
 - Înainte de a utiliza polizorul, asigurați-vă că discul de polizare este montat și strâns corect, apoi lăsați utilajul să meargă în gol timp de 30 de secunde orientându-l în așa fel încât să nu prezinte nici un pericol. Opriti imediat utilajul dacă acesta vibrează excesiv sau dacă observați alte anomalii. În acest caz, controlați utilajul pentru a determina cauza problemei.
 - Nu utilizați inele reductoare sau adaptoare pentru a reduce diametrul de prindere a discurilor cu orificii largi.
 - Asigurați-vă că piesa de prelucrat este fixată corect.
 - Asigurați-vă că scânteile produse de utilizarea aparatului nu produc situații periculoase, că nu sunt proiectate asupra persoanelor sau a unor substanțe inflamabile.
 - Purtați întotdeauna ochelari de protecție și protecții auditive.
 - Dacă este necesar, utilizați și alte mijloace de protecție individuală, cum ar fi mănuși, șorțuri sau căști.
 - Nu puneți niciodată utilajul pe sol sau pe alte suprafețe atunci când acesta este în funcțiune. Polizorul se învâрте din inerție după oprirea utilajului. Nu atingeți niciodată polizorul și nu îl puneți pe sol sau pe alte suprafețe atunci când este în mișcare.
 - Flanșa și șurubul de strângere trebuie să aibă același diametru exterior.
 - Folosiți aparatul numai pentru lucrările pentru care a fost conceput. Nu utilizați niciodată lichid de răcire sau apă. Nu utilizați polizorul ca utilaj fix.
 - Atunci când utilizați aparatul, țineți-l ferm cu două mâini.

SIMBOL



Avertizare de siguranță

V Volți

Hz Herți

~ Curent alternativ

W Wați

n_0 Viteză în gol

n Turație/viteză nominală

min^{-1} Număr de rotații sau de mișcări pe minut



Conform CE



Isolarea dublă



Purtați echipamente de protecție a auzului



Purtați echipamente de protecție a vederii



Vă rugăm citiți instrucțiunile cu atenție înainte de pornirea aparatului.



Deșeurile produselor electrice nu trebuie scum înlăturate împreună cu deșeurile casnice. Vă rugăm reciclați acolo unde există facilități. Verificați la autoritatea dvs locală sau la vânzător pentru sfaturi privind reciclarea.



Reciclați materiile prime în loc să le aruncați la gunoi, împreună cu deșeurile menajere. Pentru a proteja mediul înconjurător, mașina, accesoriile acesteia și ambalajele trebuie triate.

SPECIFICAȚII

Disc de polizare	230 mm (9 in)
Frecvență	50 Hz
Tensiune	230 V - 240 V ~
Intrare	2000 W
Filetul axului motor	M14
Turație / viteză nominală	6000 min^{-1}
Lungimea totală	470 mm
Greutate netă	6.0 kg

NOTĂ: Verificați placa descriptivă a produsului, deoarece tensiunea poate fi diferită în funcție de locul în care va fi utilizat produsul.

Viteza periferică maximă a polizorului: 4,800 m/min.

Exemplu de calcul

$$3.14 \times 230 \times 6,000 / 1,000 = 4.333,2$$

Română

3.14 x 180 x 6,000/1,000 = 3.391,2

Viteza periferică a polizorului 4,333.2/3,391.2

Diametrul polizorului 230/180

Viteza în gol a polizorului 6.000

ACCESORII STANDARD

Mâner auxiliar

Pentru unele țări, un disc de polizat este inclus în accesoriile standard.

OPERAREA

A se vedea figura 4.

⚠ AVERTISMENT

Capacele de protecție trebuie să fie montate în permanență. Aveți grijă să nu acoperiți fanțele de ventilație care permit răcirea corectă a motorului.

Pentru a lucra eficient, este important să controlați presiunea exercitată pe polizor și pe suprafața de contact dintre polizor și piesa de prelucrat. Pentru a poliza suprafețe plane, polizorul trebuie să formeze un unghi ascuțit, în general între 10° și 20°, cu piesa de prelucrat. Lăsați polizorului timpul de a atinge viteza maximă înainte de a începe polizarea. Cu un unghi de polizare prea mare, veți exercita prea multă presiune pe o suprafață redusă, ceea ce poate găuri sau arde suprafața de lucru.

ÎNTRERUPĂTOR

A se vedea figura 2.

- Pentru a porni unitatea, apăsați înainte blocajul de siguranță, iar apoi apăsați comutatorul de pornire/oprire (on/off).
- Pentru a opri unitatea, eliberați comutatorul de pornire/oprire (on/off).

REGLAREA POZIȚIEI MÂNERULUI ROTATIV

A se vedea figura 3.

1. Opriți unealta.
2. Apăsați și țineți butonul de blocare a mânerului, apoi rotiți mânerul în poziția dorită până când se fixează în poziție.

⚠ AVERTISMENT

Nu reglați mânerul rotativ în timp ce unealta funcționează.

MÂNER AUXILIAR CU TREI POZIȚII

A se vedea figura 5.

Proiectat special și înclinat în trei poziții pentru confort și control maxim.

MONTAREA UNUI DISC DE POLIZARE

A se vedea figura 4 - 6.

⚠ AVERTISMENT

Verificați cu atenție ca discul să nu prezinte fisuri. Înlocuiți imediat orice disc fisurat.

- Montați flanșa, discul de polizare și flanșa exterioară pe axul de antrenare.
- Asigurați-vă că flanșa discului este așezată corespunzător pe arbore.
- Apăsați butonul de blocare a axului motor situat pe partea dreaptă a carterului de angrenaj.
- Strângeți cele două șuruburi de blocare a blocului în sensul acelor de ceas cu ajutorul cheii de servici.

CAPAC DE PROTECȚIE

A se vedea figura 7 - 8.

Deschideți pârghia de închidere a capacului de protecție apoi așezați capacul de protecție în poziția dorită. Unghiul maxim de cotitură este la 90° pe oricare dintre părți; altfel apărătoarea nu poate fi blocată.

INDICATOR DE PUNERE SUB TENSIUNE

Polizorul unghiular este echipat cu un indicator de punere sub tensiune care se aprinde atunci când aparatul este conectat la priză. Acest indicator vă atrage atenția asupra faptului că polizorul este sub tensiune și că va porni imediat ce glišați întrerupătorul în față.

ÎNȚEȚINEREA

După utilizare, asigurați-vă vizual că mașina este în bună stare de funcționare.

Este recomandat să aduceți aparatul o dată pe an la un Centru Service Agreat Ryobi pentru ungere și curățare completă.

Română**⚠ AVERTISMENT**

Nu efectuați nici un reglaj când motorul este în mișcare. Scoateți de fiecare dată polizorul din priză înainte de a înlocui o piesă (disc diamant, disc de tăiere, etc.), de a unge aparatul și înainte a oricărei operațiuni de întreținere.

⚠ AVERTISMENT

Pentru mai multă siguranță și fiabilitate, toate reparațiile trebuie efectuate de către un Centru Service Agreat Ryobi.

Latviski

APRAKSTS

1. Slīpriņa
2. Ripas sargs
3. Rotējošs rokturis
4. Roktura fiksators
5. Ieslēgšanas/izslēgšanas slēdzis
6. Drošinātājs
7. Diska atloks
8. Fiksācijas uzgrieznis
9. Vārpsta
10. Uzgrieznis
11. Vārpstas bloķēšanas poga
12. Ripas aizsarga fiksācijas svira
13. Barošanas indikators
14. Papild rokturis

DROŠĪBAS BRĪDINĀJUMI SPECIĀLI
SLĪPĒŠANAS DARBIEM

- a. Šo elektroinstrumentu var lietot slīpēšanai. Izlasiet visus drošības brīdinājumus, instrukcijas, specifikācijas un apskatiet attēlus šī elektroinstrumenta dokumentācijā. Visu uzskaitīto instrukciju neievērošana ir bīstama; tā var izraisīt elektrisko triecienu, aizdegšanos un/vai nopietnas traumas.
- b. Veikt darbus, kuriem šis elektroinstruments nav paredzēts, ir bīstami, un tas var izraisīt traumas.
- c. Neizmantojiet griezēj-/slīpinstrumentus, kas nav speciāli paredzēti un ražotāja ieteikti šim instrumentam. Tas, ka griezēj-/slīpinstrumentu var piestiprināt jūsu elektroinstrumentam, nenozīmē, ka tā lietošana ir droša.
- d. Griezē j-/slīpinstrumenta nominālajiem apgriezieniem jābūt vismaz vienādam ar maksimālajiem apgriezieniem, kas ir norādīti uz elektroinstrumenta. Griezēj-/slīpinstrumenti, kas kustās ātrāk par nominālo ātrumu, var sadalīties daļās, kas var pārvietoties ar lielu ātrumu un ir bīstamas.
- e. Griezēj-/slīpinstrumenta ārējais diametram un biezumam jāatbilst jūsu elektroinstrumenta specifikācijām. Nepareiza izmēra griezēj-/slīpinstrumentus nevar atbilstoši nodrošināt un kontrolēt.
- f. Disku, atloku, atbalstu vai jebkuru citu griezēj-/slīpinstrumentu iekšējām diametram jāatbilst elektroinstrumenta vārpstai. Griezēj-/slīpinstrumenti, kuru iekšējais diametrs neatbilst elektroinstrumenta montāžas ietaisēm, nonāks disbalansā, pārmērīgi vibrēs un var izraisīt kontroles zudumu.

- g. Nelietojiet bojātus griezēj-/slīpinstrumentus. Pirms katras lietošanas reizes pārbaudiet griezēj-/slīpinstrumentu, piemēram, abrazīvos disku, vai tam nav atlūzu, plaisu, vai atbalstam nav plaisu vai pārlieka nodiluma, vai stieplu sukai nav vaļīgu vai salauztu sariņu. Ja elektroinstrumenta griezēj-/slīpinstruments nokrīt zemē, pārbaudiet, vai tas nav bojāts vai uzstādiel nebojātu griezēj-/slīpinstrumentu. Pēc griezēj-/slīpinstrumenta pārbaudes un uzstādīšanas nostājieliet pats un nostādiel citus tuvumā esošos prom no rotējošā griezēj-/slīpinstrumenta ass, un vienu minūti darbiniet elektroinstrumentu ar maksimālo bezslodzes ātrumu. Bojāti griezēj-/slīpinstrumenti šīs pārbaudes laikā parasti sadalīsies daļās.
- h. Valkājiet individuālos aizsarglīdzekļus. Atkarībā no pielietojuma valkājiet sejas aizsargu vai aizsargbrilles. Ja nepieciešams, valkājiet putekļu masku, dzirdes aizsargus, cimdus un darba priekšautu, kas var apturēt mazus abrazīvā materiāla vai sagataves fragmentus. Acu aizsargiem jāspēj apturēt dažādu darbu radītie lidojošie gruži. Putekļu maskai vai respiratoram jāspēj filtrēt daļiņas, kas rodas attiecīgā darba gaitā. Ilgstoša atrašanās ļoti intensīvā troksnī var izraisīt dzirdes traucējumus.
- i. Tuvumā esošajām personām jāatrodas drošā attālumā no darba vietas. Visiem, kas tuvojas darba zonai, jāvalkā individuālie aizsarglīdzekļi. Sagataves vai bojāta griezēj-/slīpinstrumenta daļas var lidot un radīt traumas ārpus tiešās darba zonas.
- j. Darbos, kuros griezēj-/slīpinstruments var saskarties ar slēptiem vadiem vai savu barošanas vadu, turiet instrumentu tikai aiz izolētajām satveršanas virsmām. Griezēj-/slīpinstrumenta saskare ar strāvu vadošajām vietām var padarīt arī atklātās metāla daļas vadošas un radīs operatoram elektrisko triecienu.
- k. Novietojiet vadu atstātus no griezē j - /slīpinstrumenta. Ja jūs zaudēsit kontroli, vadu var pārzāgēt vai paraut, pievelkot jūsu roku rotējošam griezēj-/slīpinstrumentam.
- l. Nenolieciet elektroinstrumentu, līdz griezēj-/slīpinstruments nav pilnībā apstājies. Rotējošais griezēj-/slīpinstruments var aizķerties aiz virsmas un izraut elektroinstrumentu no rokām.
- m. Nedarbiniet elektroinstrumentu, nesot to sev blakus. Nejausa saskare ar rotējošu griezēj-/slīpinstrumentu var ieraut drēbes, pievelkot griezēj-/slīpinstrumentus pie jūsu ķermeņa.
- n. Regulāri tīriet elektroinstrumenta ventilācijas atveres. Motora ventilators ievilks putekļus

Latviski

korpusā, un pārāk liela metāla pulvera koncentrācija var izraisīt elektrisko bīstamību.

- o. **Nelietojiet elektroinstrumentu uzliesmojošu materiālu tuvumā.** Dzirksteles var aizdedzināt šos materiālus.
- p. **Nelietojiet griezēj-/slīpinstrumentus, kam nepieciešama dzesēšanas šķidrums.** Ūdens vai cita šķidra dzesēšanas līdzēja lietošana var izraisīt elektrisko triecienu vai nāvi.
- q. **Izmantojiet tikai tāda veida diskus, kas paredzēti jūsu elektroinstrumentam, un speciālos aizsargus, kas paredzēti izvēlētajam diskam.** Diskiem, kuriem elektroinstrumentam nav paredzēts, nav atbilstošu aizsargelementu, tādēļ tie ir bīstami.
- r. **Aizsargam jābūt droši piestiprinātam elektroinstrumentam un novietotam maksimālai drošībai tā, lai pret operatoru būtu atklāta pēc iespējas mazāka diska daļa.** Aizsargs palīdz pasargāt operatoru no salūzuša diska fragmentiem un nejaušas saskares ar disku.
- s. **Diskus drīkst lietot tikai tam paredzētajiem darbiem.** Piemēram, neslīpējiet ar griezējdiska sāniem. Abrazīvie griezējdiski ir paredzēti perifērai slīpēšanai; pielietojot sānu spēku uz diskkiem, tie var saplīst.
- t. **Obligāti izmantojiet nebojātus disku atlokus ar pareizu izmēru un formu, kas piemērota attiecīgajam diskam.** Pareizi disku atloki atbalsta disku, samazinot diska salūšanas iespēju. Griezējdisku atloki var atšķīrties no slīpēšanas disku atlokiem.
- u. **Neizmantojiet nodilušus diskus no lielākiem elektroinstrumentiem.** Disks, kas paredzēts lielākam elektroinstrumentam, nav piemērots mazāka instrumenta lielākiem apgriezieniem un var saplīst.

ATSITIENS UN SAISTĪTIE BRĪDINĀJUMI

Atsitiens ir pēkšņa reakcija uz diska, atbalsta, suku vai cita griezēj-/slīpinstrumenta iespiešanu vai aizķeršanos. Iespējama izraisīta strauju rotējošā griezēj-/slīpinstrumenta bloķēšanās, kas var likt elektroinstrumentam atbrīvoties no kontroles un virzīties pretēji griezēj-/slīpinstrumenta rotācijas virzienam saskares punktā.

Piemēram, ja griezējdisku iespiež sagatave vai tas aizķeras aiz tās, disks var izcelties no griezuma vietas un virzīties pa virsmu vai atsīties atpakaļ. Disks var pārlekt uz priekšu vai prom no operatora atkarībā no diska rotācijas virziena iespiešanas vietā. Abrazīvie diski šādos apstākļos var arī salūzt.

Atsitiens rodas no elektroinstrumenta nepareizas lietošanas un/vai nepareizas darba procedūras vai apstākļiem; no tā var izvairīties, veicot pareizus drošības

pasākumus:

- a. **Turiet elektroinstrumentu stingri un novietojiet ķermeni un rokas tā, lai tie pretotos atsitienu spēkiem.** Ja tāds ir, vienmēr izmantojiet papildu rokturi, lai palaišanas laikā nodrošinātu maksimālu kontroli pār atsitienu vai griezes reakciju. Operators var kontrolēt griezes reakciju vai atsitienu spēkus, ja ir veikti atbilstošie drošības pasākumi.
- b. **Nenovietojiet rokas rotējošā griezē j - / slīpinstrumenta tuvumā.** Piederums var atsīties pāri jūsu rokai.
- c. **Nenovietojiet ķermeni tur, kur virzīts elektroinstrumenta atsitienu gadījumā.** Atsitiens virzīs instrumentu pretēji diska kustības virzienam iespiešanas punktā.
- d. **Esiet sevišķi uzmanīgs, kad strādājat pie stūriem, asām malām utt.** Izvairieties no griezēj- /slīpinstrumenta lēkāšanas un iespiešanas. Stūriem, asām malām vai lēkāšanai ir tendence iespiest rotējošo griezēj-/slīpinstrumentu, kas var izraisīt kontroles zaudēšanu vai atsitienu.
- e. **Nepiestipriniet ķēdi, koka griešanas asmeni vai zāglenti.** Šie griezējinstrumenti rada biežus atsītenus un kontroles zaudēšanu.

PAPILDU DROŠĪBAS BRĪDINĀJUMI TIEŠI SLĪPĒŠANAS DARBIEM

- a. Pārbaudiet, vai ātrums, kas atzīmēts uz slīpripas, atbilst vai ir lielāks par instrumenta nominālo ātrumu.
- b. Pārliecinieties, ka slīpripas izmēri atbilst instrumentam un ka disks atbilst vārpstas izmēram.
- c. Slīpripas jāglabā sausā vietā.
- d. Neglabājiet priekšmetus uz slīpripām.
- e. Slīpripas nedrīkst izmantot nedrīkst izmantot citiem darbiem, izņemot slīpēšanu.
- f. Pirms lietošanas pārbaudiet slīpripu, lai pārliecinātos, ka tā nav sākusī dalīties vai ielaišajūs. Dalīšanās (skaidās) vai plaisas var izraisīt diska saplīšanu, kas var radīt nopietnas traumas.
- g. Pirms lietošanas pārbaudiet, vai slīpripa ir pareizi uzstādīta un pievilktā, un drošā pozīcijā darbiniet instrumentu bezslodzes ātrumā 30 sekundes. Ja instruments sāk pastiprināti vibrēt vai ja pamanāt citus defektus, nekavējoties apturiet darbu. Ja kas tāds ir atgadījies, pārbaudiet instrumentu, lai noteiktu iemeslu.
- h. Neizmantojiet atsevišķus ieliktnus vai adapterus, lai pielāgotu slīpripas ar lielāku iekšējo diametru.
- i. Pārbaudiet, vai sagatave tiek pareizi balstīta.
- j. Pārliecinieties, lai dzirksteles, kas rodas no

Latviski

lietošanas, neradītu bīstamību, piemēram, atsitoties pret cilvēkiem vai aizdedzinot uzliesmojošas vielas.

- k. Vienmēr izmantojiet aizsargbrilles un ausu aizsargus.
- l. Izmantojiet citus individuālos aizsarglīdzekļus, piemēram, cimdus, priekšautu un ķiveri, ja nepieciešams.
- m. Nenovietojiet instrumentu uz grīdas vai citām virsmām, kamēr tas darbojas. Slīpripas turpina rotēt arī pēc instrumenta izslēgšanas. Nepieskarieties diskam un nenovietojiet to uz grīdas vai citām virsmām, kamēr tas griežas.
- n. Atlokam un stiprinājuma uzgriežnim jābūt vienam ārējam diametram.
- o. Izmantojiet instrumentu tikai tā paredzētajam pielietojumam. Neizmantojiet dzesēšanas šķidrums vai ūdeni un neizmantojiet šo kā stacionāru instrumentu.
- p. Darba laikā droši satveriet instrumentu ar abām rokām.

SIMBOLS



Drošības brīdinājums

V Volti

Hz Herci

~ Maiņstrāva

W Vati

n_0 Apgriezieni bez slodzes

n Nominālais ātrums

min^{-1} Apgriezieni minūtē



CE atbilstība



Dubultā izolācija



Lietojiet dzirdes aizsargus



Valkājiet acu aizsarglīdzekļus



Pirms iedarbināt mašīnu, lūdzu rūpīgi izlasiet instrukcijas.



Izlietotie elektroprodukti nedrīkst tikt izmesti kopā ar majsaimniecības atkritumiem. Lūdzu, nododiet tos attiecīgajās atkār totas izmantošanas vietās. Sazinieties ar savu vietējo varas pārstāvi vai izplatītāju, lai noskaidrotu, kur iespējama atkārtota pārstrāde.



Tā vietā, lai materiālus izmestu, nododiet tos atkārtotai realizācijai. Mašīna, aksesuāri un iepakojums ir jāsašķiro un jānodod videi draudzīgā atkārtotas pārstrādes vietā.

SPECIFIKĀCIJAS

Slīpripa	230 mm (9 in)
Frekvence	50 Hz
Spriegums	230 V - 240 V ~
leeja	2000 W
Vārpstas vītne	M14
Nominālais ātrums	6000 min^{-1}
Kopējais garums	470 mm
Svars neto	6.0 kg

PIEZĪME: Pārbaudiet instrumenta datu plāksnīti, jo spriegums var mainīties atkarībā no vietas, kur izstrādājumu lieto.

Maksimālais slīpripas aploces ātrums: 4,800 m/min.

Aprēķina piemērs

$$3.14 \times 230 \times 6,000/1,000 = 4\,333.2$$

$$3.14 \times 180 \times 6,000/1,000 = 3\,391.2$$

$$\text{Slīpripas aploces ātrums} = 4,333.2/3,391.2$$

$$\text{Diska diametrs} = 230/180$$

$$\text{Slīpmašīnas bezslodzes ātrums} = 6\,000$$

STANDARTA PIEDERUMI

Papild rokturis

Dažās valstīs slīpripa ir iekļauta standarta komplektācijā.

EKSPLUATĀCIJA

Skatiet 4. attēlu.

Latviski

⚠ BRĪDINĀJUMS

Aizsargiem jābūt savās vietās. Nekad neapsedziet ventilācijas atveres, jo tām visu laiku jābūt atvērtām atbilstoši ventilācijai.

Efektīvai lietošanai nepieciešams kontrolēt spiedienu un virsmas kontaktu starp ripu un sagatavi. Plakanas virsmas slīpē nelielā leņķī, parasti 10 līdz 20 pret sagataves virsmu. Ļaujiet ripai sasniegt pilnu ātrumu, pirms sākt slīpēšanu. Pārāk liels leņķis koncentrē spiedienu mazā laukumā, kas var radīt pārāk dziļu iedobumu vai apdedzināt darba virsmu.

SLĒDZIS

Skatiet 2. attēlu.

- Lai ieslēgtu ierīci, nospiediet uz priekšu drošības fiksatoru un pēc tam nospiediet ieslēgšanas/izslēgšanas slēdzi.
- Lai izslēgtu ierīci, atlaidiet ieslēgšanas/izslēgšanas slēdzi.

ROTĒJOŠĀ ROKTURA POZĪCIJAS REGULĒŠANA

Skatiet 3. attēlu.

1. Izslēdziet instrumentu.
2. Nospiediet un turiet nospiestu roktura bloķēšanas pogu, pēc tam pagrieziet rotējošo rokturi vēlamajā pozīcijā, līdz tas noklikšķj vietā.

⚠ BRĪDINĀJUMS

Neregulējiet rotējošo rokturi, kamēr instruments ir ieslēgts.

TRĪS POZĪCIJU PALĪGROKTURIS

Skatiet 5. attēlu.

Īpaši veidots un izliekts trīs pozīcijās maksimālam komfortam un kontrolei.

SLĪPRIPAS UZSTĀDĪŠANA

Skatiet 4 - 6. attēlu.

⚠ BRĪDINĀJUMS

Uzmanīgi pārbaudiet, vai uz ripas nav plaisu. Nekavējoties nomainiet iepilnīto ripu.

- Piestipriniet ripas atloku, slīpripu un stiprinājuma uzgriezni vārpstai.
- Pārliedzinieties, vai diska atloks ir pareizi uzstādīts uz vārpstas ass.

- Nospiediet bloķēšanas pogu, kas atrodas korpusa labajā pusē.
- Ar komplektā iekļauto uzgriežņatslēgu pievelciet stiprināšanas uzgriezni pulksteņrādītāja kustības virzienā.

RIPAS SARGS

Skatiet 7 - 8. attēlu.

Atlaidiet diska aizsarga sviru pēc tam pagrieziet aizsargu vajadzīgajā pozīcijā. Maksimālais pagrieziens leņķis ir 90° no visām pusēm, citādi aizsargs nevar tikt noslēgts.

BAROŠANAS INDIKATORS

Šim instrumentam ir elektropadeves indikators, kas iedegas, līdzko instruments ir pievienots barošanas padevei. Tas brīdina lietotāju par to, ka instruments ir pievienots un sāks darboties pēc slēdža nospiešanas.

APKOPE

Pēc lietošanas pārbaudiet instrumentu, lai pārliedzinātos, ka tas ir labā tehniskā kārtībā.

Vismaz vienreiz gadā ieteicams nogādāt šo instrumentu Ryobi pilnvarotā servisa centrā vispārējai tīrīšanai un eļļošanai.

⚠ BRĪDINĀJUMS

Neveiciet nekādus regulēšanas darbus, kamēr motors kustās.

Vienmēr atvienojiet barošanas vadu no kontaktligzdas, pirms mainīt daļas vai darbinstrumentus (zāģi, urbji utt.), eļļot vai veicot darbus ar ierīci.

⚠ BRĪDINĀJUMS

Lai nodrošinātu drošību un uzticamību, visi remontdarbi jāveic PILNVAROTĀ SERVISA CENTRĀ vai citā KVALIFICĒTĀ SERVISA ORGANIZĀCIJĀ.

Lietuviškai

APRAŠYMAS

1. Šlifavimo diskas
2. Disko apsauginis gaubtas
3. Sukamoji rankena
4. Rankenos užrakinimo mygtukas
5. Įjungimo/išjungimo mygtukas
6. Saugos užraktas
7. Disko antbriaunis
8. Suspaudimo veržlė
9. Varomasis velenas
10. Veržliaraktis
11. Ašies užrakinimo mygtukas
12. Disko apsauginio gaubto užrakinimo svirtis
13. Įjungto įrankio indikatorius
14. Pagalbinė rankena

IŠPĖJIMAI DĖL SAUGOS ATLIEKANT TIK ŠLIFAVIMO DARBUS

- a. Šis elektrinis įrankis skirtas naudoti kaip šlifuoKLIS. Perskaitykite visus saugos išpėjimus, visas instrukcijas, paveikslėlius ir techninius reikalavimus, pateikiamus su šiuo elektriniu įrankiu. Apačioje išdėstytų instrukcijų nesilaikymas gali sukelti elektros smūgi, gaisrą ir (ar) sunkius sužeidimus.
- b. Atliekant veiksmus, kuriems elektrinis įrankis nėra skirtas, galima sudaryti pavojų ir sukelti sunkius sužeidimus.
- c. Nenaudokite tokių priedų, kurie šiam darbui specialiai nėra skirti ir įrankio gamintojo nerekomenduoti. Vien tik tai, kad priedą galima pritvirtinti prie Jūsų elektrinio įrankio, saugaus darbo neužtikrina.
- d. Priedo nustatytas greitis turi būti lygus bent didžiausiam greičiui, pažymėtam ant elektrinio įrankio. Priedai, kurie sukasi didesniu nei jų nustatytu greičiu, gali sulūžti, atsiskirti ir skrieti į šonus.
- e. Priedo išorinis skersmuo ir storis turi būti Jūsų įrankio nustatytos galios ribose. Neteisingo dydžio priedų atitinkamai apsaugoti ar suvaldyti neįmanoma.
- f. Diskų, jungių, pagalbinio padelio ar kitų priedų dydis turi visiškai atitikti elektrinio įrankio ašį. Priedai su ašies anga, nepritaikyti pagal elektrinio įrankio montavimo detales, praras pusiausvyrą, pradės labai smarkiai vibruoti ir dėl to įrankio galite nesuvaldyti.
- g. Nenaudokite pažeistų priedų. Prieš kiekvieną naudojimą priedą patikrinkite, ar diskai nėra nudažę ir įtrūkę, pagalbinis padelis įtrūkęs, detalės smarkiai nusidėvėjusios,

metalinio šepetėlio vielutės atsilaisvinusios ar sutrūkusios. Elektrinį įrankį ar priedą numetus, būtina patikrinti, ar jie nepažeisti arba pakeisti priedą nepažeistu. Patikrinus ir pakeitus priedą, nuo besisukančio priedo pokštės būtina pasitraukti toliau bei neleisti žiūrovams arti jo stovėti. Po to elektrinį įrankį reikia įjungti ir leisti jam vieną minutę veikti didžiausiu greičiu. Šio patikrinimo metu, pažeisti priedai paprastai sulūžta.

- h. Dėvėkite asmenines apsaugos priemones. Priklausomai nuo darbo paskirties, naudokite veido kaukę, apsauginius didesnius akinius ar saugos akinius. Jei taikytina, dėvėkite kaukę nuo dulkių, ausų apsaugą, pirštines ir darbinę prijuostę, atlaikančią mažas, šlifavimo metu susidariusias ar nuo ruošinio daleles. Apsauginiai akiniai turi apsaugoti akis, kad į jas nepatektų įvairaus darbo operacijų metu skriejančių dalelių. Kaukę nuo dulkių ar dujųkaukė turi filtruoti darbo metu susidariusias daleles. Dėl neapsaugotų ausų nuo didelio triukšmo ilgesnį laiką, galite klausą prarasti.
- i. Įsitikinkite, kad atstumas tarp įrankio ir pašalinių asmenų yra saugus. Visi asmenys, esantys darbo zonoje, privalo dėvėti asmenines apsaugos priemones. Dalelės nuo ruošinio ar sulūžusio priedo gali skrieti į šalį ir jus sužeisti, jei stovite šalia apdirbamo ruošinio.
- j. Elektrinį įrankį laikykite tik izoliavę sukibimo paviršius, kad darbo metu pjovimo įrankio priedas nesusiliestų su paslėptais laidais ar paties šlifuoKLIO laidu. Pjovimo metu priedas, prisilietęs prie laido, įjungto į maitinimo šaltinį, gali aktyvuoti metalines elektrinio įrankio dalis ir sukelti operatoriui elektros smūgį.
- k. Laidą laikykite nuo toliau besisukančio įrankio priedo. Nesuvaldžius įrankio, jis laidą gali perpjauti ar jį užkabinti, bei jūsų ranką ar plaštaką įtraukti į besisukančią priedą.
- l. Niekada nedėkite įrankio žemyn, kol jo priedas visiškai nesustoją. Besisukantis įrankio priedas gali pagriebti paviršių ir dėl to galite įrankio nesuvaldyti.
- m. Elektrinį prietaisą nešdami šone, prieš tai jį išjunkite. Besisukančiam įrankio priedui atsitiktinai prisilietus prie Jūsų, jis gali pagriebti drabužius ir priedas gali būti įtrauktas į Jūsų kūną.
- n. Reguliariai valykite elektrinio įrankio oro ventiliacijos angeles. Variklio ventiliatorius įsiburia į korpuso vidų dulkes ir per didelį susikaupusių metalo dalelių kiekį gali kelti su elektra susijusius pavojus.
- o. Nenaudokite elektrinio įrankio šalia degių

Lietuviškai

- medžiagų.** Kibirkštys gali šias medžiagas uždegti.
- p. **Nenaudokite tokių priedų, kuriems reikalingas aušinimo skystis.** Naudojant vandenį ar kitą aušinimo skystį galima sukelti elektros smūgį ar nuo elektros žūtį.
 - q. **Naudokite tik tokius diskų tipus, kurie rekomenduojami Jūsų elektriniam įrankiui ir kai pasirinktam diskui yra pagamintas specialus apsauginis gaubtas.** Diskų, kuriems elektrinis įrankis nėra specialiai pritaikytas, negalima tinkamai apsaugoti, todėl jie nėra saugūs naudoti.
 - r. **Apsauginį gaubtą būtina tvirtai pritvirtinti prie elektrinio įrankio ir nustatyti saugiausioje padėtyje taip, kad būtų neuždengta tik mažiausia disko dalis prie operatoriaus.** Apsauginis gaubtas apsaugo operatorių nuo atskilusių nuo disko dalelių ir atsitiktinio prisilietimo prie disko.
 - s. **Diskus galima naudoti tik rekomenduojamiems darbams atlikti.** Pavyzdžiui, nešlifukite nupjovimo disko šonu. Abrazyviniai nupjovimo diskai yra skirti periferiniam šlifavimui, dėl šiuos diskus veikiančių šoninių jėgų, jie gali sulūžti.
 - t. **Visada naudokite nepažeistas diskų junges, teisingo dydžio ir formos Jūsų pasirinktam diskui.** Tinkamos diskų jungės atremia diską, dėl to sumažėja disko sulūžimo tikimybė. Nupjovimo diskų jungės gali skirtis nuo šlifavimo diskų jungių.
 - u. **Nenaudokite nusidėvėjusių diskų nuo didesnių elektrinių įrankių.** Diskas, skirtas didesniam elektriniam įrankiui, nėra tinkamas didesnio greičio mažesniam įrankiui ir gali sulūžti.

ATATRANKA IR SU JA SUSIJĘ ĮSPĖJIMAI

Atgalinis smūgis yra staigi reakcija į sugnybtą ar užkabintą besisukantį diską, pagalbinį padelį, šepetėlį ar bet koki kitą įrankio priedą. Sugnybus ar užkabinus, besisukantis priedas greitai prigesta, o dėl to nevaldomas įrankis atšoksta priešinga įrankio priedui sukimosi kryptimi sukibimo vietoje.

Pavyzdžiui, jei abrazyvinį diską sugnybia ar užkabina ruošinys, tas disko kraštas, kuris prisiliečia prie sugnybimo taško, gali įlysti į medžiagos paviršius, ir dėl to diskas išlenda ar iššoksta atgal. Diskas gali iššokti link operatoriaus arba nuo jo, priklausomai nuo sugnybimo taško disko sukimosi krypties. Tokiais atvejais, abrazyviniai diskai gali taip pat sulūžti.

Atatranka yra netinkamo naudojimo elektrinio įrankio ir (ar) klaidingo darbo proceso ar sąlygų rezultatas. Jos galima išvengti laikantis atitinkamų žemiau išdėstytų apsaugos priemonių.

- a. **Pjūklą tvirtai laikykite rankomis, o ranką ir kūną laikykite taip, kad jie išlaikytų atgalinio smūgio jėgą. Visada naudokite pagalbinę**

rankeną (jei ji pridedama), kad atgalinį smūgį ar sukimo momentą užvedimo metu galėtumėte geriausiai suvaldyti. Jei operatorius laikosi tinkamų atsargumo priemonių, jis sūkio reakcijos ir atgalinio smūgio jėgas gali suvaldyti.

- b. **Rankų niekada nedėkite šalia besisukančio įrankio priedo.** Priedas gali atšokti atgal į Jūsų ranką.
- c. **Nestovėkite tokioje zonoje, į kurią elektrinis įrankis atgalinio smūgio metu būtų nusviestas.** Atgalinio smūgiu metu po užkabavimo įrankis nustumiamas kryptimi, priešinga disko sukimuisi.
- d. **Apdirbdami kampus, smailius kraštus ir t. t., būkite ypač atsargūs.** Stenkitės priedo neužkabinti ir neatlikti tokių veiksmų, kad priedas šokinėtų. Kampai, smailūs kraštai ar šokinėjimas dažnai užkabina besisukantį įrankio priedą, ir dėl to įrankis nesuvaldomas ar įvyksta atgalinis smūgis.
- e. **Netvirtinkite grandininio pjūklo medžio drožinėjimo geležtės ar dantytos pjūklo geležtės.** Tokios geležtės dažnai sukelia atgalinį smūgį ar dėl jų įrankis nesuvaldomas.

PAPILDOMI ĮSPĖJIMAI DĖL SAUGOS ATLIEKANT TIK ŠLIFAVIMO DARBUS

- a. Patikrinkite, ar greitis, pažymėtas ant šlifavimo disko, lygus ar didesnis negu greitis, nurodytas ant šlifukoilio.
- b. Patikrinkite, ar disko šlifavimo disko matmenys atitinka šlifukoilį ir diskas telpa ant ašies.
- c. Šlifavimo diskus būtina laikyti sausoje vietoje.
- d. Nelaiykite jokių daiktų virš šlifavimo disko.
- e. Šlifavimo diskus galima naudoti tik šlifavimo darbams.
- f. Prieš naudodami, apžiūrėkite šlifavimo diską, ar jis neapdaužytas ar įskilęs. Apdaužyti ar įskilę diskai gali sulūžti bei Jūs sunkiai sužeisti.
- g. Užtikrinkite, kad šlifukoilis prieš naudojimą yra teisingai sumontuotas ir pritvirtintas, ir paleiskite jį laisva eiga 30 sekundžių saugioje padėtyje. Jeigu jaučiama didelė vibracija ar pastebimi kiti defektai, diską nedelsdami sustabdykite. Jei tai kartojasi, patikrinkite įrankį, kad nustatytumėte gedimų priežastį.
- h. Nenaudokite atskirų mažinančių įdėklų ar adapterių, norėdami pritaikyti didelės angos šlifavimo diską.
- i. Patikrinkite, kad ruošinys būtų tinkamai paremtas.
- j. Užtikrinkite, kad kibirkštys, kylančios šlifavimo metu, nesukeltų pavojaus, pvz., neatsitrenkų į žmones ar neuždegtų degių medžiagų.
- k. Visada dėvėkite apsauginius akinius ir ausų apsaugą.

Lietuviškai

- I. Taip pat būtina dėvėti kitas asmeninės apsaugos priemones, pvz. pirštines, prijuostę ir šalną, kai būtina.
- m. Niekada nedėkite įrankio ant grindų ar kitų paviršių, kai jis įjungtas. Įrankį išjungus, šlifavimo diskas ir toliau sukasi. Niekada nelieskite disko ir nedėkite jo ant grindų ar kitų paviršių, kai jis sukasi.
- n. Jungėis ir spaustuvo išorinis skersmuo turi būti vienodas.
- o. Įrankį naudokite tik leistinai paskirčiai. Niekada nenaudokite aušinimo skysčių ar vandens bei nenaudokite įrankio stacionariai.
- p. Dirbdami, tvirtai laikykite įrankį abiejomis rankomis.

SIMBOLIAI



Pranešimas apie saugumą

V Voltai

Hz Hercai

~ Kintamoji srovė

W Vatai

n_o Greitis be apkrovimo

n Nominalus greitis

min⁻¹ Apsukos ar judėjimas per minutę

CE suderinimas



Dviguba izoliacija



Dėvėkite klausos apsaugos priemones



Dėvėkite akių apsaugos priemones



Atidžiai perskaitykite instrukcijas prieš pradėdami naudoti mechanizmą.



Elektrinių produktų atliekos neturi būti metamos kartu su namų ūkio atliekomis. Prašome perdirbkite jas ten, kur yra tokios perdirbimo bazės. Dėl perdirbimo patarimo kreipkitės į savo vietinę savivaldybę ar pardavėją.



Žaliavines medžiagas perdirbkite pakartotinai, o ne išmeskite kaip atliekas. Mechanizmas, priedai ir pakuotės turi būti laikomi pakartotinai perdirbti aplinkai nekenksmingu būdu.

TECHNINIAI REIKALAVIMAI

Šlifavimo diskas	230 mm (9 in)
Dažnis	50 Hz
Įtampa	230 V - 240 V ~
Įvestis	2000 W
Veleno sriegis	M14
Nominalus greitis	6000 min ⁻¹
Visas ilgis	470 mm
Neto svoris	6,0 kg

PASTABA: Būtinai patikrinkite vardinę produkto plokštelę, nes įtampa priklausomai nuo įrankio darbo zonos, gali keistis.

Didžiausias periferinis šlifavimo disko greitis: 4,800 m/min.

Apskaičiavimo pavyzdys

$$3.14 \times 230 \times 6,000/1,000 = 4.333,2$$

$$3.14 \times 180 \times 6,000/1,000 = 3.391,2$$

Periferinis šlifavimo disko greitis 4,333.2/3,391.2

Disko skersmuo 230/180

Šlifuoaklio greitis be apkrovimo 6.000

STANDARTINIAI PRIEDAI

Pagalbinė rankena

Kai kurioms šalims šlifavimo diskas yra pridėdamas kaip standartinis priedas.

VEIKIMAS

Žr. 4 pav.

⚠ ISPĖJIMAS

Apsauginiai gaubtai visada turi būti pritvirtinti. Vietoje ir oro ventilacijos angos neuždengtos, kad variklis būtų gerai aušinamas.

Norint pasiekti geriausių darbo rezultatų, būtina reguliuoti spaudimą ir paviršiaus kontaktą tarp disko ir ruošinio. Horizontaliausi paviršius reikia šlifuoti smailiu kampu, paprastai nuo 10 iki 20 laipsnių iki ruošinio. Prieš pradėdami šlifuoti, leiskite diskui išvystyti visą greitį.

Lietuviškai

Šlifudami per dideliu kampu, mažam plotui suteikiate per didelį spaudimą, dėl to darbo paviršių galite išskaptuoti ar nudeginti.

JUNGIKLIS

Žr.2 pav.

- Jei norite įrankį įjungti, pirmyn nuspauskite saugos užraktą, tuomet nuspauskite ON (įjungimo) / OFF (išjungimo) mygtuką.
- Jei norite įrankį išjungti, atleiskite ON (įjungimo) / OFF (išjungimo) mygtuką.

SUKAMOSIOS RANKENOS PADĖTIES NUSTATYMAS

Žr.3 pav.

1. Išjunkite įrankį.
2. Nuspauskite ir laikykite rankenos užrakto mygtuką, po to pasukite rankeną į reikiamą padėtį, kol ji užsifiksuos.

▲ ĮSPĖJIMAS

Įrankiui veikiant sukamosios rankenos nereguliukite.

TRIŲ PADĖČIŲ PAGALBINĖ RANKENA

Žr.5 pav.

Specialiai pagaminta taip, kad galėtumėte nustatyti rankeną į tris padėtis patogiausiam darbui ir geriausiam valdymui.

ŠLIFAVIMO DISKO MONTAVIMAS

Žr.4 - 6 pav.

▲ ĮSPĖJIMAS

Atidžiai patikrinkite, ar diskas nėra įtrūkęs. Įtrūkusį diską nedelsdami pakeiskite.

- Ant varomojo veleno uždėkite disko jungę, šlifavimo diską ir suspaudimo veržlę.
- Patikrinkite, ar disko antbriaunis yra gerai įtvirtintas ant varomojo veleno.
- Nuspauskite užrakinimo mygtuką, esantį dešinėje pavaros korpuso pusėje.
- Pridedamu veržliarakčiu, suspaudimo veržlę priveržkite sukdami pagal laikrodžio rodyklę.

DISKO APSAUGINIS GAUBTAS

Žr.7 - 8 pav.

Atleiskite disko apsauginio gaubto užrakinimo svirtį, po to pasukite disko apsauginį gaubtą, jį nustatydami į reikiamą

padėtį. Didžiausias pasukimo ašies kampas yra 90° į bet kurią pusę, priešingu atveju, gaubtas neužfiksuojamas.

ĮJUNGTŲ ĮRANKIŲ INDIKATORIUS

Šiame įrankyje yra įmontuotas įjungto įrankio indikatorius, kuris iš karto šviečia, kai įrankis prijungiamas prie maitinimo šaltinio. Tuo būdu vartotojas įspėjamas, kad įrankis įjungtas ir nuspaudus jungiklį jis pradės veikti.

PRIEŽIŪRA

Po naudojimo įrankį patikrinkite, kad įsitikintumėte, ar jis geros būklės.

Rekomenduojama bent vieną kartą per metus šį įrankį pristatyti į įgaliotą „Ryobi“ techninės priežiūros centrą, kad jo darbuotojai įrankį gerai išvalytų ir suteptų.

▲ ĮSPĖJIMAS

Kai variklis įjungtas, įrankio jokiais būdais nereguliukite. Prieš keisdami nuimamas ar ištraukiamas detales (šlifavimo diską, nupjovimo diską ir t. T.), įrankį sutepdami ar dirbdami su objektu, visada ištraukite maitinimo laidą iš elektros maitinimo šaltinio.

▲ ĮSPĖJIMAS

Siekiant užtikrinti saugumą ir įrankio patikimumą, visi remonto darbai turi būti atliekami ĮGALIJOTAME TECHNINĖS PRIEŽIŪROS CENTRE ar kitoje KVALIFIKUOTOJE TECHNINĖS PRIEŽIŪROS ĮMONĖJE.

KIRJELDUS

1. Lihvketas
2. Tööriista kinnitav kettakaitse
3. Pööratav tagakäepide
4. Käepideme lukustusnupp
5. „Sisse/välja” - lüüti
6. Turvalukust
7. Ketta äärik
8. Survemutter
9. Spindli ots
10. Vöti
11. Spindli lukustusnupp
12. Kettakaitse kinnitushoob
13. Toiteoleku märgutuli
14. Lisakäepide

OHUHOIATUSED LIHVISOPERATSIOONIDEL

- a. See mehaaniline tööriist on ette nähtud kasutamiseks metalli abrasiivlihvimiseks. Lugege läbi kõik mehaanilise tööriista kohta esitatud ohuhoiatused ning tutvuge tööriista jooniste ja tehniliste andmetega. Allpool esitatud hoiatuste ja juhiste eiramise puhul on oht saada elektrilööki või raskeid kehavigastusi ning/või tekitada tulekahju.
- b. Operatsioonid, milleks tööriist ei ole ette nähtud, võivad luua ohuolukorra ja põhjustada kehavigastusi.
- c. Ärge kasutage mingeid kettaid ja kettasarnaseid tööorganeid (edaspidi: tarvikuid), mis ei ole tööriista tootja poolt spetsiaalselt välja töötatud ja soovitatud. Asjaolu, et tarvikud on võimalik mehaanilisele tööriistale kinnitada, ei taga selle tarvikuga töötamisel ohutust.
- d. Tarviku lubatud nimikiirus peab olema vähemalt võrdne mehaanilisele tööriistale märgitud maksimaalse kiirusega. Tarvikud, mis ületavad nende ettenähtud kiiruse, võivad puruneda ja tükki lennata.
- e. Kasutatava tarviku välisläbimõõt ja paksus peab vastama teie tööriista nimiaandmetele. Valedel mõõtmetega tarvikuid ei ole võimalik nõuetekohaselt turvata ja kontrolli all hoida.
- f. Ketaste, äärikute, tugipatjade ja muude tarvikute mõõtmega tarvikuid peavad mehaanilise tööriista spindli mõõtmetega täpselt kokku sobima. Ketas, mille väliava ei sobi mehaanilise tööriista kinnitusvarustusega kokku, kaldub tasakaalust välja, hakkab tugevasti vibreerima ja võib kontrolli alt väljuda.
- g. Ärge kasutage vigastatud tarvikuid. Enne iga kasutamist kontrollige tarvikud,

näiteks abrasiivkettad üle kildumisele ja pragunemisele, tugikettad pragunemisele ja kulumisele, traatharjad lahtistele ja murdunud harjastele. Kui mehaaniline tööriist või tööriist on maha kukkunud, siis vaadake tööriista vigastused üle või asendage uue tarvikuga. Pärast tarviku ülevaatamist ja paigaldamist hoidke ennast ning kõrvalseisjad pöörleva tarviku pöörlemistasapinnast eemal ja käituge tööriista ühe minuti jooksul maksimaalsel pöörlemiskiirusel ilma koormuseta. Vigastatud tarvik puruneb selle aja jooksul tavaliselt tükki.

- h. Kandke isikukaitsevahendeid. Olenevalt töö iseloomust kandke näovisiiri, kaitsemaski või kaitseprille. Vajaduse korral kandke tolmumaski, kuulmiskaitseid, kaitsekindaid ja kaitsepõlle, mis kaitsevad teid abrasiivkettast või toorikust lähtuvate osakeste eest. Silmakaitsevahendid peavad kaitsma töötlemisjäätike eest, mis erinevate tööoperatsioonide juures välja paiskuvad. Tolmumask või respiraator peavad tööoperatsioonidel tekkivaid osakesi piisavalt filtreerima. Pikaajaline viibimine kõrge müratasemega piirkonnas võib põhjustada kuulmishäireid.
- i. Hoidke kõrvalised isikud tööpiirkonnast ohutul kaugusel. Iga tööpiirkonda siseneja peab kandma isikukaitsevahendeid. Tooriku töötlemisjäätmed või purunenud tarvikud võivad välja lennata ja põhjustada kehavigastusi ka väljapool vahetatud tööpiirkonda.
- j. Töötamise kohtades, kus löikeriist võib kokku puutuda varjatud elektrijuhtmetega, hoidke tööriista kinni ainult isoleeritud käepidemetest. Sattudes kokkupuutesse pingele all olevate juhtmetega, jäävad tööriista isoleerimata metallosad pingele alla ja kasutaja võib saada elektrilöögi.
- k. Hoidke juhett pöörlevatest tarvikutest eemal. Kontrolli kadumise korral võite juhtme läbi lõigata või see võib haakuda ja teie käsi või käsivars võidakse tõmmata pöörleva tarviku vastu.
- l. Ärge pange tööriista enne maha, kui tarvik on täielikult peatunud. Pöörlev tarvik võib pinnaga haarduda ja selle tagajärjel võib tööriist väljuda teie kontrolli alt.
- m. Ärge käituge tööriista siis, kui te seda küljel hoiate. Juhuslik kontakt pöörleva tarvikuga võib põhjustada riietesse kinnijäämise ja selle tulemusena võib tarvik tungida teie kehasse.
- n. Puhastage regulaarselt tööriista ventilatsioonipilusid. Mootori ventilator tõmbab tolmu korpusesse ja metalliosakesi sisaldava tolmu kogunemine põhjustab elektrivooluga

Eesti

seotud ohtusid.

- o. **Ärge kasutage tööriista süttivate materjalide läheduses.**Sädemed võivad need materjalid süüdata. Sädemed võivad need materjalid süüdata.
- p. **Ärge kasutage tarvikud, mis nõuavad jahutusvedelike kasutamist.** Kasutades vett või muud vedelikku jahutusvedelikud võib põhjustada elektrilöögi või šokki.
- q. **Kasutage ainult sellist tüüpi kettaid, mis on selle tööriista jaoks ette nähtud ja ainult neile spetsiaalselt ettenähtud kaitsekatteid.** Kettaid, mille kasutamiseks tööriist ei ole ette nähtud, ei saa kaitsekatega katta ja seetõttu on need ebaturvvised.
- r. **Kaitsekate peab olema tööriistale ohutult kinnitatud ja paigutatud maksimaalse ohutuse saavutamiseks nii, et võimalikult väike osa kettast on kasutaja suunas nähtav.** Kaitsekate kaitseb kasutajat purunenud kettatükkide ja juhuliku kontakti eest kettaga.
- s. **Kettaid tohib kasutada ainult neile ettenähtud otstarveteks.** Näiteks, ärge lihvide mahalõikeketta küljega. Abrasiiv-mahalõikekettad on ette nähtud läbilõikamiseks; kui neile rakendada küljõudusid, siis võivad need kildudeks puruneda.
- t. **Kasutage valitud kettale mõõtmelt ja kujult sobivaid ning vigastamata kettaäärkuid.** Õigesti valitud äärkud toetavad ketast ja vähendavad sellega ketta purunemisohtu. Mahalõikeketta äärkud võivad erineda lihvkettaste äärkudest.
- u. **Ärge kasutage suurtelt tööriistadest järelejäanud kulunud kettaid.** Suurte tööriistade kettad ei ole ette nähtud väikeste tööriistade suurtel kiirustel, sest siis võivad need kettad puruneda.

TAGASILÖÖK JA SELLEGA SEOTUD HOIATUSED

Tagasilöök on ootamatu reaktsioon, mis järgneb pöörleva ketta, tugiketta, terasharja või muu tarviku kinnijäämisele või haardumisele. Kinnikiilumine või haardumine põhjustab pöörleva tarviku kiire peatumise, mis omakorda põhjustab kinnijäämise punktis vastassuunaliste kontrollimatute jõudude mõjumise tarviku pöörlemisele vastassuunas.

Näiteks juhul, kui abrasiivketas on toorikuga haarunud või sellesse kinni jäänud, võib ketta sisenev serv kinnijäämise punktis materjali pinna sisse kaevuda ja põhjustada ketta väljarõnime või tagasilöögi. Ketas võib hüpata operaatori suunas või temast eemale, sõltuvalt ketta liikumissuunast kinnijäämise punktis. Abrasiivkettad võivad selliste tingimuste korral puruneda.

Tagasilöök on tööriista väär kasutamise, ebaõigete töövõtete või tööks mittevastavate töötingimuste tulemus ja seda saab vältida allpool esitatud ettevaatusabinõude

rakendamisega.

- a. **Tagasilöögist tulenevate jõudude vastuvõtmiseks kasutage oma keha ja käsivart ning hoidke tööriistast tugevasti kinni.** Kasutage alati kompleksis olevat lisakäepidet, et hoida tagasilööki või puutereaktsioonist tingitud reaktsiooni kontrolli all. Operaatoril on võimalik puutereaktsioone ja tagasilöögist tekkivaid jõudusid hallata, kui selleks vastavaid meetmeid võtta.
- b. **Ärge hoidke mingil juhul oma kätt pöörleva tarviku läheduses.** Tarvik võib tagasilöögiaga tabada teie kätt.
- c. **Ärge olge oma kehaga seal, kuhu tööriist võib tagasilöögi ajal liikuda.** Tagasilöök paiskab kinnijäämise kohas tööriista vastuspidsisse suunda ketta pöörlemisele.
- d. **Olge eriti ettevaatlik töötamisel nurkades, teravatel servadel jne.** Vältige tarviku pörkumist ja kinnijäämist. Nurkades ja teravatel servadel või pörkumisel on kalduvus pöörlevat tarvikut kinni kiiluda ja põhjustada sellega kontrolli kadumist või tagasilööki.
- e. **Ärge kinnitage tööriistale kettsaega ketast või hammastega saeketast.** Selliste ketaste kasutamisel ilmneb tihti tagasilööki ja kontrolli kadumist.

TÄIENDAVAD ERIHOIATUSED
LIHVIMISOPERATSIOONIDE LÄBIVIIMISEL

- a. Kontrollige, et lihvkettale märgitud lubatud kiirus on suurem või võrdne kui tööriista nimikiirus.
- b. Veenduge, et lihvketta mõõtmel tööriistaga kokku sobivad ja ketta ava spindlile sobib.
- c. Lihvkettaid tuleb hoida kuivas kohas.
- d. Ärge ladustage mingeid esemeid lihvkettaste peale.
- e. Lihvkettaid ei tohi kasutada muudeks töödeks peale lihvimise.
- f. Kontrollige lihvketas enne kasutamist üle ja veenduge, et see ei ole kildunud ega pragunenud. Kildunud kohad ja praod võivad põhjustada ketaste kildudeks purunemise, mis võib tekitada raske kehavigastuse.
- g. Veenduge enne kasutamist, et lihvimisketas on nõuetekohaselt paigaldatud ja pingutatud ning laske tööriistal ilma koormuseta töötada 30 sekundi jooksul ilma koormuseta. Kui tunnete märgatavat vibratsiooni või avastate muid rikkeid, siis peatage töötamine viivitamatult. Selliste ilmingute korral kontrollige tööriist üle, et teha põhjus kindlaks.
- h. Ärge kasutage suurema avaga lihvketta kinnitamiseks täiendavaid sobituspukse või üleminekudetaile.

Eesti

- i. Kontrollige, et toorik oleks nõuetekohaselt toestatud.
- j. Veenduge, et tekkivad sädemed ei oleks ohtlikud, näiteks ei taba inimesi või ei süüta põlevaineid.
- k. Kasutage alati kaitseprille ja kuulmiskaitseid.
- l. Kasutage vajaduse korral ka muid isikukaitsevahendeid, näiteks töökindaid, kaitsepõlle ja kiivrit.
- m. Ärge pange pöörlevat tööriista mingil juhul pörandale või muudele pindadele. Lihvketas pöörleb edasi ka siis, kui tööriist on välja lülitatud. Ärge puudutage pöörlevat ketast ega pange töötavat tööriista pörandale või muudele pindadele.
- n. Äärik ja survemutter peavad olema sama välisläbimõõduga.
- o. Kasutage tööriista ainult heakskiidetud kasutusotstarveteks. Ärge mingil juhul kasutage jahutusvedelikku või vett ega kasutage tööriista paikselt kinnitatud olekus.
- p. Haarake töötamisel tööriistast mõlema käega.



Toomaterjalid utiliseerige jäätmetega koos. Masin, selle lisaseadmed ja pakend tuleb jäätmekäitluseks keskkonnasõbralikult sorteerida.

TEHNILISED ANDMED

Lihvketas	230 mm (9 in)
Sagedus	50 Hz
Pinge	230 V - 240 V ~
Vooluvõrk	2000 W
Spindli keere	M14
Nimikiirus	6000 min ⁻¹
Gabariitpikkus	470 mm
Netomass	6.0 kg

MÄRKUS: Kontrollige toitepinge andmed tööriista tehasesildilt üle, sest pinge võib olenevalt tööriista kasutamise asukohast erineda.

Lihvketta maksimaalne puutujasuunaline joonkiirus: 4,800 m/min.

Arvutusnäide

$$3.14 \times 230 \times 6,000/1,000 = 4\,333,2$$

$$3.14 \times 180 \times 6,000/1,000 = 3\,391,2$$

Lihvketta puutujasuunaline joonkiirus 4,333.2/3,391.2

Ketta läbimõõt 230/180

Lihvija pöörlekiirus ilma koormuseta 6 000

PÕHIVARUSTUSE TARVIKUD

Lisakäepide

Mõnedesse maadesse tarnimisel on tavavarustuses ka lihvketas.

KASUTAMINE

Vaata joonist 4.

SÜMBOL

Ohutusalane teave

V Volt

Hz Hertz

~ Vahelduvvool

W Watt

n_o Kiirus ilma koormuseta

n Nimikiirus

min⁻¹ Pöörete või löökide arv minutis



CE vastavus



Topeltisolatsioon



Kandke kuulmise kaitsevahendeid



Kandke silmade kaitsevahendeid



Enne seadme kasutamist lugege palun kasutusjuhend hoolega läbi.



Mittekasutatavaid elektritooteid ei tohi visata olmejäätmete hulka. Vaid tuleb viia vastavasse kogumispunkti. Vajadusel küsige sellekohast nõu oma edasimüüjalt või vastavalt kohaliku omavalitsuse institutsioonilt.

Eesti**⚠ HOIATUS**

Hoidke kaitsekate oma kohal. Ärge mingil juhul katke ventilatsioonipilusid kinni, sest need peavad mootori piisavaks jahutamiseks olema avatud.

Tõhusa töötamise eelduseks on kontrollida ketta ja tooriku vahelisele pinnale avaldatavat survet. Tasapindasid lihvitakse teravnurga all, tavaliselt on ketta ja tooriku vaheline nurk 10° kuni 20°. Enne lihvimise alustamist laske kettal saavutada oma maksimaalne pöörlemiskiirus. Liiga suur nurk põhjustab surve kontsentreerumist väikeseke alale, mis võib tööpinnale vagusid jätta või seda põletada.

LÜLITI

Vaata joonist 2.

- Seadme sisselülitamiseks vajutage turvalukustile ja vajutage sisse-välja lülitamise lülitile.
- Seadme väljalülitamiseks tuleb sisse-välja lülitamise lüliti vabastada.

PÖÖRATAVA KÄEPIDEME ASENDI MUUTMINE

Vaata joonist 3.

1. Lülitage tööriist välja.
2. Hoidke käepideme lukustusnuppu all ja keerake pööratav käepide soovitud asendisse kuni see klõpsab oma kohale.

⚠ HOIATUS

Ärge reguleerige pööratavat käepidet tööriista töötamise ajal.

KOLMEPOSITSIOONILINE LISAKÄEPIDE

Vaata joonist 5.

Maksimaalse mugavuse ja kontrolli saavutamiseks on see erikonstruktsiooniga ja kolmepositsiooniline.

LIHVKETTA PAIGALDAMINE

Vaata joonist 4 - 6.

⚠ HOIATUS

Kontrollige löikeketas tähelepanelikult üle, et selles ei ole pragusid. Asendage vigastatud ketas viivitamatult.

- Pange spindliotsale ketta äär, lihvketas ja survemutter.
- Veenduge, et ketta äär oleks spindliotsale nõuetekohaselt kinnitatud.
- Vajutage lukustusnupule, mis asub reduktori korpuse

paremal poolel.

- Komplektis olevat võtit kasutades keerake survemutter päripäeva kinni.

TÖÖRIISTATA KINNITATAV KETTAKAITSE

Vaata joonist 7 - 8.

Lõdvendage kettakaitse lukustushoob ja seejärel pöörake tööriistata kinnitavat kaitsekate soovitud asendisse. Maksimaalne pööramisnurk on 90°, vastasel juhul ei saa kaitsekate lukustada.

TOITEOLEKU MÄRGUTULI

Lihvmasinal on toite märgutuli, mis lihvmasina toitevõrguga ühendamisel kohe süttib. See hoiatab kasutajat, et lihvmasin on elektrivõrku ühendatud ja lihvmasin hakkab lüliti sissevajutamisel tööle.

HOOLDUS

Pärast kasutamist kontrollige, et tööriist on heas tööseisundis.

Soovitav on lasta tööriista vähemalt üks kord aastas RYOBI volitatud hoolduskeskuses põhjalikult ära puhastada ja määrada.

⚠ HOIATUS

Ärge püüdke teha mingeid reguleertoiminguid sel ajal, kui mootor töötab.

Enne vahetatavate osade või tarvikute (löiketera, puur jne) vahetamist, masina määrimist või sellel töötamist ühendage toitejuhe lahti.

⚠ HOIATUS

Ohutuse ja töökindluse tagamiseks tuleb parandustööd lasta teha VOLITATUD HOOLDUSKESKUSES või MUUS PÄDEVAS HOOLDUSETTEVÕTTES.

Hrvatski

OPIS

1. Brus
2. Alat-manji štitnik kotača
3. Rotirajuća ručka
4. Gumb za zaključavanje ručke
5. Sklopka za Uklj./isklj.(ON/OFF)
6. Mehanizam za otključavanje otkopca
7. Prirubnica
8. Vanjska prirubnica
9. Osovina
10. Iščašenje
11. Gumb za zaključavanje osovine
12. Štitnik kotača zaključavanje polugom
13. Signalno svjetlo za napon
14. Pomoćna ručka

SIGURNOSNA UPOZORENJA SPECIFIČNA ZA RADOVE BRUŠENJA

- a. **Alat je namijenjen za upotrebu kao ručna brusilica. Pažljivo pročitajte sva upozorenja, upute i specifikacije priložene uz alat i pogledajte crteže.** Nepoštivanje svih uputa može dovesti do električnog udara, požara i / ili teške ozljede.
- b. **Operacije za koju električni alat nije osmišljen predstavlja opasnost i prouzroči ozljede.**
- c. **Ne koristite dodatke koji nisu namijenjeni ovom alatu i koji nije preporučio proizvođač.** Samo zato što pribor može biti priključen na vaš električni alat, to ne osigurava siguran rad.
- d. **Okretaja od pribora mora biti najmanje jednaka maksimalnu brzinu označen na električni alat.** Dodaci koji rade na višim brzinama od njihove nominalne brzine mogu se slomiti ili izletjeti s alata.
- e. **Vanjskog promjera i debljine vašeg pribora mora biti unutar ocjenjivanja sposobnosti vašeg uređaja.** Pogrešno veličine pribor se ne može adekvatno čuvano ili kontrolirati.
- f. **Brusevi, brusne ploče, podložne pločice ili drugi dodaci moraju savršeno prianjati na otvor tijela alata.** Dodaci koji ne odgovaraju tijelu na koje ih je potrebno ugraditi neće se dobro okretati, pretjerano će vibrirati te postoji mogućnost da izgubite nadzor nad alatom.
- g. **Nemojte koristiti oštećeni pribor. Prije svake upotrebe provjerite jesu li svi dodaci koje koristite u dobrom stanju: provjerite da brusne ploče nisu oštećene ili okrnute, da podložne pločice nisu polomljene ili pohabane, da niti metalne četke nisu previše istrošene ili polomljene. Ako uređaj ili pribor pao, provjerite štetu ili uvesti dodatne opreme neoštećeni.**

Ako je potrebno, stavite I masku protiv prašine, zaštitu od buke, rukavice I zaštitnu ploču kako biste se zaštitili od izlijetanja dijelova komada kojeg obrađujete (brusni dijelovi, komadići drveta itd.). Ako je dodatak oštećen, tijekom ove provjere će se slomiti.

- h. **Nosite osobnu zaštitnu opremu. Ovisno o primjeni, koristiti lice štit, zaštitne naočale i zaštitne naočale.** Ako je potrebno, stavite I masku protiv prašine, zaštitu od buke, rukavice I zaštitnu ploču kako biste se zaštitili od izlijetanja dijelova komada kojeg obrađujete (brusni dijelovi, komadići drveta itd.). Zaštita očiju mora biti sposoban zaustavljanja letućih krhotina generirani od strane različitih operacija. Maska protiv prašine filtrirat će prašinu koja se stvara tijekom rada. Duže izlaganje jakoj buci može dovesti do gubitka sluha.
- i. **Držite nazočnima sigurnoj udaljenosti od područja rada. Svatko tko bi stupio u radno područje, mora nositi osobnu zaštitnu opremu.** Krhotine, izratka ili slomljena mogu odletjeti i uzrokovati ozljede i izvan neposrednog područja djelovanja.
- j. **Držite uređaj po izoliranim ručkama površina samo pri obavljanju operacije u kojoj rezanje skrivene ožičenja ili vlastiti kabel.** Kontakt sa žicama pod naponom mogao bi prenijeti struju na metalne dijelove i izazvati strujni udar.
- k. **Kabel napajanja uvijek postavite tako da bude udaljen od dijela alata koji se vrti.** Ako izgubite nadzor nad uređajem, kabel napajanja može bit presječen ili se zaplesti i povući vašu šaku ili ruku prema rotirajućem dijelu alata.
- l. **Nikad ne odlažite alat prije nego što se pokretni dijelovi sasvim ne zaustave.** Predenje alata mogu zgrabite i povucite površinu uređaja izvan vaše kontrole.
- m. **Ne mali uređaj dok ga nosite uz sebe.** Rotirajući dodatak može se zaplesti u vašu odjeću i ozbiljno vas ozlijediti.
- n. **Redovno čistite ventilacijske otvore alata.** Kroz ventilacijske otvore u unutrašnjost kućišta motora može dospjeti prašina što može uzrokovati pretjerano nakupljanje metalnih komadića i uzrokovati strujni udar.
- o. **Ne koristite uređaj u blizini zapaljivih tvari.** U slučaju otkakivanja, alat se odbacuje u smjeru suprotnom od smjera rotacije ploče.
- p. **Ne koristite pribor koji zahtijevaju tekućih sredstava za hlađenje.** Korištenje vode ili druge tekućine rashladne može dovesti do električnog udara ili.
- q. **Koristite samo vrste kotača koji se preporučuju**

za vaš električni alat i posebni štitnik namijenjen za odabrani kotač. Kotači koji nisu namijenjeni za električni alat ne mogu se odgovarajuće zaštititi i nisu sigurni.

- r. **Štitnik mora biti čvrsto postavljen i pozicioniran na električni alat radi maksimalne sigurnosti, tako da je minimalna količina kotača izložena prema rukovatelju.** Štitnik pomaže zaštititi rukovatelja od dijelica slomljenog kotača i slučajnog kontakta s kotačem.
- s. **Kotači se moraju koristiti samo za preporučene primjene. Na primjer, nemojte brusiti s bočnom stranom reznog kotača.** Abrazivni rezni kotači namijenjeni su za površinsko brušenje, primjena bočnih sila na ove kotače može dovesti do njihovog pucanja.
- t. **Za vaš odabrani kotač uvijek koristite neoštećene prirubnice kotače koje su točne veličine i oblika.** Pravilna prirubnica kotača podupire kotač te stoga smanjuje mogućnost lomljenja kotača. Prirubnice za rezne kotače mogu se razlikovati od prirubnice za brusne kotače.
- u. **Nemojte koristiti istrošene kotače za alate velike snage.** Kotač namijenjen za alat velike snage nije prikladan za velike brzine manjeg alata i može prsnuti.

UPOZORENJA NA POVRATNI UDAR I DRUGE VEZANE OPASNOSTI

Bakšiš je iznenadna reakcija ili kvrgav stegnut rotirajućeg kotača, prateći pad, četkom ili bilo koji drugi pribor. Štipanje ili snagging uzroka brzog odugovlačenje od rotirajućeg pribora što opet uzrokuje nekontrolirani uređaja biti prisiljeni u smjeru suprotno od dodatne opreme rotacije na mjestu vezanja.

Na primjer, ako brusnom je kvrgav ili bez novca od strane izratka, rub kotača koji ulazi u stezati točka može ukopati površine materijala uzrokuje kotača za uspon out ili izbaciti. Kotača ili može skočiti prema ili od operatora, ovisno o smjeru kotača pokreta na mjestu štipanje. U slučaju odskakivanja može doći i do lomljenja brusne ploče.

Bakšiš je rezultat električnog alata zlorabe i / ili neispravnog operativnih postupaka ili stanja i može se izbjeći uzimanjem odgovarajuće mjere opreza kao što je dano u nastavku.

- a. **Održavati čvrst zahvat na električni alat i položaj vašeg tijela i ruke kako bi Vam omogućiti da se odupre silama povratnog udara. Ako alat ima pomoćnu ručku, svakako je držite kako biste imali optimalni nadzor nad alatom u slučaju odskakivanja ili da možete odgovarajuće reagirati u trenutku uključivanja uređaja.** Poduzmite potrebne mjere kako biste alat

mogli kontrolirati u slučaju odskakivanja ili jakog okretnog momenta.

- b. **Nikada ne stavljajte ruku u blizini rotirajuće pribor.** Alata mogu bakšiš preko vaše ruke.
- c. **Ne poziciju vaše tijelo na području gdje se električni alat će se pomaknuti ako dođe do povratnog udara.** Bakšiš će pokrenuti alat u smjeru suprotnom kotača pokreta na mjestu snagging.
- d. **Koristite posebna njega kod rada kutova, oštih rubova i sl.** **Nemojte alat zaglavljivati ili ispuštati iz ruku.** Uglovi, oštih rubova i odskakanje imaju tendenciju da uloviti rotirajuće pribor i dovesti do gubitka kontrole ili povratnog udara.
- e. **Ne lijepite vidio lanac woodcarving pile ili nazubljeni list pile.** Takve oštrice povećavaju rizik od odskakivanja i gubitka nadzora na alatom.

DODATNA SIGURNOSNA UPOZORENJA SPECIFIČNA ZA RADOVE BRUŠENJA

- a. Provjerite je li brzina označena na brusu jednaka ili viša od nominalne brzine alata.
- b. Provjerite je li promjer brusa usklađen s alatom te je li brus pravilno umetnut na osovinu.
- c. Bruseve treba spremati na suho mjesto.
- d. Ne stavljajte predmete na brusove.
- e. Bruseve treba upotrebljavati samo za brušenje, a ne u druge svrhe.
- f. Prije uporabe brusa uvjerite se da nije okrnjen te da na njemu nema pukotina. U protivnom brus može puknuti, što može dovesti do teških tjelesnih ozljeda.
- g. Prije uporabe provjerite je li brus ispravno postavljen i stegnut, zatim neka se alat okreće u prazno oko 30 sekundi te ga usmjerite tako da ne predstavlja opasnost. Odmah zaustavite alat ako preterano vibrira ili ako primjećujete druge probleme. Ako je ovaj uvjet dogodi, provjerite alat odrediti uzrok.
- h. Ne upotrebljavajte prstenove za redukciju ili umetke kako biste smanjili promjer bruseva velikog promjera.
- i. Provjerite je li komad koji obrađujete dobro učvršćen.
- j. Pobrinite se da iskre proizlaze iz uporabe ne predstavlja opasnost, primjerice, ne udariti ljudi, ili zapaliti zapaljive tvari.
- k. Uvijek nosite sigurnosne naočale i štitnike za uši.
- l. Koristite druge osobne zaštitne opreme kao što su rukavice, pregaču i kacigu kada je to potrebno.
- m. Nikada ne postavljajte alat na podu ili drugim površinama tijekom rada. Pažnja, brus se zbog inercije okreće i kad isključite stroj. Nikada ne

Hrvatski

dotirujte kotača ili ga staviti na pod ili druge površine, dok se rotirajući.

- n. Prirubnica brusa i vanjska prirubnica moraju imati isti vanjski promjer.
- o. Koristite alat samo za odobrene aplikacije. Nikad ne koristite rashladne ili vode ili koristite alat kao fiksni alat.
- p. Dok upotrebljavate alat, čvrsto ga držite objema rukama.

SIMBOL



Sigurnosno upozorenje

V Volti

Hz Herzi

~ Izmjenična struja

W Wati

n_o Brzina bez opterećenja

n Nazivna brzina

min^{-1} Broj okreta ili pokreta u minuti



Sukladno CE



Dvostruka izolacija



Nosite zaštitu za sluh



Nosite zaštitu za vid



Molimo da pažljivo pročitate upute prije pokretanja stroja.



Otpadni električni proizvodi ne treba da se odlažu s otpadom iz domaćinstva. Molimo da reciklirate gdje je to moguće. Potražite savjet od lokalnih vlasti ili prodavca kako reciklirati.



Sirovine reciklirajte, umjesto da ih bacate među kućni otpad. Kako biste zaštitili okoliš, alat, dodatke i ambalažu treba odvojeno bacati u otpad.

SPECIFIKACIJE

Brus 230 mm (9 in)

Frekvencija	50 Hz
Napon	230 V - 240 V ~
Ulaz	2000 W
Navoj osovine	M14
Nazivna brzina	6000 min^{-1}
Ukupna dužina	470 mm
Neto težina	6.0 kg

NAPOMENA: Provjerite što piše na pločici s opisom proizvođača jer napon može biti različit ovisno o mjestu gdje se proizvod koristi.

Maksimalna periferna brzina brusa: 4,800 m/min.

Primjer izračuna

$$3.14 \times 230 \times 6,000/1,000 = 4.333,2$$

$$3.14 \times 180 \times 6,000/1,000 = 3.391,2$$

Obodne brzine brusa 4,333.2/3,391.2

Promjer kotača 230/180

Nazivna brzina brusilica 6.000

STANDARDNI DODACI

Pomoćna ručka

U nekim zemljama brus se isporučuje s dodacima.

RAD

Pogledajte sliku 4.

⚠ UPOZORENJE

Zaštitna kućišta treba uvijek postaviti na mjesto. Nikad ne pokrivaju usisnici zraka jer mora uvijek biti otvorena za pravilno hlađenje motora.

Za učinkovit rad važno je da dobro kontrolirate pritisak na alat, kao i na kontaktnu površinu između brusa i komada koji obrađujete. Za brušenje ravnih površina, brus mora činiti šiljati kut, obično između 10° i 20° , s komadom koji obrađujete. Ostavite da brus sam dosegne svoju maksimalnu brzinu prije početka brušenja. Prevelik kut uzrokuje koncentraciju pritisak na malom području koje može podvaliti ili izgorjeti radnoj površini.

SKLOPKA

Pogledajte sliku 2.

Hrvatski

- Za uključivanje jedinice pritisnite prema naprijed sigurnosnu bravu i potom pritisnite sklopku za uključivanje/isključivanje.
- Za isključivanje jedinice, oslobodite sklopku za uključivanje/isključivanje.

PODEŠAVANJE POLOŽAJA ROTIRAJUĆE RUČKE

Pogledajte sliku 3.

1. Isključite alat.
2. Pritisnite i držite gumb za zaključavanje ručke, potom zakrenite ručku u željeni položaj sve dok ne nasjedne na mjesto.

⚠ UPOZORENJE

Nemojte podešavati rotirajuću ručku dok alat radi.

TRI POLOŽAJA POMOĆNE RUČKE

Pogledajte sliku 5.

Posebno namijenjena i pod kutem za tri položaja radi maksimalne udobnosti i kontrole.

POSTAVLJANJE BRUSA

Pogledajte sliku 4 - 6.

⚠ UPOZORENJE

Pažljivo provjerite da na brusu nema napuklina. Odmah zamijenite sve napuknute bruseve.

- Postavite prirubnicu, brus i vanjsku prirubnicu na osovinu.
- Osigurajte da je prirubnica diska pravilno nasjela na osovinu.
- Pritisnuti tipku za zaključavanje nalazi na desnoj strani mjenjač brzine.
- Pomoću ključa pod uvjetom, zategnite matice spona u smjeru kazaljke na satu.

ALAT-MANJI ŠTITNIK KOTAČA

Pogledajte sliku 7 - 8.

Otvorite polugu za zaključavanje zaštitnog kućišta zatim postavite zaštitno kućište u željeni položaj. Maksimalni kut zakretanja na obje strane je 90°; u suprotnom se štitnik ne može zaključati.

SIGNALNO SVJETLO ZA NAPON

Ovaj alat opremljen je s pokazivačem napajanja alata koji svijetli čim je alat priključen na napajanje. Ovo upozorava

korisnika da je alat priključen i da će raditi kad se pritisne sklopka za pokretanje.

ODRŽAVANJE

Nakon uporabe provjerite je li alat u dobrom radnom stanju.

Preporuča se da alat najmanje jednom godišnje odnesete u ovlaštenu Ryobi servis radi cjelokupnog podmazivanja i čišćenja.

⚠ UPOZORENJE

Dok motor radi, ne obavljajte nikakva podešavanja.

Brusilicu uvijek isključite iz struje prije zamjene dijelova (dijamantni brus, brus itd.), podmazivanja alata i prije svih postupaka održavanja.

⚠ UPOZORENJE

Kako bi se osigurala sigurnost i pouzdanost, sve popravke mora obaviti ovlaštenu servisnu centar ili druge stručne usluge organizacije.

OPIS

1. Brusni kolot
2. Nastavljivi ščitnik kolota
3. Vrtljivi ročaj
4. Zaporno stikalo za ročaj
5. Stikalo za vklop/izklop
6. Varnostno stikalo
7. Kolutna prirobnica
8. Zunanja prirobnica
9. Pogonsko vreteno
10. Ključ
11. Gumb za blokado vretena
12. Ročica za blokado ščitnika kolota
13. Signalna luč za orodje pod napetostjo
14. Pomožna ročica

VARNOSTNA OPOZORILA ZA BRUŠENJE

- a. **To električno orodje je predvideno za brušenje z brusnim kamnom. Preberite vsa varnostna opozorila, navodila, ilustracije in specifikacije, ki so priložene temu električnemu orodju.** Če ne upoštevate opozoril in navodil, lahko pride do električnega udara, ognja in/ali hudih poškodb.
- b. **Operacije, za katere električno orodje ni bilo predvideno, so lahko tvegane in lahko povzročijo telesne poškodbe.**
- c. **Ne uporabljajte dodatkov, ki jih proizvajalec orodja izrecno ne priporoča.** Samo dejstvo, da je dodatek mogoče priključiti na vaše električno orodje, ne zagotavlja varnega delovanja.
- d. **Označena hitrost dodatka mora biti najmanj enaka maksimalni hitrosti, označeni na električnem orodju.** Dodatki, ki delujejo hitreje, kot je njihova označena hitrost, se lahko polomijo in razletijo.
- e. **Zunanji premer in debelina vašega dodatka morata biti znotraj oznake zmogljivosti vašega električnega orodja.** Dodatek nepravilne velikosti ne boste mogli ustrezno nadzorovati.
- f. **Velikost nastavka na kolesih, prirobnicah, podpornih blazinicah ali katerihkoli drugih dodatkih se mora ujemati z vretenom električnega orodja.** Dodatki z odprtino nastavka, ki ne ustreza okovju za pritržitev električnega orodja, bodo izgubili ravnotežje ali preveč vibrirali in lahko nad njimi izgubite nadzor.
- g. **Ne uporabljajte poškodovanih dodatkov. Pred vsako uporabo pregledjte dodatke: preverite, če so na brusnih kolesih okruženja mesta ali razpoke, na podpornih blazinicah razpoke, raztrganine ali prevelika obraba oz. na žičnih ščetkah nepritrjene ali polomljene žice. Če**

vam električno orodje ali dodatek padeta iz rok, preverite, če se nista poškodovala, oz. namestite nepoškodovan dodatek. Potem ko ste pregledali in namestili dodatek, poskrbite, da boste vi sami in morebitne druge osebe stali dovolj stran od vrtečega se dodatka, ter poženite električno orodje s polno hitrostjo brez obremenitve za eno minuto. Poškodovani dodatki običajno v takem testnem času odletijo.

- h. **Nosite osebno varovalno opremo. Glede na uporabo orodja nosite obrazno masko in varnostna očala. Po potrebi nosite proti-prašno masko, zaščito za sluh, rokavice in delovni predpasnik, ki lahko zadrži drobne ostanke brušenja ali drobne delce obdelovanca.** Očesna zaščita mora biti zadostna, da ustavi leteče drobce, ki nastajajo pri različnih operacijah. Proti-prašna maska ali dihalni aparat morata biti sposobna filtriranja delcev, ki nastajajo pri vašem delu. Daljša izpostavljenost zelo intenzivnemu hrupu lahko povzroči okvaro sluha.
 - i. **Pazite, da bodo morebitni gledalci dovolj oddaljeni od delovnega območja. Vsaka oseba, ki vstopi v delovno območje, mora nositi sredstva za osebno zaščito.** Delci obdelovanega kosa ali odlomljen dodatek lahko poletijo po zraku in povzročijo poškodbe izven neposrednega območja dela.
 - j. **Ko izvajate operacijo, pri kateri lahko dodatek za rezanje pride v stik s skritim ožičenjem ali s svojim lastnim kablom, držite električno orodje le na izoliranih površinah, predvidenih za držanje.** Dodatki za rezanje, ki pridejo v stik z »živo« žico, lahko spravijo izpostavljene kovinske dele električnega orodja pod napetost in lahko stresejo osebo, ki orodje uporablja.
 - k. **Umaknite kabel od vrtečih se dodatkov.** Če izgubite nadzor nad orodjem, lahko le-to prereže kabel ali se zaplete in vašo roko lahko potegne v vrteči se dodatek.
 - l. **Nikoli ne odlagajte električnega orodja, dokler se dodatek ni popolnoma ustavil.** Vrteči se dodatek lahko zgrabi površino in izgubili boste nadzor nad orodjem.
 - m. **Ne vključujte električnega orodja, kadar ga nosite ob telesu.** Vrteče se orodje lahko nehote pride v stik z vašim oblačilom in potegne dodatek proti vam.
 - n. **Redno čistite zračne odprtine na električnem orodju.** Ventilator motorja bo potegnil prah v ohišje, preveliko nabiranje kovinskega prahu pa lahko povzroči električno tveganje.
 - o. **Ne uporabljajte električnega orodja v bližini vnetljivih materialov.** Zaradi isker se ti materiali

lahko vžgejo.

- p. **Ne uporabljajte dodatkov, pri katerih je potreba hladilna tekočina.** Pri uporabi vode ali drugih hladilnih tekočin lahko pride do električnega udara.
- q. **Uporabljajte le vrste kolutov, ki so priporočene za vaše orodje in specifična varovala, ki so zasnovana za izbrani kolut.** Kolutov, za katere orodje ni bilo izdelano, ni mogoče ustrezno zaščititi, zato jih ni varno uporabljati.
- r. **Varovalo mora biti trdno pritrjeno na orodje in nameščeno v takem položaju, da zagotavlja najboljšo zaščito tako, da je upravljavcu izpostavljen čim manjši del koluta.** Varovalo štiti upravljavca pred delci, ki se odlomijo od koluta, in pred nenamernim stikom s kolutom.
- s. **Kolute smete uporabljati le za priporočeno uporabo. Na primer, zato ne brusite s stranjo rezilnega koluta.** Brusilno rezilni koluti so namenjeni obrobnemu brušenju; stranske sile, ki delujejo na kolute lahko povzročijo, da se koluti zdrobijo.
- t. **Vedno uporabljajte nepoškodovane prirobnece kolutov pravilne velikosti in oblike za izbrani kolut.** Ustrezne prirobnice kolutov podpirajo kolut in tako zmanjšujejo možnost, da se kolut zlomi. Prirobnice rezilnih kolutov so lahko drugačne od prirobnic brusilnih kolutov.
- u. **Ne uporabljajte obrabljenih kolutov večjih orodij.** Koluti, namenjeni za uporabo z večjimi orodji, niso primerni za višje hitrosti manjših orodij in se lahko razletijo.

OPOZORILA GLEDE POVRATNIH UDARCEV IN PODOBNIH PRIMEROV

Povratni udarec je nenadna reakcija zataknenega ali zagozdenega vrtečega se kolesa, podporne blazinice, krtače ali kateregakoli drugega dodatka. Zagozdenje ali zatikanje povzroči nenadno blokado vrtečega se dodatka, ki zaradi tega povzroči nekontrolirano premikanje električnega orodja v nasprotno smer od rotacije dodatka.

Na primer, če se brusno kolo zatakne ali zagozdi na obdelovancu, se lahko rob kolesa, ki vstopa v točko zatikanja, zakoplje v površino materiala, kar povzroči, da se kolo nenadoma pomakne navzven. Brusna kolesa lahko v takih pogojih tudi počijo. Brusna kolesa lahko v takih pogojih tudi počijo.

Povratni udarec je rezultat napačne uporabe električnega orodja in/ali nepravilnega delovnega postopka ali pogojev. Izognemo se mu lahko tako, da upoštevamo ustrezne previdnostne ukrepe, ki so navedeni v nadaljevanju.

- a. **Trdno držite električno orodje in postavite svoje telo in roko tako, da boste lahko kljubovali sili povratnega udarca.** Vedno uporabljajte pomožni ročaj, če je na voljo, saj boste imeli na

ta način večji nadzor nad povratnim udarcem ali protivrtilnim momentom v času zagona. Uporabnik lahko nadzira protivrtilni moment ali silo povratnega udarca, če se je nanje pravilno pripravil.

- b. **Nikoli ne približujte roke vrtečemu se dodatku.** Dodatek lahko zaradi povratnega udarca sune v vašo roko.
- c. **Ne postavljajte se s telesom v območje, kamor se bo premaknilo električno orodje, če pride do povratnega udarca.** Povratni udarec bo potisnil orodje v nasprotni smeri od premikanja kolesa v trenutku zagozditve.
- d. **Posebej bodite previdni pri obdelavi vogalov, ostrih robov itd.** Izogibajte se poskakovanju in zaletavanju dodatka. Zaradi vogalov, ostrih robov ali poskakovanja se lahko vrteči se dodatek zaleti, zaradi česar izgubite nadzor nad njim ali pride do povratnega udarca.
- e. **Ne pritrjujte verižne žage, rezila za obdelavo lesa ali zobatega rezila žage.** Takša rezila pogosto povzročijo povratni udarec in izgubo nadzora.

DODATNA VARNOSTNA OPOZORILA ZA BRUŠENJE

- a. Prepričajte se, da je hitrost, ki je navedena na brusnem kolutu, enaka ali večja kot nominalna hitrost orodja.
- b. Prepričajte se, da so dimenzije brusnega koluta združljive z orodjem in da se kolut prilaga vretenu.
- c. Brusne kolute hranite na suhem mestu.
- d. Ne odlagajte predmete na brusne kolute.
- e. Brusne kolute uporabljajte izključno za brušenje.
- f. Pred uporabo preglejte brusni kolut in se prepričajte, da ni odkrušen ali počen. Odkrušeni deli in razpoke lahko povzročijo, da se kolut zdrobi in povzroči resne poškodbe.
- g. Pred uporabo se prepričajte, da je brusni kolut pravilno montiran in pritegnjen, nato pa vklopite orodje za 30 sekund s hitrostjo brez obremenitve v varnem položaju. Če se pojavijo upoštevanja vredni tresljaji ali druge napake, orodje takoj ustavite. V tem primeru preglejte orodje in ugotovite vzrok za težave.
- h. Ne uporabljajte dodatnih kovinskih ploščic ali adapterjev, da bi pritrdili brusne kolute s preveliko luknjo.
- i. Prepričajte se, da je obdelovanec ustrezno pritrjen.
- j. Zagotovite, da iskre, ki nastajajo pri delu, ne bodo zadele ljudi ali vžgale vnetljivih snovi.
- k. Vedno nosite zaščitna očala in zaščito za sluh.
- l. Ko je potrebno, uporabljajte osebno zaščitno opremo, kot so rokavice, predpasnik in čelada.
- m. Nikoli ne postavite orodja na tla ali drugo površino,

Slovensko

med tem ko deluje. Brusni koloti se vrtijo tudi po tem, ko ste orodje že izklopili. Nikoli ne dotikajte kolota ali ga postavite na tla ali drugo površino, med tem ko se vrti.

- n. Prirobnica in prirobna matica morata imeti enak zunanji premer.
- o. Orodje uporabljajte le za opravila, za katera je namenjeno. Nikoli ne uporabljajte hladilnih sredstev ali vode in ga ne uporabljajte kot pritrjeno orodje.
- p. Ko delate, orodje držite trdnó z obema rokama.

SIMBOL



Varnostni alarm

V Volti

Hz Hertz

~ Izmenični tok

W Watt

n_o Hitrost brez obremenitve

n Nazivna hitrost

min^{-1} Vrtljajev ali nihajev na minuto



Skladnost CE



Dvojna izolacija



Nosite zaščito za ušesa



Nosite zaščito za oči



Prosimo, da si pred zagonom naprave pozorno preberete navodila



Odpadne električne izdelke odlagajte skupaj z ostalimi gospodinjskimi odpadki. Reciklažo opravljajte na predpisanih mestih. Za reciklažni nasvet se obrnite na lokalne oblasti.



Namesto, da napravo zavržete, reciklirajte surovine. Napravo, pribor in embalažo je treba sortirati za okolju prijazno recikliranje.

SPECIFIKACIJE

Brusni kolot	230 mm (9 in)
Frekvenca	50 Hz
Napetost	230 V - 240 V ~
Vhod	2000 W
Navoj vretena	M14
Nazivna hitrost	6000 min^{-1}
Skupna dolžina	470 mm
Neto teža	6,0 kg

OPOMBA: Preglejte identifikacijsko ploščo, saj se napetost spreminja glede na področje, kjer boste uporabljali izdelek.

Največja obodna hitrost brusnega kolota: 4,800 m/min.

Primer izračuna

$$3.14 \times 230 \times 6,000/1,000 = 4.333,2$$

$$3.14 \times 180 \times 6,000/1,000 = 3.391,2$$

Obodna hitrost brusnega kolota 4,333.2/3,391.2

Premer kolota 230/180

Hitrost brusilnika brez obremenitve 6.000

STANDARDNI PRIBOR

Pomožna ročica

V nekaterih državah je kot standardni pribor vključen brusni kolot.

DELOVANJE

Glejte sliko 4.

OPOZORILO

Varnostne ščitnike imejte vedno nameščene. Nikoli ne prekrijte rež za zračenje, saj so nujno potrebne za hlajenje motorja.

Skrivnost uspešnega dela je v tem, da nadzorujete pritisek in stično površino med kolotom in obdelovancem. Ravné površine brusite pod ostrim kotom, običajno 10 do 20 stopinj glede na obdelovanec. Preden začnete z brušenjem, počakajte, da kolot doseže polno hitrost. Če

brusite pod prevelikim kotom, se ves pritisk prenese na majhno površino, kar lahko izdolbe ali ožge površino.

STIKALO

Glejte sliko 2.

- Za vklop orodja pritisnite varnostni zaklep naprej in nato pritisnite stikalo za vklop/izklop.
- Za izklop orodja spustite stikalo za vklop/izklop.

PRILAGAJANJE POLOŽAJA VRTLJIVEGA ROČAJA

Glejte sliko 3.

1. Izklopite orodje.
2. Pritisite in držite gumb za zaklep ročaja, nato vrtljivi ročaj obrnite v zelen položaj, da se zaskoči na svoje mesto.

⚠ OPOZORILO

Vrtljivega ročaja ne prilagajajte, medtem ko orodje deluje.

POMOŽNI ROČAJ S 3 POLOŽAJI

Glejte sliko 5.

Posebej oblikovan in nastavljen v tri položaje za maksimalno udobje in nadzor.

NAMEŠČANJE BRUSNEGA KOLUTA

Glejte sliko 4 - 6.

⚠ OPOZORILO

Dobro preglejte, ali so v kolutu razpoke. Počen kolot takoj zamenjajte.

- Priključite kolutno prirobnico, brusni kolot in zunanjo prirobnico v pogonsko vreteno.
- Prepričajte se, da je prirobnica diska dobro nameščena na gred vretena.
- Pritisnite na gumb za blokado, ki se nahaja na desni strani ohišja.
- S priloženim ključem privijte prirobno matico v smeri urinega kazalca.

NASTAVLJIVI ŠČITNIK KOLUTA

Glejte sliko 7 - 8.

Sprostite ročico za blokado ščitnika koluta in obrnite nastavljeni ščitnik koluta na zeleni položaj. Na vsaki strani je največji kot obračanja 90°; v nasprotnem primeru se varovalo ne more zakleniti.

SIGNALNA LUČ ZA ORODJE POD NAPETOSTJO

To orodje ima indikator "live tool", ki zasveti takoj, ko orodje priključite na napajanje. To uporabnika opozori, da je orodje priključeno in da bo delovalo, ko boste pritisnili na gumb.

VZDRŽEVANJE

Po vsaki uporabi preglejte orodje in se prepričajte, da je v brezhibnem stanju.

Priporočamo vam, da to orodje vsaj enkrat letno odnesete v pooblaščen servisni center Ryobi, kjer ga bodo temeljito očistili in podmazali.

⚠ OPOZORILO

Ne spreminjajte nobenih nastavitev, ko motor deluje.

Preden se lotite menjave pribora ali nadomestnih delov (diamantno rezilo, brusni kolot, i t d.), podmazovanja ali popravila orodja, vedno izključite napajalni kabel iz omrežja.

⚠ OPOZORILO

Vsa popravila naj izvede pooblaščen servisni center ali druga kvalificirana servisna organizacija, ki vam bo zagotovila varnost in zanesljivost.

POPIS

1. Brúсны kotúč
2. Kryt kotúča bez nástroja
3. Otočná rukoväť
4. Tlačidlo blokovania rukoväte
5. Spínač vyp/zap
6. Bezpečnostný zámok
7. Príruba disku
8. Upínania matica
9. Hriadeľ vretena
10. Kľúč
11. Tlačidlo blokovania vretena
12. Uzamykacia páčka krytu kotúča
13. Indikátor nástroja pod prúdom
14. Pomocná rukoväť

BEZPEČNOSTNÉ VÝSTRAHY ŠPECIFICKÉ PRE BRÚSENIE

- a. Tento elektrický nástroj funguje ako brúska. **Prečítajte si všetky výstrahy, pokyny, vyobrazenia a špecifikácie dodané k tomuto elektrickému nástroju.** Pri nedodržaní týchto výstrah a pokynov môže dôjsť k úrazu elektrickým prúdom, požiaru a/alebo závažnému poraneniu.
- b. **Pri vykonávaní operácií, pre ktoré nie je tento elektrický nástroj určený, vzniká riziko vzniku poranenia osôb.**
- c. **Nepoužívajte príslušenstvo, ktoré nie je konkrétne určené a odporúčané výrobcom nástroja.** To, že príslušenstvo sa dá nasadiť na váš elektrický nástroj, ešte neznamená, že bude pri tom zaistená bezpečná prevádzka.
- d. **Menovitá rýchlosť príslušenstva musí byť aspoň rovná maximálnej rýchlosti vyznačenej na elektrickom nástroji.** Príslušenstvo pracujúce na vyššej ako svojej menovitej rýchlosti, sa môže rozbiť a rozpadnúť.
- e. **Vonkajší priemer a hrúbka vášho príslušenstva musí byť v rozmedzí menovitej kapacity elektrického nástroja.** Príslušenstvo nepravnej veľkosti nie je možné primerane viesť a ovládať.
- f. **Veľkosť trňa kotúčov, prírub, oporných podložiek či akéhokoľvek iného príslušenstva, musí správne sadnúť na vreteno elektrického nástroja.** Príslušenstvo s otvorními na hriadeľ, ktoré nezodpovedajú montážnemu náradiu elektrického nástroja, sa dostanú mimo rovnováhu, spôsobia nadmerné vibrácie a môžu spôsobiť stratu kontroly.
- g. **Nepoužívajte poškodené príslušenstvo. Pred každou kontrolou príslušenstva, napríklad abrazívnych kotúčov, skontrolujte, či neobsahuje úlomky alebo praskliny, oporné**

podložky, či neobsahujú praskliny, nie sú zodraté alebo nadmerne opotrebované, drôtené kotúče, či nie sú uvoľnené alebo nemajú popraskané vlákna. Ak elektrický nástroj alebo príslušenstvo spadnú, skontrolujte prípadné poškodenie alebo namontuje nepoškodené príslušenstvo. Po skontrolovaní a namontovaní príslušenstva sa postavte vy aj okolostojaci mimo roviny rotujúceho príslušenstva a na jednu minútu spustíte elektrický nástroj na maximálnu rýchlosť bez záťaže. Poškodené príslušenstvo sa zvyčajne počas tohto testu rozpadne.

- h. **Používajte osobné ochranné prostriedky. V závislosti od použitia používajte chránič na tvár, ochranné alebo bezpečnostné okuliare. Podľa potreby používajte protiprachovú masku, chrániče sluchu, rukavice a pracovnú zásteru schopnú zachytiť malé úlomky brusiva alebo obrobku.** Chránič zraku musí byť schopný zastaviť odletujúce úlomky vytvárané pri rôznych úkonoch. Protiprachová maska alebo respirátor musia byť schopné filtrovať častičky vytvárané pri vašej činnosti. Dlhodobé vystavovanie hluku môže spôsobiť stratu sluchu.
- i. **Okolostojacich udržiavajte v bezpečnej vzdialenosti od pracoviska. Každá osoba, ktorý vstúpi do oblasti pracoviska, musí mať osobné ochranné pomôcky.** Úlomky obrobku alebo poškodené príslušenstvo môže odletieť a spôsobiť poranenie aj mimo bezprostredného miesta práce.
- j. **Pri vykonávaní operácie, kedy môže rezacie príslušenstvo prísť do kontaktu so skrytým vedením alebo vlastným káblom, držte nástroj za izolované úchopné miesta.** Pri kontakte rezacieho príslušenstva so „živým“ vodičom budú obnažené kovové diely pod prúdom a spôsobia obsluhujúcemu úder.
- k. **Kábel umiestnite mimo dosahu rotujúceho príslušenstva.** Ak stratíte kontrolu, kábel sa môže prerezať alebo zachytiť a vašu ruku alebo rameno môže vtiahnuť do otáčajúceho sa príslušenstva.
- l. **Nikdy elektrický nástroj neodkladajte, kým sa príslušenstvo úplne nezastavilo.** Otáčajúce sa príslušenstvo môže zachytiť a stiahnuť elektrický nástroj mimo vašu kontrolu.
- m. **Nikdy nespúšťajte elektrický nástroj, keď ho nosíte na boku.** Pri náhodnom kontakte s otáčajúcim sa príslušenstvom by vám mohlo zachytiť odev a stiahnuť príslušenstvo smerom na vaše telo.
- n. **Pravidelne čistite vzduchové prieduchy elektrického nástroja.** Ventilátor motora vŕhaje prach dovnútra a nadmerné nashromaždenie

Slovenčina

práškového kovu môže spôsobiť ohrozenie elektrickým prúdom.

- o. **Nepracujte s elektrickým nástrojom v blízkosti zápalných materiálov.** Iskry mohli spôsobiť vznietenie týchto materiálov.
- p. **Nepoužívajte príslušenstvo, ktoré vyžadujú tekuté chladivá.** Pri použití vody alebo iného tekutého chladiva by mohlo dôjsť k usmrteniu alebo úderu elektrickým prúdom.
- q. **Používajte len typy kotúčov odporúčané pre váš elektrický nástroj a špecifický ochranný kryt pre zvolený kotúč.** Kotúče, pre ktoré nie je tento elektrický nástroj určený, nie je možné primerane viesť a nie sú bezpečné.
- r. **Ochranný kryt musí byť bezpečne nasadený na elektrickom nástroji a v polohe zaručujúcej maximálnu bezpečnosť, aby smerom k obsluhujúcemu bola vystavená čo najmenšia časť kotúča.** Kryt chráni obsluhujúceho od odlomených úlomkov kotúča a zabraňuje neumyšľelnému kontaktu s kotúčom.
- s. **Kotúče možno používať len pre odporúčané aplikácie. Napríklad, nebrúste s bočnou stranou rozbrusovacieho kotúča.** Abrázívne rozbrusovacie kotúče sú určené pre periférne brúsenie, inak by bočné sily aplikované na tieto kotúče mohli zapríčiniť ich rozlomenie.
- t. **Vždy používajte nepoškodene príruby kotúčov správnej veľkosti a tvaru pre váš zvolený kotúč.** Správne príruby kotúčov podopierajú kotúč, a tým znižujú pravdepodobnosť zlomenia kotúča. Príruby pre rozbrusovacie kotúče môžu byť odlišné od prírub pre brúsne kotúče.
- u. **Nepoužívajte vydraté kotúče z väčších elektrických nástrojov.** Kotúče určené pre väčšie elektrické nástroje nie sú vhodné pre vyššie rýchlosti menších nástrojov a môžu prasknúť.

SPÄTNÝ NÁRAZ A SÚVIASIE VÝSTRAHY

Spätný náraz je náhla reakcia na zovretý alebo prilačený rotujúci kotúč, opornú podložku, kefku alebo iné príslušenstvo. Zoškrtanie alebo prilačenie spôsobí náhle spomalenie otáčajúceho sa príslušenstva, čo zase spôsobí nekontrolované uskočenie elektrického nástroja v opačnom smere ako otáčanie príslušenstva v momente zovretia.

Napríklad, ak obrobok priškrtí alebo prilačí rozbrusovací kotúč, okraj kotúča vstupujúceho do bodu priškrtienia môže spôsobiť vylieť sa do povrchu materiálu, čo spôsobí vyťahnutie alebo vykopnutie kotúča. Kotúč môže buď vyskočiť dopredu alebo dozadu od obsluhujúcej osoby, v závislosti od smeru pohybu kotúča v momente priškrtienia. Za týchto podmienok môžu tiež prasknúť abrazívne kotúče.

Spätný náraz je výsledok nesprávneho používania nástroja a/alebo nesprávnych prevádzkových postupov a možno mu predchádzať vykonávaním príslušných predbežných opatrení uvedených nižšie.

- a. **Udržiavajte pevný úchop elektrického nástroja a vaše telo a rameno v polohe, ktorá vám umožní odolávať sile spätného nárazu. Vždy používajte aj pomocnú rukoväť, ak je namontovaná, aby ste dosiahli maximálnu kontrolu nad spätným nárazom alebo momentovou reakciou pri spustení.** Sily spätného nárazu alebo momentových reakcií môže obsluhujúca osoba ovládnuť, ak vykoná príslušné protiopatrenia.
- b. **Nikdy nedávajte ruku do blízkosti otáčajúceho sa príslušenstva.** Príslušenstvo môže vykonať spätný náraz do vašej ruky.
- c. **Nepribližujte sa telom do oblasti, kam sa pohne elektrický nástroj, keď nastane spätný náraz.** Spätný náraz odhodí nástroj opačným smerom od smeru pohybu kotúča v momente priškrtienia.
- d. **Pri opracovávaní rohov, ostrých hrán a pod. buďte zvlášť opatrní. Zabráňte odsakovaniu a zadrhávaniu príslušenstva.** Rohy, ostré hrany alebo odsakovanie majú tendenciu zadrhnúť príslušenstvo a spôsobiť stratu kontroly alebo spätný náraz.
- e. **Nenasadzujte rezbárske ostrie na reťazovú pílu alebo ozubené pílové ostrie.** Takéto ostria často spôsobujú spätný náraz a stratu kontroly.

ĎALŠIE BEZPEČNOSTNÉ VÝSTRAHY ŠPECIFICKÉ PRE BRÚSENIE

- a. Skontrolujte, či rýchlosť vyznačená na brúsnom kotúči je rovná alebo vyššia ako menovitá rýchlosť nástroja.
- b. Skontrolujte, či rozmery brúsneho kotúča sú kompatibilné s nástrojom a či je kotúč kompatibilný s vretenom.
- c. Brúsne kotúče je potrebné skladovať na suchom mieste.
- d. Na brúsne kotúče nepokladajte žiadne predmety.
- e. Brúsne kotúče sa nesmú používať pre žiadne iné činnosti ako brúsenie.
- f. Pred použitím skontrolujte brúsny kotúč, či nie je prasknutý alebo vyštrbený. Vyštrbenia alebo praskliny môžu spôsobiť rozlomenie kotúča a následné závažné poranenie.
- g. Pred použitím skontrolujte, či je brúsny kotúč správne namontovaný a utiahnutý a spustíte nástroj na 30 sekúnd v rýchlosti bez záťaž v bezpečnej polohe. Ak dochádza k výrazným vibráciám alebo zistíte iné poruchy, okamžite ho zastavte. V takom prípade skontrolujte nástroj a

Slovenčina

zistite príčinu.

- h. Nepoužívajte samostatné redukčné zdiery alebo adaptéry na prispôsobenie brúsnym kotúčom s veľkým otvorom.
- i. Skontrolujte, či je obrobok správne podoprený.
- j. Dbajte na to, aby iskry vznikajúce pri práci nespôsobovali žiadne riziko, napr. nelietali do iných osôb či nevznietili horľavé materiály.
- k. Vždy používajte bezpečnostné ochranné okuliare a chrániče uší.
- l. Podľa potreby používajte aj ostatné ochranné pomôcky ako rukavice, zásteru a helmu.
- m. Nikdy nepokladajte nástroj na dlážku či iné povrchy, keď je spustený. Brúsne kotúče sa ďalej točia aj po vypnutí nástroja. Nikdy sa nedotýkajte kotúča, ani ho nepokladajte na dlážku či iné povrchy, keď sa otáča.
- n. Príruba a upínacia svorka musia mať rovnaký vonkajší priemer.
- o. Nástroj používajte len pre schválené aplikácie. Nikdy nepoužívajte chladivá alebo vodu, ani nepoužívajte nástroj ako pripevnený nástroj.
- p. Pri práci držte nástroj pevne oboma rukami.

ZNAČKY



Výstražná značka

V Volty

Hz Hertz

~ Striedavý prúd

W Watty

n_o Rýchlosť bez záťaže

n Menovitá rýchlosť

min^{-1} Otáčky alebo striedanie za minútu



CE konformita



Dvojité izolácia



Noste ochranu sluchu



Noste ochranu zraku



Pred zapnutím zariadenia si prosím prečítajte inštrukcie



Opatrebované elektrické zariadenia by ste nemali odhadzovať do domového odpadu. Prosíme o recykláciu ak je možné. Kontaktujte miestne úrady, alebo predajcu pre viac informácií o hľadacom ekologického spracovania.



Surové materiály recyklujte, namiesto toho, aby ste ich zlikvidovali ako odpad. Stroj, príslušenstvo a obaly by sa mali triedene recyklovať spôsobom šetrným k životnému prostrediu.

TECHNICKÉ ÚDAJE

Brúsný kotúč	230 mm (9 in)
Frekvencia	50 Hz
Napätie	230 V - 240 V ~
Vstup	2000 W
Závit vretena	M14
Menovitá rýchlosť	6000 min^{-1}
Celková dĺžka	470 mm
Netto hmotnosť	6.0 kg

POZNÁMKA: Vždy skontrolujte firemný štítok na produkte, lebo napätie sa môže líšiť v závislosti od regiónu, pre ktorý je produkt určený.

Maximálna obvodová rýchlosť brúsneho kotúča: 4,800 m/min.

Príklad výpočtu

$$3.14 \times 230 \times 6,000/1,000 = 4\,333.2$$

$$3.14 \times 180 \times 6,000/1,000 = 3\,391.2$$

Obvodová rýchlosť brúsneho kotúča 4,333.2/3,391.2

Priemer kotúča 230/180

Rýchlosť brúsky bez záťaže 6 000

ŠTANDARDNÉ PRÍSLUŠENSTVO

Pomocná rukoväť

Brúsný kotúč je v niektorých krajinách súčasťou štandardného príslušenstva.

Slovenčina

PREVÁDZKA

Pozrite si obrázok 4.

VAROVANIE

Bezpečnostné kryty neodstraňujte. Nikdy nezakrývajte vetracie otvory. Tieto musia byť neustále otvorené, aby sa motor dostatočne chladil.

Kľúčom k efektívnej prevádzke je ovládanie tlaku a kontaktu povrchu medzi diskom a obrobkom. Ploché povrchy sa brúšia v ostrom uhle, zvyčajne 10 až 20 stupňov k obrobku. Pred zahájením brúsenia počkajte, kým disk nedosiahne maximálnu rýchlosť. Príliš veľký uhol spôsobí sústredenie tlaku na malej ploche, čo môže vydríeť alebo spáliť povrch obrobku.

SPÍNAČ

Pozrite si obrázok 2.

- Ak chcete zapnúť jednotku, prepnite bezpečnostný zámok dopredu a potom stlačte hlavný spínač.
- Ak chcete vypnúť jednotku, uvoľnite hlavný spínač.

NASTAVENIE POLOHY OTOČNEJ RUKOVÄTE

Pozrite si obrázok 3.

1. Vypnite nástroj.
2. Stlačte a podržte tlačidlo blokovania rukoväte a potom otočte otočnú rukoväť do požadovanej polohy, kým nazacvakne na miesto.

VAROVANIE

Nenastavujte otočnú rukoväť, kým je nástroj spustený.

TROJPOLOHOVÁ POMOCNÁ RUKOVÄŤ

Pozrite si obrázok 5.

Špeciálne navrhnutá a ohnutá do troch polôh pre maximálne pohodlie a kontrolu.

MONTÁŽ BRÚSNEHO KOTÚČA

Pozrite si obrázok 4 - 6.

VAROVANIE

Dôkladne skontrolujte či na kotúči nie sú praskliny. Prasknutý kotúč okamžite vymeňte.

- Nasaďte prírubu disku, brúsny kotúč a upínaciu svorku na hriadeľ vretena.

- Dbajte na to, aby bola prírubu disku správne nasadená na hriadeľ vretena.
- Zatláčte zaistovacie tlačidlo nachádzajúce sa na pravej strane skrinky prevodovky.
- Pomocou priloženého kľúča utiahnite upínaciu svorku v smere pohybu hodinových ručičiek.

KRYT KOTÚČA BEZ NÁSTROJA

Pozrite si obrázok 7 - 8.

Uvoľnite uzamykaciu páčku krytu kotúča, potom otočte univerzálny kryt kotúča do požadovanej polohy. Maximálny uhol otočenia je 90° na každej strane, inak sa ochranná lišta nedá zaistiť.

INDIKÁTOR NÁSTROJA POD PRÚDOM

Tento nástroj je vybavený indikátorom zariadenia pod prúdom, ktorý sa rozsvieti, akonáhle pripojíte nástroj do elektrickej siete. Varuje tak používateľa, že nástroj je pripojený a po stlačení spínača sa spustí.

ÚDRŽBA

Po použití skontrolujte, či je nástroj v dobrom stave.

Raz ročne sa odporúča odovzdať nástroj do autorizovaného servisného strediska spoločnosti Ryobi na dôkladné vyčistenie a namazanie.

VAROVANIE

Kým sa motor pohybuje, nevykonávajte žiadne nastavenia.

Pred výmenou odnímateľného alebo odoberateľného alebo vymeniteľného dielu (brúsne kotúče, rezné kotúče a pod.), mazaním alebo prácou na jednotke, vždy odpojte napájaci kábel zo zásuvky.

VAROVANIE

Na zaistenie bezpečnosti a spoľahlivosti musí všetky opravy vykonávať **AUTORIZOVANÉ SERVISNÉ STREDISKO** alebo **KVALIFIKOVANÁ SERVISNÁ ORGANIZÁCIA**.

Ελληνικά

ΠΕΡΙΓΡΑΦΗ

1. Δίσκος ξακρίσματος
2. Προστατευτικό κάρτερ
3. Περιστερεφόμενη λαβή
4. Διάταξη ασφάλισης της λαβής
5. Διακόπτης ενεργοποίησης/απενεργοποίησης
6. Διάταξη απασφάλισης της σκανδάλης
7. Φλάντζα
8. Εξωτερική φλάντζα
9. Αξονας μετάδοσης κίνησης
10. Κλειδί
11. Πλήκτρο ασφάλισης του άξονα
12. Διάταξη ασφάλισης του προστατευτικού κάρτερ
13. Φωτεινή ένδειξη θέσης υπό τάση
14. Βοηθητική λαβή

ΕΙΔΙΚΕΣ ΠΡΟΕΙΔΟΠΟΙΗΣΕΙΣ ΑΣΦΑΛΕΙΑΣ ΓΙΑ ΕΡΓΑΣΙΕΣ ΑΚΟΝΙΣΜΑΤΟΣ

- a. Αυτό το εργαλείο έχει σχεδιαστεί να χρησιμοποιείται σαν μηχανή τροχίσματος. Διαβάστε προσεκτικά όλες τις προειδοποιήσεις, οδηγίες και προδιαγραφές που παρέχονται με το εργαλείο και ανατρέξτε στις εικόνες. Η μη τήρηση των ακόλουθων οδηγιών μπορεί να επιφέρει ατυχήματα όπως πυρκαγιές, ηλεκτροπληξίες ή και σοβαρό σωματικό τραυματισμό.
- b. Η μη τήρηση της σύστασης αυτής μπορεί να επιφέρει ατυχήματα και σοβαρό σωματικό τραυματισμό.
- c. Μην χρησιμοποιείτε αξεσουάρ που δεν έχουν σχεδιαστεί ειδικά γι' αυτό το εργαλείο και δεν συνιστώνται από τον κατασκευαστή. Ακόμα κι αν ένα αξεσουάρ μπορεί να τοποθετηθεί σε εργαλείο, αυτό δεν διασφαλίζει ότι μπορείτε να χρησιμοποιείτε το εργαλείο εκείνο με απόλυτη ασφάλεια.
- d. Η ονομαστική ταχύτητα του αξεσουάρ πρέπει να είναι ίση ή μεγαλύτερη από την μέγιστη ταχύτητα που αναγράφεται στο εργαλείο. Τα αξεσουάρ που λειτουργούν με ταχύτητα μεγαλύτερη από την ονομαστική ταχύτητα μπορεί να σπασούν και να εκτιναχθούν.
- e. Η εξωτερική διάμετρος και το πάχος του αξεσουάρ πρέπει να αντιστοιχούν στα χαρακτηριστικά του εργαλείου. Όταν τα αξεσουάρ δεν αντιστοιχούν στα δεδομένα χαρακτηριστικά, δεν μπορούν να λειτουργήσουν σωστά τα συστήματα προστασίας και ρύθμισης του εργαλείου.
- f. Οι τροχοί, φλάντζες, πέλματα ή άλλα αξεσουάρ πρέπει να ταιριάζουν απόλυτα στην εσωτερική

διάμετρο και τον άξονα του εργαλείου. Τα αξεσουάρ που δεν είναι κατάλληλα για τον άξονα στον οποίο πρέπει να τοποθετηθούν δεν δουλεύουν κανονικά, δονούνται υπερβολικά και σας κάνουν να χάνετε τον έλεγχο του εργαλείου.

- g. Μην χρησιμοποιείτε χαλασμένο αξεσουάρ. Πριν από κάθε χρήση, να βεβαιώνετε ότι είναι σε καλή κατάσταση το αξεσουάρ που χρησιμοποιείτε: να σιγουρεύεστε ότι οι λειαντικοί τροχοί δεν είναι φαγωμένοι ή ραγισμένοι, ότι τα πέλματα δεν είναι σχισμένα ή φθαρμένα, ότι οι τρίχες των μεταλλικών βουρτσών ότι οι τρίχες των μεταλλικών βουρτσών δεν είναι πολύ φθαρμένες ή σπασμένες. Σε περίπτωση πτώσης του εργαλείου ή του αξεσουάρ, βεβαιωθείτε ότι δεν έχει χαλάσει κανένα στοιχείο, και αν χρειαστεί, τοποθετήστε καινούργιο αξεσουάρ. Αφού βεβαιωθείτε ότι το αξεσουάρ είναι σε καλή κατάσταση και αφού το τοποθετήσετε, κρατήστε σε απόσταση από το κινητό αξεσουάρ και αφήστε το εργαλείο να φθάσει στη μέγιστη ταχύτητά του για ένα λεπτό. Αν είναι χαλασμένο το αξεσουάρ, θα σπάσει κατά την δοκιμή.
- h. Να φοράτε μέσα ατομικής προστασίας. Ανάλογα με την χρήση του εργαλείου σας, φοράτε προστατευτική μάσκα, γυαλιά ασφαλείας ή προστατευτικά γυαλιά. Αν χρειαστεί, φορέστε μάσκα κατά της σκόνης, ωασιπίδες, γάντια και προστατευτική ποδιά για να προφυλαχτείτε από οιαδήποτε εκτίναξη ξένων σωμάτων (λειαντικά στοιχεία, ροκανίδια κλπ). Τα προστατευτικά γυαλιά αποτρέπουν την εκτίναξη θραυσμάτων και τον τραυματισμό των ματιών. Οι μάσκες κατά της σκόνης φιλτράρουν τα σωματίδια που δημιουργούνται από την εργασία που κάνετε. Η παρατεταμένη έκθεση στο δυνατό θόρυβο μπορεί να προκαλέσει απώλεια της ακοής.
- i. Κρατάτε τους επισκέπτες σε αρκετή απόσταση από την ζώνη εργασίας και φροντίστε να φορούν προστατευτικό εξοπλισμό. Κάθε άτομο που εισέρχεται στο χώρο εργασίας πρέπει να φορούν εξοπλισμό ατομικής προστασίας. Μπορεί να εκτιναχθούν θραύσματα κατεργαζόμενου τεμαχίου ή σπασμένου αξεσουάρ πέρα από την ζώνη εργασίας και να προκαλέσουν σοβαρό σωματικό τραυματισμό.
- j. Κρατάτε το εργαλείο μόνο από τα μονωμένα και αντιολισθητικά τμήματα όταν εργάζεστε σε επιφάνεια η οποία μπορεί να κρύβει ηλεκτρικά καλώδια ή όταν η εργασία που θα πραγματοποιήσετε κινδυνεύει να φέρει το καλώδιο παροχής ρεύματος στην διαδρομή

ΕΛΛΗΝΙΚΑ

- του εργαλείου.** Η επαφή με καλώδια υπό τάση θα μπορούσε να μεταδώσει το ρεύμα μέσα στα μεταλλικά τμήματα και να προκαλέσει ηλεκτροπληξία.
- k. **Τοποθετήστε το καλώδιο τροφοδότησης με τρόπο ώστε να βρίσκεται σε κάποια απόσταση από το περιστρεφόμενο αξεσουάρ.** Αν χάσετε τον έλεγχο του εργαλείου σας, το καλώδιο τροφοδότησης μπορεί να κοπεί ή να μαγκώσει και το χέρι σας ή το μπράτσο σας να παρασυρθεί προς το περιστρεφόμενο αξεσουάρ.
- l. **Μην εναποθέτετε ποτέ το εργαλείο σας πριν σταματήσει τελείως το αξεσουάρ.** Το περιστρεφόμενο αξεσουάρ μπορεί να έλθει σε επαφή με την επιφάνεια στην οποία είναι τοποθετημένο και να σας κάνει να χάσετε τον έλεγχο του εργαλείου.
- m. **Μην βάζετε ποτέ το εργαλείο σας σε λειτουργία όταν το μεταφέρετε.** Το περιστρεφόμενο αξεσουάρ μπορεί να πιαστεί στα ρούχα σας και να σας τραυματίσει σοβαρά.
- n. **Καθαρίζετε τακτικά τις σχισμές αερισμού του εργαλείου.** Ο αερισμός του μοτέρ αφήνει να διεισδύουν σκόνες στο εσωτερικό του περιβλήματος μοτέρ, με αποτέλεσμα να δημιουργείται υπερβολική συσσώρευση μεταλλικών σωματιδίων με κίνδυνο την ηλεκτροπληξία.
- o. **Μην χρησιμοποιείτε το εργαλείο σας κοντά σε εύφλεκτα υλικά.** Οι σπινθίρες κινδυνεύουν να προκαλέσουν ανάφλεξη.
- p. **Μην χρησιμοποιείτε αξεσουάρ που χρειάζονται ψυκτικά ρευστά.** Η χρήση νερού ή ψυκτικών υγρών μπορεί να προκαλέσει ηλεκτροπληξία.
- q. **Χρησιμοποιείτε μόνο τύπους τροχών που προτείνονται για το ηλεκτροκίνητο εργαλείο σας και το συγκεκριμένο προστατευτικό που έχει σχεδιαστεί για τον επιλεγμένο τροχό.** Τροχοί για τους οποίους δεν έχει σχεδιαστεί το ηλεκτροκίνητο εργαλείο, δεν μπορούν να προστατευτούν επαρκώς και δεν είναι ασφαλείς.
- r. **Το προστατευτικό πρέπει να βρίσκεται πάντα τοποθετημένο στο ηλεκτροκίνητο εργαλείο και στη σωστή θέση για μέγιστη ασφάλεια, έτσι ώστε να εκτίθεται όσο γίνεται μικρότερος βαθμός του τροχού προς τον χειριστή.** Το προστατευτικό βοηθά στην προστασία του χειριστή από κομμάτια σπασμένων τροχών και τυχαία επαφή με τον τροχό.
- s. **Οι τροχοί πρέπει να χρησιμοποιούνται μόνο για τις προτεινόμενες εφαρμογές.** Για παράδειγμα, μην εκτελείτε εργασίες ακονίσματος / λείανσης με την πλευρά του τροχού αποκοπής. Οι λειαντικοί τροχοί αποκοπής διατίθενται για περιφερειακό ακόνισμα - εάν ασκηθεί πλευρική

πίεση σε αυτούς τους τροχούς ενδέχεται να θρυμματιστούν.

- t. **Χρησιμοποιείτε πάντα φλάντζες τροχών σε άριστη κατάσταση και με σωστό μέγεθος και σχήμα για τον επιλεγμένο τροχό.** Οι σωστές φλάντζες τροχών στηρίζουν τον τροχό και μειώνουν την πιθανότητα σπασίματός του. Οι φλάντζες για τους τροχούς αποκοπής μπορεί να διαφέρουν από τις φλάντζες τροχών ακονίσματος.
- u. **Μην χρησιμοποιείτε φθαρμένους τροχούς από μεγαλύτερα ηλεκτροκίνητα εργαλεία.** Τροχοί για μεγαλύτερα ηλεκτροκίνητα εργαλεία δεν είναι κατάλληλοι για τις υψηλότερες ταχύτητες που αναπτύσσουν τα μικρότερα εργαλεία και ενδέχεται να σπασούν.

ΕΠΙΣΤΡΟΦΗ ΚΑΙ ΣΧΕΤΙΚΕΣ ΕΙΔΟΠΟΙΗΣΕΙΣ

Το αναπήδημα είναι μια ξαφνική αντίδραση η οποία λαμβάνει χώρα όταν ο κινούμενος τροχός, το πέλμα, η βούρτσα ή οιοδήποτε άλλο αξεσουάρ μαγκώσει ή στρεβλώσει, με αποτέλεσμα το άμεσο μπλοκάρισμα του αξεσουάρ. Το εργαλείο, το οποίο συνεχίζει να λειτουργεί, εκκινάσει τότε το αξεσουάρ προς την αντίθετη κατεύθυνση από την φορά χρήσης του αξεσουάρ.

Για παράδειγμα, αν ένας λειαντικός τροχός μαγκώσει ή στρεβλώσει μέσα στο κατεργαζόμενο τεμάχιο, η κόψη του τροχού κινδυνεύει να καρφώσει στην επιφάνεια του κατεργαζόμενου τεμαχίου, με αποτέλεσμα ο τροχός να βγει απότομα από το κατεργαζόμενο τεμάχιο, ανάλογα με την φορά περιστροφής του τροχού την στιγμή που αυτός μπλοκάρει. Σε περίπτωση αναπήδηματος, ο λειαντικός τροχός μπορεί ακόμα και να σπάσει. Το αναπήδημα είναι συνεπώς το αποτέλεσμα λανθασμένης χρήσης του εργαλείου ή και λανθασμένων διαδικασιών ή συνθηκών κοπής.

Μπορεί ωστόσο να αποφευχθεί τηρώντας ορισμένες προφυλάξεις:

- a. **Κρατάτε σταθερά το εργαλείο και φέρετε το σώμα σας και το μπράτσο σας σε κατάλληλη θέση ώστε να μπορείτε να ελέγχετε τυχόν αναπήδημα.** Αν το εργαλείο διαθέτει βοηθητική λαβή, φροντίστε να την κρατάτε πάντα για να έχετε άριστο έλεγχο του εργαλείου σε περίπτωση αναπήδηματος ή ζεύγους αντίδρασης κατά την έναρξη λειτουργίας του εργαλείου. Παίρνετε τα απαραίτητα μέτρα για να μπορείτε να ελέγχετε το εργαλείο σας σε περίπτωση αναπήδηματος ή ζεύγους αντίδρασης.
- b. **Μην βάζετε ποτέ το χέρι σας κοντά στο περιστρεφόμενο αξεσουάρ για να αποτρέψετε τον κίνδυνο σοβαρού σωματικού τραυματισμού σε περίπτωση αναπήδηματος.** Εξάρτημα μπορεί να κλωτσήσει επάνω από το χέρι σας.
- c. **Μην στέκεστε μέσα στη ζώνη όπου κινδυνεύει**

Ελληνικά

- να εκτιναχτεί το εργαλείο σε περίπτωση αναπηδήματος. Σε περίπτωση αναπηδήματος, το εργαλείο εκτινάσσεται προς την αντίθετη κατεύθυνση από την φορά περιστροφής του τροχού.
- d. Προσέχετε ιδιαίτερα όταν εργάζεστε σε γωνίες, κοφτερές άκρες κλπ. Φροντίστε να μην σας πλαγιολισθήσει ή να σας μαγκώσει το αξεσουάρ. Όταν εργάζεστε σε γωνίες ή κοφτερές άκρες ή όταν σας πλαγιολισθήσει το εργαλείο, ο κίνδυνος είναι πιο μεγάλος να μπλοκάρει το αξεσουάρ και να χάσετε τον έλεγχο του εργαλείου προκαλώντας αναπήδημα.
- e. Μην χρησιμοποιείτε ποτέ λάμα αλυσοπριονίου ή λάμα πριονιού με αυτό το εργαλείο. Αυτού του είδους οι λάμες αυξάνουν τον κίνδυνο αναπηδήματος και απώλειας ελέγχου του εργαλείου.

ΕΠΙΠΡΟΣΘΕΤΕΣ ΠΡΟΕΙΔΟΠΟΙΗΣΕΙΣ ΑΣΦΑΛΕΙΑΣ ΓΙΑ ΛΕΙΤΟΥΡΓΙΕΣ ΛΕΙΑΝΣΗΣ / ΑΚΟΝΙΣΜΑΤΟΣ

- a. Βεβαιωθείτε πως η ταχύτητα που ενδείκνυται επάνω στο δίσκο ξακρίσματος είναι ίδια ή μεγαλύτερη από την ονομαστική ταχύτητα του εργαλείου.
- b. Βεβαιωθείτε πως η διάμετρος του δίσκου ξακρίσματος είναι συμβατή με το εργαλείο και πως ο δίσκος προσαρμόζεται σωστά στον άξονα.
- c. Οι δίσκοι πρέπει να τακτοποιούνται σε μέρος ξηρό.
- d. Μην τοποθετείτε κανένα αντικείμενο επάνω στους δίσκους.
- e. Οι δίσκοι δεν πρέπει να χρησιμοποιούνται για άλλο σκοπό από τις ενέργειες τροχίσματος.
- f. Πριν χρησιμοποιήσετε τον δίσκο, βεβαιωθείτε πως δεν έχει ραγίσει ή δε φέρει ρωγμές. Σε τέτοια περίπτωση, ο δίσκος μπορεί να σπάσει, γεγονός που μπορεί να προκαλέσει σοβαρό σωματικό τραυματισμό.
- g. Βεβαιωθείτε πριν τη χρήση πως ο δίσκος είναι σωστά τοποθετημένος και σφιγμένος, έπειτα λειτουργήστε το εργαλείο σας στο κενό για 30 δευτερόλεπτα προσανατολίζοντάς το έτσι ώστε να μην παρουσιάζει κανέναν κίνδυνο. Σταματήστε αμέσως το εργαλείο σας αν δονείται υπερβολικά ή αν παρατηρήσετε άλλα προβλήματα. Στην περίπτωση αυτή, ελέγξτε το εργαλείο σας για να προσδιορίσετε την αιτία του προβλήματος.
- h. Μην χρησιμοποιείτε δακτυλίδια οδηγού ή αποστάτες για να μειώσετε την κυλινδρική στή ή κάποιου δίσκου με μεγάλη κυλινδρική στή.
- i. Ελέγξτε πως το προς επεξεργασία αντικείμενο συγκρατείται σωστά.
- j. Βεβαιωθείτε πως οι δημιουργούμενες από τη χρήση του εργαλείου στίβες δεν προκαλούν

επικίνδυνες καταστάσεις, παραδείγματος χάρι πως δεν εκτοξεύονται προς άτομα ή εύφλεκτες ουσίες.

- k. Φροντίστε να φοράτε πάντα προστατευτικά γυαλιά και ωασπίδες.
- l. Αν χρειάζεται, χρησιμοποιήστε και άλλους προστατευτικούς εξοπλισμούς, όπως γάντια, ποδιά ή κράνος.
- m. Μην ακουμπάτε ποτέ το εργαλείο σας στο έδαφος ή σε άλλες επιφάνειες όταν βρίσκεται σε λειτουργία. Προσοχή, ο δίσκος περιστρέφεται με τη δύναμη της αδράνειας μετά τη στάση του εργαλείου. Δεν πρέπει ποτέ ούτε να αγγίζετε το δίσκο, ούτε να τον ακουμπάτε στο έδαφος ή σε άλλες επιφάνειες όταν περιστρέφεται.
- n. Η φλάντζα του δίσκου και η εξωτερική φλάντζα πρέπει να έχουν την ίδια εξωτερική διάμετρο.
- o. Μην χρησιμοποιείτε το εργαλείο σας για εφαρμογές για τις οποίες δεν προορίζεται. Μην χρησιμοποιείτε ποτέ ψυκτικό υγρό ή νερό. Μην χρησιμοποιείτε το εργαλείο σας σαν σταθερό εργαλείο.
- p. Όταν χρησιμοποιείτε το εργαλείο σας, κρατάτε το γερά με τα δύο χέρια.

ΠΣΥΜΒΟΛΟ



Προειδοποίηση ασφάλειας

V

Βλτ

Hz

ερτζ

~

Εναλλασσμεν ρεύμα

W

Βατ

n₀

Ταύτητα στ κεν

n

Βαθμονομημένη ταχύτητα

min⁻¹

Αριθμ στρών ή κινήσεων ανά λεπτ



Συμμόρφωση CE



Διπλη μωνωση



Φοράτε προστατευτικά αυτιών



Φοράτε προστατευτικά ματιών



Παρακαλούμε διαβάστε τις οδηγίες προσεκτικά πριν ξεκινήσετε το μηχάνημα.

ΕΛΛΗΝΙΚΑ



Τα ηλεκτρικά προϊόντα προς απόρριψη δεν θα πρέπει να απορρίπτονται μαζί με τα οικιακά απόβλητα. Παρακαλούμε ανακυκλώστε όπου υπάρχουν οι αντίστοιχες εγκαταστάσεις. Μιλήστε με τις τοπικές αρχές ή τον πωλητή για να σας ενημερώσουν σχετικά με τα προγράμματα ανακύκλωσης.



Ανακυκλώνετε τις πρώτες ύλες αντί να τις πετάτε στον κάδο οικιακών απορριμμάτων. Για την προστασία του περιβάλλοντος, πρέπει να γίνεται η διαλογή του εργαλείου, των εξαρτημάτων και των συσκευασιών του.

ΠΡΟΔΙΑΓΡΑΦΕΣ

Δίσκος ξακρίσματος	230 mm (9 in)
Συχνότητα	50 Hz
Τάση	230 V - 240 V ~
Είσοδος ρεύματος	2000 W
Σπείρωμα του άξονα	M14
Βαθ μ ο ν ο μ η μέ ν η ταχύτητα	6000 min ⁻¹
Συνολικό μήκος	470 mm
Καθαρό βάρος	6.0 kg

ΣΗΜΕΙΩΣΗ: Ελέγξτε την πλάκα προδιαγραφών του προϊόντος διότι η τάση μπορεί να είναι διαφορετική ανάλογα με το μέρος στο οποίο πρέπει να χρησιμοποιηθεί το προϊόν.

Μέγιστη περιφερειακή ταχύτητα του δίσκου: 4,800 m/min.

Παράδειγμα υπολογισμού

$$3.14 \times 230 \times 6,000/1,000 = 4.333,2$$

$$3.14 \times 180 \times 6,000/1,000 = 3.391,2$$

Περιφερειακή ταχύτητα του δίσκου 4,333.2/3,391.2

Διάμετρος δίσκου 230/180

Ταχύτητα στο κενό του γωνιακού τροχού 6.000

ΣΤΑΝΤΑΡ ΕΞΑΡΤΗΜΑΤΑ

Βοηθητική λαβή

Σε ορισμένες χώρες μαζί με τα εξαρτήματα παρέχεται ένας δίσκος ξακρίσματος.

ΛΕΙΤΟΥΡΓΙΑ

Βλ. Σχήμα 4.

⚠ ΠΡΟΕΙΔΟΠΟΙΗΣΗ

Τα προστατευτικά καρτερ πρέπει πάντα να βρίσκονται στη θέση τους. Φροντίστε να μην σκεπάζετε τις οπές αερισμού για να επιτραπεί η σωστή ψύξη του κινητήρα.

Για μια αποτελεσματική εργασία είναι σημαντικό να ελέγχετε καλά την πίεση που ασκείται στο εργαλείο καθώς και στην επιφάνεια επαφής μεταξύ του δίσκου και του προς επεξεργασία αντικείμενου. Για να τροχίσετε επίπεδες επιφάνειες, ο γωνιακός τροχός πρέπει να σχηματίζει μυτερή γωνία, συνήθως μεταξύ 10° και 20°, με το προς επεξεργασία αντικείμενο. Αφήστε χρόνο στο δίσκο ώστε να φτάσει στη μέγιστη ταχύτητά του πριν αρχίσετε το τρόχισμα. Μια υπερβολικά μεγάλη γωνία θα προκαλέσει συγκέντρωση της πίεσης σε μικρή επιφάνεια γεγονός που μπορεί να σκάψει ή να κάψει την επιφάνεια εργασίας.

ΔΙΑΚΟΠΤΗΣ

Βλ. Σχήμα 2.

- Για να ενεργοποιήσετε τη μονάδα, πιέστε προς τα εμπρός το κλειδίωμα ασφαλείας και στη συνέχεια πιέστε τον διακόπτη on/off.
- Για να απενεργοποιήσετε τη μονάδα, απελευθερώστε τον διακόπτη on/off.

ΠΡΟΣΑΡΜΟΓΗ ΘΕΣΗΣ ΠΕΡΙΣΤΡΕΦΟΜΕΝΗΣ ΛΑΒΗΣ

Βλ. Σχήμα 3.

1. Απενεργοποιήστε το εργαλείο.
2. Κρατήστε πατημένο το κουμπί κλειδώματος λαβής και γυρίστε την περιστρεφόμενη λαβή στην επιθυμητή θέση μέχρι να κλειδώσει σε αυτήν.

⚠ ΠΡΟΕΙΔΟΠΟΙΗΣΗ

Μην ρυθμίζετε την περιστρεφόμενη λαβή ενώ χρησιμοποιείτε το εργαλείο.

ΒΟΗΘΗΤΙΚΗ ΛΑΒΗ ΤΡΙΩΝ ΘΕΣΕΩΝ

Βλ. Σχήμα 5.

Με ειδικό σχεδιασμό και γωνία τριών θέσεων για μέγιστη άνεση και έλεγχο.

ΤΟΠΟΘΕΤΗΣΗΣ ΤΟΥ ΔΙΣΚΟΥ ΞΑΚΡΙΣΜΑΤΟΣ

Βλ. Σχήμα 4 - 6.

Ελληνικά

⚠ ΠΡΟΕΙΔΟΠΟΙΗΣΗ

Ελέγξτε προσεκτικά πως ο δίσκος δεν παρουσιάζει ραγίσματα. Αντικαθιστάτε αμέσως τους φθαρμένους δίσκους.

- Τοποθετήστε τη φλάντζα, το δίσκο ξακρίσματος και την εξωτερική φλάντζα επάνω στον άξονα μετάδοσης της κίνησης.
- Βεβαιωθείτε ότι φλάντζα δίσκου είναι καλά στερεωμένη στον άξονα της ατράκτου.
- Πιέστε το διακόπτη ασφάλισης του άξονα που βρίσκεται στη δεξιά πλευρά του κάρτερ του κινητήρα.
- Σφίξτε την εξωτερική φλάντζα με τη φορά των δεικτών του ρολογιού με το παρεχόμενο κλειδί.

ΠΡΟΣΤΑΤΕΥΤΙΚΟ ΚΑΡΤΕΡ

Βλ. Σχήμα 7 - 8.

Ανοίξτε το μοχλό ασφάλισης του προστατευτικού κάρτερ και τοποθετήστε το προστατευτικό κάρτερ στην επιθυμητή θέση. Η μέγιστη γωνία στροφής είναι 90° σε κάθε πλευρά, διαφορετικά το προστατευτικό δεν κλειδώνει.

ΦΩΤΕΙΝΗ ΕΝΔΕΙΞΗ ΘΕΣΗΣ ΥΠΟ ΤΑΣΗ

Ο γωνιακός τροχός σας είναι εξοπλισμένος με μια φωτεινή ένδειξη θέσης υπό τάση η οποία ανάβει μόλις το εργαλείο συνδεθεί. Η ένδειξη αυτή εφιστά την προσοχή σας στο γεγονός ότι ο τροχός βρίσκεται υπό τάση και θα τεθεί σε λειτουργία μόλις θα σπρώξετε το διακόπτη προς τα μπροστά.

ΣΥΝΤΗΡΗΣΗ

Μετά τη χρήση, βεβαιωθείτε πως το εργαλείο σας βρίσκεται σε καλή κατάσταση λειτουργίας.

Συνιστάται να φέρνετε το εργαλείο σας τουλάχιστον μια φορά το χρόνο σε κάποιο εξουσιοδοτημένο Κέντρο Τεχνικής Εξυπηρέτησης Ryobi για πλήρη λίπανση και καθαρίσμα.

⚠ ΠΡΟΕΙΔΟΠΟΙΗΣΗ

Μην πραγματοποιείτε καμία ρύθμιση όταν ο κινητήρας βρίσκεται σε λειτουργία.

Αποσυνδέετε πάντα το γωνιακό τροχο πριν αντικαταστήσετε κάποιο εξαρτήμα (αδαμαντοδίσκος, δίσκος ξακρίσματος, κλπ), λιπανετε το εργαλείο και πριν απο οποιαδήποτε ενεργεια συντηρησης.

⚠ ΠΡΟΕΙΔΟΠΟΙΗΣΗ

Για μεγαλύτερη ασφάλεια και αξιοπιστία, όλες οι επιδιορθώσεις πρέπει να πραγματοποιούνται από εγκεκριμένο Κέντρο Τεχνικής Εξυπηρέτησης Ryobi.

Türkçe

AÇIKLAMA

1. Temizleme taşı
2. Korunma karteri
3. Döner kol
4. Kulpun sürgüsünü çekme düğmesi
5. Açma-kapama düğmesi
6. Kilitlet yayının sürgüsünü açma cihazı
7. Kapak
8. Dış kapak
9. Çalıştırma mili
10. Servis anahtarı
11. Mil kilitleme düğmesi
12. Koruma karteri kilitleme kolu
13. Akım verme gösterge lambası
14. Yardımcı tutamak

TAŞLAMA İŞLEMLERİ İÇİN ÖZEL GÜVENLİK UYARILARI

- a. **Bu alet, taşlama makinesi, pomza taşı ile perdelama makinesi. Bu aletle birlikte verilen tüm uyarı, talimat ve özellikleri dikkatlice okuyunuz ve resimli açıklamalara bakınız.** Aşağıda belirtilen talimatlara uyulmaması, yangın, elektrik çarpması ve/veya ciddi bedensel yaralanmalar gibi kazalar sebep olabilir.
- b. **Bu talimata uyulmaması kazalara ve ciddi bedensel yaralanmalara sebep olabilir.**
- c. **Bu alet için özel olarak tasarlanmış olmayan ve üretici tarafından önerilmeyen aksesuarları kullanmayın.** Bir aksesuar bir alet üzerine takılabilebile, bu, cihazı güvenlik içerisinde kullanabileceğiniz anlamına gelmemektedir.
- d. **Aksesuarın nominal hızının, alet üzerinde belirtilen azami hıza eşit veya üzerinde olması gerekmektedir.** Nominal hızlarından daha yüksek bir hızda çalışan aksesuarlar kırışabilir veya fırlayabilir.
- e. **Aksesuarın dış çapı ve kalınlığının, cihaz için belirtilen özelliklere tekabül etmesi gerekmektedir.** Eğer aksesuarlar verilen özelliklere uymuyor ise, aletin koruma ve ayarlama sistemleri doğru olarak çalışmazlar.
- f. **Taşlama diskleri, fleñçler, patenler ve diğer aksesuarların, aletin mil çapına kursuz bir şekilde uymalıdır.** Takılmaları gereken mil üzerine uymayan aksesuarlar doğru olarak dönmeyiz, aşırı şekilde titreşirler ve cihazın kontrolünün kaybedilmesine sebep olurlar.
- g. **Hasar görmüş bir aksesuarı kullanmayın. Her kullanımdan önce, kullandığınız aksesuarın iyi durumda olmasını kontrol edin: aşındırıcı disklerin çizilmiş veya çatlama olmasına,**

patenlerin yırtılmış veya yıpranmış olmamasına, metalik fırçaların kıllarının çok yıpranmış veya kırılmış olmamasında emin olun. Aletin veya aksesuarın düşmesi durumunda, hiçbir unsurun hasar görmemiş olmasını kontrol edin ve gerekirse yeni bir aksesuar takın. Aksesuarın iyi durumda olmasını kontrol ettikten ve aksesuarı taktıktan sonra, hareketli aksesuardan uzak durun ve bir dakika boyunca aletin azami hızına erişmesini bekleyin. Eğer aksesuar hasar görmüş ise, bu test esnasında kırılacaktır.

- h. **Kişisel koruyucu donanımlar kullanın. Aletinizi kullandığınız şekle göre, bir koruma maskesi, güvenli gözlükleri veya koruma gözlükleri takın. Gerekirse, toz önleyici bir maske, sese karşı koruyucular, eldivenler ve her türlü yabancı madde (aşındırıcı unsurlar, ağaç talaşı, vs.) sıçramasına karşı kendinizi korumak için bir koruma tablası kullanın.** Koruma gözlükleri, sıçrayan parçaların gözlerinizi yaralamamasını sağlar. Toz önleyici maskeler, yaptığınız işlemin ürettiği partiküllerin filtrelenmesini sağlar. Uzun süre çok yoğun bir gürültüye maruz kalınması, duyma kaybına sebep olabilir.
- i. **Ziyaretçileri çalışma alanına uzak bir mesafede tutun ve bir koruma ekipmanı takmalarına dikkat edin. Herkes Çalışma alanınıza giren kişisel koruyucu donanımlar giymek gerekir.** Üretilecek parçanın veya kırılmış bir aksesuarın kalıntılarını çalışma alanının dışına fırlatabilir ve ciddi bedensel yaralanmalara sebep olabilir.
- j. **Elektrik kablolarını gizleyen bir yüzey üzerinde çalıştığınızda veya yapılan çalışmanın elektrik kablosunu aletin yürümesine getirmeye elverişli olduğunda cihazı sadece yalıtımlı ve kaymaz kısımlardan tutun.** Elektrik yükü kablolarla temas halinde, akımı metal kısımlara iletilir ve bir elektrik çarpmasına sebep olabilir.
- k. **Elektrik kablosunu, dönen aksesuardan uzak bir mesafeye yerleştirin.** Eğer aletinizin kontrolünü kaybederseniz, elektrik kablosu kesilebilir veya sıkışabilir ve eliniz veya kolunuz dönen aksesuara doğru itilebilir.
- l. **Aksesuar tamamen durmadan aleti asla bırakmayın.** Dönen aksesuar, konulduğu yere temas edebilir ve sizin aletin kontrolünü kaybetmenize sebep olabilir.
- m. **Taşırken aletinizi çalıştırmayın.** Dönen aksesuar kıyafetleriniz kapabilir ve sizi ciddi bir şekilde yaralayabilir.
- n. **Aletin havalandırma boşluklarını düzenli olarak temizleyin.** Motorun havalandırılması, motor karteri içerisine toz girmesine sebep

Türkçe

olur ve bu da metalik partiküllerin aşırı şekilde toplanmasına elektrik çarpmalarına sebep olabilir.

- o. **Aletinizi yanıcı unsurların yanında kullanmayın.** Kivılcıklar bunların tutuşmasına sebep olabilir.
- p. **Soğutma sıvıları gerektiren aksesuarlar kullanmayın.** Su veya soğutma sıvısının kullanılması, elektrik çarpmasına veya buna bağlı ölümlere sebep olabilir.
- q. **Sadece elektrikli aletiniz için tavsiye edilen dişli türlerini ve seçilen dişli için tasarlanmış özel korumayı kullanınız.** Elektrikli alet için tasarlanmamış olan dişlilerde yeterli seviyede koruma sağlanamaz ve kullanılması güvenli değildir.
- r. **Koruma, elektrikli alete güvenli bir şekilde bağlanmalı ve maksimum güvenlik sağlayacak şekilde konumlandırılmalıdır, böylece operatör dişliye minimum miktarda maruz kalır.** Koruma, operatörü kırılan dişli parçalarından ve dişliyle kazayla temas etmekten korumaya yardımcı olur.
- s. **Dişliler sadece tavsiye edilen uygulamalar için kullanılmalıdır.** Örneğin, kesme dişlilerinin yanlarıyla taşlama yapmayın. Aşındırıcı kesici dişliler çevresel taşlama için tasarlanmıştır, bu dişlilere uygulanan yanal kuvvetler parçalanmalarına neden olabilir.
- t. **Seçtiğiniz dişliniz için her zaman doğru boyutta ve şekilde zarar görmemiş dişli flanşları kullanın.** Uygun dişli flanşları dişliyi destekleyerek dişli kırılması olasılığını azaltırlar. Kesme dişlileri için flanşlar taşlama dişli flanşlarından farklı olabilir.
- u. **Daha büyük elektrikli aletlerin aşındırılmış dişlilerini kullanmayın.** Daha büyük elektrikli aletler için tasarlanan dişliler daha küçük bir aletin daha yüksek hıza uygun değildir ve patlayabilir.

GERİ TEPME VE İLGİLİ UYARILAR

Sıçrama, taşlama makinesi hareket halinde iken, paten, fırça veya diğer aksesuarlar delerken veya keserken gerçekleşen ani bir tepkidir ve sonucunda aksesuar hızla bloke edilir. Alet, çalışmaya devam eder, bu durumda aleti aksesuarın kullanıldığı yönün aksi yönüne doğru sıçratır.

Örneğin, aşındırıcı bir disk üretilecek ürün üzerinde delim veya kesim yapıyor, diskin kesicisinin üretilen parçanın yüzeyine batması riski bulunmaktadır, bu da diskin üretilen parça üzerinden ani bir şekilde çıkmasına sebep olacaktır ve diskin bloke olduğu andaki dönüş yönüne göre diski kullanıcıya doğru veya uzağına doğru fırlatacaktır. Tekerekte ya doğru ya da uzağına operatörünüzden, tekerlek hareketi yönüne pinching noktasında bağlı atlama olabilir. Sıçrama olması durumunda, aşındırıcı disk ayrıca kırılabilir de.

Dolayısıyla sıçrama, aletin yanlış olarak kullanılmasının

ve/veya hatalı kullanım yöntem ve koşullarının sonucunda oluşur. Birkaç tedbire uyarak bu önlenebilir:

- a. **Aleti sıkıca tutun ve vücudunuzu ve kolunuzu, olası bir sıçramayı kontrol edebilecek şekilde yerleştirin.** Eğer aletin yardımcı bir kolu varsa, sıçrama veya aletin çalıştırıldığı anda reaksiyon momenti olması durumunda aleti daha iyi kontrol edebilmek için her zaman bu yardımcı kolu tutun. Sıçrama veya reaksiyon momenti olması durumunda aletinizi kontrol edebilmek için gerekli tedbirleri alın.
- b. **Sıçrama anında meydana gelebilecek her türlü bedensel yaralanmayı önlemek için - Elinizi asla dönen aksesuarın yakınına koymayın** Elinizi yere Aksesuar olabilir komisyon.
- c. **Sıçrama halinde aletini fırlatılma riskinin durumunda, alet, diskin dönme yönünün aksi istikametine fırlatılır.**
- d. **Özellikle köşelerde, keskin kenarlarda, vs çalışırken dikkatli olun.** Aksesuarı kaydırmamaya veya sıkıştırmamaya özen gösterin. Aksesuarı kaydırmamaya veya sıkıştırmamaya özen gösterin. köşelerde veya keskin kenarlarda çalışırken veya aleti kaydırırken, aksesuarın bloke olma riski ve dolayısıyla aletin kontrolünü kaybetme ve bir sıçramaya sebep olma riski daha fazladır.
- e. **Bu alet ile asla ağaç kesme bıçağını veya testere bıçağını kullanmayın.** Bu tür bıçaklar sıçrama ve aletin kontrolünü kaybetme riskini artırmaktadır.

TAŞLAMA İŞLEMLERİ İÇİN İLAVE GÜVENLİK UYARILARI

- a. Temizleme taşı üzerinde belirtilen hızın aletin nominal hızına eşit veya ondan yüksek olup olmadığını kontrol ediniz.
- b. Temizleme taşının çapının aletle uyumlu olup olmadığını ve temizleme taşının mil üzerine doğru şekilde oturup oturmadığından emin olunuz.
- c. Temizleme taşları kuru bir yerde muhafaza edilmelidir.
- d. Bileği taşlarının üzerine hiçbir eşya koymayınız.
- e. Taşlar taşlama işlemleri dışındaki işler için kullanılmamalıdır.
- f. Taşları kullanmadan önce, aşınmış veya çatlakmış olmasına dikkat ediniz. Böyle bir durum söz konusuysa, taş çatalyabilir ve bu da önemli fiziki yaralanmalara yol açabilir.
- g. Kullanmadan önce, taşın düzgün şekilde monte edildiğinden ve sıkıldığından emin olunuz, daha sonra aleti hiçbir tehlike oluşturmayacak şekilde çevirerek yaklaşık 30 saniye boyunca boşta

Türkçe

- çeviriniz. Aşırı derecede titreşimler varsa veya başka sorunlar görüyorsanız aletinizi derhal durdurunuz. Bu olasılığa karşı, problemin nedenini belirlemek için aletinizi kontrol ediniz.
- h. Taşların büyük iç perdahını küçültmek için küçültme halkaları veya tespit burçları kullanmayınız.
- i. Üzerinde çalışılacak parçanın düzgün şekilde tutulduğundan emin olunuz.
- j. Aletin kullanımından doğan kıvılcımların insan veya yanıcı madde üzerine sıçramaları gibi tehlikeli durum oluşturmadığından emin olunuz.
- k. Her zaman koruma gözlükleri takmaya ve kulaklarınızı sese karşı korumaya özen gösteriniz.
- l. Gerekliyse, eldiven, önlük veya kask gibi başka koruyucular kullanın.
- m. Çalışma durumundayken, aletinizi yere veya başka yüzeyler üzerine bırakmayınız. Dikkat, taş alet durduktan sonra da biraz döner. Döndüğü sırada, taşa asla dokunmamalısınız veya başka zeminler üzerine bırakmamalısınız.
- n. Taşın kapağı ve dış kapak aynı dış çapa sahip olmalıdır.
- o. Aletinizi sadece yapım amacına uygun işlemlerde kullanınız. Asla soğutma suyu veya su kullanmayınız. Aletinizi sabit bir alet gibi kullanmayınız.
- p. Aletinizi kullandığınızda, iki elinizle sıkıca tutunuz.



Makineyi çalıştırmadan talimatları dikkatlice okuyun.



Atık elektrikli ürünler evsel atıklarla birlikte atılmamalıdır. Tesis bulunuyorsa lütfen geri dönüşüme verin. Geri dönüşümle ilgili tavsiye için Yerel Makamlarla veya bayi ile irtibat kurun.



Ham maddeleri ev çöpleri ile birlikte atmak yerine geri dönüştürün. Çevreyi korumak için, alet, aksesuarlar ve ambalajlar tasnif edilmelidir.

ÖZELLİKLER

Temizleme taşı	230 mm (9 in)
Frekans	50 Hz
Gerilim	230 V - 240 V ~
Giriş	2000 W
Mil dişleri	M14
Nominal hız	6000 min ⁻¹
Toplam uzunluk	470 mm
Net ağırlık	6.0 kg

NOT: Aletin kullanılacağı yere göre gerilim değişebileceğinden, aletin üzerinde yer alan bilgi plakasını kontrol ediniz.

Taşın maksimum çevresel hızı: 4,800 m/min.

Hesaplama örneği

$$3.14 \times 230 \times 6,000/1,000 = 4.333,2$$

$$3.14 \times 180 \times 6,000/1,000 = 3.391,2$$

$$\text{Taşın çevresel hızı} = 4,333.2/3,391.2$$

$$\text{Taşın çapı} = 230/180$$

$$\text{Taşlama makinesi boşta hız} = 6,000$$

STANDART AKSESUARLAR

Yardımcı tutamak

Bazı ülkelerde bir temizleme taşı aksesuarlarla birlikte verilmektedir.

SEMBOL



Güvenlik Uyarısı

V Volt

Hz Hertz

~ Alternatif akım

W Watt

n₀ Bota hız

n Nominal hız

min⁻¹ Saniyede devir veya hareket sayısı



CE Uygunluğu



Çift yalıtım



Koruyucu kulaklık kullanın



Koruyucu gözlük kullanın

Türkçe

ÇALIŞTIRMA

Şekle bakınız 4.

⚠ UYARI

Koruma karterleri her zaman yerine takımlıdır. Motorun doğru şekilde soğumasını sağlamak için havalandırma fanlarının üstünü örtmeyin.

Daha etkili bir çalışma için, alet üzerine ve temizleme taşı ve çalışılacak parça arasındaki temas yüzeyinde uygulanan basıncı kontrol etmek önemlidir. Düz yüzeyleri taşlamak için, taşlama makinesi genelde üzerinde çalışılacak parçayla 10° ve 20° olan dar bir açı oluşturmaktadır. Taş işleme işlemine başlamadan önce taşlama makinesine maksimum hızına ulaşma zamanı tanıyınız. Çok büyük bir açı küçük bir yüzeyde basınç konsantrasyonuna neden olmaktadır ve bu da üzerinde çalışılan yüzeyin aşınmasına veya yanmasına neden olabilir.

AKIM ANAHTARI

Şekle bakınız 2.

- Cihazı açmak için emniyet kilidini ileri doğru bastırın ve ardından açma/kapama düğmesine basın.
- Cihazı kapatmak için açma/kapama düğmesini bırakın.

DÖNER KOL KONUMUNU AYARLAMA

Şekle bakınız 3.

1. Aleti kapatın.
2. Kol kilidi düğmesine basın ve basılı tutun, ardından döner kolu istenen konuma getirerek yerine oturana kadar çevirin.

⚠ UYARI

Alet çalışır durumdayken döner kolu ayarlamayın.

ÜÇ KONUMLU YARDIMCI TUTAMAK

Şekle bakınız 5.

En iyi konfor ve kullanım kolaylığı için özel olarak üç konumlu açıcı da tasarlanmıştır.

BİLEĞİTAŞI TEMİZLEYİCİSİNİN MONTAJI

Şekle bakınız 4 - 6.

⚠ UYARI

Taş üzerinde çatlama olmadığına dikkat ediniz. Çatlamış olan tüm taşları hemen değiştiriniz.

- Barutluğu, bileğitaşı temizleyicisini ve dış barutluğu güç eksninin üzerine monte edin.
- Disk flanşının mile doğru olarak oturduğundan emin olun.
- Motor karterinin sağ tarafında yer alan mil kilitleme düğmesine basınız.
- Verilmiş olan servis anahtarını yardımıyla dış kapağı saat yönüne çeviriniz.

KORUNMA KARTERİ

Şekle bakınız 7 - 8.

Koruma karterinin kilitleme kolunu açın ve daha sonra koruma karterini istenilen konuma getiriniz. Maksimum dönme açısı her iki tarafta da 90°dir, yoksa korumalık yerine oturmaz.

AKIM VERME GÖSTERGE LAMBASI

Açı taşlama makineniz, alet beslemeye takılı olduğunda yanan akım verme gösterge lambasıyla donatılmıştır. Bu gösterge lambası, taşlama makinesinin besleme altında olduğundan ve akım anahtarını öne doğru çekeceğinizde çalışacağı konusuna dikkatinizi çekmektedir.

BAKIM

Kullanımdan sonra, aletinizin doğru çalıştığından emin olun.

Yağlama ve komple temizleme için aletinizi yılda bir kere Ryobi Yetkili Servis Merkezine getirmeniz önerilir.

⚠ UYARI

Motor çalıştığında hiçbir ayarlama gerçekleştirmeyin.

Bir parça değiştirmeden önce, aleti yağlamadan önce ve tüm bakım işlemlerinden önce temizleme taşlama makinesinin beslemesini kesiniz (elmas disk, temizleme disk, vs).

⚠ UYARI

Daha fazla güvenlik için, tüm onarımlar Ryobi Yetkili Servis Merkezinde gerçekleştirilmelidir.



- (GB) Conformance to technical regulations
- (FR) Conformité aux normes techniques
- (DE) Konformität mit technischen Vorschriften
- (ES) Conformidad con las normativas técnicas
- (IT) Conforme a norme tecniche
- (NL) Overeenstemming met technische reglementen
- (PT) Conformidade com as normas técnicas
- (DK) CE Overensstemmelse
- (SE) Bär Överensstämmelse med de tekniska reglerna.
- (FI) Teknisten sääntösten noudattaminen
- (NO) Samsvarer med tekniske forskrifter
- (RU) Соответствие техническому регламенту
- (PL) Zgodność z normami technicznymi
- (CZ) Podléhá technickým nařízením
- (HU) Megfelelőség a műszaki előírásoknak
- (RO) Conformitate cu reglementările tehnice
- (LV) Atbilstība tehniskiem noteikumiem
- (LT) Techninių reikalavimų atitikimas
- (EE) Enne seadme kasutamist lugege palun kasutusjuhend hoolega läbi.
- (HR) Sukladno tehničkim propisima
- (SI) Skladnost s tehničnimi predpisi
- (SK) Pred zapnutím zariadenia si prosím prečítajte inštrukcie
- (GR) Συμμόρφωση με τεχνικούς κανονισμούς
- (TR) Teknik yönetmeliklere uyum

GB WARRANTY - STATEMENT

All Ryobi products are guaranteed against manufacturing defects and defective parts for a period of twenty four (24) months from the date stated on the original invoice drawn up by the retailer and given to the end user.

Deterioration caused by normal wear and tear, unauthorised or improper use or maintenance, or overload are excluded from this guarantee as are accessories such as battery packs, light bulbs, blades, fittings, bags, etc. In the event of malfunction during the warranty period, please take the **NON-DISMANTLED** product, along with the proof of purchase, to your retailer or nearest Authorised Ryobi Service Centre.

This warranty in no way affects your legal rights concerning defective products.

FR GARANTIE - CONDITIONS

Ce produit Ryobi est garanti contre les vices de fabrication et les pièces défectueuses pour une durée de vingt-quatre (24) mois, à compter de la date faisant foi sur l'original de la facture établie par le revendeur à l'utilisateur final.

Les détériorations provoquées par l'usure normale, par une utilisation ou un entretien anormal ou non autorisé, ou par une surcharge sont exclues de la présente garantie de même que les accessoires tels que batteries, ampoules, lames, embouts, sacs, etc.

En cas de mauvais fonctionnement au cours de la période de garantie, veuillez envoyer le produit **NON DÉMONTÉ** avec la preuve d'achat à votre fournisseur ou au Centre Service Agréé Ryobi le plus proche de chez vous.

Vos droits légaux se rapportant aux produits défectueux ne sont pas remis en cause par la présente garantie.

DE GARANTIE - BEDINGUNGEN

Für alle Ryobi-Produkte gilt eine Garantie gegen Material- und Verarbeitungsfehler für einen Zeitraum von vierundzwanzig (24) Monaten ab dem Datum der vom Wiederverkäufer für den Endbenutzer ausgestellten Originalrechnung.

Fehler, die auf Grund einer normalen Abnutzung, einer unberechtigten oder falschen Wartung oder Handhabung oder durch eine Überbelastung auftreten, sind von der Garantie ausgeschlossen. Dies gilt auch für Zubehörteile wie Batterien, Glühlampen, Sägeblätter, Ansatzstücke, Beutel usw.

Senden Sie das Produkt im Fall eines Defekts innerhalb des Garantiezeitraumes in **NICHT ZERLEGTEM** Zustand zusammen mit dem Kaufnachweis an Ihren Händler oder Ihr nächstes Ryobi-Kundendienstzentrum zurück.

Diese Garantie hat keine Auswirkungen auf Ihre gesetzlichen Rechte in Bezug auf fehlerhafte Produkte.

ES GARANTÍA - CONDICIONES

Este producto Ryobi está garantizado contra los defectos de fabricación y las piezas defectuosas por un periodo de veinticuatro (24) meses, a partir de la fecha que figura en el original de la factura establecida por el distribuidor al usuario final.

Se excluyen de la presente garantía los deterioros provocados por un desgaste normal, una utilización o mantenimiento incorrecto o no autorizado, y una sobrecarga, así como los diversos accesorios: baterías, bombillas, hojas, puntas, bolsas, etc.

En caso de funcionamiento incorrecto durante el periodo de la garantía, envíe el producto **SIN DESMONTAR** con la prueba de compra a su proveedor o al Centro de Servicio Acreditado Ryobi más cercano a su domicilio.

Los derechos legales relacionados con los productos defectuosos no son cuestionados por la presente garantía.

IT GARANZIA - CONDIZIONI

Questo prodotto Ryobi è garantito contro tutti i difetti di fabbricazione e pezzi difettosi per una durata di ventiquattro (24) mesi, a partire dalla data indicata sull'originale della fattura compilata dal rivenditore e consegnata all'utente finale.

Il deterioramento provocato dall'usura normale, da un utilizzo o una manutenzione non conformi o non autorizzati, o da un sovraccarico, è escluso dalla presente garanzia. La garanzia è esclusa anche per gli accessori come batterie, lampadine, lame, punte, borse, ecc.

In caso di malfunzionamento nel corso del periodo di garanzia, riportare il prodotto **NON SMONTATO** corredato della prova d'acquisto al fornitore o al più vicino Centro di Assistenza Autorizzato Ryobi.

I diritti legali relativi ai prodotti difettosi non sono rimessi in causa dalla presente garanzia.

NL GARANTIEVOORWAARDEN

Dit Ryobi product is gewaarborgd tegen fabricagefouten en defecte onderdelen gedurende een periode van vierentwintig (24) maanden, te rekenen vanaf de officiële datum op het origineel van de door de wederverkoper aan de eindgebruiker uitgeschreven rekening.

Beschadigingen veroorzaakt door normale slijtage, door abnormaal of ongeoorloofd gebruik of onderhoud, of door overbelasting vallen niet onder deze garantie, evenmin als accu's, lampen, bits, snijbladen, zakken enz.

In geval van slechte werking tijdens de garantieperiode, wordt u verzocht het **NIET GEDEMONTEERDE** product samen met de koopbon aan uw leverancier of aan het dichtstbijzijnde Ryobi servicecentrum te sturen.

Deze garantie doet niet af aan uw wettelijke rechten met betrekking tot defecte producten.

PT GARANTIA - CONDIÇÕES

Este produto Ryobi está garantido contra os vícios de fabrico e as peças defeituosas por um prazo de vinte e quatro (24) meses, a contar da data que faz fé no original da factura emitida pelo vendedor ao utilizador final.

As deteriorações provocadas pelo desgaste normal, por uma utilização ou uma manutenção anormal ou não autorizada, ou por uma sobrecarga ficam excluídas da presente garantia assim como os acessórios tais como baterias, lâmpadas, lâminas, ponteiras, sacos, etc.

No caso de mau funcionamento durante o período de garantia, queira enviar o produto **NÃO DESMONTADO** com a prova de compra ao seu fornecedor ou ao Centro de Serviço Autorizado Ryobi mais próximo.

Os seus direitos legais relativos aos produtos defeituosos não são prejudicados pela presente garantia.

DK GARANTI - REKLAMATIONSRET

Der er reklameretsret på dette Ryobi produkt for fabriktionsfejl og defekte dele i fireogtyve (24) måneder fra gyldighedsdatoen på originalfakturaen udstedt af forhandleren til slutbrugeren.

Skader opstået på grund af almindeligt slid, unormal eller ikke tilladt anvendelse, forkert vedligeholdelse eller overbelastning er ikke dækket af denne reklameretsret, det samme gælder tilbehør som batterier, pærer, klinger, indsatsler, poser osv.

I tilfælde af driftsfejl i garantiperioden skal produktet afleveres **IKKE DEMONTERET** med købebevis til forhandleren eller nærmeste autoriserede Ryobi serviceværksted.

De lovbestemte rettigheder i forbindelse med defekte produkter forringes ikke af denne reklameretsret.

SE GARANTI - VILLKOR

Ryobi garanterar denna produkt mot fabriktionsfel och defekta delar under tjugofyra (24) månader, räknat från det datum som anges på originalfakturan fastställt av återförsäljaren och överlämnad till slutanvändaren.

Denna garanti täcker inte skador som förorsakas av normalt slitage, av normal eller oömlåten användning eller skötsel, eller av överbelastning. Den täcker inte heller tillbehör som batterier, glödlampor, blad, ändstycken, påsar, osv.

I händelse av felaktig funktion medan garantin är i kraft skall produkten sändas **UTAN ATT DEMONTERAS** tillsammans med inköpsbeviset till leverantören eller till närmaste servicecenter som auktoriserats av Ryobi.

De rättigheter som lagen ger i förhållande till defekta produkter ifrågasätts inte av denna garanti.

FI TAKUUEHDOT

Tällä Ryobi-tuotteella on valmistusvial tai vialliset osat kattava vuoden (24 kk) takuu alkuperäiseen ostokäyttöön tai laskuun merkittävistä ostopäivästä lähtien.

Takuu ei kata normaalia kulumisesta, epänormaalia tai kiellettyä käytöstä tai ylikuormituksesta aiheutuneita vahinkoja eikä lisävarusteita kuten akkuja, polttimoita, teriä, pusseja jne.

Mikäli takuaikaan ilmaantuu toimintahäiriöitä, vie **PURKAMATON** tuote ostotodistuksineen myyjäliikkeeseen tai lähimpään Ryobi-keskushuoltoon.

Tämä takuu ei vaikuta viallisia tuotteita koskeviin lakiperusteisiin oikeuksiin.

NO GARANTI - VILKÅR

Dette Ryobi produktet er garantert mot fabriksjonsfeil og defekte deler i tjuogefire (24) månader fra datoen som står på fakturaen utstedt av forhandleren til sluttbrukeren.

Garantien bortfaller dersom skadene er forårsaket av normal slitasje, unormal eller uautorisert bruk, eller overbelastning, og gjelder ikke tilbehør som batterier, lyspærer, blad, bits, poser, osv.

I tilfelle funksjonsfeil under garantiperioden, skal produktet leveres i **UDEMENTERT** tilstand sammen med kjøpsbeviset til forhandler eller til nærmeste autoriserte Ryobi servicesenter.

Dine lovmessige rettigheter med hensyn til defekte produkter er ikke påvirket av denne garantien.

RU ГАРАНТИЯ - УСЛОВИЯ

Настоящая продукция RYOBI гарантирована от дефектов производства и дефектов изделий на 2 года со дня официального оформления покупки, указанного на оригинале счета, выписанного продавцом покупателю.

Повреждения, полученные в результате обычного износа, ненормального или запрещенного использования или обслуживания, а также перегрузкой, — не покрываются настоящей гарантией, также как и аксессуары, такие как батареи, лампочки, цокли, патроны, мешки и т.д.

В случае поломки или неисправности в гарантийный период отнесите продукцию **НЕРАЗОБРАННОЙ** с подтверждением покупки Вашему продавцу или в ближайший Центр Технического Обслуживания Ryobi.

Настоящая гарантия не влияет на Ваши законные права, по отношению к дефектной продукции.

PL WARUNKI GWARANCJI

Na niniejszy produkt Ryobi udzielona jest dwuletnia gwarancja na ukryte wady fabryczne oraz na zdeformowane części. Okres gwarancji dwudziestu czterech (24) miesięcy, zaczyna się od wiążącej daty widniejącej na oryginalne faktury wystawionej przez sprzedawcę dla ostatecznego nabywcy.

Gwarancja ta nie obejmuje zniszczenia wynikającego z normalnego zużycia, czy też uszkodzeń spowodowanych nadmierną eksploatacją, lub niewłaściwą konserwacją, czy nieodpowiednim użytkowaniem niezgodnym z przeznaczeniem. Wyłączone są z niej również akcesoria tj. akumulatory, żarówki, ostrza, końcówki, worki, itd.

W wypadku stwierdzenia złego funkcjonowania podczas okresu gwarancyjnego, prosimy o skierowanie **NIE ZDEMENTOWANEGO** produktu, wraz z dowodem zakupu do zdemontażu i zwrotu dostawcy lub do najbliższego Autoryzowanego Punktu Serwisowego Ryobi.

Niniejsza gwarancja nie podważa przysługujących Państwu uprawnień dotyczących wadliwych produktów.

CZ ZÁRUKA - ZÁRUČNÍ PODMÍNKY

Na tento výrobek značky Ryobi se poskytuje záruka po dobu 24 (dvaceti čtyř) měsíců od data uvedeného na faktúře nebo pokladním bloku, který koncový uživatel obdržel v prodejní při nákupu výrobku. Záruka se vztahuje na výrobní vady a vadné díly.

Záruka se nevztahuje na poškození výrobku způsobené jeho běžným opotřebením, nesprávným nebo neschváleným použitím, nesprávnou údržbou nebo přetížením. Záruční podmínky se nevztahují na příslušenství, jako akumulátory, žárovky, pilové listy, nástavce, vaky apod.

V případě provozních problémů u výrobku v záruce kontaktujte nejbližší autorizovanou servisní opravnu výrobků Ryobi. K opravě je nutné předložit **NEDEMENTOVANÝ** výrobek spolu s fakturou nebo pokladním blokem.

Tato záruka nevylučuje případná další Vaše spotřebitelská práva týkající se výrobních závdav, v souladu s platnými legislativními předpisy.

HU GARANCIA FELTÉTELEI

Ezt a Ryobi termékét hasznosság (24) hónapig garantáljuk a gyártáshibák, valamint a készülékben található alkatrészek miatt jelentkező meghibásodás ellen. A garancia az eladó által, a vásárló számára készített, eredeti adás-vétel szerződésen feltüntetett dátumtól érvényes.

A normális igénybevételből fakadó elhasználódás, a nem rendeltetésnek megfelelő használat vagy karbantartási művelet miatt fellépő, túlterhelés által okozott meghibásodásra nem terjed ki a garancia. A tartozékokra, mint például az akkumulátorra, izózkára, fűrészfejekre, tászkára, stb., a garancia szintén nem vonatkozik.

A garancia periódus alatt fellépő meghibásodás esetén, juttassa el **NEM SZÉTSZERELT ÁLLAPOTBAN** a Ryobi terméket a vásárlást és annak dátumát igazoló dokumentum kíséretében az eladóhoz vagy az Önökhöz legközelebbi Ryobi Szerviz Központba.

A jelen garancia nem zárja ki a fogyasztási eszközökre vonatkozó jogszabályok által elrendelteteket.

RO GARANȚIE - CONDIȚII

Acest produs Ryobi este garantat în cazul viciilor de fabricație și pieselor cu defecte pentru o durată de douăzecișipatru (24) de luni, începând cu data facturii originale emisă de către comerciantul utilizatorului final.

Deteriorările provocate prin uzură normală, printr-o utilizare sau întreținere anormală sau neautorizată, sau prin fortarea utilajului sunt excluse din prezenta garanție acestea aplicându-se și accesoriilor ca baterii, becuri, lame, capete, saci, etc.

În caz de funcționare defectuoasă în perioada de garanție, vă rugăm să trimiteți produsul **NEDEMENTAT** împreună cu factura de cumpărare furnizorului dumneavoastră sau la Centrul Service Acreditat Ryobi cel mai apropiat de dumneavoastră. Drepturile dumneavoastră legale privind produsele defectuoase nu sunt alterate prin prezenta garanție.

LV GARANTIJAS PAZIŅOJUMS

Šī produkta izejmateriālu un ražošanas defektus divdesmit četrus (24) mēnešus sedz garantija, kas stājas spēkā no rēķina vai piegādes dokumenta izrakstīšanas datuma.

Normālas nolietošanas, nepilnvarotas/nepareizas apkopes/apiešanās vai pāršļodzes radītos defektus garantija nesedz; garantija neattiecas arī uz akumulatoriem, spuldzēm, asmeņiem, kalliem utt.

Ja garantijas perioda laikā radusies kļūme, atgrieziet **NEIZJAUKTU** produktu ar iegādāties apstiprināšanos dokumentiem savam dēlīrīm vai tuvākāji Ryobi servisa centā.

Garantija neskar ar likumu noteiktās tiesības attiecībā uz defektiem produktiem.

LT GARANTINIS PAREIŠKIMAS

Garantuojame, kad šiame prietaise 24 mėnesius, pradedant nuo pirmojo pirkimo ar pristatymo datos, nurodytos ant kvito, nebus medžiagų ir gamybos defektų.

Defektai dėl įprasto naudojimo ir nusidėvėjimo, netinkamo ir neleistino naudojimo ir priežiūros ar perkrovų į garantijos apimtį neįeina. Taip pat garantija neteikiama tokiems priedams kaip baterijos, lempučių, antgaliai ir pan.

Gedimo atveju garantiniui laikotarpiu **NEIŠARDYTA** prietaisą su pirkimo datos įrodymu grąžinkite pardavėjui arba į artimiausią „Ryobi“ techninio aptarnavimo centrą.

Jūsų statutinės teisės gedimų turinčių produktų atžvilgiu garantijos nėra apribojamos.

EE GARANTIAVALDUS

Ryobi garanteerib, et tootel ei ilmne materjalidefekte ega töötlemisvigu kahekümnne nelja (24) kuu jooksul alates originaalarve või saatelehe väljaandmise kuupäevast.

Defektid, mis on põhjustatud loomulikust kulumisest, volitamata ja vääraast hooldamisest või käsitsemisest või ülekoormamisest, ei ole käesoleva garantiikohustusega kaetud. Garantii ei laiene akudele, pirnidele, lõiketeradele, otsakutele ja muudele tarvikutele.

Kui garantiperioodi ajal ilmneb rike, siis palun tuua toode LAHTIMONTEERIMATA KUJUL koos ostudokumentidega oma edasimüüjale või Ryobi hooldusettevõttesse.

Teie seadusjärgsed õigused rikkis toote suhtes jäävad garantii poolt mõjustamata.

HR UVJETI GARANCIJE

Ovaj Ryobi proizvod je pod garancijom za sve nedostatke unutar dvadeset i četiri (24) mjeseca od datuma koji se nalazi na originalnom računu koji je prodavač izdao krajnjem korisniku.

Oštećenja uzrokovana normalnom uporabom, neprikladnim ili nedozvoljenim korištenjem ili održavanjem ili pak prevelikim opterećenjem nisu uključena u ovu garanciju, kao ni dodaci poput baterija, žarulja, noževa, vrhova, torbi itd.

U slučaju da tijekom garancijskog razdoblja alat radi neispravno, proizvod koji **NISTE RASTAVLJALI** zajedno s dokazom o kupnji pošaljite vašem dobavljaču ili održavanjem ili Ovlaštenom Ryobi servisu. Vaša prava koja se odnose na neispravne proizvode ovom se garancijom ne dovode u pitanje.

SI GARANCIJSKA IZJAVA

Vsi izdelki znamke Ryobi imajo garancijo za napake v izdelavi in neustrezne sestavne dele za obdobje 24-ih mesecev od datuma, ki je naveden na originalnem računu, ki ga je prodajalec izdal končnemu uporabniku. Staranje, ki ga povzroča običajna raba in obraba izdelka, njegova neopoblaščenja ali neustrezna uporaba ali vzdrževanje, ali preobremenitev, je izvzeto iz te garancije. Enako velja tudi za dodatno opremo kot so baterijski vložki, žarnice, rezila, pribor, vrečke, ipd.

Če pride v garancijskem roku do napake v delovanju izdelka, vas prosimo, da ga **NERAZSTAVLJENEGA**, skupaj z dokazilom o nakupu, odnesete vašemu prodajalcu ali v najbližji Ryobi servisni center. Ta garancija nikakor ne vpliva na vaše pravice, ki vam jih v zvezi z neustreznimi izdelki daje zakon.

SK ZÁRUKA –PREHLÁSENIE

Tento produkt prichádza so zárukou na chyby v materiáli a spracovaní v dĺžke 24 mesiacov od dátumu kúpy, alebo dodania.

Chyby spôsobené normálnym opotrebovaním, nedovolenou / nesprávnou údržbou / narábaním, alebo pretlačením, sú z tejto záruky vylúčené podobne ako prislušenstvo ako batérie/ články, čepele a hrotov atď.

V prípade poruchy v období záruky, prineste prosím **NEROZOBRAŇÝ** s dokladom o kúpe vášmu predajcovi, alebo do najbližšieho servisného centra Ryobi.

Vaše zákonné práva ohľadom poškodeného výrobku nie sú ovplyvnené touto zárukou.

GR ΟΡΟΙ ΕΓΓΥΗΣΗ

Αυτό το προϊόν Ryobi φέρει εγγύηση κατά των κατασκευαστικών ελαττωμάτων και των ελαττωματικών τμημάτων για μια διάρκεια εικοσιτεσσάρων (24) μηνών, από την ημερομηνία που αναφέρεται στο πρωτότυπο του τιμολογίου που καταρτίστηκε από τον μεταπωλητή για τον τελικό χρήστη.

Οι φυσιολογικές φθορές ή εκείνες που θα προκληθούν από μη φυσιολογική ή μη επιτηρητή χρήση ή συντήρηση, ή από υπερφόρτιση δεν καλύπτονται από την παρούσα εγγύηση καθώς και τα εξαρτήματα όπως μπαταρίες, λάμπες, μύτες, σακούλες κλπ.

Σε περίπτωση κακής λειτουργίας κατά την περίοδο εγγύησης, παρακαλείσθε να απευθύνετε το προϊόν ΧΩΡΙΣ ΝΑ ΤΟ ΑΝΟΙΞΕΤΕ, με την απόδειξη αγοράς, στον προμηθευτή σας ή στο κοντινότερο Κέντρο Τεχνικής Εξυπηρέτησης Ryobi.

Τα νόμιμα δικαιώματά σας που αφορούν στα ελαττωματικά προϊόντα δεν αμφισβητούνται από την παρούσα εγγύηση.

TR GARANTİ - ŞARTLAR

Bu Ryobi ürünü, üretim hatalarına ve kusurlu parçalara karşı satıcı tarafından sunu kullancınıza verilmiş olan orijinal fatura tarihinden itibaren yirmi dört (24) ay boyunca garantilidir.

Normal kullanım sonucunda yıpranmalar, anormal ya da izin verilmeyen kullanım ya da bakım, ya da aşırı yüklenme ve ayrıca bataryalar, ampuller, bıçaklar, rakorlar, torbalar gibi aksesuarlar sözkonusu garantinin dışındadır. Garanti önemli süresinde meydana gelen bir arıza durumunda, ürünü **SÖKMEĐEN** satınalma belgesi ile yetkili satıcınıza ya da size en yakın Ryobi Yetkili Servis Merkezine gönderiniz. Bu garanti, defolu mallara ilişkin yasal haklarınızı hiçbir şekilde etkilemez.

(GB) WARNING

The vibration emission level given in this information sheet has been measured in accordance with a standardised test given in EN 60745 and may be used to compare one tool with another. It may be used for a preliminary assessment of exposure. The declared vibration emission level represents the main applications of the tool. However if the tool is used for different applications, with different accessories or poorly maintained, the vibration emission may differ. This may significantly increase the exposure level over the total working period.

An estimation of the level of exposure to vibration should also take into account the times when the tool is switched off or when it is running but not actually doing the job. This may significantly reduce the exposure level over the total working period. Identify additional safety measures to protect the operator from the effects of vibration such as: maintain the tool and the accessories, keep the hands warm, organisation of work patterns.

(FR) AVERTISSEMENT

Le niveau d'émission des vibrations indiqué dans cette feuille d'information a été mesuré en concordance avec un test normalisé fourni par EN60745 et peut être utilisé pour comparer un outil à un autre. Il peut être utilisé pour une évaluation préliminaire de l'exposition. Le niveau déclaré d'émission des vibrations s'applique à l'utilisation principale de l'outil. Toutefois, si l'outil est utilisé pour des applications différentes, avec des accessoires différents, ou mal entretenu, l'émission de vibrations peut être différente. Le niveau d'exposition peut en être augmenté de façon significative tout au long de la période de travail.

Une estimation du niveau d'exposition aux vibrations doit aussi prendre en compte les périodes où l'outil est arrêté ainsi que les périodes où il fonctionne sans vraiment travailler. Le niveau d'exposition pendant la durée totale du travail peut en être réduit de façon significative. Prenez en considération les mesures additionnelles de sécurité à prendre pour protéger l'opérateur des effets des vibrations telles que: maintien de l'outil et de ses accessoires, maintien des mains au chaud, organisation du travail.

(DE) WARNUNG

Der in diesem Informationsblatt genannte Schwingungspegel wurde entsprechend dem standardisierten Test von EN60745 gemessen und kann benutzt werden um das Werkzeug mit anderen zu vergleichen. Er kann benutzt werden, um eine vorausgehende Einschätzung der Exposition durchzuführen. Der genannte Schwingungspegel repräsentiert den Haupteinsatzbereich des Werkzeugs. Jedoch kann das Werkzeug für verschiedene Einsatzbereiche benutzt werden. Mit unterschiedlichen Zusatzgeräten oder bei schlechter Wartung kann der Schwingungspegel unterschiedlich sein. Dadurch kann die Expositionshöhe über die gesamte Arbeitszeit signifikant erhöht werden.

Eine Einschätzung der Exposition zu Schwingungen sollte auch die Zeiten wenn das Werkzeug ausgeschaltet ist, oder wenn es angeschaltet aber nicht in Betrieb ist, in Betracht ziehen. Dadurch kann die Expositionshöhe über die gesamte Arbeitszeit signifikant reduziert werden. Identifizieren Sie zusätzliche Sicherheitsmaßnahmen um die Bedienungsperson vor den Effekten der Schwingungen zu schützen, wie zum Beispiel: Das Werkzeug und Zusatzgeräte warten, Hände warmhalten und Organisation der Arbeitszeiten.

(ES) ADVERTENCIA

El nivel de emisión de las vibraciones que figura en esta hoja de información se ha medido según una prueba estandarizada que figura en EN60745 y puede ser utilizado para comparar una herramienta con otra. Puede ser utilizado para una evaluación preliminar de la exposición. El nivel de emisión de las vibraciones declarado representa las principales aplicaciones de la herramienta. No obstante, si la herramienta se utiliza para diferentes aplicaciones, con diferentes accesorios o no recibe el mantenimiento adecuado, la emisión de las vibraciones puede ser diferente. Esto puede aumentar significativamente el nivel de exposición durante el periodo de trabajo total.

Una estimación del nivel de exposición a la vibración también debe tener en cuenta el tiempo en el que la herramienta está desconectada o cuando está conectada pero no está realizando ningún trabajo. Esto puede reducir significativamente el nivel de exposición durante el periodo de trabajo total. Identificar las medidas de seguridad adicionales para proteger al operador de los efectos de las vibraciones, tales como: mantenimiento de la herramienta y de los accesorios, y la organización de los patrones de trabajo.

(IT) AVVERTENZE

Il livello di vibrazioni indicato in questo foglio informativo è stato misurato seguendo un test svolto secondo i requisiti indicati dallo standard EN60745 e potrà essere utilizzato per paragonare un utensile con un altro. Potrà essere utilizzato per una valutazione preliminare dell'esposizione a vibrazioni. Il livello dichiarato di emissioni di vibrazioni viene indicato tenendo conto delle applicazioni principali dell'utensile. Comunque se l'utensile viene utilizzato per applicazioni diverse con accessori diversi o non viene correttamente conservato, il livello delle vibrazioni potrà variare. Ciò potrà significativamente aumentare il livello di esposizione alle vibrazioni durante il periodo di lavoro totale.

Una valutazione del livello di esposizione alle vibrazioni dovrà inoltre prendere in considerazione i tempi in cui l'utensile viene spento o è acceso ma non viene utilizzato. Ciò potrà significativamente ridurre il livello di esposizione in un periodo totale di funzionamento. Ulteriori misure di sicurezza per proteggere l'operatore dagli effetti delle vibrazioni come: conservare correttamente l'utensile e i suoi accessori, tenere le mani calde e organizzare i tempi di lavoro.

(NL) WAARSCHUWING

Het trillingsemissieniveau dat op dit informatieblad wordt gegeven, is gemeten in overeenstemming met een gestandaardiseerde test, vastgelegd in EN60745 en mag worden gebruikt om machines met elkaar te vergelijken. Het verklaarde trillingsemissieniveau geeft de hoofdtoepassing van het gereedschap weer. Als de machine echter voor andere toepassingen of met andere accessoires wordt gebruikt of slecht wordt onderhouden, kan de trillingsemissie verschillen. Dit kan de blootstelling gedurende de gehele werkduur aanzienlijk verhogen.

Bij een schatting van het niveau van blootstelling aan trillingen moet ook rekening worden gehouden met het aantal keren dat de machine wordt uitgeschakeld of draait, maar niet wordt gebruikt. Dit kan het niveau van blootstelling gedurende de gehele werkduur aanzienlijk verlagen. Stel bijkomende veiligheidsmaatregelen op om de gebruiker tegen de gevolgen van trillingen te beschermen: zoals onderhoud het gereedschap en de accessoires, houd de handen warm, de organisatie van werkpatronen.

(PT) AVISO

O nível de emissão de vibrações fornecido nesta folha de informações foi medido em conformidade com o teste uniformizado descrito em EN60745 e pode ser usado para comparar uma ferramenta com outra. Este pode ser usado para uma avaliação preliminar da exposição. O nível de emissão de vibração declarado refere-se à aplicação principal da ferramenta. Contudo, se a ferramenta for usada para aplicações diferentes, com acessórios diferentes ou não for devidamente mantida, a emissão de vibrações pode diferir. Isto pode fazer aumentar significativamente o nível de exposição ao longo do período de trabalho total.

Uma estimativa do nível de exposição às vibrações deve ter, também, em consideração o tempo durante o qual a ferramenta está desligada ou em que está ligada mas não está a realizar qualquer trabalho. Isto pode reduzir significativamente o nível de exposição durante o período total de trabalho. Identifique medidas adicionais de segurança que protejam o operário dos efeitos da vibração como a manutenção da ferramenta e dos acessórios, a manutenção das mãos quentes e a organização de padrões de trabalho.

(DK) ADVARSEL

Det angivne niveau for vibrationsemission på denne oplysningside er blevet målt iht. en standardtest ifølge EN60745 og kan bruges til at sammenligne værktøjer indbyrdes. Det kan bruges til en foreløbig eksponeringsvurdering. Det opgivne niveau for vibrationsemission gælder, når værktøjet bruges til sit hovedformål. Men hvis værktøjet bruges til andre formål, med forskelligt eller med dårligt vedligeholdt ekstraudstyr, kan vibrationsemissionen variere. Dette kan medføre en betragtelig stigning i eksponeringsniveauet set over hele arbejdsperioden.

Et skøn over niveauet for vibrationseksponering bør også tage højde for de perioder, hvor værktøjet er slukket, eller hvor det er tændt uden faktisk at være i brug. Dette kan medføre en betragtelig reduktion i eksponeringsniveauet set over hele arbejdsperioden. Træf ekstra sikkerhedsforanstaltninger til beskyttelse af operatøren mod virkningerne fra vibrationen som fx: vedligeholdte værktøj og ekstraudstyr, hold de hænderne varme, organiser arbejdsmonstre.

SE**VARNING**

Vibrationsnivåerna som uppges i det här dokumentet har uppmått i enlighet med ett standardiserat test som beskrivs i EN60745 och som kan användas för att jämföra verktyg. Det kan användas som en preliminär bedömning av den vibration som användaren utsätts för. De deklarerade vibrationsvärdena motsvarar de som uppstår när verktyget används i sitt huvudsyfte. Om verktyget används i andra syften, med andra tillbehör eller om verktyget är dåligt underhållet kan vibrationsnivåerna vara annorlunda. Det kan kraftigt öka vibrationsnivåerna över den totala arbetsperioden.

En uppskattning av vibrationsnivåerna som användaren utsätts för ska också ta hänsyn till de stunder då verktyget är avstängt och när det går på tomgång. Detta kan kraftigt minska vibrationsnivåerna över den totala arbetsperioden. Andra säkerhetsåtgärder som kan skydda användaren från effekterna av vibrationer är: underhållning av verktyget och tillbehören, hålla händerna varma och organisera arbetsstället.

FI**VAROITUS**

Tämän tiedotteen tärinätoa on mitattu EN60745-standardien mukaisilla testeillä, ja niitä voidaan käyttää verrattaessa laitteita toiseen. Sitä voidaan käyttää arvioitaessa tärinävaikutusta. Ilmoitettu tärinäto vastaa laitteen pääasiallista käyttötarkeitusta. Jos laitteita kuitenkin käytetään muuhun tarkoitukseen, muilla lisälaitteilla tai huonosti huollettuina, tärinäto saattaa poiketa ilmoitetusta arvosta. Tämä voi kasvatata kokonaisaltistumista huomattavasti koko työpäivän kuluessa.

Tärinän altistumistasoa arvioituaan tulee huomioida ajoittain, jolloin laite on sammutettu tai kun se on käynnissä, mutta sitä ei käytetä varsinaiseen työskentelyyn. Tämä voi vähentää kokonaisaltistumista huomattavasti koko työpäivän kuluessa. Käytä muitakin suojauskeinoja turvatakseesi käyttäjän tärinävaikutukselta, kuten: huolla laite ja lisälaitteet, pidä kätesi lämpiminä, organisoi työsi kulkua.

NO**ADVARSEL**

Nivået på vibrasjonsutslettet som oppgis på dette informasjonsarket er målt i henhold til en standardisert test gitt i EN60745 og kan brukes til å sammenligne ett verktøy med et annet. Det kan brukes til en foreløpig vurdering av eksponering. Det erklærte nivået på vibrasjonsutslipp representerer hovedanvendelsen for verktøyet. Dersom verktøyet brukes for andre anvendelser, med forskjellig tilbehør eller med dårlig vedlikehold, vil vibrasjonsutslippet kunne være annerledes. Det kan gi en betydelig økning av eksponeringsnivået over den totale arbeidsperioden.

En beregning av nivået for eksponering til vibrasjoner må også ta hensyn til den tiden verktøyet er slått av eller er i gang men ikke i faktisk bruk for å utføre den tiltenkte oppgaven. Dette kan gi en betydelig økning av eksponeringsnivået over den totale arbeidsperioden. Identifiser ytterligere sikkerhetstiltak for å beskytte den som bruker verktøyet fra virkningen av vibrasjoner, tiltak som: Vedlikehold verktøyet og tilbehøret, hold hendene varme, organiser arbeidsmetodene.

RU**ОСТОРОЖНО!**

Уровень вибрации, приведенный в данном справочном листе, измерен согласно стандартизованным испытаниям, определенным в EN60745 и может использоваться для сравнения различных инструментов. Значение уровня может использоваться для предварительной оценки влияния вибрации. Заявленный уровень вибрации действителен для основного применения инструмента. Однако, если инструмент используется для других целей, с другими приспособлениями, или плохо обслуживается, уровень вибрации может отличаться от указанного. Это может значительно увеличить величину воздействия за общее время работы.

При оценке уровня воздействия вибрации следует также принять во внимание время простоя и холостой ход (когда инструмент выключен и когда включен, но работа не производится). Эти факторы могут значительно уменьшить величину воздействия вибрации за общее время работы. Определите дополнительные меры безопасности, защищающие работающего от влияния вибрации: техническое обслуживание инструмента и принадлежностей, недопущение охлаждения рук, соответствующие приемы и распорядок работы.

PL**OSTRZEŻENIE**

Deklarowany poziom drgań został zmierzony za pomocą standardowej metody pomiaru określonej normą EN60745 i jego wyniki mogą służyć do porównywania tego urządzenia z innymi. Deklarowana wartość drgań może służyć do wstępnej oceny narażenia operatora na drgania. Deklarowany poziom drgań dotyczy podstawowych zastosowań urządzenia. Jednak w przypadku użycia urządzenia do innych zastosowań, z innymi przystawkami lub w przypadku niewłaściwego stanu technicznego urządzenia poziom drgań może odbiegać od deklarowanego. Może być to przyczyną zwiększenia stopnia narażenia operatora na drgania w całym okresie wykonywania pracy.

Podczas oceny narażenia na drgania należy również uwzględnić czas wyłączenia urządzenia oraz czas, w którym urządzenie jest włączone, jednak praca nie jest wykonywana. Czasy te mogą znacznie zmniejszyć stopień narażenia operatora na drgania w całym okresie wykonywania pracy. Należy określić dodatkowe środki ochrony operatora przed skutkami drgań, przykładowo: dbać o stan techniczny urządzenia i przystawek, dbać o zachowanie ciepłoty dłoni, odpowiednio zorganizować harmonogram wykonywania prac.

CZ**VAROVÁNÍ**

Hodnota vibračních emisí uvedená v tomto informačním listu byla naměřena standardizovaným testem podle EN60745 a ji použít k porovnání s hodnotami jiných nástrojů. Může se používat k předběžnému odhadu vystavování vibracím. Uznávaná hodnota vibračních emisí reprezentuje hlavní použité nástroje. Nicméně pokud se nástroj používá pro jiné použití, s různými doplňky nebo se nedostatečně neudržuje, mohou se vibrační emise lišit. Toto může výrazně zvýšit úroveň vystavení nad celkové pracovní období.

Ohad úroveň vystavení vibracím by měl vzít taktéž v potaz čas, kdy je chvění vypnuté, nebo když přístroj běží, ale nevykonává práci. Toto může výrazně snížit úroveň vystavení nad celkové pracovní období. Určete doplňující bezpečnostní opatření pro ochranu obsluhy před různými vibracemi, například: Udržujte nástroj a doplňky, udržujte ruce v teple, organizujte pracovní schéma.

HU**FIGYELMEZTETÉS**

A vibrációkibocsátás adatlapon megadott értéke az EN60745 által meghatározott szabványosított mérési eljárás szerint lett megmértve, amely lehetővé teszi a különböző szerzők közötti összehasonlítást. Használható a kitetséggel előzetes felmérésére is. A nyilatkozatban szereplő kibocsátási érték a szerzők főbb alkalmazási területeire vonatkozik. Ugyanakkor, ha a szerzőmát más alkalmazásokra, más kiegészítőkkel használják vagy rosszul tartják karban, a vibrációkibocsátás értéke ettől eltérő is lehet. Ez jelentősen növelheti a kitetség szintjét a gép teljes használati időtartama során.

A vibrációnak való kitetséggel szintjének becslésekor figyelembe kell venni azokat az időintervallumokat is, amikor a szerzőmát ki van kapcsolva, vagy működik, de nem végeznek munkát vele. Ez jelentősen csökkentheti a kitetséggel szintjét a gép teljes használati időtartama során. Tegyén további óvintézkedéseket a kezelő vibrációval szembeni megvédése érdekében: tartsa karban a szerzőmát és a tartozékokat, tartsa melegén a kezét, tervezzék meg a munkafolyamatot.

RO**AVERTISMENT**

Nivelul emisiilor de vibrații prezentat în cadrul acestei fișe cu furnizat și fost măsurat în conformitate cu un test standardizat furnizat în EN60745 și poate fi folosit la a compara o unealtă cu o alta. Poate fi folosit la o evaluare preliminară a expunerii. Nivelul declarat al emisiilor de vibrații reprezintă aplicațiile principale ale unelei. Cu toate acestea, în cazul în care uneala este utilizată pentru aplicații diferite, cu accesorii diferite sau întreținute necorespunzător, emisiile de vibrații pot diferi. Acestea pot crește semnificativ nivelul de expunere pe întreaga perioadă de lucru.

O estimare a nivelului de expunere la vibrații trebuie, de asemenea, să țină cont de tălile în care uneala este oprită sau de tălile în care aceasta funcționează fără a efectua propriu-zis sarcina de lucru. Acestea pot reduce semnificativ nivelul de expunere pe întreaga perioadă de lucru. Identificați măsuri de siguranță suplimentare pentru a proteja operatorul de efectele vibrațiilor, precum: întreținerea unelei și a accesoriilor, păstrarea mâinilor calde, organizarea de metode de lucru.

LV

BRĪDĪNĀJUMS

Šajā datu lapā dotā vibrāciju emisijas vērtība ir mērta saskaņā ar standartizēto testu, kas dots EN60745 un kuru var izmantot, lai salīdzinātu vienu instrumentu ar citu. To var izmantot aptuvenam ekspozīcijas novērtējumam. Deklarētais vibrāciju emisijas līmenis atbilst galvenajiem instrumenta pielietojumiem. Tomēr, ja instrumentu lieto citiem pielietojumiem, ar citiem piederumiem vai tas tiek slēgti apkopts, vibrāciju emisijas vērtība var atšķirties. Tas var ievērojami palielināt ekspozīcijas līmeni visā darbības periodā.

Vibrāciju ekspozīcijas līmeņa novērtējumam jāņem vērā laiks, kad instrumenti ir izslēgti vai ir ieslēgti, bet nevis nekādu darbu. Tas var ievērojami samazināt ekspozīcijas līmeni visā darbības periodā. Identificējiet papildu drošības pasākumus, lai atzārgātu operatoru no vibrāciju iedarbības, piemēram, veicot instrumenta un piederumu apkopi, turiet rokas siltas un pielāgojiet darba grafiku.

LT

ISPĒJĪMAS

Šīmae lape nurodytas vibracijos emisijos lygis buvo išmatuotas pagal standartinį testą, aprašytą EN60745, ir gali būti naudojamas vieno įrankio su kitu palyginimui. Jis gali būti naudojamas preliminariam pavojaus įvertinimui. Deklaruotas vibracijos emisijos lygis priskiriamas pagrindinėms įrankio taikymo srityms. Tačiau, jei įrankis naudojamas kitems tikslams, su kitokiais priedais ar įrankis prastai prižiūrimas, vibracijos emisija gali skirtis. Per visą darbo laikotarpį tai gali žymiai padidinti vibracijos keliamą pavojų.

Nustatant vibracijos keliamą pavojų taip pat būtina atsižvelgti į tai, kiek kartų įrankis yra išjungtas ar kai jis veikia, bet juo iš tikrųjų nedirbama. Per visą darbo laikotarpį tai gali žymiai sumažinti vibracijos keliamą pavojų. Naudokite papildomas apsaugas priemonės dirbančiam asmeniui apsaugoti nuo vibracijos poveikio, pvz.: prižiūrėti įrankį ir jo priedus, rankas laikyti šiltai, organizuoti darbo sesijas.

EE

HOIATUS

Sellei infolehel esitatud vibratsioonitaseme väärtus on mõõdetud standardis EN60745 kirjeldatud katsemeetodiga ja seda võib kasutada tööriistade omavaheliseks võrdlemiseks. Seda võib kasutada vibratsioonimõju eelhindamiseks. Deklareeritud vibratsioonitaseme väärtus kehtib tööriista tavakasutamisel. Kui aga kasutate tööriista muudeks kasutusotstarveteks, eriotstarbeliste tarvikutega või kui tööriist on puudulikult hooldatud, siis võib vibratsiooniväärtus erineda. Sellistel juhtudel võib tööperioodi summaarne vibratsioonitaseme suurendada märgatavalt.

Vibratsiooniväärtuse taset tuleb arvesse võtta ka sel ajal, kui tööriist on välja lülitatud või kui tööriist tööle, kuid ei tee tööoperatsiooni. Sellistel juhtudel võib tööperioodi ajal summaarne vibratsioonitaseme väheneda märgatavalt. Määrake kindlaks täiendavad ohutusmeetmed, et kaitsta operaatrit vibratsioonimõjude eest – tööriistade ja tarvikute hooldamine, kätte soojas hoidmine ja töövahetuste organiseerimine.

HR

UPOZORENJE

Razina vrijednosti vibracija data u ovoj tablici s informacijama mjerenja je sukladno normiranom testu pruzenom u EN60745 i može se koristiti za usporedbu jednog alata s drugim. Može se koristiti u početnom usklađivanju izloženosti. Objavljena razina vrijednosti vibracija predstavlja glavnu primjenu alata. Međutim, ako se alat koristi za druge primjene, s različitim dodatnim priborom ili je slabo održavan, vrijednost vibracija može se razlikovati. Ovo može značajno povećati razinu izloženosti tijekom ukupnog radnog razdoblja.

U procjeni razine izloženosti na vibraciju također treba uzeti u obzir vrijeme kada je alat isključen ili kada je pokrenut no ne i stvarno vrijeme rada. Ovo može značajno smanjiti razinu izloženosti tijekom ukupnog radnog razdoblja. Odredite dodatne sigurnosne mjere za zaštitu operatera od učinaka vibracije poput: održavanje alata i pribora, održavanje toplih ruku, organizacija obrabazca za rad.

SI

OPOZORILO

Nivo emisij vibracij, naveden v tem informacijskem listu, je bil izmerjen v skladu s standardiziranimi testom, ki je podan v EN60745, podatek pa se lahko uporablja za primerjavo enega orodja z drugim. Uporablja se ga lahko za predhodno oceno izpostavitvenosti. Navedeni nivo emisij vibracij predstavlja glavne uporabe orodja. Vendar, če se orodje uporablja v druge namene in z različnimi nastavki oz. če je orodje slabo vzdrževano, se lahko emisije vibracij razlikujejo. To lahko občutno poveča nivo izpostavitvenosti v skupnem delovnem času.

Ocena nivoja izpostavitvenosti vibracijam bi morala prav tako upoštevati, koliko krat je orodje bilo izključeno ali je v delovanju in pravzaprav ne opravlja svojega dela. To lahko občutno zmanjša nivo izpostavitvenosti v skupnem delovnem času. Upoštevajte dodatne varnostne ukrepe, da bi upravljavca zaščitili pred vplivom vibracij, kot je: vzdržujte orodje in nastavke, pazite, da so roke tople, organizirajte delovne vzorce.

SK

VAROVANIE

Uroveň emisie vibrácií, uvedená v tomto informačnom hárku bola nameraná v súlade so štandardizovaným testom, daný normou EN60745 a môže sa použiť na porovnanie jedného nástroja s druhým. Môže sa použiť na predbežné určenie miery vystavenia sa vibráciám. Uvedená úroveň emisie vibrácií predstavuje hlavné aplikácie nástroja. Avšak keď sa nástroj používa na iné aplikácie, s rôznym príslušenstvom alebo má zvláštne údržbu, úroveň vibrácií sa môže líšiť. Týmto sa môže výrazne zvýšiť úroveň vystavenia sa vibráciám počas celkového času práce.

Odhad úroveň vystavenia sa vibráciám by sa mal brať tiež do úvahy, vždy, keď sa nástroj vypne, alebo potom, keď beží ale v skutočnosti sa nevykonáva práca. Týmto sa môže výrazne znížiť úroveň vystavenia sa vibráciám počas celkového času práce. Nasledovné doplnujúce bezpečnostné opatrenia pomôhajú chrániť operátora od účinkov vibrácií: údržba nástroja a príslušenstva, udržiavanie teplých držiadiel, organizácia práce.

GR

ΠΡΟΕΙΔΟΠΟΙΗΣΗ

Τα επίπεδα ηχηρωτικών κραδασμών που παρέχονται στο παρόν ενημερωτικό φυλλάδιο, έχουν μετρηθεί βάσει τυποποιημένης δοκιμής που προβλέπεται στο EN60745 και μπορούν να συγκριθούν για τη σύγκριση του εργαλείου με άλλα. Μπορούν επίσης να χρησιμοποιηθούν για προκαταρκτική αξιολόγηση της έκθεσης. Τα δηλωμένα επίπεδα εκπομπών κραδασμών αφορούν τις βασικές εφαρμογές του εργαλείου. Ωστόσο, αν το εργαλείο χρησιμοποιείται για διαφορετικές εφαρμογές, με διαφορετικά εξαρτήματα ή με κακή συντήρηση, η εκπομπή κραδασμών μπορεί να διαφέρει. Αυτό μπορεί να αυξήσει σημαντικά το επίπεδο έκθεσης στη συνολική περίοδο εργασίας.

Η εκτίμηση των επιπέδων έκθεσης σε κραδασμούς θα πρέπει επίσης να λαμβάνει υπόψη την χρονική περιόδους κατά τις οποίες το εργαλείο είναι απενεργοποιημένο ή λειτουργεί χωρίς να χρησιμοποιείται σε συγκεκριμένη εργασία. Αυτό μπορεί να μειώσει σημαντικά το επίπεδο έκθεσης στη συνολική περίοδο εργασίας. Εφαρμοστέ επιπρόσθετα μέτρα ασφαλείας για την προστασία του χειριστή από τις επιπτώσεις των κραδασμών, όπως τα εξής: συντηρήστε το εργαλείο και τα εξαρτήματα, διατηρήστε τα χέρια ζεστά, οργανώστε μοτίβα εργασίας.

TR

UYARI

Bu bilgi sayfasında verilen titreşim emisyon seviyesi, EN60745 standardında belirtilen standartlaştırılmış bir teste uygun olarak ölçülmüş ve bir aletle diğerleriyle karşılaştırılmak için kullanılabilir. Ancak kalma tespit için kullanılabilir. Beyan edilen titreşim emisyon seviyesi aletin asıl uygulama alanları temel etmektedir. Ancak alet, farklı aksesuarlarla veya yetersiz bakımli olarak farklı uygulamalar için kullanılırsa titreşim emisyonu değişebilir. Bu durum toplam çalışma süresi boyunca kalma tespit seviyesini önemli ölçüde artırır.

Titreşime maruz kalma seviyesinin değerlendirilmesi aynı zamanda alet kapalı ve arızadan çıkarılmadan önce gerekçeli anlamda iş yapmadığı zamanlar da göz önünde bulundurulmalıdır. Bu durum toplam çalışma süresi boyunca kalma tespit seviyesini önemli ölçüde azaltır. Operatörü titreşimden etkilenen korumak için ilave güvenlik önlemleri belirleyin, örneğin: aletin ve aksesuarlarının bakımını yapın, operatörün ellerini sıcak tutmak, çalışma modellerini organize etme.

(GB) DECLARATION OF CONFORMITY

We declare under our sole responsibility that this product is in conformity with the following standards or standardized documents: 2006/42/EC, 2004/108/EC, EN55014-1, EN55014-2, EN61000-3-2, EN61000-3-3, EN60745-1, EN60745-2-3, EN62233.
Noise level [K=3dB(A)]: Lp=95dB(A) Lw=106dB(A)
Vibration level [K=1.5m/s²]: ah=8.5m/s²

(FR) DÉCLARATION DE CONFORMITÉ

Nous déclarons sous notre propre responsabilité que ce produit est en conformité avec les normes ou documents normalisés suivants: 2006/42/EC, 2004/108/EC, EN55014-1, EN55014-2, EN61000-3-2, EN61000-3-3, EN60745-1, EN60745-2-3, EN62233.
Niveau de bruit [K=3dB(A)]: Lp=95dB(A) Lw=106dB(A)
Niveau de vibration [K=1.5m/s²]: ah=8.5m/s²

(DE) KONFORMITÄTSERKLÄRUNG

Wir erklären in alleiniger Verantwortung, dass dieses Produkt mit den folgenden Normen oder normativen Dokumenten übereinstimmt: 2006/42/EC, 2004/108/EC, EN55014-1, EN55014-2, EN61000-3-2, EN61000-3-3, EN60745-1, EN60745-2-3, EN62233.
Geräuschpegel [K=3dB(A)]: Lp=95dB(A) Lw=106dB(A)
Vibrationsgrad [K=1.5m/s²]: ah=8.5m/s²

(ES) DECLARACIÓN DE CONFORMIDAD

Declaramos bajo nuestra exclusiva responsabilidad que este producto es conforme a las siguientes normas o documentos normalizados: 2006/42/EC, 2004/108/EC, EN55014-1, EN55014-2, EN61000-3-2, EN61000-3-3, EN60745-1, EN60745-2-3, EN62233.
Nivel de ruido [K=3dB(A)]: Lp=95dB(A) Lw=106dB(A)
Nivel de vibración [K=1.5m/s²]: ah=8.5m/s²

(IT) DICHIARAZIONE DI CONFORMITÀ

Dichiariamo, assumendo la piena responsabilità di tale dichiarazione, che il prodotto è conforme alle seguenti normative e ai relativi documenti: 2006/42/EC, 2004/108/EC, EN55014-1, EN55014-2, EN61000-3-2, EN61000-3-3, EN60745-1, EN60745-2-3, EN62233.
Livello di rumore [K=3dB(A)]: Lp=95dB(A) Lw=106dB(A)
Livello di vibrazione [K=1.5m/s²]: ah=8.5m/s²

(NL) CONFORMITEITSVERKLARING

Wij verklaren op onze eigen verantwoordelijkheid dat dit product voldoet aan de volgende normen of normatieve documenten. 2006/42/EC, 2004/108/EC, EN55014-1, EN55014-2, EN61000-3-2, EN61000-3-3, EN60745-1, EN60745-2-3, EN62233.
Geluidsniveau [K=3dB(A)]: Lp=95dB(A) Lw=106dB(A)
Trillingsniveau [K=1.5m/s²]: ah=8.5m/s²

(PT) DECLARAÇÃO DE CONFORMIDADE

Declaramos, sob nossa exclusiva responsabilidade, que este produto cumpre as seguintes normas ou documentos normativos. 2006/42/EC, 2004/108/EC, EN55014-1, EN55014-2, EN61000-3-2, EN61000-3-3, EN60745-1, EN60745-2-3, EN62233.
Nível de ruído [K=3dB(A)]: Lp=95dB(A) Lw=106dB(A)
Nível de vibração [K=1.5m/s²]: ah=8.5m/s²

(DK) KONFORMITETSERKLÆRING

Vi erklærer på eget ansvar, at dette produkt er i overensstemmelse med følgende standarder eller standardiseringsdokumenter: 2006/42/EC, 2004/108/EC, EN55014-1, EN55014-2, EN61000-3-2, EN61000-3-3, EN60745-1, EN60745-2-3, EN62233.
Støjniveau [K=3dB(A)]: Lp=95dB(A) Lw=106dB(A)
Vibrationsniveau [K=1.5m/s²]: ah=8.5m/s²

(SE) FÖRSÄKRAN

Vi intygar och ansvarar för, att denna produkt överensstämmer med följande normer och dokument. 2006/42/EC, 2004/108/EC, EN55014-1, EN55014-2, EN61000-3-2, EN61000-3-3, EN60745-1, EN60745-2-3, EN62233.
Bullemnivå [K=3dB(A)]: Lp=95dB(A) Lw=106dB(A)
Vibrationsnivå [K=1.5m/s²]: ah=8.5m/s²

(FI) TODISTUS STANDARDIN-MUKAISUUDESTA

Todistamme täten ja vastaamme yksin siitä, että tämä tuote on alla lueteltujen standardien ja standardoimis-asiakirjojen vaatimusten mukainen. 2006/42/EC, 2004/108/EC, EN55014-1, EN55014-2, EN61000-3-2, EN61000-3-3, EN60745-1, EN60745-2-3, EN62233.
Melutaso [K=3dB(A)]: Lp=95dB(A) Lw=106dB(A)
Tärinätaso [K=1.5m/s²]: ah=8.5m/s²

(NO) SAMSVARSKLÆRING

Vi erklærer på eget ansvar at dette produkt er i samsvar med følgende standarder og normative dokumenter: 2006/42/EC, 2004/108/EC, EN55014-1, EN55014-2, EN61000-3-2, EN61000-3-3, EN60745-1, EN60745-2-3, EN62233.
Støynivå [K=3dB(A)]: Lp=95dB(A) Lw=106dB(A)
Vibrasjonsnivå [K=1.5m/s²]: ah=8.5m/s²

(RU) ЗАЯВЛЕНИЕ О СООТВЕТСТВИИ СТАНДАРТАМ

Мы со всей ответственностью заявляем, что настоящая продукция соответствует ниже указанным нормам и документам: 2006/42/EC, 2004/108/EC, EN55014-1, EN55014-2, EN61000-3-2, EN61000-3-3, EN60745-1, EN60745-2-3, EN62233.
Уровень шума [K=3dB(A)]: Lp=95dB(A) Lw=106dB(A)
Уровень вибрации [K=1.5m/s²]: ah=8.5m/s²

(PL) DEKLARACJA ZGODNOŚCI

Z całą odpowiedzialnością oświadczamy, że niniejszy produkt jest zgodny z normami czy też znormalizowanymi dokumentami wymienionymi poniżej: 2006/42/EC, 2004/108/EC, EN55014-1, EN55014-2, EN61000-3-2, EN61000-3-3, EN60745-1, EN60745-2-3, EN62233.
Poziom hałas [K=3dB(A)]: Lp=95dB(A) Lw=106dB(A)
Poziom drgań [K=1.5m/s²]: ah=8.5m/s²

(CZ) PROHLÁŠENÍ O SHODĚ

Prohlášíme na svou zodpovědnost, že tento výrobek splňuje požadavky níže uvedených norem a závazných předpisů: 2006/42/EC, 2004/108/EC, EN55014-1, EN55014-2, EN61000-3-2, EN61000-3-3, EN60745-1, EN60745-2-3, EN62233.
Hladina hluku [K=3dB(A)]: Lp=95dB(A) Lw=106dB(A)
Úroveň vibrací [K=1.5m/s²]: ah=8.5m/s²

(HU) SZABVÁNY RENDELKEZÉSEK

Felőlelősségünk teljes tudatában kijelentjük, hogy a jelen termék megfelel a következő szabványoknak és előírásoknak: 2006/42/EC, 2004/108/EC, EN55014-1, EN55014-2, EN61000-3-2, EN61000-3-3, EN60745-1, EN60745-2-3, EN62233.
Zajszint [K=3dB(A)]: Lp=95dB(A) Lw=106dB(A)
Vibráció szint [K=1.5m/s²]: ah=8.5m/s²

(RO) DECLARAȚIE DE CONFORMITATE

Declaram în propria răspundere că acest produs este conform cu normele sau documentele normative următoare: 2006/42/EC, 2004/108/EC, EN55014-1, EN55014-2, EN61000-3-2, EN61000-3-3, EN60745-1, EN60745-2-3, EN62233.
Nivelul de zgomot [K=3dB(A)]: Lp=95dB(A) Lw=106dB(A)
Nivelul vibrațiilor [K=1.5m/s²]: ah=8.5m/s²

(LV) ATBILSTĪBAS PAZIŅOJUMS

Mēs uz savu atbildību paziņojam, ka šis produkts atbilst šādiem standartiem vai standartizācijas dokumentiem. 2006/42/EC, 2004/108/EC, EN55014-1, EN55014-2, EN61000-3-2, EN61000-3-3, EN60745-1, EN60745-2-3, EN62233.
Troksņa līmenis [K=3dB(A)]: Lp=95dB(A) Lw=106dB(A)
Vibrācijas līmenis [K=1.5m/s²]: ah=8.5m/s²

(LT) ATITIKTIES DEKLARACIJA

Prišįdėmami visų atsakomybę, pareiškiame, kad produktas atitinka žemiau išvardintus standartus ar standartų dokumentus. 2006/42/EC, 2004/108/EC, EN55014-1, EN55014-2, EN61000-3-2, EN61000-3-3, EN60745-1, EN60745-2-3, EN62233.
Triukšmo lygis [K=3dB(A)]: Lp=95dB(A) Lw=106dB(A)
Vibracijos lygis [K=1.5m/s²]: ah=8.5m/s²

EE VASTAVUSDEKLARATSIOON

Kinnitame oma ainuvastutusel, et see toode on vastavuses järgmistele standardite või standardiseeritud dokumentidega.

2006/42/EC, 2004/108/EC, EN55014-1, EN55014-2, EN61000-3-2, EN61000-3-3, EN60745-1, EN60745-2-3, EN62233.
Müratase [K=3dB(A)]: Lp=95dB(A) Lw=106dB(A)
Vibratsioonitase [K=1.5m/s²]: ah=8.5m/s²

HR DEKLARACIJA O USKLA-ENOSTI

Odgovorno izjavljujemo da je ovaj proizvod u skladu sa sljedećim normama ili normiranim dokumentima:

2006/42/EC, 2004/108/EC, EN55014-1, EN55014-2, EN61000-3-2, EN61000-3-3, EN60745-1, EN60745-2-3, EN62233.
Razina buke [K=3dB(A)]: Lp=95dB(A) Lw=106dB(A)
Razina vibracije [K=1.5m/s²]: ah=8.5m/s²

SI IZJAVA O SKLADNOSTI

Z lastno odgovornostjo izjavljamo, da je ta izdelek skladen z zahtevami slededih standardov ali standardiziranih dokumentov:

2006/42/EC, 2004/108/EC, EN55014-1, EN55014-2, EN61000-3-2, EN61000-3-3, EN60745-1, EN60745-2-3, EN62233.
Stopnja hrupa [K=3dB(A)]: Lp=95dB(A) Lw=106dB(A)
Stopnja vibracij [K=1.5m/s²]: ah=8.5m/s²

SK PREHLÁSENIE O ZHODE

Vyhlasujeme našu výhradnú zodpovednosť za produkt, ktorý spĺňa nasledovné štandardy alebo štandardizované dokumenty.

2006/42/EC, 2004/108/EC, EN55014-1, EN55014-2, EN61000-3-2, EN61000-3-3, EN60745-1, EN60745-2-3, EN62233.
Hladina hluku [K=3dB(A)]: Lp=95dB(A) Lw=106dB(A)
Hladina vibrácií [K=1.5m/s²]: ah=8.5m/s²

GR ΔΗΛΩΣΗ ΣΥΜΜΟΡΦΩΣΗΣ

Δηλώνουμε υπευθύνως ότι το προϊόν αυτό συμμορφούται προς τα ακόλουθα πρότυπα ή τυποποιημένα έγγραφα:

2006/42/EC, 2004/108/EC, EN55014-1, EN55014-2, EN61000-3-2, EN61000-3-3, EN60745-1, EN60745-2-3, EN62233.
Επίπεδο θορύβου [K=3dB(A)]: Lp=95dB(A) Lw=106dB(A)
Επίπεδο κραδασμών [K=1.5m/s²]: ah=8.5m/s²

TR UYGUNLUK BELGESİ

Bu ürünün aşağıdaki normlar ya da norm belgeleri ile uyumlu olduğunu kendi sorumluluğumuzla ortaya koyarak beyan ederiz:

2006/42/EC, 2004/108/EC, EN55014-1, EN55014-2, EN61000-3-2, EN61000-3-3, EN60745-1, EN60745-2-3, EN62233.
Gürültü seviyesi [K=3dB(A)]: Lp=95dB(A) Lw=106dB(A)
Titreşim seviyesi [K=1.5m/s²]: ah=8.5m/s²

Machine: **ANGLE GRINDER**Type: **EAG2000RS****CE** Dec 2010


Techtronic Industries

Name of company: **TECHTRONIC INDUSTRIES CO. LTD.**
Address: **24/F, CDW BUILDING, 388 CASTLE PEAK ROAD, TSUEN WAN, HONG KONG.**
Web: **www.ttigroup.com**
Name/Title: **Brian Ellis / Vice President - Engineering**

Signature:  Dec 15, 2010

Technical File at

Name of company: **TTI EMEA**
Address: **MEDINA HOUSE, FIELDHOUSE LANE, MARLOW, BUCKS, SL7 1TB, UNITED KINGDOM.**
Web: **www.ttigroup.com**
Name/Title: **Carl A. Jeffries / Head of Ryobi Product Marketing**

Signature: 

Trademarks:
The use of the trademark Ryobi is pursuant to a license granted by Ryobi Limited.

Автотовары «130»