



ТЕЛЕФОНЫ

0 (800) 800 130
(050) 462 0 130
(063) 462 0 130
(067) 462 0 130

130
COM.UA

Интернет-магазин
автотоваров



SKYPE
km-130

АВТОМАГНИТОЛЫ — Магнитолы • Медиа-ресиверы и станции • Штатные магнитолы • CD/DVD чейнджеры • FM-модуляторы/USB адаптеры • Flash память • Переходные рамки и разъемы • Антенны • Аксессуары | **АВТОЗВУК** — Акустика • Усилители • Сабвуферы • Процессоры • Кроссоверы • Наушники • Аксессуары | **БОРТОВЫЕ КОМПЬЮТЕРЫ** — Универсальные компьютеры • Модельные компьютеры • Аксессуары | **GPS НАВИГАТОРЫ** — Портативные GPS • Встраиваемые GPS • GPS модули • GPS трекеры • Антенны для GPS навигаторов • Аксессуары | **ВИДЕОУСТРОЙСТВА** — Видеорегистраторы • Телевизоры и мониторы • Автомобильные ТВ тюнеры • Камеры • Видеомодули • Транскодеры • Автомобильные ТВ антенны • Аксессуары | **ОХРАННЫЕ СИСТЕМЫ** — Автосигнализации • Мотосигнализации • Механические блокираторы • Имобилайзеры • Датчики • Аксессуары | **ОПТИКА И СВЕТ** — Ксенон • Биксенон • Лампы • Светодиоды • Стробоскопы • Оптика и фары • Омыватели фар • Датчики света, дождя • Аксессуары | **ПАРКТРОНИКИ И ЗЕРКАЛА** — Задние парктроники • Передние парктроники • Комбинированные парктроники • Зеркала заднего вида • Аксессуары | **ПОДОГРЕВ И ОХЛАЖДЕНИЕ** — Подогревы сидений • Подогревы зеркал • Подогревы дворников • Подогревы двигателей • Автохолодильники • Автокондиционеры • Аксессуары | **ТЮНИНГ** — Виброизоляция • Шумоизоляция • Тонировочная пленка • Аксессуары | **АВТОАКСЕССУАРЫ** — Радар-детекторы • Громкая связь Bluetooth • Стеклоподъемники • Компрессоры • Звуковые сигналы, СГУ • Измерительные приборы • Автопылесосы • Автокресла • Разное | **МОНТАЖНОЕ ОБОРУДОВАНИЕ** — Установочные комплекты • Обивочные материалы • Декоративные решетки • Фазоинверторы • Кабель и провод • Инструменты • Разное | **ПИТАНИЕ** — Аккумуляторы • Преобразователи • Пуско-зарядные устройства • Конденсаторы • Аксессуары | **МОРСКАЯ ЭЛЕКТРОНИКА И ЗВУК** — Морские магнитолы • Морская акустика • Морские сабвуферы • Морские усилители • Аксессуары | **АВТОХИМИЯ И КОСМЕТИКА** — Присадки • Жидкости омывателя • Средства по уходу • Полироли • Ароматизаторы • Клеи и герметики | **ЖИДКОСТИ И МАСЛА** — Моторные масла • Трансмиссионные масла • Тормозные жидкости • Антифризы • Технические смазки



В магазине «130» вы найдете и сможете купить в Киеве с доставкой по городу и Украине практически все для вашего автомобиля. Наши опытные консультанты предоставят вам исчерпывающую информацию и помогут подобрать именно то, что вы ищете. Ждем вас по адресу

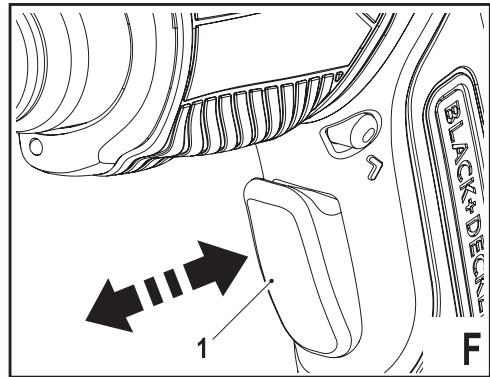
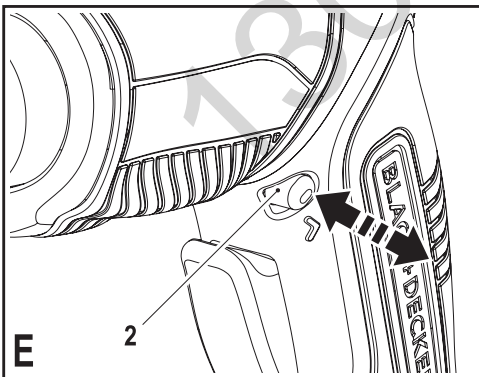
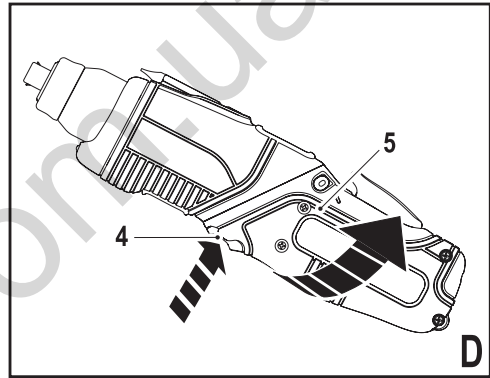
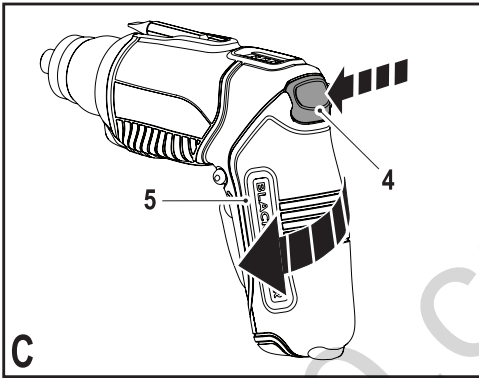
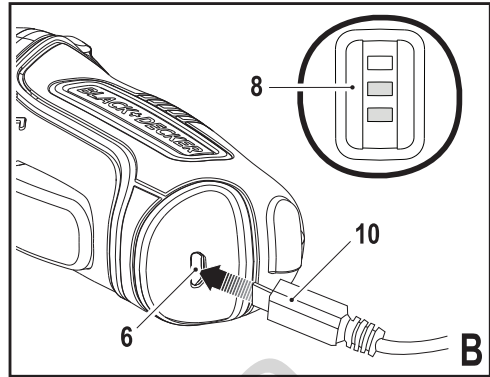
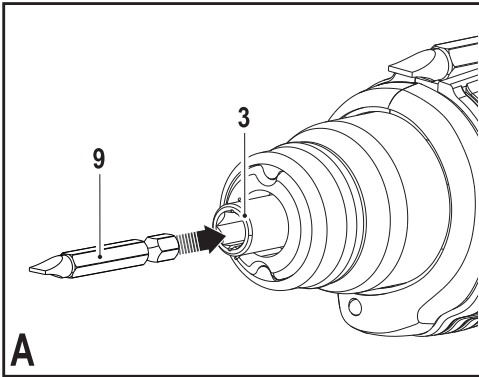
<https://130.com.ua>

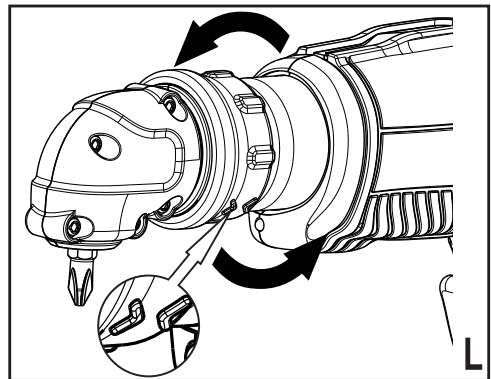
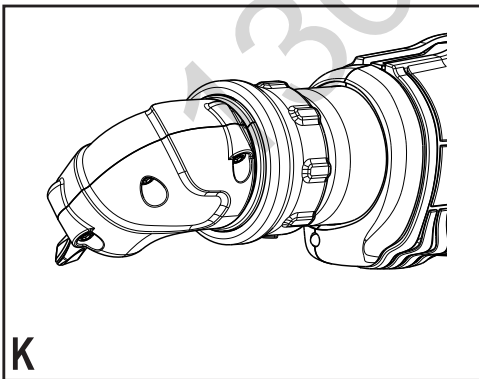
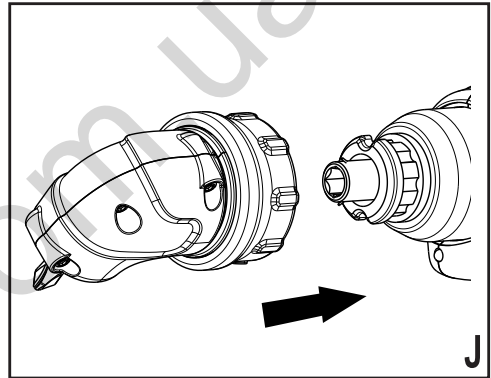
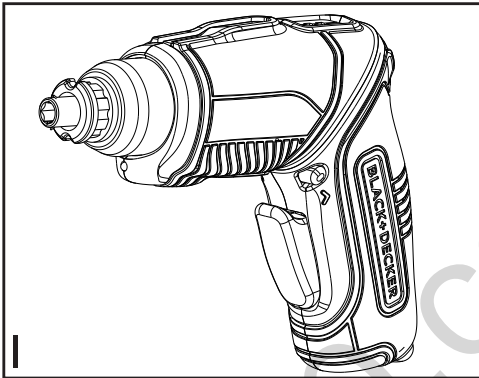
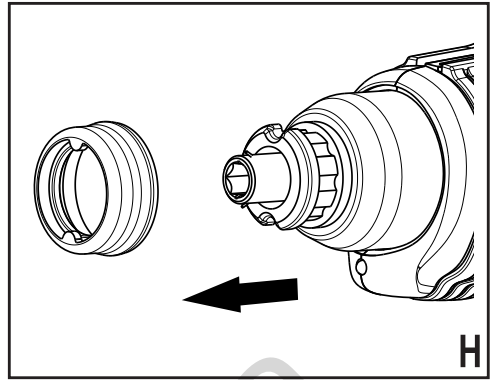
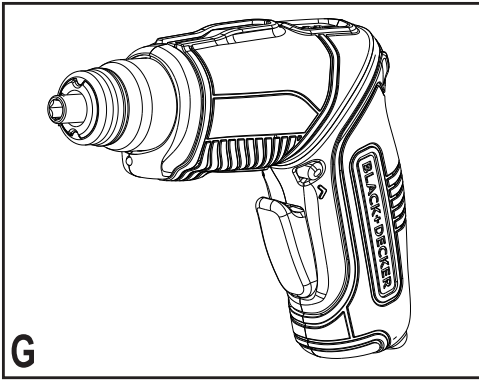


www.blackanddecker.eu

CS3653LC

English	(Original instructions)	5
Deutsch	(Übersetzung der Originalanleitung)	11
Français	(Traduction des instructions d'origine)	18
Česky	(Přeloženo z původního návodu)	25
Magyar	(Fordítás az eredeti kezelési utasítás alapján készült)	32
Polski	(Tłumaczenie oryginalnej instrukcji)	39
Slovenčina	(Preložené z pôvodného návodu)	46
Русский язык	(Перевод с оригинала инструкции)	53
Українська	(Переклад оригінальних інструкцій)	62
Türkçe	(Çevirisi orijinal talimatlardan yapılmıştır)	71





Intended use

Your BLACK+DECKER screwdriver has been designed for screwdriving applications. This tool is intended for consumer use only.

Safety instructions


General power tool safety warnings



Warning! Read all safety warnings and all instructions. Failure to follow the warnings and instructions listed below may result in electric shock, fire and/or serious injury.

Save all warnings and instructions for future reference. The term “power tool” in all of the warnings listed below refers to your mains operated (corded) power tool or battery operated (cordless) power tool.

1. **Work area safety**
 - a. **Keep work area clean and well lit.** Cluttered or dark areas invite accidents.
 - b. **Do not operate power tools in explosive atmospheres, such as in the presence of flammable liquids, gases or dust.** Power tools create sparks which may ignite the dust or fumes.
 - c. **Keep children and bystanders away while operating a power tool.** Distractions can cause you to lose control.
 2. **Electrical safety**
 - a. **Power tool plugs must match the outlet. Never modify the plug in any way. Do not use any adapter plugs with earthed (grounded) power tools.** Unmodified plugs and matching outlets will reduce risk of electric shock.
 - b. **Avoid body contact with earthed or grounded surfaces such as pipes, radiators, ranges and refrigerators.** There is an increased risk of electric shock if your body is earthed or grounded.
 - c. **Do not expose power tools to rain or wet conditions.** Water entering a power tool will increase the risk of electric shock.
 - d. **Do not abuse the cord. Never use the cord for carrying, pulling or unplugging the power tool. Keep cord away from heat, oil, sharp edges or moving parts.** Damaged or entangled cords increase the risk of electric shock.
 - e. **When operating a power tool outdoors, use an extension cord suitable for outdoor use.** Use of a cord suitable for outdoor use reduces the risk of electric shock.
 - f. **If operating a power tool in a damp location is unavoidable, use a residual current device (RCD) protected supply.** Use of an RCD reduces the risk of electric shock.
3. **Personal safety**
 - a. **Stay alert, watch what you are doing and use common sense when operating a power tool. Do not use a power tool while you are tired or under the influence of drugs, alcohol or medication.** A moment of inattention while operating power tools may result in serious personal injury.
 - b. **Use personal protective equipment. Always wear eye protection.** Protective equipment such as dust mask, non-skid safety shoes, hard hat, or hearing protection used for appropriate conditions will reduce personal injuries.
 - c. **Prevent unintentional starting. Ensure the switch is in the off-position before connecting to power source and/or battery pack, picking up or carrying the tool.** Carrying power tools with your finger on the switch or energising power tools that have the switch on invites accidents.
 - d. **Remove any adjusting key or wrench before turning the power tool on.** A wrench or a key left attached to a rotating part of the power tool may result in personal injury.
 - e. **Do not overreach. Keep proper footing and balance at all times.** This enables better control of the power tool in unexpected situations.
 - f. **Dress properly. Do not wear loose clothing or jewellery. Keep your hair, clothing and gloves away from moving parts.** Loose clothes, jewellery or long hair can be caught in moving parts.
 - g. **If devices are provided for the connection of dust extraction and collection facilities, ensure these are connected and properly used.** Use of dust collection can reduce dust-related hazards.

4. **Power tool use and care**
 - a. **Do not force the power tool. Use the correct power tool for your application.**
The correct power tool will do the job better and safer at the rate for which it was designed.
 - b. **Do not use the power tool if the switch does not turn it on and off.** Any power tool that cannot be controlled with the switch is dangerous and must be repaired.
 - c. **Disconnect the plug from the power source and/or the battery pack from the power tool before making any adjustments, changing accessories, or storing power tools.** Such preventive safety measures reduce the risk of starting the power tool accidentally.
 - d. **Store idle power tools out of the reach of children and do not allow persons unfamiliar with the power tool or these instructions to operate the power tool.** Power tools are dangerous in the hands of untrained users.
 - e. **Maintain power tools. Check for misalignment or binding of moving parts, breakage of parts and any other condition that may affect the power tools operation. If damaged, have the power tool repaired before use.** Many accidents are caused by poorly maintained power tools.
 - f. **Keep cutting tools sharp and clean.** Properly maintained cutting tools with sharp cutting edges are less likely to bind and are easier to control.
 - g. **Use the power tool, accessories and tool bits etc. in accordance with these instructions, taking into account the working conditions and the work to be performed.** Use of the power tool for operations different from those intended could result in a hazardous situation.
 5. **Battery tool use and care**
 - a. **Recharge only with the charger specified by the manufacturer.** A charger that is suitable for one type of battery pack may create a risk of fire when used with another battery pack.
 - b. **Use power tools only with specifically designated battery packs.** Use of any other battery packs may create a risk of injury and fire.
 - c. **When battery pack is not in use, keep it away from other metal objects, like paper clips, coins, keys, nails, screws, or other small metal objects, that can make a connection from one terminal to another.** Shorting the battery terminals together may cause burns or a fire.
 - d. **Under abusive conditions, liquid may be ejected from the battery; avoid contact. If contact accidentally occurs, flush with water. If liquid contacts eyes, additionally seek medical help.** Liquid ejected from the battery may cause irritation or burns.
 6. **Service**
 - a. **Have your power tool serviced by a qualified repair person using only identical replacement parts.** This will ensure that the safety of the power tool is maintained.
- Additional power tool safety warnings**
-  **Warning!** Additional safety warnings for screwdrivers and impact wrenches
- ◆ **Wear ear protectors with impact drills.**
Exposure to noise can cause hearing loss.
 - ◆ **Use auxiliary handles supplied with the tool.** Loss of control can cause personal injury.
 - ◆ **Hold power tool by insulated gripping surfaces, when performing an operation where the fastener may contact hidden wiring.** Fasteners contacting a "live" wire may make exposed metal parts of the power tool "live" and could give the operator an electric shock.
 - ◆ **Use clamps or another practical way to secure and support the workpiece to a stable platform.** Holding the work by hand or against your body leaves it unstable and may lead to loss of control.
 - ◆ This tool is not intended for use by persons (including children) with reduced physical, sensory or mental capabilities, or lack of experience and knowledge, unless they have been given supervision or instruction concerning use of the appliance by a person responsible for their safety. Children should be supervised to ensure that they do not play with the appliance.

- ◆ The intended use is described in this instruction manual. The use of any accessory or attachment or performance of any operation with this tool other than those recommended in this instruction manual may present a risk of personal injury and/or damage to property.



Warning! Impact wrenches are not torque wrenches. Do not use this tool for tightening fasteners to specified torques. An independent, calibrated torque measurement device such as a torque wrench should be used when under tightened or over tightened fasteners can lead to the failure of the joint.

Safety of others

- ◆ This appliance is not intended for use by persons (including children) with reduced physical, sensory or mental capabilities, or lack of experience and knowledge, unless they have been given supervision or instruction concerning use of the appliance by a person responsible for their safety.
- ◆ Children should be supervised to ensure that they do not play with the appliance.

Residual risks.

Additional residual risks may arise when using the tool which may not be included in the enclosed safety warnings. These risks can arise from misuse, prolonged use etc.

Even with the application of the relevant safety regulations and the implementation of safety devices, certain residual risks can not be avoided. These include:

- ◆ Injuries caused by touching any rotating/moving parts.
- ◆ Injuries caused when changing any parts, blades or accessories.
- ◆ Injuries caused by prolonged use of a tool. When using any tool for prolonged periods ensure you take regular breaks.
- ◆ Impairment of hearing.
- ◆ Health hazards caused by breathing dust developed when using your tool (example:- working with wood, especially oak, beech and MDF.)

Vibration

The declared vibration emission values stated in the technical data and the declaration of conformity have been measured in accordance with a standard test method provided by EN 60745 and may be used for comparing one tool with another. The declared vibration emission value may also be used in a preliminary assessment of exposure.

Warning! The vibration emission value during actual use of the power tool can differ from the declared value depending on the ways in which the tool is used. The vibration level may increase above the level stated.

When assessing vibration exposure to determine safety measures required by 2002/44/EC to protect persons regularly using power tools in employment, an estimation of vibration exposure should consider, the actual conditions of use and the way the tool is used, including taking account of all parts of the operating cycle such as the times when the tool is switched off and when it is running idle in addition to the trigger time.

Labels on tool

The following symbols are shown on the tool:



Warning! To reduce the risk of injury, the user must read the instruction manual.

Additional safety instructions for batteries and chargers

Batteries

- ◆ Never attempt to open for any reason.
- ◆ Do not expose the battery to water.
- ◆ Do not store in locations where the temperature may exceed 40 °C.
- ◆ Charge only at ambient temperatures between 10 °C and 40 °C.
- ◆ Charge only using the charger provided with the tool.
- ◆ When disposing of batteries, follow the instructions given in the section "Protecting the environment".



Do not attempt to charge damaged batteries.

Chargers

- ◆ Use your BLACK+DECKER charger only to charge the battery in the tool with which it was supplied. Other batteries could burst, causing personal injury and damage.
- ◆ Never attempt to charge non-rechargeable batteries.
- ◆ Have defective cords replaced immediately.
- ◆ Do not expose the charger to water.
- ◆ Do not open the charger.
- ◆ Do not probe the charger.



The charger is intended for indoor use only.



Read the instruction manual before use.

Electrical safety



Your charger is double insulated; therefore no earth wire is required. Always check that the mains voltage corresponds to the voltage on the rating plate. Never attempt to replace the charger unit with a regular mains plug.

- ◆ If the supply cord is damaged, it must be replaced by the manufacturer or an authorised BLACK+DECKER Service Centre in order to avoid a hazard.

Features

This tool includes some or all of the following features.

1. On/off trigger switch
2. Forward/reverse slider
3. Bit holder
4. Handle adjustment button
5. Handle
6. Micro USB charging connector
7. LED work light
8. State of charge indicator
9. Magnetic bit storage

Assembly

Fitting and removing a screwdriver bit or socket (fig. A)

Warning! Make certain the tool is locked to prevent switch actuation before installing or removing accessories.

- ◆ To fit a screwdriver bit (9), push it into the bit holder (3) until it locates.
- ◆ To remove a screwdriver bit, pull it straight from the bit holder.

Use

Warning! Let the tool work at its own pace. Do not overload.

Charging the battery (fig. B)

The battery needs to be charged before first use and whenever it fails to produce sufficient power on jobs that were easily done before. The battery may become warm while charging; this is normal and does not indicate a problem.

Warning! Only use the charger provided to charge the tool - CS3653LC.

- ◆ To charge the battery, insert the charger plug (10) into the connector (6).
- ◆ Plug in the charger.
- ◆ The state of charge indicator (fig. B) will display the current level of charge in the tool.
- ◆ Leave the tool connected to the charger for 3 hours.

The charger may hum and become warm while charging; this is normal and does not indicate a problem.

Warning! Do not charge the battery at ambient temperatures below 10 °C or above 40 °C. Recommended charging temperature: approx. 24 °C.

State of charge indicator (fig. B)

The tool is fitted with a state of charge indicator. This can be used to display the current level of charge in the battery during use and during charging.

During charging

- ◆ During charging the state of charge indicator will automatically show the current level of charge.

During use

Note: Do not check state of charge while screwdriver is in use or under load. This will result in an inaccurate reading. To receive an accurate reading, check the state of charge with the tool under no load.

- ◆ Set the tool to the forward position. The state of charge indicator will not function with the tool set in reverse or in the lock off position.

- ◆ Press the trigger switch (1). The LED's in the state of charge indicator (8) will light up depending on the level of charge remaining.

Number of LED's	Charge level
Three	Battery full
Two	Battery OK
One	Battery low
Zero	Battery Empty, charge immediately.

Adjusting the handle (fig. C & D)

For optimum versatility, the handle can be set to two different positions.

- ◆ Press the handle adjustment button (4).
- ◆ Twist the handle into the desired position.
- ◆ Release the button.

Selecting the direction of rotation (fig. E)

For tightening screws and drilling pilot holes, use forward (clockwise) rotation. For loosening screws or removing a jammed drill bit, use reverse (counterclockwise) rotation.

- ◆ To select forward rotation, push the forward/reverse slider (2) to the left.
- ◆ To select reverse rotation, push the forward/reverse slider to the right.
- ◆ To lock the tool, set the forward/reverse slider into the centre position.

Switching on and off (fig. F)

For tightening, use forward (clockwise) rotation.

For loosening, use reverse (counterclockwise) rotation.

- ◆ To operate the tool, press and hold the trigger switch (1).
- ◆ To switch the tool off, release the trigger switch (1).

LED work light

The LED work light (7) is activated automatically when the trigger is depressed. The LED work light will illuminate when the trigger is partially depressed, before the unit begins running.

Maintenance

Your BLACK+DECKER tool has been designed to operate over a long period of time with a minimum of maintenance. Continuous satisfactory operation depends upon proper tool care and regular cleaning.

Your charger does not require any maintenance apart from regular cleaning.

Warning! Before performing any maintenance on the tool, remove the battery from the tool. Unplug the charger before cleaning it.

- ◆ Regularly clean the ventilation slots in your tool and charger using a soft brush or dry cloth.
- ◆ Regularly clean the motor housing using a damp cloth. Do not use any abrasive or solvent-based cleaner.
- ◆ Regularly open the chuck and tap it to remove any dust from the interior.

Protecting the environment



Separate collection. This product must not be disposed of with normal household waste.

Should you find one day that your BLACK+DECKER product needs replacement, or if it is of no further use to you, do not dispose of it with household waste. Make this product available for separate collection.



Separate collection of used products and packaging allows materials to be recycled and used again.

Re-use of recycled materials helps prevent environmental pollution and reduces the demand for raw materials.

Local regulations may provide for separate collection of electrical products from the household, at municipal waste sites or by the retailer when you purchase a new product.

BLACK+DECKER provides a facility for the collection and recycling of BLACK+DECKER products once they have reached the end of their working life. To take advantage of this service please return your product to any authorised repair agent who will collect them on our behalf.

You can check the location of your nearest authorised repair agent by contacting your local BLACK+DECKER office at the address indicated in this manual. Alternatively, a list of authorised BLACK+DECKER repair agents and full details of our after-sales service and contacts are available on the Internet at: www.2helpU.com

ENGLISH

Batteries



There are no user serviceable parts inside.

- ◆ At the end of your products life return the whole unit to your service agent or to a local recycling station to have the battery recycled. Do not throw the unit out with household waste.

Technical data

CS3653LC (H1)		
Voltage	V_{DC}	3.6
No-load speed	Min^{-1}	190
Max. torque	Nm	6
Battery type	Li-Ion	
Battery capacity	Ah	1.5
Weight	kg	0.37

Charger 906099**** H1		
Input voltage	V_{AC}	100-240
Output voltage	V_{DC}	5
Current	mA	600
Approx. charge time	Hours	2.5 - 3

Level of sound pressure according to EN 60745:	
Sound pressure (L_{pA})	60.0 dB(A), uncertainty (K) 3 dB(A)
Sound power (L_{WA})	71.0 dB(A), uncertainty (K) 3 dB(A)

Vibration total values (tri-ax vector sum) according to EN 60745:	
Screwdriving without impact ($a_{h,eq}$)	0.9 m/s ² , uncertainty (K) 1.5 m/s ²

EC declaration of conformity MACHINERY DIRECTIVE



CS3653LC

Black & Decker declares that these products described under "technical data" are in compliance with: 2006/42/EC, EN 60745-1, EN 60745-2-2

These products also comply with Directive 2014/30/EU and 2011/65/EU. For more information, please contact Black & Decker at the following address or refer to the back of the manual.

The undersigned is responsible for compilation of the technical file and makes this declaration on behalf of Black & Decker.

R. Laverick
Engineering Manager
Black & Decker Europe, 210 Bath Road, Slough,
Berkshire, SL1 3YD
United Kingdom
03/12/2014

Guarantee

Black & Decker is confident of the quality of its products and offers an outstanding guarantee. This guarantee statement is in addition to and in no way prejudices your statutory rights. The guarantee is valid within the territories of the Member States of the European Union and the European Free Trade Area.

If a Black & Decker product becomes defective due to faulty materials, workmanship or lack of conformity, within 24 months from the date of purchase, Black & Decker guarantees to replace defective parts, repair products subjected to fair wear and tear or replace such products to ensure minimum inconvenience to the customer unless:

- ◆ The product has been used for trade, professional or hire purposes;
- ◆ The product has been subjected to misuse or neglect;
- ◆ The product has sustained damage through foreign objects, substances or accidents;
- ◆ Repairs have been attempted by persons other than authorised repair agents or Black & Decker service staff.

To claim on the guarantee, you will need to submit proof of purchase to the seller or an authorised repair agent. You can check the location of your nearest authorised repair agent by contacting your local Black & Decker office at the address indicated in this manual. Alternatively, a list of authorised Black & Decker repair agents and full details of our after-sales service and contacts are available on the Internet at: www.2helpU.com

Please visit our website www.blackanddecker.co.uk to register your new BLACK+DECKER product and to be kept up to date on new products and special offers. Further information on the BLACK+DECKER brand and our range of products is available at www.blackanddecker.co.uk

Bestimmungsgemäße Verwendung

Ihr Black & Decker Akkuschauber wurde für Schraubarbeiten entwickelt. Dieses Gerät ist nicht für den gewerblichen Einsatz vorgesehen.

Sicherheitshinweise

Allgemeine Sicherheitswarnungen für das Gerät



Achtung! Lesen Sie sämtliche Sicherheitswarnungen und Anweisungen. Die Nichteinhaltung der nachstehend aufgeführten Warnungen und Anweisungen kann einen elektrischen Schlag, Brand und/oder schwere Verletzungen verursachen.

Bewahren Sie alle Sicherheitswarnungen und Anweisungen gut auf. Der nachfolgend verwendete Begriff „Gerät“ bezieht sich auf netzbetriebene Geräte (mit Netzkabel) und auf akkubetriebene Geräte (ohne Netzkabel).

1. Sicherheit im Arbeitsbereich

- a: **Sorgen Sie für einen sauberen und gut ausgeleuchteten Arbeitsbereich.** Unordnung oder dunkle Arbeitsbereiche können zu Unfällen führen.
- b: **Verwenden Sie die Geräte nicht in Umgebungen, in denen Explosionsgefahr, z. B. aufgrund von brennbaren Flüssigkeiten, Gasen oder Staub, besteht.** Geräte erzeugen Funken, die den Staub oder die Dämpfe entzünden können.
- c: **Halten Sie Kinder und andere Personen während der Benutzung eines Geräts fern.** Bei Ablenkung können Sie die Kontrolle verlieren.

2. Elektrische Sicherheit

- a: **Der Netzstecker des Geräts muss in die Steckdose passen. Der Stecker darf in keiner Weise verändert werden. Verwenden Sie für schutzgeerdete Geräte keine Adapterstecker.** Unveränderte Stecker und passende Steckdosen verringern das Risiko eines elektrischen Schlags.
- b: **Vermeiden Sie Körperkontakt mit geerdeten Oberflächen von Rohren, Heizungen, Herden und Kühlschränken.**

Wenn Ihr Körper geerdet ist, besteht ein erhöhtes Risiko eines elektrischen Schlags.

- c: **Halten Sie Geräte von Regen und Feuchtigkeit fern.** Das Eindringen von Wasser in ein Gerät erhöht das Risiko eines elektrischen Schlags.
 - d: **Verwenden Sie das Kabel ordnungsgemäß. Verwenden Sie es niemals zum Tragen. Trennen Sie das Gerät nicht durch Ziehen am Kabel vom Netz. Halten Sie das Kabel fern von Hitze, Öl, scharfen Kanten oder sich bewegenden Teilen.** Beschädigte oder verwickelte Kabel erhöhen das Risiko eines elektrischen Schlags.
 - e: **Verwenden Sie für Arbeiten im Freien nur für den Außenbereich zugelassene Verlängerungskabel.** Die Verwendung eines für den Außenbereich geeigneten Verlängerungskabels verringert das Risiko eines elektrischen Schlags.
 - f: **Wenn das Gerät in einer feuchten Umgebung verwendet werden muss, schließen Sie es unbedingt an eine Steckdose mit Fehlerstromschalter (RCD) an.** Die Verwendung eines Fehlerstromschalters verringert das Risiko eines elektrischen Schlags.
- #### 3. Persönliche Sicherheit
- a: **Verwenden Sie das Gerät aufmerksam und vernünftig. Benutzen Sie das Gerät nicht, wenn Sie müde sind oder unter dem Einfluss von Drogen, Alkohol oder Medikamenten stehen.** Ein Moment der Unachtsamkeit beim Gebrauch von Geräten kann zu ernsthaften Verletzungen führen.
 - b: **Verwenden Sie eine geeignete Schutzausrüstung. Tragen Sie stets einen Augenschutz.**
Schutzausrüstung wie Staubmaske, rutschfeste Sicherheitsschuhe, Schutzhelm oder Gehörschutz, je nach Art und Einsatz des Geräts, verringert das Risiko von Verletzungen.
 - c: **Vermeiden Sie eine unbeabsichtigte Inbetriebnahme. Vergewissern Sie sich, dass das Gerät ausgeschaltet ist, bevor Sie es an eine Steckdose oder einen Akku anschließen, es hochheben oder tragen.** Durch das Tragen des Geräts mit dem Finger am Schalter oder durch das Anschließen

eingeschalteter Geräte werden Unfälle provoziert.

- d: **Entfernen Sie Einstell- oder Schraubenschlüssel, bevor Sie das Gerät einschalten.** Ein Schlüssel, der sich in einem drehenden Teil befindet, kann zu Verletzungen führen.
 - e: **Beugen Sie sich nicht zu weit nach vorne über. Achten Sie auf einen sicheren Stand, um in jeder Arbeitsposition das Gleichgewicht zu halten.** Dadurch können Sie das Gerät in unerwarteten Situationen besser unter Kontrolle halten.
 - f: **Tragen Sie geeignete Kleidung. Tragen Sie keine weite Kleidung oder Schmuck. Halten Sie Haare, Kleidung und Handschuhe fern von sich bewegenden Teilen.** Weite Kleidung, Schmuck oder lange Haare können von sich bewegenden Teilen erfasst werden.
 - g: **Falls Staubabsaug- und -fangvorrichtungen vorhanden sind, vergewissern Sie sich, dass diese angeschlossen sind und richtig verwendet werden.** Das Verwenden einer Staubauffangvorrichtung verringert Gefährdungen durch Staub.
4. **Gebrauch und Pflege von Geräten**
- a: **Überlasten Sie das Gerät nicht. Verwenden Sie das für Ihre Arbeit passende Gerät.** Durch das Arbeiten in dem für das Gerät angegebenen Leistungsbereich erzielen Sie nicht nur optimale Ergebnisse, Sie erhöhen auch die Sicherheit.
 - b: **Verwenden Sie das Gerät nicht, wenn der Ein-/ Ausschalter nicht funktioniert.** Ein Gerät, das sich nicht mehr ein- oder ausschalten lässt, ist gefährlich und muss repariert werden.
 - c: **Ziehen Sie den Stecker aus der Steckdose, und/ oder trennen Sie das Gerät vom Akku, bevor Sie Einstellungen vornehmen, Zubehörteile wechseln oder das Gerät lagern.** Diese Vorsichtsmaßnahme verhindert den unbeabsichtigten Start des Geräts.
 - d: **Bewahren Sie unbenutzte Geräte außerhalb der Reichweite von Kindern auf. Lassen Sie Geräte nicht von Personen benutzen, die damit nicht vertraut sind oder diese Anweisungen nicht gelesen**

haben. Geräte sind gefährlich, wenn Sie von unerfahrenen Personen benutzt werden.

- e: **Halten Sie Geräte in einem einwandfreien Zustand. Kontrollieren Sie, ob bewegliche Teile falsch ausgerichtet sind oder klemmen und ob Teile gebrochen oder so beschädigt sind, dass die Funktion des Geräts beeinträchtigt ist. Lassen Sie beschädigte Geräte vor dem Gebrauch reparieren.** Viele Unfälle haben ihre Ursache in schlecht gewarteten Geräten.
- f: **Halten Sie Schneidwerkzeuge scharf und sauber.** Sorgfältig gepflegte Schneidwerkzeuge mit scharfen Schneidkanten verkleben sich seltener und sind leichter zu führen.
- g: **Verwenden Sie Gerät, Zubehör, Einsätze usw. entsprechend diesen Anweisungen, und berücksichtigen Sie dabei die Arbeitsbedingungen und die auszuführende Arbeit.** Der Gebrauch von Geräten für andere als die vorgesehenen Anwendungen kann zu gefährlichen Situationen führen.

5. Gebrauch und Pflege von akkubetriebenen Geräten

- a: **Laden Sie den Akku nur mit dem vom Hersteller vorgesehenen Ladegerät auf.** Die Verwendung von Ladegeräten, die für eine andere Art von Akku bestimmt sind, kann dazu führen, dass sich der Akku beim Laden entzündet.
- b: **Verwenden Sie nur die für das jeweilige Gerät vorgesehenen Akkus.** Die Verwendung anderer Akkus kann zu Verletzungen oder Bränden führen.
- c: **Bewahren Sie den Akku bei Nichtbenutzung nicht in der Nähe metallischer Objekte wie Büroklammern, Münzen, Schlüsseln, Nägeln oder Schrauben auf, da diese eine Verbindung zwischen beiden Polen des Akkus herstellen können.** Bei einem Kurzschluss der Akkuanschlüsse besteht Verbrennungs- oder Feuergefahr.
- d: **Durch unsachgemäßen Gebrauch können Flüssigkeiten aus dem Akku austreten. Berühren Sie diese nicht! Sollten Sie dennoch unbeabsichtigt mit diesen Flüssigkeiten in Berührung kommen, spülen Sie die betroffenen Stellen sofort**

mit reichlich Wasser. Suchen Sie sofort einen Arzt auf, wenn die Flüssigkeit in Kontakt mit Ihren Augen gekommen ist.

Flüssigkeiten aus Akkus können Hautreizungen oder Verbrennungen hervorrufen.

6. Service

- a: Lassen Sie das Gerät nur von qualifiziertem Fachpersonal und nur mit Originalersatzteilen reparieren.** So wird gewährleistet, dass die Sicherheit des Geräts erhalten bleibt.

Zusätzliche Sicherheitswarnungen für das Gerät



Achtung! Zusätzliche Sicherheitshinweise für Akkuschrauber und Schlagschrauber:

- ◆ **Tragen Sie bei der Arbeit mit Schlagschraubern einen Gehörschutz.** Ein hoher Geräuschpegel kann Gehörschäden verursachen.
- ◆ **Verwenden Sie die mitgelieferten Zusatzgriffe.** Wenn Sie die Kontrolle über das Gerät verlieren, kann dies zu Verletzungen führen.
- ◆ **Halten Sie das Gerät an den isolierten Griffflächen fest, wenn Sie Arbeiten ausführen, bei denen verdeckte Kabel beschädigt werden könnten.** Der Kontakt mit stromführenden Leitungen kann auch offenliegende Metallteile am Gerät unter Strom setzen und zu einem Stromschlag führen.
- ◆ **Fixieren Sie das Werkstück mit Zwingen oder ähnlichen Hilfsmitteln auf einer stabilen Oberfläche.** Ein Werkstück, das mit der Hand oder gegen den Körper gehalten wird, ist unzureichend befestigt und kann leicht außer Kontrolle geraten.
- ◆ Dieses Gerät darf nicht von Personen (einschließlich Kindern) mit eingeschränkten körperlichen, sensorischen oder geistigen Fähigkeiten oder mangelnder Erfahrung und Wissen in Bezug auf dessen Gebrauch bedient werden, es sei denn, sie werden bei der Verwendung des Geräts von einer erfahrenen Person beaufsichtigt oder angeleitet. Kinder müssen beaufsichtigt werden, um sicherzustellen, dass sie nicht mit dem Gerät spielen.

- ◆ Der vorgesehene Verwendungszweck ist in dieser Anleitung beschrieben. Die Verwendung von Zubehör oder Anbauteilen, die nicht in dieser Anleitung empfohlen sind, sowie die Bedienung des Geräts in Abweichung von den in dieser Anleitung beschriebenen Verfahren kann zu Verletzungen und/oder Sachschäden führen.



Achtung! Schlagschrauber sind keine Drehmomentschrauber. Das Gerät ist nicht dazu geeignet, Verbindungselemente mit einem bestimmten Drehmoment festzuziehen. Ein unabhängiges, kalibriertes Gerät zur Messung des Drehmoments, wie z. B. ein Drehmomentschrauber, sollte verwendet werden, wenn das Verbindungselement durch Unter- oder Überschreiten der Klemmkraft beschädigt werden kann.

Sicherheit anderer Personen

- ◆ Dieses Gerät darf nicht von Personen (einschließlich Kindern) mit eingeschränkten körperlichen, sensorischen oder geistigen Fähigkeiten sowie mangelnder Erfahrung und Kenntnissen bedient werden, es sei denn, sie werden bei der Verwendung des Geräts von einer erfahrenen Person beaufsichtigt oder angeleitet.
- ◆ Kinder müssen beaufsichtigt werden, um sicherzustellen, dass sie nicht mit dem Gerät spielen.

Restrisiken.

Beim Gebrauch dieses Geräts verbleiben zusätzliche Restrisiken, die möglicherweise nicht in den Sicherheitswarnungen genannt werden. Diese Risiken bestehen beispielsweise bei Missbrauch oder längerem Gebrauch. Auch bei der Einhaltung der entsprechenden Sicherheitsvorschriften und der Verwendung aller Sicherheitsgeräte bestehen weiterhin bestimmte Restrisiken. Diese werden im Folgenden aufgeführt:

- ◆ Das Berühren von sich drehenden/ bewegenden Teilen kann Verletzungen zur Folge haben.
- ◆ Das Austauschen von Teilen, Messern oder Zubehör kann Verletzungen zur Folge haben.
- ◆ Der längere Gebrauch eines Geräts kann Verletzungen zur Folge haben. Legen Sie bei längerem Gebrauch regelmäßige Pausen ein.
- ◆ Beeinträchtigung des Gehörs.

- ◆ Gesundheitsrisiken durch das Einatmen von Staub beim Gebrauch des Geräts (beispielsweise bei Holzarbeiten, insbesondere Eiche, Buche und Pressspan).

Vibration

Die in den Abschnitten „Technische Daten“ und „EUKonformitätserklärung“ angegebenen Werte für die Vibrationsemission wurden mit einer Standard-Prüfmethode nach EN 60745 ermittelt und können zum Vergleich verschiedener Geräte herangezogen werden. Außerdem kann mit Hilfe dieses Werts die Belastung bei Verwendung des Geräts schon im Voraus eingeschätzt werden.

Achtung! Die bei Verwendung des Geräts auftretende Vibrationsemission hängt von der Art des Gerätegebrauchs ab und kann dementsprechend von dem angegebenen Wert abweichen. Gegebenenfalls kann die Vibration über dem angegebenen Wert liegen.

Mithilfe der ermittelten Werte der Vibrationsbelastung durch Elektrogeräte lassen sich Sicherheitsmaßnahmen festlegen, die gemäß 2002/44/EG zum Schutz von Personen bestimmt sind, die diese Geräte regelmäßig bei der Arbeit verwenden. Bei der Einschätzung der Vibrationsbelastung sollten die Gebrauchsumstände und die Art der Verwendung des Geräts sowie alle Schritte des Arbeitszyklus berücksichtigt werden, wozu Ruhe-, Leerlauf- und Startzeiten gehören.

Warnsymbole am Gerät

Am Gerät sind folgende Warnsymbole angebracht:



Achtung! Lesen Sie vor Gebrauch die Anleitung. Andernfalls besteht Verletzungsgefahr.

Zusätzliche Sicherheitshinweise für Akkus und Ladegeräte

Akkus

- ◆ Auf keinen Fall öffnen.
- ◆ Achten Sie darauf, dass der Akku nicht mit Wasser in Berührung kommt.
- ◆ Nicht bei Temperaturen über 40 °C lagern.
- ◆ Laden Sie den Akku nur bei Umgebungstemperaturen von 10 °C bis 40 °C.
- ◆ Verwenden Sie ausschließlich das mitgelieferte Ladegerät.
- ◆ Beachten Sie bei der Entsorgung von Akkus die Hinweise im Abschnitt „Umweltschutz“.



Versuchen Sie nie, beschädigte Akkus aufzuladen.

Ladegeräte

- ◆ Verwenden Sie das Black & Decker Ladegerät nur für den Akku des Werkzeugs, mit dem es geliefert wurde. Andere Akkus könnten platzen und Sachschäden oder Verletzungen verursachen.
- ◆ Versuchen Sie keinesfalls, nicht aufladbare Batterien zu laden.
- ◆ Lassen Sie beschädigte Kabel sofort austauschen.
- ◆ Achten Sie darauf, dass das Ladegerät nicht mit Wasser in Berührung kommt.
- ◆ Versuchen Sie nicht, das Ladegerät zu öffnen.
- ◆ Nehmen Sie am Ladegerät keine Veränderungen vor.



Das Ladegerät darf nur im Innenbereich verwendet werden.



Vor Gebrauch die Anleitung lesen

Elektrische Sicherheit



Das Ladegerät ist schutzisoliert, daher ist keine Erdleitung erforderlich. Stellen Sie sicher, dass die Netzspannung der auf dem Typenschild des Geräts angegebenen Spannung entspricht. Ersetzen Sie das Ladegerät keinesfalls durch ein normales Netzkabel.

- ◆ Ist das Netzkabel beschädigt, muss es durch den Hersteller oder eine Black & Decker Vertragswerkstatt ausgetauscht werden, um eine mögliche Gefährdung zu vermeiden.

Merkmale

Dieses Gerät verfügt über einige oder alle der folgenden Merkmale:

1. Abzug (Ein-/Ausshalter)
2. Vor-/Zurückwahlshalter
3. Einsatzhalter
4. Taste zum Einstellen des Griffs
5. Griff
6. Micro-USB-Ladegerät
7. LED-Leuchte
8. Ladestandanzeige
9. Magnetischer Einsatzhalter

Montage

Einsetzen und Entfernen eines Schraubendrehereinsatzes (Abb. A)

Achtung! Das Gerät muss gesperrt sein, damit keine unbeabsichtigte Bedienung des Ein-/Ausschalters vor dem Installieren bzw. Entfernen von Zubehörteilen erfolgen kann.

- ◆ Zum Anbringen eines Schraubendrehereinsatzes (9) drücken Sie diesen in den Einsatzhalter (3), bis der Einsatz fest sitzt.
- ◆ Zum Entfernen des Schraubendrehereinsatzes ziehen Sie diesen direkt aus dem Einsatzhalter.

Verwendung

Achtung! Beschleunigen Sie den Arbeitsvorgang nicht mit Gewalt. Vermeiden Sie eine Überlastung des Geräts.

Laden des Akkus (Abb. B)

Der Akku muss vor erstmaliger Benutzung und immer dann aufgeladen werden, wenn das Gerät nicht mehr mit voller Leistung arbeitet. Der Akku kann sich während des Aufladens erwärmen. Das ist normal und deutet nicht auf ein Problem hin.

Achtung! Verwenden Sie das mitgelieferte Ladegerät ausschließlich zum Laden des Geräts - CS3653LC.

- ◆ Verbinden Sie zum Aufladen des Akkus den Stecker des Ladegeräts (10) mit dem dafür vorgesehenen Anschluss (6).
- ◆ Schließen Sie das Ladegerät an eine Netzsteckdose an.
- ◆ Die Ladestandanzeige (Abb. B) zeigt den Ladestatus des Geräts an.
- ◆ Warten Sie mindestens 3 Stunden, bis der Akku vollständig aufgeladen ist.

Während des Ladevorgangs kann das Ladegerät summen und warm werden. Das ist normal und deutet nicht auf ein Problem hin.

Achtung! Laden Sie den Akku nicht, wenn die Umgebungstemperatur unter 10 °C oder über 40 °C liegt. Empfohlene Ladetemperatur: etwa 24 °C.

Ladestandanzeige (Abb. B)

Das Gerät verfügt über eine Ladestandanzeige. Mithilfe dieser Anzeige kann während der Verwendung und während des Ladevorgangs der aktuelle Ladestand des Akkus überprüft werden.

Während des Ladevorgangs

- ◆ Während des Ladevorgangs zeigt die Ladestandanzeige automatisch den aktuellen Ladestatus an.

Während der Verwendung

Hinweis: Überprüfen Sie den Ladestatus nicht während der Verwendung oder unter Last. Hierbei erhalten Sie kein zuverlässiges Ergebnis. Ein zuverlässiges Ergebnis erhalten Sie, wenn Sie den Ladestatus überprüfen, während sich das Gerät nicht unter Last befindet.

- ◆ Stellen Sie das Gerät auf Vorwärtsdrehung ein. Die Ladestandanzeige funktioniert nicht, wenn das Gerät auf Rückwärtsdrehung oder die verriegelte Stellung eingestellt ist.
- ◆ Drücken Sie den Auslöser (1). Die LEDs der Ladestandanzeige (8) leuchten auf und zeigen damit die verbleibende Akkuladung an.

Anzahl der LEDs	Ladestand
Drei	Akku voll
Zwei	Akku OK
Eine	Akku schwach
Null	Akku leer, sofort aufladen.

Einstellen des Griffs (Abb. C und D)

Um ein größeres Anwendungsspektrum zu ermöglichen, kann der Griff in zwei verschiedenen Positionen eingestellt werden.

- ◆ Drücken Sie die Taste zum Einstellen des Griffs (4).
- ◆ Drehen Sie den Haltegriff in die gewünschte Position.
- ◆ Lassen Sie die Taste los.

Auswählen der Drehrichtung (Abb. E)

Verwenden Sie zum Schrauben und Vorbohren die Vorwärtsdrehung (im Uhrzeigersinn).

Verwenden Sie zum Entfernen von Schrauben und verklemmten Bohreinsätzen die Rückwärtsdrehung (gegen den Uhrzeigersinn).

- ◆ Drücken Sie den Vor-/Zurückwahlschalter (2) nach links, um die Vorwärtsdrehung einzustellen.
- ◆ Drücken Sie den Vor-/Zurückwahlschalter nach rechts, um die Rückwärtsdrehung einzustellen.
- ◆ Bewegen Sie den Vor-/Zurückwahlschalter in die mittlere Stellung, um das Gerät zu sperren.

Ein- und Ausschalten (Abb. F)

Verwenden Sie zum Festziehen von Verbindungselementen die Vorwärtsdrehung (im Uhrzeigersinn). Verwenden Sie zum Lösen von Verbindungselementen die Rückwärtsdrehung (gegen den Uhrzeigersinn).

- ◆ Halten Sie den Auslöser (1) gedrückt, um das Gerät einzuschalten.
- ◆ Lassen Sie zum Ausschalten des Geräts den Auslöser (1) wieder los.

LED-Leuchte

Die LED-Arbeitsleuchte (7) wird beim Drücken des Auslösers automatisch aktiviert. Die LED-Arbeitsleuchte leuchtet, sobald der Auslöser teilweise durchgedrückt wird, bevor das Gerät anläuft.

Wartung

Ihr Black & Decker Gerät wurde im Hinblick auf eine lange Lebensdauer und einen möglichst geringen Wartungsaufwand entwickelt. Ein dauerhafter, einwandfreier Betrieb setzt eine regelmäßige Pflege und Reinigung voraus.

Das Ladegerät benötigt keine Wartung, es sollte aber regelmäßig gereinigt werden.

Achtung! Entfernen Sie vor jeglichen Wartungsarbeiten am Gerät den Akku aus dem Gerät. Trennen Sie das Ladegerät von der Stromversorgung, bevor Sie es reinigen.

- ◆ Reinigen Sie regelmäßig die Lüftungsschlitze des Geräts und des Ladegeräts mit einer weichen Bürste oder einem trockenen Tuch.
- ◆ Reinigen Sie regelmäßig das Motorgehäuse mithilfe eines feuchten Tuchs. Verwenden Sie keine scheuernden Reinigungsmittel oder Reinigungsmittel auf Lösungsmittelbasis.
- ◆ Öffnen Sie regelmäßig das Spannfutter, und entfernen Sie durch Klopfen Staub aus dem Inneren des Geräts.

Umweltschutz



Getrennte Entsorgung. Dieses Produkt darf keinesfalls mit dem Hausmüll entsorgt werden.

Sollten Sie Ihr Black & Decker Produkt eines Tages ersetzen oder nicht mehr benötigen, entsorgen Sie es nicht mit dem Hausmüll. Führen Sie das Produkt einer getrennten Sammlung zu.



Durch die getrennte Sammlung von ausgedienten Produkten und Verpackungsmaterialien können Rohstoffe recycelt und wiederverwendet werden.

Die Wiederverwendung aufbereiteter Materialien trägt zur Vermeidung von Umweltverschmutzung bei und senkt den Rohstoffbedarf.

Die Verordnung zur Abfallentsorgung Ihrer Gemeinde sieht möglicherweise vor, dass Elektrogeräte getrennt vom Hausmüll gesammelt, an der örtlichen Abfallentsorgungseinrichtung abgegeben oder beim Kauf eines neuen Produkts vom Fachhandel zur Entsorgung angenommen werden müssen.

Black & Decker nimmt Ihre ausgedienten Black & Decker Geräte gern zurück und sorgt für eine umweltfreundliche Entsorgung bzw. Wiederverwertung. Um diese Dienstleistung in Anspruch zu nehmen, geben Sie das Gerät bitte bei einer autorisierten Reparaturwerkstatt ab, die für uns die Einsammlung übernimmt.

Die Adresse der zuständigen Niederlassung von Black & Decker steht in dieser Anleitung. Dort teilt man Ihnen gerne die nächstgelegene Vertragswerkstatt mit. Eine Liste der Vertragswerkstätten und aller Kundendienststellen von Black & Decker sowie der zuständigen Ansprechpartner finden Sie auch im Internet unter: www.2helpU.com

Akkus



Im Inneren befinden sich keine zu wartenden Teile.

- ◆ Geben Sie defekte Produkte beim Händler oder einer Sammelstelle ab, damit der Akku recycelt werden kann. Entsorgen Sie das Gerät keinesfalls mit dem Hausmüll.

Technische Daten

CS3653LC (H1)		
Spannung	V _{DC}	3.6
Leerlaufdrehzahl	Min ⁻¹	190
Max. Drehmoment	Nm	6
Akkutyp		Lithium-Ionen
Batteriekapazität	Ah	1.5
Gewicht	kg	0.37

Ladegerät		906099**** H1
Eingangsspannung	V_{AC}	100-240
Ausgangsspannung	V_{DC}	5
Stromstärke	mA	600
Ungefähre Ladezeit	Stunden	2.5 - 3

Schalldruckpegel gemäß EN 60745:		
Schalldruck (L_{pA})	60.0 dB(A), Unsicherheitsfaktor (K) 3 dB(A)	
Schalleistung (L_{WA})	71.0 dB(A), Unsicherheitsfaktor (K) 3 dB(A)	

Gesamtvibration (Triax-Vektorsumme) gemäß EN 60745:		
Schrauben ohne Schlagbohrfunktion ($a_{h, is}$)	0.9 m/s ² , Unsicherheitsfaktor (K) 1.5 m/s ²	

EG-Konformitätserklärung MASCHINENRICHTLINIE



CS3653LC

Black & Decker erklärt, dass die in den technischen Daten beschriebenen Geräte übereinstimmen mit: 2006/42/EG, EN 60745-1, EN 60745-2-2

Diese Produkte entsprechen außerdem den Richtlinien 2014/30/EU und 2011/65/EU. Weitere Informationen erhalten Sie von Black & Decker unter der folgenden Adresse. Diese befindet sich auch auf der Rückseite dieser Anleitung.

Der Unterzeichnete ist verantwortlich für die Zusammenstellung der technischen Daten und gibt diese Erklärung im Namen von Black & Decker ab.

R. Laverick
Engineering Manager
Black & Decker Europe, 210 Bath Road, Slough,
Berkshire, SL1 3YD
Großbritannien
03/12/2014

Garantie

Black & Decker vertraut auf die Qualität der eigenen Geräte und bietet dem Käufer eine außergewöhnliche Garantie. Diese Garantiezusage versteht sich unbeschadet der gesetzlichen Gewährleistungsansprüche und schränkt diese keinesfalls ein. Sie gilt in sämtlichen Mitgliedstaaten der Europäischen Union und der Europäischen Freihandelszone EFTA.

Tritt innerhalb von 24 Monaten ab Kaufdatum an einem Gerät von Black & Decker ein auf Material- oder Verarbeitungsfehler zurückzuführender Mangel auf, garantiert Black & Decker den Austausch defekter Teile, die Reparatur von Geräten mit üblichem Verschleiß bzw. den Austausch eines mangelhaften Gerätes, ohne den Kunden dabei mehr als unbedingt nötig in Anspruch zu nehmen, allerdings vorbehaltlich folgender Ausnahmen:

- ◆ wenn das Gerät gewerblich, beruflich oder im Verleihgeschäft benutzt wurde;
- ◆ wenn das Gerät missbräuchlich verwendet oder mit mangelnder Sorgfalt behandelt wurde;
- ◆ wenn das Gerät durch irgendwelche Fremdeinwirkung beschädigt wurde;
- ◆ wenn ein unbefugter Reparaturversuch durch anderes Personal als das einer Vertragswerkstatt oder des Black & Decker Kundendienstes unternommen wurde.

Zur Inanspruchnahme dieser Garantie ist dem Verkäufer bzw. der Vertragswerkstatt ein Kaufnachweis vorzulegen. Die Adresse der zuständigen Niederlassung von Black & Decker steht in dieser Anleitung. Dort teilt man Ihnen gerne die nächstgelegene Vertragswerkstatt mit. Eine Liste der Vertragswerkstätten und aller Kundendienststellen von Black & Decker sowie der zuständigen Ansprechpartner finden Sie auch im Internet unter: www.2helpU.com

Bitte besuchen Sie unsere Website www.blackanddecker.de, um Ihr neues Black & Decker Produkt zu registrieren. Dort erhalten Sie auch Informationen über neue Produkte und Sonderangebote. Weitere Informationen über die Marke Black & Decker und unsere Produkte finden Sie unter www.blackanddecker.de.

Utilisation

Votre tournevis Black & Decker a été spécialement conçu pour les travaux de vissage. Cet outil est destiné à une utilisation exclusivement domestique.

Consignes de sécurité

Consignes de sécurité concernant les outils électroportatifs



Attention ! Lisez avec attention tous les avertissements et toutes les instructions. Le non-respect de cette consigne peut entraîner une électrocution, un incendie et/ou de graves blessures.

Conservez tous les avertissements et instructions pour référence ultérieure. La notion d'« outil électroportatif » mentionnée par la suite se rapporte à des outils électriques raccordés au secteur (avec câble de raccordement) ou fonctionnant avec piles (sans fil).

1. Sécurité de la zone de travail

- a. **Maintenez la zone de travail propre et bien éclairée.** Un lieu de travail en désordre ou mal éclairé augmente le risque d'accidents.
- b. **N'utilisez pas les outils électroportatifs dans un environnement présentant des risques d'explosion ni en présence de liquides, gaz ou poussières inflammables.** Les outils électroportatifs génèrent des étincelles risquant d'enflammer les poussières ou les vapeurs.
- c. **Tenez les enfants et autres personnes éloignés durant l'utilisation de l'outil électroportatif.** En cas d'inattention, vous risquez de perdre le contrôle.

2. Sécurité électrique

- a. **La prise de l'outil électroportatif doit être compatible avec la prise d'alimentation. Ne modifiez en aucun cas la prise. N'utilisez pas de prises d'adaptateur avec des appareils ayant une prise de terre.** Le respect de ces consignes réduit le risque de choc électrique.
- b. **Évitez le contact physique avec des surfaces mises à la terre telles que tuyaux, radiateurs, fours et réfrigérateurs.** Il y a un risque élevé de choc électrique si votre corps est relié à la terre.

- c. **N'exposez pas l'outil électroportatif à la pluie ou à l'humidité.** La pénétration d'eau dans un outil électroportatif augmente le risque de choc électrique.
 - d. **Préservez le câble d'alimentation. N'utilisez pas le câble pour porter l'outil. Ne le tirez pas pour le débrancher. Maintenez le câble éloigné des sources de chaleurs, des parties huilées, des bords tranchants ou des parties de l'appareil en rotation.** Le risque de choc électrique augmente si les câbles sont endommagés ou emmêlés.
 - e. **Si vous utilisez l'outil électroportatif à l'extérieur, utilisez une rallonge homologuée pour une utilisation à l'extérieur.** L'utilisation d'une rallonge électrique homologuée pour les travaux à l'extérieur réduit le risque de choc électrique.
 - f. **Si l'outil doit être utilisé dans un endroit humide, prenez les précautions nécessaires en utilisant un dispositif à courant résiduel (RCD).** L'utilisation d'un tel dispositif réduit les risques d'électrocution.
- #### 3. Sécurité personnelle
- a. **Restez vigilant, surveillez ce que vous faites. Faites preuve de bon sens quand vous utilisez un outil électroportatif. N'utilisez pas l'outil lorsque vous êtes fatigué ou après avoir consommé de l'alcool ainsi que des médicaments.** Un moment d'inattention lors de l'utilisation de l'outil peut entraîner de graves blessures.
 - b. **Portez un équipement de protection. Portez toujours des lunettes de protection.** Selon le travail à effectuer, le port d'équipement de protection tels que masque anti-poussières, chaussures de sécurité antidérapantes, casque ou protection auditive, réduit le risque de blessures.
 - c. **Évitez un démarrage imprévu. L'outil doit être en position OFF (arrêt) avant d'effectuer le branchement à l'alimentation et/ou au blocbatterie, de le ramasser ou de le porter.** Ne laissez pas votre doigt sur le bouton de commande en le transportant. N'alimentez pas l'outil si le bouton est activé. Ceci pourrait être à l'origine d'accident.

- d. **Enlevez tout outil ou clé de réglage avant de mettre l'appareil en marche.** Une clé ou un outil se trouvant sur une pièce en rotation peut causer des blessures.
- e. **Adoptez une position confortable. Adoptez une position stable et gardez votre équilibre en permanence.** Vous contrôlerez mieux l'outil dans des situations inattendues.
- f. **Portez des vêtements appropriés. Ne portez pas de vêtements amples ou de bijoux. N'approchez pas les cheveux, vêtements ou gants des parties des pièces mobiles.** Les vêtements amples, les bijoux ou les cheveux longs peuvent s'accrocher dans les pièces en mouvement.
- g. **En cas d'utilisation d'appareils servant à aspirer ou à recueillir les poussières, assurez-vous qu'ils sont correctement raccordés et utilisés.**
L'utilisation de tels appareils réduit les dangers dus aux poussières.
4. **Utilisation des outils électroportatifs et précautions**
- a. **Respectez la capacité de l'outil. Utilisez l'outil électroportatif correspondant au travail à effectuer.**
Avec un outil approprié, vous travaillerez mieux et en toute sécurité.
- b. **N'utilisez pas un outil électroportatif dont l'interrupteur est défectueux.** Un outil électrique qui ne répond pas à la commande marche/arrêt est dangereux et doit être réparé.
- c. **Retirez la prise de courant et/ou débranchez le bloc-batterie avant d'effectuer des réglages, de changer les accessoires ou de ranger l'outil.** Cette mesure de précaution empêche de mettre l'outil en marche accidentellement.
- d. **Rangez les outils électroportatifs hors de portée des enfants. Les personnes ne connaissant pas l'outil ou n'ayant pas lu ces instructions ne doivent en aucun cas l'utiliser.** Les outils électroportatifs sont dangereux lorsqu'ils sont utilisés par des personnes non initiées.
- e. **Entretenez les outils électroportatifs. Vérifiez que les parties mobiles fonctionnent correctement et qu'elles ne sont pas coincées. Vérifiez qu'il n'y a pas de pièces cassées ou endommagées susceptibles de nuire au bon fonctionnement de l'outil. S'il est endommagé, faites réparer l'outil avant de l'utiliser.** De nombreux accidents sont dus à des outils électroportatifs mal entretenus.
- f. **Maintenez les outils de coupe aiguisés et propres.**
Des outils soigneusement entretenus avec des bords tranchants bien aiguisés se coincent moins souvent et peuvent être guidés plus facilement.
- g. **Utilisez les outils électroportatifs, les accessoires, etc., en suivant ces instructions et en tenant compte des conditions de travail, ainsi que du travail à effectuer.** L'utilisation des outils électroportatifs à d'autres fins que celles prévues peut vous mettre en situation dangereuse.
5. **Utilisation de la batterie et précautions**
- a. **Ne rechargez qu'avec le chargeur proposé par le fabricant.** Un chargeur destiné à un type de bloc-batteries risque de provoquer des incendies s'il est utilisé avec un bloc-batteries différent.
- b. **N'utilisez pas les appareils électroportatifs qu'avec le bloc-batterie approprié.**
L'utilisation d'un autre bloc-batteries peut provoquer des blessures ou être à l'origine d'un feu.
- c. **Quand le bloc-batterie n'est pas utilisé, éloignez-le d'objets en métal comme des agrafes, des pièces, des clés, des clous, des vis ou autres petits objets qui pourraient établir une connexion d'une borne à l'autre.** Un tel court-circuit peut être à l'origine d'un feu ou de brûlures.
- d. **En cas d'utilisation excessive, le liquide peut sortir de la batterie; évitez tout contact. Si vous n'avez pu éviter le contact, rincez à l'eau. En cas de contact avec les yeux, consultez un médecin.** Le liquide sortant des batteries peut causer des irritations ou des brûlures.
6. **Réparations**
- a. **Faites réparer votre outil électroportatif uniquement par du personnel qualifié et seulement avec des pièces de rechange appropriées.** Cela garantira le maintien de la sécurité de votre outil.

Consignes de sécurité supplémentaires concernant les outils électroportatifs



Attention ! Prendre encore plus de précautions avec les tournevis sans fil et les clés à chocs

- ◆ **Portez un serre-tête antibruit si vous utilisez une perceuse à percussion.**
L'exposition au bruit peut entraîner la perte de l'ouïe.
- ◆ **Utilisez les poignées auxiliaires livrées avec l'outil.**
La perte de contrôle peut entraîner des blessures.
- ◆ **Tenez l'outil électrique au niveau des surfaces de prise isolées lorsque vous l'utilisez à des endroits où la fixation pourrait entrer en contact avec des fils cachés..** En touchant un fil sous tension, la charge électrique passe dans les parties métalliques de l'outil électroportatif et il y a risque de choc électrique.
- ◆ **Utilisez des pinces ou autres pour fixer et soutenir la pièce de manière stable.** Si vous la tenez à la main ou contre votre corps, elle ne sera pas stable et vous pouvez en perdre le contrôle.
- ◆ Cet outil ne peut être utilisé par des personnes (y compris des enfants) ayant des capacités mentales, sensorielles ou physiques réduites, ou celles manquant d'expérience et de connaissances, à moins qu'elles ne soient encadrées ou qu'elles n'aient été formées à l'utilisation de l'outil par une personne responsable de leur sécurité. Ne laissez jamais les enfants sans surveillance pour éviter qu'ils ne jouent avec cet outil.
- ◆ Les consignes d'utilisation sont données dans ce manuel d'instructions. L'utilisation d'un accessoire ou d'une fixation, ou bien l'utilisation de cet outil à d'autres fins que celles recommandées dans ce manuel d'instructions peut entraîner des blessures corporelles et/ou des dommages matériels.



Attention ! Les clés à chocs ne sont pas des clés dynamométriques. N'utilisez pas cet outil pour serrer les fixations à un couple précis. Un autre appareil, tel qu'une clé dynamométrique doit être

utilisé si le serrage des fixations n'est pas satisfaisant et risque d'endommager le joint.

Sécurité des personnes

- ◆ Cet appareil ne doit pas être utilisé par des personnes (y compris les enfants) ayant des déficiences physiques, mentales ou sensorielles. Cette consigne s'applique aussi aux personnes manquant d'expérience et de connaissance du matériel, à moins que celles-ci n'aient reçu les instructions appropriées ou qu'elles ne soient encadrées par une personne responsable de leur sécurité pour utiliser l'appareil.
- ◆ Ne laissez jamais les enfants sans surveillance pour éviter qu'ils ne jouent avec cet outil.

Risques résiduels.

L'utilisation d'un outil non mentionné dans les consignes de sécurité données peut entraîner des risques résiduels supplémentaires. Ces risques peuvent survenir si l'appareil est mal utilisé, si l'utilisation est prolongée, etc. Malgré l'application des normes de sécurité correspondantes et la présence de dispositifs de sécurité, les risques résiduels suivants ne peuvent être évités. Ceci comprend :

- ◆ Les blessures dues au contact avec une pièce mobile/ en rotation.
- ◆ Les blessures causées en changeant des pièces, lames ou accessoires.
- ◆ Les blessures dues à l'utilisation prolongée d'un outil.
Une utilisation prolongée de l'outil nécessite des pauses régulières.
- ◆ Déficience auditive.
- ◆ Risques pour la santé causés par l'inhalation de poussières produites pendant l'utilisation de l'outil (exemple : travail avec du bois, surtout le chêne, le hêtre et les panneaux en MDF).

Vibration

La valeur des émissions de vibration déclarée dans la section Déclaration/Données techniques de conformité a été mesurée selon une méthode d'essai standard fournie par la norme EN 60745 et peut être utilisée pour comparer un outil à un autre. Elle peut aussi être utilisée pour une évaluation préliminaire à l'exposition.

Attention ! Selon la manière dont l'outil est utilisé, la valeur des émissions de vibration pendant l'utilisation de l'outil peut être différente de la valeur déclarée. Le niveau de vibration peut augmenter au-dessus du niveau établi.

Quand l'exposition aux vibrations est évaluée afin de déterminer les mesures de sécurité requises par la norme 2002/44/CE pour protéger les personnes utilisant régulièrement des outils électroportatif, il faut tenir compte d'une estimation de l'exposition aux vibrations, des conditions actuelles d'utilisation et de la manière dont l'outil est utilisé. Il faut aussi tenir compte de toutes les pièces du cycle de fonctionnement comme la durée pendant laquelle l'outil est arrêté et quand il fonctionne au ralenti, ainsi que la durée du déclenchement.

Étiquettes de l'outil

Les symboles ci-dessous se trouvent sur l'outil :



Attention ! Pour réduire le risque de blessures, l'utilisateur doit lire le manuel d'instructions.

Consignes de sécurité supplémentaires concernant les batteries et les chargeurs

Batteries

- ◆ En aucun cas, n'essayez d'ouvrir l'outil.
- ◆ Ne mettez pas la batterie en contact avec l'eau.
- ◆ Ne rangez pas l'appareil dans des endroits où la température peut dépasser 40 °C.
- ◆ Ne chargez qu'à température ambiante comprise entre 10 °C et 40 °C.
- ◆ N'utilisez que le chargeur fourni avec l'outil.
- ◆ Pour la mise au rebut des batteries, suivez les instructions données dans la section «Protection de l'environnement».



N'essayez pas de charger des batteries endommagées.

Chargeurs

- ◆ N'utilisez votre chargeur BLACK+DECKER que pour charger la batterie fournie avec l'outil. D'autres batteries pourraient exploser, provoquant des blessures et des dommages.
- ◆ Ne tentez jamais de recharger des batteries non rechargeables.

- ◆ Remplacez immédiatement les fils électriques endommagés.
- ◆ N'approchez pas le chargeur de l'eau.
- ◆ N'ouvrez pas le chargeur.
- ◆ Ne testez pas le chargeur.



Le chargeur ne peut être utilisé qu'à l'intérieur.



Lisez le manuel d'instruction avant d'utiliser l'outil.

Sécurité électrique



Votre chargeur est doublement isolé. Par conséquent, aucun câble de terre n'est nécessaire. Vérifiez toujours si la tension indiquée sur la plaque signalétique de l'appareil correspond à la tension de secteur. N'essayez jamais de remplacer le chargeur par une prise secteur.

- ◆ Si le câble d'alimentation est endommagé, il doit être remplacé par le fabricant ou par un Centre de réparation agréé BLACK+DECKER pour éviter tout risque.

Caractéristiques

Cet outil présente la totalité ou une partie des caractéristiques suivantes.

1. Déclencheur marche/arrêt
2. Bouton de commande avant/arrière
3. Support d'embout
4. Bouton de réglage de la poignée
5. Poignée
6. Connecteur de charge micro USB
7. Lampe de travail
8. Témoin du niveau de charge
9. Support d'embout magnétique

Assemblage

Mise en place et retrait d'un foret ou d'un embout de tournevis (figure A)

Attention ! Assurez-vous que l'outil est verrouillé pour éviter d'actionner la commande avant l'installation ou le retrait des accessoires.

- ◆ Pour installer un embout de tournevis (9), poussez-le dans le support d'embout (3) jusqu'à ce qu'il soit positionné.
- ◆ Pour retirer un embout de tournevis, tirez-le en ligne droite hors de son support.

Utilisation

Attention ! Laissez l'outil fonctionner à sa propre vitesse.

Ne le poussez pas au-delà de sa limite.

Charge de la batterie (figure B)

La batterie doit être chargée avant la première utilisation et chaque fois qu'elle semble faible. La batterie peut chauffer pendant la charge. Ceci est un phénomène normal qui ne présente aucun problème - CS3653LC.

Attention ! Utilisez exclusivement le chargeur fourni pour charger l'outil.

- ◆ Pour charger la batterie, insérez la fiche du chargeur (10) dans le connecteur (6).
- ◆ Branchez le chargeur.
- ◆ Le témoin du niveau de charge (figure B) indique le niveau de charge actuel de l'outil.
- ◆ Laissez l'outil branché sur le chargeur pendant 3 heures.

Le chargeur peut chauffer et faire du bruit pendant la charge. Ceci est un phénomène normal qui ne présente aucun problème.

Attention ! Ne chargez pas la batterie si la température ambiante est inférieure à 10 °C ou supérieure à 40 °C.
Température de charge recommandée : environ 24 °C.

Témoin du niveau de charge (figure B)

L'outil est équipé d'un témoin de niveau de charge. Il permet d'afficher le niveau de charge actuel de la batterie pendant l'utilisation et la charge.

Pendant la charge

- ◆ Pendant la charge, le témoin du niveau de charge affiche automatiquement le niveau de charge actuel.

Pendant l'utilisation

Remarque : Ne vérifiez pas le niveau de charge pendant que le tournevis fonctionne ou est soumis à une charge.

L'indication ne serait pas précise. Pour que le relevé soit précis, vérifiez le niveau de charge quand l'outil n'est soumis à aucune charge.

- ◆ Réglez l'outil sur la position avant. Le témoin du niveau de charge ne fonctionne pas lorsque l'outil est réglé sur la position arrière ou la position de verrouillage.

- ◆ Appuyez sur le déclencheur marche/arrêt (1). Les DEL du témoin de niveau de charge (8) s'allument en fonction du niveau de charge restant.

Nombre de DEL	Niveau de charge
Trois	Batterie chargée à fond
Deux	Batterie OK
Une	Batterie faible
Zéro	Batterie vide ; chargez-la immédiatement.

Réglage de la poignée (figures C et D)

Deux positions sont proposées pour une plus grande souplesse d'utilisation.

- ◆ Appuyez sur le bouton de réglage de la poignée (4).
- ◆ Tournez la poignée dans la position désirée.
- ◆ Relâchez le bouton.

Sélection du sens de rotation (figure E)

Pour percer des trous de guidage ou serrer des vis, utilisez la rotation vers l'avant (dans le sens des aiguilles d'une montre). Pour desserrer des vis ou retirer un foret bloqué, utilisez la rotation vers l'arrière (dans le sens inverse des aiguilles d'une montre).

- ◆ Pour sélectionner la rotation dans le sens des aiguilles d'une montre, poussez le bouton de commande avant/ arrière (2) vers la gauche.
- ◆ Pour sélectionner la rotation dans le sens inverse des aiguilles d'une montre, poussez le bouton de commande avant/arrière vers la droite.
- ◆ Pour verrouiller l'outil, placez le bouton de commande avant/arrière en position centrale.

Mise en marche et arrêt (figure F)

Pour le serrage, utilisez la rotation vers l'avant (dans le sens des aiguilles d'une montre). Pour le desserrage, utilisez la rotation vers l'arrière (dans le sens inverse des aiguilles d'une montre).

- ◆ Pour faire fonctionner l'outil, appuyez sur le déclencheur marche/arrêt et maintenez-le enfoncé (1).
- ◆ Pour arrêter l'outil, relâchez le déclencheur marche/ arrêt (1).

Lampe de travail

La lampe de travail (7) s'allume automatiquement en appuyant sur le déclencheur. Elle s'allume quand le déclencheur est enfoncé à mi-course, avant que l'outil commence à fonctionner.

Entretien

Votre appareil Black & Decker a été conçu pour fonctionner pendant longtemps avec un minimum d'entretien. Un fonctionnement continu satisfaisant dépend d'un nettoyage régulier et d'un entretien approprié de l'outil.

Aucun entretien particulier n'est nécessaire pour le chargeur en dehors du nettoyage régulier.

Attention ! Avant d'entretenir l'outil, retirez la batterie.

Débranchez le chargeur avant de le nettoyer.

- ◆ Nettoyez régulièrement les orifices de ventilation de votre outil et chargeur à l'aide d'une brosse souple ou d'un chiffon sec.
- ◆ Nettoyez régulièrement le compartiment du moteur à l'aide d'un chiffon humide. N'utilisez pas de produit abrasif ou à base de solvant.
- ◆ Ouvrez régulièrement le mandrin et retirez la poussière à l'intérieur en le tapant.

Protection de l'environnement



Recyclage. Cette lampe ne doit pas être jetée avec les déchets ménagers.

Si votre appareil/outil BLACK+DECKER doit être remplacé ou si vous ne l'utilisez plus, ne le jetez pas avec les ordures ménagères. Songez à la protection de l'environnement et recyclez-le.



La collecte séparée des produits et des emballages usagés permet de recycler et de réutiliser des matériaux.

La réutilisation de matériaux recyclés évite la pollution de l'environnement et réduit la demande de matières premières.

Des réglementations locales peuvent stipuler la collecte séparée des produits électriques et des produits ménagers, dans des déchetteries municipales ou par le revendeur lorsque vous achetez un nouveau produit.

BLACK+DECKER offre une solution permettant de recycler les produits BLACK+DECKER lorsqu'ils ont atteint la fin de leur cycle de vie. Pour pouvoir profiter de ce service, veuillez retourner votre produit à un réparateur agréé qui se chargera de le collecter pour nous.

Pour connaître l'adresse du réparateur agréé le plus proche de chez vous, contactez le bureau BLACK+DECKER à l'adresse indiquée dans ce manuel. Une liste des réparateurs agréés BLACK+DECKER ainsi que des informations détaillées sur notre service après-vente et nos coordonnées sont aussi disponibles sur le site Internet à l'adresse suivante : www.2helpU.com

Batteries



L'outil ne renferme aucune pièce susceptible d'être réparée par vos soins.

- ◆ Lorsque votre produit est arrivé en fin de vie, confiez-le dans sa totalité à votre technicien d'entretien ou à un centre de recyclage afin que la batterie puisse être recyclée. Ne jetez pas l'appareil avec les ordures ménagères.

Données techniques

CS3653LC (H1)		
Tension	V _{DC}	3.6
Vitesse à vide	Min ⁻¹	190
Couple max.	Nm	6
Type de batterie		Li-Ion
Capacité de batterie	Ah	1.5
Poids	kg	0.37

Chargeur 906099**** H1		
Tension d'entrée	V _{AC}	100-240
Tension de sortie	V _{DC}	5
Courant	mA	600
Durée de charge approximative	Heures	2.5 - 3

Niveau de pression sonore selon la norme EN 60745 :		
Pression sonore (L _{PA})	60.0 dB(A), incertitude (K) 3 dB(A)	
Pression sonore (L _{WA})	71.0 dB(A), incertitude (K) 3 dB(A)	

Valeurs totales des vibrations (somme vectorielle triaxiale) selon la norme EN 60745 :		
Vissage sans impact (a _{h,ISO})	0.9 m/s ² , incertitude (K) 1.5 m/s ²	

Déclaration de conformité CE

CONSIGNES DE MACHINERIE



CS3653LC

Black & Decker confirme que les produits décrits dans les « Données techniques » sont conformes aux normes :

2006/42/CE, EN 60745-1, EN 60745-2-2

Ces produits sont également conformes aux Directives 2014/30/UE et 2011/65/UE. Pour plus de détails, veuillez contacter Black & Decker à l'adresse suivante ou reportez-vous au dos du manuel.

Le soussigné est responsable des données de la fiche technique et fait cette déclaration au nom de Black & Decker.

R. Laverick
Responsable technique
Black & Decker Europe, 210 Bath Road, Slough,
Berkshire, SL1 3YD
Royaume-Uni
03/12/2014

- ◆ Le produit a été mal utilisé ou utilisé avec négligence ;
- ◆ Le produit a subi des dommages à cause d'objets étrangers, de substances ou à cause d'accidents ;
- ◆ Des réparations ont été tentées par des techniciens ne faisant pas partie du service technique de Black & Decker.

Pour avoir recours à la garantie, il est nécessaire de fournir une preuve d'achat au vendeur ou à un réparateur agréé. Pour connaître l'adresse du réparateur agréé le plus proche de chez vous, contactez le bureau Black & Decker à l'adresse indiquée dans ce manuel. Une liste des réparateurs agréés Black & Decker ainsi que des informations détaillées sur notre service après-vente et nos coordonnées sont aussi disponibles sur le site Internet à l'adresse suivante : www.2helpU.com

Visitez notre site Web www.blackanddecker.fr pour enregistrer votre nouveau produit Black & Decker et être informé des nouveaux produits et des offres spéciales. Pour plus d'informations concernant la marque Black & Decker et notre gamme de produits, consultez notre site www.blackanddecker.fr

Garantie

Black & Decker vous offre une garantie très élargie ainsi que des produits de qualité. Ce certificat de garantie est un document supplémentaire et ne peut en aucun cas se substituer à vos droits légaux. La garantie est valable sur tout le territoire des États Membres de l'Union Européenne et de la Zone de Libre Échange Européenne.

Si un produit Black & Decker s'avère défectueux en raison de matériaux en mauvaises conditions, d'une erreur humaine, ou d'un manque de conformité dans les 24 mois suivant la date d'achat, Black & Decker garantit le remplacement des pièces défectueuses, la réparation des produits usés ou cassés ou remplace ces produits à la convenance du client, sauf dans les circonstances suivantes :

- ◆ Le produit a été utilisé dans un but commercial, professionnel, ou a été loué ;

Použití výrobku

Váš šroubovák BLACK+DECKER je určen pro šroubovací práce. Toto nářadí je určeno pouze pro spotřebitelské použití.

Bezpečnostní pokyny

Všeobecné bezpečnostní pokyny pro práci s elektrickým nářadím



Varování! Přečtěte si všechny bezpečnostní pokyny a bezpečnostní výstrahy. Nedodržení níže uvedených varování a pokynů může vést k způsobení úrazu elektrickým proudem, k vzniku požáru nebo k vážnému zranění.

Veškerá bezpečnostní varování a pokyny uschovejte pro případné další použití. Termín „elektrické nářadí“ ve všech upozorněních odkazuje na vaše nářadí napájené ze sítě (je opatřeno napájecím kabelem) nebo nářadí napájené baterií (bez napájecího kabelu).

1. Bezpečnost v pracovním prostoru

- a. **Udržujte pracovní prostor čistý a dobře osvětlený.** Přeplněný a neosvětlený pracovní prostor může vést k způsobení úrazů.
- b. **Nepracujte s elektrickým nářadím ve výbušném prostředí, jako jsou prostory s výskytem hořlavých kapalin, plynů nebo prašných látek.** V elektrickém nářadí dochází k jiskření, které může způsobit vznícení hořlavého prachu nebo výparů.
- c. **Při práci s elektrickým nářadím zajistěte bezpečnou vzdálenost dětí a ostatních osob.** Rozptylování může způsobit ztrátu kontroly nad nářadím.

2. Elektrická bezpečnost

- a. **Zástrčka napájecího kabelu nářadí musí odpovídat zásuvce. Zástrčka nikdy žádným způsobem neupravujte. Nepoužívejte u uzemněného elektrického nářadí žádné upravené zástrčky.** Neupravované zástrčky a odpovídající zásuvky snižují riziko způsobení úrazu elektrickým proudem.
- b. **Nedotýkejte se uzemněných povrchů, jako jsou například potrubí, radiátory, elektrické sporáky a chladničky.** Při uzemnění vašeho těla vzrůstá riziko úrazu elektrickým proudem.

- c. **Nevystavujte elektrické nářadí dešti nebo vlhkému prostředí.** Vnikne-li do elektrického nářadí voda, zvýší se riziko úrazu elektrickým proudem.
- d. **S napájecím kabelem zacházejte opatrně. Nikdy nepoužívejte napájecí kabel k přenášení nebo posouvání nářadí a netahejte za něj, chcete-li nářadí odpojit od elektrické sítě. Zabraňte kontaktu kabelu s mastnými, horkými a ostrými předměty nebo pohyblivými částmi.** Poškozený nebo zauzlený napájecí kabel zvyšuje riziko úrazu elektrickým proudem.
- e. **Při práci s nářadím venku používejte prodlužovací kabely určené pro venkovní použití.** Použití kabelu pro venkovní použití snižuje riziko úrazu elektrickým proudem.
- f. **Musíte-li s elektrickým nářadím pracovat ve vlhkém prostředí, použijte napájecí zdroj s proudovým chráničem (RCD).** Použití proudového chrániče (RCD) snižuje riziko úrazu elektrickým proudem.

3. Bezpečnost obsluhy

- a. **Při použití elektrického nářadí zůstaňte stále pozorní, sledujte, co provádíte a pracujte s rozvahou. Nepracujte s elektrickým nářadím, jste-li unavení nebo jste-li pod vlivem drog, alkoholu nebo léků.** Chvilka nepozornosti při práci s elektrickým nářadím může vést k vážnému úrazu.
- b. **Používejte prvky osobní ochrany. Vždy používejte ochranu zraku.** Ochranné prostředky jako respirátor, neklouzavá pracovní obuv, přilba a chrániče sluchu, používané v příslušných podmínkách, snižují riziko poranění osob.
- c. **Zabraňte náhodnému spuštění nářadí. Před připojením zdroje napětí nebo před vložením baterie a před zvednutím nebo přenášením nářadí zkontrolujte, zda je spínač v poloze vypnuto.** Přenášení elektrického nářadí s prstem na spínači nebo připojení nářadí k napájecímu zdroji, je-li spínač nářadí v poloze zapnuto, může způsobit úraz.
- d. **Před spuštěním nářadí se vždy ujistěte, zda nejsou v jeho blízkosti klíče nebo seřizovací přípravky.** Seřizovací klíče ponechané na nářadí mohou být zachyceny rotujícími částmi nářadí a mohou způsobit úraz.

- e. **Nepřekážejte sami sobě. Při práci vždy udržujte vhodný postoj a rovnováhu.**
Tak je umožněna lepší ovladatelnost nářadí v neočekávaných situacích.
 - f. **Vhodně se oblékejte. Nenoste volný oděv nebo šperky. Dbejte na to, aby se vaše vlasy, oděv a rukavice nedostaly do kontaktu s pohyblivými částmi.** Volný oděv, šperky nebo dlouhé vlasy mohou být pohyblivými díly zachyceny.
 - g. **Jsou-li zařízení vybavena adaptérem pro připojení příslušenství k zachytávání prachu, zajistěte jeho správné připojení a řádnou funkci.** Použití těchto zařízení může snížit nebezpečí týkající se prachu.
4. **Použití elektrického nářadí a jeho údržba**
 - a. **Nepřetěžujte elektrické nářadí. Používejte pro prováděnou práci správný typ nářadí.** Při použití správného typu nářadí bude práce provedena lépe a bezpečněji.
 - b. **Nelze-li spínač nářadí zapnout a vypnout, s nářadím nepracujte.** Každé elektrické nářadí s nefunkčním spínačem je nebezpečné a musí být opraveno.
 - c. **Před seřizováním nářadí, před výměnou příslušenství nebo pokud nářadí nepoužíváte, odpojte zástrčku napájecího kabelu od zásuvky nebo z nářadí vyjměte baterii.** Tato preventivní bezpečnostní opatření snižují riziko náhodného spuštění nářadí.
 - d. **Uložte elektrické nářadí mimo dosah dětí a nedovolte ostatním osobám, které toto nářadí neumí ovládat nebo které neznají tyto bezpečnostní pokyny, aby s tímto elektrickým nářadím pracovaly.** Elektrické nářadí je v rukou nekvalifikované obsluhy nebezpečné.
 - e. **Provádějte údržbu elektrického nářadí. Zkontrolujte vychýlení nebo zablokování pohyblivých částí, poškození jednotlivých dílů a jiné okolnosti, které mohou ovlivnit chod nářadí. Pokud je nářadí poškozeno, nechejte jej opravit.** Mnoho nehod bývá způsobeno zanedbanou údržbou nářadí.
 - f. **Udržujte řezné nástroje ostré a čisté.** Řádně udržované řezné nástroje s ostrými řeznými břity jsou méně náchylné k zanášení nečistotami a lépe se s nimi pracuje.
 - g. **Používejte elektrické nářadí, příslušenství a pracovní nástroje podle těchto pokynů a berte v úvahu provozní podmínky a práci, která bude prováděna. Použití**

elektrického nářadí k jiným účelům, než k jakým je určeno, může být nebezpečné.

5. **Použití nářadí napájeného baterií a jeho údržba**
 - a. **Nabíjejte pouze v nabíječce určené výrobcem.** Nabíječka vhodná pro jeden typ baterie může při vložení jiného nevhodného typu baterie způsobit požár.
 - b. **Používejte elektrické nářadí výhradně s bateriemi, které jsou pro daný typ nářadí určeny.** Použití jiných typů baterií může způsobit vznik požáru nebo zranění.
 - c. **Není-li baterie používána, uložte ji mimo dosah kovových předmětů, jako jsou kancelářské sponky na papír, mince, klíče, hřebíky, šroubky nebo další drobné kovové předměty, které mohou způsobit zkratování kontaktů baterie.** Zkratování kontaktů baterie může vést k způsobení popálenin nebo požáru.
 - d. **V nevhodných podmínkách může z baterie unikat kapalina. Vyvarujte se kontaktu s touto kapalinou. Dojde-li k náhodnému kontaktu s touto kapalinou, zasažené místo omyjte vodou. Při zasažení očí potřísněné místo omyjte a vyhledejte lékařskou pomoc.** Unikající kapalina z baterie může způsobit podráždění pokožky nebo popáleniny.
6. **Servis**
 - a. **Opravy elektrického nářadí svěřte pouze kvalifikovanému technikovi, který bude používat originální náhradní díly.** Tím zajistíte bezpečný provoz nářadí.

Doplňkové bezpečnostní pokyny pro práci s elektrickým nářadím



Varování! Doplnkové bezpečnostní pokyny pro šroubováky a rázové klíče

- ♦ **Při práci s tímto nářadím používejte ochranu sluchu.** Nadměrná hluknost může způsobit ztrátu sluchu.
- ♦ **Používejte přidavné rukojeti dodávané s nářadím.** Ztráta kontroly nad nářadím může vést k úrazu.
- ♦ **Při pracovních operacích, u kterých by mohlo dojít ke kontaktu montážního prvku se skrytými elektrickými vodiči, držte elektrické nářadí vždy za izolované rukojeti.** Montážní prvky, které se dostanou

do kontaktu s „živým“ vodičem, způsobí, že neizolované kovové části elektrického nářadí budou také „živé“, což může obsluze způsobit úraz elektrickým proudem.

- ◆ **Pro zajištění a upnutí obrobku k pracovnímu stolu používejte svorky nebo jiné vhodné prostředky.** Držení obrobku rukou nebo opření obrobku o část těla nezajistí jeho stabilitu a může vést k ztrátě kontroly.
- ◆ Toto nářadí není určeno pro použití osobami (včetně dětí) se sníženými fyzickými, smyslovými nebo duševními schopnostmi, nebo s nedostatkem zkušeností a znalostí, pokud těmto osobám nebyl stanoven dohled, nebo pokud jim nebyly poskytnuty instrukce týkající se použití výrobku osobou odpovědnou za jejich bezpečnost. Děti by měly být pod dozorem, aby bylo zajištěno, že si s tímto zařízením nebudou hrát.
- ◆ Určené použití tohoto výrobku je popsáno v tomto návodu k použití. Použití jiného příslušenství nebo přídavného zařízení a provádění jiných pracovních operací, než je doporučeno tímto návodem, může představovat riziko zranění obsluhy nebo riziko způsobení hmotných škod.



Varování! Rázové utahovákys nejsou momentové klíče. Nepoužívejte toto nářadí pro utahování montážních prvků předepsaným utahovacím momentem. U nedostatečně nebo nadměrně dotažených montážních prvků by mělo být používáno kalibrované měřicí zařízení, jako je momentový klíč, aby nedošlo k selhání spoje.

Bezpečnost ostatních osob

- ◆ Tento výrobek není určen k použití osobami (včetně dětí) se sníženými fyzickými, smyslovými nebo duševními schopnostmi, nebo s nedostatkem zkušeností a znalostí, pokud těmto osobám nebyl stanoven dohled, nebo pokud jim nebyly poskytnuty instrukce týkající se použití výrobku osobou odpovědnou za jejich bezpečnost.
- ◆ Děti by měly být pod dozorem, aby bylo zajištěno, že si s tímto nářadím nebudou hrát.

Zbytková rizika

Je-li nářadí používáno jiným způsobem, než je uvedeno v příložených bezpečnostních varováních, mohou se objevit dodatečná zbytková rizika. Tato

rizika mohou vzniknout v důsledku nesprávného použití, dlouhodobého použití atd.

Přestože jsou dodržovány příslušné bezpečnostní předpisy a jsou používána bezpečnostní zařízení, určitá zbytková rizika nemohou být vyloučena. Tato rizika jsou následující:

- ◆ Zranění způsobená kontaktem s jakoukoli rotující nebo pohybující se částí.
- ◆ Zranění způsobená při výměně dílů, pracovního nástroje nebo příslušenství.
- ◆ Zranění způsobená dlouhodobým použitím nářadí. Používáte-li jakékoli nářadí delší dobu, zajistěte, aby byly prováděny pravidelné přestávky.
- ◆ Poškození sluchu.
- ◆ Zdravotní rizika způsobená vdechováním prachu vytvářeného při použití nářadí (příklad: - práce se dřevem, zejména s dubovým, bukovým a MDF).

Vibrace

Deklarovaná úroveň vibrací uvedená v technických údajích a v prohlášení o shodě byla měřena v souladu se standardní zkušební metodou předepsanou normou EN 60745 a může být použita pro srovnání jednotlivých nářadí mezi sebou. Deklarovaná úroveň vibrací může být také použita k předběžnému stanovení doby práce s tímto nářadím.

Varování! Úroveň vibrací při aktuálním použití elektrického nářadí se může od deklarované úrovně vibrací lišit v závislosti na způsobu použití nářadí. Úroveň vibrací může být vzhledem k uvedené hodnotě vyšší.

Při stanovení doby působení vibrací z důvodu určení bezpečnostních opatření podle požadavků normy 2002/44/EC k ochraně osob pravidelně používajících elektrické nářadí v zaměstnání, by měl předběžný odhad působení vibrací brát na zřetel aktuální podmínky použití nářadí s přihlédnutím na všechny části pracovního cyklu, jako jsou doby, při kterých je nářadí vypnuto a kdy běží naprázdno.

Štítky na nářadí

Na nářadí jsou zobrazeny následující piktogramy:



Varování! Z důvodu snížení rizika způsobení úrazu si uživatel musí přečíst tento návod k obsluze.

Další bezpečnostní pokyny pro baterie a nabíječky

Baterie

- ♦ Baterii nikdy ze žádného důvodu nerozebírejte.
- ♦ Zabraňte kontaktu baterie s vodou.
- ♦ Neskladujte baterie na místech, kde může teplota přesáhnout 40 °C.
- ♦ Nabíjejte baterie pouze při teplotách v rozsahu od 10 do 40 °C.
- ♦ Provádějte nabíjení pouze nabíječkou dodanou s nářadím.
- ♦ Při likvidaci baterií se řiďte pokyny uvedenými v části „Ochrana životního prostředí“.



Nepokoušejte se nabíjet poškozené baterie.

Nabíječky

- ♦ Používejte nabíječku BLACK+DECKER pouze k nabíjení baterie, která byla dodána s tímto nářadím. Jiné baterie mohou prasknout, způsobit zranění nebo jiné škody.
- ♦ Nikdy se nepokoušejte nabíjet baterie, které nejsou k nabíjení určeny.
- ♦ Poškozené kabely ihned vyměňte.
- ♦ Zabraňte kontaktu nabíječky s vodou.
- ♦ Nesnažte se nabíječku demontovat.
- ♦ Nepokoušejte se do nabíječky proniknout.



Tato nabíječka není určena pro venkovní použití.



Před použitím si pečlivě přečtete tento návod.

Elektrická bezpečnost



Tato nabíječka je opatřena dvojitou izolací. Proto není nutné použití uzemňovacího vodiče. Vždy zkontrolujte, zda napětí v elektrické síti odpovídá napětí, které je uvedeno na výkonovém štítku. Nikdy se nepokoušejte nahradit nabíječku přímým připojením k síťové zásuvce.

- ♦ Je-li poškozen napájecí kabel, musí být vyměněn výrobcem nebo v autorizovaném servisu BLACK+DECKER, aby bylo zabráněno možným rizikům.

Popis

Toto nářadí se skládá z některých nebo ze všech následujících částí.

1. Spouštěcí spínač zapnuto/vypnuto
2. Přepínač pro chod vpřed/vzad
3. Držák nástrojů
4. Tlačítko nastavení rukojeti
5. Rukojeť
6. Nabíjecí konektor mikro USB
7. LED diodová svítilna
8. Indikátor stavu nabití
9. Magnetický držák nástrojů

Sestavení

Nasazení a sejmutí šroubovacího nástavce nebo nástrčného klíče (obr. A)

Varování! Ujistěte se, zda je nářadí zajištěno, abyste před nasazením nebo sejmutím příslušenství zabránili aktivaci spínače.

- ♦ Chcete-li nasadit šroubovací nástavec (9), zasuňte jej do držáku nástrojů (3) tak, aby byl řádně usazen.
- ♦ Chcete-li šroubovací nástavec vyjmout, vytáhněte jej z držáku nástrojů.

Použití

Varování! Nechejte nářadí pracovat jeho vlastním tempem. Zamezte přetěžování nářadí.

Nabíjení baterie (obr. B)

Baterie musí být nabita před prvním použitím a vždy, když dojde k výraznému poklesu jejího výkonu. Baterie se může během nabíjení zahřívát. Jedná se o normální stav, který neznamená žádný problém.

Varování! Pro nabíjení tohoto modelu CS3653LC používejte pouze dodanou nabíječku.

- ♦ Chcete-li baterii nabít, zasuňte zástrčku nabíječky (10) do konektoru (6).
- ♦ Připojte nabíječku k síti.
- ♦ Indikátor stavu nabití (obr. B) bude zobrazovat úroveň aktuálního nabití nářadí.
- ♦ Nechejte nářadí propojeno s nabíječkou 3 hodiny.

Nabíječka se může během nabíjení zahřívát. Jedná se o normální stav, který neznamená žádný problém.

Varování! Baterii nenabíjejte, klesne-li okolní teplota pod 10 °C nebo přesáhne-li 40 °C. Doporučená teplota prostředí pro nabíjení: přibližně 24 °C.

Indikátor stavu nabití (obr. B)

Toto nářadí je vybaveno indikátorem stavu nabití. Používá se k zobrazení stavu nabití baterie během jejího použití a v průběhu nabíjení.

Během nabíjení

- ♦ Během nabíjení bude tento indikátor automaticky zobrazovat úroveň stavu nabití baterie.

Během použití

Poznámka: Neprovádějte kontrolu stavu nabití baterie, je-li šroubovák používán nebo pracuje-li pod zátěží. Tímto způsobem by docházelo k nepřesným odečtům. Chcete-li získat přesný odečet, kontrolujte indikátor stavu nabití baterie v situaci, kdy není toto nářadí zatíženo.

- ♦ Nastavte nářadí tak, aby se pracovní nástroj pohyboval dopředu. Indikátor stavu nabití baterie nebude funkční, bude-li přepínač chodu vpřed/vzad nastaven do polohy pro pohyb vzad nebo do zajišťovací polohy.
- ♦ Stiskněte spouštěcí spínač (1). V závislosti na aktuální úrovni nabití baterie bude svítit určitý počet LED diod na tomto indikátoru (8).

Počet LED diód	Úroveň nabití
Tři	Baterie zcela nabitá
Dvě	Baterie v pořádku
Jedna	Nedostatečně nabitá baterie
Nula	Baterie je vybitá, okamžitě ji nabijte.

Nastavení rukojeti (obr. C a D)

Rukojeť může být nastavena do dvou různých poloh, což zaručuje univerzální použití tohoto nářadí.

- ♦ Stiskněte tlačítko pro nastavení rukojeti (4).
- ♦ Otočte rukojeť do požadované polohy.
- ♦ Uvolněte tlačítko.

Volba směru otáčení (obr. E)

Chcete-li provádět utahování šroubů a vrtání vodicích otvorů, použijte chod vpřed (ve směru pohybu hodinových ručiček). Pro povolování šroubů a uvolňování zablokovaných vrtáků použijte chod vzad (proti směru pohybu hodinových ručiček).

- ♦ Chcete-li zvolit chod vpřed, zatlačte přepínač pro chod vpřed/vzad (2) doleva.
- ♦ Chcete-li zvolit otáčení vzad, zatlačte přepínač pro chod vpřed/vzad doprava.
- ♦ Chcete-li nářadí zablokovat, nastavte přepínač pro chod vpřed/vzad do středové polohy.

Zapnutí a vypnutí (obr. F)

Při utahování použijte chod vpřed (ve směru pohybu hodinových ručiček). Při uvolňování použijte chod vzad (proti směru pohybu hodinových ručiček).

- ♦ Chcete-li nářadí spustit, stiskněte a držte spouštěcí spínač (1).
- ♦ Chcete-li nářadí vypnout, uvolněte spouštěcí spínač (1).

LED diodová svítilna

LED diodová svítilna (7) se automaticky aktivuje stisknutím spouštěcího spínače. LED diodová svítilna se rozsvítí již při částečném stisknutí spouštěcího spínače, dříve než se nářadí uvede do chodu.

Údržba

Vaše nářadí BLACK+DECKER bylo zkonstruováno tak, aby pracovalo po dlouhou dobu s minimálními nároky na údržbu. Řádná péče o nářadí a jeho pravidelné čištění vám zajistí jeho bezproblémový chod.

Vaše nabíječka nevyžaduje žádnou údržbu mimo pravidelné čištění.

Varování! Před prováděním jakékoli údržby vyjměte z nářadí baterii. Před čištěním odpojte nabíječku od sítě.

- ♦ Větrací otvory nářadí a nabíječky pravidelně čistěte měkkým kartáčem nebo suchým hadříkem.
- ♦ Pomocí vlhkého hadříku pravidelně čistěte kryt motoru. Nepoužívejte žádné abrazivní čisticí prostředky nebo rozpouštědla.
- ♦ Pravidelně otvírejte skříňdlo a poklepáním odstraňte prach z jeho vnitřních částí.

Ochrana životního prostředí



Třídte odpad. Tento výrobek nesmí být likvidován v běžném domácím odpadu.

Pokud nebudete výrobek BLACK+DECKER dále používat nebo přejete-li si jej nahradit novým, nelikvidujte jej spolu s běžným komunálním odpadem. Zajistěte likvidaci tohoto výrobku v tříděném odpadu.

ČEŠTINA



Tříděný odpad umožňuje recyklaci a opětovné využití použitých výrobků a obalových materiálů.

Opětovné použití recyklovaných materiálů pomáhá chránit životní prostředí před znečištěním a snižuje spotřebu surovin.

Při zakoupení nových výrobků vám prodejny, místní sběrný odpadů nebo recyklační stanice poskytnou informace o správné likvidaci elektroodpadů z domácnosti.

Společnost BLACK+DECKER poskytuje službu sběru a recyklace výrobků BLACK+DECKER po skončení jejich provozní životnosti. Chcete-li využít výhody této služby, odevzdejte prosím váš výrobek kterémukoli zástupci autorizovaného servisu, který zařízení odebere a zajistí jeho recyklaci.

Místo nejbližšího autorizovaného servisu BLACK+DECKER naleznete na příslušné adrese uvedené v tomto návodu. Seznam autorizovaných servisů BLACK+DECKER a podrobnosti o poprodejním servisu naleznete také na internetové adrese: www.2helpU.com

Baterie



V tomto výrobku nejsou žádné části, které by mohl opravit uživatel.

- Po ukončení provozní životnosti vašeho výrobku odevzdejte celou jednotku zástupci servisu nebo v místním sběrném dvoře, kde zajistí recyklaci baterie. Nevyhazujte toto nářadí do běžného domácího odpadu.

Technické údaje

CS3653LC (H1)		
Napájecí napětí	V	3,6
Otáčky naprázdno	min ⁻¹	190
Maximální moment	Nm	6
Typ baterie		Li-Ion
Kapacita baterie	Ah	1,5
Hmotnost	kg	0,37

Nabíječka 906099**** H1		
Vstupní napětí	V	100 - 240
Výstupní napětí	V	5
Proud	mA	600
Přibližná doba nabíjení	hod	2,5 - 3

Hladina akustického tlaku podle normy EN 60745:

Akustický tlak (L_{pA}) 60,0 dB (A), odchylka (K) 3 dB (A)
Akustický výkon (L_{WA}) 71,0 dB (A), odchylka (K) 3 dB (A)

Celková úroveň vibrací (prostorový vektorový součet) podle normy EN 60745:

Šroubování bez rázů ($a_{h,IS}$) 0,9 m/s², odchylka (K) 1,5 m/s²

Prohlášení o shodě SMĚRNICE PRO STROJNÍ ZAŘÍZENÍ



CS3653LC

Společnost Black & Decker prohlašuje, že tyto produkty popisované v technických údajích splňují požadavky následujících norem: 2006/42/EC, EN 60745-1, EN 60745-2

Tyto výrobky splňují také požadavky směrnic 2014/30/EU a 2011/65/EU. Chcete-li získat další informace, kontaktujte prosím společnost Black & Decker na následující adrese nebo na adresách, které jsou uvedeny na konci tohoto návodu.

Níže podepsaná osoba je odpovědná za sestavení technických údajů a provádí toto prohlášení v zastoupení společnosti Black & Decker.

R. Laverick
Technický ředitel
Black & Decker Europe, 210 Bath Road, Slough,
Berkshire, SL1 3YD
United Kingdom
3. 12. 2014

Záruka

Společnost Black & Decker je přesvědčena o kvalitě svých výrobků a nabízí mimořádnou záruku. Tato záruka je nabízena ve prospěch zákazníka a nijak neovlivní jeho zákonná záruční práva. Tato záruka platí ve všech členských státech EU a evropské zóny volného obchodu EFTA.

Objeví-li se na výrobku Black & Decker, v průběhu 24 měsíců od zakoupení, jakékoli materiálové či výrobní vady, společnost Black & Decker garantuje ve snaze o minimalizování vašich starostí bezplatnou výměnu vadných dílů, opravu nebo výměnu celého výrobku za níže uvedených podmínek:

- ◆ Výrobek nebyl používán pro obchodní nebo profesionální účely a nedocházelo k jeho pronájmu.
- ◆ Výrobek nebyl vystaven nesprávnému použití a nebyla zanedbána jeho předepsaná údržba.
- ◆ Tento výrobek nebyl poškozen cizím zaviněním, jinými předměty nebo nehodou.
- ◆ Opravy nebyly prováděny jinými osobami, než autorizovanými opraváři nebo mechaniky autorizovaného servisu Black & Decker.

Požadujete-li záruční opravu, budete muset prodejci nebo zástupci autorizovaného servisu předložit doklad o zakoupení výrobku. Místo nejbližšího autorizovaného servisu Black & Decker naleznete na příslušné adrese uvedené v tomto návodu. Seznam autorizovaných servisů Black & Decker a podrobnosti o poprodejním servisu naleznete také na internetové adrese: www.2helpU.com

Navštivte prosím naše stránky www.blackanddecker.co.uk a zaregistrujte zde váš nový výrobek BLACK+DECKER, abyste mohli být informováni o nových výrobcích a speciálních nabídkách. Další informace o značce BLACK+DECKER a o celé řadě našich dalších výrobků naleznete na adrese www.blackanddecker.co.uk

Rendeltetészerű használat

Az Ön BLACK+DECKER gyártmányú csavarozóját csavarozási munkákhoz terveztük. Ez a szerszám iparszerű felhasználásra nem alkalmas.

Biztonságtechnikai előírások

Elektromos szerszámokra vonatkozó általános biztonságtechnikai figyelmeztetések



Figyelmeztetés! Olvasson el minden biztonságtechnikai figyelmeztetést és útmutatást. Az alábbi figyelmeztetések és útmutatások be nem tartása áramütést, tüzet és/vagy súlyos személyi sérülést okozhat.

Őrizze meg a figyelmeztetéseket és a használati útmutatót későbbi használatra. Az „elektromos szerszám” kifejezés a figyelmeztetéseken az Ön által használt hálózati (vezetékes) vagy akkumulátoros (vezeték nélküli) elektromos szerszámot jelenti.

1. A munkaterület biztonsága

- a. **A munkaterületet tartsa tisztán és világítsa meg jól.** A rendetlen vagy sötét munkaterület növeli a balesetveszélyt.
- b. **Ne használja a szerszámot robbanás- és tűzveszélyes légtérben, például gyúlékony folyadékok, gázok vagy por közelében.** Elektromos szerszámok használatakor szikra keletkezhet, amely begyújthatja a port vagy gázt.
- c. **A szerszám használata közben tartsa távol a gyerekeket és az arra járókat.** Ha elterelik a figyelmét, elveszítheti a szerszám feletti uralmát.

2. Elektromos biztonság

- a. **Az elektromos kéziszerszám dugasza a hálózati csatlakozóaljzat kialakításának megfelelő legyen. Soha, semmilyen módon ne alakítsa át a csatlakozódugót. A földelt elektromos szerszámokhoz ne használjon adapter dugaszt.** Eredeti (nem átalakított) csatlakozó és ahhoz illő konnector használata mellett kisebb az áramütés veszélye.
- b. **Ügyeljen arra, hogy teste ne érintkezzék földelt felületekkel, például csővezetékekkel, radiátorral, tűzhellyel és hűtőszekrényvel.**

Ha teste földelést kap, nagyobb az áramütés veszélye.

- c. **Esőtől és egyéb nedvességtől óvja az elektromos szerszámot.** Ha víz kerül az elektromos szerszám belsejébe, nő az áramütés veszélye.
 - d. **Gondosan bánjon a kábellel. Az elektromos szerszámot soha ne hordozza és ne húzza a tápkábelnél fogva, a dugaszt pedig ne a kábelnél fogva húzza ki a konnectorból. Tartsa távol a kábelt éles széléktől, mozgó alkatrészekről, védje olajtól és hőtől.** A sérült vagy összetekeredett kábel növeli az áramütés veszélyét.
 - e. **A szabadban kizárólag csak arra alkalmas hosszabbító kábelt szabad használni.** Kültéri használatra alkalmas hosszabbító kábel használata mellett kisebb az áramütés veszélye.
 - f. **Ha az elektromos szerszám nedves helyen való használatra elkerülhetetlen, az elektromos biztonság növelhető egy hibaáramvédő kapcsoló (RCD) előkapcsolásán keresztül.** Hibaáramvédő kapcsoló használata mellett kisebb az áramütés veszélye.
- #### 3. Személyes biztonság
- a. **Elektromos szerszám használata közben ne vesztse el éberségét, figyeljen mindig arra, amit tesz, használja a józan esztét. Ne használja a szerszámot, ha fáradt, ha gyógyszer, alkohol hatása vagy gyógykezelés alatt áll.** Elektromos szerszám használata közben egy pillanatnyi figyelmetlenség is súlyos személyi sérülést okozhat.
 - b. **Használjon személyi védőfelszerelést. Mindig hordjon védőszemüveget.** A védőfelszerelések, például porvédő maszk, biztonsági csúszásmentes cipő, védősisak vagy hallásvédő csökkenti a személyi sérülés veszélyét.
 - c. **Gondoskodjon arról, hogy a szerszám ne indulhasson be véletlenül. Ellenőrizze, hogy az kapcsoló kikapcsolt állásban van-e, mielőtt a hálózatra és/vagy akkumulátorra kapcsolja, a kezébe veszi vagy magával viszi.** Ne szállítsa a feszültség alatt lévő gépet ujjával a kapcsolón, mert bekapcsolt szerszámok szállítása balesetveszélyes.
 - d. **Mielőtt bekapcsolja az elektromos szerszámot, vegye le róla a szerelőkulcsot.** Forgó alkatrészen felejtett kulcs a szerszám beindulásakor személyi sérülést okozhat.

- e. **Ne nyúljon ki túlságosan messzire. Kerülje a rendellenes testtartást, és egyensúlyát soha ne veszítse el munkavégzés közben.** Így jobban irányíthatja a szerszámot, még váratlan helyzetekben is.
- f. **Megfelelő öltözetet viseljen. Ne hordjon ékszert vagy laza ruházatot munkavégzés közben. Haját, ruházatát és kesztyűjét tartsa távol a mozgó alkatrészekről.** A laza öltözk, ékszerek vagy hosszú haj beakadhatnak a mozgó részekbe.
- g. **Ha az adott eszközhöz porelszívó és porgyűjtő is kapcsolható, ügyeljen ezek helyes csatlakoztatására és használatára.** Porelszívó berendezés használatával nagymértékben csökkenthetők a por okozta veszélyek.
4. **Elektromos szerszámok használata és gondozása**
- a. **Ne erőltesse az elektromos szerszámot. A munkafeladatnak megfelelő elektromos szerszámot használja.** A megfelelő szerszámmal jobban és biztonságosabban elvégezheti a munkát, ha a teljesítmény kategóriájának megfelelően használja.
- b. **Ne használja az elektromos szerszámot, ha a kapcsoló nem működőképes.** Bármely elektromos szerszám használata, amely nem irányítható megfelelően a kapcsolóval, nagyon veszélyes, ezért azonnal meg kell javíttatni a kapcsolót, ha sérült vagy nem működőképes.
- c. **Mielőtt beállítást végez, változtat, vagy tartozékot cserél a szerszámon, illetve mielőtt eltávolítja, húzza ki a dugaszát a konnektorból és/vagy az akkumulátorról.** Ezekkel a megelőző biztonsági intézkedésekkel csökkenti a szerszám véletlen beindulásának esélyét.
- d. **Ha nem használja a készüléket, tartsa száraz, gyermekek elől gondosan elzárt helyen; ne engedje, hogy olyan személyek használják, akik nem ismerik a készüléket vagy ezen útmutatásokat.** Az elektromos szerszámok használata nem képzett felhasználók kezében veszélyes lehet.
- e. **Tartsa karban az elektromos szerszámokat. Ellenőrizze a részegységeket, olajozásukat, esetleg előforduló töréseit, a kézvédő vagy a kapcsoló sérüléseit és minden olyan rendellenességet, amely befolyásolhatja a szerszám használatát. Ha a szerszám sérült, használat előtt javíttassa meg.** A nem megfelelően karbantartott elektromos szerszámok számos balesetet okoznak.
- f. **Tartsa élesen és tisztán a vágószerszámokat.** A megfelelően karbantartott éles vágószerszám beszorulásának kisebb a valószínűsége, és könnyebben irányítható.
- g. **Az elektromos szerszámot, tartozékokat, szerszámszárakat stb. ezeknek az útmutatásoknak megfelelően használja, a munkakörülmények és az elvégzendő feladat figyelembe vételével.** Az elektromos szerszám rendeltetésétől eltérő használat a veszélyhelyzetet teremthet.
5. **Akkumulátoros szerszámok használata és gondozása**
- a. **Csak a gyártó által előírt töltővel töltsen az akkumulátort.** Az a töltő, amely alkalmas egy bizonyos típusú akkumulátor töltésére, másik típusú akkumulátornál tűzveszélyt okozhat.
- b. **Az elektromos szerszámot csak a kifejezetten hozzá készült akkumulátorral használja.** Másfajta akkumulátor használata sérülést vagy tüzet okozhat.
- c. **Amikor az akkumulátort nem használja, tartsa távol minden fémestől, például tűzőkapcsoktól, érméktől, kulcsoktól, szegektől, csavaroktól és minden más apró fémtárgytól, amelyek az érintkezőket rövidre zárhatnak.** Az akkumulátor pólusainak rövidzárlata égési sérülést vagy tüzet okozhat.
- d. **Kedvezőtlen körülmények között előfordulhat, hogy az akkumulátorból folyadék ömlik ki; kerülje a vele való érintkezést. Ha véletlenül érintkezésbe került a folyadékkal, öblítse le vízzel. Ha a szemébe került, ezenkívül forduljon orvoshoz is.** Az akkumulátorból kiömlő folyadék irritációt vagy égési sérülést okozhat.
6. **Szerviz**
- a. **Javítást csak szakszerviz végezhet, és csak eredeti gyári alkatrészeket szabad felhasználni.** Ezzel biztosítja az elektromos szerszám folyamatosan biztonságos működését.
- Elektromos szerszámokra vonatkozó kiegészítő biztonságtechnikai figyelmeztetések**



Figyelmeztetés! Kiegészítő biztonsági figyelmeztetések csavarozókhoz és ütvefúrókhoz

- ◆ **Ütvefúró használata közben viseljen hallásvédőt.** A zaj halláskárosodást okozhat.
- ◆ **Használja a készülékhez mellékelt segédfogantyúkat.** A szerszám feletti uralom elvesztése személyi sérüléssel végződhet.
- ◆ **Az elektromos szerszámot csak a szigetelt fogási felületeinél fogja, ha azzal olyan műveletet végez, amelynél a rögzítőelem rejtett vezetékét érhet.** Ha a rögzítőelem áram alatt lévő vezetékét ér, az elektromos szerszám fém alkatrészei is áram alá kerülhetnek, és a kezelő áramütést szenvedhet.
- ◆ **Leszorítókkal vagy más praktikus módon stabil felületre rögzítse és támassza meg a munkadarabot.** Ha a munkadarabot a kezében tartja vagy a testéhez támasztja, az instabillá válik, Ön pedig elveszítheti a szerszám feletti uralmát.
- ◆ Ezt a szerszámot nem használhatják olyan személyek (a gyermekeket is beleértve), akik nincsenek fizikai, érzékelési vagy mentális képességeik teljes birtokában, vagy nincs meg a szükséges tapasztalatuk és tudásuk, kivéve, ha a biztonságukért felelős személy felügyeletet vagy a készülék használatához megfelelő kioktatást biztosít számukra. Ügyeljen a gyermekekre, hogy ne játszhassanak a szerszámmal.
- ◆ A szerszám rendeltetésszerű használatát ebben a kézikönyvben ismertetjük. A kézikönyvben nem ajánlott tartozék vagy kiegészítő használata, illetve itt fel nem sorolt műveletek végzése személyi sérülés és/vagy dologi kár veszélyével jár.



Figyelmeztetés! Az ütvecsavarozók nem nyomatékulcsok. Ne használja ezt a szerszámot olyan rögzítőelemek meghúzásához, amelyek meghatározott nyomatékulcsokkal kell meghúzni. Olyan munkákhoz, amelyeknél a túl lazára vagy túl szorossá húzott rögzítőelemek tönkreteszhetik a kötést, nyomatékulcsot használjon.

Mások biztonsága

- ◆ Ezt a szerszámot nem használhatják olyan személyek (a gyermekeket is beleértve), akik nincsenek fizikai, érzékelési vagy mentális képességeik teljes birtokában, vagy nincs meg a szükséges tapasztalatuk és tudásuk, kivéve, ha a biztonságukért felelős személy

felügyeletet vagy a készülék használatához kioktatást biztosít számukra.

- ◆ Ügyeljen arra, hogy gyermekek ne játszsanak a szerszámmal.

Maradványkockázatok

A készülék használata további, a biztonsági figyelmeztetések között esetleg fel nem sorolt maradványkockázatokkal is járhat. Ezek a szerszám nem rendeltetésszerű vagy huzamosabb idejű használatából stb. adódhatnak.

Bizonyos kockázatok a vonatkozó biztonsági előírások betartása és a védőberendezések használata ellenére sem kerülhetők el. Ezek a következők lehetnek:

- ◆ a forgó-mozgó alkatrészek érintése által okozott személyi sérülések;
- ◆ alkatrészek, vágókések, tartozékok cseréje közben bekövetkező sérülések;
- ◆ a szerszám huzamosabb idejű használata által okozott sérülések; Ha bármely szerszámot huzamosabb ideig használ, rendszeresen iktasson be szüneteket.
- ◆ halláskárosodás;
- ◆ a fűrészpör belégzése miatti egészségkárosodás, különös tekintettel a tölgy, bükk és rétegelt lemez anyagokra.

Súlyozott effektív rezgésgyorsulás

A műszaki adatlapon és a megfelelőségi nyilatkozatban feltüntetett súlyozott effektív rezgésgyorsulási értékeket az EN 60745 szabványnak megfelelően határoztuk meg, így azok felhasználhatók az egyes szerszámoknál mért értékek összehasonlítására is. A megadott érték felhasználható a súlyozott effektív rezgésgyorsulásnak való kitettség mértékének előzetes becsüléséhez is.

Figyelmeztetés! A tényleges súlyozott effektív rezgésgyorsulási érték az elektromos szerszám használata során eltérhet a feltüntetett értéktől, a használat módjától függően. A tényleges súlyozott effektív rezgésgyorsulás szintje az itt feltüntetett szint fölé is emelkedhet.

A 2002/44/EK irányelv által a géppel rendszeresen dolgozók számára megkövetelt szükséges biztonsági intézkedések meghatározásához végzett, a súlyozott effektív rezgésgyorsulásnak való kitettség kiértékelésénél a napi kitettséget jelentő időn túl figyelembe kell venni a tényleges használat körülményeit, illetve azt, hogy

a szerszámot hogyan használják, ideértve a munkafolyamat minden egyes részét, pl. azokat az időszakokat is, amikor a szerszám ki van kapcsolva vagy üresen jár.

Címkék a szerszámon

A szerszámon a következő szimbólumok láthatók:



Figyelmeztetés! A sérülésveszély csökkentése érdekében a felhasználónak át kell olvasnia a kezelési kézikönyvet.

Kiegészítő biztonsági útmutatások akkumulátorokhoz és töltőkhöz

Akkumulátorok

- ◆ Soha, semmilyen okból ne próbálja szétbontani az akkumulátort.
- ◆ Vízről óvja.
- ◆ Ne tárolja olyan helyen, ahol a hőmérséklet 40 °C fölé emelkedhet.
- ◆ Csak 10 °C és 40 °C közötti környezeti hőmérsékleten töltsé.
- ◆ Csak a szerszámhoz mellékelt töltővel töltsé.
- ◆ Elhasznált akkumulátorok kiselejtezésénél tartsa be a „Környezetvédelem” című fejezet útmutatásait.



Ne kísérletezzen sérült akkumulátor töltésével.

Töltők

- ◆ A BLACK+DECKER töltővel csak a szerszámhoz mellékelt akkumulátort töltsé. Más akkumulátorok szétrobbanhatnak, személyi sérülést és anyagi kárt okozva.
- ◆ Soha ne kísérletezzen nem tölthető telepek töltésével.
- ◆ A hibás kábeleket azonnal cseréltesse ki.
- ◆ Vízről óvja a töltőt.
- ◆ Ne bontsa szét a töltőt.
- ◆ Ne próbálgassa a töltőt mérőműszerrel.



A töltő csak beltéri használatra készült.



Használat előtt olvassa el a kezelési útmutatót.

Elektromos biztonság



A töltő kettős szigetelésű; ezért nincs szükség földelésre. Mindig ellenőrizze, hogy a hálózati feszültség megfelel-e a készülék adattábláján megadott

feszültségnek. Soha ne próbálja a töltőt hagyományos hálózati dugással helyettesíteni.

- ◆ Ha a hálózati kábel sérült, a veszély elkerülése érdekében cseréltesse ki a gyártóval vagy egyik megbízott BLACK+DECKER szakszervizzel.

Részegységek

A szerszám a következő részegységek némelyikéből vagy mindegyikéből áll:

1. Fogantyúkapcsoló
2. Forgásirányváltó kapcsoló
3. Befogóhüvely
4. Fogantyú állítógombja
5. Fogantyú
6. Micro USB töltőcsatlakozó
7. LED-es munkalámpa
8. Töltöttségi szintjelző
9. Mágneses bittartó

Összeszerelés

Csavarozóhegy vagy szerszámbefogó fel és leszerelése (A ábra)

Figyelmeztetés! Tartozékok fel- vagy leszerelése előtt bizonyosodjon meg arról, hogy a szerszám reteszelve van.

- ◆ A csavarozóhegyet (9), addig nyomja a befogóhüvelybe (3), amíg nem rögzítődik.
- ◆ Az eltávolításhoz húzza ki egyenesen a csavarozóhegyet a befogóhüvelyből.

Tartsa szem előtt: Előfordulhat, hogy az J-L ábrákon bemutatott sarokcsavarozó feltét nincs az Ön szerszámaához mellékelve.

Az akkumulátor töltése (B ábra)

Az akkumulátort az első használat előtt és minden olyan esetben tölteni kell, amikor nem ad elég teljesítményt olyan munkánál, amelyet ugyanazzal a készülékkel korábban könnyedén el lehetett végezni. Töltés közben az akkumulátor melegekedhet, ami normális jelenség, nem jelent hibát.

Figyelmeztetés! Csak a mellékelt CS3653LC típusú töltővel töltsé a szerszámot.

- ◆ Ha tölteni kívánja az akkumulátort, dugaszolja a töltőkészülék dugaszát (10) a konnektorba (6).
- ◆ Dugaszolja a töltőt a konnektorra.

- ◆ A töltöttségi szintjelző (B ábra) a szerszám akkumulátorának aktuális töltöttségi szintjét jelzi.
- ◆ Hagyja a szerszámot a töltőhöz csatlakoztatva 3 órán keresztül.

Töltés közben a töltő bűgő hangot adhat és melegeledhet; ami normális jelenség, nem jelent hibát.

Figyelmeztetés! Ne töltse az akkumulátor 10 °C alatti vagy 40 °C feletti külső hőmérsékletnél. Javasolt töltési hőmérséklet: 24 °C körül.

Töltöttségi szintjelző (B ábra)

A szerszám töltöttségi szintszintjelzővel is el van látva. Használat és töltés közben ez jelzi az akkumulátor aktuális töltöttségi szintjét.

Töltés közben

- ◆ Töltés közben a töltöttségi szintjelző automatikusan mutatja az aktuális töltöttségi szintet.

Használat közben

Tartsa szem előtt: Amíg a csavarozó működésben vagy terhelés alatt van, ne ellenőrizze a töltöttségi szintet. Ilyenkor pontatlanul mutat. A pontos érték leolvasásához a szerszám terhelés nélküli állapotában ellenőrizze a töltöttségi szintet.

- ◆ Állítsa a szerszámot előre forgásirányra. A töltöttségi szintjelző nem működik, ha a szerszám hátra forgásirányra van állítva vagy reteszelve van.
- ◆ Nyomja be a fogantyúkapcsolót (1). A töltöttségi szintjelzőben (8) a LED az aktuális töltöttségi szinttől függően világítani kezd.

Világító LED-ek száma	Töltöttségi szint
Három	Akkumulátor teljesen feltöltve
Kettő	Az akkumulátor rendben van
Egy	Az akkufeszültség alacsony
Nulla	Az akkumulátor lemerült, azonnal töltse.

A fogantyú beállítása (C és D ábra)

A szerszám optimálisan sokoldalú felhasználhatósága érdekében a fogantyú két különféle helyzetbe állítható.

- ◆ Nyomja meg a fogantyú állítógombját (4).
- ◆ Csavarja a fogantyút a kívánt helyzetbe.
- ◆ Engedje el a gombot.

A forgásirány megválasztása (E ábra)

Csavarok meghúzásához és vezetőfuratok készítéséhez az előre (óramutató járásával megegyező) forgásirányt válassza. Csavarok meglazításához vagy beragadt fúrószerű kiszabadításához a hátra (az óramutató járásával ellentétes) forgásirányt válassza.

- ◆ Az előre forgásirány választásához tolja a forgásirányváltó kapcsolót (2) balra.
- ◆ A hátra forgásirány választásához tolja a forgásirányváltó kapcsolót jobbra.
- ◆ A szerszámot a forgásirányváltó kapcsoló középső állásába helyezve reteszelheti.

Be- és kikapcsolás (F. ábra)

Csavar behajtásához az előre (óramutató járásával megegyező) forgásirányt válassza. Csavar kilazításához a hátra (az óramutató járásával ellentétes) forgásirányt válassza.

- ◆ A szerszámot a fogantyúkapcsolóval (1) indíthatja be.
- ◆ A szerszámot a kapcsoló (1) elengedésével kapcsolhatja ki.

LED-es munkalámpa

A LED-es munkalámpa (7) a fogantyúkapcsoló benyomására automatikusan bekapcsol. A LED-es munkalámpa a szerszám beindulása előtt kezd világítani, amikor a fogantyúkapcsolót kissé benyomja.

Karbantartás

Az Ön BLACK+DECKER szerszámát minimális karbantartás melletti hosszú távú használatra terveztük. A szerszám folyamatos és kielégítő működése függ a megfelelő gondozástól és a rendszeres tisztítástól is.

Az Ön töltőkészüléke a rendszeres tisztításon kívül más karbantartást nem igényel.

Figyelmeztetés! Mielőtt bármilyen karbantartási műveletbe kezdene, vegye ki a szerszámból az akkumulátort. Tisztítás előtt áramtalanítsa a töltőt.

- ◆ Puha kefével vagy száraz ronggyal rendszeresen tisztítsa meg a szerszám és a töltő szellőzőnyílásait.
- ◆ Nedves ronggyal rendszeresen tisztítsa le a motorburkolatot. Ne használjon súroló hatású vagy oldószer alapú tisztítószert.
- ◆ Rendszeresen nyissa ki a tokmányt és ütögesse meg, hogy a belsejéből kihulljon a por.

Környezetvédelem



Elkülönítve gyűjtendő. Ezt a terméket el kell különíteni a normál háztartási hulladéktól.

Egy napon, mikor BLACK+DECKER terméke eléri technikai élettartamának végét, vagy nincs további szüksége rá, gondoljon a környezetvédelemre. Ezt a terméket a normál háztartási hulladéktól elkülönítve kell megsemmisíteni.



Az elhasznált termékek és csomagolások elkülönített begyűjtése lehetővé teszi ezek újrahasznosítását. Újrahasznosított vagy újra feldolgozott anyagok segítségével a környezetszennyezés, illetve a nyersanyagok iránti igény nagymértékben csökkenthető.

A helyi előírások rendelkezhetnek az elektromos készülékek háztartási hulladéktól elkülönített begyűjtéséről helyhatósági hulladéklerakó helyeken vagy a kereskedők által új termék megvásárlásakor.

A BLACK+DECKER lehetőséget biztosít a BLACK+DECKER termékek begyűjtésére és újrafeldolgozására, amint azok elérték élettartamuk végét. Ez a szolgáltatás ingyenes. Ha igénybe veszi, kérjük, juttassa el a terméket a legközelebbi márkaszervizbe, melyekről a Magyarországi Képviseletnél érdeklődhet.

Az Önhöz legközelebbi márkaszerviz címét a Magyarországi Képviselettől vagy ebből a kézikönyvből tudhatja meg. A szervizzel kapcsolatosan a következő Internet oldalon is felvilágosítást kaphat: www.2helpU.com.

Akkumulátorok



Az akkumulátorok belsejében nincsenek felhasználó általi szervizelési igénylő alkatrészek.

- Élettartamának lejártá után a terméket egészen juttassa el a szervizbe vagy egyik helyi újrahasznosító telepre, hogy újrahasznosítsák az akkumulátort. A készüléket ne a háztartási hulladékkal együtt dobja ki.

Műszaki adatok

CS3653LC (H1)		
Feszültség	V_{DC}	3,6
Üresjárat fordulatszám	min^{-1}	190
Maximális nyomaték	Nm	6
Akkumulátor típusa		Li-ion
Akkumulátor kapacitása	Ah	1,5
Súly	kg	0,37

906099**** H1		
Felvett feszültség	V_{AC}	100-240
Leadott feszültség	V_{DC}	5
Áramerősség	mA	600
Töltési idő kb.	Óra	2,5 - 3

Hangnyomásszint az EN 60745 szabvány szerint:		
Hangnyomás (L_{pA})		60,0 dB(A), toleranciafaktor (K) 3 dB(A)
Hangteljesítményszint (L_{WA})		71,0 dB(A), toleranciafaktor (K) 3 dB(A)

Súlyozott effektív rezgésyoursulás összértéke (triax vektorösszeg) az EN 60745 szabvány szerint:		
Csavarozás ütés nélkül ($a_{h,ISO}$)		0,9 m/s^2 , toleranciafaktor (K) 1,5 m/s^2

CE megfelelési nyilatkozat GÉPEKRE VONATKOZÓ IRÁNYELV



CS3653LC

A Black & Decker kijelenti, hogy a „Műszaki adatok” című fejezetben ismertetett termékek megfelelnek a következő irányelveknek és szabványoknak: 2006/42/EK, EN 60745-1, EN 60745-2-2

Ezek a termékek a 2014/30/EU és a 2011/65/EU irányelveknek is megfelelnek. További tájékoztatásért forduljon a Black & Decker vállalatához a következőkben megadott vagy a kézikönyv végén megtalálható elérhetőségeken.

Az aláírás tulajdonosa a műszaki adatok összeállításáért felelős személy; nyilatkozatát a Black & Decker vállalat nevében adja.

R. Laverick
Műszaki igazgató
Black & Decker Europe, 210 Bath Road, Slough,
Berkshire, SL1 3YD
Egyesült Királyság
2014/12/03

MAGYAR

Az Önhöz legközelebb eső hivatalos márkaszervizt a kézikönyvben megadott helyi Black & Decker képviselő segítségével érheti el. Alternatív megoldásként a szerződött Black & Decker szervizek listája, illetve az eladásutáni szolgáltatásaink és ezek elérhetőségének részletes ismertetése a következő internetes címen érhető el:
www.2helpU.com

Kérjük, látogassameg a **www.blackanddecker.hu** weboldalunkat, hogy regisztrálja az új BLACK+DECKER termékét, ill. hogy megismerje az új termékeinkkel és egyedi ajánlatainkkal kapcsolatos legújabb híreinket. A BLACK+DECKER márkával és termékválasztékunkkal kapcsolatos további tájékoztatást a **www.blackanddecker.hu** internetes címen találhat.

Zastosowanie zgodne z przeznaczeniem

Ten wkrętak akumulatorowy BLACK+DECKER jest przeznaczony do wkręcania i wykręcania wkrętów. Narzędzie to nie nadaje się do profesjonalnych, przemysłowych zastosowań

Wskazówki dotyczące bezpieczeństwa

Ogólne wskazówki bezpieczeństwa pracy elektronarzędzia



Uwaga! Przeczytaj wszystkie zamieszczone tutaj wskazówki bezpieczeństwa. Nieprzestrzeganie ich może doprowadzić do porażenia prądem elektrycznym, pożaru, a nawet ciężkiego urazu ciała.

Przechowuj niniejszą instrukcję, by w razie potrzeby móc z niej ponownie skorzystać.

Używane tutaj określenie „elektonarzędzie” oznacza zarówno urządzenie sieciowe (z kablem sieciowym) jak i akumulatorowe (bez kabla sieciowego).

1. **Bezpieczeństwo w obszarze pracy**
 - a. **Utrzymuj porządek w miejscu pracy i dobrze je oświetlaj.** Bałagan i niewystarczające oświetlenie grożą wypadkiem.
 - b. **Nie używaj elektronarzędzi w otoczeniu zagrożonym wybuchem, gdzie występują palne pary, gazy lub pyły.** Elektronarzędzia wytwarzają iskry, które mogą spowodować zapalenie się tych substancji.
 - c. **Nie dopuszczaj dzieci ani innych osób do miejsca pracy.** Mogą one odwrócić uwagę od wykonywanych czynności, co grozi wypadkiem.
 2. **Bezpieczeństwo elektryczne**
 - a. **Wtyczka kabla elektronarzędzia musi pasować do gniazda sieciowego i w żadnym wypadku nie wolno jej przerabiać.** Gdy elektronarzędzia zawierają uziemienie ochronne, nie używaj żadnych wtyczek adaptacyjnych. Oryginalne wtyczki i pasujące do nich gniazda sieciowe zmniejszają ryzyko porażenia prądem elektrycznym.
 - b. **Unikaj dotykania uziemionych elementów, jak na przykład rury, grzejniki, piece i chłodziarki.** Gdy ciało jest uziemione, porażenie prądem elektrycznym jest o wiele niebezpieczniejsze.
 - c. **Nie wystawiaj elektronarzędzi na działanie deszczu ani wilgoci.** Przedostanie się wody do wnętrza obudowy grozi porażeniem prądem elektrycznym.
 - d. **Ostrożnie obchodź się z kablem.** **Nigdy nie używaj go do przenoszenia elektronarzędzia ani do wyjmowania wtyczki kabla z gniazda sieciowego.** **Chroń kabel przed wysoką temperaturą, olejem, ostrymi krawędziami i ruchomymi elementami.** Uszkodzony lub zaplątany kabel może doprowadzić do porażenia prądem elektrycznym.
 - e. **Przy pracy na wolnym powietrzu stosuj tylko przeznaczone do tego celu przedłużacze.** Posługiwanie się odpowiednimi przedłużaczami zmniejsza ryzyko porażenia prądem elektrycznym.
 - f. **W razie konieczności użycia elektronarzędzia w wilgotnym otoczeniu, zabezpiecz obwód zasilania wyłącznikiem ochronnym różnicowo-prądowym.** Zastosowanie takiego wyłącznika zmniejsza ryzyko porażenia prądem elektrycznym.
3. **Bezpieczeństwo osobiste**
 - a. **Zawsze zachowuj uwagę, koncentruj się na swojej pracy i rozsądnie postępuj z elektronarzędziem.** Nie używaj go, gdy jesteś zmęczony lub znajdujesz się pod wpływem narkotyków, alkoholu czy też leków. Chwila nieuwagi w czasie pracy grozi bardzo poważnymi konsekwencjami.
 - b. **Stosuj wyposażenie ochronne. Zawsze zakładaj okulary ochronne.** Odpowiednie wyposażenie ochronne, jak maska przeciwpyłowa, obuwie na szorstkiej podeszwie, kask ochronny lub nauszniaki ochronne, zależnie od rodzaju i zastosowania elektronarzędzia zmniejszają ryzyko doznania urazu.
 - c. **Unikaj niezamierzonego załączenia.** Przed przyłączeniem elektronarzędzia do sieci lub akumulatora, przed uniesieniem go lub transportem sprawdź, czy jest wyłączony wyłącznik. Przenoszenie elektronarzędzia z palcem opartym na wyłączniku lub przyłączanie go do sieci przy włączonym wyłączniku zwiększa ryzyko wypadku.
 - d. **Przed załączeniem elektronarzędzia sprawdź, czy zostały wyjęte klucze i przyrządy nastawcze.** Klucz pozostawiony w obracającej się części może doprowadzić do urazu ciała.

- e. **Nie pochylaj się za bardzo do przodu! Utrzymuj stabilną postawę, by nie stracić równowagi w jakiejś pozycji roboczej.** Takie postępowanie umożliwia zachowanie lepszej kontroli nad elektronarzędziem w nieoczekiwanych sytuacjach.
- f. **Zakładaj odpowiednią odzież ochronną. Nie noś luźnej odzieży ani biżuterii. Włosy, odzież i rękawice trzymaj z dala od ruchomych elementów.** Luźna odzież, biżuteria lub długie włosy mogą zostać pochwycone przez obracające się części narzędzia.
- g. **Gdy producent przewidział urządzenia do odsysania lub gromadzenia pyłu, sprawdź czy są one przyłączone i prawidłowo zamocowane.** Stosowanie tych urządzeń zmniejsza zagrożenie zdrowia pyłem.
4. **Obsługa i konserwacja elektronarzędzi**
- a. **Nie przeciążaj elektronarzędzia. Używaj narzędzi odpowiednich do danego przypadku zastosowania.** Najlepszą jakość i bezpieczeństwo osobiste osiągniesz, tylko stosując właściwe narzędzia.
- b. **Nie używaj elektronarzędzia z uszkodzonym wyłącznikiem.** Urządzenie, które nie daje się normalnie załączać lub wyłączać, jest niebezpieczne i trzeba je naprawić.
- c. **Przed rozpoczęciem jakichkolwiek prac nastawczych, przed wymianą akcesoriów lub odłożeniem elektronarzędzia zawsze wyjmij wtyczkę kabla z gniazda sieciowego.** Ten środek ostrożności zmniejsza ryzyko niezamierzonego uruchomienia elektronarzędzia.
- d. **Niepotrzebne elektronarzędzia przechowuj w miejscu niedostępnym dla dzieci. Nie pozwalaj używać elektronarzędzi osobom, które nie są z nimi obeznane lub nie przeczytały niniejszej instrukcji.** Narzędzia w rękach niedoświadczonych osób są niebezpieczne.
- e. **Utrzymuj elektronarzędzia w nienagannym stanie technicznym. Sprawdzaj, czy ruchome elementy obracają się w odpowiednim kierunku, nie są zakleszczone, pęknięte ani tak uszkodzone, że nie zapewniają prawidłowego funkcjonowania urządzenia. Uszkodzone elektronarzędzia przed użyciem należy naprawić.** Powodem wielu wypadków jest niewłaściwa konserwacja elektronarzędzi.
- f. **Ostrz i utrzymuj w czystości swoje narzędzia robocze.** Starannie konserwowane, ostre narzędzia robocze rzadziej się zakleszczają i łatwiej nimi pracować.
- g. **Elektronarzędzi, akcesoriów, końcówek itp. używaj zgodnie z przeznaczeniem. Przestrzegaj przy tym obowiązujących przepisów bhp.** Wykorzystywanie elektronarzędzi wbrew przeznaczeniu jest niebezpieczne.
5. **Obsługa i konserwacja elektronarzędzi akumulatorowych**
- a. **Akumulatory ładuj tylko w ładowarkach przewidzianych do tego celu przez producenta.** W przypadku ładowarki przeznaczonej tylko do określonego rodzaju akumulatora włożenie innego akumulatora grozi pożarem.
- b. **Stosuj tylko akumulatory przeznaczone do danego rodzaju elektronarzędzi.** Stosowanie innych akumulatorów stwarza ryzyko doznania urazu ciała i pożaru.
- c. **Nieużywane akumulatory trzymaj z dala od spinaczy biurowych, monet, kluczy, gwoździ, śrub i innych małych przedmiotów metalowych, które mogą spowodować zwarcie biegunów.** Zwarcie zacisków akumulatora może spowodować oparzenia lub pożar.
- d. **Z powodu niewłaściwego zastosowania z akumulatora może wyciekać elektrolit. Nie dotykaj go. W razie niezamierzonego kontaktu natychmiast spłucz wodą narażone miejsce. Gdyby elektrolit przysnął w oczy, niezwłocznie zgłoś się do lekarza.** Wyciekły elektrolit może spowodować podrażnienie oczu lub oparzenia.
6. **Serwis**
- a. **Naprawy elektronarzędzi mogą być wykonywane tylko przez uprawnionych specjalistów przy użyciu oryginalnych części zamiennych.** Jest to istotnym warunkiem zapewnienia bezpieczeństwa pracy.

Dodatkowe wskazówki bezpieczeństwa pracy elektronarzędzia



Uwaga! Dodatkowe wskazówki bezpieczeństwa pracy wkrętek akumulatorowych i udarowych.

- ♦ **Przy korzystaniu z wkrętek ударowych zakładaj nauszники ochronne.** Hałas może doprowadzić do uszkodzenia narządu słuchu.
- ♦ **Korzystaj z dodatkowych rękocyści należących do zakresu dostawy elektronarzędzia.** Utrata panowania nad urządzeniem może skutkować urazem ciała.
- ♦ **W razie niebezpieczeństwa przewiercenia ukrytych przewodów elektrycznych trzymaj wkrętek za izolowane rękocyści.** Narzędzie robocze ma elektryczne połączenie z gołymi metalowymi elementami wkrętaka, co grozi porażeniem prądem elektrycznym w przypadku natrafienia na będący pod napięciem przewod.
- ♦ **Używaj ścisków stolarskich lub podobnych środków do mocowania przedmiotu obrabianego na stabilnej powierzchni.** Przytrzymywanie przedmiotu obrabianego ręką lub ciałem grozi utratą panowania nad wiertarko-wkrętarką.
- ♦ W niniejszej instrukcji jest opisane zastosowanie zgodne z przeznaczeniem narzędzia. Zastosowanie akcesoriów lub części, które w tej instrukcji nie są zalecane lub obsługa odbiegająca od opisanego postępowania z narzędziem, mogą doprowadzić do obrażeń i/lub szkód rzeczowych.



Uwaga! Wkrętak ударowy nie jest kluczem dynamometrycznym. Narzędzie to nie jest przystosowane do mocowania elementów z określonym momentem obrotowym. Jeśli łączone elementy mogą zostać uszkodzone poprzez zbyt dużą lub małą siłę docisku należy zastosować oddzielne, skalibrowane urządzenie do mierzenia momentu obrotowego, jak np. klucz dynamometryczny.

Bezpieczeństwo innych osób

- ♦ Zabrania się używania tego urządzenia przez dzieci i osoby o ograniczonej sprawności fizycznej, czuciowej lub umysłowej. To samo dotyczy początkujących, chyba że znajdują się pod nadzorem doświadczonego użytkownika.
- ♦ Pilnuj dzieci, by nie bawiły się tym urządzeniem.

Pozostałe zagrożenia

Przy korzystaniu z tego urządzenia mogą zaistnieć dodatkowe zagrożenia nieuwzględnione w przepisach bezpieczeństwa. Z reguły zachodzą one w przypadku niewłaściwego lub zbyt długiego używania narzędzia.

Nawet przy przestrzeganiu jednostronnych przepisów bezpieczeństwa i stosowaniu wszystkich urządzeń zabezpieczających nadal występują pewne zagrożenia. Zaliczają się do nich:

- ♦ Skaleczenia wskutek dotknięcia obracających się/ruchomych elementów.
- ♦ Skaleczenia doznane przy wymianie elementów, noży i akcesoriów.
- ♦ Narażenie zdrowia przy dłuższym używaniu elektronarzędzia. W takich sytuacjach rób regularne przerwy w pracy.
- ♦ Upośledzenie narządu słuchu.
- ♦ Zagrożenie zdrowia wskutek wdychania pyłu (np. powstającego podczas obróbki drewna, a zwłaszcza dębu, buku i MDF).

Wibracje

Ważone częstotliwościowo wartości skuteczne przyspieszenia drgań na rękocyści podane w danych technicznych i deklaracji zgodności zostały zmierzone standardową metodą opisaną w normie EN 60745, dzięki czemu można je wykorzystywać do porównań z innymi narzędziami i do tymczasowej oceny ekspozycji drganiowej.

Uwaga! Ważona wartość skuteczna przyspieszenia drgań w praktyce może się różnić od podanej wartości zależnie od sposobu wykorzystania narzędzia i nie da się wykluczyć jej przekroczenia.

Przy szacowaniu ekspozycji drganiowej w celu ustalenia wymaganych przez normę 2002/44/WE środków bezpieczeństwa dla ochrony osób zawodowo, regularnie używających narzędzi trzeba też uwzględnić rzeczywiste warunki pracy, a także jak długo w danym czasie narzędzie pozostawało wyłączone i jak długo pracowało na biegu pełnym.

Symbole ostrzegawcze na elektronarzędziu

Na elektronarzędziu umieszczono następujące piktogramy:



Uwaga: By zmniejszyć ryzyko doznania urazu, przeczytaj instrukcję obsługi i przestrzegaj zawartych w niej wskazówek.

Dodatkowe wskazówki bezpieczeństwa pracy akumulatorów i ładowarek

Akumulatory

- ♦ W żadnym wypadku nie próbuj otwierać akumulatora.
- ♦ Nie wystawiaj akumulatora na działanie wody.
- ♦ Nie składuj akumulatora w miejscu, w którym temperatura może przekroczyć 40 °C.
- ♦ Akumulator ładuj tylko w temperaturze otoczenia między 10 °C i 40 °C.
- ♦ Akumulator ładuj tylko za pomocą dostarczonej ładowarki.
- ♦ Przy utylizacji akumulatorów przestrzegaj wskazówek zamieszczonych w punkcie „Ochrona środowiska”.



Nigdy nie próbuj ładować uszkodzonego akumulatora.

Ładowarki

- ♦ Ładowarek BLACK+DECKER używaj tylko do ładowania akumulatorów dostarczonych wraz z wiertarko-wkrętarką. Inne akumulatory mogą pęknąć, co grozi wyrządzeniem szkód rzeczowych i osobowych.
- ♦ Nigdy nie próbuj ładować baterii.
- ♦ Uszkodzony kabel natychmiast wymień na nowy.
- ♦ Nie wystawiaj ładowarki na działanie wody.
- ♦ Nie otwieraj ładowarki.
- ♦ Nie przeprowadzaj żadnych zmian w ładowarce.



Ładowarka nie jest dopuszczona do pracy na wolnym powietrzu.



Przed użyciem ładowarki dokładnie przeczytaj instrukcję obsługi.

Bezpieczeństwo elektryczne



Ładowarka jest podwójnie zaizolowana i dlatego żyła uziemiająca nie jest konieczna. Sprawdź, czy lokalne napięcie sieciowe zgadza się z wartością podaną na tabliczce znamionowej ładowarki. Nigdy nie próbuj bezpośrednio przyłączać wiertarko-wkrętarki do sieci.

- ♦ W razie uszkodzenia kabla sieciowego zleć wymianę producentowi lub autoryzowanemu warsztatowi serwisowemu BLACK+DECKER. Postępowanie wbrew temu nakazowi naraża użytkownika na niebezpieczeństwo.

Uwaga! W żadnym wypadku nie zastępuj ładowarki normalnym kablem sieciowym.

Elementy

To elektronarzędzie posiada jeden lub wszystkie wymienione poniżej elementy:

1. Wyłącznik
2. Przełącznik do przodu/ tyłu
3. Uchwyt do końcówki
4. Przycisk do ustawiania rękojeści
5. Rękojeść
6. Ładowarka micro USB
7. Lampka LED
8. Wskaźnik stanu naładowania
9. Magnetyczny uchwyt na końcówki

Montaż

Wkładanie i wyjmowanie końcówki wkrętarskiej (rys. A)

Uwaga! Elektronarzędzie musi być zablokowane, aby nie nastąpiło żadne nieoczekiwane działanie wyłącznika przed zainstalowaniem lub wyjęciem osprzętu.

- ♦ W celu włożenia końcówki wciśnij trzonek w uchwyt (3) aż w nim mocno zatrzasknie.
- ♦ W celu wyjęcia końcówki wyciągnij ją bezpośrednio z uchwytu (3).

Wskazówka! Przedstawiony na rysunkach E do J prawoskrętny osprzęt może nie należeć do zakresu dostawy tego narzędzia.

Zastosowanie

Uwaga! Nie przyśpieszaj pracy na siłę. Unikaj przeciążania narzędzia.

Ładowanie akumulatora (rys. B)

Akumulator należy naładować przed pierwszym użyciem urządzenia i gdy jego moc zaczyna wyczuwalnie spadać. Podczas ładowania akumulator może się nagrzewać, ale jest to normalne zjawisko, które nie świadczy o usterce. **Uwaga!** Używaj dostarczonej ładowarki wyłącznie do ładowania elektronarzędzia o numerze katalogowym CS3653LC.

- ♦ Włóż wtyczkę ładowarki (10) do przyłącza (6)
- ♦ Podłącz ładowarkę do sieci.
- ♦ Wskaźnik stanu naładowania (rys. B) pokazuje stopień naładowania narzędzia
- ♦ Akumulator jest w pełni naładowany po 3 godzinach.

Podczas ładowania akumulator może szumieć i nagrzewać się. Jest to normalne zjawisko, które nie świadczy o usterce.

Uwaga! Nie ładuj akumulatora, jeśli temperatura otoczenia przekracza przedział pomiędzy 10° a 40°, zalecana temperatura ładowania to ok.24°C.

Wskaźnik stanu naładowania (rys. B)

Elektronarzędzie posiada wskaźnik stanu naładowania. Za pomocą tego wskaźnika można sprawdzić stan naładowania podczas pracy jak i podczas ładowania.

Podczas ładowania

Podczas ładowania stan ładowania jest pokazywany automatycznie.

Podczas pracy

Wskazówka! Nie sprawdzaj stanu naładowania podczas pracy lub pod obciążeniem. W takim momencie nie otrzymasz wiarygodnego wyniku. Wiarygodny wynik otrzymasz jeśli status naładowania będzie sprawdzony, gdy narzędzie jest nieobciążone.

- ♦ Ustaw narzędzie na obroty do przodu. Wskaźnik ładowania nie pracuje, gdy narzędzie jest ustawione na obroty do tyłu lub zablokowane.
- ♦ Naciśnij spust (1). Diody wskaźnika (8) świecą i pokazują aktualny stan naładowania.

Liczba diod	Stan naładowania
Trzy	Akumulator jest pełny
Dwie	Akumulator jest OK.
Jedna	Akumulator jest słaby
Zero	Akumulator rozładowany, doładować natychmiast

Ustawienie rękojeści (rys. C i D)

Aby umożliwić większe spektrum zastosowania można ustawić rękojeść w dwóch różnych pozycjach.

- ♦ Naciśnij przycisk, aby ustawić rękojeść (4)
- ♦ Obróć uchwyt rękojeści do pożądanej pozycji.
- ♦ Zwolnij przycisk

Wybór kierunku obrotów (rys. E)

W celu wiercenia i wkręcania wkrętów zastosuj obroty do przodu (w prawo). W celu wykręcania wkrętów oraz zablokowanych wiertel wybierz obroty do tyłu (w lewo).

- ♦ By uzyskać obroty do przodu, przełącznik kierunku obrotów (2) przesun w prawo.
- ♦ By uzyskać obroty do tyłu, przełącznik kierunku obrotów (2) przesun do tyłu.
- ♦ By zablokować narzędzie, przełącznik kierunku obrotów ustaw w środkowej pozycji.

Włączanie i wyłączenie (rys. F)

W celu dociągnięcia łączonych elementów zastosuj obroty do przodu (w prawo). W celu poluzowania łączonych elementów wybierz obroty do tyłu (w lewo).

- ♦ By załączyć wkrętak, naciśnij wyłącznik (1).
- ♦ By wyłączyć wkrętak, zwolnij wyłącznik (1).

Lampka LED

Lampka LED (7) zaskakuje się automatycznie przy naciśnięciu spustu. Lampka LED świeci również, gdy spust jest częściowo naciśnięty i zanim narzędzie rozpocznie pracę.

Konserwacja

Elektronarzędzie BLACK+DECKER odznacza się dużą trwałością użytkową i prawie nie wymaga konserwacji. Jednak w celu zapewnienia ciągłej, bezawaryjnej pracy niezbędne jest jego regularne czyszczenie.

Ładowarka nie wymaga żadnej konserwacji z wyjątkiem regularnego czyszczenia.

Uwaga! Przed rozpoczęciem wykonywania jakichkolwiek prac konserwacyjnych odłącz ładowarkę od sieci.

- ♦ Za pomocą miękkiej szczoteczki lub suchej szmatki regularnie czyść szczeliny wentylacyjne we wkrętance i ładowarce.
- ♦ Wilgotną szmatą systematycznie przecieraj obudowę silnika. Nie używaj żadnych ściernych środków czyszczących ani takich, które zawierają rozpuszczalniki.
- ♦ Regularnie czyść uchwyt wiertarski. W tym celu otwórz go i, lekko ostukując, usuń pył z wnętrza.

Ochrona środowiska



Selektywna zbiórka odpadów. Wyrobu tego nie wolno wyrzucać do normalnych śmieci z gospodarstw domowych.

Gdy pewnego dnia poczujesz się zmuszony zastąpić wyrób BLACK+DECKER nowym sprzętem lub nie będziesz go już potrzebować, w trosce o ochronę środowiska nie wyrzucaj go do śmieci z gospodarstw domowych, a jedynie oddaj do specjalistycznego zakładu utylizacji odpadów.



Dzięki selektywnej zbiórce zużytych wyrobów i opakowań niektóre materiały mogą być odzyskane i ponownie wykorzystane. W ten sposób chroni się środowisko naturalne i zmniejsza popyt na surowce

Stosuj się do lokalnych przepisów, jeżeli wymagają one oddawania zużytych elektrycznych urządzeń powszechnego użytku do specjalnych punktów zbiorczych lub zobowiązują sprzedawców do przyjmowania ich przy zakupie nowego wyrobu.

BLACK+DECKER chętnie przyjmuje stare, wyprodukowane przez siebie urządzenia i utylizuje je zgodnie z obowiązującymi przepisami. By skorzystać z tej usługi, oddaj zużyty sprzęt do autoryzowanego warsztatu naprawczego, który prowadzi zbiórkę w naszym imieniu.

W instrukcji tej zamieszczono adresy przedstawicielstw handlowych firmy BLACK+DECKER, które udzielają informacji o warsztatach serwisowych. Ich listę znajdziesz także w Internecie pod adresem: www.2helpU.com.

Akumulatory



Części wewnątrz nie wymagają żadnej konserwacji.

- ◆ Uszkodzony produkt oddaj dystrybutorowi lub do najbliższego komunalnego zakładu utylizacji odpadów.

Dane techniczne

CS3653 LC (H1)		
Napięcie	V_{DC}	3,6
Prędkość obrotowa biegu jałowego	obr/min	190
Maksymalny moment obrotowy	Nm	6,00
Rodzaj akumulatora		Litowo-jonowy
Pojemność baterii	Ah	1,5
Masa	kg	0,37

Ładowarka 906099** typ 1		
Napięcie wejściowe	V_{AC}	100-240
Napięcie wyjściowe	V_{DC}	5
Moc prądu	mA	600
Przybliżony czas ładowania	h	2,5-3

Poziom hałas zmierzony według normy EN 60745:

Ciśnienie akustyczne (L_{pa}): 60 dB(A), niepewność pomiaru: 3 dB(A)
Moc akustyczna (L_{WA}): 71 dB(A), niepewność pomiaru: 3 dB(A)

Całkowita wartość skuteczna przyspieszenia drgań (suma wektorowa 3 składowych kierunkowych) według normy EN 60745:

Bezudarowe wkręcanie (a_{RIS}): 0,9 m/s², niepewność pomiaru (K): 1,5 m/s²

Deklaracja zgodności z normami UE DYREKTYWA MASZYNOWA



CS3653LC

Black & Decker deklaruje niniejszym, że wyrób nr kat. CS3653LC opisany w „Danych technicznych” został wykonany zgodnie z następującymi wytycznymi i normami: 2006/42/WE, EN 60745-1, EN 60745-2-2.

Wyrób ten jest zgodny także z dyrektywami 2014/30/UE i 2011/65/UE. Aby uzyskać więcej informacji, należy zwrócić się do Black&Decker Europe pod adres jak poniżej. Takie informacje można również uzyskać pod adresem zamieszczonym na stronie końcowej tej instrukcji.

Niżej podpisany jest odpowiedzialny za przygotowanie dokumentacji technicznej i składa tę deklarację w imieniu Black & Decker.

R.Laverick
Engineering Manager
Black & Decker Europe, 210 Bath Road, Slough
Berkshire, SL1 3YD
Wielka Brytania
03.12.2014

BLACK+DECKER**WARUNKI GWARANCJI:**

Produkty marki Black & Decker reprezentują bardzo wysoką jakość, dlatego oferujemy dla nich korzystne warunki gwarancyjne. Niniejsze warunki gwarancji nie pomniejszają praw klienta wynikających z polskich regulacji ustawowych lecz są ich uzupełnieniem. Gwarancja jest ważna na terenie Rzeczypospolitej Polskiej.

Black & Decker gwarantuje sprawne działanie produktu w przypadku postępowania zgodnego z warunkami techniczno-eksploatacyjnymi opisanymi w instrukcji obsługi.

Niniejszą gwarancją nie jest objęte dodatkowe wyposażenie, jeżeli nie została do niego dołączona oddzielna karta gwarancyjna oraz elementy wyrobu podlegające naturalnemu zużyciu.

1. Niniejszą gwarancją objęte są usterki produktu spowodowane wadami produkcyjnymi i wadami materiałowymi.
2. Niniejsza gwarancja jest ważna po przedstawieniu przez Klienta w Centralnym Serwisie Gwarancyjnym reklamowanego produktu oraz łącznie:
 - a) poprawnie wypełnionej karty gwarancyjnej;
 - b) ważnego paragonu zakupu z datą sprzedaży taką, jak w karcie gwarancyjnej lub kopii faktury.
3. Gwarancja obejmuje bezpłatną naprawę urządzenia (wraz z bezpłatną wymianą uszkodzonych części) w okresie 24 miesięcy od daty zakupu.
4. Produkt reklamowany musi być:
 - a) dostarczony bezpośrednio do Centralnego Serwisu Gwarancyjnego wraz z poprawnie wypełnioną Kartą Gwarancyjną i ważnym paragonem zakupu (lub kopią faktury) oraz szczegółowym opisem uszkodzenia, lub
 - b) przesłany do Centralnego Serwisu Gwarancyjnego za pośrednictwem punktu sprzedaży wraz z dokumentami wymienionymi powyżej.
5. Koszty wysyłki do Centralnego Serwisu Gwarancyjnego ponosi Serwis. Wszelkie koszty związane z zapewnieniem bezpiecznego opakowania, ubezpieczeniem i innym ryzykiem ponosi Klient. W przypadku odrzucenia roszczenia gwarancyjnego, produkt jest odsyłany do miejsca nadania na koszt adresata.
6. Usterki ujawnione w okresie gwarancji będą usunięte przez Centralny Serwis Gwarancyjny w terminie:
 - a) 14 dni roboczych od daty przyjęcia produktu przez Centralny Serwis Gwarancyjny;
 - b) termin usunięcia wady (punkt 6a) może być wydłużony o czas niezbędny do importu niezbędnych części zamiennych.
7. Klient otrzyma nowy sprzęt, jeżeli:
 - a) Centralny Serwis Gwarancyjny stwierdzi na piśmie, że usunięcie wady jest niemożliwe;
 - b) produkt nie podlega naprawie, tylko wymianie bez dokonywania naprawy.
8. O ile taki sam produkt jest nieosiągalny, może być wydany nowy produkt o nie gorszych parametrach.
9. Decyzja Centralnego Serwisu Gwarancyjnego odnośnie zasadności zgłaszanych usterek jest decyzją ostateczną.
10. Gwarancją nie są objęte:
 - a) wadliwe działanie lub uszkodzenia spowodowane niewłaściwym użytkowaniem lub używaniem produktu niezgodnie z przeznaczeniem, instrukcją obsługi lub przepisami bezpieczeństwa. W szczególności profesjonalne użytkowanie amatorskich narzędzi Black & Decker powoduje utratę gwarancji;
 - b) wadliwe działanie lub uszkodzenia spowodowane przeciążaniem narzędzia, które prowadzi do uszkodzeń silnika, przekładni lub innych elementów a także stosowaniem osprzętu innego niż zalecany przez Black & Decker;
 - c) mechaniczne uszkodzenia produktu i wywołane nimi wady;
 - d) wadliwe działanie lub uszkodzenia na skutek działania pożaru, powodzi, czy też innych klęsk żywiołowych, nieprzewidzianych wypadków, korozji, normalnego zużycia w eksploatacji czy też innych czynników zewnętrznych;
 - e) produkty, w których naruszone zostały plomby gwarancyjne lub, które były naprawiane poza Centralnym Serwisem Gwarancyjnym lub były przerabiane w jakikolwiek sposób;
 - f) osprzęt eksploatacyjny dołączony do urządzenia oraz elementy ulegające naturalnemu zużyciu.
11. Centralny Serwis Gwarancyjny, firmy handlowe, które sprzedały produkt, nie udzielają uprawnień ani gwarancji innych niż określone w karcie gwarancyjnej. W szczególności nie obejmują prawa klienta do domagania się zwrotu utraconych zysków w związku z uszkodzeniem produktu.
12. Gwarancja nie wyłącza, nie ogranicza ani nie zawieszają uprawnień kupującego wynikających z niezgodności towaru z umową.

Centralny Serwis Gwarancyjny ERPATECH
ul. Bakaliowa 26, 05-080 Mościska
tel.: (22) 862-08-08, (22) 431-05-05
faks: (22) 862-08-09

Použitie výrobku

Váš skrutkovač BLACK+DECKER je určený na skrutkovacie práce. Toto náradie je určené iba na spotrebiteľské použitie.

Bezpečnostné pokyny

Všeobecné bezpečnostné pokyny na prácu s elektrickým náradím



Varovanie! Prečítajte si všetky bezpečnostné pokyny a bezpečnostné výstrahy. Nedodržanie nižšie uvedených varovaní a pokynov môže viesť k spôsobeniu úrazu elektrickým prúdom, k vzniku požiaru alebo k vážnemu zraneniu.

Všetky bezpečnostné varovania a pokyny uschovajte na prípadné ďalšie použitie. Termín „elektrické náradie“ vo všetkých upozorneniach odkazuje na Vaše náradie napájané zo siete (je zabezpečené prívodným káblom) alebo náradie napájané akumulátorom (bez prívodného kábla).

1. **Bezpečnosť v pracovnom priestore**
 - a. **Udržujte pracovný priestor čistý a dobre osvetlený.** Preplnený a neosvetlený pracovný priestor môže viesť k spôsobeniu úrazov.
 - b. **Nepracujte s elektrickým náradím vo výbušnom prostredí, ako sú priestory s výskytom horľavých kvapalín, plynov alebo prašných látok.** V elektrickom náradí dochádza k iskreniu, ktoré môže spôsobiť vznietenie horľavého prachu alebo výparov.
 - c. **Pri práci s elektrickým náradím zaistite bezpečnú vzdialenosť detí a ostatných osôb.** Rozptyľovanie môže spôsobiť stratu kontroly nad náradím.
 2. **Elektrická bezpečnosť**
 - a. **Zástrčka prívodného kábla náradia musí zodpovedať zásuvke. Zástrčku nikdy žiadnym spôsobom neupravujte. Nepoužívajte pri uzemnenom elektrickom náradí žiadne upravené zástrčky.** Neupravované zástrčky a zodpovedajúce zásuvky znižujú riziko vzniku úrazu elektrickým prúdom.
 - b. **Nedotýkajte sa uzemnených povrchov, ako sú napríklad potrubia, radiátory, elektrické sporáky a chladničky.** Pri uzemnení Vášho tela vzrastá riziko úrazu elektrickým prúdom.
 - c. **Nevystavujte elektrické náradie dažďu alebo vlhkému prostrediu.** Ak vnikne do elektrického náradia voda, zvýši sa riziko úrazu elektrickým prúdom.
 - d. **S prívodným káblom zaobchádzajte opatrne. Nikdy nepoužívajte prívodný kábel na prenášanie alebo posúvanie náradia a neťahajte zaň, ak chcete náradie odpojiť od elektrickej siete. Zabráňte kontaktu kábla s masťnými, horúcimi a ostrými predmetmi alebo pohyblivými časťami.** Poškodený alebo zapletený prívodný kábel zvyšuje riziko vzniku úrazu elektrickým prúdom.
 - e. **Pri práci s náradím vonku používajte predlžovacie káble určené na vonkajšie použitie** znižuje riziko úrazu elektrickým prúdom.
 - f. **Ak musíte s elektrickým náradím pracovať vo vlhkom prostredí, použite napájací zdroj s prúdovým chráničom (RCD).** Použitie prúdového chrániča (RCD) znižuje riziko úrazu elektrickým prúdom.
3. **Bezpečnosť obsluhy**
 - a. **Pri použití elektrického náradia zostaňte stále pozorní, sledujte, čo robíte a pracujte s rozvahou. Nepracujte s elektrickým náradím, ak ste unavení alebo ak ste pod vplyvom drog, alkoholu alebo liekov.** Chvilka nepozornosti pri práci s elektrickým náradím môže viesť k vážnemu úrazu.
 - b. **Používajte prvky osobnej ochrany. Vždy používajte ochranu zraku.** Ochranné prostriedky ako respirátor, protišmyková pracovná obuv, prilba a chrániče sluchu, používané v príslušných podmienkach, znižujú riziko poranenia osôb.
 - c. **Zabráňte náhodnému zapnutiu náradia. Pred pripojením zdroja napätia alebo pred vložením akumulátora a pred zdvihnutím alebo prenášaním náradia skontrolujte, či je hlavný vypínač v polohe „vypnuté“.** Prenášanie elektrického náradia s prstom na vypínači alebo pripojenie náradia k napájaciemu zdroju, ak je vypínač náradia v polohe zapnuté, môže spôsobiť úraz.
 - d. **Pred zapnutím náradia sa vždy uistite, či nie sú v jeho blízkosti kľúče alebo nastavovacie prípravky.** Nastavovacie kľúče ponechané na náradí môžu byť zachytené rotujúcimi časťami náradia a môžu spôsobiť úraz.

- e. **Neprekážajte sami sebe. Pri práci vždy udržiajte vhodný postoj a rovnováhu.** Tak je umožnená lepšia ovládateľnosť náradia v neočakávaných situáciách.
- f. **Vhodne sa obliekajte. Nenoste voľný odev alebo šperky. Dbajte na to, aby sa Vaše vlasy, odev a rukavice nedostali do kontaktu s pohyblivými časťami.** Voľný odev, šperky alebo dlhé vlasy môžu byť pohyblivými dielmi zachytené.
- g. **Ak sú zariadenia vybavené adaptérom na pripojenie príslušenstva na zachytávanie prachu, zaistíte jeho správne pripojenie a riadnu funkciu.** Použitie týchto zariadení môže znížiť nebezpečenstvo týkajúce sa prachu.
4. **Použitie elektrického náradia a jeho údržba**
- a. **Nepreťažujte elektrické náradie. Používajte na vykonávanú prácu správny typ náradia.** Pri použití správneho typu náradia bude práca vykonávaná lepšie a bezpečnejšie.
- b. **Ak nie je možné vypínač náradia zapnúť a vypnúť, s náradím nepracujte.** Každé elektrické náradie s nefunkčným vypínačom je nebezpečné a musí sa opraviť.
- c. **Pred nastavovaním náradia, pred výmenou príslušenstva alebo ak náradie nepoužívate, odpojte zástrčku privodného kábla od zásuvky alebo z náradia vyberte akumulátor.** Tieto preventívne bezpečnostné opatrenia znižujú riziko náhodného zapnutia náradia.
- d. **Uložte elektrické náradie mimo dosahu detí a nedovoľte ostatným osobám, ktoré toto náradie nevedia ovládať, alebo ktoré nepoznajú tieto bezpečnostné pokyny, aby s týmto elektrickým náradím pracovali.** Elektrické náradie je v rukách nekvalifikovanej obsluhy nebezpečné.
- e. **Vykonávajte údržbu elektrického náradia. Skontrolujte vychýlenie alebo zablokovanie pohyblivých častí, poškodenie jednotlivých dielcov a iné okolnosti, ktoré môžu ovplyvniť chod náradia. Ak je náradie poškodené, nechajte ho opraviť.** Mnoho nehôd býva spôsobených zanedbanou údržbou náradia.
- f. **Rezné nástroje udržiajte ostré a čisté.** Riadne udržiavané rezné nástroje s ostrými reznými ostriami sú menej náchylné na zanášanie nečistotami a lepšie sa s nimi pracuje.
- g. **Používajte elektrické náradie, príslušenstvo a pracovné nástroje podľa týchto pokynov a berte do úvahy prevádzkové podmienky a prácu, ktorá sa bude vykonávať.** Použitie elektrického náradia na iné účely, než na aké je určené, môže byť nebezpečné.
5. **Použitie akumulátorového náradia a jeho údržba**
- a. **Nabíjajte iba v nabíjačke určenej výrobcom.** Nabíjačka vhodná pre jeden typ akumulátora môže pri vložení iného nevhodného typu akumulátora spôsobiť požiar.
- b. **Používajte elektrické náradie výhradne s akumulátormi, ktoré sú určené pre daný typ náradia.** Použitie iných typov akumulátorov môže spôsobiť vznik požiaru alebo zranenie.
- c. **Ak sa akumulátor nepoužíva, uložte ho mimo dosahu kovových predmetov, ako sú kancelárske sponky na papier, mince, kľúče, kince, skrutky alebo ďalšie drobné kovové predmety, ktoré môžu spôsobiť skratovanie kontaktov akumulátora.** Skratovanie kontaktov akumulátora môže viesť k vzniku popálenín alebo požiaru.
- d. **V nevhodných podmienkach môže z akumulátora uniknúť kvapalina. Vyvarujte sa kontaktu s touto kvapalinou. Ak dôjde k náhodnému kontaktu s touto kvapalinou, zasiahnuté miesto omyte vodou. Pri zasiahnutí očí zasiahnuté miesto umyte a vyhľadajte lekársku pomoc.** Unikajúca kvapalina z akumulátora môže spôsobiť podráždenie pokožky alebo popáleniny.
6. **Servis**
- a. **Opravy elektrického náradia zverte iba kvalifikovanému technikovi, ktorý bude používať originálne náhradné dielce.** Tým zaistíte bezpečnú prevádzku náradia.

Doplňkové bezpečnostné pokyny na prácu s elektrickým náradím



Varovanie! Doplňkové bezpečnostné pokyny pre skrutkovače a rázové uťahovače

- ♦ **Pri práci s týmto náradím používajte ochranu sluchu.** Nadmerná hlučnosť môže spôsobiť stratu sluchu.
- ♦ **Používajte prídavné rukoväti dodávané s náradím.** Strata kontroly nad náradím môže viesť k úrazu.

- ♦ **Pri pracovných operáciách, pri ktorých by mohlo dôjsť ku kontaktu montážneho prvku so skrytými elektrickými vodičmi, držte elektrické náradie vždy za izolované rukoväti.** Montážne prvky, ktoré sa dostanú do kontaktu so „živým“ vodičom, spôsobia, že neizolované kovové časti elektrického náradia budú tiež „živé“, čo môže obsluhu spôsobiť úraz elektrickým prúdom.
- ♦ **Na zaistenie a upnutie obrobku k pracovnému stolu používajte svorky alebo iné vhodné prostriedky.** Držanie obrobku rukou alebo opretie obrobku o časť tela nezaistí jeho stabilitu a môže viesť k strate kontroly.
- ♦ Toto náradie nie je určené na použitie osobami (vrátane detí) so zníženými fyzickými, zmyslovými alebo duševnými schopnosťami, alebo s nedostatkom skúseností a znalostí, pokiaľ tieto osoby nepracujú pod dohľadom, alebo pokiaľ im neboli poskytnuté inštrukcie týkajúce sa použitia výrobku osobou zodpovednou za ich bezpečnosť. Deti by mali byť pod dozorom, aby bolo zaistené, že sa s týmto zariadením nebudú hrať.
- ♦ Určené použitie tohto výrobku je popísané v tomto návode. Použitie iného príslušenstva alebo prídavného zariadenia a vykonávanie iných pracovných operácií než je odporúčané týmto návodom, môže predstavovať riziko zranenia obsluhu alebo riziko spôsobenia hmotných škôd.



Varovanie! Rázové ťahovače nie sú momentové kľúče. Nepoužívajte toto náradie na ťahovanie montážnych prvkov predpísaným ťahovacím momentom. Pri nedostatočne alebo nadmerne dotiahnutých montážnych prvkoch by sa malo používať kalibrované meracie zariadenie, ako je momentový kľúč, aby nedošlo k zlyhaniu spoja.

Bezpečnosť ostatných osôb

- ♦ Tento výrobok nie je určený na použitie osobami (vrátane detí) so zníženými fyzickými, zmyslovými alebo duševnými schopnosťami, alebo s nedostatkom skúseností a znalostí, pokiaľ týmto osobám nebol stanovený dohľad, alebo pokiaľ im neboli poskytnuté inštrukcie týkajúce sa použitia výrobku osobou zodpovednou za ich bezpečnosť.
- ♦ Deti by mali byť pod dozorom, aby sa zaistilo, že sa s týmto náradím nebudú hrať.

Zvyškové riziká

Ak sa náradie používa iným spôsobom, než je uvedené v priložených bezpečnostných varovaniach, môžu sa objaviť dodatočné zvyškové riziká. Tieto riziká môžu vzniknúť v dôsledku nesprávneho použitia, dlhodobého použitia atď.

Napriek tomu, že sa dodržiavajú príslušné bezpečnostné predpisy a používajú sa bezpečnostné zariadenia, určité zvyškové riziká sa nemôžu vylúčiť. Tieto riziká sú nasledujúce:

- ♦ Zranenia spôsobené kontaktom s akoukoľvek rotujúcou alebo pohybujúcou sa časťou.
- ♦ Zranenia spôsobené pri výmene dielcov, pracovného nástroja alebo príslušenstva.
- ♦ Zranenia spôsobené dlhodobým použitím náradia. Ak používate akékoľvek náradie dlhší čas, zaistite, aby sa robili pravidelné prestávky.
- ♦ Poškodenie sluchu.
- ♦ Zdravotné riziká spôsobené vdychovaním prachu vytváraného pri použití náradia (príklad: - práca s drevom, najmä s dubovým, bukovým a MDF).

Vibrácie

Deklarovaná úroveň vibrácií uvedená v technických údajoch a vo vyhlásení o zhode bola meraná v súlade so štandardnou skúšobnou metódou predpísanou normou EN 60745 a môže sa použiť na porovnanie jednotlivých náradí medzi sebou. Deklarovaná úroveň vibrácií sa môže tiež použiť na predbežné stanovenie času práce s týmto náradím.

Varovanie! Úroveň vibrácií pri aktuálnom použití elektrického náradia sa môže od deklarovanej úrovne vibrácií líšiť v závislosti od spôsobu použitia náradia. Úroveň vibrácií môže byť vzhľadom na uvedenú hodnotu vyššia.

Pri stanovení času pôsobenia vibrácií, z dôvodu určenia bezpečnostných opatrení podľa normy 2002/44/ES na ochranu osôb pravidelne používajúcich elektrické náradie v zamestnaní, by mal predbežný odhad pôsobenia vibrácií brať na zreteľ aktuálne podmienky použitia náradia s prihliadnutím na všetky časti pracovného cyklu, ako sú časy, keď je náradie vypnuté a keď beží naprázdno.

Štítky na náradie

Na náradí sú zobrazené nasledovné piktogramy:



Varovanie! Z dôvodu zníženia rizika spôsobenia úrazu si používateľ musí prečítať tento návod na obsluhu.

Ďalšie bezpečnostné pokyny pre akumulátory a nabíjačky

Akumulátor

- ♦ Akumulátor nikdy zo žiadneho dôvodu nerozoberajte.
- ♦ Zabráňte kontaktu akumulátora s vodou.
- ♦ Neskladujte akumulátory na miestach, kde môže teplota presiahnuť 40 °C.
- ♦ Nabíjajte akumulátory iba pri teplotách v rozsahu od 10 do 40 °C.
- ♦ Nabíjajte iba nabíjačkou dodanou s náradím.
- ♦ Pri likvidácii akumulátorov sa riadte pokynmi uvedenými v časti „Ochrana životného prostredia“.



Nepokúšajte sa nabíjať poškodené akumulátory.

Nabíjačky

- ♦ Používajte nabíjačku BLACK+DECKER iba na nabíjanie akumulátora, ktorý bol dodaný s týmto náradím. Iné akumulátory môžu prasknúť, spôsobiť zranenie alebo iné škody.
- ♦ Nikdy sa nepokúšajte nabíjať akumulátory, ktoré nie sú určené na nabíjanie.
- ♦ Poškodené káble ihneď vymeňte.
- ♦ Zabráňte kontaktu nabíjačky s vodou.
- ♦ Nesnažte sa nabíjačku demontovať.
- ♦ Nepokúšajte sa do nabíjačky preniknúť.



Táto nabíjačka nie je určená na vonkajšie použitie.



Pred použitím si pozorne prečítajte tento návod.

Elektrická bezpečnosť



Táto nabíjačka má dvojitzú izoláciu. Preto nie je nutné použitie uzemňovacieho vodiča. Vždy skontrolujte, či napätie v elektrickej sieti zodpovedá napätiu, ktoré je uvedené na výkonovom štítku. Nikdy sa nepokúšajte nahradiť nabíjačku priamym pripojením k zásuvke elektrického prúdu.

- ♦ Ak je poškodený privodný kábel, musí byť vymenený výrobcom alebo v autorizovanom servise BLACK+DECKER, aby sa zabránilo možným rizikám.

Popis

Toto náradie sa skladá z niektorých alebo zo všetkých nasledujúcich častí.

1. Hlavný vypínač zapnuté/vypnuté
2. Prepínač praveho/ľavého chodu
3. Držiak nástrojov
4. Tlačidlo nastavenia rukoväti
5. Rukoväť
6. Nabíjaci konektor mikro USB
7. LED diódové svietidlo
8. Indikátor stavu nabitia
9. Magnetický držiak nástrojov

Zostavenie

Nasadenie a odobratie skrutkovacieho násadca alebo nástrčného kľúča (obr. A)

Varovanie! Uistite sa, či je náradie zaistené, aby ste pred nasadením alebo odobratím príslušenstva zabránili aktivácii vypínača.

- ♦ Ak chcete nasadiť skrutkovací násadec (9), zasuňte ho do držiaka nástrojov (3) tak, aby bol riadne usadený.
- ♦ Ak chcete skrutkovací násadec vybrať, vytiahnite ho z držiaka nástrojov.

Použitie

Varovanie! Nechajte náradie pracovať jeho vlastným tempom. Zamedzte preťažovaniu náradia.

Nabíjanie akumulátora (obr. B)

Akumulátor musí byť nabitý pred prvým použitím a vždy, keď dôjde k výraznému poklesu jeho výkonu. Akumulátor sa môže počas nabíjania zahrievať. Ide o normálny stav, ktorý neznamená žiadny problém.

Varovanie! Na nabíjanie tohto modelu CS3653LC používajte iba dodanú nabíjačku.

- ♦ Ak chcete akumulátor nabiť, zasuňte zástrčku nabíjačky (10) do konektora (6).
- ♦ Pripojte nabíjačku k sieti.
- ♦ Indikátor stavu nabitia (obr. B) bude zobrazovať úroveň aktuálneho nabitia náradia.
- ♦ Nechajte náradie prepojené s nabíjačkou 3 hodiny.

Nabíjačka sa môže počas nabíjania zahrievať. Ide o normálny stav, ktorý neznamená žiadny problém. **Varovanie!** Nenabíjajte akumulátor, ak okolitá teplota klesne pod 10 °C alebo ak presiahne 40 °C. Odporúčaná teplota prostredia na nabíjanie: približne 24 °C.

Indikátor stavu nabitia (obr. B)

Toto náradie je vybavené indikátorom stavu nabitia. Používa sa na zobrazenie stavu nabitia akumulátora počas jeho použitia a v priebehu nabíjania.

Počas nabíjania

- ◆ Počas nabíjania bude tento indikátor automaticky zobrazovať úroveň stavu nabitia akumulátora.

Počas použitia,

Poznámka: Nekontrolujte stav nabitia akumulátora, ak sa skrutkovač práve používa alebo ak pracuje pod záťažou. Týmto spôsobom by dochádzalo k nepresným odpočtom. Ak chcete získať presný odpočet, kontrolujte indikátor stavu nabitia akumulátora v situácii, kedy nie je toto náradie zaťažené.

- ◆ Nastavte náradie tak, aby sa pracovný nástroj pohyboval dopredu. Indikátor stavu nabitia akumulátora nebude funkčný, ak bude prepínač pravého/ľavého chodu nastavený do polohy pre pohyb doľava alebo do zaistovacej polohy.
- ◆ Stlačte hlavný vypínač (1). V závislosti od aktuálnej úrovne nabitia akumulátora bude svietiť určitý počet LED diód na tomto indikátore (8).

Počet LED diód	Úroveň nabitia
Tri	Akumulátor úplne nabitý
Dve	Akumulátor v poriadku
Jedna	Nedostatočne nabitý akumulátor
Žiadna	Akumulátor je vybitý, okamžite ho nabite.

Nastavenie rukoväti (obr. C a D)

Rukoväť môže byť nastavená do dvoch rôznych polôh, čo zaručuje univerzálne použitie tohto náradia.

- ◆ Stlačte tlačidlo na nastavenie rukoväti (4).
- ◆ Otočte rukoväť do požadovanej polohy.
- ◆ Uvoľnite tlačidlo.

Voľba smeru otáčania (obr. E)

Ak chcete utáňovať skrutky a vŕtať vodiace otvory, používajte chod doprava (v smere pohybu hodinových ručičiek). Na povoľovanie skrutiek a uvoľňovanie zablokovaných vŕtákov používajte ľavý chod (proti smeru pohybu hodinových ručičiek).

- ◆ Ak chcete zvoliť pravý chod, zatlačte prepínač pre chod (2) doľava.
- ◆ Ak chcete zvoliť otáčanie doľava chod, zatlačte prepínač pre chod doprava.
- ◆ Ak chcete náradie zablokovať, nastavte prepínač pravého/ľavého chodu do stredovej polohy.

Zapnutie a vypnutie (obr. F)

Pri utáňovaní používajte chod doprava (v smere pohybu hodinových ručičiek). Pri uvoľňovaní používajte chod doľava (proti smeru pohybu hodinových ručičiek).

- ◆ Ak chcete náradie spustiť, stlačte a držte hlavný vypínač (1).
- ◆ Ak chcete náradie vypnúť, uvoľnite hlavný vypínač (1).

LED diódové svietidlo

LED diódové svietidlo (7) sa automaticky aktivuje stlačením hlavného vypínača. LED diódové svietidlo sa rozsvieti už pri čiastočnom stlačení hlavného vypínača, skôr než sa náradie uvedie do chodu.

Údržba

Vaše náradie BLACK+DECKER bolo skonštruované tak, aby pracovalo dlhý čas s minimálnymi nárokmi na údržbu. Riadna starostlivosť o náradie a jeho pravidelné čistenie Vám zaisťuje jeho bezproblémový chod.

Vaša nabíjačka nevyžaduje žiadnu údržbu okrem pravidelného čistenia.

Varovanie! Pred akoukoľvek údržbou vyberte z náradia akumulátor. Pred čistením odpojte nabíjačku od siete.

- ◆ Vetracie otvory náradia a nabíjačky pravidelne čistite mäkkou kefou alebo suchou handričkou.
- ◆ Pomocou vlhkej handričky pravidelne čistite kryt motora. Nepoužívajte žiadne abrazívne čistiace prostriedky alebo rozpúšťadlá.
- ◆ Pravidelne otvárajte skľučovadlo a poklepaním odstráňte prach z jeho vnútorných častí.

Ochrana životného prostredia



Tried'te odpad. Tento výrobok sa nesmie likvidovať v bežnom domovom odpade.

Ak nebudete výrobok BLACK+DECKER ďalej používať alebo ak si ho prajete nahradiť novým, nelikvidujte ho spolu s bežným komunálnym odpadom. Zaisťte likvidáciu tohto výrobku v triedenom odpade.



Triedený odpad umožňuje recykláciu a opätovné využitie použitých výrobkov a obalových materiálov. Opätovné použitie recyklovaných materiálov pomáha chrániť životné prostredie pred znečistením a znižuje spotrebu surovín.

Pri kúpe nových výrobkov Vám predajne, miestne zberne odpadov alebo recyklačné stanice poskytnú informácie o správnej likvidácii elektro odpadov z domácnosti.

Spoločnosť BLACK+DECKER poskytuje službu zberu a recyklácie výrobkov BLACK+DECKER po skončení ich prevádzkovej životnosti. Ak chcete využiť výhody tejto služby, odovzdajte, prosím, Váš výrobok ktorémukoľvek zástupcovi autorizovaného servisu, ktorý zariadenie odoberie a zaisťí jeho recykláciu.

Miesto najbližšieho autorizovaného servisu BLACK+DECKER nájdete na príslušnej adrese uvedenej v tomto návode. Zoznam autorizovaných servisov BLACK+DECKER a podrobnosti o popredajnom servise nájdete aj na internetovej adrese: www.2helpU.com

Akumulátor



V tomto výrobku nie sú žiadne časti, ktoré by mohol opraviť používateľ.

- ♦ Po ukončení prevádzkovej životnosti Vášho výrobku odovzdajte celú jednotku zástupcovi servisu alebo v miestnom zbernom dvore, kde zaisťia recykláciu akumulátora. Nevyhadzujte toto náradie do bežného domáceho odpadu.

Technické údaje

CS3653LC (H1)		
Napájacie napätie	V	3,6
Otáčky naprázdno	min ⁻¹	190
Maximálny moment	Nm	6
Typ akumulátora		Li-Ion
Kapacita akumulátora	Ah	1,5
Hmotnosť	kg	0,37

Nabíjačka 906099**** H1		
Vstupné napätie	V	100 - 240
Výstupné napätie	V	5
Prúd	mA	600
Približný čas nabíjania	hod.	2,5 - 3

Hladina akustického tlaku podľa normy EN 60745:		
Akustický tlak (L_{pA})	60,0 dB (A), odchýlka (K) 3 dB (A)	
Akustický výkon (L_{WA})	71,0 dB (A), odchýlka (K) 3 dB (A)	

Celková úroveň vibrácií (priestorový vektorový súčet) podľa normy EN 60745:		
Skrutkovanie bez rázov ($a_{h,IS}$)	0,9 m/s ² , odchýlka (K) 1,5 m/s ²	

ES Vyhlásenie o zhode v rámci EÚ SMERNICA PRE STROJOVÉ ZARIADENIA



CS3653LC

Spoločnosť Black & Decker vyhlasuje, že tieto produkty popisované v technických údajoch spĺňajú požiadavky nasledujúcich noriem: 2006/42/ES, EN 60745-1, EN 60745-2-2

Tieto výrobky spĺňajú aj požiadavky smerníc 2014/30/EÚ a 2011/65/EÚ. Ak chcete získať ďalšie informácie, kontaktujte, prosím, spoločnosť Black & Decker na tejto adrese alebo na adresách, ktoré sú uvedené na konci tohto návodu.

Nižšie podpísaná osoba je zodpovedná za zostavenie technických údajov a vydáva toto vyhlásenie v zastúpení spoločnosti Black & Decker.

R. Laverick
Technický riaditeľ
Black & Decker Europe, 210 Bath Road, Slough,
Berkshire, SL1 3YD
United Kingdom
3. 12. 2014

Záruka

Spoločnosť Black & Decker je presvedčená o kvalite svojich výrobkov a ponúka mimoriadnu záruku. Táto záruka sa ponúka v prospech zákazníka a nijako neovplyvní jeho zákonné záručné práva. Táto záruka platí vo všetkých členských štátoch EÚ a Európskej zóny voľného obchodu EFTA.

Ak sa v priebehu 24 mesiacov od kúpy objavia na výrobku Black & Decker akékoľvek materiálové či výrobné chyby, spoločnosť Black & Decker garantuje v snahe o minimalizovanie Vašich starostí a za nižšie uvedených podmienok bezplatnú výmenu chybných dielov, opravu alebo výmenu celého výrobku:

- ♦ Výrobok nebol používaný na obchodné alebo profesionálne účely a nedochádzalo k jeho prenájmu.
- ♦ Výrobok nebol vystavený nesprávnemu použitiu a nebola zanedbaná jeho predpísaná údržba.
- ♦ Tento výrobok nebol poškodený cudzím zavinením, inými predmetmi alebo nehodou.
- ♦ Opravy neboli vykonávané inými osobami, než autorizovanými opravármi alebo mechanikmi autorizovaného servisu Black & Decker.

Ak požadujete záručnú opravu, budete musieť predajcovi alebo zástupcovi autorizovaného servisu predložiť doklad o kúpe výrobku. Miesto najbližšieho autorizovaného servisu Black & Decker nájdete na príslušnej adrese uvedenej v tomto návode. Zoznam autorizovaných servisov Black & Decker a podrobnosti o popredajnom servise nájdete aj na internetovej adrese: www.2helpU.com

Navštívte, prosím, naše stránky www.blackanddecker.co.uk a zaregistrujte tu Váš nový výrobok BLACK+DECKER, aby ste mohli byť informovaní o nových výrobkoch a špeciálnych ponukách. Ďalšie informácie o značke BLACK+DECKER a o celom rade našich ďalších výrobkov nájdete na adrese www.blackanddecker.co.uk

Назначение

Ваш винтовёрт BLACK+DECKER предназначен для заворачивания саморезов. Данный инструмент предназначен только для использования в домашних условиях.

Инструкции по технике безопасности

Общие правила безопасности при работе с электроинструментами



Внимание! Внимательно прочтите все инструкции по безопасности и руководство по эксплуатации. Несоблюдение всех перечисленных ниже правил безопасности и инструкций может привести к поражению электрическим током, возникновению пожара и/или получению тяжелой травмы.

Сохраните все инструкции по безопасности и руководство по эксплуатации для их дальнейшего использования. Термин «Электроинструмент» во всех приведённых ниже указаниях относится к Вашему сетевому (с кабелем) или аккумуляторному (беспроводному) электроинструменту.

1. **Безопасность рабочего места**
 - a. **Содержите рабочее место в чистоте и обеспечьте хорошее освещение.** Плохое освещение или беспорядок на рабочем месте может привести к несчастному случаю.
 - b. **Не используйте электроинструменты, если есть опасность возгорания или взрыва, например, вблизи легко воспламеняющихся жидкостей, газов или пыли.** В процессе работы электроинструменты создают искровые разряды, которые могут воспаленить пыль или горючие пары.
 - c. **Во время работы с электроинструментом не подпускайте близко детей или посторонних лиц.** Отвлечение внимания может вызвать у Вас потерю контроля над рабочим процессом.
2. **Электробезопасность**
 - a. **Вилка кабеля электроинструмента должна соответствовать штепсельной розетке. Ни в коем случае не видоизменяйте вилку электрического кабеля. Не используйте соединительные штепсели-переходники, если в силовом кабеле электроинструмента есть провод заземления.** Использование оригинальной вилки кабеля и соответствующей ей штепсельной розетки уменьшает риск поражения электрическим током.
 - b. **Во время работы с электроинструментом избегайте физического контакта с заземлёнными объектами, такими как трубопроводы, радиаторы отопления, электроплиты и холодильники.** Риск поражения электрическим током увеличивается, если Ваше тело заземлено.
 - c. **Не используйте электроинструмент под дождём или во влажной среде.** Попадание воды в электроинструмент увеличивает риск поражения электрическим током.
 - d. **Бережно обращайтесь с электрическим кабелем. Ни в коем случае не используйте кабель для переноски электроинструмента или для вытягивания его вилки из штепсельной розетки. Не подвергайте электрический кабель воздействию высоких температур и смазочных веществ; держите его в стороне от острых кромок и движущихся частей инструмента.** Повреждённый или запутанный кабель увеличивает риск поражения электрическим током.
 - e. **При работе с электроинструментом на открытом воздухе используйте удлинительный кабель, предназначенный для наружных работ.** Использование кабеля, пригодного для работы на открытом воздухе, снижает риск поражения электрическим током.
 - f. **При необходимости работы с электроинструментом во влажной среде используйте источник питания, оборудованный устройством защитного отключения (УЗО).** Использование УЗО снижает риск поражения электрическим током.
3. **Личная безопасность**
 - a. **При работе с электроинструментами будьте внимательны, следите за тем, что Вы делаете, и руководствуйтесь здравым смыслом. Не используйте электроинструмент, если Вы устали, а также находясь под действием**

алкоголя или понижающих реакцию лекарственных препаратов и других средств. Малейшая неосторожность при работе с электроинструментами может привести к серьёзной травме.

- b. **При работе используйте средства индивидуальной защиты. Всегда надевайте защитные очки.** Своевременное использование защитного снаряжения, а именно: пылезащитной маски, ботинок на нескользящей подошве, защитного шлема или противошумовых наушников, значительно снизит риск получения травмы.
 - c. **Не допускайте непреднамеренного запуска. Перед тем, как подключить электроинструмент к сети и/или аккумулятору, поднять или перенести его, убедитесь, что выключатель находится в положении «выключено».** Не переносите электроинструмент с нажатым курковым выключателем и не подключайте к сетевой розетке электроинструмент, выключатель которого установлен в положение «включено», это может привести к несчастному случаю.
 - d. **Перед включением электроинструмента снимите с него все регулировочные или гаечные ключи.** Регулировочный или гаечный ключ, оставленный закреплённым на вращающейся части электроинструмента, может стать причиной тяжёлой травмы.
 - e. **Работайте в устойчивой позе. Всегда сохраняйте равновесие и устойчивую позу.** Это позволит Вам не потерять контроль при работе с электроинструментом в непредвиденной ситуации.
 - f. **Одевайтесь соответствующим образом. Во время работы не надевайте свободную одежду или украшения.** Следите за тем, чтобы Ваши волосы, одежда или перчатки находились в постоянном отдалении от движущихся частей инструмента.
 - g. **Если электроинструмент снабжён устройством сбора и удаления пыли, убедитесь, что данное устройство подключено и используется надлежащим образом.** Использование устройства пылеудаления значительно снижает риск возникновения несчастного случая,
- связанного с запылённостью рабочего пространства.
4. **Использование электроинструментов и технический уход**
 - a. **Не перегружайте электроинструмент.** Используйте Ваш инструмент по назначению. Электроинструмент работает надёжно и безопасно только при соблюдении параметров, указанных в его технических характеристиках.
 - b. **Не используйте электроинструмент, если его выключатель не устанавливается в положение включения или выключения.** Электроинструмент с неисправным выключателем представляет опасность и подлежит ремонту.
 - c. **Отключайте электроинструмент от сетевой розетки и/или извлекайте аккумулятор перед регулированием, заменой принадлежностей или при хранении электроинструмента.** Такие меры предосторожности снижают риск случайного включения электроинструмента.
 - d. **Храните неиспользуемые электроинструменты в недоступном для детей месте и не позволяйте лицам, не знакомым с электроинструментом или данными инструкциями, работать с электроинструментом.** Электроинструменты представляют опасность в руках неопытных пользователей.
 - e. **Регулярно проверяйте исправность электроинструмента. Проверяйте точность совмещения и лёгкость перемещения подвижных частей, целостность деталей и любых других элементов электроинструмента, воздействующих на его работу. Не используйте неисправный электроинструмент, пока он не будет полностью отремонтирован.** Большинство несчастных случаев являются следствием недостаточного технического ухода за электроинструментом.
 - f. **Следите за остротой заточки и чистотой режущих принадлежностей.** Принадлежности с острыми кромками позволяют избежать заклинивания и делают работу менее утомительной.
 - g. **Используйте электроинструмент, аксессуары и насадки в соответствии с данным Руководством и с учётом рабочих условий и характера**

будущей работы. Использование электроинструмента не по назначению может создать опасную ситуацию.

5. **Использование аккумуляторных инструментов и технический уход**
 - a. **Заряжайте аккумулятор зарядным устройством указанной производителем марки.** Зарядное устройство, которое подходит к одному типу аккумуляторов, может создать риск возгорания в случае его использования с аккумуляторами другого типа.
 - b. **Используйте электроинструменты только с предназначенными для них аккумуляторами.** Использование аккумулятора какой-либо другой марки может привести к возникновению пожара и получению травмы.
 - c. **Держите не используемый аккумулятор подальше от металлических предметов, таких как скрепки, монеты, ключи, гвозди, шурупы, и других мелких металлических предметов, которые могут замкнуть контакты аккумулятора.** Короткое замыкание контактов аккумулятора может привести к получению ожогов или возникновению пожара.
 - d. **В критических ситуациях из аккумулятора может вытечь жидкость (электролит); избегайте контакта с кожей. Если жидкость попала на кожу, смойте её водой. Если жидкость попала в глаза, обратитесь за медицинской помощью.** Жидкость, вытекающая из аккумулятора, может вызвать раздражение или ожоги.
6. **Сервисное обслуживание**
 - a. **Ремонт Вашего электроинструмента должен производиться только квалифицированными специалистами с использованием идентичных запасных частей.** Это обеспечит безопасность Вашего электроинструмента в дальнейшей эксплуатации.

Дополнительные меры безопасности при работе с электроинструментами



Внимание! Дополнительные меры безопасности при работе винтовёртами и ударными гайковёртами.

- ◆ **При работе ударными дрелями всегда надевайте противозащитные наушники.** Воздействие шума может привести к потере слуха.
- ◆ **При работе пользуйтесь дополнительными рукоятками, прилагающимися к инструменту.** Потеря контроля над инструментом может привести к тяжёлой травме.
- ◆ **Держите инструмент за изолированные ручки при выполнении операций, во время которых крепёжная деталь может соприкоснуться со скрытой проводкой.** Контакт крепёжных элементов с находящимся под напряжением проводом делает не покрытые изоляцией металлические части электроинструмента «живыми», что создаёт опасность поражения оператора электрическим током.
- ◆ **Используйте струбцины или другие приспособления для фиксации обрабатываемой детали, устанавливая их только на неподвижной поверхности.** Если держать обрабатываемую деталь руками или с упором в собственное тело, то можно потерять контроль над инструментом или обрабатываемой деталью.
- ◆ Данный инструмент не может использоваться людьми (включая детей) со сниженными физическими, сенсорными и умственными способностями или при отсутствии необходимого опыта или навыка, за исключением, если они выполняют работу под присмотром или получили инструкции относительно работы с этим инструментом от лица, отвечающего за их безопасность. Не позволяйте детям играть с инструментом.
- ◆ Назначение инструмента описывается в данном руководстве по эксплуатации. Использование любых принадлежностей или приспособлений, а также выполнение данным инструментом любых видов работ, не рекомендованных данным руководством по эксплуатации, может привести к несчастному случаю и/или повреждению личного имущества.



Внимание! Ударные гайковёрты не являются динамометрическими гайковёртами. Не используйте данный инструмент для затягивания крепёжных элементов с нормативным моментом. Поскольку недостаточное

или чрезмерное затягивание крепёжных элементов может послужить причиной неправильного соединения, при работе следует использовать независимое хорошо откалиброванное устройство измерения крутящего момента, например, динамометрический ключ.

Безопасность посторонних лиц

- ◆ Данный инструмент не может использоваться людьми (включая детей) со сниженными физическими, сенсорными и умственными способностями или при отсутствии необходимого опыта или навыка, за исключением, если они выполняют работу под присмотром или получили инструкции относительно работы с этим инструментом от лица, отвечающего за их безопасность.
- ◆ Не позволяйте детям играть с инструментом.

Остаточные риски

При работе с данным инструментом возможно возникновение дополнительных остаточных рисков, которые не вошли в описанные здесь правила техники безопасности. Эти риски могут возникнуть при неправильном или продолжительном использовании изделия и т.п. Несмотря на соблюдение соответствующих инструкций по технике безопасности и использование предохранительных устройств, некоторые остаточные риски невозможно полностью исключить. К ним относятся:

- ◆ Травмы в результате касания вращающихся/двигающихся частей инструмента.
- ◆ Риск получения травмы во время смены деталей инструмента, ножей или насадок.
- ◆ Риск получения травмы, связанный с продолжительным использованием инструмента. При использовании инструмента в течение продолжительного периода времени делайте регулярные перерывы в работе.
- ◆ Ухудшение слуха.
- ◆ Ущерб здоровью в результате вдыхания пыли в процессе работы с инструментом (например, при обработке древесины, в особенности, дуба, бука и ДВП).

Вибрация

Значения уровня вибрации, указанные в технических характеристиках инструмента

и декларации соответствия, были измерены в соответствии со стандартным методом определения вибрационного воздействия согласно EN60745 и могут использоваться при сравнении характеристик различных инструментов. Приведённые значения уровня вибрации могут также использоваться для предварительной оценки величины вибрационного воздействия.

Внимание! Значения вибрационного воздействия при работе с электроинструментом зависят от вида работ, выполняемых данным инструментом, и могут отличаться от заявленных значений. Уровень вибрации может превышать заявленное значение.

При оценке степени вибрационного воздействия для определения необходимых защитных мер (2002/44/EC) для людей, использующих в процессе работы электроинструменты, необходимо принимать во внимание действительные условия использования электроинструмента, учитывая все составляющие рабочего цикла, в том числе, время, когда инструмент находится в выключенном состоянии, время, когда он работает без нагрузки, а также время его запуска и отключения.

Маркировка инструмента

На инструменте имеются следующие знаки:



Внимание! Полное ознакомление с руководством по эксплуатации снизит риск получения травмы.

Дополнительные меры безопасности при работе с аккумуляторами и зарядными устройствами

Аккумуляторы

- ◆ Ни в коем случае не пытайтесь разобрать аккумулятор.
- ◆ Не погружайте аккумулятор в воду.
- ◆ Не храните в местах, где температура может превысить 40 °C.
- ◆ Заряжайте аккумулятор только при температуре окружающей среды в пределах 10 °C – 40 °C.
- ◆ Заряжайте только зарядными устройствами, входящими в комплект поставки инструмента.

- ◆ Утилизируйте отработанные аккумуляторы, следуя инструкциям раздела «Защита окружающей среды».



Ни в коем случае не пытайтесь заряжать повреждённый аккумулятор!

Зарядные устройства

- ◆ Используйте Ваше зарядное устройство BLACK+DECKER только для зарядки аккумулятора электроинструмента, в комплект поставки которого он входит. Аккумуляторы других марок могут взорваться, что приведёт к получению травмы или повреждению электроинструмента.
- ◆ Ни в коем случае не пытайтесь зарядить неперезаряжаемые аккумуляторы.
- ◆ Немедленно заменяйте повреждённый сетевой кабель.
- ◆ Не погружайте зарядное устройство в воду.
- ◆ Не разбирайте зарядное устройство.
- ◆ Не используйте зарядное устройство в качестве объекта для проведения испытаний.



Зарядное устройство предназначено только для использования внутри помещений.



Перед началом работы внимательно прочтите руководство по эксплуатации.

Электробезопасность



Ваше зарядное устройство защищено двойной изоляцией, что исключает потребность в заземляющем проводе. Всегда проверяйте, соответствует ли напряжение, указанное на табличке с техническими параметрами, напряжению электросети. Ни в коем случае не пытайтесь заменить зарядный блок стандартным сетевым штепселем.

- ◆ Во избежание несчастного случая, замена повреждённого кабеля питания должна производиться только на заводе-изготовителе или в авторизованном сервисном центре BLACK+DECKER.

Составные части

Ваш инструмент может содержать все или некоторые из перечисленных ниже составных частей:

1. Курковый пусковой выключатель
2. Переключатель направления вращения (реверса)
3. Держатель насадок
4. Кнопка регулировки положения рукоятки
5. Рукоятка
6. Соединительный разъём USB для подключения зарядного устройства
7. Светодиодная подсветка
8. Индикатор состояния заряда
9. Магнитный держатель насадок

Сборка

Установка и снятие отвёрточной насадки или торцевого ключа (Рис. А)

Внимание! Перед установкой или снятием насадок всегда проверяйте, что курковый пусковой выключатель заблокирован, чтобы исключить возможность включения инструмента.

- ◆ Чтобы установить отвёрточную насадку (9), вставьте её в держатель (3) и нажмите до щелчка.
- ◆ Чтобы снять насадку, потяните за неё и извлеките из держателя.

Эксплуатация

Внимание! Не форсируйте рабочий процесс. Избегайте перегрузки инструмента.

Зарядка аккумулятора (Рис. В)

Аккумулятор нуждается в зарядке перед первым использованием и если он не обеспечивает достаточную мощность для работ, которые ранее выполнялись легко и быстро. В процессе зарядки аккумулятор может слегка нагреться. Это нормально, и не указывает на наличие какой-либо проблемы.

Внимание! Для зарядки CS3653LC используйте только зарядное устройство, входящее в комплект поставки инструмента.

- ◆ Чтобы зарядить аккумулятор, вставьте штекер (10) в соединительный разъём (6).
- ◆ Подключите зарядное устройство к сетевой розетке.
- ◆ Индикатор (Рис. В) отобразит текущий уровень заряда аккумулятора.

- ◆ Оставьте инструмент подключенным к зарядному устройству на 3 часа. В процессе зарядки зарядное устройство может слегка гудеть и нагреваться. Это нормально, и не указывает на наличие какой-либо проблемы.

Внимание! Не заряжайте аккумулятор при температуре окружающей среды ниже 10 °C или выше 40 °C. Рекомендуемая температура зарядки: приблизительно 24 °C.

Индикатор состояния заряда (Рис. В)

Инструмент оснащён индикатором состояния заряда аккумулятора. Индикатор используется для отображения текущего уровня заряда аккумулятора во время работы или в процессе зарядки.

В процессе зарядки

- ◆ В процессе зарядки индикатор автоматически отобразит текущий уровень заряда аккумулятора.

Во время работы

Примечание: Не проверяйте уровень заряда аккумулятора под нагрузкой или во время работы винтовёрта. Это может стать причиной некорректного отображения текущего уровня заряда. Для получения точного отображения текущего уровня заряда проверяйте уровень заряда, когда инструмент не находится под нагрузкой.

- ◆ Установите переключатель реверса в положение вращения вперёд. Индикатор не отобразит текущий уровень заряда, если переключатель реверса установлен в положение вращения назад или в положение блокировки.
- ◆ Нажмите на курковый пусковой выключатель (1). Загорится светодиодный индикатор (8), отображая остаточный уровень заряда аккумулятора.

Количество светодиодов	Уровень заряда
Три	Аккумулятор полностью заряжен
Два	Аккумулятор заряжен
Один	Низкий уровень заряда аккумулятора
Ноль	Аккумулятор разряжен, требуется немедленная зарядка

Регулировка рукоятки (Рис. С и D)

Рукоятка может устанавливаться в двух различных положениях, обеспечивая полный комфорт при использовании инструмента.

- ◆ Нажмите на кнопку регулировки положения рукоятки (4).
- ◆ Поверните рукоятку и установите ее в необходимое положение.
- ◆ Отпустите кнопку.

Выбор направления вращения (Рис. E)

Выполняйте высверливание направляющих отверстий и заворачивание саморезов, установив направление вращения вперёд (по часовой стрелке). Для выкручивания саморезов или извлечения заклинившего сверла, устанавливайте реверс (вращение против часовой стрелки).

- ◆ Для установки вращения вперёд сдвиньте переключатель направления вращения (2) влево.
- ◆ Для установки реверса сдвиньте переключатель направления вращения вправо.
- ◆ Для блокировки электроинструмента, установите переключатель реверса в среднее положение.

Включение и выключение (Рис. F)

Для заворачивания используйте вращение вперёд (по часовой стрелке). Для выворачивания используйте обратное вращение (реверс) (против часовой стрелки).

- ◆ Чтобы включить инструмент, нажмите и удерживайте нажатым курковый пусковой выключатель (1).
- ◆ Для выключения инструмента отпустите курковый пусковой выключатель (1).

Светодиодная подсветка

При нажатии на клавишу выключателя автоматически загорается светодиодная подсветка (7). Светодиодная подсветка загорится при частичном нажатии на клавишу выключателя, до того, как инструмент начнёт работу.

Техническое обслуживание

Ваш инструмент BLACK+DECKER рассчитан на работу в течение продолжительного времени при минимальном техническом обслуживании. Срок службы и надёжность инструмента увеличиваются при правильном уходе и регулярной чистке.

Ваше зарядное устройство не требует никакого дополнительного технического обслуживания, кроме регулярной чистки.

Внимание! Перед любыми видами работ по техническому обслуживанию вынимайте из инструмента аккумулятор. Перед чисткой зарядного устройства отключите его от источника питания.

- ◆ Регулярно очищайте вентиляционные отверстия инструмента и зарядного устройства мягкой щёткой или сухой тканью.
- ◆ Регулярно очищайте корпус двигателя влажной тканью. Не используйте абразивные чистящие средства, а также чистящие средства на основе растворителей.
- ◆ Регулярно раскрывайте патрон и вытряхивайте из него всю накопившуюся пыль.

Защита окружающей среды



Раздельный сбор. Данное изделие нельзя утилизировать вместе с обычными бытовыми отходами.

Если однажды Вы захотите заменить Ваше изделие BLACK+DECKER или Вы больше в нём не нуждаетесь, не выбрасывайте его вместе с бытовыми отходами. Отнесите изделие в специальный приёмный пункт.



Раздельный сбор изделий с истекшим сроком службы и их упаковок позволяет пускать их в переработку и повторно использовать. Использование переработанных материалов помогает защищать окружающую среду от загрязнения и снижает расход сырьевых материалов.

Местное законодательство может обеспечить сбор старых электрических продуктов отдельно от бытового мусора на муниципальных свалках отходов, или Вы можете сдавать их в торговом предприятии при покупке нового изделия.

Фирма BLACK+DECKER обеспечивает приём и переработку отслуживших свой срок изделий BLACK+DECKER. Чтобы воспользоваться

этой услугой, Вы можете сдать Ваше изделие в любой авторизованный сервисный центр, который собирает их по нашему поручению.

Вы можете узнать место нахождения Вашего ближайшего авторизованного сервисного центра, обратившись в Ваш местный офис BLACK+DECKER по адресу, указанному в данном руководстве по эксплуатации. Кроме того, список авторизованных сервисных центров BLACK+DECKER и полную информацию о нашем послепродажном обслуживании и контактах Вы можете найти в интернете по адресу: www.2helpU.com

Аккумуляторы



Внутри нет обслуживаемых пользователем деталей.

По окончании срока службы отправьте инструмент в авторизованный сервисный центр или в местный пункт переработки, где аккумулятор будет утилизирован должным образом. Не выбрасывайте инструмент вместе с бытовыми отходами.

Технические характеристики

CS3653LC (H1)		
Напряжение питания	В пост. тока	3,6
Число оборотов без нагрузки	об./мин.	190
Максимальный крутящий момент	Нм	6
Тип аккумулятора		Li-Ion
Ёмкость аккумулятора	Ач	1,5
Вес	кг	0,37

Зарядное устройство 906099**** H1		
Напряжение питания	В перем. тока	100-240
Выходное напряжение	В пост. тока	5
Выходной ток	мА	600
Приблизительное время зарядки	ч	2,5-3

Уровень звукового давления в соответствии с EN 60745:		
Звуковое давление (LpA)	60,0 дБ(A), погрешность (K) 3 дБ(A)	
Акустическая мощность (LwA)	71,0 дБ(A), погрешность (K) 3 дБ(A)	

Сумма величин вибрации (сумма векторов по трем осям), измеренных в соответствии со стандартом EN 60745:		
Заворачивание без удара (ah, IS)	0,9 м/с ² , погрешность (K) 1,5 м/с ²	

**Декларация соответствия ЕС
ДИРЕКТИВА ПО МЕХАНИЧЕСКОМУ
ОБОРУДОВАНИЮ**



CS3653LC

Black & Decker заявляет, что продукты, обозначенные в разделе «Технические характеристики», полностью соответствуют стандартам: 2006/42/ЕС, EN 60745-1, EN 60745-2-2

Данные продукты также соответствуют Директивам 2014/30/EU и 2011/65/EU. За дополнительной информацией обращайтесь в Black & Decker по указанному ниже адресу или по адресу, указанному на последней странице руководства.

Нижеподписавшееся лицо полностью отвечает за соответствие технических данных и делает это заявление от имени фирмы Black & Decker.

R. Laverick
Руководитель отдела технических разработок
Black & Decker Europe, 210 Bath Road, Slough,
Berkshire, SL1 3YD
United Kingdom
03/12/2014

Black & Decker

Гарантийные условия

Уважаемый покупатель!

1. Поздравляем Вас с покупкой высококачественного изделия Black & Decker и выражаем признательность за Ваш выбор.
2. При покупке изделия требуйте проверки его комплектности и исправности в Вашем присутствии, инструкцию по эксплуатации и заполненный гарантийный талон на русском языке.
В гарантийном талоне должны быть внесены: модель, дата продажи, серийный номер, дата производства инструмента; название, печать и подпись торговой организации. При отсутствии у Вас правильно заполненного гарантийного талона, а также несоответствия указанных в нем данных мы будем вынуждены отклонить Ваши претензии по качеству данного изделия.
3. Во избежание недоразумений убедительно просим Вас перед началом работы с изделием внимательно ознакомиться с инструкцией по его эксплуатации. Правовой основой настоящих гарантийных условий является действующее Законодательство.
Гарантийный срок на данное изделие составляет 24 месяца и исчисляется со дня продажи. В случае устранения недостатков изделия, гарантийный срок продлевается на период его нахождения в ремонте. Срок службы изделия составляет 5 лет со дня продажи.
4. В случае возникновения каких-либо проблем в процессе эксплуатации изделия рекомендуем Вам обращаться только в уполномоченные сервисные центры Black & Decker, адреса и телефоны которых Вы сможете найти в гарантийном талоне, на сайте www.2helpU.com или узнать в магазине. Наши сервисные станции - это не только квалифицированный ремонт, но и широкий ассортимент запчастей и принадлежностей.
5. Производитель рекомендует проводить периодическую проверку и техническое обслуживание изделия в уполномоченных сервисных центрах.
6. Наши гарантийные обязательства распространяются только на неисправности, выявленные в течение гарантийного срока и вызванные дефектами производства и \ или материалов.
7. **Гарантийные условия не распространяются на неисправности изделия, возникшие в результате:**
 - 7.1. Несоблюдения пользователем предписаний инструкции по эксплуатации изделия, применения изделия не по назначению, неправильном хранении, использования принадлежностей, расходных материалов и запчастей, не предусмотренных производителем.
 - 7.2. Механического повреждения (сколы, трещины и разрушения) внутренних и внешних деталей изделия, основных и вспомогательных рукояток, сетевого электрического кабеля, вызванного внешним ударным или любым иным воздействием
 - 7.3. Попадания в вентиляционные отверстия и проникновение внутрь изделия посторонних предметов, материалов или веществ, не являющихся отходами, сопровождающими применение изделия по назначению, такими как: стружка, опилки, песок, и пр.
 - 7.4. Воздействий на изделие неблагоприятных атмосферных и иных внешних факторов, таких как дождь, снег, повышенная влажность, нагрев, агрессивные среды, несоответствие параметров питающей электросети, указанных на инструменте.
 - 7.5. Стихийного бедствия. Повреждение или утрата изделия, связанное с непредвиденными бедствиями, стихийными явлениями, в том числе вследствие действия непреодолимой силы (пожар, молния, потоп и другие природные явления), а также вследствие перепадов напряжения в электросети и другими причинами, которые находятся вне контроля производителя.
8. **Гарантийные условия не распространяются:**
 - 8.1. На инструменты, подвергшиеся вскрытию, ремонту или модификации вне уполномоченного сервисного центра.
 - 8.2. На детали и узлы, имеющие следы естественного износа, такие как: приводные ремни и колеса, угольные щетки, смазка, подшипники, зубчатое зацепление редукторов, резиновые уплотнения, сальники, направляющие ролики, муфты, выключатели, бойки, толкатели, стволы, и т.п.
 - 8.3. На сменные части: патроны, цанги, зажимные гайки и фланцы, фильтры, аккумуляторные батареи, ножи, шлифовальные подошвы, цепи, звездочки, пильные шины, защитные кожухи, пилки, абразивы, пильные и абразивные диски, фрезы, сверла, буры и т.п.
 - 8.4. На неисправности, возникшие в результате перегрузки инструмента (как механической, так и электрической), повлекшей выход из строя одновременно двух и более деталей и узлов, таких как: ротора и статора, обеих обмоток статора, ведомой и ведущей шестерни редуктора или других узлов и деталей. К безусловным признакам перегрузки изделия относятся, помимо прочего: появление цветов побежалости, деформация или оплавление деталей и узлов изделия, потемнение или обугливание изоляции проводов электродвигателя под воздействием высокой температуры.

Область застосування

Ваша викрутка виробництва компанії BLACK+DECKER розроблена для використання при виконанні загвинчування. Цей інструмент призначений лише для побутового використання.

Інструкції з техніки безпеки

Загальні правила безпеки для електричного інструменту



Попередження! Перед використанням інструменту уважно прочитайте всі попередження та інструкції. Невиконання попереджень та інструкцій, наведених нижче, може призвести до ураження електричним струмом, пожежі та/або серйозних травм.

Збережіть всі попередження та інструкції для використання в майбутньому. Термін „електричний інструмент“, в усіх попередженнях, перерахованих нижче, стосується використовуваних Вами інструментів, що працюють від мережі енергоспоживання (з використанням електричного кабелю) або акумуляторів (без кабелю).

1. Безпека робочої зони

- a. **Тримайте робочу зону чистою та добре освітленою.** Неупорядковані та темні робочі зони збільшують ймовірність нещасного випадку.
- b. **Не використовуйте електричні інструменти у вибухонебезпечній атмосфері, наприклад, у присутності вогнебезпечних рідин, газів та пилу.** Електричні інструменти створюють іскри, що можуть запалити пил або випаровування.
- c. **Тримайте дітей та сторонніх подалі під час використання інструменту.** Відвернення уваги може призвести до втрати контролю.

2. Електрична безпека

- a. **Вилка електричного інструменту має відповідати розетці. Ніколи ніяким чином не змінюйте вилку. Не використовуйте адаптерів із заземленими електричними**

інструментами. Немодифіковані вилки та розетки, що підходять до них, зменшують ризик ураження електричним струмом.

- b. **Уникайте контакту тіла з заземленими поверхнями, такими як труби, радіатори, плити та холодильники.** Якщо Ваше тіло заземлене, збільшується ризик ураження електричним струмом.
 - c. **Не залишайте електричні інструменти під дощем або за умов підвищеної вологості.** Вода, що потрапляє в електричний інструмент, підвищує ризик ураження електричним струмом.
 - d. **Не використовуйте кабель живлення не за призначенням. Ніколи не використовуйте шнур для перенесення, витягування та відключення від розетки живлення електричного інструменту. Тримайте шнур подалі від високих температур, мастила, гострих предметів та рухомих деталей.** Пошкоджені або перекручені шнури підвищують ризик ураження електричним струмом.
 - e. **При використанні електричного інструменту на вулиці, використовуйте подовжуючий шнур, що підходить для використання на поза приміщеннями.** Використання шнура, що підходить для вулиці, знижує ризик ураження електричним струмом.
 - f. **Якщо неможливо уникнути використання електричного інструменту за умов підвищеної вологості, використовуйте живлення, захищене пристроєм залишкового струму (RCD).** Використання RCD знижує ризик ураження електричним струмом.
- #### 3. Особиста безпека
- a. **Будьте в стані готовності, дивіться, що ви робите, та використовуйте загальний глузд, коли ви працюєте з електричним інструментом. Не використовуйте електричний інструмент, коли ви втомлені або знаходитесь під впливом наркотичних речовин, алкоголю або ліків.** Втрата уваги при роботі з електричними інструментами може призвести до серйозних травм.
 - b. **Використовуйте особисті засоби безпеки. Завжди використовуйте засоби захисту очей.** Засоби безпеки, такі як протипилова маска, неслизькі безпечні чоботи, твердий капелюх та

засоби захисту слухового апарату, які використані для відповідних умов, зменшують імовірність особистих травм.

c. Уникайте випадкового запуску.

Переконайтесь в тому, що вимикач знаходиться в позиції Вимк. перед підключенням до джерела живлення та/або акумулятора, переміщенням або перенесенням пристрою. Перенесення інструменту, тримаючи палець на вимикачі, або підключення живлення з перемикачем в позиції Увімк. може призвести до нещасного випадку.

d. Зніміть всі налаштувальні ключі або гайкові ключі перед тим, як вмикати електричний інструмент.

Гайковий ключ, що залишився прикріпленим до якоїсь деталі електричного пристрою, що обертається, може призвести до травм.

e. Не перенапружуйтесь. Завжди утримуйте правильну постановку ніг і рівновагу. Це дає вам змогу краще контролювати інструмент в неочікуваних ситуаціях.

f. Вдягайте відповідний одяг. Не вдягайте вільний одяг чи прикраси. Тримайте ваше волосся, одяг та рукавички подалі від рухомих деталей. Вільний одяг, прикраси або довге волосся може зачепитися за рухомі деталі.

g. Якщо передбачені пристрої для підключення до засобів виділення та збирання пилу, переконайтесь, що вони правильно підключені та використовуються. Використання таких пристроїв зменшує ризик виникнення небезпечних ситуацій, що пов'язані з потраплянням пилу.

4. Використання та догляд за електричним інструментом

- a. Не використовуйте надмірні зусилля при роботі з інструментом. Використовуйте відповідний електричний інструмент для вашої задачі.** Правильно обраний інструмент виконає завдання краще та безпечніше за умов, для яких він був розроблений.
- b. Не використовуйте інструмент, вмикач якого не вмикає та не вимикає його.** Будь-який електричний інструмент, який не може управлятися вмикачем, є небезпечним і має бути відремонтований.
- c. Відключіть вилку від джерела живлення та/або зніміть акумуляторний**

блок з інструменту перед тим, як робити будь-які налаштування, змінювати додаткове обладнання чи зберігати інструмент. Ці профілактичні заходи зменшують ризик випадкового запуску електричного інструменту.

d. Зберігайте вимкнені електричні інструменти подалі від дітей та не дозволяйте особам, що не знайомі з електричним інструментом або цими інструкціями, використовувати електричний інструмент. Електричні інструменти є небезпечними, якщо вони використовуються некваліфікованими користувачами.

e. Технічне обслуговування електричних інструментів. Перевіряйте на відсутність вирівнювання або заїдання рухомих деталей, ушкоджених частин та інших умов, що можуть впливати на роботу електричного інструменту. Якщо є ушкодження, відремонтуйте електричний інструмент перед використанням. Багато нещасних випадків є результатом того, що інструмент не пройшов відповідного технічного обслуговування.

f. Тримайте ріжучі інструменти гострими та чистими. Правильно доглянуті ріжучі інструменти з гострими ріжучими кромками мають меншу ймовірність заїдання, та ними легше керувати.

g. Використовуйте електричний інструмент, додаткові інструменти та деталі інструменту тощо у відповідності до цих інструкцій, зважаючи на умови використання та роботу, яка має бути виконана. Використання електричних інструментів не за призначенням може призвести до виникнення небезпечних ситуацій.

5. Використання та догляд за інструментом, що працює від акумулятора

- a. Заряджайте інструмент лише за допомогою зарядного пристрою, що вказаний виробником.** Зарядний пристрій, що підходить до одного типу акумуляторів, може призвести до пожежі, коли використовується з іншим акумулятором.
- b. Використовуйте електричні інструменти лише зі спеціально розробленим акумулятором.** Використання інших

акумуляторів може призвести до травм або пожежі.

- c. **Коли акумулятори не використовуються, зберігайте їх подалі від металевих предметів, як скріпки, монети, ключі, цвяхи, гвинти або інші невеликі предмети, що можуть призвести до замикання двох контактів.** Зімкнення терміналів акумулятора може призвести до вибуху або пожежі.
 - d. **За невідповідних умов використання рідина може витікати з батареї, уникайте контакту з цією рідиною. При випадковому контакті змийте відповідне місце водою. Якщо рідина потрапила в очі, необхідно звернутися до лікаря.** Рідина, що витікає з батареї, може призвести до подразнень та опіків.
- 6. Обслуговування**
- a. **Надавайте електричний інструмент для обслуговування кваліфікованим спеціалістом з ремонту та використовуйте тільки ідентичні замінні деталі. Це забезпечить безпеку електричного пристрою, що обслуговується.**

Додаткові правила безпеки для електричного інструменту



Попередження! Додаткові попередження щодо техніки безпеки для викруток та гайковертів

- ◆ **Використовуйте засоби захисту органів слуху при роботі з ударним дрилем.** Шум може викликати втрату слуху.
- ◆ **Використовуйте додаткові ручки, що надаються з цим інструментом.** Втрата контролю над інструментом може викликати травми.
- ◆ **Тримайте інструмент за ізольовану поверхню при виконанні операцій, коли кріпильний елемент може торкнутися схованої проводки.** Контакт кріпильних елементів з дротом під напругою може призвести до появи напруги в інструменті та ураження оператора електричним струмом.
- ◆ **Використовуйте затискачі або інший спосіб закріплення деталі, що оброблюється, на стабільній платформі.** Утримування заготовки

в руці та біля тіла робити її нестабільною та може призвести до втрати контролю.

- ◆ Цей інструмент не призначений для використання особами (включаючи дітей) із зниженими фізичними, сенсорними або розумовими можливостями або особами, яким бракує досвіду або знань за винятком випадків, коли такі особи працюють під наглядом або отримали інструкції щодо використання пристрою від особи, яка несе відповідальність за їх безпеку. Діти повинні знаходитись під контролем, щоб гарантувати, що вони не будуть грати з пристроєм.
- ◆ Використання за призначенням описане у цьому керівництві з використання. Використання аксесуарів або приладдя, або виконання будь-яких дій з інструментом, що суперечать рекомендаціям цього керівництва, може призвести до ризику травмування людини та/або пошкодження майна.



Попередження! Гайковерти ударної дії не є динамометричними гайковертами. Не використовуйте цей інструмент для затягування кріплення на певну кількість обертів. Окремий калібрований пристрій вимірювання моменту обертання, наприклад, динамометричний гайковерт, необхідно використовувати, коли недостатньо або надмірно затягнуті кріплення можуть призвести до пошкодження з'єднання.

Безпека сторонніх людей

- ◆ Цей пристрій не призначений для використання особами (включаючи дітей) із зниженими фізичними, сенсорними або розумовими можливостями або особами, яким бракує досвіду або знань за винятком випадків, коли такі особи працюють під наглядом або отримали інструкції щодо використання пристрою від особи, яка несе відповідальність за їх безпеку.
- ◆ Діти повинні знаходитись під контролем, щоб гарантувати, що вони не будуть грати з пристроєм.

Залишкові ризики.

При використанні інструменту можуть виникнути додаткові залишкові ризики, які можуть бути не внесені до попереджень щодо техніки безпеки

цього керівництва. Ці ризики можуть виникнути як результат неправильного використання, тривалого використання, тощо.

Незважаючи на виконання всіх відповідних правил техніки безпеки та використання пристроїв безпеки, неможливо уникнути деяких залишкових ризиків. Сюди належать:

- ◆ Травми через контакт з деталями, що рухаються/обертаються.
- ◆ Травми при заміні деталей, пильних полотен або аксесуарів.
- ◆ Травми через занадто тривале використання інструменту. При використанні будь-якого інструменту протягом тривалого періоду часу не забувайте робити регулярні перерви.
- ◆ Порушення слуху.
- ◆ небезпека для здоров'я через вдихання пилу, що утворюється при використанні інструменту (наприклад, при роботі з деревом, особливо з дубом, березою та ДВП).

Вібрація

Значення вібрації, вказані в технічних даних та в декларації про відповідність виміряні з дотриманням стандартних методів тестування, наданих у стандарті EN 60745, та їх можна використовувати для порівняння одного інструменту з іншим. Задекларовані значення вібрації можна також використовувати для попередньої оцінки впливу вібрації.

Попередження! Значення вібрації під час використання інструменту може відрізнятись від задекларованого в залежності від способів використання інструменту. Рівень вібрації може перевищувати вказані значення.

При оцінці впливу вібрації для визначення заходів безпеки за вимогами 2002/44/ЕС, щоб захистити людей, що регулярно використовують інструменти в роботі, необхідно враховувати реальні умови та способи використання інструменту, включаючи врахування всіх періодів робочого циклу, наприклад, часу, коли інструмент вимкнено та коли він знаходиться в режимі очікування, а також часу реальної роботи інструменту.

Написи на інструменті

На інструменті є наступні символи:



Попередження! Щоб зменшити ризик травм, користувач повинен прочитати керівництво з експлуатації.

Додаткові інструкції з техніки безпеки для батарей та зарядних пристроїв

Батареї

- ◆ Ніколи не намагайтесь відкривати батарею.
- ◆ Не занурюйте батарею у воду.
- ◆ Не зберігайте у місцях, де температура може перевищувати 40 °C.
- ◆ Заряджайте лише при температурі навколишнього середовища між 10 °C та 40 °C.
- ◆ Заряджайте лише за допомогою зарядного пристрою, що надається з інструментом.
- ◆ При викиданні батарей виконуйте інструкції, наведені у розділі „Захист навколишнього середовища“.



Не заряджайте пошкоджені батареї.

Зарядні пристрої

- ◆ Використовуйте зарядний пристрій BLACK+DECKER лише для зарядки батарей того інструменту, з яким він продавався. Інші батареї можуть вибухнути, спричинивши травми та пошкодження.
- ◆ Ніколи не намагайтесь заряджати батареї, що не підлягають зарядці.
- ◆ негайно замінійте пошкоджений шнур живлення.
- ◆ Не піддавайте зарядний пристрій впливу води.
- ◆ Не відкривайте корпус зарядного пристрою.
- ◆ Не розбирайте зарядний пристрій.



Зарядний пристрій призначений лише для використання у приміщенні.



Прочитайте інструкції цього керівництва перед використанням.

Електрична безпека



Цей зарядний пристрій має подвійну ізоляцію; тому заземлення не є необхідним. Завжди перевіряйте, що джерело живлення відповідає напрузі, що вказана на табличці з паспортними даними. Ніколи не намагайтесь замінити зарядний пристрій звичайним мережним штепселем.

- ◆ Якщо шнур живлення пошкоджений, його необхідно замінити у виробника або в офіційному сервісному центрі компанії BLACK+DECKER для уникнення небезпеки.

Деталі

Цей інструмент має деякі чи всі деталі з нижче вказаних.

1. Перемикач
2. Перемикач вперед/назад
3. Тримач біт
4. Кнопка налаштування ручки
5. Ручка
6. Конектор для зарядки Micro USB
7. Світлодіодний індикатор роботи
8. Індикатор стану зарядки
9. Магнітний відсік для зберігання біт

Збирання

Встановлення та знімання викруткі-вставки або патрону (мал. А)

Попередження! Перед встановленням та зніманням аксесуарів переконайтесь, що інструмент заблокований, щоб уникнути його випадкового запуску.

- ◆ Щоб встановити викрутку-вставку (9), вставте її у тримач біт (3) до фіксації на місці.
- ◆ Щоб вийняти викрутку-вставку, витягніть її з тримача.

Використання

Попередження! Інструмент повинен працювати із рекомендованою швидкістю. Не перевантажуйте його.

Зарядка батареї (мал. В)

Необхідно зарядити батарею перед першим використанням, а також коли вона не може

забезпечити достатню потужність для виконання завдань, які легко виконувались раніше. Батарея може стати теплою під час зарядки; це нормально та є показником проблеми.

Попередження! Використовуйте лише зарядний пристрій, що надається для зарядки пристрою CS3653LC.

- ◆ Для зарядки батареї вставте вилку зарядного пристрою (10) в конектор (6).
- ◆ Підключіть зарядний пристрій до розетки.
- ◆ Індикатор стану зарядки (мал. В) показує поточний рівень заряду інструменту.
- ◆ Залишіть інструмент підключеним до зарядного пристрою протягом 3 годин.

Зарядний пристрій може стати теплим під час зарядки; це нормально та є показником проблеми.

Попередження! Не заряджайте батарею при температурі навколишнього середовища нижче 10 °C або вище 40 °C. Рекомендована температура зарядки: приблизно 24 °C.

Індикатор стану зарядки (мал. В)

Інструмент оснащено індикатором стану зарядки. Його можна використовувати для відображення поточного рівня зарядки батареї під час використання та під час зарядки.

Під час зарядки

- ◆ Під час зарядки індикатор стану зарядки автоматично показує поточний рівень зарядки.

Під час використання

Примітка. Не перевіряйте стан зарядки, коли викрутка працює або знаходиться під навантаженням. Він може показати невірні дані. Щоб отримати вірні дані, перевірте стан зарядки, коли інструмент не навантажений.

- ◆ Переведіть інструмент в режим прямого обертання. Індикатор не працює, якщо інструмент встановлено в режим зворотного обертання або заблокований.
- ◆ Натисніть перемикач (1). Світлодіоди індикатор стану зарядки (8) загоряться відповідно до поточного рівня зарядки.

Кількість світлодіодів	Рівень зарядки
Три	Батарея повністю заряджена
Два	Батарея нормально заряджена
Один	Низький рівень зарядки
Нуль	Батарея не заряджена, потрібно зарядити негайно.

Регулювання ручки (мал. С і D)

Для оптимальної зручності ручку можна встановити в одне з двох положень.

- ◆ Натисніть на кнопку регулювання ручки (4).
- ◆ Поверніть ручку у необхідну позицію.
- ◆ Відпустіть кнопку.

Вибір напрямку обертання (мал. E)

Для затягування шурупів та свердління направляючих отворів, використовуйте обертання вперед (за годинниковою стрілкою).

Для викручування шурупів та витягування затисненого свердла використовуйте обертання в зворотному напрямку (проти годинникової стрілки).

- ◆ Щоб обрати обертання вперед, перемістіть перемикач вперед/назад (2) вліво.
- ◆ Щоб обрати обертання назад, натисніть на перемикач вперед/назад вправо.
- ◆ Щоб заблокувати інструмент, пересуньте перемикач вперед/назад у центральне положення.

Увімкнення/вимкнення (Рис. F)

Для затягування використовуйте обертання вперед (за годинниковою стрілкою). Для викручування шурупів використовуйте зворотне (проти годинникової стрілки) обертання.

- ◆ Для використання інструменту натисніть та утримуйте перемикач (1).
- ◆ Щоб вимкнути інструмент, відпустіть перемикач Увімк./Вимк. (1).

Світлодіодний індикатор роботи

Світлодіодний індикатор роботи (7) активується автоматично при натисненні на тригерний перемикач. Світлодіодний індикатор роботи загориться, коли перемикач частково натиснений перед запуском інструменту.

Технічне обслуговування

Ваш інструмент виробництва компанії BLACK+DECKER призначений для роботи протягом довгого часу з мінімальним обслуговуванням. Довга задовільна робота інструменту залежить від відповідного обслуговування інструменту та регулярного його очищення.

Ваш зарядний пристрій не вимагає технічного обслуговування, лише необхідно проводити регулярне очищення.

Попередження! Перед виконанням будь-якого обслуговування необхідно витягнути батарею з інструменту. Витягніть зарядний пристрій з розетки перед очищенням.

- ◆ Регулярно очищуйте вентиляційні отвори інструменту та зарядного пристрою, використовуючи м'яку щітку або суху ганчірку.
- ◆ Регулярно очищуйте корпус мотору, використовуючи вологу ганчірку. Не використовуйте абразивні очищувачі та засоби, що містять розчинники.
- ◆ Регулярно відкривайте затискний патрон та струшуйте його, щоб видалити пил з середини.

Захист навколишнього середовища



Окреме збирання. Цей продукт не можна викидати разом зі звичайним побутовим сміттям.

Якщо якимось чином ви вирішите, що ваш виріб фірми BLACK+DECKER має бути замінено, або він вам більше не потрібний, не викидайте його на смітник побутового сміття. Зробіть цей виріб доступним для спеціального збирання.



Окремий збір використаних виробів та упаковки дозволяє повторно переробляти та використовувати матеріали. Переробка повторно використаних матеріалів допомагає попередити забруднення навколишнього середовища та зменшує потребу в сировині.

Місцеві законодавчі акти можуть передбачати окремий збір електричного обладнання в муніципальних місцях для збору сміття або продавцями при покупці нового обладнання.

Компанія BLACK+DECKER має можливість для збору та переробки продуктів власного виробництва після закінчення їхнього терміну служби. Щоб скористатися цією послугою, поверніть виріб компанії в офіційний сервісний центр, які збирають відпрацьовані продукти за наш рахунок.

Ви можете знайти місцезнаходження найближчого до Вас сервісного центру, зв'язавшись з місцевим офісом компанії BLACK+DECKER за адресою, вказаною в цих інструкціях. Крім того, список офіційних сервісних центрів компанії BLACK+DECKER з усіма подробицями нашого післяпродажного обслуговування та контактною інформацією міститься в Інтернеті за адресою: www.2helpU.com

Батареї



Всередині відсутні деталі, які користувач може обслуговувати самостійно.

- ◆ Наприкінці терміну служби батареї поверніть її агенту з обслуговування або на місцеву станцію переробки для переробки батареї. Не викидайте батарею разом із побутовим сміттям.

Технічні дані

		CS3653LC (H1)
Напруга	V (постійний струм)	3,6
Швидкість без навантаження	хв. ⁻¹	190
Макс. обертаючий момент	Нм	6
Тип батареї		Літій-іонна
Ємність батареї	Ампер-годин	1,5
Вага	кг	0,37

Зарядний пристрій		906099**** H1
Вхідна напруга	V (змінний струм)	100-240
Вихідна напруга	V (постійний струм)	5
Струм	мА	600
Приблизний час першої зарядки	Години	2,5 - 3

Рівень звукового тиску згідно з EN 60745:	
Звуковий тиск (L_{pA})	60,0 дБ(А), похибка (К) 3 дБ(А)
Звукова потужність (L_{WA})	71,0 дБ(А), похибка (К) 3 дБ(А)

Загальні значення вібрації (векторна сума трьох векторів) згідно з EN 60745:	
Закручування шурупів без удару ($a_{h,IS}$)	0,9 м/с ² , похибка (К) 1,5 м/с ²

Заява про відповідність ЄС ДИРЕКТИВА ДЛЯ МЕХАНІЧНОГО ОБЛАДНАННЯ



CS3653LC

Компанія Black & Decker заявляє, що продукти, описані в розділі „Технічні дані“ відповідають: 2006/42/EC, EN 60745-1, EN 60745-2-2

Ці продукти також відповідають Директиві 2014/30/EU і 2011/65/EU. Для отримання додаткової інформації, будь ласка, зверніться до компанії Black & Decker за наступною адресою або прочитайте інформацію на зворотній стороні цього керівництва.

Нижчепідписаний несе відповідальність за упорядкування файлу технічних характеристик та робить цю заяву від компанії Black & Decker.

Р. Лаверік (R. Laverick)
Технічний директор
Black & Decker Europe, 210 Bath Road, Slough,
Berkshire, SL1 3YD
Великобританія
03/12/2014

Гарантія

Компанія Black & Decker впевнена в якості своєї продукції та пропонує чудові умови гарантії. Ці гарантійні умови є додатковими та в якійсь мірі підтверджують ваші законні права. Ця гарантія є дійсною на території країн-членів Європейського Союзу та в європейській зоні вільної торгівлі.

Якщо продукт Black & Decker стає несправним через неякісні матеріали, конструкцію або невідповідність вимогам протягом 24 місяці з дня покупки, компанія Black & Decker гарантує заміну несправних деталей, ремонт продуктів, що піддалися зносу, або заміну таких продуктів для забезпечення мінімальних незручностей для споживачів, за винятком випадків, коли:

- ◆ Виріб використовувався в професійних цілях та об'ємах;
- ◆ Продукт використовувався не за призначенням або не обслуговувався;

- ◆ Продукт зазнав механічних пошкоджень, викликаних зовнішніми предметами, речовинами або іншим впливом;
- ◆ Продукт намагалися відремонтувати особи, які не є працівниками офіційного сервісного центру або персоналом з ремонту компанії Black & Decker.

Щоб отримати гарантійне обслуговування, вам необхідно надати доказ покупки продавцеві або агенту з ремонту. Ви можете знайти місцезнаходження найближчого до Вас сервісного центру, зв'язавшись з місцевим офісом компанії Black & Decker за адресою, вказаною в цих інструкціях. Крім того, список офіційних сервісних центрів компанії Black & Decker з усіма подробицями нашого післяпродажного обслуговування та контактною інформацією міститься в Інтернеті за адресою: www.2helpU.com

Будь ласка, відвідайте наш сайт www.blackanddecker.co.uk, щоб зареєструвати свій новий продукт BLACK+DECKER та отримувати інформацію про нові продукти та спеціальні пропозиції. Для отримання додаткової інформації про торгову марку BLACK+DECKER та наші продукти відвідайте наш сайт за адресою www.blackanddecker.co.uk

БЛЕК ЕНД ДЕККЕР

гарантійні умови

Шановний покупцю!

1. Вітаємо Вас з покупкою високоякісного виробу компанії BLACK+DECKER та висловлюємо Вам свою вдячність за Ваш вибір.
- 1.1. Надійна робота цього виробу на протязі всього терміну експлуатації є предметом особливої турботи наших сервісних служб. У випадку виникнення будь-яких проблем в процесі експлуатації виробу ми рекомендуємо Вам звертатися лише до авторизованих сервісних організацій, адреси та телефони яких Ви зможете знайти в Гарантійному талоні або дізнатися в магазині.
Наші сервісні центри – це не тільки кваліфікований ремонт, але і широкий вибір запчастин та аксесуарів.
- 1.2. При купівлі виробу вимагайте перевірки його комплектності та справності за Вашої присутності, наявності інструкції з експлуатації та заповненого Гарантійного талону на українській мові. За умови відсутності у Вас правильно заповненого Гарантійного талону ми будемо вимушені відхилити Ваші претензії щодо якості цього виробу.
- 1.3. Щоб уникнути всіх непорозумінь наполегливо просимо Вас перед початком роботи з виробом уважно ознайомитись з інструкцією щодо його експлуатації.
- 1.4. Звертаємо Вашу увагу на виключно побутове призначення цього виробу.
2. Правовою основою даних гарантійних умов є діюче Законодавство та, зокрема, Закон "Про захист прав споживачів".
3. Гарантійний термін на даний виріб складає 24 місяці та починається з дня продажу через роздрібну торгову мережу. У випадку усунення недоліків виробу гарантійний термін продовжується на період, протягом якого виріб не використовувався.
4. Термін служби виробу - 5 років (мінімальний, встановлений у відповідності до Закону "Про захист прав споживачів").
5. Наші гарантійні зобов'язання поширюються тільки на несправності, виявлені протягом гарантійного терміну та обумовлені виробничими та конструктивними факторами. Гарантійні зобов'язання не поширюються:
- 6.1. На несправності виробу, що виникли в результаті:
 - 6.1.1. Недотримання користувачем вказівок інструкції з експлуатації виробу.
 - 6.1.2. Механічних пошкоджень, викликаних зовнішнім ударним або іншим впливом.
 - 6.1.3. Використання виробу в професійних цілях та об'ємах, в комерційних цілях.
 - 6.1.4. Застосування виробу не за призначенням.
 - 6.1.5. Стихійного лиха.
 - 6.1.6. Неприятливого атмосферному та інших зовнішніх впливах на виріб, таких як дощ, сніг, підвищена вологість, нагрів, агресивні середовища, невідповідність параметрів електромережі параметрам, вказаним на інструменті.
 - 6.1.7. Використання аксесуарів, витратних матеріалів та запчастин, які не рекомендовані або не схвалені виробником.
 - 6.1.8. Проникнення всередину інструменту сторонніх предметів, комах, матеріалів або речовин, що не є відходами, які супроводжують використання інструменту за призначенням, наприклад, стружки, опилки та ін.
- 6.2. На інструменти, що були відкриті, піддані ремонту або модифікації поза уповноваженим сервісним центром.
- 6.3. На приналежності, запчастини, що вийшли з ладу внаслідок нормального зносу, та витратні матеріали, такі як, приводні ремені, вугільні щітки, ножі, та ін.
- 6.4. На несправності, які виникли в результаті переважання інструменту, що призвело до виходу з ладу електродвигуна або інших вузлів та деталей. До безумовних ознак переважання виробу належать, зокрема: поява кольорів мінливості, деформація або оплавлення деталей та вузлів виробу, потемніння або обвуглювання ізоляції дротів електродвигуна під впливом високої температури.



Виробник:
"Stanley Black & Decker Deutschland
GmbH" Black-&-Decker Str.40, D-65510
Idstein, Німеччина

Kullanım amacı

BLACK+DECKER tornavidanız vida takma/sökme uygulamaları için tasarlanmıştır. Bu alet sadece hafif hizmet ve hobi kullanımı içindir.

Güvenlik talimatları

Genel elektrikli alet güvenlik uyarıları



Uyarı! Bütün güvenlik uyarılarını ve talimatlarını mutlaka okuyun. Aşağıda yer alan uyarılar ve talimatların herhangi birisine uyulmaması elektrik çarpması, yangın ve/veya ciddi yaralanma riskine neden olabilir.

Bütün uyarı ve güvenlik talimatlarını ileride bakmak üzere saklayın. Aşağıda yer alan uyarılardaki «elektrikli alet» terimi şebeke elektriğiyle (kablolu) veya akü/pille (şarjlı) çalışan elektrikli aletinizi ifade etmektedir.

1. Çalışma alanının güvenliği

- Çalışma alanını temiz ve aydınlık tutun.** Karışık veya karanlık alanlar kazaya davetiye çıkartır.
- Elektrikli aletleri, yanıcı sıvılar, gazlar ve tozların bulunduğu yerler gibi yanıcı ortamlarda çalıştırmayın.** Elektrikli aletler, toz veya dumanları ateşleyebilecek kıvılcımlar çıkartır.
- Bir elektrikli aleti çalıştırırken çocuklardan ve etraftaki kişilerden uzak tutun.** Dikkatinizi dağıtıcı şeyler kontrolü kaybetmenize neden olabilir.

2. Elektrik güvenliği

- Elektrikli aletlerin fişleri prizlere uygun olmalıdır. Fiş üzerinde kesinlikle hiçbir değişiklik yapmayın. Topraklı elektrikli aletlerde hiçbir adaptör fişi kullanmayın.** Değiştirilmemiş fişler ve uygun prizler elektrik çarpması riskini azaltacaktır.
- Borular, radyatörler, ocaklar ve buzdolapları gibi topraklanmamış yüzeylerle vücut temasından kaçının.** Vücudunuzun topraklanması halinde yüksek bir elektrik çarpması riski vardır.
- Elektrikli aletleri yağmura maruz bırakmayın veya ıslatmayın.** Elektrikli alete su girmesi elektrik çarpması riskini arttıracaktır.
- Elektrik kablosunu uygun olmayan amaçlarla kullanmayın. Elektrikli aleti kesinlikle kablosundan tutarak taşımayın,**

çekmeyin veya prizden çıkartmayın.

Kabloyu sıcağtan, yağdan, keskin kenarlardan veya hareketli parçalardan uzak tutun. Hasarlı veya dolaşmış kablolar elektrik çarpması riskini artırır.

- Elektrikli bir aleti açık havada çalıştırıyorsanız, açık havada kullanıma uygun bir uzatma kablosu kullanın.** Açık havada kullanıma uygun bir kablunun kullanılması elektrik çarpması riskini azaltır.
 - Eğer bir elektrikli aletin nemli bir bölgede çalıştırılması zorunluysa, bir artık akım aygıtı (RCD) korumalı bir kaynak kullanın.** Bir RCD kullanılması elektrik şoku riskini azaltır.
- ### 3. Kişisel güvenlik
- Elektrikli bir aleti kullanırken her zaman dikkatli olun, yaptığınız işe yoğunlaşın ve sağduyulu davranın. Elektrikli bir aleti yorgunken veya ilaç ya da alkolün etkisi altındayken kullanmayın.** Elektrikli aletleri kullanırken bir anlık dikkatsizlik ciddi kişisel yaralanmayla sonuçlanabilir.
 - Kişisel koruyucu ekipmanları mutlaka kullanın. Daima koruyucu gözlük takın.** Koşullara uygun toz maskesi, kaymayan güvenlik ayakkabıları, baret veya kulaklık gibi koruyucu donanımların kullanılması kişisel yaralanmaları azaltacaktır.
 - İstem dışı çalıştırılmasını önleyin. Aleti güç kaynağına ve/veya aküye bağlamadan, yerden kaldırmadan veya taşımadan önce tetiğin kapalı konumda olduğundan emin olun.** Aleti, parmağınız tetik üzerinde bulunacak şekilde taşımak veya açık konumdaki elektrikli aletleri elektrik şebekesine bağlamak kazaya davetiye çıkartır.
 - Elektrikli aleti açmadan önce tüm ayarlamaları anahtarlarını çıkartın.** Elektrikli aletin hareketli bir parçasına takılı kalmış bir anahtar kişisel yaralanmaya neden olabilir.
 - Ulaşmakta zorlandığınız yerlerde kullanmayın. Daima sağlam ve dengeli basın.** Bu, beklenmedik durumlarda elektrikli aletin daha iyi kontrol edilmesine olanak tanır.
 - Uygun şekilde giyinin. Bol elbiseler giymeyin ve takı takmayın. Saçınızı, elbiselerinizi ve eldivenlerinizi hareketli parçalardan uzak tutun.** Bol elbiseler ve takılar veya uzun saç hareketli parçalara takılabilir.
 - Eğer kullandığınız üründe toz emme ve toplama özellikleri olan ataşmanlar varsa bunların bağlı olduğundan ve doğru şekilde**

kullanıldığından emin olun. Bu toz toplama ataşmanların kullanılması tozla ilgili tehlikeleri azaltabilir.

4. Elektrikli aletlerin kullanımı ve bakımı
 - a. Elektrikli aleti zorlamayın. Uygulamanız için doğru elektrikli aleti kullanın. Doğru elektrikli alet, belirlendiği kapasite ayarında kullanıldığında daha iyi ve güvenli çalışacaktır.
 - b. Tetik açmıyor ve kapatmıyorsa elektrikli aleti kullanmayın. Tetikle kontrol edilemeyen tüm elektrikli aletler tehlikelidir ve tamir edilmesi gerekmektedir.
 - c. Herhangi bir ayarlama, aksesuar değişimi veya elektrikli aletlerin saklanması öncesinde fişi güç kaynağından çekin ve/veya aküyü elektrikli aletten ayırın. Bu tür önleyici güvenlik tedbirleri aletin istem dışı olarak çalıştırılması riskini azaltacaktır.
 - d. Elektrikli aleti, çocukların ulaşamayacağı yerlerde saklayın ve elektrikli aleti tanımayan veya bu talimatları bilmeyen kişilerin elektrikli aleti kullanmasına izin vermeyin. Elektrikli aletler, eğitimsiz kullanıcıların elinde tehlikelidir.
 - e. Elektrikli aletleri iyi durumda muhafaza edin. Hareketli parçalardaki hizalama hatalarını ve tutuklukları, parçalardaki kırılmalar ve elektrikli aletin çalışmasını etkileyebilecek tüm diğer koşulları kontrol edin. Hasarlı ise, elektrikli aleti kullanmadan önce tamir ettirin. Kazaların çoğu, elektrikli aletlerin bakımının yeterli şekilde yapılmamasından kaynaklanır.
 - f. Kesim aletlerini keskin ve temiz tutun. Bakımı uygun şekilde yapılmış keskin kesim uçlu kesim aletlerinin sıkışma ihtimali daha düşüktür ve kontrol edilmesi daha kolaydır.
 - g. Elektrikli aleti, aksesuarlarını ve aletin diğer parçalarını kullanırken bu talimatlara mutlaka uyun ve çalışma ortamının koşullarını ve yapılacak işin ne olduğunu göz önünde bulundurun. Elektrikli aletin öngörülen işlemler dışındaki işlemler için kullanılması tehlikeli durumlara neden olabilir.
5. Akü/pille çalışan aletin kullanımı ve bakımı
 - a. Sadece üretici tarafından belirtilen şarj cihazı ile şarj edin. Bir akü tipine uygun bir şarj cihazı başka tipte bir aküyü şarj etmek için kullanıldığında yangın riski yaratabilir.
 - b. Elektrikli aletleri yalnızca özel olarak tanımlanmış akülerle kullanın. Başka bir akünün kullanılması yaralanma veya yangın riskine yol açabilir.

- c. Akü kullanımında değilken, ataç, bozuk para, anahtar, çivi, vida veya terminaler arasında kontağa neden olabilecek diğer küçük metal nesnelere uzak tutulmalıdır. Akü terminalerinin birbirine kısa devre yapılması yanıklara veya yangına neden olabilir.
 - d. Sıra dışı koşullarda sıvı aküden dışarı akabilir, temastan kaçının. Yanlışlıkla cilde temas edilirse su ile yıkayın. Gözle temas durumunda ayrıca doktora başvurun. Aküden sıvı akması ciltte tahriş veya yanmaya neden olabilir.
6. Servis
 - a. Elektrikli aletinizi, sadece orijinal yedek parçaların kullanıldığı yetkili servise tamir ettirin. Bu, elektrikli aletin güvenliğinin muhafaza edilmesini sağlayacaktır.

Elektrikli el aletleri için ek güvenlik talimatları



Uyarı! Tornavidalar ve somun sıklamalar için ek güvenlik talimatları

- ♦ Darbeli matkap ile çalışırken kulaklık takın. Yüksek sese maruz kalmak işitme kaybına yol açabilir.
- ♦ Aletle birlikte verilmiş olan yardımcı tutma kollarını kullanın. Kontrol kaybı kişisel yaralanmalara neden olabilir.
- ♦ Bağlantı parçasının gizli kablolarla temas edebileceği yerlerde çalışma yaparken elektrikli aleti yalıtımlı kavrama yüzeylerinden tutun. Bağlantı parçalarının «akım taşıyan» bir kabloya temas etmesi durumunda elektrikli aletin metal kısımları da «akım taşıyor» hale gelecek ve kullanıcının elektrik çarpmasına neden olabilir.
- ♦ Üzerinde çalıştığınız parçayı sabitlemek ve desteklemek için kelepçeler veya başka pratik yöntemler kullanın. Parçayı elle veya vücudunuza dayamanız dengesiz durmasına neden olacaktır ve aletin kontrolünü kaybetmenize yol açabilir.
- ♦ Bu alet fiziksel ve zihinsel kapasitesinin yanı sıra algılama gücü azalmış olan veya yeterince deneyim ve bilgisi bulunmayan kişiler (çocuklar dahil) tarafından kullanılmak üzere üretilmemiştir. Bu tür kişiler aleti ancak güvenliklerinden sorumlu bir kişi tarafından cihazın kullanımıyla ilgili talimatların verilmesi veya sürekli kontrol altında tutulması durumunda kullanılabilir. Çocuklar, aletle

oyunmalarını önlemek amacıyla kontrol altında tutulmalıdır.

- ◆ Kullanım amacı bu kullanım kılavuzunda açıklanmıştır. Herhangi bir aksesuarın veya bağlantının ya da işlemin, bu kılavuzda tavsiye edilen şekilden başka bir şekilde kullanılması şahısların yaralanmalarına ve/veya mal kaybına yol açabilir.



Uyarı! Darbeli tornavidalar, somun sıkma makineleri ile karıştırılmamalıdır. Bu aleti bağlantı elemanlarını belirli bir tork kuvveti ile sıkılmak için kullanmayın. Gereğinden az veya fazla sıkılmış bağlantı elemanlarının bağlantı hatasına yol açabileceği durumlarda, tork anahtarı gibi bağımsız ve kalibre edilmiş bir tork ölçme cihazının kullanılması gerekir.

DİĞER KİŞİLERİN GÜVENLİĞİ

- ◆ Bu alet fiziksel ve zihinsel kapasitesinin yanı sıra algılama gücü azalmış olan veya yeterince deneyim ve bilgisi bulunmayan kişiler (çocuklar dahil) tarafından kullanılmak üzere üretilmemiştir. Bu tür kişiler aleti ancak güvenliklerinden sorumlu bir kişi tarafından aletin kullanımıyla ilgili talimatların verilmesi veya sürekli kontrol altında tutulması durumunda kullanabilir.
- ◆ Çocuklar, aletle oynamalarını önlemek amacıyla kontrol altında tutulmalıdır.

DİĞER TEHLİKELER

Aletin kullanımıyla ilgili ekte sunulan güvenlik uyarılarına dahil olmayan ilave kalıcı riskler ortaya çıkabilir. Bu riskler, hatalı, uzun süreli kullanım vb. dolayısıyla ortaya çıkabilir.

Emniyet tedbirlerini düzenleyen yönetmeliğin uygulanmasına ve emniyet sağlayıcı aygıtların kullanılmasına rağmen, başka belirli risklerden kaçınılamaz. Bunlar:

- ◆ Aletin dönen ve hareket eden parçalarına dokunma sonucu ortaya çıkan yaralanmalar.
- ◆ Herhangi bir parçayı, bıçak veya aksesuarı değiştirirken ortaya çıkan yaralanmalar.
- ◆ Aletin uzun süreli kullanılması sonucu ortaya çıkan yaralanmalar. Herhangi bir aleti uzun sürelerle kullanacaksanız düzenli olarak çalışmanıza ara verin.
- ◆ Duyma bozukluğu.
- ◆ Aleti kullanırken ortaya çıkan tozun solunması sonucu ortaya çıkan sağlık sorunları (örnek: aşıpıda çalışırken, özellikle meşe, akgürgen ve MDF).

TİTREŞİM

Teknik veriler ve uygunluk beyanati içerisinde belirtilen titreşim emisyon değerleri EN60745 tarafından belirlenen standart bir test yöntemine uygun olarak ölçülmektedir ve diğer bir aletle karşılaştırma yaparken kullanılabilir. Beyan edilen titreşim emisyon değeri aynı zamanda maruz kalmanın önceden değerlendirilmesinde de kullanılabilir.

Uyarı! Elektrikli aletin mevcut kullanımı sırasındaki titreşim emisyon değeri, aletin kullanım yöntemine bağlı olarak, beyan edilen değere göre farklılık sergileyebilir. Titreşim düzeyi belirlenen seviyenin üzerinde artış gösterebilir.

İşyerinde düzenli olarak elektrikli alet kullanan çalışanları korumak amacıyla 2002/44/EC tarafından getirilen elektrik güvenliği önlemlerini belirlemek üzere titreşime maruz kalmayı değerlendirirken, çalışma döngüsü içerisinde örneğin aletin kapalı olduğu ve aktif durumda olmasının yanı sıra boşta çalıştığı zamanlar gibi, bütün zaman dilimleri dahil olmak üzere mevcut kullanım durumu ve aletin kullanım şekli göz önünde bulundurularak değerlendirilmelidir.

ALET ÜZERİNDEKİ ETİKETLER

Alet üzerinde, aşağıdaki uyarı sembolleri bulunmaktadır:



Uyarı! Yaralanma riskini en aza indirmek için kullanıcı kullanım talimatlarını mutlaka okumalıdır.

ŞARJ CİHAZLARI VE AKÜLER İÇİN EK GÜVENLİK TALİMATLARI

AKÜLER

- ◆ Kesinlikle, hiçbir nedenle açmaya çalışmayın.
- ◆ Aküyü suya batırmayın.
- ◆ Sıcaklığın 40 °C'yi aşabileceği yerlerde saklamayın.
- ◆ Sadece 10 °C ila 40 °C arasındaki ortam sıcaklıklarında şarj edin.
- ◆ Sadece aletle birlikte verilen şarj cihazını kullanarak şarj edin.
- ◆ Aküleri atarken, «Çevrenin korunması» başlıklı bölümdeki talimatlara uyun.



Hasarlı aküleri şarj etmeyi çalışmayın.

Şarj cihazları

- ◆ BLACK+DECKER şarj cihazınızı, yalnızca aletle birlikte verilen aküyü şarj etmek için kullanın. Diğer aküler patlayarak yaralanmanıza veya hasar meydana gelmesine yol açabilir.
- ◆ Şarj edilme özelliği olmayan aküleri kesinlikle şarj etmeye çalışmayın.
- ◆ Hasarlı kabloların hemen değiştirilmesini sağlayın.
- ◆ Şarj cihazını suya batırmayın.
- ◆ Şarj cihazını açmayın.
- ◆ Şarj cihazını delmeyin.



Şarj cihazı, yalnızca kapalı alanda kullanım içindir.



Aletle çalışmaya başlamadan önce bu kılavuzu okuyun.

Elektrik güvenliği



Şarj cihazınız çift yalıtımlıdır; Bu yüzden hiçbir topraklama kablosuna gerek yoktur. Her zaman şebeke geriliminin aletin üretim etiketinde belirlenmiş değerlere uyup uymadığını kontrol edin. Şarj cihazını kesinlikle normal bir elektrik fişi ile değiştirmeye kalkışmayın.

- ◆ Elektrik kablosu hasarlı ise, bir tehlike oluşmasını önlemek için üretici ya da yetkili BLACK+DECKER Servis Merkezi tarafından değiştirilmelidir.

ÖZELLİKLER

Bu alet, aşağıdaki özelliklerin bir kısmını veya tümünü içermektedir.

1. Açma/kapama tetiği
2. İleri/geri sürgüsü
3. Uç tutucu
4. Tutma kolunun ayarlama düğmesi
5. Tutma kolu
6. Şarj cihazı Mikro USB bağlantısı
7. LED aydınlatma
8. Akü şarj göstergesi
9. Manyetik uç yuvası

Montaj

Tornavida ucunun veya lokma ucunun takılması ve çıkartılması (Şekil A)

Uyarı! Açma/kapama tetiğinin çalışmasını önlemek için aksesuarları takip çıkarmadan önce, aletin kilitli konumunda olduğundan emin olun.

- ◆ Tornavida ucunu (9) takmak için uç tutucuna (6), sonuna kadar itin.
- ◆ Tornavida ucunu çıkartmak için uç tutucudan, ucu düz çekerek çıkartın.

Kullanımı

Uyarı! Aletin kendi hızında çalışmasına izin verin. Aşırı yüklenmeyin.

Akünün şarj edilmesi (Şekil B)

Akünün, ilk kullanımdan önce ve daha önce kolayca yapılan işler için yeterli güç üretmediği hallerde şarj edilmesi gereklidir. Akü, şarj sırasında ısınabilir; bu normal bir durumdur ve bir sorun olduğuna işaret etmez.

Uyarı! CS3653LC şarj etmek için sadece aletle verilen şarj cihazını kullanın.

- ◆ Aküyü şarj etmek için, şarj cihazı fişini (10) girişe (6) sokun.
 - ◆ Şarj cihazını prize takın.
 - ◆ Akü şarj göstergesi (Şekil B), aletin akü şarj seviyesini gösterecektir.
 - ◆ Aleti 3 saat süreyle şarj cihazına bağlı bırakın. Şarj sırasında şarj cihazı ısınabilir ve hafif bir ses çıkartabilir; bu normal bir durumdur ve bir sorun olduğuna işaret etmez.
- Uyarı!** Ortam sıcaklığı 10 °C'den düşük veya 40 °C'den yüksekse aküyü şarj etmeyin. Tavsiye edilen şarj sıcaklığı: yaklaşık 24 °C.

Akü şarj göstergesi (Şekil B)

Bu alet akü şarj göstergesiyle donatılmıştır. Bu gösterge, kullanım sırasında ve şarj sırasında akü şarj seviyesini görüntülemek için kullanılabilir.

Şarj sırasında

- ◆ Akü şarj göstergesi şarj sırasında akü şarj seviyesini otomatik olarak gösterecektir.

Kullanım sırasında

Not: Şarj durumunu tornavida kullanılırken veya yük altında iken kontrol etmeyin. Bu hatalı sonuçlar verebilir. Doğru sonuçları almak için şarj durumunu alet çalışmadığı zaman kontrol edin.

- ◆ İleri/geri sürgüsünü ileri konumuna ayarlayın. İleri/geri sürgüsü geri veya kilitle konumundayken akü şarj göstergesi çalışmayacaktır.
- ◆ Açma/kapama tetiğine (1) basın. Akü şarj göstergesinin (8) LED'i aletin akü şarj seviyesini gösterecektir.

LED sayısı	Şarj seviyesi
Üç	Tam şarj seviyesi
İki	Normal şarj seviyesi
Bir	Düşük şarj seviyesi
Sıfır	Akü boşalmış, hemen şarj edin

Tutma kolunun ayarlaması (Şekil C ve D)

Tutma kolu, çok yönlü kullanım için iki farklı konumunda ayarlanabilir.

- ◆ Tutma kolunun ayarlama düğmesine (4) basın.
- ◆ Tutma kolunu istediğiniz konuma getirin.
- ◆ Düğmeği bırakın.

Dönme yönünün seçilmesi (Şekil E)

Kılavuz delik açma ve vida sıkma uygulamaları için ileri (saat yönünde) dönmeyi kullanın. Vidaları gevşetmek veya sıkışmış bir matkap ucunu çıkartmak için geri (saatin ters yönünde) dönmeyi kullanın.

- ◆ İleri dönmeyi seçmek için ileri/geri sürgüsünü (2) sola itin.
- ◆ Geri dönmeyi seçmek için ileri/geri sürgüsünü sağa itin.
- ◆ Aleti kilitlemek için ileri/geri sürgüsünü orta konuma getirin.

Açılması ve kapatılması (Şekil F)

Vida sıkma uygulamaları için ileri (saat yönünde) dönmeyi kullanın. Vidaları gevşetmek için geri (saatin ters yönünde) dönmeyi kullanın.

- ◆ Aleti çalıştırmak için, açma/kapama tetiğine (1) basın ve tutun.
- ◆ Aleti kapatmak için açma/kapama tetiğini bırakın (1).

LED aydınlatma

Tetiğe basıldığında LED aydınlatma (7) otomatik olarak yanar. Tetik kısmen basıldığında ve alet çalışmaya başlamadan önce LED aydınlatma yanacaktır.

Bakım

BLACK+DECKER aletiniz minimum bakımla uzun bir süre çalışacak şekilde tasarlanmıştır. Kesintisiz olarak memnuniyet verici bir şekilde çalışması gerekli özenin gösterilmesine ve düzenli temizliğe bağlıdır.

Şarj cihazınız, düzenli temizlik dışında herhangi bir bakım gerektirmemektedir.

Uyarı! Herhangi bir bakım çalışmasını başlamadan önce aküyü aletten çıkartınız. Şarj cihazını temizlemeden önce fişten çekin.

- ◆ Aletinizdeki ve şarj cihazındaki havalandırma deliklerini yumuşak bir fırça veya kuru bir bezle düzenli olarak temizleyin.
- ◆ Motor muhafazasını düzenli olarak nemli bir bezle silin. Aşındırıcı veya çözücü bazı temizleyiciler kullanmayın.
- ◆ Uç tutucuyu düzenli olarak tamamen açın ve içindeki tozu dökmek için hafifçe vurun.

Çevrenin korunması



Ayrı olarak atın. Bu ürün, normal evsel atıklarla birlikte atılmamalıdır.

BLACK+DECKER ürününüzün değiştirilmesi gerektiğini düşünmeniz veya artık kullanılamaz durumda olması halinde onu, evsel atıklarla birlikte atmayın. Bu ürünü, ayrı olarak toplanacak şekilde atın.



Kullanılmış ürünlerin ve ambalajların ayrı olarak toplanması bu maddelerin geri dönüşüme sokularak yeniden kullanılmasına olanak tanır. Geri dönüşümlü maddelerin tekrar kullanılması çevre kirliliğinin önlenmesine yardımcı olur ve ham madde ihtiyacını azaltır.

Yerel yönetmelikler, elektrikli ürünlerin evlerden toplanıp belediye atık tesislerine aktarılması veya yeni bir ürün satın alırken perakende satıcı tarafından toplanması yönünde hükümler içerebilir.

BLACK+DECKER, hizmet ömrünün sonuna ulaşan BLACK+DECKER ürünlerinin toplanması ve geri dönüşme sokulması için bir imkan sunmaktadır. Bu hizmetin avantajlarından faydalanmak için, lütfen, ürününüzü bizim adıma teslim alacak herhangi bir yetkili servise iade edin.

Bu kılavuzda belirtilen listeden size en yakın BLACK+DECKER yetkili tamir servisinin yerini öğrenebilirsiniz. Ya da, alternatif olarak internet'ten BLACK+DECKER yetkili tamir servislerinin listesini ve satış sonrası hizmetlerimizle ilgili tüm bilgiler ve temas bilgilerine aşağıdaki siteden ulaşabilirsiniz. www.2helpU.com

Aküler



Aletin içinde bakımı kullanıcı tarafından yapılabilecek herhangi bir parça yoktur.

Ürünlerinizin hizmet ömürlerinin sonunda aküyü geri dönüşüme sokmak için bütün aleti yetkili servise veya yerel toplama merkezine teslim edin. Bu ürün, evsel atıklarla birlikte atılmamalıdır.

Teknik özellikleri

CS3653LC (H1)		
Voltaj	VDC	3,6
Yüksüz hızı	dev/dak.	190
Maks. tork	Nm	6
Akü tipi	Li-Ion	
Akü kapasitesi	Ah	1,5
Ağırlık	kg	0,37

Şarj cihazı 906099**** H1		
Giriş voltajı	VAC	100-240
Çıkış voltajı	VDC	5
Çıkış akımı	mA	600
Yaklaşık şarj süresi	saat	2,5-3

EN 60745'e göre ses basıncı düzeyi:		
Ses basıncı (LpA)	60,0 dB(A), belirsizlik (K) 3 dB(A)	
Akustik güç (LwA)	71,0 dB(A), belirsizlik (K) 3 dB(A)	

EN 60745'e göre tespit edilen toplam titreşim değerleri (üç yönün vektör toplamı):		
Darbesiz vidalama (ah, IS)	0,9 m/s ² , belirsizlik (K) 1,5 m/s ²	

AT Uygunluk Beyanati
MAKİNE DİREKTİFİ

CS3653LC

Black & Decker, «teknik özellikleri» bölümünde açıklanan bu ürünlerin aşağıda belirtilen yönergelere uygun olduğunu beyan eder: 2006/42/EC, EN 60745-1, EN 60745-2-2

Bu ürünler ayrıca 2014/30/EU ve 2011/65/EU Direktiflerine de uygundur. Daha fazla bilgi için, lütfen aşağıdaki adresten Black & Decker ile irtibata geçin veya kılavuzun arkasına bakın.

Bu belge altında imzası bulunan yetkili, teknik dosyanın derlenmesinden sorumludur ve bu beyanı Black & Decker adına vermiştir.

R. Laverick
Mühendislik Bölümü Müdürü
Black & Decker Europe, 210 Bath Road, Slough,
Berkshire, SL1 3YD
İngiltere
03/12/2014

Garanti

Black & Decker, ürünün kalitesinden emindir ve bu yüzden kanunlarda belirtilen taleplerin üstünde bir garanti verir. Ayrıca bu garanti hiçbir şekilde garanti ile ilgili kanuni haklarınızı ihlal etmez ve haklarınızı hiç bir şekilde kısıtlamaz. İşbu garanti Avrupa Birliği'ne üye ülkeler ile Avrupa Serbest Ticaret Bölgesi sınırları dahilinde geçerlidir.

Eğer bir Black & Decker ürünü, satın alma tarihinden itibaren 24 ay içinde hatalı malzeme, işçilik ya da uygunsuzluk nedeniyle bozulursa, müşteriye mümkün olabilecek en az sorunu yaşatarak Black & Decker hatalı kısımları değiştirmeyi, adil bir şekilde aşınmış ve yıpranmış ürünleri tamir etmeyi veya değiştirmeyi garanti eder. Ancak bu belirtilenler şu durumlar dışında geçerlidir:

Ürün ticari veya profesyonel amaçlarla kullanılmışsa veya kiraya verilmişse;
Ürün yanlış veya amaç dışı kullanılmışsa;
Ürün yabancı nesnelere, maddelere veya kaza sırasında zarar görmüşse;
Yetkili tamir servisleri veya Black & Decker servis ekibinden başkası tarafından tamir edilmeye çalışılmışsa.

Garanti talebinde bulunmak için, satıcıya veya yetkili tamir servisine satın aldığınıza dair ispat sunmalısınız. Fatura ve garanti kartı gerekmektedir. Bu kılavuzda belirtilen listeden size en yakın yetkili tamir servisinin yerini öğrenebilirsiniz. Ya da, alternatif olarak internet'ten Black & Decker yetkili tamir servislerinin listesini ve satış sonrası hizmetlerimizle ilgili tüm bilgiler ve temas bilgilerine aşağıdaki siteden ulaşabilirsiniz.
www.2helpU.com

Sanayi ve Ticaret Bakanlığı tebliğince kullanım ömrü 7 yıldır.

Türkiye Distribütörü

KALE HIRDAVAT VE MAKİNA A.Ş.
Defterdar Mah. Savaklar Cad. No. 15 34050
Edirnekapı Eyüp İstanbul
Tel: (0212) 533 52 55 (Pbx)
Faks: (0212) 533 10 05
E-posta: info@kalemakina.com

BLACK & DECKER JÓTÁLLÁSI JEGY ÉS JÓTÁLLÁSI FELTÉTELEK

Gratulálunk Önnek ennek az értékes Black & Decker készülék megvásárlásához.

Azon termékeinkre, amelyet fogyasztói szerződés keretében háztartási, hobby célra vásárolnak **24 hónap jótállást vállalunk.**

A termék iparszerű használatra nem alkalmas!

A jótállás a fogyasztó jogszabályból eredő jogait nem érinti.

- 1) A Stanley Black & Decker Hungary Kft. a jótállás, kellek- és termékszavatosság keretében végzett javításokat vagy a termék kicserélését 19/2014. (IV.29.) NGM rendelet és a 151/2003. (IX.22.) Kormányrendelet szerint végzi a jótállási idő, illetve a kellek- és termékszavatossági jogok érvényesíthetőségének teljes időtartama alatt.
 - a) A fogyasztó jótállási igényét a jótállási jeggyel érvényesítheti, ezért kérjük azt őrizze meg.
 - b) Vásárláskor a forgalmazónak (kereskedőnek) a jótállási jegyben fel kell tüntetnie a fogyasztási cikk azonosításra alkalmas megnevezését, típusát, gyártási számát, továbbá – amennyiben van ilyen – azonosításra alkalmas részeinek meghatározását, illetve a fogyasztó részére történő átadásának időpontját. A jótállási jegyet a forgalmazó (kereskedő) nevében eljáró személynek alá kell írnia és a kereskedés azonosítására alkalmas tartalmú (minimum cégnév, üzlet címe) bélyegzővel olvashatóan le kell bélyegezni. Kérjük, kísérje figyelemmel a jótállási jegy megfelelő érvényesítését, mivel a kijelölt szervizeknél a jótállási igény csak érvényes jótállási jeggyel érvényesíthető. Amennyiben a jótállási jegy szabálytalanul került kiállításra, jótállási igényével kérjük forduljon a terméket az Ön részére értékesítő partnerünkhöz (kereskedőhöz). A jótállási jegy szabálytalan kiállítása vagy a fogyasztó rendelkezésére bocsátás elmaradása nem érinti a jótállási érvényességét. Kérjük, hogy a jótállási jegyben kívül a nyugtát vagy számlát is szíveskedjen megőrizni a gyorsabb és hatékonyabb ügyintézés érdekében, mert a szerződés megkötése az ellenérték megfizetését igazoló bizonylattal is bizonyítható.
 - c) Elvesztett jótállási jegyet csak a fogyasztói szerződés létrejöttét igazoló nyugta vagy számla ellenében tudunk pótolni!
- 2) **Nem terjed ki a jótállás:**
 - a) amennyiben a hiba oka rendeltetésellenes, illetve a mellékelt magyar nyelvű használati kezelési útmutatóban foglaltaktól eltérő használat, átalakítás, szakszerűtlen kezelés, helytelen tárolás, elemi kár vagy egyéb a vásárlás után a fogyasztó érdekkörében keletkezett ok miatt következik be;
 - b) amennyiben a terméket iparszerű (professzionális) célokra használták, kolcsonzési szolgáltatás nyújtásához használták fel (nem fogyasztói szerződés);
 - c) azon alkatrészekre, amelyek esetében a meghibásodás a jótállási időn belüli rendeltetészerű használat mellett az alkatrészek természetes elhasználódása, kopása miatt következett be (így különösen: fűrészlánc, fűrészlap, gyalkés, meghatószij, csapágák, szénfeka, csillagkerék); a készülék túlterhelése miatt jelentkező hibákra, amelyek a hajtómű meghibásodásához, vagy egyéb ebből adódó károkhöz vezetnek;
 - e) a termék nem hivatalos szervizben történt javításából eredő hibákra;
 - f) az olyan károsodásokra, amelyek nem eredeti Black & Decker kiegészítő készülékek és tartozékok használatából adódnak amennyiben a szakszervíz bizonyítja, hogy a hiba a fenti okok valamelyikére vezethető vissza.
- 3) A fogyasztó a kijavítás vagy csere iránti igényét a jótállási időn belül a kereskedőnél, illetve kijavítás iránti igényét a jótállási jegyben feltüntetett javítószolgálatnál is érvényesítheti.

Termékszavatossági igényét kérjük a jótállási jegyben feltüntetett gyártónak vagy forgalmazónak szíveskedjen bejelenteni.

- a) Nem számít bele a jótállási időbe a kijavítási időnek az a része, amely alatt a fogyasztó a terméket nem tudta rendeltetészerűen használni.
 - b) A terméknek a kicseréléssel vagy kijavítással érintett részére a jótállási idő újból kezdődik.
 - c) Ha a fogyasztási cikk a vásárlástól (üzembe helyezéstől) számított három munkanapon belül meghibásodik, a fogyasztó ezen időtartamon belül kérheti annak kicserélését feltéve, hogy a meghibásodás a rendeltetészerű használat akadályozza. A hiba fennállásának, vagy a rendeltetészerű használatot akadályozó mérték megállapításához a kereskedő kérheti a szakszervíz közreműködését.
 - d) Amennyiben a jótállási igény bejelentését követően a kereskedő az igény teljesíthetőségéről azonnal nem tud nyilatkozni, úgy öt munkanapon belül kell értesítenie a fogyasztót az álláspontjáról.
 - e) Ha a kijavítás vagy a csere nem lehetséges, a fogyasztó választása szerint műszakilag és értékében hasonló készülék kerül felajánlásra, vagy a vételár arányos leszállítására kerül sor, avagy visszafizetésre kerül a vételár.
 - f) A termék hibája miatt a fogyasztó a forgalmazótól is követelheti a hiba kijavítását vagy a termék kicserélését a forgalomba hozataltól számított két év elteltéig (termékszavatosság).
- 4) A jótállás alapján történő javítás során a forgalmazónak, illetve a javítószolgálatnak (kereskedőnek) törekednie kell arra, hogy a kijavítást legfeljebb 15 napon belül megfelelő minőségben elvégezze, elvégeztesse.

A jótállás keretében tartozó kijavítás vagy csere esetén a forgalmazó, illetve a javítószolgálat a jótállási jegyben köteles feltüntetni:

- a kijavítás iránti igény bejelentésének és a kijavításra történő átvétel időpontját,
- a hiba okát és a kijavítás módját;
- a termékfogyasztó részére történő visszaadásának időpontját,
- a kicserélés tényét és időpontját.

A termék meghibásodása esetén a fogyasztót az alábbi jogok illetik meg:

Elsősorban - választása szerint - kijavítást vagy kicserélést követelhet. A csereigény akkor megalapozott, ha a termék a fogyasztónak okozott jelentős kényelmetlenség nélkül, megfelelő minőségben és ésszerű határidőn belül, értéksökkenés nélkül nem javítható ki, vagy nem kerül kijavításra.

Ha az előírt módon történő kijavításra, illetve kicserélésre vonatkozó kötelezettségének a forgalmazó nem tud eleget tenni, a fogyasztó – választása szerint – a vételár arányos leszállítást igényelheti, a hibát a forgalmazó költségére maga kijavíthatja, vagy elállhat a szerződéstől (a hibás áru visszaszolgáltatásával egyidejűleg kérheti a nyugtán vagy számlán feltüntetett bruttó vételár visszatérítését). Jelentéktelen hiba miatt elállásnak nincs helye! Kérjük, hogy a hiba felfedezését követő legrövidebb időn belül szíveskedjen azt a szervizben vagy a forgalmazónál bejelenteni. A kijavítást vagy kicserélést - a dolog tulajdonságaira és a fogyasztó által elvárható rendeltetésére figyelemmel - megfelelő határidőn belül, a fogyasztó érdekeit kímélve kell elvégezni.

Gyártó:	Forgalmazó:
Black & Decker Europe,	Stanley Black & Decker Hungary Kft
210 Bath Road, Slough,	1016. Budapest,
Berkshire, SL13YD,	Mészáros u. 58/B
Egyesült Királyság	

Fogyasztói jogvita esetén a fogyasztó a megyei (fővárosi) kereskedelmi és iparkamarák mellett működő békéltető testület eljárását is kezdeményezheti!

Kereskedő által a vásárlással egyidejűleg kitöltendő

Kereskedő neve és címe:

 A fogyasztási cikk megnevezése:.....
 Típusa:.....
 Gyártási száma:.....
 Szerződéskötés és a termék fogyasztó részére történő átadásának dátuma:..... P.H.
 aláírás

Kereskedő által kitöltendő kicserélés esetén

A fogyasztó a hibás terméket valamennyi tartozékával átadta.
 A kicserélés időpontja:..... P.H.
 aláírás
 A hibátlan terméket átvettem.
 A kicserélt új termék átvételének időpontja:.....

fogyasztó aláírása

Kijavítás esetén a szerviz tölti ki:

1. javítás

A kijavítás iránti igény bejelentésének és a kijavításra átvétel időpontja:

 A bejelentett hiba oka és a kijavítás módja:

 A fogyasztó részére történő visszaadás időpontja:

 Amennyiben a termék nem javítható, a csereigény alapos:
 igen / nem (aláhúzással jelölendő)
 P.H.
 aláírás

3. javítás

A kijavítás iránti igény bejelentésének és a kijavításra átvétel időpontja:

 A bejelentett hiba oka és a kijavítás módja:

 A fogyasztó részére történő visszaadás időpontja:

 Amennyiben a termék nem javítható, a csereigény alapos:
 igen / nem (aláhúzással jelölendő)
 P.H.
 aláírás

2. javítás

A kijavítás iránti igény bejelentésének és a kijavításra átvétel időpontja:

 A bejelentett hiba oka és a kijavítás módja:

 A fogyasztó részére történő visszaadás időpontja:

 Amennyiben a termék nem javítható, a csereigény alapos:
 igen / nem (aláhúzással jelölendő)
 P.H.
 aláírás

4. javítás

A kijavítás iránti igény bejelentésének és a kijavításra átvétel időpontja:

 A bejelentett hiba oka és a kijavítás módja:

 A fogyasztó részére történő visszaadás időpontja:

 Amennyiben a termék nem javítható, a csereigény alapos:
 igen / nem (aláhúzással jelölendő)
 P.H.
 aláírás

Stanley Black & Decker Hungary Kft

Iroda 1016 Bp. Mészáros u 58/b. Tel. 214-05-61 Fax. 214-69-35

Központi Márkaszerviz

Elérhetőség ROTEL Kft. Márkaszerviz 1163 Bp. (Sashalom) Thököly út 17. Tel/fax 403-22-60, 404-00-14, 403-65-33 service@rotelkft.hu www.rotelkft.hu

Garancián túli javító ill. garanciális átvevőhelyek

Város	Szervizállomás	Cím	Telefon
Cegléd	Megatool Kft.	2700, Széchenyi út 4.	53/311-284
Debrecen	Spirál-szerviz kft	4025, Nyugati út 5-7.	52443-000
Hajdúböszörmény	Vill-For Szerviz Bt	4220, Balthazár u. 26.	52/561-135
Kaposvár	Kaposvári Kiszgépjavitó és Ért. BT	7400, Fő u.30.	82/318-574
Nagykanizsa	Vektor2000BT	8800, Király u 34.	93/310-937
Nyíregyháza	Charon Trade Kft	4400, Kállói út 85/b	42/460-154
Nyíregyháza	Tóth Kiszgépszerviz	4400, Vasgyár u.2/f	42/504-082
Pécs	Elektrió Kft.	7623, Szabadság u.28.	72/555-657
Szeged	Csavarker Plus Kft	6721, Brüsszeli krt.16.	62/542-870
Székesfehérvár	Kiszgép Center Bt.	8000, Széna tér 3.	22/340-026
Szolnok	Valido BT	5000 Dr Elek István u 5	20/4055711
Szombathely	Rotor Kft.	9700, Vasút u.29.	94/317-579
Tápiószecső	ÁCS.I Ker és Szolg Kft	2251, Pesti út 31-es főút	29/446-615

CZ ZÁRUČNÍ LIST

PL KARTA GWARANCYJNA

H JÓTÁLLÁSI JEGY

SK ZÁRUČNÝ LIST



CZ měsíců
H hónap

24

PL miesiące
SK mesiacov

CZ	Výrobní kód	Datum prodeje	Razítko prodejny Podpis
H	Gyári szám	A vásárlás napja	Pecset helye Aláírás
PL	Numer seryjny	Data sprzedaży	Stempel Podpis
SK	Číslo série	Dátum predaja	Pečiatka predajne Podpis

(CZ)

Adresy servisu
Band Servis
Klásterského 2
CZ-140 00 Praha 4
Tel.: 00420 244 403 247
Fax: 00420 241 770 167

Band Servis
K Pasekám 4440
CZ-76001 Zlín
Tel.: 00420 577 008 550,1
Fax: 00420 577 008 559
http://www.bandservis.cz

(H)

Black & Decker Központi
Garanciális-és Márkaszerviz
1163 Budapest
(Sashalom) Thököly út 17.
Tel.: 403-2260
Fax: 404-0014
www.rotelkft.hu

(PL)

Adres serwisu centralnego
ERPATECH
ul. Bakaliowa 26
05-080 Mościska
Tel.: 022-8620808
Fax: 022-8620809

(SK)

Adresa servisu
Band Servis
Paulínska ul. 22
SK-91701 Trnava
Tel.: 00421 335 511 063
Fax: 00421 335 512 624

(CZ) Dokumentace záruční opravy	(PL) Przebieg napraw gwarancyjnych
(H) A garanciális javítás dokumentálása	(SK) Záznamy o záručných opravách

CZ	Číslo	Datum příjmu	Datum zakázky	Číslo zakázky	Závada	Razítko Podpis
H	Sorszám	Bejelentés időpontja	Javítási időpont	Javítási munkalapszám	Hiba jelleg oka	Pecsét Aláírás
	Jótállás új határideje					
PL	Nr.	Data zgłoszenia	Data naprawy	Nr. zlecenia	Przebieg naprawy	Stempel Podpis
SK	Číslo dodávky	Dátum nahlásenia	Dátum opravy	Číslo objednávky	Popis poruchy	Pečiatka Podpis

130.com.ua

130.com.ua