



ТЕЛЕФОНЫ

0 (800) 800 130  
(050) 462 0 130  
(063) 462 0 130  
(067) 462 0 130

130  
COM.UA

Интернет-магазин  
автотоваров



SKYPE  
km-130

**АВТОМАГНИТОЛЫ** — Магнитолы • Медиа-ресиверы и станции • Штатные магнитолы • CD/DVD чейнджеры • FM-модуляторы/USB адаптеры • Flash память • Переходные рамки и разъемы • Антенны • Аксессуары | **АВТОЗВУК** — Акустика • Усилители • Сабвуферы • Процессоры • Кроссоверы • Наушники • Аксессуары | **БОРТОВЫЕ КОМПЬЮТЕРЫ** — Универсальные компьютеры • Модельные компьютеры • Аксессуары | **GPS НАВИГАТОРЫ** — Портативные GPS • Встраиваемые GPS • GPS модули • GPS трекеры • Антенны для GPS навигаторов • Аксессуары | **ВИДЕОУСТРОЙСТВА** — Видеорегистраторы • Телевизоры и мониторы • Автомобильные ТВ тюнеры • Камеры • Видеомодули • Транскодеры • Автомобильные ТВ антенны • Аксессуары | **ОХРАННЫЕ СИСТЕМЫ** — Автосигнализации • Мотосигнализации • Механические блокираторы • Имобилайзеры • Датчики • Аксессуары | **ОПТИКА И СВЕТ** — Ксенон • Биксенон • Лампы • Светодиоды • Стробоскопы • Оптика и фары • Омыватели фар • Датчики света, дождя • Аксессуары | **ПАРКТРОНИКИ И ЗЕРКАЛА** — Задние парктроники • Передние парктроники • Комбинированные парктроники • Зеркала заднего вида • Аксессуары | **ПОДОГРЕВ И ОХЛАЖДЕНИЕ** — Подогревы сидений • Подогревы зеркал • Подогревы дворников • Подогревы двигателей • Автохолодильники • Автокондиционеры • Аксессуары | **ТЮНИНГ** — Виброизоляция • Шумоизоляция • Тонировочная пленка • Аксессуары | **АВТОАКСЕССУАРЫ** — Радар-детекторы • Громкая связь Bluetooth • Стеклоподъемники • Компрессоры • Звуковые сигналы, СГУ • Измерительные приборы • Автопылесосы • Автокресла • Разное | **МОНТАЖНОЕ ОБОРУДОВАНИЕ** — Установочные комплекты • Обивочные материалы • Декоративные решетки • Фазоинверторы • Кабель и провод • Инструменты • Разное | **ПИТАНИЕ** — Аккумуляторы • Преобразователи • Пуско-зарядные устройства • Конденсаторы • Аксессуары | **МОРСКАЯ ЭЛЕКТРОНИКА И ЗВУК** — Морские магнитолы • Морская акустика • Морские сабвуферы • Морские усилители • Аксессуары | **АВТОХИМИЯ И КОСМЕТИКА** — Присадки • Жидкости омывателя • Средства по уходу • Полироли • Ароматизаторы • Клеи и герметики | **ЖИДКОСТИ И МАСЛА** — Моторные масла • Трансмиссионные масла • Тормозные жидкости • Антифризы • Технические смазки



В магазине «130» вы найдете и сможете купить в Киеве с доставкой по городу и Украине практически все для вашего автомобиля. Наши опытные консультанты предоставят вам исчерпывающую информацию и помогут подобрать именно то, что вы ищете. Ждем вас по адресу

<https://130.com.ua>

# ↗ DOMETIC

# MOBILE COOLING

# CFX 3

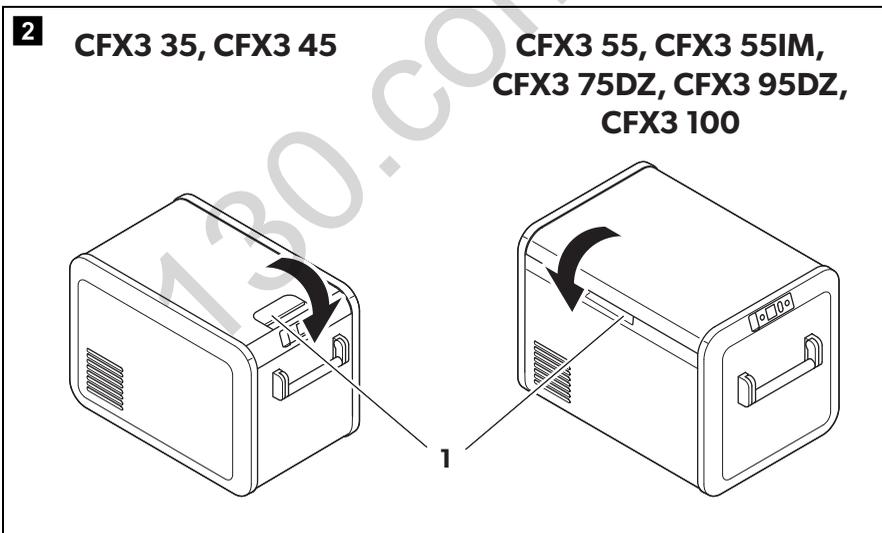
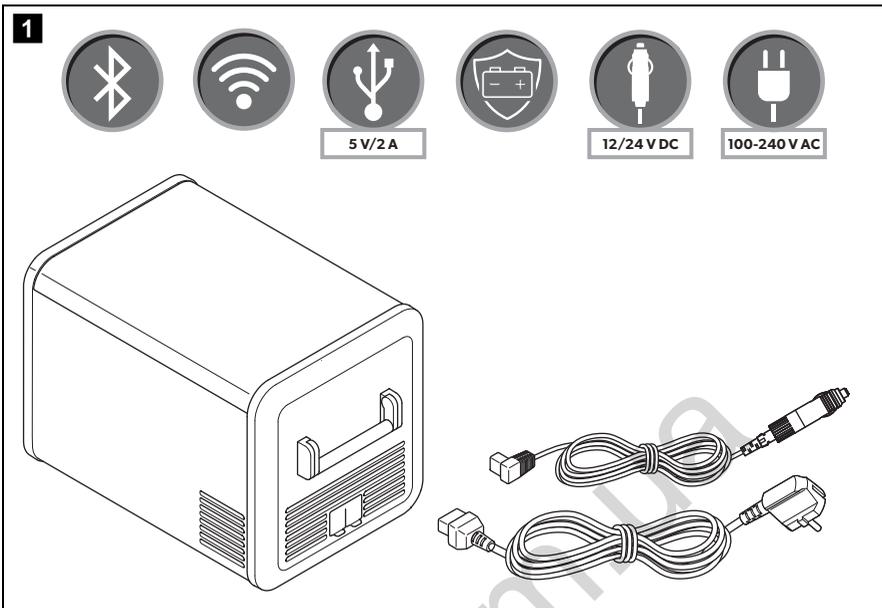


CFX 35, CFX 3 45, CFX 3 55, CFX 3 55IM, CFX 3 75DZ, CFX 3 95DZ, CFX 3 100

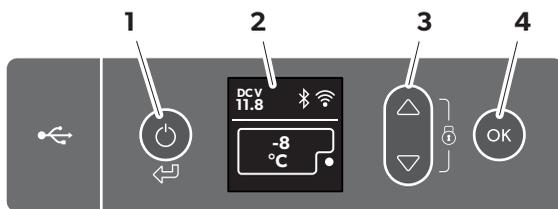
<b>EN</b>	<b>Compressor Cooler</b> Operating manual . . . . .	18	<b>NO</b>	<b>Kjøleboks med kompressor</b> Bruksanvisning . . . . .	243
<b>DE</b>	<b>Kompressor-Kühlbox</b> Bedienungsanleitung . . . . .	41	<b>FI</b>	<b>Kompressori-kylmälaatikko</b> Käyttöohje . . . . .	267
<b>FR</b>	<b>Glacière à compression</b> Notice d'utilisation . . . . .	66	<b>RU</b>	<b>Компрессорный холодильник</b> Инструкция по эксплуатации . . . . .	291
<b>ES</b>	<b>Nevera por compresor</b> Instrucciones de uso . . . . .	92	<b>PL</b>	<b>Przenośna lodówka kompresorowa</b> Instrukcja obsługi . . . . .	318
<b>PT</b>	<b>Geleira com compressor</b> Manual de instruções . . . . .	118	<b>SK</b>	<b>Chladiaci box s kompresorom</b> Návod na obsluhu . . . . .	344
<b>IT</b>	<b>Frigorifero a compressore</b> Istruzioni per l'uso . . . . .	144	<b>CS</b>	<b>Kompressorový chladičí box</b> Návod k obsluze . . . . .	369
<b>NL</b>	<b>Compressorkoelbox</b> Gebruiksaanwijzing . . . . .	170	<b>HU</b>	<b>Kompresszor hűtőláda</b> Használati utasítás . . . . .	393
<b>DA</b>	<b>Kompressor-køleboks</b> Betjeningsvejledning . . . . .	195			
<b>SV</b>	<b>Kylbox med kompressor</b> Bruksanvisning . . . . .	219			

130.com.ua

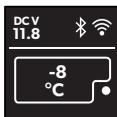
© 2020 Dometic Group. The visual appearance of the contents of this manual is protected by copyright and design law. The underlying technical design and the products contained herein may be protected by design, patent or be patent pending. The trademarks mentioned in this manual belong to Dometic Sweden AB. All rights are reserved.



3



CFX3 35, CFX3 45,  
CFX3 55, CFX3 100



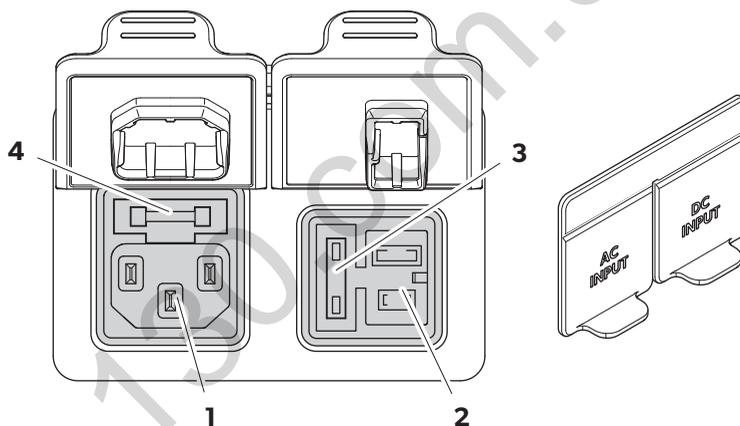
CFX3 55 IM

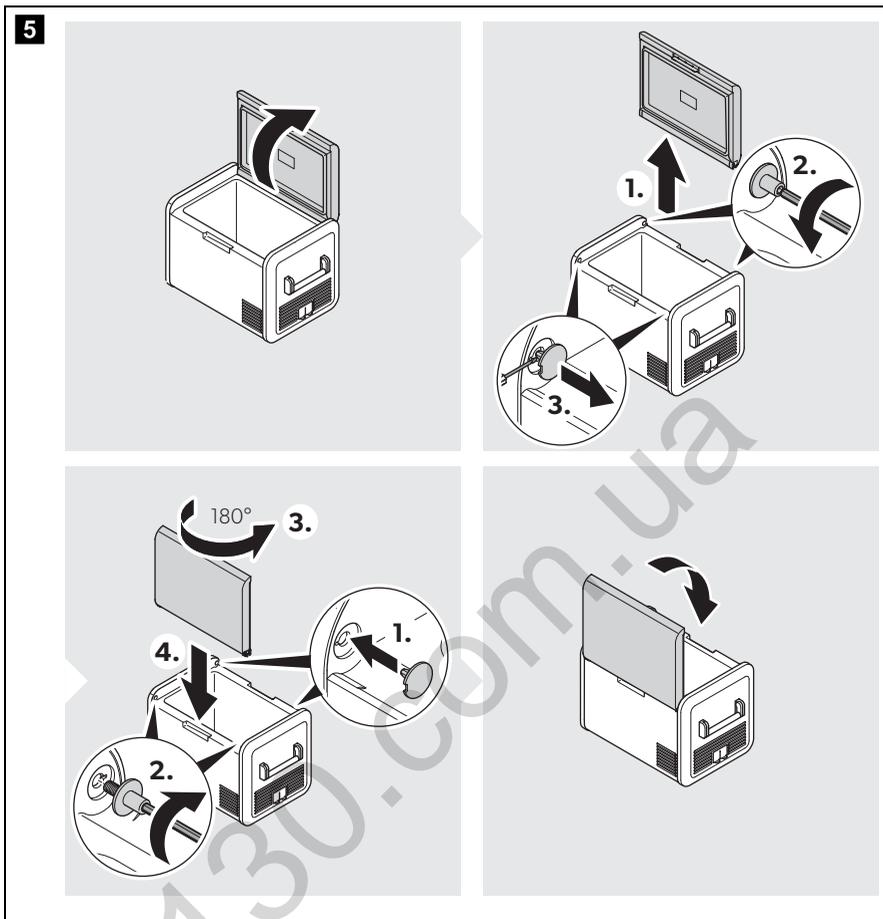


CFX3 75DZ, CFX3 95DZ

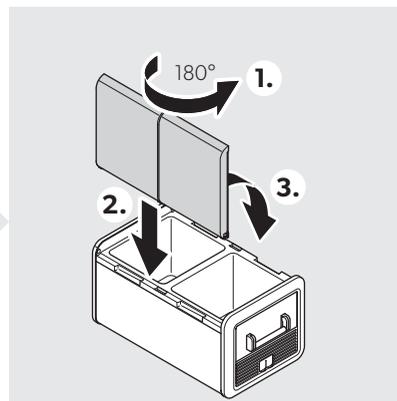
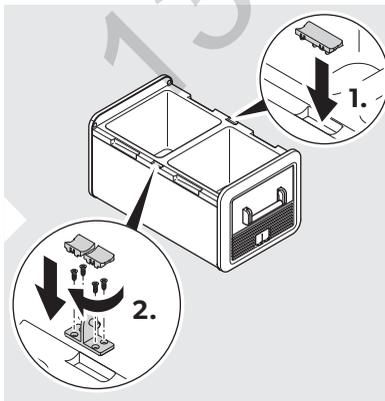
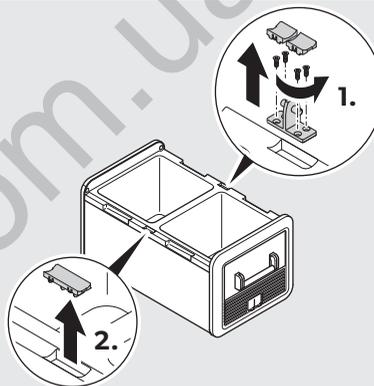
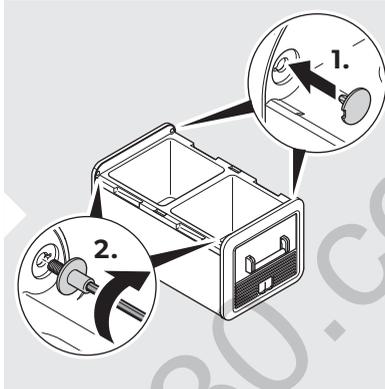
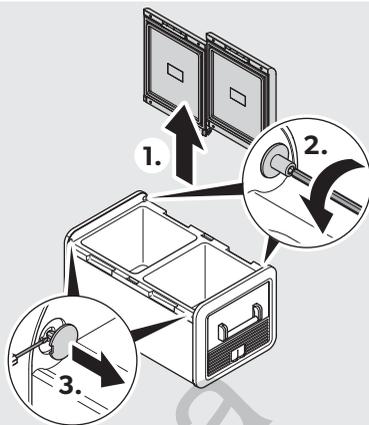
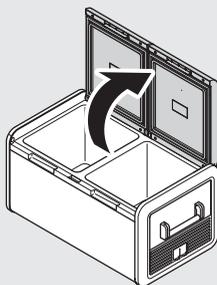


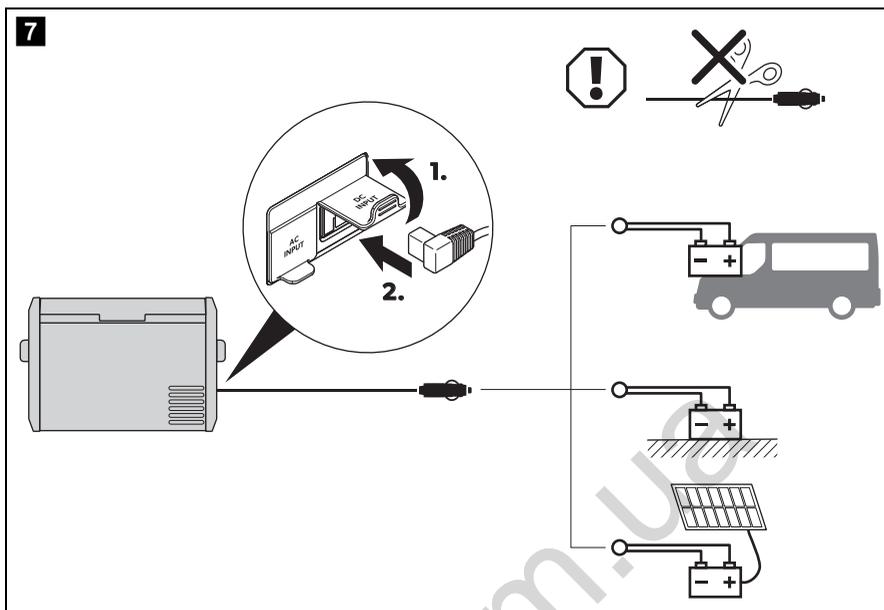
4



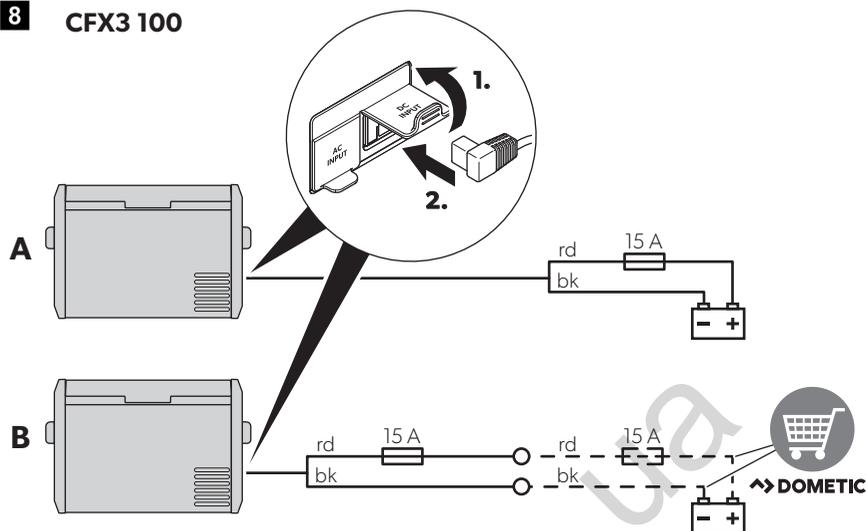


6



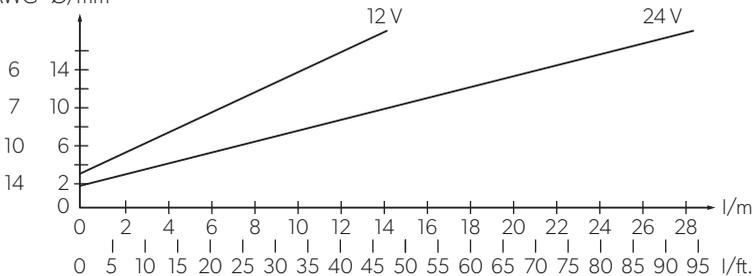


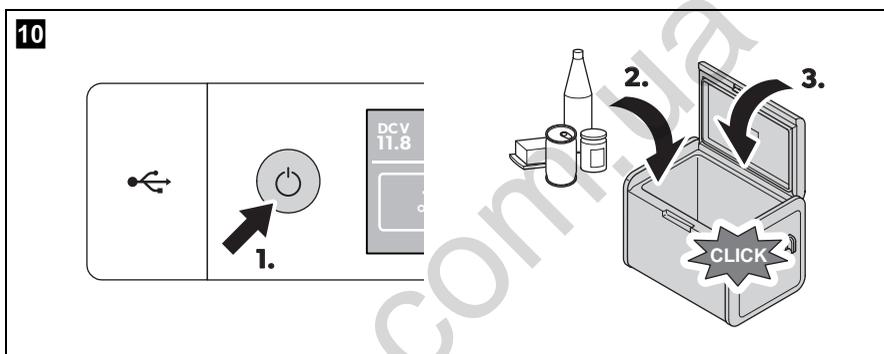
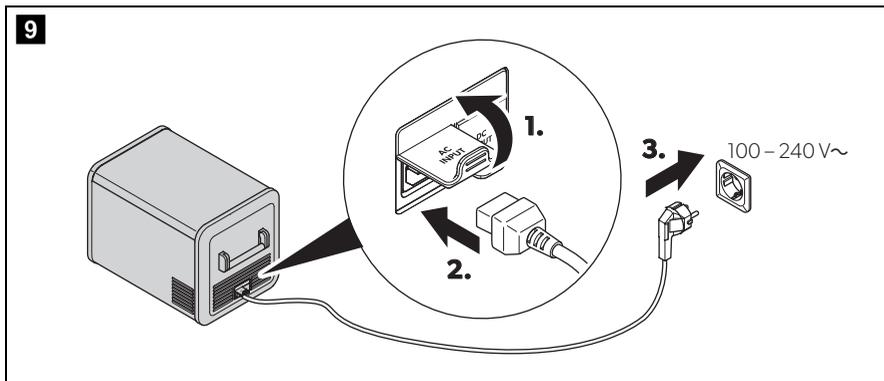
130.com.ua

**8 CFX3 100**


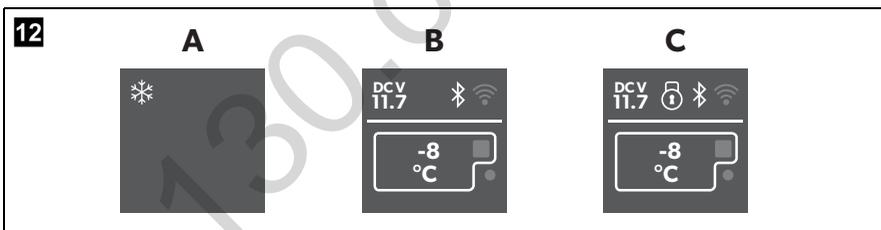
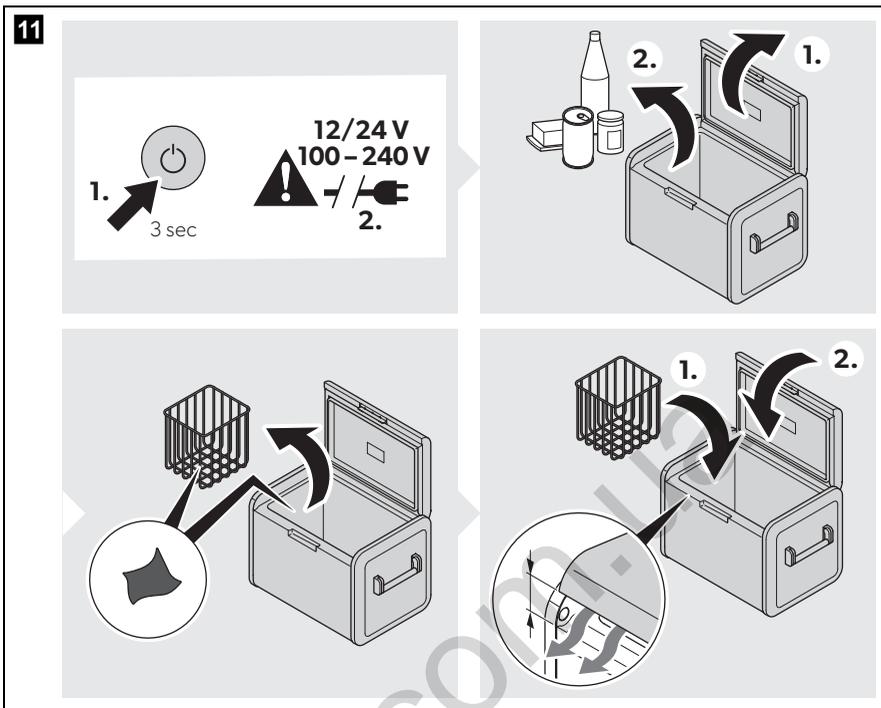
	EN	DE	FR	ES	PT	IT	NL	DA	SV
<b>bk</b>	Black	Schwarz	Noir	Negro	Preto	Nero	Zwart	Sort	Svart
<b>rd</b>	Red	Rot	Rouge	Rojo	Vermelho	Rosso	Rood	Rød	Röd

	NO	FI	RU	PL	SK	CS	HU
<b>bk</b>	Svart	Musta	Черный	Czarny	Čierna	Černá	Fekete
<b>rd</b>	Rød	Punainen	Красный	Czerwony	Červená	Červená	Piros


 AWG Ø/mm<sup>2</sup>




130.com.ua



13 CFX3 35/CFX3 45/ CFX3 55, CFX3 100	CFX3 55IM	CFX3 75DZ/ CFX3 95DZ
<ul style="list-style-type: none"> <li>Set temp</li> <li>Battery protection</li> <li>Bluetooth</li> <li>WiFi</li> </ul>	<ul style="list-style-type: none"> <li>Set temp</li> <li>Battery protection</li> <li>Bluetooth</li> <li>WiFi</li> </ul>	<ul style="list-style-type: none"> <li>Set temp</li> <li>Battery protection</li> <li>Bluetooth</li> <li>WiFi</li> </ul>
<ul style="list-style-type: none"> <li>Display</li> <li>Temp units</li> </ul>	<ul style="list-style-type: none"> <li>Display</li> <li>Temp units</li> <li>Ice maker</li> </ul>	<ul style="list-style-type: none"> <li>Display</li> <li>Temp units</li> <li>Zone control</li> </ul>

**14**

3 sec

**15**

Temp units

Celsius

Fahrenheit

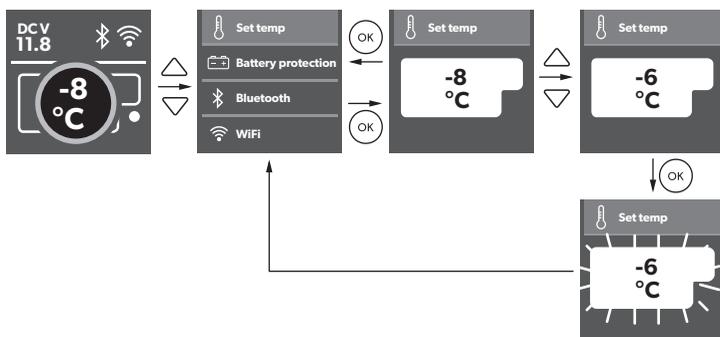
Temp units

Celsius

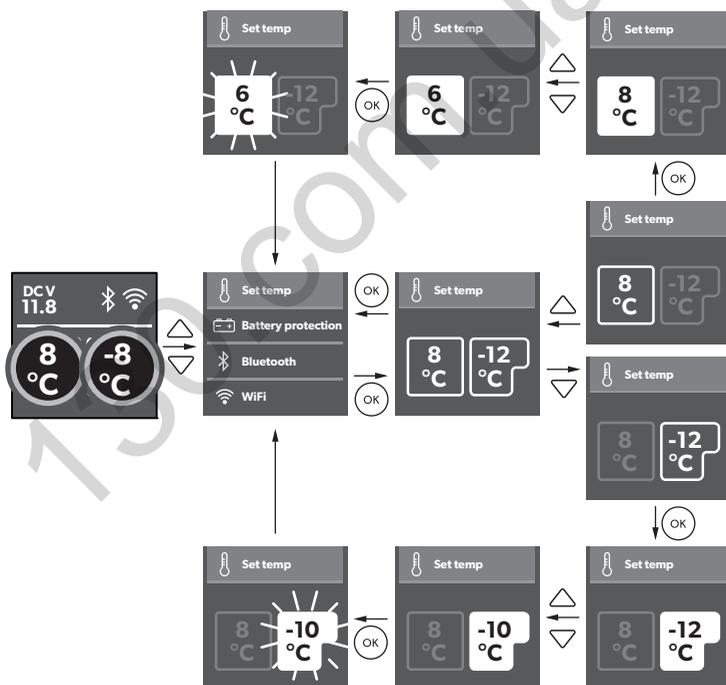
Fahrenheit

16

## CFX3 35/CFX3 45/CFX3 55/CFX3 55IM/CFX3 100



## CFX3 75DZ/CFX3 95DZ



**17**

**Low**

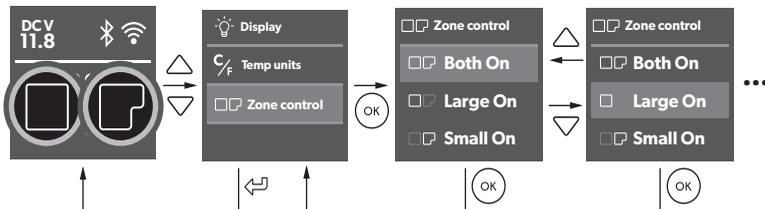
**Medium/High**

		Low	Medium	High
12V 	OFF	10.1V	11.2V	11.8V
	ON	11.4V	12.2V	12.6V
24V 	OFF	21.5V	24.1V	24.6V
	ON	23.0V	25.3V	26.2V

**18**

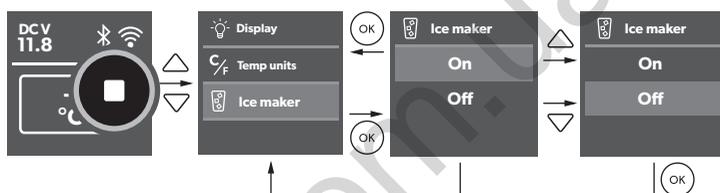
19

## CFX3 75DZ/CFX3 95DZ



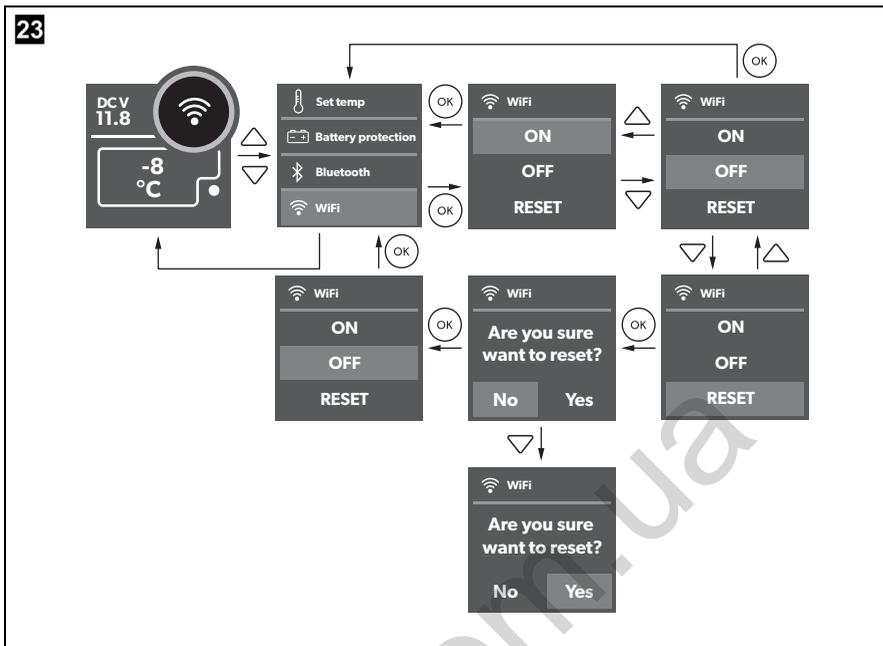
20

## CFX3 55 IM

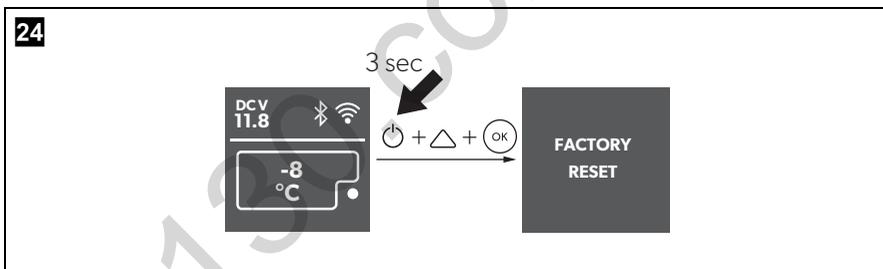




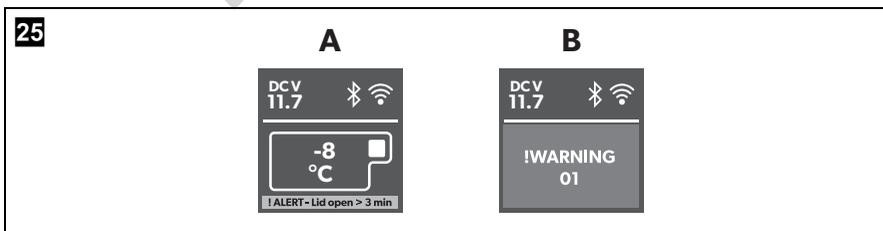
23

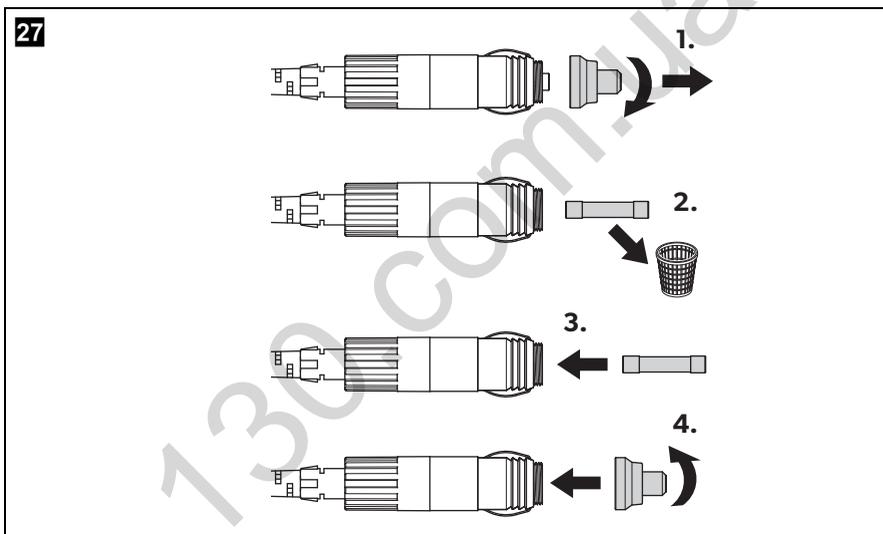
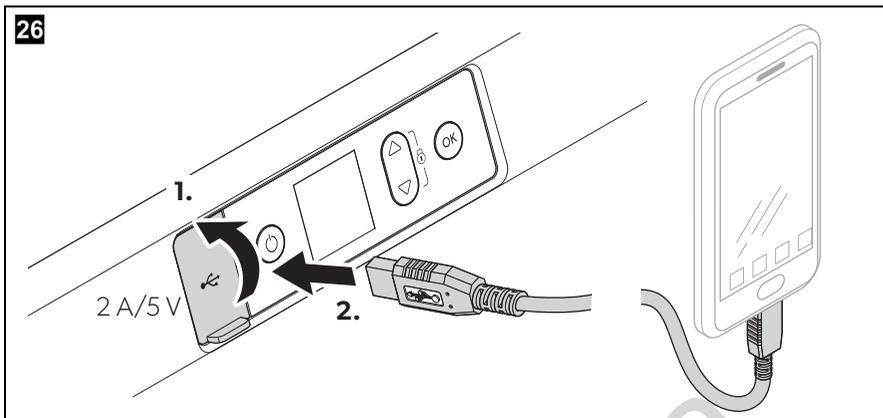


24



25





**Please read this manual carefully before starting the device. Keep it in a safe place for future reference. If the device is passed on to another person, this manual must be handed over to the user along with it.**

The manufacturer cannot be held liable for damage resulting from **improper usage** or **incorrect operation**.

## Contents

<b>1</b>	<b>Explanation of symbols</b> .....	19
<b>2</b>	<b>Safety instructions</b> .....	20
<b>3</b>	<b>Scope of delivery</b> .....	22
<b>4</b>	<b>Accessories</b> .....	22
<b>5</b>	<b>Intended use</b> .....	23
<b>6</b>	<b>Function description</b> .....	23
6.1	Scope of functions .....	23
6.2	Operating and display elements .....	24
<b>7</b>	<b>Operation</b> .....	25
7.1	Before initial use .....	25
7.2	Energy saving tips .....	25
7.3	Reversing the lid opening direction .....	25
7.4	Connecting the cooler .....	26
7.5	Using the cooler .....	26
7.6	Using the display .....	27
7.7	Locking/unlocking the display .....	27
7.8	Selecting the temperature units .....	28
7.9	Setting the temperature .....	28
7.10	Using the battery protection .....	28
7.11	Setting the display's brightness .....	28
7.12	Switching on or off the compartments (only CFX3 75DZ, CFX3 95DZ) .....	28
7.13	Using the ice maker (only CFX3 55IM) .....	29
7.14	Downloading the CFX3 app .....	30
7.15	Setting the Bluetooth signal and connecting to the app .....	30
7.16	Setting the WiFi signal and connecting to the app .....	30
7.17	Changing CFX name and password in the app .....	31
7.18	Resetting the app password (WiFi only) .....	31

7.19	Resetting to factory settings .....	31
7.20	USB port for power supply .....	31
7.21	Defrosting the cooler .....	32
7.22	Replacing the AC fuse .....	32
7.23	Replacing the DC fuse .....	32
7.24	Replacing the DC plug fuse .....	33
7.25	Replacing the light PCB .....	33
<b>8</b>	<b>Cleaning and maintenance</b> .....	33
<b>9</b>	<b>Troubleshooting</b> .....	34
<b>10</b>	<b>Warranty</b> .....	36
<b>11</b>	<b>Disposal</b> .....	36
<b>12</b>	<b>Technical data</b> .....	37

## 1 Explanation of symbols



### **DANGER!**

**Safety instruction:** Indicates a hazardous situation that, if not avoided, will result in death or serious injury.



### **WARNING!**

**Safety instruction:** Indicates a hazardous situation that, if not avoided, could result in death or serious injury.



### **CAUTION!**

**Safety instruction:** Indicates a hazardous situation that, if not avoided, could result in minor or moderate injury.



### **NOTICE!**

Indicates a situation that, if not avoided, can result in property damage.



### **NOTE**

Supplementary information for operating the product.

## 2 Safety instructions



**WARNING! Failure to obey these warnings could result in death or serious injury.**

### **Electrocution hazard**

- Do not operate the cooling device if it is visibly damaged.
- If this cooling device's power cable is damaged, it must be replaced to prevent safety hazards.
- This cooling device may only be repaired by qualified personnel. Improper repairs can lead to considerable hazards.

### **Fire hazard**

- When positioning the device, ensure the supply cord is not trapped or damaged.
- Do not locate multiple portable socket-outlets or portable power supplies at the rear of the device.

### **Health hazard**

- This device can be used by children aged from 8 years and above and persons with reduced physical, sensory or mental capabilities or lack of experience and knowledge if they have been given supervision or instruction concerning use of the device in a safe way and understand the hazards involved.
- Children shall not play with the device.
- Cleaning and user maintenance shall not be made by children without supervision.
- Children aged from 3 to 8 years are allowed to load and unload cooling devices.

### **Explosion hazard**

- Do not store any explosive substances such as spray cans with a flammable propellant in the cooling device.



**CAUTION! Failure to obey these cautions could result in minor or moderate injury.**

### **Electrocution hazard**

- Before starting the cooling device, ensure that the power supply line and the plug are dry.
- Disconnect the cooling device from the power supply
  - before each cleaning and maintenance
  - after every use

**Health hazard**

- Please check if the cooling capacity of the device is suitable for storing the food or medicine you wish to cool.
- Food may only be stored in its original packaging or in suitable containers.
- Opening the cooling device for long periods can cause significant increase of the temperature in the compartments of the device.
- Clean regularly surfaces that can come in contact with food and accessible drainage systems.
- Store raw meat and fish in suitable containers in the device, so that it is not in contact with or can drip onto other food.
- If the device is left empty for long periods:
  - Switch off the device.
  - Defrost the device.
  - Clean and dry the device.
  - Leave the lid open to prevent mould developing within the device.

**NOTICE! Damage hazard**

- Check that the voltage specification on the type plate corresponds to that of the energy supply.
- Only connect the cooling device as follows:
  - With the DC connection cable to a DC power supply in the vehicle
  - Or with the AC connection cable to an AC power supply
- Never pull the plug out of the socket by the cable.
- If the cooling device is connected to a DC outlet: Disconnect the cooling device and other power consuming devices from the battery before connecting a quick charging device.
- If the cooling device is connected to a DC outlet: Disconnect the cooling device or switch it off when you turn off the engine. Otherwise you may discharge the battery.
- The cooling device is not suitable for transporting caustic materials or materials containing solvents.
- The insulation of the cooling device contains flammable cyclopentane and requires special disposal procedures. Deliver the cooling device at the end of its life-cycle to an appropriate recycling center.
- Do not use electrical devices inside the cooling device unless they are recommended by the manufacturer for the purpose.
- Do not place the cooling device near naked flames or other heat sources (heaters, direct sunlight, gas ovens etc.).

- **Risk of overheating!**  
Ensure at all times that there is a minimum of 50 mm ventilation on all four sides of the cooling device. Keep the ventilation area free of any objects that could restrict the air flow to the cooling components. Do not place the cooling device in closed compartments or areas with none or minimal air flow.
- Ensure that the ventilation openings are not covered.
- Do not fill the inner container with ice or fluids.
- Never immerse the cooling device in water.
- Protect the cooling device and cables against heat and moisture.

### 3 Scope of delivery

Item in fig. 1, page 3	Quantity	Description
1	1	Cooler
2	1	Connection cable for DC connection
3	1	Connection cable for AC connection

### 4 Accessories

Available as accessory (not included in scope of delivery):

Designation	Ref. no.	Model
CFX3 app	–	suits all models
PLB40	9600014024	suits all models

Note that the CFX3 app may not be available in your country.

## 5 Intended use

The device is suitable for:

- Operation in vehicles
- Cooling and freezing food
- Camping use

The device is **not** suitable for:

- Storage of corrosive, caustic or solvent-containing substances
- Quick-freezing of food

The cooling device is suitable for camping use. The device shall not to be exposed to rain.

Two-star frozen-food compartments are suitable for storing pre-frozen food, storing or making icecream and making ice cubes.

One-, two- and three-star compartments are not suitable for the quick-freezing of fresh food.

## 6 Function description

The cooler can chill products, keep them cool as well as freeze them. A low maintenance refrigerant circuit with compressor provides the cooling. The generous insulation and powerful compressor ensure efficient and fast cooling.

The cooler is portable.

The cooler can withstand a short-term inclination of 30°.

### 6.1 Scope of functions

- Power supply with priority circuit for connecting to the AC mains
- Three-level battery protection to protect the vehicle battery
- Display with temperature gauge in °C and °F
- Temperature setting in steps of 1 °C (1 °F)
- Integrated WiFi and Bluetooth function hence controllable using an app
- Foldable carrying handles
- USB charger for portable devices such as mobile phones

- Removable wire basket
- **CFX3 55IM only:** Ice maker

## 6.2 Operating and display elements

Latch for lid: fig. 2 1, page 3

Operating panel (fig. 3, page 4):

Item	Description	Explanation
1		<p>Switches the cooler on when the button is pressed briefly</p> <p>Switches the cooler off when the button is pressed for three seconds</p> <p>Returns to the previous menu</p>
2	Display	<p>Shows the information</p> <p><b>AC</b> : AC power supply is connected</p> <p><b>DCV</b>: DC power supply is connected</p> <p> : Bluetooth is activated</p> <p> : WiFi is activated</p> <p> : Display is locked</p> <p> : Compressor is working</p> <p> : Ice maker is working (CFX3 55IM only)</p>
3		<p>Press  to navigate upwards or to increase the selected value.</p> <p>Press  to navigate downwards or to decrease the selected value.</p> <p>Press  and  simultaneously for 3 s to lock or unlock the display.</p>
4		Press to select a menu or to save the selected value.

**Connection sockets (fig. 4, page 4):**

Item	Description
1	Connection socket AC voltage supply
2	Connection socket DC voltage supply
3	DC Fuse holder
4	AC Fuse holder

## 7 Operation

### 7.1 Before initial use

**NOTE**

Before starting your new cooler for the first time, you should clean it inside and outside with a damp cloth for hygienic reasons (please also refer to the chapter "Cleaning and maintenance" on page 33).

### 7.2 Energy saving tips

- Choose a well ventilated location which is protected from direct sunlight.
- Allow warm food to cool down first before placing it in the cooling device to keep cool.
- Do not open the cooling device more often than necessary.
- Do not leave the cooling device open for longer than necessary.
- Defrost the cooler once a layer of ice forms.
- Avoid unnecessarily low temperatures.

### 7.3 Reversing the lid opening direction

**CFX3 55, CFX3 55IM, CFX3 100**

- Proceed as shown (fig. 5, page 5).

**CFX3 75DZ, CFX3 95DZ**

- Proceed as shown (fig. 6, page 6).

## 7.4 Connecting the cooler



### NOTICE! Damage hazard

- For protection of the device the DC cable supplied includes a fuse inside the plug. Do **not** remove the fused DC plug. Only use the DC cable supplied.
- Disconnect the cooler and other consumer units from the battery before you connect the battery to a quick charging device. Overvoltage can damage the electronics of the device.

### Connecting to a battery

- Proceed as shown (fig. **7**, page 7).

### Connecting via extended DC hard-wiring (only CFX3 100)

- Proceed as shown (fig. **8**, page 8).

### Connecting to an AC power supply



### DANGER! Electrocutation hazard

- Never handle plugs and switches with wet hands or if you are standing on a wet surface.
- If you are operating your cooler on board a boat from a AC power supply, you must install a residual current circuit breaker between the AC power supply and the cooler. Seek advice from a trained technician.

- Proceed as shown (fig. **9**, page 9).

## 7.5 Using the cooler



### NOTICE! Risk of overheating

Ensure at all times that there is sufficient ventilation so that the heat that generated during operation can dissipate. Ensure that the ventilation slots are not covered. Make sure that the device is sufficiently far away from walls and other objects so that the air can circulate.



### NOTE

When operating with the battery, the display switches off automatically if the battery voltage is low.

- Switching on the cooler: fig. **10**, page 9

- Switching off the cooler: fig. **11**, page 10

## 7.6 Using the display

### Display states (fig. **12**, page 10)

Item	Description
A	Stand by
B	Idle
C	Locked

### Display overview: fig. **13**, page 11

#### Navigating through the menus

The highlighted menu is selected.

- ▶ Press  to navigate upwards.
- ▶ Press  to navigate downwards.

#### Choosing a menu

- ▶ Press  to select the required menu.

#### Changing settings

The highlighted value or setting is selected.

- ▶ Press  to increase the selected value or to choose the previous setting.
- ▶ Press  to decrease the selected value or to choose the next setting.

#### Returning to the previous menu

- ▶ Press  to return to the previous menu without saving.

## 7.7 Locking/unlocking the display

- ▶ Press  and  simultaneously for 3 s to lock or unlock the display (fig. **14**, page 11).

## 7.8 Selecting the temperature units

- Proceed as shown (fig. **15**, page 11).

## 7.9 Setting the temperature



### **NOTICE! Damage hazard from excessively low temperature**

Ensure that only those objects are placed in the cooler that are intended to be cooled at the selected temperature.

- Proceed as shown (fig. **16**, page 12).

## 7.10 Using the battery protection

The device is equipped with 3-stage battery protection. The battery protection prevents excessive discharging when the device is connected to a vehicle starter battery or maximises the use of a supply battery.

If the cooler is operated when the vehicle ignition is switched off, the cooler switches off automatically as soon as the supply voltage falls below a set level. The cooler will switch back on once the battery has been recharged to the restart voltage level.



### **NOTICE! Damage hazard**

When switched off by the battery protection, the battery will no longer be fully charged. Avoid starting repeatedly. Ensure that the battery is recharged.



### **NOTE**

When the cooler is supplied by a starter battery, select the battery protection mode "MEDIUM" or "HIGH". If the cooler is connected to a supply battery, the battery protection mode "LOW" is ideal.

- Proceed as shown (fig. **17**, page 13).

## 7.11 Setting the display's brightness

- Proceed as shown (fig. **18**, page 13).

## 7.12 Switching on or off the compartments (only CFX 3 75DZ, CFX 3 95DZ)

You can activate each zone individually or both of them.

- Proceed as shown (fig. **19**, page 14).

### 7.13 Using the ice maker (only CFX 3 55IM)



#### NOTE

- Independent of the main compartment's temperature setting, the ice maker zone is designed for making ice cubes if the ice maker is switched on.
- The cooler's energy consumption increases with ice maker on. Therefore you should switch off the ice maker if it is not needed.
- The factory setting for the ice maker is OFF.

- Proceed as shown (fig. **20**, page 14).

#### Filling the ice trays with water

- Remove the ice trays (fig. **21** 1, page 15) from the ice maker housing (fig. **21** 2, page 15).
- Remove the ice tray covers, fill with clean water and re-fit the cover, taking care to press the edge seal all the way around.
- Re-position the ice trays in the ice maker housing and close the lid.



#### NOTE

Dry any water spillage from under the ice trays.  
This will reduce ice build up under the trays and make removal easier.

#### Removing the ice cubes

- Open the ice maker housing lid and lift under the front of the ice trays.



#### NOTE

Removal may require additional force using two hands in high humidity conditions which may create an ice bond underneath the ice trays.

- Remove the ice tray covers and twist trays to release the ice cubes.

#### Removing the ice maker housing

The ice maker housing can be removed for cleaning or when not in use to increase usable space inside the cooler:

- Lift the housing at one end until the lug unclips, then remove.
- Reverse procedure for re-fit, pushing down on lugs to snap into position.

### Tips for using the ice maker

- The ice maker makes ice fast for a number of hours after switching on and then automatically goes into an ice maintenance mode to reduce energy consumption. If multiple batches of ice are required as quickly as possible, switching the ice maker off and back on will set it back into fast ice making mode. Repeat as required.
- Low freezer temperature settings in the main compartment may not be maintained in high ambient temperature conditions with the ice maker switched on.

### Cleaning and drying the ice maker

- When not in use clean and dry the ice trays and inside the ice maker housing to prevent mould.
- Following extended periods of non-use clean the inside of the ice trays with a mild dish washing solution and rinse with clean water prior to use.

## 7.14 Downloading the CFX3 app

The cooler can be monitored and controlled via Bluetooth or WiFi using an app that you can install on a compatible device.

- Download the CFX3 app from App Store or Google Play.

Note that the CFX3 app may not be available in your country.

## 7.15 Setting the Bluetooth signal and connecting to the app

The cooler can be monitored and controlled via Bluetooth. To do so, you have to pair the cooler with your Bluetooth device.



### NOTE

- Pairing must be done within the CFX3 app, not in device settings.
- There is no password required for Bluetooth connection.

- Proceed as shown (fig. **22**, page 15).

## 7.16 Setting the WiFi signal and connecting to the app

The cooler can be monitored and controlled via WiFi direct to cooler or via a WiFi network.

- Proceed as shown (fig. **23**, page 16) to turn WiFi on.

- ▶ For WiFi direct to cooler, go to device settings and select your cooler.
  - The WiFi name of your cooler begins with “CFX3”.
  - The preset password is “**00000000**”.
  - You can personalise the WiFi name and the password in the CFX3 app.

**NOTE**

For connection via WiFi network, go to “network connection” in the app SETTINGS.

## 7.17 Changing CFX name and password in the app

- You can personalise the name of your CFX in the app.
  - The same name applies to both Bluetooth and WiFi.
  - You can also personalise your password in the app - applicable only to WiFi.
- ▶ Proceed to “CFX name and password” in the app SETTINGS.

## 7.18 Resetting the app password (WiFi only)

- You can reset the app password to the factory setting “**00000000**”.
- ▶ Proceed as shown (fig. **23**, page 16).

## 7.19 Resetting to factory settings

The reset function changes all display menu and app fields to the original factory settings.

- ▶ Proceed as shown (fig. **24**, page 16).

## 7.20 USB port for power supply

The USB port allows you to charge small devices like mobile phones and mp3 players.

**NOTE**

Ensure that any small device connected to the USB port is compatible with 5 V/2 A operation.

- ▶ Proceed as shown (fig. **26**, page 17).

## 7.21 Defrosting the cooler

Humidity can form frost in the interior of the cooling device or on the evaporator. This reduces the cooling capacity. Defrost the device in good time to avoid this.



### **NOTICE! Damage hazard**

Never use hard or pointed tools to remove ice or to loosen objects which have frozen in place.

To defrost the cooler, proceed as follows:

- Take out the contents of the cooler.
- If necessary, place them in another cooling device to keep them cool.
- Switch off the device.
- Leave the lid open.
- Wipe off the defrosted water.

## 7.22 Replacing the AC fuse



### **DANGER! Electrocutation hazard**

Disconnect the power supply and the connection cable before you replace the device fuse.

- Disconnect the power supply to the device.
- Pull out the connection cable.
- Pry out the fuse insert (fig. **4** 4, page 4) with a screwdriver.
- Replace the defective glass fuse with a new one of the same type and rating (Fast Acting, 4 A, 250 V).
- Press the fuse insert back into the housing.
- Reconnect the power supply to the device.

## 7.23 Replacing the DC fuse

- Pry out the fuse cover (fig. **4** 3, page 4) with a screwdriver.
- Reverse the fuse cover and use hook to remove the defective blade fuse.
- Push in a new fuse of the same type and rating.
- Re-fit the fuse cover.

## 7.24 Replacing the DC plug fuse

- Replace the defective fuse with a new fuse of the same type and rating.
- Proceed as shown (fig. 27, page 17).

## 7.25 Replacing the light PCB



### **NOTICE! Damage hazard**

The lamp can only be replaced by the manufacturer, service agent or similarly qualified person to avoid hazard.

# 8 Cleaning and maintenance



### **NOTICE! Damage hazard**

- Never clean the cooler under running water or in dish water.
- Do not use abrasive cleaning agents or hard objects during cleaning as these can damage the cooler.

- Occasionally clean the device interior and exterior with a damp cloth.
- Make sure that the air inlet and outlet vents on the device are free of any dust and dirt, so that heat can be released and the device is not damaged.

## 9 Troubleshooting

<b>Fault</b>	<b>Possible cause</b>	<b>Suggested remedy</b>
The device does not function (DC mode, ignition on).	No voltage was detected in the DC power outlet.	In most vehicles the ignition must be turned on before power will be supplied to the DC power outlet.
	The DC outlet is dirty. This results in a poor electrical contact.	If the plug of the device becomes very warm in the DC outlet, either the DC outlet must be cleaned or the plug has not been assembled correctly.
	The fuse of the DC plug has blown.	Replace the fuse in the DC plug, see chapter "Replacing the DC plug fuse" on page 33.
	The device DC fuse has blown.	Replace the device DC fuse, see chapter "Replacing the DC fuse" on page 32.
	The vehicle fuse has blown.	Replace the vehicle's DC outlet fuse. Please refer to your vehicle's operating manual.
The device does not function (AC mode).	No voltage present in the AC voltage socket.	Try using another plug socket.
	The device AC fuse has blown.	Replace the device AC fuse, see chapter "Replacing the AC fuse" on page 32.
	The integrated AC adapter is defective.	This can only be repaired by an authorised repair centre.
The display does not respond to keystrokes.	The display is locked.	Unlock the display, see chapter "Locking/unlocking the display" on page 27.
The app cannot control the device.	Bluetooth or WiFi is not connected.	Connect Bluetooth, see chapter "Setting the Bluetooth signal and connecting to the app" on page 30, or Connect WiFi, see chapter "Setting the WiFi signal and connecting to the app" on page 30.
The display shows an alert message or warning code.	–	See table below.

## Alert messages

E.g. see fig. 25 A, page 16.

Alert message	Description	Possible cause	Suggested remedy
!ALERT - Lid open > 3 min	Lid open more than 3 minutes	<ul style="list-style-type: none"> <li>Lid not fully latched</li> <li>Internal fault</li> </ul>	<ul style="list-style-type: none"> <li>Check lid latched fully</li> <li>Authorised repair centre inspection required</li> </ul>
!ALERT - Voltage low	The device has stopped working on DC due to low voltage	<ul style="list-style-type: none"> <li>Insufficient supply voltage</li> <li>Battery voltage is too low</li> <li>Battery protection is set too high</li> </ul>	<ul style="list-style-type: none"> <li>Check voltage drop from battery to power outlet and increase wiring gauge if necessary</li> <li>Test the battery and charge as needed</li> <li>Select a lower battery protection setting</li> </ul>
	The device has stopped working on DC due to abnormally high voltage >31.5 V (unlikely event – for electronics protection only – uses same alert message as low voltage above)	<ul style="list-style-type: none"> <li>Wrong DC supply voltage specification</li> <li>Faulty supply voltage</li> <li>Internal fault</li> </ul>	<ul style="list-style-type: none"> <li>Ensure DC supply voltage specification matches CFX3 product rating label</li> <li>Check DC voltage supply &amp; repair or replace if faulty</li> <li>Authorised repair centre inspection required</li> </ul>

## Warning codes

E.g. see fig. 25 B, page 16.

Warning code	Fault	Possible cause	Suggested remedy
!WARNING 32	Fan over-current	Internal fault.	Turn off the device for at least 5 mins., then restart. If the problem persists, authorised repair centre inspection required
!WARNING 33	Compressor start fail		

Warning code	Fault	Possible cause	Suggested remedy
!WARNING 34	Compressor speed low	<ul style="list-style-type: none"> <li>High ambient temperature</li> </ul>	<ul style="list-style-type: none"> <li>Turn off the device for at least 30 mins., or move to a cooler location, then restart</li> </ul>
!WARNING 35	Controller over-temperature	<ul style="list-style-type: none"> <li>Air vent blocked or insufficient clearance</li> <li>Internal fault</li> </ul>	<ul style="list-style-type: none"> <li>Clear the vents</li> <li>Authorised repair centre inspection required</li> </ul>
!WARNING 01	NTC open circuit SZ & DZ LARGE	Internal fault	Authorised repair centre inspection required
!WARNING 11	NTC open circuit DZ SMALL		
!WARNING 02	NTC short circuit SZ & DZ LARGE		
!WARNING 12	NTC short circuit DZ SMALL		
!WARNING 09	DZ valve or Ice Maker valve faulty		Turn off the device for at least 1min., then restart. If the problem persists, authorised repair centre inspection required
!WARNING 03/43	Communication error		Authorised repair centre inspection required

## 10 Warranty

The statutory warranty period applies. If the product is defective, please contact the manufacturer's branch in your country (see [dometic.com/dealer](http://dometic.com/dealer)) or your retailer.

For repair and warranty processing, please include the following documents when you send in the device:

- A copy of the receipt with purchasing date
- A reason for the claim or description of the fault

## 11 Disposal

- Place the packaging material in the appropriate recycling waste bins wherever possible.



If you wish to finally dispose of the product, ask your local recycling centre or specialist dealer for details about how to do this in accordance with the applicable disposal regulations.



### WARNING! Risk of child entrapment

Before disposing of your old cooling device:

- Dismantle the lid.
- Leave the baskets in place so that children may not easily climb inside.

## 12 Technical data



### NOTE

The minimum temperature shown in „Cooling capacity“ cannot be attained if the ambient temperature is above 32 °C (90 °F) for models CFX3 35/45/55/55IM/100 or the ambient temperature is above 30 °C (86 °F) for models CFX3 75DZ/95DZ (set small -22 °C/large +4 °C).

Test/certificates:



	CFX3 35	CFX3 45	CFX3 55
Connection voltage:	12/24 V $\overline{=}$ and 100 – 240 V $\sim$		
Rated current:	12 V $\overline{=}$ : 7.5 A 24 V $\overline{=}$ : 3.3 A 100 V $\sim$ : 0.94 A 240 V $\sim$ : 0.39 A	12 V $\overline{=}$ : 8.2 A 24 V $\overline{=}$ : 3.5 A 100 V $\sim$ : 0.96 A 240 V $\sim$ : 0.40 A	12 V $\overline{=}$ : 8.7 A 24 V $\overline{=}$ : 3.7 A 100 V $\sim$ : 0.98 A 240 V $\sim$ : 0.41 A
Cooling capacity:	-22 °C to +10 °C (-8 °F to +50 °F)		
Category:	1		
Energy efficiency class:	A++		
Energy consumption:	81 kWh/annum	79 kWh/annum	83 kWh/annum
Gross volume:	36 l	46 l	55 l
Storage volume:	36 l	46 l	55 l
Climate class:	N, T		
Ambient temperature:	+16 °C to +43 °C (+61 °F to +110 °F)		

	<b>CFX3 35</b>	<b>CFX3 45</b>	<b>CFX3 55</b>
Noise emission:	44 dB(A)	47 dB(A)	
USB charging port:	5 V $\overline{=}$ , 2 A		
Frequency range:	WiFi: 2412 MHz – 2472MHz/2422 MHz – 2462MHz Bluetooth/BLE: 2402 MHz – 2480 MHz		
Frequency band (WiFi):	2.4 GHz		
RF output power:	WiFi: 16.62 dBm (802.11b), 16.23 dBm (802.11g), 16.45 dBm (802.11n20), 16.02 dBm (802.11n40) Bluetooth: 8.31 dBm Bluetooth LE: 6.67 dBm		
Refrigerant quantity:	38 g	42 g	45 g
CO <sub>2</sub> equivalent:	0.054 t	0.060 t	0.064 t
Global warming potential (GWP):	1430		
Dimensions (W x D x H) in mm (including handles):	398 x 694 x 407	398 x 694 x 476	720 x 455 x 480
Weight:	16.9 kg	18.7 kg	20.4 kg

	<b>CFX3 55IM</b>	<b>CFX3 75DZ</b>	<b>CFX3 95DZ</b>
Connection voltage:	12/24 V $\overline{=}$ and 100 – 240 V $\sim$		
Rated current:	12 V $\overline{=}$ : 8.9 A 24 V $\overline{=}$ : 3.8 A 100 V $\sim$ : 1.00 A 240 V $\sim$ : 0.42 A	12 V $\overline{=}$ : 9.6 A 24 V $\overline{=}$ : 4.2 A 100 V $\sim$ : 1.12 A 240 V $\sim$ : 0.47 A	12 V $\overline{=}$ : 10.4 A 24 V $\overline{=}$ : 4.6 A 100 V $\sim$ : 1.22 A 240 V $\sim$ : 0.51 A
Cooling capacity:	-22 °C to +10 °C (-8 °F to +50 °F)		
Category:	1		
Energy efficiency class:	A++	A+	
Energy consumption:	82 kWh/annum	108 kWh/annum	111 kWh/annum
Gross volume:	55 l	75 l (45 l/30 l)	94 l (55 l/39 l)
Storage volume:	53 l	75 l (45 l/30 l)	94 l (55 l/39 l)

	<b>CFX3 55IM</b>	<b>CFX3 75DZ</b>	<b>CFX3 95DZ</b>
Climate class:	N, T		
Ambient temperature:	+16 °C to +43 °C (+61 °F to +110 °F)		
Noise emission:	48 dB(A)	50 dB(A)	
USB charging port:	5 V $\overline{=}$ , 2 A		
Frequency range:	WiFi: 2412 MHz – 2472MHz/2422 MHz – 2462MHz Bluetooth/BLE: 2402 MHz – 2480 MHz		
Frequency band (WiFi):	2.4 GHz		
RF output power:	WiFi: 16.62 dBm (802.11b), 16.23 dBm (802.11g), 16.45 dBm (802.11n20), 16.02 dBm (802.11n40) Bluetooth: 8.31 dBm Bluetooth LE: 6.67 dBm		
Refrigerant quantity:	45 g	59 g	67 g
CO <sub>2</sub> equivalent:	0.064 t	0.084 t	0.096 t
Global warming potential (GWP):	1430		
Dimensions (W x D x H) in mm (including handles):	720 x 455 x 480	892 x 495 x 472	962 x 530 x 472
Weight:	21.3 kg	27.8 kg	29.8 kg

	<b>CFX3 100</b>
Connection voltage:	12/24 V $\overline{=}$ and 100 – 240 V $\sim$
Rated current:	12 V $\overline{=}$ : 10.8 A 24 V $\overline{=}$ : 4.8 A 100 V $\sim$ : 1.28 A 240 V: 0.53 A
Cooling capacity:	+10 °C to –22 °C (+50 °F to –8 °F)
Category:	1
Energy efficiency class:	A+
Energy consumption:	111 kWh/annum

	<b>CFX3 100</b>
Gross volume:	99 l
Storage volume:	88 l
Climate class:	N, T
Ambient temperature:	+16 °C to +43 °C (+61 °F to +110 °F)
Noise emission:	36.5 dB(A)
USB:	5 V $\overline{=}$ , 2 A
Frequency range:	WiFi: 2412 MHz – 2472MHz/2422 MHz – 2462MHz Bluetooth/BLE: 2402 MHz – 2480 MHz
Frequency band (WiFi):	2.4 GHz
RF output power:	WiFi: 16.62 dBm (802.11b), 16.23 dBm (802.11g), 16.45 dBm (802.11n20), 16.02 dBm (802.11n40) Bluetooth: 8.31 dBm Bluetooth LE: 6.67 dBm
Refrigerant quantity:	60 g
CO <sub>2</sub> equivalent:	0.086 t
Global warming potential (GWP):	1430
Dimensions (W x D x H) in mm (including handles):	962 x 530 x 472
Weight:	29.6 kg

The coolant circuit contains R134a.

Contains fluorinated greenhouse gases

Hermetically sealed equipment

**Bitte lesen Sie diese Anleitung vor der Inbetriebnahme sorgfältig durch und bewahren Sie sie auf. Geben Sie sie im Falle einer Weitergabe des Kühlgerätes an den Nutzer weiter.**

Der Hersteller haftet nicht für Schäden, die durch **nicht bestimmungsgemäßen Gebrauch** oder **falsche Bedienung** verursacht werden.

## Inhalt

<b>1</b>	<b>Erklärung der Symbole</b> .....	42
<b>2</b>	<b>Sicherheitshinweise</b> .....	43
<b>3</b>	<b>Lieferumfang</b> .....	45
<b>4</b>	<b>Zubehör</b> .....	46
<b>5</b>	<b>Bestimmungsgemäßer Gebrauch</b> .....	46
<b>6</b>	<b>Funktionsbeschreibung</b> .....	46
6.1	Funktionsumfang .....	47
6.2	Bedien- und Anzeigeelemente .....	47
<b>7</b>	<b>Bedienung</b> .....	48
7.1	Vor dem ersten Gebrauch .....	48
7.2	Tipps zum Energiesparen .....	48
7.3	Deckelöffnungsrichtung umkehren .....	49
7.4	Kühlgerät anschließen .....	49
7.5	Kühlbox benutzen .....	50
7.6	Display benutzen .....	50
7.7	Display ver- und entriegeln .....	51
7.8	Temperatureinheit wählen .....	51
7.9	Temperatur einstellen .....	51
7.10	Batteriewächter verwenden .....	51
7.11	Displayhelligkeit einstellen .....	52
7.12	Fächer ein- oder ausschalten (nur CFX3 75DZ, CFX3 95DZ) .....	52
7.13	Eiswürfelbereiter verwenden (nur CFX3 55IM) .....	52
7.14	Die App CFX3 herunterladen .....	54
7.15	Bluetooth-Signal einstellen und Verbindung zur App herstellen ..	54
7.16	WiFi-Signal einstellen und Verbindung zur App herstellen .....	54
7.17	CFX-Name und Passwort in der App ändern .....	55
7.18	App-Passwort zurücksetzen (nur WiFi) .....	55
7.19	Auf Werkseinstellungen zurücksetzen .....	55

7.20	USB-Anschluss für Spannungsversorgung . . . . .	55
7.21	Kühlbox abtauen . . . . .	56
7.22	Sicherung für Wechselstromkreis ersetzen . . . . .	56
7.23	Sicherung für Gleichstromkreis ersetzen . . . . .	56
7.24	Sicherung im Gleichstromstecker ersetzen . . . . .	57
7.25	Lichtleiterplatte wechseln . . . . .	57
<b>8</b>	<b>Reinigung und Pflege</b> . . . . .	57
<b>9</b>	<b>Störungsbeseitigung</b> . . . . .	58
<b>10</b>	<b>Garantie</b> . . . . .	61
<b>11</b>	<b>Entsorgung</b> . . . . .	61
<b>12</b>	<b>Technische Daten</b> . . . . .	62

## 1 Erklärung der Symbole



### **GEFAHR!**

**Sicherheitshinweis** auf eine Gefahrensituation, die zum Tod oder zu schwerer Verletzung führt, wenn sie nicht vermieden wird.



### **WARNUNG!**

**Sicherheitshinweis** auf eine Gefahrensituation, die zum Tod oder zu schwerer Verletzung führen kann, wenn sie nicht vermieden wird.



### **VORSICHT!**

**Sicherheitshinweis** auf eine Gefahrensituation, die zu einer leichten oder mittelschweren Verletzung führen kann, wenn sie nicht vermieden wird.



### **ACHTUNG!**

Hinweis auf eine Situation, die zu Sachschäden führen kann, wenn sie nicht vermieden wird.



### **HINWEIS**

Ergänzende Informationen zur Bedienung des Produktes.

## 2 Sicherheitshinweise



**WARNUNG! Nichtbeachtung dieser Sicherheitshinweise kann zum Tod oder zu schweren Verletzungen führen.**

### **Lebensgefahr durch Stromschlag**

- Wenn das Kühlgerät sichtbare Beschädigungen aufweist, dürfen Sie es nicht in Betrieb nehmen.
- Wenn das Anschlusskabel dieses Kühlgerätes beschädigt wird, muss es ersetzt werden, um Gefährdungen zu vermeiden.
- Reparaturen an diesem Kühlgerät dürfen nur von Fachkräften durchgeführt werden. Durch unsachgemäße Reparaturen können erhebliche Gefahren entstehen.

### **Brandgefahr**

- Stellen Sie beim Aufstellen des Geräts sicher, dass das Anschlusskabel nicht eingeklemmt oder beschädigt wird.
- Positionieren Sie an der Geräterückseite keine tragbaren Mehrfachsteckdosen oder tragbare Netzteile.

### **Gesundheitsgefahr**

- Dieses Gerät kann von Kindern ab 8 Jahren und Personen mit eingeschränkten physischen, sensorischen oder geistigen Fähigkeiten oder einem Mangel an Erfahrung und Wissen verwendet werden, wenn sie beaufsichtigt werden oder eine Anleitung zur sicheren Benutzung des Geräts erhalten haben und sie die daraus resultierenden Gefahren verstehen.
- Kinder dürfen nicht mit dem Kühlgerät spielen.
- Reinigung und Benutzer-Wartung dürfen nicht von Kindern ohne Beaufsichtigung durchgeführt werden.
- Kinder im Alter von 3 bis 8 Jahren dürfen Kühlgeräte be- und entladen.

### **Explosionsgefahr**

- Lagern Sie keine explosionsfähigen Stoffe wie z. B. Sprühdosen mit brennbarem Treibgas im Kühlgerät.



**VORSICHT! Nichtbeachtung dieser Sicherheitshinweise kann zu leichten oder mittelschweren Verletzungen führen.**

### **Lebensgefahr durch Stromschlag**

- Achten Sie vor der Inbetriebnahme darauf, dass Zuleitung und Stecker trocken sind.

- Trennen Sie das Kühlgerät von der Stromversorgung
  - vor jeder Reinigung und Pflege
  - nach jedem Gebrauch

### **Gesundheitsgefahr**

- Prüfen Sie, ob die Kühlleistung des Kühlgerätes den Anforderungen der Lebensmittel oder Medikamente entspricht, die Sie kühlen wollen.
- Lebensmittel dürfen nur in Originalverpackungen oder geeigneten Behältern eingelagert werden.
- Das Öffnen des Kühlgerätes über einen längeren Zeitraum kann einen erheblichen Temperaturanstieg in den Fächern des Gerätes verursachen.
- Reinigen Sie regelmäßig Oberflächen, die mit Lebensmitteln und zugänglichen Entwässerungssystemen in Berührung kommen können.
- Lagern Sie rohes Fleisch und Fisch in geeigneten Behältern im Gerät, damit sie nicht mit anderen Lebensmitteln in Berührung kommen oder auf diese abtropfen.
- Wenn das Gerät für längere Zeit leer steht:
  - Schalten Sie das Gerät aus.
  - Tauen Sie das Gerät ab.
  - Reinigen und trocknen Sie das Gerät.
  - Lassen Sie den Deckel offen, um Schimmelbildung im Gerät zu verhindern.



### **ACHTUNG! Beschädigungsgefahr**

- Vergleichen Sie die Spannungsangabe auf dem Typenschild mit der vorhandenen Energieversorgung.
- Schließen Sie das Kühlgerät nur wie folgt an:
  - mit dem Gleichstrom-Anschlusskabel an das Gleichstromnetz im Fahrzeug
  - oder mit dem Wechselstrom-Anschlusskabel an das Wechselstromnetz
- Ziehen Sie den Stecker nie am Anschlusskabel aus der Steckdose.
- Wenn das Kühlgerät an der Gleichstrom-Steckdose angeschlossen ist: Klemmen Sie Ihr Kühlgerät und andere Verbraucher von der Fahrzeugbatterie ab, bevor Sie ein Schnellladegerät anschließen.

- Wenn das Kühlgerät an der Gleichstrom-Steckdose angeschlossen ist: Trennen Sie die Verbindung oder schalten Sie das Kühlgerät aus, wenn Sie den Motor ausschalten. Sonst kann die Fahrzeugbatterie entladen werden.
- Das Kühlgerät ist nicht geeignet für den Transport ätzender oder Lösungsmittelhaltiger Stoffe.
- Die Isolierung des Kühlgeräts enthält brennbares Zyklopentan und erfordert ein besonderes Entsorgungsverfahren. Führen Sie das Kühlgerät am Ende seiner Lebensdauer einer ordnungsgemäßen Entsorgung zu.
- Benutzen Sie keine Elektrogeräte innerhalb des Kühlgerätes, außer wenn diese Elektrogeräte vom Hersteller dafür empfohlen werden.
- Stellen Sie das Kühlgerät nicht in der Nähe von offenen Flammen oder anderen Wärmequellen (Heizung, starke Sonneneinstrahlung, Gasöfen usw.) ab.
- **Überhitzungsgefahr!**  
Achten Sie stets darauf, dass die Belüftung auf allen vier Seiten des Kühlgeräts mindestens 50 mm beträgt. Halten Sie den Lüftungsbereich frei von jeglichen Gegenständen, die den Luftdurchfluss zu den Kühlkomponenten behindern können.  
Platzieren Sie das Kühlgerät nicht in geschlossenen Fächern oder Bereichen, die keinen oder nur einen minimalen Luftstrom aufweisen.
- Achten Sie darauf, dass die Lüftungsöffnungen nicht abgedeckt werden.
- Füllen Sie keine Flüssigkeiten oder Eis in den Innenbehälter.
- Tauchen Sie das Kühlgerät nie in Wasser.
- Schützen Sie das Kühlgerät und die Kabel vor Hitze und Nässe.

### 3 Lieferumfang

Position in Abb. 1, Seite 3	Anzahl	Bezeichnung
1	1	Kühlbox
2	1	Anschlusskabel für Gleichstrom-Anschluss
3	1	Anschlusskabel für Wechselstrom-Anschluss

## 4 Zubehör

Als Zubehör erhältlich (nicht im Lieferumfang enthalten):

Bezeichnung	Art.-Nr.	Modell
CFX3-App	–	passend für alle Modelle
PLB40	9600014024	passend für alle Modelle

Beachten Sie, dass die CFX3-App in Ihrem Land möglicherweise nicht verfügbar ist.

## 5 Bestimmungsgemäßer Gebrauch

Das Kühlgerät ist für folgende Verwendungszwecke geeignet:

- Betrieb in Fahrzeugen
- Kühlen und Tiefkühlen von Lebensmitteln
- mobiler Einsatz

Das Kühlgerät ist **nicht** für folgende Verwendungszwecke geeignet:

- Lagerung von korrosiven, ätzenden oder lösungsmittelhaltigen Stoffen
- Einfrieren von Lebensmitteln

Das Kühlgerät ist für den mobilen Einsatz geeignet. Das Gerät darf keinem Regen ausgesetzt werden.

Zwei-Sterne-Gefrierfächer eignen sich zum Aufbewahren von Tiefkühlkost, zum Aufbewahren oder Herstellen von Eiscreme und zur Herstellung von Eiswürfeln.

Ein-, Zwei- und Drei-Sterne Gefrierfächer sind nicht dazu geeignet, um frische Lebensmittel einzufrieren.

## 6 Funktionsbeschreibung

Das Kühlgerät kann Waren abkühlen und kühl halten sowie tiefkühlen. Die Kühlung erfolgt durch einen wartungsarmen Kühlkreislauf mit Kompressor. Die umfassende Isolierung und der leistungsstarke Kompressor gewährleisten eine effiziente und schnelle Kühlung.

Das Kühlgerät ist für den mobilen Einsatz geeignet.

Das Kühlgerät kann kurzzeitigen Neigungen von 30° standhalten.

## 6.1 Funktionsumfang

- Netzteil mit Vorrangschaltung zum Anschluss an Wechselspannung
- Dreistufiger Batteriewächter zum Schutz der Fahrzeugbatterie
- Display mit Temperaturanzeige in °C und °F
- Temperatureinstellung in Schritten von 1 °C (1 °F)
- Integrierte WiFi- und Bluetooth-Funktion, somit über eine App steuerbar
- Klappbare Tragegriffe
- USB-Ladegerät für tragbare Geräte wie z. B. Mobiltelefone
- Herausnehmbarer Korbeinsatz
- **Nur CFX3 55IM:** Eiswürfelbereiter

## 6.2 Bedien- und Anzeigeelemente

Riegel für Deckel: Abb. **2** 1, Seite 3

Bedienfeld (Abb. **3**, Seite 4):

Position	Bezeichnung	Erläuterung
1		Schaltet die Kühlbox ein, wenn die Taste kurz gedrückt wird Schaltet die Kühlbox aus, wenn die Taste drei Sekunden gedrückt wird Zum Hauptmenü zurückkehren
2	Anzeige	Zeigt folgende Informationen an  <b>AC</b> : Wechselstromversorgung ist angeschlossen <b>DCV</b> : Gleichstromversorgung ist angeschlossen  : Bluetooth ist aktiviert  : WiFi ist aktiviert  : Anzeige ist gesperrt  : Kompressor arbeitet  : Eiswürfelbereiter arbeitet (nur CFX3 55IM)

Position	Bezeichnung	Erläuterung
3		<p>Drücken Sie auf , um nach oben zu navigieren oder um den gewählten Wert zu erhöhen.</p> <p>Drücken Sie auf , um nach unten zu navigieren oder um den gewählten Wert zu verringern.</p> <p>Durch gleichzeitiges Drücken von  und  für 3 Sekunden wird die Anzeige ver- oder entriegelt.</p>
4		Mit dieser Option wählen Sie ein Menü aus oder speichern den gewählten Wert.

### Anschlussbuchsen (Abb. 4, Seite 4):

Position	Bezeichnung
1	Anschlussbuchse Wechsellspannungsversorgung
2	Anschlussbuchse Gleichspannungsversorgung
3	Halter Sicherung für Gleichstromkreis
4	Halter Sicherung für Wechselstromkreis

## 7 Bedienung

### 7.1 Vor dem ersten Gebrauch



#### HINWEIS

Bevor Sie das neue Kühlgerät in Betrieb nehmen, sollten Sie es aus hygienischen Gründen innen und außen mit einem feuchten Tuch reinigen (siehe auch Kapitel „Reinigung und Pflege“ auf Seite 57).

### 7.2 Tipps zum Energiesparen

- Wählen Sie einen gut belüfteten und vor Sonnenstrahlen geschützten Einsatzort.
- Lassen Sie warme Speisen erst abkühlen, bevor Sie sie im Kühlgerät kühl halten.
- Öffnen Sie das Kühlgerät nicht häufiger als nötig.
- Lassen Sie das Kühlgerät nicht länger offen als nötig.

- Tauen Sie das Kühlgerät ab, sobald sich eine Eisschicht gebildet hat.
- Vermeiden Sie eine unnötig tiefe Innentemperatur.

## 7.3 Deckelöffnungsrichtung umkehren

### CFX3 55, CFX3 55IM, CFX3 100

- Gehen Sie vor wie dargestellt (Abb. **5**, Seite 5).

### CFX3 75DZ, CFX3 95DZ

- Gehen Sie vor wie dargestellt (Abb. **6**, Seite 6).

## 7.4 Kühlgerät anschließen



### **ACHTUNG! Beschädigungsgefahr**

- Zum Schutz des Geräts verfügt das im Lieferumfang enthaltene Gleichstromkabel über eine Sicherung im Stecker. Entfernen Sie **nicht** den Gleichstromstecker mit der Sicherung. Verwenden Sie nur das im Lieferumfang enthaltene Gleichstromkabel.
- Klemmen Sie die Kühlbox und andere Verbraucher von der Batterie ab, bevor Sie die Batterie mit einem Schnellladegerät aufladen. Überspannungen können die Elektronik der Geräte beschädigen.

### **An eine Batterie anschließen**

- Gehen Sie vor wie dargestellt (Abb. **7**, Seite 7).

### **Anschluss über erweiterte Gleichstrom-Festverdrahtung (nur CFX3 100)**

- Gehen Sie vor wie dargestellt (Abb. **8**, Seite 8).

### **Anschluss an eine Wechselstromversorgung**



### **GEFAHR! Gefahr durch Stromschlag**

- Hantieren Sie nie mit Steckern und Schaltern, wenn Sie nasse Hände haben oder mit den Füßen in der Nässe stehen.
- Wenn Sie Ihr Kühlgerät an Bord eines Bootes an einem Wechselspannungsnetz betreiben, müssen Sie einen FI-Schutzschalter zwischen Wechselspannungsnetz und Kühlgerät schalten. Lassen Sie sich von einem Fachmann beraten.

- Gehen Sie wie dargestellt (Abb. **9**, Seite 9).

## 7.5 Kühlbox benutzen



### **ACHTUNG! Überhitzungsgefahr**

Stellen Sie jederzeit eine ausreichende Belüftung sicher, sodass die beim Betrieb entstehende Wärme abgeführt werden kann. Stellen Sie sicher, dass die Lüftungsschlitze nicht abgedeckt sind. Sorgen Sie dafür, dass das Gerät in ausreichendem Abstand zu Wänden oder Gegenständen steht, sodass die Luft zirkulieren kann.



### **HINWEIS**

Bei Betrieb an einer Batterie schaltet sich das Display bei niedriger Batteriespannung automatisch ab.

- Kühlbox einschalten: Abb. **10**, Seite 9
- Kühlbox ausschalten: Abb. **11**, Seite 10

## 7.6 Display benutzen

### **Displaystati (Abb. **12**, Seite 10)**

Position	Bezeichnung
A	Stand-By
B	Leerlauf
C	Verriegelt

### **Displayübersicht: Abb. **13**, Seite 11**

#### **Durch die Menüs navigieren**

Das markierte Menü ist ausgewählt.

- Drücken Sie , um nach oben zu navigieren.
- Drücken Sie , um nach unten zu navigieren.

#### **Ein Menü auswählen**

- Drücken Sie , um das gewünschte Menü auszuwählen.

## Einstellungen ändern

Der markierte Wert oder die markierte Einstellung ist ausgewählt.

- ▶ Drücken Sie  $\triangle$ , um den gewählten Wert zu erhöhen oder die vorherige Einstellung zu wählen.
- ▶ Drücken Sie  $\nabla$ , um den gewählten Wert zu verringern oder die nächste Einstellung zu wählen.

## Zum vorherigen Menü zurückkehren

- ▶ Drücken Sie  $\leftarrow$ , um zum vorherigen Menü zurückzukehren, ohne zu speichern.

## 7.7 Display ver- und entriegeln

- ▶ Drücken Sie gleichzeitig  $\triangle$  und  $\nabla$  für 3 Sekunden, um das Display zu verriegeln oder zu entriegeln (Abb. **14**, Seite 11).

## 7.8 Temperatureinheit wählen

- ▶ Gehen Sie vor wie dargestellt (Abb. **15**, Seite 11).

## 7.9 Temperatur einstellen



### **ACHTUNG! Gefahr von Schäden durch zu niedrige Temperatur**

Achten Sie darauf, dass sich nur Gegenstände bzw. Waren in dem Kühlgerät befinden, die auf die gewählte Temperatur gekühlt werden dürfen.

- ▶ Gehen Sie vor wie dargestellt (Abb. **16**, Seite 12).

## 7.10 Batteriewächter verwenden

Das Gerät ist mit einem 3-stufigen Batteriewächter ausgestattet. Der Batteriewächter verhindert eine übermäßige Entladung, wenn das Gerät an eine Fahrzeug-Starterbatterie angeschlossen ist, oder maximiert die Nutzung einer Versorgungsbatterie.

Wird das Kühlgerät bei ausgeschalteter Zündung im Fahrzeug betrieben, schaltet sich das Kühlgerät selbstständig ab, sobald die Versorgungsspannung unter einen einstellbaren Wert abfällt. Das Kühlgerät schaltet sich wieder ein, sobald durch Aufladung der Batterie die Wiedereinschaltspannung erreicht wird.

**ACHTUNG! Beschädigungsgefahr**

Die Batterie wird bei Abschalten durch den Batteriewächter nicht mehr vollständig aufgeladen. Vermeiden Sie wiederholtes Starten. Sorgen Sie dafür, dass die Batterie wieder aufgeladen wird.

**HINWEIS**

Wenn das Kühlgerät von der Starterbatterie versorgt wird, wählen Sie den Batteriewächter-Modus „MEDIUM“ oder „HIGH“. Wenn das Kühlgerät an eine Versorgungsbatterie angeschlossen ist, ist der Batteriewächter-Modus „LOW“ ausreichend.

- Gehen Sie vor wie dargestellt (Abb. **17**, Seite 13).

## 7.11 Displayhelligkeit einstellen

- Gehen Sie vor wie dargestellt (Abb. **18**, Seite 13).

## 7.12 Fächer ein- oder ausschalten (nur CFX 3 75DZ, CFX 3 95DZ)

Sie können jede Zone einzeln oder beide aktivieren.

- Gehen Sie vor wie dargestellt (Abb. **19**, Seite 14).

## 7.13 Eiswürfelbereiter verwenden (nur CFX 3 55IM)

**HINWEIS**

- Unabhängig von der Temperatureinstellung des Hauptfachs ist die Eiswürfelbereiterzone für die Herstellung von Eiswürfeln ausgelegt, wenn der Eiswürfelbereiter eingeschaltet ist.
- Der Energieverbrauch des Kühlgeräts steigt mit eingeschaltetem Eiswürfelbereiter. Deshalb sollten Sie den Eiswürfelbereiter ausschalten, wenn er nicht benötigt wird.
- Die Werkseinstellung für den Eiswürfelbereiter ist AUS.

- Gehen Sie vor wie dargestellt (Abb. **20**, Seite 14).

### Eiswürfelschale mit Trinkwasser füllen

- Nehmen Sie die Eiswürfelschalen (Abb. **21** 1, Seite 15) aus dem Gehäuse des Eiswürfelbereiters (Abb. **21** 2, Seite 15) heraus.

- Nehmen Sie die Abdeckungen des Eiswürfelschalen ab, füllen Sie sauberes Wasser ein und setzen Sie die Abdeckung wieder auf. Achten Sie darauf, dass die Dichtung überall am Rand fest angedrückt ist.
- Positionieren Sie die Eiswürfelschalen wieder im Gehäuse des Eiswürfelbereiters und schließen Sie den Deckel.

**HINWEIS**

Trocknen Sie verschüttetes Wasser unter den Eiswürfelschalen ab. Dadurch wird die Eisbildung unter den Schalen reduziert und die Entnahme erleichtert.

**Eiswürfel entnehmen**

- Öffnen Sie den Deckel des Eiswürfelbereiters und heben Sie die Eiswürfelschalen an der Vorderseite an.

**HINWEIS**

Hohe Luftfeuchtigkeit kann zu einer Eisbildung unter den Eiswürfelschalen führen, wodurch das Entnehmen der Eiswürfelschalen nur beidhändig und mit zusätzlichem Kraftaufwand gelingt.

- Entfernen Sie die Abdeckungen der Eiswürfelschalen und drehen Sie die Schalen, um die Eiswürfel freizugeben.

**Eiswürfelbereiter entfernen**

Der Eiswürfelbereiter kann zur Reinigung oder bei Nichtgebrauch abgenommen werden, um den nutzbaren Raum im Inneren des Kühlgeräts zu vergrößern:

- Heben Sie das Gehäuse an einem Ende an, bis die Lasche ausrastet, und entfernen Sie es dann.
- Gehen Sie zum Wiedereinbau in umgekehrter Reihenfolge vor, indem Sie die Laschen nach unten drücken, bis sie einrasten.

**Tipps zur Benutzung des Eiswürfelbereiters**

- Der Eiswürfelbereiter erzeugt nach dem Einschalten einige Stunden lang schnell Eis und geht dann automatisch in einen Erhaltungsmodus über, um den Energieverbrauch zu reduzieren. Wenn mehrere Eiswürfelportionen so schnell wie möglich benötigt werden, können Sie den Eiswürfelbereiter durch Aus- und Wiedereinschalten wieder in den Modus versetzen, schnell Eis zu erzeugen. Wiederholen Sie dies nach Bedarf.

- Niedrig eingestellte Gefriertemperaturen im Hauptfach können bei Umgebungsbedingungen mit hohen Temperaturen und eingeschaltetem Eiswürfelbereiter nicht gehalten werden.

### **Eiswürfelbereiter reinigen und trocknen**

- Reinigen und trocknen Sie die Eiswürfelschalen und das Innere des Eiswürfelbereiters bei Nichtgebrauch, um Schimmelbildung zu vermeiden.
- Reinigen Sie die Eiswürfelschalen nach längerer Nichtbenutzung mit einer milden Spülmittellösung und spülen Sie sie vor der Verwendung mit sauberem Wasser ab.

## **7.14 Die App CFX3 herunterladen**

Das Kühlgerät kann über Bluetooth oder WiFi mithilfe einer App überwacht und gesteuert werden, die Sie auf einem kompatiblen Gerät installieren können.

- Laden Sie die CFX3-App aus dem App Store oder von Google Play herunter.

Beachten Sie, dass die CFX3-App in Ihrem Land möglicherweise nicht verfügbar ist.

## **7.15 Bluetooth-Signal einstellen und Verbindung zur App herstellen**

Das Kühlgerät kann über Bluetooth überwacht und gesteuert werden. Dazu müssen Sie das Kühlgerät mit Ihrem Bluetooth-Gerät koppeln.



### **HINWEIS**

- Das Koppeln muss innerhalb der CFX3-App erfolgen, nicht in den Geräteeinstellungen.
- Für die Bluetooth-Verbindung ist kein Passwort erforderlich.

- Gehen Sie vor wie dargestellt (Abb. **22**, Seite 15).

## **7.16 WiFi-Signal einstellen und Verbindung zur App herstellen**

Das Kühlgerät kann über eine direkte WiFi-Verbindung zum Kühlgerät oder über ein WiFi-Netzwerk überwacht und gesteuert werden.

- Gehen Sie vor wie dargestellt (Abb. **23**, Seite 16), um WiFi einzuschalten.

- Für eine direkte WiFi-Verbindung zum Kühlgerät gehen Sie zu den Geräteeinstellungen und wählen Sie Ihr Kühlgerät aus.
  - Der WiFi-Name Ihres Kühlgerätes beginnt mit „CFX3“.
  - Das voreingestellte Passwort lautet „**00000000**“.
  - Sie können den WiFi-Namen und das Passwort in der CFX3-App personalisieren.

**HINWEIS**

Für die Verbindung über das WiFi-Netzwerk gehen Sie in der App zu „Netzwerkverbindung“ in den EINSTELLUNGEN.

## 7.17 CFX-Name und Passwort in der App ändern

- Sie können den Namen Ihres CFX in der App personalisieren.
  - Der gleiche Name gilt sowohl für Bluetooth als auch für WiFi.
  - Sie können auch das Passwort in der App personalisieren (gilt nur für WiFi).
- Rufen Sie „CFX-Name und Passwort“ in den EINSTELLUNGEN der App auf.

## 7.18 App-Passwort zurücksetzen (nur WiFi)

- Sie können das App-Passwort auf die Werkseinstellung „**00000000**“ zurücksetzen.
- Gehen Sie vor wie dargestellt (Abb. **23**, Seite 16).

## 7.19 Auf Werkseinstellungen zurücksetzen

Mit dieser Funktion werden alle Displaymenü- und App-Felder auf die ursprünglichen Werkseinstellungen zurückgesetzt.

- Gehen Sie vor wie dargestellt (Abb. **24**, Seite 16).

## 7.20 USB-Anschluss für Spannungsversorgung

Sie können den USB-Anschluss zum Laden von Kleingeräten (z. B. Mobiltelefone und MP3-Player) nutzen.

**HINWEIS**

Stellen Sie sicher, dass das an den USB-Anschluss angeschlossene Kleingerät für den Betrieb bei 5 V/2 A geeignet ist.

- Gehen Sie vor wie dargestellt (Abb. **26**, Seite 17).

## 7.21 Kühlbox abtauen

Luftfeuchtigkeit kann sich im Innenraum des Kühlgerätes als Reifniederschlag bilden, der die Kühlleistung verringert. Tauen Sie das Gerät rechtzeitig ab.



### **ACHTUNG! Beschädigungsgefahr**

Verwenden Sie nie harte oder spitze Werkzeuge zum Entfernen von Eisschichten oder zum Lösen festgefrorener Gegenstände.

Gehen Sie wie folgt vor, um das Kühlgerät abzutauen:

- ▶ Entfernen Sie alle Gegenstände aus dem Kühlgerät.
- ▶ Lagern Sie sie ggf. in einem anderen Kühlgerät, damit sie kalt bleiben.
- ▶ Schalten Sie das Gerät aus.
- ▶ Lassen Sie den Deckel geöffnet.
- ▶ Wischen Sie das Tauwasser auf.

## 7.22 Sicherung für Wechselstromkreis ersetzen



### **GEFAHR! Gefahr durch Stromschlag**

Trennen Sie das Gerät vor dem Austauschen der Gerätesicherung von der Spannungsversorgung und ziehen Sie das Anschlusskabel ab.

- ▶ Unterbrechen Sie die Spannungsversorgung des Gerätes.
- ▶ Ziehen Sie das Anschlusskabel ab.
- ▶ Hebeln Sie den Sicherungseinsatz (Abb. **4** 4, Seite 4) z. B. mit einem Schraubendreher heraus.
- ▶ Tauschen Sie die defekte Glassicherung gegen eine neue Sicherung desselben Typs mit demselben Wert (flink, 4 A, 250 V) aus.
- ▶ Drücken Sie den Sicherungseinsatz wieder in das Gehäuse.
- ▶ Verbinden Sie das Gerät wieder mit der Spannungsversorgung.

## 7.23 Sicherung für Gleichstromkreis ersetzen

- ▶ Hebeln Sie den Sicherungsdeckel (Abb. **4** 3, Seite 4) mit einem Schraubendreher heraus.
- ▶ Drehen Sie den Sicherungsdeckel um und entfernen Sie die defekte Flachstecksicherung mit einem Haken.

- Setzen Sie eine neue Sicherung desselben Typs mit demselben Wert ein.
- Setzen Sie den Sicherungsdeckel wieder ein.

## 7.24 Sicherung im Gleichstromstecker ersetzen

- Tauschen Sie die defekte Sicherung gegen eine neue Sicherung desselben Typs mit demselben Wert aus.
- Gehen Sie wie in (Abb. **27**, Seite 17) gezeigt vor.

## 7.25 Lichtleiterplatte wechseln



### **ACHTUNG! Beschädigungsgefahr**

Die Lampe darf nur durch den Hersteller, einen Kundendienst oder eine ähnlich qualifizierte Person ersetzt werden, um Beschädigungen zu vermeiden.

# 8 Reinigung und Pflege



### **ACHTUNG! Beschädigungsgefahr!**

- Reinigen Sie das Kühlgerät niemals unter fließendem Wasser oder gar im Spülwasser.
  - Verwenden Sie zur Reinigung keine scharfen Reinigungsmittel oder harten Gegenstände, da diese das Kühlgerät beschädigen können.
- Reinigen Sie das Kühlgerät innen und außen gelegentlich mit einem feuchten Tuch.
  - Stellen Sie sicher, dass die Be- und Entlüftungsöffnungen des Kühlgerätes frei von Staub und Verunreinigungen sind, damit die beim Betrieb entstehende Wärme abgeführt werden kann und das Kühlgerät keinen Schaden nimmt.

## 9 Störungsbeseitigung

Störung	Mögliche Ursache	Lösungsvorschlag
Das Gerät ist nicht funktionsfähig (Gleichstrommodus, Zündung ein).	Die Gleichstromversorgung führt keine Spannung.	Bei den meisten Fahrzeugen muss der Zündschalter eingeschaltet sein, damit die Gleichstromsteckdose Spannung führt.
	Die Gleichstromsteckdose ist verschmutzt. Das hat einen schlechten elektrischen Kontakt zur Folge.	Wenn der Gerätestecker in der Gleichstromsteckdose sehr warm wird, muss entweder die Steckdose gereinigt werden oder der Stecker ist möglicherweise nicht richtig zusammengesetzt.
	Die Sicherung des Gleichstromsteckers ist durchgebrannt.	Ersetzen Sie die Sicherung im Gleichstromstecker (siehe Kapitel „Sicherung im Gleichstromstecker ersetzen“ auf Seite 57).
	Die Gerätesicherung für den Gleichstromkreis ist durchgebrannt.	Tauschen Sie die Gleichstromsicherung aus, siehe Kapitel „Sicherung für Gleichstromkreis ersetzen“ auf Seite 56.
	Die Fahrzeugsicherung ist durchgebrannt.	Tauschen Sie die Sicherung der Gleichstromsteckdose des Fahrzeugs aus. Beachten Sie dazu die Bedienungsanleitung Ihres Fahrzeugs.
Das Gerät ist nicht funktionsfähig (Wechselstrommodus).	Wechselspannungssteckdose führt keine Spannung.	Versuchen Sie es an einer anderen Steckdose.
	Die Gerätesicherung für den Wechselstromkreis ist durchgebrannt.	Tauschen Sie die Wechselstromsicherung aus, siehe Kapitel „Sicherung für Wechselstromkreis ersetzen“ auf Seite 56.
	Das integrierte Netzteil ist defekt.	Die Reparatur kann nur von einem zugelassenen Kundendienstbetrieb durchgeführt werden.
Das Display reagiert nicht auf Tastendrücke.	Das Display ist gesperrt.	Entsperren Sie das Display, siehe Kapitel „Display ver- und entriegeln“ auf Seite 51.
Die App kann das Gerät nicht steuern.	Bluetooth oder WiFi ist nicht verbunden.	Verbinden Sie Bluetooth, siehe Kapitel „Bluetooth-Signal einstellen und Verbindung zur App herstellen“ auf Seite 54, oder verbinden Sie WiFi, siehe Kapitel „WiFi-Signal einstellen und Verbindung zur App herstellen“ auf Seite 54.

Störung	Mögliche Ursache	Lösungsvorschlag
Das Display zeigt eine Warnmeldung oder einen Warncode an.	–	Siehe Tabelle unten.

## Warnmeldungen

Z. B. siehe Abb. 25 A, Seite 16.

Warnmeldung	Bezeichnung	Mögliche Ursache	Lösungsvorschlag
!ALERT - Lid open > 3 min	Deckel mehr als 3 Minuten geöffnet	<ul style="list-style-type: none"> <li>• Deckel nicht vollständig verriegelt</li> <li>• Interner Fehler</li> </ul>	<ul style="list-style-type: none"> <li>• Prüfen, ob der Deckel vollständig verriegelt ist</li> <li>• Inspektion durch eine zugelassene Reparaturwerkstatt erforderlich</li> </ul>
!ALERT - Voltage low	Das Gerät hat aufgrund von Unterspannung den Gleichstrombetrieb eingestellt	<ul style="list-style-type: none"> <li>• Unzureichende Versorgungsspannung</li> <li>• Batteriespannung zu niedrig</li> <li>• Der Batteriewächter ist zu hoch eingestellt</li> </ul>	<ul style="list-style-type: none"> <li>• Auf Spannungsabfall von der Batterie zur Steckdose prüfen und ggf. Verdrahtungsstärke erhöhen</li> <li>• Batterie prüfen und bei Bedarf aufladen</li> <li>• Eine niedrigere Einstellung für den Batteriewächter wählen</li> </ul>

## Warncodes

Z. B. siehe Abb. 25 B, Seite 16.

Warncode	Störung	Mögliche Ursache	Lösungsvorschlag
!WARNING 32	Überstrom des Lüfters	Interner Fehler	Das Gerät für mindestens 5 Minuten ausschalten und dann neu starten. Wenn das Problem weiter besteht, ist eine Inspektion durch eine autorisierte Werkstatt erforderlich.
!WARNING 33	Kompressorstart fehlgeschlagen		

Warncode	Störung	Mögliche Ursache	Lösungsvorschlag
!WARNING 34	Kompressor- drehzahl niedrig	<ul style="list-style-type: none"> <li>Hohe Umge- bungstemperatur</li> </ul>	<ul style="list-style-type: none"> <li>Das Gerät für mindes- tens 30 Minuten aus- schalten oder an einen kühlere Standort stel- len und dann neu starten</li> </ul>
!WARNING 35	Übertemperatur des Reglers	<ul style="list-style-type: none"> <li>Entlüftungsöff- nung verstopft oder unzurei- chender Abstand</li> <li>Interner Fehler</li> </ul>	<ul style="list-style-type: none"> <li>Entlüftungsöffnungen freilegen</li> <li>Inspektion durch eine zugelassene Reparatur- werkstatt erforderlich</li> </ul>
!WARNING 01	Offener Strom- kreis NTC, SZ und DZ GROSS	Interner Fehler	Inspektion durch eine zuge- lassene Reparaturwerkstatt erforderlich
!WARNING 11	Offener Strom- kreis NTC, DZ KLEIN		
!WARNING 02	Kurzschluss NTC, SZ und DZ GROSS		
!WARNING 12	Kurzschluss NTC, SZ KLEIN		
!WARNING 09	DZ-Ventil oder Eiswürfelbereiter- Ventil defekt		Das Gerät für mindestens 1 Minute ausschalten, dann neu starten. Wenn das Prob- lem weiter besteht, ist eine Inspektion durch eine auto- risierte Werkstatt erforder- lich.
!WARNING 03/43	Kommunikations- fehler		

## 10 Garantie

Es gilt die gesetzliche Gewährleistungsfrist. Sollte das Produkt defekt sein, wenden Sie sich bitte an die Niederlassung des Herstellers in Ihrem Land (siehe [dometic.com/dealer](http://dometic.com/dealer)) oder an Ihren Fachhändler.

Zur Reparatur- bzw. Gewährleistungsbearbeitung müssen Sie folgende Unterlagen mitschicken:

- eine Kopie der Rechnung mit Kaufdatum,
- einen Reklamationsgrund oder eine Fehlerbeschreibung.

## 11 Entsorgung

- Geben Sie das Verpackungsmaterial möglichst in den entsprechenden Recycling-Müll.



Wenn Sie das Produkt endgültig außer Betrieb nehmen, informieren Sie sich bitte beim nächsten Recyclingcenter oder bei Ihrem Fachhändler über die zutreffenden Entsorgungsvorschriften.



### **WARNUNG! Gefahr des Einschließens von Kindern**

Vor der Entsorgung Ihres alten Kühlgeräts:

- Den Deckel demontieren.
- Die Körbe im Kühlgerät belassen, damit Kinder nicht einfach hineinsteigen können.

## 12 Technische Daten



### HINWEIS

Die unter „Kühlleistung“ angegebene Mindesttemperatur kann nicht erreicht werden, wenn die Umgebungstemperatur bei den Modellen CFX3 35/45/55/55IM/100 über 32 °C (90 °F) oder bei den Modellen CFX3 75DZ/95DZ über 30 °C (86 °F) liegt (Einstellung klein -22 °C/groß +4 °C).

Prüfung/Zertifikate:



	CFX3 35	CFX3 45	CFX3 55
Anschlussspannung:	12/24 V $\equiv$ und 100 – 240 V $\sim$		
Nennstrom:	12 V $\equiv$ : 7,5 A 24 V $\equiv$ : 3,3 A 100 V $\sim$ : 0,94 A 240 V $\sim$ : 0,39 A	12 V $\equiv$ : 8,2 A 24 V $\equiv$ : 3,5 A 100 V $\sim$ : 0,96 A 240 V $\sim$ : 0,40 A	12 V $\equiv$ : 8,7 A 24 V $\equiv$ : 3,7 A 100 V $\sim$ : 0,98 A 240 V $\sim$ : 0,41 A
Kühlleistung:	-22 °C bis +10 °C (-8 °F bis +50 °F)		
Kategorie:	1		
Energieeffizienzklasse:	A++		
Energieverbrauch:	81 kWh/Jahr	79 kWh/Jahr	83 kWh/Jahr
Bruttoinhalt:	36 l	46 l	55 l
Nutzinhalt:	36 l	46 l	55 l
Klimaklasse:	N, T		
Umgebungstemperatur:	+16 °C bis +43 °C (+61 °F bis +110 °F)		
Schallemission:	44 dB(A)	47 dB(A)	
USB-Ladeanschluss:	5 V $\equiv$ , 2 A		
Frequenzbereich:	WiFi: 2412 MHz – 2472 MHz/2422 MHz – 2462 MHz Bluetooth/BLE: 2402 MHz – 2480 MHz		
Frequenzbereich (WiFi):	2,4 GHz		

	<b>CFX3 35</b>	<b>CFX3 45</b>	<b>CFX3 55</b>
HF-Ausgangsleistung:	WiFi: 16,62 dBm (802.11b), 16,23 dBm (802.11g), 16,45 dBm (802.11n20), 16,02 dBm (802.11n40) Bluetooth: 8,31 dBm Bluetooth LE: 6,67 dBm		
Kältemittelmenge:	38 g	42 g	45 g
CO <sub>2</sub> -Äquivalent:	0,054 t	0,060 t	0,064 t
Treibhauspotential (GWP):	1430		
Abmessungen (B x T x H) in mm (inkl. Griffe):	398 x 694 x 407	398 x 694 x 476	720 x 455 x 480
Gewicht:	16,9 kg	18,7 kg	20,4 kg

	<b>CFX3 55IM</b>	<b>CFX3 75DZ</b>	<b>CFX3 95DZ</b>
Anschlussspannung:	12/24 V $\overline{\text{---}}$ und 100 – 240 V $\sim$		
Nennstrom:	12 V $\overline{\text{---}}$ : 8,9 A 24 V $\overline{\text{---}}$ : 3,8 A 100 V $\sim$ : 1,00 A 240 V $\sim$ : 0,42 A	12 V $\overline{\text{---}}$ : 9,6 A 24 V $\overline{\text{---}}$ : 4,2 A 100 V $\sim$ : 1,12 A 240 V $\sim$ : 0,47 A	12 V $\overline{\text{---}}$ : 10,4 A 24 V $\overline{\text{---}}$ : 4,6 A 100 V $\sim$ : 1,22 A 240 V $\sim$ : 0,51 A
Kühlleistung:	-22 °C bis +10 °C (-8 °F bis +50 °F)		
Kategorie:	1		
Energieeffizienzklasse:	A++	A+	
Energieverbrauch:	82 kWh/Jahr	108 kWh/Jahr	111 kWh/Jahr
Bruttoinhalt:	55 l	75 l (45 l/30 l)	94 l (55 l/39 l)
Nutzinhalt:	53 l	75 l (45 l/30 l)	94 l (55 l/39 l)
Klimaklasse:	N, T		
Umgebungstemperatur:	+16 °C bis +43 °C (+61 °F bis +110 °F)		
Schallemission:	48 dB(A)	50 dB(A)	
USB-Ladeanschluss:	5 V $\overline{\text{---}}$ , 2 A		

	<b>CFX3 55IM</b>	<b>CFX3 75DZ</b>	<b>CFX3 95DZ</b>
Frequenzbereich:	WiFi: 2412 MHz – 2472 MHz/2422 MHz – 2462 MHz Bluetooth/BLE: 2402 MHz – 2480 MHz		
Frequenzbereich (WiFi):	2,4 GHz		
HF-Ausgangsleistung:	WiFi: 16,62 dBm (802.11b), 16,23 dBm (802.11g), 16,45 dBm (802.11n20), 16,02 dBm (802.11n40) Bluetooth: 8,31 dBm Bluetooth LE: 6,67 dBm		
Kältemittelmenge:	45 g	59 g	67 g
CO <sub>2</sub> -Äquivalent:	0,064 t	0,084 t	0,096 t
Treibhauspotential (GWP):	1430		
Abmessungen (B x T x H) in mm (inkl. Griffe):	720 x 455 x 480	892 x 495 x 472	962 x 530 x 472
Gewicht:	21,3 kg	27,8 kg	29,8 kg

	<b>CFX3 100</b>
Anschlussspannung:	12/24 V $\equiv$ und 100 – 240 V $\sim$
Nennstrom:	12 V $\equiv$ : 10,8 A 24 V $\equiv$ : 4,8 A 100 V $\sim$ : 1,28 A 240 V: 0,53 A
Kühlleistung:	+10 °C bis -22 °C (+50 °F bis -8 °F)
Kategorie:	1
Energieeffizienzklasse:	A+
Energieverbrauch:	111 kWh/Jahr
Bruttoinhalt:	99 l
Nutzinhalt:	88 l
Klimaklasse:	N, T
Umgebungstemperatur:	+16 °C bis +43 °C (+61 °F bis +110 °F)

	<b>CFX3 100</b>
Schallemission:	36,5 dB(A)
USB:	5 V $\overline{=}$ , 2 A
Frequenzbereich:	WiFi: 2412 MHz – 2472 MHz/2422 MHz – 2462 MHz Bluetooth/BLE: 2402 MHz – 2480 MHz
Frequenzbereich (WiFi):	2,4 GHz
HF-Ausgangsleistung:	WiFi: 16,62 dBm (802.11b), 16,23 dBm (802.11g), 16,45 dBm (802.11n20), 16,02 dBm (802.11n40) Bluetooth: 8,31 dBm Bluetooth LE: 6,67 dBm
Kältemittelmenge:	60 g
CO <sub>2</sub> -Äquivalent:	0,086 t
Treibhauspotential (GWP):	1430
Abmessungen (B x T x H) in mm (inkl. Griffe):	962 x 530 x 472
Gewicht:	29,6 kg

Der Kühlkreis enthält R134a.

Enthält fluorierte Treibhausgase

Hermetisch geschlossene Einrichtung

**Veillez lire ce manuel avec attention avant de mettre l'appareil en service. Conservez ensuite ce manuel. En cas de passer de l'appareil, veuillez le transmettre au nouvel acquéreur.**

Le fabricant décline toute responsabilité en cas de dommages provoqués par une **utilisation non-conforme de l'appareil** ou **par des erreurs de manipulation**.

## Sommaire

<b>1</b>	<b>Explication des symboles</b> .....	67
<b>2</b>	<b>Consignes de sécurité</b> .....	68
<b>3</b>	<b>Pièces fournies</b> .....	71
<b>4</b>	<b>Accessoires</b> .....	71
<b>5</b>	<b>Usage conforme</b> .....	71
<b>6</b>	<b>Description du fonctionnement</b> .....	72
6.1	Étendue des fonctions .....	72
6.2	Éléments de commande et d'affichage .....	73
<b>7</b>	<b>Utilisation</b> .....	74
7.1	Avant la première utilisation .....	74
7.2	Conseils pour économiser de l'énergie .....	74
7.3	Inversion du sens d'ouverture du couvercle .....	74
7.4	Raccordement de la glacière .....	75
7.5	Utilisation de la glacière .....	75
7.6	Utilisation de l'écran .....	76
7.7	Verrouillage/déverrouillage de l'écran .....	77
7.8	Sélection des unités de température .....	77
7.9	Réglage de la température .....	77
7.10	Utilisation de la protection de batterie .....	77
7.11	Réglage de la luminosité de l'écran .....	78
7.12	Mise en marche ou arrêt des compartiments (uniquement CFX3 75DZ, CFX3 95DZ) .....	78
7.13	Utilisation de la machine à glaçons (uniquement CFX3 55IM) .....	78
7.14	Téléchargement de l'application mobile CFX3 .....	79
7.15	Réglage du signal Bluetooth et connexion à l'application .....	80
7.16	Réglage du signal WiFi et connexion à l'application .....	80
7.17	Changement du nom du CFX et du mot de passe dans l'application .....	80

7.18	Réinitialisation du mot de passe de l'application (WiFi uniquement) . . . . .	81
7.19	Restauration des réglages d'usine . . . . .	81
7.20	Port USB pour l'alimentation électrique . . . . .	81
7.21	Dégivrage de la glacière . . . . .	81
7.22	Remplacement du fusible CA . . . . .	82
7.23	Remplacement du fusible CC . . . . .	82
7.24	Remplacement du fusible de la fiche CC . . . . .	82
7.25	Remplacement de la platine de commande lumineuse . . . . .	83
<b>8</b>	<b>Nettoyage et maintenance</b> . . . . .	<b>83</b>
<b>9</b>	<b>Guide de dépannage</b> . . . . .	<b>84</b>
<b>10</b>	<b>Garantie</b> . . . . .	<b>87</b>
<b>11</b>	<b>Retraitement</b> . . . . .	<b>87</b>
<b>12</b>	<b>Caractéristiques techniques</b> . . . . .	<b>88</b>

## 1 Explication des symboles



### **DANGER !**

**Consigne de sécurité** signalant une situation dangereuse qui entraîne la mort ou de graves blessures si elle n'est pas évitée.



### **AVERTISSEMENT !**

**Consigne de sécurité** signalant une situation dangereuse qui peut entraîner la mort ou de graves blessures si elle n'est pas évitée.



### **ATTENTION !**

**Consigne de sécurité** signalant une situation dangereuse qui peut entraîner des blessures de gravité moyenne ou légère si elle n'est pas évitée.



### **AVIS !**

Remarque signalant une situation qui peut entraîner des dommages matériels si elle n'est pas évitée.

**REMARQUE**

Informations complémentaires sur l'utilisation du produit.

## 2 Consignes de sécurité



**AVERTISSEMENT ! Le non-respect de ces mises en garde peut entraîner des blessures graves, voire mortelles.**

**Danger de mort par électrocution**

- Si l'appareil présente des dégâts visibles, vous ne devez pas le mettre en service.
- Si le câble d'alimentation de ce dispositif de refroidissement est endommagé, il doit être remplacé pour éviter tout danger.
- Seul un personnel qualifié est habilité à effectuer des réparations sur l'appareil. Toute réparation mal effectuée risque d'entraîner de graves dangers.

**Risque d'incendie**

- Veillez à ne pas coincer ni endommager le cordon d'alimentation lors de la mise en place de l'appareil.
- Ne placez pas de multiprises portables ou de blocs d'alimentation portables à l'arrière de l'appareil.

**Risque pour la santé**

- Cet appareil peut être utilisé par des enfants âgés de 8 ans et plus et des personnes ayant des capacités physiques, sensorielles ou mentales réduites ou un manque d'expérience et de connaissances, s'ils sont sous surveillance ou ont reçu des instructions sur l'utilisation de l'appareil en toute sécurité et comprennent les risques impliqués.
- Les enfants ne doivent pas jouer avec cet appareil.
- Le nettoyage et la maintenance ne doivent pas être effectués par des enfants sans surveillance.
- Les enfants âgés de 3 à 8 ans peuvent charger et décharger les appareils de réfrigération.

**Risque d'explosion**

- Ne stockez aucune substance explosive comme p. ex. des aérosols contenant des agents propulseurs dans l'appareil.



**ATTENTION ! Le non-respect de ces mises en garde peut entraîner des blessures légères ou de gravité modérée.**

**Danger de mort par électrocution**

- Avant de mettre l'appareil en service, assurez-vous que la ligne d'alimentation électrique et la fiche sont sèches.
- Débranchez l'appareil du secteur
  - avant tout nettoyage et entretien
  - après chaque utilisation

**Risque pour la santé**

- Veuillez vérifier si la puissance frigorifique de l'appareil correspond à la température de conservation recommandée pour les aliments ou les médicaments que vous souhaitez refroidir.
- Les aliments ne peuvent être conservés que dans leurs emballages originaux ou dans des récipients appropriés.
- Une ouverture prolongée de l'appareil de réfrigération peut entraîner une augmentation significative de la température dans les compartiments de l'appareil.
- Nettoyez régulièrement les surfaces qui entrent en contact avec les aliments, ainsi que les systèmes de drainage accessibles.
- Stockez la viande et le poisson crus dans des récipients appropriés afin qu'ils n'entrent pas en contact avec d'autres aliments qui se trouvent dans l'appareil ou ne risquent pas de couler dessus.
- Si l'appareil reste vide pendant une longue période :
  - Éteignez l'appareil.
  - Dégivrez l'appareil.
  - Nettoyez et séchez l'appareil.
  - Laissez la porte ouverte pour éviter la formation de moisissures à l'intérieur de l'appareil.



**AVIS ! Risque d'endommagement**

- Comparez la tension indiquée sur la plaque signalétique avec l'alimentation électrique dont vous disposez.
- Branchez l'appareil uniquement comme indiqué ci-dessous :
  - avec le câble de raccordement CC sur une prise CC du véhicule
  - ou avec le câble de raccordement CA au secteur à courant alternatif
- Ne tirez jamais sur le câble de raccordement pour sortir la fiche de la prise.

- Si la glacière est raccordée à la prise CC : débranchez de la batterie la glacière et les autres consommateurs d'énergie avant de raccorder un chargeur rapide.
- Si la glacière est raccordée à la prise CC : débranchez ou éteignez la glacière lorsque vous éteignez le moteur. Dans le cas contraire, il se pourrait que la batterie se décharge.
- N'utilisez pas la glacière pour le transport de produits corrosifs ou de solvants.
- Cette glacière contient du cyclopentane inflammable dans son isolation. Les gaz contenus dans le matériau d'isolation exigent une procédure de retraitement particulière. Une fois que vous ne l'utilisez plus, recyclez l'appareil de manière conforme.
- N'utilisez aucun appareil électrique dans la glacière, sauf si ces appareils sont recommandés par le fabricant pour cet usage.
- Ne placez pas l'appareil près de flammes ou d'autres sources de chaleur (chauffage, rayons solaires, réchauds à gaz, etc.).
- **Risque de surchauffe !**  
En toutes circonstances, maintenir une zone de ventilation de 50 mm minimum autour du dispositif de réfrigération. Cette zone de ventilation doit rester libre de tout objet susceptible de réduire le flux d'air acheminé vers les composants réfrigérants.  
Ne placez pas le dispositif de réfrigération dans des zones ou à l'intérieur de boîtiers clos dans lesquels l'air ne peut circuler pas ou trop peu.
- Assurez-vous que les fentes d'aération ne sont pas recouvertes.
- Ne pas remplir le bac intérieur de substances liquides ou de glace.
- Ne plongez jamais l'appareil dans l'eau.
- Tenez l'appareil et les câbles à l'abri de la chaleur et de l'humidité.

### 3 Pièces fournies

Élément dans fig. 1, page 3	Quantité	Description
1	1	Glacière
2	1	Câble de raccordement au courant continu
3	1	Câble de raccordement au courant alternatif

### 4 Accessoires

Disponibles en accessoire (non compris dans les pièces fournies) :

Désignation	N° d'article	Modèle
Application CFX3	–	convient à tous les modèles
PLB 40	9600014024	convient à tous les modèles

Notez que l'application CFX3 peut ne pas être disponible dans votre pays.

### 5 Usage conforme

L'appareil est conçu pour :

- Le fonctionnement dans des véhicules
- La réfrigération et la congélation d'aliments
- L'utilisation en camping

L'appareil n'est **pas** conçu pour :

- Le stockage de substances corrosives, caustiques ou contenant des solvants
- La surgélation d'aliments

L'appareil de réfrigération est conçu pour le camping. L'appareil ne doit pas être exposé à la pluie.

Les compartiments à deux étoiles conviennent pour le stockage des produits pré-congelés et pour le stockage ou la préparation de glaces et de glaçons.

Les compartiments à une, deux et trois étoiles ne conviennent pas pour la congélation de produits frais.

## 6 Description du fonctionnement

L'appareil de réfrigération permet de réfrigérer, de tenir au frais ou de congeler des produits. La réfrigération est assurée par un circuit de refroidissement à compresseur qui nécessite peu d'entretien. L'isolation forte et le puissant compresseur assurent un refroidissement particulièrement rapide.

La glacière convient pour une utilisation mobile.

La glacière supporte pendant une courte durée d'être inclinée à 30°.

### 6.1 Étendue des fonctions

- Alimentation électrique avec raccordement prioritaire pour raccordement au courant alternatif
- Protection de batterie à trois niveaux pour protéger la batterie du véhicule
- Écran avec affichage de la température en °C et °F
- Réglage de la température par paliers de 1 °C (1 °F)
- Fonctions WiFi et Bluetooth intégrées contrôlables à l'aide d'une application
- Poignées rabattables
- Chargeur USB pour appareils portables tels que les téléphones mobiles
- Élément panier amovible
- **CFX3 55IM seulement** : Machine à glaçons

## 6.2 Éléments de commande et d'affichage

**Loquet pour couvercle : fig. 2 1, page 3**

**Panneau de commande (fig. 3, page 4) :**

Élé- ment	Description	Explication
1		Allume la glacière en appuyant brièvement sur la touche Éteint la glacière en appuyant trois secondes sur la touche Revient au menu précédent
2	Écran	Affiche les informations  <b>ac</b> : Réseau alternatif connecté <b>dcv</b> : Réseau continu connecté  : Bluetooth activé  : WiFi activé  : Écran verrouillé ● : Compresseur en marche ■ : Machine à glaçon en marche (CFX3 55IM uniquement)
3		Appuyez sur  pour naviguer vers le haut ou pour augmenter la valeur sélectionnée.  Appuyez sur  pour naviguer vers le bas ou pour diminuer la valeur sélectionnée.  Appuyez sur  et sur  simultanément pendant 3 s pour verrouiller ou déverrouiller l'écran.
4		Appuyez pour sélectionner un menu ou pour enregistrer la valeur sélectionnée.

**Douilles de raccordement (fig. 4, page 4) :**

Élé- ment	Description
1	Prise de raccordement de l'alimentation en tension alternative
2	Prise de raccordement de l'alimentation en tension continue
3	Porte-fusible CC
4	Porte-fusible CA

## 7 Utilisation

### 7.1 Avant la première utilisation

**REMARQUE**

Avant de mettre en service votre nouvelle glacière, vous devez, pour des raisons d'hygiène, la nettoyer à l'intérieur et à l'extérieur à l'aide d'un tissu humide (voir aussi chapitre « Nettoyage et maintenance », page 83).

### 7.2 Conseils pour économiser de l'énergie

- Choisissez un emplacement bien aéré et à l'abri du soleil.
- Laissez refroidir les aliments chauds avant de les déposer dans la glacière.
- Ne pas ouvrir la glacière plus souvent que nécessaire.
- Ne laissez pas la glacière ouverte plus longtemps que nécessaire.
- Dégivrez la glacière dès qu'une couche de glace s'est formée.
- Évitez les basses températures inutiles.

### 7.3 Inversion du sens d'ouverture du couvercle

**CFX 3 55, CFX 3 55IM, CFX 3 100**

- Procédez comme indiqué (fig. 5, page 5).

**CFX 3 75DZ, CFX 3 95 DZ**

- Procédez comme indiqué (fig. 6, page 6).

## 7.4 Raccordement de la glacière



### AVIS ! Risque d'endommagement

- Pour la protection de l'appareil, le câble CC fourni comprend un fusible à l'intérieur de la fiche. **Ne retirez pas** la fiche CC protégée par fusible.  
Utilisez uniquement le câble de raccordement fourni à la livraison.
- Débranchez la glacière et les autres consommateurs d'énergie de la batterie avant de recharger la batterie avec un chargeur rapide.  
Les surtensions peuvent endommager l'électronique des appareils.

### Raccordement à une batterie

- Procédez comme indiqué (fig. **7**, page 7).

### Raccordement par câblage CC étendu (uniquement CFX3 100)

- Procédez comme indiqué (fig. **8**, page 8).

### Raccordement à un réseau alternatif



### DANGER ! Risque d'électrocution

- Ne vous approchez pas de fiches ou de commutateurs lorsque vous avez les mains mouillées ou les pieds dans l'eau.
- Si vous raccordez votre glacière à un réseau alternatif à bord d'un bateau, vous devez dans tous les cas brancher un disjoncteur différentiel entre le réseau alternatif et la glacière.  
Veuillez vous renseigner auprès d'un spécialiste.

- Procédez comme indiqué (fig. **9**, page 9).

## 7.5 Utilisation de la glacière



### AVIS ! Risque de surchauffe

Garantissez en permanence une ventilation suffisante pour que la chaleur générée pendant le fonctionnement puisse se dissiper. Assurez-vous que les fentes d'aération ne sont pas recouvertes. Veillez à ce que l'appareil se trouve à une distance suffisante des murs ou des objets, de sorte que l'air puisse circuler.



### REMARQUE

Lorsque l'appareil est fonctionne avec la batterie, l'écran s'éteint automatiquement si la tension de la batterie est faible.

- Mise en marche de la glacière : fig. **10**, page 9
- Mise à l'arrêt de la glacière : fig. **11**, page 10

## 7.6 Utilisation de l'écran

### Affichage des états (fig. **12**, page 10)

Élé- ment	Description
A	Veille
B	Inactif
C	Verrouillé

### Vue d'ensemble de l'écran : fig. **13**, page 11

#### Navigation dans les menus

Le menu en surbrillance est sélectionné.

- Appuyez sur  pour naviguer vers le haut.
- Appuyez sur  pour naviguer vers le bas.

#### Sélection d'un menu

- Appuyez sur  pour sélectionner le menu souhaité.

#### Modification des réglages

La valeur ou le réglage en surbrillance est sélectionné.

- Appuyez sur  pour augmenter la valeur sélectionnée ou pour sélectionner le réglage précédent.
- Appuyez sur  pour diminuer la valeur sélectionnée ou pour sélectionner le réglage suivant.

#### Retour au menu précédent

- Appuyez sur  pour revenir au menu précédent sans enregistrer.

## 7.7 Verrouillage/déverrouillage de l'écran

- Appuyez sur  et sur  simultanément pendant 3 s pour verrouiller ou déverrouiller l'écran (fig. 14, page 11).

## 7.8 Sélection des unités de température

- Procédez comme indiqué (fig. 15, page 11).

## 7.9 Réglage de la température



### **AVIS ! Risque d'endommagement dû à une température trop basse**

Veillez à ne déposer dans la glacière que des objets ou des aliments qui peuvent être réfrigérés à la température sélectionnée.

- Procédez comme indiqué (fig. 16, page 12).

## 7.10 Utilisation de la protection de batterie

L'appareil est équipé d'une protection de batterie à 3 niveaux. La protection de batterie empêche une décharge excessive lorsque l'appareil est connecté à une batterie de démarrage de véhicule ou maximise l'utilisation d'une batterie d'alimentation.

Si la glacière est mise en marche alors que l'allumage du véhicule est éteint, elle s'arrête automatiquement dès que la tension d'alimentation descend en dessous d'une valeur prédéfinie. La glacière se remet en marche dès que la batterie est rechargée et que la tension de rallumage est atteinte.



### **AVIS ! Risque d'endommagement**

En cas d'extinction par la protection de batterie, la batterie n'est plus complètement chargée. Évitez de redémarrer à plusieurs reprises. Veillez à recharger la batterie.



### **REMARQUE**

Lorsque la glacière est alimentée par une batterie de démarrage, réglez la protection de batterie sur le mode « MEDIUM » (intermédiaire) ou « HIGH » (élevé). Si la glacière est raccordée à une batterie d'alimentation, le mode de la protection de batterie « LOW » (bas) suffit.

- Procédez comme indiqué (fig. 17, page 13).

## 7.11 Réglage de la luminosité de l'écran

- Procédez comme indiqué (fig. 18, page 13).

## 7.12 Mise en marche ou arrêt des compartiments (uniquement CFX 3 75DZ, CFX 3 95DZ)

Vous pouvez activer chaque zone individuellement ou les deux.

- Procédez comme indiqué (fig. 19, page 14).

## 7.13 Utilisation de la machine à glaçons (uniquement CFX 3 55IM)



### REMARQUE

- Indépendamment du réglage de la température du compartiment principal, la zone de la machine à glaçons est conçue pour la fabrication de glaçons si la machine à glaçons est en marche.
- La consommation en énergie de la glacière augmente lorsque la machine à glaçons est en marche. C'est pourquoi il est recommandé d'éteindre la machine à glaçons si elle n'est pas utilisée.
- La machine à glaçons est réglée sur OFF (arrêt) par défaut.

- Procédez comme indiqué (fig. 20, page 14).

### Remplissage des bacs à glaçons d'eau

- Retirez les bacs à glaçons (fig. 21 1, page 15) du boîtier de la machine à glaçons (fig. 21 2, page 15).
- Retirez les caches des bacs à glaçons, remplissez les bacs d'eau propre et remettez les caches en place en prenant soin de presser le joint de bordure sur tout le pourtour.
- Remplacez les bacs à glaçons dans le boîtier de la machine à glaçons et fermez le couvercle.



### REMARQUE

Essuyez l'eau éventuellement renversée sous les bacs à glaçons. Cela réduira la formation de glace sous les bacs et facilitera le retrait.

### Retrait des glaçons

- Ouvrez le couvercle du boîtier de la machine à glaçons et le soulever sous l'avant des bacs à glaçons.

**REMARQUE**

Le retrait peut nécessiter d'exercer une force supplémentaire en utilisant les deux mains en présence d'une humidité élevée ayant entraîné la formation de glace sous les bacs à glaçons.

- Retirez les caches des bacs à glaçons et vrillez les bacs pour faire sortir les glaçons.

**Retrait du boîtier de la machine à glaçons**

Le boîtier de la machine à glaçons peut être retiré pour le nettoyage ou, lorsqu'il n'est pas utilisé, pour augmenter l'espace utilisable à l'intérieur de la glacière :

- Soulevez le boîtier d'un côté jusqu'à ce que le taquet se détache, puis retirez-le.
- Effectuez la procédure inverse pour le remontage, en appuyant sur les taquets pour les réenclencher.

**Conseils pour l'utilisation de la machine à glaçons**

- La machine à glaçons produit rapidement des glaçons pendant un certain nombre d'heures après sa mise en marche, puis passe automatiquement en mode de maintenance pour réduire la consommation d'énergie. Si plusieurs lots de glaçons sont nécessaires aussi rapidement que possible, le fait d'éteindre et de rallumer la machine à glaçons permet de la remettre en mode de fabrication de glaçons rapide. Répétez au besoin.
- Lorsque la machine à glaçons est en marche, les réglages de température de congélation basse dans le compartiment principal peuvent ne pas être maintenus si la température ambiante est élevée.

**Nettoyage et séchage de la machine à glaçons**

- Lorsqu'ils ne sont pas utilisés, nettoyez et séchez les bacs à glaçons et l'intérieur du boîtier de la machine à glaçons pour éviter la formation de moisissures.
- Après une longue période de non-utilisation, nettoyez l'intérieur des bacs à glaçons avec du produit vaisselle et rincez à l'eau claire avant l'utilisation.

**7.14 Téléchargement de l'application mobile CFX3**

La glacière peut être surveillée et pilotée via Bluetooth ou WiFi à l'aide d'une application que vous pouvez installer sur un appareil compatible.

- Téléchargez l'application CFX3 sur l'App Store ou sur Google Play.

Notez que l'application CFX3 peut ne pas être disponible dans votre pays.

## 7.15 Réglage du signal Bluetooth et connexion à l'application

La glacière peut être surveillée et pilotée via Bluetooth. Pour ce faire, vous devez coupler la glacière avec votre appareil Bluetooth.



### REMARQUE

- Le couplage doit être effectué dans l'application CFX3, et non dans les paramètres de l'appareil.
- Aucun mot de passe n'est requis pour la connexion Bluetooth.

➤ Procédez comme indiqué (fig. **22**, page 15).

## 7.16 Réglage du signal WiFi et connexion à l'application

La glacière peut être surveillée et pilotée via WiFi directement sur la glacière ou via un réseau WiFi.

- Procédez comme indiqué (fig. **23**, page 16) pour activer le WiFi.
- Pour le WiFi direct sur la glacière, allez dans les paramètres de l'appareil et sélectionnez votre glacière.
  - Le nom WiFi de votre glacière commence par « CFX3 ».
  - Le mot de passe réglé par défaut est « **00000000** ».
  - Vous pouvez personnaliser le nom du WiFi et le mot de passe dans l'application CFX3.



### REMARQUE

Pour la connexion par réseau WiFi, allez dans « connexion réseau » dans les PARAMÈTRES de l'application.

## 7.17 Changement du nom du CFX et du mot de passe dans l'application

- Vous pouvez personnaliser le nom de votre CFX dans l'application.
  - Le même nom s'applique à la fois au Bluetooth et au WiFi.
  - Vous pouvez également personnaliser votre mot de passe dans l'application (applicable uniquement au WiFi).
- Passez à « Nom du CFX et mot de passe » dans les PARAMÈTRES de l'application.

## 7.18 Réinitialisation du mot de passe de l'application (WiFi uniquement)

- Vous pouvez réinitialiser le mot de passe de l'application afin de rétablir le réglage d'usine « 00000000 ».
- Procédez comme indiqué (fig. 23, page 16).

## 7.19 Restauration des réglages d'usine

La fonction de réinitialisation permet de rétablir les réglages d'usine de tous les menus d'affichage et des champs de l'application.

- Procédez comme indiqué (fig. 24, page 16).

## 7.20 Port USB pour l'alimentation électrique

Vous pouvez utiliser le port USB pour le chargement de petits appareils (p. ex. un téléphone mobile ou un lecteur MP3).



### REMARQUE

Assurez-vous que le petit appareil branché sur le port USB est utilisable avec 5 V/2 A.

- Procédez comme indiqué (fig. 26, page 17).

## 7.21 Dégivrage de la glacière

L'humidité de l'air peut se condenser sous forme de givre au niveau de l'évaporateur ou à l'intérieur de l'appareil de réfrigération. Cela diminue la puissance frigorifique. Veillez donc à dégivrer l'appareil à temps.



### AVIS ! Risque d'endommagement

N'utilisez jamais d'outils durs ou pointus pour enlever la glace ou pour décoincer les objets pris dans la glace.

Procédez de la manière suivante pour dégivrer la glacière :

- Sortez le contenu de la glacière.
- Placez les aliments éventuellement dans un autre réfrigérateur pour qu'ils restent froids.
- Éteignez l'appareil.

- Laissez le couvercle ouvert.
- Essuyez l'eau de dégivrage.

## 7.22 Remplacement du fusible CA



### **DANGER ! Risque d'électrocution**

Débranchez l'alimentation électrique et le câble de raccordement avant de remplacer le fusible de l'appareil.

- Débranchez l'alimentation électrique de l'appareil.
- Débranchez le câble de raccordement.
- Retirez le porte-fusible (fig. **4** 4, page 4) en faisant p. ex. levier avec un tournevis.
- Remplacez le fusible en verre défectueux par un nouveau fusible du même type et de même caractéristique (rapide, 4 A, 250 V).
- Remplacez le porte-fusible dans le boîtier, en appuyant dessus.
- Raccordez de nouveau l'alimentation électrique de l'appareil.

## 7.23 Remplacement du fusible CC

- Retirez le couvercle du fusible (fig. **4** 3, page 4) en faisant p. ex. levier avec un tournevis.
- Retournez le couvercle du fusible et utilisez un crochet pour retirer le fusible enfichable défectueux.
- Insérez un nouveau fusible du même type et de même caractéristique.
- Remettez le couvercle du fusible en place.

## 7.24 Remplacement du fusible de la fiche CC

- Remplacez le fusible défectueux par un fusible neuf du même type et de même caractéristique.
- Procédez comme indiqué (fig. **27**, page 17).

## 7.25 Remplacement de la platine de commande lumineuse



### **AVIS ! Risque d'endommagement**

La lampe doit uniquement être remplacée par le fabricant, un technicien du service après-vente ou toute autre personne de qualification similaire afin d'éviter tout danger.

## 8 Nettoyage et maintenance



### **AVIS ! Risque d'endommagement !**

- Ne nettoyez jamais la glacière à l'eau courante et ne la plongez pas non plus dans l'eau.
  - N'utilisez pour le nettoyage ni produits abrasifs ni objets durs qui pourraient endommager la glacière.
- Nettoyez de temps à autre l'appareil à l'intérieur et à l'extérieur avec un chiffon humide.
- Assurez-vous que les ouvertures d'aération et de ventilation de l'appareil ne sont pas encombrées de saletés ou de poussières, pour que la chaleur générée par le fonctionnement soit évacuée et que l'appareil ne soit pas endommagé.

## 9 Guide de dépannage

Panne	Cause possible	Solution proposée
L'appareil ne fonctionne pas (mode CC, allumage en marche).	Aucune tension n'a été détectée dans la prise de sortie CC.	Dans la plupart des véhicules, l'allumage doit être allumé avant que l'alimentation soit fournie à la prise CC.
	La prise de courant continu est sale. Ceci entraîne un mauvais contact électrique.	Si la fiche devient très chaude lorsqu'elle est branchée dans la prise CC, c'est que la prise CC doit être nettoyée ou que la fiche n'est pas bien montée.
	Le fusible de sécurité de la fiche CC a sauté.	Remplacez le fusible de la fiche CC, voir chapitre « Remplacement du fusible de la fiche CC », page 82.
	Le fusible CC de l'appareil a sauté.	Remplacez le fusible CC de l'appareil, voir chapitre « Remplacement du fusible CC », page 82.
	Le fusible du véhicule a grillé.	Remplacez le fusible de la prise CC du véhicule. Veuillez vous référer au manuel d'utilisation de votre véhicule.
L'appareil ne fonctionne pas (mode CA).	La prise de tension alternative n'est pas sous tension.	Essayez une autre prise.
	Le fusible CA de l'appareil a sauté.	Remplacez le fusible CA de l'appareil, voir chapitre « Remplacement du fusible CA », page 82.
	L'adaptateur CA intégré est défectueux.	La réparation doit être effectuée uniquement par un service après-vente agréé.
L'écran ne répond pas lors de la saisie avec les touches.	L'écran est verrouillé.	Déverrouillez l'écran, voir chapitre « Verrouillage/déverrouillage de l'écran », page 77.
L'application ne peut pas piloter l'appareil.	Aucune connexion Bluetooth ou WiFi n'est établie.	Établir une connexion Bluetooth, voir chapitre « Réglage du signal Bluetooth et connexion à l'application », page 80, ou WiFi, voir chapitre « Réglage du signal WiFi et connexion à l'application », page 80.
L'écran affiche un message d'alerte ou un code d'avertissement.	–	Voir le tableau ci-dessous.

## Messages d'alerte

Par exemple, voir fig. 25 A, page 16.

Message d'alerte	Description	Cause possible	Solution proposée
!ALERT - Lid open > 3 min	Couvercle ouvert plus de 3 minutes	<ul style="list-style-type: none"> <li>Couvercle pas complètement verrouillé</li> <li>Panne interne</li> </ul>	<ul style="list-style-type: none"> <li>Vérifiez que le couvercle est bien verrouillé</li> <li>Inspection par un service après-vente agréé requise</li> </ul>
!ALERT - Voltage low	L'appareil a cessé de fonctionner en courant continu car la tension est trop basse	<ul style="list-style-type: none"> <li>Tension d'alimentation insuffisante</li> <li>Tension de batterie trop faible</li> <li>Le réglage de la protection de batterie est trop élevé</li> </ul>	<ul style="list-style-type: none"> <li>Vérifiez la chute de tension de la batterie à la prise de courant et augmentez l'épaisseur des câbles si nécessaire</li> <li>Contrôlez la batterie et chargez-la si nécessaire</li> <li>Sélectionnez un réglage de protection de batterie plus faible.</li> </ul>
	L'appareil a cessé de fonctionner en courant continu car la tension est anormalement élevée >31,5 V (peu probable – uniquement à titre de protection des systèmes électroniques – message d'alerte identique à celui destiné à la tension trop basse ci-dessus)	<ul style="list-style-type: none"> <li>Tension d'alimentation en courant continu spécifiée défectueuse</li> <li>Tension d'alimentation erronée</li> <li>Panne interne</li> </ul>	<ul style="list-style-type: none"> <li>Vérifiez que la tension d'alimentation en courant continu correspond à l'étiquette des valeurs nominales du produit CFX3</li> <li>Vérifiez la tension d'alimentation en courant continu et réparez ou remplacez en cas de défaut</li> <li>Inspection par un service après-vente agréé requise</li> </ul>

## Codes d'avertissement

Par exemple, voir fig. 25 B, page 16.

Code d'avertissement	Panne	Cause possible	Solution proposée
!WARNING 32	Surintensité du ventilateur	Panne interne.	Éteignez l'appareil pendant au moins 5 minutes, puis redémarrez. Si le problème persiste, une inspection par un service après-vente agréé est nécessaire
!WARNING 33	Échec du démarrage du compresseur		
!WARNING 34	Vitesse du compresseur basse	<ul style="list-style-type: none"> <li>Température ambiante élevée</li> </ul>	<ul style="list-style-type: none"> <li>Éteignez l'appareil pendant au moins 30 minutes, ou déplacez-le vers un endroit plus frais, puis redémarrez</li> </ul>
!WARNING 35	Surchauffe du contrôleur	<ul style="list-style-type: none"> <li>Ouverture d'aération bloquée ou espace insuffisant</li> <li>Panne interne</li> </ul>	<ul style="list-style-type: none"> <li>Dégagez les ouvertures</li> <li>Inspection par un service après-vente agréé requise</li> </ul>
!WARNING 01	NTC circuit ouvert SZ & DZ GRAND	Panne interne	Inspection par un service après-vente agréé requise
!WARNING 11	NTC circuit ouvert DZ PETIT		
!WARNING 02	NTC court-circuit SZ & DZ GRAND		
!WARNING 12	NTC court-circuit DZ PETIT		
!WARNING 09	Vanne DZ ou vanne de la machine à glaçons défectueuse		Éteignez l'appareil pendant au moins 1 minute, puis redémarrez. Si le problème persiste, une inspection par un service après-vente agréé est nécessaire
!WARNING 03/43	Erreur de communication		

## 10 Garantie

Le délai légal de garantie s'applique. Si le produit s'avérait défectueux, veuillez vous adresser à la filiale du fabricant située dans votre pays (voir [dometic.com/dealer](http://dometic.com/dealer)) ou à votre revendeur spécialisé.

Veuillez y joindre les documents suivants pour la gestion des réparations et de la garantie :

- une copie de la facture avec la date d'achat,
- le motif de la réclamation ou une description du dysfonctionnement.

## 11 Retraitement

- Jetez les emballages dans les conteneurs de déchets recyclables prévus à cet effet.



Lorsque vous mettez votre produit définitivement hors service, informez-vous auprès du centre de recyclage le plus proche ou auprès de votre revendeur spécialisé sur les prescriptions relatives au retraitement des déchets.



### **AVERTISSEMENT ! Risque de coincement des enfants**

Avant de mettre au rebut votre ancien appareil de réfrigération :

- Démontez le couvercle.
- Laissez les paniers en place afin que les enfants ne puissent pas entrer facilement dans l'appareil.

## 12 Caractéristiques techniques



### REMARQUE

La température minimale indiquée dans la section « Capacité de refroidissement » ne peut être atteinte si la température ambiante est supérieure à 32 °C (90 °F) pour les modèles CFX3 35/45/55/55IM/100 ou si la température ambiante est supérieure à 30 °C (86 °F) pour les modèles CFX3 75DZ/95DZ (réglage petit -22 °C/grand +4 °C).

Contrôle/certificats :



	CFX3 35	CFX3 45	CFX3 55
Tension de raccordement :	12/24 V $\overline{=}$ et 100 – 240 V $\sim$		
Courant nominal :	12 V $\overline{=}$ : 7,5 A 24 V $\overline{=}$ : 3,3 A 100 V $\sim$ : 0,94 A 240 V $\sim$ : 0,39 A	12 V $\overline{=}$ : 8,2 A 24 V $\overline{=}$ : 3,5 A 100 V $\sim$ : 0,96 A 240 V $\sim$ : 0,40 A	12 V $\overline{=}$ : 8,7 A 24 V $\overline{=}$ : 3,7 A 100 V $\sim$ : 0,98 A 240 V $\sim$ : 0,41 A
Puissance frigorifique :	-22 °C à +10 °C (-8 °F à +50 °F)		
Catégorie :	1		
Classe d'efficacité énergétique :	A++		
Consommation électrique :	81 kWh/an	79 kWh/an	83 kWh/an
Volume brut :	36 l	46 l	55 l
Contenance :	36 l	46 l	55 l
Classe climatique :	N, T		
Température ambiante :	+16 °C à +43 °C (+61 °F à +110 °F)		
Émissions sonores :	44 dB(A)	47 dB(A)	
Port de chargement USB :	5 V $\overline{=}$ , 2 A		
Gamme de fréquence :	WiFi : 2412 MHz – 2472MHz/2422 MHz – 2462MHz Bluetooth/BLE : 2 402 MHz – 2 480 MHz		

	<b>CFX3 35</b>	<b>CFX3 45</b>	<b>CFX3 55</b>
Bande de fréquences (WiFi) :	2,4 GHz		
Puissance de sortie RF :	WiFi : 16,62 dBm (802.11b), 16,23 dBm (802.11g), 16,45 dBm (802.11n20), 16,02 dBm (802.11n40) Bluetooth : 8,31 dBm Bluetooth LE : 6,67 dBm		
Quantité de fluide frigorigène :	38 g	42 g	45 g
Équivalent CO <sub>2</sub> :	0,054 t	0,060 t	0,064 t
Potentiel d'effet de serre (GWP) :	1430		
Dimensions (L x p x h) en mm (poignées comprises) :	398 x 694 x 407	398 x 694 x 476	720 x 455 x 480
Poids :	16,9 kg	18,7 kg	20,4 kg

	<b>CFX3 55IM</b>	<b>CFX3 75DZ</b>	<b>CFX3 95DZ</b>
Tension de raccordement :	12/24 V $\overline{\text{---}}$ et 100 – 240 V $\sim$		
Courant nominal :	12 V $\overline{\text{---}}$ : 8,9 A 24 V $\overline{\text{---}}$ : 3,8 A 100 V $\sim$ : 1,00 A 240 V $\sim$ : 0,42 A	12 V $\overline{\text{---}}$ : 9,6 A 24 V $\overline{\text{---}}$ : 4,2 A 100 V $\sim$ : 1,12 A 240 V $\sim$ : 0,47 A	12 V $\overline{\text{---}}$ : 10,4 A 24 V $\overline{\text{---}}$ : 4,6 A 100 V $\sim$ : 1,22 A 240 V $\sim$ : 0,51 A
Puissance frigorifique :	-22 °C à +10 °C (-8 °F à +50 °F)		
Catégorie :	1		
Classe d'efficacité énergétique :	A++	A+	
Consommation électrique :	82 kWh/an	108 kWh/an	111 kWh/an
Volume brut :	55 l	75 l (45 l/30 l)	94 l (55 l/39 l)
Contenance :	53 l	75 l (45 l/30 l)	94 l (55 l/39 l)
Classe climatique :	N, T		

	<b>CFX3 55IM</b>	<b>CFX3 75DZ</b>	<b>CFX3 95DZ</b>
Température ambiante :	+16 °C à +43 °C (+61 °F à +110 °F)		
Émissions sonores :	48 dB(A)	50 dB(A)	
Port de chargement USB :	5 V $\overline{=}$ , 2 A		
Gamme de fréquence :	WiFi : 2412 MHz – 2472MHz/2422 MHz – 2462MHz Bluetooth/BLE : 2 402 MHz – 2 480 MHz		
Bande de fréquences (WiFi) :	2,4 GHz		
Puissance de sortie RF :	WiFi : 16,62 dBm (802.11b), 16,23 dBm (802.11g), 16,45 dBm (802.11n20), 16,02 dBm (802.11n40) Bluetooth : 8,31 dBm Bluetooth LE : 6,67 dBm		
Quantité de fluide frigorigène :	45 g	59 g	67 g
Équivalent CO <sub>2</sub> :	0,064 t	0,084 t	0,096 t
Potentiel d'effet de serre (GWP) :	1430		
Dimensions (L x p x h) en mm (poignées comprises) :	720 x 455 x 480	892 x 495 x 472	962 x 530 x 472
Poids :	21,3 kg	27,8 kg	29,8 kg

	<b>CFX3 100</b>
Tension de raccordement :	12/24 V $\overline{=}$ et 100 – 240 V $\sim$
Courant nominal :	12 V $\overline{=}$ : 10,8 A 24 V $\overline{=}$ : 4,8 A 100 V $\sim$ : 1,28 A 240 V : 0,53 A
Puissance frigorifique :	+10 °C à -22 °C (+50 °F à -8 °F)
Catégorie :	1

	<b>CFX3 100</b>
Classe d'efficacité énergétique :	A+
Consommation électrique :	111 kWh/an
Volume brut :	99 l
Contenance :	88 l
Classe climatique :	N, T
Température ambiante :	+16 °C à +43 °C (+61 °F à +110 °F)
Émissions sonores :	36,5 dB(A)
USB :	5 V $\overline{=}$ , 2 A
Gamme de fréquence :	WiFi : 2412 MHz – 2472MHz/2422 MHz – 2462MHz Bluetooth/BLE : 2 402 MHz – 2 480 MHz
Bande de fréquences (WiFi) :	2,4 GHz
Puissance de sortie RF :	WiFi : 16,62 dBm (802.11b), 16,23 dBm (802.11g), 16,45 dBm (802.11n20), 16,02 dBm (802.11n40) Bluetooth : 8,31 dBm Bluetooth LE : 6,67 dBm
Quantité de fluide frigorigène :	60 g
Équivalent CO <sub>2</sub> :	0,086 t
Potentiel d'effet de serre (GWP) :	1430
Dimensions (L x p x h) en mm (poignées comprises) :	962 x 530 x 472
Poids :	29,6 kg

Le circuit frigorifique contient du R134a.

Contient des gaz à effet de serre fluorés

Équipement hermétiquement scellé

**Lea atentamente este manual antes de la puesta en funcionamiento del aparato y consérvelo en un lugar seguro para futuras consultas. En caso de vender o entregar el aparato a otra persona, entregue también estas instrucciones.**

El fabricante declina toda responsabilidad por los daños causados por **el uso inadecuado** o por el **uso incorrecto** del aparato.

## Índice

<b>1</b>	<b>Aclaración de los símbolos</b> .....	93
<b>2</b>	<b>Indicaciones de seguridad</b> .....	94
<b>3</b>	<b>Volumen de entrega</b> .....	96
<b>4</b>	<b>Accesorios</b> .....	97
<b>5</b>	<b>Uso adecuado</b> .....	97
<b>6</b>	<b>Descripción del funcionamiento</b> .....	98
6.1	Volumen de funciones .....	98
6.2	Elementos de mando y de indicación .....	99
<b>7</b>	<b>Manejo</b> .....	100
7.1	Antes del primer uso .....	100
7.2	Consejos para el ahorro de energía .....	100
7.3	Inversión del sentido de apertura de la tapa .....	100
7.4	Conexión de la nevera .....	101
7.5	Uso de la nevera .....	101
7.6	Uso de la pantalla .....	102
7.7	Bloqueo/desbloqueo de la pantalla .....	102
7.8	Selección de las unidades de temperatura .....	103
7.9	Ajuste de la temperatura .....	103
7.10	Uso del protector de batería .....	103
7.11	Ajuste del brillo de la pantalla .....	103
7.12	Encender o apagar los compartimentos (solo CFX3 75DZ, CFX3 95DZ) .....	104
7.13	Uso de la máquina de hielo (solo CFX3 55IM) .....	104
7.14	Descarga de la app CFX3 .....	106
7.15	Ajuste de la señal Bluetooth y conexión a la app .....	106
7.16	Ajuste de la señal WiFi y conexión a la app .....	106
7.17	Cambio del nombre CFX y la contraseña en la app .....	106

7.18	Restablecimiento de la contraseña de la app (solo WiFi) . . . . .	107
7.19	Restablecimiento de los ajustes de fábrica . . . . .	107
7.20	Puerto USB para alimentación de tensión . . . . .	107
7.21	Descongelación de la nevera . . . . .	107
7.22	Cambio del fusible de corriente alterna . . . . .	108
7.23	Cambio del fusible de corriente continua . . . . .	108
7.24	Cambio del fusible de la clavija de corriente continua . . . . .	108
7.25	Cambio de circuito impreso de luces . . . . .	108
<b>8</b>	<b>Limpieza y mantenimiento</b> . . . . .	109
<b>9</b>	<b>Resolución de problemas</b> . . . . .	109
<b>10</b>	<b>Garantía legal</b> . . . . .	113
<b>11</b>	<b>Gestión de residuos</b> . . . . .	113
<b>12</b>	<b>Datos técnicos</b> . . . . .	114

## 1 Aclaración de los símbolos



### ¡PELIGRO!

**Aviso de seguridad** sobre una situación de peligro que, si no se evita, es causa de muerte o heridas graves.



### ¡ADVERTENCIA!

**Aviso de seguridad** sobre una situación de peligro que, si no se evita, puede causar la muerte o heridas graves.



### ¡ATENCIÓN!

**Aviso de seguridad** sobre una situación de peligro que, si no se evita, puede causar heridas leves o de consideración.



### ¡AVISO!

Aviso sobre una situación que, si no se evita, puede causar daños materiales.



### NOTA

Información complementaria para el manejo del producto.

## 2 Indicaciones de seguridad



**¡ADVERTENCIA! El incumplimiento de estas advertencias podría acarrear la muerte o lesiones graves.**

### **Peligro de muerte por descarga eléctrica**

- No ponga el aparato en funcionamiento si presenta desperfectos visibles.
- Si el cable de alimentación de este aparato de refrigeración está dañado, se deberá sustituir para evitar riesgos de seguridad.
- Sólo personal especializado puede realizar reparaciones en el aparato. Las reparaciones realizadas indebidamente pueden dar lugar a situaciones de considerable peligro.

### **Peligro de incendio**

- Al colocar el aparato, asegúrese de que el cable de suministro eléctrico no se haya quedado atrapado o esté dañado.
- No coloque varias tomas o suministros de corriente portátiles detrás del aparato.

### **Riesgo para la salud**

- Este aparato puede ser utilizado por menores a partir de 8 años y personas con capacidad física, sensorial o mental reducida, o con falta de experiencia y conocimientos, siempre que lo hagan bajo supervisión o hayan recibido instrucciones relativas al uso del mismo de manera segura y entendiendo los riesgos asociados.
- No deje que los niños jueguen con el aparato.
- Los niños solo podrán realizar las tareas de limpieza y mantenimiento bajo vigilancia.
- Los menores de 3 a 8 años pueden meter y sacar artículos de la nevera.

### **Peligro de explosión**

- No guarde en el aparato sustancias con peligro de explosión como, p. ej., atomizadores con gases combustibles.



**¡ATENCIÓN! El incumplimiento de estas precauciones podría acarrear lesiones moderadas o leves.**

### **Peligro de muerte por descarga eléctrica**

- Antes de la puesta en funcionamiento, asegúrese de que el cable de alimentación y la clavija de enchufe estén secos.

- Desconecte el aparato de la red
  - antes de realizar cualquier tarea de limpieza y mantenimiento;
  - después de cada uso.

### **Riesgo para la salud**

- Compruebe si la potencia de refrigeración del aparato cumple las exigencias de los alimentos o medicamentos que desea enfriar.
- Los alimentos sólo se pueden guardar en los envases originales o en recipientes adecuados.
- Mantener la nevera abierta durante largos períodos de tiempo puede producir un incremento considerable de la temperatura en los compartimentos del aparato.
- Limpie periódicamente las superficies que puedan estar en contacto con alimentos y los sistemas de desagüe accesibles.
- Guarde la carne y el pescado crudos en recipientes adecuados dentro del aparato para que no entren en contacto con otros alimentos ni goteen sobre estos.
- Si el aparato va a estar vacío durante un período prolongado:
  - Desconéctelo.
  - Descongélelo.
  - Límpielo y séquelo.
  - Deje la puerta abierta para evitar que se forme moho en el aparato.



### **¡AVISO! Peligro de ocasionar daños materiales**

- Compare el valor de tensión indicado en la placa de características con el suministro de energía existente.
- Conecte el aparato únicamente del siguiente modo:
  - conecte el cable de alimentación CC a una caja de enchufe CC en el vehículo
  - o bien conecte el cable de alimentación de CA a la red de corriente alterna
- No extraiga nunca la clavija de la caja de enchufe tirando del cable de conexión.
- Si la nevera está conectada a la caja de enchufe CC: Desconecte de la batería el aparato refrigerador u otros dispositivos consumidores si va a conectar un cargador rápido.
- Si la nevera está conectada a la caja de enchufe CC: Desconecte la conexión o apague el aparato cuando apague el motor. De lo contrario podrá descargarse la batería.

- Este aparato refrigerador no es apto para transportar sustancias corrosivas o disolventes.
- Este aislamiento de este aparato refrigerador contiene ciclopentanto inflamable. Los gases presentes en el material aislante requieren un proceso de eliminación especial. Elimine debidamente el aparato al final de su vida útil.
- No utilice ningún aparato eléctrico dentro de la nevera, a no ser que el aparato en cuestión haya sido recomendado para ello por el fabricante.
- No coloque el aparato cerca de llamas vivas ni de otras fuentes de calor (calefacción, radiación directa del sol, estufas de gas, etc.).
- **¡Peligro de sobrecalentamiento!**  
Asegúrese de que siempre haya un mínimo de 50 mm de ventilación en los cuatro lados del aparato de refrigeración. Mantenga la zona de ventilación libre de objetos que puedan impedir el paso de aire a los componentes refrigerantes.  
No coloque el aparato de refrigeración en compartimentos cerrados o en áreas donde no haya un flujo mínimo de aire.
- Procure que no se obstruyan las ranuras de ventilación.
- No introduzca líquidos ni hielo en el contenedor interior.
- No sumerja nunca el aparato en agua.
- Proteja el aparato y los cables del calor y de la humedad.

### 3 Volumen de entrega

Elemento en la fig. 1, página 3	Cantidad	Descripción
1	1	Nevera
2	1	Cable de conexión para la conexión de corriente continua
3	1	Cable de conexión para la conexión de corriente alterna

## 4 Accesorios

Disponible como accesorio (no incluido en el volumen de entrega):

Denominación	N.º de art.	Modelo
CFX3 app	–	Apto para todos los modelos
PLB40	9600014024	Apto para todos los modelos

Tenga en cuenta que la app CFX3 puede que no esté disponible en su país.

## 5 Uso adecuado

El aparato es adecuado para:

- Funcionamiento en vehículos
- Refrigerar y congelar alimentos
- Uso en campings

El aparato **no** es adecuado para:

- Guardar sustancias corrosivas o que contengan disolventes
- Congelación rápida de alimentos

El aparato de refrigeración es adecuado para el uso en campings. El aparato no debe quedar en modo alguno expuesto a la lluvia.

Los compartimentos para alimentos congelados de dos estrellas son aptos para almacenar productos precongelados, almacenar o hacer helados y hacer cubitos de hielo.

Los compartimentos de una, dos y tres estrellas no son aptos para congelar alimentos frescos.

## 6 Descripción del funcionamiento

En la nevera se pueden enfriar, mantener fríos y congelar productos. La refrigeración se realiza a través de un circuito de refrigeración de bajo mantenimiento con compresor. El amplio aislamiento y el potente compresor aseguran una refrigeración eficiente y rápida.

La nevera está prevista para un uso portátil.

La nevera resiste brevemente un ángulo de inclinación de 30°.

### 6.1 Volumen de funciones

- Fuente de alimentación con conexión de prioridad para conexión a la tensión alterna
- Protector de batería de tres niveles para la batería del vehículo
- Pantalla con sensor de temperatura en °C y °F
- Ajuste de temperatura en pasos de 1 °C (1 °F)
- Función WiFi y Bluetooth integradas y, por tanto, controlable con app
- Asas de transporte abatibles
- Cargador USB para aparatos portátiles como teléfonos móviles
- Cesta interior extraíble
- **Solo CFX3 55IM:** Máquina de hielo

## 6.2 Elementos de mando y de indicación

### Enclavamiento de la tapa: fig. 2 1, página 3

### Panel de control (fig. 3, página 4):

Elemento	Descripción	Explicación
1		<p>Presionando brevemente este pulsador se enciende la nevera</p> <p>Presionando durante tres segundos este pulsador se apaga la nevera</p> <p>Vuelve al menú anterior</p>
2	Pantalla	<p>Muestra la información</p> <p><b>ac</b> : Está conectada la red de corriente alterna</p> <p><b>dcv</b>: Está conectada la red de corriente continua</p> <p> : Está activada la función Bluetooth</p> <p> : Está activada la función WiFi</p> <p> : La pantalla está bloqueada</p> <p>● : El compresor está funcionando</p> <p>■ : La máquina de hielo está funcionando (solo CFX3 55IM)</p>
3		<p>Pulse  para navegar hacia arriba o para aumentar el valor seleccionado.</p> <p>Pulse  para navegar hacia abajo o para disminuir el valor seleccionado.</p> <p>Pulse  y  simultáneamente durante 3 s para bloquear o desbloquear la pantalla.</p>
4		<p>Pulse para seleccionar un menú o para guardar el valor seleccionado.</p>

**Conexiones de enchufe (fig. 4, página 4):**

Elemento	Descripción
1	Conexión de enchufe para la alimentación de tensión alterna
2	Conexión de enchufe para la alimentación de tensión continua
3	Portafusibles de corriente continua
4	Portafusibles de corriente alterna

## 7 Manejo

### 7.1 Antes del primer uso

**NOTA**

Por razones de higiene, deberá limpiar la nevera por dentro y por fuera con un paño húmedo antes de ponerla en funcionamiento (véase también capítulo "Limpieza y mantenimiento" en la página 109).

### 7.2 Consejos para el ahorro de energía

- Elija un lugar de emplazamiento correctamente ventilado y protegido de la radiación solar.
- Antes de introducir alimentos calientes, deje que se enfríen.
- Evite abrir la nevera más de lo necesario.
- No deje la nevera abierta más tiempo del que sea necesario.
- Descongele la nevera una vez que se haya formado una capa de escarcha.
- Evite temperaturas innecesariamente bajas.

### 7.3 Inversión del sentido de apertura de la tapa

**CFX 3 55, CFX 3 55IM, CFX 3 100**

- Proceda como se muestra (fig. 5, página 5).

**CFX 3 75DZ, CFX 3 95DZ**

- Proceda como se muestra (fig. 6, página 6).

## 7.4 Conexión de la nevera



### ¡AVISO! Peligro de daños

- Para proteger el aparato, el cable de corriente continua suministrado incluye un fusible dentro de la clavija. **No** retire la clavija de corriente continua con fusible.

Utilice únicamente el cable de corriente continua suministrado.

- Antes de conectar la batería a un cargador rápido, desconecte la nevera y otros consumidores.

La sobretensión puede dañar el sistema electrónico del aparato.

### Conexión a una batería

- Proceda de la forma indicada (fig. **7**, página 7).

### Conexión mediante cableado CC ampliado (solo CFX3 100)

- Proceda de la forma indicada (fig. **8**, página 8).

### Conexión a una red de corriente alterna



### ¡PELIGRO! Riesgo de electrocución

- No manipule los enchufes ni interruptores con las manos mojadas ni con los pies sobre una superficie mojada.
- Si la nevera funciona en una embarcación conectada a una red de corriente alterna, deberá conectar un interruptor diferencial entre la red de corriente alterna y la nevera.

Consulte con un especialista.

- Proceda de la forma indicada (fig. **9**, página 9).

## 7.5 Uso de la nevera



### ¡AVISO! Riesgo de sobrecalentamiento

Asegúrese de que en todo momento exista suficiente ventilación para que el calor originado durante el uso se pueda disipar. Evite que se obstruyan las ranuras de ventilación. Asegúrese también de que el aparato guarde la suficiente distancia respecto a paredes u objetos, de forma que el aire pueda circular.



### NOTA

Cuando funciona con la batería, la pantalla de desconecta de forma automática si la tensión es baja.

- Encender la nevera: fig. 10, página 9
- Apagar la nevera: fig. 11, página 10

## 7.6 Uso de la pantalla

### Visualización de estados (fig. 12, página 10)

Elemento	Descripción
A	Stand-by
B	Inactivo
C	Bloqueado

### Vista general de la pantalla: fig. 13, página 11

#### Navegación por los menús

Está seleccionado el menú marcado.

- ▶ Pulse  para navegar hacia arriba.
- ▶ Pulse  para navegar hacia abajo.

#### Elección de menú

- ▶ Pulse  para seleccionar el menú deseado.

#### Cambio de ajustes

Está seleccionado el valor o ajuste marcado.

- ▶ Pulse  para aumentar el valor seleccionado o para elegir el ajuste anterior.
- ▶ Pulse  para disminuir el valor seleccionado o para elegir el siguiente ajuste.

#### Vuelta al menú anterior

- ▶ Pulse  para volver al menú anterior sin guardar.

## 7.7 Bloqueo/desbloqueo de la pantalla

- ▶ Pulse  y  simultáneamente durante 3 s para bloquear o desbloquear la pantalla (fig. 14, página 11).

## 7.8 Selección de las unidades de temperatura

- Proceda de la forma indicada (fig. 15, página 11).

## 7.9 Ajuste de la temperatura



### ¡AVISO! Peligro de daños por temperatura excesivamente baja

Asegúrese de que en la nevera solo haya objetos o productos que puedan enfriarse a la temperatura ajustada.

- Proceda de la forma indicada (fig. 16, página 12).

## 7.10 Uso del protector de batería

El aparato está equipado con un protector de batería de 3 niveles. El protector de batería evita una descarga excesiva cuando el aparato está conectado a la batería de arranque de un vehículo o maximiza el uso de una batería de alimentación.

En caso de poner la nevera en funcionamiento en el vehículo con el encendido apagado, ésta se desconectará automáticamente en cuanto la tensión de alimentación descienda por debajo de un nivel definido. La nevera vuelve a conectarse tan pronto como se cargue la batería y se alcance la tensión de alimentación de reconexión.



### ¡AVISO! Peligro de daños

El protector de batería desconecta la batería para que no se cargue por completo. Evite arrancar repetidamente. Asegúrese de que la batería está recargada.



### NOTA

Si la nevera recibe alimentación a través de la batería de arranque, seleccione el modo de protección de batería "MEDIUM" o "HIGH". Si la nevera está conectada a una batería de alimentación, el modo de protección de batería "LOW" es el idóneo.

- Proceda de la forma indicada (fig. 17, página 13).

## 7.11 Ajuste del brillo de la pantalla

- Proceda de la forma indicada (fig. 18, página 13).

## 7.12 Encender o apagar los compartimentos (solo CFX3 75DZ, CFX3 95DZ)

Puede activar cada zona por separado o conjuntamente.

- Proceda de la forma indicada (fig. 19, página 14).

## 7.13 Uso de la máquina de hielo (solo CFX3 55IM)



### NOTA

- Independientemente del ajuste de temperatura del compartimento principal, la zona de la máquina de hielo está diseñada para producir cubitos de hielo cuando dicha máquina está encendida.
- El consumo de energía de la nevera aumenta si la máquina de hielo está encendida. Por ello conviene apagar la máquina de hielo cuando no se necesite.
- La máquina de hielo viene de fábrica ajustada a OFF.

- Proceda como se muestra (fig. 20, página 14).

### Llenado de agua de las bandejas de hielo

- Extraiga las bandejas de hielo (fig. 21 1, página 15) de la carcasa de la máquina de hielo (fig. 21 2, página 15).
- Retire las tapas de la bandeja de hielo, rellene agua limpia y vuelva a colocar las tapas prestando atención a presionar la junta a lo largo de todo el reborde.
- Vuelva a colocar las bandejas de hielo en la carcasa de la máquina de hielo y cierre la tapa.



### NOTA

Seque toda el agua que se haya podido derramar por debajo de las bandejas de hielo.  
Con ello se reducirá la formación de hielo debajo de las bandejas y se facilitará la retirada.

### Retirada de los cubitos de hielo

- Abra la tapa de la carcasa de la máquina de hielo y levántela por debajo de la parte delantera de las bandejas de hielo.

**NOTA**

La retirada puede requerir aplicar una fuerza adicional utilizando las dos manos en condiciones de elevada humedad, lo que puede crear una unión de hielo debajo de las bandejas de hielo.

- Retire las tapas de la bandeja de hielo y gire las bandejas para liberar los cubitos de hielo.

**Retirada de la carcasa de la máquina de hielo**

La carcasa de la máquina de hielo se puede extraer para su limpieza o cuando no se utiliza para así aumentar el espacio útil dentro de la nevera:

- Levante la carcasa por un extremo hasta que la lengüeta se desbloquee y seguidamente extraiga la carcasa.
- Para volver a colocarla, proceda a la inversa empujando hacia abajo las lengüetas de modo que quede encajada en su posición.

**Consejos para el uso de la máquina de hielo**

- Cuando se enciende, la máquina de hielo produce rápidamente hielo durante varias horas y, a continuación, pasa automáticamente a un modo de mantenimiento de hielo para reducir el consumo de energía. Si se necesitan varios lotes de hielo lo antes posible, apagando y volviendo a encender la máquina de hielo se pondrá nuevamente en marcha el modo de fabricación rápida de hielo. Repita este proceso según sea necesario.
- Cuando la máquina de hielo está encendida no es posible mantener los ajustes de baja temperatura del congelador en el compartimento principal si la temperatura ambiente es elevada.

**Limpieza y secado de la máquina de hielo**

- Cuando no se utilicen, limpie y seque las bandejas de hielo y el interior de la carcasa de la máquina de hielo para evitar la formación de moho.
- Antes de volver a utilizar la máquina de hielo tras un largo periodo sin uso, limpie el interior de las bandejas de hielo con una solución de detergente suave para vajillas y enjuague con agua limpia.

## 7.14 Descarga de la app CFX3

El refrigerador se puede monitorear y controlar a través de Bluetooth o WiFi con una aplicación que se puede instalar en un dispositivo compatible.

- Descargue la app CFX3 desde App Store o Google Play.

Tenga en cuenta que la app CFX3 puede que no esté disponible en su país.

## 7.15 Ajuste de la señal Bluetooth y conexión a la app

La nevera se puede monitorear y controlar a través de Bluetooth. Para ello hay que emparejar la nevera con el dispositivo Bluetooth.



### NOTA

- El emparejamiento debe realizarse en la app CFX3 y no en la configuración del dispositivo.
- No se requiere ninguna contraseña para la conexión Bluetooth.

- Proceda de la forma indicada (fig. 22, página 15).

## 7.16 Ajuste de la señal WiFi y conexión a la app

El refrigerador se puede monitorear y controlar vía WiFi directo a la nevera o a través de una red WiFi.

- Proceda de la forma indicada (fig. 23, página 16) para activar el WiFi.
- Para WiFi directo a la nevera, vaya a la configuración del dispositivo y seleccione allí su nevera.
  - El nombre WiFi de su nevera comienza con “CFX3”.
  - La contraseña preajustada de fábrica es “00000000”.
  - Puede personalizar el nombre WiFi y la contraseña en la app CFX3.



### NOTA

Para la conexión a través de la red WiFi, vaya a “conexión de red” en la CONFIGURACIÓN de la app.

## 7.17 Cambio del nombre CFX y la contraseña en la app

- Puede personalizar el nombre de su CFX en la app.
- El mismo nombre se aplica tanto a Bluetooth como a WiFi.
- También se puede personalizar la contraseña en la app (aplicable solo a WiFi).
- Vaya a “Nombre CFX y contraseña” en la CONFIGURACIÓN de la app.

## 7.18 Restablecimiento de la contraseña de la app (solo WiFi)

- La contraseña de la app se puede restablecer al ajuste de fábrica "00000000".
- Proceda de la forma indicada (fig. 23, página 16).

## 7.19 Restablecimiento de los ajustes de fábrica

La función de restablecimiento restablece los ajustes originales de fábrica de todos los campos de visualización de menú y campos de app.

- Proceda de la forma indicada (fig. 24, página 16).

## 7.20 Puerto USB para alimentación de tensión

El puerto USB permite cargar dispositivos pequeños como teléfonos móviles y reproductores de mp3.



### NOTA

Asegúrese de que el dispositivo pequeño que enchufe a la conexión USB sea adecuado para el funcionamiento con 5 V/2 A.

- Proceda de la forma indicada (fig. 26, página 17).

## 7.21 Descongelación de la nevera

La humedad del aire puede formar escarcha en el interior de la nevera o en el evaporador. Esto reduce la potencia de refrigeración. Descongele a tiempo el aparato.



### ¡AVISO! Peligro de daños

No utilice nunca herramientas de material duro o afiladas para quitar el hielo o soltar objetos que se hayan congelado en su ubicación.

Para descongelar la nevera, proceda como se indica a continuación:

- Retire el contenido de la nevera.
- En caso necesario, colóquelo en otro aparato refrigerador para mantenerlos refrigerados.
- Desconecte el aparato.
- Deje la tapa abierta.
- Elimine con un paño el agua descongelada.

## 7.22 Cambio del fusible de corriente alterna



### ¡PELIGRO! Riesgo de electrocución

Desconecte el suministro eléctrico y el cable de conexión antes de sustituir el fusible del aparato.

- Desconecte la alimentación de corriente del aparato.
- Desenchufe el cable de conexión.
- Quite el juego de fusibles (fig. 4 4, página 4) con un destornillador.
- Cambie el fusible de vidrio averiado por otro nuevo del mismo tipo y capacidad (de acción rápida Fast Acting 4 A, 250 V).
- Vuelva a presionar el juego de fusibles en la carcasa.
- Vuelva a conectar la alimentación de corriente del aparato.

## 7.23 Cambio del fusible de corriente continua

- Extraiga la cubierta de fusibles (fig. 4 3, página 4) con un destornillador.
- Dé la vuelta a la cubierta de fusibles y utilice el gancho para extraer el fusible de hoja defectuoso.
- Introduzca un fusible nuevo del mismo tipo y capacidad.
- Vuelva a colocar la cubierta de fusibles.

## 7.24 Cambio del fusible de la clavija de corriente continua

- Sustituya el fusible defectuoso por uno nuevo del mismo tipo y capacidad.
- Proceda de la forma indicada (fig. 27, página 17).

## 7.25 Cambio de circuito impreso de luces



### ¡AVISO! Peligro de ocasionar daños materiales

Únicamente el fabricante, un técnico de mantenimiento o una persona con cualificación similar podrá cambiar la bombilla con el fin de evitar peligros.

## 8 Limpieza y mantenimiento



### ¡AVISO! ¡Peligro de ocasionar daños materiales!

- Nunca limpie la nevera bajo el chorro de agua corriente ni inmersa en agua jabonosa.
- No emplee productos de limpieza corrosivos u objetos que puedan arañar o deteriorar el aparato durante su limpieza.

- Limpie de vez en cuando el interior y el exterior de la nevera con un paño húmedo.
- Asegúrese de que las aberturas de ventilación y desaireación del aparato están limpias de polvo para que se pueda evacuar el calor generado durante el funcionamiento y el aparato no resulte perjudicado.

## 9 Resolución de problemas

Fallo	Posible causa	Propuesta de solución
El dispositivo no funciona (modo CC, ignición activada).	No se ha detectado tensión en la salida de corriente continua.	En la mayoría de los vehículos, el encendido debe estar conectado para que se pueda suministrar corriente a la salida de alimentación de corriente continua.
	La salida de corriente continua está sucia. En consecuencia, el contacto eléctrico es defectuoso.	Si la clavija del aparato se calienta mucho en la salida de corriente continua, significa que la salida está sucia o que la clavija no está correctamente montada.
	El fusible de la clavija de corriente continua se ha fundido.	Cambie el fusible de la clavija de corriente continua, véase capítulo "Cambio del fusible de la clavija de corriente continua" en la página 108.
	El fusible de la salida de corriente continua del aparato se ha fundido.	Sustituya el fusible de corriente continua del aparato, véase capítulo "Cambio del fusible de corriente continua" en la página 108.
	Se ha fundido el fusible del vehículo.	Sustituya el fusible de la salida de corriente continua del vehículo. Consulte para ello las instrucciones de uso del vehículo.

Fallo	Posible causa	Propuesta de solución
El aparato no funciona (modo CA).	No hay tensión en el enchufe de corriente alterna.	Intente utilizar otro enchufe.
	El fusible de corriente alterna del aparato se ha fundido.	Sustituya el fusible de corriente alterna del aparato, véase capítulo “Cambio del fusible de corriente alterna” en la página 108.
	El adaptador de corriente alterna integrado está averiado.	Solo un centro de reparación autorizado puede realizar la reparación.
La pantalla no responde a las pulsaciones de teclas.	La pantalla está bloqueada.	Desbloquee la pantalla, véase capítulo “Bloqueo/desbloqueo de la pantalla” en la página 102.
La app no puede controlar el aparato.	Bluetooth o WiFi no están conectados.	Conecte Bluetooth, véase capítulo “Ajuste de la señal Bluetooth y conexión a la app” en la página 106, o conecte WiFi, véase capítulo “Ajuste de la señal WiFi y conexión a la app” en la página 106.
La pantalla muestra un mensaje de alerta o un código de advertencia.	–	Véase la siguiente tabla.

## Mensajes de alerta

Por ejemplo, véase fig. 25 A, página 16.

Mensaje de alerta	Descripción	Posible causa	Propuesta de solución
!ALERT - Lid open > 3 min	Tapa abierta durante más de 3 minutos	<ul style="list-style-type: none"> <li>La tapa no está completamente encajada</li> <li>Avería interna</li> </ul>	<ul style="list-style-type: none"> <li>Comprobar que la tapa esté completamente encajada</li> <li>Se requiere la inspección por parte de un centro de reparación autorizado</li> </ul>

Mensaje de alerta	Descripción	Posible causa	Propuesta de solución
!ALERT - Voltage low	El aparato ha dejado de funcionar en corriente continua debido a la baja tensión	<ul style="list-style-type: none"> <li>• Tensión de alimentación insuficiente</li> <li>• Tensión de la batería demasiado baja</li> <li>• El protector de batería está ajustado demasiado alto</li> </ul>	<ul style="list-style-type: none"> <li>• Comprobar la caída de tensión desde la batería hasta la salida de alimentación de corriente y, en caso necesario, aumentar el calibre del cableado</li> <li>• Comprobar la batería y cargarla correspondientemente</li> <li>• Seleccionar un ajuste más bajo para el protector de batería</li> </ul>
	<p>El aparato ha dejado de funcionar en corriente continua debido a una tensión inusualmente alta &gt;31,5 V</p> <p>(caso improbable –solo para protección del sistema electrónico– utiliza el mismo mensaje de alerta que el descrito más arriba para tensión baja)</p>	<ul style="list-style-type: none"> <li>• Especificación incorrecta de la tensión de alimentación CC</li> <li>• Tensión de alimentación defectuosa</li> <li>• Avería interna</li> </ul>	<ul style="list-style-type: none"> <li>• Asegúrese de que la especificación de la tensión de alimentación CC coincide con la etiqueta de clasificación del producto CFX 3</li> <li>• Controle la alimentación de tensión CC y si presenta algún defecto, encárgase de las reparaciones o sustituciones necesarias</li> <li>• Se requiere la inspección por parte de un centro de reparación autorizado</li> </ul>

### Códigos de advertencia

Véase, por ejemplo, fig. **25** B, página 16.

<b>Código de advertencia</b>	<b>Fallo</b>	<b>Posible causa</b>	<b>Propuesta de solución</b>
!WARNING 32	Sobrecorriente del ventilador	Avería interna.	Apagar el aparato durante, por lo menos, 5 minutos y seguidamente reiniciarlo. Si el problema persiste, se requiere la inspección por parte de un centro de reparación autorizado
!WARNING 33	Fallo de arranque del compresor		
!WARNING 34	Velocidad del compresor baja	<ul style="list-style-type: none"> <li>Alta temperatura ambiente</li> </ul>	<ul style="list-style-type: none"> <li>Apagar el aparato durante al menos 30 minutos o trasladarlo a un lugar más fresco y, a continuación, reiniciar</li> </ul>
!WARNING 35	Sobretemperatura del controlador	<ul style="list-style-type: none"> <li>Abertura de aire bloqueada o espacio libre insuficiente</li> <li>Avería interna</li> </ul>	<ul style="list-style-type: none"> <li>Despejar las aberturas</li> <li>Se requiere la inspección por parte de un centro de reparación autorizado</li> </ul>
!WARNING 01	Circuito abierto NTC SZ & DZ GRANDE	Avería interna	Se requiere la inspección por parte de un centro de reparación autorizado
!WARNING 11	Circuito abierto NTC DZ PEQUEÑO		
!WARNING 02	Cortocircuito NTC SZ & DZ GRANDE		
!WARNING 12	Cortocircuito NTC DZ PEQUEÑO		
!WARNING 09	Válvula DZ o válvula Ice Maker averiadas		Apagar el aparato durante, al menos, 1 minuto y seguidamente reiniciarlo. Si el problema persiste, se requiere la inspección por parte de un centro de reparación autorizado
!WARNING 03/43	Error de comunicación		

## 10 Garantía legal

Rige el plazo de garantía legal. Si el producto presenta algún defecto, diríjase a la sucursal del fabricante de su país (véase [dometic.com/dealer](http://dometic.com/dealer)) o a su establecimiento especializado.

Para la tramitación de la reparación y de la garantía debe enviar también los siguientes documentos:

- una copia de la factura con fecha de compra,
- el motivo de la reclamación o una descripción de la avería.

## 11 Gestión de residuos

► Deseche el material de embalaje en el contenedor de reciclaje correspondiente.



Cuando vaya a desechar definitivamente el producto, infórmese en el centro de reciclaje más cercano o en un comercio especializado sobre las normas pertinentes de eliminación de materiales.



### ¡ADVERTENCIA! Riesgo de atrapamiento de niños

Antes de deshacerse de su aparato de refrigeración viejo:

- Desmonte la tapa.
- Deje las cestas colocadas en su sitio para impedir que los niños puedan introducirse en el aparato.

## 12 Datos técnicos



### NOTA

No será posible alcanzar la temperatura mínima mostrada en “Potencia de refrigeración” si la temperatura ambiente está por encima de 32 °C (90 °F) en el caso de los modelos CFX3 35/45/55/55IM/100 o de 30 °C (86 °F) en el caso de los modelos CFX3 75DZ/95DZ (juego pequeño -22 °C/grande +4 °C).

Inspección/certificados:



	CFX3 35	CFX3 45	CFX3 55
Tensión de conexión:	12/24 V $\equiv$ y 100 - 240 V $\sim$		
Corriente nominal:	12 V $\equiv$ : 7,5 A 24 V $\equiv$ : 3,3 A 100 V $\sim$ : 0,94 A 240 V $\sim$ : 0,39 A	12 V $\equiv$ : 8,2 A 24 V $\equiv$ : 3,5 A 100 V $\sim$ : 0,96 A 240 V $\sim$ : 0,40 A	12 V $\equiv$ : 8,7 A 24 V $\equiv$ : 3,7 A 100 V $\sim$ : 0,98 A 240 V $\sim$ : 0,41 A
Potencia de refrigeración:	-22 °C hasta +10 °C (-8 °F hasta +50 °F)		
Categoría:	1		
Clase de eficiencia energética:	A++		
Consumo de energía:	81 kWh/año	79 kWh/año	83 kWh/año
Volumen total:	36 l	46 l	55 l
Capacidad útil:	36 l	46 l	55 l
Clase climática:	N, T		
Temperatura ambiente:	+16 °C hasta +43 °C (+61 °F hasta +110 °F)		
Emisión acústica:	44 dB(A)	47 dB(A)	
Puerto de carga USB:	5 V $\equiv$ , 2 A		
Rango de frecuencia:	WiFi: 2412 MHz - 2472MHz/2422 MHz - 2462MHz Bluetooth/BLE: 2402 MHz - 2480 MHz		
Banda de frecuencia (WiFi):	2,4 GHz		

	<b>CFX3 35</b>	<b>CFX3 45</b>	<b>CFX3 55</b>
Potencia RF de salida:	WiFi: 16,62 dBm (802.11b), 16,23 dBm (802.11g), 16,45 dBm (802.11n20), 16,02 dBm (802.11n40) Bluetooth: 8,31 dBm Bluetooth LE: 6,67 dBm		
Cantidad de refrigerante:	38 g	42 g	45 g
Equivalente de CO <sub>2</sub> :	0,054 t	0,060 t	0,064 t
Índice GWP (Global Warming Potential):	1430		
Dimensiones (A x P x H) en mm (incluyendo asas):	398 x 694 x 407	398 x 694 x 476	720 x 455 x 480
Peso:	16,9 kg	18,7 kg	20,4 kg

	<b>CFX3 55IM</b>	<b>CFX3 75DZ</b>	<b>CFX3 95DZ</b>
Tensión de conexión:	12/24 V $\overline{=}$ y 100 – 240 V $\sim$		
Corriente nominal:	12 V $\overline{=}$ : 8,9 A 24 V $\overline{=}$ : 3,8 A 100 V $\sim$ : 1,00 A 240 V $\sim$ : 0,42 A	12 V $\overline{=}$ : 9,6 A 24 V $\overline{=}$ : 4,2 A 100 V $\sim$ : 1,12 A 240 V $\sim$ : 0,47 A	12 V $\overline{=}$ : 10,4 A 24 V $\overline{=}$ : 4,6 A 100 V $\sim$ : 1,22 A 240 V $\sim$ : 0,51 A
Potencia de refrigeración:	-22 °C hasta +10 °C (-8 °F hasta +50 °F)		
Categoría:	1		
Clase de eficiencia energética:	A++	A+	
Consumo de energía:	82 kWh/año	108 kWh/año	111 kWh/año
Volumen total:	55 l	75 l (45 l/30 l)	94 l (55 l/39 l)
Capacidad útil:	53 l	75 l (45 l/30 l)	94 l (55 l/39 l)
Clase climática:	N, T		
Temperatura ambiente:	+16 °C hasta +43 °C (+61 °F hasta +110 °F)		
Emisión acústica:	48 dB(A)	50 dB(A)	

	<b>CFX3 55IM</b>	<b>CFX3 75DZ</b>	<b>CFX3 95DZ</b>
Puerto de carga USB:	5 V $\overline{=}$ , 2 A		
Rango de frecuencia:	WiFi: 2412 MHz – 2472MHz/2422 MHz – 2462MHz Bluetooth/BLE: 2402 MHz – 2480 MHz		
Banda de frecuencia (WiFi):	2,4 GHz		
Potencia RF de salida:	WiFi: 16,62 dBm (802.11b), 16,23 dBm (802.11g), 16,45 dBm (802.11n20), 16,02 dBm (802.11n40) Bluetooth: 8,31 dBm Bluetooth LE: 6,67 dBm		
Cantidad de refrigerante:	45 g	59 g	67 g
Equivalente de CO <sub>2</sub> :	0,064 t	0,084 t	0,096 t
Índice GWP (Global Warming Potential):	1430		
Dimensiones (A x P x H) en mm (incluyendo asas):	720 x 455 x 480	892 x 495 x 472	962 x 530 x 472
Peso:	21,3 kg	27,8 kg	29,8 kg

	<b>CFX3 100</b>
Tensión de conexión:	12/24 V $\overline{=}$ y 100 – 240 V $\sim$
Corriente nominal:	12 V $\overline{=}$ : 10,8 A 24 V $\overline{=}$ : 4,8 A 100 V $\sim$ : 1,28 A 240 V: 0,53 A
Potencia de refrigeración:	+10 °C hasta -22 °C (+50 °F hasta -8 °F)
Categoría:	1
Clase de eficiencia energética:	A+
Consumo de energía:	111 kWh/año

	<b>CFX3 100</b>
Volumen total:	99 l
Capacidad útil:	88 l
Clase climática:	N, T
Temperatura ambiente:	+16 °C hasta +43 °C (+61 °F hasta +110 °F)
Emisión acústica:	36,5 dB(A)
USB:	5 V $\overline{=}$ , 2 A
Rango de frecuencia:	WiFi: 2412 MHz – 2472MHz/2422 MHz – 2462MHz Bluetooth/BLE: 2402 MHz – 2480 MHz
Banda de frecuencia (WiFi):	2,4 GHz
Potencia RF de salida:	WiFi: 16,62 dBm (802.11b), 16,23 dBm (802.11g), 16,45 dBm (802.11n20), 16,02 dBm (802.11n40) Bluetooth: 8,31 dBm Bluetooth LE: 6,67 dBm
Cantidad de refrigerante:	60 g
Equivalente de CO <sub>2</sub> :	0,086 t
Índice GWP (Global Warming Potential):	1430
Dimensiones (A x P x H) en mm (incluyendo asas):	962 x 530 x 472
Peso:	29,6 kg

El circuito de refrigeración contiene R134a.

Contiene gases de efecto invernadero fluorados

Aparato sellado herméticamente

**Por favor, leia atentamente este manual antes da colocação em funcionamento do aparelho e guarde-o em local seguro. Em caso de revenda do aparelho, entregue o manual ao novo comprador.**

O fabricante não se responsabiliza por danos resultantes de uma **utilização inadequada** ou de uma **operação incorrecta**.

## Índice

<b>1</b>	<b>Explicação dos símbolos</b> .....	119
<b>2</b>	<b>Indicações de segurança</b> .....	120
<b>3</b>	<b>Material fornecido</b> .....	122
<b>4</b>	<b>Acessórios</b> .....	123
<b>5</b>	<b>Utilização adequada</b> .....	123
<b>6</b>	<b>Descrição do funcionamento</b> .....	123
6.1	Âmbito de funções .....	124
6.2	Elementos de funcionamento e de indicação .....	124
<b>7</b>	<b>Operação</b> .....	125
7.1	Antes da primeira utilização .....	125
7.2	Sugestões para poupar energia .....	125
7.3	Inverter a direção de abertura da tampa .....	126
7.4	Conexão da geleira .....	126
7.5	Utilizar a geleira .....	127
7.6	Utilizar o monitor .....	127
7.7	Bloquear/desbloquear o monitor .....	128
7.8	Selecionar as unidades de temperatura .....	128
7.9	Regular a temperatura .....	128
7.10	Utilizar a proteção da bateria .....	128
7.11	Definir a luminosidade do monitor .....	129
7.12	Ligar ou desligar os compartimentos (apenas CFX3 75DZ, CFX3 95DZ) .....	129
7.13	Utilizar a máquina de gelo (apenas CFX3 55IM) .....	129
7.14	Transferir a aplicação CFX3 .....	131
7.15	Definir o sinal de Bluetooth e estabelecer a ligação à aplicação ..	131
7.16	Definir o sinal de Wi-Fi e estabelecer a ligação à aplicação .....	131
7.17	Alterar o nome e a palavra-passe da geleira CFX na aplicação .....	132
7.18	Repor a palavra-passe da aplicação (apenas Wi-Fi) .....	132

7.19	Repor as definições de fábrica . . . . .	132
7.20	Porta USB para a alimentação de tensão . . . . .	132
7.21	Descongelar a geleira . . . . .	133
7.22	Substituir o fusível de corrente alternada . . . . .	133
7.23	Substituir o fusível de corrente contínua . . . . .	134
7.24	Substituir o fusível da ficha de corrente contínua . . . . .	134
7.25	Substituir a placa de circuito impresso de luz . . . . .	134
<b>8</b>	<b>Limpeza e manutenção</b> . . . . .	134
<b>9</b>	<b>Resolução de falhas</b> . . . . .	135
<b>10</b>	<b>Garantia</b> . . . . .	138
<b>11</b>	<b>Eliminação</b> . . . . .	139
<b>12</b>	<b>Dados técnicos</b> . . . . .	139

## 1 Explicação dos símbolos



### **PERIGO!**

**Indicação de segurança** sobre uma situação de perigo que leva à morte ou a ferimentos graves se não for evitada.



### **AVISO!**

**Indicação de segurança** sobre uma situação de perigo que pode levar à morte ou a ferimentos graves se não for evitada.



### **PRECAUÇÃO!**

**Indicação de segurança** sobre uma situação de perigo que pode levar a ferimentos ligeiros ou moderados se não for evitada.



### **NOTA!**

Indicação sobre uma situação que leva a danos materiais se não for evitada.



### **OBSERVAÇÃO**

Informações complementares sobre a operação do produto.

## 2 Indicações de segurança



**AVISO! O incumprimento destes avisos poderá resultar em morte ou ferimentos graves.**

### **Perigo de morte devido a choque elétrico**

- Quando o aparelho apresentar danos visíveis, ele não deve ser colocado em funcionamento.
- Se o cabo de alimentação deste aparelho de refrigeração estiver danificado, ele terá de ser substituído para evitar perigos.
- As reparações neste aparelho apenas devem ser realizadas por técnicos especializados. As reparações inadequadas podem provocar perigos substanciais.

### **Perigo de incêndio**

- Ao colocar o aparelho, certifique-se de que o cabo de alimentação não fica preso nem é danificado.
- Não coloque tomadas múltiplas ou fontes de alimentação portáteis na parte de trás do aparelho.

### **Risco para a saúde**

- Este aparelho pode ser utilizado por crianças a partir dos 8 anos e pessoas com capacidades físicas, sensoriais ou mentais reduzidas ou sem experiência e conhecimento se forem supervisionadas ou receberem instruções sobre a utilização do aparelho de forma segura e compreenderem os perigos implicados.
- As crianças não podem brincar com o aparelho.
- A limpeza e a manutenção por parte do utilizador não podem ser efetuadas por crianças sem supervisão.
- Crianças com idades entre os 3 e os 8 anos podem colocar e tirar itens de aparelhos frigoríficos.

### **Perigo de explosão**

- Não guarde as substâncias com risco de explosão, como p.ex. latas de spray com gás carburante inflamável, no aparelho.



**PRECAUÇÃO! O incumprimento destas advertências poderá resultar em ferimentos ligeiros ou moderados.**

### **Perigo de morte devido a choque elétrico**

- Antes da colocação em funcionamento, tenha atenção para que o cabo de conexão e a ficha estejam secos.

- Separe o aparelho da rede
  - antes de cada limpeza e conservação
  - após cada utilização

### **Risco para a saúde**

- Por favor, verifique se a capacidade de refrigeração do aparelho cumpre os requisitos dos géneros alimentares ou dos medicamentos que pretende refrigerar.
- Os géneros alimentícios apenas podem ser armazenados nas embalagens originais ou recipientes adequados.
- Abrir o aparelho de refrigeração durante longos períodos pode provocar um aumento significativo da temperatura nos compartimentos do aparelho.
- Limpe regularmente as superfícies que entram em contacto com géneros alimentícios e os sistemas de drenagem acessíveis.
- Armazene a carne crua e o peixe cru em recipientes adequados no aparelho, de modo que não escorram sobre ou entrem em contacto com outros géneros alimentícios.
- Se o aparelho permanecer vazio durante um longo período de tempo:
  - Desligue o aparelho.
  - Descongele o aparelho.
  - Limpe e seque o aparelho.
  - Deixe a porta aberta para evitar a formação de bolor no aparelho.



### **NOTA! Perigo de danos**

- Compare a indicação da tensão na placa de características com a alimentação de energia existente.
- Conecte o aparelho apenas do seguinte modo:
  - com o cabo de ligação DC à tomada de bordo DC no veículo.
  - ou com o cabo de ligação de AC à rede de corrente alternada
- Nunca retire a ficha da tomada eléctrica puxando pelo cabo de conexão.
- Se a geleira estiver ligada à tomada DC: Desconecte a sua geleira e outros consumidores da bateria antes de conectar um carregador rápido.
- Se a geleira estiver ligada à tomada DC: Separe a ligação ou desligue a geleira se desligar o motor. Caso contrário, a bateria pode ficar descarregada.

- A geleira não é adequada para o transporte de substâncias corrosivas ou substâncias com solventes.
- Este aparelho contém ciclopentano inflamável no isolamento. Os gases no material de isolamento requerem um processo de eliminação especial. No final da sua vida útil, entregue o aparelho num ponto de eliminação apropriado.
- Não utilize aparelhos eléctricos dentro da geleira, excepto se estes aparelhos tiverem sido recomendados pelo fabricante.
- Não coloque o aparelho na proximidade de chamas abertas ou outras fontes de calor (aquecimento, radiação solar intensa, fogões a gás, etc.).
- **Perigo de sobreaquecimento!**  
Certifique-se sempre de que existe um espaço mínimo de ventilação de 50 mm nos quatro lados do aparelho de refrigeração. Mantenha a área de ventilação livre de quaisquer objetos que possam obstruir o fluxo de ar para os componentes de refrigeração.  
Não coloque o aparelho de refrigeração em compartimentos fechados ou em áreas sem circulação de ar ou com uma circulação de ar muito reduzida.
- Tenha atenção para que as aberturas de ventilação não sejam cobertas.
- Não verta líquidos ou gelo para dentro do recipiente interior.
- Nunca mergulhe o aparelho em água.
- Proteja o aparelho e os cabos do calor e da humidade.

### 3 Material fornecido

Posição na fig. 1, página 3	Quantidade	Designação
1	1	Geleira
2	1	Cabo de conexão de corrente contínua
3	1	Cabo de conexão de corrente alternada

## 4 Acessórios

Disponível como acessório (não incluído no material fornecido):

Designação	N.º art.	Modelo
Aplicação CFX3	–	todos os modelos
PLB40	9600014024	todos os modelos

Tenha em atenção que a aplicação CFX3 pode não estar disponível no seu país.

## 5 Utilização adequada

O aparelho é adequado para:

- Funcionamento em veículos
- Refrigerar e congelar géneros alimentícios
- Utilizar em campismo

O aparelho **não** é adequado para:

- Armazenar substâncias corrosivas, cáusticas ou que contenham solventes
- Congelar rapidamente géneros alimentícios

O aparelho de refrigeração é adequado para utilização em campismo. O aparelho não pode ser exposto à chuva.

Compartimentos para géneros alimentícios congelados de duas estrelas são adequados para armazenar géneros alimentícios pré-congelados, armazenar ou fazer gelado e fazer cubos de gelo.

Compartimentos de uma, duas e três estrelas não são adequados para congelar géneros alimentícios frescos.

## 6 Descrição do funcionamento

A geleira pode refrigerar produtos e mantê-los frios, assim como congelá-los. A refrigeração é efetuada através de um circuito de refrigeração com compressor que requer pouca manutenção. O elevado isolamento e o compressor potente asseguram uma refrigeração eficiente e rápida.

A geleira é adequada para a utilização móvel.

A geleira resiste a uma inclinação de 30° por períodos curtos.

## 6.1 Âmbito de funções

- Fonte de alimentação com ligação prioritária à rede de corrente alternada
- Proteção da bateria com três níveis para proteção da bateria do veículo
- Monitor com indicador da temperatura em °C e °F
- Definição da temperatura em intervalos de 1 °C (1 °F)
- Função Wi-Fi e Bluetooth integrada, podendo ser controlada através de uma aplicação
- Pegas articuladas
- Carregador USB para aparelhos portáteis, como telemóveis
- Cesto amovível
- **Apenas CFX3 55IM:** Máquina de gelo

## 6.2 Elementos de funcionamento e de indicação

Lingueta para a tampa: fig. 2 1, página 3

Painel de comando (fig. 3, página 4):

Posição	Designação	Explicação
1		Liga a geleira quando o botão é pressionado por breves instantes Desliga a geleira quando o botão é pressionado durante três segundos Regressa ao menu anterior
2	Monitor	Indica a informação <b>AC</b> : a rede de corrente alternada está ligada <b>DCV</b> : a rede de corrente contínua está ligada  : o Bluetooth está ativado  : o Wi-Fi está ativado  : o monitor está bloqueado ● : o compressor está a funcionar ■ : a máquina de gelo está a funcionar (apenas CFX3 55IM)

Posição	Designação	Explicação
3		<p>Prima  para navegar para cima ou para aumentar o valor selecionado.</p> <p>Prima  para navegar para baixo ou para diminuir o valor selecionado.</p> <p>Prima  e  simultaneamente durante 3 s para bloquear ou desbloquear o monitor.</p>
4		Prima para selecionar um menu ou guardar o valor selecionado.

### Ligações de encaixe (fig. 4, página 4):

Posição	Designação
1	Ligação de encaixe da alimentação de tensão em corrente alternada
2	Ligação de encaixe da alimentação de tensão em corrente contínua
3	Porta-fusíveis de corrente contínua
4	Porta-fusíveis de corrente alternada

## 7 Operação

### 7.1 Antes da primeira utilização



#### OBSERVAÇÃO

Por razões de higiene, antes de colocar a sua geleira em funcionamento pela primeira vez, deverá limpar o interior e o exterior com um pano húmido (ver também capítulo “Limpeza e manutenção” na página 134).

### 7.2 Sugestões para poupar energia

- Escolha um local de utilização bem arejado e protegido de raios solares.
- Primeiro, deixe as refeições quentes arrefecer antes de as manter frescas.
- Não abra a geleira mais do que as vezes necessárias.
- Não deixe a geleira aberta mais tempo do que o necessário.

- Descongele a geleira assim que se formar uma camada de gelo.
- Evite temperaturas desnecessariamente baixas.

### 7.3 Inverter a direção de abertura da tampa

#### CFX3 55, CFX3 55IM, CFX3 100

- Proceda como ilustrado (fig. **5**, página 5).

#### CFX3 75DZ, CFX3 95DZ

- Proceda como ilustrado (fig. **6**, página 6).

### 7.4 Conexão da geleira



#### NOTA! Risco de danos

- Para proteção do aparelho, o cabo de corrente contínua fornecido inclui um fusível no interior da ficha. **Não** remova a ficha de corrente contínua com fusível.  
Utilize apenas o cabo de corrente contínua fornecido.
- Desligue a geleira e outros consumidores da bateria antes de ligar a bateria a um carregador rápido.  
As sobretensões podem danificar o sistema eletrónico do aparelho.

#### Conexão a uma bateria

- Proceda como ilustrado (fig. **7**, página 7).

#### Conexão através de ligação por cabo de corrente contínua (apenas CFX3 100)

- Proceda como ilustrado (fig. **8**, página 8).

#### Conexão a uma rede de corrente alternada



#### PERIGO! Risco de eletrocussão

- Nunca manuseie as fichas e os interruptores quando tiver as mãos molhadas ou quando tiver os pés em pavimento molhado.
- Se estiver a utilizar a sua geleira a bordo de um barco com ligação a uma rede de corrente alternada, deverá instalar sempre um disjuntor de tensão residual entre a rede de corrente alternada e a geleira.  
Solicite o parecer de um técnico especializado.

► Proceda como ilustrado (fig. **9**, página 9).

## 7.5 Utilizar a geleira



### **NOTA! Risco de sobreaquecimento**

Certifique-se sempre de que existe uma ventilação suficiente por forma a que o calor gerado possa ser dissipado. Assegure-se de que as aberturas de ventilação não estão tapadas. Certifique-se de que o aparelho está posicionado a uma distância suficiente de paredes ou objetos de modo a que o ar possa circular livremente.



### **OBSERVAÇÃO**

No funcionamento com bateria, o monitor desliga-se automaticamente se a tensão da bateria for baixa.

- Ligar a geleira: fig. **10**, página 9
- Desligar a geleira: fig. **11**, página 10

## 7.6 Utilizar o monitor

**Estados do monitor (fig. **12**, página 10)**

Posição	Designação
A	Standby
B	Inativo
C	Bloqueado

**Visão geral do monitor: fig. **13**, página 11**

### **Navegar pelos menus**

○ menu destacado está selecionado.

- Prima  para navegar para cima.
- Prima  para navegar para baixo.

### **Escolher um menu**

- Prima  para selecionar o menu pretendido.

## Alterar as definições

A definição ou o valor destacado está selecionado.

- ▶ Prima  para aumentar o valor selecionado ou escolher a definição anterior.
- ▶ Prima  para diminuir o valor selecionado ou escolher a definição seguinte.

## Regressar ao menu anterior

- ▶ Prima  para regressar ao menu anterior sem guardar.

## 7.7 Bloquear/desbloquear o monitor

- ▶ Prima  e  simultaneamente durante 3 s para bloquear ou desbloquear o monitor (fig. 14, página 11).

## 7.8 Selecionar as unidades de temperatura

- ▶ Proceda como ilustrado (fig. 15, página 11).

## 7.9 Regular a temperatura



### **NOTA! Risco de danos devido a uma temperatura demasiado baixa**

Certifique-se de que no aparelho de refrigeração apenas se encontram objetos ou produtos que possam ser refrigerados à temperatura selecionada.

- ▶ Proceda como ilustrado (fig. 16, página 12).

## 7.10 Utilizar a proteção da bateria

O aparelho está equipado com uma proteção da bateria de 3 níveis. A proteção da bateria impede o descarregamento excessivo quando o aparelho está ligado à bateria de arranque de um veículo ou maximiza a utilização de uma bateria de alimentação.

Se a geleira for operada com a ignição do veículo desligada, desliga-se automaticamente assim que a tensão de alimentação descer abaixo de um valor definido.

A geleira liga-se novamente assim que a bateria estiver carregada até ao nível de tensão para o novo arranque.

**NOTA! Risco de danos**

Quando desligada pela proteção da bateria, a bateria deixará de estar completamente carregada. Evite ligar repetidamente. Certifique-se de que a bateria está carregada.

**OBSERVAÇÃO**

Se a geleira for alimentada por uma bateria de arranque, selecione o modo de proteção da bateria "MEDIUM" ou "HIGH". Se a geleira estiver ligada a uma bateria de alimentação, o modo de proteção da bateria "LOW" é ideal.

- Proceda como ilustrado (fig. **17**, página 13).

## 7.11 Definir a luminosidade do monitor

- Proceda como ilustrado (fig. **18**, página 13).

## 7.12 Ligar ou desligar os compartimentos (apenas CFX3 75DZ, CFX3 95DZ)

Pode ativar cada zona individualmente ou ambas.

- Proceda como ilustrado (fig. **19**, página 14).

## 7.13 Utilizar a máquina de gelo (apenas CFX3 55IM)

**OBSERVAÇÃO**

- Independentemente da definição da temperatura do compartimento principal, a zona da máquina de gelo foi concebida para fazer cubos de gelo se a máquina de gelo estiver ligada.
- O consumo de energia da geleira aumenta se a máquina de gelo estiver ligada. Por este motivo, deve desligar a máquina de gelo caso não seja necessária.
- A definição de fábrica da máquina de gelo é DESLIGADO.

- Proceda como ilustrado (fig. **20**, página 14).

## Encher as bandejas de gelo com água

- Retire as bandejas de gelo (fig. **21** 1, página 15) da caixa da máquina de gelo (fig. **21** 2, página 15).

- ▶ Retire as tampas das bandejas de gelo, encha com água limpa e volte a colocar a tampa, certificando-se de que pressiona as vedações das extremidades a toda a volta.
- ▶ Volte a colocar as bandejas de gelo na caixa da máquina de gelo e feche a tampa.

**OBSERVAÇÃO**

Se for necessário, seque a água derramada por baixo das bandejas de gelo.

Desta forma irá reduzir a acumulação de gelo por baixo das bandejas e facilitar a sua remoção.

**Remover os cubos de gelo**

- ▶ Abra a tampa da caixa da máquina de gelo e levante por baixo da parte frontal das bandejas de gelo.

**OBSERVAÇÃO**

A remoção poderá exigir força adicional utilizando as duas mãos em condições de humidade do ar elevada, o que pode criar uma união de gelo por baixo das bandejas de gelo.

- ▶ Retire as tampas das bandejas de gelo e rode as bandejas para libertar os cubos de gelo.

**Remover a caixa da máquina de gelo**

A caixa da máquina de gelo pode ser removida para limpeza ou quando não está em utilização para aumentar o espaço disponível dentro da geleira:

- ▶ Levante uma extremidade da caixa até que o gancho se solte, depois retire-a.
- ▶ Inverta o procedimento para voltar a colocar, pressionando os ganchos para baixo para encaixar.

**Sugestões para utilizar a máquina de gelo**

- A máquina de gelo faz gelo rapidamente durante algumas horas depois de ser ligada e entra automaticamente no modo de manutenção de gelo para reduzir o consumo de energia. Se forem necessários vários lotes de gelo o mais rapidamente possível, desligar a máquina de gelo e voltar a ligá-la irá colocá-la novamente no modo de gelo rápido. Repita conforme necessário.
- Em condições de temperaturas ambiente elevadas, poderá não ser possível manter definições de temperatura baixas do congelador no compartimento principal com a máquina de gelo ligada.

## Limpar e secar a máquina de gelo

- ▶ Quando a máquina não estiver em utilização, limpe e seque as bandejas de gelo e o interior da caixa da máquina de gelo para impedir o crescimento de bolor.
- ▶ Após períodos prolongados sem utilizar, limpe o interior das bandejas de gelo com uma solução de líquido lava-loiças suave e enxague com água limpa antes de utilizar.

## 7.14 Transferir a aplicação CFX3

A geleira pode ser monitorizada e controlada por Bluetooth ou Wi-Fi utilizando uma aplicação que pode instalar num aparelho compatível.

- ▶ Transfira a aplicação CFX3 a partir da App Store ou do Google Play.

Tenha em atenção que a aplicação CFX3 pode não estar disponível no seu país.

## 7.15 Definir o sinal de Bluetooth e estabelecer a ligação à aplicação

A geleira pode ser monitorizada e controlada por Bluetooth. Para isso, tem de emparelhar a geleira com o seu aparelho Bluetooth.



### OBSERVAÇÃO

- O emparelhamento tem de ser efetuado na aplicação CFX3, não das definições do aparelho.
- Não é necessária palavra-passe para ligação Bluetooth.

- ▶ Proceda como ilustrado (fig. 22, página 15).

## 7.16 Definir o sinal de Wi-Fi e estabelecer a ligação à aplicação

A geleira pode ser monitorizada e controlada por Wi-Fi Direct para a geleira ou através de uma rede Wi-Fi.

- ▶ Proceda como ilustrado (fig. 23, página 16) para ligar o Wi-Fi.
- ▶ Para ligação através de Wi-Fi Direct para a geleira, aceda às definições do aparelho e selecione a geleira.
  - O nome do Wi-Fi da geleira começa por “CFX3”.
  - A palavra-passe predefinida é “00000000”.
  - Pode personalizar o nome e a palavra-passe do Wi-Fi na aplicação CFX3.

**OBSERVAÇÃO**

Para ligação através de rede Wi-Fi, aceda a “network connection” (ligação de rede) em SETTINGS (DEFINIÇÕES) na aplicação.

## 7.17 Alterar o nome e a palavra-passe da geleira CFX na aplicação

- Pode personalizar o nome da sua geleira CFX na aplicação.
  - O Bluetooth e o Wi-Fi utilizam o mesmo nome.
  - Também pode personalizar a sua palavra-passe na aplicação - aplicável apenas ao Wi-Fi.
- Aceda a “CFX name and password” (nome e palavra-passe da geleira CFX) em SETTINGS (DEFINIÇÕES) na aplicação.

## 7.18 Repor a palavra-passe da aplicação (apenas Wi-Fi)

- Pode repor a palavra-passe da aplicação para a definição de fábrica “00000000”.
- Proceda como ilustrado (fig. 23, página 16).

## 7.19 Repor as definições de fábrica

A função de reposição altera todos os campos da aplicação e dos menus do monitor para as predefinições de fábrica originais.

- Proceda como ilustrado (fig. 24, página 16).

## 7.20 Porta USB para a alimentação de tensão

Poderá utilizar a porta USB para carregar aparelhos de pequenas dimensões (p. ex. telemóveis e leitores MP3).

**OBSERVAÇÃO**

Certifique-se de que o aparelho de pequenas dimensões conectado à porta USB é adequado para o funcionamento com 5 V/2 A.

- Proceda como ilustrado (fig. 26, página 17).

## 7.21 Descongelar a geleira

A humidade do ar pode formar gelo no interior do aparelho de refrigeração ou no evaporador. Tal reduz a potência de refrigeração. Descongele o aparelho atempadamente para evitar este problema.



### **NOTA! Risco de danos**

Nunca utilize ferramentas duras ou pontiagudas para retirar as camadas de gelo ou soltar objetos congelados.

Proceda do seguinte modo para descongelar a geleira:

- Retire os produtos que se encontram na geleira.
- Se necessário, guarde-os noutro aparelho de refrigeração para que permaneçam refrigerados.
- Desligue o aparelho.
- Deixe a tampa aberta.
- Limpe a água de descongelação.

## 7.22 Substituir o fusível de corrente alternada



### **PERIGO! Risco de eletrocussão**

Antes da substituição do fusível do aparelho, desligue a fonte de alimentação e retire o cabo de conexão.

- Desligue a fonte de alimentação do aparelho.
- Desconecte o cabo de conexão.
- Retire o encaixe do fusível (fig. 4 4, página 4) com uma chave de parafusos.
- Substitua o fusível de vidro danificado por um fusível novo do mesmo tipo e a mesma especificação (ação rápida, 4 A, 250 V).
- Volte a pressionar o encaixe do fusível para dentro da caixa.
- Volte a ligar a fonte de alimentação ao aparelho.

## 7.23 Substituir o fusível de corrente contínua

- Retire a tampa do fusível (fig. 4 3, página 4) com uma chave de parafusos.
- Inverta a tampa do fusível e utilize o gancho para remover o fusível de encaixe plano danificado.
- Coloque um novo fusível com o mesmo tipo e a mesma especificação.
- Volte a colocar a tampa do fusível.

## 7.24 Substituir o fusível da ficha de corrente contínua

- Substitua o fusível danificado por um novo do mesmo tipo e especificação.
- Proceda como ilustrado (fig. 27, página 17).

## 7.25 Substituir a placa de circuito impresso de luz



### NOTA! Risco de danos

Para evitar perigos, a lâmpada só pode ser substituída pelo fabricante, por um agente de serviços autorizado ou por uma pessoa com qualificação semelhante.

# 8 Limpeza e manutenção



### NOTA! Perigo de danos!

- Nunca limpe a geleira debaixo de água corrente nem dentro de água de lavar a loiça.
  - Não utilize produtos de limpeza abrasivos ou objectos duros para a limpeza, uma vez que podem danificar a geleira.
- De vez em quando, limpe o interior e o exterior do aparelho com um pano húmido.
  - Certifique-se que as aberturas de ventilação e extracção de ar do aparelho estão livres de pó e sujidade para que, durante o funcionamento, o ar quente possa ser extraído e o aparelho não seja danificado.

## 9 Resolução de falhas

Falha	Possível causa	Sugestão de solução
O aparelho não funciona (funcionamento a corrente contínua, ignição ligada).	Não foi detetada tensão na tomada de corrente contínua.	Na maioria dos veículos, a ignição tem de ser ligada antes de ser possível fornecer energia à tomada de corrente contínua.
	A tomada de corrente contínua está suja. Tal origina um mau contacto eléctrico.	Se a ficha do aparelho ficar muito quente na tomada de corrente contínua, é necessário limpar a tomada de corrente contínua ou a ficha não foi montada corretamente.
	O fusível da ficha de corrente contínua está queimado.	Substitua o fusível da ficha de corrente contínua, ver capítulo “Substituir o fusível da ficha de corrente contínua” na página 134.
	O fusível de corrente contínua do aparelho está queimado.	Substitua o fusível de corrente contínua do aparelho, ver capítulo “Substituir o fusível de corrente contínua” na página 134.
	O fusível do veículo está queimado.	Substitua o fusível da tomada de corrente contínua do veículo. Consulte o manual de instruções do seu veículo.
O aparelho não funciona (funcionamento a corrente alternada).	Não existe tensão na tomada de tensão de corrente alternada.	Tente novamente noutra tomada.
	O fusível de corrente alternada do aparelho está queimado.	Substitua o fusível de corrente alternada do aparelho, ver capítulo “Substituir o fusível de corrente alternada” na página 133.
	O adaptador de corrente alternada está avariado.	Esta reparação só pode ser realizada por um centro de reparação autorizado.
O monitor não responde aos batimentos de teclas.	O monitor está bloqueado.	Desbloqueie o monitor, ver capítulo “Bloquear/desbloquear o monitor” na página 128.

Falha	Possível causa	Sugestão de solução
A aplicação não consegue controlar o aparelho.	Bluetooth ou Wi-Fi não ligado.	Ligue o Bluetooth, ver capítulo “Definir o sinal de Bluetooth e estabelecer a ligação à aplicação” na página 131, ou Ligue o Wi-Fi, ver capítulo “Definir o sinal de Wi-Fi e estabelecer a ligação à aplicação” na página 131.
O monitor mostra uma mensagem de alerta ou um código de aviso.	–	Ver a tabela seguinte.

### Mensagens de alerta

P. ex., ver fig. 25 A, página 16.

Mensagem de alerta	Designação	Possível causa	Sugestão de solução
!ALERT - Lid open > 3 min	Tampa aberta há mais de 3 minutos	<ul style="list-style-type: none"> <li>A tampa não está totalmente bloqueada</li> <li>Falha interna</li> </ul>	<ul style="list-style-type: none"> <li>Verifique se a tampa está totalmente bloqueada</li> <li>É necessária uma inspeção num centro de reparação autorizado</li> </ul>
!ALERT - Voltage low	O aparelho deixou de funcionar a corrente contínua devido a baixa tensão	<ul style="list-style-type: none"> <li>Tensão de alimentação insuficiente</li> <li>Tensão da bateria demasiado baixa</li> <li>A proteção da bateria foi definida a um nível demasiado elevado</li> </ul>	<ul style="list-style-type: none"> <li>Verifique a quebra de tensão da bateria até à tomada de corrente e aumente o indicador da cablagem, se necessário</li> <li>Verifique a bateria e, se necessário, carregue-a</li> <li>Selecione uma definição inferior da proteção da bateria</li> </ul>

Mensagem de alerta	Designação	Possível causa	Sugestão de solução
	O aparelho deixou de funcionar em corrente contínua devido a uma tensão anormalmente elevada >31,5 V (caso improvável – apenas para proteger o sistema eletrónico – utiliza a mesma mensagem de alerta da baixa tensão mencionada anteriormente)	<ul style="list-style-type: none"> <li>Especificação errada da tensão de alimentação CC</li> <li>Tensão de alimentação anómala</li> <li>Falha interna</li> </ul>	<ul style="list-style-type: none"> <li>Assegure-se de que a especificação de tensão de alimentação CC corresponde à etiqueta de classificação do produto CFX3</li> <li>Verifique a tensão de alimentação CC e repare ou substitua, em caso de anomalia</li> <li>É necessária uma inspeção num centro de reparação autorizado</li> </ul>

### Códigos de aviso

P. ex., ver fig. 25 B, página 16.

Código de aviso	Falha	Possível causa	Sugestão de solução
!WARNING 32	Sobrecarga do ventilador	Falha interna.	Desligue o aparelho durante, pelo menos, 5 min e, em seguida, reinicie-o. Se o problema persistir, é necessária uma inspeção num centro de reparação autorizado
!WARNING 33	Falha no arranque do compressor		
!WARNING 34	Velocidade do compressor baixa	<ul style="list-style-type: none"> <li>Temperatura ambiente elevada</li> </ul>	<ul style="list-style-type: none"> <li>Desligue o aparelho durante, pelo menos, 30 min ou desloque-o para um local mais fresco e, em seguida, reinicie-o</li> </ul>
!WARNING 35	Sobreaquecimento do controlador	<ul style="list-style-type: none"> <li>Abertura de ar bloqueada ou distância insuficiente</li> <li>Falha interna</li> </ul>	<ul style="list-style-type: none"> <li>Desobstrua as aberturas</li> <li>É necessária uma inspeção num centro de reparação autorizado</li> </ul>

<b>Código de aviso</b>	<b>Falha</b>	<b>Possível causa</b>	<b>Sugestão de solução</b>
!WARNING 01	Circuito aberto NTC SZ e DZ GRANDE	Falha interna	É necessária uma inspeção num centro de reparação autorizado
!WARNING 11	Circuito aberto NTC DZ PEQUENO		
!WARNING 02	Curto-circuito NTC SZ e DZ GRANDE		
!WARNING 12	Curto-circuito NTC DZ PEQUENO		
!WARNING 09	Válvula DZ ou válvula da máquina de gelo com falha		Desligue o aparelho durante, pelo menos, 1 min e, em seguida, reinicie-o. Se o problema persistir, é necessária uma inspeção num centro de reparação autorizado
!WARNING 03/43	Erro de comunicação		

## 10 Garantia

É válido o prazo de garantia legal. Se o produto estiver com defeito, por favor, dirija-se à representação do fabricante no seu país (ver [dometic.com/dealer](http://dometic.com/dealer)) ou ao seu revendedor.

Para fins de reparação ou de garantia, terá de enviar os seguintes documentos em conjunto:

- uma cópia da factura com a data de aquisição,
- um motivo de reclamação ou uma descrição da falha.

## 11 Eliminação

- Sempre que possível, coloque o material de embalagem no respectivo contentor de reciclagem.



Para colocar o aparelho definitivamente fora de funcionamento, por favor, informe-se junto do centro de reciclagem mais próximo ou revendedor sobre as disposições de eliminação aplicáveis.



### AVISO! Risco de as crianças ficarem presas

Antes da eliminação do seu aparelho de refrigeração usado:

- Desmonte a tampa.
- Deixe os cestos no devido lugar para que as crianças não possam subir facilmente para o seu interior.

## 12 Dados técnicos



### OBSERVAÇÃO

Não é possível atingir a temperatura mínima indicada em “Potência de refrigeração” se a temperatura ambiente for superior a 32 °C (90 °F) nos modelos CFX3 35/45/55/55IM/100 ou se a temperatura ambiente for superior a 30 °C (86 °F) nos modelos CFX3 75DZ/95DZ (definir pequeno -22 °C/grande +4 °C).

Teste/certificados:



	CFX3 35	CFX3 45	CFX3 55
Tensão de conexão:	12/24 V $\overline{=}$ e 100 – 240 V $\sim$		
Corrente nominal:	12 V $\overline{=}$ : 7,5 A 24 V $\overline{=}$ : 3,3 A 100 V $\sim$ : 0,94 A 240 V $\sim$ : 0,39 A	12 V $\overline{=}$ : 8,2 A 24 V $\overline{=}$ : 3,5 A 100 V $\sim$ : 0,96 A 240 V $\sim$ : 0,40 A	12 V $\overline{=}$ : 8,7 A 24 V $\overline{=}$ : 3,7 A 100 V $\sim$ : 0,98 A 240 V $\sim$ : 0,41 A
Potência de refrigeração:	-22 °C a +10 °C (-8 °F a +50 °F)		
Categoria:	1		
Classe de eficiência energética:	A++		

	<b>CFX 3 35</b>	<b>CFX 3 45</b>	<b>CFX 3 55</b>
Consumo de energia:	81 kWh/ano	79 kWh/ano	83 kWh/ano
Volume bruto:	36 l	46 l	55 l
Volume útil:	36 l	46 l	55 l
Classe de climatização:	N, T		
Temperatura ambiente:	+16 °C a +43 °C (+61 °F a +110 °F)		
Emissão de ruído:	44 dB(A)	47 dB(A)	
Porta de carregamento USB:	5 V $\overline{=}$ , 2 A		
Gama de frequência:	Wi-Fi: 2412 MHz – 2472 MHz/2422 MHz – 2462 MHz Bluetooth/BLE: 2402 MHz – 2480 MHz		
Banda de frequência (Wi-Fi):	2,4 GHz		
Potência de saída RF:	Wi-Fi: 16,62 dBm (802.11b), 16,23 dBm (802.11g), 16,45 dBm (802.11n20), 16,02 dBm (802.11n40) Bluetooth: 8,31 dBm Bluetooth LE: 6,67 dBm		
Quantidade de agente de refrigeração:	38 g	42 g	45 g
Equivalente a CO <sub>2</sub> :	0,054 t	0,060 t	0,064 t
Potencial de aquecimento global (PAG):	1430		
Dimensões (L x P x A) em mm (incluindo pegas):	398 x 694 x 407	398 x 694 x 476	720 x 455 x 480
Peso:	16,9 kg	18,7 kg	20,4 kg

	<b>CFX3 55IM</b>	<b>CFX3 75DZ</b>	<b>CFX3 95DZ</b>
Tensão de conexão:	12/24 V $\equiv$ e 100 – 240 V $\sim$		
Corrente nominal:	12 V $\equiv$ : 8,9 A 24 V $\equiv$ : 3,8 A 100 V $\sim$ : 1,00 A 240 V $\sim$ : 0,42 A	12 V $\equiv$ : 9,6 A 24 V $\equiv$ : 4,2 A 100 V $\sim$ : 1,12 A 240 V $\sim$ : 0,47 A	12 V $\equiv$ : 10,4 A 24 V $\equiv$ : 4,6 A 100 V $\sim$ : 1,22 A 240 V $\sim$ : 0,51 A
Potência de refrigeração:	-22 °C a +10 °C (-8 °F a +50 °F)		
Categoria:	1		
Classe de eficiência energética:	A++	A+	
Consumo de energia:	82 kWh/ano	108 kWh/ano	111 kWh/ano
Volume bruto:	55 l	75 l (45 l/30 l)	94 l (55 l/39 l)
Volume útil:	53 l	75 l (45 l/30 l)	94 l (55 l/39 l)
Classe de climatização:	N, T		
Temperatura ambiente:	+16 °C a +43 °C (+61 °F a +110 °F)		
Emissão de ruído:	48 dB(A)	50 dB(A)	
Porta de carregamento USB:	5 V $\equiv$ , 2 A		
Gama de frequência:	Wi-Fi: 2412 MHz – 2472 MHz/2422 MHz – 2462 MHz Bluetooth/BLE: 2402 MHz – 2480 MHz		
Banda de frequência (Wi-Fi):	2,4 GHz		
Potência de saída RF:	Wi-Fi: 16,62 dBm (802.11b), 16,23 dBm (802.11g), 16,45 dBm (802.11n20), 16,02 dBm (802.11n40) Bluetooth: 8,31 dBm Bluetooth LE: 6,67 dBm		
Quantidade de agente de refrigeração:	45 g	59 g	67 g
Equivalente a CO <sub>2</sub> :	0,064 t	0,084 t	0,096 t

	<b>CFX3 55IM</b>	<b>CFX3 75DZ</b>	<b>CFX3 95DZ</b>
Potencial de aquecimento global (PAG):	1430		
Dimensões (L x P x A) em mm (incluindo pegas):	720 x 455 x 480	892 x 495 x 472	962 x 530 x 472
Peso:	21,3 kg	27,8 kg	29,8 kg

	<b>CFX3 100</b>
Tensão de conexão:	12/24 V $\overline{=}$ e 100 – 240 V $\sim$
Corrente nominal:	12 V $\overline{=}$ : 10,8 A 24 V $\overline{=}$ : 4,8 A 100 V $\sim$ : 1,28 A 240 V: 0,53 A
Potência de refrigeração:	+10 °C a -22 °C (+50 °F a -8 °F)
Categoria:	1
Classe de eficiência energética:	A+
Consumo de energia:	111 kWh/ano
Volume bruto:	99 l
Volume útil:	88 l
Classe de climatização:	N, T
Temperatura ambiente:	+16 °C a +43 °C (+61 °F a +110 °F)
Emissão de ruído:	36,5 dB(A)
USB:	5 V $\overline{=}$ , 2 A
Gama de frequência:	Wi-Fi: 2412 MHz – 2472 MHz/2422 MHz – 2462 MHz Bluetooth/BLE: 2402 MHz – 2480 MHz
Banda de frequência (Wi-Fi):	2,4 GHz

	<b>CFX3 100</b>
Potência de saída RF:	Wi-Fi: 16,62 dBm (802.11b), 16,23 dBm (802.11g), 16,45 dBm (802.11n20), 16,02 dBm (802.11n40) Bluetooth: 8,31 dBm Bluetooth LE: 6,67 dBm
Quantidade de agente de refrigeração:	60 g
Equivalente a CO <sub>2</sub> :	0,086 t
Potencial de aquecimento global (PAG):	1430
Dimensões (L x P x A) em mm (incluindo pegas):	962 x 530 x 472
Peso:	29,6 kg

O circuito de refrigeração contém R134a.

Contém gases fluorados com efeito de estufa

Equipamento hermeticamente fechado

**Prima della messa in funzione leggere accuratamente questo manuale di istruzioni, conservarlo e, nel caso in cui il frigorifero portatile venga consegnato a un altro utente, consegnare anche le relative istruzioni.**

Il produttore declina ogni responsabilità per danni risultanti da un **uso non conforme alla destinazione** o **da un impiego scorretto**.

## Indice

<b>1</b>	<b>Spiegazione dei simboli</b> .....	145
<b>2</b>	<b>Istruzioni per la sicurezza</b> .....	146
<b>3</b>	<b>Dotazione</b> .....	148
<b>4</b>	<b>Accessori</b> .....	149
<b>5</b>	<b>Conformità d'uso</b> .....	149
<b>6</b>	<b>Descrizione del funzionamento</b> .....	150
6.1	Funzioni .....	150
6.2	Elementi di comando e indicazione .....	151
<b>7</b>	<b>Funzionamento</b> .....	152
7.1	Prima della messa in funzione iniziale .....	152
7.2	Suggerimenti per risparmiare energia .....	152
7.3	Inversione del senso di apertura del coperchio .....	152
7.4	Collegamento del frigorifero portatile .....	153
7.5	Utilizzo del frigorifero portatile .....	153
7.6	Utilizzo del display .....	154
7.7	Blocco/sblocco del display .....	155
7.8	Selezione delle unità di misura della temperatura .....	155
7.9	Regolazione della temperatura .....	155
7.10	Utilizzo del dispositivo di protezione della batteria .....	155
7.11	Impostazione della luminosità del display .....	156
7.12	Accensione o spegnimento degli scomparti (solo CFX3 75DZ, CFX3 95DZ) .....	156
7.13	Utilizzo dell'ice maker (solo CFX3 55IM) .....	156
7.14	Scaricare l'app CFX3 .....	157
7.15	Impostazione del segnale Bluetooth e collegamento all'app .....	158
7.16	Impostazione del segnale WiFi e collegamento all'app .....	158
7.17	Cambio del nome e della password CFX nell'app .....	158
7.18	Ripristino della password dell'app (solo WiFi) .....	159

7.19	Ripristino delle impostazioni di fabbrica	159
7.20	Porta USB per l'alimentazione	159
7.21	Sbrinamento del frigorifero portatile	159
7.22	Sostituzione del fusibile CA	160
7.23	Sostituzione del fusibile CC	160
7.24	Sostituzione del fusibile della spina di corrente continua	160
7.25	Sostituzione del circuito stampato delle luci	160
<b>8</b>	<b>Pulizia e cura</b>	161
<b>9</b>	<b>Eliminazione dei guasti</b>	161
<b>10</b>	<b>Garanzia</b>	165
<b>11</b>	<b>Smaltimento</b>	165
<b>12</b>	<b>Specifiche tecniche</b>	166

## 1 Spiegazione dei simboli



### **PERICOLO!**

**Indicazione di sicurezza** che segnala una situazione di pericolo che se non evitata provoca morte o gravi lesioni.



### **AVVERTENZA!**

**Indicazione di sicurezza** che segnala una situazione di pericolo che se non evitata può provocare morte o gravi lesioni.



### **ATTENZIONE!**

**Indicazione di sicurezza** che segnala una situazione di pericolo che se non evitata può provocare lesioni lievi o di gravità media.



### **AVVISO!**

Indicazione di una situazione che se non evitata può provocare danni materiali.



### **NOTA**

Informazioni integranti relative all'impiego del prodotto.

## 2 Istruzioni per la sicurezza



**AVVERTENZA! La mancata osservanza di queste avvertenze potrebbe causare la morte o lesioni gravi.**

### **Pericolo di morte a causa di scossa elettrica**

- Se l'apparecchio presenta danni visibili, non metterlo in funzione.
- Se il cavo di alimentazione di questo frigorifero è danneggiato, deve essere sostituito per evitare pericoli per la sicurezza.
- Questo apparecchio deve essere riparato solo da personale specializzato. Le riparazioni effettuate in modo scorretto potrebbero causare rischi enormi.

### **Pericolo di incendio**

- Durante il posizionamento dell'apparecchio, assicurarsi che il cavo di alimentazione non venga bloccato o danneggiato.
- Non collocare prese multiple portatili o alimentatori portatili sul retro dell'apparecchio.

### **Pericolo per la salute**

- Questo apparecchio può essere utilizzato da bambini di età superiore a 8 anni, da persone con ridotte capacità fisiche, sensoriali o mentali o da persone inesperte o prive di conoscenze specifiche solo se sorvegliate o preventivamente istruite sull'impiego dell'apparecchio in sicurezza e se informate dei pericoli legati al prodotto stesso.
- I bambini non devono giocare con l'apparecchio.
- La pulizia e la manutenzione da parte dell'utente non possono essere compiute da bambini lasciati soli.
- I bambini dai 3 agli 8 anni possono caricare e scaricare gli apparecchi di refrigerazione.

### **Pericolo di esplosione**

- Nell'apparecchio non conservare sostanze esplosive come ad es. bombolette spray con gas propellente infiammabile.



**ATTENZIONE! La mancata osservanza di queste precauzioni potrebbe causare lesioni lievi o moderate.**

### **Pericolo di morte a causa di scossa elettrica**

- Prima della messa in funzione assicurarsi che la linea di alimentazione e la spina siano asciutte.

- Staccare l'apparecchio dalla rete
  - prima di effettuare la pulizia e la cura
  - dopo ogni utilizzo

### **Pericolo per la salute**

- Controllare che la capacità di raffreddamento dell'apparecchio sia conforme ai requisiti degli alimenti o medicinali che si desidera raffreddare.
- I prodotti alimentari possono essere conservati solo nelle confezioni originali o in contenitori adeguati.
- L'apertura prolungata del frigorifero può causare un significativo aumento della temperatura nei vani dell'apparecchio.
- Pulire regolarmente le superfici che vengono a contatto con gli alimenti e i sistemi di scarico accessibili.
- Conservare la carne cruda e il pesce in contenitori adatti nell'apparecchio, in modo che non vengano a contatto con altri alimenti o sgocciolino su di essi.
- Se l'apparecchio resta vuoto a lungo:
  - Spegnerne l'apparecchio.
  - Sbrinare l'apparecchio.
  - Pulire e asciugare l'apparecchio.
  - Lasciare la porta aperta per prevenire la formazione di muffa nell'apparecchio.



### **AVVISO! Pericolo di danni**

- Confrontare i dati della tensione riportati sulla targhetta con quelli delle prese e degli attacchi disponibili.
- Collegare l'apparecchio solo nel modo seguente:
  - con il cavo di allacciamento CC alla spina CC del veicolo
  - oppure con il cavo di allacciamento da CA alla rete di alimentazione in corrente alternata
- Non estrarre mai la spina dalla presa tirando il cavo di allacciamento.
- Quando il frigorifero è collegato ad un presa CC: Staccare il frigorifero e le altre utenze dalla batteria prima di collegare il caricabatterie rapido.
- Quando il frigorifero è collegato ad un presa CC: Interrompere il collegamento o spegnere il frigorifero se il motore viene spento. Altrimenti la batteria si può scaricare.
- Il frigorifero non è adatto per il trasporto di sostanze corrosive o solventi.

- Questo frigorifero contiene nell'isolamento ciclopentano infiammabile. I gas contenuti nel materiale di isolamento richiedono un processo di smaltimento particolare. Al termine della sua vita utile, smaltire l'apparecchio in modo conforme.
- Non utilizzare apparecchi elettrici all'interno del frigorifero ad eccezione di quelli consigliati dallo stesso produttore.
- Non collocare l'apparecchio nelle vicinanze di fiamme libere o altre fonti di calore (riscaldamento, intensa esposizione ai raggi solari, forni a gas ecc.).
- **Pericolo di surriscaldamento!**  
Assicurarsi che ci sia sempre una ventilazione minima di 50 mm su tutti i quattro lati del frigorifero. Mantenere l'area di ventilazione priva di oggetti che potrebbero limitare il flusso d'aria verso i componenti di raffreddamento.  
Non collocare il frigorifero in scomparti chiusi o aree con flusso d'aria assente o minimo.
- Fare attenzione che le feritoie di aerazione non vengano coperte.
- Non versare nessun tipo di liquido o ghiaccio nel contenitore interno.
- Non immergere mai l'apparecchio in acqua.
- Proteggere l'apparecchio e i cavi dal caldo e dall'umidità.

### 3 Dotazione

Posizione nella fig. 1, pagina 3	Quantità	Descrizione
1	1	Frigorifero portatile
2	1	Cavo di collegamento per corrente continua
3	1	Cavo di collegamento per corrente alternata

## 4 Accessori

Disponibili come accessorio (non in dotazione):

Denominazione	N. art.	Modello
CFX3 app	–	Per tutti i modelli
PLB40	9600014024	Per tutti i modelli

Si noti che l'app CFX3 potrebbe non essere disponibile nel proprio paese.

## 5 Conformità d'uso

Il dispositivo è adatto per:

- Funzionamento su veicoli
- Raffreddare e congelare alimenti
- Uso in campeggio

Il dispositivo **non** è adatto per:

- La conservazione di sostanze corrosive, caustiche o contenenti solventi
- Congelamento rapido di alimenti

Il frigorifero è adatto per l'uso in campeggio. Non esporre l'apparecchio alla pioggia.

Gli scomparti a due stelle per alimenti surgelati sono adatti alla conservazione di alimenti presurgelati, alla conservazione o alla produzione di gelato e alla produzione di cubetti di ghiaccio.

Gli scomparti a una, due e tre stelle non sono adatti per surgelare alimenti freschi.

## 6 Descrizione del funzionamento

Il frigorifero può raffreddare, mantenere freddi e congelare prodotti. Il raffreddamento avviene mediante un circuito di raffreddamento a bassa manutenzione e con compressore. Il generoso isolamento e il potente compressore assicurano un raffreddamento efficiente e rapido.

Il frigorifero è adatto per l'uso mobile.

Il frigorifero portatile può sopportare per brevi periodi un'inclinazione di 30°.

### 6.1 Funzioni

- Alimentatore con circuito prioritario per il collegamento alla tensione alternata
- Dispositivo di protezione della batteria a tre livelli per proteggere la batteria del veicolo
- Il display con indicazione della temperatura in °C e °F
- Impostazione della temperatura a passi di 1 °C (1 °F)
- Funzione WiFi e Bluetooth integrata, quindi controllabile tramite un'app
- Maniglie richiudibili
- Caricabatterie USB per dispositivi portatili come i telefoni cellulari
- Cestino estraibile
- **Solo CFX3 55IM:** ice maker

## 6.2 Elementi di comando e indicazione

**Arresto per il coperchio: fig. 2 1, pagina 3**

**Unità di comando (fig. 3, pagina 4):**

Posizione	Descrizione	Spiegazione
1		<p>Accende il frigorifero portatile quando si preme brevemente il pulsante</p> <p>Spegne il frigorifero portatile se si tiene premuto il pulsante per tre secondi</p> <p>Torna al menu precedente</p>
2	Display	<p>Mostra le informazioni</p> <p><b>AC</b> : è collegata la rete di alimentazione a corrente alternata</p> <p><b>DCV</b> : è collegata la rete di alimentazione a corrente continua</p> <p> : il Bluetooth è attivato</p> <p> : il WiFi è attivato</p> <p> : il display è bloccato</p> <p>● : il compressore è in funzione</p> <p>■ : l'ice maker è in funzione (solo CFX3 55IM)</p>
3		<p>Premere  per navigare verso l'alto o per aumentare il valore selezionato.</p> <p>Premere  per navigare verso il basso o per diminuire il valore selezionato.</p> <p>Premere  e  contemporaneamente per 3 s per bloccare o sbloccare il display.</p>
4		<p>Premere per selezionare un menu o per salvare il valore selezionato.</p>

**Prese di collegamento (fig. 4, pagina 4):**

Posizione	Descrizione
1	Presa di collegamento per l'alimentazione di tensione alternata
2	Presa di collegamento per l'alimentazione di tensione continua
3	Portafusibili CC
4	Portafusibili CA

## 7 Funzionamento

### 7.1 Prima della messa in funzione iniziale

**NOTA**

Per motivi igienici, prima della messa in funzione iniziale del frigorifero portatile, pulirne l'interno e l'esterno con un panno umido (vedi anche capitolo "Pulizia e cura" a pagina 161).

### 7.2 Suggerimenti per risparmiare energia

- Scegliere un luogo di impiego ben aerato e riparato dai raggi solari.
- Prima di immagazzinare cibi caldi nell'apparecchio, lasciarli prima raffreddare.
- Non aprire il frigorifero più spesso del necessario.
- Non lasciare il frigorifero aperto più del necessario.
- Sbrinare il frigorifero portatile se si forma uno strato di ghiaccio.
- Evitare temperature inutilmente basse.

### 7.3 Inversione del senso di apertura del coperchio

**CFX 3 55, CFX 3 55IM, CFX 3 100**

- Procedere come illustrato (fig. 5, pagina 5).

**CFX 3 75DZ, CFX 3 95DZ**

- Procedere come illustrato (fig. 6, pagina 6).

## 7.4 Collegamento del frigorifero portatile



### AVVISO! Rischio di danni

- Per proteggere l'apparecchio, il cavo di corrente continua fornito comprende un fusibile all'interno della spina. **Non** rimuovere la spina di corrente continua con fusibile.  
Utilizzare solo il cavo di corrente continua fornito in dotazione.
- Staccare il frigorifero portatile e le altre utenze dalla batteria prima di collegarla a un caricabatterie rapido.  
Le sovratensioni possono danneggiare il sistema elettronico dell'apparecchio.

### Collegamento a una batteria

- Procedere come illustrato (fig. **7**, pagina 7).

### Collegamento tramite cablaggio CC esteso (solo CFX3 100)

- Procedere come illustrato (fig. **8**, pagina 8).

### Collegamento a una rete di alimentazione a corrente alternata



### PERICOLO! Pericolo di scosse elettriche

- Non toccare mai spine e interruttori con le mani bagnate o se si sta con i piedi su una superficie bagnata.
- Se il frigorifero portatile si trova a bordo di un'imbarcazione ed è alimentato da una rete di alimentazione a corrente alternata, occorre inserire un interruttore differenziale di protezione fra la rete di alimentazione e il frigorifero portatile.  
Farsi consigliare da un esperto.

- Procedere come illustrato (fig. **9**, pagina 9).

## 7.5 Utilizzo del frigorifero portatile



### AVVISO! Rischio di surriscaldamento

Assicurarsi che ci sia sempre sufficiente ventilazione in modo che il calore che si sviluppa durante il funzionamento possa essere dissipato. Fare attenzione che le griglie di aerazione non vengano coperte. Fare in modo che la distanza fra l'apparecchio e le pareti o altri oggetti sia tale da permettere all'aria di circolare.

**NOTA**

In caso di alimentazione tramite una batteria, il display si spegne automaticamente se la tensione di batteria è bassa.

- Accensione del frigorifero portatile: fig. **10**, pagina 9
- Spegnimento del frigorifero portatile: fig. **11**, pagina 10

## 7.6 Utilizzo del display

### Stati del display (fig. **12**, pagina 10)

Posizione	Descrizione
A	Stand-by
B	Inattivo
C	Bloccato

### Panoramica display: fig. **13**, pagina 11

#### Navigazione nei menu

Il menu evidenziato è selezionato.

- Premere per navigare verso l'alto.
- Premere per navigare verso il basso.

#### Selezione di un menu

- Premere per selezionare il menu desiderato.

#### Modifica delle impostazioni

Il valore o l'impostazione evidenziati sono selezionati.

- Premere per aumentare il valore selezionato o per scegliere l'impostazione precedente.
- Premere per diminuire il valore selezionato o per scegliere l'impostazione successiva.

#### Ritorno al menu precedente

- Premere per tornare al menu precedente senza salvare.

## 7.7 Blocco/sblocco del display

- Premere  e  contemporaneamente per 3 s per bloccare o sbloccare il display (fig. 14, pagina 11).

## 7.8 Selezione delle unità di misura della temperatura

- Procedere come illustrato (fig. 15, pagina 11).

## 7.9 Regolazione della temperatura



### **AVVISO! Pericolo di danni dovuti a temperature troppo basse**

Assicurarsi che nel frigorifero portatile si trovino solo oggetti o prodotti che possono essere raffreddati alla temperatura selezionata.

- Procedere come illustrato (fig. 16, pagina 12).

## 7.10 Utilizzo del dispositivo di protezione della batteria

L'apparecchio è dotato di un dispositivo di protezione della batteria a 3 stadi. Il dispositivo di protezione della batteria impedisce lo scaricamento eccessivo quando il dispositivo è collegato ad una batteria di avviamento del veicolo o massimizza l'uso di una batteria di alimentazione.

Se il frigorifero viene azionato nel veicolo con l'accensione disinserita, il frigorifero si spegne automaticamente non appena la tensione di alimentazione scende al di sotto di un valore impostabile. Il frigorifero portatile si riaccende non appena viene raggiunta la tensione di ripristino ottenuta caricando la batteria.



### **AVVISO! Rischio di danni**

Quando viene spenta dal dispositivo di protezione della batteria, la batteria non viene più caricata completamente. Evitare avvii ripetuti. Assicurare che la batteria venga ricaricata.



### **NOTA**

Se il frigorifero portatile è alimentato da una batteria di avviamento, selezionare la modalità "MEDIUM" o "HIGH" del dispositivo di protezione della batteria. Se il frigorifero è collegato a una batteria di alimentazione, l'ideale è la modalità di protezione della batteria "LOW".

- Procedere come illustrato (fig. 17, pagina 13).

## 7.11 Impostazione della luminosità del display

- Procedere come illustrato (fig. 18, pagina 13).

## 7.12 Accensione o spegnimento degli scomparti (solo CFX3 75DZ, CFX3 95DZ)

È possibile attivare ogni zona individualmente o entrambe.

- Procedere come illustrato (fig. 19, pagina 14).

## 7.13 Utilizzo dell'ice maker (solo CFX3 55IM)



### NOTA

- Indipendentemente dall'impostazione della temperatura dello scomparto principale, la zona dell'ice maker è progettata per produrre cubetti di ghiaccio se l'ice maker è acceso.
- Il consumo energetico del frigorifero portatile aumenta con l'ice maker acceso. Pertanto si dovrebbe spegnere l'ice maker se non serve.
- L'impostazione di fabbrica dell'ice maker è OFF.

- Procedere come illustrato (fig. 20, pagina 14).

### Riempire d'acqua le vaschette del ghiaccio

- Rimuovere le vaschette del ghiaccio (fig. 21 1, pagina 15) dall'alloggiamento dell'ice maker (fig. 21 2, pagina 15).
- Togliere i coperchi delle vaschette del ghiaccio, riempire con acqua pulita e rimontare il coperchio, avendo cura di premere la guarnizione su tutto il bordo.
- Riposizionare le vaschette del ghiaccio nell'alloggiamento dell'ice maker e chiudere il coperchio.



### NOTA

Asciugare l'acqua eventualmente fuoriuscita da sotto le vaschette di ghiaccio. Questo ridurrà l'accumulo di ghiaccio sotto le vaschette e ne faciliterà la rimozione.

### Rimozione dei cubetti di ghiaccio

- Aprire il coperchio dell'alloggiamento dell'ice maker e sollevare da sotto la parte anteriore delle vaschette del ghiaccio.

**NOTA**

In condizioni di elevata umidità, che può creare un blocco di ghiaccio sotto le vaschette del ghiaccio, la rimozione può richiedere una forza aggiuntiva e l'uso di due mani.

- Rimuovere i coperchi delle vaschette del ghiaccio e torcere le vaschette per liberare i cubetti di ghiaccio.

**Rimozione dell'alloggiamento dell'ice maker**

L'alloggiamento dell'ice maker può essere rimosso per la pulizia o quando non viene utilizzato per aumentare lo spazio utilizzabile all'interno del frigorifero portatile:

- Sollevare l'alloggiamento da una estremità finché le alette non si sganciano, quindi rimuoverlo.
- Invertire la procedura per il rimontaggio, spingendo verso il basso le alette per farle scattare in posizione.

**Consigli per l'utilizzo dell'ice maker**

- L'ice maker produce ghiaccio rapidamente per un certo numero di ore dopo l'accensione, poi entra automaticamente in una modalità di mantenimento del ghiaccio per ridurre il consumo energetico. Se è necessario produrre molto ghiaccio il più rapidamente possibile, spegnere e riaccendere l'ice maker per riportarlo alla modalità di produzione rapida del ghiaccio. Ripetere secondo necessità.
- Le impostazioni di bassa temperatura del congelatore nello scomparto principale potrebbero non essere mantenute in condizioni di temperatura ambiente elevata con l'ice maker acceso.

**Pulizia e asciugatura dell'ice maker**

- Quando non in uso, pulire e asciugare le vaschette del ghiaccio e l'interno dell'alloggiamento dell'ice maker per evitare la formazione di muffa.
- Dopo lunghi periodi di inutilizzo, pulire l'interno delle vaschette del ghiaccio con una soluzione detergente delicata e risciacquare con acqua pulita prima dell'uso.

**7.14 Scaricare l'app CFX3**

Il frigorifero portatile può essere monitorato e controllato via Bluetooth o WiFi utilizzando un'app da installare su un dispositivo compatibile.

- Scaricare l'applicazione CFX3 dall'App Store o da Google Play.

Si noti che l'app CFX3 potrebbe non essere disponibile nel proprio paese.

## 7.15 Impostazione del segnale Bluetooth e collegamento all'app

Il frigorifero portatile può essere monitorato e controllato via Bluetooth. Per farlo, è necessario abbinare il frigorifero portatile al dispositivo Bluetooth.



### NOTA

- L'abbinamento deve essere effettuato all'interno dell'app CFX3, non nelle impostazioni del dispositivo.
- Non è richiesta alcuna password per il collegamento Bluetooth.

- Procedere come illustrato (fig. 22, pagina 15).

## 7.16 Impostazione del segnale WiFi e collegamento all'app

Il frigorifero portatile può essere monitorato e controllato tramite WiFi con collegamento diretto al frigorifero portatile o tramite una rete WiFi.

- Procedere come indicato (fig. 23, pagina 16) per attivare il WiFi.
- Per il collegamento WiFi diretto al frigorifero portatile, andare nelle impostazioni del dispositivo e selezionare il frigorifero portatile.
  - Il nome WiFi del frigorifero portatile inizia con "CFX3".
  - La password preimpostata è "00000000".
  - È possibile personalizzare il nome WiFi e la password nell'app CFX3.



### NOTA

Per il collegamento tramite rete WiFi, andare a "network connection" (connessione di rete) nelle impostazioni dell'app.

## 7.17 Cambio del nome e della password CFX nell'app

- È possibile personalizzare il nome del proprio CFX nell'app.
- Lo stesso nome viene usato sia per il Bluetooth sia per il WiFi.
- È inoltre possibile personalizzare la password nell'app (solo WiFi).
- Procedere a "CFX name and password" (Nome e password CFX) nelle impostazioni dell'app.

## 7.18 Ripristino della password dell'app (solo WiFi)

- È possibile ripristinare la password predefinita dell'app, "00000000".
- Procedere come illustrato (fig. 23, pagina 16).

## 7.19 Ripristino delle impostazioni di fabbrica

La funzione di ripristino riporta tutti i menu e i campi dell'app alle impostazioni predefinite.

- Procedere come illustrato (fig. 24, pagina 16).

## 7.20 Porta USB per l'alimentazione

È possibile utilizzare la porta USB per ricaricare piccoli dispositivi (ad es. telefoni cellulari e lettori MP3).



### NOTA

Assicurarsi che il piccolo dispositivo collegato alla presa USB sia idoneo per il funzionamento a 5 V/2 A.

- Procedere come illustrato (fig. 26, pagina 17).

## 7.21 Sbrinamento del frigorifero portatile

L'umidità dell'aria può formare brina all'interno del frigorifero o sul vaporizzatore, riducendo così la capacità di raffreddamento. Sbrinare perciò l'apparecchio a tempo debito.



### AVVISO! Rischio di danni

Non utilizzare mai attrezzi duri o appuntiti per rimuovere il ghiaccio o per staccare oggetti che sono rimasti congelati.

Per sbrinare il frigorifero, procedere come segue.

- Togliere il contenuto dal frigorifero portatile.
- Metterlo eventualmente in un altro frigorifero affinché si mantenga freddo.
- Spegnere l'apparecchio.
- Lasciare il coperchio aperto.
- Rimuovere l'acqua scongelata.

## 7.22 Sostituzione del fusibile CA



### **PERICOLO! Pericolo di scosse elettriche**

Scollegare l'alimentazione e il cavo di collegamento prima di sostituire il fusibile dell'apparecchio.

- Scollegare l'alimentazione all'apparecchio.
- Estrarre il cavo di collegamento.
- Facendo leva con un cacciavite, estrarre il portafusibili (fig. **4** 4, pagina 4).
- Sostituire il fusibile guasto con uno nuovo dello stesso tipo e amperaggio (azione rapida, 4 A, 250 V).
- Premere di nuovo in sede il portafusibili.
- Ricollegare l'alimentazione all'apparecchio.

## 7.23 Sostituzione del fusibile CC

- Facendo leva con un cacciavite, sollevare il coperchio (fig. **4** 3, pagina 4).
- Girare il coperchio del fusibile e utilizzare un gancio per rimuovere il fusibile a innesto piatto difettoso.
- Inserire un nuovo fusibile dello stesso tipo e amperaggio.
- Riapplicare il coperchio del fusibile.

## 7.24 Sostituzione del fusibile della spina di corrente continua

- Sostituire il fusibile difettoso con uno nuovo dello stesso tipo e amperaggio.
- Procedere come illustrato (fig. **27**, pagina 17).

## 7.25 Sostituzione del circuito stampato delle luci



### **AVVISO! Rischio di danni**

Per prevenire rischi, la lampadina può essere sostituita soltanto dal produttore, da un tecnico di assistenza o da una persona dotata di qualifica analoga.

## 8 Pulizia e cura



### AVVISO! Pericolo di danni!

- Non lavare mai il frigorifero sotto acqua corrente e non immergerlo in acqua per risciacquarlo.
- Per la pulizia non impiegare detergenti corrosivi oppure oggetti ruvidi, perché potrebbero danneggiare il frigorifero.

- Pulire l'interno e l'esterno dell'apparecchio di tanto in tanto con un panno umido.
- Assicurarsi che le aperture di aerazione e disaerazione dell'apparecchio siano prive di polvere e sporizia in modo da permettere, al calore generato durante il funzionamento, di fuoriuscire e non danneggiare l'apparecchio.

## 9 Eliminazione dei guasti

Guasto	Possibile causa	Rimedio
L'apparecchio non funziona (modo CC, accensione attivata).	Nessuna tensione rilevata nella presa CC.	Nella maggior parte dei veicoli occorre attivare l'accensione prima che la presa CC venga alimentata.
	La presa CC è sporca. Questo provoca un contatto elettrico insufficiente.	Se la spina dell'apparecchio inserita nella presa CC si scalda molto, significa che è necessario pulirla o che non è stata montata correttamente.
	Il fusibile della spina CC si è bruciato.	Sostituire il fusibile della spina per corrente continua, vedi capitolo "Sostituzione del fusibile della spina di corrente continua" a pagina 160.
	Il fusibile CC dell'apparecchio si è bruciato.	Sostituire il fusibile CC dell'apparecchio, vedi capitolo "Sostituzione del fusibile CC" a pagina 160.
	Il fusibile del veicolo è bruciato.	Sostituire il fusibile della presa per corrente continua del veicolo. Fare riferimento al manuale di istruzioni del veicolo.

<b>Guasto</b>	<b>Possibile causa</b>	<b>Rimedio</b>
L'apparecchio non funziona (modo CA).	Nella presa CA non c'è tensione.	Provare a collegare il dispositivo a un'altra presa a spina.
	Il fusibile CA dell'apparecchio si è bruciato.	Sostituire il fusibile CA dell'apparecchio, vedi capitolo "Sostituzione del fusibile CA" a pagina 160.
	L'alimentatore CA integrato è difettoso.	I lavori di riparazione devono essere effettuati solo da un centro riparazioni autorizzato.
Il display non risponde alla pressione dei tasti.	Il display è bloccato.	Sbloccare il display, vedi capitolo "Blocco/sblocco del display" a pagina 155.
L'app non riesce a comandare il dispositivo.	Bluetooth o WiFi non sono collegati.	Collegare il Bluetooth, vedi capitolo "Impostazione del segnale Bluetooth e collegamento all'app" a pagina 158, o il WiFi, vedi capitolo "Impostazione del segnale WiFi e collegamento all'app" a pagina 158.
Il display mostra un messaggio di avviso o un codice di avvertimento.	–	Vedi la tabella sotto.

## Messaggi di avviso

Ad esempio, vedi fig. 25 A, pagina 16.

<b>Messaggio di avviso</b>	<b>Descrizione</b>	<b>Possibile causa</b>	<b>Rimedio</b>
!ALERT - Lid open > 3 min	Coperchio aperto più di 3 minuti	<ul style="list-style-type: none"> <li>Coperchio non completamente chiuso</li> <li>Guasto interno</li> </ul>	<ul style="list-style-type: none"> <li>Controllare che il coperchio sia completamente chiuso</li> <li>È necessaria un'ispezione da parte di un centro di riparazione autorizzato</li> </ul>

<b>Messaggio di avviso</b>	<b>Descrizione</b>	<b>Possibile causa</b>	<b>Rimedio</b>
!ALERT - Voltage low	L'apparecchio ha smesso di funzionare in CC a causa della bassa tensione	<ul style="list-style-type: none"> <li>• Tensione di alimentazione insufficiente</li> <li>• Tensione della batteria insufficiente</li> <li>• È impostata una protezione della batteria troppo alta</li> </ul>	<ul style="list-style-type: none"> <li>• Controllare la caduta di tensione dalla batteria alla presa di corrente e aumentare il calibro del filo se necessario</li> <li>• Controllare la batteria ed eventualmente ricaricarla</li> <li>• Selezionare un'impostazione più bassa del dispositivo di protezione della batteria</li> </ul>
	L'apparecchio ha smesso di funzionare con la corrente continua a causa di un tensione estremamente elevata > 31,5 V	<ul style="list-style-type: none"> <li>• Specifica alimentazione di tensione CC errata</li> </ul>	<ul style="list-style-type: none"> <li>• Assicurarsi che la specifica della tensione di alimentazione CC corrisponda alla classificazione riportata sulla targhetta dati del prodotto CFX3</li> </ul>
	(evento improbabile – esclusivamente per la protezione di elettricisti – usare lo stesso messaggio di avviso come quello per la bassa tensione di cui sopra)	<ul style="list-style-type: none"> <li>• Tensione di alimentazione errata</li> <li>• Guasto interno</li> </ul>	<ul style="list-style-type: none"> <li>• Controllare l'alimentazione di tensione CC e riparare o sostituire in caso di funzionamento difettoso</li> <li>• È necessaria un'ispezione da parte di un centro di riparazione autorizzato</li> </ul>

## Codici di avvertimento

Ad esempio, vedi fig. 25 B, pagina 16.

Codice di avvertimento	Guasto	Possibile causa	Rimedio
!WARNING 32	Sovraccorrente della ventola	Guasto interno	Spegnere l'apparecchio per almeno 5 minuti, quindi riaccenderlo. Se il problema persiste, è necessaria l'ispezione di un centro di riparazione autorizzato
!WARNING 33	Errore di avviamento del compressore		
!WARNING 34	Velocità del compressore bassa	<ul style="list-style-type: none"> <li>• Temperatura ambiente elevata</li> </ul>	<ul style="list-style-type: none"> <li>• Spegnere l'apparecchio per almeno 30 minuti, o spostarsi in un luogo più fresco, quindi riaccenderlo</li> </ul>
!WARNING 35	Sovratemperatura del controller	<ul style="list-style-type: none"> <li>• Presa d'aria bloccata o spazio insufficiente</li> <li>• Guasto interno</li> </ul>	<ul style="list-style-type: none"> <li>• Liberare le prese d'aria</li> <li>• È necessaria un'ispezione da parte di un centro di riparazione autorizzato</li> </ul>
!WARNING 01	NTC interrotto SZ & DZ LARGE	Guasto interno	È necessaria un'ispezione da parte di un centro di riparazione autorizzato
!WARNING 11	NTC interrotto DZ SMALL		
!WARNING 02	NTC in cortocircuito SZ & DZ LARGE		
!WARNING 12	NTC in cortocircuito DZ SMALL		
!WARNING 09	Valvola DZ o valvola ice maker difettose		Spegnere l'apparecchio per almeno 1 minuto, quindi riaccenderlo. Se il problema persiste, è necessaria l'ispezione di un centro di riparazione autorizzato
!WARNING 03/43	Errore di comunicazione		

## 10 Garanzia

Vale il termine di garanzia previsto dalla legge. Qualora il prodotto risultasse difettoso, La preghiamo di rivolgersi alla filiale del produttore del suo Paese (vedi [dometic.com/dealer](http://dometic.com/dealer)), oppure al rivenditore specializzato di riferimento.

Per la riparazione e per il disbrigo delle condizioni di garanzia è necessario inviare la seguente documentazione:

- una copia della fattura con la data di acquisto del prodotto,
- un motivo su cui fondare il reclamo, oppure una descrizione del guasto.

## 11 Smaltimento

- Raccogliere il materiale di imballaggio possibilmente negli appositi contenitori di riciclaggio.



Quando il prodotto viene messo fuori servizio definitivamente, informarsi al centro di riciclaggio più vicino, oppure presso il proprio rivenditore specializzato, sulle prescrizioni adeguate concernenti lo smaltimento.



### **AVVERTENZA! Pericolo di intrappolamento di bambini**

Prima di smaltire il vecchio frigorifero:

- smontare il coperchio.
- Lasciare i cestini montati in modo che i bambini non riescano a salire all'interno.

## 12 Specifiche tecniche



### NOTA

La temperatura minima indicata in “Capacità di raffreddamento” non può essere raggiunta se la temperatura ambiente è superiore a 32 °C (90 °F) per i modelli CFX3 35/45/55/55IM/100 o la temperatura ambiente è superiore a 30 °C (86 °F) per i modelli CFX3 75DZ/95DZ (piccolo -22 °C/grande +4 °C).

Certificati di controllo:



	CFX3 35	CFX3 45	CFX3 55
Tensione di allacciamento:	12/24 V $\equiv$ e 100 - 240 V $\sim$		
Corrente nominale:	12 V $\equiv$ : 7,5 A 24 V $\equiv$ : 3,3 A 100 V $\sim$ : 0,94 A 240 V $\sim$ : 0,39 A	12 V $\equiv$ : 8,2 A 24 V $\equiv$ : 3,5 A 100 V $\sim$ : 0,96 A 240 V $\sim$ : 0,40 A	12 V $\equiv$ : 8,7 A 24 V $\equiv$ : 3,7 A 100 V $\sim$ : 0,98 A 240 V $\sim$ : 0,41 A
Capacità di raffreddamento:	da -22 °C a +10 °C (da -8 °F a +50 °F)		
Categoria:	1		
Classe di efficienza energetica:	A++		
Consumo energetico:	81 kWh/anno	79 kWh/anno	83 kWh/anno
Volume lordo:	36 l	46 l	55 l
Volume utile:	36 l	46 l	55 l
Classe climatica:	N, T		
Temperatura ambiente:	da +16 °C a +43 °C (da +61 °F a +110 °F)		
Emissioni acustiche:	44 dB(A)	47 dB(A)	
Porta di ricarica USB:	5 V $\equiv$ , 2 A		
Banda di frequenza:	WiFi: 2412 MHz - 2472 MHz/2422 MHz - 2462 MHz Bluetooth/BLE: 2402 MHz - 2480 MHz		
Banda di frequenza (WiFi):	2,4 GHz		

	<b>CFX3 35</b>	<b>CFX3 45</b>	<b>CFX3 55</b>
Potenza di uscita RF:	WiFi: 16,62 dBm (802.11b), 16,23 dBm (802.11g), 16,45 dBm (802.11n20), 16,02 dBm (802.11n40) Bluetooth: 8,31 dBm Bluetooth LE: 6,67 dBm		
Quantità di refrigerante:	38 g	42 g	45 g
CO <sub>2</sub> equivalente:	0,054 t	0,060 t	0,064 t
Potenziale di riscaldamento globale (GWP):	1430		
Dimensioni (L x P x A) in mm (maniglie comprese):	398 x 694 x 407	398 x 694 x 476	720 x 455 x 480
Peso:	16,9 kg	18,7 kg	20,4 kg

	<b>CFX3 55IM</b>	<b>CFX3 75DZ</b>	<b>CFX3 95DZ</b>
Tensione di allacciamento:	12/24 V $\overline{=}$ e 100 – 240 V $\sim$		
Corrente nominale:	12 V $\overline{=}$ : 8,9 A 24 V $\overline{=}$ : 3,8 A 100 V $\sim$ : 1,00 A 240 V $\sim$ : 0,42 A	12 V $\overline{=}$ : 9,6 A 24 V $\overline{=}$ : 4,2 A 100 V $\sim$ : 1,12 A 240 V $\sim$ : 0,47 A	12 V $\overline{=}$ : 10,4 A 24 V $\overline{=}$ : 4,6 A 100 V $\sim$ : 1,22 A 240 V $\sim$ : 0,51 A
Capacità di raffreddamento:	da -22 °C a +10 °C (da -8 °F a +50 °F)		
Categoria:	1		
Classe di efficienza energetica:	A++	A+	
Consumo energetico:	82 kWh/anno	108 kWh/anno	111 kWh/anno
Volume lordo:	55 l	75 l (45 l/30 l)	94 l (55 l/39 l)
Volume utile:	53 l	75 l (45 l/30 l)	94 l (55 l/39 l)
Classe climatica:	N, T		
Temperatura ambiente:	da +16 °C a +43 °C (da +61 °F a +110 °F)		
Emissioni acustiche:	48 dB(A)	50 dB(A)	

	<b>CFX3 55IM</b>	<b>CFX3 75DZ</b>	<b>CFX3 95DZ</b>
Porta di ricarica USB:	5 V $\overline{=}$ , 2 A		
Banda di frequenza:	WiFi: 2412 MHz – 2472 MHz/2422 MHz – 2462 MHz Bluetooth/BLE: 2402 MHz – 2480 MHz		
Banda di frequenza (WiFi):	2,4 GHz		
Potenza di uscita RF:	WiFi: 16,62 dBm (802.11b), 16,23 dBm (802.11g), 16,45 dBm (802.11n20), 16,02 dBm (802.11n40) Bluetooth: 8,31 dBm Bluetooth LE: 6,67 dBm		
Quantità di refrigerante:	45 g	59 g	67 g
CO <sub>2</sub> equivalente:	0,064 t	0,084 t	0,096 t
Potenziale di riscaldamento globale (GWP):	1430		
Dimensioni (L x P x A) in mm (maniglie comprese):	720 x 455 x 480	892 x 495 x 472	962 x 530 x 472
Peso:	21,3 kg	27,8 kg	29,8 kg

<b>CFX3 100</b>	
Tensione di allacciamento:	12/24 V $\overline{=}$ e 100 – 240 V $\sim$
Corrente nominale:	12 V $\overline{=}$ : 10,8 A 24 V $\overline{=}$ : 4,8 A 100 V $\sim$ : 1,28 A 240 V: 0,53 A
Capacità di raffreddamento:	da +10 °C a -22 °C (da +50 °F a -8 °F)
Categoria:	1
Classe di efficienza energetica:	A+
Consumo energetico:	111 kWh/anno

	<b>CFX3 100</b>
Volume lordo:	99 l
Volume utile:	88 l
Classe climatica:	N, T
Temperatura ambiente:	da +16 °C a +43 °C (da +61 °F a +110 °F)
Emissioni acustiche:	36,5 dB(A)
USB:	5 V $\overline{=}$ , 2 A
Banda di frequenza:	WiFi: 2412 MHz – 2472 MHz/2422 MHz – 2462 MHz Bluetooth/BLE: 2402 MHz – 2480 MHz
Banda di frequenza (WiFi):	2,4 GHz
Potenza di uscita RF:	WiFi: 16,62 dBm (802.11b), 16,23 dBm (802.11g), 16,45 dBm (802.11n20), 16,02 dBm (802.11n40) Bluetooth: 8,31 dBm Bluetooth LE: 6,67 dBm
Quantità di refrigerante:	60 g
CO <sub>2</sub> equivalente:	0,086 t
Potenziale di riscaldamento globale (GWP):	1430
Dimensioni (L x P x A) in mm (maniglie comprese):	962 x 530 x 472
Peso:	29,6 kg

Il circuito di raffreddamento contiene R134a.

Contiene gas fluorurati a effetto serra

Apparecchiature ermeticamente sigillate

**Lees deze handleiding voor de ingebruikname zorgvuldig door en bewaar deze. Geef de handleiding bij doorgeven van het toestel door aan de gebruiker.**

De fabrikant kan niet aansprakelijk worden gesteld voor schade die door **gebruik tegen de voorschriften in** of door **verkeerde bediening** wordt veroorzaakt.

## Inhoudsopgave

<b>1</b>	<b>Verklaring van de symbolen</b> .....	171
<b>2</b>	<b>Veiligheidsinstructies</b> .....	172
<b>3</b>	<b>Omvang van de levering</b> .....	174
<b>4</b>	<b>Toebehoren</b> .....	174
<b>5</b>	<b>Beoogd gebruik</b> .....	175
<b>6</b>	<b>Functiebeschrijving</b> .....	175
6.1	Functies .....	175
6.2	Bedienings- en indicatie-elementen .....	176
<b>7</b>	<b>Bediening</b> .....	177
7.1	Voorafgaand aan het eerste gebruik .....	177
7.2	Tips om energie te sparen .....	177
7.3	Openingsrichting van deksel omkeren .....	177
7.4	Koelbox aansluiten .....	178
7.5	Koelbox gebruiken .....	178
7.6	Display gebruiken .....	179
7.7	Display vergrendelen/ontgrendelen .....	180
7.8	Temperatuureenheden selecteren .....	180
7.9	Temperatuur instellen .....	180
7.10	Accubeveiliging gebruiken .....	180
7.11	Displayhelderheid instellen .....	181
7.12	Compartimenten in- of uitschakelen (alleen CFX3 75DZ, CFX3 95DZ) .....	181
7.13	De ijsmaker gebruiken (alleen CFX3 551M) .....	181
7.14	App CFX3 downloaden .....	182
7.15	Bluetooth-signaal instellen en app verbinden .....	183
7.16	Wifi-signaal instellen en app verbinden .....	183
7.17	Naam en wachtwoord CFX in de app wijzigen .....	183
7.18	App-wachtwoord resetten (alleen wifi) .....	183
7.19	Fabrieksinstellingen resetten .....	184

7.20	USB-aansluiting voor stroomvoorziening . . . . .	184
7.21	Koelbox ontdooien . . . . .	184
7.22	Wisselstroom-zekering vervangen . . . . .	184
7.23	Gelijkstroom-zekering vervangen . . . . .	185
7.24	Zekering van gelijkstroomstekker vervangen . . . . .	185
7.25	Lichtprintplaat vervangen . . . . .	185
<b>8</b>	<b>Reiniging en onderhoud</b> . . . . .	185
<b>9</b>	<b>Verhelpen van storingen</b> . . . . .	186
<b>10</b>	<b>Garantie</b> . . . . .	190
<b>11</b>	<b>Afvoeren</b> . . . . .	190
<b>12</b>	<b>Technische gegevens</b> . . . . .	191

## 1 Verklaring van de symbolen



### **GEVAAR!**

**Veiligheidsaanwijzing** met betrekking tot een gevaarlijke situatie die leidt tot ernstig letsel of de dood, als deze niet wordt vermeden.



### **WAARSCHUWING!**

**Veiligheidsaanwijzing** met betrekking tot een gevaarlijke situatie die kan leiden tot ernstig letsel of de dood, als deze niet wordt vermeden.



### **VOORZICHTIG!**

**Veiligheidsaanwijzing** met betrekking tot een gevaarlijke situatie die kan leiden tot licht of gemiddeld letsel, als deze niet wordt vermeden.



### **LET OP!**

Aanwijzing met betrekking tot een situatie die kan leiden tot materiële schade, als deze niet wordt vermeden.



### **INSTRUCTIE**

Meer informatie over de bediening van het product.

## 2 Veiligheidsinstructies



**WAARSCHUWING! Niet in acht nemen van deze waarschuwingen kan leiden tot ernstig letsel of de dood.**

### **Levensgevaar door elektrische schok**

- Als het toestel zichtbaar beschadigd is, mag het niet in gebruik worden genomen.
- Als de stroomkabel van deze koelbox beschadigd is, moet deze worden vervangen om veiligheidsrisico's te voorkomen.
- Reparaties aan dit toestel mogen uitsluitend door vakmonteurs uitgevoerd worden. Door ondeskundige reparaties kunnen grote gevaren ontstaan.

### **Brandgevaar**

- Voorkom bij het positioneren van het apparaat het blijven hangen of beschadigd raken van de voedingskabel.
- Plaats geen beweeglijke, meervoudige stopcontacten of dergelijke voedingseenheden aan de achterkant van het apparaat.

### **Gevaar voor de gezondheid**

- Dit toestel kan door kinderen vanaf 8 jaar en ouder evenals door personen met verminderde fysieke, zintuiglijke of geestelijke vermogens of tekortschietende ervaring en kennis gebruikt worden, als ze worden begeleid of hun is uitgelegd hoe ze het toestel veilig kunnen gebruiken. Ook dienen ze inzicht te hebben in de gevaren die het gebruik van het toestel met zich meebrengt.
- Kinderen mogen niet met het toestel spelen.
- Reiniging en gebruikersonderhoud mogen niet door kinderen zonder begeleiding worden uitgevoerd.
- Kinderen van 3 tot 8 jaar mogen koelapparaten laden en ontladen.

### **Explosiegevaar**

- Bewaar geen explosiegevaarlijke stoffen, zoals spuitbussen met brandbaar drijfgas, in het toestel.



**VOORZICHTIG! Niet in acht nemen van deze voorzichtigheidsaanwijzingen kan leiden tot licht of gemiddeld letsel.**

### **Levensgevaar door elektrische schok**

- Let er voor de ingebruikneming op dat de voedingskabel en de stekker droog zijn.

- Scheid het toestel van het net
  - voor iedere reiniging en ieder onderhoud
  - na elk gebruik

### **Gevaar voor de gezondheid**

- Controleer of het koelvermogen van het toestel voldoet aan de eisen van de levensmiddelen of geneesmiddelen die u wilt koelen.
- Levensmiddelen mogen alleen in de originele verpakkingen of geschikte bakken worden opgeslagen.
- Langdurig openen van het koeltoestel kan leiden tot een aanzienlijke temperatuurstijging in de compartimenten van het toestel.
- Reinig oppervlakken die in contact komen met voedsel en aftap-systemen regelmatig.
- Sla rauw vlees en vis op in geschikte containers in het apparaat, zodat ze niet met andere levensmiddelen in contact komen of erop druppelen.
- Als het apparaat langdurig leeg blijft:
  - Schakel het apparaat uit.
  - Ontdooi het apparaat.
  - Reinig het apparaat en droog het af.
  - Laat de deur open om schimmelvorming in het apparaat te voorkomen.



### **LET OP! Gevaar voor beschadiging**

- Vergelijk de spanning op het typeplaatje met de voorhanden energievoorziening.
- Sluit het toestel alleen als volgt aan:
  - met de DC-aansluitkabel aan een DC-stopcontact in het voertuig
  - of met de AC-aansluitkabel op het wisselstroomnet
- Trek de stekker nooit aan de aansluitkabel uit het stopcontact.
- Als het koeltoestel aan de DC-contactdoos is aangesloten: Klem uw koeltoestel en andere verbruikers van de accu af voor u een snellader aansluit.
- Als het koeltoestel aan de DC-contactdoos is aangesloten: Verbreek de verbinding of schakel het koeltoestel uit, als u de motor uitschakelt. Anders kan de accu worden ontladen.
- Het koeltoestel is niet geschikt voor het transport van bijtende of oplosmiddelhoudende stoffen.

- Deze koeltoestel bevat in de isolering brandbaar cyclopentaan. De gassen in het isoleringsmateriaal vereisen een bijzonder afvoerproces. Voer het apparaat aan het einde van zijn levensduur af volgens de voorschriften.
- Gebruik geen elektrische toestellen binnen de koeltoestel, behalve als deze toestellen daarvoor door de fabrikant worden aanbevolen.
- Zet het toestel niet in de buurt van open vlammen of andere warmtebronnen (verwarming, sterke zonnestraling, gasovens enz.).
- **Gevaar voor oververhitting!**  
Zorg er altijd voor dat er rond het koeltoestel minimaal 50 mm ventilatie is. Houd het ventilatiebereik vrij van objecten die de luchtstroom rond de koelcomponenten kunnen hinderen. Plaats het koeltoestel niet in gesloten ruimtes of bereiken met minimale luchtstroming.
- Let erop dat de ventilatiesleuven niet worden afgedekt.
- Doe geen vloeistoffen of ijs in het binnenreservoir.
- Dompel het toestel nooit onder water.
- Bescherm het toestel en de kabels tegen hitte en vocht.

### 3 Omvang van de levering

Item in afb. <b>1</b> , pagina 3	Aantal	Omschrijving
1	1	Koelbox
2	1	Aansluitkabel voor gelijkstroom-aansluiting
3	1	Aansluitkabel voor wisselstroom-aansluiting

### 4 Toebehoren

Verkrijgbaar als toebehoren (niet bij de levering inbegrepen):

Aanduiding	Artikelnr.	Model
CFX3-app	–	geschikt voor alle modellen
PLB40	9600014024	geschikt voor alle modellen

Houd er rekening mee dat de CFX3-app mogelijk niet beschikbaar is in uw land.

## 5 Beoogd gebruik

Dit toestel is geschikt voor:

- gebruik in voertuigen
- koelen en bevriezen van voedsel
- campinggebruik

Het toestel is **niet** geschikt voor:

- opslag van corroderende, bijtende of oplosmiddelhoudende stoffen
- snel bevriezen van levensmiddelen

Het koeltoestel is geschikt voor gebruik op campings. Het toestel mag niet aan regen worden blootgesteld.

Twee sterren-diepvriesvakken zijn geschikt voor het bewaren van bevroren voedsel, het bewaren of maken van ijs en het maken van ijsblokjes.

Een, twee en drie sterren vakken zijn niet geschikt voor het bevriezen van vers voedsel.

## 6 Functiebeschrijving

De koelbox kan waren afkoelen, koel houden en diepvriezen. De koeling gebeurt door een onderhoudsarme koelkring met compressor. De algemene isolatie en krachtige compressor garanderen efficiënte en snelle koeling.

De koelbox is geschikt voor mobiel gebruik.

De koelbox is bestand tegen een kortdurende kanteling van 30°, bijvoorbeeld op boten.

### 6.1 Functies

- Voedingseenheid met voorrangschakeling voor de aansluiting op wisselspanning
- Drietrap accubeveiliging om de voertuigaccu te beschermen
- Display met temperatuurweergave in °C en °F

- Temperatuurinstelling in stappen van 1 °C (1 °F)
- Geïntegreerde wifi- en Bluetooth-functie dus te bedienen met behulp van een app
- Opklapbare draaggrepen
- USB-lader voor mobiele apparaten zoals mobiele telefoons
- Uitneembare draadkorf
- **Alleen CFX3 55IM:** ijsmaker

## 6.2 Bedienings- en indicatie-elementen

**Dekselvergrendeling: afb. 2 1, pagina 3**

**Bedieningspaneel (afb. 3, pagina 4):**

Item	Omschrijving	Toelichting
1		<p>Schakelt de koelbox in bij een korte druk op de toets</p> <p>Schakelt de koelbox in bij een druk op de toets gedurende drie seconden</p> <p>Keert terug naar het vorige menu</p>
2	Display	<p>Toont informatie</p> <p><b>AC</b> : Wisselstroomvoeding is aangesloten</p> <p><b>DCV</b>: Gelijkstroomvoeding is aangesloten</p> <p> : Bluetooth is geactiveerd</p> <p> : Wifi is geactiveerd</p> <p> : Display is vergrendeld</p> <p>● : Compressor is actief</p> <p>■ : Ijsmaker is actief (alleen CFX3 55IM)</p>
3		<p>Druk op  om een item naar boven te gaan of om de geselecteerde waarde te verhogen.</p> <p>Druk op  om een item naar beneden te gaan of om de geselecteerde waarde te verlagen.</p> <p>Druk gedurende 3 seconden tegelijkertijd op  en  of ontgrendel het display.</p>

**Item Omschrijving Toelichting**

4		Druk op om een menu te selecteren of om de geselecteerde waarde op te slaan.
---	---	--

**Stekkeraansluitingen (afb. 4, pagina 4):****Item Omschrijving**

1	Aansluitbus wisselspanningsvoorziening
2	Aansluitbus gelijkspanningsvoorziening
3	Gelijkstroom-zekeringhouder
4	Wisselstroom-zekeringhouder

## 7 Bediening

### 7.1 Voorafgaand aan het eerste gebruik

**INSTRUCTIE**

Voordat u de nieuwe koelbox in gebruik neemt, moet u deze om hygiënische redenen vanbinnen en vanbuiten reinigen met een vochtige doek (zie ook hoofdstuk „Reiniging en onderhoud“ op pagina 185).

### 7.2 Tips om energie te sparen

- Kies een goed geventileerde en tegen zonnestralen beschermde plaats.
- Laat warme spijzen eerst afkoelen, voordat u ze in het toestel koel houdt.
- Open het koeltoestel niet vaker dan nodig.
- Laat het koeltoestel niet langer open dan nodig is.
- Ontdooi de koelbox zodra er zich een ijslaag gevormd heeft.
- Voorkom onnodig lage temperaturen.

### 7.3 Openingsrichting van deksel omkeren

**CFX3 55, CFX3 55IM, CFX3 100**

- Ga als volgt te werk (afb. 5, pagina 5).

## CFX 3 75DZ, CFX3 95DZ

- Ga als volgt te werk (afb. **6**, pagina 6).

### 7.4 Koelbox aansluiten



#### **LET OP! Schadegevaar**

- Ter beveiliging van het toestel van de gelijkstroomkabel bevindt zich in de stekker een zekering. Verwijder de met zekering beveiligde gelijkstroomstekker **niet**.  
Gebruik alleen de bijgeleverde gelijkstroomkabel.
- Ontkoppel de koelbox en andere verbruikers van de accu, alvorens de accu op een snellader aan te sluiten.  
Overspanning kan de elektronica van het toestel beschadigen.

#### **Aansluiten op een accu**

- Ga als volgt te werk (afb. **7**, pagina 7).

#### **Aansluiting via verlengde gelijkstroombedrading (alleen CFX 3 100)**

- Ga als volgt te werk (afb. **8**, pagina 8).

#### **Aansluiten op een wisselstroomvoeding**



#### **GEVAAR! Gevaar voor elektrische schokken**

- Werk nooit met stekkers en schakelaars als u natte handen heeft of met uw voeten op een natte ondergrond staat.
- Als u uw koelbox aan boord van een boot met een wisselstroomvoeding gebruikt, moet eerst een aardlekschakelaar tussen de wisselstroomvoeding en de koelbox worden geïnstalleerd.  
Laat u door een opgeleid technicus adviseren.

- Ga als volgt te werk (afb. **9**, pagina 9).

### 7.5 Koelbox gebruiken



#### **LET OP! Gevaar voor oververhitting**

Zorg er altijd voor dat er voldoende ventilatie is zodat de tijdens gebruik gegenereerde warmte kan ontsnappen. Let erop dat de ventilatiesleuven niet worden afgedekt. Zorg ervoor dat het toestel op voldoende afstand tot wanden en andere voorwerpen staat, zodat de lucht kan circuleren.

**INSTRUCTIE**

Bij gebruik met de accu wordt het display automatisch uitgeschakeld, als de accuspanning laag is.

- Koelbox inschakelen: afb. **10**, pagina 9
- Koelbox uitschakelen: afb. **11**, pagina 10

## 7.6 Display gebruiken

### Display-toestanden (afb. **12**, pagina 10)

Item	Omschrijving
A	Stand-by
B	Ruststand
C	Vergrendeld

### Display-overzicht: afb. **13**, pagina 11

#### Navigeren door de menu's

Het gemarkeerde menu is geselecteerd.

- Druk op  om een item naar boven te gaan.
- Druk op  om een item naar beneden te gaan.

#### Een menu kiezen

- Druk op  om het benodigde menu te selecteren.

#### Instellingen wijzigen

De gemarkeerde waarde of instelling is geselecteerd.

- Druk op  om de geselecteerde waarde te verhogen of om de vorige instelling te kiezen.
- Druk op  om de geselecteerde waarde te verlagen of om de volgende instelling te kiezen.

#### Teruggaan naar het vorige menu

- Druk op  om naar het vorige menu te gaan zonder wijzigingen op te slaan.

## 7.7 Display vergrendelen/ontgrendelen

- Druk gedurende 3 seconden tegelijkertijd op  en  of ontgrendel het display (afb. **14**, pagina 11).

## 7.8 Temperatuureenheden selecteren

- Ga als volgt te werk (afb. **15**, pagina 11).

## 7.9 Temperatuur instellen



### **LET OP! Gevaar voor beschadiging door extreem lage temperaturen**

Zorg ervoor dat er zich alleen voorwerpen of waren in de koelbox bevinden die op de gekozen temperatuur gekoeld mogen worden.

- Ga als volgt te werk (afb. **16**, pagina 12).

## 7.10 Accubeveiliging gebruiken

Het toestel is uitgerust met een 3-traps accubeveiliging. De accubeveiliging voorkomt overmatige ontlading wanneer het toestel is aangesloten op een starteraccu van het voertuig of maximaliseert het gebruik van een voedingsaccu.

Als de koelbox bij uitgeschakeld contact in het voertuig wordt gebruikt, wordt de koelbox automatisch uitgeschakeld zodra de voedingsspanning daalt tot onder een ingestelde waarde. De koelbox wordt weer ingeschakeld zodra door oplading van de accu de herinschakelspanning is bereikt.



### **LET OP! Schadegevaar**

Als de accu wordt uitgeschakeld door de accubeveiliging, wordt de accu niet meer volledig opgeladen. Vermijd herhaaldelijk starten. Zorg ervoor dat de accu weer wordt opgeladen.



### **INSTRUCTIE**

Als de koelbox wordt gevoed door de starteraccu, kiest dan de accubeveiligingsmodus „MEDIUM” of „HIGH”. Als de koelbox is aangesloten op een voedingsaccu, is de accubeveiligingsmodus „LOW” voldoende.

- Ga als volgt te werk (afb. **17**, pagina 13).

## 7.11 Displayhelderheid instellen

- Ga als volgt te werk (afb. 18, pagina 13).

## 7.12 Compartimenten in- of uitschakelen (alleen CFX 3 75DZ, CFX 3 95DZ)

U kunt iedere zone individueel activeren of beide tegelijk.

- Ga als volgt te werk (afb. 19, pagina 14).

## 7.13 De ijsmaker gebruiken (alleen CFX 3 55IM)



### INSTRUCTIE

- Onafhankelijk van de temperatuurstelling van het hoofdcompartiment is de ijsmakerzone ontworpen voor het maken van ijsblokjes als de ijsmaker is ingeschakeld.
- Het energieverbruik van de koelbox neemt toe als de ijsmaker ingeschakeld is. Daarom moet u de ijsmaker uitschakelen als deze niet nodig is.
- De fabrieksinstelling van de ijsmaker is UIT.

- Ga als volgt te werk (afb. 20, pagina 14).

### Ijsbakken met drinkwater vullen

- Verwijder de ijsbakken (afb. 21 1, pagina 15) uit de behuizing van de ijsmaker (afb. 21 2, pagina 15).
- Verwijder de deksels van de ijsbakken, vul ze met schoon water en plaats de deksels weer terug; zorg ervoor dat de randafdichting helemaal ingedrukt is.
- Plaats de ijsbakken opnieuw in de behuizing van de ijsmaker en sluit het deksel.



### INSTRUCTIE

Droog het gemorste water van onder de ijsbakken. Dit zal de ijsophoping onder de bakken verminderen en de verwijdering ervan vergemakkelijken.

### Ijsblokjes verwijderen

- Open het deksel van de behuizing van de ijsmaker en haal het onder de voorkant van de ijsbakken.

**INSTRUCTIE**

Bij een hoge luchtvochtigheid kan er door ijsvorming onder de ijsbakken extra kracht nodig zijn met twee handen om deze te verwijderen.

- Verwijder de deksels van de ijsbakken en draai de bakken de ijsblokjes los te maken.

**Behuizing van ijsmaker verwijderen**

De behuizing van de ijsmaker kan worden verwijderd voor reiniging of wanneer deze niet wordt gebruikt om de bruikbare ruimte in de koelbox te vergroten:

- Til de behuizing aan een kant op totdat de nok loskomt en verwijder deze vervolgens.
- Omgekeerde procedure voor herplaatsing, waarbij de nokken naar beneden worden gedrukt om in positie te komen.

**Tips voor gebruik van de ijsmaker**

- De ijsmaker maakt na het inschakelen een aantal uren snel ijs en gaat dan automatisch in een ijsonderhoudsmodus om het energieverbruik te verlagen. Als er zo snel mogelijk meerdere partijen ijs nodig zijn, zal het uitschakelen van de ijsmaker en het weer inschakelen deze weer in de snelle ijsmakermodus zetten. Indien nodig herhalen.
- Lage vriestemperaturen in het hoofdcompartiment kunnen niet worden gehandhaafd in omgevingscondities met hoge temperaturen en ingeschakelde ijsmaker.

**Ijsmaker reinigen en drogen**

- Als de ijsbakken niet in gebruik zijn, reinig en droog de ijsbakken en de binnenkant van de behuizing van de ijsmaker om schimmelvorming te voorkomen.
- Na langere periodes van niet-gebruik de binnenkant van de ijsbakken reinigen met een mild afwasmiddel en voor gebruik spoelen met schoon water.

**7.14 App CFX3 downloaden**

De koelbox kan worden bewaakt en bediend met behulp via Bluetooth of wifi van een app die u kunt installeren op een compatibel toestel.

- Download de CFX3-app in de App Store of Google Play.

Houd er rekening mee dat de CFX3-app mogelijk niet beschikbaar is in uw land.

## 7.15 Bluetooth-signaal instellen en app verbinden

De koelbox kan via Bluetooth worden bewaakt en bediend. Om dit te doen, moet u de koelbox verbinden met uw Bluetooth-toestel.



### INSTRUCTIE

- De verbinden moet worden gemaakt met de CFX3-app, niet in de instellingen van het toestel.
- Er is geen wachtwoord nodig voor een Bluetooth-verbinding.

➤ Ga als volgt te werk (afb. **22**, pagina 15).

## 7.16 Wifi-signaal instellen en app verbinden

De koelbox kan direct via wifi of via een wifi-netwerk worden bewaakt en bediend.

- Ga op de afgebeelde wijze te werk (afb. **23**, pagina 16) om wifi in te schakelen.
- Voor wifi direct naar de koelbox, gaat u naar de instellingen van het toestel en selecteert u uw koelbox.
  - De wifi-naam van uw koelbox begint met „CFX3”.
  - Het vooraf ingestelde wachtwoord is „**00000000**”.
  - U kunt de wifi-naam en het wachtwoord in de CFX3-app aanpassen.



### INSTRUCTIE

Voor verbinding via wifi-netwerk, naar „netwerkverbinding” in de app INSTELLINGEN.

## 7.17 Naam en wachtwoord CFX in de app wijzigen

- U kunt de naam van uw CFX3 aanpassen in de app.
  - Dezelfde naam geldt voor zowel Bluetooth als wifi.
  - U kunt ook uw wachtwoord in de app aanpassen – alleen van toepassing op wifi.
- Ga door met „CFX-naam en wachtwoord” in de app INSTELLINGEN.

## 7.18 App-wachtwoord resetten (alleen wifi)

- U kunt het wachtwoord van de app resetten naar „**00000000**”.
- Ga als volgt te werk (afb. **23**, pagina 16).

## 7.19 Fabrieksinstellingen resetten

De resetfunctie wijzigt alle displaymenu's en app-velden in de oorspronkelijke fabrieksinstellingen.

- Ga als volgt te werk (afb. 24, pagina 16).

## 7.20 USB-aansluiting voor stroomvoorziening

U kunt de USB-aansluiting voor het opladen van kleine apparaten (bijvoorbeeld mobiele telefoon en mp3-speler) gebruiken.



### INSTRUCTIE

Controleer of het aan de USB-aansluiting aangesloten apparaat geschikt is voor het bedrijf met 5 V/2 A.

- Ga als volgt te werk (afb. 26, pagina 17).

## 7.21 Koelbox ontdooien

Vocht kan vorst op de verdamper of in de binnenruimte van het koeltoestel vormen. Daardoor wordt het koelvermogen verminderd. Ontdooi het toestel op tijd.



### LET OP! Schadegevaar

Gebruik nooit harde of scherpe voorwerpen om ijs te verwijderen of om vastgevroren objecten los te maken.

Ga als volgt te werk om de koelbox te ontdooien:

- Neem de inhoud uit de koelbox.
- Bewaar deze eventueel in een ander koeltoestel om ze koud te houden.
- Schakelt het toestel uit.
- Laat het deksel geopend.
- Wis het dooiwater weg.

## 7.22 Wisselstroom-zekering vervangen



### GEVAAR! Gevaar voor elektrische schokken

Ontkoppel de voeding en de verbindingkabel alvorens de toestel-zekering te vervangen.

- Ontkoppel de stroomvoorziening naar het toestel.

- Trek de verbindingkabel eruit.
- Wrik het zekeringinzetstuk (afb. **4** 4, pagina 4) er met een schroevendraaier uit.
- Vervang de defecte glaszekering door een nieuwe zekering met dezelfde waarde (snelle zekering 4 A, 250 V).
- Druk de zekeringhouder weer in de behuizing.
- Sluit de stroomvoorziening naar het toestel weer aan.

## 7.23 Gelijkstroom-zekering vervangen

- Wrik het zekeringdeksel (afb. **4** 3, pagina 4) er met een schroevendraaier uit.
- Draai het zekeringdeksel om en gebruik de haak om de defecte steekzekering te verwijderen.
- Plaats een nieuwe zekering van hetzelfde type en dezelfde rating.
- Breng het zekeringdeksel weer aan.

## 7.24 Zekering van gelijkstroomstekker vervangen

- Vervang de defecte zekering door een nieuwe zekering van hetzelfde type en waarde.
- Ga als volgt te werk (afb. **27**, pagina 17).

## 7.25 Lichtprintplaat vervangen



### **LET OP! Gevaar voor beschadiging**

Om gevaren te voorkomen moet de lamp worden vervangen door de fabrikant, servicemedewerker of een gelijkwaardig gekwalificeerde persoon.

# 8 Reiniging en onderhoud



### **LET OP! Gevaar voor beschadiging!**

- Reinig het koeltoestel nooit onder stromend water of in afwaswater.
- Gebruik voor het reinigen geen bijtende schoonmaakmiddelen of harde voorwerpen, aangezien het koeltoestel hierdoor beschadigd zou kunnen raken.

- Reinig het toestel van binnen en buiten af en toe met een vochtige doek.
- Zorg ervoor dat de ventilatieopeningen van het toestel vrij zijn van stof en verontreinigingen, zodat de bij het gebruik ontstane warmte kan worden afgevoerd en het toestel niet beschadigd raakt.

## 9 Verhelpen van storingen

Storing	Mogelijke oorzaak	Voorstel tot oplossing
Het toestel werkt niet (gelijkstroommodus, ontsteking aan).	Er werd geen spanning herkend aan de gelijkstroomuitgang.	In de meeste voertuigen moet het contact worden ingeschakeld om de gelijkstroomuitgang te activeren.
	De gelijkstroomuitgang is vervuild. Dit heeft een slecht elektrisch contact tot gevolg.	Als de stekker van uw toestel in de gelijkstroomuitgang zeer heet wordt, moet ofwel de gelijkstroomuitgang worden gereinigd of is de stekker niet correct in elkaar gezet.
	De zekering van de gelijkstroomstekker is doorgebrand.	Vervang de zekering in de gelijkstroomstekker, zie hoofdstuk „Zekering van gelijkstroomstekker vervangen” op pagina 185.
	De gelijkstroomzekering van het toestel werd geactiveerd.	Vervang de gelijkstroomzekering van het toestel, zie hoofdstuk „Gelijkstroom-zekering vervangen” op pagina 185.
	De voertuigzekering is doorgebrand.	Vervang de gelijkstroom-uitgangszekering van het voertuig. Zie de bedieningshandleiding van uw voertuig.
Het toestel werkt niet (wisselstroommodus).	Op het wisselspanning-stopcontact staat geen spanning.	Probeer een ander stopcontact.
	De wisselstroomzekering van het toestel werd geactiveerd.	Vervang de wisselstroomzekering van het toestel, zie hoofdstuk „Wisselstroom-zekering vervangen” op pagina 184.
	De geïntegreerde wisselstroomadapter is defect.	Deze kan alleen worden gerepareerd door een geautoriseerd reparatiecentrum.

Storing	Mogelijke oorzaak	Voorstel tot oplossing
Het display reageert niet op toetsaanslagen.	Het display is vergrendeld.	Ontgrendel het display, zie hoofdstuk „Display vergrendelen/ontgrendelen” op pagina 180.
De app kan het toestel niet bedienen.	Bluetooth of wifi is niet verbonden.	Verbind Bluetooth, zie hoofdstuk „Bluetooth-sigitaal instellen en app verbinden” op pagina 183, of verbind wifi, zie hoofdstuk „Wifi-sigitaal instellen en app verbinden” op pagina 183.
Het display toont een waarschuwingsbericht of een waarschuwingscode.	–	Zie onderstaande tabel.

## Waarschuwingberichten

Bijv. zie afb. 25 A, pagina 16.

Waarschuwingbericht	Omschrijving	Mogelijke oorzaak	Voorstel tot oplossing
!ALERT - Lid open > 3 min	Deksel meer dan 3 minuten open	<ul style="list-style-type: none"> <li>Deksel niet volledig vergrendeld</li> <li>Interne storing</li> </ul>	<ul style="list-style-type: none"> <li>Controleer of het deksel volledig vergrendeld is</li> <li>Inspectie door geautoriseerd reparatiecentrum vereist</li> </ul>

<b>Waarschuwingsbericht</b>	<b>Omschrijving</b>	<b>Mogelijke oorzaak</b>	<b>Voorstel tot oplossing</b>
!ALERT - Voltage low	Het toestel werkt niet meer op gelijkstroom vanwege de lage spanning	<ul style="list-style-type: none"> <li>• Voedingsspanning onvoldoende</li> <li>• Accuspanning te laag</li> <li>• Accubeveiliging is te hoog ingesteld</li> </ul>	<ul style="list-style-type: none"> <li>• Controleer de spanningsdaling van accu naar stroomuitgang en verhoog indien nodig de draadmeter</li> <li>• Controleer de accu en laad hem indien nodig</li> <li>• Selecteer een lagere instelling voor de accubeveiliging</li> </ul>
	Het toestel werkt niet meer op gelijkstroom als gevolg van uitzonderlijk hoge spanning >31,5 V (onwaarschijnlijke gebeurtenis – uitsluitend ter bescherming van de elektronica – leidt tot hetzelfde waarschuwingsbericht als lage spanning hierboven)	<ul style="list-style-type: none"> <li>• Verkeerde specificatie van de gelijkstroomvoedingsspanning</li> <li>• Verkeerde voedingsspanning</li> <li>• Interne fout</li> </ul>	<ul style="list-style-type: none"> <li>• Zorg ervoor dat de specificatie van de gelijkstroomvoedingsspanning overeenkomt met het typeplaatje van de CFX 3</li> <li>• Controleer de gelijkstroomvoeding en repareer of vervang deze als hij defect is</li> <li>• Inspectie door geautoriseerd reparatiecentrum vereist</li> </ul>

## Waarschuwingscodes

Bijv. zie afb. 25 B, pagina 16.

Waarschuwingscode	Storing	Mogelijke oorzaak	Voorstel tot oplossing
!WARNING 32	Ventilator over-stroom	Interne storing.	Schakel het toestel minstens 5 minuten uit en start het vervolgens opnieuw op. Als het probleem blijft bestaan, is inspectie door een geautoriseerd reparatiecentrum vereist
!WARNING 33	Compressor start niet		
!WARNING 34	Toerental compressor laag	<ul style="list-style-type: none"> <li>Hoge omgevingstemperatuur</li> </ul>	<ul style="list-style-type: none"> <li>Schakel het toestel ten minste 30 minuten uit, of ga naar een koelere locatie en start het vervolgens opnieuw op</li> </ul>
!WARNING 35	Regeling temperatuur te hoog	<ul style="list-style-type: none"> <li>Ontluchtingsopening geblokkeerd of onvoldoende vrije ruimte</li> <li>Interne storing</li> </ul>	<ul style="list-style-type: none"> <li>Maak de ventilatieopeningen schoon</li> <li>Inspectie door geautoriseerd reparatiecentrum vereist</li> </ul>
!WARNING 01	NTC circuit onderbroken SZ & DZ GROOT	Interne storing	Inspectie door geautoriseerd reparatiecentrum vereist
!WARNING 11	NTC circuit onderbroken SZ & DZ KLEIN		
!WARNING 02	NTC kortsluiting SZ & DZ GROOT		
!WARNING 12	NTC kortsluiting SZ & DZ KLEIN		
!WARNING 09	DZ-ventiel of ijsmaker-ventiel defect		Schakel het toestel minstens 1 minuut uit en start het vervolgens opnieuw op. Als het probleem blijft bestaan, is inspectie door een geautoriseerd reparatiecentrum vereist
!WARNING 03/43	Communicatiefout		

## 10 Garantie

De wettelijke garantieperiode is van toepassing. Als het product defect is, wendt u zich tot het filiaal van de fabrikant in uw land (zie [dometic.com/dealer](http://dometic.com/dealer)) of tot uw speciaalzaak.

Voor de afhandeling van de reparatie of garantie dient u de volgende documenten mee te sturen:

- een kopie van de factuur met datum van aankoop,
- reden van de klacht of een beschrijving van de storing.

## 11 Afvoeren

► Laat het verpakkingsmateriaal indien mogelijk recyclen.



Als u het product definitief buiten bedrijf stelt, informeer dan bij het dichtstbijzijnde recyclingcentrum of uw speciaalzaak naar de betreffende afvoervoorschriften.



### **WAARSCHUWING! Risico van beknelling van kinderen**

Voor het afvoeren van uw oude koeltoestel:

- Demonteer de deksel.
- Laat de manden op hun plek zodat kinderen er niet kunnen inklimmen.

## 12 Technische gegevens



### INSTRUCTIE

De minimumtemperatuur in „Koelvermogen“ kan niet worden bereikt als de omgevingstemperatuur hoger is dan 32 °C (90 °F) voor de modellen CFX3 35/45/55/55IM/100 of als de omgevingstemperatuur hoger is dan 30 °C (86 °F) voor de modellen CFX3 75DZ/95DZ (ingesteld op klein -22 °C/groot +4 °C).

Test/certificaten:



	CFX3 35	CFX3 45	CFX3 55
Aansluitspanning:	12/24 V $\overline{=}$ en 100 – 240 V $\sim$		
Nominale stroom:	12 V $\overline{=}$ : 7,5 A 24 V $\overline{=}$ : 3,3 A 100 V $\sim$ : 0,94 A 240 V $\sim$ : 0,39 A	12 V $\overline{=}$ : 8,2 A 24 V $\overline{=}$ : 3,5 A 100 V $\sim$ : 0,96 A 240 V $\sim$ : 0,40 A	12 V $\overline{=}$ : 8,7 A 24 V $\overline{=}$ : 3,7 A 100 V $\sim$ : 0,98 A 240 V $\sim$ : 0,41 A
Koelvermogen:	-22 °C tot +10 °C (-8 °F tot +50 °F)		
Categorie:	1		
Energie-efficiëntieklasse:	A++		
Energieverbruik:	81 kWh/jaar	79 kWh/jaar	83 kWh/jaar
Bruto volume:	36 l	46 l	55 l
Nuttige inhoud:	36 l	46 l	55 l
Klimaatklasse:	N, T		
Omgevingstemperatuur:	+16 °C tot +43 °C (+61 °F tot +110 °F)		
Geluidsemissie:	44 dB(A)	47 dB(A)	
USB-laadaansluiting:	5 V $\overline{=}$ , 2 A		
Frequentiebereik:	Wifi: 2412 MHz – 2472MHz/2422 MHz – 2462MHz Bluetooth/BLE: 2402 MHz – 2480 MHz		
Frequentieband (wifi):	2,4 GHz		

	<b>CFX3 35</b>	<b>CFX3 45</b>	<b>CFX3 55</b>
RF-uitgangsvermogen:	Wifi: 16,62 dBm (802.11b), 16,23 dBm (802.11g), 16,45 dBm (802.11n20), 16,02 dBm (802.11n40) Bluetooth: 8,31 dBm Bluetooth LE: 6,67 dBm		
Koelmiddelhoeveelheid:	38 g	42 g	45 g
CO <sub>2</sub> -equivalent:	0,054 t	0,060 t	0,064 t
Aardopwarmingsvermogen (global warming potential; GWP):	1430		
Afmetingen (b x d x h) in mm (inclusief hendels):	398 x 694 x 407	398 x 694 x 476	720 x 455 x 480
Gewicht:	16,9 kg	18,7 kg	20,4 kg

	<b>CFX3 55IM</b>	<b>CFX3 75DZ</b>	<b>CFX3 95DZ</b>
Aansluitspanning:	12/24 V $\overline{=}$ en 100 – 240 V $\sim$		
Nominale stroom:	12 V $\overline{=}$ : 8,9 A 24 V $\overline{=}$ : 3,8 A 100 V $\sim$ : 1,00 A 240 V $\sim$ : 0,42 A	12 V $\overline{=}$ : 9,6 A 24 V $\overline{=}$ : 4,2 A 100 V $\sim$ : 1,12 A 240 V $\sim$ : 0,47 A	12 V $\overline{=}$ : 10,4 A 24 V $\overline{=}$ : 4,6 A 100 V $\sim$ : 1,22 A 240 V $\sim$ : 0,51 A
Koelvermogen:	-22 °C tot +10 °C (-8 °F tot +50 °F)		
Categorie:	1		
Energie-efficiëntieklasse:	A++	A+	
Energieverbruik:	82 kWh/jaar	108 kWh/jaar	111 kWh/jaar
Bruto volume:	55 l	75 l (45 l/30 l)	94 l (55 l/39 l)
Nuttige inhoud:	53 l	75 l (45 l/30 l)	94 l (55 l/39 l)
Klimaatklasse:	N, T		
Omgevingstemperatuur:	+16 °C tot +43 °C (+61 °F tot +110 °F)		
Geluidsemisatie:	48 dB(A)	50 dB(A)	

	<b>CFX3 55IM</b>	<b>CFX3 75DZ</b>	<b>CFX3 95DZ</b>
USB-laadaansluiting:	5 V $\overline{\text{---}}$ , 2 A		
Frequentiebereik:	Wifi: 2412 MHz – 2472MHz/2422 MHz – 2462MHz Bluetooth/BLE: 2402 MHz – 2480 MHz		
Frequentieband (wifi):	2,4 GHz		
RF-uitgangsvermogen:	Wifi: 16,62 dBm (802.11b), 16,23 dBm (802.11g), 16,45 dBm (802.11n20), 16,02 dBm (802.11n40) Bluetooth: 8,31 dBm Bluetooth LE: 6,67 dBm		
Koelmiddelhoeveelheid:	45 g	59 g	67 g
CO <sub>2</sub> -equivalent:	0,064 t	0,084 t	0,096 t
Aardopwarmingsvermogen (global warming potential; GWP):	1430		
Afmetingen (b x d x h) in mm (inclusief hendels):	720 x 455 x 480	892 x 495 x 472	962 x 530 x 472
Gewicht:	21,3 kg	27,8 kg	29,8 kg

	<b>CFX3 100</b>
Aansluitspanning:	12/24 V $\overline{\text{---}}$ en 100 – 240 V $\sim$
Nominale stroom:	12 V $\overline{\text{---}}$ : 10,8 A 24 V $\overline{\text{---}}$ : 4,8 A 100 V $\sim$ : 1,28 A 240 V: 0,53 A
Koelvermogen:	+10 °C tot –22 °C (+50 °F tot –8 °F)
Categorie:	1
Energie-efficiëntieklasse:	A+
Energieverbruik:	111 kWh/jaar
Bruto volume:	99 l
Nuttige inhoud:	88 l

	<b>CFX3 100</b>
Klimaatklasse:	N, T
Omgevingstemperatuur:	+16 °C tot +43 °C (+61 °F tot +110 °F)
Geluidsemissie:	36,5 dB(A)
USB:	5 V $\overline{=}$ , 2 A
Frequentiebereik:	Wifi: 2412 MHz – 2472MHz/2422 MHz – 2462MHz Bluetooth/BLE: 2402 MHz – 2480 MHz
Frequentieband (wifi):	2,4 GHz
RF-uitgangsvermogen:	Wifi: 16,62 dBm (802.11b), 16,23 dBm (802.11g), 16,45 dBm (802.11n20), 16,02 dBm (802.11n40) Bluetooth: 8,31 dBm Bluetooth LE: 6,67 dBm
Koelmiddelhoeveelheid:	60 g
CO <sub>2</sub> -equivalent:	0,086 t
Aardopwarmingsvermogen (global warming potential; GWP):	1430
Afmetingen (b x d x h) in mm (inclusief hendels):	962 x 530 x 472
Gewicht:	29,6 kg

De koelkring bevat R134a.

Bevat gefluoreerde broeikasgassen

Hermetisch afgesloten apparaat

**Læs denne vejledning omhyggeligt før ibrugtagning, og opbevar den. Giv den til brugeren, hvis du giver køleapparatet videre.**

Producenten hæfter ikke for skader, der er forårsaget af **ukorrekt brug** eller **forkert betjening**.

## Indhold

<b>1</b>	<b>Forklaring af symbolerne</b> .....	196
<b>2</b>	<b>Sikkerhedshenvisninger</b> .....	197
<b>3</b>	<b>Leveringsomfang</b> .....	199
<b>4</b>	<b>Tilbehør</b> .....	199
<b>5</b>	<b>Korrekt brug</b> .....	200
<b>6</b>	<b>Funktionsbeskrivelse</b> .....	200
6.1	Funktionernes omfang .....	200
6.2	Betjenings- og visningselementer .....	201
<b>7</b>	<b>Betjening</b> .....	202
7.1	Før første brug .....	202
7.2	Tips til energibesparelse .....	202
7.3	Omvendig af lågets åbningsretning .....	202
7.4	Tilslutning af køleboksen .....	203
7.5	Anvendelse af køleboksen .....	203
7.6	Anvendelse af displayet .....	204
7.7	Låsning/oplåsning af displayet .....	204
7.8	Valg af temperaturenhederne .....	205
7.9	Indstilling af temperaturen .....	205
7.10	Anvendelse af batteribeskyttelsen .....	205
7.11	Indstilling af displayets lysstyrke .....	205
7.12	Til- eller frakobling af rummene (kun CFX3 75DZ, CFX3 95DZ) ..	206
7.13	Anvendelse af isterningemaskinen (kun CFX3 55IM) .....	206
7.14	Download af CFX3-appen .....	207
7.15	Indstilling af Bluetooth-signalet og tilslutning af appen .....	207
7.16	Indstilling af WiFi-signalet og tilslutning af appen .....	208
7.17	Ændring af CFX-navnet og adgangskode i appen .....	208
7.18	Reset af appens adgangskode (kun WiFi) .....	208
7.19	Reset til fabriksindstillinger .....	208
7.20	USB-tilslutning til spændingsforsyning .....	209

7.21	Afrimning af køleboksen . . . . .	209
7.22	Udskiftning af vekselstrømsikringen . . . . .	209
7.23	Udskiftning af jævnstrømsikringen . . . . .	210
7.24	Udskiftning af jævnstrømsstiksikringen . . . . .	210
7.25	Udskiftning af lysprintpladen . . . . .	210
<b>8</b>	<b>Rengøring og vedligeholdelse . . . . .</b>	<b>210</b>
<b>9</b>	<b>Udbedring af fejl . . . . .</b>	<b>211</b>
<b>10</b>	<b>Garanti . . . . .</b>	<b>214</b>
<b>11</b>	<b>Bortskaffelse . . . . .</b>	<b>214</b>
<b>12</b>	<b>Tekniske data . . . . .</b>	<b>215</b>

## 1 Forklaring af symbolerne



### **FARE!**

**Sikkerhedshenvisning** til en farlig situation, der medfører død eller alvorlige kvæstelser, hvis den ikke undgås.



### **ADVARSEL!**

**Sikkerhedshenvisning** til en farlig situation, der kan medføre død eller alvorlige kvæstelser, hvis den ikke undgås.



### **FORSIGTIG!**

**Sikkerhedshenvisning** til en farlig situation, der kan medføre lette eller mindre kvæstelser, hvis den ikke undgås.



### **VIGTIGT!**

Henvisning til en situation, der kan medføre materielle skader, hvis den ikke undgås.



### **BEMÆRK**

Supplerende informationer om betjening af produktet.

## 2 Sikkerhedshenvisninger



**ADVARSEL! Manglende overholdelse af disse advarsler kan medføre dødelige eller alvorlige kvæstelser.**

### **Livsfare på grund af elektrisk stød**

- Hvis apparatet har synlige beskadigelser, må du ikke tage det i brug.
- Hvis dette køleapparats strømkabel er beskadiget, skal det udskiftes for at forhindre sikkerhedsfarer.
- Reparationer på dette apparat må kun foretages af fagfolk. Ved ukorrekte reparationer kan der opstå betydelige farer.

### **Brandfare**

- Når apparatet positioneres, skal det sikres, at strømledningen sidder i klemme eller beskadiges.
- Placér ikke flere bærbare stikdåser eller bærbare strømforsyninger i bagved apparatet.

### **Sundhedsfare**

- Dette apparat kan anvendes af børn over 8 år og personer med reducerede fysiske, sans- eller mentale evner eller uden erfaring eller viden, hvis de er under opsyn eller blev instrueret i sikker brug af apparatet og forstår de involverede farer.
- Børn må ikke lege med apparatet.
- Rengøring og brugerens vedligeholdelse må ikke udføres af børn uden opsyn.
- Børn i alderen fra 3 til 8 år må fylde og tømme køleapparater.

### **Eksplodingsfare**

- Opbevar ikke eksplosive stoffer, som f.eks. spraydåser med drivgas, i apparatet.



**FORSIGTIG! Manglende overholdelse af disse forsigtighedshenvisninger kan medføre mindre eller moderate kvæstelser.**

### **Livsfare på grund af elektrisk stød**

- Kontrollér før ibrugtagning, at ledningen og stikket er tørre.
- Afbryd apparatet fra nettet
  - før rengøring og vedligeholdelse
  - efter brug

### Sundhedsfare

- Kontrollér, om apparatets kølekapacitet svarer til kravene for fødevarerne eller lægemidlerne, som du vil køle.
- Levnedsmidler må kun opbevares i original emballage eller egnede beholdere.
- Hvis køleapparatet er åbnet i længere tid, kan temperaturen stige betydeligt i apparatets rum.
- Rengør regelmæssigt overflader, som kan komme i kontakt med levnedsmidler og adgang til kloaksystemer.
- Opbevar rå kød og fisk i egnede beholdere i apparatet, så de ikke kommer i berøring med andre levnedsmidler eller drypper på dem.
- Hvis apparatet står tomt i længere tid:
  - Sluk apparatet.
  - Afrim apparatet.
  - Rengør og tør apparatet.
  - Lad døren stå åben for at forhindre, at der dannes skimmel i apparatet.



### VIGTIGT! Fare for beskadigelse

- Sammenlign spændingsangivelsen på typeskiltet med energiforsyningen, der er til rådighed.
- Tilslut kun apparatet på følgende måde:
  - Til en DC-stikdåse i køretøjet med DC-tilslutningskablet
  - Eller til vekselstrømnettet med AC-tilslutningskablet
- Træk aldrig stikket ud af stikdåsen med tilslutningskablet.
- Når køleapparatet er tilsluttet til DC-stikdåsen: Afbryd køleapparatet og andre forbrugere fra batteriet, før du tilslutter hurtigopladeren.
- Når køleapparatet er tilsluttet til DC-stikdåsen: Afbryd forbindelsen, eller slå køleapparatet fra, når motoren standses. I modsat fald kan batteriet blive afladet.
- Køleapparatet er ikke egnet til transport af stoffer, der er ætsende eller indeholder opløsningsmidler.
- Dette køleapparatet indeholder brændbart cyklopentan i isoleringen. Gasserne i isoleringsmaterialet kræver en særlig bortskaffelsesmetode. Aflevér apparatet til korrekt bortskaffelse ved afslutningen af dets levetid.
- Anvend ikke elektriske apparater i køleapparatet, undtagen hvis producenten anbefaler disse apparater hertil.

- Stil ikke apparatet i nærheden af åben ild eller andre varmekilder (varmeapparater, stærk sol, gasovne osv.).
- **Fare for overophedning!**  
Sørg for, at der altid er et minimum på 50 mm ventilation på alle fire sider af køleapparatet. Hold ventilationsområdet frit for genstande, som kan begrænse luftstrømmen til kølekomponenterne.  
Placér ikke køleapparatet i lukkede rum eller områder uden eller med minimal luftstrøm.
- Ventilationsåbningerne må ikke tildækkes.
- Fyld ikke væsker eller is i den indvendige beholder.
- Dyb aldrig apparatet i vand.
- Beskyt apparatet og kablerne mod varme og fugtighed.

### 3 Leveringsomfang

Position på fig. 1, side 3	Antal	Betegnelse
1	1	Køleboks
2	1	Tilslutningskabel til jævnstrøms tilslutning
3	1	Tilslutningskabel til vekselstrøms tilslutning

### 4 Tilbehør

Kan fås som tilbehør (ikke indeholdt i leveringsomfanget):

Betegnelse	Art.nr.	Model
CFX3-app	–	Passer til alle modeller
PLB40	9600014024	Passer til alle modeller

Bemærk, at CFX3-appen eventuelt ikke findes i dit land.

## 5 Korrekt brug

Apparatet er egnet til:

- Drift i køretøjer
- Køling og frysning af madvarer
- Campingbrug

Apparatet er **ikke** egnet til:

- Opbevaring af korrosive, ætsende eller opløsningsmiddelholdige stoffer
- Lynnedfrysning af mad

Køleapparatet er egnet til campingbrug. Apparatet må ikke udsættes for regn.

Tostjernede bokse til frosne levnedsmidler er egnede til at opbevare allerede frosne levnedsmidler, at opbevare eller lave is og at lave isterninger.

En-, to- og trestjernede bokse er ikke egnede til at fryse friske levnedsmidler.

## 6 Funktionsbeskrivelse

Køleapparatet kan afkøle varer og holde varer kolde samt dybfryse dem. Kølingen sker med et kølekredsløb og en kompressor med lav vedligeholdelse. Den kraftige isolering og kompressor sørger for en effektiv og hurtig køling.

Køleapparatet er egnet til mobil anvendelse.

Køleboksen kan modstå en kortvarig hældning på 30°.

### 6.1 Funktionernes omfang

- Netdel med prioritetskobling til tilslutning til vekselspænding
- Tretrins batteribeskyttelse til at beskytte køretøjets batteri
- Display med temperaturvisning i °C og °F
- Temperaturindstilling i trin på 1 °C (1 °F)
- Integreret WiFi- og Bluetooth-funktion, kan derfor styres med en app
- Bæregreb, der kan klappes op
- USB-lader til bærbare apparater som f.eks. mobiltelefoner
- Kurveindsats til at tage ud
- **Kun CFX3 55IM:** Isterningemaskine

## 6.2 Betjenings- og visningselementer

Lås til låge: fig. 2 1, side 3

Betjeningspanel (fig. 3, side 4):

Position	Betegnelse	Forklaring
1		Tænder køleboksen, når der trykkes kortvarigt på tasten Slukker køleboksen, når der trykkes på tasten i tre sekunder Vender tilbage til den forrige menu.
2	Display	Viser informationen  <b>ac</b> : Vekselstrømmet er tilsluttet <b>dcv</b> : Jævnstrømmet er tilsluttet  : Bluetooth er aktiveret  : WiFi er aktiveret  : Display er låst  : Kompressor kører  : Isterningemaskine kører (kun CFX3 55IM)
3		Tryk på  for at navigere op eller for at forøge den valgte værdi. Tryk på  for at navigere ned eller for at reducere den valgte værdi.  Tryk samtidigt på  og  i 3 sek. for at låse displayet eller låse det op.
4		Tryk på for at vælge eller at gemme den valgte værdi.

**Stiktilslutning (fig. 4, side 4):**

Position	Betegnelse
1	Tilslutningsbøsning vekselspændingsforsyning
2	Tilslutningsbøsning jævnspændingsforsyning
3	Jævnspændingssikringsholder
4	Vekselspændingssikringsholder

## 7 Betjening

### 7.1 Før første brug

**BEMÆRK**

Før du tager den nye køleboks i brug, bør du af hygiejniske årsager rengøre den indvendigt og udvendigt med en fugtig klud (se også kapitlet „Rengøring og vedligeholdelse“ på side 210).

### 7.2 Tips til energibesparelse

- Vælg et anvendelsessted, der er godt ventileret og beskyttet mod sol.
- Lad først varm mad afkøle, før du holder den kold i apparatet.
- Åbn ikke køleapparatet hyppigere end nødvendigt.
- Lad ikke køleapparatet forblive åbent længere end nødvendigt.
- Afrim køleboksen, når der dannes et islag.
- Undgå unødigt lave temperaturer.

### 7.3 Omvendig af lågets åbningsretning

**CFX 3 55, CFX 3 55IM, CFX 3 100**

- Fortsæt som vist (fig. 5, side 5).

**CFX 3 75DZ, CFX 3 95DZ**

- Fortsæt som vist (fig. 6, side 6).

## 7.4 Tilslutning af køleboksen



### VIGTIGT! Fare for beskadigelse

- For at beskytte apparatet sidder der en sikring i stikket på det medfølgende jævnstrømskabel. Fjern **ikke** det sikrede jævnstrømsstik. Anvend kun det medfølgende jævnstrømskabel.
- Afbryd køleboksen og andre forbrugereheder fra batteriet, før du oplader batteriet med en hurtigoplader. Overspænding kan beskadige apparatets elektronik.

### Tilslutning til et batteri

- Fortsæt som vist (fig. **7**, side 7).

### Tilslutning via forlænget fast jævnstrømsledning (kun CFX3 100)

- Fortsæt som vist (fig. **8**, side 8).

### Tilslutning til et vekselstrømnet



### FARE! Fare for elektrisk stød

- Berør aldrig stik og kontakter, når du har våde hænder eller står med fødderne i vand.
- Hvis du anvender køleboksen om bord på en båd ved hjælp af en tilslutning til vekselstrømnet, skal du under alle omstændigheder montere et fejlstrømsrelæ mellem vekselstrømnettet og køleboksen. Få råd hos en fagmand.

- Fortsæt som vist (fig. **9**, side 9).

## 7.5 Anvendelse af køleboksen



### VIGTIGT! Risiko for overophedning

Sørg for, at der altid er tilstrækkelig ventilation, så varmen, der opstår under driften, kan slippe bort. Ventilationsåbningerne må ikke tildækkes. Sørg for, at apparatet har tilstrækkelig afstand til vægge og genstande, så luften kan cirkulere.



### BEMÆRK

Når den forsynes med et batteri, slukker displayet automatisk, hvis batterispændingen er lav.

- Tilkobling af køleboksen: fig. **10**, side 9

- Frakobling af køleboksen: fig. **11**, side 10

## 7.6 Anvendelse af displayet

### Displaytilstande (fig. **12**, side 10)

Position	Betegnelse
A	Standby
B	Tomgang
C	Låst

### Oversigt over displayet: fig. **13**, side 11

#### Navigering gennem menuerne

Den fremhævede menu er valgt.

- ▶ Tryk på  for at navigere op.
- ▶ Tryk på  for at navigere ned.

#### Valg af en menu

- ▶ Tryk på  for at vælge den påkrævede menu.

#### Ændring af indstillinger

Den fremhævede værdi eller indstilling er valgt.

- ▶ Tryk på  for at forøge den valgte værdi eller for at vælge den forrige indstilling.
- ▶ Tryk på  for at reducere den valgte værdi eller for at vælge den næste indstilling.

#### Tilbage til den forrige menu

- ▶ Tryk på  for at vende tilbage til den forrige menu uden at gemme.

## 7.7 Låsning/oplåsning af displayet

- ▶ Tryk samtidigt på  og  i 3 sek. for at låse displayet eller låse det op (fig. **14**, side 11).

## 7.8 Valg af temperaturehederne

- Fortsæt som vist (fig. 15, side 11).

## 7.9 Indstilling af temperaturen



### **VIGTIGT! Fare for skade på grund af meget lav temperatur**

Sørg for, at der kun er genstande eller varer i køleapparatet, der må afkøles til den valgte temperatur.

- Fortsæt som vist (fig. 16, side 12).

## 7.10 Anvendelse af batteribeskyttelsen

Apparatet er udstyret med en 3-trins batteribeskyttelse. Batteribeskyttelsen forhindrer for kraftig afladning, når apparatet er tilsluttet til et køretøjs startbatteri, eller maksimerer brugen af et forsyningsbatteri.

Hvis køleboksen anvendes, når køretøjets tænding er slået fra, frakobles køleboksen automatisk, så snart forsyningspændingen falder under et indstillet niveau. Køleboksen tilkobles igen, når batteriet er opladet og gentilkoblingsspændingen nået.



### **VIGTIGT! Fare for beskadigelse**

Når det er frakoblet af batteribeskyttelsen, oplades batteriet ikke længere fuldstændigt. Undgå at starte flere gange. Sørg for, at batteriet oplades igen.



### **BEMÆRK**

Hvis køleboksen forsynes fra et startbatteri, skal batteribeskyttelsesmodusen „MEDIUM“ eller „HIGH“ vælges. Hvis køleboksen er tilsluttet til et forsyningsbatteri, er batteribeskyttelsesmodusen „LOW“ ideel.

- Fortsæt som vist (fig. 17, side 13).

## 7.11 Indstilling af displayets lysstyrke

- Fortsæt som vist (fig. 18, side 13).

## 7.12 Til- eller frakobling af rummene (kun CFX 3 75DZ, CFX 3 95DZ)

Du kan aktivere hver zone individuelt eller dem begge.

- Fortsæt som vist (fig. 19, side 14).

## 7.13 Anvendelse af isterningemaskinen (kun CFX 3 55IM)



### BEMÆRK

- Uafhængigt af hoveddrumets temperaturindstilling er isterningemaskinens zone beregnet til at lave isterninger, hvis isterningemaskinen er tændt.
- Køleboksen energiforbrug forøges, når isterningemaskinen er tændt. Derfor bør du slukke isterningemaskinen, hvis der ikke er brug for den.
- Fabriksindstillingen for isterningemaskinen er FRA.

- Fortsæt som vist (fig. 20, side 14).

### Fyldning af isterningebakkerne med vand

- Fjern isterningebakkerne (fig. 21 1, side 15) fra isterningemaskinens hus (fig. 21 2, side 15).
- Fjern isterningebakkens afdækninger, fyld den med vand, og sæt afdækningen på igen, og sørg for at trykke kanttætningen ned hele vejen rundt.
- Sæt isterningebakkerne tilbage i isterningemaskinens hus, og luk låget.



### BEMÆRK

Tør alt spildt vand op under isterningebakkerne. Det reducerer dannelsen af is under bakkerne, og gør det nemmere at fjerne dem.

### Udtagning af isterningerne

- Åbn låget til isterningemaskinens hus, og løft under det forreste af isterningebakkerne.



### BEMÆRK

Udtagning kan kræve ekstra kraft med to hænder i meget fugtige forhold, hvilket kan skabe en isforbindelse under isterningebakkerne.

- Tag isterningebakkernes afdækninger ud, og vrid bakkerne for at frigøre isterningerne.

### **Afmontering af isterningemaskinens hus**

Isterningemaskinens hus kan afmonteres ved rengøring, eller hvis den ikke er i brug, så pladsen i køleboksen forøges:

- Løft huset i den ene ende, indtil hagen løsnes, fjern det derefter.
- Gå frem i modsat rækkefølge for at montere igen ved at skubbe hagerne neds, så de klikker på plads.

### **Tips om brug af isterningemaskinen**

- Isterningemaskinen laver is hurtigt i et antal timer, når den er blevet tændt, og skifter derefter automatisk til en isvedligeholdelsesmodus for at reducere energiforbruget. Hvis der er brug for flere portioner is så hurtigt som muligt, skal du slukke isterningemaskinen og tænde den igen for at skifte til den hurtige isproduktionsfunktion. Gentag efter behov.
- Lave frysertemperaturindstillinger i hovedrummet kan eventuelt ikke bibeholdes i høje udenomsforhold, mens isterningemaskinen er tændt.

### **Rengøring og tørring af isterningemaskinen**

- Rengør og tør isterningsbakkerne og isterningemaskinens hus, når den ikke er i brug, for at forebygge skimmel.
- Rengør efter lange perioder uden brug indersiden af isterningebakkerne med en mild vaske opløsning, og skyl med rent vand inden brug.

## **7.14 Download af CFX3-appen**

Køleboksen kan overvåges eller styres via Bluetooth eller WiFi ved hjælp af en app, som du kan installere på et kompatibelt apparat. on a compatible device.

- Download CFX3-appen fra App Store eller Google Play.

Bemærk, at CFX3-appen eventuelt ikke findes i dit land.

## **7.15 Indstilling af Bluetooth-signalet og tilslutning af appen**

Køleboksen kan overvåges og styres via Bluetooth. For at gøre det skal du forbinde køleboksen med dit Bluetooth-apparat.

**BEMÆRK**

- Forbindelsen skal gennemføres i CFX3-appen, ikke i apparatets indstillinger.
- Der kræves ikke en adgangsmode til Bluetooth-tilslutning.

► Fortsæt som vist (fig. **22**, side 15).

## 7.16 Indstilling af WiFi-signalet og tilslutning af appen

Køleboksen kan overvåges og styres via WiFi direkte til køleboksen eller via et WiFi-netværk.

- Fortsæt som vist (fig. **23**, side 16) for at tænde WiFi.
- Gå til apparatets indstillinger, og vælg din køleboks for WiFi direkte til køleboksen.
  - WiFi-navnet for din køleboks begynder med „CFX3“.
  - Den forindstillede adgangskode er „**00000000**“.
  - Du kan personalisere WiFi-navnet og adgangskoden i CFX3-appen.

**BEMÆRK**

Gå til „netværksforbindelse“ i appen SETTINGS for tilslutning via WiFi-netværk.

## 7.17 Ændring af CFX-navnet og adgangskode i appen

- Du kan personalisere navnet for din CFX i appen.
  - Det samme navn gælder for både Bluetooth og WiFi.
  - Du kan også personalisere din adgangskode i appen - gælder kun for WiFi.
- Fortsæt med „CFX-navn og adgangskode“ i appen SETTINGS.

## 7.18 Reset af appens adgangskode (kun WiFi)

- Du kan resette appens adgangskode til fabriksindstillingen „**00000000**“.
- Fortsæt som vist (fig. **23**, side 16).

## 7.19 Reset til fabriksindstillinger

Resetfunktionen ændrer alle displaymenuens og appens felter til den originale fabriksindstillinger.

- Fortsæt som vist (fig. **24**, side 16).

## 7.20 USB-tilslutning til spændingsforsyning

Du kan anvendes USB-tilslutningen til at oplade små apparater (f.eks. mobiltelefoner og MP3-players).



### BEMÆRK

Sørg for, at det lille apparat, der er tilsluttet til USB-tilslutningen, er egnet til drift med 5 V/2 A.

- Fortsæt som vist (fig. 26, side 17).

## 7.21 Afrimning af køleboksen

Luftfugtighed kan sætte sig som rim inde i apparatet eller på fordampere. Derved reduceres kølekapaciteten. Afrim apparatet rettidigt.



### VIGTIGT! Fare for beskadigelse

Anvend aldrig hårdt eller spidst værktøj til at fjerne is eller til at løsne genstande, som er frosset fast.

Gå frem på følgende måde for at afrime køleboksen:

- Tag indholdet ud af køleboksen.
- Læg det evt. i et andet køleapparat for at holde dem kolde.
- Sluk apparatet.
- Lad låget stå åbent.
- Tør der afrimede vand af.

## 7.22 Udskiftning af vekselstrømsikringen



### FARE! Fare for elektrisk stød

Afbryd strømforsyningen og tilslutningskablet, før du udskifter apparatets sikring.

- Afbryd strømforsyningen til apparatet.
- Træk tilslutningskablet ud.
- Vip sikringsindsatsen (fig. 4, side 4) ud f.eks. med en skruetrækker.
- Udskift den defekte glassikring med en ny sikring af samme type og med samme værdi (hurtig, 4 A, 250 V).

- Tryk sikringsindsatsen ind i kabinettet igen.
- Tilslut strømforsyningen til apparatet igen.

### 7.23 Udskiftning af jævnstrømsikringen

- Vip sikringsafdækningen (fig. **4** 3, side 4) ud f.eks. med en skruetrækker.
- Vend sikringsafdækningen om, og brug hagen til at fjerne den defekte fladstik-sikring.
- Skub en ny sikring af samme type og klassifikation ind.
- Sæt sikringsafdækningen på igen.

### 7.24 Udskiftning af jævnstrømsstiksikringen

- Udskift den defekte sikring med en ny sikring af samme type og klassifikation.
- Fortsæt som vist (fig. **27**, side 17).

### 7.25 Udskiftning af lysprintpladen



#### **VIGTIGT! Fare for beskadigelse**

Lampen kan kun udskiftes af producenten, serviceagenten eller en tilsvarende kvalificeret person for at undgå farer.

## 8 Rengøring og vedligeholdelse



#### **VIGTIGT! Fare for beskadigelse!**

- Rengør aldrig køleapparatet under rindende vand eller i opvaskevand.
- Anvend ikke skrabe rengøringsmidler eller hårde genstande ved rengøringen, da de kan beskadige køleapparatet.

- Rengør af og til apparatet indvendigt og udvendigt med en fugtig klud.
- Sørg for, at apparatets ventilations- og udluftningsåbninger er fri for støv og urenheder, så varmen, der opstår under driften, kan ledes bort, og apparatet ikke tager skade.

## 9 Udbedring af fejl

Fejl	Mulig årsag	Løsningsforslag
Apparatet fungerer ikke (jævnstrømsdrift, tænding til).	Der registreres ingen spænding på jævnstrømsudgangen.	I de fleste køretøjer skal tændingen slås til, før jævnstrømsudgangen forsynes med strøm.
	Jævnstrømsstikket er snavset. Konsekvensen er en dårlig elektrisk forbindelse.	Hvis apparatets stik bliver meget varmt i jævnstrømsstikket, skal jævnstrømsstikket enten rengøres, eller stikket er muligvis ikke samlet rigtigt.
	Jævnstrømsstikkets sikring er brændt over.	Udskift sikringen i jævnstrømsstikket, se kapitlet „Udskiftning af jævnstrømsstiksikringen“ på side 210.
	Apparatets jævnstrøms-sikring er sprunget.	Udskift apparatets jævnstrøms-sikring, se kapitlet „Udskiftning af jævnstrøms-sikringen“ på side 210.
	Køretøjets sikring er brændt over.	Udskift sikringen til køretøjets jævnstrømsstik. Se dit køretøjs betjeningsvejledning.
Apparatet fungerer ikke (vekselstrømsdrift).	Vekselspændingsstikdåsen har ikke spænding.	Forsøg med en anden stikdåse.
	Apparatets vekselstrøms-sikring er sprunget.	Udskift apparatets vekselstrøms-sikring, se kapitlet „Udskiftning af vekselstrøms-sikringen“ på side 209.
	Den integrerede vekselstrømsadapter er defekt.	Reparationen kan kun foretages af et til-ladt reparationscenter.
Displayet reagerer ikke på tryk på tasterne.	Displayet er låst.	Lås displayet op, se kapitlet „Låsning/oplåsning af displayet“ på side 204.
Appen kan ikke styre apparatet.	Bluetooth eller WiFi er ikke tilsluttet.	Tilslut Bluetooth, se kapitlet „Indstilling af Bluetooth-signalet og tilslutning af appen“ på side 207, eller tilslut WiFi, se kapitlet „Indstilling af WiFi-signalet og tilslutning af appen“ på side 208.
Displayet viser en alarmmelding eller advarselskode.	–	Se nedenstående tabel.

## Alarmmeldinger

Se f.eks. fig. 25 A, side 16.

Alarmmelding	Betegnelse	Mulig årsag	Løsningsforslag
!ALERT - Lid open > 3 min	Låg åbent i mere end 3 minutter	<ul style="list-style-type: none"> <li>Låg ikke gået fuldstændigt i indgreb</li> <li>Intern fejl</li> </ul>	<ul style="list-style-type: none"> <li>Kontrollér, at låget er gået fuldstændigt i indgreb</li> <li>Inspektion udført af autoriseret reparationscenter påkrævet</li> </ul>
!ALERT - Voltage low	Apparatet fungerer ikke længere på jævnstrøm på grund af lav spænding	<ul style="list-style-type: none"> <li>Utilstrækkelig forsyningspænding</li> <li>Batterispænding for lav</li> <li>Batteribeskyttelse er indstillet for højt</li> </ul>	<ul style="list-style-type: none"> <li>Kontrollér spændingsfald fra batteri til strømudgang, og forøg om nødvendigt ledningsstørrelsen</li> <li>Test batteriet, og oplad det i givet fald</li> <li>Vælg en lavere indstilling for batteribeskyttelsen</li> </ul>
	Apparatet fungerer ikke længere på jævnstrøm på grund af en unormal høj spænding >31,5 V (usandsynlig hændelse – kun til beskyttelse af elektronik – benytter samme alarmmeldinger som lavspænding ovenfor)	<ul style="list-style-type: none"> <li>Forkert specifikation for forsyningsjævnspænding</li> <li>Fejl i forsyningspænding</li> <li>Intern fejl</li> </ul>	<ul style="list-style-type: none"> <li>Kontrollér, at specifikationen for forsyningsjævnspændingen passer med CFX3 produkttypemærkaten</li> <li>Kontrollér forsyningsjævnspændingen, og reparér eller udskift, hvis der er fejl i den</li> <li>Inspektion udført af autoriseret reparationscenter påkrævet</li> </ul>

## Advarselskoder

Se f.eks. fig. 25 B, side 16.

Advarselskode	Fejl	Mulig årsag	Løsningsforslag
!WARNING 32	Blæser overstrøm	Intern fejl.	Sluk apparatet i mindst 5 min., gentilkobl det derefter. Hvis problemet fortsat findes, er en inspektion udført af et autoriseret reparationscenter påkrævet
!WARNING 33	Fejl ved kompressorstart		
!WARNING 34	Kompressorhastighed lav	<ul style="list-style-type: none"> <li>Høj udenomstemperatur</li> </ul>	<ul style="list-style-type: none"> <li>Sluk apparatet i mindst 30 min., eller flyt det til et køligere sted, genstart derefter</li> </ul>
!WARNING 35	Regulering overtemperatur	<ul style="list-style-type: none"> <li>Luftåbning blole-ret eller utilstrækkelig afstand</li> <li>Intern fejl</li> </ul>	<ul style="list-style-type: none"> <li>Frigør åbningerne</li> <li>Inspektion udført af autoriseret reparationscenter påkrævet</li> </ul>
!WARNING 01	NTC åbent kredsløb SZ & DZ LARGE	Intern fejl	Inspektion udført af autoriseret reparationscenter påkrævet
!WARNING 11	NTC åbent kredsløb DZ SMALL		
!WARNING 02	NTC kortslutning SZ & DZ LARGE		
!WARNING 12	NTC kortslutning DZ SMALL		
!WARNING 09	Fejl ved DZ-ventil eller isterningemaskinfejl		Sluk apparatet i mindst 1 min., gentilkobl det derefter. Hvis problemet fortsat findes, er en inspektion udført af et autoriseret reparationscenter påkrævet
!WARNING 03/43	Kommunikationsfejl		

## 10 Garanti

Den lovbestemte garantiperiode gælder. Hvis produktet er defekt, skal du kontakte producentens afdeling i dit land (se [dometic.com/dealer](http://dometic.com/dealer)) eller din forhandler.

Ved reparation eller krav om garanti skal du medsende følgende bilag:

- En kopi af regningen med købsdato
- En reklamationsgrund eller en fejlbeskrivelse

## 11 Bortskaffelse

► Bortskaf så vidt muligt emballagen sammen med det tilsvarende genbrugsaffald.



Hvis du tager produktet endegyldigt ud af drift, skal du kontakte det nærmeste recyclingcenter eller din faghandel for at få de pågældende forskrifter om bortskaffelse.



### **ADVARSEL! Risiko for, at børn kan blive lukket inde**

Før det gamle køleapparat bortskaffes:

- Afmonter låget
- Lad kurvene blive siddende, så børn ikke nemt kan kravle ind i det.

## 12 Tekniske data



### BEMÆRK

Minimumstemperaturen, der vises i „kølekapacitet“, kan ikke opnås, hvis udenomstemperaturen er over 32 °C (90 °F) for modellerne CFX3 35/45/55/55IM/100 eller udenomstemperaturen er over 30 °C (86 °F) for modellerne CFX3 75DZ/95DZ (indstil lille -22 °C/stor +4 °C).

Godkendelse/certifikater:



	CFX3 35	CFX3 45	CFX3 55
Tilslutningsspænding:	12/24 V $\overline{=}$ og 100 – 240 V $\sim$		
Mærkestrøm:	12 V $\overline{=}$ : 7,5 A 24 V $\overline{=}$ : 3,3 A 100 V $\sim$ : 0,94 A 240 V $\sim$ : 0,39 A	12 V $\overline{=}$ : 8,2 A 24 V $\overline{=}$ : 3,5 A 100 V $\sim$ : 0,96 A 240 V $\sim$ : 0,40 A	12 V $\overline{=}$ : 8,7 A 24 V $\overline{=}$ : 3,7 A 100 V $\sim$ : 0,98 A 240 V $\sim$ : 0,41 A
Kølekapacitet:	-22 °C til +10 °C (-8 °F til +50 °F)		
Kategori:	1		
Energieffektivitetsklasse:	A++		
Energiforbrug:	81 kWh/årligt	79 kWh/årligt	83 kWh/årligt
Bruttoindhold:	36 l	46 l	55 l
Opbevaringsvolumen:	36 l	46 l	55 l
Klimaklasse:	N, T		
Udenomstemperatur:	+16 °C til +43 °C (+61 °F til +110 °F)		
Lydemission:	44 dB(A)	47 dB(A)	
USB-ladeport:	5 V $\overline{=}$ , 2 A		
Frekvensområde:	WiFi: 2412 MHz – 2472MHz/2422 MHz – 2462MHz Bluetooth/BLE: 2402 MHz – 2480 MHz		
Frekvensbånd (WiFi):	2,4 GHz		

	<b>CFX3 35</b>	<b>CFX3 45</b>	<b>CFX3 55</b>
RF-udgangseffekt:	WiFi: 16,62 dBm (802.11b), 16,23 dBm (802.11g), 16,45 dBm (802.11n20), 16,02 dBm (802.11n40) Bluetooth: 8,31 dBm Bluetooth LE: 6,67 dBm		
Kølemiddelmængde:	38 g	42 g	45 g
CO <sub>2</sub> ækvivalent:	0,054 t	0,060 t	0,064 t
Drivhuspotentiale (GWP):	1430		
Mål (B x D x H) i mm (inkl. greb):	398 x 694 x 407	398 x 694 x 476	720 x 455 x 480
Vægt:	16,9 kg	18,7 kg	20,4 kg

	<b>CFX3 55IM</b>	<b>CFX3 75DZ</b>	<b>CFX3 95DZ</b>
Tilslutningsspænding:	12/24 V $\equiv$ og 100 – 240 V $\sim$		
Mærkestrøm:	12 V $\equiv$ : 8,9 A 24 V $\equiv$ : 3,8 A 100 V $\sim$ : 1,00 A 240 V $\sim$ : 0,42 A	12 V $\equiv$ : 9,6 A 24 V $\equiv$ : 4,2 A 100 V $\sim$ : 1,12 A 240 V $\sim$ : 0,47 A	12 V $\equiv$ : 10,4 A 24 V $\equiv$ : 4,6 A 100 V $\sim$ : 1,22 A 240 V $\sim$ : 0,51 A
Kølekapacitet:	-22 °C til +10 °C (-8 °F til +50 °F)		
Kategori:	1		
Energieffektivitetsklasse:	A++	A+	
Energiforbrug:	82 kWh/årligt	108 kWh/årligt	111 kWh/årligt
Bruttoindhold:	55 l	75 l (45 l/30 l)	94 l (55 l/39 l)
Opbevaringsvolumen:	53 l	75 l (45 l/30 l)	94 l (55 l/39 l)
Klimaklasse:	N, T		
Udenomstemperatur:	+16 °C til +43 °C (+61 °F til +110 °F)		
Lydemission:	48 dB(A)	50 dB(A)	
USB-ladeport:	5 V $\equiv$ , 2 A		

	<b>CFX3 55IM</b>	<b>CFX3 75DZ</b>	<b>CFX3 95DZ</b>
Frekvensområde:	WiFi: 2412 MHz – 2472MHz/2422 MHz – 2462MHz Bluetooth/BLE: 2402 MHz – 2480 MHz		
Frekvensbånd (WiFi):	2,4 GHz		
RF-udgangseffekt:	WiFi: 16,62 dBm (802.11b), 16,23 dBm (802.11g), 16,45 dBm (802.11n20), 16,02 dBm (802.11n40) Bluetooth: 8,31 dBm Bluetooth LE: 6,67 dBm		
Kølemiddelmængde:	45 g	59 g	67 g
CO <sub>2</sub> ækvivalent:	0,064 t	0,084 t	0,096 t
Drivhuspotentiale (GWP):	1430		
Mål (B x D x H) i mm (inkl. greb):	720 x 455 x 480	892 x 495 x 472	962 x 530 x 472
Vægt:	21,3 kg	27,8 kg	29,8 kg

	<b>CFX3 100</b>
Tilslutningsspænding:	12/24 V $\equiv$ og 100 – 240 V $\sim$
Mærkestrøm:	12 V $\equiv$ : 10,8 A 24 V $\equiv$ : 4,8 A 100 V $\sim$ : 1,28 A 240 V: 0,53 A
Kølekapacitet:	+10 °C til -22 °C (+50 °F til -8 °F)
Kategori:	1
Energieffektivitetsklasse:	A+
Energiforbrug:	111 kWh/årligt
Bruttoindhold:	99 l
Opbevaringsvolumen:	88 l
Klimaklasse:	N, T
Udenomstemperatur:	+16 °C til +43 °C (+61 °F til +110 °F)

	<b>CFX3 100</b>
Lydemission:	36,5 dB(A)
USB:	5 V $\overline{=}$ , 2 A
Frekvensområde:	WiFi: 2412 MHz – 2472MHz/2422 MHz – 2462MHz Bluetooth/BLE: 2402 MHz – 2480 MHz
Frekvensbånd (WiFi):	2,4 GHz
RF-udgangseffekt:	WiFi: 16,62 dBm (802.11b), 16,23 dBm (802.11g), 16,45 dBm (802.11n20), 16,02 dBm (802.11n40) Bluetooth: 8,31 dBm Bluetooth LE: 6,67 dBm
Kølemiddelmængde:	60 g
CO <sub>2</sub> ækvivalent:	0,086 t
Drivhuspotentiale (GWP):	1430
Mål (B x D x H) i mm (inkl. greb):	962 x 530 x 472
Vægt:	29,6 kg

Kølekredsløbet indeholder R134a.

Indeholder fluorerede drivhusgasser

Hermetisk lukkede anlæg eller hermetisk lukket udstyr

**Läs igenom anvisningen noga innan kylan används. Spara den för senare bruk. Om kylan byter ägare ska anvisningen följa med.**

Tillverkaren ansvarar inte för skador som uppstår p.g.a. **icke ändamålsenlig användning** eller **felaktig hantering/skötsel**.

## Innehållsförteckning

<b>1</b>	<b>Förklaring till symboler</b> .....	220
<b>2</b>	<b>Säkerhetsanvisningar</b> .....	221
<b>3</b>	<b>Leveransomfattning</b> .....	223
<b>4</b>	<b>Tillbehör</b> .....	223
<b>5</b>	<b>Ändamålsenlig användning</b> .....	224
<b>6</b>	<b>Funktionsbeskrivning</b> .....	224
6.1	Funktioner .....	224
6.2	Reglage och indikeringskomponenter .....	225
<b>7</b>	<b>Användning</b> .....	226
7.1	Före den första användningen .....	226
7.2	Tips för att spara energi .....	226
7.3	Byta lockets öppningsriktning .....	226
7.4	Ansluta kylboxen .....	227
7.5	Använda kylboxen .....	227
7.6	Använda displayen .....	228
7.7	Låsa/låsa upp displayen .....	228
7.8	Välja temperaturenheter .....	228
7.9	Ställa in temperaturen .....	229
7.10	Använda batteriskyddet .....	229
7.11	Ställa in displayens ljusstyrka .....	229
7.12	Slå på eller av komponenter (endast CFX3 75DZ, CFX3 95DZ) .....	229
7.13	Använda ismaskinen (endast CFX3 55IM) .....	230
7.14	Ladda ner appen CFX3 .....	231
7.15	Ställa in Bluetooth-signalen och ansluta till appen .....	231
7.16	Ställa in WiFi-signalen och ansluta till appen .....	231
7.17	Ändra CFX-namn och lösenord i appen .....	232
7.18	Återställa appens lösenord (endast WiFi) .....	232
7.19	Återställa till fabriksinställningar .....	232
7.20	USB-anslutning för spänningsförsörjning .....	232

7.21	Avfrosta kylboxen . . . . .	233
7.22	Byta säkringen för växelström . . . . .	233
7.23	Byta säkringen för likström . . . . .	233
7.24	Byta likströmskontaktens säkring . . . . .	234
7.25	Byta ljuskrets kort . . . . .	234
<b>8</b>	<b>Rengöring och skötsel</b> . . . . .	234
<b>9</b>	<b>Felsökning</b> . . . . .	235
<b>10</b>	<b>Garanti</b> . . . . .	238
<b>11</b>	<b>Avfallshantering</b> . . . . .	238
<b>12</b>	<b>Tekniska data</b> . . . . .	239

## 1 Förklaring till symboler



### **FARA!**

**Säkerhetsanvisning** för en farlig situation som, om den inte går att undvika, ger upphov till dödsfall eller allvarliga personskador.



### **VARNING!**

**Säkerhetsanvisning** för en farlig situation som, om den inte går att undvika, kan ge upphov till dödsfall eller allvarliga personskador.



### **AKTA!**

**Säkerhetsanvisning** för en farlig situation som, om den inte går att undvika, kan ge upphov till en lindrig eller måttlig personskada.



### **OBSERVERA!**

Anvisning för en situation som, om den inte går att undvika, kan ge upphov till materiella skador.



### **ANVISNING**

Kompletterande information om användning av produkten.

## 2 Säkerhetsanvisningar



**WARNING! Om man underlåter att följa de här varningarna kan följden bli dödsfall eller allvarlig personskada.**

### Risk för strömstötar – livsfara

- Om apparaten uppvisar synliga skador får den ej tas i drift.
- Om kylapparatens elkabel skadas måste den bytas ut för att förhindra säkerhetsrisker.
- Reparationer på apparaten får endast utföras av behörigt fackfolk. Icke fackmässiga reparationer kan leda till att allvarliga faror uppstår.

### Brandrisk

- Kontrollera att elsladden inte har fastnat eller skadats i samband med placering av apparaten.
- Placera inte ut flera bärbara uttag eller bärbara nätaggregat bakom apparaten.

### Hälsorisk

- Barn från åtta års ålder, personer med nedsatt fysisk, sensorisk eller mental förmåga, eller personer med bristande erfarenhet och kunskaper får använda den här apparaten förutsatt att de hålls under uppsikt eller om de har fått anvisningar om hur man använder den här apparaten på ett säkert sätt och känner till vilka risker som är förknippade med användningen.
- Barn får inte leka med apparaten.
- Rengöring och underhåll får inte genomföras av barn utan uppsikt.
- Barn i åldrarna tre till åtta år får lasta in eller ut varor i eller ur kylapparater.

### Explosionsrisk

- Lagra inga ämnen som kan explodera i apparaten, som t.ex. sprayburkar med brännbar drivgas.



**AKTA! Om man underlåter att följa de här försiktighetsåtgärderna kan följden bli lindrig eller måttlig personskada.**

### Risk för strömstötar – livsfara

- Kontrollera, innan apparaten tas i drift, att elkabeln och stickkontakten är torra.
- Koppla alltid bort apparaten från elnätet
  - före rengöring och underhåll
  - efter användning

### Hälsorisk

- Kontrollera om apparatens kyleffekt motsvarar kravet för de livsmedel eller mediciner du vill hålla kalla.
- Livsmedel får endast förvaras i originalförpackningarna eller i andra lämpliga behållare.
- Om kylapparaten hålls öppen under lång tid finns det risk att man får en betydande ökning av temperaturen i anordningens fack.
- Rengör med jämna mellanrum ytor som kan komma i kontakt med livsmedel och åtkomliga avloppssystem.
- Förvara rått kött och rå fisk i lämpliga behållare i apparaten, så att de inte kommer i kontakt med andra livsmedel eller droppar på dessa.
- Om apparaten står tom under en längre tid:
  - Stäng av apparaten.
  - Frosta av apparaten.
  - Rengör och torka apparaten.
  - Låt dörren vara öppen, så att det inte bildas mögel.



### OBSERVERA! Risk för skador

- Jämför spänningsangivelsen på typskylten med elförsörjningen på plats.
- Anslut apparaten endast på följande vis:
  - till ett DC-uttag i fordonet med DC-anslutningskabel
  - eller till ett växelström uttag med den medföljande AC-anslutningskabeln
- Dra aldrig ut stickkontakten ur uttaget genom att dra i anslutningskabeln.
- När kylapparaten är ansluten till ett DC-uttag: Koppla bort kylapparaten och andra elförbrukare från batteriet innan en batteriladdare ansluts.
- När kylapparaten är ansluten till ett DC-uttag: Skilj apparaten från elnätet eller stäng av den när motorn stängs av. Annars kan batteriet urladdas.
- Kylapparaten är inte ämnad för transport av frätande ämnen och ämnen som innehåller lösningsmedel.
- Kylapparaten isolering innehåller brännbart cyklopentan. Gaserna i isoleringsmaterialet gör att materialet kräver särskild hantering. Lämna in kylboxen till en lämplig återvinningscentral när den inte ska användas längre.

- Använd inga elektriska apparater för arbeten inne i kylapparaten. Undantag: apparaterna rekommenderas för sådan användning av tillverkaren.
- Ställ inte kylapparaten i närheten av öppen eld eller andra värmekällor (värmeelement, starkt solljus, gasspisar osv.).
- **Risk för överhettning!**  
Kontrollera att det alltid finns minst 50 mm ventilationsutrymme på kylapparatsens samtliga fyra sidor. Kontrollera att det inte finns några föremål i ventilationsutrymmet som skulle kunna hindra luftflödet till kylkomponenterna.  
Placera inte kylapparaten i stängda fack eller utrymmen utan luftflöde eller med bara minimalt luftflöde.
- Se till att ventilationsspringorna inte täcks över.
- Fyll inte innerfacket med vätskor eller is.
- Doppa aldrig ned apparaten i vatten.
- Skydda apparaten och kablarna mot hetta och fukt.

### 3 Leveransomfattning

Del i bild <b>1</b> , sida 3	Mängd	Beskrivning
1	1	Kylbox
2	1	Anslutningskabel för likströmsanslutning
3	1	Anslutningskabel för växelströmsanslutning

### 4 Tillbehör

Finns som tillbehör (ingår inte i leveransen):

Beteckning	Art.nr	Modell
CFX3-app	–	passar alla modeller
PLB40	9600014024	passar alla modeller

Tänk på att CFX3-appen kanske inte finns i ditt land.

## 5 Ändamålsenlig användning

Den här apparaten är avsedd för:

- Användning i fordon
- Att kyla och frysa livsmedel
- Användning vid camping

Apparaten är **inte** avsedd för:

- Förvaring av frätande, brännande eller lösningsbaserade ämnen
- Snabbfrysning av livsmedel

Kylapparaten är avsedd för camping. Apparaten får inte utsättas för regn.

Tvåstjärniga livsmedelsfack för djupfrysning är avsedda för förvaring av livsmedel som frysts ned i förväg, förvaring eller tillagning av glass samt tillverkning av istärningar.

En-, två- eller trestjärniga fack är inte avsedda för djupfrysning av färska livsmedel.

## 6 Funktionsbeskrivning

Kylboxen både kylar och djupfrysar varor. Kylningsprocessen sker med hjälp av en kylkrets med kompressor som kräver mycket lite underhåll. Tack vare den generösa isoleringen och den kraftfulla kompressorn får man effektiv och snabb kylning.

Kylboxen är lämpad för mobil användning.

Kylboxen klarar en kort tids lutning på 30°.

### 6.1 Funktioner

- Nätdel med prioritetskoppling för anslutning till växelspanning
- Trestegs-batteriskydd som skyddar fordonets batteri
- Display med temperaturvisning i °C och °F
- Temperaturinställning i steg om 1 °C (1 °F)
- Integrerad WiFi- och Bluetooth-funktion som möjliggör styrning via app
- Hopfällbara bärhandtag
- USB-laddare för bärbara apparater som mobiltelefoner
- Uttagbar korg

- **Endast CFX3 55IM:** Ismaskin

## 6.2 Reglage och indikeringskomponenter

Lås för locket: bild **2** 1, sida 3

Kontrollpanel (bild **3** , sida 4):

Del	Beskrivning	Förklaring
1		Kylboxen slås på när knappen trycks in kortvarigt Kylboxen slås av när knappen trycks in tre sekunder Återgår till föregående meny
2	Display	Visar informationen <b>ac</b> : Växelström (elnät) är ansluten <b>dcv</b> : Likström (elnät) är ansluten  : Bluetooth är aktiverad  : WiFi är aktiverad  : Displayen är låst ● : Kompressorn arbetar ■ : Ismaskinen arbetar (endast CFX3 55IM)
3		Tryck på  för att gå uppåt eller för att öka det värde som valts. Tryck på  för att gå nedåt eller för att minska det värde som valts. Tryck på  och  samtidigt i 3 s för att låsa eller låsa upp displayen.
4		Tryck för att välja en meny eller spara det värde som valts.

**Anslutningsuttag (bild 4, sida 4):**

Del	Beskrivning
1	Anslutningsuttag för växelström
2	Anslutningsuttag för likström
3	Säkringshållare för likström
4	Säkringshållare för växelström

## 7 Användning

### 7.1 Före den första användningen

**ANVISNING**

Innan kylboxen tas i drift ska den av hygieniska skäl torkas av in- och utvändigt med en fuktig trasa (se även kapitel "Rengöring och skötsel" på sidan 234).

### 7.2 Tips för att spara energi

- Välj en uppställningsplats med god ventilation som är skyddad mot direkt solljus.
- Låt varm mat svalna innan den läggs in i kylapparaten.
- Öppna inte kylapparaten oftare än nödvändigt.
- Låt inte kylskåpsdörren stå öppen längre än nödvändigt.
- Frosta av kylboxen så snart det bildas is i den.
- Undvik onödigt låga temperaturer.

### 7.3 Byta lockets öppningsriktning

**CFX 3 55, CFX 3 55IM, CFX 3 100**

- Gå tillväga enligt bilden (bild 5, sida 5).

**CFX 3 75DZ, CFX 3 95DZ**

- Gå tillväga enligt bilden (bild 6, sida 6).

## 7.4 Ansluta kylboxen



### **OBSERVERA! Risk för skada**

- För att skydda apparaten har likströmskabeln utrustats med en säkring inuti kontakten. Ta **inte** bort likströmskontaktens säkring. Använd endast den medföljande likströmskabeln.
- Koppla bort kylboxen och andra förbrukare från batteriet innan en batteriladdare ansluts till batteriet. Överspänning kan skada apparatens elektronik.

### **Ansluta till ett batteri**

- Gå tillväga enligt bilden (bild **7**, sida 7).

### **Ansluta via förlängd fast likströmskabel (endast CFX3 100)**

- Gå tillväga enligt bilden (bild **8**, sida 8).

### **Ansluta till växelström**



### **FARA! Risk för dödsfall på grund av elektricitet**

- Ta inte i brytare eller kontakter med våta händer eller om du står på ett fuktigt underlag.
- Om kylboxen används på en båt och ansluts till växelström måste en jordfelsbrytare installeras mellan strömförsörjningen och kylboxen. Kontakta en behörig elektriker.

- Gå tillväga enligt bilden (bild **9**, sida 9).

## 7.5 Använda kylboxen



### **OBSERVERA! Risk för överhettning**

Kontrollera alltid att det finns tillräckligt med ventilation så att den värme som alstras under driften kan skingras. Se till att ventilationsspringorna inte täcks över. Apparaten måste ha tillräckligt stort avstånd till vägg/andra föremål så att luften kan cirkulera fritt.



### **ANVISNING**

Om man använder ett batteri för kylapparaten, stängs displayen automatiskt av om batterispänningen är låg.

- Slå på kylboxen: bild **10**, sida 9
- Stänga av kylboxen: bild **11**, sida 10

## 7.6 Använda displayen

### Displaylägen (bild 12, sida 10)

Del	Beskrivning
A	Standby
B	Viloläge
C	Låst

### Displayöversikt: bild 13, sida 11

#### Navigera i menyerna

Den markerade meny är vald.

- ▶ Tryck på  för att gå uppåt.
- ▶ Tryck på  för att gå nedåt.

#### Välja en meny

- ▶ Tryck på  för att välja meny.

#### Ändra inställningar

Värdet eller inställningen som är markerat har valts.

- ▶ Tryck på  för att öka det valda värdet eller för att välja föregående inställning.
- ▶ Tryck på  för att minska det valda värdet eller för att välja nästa inställning.

#### Återgå till föregående meny

- ▶ Tryck på  för att återgå till föregående meny utan att spara.

## 7.7 Låsa/låsa upp displayen

- ▶ Tryck på  och  samtidigt i 3 s för att låsa eller låsa upp displayen (bild 14, sida 11).

## 7.8 Välja temperaturenheter

- ▶ Gå tillväga enligt bilden (bild 15, sida 11).

## 7.9 Ställa in temperaturen



### **OBSERVERA! Skaderisk på grund av för låg temperatur**

Se till att det endast finns föremål resp. varor i kylaren som får kylas till den inställda temperaturen.

- Gå tillväga enligt bilden (bild **16**, sida 12).

## 7.10 Använda batteriskyddet

Apparaten har ett 3-steps batteriskydd. Batteriskyddet förhindrar att batteriet laddas ur för mycket när apparaten är ansluten till ett fordonsstartbatteri eller maximerar användningen av ett försörjningsbatteri.

När kylboxen används utan påslagen tändning i fordonet, stängs den av automatiskt om försörjningsspänningen sjunker under ett inställbart värde. Kylboxen startar så fort batteriet har laddats och återinkopplingsspänningen uppnås.



### **OBSERVERA! Risk för skada**

När batteriskyddet har stängt av batteriet, laddas batteriet inte längre fullt. Undvik upprepade starter. Kontrollera att batteriet laddas igen.



### **ANVISNING**

Välj batteriskyddsläge "MEDIUM" eller "HIGH" om kylboxen försörjs med hjälp av ett startbatteri. Om kylboxen ansluts till ett försörjningsbatteri, passar batteriskyddsläget "LOW".

- Gå tillväga enligt bilden (bild **17**, sida 13).

## 7.11 Ställa in displayens ljusstyrka

- Gå tillväga enligt bilden (bild **18**, sida 13).

## 7.12 Slå på eller av komponenter (endast CFX 3 75DZ, CFX 3 95DZ)

Du kan aktivera varje zon separat eller båda två.

- Gå tillväga enligt bilden (bild **19**, sida 14).

## 7.13 Använda ismaskinen (endast CFX 3 55IM)



### ANVISNING

- Oberoende av huvudfacketts temperaturinställning är ismaskinen konstruerad för att göra isbitar när den är påslagen.
- Kylboxens effektbehov ökar när ismaskinen är på. Därför bör du stänga av ismaskinen när den inte behövs.
- Fabriksinställningen för ismaskinen är AV.

- Gå tillväga enligt bilden (bild **20**, sida 14).

### Fylla isbrickorna med vatten

- Ta bort isbrickorna (bild **21** 1, sida 15) från ismaskinhöljet (bild **21** 2, sida 15).
- Ta bort isbrickeskydden, fyll på med rent vatten och sätt tillbaka skydden så att kanttätningen sluter tätt runt om.
- Sätt tillbaka isbrickorna i ismaskinhöljet och stäng locket.



### ANVISNING

Torka upp eventuellt utspillt vatten under isbrickorna. Detta minskar isbildning under brickorna och gör det enklare att ta bort dem.

### Ta ut iskuberna

- Öppna ismaskinhöljets lock och lyft under isbrickornas framsida.



### ANVISNING

Vid borttagningen kan det krävas att man använder båda händerna om fuktigheten är så hög att is sitter fast under isbrickorna.

- Ta bort isbrickeskydden och vrid brickorna så att iskuberna lossnar.

### Ta bort ismaskinhöljet

Ismaskinhöljet kan tas bort för rengöring eller för att frigöra plats i kylboxen när det inte används:

- Lyft höljet i ena änden tills det lossnar från fästet och ta sedan bort det.
- Gör detta i omvänd ordningsföljd för att sätta tillbaka höljet, genom att trycka ner höljet på fästena så det hakar fast.

## Tips för att använda ismaskinen

- Ismaskinen gör is snabbt i ett antal timmar när den slagits på och övergår sedan automatiskt till ett isbehållningsläge för att minska effektbehovet. Om flera laddningar is behöver göras så snabbt som möjligt, är det bara att slå av maskinen och sedan slå på den igen så börjar den göra is snabbt igen. Upprepa efter behov.
- Det går inte att bibehålla lågt inställd frysfackstemperatur i huvudfacket när omgivningstemperaturen är hög och ismaskinen är påslagen.

## Rengöra och torka ismaskinen

- Rengör och torka ur isbrickorna och inuti ismaskinhöljet när maskinen inte används.
- Om inte maskinen har använts en längre tid ska isbrickorna rengöras inuti med en mild diskmedelslösning och sköljas av med rent vatten före användning.

## 7.14 Ladda ner appen CFX3

Kylboxen kan övervakas och styras via Bluetooth eller WiFi med en app som du kan installera på en kompatibel enhet.

- Ladda ner appen CFX3 från Apple Store eller Google Play.

Tänk på att CFX3-appen kanske inte finns i ditt land.

## 7.15 Ställa in Bluetooth-signalen och ansluta till appen

Kylboxen kan övervakas och styras via Bluetooth. För att göra detta måste du par-koppla kylboxen med din Bluetooth-enhet.



### ANVISNING

- Parkopplingen måste göras i CFX3-appen, inte i enhetens inställningar.
- Bluetooth-anslutningen kräver inget lösenord.

- Gå tillväga enligt bilden (bild **22**, sida 15).

## 7.16 Ställa in WiFi-signalen och ansluta till appen

Kylboxen kan övervakas och styras via WiFi direkt till kylboxen eller via ett WiFi-nät.

- Gå tillväga enligt bilden (bild **23**, sida 16) för att slå på WiFi.

- För WiFi direkt till kylboxen, gå till enhetens inställningar och välj kylboxen.
  - Kylboxens WiFi-namn börjar på "CFX3".
  - Det förinställda lösenordet är "00000000".
  - Du kan välja ett eget WiFi-namn och lösenord i CFX3-appen.

**ANVISNING**

För att ansluta via WiFi-nät, gå till "nätverksanslutning" i appens INSTÄLLNINGAR.

## 7.17 Ändra CFX-namn och lösenord i appen

- Du kan välja ett eget namn på din CFX i appen.
  - Samma namn gäller för både Bluetooth och WiFi.
  - Du kan också välja ett eget lösenord i appen, gäller endast WiFi.
- Gå till "CFX-namn och lösenord" i appens INSTÄLLNINGAR.

## 7.18 Återställa appens lösenord (endast WiFi)

- Du kan återställa appens lösenord till fabriksinställningen "00000000".
- Gå tillväga enligt bilden (bild 23, sida 16).

## 7.19 Återställa till fabriksinställningar

Återställningsfunktionen ändrar alla displaymenyer och app-fönster till de ursprungliga fabriksinställningarna.

- Gå tillväga enligt bilden (bild 24, sida 16).

## 7.20 USB-anslutning för spänningsförsörjning

USB-anslutningen kan användas till laddning av små apparater som mobiltelefoner och MP3-spelare.

**ANVISNING**

Säkerställ att den lilla enheten som anslutits till USB-anslutningen kan köras med 5 V/2 A.

- Gå tillväga enligt bilden (bild 26, sida 17).

## 7.21 Avfrostas kylboxen

Luftfuktigheten kan sätta sig som frost på förångaren eller i kylapparaten. Detta gör att kyleffekten minskar. Frostas då av apparaten så snart som möjligt.



### **OBSERVERA! Risk för skada**

Använd inte hårda eller spetsiga verktyg för att ta bort is eller lossa på fastfrusna föremål.

Avfrostas kylboxen så här:

- Ta ut kylboxens innehåll.
- Förvara dem vid behov i en annan kylapparat så att de förblir kalla.
- Stäng av apparaten.
- Låt locket vara öppet.
- Torka bort avfrostningsvattnet.

## 7.22 Byta säkringen för växelström



### **FARA! Risk för dödsfall på grund av elektricitet**

Innan man byter ut apparatens säkring ska man koppla från strömtillförseln och anslutningskabeln.

- Koppla från strömtillförseln från apparaten.
- Dra ut anslutningskabeln.
- Ta loss säkringshållaren (bild **4** 4, sida 4) med en skruvmejsel.
- Byt ut den trasiga glassäkringen mot en ny säkring av samma typ med samma värde (snabb, 4 A, 250 V).
- Tryck in säkringshållaren i håljet igen.
- Anslut strömtillförseln till apparaten igen.

## 7.23 Byta säkringen för likström

- Ta loss säkringsskyddet (bild **4** 3, sida 4) med en skruvmejsel.
- Vänd på säkringsskyddet och använd kroken för att ta bort den trasiga flatsäkringen.

- Sätt i en ny säkring av samma typ och värde.
- Montera tillbaka säkringskyddet.

## 7.24 Byta likströmskontaktens säkring

- Byt ut den trasiga säkringen mot en ny av samma typ och värde.
- Gå tillväga enligt bilden (bild **27**, sida 17).

## 7.25 Byta ljuskretskort



### **OBSERVERA! Risk för saksador**

Lampan får endast bytas ut av tillverkaren, en tjänsteleverantör eller en person med liknande kvalifikationer för att förhindra fara.

# 8 Rengöring och skötsel



### **OBSERVERA! Risk för saksador!**

- Rengör aldrig kylapparaten under rinnande vatten eller i diskvatten.
- Använd inga skarpa rengöringsmedel eller hårda föremål vid rengöring, det kan skada kylapparaten.

- Rengör apparaten då och då in- och utvändigt med en fuktig trasa.
- Kontrollera att luftnings-/ventilationsöppningarna är rena från damm och annat smuts så att värmen i vid användning kan avledas ordentligt så att produkten inte skadas.

## 9 Felsökning

Fel	Möjlig orsak	Lösning
Apparaten fungerar inte (likströmsläge, tändning på).	Det upptäcktes inte någon spänning i utgången för likström.	I de flesta fordon måste man första slå på tändningen innan det tillförs ström till utgången för likström.
	Utgången för likström är smutsig. Det ger dålig elektrisk kontakt.	Om apparatens stickkontakt blir mycket varm i uttaget för likström, måste antingen uttaget för likström rengöras eller så är stickkontakten möjligtvis inte korrekt ansluten.
	Likströmskontaktens säkring har gått.	Byt säkringen i likströmskontakten, se kapitel "Byta likströmskontaktens säkring" på sidan 234.
	Apparatens säkring för likström har gått.	Byt apparatens säkring för likström, se kapitel "Byta säkringen för likström" på sidan 233.
	Fordonets säkring har gått.	Byt säkringen för fordonets likströmsuttag. Se fordonets bruksanvisning.
Apparaten fungerar inte (växelströmsläge).	Ingen spänning i växelströmsuttaget.	Prova med ett annat uttag.
	Apparatens säkring för växelström har gått.	Byt apparatens säkring för växelström, se kapitel "Byta säkringen för växelström" på sidan 233.
	Den integrerade växelströmsadaptern är defekt.	Reparationer får endast utföras på en auktoriserad reparationscentral.
Displayen reagerar inte på knapptryckningar.	Displayen är låst.	Lås upp displayen, se kapitel "Låsa/låsa upp displayen" på sidan 228.
Appen kan inte styra apparaten.	Bluetooth eller WiFi har inte anslutits.	Anslut Bluetooth, se kapitel "Ställa in Bluetooth-signalen och ansluta till appen" på sidan 231, eller Anslut WiFi, se kapitel "Ställa in WiFi-signalen och ansluta till appen" på sidan 231.
Displayen visar ett larmmeddelande eller en varningskod.	–	Se tabellen nedan.

## Larmmeddelanden

Se t.ex. bild **25** A, sida 16.

Larmmeddelande	Beskrivning	Möjlig orsak	Lösning
!ALERT - Lid open > 3 min	Locket öppet mer än 3 minuter	<ul style="list-style-type: none"> <li>Locket är inte helt låst</li> <li>Internt fel</li> </ul>	<ul style="list-style-type: none"> <li>Kontrollera att locket är helt låst</li> <li>Inspektion gjord av auktoriserad reparationscentral krävs</li> </ul>
!ALERT - Voltage low	Apparaten har slutat fungera på likström på grund av låg spänning	<ul style="list-style-type: none"> <li>Otillräcklig försörjningsspänning</li> <li>Batterispänningen är för låg</li> <li>Batteriskyddet är inställt för högt</li> </ul>	<ul style="list-style-type: none"> <li>Kontrollera spänningsfallet från batteriet till eluttaget och öka vid behov ledningsdimensionen</li> <li>Kontrollera batteriet och ladda det vid behov</li> <li>Välj en lägre batteriskyddsinställning</li> </ul>
	Apparaten har slutat fungera på likström på grund av onormalt hög spänning >31,5 V (osannolikt scenario – gäller endast elektronikskydd – använder samma varningsmeddelande som för låg spänning ovan)	<ul style="list-style-type: none"> <li>Fel specifikation för likströmsspänning</li> <li>Defekt försörjningsspänning</li> <li>Internt fel</li> </ul>	<ul style="list-style-type: none"> <li>Kontrollera att specifikationen för likströmsspänningen överensstämmer med CFX3-produktmärkningsetiketten</li> <li>Kontrollera likströmsspänningen och reparera eller byt ut vid defekt</li> <li>Inspektion gjord av auktoriserad reparationscentral krävs</li> </ul>

## Varningskoder

Se t.ex. bild **25** B, sida 16.

Varningskod	Fel	Möjlig orsak	Lösning
!WARNING 32	För hög ström på fläkten	Internt fel.	Stäng av apparaten i minst 5 minuter och starta den därefter igen. Om problemet kvarstår krävs inspektion gjord av auktoriserad reparationscentral
!WARNING 33	Startfel kompressor		
!WARNING 34	Låg hastighet kompressor	<ul style="list-style-type: none"> <li>Hög omgivningstemperatur</li> </ul>	<ul style="list-style-type: none"> <li>Stäng av apparaten i minst 30 minuter eller flytta den till ett kallare ställe och starta den sedan igen</li> </ul>
!WARNING 35	För hög temperatur styrenhet	<ul style="list-style-type: none"> <li>Ventilationsöppning blockerad eller otillräckligt fritt utrymme</li> <li>Internt fel</li> </ul>	<ul style="list-style-type: none"> <li>Gör ventilationsöppningarna fria</li> <li>Inspektion gjord av auktoriserad reparationscentral krävs</li> </ul>
!WARNING 01	NTC bruten krets SZ & DZ STOR	Internt fel	Inspektion gjord av auktoriserad reparationscentral krävs
!WARNING 11	NTC bruten krets DZ LITEN		
!WARNING 02	NTC kortslutning SZ & DZ STOR		
!WARNING 12	NTC kortslutning DZ LITEN		
!WARNING 09	DZ-ventil eller ismaskinventil defekt		Stäng av apparaten i minst 1 minut och starta den därefter igen. Om problemet kvarstår krävs inspektion gjord av auktoriserad reparationscentral
!WARNING 03/43	Kommunikationsfel		

## 10 Garanti

Den lagstadgade garantitiden gäller. Om produkten är defekt: kontakta tillverkarens kontor i ditt land (se [dometic.com/dealer](http://dometic.com/dealer)) eller återförsäljaren.

Vid reparations- resp. garantiärenden ska följande skickas med:

- en kopia på fakturan med inköpsdatum,
- en reklambeskrivning/felbeskrivning.

## 11 Avfallshantering

- Lämna om möjligt förpackningsmaterialet till återvinning.



När produkten slutgiltigt tas ur bruk: informera dig om gällande bestämmelser hos närmaste återvinningscentral eller hos återförsäljaren.



### **WARNING! Risk för att barn fastnar**

Innan den gamla kylprodukten omhändertas:

- Demontera locket.
- Låt korgarna vara kvar så att barn inte utan vidare kan klättra in i skåpet.

## 12 Tekniska data



### ANVISNING

Minimitemperaturen som står i "Kyleffekt" kan inte uppnås om omgivningstemperaturen är över 32 °C (90 °F) för modellerna CFX3 35/45/55/55IM/100 eller om omgivningstemperaturen är över 30 °C (86 °F) för modellerna CFX3 75DZ/95DZ (sätt liten -22 °C/stor +4 °C).

Provning/certifikat:



	CFX3 35	CFX3 45	CFX3 55
Anslutningsspänning:	12/24 V $\overline{=}$ och 100 – 240 V $\sim$		
Märkström:	12 V $\overline{=}$ : 7,5 A 24 V $\overline{=}$ : 3,3 A 100 V $\sim$ : 0,94 A 240 V $\sim$ : 0,39 A	12 V $\overline{=}$ : 8,2 A 24 V $\overline{=}$ : 3,5 A 100 V $\sim$ : 0,96 A 240 V $\sim$ : 0,40 A	12 V $\overline{=}$ : 8,7 A 24 V $\overline{=}$ : 3,7 A 100 V $\sim$ : 0,98 A 240 V $\sim$ : 0,41 A
Kyleffekt:	-22 °C till +10 °C (-8 °F till +50 °F)		
Kategori:	1		
Energieffektklass:	A++		
Energiförbrukning:	81 kWh/år	79 kWh/år	83 kWh/år
Totalvolym:	36 l	46 l	55 l
Nyttovolym:	36 l	46 l	55 l
Klimatklass:	N, T		
Omgivningstemperatur:	+16 °C till +43 °C (+61 °F till +110 °F)		
Bulleremission:	44 dB(A)	47 dB(A)	
USB-laddanslutning:	5 V $\overline{=}$ , 2 A		
Frekvensområde:	WiFi: 2412 MHz – 2472 MHz/2422 MHz – 2462 MHz Bluetooth/BLE: 2402 MHz – 2480 MHz		
Frekvensband (WiFi):	2,4 GHz		

	<b>CFX 3 35</b>	<b>CFX3 45</b>	<b>CFX3 55</b>
RF utgångseffekt:	WiFi: 16,62 dBm (802.11b), 16,23 dBm (802.11g), 16,45 dBm (802.11n20), 16,02 dBm (802.11n40) Bluetooth: 8,31 dBm Bluetooth LE: 6,67 dBm		
Köldmediemängd:	38 g	42 g	45 g
CO <sub>2</sub> motsvarande:	0,054 t	0,060 t	0,064 t
Global uppvärmningspotential (GWP):	1430		
Mått (B x D x H) i mm (inklusive handtag):	398 x 694 x 407	398 x 694 x 476	720 x 455 x 480
Vikt:	16,9 kg	18,7 kg	20,4 kg

	<b>CFX3 55IM</b>	<b>CFX3 75DZ</b>	<b>CFX3 95DZ</b>
Anslutningsspänning:	12/24 V $\equiv$ och 100 – 240 V $\sim$		
Märkström:	12 V $\equiv$ : 8,9 A 24 V $\equiv$ : 3,8 A 100 V $\sim$ : 1,00 A 240 V $\sim$ : 0,42 A	12 V $\equiv$ : 9,6 A 24 V $\equiv$ : 4,2 A 100 V $\sim$ : 1,12 A 240 V $\sim$ : 0,47 A	12 V $\equiv$ : 10,4 A 24 V $\equiv$ : 4,6 A 100 V $\sim$ : 1,22 A 240 V $\sim$ : 0,51 A
Kyleffekt:	-22 °C till +10 °C (-8 °F till +50 °F)		
Kategori:	1		
Energieffektklass:	A++	A+	
Energiförbrukning:	82 kWh/år	108 kWh/år	111 kWh/år
Totalvolym:	55 l	75 l (45 l/30 l)	94 l (55 l/39 l)
Nyttovolym:	53 l	75 l (45 l/30 l)	94 l (55 l/39 l)
Klimatklass:	N, T		
Omgivningstemperatur:	+16 °C till +43 °C (+61 °F till +110 °F)		
Bulleremission:	48 dB(A)	50 dB(A)	
USB-laddanslutning:	5 V $\equiv$ , 2 A		

	<b>CFX3 55IM</b>	<b>CFX3 75DZ</b>	<b>CFX3 95DZ</b>
Frekvensområde:	WiFi: 2412 MHz – 2472 MHz/2422 MHz – 2462 MHz Bluetooth/BLE: 2402 MHz – 2480 MHz		
Frekvensband (WiFi):	2,4 GHz		
RF utgångseffekt:	WiFi: 16,62 dBm (802.11b), 16,23 dBm (802.11g), 16,45 dBm (802.11n20), 16,02 dBm (802.11n40) Bluetooth: 8,31 dBm Bluetooth LE: 6,67 dBm		
Köldmediemängd:	45 g	59 g	67 g
CO <sub>2</sub> motsvarande:	0,064 t	0,084 t	0,096 t
Global uppvärmningspotential (GWP):	1430		
Mått (B x D x H) i mm (inklusive handtag):	720 x 455 x 480	892 x 495 x 472	962 x 530 x 472
Vikt:	21,3 kg	27,8 kg	29,8 kg

	<b>CFX3 100</b>
Anslutningsspänning:	12/24 V $\equiv$ och 100 – 240 V $\sim$
Märkström:	12 V $\equiv$ : 10,8 A 24 V $\equiv$ : 4,8 A 100 V $\sim$ : 1,28 A 240 V: 0,53 A
Kyleffekt:	+10 °C till -22 °C (+50 °F till -8 °F)
Kategori:	1
Energieffektklass:	A+
Energiförbrukning:	111 kWh/år
Totalvolym:	99 l
Nyttovolym:	88 l
Klimatklass:	N, T
Omgivningstemperatur:	+16 °C till +43 °C (+61 °F till +110 °F)

	<b>CFX3 100</b>
Bulleremission:	36,5 dB(A)
USB:	5 V $\overline{=}$ , 2 A
Frekvensområde:	WiFi: 2412 MHz – 2472 MHz/2422 MHz – 2462 MHz Bluetooth/BLE: 2402 MHz – 2480 MHz
Frekvensband (WiFi):	2,4 GHz
RF utgångseffekt:	WiFi: 16,62 dBm (802.11b), 16,23 dBm (802.11g), 16,45 dBm (802.11n20), 16,02 dBm (802.11n40) Bluetooth: 8,31 dBm Bluetooth LE: 6,67 dBm
Köldmediemängd:	60 g
CO <sub>2</sub> motsvarande:	0,086 t
Global uppvärmningspotential (GWP):	1430
Mått (B x D x H) i mm (inklusive handtag):	962 x 530 x 472
Vikt:	29,6 kg

Kylkretsen innehåller R134a.

Innehåller fluorerade växthusgaser

Hermetiskt sluten utrustning

**Les bruksanvisningen nøye før du tar apparatet i bruk og ta vare på den. Hvis kjøleapparatet selges videre, må du sørge for å gi bruksanvisningen videre også.**

Produsenten påtar seg intet ansvar for skader som skyldes **ikke tiltenkt bruk** eller **feil bruk**.

## Innhold

<b>1</b>	<b>Symbolforklaringer</b> .....	244
<b>2</b>	<b>Sikkerhetsregler</b> .....	245
<b>3</b>	<b>Leveringsomfang</b> .....	247
<b>4</b>	<b>Tilbehør</b> .....	247
<b>5</b>	<b>Forskriftsmessig bruk</b> .....	248
<b>6</b>	<b>Funksjonsbeskrivelse</b> .....	248
6.1	Funksjonsomfang .....	248
6.2	Betjenings- og visningselementer .....	249
<b>7</b>	<b>Bruk</b> .....	250
7.1	Før første gangs bruk .....	250
7.2	Tips for energisparing .....	250
7.3	Snu lokkets åpningsretning .....	250
7.4	Koble til kjøleboksen .....	251
7.5	Bruke kjøleboksen .....	251
7.6	Bruke displayet .....	252
7.7	Låsing/opplåsing av displayet .....	253
7.8	Velge temperaturenheter .....	253
7.9	Innstilling av temperaturen .....	253
7.10	Bruk av batteribeskyttelsen .....	253
7.11	Innstilling av displayets lysstyrke .....	254
7.12	Slå på eller av rommene (kun CFX3 75DZ, CFX3 95DZ) .....	254
7.13	Bruke isbitlageren (kun CFX3 55IM) .....	254
7.14	Laste ned CFX3-appen .....	255
7.15	Innstilling av Bluetooth-signalet og tilkobling til appen .....	255
7.16	Innstilling av WiFi-signalet og tilkobling til appen .....	256
7.17	Endre CFX-navn og passord i appen .....	256
7.18	Tilbakestille appens passord (kun WiFi) .....	256
7.19	Tilbakestille til fabrikkinnstillingene .....	256

7.20	USB-tilkobling for spenningsforsyning . . . . .	256
7.21	Tine av kjøleboksen . . . . .	257
7.22	Skifte vekselstrømsikring . . . . .	257
7.23	Skifte likestrømsikring . . . . .	258
7.24	Skifte ut likestrømpluggsikring . . . . .	258
7.25	Skifte lyskortet . . . . .	258
<b>8</b>	<b>Rengjøring og vedlikehold</b> . . . . .	258
<b>9</b>	<b>Feilretting</b> . . . . .	259
<b>10</b>	<b>Garanti</b> . . . . .	262
<b>11</b>	<b>Avfallsbehandling</b> . . . . .	262
<b>12</b>	<b>Tekniske spesifikasjoner</b> . . . . .	262

## 1 Symbolforklaringer



### FARE!

**Sikkerhetshenvisning** til en faresituasjon som fører til alvorlige personskader, eventuelt med døden til følge, dersom de ikke blir unngått.



### ADVARSEL!

**Sikkerhetshenvisning** til en faresituasjon som kan føre til alvorlige personskader, eventuelt med døden til følge, dersom de ikke blir unngått.



### FORSIKTIG!

**Sikkerhetshenvisning** til en faresituasjon som kan føre til lette eller middels alvorlige personskader, dersom de ikke blir unngått.



### PASS PÅ!

Henvisning til en situasjon som kan føre til tingskader dersom den ikke blir unngått.



### MERK

Utfyllende informasjon om betjening av produktet.

## 2 Sikkerhetsregler



**ADVARSEL! Manglende overholdelse av disse advarslene kan resultere i alvorlige personskader, eventuelt med døden til følge.**

### Livsfare på grunn av strømstøt

- Apparatet må ikke tas i bruk hvis det har synlige skader.
- Hvis denne kjøleenhetsens strømkabel er skadd må den erstattes for å forhindre sikkerhetsrisikoer.
- Reparasjoner på dette apparatet må kun utføres av fagfolk. Feil reparasjoner kan føre til betydelige skader.

### Brannfare

- Ved posisjonering av apparatet må det sørges for at tilførselsledningen ikke sitter fast eller skades.
- Ikke plasser flere mobile strømkontakter eller mobile strømforsyninger bak på apparatet.

### Helsefare

- Dette apparatet kan brukes av barn fra 8 år og oppover og personer med reduserte fysiske, sensoriske eller mentale evner eller som mangler erfaring og kunnskap, hvis de er under oppsyn eller har fått veiledning i hvordan apparatet brukes på en forsvarlig måte og forstår hvilke farer det innebærer.
- Barn må ikke leke med apparatet.
- Rengjøring og vedlikehold må ikke utføres av barn uten at de er under oppsikt.
- Barn i alderen 3 – 8 år får lov til å laste og losse kjøleapparater.

### Eksplisjonsfare

- Ikke lagre eksplosjonsfarlige stoffer som f.eks. spraybokser med drivgass i apparatet.



**FORSIKTIG! Manglende overholdelse av disse forsiktighetsvarslene kan resultere i mindre til moderate personskader.**

### Livsfare på grunn av strømstøt

- Før du tar apparatet i bruk, må du passe på at ledningen og støpslet er tørre.
- Koble apparatet fra strømmettet
  - før rengjøring og stell
  - hver gang etter bruk

## Helsefare

- Kontroller om apparatets kjøleeffekt oppfyller kravene til næringsmidlene eller medikamentene som du ønsker å kjøle.
- Næringsmidler må oppbevares i originalforpakning eller i egnede beholdere.
- Det å åpne kjøleapparater for en lengre periode kan føre til en vesentlig økning av temperaturen i enhetens rom.
- Overflater som kan komme i kontakt med matvarer og tilgjengelige deler av dreneringssystemet må rengjøres regelmessig.
- Oppbevar rått kjøtt og fisk i egnede beholdere i apparatet, slik at de ikke kommer i kontakt med eller drypper på andre matvarer.
- Hvis apparatet står tomt over lengre tid:
  - Slå av apparatet.
  - Avrim apparatet.
  - Rengjør og tørk apparatet.
  - La dørene stå åpne for å forhindre muggdannelse i apparatet.



## PASS PÅ! Fare for skade

- Sammenlign spenningsspesifikasjonene på merkeskiltet med tilgjengelig strømtilførsel.
- Koble til apparatet kun på følgende måte:
  - med DC-tilkoblingskabelen til et DC-stikkontakt i kjøretøyet
  - eller med AC-tilkoblingskabelen som følger med til vekselstrøm
- Trekk aldri støpslet ut av stikkontakten etter ledningen.
- Hvis kjøleapparatet er plagget inn i DC-stikkontakten: Koble dette kjøleapparatet og andre forbrukere fra batteriet før du kobler til hurtiglader.
- Hvis kjøleapparatet er plagget inn i DC-stikkontakten: Koble fra forbindelsen eller slå av kjøleapparatet når du slår av motoren. Hvis ikke kan batteriet bli ladet ut.
- Kjøleapparatet er ikke egnet for transport av etsende eller løsemiddelholdige stoffer.
- Dette kjøleapparatet inneholder isoleringen brennbar cyklopentan. Gassene i isolasjonsmaterialet krever en spesiell bortskaffingsprosess. Etter endt levetid skal apparatet bortskaffes på forskriftsmessig måte.
- Ikke bruk elektriske apparater inne i kjøleapparatet, hvis ikke disse apparatene er anbefalt brukt av produsenten.
- Ikke plasser apparatet i nærheten av åpen flamme eller andre varmekilder (oppvarming, sterk solbestråling, gassovner osv.).

- **Fare for overoppheting!**  
Se til at det finnes minimum 50 mm ventilasjon på alle fire sider av kjøleapparatet. Hold ventilasjonsområdet fritt for eventuelle objekter som kunne begrense luftstrømmen til kjølekomponentene. Ikke plasser kjøleapparatet i lukkede rom eller områder med ingen eller minimal luftstrøm.
- Pass på at lufteåpningene ikke blir blokkert.
- Fyll ikke væsker eller is i den innvendige beholderen.
- Dypp aldri apparatet i vann.
- Beskytt apparatet og kabelen mot varme og fuktighet.

### 3 Leveringsomfang

Posisjon i fig. 1, side 3	Antall	Beskrivelse
1	1	Kjøler
2	1	Tilkoblingskabel for likestrøm-kontakt
3	1	Tilkoblingskabel for vekselstrøm-kontakt

### 4 Tilbehør

Tilgjengelig som tilbehør (ikke inkludert i leveransen):

Betegnelse	Art.nr.	Modell
CFX3-app	–	passer for alle modeller
PLB 40	9600014024	passer for alle modeller

Merk deg at CFX3-appen kanskje ikke er tilgjengelig i ditt land.

## 5 Forskriftsmessig bruk

Apparatet er egnet for:

- Drift i kjøretøy
- Kjøling og frysing av matvarer
- Campingbruk

Apparatet er **ikke** egnet for:

- Oppbevaring av korrosive, kaustiske stoffer eller stoffer som inneholder løsemidler
- Hurtigfrysing av matvarer

Kjøleapparatet er egnet for campingbruk. Apparatet må ikke utsettes for regn.

Tostjerners frysevarerom er egnet for oppbevaring av allerede nedfrosset mat, samt oppbevaring eller lagning av is krem og isbiter.

Én-, to- og trestjerners rom er ikke egnet for nedfrysing av ferske matvarer.

## 6 Funksjonsbeskrivelse

Kjølesystemet kan avkjøle varer og holde dem kalde samt dypfryse varer. Kjølingen skjer ved hjelp av et kjølekretsløp med kompressor med minimalt vedlikeholdsbehov. Den generøse isoleringen og kraftige kompressoren sørger for en effektiv og rask kjøling.

Kjøleapparatet er egnet for mobil bruk.

Kjøleren kan tåle en kortsiktig stigning på 30°.

### 6.1 Funksjonsomfang

- Nettdel med prioritetskobling for tilkobling til vekselspanning
- 3-trinns batteribeskyttelse for beskyttelse av kjøretøybatteriet
- Display med temperaturindikering i °C og °F
- Temperaturinnstilling i trinn på 1 °C (1 °F)
- Integreert WiFi- og Bluetooth-funksjon, og dermed styrbar ved bruk av en app
- Sammenleggbare bærehåndtak
- USB-lader for bærbare enheter slik som mobiltelefoner

- Uttakbar kurvinnsett
- **Kun CFX3 55IM:** Islager

## 6.2 Betjenings- og visningselementer

Sperre for lokk: fig. **2** 1, side 3

Betjeningspanel (fig. **3**, side 4):

Element	Beskrivelse	Forklaring
1		Slår kjøleboksen på når knappen trykkes kort Slår kjøleboksen av når knappen trykkes inn i tre sekunder Går tilbake til forrige meny
2	Display	Viser informasjonen  <b>AC</b> : Vekselstrømnett er tilkoblet <b>DCV</b> : Likestrømnett er tilkoblet  : Bluetooth er aktivert  : WiFi er aktivert  : Display er sperret  : Kompressøren går  : Islageren går (kun CFX3 55IM)
3		Trykk  for å navigere oppover eller øke valgt verdi. Trykk  for å navigere nedover eller redusere valgt verdi.  Trykk  og  samtidig i 3 sekunder for å sperre eller sperre opp displayet.
4		Trykk for å velge en meny eller lagre valgt verdi.

**Pluggtilkoblinger (fig. 4, side 4):**

Element	Beskrivelse
1	Tilkoblingskontakt vekselspenningsforsyning
2	Tilkoblingskontakt likespenningforsyning
3	Likestrøm-sikringsholder
4	Vekselstrøm-sikringsholder

## 7 Bruk

### 7.1 Før første gangs bruk

**MERK**

Før du starter den nye kjøleren for første gang, skal du rengjøre den på innsiden og utsiden med en fuktig klut av hygieniske grunner (se også kapittel «Rengjøring og vedlikehold» på side 258).

### 7.2 Tips for energisparing

- Velg et montasjested som har god ventilasjon og er beskyttet mot solstråling.
- Avkjøl varm mat før du plasserer den i apparatet for avkjøling.
- Ikke åpne kjøleapparatet lenger enn nødvendig.
- Ikke la kjøleskapet stå lenger åpent enn nødvendig.
- Rim av kjøleren hvis det har dannet seg et lag av is.
- Unngå unødvendig lave temperaturer.

### 7.3 Snu lokkets åpningsretning

**CFX 3 55, CFX 3 55IM, CFX 3 100**

- Gå frem som vist (fig. 5, side 5).

**CFX 3 75DZ, CFX 3 95 DZ**

- Gå frem som vist (fig. 6, side 6).

## 7.4 Koble til kjøleboksen



### PASS PÅ! Fare for skader

- For beskyttelse av enheten har den medfølgende likestrømkabelen en sikring på inne i pluggen. **Ikke** fjern den sikrede likestrømpluggen.  
Bruk kun den medfølgende likestrømkabelen.
- Koble fra kjøleboksen og andre forbrukere fra batteriet før du lader opp batteriet med hurtiglader.  
Overspenninger kan skade apparatets elektronikk.

### Tilkobling til et batteri

- Gå frem som vist (fig. **7**, side 7).

### Tilkobling via forlengt likestrømskabling (kun CFX3 100)

- Gå frem som vist (fig. **8**, side 8).

### Tilkobling til et vekselstrømnett



### FARE! Fare for elektrisk støt

- Ta aldri i støpsler og brytere med våte hender eller hvis det er vått der du står.
- Hvis du bruker kjøleboksen med vekselspenningsforsyning om bord på en båt, må du koble en jordfeilbryter mellom vekselspenningsforsyningen og kjøleboksen.  
Be om råd fra fagfolk.

- Gå frem som vist (fig. **9**, side 9).

## 7.5 Bruke kjøleboksen



### PASS PÅ! Fare for overopphetning

Sørg for at det alltid er tilstrekkelig ventilasjon, slik at varmen som oppstår under drift kan føres bort. Pass på at luftåpningene ikke blokkeres. Påse at apparatet står langt nok unna vegger eller gjenstander, slik at luften kan sirkulere.



### MERK

Ved drift med batteri slås displayet av automatisk hvis batterispenningen er lav.

- Slå på kjøleboksen: fig. **10**, side 9
- Slå av kjøleboksen: fig. **11**, side 10

## 7.6 Bruke displayet

### Displaytilstander (fig. **12**, side 10)

Element	Beskrivelse
A	Klar til drift
B	Ikke i drift
C	Sperret

### Displayoversikt: fig. **13**, side 11

#### Navigere gjennom menyene

Den fremhevede menyen er valgt.

- ▶ Trykk  for å navigere oppover.
- ▶ Trykk  for å navigere nedover.

#### Velge en meny

- ▶ Trykk på  for å velge ønsket meny.

#### Endre innstillinger

Den fremhevede verdien eller innstillingen er valgt.

- ▶ Trykk på  for å øke den valgte verdien eller å velge den foregående innstillingen.
- ▶ Trykk på  for å redusere den valgte verdien eller å velge den neste innstillingen.

#### Gå tilbake til forrige meny

- ▶ Trykk på  for å gå tilbake til forrige meny uten å lagre.

## 7.7 Låsing/opplåsing av displayet

- ▶ Trykk  og  samtidig i 3 sekunder for å låse eller låse opp displayet (fig. 14, side 11).

## 7.8 Velge temperaturenheter

- ▶ Gå frem som vist (fig. 15, side 11).

## 7.9 Innstilling av temperaturen



### **PASS PÅ! Fare for skade fra ekstremt lav temperatur**

Pass på at kun elementer, hhv. Varer som befinner seg i kjøleboksen og som tåler nedkjøling blir nedkjølt til innstilt temperatur.

- ▶ Gå frem som vist (fig. 16, side 12).

## 7.10 Bruk av batteribeskyttelsen

Enheten er utstyrt med 3-trinns batteribeskyttelse. Batteribeskyttelsen forhindrer ekstrem utlading hvis enheten er tilkoblet til startbatteriet til et kjøretøy, eller maksimerer bruken av et forsyningsbatteri.

Hvis kjøleboksen brukes i kjøretøyet når tenningen er avslått, kobler kjølesystemet seg ut automatisk når tilførselsspenningen faller under en innstillbar verdi. Kjøleboksen slår seg på automatisk igjen straks gjeninnkoblingsspenningen nås ved at batteriet lades opp.



### **PASS PÅ! Fare for skader**

Når batteriet slås av via batteribeskyttelsen, har det ikke lenger full ladekapasitet. Unngå å starte gjentatte ganger. Sørg for å lade opp batteriet igjen.



### **MERK**

Når kjøleboksen forsynes fra et starterbatteri velger du batteribeskyttelsesmodus «MEDIUM» eller «HIGH». Hvis kjøleboksen er tilkoblet et forsyningsbatteri er batteribeskyttelsesmodus «LOW» optimalt.

- ▶ Gå frem som vist (fig. 17, side 13).

## 7.11 Innstilling av displayets lysstyrke

- Gå frem som vist (fig. 18, side 13).

## 7.12 Slå på eller av rommene (kun CFX 3 75DZ, CFX 3 95DZ)

Du kan aktivere hver sone individuelt, eller begge to.

- Gå frem som vist (fig. 19, side 14).

## 7.13 Bruke isbitlageren (kun CFX 3 55IM)



### MERK

- Uavhengig av hovedrommets temperaturinnstilling er isbitlager-sonen konstruert for å lage isbiter når isbitlageren er slått på.
- Kjøleboksens energiforbruk øker når isbitlageren er på. Derfor bør du slå av isbitlageren når den ikke trengs.
- Fabrikkinnstillingen for isbitlageren er OFF.

- Gå frem som vist (fig. 20, side 14).

### Fyll isbitformene med drikkevann

- Fjern isbitformene (fig. 21 1, side 15) fra islagerhuset (fig. 21 2, side 15).
- Fjern dekslene til isbitformene, fyll på med rent vann og sett på dekslene igjen mens du sørger for å presse kanttetningen på plass rundt det hele.
- Plasser isbitformene i islagerhuset igjen og lukk lokket.



### MERK

Tørk bort vannrester fra undersiden av isbitformene. Dette vil redusere isdannelse oppunder formene og gjøre det lettere å ta dem ut.

### Ta ut isbitene

- Åpne islagerhusets lokk og løft under fronten av isbitformene.



### MERK

Fjerning kan kreve å bruke to hender ved høy luftfuktighet, noe som kan danne et islag under isbitformene.

- Fjern isbitformens deksler og vri på formene for å løsne isbitene.

## Fjerne islagerhuset

Islagerhuset kan fjernes for rengjøring eller dersom det ikke er i bruk, for å øke nytte-plassen inne i kjøleboksen:

- Løft huset på den ene enden helt til grepet løsner og fjern det.
- Utfør prosedyren i motsatt rekkefølge for gjeninnsetting, skyv ned på grepene for å smekke det i posisjon.

## Tips for bruk av isbitlageren

- Isbitlageren lager is raskt i noen timer etter at den slås på, og deretter går den automatisk over i en isbevaringsmodus for å redusere energiforbruket. Hvis flere partier med is kreves så snart som mulig, vil det å slå isbitlageren av og på igjen sette den i hurtiglagermodus igjen. Gjenta etter behov.
- Lave frysetemperaturinnstillinger i hovedrommet kan eventuelt ikke opprettholdes ved høye omgivelsestemperaturer når isbitlageren er slått på.

## Rengjøring og tørking av isbitlageren

- Når de ikke er i bruk må isbitformene og innsiden av islagerhuset rengjøres og tørkes for å forhindre mugg.
- Etter lange perioder ute av bruk må du rengjøre innsiden av isbitformene med et mildt oppvaskmiddel og skylle med rent vann før bruk.

## 7.14 Laste ned CFX3-appen

Kjøleboksen kan overvåkes og styres via Bluetooth eller WiFi ved hjelp av en app som du kan installere på en kompatibel enhet.

- Last ned CFX3-appen fra App Store eller Google Play.

Merk deg at CFX3-appen kanskje ikke er tilgjengelig i ditt land.

## 7.15 Innstilling av Bluetooth-signalet og tilkobling til appen

Kjøleboksen kan overvåkes og styres via Bluetooth. For å gjøre dette må du matche kjøleboksen med din Bluetooth-enhet.



### MERK

- Matching må gjøres i CFX3-appen, ikke via enhetsinnstillingene.
- Det kreves ikke noe passord for en Bluetooth-forbindelse.

- Gå frem som vist (fig. 22, side 15).

## 7.16 Innstilling av WiFi-signalet og tilkobling til appen

Kjøleboksen kan overvåkes og styres via WiFi direkte til kjøleboksen eller via et WiFi-nettverk.

- Gå frem som vist (fig. 23, side 16) for å slå på WiFi.
- For WiFi direkte til kjøleboksen går du til enhetsinnstillingene og velger din kjøleboks.
  - WiFi-navnet til din kjøleboks begynner med «CFX3».
  - Det forhåndsdefinerte passordet lyder «00000000».
  - Du kan lage et personlig WiFi-navn og passord i CFX3-appen.



### MERK

For en forbindelse via WiFi-nettverk, gå til «nettverksforbindelse» i appens SETTINGS (INNSTILLINGER).

## 7.17 Endre CFX-navn og passord i appen

- Du kan gi din CFX et personlig navn i appen.
- Det samme navnet gjelder for både Bluetooth og WiFi.
- Du kan også lage et personlig passord i appen - gyldig kun for WiFi.
- Fortsett til «CFX-navn og passord» i appens SETTINGS.

## 7.18 Tilbakestille appens passord (kun WiFi)

- Du kan tilbakestille appens passord til fabrikkinnstillingen «00000000».
- Gå frem som vist (fig. 23, side 16).

## 7.19 Tilbakestille til fabrikkinnstillingene

Tilbakestillingsfunksjonen endrer alle displaymenyer og appfelt til de originale fabrikkinnstillingene.

- Gå frem som vist (fig. 24, side 16).

## 7.20 USB-tilkobling for spenningsforsyning

Du kan bruke USB-kontakten for å lade småapparater (f.eks. mobiltelefoner og MP3-spiller).

**MERK**

Kontroller at det lille apparatet koblet til USB-tilkoblingen er egnet til drift ved 5 V/2 A.

- Gå frem som vist (fig. **26**, side 17).

## 7.21 Tine av kjøleboksen

Luftfuktighet kan fryse til rim inne i kjøleapparatet eller på fordampere. Dette reduserer kjøleeffekten. Avrim apparatet til riktig tid.

**PASS PÅ! Fare for skader**

Bruk aldri harde eller spisse redskaper for å fjerne is eller for å løsne fastfrosne gjenstander.

Gå fram på følgende måte for å avrime kjøleboksen:

- Ta ut innholdet fra kjøleboksen.
- Hvis nødvendig, plasser dem i et annet kjøleapparat, slik at de holder seg kjølige.
- Slå av apparatet.
- La lokket stå åpent.
- Tørk av det optinte vannet.

## 7.22 Skifte vekselstrømsikring

**FARE! Fare for elektrisk støt**

Koble fra strømforsyningen og tilkoblingskabelen før du skifter ut sikringen i apparatet.

- Koble fra strømforsyningen til apparatet.
- Trekk ut tilkoblingskabelen.
- Vipp ut sikringsinnsatsen (fig. **4** 4, side 4) med en skrutrekker.
- Skift ut den defekte glassikringen med en ny sikring av samme type og med samme verdi (hurtig, 4 A, 250 V).
- Trykk sikringsinnsatsen inn i kapslingen igjen.
- Koble strømforsyningen til apparatet igjen.

### 7.23 Skifte likestrømsikring

- ▶ Vipp ut sikringsdekselet (fig. 4 3, side 4) med en skrutrekker.
- ▶ Snu sikringsdekselet og bruk en krok for å fjerne den defekte bladsikringen.
- ▶ Skyv inn en ny sikring av samme type og med samme verdi.
- ▶ Sett på sikringsdekselet igjen.

### 7.24 Skifte ut likestrømpluggsikring

- ▶ Skift ut den defekte sikringen med en ny sikring av samme type og med samme verdi.
- ▶ Gå frem som vist (fig. 27, side 17).

### 7.25 Skifte lyskortet

**PASS PÅ! Fare for skade**

Lampen kan bare erstattes av produsenten, servicepartner eller tilsvarende kvalifisert personale for å unngå farer.

## 8 Rengjøring og vedlikehold

**PASS PÅ! Fare for skade!**

- Kjøleapparatet må aldri rengjøres under rennende vann eller spyles.
- Bruk ikke slipende vaskemidler eller harde gjenstander til rengjøring, da det kan skade kjøleapparatet.

- ▶ Rengjør apparatet innvendig og utvendig fra tid til annen med en fuktig klut.
- ▶ Påse at ventilasjonsåpningene på apparatet er fri for støv og forurensinger, slik at varmen som oppstår under drift kan ledes bort og apparatet ikke tar skade.

## 9 Feilretting

Problem	Mulig årsak	Løsningsforslag
Enheten fungerer ikke (likestrømmodus, tenning på).	Det ble ikke registrert spenning i likestrømuttaket.	I de fleste kjøretøy må tenningen slås på før strøm kan tilføres til likestrømuttaket.
	Likestrømuttaket er tilsmusset. Dette fører til dårlig elektrisk kontakt.	Hvis pluggen til enheten blir svært varm i likestrømuttaket, må enten likestrømuttaket rengjøres, eller pluggen er ikke montert på riktig måte.
	Sikringen i likestrømpluggen har gått.	Skift ut sikringen i likestrømpluggen, se kapittel «Skifte ut likestrømpluggsikring» på side 258.
	Apparatets likestrømsikring har gått.	Skift enhetens likestrømsikring, se kapittel «Skifte likestrømsikring» på side 258.
	Kjøretøysikringen har gått.	Skift ut sikringen for likestrømuttaket i bilen. Se håndboken for kjøretøyet.
Enheten fungerer ikke (vekselstrømmodus).	Det er ingen spenning i vekselspenningsuttaket.	Prøv å koble til en annen stikkontakt.
	Apparatets vekselstrømsikring har gått.	Skift enhetens vekselstrømsikring, se kapittel «Skifte vekselstrømsikring» på side 257.
	Den integrerte vekselstrømadapteren er defekt.	Dette kan bare repareres av et autorisert verksted.
Displayet responderer ikke på tastetrykk.	Displayet er låst.	Lås opp displayet, se kapittel «Låsing/opplåsing av displayet» på side 253.
Appen kan ikke styre enheten.	Bluetooth eller WiFi er ikke forbundet.	Forbind Bluetooth, se kapittel «Innstilling av Bluetooth-signalet og tilkobling til appen» på side 255, eller forbind WiFi, se kapittel «Innstilling av WiFi-signalet og tilkobling til appen» på side 256.
Displayet viser en varselmelding eller varselkode.	–	Se tabellen nedenfor.

## Varselmeldinger

Se f.eks. fig. 25 A, side 16.

Varselmelding	Beskrivelse	Mulig årsak	Løsningsforslag
!ALERT - Lid open > 3 min	Lokk åpent i mer enn 3 minutter	<ul style="list-style-type: none"> <li>Lokk ikke fullstendig låst</li> <li>Intern feil</li> </ul>	<ul style="list-style-type: none"> <li>Sjekk at lokket låser fullstendig</li> <li>Inspeksjon ved autorisert reparasjonscenter nødvendig</li> </ul>
!ALERT - Voltage low	<p>Enheten har stoppet å gå på likestrøm som følge av lav spenning</p> <hr/> <p>Enheten har stoppet å gå på likestrøm som følge av unormalt høy spenning &gt; 31,5 V (usannsynlig hendelse – kun for elektronikkvern – bruker samme varselmelding som lav spenning ovenfor)</p>	<ul style="list-style-type: none"> <li>Utilstrekkelig forsyningspenning</li> <li>For lav batterispenning</li> <li>Batteribeskyttelsen er stilt inn for høyt</li> </ul> <hr/> <ul style="list-style-type: none"> <li>Feil spesifisering for likestrømforsyningsspenning</li> <li>Defekt forsyningsstrøm</li> <li>Intern feil</li> </ul>	<ul style="list-style-type: none"> <li>Sjekk spenningsfall fra batteri til strømuttak, og øk ledningstykkelsen om nødvendig</li> <li>Test batteriet og lad det eventuelt opp</li> <li>Velg en lavere batteribeskyttelsesinnstilling</li> </ul> <hr/> <ul style="list-style-type: none"> <li>Sikre at spesifiseringen for likestrømforsyningsspenningen er i samsvar med CFX3-produkttypeskilt</li> <li>Kontroller likestrømspenningsforsyning, og reparer eller skift ut hvis defekt</li> <li>Autorisert reparasjonscenterinspeksjon påkrevd</li> </ul>

**Varselkoder**

Se f.eks. fig. 25 B, side 16.

<b>Varselkode</b>	<b>Problem</b>	<b>Mulig årsak</b>	<b>Løsningsforslag</b>
!WARNING 32	Vifte overstrøm	Intern feil.	Skrud av enheten i minst 5 minutter, start deretter på ny. Hvis problemet vedvarer er en inspeksjon ved autorisert reparasjonssenter nødvendig
!WARNING 33	Kompressorstart sviktet		
!WARNING 34	Kompressorhastighet lav	<ul style="list-style-type: none"> <li>Høy omgivelsestemperatur</li> </ul>	<ul style="list-style-type: none"> <li>Skrud av enheten i minst 30 minutter eller flytt til et kjøligere sted og start så på nytt</li> </ul>
!WARNING 35	Kontroller overtemperatur	<ul style="list-style-type: none"> <li>Lufteåpning blokkert eller utilstrekkelig klaring</li> <li>Intern feil</li> </ul>	<ul style="list-style-type: none"> <li>Rens åpningene</li> <li>Inspeksjon ved autorisert reparasjonssenter nødvendig</li> </ul>
!WARNING 01	NTC åpen krets SZ & DZ LARGE	Intern feil	Inspeksjon ved autorisert reparasjonssenter nødvendig
!WARNING 11	NTC åpen krets DZ SMALL		
!WARNING 02	NTC kortslutning SZ & DZ LARGE		
!WARNING 12	NTC kortslutning DZ SMALL		
!WARNING 09	Feil på DZ-ventil eller isbitlager-ventil		Skrud av enheten i minst 1 minutt, start deretter på ny. Hvis problemet vedvarer er en inspeksjon ved autorisert reparasjonssenter nødvendig
!WARNING 03/43	Kommunikasjonsfeil		

## 10 Garanti

Lovmessig garantitid gjelder. Hvis produktet skulle være defekt, kontakter du produsentens filial i ditt land (se [dometic.com/dealer](http://dometic.com/dealer)) eller til din faghandler.

Ved henvendelser vedrørende reparasjon eller garanti, må du sende med følgende dokumentasjon:

- kopi av kvitteringen med kjøpsdato,
- årsak til reklamasjonen eller beskrivelse av feilen.

## 11 Avfallsbehandling

► Lever emballasje til resirkulering så langt det er mulig.



Når du tar produktet ut av drift for siste gang, må du sørge for å få informasjon om deponeringsforskrifter hos nærmeste resirkuleringsstasjon eller hos din faghandler.



### ADVARSEL! Fare for at barn blir innestengt

Før din gamle kjøleenhet skal kastes:

- Demonter lokket.
- La kurvene bli værende på plass, slik at det ikke er enkelt for barn å kripe inn.

## 12 Tekniske spesifikasjoner



### MERK

Den laveste temperaturen vist i «Kjøleeffekt», kan ikke oppnås dersom omgivelsestemperaturen er over 32 °C (90 °F) for modellene CFX3 35/45/55/55IM/100, eller omgivelsestemperaturen er over 30 °C (86 °F) for modellene CFX3 75DZ/95DZ (sett liten -22 °C / stort +4 °C).

Test/sertifikater:



	<b>CFX 3 35</b>	<b>CFX 3 45</b>	<b>CFX 3 55</b>
Tilkoblingsspenning:	12/24 V $\overline{\text{---}}$ og 100 – 240 V $\sim$		
Merkestrøm:	12 V $\overline{\text{---}}$ : 7,5 A 24 V $\overline{\text{---}}$ : 3,3 A 100 V $\sim$ : 0,94 A 240 V $\sim$ : 0,39 A	12 V $\overline{\text{---}}$ : 8,2 A 24 V $\overline{\text{---}}$ : 3,5 A 100 V $\sim$ : 0,96 A 240 V $\sim$ : 0,40 A	12 V $\overline{\text{---}}$ : 8,7 A 24 V $\overline{\text{---}}$ : 3,7 A 100 V $\sim$ : 0,98 A 240 V $\sim$ : 0,41 A
Kjølekapasitet:	–22 °C til +10 °C (–8 °F til +50 °F)		
Kategori:	1		
Energimerking:	A++		
Energiforbruk:	81 kWh/år	79 kWh/år	83 kWh/år
Bruttovolum:	36 l	46 l	55 l
Oppbevaringsvolum:	36 l	46 l	55 l
Klimaklasse:	N, T		
Omgivelsestemperatur:	+16 °C til +43 °C (+61 °F til +110 °F)		
Støyutslipp:	44 dB(A)	47 dB(A)	
USB-ladeport:	5 V $\overline{\text{---}}$ , 2 A		
Frekvensområde:	WiFi: 2412 MHz – 2472 MHz / 2422 MHz – 2462 MHz Bluetooth/BLE: 2402 MHz – 2480 MHz		
Frekvensbånd (WiFi):	2,4 GHz		
RF utgangseffekt:	WiFi: 16,62 dBm (802.11b), 16,23 dBm (802.11g), 16,45 dBm (802.11n20), 16,02 dBm (802.11n40) Bluetooth: 8,31 dBm Bluetooth LE: 6,67 dBm		
Kjølemiddelmengde:	38 g	42 g	45 g
CO <sub>2</sub> -ekvivalent:	0,054 t	0,060 t	0,064 t
GWP-verdi:	1430		
Mål (B x D x H) i mm (inkludert håndtak):	398 x 694 x 407	398 x 694 x 476	720 x 455 x 480
Vekt:	16,9 kg	18,7 kg	20,4 kg

	<b>CFX3 55IM</b>	<b>CFX3 75DZ</b>	<b>CFX3 95DZ</b>
Tilkoblingsspenning:	12/24 V $\equiv$ og 100 – 240 V $\sim$		
Merkestrøm:	12 V $\equiv$ : 8,9 A 24 V $\equiv$ : 3,8 A 100 V $\sim$ : 1,00 A 240 V $\sim$ : 0,42 A	12 V $\equiv$ : 9,6 A 24 V $\equiv$ : 4,2 A 100 V $\sim$ : 1,12 A 240 V $\sim$ : 0,47 A	12 V $\equiv$ : 10,4 A 24 V $\equiv$ : 4,6 A 100 V $\sim$ : 1,22 A 240 V $\sim$ : 0,51 A
Kjølekapasitet:	–22 °C til +10 °C (–8 °F til +50 °F)		
Kategori:	1		
Energimerking:	A++	A+	
Energiforbruk:	82 kWh/år	108 kWh/år	111 kWh/år
Bruttovolum:	55 l	75 l (45 l / 30 l)	94 l (55 l / 39 l)
Oppbevaringsvolum:	53 l	75 l (45 l / 30 l)	94 l (55 l / 39 l)
Klimaklasse:	N, T		
Omgivelsestemperatur:	+16 °C til +43 °C (+61 °F til +110 °F)		
Støyutslipp:	48 dB(A)	50 dB(A)	
USB-ladeport:	5 V $\equiv$ , 2 A		
Frekvensområde:	WiFi: 2412 MHz – 2472 MHz / 2422 MHz – 2462 MHz Bluetooth/BLE: 2402 MHz – 2480 MHz		
Frekvensbånd (WiFi):	2,4 GHz		
RF utgangseffekt:	WiFi: 16,62 dBm (802.11b), 16,23 dBm (802.11g), 16,45 dBm (802.11n20), 16,02 dBm (802.11n40) Bluetooth: 8,31 dBm Bluetooth LE: 6,67 dBm		
Kjølemiddelmengde:	45 g	59 g	67 g
CO <sub>2</sub> -ekvivalent:	0,064 t	0,084 t	0,096 t
GWP-verdi:	1430		
Mål (B x D x H) i mm (inkludert håndtak):	720 x 455 x 480	892 x 495 x 472	962 x 530 x 472
Vekt:	21,3 kg	27,8 kg	29,8 kg

	<b>CFX3 100</b>
Tilkoblingsspenning:	12/24 V $\equiv$ og 100 – 240 V $\sim$
Merkestrøm:	12 V $\equiv$ : 10,8 A 24 V $\equiv$ : 4,8 A 100 V $\sim$ : 1,28 A 240 V: 0,53 A
Kjølekapasitet:	+10 °C til –22 °C (+50 °F til –8 °F)
Kategori:	1
Energimerking:	A+
Energiforbruk:	111 kWh/år
Bruttovolum:	99 l
Oppbevaringsvolum:	88 l
Klimaklasse:	N, T
Omgivelsestemperatur:	+16 °C til +43 °C (+61 °F til +110 °F)
Støyutslipp:	36,5 dB(A)
USB:	5 V $\equiv$ , 2 A
Frekvensområde:	WiFi: 2412 MHz – 2472MHz / 2422 MHz – 2462MHz Bluetooth/BLE: 2402 MHz – 2480 MHz
Frekvensbånd (WiFi):	2,4 GHz
RF utgangseffekt:	WiFi: 16,62 dBm (802.11b), 16,23 dBm (802.11g), 16,45 dBm (802.11n20), 16,02 dBm (802.11n40) Bluetooth: 8,31 dBm Bluetooth LE: 6,67 dBm
Kjølemiddelmengde:	60 g
CO <sub>2</sub> -ekivalent:	0,086 t
GWP-verdi:	1430
Mål (B x D x H) i mm (inkludert håndtak):	962 x 530 x 472
Vekt:	29,6 kg

Kjølekretsen inneholder R134a.

Inneholder fluoriserte drivhusgasser

Hermetisk lukket innretning

130.com.ua

**Lue tämä ohje huolellisesti läpi ennen laitteen käyttöön ottamista ja säilytä ohje. Jos luovutat laitteen toiselle käyttäjälle, luovuta tällöin myös ohje uudelle käyttäjälle.**

Valmistaja ei ota vastuuta vahingoista, jotka aiheutuvat **epäasianmukaisesta käytöstä** tai **väärästä käytöstä**.

## Sisältö

<b>1</b>	<b>Symbolien selitys</b>	268
<b>2</b>	<b>Turvallisuusohjeet</b>	269
<b>3</b>	<b>Toimituskokonaisuus</b>	271
<b>4</b>	<b>Lisävarusteet</b>	271
<b>5</b>	<b>Tarkoituksenmukainen käyttö</b>	272
<b>6</b>	<b>Toiminnan kuvaus</b>	272
6.1	Toiminnot	272
6.2	Käyttö- ja näyttölaitteet	273
<b>7</b>	<b>Käyttö</b>	274
7.1	Ennen ensikäyttöä	274
7.2	Vinkkejä energian säästämiseen	274
7.3	Kannen avautumissuunnan muuttaminen	274
7.4	Kylmälaatikon liittäminen	275
7.5	Kylmälaatikon käyttö	275
7.6	Näytön käyttäminen	276
7.7	Näytön lukitseminen / avaaminen	276
7.8	Lämpötilayksikön valinta	276
7.9	Lämpötilan säätö	277
7.10	Akkusuojan käyttäminen	277
7.11	Näytön kirkkauden säätäminen	277
7.12	Osastojen päälle tai pois kytkeminen (vain CFX3 75DZ, CFX3 95DZ)	277
7.13	Jääkoneen käyttäminen (vain CFX3 55IM)	278
7.14	CFX3-sovelluksen lataaminen	279
7.15	Bluetooth-signaalin asettaminen ja yhdistäminen sovellukseen	279
7.16	WiFi-signaalin asettaminen ja yhdistäminen sovellukseen	280
7.17	CFX-nimen ja salasanan muuttaminen sovelluksessa	280
7.18	Sovelluksen salasanan nollaus (vain WiFi)	280

7.19	Oletusasetusten palauttaminen . . . . .	280
7.20	USB-liitin jännitteensyöttöä varten . . . . .	280
7.21	Kylmälaatikon sulattaminen . . . . .	281
7.22	Vaihtovirtasulakkeen vaihtaminen . . . . .	281
7.23	Tasavirtasulakkeen vaihtaminen . . . . .	282
7.24	Tasavirtapistokkeen sulakkeen vaihtaminen . . . . .	282
7.25	Valopiirilevyn vaihtaminen . . . . .	282
<b>8</b>	<b>Puhdistus ja hoito</b> . . . . .	282
<b>9</b>	<b>Vianetsintä</b> . . . . .	283
<b>10</b>	<b>Takuu</b> . . . . .	286
<b>11</b>	<b>Hävittäminen</b> . . . . .	286
<b>12</b>	<b>Tekniset tiedot</b> . . . . .	286

## 1 Symbolien selitys



### **VAARA!**

**Turvallisuusohje** koskien vaaratilannetta, joka johtaa kuolemaan tai vakavaan vammaan, jos tilannetta ei vältetä.



### **VAROITUS!**

**Turvallisuusohje** koskien vaaratilannetta, joka voi johtaa kuolemaan tai vakavaan vammaan, jos tilannetta ei vältetä.



### **HUOMIO!**

**Turvallisuusohje** koskien vaaratilannetta, joka voi johtaa lievään tai kohtalaiseen vammaan, jos tilannetta ei vältetä.



### **HUOMAUTUS!**

Ohje koskien tilannetta, joka voi johtaa esinevahinkoihin, jos sitä ei vältetä.



### **OHJE**

Tuotteen käyttöä koskevia lisätietoja.

## 2 Turvallisuusohjeet



**VAROITUS! Näiden varoitusten noudattamatta jättäminen voi johtaa kuolemaan tai vakavaan vammaan.**

### Sähköiskusta johtuva hengenvaara

- Laitetta ei saa ottaa käyttöön, jos siinä on näkyviä vaurioita.
- Jos tämän jäähdytyslaitteen virtajohto on vioittunut, se täytyy vaihtaa vaarojen välttämiseksi.
- Ainoastaan ammattilaiset saavat korjata tätä laitetta. Epäasianmukaisista korjauksista saattaa aiheutua huomattavia vaaroja.

### Palovaara

- Varmista, että virtajohto ei juutu kiinni eikä vaurioidukaan sijoittaessasi laitetta paikalleen.
- Älä sijoita siirrettäviä pistorasialistoja tai siirrettäviä virtalähteitä laitteen taakse.

### Terveysriski

- Tätä laitetta voivat käyttää valvonnan alaisuudessa myös vähintään 8-vuotiaat lapset samoin kuin henkilöt, joiden fyysiset, aistinvaraiset tai henkiset kyvyt ovat rajoittuneet tai joilta puuttuu laitteen käytön vaatima kokemus tai tietämys, mikäli edellä mainittuja henkilöitä on opastettu käyttämään laitetta turvallisesti ja mikäli henkilöt ymmärtävät laitteen käyttöön liittyvät riskit.
- Lapset eivät saa leikkiä laitteella.
- Lapset eivät saa puhdistaa laitetta tai tehdä käyttäjähuoltoa ilman valvontaa.
- 3–8-vuotiaat lapset saavat sekä sijoittaa tuotteita jääkaappiin että noutaa tuotteita sieltä.

### Räjähdyksivaara

- Älä säilytä laitteessa mitään räjähdysalttiita tavaroita kuten esim. suihkepurkkeja, joissa on palavaa ponneainetta.



**HUOMIO! Näiden varoitusten noudattamatta jättäminen voi johtaa vähäiseen tai kohtalaiseen vammaan.**

### Sähköiskusta johtuva hengenvaara

- Huolehdi ennen laitteen käyttöönottoa siitä, että johto ja pistoke ovat kuivia.

- Irrota laite verkosta
  - ennen jokaista puhdistusta tai hoitoa
  - jokaisen käytön jälkeen

### **Terveysriski**

- Ole hyvä ja tarkista, vastaako laitteen jäähdytysteho niiden elintarvikkeiden tai lääkkeiden vaatimuksia, joita haluat jäähdyttää.
- Elintarvikkeita saa säilyttää vain alkuperäispakkauksissa tai tarkoitukseen sopivissa astioissa.
- Kylmälaitteen avaaminen pitkiksi ajoiksi voi merkittävästi nostaa lämpötilaa laitteen lokeroissa.
- Puhdista säännöllisesti pinnat, jotka voivat joutua kosketuksiin elintarvikkeiden ja suojaamattomien viemärijärjestelmän osien kanssa.
- Säilytä raakaa lihaa ja kalaa laitteen sisällä tarkoitukseen sopivissa astioissa, jotta raaka liha ja kala eivät joudu kosketuksiin muiden elintarvikkeiden kanssa ja jotta niistä ei tipu nestettä muiden elintarvikkeiden päälle.
- Jos laite jää pitkäksi aikaa tyhjilleen:
  - Kytke laite pois päältä.
  - Sulata laite.
  - Puhdista ja desinfioi laite.
  - Jätä laitteen ovi auki, jotta laitteen sisälle ei muodostu hometta.



### **HUOMAUTUS! Vaurioitumisvaara**

- Verratkaa tyyppikilven jännitetietoja käytettävissä olevaan energiansyöttöön.
- Liitäkää laite vain seuraavalla tavalla:
  - toimituskokonaisuuteen kuuluvalla DC-liitäntäjohdolla DC-pistorasiaan
  - toimituskokonaisuuteen kuuluvalla AC-liitäntäjohdolla vaihtovirtaverkkoon
- Älä ota pistoketta koskaan pois pistorasiasta johdosta vetämällä.
- Jos kylmälaite on liitetty DC-pistorasiaan: Irrottaa kylmälaitteenne ja muut sähköä käyttävät laitteet akusta ennen pikalaturin liittämistä.
- Jos kylmälaite on liitetty DC-pistorasiaan: Irrota liitäntä tai sammuta ylmälaite, kun sammutat moottorin. Muuten akku voi purkautua.
- Kylmälaite ei sovi syövyttävien tai liuotinainepitoisten aineiden kuljettamiseen.

- Tämän kylmälaitteen erityyksessä on palavaa syklopentaania. Eristysmateriaalin kaasut vaativat erityisen hävittämismenetelmän. Vie kylmälaite käyttöiän täytyttyä asianmukaiseen hävityspisteeseen.
- Älä käytä kylmälaukun sisällä mitään sähkölaitteita, vaikka valmistaja näitä suosittelisikin.
- Älkää asettako laitetta avoliekkien tai muiden lämpölähteiden (lämmitys, voimakas auringonpaiste, kaasuuunit jne.) lähelle.
- **Ylikuumenemisvaara!**  
Varmista aina, että kylmälaitteen kaikilla neljällä sivulla on vähintään 50 mm tilaa tuuletukselle. Pidä tuuletustila vapaana kaikista esineistä, jotka voisivat haitata ilman virtausta jäähdytysosiin. Älä sijoita kylmälaitetta suljettuihin tiloihin tai alueille, joissa ilma ei virtaa tai virtaa vain hyvin vähän.
- Huolehtikaa siitä, että tuuletusrakojen ei peitetä.
- Älkää laittako sisäastiaan minkäänlaisia nesteitä tai jäätä.
- Älkää upottako laitetta koskaan veteen.
- Suojatkaa laite ja sen johto kuumuudelta ja kosteudelta.

### 3 Toimituskokonaisuus

Kohta, kuva 1, sivulla 3	Määrä	Kuvaus
1	1	Kylmälaatikko
2	1	Tasavirtaliitännän liitäntäjohto
3	1	Vaihtovirtaliitännän liitäntäjohto

### 4 Lisävarusteet

Saatavissa lisävarusteena (ei sisälly toimituskokonaisuuteen):

Kuvaus	Tuotenro	Malli
CFX3-sovellus	–	sopii kaikkiin malleihin
PLB40	9600014024	sopii kaikkiin malleihin

Huomaa, että CFX3-sovellus ei ehkä ole saatavissa maassasi.

## 5 Tarkoituksenmukainen käyttö

Laite soveltuu:

- Käyttö ajoneuvoissa
- Elintarvikkeiden kylmäsäilytykseen ja pakastamiseen
- leirintäkäyttöön

Laite **ei** sovellu:

- syövyttävien tai liuottimia sisältävien aineiden säilyttämiseen
- elintarvikkeiden nopeaan pakastamiseen

Kylmälaite sopii käyttöön leirintäalueella. Laitetta ei saa asettaa alttiiksi sateelle.

Kahden tähden pakastelokerot sopivat pakastettujen elintarvikkeiden säilyttämiseen, jäätelön säilyttämiseen ja valmistamiseen sekä jääkuutioiden valmistamiseen.

Yhden, kahden ja kolmen tähden pakastelokerot eivät sovellu tuoreiden elintarvikkeiden pakastamiseen.

## 6 Toiminnan kuvaus

Kylmälaite pystyy jäähdyttämään tuotteita ja pitämään ne kylminä sekä pakastamaan niitä. Jäähdyttämiseen käytetään jäähdytyskiertoa ja kompressoria, joita ei juurikaan tarvitse huoltaa. Rungas eristys ja tehokas kompressori takaavat tehokkaan ja nopean jäähdytyksen.

Kylmälaite sopii liikkuvaan käyttöön.

Kylmälaatikko kestää väliaikaisen, enintään 30°:een kallistuksen.

### 6.1 Toiminnot

- Verkko-laite, jossa on ensisijaiskytkentä laitteen liittämiseksi vaihtojännitteeseen
- Kolmiportainen akkusuoja ajoneuvon akun suojaamiseen
- Lämpötilanäyttö °C ja °F
- Lämpötilan asetus 1 °C:een (1 °F) askelin
- Integroituna WiFi ja Bluetooth, joten voidaan ohjata sovelluksella
- Taitettavat kantokahvat
- USB-laturi mobiililaitteita kuten matkapuhelimia varten

- Irrotettava lankakori
- **Vain CFX3 55IM:** jääkone

## 6.2 Käyttö- ja näyttölaitteet

**Kannen salpa:** kuva **2** 1, sivulla 3

**Käyttökenttä (kuva 3, sivulla 4):**

Kohta	Kuvaus	Selitys
1		Kytkee kylmälaatikon päälle, kun painiketta painetaan lyhyesti Kytkee kylmälaukun pois päältä, kun painiketta painetaan kolme sekuntia Pala takaisin edelliseen valikkoon
2	Näyttö	Näyttää tiedot <b>AC</b> : Yhdistetty vaihtovirtaverkkoon <b>DCV</b> : Yhdistetty tasavirtaverkkoon  : Bluetooth on päällä  : WiFi on päällä  : Näyttö on lukittu ● : Kompressori on käynnissä ■ : Jääkone on käynnissä (vain CFX3 55IM)
3		Navigoi ylöspäin tai suurena valittua arvoa painamalla  . Navigoi alaspäin tai pienennä valittua arvoa painamalla  . Paina  ja  samanaikaisesti 3 s ajan näytön lukitsemiseksi tai avaamiseksi.
4		Paina valikon valitsemiseksi tai valitun arvon tallentamiseksi.

**Liitäntäpistorasiat (kuva 4, sivulla 4):**

Kohta	Kuvaus
1	Vaihtojännitesyötön liitin
2	Tasajännitesyötön liitin
3	Tasavirtasulakkeen pidin
4	Vaihtovirtasulakkeen pidin

## 7 Käyttö

### 7.1 Ennen ensikäyttöä

**OHJE**

Ennen kuin uusi kylmälaatikko otetaan käyttöön ensimmäisen kerran, se on hygieniasyistä puhdistettava kostealla liinalla sisältä ja ulkoa (ks. myös kap. "Puhdistus ja hoito" sivulla 282).

### 7.2 Vinkkejä energian säästämiseen

- Valitkaa asennuspaikka, joka on hyvin tuuletettu ja suojassa auringonpaisteelta.
- Antakaa lämminten ruokien jäähtyä ennen niiden säilyttämistä laitteessa kylminä.
- Älkää avatko kylmälaitetta tarpeettoman usein.
- Älä jätä jäähdytyslaitetta auki pidemmäksi ajaksi kuin tarpeen.
- Sulata kylmälaatikko heti, kun siihen on muodostunut jääkerros.
- Vältä turhan alhaisia lämpötiloja.

### 7.3 Kannen avautumissuunnan muuttaminen

**CFX 3 55, CFX 3 55IM, CFX 3 100**

- Toimi kuvan mukaisesti (kuva 5, sivulla 5).

**CFX 3 75DZ, CFX 3 95 DZ**

- Toimi kuvan mukaisesti (kuva 6, sivulla 6).

## 7.4 Kylmälaatikon liittäminen



### HUOMAUTUS! Vahingonvaara

- Mukana toimitetun tasavirtajohdon pistokkeessa on sulake laitteen suojaamiseksi. **Älä** poista sulakkeellista tasavirtapistoketta. Käytä ainoastaan mukana toimitettua tasavirtajohtoa.
- Irrota kylmälaatikko ja muut sähkölaitteet akusta ennen kuin lataat akkua pikalaturilla. Ylijännite voi vahingoittaa laitteiden elektroniikkaa.

### Liittäminen akkuun

- Toimi kuvan mukaisesti (kuva **7**, sivulla 7).

### Liittäminen laajennetulla tasavirtajohdotuksella (vain CFX3 100)

- Toimi kuvan mukaisesti (kuva **8**, sivulla 8).

### Liittäminen vaihtovirtaverkkoon



### VAARA! Sähköiskun vaara

- Älä käsittele pistokkeita ja kytkimiä märin käsin tai kun seisot märässä paikassa.
- Jos kylmälaatikkoa käytetään veneessä vaihtojännitteellä, vaihtojänniteverkon ja kylmälaatikon väliin täytyy kytkeä vikavirtasuojakytkin. Lisätietoja saat alan ammattilaisilta.

- Toimi kuvan mukaisesti (kuva **9**, sivulla 9).

## 7.5 Kylmälaatikon käyttö



### HUOMAUTUS! Ylikuumenemisvaara

Varmista aina riittävä tuuletus, jotta käytön aikana syntyvä lämpö pääsee poistumaan. Huolehdi siitä, ettei tuuletusrakoa peitetä. Huolehdi siitä, että laite on riittävän etäällä seinistä tai esineistä, jotta ilma pääsee kiertämään.



### OHJE

Jos kylmälaitetta käytetään akun avulla, näyttö sammuu automaattisesti, jos akkujännite on alhainen.

- Kylmälaukun päälle kytkeminen: kuva **10**, sivulla 9
- Kylmälaatikon pois päältä kytkeminen: kuva **11**, sivulla 10

## 7.6 Näytön käyttäminen

### Näytön tilat (kuva 12, sivulla 10)

Kohta	Kuvaus
A	Valmiustila
B	Tyhjäkäynti
C	Lukittu

### Näytön yleiskuva: kuva 13, sivulla 11

#### Liikkuminen valikoissa

Valittuna on korostettu valikko.

- ▶ Navigoi ylöspäin painamalla .
- ▶ Navigoi alaspäin painamalla .

#### Valikon valitseminen

- ▶ Valitse haluttu valikko painamalla .

#### Asetusten muuttaminen

Valittuna on korostettu arvo tai asetus.

- ▶ Suurena valittua arvoa tai valitse edellinen asetus painamalla .
- ▶ Pienennä valittua arvoa tai valitse seuraava asetus painamalla .

#### Edelliseen valikkoon palaaminen

- ▶ Palaa tallennusta tekemättä edelliseen valikkoon painamalla .

## 7.7 Näytön lukitseminen / avaaminen

- ▶ Paina  ja  samanaikaisesti 3 s ajan näytön lukitsemiseksi tai avaamiseksi (kuva 14, sivulla 11).

## 7.8 Lämpötilayksikön valinta

- ▶ Toimi kuvan mukaisesti (kuva 15, sivulla 11).

## 7.9 Lämpötilan säätö



### **HUOMAUTUS! Äärimmäisen alhainen lämpötila aiheuttaa vaurioitumisvaaran**

Huolehdi siitä, että kylmälaitteessa on vain esineitä tai tuotteita, jotka saa jäädyttää valittuun lämpötilaan.

- Toimi kuvan mukaisesti (kuva **16**, sivulla 12).

## 7.10 Akkusuojan käyttäminen

Laitteessa on 3-portainen akkusuoja. Akkusuoja estää liiallisen purkautumisen, kun laite on yhdistetty ajoneuvon käynnistysakkuun, tai maksimoi syöttöakun käytön.

Jos kylmälaatikkoa käytetään ajoneuvon sytytyksen ollessa pois päältä, kylmälaatikko kytkeytyy itsestään pois päältä heti, kun syöttöjännite laskee asetetun arvon alle. Kylmälaatikko kytkeytyy päälle heti, kun akun lataustila on saavuttanut uudelleenkytkentäjännitteen.



### **HUOMAUTUS! Vahingonvaara**

Kun akkusuoja on kytketty virran pois, akku ei enää ole täyteen ladattu. Vältä toistuvia käynnistyksiä. Varmista, että akku ladataan uudelleen.



### **OHJE**

Kun kylmälaatikko saa virtansa käynnistysakusta, valitse akkusuojan tilaksi "MEDIUM" tai "HIGH". Jos kylmälaatikko on liitetty erilliseen syöttöakkuun, akkusuojan tilaksi ihanteellinen on "LOW".

- Toimi kuvan mukaisesti (kuva **17**, sivulla 13).

## 7.11 Näytön kirkkauden säätäminen

- Toimi kuvan mukaisesti (kuva **18**, sivulla 13).

## 7.12 Osastojen päälle tai pois kytkeminen (vain CFX3 75DZ, CFX3 95DZ)

Voit aktivoida kunkin vyöhykkeen erikseen tai molemmat yhtä aikaa.

- Toimi kuvan mukaisesti (kuva **19**, sivulla 14).

## 7.13 Jääkoneen käyttäminen (vain CFX3 55IM)



### OHJE

- Jääkoneosa on suunniteltu jääpalojen tekemiseen, kun jääkone on päällä. Tämä ei riipu pääosaston lämpötila-asetuksesta.
- Kylmälaatikon energiankulutus kasvaa, kun jääkone on päällä. Siksi sinun tulisi kytkeä jääkone pois päältä, jos sitä ei käytetä.
- Jääkoneen tehdasasetus on POIS.

- Toimi kuvan mukaisesti (kuva **20**, sivulla 14).

### Jääpalalokeroiden täyttäminen vedellä

- Ota jääpalalokerot (kuva **21** 1, sivulla 15) pois jääkoneen kotelosta (kuva **21** 2, sivulla 15).
- Ota jääpalalokeroiden kannet pois, täytä ne puhtaalla vedellä ja laita kansi takaisin paikalleen. Huolehdi siitä, että reunatiiviste menee paikalleen koko matkalta.
- Laita jääpalalokerot takaisin jääkoneen koteloon ja sulje kansi.



### OHJE

Kuivaa roiskunut vesi pois jääpalalokeroiden alta. Tämä vähentää jään muodostumista lokeroiden alle ja tekee niiden pois ottamisen helpommaksi.

### Jääpalojen ottaminen

- Avaa jääkoneen kotelon kansi ja nosta jääpalalokeroiden etuosan alta.



### OHJE

Poistamiseen voidaan tarvita lisävoimaa ja kahden käden käyttämistä erittäin kosteissa oloissa, jolloin jääpalalokerot voivat jäätyä kiinni alapuolelta.

- Ota jääpalalokeroiden kannet pois ja väännä lokeroita jääpalojen irrottamiseksi.

### Jääkoneen kotelon poistaminen

Jääkoneen kotelo voidaan poistaa puhdistusta varten tai kun sitä ei käytetä, jolloin kylmälaatikon hyötytilavuus kasvaa:

- Nosta koteloa toisesta päästä, kunnes salpa aukeaa. Ota se sitten pois.
- Toimi takaisinasennuksessa päin vastoin painamalla alaspäin, jolloin salvat nap-sahtavat paikoilleen.

## Vinkkejä jääkoneen käyttöön

- Jääkone tekee jääpaloja nopeasti useita tunteja päälle kytkemisen jälkeen ja siirtyy sitten automaattisesti ylläpitotilaan energiankulutuksen pienentämiseksi. Jos useita eriä jääpaloja tarvitaan mahdollisimman nopeasti, jääpalakone voidaan palauttaa nopean jään valmistuksen tilaan kytkemällä se pois päältä ja takaisin päälle. Toista tarvittaessa.
- Matalaa pakastinlämpötilaa ei ehkä pystytä ylläpitämään pääosastossa korkeissa ympäristölämpötiloissa, jos jääkone on päällä.

## Jääkoneen puhdistus ja kuivaus

- Estä homeen muodostuminen puhdistamalla ja kuivaamalla jääpalalokerot ja jääkoneen kotelon sisäpuoli silloin, kun niitä ei käytetä.
- Puhdista jääpalalokeroiden sisäpuoli ennen käyttöä miedolla astianpesuaineliuksella ja huuhtele puhtaalla vedellä, jos ne ovat olleet pitkään käyttämättä.

## 7.14 CFX3-sovelluksen lataaminen

Kylmälaatikkoa voidaan tarkkailla ja ohjata Bluetooth- tai WiFi-yhteyden kautta sovelluksella, jonka voit asentaa yhteensopivaan laitteeseen.

- Lataa CFX3-sovellus App Store -kaupasta tai Google Play -kaupasta.

Huomaa, että CFX3-sovellus ei ehkä ole saatavissa maassasi.

## 7.15 Bluetooth-signaalin asettaminen ja yhdistäminen sovellukseen

Kylmälaatikkoa voidaan tarkkailla ja ohjata Bluetooth-yhteyden kautta. Tämän mahdollistamiseksi liitä kylmälaatikko pariin Bluetooth-laitteesi kanssa.



### OHJE

- Pariksi liittäminen täytyy tehdä CFX3-sovelluksessa, ei laiteasetuksissa.
- Bluetooth-yhteys ei vaadi salasanaa.

- Toimi kuvan mukaisesti (kuva **22**, sivulla 15).

## 7.16 WiFi-signaalin asettaminen ja yhdistäminen sovellukseen

Kylmälaatikkoa voidaan tarkkailla ja ohjata WiFi-yhteydellä, joka muodostetaan suoraan kylmälaatikkoon tai WiFi-verkon kautta.

- ▶ Menettele esitetyllä tavalla (kuva **23**, sivulla 16) kytkeäksesi WiFi:n päälle.
- ▶ Jos WiFi on suoraan yhteydessä kylmälaatikkoon, mene laiteasetuksiin ja valitse kylmälaatikkosi.
  - Kylmälaatikkosi WiFi-nimi alkaa merkeillä "CFX3".
  - Esiasetettu salasana on "00000000".
  - Voit muuttaa WiFi-nimeä ja salasanaa CFX3-sovelluksessa.



### OHJE

Jos yhteys muodostetaan WiFi-verkon kautta, mene kohtaan "verkkoyhteys" (network connection) sovelluksen ASETUKSISSA (settings).

## 7.17 CFX-nimen ja salasanan muuttaminen sovelluksessa

- Voit muuttaa CFX-laitteesi nimeä sovelluksessa.
- Sama nimi on käytössä sekä Bluetoothissa että WiFissä.
- Voit myös muokata salasanaasi sovelluksessa - koskee vain WiFiä.
- ▶ Mene kohtaan "CFX-nimi ja salasana" (CFX name and password) sovelluksen ASETUKSISSA (settings).

## 7.18 Sovelluksen salasanan nollaus (vain WiFi)

- Voit nollata sovelluksen salasanan oletusasetukseen "00000000".
- ▶ Toimi kuvan mukaisesti (kuva **23**, sivulla 16).

## 7.19 Oletusasetusten palauttaminen

Nollaustoiminto muuttaa kaikki näyttövalikot ja sovelluskentät vastaamaan alkuperäisiä tehdasasetuksia.

- ▶ Toimi kuvan mukaisesti (kuva **24**, sivulla 16).

## 7.20 USB-liitin jännitteensyöttöä varten

USB-liitäntää voidaan käyttää pienten laitteiden kuten matkapuhelinten ja MP3-soittimien lataamiseen.

**OHJE**

Varmista, että USB-liitäntään liitetty laite soveltuu käyttöön 5 V:n jännitteellä / 2 A:n virralla.

- Toimi kuvan mukaisesti (kuva **26**, sivulla 17).

## 7.21 Kylmälaatikon sulattaminen

Kosteus voi muodostaa kylmälaitteen sisälle tai haihduttimeen huurretta. Tämä pienentää jäähdytystehoa. Sulata laite ajoissa.

**HUOMAUTUS! Vahingonvaara**

Älä koskaan poista jäätä tai irrota kiinni jäätyneitä esineitä tai tuotteita kovilla tai terävillä työkaluilla.

Sulata kylmälaatikko seuraavalla tavalla:

- Tyhjennä kylmälaatikko.
- Pane kylmälaatikon sisältämät tuotteet tarvittaessa toiseen kylmälaitteeseen, jotta ne pysyvät kylminä.
- Kytke laite pois päältä.
- Jätä kansi auki.
- Pyyhi sulamisvesi pois.

## 7.22 Vaihtovirtasulakkeen vaihtaminen

**VAARA! Sähköiskun vaara**

Irrota liitäntäjohto virtalähteestä ennen laitteen sulakkeen vaihtamista.

- Katkaise laitteen virransaanti.
- Vedä liitäntäjohto irti.
- Työnnä sulakepesä (kuva **4** 4, sivulla 4) ruuvimeisselillä ulos.
- Vaihda viallisen sulakkeen tilalle uusi lasiputkisulake, jonka tyyppi ja arvo on sama (nopea 4 A, 250 V).
- Paina sulakepesä takaisin runkoon.
- Kytke laitteen virransaanti takaisin.

## 7.23 Tasavirtasulakkeen vaihtaminen

- Avaa sulakepesän kansi (kuva **4** 3, sivulla 4) ruuvimeisselillä.
- Käännä sulakekansi ja käytä koukkua viallisen autosulakkeen poistamiseen.
- Paina uusi samantyyppinen ja -arvoinen sulake paikalleen.
- Aseta sulakekansi takaisin paikalleen.

## 7.24 Tasavirtapistokkeen sulakkeen vaihtaminen

- Vaihda viallinen sulake uuteen samantyyppiseen ja -arvoiseen.
- Toimi kuvan mukaisesti (kuva **27**, sivulla 17).

## 7.25 Valopiirilevyn vaihtaminen



### **HUOMAUTUS! Vaurioitumisvaara**

Vaaran välttämiseksi lampun voi vaihtaa vain valmistaja, asiakaspalvelu tai henkilö, jolla on vastaava pätevyys.

# 8 Puhdistus ja hoito



### **HUOMAUTUS! Vaurioitumisvaara!**

- Älä puhdisti kylmälaitetta koskaan juoksevan veden alla tai tiskivedessä.
- Älä käytä puhdistamiseen kovia puhdistusaineita tai kovia esineitä, koska ne voivat vahingoittaa kylmälaitetta.

- Puhdistakaa laite toisinaan sisältä ja ulkoa kostealla liinalla.
- Varmista, että laitteen ilmanotto- ja poistoaukot ovat puhtaita pölystä ja liasta, jotta toiminnassa syntyvä lämpö voidaan johtaa pois ja laite ei pääse vaurioitumaan.

## 9 Vianetsintä

Häiriö	Mahdollinen syy	Ratkaisuehdotus
Laitte ei toimi (tasavirta-tila, ajoneuvon virta päällä).	Tasavirtapistorasiasa ei havaittu jännitettä.	Useimmissa ajoneuvoissa sytytyksen täytyy olla päällä, jotta tasavirtapistorasiasa saa virtaa.
	Tasavirtapistorasiasa on likainen. Tämän vuoksi sähkökontakti on heikko.	Jos laitteen pistoke kuumenee voimakkaasti tasavirtapistorasiasassa, tasavirtapistorasiasa on puhdistettava tai pistokkeen osat on koottu virheellisesti.
	Tasavirtapistokkeen sulake on palanut.	Vaihda tasavirtapistokkeen sulake, ks. kap. "Tasavirtapistokkeen sulakkeen vaihtaminen" sivulla 282.
	Laitteen tasavirtasulake on palanut.	Vaihda laitteen tasavirtasulake, ks. kap. "Tasavirtasulakkeen vaihtaminen" sivulla 282.
	Ajoneuvosulake on palanut.	Vaihda ajoneuvon tasavirtapistorasiasan sulake. Lisätietoja ajoneuvosi käyttöohjeessa.
Laitte ei toimi (vaihtovirta-tila).	Vaihtovirtapistorasiasassa ei ole jännitettä.	Kokeile toista pistorasiasaa.
	Laitteen vaihtovirtasulake on palanut.	Vaihda laitteen vaihtovirtasulake, ks. kap. "Vaihtovirtasulakkeen vaihtaminen" sivulla 281.
	Sisäänrakennettu vaihtovirtasovitin on rikki.	Tämän vian saa korjata vain valtuutettu korjausliike.
Näyttö ei reagoi näppäinpainalluksiin.	Näyttö on lukossa.	Avaa näytön lukko, ks. kap. "Näytön lukitseminen / avaaminen" sivulla 276.
Sovellus ei pysty ohjaamaan laitetta.	Bluetooth- tai WiFi-yhteyttä ei ole.	Yhdistä Bluetooth, ks. kap. "Bluetooth-signaalin asettaminen ja yhdistäminen sovellukseen" sivulla 279, tai yhdistä WiFi, ks. kap. "WiFi-signaalin asettaminen ja yhdistäminen sovellukseen" sivulla 280.
Näytössä näkyy hälytysilmoitus tai varoituskoodi.	–	Katso alla olevaa taulukkoa.

## Hälytysilmoitukset

Esim. ks. kuva **25** A, sivulla 16.

Hälytysilmoitus	Kuvaus	Mahdollinen syy	Ratkaisuehdotus
!ALERT - Lid open > 3 min	Kansi auki yli 3 minuuttia	<ul style="list-style-type: none"> <li>Kantta ei ole salvattu kunnolla</li> <li>Sisäinen häiriö</li> </ul>	<ul style="list-style-type: none"> <li>Tarkista, että kansi on salvattu kokonaan</li> <li>Vaatii valtuutetun korjauksen tarkastusta</li> </ul>
!ALERT - Voltage low	Laite on lopettanut toiminnan tasavirralla, koska jännite on matala	<ul style="list-style-type: none"> <li>Riittämätön syöttöjännite</li> <li>Akkujännite liian matala</li> <li>Akkusuojan tila on säädetty liian korkeaksi</li> </ul>	<ul style="list-style-type: none"> <li>Tarkasta jännitehävikki välillä akku-pistorasia ja suurena johtojen paksuutta tarvittaessa</li> <li>Tarkasta akku ja lataa tarvittaessa</li> <li>Valitse alhaisempi akkusuojan asetus</li> </ul>
	Laite on lakannut toimimasta tasavirralla, koska jännite on epänormaalin korkea > 31,5 V (epätodennäköinen tapaus – vain elektroniikan suojaamiseksi – käyttää samaa hälytysilmoitusta kuin alhainen jännite yllä)	<ul style="list-style-type: none"> <li>Väärä tasajännitetsyötön spesifikaatio</li> <li>Virheellinen syöttöjännite</li> <li>Sisäinen häiriö</li> </ul>	<ul style="list-style-type: none"> <li>Varmista, että tasajännitetsyötön spesifikaatio vastaa CFX3-tuotteen merkin tietoja</li> <li>Tarkasta tasajännitetsyöttö &amp; korjaa tai vaihda uuteen, jos viallinen</li> <li>Vaatii valtuutetun korjauksen tarkastusta</li> </ul>

## Varoituskoodit

Esim. ks. kuva **25** B, sivulla 16.

Varoituskoodi	Häiriö	Mahdollinen syy	Ratkaisuehdotus
!WARNING 32	Tuulettimen yli- virta	Sisäinen häiriö.	Kytke laite pois päältä vähintään 5 minuutiksi, käynnistä se sitten uudelleen. Jos ongelma ei poistu, tarvitaan valtuutetun korjaamon tarkastusta
!WARNING 33	Kompressorin käynnistysvika		
!WARNING 34	Kompressorin nopeus liian pieni	<ul style="list-style-type: none"> <li>Korkea ympäristön lämpötila</li> </ul>	<ul style="list-style-type: none"> <li>Kytke laite pois päältä vähintään 30 minuutiksi tai siirrä kylmälaatikko viileämpään paikkaan, käynnistä sitten uudelleen</li> </ul>
!WARNING 35	Ohjaimen ylikuumeneminen	<ul style="list-style-type: none"> <li>Ilmanvaihtoaukko tukossa tai liian pieni rako</li> <li>Sisäinen häiriö</li> </ul>	<ul style="list-style-type: none"> <li>Avaa ilmanvaihtoaukot</li> <li>Vaatii valtuutetun korjaamon tarkastusta</li> </ul>
!WARNING 01	NTC piirikatko SZ & DZ LARGE	Sisäinen häiriö	Vaatii valtuutetun korjaamon tarkastusta
!WARNING 11	NTC piirikatko DZ SMALL		
!WARNING 02	NTC oikosulku SZ & DZ LARGE		
!WARNING 12	NTC oikosulku DZ SMALL		
!WARNING 09	DZ-venttiili tai jää- koneen venttiili viallinen		Kytke laite pois päältä vähintään 1 minuutiksi, käynnistä se sitten uudelleen. Jos ongelma ei poistu, tarvitaan valtuutetun korjaamon tarkastusta
!WARNING 03/43	Tietoliikennevirhe		

## 10 Takuu

Laitetta koskee lakisääteinen takuu-aika. Jos tuote sattuu olemaan viallinen, käänny maasi valmistajan toimipisteen puoleen (katso [dometic.com/dealer](http://dometic.com/dealer)) tai ota yhteyttä omaan ammattikauppiaseesi.

Korjaus- ja takuukäsittelyä varten lähetä mukana seuraavat asiakirjat:

- kopio ostolaskusta, jossa näkyy ostopäivä,
- valitusperuste tai vikakuvaus.

## 11 Hävittäminen

- Vie pakkausmateriaali mahdollisuuksien mukaan vastaavan kierrätysjätteen joukkoon.



Jos poistat tuotteen lopullisesti käytöstä, pyydä tietoa sen hävittämistä koskevista määräyksistä lähimmästä kierrätyskeskuksesta tai ammattiliikkeestäsi.



### **VAROITUS! Lasten loukkuun jäämisen vaara**

Ennen vanhan kylmälaitteen hävittämistä:

- irrota kansi.
- Jätä korit paikalleen, jotta lapset eivät voi kiivetä helposti laitteen sisälle.

## 12 Tekniset tiedot



### **OHJE**

Minimilämpötilaa, joka näkyy kohdassa "Jäähdytysteho" ei voida saavuttaa, jos ympäristön lämpötila on yli 32 °C (90 °F) malleissa CFX3 35/45/55/55IM/100 tai jos ympäristön lämpötila on yli 30 °C (86 °F) malleissa CFX3 75DZ/95DZ (pieni -22 °C/suuri +4 °C).

Tarkastus/sertifikaatit:



	<b>CFX3 35</b>	<b>CFX3 45</b>	<b>CFX3 55</b>
Liitäntäjännite:	12/24 V $\equiv$ ja 100 – 240 V $\sim$		
Nimellisvirta:	12 V $\equiv$ : 7,5 A 24 V $\equiv$ : 3,3 A 100 V $\sim$ : 0,94 A 240 V $\sim$ : 0,39 A	12 V $\equiv$ : 8,2 A 24 V $\equiv$ : 3,5 A 100 V $\sim$ : 0,96 A 240 V $\sim$ : 0,40 A	12 V $\equiv$ : 8,7 A 24 V $\equiv$ : 3,7 A 100 V $\sim$ : 0,98 A 240 V $\sim$ : 0,41 A
Jäähdytysteho:	-22 °C ... +10 °C (-8 °F ... +50 °F)		
Luokka:	1		
Energiatehokkuusluokka:	A++		
Energiankulutus:	81 kWh/vuosi	79 kWh/vuosi	83 kWh/vuosi
Bruttotilavuus:	36 l	46 l	55 l
Hyötytilavuus:	36 l	46 l	55 l
Ilmastoluokka:	N, T		
Ympäristön lämpötila:	+16 °C ... +43 °C (+61 °F ... +110 °F)		
Melupäästöt:	44 dB(A)	47 dB(A)	
USB-latausliitin:	5 V $\equiv$ , 2 A		
Taajuusalue:	WiFi: 2412 MHz – 2472MHz/2422 MHz – 2462MHz Bluetooth/BLE: 2402 MHz – 2480 MHz		
Taajuuskaista (WiFi):	2,4 GHz		
Radiotaajuinen lähtöteho:	WiFi: 16,62 dBm (802.11b), 16,23 dBm (802.11g), 16,45 dBm (802.11n20), 16,02 dBm (802.11n40) Bluetooth: 8,31 dBm Bluetooth LE: 6,67 dBm		
Kylmäaineen määrä:	38 g	42 g	45 g
CO <sub>2</sub> -ekvivalentti:	0,054 t	0,060 t	0,064 t
Vaikutus ilmaston lämpenemiseen (GWP):	1430		

	<b>CFX3 35</b>	<b>CFX3 45</b>	<b>CFX3 55</b>
Mitat (L x S x K), mm (kahvat mukaan lukien):	398 x 694 x 407	398 x 694 x 476	720 x 455 x 480
Paino:	16,9 kg	18,7 kg	20,4 kg

	<b>CFX3 55IM</b>	<b>CFX3 75DZ</b>	<b>CFX3 95DZ</b>
Liitäntäjännite:	12/24 V $\equiv$ ja 100 – 240 V $\sim$		
Nimellisvirta:	12 V $\equiv$ : 8,9 A 24 V $\equiv$ : 3,8 A 100 V $\sim$ : 1,00 A 240 V $\sim$ : 0,42 A	12 V $\equiv$ : 9,6 A 24 V $\equiv$ : 4,2 A 100 V $\sim$ : 1,12 A 240 V $\sim$ : 0,47 A	12 V $\equiv$ : 10,4 A 24 V $\equiv$ : 4,6 A 100 V $\sim$ : 1,22 A 240 V $\sim$ : 0,51 A
Jäähdytysteho:	-22 °C ... +10 °C (-8 °F ... +50 °F)		
Luokka:	1		
Energiatehokkuus- luokka:	A++	A+	
Energiankulutus:	82 kWh/vuosi	108 kWh/vuosi	111 kWh/vuosi
Bruttotilavuus:	55 l	75 l (45 l/30 l)	94 l (55 l/39 l)
Hyötytilavuus:	53 l	75 l (45 l/30 l)	94 l (55 l/39 l)
Ilmastoluokka:	N, T		
Ympäristön lämpötila:	+16 °C ... +43 °C (+61 °F ... +110 °F)		
Melupäästöt:	48 dB(A)	50 dB(A)	
USB-latausliitin:	5 V $\equiv$ , 2 A		
Taajuusalue:	WiFi: 2412 MHz – 2472MHz/2422 MHz – 2462MHz Bluetooth/BLE: 2402 MHz – 2480 MHz		
Taajuuskaista (WiFi):	2,4 GHz		
Radiotaajuinen lähtöteho:	WiFi: 16,62 dBm (802.11b), 16,23 dBm (802.11g), 16,45 dBm (802.11n20), 16,02 dBm (802.11n40) Bluetooth: 8,31 dBm Bluetooth LE: 6,67 dBm		
Kylmäaineen määrä:	45 g	59 g	67 g

	<b>CFX3 55IM</b>	<b>CFX3 75DZ</b>	<b>CFX3 95DZ</b>
CO <sub>2</sub> -ekvivalentti:	0,064 t	0,084 t	0,096 t
Vaikutus ilmaston lämpenemiseen (GWP):	1430		
Mitat (L x S x K), mm (kahvat mukaan lukien):	720 x 455 x 480	892 x 495 x 472	962 x 530 x 472
Paino:	21,3 kg	27,8 kg	29,8 kg

	<b>CFX3 100</b>
Liitäntäjännite:	12/24 V $\overline{=}$ ja 100 – 240 V $\sim$
Nimellisvirta:	12 V $\overline{=}$ : 10,8 A 24 V $\overline{=}$ : 4,8 A 100 V $\sim$ : 1,28 A 240 V: 0,53 A
Jäähdytysteho:	+10 °C ... -22 °C (+50 °F ... -8 °F)
Luokka:	1
Energiatehokkuusluokka:	A+
Energiankulutus:	111 kWh/vuosi
Bruttotilavuus:	99 l
Hyötytilavuus:	88 l
Ilmastoluokka:	N, T
Ympäristön lämpötila:	+16 °C ... +43 °C (+61 °F ... +110 °F)
Melupäästöt:	36,5 dB(A)
USB:	5 V $\overline{=}$ , 2 A
Taajuusalue:	WiFi: 2412 MHz – 2472MHz/2422 MHz – 2462MHz Bluetooth/BLE: 2402 MHz – 2480 MHz
Taajuuskaista (WiFi):	2,4 GHz

	<b>CFX3 100</b>
Radiotaajuinen lähtöteho:	WiFi: 16,62 dBm (802.11b), 16,23 dBm (802.11g), 16,45 dBm (802.11n20), 16,02 dBm (802.11n40) Bluetooth: 8,31 dBm Bluetooth LE: 6,67 dBm
Kylmäaineen määrä:	60 g
CO <sub>2</sub> -ekvivalentti:	0,086 t
Vaikutus ilmaston lämpenemiseen (GWP):	1430
Mitat (L x S x K), mm (kahvat mukaan lukien):	962 x 530 x 472
Paino:	29,6 kg

Jäähdytyskierto sisältää kylmäainetta R134a.

Sisältää fluorattuja kasvihuonekaasuja

Ilmatiiviisti suljetulla laitteella

**Прочтите данную инструкцию перед вводом в эксплуатацию и сохраните ее. В случае передачи холодильника передайте инструкцию следующему владельцу.**

Изготовитель не несет ответственности за ущерб, вызванный **использованием не по назначению** или **неправильным управлением**.

## Содержание

<b>1</b>	<b>Пояснение символов</b> .....	292
<b>2</b>	<b>Указания по технике безопасности</b> .....	293
<b>3</b>	<b>Комплект поставки</b> .....	296
<b>4</b>	<b>Аксессуары</b> .....	296
<b>5</b>	<b>Использование по назначению</b> .....	296
<b>6</b>	<b>Описание работы</b> .....	297
6.1	Функции .....	297
6.2	Элементы управления и индикации .....	298
<b>7</b>	<b>Управление</b> .....	299
7.1	Перед первым использованием .....	299
7.2	Советы по энергосбережению .....	299
7.3	Изменение направления открытия крышки .....	299
7.4	Подключение холодильника .....	300
7.5	Пользование холодильником .....	301
7.6	Использование дисплея .....	301
7.7	Блокировка/разблокировка дисплея .....	302
7.8	Выбор единицы измерения температуры .....	302
7.9	Настройка температуры .....	302
7.10	Использование реле защиты аккумулятора .....	302
7.11	Настройка яркости дисплея .....	303
7.12	Включение или выключение камер (только CFX3 75DZ, CFX3 95DZ) .....	303
7.13	Использование устройства для приготовления льда (только CFX3 55IM) .....	303
7.14	Скачивание приложения CFX3 .....	305
7.15	Настройка сигнала Bluetooth и подключение к приложению ..	305
7.16	Настройка сигнала WiFi и подключение к приложению .....	306
7.17	Изменение имени и пароля CFX в приложении .....	306

7.18	Сброс пароля приложения (только WiFi) . . . . .	306
7.19	Сброс на заводские настройки . . . . .	306
7.20	USB-порт для электропитания . . . . .	307
7.21	Оттаивание холодильника . . . . .	307
7.22	Замена предохранителя переменного тока . . . . .	307
7.23	Замена предохранителя постоянного тока . . . . .	308
7.24	Замена предохранителя штекера постоянного тока . . . . .	308
7.25	Замена печатной платы . . . . .	308
<b>8</b>	<b>Очистка и уход</b> . . . . .	308
<b>9</b>	<b>Устранение неисправностей</b> . . . . .	309
<b>10</b>	<b>Гарантия</b> . . . . .	313
<b>11</b>	<b>Утилизация</b> . . . . .	313
<b>12</b>	<b>Технические характеристики</b> . . . . .	314

## 1 Пояснение символов



### **ОПАСНОСТЬ!**

**Указание по технике безопасности**, указывающее на опасную ситуацию, которая ведет к смерти или серьезной травме, если ее не предотвратить.



### **ПРЕДУПРЕЖДЕНИЕ!**

**Указание по технике безопасности**, указывающее на опасную ситуацию, которая может привести к смерти или серьезной травме, если ее не предотвратить.



### **ОСТОРОЖНО!**

**Указание по технике безопасности**, указывающее на опасную ситуацию, которая может привести к травмам легкой или средней тяжести, если ее не предотвратить.



### **ВНИМАНИЕ!**

Указание на ситуацию, которая может привести к материальному ущербу, если ее не предотвратить.

**УКАЗАНИЕ**

Дополнительная информация по управлению продуктом.

## 2 Указания по технике безопасности



**ПРЕДУПРЕЖДЕНИЕ! Несоблюдение этих предупреждений может привести к смерти или серьезной травме.**

**Опасность для жизни из-за поражения электрическим током**

- Запрещается вводить прибор в работу, если он имеет видимые повреждения,
- Если кабель питания этого охлаждающего устройства поврежден, его необходимо заменить, чтобы предотвратить угрозу безопасности.
- Ремонт данного прибора разрешается выполнять только специалистам. Неправильно выполненный ремонт может приводить к серьезным опасностям.

**Опасность пожара**

- При установке устройства шнур питания не должен быть зажат или поврежден.
- Не располагайте позади устройства выносные переходники и удлинители с несколькими розетками.

**Опасность для здоровья**

- Это устройство может использоваться детьми с 8-ми лет и старше, а также лицами с ограниченными физическими, сенсорными и умственными возможностями или при недостатке необходимого опыта и знаний только под присмотром или после прохождения инструктажа по безопасному использованию устройства, если они понимают опасности, которые при этом могут возникнуть.
- Детям запрещается играть с устройством.
- Запрещается выполнять очистку и пользовательское техническое обслуживание детям без присмотра.
- Детям в возрасте от 3 до 8 лет разрешается загружать и разгружать холодильные устройства.

**Опасность взрыва**

- Не храните в приборе взрывоопасные вещества, например, аэрозольные баллоны с горючим газами-вытеснителями.



**ОСТОРОЖНО! Несоблюдение этих предостережений может привести к травме легкой или средней степени тяжести.**

**Опасность для жизни из-за поражения электрическим током**

- Перед вводом в эксплуатацию убедитесь в том, что питающий кабель и штекер сухие.
- Отсоединяйте прибор от сети
  - перед каждой чисткой и уходом
  - после каждого использования

**Опасность для здоровья**

- Проверьте, соответствует ли холодопроизводительность прибора требованиям продуктов питания или медикаментов, которые нужно охладить.
- Продукты питания разрешается хранить только в оригинальной упаковке или подходящих емкостях.
- Удерживание двери охлаждающего устройства открытой в течение длительного времени может привести к существенному повышению температуры внутри устройства.
- Регулярно очищайте поверхности, которые могут контактировать с пищевыми продуктами и доступными сливными системами.
- Храните сырое мясо и рыбу в устройстве в подходящих контейнерах, чтобы они не соприкасались с другими продуктами питания или не капали на них.
- Если устройство не используется в течение длительного времени:
  - Отключите устройство.
  - Разморозьте устройство.
  - Очистите и просушите устройство.
  - Оставьте дверцу открытой, чтобы предотвратить образование плесени в устройстве.



**ВНИМАНИЕ! Опасность повреждения**

- Сравните значения напряжения, указанные на заводской табличке, с характеристиками имеющегося источника питания.
- Присоединяйте прибор следующим образом:
  - соединительным кабелем постоянного тока к источнику питания постоянного тока в автомобиле
  - или соединительным кабелем переменного тока к сети переменного тока
- Не вытаскивайте штекер из розетки за питающий кабель.

- Если холодильник присоединен к розетке постоянного тока: Отсоедините холодильник и другие потребители от аккумуляторной батареи, прежде чем присоединить устройство для ускоренного заряда.
- Если холодильник присоединен к розетке постоянного тока: Прервите соединение или выключите холодильник перед выключением двигателя. В противном случае аккумуляторная батарея может разрядиться.
- Холодильник не предназначен для транспортировки едких или содержащих растворители веществ.
- Этот холодильный аппарат содержит в своей изоляции горючий циклопентан. Газы в изоляционном материале требуют особого метода утилизации. После окончания срока службы холодильного аппарата сдайте его должным образом в центр по утилизации.
- Не используйте электрические приборы внутри холодильника, за исключением случаев, когда эти приборы рекомендованы для этого изготовителем.
- Не устанавливайте прибор вблизи открытого огня или других источников тепла (радиаторов отопления, сильных солнечных лучей, газовых печей и т. п.).
- **Опасность перегрева!**  
Следите за тем, чтобы со всех четырех сторон охлаждающего устройства имелось свободное пространство не менее 50 мм для надлежащей вентиляции. Поддерживайте зону вентиляции свободной от любых объектов, которые могут ограничить воздушный поток к охлаждающим компонентам.  
Не размещайте охлаждающее устройство в закрытых отсеках или в зонах, в которых отсутствует поток воздуха или же он минимален.
- Следите за тем, чтобы не перекрывались вентиляционные отверстия.
- Запрещается заполнять внутреннее пространство жидкостями или льдом.
- Не погружайте прибор в воду.
- Предохраняйте прибор и кабели от действия жары и влаги.

### 3 Комплект поставки

Позиция на рис. <b>1</b> , стр. 3	Количество	Описание
1	1	Холодильник
2	1	Соединительный кабель для присоединения к сети постоянного тока
3	1	Соединительный кабель для присоединения к сети переменного тока

### 4 Аксессуары

Не входят в комплект поставки и приобретаются отдельно:

Название	Арт. №	Модель
Приложение CFX3	–	подходит для всех моделей
PLB 40	9600014024	подходит для всех моделей

Обратите внимание, что приложение CFX3 может быть недоступно в вашей стране.

### 5 Использование по назначению

Устройство предназначено для:

- эксплуатации в транспортных средствах
- охлаждение и заморозка продуктов питания
- использования в кемпингах

Устройство **не** предназначено для:

- хранения агрессивных и едких средств и веществ, содержащих растворители
- быстрой заморозки продуктов питания

Охлаждающее устройство пригодно для использования в кемпингах.  
Не допускать попадания на прибор дождя.

Двухзвездочные камеры для замороженных продуктов пригодны для хранения предварительно замороженных продуктов, хранения или приготовления мороженого и приготовления кубиков льда.

Одно-, двух- и трехзвездочные камеры не пригодны для замораживания свежих продуктов.

## 6 Описание работы

Холодильник предназначен для охлаждения продуктов и поддержания их в охлажденном состоянии, а также для глубокого охлаждения. Охлаждение осуществляется посредством холодильного контура с компрессором. Контур требует минимального обслуживания. Надежная изоляция и мощный компрессор обеспечивают эффективное и быстрое охлаждение.

Охлаждающее устройство является портативным устройством.

Холодильник может подвергаться кратковременному крену в 30°.

### 6.1 Функции

- Блок питания с приоритетной схемой для подключения к переменному напряжению
- Трехступенчатое реле для защиты аккумуляторной батареи автомобиля
- Дисплей с индикацией температуры в °C и °F,
- Настройка температуры с шагом 1 °C (1 °F)
- Интегрированная функция WiFi и Bluetooth, позволяющая управление с помощью приложения
- Складные ручки для переноски
- Зарядное USB-устройство для портативных устройств, например, мобильных телефонов
- Вынимающаяся корзина
- **Только CFX3 55IM:** Устройство для приготовления льда

## 6.2 Элементы управления и индикации

**Защелка для крышки: рис. 2 1, стр. 3**

**Панель управления (рис. 3, стр. 4):**

Поз.	Описание	Пояснение
1		Включает холодильник при кратковременном нажатии кнопки Выключает холодильник, если нажать кнопку на три секунды Вызывает возврат в предыдущее меню
2	Дисплей	Отображает информацию  <b>ac</b> : Источник переменного тока присоединен <b>dcv</b> : Источник постоянного тока присоединен  : Bluetooth активирован  : WiFi активирован  : Дисплей заблокирован  : Компрессор в работе  : Устройство для приготовления льда в работе (только CFX3 55IM)
3		Нажмите  для навигации вверх или для увеличения выбранного значения.  Нажмите  для навигации вниз или для уменьшения выбранного значения.  Нажмите  и  одновременно на 3 секунды, чтобы заблокировать или разблокировать дисплей.
4		Нажмите для выбора меню или для сохранения выбранного значения.

**Соединительные гнезда (рис. 4, стр. 4):**

Поз.	Описание
1	Гнездо для подключения источника переменного тока
2	Гнездо для источника постоянного тока
3	Держатель предохранителя постоянного тока
4	Держатель предохранителя переменного тока

## 7 Управление

### 7.1 Перед первым использованием

**УКАЗАНИЕ**

Перед вводом нового холодильника в эксплуатацию в гигиенических целях необходимо протереть его снаружи и изнутри влажной тряпкой (см. также гл. «Очистка и уход» на стр. 308).

### 7.2 Советы по энергосбережению

- Выбирайте хорошо проветриваемое, защищенное от солнечных лучей место применения.
- Дайте теплым блюдам охладиться, прежде чем поддерживать их в холодном состоянии в холодильнике.
- Не открывайте холодильник чаще, чем это действительно необходимо.
- Не оставляйте холодильник открытым дольше, чем это действительно необходимо.
- Оттаивайте холодильник, как только образовался слой льда.
- Избегайте излишне низкую внутреннюю температуру.

### 7.3 Изменение направления открытия крышки

**CFX3 55, CFX3 55IM, CFX3 100**

- Соблюдайте порядок действий, как показано (рис. 5, стр. 5).

**CFX 3 75DZ, CFX 3 95DZ**

- Соблюдайте порядок действий, как показано (рис. **6**, стр. 6).

**7.4 Подключение холодильника****ВНИМАНИЕ! Риск повреждения**

- Для защиты устройства в комплект поставки входит кабель постоянного тока с предохранителем, расположенным внутри штекера. **Не** снимайте штекер постоянного тока с предохранителем. Используйте только входящий в комплект поставки кабель постоянного тока.
- Отсоедините холодильник и другие потребители от аккумуляторной батареи, прежде чем зарядить ее устройством для ускоренного заряда.  
Перенапряжение может повредить электронное оборудование подключенных потребителей.

**Подключение к аккумуляторной батарее**

- Соблюдайте порядок действий, как показано (рис. **7**, стр. 7).

**Соединение через расширенную жесткую разводку постоянного тока (только CFX 3 100)**

- Соблюдайте порядок действий, как показано (рис. **8**, стр. 8).

**Подключение к источнику переменного тока****ОПАСНОСТЬ! Опасность поражения электрическим током**

- Не беритесь за вилки и выключатели влажными руками или стоя ногами на мокрой поверхности.
- Если холодильник на борту катера работает от сети переменного тока, обязательно установить автоматический выключатель дифференциальной защиты между сетью переменного тока и холодильником.  
Проконсультируйтесь со специалистом.

- Соблюдайте порядок действий, как показано (рис. **9**, стр. 9).

## 7.5 Пользование холодильником



### ВНИМАНИЕ! Опасность перегрева

Следите за эффективностью вентиляции: тепло, которое образуется во время эксплуатации, должно отводиться полностью. Убедитесь, что воздух свободно проходит через вентиляционные щели. Следите за тем, чтобы устройство располагалось на достаточном расстоянии от стен или других предметов и ничто не препятствовало циркуляции воздуха.



### УКАЗАНИЕ

При работе от аккумулятора дисплей автоматически выключается при низком напряжении аккумулятора.

- Включение холодильника: рис. **10**, стр. 9
- Выключение холодильника: рис. **11**, стр. 10

## 7.6 Использование дисплея

Состояния дисплея (рис. **12**, стр. 10)

Поз.	Описание
A	Готовность к работе
B	Ожидание
C	Заблокирован

Общий вид дисплея: рис. **13**, стр. 11

### Переход по пунктам меню

Выделенное меню выбрано.

- Нажмите  для навигации вверх.
- Нажмите  для навигации вниз.

### Выбор меню

- Нажмите , чтобы выбрать требуемое меню.

## Изменение настроек

Выделенное значение или настройка выбраны.

- ▶ Нажмите  $\triangle$ , чтобы увеличить выбранное значение или выбрать предыдущую настройку.
- ▶ Нажмите  $\nabla$ , чтобы уменьшить выбранное значение или выбрать следующую настройку.

## Возврат в предыдущее меню

- ▶ Нажмите  $\leftarrow$ , чтобы вернуться в предыдущее меню, не сохраняя значения.

## 7.7 Блокировка/разблокировка дисплея

- ▶ Нажмите  $\triangle$  и  $\nabla$  одновременно на 3 секунды, чтобы заблокировать или разблокировать дисплей (рис. 14, стр. 11).

## 7.8 Выбор единицы измерения температуры

- ▶ Соблюдайте порядок действий, как показано (рис. 15, стр. 11).

## 7.9 Настройка температуры



### **ВНИМАНИЕ! Опасность повреждения из-за слишком низкой температуры**

Следите за тем, чтобы в холодильнике находились только предметы и продукты, которые разрешается охлаждать до выбранной температуры.

- ▶ Соблюдайте порядок действий, как показано (рис. 16, стр. 12).

## 7.10 Использование реле защиты аккумулятора

Устройство оснащено 3-ступенчатой защитой аккумулятора. Реле защиты аккумулятора предотвращает чрезмерную разрядку, когда устройство подключено к стартерному аккумулятору автомобиля, или увеличивает время использования питающего аккумулятора.

Если холодильник работает при выключенном зажигании в автомобиле, то холодильник отключается автоматически, как только напряжение питания падает ниже установленного значения. Холодильник включается снова, когда благодаря заряду батареи достигается напряжение повторного включения.

**ВНИМАНИЕ! Риск повреждения**

После выключения реле защиты аккумулятора аккумулятор больше не будет полностью заряжен. Избегайте частых запусков. Регулярно заряжайте аккумулятор.

**УКАЗАНИЕ**

Если питание холодильника осуществляется от стартерной аккумуляторной батареи, то выберите режим работы реле защиты аккумулятора «MEDIUM» или «HIGH». Если питание холодильника осуществляется от питающей аккумуляторной батареи, то достаточно режима работы реле защиты аккумулятора «LOW».

- Соблюдайте порядок действий, как показано (рис. 17, стр. 13).

## 7.11 Настройка яркости дисплея

- Соблюдайте порядок действий, как показано (рис. 18, стр. 13).

## 7.12 Включение или выключение камер (только CFX 3 75DZ, CFX 3 95DZ)

Вы можете активировать каждую зону по отдельности или обе одновременно.

- Соблюдайте порядок действий, как показано (рис. 19, стр. 14).

## 7.13 Использование устройства для приготовления льда (только CFX 3 55IM)

**УКАЗАНИЕ**

- Независимо от настройки температуры основной камеры, зона льдогенератора предназначена для приготовления кубиков льда, если устройство для приготовления льда включено.
- Энергопотребление холодильника увеличивается при включении устройства для приготовления льда. Поэтому следует выключать устройство для приготовления льда, если оно не нужно.
- Заводская настройка устройства для приготовления льда - ВЫКЛ.

- Соблюдайте порядок действий, как показано (рис. 20, стр. 14).

### Заполнение емкостей для льда водой

- Извлеките емкости для льда (рис. 21 1, стр. 15) из корпуса устройства для приготовления льда (рис. 21 2, стр. 15).
- Снимите крышки с емкостей для льда, наполните их чистой водой и установите крышки на место, стараясь прижимать краевое уплотнение до конца со всех сторон.
- Поместите емкости для льда в корпус устройства для приготовления льда и закройте крышку.



#### УКАЗАНИЕ

Удалите вытекшую воду из-под емкостей для льда. Это уменьшит образование льда под емкостями и облегчит удаление.

### Извлечение кубиков льда

- Откройте крышку корпуса устройства для приготовления льда и поднимите под передней частью емкостей для льда.



#### УКАЗАНИЕ

Извлечение может потребовать дополнительного усилия и использования обеих рук в условиях высокой влажности, которые могут создать ледяную перемычку под емкостями для льда.

- Снимите крышки емкостей для льда и поверните емкости, чтобы освободить кубики льда.

### Снятие корпуса устройства для приготовления льда

Корпус устройства для приготовления льда можно снять для очистки или когда он не используется, чтобы увеличить полезное пространство внутри холодильника:

- Поднимите корпус за один конец, пока защелка не отсоединится, затем снимите.
- Для установки повторите процедуру в обратном порядке, нажав на защелки, чтобы зафиксировать их.

## Советы по использованию устройства для приготовления льда

- Устройство для приготовления льда быстро замораживает лед в течение нескольких часов после включения, а затем автоматически переходит в режим поддержания, чтобы снизить потребление энергии. Если требуется как можно быстрее несколько партий льда, выключение и повторное включение устройства для приготовления льда вернет его в режим быстрого приготовления льда. Повторите процедуру по мере необходимости.
- Настройки низкой температуры морозильной камеры в основном отделении могут не поддерживаться в условиях высокой температуры окружающей среды при включенном устройстве для приготовления льда.

## Очистка и сушка устройства для приготовления льда

- Когда они не используются, очищайте и высушивайте емкости для льда и внутреннее пространство корпуса устройства для приготовления льда для предотвращения образования плесени.
- После длительных периодов неиспользования очистите внутреннюю поверхность емкостей для льда с помощью нейтрального раствора для мытья посуды и промойте чистой водой перед использованием.

## 7.14 Скачивание приложения CFX3

Холодильник можно контролировать и управлять через Bluetooth или WiFi с помощью приложения, которое вы можете установить на совместимое устройство.

- Скачайте приложение CFX3 из App Store или Google Play.

Обратите внимание, что приложение CFX3 может быть недоступно в вашей стране.

## 7.15 Настройка сигнала Bluetooth и подключение к приложению

Холодильник можно контролировать и управлять через Bluetooth. Для этого вам необходимо подключить холодильник к вашему Bluetooth-устройству.



### УКАЗАНИЕ

- Сопряжение должно быть выполнено в приложении CFX3, а не в настройках устройства.
- Для соединения по Bluetooth пароль не требуется.

- ▶ Соблюдайте порядок действий, как показано (рис. 22, стр. 15).

## 7.16 Настройка сигнала WiFi и подключение к приложению

Холодильник можно контролировать и управлять через WiFi напрямую к холодильнику или через сеть WiFi.

- ▶ Для включения WiFi соблюдайте порядок действий, как показано (рис. 23, стр. 16).
- ▶ Для WiFi напрямую к холодильнику зайдите в настройки устройства и выберите ваш холодильник.
  - Имя WiFi вашего холодильника начинается с «CFX3».
  - Предварительно установленный пароль: «00000000».
  - Вы можете персонализировать имя WiFi и пароль в приложении CFX3.



### УКАЗАНИЕ

Для подключения через сеть WiFi перейдите к «Сетевое подключение» в настройках приложения.

## 7.17 Изменение имени и пароля CFX в приложении

- Вы можете персонализировать имя вашего CFX в приложении.
  - Одно и то же имя относится как к Bluetooth, так и к WiFi.
  - Вы также можете персонализировать свой пароль в приложении - применимо только к WiFi.
- ▶ Перейдите к «Имя и пароль CFX» в настройках приложения.

## 7.18 Сброс пароля приложения (только WiFi)

- Вы можете сбросить пароль приложения на заводскую настройку: «00000000».
- ▶ Соблюдайте порядок действий, как показано (рис. 23, стр. 16).

## 7.19 Сброс на заводские настройки

Функция сброса изменяет все поля меню дисплея и приложения на исходные заводские настройки.

- ▶ Соблюдайте порядок действий, как показано (рис. 24, стр. 16).

## 7.20 USB-порт для электропитания

USB-порт можно использовать для зарядки небольших приборов (например, мобильных телефонов или MP3-плееров).



### УКАЗАНИЕ

Убедитесь в том, что присоединенное к USB-порту устройство пригодно для работы с 5 В/2 А.

- Соблюдайте порядок действий, как показано (рис. 26, стр. 17).

## 7.21 Оттаивание холодильника

Влага из воздуха может выпадать в камере холодильника или на испарителе в виде снеговой шубы. Это ведет к уменьшению мощности охлаждения. Своевременно размораживайте прибор.



### ВНИМАНИЕ! Риск повреждения

Для удаления слоя льда и отделения примерзших продуктов не используйте твердые или острые инструменты.

При размораживании холодильника соблюдайте следующий порядок действий:

- Извлеките содержимое холодильника.
- При необходимости, переположите их в другой холодильник, чтобы они оставались холодными.
- Выключите устройство.
- Оставьте крышку открытой.
- Уберите оттаявшую воду.

## 7.22 Замена предохранителя переменного тока



### ОПАСНОСТЬ! Опасность поражения электрическим током

Перед заменой предохранителя прибора отсоедините электропитание и вытяните питающий кабель.

- Отсоедините электропитание устройства.
- Отсоедините кабель.
- Извлеките вставку предохранителя (рис. 4, стр. 4), например, отверткой.

- Замените неисправный предохранитель на новый того же типа и с теми же параметрами (быстродействующий, 4 А, 250 В).
- Вставьте вставку предохранителя в корпус.
- Присоедините электропитание устройства.

### 7.23 Замена предохранителя постоянного тока

- Извлеките крышку предохранителя (рис. **4** 3, стр. 4), например, отверткой.
- Переверните крышку предохранителя и с помощью крючка удалите неисправный плоский предохранитель.
- Установите новый предохранитель с такими же характеристиками и типом.
- Установите крышку предохранителя на место.

### 7.24 Замена предохранителя штекера постоянного тока

- Замените неисправный предохранитель на новый с такими же характеристиками и типом.
- Соблюдайте порядок действий, как показано (рис. **27**, стр. 17).

### 7.25 Замена печатной платы



#### **ВНИМАНИЕ! Опасность повреждения**

Во избежание опасных ситуаций замену лампы разрешается выполнять только производителю, сервисной службе или лицу, обладающему соответствующей или аналогичной квалификацией.

## 8 Очистка и уход



#### **ВНИМАНИЕ! Опасность повреждения!**

- Категорически запрещается чистить прибор под струей воды или даже в емкости с водой.
- Не используйте для чистки абразивные чистящие средства или острые предметы, т. к. они могут привести к повреждениям холодильника.

- Периодически очищайте прибор снаружи и изнутри влажной тряпкой.

- Убедитесь в том, что приточно-вытяжные вентиляционные отверстия очищены от пыли загрязнений, чтобы можно было отвести возникающее при работе тепло и предотвратить опасность повреждения прибора.

## 9 Устранение неисправностей

Неисправность	Возможные причины	Вариант устранения
Устройство не работает (режим постоянного тока, зажигание включено).	Отсутствует напряжение в розетке постоянного тока.	В большинстве транспортных средств зажигание должно быть включено до подачи питания на розетку постоянного тока.
	Гнездо постоянного тока загрязнено. Плохой электрический контакт.	Если вилка сильно нагревается в гнезде постоянного тока, то, возможно, загрязнено гнездо или неправильно собрана вилка.
	Перегорел предохранитель вилки постоянного тока.	Замените предохранитель штекера постоянного тока, см. гл. «Замена предохранителя штекера постоянного тока» на стр. 308.
	Перегорел предохранитель постоянного тока устройства.	Замените предохранитель постоянного тока устройства, см. гл. «Замена предохранителя постоянного тока» на стр. 308.
Устройство не работает (режим переменного тока).	Вышел из строя предохранитель в бортовой сети автомобиля.	Заменить предохранитель постоянного тока в бортовой сети автомобиля. Обратитесь к инструкции по эксплуатации автомобиля.
	Отсутствует напряжение в розетке переменного тока.	Попробуйте подключить прибор к другой розетке.
	Перегорел предохранитель переменного тока устройства.	Замените предохранитель переменного тока устройства, см. гл. «Замена предохранителя переменного тока» на стр. 307.
	Поврежден встроенный блок питания переменного тока.	Ремонт разрешается выполнять только в авторизованном сервисном центре.

Неисправность	Возможные причины	Вариант устранения
Дисплей не реагирует на нажатия кнопок.	Дисплей заблокирован.	Разблокируйте дисплей, см. гл. «Блокировка/разблокировка дисплея» на стр. 302.
Приложение не может управлять устройством.	Нет подключения по Bluetooth или WiFi.	Подключите Bluetooth, см. гл. «Настройка сигнала Bluetooth и подключение к приложению» на стр. 305, или подключите WiFi, см. гл. «Настройка сигнала WiFi и подключение к приложению» на стр. 306.
На дисплее отображается предупреждающее сообщение или код предупреждения.	–	См. таблицу ниже.

### Предупреждающие сообщения

Например, см. рис. **25** А, стр. 16.

Предупреждающее сообщение	Описание	Возможные причины	Вариант устранения
!ALERT - Lid open > 3 min	Крышка открыта более 3 минут	<ul style="list-style-type: none"> <li>Крышка не полностью закрыта</li> <li>Внутренняя неисправность</li> </ul>	<ul style="list-style-type: none"> <li>Убедитесь в том, что крышка полностью закрыта</li> <li>Требуется проверка уполномоченным ремонтным центром</li> </ul>

Предупреждающее сообщение	Описание	Возможные причины	Вариант устранения
!ALERT - Voltage low	Устройство перестало работать на постоянном токе из-за низкого напряжения	<ul style="list-style-type: none"> <li>• Недостаточное напряжение питания</li> <li>• Слишком низкое напряжение аккумулятора</li> <li>• Слишком высокая настройка реле защиты аккумулятора</li> </ul>	<ul style="list-style-type: none"> <li>• Проверьте падение напряжения от батареи к электрической розетке и, при необходимости, увеличьте калибр проводов.</li> <li>• Проверьте батарею и, при необходимости, зарядите ее</li> <li>• Уменьшите настроенное значение реле защиты аккумулятора</li> </ul>
	Устройство перестало работать на постоянном токе из-за аномально высокого напряжения >31,5 В (маловероятное событие – только для защиты электроники – используется то же предупреждение, что и при низком напряжении выше)	<ul style="list-style-type: none"> <li>• Неправильная спецификация напряжения питания постоянного тока</li> <li>• Неверное напряжение питания</li> <li>• Внутренняя неисправность</li> </ul>	<ul style="list-style-type: none"> <li>• Убедитесь, что спецификация напряжения постоянного тока соответствует паспортной табличке CFX 3</li> <li>• Проверьте источник постоянного напряжения и отремонтируйте или замените, если он неисправен</li> <li>• Требуется проверка уполномоченным ремонтным центром</li> </ul>

**Коды предупреждения**

Например, см. рис. **25** В, стр. 16.

<b>Код предупреждения</b>	<b>Неисправность</b>	<b>Возможные причины</b>	<b>Вариант устранения</b>
!WARNING 32	Перегрузка вентилятора по току	Внутренняя неисправность.	Выключите устройство не менее чем на 5 минут, затем перезапустите. Если проблема не устранена, требуется проверка уполномоченным ремонтным центром
!WARNING 33	Сбой запуска компрессора		
!WARNING 34	Скорость компрессора низкая	<ul style="list-style-type: none"> <li>Высокая температура окружающей среды</li> </ul>	<ul style="list-style-type: none"> <li>Выключите устройство не менее чем на 30 минут или перейдите в более прохладное место, затем перезапустите</li> </ul>
!WARNING 35	Перегрев контроллера	<ul style="list-style-type: none"> <li>Вентиляционные отверстия заблокированы или недостаточный зазор</li> <li>Внутренняя неисправность</li> </ul>	<ul style="list-style-type: none"> <li>Очистите вентиляционные отверстия</li> <li>Требуется проверка уполномоченным ремонтным центром</li> </ul>
!WARNING 01	Разомкнута цепь NTC SZ & DZ LARGE	Внутренняя неисправность	Требуется проверка уполномоченным ремонтным центром
!WARNING 11	Разомкнута цепь NTC DZ SMALL		
!WARNING 02	Короткое замыкание NTC SZ & DZ LARGE		
!WARNING 12	Короткое замыкание NTC DZ SMALL		
!WARNING 09	Неисправен клапан DZ или клапан устройства для производства льда		Выключите устройство не менее чем на 1 минуту, затем перезапустите. Если проблема не устранена, требуется проверка уполномоченным ремонтным центром
!WARNING 03/43	Ошибка связи		

## 10 Гарантия

Действителен установленный законом срок гарантии. Если продукт неисправен, обратитесь в представительство изготовителя в Вашей стране (см. [dometic.com/dealer](http://dometic.com/dealer)) или в торговую организацию.

В целях проведения ремонта или гарантийного обслуживания Вы должны также послать следующие документы:

- копию счета с датой покупки,
- причину рекламации или описание неисправности.

## 11 Утилизация

- По возможности, выкидывайте упаковочный материал в мусор, подлежащий вторичной переработке.



Если Вы окончательно выводите продукт из эксплуатации, то получите информацию в ближайшем центре по вторичной переработке или в торговой сети о соответствующих предписаниях по утилизации.



### **ПРЕДУПРЕЖДЕНИЕ! Опасность попадания ребенка внутрь устройства**

Перед утилизацией старого охлаждающего устройства:

- Снимите крышку.
- Оставьте полки в устройстве, чтобы в него не могли залезть дети.

## 12 Технические характеристики



### УКАЗАНИЕ

Минимальная температура, указанная в «Холодопроизводительности», не может быть достигнута, если температура окружающей среды выше 32 °С (90 °F) для моделей CFX3 35/45/55/55IM/100 или если температура окружающей среды выше 30 °С (86 °F) для моделей CFX3 75DZ/95DZ (настройка меньше -22 °С/больше +4 °С).

Испытания/сертификаты:



	CFX3 35	CFX3 45	CFX3 55
Напряжение питания:	12/24 В $\equiv$ и 100 – 240 В $\sim$		
Номинальный ток:	12 В $\equiv$ : 7,5 А 24 В $\equiv$ : 3,3 А 100 В $\sim$ : 0,94 А 240 В $\sim$ : 0,39 А	12 В $\equiv$ : 8,2 А 24 В $\equiv$ : 3,5 А 100 В $\sim$ : 0,96 А 240 В $\sim$ : 0,40 А	12 В $\equiv$ : 8,7 А 24 В $\equiv$ : 3,7 А 100 В $\sim$ : 0,98 А 240 В $\sim$ : 0,41 А
Холодопроизводительность:	от -22 °С до +10 °С (от -8 °F до +50 °F)		
Категория:	1		
Класс энергоэффективности:	A++		
Потребление энергии:	81 кВт-ч/год	79 кВт-ч/год	83 кВт-ч/год
Объем брутто:	36 л	46 л	55 л
Полезный объем:	36 л	46 л	55 л
Климатический класс:	N, T		
Температура окружающей среды:	от +16 °С до +43 °С (от +61 °F до +110 °F)		
Акустическая эмиссия:	44 дБ(А)	47 дБ(А)	
Зарядный USB-порт:	5 В $\equiv$ , 2 А		
Диапазон частот:	WiFi: 2412 МГц – 2472 МГц/2422 МГц – 2462 МГц Bluetooth/BLE: 2402 МГц–2480 МГц		

	<b>CFX 3 35</b>	<b>CFX3 45</b>	<b>CFX 3 55</b>
Частотный диапазон (WiFi):	2,4 ГГц		
Выходная ВЧ мощность:	WiFi: 16,62 дБм (802.11b), 16,23 дБм (802.11g), 16,45 дБм (802.11n20), 16,02 дБм (802.11n40) Bluetooth: 8,31 дБм Bluetooth/BLE: 6,67 дБм		
Количество хладагента:	38 г	42 г	45 г
CO <sub>2</sub> -эквивалент:	0,054 т	0,060 т	0,064 т
Потенциал глобального потепления (GWP):	1430		
Размеры (Ш x Г x В), мм (с ручками):	398 x 694 x 407	398 x 694 x 476	720 x 455 x 480
Вес:	16,9 кг	18,7 кг	20,4 кг

	<b>CFX3 55IM</b>	<b>CFX3 75DZ</b>	<b>CFX3 95DZ</b>
Напряжение питания:	12/24 В $\equiv$ и 100 – 240 В $\sim$		
Номинальный ток:	12 В $\equiv$ : 8,9 А 24 В $\equiv$ : 3,8 А 100 В $\sim$ : 1,00 А 240 В $\sim$ : 0,42 А	12 В $\equiv$ : 9,6 А 24 В $\equiv$ : 4,2 А 100 В $\sim$ : 1,12 А 240 В $\sim$ : 0,47 А	12 В $\equiv$ : 10,4 А 24 В $\equiv$ : 4,6 А 100 В $\sim$ : 1,22 А 240 В $\sim$ : 0,51 А
Холодопроизводительность:	от -22 °С до +10 °С (от -8 °F до +50 °F)		
Категория:	1		
Класс энергоэффективности:	A++	A+	
Потребление энергии:	82 кВт-ч/год	108 кВт-ч/год	111 кВт-ч/год
Объем брутто:	55 л	75 л (45 л/30 л)	94 л (55 л/39 л)
Полезный объем:	53 л	75 л (45 л/30 л)	94 л (55 л/39 л)
Климатический класс:	N, T		

	<b>CFX3 55IM</b>	<b>CFX3 75DZ</b>	<b>CFX3 95DZ</b>
Температура окружающей среды:	от +16 °С до +43 °С (от +61 °F до +110 °F)		
Акустическая эмиссия:	48 дБ(А)	50 дБ(А)	
Зарядный USB-порт:	5 В $\overline{=}$ , 2 А		
Диапазон частот:	WiFi: 2412 МГц – 2472 МГц/2422 МГц – 2462 МГц Bluetooth/BLE: 2402 МГц–2480 МГц		
Частотный диапазон (WiFi):	2,4 ГГц		
Выходная ВЧ мощность:	WiFi: 16,62 дБм (802.11b), 16,23 дБм (802.11g), 16,45 дБм (802.11n20), 16,02 дБм (802.11n40) Bluetooth: 8,31 дБм Bluetooth/BLE: 6,67 дБм		
Количество хладагента:	45 г	59 г	67 г
СО <sub>2</sub> -эквивалент:	0,064 т	0,084 т	0,096 т
Потенциал глобального потепления (GWP):	1430		
Размеры (Ш x Г x В), мм (с ручками):	720 x 455 x 480	892 x 495 x 472	962 x 530 x 472
Вес:	21,3 кг	27,8 кг	29,8 кг

<b>CFX3 100</b>	
Напряжение питания:	12/24 В $\overline{=}$ и 100 – 240 В $\sim$
Номинальный ток:	12 В $\overline{=}$ : 10,8 А 24 В $\overline{=}$ : 4,8 А 100 В $\sim$ : 1,28 А 240 В: 0,53 А
Холодопроизводительность:	от +10 °С до –22 °С (от +50 °F до –8 °F)
Категория:	1

	<b>CFX3 100</b>
Класс энергоэффективности:	A+
Потребление энергии:	111 кВт·ч/год
Объем брутто:	99 л
Полезный объем:	88 л
Климатический класс:	N, T
Температура окружающей среды:	от +16 °С до +43 °С (от +61 °F до +110 °F)
Акустическая эмиссия:	36,5 дБ(А)
USB:	5 В==, 2 А
Диапазон частот:	WiFi: 2412 МГц – 2472 МГц/2422 МГц – 2462 МГц Bluetooth/BLE: 2402 МГц – 2480 МГц
Частотный диапазон (WiFi):	2,4 ГГц
Выходная ВЧ мощность:	WiFi: 16,62 дБм (802.11b), 16,23 дБм (802.11g), 16,45 дБм (802.11n20), 16,02 дБм (802.11n40) Bluetooth: 8,31 дБм Bluetooth/BLE: 6,67 дБм
Количество хладагента:	60 г
СО <sub>2</sub> -эквивалент:	0,086 т
Потенциал глобального потепления (GWP):	1430
Размеры (Ш x Г x В), мм (с ручками):	962 x 530 x 472
Вес:	29,6 кг

Холодильный контур содержит R134a.

Содержит фторированные парниковые газы

Герметически закрытая конструкция

**Przed uruchomieniem urządzenia należy uważnie przeczytać niniejszą instrukcję. Instrukcję należy zachować. Należy ją dołączyć do urządzenia chłodniczego w razie jego przekazania innemu użytkownikowi.**

Producent nie odpowiada za szkody powstałe w **wyniku użytkowania niezgodnego z przeznaczeniem** lub **niewłaściwej obsługi**.

## Spis treści

<b>1</b>	<b>Objaśnienie symboli</b> .....	319
<b>2</b>	<b>Wskazówki dotyczące bezpieczeństwa</b> .....	320
<b>3</b>	<b>W zestawie</b> .....	322
<b>4</b>	<b>Osprzęt</b> .....	323
<b>5</b>	<b>Użytkowanie zgodne z przeznaczeniem</b> .....	323
<b>6</b>	<b>Opis działania</b> .....	324
6.1	Zakres funkcji .....	324
6.2	Elementy obsługowe i wskaźniki .....	325
<b>7</b>	<b>Obsługa</b> .....	326
7.1	Przed pierwszym użyciem .....	326
7.2	Porady związane z oszczędzaniem energii .....	326
7.3	Odwracanie kierunku otwierania wieka .....	326
7.4	Podłączanie lodówki .....	327
7.5	Stosowanie pojemnika chłodzącego .....	327
7.6	Korzystanie z wyświetlacza .....	328
7.7	Blokowanie i odblokowywanie wyświetlacza .....	329
7.8	Wybór jednostki temperatury .....	329
7.9	Ustawianie temperatury .....	329
7.10	Korzystanie z zabezpieczenia akumulatora .....	329
7.11	Ustawianie jasności wyświetlacza .....	330
7.12	Włączanie lub wyłączanie komór (tylko CFX3 75DZ, CFX3 95DZ) ..	330
7.13	Korzystanie z lodownika (tylko CFX3 55IM) .....	330
7.14	Pobieranie aplikacji CFX3 .....	331
7.15	Konfiguracja sygnału Bluetooth i łączenie się z aplikacją .....	332
7.16	Konfiguracja sygnału WiFi i łączenie się z aplikacją .....	332
7.17	Zmiana nazwy CFX i hasła w aplikacji .....	332
7.18	Resetowanie hasła aplikacji (tylko WiFi) .....	332
7.19	Przywracanie ustawień fabrycznych .....	333

7.20	Gniazdo USB do zasilania elektrycznego . . . . .	333
7.21	Rozmrażanie lodówki . . . . .	333
7.22	Wymiana bezpiecznika prądu przemiennego . . . . .	334
7.23	Wymiana bezpiecznika prądu stałego . . . . .	334
7.24	Wymiana bezpiecznika wtyku prądu stałego . . . . .	334
7.25	Wymiana płytki drukowanej oświetlenia . . . . .	334
<b>8</b>	<b>Czyszczenie i konserwacja</b> . . . . .	335
<b>9</b>	<b>Usuwanie usterek</b> . . . . .	335
<b>10</b>	<b>Gwarancja</b> . . . . .	339
<b>11</b>	<b>Utylizacja</b> . . . . .	339
<b>12</b>	<b>Dane techniczne</b> . . . . .	340

## 1 Objąśnienie symboli



### **NIEBEZPIECZEŃSTWO!**

**Wskazówka bezpieczeństwa** informująca o niebezpiecznej sytuacji, która – jeśli się jej nie uniknie – prowadzi do śmierci lub ciężkich obrażeń.



### **OSTRZEŻENIE!**

**Wskazówka bezpieczeństwa** informująca o niebezpiecznej sytuacji, która – jeśli się jej nie uniknie – może prowadzić do śmierci lub ciężkich obrażeń.



### **OSTROŻNIE!**

**Wskazówka bezpieczeństwa** informująca o niebezpiecznej sytuacji, która – jeśli się jej nie uniknie – może prowadzić do lekkich lub średnich obrażeń.



### **UWAGA!**

Wskazówka informująca o sytuacji, która – jeśli się jej nie uniknie – może prowadzić do powstania szkód materialnych.



### **WSKAZÓWKA**

Informacje uzupełniające dotyczące obsługi produktu.

## 2 Wskazówki dotyczące bezpieczeństwa



**OSTRZEŻENIE! Nieprzestrzeganie tych ostrzeżeń może prowadzić do śmierci lub ciężkich obrażeń.**

### Zagrożenie życia w wyniku porażenia prądem

- Uruchamianie urządzenia jest zabronione, gdy ma ono widoczne uszkodzenia.
- Jeśli kabel zasilający tego urządzenia chłodzącego jest uszkodzony, należy go wymienić, aby zapobiec zagrożeniom bezpieczeństwa.
- Napraw mogą dokonywać tylko odpowiednio wykwalifikowane osoby. Niefachowe naprawy mogą spowodować poważne niebezpieczeństwo.

### Niebezpieczeństwo pożaru

- Podczas ustawiania urządzenia należy uważać, aby nie przygnieść ani nie uszkodzić przewodu zasilającego.
- Nie umieszczają z tyłu urządzenia rozgałęziaczy ani zasilaczy.

### Zagrożenie zdrowia

- Dzieci od 8 lat i osoby o ograniczonych możliwościach fizycznych, sensorycznych lub intelektualnych oraz osoby niedysponujące stosowną wiedzą i doświadczeniem mogą używać tego urządzenia jedynie pod nadzorem innej osoby bądź pod warunkiem uzyskania informacji dotyczących bezpiecznego użytkowania urządzenia i zrozumienia wynikających z tego zagrożeń.
- Dzieci nie mogą bawić się urządzeniem.
- Dzieci nie mogą również czyścić i konserwować urządzenia bez nadzoru.
- Dzieci od 3 do 8 lat mogą umieszczać produkty w urządzeniach chłodniczych i wyjmować je z nich.

### Ryzyko wybuchu

- W urządzeniu nie wolno przechowywać substancji wybuchowych, np. pojemników aerozolowych z palnym gazem wyłaczającym.



**OSTROŻNIE! Nieprzestrzeganie tych uwag może prowadzić do lekkich lub nieznaczących obrażeń.**

### Zagrożenie życia w wyniku porażenia prądem

- Przed użyciem należy sprawdzić, czy przewód i wtyczka są suche.

- Urządzenie należy odłączyć od sieci
  - przed każdym czyszczeniem i konserwacją
  - po każdym użyciu

### Zagrożenie zdrowia

- Należy sprawdzić, czy wydajność chłodzenia odpowiada wymaganiom związanym z przechowywaną żywnością lub lekami.
- Środki spożywcze mogą być przechowywane tylko w oryginalnych opakowaniach lub odpowiednich pojemnikach.
- Pozostawianie drzwi urządzenia chłodniczego otwartych przez dłuższy czas może spowodować znaczny wzrost temperatury w jego komorach.
- Regularnie czyścić powierzchnie, które mogą mieć kontakt z żywnością i dostępnymi układami odprowadzania wody.
- Surowe mięso i ryby należy przechowywać wewnątrz urządzenia w odpowiednich pojemnikach, aby nie miały one kontaktu z innymi artykułami spożywczymi lub nie kapały na nie.
- Jeśli urządzenie pozostaje puste przez dłuższy czas:
  - Wyłączyć urządzenie.
  - Odszronić urządzenie.
  - Wyczyścić i osuszyć urządzenie.
  - Pozostawić otwarte drzwi, aby zapobiec powstawaniu pleśni w urządzeniu.



### UWAGA! Niebezpieczeństwo uszkodzenia

- Należy porównać dane dotyczące napięcia na tabliczce znamionowej z danymi dostępnego źródła zasilania.
- Urządzenie można podłączać tylko w następujący sposób:
  - do gniazda pokładowego prądu stałego pojazdu za pomocą przewodu przyłączeniowego prądu stałego
  - lub za pomocą przewodu przyłączeniowego prądu przemiennego do sieci prądu przemiennego
- Wtyczki nie należy nigdy wyciągać z gniazda zapalniczki samochodowej ani gniazodka elektrycznego, pociągając za przewód zasilania.
- Jeśli przenośna lodówka jest podłączona do gniazodka DC: Przed podłączeniem do ładowarki należy odłączyć lodówkę i inne urządzenia od akumulatora.
- Jeśli przenośna lodówka jest podłączona do gniazodka DC: Wyłączając silnik należy odłączyć urządzenie lub je wyłączyć. W przeciwnym razie akumulator może się rozładować.

- Przenośna lodówka nie nadaje się do transportu substancji żrących lub zawierających rozpuszczalniki!
- Izolacja tego urządzenia chłodniczego zawiera cyklopentan. Znajdujące się w materiale izolacyjnym gazy wymagają specjalnej procedury utylizacyjnej. Nienadające się do dalszej eksploatacji urządzenie chłodnicze należy dostarczyć do specjalistycznego zakładu utylizacyjnego.
- Wewnątrz przenośnej lodówki nie należy używać żadnych urządzeń elektrycznych – z wyjątkiem urządzeń zaleconych przez producenta.
- Nie należy ustawiać urządzenia w pobliżu otwartego ognia i innych źródeł ciepła (ogrzewanie, silne promieniowanie słoneczne, piec gazowy itp.).
- **Niebezpieczeństwo przegrzania!**  
Należy zawsze zapewniać minimum 50 mm przestrzeni do wentylacji ze wszystkich czterech stron urządzenia chłodniczego. W przestrzeni tej nie mogą znajdować się żadne przedmioty ograniczające dopływ powietrza do chłodzonych elementów.  
Nie umieszczać urządzenia chłodniczego w zamkniętych przestrzeniach ani w miejscach całkowicie lub prawie całkowicie pozbawionych dopływu powietrza.
- Należy uważać, aby nie zakrywać otworów wentylacyjnych.
- Wypełnianie wewnętrznego pojemnika cieczami i lodem jest zabronione.
- Zanurzanie urządzenia w wodzie jest zabronione.
- Urządzenie i przewody należy chronić przed wysoką temperaturą i wilgocią.

### 3 W zestawie

Pozycja na rys. 1, strona 3	Ilość	Opis
1	1	Lodówka przenośna
2	1	Przewód przyłączeniowy do gniazda prądu stałego
3	1	Kabel przyłączeniowy do gniazodka prądu przemiennego

## 4 Osprzęt

Dostępne jako osprzęt (niedostarczane w zestawie):

Oznaczenie	Nr katalogowy	Model
Aplikacja CFX3	–	zgodna ze wszystkimi modelami
PLB 40	9600014024	zgodna ze wszystkimi modelami

Należy pamiętać, że aplikacja CFX3 może być niedostępna w kraju użytkownika.

## 5 Użytkowanie zgodne z przeznaczeniem

Urządzenie nadaje się do:

- Obsługa w pojazdach
- Chłodzenie i zamrażanie żywności
- zastosowania na kempingu

Urządzenie **nie** nadaje się do:

- przechowywania substancji o właściwościach korozyjnych, żrących oraz substancji zawierających rozpuszczalniki
- szybkiego zamrażania produktów

Urządzenie chłodnicze nadaje się do stosowania na campingach. Urządzenia nie wolno narażać na działanie deszczu.

Dwugwiazdkowe zamrażalniki nadają się do przechowywania uprzednio zamrożonej żywności, przechowywania lub wytwarzania lodów oraz do wytwarzania kostek lodu.

Jedno-, dwu- i trzygwiazdkowe zamrażalniki nie nadają się do zamrażania świeżej żywności.

## 6 Opis działania

Lodówka służy do chłodzenia, utrzymywania w chłodzie i zamrażania produktów. Chłodzenie odbywa się za pomocą kompresorowego obiegu chłodniczego o niskich wymaganiach w zakresie konserwacji. Skuteczna izolacja i wydajny kompresor zapewniają efektywne i szybkie chłodzenie.

Jest to lodówka przenośna.

Lodówka jest przystosowana do pracy przy krótkotrwałych nachyleniach do 30°.

### 6.1 Zakres funkcji

- Zasilacz z układem wyboru priorytetu zasilania sieciowego do podłączenia do sieci prądu przemiennego
- Trzy poziomowy układ monitorowania stanu akumulatora chroniący akumulator pojazdu
- Ekran wyświetlający temperaturę w °C oraz °F
- Regulacja temperatury krokowo co 1 °C (1 °F)
- Zintegrowane funkcje WiFi i Bluetooth, dzięki czemu lodówką można sterować za pomocą aplikacji
- Rozkładane uchwyty do przenoszenia
- Ładowarka USB do urządzeń przenośnych, takich jak telefony komórkowe
- Wyjmowany kosz
- **Tylko CFX3 55IM:** Lodownik

## 6.2 Elementy obsługowe i wskaźniki

**Blokada pokrywy: rys. 2 1, strona 3**

**Panel do obsługi (rys. 3 1, strona 4)**

Pozycja	Opis	Objaśnienie
1		Włącza lodówkę po krótkim naciśnięciu przycisku Wyłącza lodówkę po przytrzymaniu przycisku przez trzy sekundy Wraca do poprzedniego menu
2	Wyświetlacz	<p>Przedstawia informacje</p> <p><b>ac</b> : Podłączono zasilanie prądem przemiennym</p> <p><b>dcv</b>: Podłączono zasilanie prądem stałym</p> <p> : Włączono funkcję Bluetooth</p> <p> : Włączono funkcję WiFi</p> <p> : Wyświetlacz zablokowany</p> <p>● : Pracuje sprężarka</p> <p>■ : Pracuje lodownik (tylko CFX3 55IM)</p>
3		<p>Nacisnąć , aby przejść wyżej lub zwiększyć wybraną wartość.</p> <p>Nacisnąć , aby przejść niżej lub zmniejszyć wybraną wartość.</p> <p>Nacisnąć  i  jednocześnie przez 3 s aby zablokować lub odblokować wyświetlacz.</p>
4		Nacisnąć, aby wybrać menu lub zapisać wybraną wartość.

**Gniazda przyłączeniowe (rys. 4 1, strona 4)**

Pozycja	Opis
1	Gniazdo przyłączeniowe zasilania napięciem przemiennym
2	Gniazdo przyłączeniowe zasilania napięciem stałym
3	Gniazdo bezpiecznika prądu stałego
4	Gniazdo bezpiecznika

## 7 Obsługa

### 7.1 Przed pierwszym użyciem



#### **WSKAZÓWKA**

Ze względów higienicznych przed uruchomieniem nowej lodówki należy wyczyścić ją od wewnątrz i z zewnątrz wilgotną szmatką (patrz również rozdz. „Czyszczenie i konserwacja” na stronie 335).

### 7.2 Porady związane z oszczędzaniem energii

- Wybierz miejsce z dobrą wentylacją, nienarażone na promieniowanie słoneczne.
- Schłódź ciepłe potrawy przed ich włożeniem do urządzenia.
- Nie otwieraj lodówki częściej niż jest to konieczne.
- Nie zostawiaj otwartej lodówki dłużej niż to jest konieczne.
- Lodówkę przenośną należy bezzwłocznie odszronić w przypadku wytworzenia się w niej warstwy lodu.
- Unikać niepotrzebnie niskich temperatur.

### 7.3 Odwracanie kierunku otwierania wieka

#### **CFX 3 55, CFX 3 55IM, CFX 3 100**

- ▶ Postępować w zilustrowany sposób (rys. **5**, strona 5).

#### **CFX 3 75DZ, CFX 3 95DZ**

- ▶ Postępować w zilustrowany sposób (rys. **6**, strona 6).

## 7.4 Podłączanie lodówki



### UWAGA! Ryzyko uszkodzenia

- W celu ochrony urządzenia dostarczony wraz z nim kabel do zasilania prądem stałym wyposażony jest we wtyk z bezpiecznikiem. **Nie** należy usuwać wtyku zasilania prądem stałym z bezpiecznikiem.  
Należy używać wyłącznie dostarczonego kabla zasilania prądem stałym.
- Przed ładowaniem akumulatora za pomocą szybkiej ładowarki należy odłączyć od niego lodówkę oraz inne odbiorniki energii elektrycznej.  
Przebiecia mogą uszkodzić elektronikę urządzenia.

### Podłączanie do akumulatora

- Postępować w zilustrowany sposób (rys. **7**, strona 7).

### Podłączanie za pomocą przedłużonego, stałego okablowania prądu stałego (tylko CFX3 100)

- Postępować w zilustrowany sposób (rys. **8**, strona 8).

### Podłączanie do zasilania prądem przemiennym



### NIEBEZPIECZEŃSTWO! Ryzyko porażenia prądem

- Nie dotykać wtyczek ani wyłączników wilgotnymi rękami lub stojąc na mokrej powierzchni.
- W przypadku korzystania z lodówki na pokładzie statku i zasilania jej z lądowej sieci prądu przemiennego pomiędzy siecią prądu przemiennego a lodówką należy zainstalować wyłącznik różnicowoprądowy.  
Należy zasięgnąć porady odpowiednio przeszkolonego technika.

- Postępować w zilustrowany sposób (rys. **9**, strona 9).

## 7.5 Stosowanie pojemnika chłodzącego



### UWAGA! Ryzyko przegrzania

Należy zawsze zapewniać dostateczną wentylację, aby umożliwić rozpraszanie wytwarzanego podczas pracy ciepła. Nie zakrywać otworów wentylacyjnych. Dbać o odpowiednią odległość urządzenia od ścian lub przedmiotów, zapewniając wystarczającą cyrkulację powietrza.

**WSKAZÓWKA**

W przypadku zasilania z akumulatora wyświetlacz automatycznie wyłącza się, jeżeli napięcie akumulatora jest niskie.

- Włączanie lodówki: rys. **10**, strona 9
- Wyłączanie lodówki: rys. **11**, strona 10

## 7.6 Korzystanie z wyświetlacza

### Stany wyświetlacza (rys. **12**, strona 10)

Pozycja	Opis
A	Gotowość do pracy
B	Stan bez obciążenia
C	Zablokowany

### Przegląd wyświetlacza: rys. **13**, strona 11

#### Nawigacja w menu

Wyróżnione menu jest wybrane.

- ▶ Nacisnąć , aby przejść wyżej.
- ▶ Nacisnąć , aby przejść niżej.

#### Wybór menu

- ▶ Nacisnąć , aby wybrać żądane menu.

#### Zmiana ustawień wentylatora

Wybrana jest wyróżniona wartość lub ustawienie.

- ▶ Nacisnąć , aby zwiększyć wybraną wartość lub wybrać poprzednie ustawienie.
- ▶ Nacisnąć , aby zmniejszyć wybraną wartość lub wybrać następne ustawienie.

#### Powrót do poprzedniego menu

- ▶ Nacisnąć , aby wrócić do poprzedniego menu.

## 7.7 Blokowanie i odblokowywanie wyświetlacza

- ▶ Nacisnąć  i  jednocześnie przez 3 s aby zablokować lub odblokować wyświetlacz (rys. **14**, strona 11).

## 7.8 Wybór jednostki temperatury

- ▶ Postępować w zilustrowany sposób (rys. **15**, strona 11).

## 7.9 Ustawianie temperatury



### **UWAGA! Ryzyko uszkodzenia przez zbyt niską temperaturę**

Należy uważać, aby w lodówce znajdowały się tylko rzeczy lub produkty, które mogą być chłodzone do wybranej temperatury.

- ▶ Postępować w zilustrowany sposób (rys. **16**, strona 12).

## 7.10 Korzystanie z zabezpieczenia akumulatora

Urządzenie jest wyposażone w 3-stopniowe zabezpieczenie akumulatora. Zabezpieczenie akumulatora zapobiega nadmiernemu rozładowaniu, gdy urządzenie jest podłączone do akumulatora rozruchowego pojazdu lub maksymalizuje wykorzystanie akumulatora zasilającego.

Jeżeli lodówka jest używana przy wyłączonym zapłonie w pojeździe, automatycznie wyłącza się ona, gdy napięcie spadnie poniżej ustawionej wartości. Lodówka włącza się ponownie po naładowaniu akumulatora i osiągnięciu napięcia ponownego włączenia.



### **UWAGA! Ryzyko uszkodzenia**

Jeśli urządzenie zostanie wyłączone przez układ ochrony akumulatora, oznacza to, że akumulator nie jest już w pełni naładowany. Unikać wielokrotnego uruchamiania. Należy pamiętać o ponownym naładowaniu akumulatora.



### **WSKAZÓWKA**

Jeżeli lodówka jest zasilana z akumulatora rozruchowego, należy wybrać tryb układu ochrony stanu akumulatora „MEDIUM” lub „HIGH”. Jeżeli lodówka jest podłączona do akumulatora pokładowego, wystarczający jest tryb układu ochrony stanu akumulatora „LOW”.

- ▶ Postępować w zilustrowany sposób (rys. **17**, strona 13).

## 7.11 Ustawianie jasności wyświetlacza

- Postępować w zilustrowany sposób (rys. 18, strona 13).

## 7.12 Włączanie lub wyłączanie komór (tylko CFX 3 75DZ, CFX 3 95DZ)

Każdą strefę można aktywować indywidualnie lub można włączyć obie strefy.

- Postępować w zilustrowany sposób (rys. 19, strona 14).

## 7.13 Korzystanie z lodownika (tylko CFX 3 55IM)



### WSKAZÓWKA

- Niezależnie od ustawienia temperatury w komorze głównej, strefa lodownika jest przeznaczona do wytwarzania kostek lodu, jeśli lodownik jest włączony.
- Zużycie energii przez lodówkę wzrasta przy włączonym lodowniku. Dlatego należy wyłączać lodownik, jeśli nie jest potrzebny.
- Fabryczne ustawienie lodownika to stan WYŁĄCZONY.

- Postępować w zilustrowany sposób (rys. 20, strona 14).

### Napełnianie tacek na lód wodą

- Wyjąć tacki na lód (rys. 21 1, strona 15) z obudowy lodownika (rys. 21 2, strona 15).
- Zdjąć pokrywy tacek na lód, napełnić czystą wodą i ponownie założyć pokrywy, zwracając uwagę na to, aby uszczelka krawędziowa była dociśnięta dookoła.
- Ponownie umieścić tacki na lód w obudowie lodownika i zamknąć wieko.



### WSKAZÓWKA

Usunąć rozlaną wodę, która dostała się pod spód tacek. Pozwoli to ograniczyć odkładanie się lodu pod tacami i ułatwi ich wyjmowanie.

### Wymywanie kostek lodu

- Otworzyć wieko obudowy wytwornicy lodu i chwycić przednią część tacek na lód.

**WSKAZÓWKA**

Usuwanie może wymagać użycia dodatkowej siły przy użyciu dwóch rąk w warunkach wysokiej wilgotności, która może powodować powstawanie lodu pod tacami na lód.

- Zdjąć pokrywę tacek i wyginać tacki, aby wydobyć z nich kostki lodu.

**Wymowanie obudowy lodownika**

Obudowę lodownika można demontować w celu czyszczenia lub gdy nie jest używana, aby zwiększyć przestrzeń użytkową wewnątrz lodówki:

- Podnieść obudowę na jednym końcu, aż zaczep się odłączy, a następnie wyjąć ją.
- Wykonać czynności w odwrotnej kolejności, naciskając zaczepy, aby zaskoczyły na swoje miejsca.

**Wskazówki dotyczące korzystania z lodownika**

- Lodownik wytwarza lód szybko przez kilka godzin po włączeniu, a następnie automatycznie przechodzi w tryb utrzymania lodu w celu zmniejszenia zużycia energii. Jeśli potrzebnych jest kilka partii lodu tak szybko, jak to możliwe, wyłączenie i ponowne włączenie lodownika spowoduje powrót do trybu szybkiego wytwarzania lodu. Powtórzyć odpowiednio do potrzeb.
- Niskie ustawienia temperatury zamrażarki w komorze głównej mogą nie być utrzymywane w warunkach wysokiej temperatury otoczenia przy włączonym lodowniku.

**Czyszczenie i osuszanie lodownika**

- Gdy lodownik nie jest używany, oczyścić i osuszyć tacki na lód oraz wnętrze lodownika, aby zapobiec powstawaniu pleśni.
- Po dłuższym okresie nieużywania przemyć wnętrze tacek na lód za pomocą łagodnego roztworu płynu do mycia naczyń i splukać czystą wodą przed użyciem.

**7.14 Pobieranie aplikacji CFX 3**

Lodówkę można monitorować i sterować nią przez Bluetooth lub WiFi, używając aplikacji, którą można zainstalować na kompatybilnym urządzeniu.

- Aplikację CFX3 można pobrać ze sklepów App Store lub Google Play.

Należy pamiętać, że aplikacja CFX3 może być niedostępna w kraju użytkownika.

## 7.15 Konfiguracja sygnału Bluetooth i łączenie się z aplikacją

Lodówkę można monitorować i sterować nią za pośrednictwem łączności Bluetooth. W tym celu należy sparować lodówkę z urządzeniem obsługującym Bluetooth.



### WSKAZÓWKA

- Parowanie należy wykonać z poziomu aplikacji CFX3, a nie w ustawieniach urządzenia.
- Do połączenia Bluetooth nie jest wymagane hasło.

➤ Postępować w zilustrowany sposób (rys. 22, strona 15).

## 7.16 Konfiguracja sygnału WiFi i łączenie się z aplikacją

Lodówkę można monitorować i sterować nią przez bezpośrednie połączenie WiFi z lodówką lub przez sieć WiFi.

- Postępować w zilustrowany sposób (rys. 23, strona 16), aby włączyć WiFi.
- Aby nawiązać bezpośrednie połączenie WiFi, należy przejść do ustawień urządzenia i wybrać lodówkę.
  - Nazwa WiFi lodówki zaczyna się od „CFX3”.
  - Ustawione domyślnie hasło brzmi „00000000”.
  - Nazwę WiFi i hasło można spersonalizować w aplikacji CFX3.



### WSKAZÓWKA

Aby połączyć się przez sieć WiFi, należy przejść do opcji „połączenie sieciowe” w USTAWIENIACH aplikacji.

## 7.17 Zmiana nazwy CFX i hasła w aplikacji

- Nazwę urządzenia CFX można spersonalizować w aplikacji.
  - Ta sama dotyczy zarówno łączności Bluetooth, jak i WiFi.
  - W aplikacji można również spersonalizować hasło, które dotyczy tylko WiFi.
- Należy przejść do opcji „Nazwa CFX i hasło” w USTAWIENIACH aplikacji.

## 7.18 Resetowanie hasła aplikacji (tylko WiFi)

- Hasło aplikacji można zresetować do ustawienia fabrycznego „00000000”.
- Postępować w zilustrowany sposób (rys. 23, strona 16).

## 7.19 Przywracanie ustawień fabrycznych

Funkcja resetowania zmienia wszystkie menu wyświetlacza i pola aplikacji na oryginalne ustawienia fabryczne.

- ▶ Postępować w zilustrowany sposób (rys. 24, strona 16).

## 7.20 Gniazdo USB do zasilania elektrycznego

Przyłącze USB można wykorzystywać w celu ładowania małych urządzeń (np. telefonów komórkowych lub odtwarzaczy mp3).



### WSKAZÓWKA

Należy się upewnić, że małe urządzenie podłączone do przyłącza USB nadaje się do zasilania 5 V/2 A.

- ▶ Postępować w zilustrowany sposób (rys. 26, strona 17).

## 7.21 Rozmrażanie lodówki

Wilgoć może się osadzać na parowniku lub wewnątrz lodówki w postaci szronu. Powoduje to zmniejszenie wydajności chłodzenia. Należy wówczas w odpowiednim czasie odszronić urządzenie.



### UWAGA! Ryzyko uszkodzenia

Do usuwania warstw lodu lub oddzielania przymarzniętej żywności nigdy nie używać twardych lub ostro zakończonych narzędzi.

Aby odszronić lodówkę, należy postępować w następujący sposób:

- ▶ Opróżnić lodówkę.
- ▶ W razie potrzeby umieścić zawartość w innym urządzeniu chłodniczym w celu utrzymania jej w odpowiedniej temperaturze.
- ▶ Wyłączyć urządzenie.
- ▶ Pozostawić otwartą pokrywę.
- ▶ Zetrzeć wodę z roztopionego lodu.

## 7.22 Wymiana bezpiecznika prądu przemiennego



### **NIEBEZPIECZEŃSTWO! Ryzyko porażenia prądem**

Przed wymianą bezpiecznika urządzenia należy odłączyć zasilanie i kabel przyłączeniowy.

- ▶ Odłączyć urządzenie od zasilania.
- ▶ Odłączyć przewód przyłączeniowy.
- ▶ Podważyć wkładkę bezpiecznikową (rys. **4** 4, strona 4) wkrętakiem.
- ▶ Wymienić uszkodzony szklany bezpiecznik na nowy takiego samego typu i o takich samych parametrach (szybki, 4 A, 250 V).
- ▶ Z powrotem włożyć wkładkę bezpiecznikową do obudowy.
- ▶ Ponownie podłączyć urządzenie do zasilania.

## 7.23 Wymiana bezpiecznika prądu stałego

- ▶ Podważyć wkładkę bezpiecznikową (rys. **4** 3, strona 4) wkrętakiem.
- ▶ Cofnąć osłonę bezpieczników i użyć haczyka, aby wymontować uszkodzony bezpiecznik szklany.
- ▶ Włożyć nowy bezpiecznik o takich samych parametrach i takiego samego typu.
- ▶ Z powrotem założyć osłonę bezpieczników.

## 7.24 Wymiana bezpiecznika wtyku prądu stałego

- ▶ Zastąpić wadliwy bezpiecznik nowym bezpiecznikiem tego samego typu i o takich samych parametrach.
- ▶ Postępować w zilustrowany sposób (rys. **27**, strona 17).

## 7.25 Wymiana płytki drukowanej oświetlenia



### **UWAGA! Niebezpieczeństwo uszkodzenia**

Aby uniknąć niebezpieczeństwa, wymianę lampki zlecać wyłącznie producentowi, przedstawicielowi serwisu lub odpowiednio wykwalifikowanej osobie.

## 8 Czyszczenie i konserwacja



### UWAGA! Niebezpieczeństwo uszkodzenia!

- Przenośnej lodówki nie wolno nigdy czyścić pod bieżącą wodą ani zamaczać w wodzie.
- Do czyszczenia nie należy używać agresywnych środków czyszczących ani twardych przedmiotów, gdyż mogą uszkodzić lodówkę.

- Obudowę należy czyścić od czasu do czasu wilgotną ściereczką od wewnątrz i na zewnątrz.
- Należy upewnić się, że otwory wentylacyjne urządzenia nie są zabrudzone ani zakurzone, aby możliwe było odprowadzanie ciepła podczas pracy urządzenia, co pozwoli uniknąć uszkodzenia urządzenia.

## 9 Usuwanie usterek

Usterka	Możliwa przyczyna	Proponowane rozwiązanie
Urządzenie nie działa (tryb prądu stałego, zapłon włączony).	W gnieździe zasilającym prądu stałego nie wykryto napięcia.	W większości pojazdów zapłon musi być włączony, aby do gniazda zasilającego prądu stałego dostarczane było napięcie.
	Gniazdo prądu stałego jest zabrudzone. Unie-możliwia to prawidłowe przewodzenie prądu w złączu.	Jeśli wtyk urządzenia bardzo nagrzewa się w gnieździe prądu stałego, oznacza to, że należy wyczyścić gniazdo prądu stałego albo że wtyk nie został prawidłowo złożony.
	Bezpiecznik wtyku prądu stałego przepalił się.	Wymienić bezpiecznik we wtyku prądu stałego, patrz rozdz. „Wymiana bezpiecznika wtyku prądu stałego” na stronie 334.
	Bezpiecznik prądu stałego urządzenia przepalił się.	Wymienić bezpiecznik prądu stałego urządzenia, patrz rozdz. „Wymiana bezpiecznika prądu stałego” na stronie 334.
	Bezpiecznik pojazdu przepalił się.	Wymienić bezpiecznik w gnieździe prądu stałego pojazdu. Patrz instrukcja obsługi pojazdu.

<b>Usterka</b>	<b>Możliwa przyczyna</b>	<b>Proponowane rozwiązanie</b>
Urządzenie nie działa (tryb prądu zmiennego).	W gnieździe prądu przemiennego nie ma napięcia.	Spróbować podłączyć urządzenie do innego gniazda.
	Bezpiecznik prądu przemiennego urządzenia przepalił się.	Wymienić bezpiecznik prądu przemiennego urządzenia, patrz rozdz. „Wymiana bezpiecznika prądu przemiennego” na stronie 334.
	Zintegrowany zasilacz prądu zmiennego jest uszkodzony.	Naprawy może dokonać tylko autoryzowany zakład serwisowy.
Wyświetlacz nie reaguje na naciśnięcia klawiszy.	Wyświetlacz jest zablokowany.	Odblokować wyświetlacz, patrz rozdz. „Blokowanie i odblokowywanie wyświetlacza” na stronie 329.
Aplikacja nie może sterować urządzeniem.	Nie nawiązano połączenia Bluetooth ani WiFi.	Nawiązać połączenie Bluetooth, patrz rozdz. „Konfiguracja sygnału Bluetooth i łączenie się z aplikacją” na stronie 332, lub nawiązać połączenie WiFi, patrz rozdz. „Konfiguracja sygnału WiFi i łączenie się z aplikacją” na stronie 332.
Na wyświetlaczu pojawia się komunikat alarmowy lub kod ostrzegawczy.	–	Zob. poniższą tabelę.

## Komunikaty alarmowe

Np. zob. rys. 25 A, strona 16.

Komunikat alarmowy	Opis	Możliwa przyczyna	Proponowane rozwiązanie
!ALERT - Lid open > 3 min	Wiekło otwarte przez ponad 3 minuty	<ul style="list-style-type: none"> <li>Wiekło nie jest w pełni domknięte</li> <li>Usterka wewnętrzna</li> </ul>	<ul style="list-style-type: none"> <li>Sprawdzić czy wiekło jest w pełni domknięte</li> <li>Wymagana kontrola przez autoryzowany zakład serwisowy</li> </ul>
!ALERT - Voltage low	Urządzenie przestało korzystać z prądu stałego z powodu niskiego napięcia	<ul style="list-style-type: none"> <li>Niewystarczające napięcie zasilające</li> <li>Za niskie napięcie akumulatora</li> <li>Wybrano zbyt wysokie ustawienie układu ochrony akumulatora</li> </ul>	<ul style="list-style-type: none"> <li>Sprawdzić spadek napięcia z akumulatora do gniazdka i w razie potrzeby zwiększyć przekrój przewodów</li> <li>Sprawdzić akumulator i w razie potrzeby naładować go</li> <li>Wybrać niższe ustawienie układu ochrony stanu akumulatora</li> </ul>
	Urządzenie przestało pracować z zasilaniem prądem stałym z powodu przekroczenia normalnego poziomu napięcia >31,5 V (mało prawdopodobne zdarzenie – tylko w celu ochrony układu elektronicznego – wykorzystywany jest ten sam komunikat alarmowy co w przypadku niskiego napięcia powyżej)	<ul style="list-style-type: none"> <li>Nieprawidłowa specyfikacja napięcia zasilania prądem stałym</li> <li>Nieprawidłowe napięcie zasilania</li> <li>Usterka wewnętrzna</li> </ul>	<ul style="list-style-type: none"> <li>Upewnić się, że specyfikacja napięcia zasilania prądem stałym jest zgodna z tabliczką znamionową CFX3</li> <li>Sprawdzić zasilanie napięciem stałym i naprawić je lub wymienić w razie uszkodzenia</li> <li>Wymagana kontrola przez autoryzowany zakład serwisowy</li> </ul>

**Kody ostrzegawcze**

Np. zob. rys. 25 B, strona 16.

<b>Kod ostrzegawczy</b>	<b>Usterka</b>	<b>Możliwa przyczyna</b>	<b>Proponowane rozwiązanie</b>
!WARNING 32	Przekroczenie prądu wentylatora	Usterka wewnętrzna.	Wyłączyć urządzenie na co najmniej 5 minut, a następnie uruchomić je ponownie. Jeśli problem nie ustępuje, wymagana jest kontrola przez autoryzowany zakład serwisowy
!WARNING 33	Niepowodzenie uruchomienia kompresora		
!WARNING 34	Niska prędkość kompresora	<ul style="list-style-type: none"> <li>Wysoka temperatura otoczenia</li> </ul>	<ul style="list-style-type: none"> <li>Wyłączyć urządzenie na co najmniej 30 minut lub przenieść je w chłodniejsze miejsce, następnie uruchomić ponownie</li> </ul>
!WARNING 35	Przekroczenie temperatury regulatora	<ul style="list-style-type: none"> <li>Zablokowany otwór wentylacyjny lub niewystarczający odstęp</li> <li>Usterka wewnętrzna</li> </ul>	<ul style="list-style-type: none"> <li>Oczyścić otwory wentylacyjne</li> <li>Wymagana kontrola przez autoryzowany zakład serwisowy</li> </ul>
!WARNING 01	Otwarty obwód NTC; SZ i DZ WYSOKIE	Usterka wewnętrzna	Wymagana kontrola przez autoryzowany zakład serwisowy
!WARNING 11	Otwarty obwód NTC; DZ NISKIE		
!WARNING 02	Zwarcie NTC; SZ i DZ WYSOKIE		
!WARNING 12	Zwarcie NTC; DZ NISKIE		
!WARNING 09	Zawór DZ lub zawór lodownika uszkodzony		Wyłączyć urządzenie na co najmniej 1 minutę, a następnie uruchomić je ponownie. Jeśli problem nie ustępuje, wymagana jest kontrola przez autoryzowany zakład serwisowy
!WARNING 03/43	Błąd komunikacji		

## 10 Gwarancja

Obowiązuje ustawowy okres gwarancji. Jeśli produkt jest uszkodzony, należy zgłosić się do partnera serwisowego w danym kraju (patrz [dometic.com/dealer](http://dometic.com/dealer)).

W celu naprawy lub rozpatrzenia gwarancji konieczne jest przesłanie:

- kopii rachunku z datą zakupu,
- informacji o przyczynie reklamacji lub opisu wady.

## 11 Utylizacja

- ▶ Opakowanie należy wyrzucić do odpowiedniego pojemnika na śmieci do recyklingu.



Jeżeli produkt nie będzie dłużej eksploatowany, koniecznie dowiedz się w najbliższym zakładzie recyklingu lub w specjalistycznym sklepie, jakie są aktualnie obowiązujące przepisy dotyczące utylizacji.



### **OSTRZEŻENIE! Ryzyko zamknięcia się dziecka w urządzeniu**

Przed utylizacją starego urządzenia chłodniczego należy:

- Zdemontować klapę.
- Pozostawić kosze w lodówce, aby dzieci nie mogły w łatwy sposób wejść do środka.

## 12 Dane techniczne



### WSKAZÓWKA

Temperatury minimum podanej w parametrze „Wydajność chłodzenia” nie można osiągnąć, jeśli temperatura otoczenia przekracza 32 °C (90 °F) w przypadku modeli CFX3 35/45/55/55IM/100 lub gdy temperatura otoczenia przekracza 30 °C (86 °F) w przypadku modeli CFX3 75DZ/95DZ (ustawienie niskie -22°C/wysokie +4 °C).

Badania/certyfikaty:



	CFX3 35	CFX3 45	CFX3 55
Napięcie zasilania:	12/24 V $\overline{=}$ i 100 – 240 V $\sim$		
Prąd znamionowy:	12 V $\overline{=}$ : 7,5 A 24 V $\overline{=}$ : 3,3 A 100 V $\sim$ : 0,94 A 240 V $\sim$ : 0,39 A	12 V $\overline{=}$ : 8,2 A 24 V $\overline{=}$ : 3,5 A 100 V $\sim$ : 0,96 A 240 V $\sim$ : 0,40 A	12 V $\overline{=}$ : 8,7 A 24 V $\overline{=}$ : 3,7 A 100 V $\sim$ : 0,98 A 240 V $\sim$ : 0,41 A
Zakres temperatur chłodzenia:	-22 °C do +10 °C (-8 °F do +50 °F)		
Kategoria:	1		
Klasa efektywności energetycznej:	A++		
Zużycie energii:	81 kWh/rocznie	79 kWh/rocznie	83 kWh/rocznie
Objętość brutto:	36 l	46 l	55 l
Pojemność użytkowa:	36 l	46 l	55 l
Klasa klimatyczna:	N, T		
Temperatura otoczenia:	+16 °C do +43 °C (+61 °F do +110 °F)		
Emisja hałasu:	44 dB(A)	47 dB(A)	
Port ładowania USB:	5 V $\overline{=}$ , 2 A		
Zakres częstotliwości:	WiFi: 2412 MHz – 2472MHz/2422 MHz – 2462MHz Bluetooth/BLE: 2402 MHz – 2480 MHz		
Pasma częstotliwości (WiFi):	2,4 GHz		

	<b>CFX3 35</b>	<b>CFX3 45</b>	<b>CFX3 55</b>
Moc wyjściowa RF:	WiFi: 16,62 dBm (802.11b), 16,23 dBm (802.11g), 16,45 dBm (802.11n20), 16,02 dBm (802.11n40) Bluetooth: 8,31 dBm Bluetooth LE: 6,67 dBm		
Ilość czynnika chłodniczego:	38 g	42 g	45 g
Ekwiwalent CO <sub>2</sub> :	0,054 t	0,060 t	0,064 t
Potencjał tworzenia efektu cieplarnianego (GWP):	1430		
Wymiary (szer. x wys. x gł.) w mm (łącznie z uchwytami):	398 x 694 x 407	398 x 694 x 476	720 x 455 x 480
Masa:	16,9 kg	18,7 kg	20,4 kg

	<b>CFX3 55IM</b>	<b>CFX3 75DZ</b>	<b>CFX3 95DZ</b>
Napięcie zasilania:	12/24 V $\overline{=}$ i 100 – 240 V $\sim$		
Prąd znamionowy:	12 V $\overline{=}$ : 8,9 A 24 V $\overline{=}$ : 3,8 A 100 V $\sim$ : 1,00 A 240 V $\sim$ : 0,42 A	12 V $\overline{=}$ : 9,6 A 24 V $\overline{=}$ : 4,2 A 100 V $\sim$ : 1,12 A 240 V $\sim$ : 0,47 A	12 V $\overline{=}$ : 10,4 A 24 V $\overline{=}$ : 4,6 A 100 V $\sim$ : 1,22 A 240 V $\sim$ : 0,51 A
Zakres temperatur chłodzenia:	-22 °C do +10 °C (-8 °F do +50 °F)		
Kategoria:	1		
Klasa efektywności energetycznej:	A++	A+	
Zużycie energii:	82 kWh/rocznie	108 kWh/rocznie	111 kWh/rocznie
Objętość brutto:	55 l	75 l (45 l/30 l)	94 l (55 l/39 l)
Pojemność użytkowa:	53 l	75 l (45 l/30 l)	94 l (55 l/39 l)
Klasa klimatyczna:	N, T		
Temperatura otoczenia:	+16 °C do +43 °C (+61 °F do +110 °F)		

	<b>CFX3 55IM</b>	<b>CFX3 75DZ</b>	<b>CFX3 95DZ</b>
Emisja hałasu:	48 dB(A)	50 dB(A)	
Port ładowania USB:	5 V $\overline{=}$ , 2 A		
Zakres częstotliwości:	WiFi: 2412 MHz – 2472MHz/2422 MHz – 2462MHz Bluetooth/BLE: 2402 MHz – 2480 MHz		
Pasma częstotliwości (WiFi):	2,4 GHz		
Moc wyjściowa RF:	WiFi: 16,62 dBm (802.11b), 16,23 dBm (802.11g), 16,45 dBm (802.11n20), 16,02 dBm (802.11n40) Bluetooth: 8,31 dBm Bluetooth LE: 6,67 dBm		
Ilość czynnika chłodniczego:	45 g	59 g	67 g
Ekwiwalent CO <sub>2</sub> :	0,064 t	0,084 t	0,096 t
Potencjał tworzenia efektu cieplarnianego (GWP):	1430		
Wymiary (szer. x wys. x gł.) w mm (łącznie z uchwytami):	720 x 455 x 480	892 x 495 x 472	962 x 530 x 472
Masa:	21,3 kg	27,8 kg	29,8 kg

	<b>CFX3 100</b>
Napięcie zasilania:	12/24 V $\overline{=}$ i 100 – 240 V $\sim$
Prąd znamionowy:	12 V $\overline{=}$ : 10,8 A 24 V $\overline{=}$ : 4,8 A 100 V $\sim$ : 1,28 A 240 V: 0,53 A
Zakres temperatur chłodzenia:	+10 °C do -22 °C (+50 °F do -8 °F)
Kategoria:	1
Klasa efektywności energetycznej:	A+

	<b>CFX3 100</b>
Zużycie energii:	111 kWh/rocznie
Objętość brutto:	99 l
Pojemność użytkowa:	88 l
Klasa klimatyczna:	N, T
Temperatura otoczenia:	+16 °C do +43 °C (+61 °F do +110 °F)
Emisja hałasu:	36,5 dB(A)
USB:	5 V $\overline{=}$ , 2 A
Zakres częstotliwości:	WiFi: 2412 MHz – 2472MHz/2422 MHz – 2462MHz Bluetooth/BLE: 2402 MHz – 2480 MHz
Pasmo częstotliwości (WiFi):	2,4 GHz
Moc wyjściowa RF:	WiFi: 16,62 dBm (802.11b), 16,23 dBm (802.11g), 16,45 dBm (802.11n20), 16,02 dBm (802.11n40) Bluetooth: 8,31 dBm Bluetooth LE: 6,67 dBm
Ilość czynnika chłodniczego:	60 g
Ekwiwalent CO <sub>2</sub> :	0,086 t
Potencjał tworzenia efektu cieplarnianego (GWP):	1430
Wymiary (szer. x wys. x gł.) w mm (łącznie z uchwytyami):	962 x 530 x 472
Masa:	29,6 kg

Obieg czynnika chłodniczego zawiera R134a.

Zawiera fluorowane gazy cieplarniane

Hermetycznie zamknięte urządzenie

**Pred uvedením zariadenia do prevádzky si prosím pozorne prečítajte tento návod a odložte si ho. V prípade odovzdania chladiaceho zariadenia ďalšiemu používateľovi mu odovzdajte aj tento návod.**

Výrobca neručí za škody, ktoré vzniknú používaním, ktoré **nie je v súlade s určeným použitím** alebo boli spôsobené **nesprávnou obsluhou**.

## Obsah

<b>1</b>	<b>Vysvetlenie symbolov</b> .....	345
<b>2</b>	<b>Bezpečnostné pokyny</b> .....	346
<b>3</b>	<b>Rozsah dodávky</b> .....	348
<b>4</b>	<b>Príslušenstvo</b> .....	348
<b>5</b>	<b>Používanie v súlade s určením</b> .....	349
<b>6</b>	<b>Opis činnosti</b> .....	349
6.1	Rozsah funkcií .....	349
6.2	Ovládacie a indikačné prvky .....	350
<b>7</b>	<b>Obsluha</b> .....	351
7.1	Pred prvým použitím .....	351
7.2	Tipy pre úsporu energie .....	351
7.3	Zmena smeru otvárania veka .....	351
7.4	Pripojenie chladiaceho boxu .....	352
7.5	Použitie chladiaceho boxu .....	352
7.6	Používanie displeja .....	353
7.7	Uzamknutie/odomknutie displeja .....	354
7.8	Voľba jednotky teploty .....	354
7.9	Nastavenie teploty .....	354
7.10	Použitie ochrany batérie .....	354
7.11	Nastavenie jasu displeja .....	355
7.12	Zapnutie alebo vypnutie priehradok (iba modely CFX3 75DZ, CFX3 95DZ) .....	355
7.13	Použitie výrobníka ľadu (iba model CFX3 55IM) .....	355
7.14	Stiahnutie aplikácie CFX3 .....	356
7.15	Nastavenie signálu Bluetooth a pripojenie k aplikácii .....	357
7.16	Nastavenie WiFi signálu a pripojenie k aplikácii .....	357
7.17	Zmena názvu CFX a hesla v aplikácii .....	357
7.18	Resetovanie hesla aplikácie (iba WiFi) .....	357

7.19	Obnovenie výrobných nastavení . . . . .	358
7.20	USB pripojenie pre napájanie . . . . .	358
7.21	Odmrazenie chladiaceho boxu . . . . .	358
7.22	Výmena poistky striedavého prúdu . . . . .	359
7.23	Výmena poistky jednosmerného prúdu . . . . .	359
7.24	Výmena poistky zástrčky na jednosmerný prúd . . . . .	359
7.25	Výmena dosky svetelných vodičov . . . . .	359
<b>8</b>	<b>Čistenie a údržba</b> . . . . .	<b>360</b>
<b>9</b>	<b>Odstraňovanie porúch</b> . . . . .	<b>360</b>
<b>10</b>	<b>Záruka</b> . . . . .	<b>364</b>
<b>11</b>	<b>Likvidácia</b> . . . . .	<b>364</b>
<b>12</b>	<b>Technické údaje</b> . . . . .	<b>365</b>

## 1 Vysvetlenie symbolov



### NEBZPEČENSTVO!

**Bezpečnostné upozornenie** na nebezpečnú situáciu, ktorá vedie k usmrteniu alebo ťažkému poraneniu, ak sa jej nezabráni.



### VÝSTRAHA!

**Bezpečnostné upozornenie** na nebezpečnú situáciu, ktorá môže viesť k usmrteniu alebo ťažkému poraneniu, ak sa jej nezabráni.



### UPOZORNENIE!

**Bezpečnostné upozornenie** na nebezpečnú situáciu, ktorá môže viesť k ľahkému alebo stredne ťažkému usmrteniu alebo ťažkému poraneniu, ak sa jej nezabráni.



### POZOR!

Upozornenie na situáciu, ktorá môže viesť k materiálnym škodám, ak sa jej nezabráni.



### POZNÁMKA

Doplňujúce informácie týkajúce sa obsluhy produktu.

## 2 Bezpečnostné pokyny



**VÝSTRAHA! Nedodržanie týchto varovaní môže mať za následok smrť alebo vážne poranenie.**

### **Nebezpečenstvo ohrozenia života zásahom elektrického prúdu**

- Ak zariadenie vykazuje očividné poškodenia, nesmiete ho uviesť do prevádzky.
- Ak je napájací kábel tohto chladiaceho zariadenia poškodený, musí sa vymeniť, aby sa zabránilo bezpečnostným rizikám.
- Opravy tohoto zariadenia smú robiť len odborníci. Neodbornými opravami môžu vzniknúť značné nebezpečenstvá.

### **Nebezpečenstvo požiaru**

- Pri umiestňovaní zariadenia sa ubezpečte, že napájací kábel nie je zachytený alebo poškodený.
- Neumiestňuje žiadne viacnásobné prenosné zásuvky alebo prenosné napájacie adaptéry na zadnú stranu zariadenia.

### **Ohrozenie zdravia**

- Toto zariadenie smú používať deti od 8 rokov a osoby so zníženými psychickými, zmyslovými alebo mentálnymi schopnosťami a vedomosťami, keď sú pod dozorom alebo keď boli poučené o bezpečnom používaní zariadenia a chápu, aké riziká z toho vyplývajú.
- Deti sa nesmú hrať so zariadením.
- Čistenie a bežnú údržbu nesmú deti vykonávať bez dozoru.
- Deti vo veku od 3 do 8 rokov smú vkladať potraviny do chladiacich zariadení a tiež ich z nich vyberať.

### **Nebezpečenstvo výbuchu**

- V prístroji neuskladňujte látky, pri ktorých hrozí nebezpečenstvo výbuchu, napr. sprejové nádoby s hnacím plynom.



**UPOZORNENIE! Nedodržanie týchto upozornení môže mať za následok drobné alebo stredne ťažké poranenie.**

### **Nebezpečenstvo ohrozenia života zásahom elektrického prúdu**

- Pred uvedením do prevádzky dbajte, aby boli prívod a zástrčka suché.
- Odpojte zariadenie z el. siete
  - pred každým čistením a ošetrovaním
  - po každom použití

### Ohrozenie zdravia

- Skontrolujte, či chladiaci výkon zariadenia zodpovedá požiadavkám potravín alebo liekov, ktoré chcete chladit'.
- Potraviny sa smú uskladnit' len v originálnom balení alebo vo vhodných nádobách.
- Otvorenie chladiaceho zariadenia na dlhšiu dobu môže spôsobiť výrazné zvýšenie teploty v priehradkách spotrebiča.
- Pravidelne čistite povrchy, ktoré môžu prísť do kontaktu s potravinami a prístupnými systémami na odvádzanie kondenzátu.
- Surové mäso a ryby uskladnite v zariadení vo vhodných nádobách, aby neprišli do kontaktu s inými potravinami alebo aby na ne nekvapkali.
- Ak je zariadenie dlhšiu dobu prázdne a nepoužíva sa:
  - Zariadenie vypnite.
  - Zariadenie odmrazte.
  - Zariadenie vyčistite a vysušte.
  - Nechajte otvorené dvere, aby ste zabránili tvorbe plesní.



### POZOR! Nebezpečenstvo poškodenia

- Porovnajzte údaj o napätí na typovom štítku s prívodom el. energie, ktorý máte k dispozícii.
- Chladiace zariadenie pripájajte iba nasledovne:
  - pripájacím káblom na jednosmerný prúd palubnej zásuvky jednosmerného prúdu vo vozidle
  - alebo pripájacím káblom na striedavý prúd k sieti striedavého napätia
- Nikdy nevyt'ahujte zástrčku zo zásuvky za pripojovací kábel.
- Keď je chladiace zariadenie pripojené na zásuvku jednosmerného prúdu: Odpojte vaše chladiace zariadenie a ostatné spotrebiče od batérie skôr než pripojíte rýchlonabíjačku.
- Keď je chladiace zariadenie pripojené na zásuvku jednosmerného prúdu: Rozpojte spojenie alebo vypnite chladiace zariadenie, keď vypnete motor. V opačnom prípade sa môže vybit' batéria.
- Chladiace zariadenie nie je vhodné na prepravu dráždivých alebo rozpúšť'adlá obsahujúcich látok.
- Toto chladiace zariadenie obsahuje v izolácii horľavý cyklopentan. Plyn v izolačných materiáloch vyžadujú špeciálnu metódu na likvidáciu. Chladiace zariadenie na konci životnosti odovzdajte k riadnej likvidácii.

- Nepoužívajte žiadne elektrické prístroje vo vnútri chladiaceho zariadenia, okrem prístrojov, ktoré sú na to doporučené výrobcom zariadenia.
- Nepostavte zariadenie v blízkosti otvoreného ohňa alebo iných zdrojov tepla (kúrenie, slnečné žiarenie, plynové kachle atď.).
- **Nebezpečenstvo prehriatia!**  
Ubezpečte sa, že po celú dobu je na všetkých štyroch stranách chladiaceho zariadenia minimálne 50 mm voľného priestoru na vetranie. Neblokujte vetrací priestor žiadnymi predmetmi, ktoré by mohli prekážať prúdeniu vzduchu k chladiacim súčiastkam. Neumiestňujte chladiace zariadenie do uzavretých priehradiek alebo priestorov bez prúdenia alebo s minimálnym prúdením vzduchu.
- Dbajte, aby nedošlo k zakrytiu vetracích otvorov.
- Do vnútornej nádoby nedávajte žiadne kvapaliny alebo ľad.
- Nikdy neponorte zariadenie do vody.
- Chráňte zariadenie a káble pred horúčavou a vlhkom.

### 3 Rozsah dodávky

Položka na obr. 1, strane 3	Počet	Označenie
1	1	Chladiaci box
2	1	Pripájací kábel pre prípojku s jednosmerným prúdom
3	1	Pripájací kábel pre prípojku so striedavým prúdom

### 4 Príslušenstvo

K dispozícii ako príslušenstvo (nie je súčasťou dodávky):

Označenie	Č. výr.	Model
Aplikácia CFX3	–	vhodná pre všetky modely
PLB40	9600014024	vhodná pre všetky modely

Majte na pamäti, že aplikácia CFX3 nemusí byť dostupná vo vašej krajine.

## 5 Používanie v súlade s určením

Zariadenie je vhodné na:

- prevádzku vo vozidlách
- chladenie a mrazenie potravín
- kempingové účely.

Zariadenie **nie je** vhodné na:

- skladovanie korozívnych, žieravých látok alebo látok obsahujúcich rozpúšťadlá,
- rýchle zmrazovanie potravín

Chladiace zariadenie je vhodné na kempingové účely. Zariadenie nevystavujte dažďu.

Dvojhviezdičkové priehradky na mrazené potraviny sú vhodné na uskladnenie predmrazených potravín, uskladnenie alebo výrobu zmrzliny a výrobu kociek ľadu.

Jedno-, dvoj-, a trojhviezdičkové priehradky nie sú vhodné na zmrazovanie čerstvých potravín.

## 6 Opis činnosti

Chladiaci box môže schladiť potraviny, udržiavať ich v chlade, ako aj ich hlboko zmraziť. Chladenie sa uskutočňuje prostredníctvom takmer bezúdržbového chladiaceho okruhu s kompresorom. Dostatočná izolácia a výkonný kompresor zaručujú účinné a rýchle chladenie.

Chladiaci box je určený na mobilné použitie.

Chladiaci box vydrží krátkodobý náklon 30°.

### 6.1 Rozsah funkcií

- Sieťová časť s prioritným spínaním na pripojenie na striedavé napätie
- Trojstupňový indikátor batérie na ochranu batérie vozidla
- Displej so zobrazením teploty v °C a °F
- Nastavenie teploty v krokoch po 1 °C (1 °F)
- Integrovaná funkcia WiFi a Bluetooth, vďaka čomu je možné ovládanie s použitím aplikácie

- Sklopné prenosné rukoväte
- USB nabíjačka pre prenosné zariadenia, ako napríklad mobilné telefóny
- Vyberateľný vkladací kôš
- **Len model CFX3 55IM:** Výrobník ľadu

## 6.2 Ovládacie a indikačné prvky

**Západka veka: obr. 2 1, strane 3**

**Ovládací panel (obr. 3, strane 4)**

Položka	Označenie	Vysvetlenie
1		Zapne chladiaci box, keď sa tlačidlo krátko stlačí Vypne chladiaci box, keď sa tlačidlo stlačí na tri sekundy Návrat do hlavného menu
2	Displej	Zobrazuje informácie  <b>AC</b> : Sieť striedavého napätia je pripojená <b>DCV</b> : Sieť jednosmerného napätia je pripojená  : Bluetooth je aktivované  : WiFi je aktivovaná  : Displej je uzamknutý  : Kompresor beží  : Výrobník ľadu pracuje (iba model CFX3 55IM)
3		Stlačte  na prechádzanie nahor alebo na zvýšenie zvolenej hodnoty.  Stlačte  na prechádzanie nadol alebo na zníženie zvolenej hodnoty.  Súčasne stlačte  a  na 3 s pre uzamknutie alebo odomknutie displeja.
4		Stlačte pre voľbu menu alebo uloženie zvolenej hodnoty.

**Zásuvkové prípojky (obr. 4, strane 4):**

Položka	Označenie
1	Prípojná zásuvka napájania striedavým napätím
2	Prípojná zásuvka napájania jednosmerným napätím
3	Držiak poistky pre jednosmerný prúd
4	Držiak poistky pre striedavý prúd

## 7 Obsluha

### 7.1 Pred prvým použitím

**POZNÁMKA**

Pred uvedením chladiaceho boxu do prevádzky by ste ho z hygienických dôvodov mali vyčistiť zvonku a zvnútra vlhkou handričkou (pozri tiež kap. „Čistenie a údržba“ na strane 360).

### 7.2 Tipy pre úsporu energie

- Zvoľte dobre odvetrané a pred slnečným žiarením chránené miesto osadenia.
- Teplé jedlá nechajte najprv ochladiť, pokým ich budete v zariadení udržiavať studené.
- Neotvárajte chladiace zariadenia častejšie než je to potrebné.
- Nenechávajte chladiace zariadenie otvorené dlhšie než je to potrebné.
- Odmrazte chladiaci box hneď, ako sa vytvorí vrstva námrazy.
- Zabráňte zbytočne nízkej teplote vnútri zariadenia.

### 7.3 Zmena smeru otvárania veka

**CFX3 55, CFX3 55IM, CFX3 100**

- Postupujte podľa obrázka (obr. 5, strane 5).

**CFX3 75DZ, CFX3 95DZ**

- Postupujte podľa obrázka (obr. 6, strane 6).

## 7.4 Pripojenie chladiaceho boxu



### **POZOR! Nebezpečenstvo poškodenia**

- Na ochranu zariadenia sa kábel na jednosmerný prúd dodáva s poistkou vo vnútri zástrčky. **Neodstraňujte** zástrčku na jednosmerný prúd s poistkou  
Používajte len dodaný kábel na jednosmerný prúd.
- Pred pripojením batérie k rýchlonabíjačke odpojte chladiaci box a iné spotrebiče od batérie.  
Prepätie môže poškodiť elektroniku zariadenia.

### Pripojenie k batérii

- Postupujte podľa obrázka (obr. **7**, strane 7).

### Pripojenie pomocou predĺžených neodpojiteľných káblov jednosmerného prúdu (iba model CFX3 100)

- Postupujte podľa obrázka (obr. **8**, strane 8).

### Pripojenie k sieti striedavého napätia



### **NEBZPEČENSTVO! Nebezpečenstvo úrazu elektrickým prúdom**

- Nikdy nemanipulujte s konektormi a spínačmi, keď máte mokré ruky alebo stojíte vo vode.
- Keď prevádzkujete chladiaci box na palube lode zo siete striedavého napätia, musíte v každom prípade medzi napájanie striedavým prúdom a chladiaci box zapojiť prúdový chránič.  
Poradte sa s kvalifikovaným odborníkom.

- Postupujte podľa obrázka (obr. **9**, strane 9).

## 7.5 Použitie chladiaceho boxu



### **POZOR! Riziko prehriatia**

Zabezpečte po celú dobu dostatočné vetranie, aby teplo vytvárané počas prevádzky mohlo byť odvádzané. Dbajte na to, aby vetracie otvory neboli zakryté. Zabezpečte, aby zariadenie bolo v dostatočnej vzdialenosti od stien alebo predmetov, takže bude zaručená cirkulácia vzduchu.

**POZNÁMKA**

Pri napájaní z batérie sa displej automaticky vypne, ak je napätie batérie nízke.

- Zapnutie chladiaceho boxu: obr. **10**, strane 9
- Vypnutie chladiaceho boxu: obr. **11**, strane 10

## 7.6 Používanie displeja

### Stavy displeja (obr. **12**, strane 10)

Položka	Označenie
A	Pripravené na prevádzku
B	Kľudový režim
C	Uzamknutý

### Prehľad displeja: obr. **13**, strane 11

#### Prechádzanie cez menu

Zvýraznené menu je zvolené.

- ▶ Stlačte na prechádzanie nahor.
- ▶ Stlačte na prechádzanie nadol.

#### Výber menu

- ▶ Stlačte pre výber požadovaného menu.

#### Zmena nastavení

Zvýraznená hodnota alebo zvýraznené nastavenie je zvolené.

- ▶ Stlačte pre zvýšenie zvolenej hodnoty alebo na výber predchádzajúceho nastavenia.
- ▶ Stlačte pre zníženie zvolenej hodnoty alebo na výber nasledujúceho nastavenia.

#### Návrat do predchádzajúceho menu

- ▶ Stlačte pre návrat do predchádzajúceho menu bez uloženia.

## 7.7 Uzamknutie/odomykanie displeja

- Súčasne stlačte  a  na 3 s pre uzamknutie alebo odomykanie displeja (obr. 14, strane 11).

## 7.8 Voľba jednotky teploty

- Postupujte podľa obrázka (obr. 15, strane 11).

## 7.9 Nastavenie teploty



### **POZOR! Nebezpečenstvo poškodenia následkom nadmerne nízkej teploty**

Dbajte na to, aby sa v chladiacom zariadení nachádzali len predmety, príp. tovar, ktoré sa môžu chladieť na zvolenú teplotu.

- Postupujte podľa obrázka (obr. 16, strane 12).

## 7.10 Použitie ochrany batérie

Zariadenie je vybavené s 3-stupňovou ochranou batérie. Ochrana batérie zabráňuje nadmernému vybitiu, keď je zariadenie pripojené k štartovacej batérie vozidla alebo maximalizuje použitie napájacej batérie.

Ak sa chladiaci box používa pri vypnutom zapáľovaní vozidla, samočinne sa vypne hneď, ako napájacie napätie klesne pod nastavenú hodnotu. Chladiaci box sa znova zapne hneď, ako sa nabitím batérie dosiahne znovuzapínacie napätie.



### **POZOR! Nebezpečenstvo poškodenia**

Pri vypnutí ochranou batérie už batéria nemá svoju plnú kapacitu nabitia. Vyhňte sa opakovanému štartovaniu. Postarajte sa, aby sa batéria opäť nabila.



### **POZNÁMKA**

Keď je chladiaci box napájaný štartovacou batériou, zvolte režim ochrany batérie „MEDIUM“ alebo „HIGH“. Keď je chladiaci box pripojený k napájacej batérii, ideálnou voľbou je režim ochrany batérie „LOW“.

- Postupujte podľa obrázka (obr. 17, strane 13).

## 7.11 Nastavenie jasu displeja

- Postupujte podľa obrázka (obr. **18**, strane 13).

## 7.12 Zapnutie alebo vypnutie priehradok (iba modely CFX 3 75DZ, CFX 3 95DZ)

Každú zónu môžete aktivovať samostatne alebo ich môžete aktivovať obidve.

- Postupujte podľa obrázka (obr. **19**, strane 14).

## 7.13 Použitie výrobníka ľadu (iba model CFX 3 55IM)



### POZNÁMKA

- Nezávisle od nastavenia teploty hlavnej priehradky je zóna výrobníka ľadu určená na výrobu ľadových kociek, ak je výrobník ľadu zapnutý.
- So zapnutým výrobníkom ľadu sa zvyšuje spotreba energie chladiaceho boxu. Z tohto dôvodu vypínajte výrobník ľadu, keď ho nepoužívate.
- Výrobné nastavenie výrobníka ľadu je VYPNUTÝ.

- Postupujte podľa obrázka (obr. **20**, strane 14).

### Nalievanie vody do misiek na ľad

- Vyberte misky na ľad (obr. **21** 1, strane 15) z puzdra výrobníka ľadu (obr. **21** 2, strane 15).
- Odoberte kryty z misiek na ľad, naplňte ich čistou vodou a znovu nasadte kryty, pričom dbajte na to, aby ste tesnenie zatlačili po celom okraji misiek.
- Misky na ľad znovu umiestnite do puzdra výrobníka ľadu a zatvorte veko.



### POZNÁMKA

Ak je pod miskami na ľad rozliata voda, utrite ju dosucha. Minimalizuje sa tak tvorba námrazy pod miskami a ich vyberanie bude jednoduchšie.

### Vybratie ľadových kociek

- Otvorte veko puzdra výrobníka ľadu a misky na ľad zdvihnite za prednú časť.

**POZNÁMKA**

Vybratie si môže vyžadovať väčšiu silu s použitím oboch rúk v prípade vyššej vlhkosti vzduchu, následkom čoho sa pod miskami na ľad môže vytvoriť ľad.

- Odoberte kryty misiek na ľad a skrútením misiek uvoľníte kocky ľadu.

**Vybratie puzdra výrobníka ľadu**

Puzdro výrobníka ľadu je možné vybrať kvôli čisteniu alebo ak sa nepoužíva, aby sa zväčšil využiteľný priestor vnútri chladiaceho boxu:

- Zdvihnite puzdro na jednom konci, kým sa úchyt neuvoľní zo spony, potom ho vytiahnite.
- Pri opätovnom vkladaní zatlačte na úchyty, aby puzdro zapadlo na svoje miesto.

**Tipy na použitie výrobníka ľadu**

- Po zapnutí výrobník ľadu za niekoľko hodín rýchlo vyrobí ľad a potom sa automaticky prepne do režimu uchovávanie ľadu kvôli zníženiu spotreby energie. Ak čo najrýchlejšie potrebujete niekoľko dávok ľadu, vypnutím a opätovným zapnutím sa výrobník ľadu nastaví späť do režimu rýchlej výroby ľadu. Opakujte podľa potreby.
- V podmienkach vysokej teploty okolia so zapnutým výrobníkom ľadu nemusia zostať zachované nastavenia nízkej teploty mrazničky v hlavnej priehradky.

**Čistenie a sušenie výrobníka ľadu**

- Ak výrobník ľadu nepoužívate, vyčistite a vysušte misky na ľad a vnútro puzdra výrobníka ľadu, aby ste predišli tvorbe plesní.
- Ak misky na ľad dlhšie nepoužívate, pred použitím vyčistite vnútro misiek na ľad s jemným roztokom prípravku na umývanie riadu a vypláchnite ich čistou vodou.

**7.14 Stiahnutie aplikácie CFX3**

Chladiaci box je možné monitorovať a ovládať prostredníctvom Bluetooth alebo WiFi s pomocou aplikácie, ktorú si môžete nainštalovať na kompatibilné zariadenie.

- Stiahnite si aplikáciu CFX3 z App Store alebo Google Play.

Majte na pamäti, že aplikácia CFX3 nemusí byť dostupná vo vašej krajine.

## 7.15 Nastavenie signálu Bluetooth a pripojenie k aplikácii

Chladiaci box je možné monitorovať a ovládať prostredníctvom Bluetooth. Kvôli tomu musíte chladiaci box spárovať s vaším Bluetooth zariadením.



### POZNÁMKA

- Párovanie sa musí vykonať v aplikácii CFX3, nie v nastaveniach zariadenia.
- Bluetooth spojenie si nevyžaduje heslo.

➤ Postupujte podľa obrázka (obr. **22**, strane 15).

## 7.16 Nastavenie WiFi signálu a pripojenie k aplikácii

Chladiaci box je možné monitorovať a ovládať prostredníctvom priameho WiFi spojenie s chladiacim boxom alebo prostredníctvom WiFi siete.

- Pri zapnutí WiFi postupujte nasledovne (obr. **23**, strane 16).
- Pre priame WiFi spojenie s chladiacim boxom prejdite do nastavení zariadenia a zvolíte si svoj chladiaci box.
  - Názov WiFi vášho chladiaceho boxu začína s „CFX3“.
  - Prednastavené heslo je „**00000000**“.
  - V aplikácii CFX3 si môžete personalizovať názov WiFi a heslo.



### POZNÁMKA

Pre pripojenie prostredníctvom WiFi siete prejdite do „Pripojenie siete“ v NASTAVENIACH aplikácie.

## 7.17 Zmena názvu CFX a hesla v aplikácii

- V aplikácii si môžete personalizovať názov vášho CFX.
  - Rovnaký názov platí pre Bluetooth aj WiFi.
  - Tiež si môžete personalizovať svoje heslo v aplikácii – platí len pre WiFi.
- Prejdite do „Názov a heslo CFX“ v NASTAVENIACH aplikácie.

## 7.18 Resetovanie hesla aplikácie (iba WiFi)

- Heslo aplikácie môžete obnoviť na výrobné nastavenie „**00000000**“.
- Postupujte podľa obrázka (obr. **23**, strane 16).

## 7.19 Obnovenie výrobných nastavení

Funkcia resetovania obnoví všetky menu displeja a polia aplikácie na pôvodné výrobné nastavenia.

- Postupujte podľa obrázka (obr. **24**, strane 16).

## 7.20 USB pripojenie pre napájanie

USB pripojenie môžete použiť na nabíjanie malých prístrojov (napr. mobilné telefóny a MP3 prehrávače).



### POZNÁMKA

Uistite sa, že drobný spotrebič pripojený k USB pripojeniu, je vhodný na prevádzku s 5 V/2 A.

- Postupujte podľa obrázka (obr. **26**, strane 17).

## 7.21 Odmrazenie chladiaceho boxu

Vlhkosť vzduchu môžu vo vnútri chladiaceho zariadenia alebo na výparníku vytvárať námrazu. Tým sa znižuje chladiaci výkon. Zariadenie včas odmrázte, aby ste tomu zabránili.



### POZOR! Nebezpečenstvo poškodenia

Na odstránenie vrstvy námrazy alebo uvoľnenie primrznutých predmetov nepoužívajte tvrdé alebo špicaté nástroje.

Pri odmrazovaní chladiaceho boxu postupujte nasledovne:

- Vyberte obsah chladiaceho boxu.
- V prípade potreby ho uskladnite v inom chladiacom zariadení, aby zostal chladený.
- Vypnite zariadenie.
- Veko nechajte otvorené.
- Utrite rozmrazenú vodu.

## 7.22 Výmena poistky striedavého prúdu



### **NEBZPEČENSTVO! Nebezpečenstvo úrazu elektrickým prúdom**

Pred výmenou poistky zariadenia odpojte zdroj napájania a pripájacie káble.

- Odpojte prívod elektrickej energie do zariadenia.
- Vytiahnite pripájací kábel.
- Vypáňte vložku poistky (obr. **4** 4, strane 4) s pomocou skrutkovača.
- Vymeňte chybnú sklenenú poistku za novú poistku rovnakého typu a s rovnakou hodnotou (rýchla, 4 A, 250 V).
- Zatlačte poistkovú vložku znova naspäť do krytu.
- Znovu pripojte prívod elektrickej energie do zariadenia.

## 7.23 Výmena poistky jednosmerného prúdu

- Vypáňte kryt poistky (obr. **4** 3, strane 4) s pomocou skrutkovača.
- Vyklopte kryt poistky dozadu a s pomocou háku vyberte chybnú nožovú poistku.
- Vložte novú poistku rovnakého typu a s rovnakou hodnotou.
- Znovu nasadíte kryt poistky.

## 7.24 Výmena poistky zástrčky na jednosmerný prúd

- Vymeňte chybnú poistku za novú poistku rovnakého typu a s rovnakou hodnotou.
- Postupujte podľa obrázka (obr. **27**, strane 17).

## 7.25 Výmena dosky svetelných vodičov



### **POZOR! Nebezpečenstvo poškodenia**

Kontrolku smie vymeniť len výrobca, servisný technik alebo osoba s podobnou kvalifikáciou, aby sa zabránilo nebezpečenstvu.

## 8 Čistenie a údržba



### **POZOR! Nebezpečenstvo poškodenia!**

- Nikdy nečistite chladiace zariadenie pod tečúcou vodou alebo dokonca v preplachovacej vode.
- Nepoužívajte na čistenie žiadne ostré alebo tvrdé predmety, lebo tieto by mohli chladiace zariadenie poškodiť.

- Príležitostne vyčistite zariadenie zvnútra aj zvonku s vlhkou utierkou.
- Zabezpečte, aby vetracie a odvzdušňovacie otvory prístroja boli bez prachu a nečistôt, aby sa teplo vznikajúce pri prevádzke mohlo odvádzať a aby sa prístroj nepoškodil.

## 9 Odstraňovanie porúch

Porucha	Možná príčina	Návrh riešenia
Zariadenie nefunguje (režim jednosmerného prúdu, zapalovanie zapnuté).	V zásuvke s jednosmerným prúdom nebolo namerané žiadne napätie.	Vo väčšine vozidiel musí byť zapnuté zapalovanie, aby do zásuvky s jednosmerným prúdom bolo privádzané napätie.
	Výstup s jednosmerným prúdom je znečistený. To má za následok zlý elektrický kontakt.	Keď sa zástrčka zariadenia vo výstupe s jednosmerným prúdom veľmi zohreje, musí sa buď vyčistiť výstup s jednosmerným prúdom alebo zástrčka pravdepodobne nie je správne zmontovaná.
	Poistka zástrčky na jednosmerný prúd je prehorená.	Vymeňte poistku v zástrčke na jednosmerný prúd, pozri kap. „Výmena poistky zástrčky na jednosmerný prúd“ na strane 359.
	Poistka jednosmerného prúdu zariadenia prehorela.	Vymeňte poistku jednosmerného prúdu zariadenia, pozri kap. „Výmena poistky jednosmerného prúdu“ na strane 359.
	Poistka vozidla je prehorená.	Vymeňte poistku výstupu s jednosmerným prúdom vozidla. Pozrite si návod na obsluhu vášho vozidla.

<b>Porucha</b>	<b>Možná príčina</b>	<b>Návrh riešenia</b>
Zariadenie nefunguje (režim striedavého prúdu).	Zásuvka striedavého napätia nevedie napätie.	Vyskúšajte inú zásuvku.
	Poistka striedavého prúdu zariadenia preho-rela.	Vymeňte poistku striedavého prúdu zariadenia, pozri kap. „Výmena poistky striedavého prúdu“ na strane 359.
	Integrovaný adaptér striedavého prúdu je chybný.	Opravu môže vykonať iba autorizované servisné stredisko.
Displej nereaguje na stláčanie tlačidiel.	Displej je uzamknutý.	Odomknite displej, pozri kap. „Uzamknutie/odmknutie displeja“ na strane 354.
Aplikácia nemôže ovládať zariadenie.	Bluetooth alebo WiFi nie je pripojené.	Pripojte Bluetooth, pozri kap. „Nastavenie signálu Bluetooth a pripojenie k aplikácii“ na strane 357, alebo pripojte WiFi, pozri kap. „Nastavenie WiFi signálu a pripojenie k aplikácii“ na strane 357.
Na displeji sa zobrazí poplašné hlásenie alebo kód varovania.	–	Pozri tabuľku nižšie.

**Poplašné hlásenia**

Napr. pozri obr. 25 A, strane 16.

<b>Poplašné hlásenie</b>	<b>Popis</b>	<b>Možná príčina</b>	<b>Návrh riešenia</b>
!ALERT - Lid open > 3 min	Veko otvorené dlhšie ako 3 minúty	<ul style="list-style-type: none"> <li>Veko nie je úplne zatvorené a zaistené</li> <li>Interná chyba</li> </ul>	<ul style="list-style-type: none"> <li>Skontrolujte, či je veko úplne zatvorené a zaistené</li> <li>Potrebná kontrola v autorizovanom servisnom stredisku</li> </ul>
!ALERT - Voltage low	Zariadenie prestalo fungovať na jednosmerný prúd kvôli nízkemu napätiu	<ul style="list-style-type: none"> <li>Nedostatočné napájacie napätie</li> <li>Napätie batérie je príliš nízke</li> <li>Ochrana batérie je nastavená na príliš vysokú hodnotu.</li> </ul>	<ul style="list-style-type: none"> <li>Skontrolujte pokles napätia z batérie do zásuvky a v prípade potreby zväčšite prierez kábla</li> <li>Urobte test batérie a v prípade potreby ju nabite</li> <li>Zvoľte nižšie nastavenie ochrany batérie.</li> </ul>
	Zariadenie prestalo fungovať na jednosmerný prúd kvôli abnormálne vysokému napätiu >31,5 V (Nepravdepodobná udalosť – iba pre ochranu elektroniky – používa rovnaké poplašné hlásenie ako nízke napätie vyššie)	<ul style="list-style-type: none"> <li>Nesprávna špecifikácia jednosmerného napájacieho napätia</li> <li>Chybné napájacie napätie</li> <li>Interná chyba</li> </ul>	<ul style="list-style-type: none"> <li>Ubezpečte sa, že jednosmerné napájacie napätie sa zhoduje s typovým štítok výrobku CFX 3</li> <li>Skontrolujte jednosmerné napájacie napätie, ak je chybné, vykonajte opravu alebo výmenu</li> <li>Potrebná kontrola v autorizovanom servisnom stredisku</li> </ul>

## Kódy varovania

Napr. pozri obr. 25 B, strane 16.

Kód varovania	Porucha	Možná príčina	Návrh riešenia
!WARNING 32	Nadmerný prúd ventilátora	Interná chyba.	Vypnite zariadenie aspoň na 5 min., potom ho reštartujte. Ak problém pretrváva, je potrebná kontrola v autorizovanom servisnom stredisku
!WARNING 33	Neúspešný štart kompresora		
!WARNING 34	Nízke otáčky kompresora	<ul style="list-style-type: none"> <li>• Vysoká teplota okolia</li> </ul>	<ul style="list-style-type: none"> <li>• Vypnite zariadenie aspoň na 30 min., alebo ho premiestnite na chladnejšie miesto, potom ho reštartujte</li> </ul>
!WARNING 35	Nadmerná teplota riadenia	<ul style="list-style-type: none"> <li>• Vetrací otvor zablokovaný alebo nedostatočná vzdialenosť</li> <li>• Interná chyba</li> </ul>	<ul style="list-style-type: none"> <li>• Vyčistte vetracie otvory</li> <li>• Potrebná kontrola v autorizovanom servisnom stredisku</li> </ul>
!WARNING 01	NTC rozpojený obvod JZ (jednotlivá zóna) a DZ (duálna zóna) VEĽKÁ	Interná chyba	Potrebná kontrola v autorizovanom servisnom stredisku
!WARNING 11	NTC rozpojený obvod DZ MALÁ		
!WARNING 02	NTC skrat JZ a DZ VEĽKÁ		
!WARNING 12	NTC skrat DZ MALÁ		
!WARNING 09	Chybný ventil duálnej zóny (DZ) alebo ventil výrobníka ľadu		Vypnite zariadenie aspoň na 1 min., potom ho reštartujte. Ak problém pretrváva, je potrebná kontrola v autorizovanom servisnom stredisku
!WARNING 03/43:	Chyba komunikácie		

## 10 Záruka

Platí zákonom stanovená záručná lehota. Ak by bol výrobok chybný, obráťte sa na pobočku vo vašej krajine (pozri [dometic.com/dealer](http://dometic.com/dealer)) alebo na vášho špecializovaného predajcu.

Ak žiadate o vybavenie opravy alebo nárokov vyplývajúcich zo záruky, musíte priložiť nasledovné podklady:

- kópiu faktúry s dátumom kúpy,
- dôvod reklamácie alebo opis chyby.

## 11 Likvidácia

- Obalový materiál podľa možnosti odovzdajte do príslušného odpadu na recykláciu.



Keď výrobok definitívne vyradíte z prevádzky, informujte sa v najbližšom recyklačnom stredisku alebo u vášho špecializovaného predajcu o príslušných predpisoch týkajúcich sa likvidácie.



### **VÝSTRAHA! Riziko uväznenia dieťaťa**

Pred likvidáciou vášho starého chladiaceho zariadenia:

- Odmontujte veko.
- Nechajte košíky na svojom mieste, aby deti nemohli ľahko vliezť dnu.

## 12 Technické údaje



### POZNÁMKA

Minimálna teplota zobrazená v „Chladiaci výkon“ sa nedá dosiahnuť, ak je teplota okolia vyššia ako 32 °C (90 °F) v prípade modelov CFX3 35/45/55/55IM/100 alebo ak je teplota okolia vyššia ako 30 °C (86 °F) v prípade modelov CFX3 75DZ/95DZ (nastavte malý pri -22 °C/veľký pri +4 °C).

Test/certifikáty:



	CFX3 35	CFX3 45	CFX3 55
Pripájacie napätie:	12/24 V $\equiv$ a 100 – 240 V $\sim$		
Menovitý prúd:	12 V $\equiv$ : 7,5 A 24 V $\equiv$ : 3,3 A 100 V $\sim$ : 0,94 A 240 V $\sim$ : 0,39 A	12 V $\equiv$ : 8,2 A 24 V $\equiv$ : 3,5 A 100 V $\sim$ : 0,96 A 240 V $\sim$ : 0,40 A	12 V $\equiv$ : 8,7 A 24 V $\equiv$ : 3,7 A 100 V $\sim$ : 0,98 A 240 V $\sim$ : 0,41 A
Chladiaci výkon:	-22 °C až +10 °C (-8 °F až +50 °F)		
Kategória:	1		
Trieda energetickej účinnosti:	A++		
Spotreba:	81 kWh/ročne	79 kWh/ročne	83 kWh/ročne
Hrubý objem:	36 l	46 l	55 l
Skladovací objem:	36 l	46 l	55 l
Klimatická trieda:	N, T		
Teplota okolia:	+16 °C až +43 °C (+61 °F až +110 °F)		
Emisie hluku:	44 dB(A)	47 dB(A)	
Nabíjací port USB:	5 V $\equiv$ , 2 A		
Frekvenčný rozsah:	WiFi: 2412 MHz – 2472MHz/2422 MHz – 2462MHz Bluetooth/BLE: 2402 MHz – 2480 MHz		
Frekvenčné pásmo (Wi-Fi):	2,4 GHz		

	<b>CFX3 35</b>	<b>CFX3 45</b>	<b>CFX3 55</b>
Výkon RF výstupu:	WiFi: 16,62 dBm (802.11b), 16,23 dBm (802.11g), 16,45 dBm (802.11n20), 16,02 dBm (802.11n40), Bluetooth: 8,31 dBm Bluetooth LE: 6,67 dBm		
Množstvo chladiaceho prostriedku:	38 g	42 g	45 g
Ekvivalent CO <sub>2</sub> :	0,054 t	0,060 t	0,064 t
Potenciál globálneho otepľovania (GWP):	1430		
Rozmery (Š × V × H) v mm (vrátane rukovätí):	398 × 694 × 407	398 × 694 × 476	720 × 455 × 480
Hmotnosť:	16,9 kg	18,7 kg	20,4 kg

	<b>CFX3 55IM</b>	<b>CFX3 75DZ</b>	<b>CFX3 95DZ</b>
Pripájacie napätie:	12/24 V $\equiv$ a 100 – 240 V $\sim$		
Menovitý prúd:	12 V $\equiv$ : 8,9 A 24 V $\equiv$ : 3,8 A 100 V $\sim$ : 1,00 A 240 V $\sim$ : 0,42 A	12 V $\equiv$ : 9,6 A 24 V $\equiv$ : 4,2 A 100 V $\sim$ : 1,12 A 240 V $\sim$ : 0,47 A	12 V $\equiv$ : 10,4 A 24 V $\equiv$ : 4,6 A 100 V $\sim$ : 1,22 A 240 V $\sim$ : 0,51 A
Chladiaci výkon:	-22 °C až +10 °C (-8 °F až +50 °F)		
Kategória:	1		
Trieda energetickej účinnosti:	A++	A+	
Spotreba:	82 kWh/ročne	108 kWh/ročne	111 kWh/ročne
Hrubý objem:	55 l	75 l (45 l/30 l)	94 l (55 l/39 l)
Skladovací objem:	53 l	75 l (45 l/30 l)	94 l (55 l/39 l)
Klimatická trieda:	N, T		
Teplota okolia:	+16 °C až +43 °C (+61 °F až +110 °F)		
Emisie hluku:	48 dB(A)	50 dB(A)	

	<b>CFX3 55IM</b>	<b>CFX3 75DZ</b>	<b>CFX3 95DZ</b>
Nabíjací port USB:	5 V $\overline{\text{---}}$ , 2 A		
Frekvenčný rozsah:	WiFi: 2412 MHz – 2472MHz/2422 MHz – 2462MHz Bluetooth/BLE: 2402 MHz – 2480 MHz		
Frekvenčné pásmo (Wi-Fi):	2,4 GHz		
Výkon RF výstupu:	WiFi: 16,62 dBm (802.11b), 16,23 dBm (802.11g), 16,45 dBm (802.11n20), 16,02 dBm (802.11n40), Bluetooth: 8,31 dBm Bluetooth LE: 6,67 dBm		
Množstvo chladiaceho prostriedku:	45 g	59 g	67 g
Ekvivalent CO <sub>2</sub> :	0,064 t	0,084 t	0,096 t
Potenciál globálneho otepľovania (GWP):	1430		
Rozmery (Š × V × H) v mm (vrátane rukovätí):	720 × 455 × 480	892 × 495 × 472	962 × 530 × 472
Hmotnosť:	21,3 kg	27,8 kg	29,8 kg

<b>CFX3 100</b>	
Pripájacie napätie:	12/24 V $\overline{\text{---}}$ a 100 – 240 V $\sim$
Menovitý prúd:	12 V $\overline{\text{---}}$ : 10,8 A 24 V $\overline{\text{---}}$ : 4,8 A 100 V $\sim$ : 1,28 A 240 V: 0,53 A
Chladiaci výkon:	+10 °C až -22 °C (+50 °F až -8 °F)
Kategória:	1
Trieda energetickej účinnosti:	A+
Spotreba:	111 kWh/ročne
Hrubý objem:	99 l

	<b>CFX3 100</b>
Skladovací objem:	88 l
Klimatická trieda:	N, T
Teplota okolia:	+16 °C až +43 °C (+61 °F až +110 °F)
Emisie hluku:	36,5 dB(A)
USB:	5 V $\overline{=}$ , 2 A
Frekvenčný rozsah:	WiFi: 2412 MHz – 2472MHz/2422 MHz – 2462MHz Bluetooth/BLE: 2402 MHz – 2480 MHz
Frekvenčné pásmo (Wi-Fi):	2,4 GHz
Výkon RF výstupu:	WiFi: 16,62 dBm (802.11b), 16,23 dBm (802.11g), 16,45 dBm (802.11n20), 16,02 dBm (802.11n40), Bluetooth: 8,31 dBm Bluetooth LE: 6,67 dBm
Množstvo chladiaceho prostriedku:	60 g
Ekvivalent CO <sub>2</sub> :	0,086 t
Potenciál globálneho otepľovania (GWP):	1430
Rozmery (Š × V × H) v mm (vrátane rukovätí):	962 × 530 × 472
Hmotnosť:	29,6 kg

Chladiaci obvod obsahuje R134a.

Obsahuje fluórované skleníkové plyny

Hermeticky uzavreté zariadenie

**Před uvedením do provozu si pečlivě přečtete tento návod k obsluze a uschovejte jej. V případě dalšího prodeje ledničky předejte návod novému uživateli.**

Výrobce neručí za škody, které vzniknou **nesprávným použitím** nebo **nesprávnou obsluhou**.

## Obsah

<b>1</b>	<b>Vysvětlení symbolů</b>	370
<b>2</b>	<b>Bezpečnostní pokyny</b>	371
<b>3</b>	<b>Obsah dodávky</b>	373
<b>4</b>	<b>Příslušenství</b>	373
<b>5</b>	<b>Použití v souladu s účelem</b>	374
<b>6</b>	<b>Popis funkce</b>	374
6.1	Funkční rozsah	374
6.2	Ovládací a indikační prvky	375
<b>7</b>	<b>Obsluha</b>	376
7.1	Před prvním použitím	376
7.2	Tipy k úspoře energie	376
7.3	Změna směru zavírání víka	376
7.4	Připojení chladicího boxu	377
7.5	Použití chladicího boxu	377
7.6	Použití displeje	378
7.7	Uzamčení/odemčení displeje	378
7.8	Výběr jednotek pro zobrazení teploty	379
7.9	Nastavení teploty	379
7.10	Použití ochrany baterie	379
7.11	Nastavení jasu displeje	379
7.12	Zapnutí nebo vypnutí přihrádek (pouze CFX3 75DZ, CFX3 95DZ)	379
7.13	Používání výrobníku ledu (pouze CFX3 55IM)	380
7.14	Stažení aplikace CFX3	381
7.15	Nastavení signálu Bluetooth a připojení k aplikaci	381
7.16	Nastavení signálu WiFi a připojení k aplikaci	382
7.17	Změna názvu a hesla CFX v aplikaci	382
7.18	Obnovení hesla aplikace (pouze WiFi)	382
7.19	Reset na tovární nastavení	382

7.20	Přípojka USB k zajištění napájení . . . . .	382
7.21	Odmrazování chladicího boxu . . . . .	383
7.22	Výměna pojistky střídavého proudu . . . . .	383
7.23	Výměna pojistky stejnosměrného proudu . . . . .	384
7.24	Výměna pojistky stejnosměrné zástrčky . . . . .	384
7.25	Výměna desky s optickými vodiči . . . . .	384
<b>8</b>	<b>Čištění a péče</b> . . . . .	384
<b>9</b>	<b>Odstraňování poruch a závad</b> . . . . .	385
<b>10</b>	<b>Záruka</b> . . . . .	388
<b>11</b>	<b>Likvidace</b> . . . . .	388
<b>12</b>	<b>Technické údaje</b> . . . . .	389

## 1 Vysvětlení symbolů



### **NEBEZPEČÍ!**

**Bezpečnostní upozornění** na nebezpečnou situaci, která vede k úmrtí nebo těžkému poranění osob, pokud se jí nevyhnete.



### **VÝSTRAHA!**

**Bezpečnostní upozornění** na nebezpečnou situaci, která může vést k úmrtí nebo těžkému poranění osob, pokud se jí nevyhnete.



### **UPOZORNĚNÍ!**

**Bezpečnostní upozornění** na nebezpečnou situaci, která může vést k lehkému nebo středně těžkému poranění osob, pokud se jí nevyhnete.



### **POZOR!**

Upozornění na situaci, která může vést k poškození majetku, pokud se jí nevyhnete.



### **POZNÁMKA**

Doplňující informace týkající se obsluhy výrobku.

## 2 Bezpečnostní pokyny



**VÝSTRAHA! Nedodržení těchto varování by mohlo mít za následek smrt nebo vážné zranění.**

### **Ohrožení života elektrickým proudem**

- V případě, že je přístroj viditelně poškozen, nesmíte jej používat.
- Pokud je přívodní kabel tohoto chladicího přístroje poškozen, musí být vyměněn, aby nevzniklo nebezpečí.
- Opravy tohoto přístroje smí provádět pouze odborníci. Nesprávně provedené opravy mohou způsobit značné škody.

### **Nebezpečí požáru**

- Při umístění přístroje nesmí být zachycen nebo poškozen přívodní kabel.
- Za přístrojem neumísťujte vícenásobné přenosné zásuvky nebo přenosné napájecí zdroje.

### **Nebezpečí ohrožení zdraví**

- Tento přístroj mohou používat děti od 8 let a osoby se sníženými fyzickými, smyslovými nebo duševními schopnostmi nebo s nedostatečnými zkušenostmi a znalostmi, pokud jsou pod dohledem nebo obdržely pokyny týkající se používání přístroje bezpečným způsobem a porozuměly souvisejícím nebezpečím.
- Děti si s přístrojem nesmí hrát.
- Čištění a údržbu prováděnou uživatelem nesmějí provádět děti bez dozoru.
- Děti ve věku 3 až 8 let smí chladicí přístroj nakládat a vykládat.

### **Nebezpečí výbuchu**

- Neskladujte v přístroji výbušné látky, jako např. spreje s hořlavým hnacím plynem.



**UPOZORNĚNÍ! Nedodržení těchto upozornění by mohlo mít za následek lehké nebo střední zranění.**

### **Ohrožení života elektrickým proudem**

- Před uvedením do provozu zkontrolujte, zda jsou přívodní kabel a zástrčka suché.
- Přístroj odpojte od sítě:
  - Před každým čištěním a údržbou
  - Po každém použití

### Nebezpečí ohrožení zdraví

- Zkontrolujte, zda chladicí výkon přístroje odpovídá požadavkům potravin nebo léčiv, které chcete skladovat.
- Skladujte potraviny pouze v originálním balení nebo ve vhodných nádobách.
- Otevření chladicího přístroje na delší dobu může způsobit značné zvýšení teploty v přihrádkách přístroje.
- Pravidelně čistěte povrchy, které se mohou dostat do kontaktu s potravinami a přístupnými odtokovými systémy.
- Syrové maso a ryby skladujte ve vhodných nádobách v přístroji tak, aby se nedostaly do styku s jinými potravinami nebo neodkapávaly na jiné potraviny.
- Pokud je přístroj delší dobu nečinný:
  - Vypněte přístroj.
  - Odmrazte přístroj.
  - Vyčistěte a osušte přístroj.
  - Dvířka udržujte otevřená, aby se zabránilo tvorbě plísně uvnitř přístroje.



### POZOR! Nebezpečí poškození

- Porovnejte údaj o napětí na typovém štítku se stávajícím zdrojem napájení.
- Ledničku připojte pouze následujícím způsobem:
  - Přívodním kabelem na stejnosměrný proud k palubní zásuvce stejnosměrného proudu ve vozidle
  - Nebo přívodním kabelem na střídavý proud k síti střídavého proudu
- Nikdy nevytahujte zástrčku ze zásuvky tahem za přívodní kabel.
- Pokud je chladnička připojena k zásuvce stejnosměrného proudu: Odpojte chladničku a jiné spotřebiče od baterie dříve, než je připojíte k rychlonabíječce.
- Pokud je chladnička připojena k zásuvce stejnosměrného proudu: Po vypnutí motoru přerušte spojení nebo vypněte chladničku. V opačném případě může dojít k vybití baterie.
- Chladnička není vhodná k přepravě lepkavých látek nebo látek obsahujících rozpouštědla.
- V izolaci této ledničky je hořlavý cyklopentan. Plyny v izolačním materiálu vyžadují speciální metodu likvidace. Po ukončení životnosti ledničku odevzdejte k řádné likvidaci.

- Nepoužívejte uvnitř chladničky žádné elektrické přístroje, pouze pokud jsou k tomu takové přístroje doporučeny výrobcem.
- Neinstalujte přístroj v blízkosti otevřeného ohně nebo jiných tepelných zdrojů (topení, přímé sluneční záření, plynová kamna apod.).
- **Nebezpečí přehřátí!**  
Zajistěte, aby bylo vždy kolem chladicího zařízení ze všech čtyř stran alespoň 50 mm volného místa k větrání. Větrací prostor udržujte volný bez jakýchkoli předmětů, které by mohly překážet proudu vzduchu a zabránit tak chlazení součástí zařízení.  
Chladicí zařízení neumísťujte do uzavřených schránek nebo prostor, kde nemůže proudit vzduch.
- Pamatujte, že nesmějí být zakryty větrací otvory.
- Do vnitřní nádoby nelijte žádné kapaliny ani do ní nedávejte led.
- Nikdy neponořujte přístroj do vody.
- Chraňte přístroje a kabely před horkem a vlhkem.

### 3 Obsah dodávky

Položka na obr. 1, strana 3	Počet	Popis
1	1	Chladicí box
2	1	Přívodní kabel pro přípojku stejnosměrného proudu
3	1	Přívodní kabel pro přípojku střídavého proudu

### 4 Příslušenství

Dostupné jako příslušenství (není součástí dodávky):

Označení	Č. výr.	Model
Aplikace CFX3	–	vyhovuje všem modelům
PLB40	9600014024	vyhovuje všem modelům

Upozorňujeme, že aplikace CFX3 nemusí být ve vaší zemi dostupná.

## 5 Použití v souladu s účelem

Přístroj je vhodný pro:

- Provoz ve vozidlech
- Chlazení a zmrazování potravin
- Použití při kempování

Přístroj se **nehodí** pro:

- Skladování žíravých, leptavých nebo rozpouštědla obsahujících látek
- Rychlé mražení potravin

Chladicí přístroj je vhodný k použití při kempování. Přístroj nesmí být vystaven dešti.

Příhrádky na mražené potraviny se dvěma hvězdičkami jsou vhodné k uchování předem zmraženého jídla, uchování nebo výrobu zmrzliny a výrobu kostek ledu.

Příhrádky s jednou, dvěma a třemi hvězdičkami nejsou vhodné k mražení čerstvých potravin.

## 6 Popis funkce

Chladicí box umožňuje chladit výrobky, udržovat je chladné a umožňuje také jejich hluboké chlazení. Chlazení je provedeno pomocí chladicího okruhu s kompresorem s nízkými nároky na údržbu. Velkokorýsá izolace a výkonný kompresor zajišťují účinné a rychlé chlazení.

Chladicí box je vhodný k mobilnímu využití.

Chladicí box dokáže odolat krátkodobému sklonu 30°.

### 6.1 Funkční rozsah

- Síťový zdroj k prioritnímu spínání k připojení ke střídavému napětí
- Třístupňová ochrana baterie k ochraně baterie vozidla
- Displej se zobrazováním teploty ve °C a °F
- Nastavení teploty v krocích po 1 °C (1 °F)
- Integrovaná funkce WiFi a Bluetooth je tedy ovladatelná pomocí aplikace
- Sklopné rukojeti
- USB nabíječka pro přenosná zařízení, jako jsou mobilní telefony

- Odnímatelný vnitřní koš
- **Pouze CFX3 55IM:** Výrobník ledu

## 6.2 Ovládací a indikační prvky

**Západka pro víko:** obr. **2**, strana 3

**Ovládací panel (obr. 3, strana 4):**

Položka	Popis	Vysvětlení
1		Po krátkém stisknutí tlačítka se chladicí box zapne Po stisknutí tlačítka na tři sekundy se chladicí box vypne Vrátí se do předchozí nabídky
2	Displej	Zobrazí informace  <b>ac</b> : Přípojka na střídavý proud je připojena <b>dcv</b> : Přípojka na stejnosměrný proud je připojena  : Bluetooth je aktivováno  : WiFi je aktivováno  : Displej je uzamčen  : Kompresor pracuje  : Výrobník ledu pracuje (pouze CFX3 55IM)
3		Stisknutím  přejdete nahoru nebo zvýšíte vybranou hodnotu. Stisknutím  přejdete dolů nebo snížíte vybranou hodnotu. Stisknutím  a  současně na 3 s uzamknete nebo odemknete displej.
4		Stisknutím tlačítka vyberete nabídku nebo uložíte vybranou hodnotu.

**Přívodní zdířky (obr. 4, strana 4):**

Položka	Popis
1	Přívodní zdířka napájení střídavým napětím
2	Přívodní zdířka napájení stejnosměrným napětím
3	Držák pojistky stejnosměrného proudu
4	Držák pojistky střídavého proudu

## 7 Obsluha

### 7.1 Před prvním použitím

**POZNÁMKA**

Dříve než uvedete nový chladicí box do provozu, musíte jej z hygienických důvodů očistit vlhkou utěrkou jak zevnitř, tak zvenčí (viz též kap. „Čištění a péče“ na strani 384).

### 7.2 Tipy k úspoře energie

- K používání vyberte dobře větrané místo chráněné před slunečním zářením.
- Teplé pokrmy nechejte před uložením do chladničky vychladnout.
- Neotevírejte chladničku častěji, než je nezbytně nutné.
- Nenechávejte chladničku otevřenou déle, než je nezbytně nutné.
- Odmrazte chladicí box, jakmile se vytvoří vrstva ledu.
- Zabraňte vzniku zbytečně nízkých vnitřních teplot.

### 7.3 Změna směru zavírání víka

**CFX 3 55, CFX 3 55IM, CFX 3 100**

- Postupujte podle obrázku (obr. 5, strana 5).

**CFX 3 75DZ, CFX 3 95 DZ**

- Postupujte podle obrázku (obr. 6, strana 6).

## 7.4 Připojení chladicího boxu



### POZOR! Nebezpečí poškození

- K ochraně zařízení obsahuje dodaný kabel stejnosměrného proudu pojistku uvnitř zástrčky. **Neodstraňujte** zástrčku stejnosměrného proudu s pojistkou.  
Používejte pouze dodaný kabel stejnosměrného proudu.
- Odpojte chladicí box a jiné spotřebiče od baterie dříve, než připojíte baterii k rychlonabíječce.  
Přepětí může poškodit elektronické systémy přístrojů.

### Připojení k baterii

- Postupujte podle obrázku (obr. **7**, strana 7).

### Připojení přes rozšířené pevné zapojení stejnosměrného proudu (pouze CFX3 100)

- Postupujte podle obrázku (obr. **8**, strana 8).

### Připojení k napájecí síti střídavého proudu



### NEBEZPEČÍ! Nebezpečí usmrcení elektrickým proudem

- Nikdy nemanipulujte se zástrčkami a spínači s mokřkýma rukama nebo pokud stojíte v moku.
- Pokud používáte chladicí box na palubě lodi, která je připojena k napájecí síti střídavého proudu, musíte vždy instalovat mezi napájení střídavého proudu a chladicí box proudový chránič.  
Poradte se s odborníkem.

- Postupujte podle obrázku (obr. **9**, strana 9).

## 7.5 Použití chladicího boxu



### POZOR! Riziko přehřátí

Vždy zajistěte dostatečné větrání, aby se teplo vytvářené během provozu mohlo rozptýlit. Pamatujte, že nesmí být zakryty větrací otvory. Zajistěte, aby byla chladnička postavena v dostatečné vzdálenosti od stěn nebo předmětů tak, aby mohl vzduch cirkulovat.



### POZNÁMKA

Při provozu na baterii se displej automaticky vypne, je-li napětí baterie nízké.

- Zapnutí chladicího boxu: obr. **10**, strana 9
- Vypnutí chladicího boxu: obr. **11**, strana 10

## 7.6 Použití displeje

### Stavy displeje (obr. **12**, strana 10)

Položka	Popis
A	Pohotovostní režim
B	Nečinnost
C	Uzamčen

### Přehled displeje: obr. **13**, strana 11

#### Navigace nabídkami

Zvýrazněná nabídka je vybrána.

- Stisknutím  přejdete nahoru.
- Stisknutím  přejdete dolů.

#### Výběr nabídky

- Stisknutím  vyberete požadovanou nabídku.

#### Změna nastavení

Je vybrána zvýrazněná hodnota nebo nastavení.

- Stisknutím  zvýšíte vybranou hodnotu nebo zvolíte předchozí nastavení.
- Stisknutím  snížíte vybranou hodnotu nebo zvolíte další nastavení.

#### Návrat do předchozí nabídky

- Stisknutím  se vrátíte do předchozí nabídky bez uložení.

## 7.7 Uzamčení/odemčení displeje

- Stisknutím  a  současně na 3 s uzamknete nebo odemknete displej (obr. **14**, strana 11).

## 7.8 Výběr jednotek pro zobrazení teploty

- Postupujte podle obrázku (obr. **15**, strana 11).

## 7.9 Nastavení teploty



### **POZOR! Nebezpečí poškození v případě příliš nízké teploty**

Dbejte, aby byly v chladicím boxu skladovány pouze předměty nebo potraviny, které je dovoleno chladit za nastavené teploty.

- Postupujte podle obrázku (obr. **16**, strana 12).

## 7.10 Použití ochrany baterie

Přístroj je vybaven 3stupňovou ochranou baterie. Ochrana baterie zabráňuje nadměrnému vybití, když je přístroj připojen ke startovací baterii vozidla, nebo maximalizuje použití napájecí baterie.

Pokud chladicí box používáte ve vozidle s vypnutým zapalováním, dojde k samočinnému vypnutí chladicího boxu, jakmile napájecí napětí poklesne pod předem definovanou hodnotu. Chladicí box se opět zapne, jakmile je nabitím baterie dosaženo napětí k opětovnému zapnutí.



### **POZOR! Nebezpečí poškození**

Po vypnutí ochranou baterie nebude baterie již plně nabitá. Vyhněte se opakovanému startování. Zajistěte dobítí baterie.



### **POZNÁMKA**

Pokud je chladicí box napájen ze startovací baterie, vyberte režim ochrany baterie „MEDIUM“ nebo „HIGH“. Pokud je chladicí box připojen k napájecí baterii, ideální je režim ochrany baterie „LOW“.

- Postupujte podle obrázku (obr. **17**, strana 13).

## 7.11 Nastavení jasu displeje

- Postupujte podle obrázku (obr. **18**, strana 13).

## 7.12 Zapnutí nebo vypnutí přihrádek (pouze CFX 3 75DZ, CFX 3 95DZ)

Každou zónu můžete aktivovat jednotlivě nebo obě najednou.

- Postupujte podle obrázku (obr. **19**, strana 14).

## 7.13 Používání výrobniku ledu (pouze CFX 3 55IM)



### POZNÁMKA

- Nezávisle na nastavení teploty v hlavní přihrádce je zóna výrobniku ledu, je-li zapnutý, navržena pro výrobu kostek ledu.
- Spotřeba energie chladicího boxu se zvyšuje se zapnutým výrobníkem ledu. Proto byste měli výrobník ledu vypnout, pokud jej nepotřebujete.
- Tovární nastavení pro výrobník ledu je VYPNUTO.

- Postupujte podle obrázku (obr. **20**, strana 14).

### Plnění forem na led vodou

- Vyjměte formy na led (obr. **21** 1, strana 15) z pouzdra výrobniku ledu (obr. **21** 2, strana 15).
- Sejměte kryty forem na led, naplňte je čistou vodou a znovu nasadte kryt, přičemž dbejte na zatlačení okrajového těsnění po celém obvodu.
- Formy na led opět umístěte do pouzdra výrobniku ledu a zavřete víko.



### POZNÁMKA

Osušte případně rozlitou vodu pod formami na led. Tím se sníží tvorba ledu pod formami a usnadní se vyjímání.

### Vyjímání kostek ledu

- Otevřete víko pouzdra výrobniku ledu a zvedněte formy na led za přední část dole.



### POZNÁMKA

V podmínkách vysoké vlhkosti může vyjímání vyžadovat více síly obou rukou, protože led může být přimrzlý pod formami na led.

- Sejměte kryty forem na led a kostky ledu uvolněte obrácením forem.

### Vyjmutí pouzdra výrobniku ledu

Pouzdro výrobniku ledu lze vyjmout za účelem čištění, nebo pokud se nepoužívá, pro zvětšení užitečného prostoru uvnitř chladicího boxu.

- Zvedněte pouzdro na jednom konci, dokud se západka neuvolní, a poté ho vyjměte.

- ▶ Vložte jej zpět v obráceném pořadí zatlačením západek dolů, aby zaskočily na místo.

### Tipy k používání výrobku ledu

- Výrobek ledu po zapnutí vyrobí led rychle na několik hodin a poté automaticky přejde do režimu udržování ledu, aby se snížila spotřeba energie. Pokud je třeba co nejrychleji více dávek ledu, vypnutím a opětovným zapnutím výrobku ledu se nastaví zpět do režimu rychlé výroby ledu. Opakujte podle potřeby.
- Nastavení nízké teploty v mrazicím prostoru nemusí být při vysokých okolních teplotách se zapnutým výrobníkem ledu udrženo.

### Čištění a vysoušení výrobku ledu

- ▶ Pokud se výrobek ledu nepoužívá, vyčistěte a vysušte formy na led a vnitřek pouzdra výrobku ledu, aby se zabránilo vzniku plísně.
- ▶ Po delším období nepoužívání vyčistěte vnitřek forem na led jemným mycím prostředkem na nádobí a před použitím vypláchněte čistou vodou.

## 7.14 Stažení aplikace CFX3

Chladicí box lze sledovat a ovládat pomocí Bluetooth nebo WiFi prostřednictvím aplikace, kterou můžete nainstalovat na kompatibilní zařízení.

- ▶ Stáhněte si aplikaci CFX3 z obchodu App Store nebo Google Play.

Upozorňujeme, že aplikace CFX3 nemusí být ve vaší zemi dostupná.

## 7.15 Nastavení signálu Bluetooth a připojení k aplikaci

Chladicí box lze sledovat a ovládat pomocí Bluetooth. Chcete-li to provést, musíte chladicí box spárovat se zařízením Bluetooth.



### POZNÁMKA

- Párování musí být provedeno v aplikaci CFX3, nikoli v nastavení zařízení.
- Pro připojení Bluetooth není vyžadováno žádné heslo.

- ▶ Postupujte podle obrázku (obr. **22**, strana 15).

## 7.16 Nastavení signálu WiFi a připojení k aplikaci

Chladicí box lze sledovat a ovládat pomocí WiFi direct v chladicím boxu nebo přes síť WiFi.

- ▶ WiFi zapněte podle obrázku (obr. 23, strana 16).
- ▶ V případě připojení WiFi direct v chladicím boxu přejděte do nastavení zařízení a vyberte chladicí box.
  - Název WiFi vašeho chladicího boxu začíná „CFX3“.
  - Přednastavené heslo je „00000000“.
  - Název WiFi a heslo si můžete přizpůsobit v aplikaci CFX3.



### POZNÁMKA

Pro připojení přes síť WiFi přejděte v NASTAVENÍ aplikace k „síťovému připojení“.

## 7.17 Změna názvu a hesla CFX v aplikaci

- Název CFX v aplikaci si můžete přizpůsobit.
- Stejný název platí pro Bluetooth i WiFi.
- V aplikaci si také můžete přizpůsobit své heslo – platí pouze pro WiFi.
- ▶ V NASTAVENÍ aplikaci přejděte na „Název a heslo CFX“.

## 7.18 Obnovení hesla aplikace (pouze WiFi)

- Heslo aplikace můžete obnovit na tovární nastavení „00000000“.
- ▶ Postupujte podle obrázku (obr. 23, strana 16).

## 7.19 Reset na tovární nastavení

Resetovací funkce změní všechna pole nabídek displeje a aplikace na původní tovární nastavení.

- ▶ Postupujte podle obrázku (obr. 24, strana 16).

## 7.20 Přípojka USB k zajištění napájení

Port USB můžete použít k nabíjení drobných spotřebičů, např. mobilních telefonů a MP3 přehrávačů.



### POZNÁMKA

Zkontrolujte, zda je drobný spotřebič připojený k portu USB vhodný k provozu s napájením 5 V/2 A.

- Postupujte podle obrázku (obr. **26**, strana 17).

## 7.21 Odmrazování chladicího boxu

Vzdušná vlhkost se může srážet uvnitř chladicího přístroje nebo na výparníku. Tím se snižuje chladicí výkon. Vyhněte se tomu včasným odmrazením přístroje.



### POZOR! Nebezpečí poškození

Nepoužívejte k odstraňování ledu nebo k uvolňování přimrzlých předmětů špičaté nástroje.

Při rozmrazování chladicího boxu postupujte takto:

- Vyměte obsah z chladicího boxu.
- Uložte jej případně do jiného chladicího přístroje, aby zůstal v chladu.
- Vypněte přístroj.
- Nechejte víko otevřené.
- Otřete odmrazenou vodu.

## 7.22 Výměna pojistky střídavého proudu



### NEBEZPEČÍ! Nebezpečí usmrcení elektrickým proudem

Před výměnou pojistek přístroje odpojte napájení a přívodní kabel.

- Odpojte přístroj od napájení.
- Vytáhněte přívodní kabel.
- Uvolněte držák pojistek (obr. **4** 4, strana 4) šroubovákem.
- Vyměňte vadnou skleněnou pojistku za novou stejného typu a se stejnou hodnotou (rychločinná, 4 A, 250 V).
- Zatlačte držák pojistek opět do krytu.
- Opět připojte napájení k přístroji.

## 7.23 Výměna pojistky stejnosměrného proudu

- ▶ Uvolněte kryt pojistek (obr. 4 3, strana 4) šroubovákem.
- ▶ Obráťte kryt pojistky a použijte háček k odstranění vadné nožové pojistky.
- ▶ Zatlačte novou pojistku stejného typu a jmenovité hodnoty.
- ▶ Znovu nasad'te kryt pojistky.

## 7.24 Výměna pojistky stejnosměrné zástrčky

- ▶ Vyměňte vadnou pojistku za novou stejného typu a jmenovité hodnoty.
- ▶ Postupujte podle obrázku (obr. 27, strana 17).

## 7.25 Výměna desky s optickými vodiči



### **POZOR! Nebezpečí poškození**

Osvětlení může vyměnit pouze výrobce, zástupce servisu nebo podobně kvalifikovaná osoba, aby se zamezilo nebezpečí.

# 8 Čištění a péče



### **POZOR! Nebezpečí poškození!**

- Nikdy neumývejte chladničku pod tekoucí vodou nebo ve ve vodě s prostředkem na mytí nádobí.
- Nepoužívejte k čištění ostré čisticí prostředky nebo tvrdé předměty, může dojít k poškození chladničky.

- ▶ Příležitostně očistěte přístroj zevnitř a zvenčí vlhkým hadrem.
- ▶ Zajistěte, aby nebyly větrací a odvodušňovací otvory přístroje zaprášené a znečištěné. Tím může být teplo vznikající za provozu odváděno a nedojde k poškození přístroje.

## 9 Odstraňování poruch a závad

Porucha	Možná příčina	Návrh řešení
Přístroj nefunguje (režim stejnosměrného proudu, zapnuté zapalování).	V zásuvce stejnosměrného proudu nebylo zjištěno žádné napětí.	U většiny vozidel musí být před přivedením napájení do zásuvky stejnosměrného proudu zapnuto zapalování.
	Zásuvka stejnosměrného napětí je znečištěná. Následkem je špatný elektrický kontakt.	Pokud je zástrčka přístroje v zásuvce stejnosměrného proudu velmi horká, buď očistěte zásuvku, nebo zkontrolujte, zda je zástrčka správně namontována.
	Pojistka zástrčky stejnosměrného napájení je přepálená.	Vyměňte pojistku stejnosměrné zásuvky, viz kap. „Výměna pojistky stejnosměrné zástrčky“ na straně 384.
	Spálená pojistka stejnosměrného proudu přístroje.	Vyměňte pojistku stejnosměrného proudu přístroje, viz kap. „Výměna pojistky stejnosměrného proudu“ na straně 384.
Přístroj nefunguje (režim stejnosměrného proudu).	Pojistka vozidla je přepálená.	Vyměňte pojistku stejnosměrné zásuvky vozidla. Viz návod k obsluze vašeho vozidla.
	Zásuvka na střídavé napětí není pod napětím.	Zkuste to na jiné zásuvce.
	Spálená pojistka střídavého proudu přístroje.	Vyměňte pojistku střídavého proudu přístroje, viz kap. „Výměna pojistky střídavého proudu“ na straně 383.
Displej nereaguje na stisknutí kláves.	Integrovaný adaptér střídavého proudu je vadný.	Opravu může provést pouze autorizované středisko oprav.
	Displej je uzamčen.	Odemkněte displej, viz kap. „Uzamčení/odemčení displeje“ na straně 378.
Aplikace nemůže ovládat přístroj.	Bluetooth nebo WiFi není připojeno.	Připojte Bluetooth, viz kap. „Nastavení signálu Bluetooth a připojení k aplikaci“ na straně 381, nebo připojte WiFi, viz kap. „Nastavení signálu WiFi a připojení k aplikaci“ na straně 382.

Porucha	Možná příčina	Návrh řešení
Na displeji se zobrazí výstražné hlášení nebo varovný kód.	–	Viz tabulka níže.

## Výstražná hlášení

Např. viz obr. 25 A, strana 16.

Výstražné hlášení	Popis	Možná příčina	Návrh řešení
!ALERT - Lid open > 3 min	Víko otevřené déle než 3 minuty	<ul style="list-style-type: none"> <li>Víko není zcela zajištěno</li> <li>Interní porucha</li> </ul>	<ul style="list-style-type: none"> <li>Zkontrolujte, zda je víko zcela zajištěné</li> <li>Je vyžadována prohlídka autorizovaným opravárenským střediskem</li> </ul>
!ALERT - Voltage low	Přístroj přestal pracovat na stejnosměrném proudu kvůli nízkému napětí	<ul style="list-style-type: none"> <li>Nedostatečné napájecí napětí</li> <li>Napětí baterie je příliš nízké</li> <li>Ochrana baterie je nastavena příliš vysoko</li> </ul>	<ul style="list-style-type: none"> <li>Zkontrolujte pokles napětí z baterie do zásuvky a podle potřeby zvyšte průřez vedení</li> <li>Zkontrolujte baterii a případně ji nabijte</li> <li>Vyberte nižší nastavení ochrany baterie</li> </ul>
	Přístroj přestal pracovat na stejnosměrném proudu kvůli abnormálně vysokému napětí >31,5 V (nepravděpodobná událost – pouze pro ochranu elektroniky – používá stejné výstražné hlášení jako nízké napětí výše)	<ul style="list-style-type: none"> <li>Chybná specifikace napětí stejnosměrného proudu</li> <li>Chybné napájecí napětí</li> <li>Interní porucha</li> </ul>	<ul style="list-style-type: none"> <li>Ujistěte se, že specifikace napětí stejnosměrného proudu odpovídá typovému štítku výrobku CFX3</li> <li>Zkontrolujte napájecí zdroj stejnosměrného proudu a opravte nebo vyměňte, pokud je vadný</li> <li>Je vyžadována prohlídka autorizovaným opravárenským střediskem</li> </ul>

**Výstražné kódy**

Např. viz obr. 25 B, strana 16.

<b>Výstražný kód</b>	<b>Porucha</b>	<b>Možná příčina</b>	<b>Návrh řešení</b>
!WARNING 32	Nadproud ventilátoru	Interní porucha.	Vypněte přístroj alespoň na 5 minut a poté spusťte znovu. Pokud problém přetrvává, je nutná kontrola autorizovaným opravárenským střediskem
!WARNING 33	Chyba startu kompresoru		
!WARNING 34	Nízké otáčky kompresoru	<ul style="list-style-type: none"> <li>• Vysoká okolní teplota</li> </ul>	<ul style="list-style-type: none"> <li>• Vypněte přístroj alespoň na 30 minut nebo se přesuňte na chladnější místo a poté spusťte znovu</li> </ul>
!WARNING 35	Přehřátí řídicí jednotky	<ul style="list-style-type: none"> <li>• Odvzdušňovací ventil blokován nebo nedostačující volný prostor</li> <li>• Interní porucha</li> </ul>	<ul style="list-style-type: none"> <li>• Vyčistěte větrací otvory</li> <li>• Je vyžadována prohlídka autorizovaným opravárenským střediskem</li> </ul>
!WARNING 01	NTC rozpojený obvod SZ & DZ LARGE	Interní porucha	Je vyžadována prohlídka autorizovaným opravárenským střediskem
!WARNING 11	NTC rozpojený obvod DZ SMALL		
!WARNING 02	NTC zkrat SZ & DZ LARGE		
!WARNING 12	NTC zkrat DZ SMALL		
!WARNING 09	DZ vadný ventil nebo ventil výrobniku ledu		Vypněte přístroj alespoň na 1 minutu a poté spusťte znovu. Pokud problém přetrvává, je nutná kontrola autorizovaným opravárenským střediskem
!WARNING 03/43	Chyba v komunikaci		

## 10 Záruka

Na výrobek je poskytována záruka v souladu s platnými zákony. Zjistíte-li, že je výrobek vadný, zašlete jej do pobočky výrobce ve vaší zemi (viz [dometic.com/dealer](http://dometic.com/dealer)) nebo do specializovanému prodejci.

K vyřízení opravy nebo záruky nezapomeňte odeslat následující dokumenty:

- Kopii účtenky s datem zakoupení,
- Uvedení důvodu reklamace nebo popisu vady.

## 11 Likvidace

► Obalový materiál likvidujte v odpadu určeném k recyklaci.



Jakmile výrobek zcela vyřadíte z provozu, informujte se v příslušných recyklačních centrech nebo u specializovaného prodejce o příslušných předpisech o likvidaci odpadu.



### **VÝSTRAHA! Nebezpečí uvíznutí dětí**

Před likvidací chladicího přístroje:

- Odmontujte víko.
- Nechejte na místě košíky, aby se dovnitř nemohly snadno dostat děti.

## 12 Technické údaje



### POZNÁMKA

Minimální teploty uvedené v části „Chladicí výkon“ nelze dosáhnout, pokud je okolní teplota vyšší než 32 °C (90 °F) u modelů CFX3 35/45/55/55IM/100 nebo okolní teplota je vyšší než 30 °C (86 °F) u modelů CFX3 75DZ/95DZ (nastavit nízkou -22 °C/vysokou +4 °C).

Zkouška/certifikáty:



	CFX3 35	CFX3 45	CFX3 55
Napájecí napětí:	12/24 V $\equiv$ a 100 – 240 V $\sim$		
Jmenovitý proud:	12 V $\equiv$ : 7,5 A 24 V $\equiv$ : 3,3 A 100 V $\sim$ : 0,94 A 240 V $\sim$ : 0,39 A	12 V $\equiv$ : 8,2 A 24 V $\equiv$ : 3,5 A 100 V $\sim$ : 0,96 A 240 V $\sim$ : 0,40 A	12 V $\equiv$ : 8,7 A 24 V $\equiv$ : 3,7 A 100 V $\sim$ : 0,98 A 240 V $\sim$ : 0,41 A
Chladicí výkon:	-22 °C až +10 °C (-8 °F až +50 °F)		
Kategorie:	1		
Energetická třída účinnosti:	A++		
Spotřeba elektrické energie:	81 kWh/rok	79 kWh/rok	83 kWh/rok
Hrubý obsah:	36 l	46 l	55 l
Užitečný obsah	36 l	46 l	55 l
Klimatická třída:	N, T		
Okolní teplota:	+16 °C až +43 °C (+61 °F až +110 °F)		
Hlukové emise:	44 dB(A)	47 dB(A)	
Nabíjecí port USB:	5 V $\equiv$ , 2 A		
Frekvenční rozsah:	WiFi: 2412 MHz – 2472MHz/2422 MHz – 2462MHz Bluetooth/BLE: 2402 MHz – 2480 MHz		
Frekvenční pásmo (WiFi):	2,4 GHz		

	<b>CFX3 35</b>	<b>CFX3 45</b>	<b>CFX3 55</b>
Výstupní výkon RF:	WiFi: 16,62 dBm (802.11b), 16,23 dBm (802.11g), 16,45 dBm (802.11n20), 16,02 dBm (802.11n40) Bluetooth: 8,31 dBm Bluetooth LE: 6,67 dBm		
Množství chladicího média:	38 g	42 g	45 g
Ekvivalent CO <sub>2</sub> :	0,054 t	0,060 t	0,064 t
Potenciál skleníkových plynů (GWP):	1430		
Rozměry (Š x H x V) v mm (včetně rukojetí):	398 x 694 x 407	398 x 694 x 476	720 x 455 x 480
Hmotnost:	16,9 kg	18,7 kg	20,4 kg

	<b>CFX3 55IM</b>	<b>CFX3 75DZ</b>	<b>CFX3 95DZ</b>
Napájecí napětí:	12/24 V $\overline{=}$ a 100 – 240 V $\sim$		
Jmenovitý proud:	12 V $\overline{=}$ : 8,9 A 24 V $\overline{=}$ : 3,8 A 100 V $\sim$ : 1,00 A 240 V $\sim$ : 0,42 A	12 V $\overline{=}$ : 9,6 A 24 V $\overline{=}$ : 4,2 A 100 V $\sim$ : 1,12 A 240 V $\sim$ : 0,47 A	12 V $\overline{=}$ : 10,4 A 24 V $\overline{=}$ : 4,6 A 100 V $\sim$ : 1,22 A 240 V $\sim$ : 0,51 A
Chladicí výkon:	-22 °C až +10 °C (-8 °F až +50 °F)		
Kategorie:	1		
Energetická třída účinnosti:	A++	A+	
Spotřeba elektrické energie:	82 kWh/rok	108 kWh/rok	111 kWh/rok
Hrubý obsah:	55 l	75 l (45 l/30 l)	94 l (55 l/39 l)
Užitečný obsah:	53 l	75 l (45 l/30 l)	94 l (55 l/39 l)
Klimatická třída:	N, T		
Okolní teplota:	+16 °C až +43 °C (+61 °F až +110 °F)		
Hlukové emise:	48 dB(A)	50 dB(A)	

	<b>CFX3 55IM</b>	<b>CFX3 75DZ</b>	<b>CFX3 95DZ</b>
Nabíjecí port USB:	5 V $\overline{=}$ , 2 A		
Frekvenční rozsah:	WiFi: 2412 MHz – 2472MHz/2422 MHz – 2462MHz Bluetooth/BLE: 2402 MHz–2480 MHz		
Frekvenční pásmo (WiFi):	2,4 GHz		
Výstupní výkon RF:	WiFi: 16,62 dBm (802.11b), 16,23 dBm (802.11g), 16,45 dBm (802.11n20), 16,02 dBm (802.11n40) Bluetooth: 8,31 dBm Bluetooth LE: 6,67 dBm		
Množství chladicího média:	45 g	59 g	67 g
Ekvivalent CO <sub>2</sub> :	0,064 t	0,084 t	0,096 t
Potenciál skleníkových plynů (GWP):	1430		
Rozměry (Š x H x V) v mm (včetně rukojeti):	720 x 455 x 480	892 x 495 x 472	962 x 530 x 472
Hmotnost:	21,3 kg	27,8 kg	29,8 kg

<b>CFX3 100</b>	
Napájecí napětí:	12/24 V $\overline{=}$ a 100 – 240 V $\sim$
Jmenovitý proud:	12 V $\overline{=}$ : 10,8 A 24 V $\overline{=}$ : 4,8 A 100 V $\sim$ : 1,28 A 240 V: 0,53 A
Chladicí výkon:	+10 °C až -22 °C (+50 °F až -8 °F)
Kategorie:	1
Energetická třída účinnosti:	A+
Spotřeba elektrické energie:	111 kWh/rok
Hrubý obsah:	99 l

	<b>CFX3 100</b>
Užitečný obsah	88 l
Klimatická třída:	N, T
Okolní teplota:	+16 °C až +43 °C (+61 °F až +110 °F)
Hlukové emise:	36,5 dB(A)
USB	5 V $\overline{=}$ , 2 A
Frekvenční rozsah:	WiFi: 2412 MHz – 2472MHz/2422 MHz – 2462MHz Bluetooth/BLE: 2402 MHz–2480 MHz
Frekvenční pásmo (WiFi):	2,4 GHz
Výstupní výkon RF:	WiFi: 16,62 dBm (802.11b), 16,23 dBm (802.11g), 16,45 dBm (802.11n20), 16,02 dBm (802.11n40) Bluetooth: 8,31 dBm Bluetooth LE: 6,67 dBm
Množství chladicího média:	60 g
Ekvivalent CO <sub>2</sub> :	0,086 t
Potenciál skleníkových plynů (GWP):	1430
Rozměry (Š x H x V) v mm (včetně rukojetí):	962 x 530 x 472
Hmotnost:	29,6 kg

Chladicí okruh obsahuje médium R134a.

Obsahuje fluorované skleníkové plyny

Hermeticky uzavřeným zařízením

**Az üzembe helyezés előtt gondosan olvassa el és őrizze meg ezt az útmutatót. Ha a hűtőkészüléket továbbadja, mellékelje hozzá az útmutatót is.**

A gyártó nem felelős olyan károkért vagy sérülésekért, amelyeket **nem rendeltetésszerű használat** vagy **hibás kezelés** okozott.

## Tartalom

<b>1</b>	<b>A szimbólumok magyarázata</b> .....	394
<b>2</b>	<b>Biztonsági megjegyzések</b> .....	395
<b>3</b>	<b>A csomag tartalma</b> .....	397
<b>4</b>	<b>Tartozékok</b> .....	398
<b>5</b>	<b>Rendeltetésszerű használat</b> .....	398
<b>6</b>	<b>A működés leírása</b> .....	398
6.1	Rendelkezésre álló funkciók .....	399
6.2	Kezelő- és kijelzőelemek .....	399
<b>7</b>	<b>Kezelés</b> .....	401
7.1	Az első használat előtt .....	401
7.2	Energiatakarékossági tanácsok .....	401
7.3	A fedél nyitási irányának megfordítása .....	401
7.4	A hűtőláda csatlakoztatása .....	401
7.5	A hűtőláda használata .....	402
7.6	A kijelző használata .....	403
7.7	A kijelző lezárása/feloldása .....	403
7.8	A hőmérséklet mértékegységeinek kiválasztása .....	404
7.9	A hőmérséklet beállítása .....	404
7.10	Az akkumulátorvédelem használata .....	404
7.11	A kijelző fényerejének beállítása .....	404
7.12	A rekeszek be-, vagy kikapcsolása (csak a CFX3 75DZ, CFX3 95DZ modelleknél) .....	405
7.13	A jégkészítő használata (csak a CFX3 55IM modellnél) .....	405
7.14	A CFX3 app letöltése .....	406
7.15	A Bluetooth jel beállítása és csatlakozás az alkalmazáshoz .....	406
7.16	A WiFi jel beállítása és csatlakozás az alkalmazáshoz .....	407
7.17	A CFX nevének és jelszavának módosítása az alkalmazásban .....	407
7.18	Az app jelszavának visszaállítása (csak WiFi) .....	407
7.19	Gyári beállítások visszaállítása .....	407

7.20	USB csatlakozó a feszültségellátáshoz . . . . .	408
7.21	A hűtőláda leolvasztása . . . . .	408
7.22	A váltakozó áramú biztosíték cseréje . . . . .	408
7.23	Az egyenáramú biztosíték cseréje . . . . .	409
7.24	Az egyenáramú dugasz biztosítékának cseréje . . . . .	409
7.25	A világítás nyomtatott áramkörének cseréje . . . . .	409
<b>8</b>	<b>Tisztítás és ápolás</b> . . . . .	409
<b>9</b>	<b>Hibaelhárítás</b> . . . . .	410
<b>10</b>	<b>Szavatosság</b> . . . . .	414
<b>11</b>	<b>Ártalmatlanítás</b> . . . . .	414
<b>12</b>	<b>Műszaki adatok</b> . . . . .	415

## 1 A szimbólumok magyarázata



### **VESZÉLY!**

**Biztonsági megjegyzés** olyan veszélyes helyzetre vonatkozóan, amely halált vagy súlyos sérülést okoz, ha nem kerülik el.



### **FIGYELMEZTETÉS!**

**Biztonsági megjegyzés** olyan veszélyes helyzetre vonatkozóan, amely halált vagy súlyos sérülést okozhat, ha nem kerülik el.



### **VIGYÁZAT!**

**Biztonsági megjegyzés** olyan veszélyes helyzetre vonatkozóan, amely könnyű vagy közepesen súlyos sérülést okozhat, ha nem kerülik el.



### **FIGYELEM!**

Felhívás olyan helyzetre, amely dologi kárt okozhat, ha nem kerülik el.



### **MEGJEGYZÉS**

A termék kezelésére vonatkozó kiegészítő információk.

## 2 Biztonsági megjegyzések



**FIGYELMEZTETÉS!** Ezeknek a figyelmeztetéseknek a figyelmen kívül hagyása súlyos, vagy halálos sérüléshez vezethet.

### **Áramütés miatti életveszély**

- Ha a készüléken sérülések láthatók, akkor azt nem szabad üzembe helyezni.
- Ha a hűtőkészülék tápkábele megsérült, akkor a biztonsági kockázatok elkerülése érdekében ki kell cserélni ezt.
- Javításokat csak szakemberek végezhetnek a készüléken. Nem szakszerű javítások jelentős veszélyeket okozhatnak.

### **Tűzveszély**

- A készülék elhelyezésekor ügyeljen arra, hogy ne csípjé be és ne károsítsa a tápkábelt.
- Ne helyezzen el több hordozható aljzatot, vagy hordozható tápegységet a készülék hátsó részénél.

### **Egészségkárosodás veszélye**

- A készüléket 8 év feletti gyermekek, valamint korlátozott fizikai, érzékelési és mentális képességű, illetve megfelelő tapasztalattal és tudással nem rendelkező személyek csak felügyelet mellett, illetve a készülék biztonságos használatát és az abból eredő veszélyeket megértve használhatják.
- A készülékkel gyerekek nem játszhatnak.
- A tisztítást és a felhasználói karbantartást gyermekek felügyelet nélkül nem végezhetik.
- A 3 és 8 év közötti gyermekek már kivehetnek és berakhatnak élelmszereket a hűtőkészülékekbe.

### **Robbanásveszély**

- Ne tároljon a készülékben robbanékony anyagokat (például éghető hajtógázt tartalmazó permetpalackokat).



**VIGYÁZAT!** Ezeknek a vigyázat felhívásoknak a figyelmen kívül hagyása könnyű, vagy közepesen súlyos sérüléshez vezethet.

### **Áramütés miatti életveszély**

- Üzembe helyezés előtt ügyeljen arra, hogy a vezeték és a dugaszszáraz legyen.

- Az alábbi esetekben mindig húzza ki a készülék csatlakozódugóját a hálózati aljzatból:
  - minden tisztítás és karbantartás előtt
  - minden használat után.

### **Egészségkárosodás veszélye**

- Ellenőrizze, hogy a készülék hűtőtéljesítménye megfelel-e a hűteni kívánt élelmiszerek vagy gyógyszerek követelményeinek.
- Élelmiszert csak eredeti csomagolásban vagy megfelelő tárolókban szabad tárolni.
- Ha hosszabb időszakokra kinyitja a hűtőkészüléket, azzal jelentősen megnövekedhet a hőmérséklet a készülék rekeszeiben.
- Tisztítsa meg rendszeresen az élelmiszerral érintkező felületeket és a hozzáférhető lefolyórendszereket.
- Annak érdekében hogy ne érjenek hozzá más élelmiszerekhez és ne csöpögjenek ezekre, a nyers húst és a halat a készülék erre a célra szolgáló rekeszébe tárolja.
- Ha a készülék hosszabb ideig üresen áll:
  - Kapcsolja ki a készüléket.
  - Olvassza le a készüléket.
  - Tisztítsa meg és szárítsa ki a készüléket.
  - A készülék penészedésének elkerülése érdekében hagyja nyitva az ajtót.



### **FIGYELEM! Sérülés veszélye**

- Hasonlítsa össze a típustáblán feltüntetett a feszültségadatokat a rendelkezésre álló energiaellátással.
- A hűtőkészüléket a következő módon csatlakoztassa:
  - Az egyenáramú csatlakozókábelrel a jármű egyenáramú fedélzeti aljzatához
  - vagy a váltakozó áramú csatlakozókábelrel a váltakozó áramú hálózathoz.
- Soha ne húzza ki a csatlakozódugót a csatlakozókábelnél fogva az aljzatból.
- Ha a hűtőkészülék az egyenáramú aljzathoz van csatlakoztatva: Kösse le a hűtőkészüléket és más fogyasztókat az akkumulátorról, mielőtt gyorstöltő berendezést csatlakoztatna rá.
- Ha a hűtőkészülék az egyenáramú aljzathoz van csatlakoztatva: Húzza ki a csatlakozódugót vagy kapcsolja ki a hűtőkészüléket, ha a jármű motorját kikapcsolja. Ellenkező esetben az akkumulátor lemerülhet.

- A hűtőkészülék nem alkalmas maró hatású vagy oldószert tartalmazó anyagok szállítására.
- A hűtőegység szigetelése gyúlékony ciklopentánt tartalmaz. A szigetelőanyagban található gázok miatt különleges ártalmatlanítási eljárásra van szükség. A hűtőegységet az élettartama végén a szabályozásoknak megfelelően ártalmatlaníttassa.
- Ne használjon elektromos készülékeket a hűtőkészüléken belül, kivéve ha ezeket a készülékeket a gyártó erre a célra javasolja.
- Ne helyezze a készüléket nyílt láng vagy más hőforrás közelébe (fűtés, erős napsugárzás, gázkályha stb.).
- **Túlmelegedés miatti veszély!**  
Mindig gondoskodjon arról, hogy a hűtőkészülék mind a négy oldalánál legyen legalább 50 mm-nyi szellőzőrés. Minden olyan tárgyat tartson távol a szellőzőterülettől, amely korlátozná a hűtő szerkezeti elemekhez menő légáramlatot.  
Ne helyezze a hűtőkészüléket zárt rekeszekbe vagy olyan területekre, ahol nincs vagy minimális a légáramlás.
- Ügyeljen arra, hogy a szellőzőnyílások ne legyenek lefedve.
- Ne töltsön folyadékot vagy jeget a belső tartályba.
- Soha ne merítse vízbe a készüléket.
- Védje a készüléket és a kábeleket a hőtől és a nedvességtől.

### 3 A csomag tartalma

Tétel itt:

**1.** ábra,  
**3.** oldal

**Mennyiség** **Megnevezés**

1	1	Hűtőláda
2	1	Csatlakozókábel egyenáramú csatlakozáshoz
3	1	Csatlakozókábel váltakozó áramú csatlakozáshoz

## 4 Tartozékok

Tartozékként kapható (nincs mellékelve):

Megnevezés	Cikksz.	Modell
CFX3 app	–	Az összes modellhez alkalmas
PLB40	9600014024	Az összes modellhez alkalmas

Lehetséges, hogy a CFX3 alkalmazás az Ön országában nem érhető el.

## 5 Rendeltetészerű használat

A készülék a következőkre alkalmas:

- Üzemeltetés járművekben
- Élelmiszer hűtése és fagyasztása
- Kemping használat

A készülék **nem** alkalmas a következőkre:

- Korrozív, maró hatású vagy oldószert tartalmazó anyagok tárolására
- Élelmiszerek gyorsfagyasztására

A hűtőkészülék alkalmas kempingezési célú használatra. A készüléket ne tegye ki az eső hatásának.

A kétcsillagos fagyasztott élelmiszer rekeszek előre fagyasztott élelmiszer tárolására, jégkrém készítésére és tárolására és jégkockák készítésére alkalmasak.

Az egy-, két-, és háromcsillagos rekeszek friss élelmiszer fagyasztására nem alkalmasak.

## 6 A működés leírása

A hűtőláda áruk lehűtésére, hidegen tartására, illetve mélyhűtésére alkalmas. A hűtést alacsony karbantartási igényű, kompresszorral ellátott hűtőkör teszi lehetővé. A megbízható szigetelés és az erős kompresszor hatékony és gyors hűtésről gondoskodik.

A hűtláda hordozható.

A hűtláda rövid ideig 30°-os dőlésszöget is elvisel.

## 6.1 Rendelkezésre álló funkciók

- Elsőbbségi kapcsolást biztosító hálózati tápegység váltakozó áramra való csatlakozáshoz
- Háromfokozatú akkumulátorvédelem a jármű akkumulátorának védelme érdekében
- Kijelző °C vagy °F egységű hőmérséklet-megjelenítéssel
- Hőmérséklet beállítás 1 °C (1 °F) lépésekben
- Beépített WiFi és Bluetooth funkció, így a készülék alkalmazásról is vezérelhető
- Billenthető hordozófogantyú
- USB töltő hordozható készülékek, például mobiltelefonok számára
- Kivehető kosárbetét
- **Csak az CFX3 55IM modellnél:** Jégkészítő

## 6.2 Kezelő- és kijelzőelemek

**Fedélzár:** **2.** ábra , **1, 3. oldal**

**Kezelőpanel (3. ábra, 4. oldal):**

Tétel	Megnevezés	Magyarázat
1		A gomb rövid lenyomásakor bekapcsolja a hűtládát A gomb három másodpercig történő nyomva tartásakor kikapcsolja a hűtládát Visszalép az előző menübe

Tétel	Megnevezés	Magyarázat
2	Kijelző	<p>Megjeleníti a következő információkat</p> <p><b>ac</b> : Váltakozó áramú tápellátás csatlakoztatva van</p> <p><b>dcv</b>: Egyenáramú tápellátás csatlakoztatva van</p> <p> : Bluetooth aktiválva van</p> <p> : WiFi aktiválva van</p> <p> : Kijelző le van zárva</p> <p> : Kompresszor üzemel</p> <p> : Jégkészítő üzemel (csak a CFX3 55IM modellnél)</p>
3		<p>A felfelé navigáláshoz, vagy a kiválasztott érték növeléséhez nyomja meg a  elemet.</p> <p>A lefelé navigáláshoz, vagy a kiválasztott érték csökkentéséhez nyomja meg a  elemet.</p> <p>A kijelző zárolásához, vagy a zárolás feloldásához tartsa lenyomva egyszerre 3 másodpercig a  és a  gombokat.</p>
4		Egy menü kiválasztásához, vagy a kiválasztott érték mentéséhez nyomja meg ezt.

### Csatlakozóaljzatok (. ábra, 4. oldal):

Tétel	Megnevezés
1	Csatlakozóaljzat váltakozó áramú tápellátáshoz
2	Csatlakozóaljzat egyenáramú tápellátáshoz
3	Egyenáramú biztosítéktartó
4	Váltakozó áramú biztosítéktartó

## 7 Kezelés

### 7.1 Az első használat előtt



#### MEGJEGYZÉS

Az új hűtőládát az üzembe helyezés előtt – higiéniai okokból – tisztítsa meg nedves ruhával belül és kívül (lásd még: „Tisztítás és ápolás” fejr., 409. oldal).

### 7.2 Energiatakarékosági tanácsok

- A készülék működtetéséhez válasszon jól szellőző és napfénytől védett helyet.
- Hagyja lehűlni a meleg ételeket, mielőtt azokat hidegen tartaná a készülékben.
- Ne nyissa ki a hűtőkészüléket a szükségesnél gyakrabban.
- Ne hagyja nyitva a hűtőkészüléket a szükségesnél hosszabban.
- Olvassa le a hűtőládát, ha abban jégréteg képződött.
- Kerülje a szükségtelenül alacsony hőmérsékletet.

### 7.3 A fedél nyitási irányának megfordítása

#### CFX 3 55, CFX 3 55IM, CFX 3 100

- Az ábrán bemutatott módon járjon el (**5**. ábra, 5. oldal).

#### CFX 3 75DZ, CFX 3 95DZ

- Az ábrán bemutatott módon járjon el (**6**. ábra, 6. oldal).

### 7.4 A hűtőláda csatlakoztatása



#### FIGYELEM! Károsodás veszélye

- A készülék védelme érdekében a csomagban található egyenáramú kábel dugaszának belsejében egy biztosíték található. **Ne** távolítsa el a biztosítékkal rendelkező egyenáramú dugaszt. Csak a mellékelt egyenáramú csatlakozókábelt használja.
- Válassza le a hűtőládát és más fogyasztókat az akkumulátorról, mielőtt az akkumulátort gyorstöltő készülékre csatlakoztatná. A túlfeszültség károsíthatja a készülék elektronikáját.

## Csatlakoztatás az akkumulátorra

- Az ábrán bemutatott módon járjon el (**7**. ábra, 7. oldal).

## Csatlakoztatás állandó meghosszabbított egyenáramú huzalozással (csak a CFX 3 100 modellnél)

- Az ábrán bemutatott módon járjon el (**8**. ábra, 8. oldal).

## Csatlakoztatás váltakozó áramú hálózathoz



### VESZÉLY! Áramütés miatti veszély

- Soha ne dolgozzon dugócsatlakozókkal és kapcsolókkal, ha nedves a keze vagy nedves helyen áll.
- Ha hűtőládáját egy hajó fedélzetén, váltakozó áramú hálózatról üzemelteti, akkor áram-védőkapcsolót kell a váltakozó áramú hálózat és a hűtőláda közé iktatnia. Ilyen esetben kérje szakember tanácsát.

- Az ábrán bemutatott módon járjon el (**9**. ábra, 9. oldal).

## 7.5 A hűtőláda használata



### FIGYELEM! Túlmelegedés kockázata

Mindig ügyeljen arra, hogy elegendő legyen a szellőzés, így az üzemeltetés közben keletkező hő távozni tud. Ügyeljen arra, hogy a szellőzőnyílások ne legyenek lefedve. A levegő keringtetése érdekében gondoskodjon arról, hogy a készülék megfelelő távolságra legyen a faltól vagy tárgytól.



### MEGJEGYZÉS

Akkumulátorral való üzemeltetés esetén a kijelző automatikusan kikapcsol, ha alacsony az akkumulátor feszültsége.

- A hűtőláda bekapcsolása: **10**. ábra, 9. oldal
- A hűtőláda kikapcsolása: **11**. ábra, 10. oldal

## 7.6 A kijelző használata

### Kijelző állapotok (12. ábra, 10. oldal)

Tétel	Megnevezés
A	Készenlét
B	Üresjárat
C	Zárolva

### A kijelző áttekintése: 13. ábra, 11. oldal

#### Navigálás a menükben

Megtörtént a kiemelt menü kiválasztása.

- ▶ Felfelé navigáláshoz nyomja meg a  $\triangle$  elemet.
- ▶ Lefelé navigáláshoz nyomja meg a  $\nabla$  elemet.

#### Egy menü kiválasztása

- ▶ A kívánt menü kiválasztásához nyomja meg a  $\odot$  elemet.

#### Beállítások módosítása

Megtörtént a kiemelt érték vagy beállítás kiválasztása.

- ▶ A kiválasztott érték növeléséhez, vagy az előző beállítás kiválasztásához nyomja meg a  $\triangle$  elemet.
- ▶ A kiválasztott érték csökkentéséhez, vagy a következő beállítás kiválasztásához nyomja meg a  $\nabla$  elemet.

#### Visszalépés az előző menübe

- ▶ Az előző menübe mentés nélkül történő visszalépéshez nyomja meg a  $\leftarrow$  gombot.

## 7.7 A kijelző lezárása/feloldása

- ▶ A kijelző zárolásához, vagy a zárolás feloldásához tartsa lenyomva egyszerre 3 másodpercig a  $\triangle$  és a  $\nabla$  gombokat (14. ábra, 11. oldal).

## 7.8 A hőmérséklet mértékegységeinek kiválasztása

- Az ábrán bemutatott módon járjon el (15. ábra, 11. oldal).

## 7.9 A hőmérséklet beállítása



### **FIGYELEM! Túl alacsony hőmérséklet miatti károsodás veszélye**

Ügyeljen arra, hogy csak olyan tárgyak, ill. áruk legyenek a hűtőkészülékben, amelyek lehűthetők a kiválasztott hőmérsékletre.

- Az ábrán bemutatott módon járjon el (16. ábra, 12. oldal).

## 7.10 Az akkumulátorvédelem használata

A készülék 3-fokozatú akkumulátorvédelemmel van ellátva. Az akkumulátorvédelem megakadályozza a túlzott lemerítést abban az esetben, ha a készülék egy jármű indítóakkumulátorhoz csatlakozik, vagy maximalizálja a kiegészítő akkumulátor használatát.

Ha a hűtőládát olyankor üzemelteti, amikor a jármű gyújtása ki van kapcsolva, akkor a hűtőláda automatikusan kikapcsol, amint a tápfeszültség egy beállítható szint alá csökken. Amint az akkumulátor a feltöltés során eléri a visszakapcsoláshoz szükséges feszültséget, a hűtőláda ismét bekapcsol.



### **FIGYELEM! Károsodás veszélye**

Az akkumulátorvédelem általi kikapcsolás esetén az akkumulátor teljes töltése már nem biztosított. Kerülje el az ismételt indítást. Gondoskodjon az akkumulátor újratöltéséről.



### **MEGJEGYZÉS**

Ha a hűtőládát indítóakkumulátorról használja, akkor válassza a „MEDIUM” vagy a „HIGH” akkumulátorvédelem üzemmódot. Ha a hűtőládát kiegészítő akkumulátorról használja, akkor a „LOW” akkumulátorvédelem üzemmód az ideális.

- Az ábrán bemutatott módon járjon el (17. ábra, 13. oldal).

## 7.11 A kijelző fényerejének beállítása

- Az ábrán bemutatott módon járjon el (18. ábra, 13. oldal).

## 7.12 A rekeszek be-, vagy kikapcsolása (csak a CFX 3 75DZ, CFX 3 95DZ modelleknél)

Minden egyes zónát külön, vagy két zónát is aktiválhat.

- ▶ Az ábrán bemutatott módon járjon el (19. ábra, 14. oldal).

## 7.13 A jégkészítő használata (csak a CFX 3 55IM modellnél)



### MEGJEGYZÉS

- A jégkészítő zóna jégkockák készítésére való, a fő rekesz hőmérsékletbeállításától függetlenül, és akkor működik ha a jégkészítő be van kapcsolva.
- Amikor be van kapcsolva a jégkészítő, akkor a hűtőláda energiafogyasztása megnő. Ezért ha nincs szükség rá, kapcsolja ki a jégkészítőt.
- A jégkészítő gyári beállítása a KI helyzet.

- ▶ Az ábrán bemutatott módon járjon el (20. ábra, 14. oldal).

### A jégtálcák feltöltése vízzel

- ▶ Vegye ki a jégtálcákat (21. ábra 1, 15. oldal) a jégkészítő házából (21. ábra 2, 15. oldal).
- ▶ Vegye le a jégtálcák tetőit, töltsse fel ezeket tiszta vízzel és helyezze vissza a tetőket, vigyázva arra hogy a peremeknél körben jól illeszkedjenek.
- ▶ Helyezze vissza a jégtálcákat a jégkészítő házába és zárja le fedelet.



### MEGJEGYZÉS

Törölje fel a jégtálcák alól az összes kiömlött vizet. Ez csökkenti a jégtálcák alatti jégképződést és megkönnyíti ezek eltávolítását.

### A jégkockák eltávolítása

- ▶ Nyissa fel a jégkészítő házat és emelje meg a jégtálcák első részét.



### MEGJEGYZÉS

Nedves környezetben a jégtálcák alatt jégréteg képződhet ami megnehezíti az eltávolítást, ekkor két kézzel próbálja meg kivenni a jégtálcákat.

- ▶ A jégkockák kipattintásához vegye le a jégtálcák tetejét és csavarja meg a tálcákat.

## A jégkészítő ház eltávolítása

Tisztítás céljára, vagy ha nincs használatban, a hűtőládában lévő hely növelése érdekében a jégkészítő ház eltávolítható:

- ▶ Emelje fel a ház egyik felét, amíg a fül ki nem ugrik a helyéről, majd távolítsa el a házat.
- ▶ A visszahelyezéskor fordított sorrendben járjon el, nyomja le a füleket, amíg azok a helyükre nem pattannak.

## Tanácsok a jégkészítő használatához

- A bekapcsolás után a jégkészítő gyorsan, pár óra alatt elkészíti a jeget és ezt követően az energiafogyasztás csökkentése érdekében a jégmegtartási üzemmódba kapcsol. Ha a lehető leggyorsabban több tétel jégre van szüksége, a jégkészítő ki és bekapcsolásával visszaállíthatja azt gyors jégkészítési üzemmódba. Szükség szerint ismétlje meg a műveletet.
- Magas környezeti hőmérséklet esetén lehetséges hogy bekapcsolt jégkészítővel nem lehet alacsony fagyasztási hőmérsékletet fenntartani a fő rekeszben.

## A jégkészítő tisztítása és megszáritása

- ▶ Ha nem használja, akkor a penészedés elkerülése érdekében tisztítsa és szárítsa meg a jégtálcákat és a jégkészítő belső részét.
- ▶ Hosszabb használaton kívüli idő után tisztítsa meg a jégtálcák belsejét kímélő mosogatószerrel és használat előtt öblítse ki ezeket tiszta vízzel.

## 7.14 A CFX3 app letöltése

Egy app segítségével, amelyet egy kompatibilis készülékre telepíthet fel, a hűtőláda Bluetooth, vagy WiFi kapcsolaton keresztül figyelhető és vezérelhető.

- ▶ Töltse le a CFX3 alkalmazást az App Store vagy a Google Play áruházból.

Lehetséges, hogy a CFX3 alkalmazás az Ön országában nem érhető el.

## 7.15 A Bluetooth jel beállítása és csatlakozás az alkalmazáshoz

A hűtőláda Bluetooth kapcsolaton keresztül figyelhető és vezérelhető. Ehhez párosítania kell a hűtőládát Bluetooth készülékével.

**MEGJEGYZÉS**

- A párosítást a CFX3 alkalmazásban kell elvégezni, nem a készülék beállításában.
- A Bluetooth csatlakozáshoz nincs szükség jelszóra.

➤ Az ábrán bemutatott módon járjon el (22. ábra, 15. oldal).

## 7.16 A WiFi jel beállítása és csatlakozás az alkalmazáshoz

A hűtőláda közvetlen WiFi kapcsolattal, vagy egy WiFi hálózaton keresztül figyelhető és vezérelhető.

- A WiFi bekapcsolásához az ábrán (23. ábra, 16. oldal) látható módon járjon el.
- A hűtőládával való közvetlen WiFi kapcsolat létrehozásához lépjen be a készülék beállításokba és válassza ki hűtőládját.
  - Hűtőládjának WiFi neve „CFX3” karakterekkel kezdődik.
  - Az előre beállított jelszó: „00000000”.
  - A CFX3 alkalmazásban személyre szabhatja a WiFi nevet és a jelszót.

**MEGJEGYZÉS**

A WiFi hálózaton keresztül történő csatlakozáshoz az app BEÁLLÍTÁSOK menüpontjában lépjen be a „csatlakozás hálózathoz” pontba.

## 7.17 A CFX nevének és jelszavának módosítása az alkalmazásban

- Az alkalmazásban személyre szabhatja CFX készüléke nevét.
  - A Bluetooth és a WiFi is ugyan azt a nevet használja.
  - Személyre szabhatja jelszavát is az alkalmazásban - csak a WiFi-re vonatkozik.
- Az app BEÁLLÍTÁSOK menüpontjában lépjen be a „CFX név és jelszó” pontba.

## 7.18 Az app jelszavának visszaállítása (csak WiFi)

- Visszaállíthatja az app jelszavát a „00000000” gyári beállításra.
- Az ábrán bemutatott módon járjon el (23. ábra, 16. oldal).

## 7.19 Gyári beállítások visszaállítása

A visszaállítás funkció az összes kijelző menüt és app mezőt visszaállítja az eredeti gyári beállításokra.

- Az ábrán bemutatott módon járjon el (24. ábra, 16. oldal).

## 7.20 USB csatlakozó a feszültségellátáshoz

Az USB csatlakozó kisebb készülékek, például mobiltelefonok és MP3 lejátszók töltéséhez használható.



### MEGJEGYZÉS

Győződjön meg róla, hogy az USB csatlakozásra csatlakoztatott kisebb készülék alkalmas legyen 5 V / 2 A tápellátású üzemelésre.

- Az ábrán bemutatott módon járjon el (26. ábra, 17. oldal).

## 7.21 A hűtőláda leolvasztása

A levegő nedvességtartalma jeget képezhet a hűtőkészülék belső terében vagy az elpárologatón. Emiatt csökken a hűtési teljesítmény. Ennek elkerülése érdekében olvassza le időben a készüléket.



### FIGYELEM! Károsodás veszélye

Soha ne használjon kemény vagy hegyes végű eszközöket a jég eltávolításához vagy a fagyott tárgyak lazításához.

A hűtőláda leolvasztásához a következő módon járjon el:

- Vegyen ki mindent a hűtőládából.
- Tárolja azokat adott esetben egy másik hűtőkészülékben, hogy hidegen maradjanak.
- Kapcsolja ki a készüléket.
- Hagyja nyitva a fedelet.
- Törölje le a leolvadt vizet.

## 7.22 A váltakozó áramú biztosíték cseréje



### VESZÉLY! Áramütés miatti veszély

A készülék biztosítékának cseréje előtt szüntesse meg az áramellátást és húzza ki a csatlakozókábelt.

- Szüntesse meg a készülék áramellátását.
- Húzza ki a csatlakozókábelt.

- Pattintsa ki a biztosítékbetétet (4. ábra 4, 4. oldal) csavarhúzó segítségével.
- Cserélje ki a meghibásodott üveg biztosítékot egy ugyanolyan típusú és paraméterű új biztosítékra (gyors működésű, 4 A, 250 V).
- Pattintsa vissza a biztosítékbetétet a tokozásba.
- Állítsa helyre a készülék áramellátását.

### 7.23 Az egyenáramú biztosíték cseréje

- Pattintsa ki a biztosítékfedelelet (4. ábra 3, 4. oldal) egy csavarhúzó segítségével.
- Fordítsa meg a biztosítékfedelelet és egy kampóval távolítsa el a meghibásodott lapos biztosítékot.
- Nyomjon be egy ugyanolyan típusú és paraméterekkel rendelkező biztosítékot.
- Helyezze vissza a biztosítékfedelelet.

### 7.24 Az egyenáramú dugasz biztosítékának cseréje

- Cserélje ki a meghibásodott biztosítékot egy azonos típusú és paraméterekkel rendelkező új biztosítékra.
- Az ábrán bemutatott módon járjon el (27. ábra, 17. oldal).

### 7.25 A világítás nyomtatott áramkörének cseréje



#### **FIGYELEM! Károsodás veszélye**

A veszélyek elkerülése érdekében csak a gyártó, a szerviz vagy hasonló képesítéssel rendelkező szolgáltató cserélheti ki az izzót.

## 8 Tisztítás és ápolás



#### **FIGYELEM! Károsodás veszélye!**

- Soha ne tisztítsa a hűtőkészüléket folyó víz alatt vagy mosogatóvízben.
- Ne használjon a tisztításhoz éles tisztítóeszközöket vagy kemény tárgyakat, mert azok a hűtőkészüléket megsérthetik.

- Alkalmanként tisztítsa meg a készüléket kívül-belül nedves ruhával.

- Biztosítsa, hogy a készülék szellőztető és légtelenítő nyílásai por- és szennyeződésmentesek legyenek, mert így az üzem közben létrejövő hő távozhat és a készülék nem károsodik.

## 9 Hibaelhárítás

Hiba	Lehetséges ok	Megoldási javaslat
A készülék nem működik (egyenáramú mód, gyújtás be).	Nincs feszültség az egyenáramú kimenetben.	A legtöbb járműben előbb be kell kapcsolni a gyújtást ahhoz, hogy az egyenáramú kimenet áram alá kerüljön.
	Elszennyeződött az egyenáramú kimenet. Emiatt rossz az elektromos érintkezés.	Ha a készülék dugasa nagyon felmelegszik az egyenáramú kimenetben, akkor vagy az egyenáramú kimenetet kell megtisztítani, vagy esetleg a dugasz van hibásan összeszerelve.
	Kiégett az egyenáramú dugasz biztosítóka.	Cserélje ki az egyenáramú dugasz biztosítékát, lásd: „Az egyenáramú dugasz biztosítékának cseréje” fejr., 409. oldal.
	Kiégett a készülék egyenáramú biztosítóka.	Cserélje ki a készülék egyenáramú biztosítékát, lásd: „Az egyenáramú biztosíték cseréje” fejr., 409. oldal.
	Kiégett a jármű biztosítóka.	Cserélje ki a jármű egyenáramú kimenetének biztosítékát. Vegye figyelembe a jármű kezelési útmutatóját.
A készülék nem működik (váltakozó áramú mód).	A váltakozó áramú aljzatban nincs feszültség.	Próbálja meg másik aljzatot használni.
	Kiégett a készülék váltakozó áramú biztosítóka.	Cserélje ki a készülék váltakozó áramú biztosítékát, lásd: „A váltakozó áramú biztosíték cseréje” fejr., 408. oldal.
	A beépített váltakozó áramú tápegység meghibásodott.	A javítást csak engedéllyel rendelkező vevőszolgálat végezheti.
A kijelző nem reagál a billentyűk lenyomására.	A kijelző zárolva van.	Oldja fel a kijelzöt, lásd: „A kijelző lezárása/feloldása” fejr., 403. oldal.

Hiba	Lehetséges ok	Megoldási javaslat
Az app nem vezérli a készüléket.	Nincs csatlakoztatva a Bluetooth, vagy a WiFi.	Csatlakoztassa a Bluetooth hálózatot, lásd: „A Bluetooth jel beállítása és csatlakozás az alkalmazáshoz” fejr., 406. oldal, vagy csatlakoztassa a WiFi hálózatot, lásd: „A WiFi jel beállítása és csatlakozás az alkalmazáshoz” fejr., 407. oldal.
A kijelzőn riasztási üzenet, vagy figyelmeztetés kód látható.	–	Lásd az alábbi táblázatban.

### Riasztási üzenetek

Pl. lásd: **25**. ábra A, 16. oldal.

Riasztási üzenet	Megnevezés	Lehetséges ok	Megoldási javaslat
!ALERT - Lid open > 3 min	A fedél 3 percnél hosszabb ideig van nyitva	<ul style="list-style-type: none"> <li>Nincs teljesen lezárva a fedél</li> <li>Belső hiba</li> </ul>	<ul style="list-style-type: none"> <li>Ellenőrizze, hogy a fedél teljesen le van-e zárva</li> <li>Vizsgálta meg a terméket egy hivatalos szervizközponttal</li> </ul>

Riasztási üzenet	Megnevezés	Lehetséges ok	Megoldási javaslat
!ALERT - Voltage low	Alacsony feszültség miatt a készülék egyenáramú üzeme leállt	<ul style="list-style-type: none"> <li>Alacsony tápfeszültség</li> <li>Az akkumulátorfeszültség túl alacsony</li> <li>Az akkumulátorvédelem túl magasra van beállítva</li> </ul>	<ul style="list-style-type: none"> <li>Az akkumulátor teljesítménykimenetén engedélyezze a feszültségcsökkenést és szükség esetén növelje a vezeték keresztmetszetét</li> <li>Ellenőrizze és szükség esetén töltsen fel az akkumulátort</li> <li>Válasszon alacsonyabb beállítást az akkumulátorvédelem számára</li> </ul>
	A rendellenesen magas feszültség >31,5 V miatt a készülék egyenáramú üzeme leállt (valószínűtlen esemény – csak az elektronika védelmét szolgálja – ugyan ezt a riasztási üzenetet alkalmazza, mint a fenti alacsony feszültség)	<ul style="list-style-type: none"> <li>Nem megfelelő egyenáramú tápfeszültség specifikáció</li> <li>Rossz tápfeszültség</li> <li>Belső hiba</li> </ul>	<ul style="list-style-type: none"> <li>Biztosítsa, hogy az egyenáramú feszültség specifikációja megfelelően a CFX3 termék adatlapján található értéknek</li> <li>Ellenőrizze az egyenáramú feszültségellátást és hiba esetén javítsa meg, vagy cserélje ki</li> <li>Vizsgáltsa meg a terméket egy hivatalos szervizközponttal</li> </ul>

## Figyelmeztető kódok

Pl. lásd: **25**. ábra B, 16. oldal.

Figyelmeztető kód	Hiba	Lehetséges ok	Megoldási javaslat
!WARNING 32	Ventilátor túláram	Belső hiba.	Legalább 5 percre kapcsolja ki a készüléket majd indítsa újra. Ha a probléma továbbra is fennáll, akkor hivatalos szervizközpont általi kivizsgálásra van szükség
!WARNING 33	A kompresszor nem indul el		
!WARNING 34	A kompresszor sebessége alacsony	<ul style="list-style-type: none"> <li>Magas környezeti hőmérséklet</li> </ul>	<ul style="list-style-type: none"> <li>Legalább 30 percre kapcsolja ki a készüléket, vagy vigye egy hűvösebb helyre, majd indítsa újra</li> </ul>
!WARNING 35	A vezérlés túlmelegedett	<ul style="list-style-type: none"> <li>Szellőzőnyílás eltömődött, vagy nincs megfelelő hézag</li> <li>Belső hiba</li> </ul>	<ul style="list-style-type: none"> <li>Tisztítsa meg a szellőzőnyílásokat</li> <li>Vizsgáltassa meg a terméket egy hivatalos szervizközponttal</li> </ul>
!WARNING 01	NTC nyitott áramkör SZ & DZ NAGY	Belső hiba	Vizsgáltassa meg a terméket egy hivatalos szervizközponttal
!WARNING 11	NTC nyitott áramkör DZ KICSI		
!WARNING 02	NTC rövidzárlat SZ & DZ NAGY		
!WARNING 12	NTC rövidzárlat DZ KICSI		
!WARNING 09	Meghibásodott a DZ szelep, vagy a jégkészítő szelep		Legalább 1 percre kapcsolja ki a készüléket majd indítsa újra. Ha a probléma továbbra is fennáll, akkor hivatalos szervizközpont általi kivizsgálásra van szükség
!WARNING 03/43	Kommunikációs hiba		

## 10 Szavatosság

A termékre a törvény szerinti szavatossági időszak érvényes. A termék meghibásodása esetén forduljon a gyártói lerakathoz (lásd [dometic.com/dealer](http://dometic.com/dealer)), il-letve az illetékes szakkereskedőhöz.

A javításhoz, illetve a szavatossági adminisztrációhoz a következő dokumentumokat kell mellékelnie:

- a számla vásárlási dátummal rendelkező másolatát,
- a reklamáció okát vagy a hibát tartalmazó leírást.

## 11 Ártalmatlanítás

- ▶ A csomagolóanyagot lehetőleg a megfelelő újrahasznosítható hulladék közé tegye.



Ha a terméket véglegesen kivonja a forgalomból, kérjük, tájékozódjon a legközelebbi hulladékártalmatlanító központnál vagy a szakkereskedőjénél az idevonatkozó ártalmatlanítási előírásokkal kapcsolatosan.



### **FIGYELMEZTETÉS! Gyermekes beszorulásának kockázata**

Régi hűtőkészülékének ártalmatlanítása előtt:

- Szerelje le a fedelet.
- Hagyja a kosarakat a készülékben, így a gyermekek nem tudnak egyszerűen belemászni.

## 12 Műszaki adatok



### MEGJEGYZÉS

A „hűtési teljesítmény” részben található minimális hőmérséklet nem érhető el, ha a CFX3 35/45/55/55IM/100 modellek esetében a környezeti hőmérséklet 32 °C (90 °F) felett van, vagy a CFX3 75DZ/95DZ modellek esetében 30 °C (86 °F) felett van (alacsony beállítás: -22 °C/magas beállítás: +4 °C).

Vizsgálat / tanúsítványok:



	CFX3 35	CFX3 45	CFX3 55
Csatlakozási feszültség:	12/24 V $\overline{=}$ és 100 – 240 V $\sim$		
Névleges áramerősség:	12 V $\overline{=}$ : 7,5 A 24 V $\overline{=}$ : 3,3 A 100 V $\sim$ : 0,94 A 240 V $\sim$ : 0,39 A	12 V $\overline{=}$ : 8,2 A 24 V $\overline{=}$ : 3,5 A 100 V $\sim$ : 0,96 A 240 V $\sim$ : 0,40 A	12 V $\overline{=}$ : 8,7 A 24 V $\overline{=}$ : 3,7 A 100 V $\sim$ : 0,98 A 240 V $\sim$ : 0,41 A
Hűtési teljesítmény:	-22 °C és +10 °C között (-8 °F és +50 °F között)		
Kategória:	1		
Energiahatékonysági osztály:	A++		
Energiafogyasztás:	81 kWh/év	79 kWh/év	83 kWh/év
Bruttó térfogat:	36 l	46 l	55 l
Hasznos térfogat:	36 l	46 l	55 l
Klímaosztály:	N, T		
Környezeti hőmérséklet:	+16 °C és +43 °C között (+61 °F és +110 °F között)		
Zajkibocsátás:	44 dB(A)	47 dB(A)	
USB töltőport:	5 V $\overline{=}$ , 2 A		
Frekvenciatartomány:	WiFi: 2412 MHz – 2472MHz/2422 MHz – 2462MHz Bluetooth/BLE: 2402 MHz – 2480 MHz		
Frekvenciasáv (WiFi):	2,4 GHz		

	<b>CFX3 35</b>	<b>CFX3 45</b>	<b>CFX3 55</b>
RF kimeneti teljesítmény:	WiFi: 16,62 dBm (802.11b), 16,23 dBm (802.11g), 16,45 dBm (802.11n20), 16,02 dBm (802.11n40) Bluetooth: 8,31 dBm Bluetooth LE: 6,67 dBm		
Hűtőközeg mennyisége:	38 g	42 g	45 g
CO <sub>2</sub> egyenérték:	0,054 t	0,060 t	0,064 t
Globális felmelegedési potenciál (GWP):	1430		
Méreték (Sz x Mé x Ma) mm-ben (fogantyúkkal együtt):	398 x 694 x 407	398 x 694 x 476	720 x 455 x 480
Súly:	16,9 kg	18,7 kg	20,4 kg

	<b>CFX3 55IM</b>	<b>CFX3 75DZ</b>	<b>CFX3 95DZ</b>
Csatlakozási feszültség:	12/24 V $\overline{=}$ és 100 – 240 V $\sim$		
Névleges áramerősség:	12 V $\overline{=}$ : 8,9 A 24 V $\overline{=}$ : 3,8 A 100 V $\sim$ : 1,00 A 240 V $\sim$ : 0,42 A	12 V $\overline{=}$ : 9,6 A 24 V $\overline{=}$ : 4,2 A 100 V $\sim$ : 1,12 A 240 V $\sim$ : 0,47 A	12 V $\overline{=}$ : 10,4 A 24 V $\overline{=}$ : 4,6 A 100 V $\sim$ : 1,22 A 240 V $\sim$ : 0,51 A
Hűtési teljesítmény:	-22 °C és +10 °C között (-8 °F és +50 °F között)		
Kategória:	1		
Energiahatékonysági osztály:	A++	A+	
Energiafogyasztás:	82 kWh/év	108 kWh/év	111 kWh/év
Bruttó térfogat:	55 l	75 l (45 l/30 l)	94 l (55 l/39 l)
Hasznos térfogat:	53 l	75 l (45 l/30 l)	94 l (55 l/39 l)
Klímaosztály:	N, T		
Környezeti hőmérséklet:	+16 °C és +43 °C között (+61 °F és +110 °F között)		
Zajkibocsátás:	48 dB(A)	50 dB(A)	
USB töltőport:	5 V $\overline{=}$ , 2 A		

	<b>CFX3 55IM</b>	<b>CFX3 75DZ</b>	<b>CFX3 95DZ</b>
Frekvenciatartomány:	WiFi: 2412 MHz – 2472MHz/2422 MHz – 2462MHz Bluetooth/BLE: 2402 MHz – 2480 MHz		
Frekvenciasáv (WiFi):	2,4 GHz		
RF kimeneti teljesítmény:	WiFi: 16,62 dBm (802.11b), 16,23 dBm (802.11g), 16,45 dBm (802.11n20), 16,02 dBm (802.11n40) Bluetooth: 8,31 dBm Bluetooth LE: 6,67 dBm		
Hűtőközeg mennyisége:	45 g	59 g	67 g
CO <sub>2</sub> egyenérték:	0,064 t	0,084 t	0,096 t
Globális felmelegedési potenciál (GWP):	1430		
Méreték (Sz x Mé x Ma) mm-ben (fogantyúkkal együtt):	720 x 455 x 480	892 x 495 x 472	962 x 530 x 472
Súly:	21,3 kg	27,8 kg	29,8 kg

	<b>CFX3 100</b>
Csatlakozási feszültség:	12/24 V $\overline{=}$ és 100 – 240 V $\sim$
Névleges áramerősség:	12 V $\overline{=}$ : 10,8 A 24 V $\overline{=}$ : 4,8 A 100 V $\sim$ : 1,28 A 240 V: 0,53 A
Hűtési teljesítmény:	+10 °C és –22 °C között (+50 °F és –8 °F között)
Kategória:	1
Energiahatékonysági osztály:	A+
Energiafogyasztás:	111 kWh/év
Bruttó térfogat:	99 l
Hasznos térfogat:	88 l
Klímaosztály:	N, T

	<b>CFX3 100</b>
Környezeti hőmérséklet:	+16 °C és +43 °C között (+61 °F és +110 °F között)
Zajkibocsátás:	36,5 dB(A)
USB:	5 V $\overline{=}$ , 2 A
Frekvenciatartomány:	WiFi: 2412 MHz – 2472MHz/2422 MHz – 2462MHz Bluetooth/BLE: 2402 MHz – 2480 MHz
Frekvenciasáv (WiFi):	2,4 GHz
RF kimeneti teljesítmény:	WiFi: 16,62 dBm (802.11b), 16,23 dBm (802.11g), 16,45 dBm (802.11n20), 16,02 dBm (802.11n40) Bluetooth: 8,31 dBm Bluetooth LE: 6,67 dBm
Hűtőközeg mennyisége:	60 g
CO <sub>2</sub> egyenérték:	0,086 t
Globális felmelegedési potenciál (GWP):	1430
Méretek (Sz x Mé x Ma) mm-ben (fogantyúkkal együtt):	962 x 530 x 472
Súly:	29,6 kg

A hűtőkör R134a közeget tartalmaz.

Fluorozott üvegházgázokat tartalmaz

Hermetikusan zárt berendezés

130.com.ua

Mobile living made easy.



130.com.ua

**dometic.com**

**YOUR LOCAL  
DEALER**

**dometic.com/dealer**

**YOUR LOCAL  
SUPPORT**

**dometic.com/contact**

**YOUR LOCAL  
SALES OFFICE**

**dometic.com/sales-offices**

4445103034 06/2020

A complete list of Dometic companies, which comprise the Dometic Group, can be found in the public filings of:

**DOMETIC GROUP AB** Hemvärnsgatan 15 SE-17154 Solna Sweden  
Автотовары «130»