



ТЕЛЕФОНЫ

0 (800) 800 130
(050) 462 0 130
(063) 462 0 130
(067) 462 0 130

130
COM.UA

Интернет-магазин
автотоваров



SKYPE

km-130

АВТОМАГНИТОЛЫ — Магнитолы • Медиа-ресиверы и станции • Штатные магнитолы • CD/DVD чейнджеры • FM-модуляторы/USB адаптеры • Flash память • Переходные рамки и разъемы • Антенны • Аксессуары | **АВТОЗВУК** — Акустика • Усилители • Сабвуферы • Процессоры • Кроссоверы • Наушники • Аксессуары | **БОРТОВЫЕ КОМПЬЮТЕРЫ** — Универсальные компьютеры • Модельные компьютеры • Аксессуары | **GPS НАВИГАТОРЫ** — Портативные GPS • Встраиваемые GPS • GPS модули • GPS трекеры • Антенны для GPS навигаторов • Аксессуары | **ВИДЕОУСТРОЙСТВА** — Видеорегистраторы • Телевизоры и мониторы • Автомобильные ТВ тюнеры • Камеры • Видеомодули • Транскодеры • Автомобильные ТВ антенны • Аксессуары | **ОХРАННЫЕ СИСТЕМЫ** — Автосигнализации • Мотосигнализации • Механические блокираторы • Имобилайзеры • Датчики • Аксессуары | **ОПТИКА И СВЕТ** — Ксенон • Биксенон • Лампы • Светодиоды • Стробоскопы • Оптика и фары • Омыватели фар • Датчики света, дождя • Аксессуары | **ПАРКТРОНИКИ И ЗЕРКАЛА** — Задние парктроники • Передние парктроники • Комбинированные парктроники • Зеркала заднего вида • Аксессуары | **ПОДОГРЕВ И ОХЛАЖДЕНИЕ** — Подогревы сидений • Подогревы зеркал • Подогревы дворников • Подогревы двигателей • Автохолодильники • Автокондиционеры • Аксессуары | **ТЮНИНГ** — Виброизоляция • Шумоизоляция • Тонировочная пленка • Аксессуары | **АВТОАКСЕССУАРЫ** — Радар-детекторы • Громкая связь Bluetooth • Стеклоподъемники • Компрессоры • Звуковые сигналы, СГУ • Измерительные приборы • Автопылесосы • Автокресла • Разное | **МОНТАЖНОЕ ОБОРУДОВАНИЕ** — Установочные комплекты • Обивочные материалы • Декоративные решетки • Фазоинверторы • Кабель и провод • Инструменты • Разное | **ПИТАНИЕ** — Аккумуляторы • Преобразователи • Пуско-зарядные устройства • Конденсаторы • Аксессуары | **МОРСКАЯ ЭЛЕКТРОНИКА И ЗВУК** — Морские магнитолы • Морская акустика • Морские сабвуферы • Морские усилители • Аксессуары | **АВТОХИМИЯ И КОСМЕТИКА** — Присадки • Жидкости омывателя • Средства по уходу • Полироли • Ароматизаторы • Клеи и герметики | **ЖИДКОСТИ И МАСЛА** — Моторные масла • Трансмиссионные масла • Тормозные жидкости • Антифризы • Технические смазки

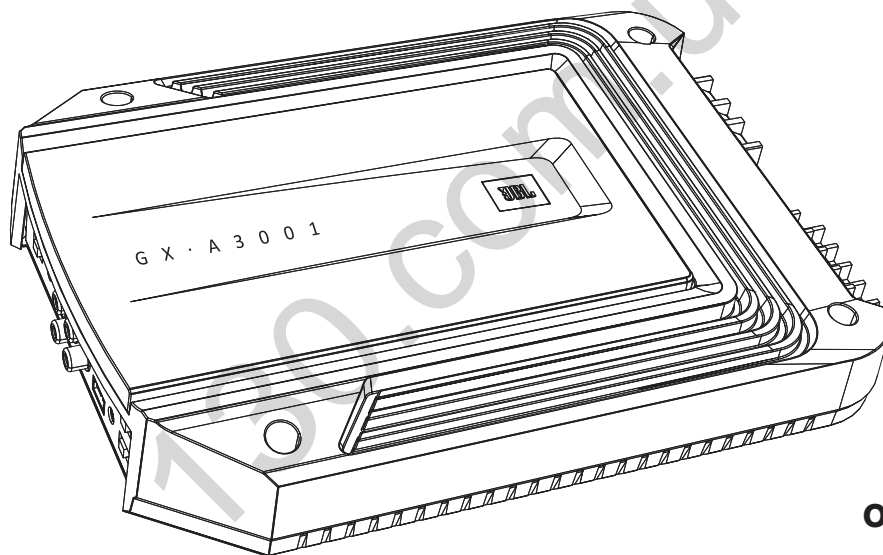


В магазине «130» вы найдете и сможете купить в Киеве с доставкой по городу и Украине практически все для вашего автомобиля. Наши опытные консультанты предоставят вам исчерпывающую информацию и помогут подобрать именно то, что вы ищете. Ждем вас по адресу

<https://130.com.ua>

GX-A604/GX-A602/GX-A3001

power amplifier



OWNER'S MANUAL



English

Français

Español

Deutsch

Italiano

Русский

日本語

עברית

Nederlands

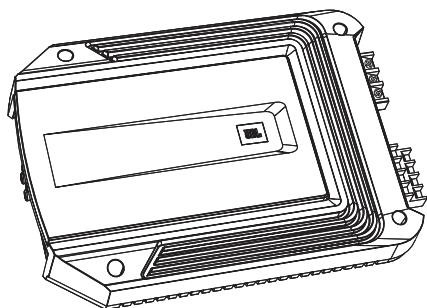
Svenska

Dansk

INTRODUCTION

THANK YOU for purchasing a JBL® GX-series amplifier. So we can better serve you should you require warranty service, please retain your original sales receipt and register your amplifier online at www.jbl.com.

INCLUDED ITEMS



GX-Series Amplifier (x 1)



Speaker-level input harness
(GX-A602, GX-A3001 x 1)
(GX-A604 x 2)

LOCATION AND MOUNTING

Although these instructions explain how to install GX-series amplifiers in a general sense, they do not show specific installation methods that may be required for your particular vehicle. If you do not have the necessary tools or experience, do not attempt the installation yourself. Instead, please ask your authorized JBL car audio dealer about professional installation.

INSTALLATION WARNINGS AND TIPS

IMPORTANT: Disconnect the vehicle's negative (-) battery terminal before beginning the installation.

- Always wear protective eyewear when using tools.
- Check clearances on both sides of a planned mounting surface. Be sure that screws or wires will not puncture brake lines, fuel lines or wiring harnesses, and that wire routing will not interfere with the safe operation of the vehicle.
- When making electrical connections, make sure they are secure and properly insulated.
- If you must replace any of the amplifier's fuses, be sure to use the same type of fuse and current rating as that of the original.

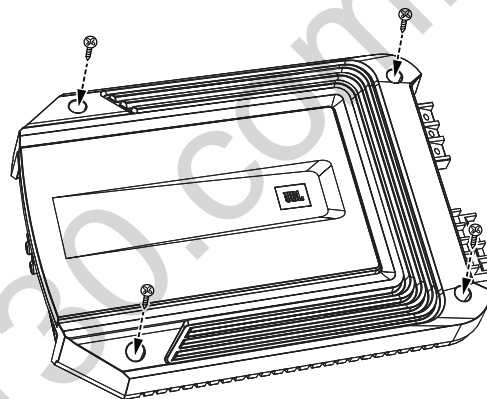
INSTALLATION LOCATION

Amplifiers need air circulation to stay cool. Select a location that provides enough air for the amp to cool itself.

- Suitable locations are under a seat (provided the amplifier doesn't interfere with the seat adjustment mechanism), in the trunk, or in any other location that provides enough cooling air.
- Do not mount the amplifier with the heatsink facing downward, as this interferes with the amplifier's convection cooling.
- Mount the amplifier so that it will not be damaged by the feet of backseat passengers or shifting cargo in the trunk.
- Mount the amplifier so that it remains dry – never mount an amplifier outside the car or in the engine compartment.

MOUNTING THE AMPLIFIER

NOTE: You may find it more convenient to make all of the connections to the amplifier before you permanently mount it to the vehicle.



1. Select a suitable mounting location as described above.
2. Using the amplifier as a template, mark the locations of the mounting holes on the mounting surface.
3. Drill pilot holes in the mounting surface.
4. Attach the amplifier to the mounting surface with four appropriate mounting screws of your own choice. We suggest using #8 Phillips-head sheet metal screws. Make sure the amplifier is mounted securely.

POWER AND GROUND CONNECTIONS

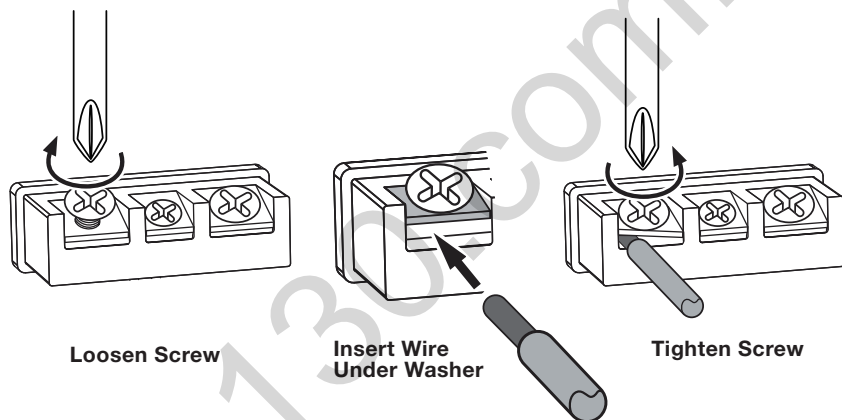
IMPORTANT: Disconnect the vehicle's negative (-) battery terminal before beginning the installation.

The GX series amplifiers are capable of delivering high power levels, and require a heavy-duty and reliable connection to the vehicle's electrical system to achieve optimal performance. Please adhere to the following instructions carefully.

USING THE CONNECTORS

GX-series amplifiers use the same type of screw terminals for power and speaker connections. This type of terminal is easy to use and allows the easy connection of large-gauge wire.

To use the connectors, use a Phillips screwdriver to loosen the connector's set screw, insert the bare wire and tighten the set screw to secure the wire in the connector, as shown in the illustration below.



IMPORTANT: Make sure the (+) and (-) speaker bare wires do not touch each other or the other terminal at both the amplifier terminals and speaker terminals. Touching wires can cause a short circuit that can damage the amplifier.

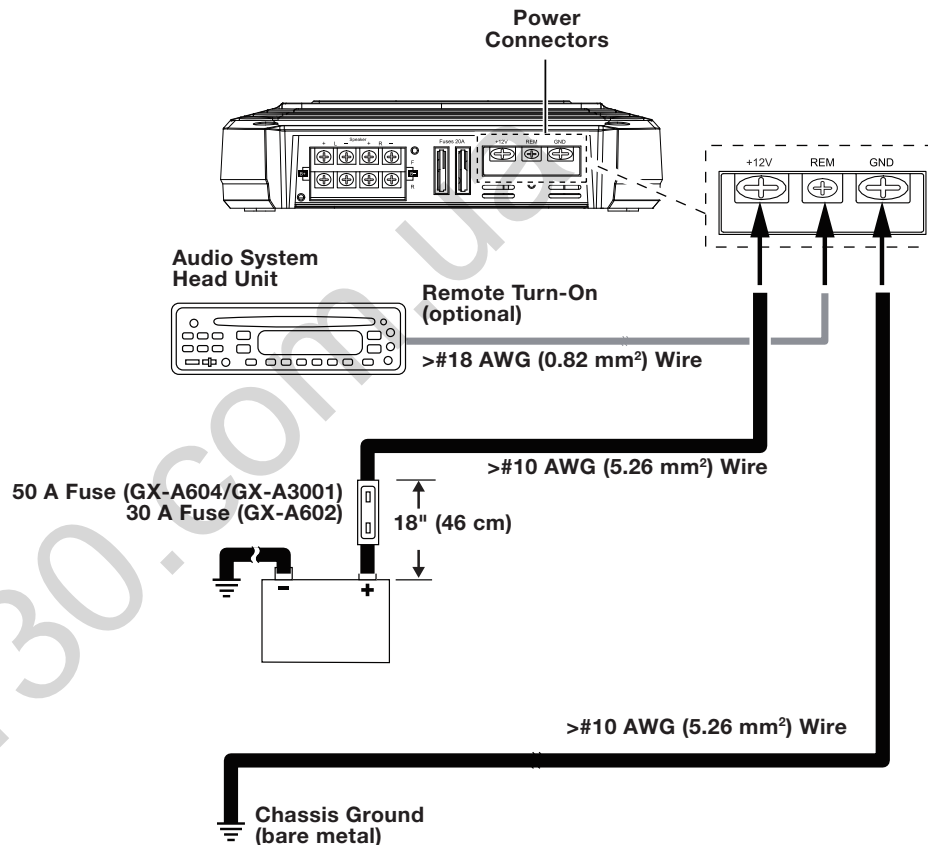
GROUND (GND) CONNECTION

Connect a wire (minimum 10 AWG – 5.3 mm²) from the amplifier's GND terminal directly to a solid point on the vehicle's chassis.

- For a good connection, use sandpaper to clear the paint from the metal surface at this chassis location. Use a star-type lock washer to secure the wire's connection.

POWER (12 V) CONNECTION

1. Connect a wire (minimum 10 AWG – 5.3 mm²) directly to the battery's positive (+) terminal.
2. Install a fuse holder for a 50 A fuse (GX-A604, GX-A3001) or a 30 A fuse (GX-A602) on this wire within 18" (46 cm) of the battery's (+) terminal. Do not install the fuse in the holder at this time.
3. Route this wire to the amplifier's location and connect it to the amplifier's +12 V terminal. Be sure to use appropriate grommets whenever routing wires through the firewall or other sheet metal. **IMPORTANT:** Failure to adequately protect the positive wire from potential damage may result in a vehicle fire.
4. When you are finished routing and connecting this wire, install the appropriate fuse in the holder you installed near the battery. (GX-A604, GX-A3001 – 50 A fuse; GX-A602 – 30 A fuse)



SPEAKER AND INPUT CONNECTIONS

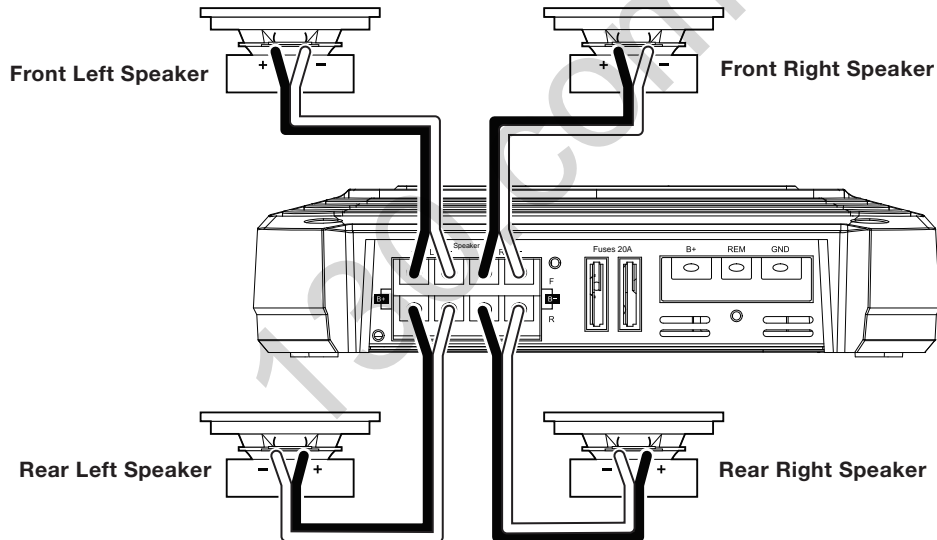
Always connect the (+) speaker terminal on the amplifier to the (+) terminal on the speaker and the (-) speaker terminal on the amplifier to the (-) terminal on the speaker.

IMPORTANT: Make sure the (+) and (-) bare wires do not touch each other or the other terminal at both the amplifier terminals and speaker terminals. Touching wires can cause a short circuit that can damage the amplifier.

GX-A604 SPEAKER CONNECTIONS: 4-CHANNEL OPERATION

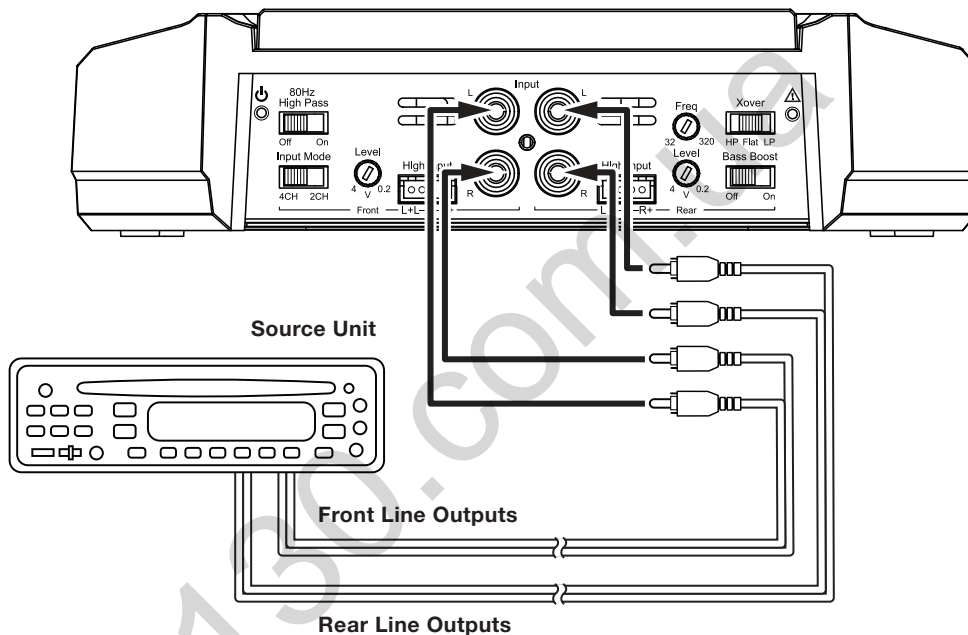
Minimum speaker impedance: 2 ohms (each)

- Connect the front speakers to the FL and FR (+) and (-) terminals.
- Connect the rear speakers to the RL and RR (+) and (-) terminals.



GX-A604 INPUT CONNECTIONS: 4-CHANNEL OPERATION

Connect your source unit or processor's front and rear left and right outputs to the amplifier's inputs as shown in the illustration.



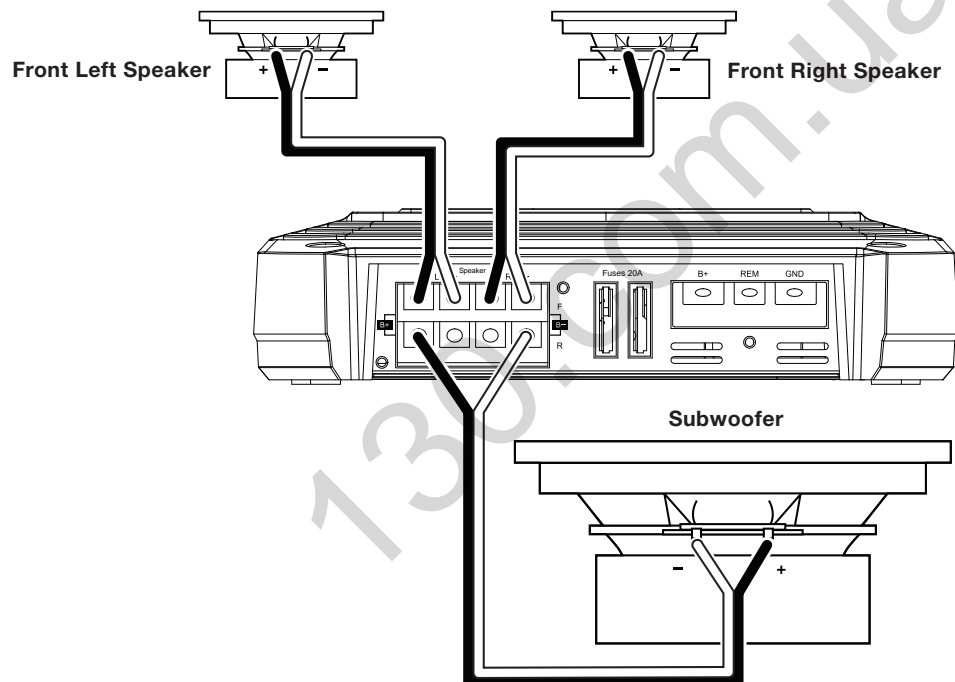
See *Set The Crossover Controls*, on page 20, for information about setting the amplifier's controls for 4-channel operation.

To use the speaker-level inputs instead of the line-level inputs, see *Using The Speaker-Level Inputs*, on page 12.

GX-A604 SPEAKER CONNECTIONS: 3-CHANNEL OPERATION

Minimum speaker impedance: 2 ohms each (left & right speakers); 4 ohms (subwoofer)

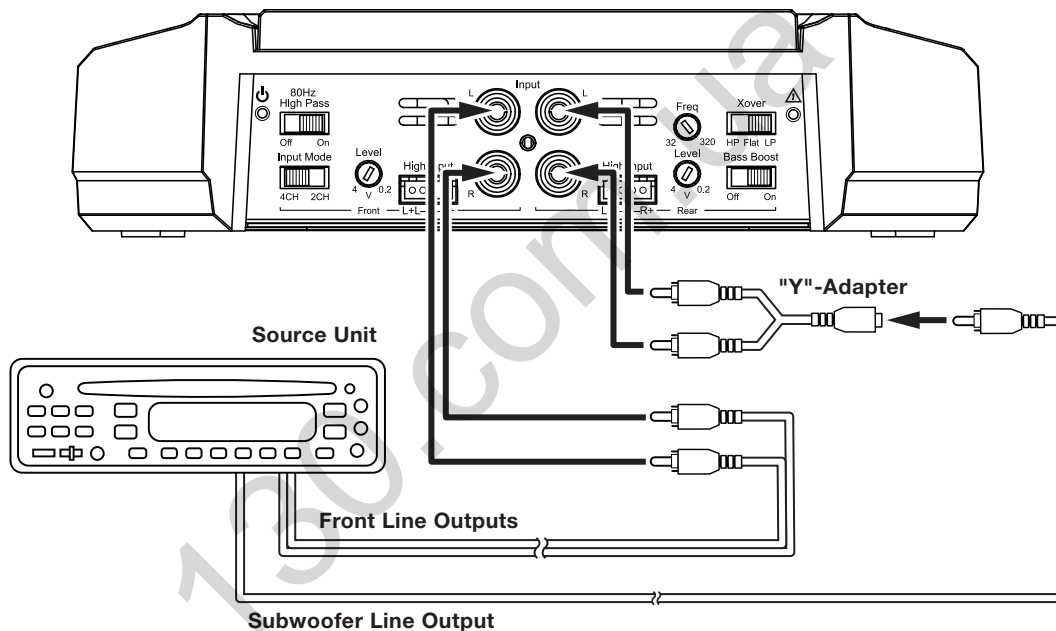
- Connect the left and right speakers to the FL and FR (+) and (-) terminals
- Connect the subwoofer to the RL (+) and RR (-) terminals. (The rear-channel Bass Boost control makes the rear channels preferable for subwoofer connection. See *Set The Bass Boost*, on page 23.) **NOTE:** You can connect two 2-ohm subwoofers in series to maintain the required 4-ohm minimum impedance for the subwoofer channel.



GX-A604 INPUT CONNECTIONS: 3-CHANNEL OPERATION

Connect your source unit or processor's line outputs as shown in the illustration below. Set the input mode switch in the "4CH" position.

NOTE: Use a "Y"-adapter to connect the source unit's subwoofer output to the amplifier's rear left and right input jacks.



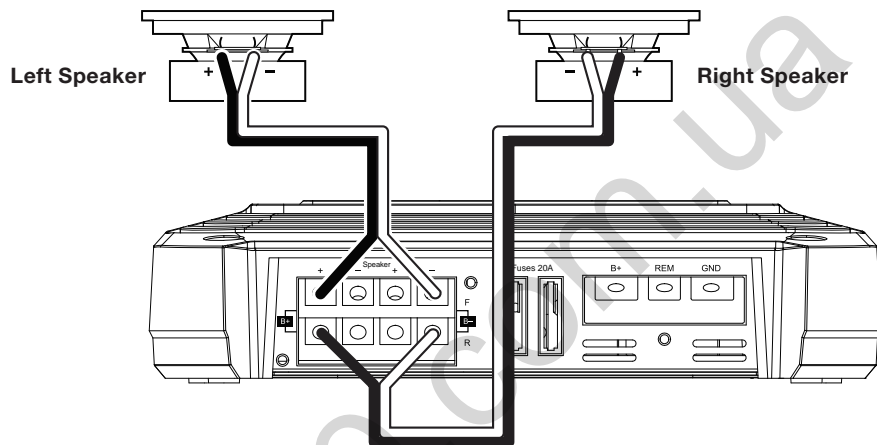
See *Set The Crossover Controls*, on page 20, for information about setting the amplifier's controls for 3-channel operation.

To use the speaker-level inputs instead of the line-level inputs, see *Using The Speaker-Level Inputs*, on page 12.

GX-A604 SPEAKER CONNECTIONS: 2-CHANNEL OPERATION

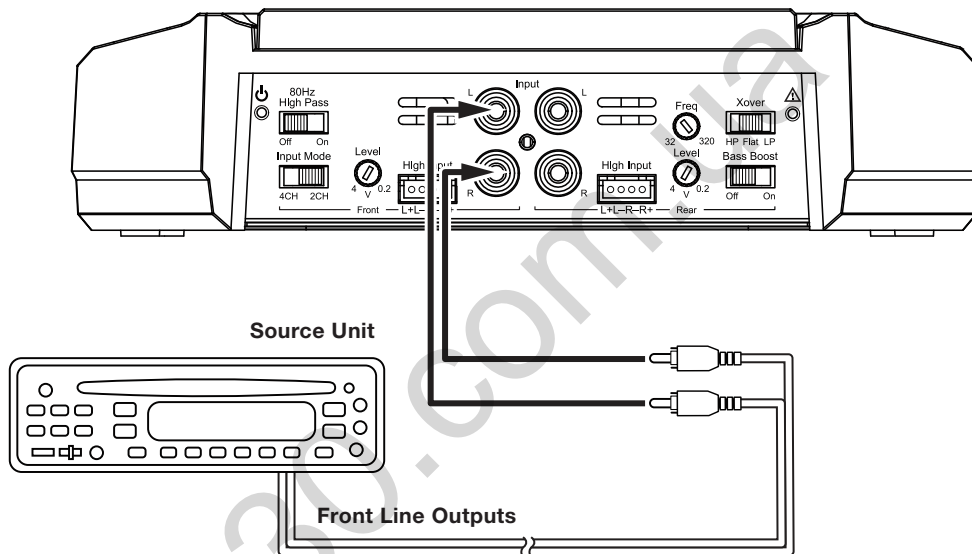
Minimum speaker impedance: 4 ohms (each)

Connect the left and right speakers as shown in the illustration below.



GX-A604 INPUT CONNECTIONS: 2-CHANNEL OPERATION

Connect your source unit or processor's line outputs as shown in the illustration below. Use only the front left and right input connections and make sure that the Input Mode switch is set in the "2CH" position.



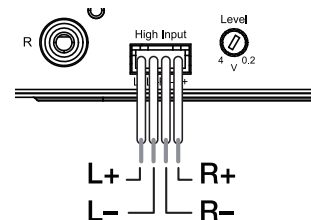
See *Set The Crossover Controls*, on page 20, for information about setting the amplifier's controls for 2-channel operation.

To use the speaker-level inputs instead of the line-level inputs, see *Using The Speaker-Level Inputs*, on page 12.

USING THE SPEAKER-LEVEL INPUTS

If your source unit doesn't have line-level outputs you can use the included speaker-level input harness to connect the amplifier to the source unit's speaker outputs. From left to right, the conductors are: L+, L-, R-, R+ (see the illustration to the right). The speaker-level connectors on all GX-series amp models follow this wiring configuration.

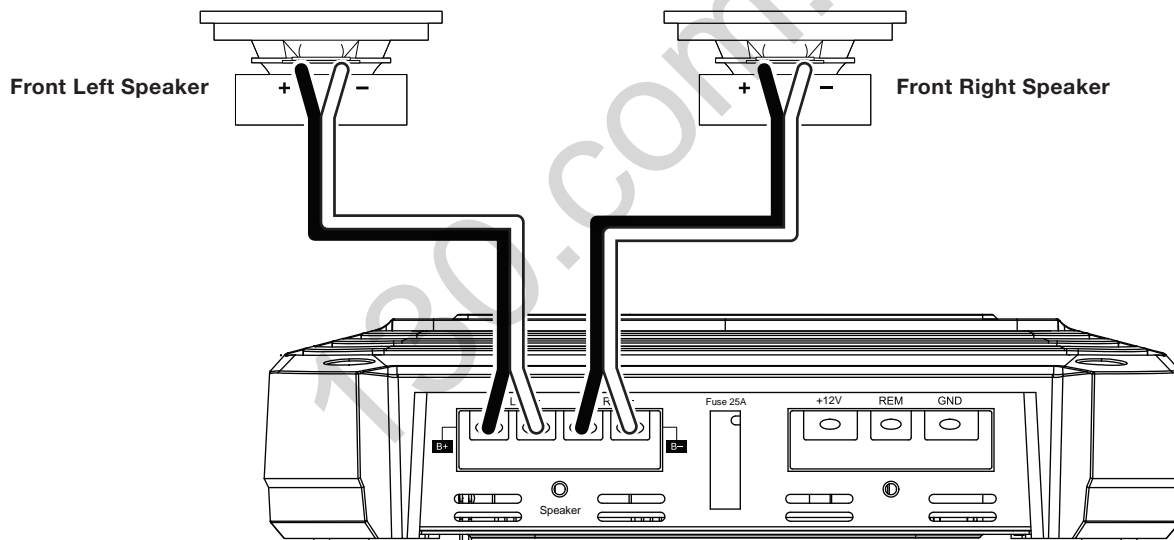
Follow the instructions in the previous sections, substituting the speaker-level connectors for the line-level connectors.



GX-A602 SPEAKER CONNECTIONS; 2-CHANNEL OPERATION

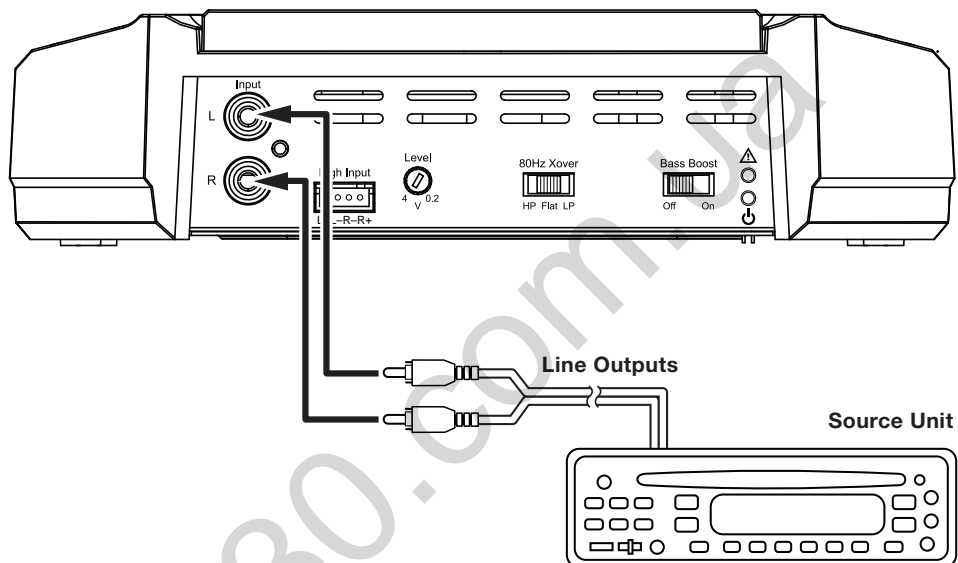
Minimum speaker impedance: 2 ohms (each)

Connect the left and right speakers to the FL and FR (+) and (-) terminals.



GX-A602 INPUT CONNECTIONS: 2-CHANNEL OPERATION

Connect your source unit or processor's line outputs as shown in the illustration below.



See *Set The Crossover Controls*, on page 20, for information about setting the amplifier's controls for 2-channel operation.

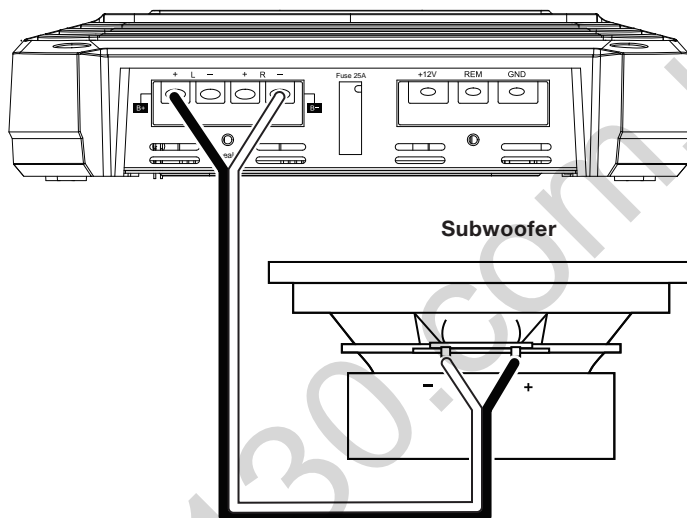
To use the speaker level inputs instead of the line-level inputs, see *Using The Speaker-Level Inputs*, on page 12.

GX-A602 SPEAKER CONNECTIONS: BRIDGED OPERATION

Bridged operation provides a single high-power channel for a subwoofer

Minimum speaker impedance: 4 ohms

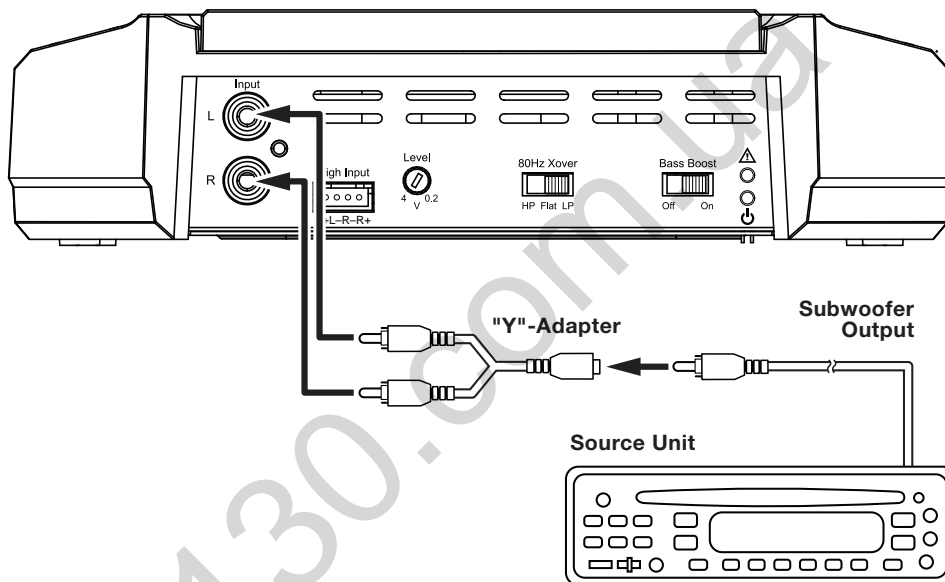
Connect the subwoofer to the RL (+) and RR (-) terminals. **NOTE:** You can connect two 2-ohm subwoofers in series to maintain the required 4-ohm impedance for bridged operation.



GX-A602 INPUT CONNECTIONS: BRIDGED OPERATION

Connect your source unit or processor's subwoofer line output to the amplifier's left input, as shown in the illustration below.

NOTE: Use a "Y"-adapter to connect the source unit to the amplifier's left and right input jacks.



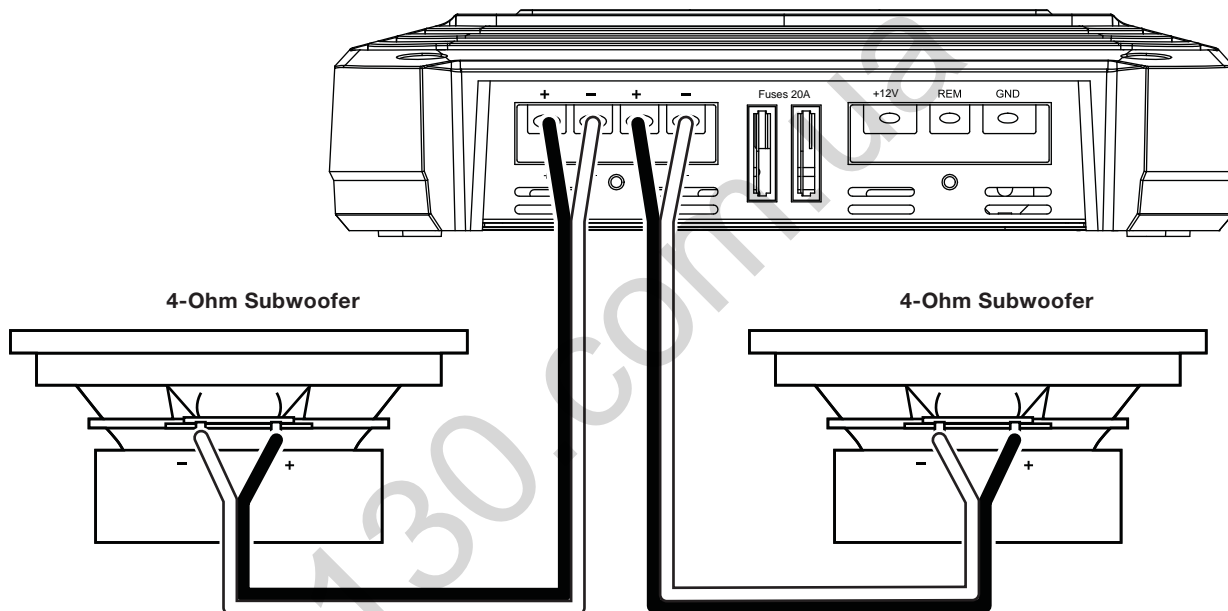
See *Set The Crossover Controls*, on page 20, for information about setting the amplifier's controls for bridged operation.

To use the speaker-level inputs instead of the line-level inputs, see *Using The Speaker-Level Inputs*, on page 12.

GX-A3001 SPEAKER CONNECTIONS

Minimum speaker impedance; 2 ohms (single subwoofer); 4 ohms (2 subwoofers)

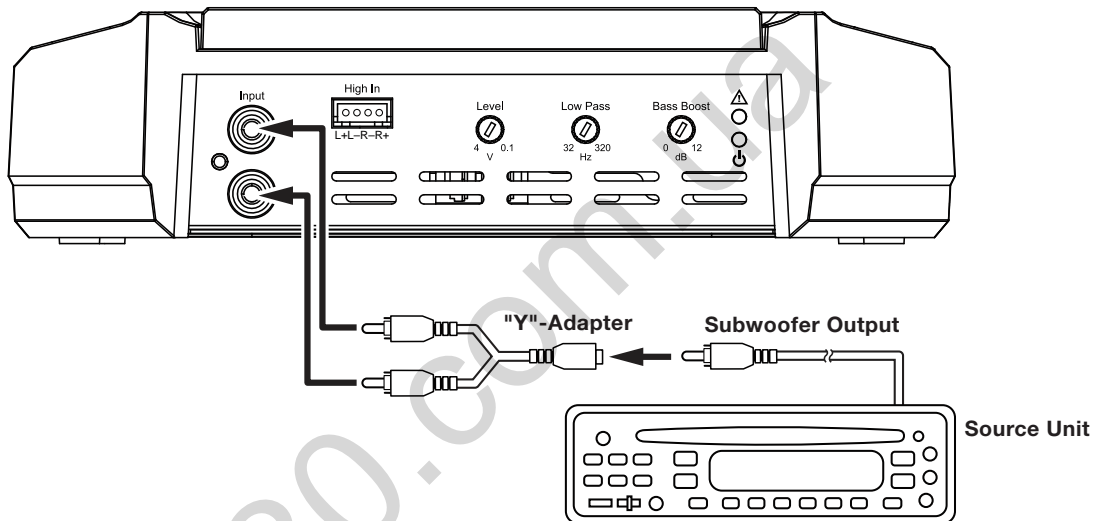
The GX-A3001 has two parallel sets of speaker connectors, allowing you to connect two subwoofers.



- If you are using a single subwoofer you can connect it to either set of GX-A3001 speaker connectors.
- If you are using two 2-ohm subwoofers you can connect them to one of the sets of connectors in series to be above the required 2-ohm minimum impedance.

GX-A3001 INPUT CONNECTION

Use a "Y"-adapter to connect your source unit or processor's subwoofer line output to the amplifier's left and right inputs, as shown in the illustration below. If your source unit does not have a dedicated subwoofer output you can connect the rear left/right outputs to the amplifier's left and right inputs.

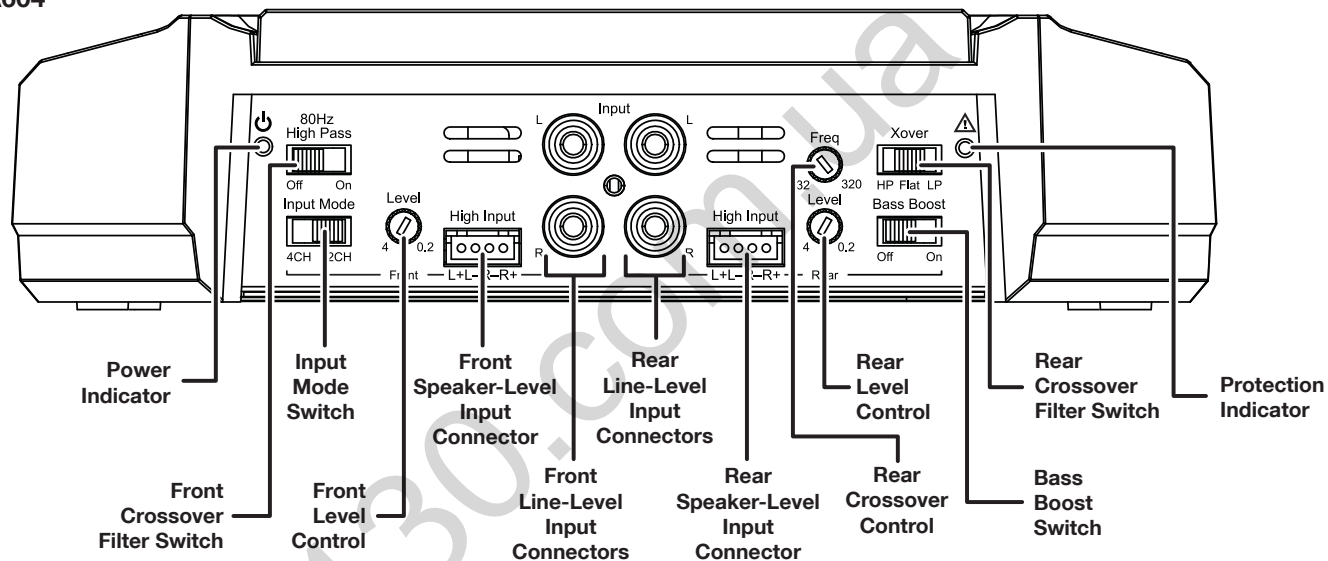


See *Set The Crossover Controls*, on page 20, for information about setting the amplifier's controls.

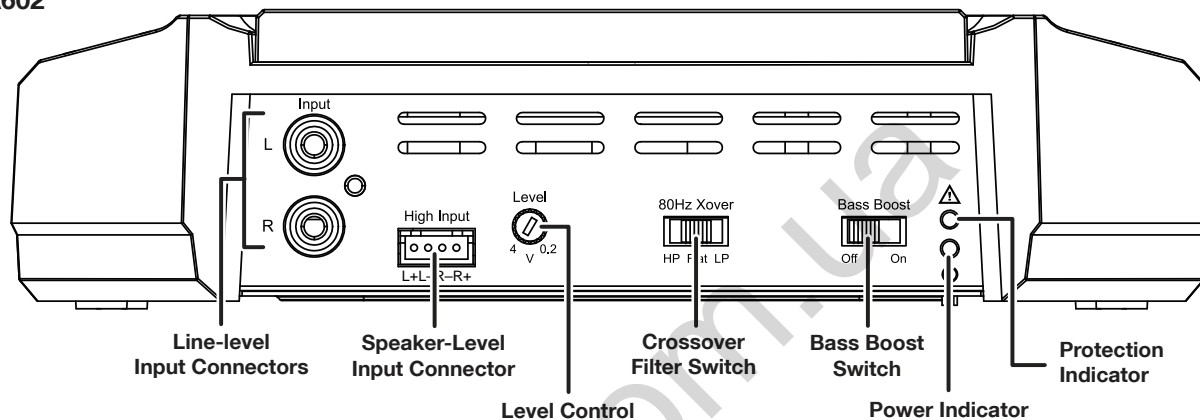
To use the speaker-level inputs instead of the line-level inputs, see *Using The Speaker-Level Inputs*, on page 12.

CONTROLS, INPUT CONNECTIONS AND INDICATORS

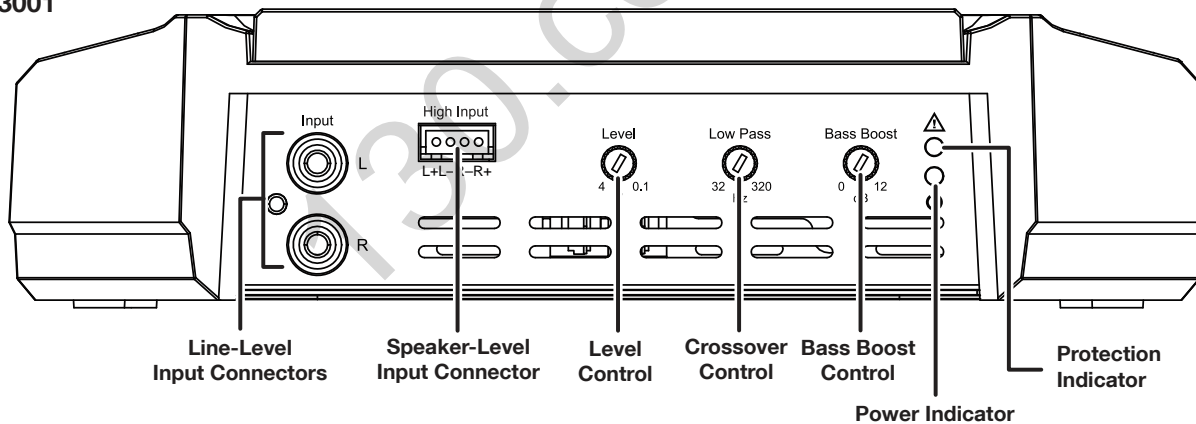
GX-A604



GX-A602



GX-A3001



SET THE CROSSOVER CONTROLS

GX-A604: 4-CHANNEL OPERATION

Input Mode switch: Set the Input Mode switch in the "4CH" position.

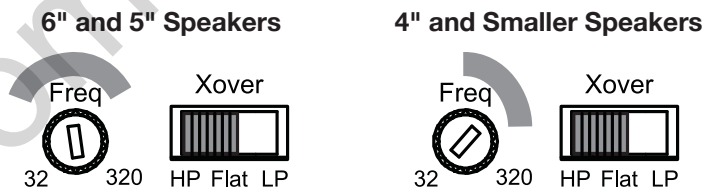
Front Crossover Filter switch: Set the Front Crossover Filter switch in the "ON" (high-pass) position. This will limit the amount of low-frequency energy sent to the speakers, significantly reducing distortion and preventing the speakers from damage. **Exception:** If you have connected large full-range speakers (6" x 9" or larger) that can handle significant bass to the amplifier's front channels *and you are not using a subwoofer in the system*, set the Front Crossover Filter switch to the "OFF" (full-range) position.

Rear Crossover Filter switch: Set the Rear Crossover Filter switch in the "HP" (high-pass) position. This will limit the amount of low-frequency energy sent to the speakers, significantly reducing distortion and preventing the speakers from damage. **Exception:** If you have connected large full-range speakers (6" x 9" or larger) that can handle significant bass to the amplifier's front channels *and you are not using a subwoofer in the system*, set the Rear Crossover Filter switch to the "FLAT" (full-range) position.

Rear Crossover control: When the Rear Crossover switch is set in the "HP" position, the Rear Crossover control determines the frequency where the low frequencies sent to the speakers begin to be reduced in volume.

When running the amplifier in the 4-channel mode you should set the Rear Crossover control according to the size of the speakers connected to the amplifier channels – the smaller the speakers the higher you need to set the control to protect the speakers from damage. After initially setting the crossover frequency, listen to music with strong bass

that you are familiar with. If the speakers sound distorted or distressed, move the crossover frequency control to a higher setting to eliminate the distortion/ distress. The illustration to the right shows the recommended crossover filter frequency ranges for different speaker sizes.



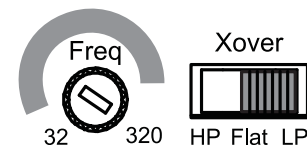
GX-A604: 3-CHANNEL OPERATION

Input Mode switch: Set the Input Mode switch in the "4CH" position.

Front Crossover switch: Set the Front Crossover switch in the "ON" (high-pass) position. This will limit the amount of low-frequency energy sent to the speakers, significantly reducing distortion and preventing the speakers from damage.

Rear Crossover Filter switch: When connecting a subwoofer or woofer to the rear channels, set the Rear Crossover Filter switch in the "LP" (low-pass) position. This will limit the amount of high-frequency energy sent to the woofers or subwoofer, improving the clarity of vocals and other midrange sounds.

Low-Pass Operation: Subwoofers and Woofers



Rear Crossover control: The Rear Crossover control setting you use for subwoofers will depend on the type and location of your system's subwoofer. Start by setting the Rear Crossover control to a frequency somewhat lower than the 80 Hz setting on the front channels. After listening to music on the system for a time, fine-tune the Rear Crossover control setting to achieve a smooth transition from the subwoofer to the rest of the system's speakers while avoiding a "hole", where the sounds that occur between the subwoofer and other speakers seem to drop out. The illustration to the right shows the recommended Rear Crossover control frequency range.

GX-A604: 2-CHANNEL OPERATION

Input Mode switch: Set the Input Mode switch in the "2CH" position.

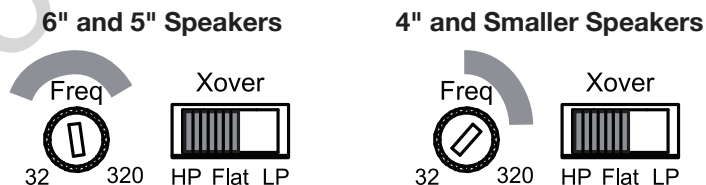
Front Crossover Filter switch: Set the Front Crossover Filter switch in the "ON" (high-pass) position. This will limit the amount of low-frequency energy sent to the speakers, significantly reducing distortion and preventing the speakers from damage. **Exception:** If you have connected large full-range speakers (6" x 9" or larger) that can handle significant bass to the amplifier's front channels *and you are not using a subwoofer in the system*, set the Front Crossover Filter switch to the "OFF" (full-range) position.

Rear Crossover Filter switch: Set the Rear Crossover Filter switch in the "HP" (high-pass) position. This will limit the amount of low-frequency energy sent to the speakers, significantly reducing distortion and preventing the speakers from damage. **Exception:** If you have connected large full-range speakers (6" x 9" or larger) that can handle significant bass to the amplifier's front channels *and you are not using a subwoofer in the system*, set the Rear Crossover Filter switch to the "FLAT" (full-range) position.

Rear Crossover control: When the Rear Crossover switch is set in the "HP" position, the Rear Crossover control determines the frequency where the low frequencies sent to the speakers begin to be reduced in volume.

When running the amplifier in the 4-channel mode you should set the Rear Crossover control according to the size of the speakers connected to the amplifier channels – the smaller the speakers the higher you need to set the control to protect the speakers from damage. After initially setting the crossover frequency, listen to music with strong bass

that you are familiar with. If the speakers sound distorted or distressed, move the crossover frequency control to a higher setting to eliminate the distortion/ distress. The illustration to the right shows the recommended crossover filter frequency ranges for different speaker sizes.



GX-A602: 2-CHANNEL OPERATION

Crossover Filter switch:

- If you have connected the amplifier to a pair of 6" or smaller full-range speakers, set the Crossover Filter switch in the "HP" (high-pass) position. This will limit the amount of low-frequency energy sent to the speakers, significantly reducing distortion and preventing the speakers from damage.
- If you have connected the amplifier to a pair of large full-range speakers (6" x 9" or larger) that can handle significant bass *and you are not using a subwoofer in the system*, set the Crossover Filter switch to the "FLAT" (full-range) position.
- If you have connected the amplifier to a pair of woofers or subwoofers, set the Crossover Filter switch in the "LP" (low-pass) position. This will limit the amount of high-frequency energy sent to the woofers/subwoofers, improving the clarity of vocals and other midrange sounds.

GX-A602: BRIDGED OPERATION

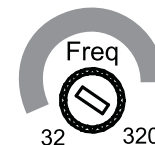
Crossover Filter switch: When operating the amplifier in bridged mode into a subwoofer, set the Crossover Filter switch in the "LP" (low-pass) position. This will limit the amount of high-frequency energy sent to the subwoofer.

GX-A3001

NOTE: The GX-A3001's internal crossover is permanently set for low-pass operation.

Crossover control: The Crossover control limits the amount of high-frequency energy sent to the woofers or subwoofer. The Crossover control setting you use for subwoofers will depend on the type and location of your system's subwoofer. Start by setting the Crossover control to a frequency somewhat lower than the high-pass crossover setting you used for the system's other speakers. After listening to music on the system for a time, fine-tune the Crossover control setting to achieve a smooth transition from the subwoofer to the rest of the system's speakers while avoiding a "hole", where the sounds that occur between the subwoofer and other speakers seem to drop out. The illustration to the right shows the recommended Crossover control frequency range.

Subwoofers and Woofers



SET THE INPUT LEVEL

1. Turn all the Level controls on all amplifiers fully counter-clockwise.
2. Play some dynamic music through your source unit and turn its volume up to 3/4 volume.
3. Slowly turn the Level control on the front-channel amplifier clockwise until the music begins to sound distorted.
4. Turn the Level control counter-clockwise slightly until the music no longer sounds distorted.
5. If you're using more than one amplifier or are using the GX-A604, repeat Steps 3 – 4 for all remaining amplifier Level controls.

SET THE BASS BOOST

GX-A604: When you're using the amplifier's rear channels to power a subwoofer, the Bass Boost switch can provide 12 dB of bass boost at 45 Hz. (The switch only affects the amplifier's rear channels.) Set this switch according to your personal taste, but if using it causes audible distortion or bottoming of your subwoofer we recommend setting it to "OFF". **CAUTION:** Only use the Bass Boost switch if you've configured the rear channels to power a subwoofer. Using the Bass Boost switch with full-range speakers can damage the speakers.

GX-A602: When you're using the amplifier in bridged mode to power a subwoofer, the Bass Boost switch can provide 12 dB of bass boost at 45 Hz. (Set this switch according to your personal taste, but if using it causes audible distortion or bottoming of your subwoofer we recommend setting it to "OFF". **CAUTION:** Only use the Bass Boost switch if you're using the amplifier to power a subwoofer. Using the Bass Boost switch with full-range speakers can damage the speakers.

GX-A3001: The Bass Boost control can provide up to 12 dB of bass boost at 45 Hz. Set this control according to your personal taste, but be careful not to set the control at a high enough level to cause audible distortion or bottoming of your subwoofer.

POWER AND PROTECTION LEDES

POWER LED

- LED illuminates orange: Normal operation (power is on).
- LED is off: Amplifier is in standby mode.

PROTECTION LED

The amplifier's Protection LED should remain off during normal operation. If there is no sound from the amplifier and the Protection LED illuminates red, see *Troubleshooting*, on page 24.

TROUBLESHOOTING

If your amplifier isn't performing the way you think it should, check to see if the problem is covered in this section before calling your dealer or contacting JBL customer service.

PROBLEM

CAUSES AND SOLUTIONS

No sound (the amplifier's Power LED is off)	<ul style="list-style-type: none">• Check that the amplifier's +12 V and GND connections have been properly made.• Check if the fuse on the +12 V wire located near the battery is blown: If so, replace it with an identical fuse.• Check all amplifier fuses; if any are blown, replace them with identical fuses.• If you are using the amplifier's REM connection for turn-on, check that the wire is properly connected to the audio system's remote turn-on wire or to the vehicle's ACC power terminal.
No sound (the amplifier's Power LED is orange)	<ul style="list-style-type: none">• Check that all amplifier input and speaker connections have been properly made.• Check that the amplifier's Level controls are not turned all the way down (counter-clockwise).• Check that the vehicle audio system's source unit's volume control is not turned all the way down.
No sound (the amplifier's Protection LED is red)	<ul style="list-style-type: none">• Confirm that the vehicle's electrical system is supplying between 9 V and 16 V DC to the amplifier. If the supply voltage is outside of this range, correct the condition before attempting to use the amplifier.• If the amplifier has overheated, wait until it has cooled down before attempting to use it again.• Disconnect all speakers from the amplifier and attempt to turn it on again:<ul style="list-style-type: none">– If the amplifier turns on (the Power LED is orange), there is a short circuit in one or more of the speaker wires. Correct all short circuits before reconnecting the speakers to the amplifier.– If the amplifier does not turn on (the Protection LED is still red and the Power LED is off), contact your authorized JBL dealer for assistance.

PROBLEM**CAUSES AND SOLUTIONS**

Sound only comes from some of the speakers connected to the amplifier

- Check that the vehicle audio system's source unit's balance and fader controls are set to their center (midpoint) positions.
- (GX-A604): Check that the setting of the amplifier's Mode Switch matches the input and speaker connections made to the amplifier

Sound is too quiet, even with the vehicle audio system's source unit volume all the way up

- Check that the amplifier's Level controls are not turned too low. See *Set The Input Level*, on page 22, for information about setting the Level controls.

Sound in the front/rear speakers is distorted

- Make sure the amplifier's Crossover Filter switch for the distorted channels is set to HP.
- Set the Crossover control for the distorted channels to a higher setting.
- Check that the distortion is not originating from the vehicle audio system's source unit.

Sound in the subwoofer is distorted

- (GX-A604, GX-A602): Set the Bass Boost switch to "OFF".
- (GX-A3001): While listening to bass-heavy music, turn the Bass Boost control all the way down, and then gradually increase it until the distortion begins to return. Reduce the Bass Boost control setting slightly to eliminate the distortion and leave it set there.
- Check that the distortion is not originating from the vehicle audio system's source unit.

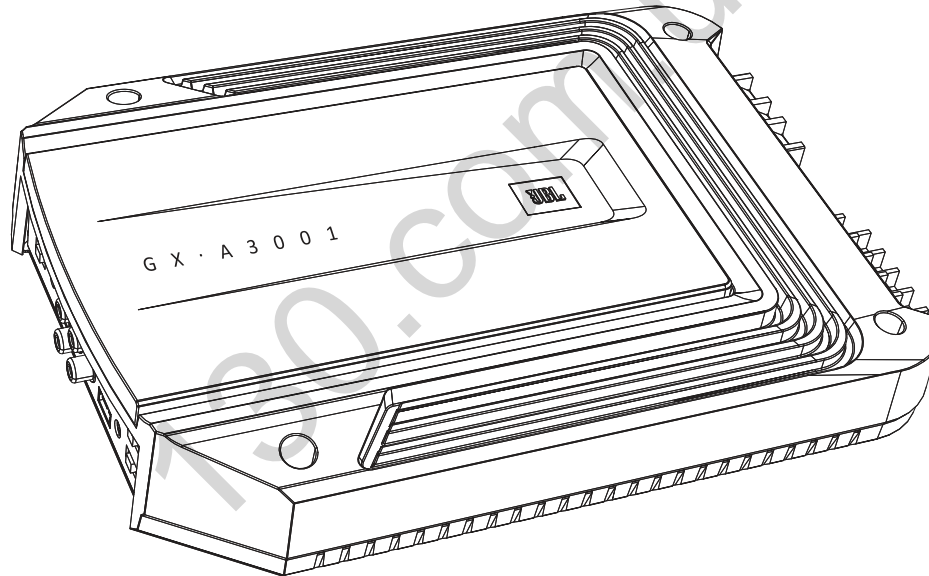
SPECIFICATIONS

	GX-A604	GX-A602	GX-A3001
Max power (15.5 V, 1 kHz, 10% THD, total ch, 2 ohms)	435 W	280 W	415W (15.5 V, 50 Hz, 10% THD, 2 ohms)
Rated power output @ 4 ohms	60 W x 4	60 W x 2	200 W x 1
Bridged power output (4 ohms, 1% THD)	170 W x 2	170 W x 1	N/A
THD+N at rated power	<1%	<1%	<1%
Signal-to-noise (2 V @ 4 ohms)	>75 dB	>75 dB	>75 dB
Effective damping factor (4 ohms)	>50	>50	>50
Frequency response (-3 dB)	20 Hz – 20 kHz \pm 1 dB	20 Hz – 20 kHz \pm 1 dB	10 Hz – 320 Hz
Maximum input voltage	20 V	20 V	20 V
Maximum input sensitivity	200 mV	200 mV	200 mV
Fuse size	20 A x 2	25 A	20 A x 2
Dimensions (H x W x D)	2-1/16" x 11-13/16" x 8-1/8" (52 mm x 300 mm x 206 mm)	2-1/16" x 7-13/16" x 8-1/8" (52 mm x 198 mm x 206 mm)	2-1/16" x 11-7/16" x 8-1/8" (52 mm x 291 mm x 206 mm)
Weight	5.3 lb (2.4 kg)	3.8 lb (1.7 kg)	5.3 lb (2.4 kg)



GX-A604/GX-A602/GX-A3001

Verstärker

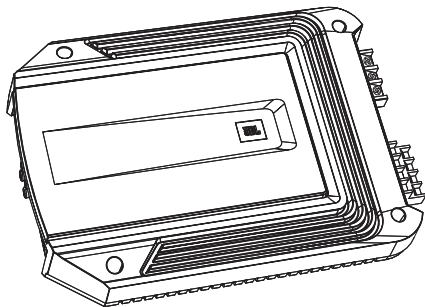


BEDIENUNGSANLEITUNG

EINLEITUNG

VIELEN DANK für Ihren Kauf eines JBL®-Verstärkers der GX-Serie. Damit wir Sie im Falle einer Garantieleistung schneller bedienen können, bewahren Sie bitte den Original-Kaufbeleg auf und registrieren Sie Ihren Verstärker online unter www.jbl.com.

MITGELIEFERTE BAUTEILE



Verstärker der GX-Serie (x 1)



Kabelbaum Lautsprecher-Pegeleingang
(GX-A602, GX-A3001 x 1) (GX-A604 x 2)

AUFSTELLUNG UND MONTAGE

Obwohl in dieser Anleitung die Installation der Verstärker der GX-Serie im Allgemeinen erklärt wird, werden keine spezifischen Installationsmethoden angegeben, die möglicherweise für Ihr Fahrzeug benötigt werden. Wenn Sie nicht über die notwendigen Werkzeuge oder die Erfahrung verfügen, versuchen Sie nicht, die Installation selbst durchzuführen. Fragen Sie dann bitte bei Ihrem autorisierten JBL-Fahrzeug-Audio-Händler nach einer professionellen Installation.

WARNUNGEN UND TIPPS ZUR INSTALLATION

WICHTIG: Trennen Sie den Minus(-)-Pol der Fahrzeugbatterie vor Beginn der Installation.

- Tragen Sie immer eine Schutzbrille, wenn Sie mit Werkzeugen arbeiten.
- Prüfen Sie die Abstände auf beiden Seiten einer geplanten Montagefläche. Achten Sie darauf, dass Schrauben oder Kabel keine Bremsleitungen, Kraftstoffleitungen oder Kabelbäume durchstechen und dass die Kabelführung nicht den sicheren Betrieb des Fahrzeugs beeinträchtigt.
- Achten Sie beim Herstellen von elektrischen Verbindungen darauf, dass diese sicher und korrekt isoliert sind.
- Wenn eine der Verstärker-Sicherungen ersetzt werden muss, achten Sie darauf, den gleichen Sicherungstyp und die korrekten Nennwerte wie beim Original zu verwenden.

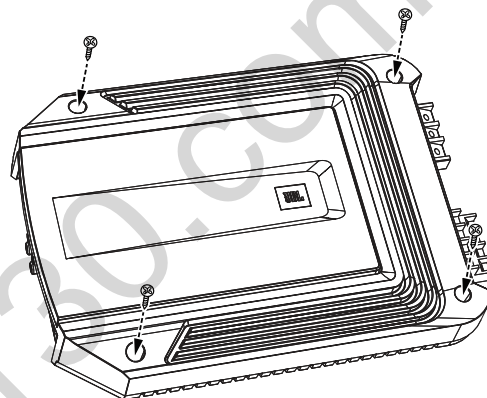
INSTALLATIONSORT

Verstärker benötigen eine Luftzirkulation, um kühl zu bleiben. Wählen Sie einen Ort an dem für den Verstärker ausreichend Luft für die Kühlung zur Verfügung steht.

- Geeignete Installationsorte befinden sich unter einem Sitz (sofern der Verstärker nicht mit der Sitzverstellung stört), im Kofferraum oder an einem anderen Ort, der ausreichend Kühlluft bietet.
- Montieren Sie den Verstärker nicht mit dem Kühlkörper nach unten, da dies die Konvektionskühlung des Verstärkers beeinträchtigt.
- Montieren Sie den Verstärker so, dass er nicht durch die Füße der Mitfahrer auf dem Rücksitz oder durch ein Verschieben der Ladung im Kofferraum beschädigt werden kann.
- Montieren Sie den Verstärker so, dass er trocken bleibt. Installieren Sie niemals einen Verstärker außerhalb des Autos oder im Motorraum.

MONTAGE DES VERSTÄRKERS

HINWEIS: Möglicherweise ist es bequemer, erst alle Anschlüsse am Verstärker herzustellen, bevor Sie ihn dauerhaft am Fahrzeug montieren.



1. Wählen Sie einen geeigneten Montageort, wie oben beschrieben.
2. Verwenden Sie den Verstärker als Schablone und markieren Sie die Positionen der Bohrungen auf der Montagefläche.
3. Bohren Sie Führungslöcher in die Montagefläche.
4. Befestigen Sie den Verstärker mit vier entsprechenden Befestigungsschrauben Ihrer Wahl an der Montagefläche. Wir empfehlen die Verwendung von M8 Kreuz-Blechschraben. Stellen Sie sicher, der Verstärker sicher montiert ist.

STROMVERSORGUNGS- UND ERDUNGSANSCHLÜSSE

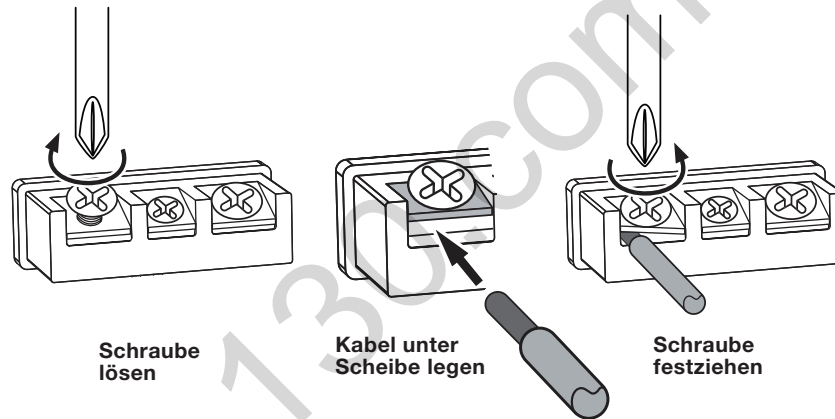
WICHTIG: Trennen Sie den Minus(-)-Pol der Fahrzeugbatterie vor Beginn der Installation.

Die Verstärker der GX-Serie können hohe Leistungspegel liefern und erfordern eine strapazierfähige und zuverlässige Verbindung mit dem elektrischen System des Fahrzeugs, um eine optimale Leistung zu erzielen. Beachten Sie bitte die folgenden Anweisungen sorgfältig.

HANDHABUNG DER ANSCHLÜSSE

Die Verstärker der GX-Serie verwenden die gleiche Art von Schraubanschlüssen für Strom und Lautsprecher. Dieser Anschlussstyp ist einfach zu handhaben und ermöglicht die einfache Verbindung von Kabeln mit großem Querschnitt.

Um die Anschlüsse zu verwenden, verwenden Sie einen Kreuzschlitz-Schraubendreher, um die Stellschraube des Anschlusses zu lösen. Führen Sie das blanke Kabel ein und ziehen Sie die Stellschraube fest, um das Kabel im zu sichern, wie in der Abbildung unten gezeigt.



WICHTIG: Achten Sie darauf, dass die nicht isolierten (+) und (-)-Lautsprecherkabel sich nicht gegenseitig und andere Anschlüsse am Verstärker und an den Lautsprechern berühren. Ein Berühren der nicht isolierten Kabel kann zu einem Kurzschluss und dadurch zu Schäden am Verstärker führen.

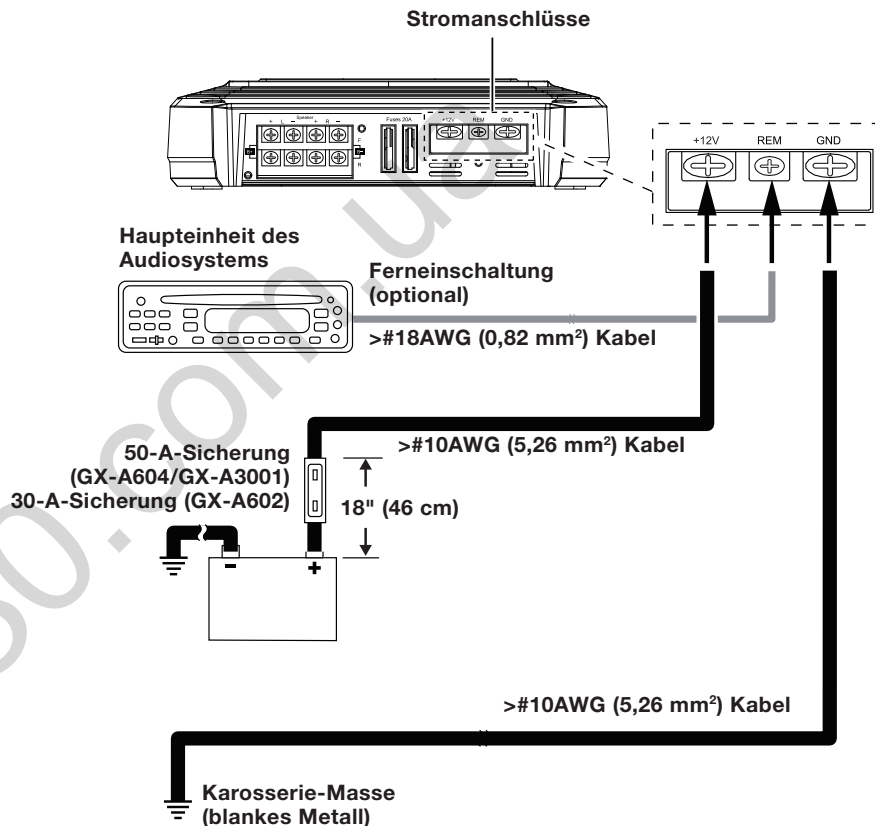
MASSE-ANSCHLUSS (GND)

Schließen Sie ein Kabel (mindestens 10AWG - 5,3 mm²) vom Verstärker-GND-Anschluss (Masse) direkt an einem festen Punkt an der Fahrzeugkarosserie an.

- Verwenden Sie für eine gute Verbindung Schleifpapier, um die Farbe von der Metalloberfläche an diesem Karosserieteil zu entfernen. Verwenden Sie einen sternförmige Sicherungsscheibe, um die Kabelverbindung zu sichern.

VERSORGUNGSANSCHLUSS (12 V)

1. Schließen Sie ein Kabel (mindestens 10AWG - 5,3 mm²) direkt mit dem Plus-(+) Pol der Batterie.
2. Installieren Sie einen Sicherungshalter für eine 50-A-Sicherung (GX-A604, GX-A3001) oder einer 30-A-Sicherung (GX-A602) in diesem Kabel innerhalb von 46 cm (18") vom Batterie-(+) Pol. Installieren Sie die Sicherung jetzt noch nicht im Halter.
3. Verlegen Sie dieses Kabel zum Verstärkermontageort und verbinden Sie es mit dem 12-V-Anschluss des Verstärkers. Achten Sie darauf, entsprechende Durchführungen zu verwenden, wenn Sie Kabel durch die Motorwand oder andere Blechteile führen.
WICHTIG: Falls das Plus-Versorgungskabel nicht angemessen vor möglichen Schäden geschützt ist, kann dies zu einem Brand des Fahrzeugs führen.
4. Wenn das Verlegen und Anschließen dieses Kabel fertig gestellt ist, installieren Sie die entsprechende Sicherung im Halter, der in der Nähe der Batterie installiert wurde. (GX-A604, GX-A3001 - 50-A-Sicherung; GX-A602 - 30-A-Sicherung)



LAUTSPRECHER UND EINGANGSANSCHLÜSSE

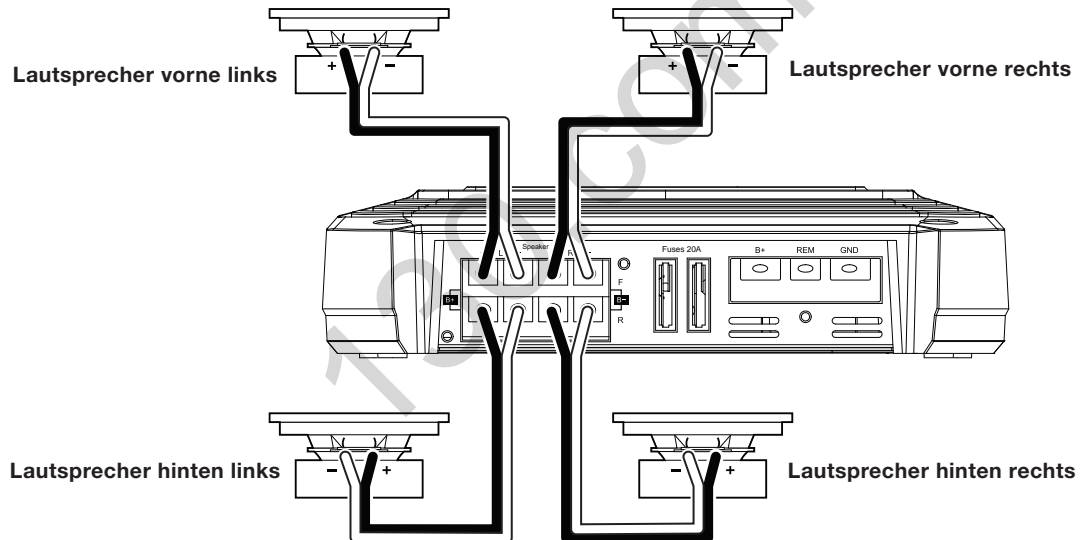
Schließen Sie immer den (+)-Anschluss des Verstärkers an den (+)-Anschluss des Lautsprechers, und den (-)-Anschluss des Verstärkers an den (-)-Anschluss des Lautsprechers an.

WICHTIG: Achten Sie darauf, dass die nicht isolierten (+) und (-)-Kabel sich nicht gegenseitig und andere Anschlüsse am Verstärker und an den Lautsprechern berühren. Ein Berühren der nicht isolierten Kabel kann zu einem Kurzschluss und dadurch zu Schäden am Verstärker führen.

GX-A604 LAUTSPRECHERANSCHLÜSSE: 4-KANAL-FUNKTION

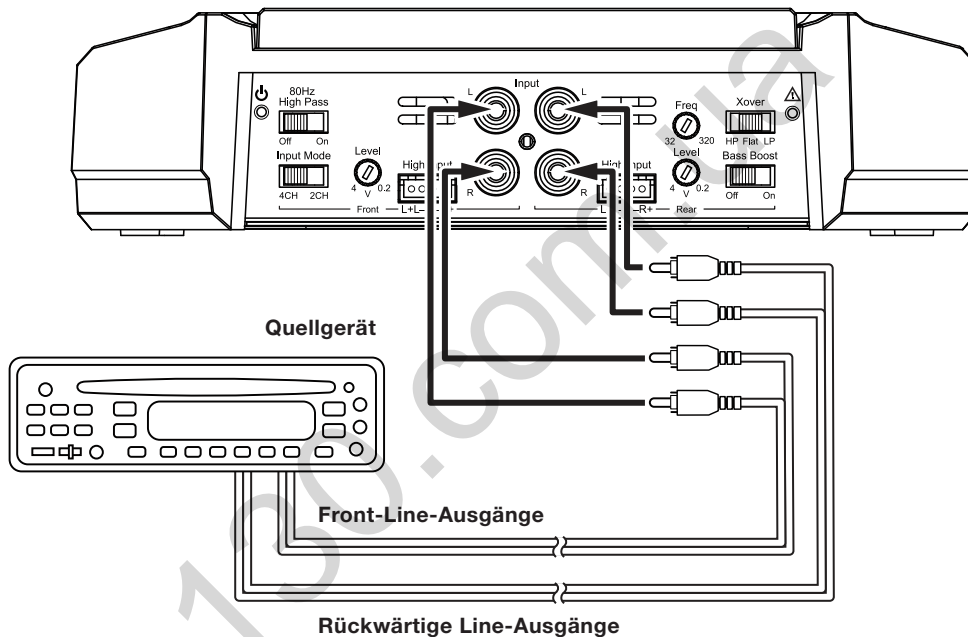
Minimale Lautsprecherimpedanz: 2 Ohm (jeder)

- Schließen Sie die vorderen Lautsprecher an die FL- und FR-(+) und (-)-Anschlüsse an.
- Schließen Sie die hinteren Lautsprecher an die RL- und RR-(+) und (-)-Anschlüsse an.



GX-A604 EINGANGSANSCHLÜSSE: 4-KANAL-FUNKTION

Verbinden Sie Ihr Quellgerät oder die vorderen und hinteren linken und rechten Ausgänge des Prozessors mit den Verstärkereingängen, wie in der Abbildung dargestellt.



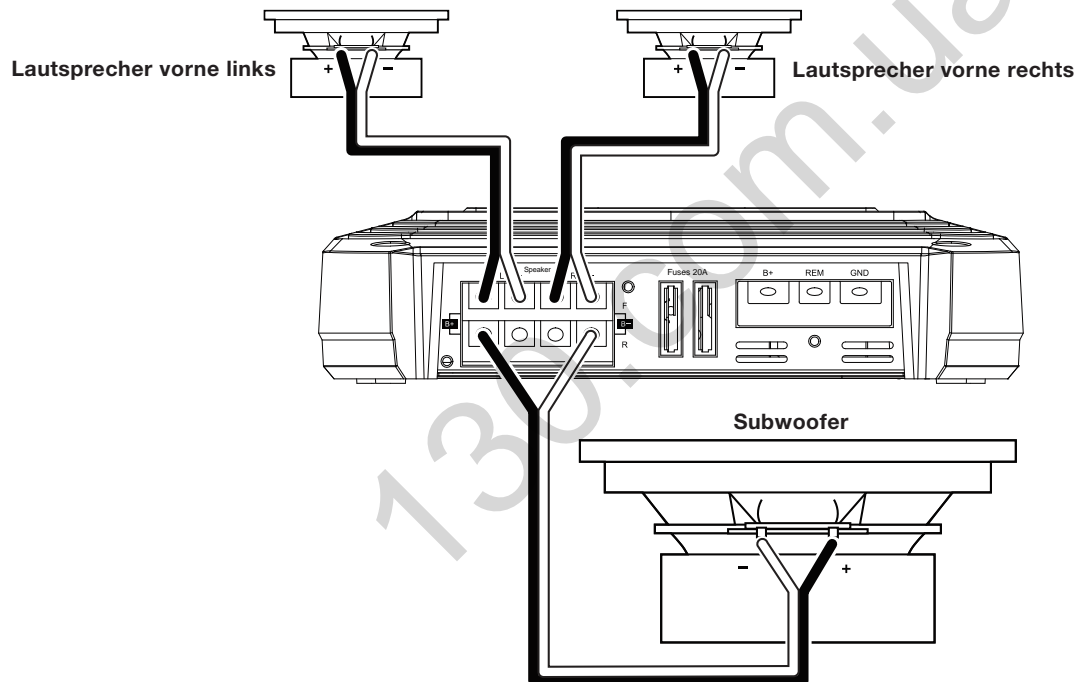
Weitere Informationen zur Einstellung der Verstärkerregler für 4-Kanal-Funktion siehe *Frequenzweichenregler einstellen* auf Seite 20.

Informationen, um die Lautsprecher-Pegeleingänge statt der Line-Pegeleingänge zu verwenden, finden Sie auf Seite 12 unter *Verwendung der Lautsprecher-Pegeleingänge*.

GX-A604 LAUTSPRECHERANSCHLÜSSE: 3-KANAL-FUNKTION

Minimale Lautsprecherimpedanz: 2 Ohm jeweils (linker und rechter Lautsprecher), 4 Ohm (Subwoofer)

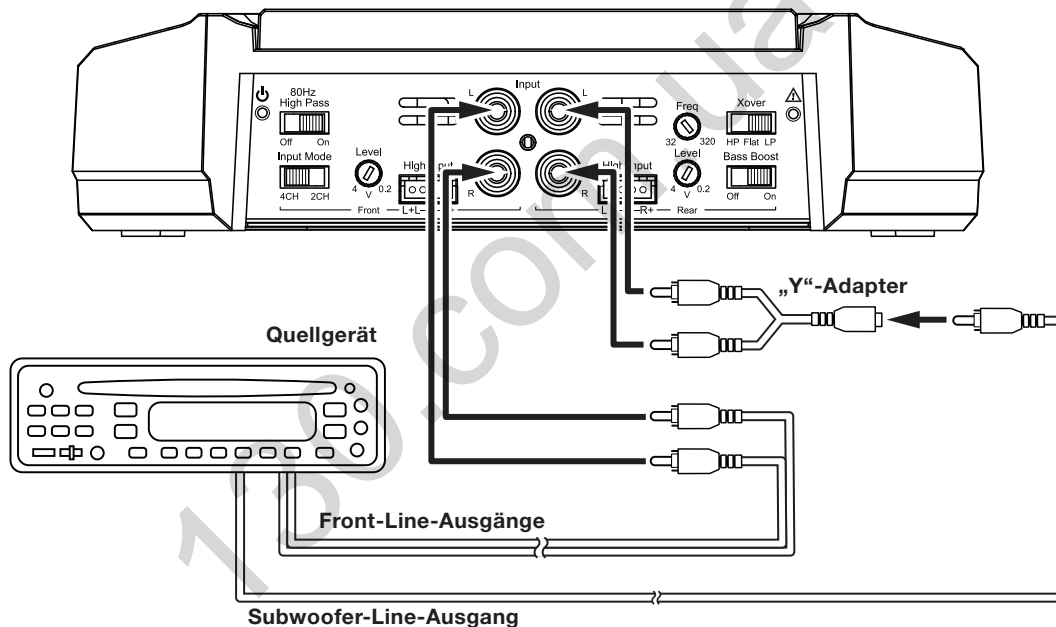
- Verbinden Sie die linken und rechten Lautsprecher mit den FL- und FR-(+) und (-)-Anschlüssen
- Schließen Sie den Subwoofer an die RL-(+) und RR(-)-Anschlüsse an. (Durch die Bassverstärkungsregelung der hinteren Kanäle sind diese für den Anschluss de Subwoofers vorzuziehen. Siehe *Bassverstärkung einstellen* auf Seite 23.) **HINWEIS:** Sie können zwei 2-Ohm-Subwoofer in Reihe schalten, um die erforderliche minimale 4-Ohm-Impedanz für den Subwoofer-Kanal zu erreichen.



GX-A604 EINGANGSANSCHLÜSSE: 3-KANAL-FUNKTION

Verbinden Sie die Line-Ausgänge Ihres Quellgeräts oder des Prozessors wie in der nachfolgenden Abbildung gezeigt. Stellen Sie den Eingangsmodus-Schalter auf die Stellung „4CH“.

HINWEIS: Verwenden Sie einen „Y“-Adapter, um den Subwoofer-Ausgang des Quellgeräts mit den hinteren linken und rechten Eingangsbuchsen des Verstärkers zu verbinden.



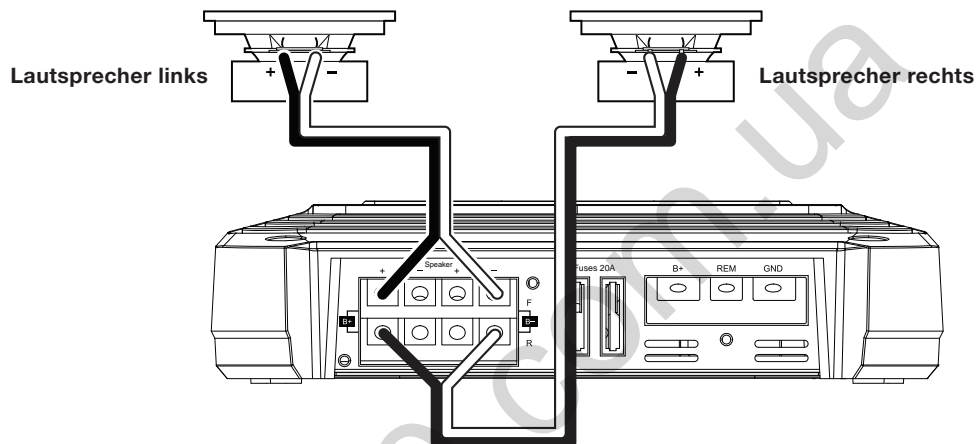
Weitere Informationen zur Einstellung der Verstärkerregler für 3-Kanal-Funktion siehe *Frequenzweichenregler einstellen* auf Seite 20.

Informationen, um die Lautsprecher-Pegeleingänge statt der Line-Pegeleingänge zu verwenden, finden Sie auf Seite 12 unter *Verwendung der Lautsprecher-Pegeleingänge*.

GX-A604 LAUSPRECHERANSCHLÜSSE: 2-KANAL-FUNKTION

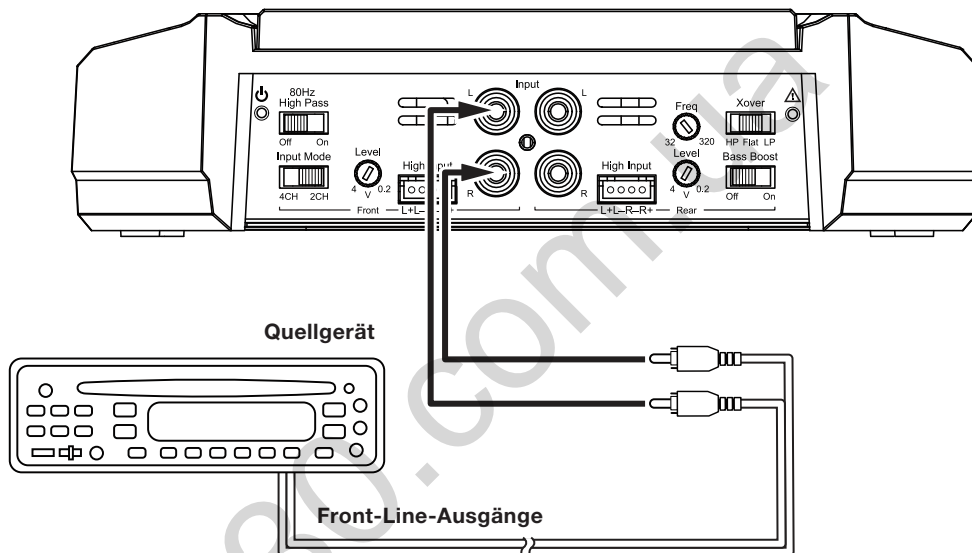
Minimale Lautsprecherimpedanz: 4 Ohm (jeder)

Schließen Sie die linken und rechten Lautsprecher wie in der nachfolgenden Abbildung an.



GX-A604 EINGANGSANSCHLÜSSE: 2-KANAL-FUNKTION

Verbinden Sie die Line-Ausgänge Ihres Quellgeräts oder des Prozessors wie in der nachfolgenden Abbildung gezeigt. Verwenden Sie nur die vorderen linken und rechten Eingangsanschlüsse und stellen Sie sicher, dass der Eingangsmodus-Schalter auf der Stellung „2CH“ steht.



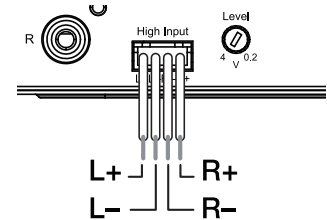
Weitere Informationen zur Einstellung der Verstärkerregler für 2-Kanal-Funktion siehe *Frequenzweichenregler einstellen* auf Seite 20.

Informationen, um die Lautsprecher-Pegeleingänge statt der Line-Pegeleingänge zu verwenden, finden Sie auf Seite 12 unter *Verwendung der Lautsprecher-Pegeleingänge*.

VERWENDUNG DER LAUTSPRECHER-PEGELEINGÄNGE

Wenn Ihr Quellgerät (Autoradio) keinen Line-Ausgänge besitzt, können Sie den mitgelieferten Kabelbaum für den Lautsprecher-Pegelanschluss verwenden, um den Verstärker an die Lautsprecherausgänge des Quellgeräts anzuschließen. Leiter von links nach rechts: L+, L-, R-, R+ (siehe Abbildung rechts). Die Lautsprecher-Pegelanschlüsse bei allen Verstärkermodellen der GX-Serie folgen Sie diesem Verkabelungsplan.

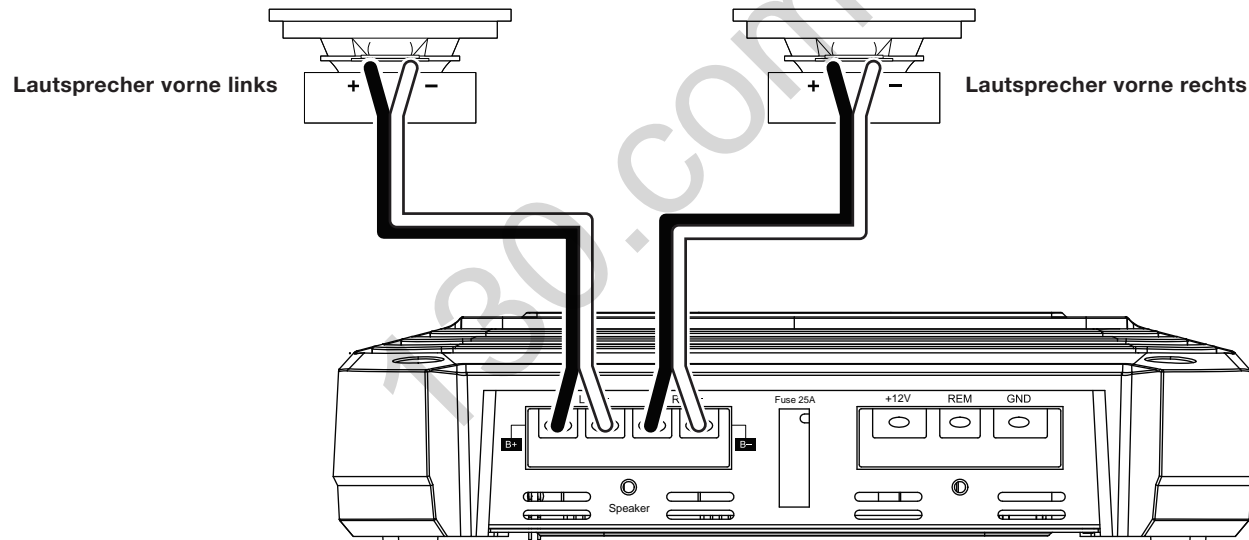
Folgen Sie den Anweisungen in den vorhergehenden Abschnitten und ersetzen Sie die Lautsprecher-Pegelanschlüsse durch die Line-Pegelanschlüsse.



GX-A602 LAUTSPRECHERANSCHLÜSSE; 2-KANAL-FUNKTION

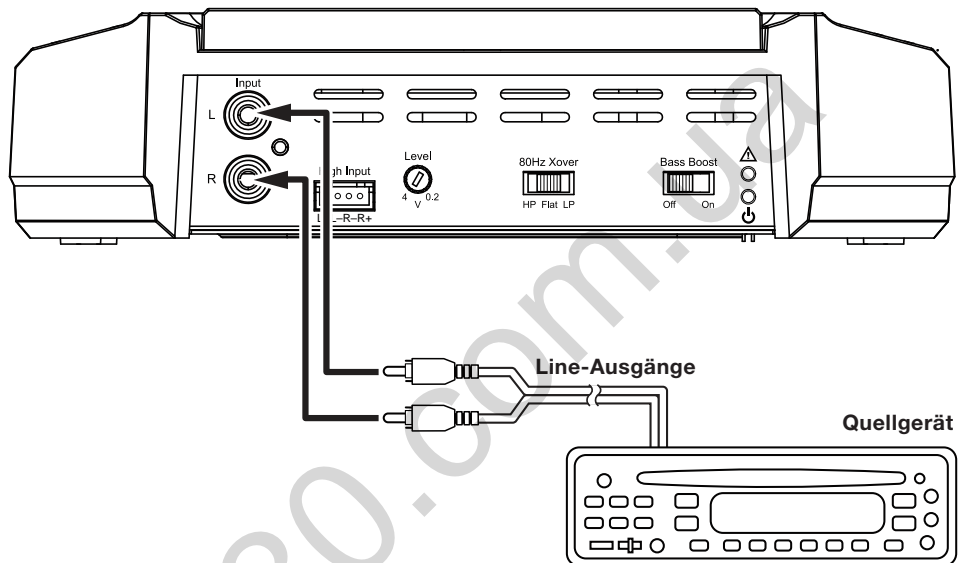
Minimale Lautsprecherimpedanz: 2 Ohm (jeder)

Verbinden Sie die linken und rechten Lautsprecher mit den FL- und FR-(+) und (-)-Anschlüssen.



GX-A602 EINGANGSANSCHLÜSSE: 2-KANAL-FUNKTION

Verbinden Sie die Line-Ausgänge Ihres Quellgeräts oder des Prozessors wie in der nachfolgenden Abbildung gezeigt.



Weitere Informationen zur Einstellung der Verstärkerregler für 2-Kanal-Funktion siehe *Frequenzweichenregler einstellen* auf Seite 20.

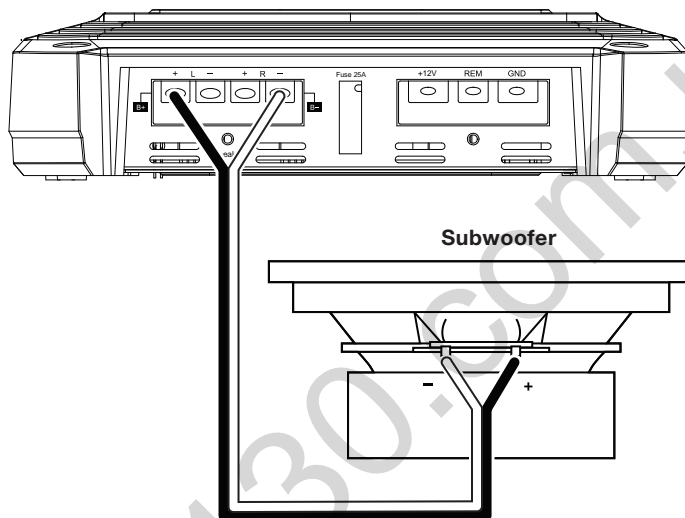
Informationen, um die Lautsprecher-Pegeleingänge statt der Line-Pegeleingänge zu verwenden, finden Sie auf Seite 12 unter *Verwendung der Lautsprecher-Pegeleingänge*.

GX-A602 LAUTSPRECHERANSCHLÜSSE: BRÜCKENBETRIEB

Der Brückenbetrieb liefert einen einzigen Hochleistungs-Kanal für einen Subwoofer

Minimale Lautsprecherimpedanz: 4 Ohm

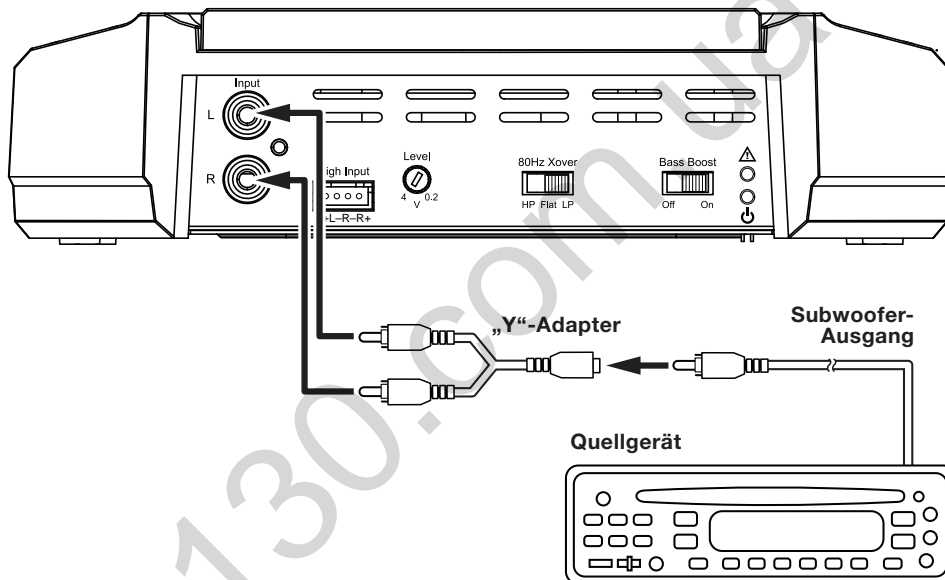
Schließen Sie den Subwoofer an die RL-(+) und RR(-)-Anschlüsse an. **HINWEIS:** Sie können zwei 2-Ohm-Subwoofer in Reihe schalten, um die erforderliche minimale 4-Ohm-Impedanz für den Brückenbetrieb zu erreichen.



GX-A602 EINGANGSANSCHLÜSSE: BRÜCKENBETRIEB

Verbinden Sie den Subwoofer Line-Ausgang Ihres Quellgeräts oder Prozessors mit dem linken Eingang des Verstärkers, wie in der nachfolgenden Abbildung dargestellt.

HINWEIS: Verwenden Sie einen „Y“-Adapter, um die linken und rechten Eingangsanschlüsse des Verstärkers mit dem Quellgerät zu verbinden.



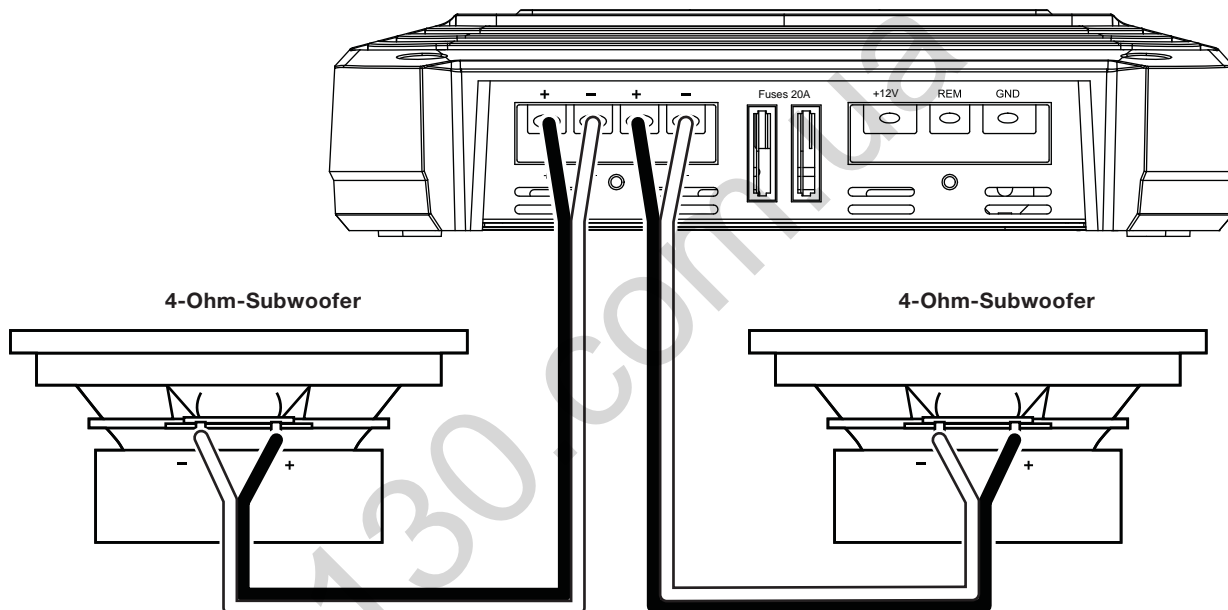
Weitere Informationen zur Einstellung der Verstärkerregler für Brückenbetrieb siehe *Frequenzweichenregler einstellen* auf Seite 20.

Informationen, um die Lautsprecher-Pegeleingänge statt der Line-Pegeleingänge zu verwenden, finden Sie auf Seite 12 unter *Verwendung der Lautsprecher-Pegeleingänge*.

GX-A3001 LAUTSPRECHERANSCHLÜSSE

Minimale Lautsprecherimpedanz; 2 Ohm (einzelner Subwoofer), 4 Ohm (2 Subwoofer)

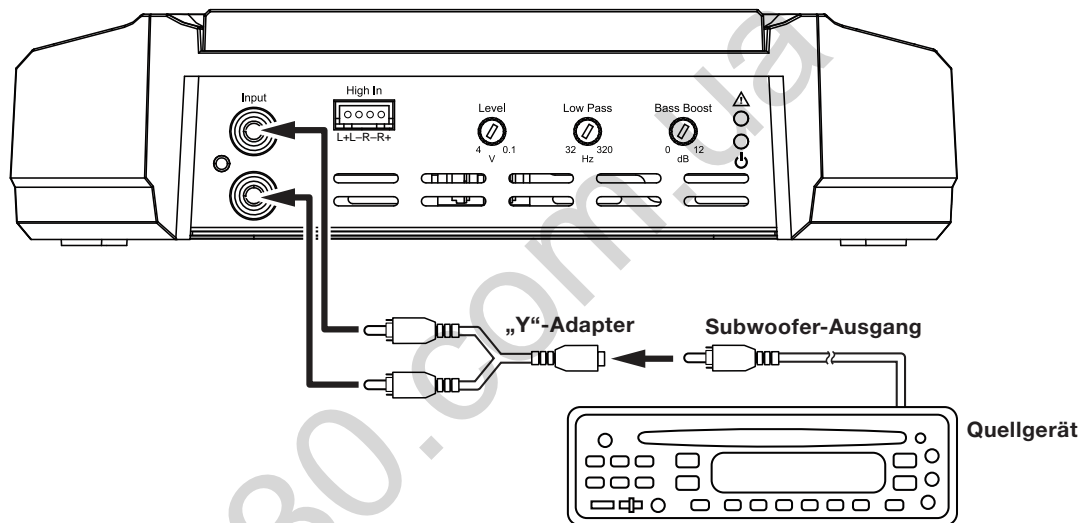
Der GX-A3001 verfügt über zwei parallele Sätze von Lautsprecheranschlüssen, sodass Sie zwei Subwoofer anschließen können.



- Wenn Sie einen einzelnen Subwoofer verwenden, können Sie ihn an einen der beiden Sätze von GX-A3001 Lautsprecheranschlüssen.
- Wenn Sie zwei 2-Ohm-Subwoofer verwenden, können Sie sie in Reihe an eines der Anschlusssets anschließen, um über der geforderten minimalen Impedanz von 2 Ohm zu liegen.

GX-A3001 EINGANGSANSCHLUSS

Verwenden Sie einen „Y“-Adapter, um den Subwoofer-Line-Ausgang Ihres Quellgeräts oder Prozessors mit den linken und rechten Eingängen des Verstärkers zu verbinden, wie in der nachfolgenden Abbildung dargestellt. Wenn Ihr Quellgerät nicht über einen speziellen Subwoofer-Ausgang verfügt, können Sie die hinteren linken/rechten Ausgänge mit den linken und rechten Eingängen des Verstärkers verbinden.

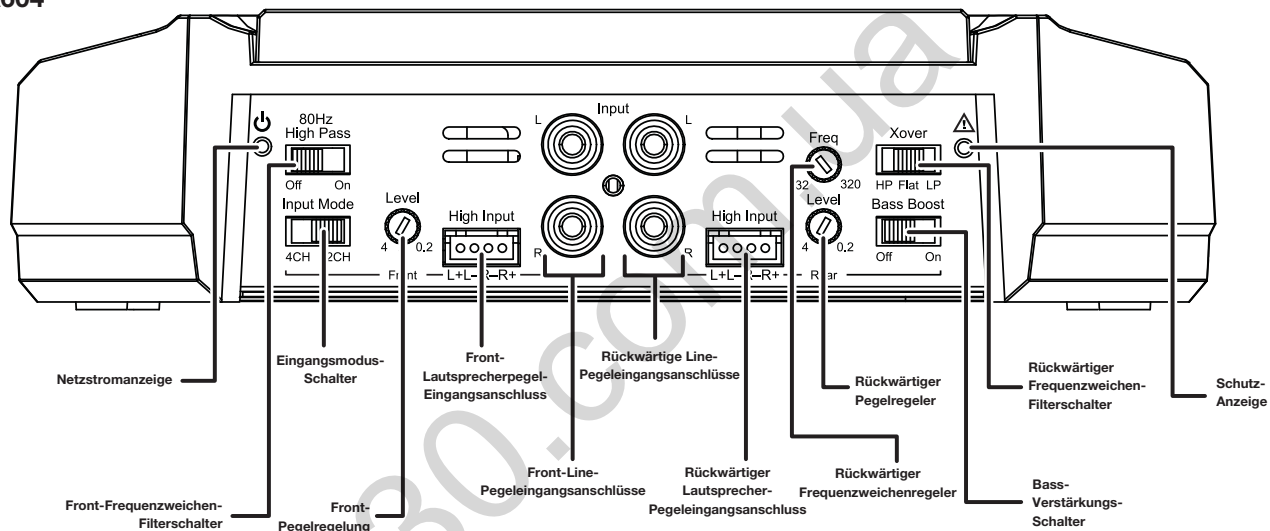


Weitere Informationen zur Einstellung der Verstärkerregler siehe *Frequenzweichenregler einstellen* auf Seite 20.

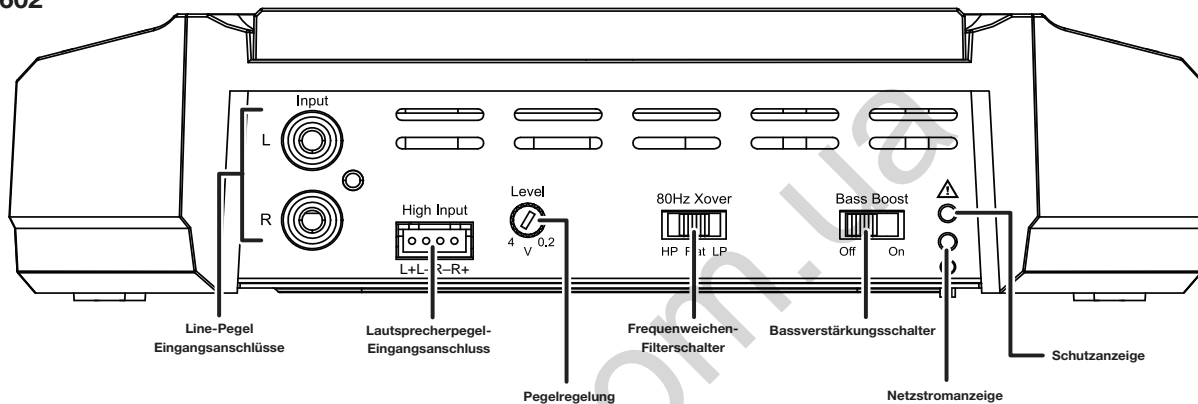
Informationen, um die Lautsprecher-Pegeleingänge statt der Line-Pegeleingänge zu verwenden, finden Sie auf Seite 12 unter *Verwendung der Lautsprecher-Pegeleingänge*.

BEDIENFELD, EINGANGSANSCHLÜSSE UND ANZEIGEN

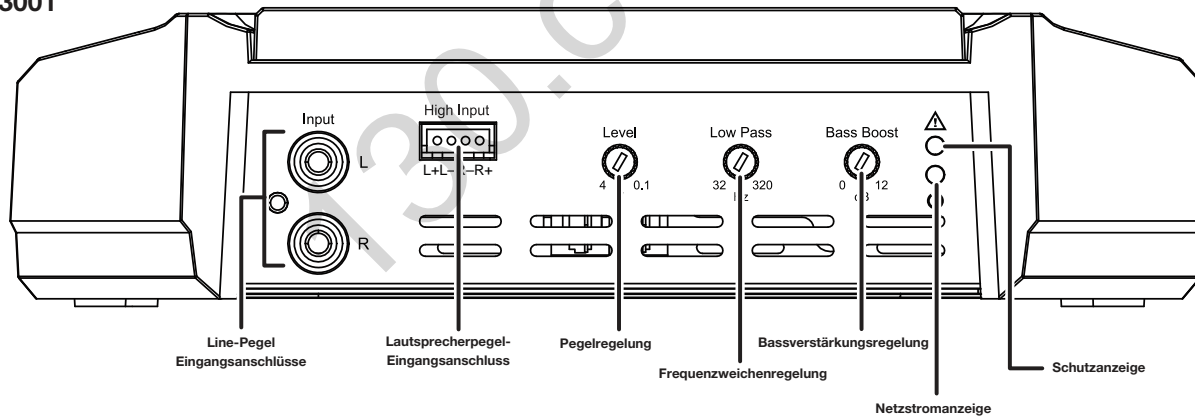
GX-A604



GX-A602



GX-A3001



FREQUENZWEICHENREGLER EINSTELLEN

GX-A604: 4-KANAL-FUNKTION

Eingangsmodus-Schalter: Stellen Sie den Eingangsmodus-Schalter auf die Stellung „4CH“.

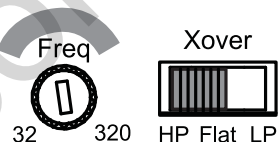
Front Frequenzweichen-Filterschalter: Stellen Sie den Front Frequenzweichen-Filterschalter auf die Stellung „ON“ (Hochpass). Dadurch wird die Menge der niederfrequenten Energie, die zu den Lautsprechern gelangt, beschränkt, und Verzerrungen werden deutlich reduziert und Schäden an den Lautsprecher verhindert. **Ausnahme:** Wenn Sie große Full-Range-Lautsprecher (Voller Frequenzbereich) (6" x 9" oder größer) angeschlossen haben, die starke Bässe von den Frontkanälen des Verstärkers verarbeiten können, *und kein Subwoofer im System vorhanden ist*, stellen Sie den Front-Frequenzweichen-Filterschalter auf die Stellung „OFF“.

Rückwärtiger Frequenzweichen-Filterschalter: Stellen Sie den rückwärtigen Frequenzweichen-Filterschalter auf die Stellung „HP“ (Hochpass). Dadurch wird die Menge der niederfrequenten Energie, die zu den Lautsprechern gelangt, beschränkt, und Verzerrungen werden deutlich reduziert und Schäden an den Lautsprecher verhindert. **Ausnahme:** Wenn Sie große Full-Range-Lautsprecher (Voller Frequenzbereich) (6" x 9" oder größer) angeschlossen haben, die starke Bässe an die Frontkanäle des Verstärkers weiterleiten können, *und kein Subwoofer im System vorhanden ist*, stellen Sie den rückwärtigen Frequenzweichen-Filterschalter auf die Stellung „FLAT“ (Voller Bereich).

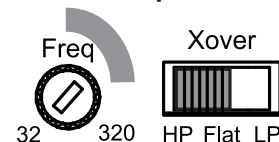
Rückwärtiger Frequenzweichenregler: Wenn der rückwärtige Frequenzweichenschalter auf die Stellung „HP“ gestellt ist, bestimmt die rückwärtige Frequenzregelung die Frequenz, ab der Lautstärke der tiefen Frequenzen, die an den Lautsprecher geleitet werden, reduziert wird.

Wenn der Verstärker im 4-Kanal-Modus betrieben wird, sollten Sie den rückwärtigen Frequenzweichenregler gemäß der Größe der Lautsprecher regeln, die mit den Verstärkerkanälen verbunden sind. Je kleiner die Lautsprecher desto höher müssen Sie den Regler stellen, um die Lautsprecher vor Beschädigungen zu schützen. Hören Sie nach der ersten Einstellung der Trennfrequenz Musik mit kräftigem Bass, mit der Sie vertraut sind. Wenn die Lautsprecher verzerrt oder übersteuert klingen, stellen Sie den Frequenzweichenregler höher ein, um die Verzerrung/Übersteuerung zu beseitigen. Die Abbildung rechts zeigt die empfohlenen Frequenzweichenbereiche für verschiedene Lautsprechergrößen.

6"- und 5"-Lautsprecher



4" und kleinere Lautsprecher



Tiefpass-Funktion: Subwoofer und Tieftöner



GX-A604: 3-KANAL-FUNKTION

Eingangsmodus-Schalter: Stellen Sie den Eingangsmodus-Schalter auf die Stellung „4CH“.

Front Frequenzweichenschalter: Stellen Sie den Front Frequenzweichenschalter auf die Stellung „ON“ (Hochpass). Dadurch wird die Menge der niederfrequenten Energie, die zu den Lautsprechern gelangt, beschränkt, und Verzerrungen werden deutlich reduziert und Schäden an den Lautsprecher verhindert.

Rückwärtiger Frequenzweichen-Filterschalter: Wenn Sie einen Subwoofer oder Tieftöner an die hinteren Kanäle anschließen, stellen Sie den Frequenzweichen-Filterschalter auf die Stellung „LP“ (Tiefpass). Dadurch wird die Menge an hochfrequenter Energie, die zum Tieftöner oder Subwoofer gelangt, beschränkt und die Klarheit von Stimmen und andere Mittelbereichstönen wird verbessert.

Rückwärtiger Frequenzweichenregler: Die zu verwendende Einstellung den rückwärtigen Frequenzweichenregler für die Subwoofer hängt von der Art und dem Standort Ihres Subwoofers ab. Beginnen Sie damit, indem Sie den rückwärtigen Frequenzweichenregler auf eine Frequenz einstellen, die etwas niedriger ist als die 80-Hz-Einstellung auf den vorderen Kanälen. Stimmen Sie nach dem Musikhören über die Anlage die Einstellung der rückwärtigen Frequenzweiche so fein ab, dass ein reibungsloser Übergang vom Subwoofer zum Rest der Systemlautsprecher erreicht wird, wobei gleichzeitig ein „Loch“ vermieden werden sollte, bei dem die Töne zwischen dem Subwoofer und den anderen Lautsprechern ausfallen zu scheinen. Die Abbildung rechts zeigt den empfohlenen Frequenzbereich des rückwärtigen Frequenzweichenreglers.

GX-A604: 2-KANAL-FUNKTION

Eingangsmodus-Schalter: Stellen Sie den Eingangsmodus-Schalter auf die Stellung „2CH“.

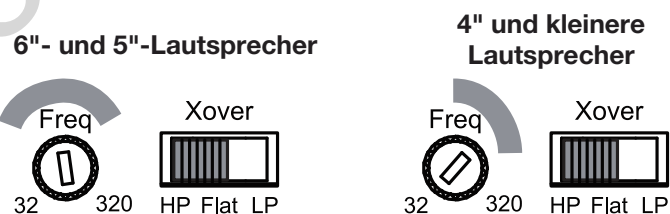
Front Frequenzweichen-Filterschalter: Stellen Sie den Front Frequenzweichen-Filterschalter auf die Stellung „ON“ (Hochpass). Dadurch wird die Menge der niederfrequenten Energie, die zu den Lautsprechern gelangt, beschränkt, und Verzerrungen werden deutlich reduziert und Schäden an den Lautsprecher verhindert. **Ausnahme:** Wenn Sie große Full-Range-Lautsprecher (Voller Frequenzbereich) (6" x 9" oder größer) angeschlossen haben, die starke Bässe von den Frontkanälen des Verstärkers verarbeiten können, *und kein Subwoofer im System vorhanden ist*, stellen Sie den Front-Frequenzweichen-Filterschalter auf die Stellung „OFF“.

Rückwärtiger Frequenzweichen-Filterschalter: Stellen Sie den rückwärtigen Frequenzweichen-Filterschalter auf die Stellung „HP“ (Hochpass). Dadurch wird die Menge der niederfrequenten Energie, die zu den Lautsprechern gelangt, beschränkt, und Verzerrungen werden deutlich reduziert und Schäden an den Lautsprecher verhindert.

Ausnahme: Wenn Sie große Full-Range-Lautsprecher (Voller Frequenzbereich) (6" x 9" oder größer) angeschlossen haben, die starke Bässe an die Frontkanäle des Verstärkers weiterleiten können, *und kein Subwoofer im System vorhanden ist*, stellen Sie den rückwärtigen Frequenzweichen-Filterschalter auf die Stellung „FLAT“ (Voller Bereich).

Rückwärtiger Frequenzweichenregler: Wenn der rückwärtige Frequenzweichenschalter auf die Stellung „HP“ gestellt ist, bestimmt die rückwärtige Frequenzregelung die Frequenz, ab der Lautstärke der tiefen Frequenzen, die an den Lautsprecher geleitet werden, reduziert wird.

Wenn der Verstärker im 4-Kanal-Modus betrieben wird, sollten Sie den rückwärtigen Frequenzweichenregler gemäß der Größe der Lautsprecher regeln, die mit den Verstärkerkanälen verbunden sind. Je kleiner die Lautsprecher desto höher müssen Sie den Regler stellen, um die Lautsprecher vor Beschädigungen zu schützen. Hören Sie nach der ersten Einstellung der Trennfrequenz Musik mit kräftigem Bass, mit der Sie vertraut sind. Wenn die Lautsprecher verzerrt oder übersteuert klingen, stellen Sie den Frequenzweichenregler höher ein, um die Verzerrung/Übersteuerung zu beseitigen. Die Abbildung rechts zeigt die empfohlenen Frequenzweichenbereiche für verschiedene Lautsprechergrößen.



GX-A602: 2-KANAL-FUNKTION

Frequenzweichen-Filterschalter:

- Wenn Sie den Verstärker an einem Paar 6" oder kleineren Full-Range-Lautsprechern angeschlossen haben, stellen Sie den Frequenzweichen-Filterschalter auf die Stellung „HP“ (Hochpass). Dadurch wird die Menge der niederfrequenten Energie, die zu den Lautsprechern gelangt, beschränkt, und Verzerrungen werden deutlich reduziert und Schäden an den Lautsprecher verhindert.
- Wenn Sie ein Paar großer Full-Range-Lautsprecher (Voller Frequenzbereich) (6" x 9" oder größer) an den Verstärker angeschlossen haben, die starke Bässe verarbeiten können, *und kein Subwoofer im System vorhanden ist*, stellen Sie den Frequenzweichen-Filterschalter auf die Stellung „FLAT“ (Voller Bereich).
- Wenn Sie den Verstärker an ein Paar Tieftöner oder Subwoofer angeschlossen haben, stellen Sie den Frequenzweichen-Filterschalter auf die Stellung „LP“ (Tiefpass). Dadurch wird die Menge an hochfrequenter Energie, die zum Tieftöner/Subwoofer gelangt, beschränkt und die Klarheit von Stimmen und andere Mittelbereichstönen wird verbessert.

GX-A602: BRÜCKENBETRIEB

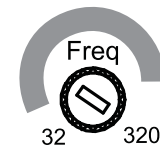
Frequenzweichen-Filterschalter: Wenn der Verstärker im Brückenbetrieb an einem Subwoofer arbeitet, stellen Sie den Frequenzweichen-Filterschalter auf die Stellung „LP“ (Tiefpass). Dies beschränkt die Menge an hochfrequenter Energie, die an den Subwoofer weitergeleitet wird.

GX-A3001

HINWEIS: Die interne Frequenzweiche des GX-A3001 ist permanent auf Tiefpass-Betrieb eingestellt.

Frequenzweichenregler: Der Frequenzweichenregler beschränkt die Menge der hochfrequenten Energie, die an den Tieftöner oder den Subwoofer weitergeleitet wird. Die zu verwendende Einstellung des Frequenzweichenreglers für die Subwoofer hängt von der Art und den Standort Ihres Subwoofers ab. Beginnen Sie damit, indem Sie den Frequenzweichenregler auf eine Frequenz einstellen, die etwas niedriger ist, als die Einstellung der Hochpass-Frequenzweiche für die anderen Systemlautsprecher. Stimmen Sie nach dem Musikhören über die Anlage die Einstellung der Frequenzweiche so fein ab, dass ein reibungsloser Übergang vom Subwoofer zum Rest der Systemlautsprecher erreicht wird, wobei gleichzeitig ein „Loch“ vermieden werden sollte, bei dem die Töne zwischen dem Subwoofer und den anderen Lautsprechern ausfallen zu scheinen. Die Abbildung rechts zeigt den empfohlenen Frequenzbereich des Frequenzweichenreglers.

Subwoofer und Tieftöner



INGANGSPEGEL EINSTELLEN

1. Drehen Sie alle Pegelregler an allen Verstärkern vollständig gegen den Uhrzeigersinn zu.
2. Spielen Sie einige dynamische Musik über Ihr Quellgerät und drehen die Lautstärke bis auf 3/4 auf.
3. Drehen Sie den Lautstärkeregel am Front-Kanal-Verstärker langsam im Uhrzeigersinn, bis die Musik beginnt, verzerrt zu klingen.
4. Drehen Sie den Pegelregler etwas gegen den Uhrzeigersinn, bis die Musik nicht mehr verzerrt klingt.
5. Wenn Sie mehr als einen Verstärker verwenden oder den GX-A604, wiederholen Sie die Schritte 3-4 für alle verbleibenden Verstärker-Pegelregler.

BASSVERSTÄRKUNG EINSTELLEN

GX-A604: Wenn Sie die hinteren Kanäle des Verstärkers für die Versorgung eines Subwoofers verwenden, kann der Bassverstärkungsschalter bei 45 Hz 12 dB Bassverstärkung liefern. (Der Schalter wirkt sich nur auf die hinteren Kanäle des Verstärkers aus.) Stellen Sie diesen Schalter nach Ihrem persönlichen Geschmack ein. Falls aber seine Verwendung hörbare Verzerrungen oder ein niedriges Niveau des Subwoofers verursacht, empfehlen wir die Einstellung auf „OFF“. **VORSICHT:** Verwenden Sie nur den Bassverstärkungsschalter, wenn Sie die hinteren Kanäle für die Versorgung eines Subwoofers konfiguriert haben. Die Verwendung des Bassverstärkungsschalters bei Full-Range-Lautsprecher kann die Lautsprecher beschädigen.

GX-A602: Wenn Sie den Verstärker im Brückenbetrieb für die Versorgung eines Subwoofers verwenden, kann der Bassverstärkungsschalter bei 45 Hz 12 dB Bassverstärkung liefern. (Stellen Sie diesen Schalter nach Ihrem persönlichen Geschmack ein. Falls aber seine Verwendung hörbare Verzerrungen oder einen niedrigen Pegel des Subwoofers verursacht, empfehlen wir die Einstellung auf „OFF“. **VORSICHT:** Verwenden Sie nur den Bassverstärkungsschalter, wenn Sie den Verstärker für die Versorgung eines Subwoofers verwenden. Die Verwendung des Bassverstärkungsschalters bei Full-Range-Lautsprecher kann die Lautsprecher beschädigen.

GX-A3001: Die Bassverstärkungsregelung kann bei 45 Hz bis zu 12 dB liefern. Stellen Sie diesen Regler nach Ihrem persönlichen Geschmack ein. Achten Sie aber darauf, den Regler nur so hoch einzustellen, dass er keine hörbaren Verzerrungen oder einen niedrigen Pegel des Subwoofers verursacht.

BETRIEBS- UND SCHUTZ-LEDS

BETRIEBS-LED

- LED leuchtet orange: Normaler Betrieb (Gerät ist eingeschaltet).
- LED ist aus: Verstärker ist im Stand-by-Modus.

SCHUTZ-LED

Die Schutz-LED des Verstärkers sollte während des normalen Betriebs nicht leuchten. Wenn es kein Ton aus dem Verstärker kommt, und die Schutz-LED rot leuchtet, lesen Sie weiter unter *Fehlerbehebung* auf Seite 24.

FEHLERBEHEBUNG

Wenn Ihr Verstärker nicht wie gewünscht funktioniert, überprüfen Sie, ob das Problem in diesem Abschnitt behandelt wird, bevor Sie Ihren Händler anrufen oder sich an den JBL-Kundendienst wenden.

PROBLEM

URSACHEN UND ABHILFEN

Kein Ton (die Betriebs-LED des Verstärkers ist aus)

- Prüfen Sie, ob die +12-V- und Masseverbindungen des Verstärkers ordnungsgemäß hergestellt wurden.
- Prüfen Sie, ob die Sicherung in der +12-V-Leitung in der Nähe der Batterie durchgebrannt ist: Falls dies zutrifft, ersetzen Sie sie durch eine identische Sicherung.
- Überprüfen Sie alle Verstärkersicherungen. Falls welche durchgebrannt sind, ersetzen Sie sie durch identische Sicherungen.
- Wenn Sie die REM-Verbindung des Verstärkers zum Einschalten verwenden, überprüfen Sie, ob das Kabel richtig mit der Fernsteuerleitung des Auto-Audiosystems oder dem ACC-Stromanschluss des Fahrzeugs verbunden ist.

Kein Ton (die Betriebs-LED des Verstärkers leuchtet orange)

- Prüfen Sie, ob alle Eingangs- und Lautsprecherverbindungen des Verstärkers ordnungsgemäß hergestellt wurden.
- Prüfen Sie, ob die Verstärker-Pegelregler nicht vollständig nach unten gedreht sind (gegen den Uhrzeigersinn auf 0).
- Überprüfen Sie, ob die Lautstärke des Quellgeräts des Fahrzeug-Audiosystems nicht vollständig heruntergeregelt ist.

Kein Ton (die Betriebs-LED des Verstärkers leuchtet rot)

- Überprüfen Sie, ob das Bordnetz zwischen 9 und 16 V DC an den Verstärker liefert. Wenn die Versorgungsspannung außerhalb dieses Bereichs liegt, korrigieren Sie dies, bevor Sie den Verstärker in Betrieb nehmen.
- Wenn der Verstärker überhitzt ist, warten Sie, bis er sich abgekühlt hat, bevor Sie ihn wieder verwenden.
- Trennen Sie alle Lautsprecher vom Verstärker und versuchen Sie, ihn wieder einzuschalten:
 - Wenn der Verstärker eingeschaltet ist (die Betriebs-LED leuchtet orange), besteht ein Kurzschluss auf einem oder mehreren Lautsprecherkabeln. Korrigieren Sie alle Kurzschlüsse, bevor Sie die Lautsprecher wieder an den Verstärker anschließen.
 - Wenn der Verstärker sich nicht einschalten lässt (die Schutz-LED immer noch rot leuchtet und die Betriebs-LED aus ist), wenden Sie sich an Ihren autorisierten JBL-Fachhändler.

PROBLEM**URSACHEN UND ABHILFEN**

Ton kommt nur von einigen der Lautsprecher, die am Verstärker angeschlossen sind.

- Überprüfen Sie, ob die Balance- und Fader-Regler des Fahrzeug-Audio-Systems auf der jeweiligen Mittelstellung stehen.
- (GX-A604): Prüfen Sie, ob die Einstellung des Verstärker-Modusschalters zu den Eingangs- und Lautsprecheranschlüssen am Verstärker passt.

Der Ton ist zu leise, auch wenn die Lautstärke des Quellgeräts des Fahrzeug-Audiosystems voll aufgedreht ist.

- Prüfen Sie, ob die Verstärker-Pegelregler nicht zu niedrig eingestellt sind. Weitere Informationen zur Einstellung der Pegelregler siehe *Eingangspegel einstellen* auf Seite 22.

Ton von den vorderen/hinteren Lautsprechern ist verzerrt.

- Überprüfen Sie, ob der Frequenzweichen-Filterschalter des Verstärkers bei den verzerrten Kanäle auf HP eingestellt ist.
- Stellen Sie den Frequenzweichenregler bei den verzerrten Kanäle auf einen höheren Wert ein.
- Prüfen Sie, ob die Verzerrung nicht vom Quellgerät des Fahrzeug-Audiosystems stammt.

Ton im Subwoofer ist verzerrt.

- (GX-A604, GX-A602): Schalten Sie den Bassverstärkungsschalter auf „OFF“.
- (GX-A3001): Beim Hören von Musik mit starken Bässen drehen Sie den Bassverstärkungsregler ganz nach unten, und erhöhen Sie dann seine Einstellung schrittweise, bis die Verzerrung wieder auftritt. Reduzieren Sie dann die Einstellung des Bassverstärkungsregler etwas, um die Verzerrung zu beseitigen und lassen Sie ihn so eingestellt.
- Prüfen Sie, ob die Verzerrung nicht vom Quellgerät des Fahrzeug-Audiosystems stammt.

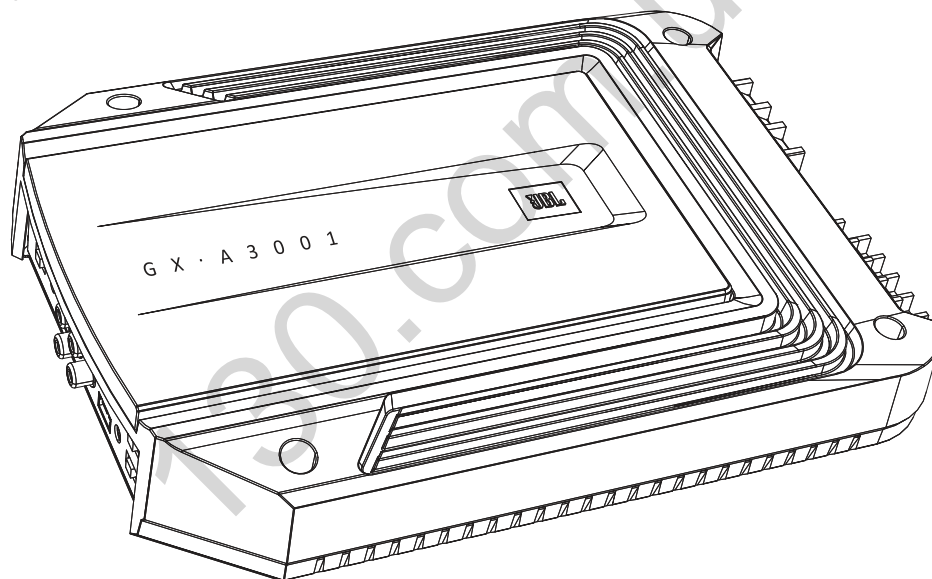
TECHNISCHE DATEN

	GX-A604	GX-A602	GX-A3001
Max. Leistung (15,5 V, 1 kHz, 10% THD, alle Kanäle, 2 Ohm)	435 W	280 W	415 W (15,5 V, 50 Hz, 10% THD, 2 Ohm)
Nennleistung bei 4 Ohm	60 W x 4	60 W x 2	200 W x 1
Gebrückte Leistungsabgabe (4 Ohm, 1% THD)	170 W x 2	170 W x 1	k. A.
THD+N bei Nennleistung	1%	1%	1%
Rauschabstand (2 V bei 4 Ohm)	> 75 dB	> 75 dB	> 75 dB
Effektiver Dämpfungsfaktor (4 Ohm)	> 50	> 50	> 50
Frequenzgang (-3 dB)	20 Hz - 20 kHz ± 1 dB	20 Hz - 20 kHz ± 1 dB	10 Hz - 320 Hz
Maximale Eingangsspannung	20 V	20 V	20 V
Maximale Eingangsempfindlichkeit	200 mV	200 mV	200 mV
Sicherungsgröße	20 A x 2	25 A	20 A x 2
Abmessungen (H x B x T)	2-1/16" x 11-13/16" x 8-1/8" (52 mm x 300 mm x 206 mm)	2-1/16" x 7-13/16" x 8-1/8" (52 mm x 198 mm x 206 mm)	2-1/16" x 11-7/16" x 8-1/8" (52 mm x 291 mm x 206 mm)
Gewicht	5,3 lb (2,4 kg)	3,8 lb (1,7 kg)	5,3 lb (2,4 kg)



GX-A604/GX-A602/GX-A3001

amplificateur de puissance

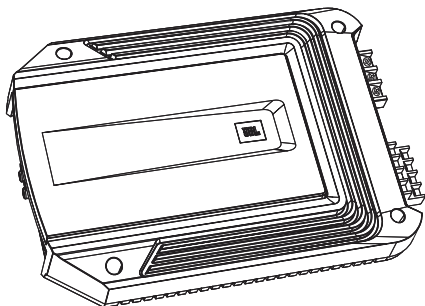


MODE D'EMPLOI

INTRODUCTION

MERCI d'avoir acheté un amplificateur JBL® série GX. Afin que nous puissions mieux vous servir si vous avez besoin d'un service sous garantie, veuillez conserver votre facture originale et enregistrer votre amplificateur en ligne sur www.jbl.com.

ÉLÉMENTS INCLUS



Amplificateur série GX (x 1)



Faisceau d'entrée niveau haut-parleur
(GX-A602, GX-A3001 x 1)
(GX-A604 x 2)

EMPLACEMENT ET MONTAGE

Bien que ces instructions expliquent comment installer en général les amplificateurs de la série GX, elles ne précisent pas les méthodes d'installation particulières éventuellement requises pour votre véhicule spécifique. Si vous ne disposez pas des outils ou de l'expérience nécessaires, n'essayez pas d'effectuer l'installation vous-même. Demandez plutôt à votre distributeur audio automobile JBL agréé une installation professionnelle.

AVERTISSEMENTS ET CONSEILS SUR L'INSTALLATION

IMPORTANT : Débranchez la borne négative (-) de la batterie (-) du véhicule avant de commencer l'installation.

- Portez toujours des lunettes de protection pour utiliser des outils.
- Vérifiez les espaces des deux côtés de la surface de montage prévue. Veillez à ce que des vis ou des fils ne percent pas de canalisations de freins, de carburant ou des faisceaux de câblage, et que le cheminement des fils ne nuira pas à la sécurité de fonctionnement du véhicule.
- Lors de la réalisation des connexions électriques, veillez à ce qu'elles soient sûres et correctement isolées.
- Si vous devez remplacer des fusibles de l'amplificateur, veillez à utiliser le même type et calibre de fusible que l'original.

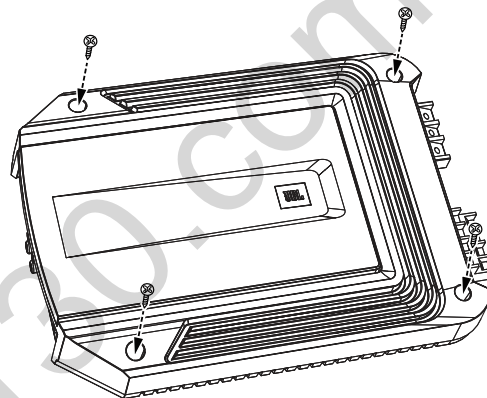
EMPLACEMENT DE L'INSTALLATION

Les amplificateurs ont besoin d'une circulation d'air pour rester à température modérée. Sélectionnez un emplacement qui fournit assez d'air pour que l'amplificateur se refroidisse par lui-même.

- Les emplacements appropriés sont sous un siège (si l'amplificateur n'interfère pas avec le mécanisme de réglage du siège), dans le coffre ou dans tout autre emplacement qui fournit assez d'air de refroidissement.
- Ne montez pas l'amplificateur avec son radiateur dessous, car ceci nuit au refroidissement par convection de l'amplificateur.
- Montez l'amplificateur de sorte qu'il ne soit pas endommagé par les pieds des passagers arrière ou le déplacement du chargement dans le coffre.
- Montez l'amplificateur de sorte qu'il reste sec-ne le montez jamais à l'extérieur de la voiture ou dans le compartiment moteur.

MONTAGE DE L'AMPLIFICATEUR

REMARQUE : Vous pouvez trouver plus pratique de faire toutes les connexions à l'amplificateur avant de le monter définitivement dans le véhicule.



1. Sélectionnez un emplacement de montage approprié comme décrit ci-dessus.
2. En utilisant l'amplificateur comme gabarit, marquez l'emplacement des trous de fixation sur la surface de montage.
3. Percez des trous pilotes dans la surface de montage.
4. Fixez l'amplificateur à la surface de montage avec quatre vis de montage appropriées de votre choix. Nous conseillons des vis à tête Phillips n° 8 pour tôle. Veillez à ce que l'amplificateur soit monté en toute sécurité.

CONNEXIONS D'ALIMENTATION ET DE MASSE

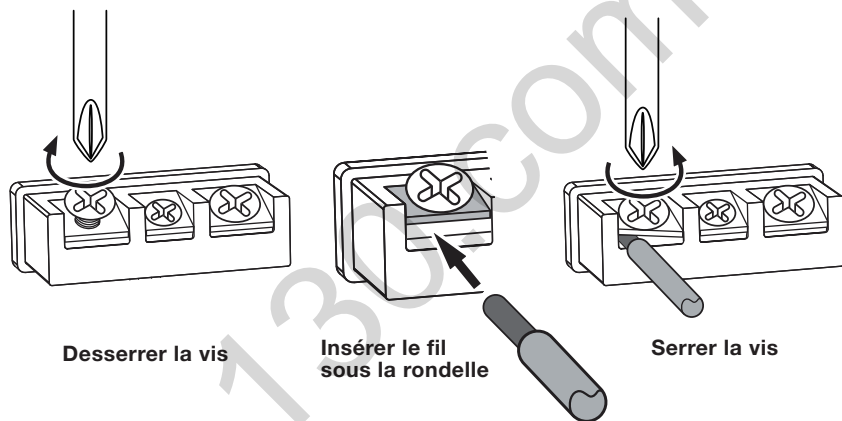
IMPORTANT : débranchez la borne négative de la batterie (-) du véhicule avant de commencer l'installation.

Les amplificateurs série GX peuvent fournir des niveaux de puissance élevés et requièrent une connexion renforcée et fiable au système électrique du véhicule pour obtenir des performances optimales. Veuillez respecter soigneusement les instructions suivantes.

UTILISATION DES CONNECTEURS

Les amplificateurs série GX utilisent le même type de bornes à vis pour les connexions d'alimentation et des haut-parleurs. Ce type de borne est facile à utiliser et permet une connexion facile des fils de gros calibre.

Pour utiliser les connecteurs, utilisez un tournevis Phillips pour dévisser la vis de blocage du connecteur, insérez le fil nu et serrez la vis de blocage pour serrer le fil dans le connecteur, comme le montre l'illustration ci-dessous.



IMPORTANT : Veillez à ce que les fils nus de haut-parleur (+) et (-) ne se touchent pas et ne touchent pas d'autre borne au niveau des bornes d'amplificateur et de haut-parleur. Un contact des fils peut créer un court-circuit et endommager l'amplificateur.

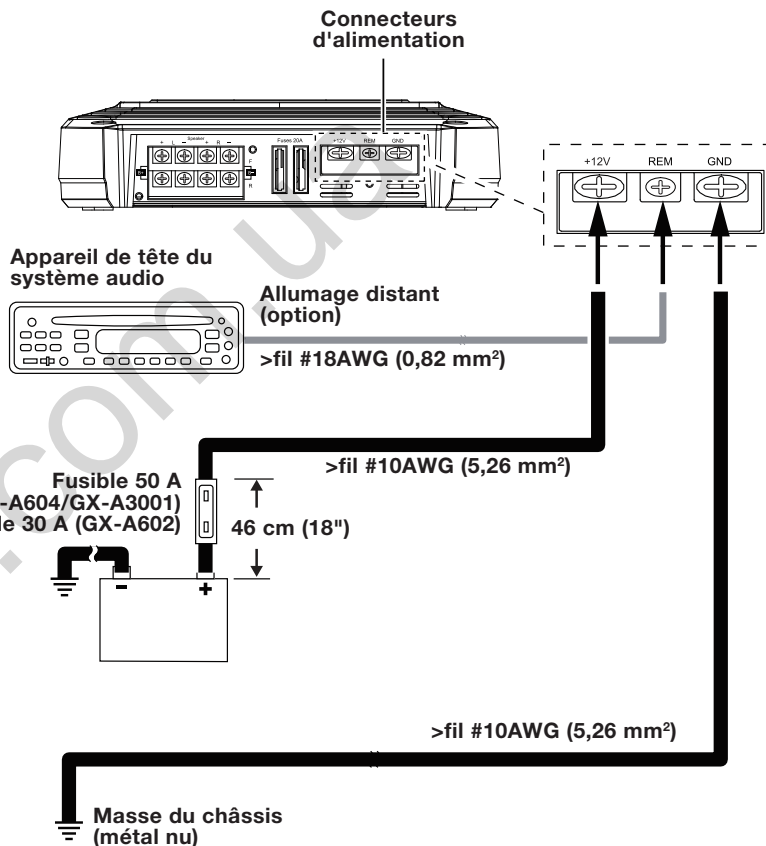
CONNEXION À LA MASSE (GND)

Connectez un fil (minimum 10AWG-5,3 mm²) de la borne de masse GND de l'amplificateur directement à un point solide du châssis du véhicule.

- Pour une bonne connexion, poncez au papier de verre pour enlever la peinture de la surface métallique à cet emplacement du châssis. Utilisez une rondelle de blocage en étoile pour bloquer la connexion du fil.

CONNEXION D'ALIMENTATION (12 V)

1. Connectez un fil (minimum 10AWG-5,3 mm²) directement à la borne positive de la batterie (+).
2. Montez sur ce fil un porte-fusible pour un fusible de 50 A (GX-A604, GX-A3001) ou un fusible 30 A (GX-A602) à moins de 46 cm (18") de la borne (+) de la batterie. N'installez pas de fusible dans le porte-fusible à ce stade.
3. Faites passer ce fil jusqu'à l'emplacement de l'amplificateur et connectez-le à la borne +12 V de l'amplificateur. Veillez à utiliser des passe-fils appropriés lorsque les fils traversent le tablier ou toute autre tôle. **IMPORTANT** : Si le fil positif n'est pas convenablement protégé des dommages potentiels, cela peut déclencher l'incendie du véhicule.
4. Une fois ce fil installé et connecté, montez le fusible approprié dans le porte-fusible que vous avez installé près de la batterie. (GX-A604, GX-A3001-fusible 50 A ; GX-A602-fusible 30 A)



CONNEXIONS AUX HAUT-PARLEURS ET DES ENTRÉES

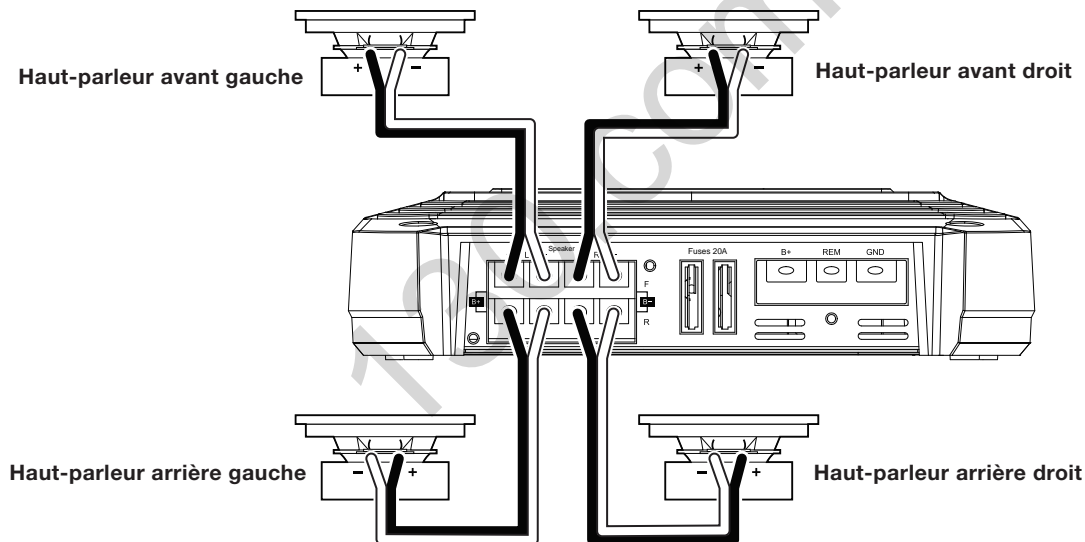
Branchez toujours la borne (+) du haut-parleur sur l'amplificateur à la borne (+) du haut-parleur et la borne (-) du haut-parleur sur l'amplificateur à la borne (-) du haut-parleur.

IMPORTANT : Veillez à ce que les fils nus (+) et (-) ne se touchent pas et ne touchent pas d'autre borne au niveau des bornes d'amplificateur et de haut-parleur. Un contact des fils peut créer un court-circuit et endommager l'amplificateur.

CONNEXIONS DES HAUT-PARLEURS AU GX-A604 : FONCTIONNEMENT AVEC 4 CANAUX

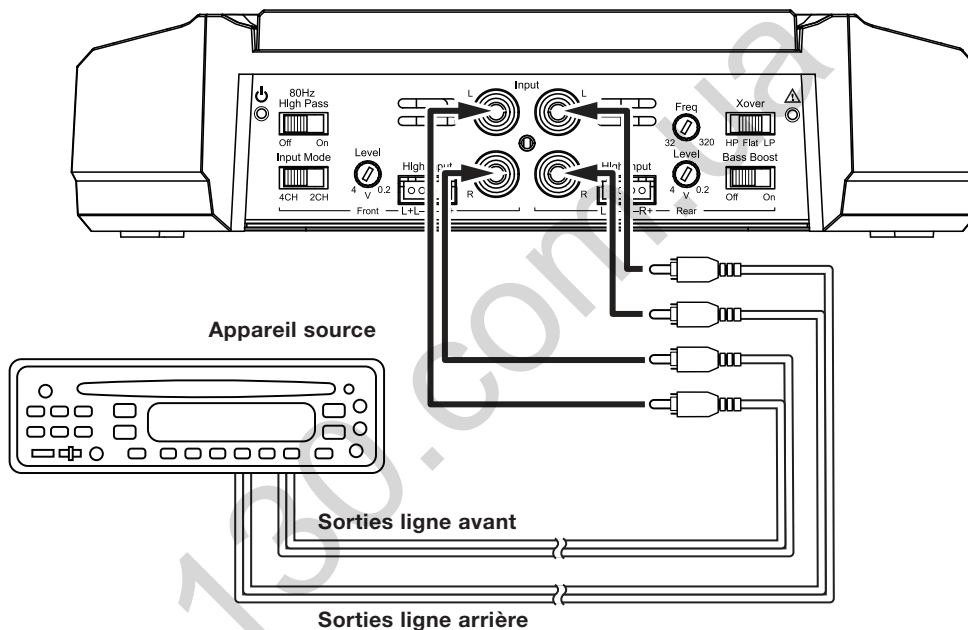
Impédance minimale des haut-parleurs : 2 ohms (chacun)

- Connectez les haut-parleurs avant aux bornes FL et FR (+) et (-).
- Connectez les haut-parleurs arrière aux bornes RL et RR (+) et (-).



CONNEXIONS DES ENTRÉES AU GX-A604 : FONCTIONNEMENT AVEC 4 CANAUX

Branchez les sorties gauches et droites avant et arrière de l'unité ou du processeur source aux entrées de l'amplificateur suivant les indications de l'illustration.



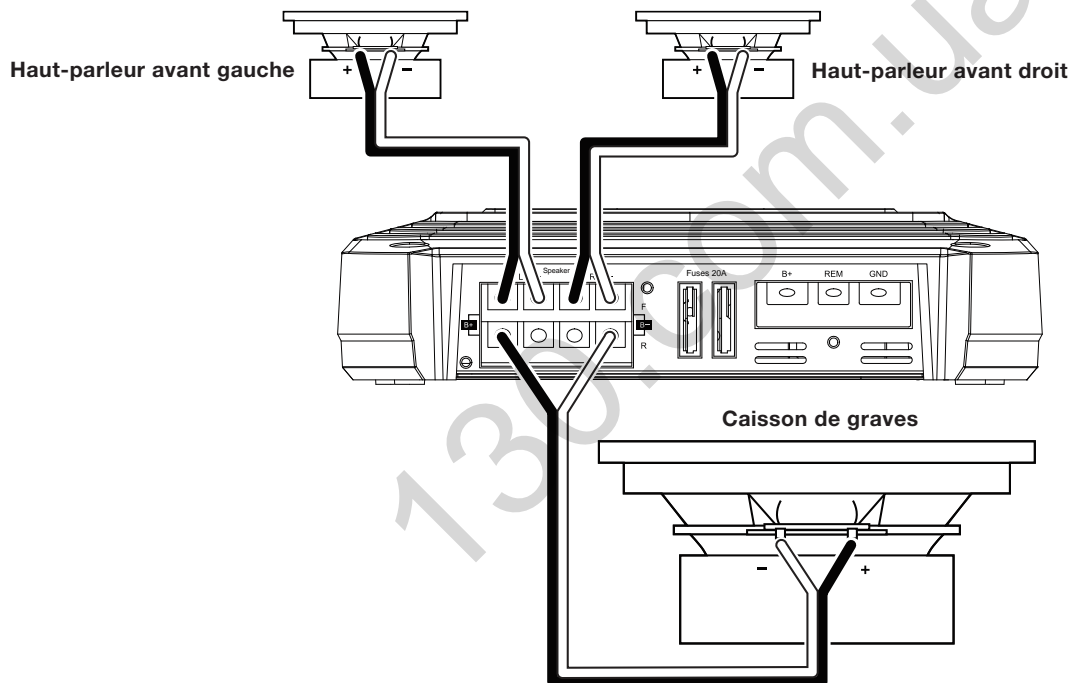
Consultez *Réglage des commandes de répartition*, en page 20, pour plus d'informations sur le réglage des commandes de l'amplificateur dans le cas d'un fonctionnement avec 4 canaux.

Pour utiliser des entrées de niveau haut-parleur au lieu des entrées de niveau ligne, consultez *Utilisation d'entrées de niveau haut-parleur*, en page 12.

CONNEXIONS DES HAUT-PARLEURS AU GX-A604 : FONCTIONNEMENT AVEC 3 CANAUX

Impédance minimale des haut-parleurs : 2 ohms chacun (haut-parleurs gauches et droits) ; 4 ohms (caisson de graves)

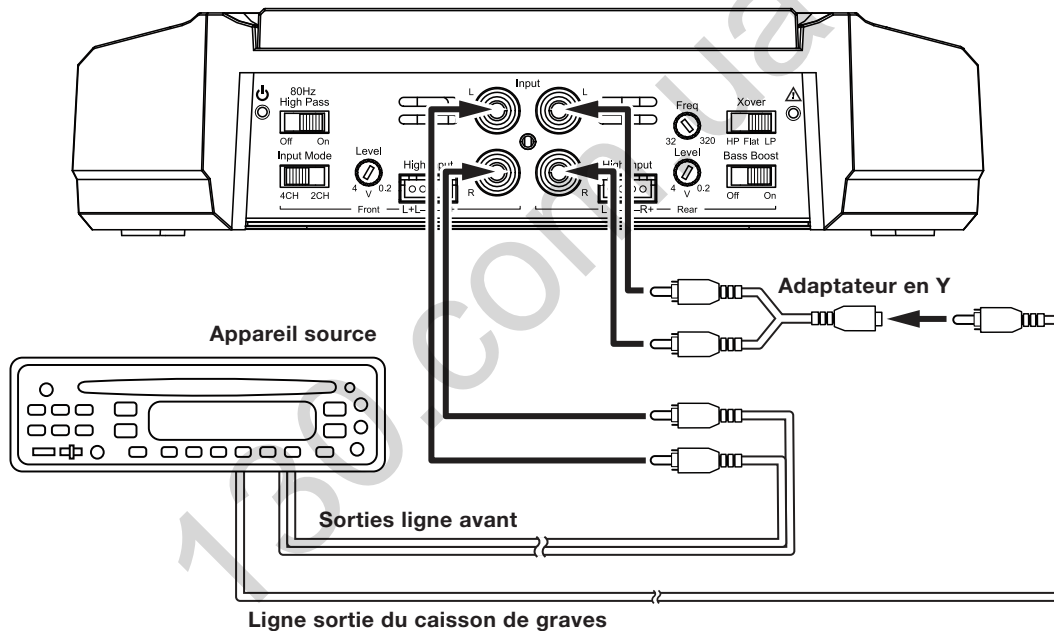
- Connectez les haut-parleurs gauches et droits aux bornes FL et FR (+) et (-).
- Connectez le caisson de graves aux bornes RL et RR (+) et (-). (La commande d'amplification des graves Bass Boost rend les canaux arrière préférables pour la connexion du caisson de graves. Consultez *Réglage du Bass Boost*, en page 23.) **REMARQUE :** Vous pouvez brancher deux caissons de graves de 2 ohms en série afin de conserver l'impédance requise minimum de 4 ohms pour le canal du caisson de graves.



CONNEXIONS DES ENTRÉES AU GX-A604 : FONCTIONNEMENT AVEC 3 CANAUX

Branchez les sorties ligne de votre unité ou processeur source suivant les indications de l'illustration ci-dessous. Positionnez le commutateur de mode d'entrée sur la position « 4CH ».

REMARQUE : Utilisez un adaptateur en Y pour connecter la sortie du caisson de graves de l'appareil source aux prises d'entrée gauches et droites à l'arrière de l'amplificateur.



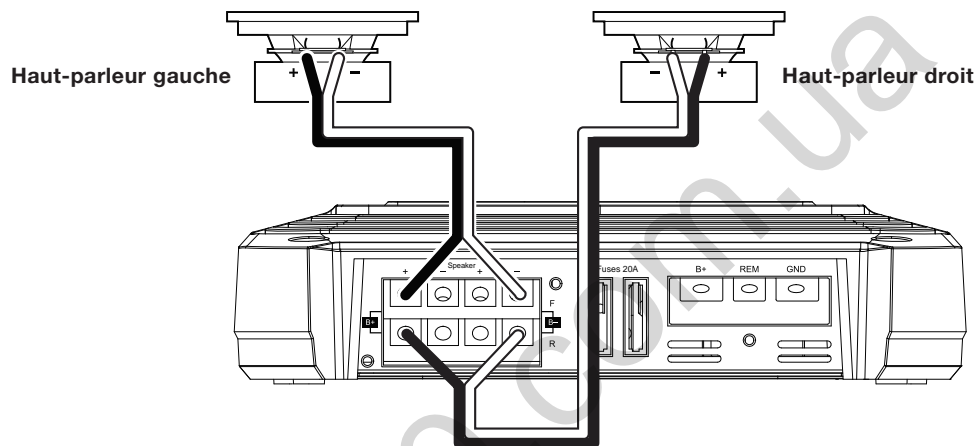
Consultez *Réglage des commandes de répartition*, en page 20, pour plus d'informations sur le réglage des commandes de l'amplificateur dans le cas d'un fonctionnement avec 3 canaux.

Pour utiliser des entrées de niveau haut-parleur au lieu des entrées de niveau ligne, consultez *Utilisation d'entrées de niveau haut-parleur*, en page 12.

CONNEXIONS DES HAUT-PARLEURS AU GX-A604 : FONCTIONNEMENT AVEC 2 CANAUX

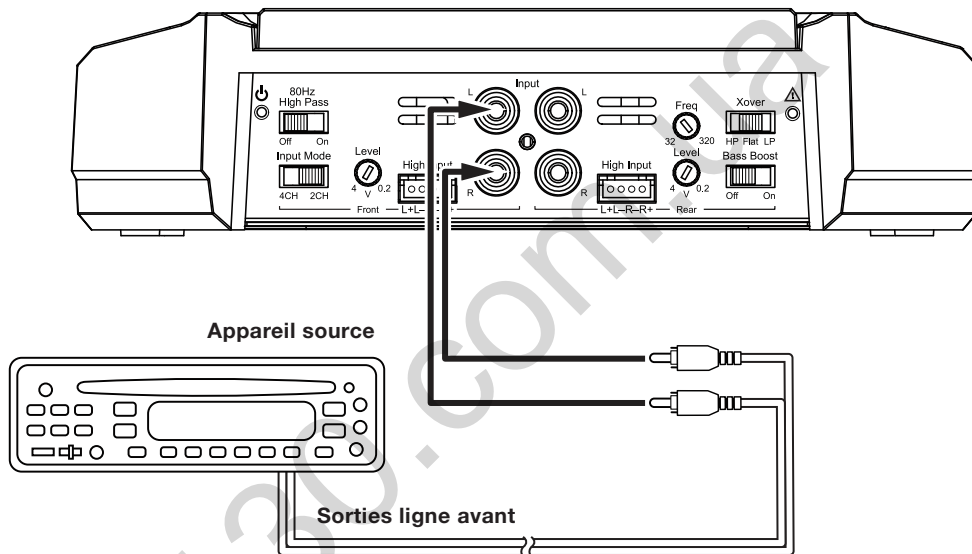
Impédance minimale des haut-parleurs : 4 ohms (chacun)

Branchez les haut-parleurs gauches et droits suivant les indications de l'illustration ci-dessous.



CONNEXIONS DES ENTRÉES AU GX-A604 : FONCTIONNEMENT AVEC 2 CANAUX

Branchez les sorties ligne de votre unité ou processeur source suivant les indications de l'illustration ci-dessous. Utilisez uniquement les connexions d'entrée avant gauches et droites et veillez à ce que le commutateur de mode d'entrée soit sur la position « 2CH ».



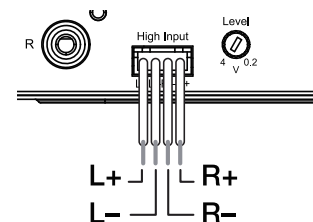
Consultez *Réglage des commandes de répartition*, en page 20, pour plus d'informations sur le réglage des commandes de l'amplificateur dans le cas d'un fonctionnement avec 2 canaux.

Pour utiliser des entrées de niveau haut-parleur au lieu des entrées de niveau ligne, consultez *Utilisation d'entrées de niveau haut-parleur*, en page 12.

UTILISATION D'ENTRÉES DE NIVEAU HAUT-PARLEUR

Si votre appareil source ne dispose pas de sorties de niveau ligne, vous pouvez utiliser le faisceau d'entrées de niveau haut-parleur inclus pour connecter l'amplificateur aux sorties haut-parleur de l'unité source. De gauche à droite, les conducteurs sont : L+, L-, R-, R+ (G+, G-, D-, D+, voir l'illustration à droite). Les connecteurs niveau haut-parleur de tous les modèles d'amplificateur série GX utilisent cette configuration de câblage.

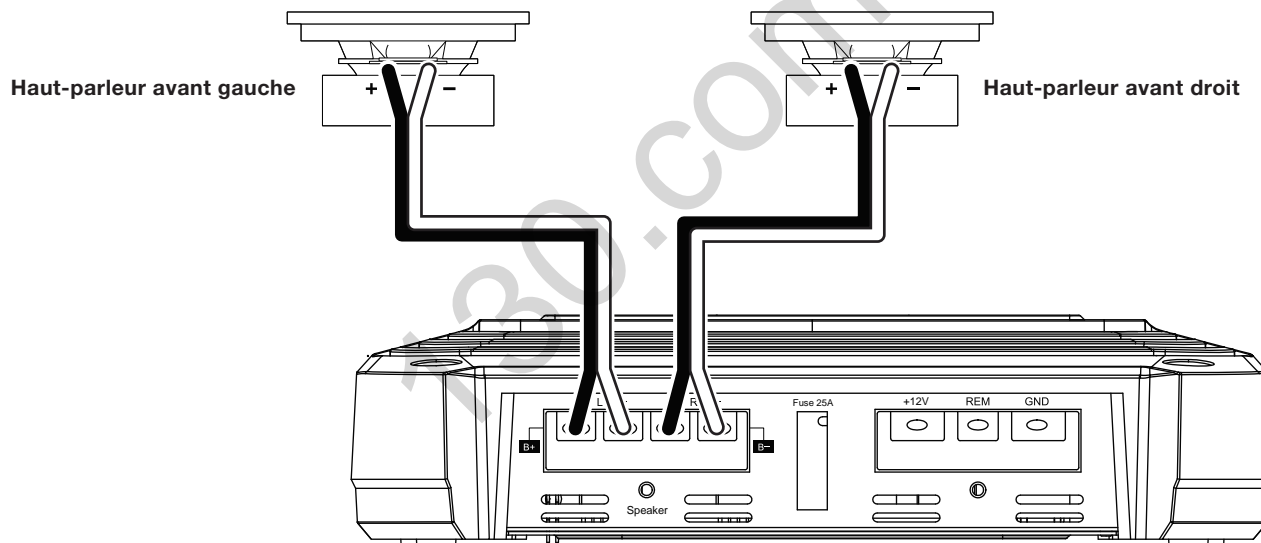
Suivez les instructions des sections précédentes, en remplaçant les connecteurs de niveau haut-parleur par les connecteurs de niveau ligne.



CONNEXIONS DES HAUT-PARLEURS DU GX-A602 ; FONCTIONNEMENT AVEC 2 CANAUX

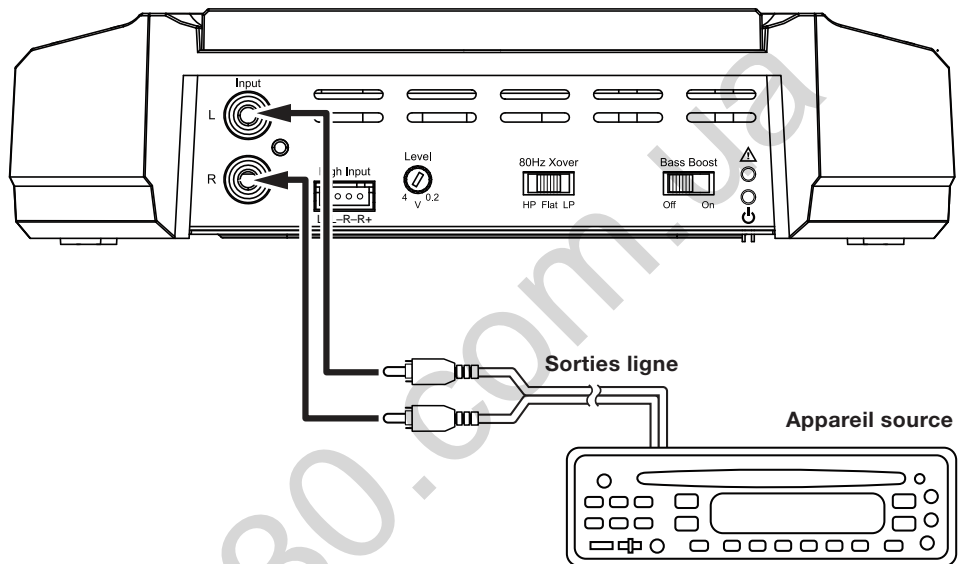
Impédance minimale des haut-parleurs : 2 ohms (chacun)

Connectez les hauts-parleurs gauches et droits aux bornes FL et FR (+) et (-).



CONNEXIONS DES ENTRÉES AU GX-A602 : FONCTIONNEMENT AVEC 2 CANAUX

Branchez les sorties ligne de votre unité ou processeur source suivant les indications de l'illustration ci-dessous.



Consultez *Réglage des commandes de répartition*, en page 20, pour plus d'informations sur le réglage des commandes de l'amplificateur dans le cas d'un fonctionnement avec 2 canaux.

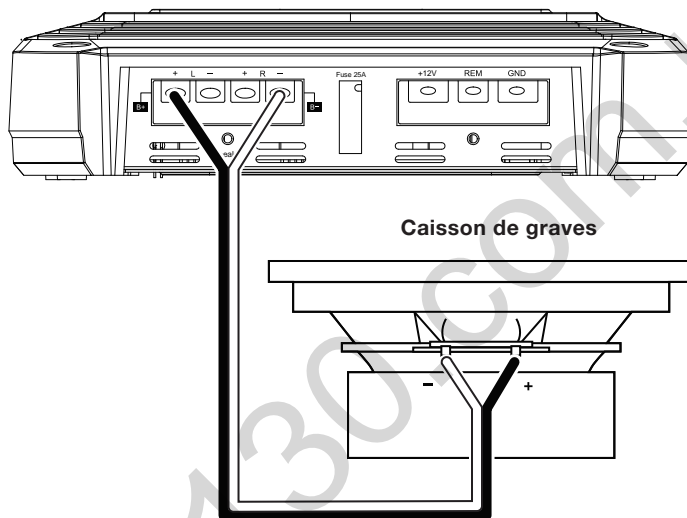
Pour utiliser des entrées de niveau haut-parleur au lieu des entrées de niveau ligne, consultez *Utilisation d'entrées de niveau haut-parleur*, en page 12.

CONNEXIONS DES HAUT-PARLEURS AU GX-A602 : FONCTIONNEMENT AVEC PONT

Le fonctionnement avec pont fournit un canal haute puissance unique pour un caisson de graves.

Impédance minimale des haut-parleurs : 4 ohms

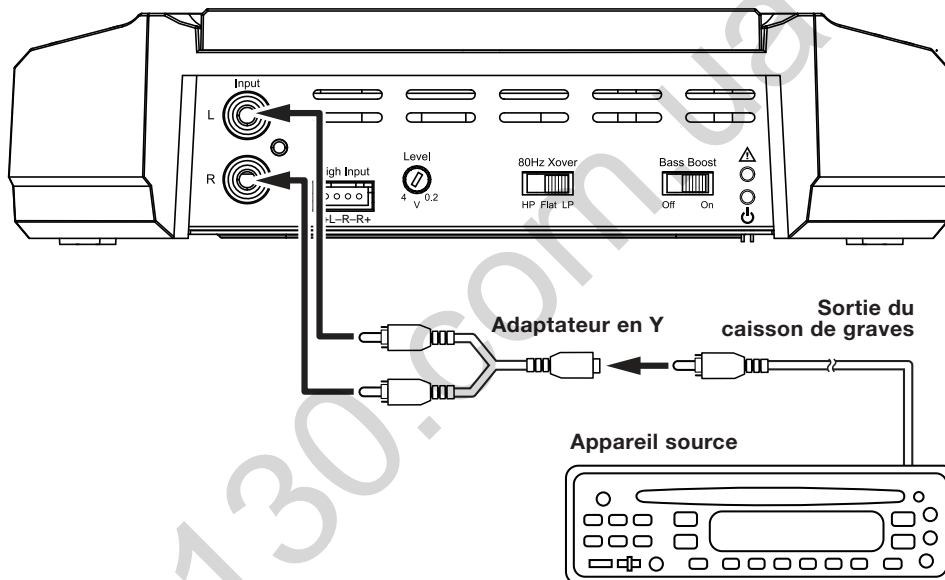
Connectez le caisson de graves aux bornes RL et RR (+) et (-). **REMARQUE :** Vous pouvez brancher deux caissons de graves de 2 ohms en série afin de conserver l'impédance requise minimum de 4 ohms pour le fonctionnement avec pont.



CONNEXIONS DES ENTRÉES AU GX-A602 : FONCTIONNEMENT AVEC PONT

Branchez la sortie ligne de votre unité ou processeur source à l'entrée gauche de l'amplificateur suivant les indications de l'illustration ci-dessous.

REMARQUE : Utilisez un adaptateur en Y pour connecter l'appareil source aux prises d'entrée gauches et droites de l'amplificateur.



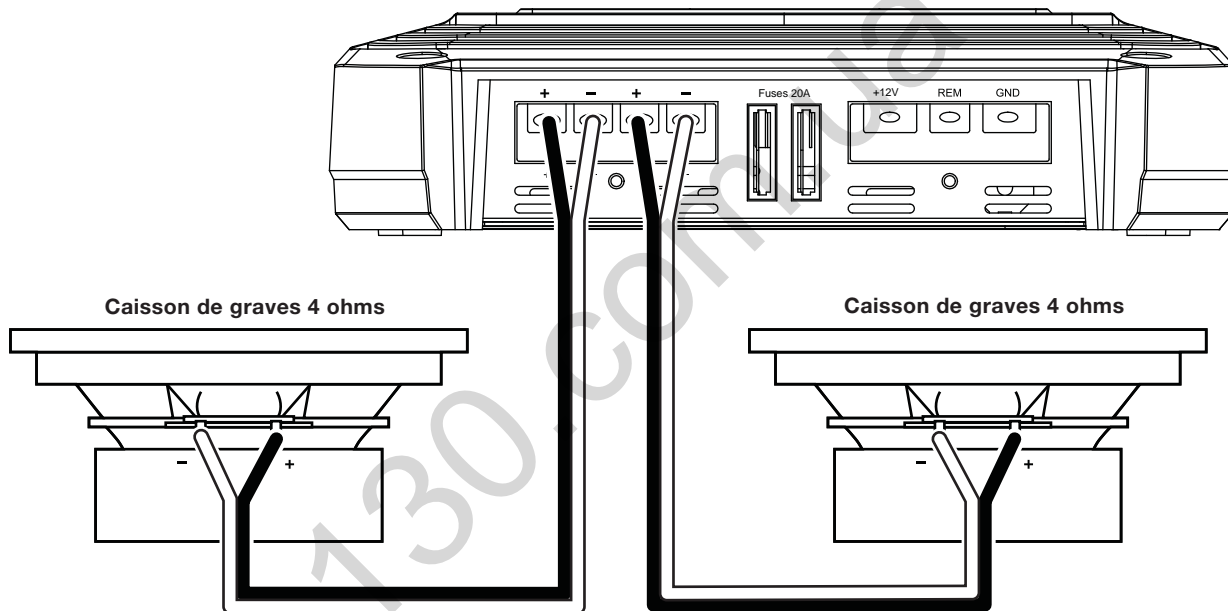
Consultez *Réglage des commandes de répartition*, en page 20, pour plus d'informations sur le réglage des commandes de l'amplificateur dans le cas d'un fonctionnement avec pont.

Pour utiliser des entrées de niveau haut-parleur au lieu des entrées de niveau ligne, consultez *Utilisation d'entrées de niveau haut-parleur*, en page 12.

CONNEXIONS DES HAUT-PARLEURS AU GX-A3001

Impédance minimale des haut-parleurs ; 2 ohms (caisson de graves unique) ; 4 ohms (2 caissons de graves)

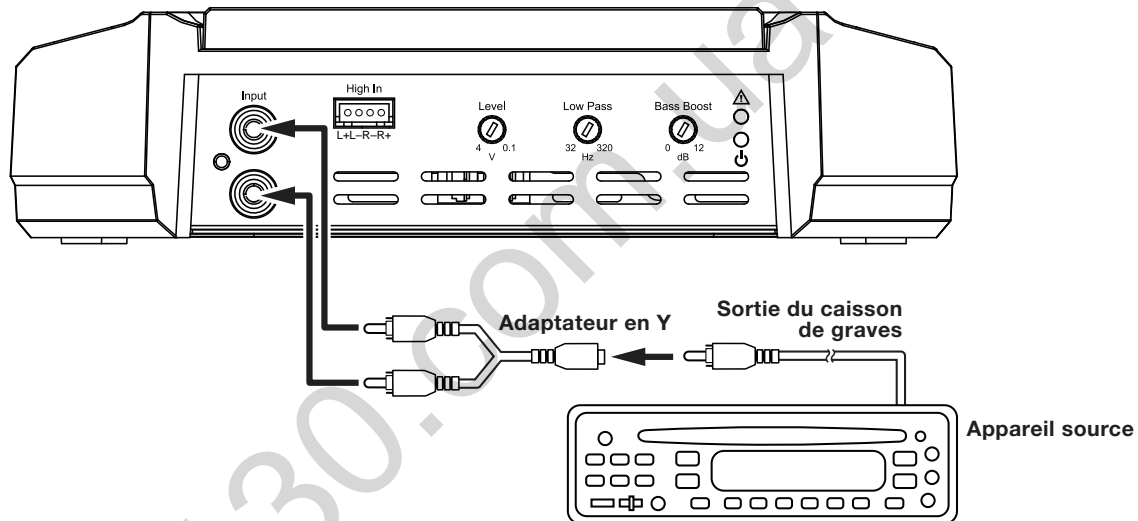
Le GX-A3001 dispose de deux jeux parallèles de connecteurs de haut-parleurs, qui vous permettent de brancher deux caissons de graves.



- Si vous utilisez un seul caisson de graves, vous pouvez le brancher à l'un des deux connecteurs de haut-parleurs du GX-A3001.
- Si vous utilisez deux caissons de graves de 2 ohms, vous pouvez les brancher en série à l'un des jeux de connecteurs afin de dépasser l'impédance minimale requise de 2 ohms.

CONNEXIONS DES ENTRÉES AU GX-A3001

Utilisez un adaptateur en Y pour brancher la sortie ligne de caisson de graves de votre unité ou processeur source aux entrées gauches ou droites de l'amplificateur suivant les indications de l'illustration ci-dessous. Si votre appareil source n'a pas de sortie dédiée au caisson de graves, vous pouvez brancher les sorties arrière gauches / droites aux entrées gauches et droites de l'amplificateur.

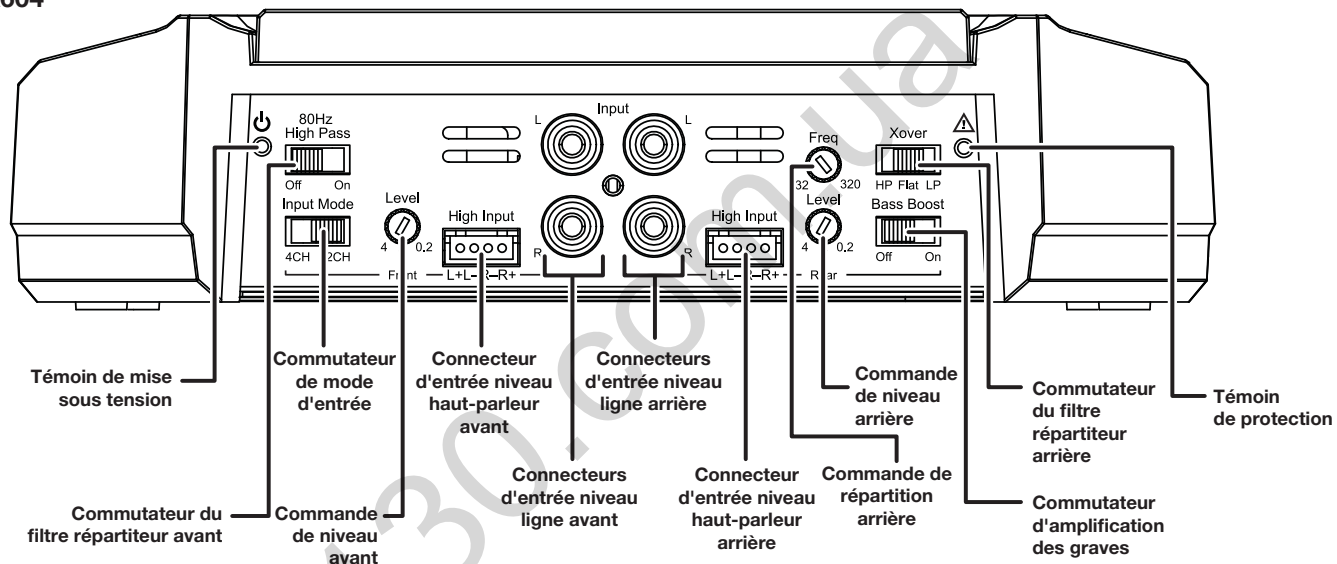


Consultez *Réglage des commandes de répartition*, en page 20, pour plus d'informations sur le réglage des commandes de l'amplificateur.

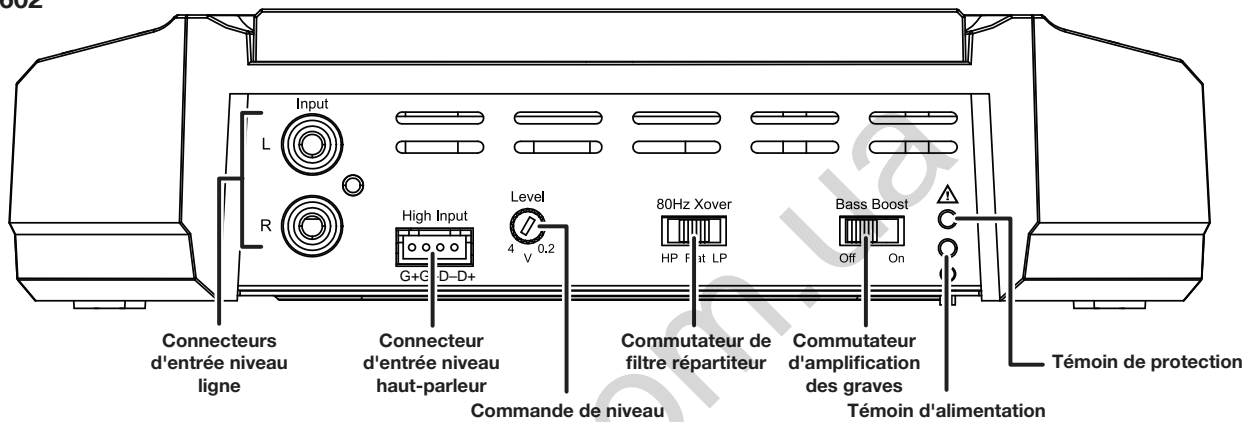
Pour utiliser des entrées de niveau haut-parleur au lieu des entrées de niveau ligne, consultez *Utilisation d'entrées de niveau haut-parleur*, en page 12.

COMMANDES, CONNEXIONS D'ENTRÉE ET TÉMOINS

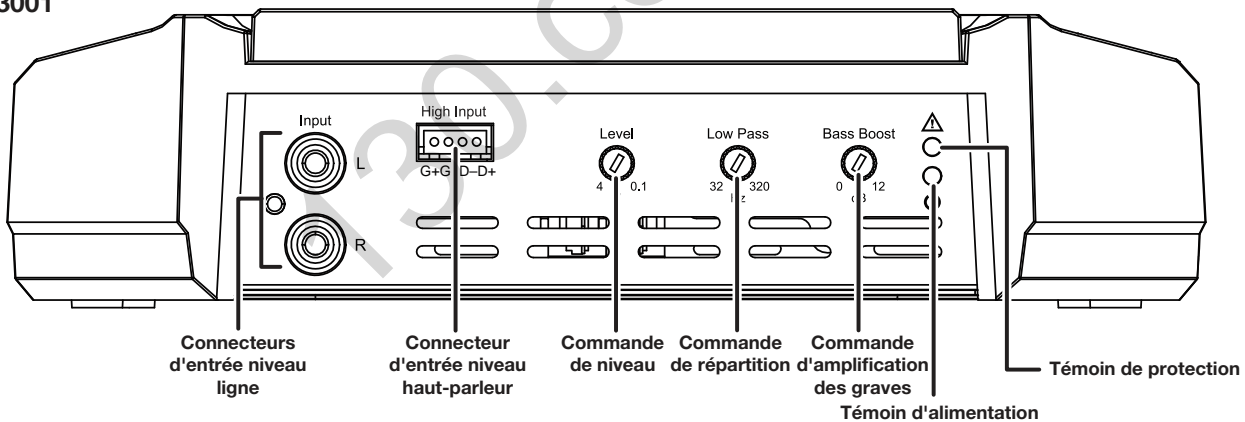
GX-A604



GX-A602



GX-A3001



RÉGLAGE DES COMMANDES DE RÉPARTITION

GX-A604 : FONCTIONNEMENT AVEC 4 CANAUX

Commutateur de mode d'entrée : Positionnez le commutateur de mode d'entrée sur la position « 4CH ».

Commutateur du filtre répartiteur avant : Positionnez le commutateur du filtre répartiteur avant sur la position « ON » (passe-haut). Ceci limitera la quantité d'énergie de basse fréquence envoyée aux haut-parleurs, ce qui réduit de manière significative la distorsion et évite d'endommager les haut-parleurs.

Exception : Si vous avez branché des grands haut-parleurs large bande (6" x 9" ou plus) qui peuvent accepter des graves puissants sur les canaux avant de l'amplificateur *et si vous n'utilisez pas de caisson de graves dans le système*, réglez le commutateur du filtre répartiteur avant sur la position « OFF » (page complète).

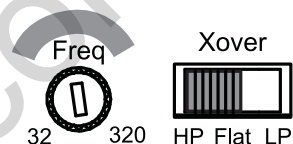
Commutateur du filtre répartiteur arrière : Positionnez le commutateur du filtre répartiteur arrière sur la position « HP » (passe-haut). Ceci limitera la quantité d'énergie de basse fréquence envoyée aux haut-parleurs, ce qui réduit de manière significative la distorsion et évite d'endommager les haut-parleurs.

Exception : Si vous avez branché des grands haut-parleurs large bande (6" x 9" ou plus) qui peuvent accepter des graves puissants sur les canaux avant de l'amplificateur *et si vous n'utilisez pas de caisson de graves dans le système*, réglez le commutateur du filtre répartiteur arrière sur la position « FLAT » (page complète).

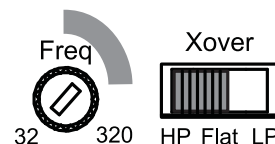
Commande de répartition arrière : Quand le commutateur de répartition arrière est réglé sur « HP », la commande de répartition arrière détermine la fréquence à partir de laquelle le volume des fréquences basses envoyées aux haut-parleurs commence à être réduit.

Si vous utilisez l'amplificateur en mode 4 canaux, vous devez régler la commande de répartition arrière en fonction de la taille des haut-parleurs branchés aux canaux de l'amplificateur—plus les haut-parleurs sont petits et plus vous devez régler la commande haute afin de les protéger des dommages. Après le réglage initial de la fréquence de coupure, écoutez votre musique habituelle avec des graves forts. Si le son des haut-parleurs est déformé ou dégradé, bougez la commande de fréquence de coupure sur un réglage plus élevé afin d'éliminer ces phénomènes. L'illustration à droite montre les plages de fréquences de filtre répartiteur recommandées pour différentes tailles de haut-parleurs.

Haut-parleurs 6" et 5"



4" et haut-parleurs plus petits



GX-A604 : FONCTIONNEMENT AVEC 3 CANAUX

Commutateur de mode d'entrée : Positionnez le commutateur de mode d'entrée sur la position « 4CH ».

Commutateur du filtre répartiteur : Positionnez le commutateur du filtre répartiteur sur la position « ON » (passe-haut). Ceci limitera la quantité d'énergie de basse fréquence envoyée aux haut-parleurs, ce qui réduit de manière significative la distorsion et évite d'endommager les haut-parleurs.

Commutateur du filtre répartiteur arrière : Si vous branchez un caisson de graves ou un haut-parleur de graves aux canaux arrière, réglez le commutateur de filtre répartiteur arrière en position « LP » (passe-bas). Ceci limitera la quantité d'énergie à hautes fréquences envoyée aux haut-parleurs graves ou au caisson de graves, ce qui améliorera la clarté des voix et les autres sons médiums.

Utilisation du passe-bas : caissons de graves et haut-parleurs graves



Commande de répartition arrière : Le réglage de commande de répartition arrière que vous utilisez pour des caissons de graves dépend du type et de l'emplacement du caisson de graves de votre système. Commencez par régler la commande de répartition arrière sur une fréquence un peu inférieure au réglage de 80 Hz des canaux avant. Après avoir écouté de la musique sur le système pendant un certain temps, peaufinez le réglage de commande de répartition arrière pour obtenir une transition progressive du caisson de graves au reste des haut-parleurs du système tout en évitant un « trou », qui semble faire disparaître le son entre le caisson de graves et les autres haut-parleurs. L'illustration à droite montre la plage de fréquences de commande de répartition arrière recommandée.

GX-A604 : FONCTIONNEMENT AVEC 2 CANAUX

Commutateur de mode d'entrée : Positionnez le commutateur de mode d'entrée sur la position « 2CH ».

Commutateur du filtre répartiteur avant : Positionnez le commutateur du filtre répartiteur avant sur la position « ON » (passe-haut). Ceci limite la quantité d'énergie de basse fréquence envoyée aux haut-parleurs, ce qui réduit de manière significative la distorsion et évite d'endommager les haut-parleurs.

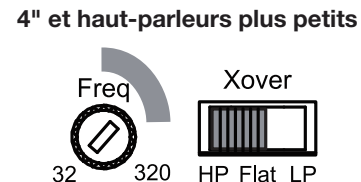
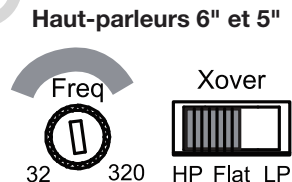
Exception : Si vous avez branché des grands haut-parleurs large bande (6" x 9" ou plus) qui peuvent accepter des graves puissants sur les canaux avants de l'amplificateur et si vous n'utilisez pas de caisson de graves dans le système, réglez le commutateur du filtre répartiteur avant sur la position « OFF » (full-range).

Commutateur du filtre répartiteur arrière : Positionnez le commutateur du filtre répartiteur arrière sur la position « HP » (passe-haut). Ceci limite la quantité d'énergie de basse fréquence envoyée aux haut-parleurs, ce qui réduit de manière significative la distorsion et évite d'endommager les haut-parleurs.

Exception : Si vous avez branché des grands haut-parleurs large bande (6" x 9" ou plus) qui peuvent accepter des graves puissants sur les canaux avants de l'amplificateur et si vous n'utilisez pas de caisson de graves dans le système, réglez le commutateur du filtre répartiteur arrière sur la position « FLAT » (full-range).

Commande de répartition arrière : Quand le commutateur de répartition arrière est réglé sur « HP », la commande de répartition arrière détermine la fréquence à partir de laquelle le volume des fréquences basses envoyées aux haut-parleurs commence à être réduit.

Si vous utilisez l'amplificateur en mode 4 canaux, vous devez régler la commande de répartition arrière en fonction de la taille des haut-parleurs branchés aux canaux de l'amplificateur—plus les haut-parleurs sont petits et plus vous devez régler la commande haute afin de les protéger des dommages. Après le réglage initial de la fréquence de coupure, écoutez votre musique habituelle avec des graves forts. Si le son des haut-parleurs est déformé ou dégradé, bougez la commande de fréquence de coupure sur un réglage plus élevé afin d'éliminer ces phénomènes. L'illustration à droite montre les plages de fréquences de filtre répartiteur recommandées pour différentes tailles de haut-parleurs.



GX-A602 : FONCTIONNEMENT AVEC 2 CANAUX

Commutateur de filtre répartiteur :

- Si vous avez branché l'amplificateur à une paire de haut-parleurs large bande de 6" ou moins, réglez le commutateur du filtre répartiteur sur la position « HP » (passe-haut). Ceci limite la quantité d'énergie de basse fréquence envoyée aux haut-parleurs, ce qui réduit de manière significative la distorsion et évite d'endommager les haut-parleurs.
- Si vous avez branché à l'amplificateur une paire de grands haut-parleurs large bande (6" x 9" ou plus) qui peuvent accepter des graves puissants et si vous n'utilisez pas de caisson de graves dans le système, réglez le commutateur du filtre répartiteur sur la position « FLAT » (plage complète).
- Si vous avez branché l'amplificateur à une paire de haut-parleurs de graves ou de caissons de graves, réglez le commutateur du filtre répartiteur sur la position « LP » (passe-bas). Ceci limite la quantité d'énergie à hautes fréquences envoyée aux haut-parleurs graves / caissons de graves, ce qui améliore la clarté des voix et les autres sons médiums.

GX-A602 : FONCTIONNEMENT AVEC PONT

Commutateur de filtre répartiteur : Si vous utilisez l'amplificateur en mode ponté dans un caisson de graves, réglez le commutateur du filtre répartiteur en position « LP » (passe-bas). Ceci limite la quantité d'énergie hautes fréquences envoyée au caisson de graves.

GX-A3001

REMARQUE : Le filtre répartiteur interne du GX-A3001 est figé pour un fonctionnement en passe-bas.

Commande de répartition : La commande du filtre de répartition limite la quantité d'énergie hautes fréquences envoyée aux haut-parleurs graves ou caissons de graves. Le réglage de commande de répartition que vous utilisez pour des caissons de graves dépend du type et de l'emplacement du caisson de graves de votre système. Commencez par régler la commande de répartition à une fréquence un peu inférieure au réglage de coupure passe-haut que vous avez utilisé pour les autres haut-parleurs du système. Après avoir écouté de la musique sur le système pendant un certain temps, peaufinez le réglage de commande de répartition pour obtenir une transition progressive du caisson de graves au reste des haut-parleurs du système tout en évitant un « trou », qui semble faire disparaître le son entre le caisson de graves et les autres haut-parleurs. L'illustration à droite montre la plage de fréquences de commande de répartition recommandée.

Caissons de graves et haut-parleurs graves



RÉGLAGE DU NIVEAU D'ENTRÉE

1. Tournez toutes les commandes de niveau jusqu'à leur butée dans le sens trigonométrique.
2. Lisez de la musique dynamique depuis votre appareil source et montez son volume jusqu'au 3/4.
3. Tournez lentement la commande de niveau de l'amplificateur des canaux avant dans le sens horaire jusqu'à ce que la musique commence à subir une distorsion.
4. Tournez légèrement la commande de niveau dans l'autre sens jusqu'à ce que la distorsion disparaisse.
5. Si vous utilisez plusieurs amplificateurs ou le GX-A604, répétez les étapes 3-4 pour toutes les autres commandes de niveau d'amplificateur.

RÉGLAGE DE L'AMPLIFICATION DES GRAVES

GX-A604 : Lorsque vous utilisez les canaux arrière de l'amplificateur pour piloter un caisson de graves, le commutateur Bass Boost peut fournir une amplification supplémentaire de 12 dB à 45 Hz. (Le commutateur affecte uniquement les canaux arrière de l'amplificateur.) Réglez ce commutateur selon votre goût, mais si vous percevez une distorsion ou le déplacement jusqu'en fin de course de votre caisson de graves, nous recommandons de le régler sur « OFF ». **ATTENTION** : Utilisez le commutateur Bass Boost uniquement si vous avez configuré les canaux arrière pour piloter un caisson de graves. L'utilisation du commutateur Bass Boost avec des haut-parleurs large bande peut les endommager.

GX-A602 : Lorsque vous utilisez l'amplificateur en mode ponté pour piloter un caisson de graves, le commutateur Bass Boost peut fournir une amplification supplémentaire de 12 dB à 45 Hz. Réglez ce commutateur selon votre goût, mais si vous percevez une distorsion ou le déplacement jusqu'en fin de course de votre caisson de graves, nous recommandons de le régler sur « OFF ». **ATTENTION** : Utilisez le commutateur Bass Boost uniquement si l'amplificateur pilote un caisson de graves. L'utilisation du commutateur Bass Boost avec des haut-parleurs large bande peut les endommager.

GX-A3001 : La commande Bass Boost peut fournir jusqu'à 12 dB d'amplification des graves à 45 Hz. Réglez cette commande selon votre goût, veillez à ne pas la régler trop haut pour créer une distorsion ou pousser le déplacement de votre caisson de graves jusqu'en fin de course.

DEL D'ALIMENTATION ET DE PROTECTION

DEL D'ALIMENTATION

- DEL allumée orange : fonctionnement normal (l'appareil est sous tension).
- DEL éteinte : l'amplificateur est en veille.

DEL DE PROTECTION

La DEL de protection de l'amplificateur doit rester éteinte en fonctionnement normal. Si l'amplificateur ne produit aucun son et si la DEL de protection s'allume rouge, consultez *Résolution des problèmes* en page 24.

RÉSOLUTION DES PROBLÈMES

Si votre amplificateur ne fonctionne pas comme vous pensez qu'il le devrait, recherchez si le problème est traité dans cette section avant d'appeler votre service client JBL.

PROBLÈME

CAUSES ET SOLUTIONS

Aucun son (la DEL d'alimentation de l'amplificateur est éteinte)

- Vérifiez que les connexions +12 V et GND de l'amplificateur ont été correctement faites.
- Contrôlez si le fusible du fil +12 V situé près de la batterie est fondu : si c'est cas, remplacez-le par un fusible identique.
- Contrôlez tous les fusibles de l'amplificateur ; si l'un d'entre eux est fondu, remplacez-le par un fusible identique.
- Si vous utilisez la connexion REM de l'amplificateur pour l'allumer, vérifiez que le fil est correctement connecté au fil d'allumage distant du système audio ou à la borne d'alimentation ACC du véhicule.

Aucun son (la DEL d'alimentation de l'amplificateur est orange)

- Vérifiez que toutes les connexions d'entrée et de haut-parleur de l'amplificateur ont été correctement faites.
- Contrôlez que les commandes de niveau de l'amplificateur ne sont pas ramenées à zéro (sens trigonométrique).
- Vérifiez que la commande de volume de l'appareil source du système audio du véhicule n'est pas ramenée à zéro.

Aucun son (la DEL de protection de l'amplificateur est rouge)

- Confirmez que le système électrique du véhicule fournit entre 9 V et 16 V CC à l'amplificateur. Si la tension d'alimentation est en dehors de cette plage, résolvez le problème avant d'essayer d'utiliser l'amplificateur.
- Si l'amplificateur a surchauffé, attendez qu'il refroidisse avant d'essayer de le réutiliser.
- Débranchez tous les haut-parleurs de l'amplificateur et tentez de le rallumer :
 - Si l'amplificateur s'allume (la DEL d'alimentation est orange), il y a un court-circuit dans un ou plusieurs des fils des haut-parleurs. Rectifiez tous les courts-circuits avant de reconnecter les haut-parleurs à l'amplificateur.
 - Si l'amplificateur ne s'allume pas (la DEL de protection est toujours rouge et la DEL d'alimentation est éteinte), demandez assistance à votre distributeur agréé JBL.

PROBLÈME

Seuls certains haut-parleurs branchés à l'amplificateur émettent un son

CAUSES ET SOLUTIONS

- Contrôlez que les commandes de balance et d'atténuation de l'appareil source du système audio du véhicule sont réglées sur leurs positions centrales (milieu).
- (GX-A604) : Contrôlez que le réglage du commutateur de mode de l'amplificateur correspond aux connexions d'entrée et de haut-parleurs faites sur l'amplificateur

Le son est trop faible, même avec le volume de l'appareil source du système audio du véhicule à fond

- Vérifiez que les commandes de niveau de l'amplificateur ne sont pas réglées trop basses. Consultez *Réglage du niveau d'entrée*, en page 22, pour plus d'informations sur le réglage des commandes de niveau.

Le son des haut-parleurs avant / arrière est déformé

- Veillez à ce que le commutateur du filtre répartiteur de l'amplificateur des canaux déformés soit réglé sur HP.
- Réglez la commande de répartition des canaux déformés sur une valeur plus élevée
- Contrôlez que la distorsion ne provient pas de l'appareil source du système audio du véhicule.

Le son du caisson de graves est déformé

- (GX-A604, GX-A602) : Réglez le commutateur Bass Boost sur « OFF ».
- (GX-A3001) : Si vous écoutez de la musique avec des graves forts, tournez la commande du Bass Boost à zéro puis augmentez son réglage progressivement jusqu'au début du retour de la distorsion. Réduisez légèrement le réglage du Bass Boost pour éliminer la distorsion et conservez ce réglage.
- Contrôlez que la distorsion ne provient pas de l'appareil source du système audio du véhicule.

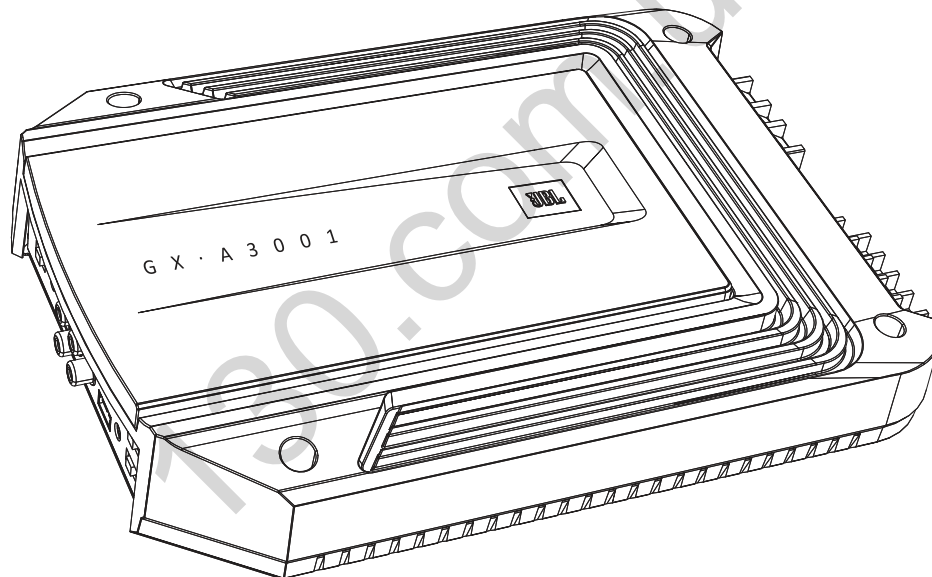
SPÉCIFICATIONS

	GX-A604	GX-A602	GX-A3001
Puissance max (15,5 V, 1 kHz, 10% DHT, tous canaux, 2 ohms)	435 W	280 W	415 W (15,5 V, 50 Hz, 10% DHT, 2 ohms)
Puissance de sortie nominale sous 4 ohms	60 W x 4	60 W x 2	200 W x 1
Puissance de sortie avec pont (4 ohms, 1% DHT)	170 W x 2	170 W x 1	S.O.
DHT+ B à la puissance nominale	<1%	<1%	<1%
Signal sur bruit (2 V à 4 ohms)	>75 dB	>75 dB	>75 dB
Facteur d'amortissement effectif (4 ohms)	>50	>50	>50
Réponse en fréquence (-3 dB)	20 Hz-20 kHz ±1 dB	20 Hz-20 kHz ±1 dB	10 Hz-320 Hz
Tension maximale en entrée	20 V	20 V	20 V
Sensibilité d'entrée maximum	200 mV	200 mV	200 mV
Calibres des fusibles	20 A x 2	25 A	20 A x 2
Dimensions (H x L x P)	52 mm x 300 mm x 206 mm (2-1/16" x 11-13/16" x 8-1/8")	52 mm x 198 mm x 206 mm (2-1/16" x 7-13/16" x 8-1/8")	52 mm x 291 mm x 206 mm (2-1/16" x 11-7/16" x 8-1/8")
Poids	2,4 kg (5,3 lb)	1,7 kg (3,8 lb)	2,4 kg (5,3 lb)



GX-A604/GX-A602/GX-A3001

amplificatore di potenza

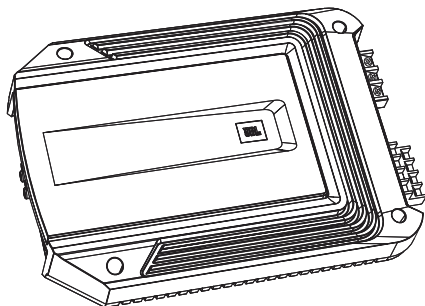


MANUALE UTENTE

INTRODUZIONE

GRAZIE per aver acquistato un amplificatore serie GX di JBL®. Al fine di potervi servire meglio nel caso in cui doveste far ricorso all'assistenza in garanzia, conservate la ricevuta di vendita originale e registrate il vostro amplificatore online alla pagina www.jbl.com.

PARTI INCLUSE



Amplificatore serie GX (x 1)



Cablaggio ingresso livello diffusori
(GX-A602, GX-A3001 x 1)
(GX-A604 x 2)

COLLOCAZIONE E MONTAGGIO

Sebbene le presenti istruzioni spieghino le modalità di installazione degli amplificatori serie GX in senso generale, esse non mostrano in modo specifico i metodi di installazione che potrebbero essere necessari per ciascun singolo veicolo. Se non siete in possesso degli attrezzi o dell'esperienza necessari, non tentate di realizzare l'installazione da soli. Invece, chiedete al vostro rivenditore di car audio JBL autorizzato di indicarvi un installatore professionale.

AVVERTENZE E SUGGERIMENTI PER L'INSTALLAZIONE

IMPORTANTE: Prima di iniziare l'installazione, scollegare il terminale negativo (-) della batteria del veicolo.

- Quando si usano gli attrezzi, indossare occhiali di protezione.
- Controllare gli spazi liberi su entrambi i lati di una superficie di montaggio prevista. Accertarsi che le viti o i cavi non forino le linee dei freni, le linee del carburante o i cablaggi e che l'instradamento dei cavi non interferisca con il funzionamento in sicurezza del veicolo.
- Durante la realizzazione delle connessioni elettriche, accertarsi che siano salde e correttamente isolate.
- Nel caso in cui occorra sostituire uno qualsiasi dei fusibili dell'amplificatore, accertarsi di usare lo stesso tipo di fusibile e la corrente nominale dell'originale.

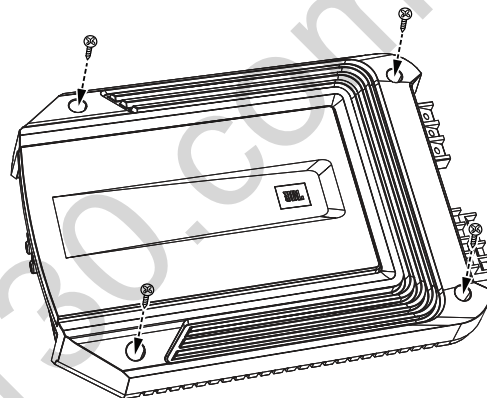
POSIZIONE DI INSTALLAZIONE

Per restare raffreddati, gli amplificatori necessitano di una circolazione dell'aria. Scegliere una collocazione che fornisca sufficiente aria affinché l'amplificatore di raffreddi da solo.

- Tra le collocazioni idonee vi sono la parte inferiore di un sedile (a condizione che l'amplificatore non interferisca con il meccanismo di regolazione del sedile), nel bagagliaio o in qualsiasi altro posto che fornisca sufficiente aria di raffreddamento.
- Non montare l'amplificatore con il dissipatore di calore rivolto verso il basso, poiché ciò interferisce con il raffreddamento per convezione dell'amplificatore.
- Montare l'amplificatore in modo tale che non sia danneggiato da parte dei piedi dei passeggeri dei sedili posteriori o dal carico del bagagliaio che si sposta.
- Montare l'amplificatore in modo che resti asciutto. Non montare mai un amplificatore all'esterno dell'automobile o nel vano motore.

MONTAGGIO DELL'AMPLIFICATORE

NOTA: potreste trovare più comodo realizzare tutte le connessioni all'amplificatore prima di montarlo in modo definitivo sul veicolo.



1. Scegliere una posizione di montaggio idonea così come descritto in precedenza.
2. Usando l'amplificatore come modello, segnare le posizioni dei fori di montaggio sulla superficie di montaggio.
3. Praticare i fori pilota nella superficie di montaggio.
4. Fissare l'amplificatore alla superficie di montaggio con quattro viti di montaggio idonee a scelta. Consigliamo di usare le viti metalliche per lamiera Phillips n. 8. Accertarsi che l'amplificatore sia montato saldamente.

CONNESSIONI DI ALIMENTAZIONE E TERRA

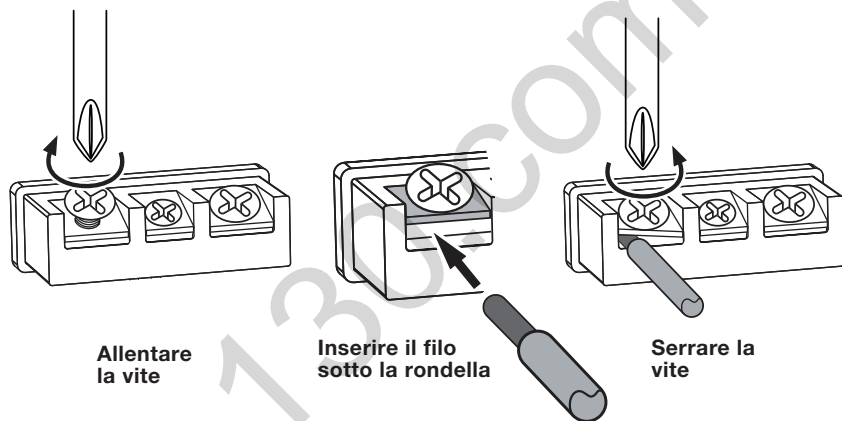
IMPORTANTE: prima di iniziare l'installazione, scollegare il terminale negativo (-) della batteria del veicolo.

Gli amplificatori serie GX sono in grado di fornire alti livelli di potenza e richiedono una connessione affidabile per servizio pesante all'impianto elettrico del veicolo per fornire le prestazioni ottimali. Attenersi rigorosamente alle seguenti istruzioni.

USO DEI CONNETTORI

Gli amplificatori serie GX usano lo stesso tipo di terminali a vite per le connessioni di alimentazione e dei diffusori. Questo tipo di terminale è di facile uso e consente l'agevole connessione di fili a sezione grande.

Per usare i connettori, usare un cacciavite Phillips per allentare la vite di fermo del connettore, inserire il filo nudo e serrare la vite di fermo per fissare il filo nel connettore, come illustrato nella figura di seguito.



IMPORTANTE: accertarsi che i fili nudi dei diffusori (+) e (-) non entrino in contatto reciprocamente o con l'altro terminale su entrambi i terminali dell'amplificatore o dei diffusori. In caso contrario, ne potrebbe conseguire un cortocircuito che potrebbe danneggiare l'amplificatore.

CONNESSIONE DI TERRA (GND)

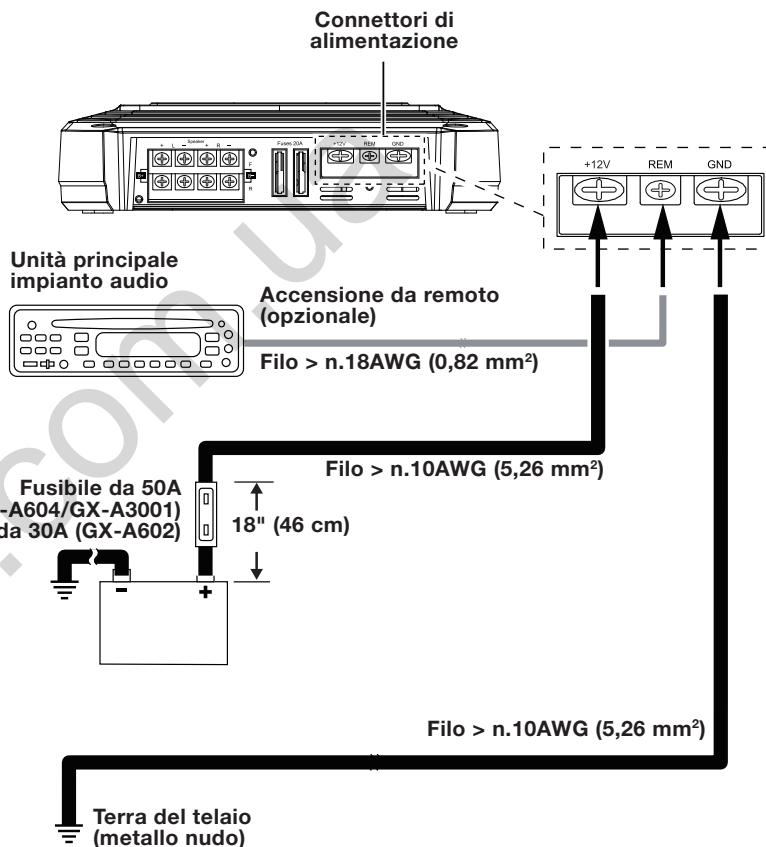
Collegare un filo (minimo 10 AWG – 5,3 mm²) dal terminale GND dell'amplificatore direttamente a un punto solido sul telaio del veicolo.

- Per una corretta connessione, usare della carta vetro per pulire la vernice dalla superficie metallica sul telaio. Usare una rondella di bloccaggio a stella per fissare la connessione del filo.

CONNESSIONE DELL'ALIMENTAZIONE (12V)

1. Collegare un filo (minimo 10 AWG – 5,3 mm²) direttamente sul terminale positivo (+) della batteria.
2. Installare un portafusibili per un fusibile da 50A (GX-A604, GX-A3001) o un fusibile da 30A (GX-A602) su questo filo a una distanza di 18" (46 cm) dal terminale (+) della batteria. Non installare il fusibile sul portafusibili in questa fase.
3. Instradare questo filo alla posizione dell'amplificatore e collegarlo al terminale +12V dell'amplificatore. Accertarsi di usare l'anello di rinforzo idoneo ogniqualvolta si instradano dei fili attraverso la paratia antifluoco o altra lamiera.

IMPORTANTE: La mancata protezione idonea del filo positivo da rischi di danni potrebbe provocare un incendio del veicolo.
4. Al termine dell'instradamento e della connessione di questo filo, installare il fusibile idoneo nel portafusibili installato a fianco della batteria (GX-A604, GX-A3001 – fusibile da 50A; GX-A602 – fusibile da 30A)



CONNESSIONI DEI DIFFUSORI E DI INGRESSO

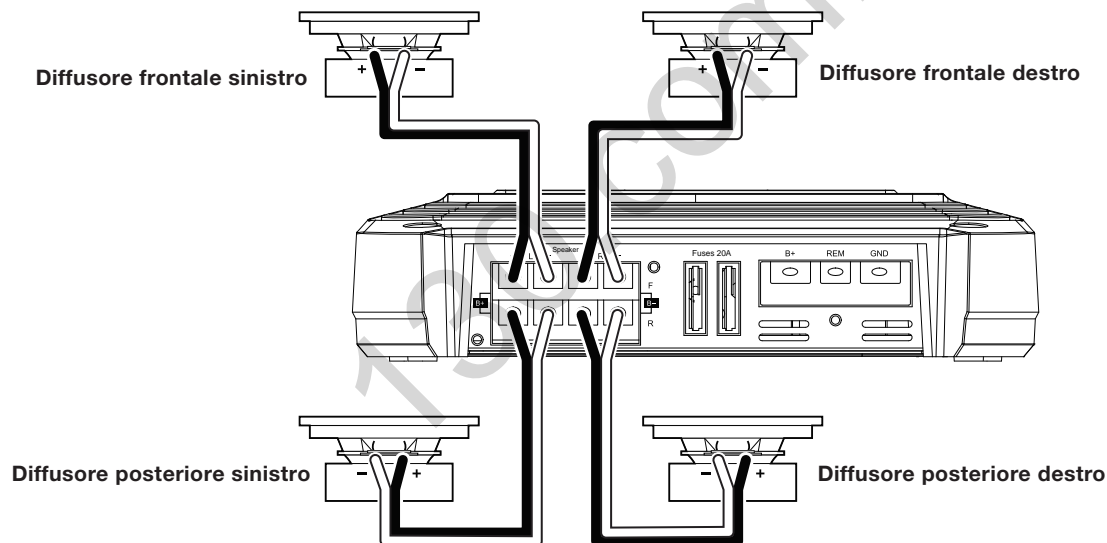
Collegare sempre il terminale del diffusore (+) sull'amplificatore al terminale (+) sul diffusore e il terminale del diffusore (-) sull'amplificatore al terminale (-) sul diffusore.

IMPORTANTE: accertarsi che i fili nudi (+) e (-) non entrino in contatto reciprocamente o con l'altro terminale su entrambi i terminali dell'amplificatore o dei diffusori. In caso contrario, ne potrebbe conseguire un cortocircuito che potrebbe danneggiare l'amplificatore.

CONNESSIONI DEI DIFFUSORI GX-A604: FUNZIONAMENTO A 4 CANALI

Impedenza minima dei diffusori: 2 ohm (ciascuno)

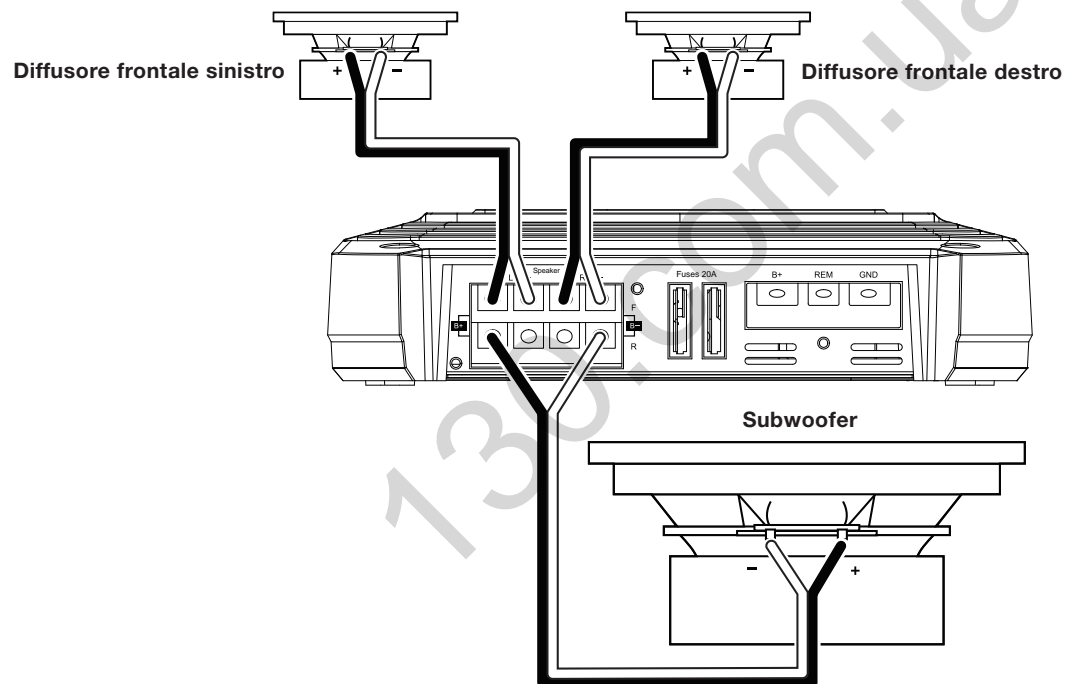
- Collegare i diffusori anteriori ai terminali FL e FR (+) e (-).
- Collegare i diffusori posteriori ai terminali RL e RR (+) e (-).



CONNESSIONI DEI DIFFUSORI GX-A604: FUNZIONAMENTO A 3 CANALI

Impedenza minima dei diffusori: 2 ohm ciascuno (diffusori sinistro e destro); 4 ohm (subwoofer)

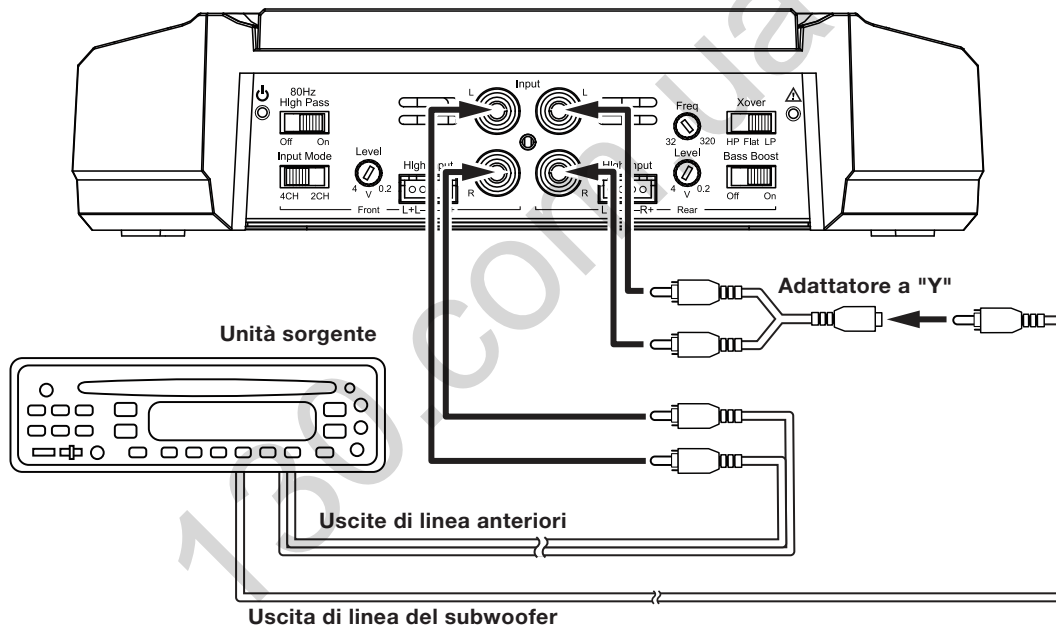
- Collegare i diffusori sinistro e destro ai terminali FL e FR (+) e (-)
- Collegare il subwoofer ai terminali RL (+) e RR (-) (il controllo di boost dei bassi del canale posteriore rende i canali posteriori la scelta preferita per la connessione del subwoofer. Consultare *Impostazione del boost dei bassi* a pagina 23). **NOTA:** è possibile collegare due subwoofer da 2 ohm in serie per mantenere l'impedenza minima di 4 ohm richiesta per il canale del subwoofer.



CONNESSIONI DI INGRESSO GX-A604: FUNZIONAMENTO A 3 CANALI

Collegare l'unità sorgente o le uscite di linea del processore come illustrato nella figura di seguito. Impostare l'interruttore della modalità di ingresso sulla posizione "4CH".

NOTA: Usare un adattatore a "Y" per collegare l'uscita del subwoofer dell'unità sorgente ai jack di ingresso sinistro e destro posteriori dell'amplificatore.



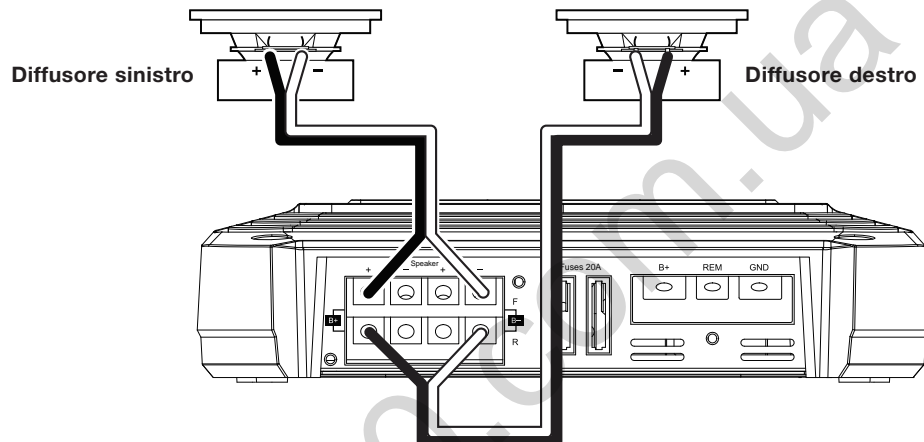
Per informazioni sull'impostazione dei controlli dell'amplificatore per il funzionamento a 3 canali, consultare *Impostazione dei controlli del crossover* a pagina 20.

Per usare gli ingressi del livello dei diffusori invece che gli ingressi del livello di linea, consultare *Uso degli ingressi del livello dei diffusori* a pagina 12.

CONNESSIONI DEI DIFFUSORI GX-A604: FUNZIONAMENTO A 2 CANALI

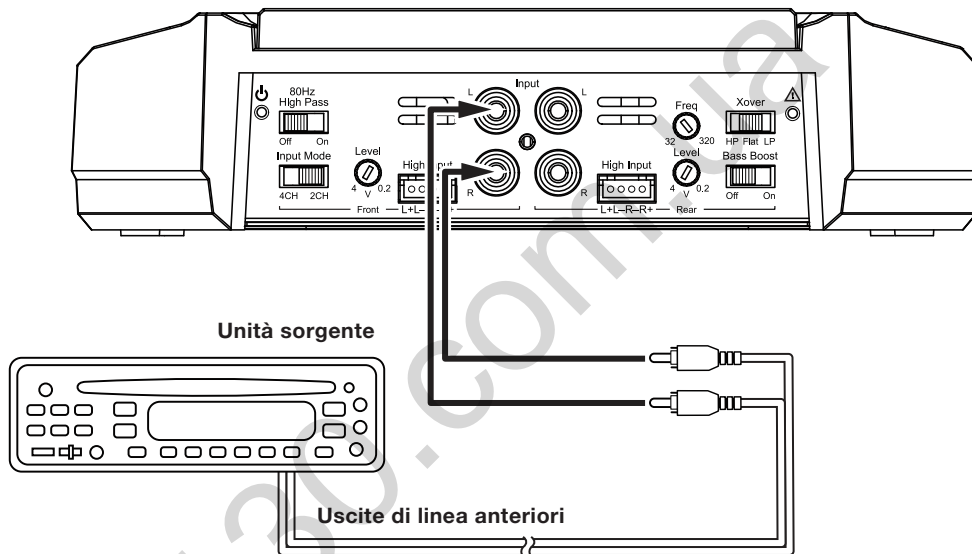
Impedenza minima dei diffusori: 4 ohm (ciascuno)

Collegare i diffusori sinistro e destro come illustrato nella figura di seguito.



CONNESSIONI DI INGRESSO GX-A604: FUNZIONAMENTO A 2 CANALI

Collegare l'unità sorgente o le uscite di linea del processore come illustrato nella figura di seguito. Usare esclusivamente le connessioni di ingresso sinistra e destra anteriori e accertarsi che l'interruttore della modalità di ingresso sia impostato sulla posizione "2CH".



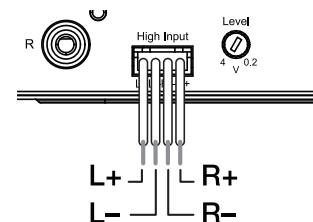
Per informazioni sull'impostazione dei controlli dell'amplificatore per il funzionamento a 2 canali, consultare *Impostazione dei controlli del crossover* a pagina 20.

Per usare gli ingressi del livello dei diffusori invece che gli ingressi del livello di linea, consultare *Uso degli ingressi del livello dei diffusori* a pagina 12.

USO DEGLI INGRESSI DEL LIVELLO DEI DIFFUSORI

Se l'unità sorgente non dispone di uscite del livello di linea, è possibile usare il cablaggio di ingresso del livello dei diffusori incluso per collegare l'amplificatore alle uscite dei diffusori dell'unità sorgente. Da sinistra a destra, i connettori sono: L+, L-, R-, R+ (v.di figura a destra). I connettori del livello dei diffusori su tutti i modelli di amplificatori serie GX seguono questa configurazione di cablaggio.

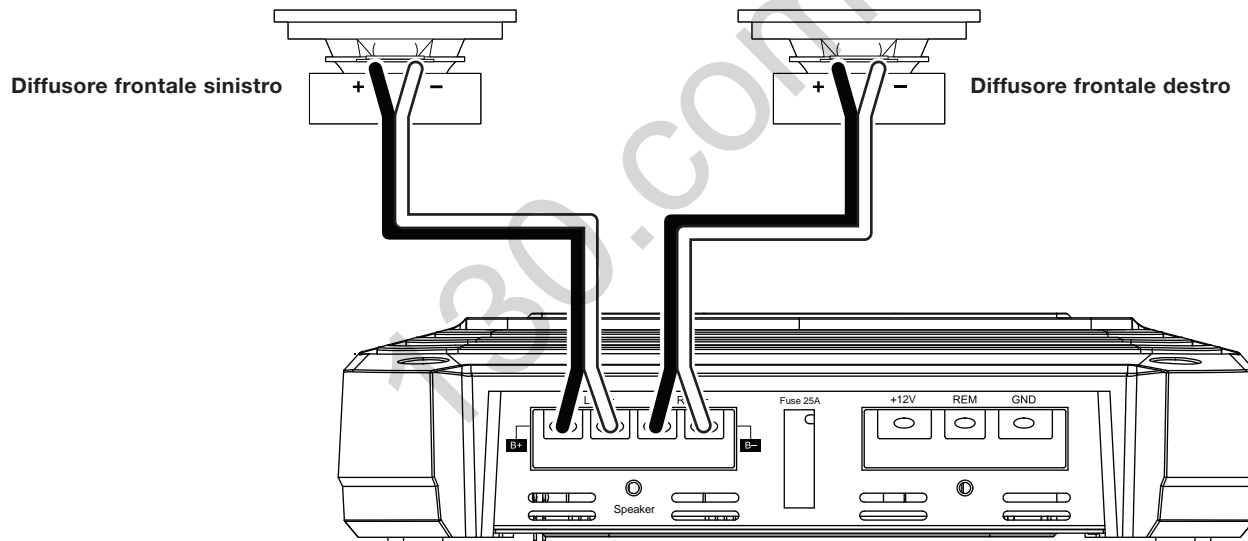
Seguire le istruzioni fornite nelle sezioni precedenti, sostituendo i connettori del livello dei diffusori ai connettori del livello di linea.



CONNESSIONI DEI DIFFUSORI GX-A602; FUNZIONAMENTO A 2 CANALI

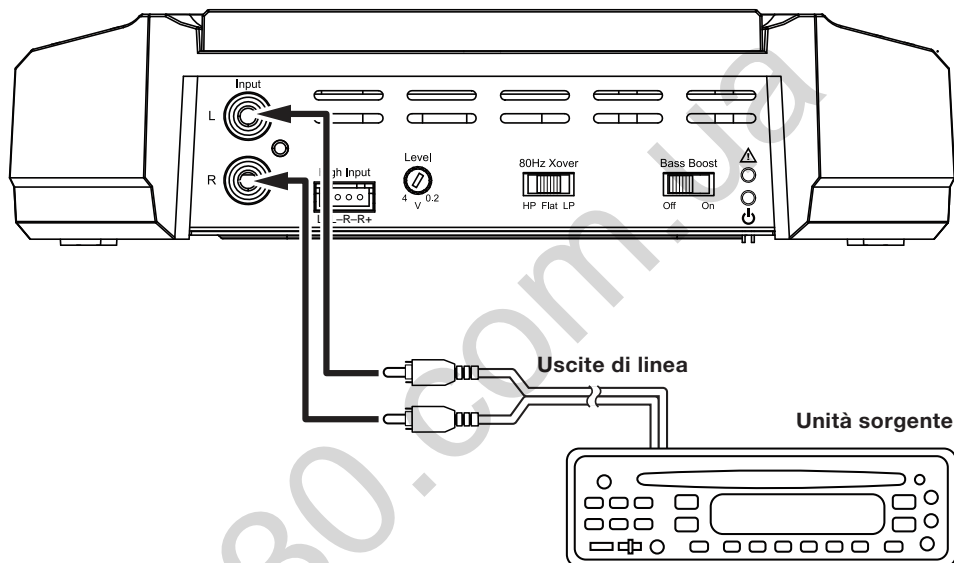
Impedenza minima dei diffusori: 2 ohm (ciascuno)

Collegare i diffusori sinistro e destro ai terminali FL e FR (+) e (-).



CONNESSIONI DI INGRESSO GX-A602: FUNZIONAMENTO A 2 CANALI

Collegare le uscite di linea dell'unità sorgente o del processore come illustrato nella figura di seguito.



Per informazioni sull'impostazione dei controlli dell'amplificatore per il funzionamento a 2 canali, consultare *Impostazione dei controlli del crossover* a pagina 20.

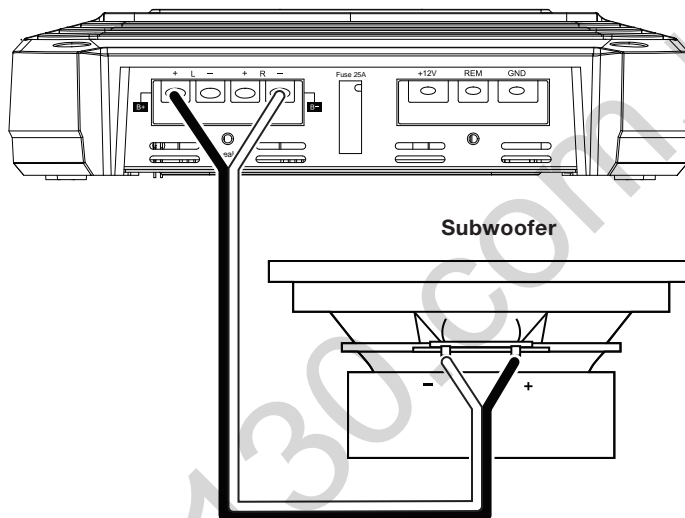
Per usare gli ingressi del livello dei diffusori invece che gli ingressi del livello di linea, consultare *Uso degli ingressi del livello dei diffusori* a pagina 12.

CONNESSIONI DEI DIFFUSORI GX-A602: FUNZIONAMENTO PONTICELLATO

Il funzionamento ponticellato fornisce un unico canale ad alta potenza per un subwoofer.

Impedenza minima dei diffusori: 4 ohm

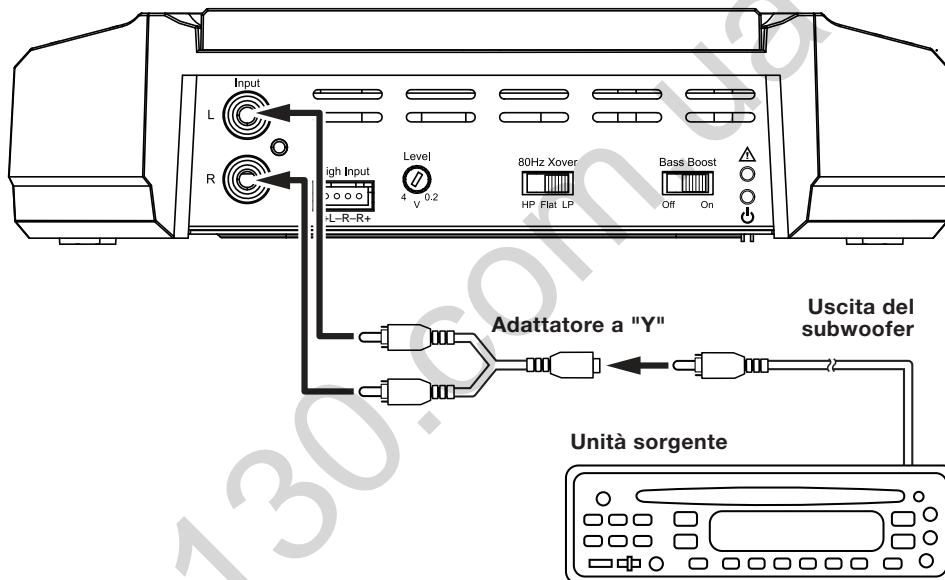
Collegare il subwoofer ai terminali RL (+) e RR (-). **NOTA:** è possibile collegare due subwoofer da 2 ohm in serie per mantenere l'impedenza minima di 4 ohm richiesta per il funzionamento ponticellato.



CONNESSIONI DI INGRESSO GX-A602: FUNZIONAMENTO PONTICELLATO

Collegare l'uscita di linea dell'unità sorgente o del subwoofer del processore all'ingresso sinistro dell'amplificatore come mostrato nella figura di seguito.

NOTA: Usare un adattatore a "Y" per collegare l'unità sorgente ai jack di ingresso sinistro e destro dell'amplificatore.



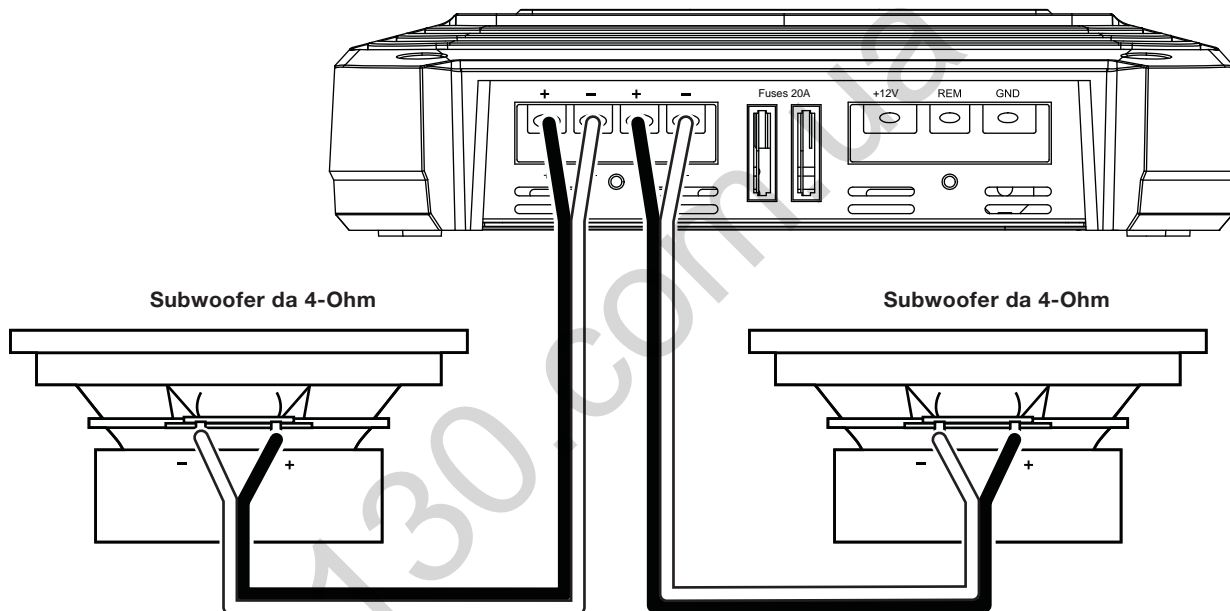
Per informazioni sull'impostazione dei controlli dell'amplificatore per il funzionamento ponticellato, consultare *Impostazione dei controlli del crossover* a pagina 20.

Per usare gli ingressi del livello dei diffusori invece che gli ingressi del livello di linea, consultare *Uso degli ingressi del livello dei diffusori* a pagina 12.

CONNESSIONI DEI DIFFUSORI GX-A3001:

Impedenza minima dei diffusori; 2 ohm (subwoofer unico); 4 ohm (2 subwoofer)

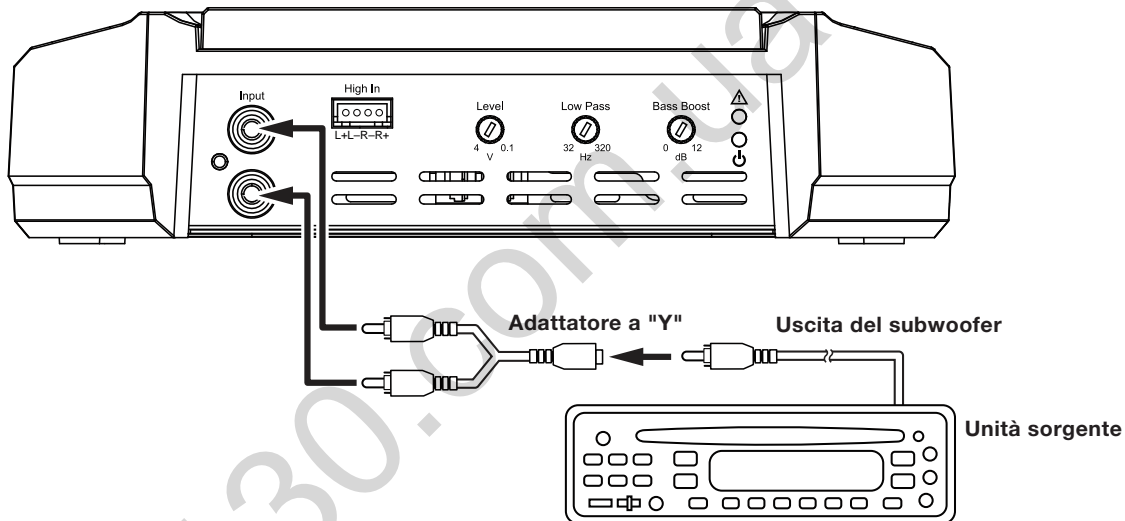
Il GX-A3001 ha due set paralleli di connettori dei diffusori, che consentono di collegare due subwoofer.



- Se si usa un unico subwoofer, è possibile collegarlo a uno o l'altro dei set di connettori dei diffusori del GX-A3001.
- Se si usano due subwoofer da 2 ohm, è possibile collegarli a uno dei set di connettori in serie per superare l'impedenza minima richiesta di 2 ohm.

CONNESSIONE DI INGRESSO GX-A3001:

Usare un adattatore a "Y" per collegare l'uscita di linea dell'unità sorgente o del subwoofer del processore agli ingressi sinistro e destro dell'amplificatore come mostrato nella figura di seguito. Se l'unità sorgente non dispone di un'uscita del subwoofer dedicata, è possibile collegare le uscite sinistra/destra posteriore agli ingressi sinistro e destro dell'amplificatore.

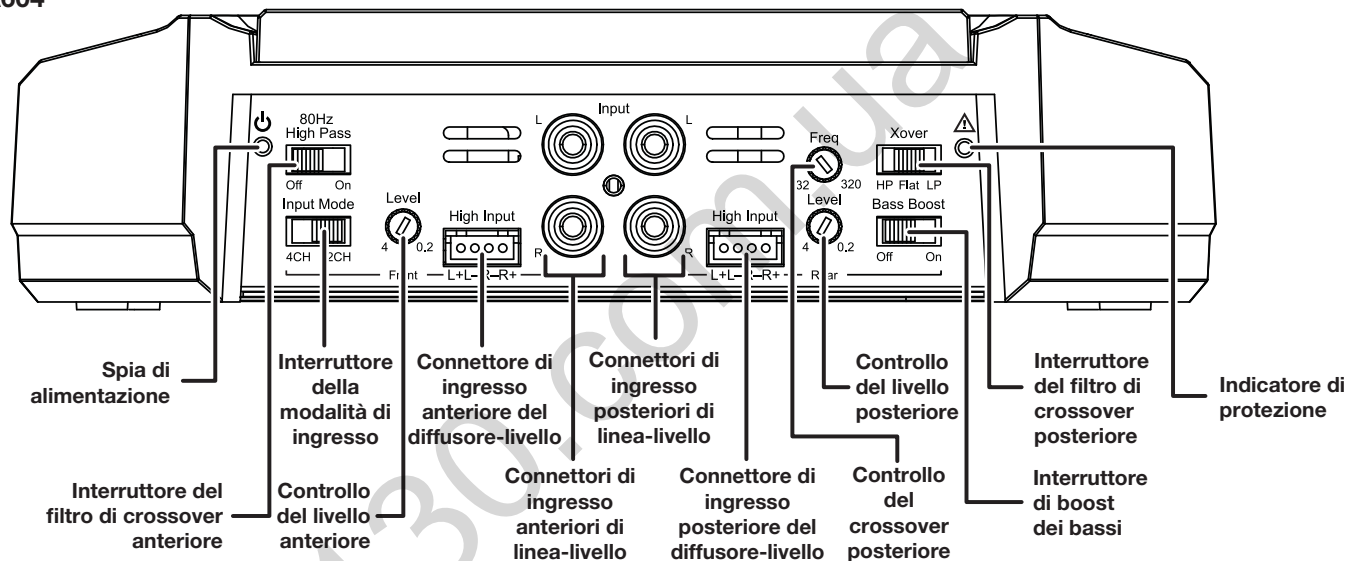


Per informazioni sull'impostazione dei controlli dell'amplificatore, consultare *Impostazione dei controlli del crossover* a pagina 20.

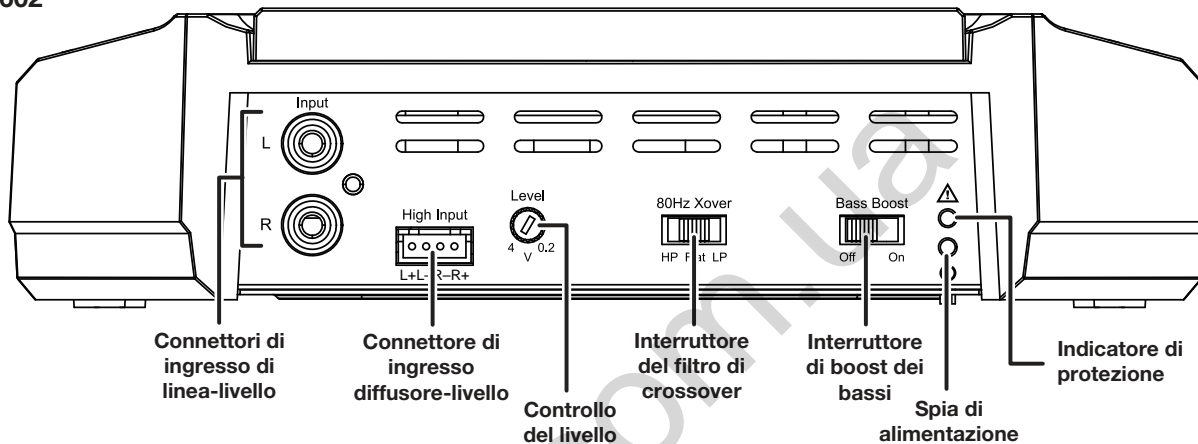
Per usare gli ingressi del livello dei diffusori invece che gli ingressi del livello di linea, consultare *Usa degli ingressi del livello dei diffusori* a pagina 12.

CONTROLLI, CONNESSIONI DI INGRESSO E INDICATORI

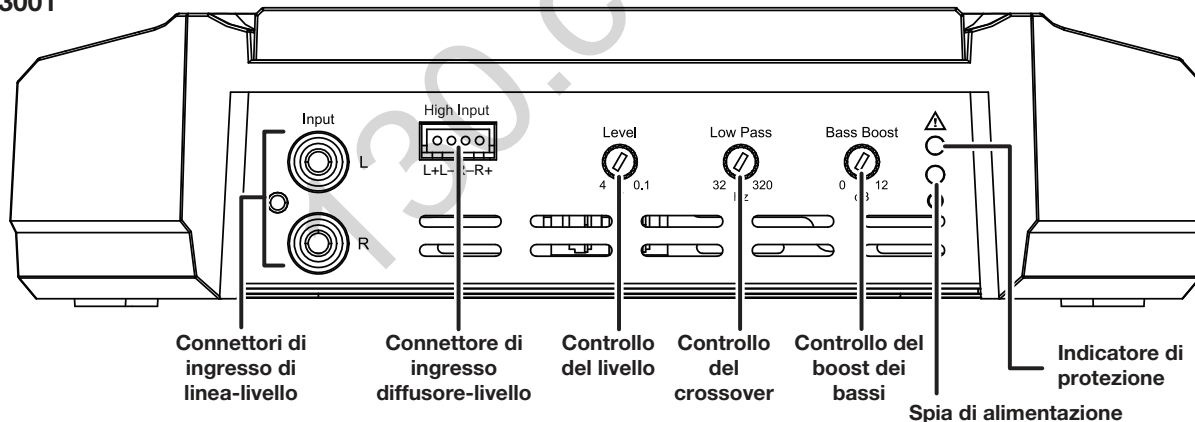
GX-A604



GX-A602



GX-A3001



IMPOSTAZIONE DEI CONTROLLI DEL CROSSOVER

GX-A604: FUNZIONAMENTO A 4 CANALI

Interruttore della modalità di ingresso: Impostare l'interruttore della modalità di ingresso sulla posizione "4CH".

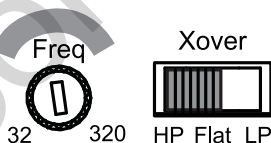
Interruttore del filtro di crossover anteriore: Impostare l'interruttore del filtro di crossover anteriore sulla posizione "ON" (high-pass). In tal modo, si limiterà la quantità di energia a bassa frequenza inviata ai diffusori, riducendo notevolmente la distorsione e impedendo il danneggiamento dei diffusori. **Eccezione:** se sono stati collegati diffusori full-range grandi (6" x 9" o più grandi) in grado di gestire notevoli bassi sui canali frontali dell'amplificatore e non si usa un subwoofer nell'impianto, impostare l'interruttore del filtro di crossover anteriore sulla posizione "OFF" (full-range).

Interruttore del filtro di crossover posteriore: Impostare l'interruttore del filtro di crossover posteriore sulla posizione "HP" (high-pass). In tal modo, si limiterà la quantità di energia a bassa frequenza inviata ai diffusori, riducendo notevolmente la distorsione e impedendo il danneggiamento dei diffusori. **Eccezione:** se sono stati collegati diffusori full-range grandi (6" x 9" o più grandi) in grado di gestire notevoli bassi sui canali frontali dell'amplificatore e non si usa un subwoofer nell'impianto, impostare l'interruttore del filtro di crossover posteriore sulla posizione "FLAT" (full-range).

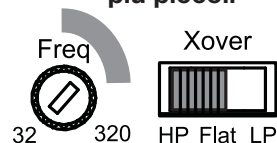
Controllo del crossover posteriore: Quando l'interruttore di crossover posteriore è impostato sulla posizione "HP", il controllo del crossover posteriore stabilisce la frequenza in cui le basse frequenze inviate ai diffusori iniziano a essere ridotte in volume.

Quando si usa l'amplificatore nella modalità a 4 canali, occorre impostare il controllo del crossover posteriore in base alle dimensioni dei diffusori collegati ai canali dell'amplificatore: più sono piccoli i diffusori, più alto deve essere impostato il controllo per proteggere i diffusori da eventuali danni. Dopo l'impostazione iniziale della frequenza di crossover, ascoltare la musica con i bassi forti a cui si è abituati. Se i diffusori producono un suono distorto o disturbato, spostare il controllo della frequenza di crossover su un'impostazione superiore per eliminare la distorsione o il disturbo. La figura a destra mostra gli intervalli di frequenza di crossover consigliati per le varie dimensioni di diffusori.

Diffusori da 6" e 5"



Diffusori da 4" e diffusori più piccoli



GX-A604: FUNZIONAMENTO A 3 CANALI

Interruttore della modalità di ingresso: Impostare l'interruttore della modalità di ingresso sulla posizione "4CH".

Interruttore di crossover anteriore: Impostare l'interruttore di crossover anteriore sulla posizione "ON" (high-pass). In tal modo, si limiterà la quantità di energia a bassa frequenza inviata ai diffusori, riducendo notevolmente la distorsione e impedendo il danneggiamento dei diffusori.

Interruttore del filtro di crossover posteriore: Quando si collega un subwoofer o un woofer ai canali posteriori, impostare l'interruttore del filtro di crossover posteriore sulla posizione "LP" (low-pass). In tal modo, si limiterà la quantità di energia ad alta frequenza inviata ai woofer o al subwoofer, migliorando la chiarezza delle sonorità e di altri suoni midrange.

Funzionamento Low-Pass: Subwoofer e woofer



Controllo del crossover posteriore: L'impostazione del controllo del crossover posteriore usata per i subwoofer dipenderà dal tipo e dalla posizione del subwoofer dell'impianto. Iniziare impostando il controllo del crossover posteriore su una frequenza un po' più bassa dell'impostazione di 80Hz sui canali frontali. Dopo aver ascoltato la musica sull'impianto per un po', realizzare una sintonizzazione fine dell'impostazione del controllo del crossover posteriore in modo da ottenere una transizione uniforme dal subwoofer al resto dei diffusori dell'impianto e allo stesso tempo evitare un "buco" laddove i suoni che si verificano tra il subwoofer e gli altri diffusori sembrano avere delle cadute. La figura a destra mostra l'intervallo di frequenza del controllo del crossover posteriore consigliato.

GX-A604: FUNZIONAMENTO A 2 CANALI

Interruttore della modalità di ingresso: Impostare l'interruttore della modalità di ingresso sulla posizione "2CH".

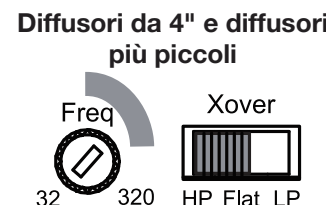
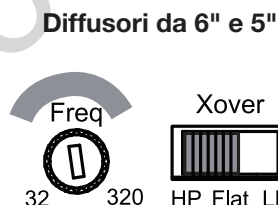
Interruttore del filtro di crossover anteriore: Impostare l'interruttore del filtro di crossover anteriore sulla posizione "ON" (high-pass). In tal modo, si limiterà la quantità di energia a bassa frequenza inviata ai diffusori, riducendo notevolmente la distorsione e impedendo il danneggiamento dei diffusori. **Eccezione:** se sono stati collegati diffusori full-range grandi (6" x 9" o più grandi) in grado di gestire notevoli bassi sui canali frontali dell'amplificatore e non si usa un subwoofer nell'impianto, impostare l'interruttore del filtro di crossover anteriore sulla posizione "OFF" (full-range).

Interruttore del filtro di crossover posteriore: Impostare l'interruttore del filtro di crossover posteriore sulla posizione "HP" (high-pass). In tal modo, si limiterà la quantità di energia a bassa frequenza inviata ai diffusori, riducendo notevolmente la distorsione e impedendo il danneggiamento dei diffusori. **Eccezione:** se sono stati collegati diffusori full-range grandi (6" x 9" o più grandi) in grado di gestire notevoli bassi sui canali frontali dell'amplificatore e non si usa un subwoofer nell'impianto, impostare l'interruttore del filtro di crossover posteriore sulla posizione "FLAT" (full-range).

Controllo del crossover posteriore: Quando l'interruttore di crossover posteriore è impostato sulla posizione "HP", il controllo del crossover posteriore stabilisce la frequenza in cui le basse frequenze inviate ai diffusori iniziano a essere ridotte in volume.

Quando si usa l'amplificatore nella modalità a 4 canali, occorre impostare il controllo del crossover posteriore in base alle dimensioni

dei diffusori collegati ai canali dell'amplificatore: più sono piccoli i diffusori, più alto deve essere impostato il controllo per proteggere i diffusori da eventuali danni. Dopo l'impostazione iniziale della frequenza di crossover, ascoltare la musica con i bassi forti a cui si è abituati. Se i diffusori producono un suono distorto o disturbato, spostare il controllo della frequenza di crossover su un'impostazione superiore per eliminare la distorsione o il disturbo. La figura a destra mostra gli intervalli di frequenza di crossover consigliati per le varie dimensioni di diffusori.



GX-A602: FUNZIONAMENTO A 2 CANALI

Interruttore del filtro di crossover:

- Se è stato collegato l'amplificatore a una coppia di diffusori full-range da 6" o più piccoli, impostare l'interruttore del filtro di crossover sulla posizione "HP" (high-pass). In tal modo, si limiterà la quantità di energia a bassa frequenza inviata ai diffusori, riducendo notevolmente la distorsione e impedendo il danneggiamento dei diffusori.
- se è stato collegato l'amplificatore a una coppia di diffusori full-range grandi (6" x 9" o più grandi) in grado di gestire notevoli bassi e *non si usa un subwoofer nell'impianto*, impostare l'interruttore del filtro di crossover posteriore sulla posizione "FLAT" (full-range).
- Se è stato collegato l'amplificatore a una coppia di woofer o subwoofer, impostare l'interruttore del filtro di crossover sulla posizione "LP" (low-pass). In tal modo, si limiterà la quantità di energia ad alta frequenza inviata ai woofer o ai subwoofer, migliorando la chiarezza delle sonorità e di altri suoni midrange.

GX-A602: FUNZIONAMENTO PONTICELLATO

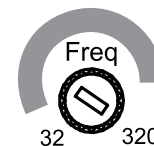
Interruttore del filtro di crossover: Quando si usa l'amplificatore in modalità ponticellata in un subwoofer, impostare l'interruttore del filtro di crossover sulla posizione "LP" (low-pass). In tal modo, si limiterà la quantità di energia ad alta frequenza inviata al subwoofer.

GX-A3001

NOTA: Il crossover interno del GX-A3001 è impostato in modo permanente per il funzionamento low-pass.

Controllo del crossover: Il controllo del crossover limita la quantità di energia ad alta frequenza inviata ai woofer o al subwoofer. L'impostazione del controllo del crossover usata per i subwoofer dipenderà dal tipo e dalla posizione del subwoofer dell'impianto. Iniziare impostando il controllo del crossover su una frequenza un po' più bassa rispetto all'impostazione del crossover high-pass usata per gli altri diffusori dell'impianto. Dopo aver ascoltato la musica sull'impianto per un po', realizzare una sintonizzazione fine dell'impostazione del controllo del crossover in modo da ottenere una transizione uniforme dal subwoofer al resto dei diffusori dell'impianto e allo stesso tempo evitare un "buco" laddove i suoni che si verificano tra il subwoofer e gli altri diffusori sembrano avere delle cadute. La figura a destra mostra l'intervallo di frequenza del controllo del crossover consigliato.

**Subwoofer e
woofer**



IMPOSTAZIONE DEL LIVELLO DI INGRESSO

1. Girare tutti i controlli del livello su tutti gli amplificatori completamente in senso antiorario.
2. Riprodurre della musica dinamica attraverso l'unità sorgente e aumentare il suo volume fino a un 3/4 del volume.
3. Girare lentamente il controllo del livello sull'amplificatore del canale frontale in senso orario fino a che la musica inizia a risultare distorta.
4. Girare il controllo del livello in senso antiorario leggermente fino a che la musica non risulta più distorta.
5. Se si usa più di un amplificatore o si usa il GX-A604, ripetere le operazioni 3 – 4 per tutti i restanti controlli del livello dell'amplificatore.

IMPOSTAZIONE DEL BOOST DEI BASSI

GX-A604: Quando si usano i canali posteriori dell'amplificatore per alimentare un subwoofer, l'interruttore di boost dei bassi può fornire 12dB di boost dei bassi a 45Hz (l'interruttore ha effetto solo sui canali posteriori dell'amplificatore). Impostare questo interruttore in base ai gusti personali, ma se il suo uso provoca una distorsione udibile o il cosiddetto 'bottoming' (raggiungimento del limite di escursione meccanica del subwoofer), consigliamo di impostarlo su "OFF". **ATTENZIONE:** usare l'interruttore di boost dei bassi solo se sono stati configurati i canali posteriori per alimentare un subwoofer. Se si usa l'interruttore di boost dei bassi con diffusori full-range si possono danneggiare i diffusori.

GX-A602: quando si usa l'amplificatore in modalità ponticellata per alimentare un subwoofer, l'interruttore di boost dei bassi può fornire 12dB di boost dei bassi a 45Hz (impostare questo interruttore in base ai gusti personali, ma se il suo uso provoca una distorsione udibile o il cosiddetto 'bottoming' (raggiungimento del limite di escursione meccanica del subwoofer), consigliamo di impostarlo su "OFF"). **ATTENZIONE:** usare l'interruttore di boost dei bassi solo se si usa l'amplificatore per alimentare un subwoofer. Se si usa l'interruttore di boost dei bassi con diffusori full-range si possono danneggiare i diffusori.

GX-A3001: Il controllo di boost dei bassi può fornire fino a 12dB di boost dei bassi a 45Hz. Impostare questo interruttore in base ai gusti personali, ma prestare attenzione a non impostare il controllo su un livello sufficientemente alto da provocare distorsione udibile o il cosiddetto 'bottoming' (raggiungimento del limite di escursione meccanica del subwoofer).

LED DI ALIMENTAZIONE E PROTEZIONE

LED DI ALIMENTAZIONE

- Il LED si accende di colore arancione: Funzionamento normale (alimentazione inserita).
- Il LED è spento: l'amplificatore è in modalità standby.

LED DI PROTEZIONE

Il LED di protezione dell'amplificatore deve restare spento durante il funzionamento normale. Se non proviene alcun suono dall'amplificatore e il LED di protezione si accende, consultare *Ricerca guasti* a pagina 24.

RICERCA GUASTI

Se l'amplificatore non funziona secondo le prestazioni che si presume debba avere, controllare se il problema è trattato in questa sezione prima di contattare l'assistenza clienti JBL.

PROBLEMA

CAUSE E SOLUZIONI

Assenza di suono (il LED di alimentazione dell'amplificatore è spento)

- Controllare che le connessioni a +12V e GND dell'amplificatore siano state realizzate correttamente.
- Controllare se il fusibile sul filo a +12V che si trova vicino alla batteria è bruciato: in tal caso, sostituirlo con un fusibile identico.
- Controllare tutti i fusibili dell'amplificatore; se qualcuno di essi è bruciato, sostituirli con fusibili identici.
- Se si usa la connessione REM dell'amplificatore per l'accensione, controllare che il filo sia correttamente collegato al filo di accensione remoto dell'impianto audio o al terminale di alimentazione ACC del veicolo.

Assenza di suono (il LED di alimentazione dell'amplificatore è arancione)

- Controllare che tutte le connessioni di ingresso e dei diffusori dell'amplificatore siano state realizzate correttamente.
- Controllare che i controlli del livello dell'amplificatore non siano girati completamente in senso antiorario.
- Controllare che il controllo del volume dell'unità sorgente dell'impianto audio del veicolo non sia girato completamente in senso antiorario.

Assenza di suono (il LED di protezione dell'amplificatore è rosso)

- Accertarsi che l'impianto elettrico del veicolo fornisca tra 9V e 16V CC all'amplificatore. Se la tensione di alimentazione è fuori da questo intervallo, correggere la condizione prima di tentare di usare l'amplificatore.
- Se l'amplificatore si è surriscaldato, attendere che si sia raffreddato prima di tentare di utilizzarlo nuovamente.
- Scollegare tutti i diffusori dall'amplificatore e tentare di riaccenderlo:
 - Se l'amplificatore si accende (il LED di alimentazione è arancione), vi è un cortocircuito in uno o più fili dei diffusori. Correggere tutti i cortocircuiti prima di ricollegare i diffusori all'amplificatore.
 - Se l'amplificatore non si accende (il LED di protezione è ancora rosso e il LED di alimentazione è spento), contattare il rivenditore JBL autorizzato per ricevere assistenza.

PROBLEMA**CAUSE E SOLUZIONI**

Il suono proviene solo da alcuni dei diffusori collegati all'amplificatore

- Controllare che i controlli di bilanciamento e attenuatore dell'unità sorgente dell'impianto audio del veicolo siano impostati sulle loro posizioni centrali (punto mediano).
- (GX-A604): Controllare che l'impostazione dell'interruttore di modalità dell'amplificatore coincida con le connessioni di ingresso e dei diffusori realizzare sull'amplificatore

Il suono è troppo basso, anche con il volume dell'unità sorgente dell'impianto audio del veicolo completamente alzato

- Controllare che i controlli del livello dell'amplificatore non siano troppo bassi. Per informazioni sull'impostazione dei controlli dell'amplificatore, consultare *Impostazione del livello di ingresso* a pagina 22.

Il suono nei diffusori frontale/posteriore risulta distorto

- Accertarsi che l'interruttore del filtro di crossover relativo ai canali distorti sia impostato su HP.
- Impostare il controllo del crossover relativo ai canali distorti su un'impostazione più alta.
- Controllare che la distorsione non provenga dall'unità sorgente dell'impianto audio del veicolo.

Il suono del subwoofer risulta distorto

- (GX-A604, GX-A602): Impostare l'interruttore di boost dei bassi su "OFF."
- (GX-A3001): Mentre si ascolta musica da bassa a pesante, abbassare completamente il controllo del boost dei bassi, e poi gradualmente aumentarlo fino a che la distorsione inizia a recedere. Ridurre l'impostazione del controllo del boost dei bassi leggermente per eliminare la distorsione e impostarla su tale valore.
- Controllare che la distorsione non provenga dall'unità sorgente dell'impianto audio del veicolo.

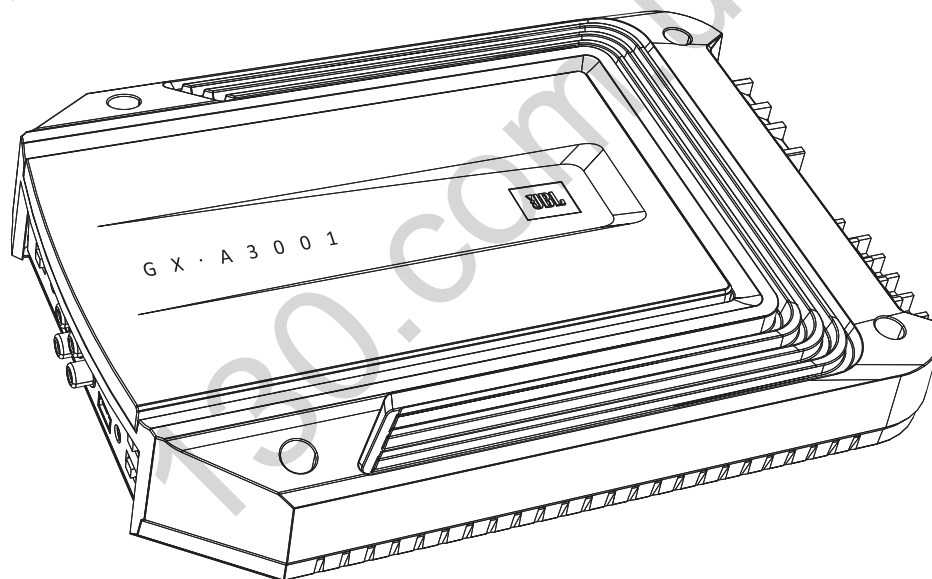
SPECIFICHE

	GX-A604	GX-A602	GX-A3001
Alimentazione max. (15,5V, 1kHz, 10%THD, can. totali 2 ohm)	435W	280W	415W (15.5V, 50Hz, 10% THD, 2 ohm)
Alimentazione nominale in uscita a 4 ohm	60W x 4	60W x 2	200W x 1
Alimentazione ponticellata in uscita (4 ohm, 1% THD)	170W x 2	170W x 1	N/D
THD+N a potenza nominale	<1%	<1%	<1%
Segnale-rumore (2V a 4 ohm)	>75dB	>75dB	>75dB
Fattore di attenuazione effettivo (4 ohm)	>50	>50	>50
Risposta di frequenza (-3dB)	20Hz – 20kHz ±1dB	20Hz – 20kHz ±1dB	10Hz – 320Hz
Tensione in ingresso massima	20V	20V	20V
Sensibilità in ingresso massima	200mV	200mV	200mV
Dimensione del fusibile	20A x 2	25A	20A x 2
Dimensioni (alt. x largh. x prof.)	2-1/16" x 11-13/16" x 8-1/8" (52 mm x 300 mm x 206 mm)	2-1/16" x 7-13/16" x 8-1/8" (52 mm x 198 mm x 206 mm)	2-1/16" x 11-7/16" x 8-1/8" (52 mm x 291 mm x 206 mm)
Peso	5,3 libbre (2,4 kg)	3,8 libbre (1,7 kg)	5,3 libbre (2,4 kg)



GX-A604/GX-A602/GX-A3001

Amplificador de potencia

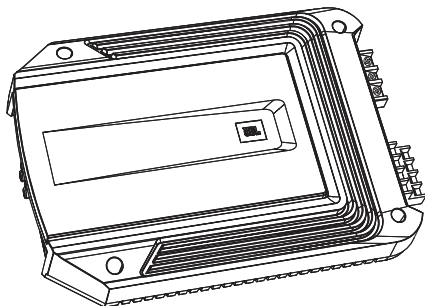


MANUAL DEL PROPIETARIO

INTRODUCCIÓN

GRACIAS por comprar un amplificador serie GX de JBL®. Para que podamos servirle mejor en caso de que requiera un servicio de garantía, rogamos guarde la factura de compra original y registre su amplificador online en www.jbl.com.

ELEMENTOS INCLUIDOS



Amplificador Serie GX (x1)



Arnés de entrada de nivel de altavoz
(GX-A602, GX-A3001 x 1)
(GX-A604 x 2)

UBICACIÓN Y MONTAJE

Aunque estas instrucciones explican cómo instalar los amplificadores serie GX de forma general, no muestran métodos de instalación específicos que puedan ser necesarios para su vehículo en particular. En caso de que no disponga de la experiencia o herramientas necesarias, no intente realizar la instalación por sí mismo. En su lugar, rogamos solicite a su distribución de audio de vehículos JBL autorizado una instalación profesional.

ADVERTENCIAS Y CONSEJOS DE INSTALACIÓN

IMPORTANTE: Desconecte la terminal negativa de la batería del vehículo antes de empezar la instalación.

- Lleve siempre puesta protección ocular cuando usar herramientas.
- Compruebe los espacios a ambos lados de la superficie de montaje planeada. Asegúrese que los tornillos o cables no pinchen las líneas de freno, líneas de combustible o arneses de cables y que el enrutamiento del cable no interfiera en el funcionamiento seguro del vehículo.
- Cuando realice conexiones eléctricas, asegúrese que están aseguradas y debidamente aisladas.
- En caso de que deba sustituir cualquiera de los fusibles del amplificador, asegúrese de usar el mismo tiempo de fusible y corriente nominal que la del original.

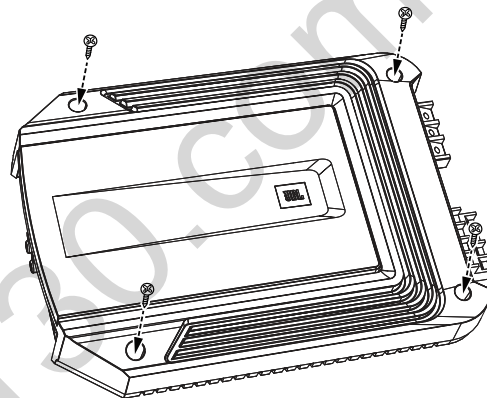
LUGAR DE INSTALACIÓN

Los amplificadores necesitan circulación de aire para permanecer refrigerados. Seleccione una ubicación que ofrezca espacio suficiente para que el amplificador se refrigere.

- Las ubicaciones se encuentran bajo el asiento (siempre que el amplificador no interfiera con el mecanismo de ajuste del asiento), en el maletero, o en cualquier otra ubicación que ofrezca suficiente aire de refrigeración.
- No monte el amplificador con el receptor de calor hacia abajo, ya que esto interfiere con la refrigeración de convección del amplificador.
- Monte el amplificador de forma que no se dañe con los pies del asiento trasero del pasajero o la carga del maletero.
- Monte el amplificador de forma que permanezca seco - nunca monte un amplificador en el exterior del vehículo o en el compartimento del motor.

MONTAJE DEL AMPLIFICADOR

NOTA: Puede encontrar más rápido realizar todas las conexiones del amplificador antes de que lo monte de forma permanente en el vehículo.



1. Seleccione una ubicación de montaje adecuada tal y como se describe arriba.
2. Usando el amplificador como plantilla, marque las ubicaciones de los agujeros de montaje en la superficie de montaje.
3. Taladre agujeros piloto en la superficie de montaje.
4. Fije el amplificador a la superficie de montaje con los cuatro tornillos de montaje adecuados de su propia elección. Sugerimos que use #8 tornillos metálicos de cabeza Phillips. Asegúrese que el amplificador está montado de forma segura.

CONEXIONES DE ALIMENTACIÓN Y A TIERRA

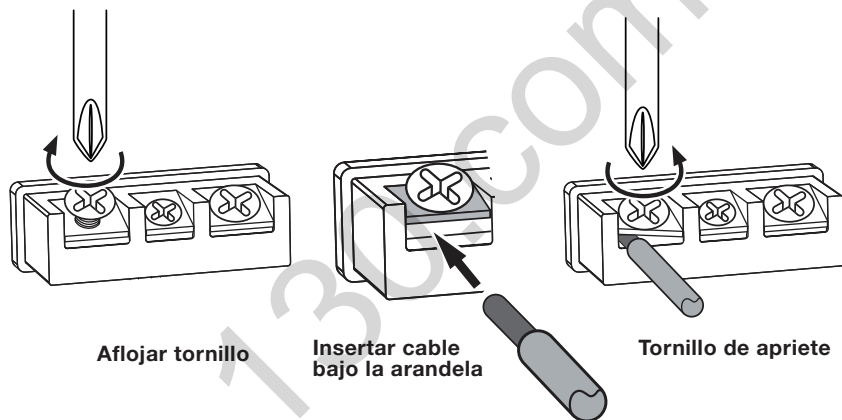
IMPORTANTE: Desconecte la terminal negativa (-) de la batería del vehículo antes de empezar la instalación.

Los amplificadores serie GX son capaces de ofrecer niveles de potencia elevados y requieren una conexión excelente y fiable al sistema eléctrico del vehículo para conseguir un rendimiento óptimo. Por favor, cumpla cuidadosamente con las siguientes instrucciones.

USO DE LOS CONECTORES

Los amplificadores serie GX usan el mismo tipo de terminales de tornillos para las conexiones de alimentación y del altavoz. Este tipo de terminal es fácil de usar y permite una conexión sencilla del cable largo.

Para usar los conectores, use un destornillador de cabeza Phillips para aflojar el tornillo de fijación del conector; inserte el cable desnudo y apriete el tornillos de fijación para asegurar el cable en el conector, tal y como se muestra en la ilustración que aparece abajo.



IMPORTANTE: Asegúrese que los cables desnudos (+) y (-) del altavoz no se tocan entre si o la otra terminal tanto en las terminales del amplificador como en las terminales del altavoz. Si se tocan los cables, se puede provocar un cortocircuito capaz de dañar el amplificador.

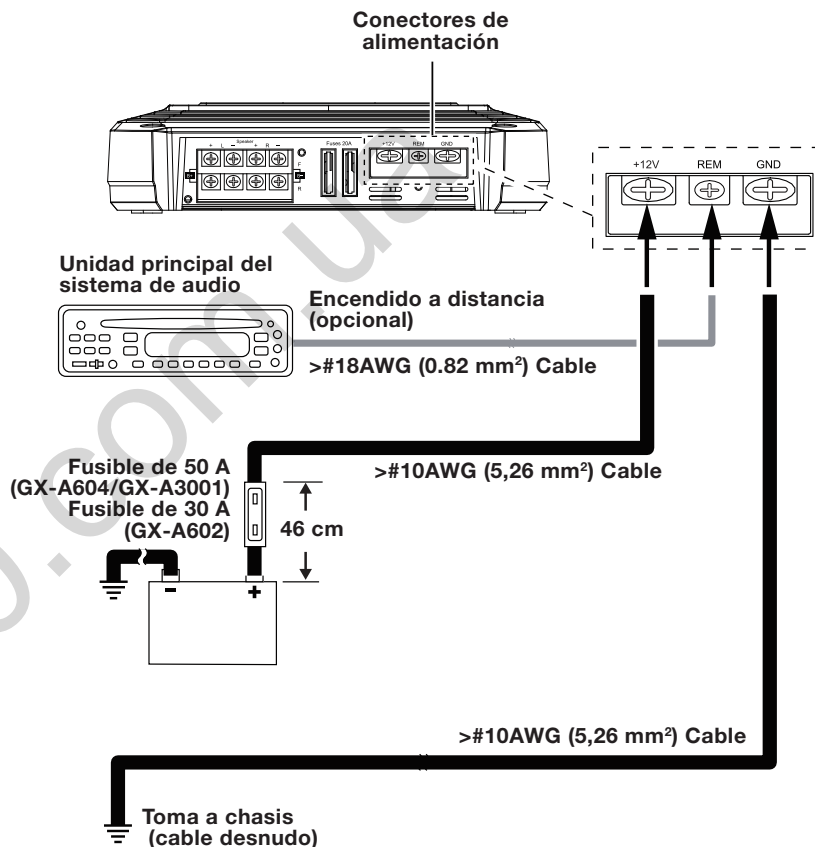
CONEXIÓN A TIERRA (GND)

Conecte un cable (mínimo 10AWG – 5.3 mm²) desde la terminal de tierra del altavoz directamente a un punto sólido del chasis del vehículo.

- Para una buena conexión, use papel de lija para eliminar la pintura de la superficie metálica en la ubicación del chasis. Use una arandela de fijación tipo estrella para asegurar la conexión del cable.

CONEXIÓN DE ALIMENTACIÓN (12 V)

1. Conecte un cable (mínimo 10AWG – 5.3 mm²) directamente a la terminal positiva (+) de la batería.
2. Instale un soporte de fusible para un fusible de 50 A (GX-A604, GX-A3001) o un fusible de 30 A (GX-A602) en este cable a una distancia de 46 cm (18") de la terminal (+) de la batería. No instale el fusible en el soporte en este momento.
3. Enrute este cable a la ubicación del amplificador y conéctelo a la terminal +12 V del amplificador. Asegúrese de usar abrazaderas adecuadas siempre que enrute cables a través de un cortafuegos u otra hoja metálica. **IMPORTANTE:** en caso de no proteger de forma adecuada el cable positivo de un daño potencial se puede producir el incendio del vehículo.
4. Cuando haya finalizado de enrutar y conectar este cable, instale el fusible apropiado en el soporte que haya instalado cerca de la batería. (GX-A604, GX-A3001 – fusible 50 A; GX-A602 – fusible 30 A)



CONEXIONES DEL ALTAVOZ Y DE ENTRADA

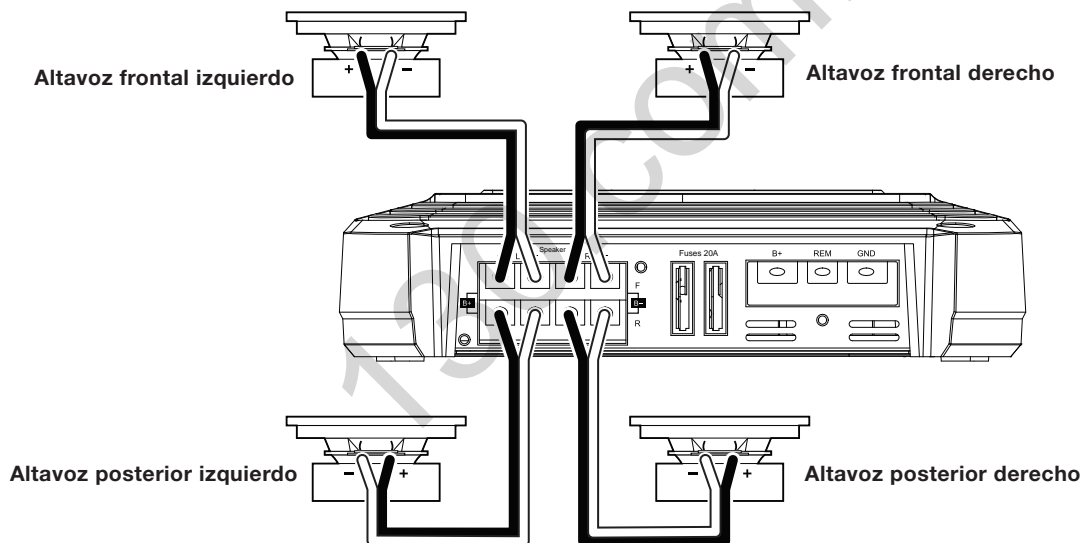
Siempre conecte la terminal (+) del altavoz al amplificador y la terminal (-) del altavoz en el amplificador a la terminal (-) del altavoz.

IMPORTANTE: Asegúrese que los cables desnudos (+) y (-) del altavoz no se tocan entre si o la otra terminal tanto en las terminales del amplificador como en las terminales del altavoz. Si se tocan los cables, se puede provocar un cortocircuito capaz de dañar el amplificador.

CONEXIONES DEL ALTAVOZ GX-A604 FUNCIONAMIENTO EN 4 CANALES

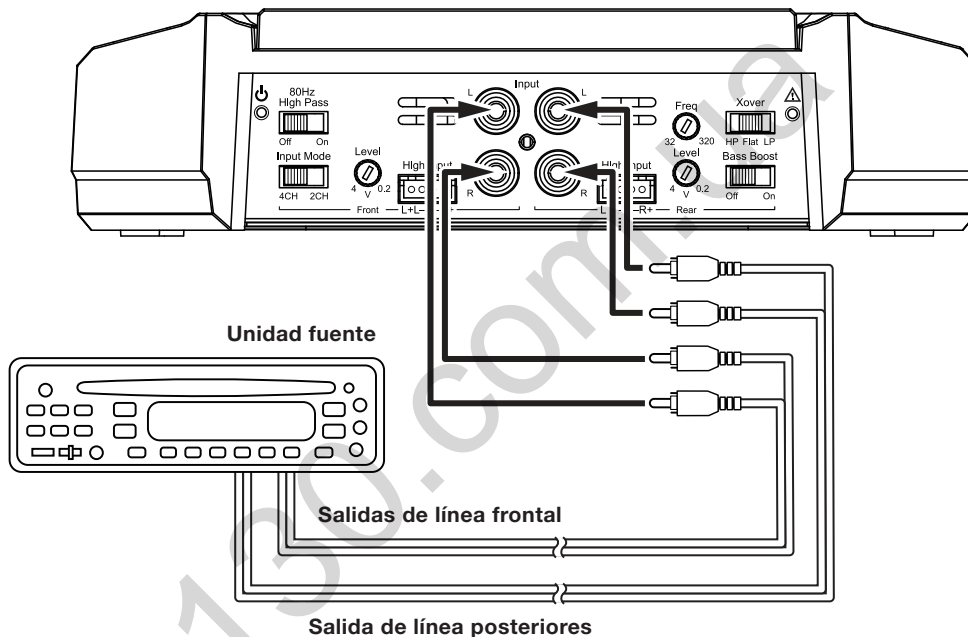
Impedancia mínima del altavoz: 2 ohmios (cada uno)

- Conecte los cuatro altavoces a las terminales FL y FR (+) y (-).
- Conecte los cuatro altavoces posteriores a las terminales RL y RR (+) y (-).



CONEXIONES DE ENTRADA GX-A604 FUNCIONAMIENTO EN 4 CANALES

Conecte la unidad fuente o el frontal del procesador y las salidas posteriores izquierda y derecha a las entradas del amplificador tal y como muestra en la ilustración.



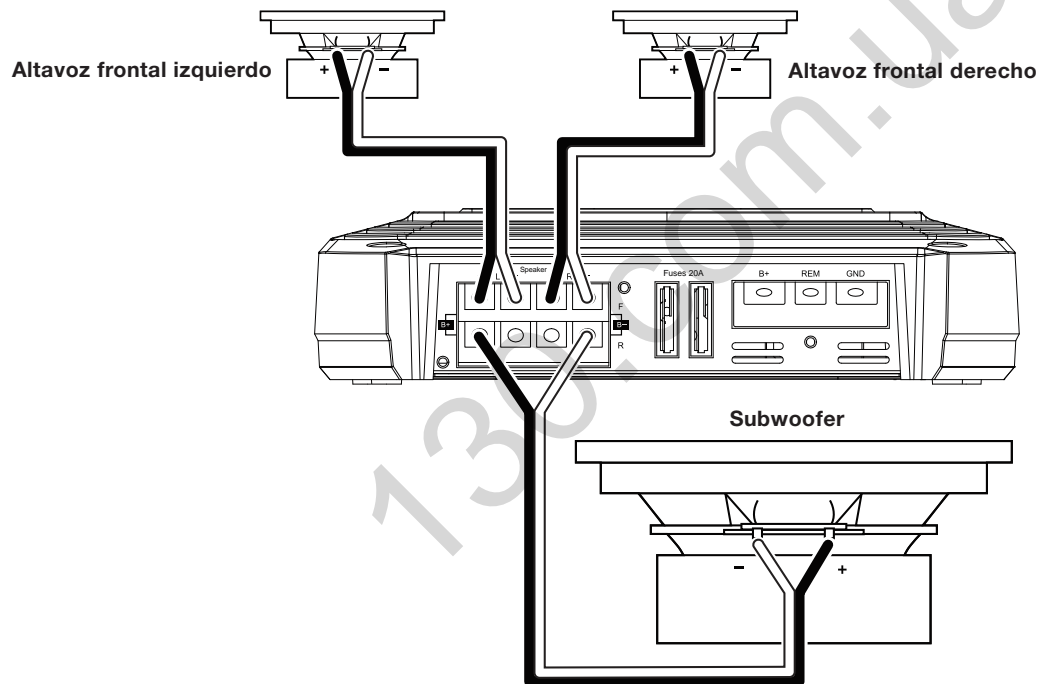
Véase *Fijar los controles de cruceta*, en la página 20, para obtener información sobre fijar los controles del amplificador para el funcionamiento de 4 canales.

Para usar las entradas de nivel del altavoz en lugar de las entradas de nivel de línea, véase *Uso de las entradas de nivel del altavoz*, en la página 12.

CONEXIONES DEL ALTAVOZ GX-A604 FUNCIONAMIENTO EN 3 CANALES

Impedancia mínima del altavoz: 2 ohmios cada uno (altavoces izquierdo y derecho); 4 ohmios (subwoofer)

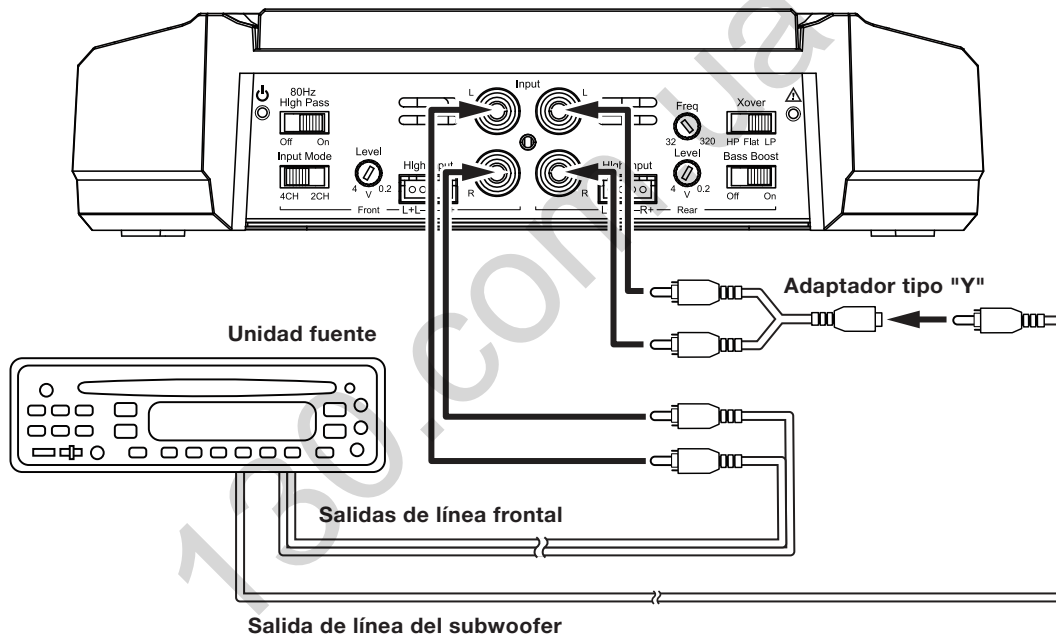
- Conecte los altavoces izquierdo y derecho a las terminales FL y FR (+) y (-).
- Conecte el subwoofer a las terminales RL y RR (+) y (-). (El control del canal posterior del Bass Boost hace que los canales posteriores sean preferibles para la conexión del subwoofer. Véase *Fijar el Bass Boost*, en la página 23.) **NOTA:** Puede conectar dos subwoofer de 2 ohmios en serie para mantener la impedancia requerida mínima de 4 ohmios para el canal del subwoofer.



CONEXIONES DE ENTRADA GX-A604 FUNCIONAMIENTO EN 3 CANALES

Conecte la unidad fuente o las salidas de línea del procesador tal y como se muestra en la ilustración que aparece abajo. Fije el conmutador de modo de entrada en la posición "4CH".

NOTA: Use un adaptador tipo "Y" para conectar la salida del subwoofer de la unidad fuente a las tomas de entrada izquierda y derecha posteriores del amplificador.



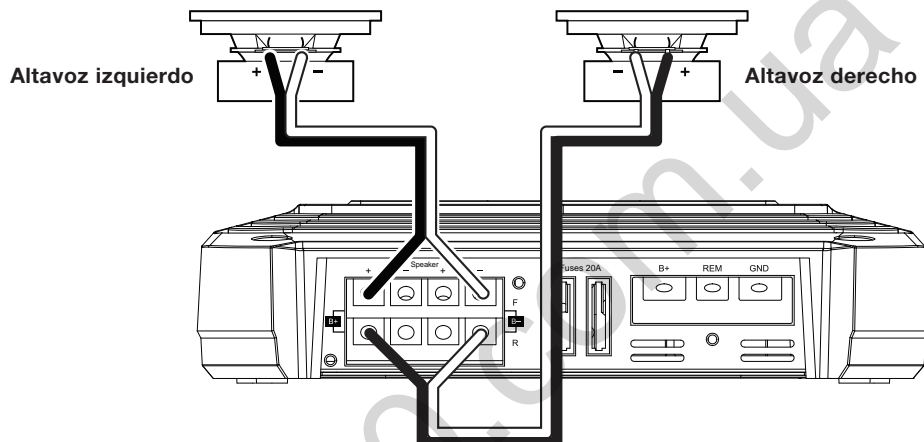
Véase *Fijar los controles de cruceta*, en la página 20, para obtener información sobre fijar los controles del amplificador para el funcionamiento de 3 canales.

Para usar las entradas de nivel del altavoz en lugar de las entradas de nivel de línea, véase *Uso de las entradas de nivel del altavoz*, en la página 12.

CONEXIONES DEL ALTAVOZ GX-A604 FUNCIONAMIENTO EN 2 CANALES

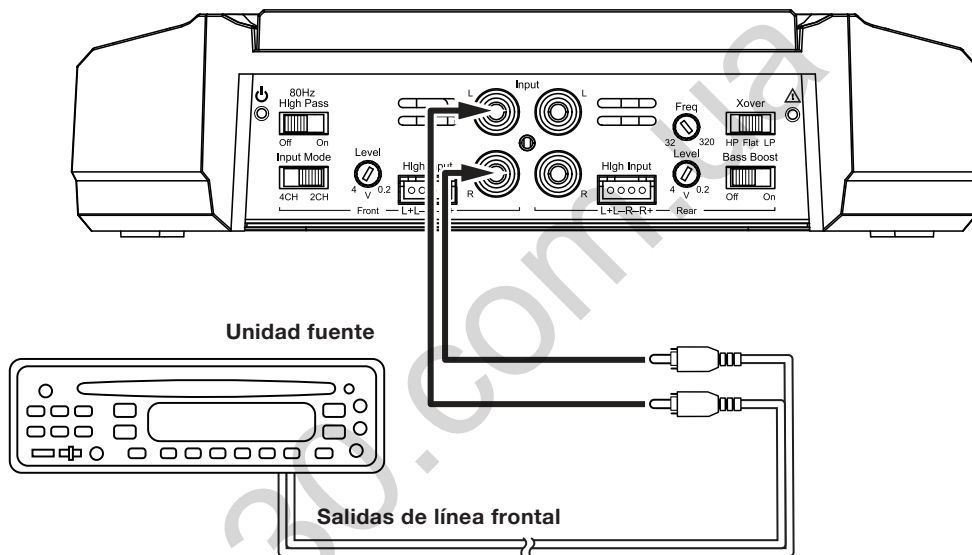
Impedancia mínima del altavoz: 4 ohmios (cada uno)

Conecte los altavoces izquierdo y derecho tal y como se muestra en la ilustración que aparece debajo.



CONEXIONES DE ENTRADA GX-A604 FUNCIONAMIENTO EN 2 CANALES

Conecte la unidad fuente o las salidas de línea del procesador tal y como se muestra en la ilustración que aparece abajo. Use únicamente las conexiones de entrada izquierda y derecha y asegúrese que el conmutador de modo de entrada está fijado en la posición "2CH".



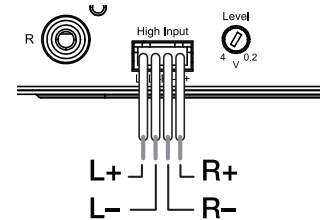
Véase *Fijar los controles de cruceta*, en la página 20, para obtener información sobre fijar los controles del amplificador para el funcionamiento de 2 canales.

Para usar las entradas de nivel del altavoz en lugar de las entradas de nivel de línea, véase *Uso de las entradas de nivel del altavoz*, en la página 12.

USO DE LAS ENTRADAS DE NIVEL DEL ALTAVOZ

Si la unidad fuente no dispone de salidas de nivel de línea, puede usar el arnés de entrada de nivel del altavoz para conectar el amplificador a las salidas del altavoz de la unidad fuente. De izquierda a derecha, las conexiones son: L+, L-, R-, R+ (véase la ilustración a la derecha). Los conectores de nivel del altavoz de todos los modelos de amplificador serie GX siguen esta configuración de cables:

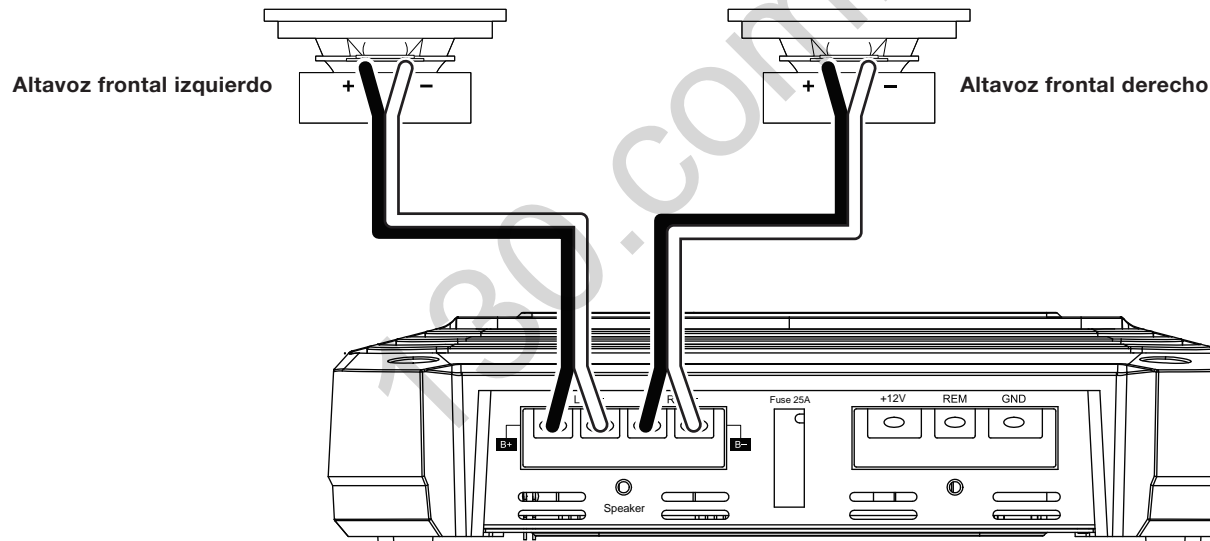
Siga las instrucciones de las secciones anteriores, sustituyendo los conectores de nivel del altavoz por los conectores de nivel de línea.



CONEXIONES DEL ALTAVOZ GX-A602; FUNCIONAMIENTO DE 2 CANALES

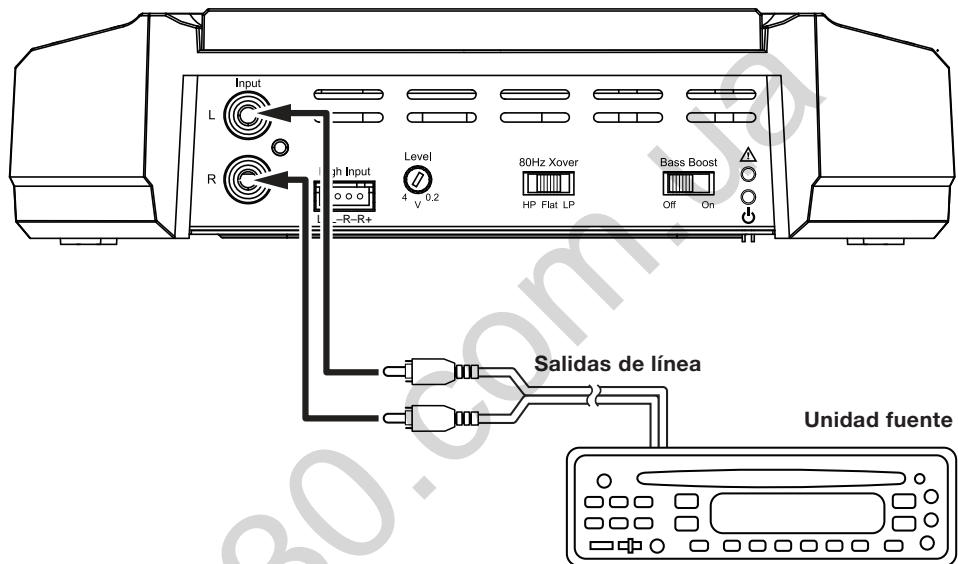
Impedancia mínima del altavoz: 2 ohmios (cada uno)

Conecte los altavoces izquierdo y derecho a las terminales FL y FR (+) y (-).



CONEXIONES DE ENTRADA GX-A604: FUNCIONAMIENTO EN 2 CANALES

Conecte la unidad fuente o las salidas de línea del procesador tal y como se muestra en la ilustración que aparece abajo.



Véase *Fijar los controles de cruceta*, en la página 20, para obtener información sobre fijar los controles del amplificador para el funcionamiento de 2 canales.

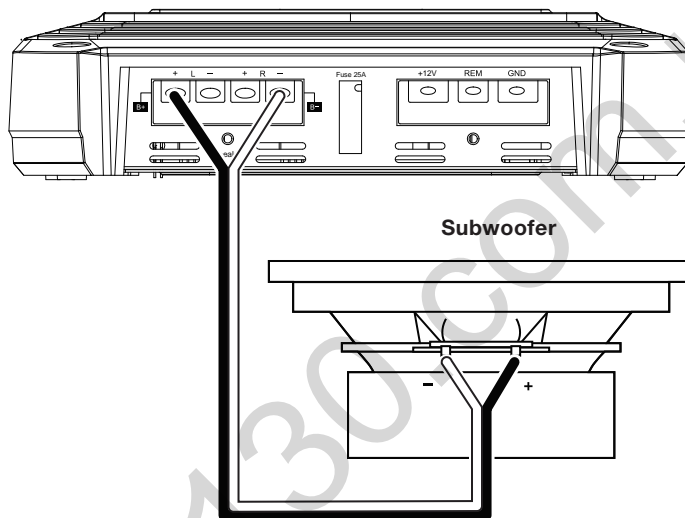
Para usar las entradas de nivel del altavoz en lugar de las entradas de nivel de línea, véase *Uso de las entradas de nivel del altavoz*, en la página 12.

CONEXIONES DEL ALTAVOZ GX-A602: FUNCIONAMIENTO PUENTEO

El funcionamiento puenteado ofrece un único canal de alta potencia para un subwoofer.

Impedancia mínima del altavoz: 4 ohmios

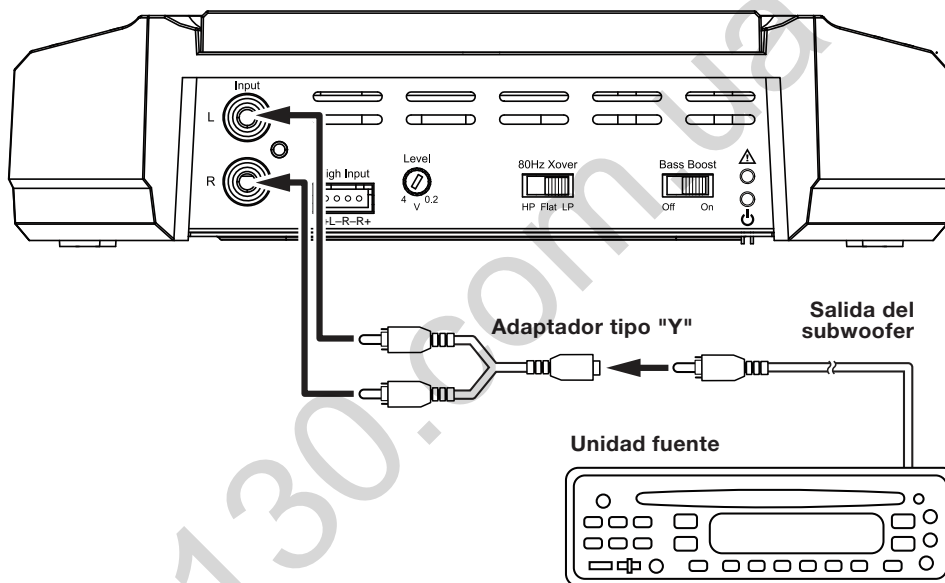
Conecte el subwoofer a las terminales RL (+) y RR (-). **NOTA:** Puede conectar dos subwoofer de 2 ohmios en serie para mantener la impedancia requerida mínima de 4 ohmios para el canal del subwoofer.



CONEXIONES DE ENTRADA GX-A604: FUNCIONAMIENTO PUENTEADO

Conecte la unidad fuente o la salida de línea del subwoofer del procesador a la entrada izquierda del amplificador tal y como se muestra en la ilustración.

NOTA: Use un adaptador tipo "Y" para conectar la unidad fuente a las tomas de entrada izquierda y derecha posteriores del amplificador.



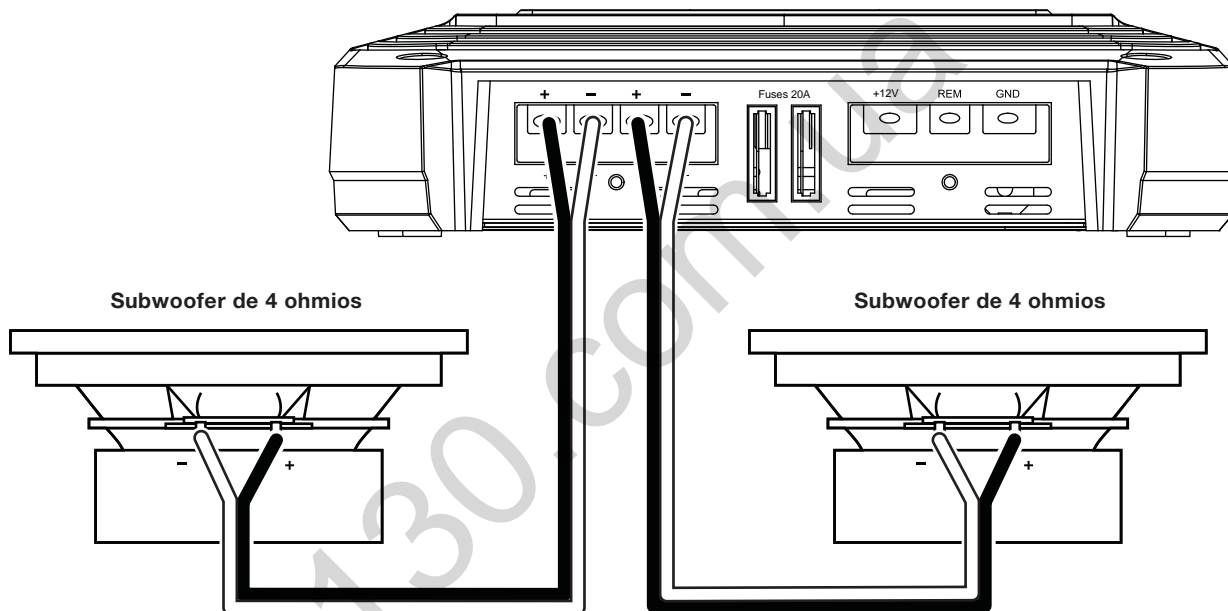
Véase *Fijar los controles de cruceta*, en la página 20, para obtener información sobre fijar los controles del amplificador para el funcionamiento puenteado.

Para usar las entradas de nivel del altavoz en lugar de las entradas de nivel de línea, véase *Uso de las entradas de nivel del altavoz*, en la página 12.

CONEXIONES DEL ALTAVOZ GX-A3001

Impedancia del altavoz mínima; 2 ohmios (subwoofer único); 4 ohmios (2 subwoofers)

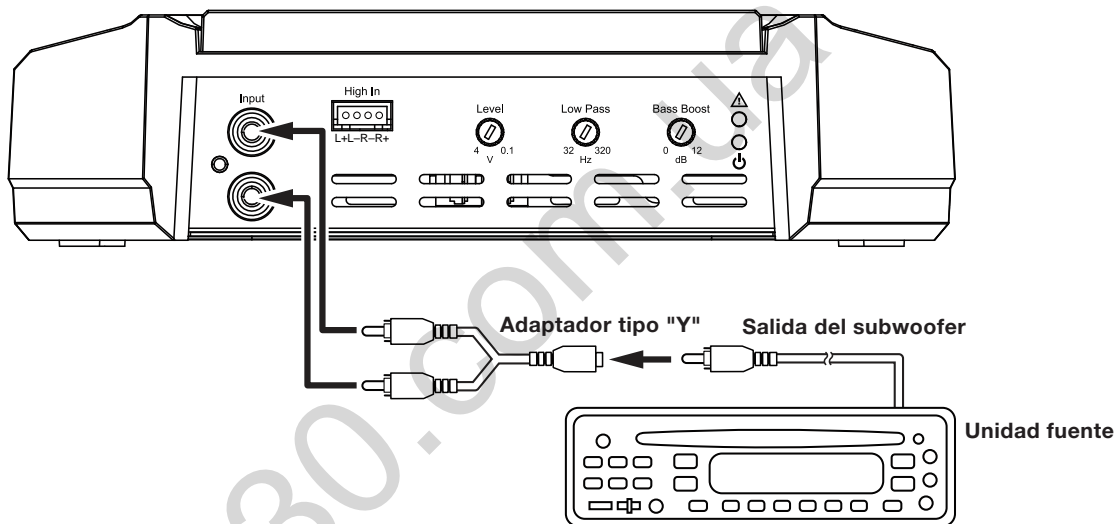
El GX-A3001 dispone de dos juegos paralelos de conectores de altavoz, lo que le permite conectar dos subwoofer.



- Si usa un único subwoofer, puede conectarlo a cada juego de conectores del altavoz GX-A3001.
- Si usa dos subwoofers de 2 ohmios, puede conectarlos a uno de los juegos de conectores en serie para estar por encima de la impedancia mínima requerida de 2 ohmios.

CONEXIONES DE ENTRADA GX-A3001

Use un adaptador tipo "Y" para conectar la unidad fuente o la salida de línea del subwoofer del procesador a las entradas izquierda y derecha del amplificador tal y como se muestra en la ilustración. Si la unidad fuente no dispone de una salida de subwoofer dedicada, puede conectar las salidas izquierda / derecha a las entradas izquierda y derecha del amplificador.

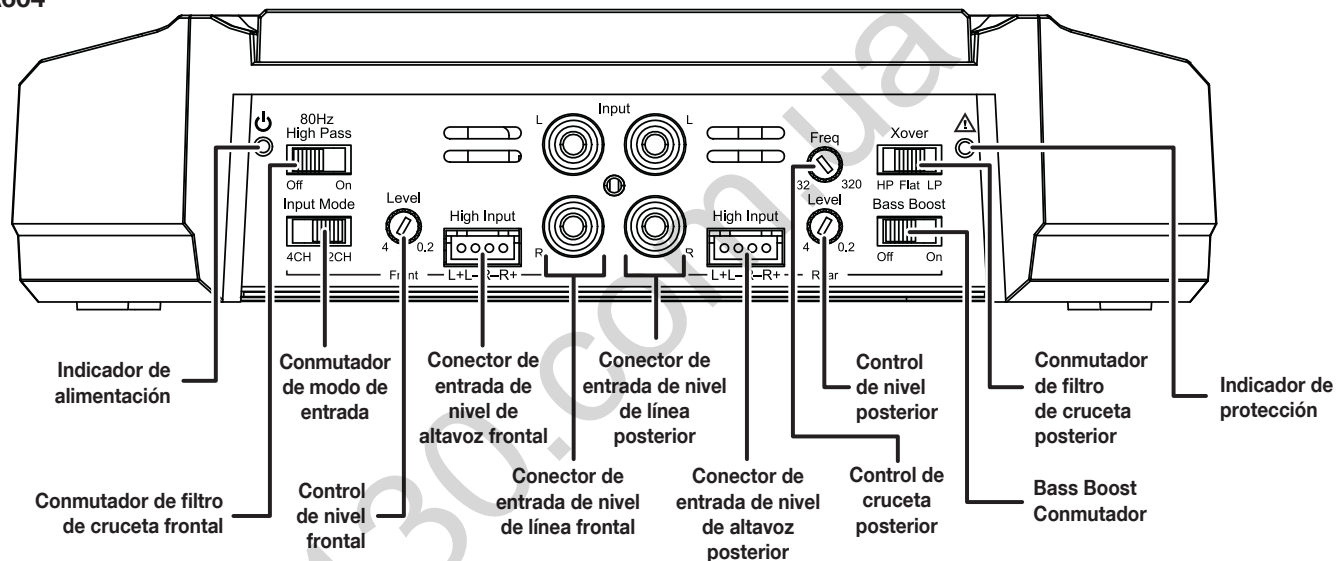


Véase *Fijar los controles de cruceta*, en la página 20, para obtener información sobre fijar los controles del amplificador.

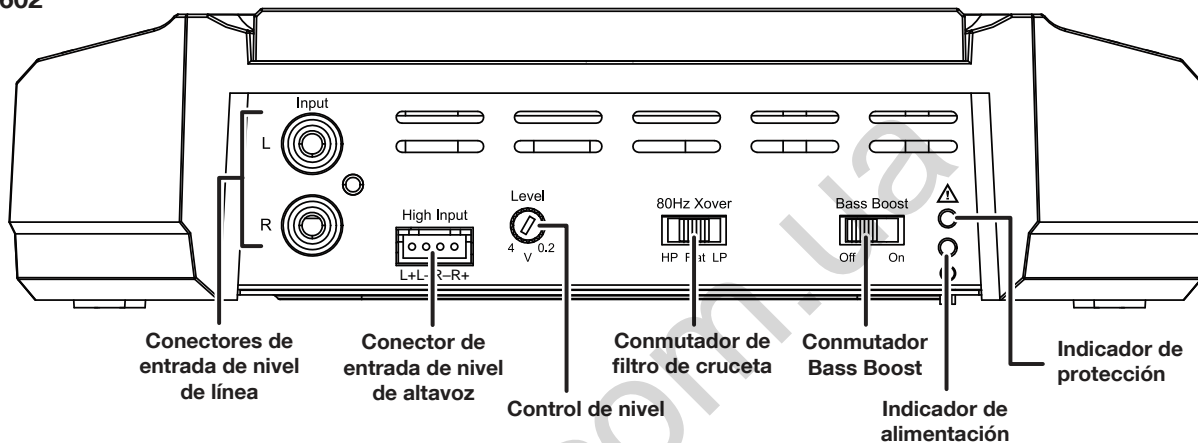
Para usar las entradas de nivel del altavoz en lugar de las entradas de nivel de línea, véase *Uso de las entradas de nivel del altavoz*, en la página 12.

CONTROLES, CONEXIONES DE ENTRADA E INDICADORES

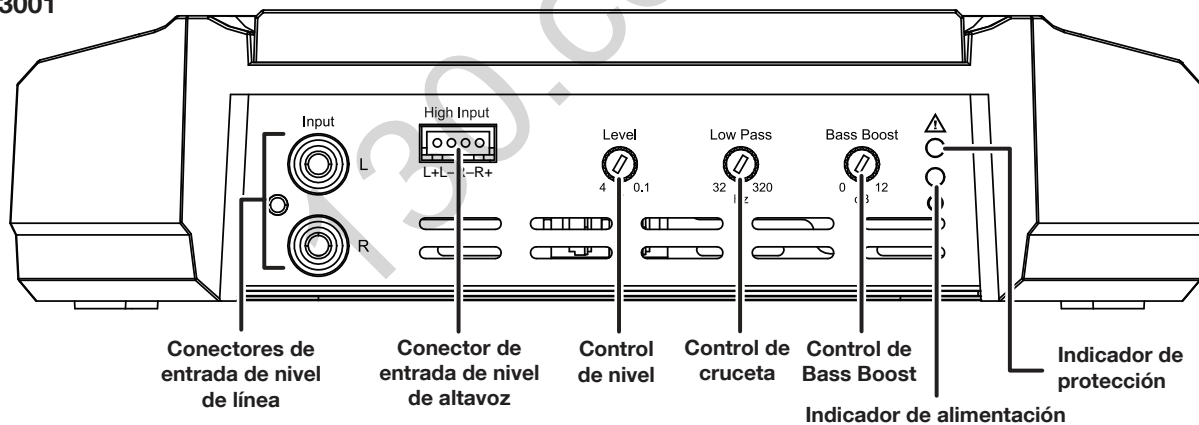
GX-A604



GX-A602



GX-A3001



FIJAR LOS CONTROLES DE CRUCETA

GX-A604: FUNCIONAMIENTO EN 4 CANALES

Conmutador de modo de entrada: Fije el conmutador de modo de entrada en la posición "4CH".

Conmutador de filtro de cruceta frontal: Fije el conmutador del filtro de cruceta frontal en la posición "ON" (high-pass). Esto limitará la cantidad de energía de baja frecuencia que se envía a los altavoces, reduciendo notablemente las distorsión y evitando que los altavoces sufran ningún daño.

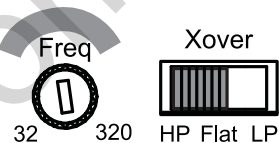
Excepción: Si ha conectado grande altavoces de gama completa (6" x 9" o más) que puedan manejar grandes cantidades de bajos en los canales frontales del amplificador y *no usa un subwoofer en el sistema*, fije el conmutador del filtro de cruceta frontal en la posición "OFF" (gama completa).

Conmutador de filtro de cruceta posterior: Fije el conmutador del filtro de cruceta posterior en la posición "ON" (high-pass). Esto limitará la cantidad de energía de baja frecuencia que se envía a los altavoces, reduciendo notablemente las distorsión y evitando que los altavoces sufran ningún daño. **Excepción:** Si ha conectado grande altavoces de gama completa (6" x 9" o más) que puedan manejar grandes cantidades de bajos en los canales frontales del amplificador y *no usa un subwoofer en el sistema*, fije el conmutador del filtro de cruceta posterior en la posición "OFF" (gama completa).

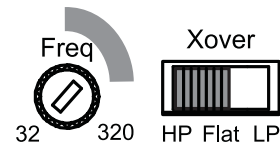
Control de cruceta posterior: Cuando el conmutador de cruceta posterior se fija en la posición "HP", el control de cruceta posterior determina la frecuencia en las que las frecuencias enviadas a los altavoces empiezan a reducirse de volumen.

Cuando ponga en funcionamiento el amplificador en modo 4 canales, debe fijar el control de cruceta posterior según el tamaño de los altavoces conectados a los canales del amplificador - cuanto más pequeños sean los altavoces más alto tendrá que fijar el control para proteger a los altavoces de daños. Tras fijar inicialmente la frecuencia de cruceta, escuche música con un bajo fuerte con el que esté familiarizado. Si el sonido de los altavoces suena distorsionado o poco nítido, mueva el control de frecuencia de cruceta a una configuración mayor para eliminar la distorsión / falta de nitidez. La ilustración a la derecha muestra las gamas de frecuencia del filtro de cruceta recomendadas para los diferentes tamaños de altavoz.

Altavoces de 6" y 5"



Altavoces de 4" y más pequeños



GX-A604: FUNCIONAMIENTO EN 3 CANALES

Conmutador de modo de entrada: Fije el conmutador de modo de entrada en la posición "4CH".

Conmutador de cruceta frontal: Fije el conmutador de cruceta frontal en la posición "ON" (high-pass). Esto limitará la cantidad de energía de baja frecuencia que se envía a los altavoces, reduciendo notablemente las distorsión y evitando que los altavoces sufran ningún daño.

Conmutador de filtro de cruceta posterior: Cuando conecte un subwoofer o un woofer a los canales posteriores, fije el conmutador de filtro de cruceta posterior a la posición "LP" (low-pass). Esto limitará la cantidad de energía de alta frecuencia enviada al woofer o subwoofer, mejorando la claridad de las vocalizaciones y otros sonidos de gama media.

Funcionamiento Low-Pass: subwoofer y woofer



Control de cruceta posterior: La configuración de la configuración del control de cruceta posterior que use para los subwoofer dependerá del tipo y de la ubicación del subwoofer del sistema. Empiece fijando el control de cruceta posterior a una frecuencia algo menor que la configuración de 80 Hz de los canales frontales. Tras escuchar música en el sistema durante cierto tiempo, sintonice la configuración del control de cruceta posterior para conseguir una transición suave desde el subwoofer al resto de los altavoces del sistema a la vez que evita un "agujero" donde el sonido que se produce entre el subwoofer y los demás altavoces parece desaparecer. La ilustración de la izquierda muestra la gama de frecuencia del control de cruceta posterior recomendadas.

GX-A604: FUNCIONAMIENTO EN 2 CANALES

Conmutador de modo de entrada: Fije el conmutador de modo de entrada en la posición "2CH".

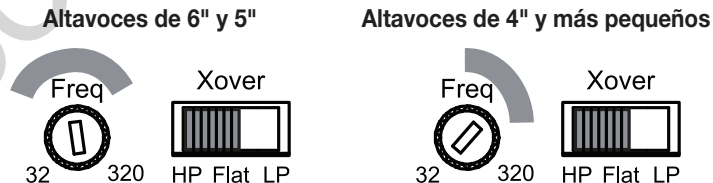
Conmutador de filtro de cruceta frontal: Fije el conmutador del filtro de cruceta frontal en la posición "ON" (high-pass). Esto limitará la cantidad de energía de baja frecuencia que se envía a los altavoces, reduciendo notablemente las distorsión y evitando que los altavoces sufran ningún daño.

Excepción: Si ha conectado grande altavoces de gama completa (6" x 9" o más) que puedan manejar grandes cantidades de bajos en los canales frontales del amplificador y *no usa un subwoofer en el sistema*, fije el conmutador del filtro de cruceta frontal en la posición "OFF" (gama completa).

Conmutador de filtro de cruceta posterior: Fije el conmutador del filtro de cruceta posterior en la posición "ON" (high-pass). Esto limitará la cantidad de energía de baja frecuencia que se envía a los altavoces, reduciendo notablemente las distorsión y evitando que los altavoces sufran ningún daño. **Excepción:** Si ha conectado los altavoces grande de gama completa (6" x 9" o más) que puedan manejar grandes cantidades de bajos en los canales frontales del amplificador y *no usa un subwoofer en el sistema*, fije el conmutador del filtro de cruceta posterior en la posición "OFF" (gama completa).

Control de cruceta posterior: Cuando el conmutador de cruceta posterior se fija en la posición "HP", el control de cruceta posterior determina la frecuencia en las que las frecuencias enviadas a los altavoces empiezan a reducirse de volumen.

Quando ponga en funcionamiento el amplificador en modo 4 canales, debe fijar el control de cruceta posterior según el tamaño de los altavoces conectados a los canales del amplificador - cuanto más pequeños sean los altavoces más alto tendrá que fijar el control para proteger a los altavoces de daños. Tras fijar inicialmente la frecuencia de cruceta, escuche música con un bajo fuerte con el que esté familiarizado. Si el sonido de los altavoces suena distorsionado o poco nítido, mueva el control de frecuencia de cruceta a una configuración mayor para eliminar la distorsión / falta de nitidez. La ilustración a la derecha muestra las gamas de frecuencia del filtro de cruceta recomendadas para los diferentes tamaños de altavoz.



GX-A602: FUNCIONAMIENTO EN 2 CANALES

Conmutador de filtro de cruceta:

- Si ha conectado el amplificador a un par de altavoces de gama completa de 6" o menos, fije el conmutador de filtro de cruceta en la posición "HP" (high-pass). Esto limitará la cantidad de energía de baja frecuencia que se envía a los altavoces, reduciendo notablemente las distorsión y evitando que los altavoces sufran ningún daño.
- Si ha conectado el amplificador a un par de altavoces de de gama completa (6" x 9" o más) que puedan manejar grandes cantidades de bajos y *no usa un subwoofer en el sistema*, fije el conmutador del filtro de cruceta en la posición "FLAT" (gama completa).
- Si ha conectado el amplificador a un par de woofers o subwoofers, fije el conmutador de filtro de cruceta en la posición "LP" (high-pass). Esto limitará la cantidad de energía de alta frecuencia enviada al woofer/subwoofer, mejorado la claridad de las vocalizaciones y otros sonidos de gama media.

GX-A602: FUNCIONAMIENTO PUENTEADO

Conmutador de filtro de cruceta: Cuando ponga en funcionamiento el amplificador en modo puenteado en un subwoofer, fije el conmutador de filtro de cruceta en la posición "LP" (low-pass). Esto limitará la cantidad de energía de alta frecuencia enviada al subwoofer.

GX-A3001

NOTA: La cruceta interna del GX-A3001 se fija permanentemente para un funcionamiento low-pass.

Control de cruceta: El control de cruceta limita la cantidad de energía de alta frecuencia enviada al woofer o subwoofer. La configuración del control de cruceta que use para los subwoofer dependerá del tipo y de la ubicación del subwoofer del sistema. Empiece fijando el control de cruceta en una frecuencia algo menor que la configuración de cruceta high-pass que haya usado para los demás altavoces del sistema. Tras escuchar música en el sistema durante cierto tiempo, sintonice la configuración del control de cruceta para conseguir una transición suave desde el subwoofer al resto de los altavoces del sistema a la vez que evita un "agujero" donde el sonido que se produce entre el subwoofer y los demás altavoces parece desaparecer. La ilustración de la izquierda muestra la gama de frecuencia del control de cruceta recomendadas.

Subwoofer y woofer



FIJAR EL NIVEL DE ENTRADA

1. Encienda los controles de nivel de todos los amplificadores totalmente en sentido antihorario.
2. Reproduzca música dinámica a través de la unidad fuente y suba al volumen hasta 3/4 del volumen.
3. Gire lentamente en sentido horario el control de nivel de canal frontal del amplificador hasta que la música empiece a sonar distorsionada.
4. Gire ligeramente el control de nivel en sentido antihorario hasta que la música ya no suene distorsionada.
5. Si usa más de un amplificador o usa el GX-A604, repita los pasos 3 - 4 para los controles de nivel del amplificador restantes.

FIJAR EL BASS BOOST

GX-A604: Cuando usa los canales posteriores del amplificador para alimentar el subwoofer, el interruptor de bass boost puede proporcionar 12 dB de bass boost a 45 Hz. (El interruptor sólo afecta a los canales posteriores del amplificador.) Fije este conmutador según su gusto personal, pero si usarlo provoca una distorsión audible o un hundimiento del subwoofer le recomendamos que lo fije en "OFF". **PRECAUCIÓN:** Use únicamente el interruptor Bass Boost si ha configurado los canales posteriores para alimentar un subwoofer. Usar el conmutador Bass Boost con altavoces de gama completa puede dañar los altavoces.

GX-A602: Cuando usa el amplificador en modo puenteado para alimentar el subwoofer, el interruptor de bass boost puede proporcionar 12 dB de bass boost a 45 Hz. (Fije este conmutador según su gusto personal, pero si usarlo provoca una distorsión audible o un hundimiento del subwoofer le recomendamos que lo fije en "OFF". **PRECAUCIÓN:** Use únicamente el interruptor Bass Boost si ha configurado los canales posteriores para alimentar un subwoofer. Usar el conmutador Bass Boost con altavoces de gama completa puede dañar los altavoces.

GX-A3001: El control de Bass Boost puede proporcionar hasta 12 dB de bass boost a 45 Hz. Fije este control según su gusto personal, pero tenga cuidado en no fijar el control a un nivel lo suficientemente alto como para causar una distorsión audible o un hundimiento del subwoofer.

POTENCIA Y LED DE PROTECCIÓN

LED DE ALIMENTACIÓN

- El LED se ilumina de color naranja: funcionamiento normal (la alimentación está conectada)
- El LED está apagado: el amplificador se encuentra en modo en espera.

LED DE PROTECCIÓN

El LED de protección del amplificador debe permanecer apagado durante el funcionamiento normal. En caso de que no haya sonido del amplificador y el LED de protección se ilumina en rojo, véase *Problemas y soluciones*, en la página 24.

PROBLEMAS Y SOLUCIONES

Si el amplificador no funciona del modo esperado, compruebe si el problema se contempla en esta sección antes de llamar a su distribuidor o ponerse en contacto con el servicio de atención al cliente JBL.

PROBLEMA

CAUSAS Y SOLUCIONES

No hay sonido (el LED de alimentación del amplificador está apagado)

- Compruebe que los +12 V del amplificador y las conexiones GND está perfectamente realizadas.
- Compruebe si el fusible en el cable de +12 V situado cerca de la batería está fundido: si es así, sustitúyalo por un fusible idéntico.
- Compruebe todos los fusibles del amplificador; si están fundidos, sustitúyalos por fusibles idénticos.
- Si usa una conexión REM del amplificador para el encendido, compruebe que el cable esté debidamente conectado al cable de encendido remoto del sistema o a la terminal de alimentación ACC del vehículo.

No hay sonido (el LED de alimentación del amplificador está de color naranja)

- Compruebe que todas las entradas del amplificador y las conexiones del altavoz está realizadas debidamente.
- Compruebe que los controles de nivel del amplificador no están encendidos hacia abajo (en sentido antihorario).
- Compruebe que el control de volumen de la unidad fuente del sistema de audio del vehículo no está girado hacia abajo.

No hay sonido (el LED de alimentación del amplificador está de color rojo)

- Confirme que el sistema eléctrico del vehículo suministra entre 9 V y 16 V CC al amplificador. Si la tensión está fuera de esta gama, corrija esta condición antes de intentar usar el amplificador.
- Si el amplificador se ha sobrecalentado, espere hasta que la unidad se haya refrigerado antes de volver a intentar usarla.
- Desconecte todos los altavoces del amplificador e intente volver a encenderlo:
 - Si el amplificador se enciende (el LED de alimentación está de color naranja) existe un cortocircuito en uno o más de los cables del altavoz. Corrija todos los cortocircuitos antes de volver a conectar los altavoces al amplificador.
 - Si el amplificador no se enciende (el LED de protección está todavía de color rojo y el LED de alimentación está apagado) póngase en contacto con su distribuidor JBL autorizado en busca de ayuda.

PROBLEMA

El sonido sólo procede de algunos de los altavoces conectados al amplificador.

CAUSAS Y SOLUCIONES

- Compruebe que el balance de la unidad fuente del sistema de audio del vehículo y los controles de disminución están fijados en las posiciones centrales (punto medio).
- (GX-A604): Compruebe que la configuración del conmutador de modo del amplificador se corresponde con la entrada y las conexiones del altavoz realizadas al amplificador.

El sonido es demasiado bajo, incluso con el volumen máximo de la unidad fuente del sistema de audio del vehículo.

- Compruebe que los controles de nivel del amplificador no están fijados demasiado bajo. Véase *Fijar los controles de entrada*, en la página 22, para obtener información sobre fijar los controles de nivel.

El sonido de los altavoces delanteros / traseros está distorsionado.

- Asegúrese que el conmutador de filtro de cruceta del amplificador para los canales distorsionados está fijado en HP:
- Fije el control de crucera para los canales distorsionado a una configuración más alta.
- Compruebe que la distorsión no está originada en la unidad fuente del sistema de audio del vehículo.

El sonido del subwoofer aparece distorsionado

- (GX-A604, GX-A602): Fije el conmutador de Bass Boost a la posición "OFF".
- GX-A3001: Mientras escucha música con muchos bajos, gire el control Bass Boost todo su recorrido hacia abajo y posteriormente aumentelo de forma gradual hasta que la distorsión empiece a desaparecer. Reduzca ligeramente la configuración del control Bass Boost para eliminar la distorsión y déjela fijada en esa posición.
- Compruebe que la distorsión no está originada en la unidad fuente del sistema de audio del vehículo.

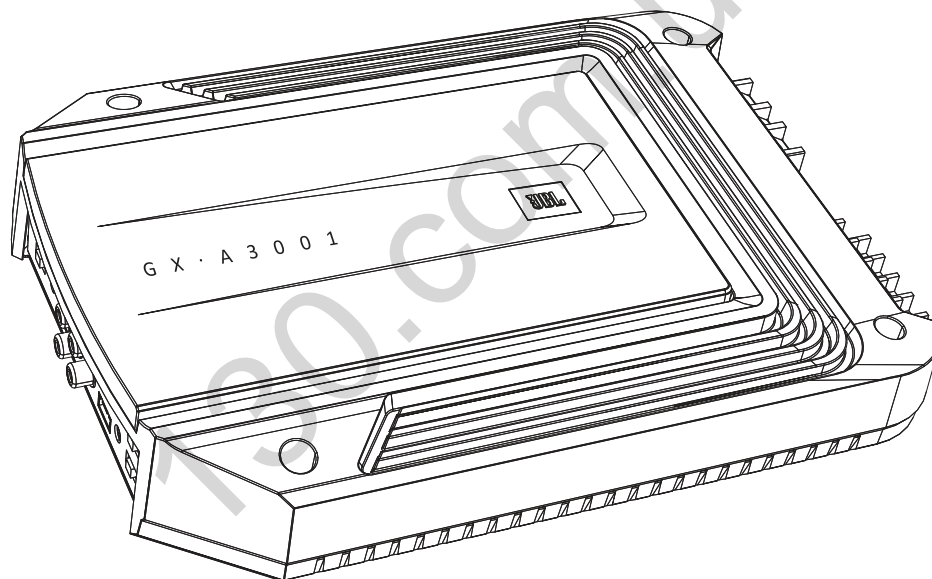
ESPECIFICACIONES

	GX-A604	GX-A602	GX-A3001
Potencia máxima (15.5 V, 1 kHz, 10% THD, canales totales, 2 ohmios)	435 W	280 W	415 W (15.5 V, 50 Hz, 10% THD, 2 ohmios)
Salida de potencia nominal @ 4 ohmios	60 W x 4	60 W x 2	200 W x 1
Salida de potencia puenteada (4 ohmios, 1% THD)	170 W x 2	170 W x 1	N/A
THD+N a potencia nominal	< 1%	< 1%	< 1%
Señal a ruido (2 V @ 4 ohmios)	> 75 dB	> 75 dB	> 75 dB
Factor de damping efectivo (4 ohmios)	> 50	> 50	> 50
Respuesta de frecuencia (-3 dB):	20 Hz – 20 kHz ±1 dB	20 Hz – 20 kHz ±1 dB	10 Hz – 320 kHz
Tensión de entrada máxima	20 V	20 V	20 V
Sensibilidad de entrada máxima	200 mV	200 mV	200 mV
Tamaño del fusible	20 A x 2	25 A	20 A x 2
Dimensiones (Alto x Ancho x Profundidad):	2-6/16" x 11-13/16" x 8-1/8" (52 mm x 300 mm x 206 mm)	2-1/16" x 7-13/16" x 8-1/8" (52 mm x 198 mm x 206 mm)	2-1/16" x 11-7/16" x 8-1/8" (52 mm x 291 mm x 206 mm)
Peso	2,40 kg	1,70 kg	2,40 kg



GX-A604/GX-A602/GX-A3001

Усилитель

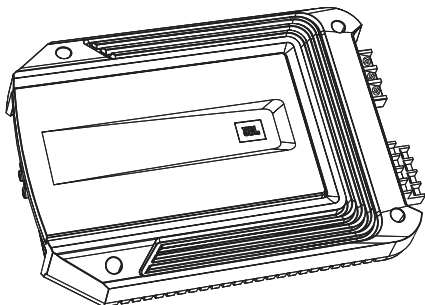


РУКОВОДСТВО ПОЛЬЗОВАТЕЛЯ

ВВЕДЕНИЕ

БЛАГОДАРИМ ВАС за покупку усилителя JBL® серии GX. Пожалуйста, сохраните свой чек об оплате покупки и зарегистрируйте свой усилитель на сайте www.jbl.com. Это необходимо на случай, если вам потребуется гарантийное обслуживание.

КОМПЛЕКТ ПОСТАВКИ



Усилитель серии GX (1 шт.)



Коннектор высокоуровневого входа
(GX-A602, GX-A3001: 1 шт.)
(GX-A604: 2 шт.)

РАЗМЕЩЕНИЕ И МОНТАЖ

В настоящих инструкциях только в общих чертах объясняется, как установить усилитель серии GX. Мы не даем конкретных инструкций, относящихся именно к вашему автомобилю. Если у вас нет необходимых инструментов или опыта, не пытайтесь установить усилитель самостоятельно. Вместо этого обратитесь к авторизованному дилеру JBL и запросите услугу профессиональной установки.

ПРЕДУПРЕЖДЕНИЯ И СОВЕТЫ

ВНИМАНИЕ! Перед началом установки отсоедините отрицательную (-) клемму автомобильного аккумулятора.

- При работе с инструментами всегда носите защитные очки.
- Проверьте зазоры с обеих сторон выбранной монтажной поверхности. Убедитесь, что шурупы или провода не проткнут тормозную магистраль, топливопровод или электропроводку, и что монтаж проводов не будет мешать безопасной эксплуатации автомобиля.
- Делая проводку, убеждайтесь, что электрические контакты надежны и должным образом изолированы.
- Сгоревший предохранитель усилителя можно заменить только на предохранитель того же типа с теми же номинальными характеристиками.

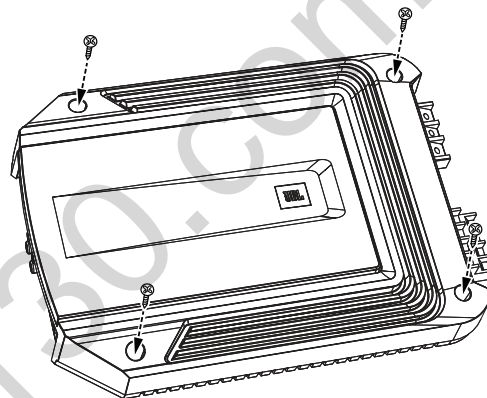
МЕСТО УСТАНОВКИ

Для охлаждения усилителя требуется надлежащая циркуляция воздуха. Выберите для установки такое место, где будет достаточно воздуха для охлаждения усилителя.

- Подходящие места для установки: под сиденьем (при условии, что усилитель не будет мешать механизму регулировки сиденья), в багажнике или любое другое место с достаточной циркуляцией воздуха.
- Не монтируйте усилитель радиатором вниз, так как это будет препятствовать конвекционному охлаждению усилителя.
- Установите усилитель так, чтобы он не мог быть случайно поврежден ногами сидящими позади пассажирами или смещающимся грузом в багажнике.
- Установите усилитель так, чтобы он всегда оставался сухим - запрещается устанавливать его снаружи автомобиля или в моторном отсеке.

МОНТАЖ УСИЛИТЕЛЯ

ПРИМЕЧАНИЕ. Возможно, вам будет удобнее сначала подвести все провода к усилителю, прежде чем окончательно установить его в автомобиле.



1. Выберите подходящее место для установки, как указано выше.
2. Приложите усилитель к монтируемой поверхности и отметьте положение монтажных отверстий.
3. Просверлите направляющие отверстия для шурупов в монтажной поверхности.
4. Прикрепите усилитель к монтажной поверхности с помощью четырех подходящих шурупов. Мы рекомендуем использовать шурупы № 8 с крестообразной головкой для крепления листового металла. Убедитесь, что усилитель надежно закреплен.

СИЛОВОЕ СОЕДИНЕНИЕ И ЗАЗЕМЛЕНИЕ

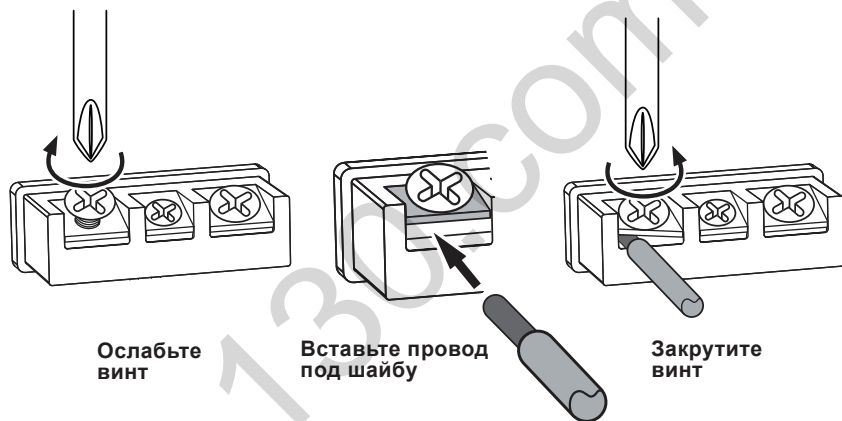
ВНИМАНИЕ! Перед началом установки отсоедините отрицательную (-) клемму автомобильного аккумулятора.

Усилители серии GX могут развивать большую мощность, так что для их оптимальной работы требуется надежное соединение с электросистемой автомобиля. Строго следуйте следующим инструкциям.

ИСПОЛЬЗОВАНИЕ КЛЕММНОЙ КОЛОДКИ

В усилителях серии GX используются клеммы с винтовым креплением одного и того же типа для подвода питания и подключения динамиков. Клеммы этого типа удобны в эксплуатации и позволяют легко подсоединять провода крупного калибра.

Порядок подсоединения: с помощью крестообразной отвертки ослабьте винт клеммы, вставьте оголенный наконечник провода и снова закрутите винт, чтобы зажать провод в клемме, как показано на рисунке ниже.



Ослабьте
винт

Вставьте провод
под шайбу

Закрутите
винт

ВНИМАНИЕ! Убедитесь, что оголенные провода (+) и (-) динамика не соприкасаются друг с другом и другими клеммами как на усилителе, так и на динамике. В противном случае может произойти короткое замыкание, которое может повредить усилитель.

ЗАЗЕМЛЕНИЕ (GND)

Подсоедините провод (калибра не менее 10 AWG - 5,3 мм²) от клеммы GND на усилителе непосредственно к корпусу автомобиля.

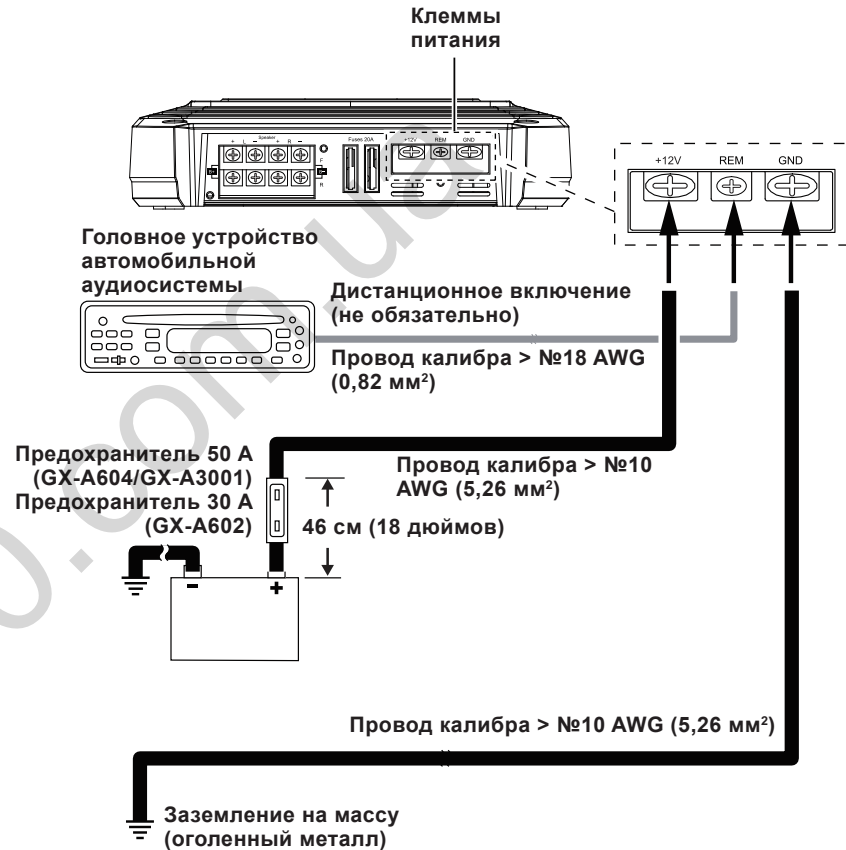
- Для обеспечения хорошего соединения потрите наждачной бумагой место заземления на корпусе автомобиля, чтобы снять оттуда краску. Используйте стопорную шайбу звездчатого типа для надежного подсоединения провода.

СИЛОВОЕ СОЕДИНЕНИЕ (12 В)

1. Подсоедините провод (калибра не менее 10 AWG - 5,3 мм²) непосредственно к положительной (+) клемме аккумулятора.
2. Установите патрон предохранителя на 50A (GX-A604, GX-A3001) или 30A (GX-A602) на этот провод на расстоянии не более 46 см (18 дюймов) от положительной (+) клеммы. Пока не вставляйте предохранитель в патрон.
3. Подведите этот провод к усилителю и подсоедините его к клемме +12V усилителя. При прокладке проводов через противопожарную перегородку и другой листовый металл используйте изоляционные шайбы.

ВНИМАНИЕ! Недостаточная защита провода, идущего от положительной клеммы аккумулятора, может привести к пожару в автомобиле.

4. По завершении прокладки и подсоединения этого провода установите подходящий предохранитель в патрон возле аккумулятора. (для GX-A604, GX-A3001 требуется предохранитель на 50A; для GX-A602 - на 30A)



ПОДКЛЮЧЕНИЕ ДИНАМИКОВ И ИСТОЧНИКА АУДИОСИГНАЛА

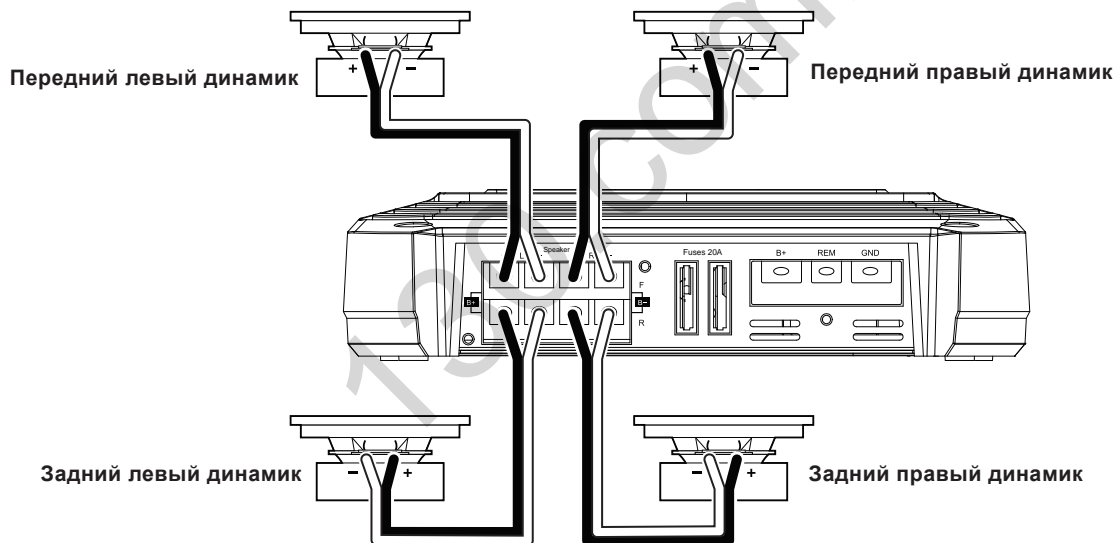
Всегда соединяйте клемму (+) для динамиков на усилителе с клеммой (+) на динамике, и клемму (-) для динамиков на усилителе с клеммой (-) на динамике.

ВНИМАНИЕ! Убедитесь, что оголенные провода (+) и (-) не соприкасаются друг с другом и другими клеммами как на усилителе, так и на динамике. В противном случае может произойти короткое замыкание, которое может повредить усилитель.

ПОДКЛЮЧЕНИЕ ДИНАМИКОВ К GX-A604: 4-КАНАЛЬНАЯ СИСТЕМА

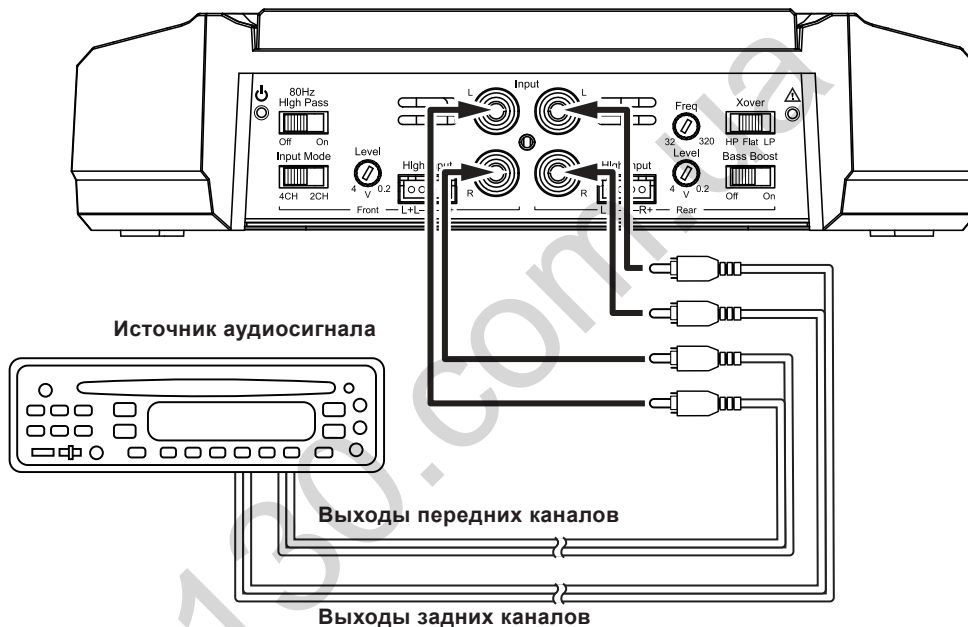
Минимальный импеданс каждого динамика: 2 Ом

- Подключите передние динамики к клеммам FL (+) и (-), FR (+) и (-) на усилителе.
- Подключите задние динамики к клеммам RL (+) и (-), RR (+) и (-) на усилителе.



ПОДКЛЮЧЕНИЕ ИСТОЧНИКА АУДИОСИГНАЛА К GX-A604: 4-КАНАЛЬНАЯ СИСТЕМА

Подключите передний левый, передний правый, задний левый и задний правый выходы источника аудиосигнала к соответствующим четырем входам усилителя, как показано на рисунке.



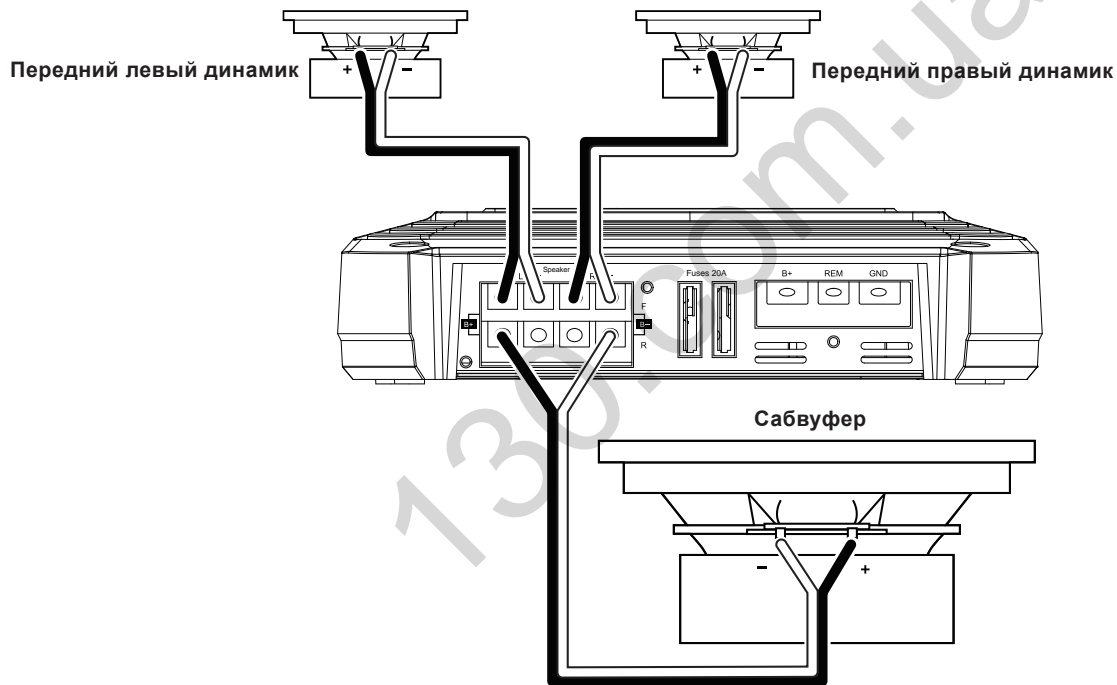
За сведениями о настройке усилителя для работы в 4-канальном режиме обращайтесь в раздел *Управление кроссовером* на стр. 20.

В случае использования высокоуровневых входов вместо линейных входов см. раздел *Использование высокоуровневых входов* на стр. 12.

ПОДКЛЮЧЕНИЕ ДИНАМИКОВ К GX-A604: 3-КАНАЛЬНАЯ СИСТЕМА

Минимальный импеданс каждого динамика: 2 Ом (для левого и правого динамиков), 4 Ом (для сабвуфера)

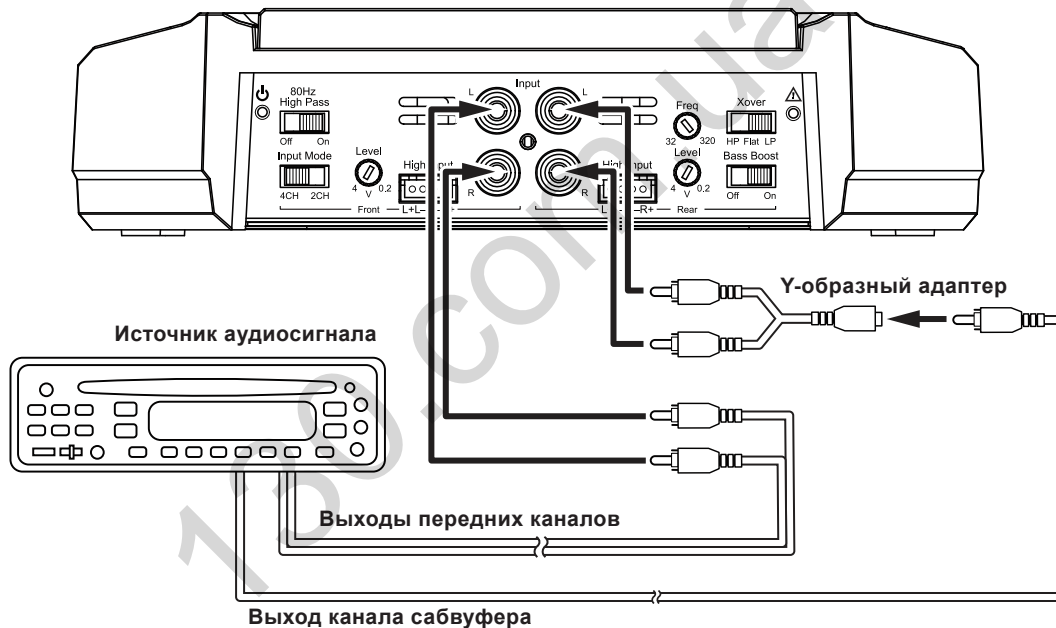
- Подключите левый и правый динамики к клеммам FL (+) и (-), FR (+) и (-) на усилителе.
- Подключите сабвуфер к клеммам RL (+) и RR (-) на усилителе. (С помощью функции усиления басов можно настроить задние каналы на подключение сабвуфера. См. раздел *Усиление басов* на стр. 23.) **ПРИМЕЧАНИЕ.** Можно последовательно подключить два сабвуфера по 2 Ом, чтобы добиться требуемого импеданса 4 Ом для сабвуферного канала.



ПОДКЛЮЧЕНИЕ ИСТОЧНИКА АУДИОСИГНАЛА К GX-A604: 3-КАНАЛЬНАЯ СИСТЕМА

Подключите линейные выходы источника аудиосигнала к линейным входам усилителя как показано на рисунке ниже. Установите переключатель входного режима в положение "4CH".

ПРИМЕЧАНИЕ. Используйте Y-образный адаптер для подключения выхода сабвуфера на источнике аудиосигнала ко входам заднего левого и заднего правого каналов на усилителе.



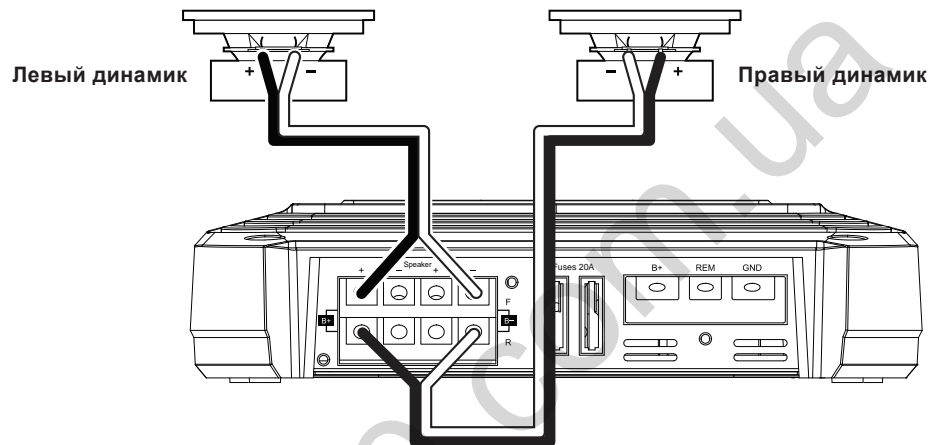
За сведениями о настройке усилителя для работы в 3-канальном режиме обращайтесь в раздел *Управление кроссовером* на стр. 20.

В случае использования высокоуровневых входов вместо линейных входов см. раздел *Использование высокоуровневых входов* на стр. 12.

ПОДКЛЮЧЕНИЕ ДИНАМИКОВ К GX-A604: 2-КАНАЛЬНАЯ СИСТЕМА

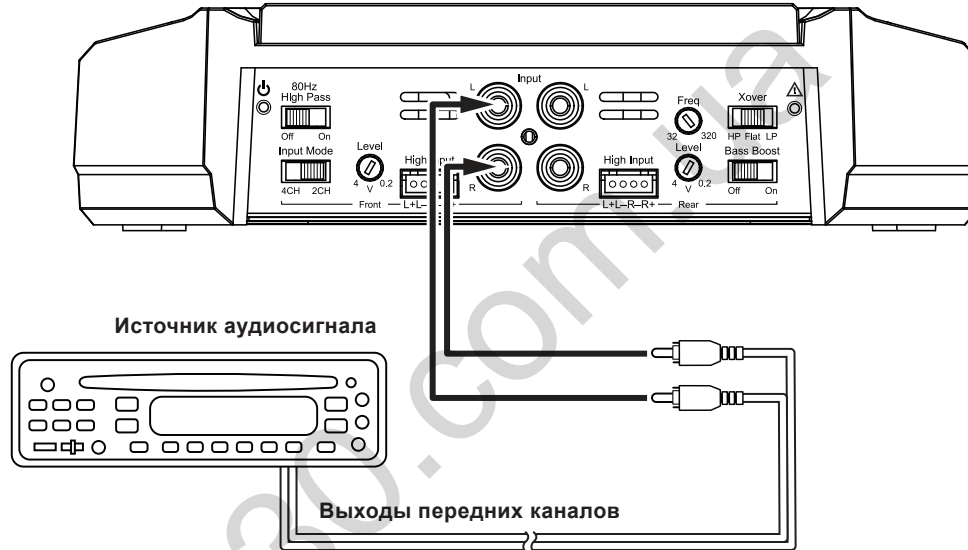
Минимальный импеданс каждого динамика: 4 Ом

Подключите левый и правый динамики как показано на рисунке ниже.



ПОДКЛЮЧЕНИЕ ИСТОЧНИКА АУДИОСИГНАЛА К GX-A604: 2-КАНАЛЬНАЯ СИСТЕМА

Подключите линейные выходы источника аудиосигнала к линейным входам усилителя как показано на рисунке ниже. Используйте входы только переднего правого и переднего левого каналов и убедитесь, что переключатель входного режима установлен в положении "2CH".



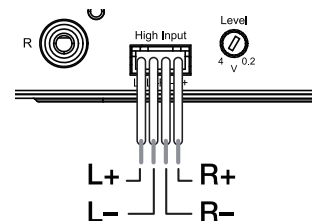
За сведениями о настройке усилителя для работы в 2-канальном режиме обращайтесь в раздел *Управление кроссовером* на стр. 20.

В случае использования высокоуровневых входов вместо линейных входов см. раздел *Использование высокоуровневых входов* на стр. 12.

ИСПОЛЬЗОВАНИЕ ВЫСОКОУРОВНЕВЫХ ВХОДОВ

Если источник аудиосигнала не имеет линейного выхода, можно использовать коннектор высокоуровневого входа для подключения источника аудиосигнала к усилителю через высокоуровневый выход на источнике. Разъемы слева-направо: L+ (левый +), L- (левый -), R- (правый -), R+ (правый +) - см. рисунок справа. Эта конфигурация справедлива для высокоуровневых входов на всех усилителях серии GX.

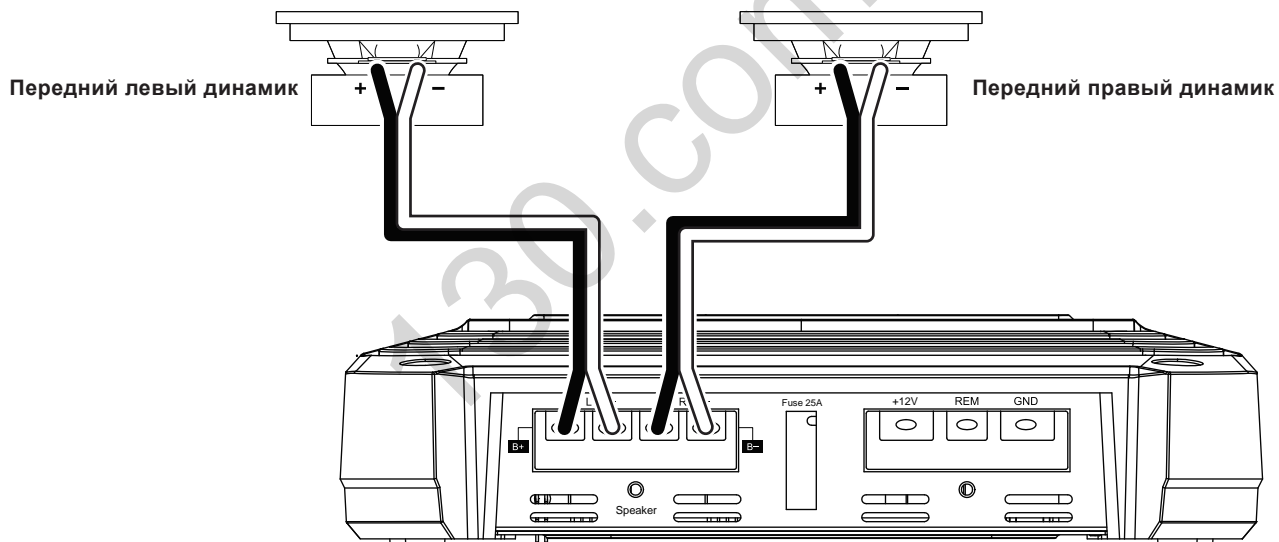
Следуйте инструкциям из предыдущих разделов, используя вместо линейных входов соответствующие высокоуровневые входы.



ПОДКЛЮЧЕНИЕ ДИНАМИКОВ К GX-A602: 2-КАНАЛЬНАЯ СИСТЕМА

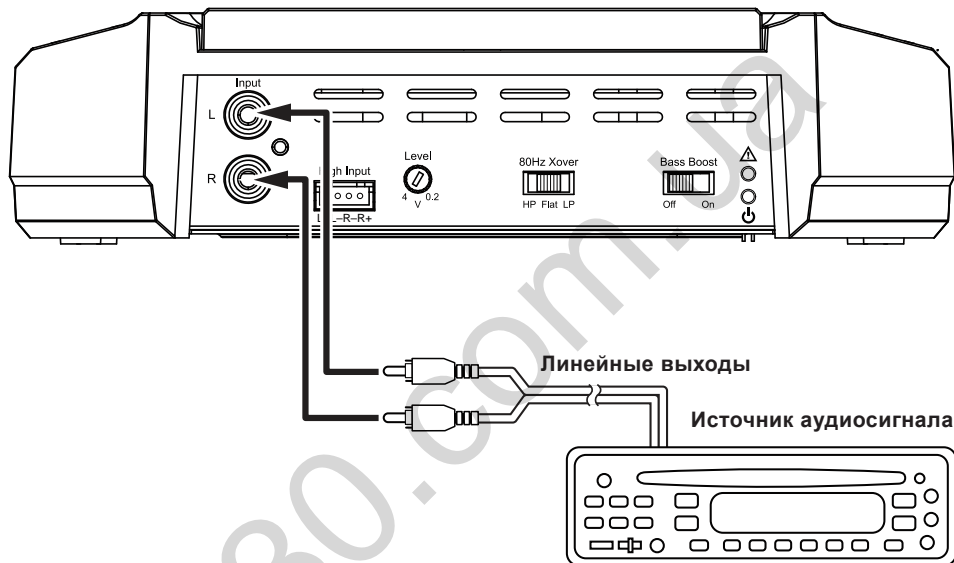
Минимальный импеданс каждого динамика: 2 Ом

Подключите левый и правый динамики к клеммам FL (+) и (-), FR (+) и (-) на усилителе.



ПОДКЛЮЧЕНИЕ ИСТОЧНИКА АУДИОСИГНАЛА К GX-A602: 2-КАНАЛЬНАЯ СИСТЕМА

Подключите линейные выходы источника аудиосигнала к линейным входам усилителя как показано на рисунке ниже.



За сведениями о настройке усилителя для работы в 2-канальном режиме обращайтесь в раздел *Управление кроссовером* на стр. 20.

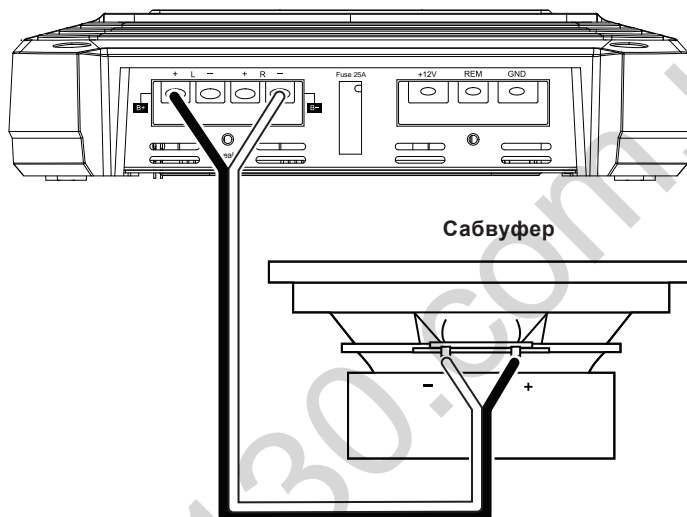
В случае использования высокоуровневых входов вместо линейных входов см. раздел *Использование высокоуровневых входов* на стр. 12.

ПОДКЛЮЧЕНИЕ ДИНАМИКОВ К GX-A602: МОСТОВАЯ СХЕМА

В мостовом режиме выделяется один мощный канал для сабвуфера.

Минимальный импеданс сабвуфера: 4 Ом

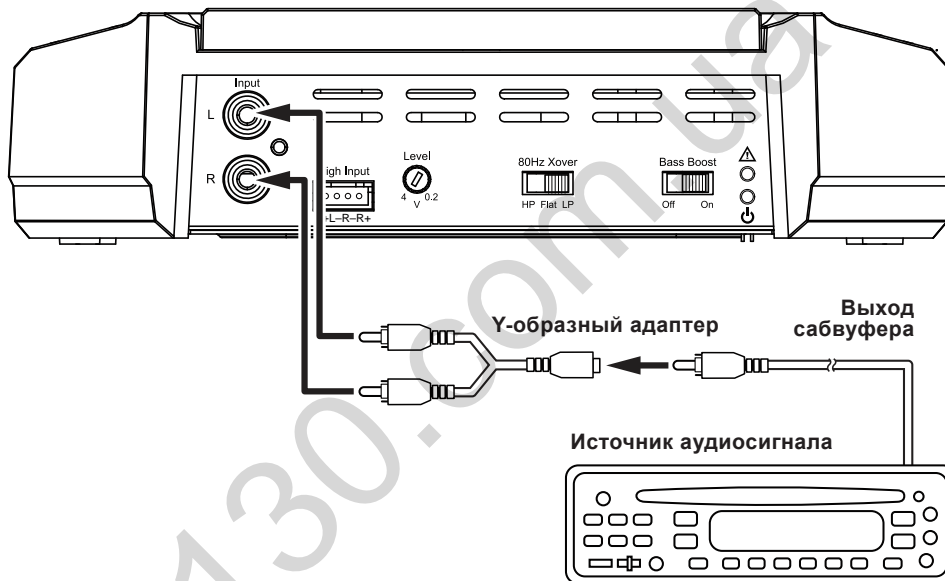
Подключите сабвуфер к клеммам RL (+) и RR (-) на усилителе. **ПРИМЕЧАНИЕ.** Можно последовательно подключить два сабвуфера по 2 Ом, чтобы добиться требуемого импеданса 4 Ом для мостовой схемы.



ПОДКЛЮЧЕНИЕ ИСТОЧНИКА АУДИОСИГНАЛА К GX-A602: МОСТОВАЯ СХЕМА

Подключите линейный выход сабвуфера на источнике аудиосигнала к входам усилителя как показано на рисунке ниже.

ПРИМЕЧАНИЕ. Используйте Y-образный адаптер для подключения источника аудиосигнала ко входам заднего левого и заднего правого каналов на усилителе.



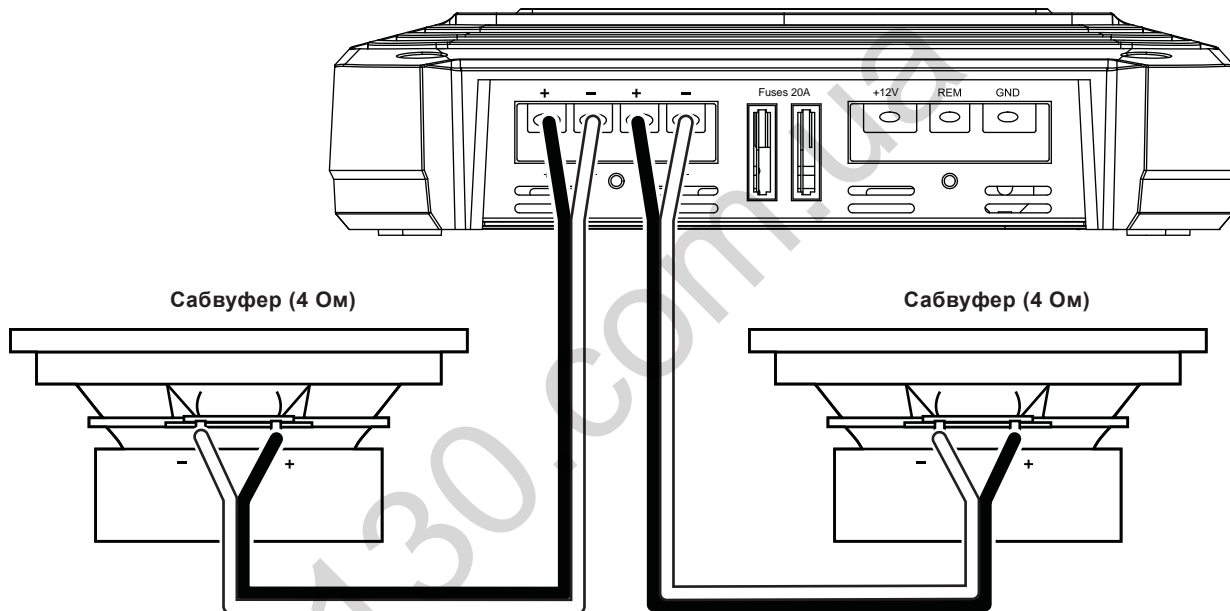
За сведениями о настройке усилителя для работы в мостовом режиме обращайтесь в раздел *Управление кроссовером* на стр. 20.

В случае использования высокоуровневых входов вместо линейных входов см. раздел *Использование высокоуровневых входов* на стр. 12.

ПОДКЛЮЧЕНИЕ ДИНАМИКОВ К GX-A3001

Минимальный импеданс динамиков: 2 Ом (один сабвуфер) или 4 Ом (2 сабвуфера)

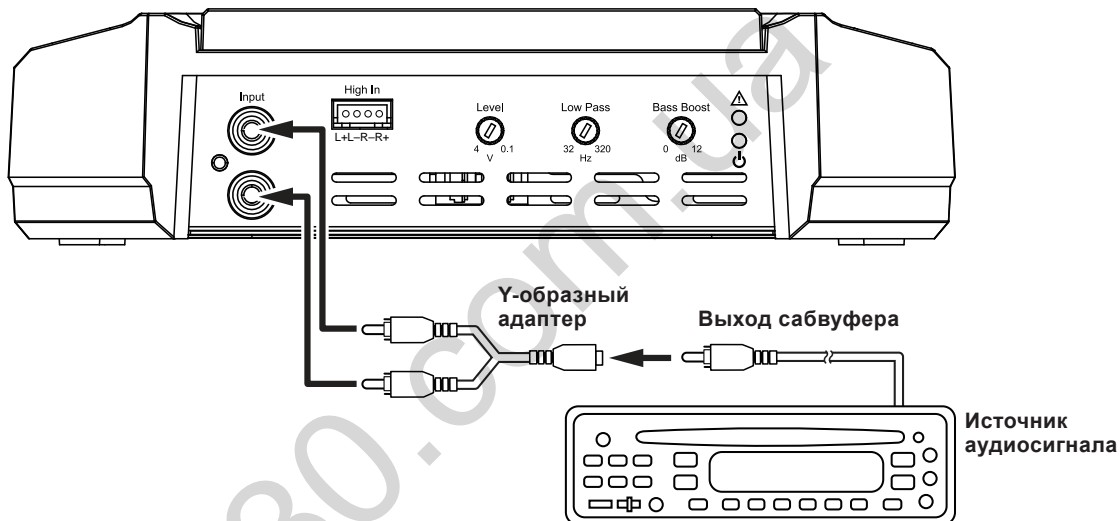
В модели GX-A3001 имеется два набора разъемов для подключения динамиков, что позволяет подключить два сабвуфера.



- Если вы используете только один сабвуфер, вы можете подключить его к любому набору разъемов для динамиков на усилителе GX-A3001.
- Если вы используете два сабвуфера с импедансом по 2 Ом, вы можете подключить их последовательно к одному набору разъемов, чтобы добиться требуемого импеданса 2 Ом.

ПОДКЛЮЧЕНИЕ ИСТОЧНИКА АУДИОСИГНАЛА К GX-A3001

С помощью Y-образного адаптера подключите линейный выход сабвуфера на источнике аудиосигнала к входам усилителя как показано на рисунке ниже. Если на источнике аудиосигнала нет специального выхода для сабвуфера, можно подключить правый/левый выходы на источнике к правому/левому входам на усилителе.

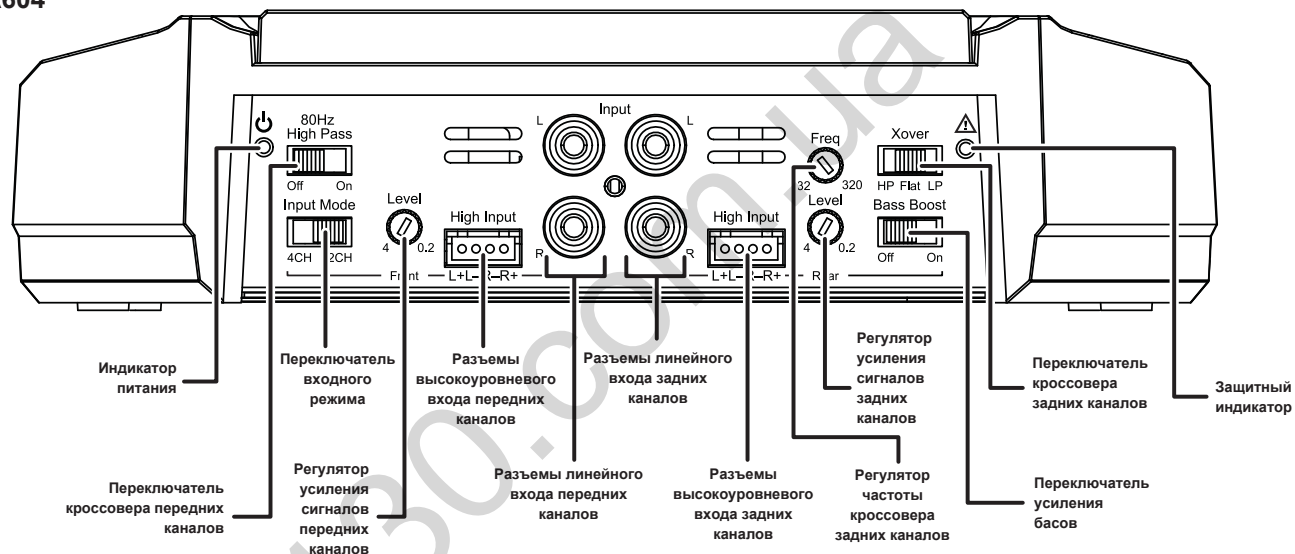


За сведениями о настройке усилителя обращайтесь в раздел *Управление кроссовером* на стр. 20.

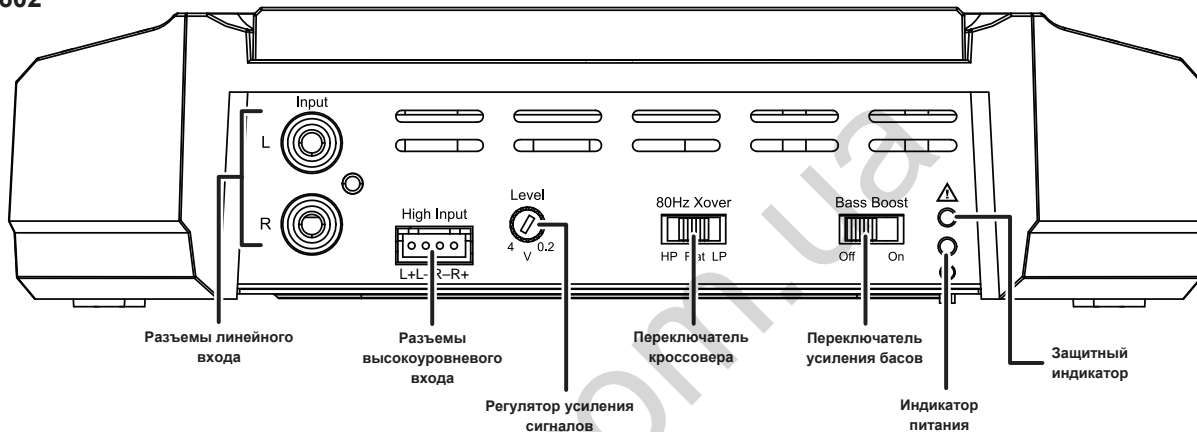
В случае использования высокоуровневых входов вместо линейных входов см. раздел *Использование высокоуровневых входов* на стр. 12.

ОРГАНЫ УПРАВЛЕНИЯ, ВХОДНЫЕ РАЗЪЕМЫ И ИНДИКАТОРЫ

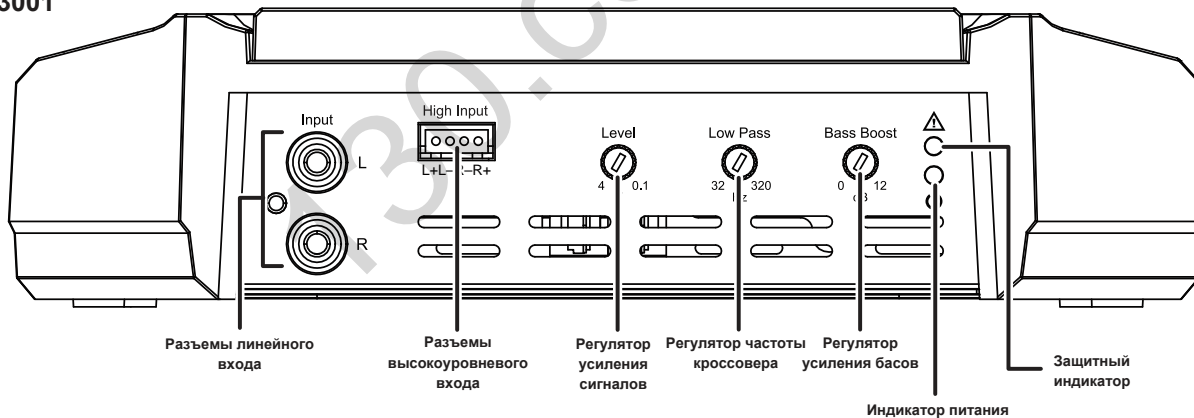
GX-A604



GX-A602



GX-A3001



УПРАВЛЕНИЕ КРОССОВЕРОМ

GX-A604: 4-КАНАЛЬНАЯ СИСТЕМА

Переключатель входного режима: Установите переключатель входного режима в положение "4CH".

Переключатель режима работы кроссовера передних каналов: Установите переключатель кроссовера передних каналов в положение "ON" (пропускаются частоты выше пороговой частоты). Это ограничит мощность низкочастотных сигналов, поступающих в динамики, что значительно снижает искажение и предохраняет динамики от повреждения. **Исключение:** Если вы подключили большие полнодиапазонные динамики (15 x 22 см или больше), которые могут справляться с обработкой басов в передних каналах *и вы не используете сабвуфер в системе*, установите переключатель кроссовера передних каналов в положение "OFF" (поступает полный сигнал).

Переключатель режима работы кроссовера задних каналов: Установите переключатель кроссовера задних каналов в положение "HP" (пропускаются частоты выше пороговой частоты). Это ограничит мощность низкочастотных сигналов, поступающих в динамики, что значительно снижает искажение и предохраняет динамики от повреждения. **Исключение:** Если вы подключили большие полнодиапазонные динамики (15 x 22 см или больше), которые могут справляться с обработкой басов в передних каналах *и вы не используете сабвуфер в системе*, установите переключатель кроссовера задних каналов в положение "FLAT" (поступает полный сигнал).

Регулятор пороговой частоты кроссовера задних каналов: Если переключатель кроссовера задних каналов установлен в положение "HP", с помощью регулятора частоты кроссовера задних каналов можно установить пороговую частоту, ниже которой существенно уменьшается мощность сигналов, поступающих в динамики.

При использовании усилителя в 4-канальном режиме следует устанавливать регулятор частоты кроссовера задних каналов в соответствии с размером динамиков, подключаемых к усилителю: чем меньше динамики, тем выше должна быть пороговая частота кроссовера. После первоначальной установки частоты кроссовера послушайте известную вам музыку с насыщенными басами. Если динамики искажают звучание, повысьте пороговую частоту кроссовера, чтобы избавиться от этого искажения. На иллюстрации справа показан примерный диапазон частот кроссовера для динамиков разного размера.

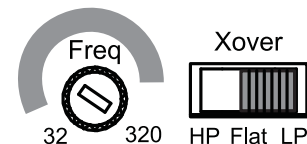


GX-A604: 3-КАНАЛЬНАЯ СИСТЕМА

Переключатель входного режима: Установите переключатель входного режима в положение "4CH".

Переключатель режима работы кроссовера передних каналов: Установите переключатель кроссовера передних каналов в положение "ON" (пропускаются частоты выше пороговой частоты). Это ограничит мощность низкочастотных сигналов, поступающих в динамики, что значительно снижает искажение и предохраняет динамики от повреждения.

Пропуск низкочастотных сигналов: сабвуферы и втуферы



Переключатель режима работы кроссовера задних каналов: При подключении сабвуфера или вуфера к задним каналам установите переключатель кроссовера задних каналов в положение "LP" (пропускаются частоты ниже пороговой частоты). Это ограничит мощность высокочастотных сигналов, поступающих в сабвуфер или вуфер, от чего вокал станет более четким и будут меньше искажаться звуки среднего частотного диапазона.

Регулятор пороговой частоты кроссовера задних каналов: Настройка регулятора частоты кроссовера задних каналов зависит от типа и расположения вашего сабвуфера. Начните с пороговой частоты кроссовера чуть ниже 80 Гц. Прослушав музыку, подрегулируйте пороговую частоту кроссовера задних каналов так, чтобы происходил плавный переход от сабвуфера к остальными динамикам системы без "провала", когда выпадает звук между сабвуфером и остальными динамиками. На иллюстрации справа показано примерное положение регулятора частоты кроссовера задних каналов.

GX-A604: 2-КАНАЛЬНАЯ СИСТЕМА

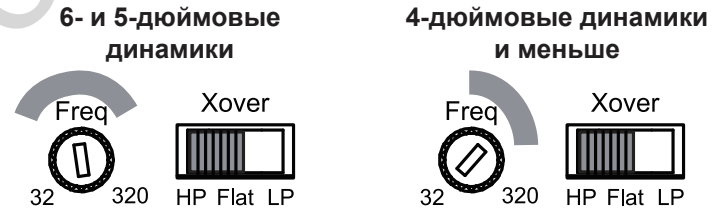
Переключатель входного режима: Установите переключатель входного режима в положение "2CH".

Переключатель режима работы кроссовера передних каналов: Установите переключатель кроссовера передних каналов в положение "ON" (пропускаются частоты выше пороговой частоты). Это ограничит мощность низкочастотных сигналов, поступающих в динамики, что значительно снижает искажение и предохраняет динамики от повреждения. **Исключение:** Если вы подключили большие полнодиапазонные динамики (15 x 22 см или больше), которые могут справляться с обработкой басов в передних каналах *и вы не используете сабвуфер в системе*, установите переключатель кроссовера передних каналов в положение "OFF" (поступает полный сигнал).

Переключатель режима работы кроссовера задних каналов: Установите переключатель кроссовера задних каналов в положение "HP" (пропускаются частоты выше пороговой частоты). Это ограничит мощность низкочастотных сигналов, поступающих в динамики, что значительно снижает искажение и предохраняет динамики от повреждения. **Исключение:** Если вы подключили большие полнодиапазонные динамики (15 x 22 см или больше), которые могут справляться с обработкой басов в передних каналах *и вы не используете сабвуфер в системе*, установите переключатель кроссовера задних каналов в положение "FLAT" (поступает полный сигнал).

Регулятор пороговой частоты кроссовера задних каналов: Если переключатель кроссовера задних каналов установлен в положение "HP", с помощью регулятора частоты кроссовера задних каналов можно установить пороговую частоту, ниже которой существенно уменьшается мощность сигналов, поступающих в динамики.

При использовании усилителя в 4-канальном режиме следует устанавливать регулятор частоты кроссовера задних каналов в соответствии с размером динамиков, подключаемых к усилителю: чем меньше динамики, тем выше должна быть пороговая частота кроссовера. После первоначальной установки частоты кроссовера послушайте известную вам музыку с насыщенными басами. Если динамики искажают звучание, повысьте пороговую частоту кроссовера, чтобы избавиться от этого искажения. На иллюстрации справа показан примерный диапазон частот кроссовера для динамиков разного размера.



GX-A602: 2-КАНАЛЬНАЯ СИСТЕМА

Переключатель режима работы кроссовера каналов:

- Если вы подключили к усилителю пару 6-дюймовых полнодиапазонных динамиков (15 см) или динамики еще меньшего размера, установите переключатель кроссовера каналов в положение "HP". Это ограничит мощность низкочастотных сигналов, поступающих в динамики, что значительно снижает искажение и предохраняет динамики от повреждения.
- Если вы подключили пару крупных полнодиапазонных динамиков (15 x 22 см или больше), которые могут справиться с обработкой басов в передних каналах *и вы не используете сабвуфер в системе*, установите переключатель кроссовера в положение "FLAT" (поступает полный сигнал).
- Если вы подключили к усилителю пару сабвуферов или вуферов, установите переключатель кроссовера в положение "LP" (пропускаются частоты ниже пороговой частоты). Это ограничит мощность высокочастотных сигналов, поступающих в сабвуфер или вуфер, от чего вокал станет более четким и будут меньше искажаться звуки среднего частотного диапазона.

GX-A602: МОСТОВАЯ СХЕМА

Переключатель режима работы кроссовера: При подключении сабвуфера к усилителю по мостовой схеме установите переключатель кроссовера в положение "LP" (пропускаются частоты ниже пороговой частоты). Это ограничит мощность высокочастотных сигналов, поступающих в сабвуфер.

GX-A3001

ПРИМЕЧАНИЕ. Внутренний кроссовер усилителя GX-A3001 постоянно установлен на работу в режиме пропуска низкочастотных сигналов (LP).

Регулятор пороговой частоты кроссовера: С помощью регулятора частоты кроссовера ограничивается мощность высокочастотных сигналов, поступающих в сабвуфер. Настройка регулятора пороговой частоты кроссовера зависит от типа и расположения вашего сабвуфера. Начните с частоты чуть ниже пороговой частоты, установленной вами для других динамиков вашей системы. Прослушав музыку, подрегулируйте пороговую частоту кроссовера так, чтобы происходил плавный переход от сабвуфера к остальными динамикам системы без "провала", когда выпадает звук между сабвуфером и остальными динамиками. На иллюстрации справа показано примерное положение регулятора частоты кроссовера.

Сабвуферы и вуферы



УПРАВЛЕНИЕ УСИЛЕНИЕМ СИГНАЛОВ

1. Поверните все регуляторы усиления сигналов на всех усилителях против часовой стрелки до упора.
2. Включите любую динамическую музыку в источнике аудиосигналов и установите регулятор громкости на 3/4 от максимальной громкости.
3. Медленно поворачивайте регулятор усиления сигналов передних каналов по часовой стрелке, пока воспроизведение музыки не начнет искажаться.
4. Поверните немного регулятор усиления сигналов передних каналов против часовой стрелки, пока воспроизведение музыки не перестанет искажаться.
5. Если вы используете несколько усилителей или модель GX-A604, повторите шаги 3 - 4 для всех остальных регуляторов усиления сигналов.

УСИЛЕНИЕ БАСОВ

GX-A604: Если вы подключили сабвуфер к задним каналам усилителя, можно включить усиление басов, обеспечив громкость на уровне 12 дБ для частоты 45 Гц. (Функция усиления басов влияет только на задние каналы усилителя.) Если усиление басов вызывает заметное искажение звука или сабвуфер "захлебывается", мы рекомендуем выключить усиление басов, переведя переключатель усиления басов в положение "OFF." **ПРЕДУПРЕЖДЕНИЕ:** Включайте усиление басов только в том случае, если к задним каналам усилителя подключен сабвуфер. Если подключить полнодиапазонные динамики к задним каналам и включить усиление басов, то эти динамики могут повредиться.

GX-A602: Если вы подключили сабвуфер усилителю по мостовой схеме, можно включить усиление басов, обеспечив громкость на уровне 12 дБ для частоты 45 Гц. Если усиление басов вызывает заметное искажение звука или сабвуфер "захлебывается", мы рекомендуем выключить усиление басов, переведя переключатель усиления басов в положение "OFF." **ПРЕДУПРЕЖДЕНИЕ:** Включайте усиление басов только в том случае, если к усилителю подключен сабвуфер. Если подключить к усилителю полнодиапазонные динамики и включить усиление басов, то эти динамики могут повредиться.

GX-A3001: С помощью регулятора усиления басов можно усилить басы до уровня 12 дБ на частоте 45 Гц. Регулируйте усиление басов по своему вкусу, но не переусердствуйте: чрезмерное усиление басов может привести к заметному искажению звука или "захлебыванию" сабвуфера.

СВЕТОДИОДНЫЕ ИНДИКАТОРЫ

ИНДИКАТОР ПИТАНИЯ

- Индикатор светится оранжевым светом: нормальная работа (питание включено).
- Индикатор не горит: усилитель находится в режиме ожидания.

ЗАЩИТНЫЙ ИНДИКАТОР

Защитный индикатор не должен гореть в ходе нормальной работы. Если усилитель замолчал, а защитный индикатор загорелся красным цветом, то это свидетельствует о неисправности - см. раздел *Поиск и устранение неисправностей* на стр. 24.

ПОИСК И УСТРАНЕНИЕ НЕИСПРАВНОСТЕЙ

Если вам кажется, что усилитель работает неисправно, проверьте, есть ли описание вашей проблемы в данном разделе, перед тем, как звонить дилеру JBL или связаться со службой поддержки клиентов JBL.

ПРОБЛЕМА

ПРИЧИНЫ И РЕШЕНИЯ

Нет звука (индикатор питания усилителя не горит)

- Проверьте соединения проводов к клеммам усилителя +12V и GND.
- Проверьте, не сгорел ли предохранитель на проводе +12V около аккумулятора: если сгорел, замените его таким же.
- Проверьте все предохранители усилителя и замените сгоревшие.
- Если вы используете проводное дистанционное управление для включения усилителя, проверьте соединение этого провода с клеммой REM усилителя.

Нет звука (индикатор питания усилителя горит оранжевым светом)

- Проверьте все соединения проводов на входах усилителя и на клеммах подключения динамиков.
- Проверьте, не поставлены ли на ноль ручки регуляторов усиления сигналов (вывернуты против часовой стрелки до упора).
- Проверьте, не поставлены ли на ноль ручки регуляторов громкости на источнике аудиосигнала.

Нет звука (защитный индикатор усилителя горит красным светом)

- Убедитесь, что от электрической системы автомобиля на усилитель подается постоянный ток с напряжением в диапазоне от 9 до 16 В. Если питающее напряжение выходит за границы этого диапазона, подкорректируйте его перед тем, как использовать усилитель.
- Если усилитель перегрелся, дайте ему остыть перед повторным включением.
- Отсоедините все динамики от усилителя и попробуйте снова включить усилитель:
 - Если усилитель включился (индикатор питания загорелся оранжевым светом), значит, где-то происходит короткое замыкание проводов динамиков. Устраните короткое замыкание перед подсоединением динамиков к усилителю.
 - Если усилитель не включается (защитный индикатор по-прежнему загорается красным цветом, а индикатор питания не горит), обратитесь за помощью к своему авторизованному дилеру JBL.

ПРОБЛЕМА**ПРИЧИНЫ И РЕШЕНИЯ**

Звук раздается не из всех динамиков, подключенных к усилителю

- Убедитесь, что ручки баланса каналов на источнике аудиосигнала находятся в центральном положении (посередине).
- (GX-A604): Проверьте, в правильном ли положении находится переключатель входного режима.

Слишком тихий звук, даже когда ручки регулировки громкости на источнике аудиосигнала повернуты до максимума.

- Проверьте, не поставлены ли ручки регуляторов усиления сигналов на слишком низкий уровень. За сведениями о настройке регуляторов усиления сигналов обращайтесь в раздел *Управление усилением сигналов* на стр. 22.

Искажается звук в передних/задних динамиках

- Убедитесь, что переключатель режима работы кроссовера установлен в положение HP.
- Установите регулятор частоты кроссовера на более высокое значение.
- Убедитесь, что искажение не исходит из источника аудиосигнала аудиосистемы автомобиля.

Искажается звук в сабвуфере

- (GX-A604, GX-A602): Переведите переключатель усиление басов в положение "OFF."
- (GX-A3001): Слушая музыку с насыщенными басами, поверните ручку регулятора усиления басов до нуля, а затем постепенно повышайте степень усиления басов, пока не начнет появляться искажение. Немного уменьшите степень усиления басов, чтобы исчезли искажения, и оставьте ручку регулятора в этом положении.
- Убедитесь, что искажение не исходит из источника аудиосигнала аудиосистемы автомобиля.

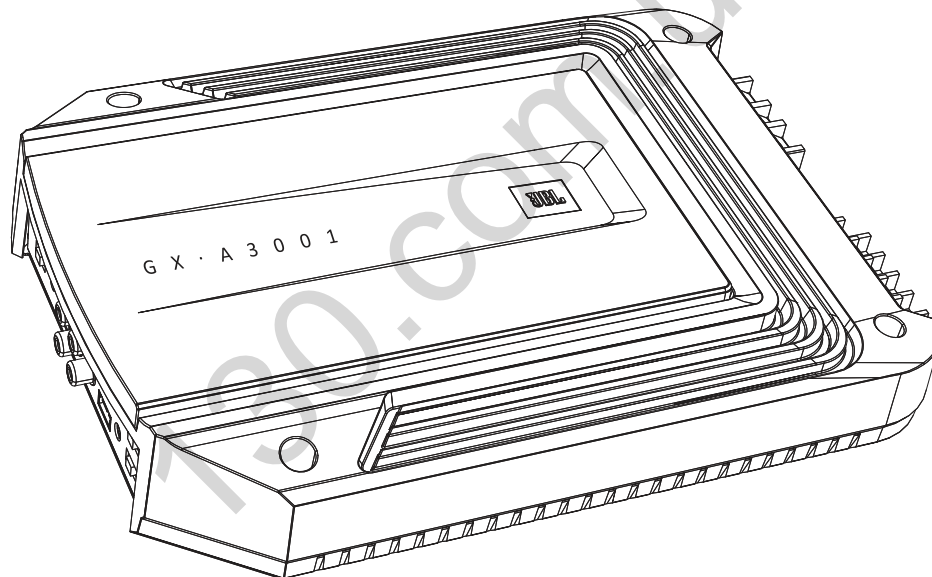
ТЕХНИЧЕСКИЕ ХАРАКТЕРИСТИКИ

	GX-A604	GX-A602	GX-A3001
Макс. мощность (15,5 В, 1 кГц, полн. коэфф. гарм. искаж. 10%, все каналы, 2 Ом)	435 Вт	280 Вт	415 Вт (15,5 В, 50 Гц, полн. коэфф. гарм. искаж. 10%, 2 Ом)
Номинальная выходная мощность при 4 Ом	4 x 60 Вт	2 x 60 Вт	1 x 200 Вт
Выходная мощность в мостовом режиме (4 Ом, полн. коэфф. гарм. искаж. 1%)	2 x 170 Вт	1 x 170 Вт	Н/Д
полн. коэфф. гарм. искаж. + шум на номинальной мощности	<1%	<1%	<1%
Сигнал/шум (2 В при 4 Ом)	>75 дБ	>75 дБ	>75 дБ
Эфф. коэфф. демпфирования (4 Ом)	>50	>50	>50
Частотная характеристика (-3 дБ)	20 Гц - 20 кГц ±1 дБ	20 Гц - 20 кГц ±1 дБ	10 Гц - 320 кГц
Макс. вход. напряжение	20 В	20 В	20 В
Макс. вход. чувствительность	200 мВ	200 мВ	200 мВ
Предохранитель	2 x 20 А	25 А	2 x 20 А
Габариты (В x Ш x Г)	52 мм x 300 мм x 206 мм (2-1/16 x 11-13/16 x 8-1/8 дюйма)	52 мм x 198 мм x 206 мм (2-1/16 x 7-13/16 x 8-1/8 дюйма)	52 мм x 291 мм x 206 мм (2-1/16 x 11-7/16 x 8-1/8 дюйма)
Вес	2,4 кг (5,3 фунта)	1,7 кг (3,8 фунта)	2,4 кг (5,3 фунта)



GX-A604/GX-A602/GX-A3001

功放

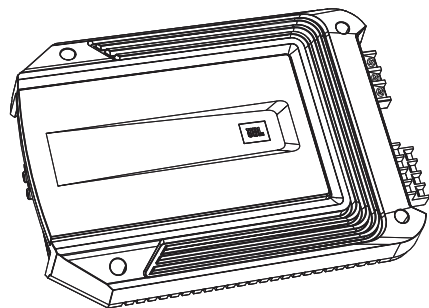


用户手册

介绍

感谢您选购 JBL® GX 系列功放。为了在您需要保修时我们能够提供更好的服务，请您保留收据原件，以及登陆 www.jbl.com 并注册您的功放。

包装内容



GX 系列功放 (1 个)



扬声器电平输入线束
(GX-A602 和 GX-A3001 各 1 束)
(GX-A604 2 束)

位置和安装

虽然本指引将解释如何安装 GX 系列功放，但只是概括性的解释，并不是针对您的车辆而提供的详细安装方法。如果您没有必须的工具或经验，请勿尝试亲自安装。在此情况下，请咨询获授权的 JBL 车载音响经销商并要求他们提供专业的安装服务。

安装警告和提示

重要信息：开始安装前，请先断开汽车的负极 (-) 电池端子连接。

- 使用工具时，应始终佩戴护目镜。
- 确认并清空安装位置表面的两侧。确保螺丝和电线不会刺穿制动管线、燃料管线或任何线束，以及布线不会对车辆的安全驾驶造成干扰。
- 进行电气连接时，请确保连接牢固和绝缘。
- 如果必须更换功放的任何保险丝，请确保使用与原部件同类型的保险丝和额定电流。

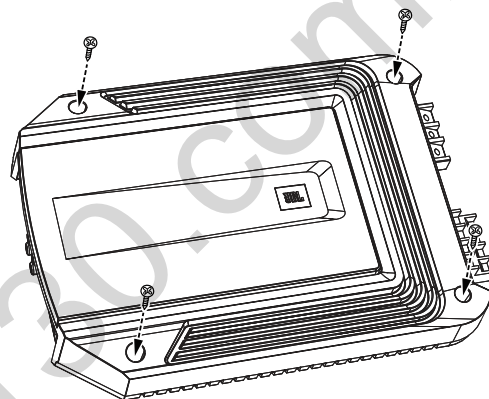
安装位置

功放周围应该有空气环流，这有助于防止过热。请选择一个气流充足的安装位置，让功放能够自我降温。

- 适合的位置包括座位下方（前提是功放不会干扰到座椅调节机制）、车尾箱内或能够提供充足冷空气的任何其他位置。
- 安装功放时，请勿将散热器朝向下，这会干扰到功放的对流冷却。
- 安装功放时，请确保功放不会被后座乘客踢碰，或因车尾箱内物品晃动而被撞坏。
- 安装功放时，请确保功放始终保持干燥状态，切勿将功放安装在车辆外部或发动机机舱内。

安装功放

注意：在将功放永久固定到车辆前，先接好功放的所有连接，这将更方便安装。



1. 按上文所述，选择一个适合的安装位置。
2. 用功放作为模板，在安装表面标记出固定孔位置。
3. 在安装表面钻出导向孔。
4. 自己选择四颗适合的固定螺丝，将功放安装到表面。我们建议使用 8 号十字金属板螺丝。请确保牢固地安装功放。

电源和接地连接

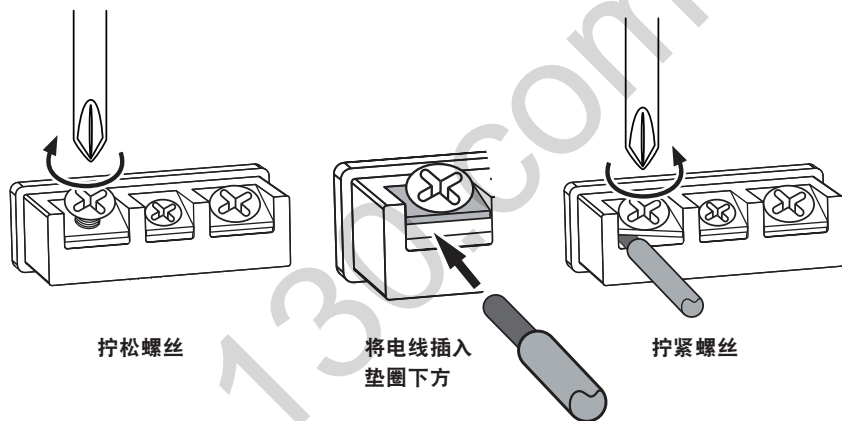
重要信息：开始安装前，请先断开汽车的负极 (-) 电池端子连接。

GX 系列功放能够强劲功率，但如果要发挥最佳性能，就必须可靠地连接至车辆的电气系统但会造成沉重的负荷。请细心地按照以下指引操作。

使用连接器

GX 系列功放的电源和扬声器连接，都使用同类型的螺栓型端子。此类型的端子简单易用，并能够方便地连接大量电线。

要使用连接器，请使用十字螺丝起子拧松连接器的固定螺丝，插入裸线后再拧紧固定螺丝，让电线牢固地连接至连接器，如下图所示。



重要信息：请确保功放端子和扬声器端子上的 (+) 和 (-) 扬声器裸线没有互相接触或接触到其他端子。电线互接会导致短路而令功放受损。

接地 (GND) 连接

用一条电线（最小 10AWG–5.3mm²），从功放的 GND 端子直接连接至车辆底盘上的一个实心位置。

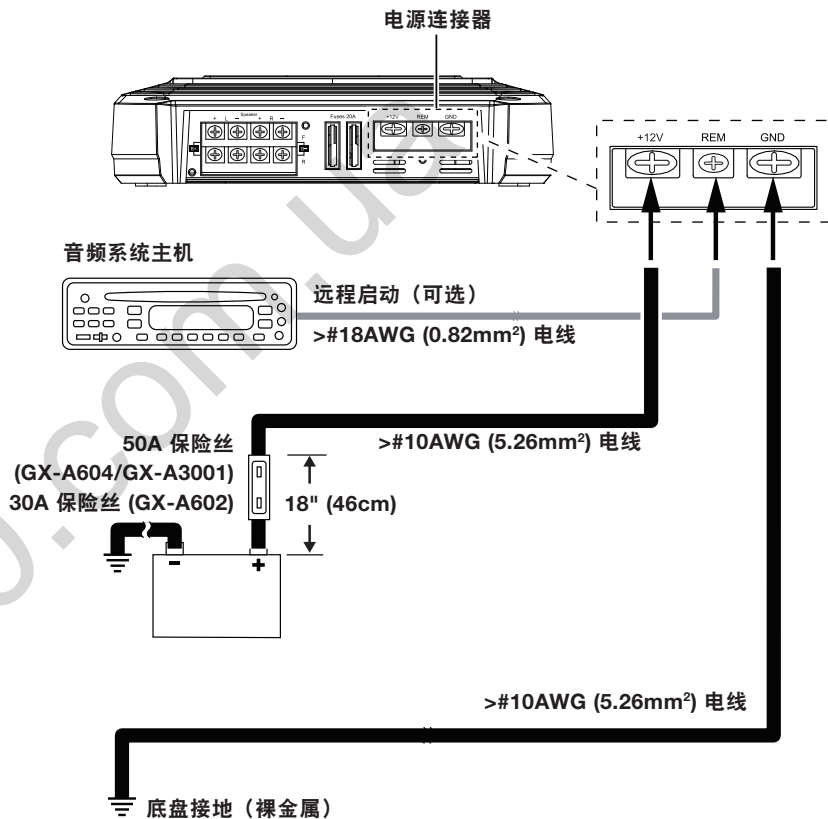
- 为提高连接性能，可使用砂纸将此底盘位置金属表面的喷漆擦去。使用星形锁紧垫圈以固定电线连接。

电源 (12V) 连接

1. 用一条电线（最小 10AWG–5.3mm²），直接连接至电池的正极 (+) 端子。
2. 在此电线上，安装一个适用于一条 50A 保险丝 (GX-A604、GX-A3001) 或一条 30A 保险丝 (GX-A602) 的保险丝座，距离电池 (+) 端子约 18" (46cm)。此时，暂且不要把保险丝安装在保险丝座上。
3. 将此电线引导至功放位置并连接至功放的 +12V 端子。每当引导电线穿过防火墙或其他金属板时，请确保使用适合的垫圈。

重要信息：如未能为正极电线提供充分的保护，防止潜在损坏发生，可能会导致车辆着火。

4. 电线排布和连接完成后，在之前安装在电池附近的保险丝座上安装适合的保险丝（GX-A604、GX-A3001–50A 保险丝；GX-A602–30A 保险丝）。



扬声器和输入连接

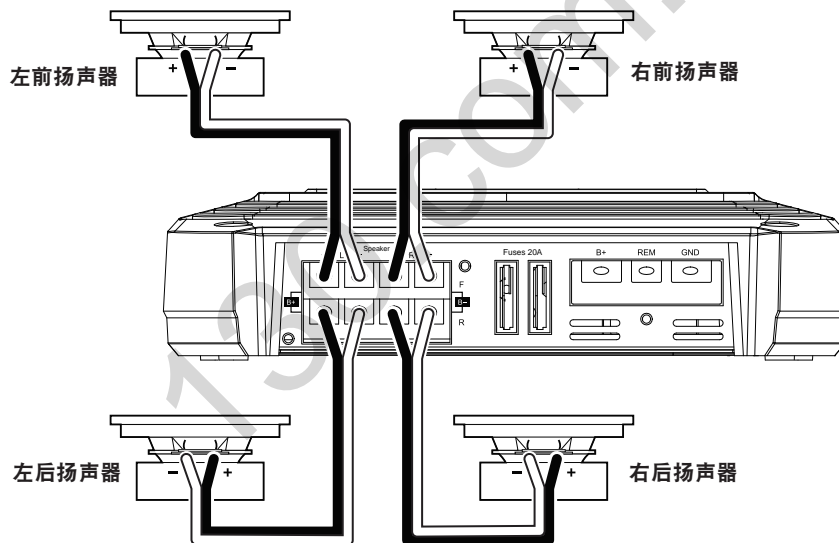
将功放上的 (+) 扬声器端子连接至扬声器上的 (+) 端子；将功放上的 (-) 扬声器端子连接至扬声器上的 (-) 端子。

重要信息：请确保功放端子和扬声器端子上的 (+) 和 (-) 裸线没有互相接触或接触到其他端子。电线互接会导致短路而令功放受损。

GX-A604 扬声器连接：4 声道操作

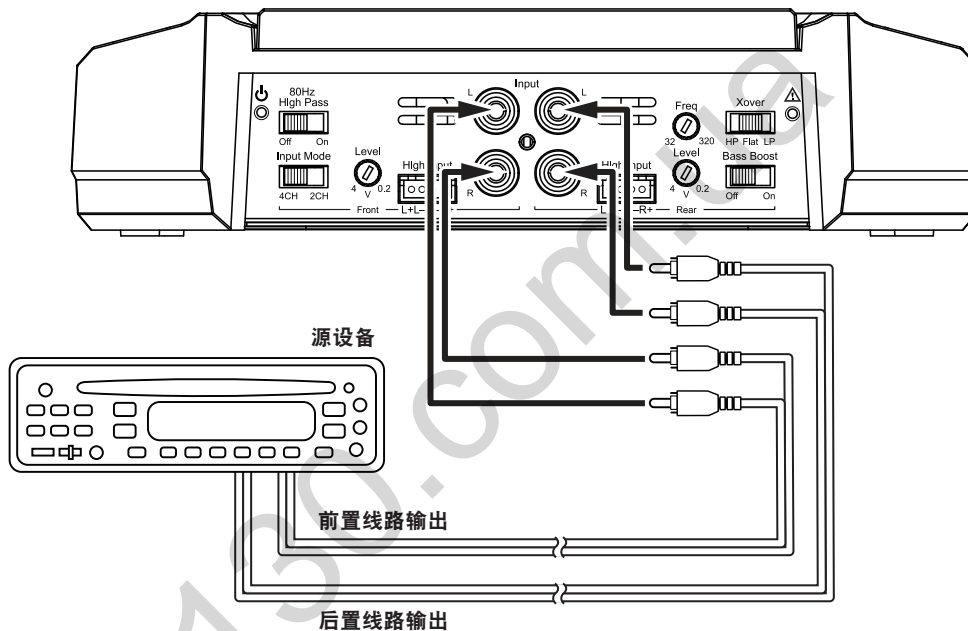
最小扬声器阻抗：2 ohms（每个声道）

- 将前置扬声器连接至 FL 和 FR (+) 和 (-) 端子。
- 将后置扬声器连接至 RL 和 RR (+) 和 (-) 端子。



GX-A604 输入连接：4 声道操作

将源设备或处理器的左前、右前、左后和右后输出连接至功放的输入，如下图所示。



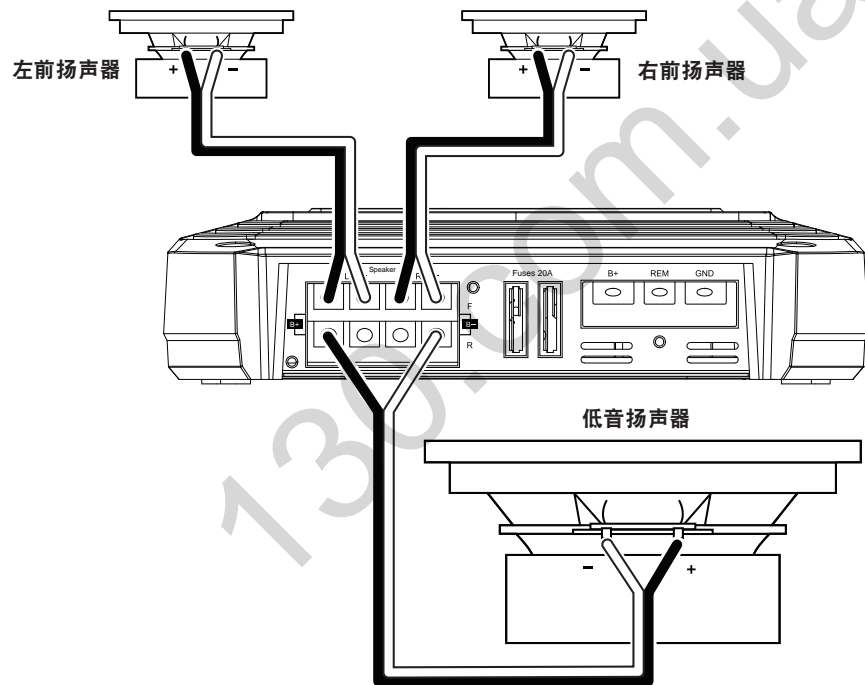
有关设置功放的 4 声道操作控件的相关信息，请参阅第 20 页的设置分频控制。

要使用扬声器电平输入而不使用线路电平输入，请参阅第 12 页的使用扬声器电平输入。

GX-A604 扬声器连接：3 声道操作

最小扬声器阻抗：2 ohms（左和右扬声器的每个声道）；4 ohms（低音扬声器）

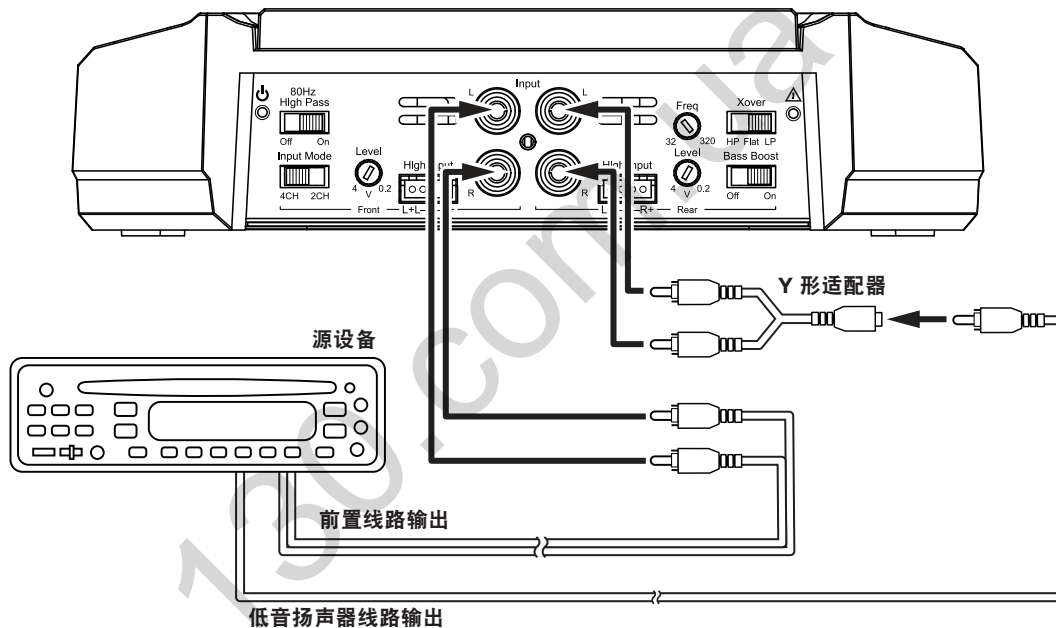
- 将左和右扬声器连接至 FL 和 FR (+) 和 (-) 端子
- 将低音扬声器连接至 RL (+) 和 RR (-) 端子。（后置声道低音增强控制会使后置声道更适合于连接低音扬声器。请参阅第 23 页的设置低音增强。）
注意：您可以以串联方式，连接两个 2-ohm 低音扬声器以满足低音声道必须的 4-ohm 最低阻抗。



GX-A604 输入连接：3 声道操作

按照下图所示，连接源设备或处理器的线路输出。将输入模式切换至“4CH”位置

注意：使用 Y 形适配器，将源设备的低音输出连接至功放的左后和右后输入插孔。



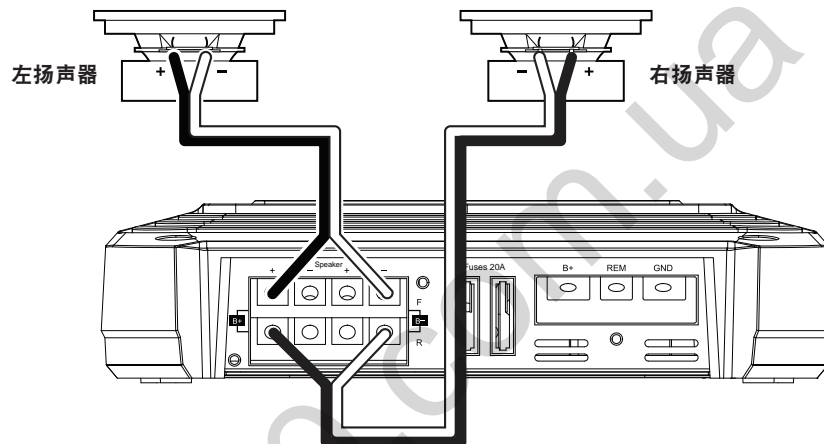
有关设置功放的 3 声道操作控件的相关信息，请参阅第 20 页的设置分频控制。

要使用扬声器电平输入而不使用线路电平输入，请参阅第 12 页的使用扬声器电平输入。

GX-A604 扬声器连接：双声道操作

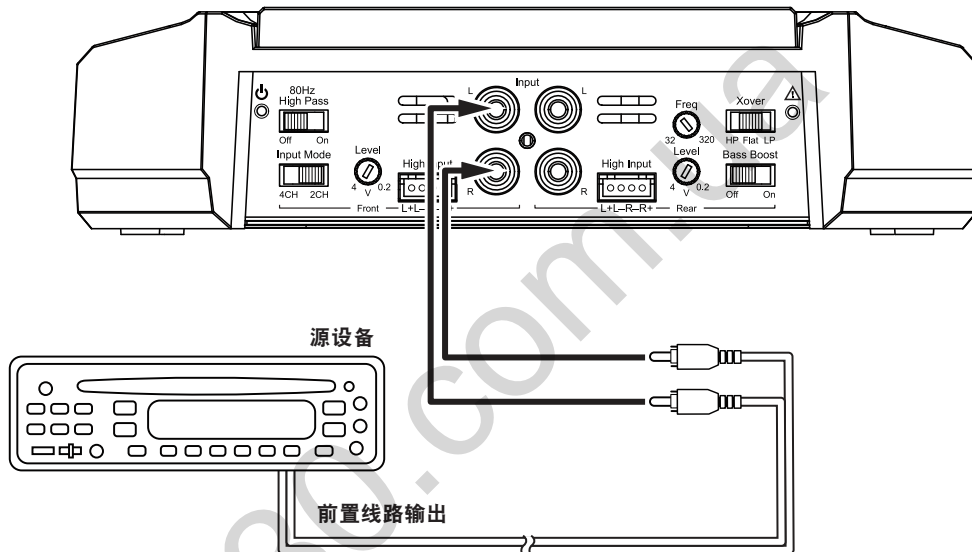
最小扬声器阻抗：4 ohms（每个声道）

按照下图所示，连接左和右扬声器。



GX-A604 输入连接：双声道操作

按照下图所示，连接源设备或处理器的线路输出。只可使用左前和右前输入连接，并确保将输入模式切换至“2CH”位置。



有关设置功放的双声道操作控件的相关信息，请参阅第 20 页的设置分频控制。

要使用扬声器电平输入而不使用线路电平输入，请参阅第 12 页的使用扬声器电平输入。

使用扬声器电平输入

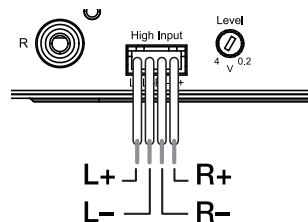
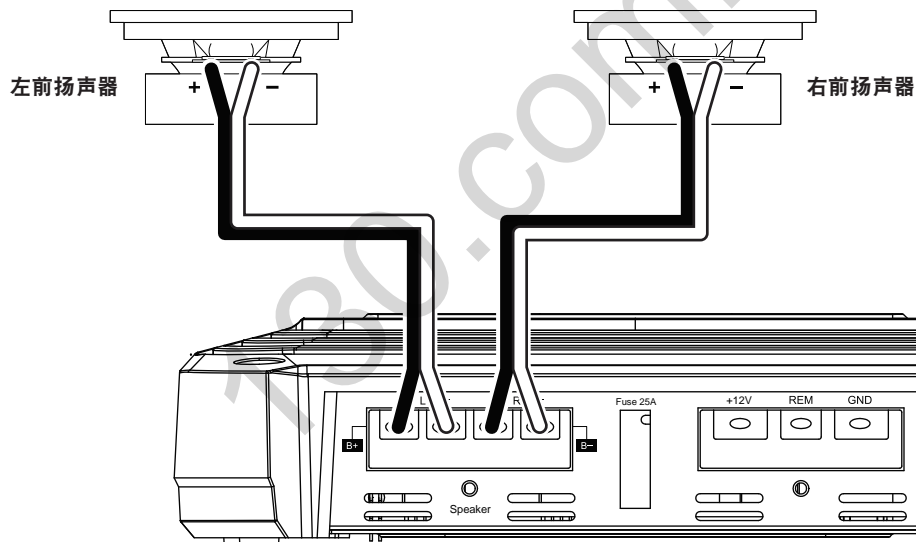
如果您的源设备没有线路电平输出，您可以使用随附的扬声器电平输入线束，将功放连接至源设备的扬声器输出。从左右，这些导体分别为：L+、L-、R-、R+（请参见右图）。所有 GX 系列功放型号上的扬声器电平连接器都是采用这个布线配置。

按照上文各章节中的指引，用扬声器电平连接器取代线路电平连接器。

GX-A602 扬声器连接：双声道操作

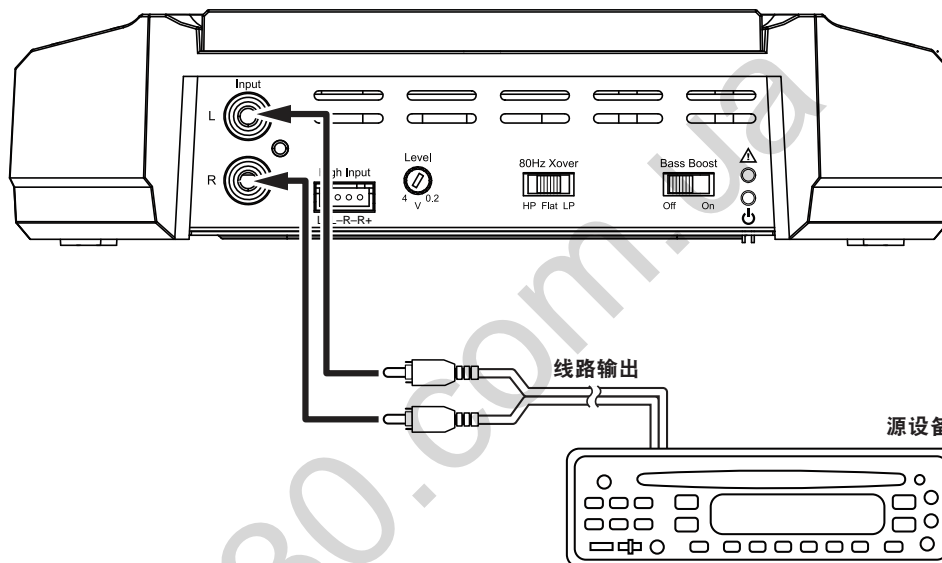
最小扬声器阻抗：2 ohms（每个声道）

将左和右扬声器连接至 FL 和 FR (+) 和 (-) 端子。



GX-A602 输入连接：双声道操作

按照下图所示，连接源设备或处理器的线路输出。



有关设置功放的 2 声道操作控件的相关信息，请参阅第 20 页的设置分频控制。

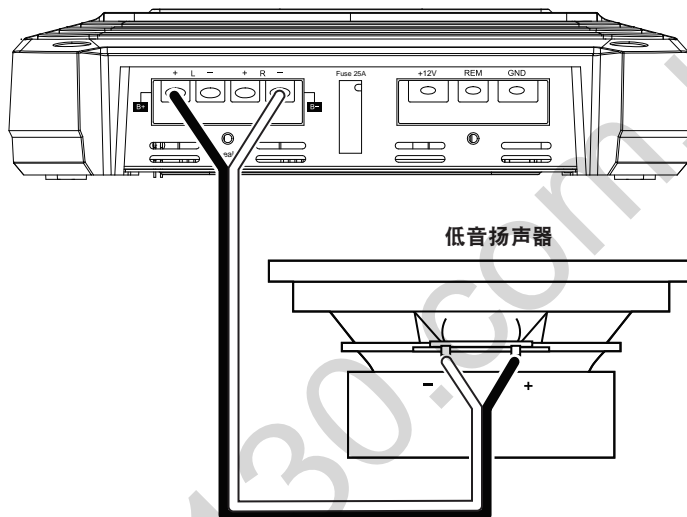
要使用扬声器电平输入而不使用线路电平输入，请参阅第 12 页的使用扬声器电平输入。

GX-A602 扬声器连接：桥接操作

桥接操作可为低音扬声器提供单一的高功率声道。

最小扬声器阻抗：4 ohms

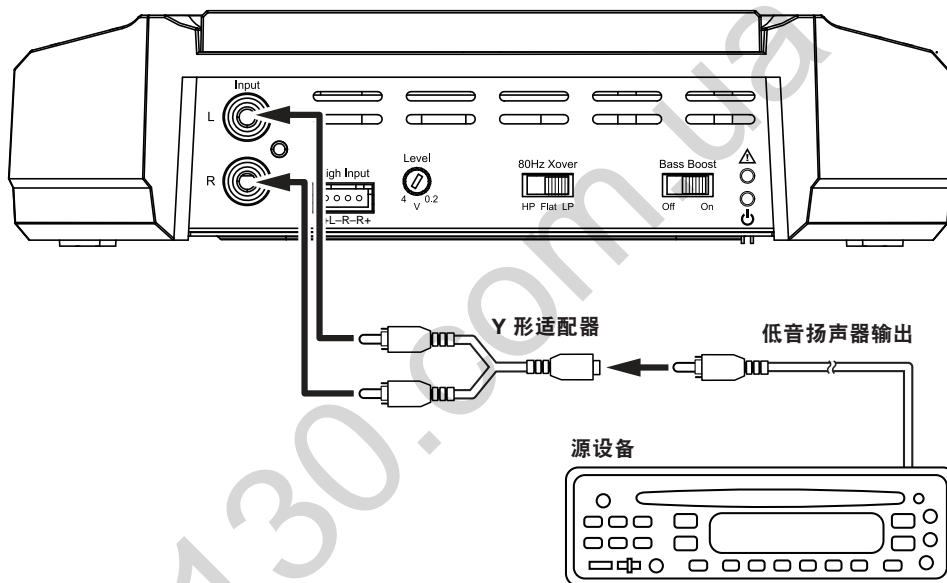
将低音扬声器连接至 RL (+) 和 RR (-) 端子。**注意：**您可以以串联方式，连接两个 2-ohm 低音扬声器以满足桥接声道必须的 4-ohm 阻抗。



GX-A602 输入连接：桥接操作

将源设备或处理器的低音扬声器线路输出连接至功放的左输入，如下图所示。

注意：使用 Y 形适配器，将源设备连接至功放的左和右输入插孔。



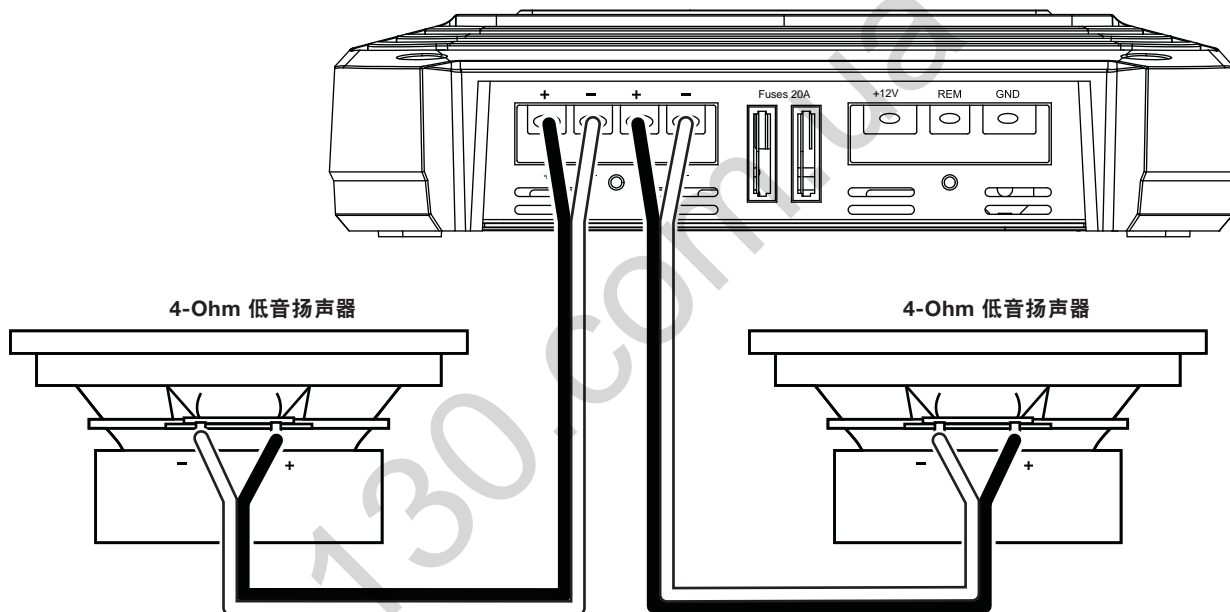
有关设置功放的桥接操作控件的相关信息，请参阅第 20 页的设置分频控制。

要使用扬声器电平输入而不使用线路电平输入，请参阅第 12 页的使用扬声器电平输入。

GX-A3001 扬声器连接

最小扬声器阻抗：2 ohms（单个低音扬声器）；4 ohms（2 个低音扬声器）

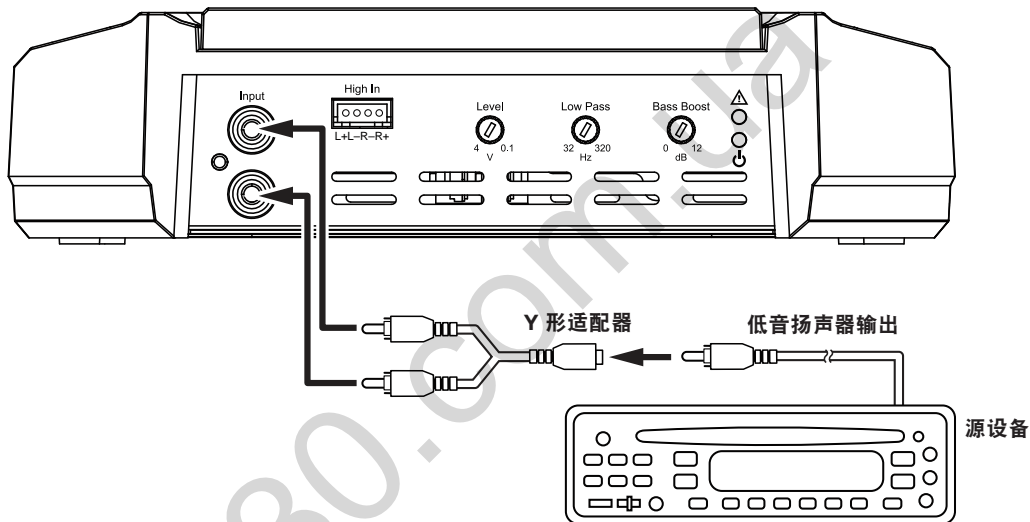
GX-A3001 有两套并联的扬声器连接器，让您连接两个低音扬声器。



- 如果要使用单个低音扬声器，您可以将它连接至任何一套 GX-A3001 扬声器连接器。
- 如果要使用两个 2-ohm 低音扬声器，您可以以串联方式，将它们连接到其中一套连接器，以满足上述最低 2-ohm 阻抗的要求。

GX-A3001 输入连接

使用 Y 形适配器，将源设备或处理器的低音扬声器线路输出连接至功放的左和右输入，如下图所示。如果您的源设备没有专用的低音扬声器输出，您可以将左后/右后输出连接至功放的左和右输入。

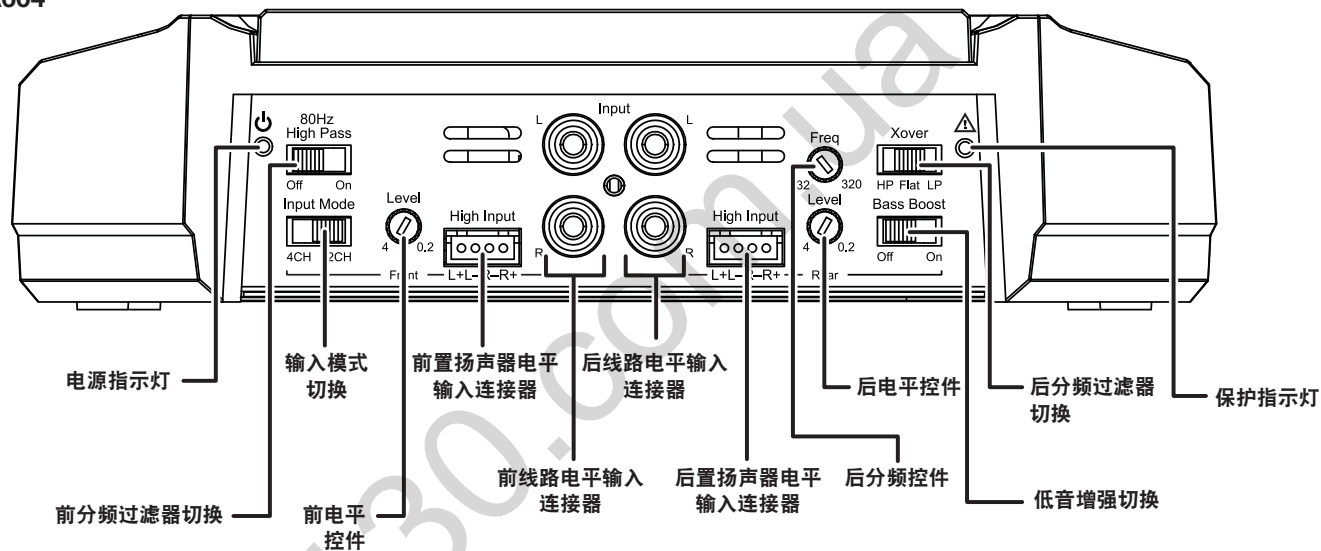


有关设置功放的控件的相关信息，请参阅第 20 页的设置分频控制。

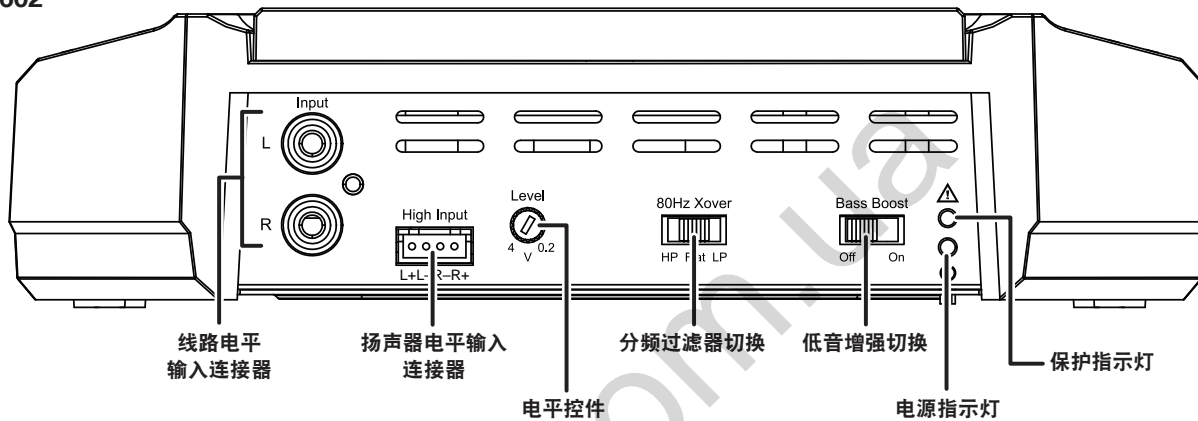
要使用扬声器电平输入而不使用线路电平输入，请参阅第 12 页的使用扬声器电平输入。

控件、输入连接和指示

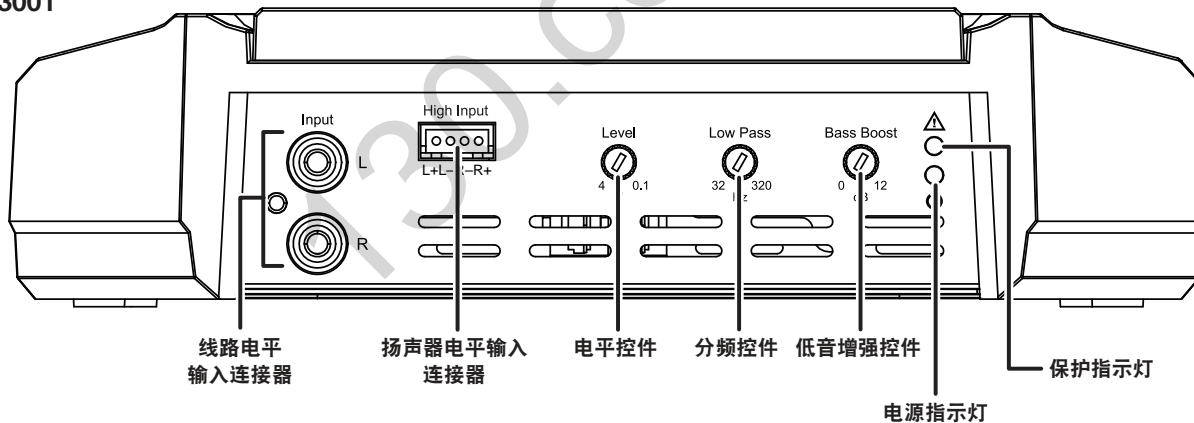
GX-A604



GX-A602



GX-A3001



设置分频控件

GX-A604: 4 声道操作

输入模式切换: 将输入模式切换至“4CH”位置。

前分频滤波器切换: 将前分频滤波器切换至“ON”（“打开”，高通）位置。此操作将会限制发送至扬声器的低频能量总量，显著地减少失真和防止扬声器损坏。**例外:** 如果连接了能够处理大量的低音并发送至功放前置声道的大型全音域扬声器（6" x 9" 或更大），并且您的系统中没有使用低音扬声器，那么，请将前分频滤波器切换至“OFF”（“关闭”，全音域）位置。

后分频滤波器切换: 将后分频滤波器切换至“HP”（“高通”）位置。此操作将会限制发送至扬声器的低频能量总量，显著地减少失真和防止扬声器损坏。**例外:** 如果连接了能够处理大量的低音并发送至功放前置声道的大型全音域扬声器（6" x 9" 或更大），并且您的系统中没有使用低音扬声器，那么，请将后分频滤波器切换至“FLAT”（“平板”，全音域）位置。

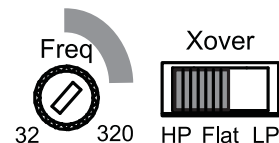
后分频控件: 如果将后分频控件切换至“HP”位置，则对于发送至扬声器的低频，其音量开始降低的频率将由后分频控件决定。

功放运行在 4 声道模式时，您应该将后分频控件切换至与已连接到功放声道的扬声器对应的大小，即，扬声器越小，控件设置越高，这样才可保护扬声器，防止损坏。初次设置分频频率后，请收听您熟悉的、含有强劲低音的音乐。如果扬声器声音失真或音质减损，请将分频频率控件切换至更高的设置，以消除失真/减损。右图是针对各种扬声器大小而提出的分频滤波器频率范围建议。

6" 和 5" 扬声器



4" 和更小型的扬声器



GX-A604: 3 声道操作

输入模式切换: 将输入模式切换至“4CH”位置。

前分频切换: 将前分频切换至“ON”（“打开”，高通）位置。此操作将会限制发送至扬声器的低频能量总量，显著地减少失真和防止扬声器损坏。

后分频滤波器切换: 如果将低音扬声器连接至后置声道，请将后分频滤波器切换至“LP”（低通）位置。此操作将会限制发送至低音扬声器的高频能量总量，提高语音清晰度和其他中频声音。

低通操作: 低音扬声器



后分频控件：对于低音扬声器，您应该使用哪个后分频控件设置，这取决于您的系统的低音扬声器的类型和位置。首先，将后分频控件设置在一个比前置声道 80Hz 设置低的频率。使用系统收听音乐一段时间后，微调后分频控件设置，使低音扬声器至系统内其他扬声器的过度变得顺畅，同时又能避免出现“空洞”，也就是低音扬声器和其他扬声器之间产生的声音突然消失。右图显示了建议的后分频控件频率范围。

GX-A604：双声道操作

输入模式切换：将输入模式切换至“2CH”位置。

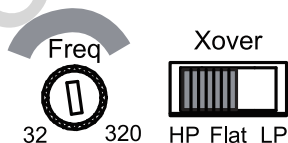
前分频过滤器切换：将前分频过滤器切换至“ON”（“打开”，高通）位置。此操作将会限制发送至扬声器的低频能量总量，显著地减少失真和防止扬声器损坏。**例外：**如果连接了能够处理大量的低音并发送至功放前置声道的大型全音域扬声器（6" x 9" 或更大），并且您的系统中没有使用低音扬声器，那么，请将前分频过滤器切换至“OFF”（“关闭”，全音域）位置。

后分频过滤器切换：将后分频过滤器切换至“HP”（“高通”）位置。此操作将会限制发送至扬声器的低频能量总量，显著地减少失真和防止扬声器损坏。**例外：**如果连接了能够处理大量的低音并发送至功放前置声道的大型全音域扬声器（6" x 9" 或更大），并且您的系统中没有使用低音扬声器，那么，请将后分频过滤器切换至“FLAT”（“平板”，全音域）位置。

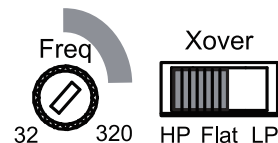
后分频控件：如果将后分频控件切换至“HP”位置，则对于发送至扬声器的低频，其音量开始降低的频率将由后分频控件决定。

功放运行在 4 声道模式时，您应该将后分频控件切换至与已连接到功放声道的扬声器对应的大小，即，扬声器越小，控件设置越高，这样才可保护扬声器，防止损坏。初次设置分频频率后，请收听您熟悉的、含有强劲低音的音乐。如果扬声器声音失真或音质减损，请将分频频率控件切换至更高的设置，以消除失真/减损。右图是针对各种扬声器大小而提出的分频过滤器频率范围建议。

6" 和 5" 扬声器



4" 和更小型的扬声器



GX-A602: 双声道操作

分频过滤器切换:

- 如果将功放连接至一对 6" 或更小的全音域扬声器, 请将分频过滤器切换至“HP”(高通)位置。此操作将会限制发送至扬声器的低频能量总量, 显著地减少失真和防止扬声器损坏。
- 如果将功放连接至一对能够处理大量低音的大型全音域扬声器(6" x 9" 或更大), 并且您的系统中没有使用低音扬声器, 那么, 请将分频过滤器切换至“FLAT”(“平板”, 全音域)位置。
- 如果将功放连接至一对低音扬声器, 请将分频过滤器切换至“LP”(低频)位置。此操作将会限制发送至低音扬声器的高频能量总量, 提高语音清晰度和其他中频声音。

GX-A602: 桥接操作

分频过滤器切换: 功放处于桥接操作模式并连接低音扬声器时, 请将分频过滤器切换至“LP”(低频)位置。此操作将会限制发送至低音扬声器的高频能量。

GX-A3001

注意: GX-A3001 的内部分频已永久设置为低频操作。

分频控件: 分频控件限制了发送至低音扬声器的高频能量总量。对于低音扬声器, 您应该使用哪个分频控件设置, 这取决于您的系统的低音扬声器的类型和位置。首先, 将分频控件设置在一个比系统其它扬声器使用的高通分频设置低的频率。使用系统收听音乐一段时间后, 微调分频控件设置, 使低音扬声器至系统内其他扬声器的过度变得顺畅, 同时又能避免出现“空洞”, 也就是低音扬声器和其他扬声器之间产生的声音突然消失一样。右图显示了建议的分频控件频率范围。

低音扬声器



设置输入电平

1. 按逆时针方向, 将所有功放上的所有电平控件转动至尽头。
2. 播放源设备上的一些充满动感的音乐, 并将其音量上调至 3/4 音量。
3. 按顺时针方向, 慢慢地转动前置声道功放上的电平控件, 直到音乐声音开始失真。
4. 按逆时针方向, 稍微转动电平控件, 直到音乐声音不再失真。
5. 如果使用了多个功放或使用的是 GX-A604, 请对所有剩余的功放电平控件重复步骤 3-4。

设置低音增强

GX-A604: 如果使用功放的后置声道以作为低音扬声器的源，那么，在 45Hz 频率下低音增强切换可提供 12dB 低音增强（切换只会对功放的后置声道产生影响）。请根据个人喜好设置此切换，但是，如果使用此切换会导致声音失真或减弱低音扬声器表现，我们建议将它设置为“OFF”（关闭）。

警告: 只有在配置了后置声道作为低音扬声器的源时，才可以使用低音增强切换。对全音域扬声器使用低音增强，会使扬声器受损。

GX-A602: 如果使用功放的桥接模式以作为低音扬声器的源，那么，在 45Hz 频率下低音增强切换可提供 12dB 低音增强。请根据个人喜好设置此切换，但是，如果使用此切换会导致声音失真或减弱低音扬声器表现，我们建议将它设置为“OFF”（关闭）。**警告:** 只有在使用功放作为低音扬声器的源时，才可以使用低音增强切换。对全音域扬声器使用低音增强，会使扬声器受损。

GX-A3001: 在 45Hz 频率下低音增强控件可提供高达 12dB 低音增强。请根据个人喜好设置此控件，但请勿将控件设置过高，因为这可能会导致声音失真或减弱低音扬声器表现。

电源和保护 LED

电源 LED

- LED 橙色亮起：正常操作（已打开电源）。
- LED 熄灭：功放处于待机模式。

保护 LED

正常操作过程中，功放的保护 LED 应保持熄灭。如果功放没有发出声音，并且保护 LED 红色亮起，请参阅第 24 页的故障排除。

故障排除

如果功放的运作与您设想中的不同，在致电经销商或联系 JBL 客户服务前，请查阅下文，看看其中是否有提到您遇到的问题。

问题	起因和解决方法
没有声音（功放的电源 LED 熄灭）	<ul style="list-style-type: none">• 检查功放的 +12V 和 GND 连接是否正确。• 检查电池附近 +12V 电线的保险丝是否烧断：如果是，请更换为相同的保险丝。• 检查功放的所有保险丝；如有烧断，请更换为相同的保险丝。• 如果使用功放的 REM 连接来启动功放，请检查电线是否正确连接至音频系统的远程启动电线或车辆的 ACC 电源端子。
没有声音（功放的电源 LED 橙色亮起）	<ul style="list-style-type: none">• 检查功放的所有输入和所有扬声器连接，看它们是否是否正确连接。• 检查功放的电平控件，确保它们没有完全调低（逆时针方向旋转至尽头）。• 检查车辆音频系统源设备音量控件，确保没有完全调低。
没有声音（功放保护 LED 红色亮起）	<ul style="list-style-type: none">• 确认车辆的电气系统提供给功放的直流电源电压在 9V 至 16V 之间。如果电源电压在此范围之外，在尝试使用功放前，请先解决此问题。• 如果功放过热，请稍候，直到功放冷却，然后再尝试使用。• 断开功放与任何扬声器的连接，再尝试打开功放：<ul style="list-style-type: none">– 如果功放打开（电源 LED 橙色亮起），表示其中一条或多条扬声器电线发生短路。处理所有短路回路，然后将扬声器重新连接至功放。– 如果功放没有打开（保护 LED 仍然红色亮起且电源 LED 熄灭），请联系获授权的 JBL 经销商并要求协助。

问题	起因和解决方法
只有部分连接功放的扬声器有发出声音	<ul style="list-style-type: none">• 检查车辆音频系统源设备的平衡和衰减器控件是否设置在中央（中间点）位置。• (GX-A604)：检查功放的模式切换设置是否与输入相符以及扬声器是否已连接至功放
声音太小，即使车辆音频系统源设备音量调到最大声	<ul style="list-style-type: none">• 确保没有将功放的电平控件调得太低。有关设置电平控件的相关信息，请参阅第 22 页的设置输入电平。
前置/后置扬声器发出的声音失真	<ul style="list-style-type: none">• 确保功放上与失真声道对应的分频滤波器已设置为 HP。• 将失真声道的分频控件更改为一个较高的设置。• 检查失真是否源自车辆音频系统源设备。
低音扬声器发出的声音失真	<ul style="list-style-type: none">• (GX-A604、GX-A602)：将低音增强切换至“OFF”（关闭）。• (GX-A3001)：收听低音强劲的音乐时，完全调低音增强控件，然后逐渐调高，直到失真重新出现。稍微调低音增强控件设置，以消除失真并保留此设置。• 检查失真是否源自车辆音频系统源设备。

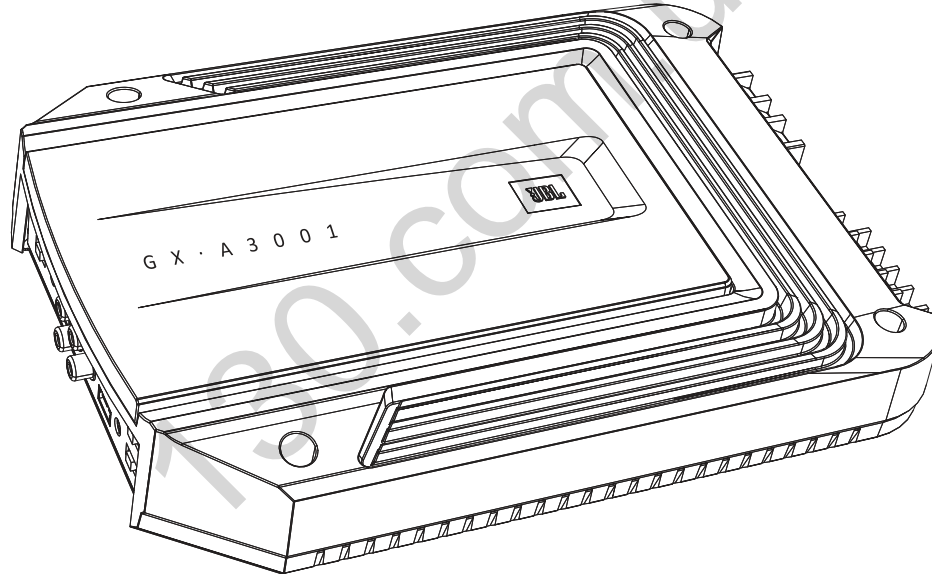
规格

	GX-A604	GX-A602	GX-A3001
最大功率 (15.5V、1kHz、10%THD、 所有声道、2 ohms)	435W	280W	415W (15.5V、50Hz、10% THD、2 ohms)
4 ohms 时额定功率输出	60W (共 4 个声道)	60W (共 2 个声道)	200W (1 个声道)
桥接功率输出 (4 ohms、1% THD)	170W (共 2 个声道)	170W (1 个声道)	N/A
额定功率时的 THD+N	<1%	<1%	<1%
信噪比 (2V @ 4 ohms)	>75dB	>75dB	>75dB
有效阻抗因数 (4 ohms)	>50	>50	>50
频率响应 (-3dB)	20Hz-20kHz ±1dB	20Hz-20kHz ±1dB	10Hz-320Hz
最大输入电压	20V	20V	20V
最大输出灵敏度	200mV	200mV	200mV
保险丝大小	20A (2 条)	25A	20A (2 条)
尺寸 (长 x 宽 x 高)	2-1/16" x 11-13/16" x 8-1/8" (52mm x 300mm x 206mm)	2-1/16" x 7-13/16" x 8-1/8" (52mm x 198mm x 206mm)	2-1/16" x 11-7/16" x 8-1/8" (52mm x 291mm x 206mm)
重量	5.3 lb (2.4kg)	3.8 lb (1.7kg)	5.3 lb (2.4kg)



GX-A604/GX-A602/GX-A3001

파워 앰프

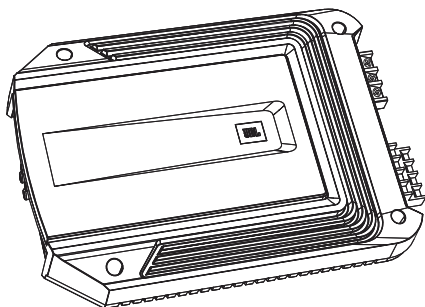


사용자 설명서

소개

JBL® GX 시리즈 앰프를 구매해 주셔서 **감사합니다**. 보증 서비스가 필요하실 때 저희가 잘 처리할 수 있도록 원래 구매 영수증을 잘 보관하시고 www.jbl.com에서 온라인으로 앰프를 등록해 주십시오.

구성품 항목



GX 시리즈 앰프(x 1)



스피커 레벨 입력 하니스
(GX-A602, GX-A3001 x 1)
(GX-A604 x 2)

위치 및 설치

이 설명서는 GX 시리즈 앰프 설치 방법에 대해 일반적으로 설명하지만, 사용자의 특정 차량에 필요한 구체적인 설치 방법은 나타내지 않습니다. 필요한 공구나 경험이 없다면 직접 설치하지 마시고 공식 JBL 카오디오 대리점에 전문가의 설치를 요청하십시오.

설치 경고 및 팁

중요: 설치하기 전에 차량의 배터리 음극(-) 단자의 연결을 분리하십시오.

- 공구를 사용할 때는 반드시 눈 보호용 장비를 착용하십시오.
- 장착하려는 양쪽 표면의 간격을 확인합니다. 나사나 선이 브레이크 라인, 연료 라인 또는 와이어링 하니스를 뚫지 않는지, 선 배치가 차량의 안전한 작동을 방해하지 않는지 확인합니다.
- 전기 연결을 할 때는 연결 상태가 안전하며 제대로 절연되었는지 확인합니다.
- 앰프 퓨즈를 교체해야 할 경우 원래 퓨즈와 같은 종류의 정격 전류를 사용해야 합니다.

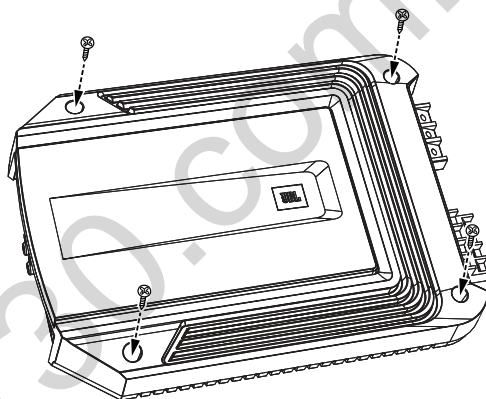
설치 위치

앰프의 냉각을 유지하려면 공기 순환이 필요합니다. 앰프가 저절로 냉각될 만큼 공기가 충분히 통하는 곳을 선택하십시오.

- 시트 아래(앰프가 시트 조절 메커니즘을 방해하지 않을 경우), 트렁크 안 또는 시원한 공기가 충분히 제공되는 기타 장소가 적합한 위치입니다.
- 히트 싱크가 아래를 향하게 하여 앰프를 장착하지 마십시오. 앰프의 대류 냉각을 방해하게 됩니다.
- 뒷좌석 승객의 발이나 트렁크의 짐이 움직임에 따라 손상되지 않도록 앰프를 장착하십시오.
- 앰프는 항상 건조할 수 있도록 장착하십시오. 차량 외부나 엔진실에 앰프를 장착해서는 안 됩니다.

앰프 장착

주: 앰프를 차량에 완전히 장착하기 전에 앰프에 모두 연결하는 것이 더 편리할 수 있습니다.



1. 위의 설명에 따라 적합한 위치를 선택합니다.
2. 앰프를 템플릿으로 사용하여 장착 구멍의 위치를 장착 표면에 표시합니다.
3. 장착 표면에 예비 구멍을 뚫습니다.
4. 직접 고른 적합한 장착용 나사로 앰프를 장착 표면에 부착합니다. 8번 십자 판금 나사를 사용하는 것이 좋습니다. 앰프를 장착한 후 안전하게 고정되었는지 확인하십시오.

전원 및 접지 연결

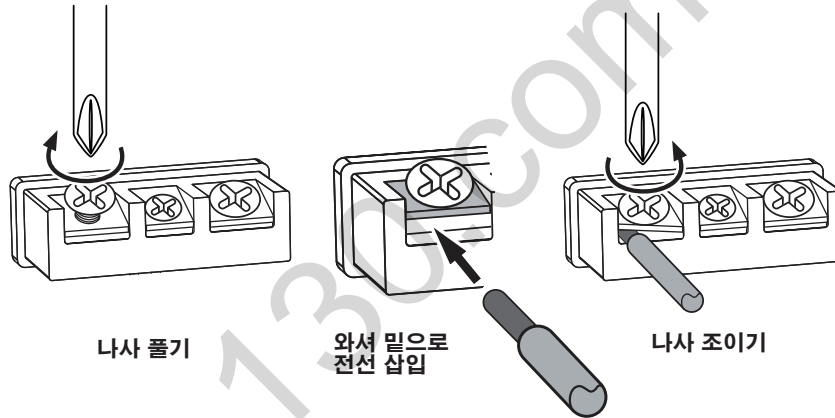
중요: 설치하기 전에 차량의 배터리 음극(-) 단자의 연결을 분리하십시오.

GX 시리즈 앰프는 고출력 레벨을 전달할 수 있으며 최적의 성능을 얻으려면 차량의 전기 시스템에 튼튼하고 안정적으로 연결해야 합니다. 다음 지침을 유의하여 준수해 주십시오.

커넥터 사용

GX 시리즈 앰프는 전원 및 스피커 연결에 같은 유형의 나사 터미널을 사용합니다. 이 터미널 유형은 사용하기 쉬워 게이지가 큰 전선도 쉽게 연결할 수 있습니다.

커넥터를 사용하려면 아래 그림처럼 십자 드라이버로 커넥터의 세트 나사를 느슨하게 풀 다음 나선을 삽입한 후 세트 나사를 조여 커넥터 선을 고정합니다.



중요: (+) 및 (-) 스피커 전선이 서로 닿지 않는지 또는 앰프 단자와 스피커 단자의 다른 단자가 서로 닿지 않는지 확인하십시오. 전선이 닿으면 합선을 일으켜 앰프가 손상될 수 있습니다.

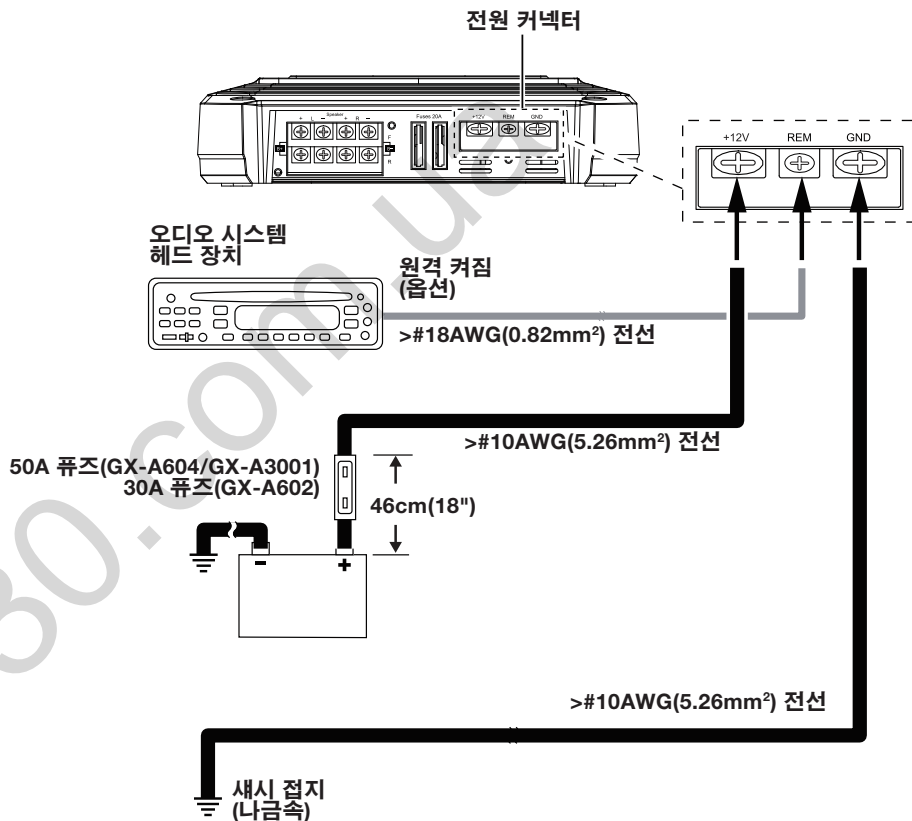
GND(접지) 연결

전선(최소 10AWG ~ 5.3mm²)을 앰프의 GND 단자에서 차량 새시의 단단한 지점에 바로 연결합니다.

- 잘 연결될 수 있도록 사포를 사용해 해당하는 차대 위치의 금속 표면에서 도장을 없앱니다. 별 모양의 잠금 와셔를 사용해 전선의 연결을 고정합니다.

전원(12V) 연결

1. 전선(최소 10AWG ~ 5.3mm²)을 배터리의 양극(+) 단자에 바로 연결합니다.
2. 배터리의 양극(+) 단자의 46cm(18") 이내에 있는 해당 전선에 50A 퓨즈(GX-A604, GX-A3001) 또는 30A 퓨즈(GX-A602)용 퓨즈 홀더를 설치합니다. 이때 홀더에는 퓨즈를 설치하지 않습니다.
3. 해당 전선을 앰프 위치에 배치하여 앰프의 +12V 단자에 연결합니다. 방화벽 또는 기타 판금을 통해 전선을 배치할 때는 적합한 그로밋을 사용해야 합니다. **중요:** 손상 가능성으로부터 양극 전선을 적절하게 보호하지 못하면 차량 화재로 이어질 수 있습니다.
4. 해당 전선의 배치 및 연결을 완료한 후 배터리 근처에 설치한 홀더에 적합한 퓨즈를 설치합니다 (GX-A604, GX-A3001 - 50A 퓨즈, GX-A602 - 30A 퓨즈).



스피커 및 입력 연결

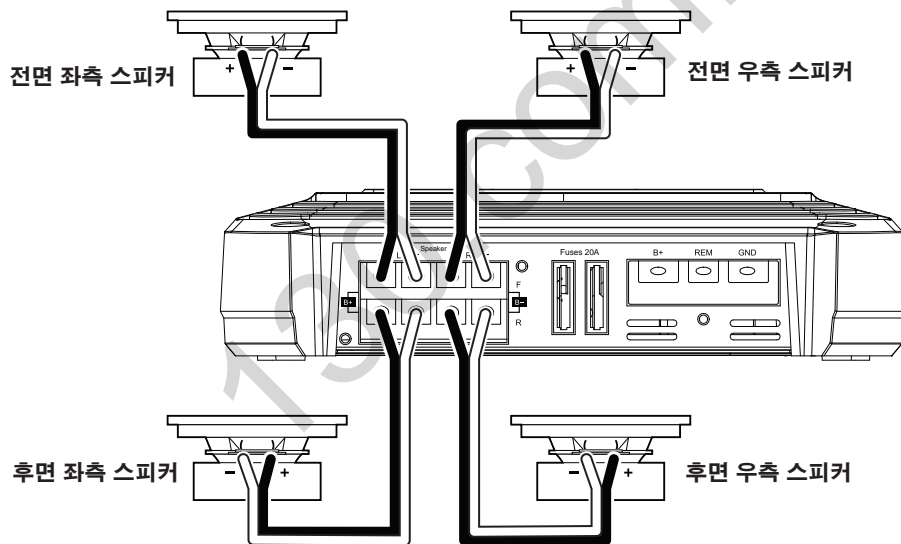
반드시 앰프의 (+) 스피커 단자는 스피커의 (+) 단자에, 앰프의 (-) 스피커 단자는 스피커의 (-) 단자에 연결해야 합니다.

중요: (+) 및 (-) 나선이 서로 닿지 않는지 또는 앰프 단자와 스피커 단자의 다른 단자가 서로 닿지 않는지 확인하십시오. 전선이 닿으면 합선을 일으켜 앰프가 손상될 수 있습니다.

GX-A604 스피커 연결: 4채널 작동

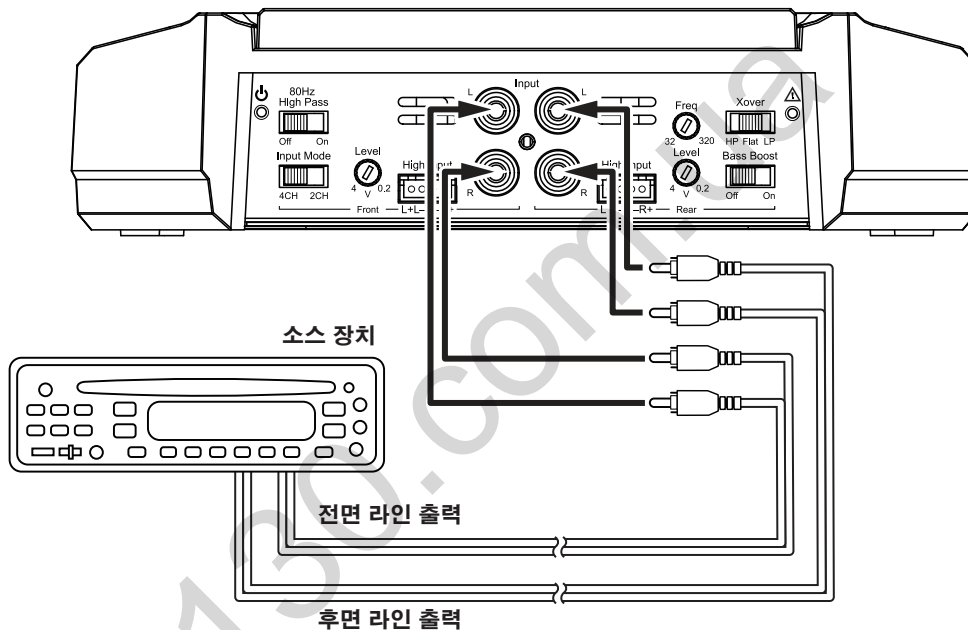
스피커 최소 임피던스: 2ohm(각각)

- 전면 스피커를 FL 및 FR (+)와 (-) 단자에 연결합니다.
- 후면 스피커를 RL 및 RL (+)와 (-) 단자에 연결합니다.



GX-A604 입력 연결: 4채널 작동

그림과 같이 소스 장치 또는 프로세서의 전면 및 후면 좌측과 우측 출력을 앰프의 입력에 연결합니다.



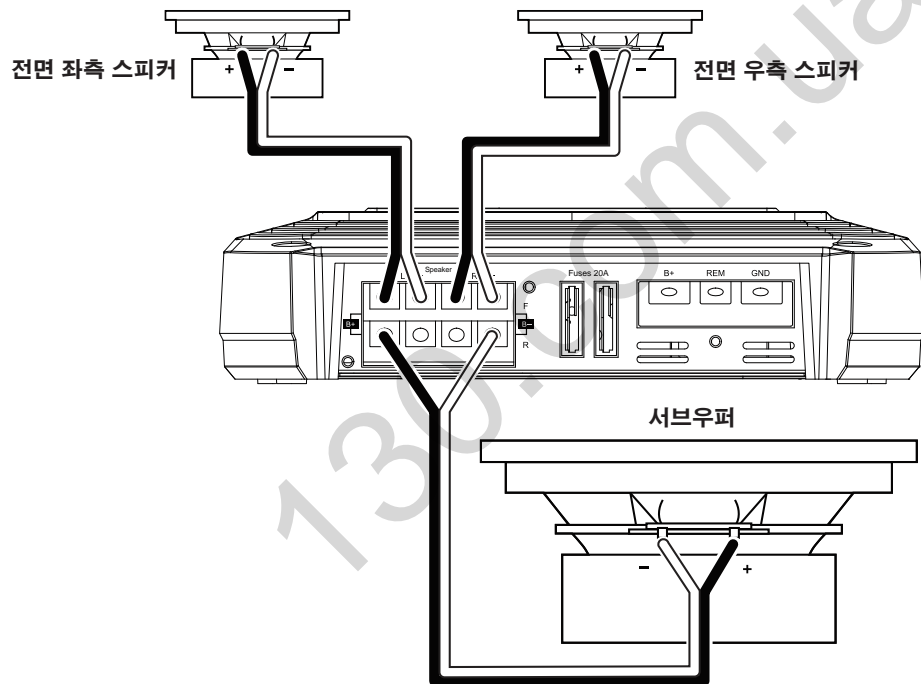
4채널 조작을 위한 앰프 제어 설정 내용은 20페이지의 크로스오버 제어 설정을 참조하십시오.

라인 레벨 입력 대신 스피커 레벨 입력을 사용하려면 12페이지의 스피커 레벨 입력 사용을 참조하십시오.

GX-A604 스피커 연결: 3채널 작동

스피커 최소 임피던스: 각각 2ohm(좌측 및 우측 스피커), 4ohm(서브우퍼)

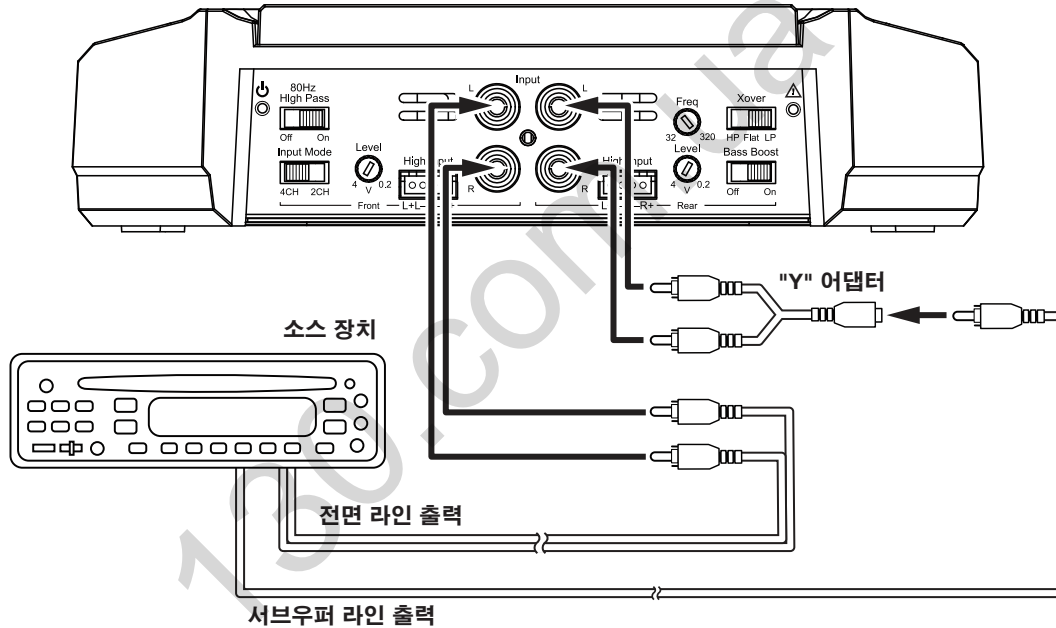
- 좌측과 우측 스피커를 FL 및 FR (+)와 (-) 단자에 연결합니다.
- 서브우퍼를 RL (+) 및 RR (-) 단자에 연결합니다. (후면 채널 저음 부스트를 제어하면 후면 채널이 서브우퍼 연결에 적합하게 됩니다. 23페이지의 저음 부스트 설정을 참조하십시오.) **주:** 서브우퍼 채널에 필요한 최소 임피던스 4ohm을 유지하려면 2ohm 서브우퍼 2개를 직렬로 연결해야 합니다.



GX-A604 입력 연결: 3채널 작동

소스 장치 또는 프로세서의 라인 출력을 아래 그림처럼 연결합니다. 입력 모드 스위치를 "4CH" 위치로 설정합니다.

주: "Y" 어댑터를 사용하여 소스 장치의 서브우퍼 출력을 앰프의 후면 좌측 및 우측 입력 잭에 연결합니다.



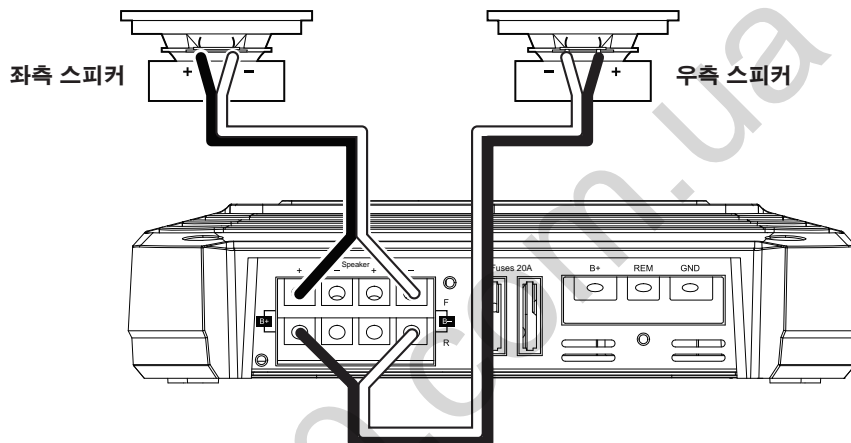
3채널 조작을 위한 앰프 제어 설정 내용은 20페이지의 크로스오버 제어 설정을 참조하십시오.

라인 레벨 입력 대신 스피커 레벨 입력을 사용하려면 12페이지의 스피커 레벨 입력 사용을 참조하십시오.

GX-A604 스피커 연결: 2채널 작동

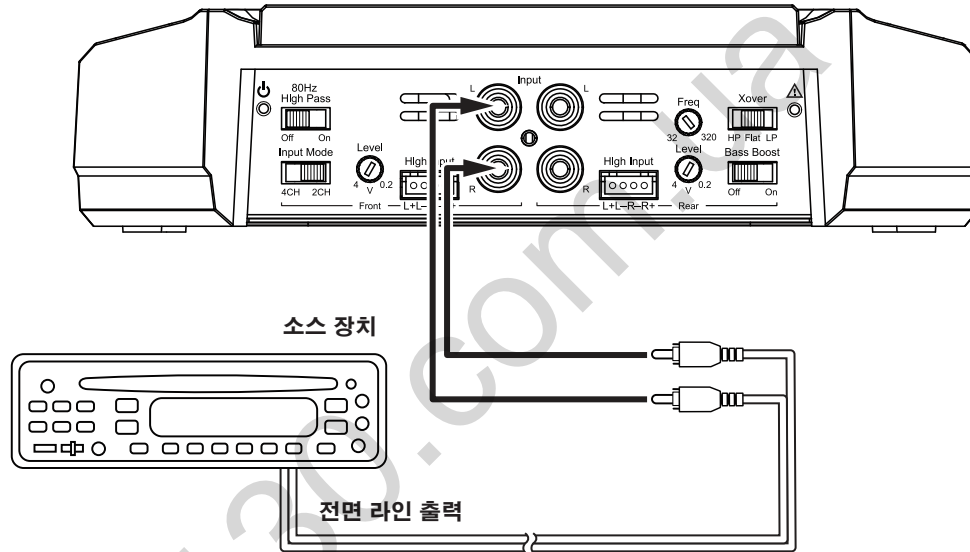
스피커 최소 임피던스: 4ohm(각각)

아래 그림처럼 좌측 및 우측 스피커를 연결합니다.



GX-A604 입력 연결: 2채널 작동

소스 장치 또는 프로세서의 라인 출력을 아래 그림처럼 연결합니다. 전면 좌측 및 우측 입력 연결만 사용하고 입력 모드 스위치가 "2CH" 위치로 설정되었는지 확인합니다.



2채널 조작을 위한 앰프 제어 설정 내용은 20페이지의 크로스오버 제어 설정을 참조하십시오.

라인 레벨 입력 대신 스피커 레벨 입력을 사용하려면 12페이지의 스피커 레벨 입력 사용을 참조하십시오.

스피커 레벨 입력 사용

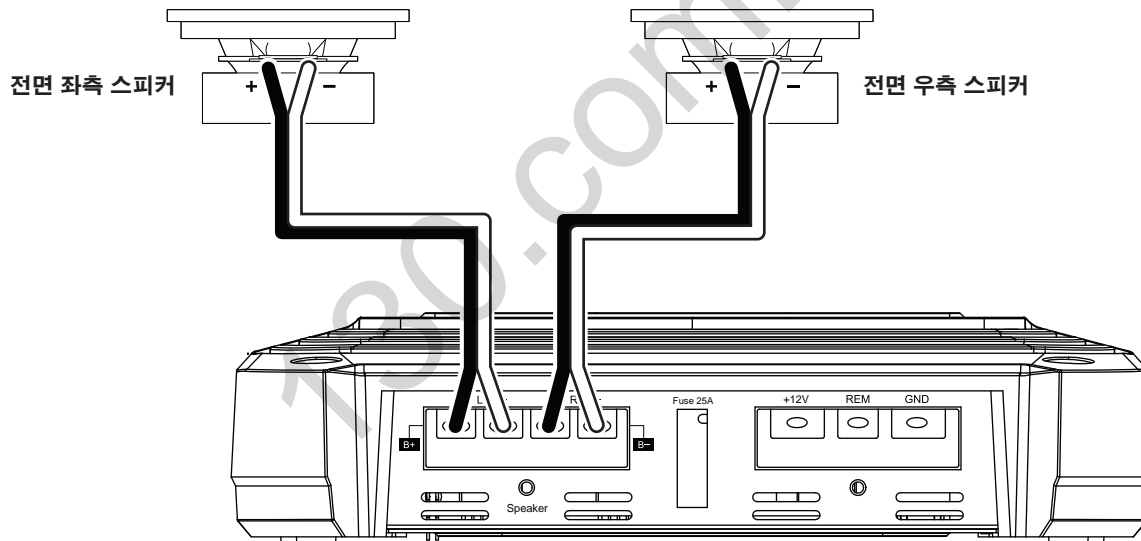
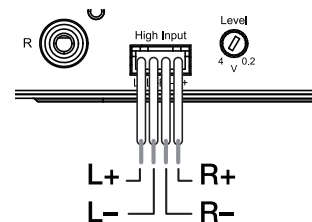
소스 장치에 라인 레벨 출력이 없을 경우 제공된 스피커 레벨 하니스를 사용하여 앰프를 소스 장치의 스피커 출력에 연결할 수 있습니다. 도체는 좌측에서 오른쪽으로 L+, L-, R-, R+입니다(좌측 그림 참조). 모든 GX 시리즈 앰프 모델의 스피커 레벨 커넥터는 이 배선 구성을 따릅니다.

스피커 레벨 커넥터를 라인 레벨 커넥터로 대체하는 이전 섹션의 지침을 따르십시오.

GX-A602 스피커 연결; 2채널 작동

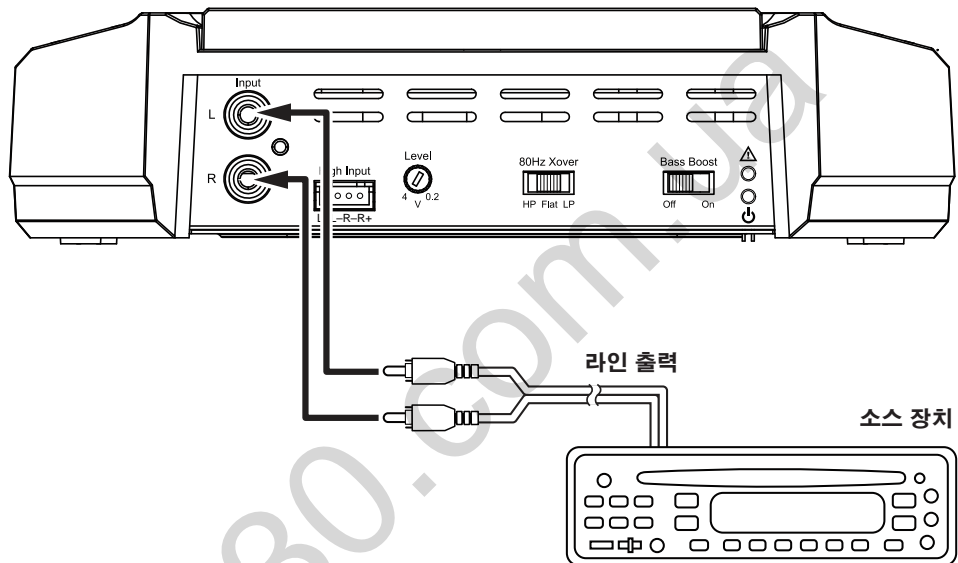
스피커 최소 임피던스: 2ohm(각각)

좌측과 우측 스피커를 FL 및 FR (+)와 (-) 단자에 연결합니다.



GX-A602 입력 연결: 2채널 작동

소스 장치 또는 프로세서의 라인 출력을 아래 그림처럼 연결합니다.



2채널 조작을 위한 앰프 제어 설정 내용은 20페이지의 크로스오버 제어 설정을 참조하십시오.

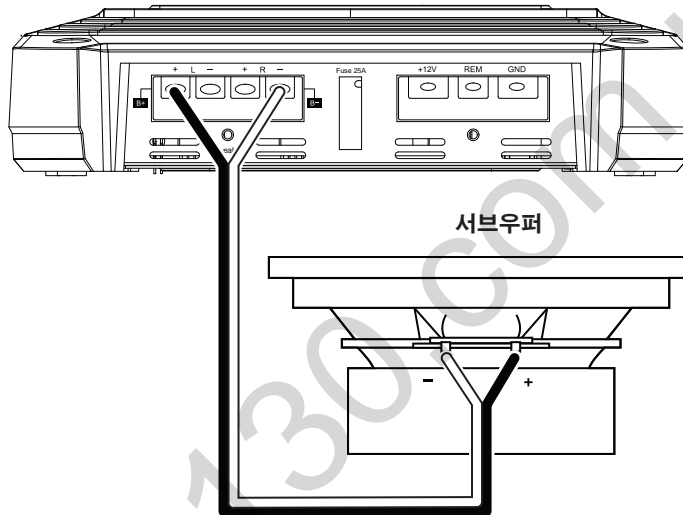
라인 레벨 입력 대신 스피커 레벨 입력을 사용하려면 12페이지의 스피커 레벨 입력 사용을 참조하십시오.

GX-A602 스피커 연결: 브리지 방식 작동

브리지 방식 작동은 서브우퍼의 단일 고출력 채널을 제공합니다.

스피커 최소 임피던스: 4ohm

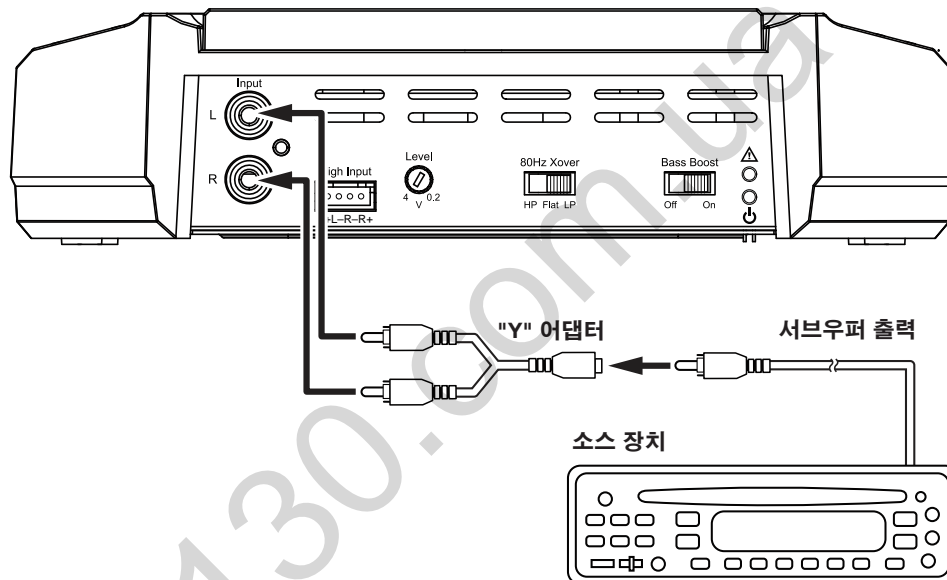
서브우퍼를 RL (+) 및 RR (-) 단자에 연결합니다. **주:** 브리지 방식 작동에 필요한 최소 임피던스 4ohm을 유지하려면 2ohm 서브우퍼 2개를 연속하여 연결해야 합니다.



GX-A602 입력 연결: 브리지 방식 작동

아래 그림처럼 소스 장치 또는 프로세서의 서브우퍼 라인 출력을 앰프의 좌측 입력에 연결합니다.

주: "Y" 어댑터를 사용하여 소스 장치를 앰프의 좌측 및 우측 입력 잭에 연결합니다.



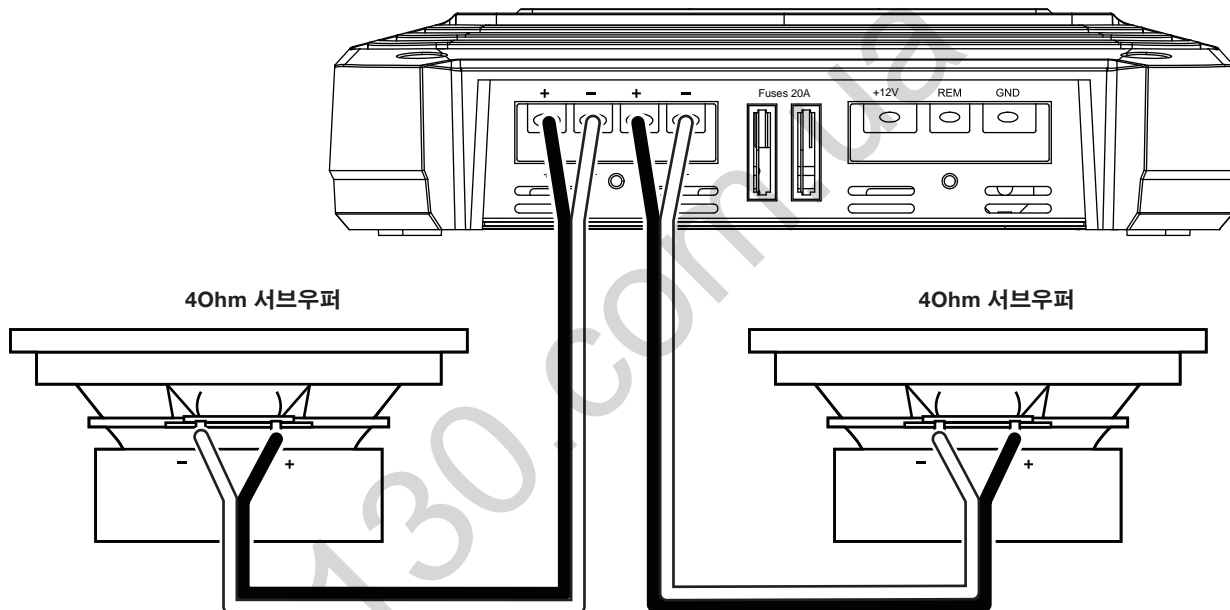
브리지 방식 작동을 위한 앰프 제어 설정 내용은 20페이지의 크로스오버 제어 설정을 참조하십시오.

라인 레벨 입력 대신 스피커 레벨 입력을 사용하려면 12페이지의 스피커 레벨 입력 사용을 참조하십시오.

GX-A3001 스피커 연결

스피커 최소 임피던스: 2ohm(단일 서브우퍼), 4ohm(서브우퍼 2개)

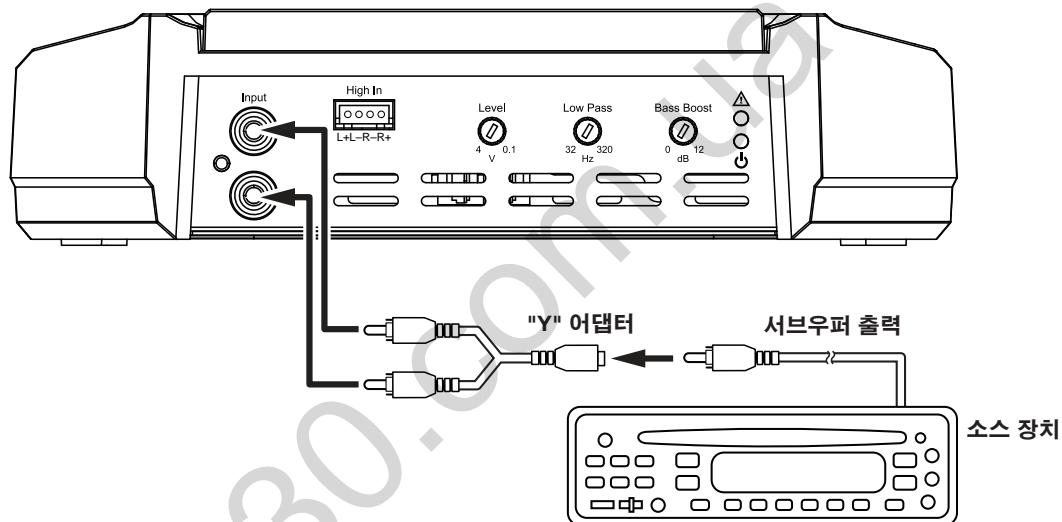
GX-A3001은 2개의 병렬 스피커 커넥터가 있어 서브우퍼 2개를 연결할 수 있습니다.



- 단일 서브우퍼를 사용하고 있을 경우 GX-A3001 스피커 커넥터 세트 중 한 곳과 연결할 수 있습니다.
- 2ohm 서브우퍼 2개를 사용하고 있을 경우 필요한 최소 임피던스 2ohm 이상이 되도록 연속하여 커넥터 세트 중 한 곳과 연결할 수 있습니다.

GX-A3001 입력 연결

아래 그림처럼 "Y" 어댑터를 사용하여 소스 장치 또는 프로세서의 서브우퍼 라인 출력을 앰프의 좌측 및 우측 입력에 연결합니다. 소스 장치에 서브우퍼 전용 출력이 없을 경우 후면 좌/우 출력을 앰프의 좌측 및 우측 입력에 연결할 수 있습니다.

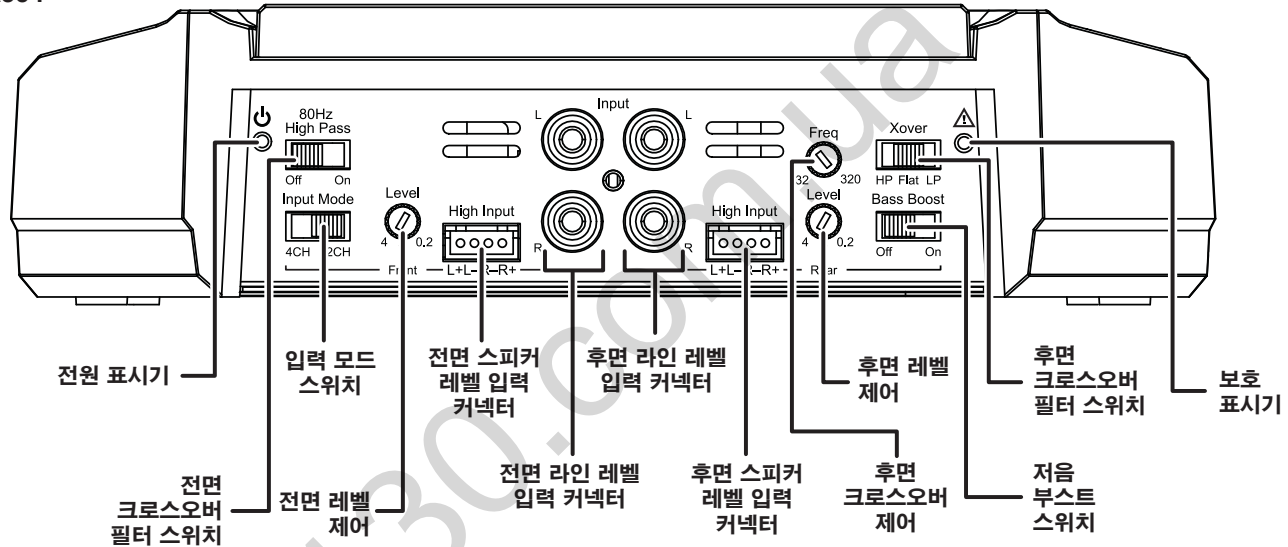


앰프 제어 설정에 대한 내용은 20페이지의 크로스오버 제어 설정을 참조하십시오.

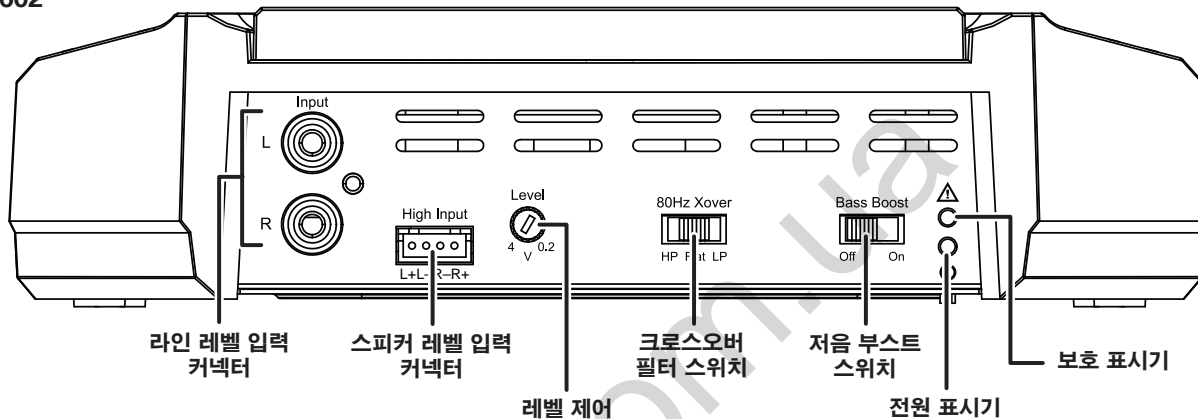
라인 레벨 입력 대신 스피커 레벨 입력을 사용하려면 12페이지의 스피커 레벨 입력 사용을 참조하십시오.

제어, 입력 연결 및 표시기

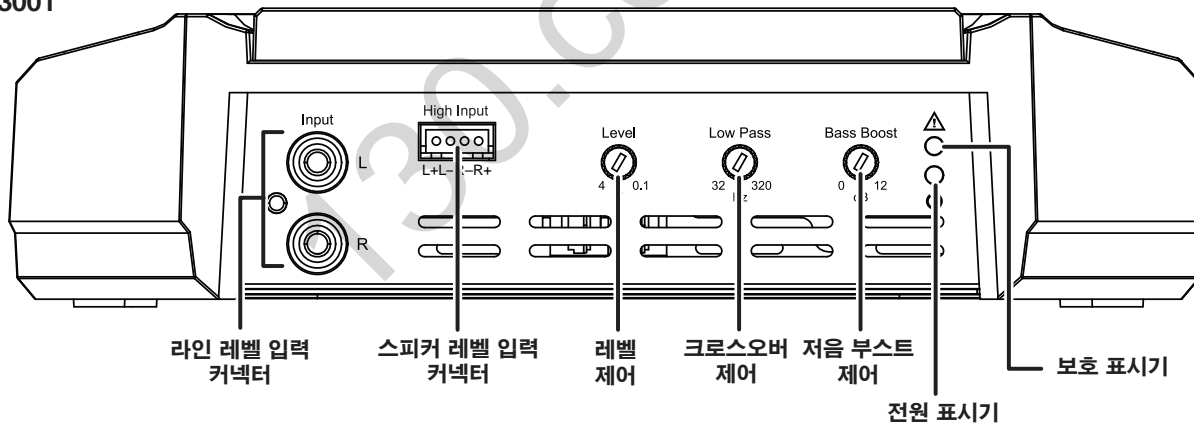
GX-A604



GX-A602



GX-A3001



크로스 오버 제어 설정

GX-A604: 4채널 작동

입력 모드 스위치: 입력 모드 스위치를 "4CH" 위치로 설정합니다.

전면 크로스오버 필터 스위치: 전면 크로스오버 필터 스위치를 "ON"(고음 통과) 위치로 설정합니다. 이렇게 하면 스피커로 전송되는 저주파수 에너지양이 제한되어 왜곡 현상이 현저하게 줄어들어 스피커 손상을 예방할 수 있습니다. **예외 사항:** 큰 저음을 처리할 수 있는 대형 풀 레인지 스피커 (6" x 9" 이상)를 앰프의 전면 채널에 연결한 상태에서 *시스템의 서브우퍼를 사용하지 않을 경우* 전면 크로스오버 필터 스위치를 "OFF"(풀 레인지) 위치로 설정합니다.

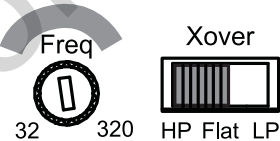
후면 크로스오버 필터 스위치: 후면 크로스오버 필터 스위치를 "HP"(고음 통과) 위치로 설정합니다. 이렇게 하면 스피커로 전송되는 저주파수 에너지양이 제한되어 왜곡 현상이 현저하게 줄어들어 스피커 손상을 예방할 수 있습니다. **예외 사항:** 큰 저음을 처리할 수 있는 대형 풀 레인지 스피커 (6" x 9" 이상)를 앰프의 전면 채널에 연결한 상태에서 *시스템의 서브우퍼를 사용하지 않을 경우* 후면 크로스오버 필터 스위치를 "FLAT"(풀 레인지) 위치로 설정합니다.

후면 크로스오버 제어: 후면 크로스오버 스위치가 "HP" 위치로 설정되어 있을 경우 후면 크로스오버 제어에서 스피커로 전송되는 저주파수가 볼륨에서 줄기 시작하는 주파수를 결정합니다.

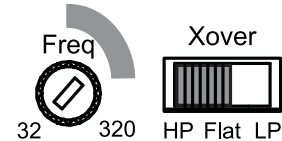
앰프를 4채널 모드로 실행할 경우 앰프 채널에 연결된 스피커 크기에 따라 후면 크로스오버 제어를 설정해야 합니다. 스피커가 작을수록 제어를 설정하여 스피커가 손상되지 않도록 보호해야 합니다.

크로스오버 주파수를 처음 설정한 후 익숙한 강도의 저음으로 음악을 들어 보십시오. 스피커 소리가 왜곡되었거나 듣기 힘든 경우 크로스오버 주파수 제어를 더 높이 설정하여 왜곡/듣기 힘든 소리를 제거하십시오. 오른쪽 그림에 여러 가지 스피커 크기에 대해 권장하는 크로스오버 필터 주파수 범위가 나와 있습니다.

6" 및 5" 스피커



4" 이하 스피커



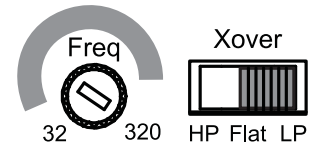
GX-A604: 3채널 작동

입력 모드 스위치: 입력 모드 스위치를 "4CH" 위치로 설정합니다.

전면 크로스오버 스위치: 전면 크로스오버 스위치를 "ON"(고음 통과) 위치로 설정합니다. 이렇게 하면 스피커로 전송되는 저주파수 에너지양이 제한되어 왜곡 현상이 현저하게 줄어들어 스피커 손상을 예방할 수 있습니다.

후면 크로스오버 필터 스위치: 서브우퍼 또는 우퍼를 후면 채널에 연결할 경우 후면 크로스오버 필터 스위치를 "LP"(저음 통과) 위치로 설정합니다. 이렇게 하면 우퍼 또는 서브우퍼로 전송되는 고주파수 에너지양이 제한되어 보컬 및 기타 중간 범위 소리의 선명도가 향상됩니다.

저음 통과 작동: 서브우퍼 및 우퍼



후면 크로스오버 제어: 서브우퍼에 사용하는 후면 크로스오버 제어 설정은 시스템의 서브우퍼 종류 및 위치에 좌우됩니다. 먼저, 전면 채널의 80Hz 설정보다 약간 낮은 주파수로 후면 크로스오버 제어를 설정합니다. 잠시 시스템의 음악을 들은 다음 후면 크로스오버 제어 설정을 미세 조정하여 서브우퍼와 다른 스피커 사이에 발생하는 소리가 떨어지는 것 같은 "홀" 현상을 피하면서 서브우퍼에서 시스템의 나머지 스피커로 부드럽게 전환할 수 있습니다. 오른쪽 그림은 권장하는 후면 크로스오버 제어 주파수 범위를 나타냅니다.

GX-A604: 2채널 작동

입력 모드 스위치: 입력 모드 스위치를 "2CH" 위치로 설정합니다.

전면 크로스오버 필터 스위치: 전면 크로스오버 필터 스위치를 "ON"(고음 통과) 위치로 설정합니다. 이렇게 하면 스피커로 전송되는 저주파수 에너지양이 제한되어 왜곡 현상이 현저하게 줄어들어 스피커 손상을 예방할 수 있습니다. **예외 사항:** 큰 저음을 처리할 수 있는 대형 풀 레인지 스피커 (6" x 9" 이상)를 앰프의 전면 채널에 연결한 상태에서 *시스템의 서브우퍼를 사용하지 않을 경우* 전면 크로스오버 필터 스위치를 "OFF"(풀 레인지) 위치로 설정합니다.

후면 크로스오버 필터 스위치: 후면 크로스오버 필터 스위치를 "HP"(고음 통과) 위치로 설정합니다. 이렇게 하면 스피커로 전송되는 저주파수 에너지양이 제한되어 왜곡 현상이 현저하게 줄어들어 스피커 손상을 예방할 수 있습니다. **예외 사항:** 큰 저음을 처리할 수 있는 대형 풀 레인지 스피커 (6" x 9" 이상)를 앰프의 전면 채널에 연결한 상태에서 *시스템의 서브우퍼를 사용하지 않을 경우* 후면 크로스오버 필터 스위치를 "FLAT"(풀 레인지) 위치로 설정합니다.

후면 크로스오버 제어: 후면 크로스오버 스위치가 "HP" 위치로 설정되어 있을 경우 후면 크로스오버 제어에서 스피커로 전송되는 저주파수가 볼륨에서 줄기 시작하는 주파수를 결정합니다.

앰프를 4채널 모드로 실행할 경우 앰프 채널에 연결된 스피커 크기에 따라 후면 크로스오버 제어를 설정해야 합니다. 스피커가 작을수록 제어를 설정하여 스피커가 손상되지 않도록 보호해야 합니다. 크로스오버 주파수를 처음 설정한 후 익숙한 강도의 저음으로 음악을 들어 보십시오. 스피커 소리가 왜곡되었거나 듣기 힘들 경우 크로스오버 주파수 제어를 더 높이 설정하여 왜곡/듣기 힘든 소리를 제거하십시오. 오른쪽 그림에 여러 가지 스피커 크기에 대해 권장하는 크로스오버 필터 주파수 범위가 나와 있습니다.



GX-A602: 2채널 작동

크로스오버 필터 스위치:

- 앰프를 6" 이하의 풀 레인지 스피커 한 쌍에 연결했을 경우 크로스오버 필터 스위치를 "HP"(고음 통과) 위치로 설정합니다. 이렇게 하면 스피커로 전송되는 저주파수 에너지양이 제한되어 왜곡 현상이 현저하게 줄어들어 스피커 손상을 예방할 수 있습니다.
- 큰 저음을 처리할 수 있는 대형 풀 레인지 스피커(6" x 9" 이상) 한 쌍을 앰프와 연결한 상태에서 *시스템의 서브우퍼를 사용하지 않을 경우* 크로스오버 필터 스위치를 "FLAT"(풀 레인지) 위치로 설정합니다.
- 앰프를 우퍼 또는 서브우퍼 한 쌍에 연결했을 경우 크로스오버 필터 스위치를 "LP"(저음 통과) 위치로 설정합니다. 이렇게 하면 우퍼/서브우퍼로 전송되는 고주파수 에너지양이 제한되어 보컬 및 기타 중간 범위 소리의 선명도가 향상됩니다.

GX-A602: 브리지 방식 작동

크로스오버 필터 스위치: 앰프를 브리지 방식으로 서브우퍼에서 작동할 경우 크로스오버 필터 스위치를 "LP"(저음 통과) 위치로 설정합니다. 이렇게 하면 서브우퍼로 전송되는 고주파수 에너지양이 제한됩니다.

GX-A3001

주: GX-A3001의 내부 크로스오버는 영구적으로 저음 통과 작동으로 설정되어 있습니다.

크로스오버 제어: 크로스오버 제어는 우퍼 또는 서브우퍼로 전송되는 고주파수 에너지양을 제한합니다. 서브우퍼에 사용하는 크로스오버 제어 설정은 시스템의 서브우퍼 종류 및 위치에 좌우됩니다. 먼저, 시스템의 다른 스피커에 사용하는 고음 통과 크로스오버 설정보다 약간 낮은 주파수로 크로스오버 제어를 설정합니다. 잠시 시스템의 음악을 들어본 다음 크로스오버 제어 설정을 미세 조정하여 서브우퍼와 다른 스피커 사이에 발생하는 소리가 떨어지는 것 같은 "홀" 현상을 피하면서 서브우퍼에서 시스템의 나머지 스피커로 부드럽게 전환할 수 있습니다. 오른쪽 그림은 권장하는 크로스오버 제어 주파수 범위를 나타냅니다.



입력 레벨 설정

1. 모든 앰프의 전체 레벨 제어를 시계 반대방향으로 완전히 돌립니다.
2. 소스 장치를 통해 역동적인 음악을 재생한 다음 볼륨을 최대 볼륨의 3/4로 돌립니다.
3. 음악 소리가 왜곡되기 시작할 때까지 전면 채널 앰프의 레벨 제어를 천천히 시계 방향으로 돌립니다.
4. 음악 소리가 왜곡되지 않을 때까지 레벨 제어를 시계 반대 방향으로 천천히 돌립니다.
5. 앰프를 2개 이상 사용하거나 GX-A604를 사용 중일 경우 나머지 모든 앰프 레벨 제어에 3 ~ 4단계를 반복합니다.

저음 부스트 설정

GX-A604: 앰프의 후면 채널을 사용하여 서브우퍼에 전원을 공급할 경우 저음 부스트 스위치는 45Hz에서 12dB의 저음 부스트를 제공할 수 있습니다. (스위치는 앰프의 후면 채널에만 영향을 줍니다.) 개인 취향에 따라 이 스위치를 설정하되, 스위치를 사용함으로써 왜곡 현상이 들리거나 서브우퍼가 보터밍될 경우 "OFF"로 설정하는 것이 좋습니다. **주의:** 서브우퍼에 전원을 공급하기 위해 후면 채널을 구성하는 경우에만 저음 부스트를 사용하십시오. 풀 레인지 스피커에 저음 부스트 스위치를 사용하면 스피커가 손상될 수 있습니다.

GX-A602: 앰프를 브리지 방식 모드로 사용하여 서브우퍼에 전원을 공급할 경우 저음 부스트 스위치는 45Hz에서 12dB의 저음 부스트를 제공할 수 있습니다. 개인 취향에 따라 이 스위치를 설정하되, 스위치를 사용함으로써 왜곡 현상이 들리거나 서브우퍼가 보터밍될 경우 "OFF"로 설정하는 것이 좋습니다. **주의:** 앰프를 사용하여 서브우퍼에 전원을 공급하는 경우에만 저음 부스트를 사용하십시오. 풀 레인지 스피커에 저음 부스트 스위치를 사용하면 스피커가 손상될 수 있습니다.

GX-A3001: 저음 부스트 제어는 45Hz에서 최대 12dB의 저음 부스트를 제공할 수 있습니다. 개인 취향에 따라 이 제어를 설정하되, 왜곡 현상이 들리거나 서브우퍼의 보터밍이 생길 정도로 높게 설정하지 않도록 주의하십시오.

LED 전원 공급 및 보호

LED 전원 공급

- LED가 주황색으로 켜짐: 정상 작동(전원이 켜진 상태).
- LED가 꺼짐: 앰프가 대기 모드 상태입니다.

LED 보호

앰프의 LED 보호는 정상 작동 시 계속 꺼져 있어야 합니다. 앰프에서 아무 소리도 나지 않고 보호 LED에 빨간색이 들어온 경우 24페이지의 문제 해결을 참조하십시오.

문제 해결

앰프가 생각한 대로 실행되지 않을 경우 대리점에 전화하거나 JBL 고객 서비스에 문의하기 전에 이 섹션에서 다른 문제가 있는지 확인하십시오.

문제

원인 및 해결책

소리가 나지 않을 경우(앰프의 전원 LED가 꺼짐)	<ul style="list-style-type: none">• 앰프의 +12V 및 GND 접지가 제대로 되었는지 확인합니다.• 배터리 근처에 있는 +12V 전선의 퓨즈가 나갔는지 확인합니다. 나갔을 경우 동일한 퓨즈로 교체하십시오.• 앰프의 모든 퓨즈를 확인합니다. 나간 것이 있으면 동일한 퓨즈로 교체하십시오.• 켜질 때 앰프의 REM 연결을 사용 중일 경우 전선이 오디오 시스템의 원격 켜짐 전선과 차량의 ACC 전원 단자에 제대로 연결되었는지 확인합니다.
소리가 나지 않을 경우(앰프의 전원 LED가 주황색임)	<ul style="list-style-type: none">• 앰프의 모든 입력 및 스피커 연결이 제대로 되었는지 확인합니다.• 앰프의 레벨 제어가 시계 반대방향으로 끝까지 돌아가 있는지 확인합니다.• 차량 오디오 시스템의 소스 장치 볼륨 제어가 끝까지 돌아가 있는지 확인합니다.
소리가 나지 않을 경우(앰프의 보호 LED가 빨간색임)	<ul style="list-style-type: none">• 차량의 전기 시스템이 앰프에 9V ~ 16V DC를 공급하고 있는지 확인합니다. 공급 전압이 해당 범위를 벗어날 경우 앰프를 사용하기 전에 상태를 수정하십시오.• 앰프가 과열된 경우 다시 사용하기 전에 앰프가 냉각될 때까지 기다리십시오.• 다음의 경우 앰프에서 모든 스피커의 연결을 분리하고 다시 검사하십시오.<ul style="list-style-type: none">- 앰프가 켜졌고(전원 LED가 주황색) 한 개 이상의 스피커 전선이 합선된 경우. 스피커를 앰프에 다시 연결하기 전에 합선을 모두 수정하십시오.- 앰프가 켜지지 않을 경우(보호 LED가 계속 빨간색이고 전원 LED는 꺼진 상태) 공식 JBL 대리점에 문의하여 도움을 요청하십시오.

문제

원인 및 해결책

소리가 앰프에 연결된 스피커 일부에서만 나올 경우

- 차량 오디오 시스템의 소스 장치 밸런스를 확인하고 페이더 제어가 가운데(중간 지점) 위치로 설정되어 있는지 확인합니다.
- (GX-A604): 앰프의 모드 스위치 설정이 입력과 일치하는지와 스피커가 앰프에 연결되어 있는지 확인합니다.

차량 오디오 시스템의 소스 장치 볼륨을 최대한 높여도 소리가 너무 작을 경우

- 앰프의 레벨 제어가 너무 낮게 돌아가 있지 않은지 확인합니다. 레벨 제어 설정에 대한 내용은 22페이지의 **입력 레벨**을 참조하십시오.

전면/후면 스피커의 소리가 왜곡될 경우

- 왜곡된 채널에 해당하는 앰프의 크로스오버 필터 스위치가 HP로 설정되어 있는지 확인합니다.
- 왜곡된 채널의 크로스오버 제어를 더 높게 설정합니다.
- 왜곡 현상이 차량 오디오 시스템의 소스 장치에서 나는 것인지 확인합니다.

서브우퍼의 소리가 왜곡될 경우

- (GX-A604, GX-A602): 저음 부스트 스위치를 "OFF"로 설정합니다.
- (GX-A3001): 저음이 풍부한 음악을 들으면서 저음 부스트 제어를 끝까지 낮춘 다음 왜곡 현상이 다시 나타날 때까지 점차적으로 올립니다. 저음 부스트 제어 설정을 약간 낮추어 왜곡 현상을 없애고 그 설정을 유지합니다.
- 왜곡 현상이 차량 오디오 시스템의 소스 장치에서 나는 것인지 확인합니다.

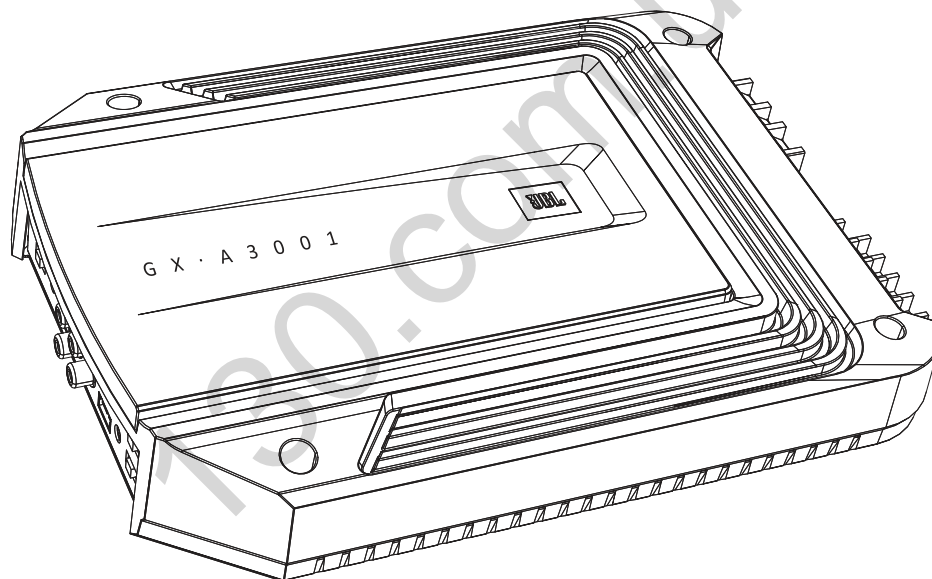
사양

	GX-A604	GX-A602	GX-A3001
최대 전원(15.5V, 1kHz, 10%THD, 총 채널, 2ohm)	435W	280W	415W(15.5V, 50Hz, 10% THD, 2ohm)
4ohm에서의 정격 전원 출력	60W x 4	60W x 2	200W x 1
브리지 방식 전원 출력 (4ohm, 1% THD)	170W x 2	170W x 1	해당 사항 없음
정격 출력에서의 THD+N	<1%	<1%	<1%
신호 대 잡음비(4ohm에서 2V)	>75dB	>75dB	>75dB
효과적인 감쇠율 팩터(4ohm)	>50	>50	>50
주파수 반응(-3dB)	20Hz ~ 20kHz ±1dB	20Hz ~ 20kHz ±1dB	10Hz ~ 320Hz
최대 입력 전원	20V	20V	20V
최대 입력 민감도	200mV	200mV	200mV
퓨즈 크기	20A x 2	25A	20A x 2
치수(높이 x 너비 x 깊이)	52mm x 300mm x 206mm (2-1/16" x 11-13/16" x 8-1/8")	52mm x 198mm x 206mm (2-1/16" x 7-13/16" x 8-1/8")	52mm x 291mm x 206mm (2-1/16" x 11-7/16" x 8-1/8")
중량	2.4kg(5.3lb)	1.7kg(3.8lb)	2.4kg(5.3lb)



GX-A604/GX-A602/GX-A3001

パワーアンプ

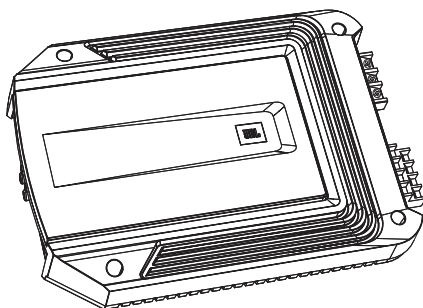


オーナー・マニュアル

はじめに

JBL® GXシリーズ アンプをご購入いただきありがとうございます。弊社はより良いサービスをご提供いたします。保証サービスをお求めの場合、オリジナルの販売領収書を保管いただき、www.jbl.com. でアンプ・オンラインにご登録ください。

同梱品目



GXシリーズ アンプ (x 1)



スピーカー レベル 入力ハーネス
(GX-A602, GX-A3001 x 1)
(GX-A604 x 2)

場所と据え付け

この説明書は、一般的な意味で、GXシリーズのアンプの設置方法を説明しておりますが、お客様固有の自動車のために必要な専用の設置方法を示したものではありません。必要な工具またはご経験をお持ちではない場合、ご自身で設置しようとなさらないでください。それよりも、認定されたJBLカーオーディオ販売業者に専門的な設置をご依頼ください。

設置上の注意、およびヒント

重要： 設置を始める前に、自動車のマイナス (-) 極のバッテリーターミナルの接続を切ります。

- 工具を使用する際は、必ず保護用の眼鏡類をかけてください。
- 取り付けを予定している面の両側に隙間があることを確認してください。ねじやワイヤーが、ブレーキライン、燃料系路、または電気配線に穴をあけないこと、また、配線が、車両の安全な運行にの妨げにならないようことを確認してください。
- 電気接続を行なう場合、それらが安全できちんと絶縁されていることを確認してください。
- アンプのヒューズのどれかを交換しなければならない場合、必ず同じ種類のヒューズと、元のものと同じ定格電流を使うようにしてください。

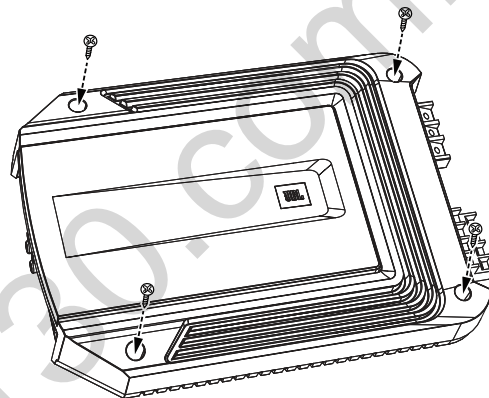
設置場所

アンプを涼しく保つために、空気循環が必要です。アンプが熱をもたないように、十分な空気を供給できる場所を選択してください。

- 適切な場所は、シートの下（ただし、アンプがシート調整装置の妨げにならない限り）、トランクの中、またはその他の涼しい空気を十分供給できる場所です。
- アンプの対流冷却を妨げるので、放熱板が下を向いている状態でアンプを据え付けしないでください。
- 後部座席の乗客の足によって、またはトランクの中の積み荷が移動することによって損傷することがないようにアンプを据え付けてください。
- 乾いた状態を保つようにアンプを据え付けてください。車の外側、またはエンジン室の中にアンプを据え付けしないでください。

アンプの据え付け

注意：自動車に、アンプを半永久的に据え付ける前に、アンプへの接続をすべて行なっておくほうが、都合がよいと思われます。



1. 上記のように、適切な据え付け場所を選択してください。
2. アンプを型板として利用して、取付け面に、取り付け用穴の位置に印を付けてください。
3. 取付け面にパイロット穴（案内孔）をあけてください。
4. アンプを、ご自身で選択された4本の適切な取り付けネジで取付け面に取り付けてください。8番のプラス (+) 板金ネジをお使いになることをお勧めします。アンプが確実に取り付けられたことを確認してください。

電力接続とアース接続

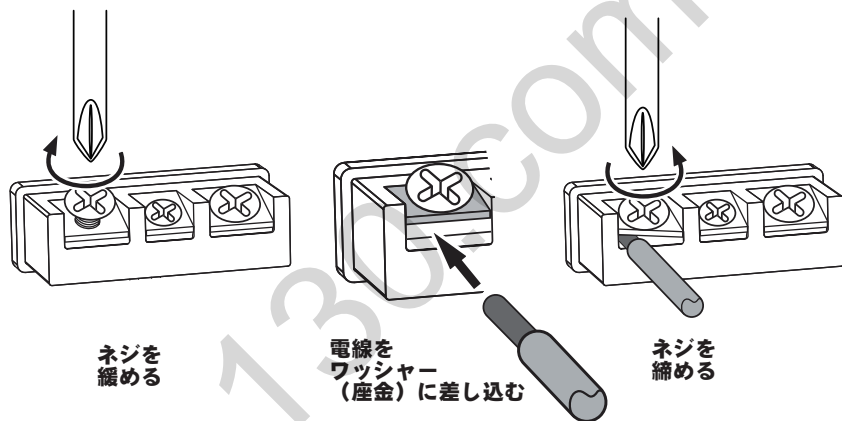
重要：設置を始める前に、自動車のマイナス (-) 極のバッテリーターミナルの接続を切ります。

GXシリーズのアンプは、高い出力レベルをもたらすことができ、最適なパフォーマンスを実現するためには、自動車の電気システムへの丈夫で信頼できる接続を必要とします。以下の指示を注意深く厳守してください。

コネクターの使用

GXシリーズのアンプは、同じ種類のねじ込み端子を電源との接続とスピーカーとの接続に使用します。この種類の端子は使いやすく、大きなゲージの電線の接続が容易にできます。

コネクターをご使用になるには、プラスドライバーを使ってコネクターの止めネジをゆるめ、露出させた電線を差し込み、止めネジを締めて、以下の図のように、コネクターの電線をしっかりと固定します。



重要：スピーカーの、プラス (+) とマイナス (-) の露出させた電線が互いに接触したり、アンプの端子でもスピーカーの端子でも、接続させる端子以外の端子に接触したりすることのないように確認してください。電線の接触は、アンプを破損するおそれがあるショートの原因になることがあります。

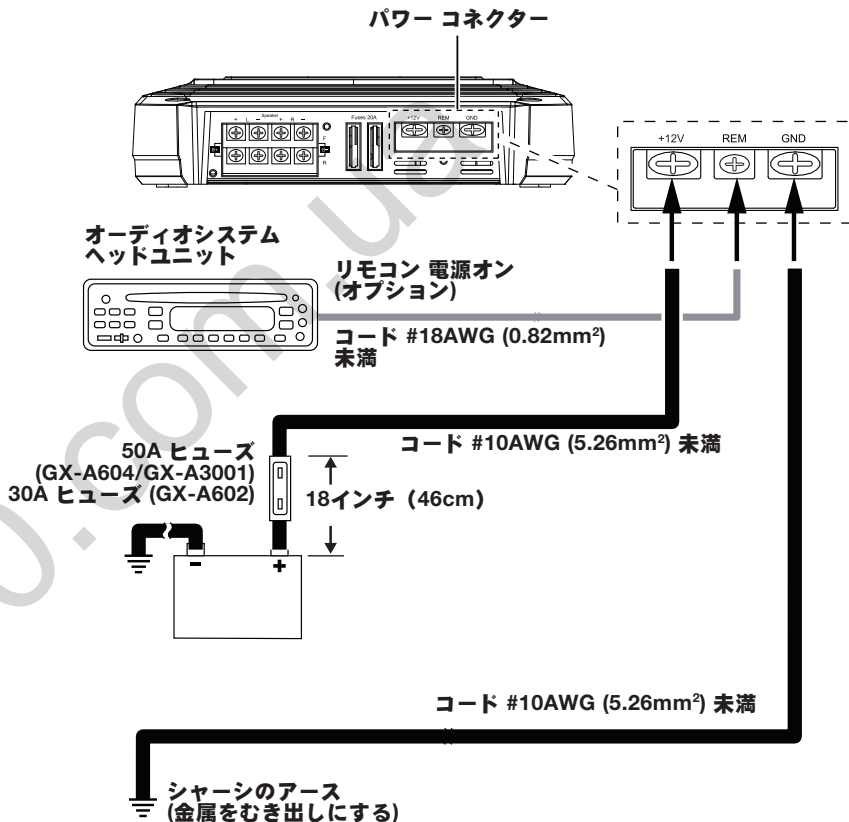
アース接続

アンプのアース端子から、直接、電線（最低でも10AWG（米国ワイヤゲージ規格）- 5.3mm²）を自動車のシャーシのソリッドポイントに接続してください。

- うまく接続させるために、紙やすりを使って、シャーシのこの場所の金属面から塗装を取り除いてください。電線の接続をしっかり固定するために星型ロックワッシャーを使用してください。

電源接続 (12V)

- （最低でも10AWG（米国ワイヤゲージ規格）- 5.3mm²）をバッテリーのプラス (+) 電極に直接接続してください。
- 電源コードの、バッテリーのプラス (+) 電極から18インチ (46cm) 以内のところに、50Aのヒューズ（GX-A604, GX-A3001の場合）、または30Aのヒューズ（GX-A602の場合）にヒューズホルダーを設置してください。この時は、ホルダーにヒューズを設置しないでください。
- このコードをアンプの場所まで配線し、アンプの12Vのプラス (+) 端子に接続してください。防火隔壁またはその他の板金を経由させて、電気コードを配線するときは、必ず適切なグラメット（はと目金）を使用するようにしてください。
重要： プラス (+) のコードを、予想される破損から十分に保護しないと、自動車の火災の原因となることがあります。
- このコードの配線と接続が完了したら、バッテリーの近くに設置したホルダーに適切なヒューズを設置してください。（GX-A604, GX-A3001 - 50A ヒューズ; GX-A602 - 30A ヒューズ）



スピーカーと入力接続

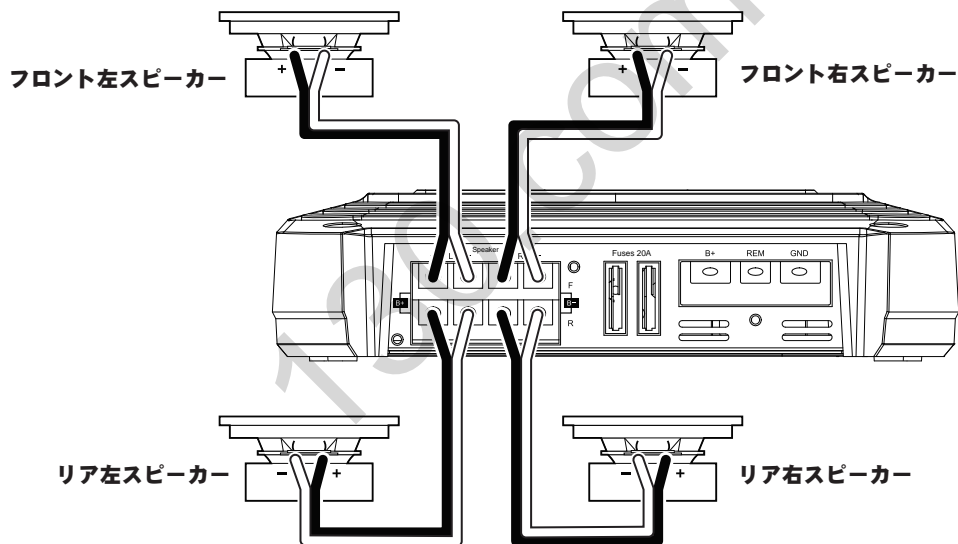
アンプのスピーカー用プラス (+) 端子は、必ずスピーカーのプラス (+) 端子に接続し、アンプのスピーカー用マイナス (-) 端子は、必ずスピーカーのマイナス (-) 端子に接続してください。

重要： プラス (+) とマイナス (-) の、露出させた電線が互いに接触したり、アンプの端子でもスピーカーの端子でも、接続させる端子以外の端子に接触したりすることのないように確認してください。電線の接触は、アンプを破損するおそれがあるショートの原因になることがあります。

GX-A604 スピーカーの接続：4チャンネルでの運用

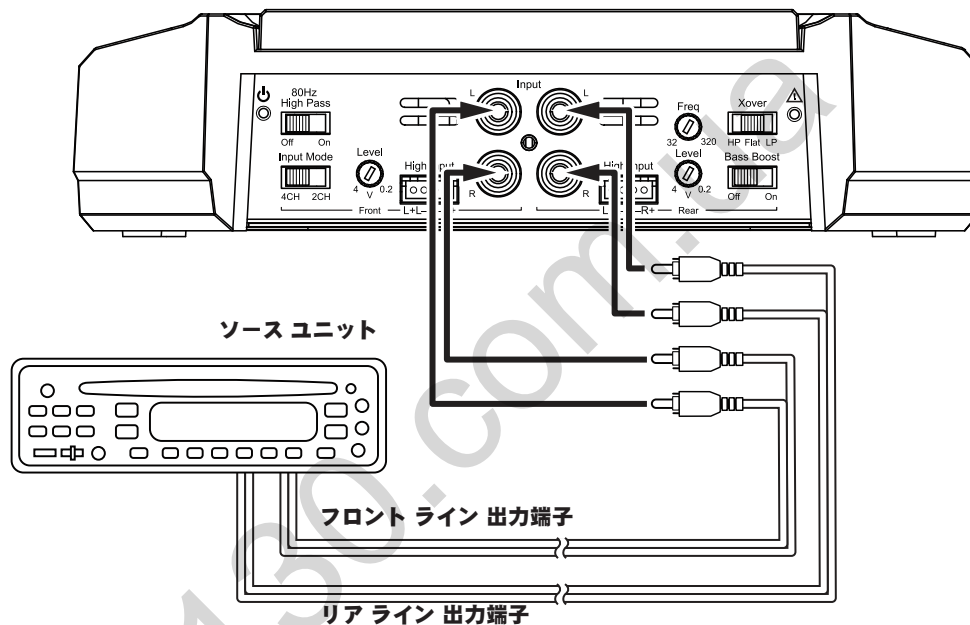
最小スピーカー インピーダンス 2Ω (それぞれ)

- フロントスピーカーを、それぞれFL (フロント左) とFR (フロント右) のプラス (+) 端子とマイナス (-) 端子に接続してください。
- リアスピーカーを、それぞれRL (リア左) とRR (リア右) のプラス (+) 端子とマイナス (-) 端子に接続してください。



GX-A604 入力接続：4チャンネルでの運用

ソースユニットまたはプロセッサの前用と後用、左用と右用の出力端子をアンプの入力端子に、図に示されたように接続してください。



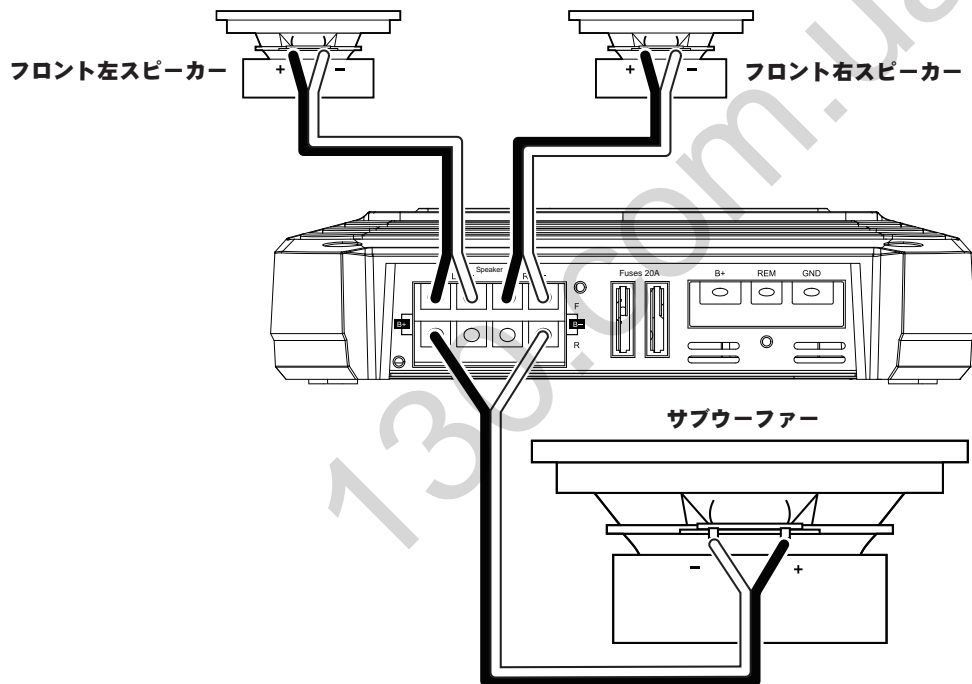
4チャンネルでの運用のためのアンプのコントロールの設定についての情報は、20ページの、『クロスオーバー コントロールを設定する』をご覧ください。

ラインレベルの入力端子の代わりにスピーカーレベルの入力端子を使用するためには、12ページの、『スピーカーレベルの入力端子を使用する』をご覧ください。

GX-A604 スピーカーの接続:3チャンネルでの運用

最小スピーカー インピーダンスそれぞれ 2Ω (左右のスピーカー)、 4Ω (サブウーファー)

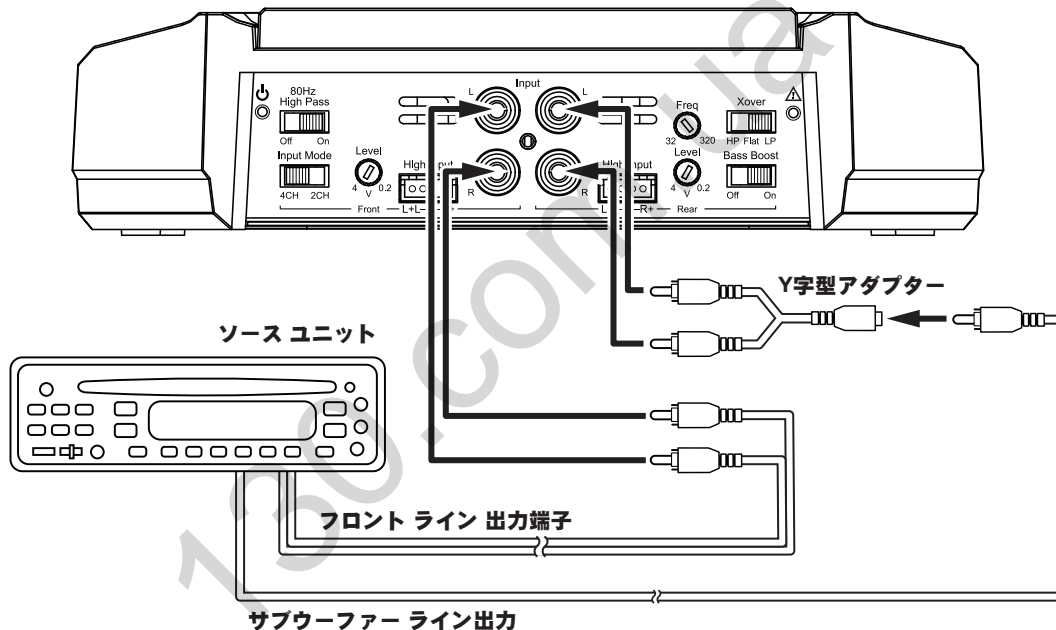
- 左用と右用のスピーカーを、それぞれFL (フロント左) とFR (フロント右) のプラス (+) 端子とマイナス (-) 端子に接続してください。
- サブウーファーを、それぞれRL (リア左) プラス (+) 端子とRR (リア右) マイナス (-) 端子に接続してください。(リアチャンネルのバスブーストコントロールによって、リア・チャンネルがサブウーファー接続に適するようになります。23ページの、『バスブーストを設定する』をご覧ください)。 **注意**：サブウーファーチャンネルのために必要な 4Ω の最小インピーダンスを維持するために、2つの 2Ω のサブウーファーを直列に接続してご利用いただけます。



GX-A604 入力接続：3チャンネルでの運用

ソース ユニットまたはプロセッサのライン出力端子を、以下の図に示されたように接続してください。入力モードのスイッチを「4CH（4チャンネル）」に設定してください。

注意：ソース ユニットのサブウーファー出力端子をアンプのリア用の左用および右用入力ジャックに接続するために、Y字型アダプターをご使用ください。



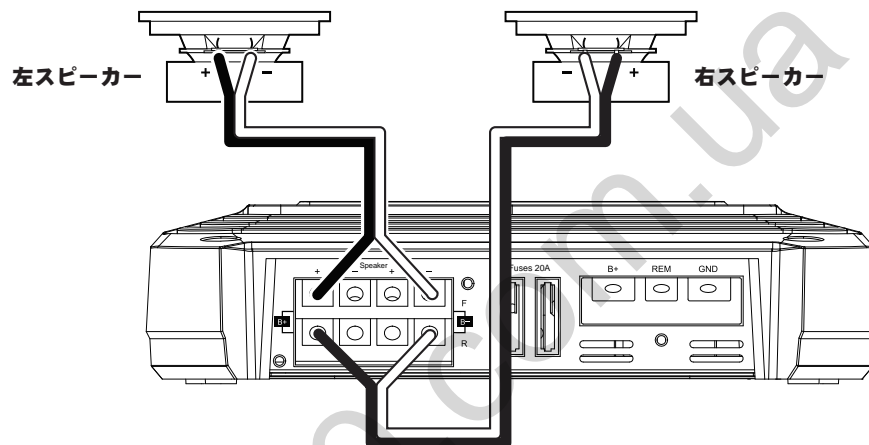
3チャンネルでの運用のためのアンプのコントロールの設定についての情報は、20ページの、『クロスオーバー コントロールを設定する』をご覧ください。

ラインレベルの入力端子の代わりにスピーカーレベルの入力端子を使用するためには、12ページの、『スピーカーレベルの入力端子を使用する』を、ご覧ください。

GX-A604 スピーカーの接続：2チャンネルでの運用

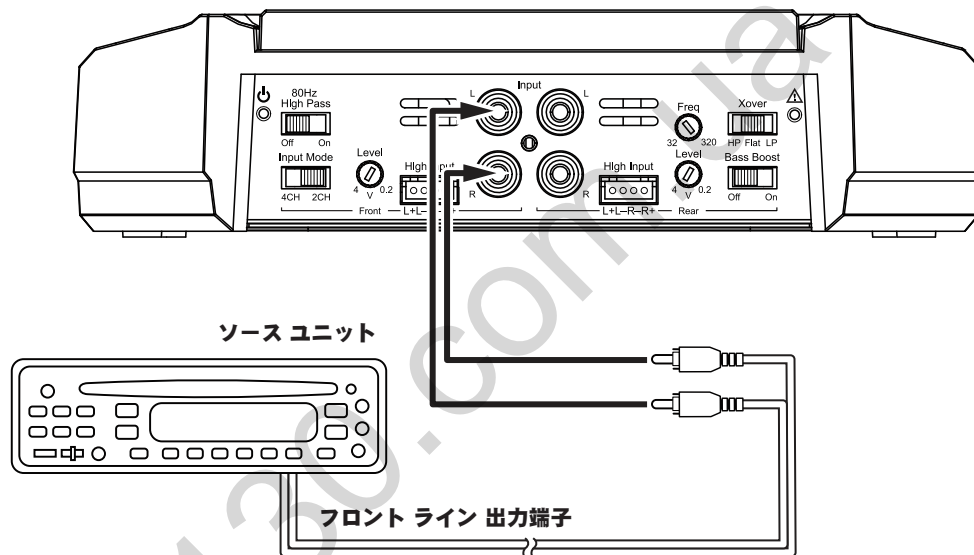
最小スピーカー インピーダンス4Ω（それぞれ）

左用と右用のスピーカーを、以下の図に示されたように接続してください。



GX-A604 入力接続:2チャンネルでの運用

ソース ユニットまたはプロセッサのライン出力端子を、以下の図に示されたように接続してください。フロント用の左用および右用の入力接続のみ使用し、モードスイッチを「2CH (2チャンネル)」に設定したことを確認してください。



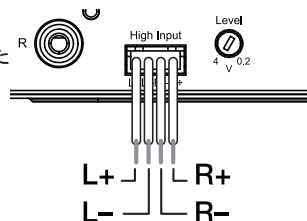
2チャンネルでの運用のためのアンプのコントロールの設定についての情報は、20ページの、『クロスオーバー コントロールを設定する』を、ご覧ください。

ラインレベルの入力端子の代わりにスピーカーレベルの入力端子を使用するためには、12ページの、『スピーカーレベルの入力端子を使用する』を、ご覧ください。

スピーカーレベルの入力端子を使う

ソースユニットにラインレベル出力端子がない場合、アンプをソースユニットのスピーカー用出力端子に接続するために、同梱のスピーカーレベルの入力ハーネスをご利用いただけます。導体は、左から右へ順に：L+、L-、R-、R+（左+、左-、右-、右+）（右の図をご覧ください）。GXシリーズのアンプの機種別のスピーカーレベルコネクタは、この配線条件に従ってください。

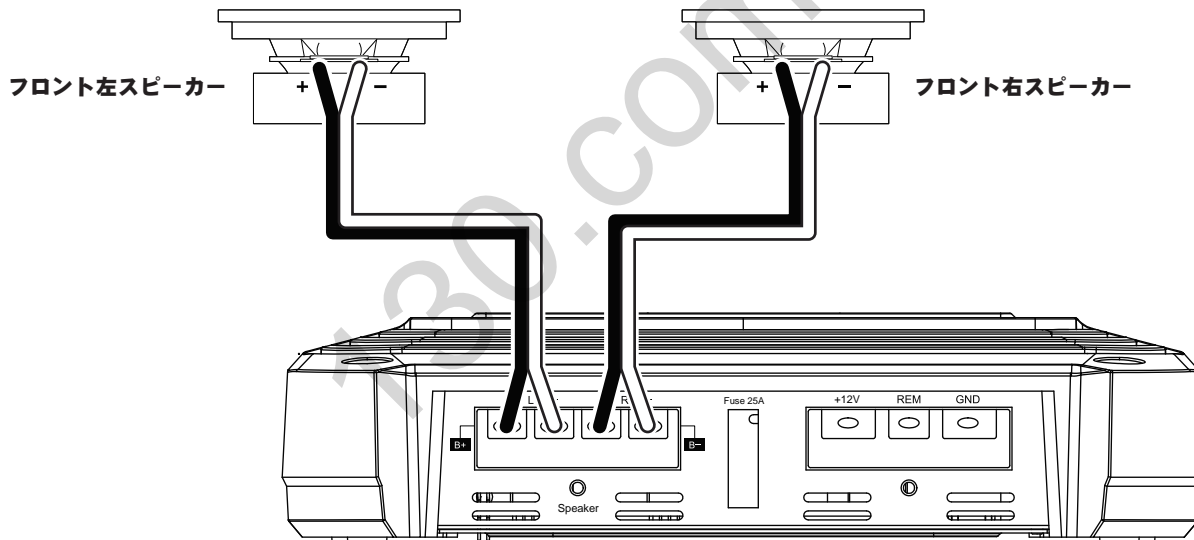
スピーカーレベルのコネクタをラインレベルのコネクタと置き換えるには、前のセクションの指示に従ってください。



GX-A602スピーカー接続、2チャンネルでの運営

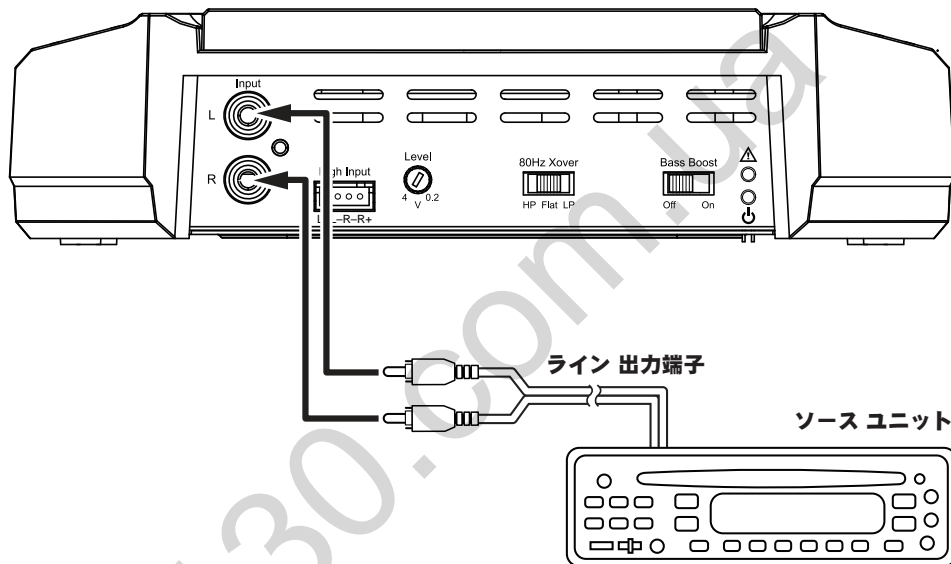
最小スピーカー インピーダンス 2Ω（それぞれ）

左用と右用のスピーカーを、それぞれFL（フロント左）とFR（フロント右）のプラス (+) 端子とマイナス (-) 端子に接続してください。



GX-A602 入力接続 : 2チャンネルでの運用

ソース ユニットまたはプロセッサのライン出力端子を、以下の図に示されたように接続してください。



2チャンネルでの運用のためのアンプのコントロールの設定についての情報は、20ページの、『クロスオーバー コントロールを設定する』を、ご覧ください。

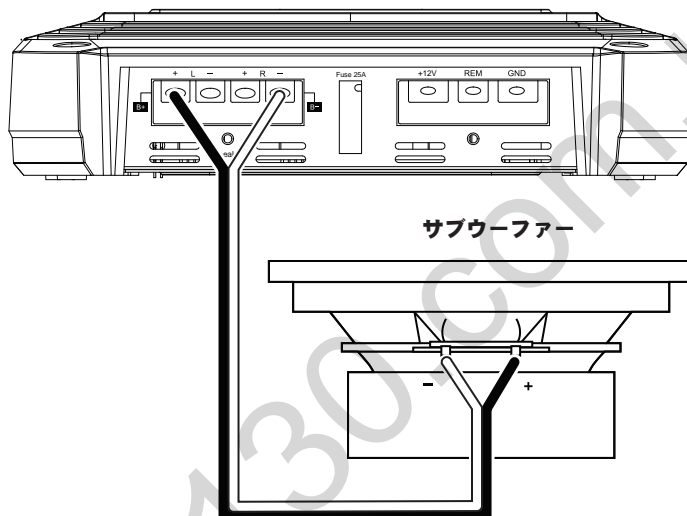
ラインレベルの入力端子の代わりにスピーカーレベルの入力端子を使用するためには、12ページの、『スピーカーレベルの入力端子を使用する』を、ご覧ください。

GX-A602スピーカー接続：2チャンネルでのブリッジによる運営

ブリッジによる運用によって、サブウーファーのための、単独の高出力チャンネルがもたらされます。

最小スピーカー インピーダンス4Ω

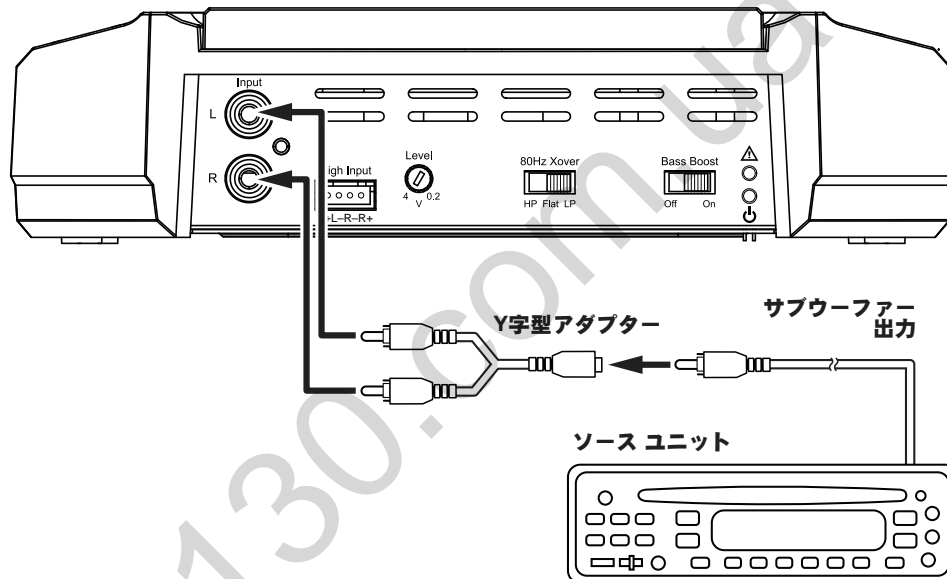
サブウーファーを、それぞれRL（リア左）プラス（+）端子とRR（リア右）マイナス（-）端子に接続してください。**注意：**ブリッジによる運用のために必要な4Ωのインピーダンスを維持するために、2つの2Ωのサブウーファーを直列に接続してご利用いただけます。



GX-A602入力接続：ブリッジでの運営

ソース ユニットまたはプロセッサのサブウーファーライン出力端子を、アンプの左入力端子に以下の図に示されたように接続してください。

注意：ソース ユニットをアンプの左用および右用入力ジャックに接続するために、Y字型アダプターをご使用ください。



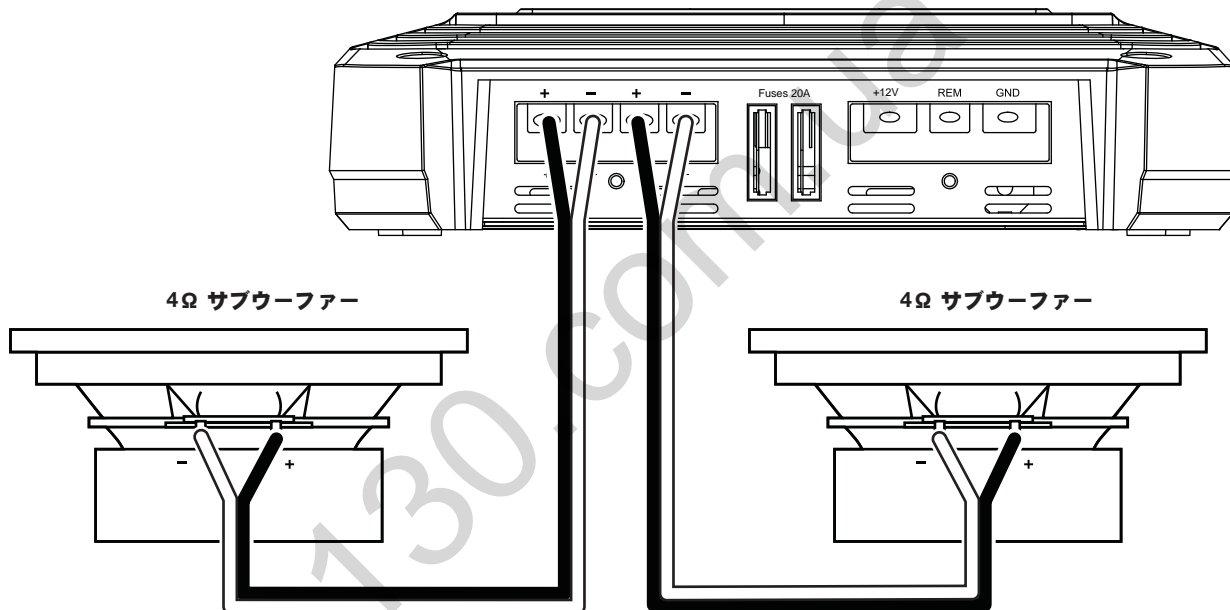
ブリッジでの運営のためのアンプのコントロールの設定についての情報は、20ページの、『クロスオーバー コントロールを設定する』を、ご覧ください。

ラインレベルの入力端子の代わりにスピーカーレベルの入力端子を使用するためには、12ページの、『スピーカーレベルの入力端子を使用する』を、ご覧ください。

GX-A3001 スピーカーの接続:

最小スピーカーインピーダンス：2Ω（単独サブウーファー）、4Ω（2 サブウーファー）

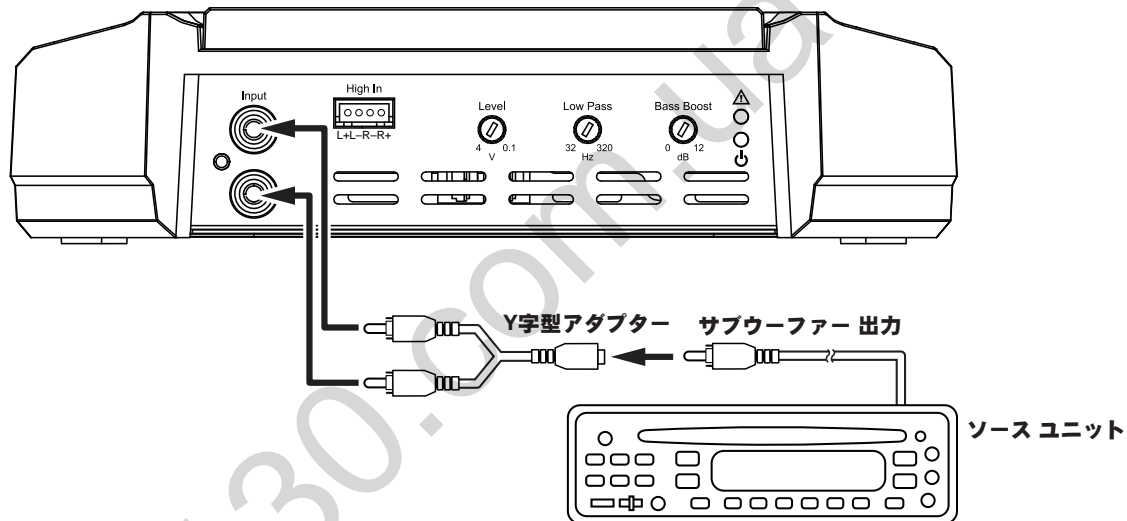
GX-A3001には、2つのサブウーファーへの接続が可能な、並列した2セットのスピーカーコネクタがあります。



- 単独のサブウーファーをご利用の場合、それをGX-A3001のスピーカーコネクタのどちらの一組にも接続していただけます。
- 2つの2Ωのサブウーファーをご利用の場合、必要とされる最小2Ωのインピーダンスを上回るために、それらをコネクタの一組と直列に接続していただけます。

GX-A3001 入力接続

ソース ユニットまたはプロセッサのサブウーファーライン出力端子を、アンプの左用および右用の入力端子に接続するためにY字型アダプターを、以下の図に示されたように使用してください。ソース ユニットに専用のサブウーファー出力端子がない場合には、リア用の左および右用の出力端子をアンプの左右の入力端子に接続していただけます。

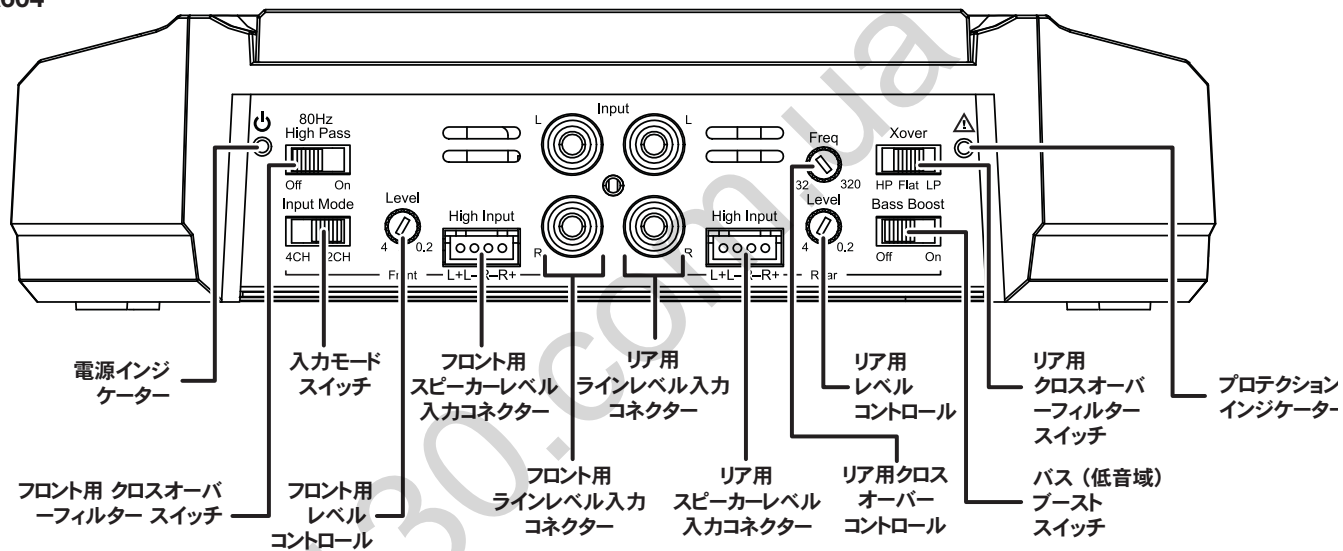


アンプのコントロールの設定についての情報は、20ページの、『クロスオーバー コントロールを設定する』を、ご覧ください。

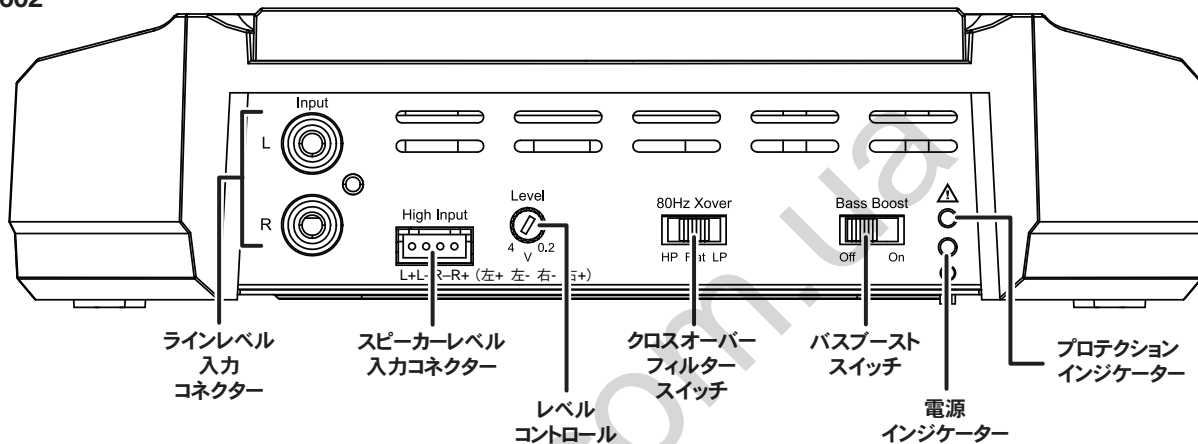
ラインレベルの入力端子の代わりにスピーカーレベルの入力端子を使用するためには、12ページの、『スピーカーレベルの入力端子を使用する』を、ご覧ください。

コントロール、入力接続およびインジケータ

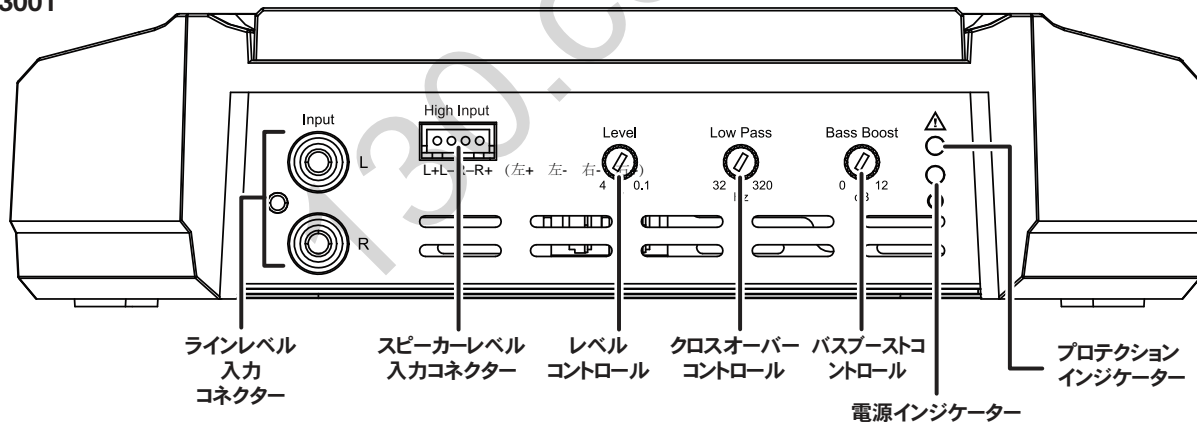
GX-A604



GX-A602



GX-A3001



クロスオーバー コントロールを設定する

GX-A604: 4チャンネルでの運用

入力モードの切り替え: 入力モードのスイッチを「4CH (4チャンネル)」に設定してください。

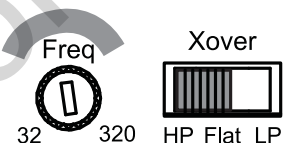
フロント用 クロスオーバーフィルターのスイッチ: フロント用 クロスオーバーフィルターのスイッチを「オン」(高域通過)の位置に設定してください。これによりスピーカーに送られる低周波エネルギーの量を制限し、大幅に歪みを低減し、スピーカーが破損するのを防ぎます。**例外:** アンプのフロントチャンネルに、かなり大きい低音を再生することが可能な大きなフルレンジスピーカー (6インチX9インチ、またはそれ以上) を接続しており、『さらに』、『システムにサブウーファーを使用していない場合』、フロント用 クロスオーバーフィルターのスイッチを「オフ」(フルレンジ)の位置に設定してください。

リア用 クロスオーバーフィルターのスイッチ: リア用 クロスオーバーフィルターのスイッチを「HP」(高域通過)の位置に設定してください。これによりスピーカーに送られる低周波エネルギーの量を制限し、大幅に歪みを低減し、スピーカーが破損するのを防ぎます。**例外:** アンプのフロントチャンネルに、かなり大きい低音を取り扱うことが可能な大きなフルレンジスピーカー (6インチX9インチ、またはそれ以上) を接続しており、さらに、『システムにサブウーファーを使用していない場合』、リア用・クロスオーバーフィルターのスイッチを「FLAT」(フルレンジ)の位置に設定してください。

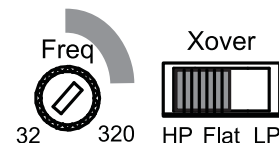
リア用クロスオーバー コントロール: リア用クロスオーバースイッチが「HP」の位置に設定されている場合、リア用クロスオーバー コントロールは、スピーカーに送られる低周波の音量を引き下げ始めるべき周波数を決定する。

アンプを4チャンネルモード4で運用する場合、アンプのチャンネルに接続したスピーカーのサイズによっては、リア用クロスオーバー コントロールを設定しなければなりません。スピーカーのサイズが小さくなればなるほど、スピーカーを破損しないように守るためにコントロールを設定する必要があります。最初に、クロスオーバーの周波数を設定した後、あなたが慣れ親しんでいる強力な低音域を伴った音楽をお聴きください。スピーカーの音声が歪んでいたり、不移動快な音がある場合、その歪みや不快な音を取り除くために、クロスオーバー 周波数コントロールを、もっと高い設定に移してください。右の図は、スピーカーのサイズ別の推奨されるクロスオーバーフィルター再生周波数帯域を示しています。

6インチ、および5インチの スピーカー



4インチ以下のスピーカー



GX-A604: 3チャンネルでの運用

入力モードの切り替え: 入力モードのスイッチを「4CH (4チャンネル)」に設定してください。

フロント用 クロスオーバーのスイッチ: フロント用 クロスオーバーのスイッチを「オン」(高域通過)の位置に設定してください。これによりスピーカーに送られる低周波エネルギーの量を制限し、大幅に歪みを低減し、スピーカーが破損するのを防ぎます。

リア用 クロスオーバーフィルターのスイッチ: サブウーファーまたはウーファーをリア・チャンネルに接続する場合、リア用 クロスオーバーフィルターのスイッチを「LP」(低域通過)の位置に設定してください。これにより、ウーファーまたはサブウーファーに送られる高周波エネルギーの量を制限し、ボーカルの透明感やその他の中音域のサウンドを向上させます。

ローパス(低域通過)運用サブ ウーファー、およびウーファー



リア用クロスオーバー コントロール：サブウーファーに利用するリア用クロスオーバー コントロールの設定は、システムのサブウーファーの種類や場所によって異なります。フロントチャンネルの設定は、80Hzより多少低い周波数に対するリア用クロスオーバー コントロールの設定から始めてください。システムで音楽を聴いた後、しばらくの間は、サブウーファーとその他のスピーカーとの間で、欠けていると思われるようなサウンドの「穴」が発生するのを防ぎながら、サブウーファーからシステムの残りのスピーカーへのスムーズな移行を実現するために、リア用クロスオーバー コントロールの設定を微調整してください。右の図は、推奨されるリア用クロスオーバー コントロールの再生周波数帯域を表示しています。

GX-A604: 2チャンネルでの運用

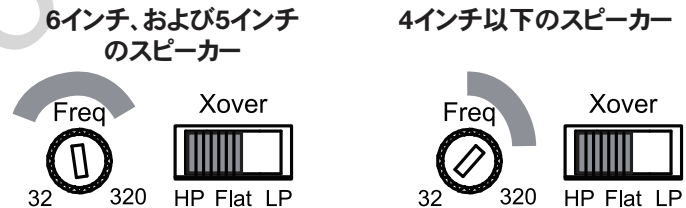
入力モードのスイッチを「2CH (2チャンネル)」に設定してください。

フロント用 クロスオーバーフィルター のスイッチ：フロント用 クロスオーバーフィルターのスイッチを「オン」(高域通過)の位置に設定してください。これによりスピーカーに送られる低周波エネルギーの量を制限し、大幅に歪みを低減し、スピーカーが破損するのを防ぎます。**例外：**アンプのフロントチャンネルに、かなり大きい低音を再生することが可能な大きなフルレンジスピーカー (6インチX9インチ、またはそれ以上) を接続しており、『さらに、システムにサブウーファーを使用していない場合』、フロント用 クロスオーバーフィルターのスイッチを「オフ」(フルレンジ)の位置に設定してください。

リア用 クロスオーバーフィルターのスイッチ：リア用 クロスオーバーフィルターのスイッチを「HP」(高域通過)の位置に設定してください。これによりスピーカーに送られる低周波エネルギーの量を制限し、大幅に歪みを低減し、スピーカーが破損するのを防ぎます。**例外：**アンプのフロントチャンネルに、かなり大きい低音を取り扱うことが可能な大きなフルレンジスピーカー (6インチX9インチ、またはそれ以上) を接続しており、『さらに』、『システムにサブウーファーを使用していない場合』、リア用・クロスオーバーフィルターのスイッチを「FLAT」(フルレンジ)の位置に設定してください。

リア用クロスオーバー コントロール：リア用クロスオーバースイッチが「HP」の位置に設定されている場合、リア用クロスオーバー コントロールは、スピーカーに送られる低周波の音量を引き下げ始めるべき周波数を決定する。

アンプを4チャンネルモード4で運用する場合、アンプのチャンネルに接続したスピーカーのサイズによっては、リア用クロスオーバー コントロールを設定しなければなりません。スピーカーのサイズが小さくなればなるほど、スピーカーを破損しないように守るためにコントロールを設定する必要があります。最初に、クロスオーバーの周波数を設定した後、あなたが慣れ親しんでいる強力な低音域を伴った音楽をお聴きください。スピーカーの音声が歪んでいたり、不移動快な音がある場合、その歪みや不快な音を取り除くために、クロスオーバー 周波数コントロールを、もっと高い設定に移してください。右の図は、スピーカーのサイズ別の推奨されるクロスオーバーフィルター再生周波数帯域を示しています。



GX-A602: 2チャンネルでの運用

クロスオーバーフィルター のスイッチ:

- アンプに、一組の6インチ以下のフルレンジスピーカーを接続している場合、クロスオーバーフィルターのスイッチを「HP」（高域通過）の位置に設定してください。これによりスピーカーに送られる低周波エネルギーの量を制限し、大幅に歪みを低減し、スピーカーが破損するのを防ぎます。
- アンプに、一組のかなり大きい低音を取り扱うことが可能な大きなフルレンジスピーカー（6インチX9インチ、またはそれ以上）を接続しており、『さらに、システムにサブウーファーを使用していない場合』、クロスオーバーフィルターのスイッチを「FLAT」（フルレンジ）の位置に設定してください。
- アンプに、一組のウーファーまたはサブウーファーを接続している場合、クロスオーバーフィルターのスイッチを「LP」（低域通過）の位置に設定してください。これにより、ウーファーまたはサブウーファーに送られる高周波エネルギーの量を制限し、ボーカルの透明感やその他の中音域のサウンドを向上させます。

GX-A602:ブリッジでの運営

クロスオーバーフィルター のスイッチ: アンプをブリッジモードでサブウーファーに運用する場合、クロスオーバーフィルターのスイッチを「LP」（低域通過）の位置に設定してください。これによって、サブウーファーに送られる高周波エネルギーの量が制限されます。

GX-A3001

注意: GX-A3001の内部のクロスオーバーは、永続的に、ローパス（低域通過）での運用のために設定されています。

クロスオーバー コントロール: クロスオーバー コントロールによって、ウーファーまたはサブウーファーに送られる高周波エネルギーの量が制限されます。サブウーファーに利用するクロスオーバー コントロールの設定は、システムのサブウーファーの種類や場所によって異なります。クロスオーバー コントロールの設定は、システムのその他のスピーカーのために使用したハイパス（高域通過）のクロスオーバー の設定より多少低い周波数から始めてください。システムで音楽を聴いた後、しばらくの間は、サブウーファーとその他のスピーカーとの間で、欠けていると思われるようなサウンドの「穴」が発生するのを防ぎながら、サブウーファーからシステムの残りのスピーカーへのスムーズな移行を実現するために、クロスオーバー コントロールの設定を微調整してください。右の図は、推奨されるクロスオーバー コントロールの再生周波数帯域を表示しています。

サブウーファー、
およびウーファー



入力レベルを設定する

1. すべてのアンプのすべての音量コントロールつまみを、反時計周りに、完全に回してください。
2. ソース ユニットによってダイナミックな音楽を再生し、音量をその4分の3まで回してください。
3. フロントチャンネルのアンプの音量コントロールつまみを、音声が入り始めるまで、時計周りにゆっくりと回してください。
4. 音楽の音声が入り、もはや歪まなくなるまで、音量コントロールつまみを反時計周りに、少し回してください。
5. 複数のアンプ、またはGX-A604をご利用になっている場合、残りのすべてのアンプの音量コントロールつまみのために、手順3~4を繰り返してください。

バスブーストの設定

GX-A604: アンプのリア・チャンネルをサブウーファーへの出力にご利用になっている場合は、バスブーストスイッチによって45Hzで12dBのバスブースト（低音強調）を提供することができます。（そのスイッチは、アンプのリア・チャンネルにのみ有効です。）このスイッチをお客様の個人的なお好みに設定してください。ただし、そのご利用によって耳障りな歪み、またはサブウーファーがガタつくようなことが生じる場合には、その設定を「オフ」になさることをお勧めします。**注意:** バスブーストのスイッチは、リア・チャンネルをサブウーファーの出力に設定した場合にのみ、ご使用ください。フルレンジスピーカーでバスブーストのスイッチをご利用になると、スピーカーが破損するおそれがあります。

GX-A602: アンプのブリッジモードをサブウーファーへの出力にご利用になっている場合は、バスブーストスイッチによって45Hzで12dBのバスブースト（低音強調）を提供することができます。（このスイッチをお客様の個人的なお好みに設定してください。ただし、そのご利用によって耳障りな歪み、またはサブウーファーがガタつくようなことが生じる場合には、その設定を「オフ」になさることをお勧めします。）**注意:** バスブーストのスイッチは、リア・チャンネルをサブウーファーの出力にご利用になっている場合にのみ、ご使用ください。フルレンジスピーカーでバスブーストのスイッチをご利用になると、スピーカーが破損するおそれがあります。

GX-A3001: バスブーストコントロールによって、45Hzで12dBまでのバスブースト（低音強調）を提供することができます。このコントロールは、お客様の個人的なお好みによって設定してください。ただし、耳障りな歪みやサブウーファーがガタつくようなことを起こさせるほど高いレベルにコントロールを設定なさらないようにお気を付けください。

電源LED、およびプロテクションLED

電源LED

- LED がオレンジ色に光る：通常の運用（電源が入っています）。
- LED が消える：アンプは、スタンバイモードにあります。

プロテクションLED

アンプのプロテクションLEDは、通常の運用中も、LEDを引き続きオフにします。アンプから音が出なくなり、プロテクションLEDが赤く光る場合には、24ページの『トラブルシューティング』をご覧ください。

トラブルシューティング

アンプが、そうあるべきとお考えのように作動していない場合には、販売業者にお電話されたりJBLカスタマーサービスにご連絡いただく前に、その問題がこのセクションで取り上げられていないかどうかご確認ください。

問題

原因と解決方法

音がしない（アンプの電源 LEDが消えている）	<ul style="list-style-type: none">• アンプの12V入力、およびGND（グラウンド）接続が適切に行なわれているか確認してください。• バッテリーの近くの12V入力コードのヒューズが茶色くなっていないかどうか確認してください：もしそうでしたら、それを同一のヒューズと交換してください。• アンプのすべてのヒューズを確認してください：もし茶色になっているものがあれば、それらを同一のヒューズと交換してください。• アンプのREM接続を、電源を入れるためにご利用の場合、コードが、オーディオシステムのリモコン電源コード、または自動車のACC出力端子と適切に接続されていることを確認してください。
音がしない（アンプの電源 LEDがオレンジに光っている）	<ul style="list-style-type: none">• アンプの入力端子、およびスピーカー接続が適切に行なわれているか確認してください。• アンプの音量コントロールつまみが、完全に音が出ない方に（反時計周りに）回されていないか確認してください。• 自動車のオーディオシステムのソースユニットの音量調節が、完全に音が出ないほうに回されていないか確認してください。
音がしない （アンプの電源 LEDが赤く光っている）	<ul style="list-style-type: none">• 自動車の電気系統が、9Vから16Vまでの直流電流をアンプに供給していることを確認してください。供給電圧がこの範囲外である場合には、アンプを使用しようとする前に、その状態を修正してください。• アンプがオーバーヒートした場合には、もう一度それを使用しようとする前に、クールダウンするまでお待ちください。• すべてのスピーカーのアンプとの接続をはずし、もう一度その電源を入れてみてください。<ul style="list-style-type: none">– アンプの電源が入る（電源 LEDがオレンジになる）場合には、1つ以上のスピーカーワイヤーがショートしています。スピーカーをアンプに再び接続する前に、すべてのショートした回路を修正してください。– アンプに電源が入らない（プロデューションLEDが赤いままで電源 LEDが消えている）場合、JBL認定販売業者に援助をうけるためにご連絡ください。

問題

原因と解決方法

アンプに接続されたスピーカーの一部からしか音が出ていない。

- 自動車のオーディオシステムの、ソースユニットのバランスおよびフェーダーコントロールがその中央（中間点）の位置に設定されているか確認する。
- (GX-A604)：アンプのモードスイッチの設定が、アンプに接続された入力接続、およびスピーカー接続に適合しているか確認してください。

音声小さすぎる。自動車のオーディオシステムの、ソースユニットの音量を完全に上げて小さい。

- アンプの音量コントロールが、低すぎる方に回されていないか確認してください。アンプの音量コントロールの設定についての情報は、22ページの、『入力レベルを設定する』を、ご覧ください。

フロントスピーカーまたはリアスピーカーの音声が歪んでいる。

- アンプの、歪んでいるチャンネルのためのクロスオーバーフィルターのスイッチがHP（高域通過）に設定されていることを確認してください。
- 歪んだチャンネルのためのクロスオーバーコントロールをもっと高いセッティングに設定してください。
- 歪みが、自動車のオーディオシステムの、ソースユニットから来たものではないか確認してください。

サブウーファースの音声が歪んでいる

- (GX-A604, GX-A602): バスブーストのスイッチを「オフ」に設定してください。
- (GX-A3001): 大きな低音域の音楽を聴いている間は、バスブーストコントロールを完全に消してください。そして、それを歪みが再び始まるまで徐々に上げていってください。バスブーストコントロールの設定を、歪みを取り除くために、少しだけ下げて、設定をそこに止めておいてください。
- 歪みが、自動車のオーディオシステムの、ソースユニットから来たものではないか確認してください。

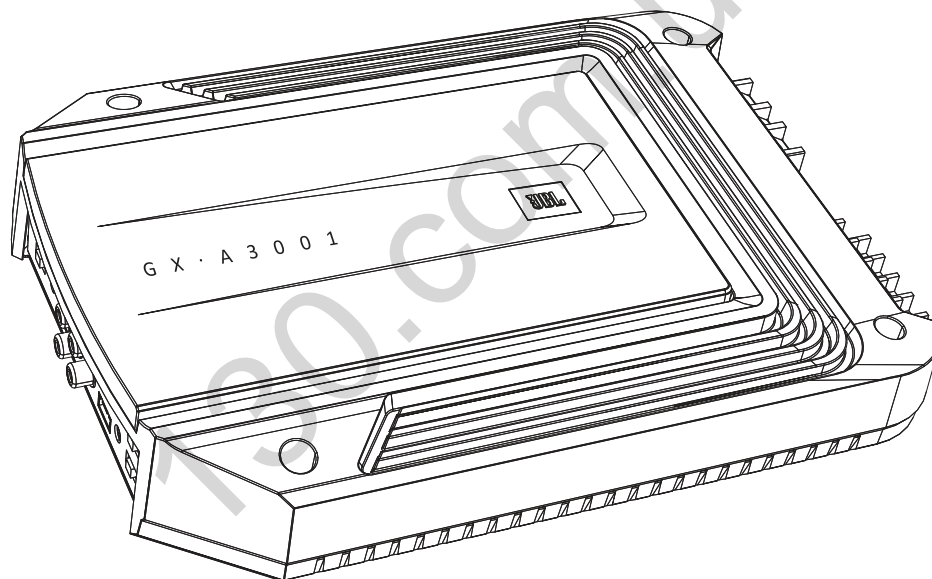
仕様書

	GX-A604	GX-A602	GX-A3001
最大出力 (15.5V、1kHz、全チャンネル全高調波歪10%、2Ω)	435W	280W	415W (15.5V、50Hz、全高調波歪10%、2Ω)
4Ω時の定格出力	60W x 4	60W x 2	200W x 1
ブリッジ出力 (4Ω、全高調波歪1%)	170W x 2	170W x 1	該当なし
定格出力時の全高調波歪+ノイズ	< 1%	< 1%	< 1%
SN比 (信号対雑音比) (4Ω時、2V)	> 75dB	> 75dB	> 75dB
有効減衰率 (4Ω)	> 50	> 50	> 50
再生周波数帯域 (-3dB)	20Hz ~ 20kHz±1dB	20Hz ~ 20kHz±1dB	10Hz ~ 320Hz
最大入力電圧	20V	20V	20V
最大入力感度	200mV	200mV	200mV
ヒューズのサイズ	20A x 2	25A	20A x 2
寸法 (高さx幅x奥行) :	2~1/16インチ x 11~13/16インチ x 8~1/8インチ (52mm x 300mm x 206mm)	2~1/16インチ x 7~13/16インチ x 8~1/8インチ (52mm x 198mm x 206mm)	2~1/16インチ x 11~7/16インチ x 8~1/8インチ (52mm x 291mm x 206mm)
重量	5.3 ポンド (2.4kg)	3.8 ポンド (1.7kg)	5.3 ポンド (2.4kg)



GX-A604/GX-A602/GX-A3001

power amplifier

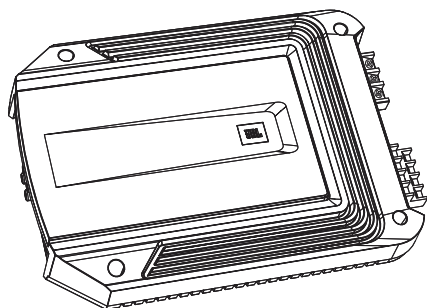


HANDLEIDING

INLEIDING

Dank u voor de aankoop van een JBL® GX-series versterker. Om u beter van dienst te zijn wanneer u aanspraak maakt op de garantie, de originele aankoopbon bewaren en uw versterker online registreren bij www.jbl.com.

MEEGELEVERDE ITEMS



GX-Series versterker (x 1)



Kabelbundel luidsprekerniveau-ingang
(GX-A602, GX-A3001 x 1)
(GX-A604 x 2)

LOCATIE EN MONTAGE

Hoewel deze aanwijzingen uitleggen hoe de GX-series versterkers in algemene zin wordt geïnstalleerd, zijn er geen specifieke installatiemethodes die voor uw bepaalde model nodig kunnen zijn. Als u niet over de nodige gereedschappen of ervaring beschikt, niet proberen het apparaat zelf te installeren. Vraag zonnodig uw geautoriseerde JBL car-audio dealer voor professionele installatie.

VOORZORGSMAATREGELEN EN SUGGESTIES BIJ HET INSTALLEREN

BELANGRIJK: De min-kabel (-) van de autoaccu loskoppelen voordat u tot installatie overgaat.

- Draag bij gebruik van gereedschap altijd een veiligheidsbril.
- Controleer de ruimte aan beide zijden van het geplande montagevlak. Zorg ervoor dat de schroeven of kabels geen remleidingen, brandstofleidingen of kabelbundels kunnen beschadigen, en dat de bekabeling de veilige werking van het voertuig niet kan belemmeren.
- Bij het maken van elektrische verbindingen, ervoor zorgen dat deze goed vastzitten en goed zijn geïsoleerd.
- Als u een zekering van de versterker moet vervangen, hetzelfde type zekering met dezelfde specificaties gebruiken als die van het origineel.

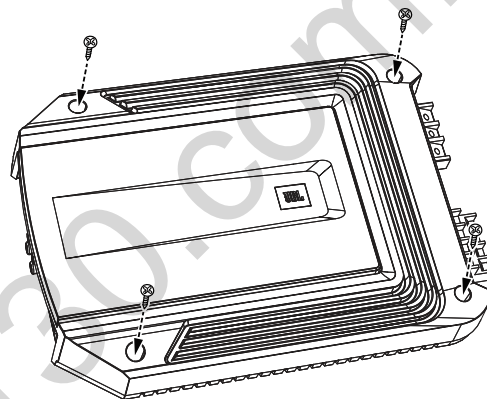
PLAATS VAN INSTALLATIE

Versterkers vereisen luchtcirculatie om oververhitting te voorkomen. Selecteer een plaats die voldoende luchtcirculatie biedt om de versterker af te koelen.

- Geschikte locaties zijn onder de stoel (mits de versterker niet interfereert met de stoelverstelling), in de kofferbak, of op een andere locatie die voldoende koellucht levert.
- Monteer de versterker niet met de heatsink naar beneden gericht, omdat dit de koeling van de versterker belemmerd.
- Monteer de versterker zodanig dat deze niet door de voeten van achterpassagiers of schuivende lading in de kofferbak kan worden beschadigd.
- Monteer de versterker op een plaats die droog blijft - een versterker nooit aan de buitenkant van de auto of in de motorruimte installeren.

MONTAGE VAN DE VERSTERKER

OPMERKING: Het is raadzaam alle aansluitingen van de versterkers te maken voordat u het apparaat permanent in het voertuig monteert.



1. Kies een geschikte locatie zoals hierboven beschreven.
2. Gebruik de versterker als een sjabloon om de plaats van de bevestigingsgaten op het montageoppervlak te markeren.
3. Boor gaten in het montagevlak.
4. Bevestig de versterker op het montagevlak met vier geschikte montageschroeven. Wij adviseren gebruik van #8 Phillips (kruiskop) metaalschroeven. Zorg ervoor dat de versterker goed bevestigd is.

VOEDING- EN AARDE-AANSLUITINGEN

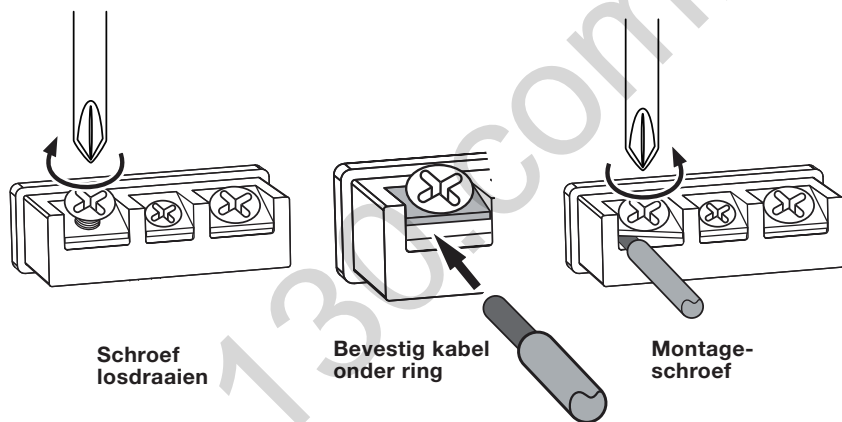
BELANGRIJK: De min-kabel (-) van de autoaccu loskoppelen voordat u tot installatie overgaat.

De GX-series versterkers zijn in staat om een hoog vermogen te leveren en vereisen een krachtige en betrouwbare aansluiting op het elektrische systeem van het voertuig om optimale prestaties te verzekeren. De onderstaande instructies nauwgezet opvolgen.

GEbruik VAN DE AANSLUITINGEN

Versterkers in de GX-series maken gebruik hetzelfde type schroefaansluitingen voor voeding en luidsprekers. Dit type aansluiting is gemakkelijk te gebruiken en maakt de aansluiting van dikke bekabeling mogelijk.

Maak de aansluitingen met gebruik van een kruiskopschroevendraaier om de stelschroef van de connector los te draaien. Steek het gestripte draad in de connector en zet de schroef vast zoals getoond in de onderstaande afbeeldingen.



BELANGRIJK: Zorg ervoor dat de (+) en (-) luidsprekerkabels elkaar of de aansluitingen van de versterker en luidspreker niet raken. Onjuist contact van kabels kan kortsluiting veroorzaken en de ontvanger beschadigen.

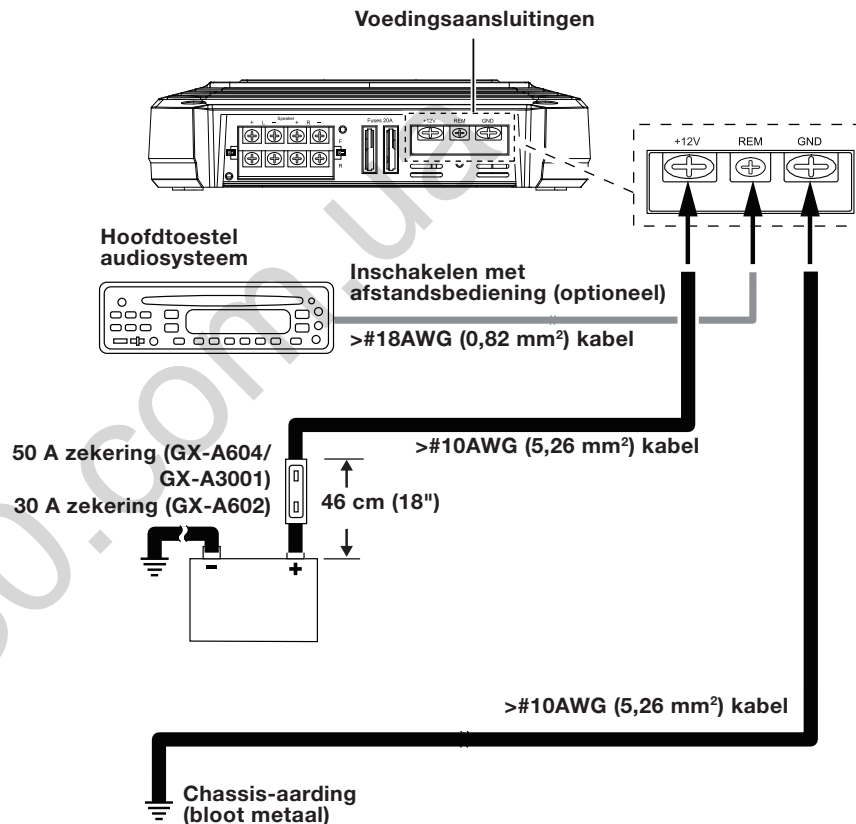
AARDE (GND)-AANSLUITING

Sluit een kabel (minimaal 10AWG - 5,3 mm²) van de GND-aansluiting van de versterker rechtstreeks aan op een stevig punt op het chassis van het voertuig.

- Gebruik schuurpapier om verf te verwijderen van het metalen oppervlak op het chassis om goed contact te verzekeren. Gebruik een stervormige revet om de draadaansluiting vast te zetten.

VOEDINGSAANSLUITING (12 V)

1. Sluit een kabel (minimaal 10AWG - 5,3 mm²) rechtstreeks aan op de positieve (+) pool van de accu.
2. Monteer een zekeringhouder voor een 50 A zekering (GX-A604, GX-A3001) of een 30 A zekering (GX-A602) op deze kabel, binnen 46 cm van de (+) aansluiting van de accu. De zekering nog niet in de houder plaatsen.
3. De kabel aanleggen naar de versterker en de kabel aansluiten op de +12 V-aansluiting van de versterker. Zorg ervoor dat u geschikte doorvoerbuisjes gebruikt wanneer bekabeling door een firewall of andere plaatwerk loopt. **BELANGRIJK:** Onvoldoende bescherming van de positieve kabel tegen mogelijke schade kan brandgevaar in het voertuig veroorzaken.
4. Wanneer u klaar bent met het aanleggen en aansluiten van deze kabel, plaats u de juiste zekering in de zekeringhouder die u bij de accu hebt geïnstalleerd. (GX-A604, GX-A3001 – 50 A zekering; GX-A602 – 30 A zekering)



LUIDSPREKER- EN INGANGAANSLUITINGEN

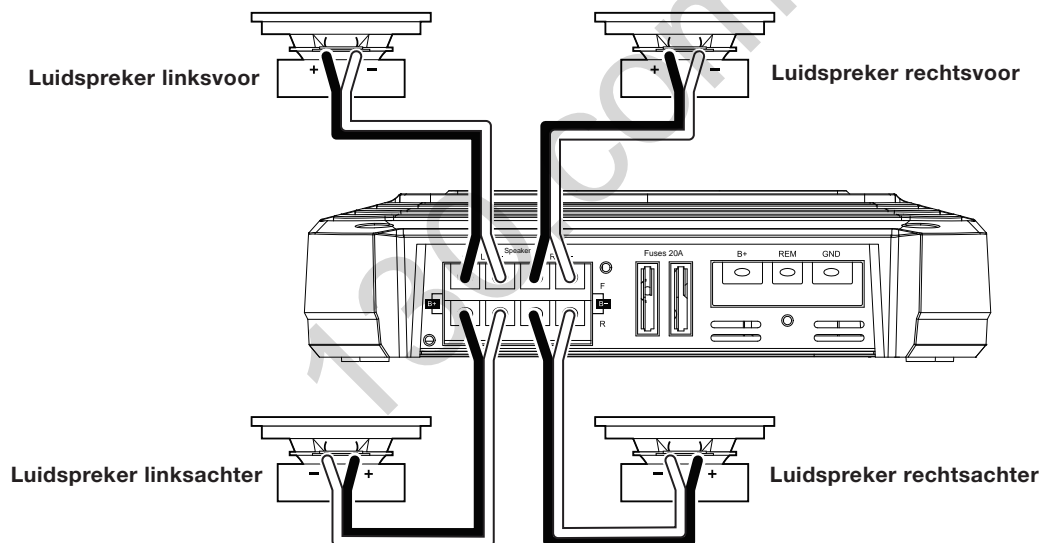
De (+) luidsprekeraansluiting van de versterker altijd aansluiten op de (+) aansluiting van de luidspreker, en de (-) luidsprekeraansluiting van de versterker op de (-) aansluiting van de luidspreker.

BELANGRIJK: Zorg ervoor dat de ontblote (+) en (-) kabels elkaar of de andere aansluitingen van de versterker en luidspreker niet raken. Onjuist contact van kabels kan kortsluiting veroorzaken en de ontvanger beschadigen.

GX-A604 LUIDSPREKERAANSLUITINGEN: 4-KANAALS FUNCTIE

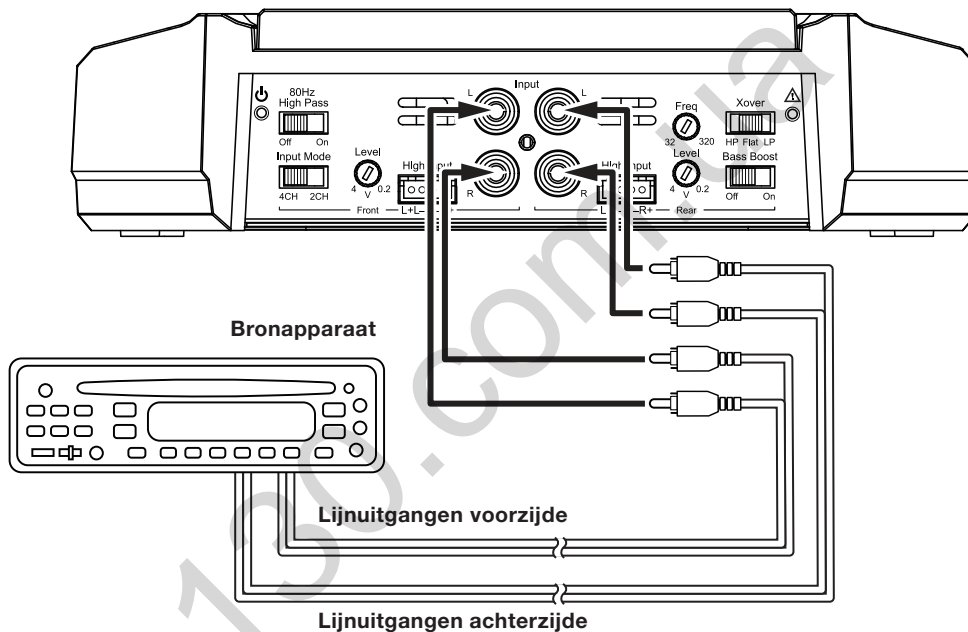
Minimum luidsprekerimpedantie: 2 ohm (elk)

- Sluit de voorste luidsprekers aan op de FL en FR (+) en (-) aansluitingen.
- Sluit de achterste luidsprekers aan op de RL en RR (+) en (-) aansluitingen.



GX-A604 INGANGAANSLUITINGEN: 4-KANAALS FUNCTIE

Sluit de voorste en achterste linker en rechts uitgangen van het bronapparaat aan op de ingangen van de versterker; zie de afbeelding.



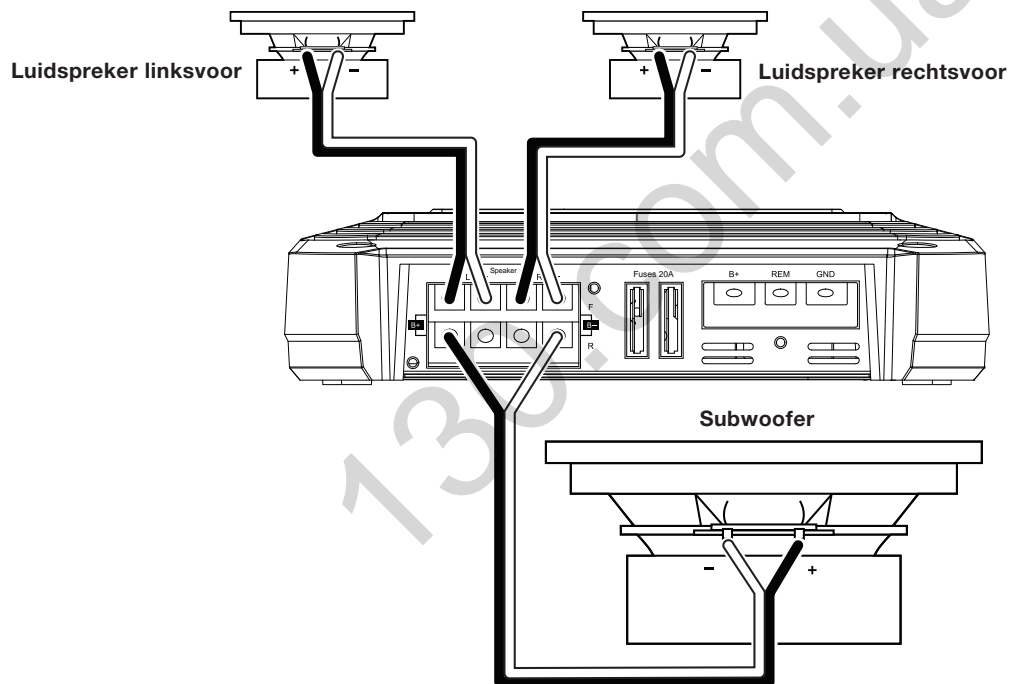
Zie *De Crossover-regelaar instellen* op pagina 20 voor informatie over de bedieningselementen voor de 4-kanaals functie van de versterker.

Zie *De Luidsprekerniveau-ingangen gebruiken* op pagina 12 om de luidsprekerniveau-ingangen in plaats van de lijnniveau-ingangen te gebruiken.

GX-A604 LUIDSPREKERAANSLUITINGEN: 3-KANAALS FUNCTIE

Minimum luidsprekerimpedantie: 2 ohm elk (linker & rechter luidsprekers); 4 ohm (subwoofer)

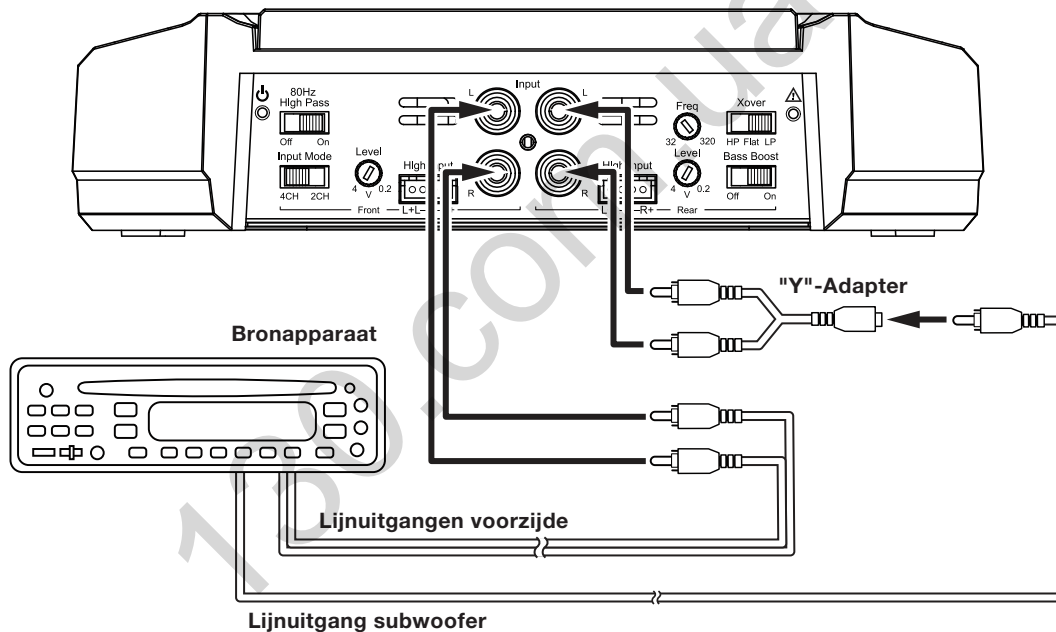
- Sluit de linker en rechter luidsprekers aan op de FL en FR (+) en (-) aansluitingen.
- Sluit de subwoofer aan op de RL (+) en RR (-) aansluitingen. (Door de basversterker-regelaar van het achterste kanaal zijn de achterste kanalen beter voor het aansluiten van de subwoofer. Zie *Basversterker instellen* op pagina 23.) **OPMERKING:** U kunt twee 2-ohm subwoofers in serie aansluiten om de vereiste 4-ohm minimale impedantie voor de subwoofer kanaal te behouden.



GX-A604 INGANGAANSLUITINGEN: 3-KANAALS FUNCTIE

De lijnuitgangen van het bronapparaat of processor aansluiten zoals aangegeven in de onderstaande afbeelding. Zet de ingangsmodus-schakelaar op de stand "4CH".

OPMERKING: Gebruik een "Y"-adapter om de uitgang van de subwoofer van het bronapparaat op de linker en rechter ingangen van de versterker aan te sluiten.



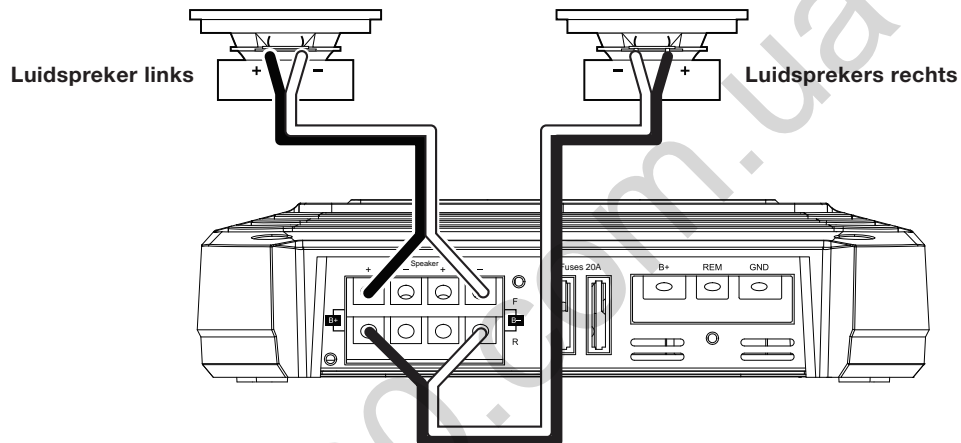
Zie *De Crossover-regelaar instellen* op pagina 20 voor informatie over de bedieningselementen voor de 3-kanaals functie van de versterker.

Zie *De Luidsprekerniveau-ingangen gebruiken* op pagina 12 om de luidsprekerniveau-ingangen in plaats van de lijnniveau-ingangen te gebruiken.

GX-A604 LUIDSPREKERAANSLUITINGEN: 2-KANAALS FUNCTIE

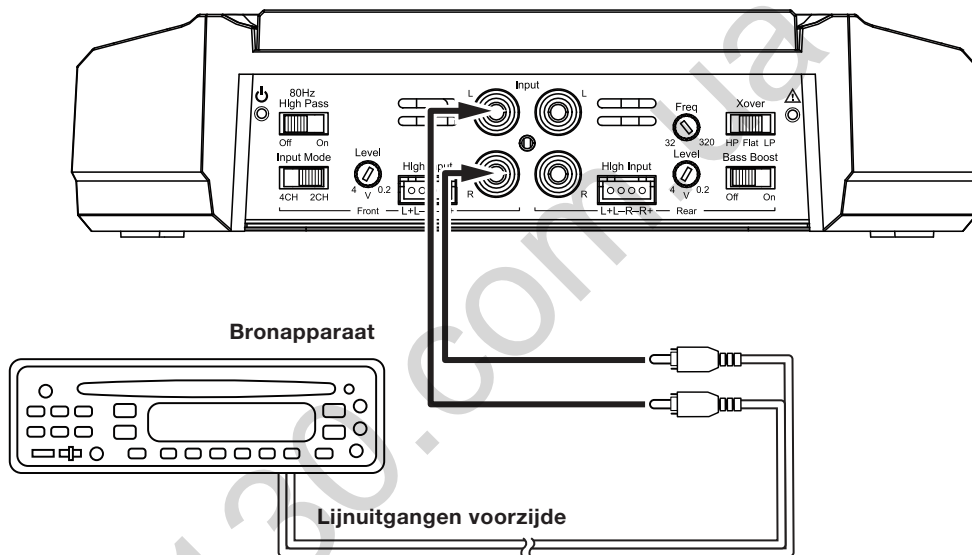
Minimum luidsprekerimpedantie: 4 ohm (elk)

Sluit de linker en rechter luidsprekers aan zoals getoond in de onderstaande afbeelding.



GX-A604 INGANGAANSLUITINGEN: 2-KANAALS FUNCTIE

De lijnuitgangen van het bronapparaat of processor aansluiten zoals aangegeven in de onderstaande afbeelding. Gebruik alleen de voorste linker en rechter ingangaansluitingen en zorg ervoor dat de Invoermodus-schakelaar op de stand "2CH" staat.



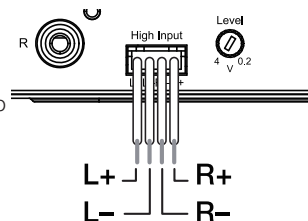
Zie *De Crossover-regelaar instellen* op pagina 20 voor informatie over de bedieningselementen voor de 2-kanaals functie van de versterker.

Zie *De Luidsprekerniveau-ingangen gebruiken* op pagina 12 om de luidsprekerniveau-ingangen in plaats van de lijnniveau-ingangen te gebruiken.

DE LUIDSPREKERNIVEAU-INGANGEN GEBRUIKEN

Als uw bronapparaat niet over lijnniveau-uitgang aansluitingen beschikt, kunt u de meegeleverde luidspreekerniveau-invoer kabelbundel gebruiken om de versterker aan te sluiten om de luidspreekerniveau-uitgangen van het bronapparaat. De aansluitingen zijn, van links naar rechts: L+, L-, R-, R+ (zie afbeelding rechts). De luidspreekerniveau-aansluitingen op alle GX-series versterkermodellen gebruiken de volgende bekabelingsconfiguratie.

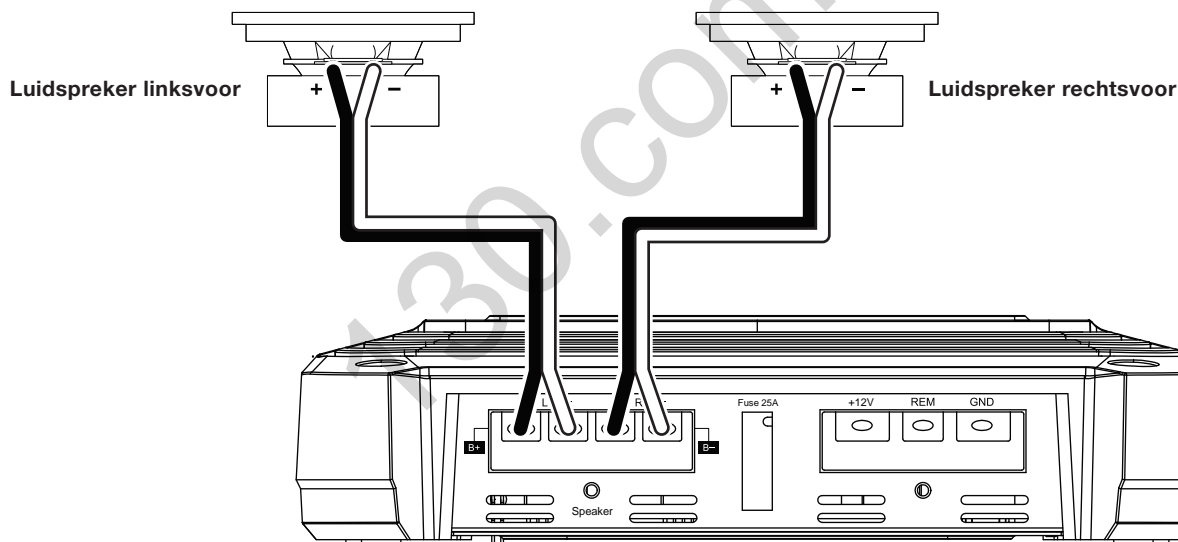
Volg de aanwijzingen in de vorige paragrafen, maar gebruik de luidspreekerniveau-aansluitingen in plaats van de lijnniveau-aansluitingen.



GX-A604 LUIDSPREKERAANSLUITINGEN; 2-KANAALSFUNCTIE

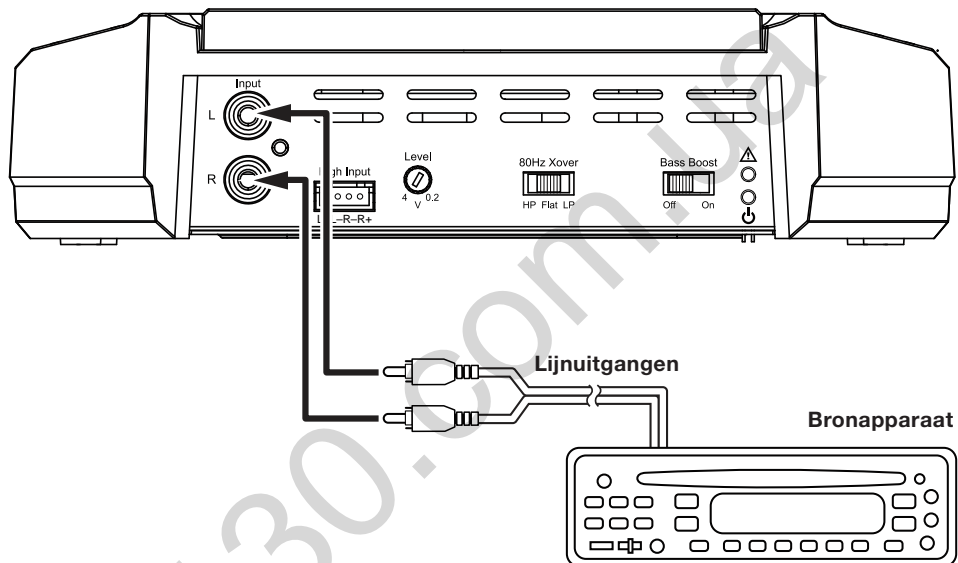
Minimum luidspreekimpedantie: 2 ohm (elk)

Sluit de linker en rechter luidspeakers aan op de FL en FR (+) en (-) aansluitingen.



GX-A602 INGANGAANSLUITINGEN: 2-KANAALS FUNCTIE

De lijnuitgangen van het bronapparaat of processor aansluiten zoals aangegeven in de onderstaande afbeelding.



Zie *De Crossover-regelaar instellen* op pagina 20 voor informatie over de bedieningselementen voor de 2-kanaals functie van de versterker.

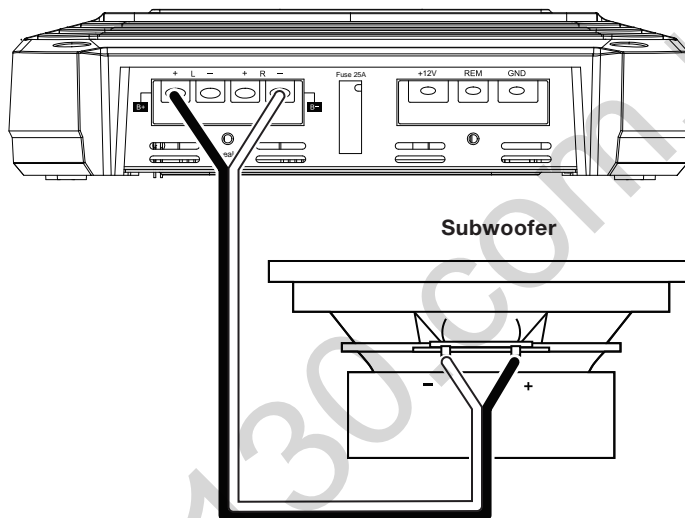
Zie *De Luidsprekerniveau-ingangen gebruiken* op pagina 12 om de luidsprekerniveau-ingangen in plaats van de lijnniveau-ingangen te gebruiken.

GX-A602 LUIDSPREKERAANSLUITINGEN: DOORVERBINDING

Met een doorverbinding (bridged operation) wordt een kanaal met hoog vermogen voor een subwoofer gecreëerd.

Minimum luidsprekerimpedantie: 4 ohm

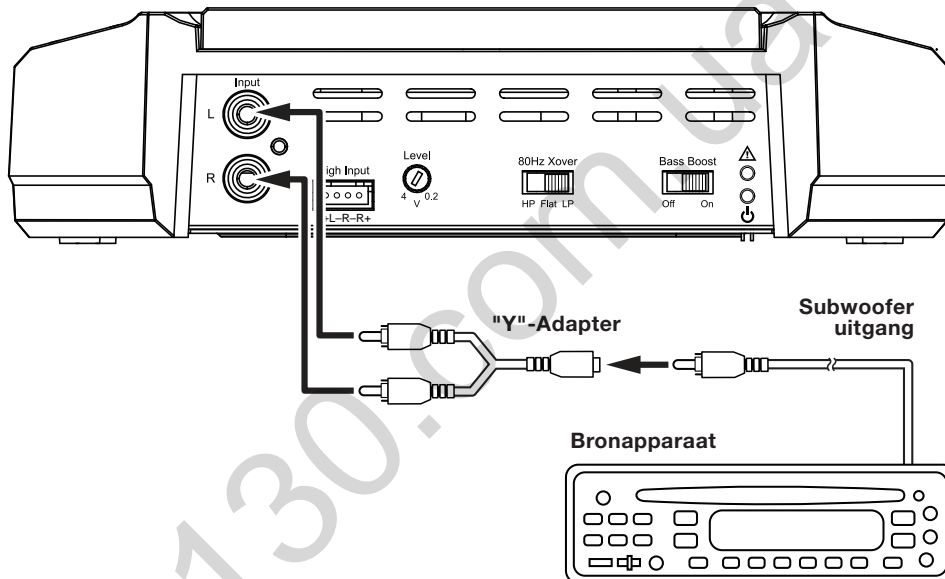
Sluit de subwoofer aan op de RL (+) en RR (-) aansluitingen. **OPMERKING:** U kunt twee 2-ohm subwoofers in serie aansluiten om de vereiste 4-ohm impedantie voor bridged operation te behouden.



GX-A602 INGANGAANSLUITINGEN: DOORVERBINDING

Sluit de subwoofer-lijnuitgang van uw bronapparaat of processors aan op de linker ingang van de versterker; zie de onderstaande afbeelding.

OPMERKING: Gebruik een "Y"-adapter om het bronapparaat aan te sluiten op de linker en rechter uitgangen van de versterker.



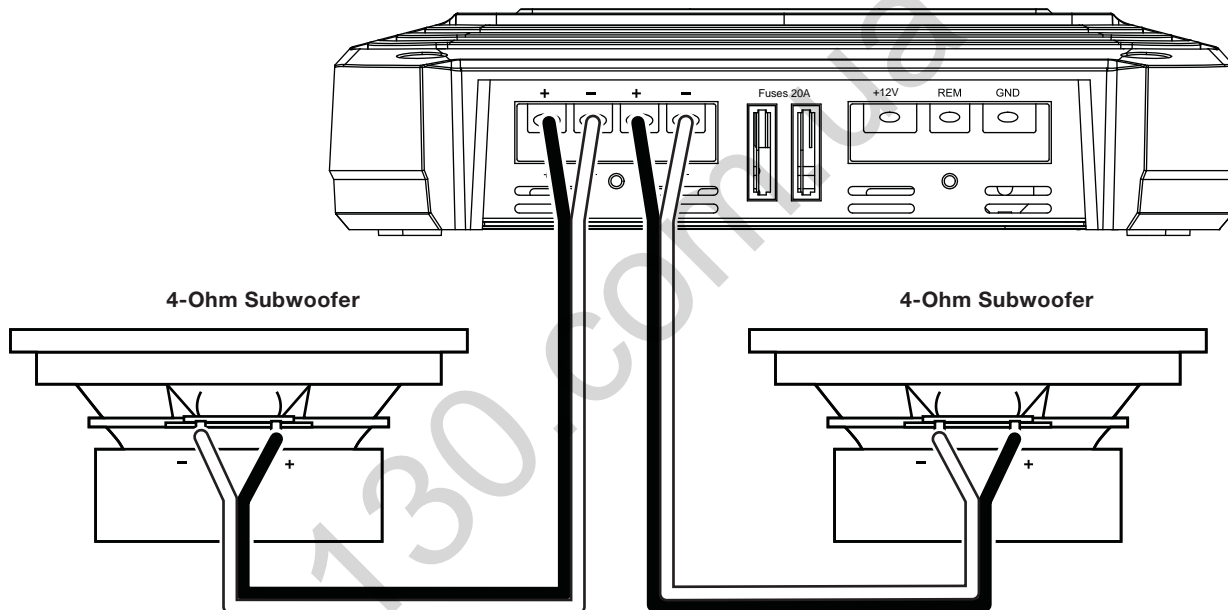
Zie *De Crossover-regelaar instellen* op pagina 20 voor informatie over de instelling van de bedieningsorganen van de versterker voor gebruik van de doorverbinding.

Zie *De Luidsprekerniveau-ingangen gebruiken* op pagina 12 om de luidsprekerniveau-ingangen in plaats van de lijnniveau-ingangen te gebruiken.

GX-A3001 LUIDSPREKERAANSLUITINGEN

Minimale luidsprekerimpedantie: 2 ohm (een subwoofer); 4 ohm (2 subwoofer)

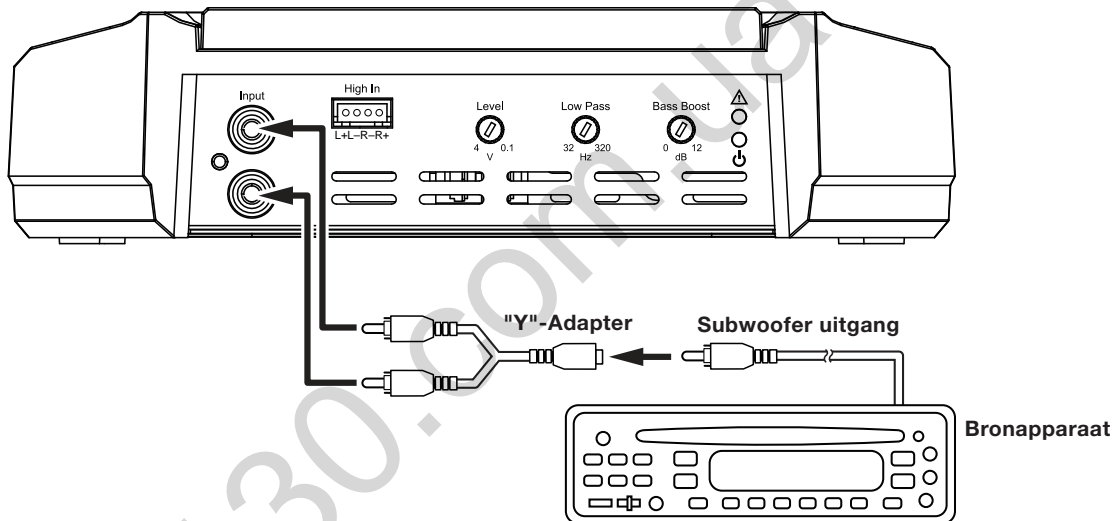
De GX-A3001 heeft twee parallelle sets luidsprekeraansluitingen, zodat u twee subwoofers kunt aansluiten.



- Als u een subwoofer gebruikt, kunt u deze aansluiten op een van beide GX-A3001 luidsprekeraansluitingen.
- Als u twee 2-ohm subwoofers gebruikt, kunt u deze aansluiten op een van de sets van aansluitingen in serie om boven de vereiste 2-ohm impedantie te komen.

GX-A3001 INGANGAANSLUITINGEN

Gebruik een "Y"-adapter om de subwoofer-lijnuitgang van uw bronapparaat of processors aan te sluiten op de linker en rechter ingangen van de versterker, zoals aangegeven in onderstaande afbeelding. Als uw bronapparaat niet over een speciale subwoofer-uitgang beschikt, kunt u de achterste links/rechts uitgangen aansluiten op de linker en rechter ingangen van de versterker.

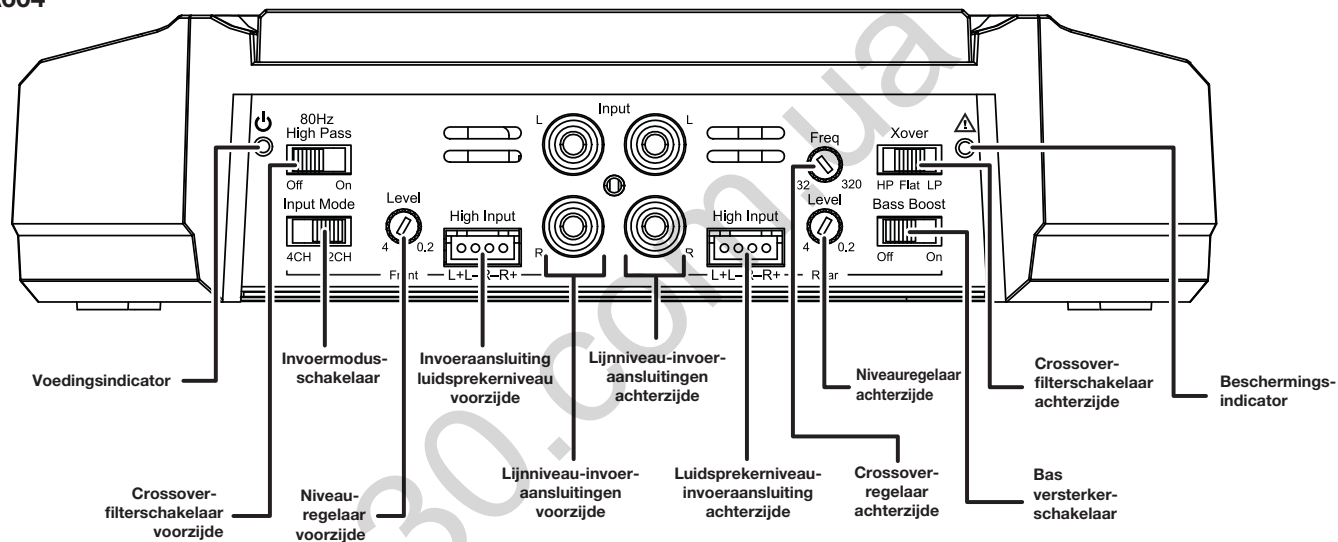


Zie *De Crossover-regelaar instellen* op pagina 20 voor informatie over de bedieningselementen van de versterker.

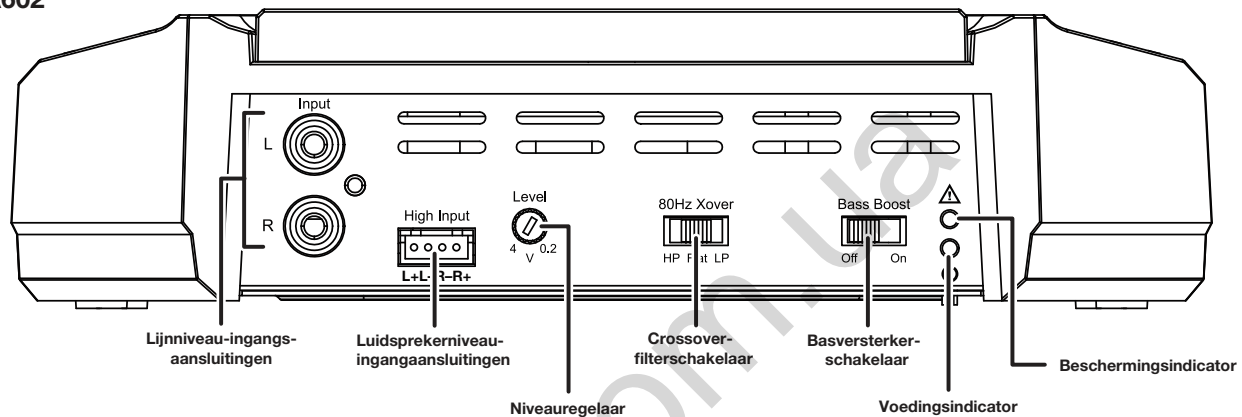
Zie *De Luidsprekerniveau-ingangen gebruiken* op pagina 12 om de luidsprekerniveau-ingangen in plaats van de lijnniveau-ingangen te gebruiken

BEDIENINGSELEMENTEN, INGANGAANSLUITINGEN EN INDICATOREN

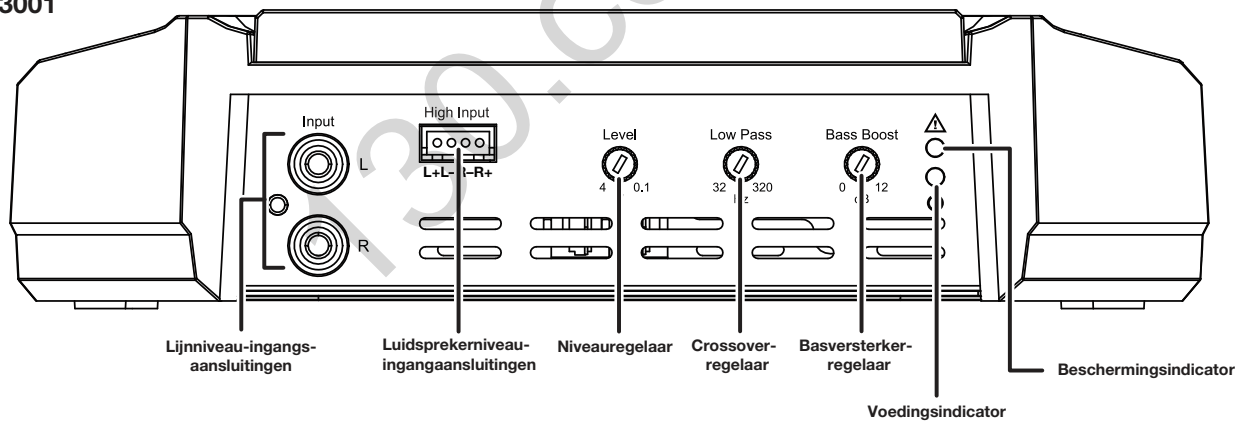
GX-A604



GX-A602



GX-A3001



DE CROSSOVER-REGELAARS INSTELLEN

GX-A604: 4-KANAALS FUNCTIE

Invoermodus-schakelaar: Zet de ingangmodus-schakelaar in de stand "4CH".

Crossover-filterschakelaar voorzijde: Zet de Crossover-filterschakelaar voorzijde op "AAN" (high-pass). Dit beperkt de hoeveelheid laagfrequente energie die naar de luidsprekers wordt gestuurd. Dit vermindert vervorming en voorkomt beschadiging van de luidsprekers. **Uitzondering:** Als u grote krachtige luidsprekers hebt aangesloten (6" x 9" of groter) die sterke bastonen naar de voorste kanalen van de versterker aankunnen *en u geen subwoofer in het systeem gebruikt*, zet dan de Crossover-filterschakelaar voorzijde op de stand "UIT" (full-range).

Crossover-filterschakelaar achterzijde Zet de Crossover-filterschakelaar achterzijde op de stand "HP" (high-pass). Dit beperkt de hoeveelheid laagfrequente energie die naar de luidsprekers wordt gestuurd. Dit vermindert vervorming en voorkomt beschadiging van de luidsprekers.

Uitzondering: Als u grote krachtige luidsprekers het aangesloten (6" x 9" of groter) die sterke bastonen naar de voorste kanalen van de versterker aankunnen *en u geen subwoofer in het systeem gebruikt*, zet de Crossover-filterschakelaar achterzijde dan op de stand "FLAT" (full-range).

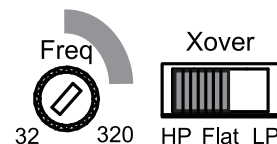
Crossover-regelaar achterzijde: Als de Crossover-schakelaar achterzijde in de stand "HP" staat, bepaalt de Crossover-regelaar achterzijde de frequentie waarbij de lage frequenties die naar de luidspreker worden gestuurd het volume wordt vermindert.

Bij gebruik van de versterker in de 4-kanaals modus moet de Crossover-regelaar achterzijde ingesteld worden op basis van de grootte van de luidsprekers die zijn aangesloten op de versterkerkanalen - hoe kleiner de luidsprekers, hoe hoger de regelaar moet worden ingesteld om de luidsprekers tegen schade te beschermen. Luister na de eerste instelling van de crossover-frequentie naar muziek met een sterke bas waarmee u bekend bent. Als de luidsprekers vervormd of overspannen klinken, de crossover-frequentieregelaar op een hoger niveau instellen om vervorming/overdruk te elimineren. De afbeelding rechts toont het aanbevolen bereik van de crossover filterfrequentie voor uw luidsprekerafmetingen.

6" en 5" luidsprekers



4" en kleine luidsprekers



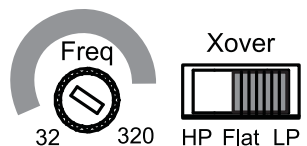
GX-A604: 3-KANAALS FUNCTIE

Invoermodus-schakelaar: Zet de ingangmodus-schakelaar in de stand "4CH".

Crossover-schakelaar voorzijde: Zet de Crossover-filterschakelaar voorzijde op de stand "AAN" (high-pass). Dit beperkt de hoeveelheid laagfrequente energie die naar de luidsprekers wordt gestuurd. Dit vermindert vervorming en voorkomt beschadiging van de luidsprekers.

Crossover-filterschakelaar achterzijde Bij het aansluiten van een subwoofer of woofer voor de achterste kanalen, de Crossover-filterschakelaar achterzijde op de stand "LP" (low-pass) zetten. Dit beperkt de hoeveelheid hoogfrequente energie die naar de woofers of subwoofer wordt gestuurd, waardoor de helderheid van vocals en andere midrange-geluiden verbetert.

Low-Pass functie: Subwoofers en woofers



Crossover-regelaar achterzijde: De instelling van de Crossover-regelaar achterzijde die u toepast op subwoofers hangt als van het type en de locatie van de subwoofer in uw systeem. Begin met het instellen van de Crossover-regelaar achterzijde op een frequentie die iets lager is dan de 80Hz instelling op de voorste kanalen. Nadat u enige naar muziek op het systeem hebt geluisterd, de Crossover-regelaar achterzijde aanpassen om een soepele overgang te krijgen van de subwoofer naar de rest van de luidsprekers van het systeem. Dit voorkomt een "gat" waarbij de geluiden die zich voordoen tussen de subwoofer en de andere sprekers lijken weg te vallen. De afbeelding rechts toont het aanbevolen frequentiebereik van de Crossover-regelaar achterzijde.

GX-A604: 2-KANAALS FUNCTIE

Invoermodus-schakelaar: Zet de ingangmodus-schakelaar in de stand "2CH".

Crossover-filterschakelaar achterzijde: Zet de Crossover-filterschakelaar achterzijde op "AAN" (high-pass). Dit beperkt de hoeveelheid laagfrequentie energie die naar de luidsprekers wordt gestuurd. Dit vermindert vervorming en voorkomt beschadiging van de luidsprekers.

Uitzondering: Als u grote krachtige luidsprekers hebt aangesloten (6" x 9" of groter) die sterke bastonen naar de voorste kanalen van de versterker aankunnen *en u geen subwoofer in het systeem gebruikt*, zet dan de Crossover-filterschakelaar voorzijde op de stand "UIT" (full-range).

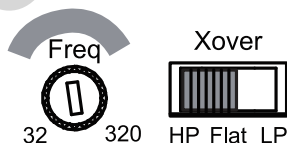
Crossover-filterschakelaar achterzijde Zet de Crossover-filterschakelaar achterzijde op de stand "HP" (high-pass). Dit beperkt de hoeveelheid laagfrequentie energie die naar de luidsprekers wordt gestuurd. Dit vermindert vervorming en voorkomt beschadiging van de luidsprekers.

Uitzondering: Als u grote krachtige luidsprekers het aangesloten (6" x 9" of groter) die sterke bastonen naar de voorste kanalen van de versterker aankunnen *en u geen subwoofer in het systeem gebruikt*, zet de Crossover-filterschakelaar achterzijde dan op de stand "FLAT" (full-range).

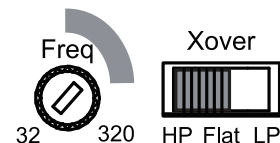
Crossover-regelaar achterzijde: Als de Crossover-schakelaar achterzijde in de stand "HP" staat, bepaalt de Crossover-regelaar achterzijde de frequentie waarbij de lage frequenties die naar de luidspreker worden gestuurd het volume wordt vermindert.

Bij gebruik van de versterker in de 4-kanaals modus moet de Crossover-regelaar achterzijde ingesteld worden op basis van de grootte van de luidsprekers die zijn aangesloten op de versterkerkanalen - hoe kleiner de luidsprekers, hoe hoger de regelaar moet worden ingesteld om de luidsprekers tegen schade te beschermen. Luister na de eerste instelling van de crossover-frequentie naar muziek met een sterke bas waarmee u bekend bent. Als de luidsprekers vervormd of overspannen klinken, de crossover-frequentieregelaar op een hoger niveau instellen om vervorming/overdruk te elimineren. De afbeelding rechts toont het aanbevolen bereik van de crossover filterfrequentie voor uw luidsprekerafmetingen.

6" en 5" luidsprekers



4" en kleine luidsprekers



GX-A602: 2-KANAALS FUNCTIE

Crossover-filterschakelaar:

- Als u de versterker op een paar 6" of kleinere full-range luidsprekers hebt aangesloten, de Crossover-filterschakelaar in de stand "HP" (high-pass) zetten. Dit beperkt de hoeveelheid van laagfrequente energie dat naar de luidsprekers wordt gestuurd en vermindert vervorming en voorkomt beschadiging van de luidsprekers.
- Als u de versterker op een paar grote full-range luidsprekers (6" x 9" of groter) die krachtige bas aankan, *en u geen gebruik maakt van een subwoofer in het systeem*, de Crossover-filterschakelaar op de stand "FLAT" (full-range) zetten.
- Als u de versterker hebt aangesloten op een paar woofers of subwoofers, de Crossover-filterschakelaar op de stand "LP" (low-pass) zetten. Dit beperkt de hoeveelheid hoogfrequente energie die naar de woofers/subwoofers wordt gestuurd, waardoor de helderheid van vocals en andere midrange-geluiden verbetert.

GX-A602: BRIDGED OPERATION (DOORVERBINDEN)

Crossover-filterschakelaar: Als u de versterker in doorverbindingsmodus in een subwoofer gebruikt, de Crossover-filter schakelaar in de stand "LP" (low-pass) zetten. Dit beperkt de hoeveelheid hoogfrequente energie die naar de subwoofer wordt gestuurd.

GX-A3001

OPMERKING: De interne crossover van de GX-A3001 is permanent ingesteld voor low-pass verwerking.

Crossover-regelaar: De Crossover-regelaar beperkt de hoeveelheid hoogfrequente energie die naar de woofers of subwoofer wordt gestuurd. De instelling van de Crossover-regelaar die u toepassen op subwoofers hangt af van het type en de locatie van de subwoofer in uw systeem. Zet de Crossover-regelaar eerst op een frequentie die iets lager is dan de high-pass crossover-instelling die u gebruikt voor de andere luidsprekers in het systeem. Nadat u enige naar muziek op het systeem hebt geluisterd, de Crossover-regelaar aanpassen om een soepele overgang te krijgen van de subwoofer naar de rest van de luidsprekers van het systeem en daarbij "gat" te vermijden, waarbij de geluiden die zich voordoen tussen de subwoofer en de andere sprekers lijken weg te vallen. De afbeelding rechts toont het aanbevolen frequentiebereik van de Crossover-regelaar.

Subwoofers en woofers



HET INGANGSNIVEAU INSTELLEN

1. Draai alle niveau-regelaars op alle versterkers geheel linksom.
2. Speel dynamische muziek via uw bronapparaat en zet het volume op de 3/4 stand.
3. Draai de niveauregelaar op de kanaalversterker voorzijde met de klok mee totdat de muziek vervormd begint te klinken.
4. Draai de niveauregelaar langzaam linksom totdat de muziek niet meer vervormd klinkt.
5. Als u gebruik maakt van meer dan een versterker of gebruik maakt van de GX-A604, herhaal stappen 3 - 4 voor de niveauregelaars van alle andere niveauregelaars van de versterker.

DE BASVERSTERKER INSTELLEN

GX-A604: Als u gebruik maakt van de achterste kanalen van de versterker om de subwoofer te voeden, kan de basversterker-schakelaar 12 dB basversterking bij 45 Hz leveren. (De schakelaar heeft alleen invloed op de achterste kanalen van de versterker.) Deze schakelaar naar eigen voorkeur instellen, maar als het gebruik ervan hoorbare vervorming of verzwakking van uw subwoofer veroorzaakt, raden wij u aan deze op de stand "UIT" te zetten. **LET OP:** De basversterker-schakelaar alleen gebruiken als u de achterste kanalen hebt ingesteld om de subwoofer te voeden. Gebruik van de basversterker-schakelaar met full-range luidsprekers kan de luidsprekers beschadigen.

GX-A602: Wanneer u gebruik maakt van de versterker in bridge mode (doorverbinding) om een subwoofer te voeden, kan de basversterker-schakelaar 12 dB basversterking bij 45 Hz leveren. (Deze schakelaar naar eigen voorkeur instellen, maar als het gebruik ervan hoorbare vervorming of verzwakking van uw subwoofer veroorzaakt, raden wij u aan deze op de stand "UIT" te zetten. **LET OP:** De basversterker-schakelaar alleen gebruiken als u de versterker gebruikt om een subwoofer te voeden. Gebruik van de basversterker-schakelaar met full-range luidsprekers kan de luidsprekers beschadigen.

GX-A3001: De basversterking-regelaar kan tot 12 dB basversterking bij 45Hz leveren. Deze regelaar naar eigen voorkeur instellen, maar wees voorzichtig dat u de regelaar niet te hoog zet waardoor hoorbare vervorming of verzwakking van uw subwoofer kan optreden.

VOEDING EN BESCHERMING LED'S

VOEDING-LED

- LED brandt oranje: Normale functie (voeding aan).
- LED is uit: Versterker in de standby-modus.

BESCHERMING-LED

De bescherming-LED van de versterker moeten tijdens normaal gebruik uit blijven. Als er geen geluid uit de versterker komt en de bescherming-LED rood oplicht, zie *Problemen oplossen* op pagina 24.

PROBLEMEN OPLOSSEN

Als uw versterker niet werkt zoals het zou moeten, controleer of het probleem in dit hoofdstuk wordt besproken voordat u contact opneemt met de leverancier of klantenservice van JBL.

PROBLEEM

OORZAKEN EN OPLOSSINGEN

Geen geluid (de versterker's voeding-LED is uit)	<ul style="list-style-type: none">• Controleer of de +12 V en GND (aarde)-aansluitingen van de versterker correct zijn gemaakt.• Controleer of de zekering op de +12 V kabel bij de accu is doorgebrand: Als dat zo is, vervang deze door een identieke zekering.• Controleer alle versterkerzekeringen; eventueel vervangen met identieke zekeringen.• Als u gebruik maakt van de REM-aansluiting van de versterker, controleer dan of de kabel goed is aangesloten op de kabel van de afstandsbediening van het systeem of op de ACC-voedingsaansluiting.
Geen geluid (de versterker's voeding-LED is oranje)	<ul style="list-style-type: none">• Controleer of alle ingangaansluitingen van de versterker en de luidspreker correct zijn gemaakt.• Controleer of de niveauregelaars van de versterker niet geheel naar links (tegen de klok in) zijn gedraaid.• Controleer of de volumeregelaar van het audiosysteem van de auto geheel naar beneden is gezet.
Geen geluid (de versterker's beschermings-LED is rood)	<ul style="list-style-type: none">• Controleer of het elektrische systeem van het voertuig tussen 9 V en 16 V DC aan de versterker levert. Als de voedingsspanning buiten dit bereik is, dit corrigeren voordat u de versterker gebruikt.• Als de versterker oververhit is, laten afkoelen voordat u het apparaat weer gebruikt.• Alle luidsprekers loskoppelen van de versterker en het opnieuw proberen:<ul style="list-style-type: none">– Als de versterker kan worden ingeschakeld (als de voedings-LED oranje is), dan is er kortsluiting in een of meerdere luidsprekerkabels. Elimineer de kortsluiting voordat u de luidsprekers opnieuw op de versterker aansluit.– Als de versterker niet kan worden ingeschakeld (de beschermings-LED blijft rood en de voedings-LED is uit), contact opnemen met uw geautoriseerde JBL-dealer voor hulp.

PROBLEEM**OORZAKEN EN OPLOSSINGEN**

Er komt geluid uit slechts een deel van de luidsprekers die zijn aangesloten op de versterker

- Controleer of de balans- en faderregelaars van het bronapparaat van het geluidssysteem in het voertuig in het midden (gebalanceerd) staan.
- (GX-A604): Controleer of de modusschakelaar van de versterker ingesteld is voor de invoer en luidsprekeraansluitingen op de versterker

Het volume is te laag, zelfs wanneer de volumeregelaar van het audiosysteem van het voertuig op maximaal staat

- Controleer of de volumeregelaars van de versterker niet te laag zijn ingesteld. Zie *Het Ingangsniveau instellen* op pagina 22 voor informatie over de niveauregelaars.

Geluid in de luidsprekers voor/achter is vervormd

- Zorg ervoor dat de Crossover-filterschakelaar van de versterker van het vervormde kanaal ingesteld is op HP.
- Zet de Crossover-regelaar voor de vervormde kanalen op een hogere stand.
- Controleer of de vervorming niet veroorzaakt wordt door het bronapparaat in het geluidssysteem van de auto.

Geluid in de subwoofer is vervormd

- (GX-A604, GX-A602): Zet de Basversterker-regelaar op "UIT."
- (GX-A3001): Tijdens het luisteren naar muziek met krachtige bas, de basversterker-regelaar helemaal naar beneden draaien, en dan geleidelijk verhogen totdat de vervorming terugkeert. De basversterker iets verlagen om de vervorming te elimineren en deze instelling laten staan.
- Controleer of de vervorming niet veroorzaakt wordt door het bronapparaat in het geluidssysteem van de auto.

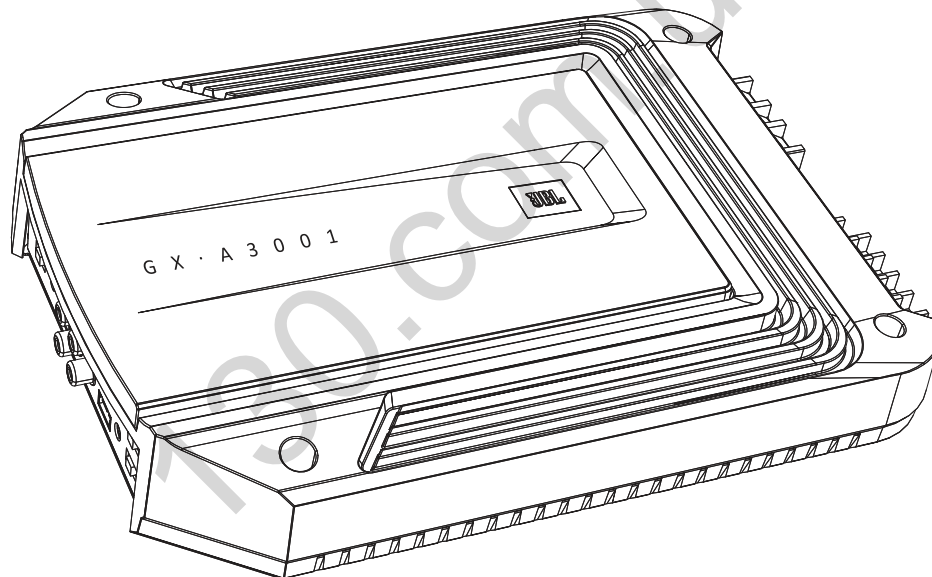
SPECIFICATIES

	GX-A604	GX-A602	GX-A3001
Maximaal vermogen (15,5 V, 1 kHz, 10% THD, totaal kanalen 2 ohm)	435 W	280 W	415 W (15,5 V, 50 Hz, 10% THD, 2 ohm)
Nominaal uitgangsvermogen @ 4 ohm	60 W x 4	60 W x 2	200 W x 1
Bridged uitgangsvermogen (4 ohm, 1% THD)	170 W x 2	170 W x 1	N.v.t.
THD + N bij nominaal vermogen	< 1%	< 1%	< 1%
Signaal/ruisverhouding (2 V @ 4 ohm)	> 75 dB	> 75 dB	> 75 dB
Effectieve dempingsfactor (4 ohm)	> 50	> 50	> 50
Frequentiebereik (-3 dB)	20 Hz – 20 kHz ± 1 dB	20 Hz – 20 kHz ± 1 dB	10 Hz – 320 Hz
Maximale ingangsspanning	20 V	20 V	20 V
Maximum ingangsgevoeligheid	200 mV	200 mV	200 mV
Zekering	20 A x 2	25 A	20 A x 2
Afmetingen (B x H x L)	52 mm x 300 mm x 206 mm (2-1/16" x 11-13/16" x 8-1/8")	52 mm x 198 mm x 206 mm (2-1/16" x 7-13/16" x 8-1/8")	52 mm x 291 mm x 206 mm (2-1/16" x 11-7/16" x 8-1/8")
Gewicht	2,4 kg (5,3 lb)	1,7 kg (3,8 lb)	2,4 kg (5,3 lb)



GX-A604/GX-A602/GX-A3001

effektförstärkare

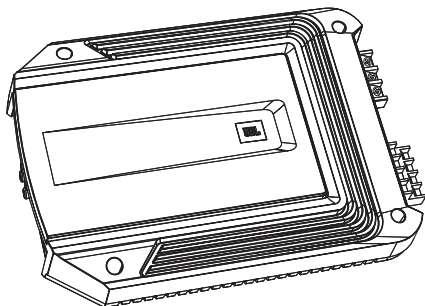


BRUKSANVISNING

INTRODUKTION

TACK SÅ MYCKET för att du har köpt en JBL® GX-series förstärkare. För att vi ska kunna hjälpa dig bättre med eventuell garantiservice ber vi dig bevara ditt originalkvitto och registrera förstärkaren online på www.jbl.com.

INKLUDERAT



GX-Series förstärkare (x 1)



Högtalarnivåingångstillsats
(GX-A602, GX-A3001 x 1)
(GX-A604 x 2)

PLACERING OCH MONTERING

Dessa instruktioner beskriver allmänt hur du installerar GX-series förstärkare men beskriver inte de specifika installationssätt som kan krävas för just ditt fordon. Om du inte har de verktyg och den erfarenhet som krävs för installationen ska du undvika att göra den själv. I stället kan du be din auktoriserade JBL-återförsäljare om hjälp med installationen.

VARNINGAR OCH TIPS FÖR INSTALLATIONEN

VIKTIGT: Koppla från batteriets negativa pol (-) innan du börjar med installationen.

- Använd alltid skyddsglasögon vid arbete med verktyg.
- Kontrollera fri yta på båda sidor om den tänkta monteringsplatsen. Var noga med att skruvar eller kablar inte tar hål på bromsrör, bränsleledningar eller kabelskydd och att kabeldragningen inte påverkar fordonets säkerhet.
- När du gör elektriska installationer ska du säkerställa att kablarna är ordentligt isolerade.
- Om du måste byta ut någon säkring i förstärkaren ska du vara noga med att ersätta med samma typ av säkring med samma värden.

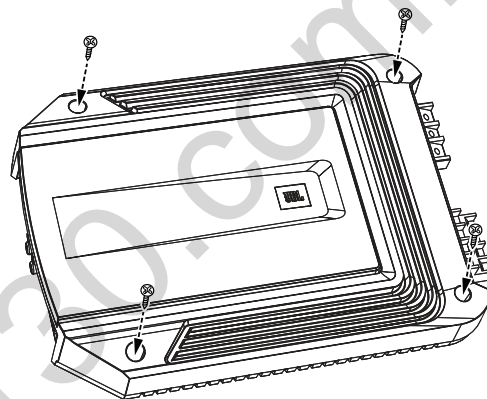
INSTALLATIONSPLATS

Förstärkare behöver cirkulerande luft för att kylas. Välj en plats som har tillräcklig ventilation så att förstärkaren kyls.

- Lämpliga platser är under ett säte (förutsatt att inte förstärkaren är i vägen för sätets justeringsanordning), i bagageluckan eller på annan plats med tillräcklig ventilation.
- Montera inte förstärkaren med kylflänsarna nedåt eftersom det påverkar förstärkarens konvektionskyllning.
- Montera förstärkaren så att den inte skadas av baksätesspassagerares fötter eller vid i- och urlastning i bagageluckan.
- Montera förstärkaren så att den hålls torr – montera aldrig förstärkare på utanpå fordonet eller i motorrummet.

MONTERA FÖRSTÄRKAREN

OBS: Det kan vara enklare att göra alla anslutningar innan du monterar fast förstärkaren i fordonet.



1. Välj lämplig monteringsplats enligt ovan.
2. Använd förstärkaren som mall och markera lägen för monteringshål på monteringsytan.
3. Förborra hål i monteringsytan.
4. Fäst förstärkaren på monteringsytan med fyra passande skruvar efter eget omdöme. Vi föreslår #8 metallstjärnskruvar. Se till att förstärkaren sitter ordentligt.

ANSLUTNING AV STRÖM OCH JORDNING

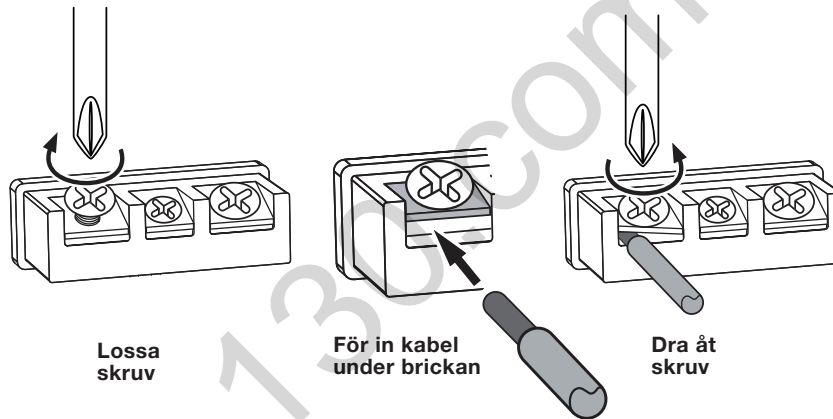
VIKTIGT: Koppla från batteriets negativa pol (-) innan du börjar med installationen.

GX-series förstärkare kan ge hög uteffekt och kräver kraftiga och hållbara anslutningar till bilens elsystem för att ge optimalt resultat. Var noga med att följa instruktionerna nedan.

ANVÄNDA KONTAKTERNA

GX-series förstärkare har samma typ av skruvkontakter för ström- och högtalaranslutningar. Denna typ av kontakt är lättanvänd och gör det enkelt att ansluta grova kablar.

För att använda kontakterna lossar du kontakten skruv med en stjärnskruvmejsel, sätter i den blottade kabeln och drar åt skruven för att säkra den i kontakten enligt illustrationen nedan.



VIKTIGT: Se till att (+) och (-) blottade högtalarkablar inte vidrör varandra eller den andra polen både på förstärkaren och högtalaren. Om trådarna vidrör varandra kan det orsaka en kortslutning som kan skada förstärkaren.

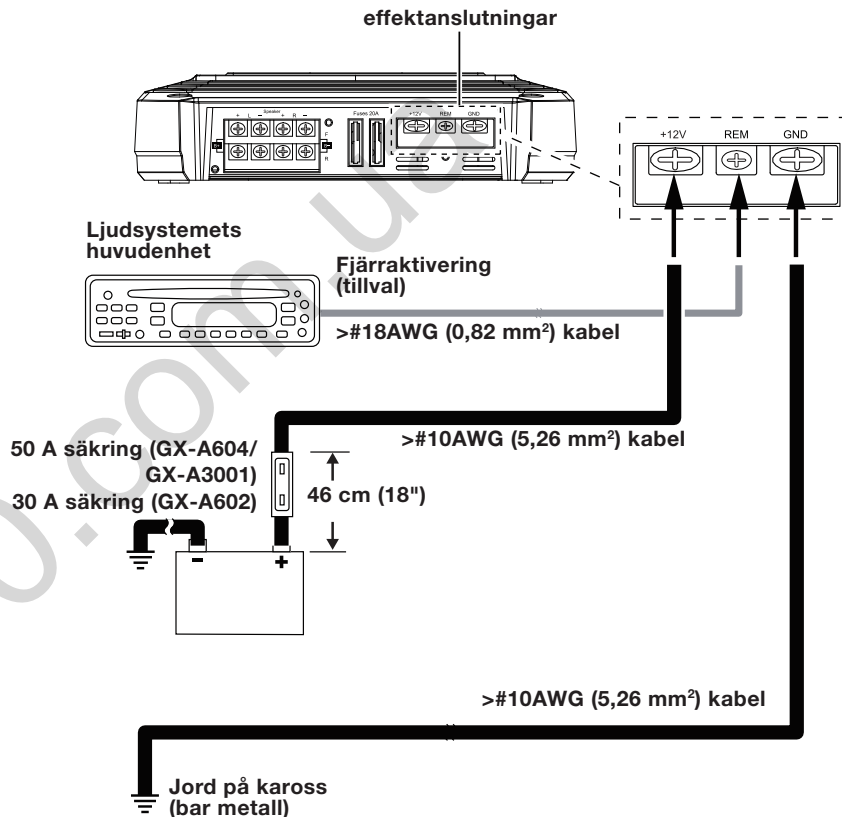
ANSLUTNING TILL JORD (GND)

Anslut kabel (minst 10 AWG – 5,3 mm²) från förstärkarens GND-kontakt direkt till någon fast punkt på fordonets kaross.

- För god anslutning kan du använda sandpapper för att ta bort målarfärg från metallen på karossen. Använd en stjärnlåsbricka för att säkra kabelanslutningen.

ANSLUTNING TILL STRÖM (12 V)

1. Anslut kabel (minst 10 AWG – 5,3 mm²) direkt till batteriets positiva (+) pol.
2. Installera en säkringshållare för 50 A (GX-A604, GX-A3001) eller 30 A (GX-A602) på kabeln inom 46 cm från batteriets positiva (+) pol. Sätt inte i någon säkring i säkringshållaren ännu.
3. Dra kabeln till förstärkarplatsen och anslut den till förstärkarens +12 V-pol. Se till att använda lämpliga ringar när du drar kablar genom brandvägg eller annan bladmetall.
VIKTIGT: Om du inte skyddar den positiva kabeln mot eventuell åverkan kan det leda till fordonbrand.
4. När du har dragit och anslutit kabeln sätter du i lämplig säkring i säkringshållaren du installerat nära batteriet. (GX-A604, GX-A3001 – 50 A; GX-A602 – 30 A)



ANSLUTNING AV HÖGTALARE OCH INGÅNGAR

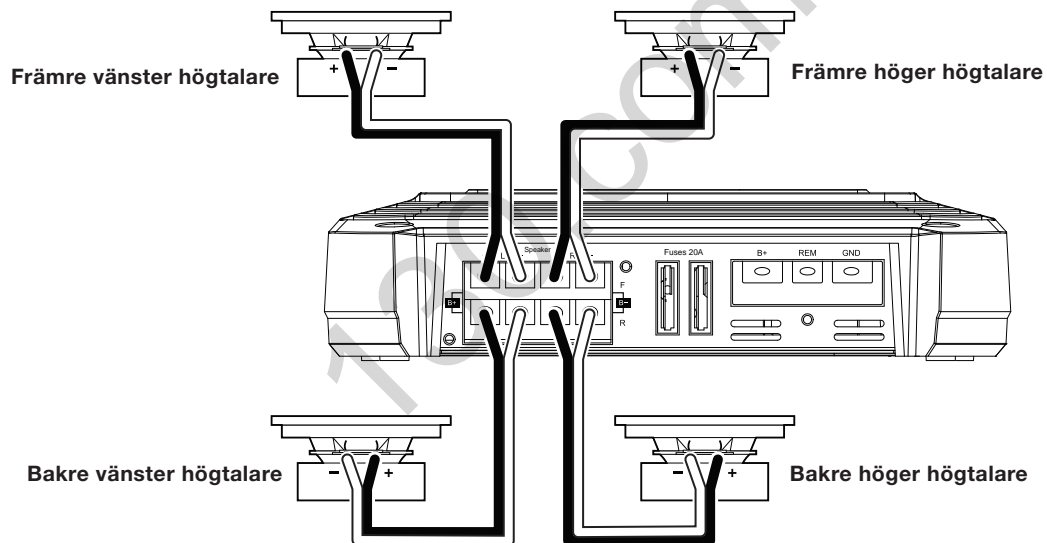
Anslut alltid (+)-högtalarkontakten till (+)-polen på högtalaren och (-)-högtalarkontakten till (-)-polen på högtalaren.

VIKTIGT: Se till att (+) och (-) blottade kablar inte vidrör varandra eller den andra polen både på förstärkaren och högtalaren. Om trådarna vidrör varandra kan det orsaka en kortslutning som kan skada förstärkaren.

GX-A604 HÖGTALARANSLUTNINGAR: 4-KANALSDRIFT

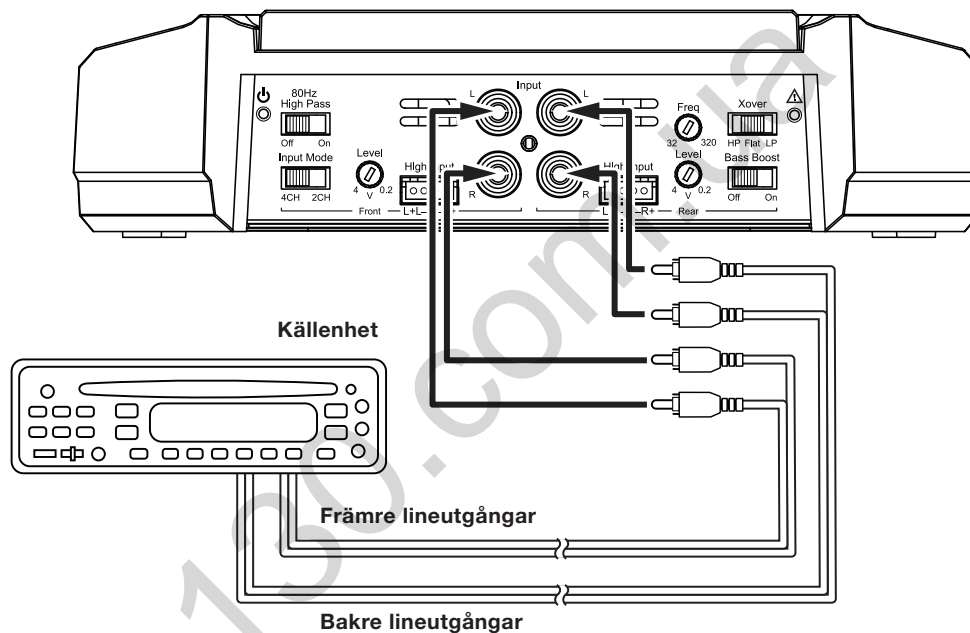
Minsta högtalarimpedans: 2 ohm (vardera)

- Anslut främre högtalarna till FL och FR (+) och (-).
- Anslut bakre högtalarna till RL och RR (+) och (-).



GX-A604 INGÅNGAR: 4-KANALSDRIFT

Anslut källanheten eller processorns främre och bakre vänster och höger utgångar till förstärkarens ingångar enligt bilden.



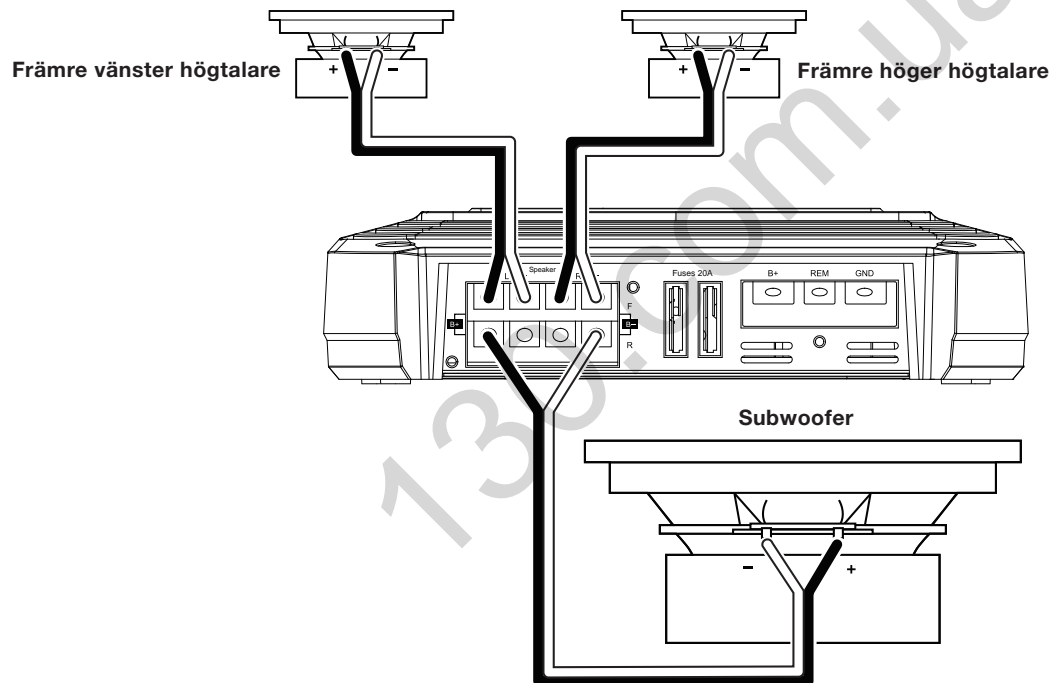
Läs *Ställ in delningskontroller* på sida 20 för information om hur du ställer in förstärkarens kontroller för 4-kanalsdrift.

För att använda högtalarnivåingångarna i stället för linienivåingångarna, läs *Använda högtalarnivåingångarna* på sida 12.

GX-A604 HÖGTALARANSLUTNINGAR: 3-KANALSDRIFT

Minsta högtalarimpedans: 2 ohm vardera (vänster och höger); 4 ohm (subwoofer)

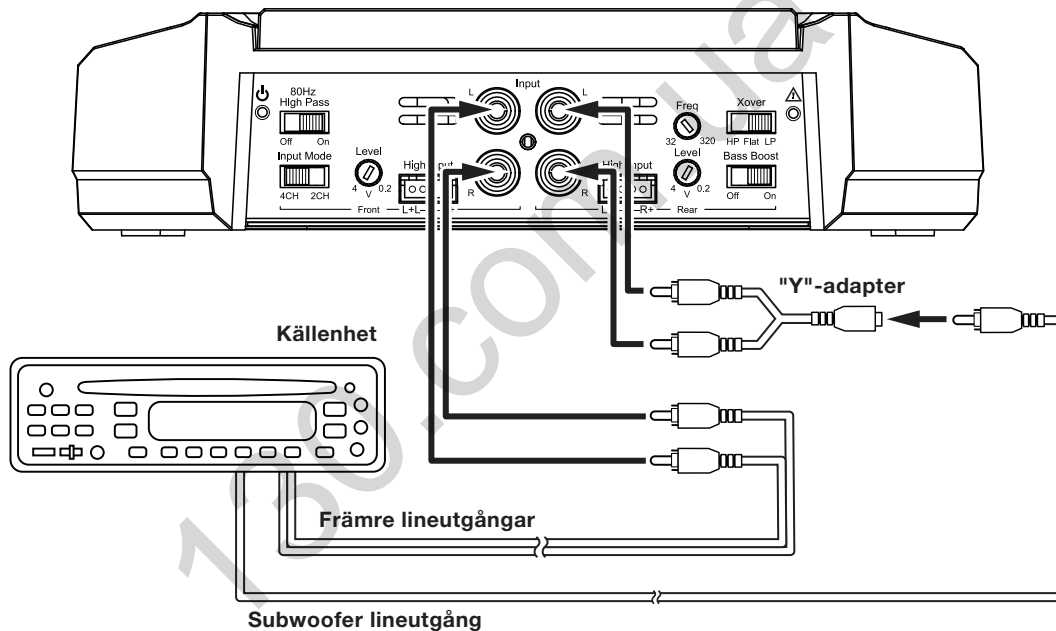
- Anslut vänster och höger högtalare till FL och FR (+) och (-).
- Anslut subwoofern till RL och RR (+) och (-). (Bakre kanalernas Bass Boost-reglage gör bakre kanaler lämpliga för anslutning av subwoofer. Läs *Ställa in Bass Boost* på sida 23.) **OBS:** Du kan ansluta två 2-ohms subwoofers i serie för att bibehålla nödvändig 4-ohms impedans för subwooferkanalen.



GX-A604 INGÅNGAR: 3-KANALSDRIFT

Anslut källanheten eller processorns lineutgång enligt bilden nedan. Sätt reglaget för ingångsläge i läge "4CH".

OBS: Använd en "Y"-adapter för att ansluta källanhetens subwooferutgång till förstärkarens bakre vänster och höger ingångar.



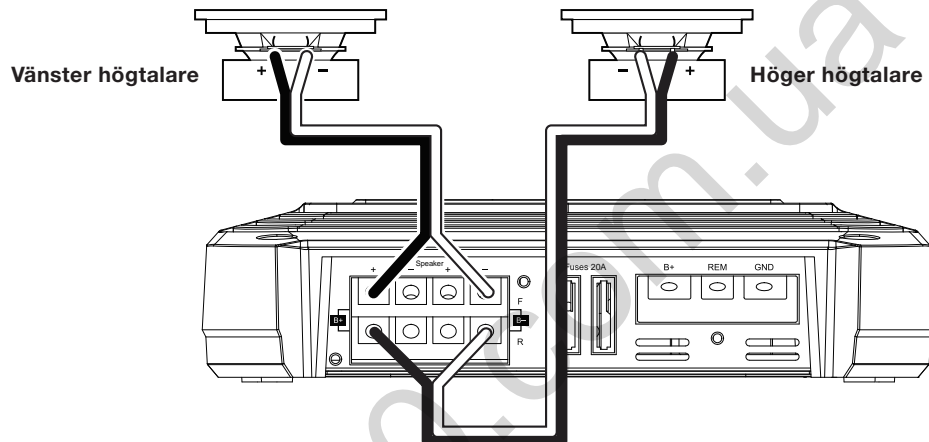
Läs *Ställ in delningskontroller* på sida 20 för information om hur du ställer in förstärkarens kontroller för 3-kanalsdrift.

För att använda högtalarnivåingångarna i stället för linienivåingångarna, läs *Använda högtalarnivåingångarna* på sida 12.

GX-A604 HÖGTALARANSLUTNINGAR: 2-KANALSDRIFT

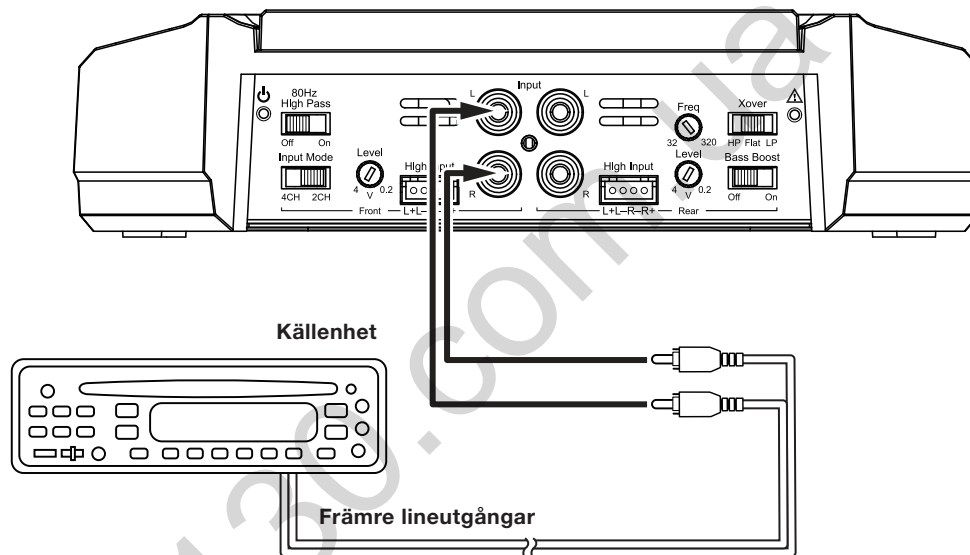
Minsta högtalarimpedans: 4 ohm (vardera)

Anslut vänster och höger högtalare enligt bilden nedan.



GX-A604 INGÅNGAR: 2-KANALSDRIFT

Anslut källanheten eller processorns lineutgång enligt bilden nedan. Använd enbart främre vänster och höger ingång och se till att ingångsläget är i läge "2CH".



Läs *Ställ in delningskontroller* på sida 20 för information om hur du ställer in förstärkarens kontroller för 2-kanalsdrift.

För att använda högtalarnivåingångarna i stället för linienivåingångarna, läs *Använda högtalarnivåingångarna* på sida 12.

ANVÄNDA HÖGTALARNIVÅINGÅRarna

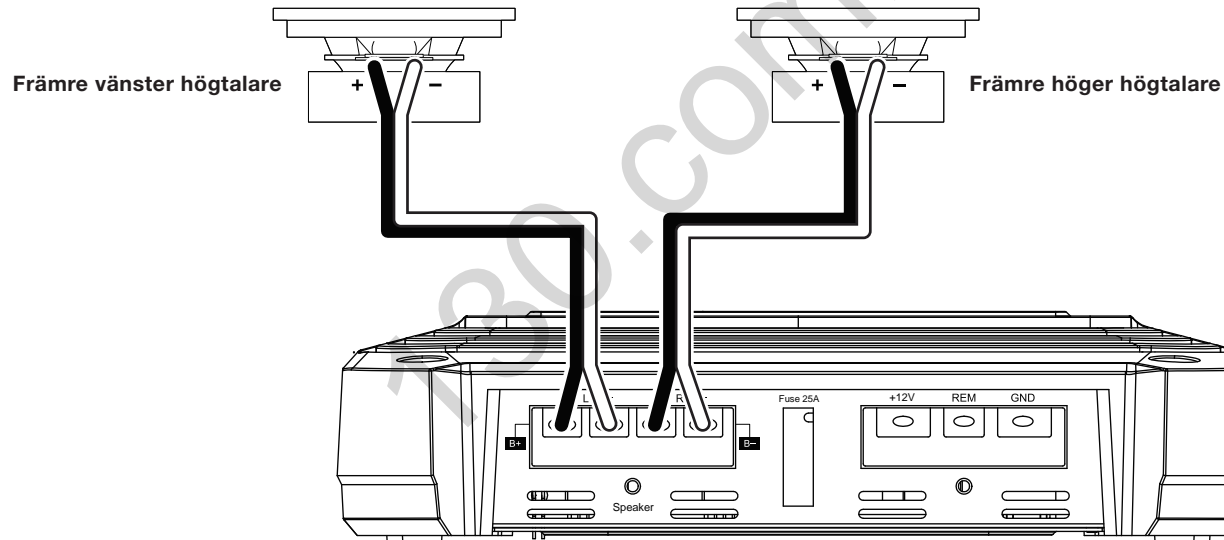
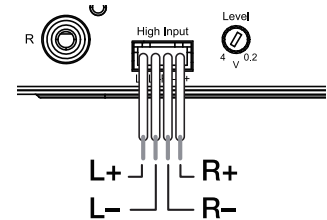
Om källan inte har linienivåutgångar kan du använda de inkluderade högtalarnivåingångstillsatserna för att ansluta förstärkaren till källanens högtalarutgångar. Från vänster till höger är kontakterna: L+, L-, R-, R+ (se bilden till höger). Högtalarnivåkontakterna på alla förstärkarmodeller i GX-serien har denna kabelkonfiguration.

Följ instruktionerna i föregående avsnitt och byt ut högtalarnivåanslutningar mot linienivåanslutningar.

GX-A602 HÖGTALARANSLUTNING; 2-KANALS DRIFT

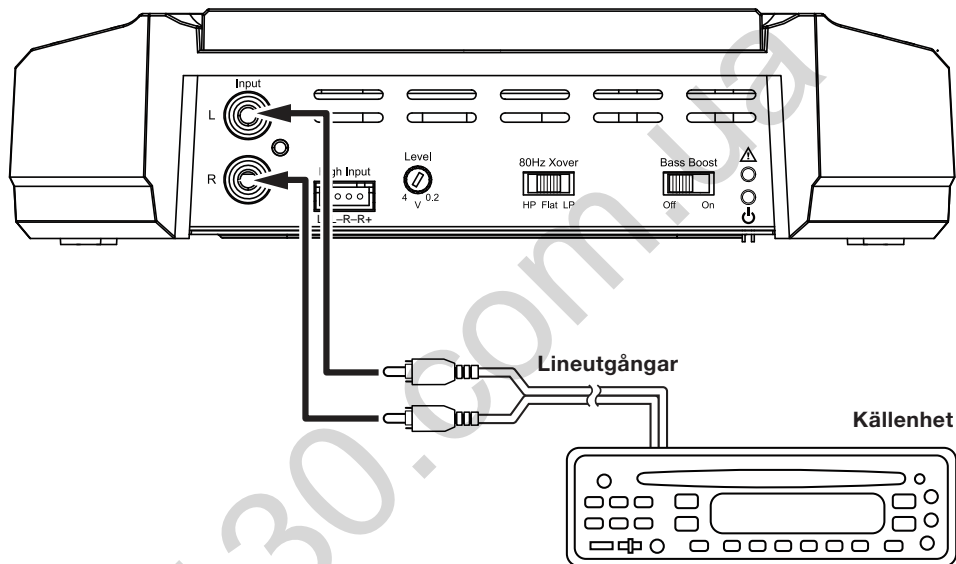
Minsta högtalarimpedans: 2 ohm (vardera)

Anslut vänster och höger högtalare till FL och FR (+) och (-).



GX-A602 INGÅNGAR: 2-KANALSDRIFT

Anslut källanheten eller processorns lineutgång enligt bilden nedan.



Läs *Ställ in delningskontroller* på sida 20 för information om hur du ställer in förstärkarens kontroller för 2-kanalsdrift.

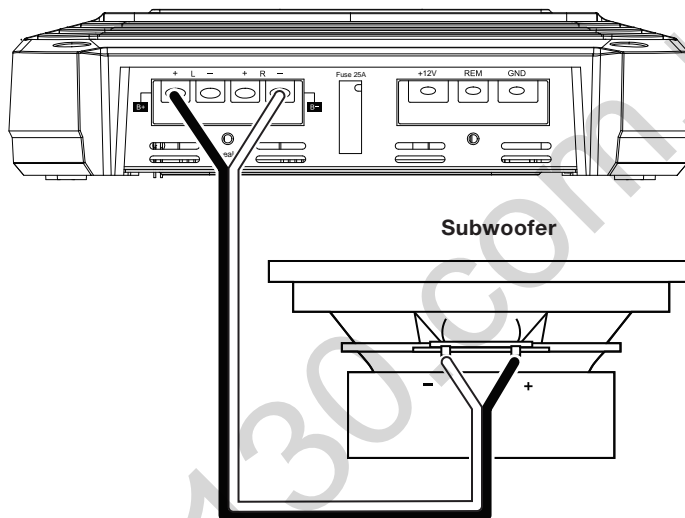
För att använda högtalarnivåingångarna i stället för linienivåingångarna, läs *Använda högtalarnivåingångarna* på sida 12.

GX-A602 HÖGTALARANSLUTNINGAR: ÖVERBRYGGAD DRIFT

Överbryggad drift ger en enda kanal med hög effekt för subwoofer

Minsta högtalarimpedans: 4 ohm

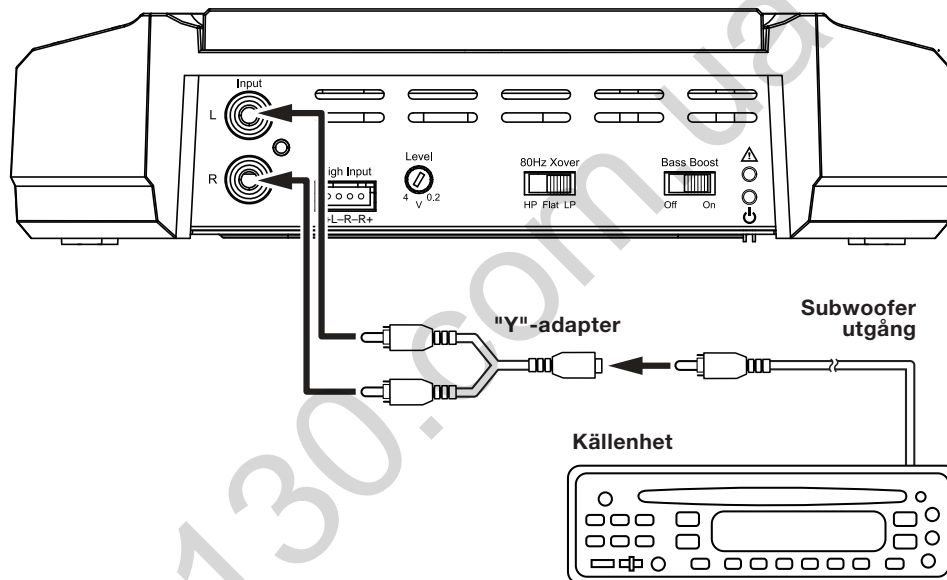
Anslut subwoofern till RL (+) och RR (-). **OBS:** Du kan ansluta två 2-ohms subwoofers i serie för att bibehålla nödvändig 4-ohms impedans för överbryggad drift.



GX-A602 INGÅNGAR: ÖVERBRYGGAD DRIFT

Anslut källanheten eller processorns subwooferlineutgång till förstärkarens vänstra ingång enligt bilden.

OBS: Använd en "Y"-adapter för att ansluta källanheten till förstärkarens vänster och höger ingångar.



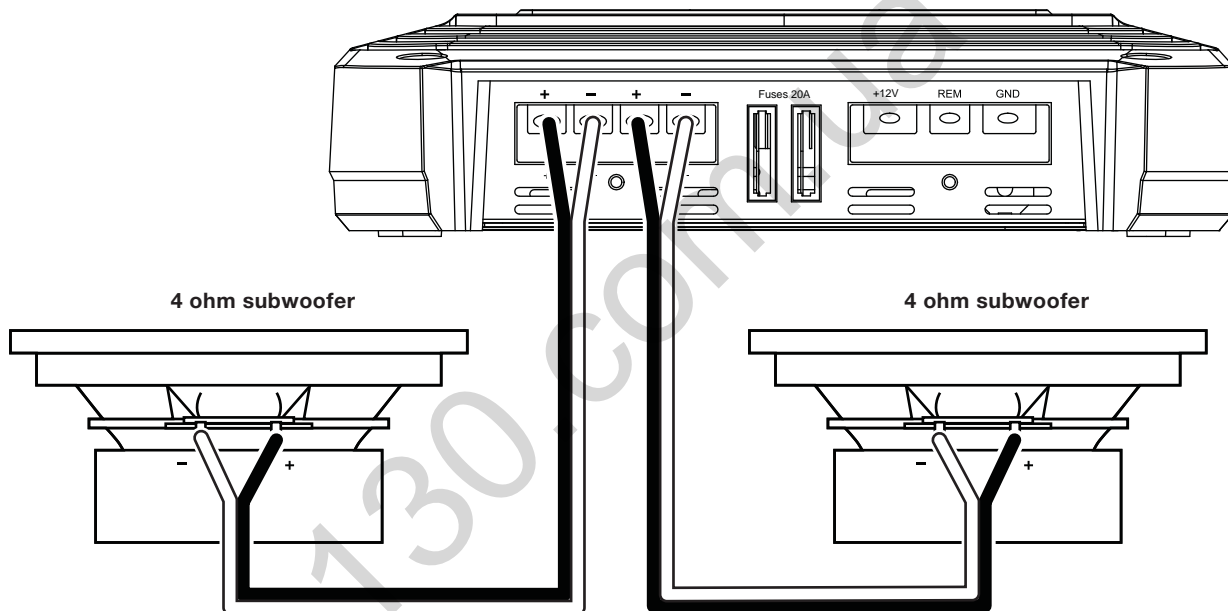
Läs *Ställ in delningskontroller* på sida 20 för information om hur du ställer in förstärkarens kontroller för överbryggad drift.

För att använda högtalarnivåingångarna i stället för linienivåingångarna, läs *Använda högtalarnivåingångarna* på sida 12.

GX-A3001 HÖGTALARANSLUTNINGAR

Minsta högtalarimpedans; 2 ohm (en subwoofer); 4 ohm (två subwoofers)

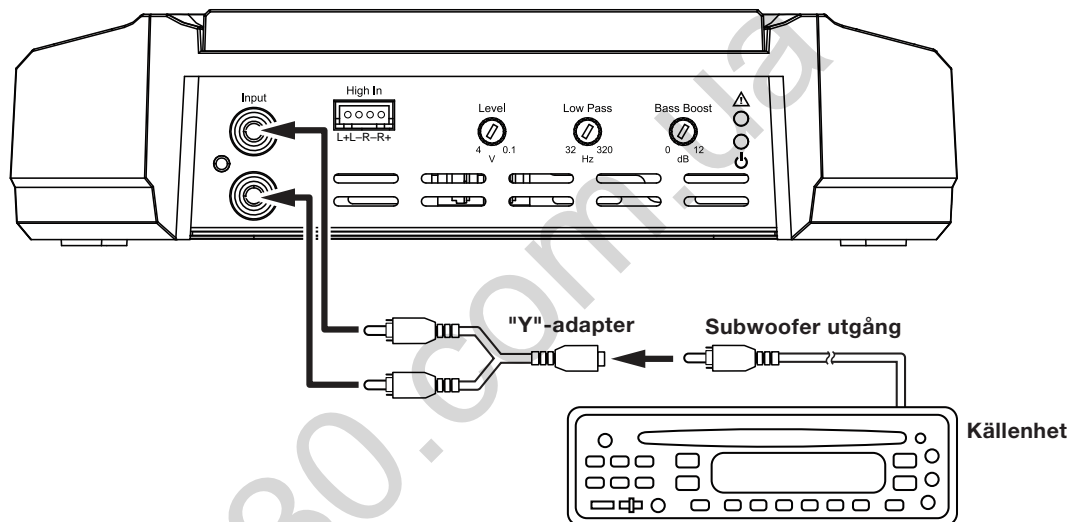
GX-A3001 har två parallella uppsättningar högtalarkontakter så att du kan ansluta två subwoofers.



- Om du använder en enda subwoofer kan du ansluta den till endera uppsättningen GX-A3001 högtalaranslutningar.
- Om du använder två 2-ohms subwoofers kan du ansluta båda i serie till en av anslutningarna för att nå över 2-ohm impedans.

GX-A3001 INGÅNGAR

Använd en "Y"-adapter för att ansluta källanheten eller processorns subwooferlineutgång till förstärkarens vänstra och högra ingång enligt bilden. Om källanheten inte har en speciell subwooferutgång kan du ansluta bakre vänster och höger utgångar till förstärkarens vänster och höger ingångar.

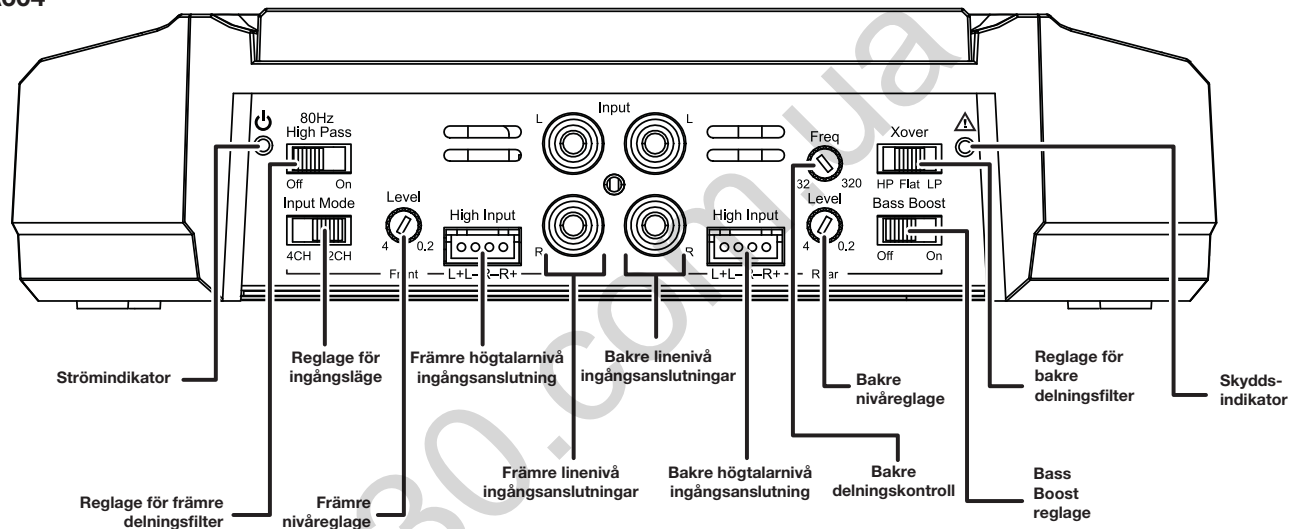


Läs *Ställ in delningskontroller* på sida 20 för information om hur du ställer in förstärkarens kontroller.

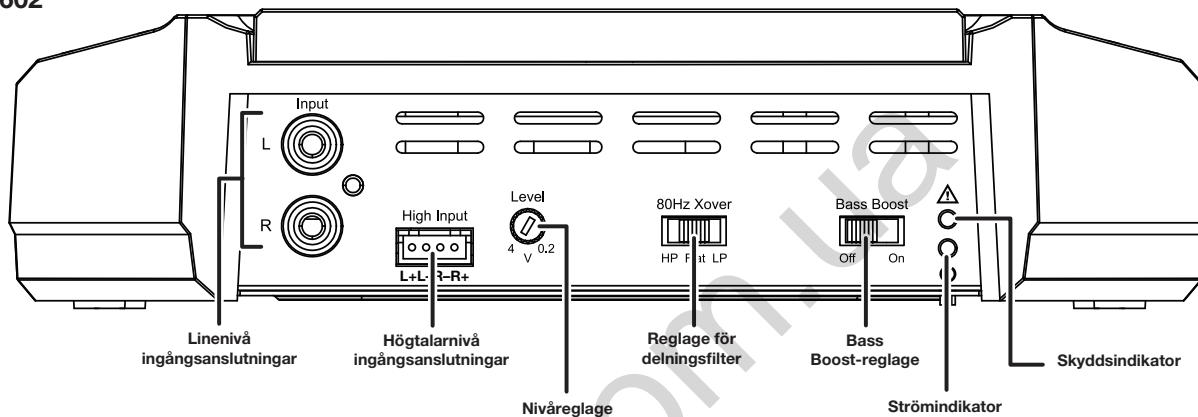
För att använda högtalarnivåingångarna i stället för linienivåingångarna, läs *Använda högtalarnivåingångarna* på sida 12.

KONTROLLER, INGÅNGAR OCH INDIKATORER

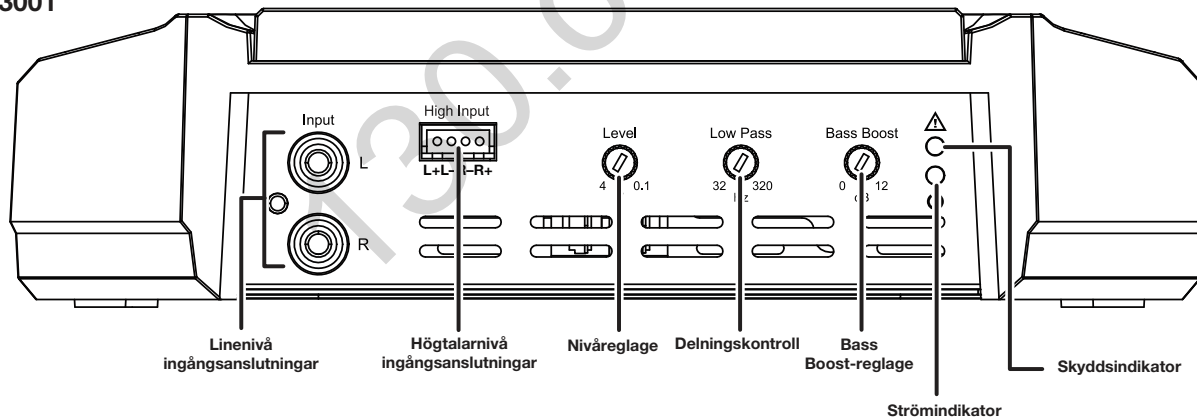
GX-A604



GX-A602



GX-A3001



STÄLL IN DELNINGSKONTROLLER

GX-A604: 4-KANALSDRIFT

Reglage för ingångsläge: Sätt reglaget för ingångsläge i läge "4CH".

Reglage för främre delningsfilter: Ställ reglaget för främre delningsfilter i läget "ON" (high-pass). Det begränsar mängden lågfrekvenssignaler som skickas till högtalarna vilket kraftigt minskar distorsion och förhindrar att högtalarna skadas. **Undantag:** Om du har anslutit stora högtalare med brett frekvensintervall (6 x 9 tum eller större) som klarar av kraftig bas till förstärkarens främre kanaler *och du inte använder någon subwoofer i systemet*, ska du ställa reglaget för främre delningsfilter i läget "OFF" (full-range).

Reglage för bakre delningsfilter: Ställ reglaget för bakre delningsfilter i läget "HP" (high-pass). Det begränsar mängden lågfrekvenssignaler som skickas till högtalarna vilket kraftigt minskar distorsion och förhindrar att högtalarna skadas. **Undantag:** Om du har anslutit stora högtalare med brett frekvensintervall (6 x 9 tum eller större) som klarar av kraftig bas till förstärkarens främre kanaler *och du inte använder någon subwoofer i systemet*, ska du ställa reglaget för bakre delningsfilter i läget "FLAT" (full-range).

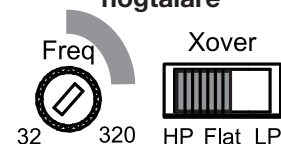
Bakre delningskontroll: När reglaget för bakre delning är i läget "HP" styr bakre delningskontrollen vilken frekvens som signalerna till högtalarna ska ha lägre volym.

När förstärkaren används i 4-kanalsläget ska du ställa in bakre delningskontroll utifrån storlek på högtalarna som är anslutna till förstärkaren – ju mindre högtalare, desto högre ska kontrollen ställas för att skydda högtalarna mot skador. När du initialt ställt in delningsfrekvensen ska du spela upp och lyssna på musik med mycket bas som du känner väl till. Om högtalarna låter orena eller ansträngda ändrar du delningskontrollen till en högre frekvens för att få bort distorsion/orenhet. Bilden till höger visar rekommenderade frekvensomfång för delningsfilter passande högtalare i olika storlekar.

6 och 5 tums högtalare



4 tums och mindre högtalare



GX-A604: 3-KANALSDRIFT

Reglage för ingångsläge: Sätt reglaget för ingångsläge i läge "4CH".

Reglage för främre delning: Ställ reglaget för främre delning i läget "ON" (high-pass). Det begränsar mängden lågfrekvenssignaler som skickas till högtalarna vilket kraftigt minskar distorsion och förhindrar att högtalarna skadas.

Reglage för bakre delningsfilter: När du ansluter subwoofer eller woofer till de bakre kanalerna ska du ställa reglaget för bakre delningsfilter i läget "LP" (low-pass). Det begränsar mängden högfrekventa signaler som skickas till woofern eller subwoofern och förbättrar tydligheten för röster och andra ljud i mellanfrekvenserna.

Low-Pass-drift: Subwoofers och woofers



Bakre delningskontroll: Inställningen du ska använda för subwoofers är beroende på typ och plats för systemets subwoofer. Börja med att ställa bakre delningskontrollen på en frekvens något under 80 Hz-läget för de främre högtalarna. När du har lyssnat på musik i systemet under en tid kan du fininställa bakre delningskontrollen för en mjuk övergång från subwoofer till resten av systemets högtalare utan att du får något "hål", där ljudet mellan subwoofer och andra högtalare verkar försvinna. Bilden till höger visar rekommenderade frekvensintervall för bakre delningskontroll.

GX-A604: 2-KANALSDRIFT

Reglage för ingångsläge: Sätt reglaget för ingångsläge i läge "2CH".

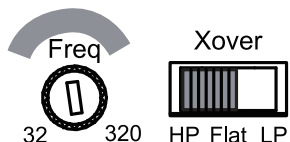
Reglage för främre delningsfilter: Ställ reglaget för främre delningsfilter i läget "ON" (high-pass). Det begränsar mängden lågfrekvenssignaler som skickas till högtalarna vilket kraftigt minskar distorsion och förhindrar att högtalarna skadas. **Undantag:** Om du har anslutit stora högtalare med brett frekvensintervall (6 x 9 tum eller större) som klarar av kraftig bas till förstärkarens främre kanaler *och du inte använder någon subwoofer i systemet*, ska du ställa reglaget för främre delningsfilter i läget "OFF" (full-range).

Reglage för bakre delningsfilter: Ställ reglaget för bakre delningsfilter i läget "HP" (high-pass). Det begränsar mängden lågfrekvenssignaler som skickas till högtalarna vilket kraftigt minskar distorsion och förhindrar att högtalarna skadas. **Undantag:** Om du har anslutit stora högtalare med brett frekvensintervall (6 x 9 tum eller större) som klarar av kraftig bas till förstärkarens främre kanaler *och du inte använder någon subwoofer i systemet*, ska du ställa reglaget för bakre delningsfilter i läget "FLAT" (full-range).

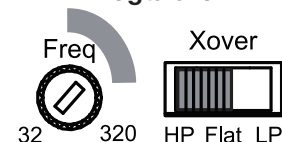
Bakre delningskontroll: När reglaget för bakre delning är i läget "HP" styr bakre delningskontrollen till vilken frekvens som signalerna till högtalarna ska ha lägre volym.

När förstärkaren används i 4-kanalsläget ska du ställa in bakre delningskontroll utifrån storlek på högtalarna som är anslutna till förstärkaren – ju mindre högtalare, desto högre ska kontrollen ställas för att skydda högtalarna mot skador. När du initialt ställt in delningsfrekvensen ska du spela upp och lyssna på musik med mycket bas som du känner väl till. Om högtalarna låter orena eller ansträngda ändrar du delningskontrollen till en högre frekvens för att få bort distorsion/orenhet. Bilden till höger visar rekommenderade frekvensomfång för delningsfilter passande högtalare i olika storlekar.

6 och 5 tums högtalare



4 tums och mindre högtalare



GX-A602: 2-KANALSDRIFT

Reglage för delningsfilter:

- Om du har anslutit förstärkaren till ett par 6-tums eller mindre högtalare ska du ställa reglaget för delningsfilter i läget "HP" (high-pass). Det begränsar mängden lågfrekvenssignaler som skickas till högtalarna vilket kraftigt minskar distorsion och förhindrar att högtalarna skadas.
- Om du har anslutit stora högtalare med brett frekvensintervall (6 x 9 tum eller större) som klarar av kraftig bas till förstärkaren *och du inte använder någon subwoofer i systemet*, ska du ställa reglaget för delningsfilter i läget "FLAT" (full-range).
- Om du har anslutit förstärkaren till ett par woofers eller en subwoofer ska du ställa reglaget för delningsfilter i läget "LP" (low-pass). Det begränsar mängden högfrekventa signaler som skickas till woofern eller subwoofern och förbättrar tydligheten för röster och andra ljud i mellanfrekvenserna.

GX-A602: ÖVERBRYGGAD DRIFT

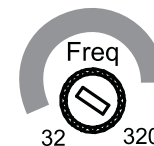
Reglage för delningsfilter: När du använder förstärkaren i överbryggt läge med subwoofer ska du ställa reglaget för delningsfilter i läget "LP" (low-pass). Det begränsar mängden högfrekventa signaler som skickas till subwoofern.

GX-A3001

OBS: GX-A3001 har ett internt delningsfilter som är inställt på low-pass.

Delningskontroll: Delningskontrollen begränsar mängden högfrekventa signaler som skickas till woofers eller subwoofer. Inställningen för delningskontroll som du ska använda för subwoofers är beroende på typ och plats för systemets subwoofer. Börja med att ställa in delningskontrollen på en frekvens strax under den delningsfrekvens som du använt för andra högtalare i systemet. När du har lyssnat på musik i systemet under en tid kan du fininställa delningskontrollen för en mjuk övergång från subwoofer till resten av systemets högtalare utan att du får något "hål", där ljudet mellan subwoofer och andra högtalare verkar försvinna. Bilden till höger visar rekommenderade frekvensintervall för delningskontroll.

Subwoofers och woofers



STÄLL IN INGÅNGSNIVÅ

1. Vrid alla nivåreglage på alla förstärkare ned i botten (helt moturs).
2. Spela upp dynamisk musik från källanheten och öka volymen till ungefär tre fjärdedelar av max.
3. Vrid sakta nivåreglaget för främre kanalens förstärkare medurs tills musiken börjar låta förvrängd.
4. Vrid nivåreglaget moturs tills musiken återigen blir tydlig.
5. Om du använder mer än en förstärkare eller använder GX-A604 upprepar du stegen 3-4 för alla återstående nivåreglage.

STÄLL IN BASS BOOST

GX-A604: När du använder förstärkarens bakre kanaler för att driva en subwoofer kan Bass Boost öka basen vid 45 Hz med 12 dB. (Reglaget påverkar enbart förstärkarens bakre kanaler.) Ställ in reglaget utifrån eget tycke och smak, men om du använder det ger distorsion eller bottnar ur din subwoofer rekommenderar vi att du ställer det i läget "OFF." **FÖRSIKTIGHET:** Använd enbart Bass Boost om du har konfigurerat de bakre kanalerna för att driva en subwoofer. Använder du Bass Boost med fullfrekvenshögtalare kan det skada högtalarna.

GX-A602: När du använder förstärkaren i överbryggt läge för att driva en subwoofer kan Bass Boost öka basen vid 45 Hz med 12 dB. (Ställ in reglaget utifrån eget tycke och smak, men om du använder det ger distorsion eller bottnar ur din subwoofer rekommenderar vi att du ställer det i läget "OFF." **FÖRSIKTIGHET:** Använd enbart Bass Boost om du använder förstärkaren för att driva en subwoofer. Använder du Bass Boost med fullfrekvenshögtalare kan det skada högtalarna.

GX-A3001: Bass Boost kan öka basen vid 45 Hz med upp till 12 dB. Ställ in reglaget utifrån eget tycke och smak men var försiktig så att du inte ställer reglaget i så högt läge att det blir hörbar distorsion eller din subwoofer bottnas ur.

LED FÖR STRÖM OCH SKYDD

STRÖM-LED

- LED lyser orange: Normal drift (strömmen på).
- LED lyser inte: Förstärkaren i standbyläge.

SKYDDS-LED

Förstärkarens skydds-LED ska inte lysa under normal drift. Om det inte kommer ljud från förstärkaren och skydds-LED lyser röd ska du läsa *Felsökning* på sidan 24.

FELSÖKNING

Om din förstärkare inte fungerar så som du tror att den borde, kontrollera om problemet omfattas i det här avsnittet innan du kontaktar din JBL-återförsäljare eller -kundservice.

PROBLEM

ORSAKER OCH LÖSNINGAR

Inget ljud (ström-LED lyser inte)

- Kontrollera att förstärkarens 12 V- och jord-anslutningar är ordentligt gjorda.
- Kontrollera att säkringen på 12 V-kabeln nära batteriet inte har löst ut: Om den löst ut ska du ersätta den med en identisk.
- Kontrollera förstärkarens alla säkringar. Om någon lösts ut ersätter du den med identisk.
- Om du använder förstärkaren REM-anslutning för att slå på den ska du kontrollera att kabeln är korrekt ansluten till ljudsystemets fjärrkabel eller fordonets ACC-strömkontakt.

Inget ljud (ström-LED lyser orange)

- Kontrollera att alla förstärkarens ingångs- och högtalaranslutningar är ordentligt gjorda.
- Kontrollera att förstärkarens volymreglage inte är helt nedvidna i botten (moturs).
- Kontrollera att fordonets källenhets ljudreglage inte är helt nedvidret i botten.

Inget ljud (skydds-LED lyser röd)

- Kontrollera att fordonets elsystem ger mellan 9 V och 16 V likström till förstärkaren. Om spänningen ligger utanför det intervallet måste det korrigeras innan förstärkaren används.
- Om förstärkaren är överhettad väntar du tills den svalnat innan du använder den igen.
- Koppa från alla högtalare från förstärkaren och prova att slå på den igen:
 - Om förstärkaren slås på (ström-LED lyser orange) är det kortslutning i en eller flera av högtalarkablarna. Åtgärda alla kortslutningar innan högtalarna ansluts till förstärkaren.
 - Om förstärkaren inte slås på (skydds-LED är fortfarande röd och ström-LED lyser inte) ska du kontakta till JBL-återförsäljare för hjälp.

PROBLEM**ORSAKER OCH LÖSNINGAR**

Det kommer inte ljud från alla högtalare som är anslutna till förstärkaren.

- Kontrollera att fordonets ljudsystems källenhets balans- och faderreglage är inställda i mittläget.
- (GX-A604): Kontrollera att inställningen av reglaget för förstärkarläge stämmer med ingångs- och högtalaranslutningarna som är gjorda på förstärkaren.

Ljudet är för lågt, även när fordonets ljudsystems källenhets volym är på max.

- Kontrollera att förstärkarens nivåreglage inte är för lågt ställda. Läs *Ställ in ingångsnivå* på sida 22 för information om hur du ställer in nivåreglagen.

Ljudet i främre/bakre högtalarna är förvrängt.

- Se till att förstärkarens reglage för delningsfilter är i läge HP.
- Ställ in delningskontrollen för de förvrängda kanalerna på högre inställning.
- Kontrollera så distorsionen inte uppkommer i fordonets ljudsystems källenhets.

Ljudet från subwoofern är förvrängt.

- (GX-A604, GX-A602): Sätt Bass Boost på "OFF".
- (GX-A3001): Lyssna på bastät musik och vrid Bass Boost helt ned i botten, vrid sedan upp tills distorsionen börjar märkas igen. Sänk inställningen för Bass Boost något igen för att eliminera distorsion och lämna den så.
- Kontrollera så distorsionen inte uppkommer i fordonets ljudsystems källenhets.

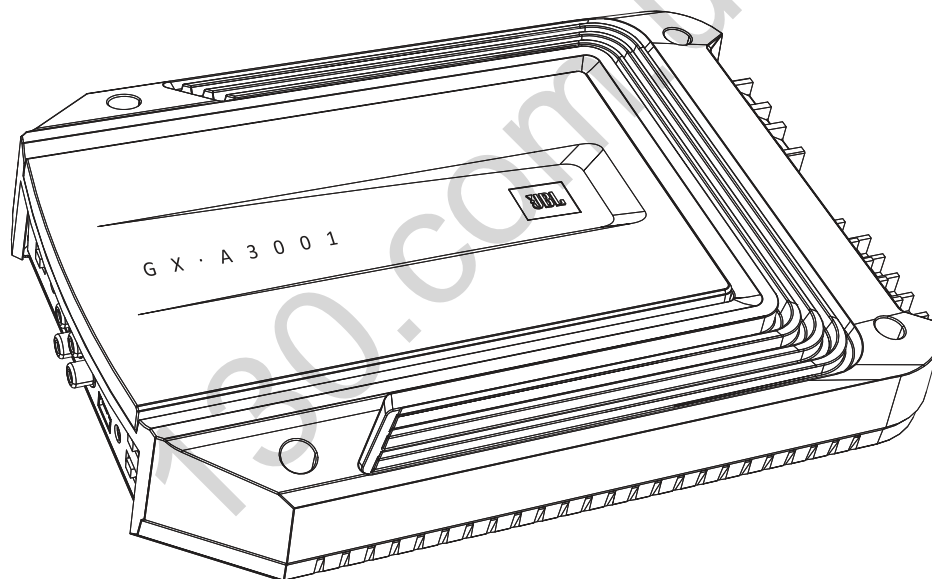
SPECIFIKATIONER

	GX-A604	GX-A602	GX-A3001
Max effekt (15,5 V, 1 kHz, 10 % THD, totalt kanaler, 2 ohm)	435 W	280 W	415 W (15,5 V, 50 Hz, 10 % THD, 2 ohm)
Uppmätt uteffekt @ 4 ohm	60 W x 4	60 W x 2	200 W x 1
Överbryggad uteffekt (4 ohm, 1 % THD)	170 W x 2	170 W x 1	EJ TILLÄMPLIGT
THD+N vid uppmätt	<1%	<1%	<1%
Signal-till-brus (2 V @ 4 ohm)	>75 dB	>75 dB	>75 dB
Effektiv dämpningsfaktor (4 ohm)	>50	>50	>50
Frekvensåtergivning (-3 dB)	20 Hz – 20 kHz ±1 dB	20 Hz – 20 kHz ±1 dB	10 Hz – 320 Hz
Max ingångsspänning	20 V	20 V	20 V
Max ingångskänslighet	200 mV	200 mV	200 mV
Säkringsstorlek	20 A x 2	25 A	20 A x 2
Dimensioner (H x B x D):	52 mm x 300 mm x 206 mm (2-1/16" x 11-13/16" x 8-1/8")	52 mm x 198 mm x 206 mm (2-1/16" x 7-13/16" x 8-1/8")	52 mm x 291 mm x 206 mm (2-1/16" x 11-7/16" x 8-1/8")
Vikt	2,4 kg (5,3 lb)	1,7 kg (3,8 lb)	2,4 kg (5,3 lb)



GX-A604/GX-A602/GX-A3001

effektforstærker

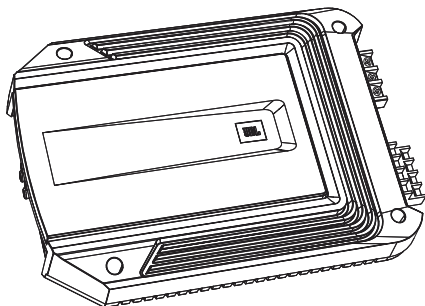


BETJENINGSVEJLEDNING

INDLEDNING

TAK for dit køb af en JBL®-forstærker i GX-serien. Med henblik på at bedre servicering i forbindelse med evt. garantiservice bedes du opbevare det oprindelige købsbevis og registrere din forstærker online på www.jbl.com.

MEDFØLGENDE DELE



Forstærker i GX-serien (x 1)



Ledningsnetværk til
højtalerniveauiinput
(GX-A602, GX-A3001 x 1)
(GX-A604 x 2)

PLACERING OG MONTERING

Selvom disse instruktioner overordnet forklarer, hvordan du installerer forstærkere i GX-serien, indeholder de ikke instruktioner vedr. specifikke installationsmetoder, der kan være påkrævet til netop dit køretøj. Hvis du ikke har de nødvendige værktøjer eller den nødvendige viden, må du ikke selv forsøge at installere produktet. I stedet bedes du rådføre dig med din autoriserede JBL-autolydforhandler omkring professionel installation.

ADVARSLER OG TIPS VEDR. INSTALLATION

VIGTIGT: Afbryd køretøjets negative (-) batteriterminal, før du påbegynder installationen.

- Benyt altid beskyttelsesbriller ved brug af værktøjer.
- Kontroller fripladsen på begge sider af de planlagte monteringsflader. Kontroller, at skruer eller kabler ikke punkterer bremsesør, brændstofslinger eller ledningsnet, og at kablingen ikke forstyrrer sikker betjening af køretøjet.
- Når du opretter elektriske tilslutninger, skal du sikre, at de er korrekt isolerede.
- Hvis du har behov for at udskifte nogen af forstærkerens sikringer, skal du sikre dig, at du benytter den samme type sikring og med det samme amperetal som originalen.

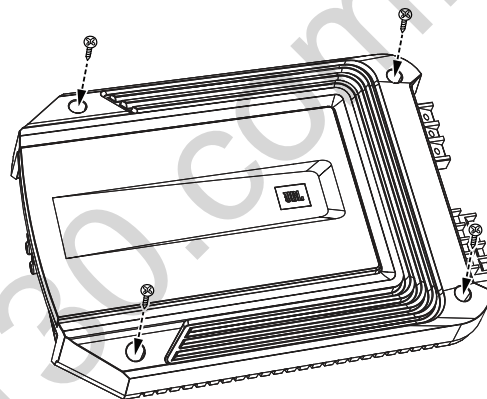
PLACERING AF INSTALLATION

Forstærkere skal bruge luftcirkulation for ikke at overophedes. Vælg et sted, der leverer tilstrækkeligt med luft til at køle selve forstærkeren.

- Egnede steder er under et sæde (forudsat at forstærkeren ikke kommer i karambollage med sædejusteringsmekanismen), i bagagerummet eller på et hvilket som helst andet sted med tilstrækkeligt med køleluft.
- Monter ikke forstærkeren med blæseren vendende fremad, eftersom dette forstyrrer forstærkerens konventionelle køling.
- Monter forstærkeren således, at den ikke beskadiges af bagsædepassagerernes fødder eller bagage, der bevæger sig i bagagerummet.
- Monter forstærkeren, så den forbliver tør – monter aldrig en forstærker på ydersiden af bilen eller i kabinen.

MONTERING AF FORSTÆRKEREN

BEMÆRK: Du finder muligvis mere praktiske måder at foretage alle tilslutningerne til forstærkeren på, før du monterer den permanent i bilen.



1. Vælg et passende monteringssted som beskrevet ovenfor.
2. Brug forstærkeren som skabelon, og marker borehullerne på monteringsoverfladen.
3. Forbor i monteringsoverfladen.
4. Slut forstærkeren til monteringsoverfladen med fire passende monteringskruer efter eget valg. Vi anbefaler brug af #8-stjerneskrue af plademetal. Sørg for, at forstærkeren er sikkert monteret.

STRØM- OG STELTILSLUTNINGER

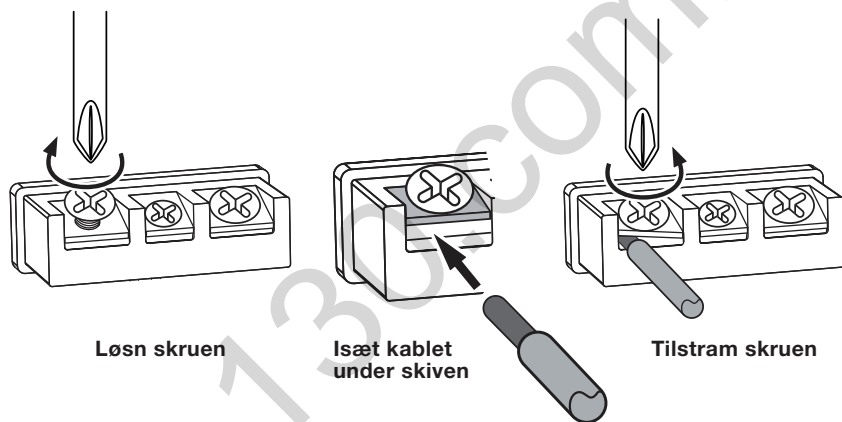
VIGTIGT: Afbryd køretøjets negative (-) batteriterminal, før du påbegynder installationen.

Forstærkere i GX-serien er i stand til at levere høje effekt niveauer og kræver pålidelige tilslutninger til bilens elektriske system med henblik på at opnå optimal ydelse. Overhold nøje følgende instruktioner.

BRUG AF STIK

Forstærkere i GX-serien anvender den samme type skrueterminaler til strøm- og højttalertilslutning. Denne type terminal er nem at bruge og muliggør nem tilslutning til ledninger af større dimensioner.

Benyt en stjerneskrueetrækker til at løsne terminalens stikskruer, indsæt den blottede ledning, og tilstram skruen for at sikre kablet i stikket som vist i nedenstående illustration.



VIGTIGT: Sørg for, at de blottede højttalerledninger (+) og (-) ikke berører hinanden eller den anden terminal på både forstærkerens og højttalerens terminaler. Berøring af kablerne kan forårsage kortslutning, som kan skade forstærkeren.

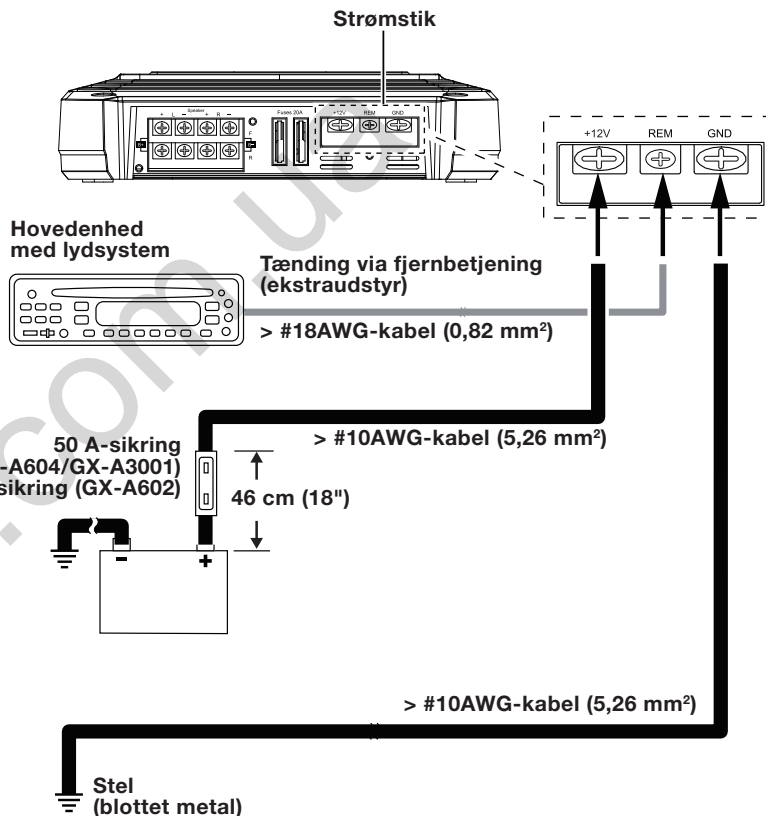
STELFORBINDELSE (GND)

Slut et kabel (min. 10AWG - 5,3 mm²) fra forstærkerens GND-terminal direkte til et fast punkt på bilens chassis.

- Skab en forbedret tilslutning ved at rense metaloverfladen ved tilslutningspunktet for maling med sandpapir. Brug en stjernelåseskive til at sikre kabeltilslutningen.

STRØMTILSLUTNING (12 V)

1. Slut et kabel (min. 10AWG - 5,3 mm²) direkte til batteriets positive (+) terminal.
2. Monter en sikringsholder til en 50 A-sikring (GX-A604, GX-A3001) eller en 30 A-sikring (GX-A602) på dette kabel inden for 46 cm af batteriets (+) terminal. Vent med at montere en sikring i holderen.
3. Led dette kabel hen til forstærkeren, og slut det derefter til forstærkerens +12 V-terminal. Sørg for at bruge passende beskyttelsesringe, når du leder kabler igennem brandvæggen eller andet plademetal.
VIGTIGT: Manglende tilstrækkelig beskyttelse af det positive kabel fra potentielle skader kan resultere i brand i køretøjet.
4. Når du er færdig med kableføringen, skal du montere en passende sikring i den holder, du har monteret i nærheden af batteriet. (GX-A604, GX-A3001 – 50 A-sikring, GX-A602 - 30 A-sikring)



HØJTTALER OG INDGANGSTILSLUTNINGER

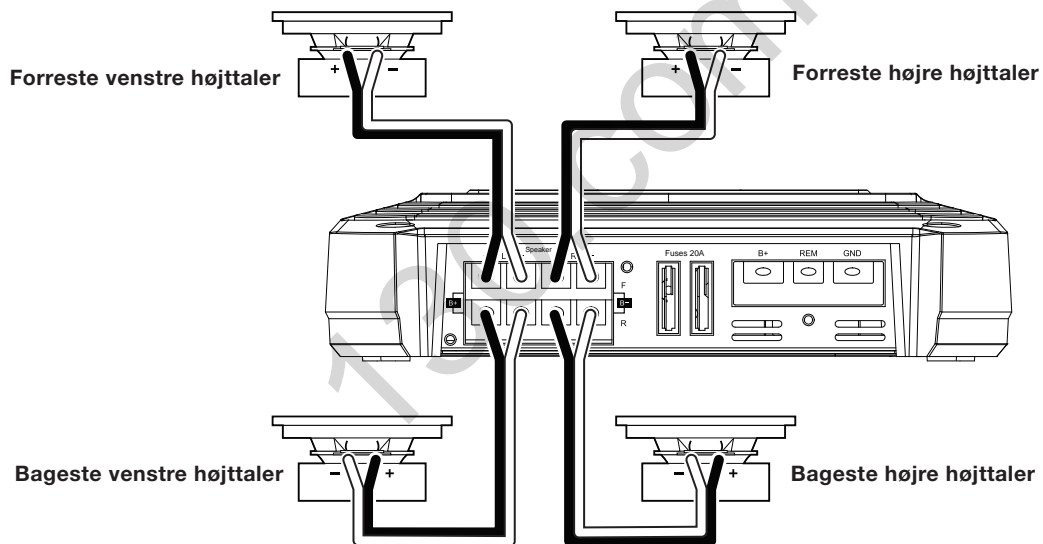
Slut altid (+) højttalerterminalen på forstærkeren til (+) terminalen på højttaleren og (-) højttalerterminalen på forstærkeren til (-) terminalen på højttaleren.

VIGTIGT: Sørg for, at de blottede ledninger (+) og (-) ikke berører hinanden eller den anden terminal på både forstærkerens og højttalerens terminaler. Berøring af kablerne kan forårsage kortslutning, som kan skade forstærkeren.

GX-A604-HØJTTALERTILSLUTNINGER: 4-KANALSDRIFT

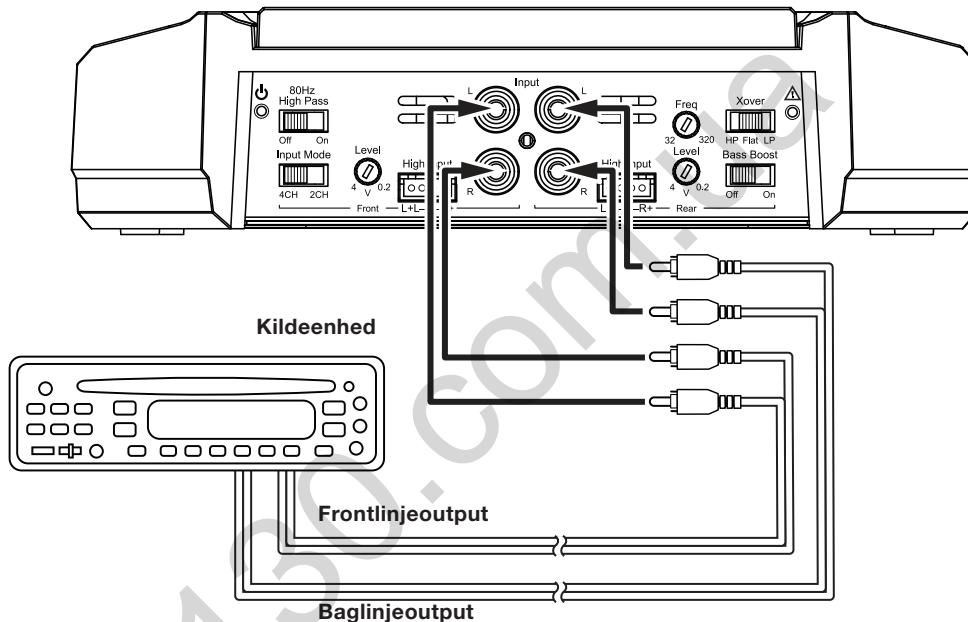
Min. højttalerimpedans: 2 ohm (hver)

- Slut fronthøjttalerne til terminalerne FL og FR (+) og (-).
- Slut baghøjttalerne til terminalerne RL og RR (+) og (-).



GX-A604-INDGANGSTILSLUTNINGER: 4-KANALSDRIFT

Slut din kildeenhed eller processors forreste og bageste venstre- og højreudgangen til forstærkerens indgange som vist i illustrationen.

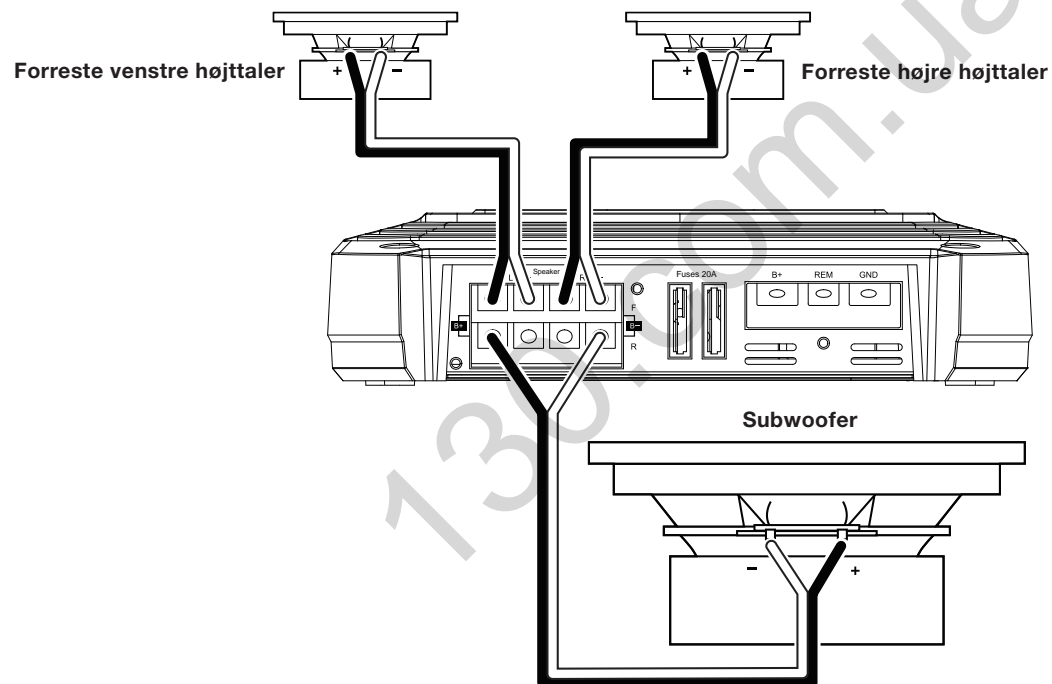


Se *Indstilling af crossoverkontroller* på side 20 for at få oplysninger om indstilling af forstærkerens kontroller til 4-kanalsdrift. Du kan bruge højttalerniveauindgangene i stedet for linjeniveauindgangene. Se *Brug af højttalerniveauindgange* på side 12.

GX-A604-HØJTTALERTILSLUTNINGER: 3-KANALSDRIFT

Min. højttalerimpedans: 2 pr. stk. (venstre- og højre højttalere), 4 ohm (subwoofer)

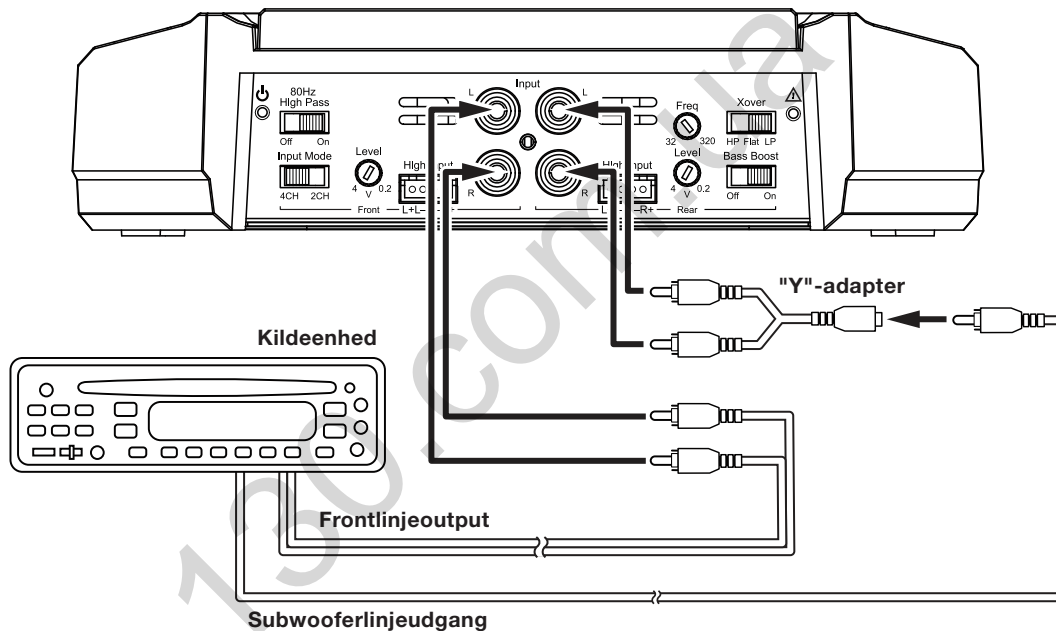
- Slut den venstre og den højre højttaler til terminalerne FL og FR (+) og (-).
- Slut subwooferen til terminalerne RL (+) og RR (-). (Kontrollen til den bageste kanals basboost gør kanalerne oplagte til subwoofertilslutning. Se *Indstil basboost* på side 23.) **BEMÆRK!** Du kan serieforbinde to 2-ohms subwoofere for at fastholde den påkrævede impedans på 4 ohm for subwooferkanalen.



GX-A604-INDGANGSTILSLUTNINGER: 3-KANALSDRIFT

Tilslut kildeenhedens eller processorens linjeudgange som vist i illustrationen nedenfor. Indstil kontakten til indgangstilstand til positionen "4CH"

BEMÆRK! brug en "Y"-adapter til at slutte enhedens subwooferudgang til forstærkerens bageste venstre og højre indgangsstik.



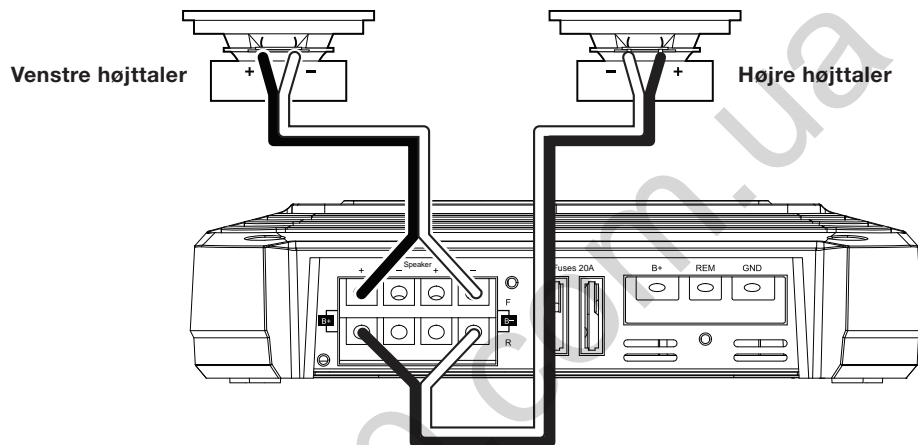
Se *Indstilling af crossoverkontroller* på side 20 for at få oplysninger om indstilling af forstærkerens kontroller til 3-kanalsdrift.

Du kan bruge højttalerniveauindgangene i stedet for linjenniveauindgangene. Se *Brug af højttalerniveauindgange* på side 12.

GX-A604-HØJTTALERTILSLUTNINGER: 2-KANALSDRIFT

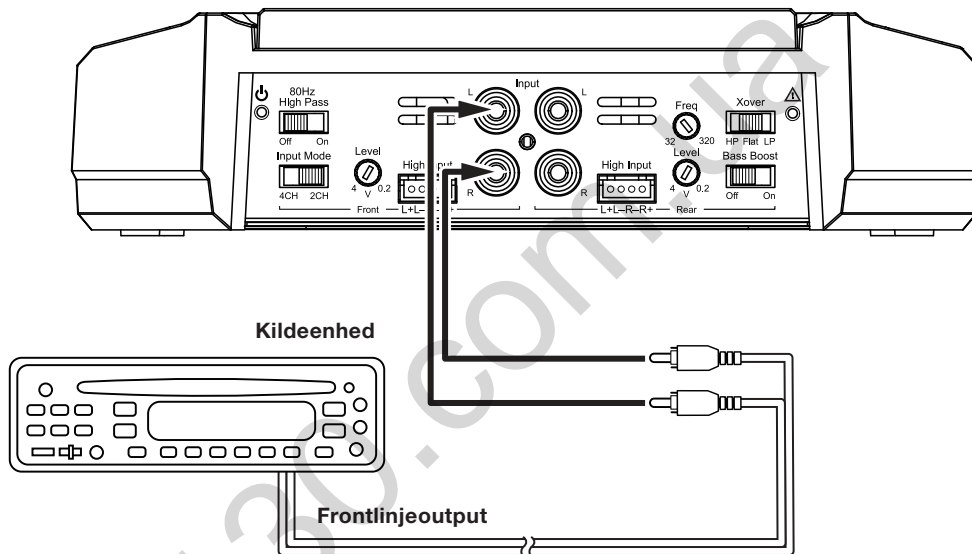
Min. højttalerimpedans: 4 ohm (hver)

Tilslut venstre og højre højttaler som vist i illustrationen nedenfor.



GX-A604-INDGANGSTILSLUTNINGER: 2-KANALSDRIFT

Tilslut kildeenhedens eller processorens linjeudgange som vist i illustrationen nedenfor. Brug kun venstre og højre indgangstilslutninger, og kontroller, at kontakten til indgangstilstand er indstillet til positionen "2CH".



Se *Indstilling af crossoverkontroller* på side 20 for at få oplysninger om indstilling af forstærkerens kontroller til 2-kanalsdrift.

Du kan bruge højttalerniveauindgangene i stedet for linjeniveauindgangene. Se *Brug af højttalerniveauindgange* på side 12.

BRUG AF HØJTTALERNIVEAUINDGANGENE

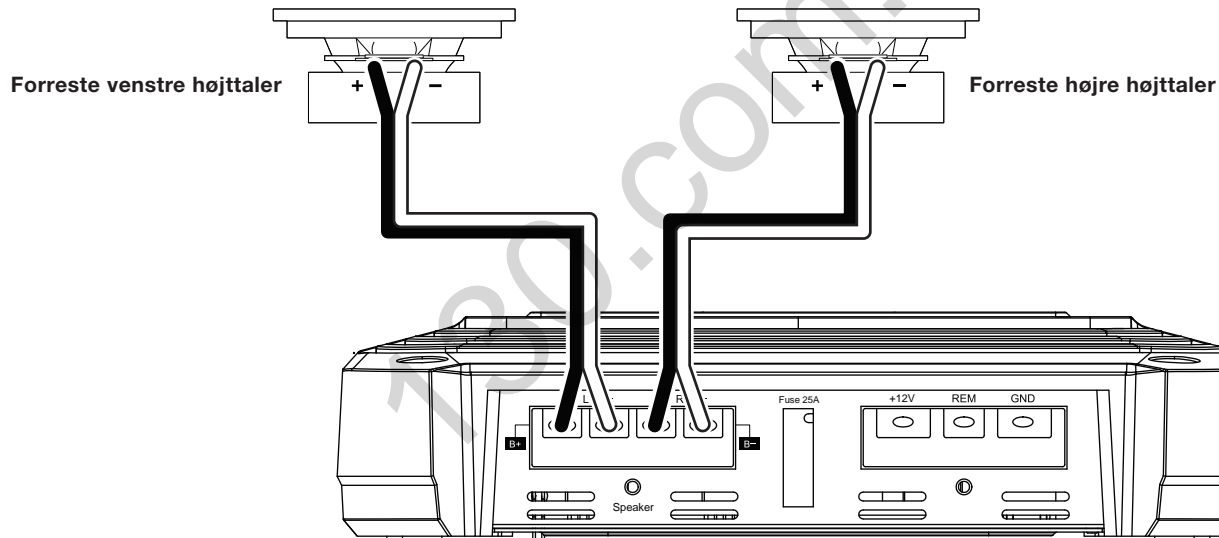
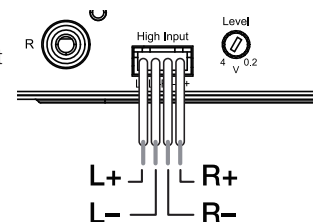
Hvis din kildeenhed ikke har linjeniveauudgangen, kan du bruge det medfølgende ledningsnet til højttalerniveauinput til at slutte forstærkeren til kildeenhedens højttalerudgange. Fra venstre til højre er lederne: L+, L-, R-, R+ (se illustrationen til højre). Højttalerniveau tilslutningen på alle forstærkermodeller i GX-serien følger denne kablingsskema.

Følg instruktionerne i det forrige afsnit vedr. erstatning af højttalerniveaustik med linjeniveaustik.

GX-A602-HØJTTALERTILSLUTNINGER, 2-KANALSDRIFT

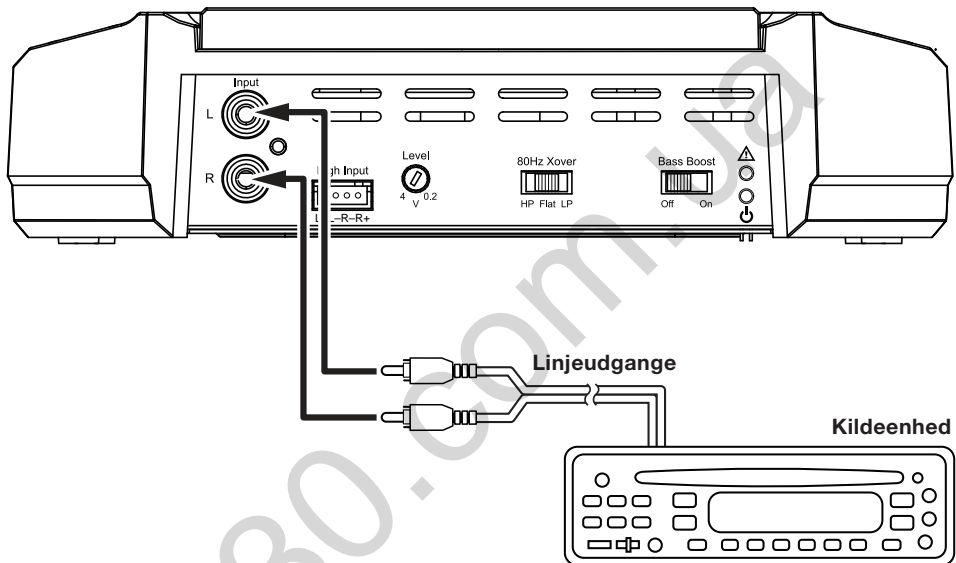
Min. højttalerimpedans: 2 ohm (hver)

Slut den venstre og den højre højttaler til terminalerne FL og FR (+) og (-).



GX-A602-INDGANGSTILSLUTNINGER: 2-KANALSDRIFT

Tilslut kildeenhedens eller processorens linjeudgange som vist i illustrationen nedenfor.



Se *Indstilling af crossoverkontroller* på side 20 for at få oplysninger om indstilling af forstærkerens kontroller til 2-kanalsdrift.

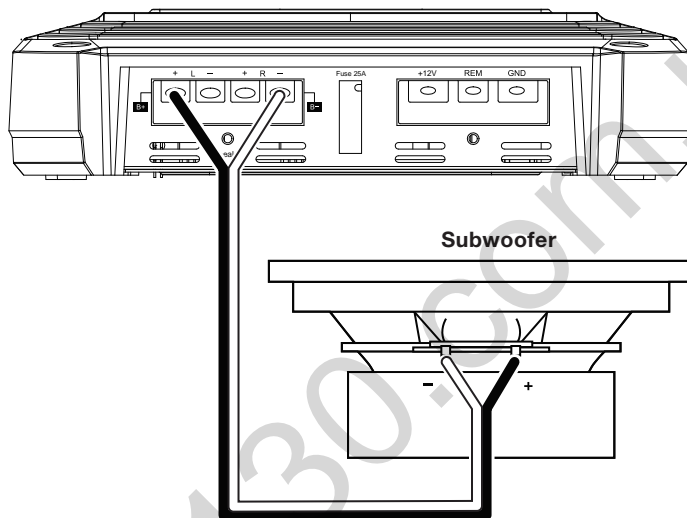
Du kan bruge højttalerniveauindgangene i stedet for linjeniveauindgangene. Se *Brug af højttalerniveauindgange* på side 12.

GX-A602-HØJTTALERTILSLUTNINGER: DRIFT MED BROKOBLING

Drift med brokobling leverer én enkelt kanal med høj effekt til en subwoofer

Min. højttalerimpedans: 4 ohm

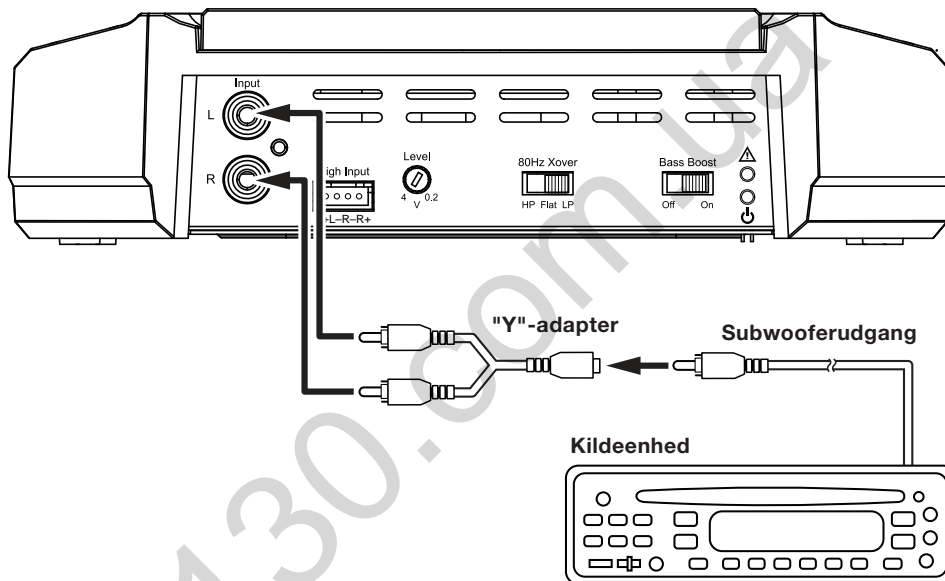
Slut subwooferen til terminalerne RL (+) og RR (-). **BEMÆRK!** Du kan serieforbinde to 2-ohms subwoofere for at fastholde den påkrævede impedans på 4 ohm for brokoblet drift.



GX-A602-INDGANGSTILSLUTNINGER: DRIFT MED BROKOBLING

Slut din kildeenhed eller processors subwooferudgang til forstærkerens venstre indgang som vist i illustrationen nedenfor.

BEMÆRK! Brug en "Y"-adapter til at slutte kildeenheden til forstærkerens venstre og højre indgangsstik.



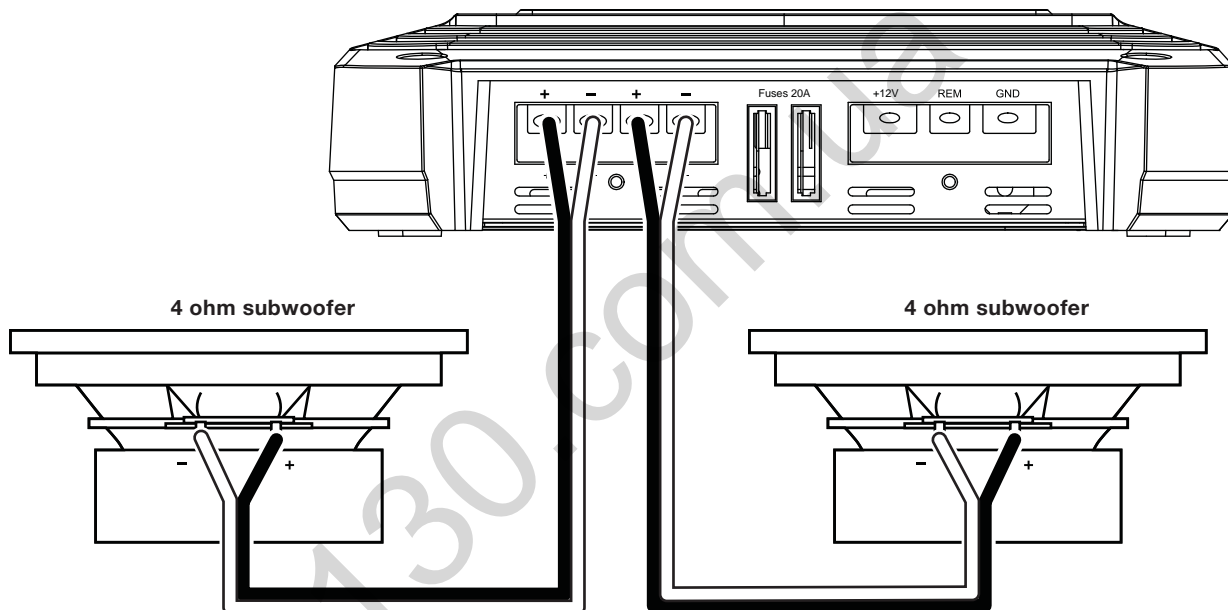
Se *Indstilling af crossoverkontroller* på side 20 for at få oplysninger om indstilling af forstærkerens kontroller til brokoblet drift.

Du kan bruge højttalerniveauindgangene i stedet for linjeniveauindgangene. Se *Brug af højttalerniveauindgange* på side 12.

GX-A3001-HØJTTALERTILSLUTNINGER

Min. højttalerimpedans: 2 ohm (enkelt subwoofer), 4 ohm (2 subwoofere)

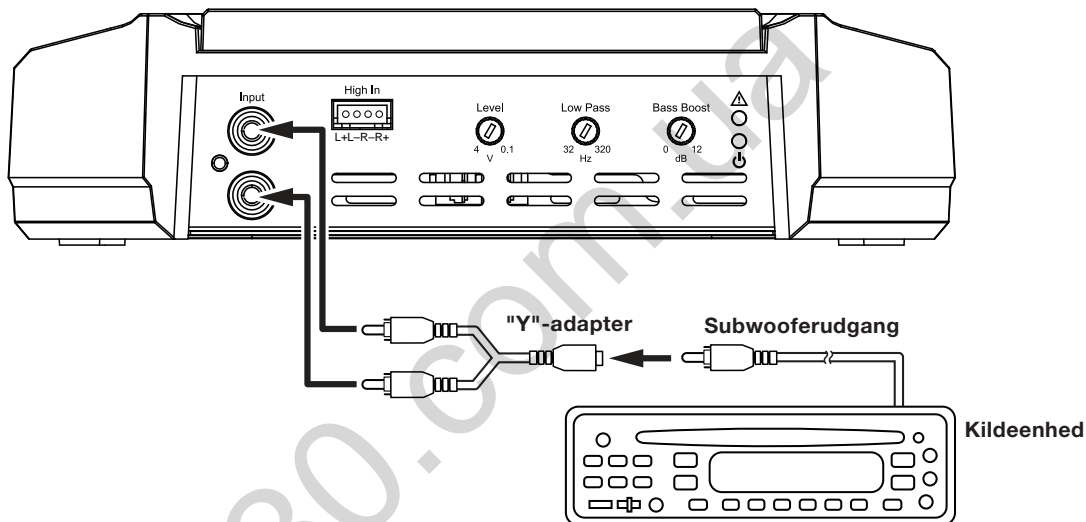
GX-A3001 har to sæt parallelle højttalertilslutninger, således at du kan tilslutte to subwoofere.



- Hvis du bruger en enkelt subwoofer, kan du slutte den til begge GX-A3001's højttalertilslutninger.
- Hvis du benytter to 2-ohms subwoofere, kan du slutte dem til ét af disse sæt stik i serieforbindelse, så du kommer over den påkrævede minimumsimpedans på 2 ohm.

GX-A3001-INDGANGSTILSLUTNING

Brug en "Y"-adapter til at slutte din kildeenhed eller processors subwooferudgang til forstærkerens venstre indgang som vist i illustrationen nedenfor. Hvis din kildeenhed ikke har en dedikeret subwooferudgang, kan du slutte den venstre/højre udgang til forstærkerens venstre og højre indgange.

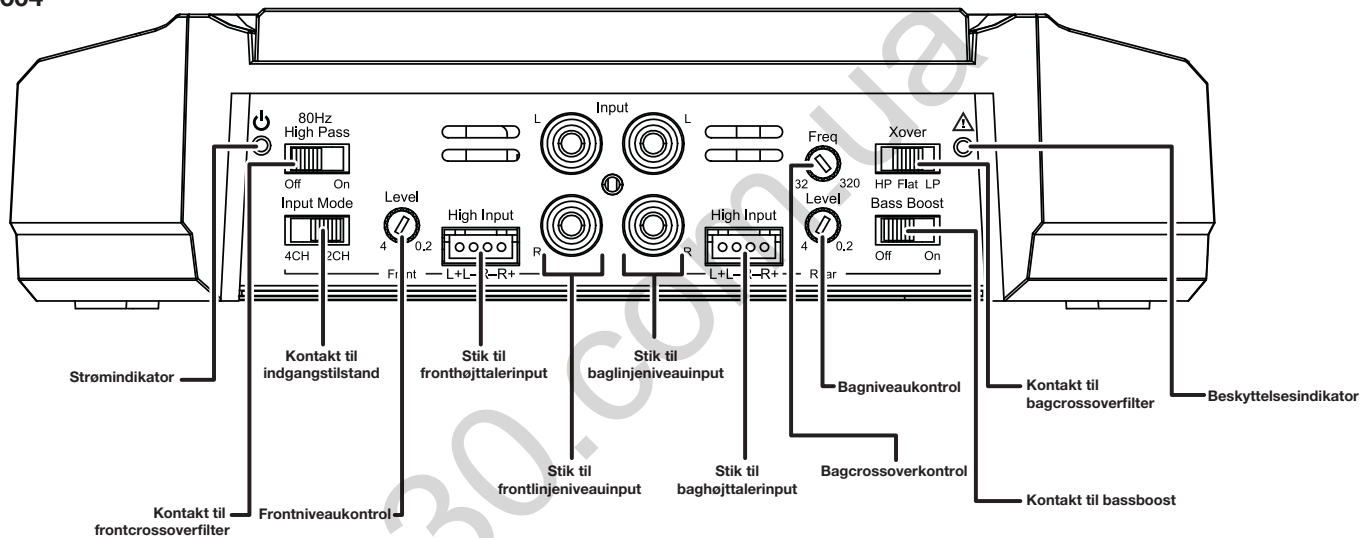


Se *Indstilling af crossoverkontroller* på side 20 for at få oplysninger om indstilling af forstærkerens kontroller.

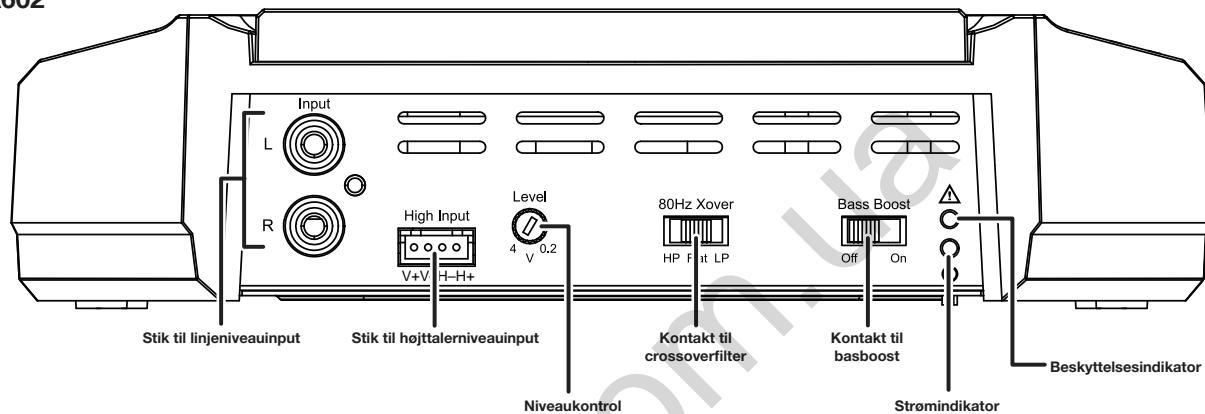
Du kan bruge højttalerniveauindgangene i stedet for linjeniveauindgangene. Se *Brug af højttalerniveauindgange* på side 12.

KONTROLLER, INDGANGSSTIK OG INDIKATORER

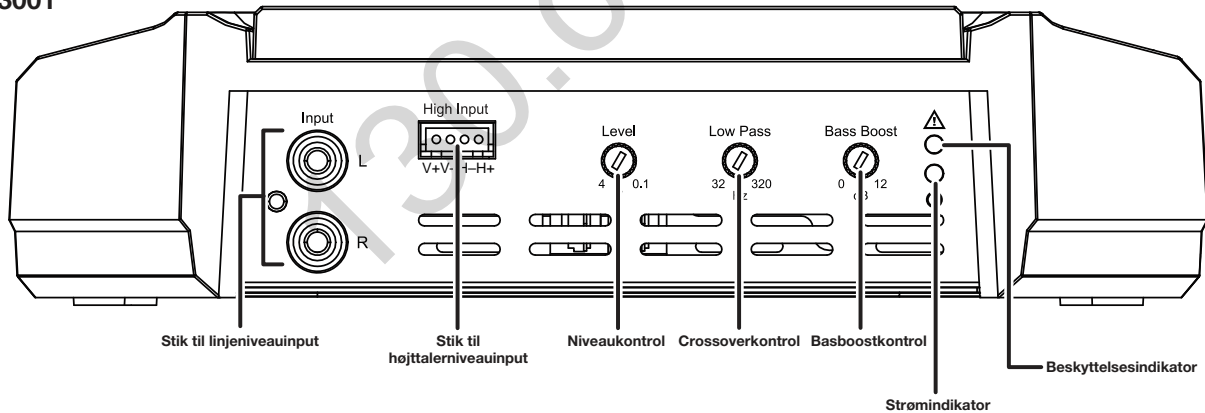
GX-A604



GX-A602



GX-A3001



INDSTIL CROSSOVERKONTROLLER

GX-A604: 4-KANALSDRIFT

Kontakt til indgangstilstand: Indstil kontakten til indgangstilstand til positionen "4CH".

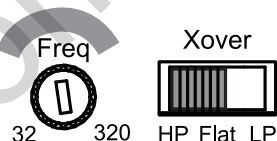
Kontakt til frontcrossoverfilter: Indstil kontakten til frontcrossoverfilteret til positionen "ON" (high-pass). Dette begrænser omfanget af lavfrekvent energi, der sendes til højttalerne, hvilket markant reducerer forvrængning og forebygger skader på højttalerne. **Undtagelse:** Hvis du har sluttet store fullrange-højttalere (6" x 9" eller større), som kan håndtere signifikant bas til forstærkerens fronthøjttaler, og du ikke benytter en subwoofer i systemet, skal du indstille kontakten til frontcrossoverfilter til positionen "OFF" (fullrange).

Kontakt til bagcrossoverfilter: Indstil kontakten til bagcrossoverfilteret til positionen "HP" (high-pass). Dette begrænser omfanget af lavfrekvent energi, der sendes til højttalerne, hvilket markant reducerer forvrængning og forebygger skader på højttalerne. **Undtagelse:** Hvis du har sluttet store fullrange-højttalere (6" x 9" eller større), som kan håndtere signifikant bas til forstærkerens fronthøjttaler, og du ikke benytter en subwoofer i systemet, skal du indstille kontakten til bagcrossoverfilter til positionen "FLAT" (fullrange).

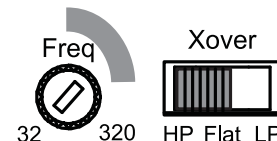
Bagcrossoverkontrol: Når kontakten til bagcrossover er indstillet til positionen "HP", bestemmer bagcrossoverkontrollen den frekvens, hvor de lave frekvenser, som sendes til højttalerne, begynder at blive reduceret i lydstyrke.

Når du driver forstærkeren i 4-kanalstilstand, skal du indstille bagcrossoverkontrollen i overensstemmelse med størrelsen af de højttalere, der er sluttet forstærkerkanalerne – jo mindre højttalere er, desto højere skal du indstille til kontrollen med henblik på at beskytte højttalerne imod skader. Efter indledende indstilling af crossoverfrekvensen, skal du prøve at lytte til noget velkendt musik med kraftig bas. Hvis højttalerne lyder forvrængede eller overbelastede, skal du flytte crossoverkontrollen til en højere indstilling for at eliminere forvrængning/overbelastning. Illustrationen i højre side viser det anbefalede frekvensområde for crossoverfilter for diverse højttalerstørrelser.

6" og 5" højttalere



4" og mindre højttalere



GX-A604: 3-KANALSDRIFT

Kontakt til indgangstilstand: Indstil kontakten til indgangstilstand til positionen "4CH".

Kontakt til frontcrossover: Indstil kontakten til frontcrossover til positionen "ON" (high-pass). Dette begrænser omfanget af lavfrekvent energi, der sendes til højttalerne, hvilket markant reducerer forvrængning og forebygger skader på højttalerne.

Kontakt til bagcrossoverfilter: Når du slutter en subwoofer eller woofer til bagkanalerne, skal du indstille kontakten til bagcrossoverfilteret til positionen "LP" (lowpass). Dette begrænser omfanget af højfrekvent energi, der sendes til wooferen eller subwooferen, hvilket forbedrer klarheden af stemmer og andre lyde i mellemtonelejet.

Drift med low-pass: Subwoofere og woofere



Bagcrossoverkontrol: Indstillingen til den bageste crossoverkontrol, som du benytter til subwoofer, afhænger af typen og placeringen af dit systems subwoofer. Begynd med at indstille kontrollen til bagcrossover til en frekvens, der ligger lidt under indstillingen på 80 Hz for frontkanalerne. Efter lytning til musik på systemet i noget tid skal du finjustere indstillingen til bagcrossoverkontrol for at opnå en jævn overgang fra subwooferen til resten af systemets højttalere, samtidigt med, at der undgås et "hul", hvor den lyd, der opstår mellem subwooferen og øvrige højttalere, lader til at falde ud. Illustrationen til højre viser det anbefalede frekvensområde for bagcrossoverkontrol.

GX-A604: 2-KANALSDRIFT

Kontakt til indgangstilstand: Indstil kontakten til indgangstilstand til positionen "2CH".

Kontakt til frontcrossoverfilter: Indstil kontakten til frontcrossoverfilteret til positionen "ON" (high-pass). Dette begrænser omfanget af lavfrekvent energi, der sendes til højttalerne, hvilket markant reducerer forvrængning og forebygger skader på højttalerne. **Undtagelse:** Hvis du har sluttet store fullrange-højttalere (6" x 9" eller større), som kan håndtere signifikant bas til forstærkerens fronthøjttaler, og du ikke benytter en subwoofer i systemet, skal du indstille kontakten til frontcrossfilter til positionen "OFF" (fullrange).

Kontakt til bagcrossoverfilter: Indstil kontakten til bagcrossoverfilteret til positionen "HP" (high-pass). Dette begrænser omfanget af lavfrekvent energi, der sendes til højttalerne, hvilket markant reducerer forvrængning og forebygger skader på højttalerne. **Undtagelse:** Hvis du har sluttet store fullrange-højttalere (6" x 9" eller større), som kan håndtere signifikant bas til forstærkerens fronthøjttaler, og du ikke benytter en subwoofer i systemet, skal du indstille kontakten til bagcrossoverfilter til positionen "FLAT" (fullrange).

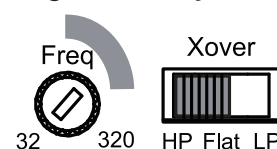
Bagcrossoverkontrol: Når kontakten til bagcrossover er indstillet til positionen "HP", bestemmer bagcrossoverkontrollen den frekvens, hvor de lave frekvenser, som sendes til højttalerne, begynder at blive reduceret i lydstyrke.

Når du driver forstærkeren i 4-kanalstilstand, skal du indstille bagcrossoverkontrollen i overensstemmelse med størrelsen af de højttalere, der er sluttet forstærkerkanalerne – jo mindre højttalerne er, desto højere skal du indstille til kontrollen med henblik på at beskytte højttalerne imod skader. Efter indledende indstilling af crossoverfrekvensen, skal du prøve at lytte til noget velkendt musik med kraftig bas. Hvis højttalerne lyder forvrængede eller overbelastede, skal du flytte crossoverkontrollen til en højere indstilling for at eliminere forvrængning/overbelastning. Illustrationen i højre side viser det anbefalede frekvensområde for crossoverfilter for diverse højttalerstørrelser.

6" og 5" højttalere



4" og mindre højttalere



GX-A602: 2-KANALSDRIFT

Kontakt til crossoverfilter:

- Hvis du har sluttet forstærkeren til et par 6" eller mindre fullrange-højttalere, skal kontakten til crossoverfilter indstilles til positionen "HP" (high-pass). Dette begrænser omfanget af lavfrekvent energi, der sendes til højttalerne, hvilket markant reducerer forvrængning og forebygger skader på højttalerne.
- Hvis du har sluttet forstærkeren til et par store fullrange-højttalere (6" x 9" eller større), som kan håndtere signifikant bas, og du ikke benytter en subwoofer i systemet, skal du indstille kontakten til frontcrossfilter til positionen "OFF" (fullrange).
- Hvis du har sluttet forstærkeren til et par woofere eller subwoofere, skal kontakten til crossoverfilter indstilles til positionen "LP" (low-pass). Dette begrænser omfanget af højfrekvent energi, der sendes til wooferne/subwooferne, hvilket forbedrer klarheden af stemmer og andre lyde i mellemtonelejet.

GX-A602: BROKOBLINGSDRIFT

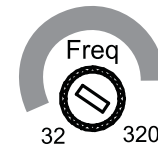
Kontakt til crossoverfilter: Når du driver forstærkeren i brokoblingstilstand til en subwoofer, skal kontakten til crossoverfilter indstilles til positionen "LP" (low-pass). Dette begrænser omfanget af højfrekvent energi, der sendes til subwooferen.

GX-A3001

BEMÆRK! GX-A3001's interne crossover er permanent indstillet til lowpass-drift.

Crossoverkontrol: Crossoverkontrollen begrænser omfanget af højfrekvent energi sendt til woofere eller subwoofer. Indstillingen til crossoverkontrol, som du benytter til subwoofer, afhænger af typen og placeringen af dit systems subwoofer. Begynd med at indstille crossoverkontrollens til en frekvens, der ligger noget under den indstilling for highpass-crossover, som du har benyttet til systemets øvrige højttalere. Efter lytning til musik på systemet i noget tid skal du finjustere indstillingen til crossoverkontrol for at opnå en jævn overgang fra subwooferen til resten af systemets højttalere, samtidigt med, at der undgås et "hul", hvor den lyd, der opstår mellem subwooferen og øvrige højttalere, lader til at falde ud. Illustrationen til højre viser det anbefalede frekvensområde for crossssoverkontrol.

Subwoofere og woofere



INDSTIL INDGANGSNIVEAU

1. Drej alle niveauelementerne på alle forstærkere hele vejen mod uret.
2. Afspil noget musik igennem din kildeenhed, og skru dens lydstyrke på til 3/4.
3. Skru langsomt niveauelementet på frontkanalforstærkeren med uret, indtil musikken begynder at blive forvrænget.
4. Drej niveauelementet let mod uret, indtil musikken ikke længere lyder forvrænget.
5. Hvis du bruger mere end én forstærker, eller du bruger GX-A604, skal du gentage trin 3-4 for alle resterende forstærkerniveauelementer.

INDSTIL BASBOOST

GX-A604: Når du bruger forstærkerens bageste kanaler til at drive en subwoofer, kan basboostkontakten levere 12 dB basboost ved 45 Hz. (Kontakten påvirker kun forstærkerens bageste kanaler.) Indstil denne kontakt i overensstemmelse med din personlige smag. Hvis brug af kontakten forårsager hørbar forvrængning eller buldren fra subwooferen, anbefaler vi, at du angiver indstillingen til "FRA". **FORSIGTIG:** Brug kun basboostkontakten, hvis du har konfigureret de bageste kanaler til at drive en subwoofer. Brug af basboostkontakten sammen med fullrange-højtalere kan beskadige højtalerne.

GX-A602: Når du bruger forstærkeren brokoblet til at drive en subwoofer, kan basboostkontakten levere 12 dB basboost ved 45 Hz. Indstil denne kontakt i overensstemmelse med din personlige smag. Hvis brug af kontakten forårsager hørbar forvrængning eller buldren fra subwooferen, anbefaler vi, at du angiver indstillingen til "FRA". **FORSIGTIG:** Brug kun basboostkontakten, hvis du bruger forstærkeren til at drive en subwoofer. Brug af basboostkontakten sammen med fullrange-højtalere kan beskadige højtalerne.

GX-A3001: Basboostkontrollen kan levere op til 12 dB basboost ved 45 Hz. Indstil denne kontrol efter dine egne præferencer, men pas på ikke at indstille kontrollen så højt, at den forårsager hørbar forvrængning eller buldren fra subwooferen.

STRØM- OG BESKYTTELSESINDIKATORER

STRØM TIL LED

- Indikatoren lyser orange: Normal drift (strømmen er tændt).
- Indikatoren er slukket: Forstærkeren er i standbytilstand.

BESKYTTELSESINDIKATOR

Forstærkerens beskyttelsesindikator skal forblive slukket under normal drift. Hvis der ikke kommer lyd fra forstærkeren, og beskyttelsesindikatoren lyser rødt, skal du se *Fejlsøgning* på side 24.

PROBLEMLØSNING

Hvis din forstærker ikke arbejder som tiltænkt, skal du kontrollere, om problemet er omtalt i dette afsnit, før du kontakter din forhandler eller JBL's kundeservice.

PROBLEM

ÅRSAGER OG LØSNINGER

Ingen lyd (forstærkerens strømindikator er slukket)

- Kontroller, at forstærkerens +12 V- og stelforbindelse er oprettet korrekt.
- Kontroller, om sikringen på +12 V-ledningen nær batteriet er defekt: I så tilfælde skal den udskiftes med en identisk sikring.
- Kontroller alle forstærkerens sikringer. Udskift evt. defekte sikringer med tilsvarende typer.
- Hvis du bruger forstærkerens REM-tilslutning til tænding, skal du kontrollere, at kablet er korrekt tilsluttet lydsystemets ledning til fjerntænding eller til bilens ACC-strømterminal.

Ingen lyd (forstærkerens strømindikator lyser orange)

- Kontroller, at alle forstærkerens indgangs- og højttalertilslutninger er oprettet korrekt.
- Kontroller, at forstærkerens niveauelementer ikke er skruet helt ned (i retning mod uret).
- Kontroller, at lysterkekontrollen på billydsystemets kildeenhed ikke er skruet helt ned.

Ingen lyd (forstærkerens beskyttelsesindikator lyser rødt)

- Kontroller, at bilens elektriske system leverer mellem 9-16 V DC til forstærkeren. Hvis forsyningsspændingen er uden for dette område, skal du udbedre problemet, før du forsøger at benytte forstærkeren.
- Hvis forstærkeren er overophedet, skal du vente, indtil den er kølet ned, før du forsøger at benytte den igen.
- Afbryd alle højttalere fra forstærkeren, og forsøg at tænde den igen:
 - Hvis forstærkeren tændes (strømindikatoren lyser orange), er der en kortslutning til stede i ét eller flere af højttalerkablerne. Fjern alle kortslutninger, før du slutter højttalerne til forstærkeren igen.
 - Hvis forstærkeren ikke tændes (beskyttelsesindikatoren lyser stadig rødt, og strømindikatoren er slukket), skal du kontakte din autoriserede JBL-forhandler for at få hjælp.

PROBLEM

ÅRSAGER OG LØSNINGER

Der kommer kun lyd fra nogle af de højttalere, der er sluttet til forstærkeren

- Kontroller, at balance- og faderkontrollerne til bilens lydssystemkildeenhed er justeret til de midterste positioner (centrum).
- (GX-A604): Kontroller, at indstillingen af forstærkerens tilstandskontakt passer til indgangs- og højttalerindstillingerne på forstærkeren.

Lyden er for lav, selv når lydstyrken for billydsystemets kildeenhed er skruet helt op

- Kontroller, at forstærkerens niveaue控roller ikke er for lave. Se *Indstilling af indgangsniveau* på side 22 for at få oplysninger om indstilling af niveaue控roller.

Lyden fra for-/baghøjttalere er forvrænget

- Kontroller, at forstærkerens kontakt til crossoverfilteret for den forvrængede kanal er indstillet til HP.
- Indstil crossoverkontrollen til den forvrængede kanal til en højere indstilling.
- Kontroller, at forvrængningen ikke stammer fra billydsystemets kildeenhed.

Lyden fra subwooferen er forvrænget

- (GX-A604, GX-A602): Indstil kontakten til basboost til "OFF".
- (GX-A3001): Når du lytter til basintensiv musik, skal du skrue kontrollen til basboost helt ned og derefter gradvist forøge den, indtil forvrængningen begynder at returnere. Reducer basboostkontrollen en smule for at eliminere forvrængningen, og lad den blive der.
- Kontroller, at forvrængningen ikke stammer fra billydsystemets kildeenhed.

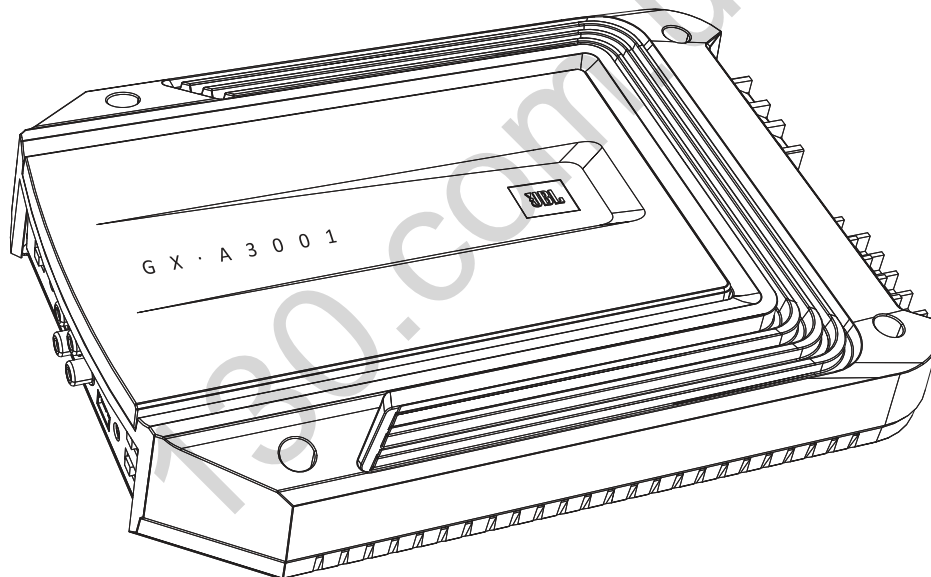
SPECIFIKATIONER

	GX-A604	GX-A602	GX-A3001
Maks. effekt (15,5 V, 1 kHz, 10% total harmonisk forvrængning, begge kanaler, 2 ohm)	435 W	280 W	415 W (15,5 V, 50 Hz, 10% samlet harmonisk forvrængning, 2 ohm)
Nomineret effektoutput ved 4 ohm	60 W x 4	60 W x 2	200 W x 1
Brokoblet effektoutput (4 ohm, 1% samlet harmonisk forvrængning)	170 W x 2	170 W x 1	Ikke relevant
Samlet harmonisk forvrængning og støj ved nomineret effekt	< 1%	< 1%	< 1%
Signal til støjforhold (2 V ved 4 ohm)	> 75 dB	> 75 dB	> 75 dB
Effektiv dæmpningsfaktor (4 ohm)	> 50	> 50	> 50
Frekvensområde (-3 dB)	20 Hz - 20 kHz ±1dB	20 Hz - 20 kHz ±1dB	10 Hz - 320 Hz
Maks. indgangsspænding	20 V	20 V	20 V
Følsomhed for maks. indgangsspænding	200 mV	200 mV	200 mV
Sikringsstørrelse	20 A x 2	25 A	20 A x 2
Mål (H x B x D)	2-1/16" x 11-13/16" x 8-1/8" (52 mm x 300 mm x 206 mm)	2-1/16" x 7-13/16" x 8-1/8" (52 mm x 198 mm x 206 mm)	2-1/16" x 11-7/16" x 8-1/8" (52 mm x 291 mm x 206 mm)
Vægt	2,40 kg	1,72 kg	2,40 kg



GX-A604/GX-A602/GX-A3001

Tehovahvistin

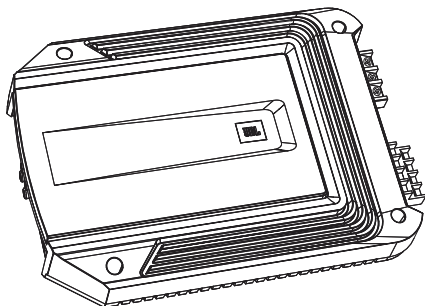


OHJEKIRJA

JOHDANTO

KIITÄMME TEITÄ JBL® GX-sarjan vahvistimen hankkimisesta. Jotta voisimme palvella teitä paremmin takuupalvelun yhteydessä, säilytä alkuperäinen kuitti ja rekisteröi vahvistin osoitteessa www.jbl.com.

PAKKAUKSEN SISÄLTÖ



GX-sarjan vahvistin (x 1)



Kaiutintason tulon johtosarja
(GX-A602, GX-A3001 x 1)
(GX-A604 x 2)

SIJOITUS JA ASENNUS

Vaikka nämä ohjeet sisältävät GX-sarjan vahvistimien yleiset asennusohjeet, niissä ei kuvata erityisiä asennusmenetelmiä, jotka voivat olla tarpeen joidenkin ajoneuvojen kohdalla. Jos käytössänne ei ole vaadittuja työkaluja tai teillä ei ole kokemusta, älä yritä asentaa laitetta itse. Pyydä ammattilaisasennusta valtuutetulta autojen JBL-äänijärjestelmien jälleenmyyjältä.

ASENNUSTA KOSKEVAT VAROITUKSET JA VINKIT

TÄRKEÄÄ: Irrota ajoneuvon akun negatiivinen (–) napa ennen asennuksen aloittamista.

- Käytä aina suojalaseja työkalujen käytön aikana.
- Tarkista välykset suunnitellun asennuspinnan molemmilta puolilta. Varmista, että ruuvit tai johdot eivät lävistä jarrulinjoja, polttoainelinjoja tai johdotussarjoja, ja että johdotus ei häiritse ajoneuvon turvallista käyttöä.
- Varmista sähköliitännöiden suorittamisen aikana, että ne ovat varmoja ja asianmukaisesti eristettyjä.
- Jos vahvistimen sulakkeiden vaihto on tarpeen, käytä alkuperäisen sulakkeen mukaista sulaketta ja nimellisvirtaa.

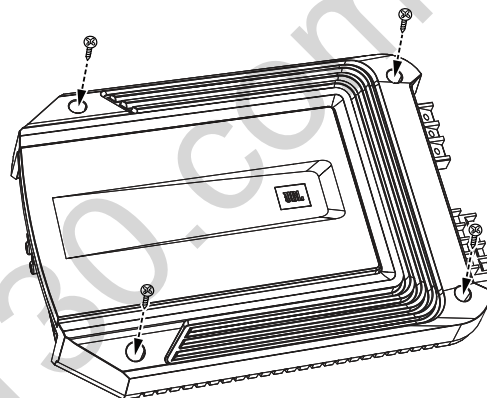
ASENNUSPAIKKA

Hyvä ilmankierto on vahvistimien jäähtymisen kannalta oleellisen tärkeää. Valitse asennuspaikka, jossa on riittävän hyvä ilmankierto vahvistimen jäähtytystä varten.

- Sopivat sijainnit ovat istuimen alla (edellyttäen, että vahvistin ei häiritse istuimen säätömekanismia), tavaratilassa tai muussa kohteessa, jossa on riittävästi jäähdytysilmaa.
- Älä asenna vahvistinta jäähdytyslevy alaspäin, muutoin se haittaa vahvistimen luonnollista ilmankiertoa.
- Asenna vahvistin niin, ettei se vaurioidu takaistuimien matkustajien jalkojen tai tavaratilan siirtyvän kuorman vuoksi.
- Asenna vahvistin niin, että se pysyy kuivana – älä koskaan asenna vahvistinta ajoneuvon ulkopuolelle tai moottoritilaan.

VAHVISTIMEN ASENNUS

HUOMAA: Voi olla kätevää tehdä kaikki vahvistimen liitännät ennen vahvistimen asentamista pysyvästi ajoneuvoon.



- 1 Valitse sopiva asennuspaikka yllä kuvattujen ohjeiden mukaan.
- 2 Käytä vahvistinta mallina ja merkitse asennusreikien sijainnit asennuspintaan.
- 3 Poraa asennusreiät asennuspintaan.
- 4 Liitä vahvistin asennuspintaan neljällä valitsemallasi asianmukaisella asennusruuvilla. Suosittelemme käyttämään #8 Phillipsin muovaavia kierteittäviä ruuveja. Varmista, että vahvistin on asennettu tiukasti.

SÄHKÖ- JA MAALIITÄNNÄT

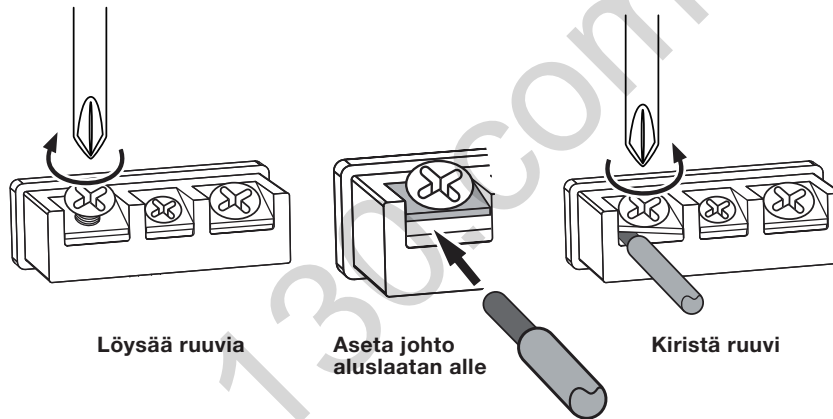
TÄRKEÄÄ: Irrota ajoneuvon akun negatiivinen (-) napa ennen asennuksen aloittamista.

GX-sarjan vahvistimet pystyvät tuottamaan suuret tehotasot ja ne vaativat vaativaan käyttöön tarkoitetun luotettavan liitännän ajoneuvon sähköjärjestelmään optimaalisen suorituskyvyn saavuttamiseksi. Noudata seuraavia ohjeita tarkoin.

LIITTIMIEN KÄYTTÖ

GX-sarjan vahvistimet käyttävät samanlaisia ruuviliitäntöjä sähkö- ja kaiutinliitännöissä. Tämä liitäntätyyppi on helppokäyttöinen ja se mahdollistaa paksun johdon helpon liittämisen.

Käytä liittimiä löysäämällä liittimen asetusruuvia Phillipsin ruuvimeisselillä, asettamalla paljas johto ja kiristämällä asetusruuvi johdon kiinnittämiseksi liittimeen alla olevan kuvan mukaisesti.



TÄRKEÄÄ: Varmista, etteivät kaiuttimen paljaat johdot (+) ja (-) kosketa toisiaan tai muita napoja vahvistimen ja kaiuttimen liitännöissä. Muutoin seurauksena voi olla oikosulku ja vastaanottimen vaurioituminen.

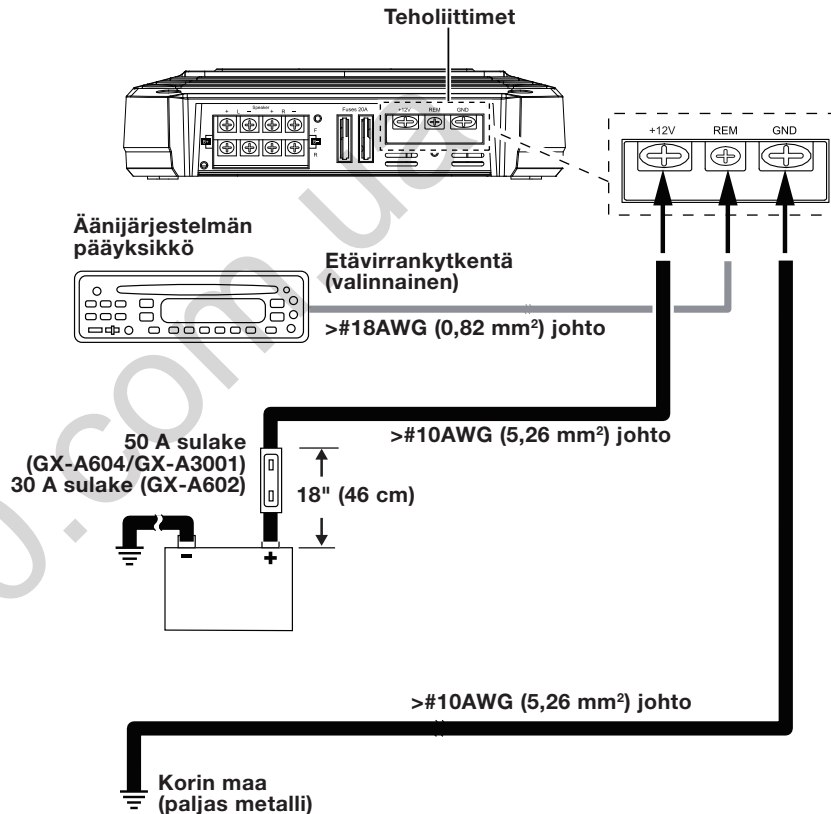
MAALIITÄNTÄ (GND)

Liitä johto (vähintään 10AWG – 5,3 mm²) vahvistimen GND-liitännästä suoraan ajoneuvon korin kiinteään osaan.

- Hyvän liitännän varmistamiseksi on korin metallipinnan maali poistettava hiekkapaperilla. Varmista johdon liitäntä tähtimäisellä lukituslaatalla.

SÄHKÖLIITÄNTÄ (12 V)

- 1 Liitä johto (vähintään 10AWG – 5,3 mm²) suoraan akun positiiviseen (+) napaan.
- 2 Asenna sulakkeen pidike 50 A sulaketta varten (GX-A604, GX-A3001) tai 30 A sulaketta varten (GX-A602) tässä johdossa 18" (46 cm) akun navasta (+). Älä asenna sulaketta vielä pidikkeeseen.
- 3 Reititä kyseinen johto vahvistimen sijaintiin ja liitä se vahvistimen +12 V liitäntään. Käytä asianmukaisia läpivientisuojaus, kun reitität johdot paloseinän tai muun metallilevyn läpi. **TÄRKEÄÄ:** Mikäli positiivista johtoa ei suojata asianmukaisesti mahdollisilta vahingoilta, ajoneuvo voi syttyä tuleen.
- 4 Kun reititys ja tämän johdon liitäntä on suoritettu, asenna asianmukainen sulake akun lähelle asennettuun pidikkeeseen. (GX-A604, GX-A3001 – 50 A sulake; GX-A602 – 30 A sulake)



KAIUTIN JA TULOLIITÄNNÄT

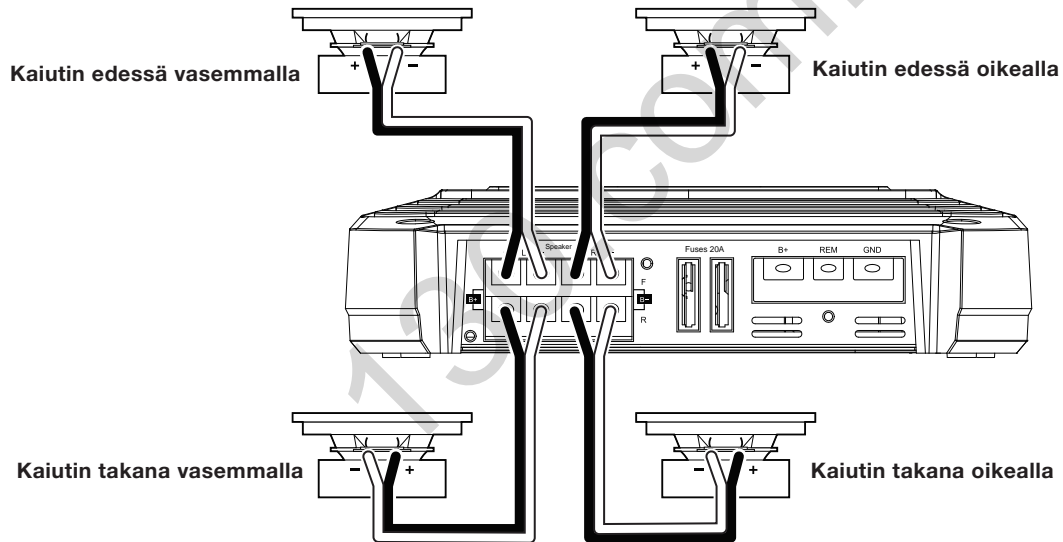
Liitä aina vahvistimen kaiuttimen liitäntä (+) kaiuttimen liitäntään (+) ja vahvistimen kaiuttimen liitäntä (-) kaiuttimen liitäntään (-).

TÄRKEÄÄ: Varmista, etteivät paljaat johdot (+) ja (-) kosketa toisiaan tai muita napoja vahvistimen ja kaiuttimen liitännöissä. Muutoin seurauksena voi olla oikosulku ja vastaanottimen vaurioituminen.

GX-A604-KAIUTINLIITÄNNÄT: 4-KANAVAINEN TOIMINTA

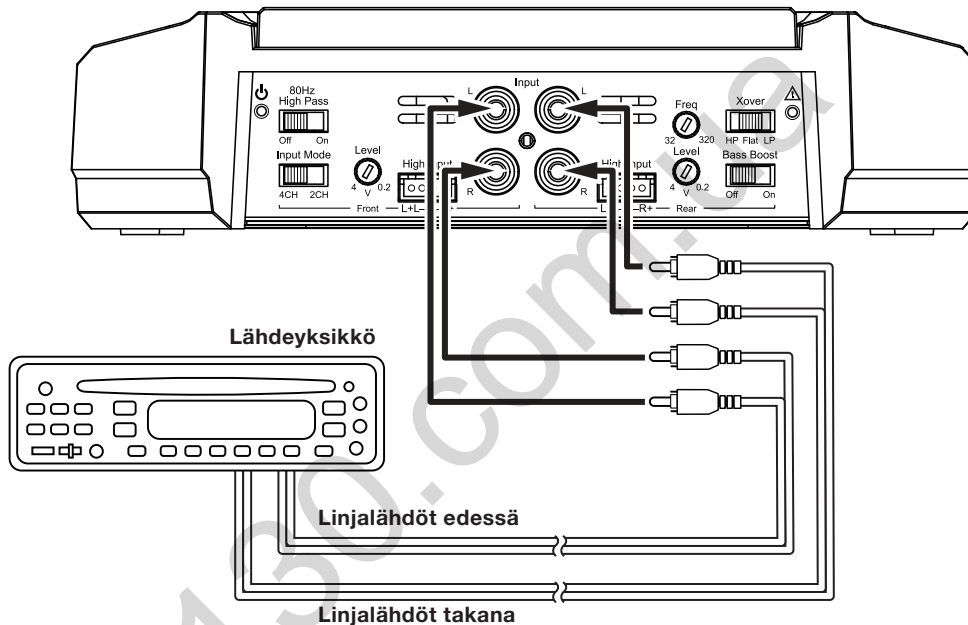
Kaiuttimen vähimmäisimpedanssi: 2 ohmia (kpl)

- Liitä etukaiuttimet liitäntöihin FL ja FR (+) ja (-).
- Liitä takakaiuttimet liitäntöihin RL ja RR (+) ja (-).



GX-A604-TULLIITÄNNÄT: 4-KANAVAINEN TOIMINTA

Liitä lähdeyksikkö tai prosessorin edessä ja takana vasemmalla ja oikealla olevat lähdöt vahvistimen tuloihin kuvan mukaisesti.



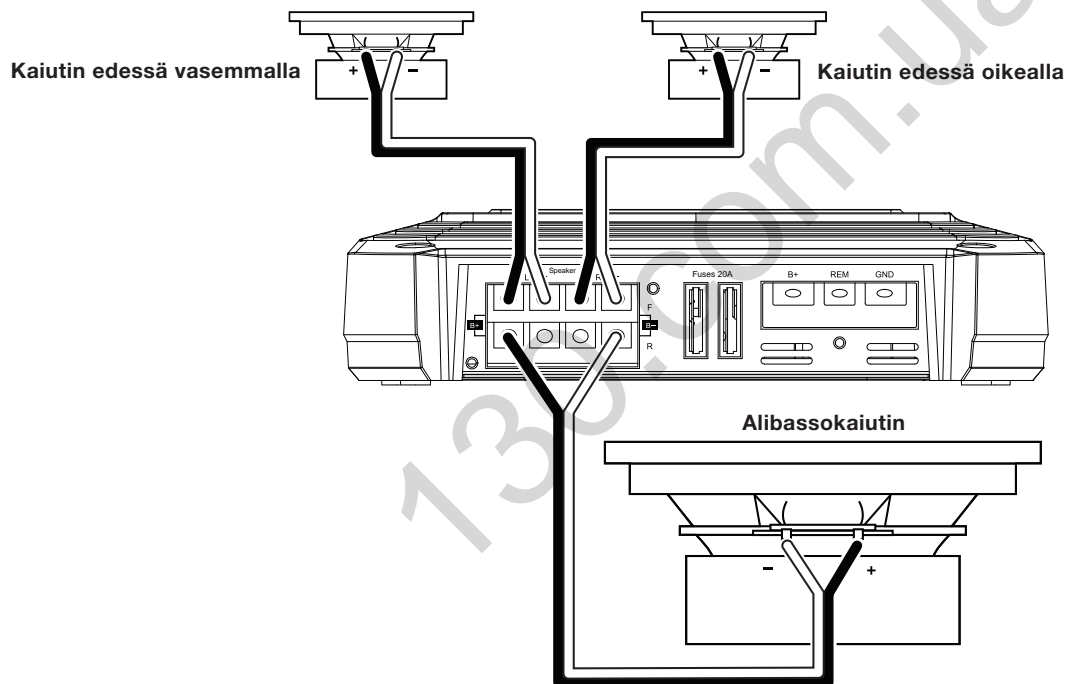
Katso lisätieto vahvistimen säätöjen asettamisesta 4-kanavaiseen toimintaan kohdasta *Aseta jakautumisen säädöt* sivulta 20.

Voit käyttää kaiuttimen tasotulojen sijaan linjatasotuloja kohdan *Kaiutintason tulojen käyttäminen* sivu 12 ohjeiden mukaisesti.

GX-A604-KAIUTINLIITÄNNÄT: 3-KANAVAINEN TOIMINTA

Kaiuttimen vähimmäisimpedanssi: 2 ohmia kappale (vasen ja oikea kaiutin); 4 ohmia (alibassokaiutin)

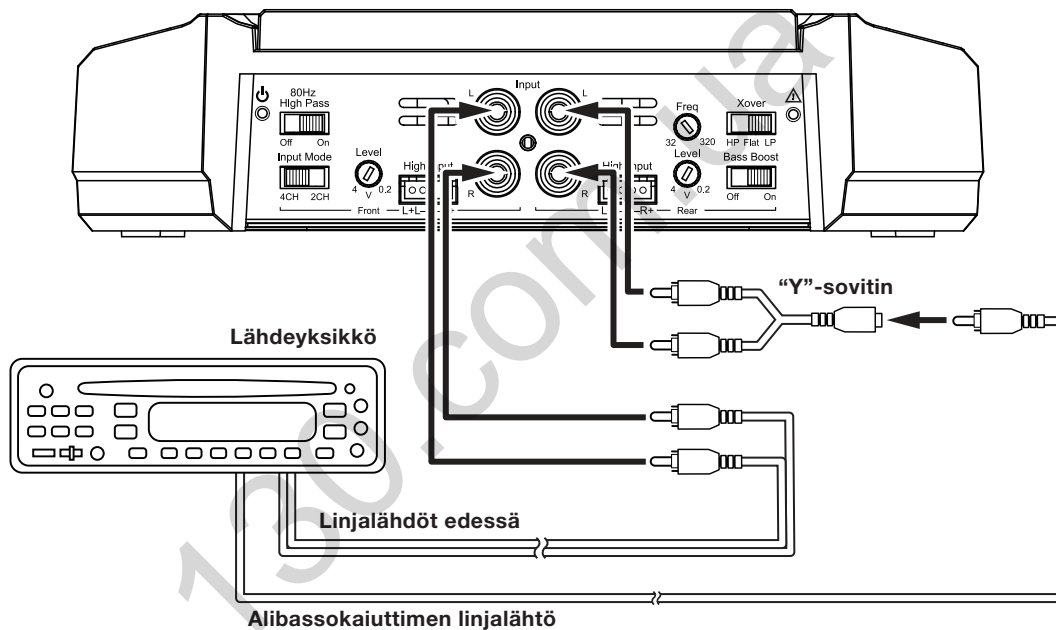
- Liitä vasen ja oikea kaiutin liitäntöihin FL ja FR (+) ja (-).
- Liitä alibassokaiutin liitäntöihin RL ja RR (+) ja (-). (Takana olevan kanavan basson tehostimen säädön ansiosta takana olevat kanavat sopivat alibassokaiuttimen liittämiseen. Katso *Aseta basson tehostin* sivulla 23.) **HUOMAA:** Voit liittää kaksi 2-ohmin alibassokaiutinta sarjana säilyttääksesi alibassokaiuttimen kanavan vaaditun 4-ohmin vähimmäisimpedanssin.



GX-A604-TULOIITÄNNÄT: 3-KANAVAINEN TOIMINTA

Liitä lähdeyksikön tai prosessorin linjalähdöt alla olevan kuvan mukaisesti. Aseta tulotilakytkin asentoon "4CH"

HUOMAA: Käytä "Y"-sovitinta lähdeyksikön alibassokaiuttimen lähdön liittämiseksi vahvistimen takana vasemmalla ja oikealla oleviin tuloliittimiin.



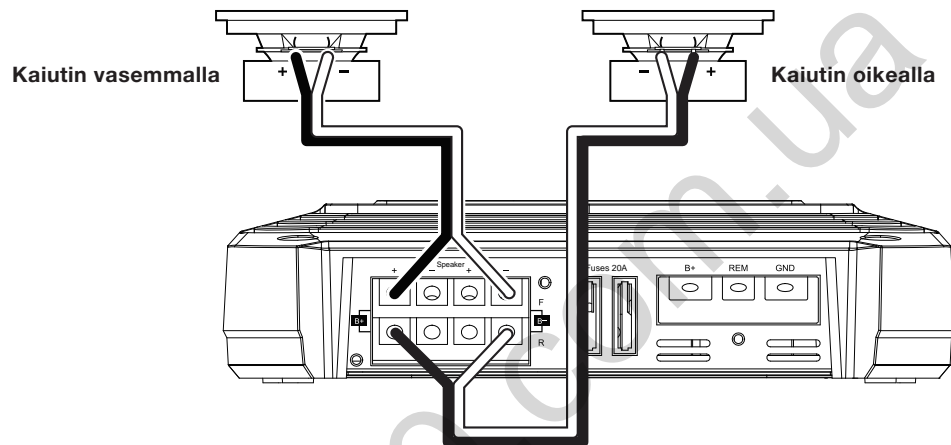
Katso lisätietoa vahvistimen säätöjen asettamisesta 3-kanavaiseen toimintaan kohdasta *Aseta jakautumisen säädöt* sivulta 20.

Voit käyttää kaiuttimen tasotulojen sijaan linjatasotuloja kohdan *Kaiutintason tulojen käyttäminen* sivu 12 ohjeiden mukaisesti.

GX-A604-KAIUTINLIITÄNNÄT: 2-KANAVAINEN TOIMINTA

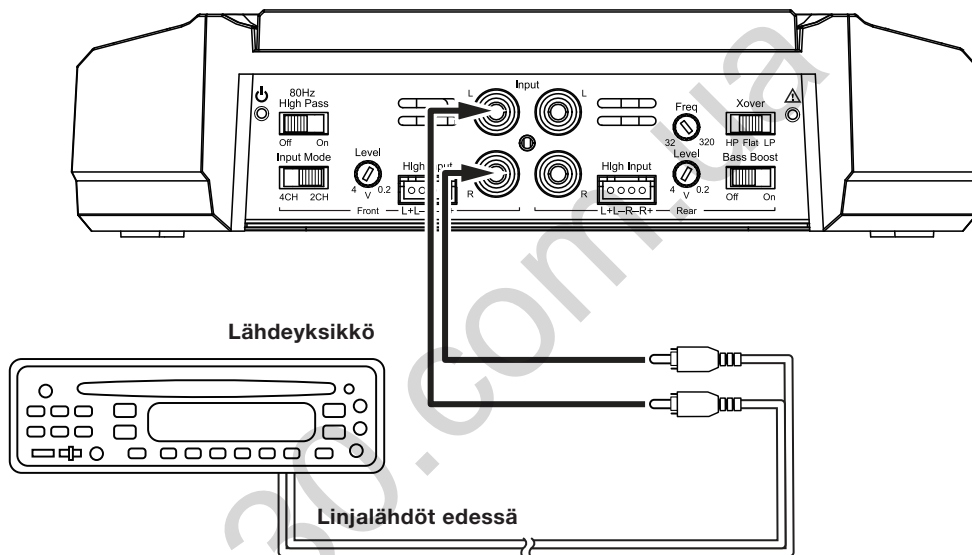
Kaiuttimen vähimmäisimpedanssi: 4 ohmia (kpl)

Liitä vasen ja oikea kaiutin alla olevan kuvan mukaisesti.



GX-A604-TULOIITÄNNÄT: 2-KANAVAINEN TOIMINTA

Liitä lähdeyksikön tai prosessorin linjalähdöt alla olevan kuvan mukaisesti. Käytä ainoastaan edessä vasemmalla ja oikealla olevaa tuloliitäntää ja varmista, että tulotilakytkin on asetettu "2CH" -asentoon.



Katso lisätietoa vahvistimen säätöjen asettamisesta 2-kanavaiseen toimintaan kohdasta *Aseta jakautumisen säädöt* sivulta 20.

Voit käyttää kaiuttimen tasotulojen sijaan linjatasotuloja kohdan *Kaiutintason tulojen käyttäminen* sivu 12 ohjeiden mukaisesti.

KAIUTINTASON TULOJEN KÄYTTÄMINEN

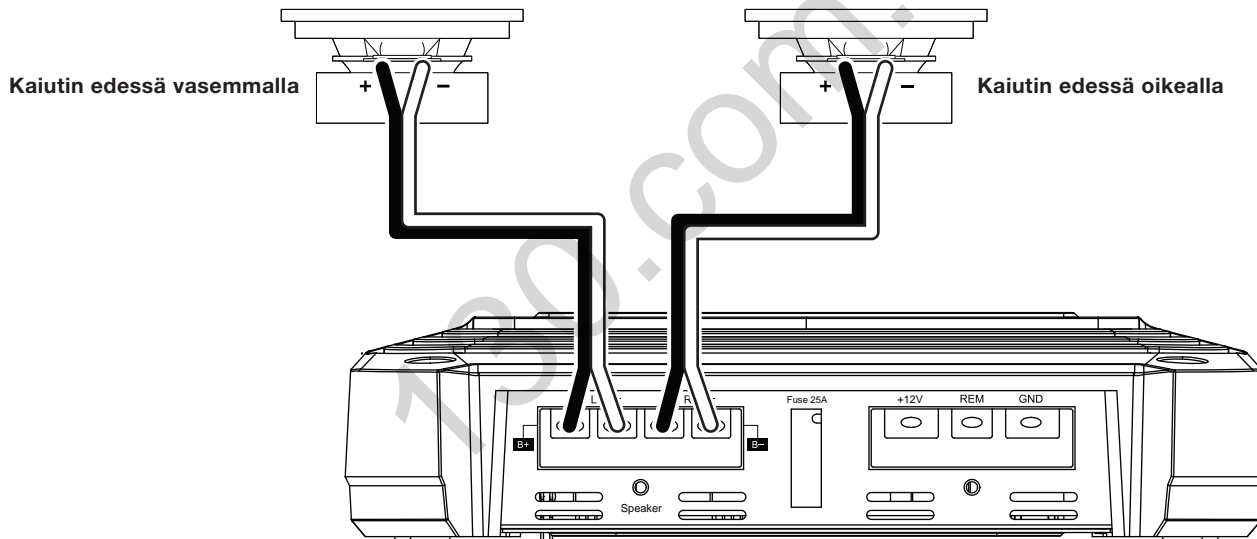
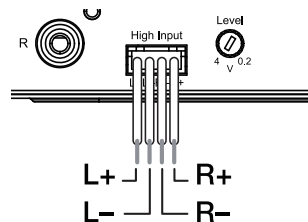
Jos lähdeyksikössä ei ole linjatason lähtöjä, voit käyttää tuotteen mukana toimitettuja kaiutintason tulojohtosarjoja liittääksesi vahvistimen lähdeyksikön kaiutinlähtöihin. Vasemmalta oikealle johtimet ovat: L+, L-, R-, R+ (katso kuva oikealla). Kaiutintason liittännät kaikissa GX-sarjan vahvistimille ovat tämän kytkentäkaavion mukaiset.

Noudata edellisten osioiden ohjeita korvaamalla kaiutintason liittimet linjatason liittimillä.

GX-A602 KAIUTINLIITÄNNÄT; 2-KANAVAINEN TOIMINTA

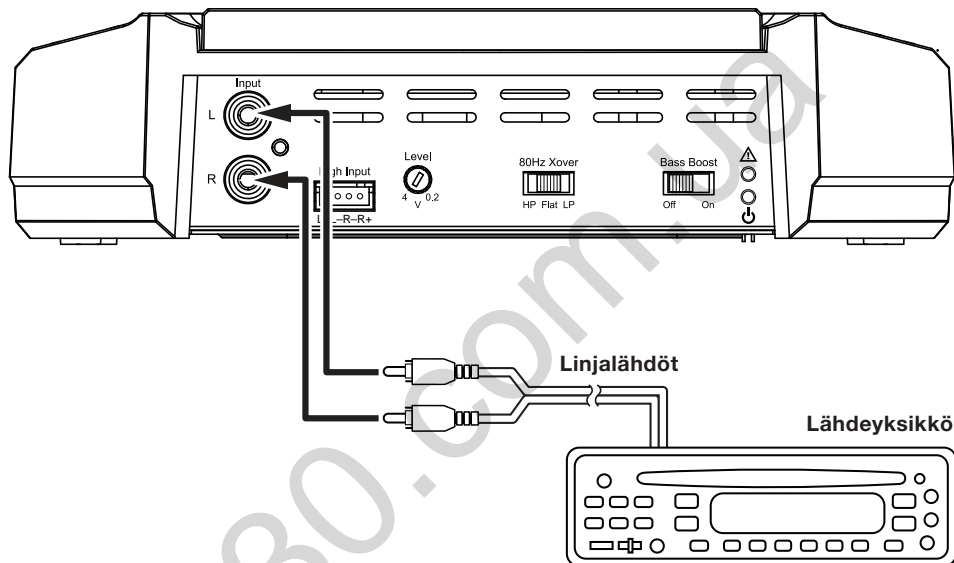
Kaiuttimen vähimmäisimpedanssi: 2 ohmia (kpl)

Liitä vasen ja oikea kaiutin liittäntöihin FL ja FR (+) ja (-).



GX-A602-TULOLIITÄNNÄT: 2-KANAVAINEN TOIMINTA

Liitä lähdeyksikön tai prosessorin linjalähdöt alla olevan kuvan mukaisesti.



Katso lisätietoa vahvistimen säätöjen asettamisesta 2-kanavaiseen toimintaan kohdasta *Aseta jakautumisen säädöt* sivulta 20.

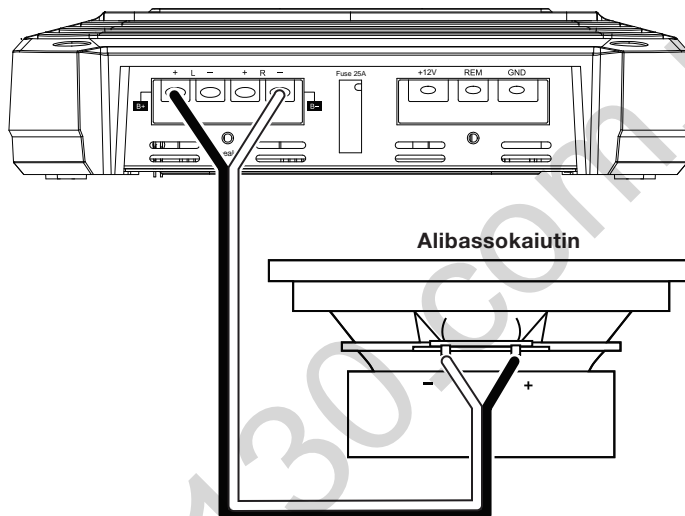
Voit käyttää kaiuttimen tasotuloja sijaan linjatasotuloja kohdan *Kaiutintason tulojen käyttäminen* sivu 12 ohjeiden mukaisesti.

GX-A602 KAIUTINLIITÄNNÄT; SILLOITETTU TOIMINTA

Silloitettu toiminta tarjoaa alibassokaiuttimelle yksittäisen suuritehoisen kanavan

Kaiuttimen vähimmäisimpedanssi: 4 ohmia

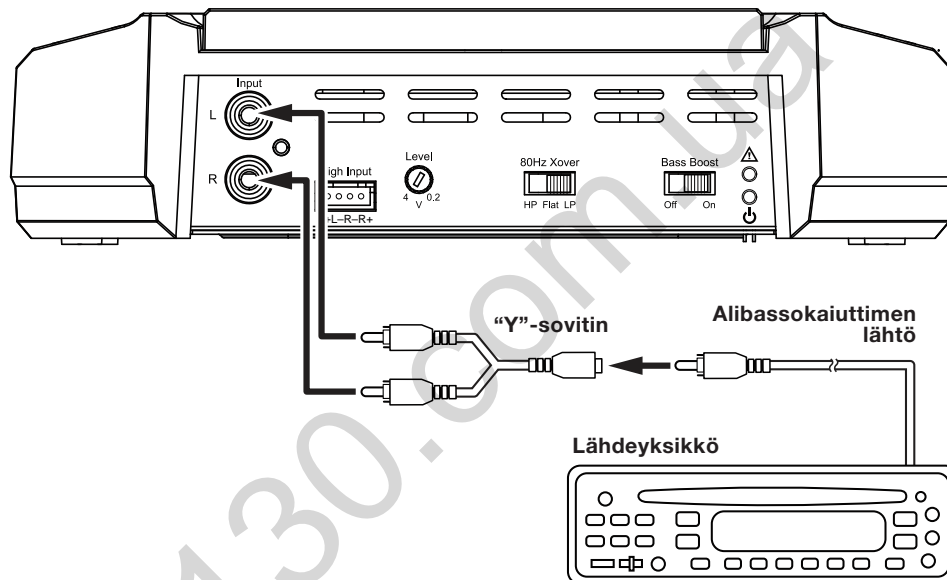
Liitä alibassokaiutin liittäntöihin RL ja RR (+) ja (-). **HUOMAA:** Voit liittää kaksi 2-ohmin alibassokaiutinta sarjana säilyttääksesi silloitetun toiminnan vaaditun 4-ohmin impedanssin.



GX-A602 TULOIITÄNNÄT; SILLOITETTU TOIMINTA

Liitä lähdeyksikön tai prosessorin alibassokaiuttimen linjalähdöt vahvistimen vasempaan tuloon alla olevan kuvan mukaisesti.

HUOMAA: Käytä "Y"-sovitinta lähdeyksikön liittämiseksi vahvistimen vasemmalla ja oikealla oleviin tuloliittimiin.



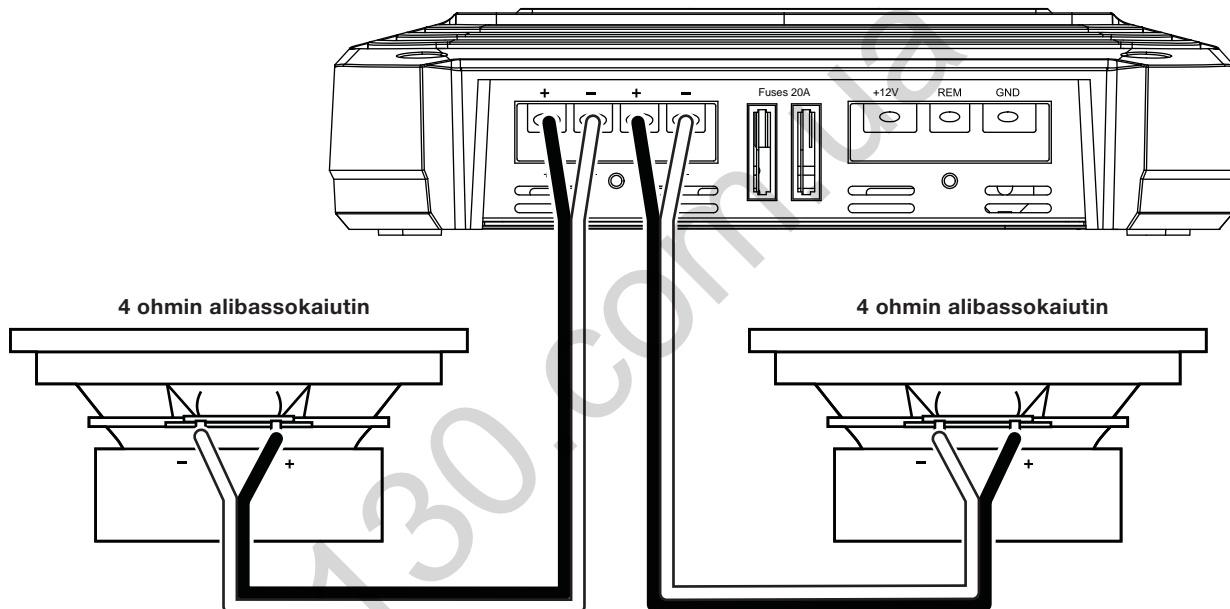
Katso lisätietoa vahvistimen säätöjen asettamisesta silloitettuun toimintaan kohdasta *Aseta jakautumisen säädöt* sivulta 20.

Voit käyttää kaiuttimen tasotuloja sijaan linjatasotuloja kohdan *Kaiutintason tulojen käyttäminen* sivu 12 ohjeiden mukaisesti.

GX-A3001-KAIUTINLIITÄNNÄT

Kaiuttimen vähimmäisimpedanssi; 2 ohmia (yksittäinen alibassokaiutin); 4 ohmia (2 alibassokaiutinta)

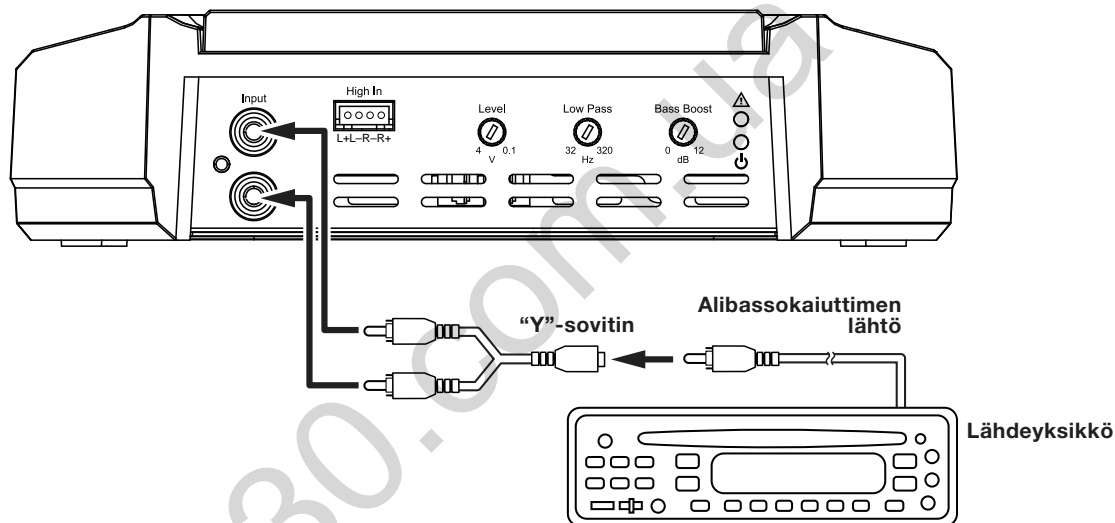
GX-A3001-laitteessa on kaksi samansuuntaista kaiutinliitännäsarjaa, joiden avulla voidaan liittää kaksi alibassokaiutinta.



- Jos käytät yksittäistä alibassokaiutinta, voit liittää sen valitsemaasi GX-A3001-kaiutinliitännäsarjaan.
- Jos käytät kahta 2-ohmin alibassokaiutinta, voit liittää ne sarjassa yhteen liitännäsarjaan vaaditun 2-ohmin vähimmäisimpedanssin ylittämiseksi.

GX-A3001-TULOLIITÄNTÄ

Liitä lähdeyksikön tai prosessorin alibassokaiuttimen linjalähtö "Y"-sovittimella vahvistimen vasempaan ja oikeaan tuloon alla olevan kuvan mukaisesti. Jos lähdeyksikössä ei ole erityistä alibassokaiuttimen lähtöä, voit liittää takana vasemmalla/oikealla olevat lähdöt vahvistimen vasemmalla ja oikealla olevaan tuloon.

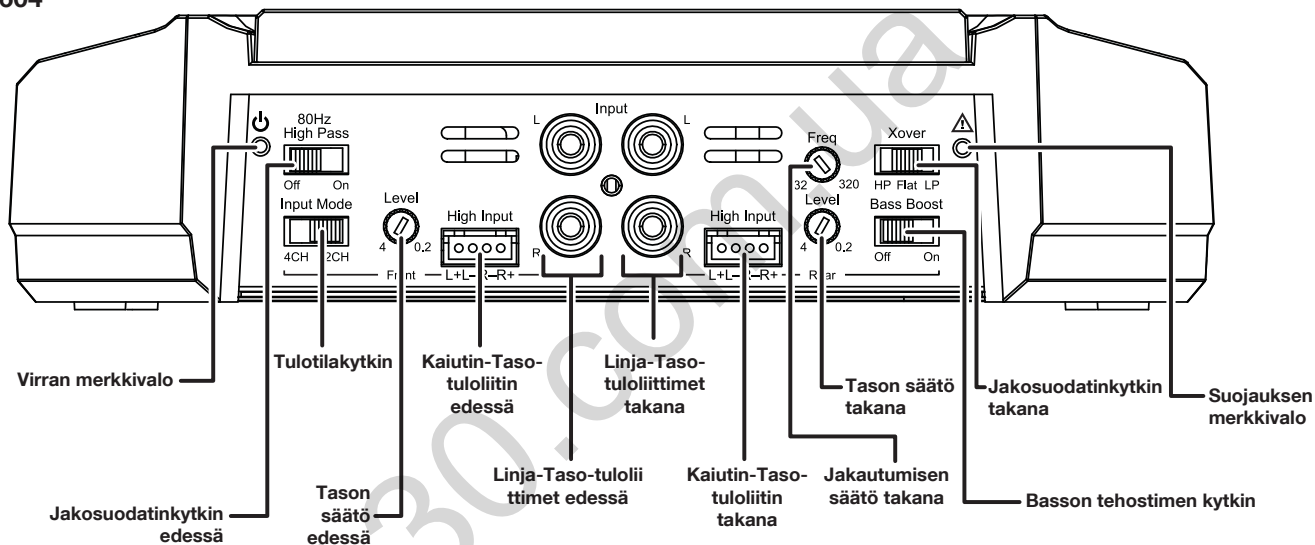


Katso lisätietoa vahvistimen säätöjen asettamisesta kohdasta *Aseta jakautumisen säädöt* sivulta 20.

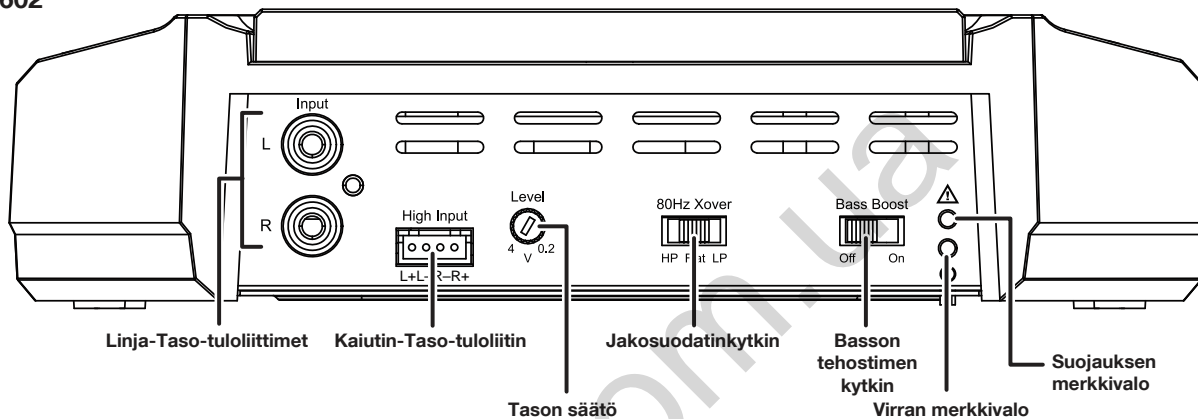
Voit käyttää kaiuttimen tasotulojen sijaan linjatasotuloja kohdan *Kaiutintason käyttäminen* sivu 12 ohjeiden mukaisesti.

SÄÄDÖT, TULOOLIITÄNNÄT JA MERKKIVALOT

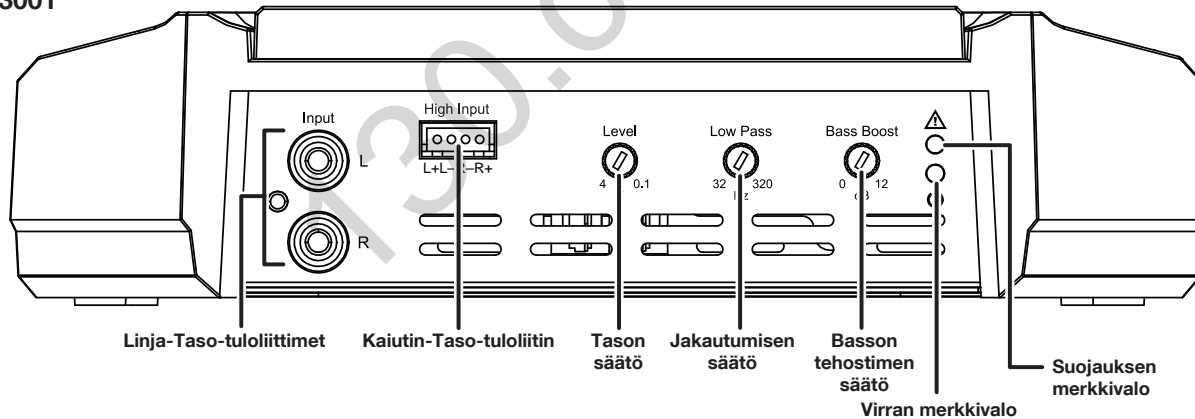
GX-A604



GX-A602



GX-A3001



ASETA JAKAUTUMISEN SÄÄDÖT

GX-A604: 4-KANAVAINEN TOIMINTA

Tulotilakytkin: Aseta tulotilakytkin asentoon "4CH".

Jakosuodatinkytkin edessä: Aseta edessä oleva jakosuodatinkytkin asentoon "ON" (ylipäästö). Tämä rajoittaa kaiuttimiin lähetetyn matalataajuisen energian määrää, jolloin vääristyminen vähenee huomattavasti ja kaiuttimien vaurioituminen estetään. **Poikkeus:** Jos olet liittänyt suuret täyden käyttövälän kaiuttimet (6" x 9" tai suurempi), jotka voivat käyttää huomattavaa bassotasoa vahvistimen etukanavissa eikä järjestelmässä ole alibassokaiutinta, aseta edessä oleva jakosuodatinkytkin asentoon "OFF" (täysi käyttöväli).

Jakosuodatinkytkin takana: Aseta takana oleva jakosuodatinkytkin asentoon "HP" (ylipäästö). Tämä rajoittaa kaiuttimiin lähetetyn matalataajuisen energian määrää, jolloin vääristyminen vähenee huomattavasti ja kaiuttimien vaurioituminen estetään. **Poikkeus:** Jos olet liittänyt suuret täyden käyttövälän kaiuttimet (6" x 9" tai suurempi), jotka voivat käyttää huomattavaa bassotasoa vahvistimen etukanavissa eikä järjestelmässä ole alibassokaiutinta, aseta takana oleva jakosuodatinkytkin asentoon "FLAT" (täysi käyttöväli).

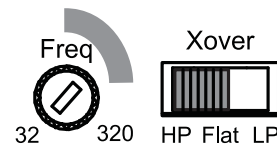
Jakautumisen säätö takana: Kun takana oleva jakautumisen kytkin on asetettu asentoon "HP", takana oleva jakautumisen säätö määrittää taajuuden, jossa kaiuttimeen lähetetyt alhaiset taajuudet pienenevät.

Kun vahvistinta käytetään 4-kanavan tilassa, jakautumisen säätö takana on asetettava vahvistimen kanaviin liitettyjen kaiuttimien koon mukaan – mitä pienemmät kaiuttimet, sitä suuremmaksi säätö on asetettava kaiuttimien suojaamiseksi vaurioilta. Kun jakotaajuus on asetettu alustavasti, kuuntele tuntemaasi musiikkia voimakkaalla bassolla. Jos kaiuttimien ääni on vääristynyt tai heikentynyt, siirrä jakotaajuuden säätö suurempaan asetukseen vääristymisen/heikentymisen korjaamiseksi. Oikealla oleva kuva esittää suositellun jakosuodatintaajuuden erikokoisille kaiuttimille.

6" ja 5" kaiuttimet



4" ja pienemmät kaiuttimet



GX-A604: 3-KANAVAINEN TOIMINTA

Tulotilakytkin: Aseta tulotilakytkin asentoon "4CH".

Jakokytkin edessä: Aseta edessä oleva jakokytkin asentoon "ON" (ylipäästö). Tämä rajoittaa kaiuttimiin lähetetyn matalataajuisen energian määrää, jolloin vääristyminen vähenee huomattavasti ja kaiuttimien vaurioituminen estetään.

Jakosuodatinkytkin takana: Kun alibassokaiutin tai bassokaiutin liitetään takakanaviin, aseta takana oleva jakosuodatin asentoon "LP" (alipäästö). Tämä rajoittaa bassokaiuttimiin tai alibassokaiuttimeen välitettyä suuritaajuisia energiaa, jolloin lauluäänen ja muiden keskitaso äänien selkeys paranee.

Alipäästötoiminto: Alibassokaiuttimet ja bassokaiuttimet



Jakautumisen säätö takana: Alibassokaiuttimiin käytetty takana oleva jakautumisen säätöasetus riippuu järjestelmän alibassokaiuttimen tyypistä ja sijainnista. Aloita asettamalla takana oleva jakautumisen säätö taajuuteen, joka on etukanavien 80 Hz asetusta pienempi. Kun olet kuunnellut musiikkia järjestelmästä jonkin aikaa, hienosäädä takana oleva jakautumisen säätöasetus saavuttaaksesi tasaisen siirron alibassokaiuttimesta järjestelmän muihin kaiuttimiin ja välttääksesi "reiän", jossa alibassokaiuttimen ja muiden kaiuttimien väliset äänit putoavat. Oikealla olevassa kuvassa on suositeltu takana olevan jakosäädön taajuusväli.

GX-A604: 2-KANAVAINEN TOIMINTA

Tulotilakytkin: Aseta tulotilakytkin asentoon "2CH".

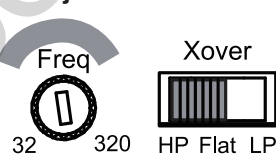
Jakosuodatinkytkin edessä: Aseta edessä oleva jakosuodatinkytkin asentoon "ON" (ylipäästö). Tämä rajoittaa kaiuttimiin lähetetyn matalataajuisen energian määrää, jolloin vääristyminen vähenee huomattavasti ja kaiuttimien vaurioituminen estetään. **Poikkeus:** Jos olet liittännyt suuret täyden käyttövälin kaiuttimet (6" x 9" tai suurempi), jotka voivat käyttää huomattavaa bassotasoa vahvistimen etukanavissa *eikä järjestelmässä ole alibassokaiutinta*, aseta edessä oleva jakosuodatinkytkin asentoon "OFF" (täysi käyttöväli).

Jakosuodatinkytkin takana: Aseta takana oleva jakosuodatinkytkin asentoon "HP" (ylipäästö). Tämä rajoittaa kaiuttimiin lähetetyn matalataajuisen energian määrää, jolloin vääristyminen vähenee huomattavasti ja kaiuttimien vaurioituminen estetään. **Poikkeus:** Jos olet liittännyt suuret täyden käyttövälin kaiuttimet (6" x 9" tai suurempi), jotka voivat käyttää huomattavaa bassotasoa vahvistimen etukanavissa *eikä järjestelmässä ole alibassokaiutinta*, aseta takana oleva jakosuodatinkytkin asentoon "FLAT" (täysi käyttöväli).

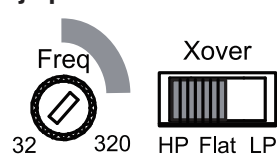
Jakautumisen säätö takana: Kun takana oleva jakautumisen kytkin on asetettu asentoon "HP", takana oleva jakautumisen säätö määrittää taajuuden, jossa kaiuttimeen lähetetyt alhaiset taajuudet pienenevät.

Kun vahvistinta käytetään 4-kanavan tilassa, jakautumisen säätö takana on asetettava vahvistimen kanaviin liitettyjen kaiuttimien koon mukaan – mitä pienemmät kaiuttimet, sitä suuremmaksi säätö on asetettava kaiuttimien suojaamiseksi vaurioilta. Kun jakotaajuus on asetettu alustavasti, kuuntele tuntemaasi musiikkia voimakkaalla bassolla. Jos kaiuttimien ääni on vääristynyt tai heikentynyt, siirrä jakotaajuuden säätö suurempaan asetukseen vääristymisen/heikentymisen korjaamiseksi. Oikealla oleva kuva esittää suositellun jakosuodatintaajuuden erikokoisille kaiuttimille.

6" ja 5" kaiuttimet



4" ja pienemmät kaiuttimet



GX-A602: 2-KANAVAINEN TOIMINTA

Jakosuodatinkytkin:

- Jos olet liittänyt vahvistimen 6" tai pienempään täyden välin kaiuttimiin, aseta jakosuodatinkytkin asentoon "HP" (ylipäästö). Tämä rajoittaa kaiuttimiin lähetetyn matalataajuisen energian määrää, jolloin vääristyminen vähenee huomattavasti ja kaiuttimien vaurioituminen estetään.
- Jos olet liittänyt vahvistimen suuriin täyden käyttövälin kaiuttimiin (6" x 9" tai suurempi), jotka voivat käyttää huomattavaa bassotasoa *eikä järjestelmässä ole alibassokaiutinta, aseta jakosuodatinkytkin asentoon "FLAT" (täysi käyttöväli).*
- Jos olet liittänyt vahvistimen bassokaiuttimiin tai alibassokaiuttimiin, aseta jakosuodatinkytkin asentoon "LP" (alipäästö). Tämä rajoittaa bassokaiuttimiin/alibassokaiuttimiin välitettyä suuritaajuisia energiaa, jolloin lauluäänien ja muiden keskitason äänien selkeys paranee.

GX-A602: SILLOITETTU KÄYTTÖ

Jakosuodatinkytkin: Kun vahvistinta käytetään silloitetussa tilassa alibassokaiuttimeen, aseta jakosuodatinkytkin asentoon "LP" (alipäästö). Tämä rajoittaa alibassokaiuttimeen suuntautuvaa suuritaajuisia energiaa.

GX-A3001

HUOMAA: GX-A3001-mallin sisäinen jako on asetettu pysyvästi alipäästötasoon.

Jakautumisen säätö: Jakautumisen säätö rajoittaa bassokaiuttimeen tai alibassokaiuttimeen suuntautuvaa suuritaajuisia energiaa. Alibassokaiuttimiin käytetty jakautumisen säätöasetus riippuu järjestelmän alibassokaiuttimen tyypistä ja sijainnista. Aloita asettamalla jakautumisen säätö taajuuteen, joka on järjestelmän muiden kaiuttimien ylipäästöjaon asetusta pienempi. Kun olet kuunnellut musiikkia järjestelmästä jonkin aikaa, hienosäädä jakautumisen säätöasetus saavuttaaksesi tasaisen siirron alibassokaiuttimesta järjestelmän muihin kaiuttimiin ja välttääksesi "reiän", jossa alibassokaiuttimen ja muiden kaiuttimien väliset äänet putoavat. Oikealla olevassa kuvassa on suositeltu jakosäädön taajuusväli.

Alibassokaiuttimet ja bassokaiuttimet



ASETA TULOTASO

- 1 Käännä kaikkien vahvistimien tasokytkimet kokonaan vastapäivään.
- 2 Soita dynaamista musiikkia lähdeyksikön kautta ja kytke sen äänenvoimakkuus korkeintaan 3/4 tasolle.
- 3 Käännä etukanavan vahvistimen tasokytkintä hitaasti myötäpäivään, kunnes musiikki alkaa soimaan vääristyneenä.
- 4 Käännä tasokytkintä hiukan vastapäivään, kunnes musiikki ei kuulu enää vääristyneenä.
- 5 Jos käytät useampaa kuin yhtä vahvistinta tai GX-A604-mallia, toista vaiheet 3 – 4 kaikkien muiden vahvistintason säätimien kohdalla.

ASETA BASSON TEHOSTIN

GX-A604: Kun käytät vahvistimien takakanavia alibassokaiuttimien virransyöttöön, basson tehostinkytkin voi tuottaa 12 dB basson tehostuksen taajuudella 45 Hz. (Kytkin vaikuttaa ainoastaan vahvistimen takakanaviin). Aseta tämä kytkin oman maun mukaan, mutta jos sen käyttö aiheuttaa äänen vääristymistä tai alibassokaiuttimien pohjaamista, suosittelemme asetusta "OFF". **HUOMIO:** Käytä ainoastaan basson tehostuskytkintä, jos olet asettanut takakanavat alibassokaiuttimien virransyöttöön. Kun basson tehostuskytkintä käytetään täyden käyttövälin kaiuttimilla, kaiuttimet voivat vaurioitua.

GX-A602: Kun käytät vahvistinta silloitetussa tilassa alibassokaiuttimien virransyöttöön, basson tehostinkytkin voi tuottaa 12 dB basson tehostuksen taajuudella 45 Hz. Aseta tämä kytkin oman maun mukaan, mutta jos sen käyttö aiheuttaa äänen vääristymistä tai alibassokaiuttimien pohjaamista, suosittelemme asetusta "OFF". **HUOMIO:** Käytä ainoastaan basson tehostuskytkintä, jos käytät vahvistinta alibassokaiuttimien virransyöttöön. Kun basson tehostuskytkintä käytetään täyden käyttövälin kaiuttimilla, kaiuttimet voivat vaurioitua.

GX-A3001: Basson tehostussäädin tarjoaa jopa 12 dB basson tehostuksen taajuudella 45 Hz. Aseta tämä säätö oman maun mukaan, mutta varo asettamasta säätöä liian korkealle tasolle, jolloin seurauksena on äänen vääristymä tai alibassokaiuttimien pohjaaminen.

VIRRRAN JA SUOJAUKSEN LED-MERKKIVALOT

VIRRRAN LED-MERKKIVALO

- LED-valoon syttyy oranssi valo: Normaali toiminta (virta päällä).
- LED-valo on sammunut: Vahvistin on valmiustilassa.

SUOJAUKSEN LED-MERKKIVALO

Vahvistimen suojauksen LED-valon on oltava pois päältä normaalin käytön aikana. Jos vahvistimesta ei kuulu ääntä ja suojauksen LED-valoon syttyy punainen valo, katso *Vianmääritys* sivulta 24.

VIANMÄÄRITYS

Jos vahvistimesi ei toimi halutulla tavalla, tarkista tämän osion tiedot mahdollisen ratkaisun löytämiseksi ennen kuin otat yhteyttä JBL-asiakaspalveluun.

ONGELMA

Ei ääntä (vahvistimen virran LED-valo on sammunut)

SYYT JA RATKAISUT

- Tarkista, että vahvistimen +12 V ja GND-liitännät on suoritettu oikein.
- Tarkista, akun lähellä oleva johdon +12 V sulake palanut: Mikäli sulake on palanut, vaihda se samanlaiseen sulakkeeseen.
- Tarkista kaikki vahvistimien sulakkeet. Jos jokin sulake on palanut, vaihda ne samanlaisiin sulakkeisiin.
- Jos käytät vahvistimen REM-liitäntää virran päälle kytkemiseen, tarkista, että johto on kytketty oikein äänijärjestelmän etävirrankytkenän johtoon tai ajoneuvon ACC-teholiitaintään.

Ei ääntä (vahvistimen virran LED-valossa palaa oranssi valo)

- Tarkista, että vahvistimen tulo ja kaiutinliitännät on suoritettu oikein.
- Tarkista, ettei vahvistimen tasosäätöjä ole kytketty kokonaan alas (vastapäivään).
- Tarkista, ettei ajoneuvon äänijärjestelmän lähdeyksikön äänenvoimakkuutta ole kytketty kokonaan alas.

Ei ääntä (vahvistimen suojauksen LED-valossa palaa punainen valo)

- Vahvista, että ajoneuvon sähköjärjestelmä syöttää 9 V - 16 V tasavirtaa vahvistimeen. Jos syöttöjännite on tämän välin ulkopuolella, korjaa tila ennen vahvistimen käyttämistä.
- Jos vahvistin on ylikuumentunut, odota, kunnes se on jäähtynyt ennen sen käyttämistä uudelleen.
- Irrota kaikki kaiuttimet vahvistimesta ja yritä kytkeä se uudelleen päälle:
 - Jos vahvistin kytkeytyy päälle (virran LED-valossa palaa oranssi valo), johonkin kaiuttimen johtoon on oikosulku. Korjaa kaikki oikosulut ennen kaiuttimien liittämistä uudelleen vahvistimeen.
 - Jos vahvistin ei kytkeydy päälle (suojuksen LED-valossa palaa edelleen punainen valo ja virran LED-valo on sammunut), pyydä lisätietoa JBL-jälleenmyyjältä.

ONGELMA

Ääni kuuluu vain joistakin vahvistimeen liitetyistä kaiuttimista.

SYYT JA RATKAISUT

- Tarkista, että ajoneuvon äänijärjestelmän lähdeyksikön tasapainon ja vaimentimen säätimet on asetettu keskiasentoihin.
- (GX-A604): Tarkista, että vahvistimien tilakytkimen asetus täsmää vahvistimen tuloa ja kaiutinliitäntöjä.

Äänitaso on liian alhainen, vaikka ajoneuvon äänijärjestelmän äänenvoimakkuus on korkeimmalla tasolla.

- Tarkista, ettei vahvistimen tasosäätöjä ole kytketty liian alhaisiksi. Katso lisätietoa tasosäätöjen asettamisesta kohdasta *Aseta tulotaso* sivulta 22.

Edessä/takana olevien kaiuttimien ääni on vääristynyt

- Varmista, että vahvistimen vääristyneiden kanavien jakosuodatinkytkin on asetettu asentoon HP.
- Aseta vääristyneiden kanavien jakautumisen säätö suurempaan asetukseen.
- Tarkista, ettei vääristymä johdu ajoneuvon äänijärjestelmän lähdeyksiköstä.

Alibassokaiuttimen ääni on vääristynyt

- (GX-A604, GX-A602): Aseta basson vahvistimen kytkin asentoon "OFF".
- (GX-A3001): Kun kuuntelet voimakkaan basson omaavaa musiikkia, kytke basson tehostimen säätö kokonaan alas ja lisää sitä asteittain, kunnes vääristyminen palaa. Pienennä basson tehostimen asetusta hiukan vääristymän poistamiseksi ja jätä se kyseiseen asetukseen.
- Tarkista, ettei vääristymä johdu ajoneuvon äänijärjestelmän lähdeyksiköstä.

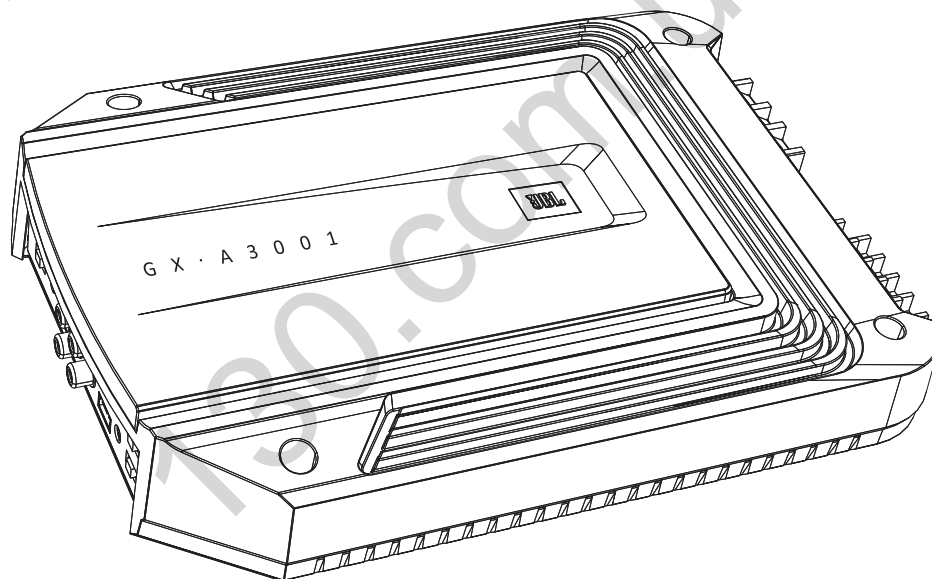
TEKNISET TIEDOT

	GX-A604	GX-A602	GX-A3001
Maksimiteho (15,5 V, 1 kHz, 10% harmoninen kokonaissärö, kanavat yhteensä, 2 ohmia)	435 W	280 W	415 W (15,5 V, 50 Hz, 10% harmoninen kokonaissärö, 2 ohmia)
Nimellisteho @ 4 ohmia	60 W x 4	60 W x 2	200 W x 1
Silloitettu teholähtö (4 ohmia, 1% harmoninen kokonaissärö)	170 W x 2	170 W x 1	N/A
THD+N nimellisteholla	< 1%	< 1%	< 1%
Signaali-kohina (2 V @ 4 ohmia)	> 75 dB	> 75 dB	> 75 dB
Tehokas vaimennustekijä (4 ohmia)	> 50	> 50	> 50
Taajuusvaste (-3 dB)	20 Hz – 20 kHz ±1 dB	20 Hz – 20 kHz ±1 dB	10 Hz – 320 Hz
Maksimitulojännite	20 V	20 V	20 V
Maksimituloherkkyys	200 mV	200 mV	200 mV
Sulakkeen koko	20 A x 2	25 A	20 A x 2
Mitat (K x L x H)	2-1/16" x 11-13/16" x 8-1/8" (52 mm x 300 mm x 206 mm)	2-1/16" x 7-13/16" x 8-1/8" (52 mm x 198 mm x 206 mm)	2-1/16" x 11-7/16" x 8-1/8" (52 mm x 291 mm x 206 mm)
Paino	5,3 lb (2,4 kg)	3,8 lb (1,7 kg)	5,3 lb (2,4 kg)



GX-A604/GX-A602/GX-A3001

amplificador de potência

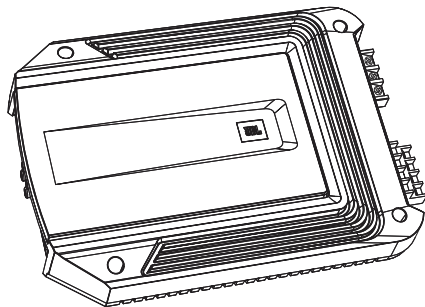


MANUAL DO UTILIZADOR

INTRODUÇÃO

OBRIGADO por adquirir um amplificador da série GX da JBL®. Para podermos ajudá-lo da melhor forma no caso de precisar de assistência durante o período da garantia, guarde o recibo de compra original e registre o amplificador online em www.jbl.com.

ITENS INCLUÍDOS



Amplificador Série GX (x 1)



Conjunto de fios de entrada de nível de coluna
(GX-A602, GX-A3001 x 1) (GX-A604 x 2)

LOCAL E MONTAGEM

Embora estas instruções expliquem como instalar amplificadores da série GX de um modo geral, não mostram métodos específicos de instalação que poderão ser necessários para um veículo específico. Se não tiver as ferramentas ou a experiência necessárias, não tente instalar o equipamento. Contacte um revendedor autorizado de sistemas de áudio para carros da JBL para obter instalação profissional.

AVISOS E DICAS DE INSTALAÇÃO

IMPORTANTE: Desligue o terminal negativo (-) da bateria do veículo antes de iniciar a instalação.

- Use sempre óculos protectores quando utilizar ferramentas.
- Verifique as folgas existentes em ambos os lados da superfície de montagem prevista. Certifique-se de que os parafusos ou os fios não furam a tubagem dos travões, a tubagem do combustível ou os conjuntos de fios, e que o encaminhamento dos fios não interfere com a utilização segura do veículo.
- Quando fizer as ligações eléctricas, certifique-se de que ficam seguras e devidamente isoladas.
- Se for necessário substituir qualquer um dos fusíveis do amplificador, certifique-se de que utiliza o mesmo tipo de fusível e limite de corrente do fusível original.

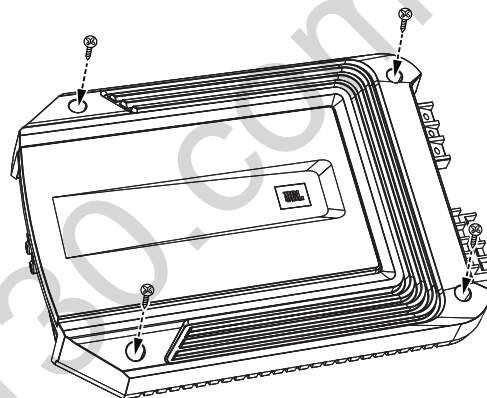
LOCAL DE INSTALAÇÃO

Os amplificadores precisam de circulação de ar para se manterem frios. Selecione um local que forneça ar suficiente para o amplificador arrefecer.

- Os locais adequados são, por exemplo, por baixo de um banco (desde que o amplificador não interfira com o mecanismo de ajuste do banco), na mala ou qualquer outro local que forneça ar de arrefecimento suficiente.
- Não monte o amplificador com o dissipador de calor virado para baixo, uma vez que isso interfere com o arrefecimento por convecção do amplificador.
- Monte o amplificador de forma a não sofrer danos causados pelos pés dos passageiros dos bancos de trás ou por bagagem solta na mala.
- Monte o amplificador de forma a permanecer seco – nunca monte um amplificador no exterior do carro ou no compartimento do motor.

MONTAR O AMPLIFICADOR

NOTA: Poderá ser mais conveniente fazer todas as ligações ao amplificador antes de o montar permanentemente no veículo.



1. Selecione um local de montagem adequado, conforme descrito acima.
2. Utilizando o amplificador como modelo, assinale as localizações dos furos de montagem na superfície de montagem.
3. Faça furos com uma broca na superfície de montagem.
4. Fixe o amplificador na superfície de montagem com quatro parafusos de montagem adequados à sua escolha. Sugerimos a utilização de parafusos metálicos de cabeça Phillips n.º 8. Certifique-se de que o amplificador fica bem montado.

LIGAÇÕES À TERRA E DE ALIMENTAÇÃO

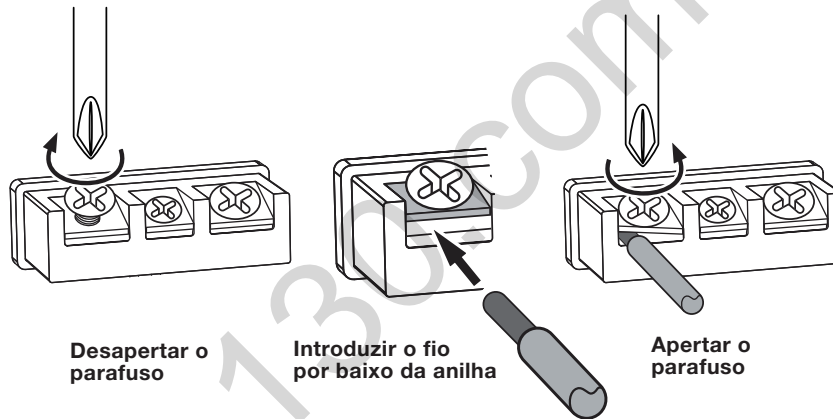
IMPORTANTE: Desligue o terminal negativo (-) da bateria do veículo antes de iniciar a instalação.

Os amplificadores da série GX conseguem fornecer elevados níveis de potência e necessitam de uma ligação resistente e fiável ao sistema eléctrico do veículo para obtenção de um desempenho ideal. Siga cuidadosamente as instruções que se seguem.

UTILIZAR OS CONECTORES

Os amplificadores da série GX utilizam o mesmo tipo de terminais de parafusos para as ligações de alimentação e das colunas. Esse tipo de terminal é fácil de utilizar e permite ligar facilmente um fio de grande diâmetro.

Para utilizar os conectores, utilize uma chave de parafusos Phillips para desapertar o parafuso de fixação do conector, introduza o fio descarnado e aperte o parafuso de fixação para fixar o fio no conector, conforme mostrado na imagem abaixo.



IMPORTANTE: Certifique-se de que os fios descarnados (+) e (-) das colunas não tocam um no outro nem no outro terminal, tanto nos terminais do amplificador como nos terminais das colunas. O contacto dos fios pode provocar um curto-circuito que pode danificar o amplificador.

LIGAÇÃO À TERRA (GND)

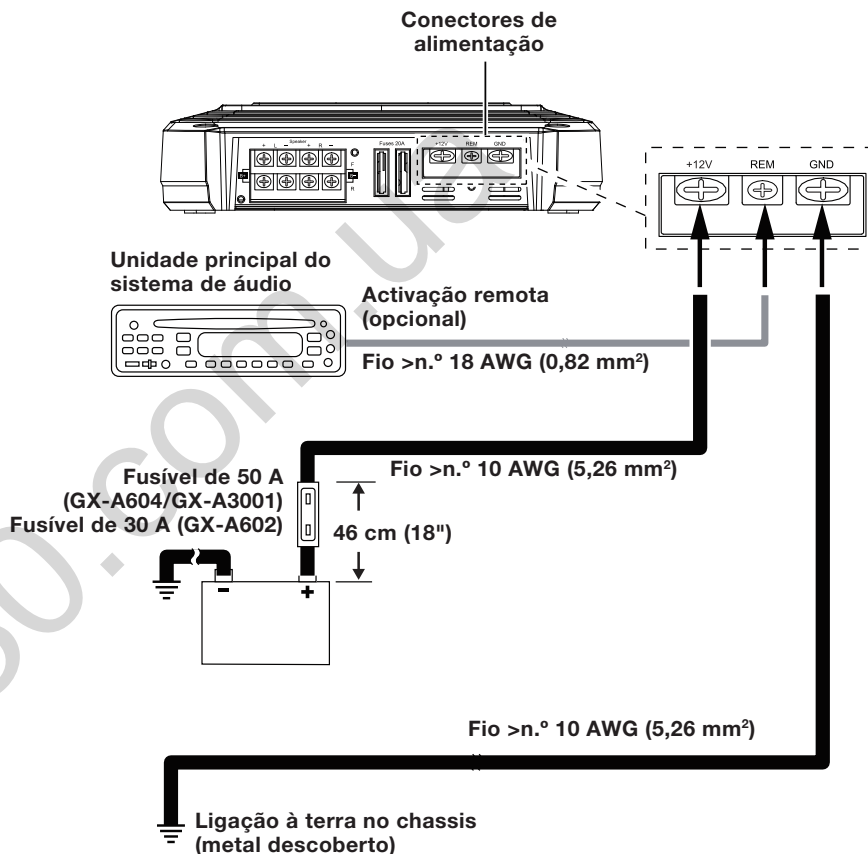
Ligue um fio (mínimo: 10 AWG – 5,3 mm²) do terminal GND do amplificador directamente a um ponto sólido no chassis do veículo.

- Para fazer uma boa ligação, utilize lixa para remover a tinta da superfície metálica na localização escolhida do chassis. Utilize uma anilha de pressão de tipo estrela para fixar a ligação do fio.

LIGAÇÃO DE ALIMENTAÇÃO (12 V)

1. Ligue um fio (mínimo: 10 AWG – 5,3 mm²) directamente ao terminal positivo (+) da bateria.
2. Instale um porta-fusíveis adequado a um fusível de 50 A (GX-A604, GX-A3001) ou de 30 A (GX-A602) neste fio dentro de uma distância de 46 cm (18") em relação ao terminal (+) da bateria. Não instale o fusível no porta-fusíveis nesta fase.
3. Encaminhe este fio para o local do amplificador e ligue-o ao terminal +12 V do amplificador. Certifique-se de que utiliza passa-fios adequados sempre que encaminhar fios através da protecção contra fogo ou outra chapa metálica.

IMPORTANTE: A não protecção adequada do fio positivo contra possíveis danos pode originar um incêndio no veículo.
4. Quando acabar de encaminhar e ligar este fio, instale o fusível adequado no porta-fusíveis que instalou perto da bateria. (GX-A604, GX-A3001 – fusível de 50 A; GX-A602 – fusível de 30 A)



LIGAÇÕES DE COLUNAS E ENTRADAS

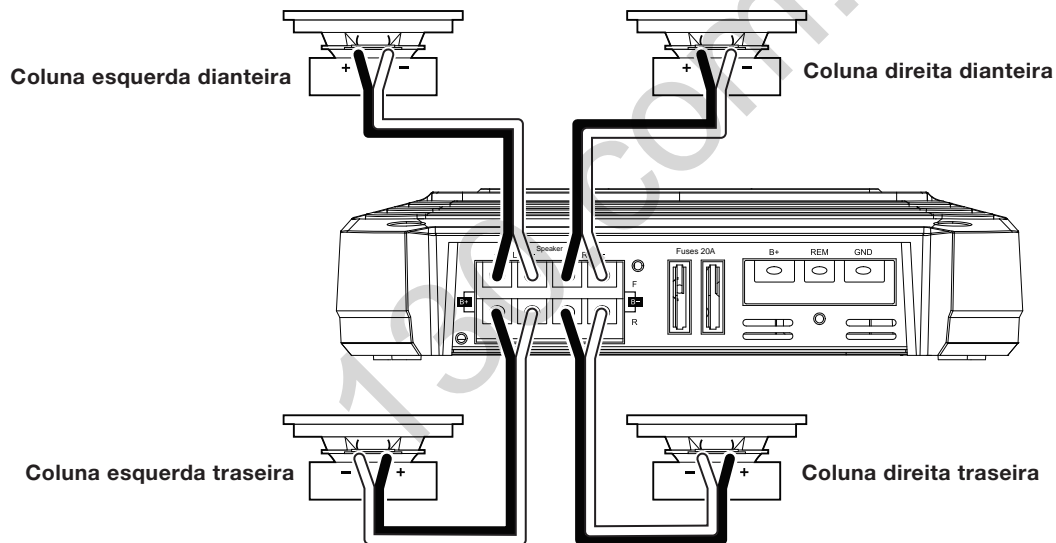
Ligue sempre o terminal (+) da coluna no amplificador ao terminal (+) na coluna e o terminal (-) da coluna no amplificador ao terminal (-) na coluna.

IMPORTANTE: Certifique-se de que os fios descarnados (+) e (-) não tocam um no outro nem no outro terminal, tanto nos terminais do amplificador como nos terminais das colunas. O contacto dos fios pode provocar um curto-circuito que pode danificar o amplificador.

LIGAÇÕES DE COLUNAS PARA GX-A604: FUNCIONAMENTO COM 4 CANAIS

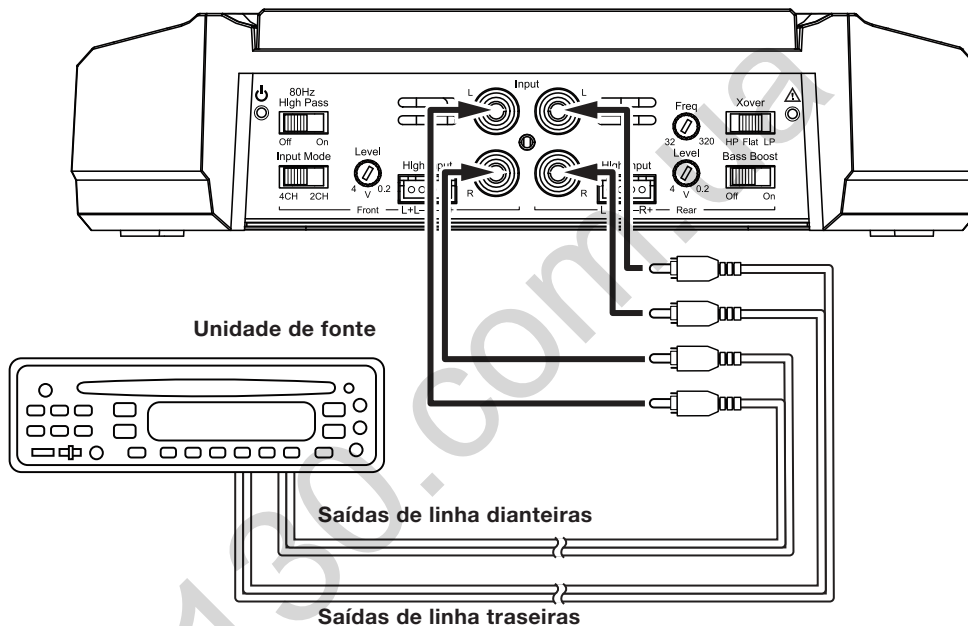
Impedância mínima das colunas: 2 ohms (cada uma)

- Ligue as colunas dianteiras aos terminais (+) e (-) FL e FR.
- Ligue as colunas traseiras aos terminais (+) e (-) RL e RR.



LIGAÇÕES DE ENTRADAS PARA GX-A604: FUNCIONAMENTO COM 4 CANAIS

Ligue as saídas esquerda e direita dianteiras e traseiras da unidade de fonte ou do processador às entradas do amplificador, conforme mostrado na imagem.



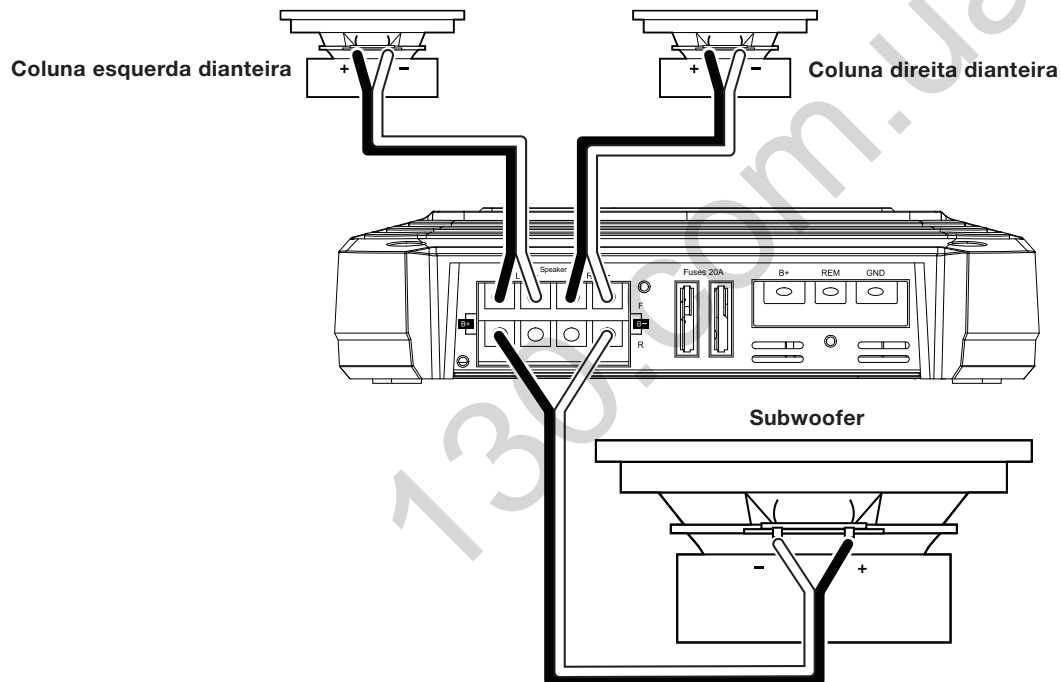
Consulte *Definir os controlos de cruzamento* na página 20 para obter mais informações sobre a definição dos controlos do amplificador para funcionamento com 4 canais.

Para utilizar as entradas de nível de coluna em vez das entradas de nível de linha, consulte *Utilizar as entradas de nível de coluna* na página 12.

LIGAÇÕES DE COLUNAS PARA GX-A604: FUNCIONAMENTO COM 3 CANAIS

Impedância mínima das colunas: 2 ohms cada uma (colunas esquerda e direita); 4 ohms (subwoofer)

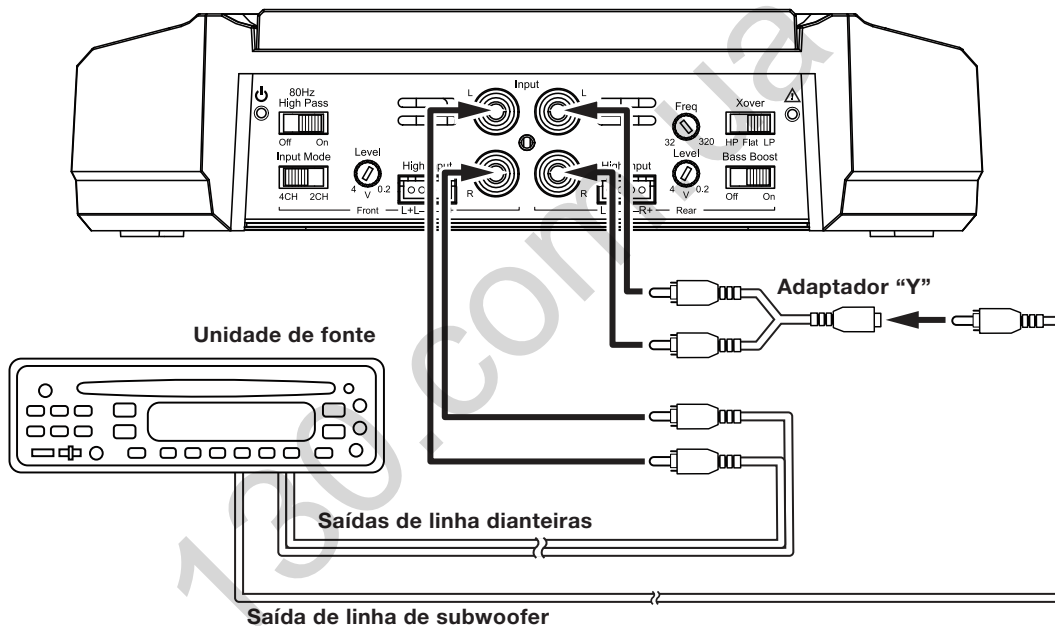
- Ligue as colunas esquerda e direita aos terminais (+) e (-) FL e FR.
- Ligue o subwoofer aos terminais (+) RL e (-) RR. (O controle de reforço de graves dos canais traseiros faz com que seja preferível utilizar os canais traseiros para a ligação do subwoofer. Consulte *Definir o reforço de graves* na página 23.) **NOTA:** Pode ligar dois subwoofers de 2 ohms em série para manter a impedância mínima de 4 ohms necessária para o canal do subwoofer.



LIGAÇÕES DE ENTRADAS PARA GX-A604: FUNCIONAMENTO COM 3 CANAIS

Ligue as saídas de linha da unidade de fonte ou do processador conforme mostrado na imagem abaixo. Coloque o interruptor de modo de entrada na posição “4CH”.

NOTA: Utilize um adaptador “Y” para ligar a saída de subwoofer da unidade de fonte às tomadas de entrada traseira esquerda e direita do amplificador.



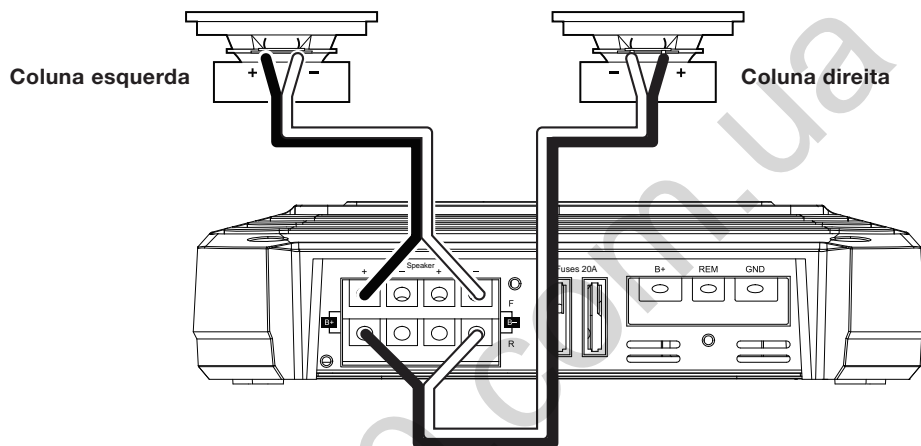
Consulte *Definir os controlos de cruzamento* na página 20 para obter mais informações sobre a definição dos controlos do amplificador para funcionamento com 3 canais.

Para utilizar as entradas de nível de coluna em vez das entradas de nível de linha, consulte *Utilizar as entradas de nível de coluna* na página 12.

LIGAÇÕES DE COLUNAS PARA GX-A604: FUNCIONAMENTO COM 2 CANAIS

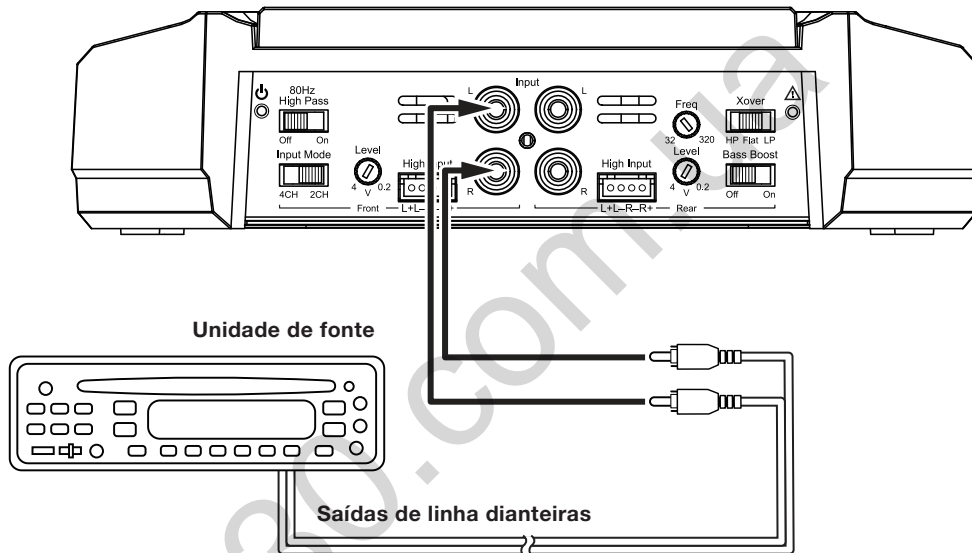
Impedância mínima das colunas: 4 ohms (cada uma)

Ligue as colunas esquerda e direita conforme mostrado na imagem abaixo.



LIGAÇÕES DE ENTRADAS PARA GX-A604: FUNCIONAMENTO COM 2 CANAIS

Ligue as saídas de linha da unidade de fonte ou do processador conforme mostrado na imagem abaixo. Utilize apenas as ligações de entrada dianteira esquerda e direita, e certifique-se de que o interruptor de modo de entrada está na posição “2CH”.



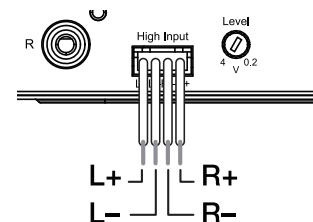
Consulte *Definir os controlos de cruzamento* na página 20 para obter mais informações sobre a definição dos controlos do amplificador para funcionamento com 2 canais.

Para utilizar as entradas de nível de coluna em vez das entradas de nível de linha, consulte *Utilizar as entradas de nível de coluna* na página 12.

UTILIZAR AS ENTRADAS DE NÍVEL DE COLUNA

Se a unidade de fonte não tiver saídas de nível de linha, pode utilizar o conjunto de fios de entrada de nível de coluna incluído para ligar o amplificador às saídas de colunas da unidade de fonte. Da esquerda para a direita, os condutores são os seguintes: L+, L-, R-, R+ (consulte a imagem do lado direito). Os conectores de nível de coluna em todos os modelos de amplificadores da série GX seguem esta configuração de fios.

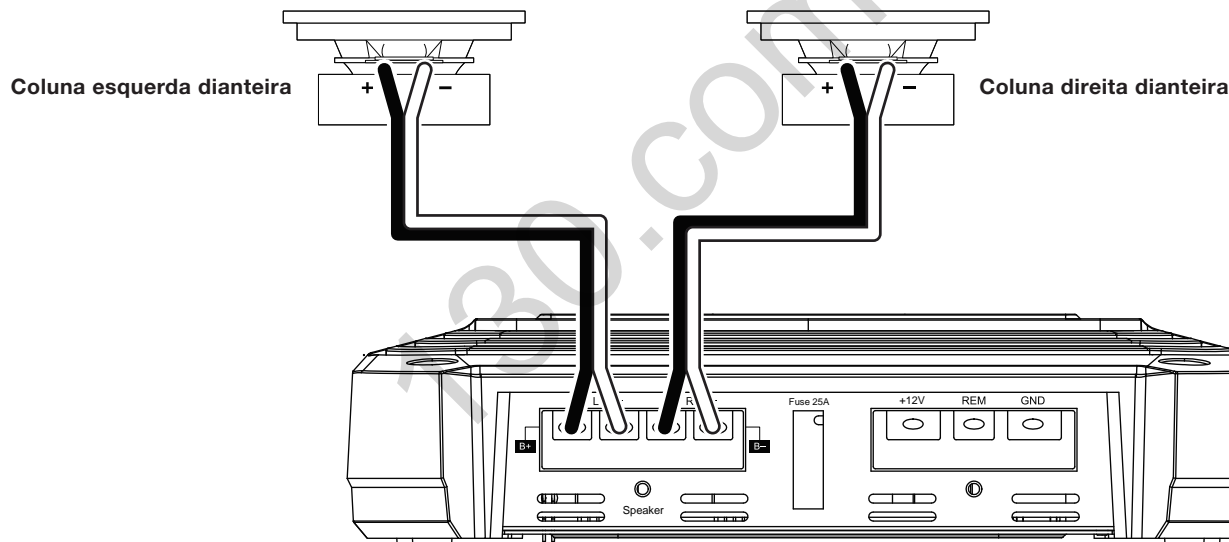
Siga as instruções indicadas nas seções anteriores, substituindo os conectores de nível de coluna pelos conectores de nível de linha.



LIGAÇÕES DE COLUNAS PARA GX-A602: FUNCIONAMENTO COM 2 CANAIS

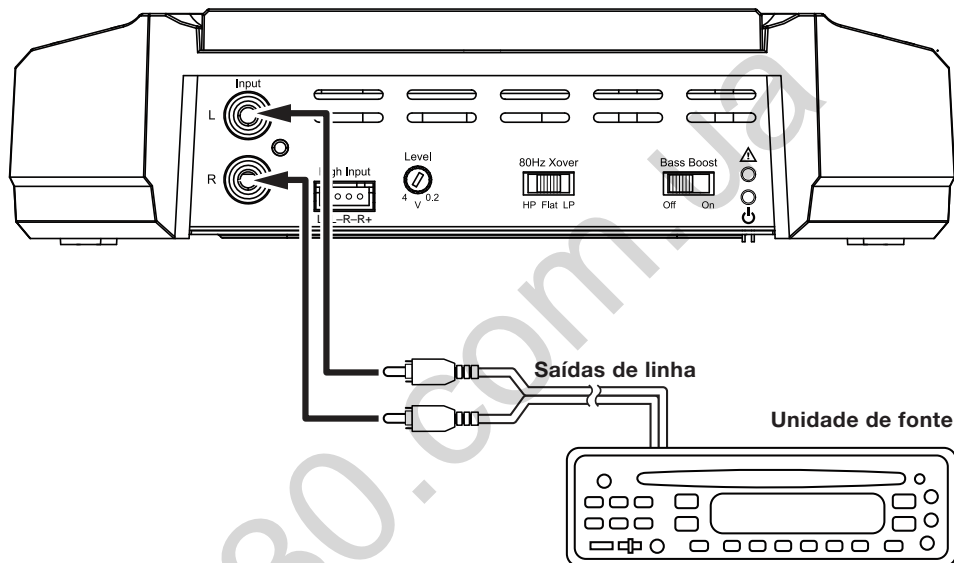
Impedância mínima das colunas: 2 ohms (cada uma)

Ligue as colunas esquerda e direita aos terminais (+) e (-) FL e FR.



LIGAÇÕES DE ENTRADAS PARA GX-A602: FUNCIONAMENTO COM 2 CANAIS

Ligue as saídas de linha da unidade de fonte ou do processador conforme mostrado na imagem abaixo.



Consulte *Definir os controlos de cruzamento* na página 20 para obter mais informações sobre a definição dos controlos do amplificador para funcionamento com 2 canais.

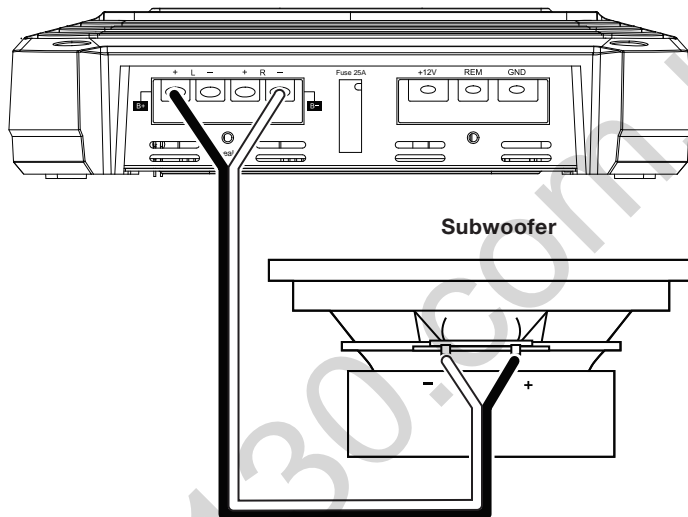
Para utilizar as entradas de nível de coluna em vez das entradas de nível de linha, consulte *Utilizar as entradas de nível de coluna* na página 12.

LIGAÇÕES DE COLUNAS PARA GX-A602: FUNCIONAMENTO EM PONTE

O funcionamento em ponte disponibiliza um único canal de alta potência para um subwoofer.

Impedância mínima das colunas: 4 ohms

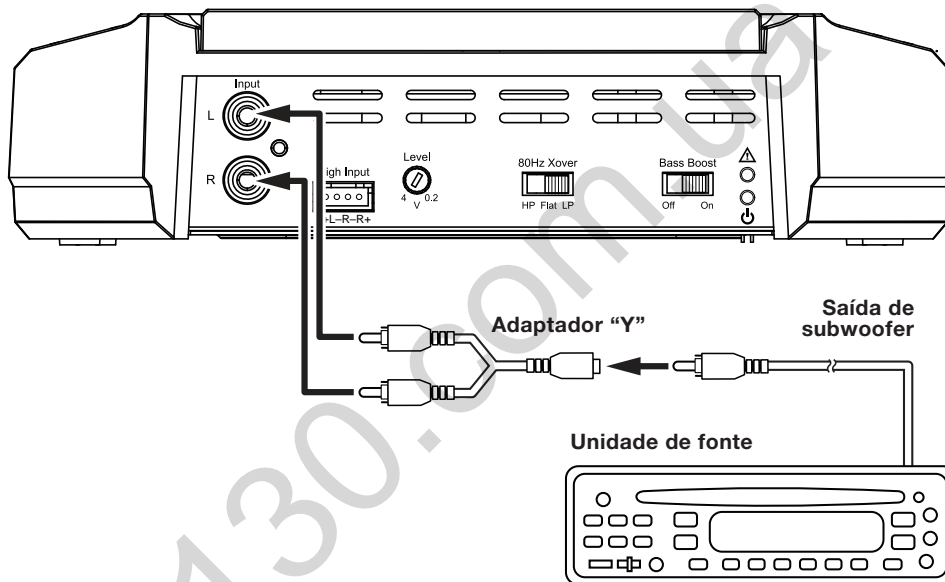
Ligue o subwoofer aos terminais (+) RL e (-) RR. **NOTA:** Pode ligar dois subwoofers de 2 ohms em série para manter a impedância de 4 ohms necessária para o funcionamento em ponte.



LIGAÇÕES DE ENTRADAS PARA GX-A602: FUNCIONAMENTO EM PONTE

Ligue a saída de linha de subwoofer da unidade de fonte ou do processador à entrada esquerda do amplificador, conforme mostrado na imagem abaixo.

NOTA: Utilize um adaptador “Y” para ligar a unidade de fonte às tomadas de entrada esquerda e direita do amplificador.



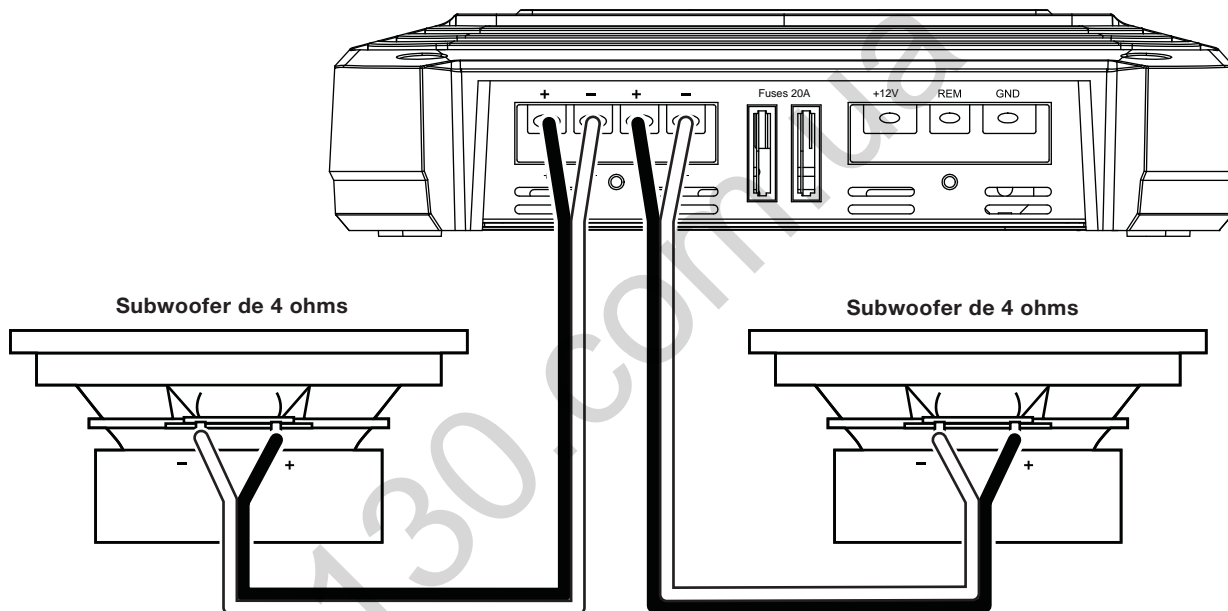
Consulte *Definir os controlos de cruzamento* na página 20 para obter mais informações sobre a definição dos controlos do amplificador para funcionamento em ponte.

Para utilizar as entradas de nível de coluna em vez das entradas de nível de linha, consulte *Utilizar as entradas de nível de coluna* na página 12.

LIGAÇÕES DE COLUNAS PARA GX-A3001

Impedância mínima das colunas: 2 ohms (subwoofer individual); 4 ohms (2 subwoofers)

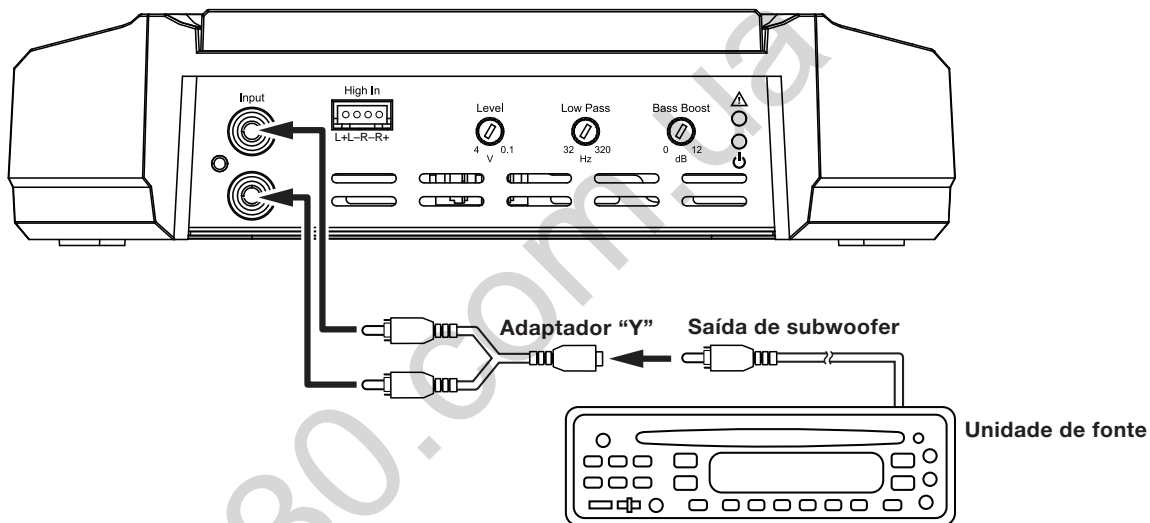
O modelo GX-A3001 tem dois conjuntos paralelos de conectores de colunas, o que permite ligar dois subwoofers.



- Se estiver a utilizar um subwoofer individual, pode ligá-lo a qualquer um dos conjuntos de conectores de colunas do modelo GX-A3001.
- Se estiver a utilizar dois subwoofers de 2 ohms, pode ligá-los a um dos conjuntos de conectores em série para ficar acima da impedância mínima de 2 ohms necessária.

LIGAÇÕES DE ENTRADAS PARA GX-A3001

Utilize um adaptador “Y” para ligar a saída de linha de subwoofer da unidade de fonte ou do processador às entradas esquerda e direita do amplificador, conforme mostrado na imagem abaixo. Se a unidade de fonte não tiver uma saída de subwoofer dedicada, pode ligar as saídas traseiras esquerda/direita às entradas esquerda e direita do amplificador.

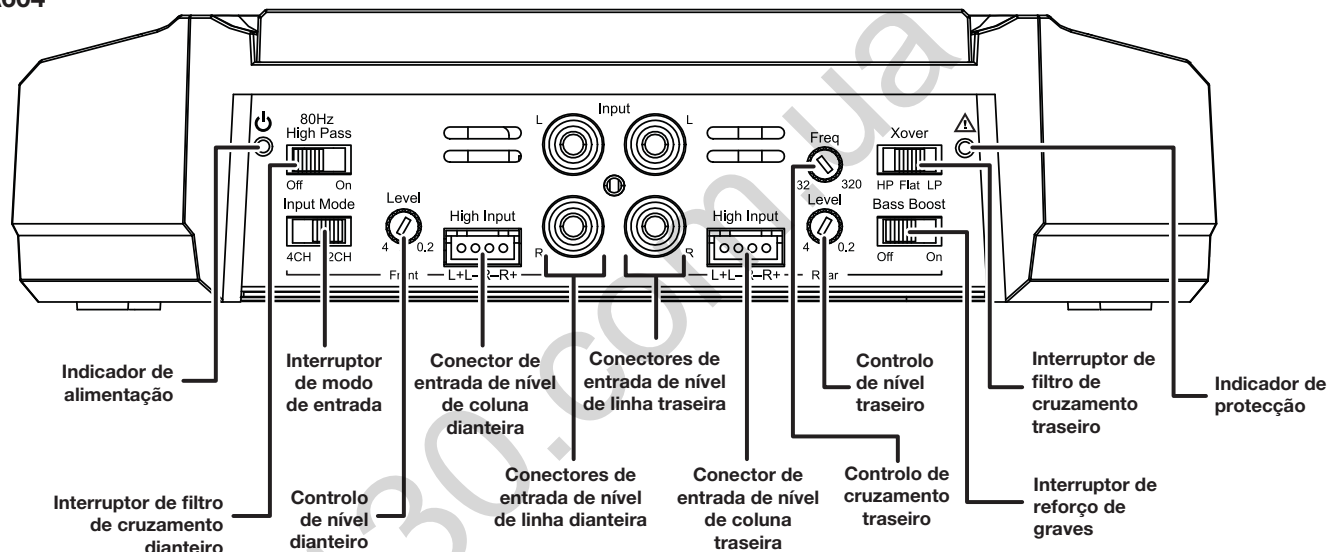


Consulte *Definir os controlos de cruzamento* na página 20 para obter mais informações sobre a definição dos controlos do amplificador.

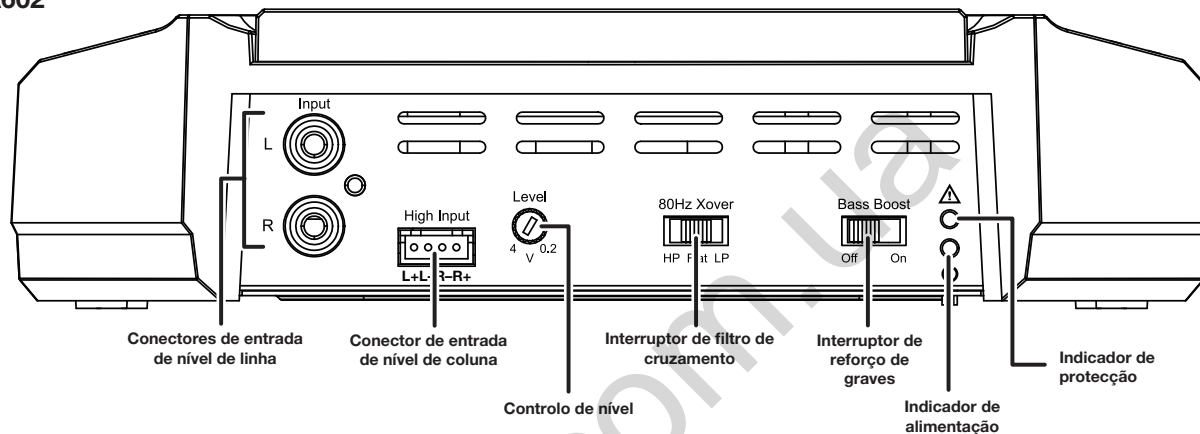
Para utilizar as entradas de nível de coluna em vez das entradas de nível de linha, consulte *Utilizar as entradas de nível de coluna* na página 12.

CONTROLOS, LIGAÇÕES DE ENTRADAS E INDICADORES

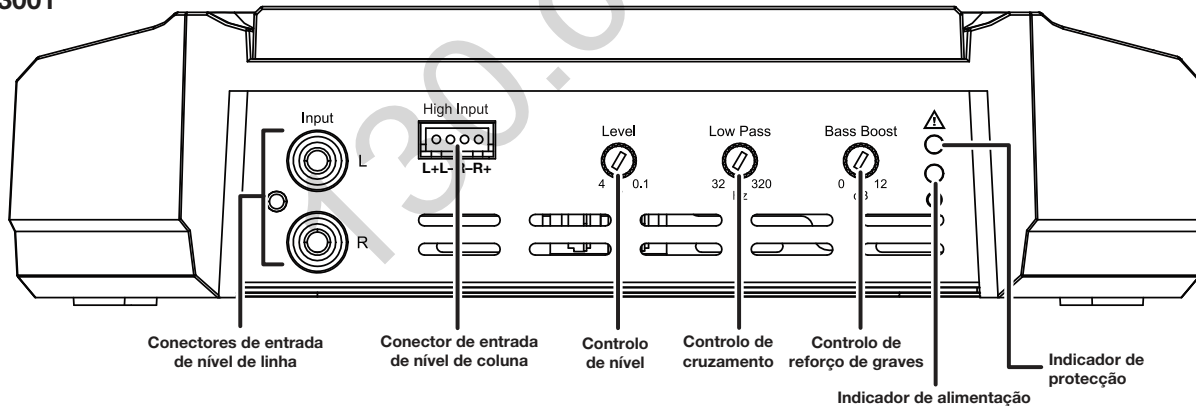
GX-A604



GX-A602



GX-A3001



DEFINIR OS CONTROLOS DE CRUZAMENTO

GX-A604: FUNCIONAMENTO COM 4 CANAIS

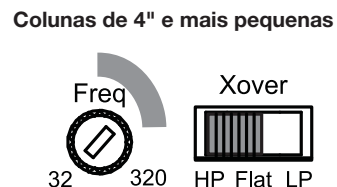
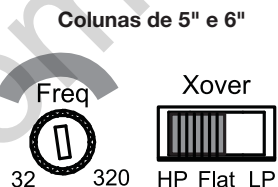
Interruptor de modo de entrada: Coloque o interruptor de modo de entrada na posição "4CH".

Interruptor de filtro de cruzamento dianteiro: Coloque o interruptor de filtro de cruzamento dianteiro na posição "ON" (passa-alto). Essa definição irá limitar a quantidade de energia de baixa frequência enviada para as colunas, reduzindo significativamente a distorção e evitando danos nas colunas. **Exceção:** Se tiver ligado colunas grandes (6" x 9" ou maiores) de gama total com capacidade para lidar com graves significativos nos canais dianteiros do amplificador e se não estiver a utilizar um subwoofer no sistema, coloque o interruptor de filtro de cruzamento dianteiro na posição "OFF" (gama total).

Interruptor de filtro de cruzamento traseiro: Coloque o interruptor de filtro de cruzamento traseiro na posição "HP" (passa-alto). Essa definição irá limitar a quantidade de energia de baixa frequência enviada para as colunas, reduzindo significativamente a distorção e evitando danos nas colunas. **Exceção:** Se tiver ligado colunas grandes (6" x 9" ou maiores) de gama total com capacidade para lidar com graves significativos nos canais dianteiros do amplificador e se não estiver a utilizar um subwoofer no sistema, coloque o interruptor de filtro de cruzamento traseiro na posição "FLAT" (gama total).

Controlo de cruzamento traseiro: Quando o interruptor de cruzamento traseiro é colocado na posição "HP", o controlo de cruzamento traseiro determina a frequência em que as frequências baixas enviadas para as colunas comecem a ter o volume reduzido.

Quando utilizar o amplificador no modo de 4 canais, deve definir o controlo de cruzamento traseiro de acordo com o tamanho das colunas ligadas aos canais do amplificador – quanto mais pequenas forem as colunas, maior terá de ser a definição do controlo, para proteger as colunas contra danos. Depois de definir inicialmente a frequência de cruzamento, ouça música com graves fortes que conheça bem. Se as colunas emitirem um som distorcido ou irregular, coloque o controlo de frequência de cruzamento numa definição mais elevada para eliminar a distorção/irregularidade. A imagem no lado direito mostra os intervalos de frequências do filtro de cruzamento recomendados para diferentes tamanhos de colunas.



GX-A604: FUNCIONAMENTO COM 3 CANAIS

Interruptor de modo de entrada: Coloque o interruptor de modo de entrada na posição "4CH".

Interruptor de cruzamento dianteiro: Coloque o interruptor de cruzamento dianteiro na posição "ON" (passa-alto). Essa definição irá limitar a quantidade de energia de baixa frequência enviada para as colunas, reduzindo significativamente a distorção e evitando danos nas colunas.

Funcionamento com passa-baixo: Subwoofers e woofers



Interruptor de filtro de cruzamento traseiro: Quando ligar um subwoofer ou woofer aos canais traseiros, coloque o interruptor de filtro de cruzamento traseiro na posição “LP” (passa-baixo). Essa definição irá limitar a quantidade de energia de alta frequência enviada para os woofers ou subwoofers, melhorando a nitidez da voz e outros sons médios.

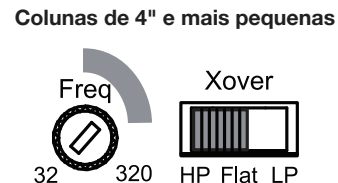
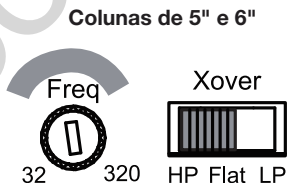
Controlo de cruzamento traseiro: A definição do controlo de cruzamento traseiro utilizada para subwoofers irá depender do tipo e da localização do subwoofer do sistema. Comece por definir o controlo de cruzamento traseiro para uma frequência relativamente inferior à definição de 80 Hz nos canais dianteiros. Depois de ouvir música no sistema durante algum tempo, ajuste a definição do controlo de cruzamento traseiro para obter uma transição suave do subwoofer para as restantes colunas do sistema evitando um “buraco”, ou seja, quando os sons que ocorrem entre o subwoofer e as outras colunas parecem desaparecer. A imagem do lado direito mostra o intervalo de frequências recomendado do controlo de cruzamento traseiro.

GX-A604: FUNCIONAMENTO COM 2 CANAIS

Interruptor de modo de entrada: Coloque o interruptor de modo de entrada na posição “2CH”.

Interruptor de filtro de cruzamento dianteiro: Coloque o interruptor de filtro de cruzamento dianteiro na posição “ON” (passa-alto). Essa definição irá limitar a quantidade de energia de baixa frequência enviada para as colunas, reduzindo significativamente a distorção e evitando danos nas colunas. **Exceção:** Se tiver ligado colunas grandes (6" x 9" ou maiores) de gama total com capacidade para lidar com graves significativos nos canais dianteiros do amplificador e se não estiver a utilizar um subwoofer no sistema, coloque o interruptor de filtro de cruzamento dianteiro na posição “OFF” (gama total).

Interruptor de filtro de cruzamento traseiro: Coloque o interruptor de filtro de cruzamento traseiro na posição “HP” (passa-alto). Essa definição irá limitar a quantidade de energia de baixa frequência enviada para as colunas, reduzindo significativamente a distorção e evitando danos nas colunas. **Exceção:** Se tiver ligado colunas grandes (6" x 9" ou maiores) de gama total com capacidade para lidar com graves significativos nos canais dianteiros do amplificador e se não estiver a utilizar um subwoofer no sistema, coloque o interruptor de filtro de cruzamento traseiro na posição “FLAT” (gama total).



Controlo de cruzamento traseiro: Quando o interruptor de cruzamento traseiro é colocado na posição “HP”, o controlo de cruzamento traseiro determina a frequência em que as frequências baixas enviadas para as colunas começam a ter o volume reduzido.

Quando utilizar o amplificador no modo de 4 canais, deve definir o controlo de cruzamento traseiro de acordo com o tamanho das colunas ligadas aos canais do amplificador – quanto mais pequenas forem as colunas, maior terá de ser a definição do controlo, para proteger as colunas contra danos. Depois de definir inicialmente a frequência de cruzamento, ouça música com graves fortes que conheça bem. Se as colunas emitirem um som distorcido ou irregular, coloque o controlo de frequência de cruzamento numa definição mais elevada para eliminar a distorção/irregularidade. A imagem no lado direito mostra os intervalos de frequências do filtro de cruzamento recomendados para diferentes tamanhos de colunas.

GX-A602: FUNCIONAMENTO COM 2 CANAIS

Interruptor de filtro de cruzamento:

- Se tiver ligado o amplificador a duas colunas de gama total de 6" ou mais pequenas, coloque o interruptor de filtro de cruzamento na posição "HP" (passa-alto). Essa definição irá limitar a quantidade de energia de baixa frequência enviada para as colunas, reduzindo significativamente a distorção e evitando danos nas colunas.
- Se tiver ligado o amplificador a duas colunas grandes (6" x 9" ou maiores) de gama total com capacidade para lidar com graves significativos e se não estiver a utilizar um subwoofer no sistema, coloque o interruptor de filtro de cruzamento na posição "FLAT" (gama total).
- Se tiver ligado o amplificador a dois woofers ou subwoofers, coloque o interruptor de filtro de cruzamento na posição "LP" (passa-baixo). Essa definição irá limitar a quantidade de energia de alta frequência enviada para os woofers/subwoofers, melhorando a nitidez da voz e outros sons médios.

GX-A602: FUNCIONAMENTO EM PONTE

Interruptor de filtro de cruzamento: Quando utilizar o amplificador em modo de ponte com ligação a um subwoofer, coloque o interruptor de filtro de cruzamento na posição "LP" (passa-baixo). Essa definição irá limitar a quantidade de energia de alta frequência enviada para o subwoofer.

GX-A3001

NOTA: O cruzamento interno do modelo GX-A3001 está permanentemente definido para funcionamento com passa-baixo.

Controlo de cruzamento: O controlo de cruzamento limita a quantidade de energia de alta frequência enviada para os woofers ou subwoofer. A definição do controlo de cruzamento utilizada para subwoofers irá depender do tipo e da localização do subwoofer do sistema. Comece por definir o controlo de cruzamento para uma frequência relativamente inferior à definição de cruzamento de passa-alto utilizada para as outras colunas do sistema. Depois de ouvir música no sistema durante algum tempo, ajuste a definição do controlo de cruzamento para obter uma transição suave do subwoofer para as restantes colunas do sistema evitando um "buraco", ou seja, quando os sons que ocorrem entre o subwoofer e as outras colunas parecem desaparecer. A imagem do lado direito mostra o intervalo de frequências recomendado do controlo de cruzamento.

Subwoofers e woofers



DEFINIR O NÍVEL DE ENTRADA

1. Rode totalmente todos os controlos de nível em todos os amplificadores no sentido contrário ao dos ponteiros do relógio.
2. Reproduza um trecho de uma música dinâmica através da unidade de fonte e aumente o volume para 3/4 de volume.
3. Rode lentamente o controlo de nível no amplificador dos canais dianteiros no sentido dos ponteiros do relógio até a música começar a ficar com um som distorcido.
4. Rode ligeiramente o controlo de nível no sentido contrário ao dos ponteiros do relógio até a música deixar de ter um som distorcido.
5. Se estiver a utilizar mais de um amplificador ou o modelo GX-A604, repita os passos 3 – 4 para os restantes controlos de nível do amplificador.

DEFINIR O REFORÇO DE GRAVES

GX-A604: Quando estiver a utilizar os canais traseiros do amplificador para alimentar um subwoofer, o interruptor de reforço de graves pode fornecer um reforço de graves de 12 dB a 45 Hz. (O interruptor afecta apenas os canais traseiros do amplificador.) Ajuste este interruptor de acordo com o seu gosto pessoal, mas se a utilização desta função causar distorção audível ou limitação do subwoofer, é aconselhável colocar o interruptor na posição "OFF". **CUIDADO:** Utilize apenas o interruptor de reforço de graves se tiver configurado os canais traseiros para alimentação de um subwoofer. A utilização do interruptor de reforço de graves com colunas de gama total pode danificar as colunas.

GX-A602: Quando estiver a utilizar o amplificador em modo de ponte para alimentar um subwoofer, o interruptor de reforço de graves pode fornecer um reforço de graves de 12 dB a 45 Hz. Ajuste este interruptor de acordo com o seu gosto pessoal, mas se a utilização desta função causar distorção audível ou limitação do subwoofer, é aconselhável colocar o interruptor na posição "OFF". **CUIDADO:** Utilize apenas o interruptor de reforço de graves se estiver a utilizar o amplificador para alimentar um subwoofer. A utilização do interruptor de reforço de graves com colunas de gama total pode danificar as colunas.

GX-A3001: O controlo de reforço de graves pode fornecer até 12 dB de reforço de graves a 45 Hz. Ajuste este controlo de acordo com o seu gosto pessoal, mas tenha cuidado para não ajustar o controlo com um nível suficientemente alto para causar distorção audível ou limitação do subwoofer.

INDICADORES LED DE ALIMENTAÇÃO E PROTECÇÃO

INDICADOR LED DE ALIMENTAÇÃO

- Indicador LED aceso a cor-de-laranja: funcionamento normal (a alimentação está ligada).
- Indicador LED apagado: o amplificador está em modo de espera.

INDICADOR LED DE PROTECÇÃO

O indicador LED de protecção do amplificador deve permanecer apagado durante o funcionamento normal. Se não sair som proveniente do amplificador e se o indicador LED de protecção se acender a vermelho, consulte *Resolução de problemas* na página 24.

RESOLUÇÃO DE PROBLEMAS

Se o amplificador não estiver a funcionar como acha que deveria funcionar, verifique se o problema é abordado nesta secção antes de contactar o revendedor ou o serviço de apoio ao cliente da JBL.

PROBLEMA

CAUSAS E SOLUÇÕES

Não sai som (o indicador LED de alimentação do amplificador está apagado)

- Verifique se as ligações +12 V e GND do amplificador foram feitas correctamente.
- Verifique se o fusível no fio +12 V perto da bateria está fundido: se estiver, substitua-o por um fusível idêntico.
- Verifique todos os fusíveis do amplificador; se estiverem fundidos, substitua-os por fusíveis idênticos.
- Se estiver a utilizar a ligação REM do amplificador para activação, verifique se o fio está ligado correctamente ao fio de activação remota do sistema de áudio ou ao terminal de alimentação ACC do veículo.

Não sai som (o indicador LED de alimentação do amplificador está cor-de-laranja)

- Verifique se todas as ligações de entradas e colunas do amplificador foram feitas correctamente.
- Certifique-se de que os controlos de nível do amplificador não estão totalmente no mínimo (rodados no sentido contrário ao dos ponteiros do relógio).
- Certifique-se de que o controlo de volume da unidade de fonte do sistema de áudio não está totalmente no mínimo.

Não sai som (o indicador LED de protecção do amplificador está vermelho)

- Verifique se o sistema eléctrico do veículo está a fornecer entre 9 V e 16 V CC ao amplificador. Se a tensão de alimentação estiver fora desse intervalo, corrija a situação antes de tentar utilizar o amplificador.
- Em caso de sobreaquecimento do amplificador, aguarde que o amplificador arrefeça antes de tentar utilizá-lo novamente.
- Desligue todas as colunas do amplificador e tente ligá-lo novamente:
 - Se o amplificador se ligar (indicador LED de alimentação cor-de-laranja), existe um curto-circuito em um ou mais fios das colunas. Corrija todos os curtos-circuitos antes de ligar novamente as colunas ao amplificador.
 - Se o amplificador não se ligar (o indicador LED de protecção permanece vermelho e o indicador LED de alimentação está apagado), contacte um revendedor autorizado da JBL para obter assistência.

PROBLEMA**CAUSAS E SOLUÇÕES**

O som é emitido apenas por algumas das colunas ligadas ao amplificador

- Certifique-se de que os controlos de balanço e fader da unidade de fonte de áudio estão colocados nas respectivas posições centrais (ponto médio).
- (GX-A604): Certifique-se de que a definição do interruptor de modo do amplificador corresponde às ligações de entradas e colunas feitas no amplificador.

O som é demasiado baixo, mesmo com o volume da unidade de fonte do sistema de áudio do veículo no máximo

- Certifique-se de que os controlos de nível do amplificador não estão demasiado baixos. Consulte *Definir o nível de entrada* na página 22 para obter mais informações sobre a definição dos controlos de nível.

O som das colunas dianteiras/traseiras está distorcido

- Certifique-se de que o interruptor de filtro de cruzamento do amplificador para os canais distorcidos está na posição “HP”.
- Ajuste o controlo de cruzamento dos canais distorcidos para uma definição superior.
- Certifique-se de que a distorção não está a ser causada pela unidade de fonte do sistema de áudio do veículo.

O som do subwoofer está distorcido

- (GX-A604, GX-A602): Coloque o interruptor de reforço de graves na posição “OFF”.
- (GX-A3001): Enquanto ouve música com muitos graves, rode o controlo de reforço de graves totalmente para o mínimo e, em seguida, aumente-o gradualmente até começar a ouvir novamente a distorção. Reduza ligeiramente a definição do controlo de reforço de graves para eliminar a distorção e deixe o controlo nessa posição.
- Certifique-se de que a distorção não está a ser causada pela unidade de fonte do sistema de áudio do veículo.

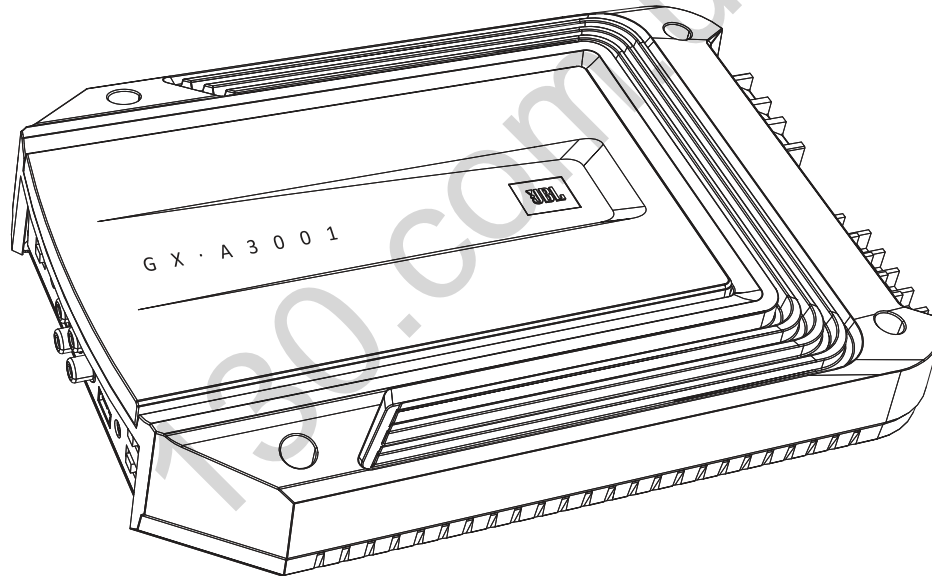
ESPECIFICAÇÕES

	GX-A604	GX-A602	GX-A3001
Potência máxima (15,5 V, 1 kHz, 10% THD, ch total, 2 ohms)	435 W	280 W	415 W (15,5 V, 50 Hz, 10% THD, 2 ohms)
Potência nominal de saída @ 4 ohms	60 W x 4	60 W x 2	200 W x 1
Potência de saída em ponte (4 ohms, 1% THD)	170 W x 2	170 W x 1	N/D
THD+N com potência nominal	< 1%	< 1%	< 1%
Sinal/ruído (2 V @ 4 ohms)	> 75 dB	> 75 dB	> 75 dB
Factor de amortecimento efectivo (4 ohms)	> 50	> 50	> 50
Resposta em frequência (-3 dB)	20 Hz – 20 kHz ±1 dB	20 Hz – 20 kHz ±1 dB	10 Hz – 320 Hz
Tensão máxima de entrada	20 V	20 V	20 V
Sensibilidade máxima de entrada	200 mV	200 mV	200 mV
Tamanho de fusível	20 A x 2	25 A	20 A x 2
Dimensões (A x L x P)	52 mm x 300 mm x 206 mm (2-1/16" x 11-13/16" x 8-1/8")	52 mm x 198 mm x 206 mm (2-1/16" x 7-13/16" x 8-1/8")	52 mm x 291 mm x 206 mm (2-1/16" x 11-7/16" x 8-1/8")
Peso	2,4 kg (5,3 lb)	1,7 kg (3,8 lb)	2,4 kg (5,3 lb)



GX-A604/GX-A602/GX-A3001

功率放大器

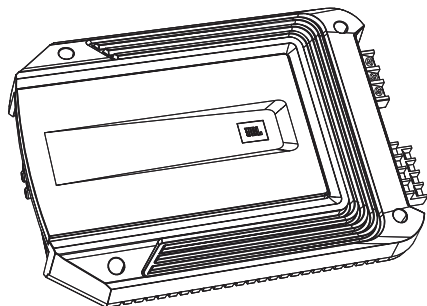


擁有者手冊

簡介

感謝您購買 JBL® GX 系列放大器。為了在您需要保固服務時我們可以提供更佳服務，請您保留原始銷售收據，以及在 www.jbl.com 線上註冊您的放大器。

包含的物品



GX 系列放大器 (1 個)



喇叭電平輸入線束
(GX-A602 和 GX-A3001 各 1 束)
(GX-A604 2 束)

位置和裝載

雖然這些指示將解釋如何安裝 GX 系列放大器，但只是概括性解釋，並不是針對您的特定車輛提供的特定安裝方法。如果您沒有所需的工具或經驗，請勿嘗試自行安裝。而是請諮詢授權的 JBL 汽車音響經銷商，並要求他們提供專業的安裝服務。

安裝警告和提示

重要事項：開始安裝之前，請先中斷連接汽車的負極 (-) 電池端子。

- 使用工具時，請始終佩戴護目鏡。
- 檢查計劃的裝載表面兩側的距離。請確保螺絲或電線不會刺穿制動管線、燃料管線或任何線束，以及佈線不會干擾車輛的安全駕駛。
- 進行電氣連接時，請確保連接穩固且完全絕緣。
- 如果您必須更換放大器的任何保險絲，請確保使用與原始元件相同類型的保險絲和額定電流。

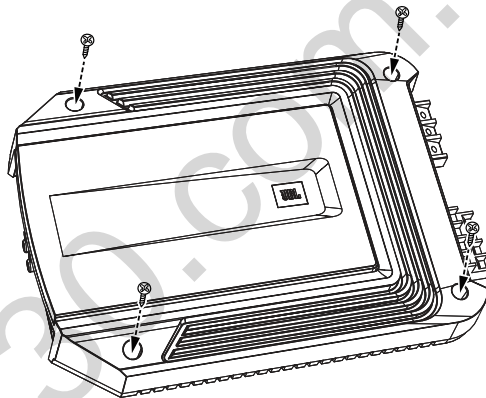
安裝位置

放大器需要空氣流通以防止過熱。請選擇一個氣流足夠的安裝位置，以讓放大器自行冷卻。

- 適合的位置包括座位下方（如果放大器不會干擾座椅調整機制）、車尾箱內或可提供足夠冷空氣的任何其他位置。
- 裝載放大器時，請勿將散熱槽正面朝下，因為這會干擾放大器的對流冷卻。
- 裝載放大器時，請確保放大器不會被後座乘客踢碰，或因車尾箱內物品晃動而損壞。
- 裝載放大器時，請確保放大器保持乾燥狀態，切勿將放大器裝載在汽車外部或引擎室內。

裝載放大器

附註：您可能發現，在將放大器永久裝載至車輛之前，先接好放大器的所有連接將更方便。



1. 如上所述，選擇一個適合的裝載位置。
2. 使用放大器作為範本，在裝載表面標示裝載孔的位置。
3. 在裝載表面鑽出導向孔。
4. 自己選擇四顆適當的裝載螺絲，將放大器連接至裝載表面。我們建議使用 8 號十字金屬板螺絲。請確保穩固地裝載放大器。

電源和接地連接

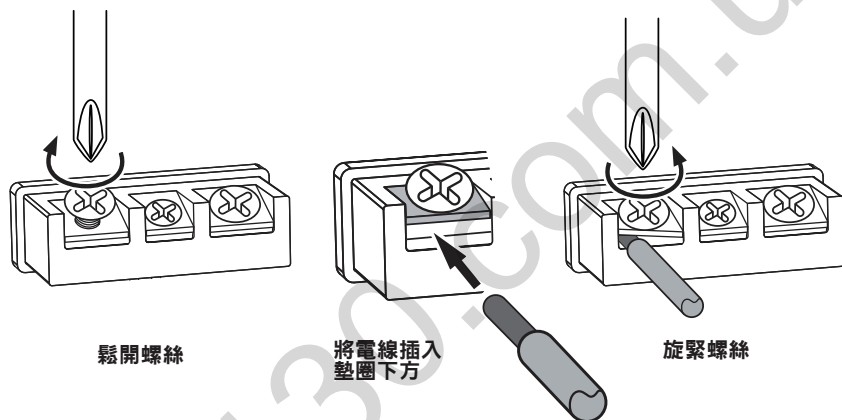
重要事項：開始安裝之前，請先中斷連接汽車的負極 (-) 電池端子。

GX 系列放大器可以提供強勁的功率，但若未取得最佳效能，就需要可靠地連接至車輛的電氣系統，但會造成沉重的負載。請仔細遵循下列指示。

使用連接器

GX 系列放大器的電源和喇叭連接，都使用相同類型的螺絲端子。此類型的端子簡單易用，可輕鬆地連接大量電線。

若要使用連接器，請使用十字螺絲起子鬆開連接器的固定螺絲，插入裸線並旋緊固定螺絲，以將電線固定在連接器中，如下圖所示。



重要事項：請確保放大器端子和喇叭端子上的 (+) 和 (-) 喇叭裸線沒有互相接觸，或接觸到其他端子。接觸電線可能會導致短路，從而損壞放大器。

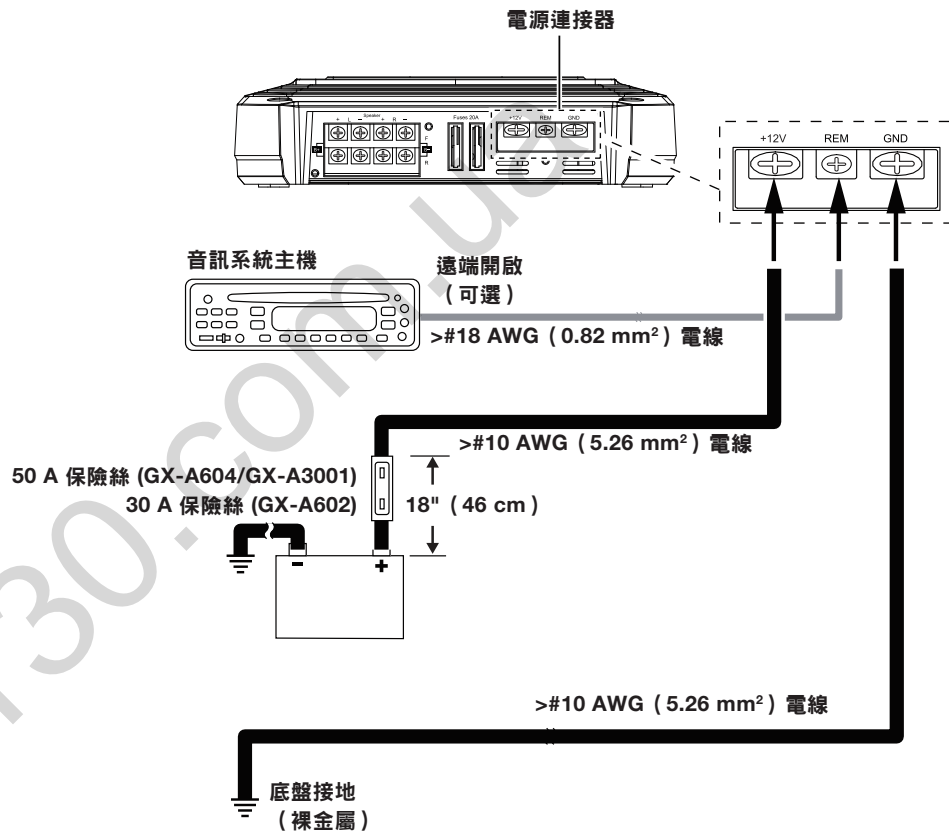
接地 (GND) 連接

將電線（最小 10 AWG – 5.3 mm²）從放大器的 GND 端子直接連接至車輛底盤上的一個實心位置。

- 為取得良好的連接效能，請使用砂紙將此底盤位置金屬表面的噴漆擦去。使用星形鎖定墊圈來固定電線連接。

電源 (12 V) 連接

- 將電線（最小 10 AWG – 5.3 mm²）直接連接至電池的正極 (+) 端子。
- 在此電線上，安裝適用於 50 A 保險絲 (GX-A604、GX-A3001) 或 30 A 保險絲 (GX-A602) 的保險絲座，距離電池 (+) 端子 18" (46 cm) 內。此時，請勿將保險絲安裝在保險絲座中。
- 將此電線佈線至放大器的位置，並將其連接至放大器的 +12 V 端子。每當將電線穿過防火牆或其他金屬板時，請確保使用適當的墊圈。
重要事項：如果無法為正極電線提供足夠的保護來防止潛在的損壞，可能會導致車輛著火。
- 完成佈線和連接此電線後，在電池附近安裝的保險絲座中安裝適當的保險絲 (GX-A604、GX-A3001 – 50 A 保險絲；GX-A602 – 30 A 保險絲)。



喇叭和輸入連接

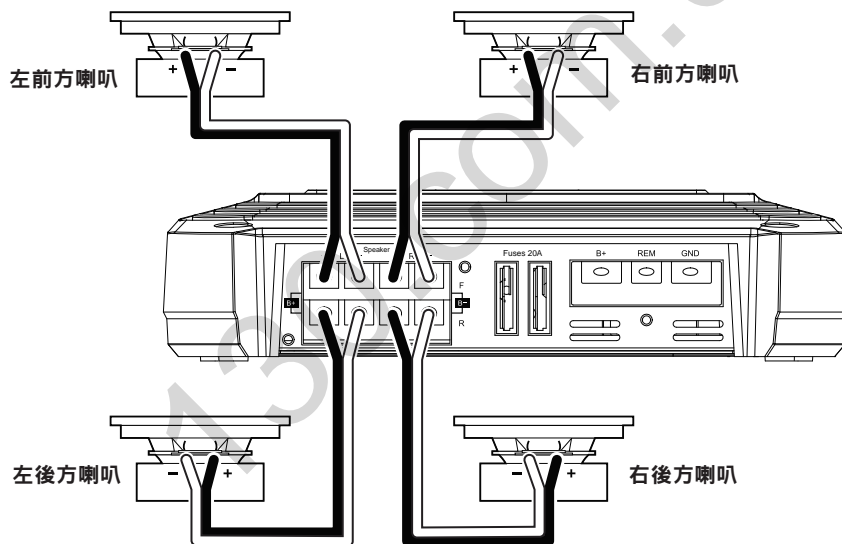
始終將放大器上的 (+) 喇叭端子連接至喇叭上的 (+) 端子；將放大器上的 (-) 喇叭端子連接至喇叭上的 (-) 端子。

重要事項：請確保放大器端子和喇叭端子上的 (+) 和 (-) 裸線沒有互相接觸，或接觸到其他端子。接觸電線可能會導致短路，從而損壞放大器。

GX-A604 喇叭連接：4 聲道作業

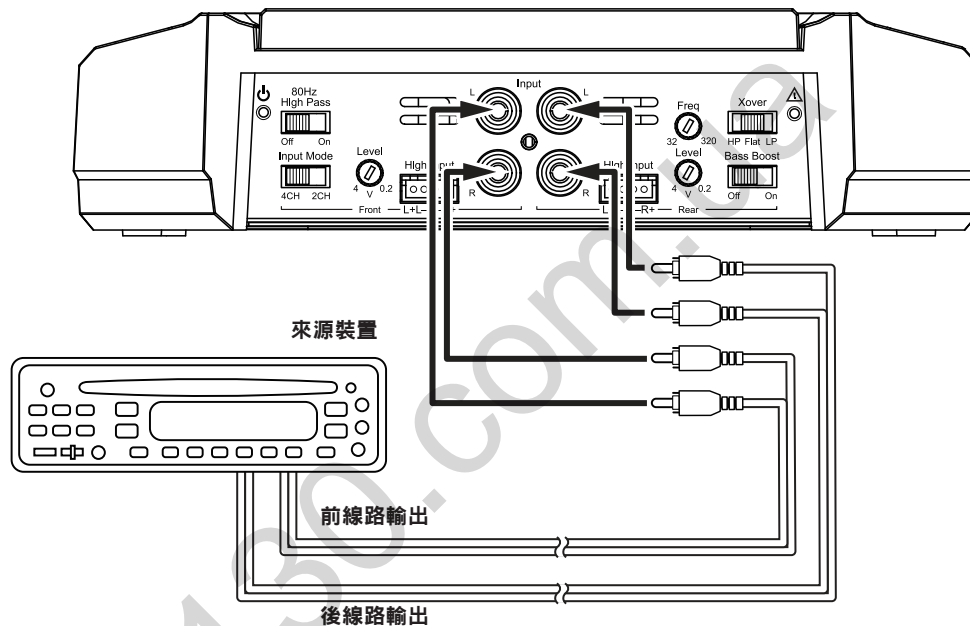
最小喇叭阻抗：2 歐姆（每個聲道）

- 將前置喇叭連接至 FL 和 FR (+) 與 (-) 端子。
- 將後置喇叭連接至 RL 和 RR (+) 與 (-) 端子。



GX-A604 輸入連接：4 聲道作業

將來源裝置或處理器的左前、右前、左後和右後輸出連接至放大器的輸入，如下圖所示。



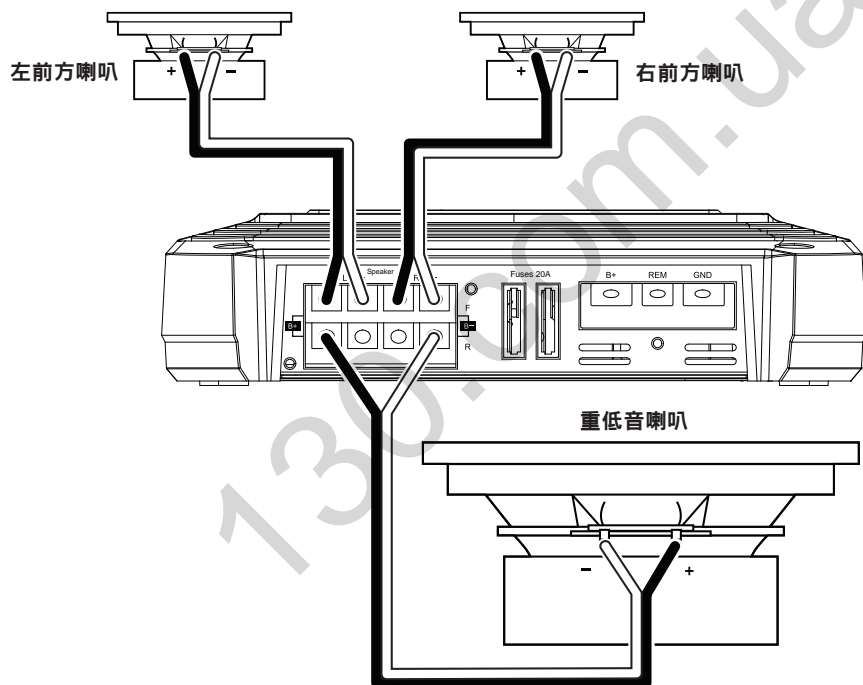
如需有關設定放大器的 4 聲道作業控制鈕的資訊，請參閱第 20 頁的設定分頻控制鈕。

若要使用喇叭電平輸入，而不使用線路電平輸入，請參閱第 12 頁的使用喇叭電平輸入。

GX-A604 喇叭連接：3 聲道作業

最小喇叭阻抗：2 歐姆（左和右喇叭的每個聲道）；4 歐姆（重低音喇叭）

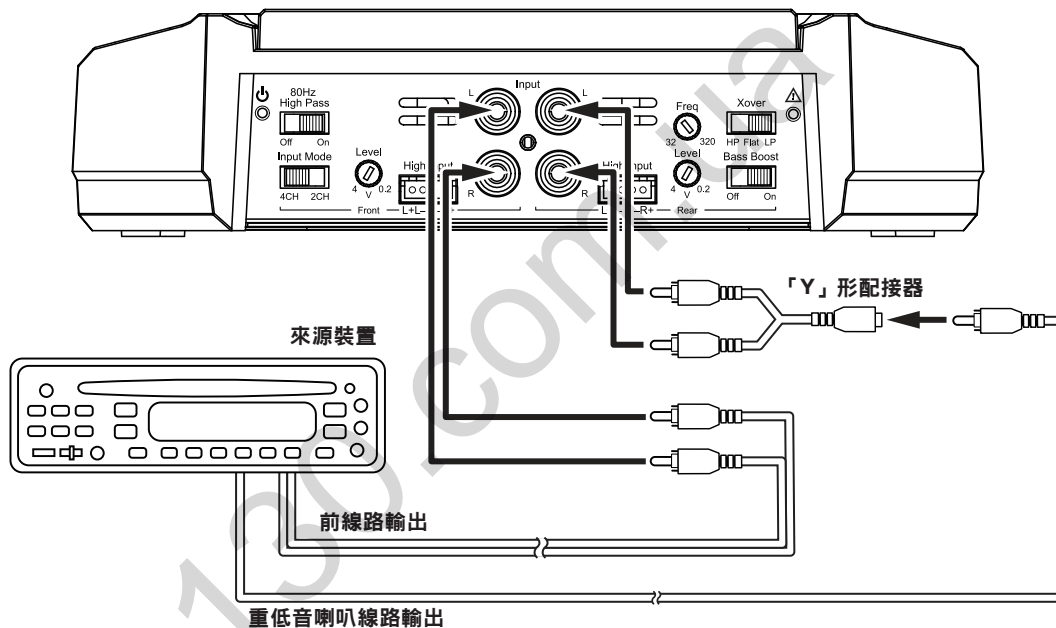
- 將左和右喇叭連接至 FL 和 FR (+) 與 (-) 端子。
- 將重低音喇叭連接至 RL (+) 和 RR (-) 端子。（後置聲道 Bass Boost（低音加強）控制鈕會使後置聲道更適合於連接重低音喇叭。請參閱第 23 頁的設定低音加強。）**附註：**您可以用串聯方式連接兩個 2 歐姆重低音喇叭，以滿足重低音聲道所需的 4 歐姆最低阻抗。



GX-A604 輸入連接：3 聲道作業

如下圖所示，連接來源裝置或處理器的線路輸出。將 Input Mode（輸入模式）切換開關設定為「4CH」位置

附註：使用「Y」形配接器，將來源裝置的重低音喇叭輸出連接至放大器的左後和右後輸入插孔。



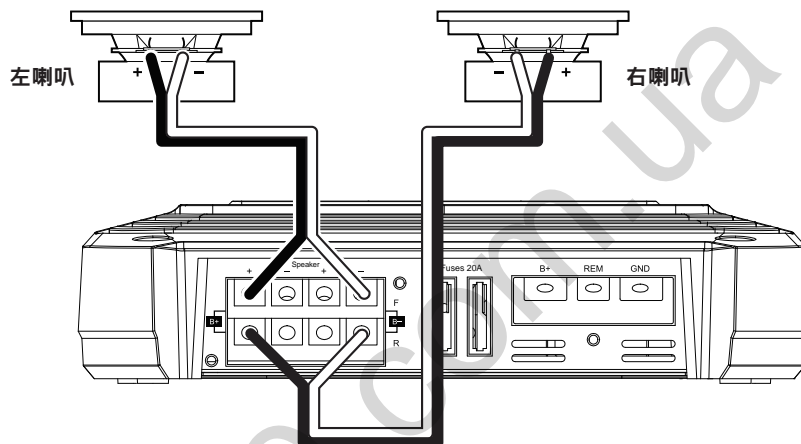
如需有關設定放大器的 3 聲道作業控制鈕的資訊，請參閱第 20 頁的設定分頻控制鈕。

若要使用喇叭電平輸入，而不使用線路電平輸入，請參閱第 12 頁的使用喇叭電平輸入。

GX-A604 喇叭連接：2 聲道作業

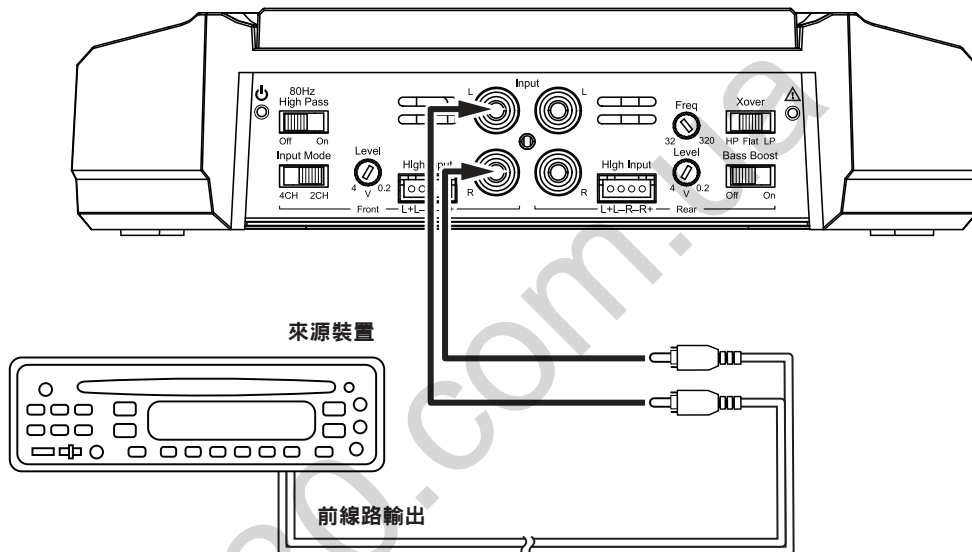
最小喇叭阻抗：4 歐姆（每個聲道）

如下圖所示，連接左和右喇叭。



GX-A604 輸入連接：2 聲道作業

如下圖所示，連接來源裝置或處理器的線路輸出。請僅使用左前和右前輸入連接，並確保將 Input Mode（輸入模式）切換開關設定為「2CH」位置。



如需有關設定放大器的 2 聲道作業控制鈕的資訊，請參閱第 20 頁的設定分頻控制鈕。

若要使用喇叭電平輸入，而不使用線路電平輸入，請參閱第 12 頁的使用喇叭電平輸入。

使用喇叭電平輸入

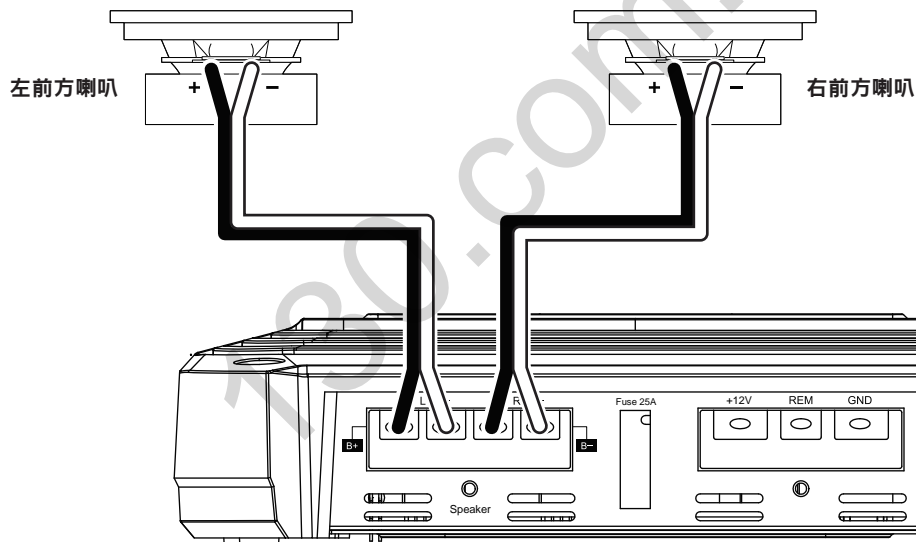
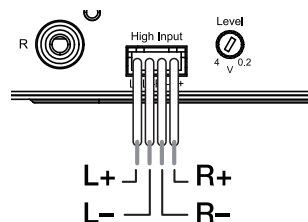
如果您的來源裝置沒有線路電平輸出，您可以使用隨附的喇叭電平輸入線束，來將放大器連接至來源裝置的喇叭輸出。從左至右，這些導體分別為：L+、L-、R-、R+（請參閱右圖）。所有 GX 系列放大器型號上的喇叭電平連接器都遵循此佈線配置。

請遵循前面章節中的指示，用喇叭電平連接器取代線路電平連接器。

GX-A602 喇叭連接；2 聲道作業

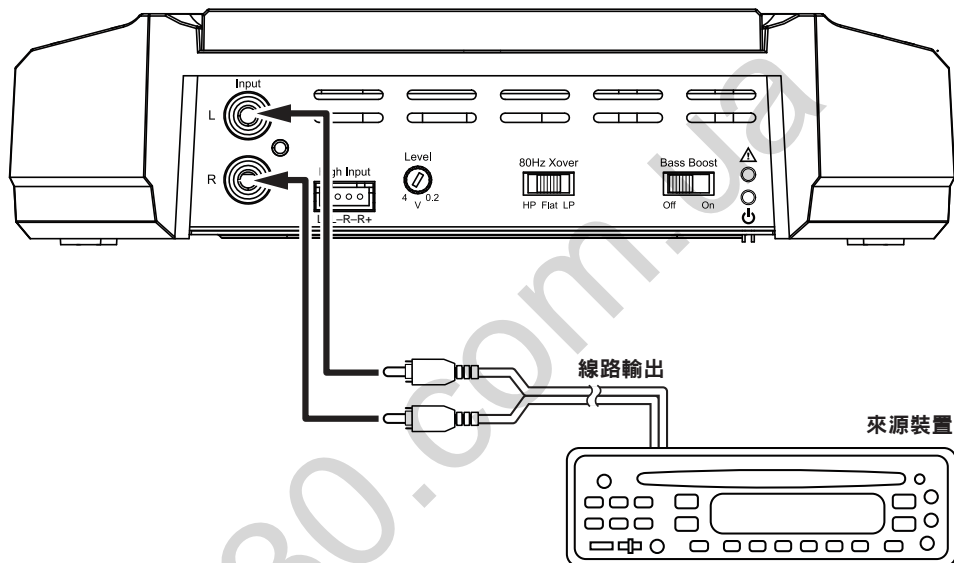
最小喇叭阻抗：2 歐姆（每個聲道）

將左和右喇叭連接至 FL 和 FR (+) 與 (-) 端子。



GX-A602 輸入連接：2 聲道作業

如下圖所示，連接來源裝置或處理器的線路輸出。



如需有關設定放大器的 2 聲道作業控制鈕的資訊，請參閱第 20 頁的設定分頻控制鈕。

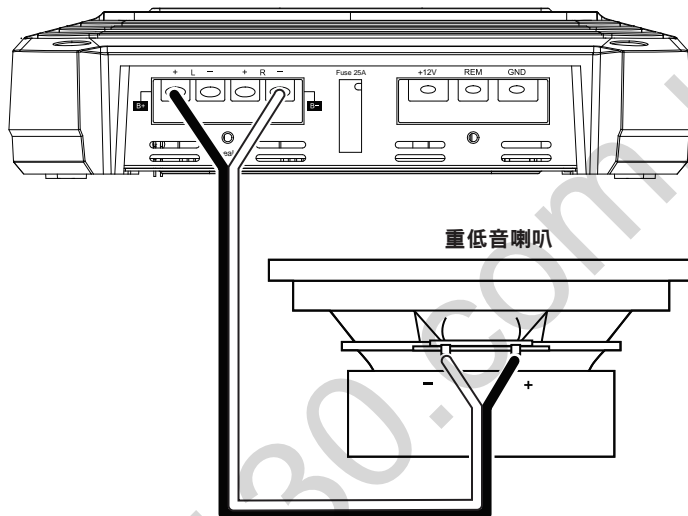
若要使用喇叭電平輸入，而不使用線路電平輸入，請參閱第 12 頁的使用喇叭電平輸入。

GX-A602 喇叭連接：橋接作業

橋接作業為重低音喇叭提供了單一高功率聲道

最小喇叭阻抗：4 歐姆

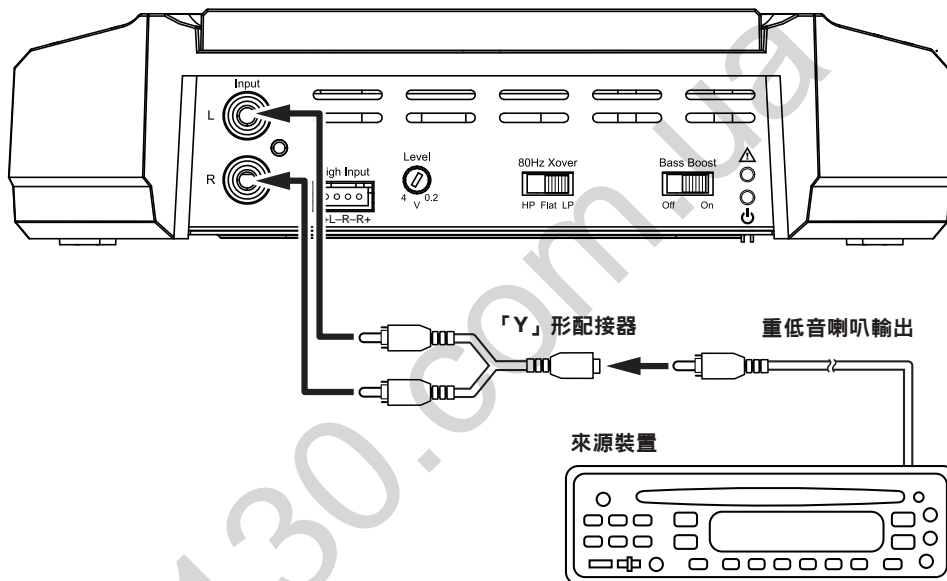
將重低音喇叭連接至 RL (+) 和 RR (-) 端子。 **附註：** 您可以用串聯方式連接兩個 2 歐姆重低音喇叭，以滿足橋接作業所需的 4 歐姆阻抗。



GX-A602 輸入連接：橋接作業

將來源裝置或處理器的重低音喇叭線路輸出連接至放大器的左輸入，如下圖所示。

附註：使用「Y」形配接器，將來源裝置連接至放大器的左和右輸入插孔。



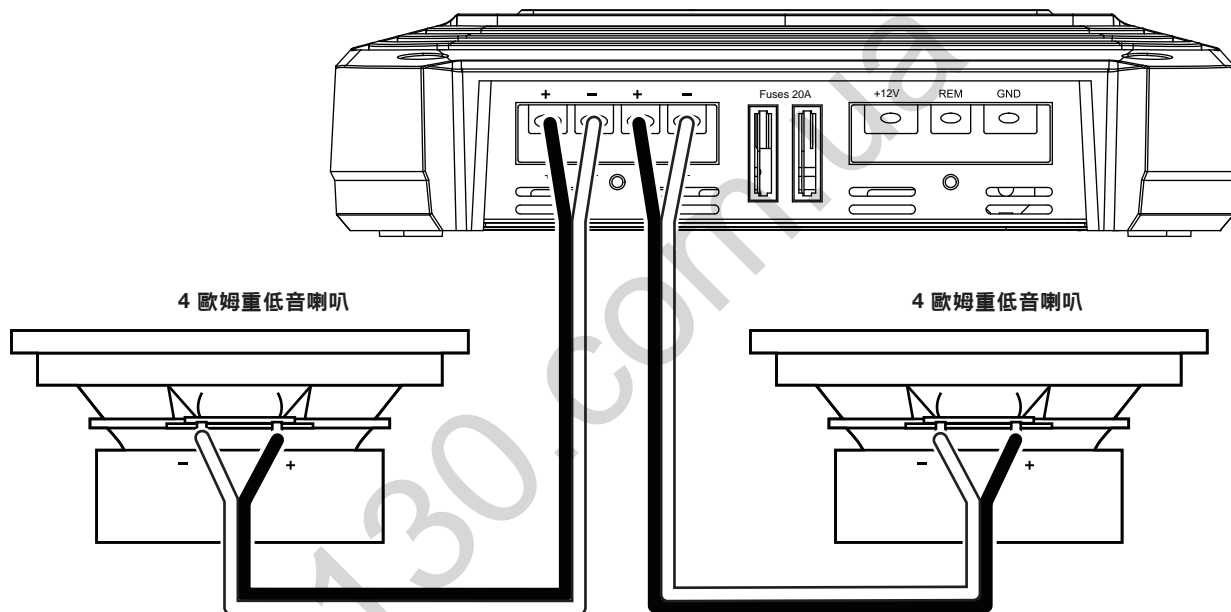
如需有關設定放大器的橋接作業控制鈕的資訊，請參閱第 20 頁的設定分頻控制鈕。

若要使用喇叭電平輸入，而不使用線路電平輸入，請參閱第 12 頁的使用喇叭電平輸入。

GX-A3001 喇叭連接

最小喇叭阻抗：2 歐姆（單一重低音喇叭）；4 歐姆（2 個重低音喇叭）

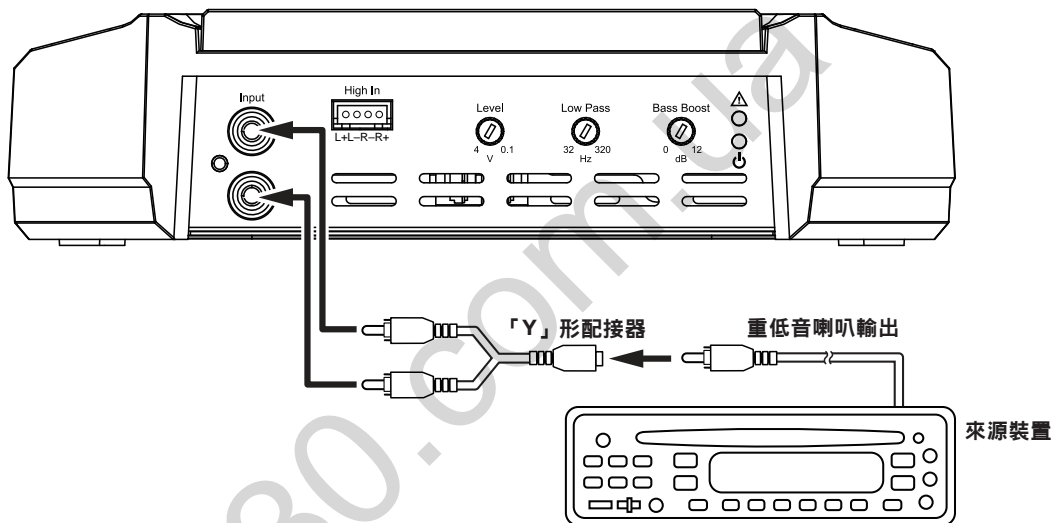
GX-A3001 具有兩組並聯的喇叭連接器，可讓您連接兩個重低音喇叭。



- 如果要使用單一重低音喇叭，您可以將它連接至任何一組 GX-A3001 喇叭連接器。
- 如果要使用兩個 2 歐姆重低音喇叭，您可以用串聯方式將它們連接至其中一組連接器，以滿足上述最低 2 歐姆阻抗的要求。

GX-A3001 輸入連接

使用「Y」形配接器，將來源裝置或處理器的重低音喇叭線路輸出連接至放大器的左和右輸入，如下圖所示。如果您的來源裝置沒有專用的重低音喇叭輸出，您可以將左後/右後輸出連接至放大器的左和右輸入。

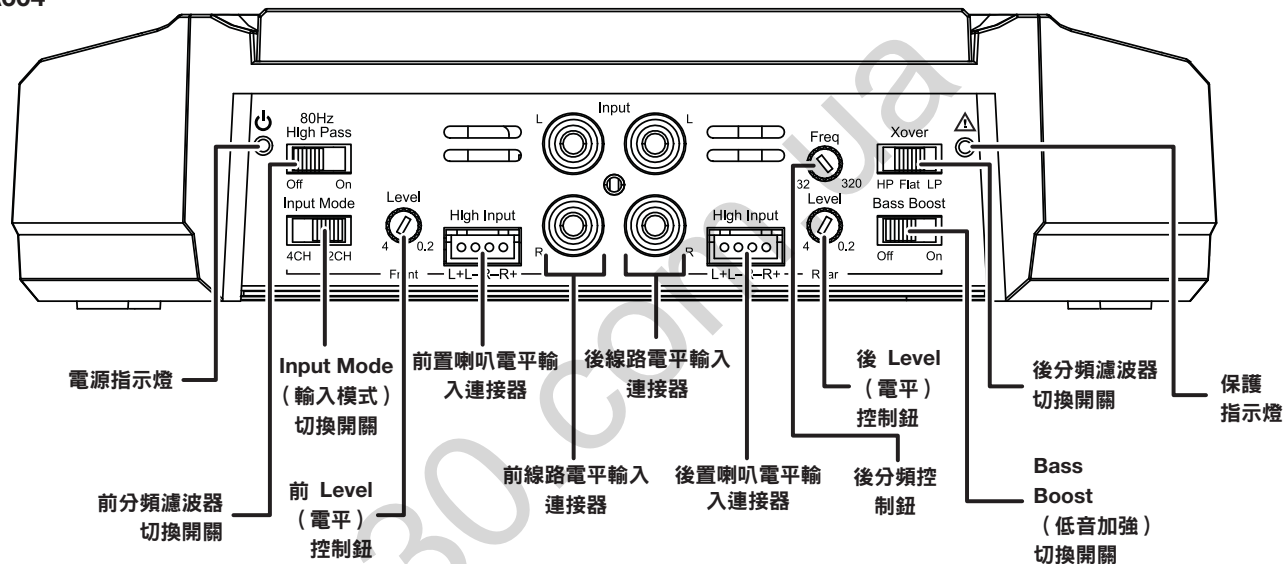


如需有關設定放大器控制鈕的資訊，請參閱第 20 頁的設定分頻控制鈕。

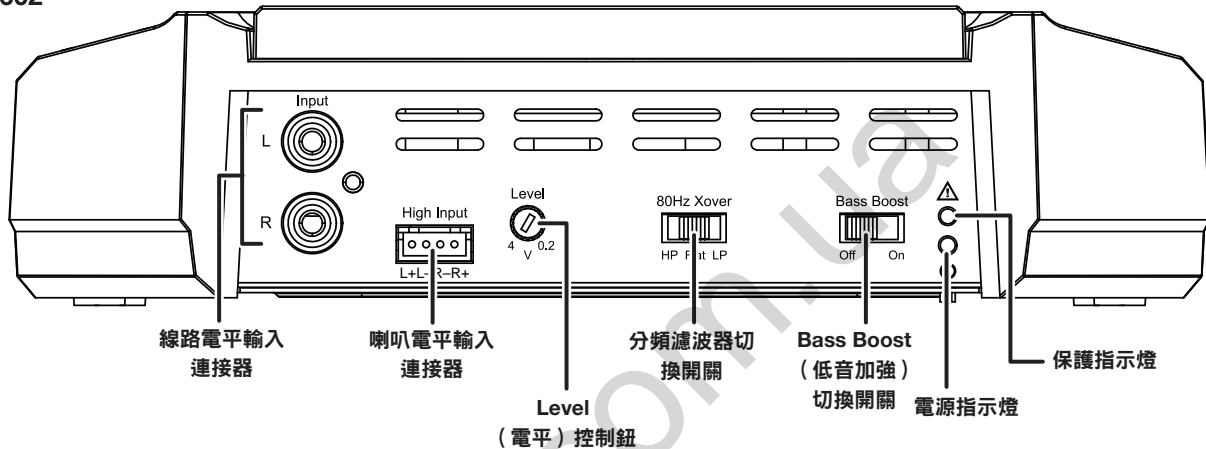
若要使用喇叭電平輸入，而不使用線路電平輸入，請參閱第 12 頁的使用喇叭電平輸入。

控制鈕、輸入連接和指示燈

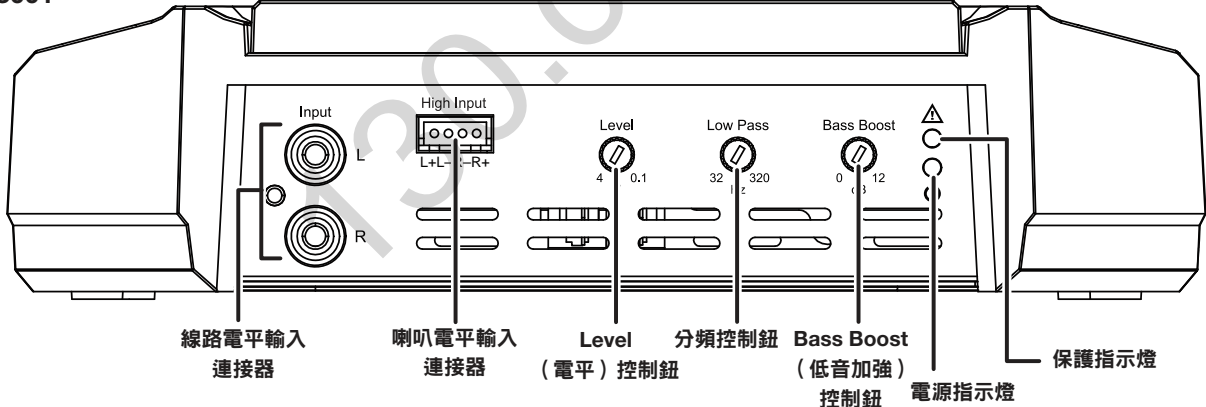
GX-A604



GX-A602



GX-A3001



設定分頻控制鈕

GX-A604 : 4 聲道作業

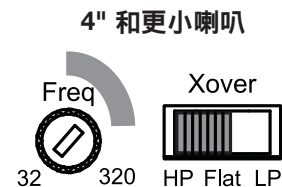
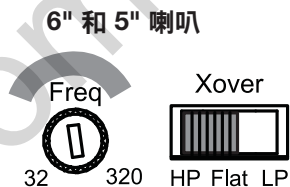
Input Mode (輸入模式) 切換開關：將 Input Mode (輸入模式) 切換開關設定為「4CH」位置。

前分頻濾波器切換開關：將前分頻濾波器切換開關設定為「ON」(開啟, 高通) 位置。這將限制傳送至喇叭的低頻能量總量, 從而大幅減少失真和防止喇叭損壞。**例外：**如果您已連接可處理大量低音並傳送至放大器前置聲道的大型全音域喇叭 (6" x 9" 或更大), 並且您的系統中沒有使用重低音喇叭, 請將前分頻濾波器切換開關設定為「OFF」(關閉, 全音域) 位置。

後分頻濾波器切換開關：將後分頻濾波器切換開關設定為「HP」(高通) 位置。這將限制傳送至喇叭的低頻能量總量, 從而大幅減少失真和防止喇叭損壞。**例外：**如果您已連接可處理大量低音並傳送至放大器前置聲道的大型全音域喇叭 (6" x 9" 或更大), 並且您的系統中沒有使用重低音喇叭, 請將後分頻濾波器切換開關設定為「FLAT」(平板, 全音域) 位置。

後分頻控制鈕：將後分頻切換開關設定為「HP」位置時, 對於傳送至喇叭的低頻, 其音量開始降低的頻率將由後分頻切換開關決定。

在 4 聲道模式下執行放大器時, 您應根據已連接至放大器聲道的喇叭大小設定後分頻控制鈕, 即喇叭越小, 控制鈕設定越高, 這樣才可保護喇叭不會損壞。初始設定分頻頻率之後, 收聽您熟悉的、低音強勁的音樂。如果喇叭聲音失真或音質減損, 請將分頻頻率控制鈕移至更高的設定, 以消除失真/減損。右圖是針對不同的喇叭大小建議的分頻濾波器頻率範圍。



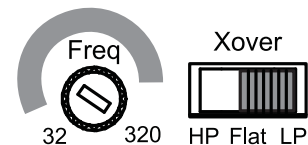
GX-A604 : 3 聲道作業

Input Mode (輸入模式) 切換開關：將 Input Mode (輸入模式) 切換開關設定為「4CH」位置。

前分頻切換開關：將前分頻切換開關設定為「ON」(開啟, 高通) 位置。這將限制傳送至喇叭的低頻能量總量, 從而大幅減少失真和防止喇叭損壞。

後分頻濾波器切換開關：將重低音喇叭或低音喇叭連接至後置聲道時, 將後分頻濾波器切換開關設定為「LP」(低通) 位置。這將限制傳送至低音喇叭或重低音喇叭的高頻能量總量, 從而提高語音及其他中頻聲音的清晰度。

低通作業：重低音喇叭和低音喇叭



後分頻控制鈕：用於重低音喇叭的後分頻控制鈕設定將取決於您系統的重低音喇叭的類型和位置。先將後分頻控制鈕設定為比前置聲道上 80Hz 設定更低的頻率。使用系統收聽音樂一段時間之後，微調後分頻控制鈕設定，使重低音喇叭至系統內其他喇叭的轉換變得順暢，同時又能避免出現「空洞」，也就是重低音喇叭與其他喇叭之間產生的聲音突然消失。右圖顯示了建議的後分頻控制鈕頻率範圍。

GX-A604：2 聲道作業

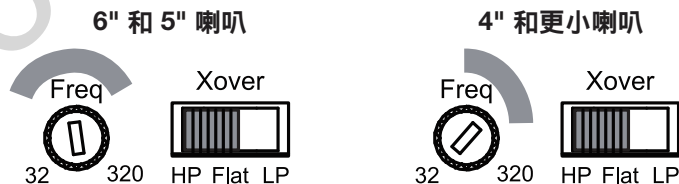
Input Mode (輸入模式) 切換開關：將 Input Mode (輸入模式) 切換開關設定為「2CH」位置。

前分頻濾波器切換開關：將前分頻濾波器切換開關設定為「ON」(開啟, 高通) 位置。這將限制傳送至喇叭的低頻能量總量，從而大幅減少失真和防止喇叭損壞。**例外：**如果您已連接可處理大量低音並傳送至放大器前置聲道的大型全音域喇叭 (6" x 9" 或更大)，並且您的系統中沒有使用重低音喇叭，請將前分頻濾波器切換開關設定為「OFF」(關閉, 全音域) 位置。

後分頻濾波器切換開關：將後分頻濾波器切換開關設定為「HP」(高通) 位置。這將限制傳送至喇叭的低頻能量總量，從而大幅減少失真和防止喇叭損壞。**例外：**如果您已連接可處理大量低音並傳送至放大器前置聲道的大型全音域喇叭 (6" x 9" 或更大)，並且您的系統中沒有使用重低音喇叭，請將後分頻濾波器切換開關設定為「FLAT」(平板, 全音域) 位置。

後分頻控制鈕：將後分頻切換開關設定為「HP」位置時，對於傳送至喇叭的低頻，其音量開始降低的頻率將由後分頻切換開關決定。

在 4 聲道模式下執行放大器時，您應根據已連接至放大器聲道的喇叭大小設定後分頻控制鈕，即喇叭越小，控制鈕設定越高，這樣才可保護喇叭不會損壞。初始設定分頻頻率之後，收聽您熟悉的、低音強勁的音樂。如果喇叭聲音失真或音質減損，請將分頻頻率控制鈕移至更高的設定，以消除失真/減損。右圖是針對不同的喇叭大小建議的分頻濾波器頻率範圍。



GX-A602 : 2 聲道作業

分頻濾波器切換開關：

- 如果您已將放大器連接至一對 6" 或更小的全音域喇叭，請將分頻濾波器切換開關設定為「HP」（高通）位置。這將限制傳送至喇叭的低頻能量總量，從而大幅減少失真和防止喇叭損壞。
- 如果您已將放大器連接至一對可處理大量低音的大型全音域喇叭（6" x 9" 或更大），並且您的系統中沒有使用重低音喇叭，請將分頻濾波器切換開關設定為「FLAT」（平板，全音域）位置。
- 如果您已將放大器連接至一對低音喇叭或重低音喇叭，請將分頻濾波器切換開關設定為「LP」（低通）位置。這將限制傳送至低音喇叭/重低音喇叭的高頻能量總量，從而提高語音及其他中頻聲音的清晰度。

GX-A602 : 橋接作業

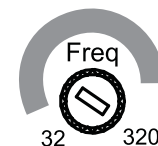
分頻濾波器切換開關：在橋接模式下操作放大器並連接至重低音喇叭時，將分頻濾波器切換開關設定為「LP」（低通）位置。這將限制傳送至重低音喇叭的高頻能量的總量。

GX-A3001

附註：GX-A3001 的內部分頻已永久設定為低通作業。

分頻控制鈕：分頻控制鈕將限制傳送至低音喇叭或重低音喇叭的高頻能量的總量。用於重低音喇叭的分頻控制鈕設定將取決於您系統的重低音喇叭的類型和位置。先將分頻控制鈕設定為比您用於系統內其他喇叭的高通分頻設定更低的頻率。使用系統收聽音樂一段時間之後，微調分頻控制鈕設定，使重低音喇叭至系統內其他喇叭的轉換變得順暢，同時又能避免出現「空洞」，也就是重低音喇叭與其他喇叭之間產生的聲音突然消失。右圖顯示了建議的分頻控制鈕頻率範圍。

重低音喇叭和 低音喇叭



設定輸入電平

1. 按逆時針方向，將所有放大器上的所有 Level（電平）控制鈕轉至盡頭。
2. 播放來源裝置上的一些充滿動感的音樂，並將其音量上調至 3/4 音量。
3. 按順時針方向，慢慢地轉動前置聲道放大器上的 Level（電平）控制鈕，直到音樂聲音開始失真。
4. 按逆時針方向，稍微轉動 Level（電平）控制鈕，直到音樂聲音不再失真。
5. 如果您使用多個放大器或使用的是 GX-A604，請對所有剩餘的放大器 Level（電平）控制鈕重複步驟 3 - 4。

設定低音加強

GX-A604：使用放大器的後置聲道作為重低音喇叭的源時，在 45Hz 頻率下 Bass Boost（低音加強）切換開關可提供 12dB 低音加強（切換只會影響放大器的後置聲道）。請根據個人喜好設定此切換開關，但是，如果使用此切換開關會導致聲音失真或減弱重低音喇叭的表現，我們建議將它設定為「OFF」（關閉）。**注意**：只有已配置後置聲道作為重低音喇叭的源時，才能使用 Bass Boost（低音加強）切換開關。將 Bass Boost（低音加強）切換開關與全音域喇叭搭配使用可能會損壞喇叭。

GX-A602：在橋接模式下使用放大器作為重低音喇叭的源時，在 45Hz 頻率下 Bass Boost（低音加強）切換開關可提供 12dB 低音加強。請根據個人喜好設定此切換開關，但是，如果使用此切換開關會導致聲音失真或減弱重低音喇叭的表現，我們建議將它設定為「OFF」（關閉）。**注意**：只有使用放大器作為重低音喇叭的源時，才能使用 Bass Boost（低音加強）切換開關。將 Bass Boost（低音加強）切換開關與全音域喇叭搭配使用可能會損壞喇叭。

GX-A3001：在 45Hz 頻率下 Bass Boost（低音加強）控制鈕可提供高達 12dB 低音加強。請根據個人喜好設定此控制鈕，但小心不要將控制鈕設定過高，因為這可能會導致聲音失真或減弱重低音喇叭表現。

電源和保護 LED

電源 LED

- LED 橙色亮起：正常作業（已開啟電源）。
- LED 熄滅：放大器處於待命模式。

保護 LED

在正常作業期間，放大器的保護 LED 應保持熄滅。如果放大器沒有發出聲音，並且保護 LED 紅色亮起，請參閱第 24 頁的疑難排解。

疑難排解

如果放大器的執行與您設想不同，在致電經銷商或聯絡 JBL 客戶服務之前，請查看本章節，看看其中是否涵蓋您遇到的問題。

問題

原因和解決方案

無聲音（放大器的電源 LED 熄滅）

- 檢查放大器的 +12 V 和 GND 連接是否正確。
- 檢查電池附近 +12 V 電線的保險絲是否燒斷：如果是，請更換為相同的保險絲。
- 檢查放大器的所有保險絲；如有燒斷，請更換為相同的保險絲。
- 如果使用放大器的 REM 連接來開啟放大器，請檢查電線是否已正確連接至音訊系統的遠端開啟電線或車輛的 ACC 電源端子。

無聲音（放大器的電源 LED 橙色亮起）

- 檢查放大器的所有輸入和喇叭連接是否正確。
- 檢查放大器的 Level（電平）控制鈕未完全調低（按逆時針方向轉至盡頭）。
- 檢查車輛音訊系統的來源裝置音量控制鈕未完全調低。

無聲音（放大器的保護 LED 紅色亮起）

- 確認車輛的電氣系統提供給放大器的直流電源電壓在 9 V 與 16 V 之間。如果電源電壓在此範圍之外，請先更正此狀況，然後再嘗試使用放大器。
- 如果放大器過熱，請等到放大器冷卻，然後再次嘗試使用。
- 中斷所有喇叭與放大器的連接，然後再次嘗試開啟放大器：
 - 如果放大器開啟（電源 LED 橙色亮起），表示多條喇叭電線發生短路。更正所有短路，然後將喇叭重新連接至放大器。
 - 如果放大器未開啟（保護 LED 仍然紅色亮起且電源 LED 熄滅），請聯絡授權的 JBL 經銷商以取得協助。

問題**原因和解決方案**

只有部分連接至放大器的喇叭發出聲音

- 檢查車輛音訊系統來源裝置的平衡和衰減器控制鈕是否設定為中央（中間點）位置。
- (GX-A604)：檢查放大器的模式切換開關設定是否與輸入相符，以及喇叭是否已連接至放大器

聲音太小，即使車輛音訊系統的來源裝置音量調到最大聲

- 檢查未將放大器的 Level（電平）控制鈕調得太低。如需有關設定 Level（電平）控制鈕的資訊，請參閱第 22 頁的設定輸入電平。

前置/後置喇叭發出的聲音失真

- 確保放大器上與失真聲道對應的分頻濾波器切換開關設定為 HP。
- 將失真聲道的分頻控制鈕設定為較高的設定。
- 檢查失真是否源自車輛音訊系統的來源裝置。

重低音喇叭發出的聲音失真

- (GX-A604、GX-A602)：將 Bass Boost（低音加強）切換開關設定為「OFF」（關閉）。
- (GX-A3001)：收聽低音強勁的音樂時，完全調低 Bass Boost（低音加強）控制鈕，然後逐漸調高，直到失真重新出現。稍微調低 Bass Boost（低音加強）控制鈕設定，以消除失真並保留此設定。
- 檢查失真是否源自車輛音訊系統的來源裝置。

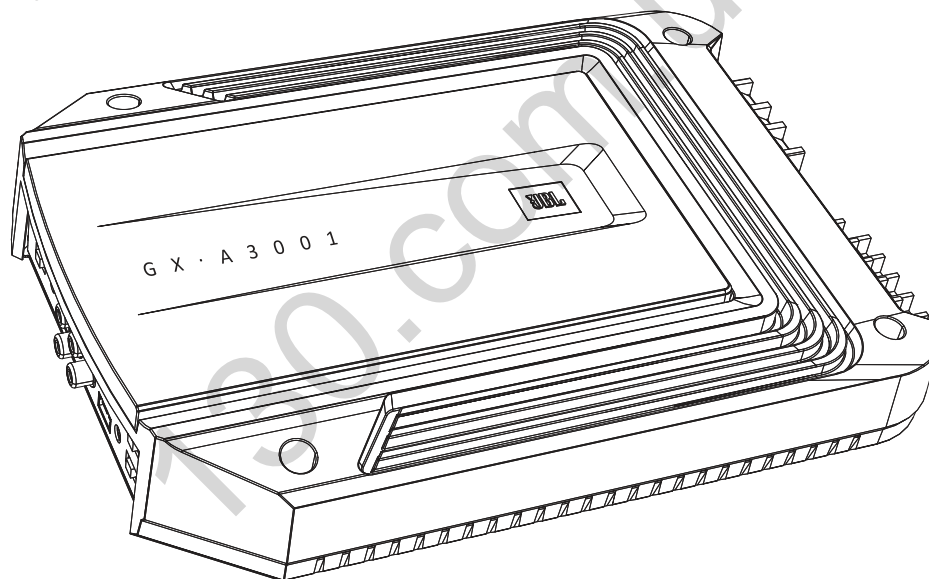
規格

	GX-A604	GX-A602	GX-A3001
最大功率 (15.5 V、1 kHz、10% THD、所有聲道、2 歐姆)	435 W	280 W	415 W (15.5 V、50Hz、10% THD、2 歐姆)
4 歐姆時額定功率輸出	60 W x 4	60 W x 2	200 W x 1
橋接功率輸出 (4 歐姆、1% THD)	170 W x 2	170 W x 1	N/A
額定功率時的 THD+N	< 1%	< 1%	< 1%
雜訊比 (2 V @ 4 歐姆)	> 75 dB	> 75 dB	> 75 dB
有效阻尼係數 (4 歐姆)	> 50	> 50	> 50
頻率回應 (-3 dB)	20 Hz – 20 kHz ± 1 dB	20 Hz – 20 kHz ± 1 dB	10 Hz – 320 Hz
最大輸入電壓	20 V	20 V	20 V
最大輸入敏感度	200 mV	200 mV	200 mV
保險絲大小	20 A x 2	25 A	20 A x 2
尺寸 (高 x 寬 x 深)	2-1/16" x 11-13/16" x 8-1/8" (52 mm x 300 mm x 206 mm)	2-1/16" x 7-13/16" x 8-1/8" (52 mm x 198 mm x 206 mm)	2-1/16" x 11-7/16" x 8-1/8" (52 mm x 291 mm x 206 mm)
重量	5.3 磅 (2.4 cm)	3.8 磅 (1.7 cm)	5.3 磅 (2.4 cm)



GX-A604/GX-A602/GX-A3001

Wzmacniacz mocy

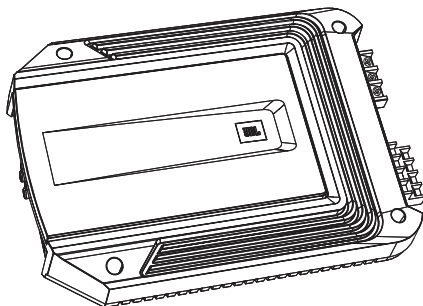


INSTRUKCJA OBSŁUGI

WPROWADZENIE

DZIĘKUJEMY za zakup wzmacniacza serii GX firmy JBL®. Zachowaj dowód sprzedaży i zarejestruj swój wzmacniacz w witrynie www.jbl.com, aby móc skorzystać z serwisu gwarancyjnego i uzyskać lepsze wsparcie.

ZAWARTOŚĆ ZESTAWU



Wzmacniacz serii GX (x 1)



Wiązka przewodów wejścia
sygnałów głośnikowych
(GX-A602, GX-A3001 x 1)
(GX-A604 x 2)

UMIEJSCOWIENIE I MONTAŻ

Niniejsza instrukcja zawiera ogólne informacje na temat montażu wzmacniacza serii GX, natomiast nie obejmuje ona dokładnych instrukcji montażu wymaganych dla konkretnego pojazdu. Jeśli nie masz odpowiednich narzędzi lub doświadczenia, nie próbuj samodzielnej instalacji. Zwróć się do autoryzowanego przedstawiciela JBL car audio w celu profesjonalnego montażu.

OSTRZEŻENIA I WSKAZÓWKI DOTYCZĄCE MONTAŻU

WAŻNE: Odłącz biegun ujemny akumulatora (-) przed rozpoczęciem montażu.

- Podczas korzystania z narzędzi należy zakładać środki ochrony oczu.
- Sprawdź odległości po obu stronach planowanej powierzchni montażowej. Upewnij się, że wkręty lub przewody elektryczne nie przebiją przewodów hamulcowych, przewodów paliwowych lub wiązek przewodów, a prowadzone przewody elektryczne nie będą przeszkadzały w bezpiecznym działaniu pojazdu.
- Podczas wykonywania połączeń elektrycznych należy upewnić się, że są wykonane w sposób pewny i są prawidłowo zaizolowane.
- Jeśli zachodzi potrzeba wymiany dowolnego bezpiecznika wzmacniacza, nowy bezpiecznik musi być tego samego typu i obciążalności jak oryginalny.

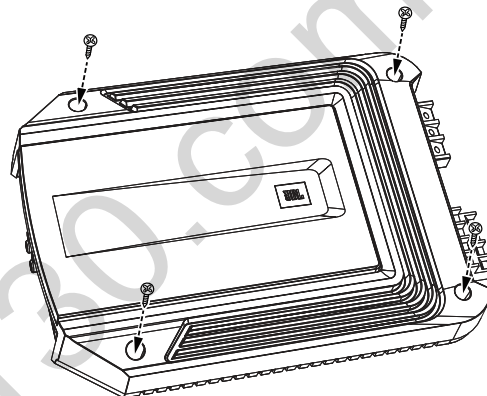
UMIEJSCOWIENIE MONTAŻU

Wzmacniacze potrzebują cyrkulacji powietrza do chłodzenia. Wybierz takie miejsce, które zapewni wystarczającą ilość powietrza do chłodzenia wzmacniacza.

- Odpowiednie umiejscowienie to np. pod fotelem (pod warunkiem, że wzmacniacz nie koliduje z mechanizmem regulacji fotela), w bagażniku lub dowolnym innym miejscu, w którym jest wystarczająca ilość powietrza do chłodzenia.
- Nie należy montować wzmacniacza radiatorami skierowanymi w dół, uniemożliwi to chłodzenie konwekcyjne wzmacniacza.
- Zamontuj wzmacniacz tak, aby pasażerowie siedzący z tyłu nie mogli go uszkodzić stopami lub nie uszkodził go przesuwający się bagaż w bagażniku.
- Zamontuj wzmacniacz tak, aby był zawsze suchy – nie wolno montować wzmacniacza na zewnątrz pojazdu ani w przedziale silnika.

MONTAŻ WZMACNIACZA

UWAGA: Wykonanie połączeń wzmacniacza może być łatwiejsze przed jego ostatecznym zamontowaniem w pojeździe.



1. Wybierz odpowiednią lokalizację zgodnie z powyższym opisem.
2. Używając wzmacniacza jako szablonu, zaznacz punkty na otwory montażowe na powierzchni montażowej.
3. Nawierć otwory wstępne w powierzchni montażowej.
4. Zamontuj wzmacniacz na powierzchni montażowej czterema odpowiednimi wkrętami (dobranymi samodzielnie). Zalecamy użycie wkrętów do blach metalowych z łbem z gniazdem krzyżowym nr 8. Sprawdź, czy wzmacniacz jest zamontowany w bezpieczny sposób.

PODŁĄCZANIE ZASILANIA I MASY

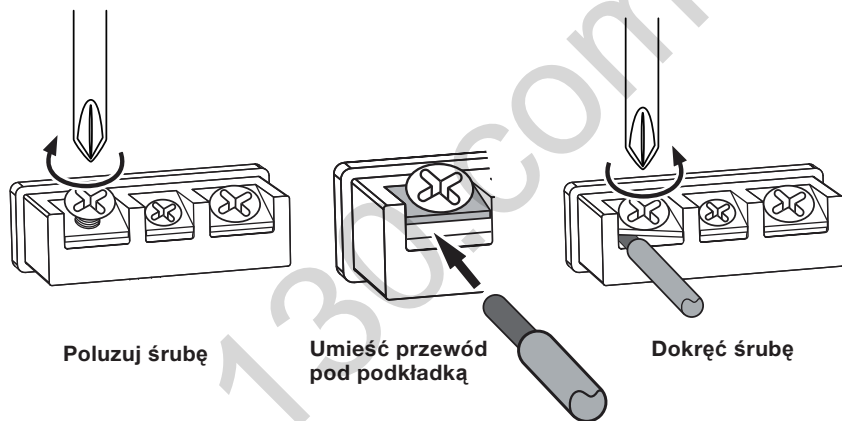
WAŻNE: Odłącz biegun ujemny akumulatora (-) przed rozpoczęciem montażu.

Wzmacniacze serii GX są zdolne do dostarczania wysokiej mocy i do osiągnięcia optymalnej wydajności wymagają podłączenia do instalacji elektrycznej pojazdu w sposób niezawodny i przystosowany do pracy przy dużych obciążeniach. Należy ściśle stosować się do poniższych instrukcji.

KORZYSTANIE Z ZACISKÓW

We wzmacniaczach serii GX zastosowano te same zaciski śrubowe do podłączenia zasilania i głośników. Tego rodzaju zaciski są łatwe w użyciu i umożliwiają podłączenie przewodów o dużym przekroju.

W celu dokonania połączenia, za pomocą śrubokręta z końcówką krzyżową poluzuj śrubę zacisku, wsuń odizolowaną końcówkę przewodu i dokręć śrubę do oporu, aby zacisnąć przewód w zacisku, zgodnie z poniższą ilustracją.



WAŻNE: Nie wolno dopuścić do tego, aby odizolowane końcówki przewodów głośnikowych (+) i (-) stykały się ze sobą lub innymi zaciskami, zarówno przy zaciskach wzmacniacza, jak i zaciskach głośników. Zetknięcie przewodów grozi zwarcieniem i uszkodzeniem wzmacniacza.

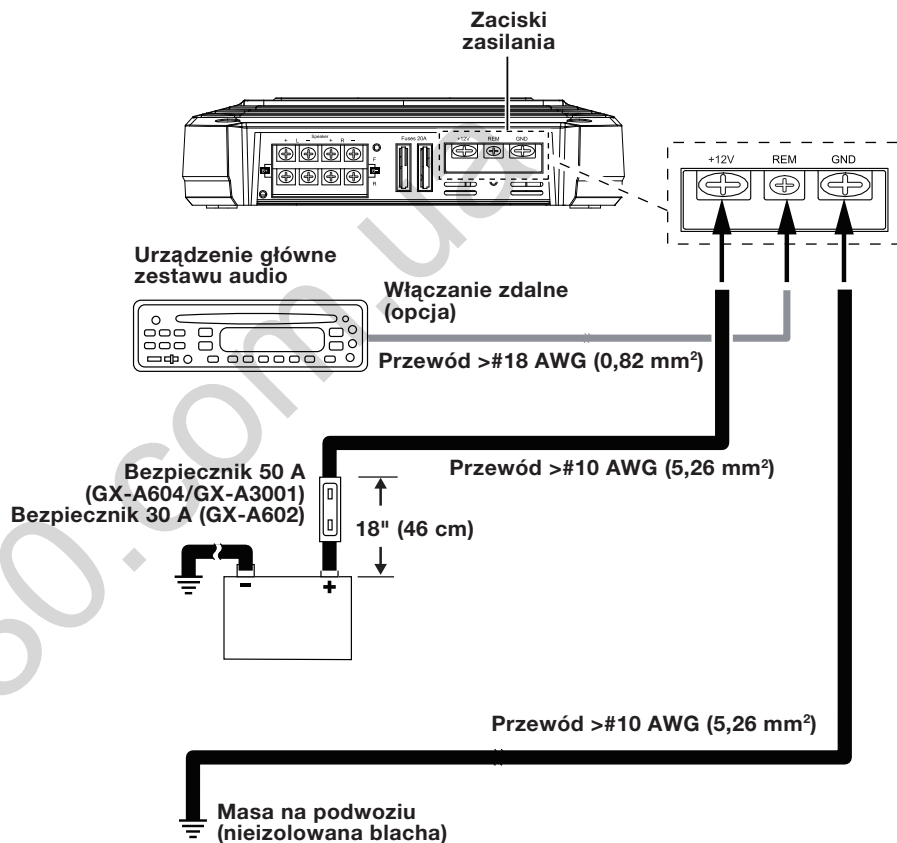
PODŁĄCZENIE MASY (GND)

Podłącz przewód (o rozmiarze przynajmniej 10 AWG – średnica 5,3 mm²) z zacisku GND wzmacniacza do odpowiedniego punktu podwozia pojazdu.

- Aby zapewnić dobry styk, za pomocą papieru ściernego należy usunąć lakier z powierzchni metalowej w punkcie montażu masy. Do zabezpieczenia punktu połączenia należy użyć podkładki zabezpieczającej zębatej.

PODŁĄCZENIE ZASILANIA (12 V)

1. Podłącz przewód (minimum 10 AWG – 5,3 mm²) bezpośrednio do bieguna dodatniego (+) akumulatora.
2. Załóż oprawkę bezpiecznika 50 A (GX-A604, GX-A3001) lub 30 A (GX-A602) na tym przewodzie, w odległości do 18" (46 cm) od bieguna (+) akumulatora. Na razie nie zakładaj bezpiecznika do oprawki.
3. Poprowadź ten przewód do miejsca, gdzie znajduje się wzmacniacz i podłącz go do zacisku +12 V wzmacniacza. Pamiętaj, aby używać odpowiednie przelotki w przypadku przechodzenia przez osłony termiczne i inne blachy. **WAŻNE:** Niewystarczające zabezpieczenie przewodu zasilania przed uszkodzeniem grozi pożarem pojazdu.
4. Po przeprowadzeniu i podłączeniu tego przewodu załóż odpowiedni bezpiecznik w oprawie założonej w pobliżu akumulatora. (GX-A604, GX-A3001 – bezpiecznik 50 A; GX-A602 – bezpiecznik 30 A)



PODŁĄCZANIE GŁOŚNIKÓW I WEJŚĆ

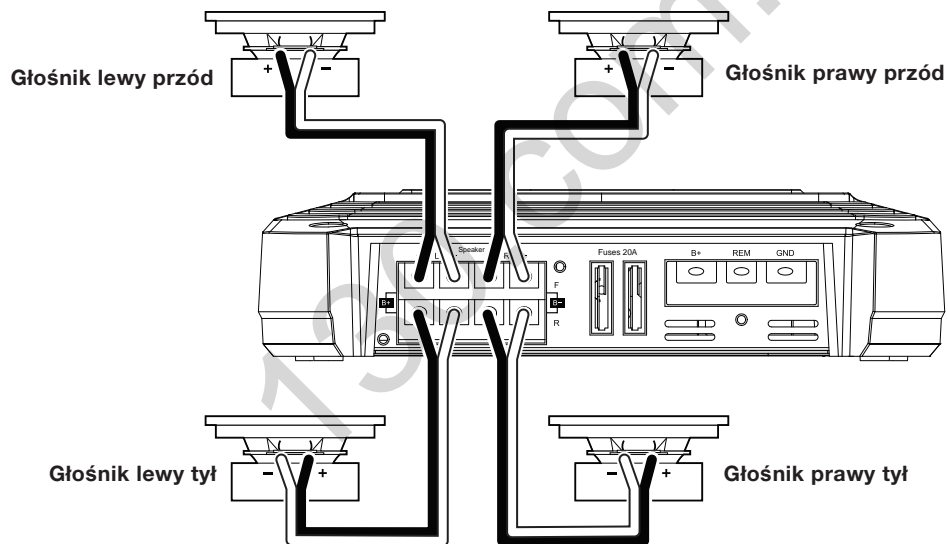
Zacisk (+) głośników na wzmacniaczu należy łączyć z zaciskiem (+) na głośniku a zacisk (-) wzmacniacza z zaciskiem (-) głośnika.

WAŻNE: Nie wolno dopuścić do tego, aby odizolowane końcówki przewodów (+) i (-) stykały się ze sobą lub innymi zaciskami, zarówno przy zaciskach wzmacniacza jak i zaciskach głośników. Zetknięcie przewodów grozi zwarcieniem i uszkodzeniem wzmacniacza.

PODŁĄCZANIE GŁOŚNIKÓW DO WZMACNIACZA GX-A604 4 KANAŁY

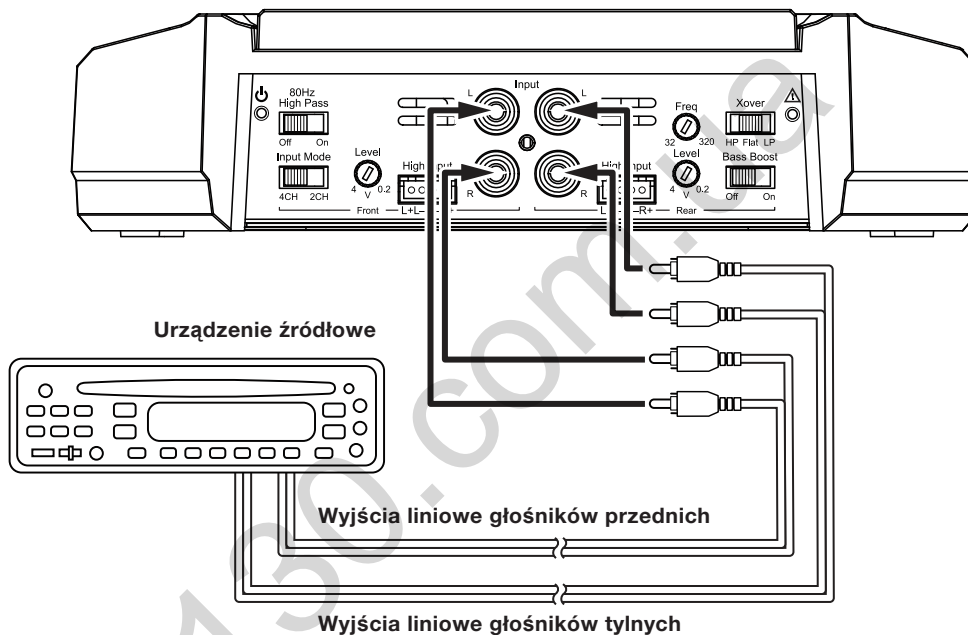
Minimalna impedancja głośników: 2 omy (każdy)

- Podłącz głośniki przednie do zacisków FL i FR (+) oraz (-).
- Podłącz głośniki tylne do zacisków RL i RR (+) oraz (-).



PODŁĄCZANIE SYGNAŁÓW WEJŚCIOWYCH DO WZMACNIACZA GX-A604 4 KANAŁY

Podłącz wyjścia urządzenia źródłowego lub procesora dźwięku przednie i tylne lewe i prawe do wejść wzmacniacza zgodnie z ilustracją.



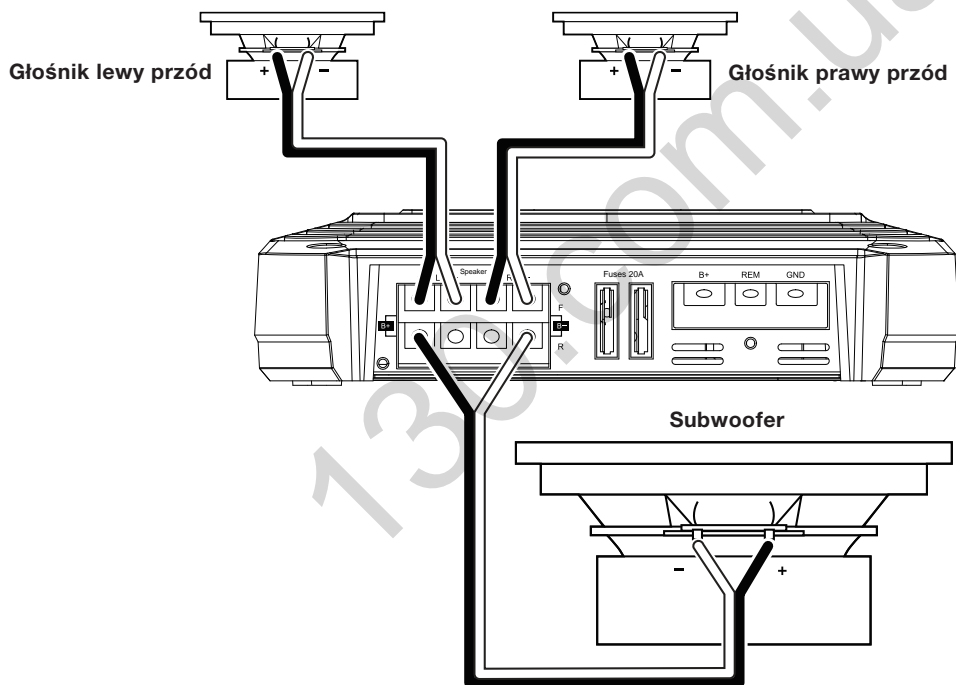
Patrz *Ustawienia zwrotnic* na stronie 20, gdzie zamieszczono informacje na temat konfiguracji elementów sterowania wzmacniacza w trybie pracy 4-kanalowej.

Aby użyć wejść głośnikowych zamiast wejść liniowych, zobacz część *Korzystanie z wejść głośnikowych*, na stronie 12.

PODŁĄCZANIE GŁOŚNIKÓW DO WZMACNIACZA GX-A604 3 KANAŁY

Minimalna impedancja głośników: 2 omy każdy (głośnik lewy i głośnik prawy), 4 omy (subwoofer)

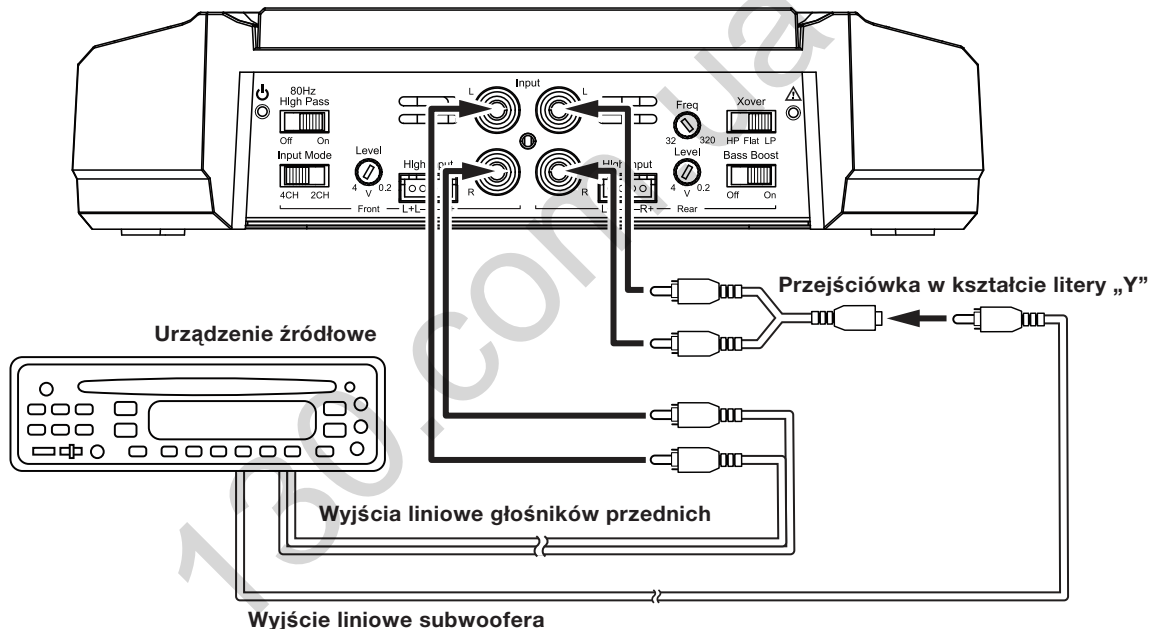
- Podłącz głośnik lewy i prawy do zacisków FL i FR (+) oraz (-).
- Podłącz subwoofer do zacisków RL (+) oraz RR (-). (Regulator podbicia tonów niskich kanałów tylnych umożliwia podłączenie subwoofera do zacisków głośników tylnych. Patrz część *Ustawienia funkcji podbicia tonów niskich* na stronie 23.) **UWAGA:** Aby zapewnić wymaganą minimalną impedancję 4 omy dla kanału subwoofera można podłączyć szeregowo dwa głośniki o impedancji 2 omy każdy.



PODŁĄCZANIE SYGNAŁÓW WEJŚCIOWYCH DO WZMACNIACZA GX-A604 3 KANAŁY

Podłącz wyjścia liniowe urządzenia źródłowego lub procesora zgodnie z ilustracją poniżej. Ustaw przełącznik trybu pracy wejścia w położenie „4CH” (4 kanały).

UWAGA: Użyj przejściówki o kształcie litery „Y”, aby podłączyć wyjście subwoofera urządzenia źródłowego do gniazd wejściowych lewy tył i prawy tył wzmacniacza.



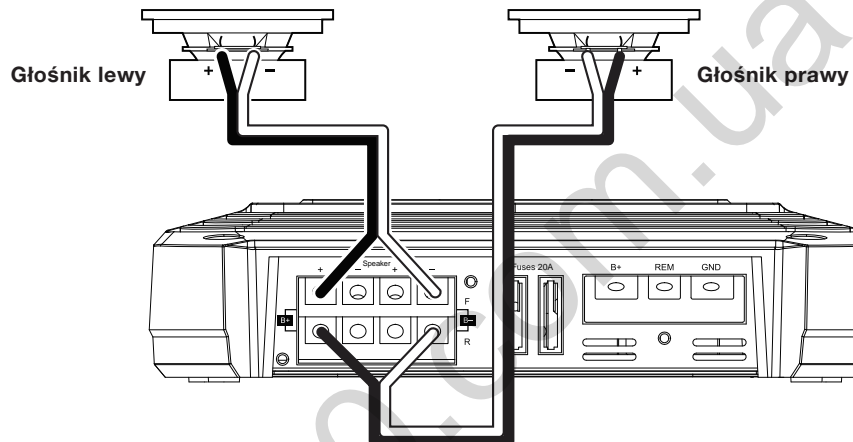
Patrz *Ustawienia zwrotnic* na stronie 20, gdzie zamieszczono informacje na temat konfiguracji elementów sterowania wzmacniacza w trybie pracy 3-kanałowej.

Aby użyć wejść głośnikowych zamiast wejść liniowych, zobacz część *Korzystanie z wejść głośnikowych*, na stronie 12.

PODŁĄCZANIE GŁOŚNIKÓW DO WZMACNIACZA GX-A604 2 KANAŁY

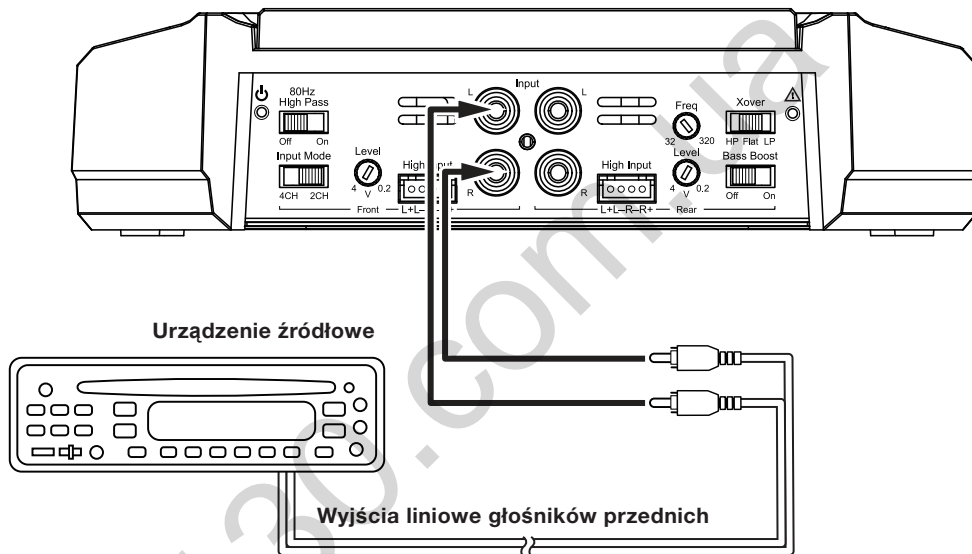
Minimalna impedancja głośników: 4 omy (każdy)

Podłącz głośnik lewy i prawy zgodnie z ilustracją poniżej.



PODŁĄCZANIE SYGNAŁÓW WEJŚCIOWYCH DO WZMACNIACZA GX-A604 2 KANAŁY

Podłącz wyjścia liniowe urządzenia źródłowego lub procesora zgodnie z ilustracją poniżej. Użyj wyłącznie złączy wejść lewy przód i prawy przód i pamiętaj, aby ustawić przełącznik trybu pracy wejścia w położenie „2CH” (2 kanały).



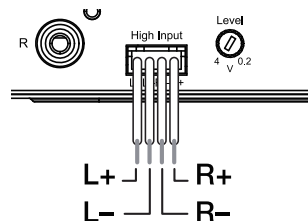
Patrz *Ustawienia zwrotnic* na stronie 20, gdzie zamieszczono informacje na temat konfiguracji elementów sterowania wzmacniacza w trybie pracy 2-kanałowej.

Aby użyć wejść głośnikowych zamiast wejść liniowych, zobacz część *Korzystanie z wejść głośnikowych*, na stronie 12.

KORZYSTANIE Z WEJŚĆ GŁOŚNIKOWYCH

Jeśli posiadane urządzenie źródłowe nie jest wyposażone w wyjścia liniowe, można użyć dołączonej wiązki przewodów ze złączką wejść głośnikowych w celu podłączenia wzmacniacza do wyjść głośnikowych urządzenia źródłowego. Poszczególne przewody, od lewej strony do prawej to: L+, L-, R-, R+ (patrz ilustracja z prawej strony). Taki układ połączeń mają wszystkie złącza wejść głośnikowych we wszystkich wzmacniaczach serii GX.

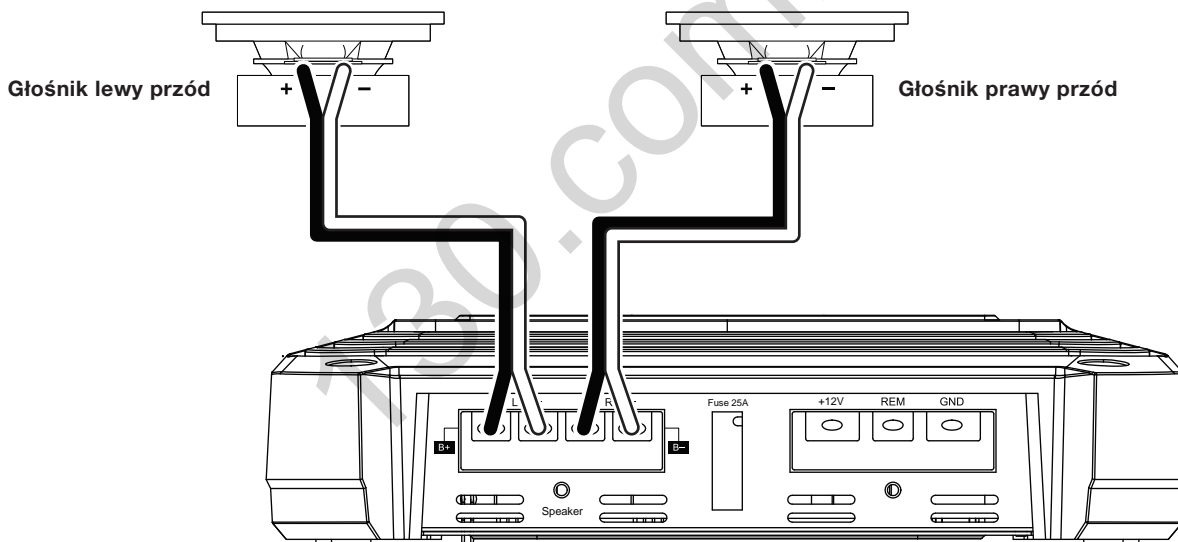
Postępuj zgodnie z instrukcjami z poprzedniej części, zastępując złącza sygnałów liniowych złączami sygnałów głośnikowych.



PODŁĄCZANIE GŁOŚNIKÓW DO WZMACNIACZA GX-A602, 2 KANAŁY

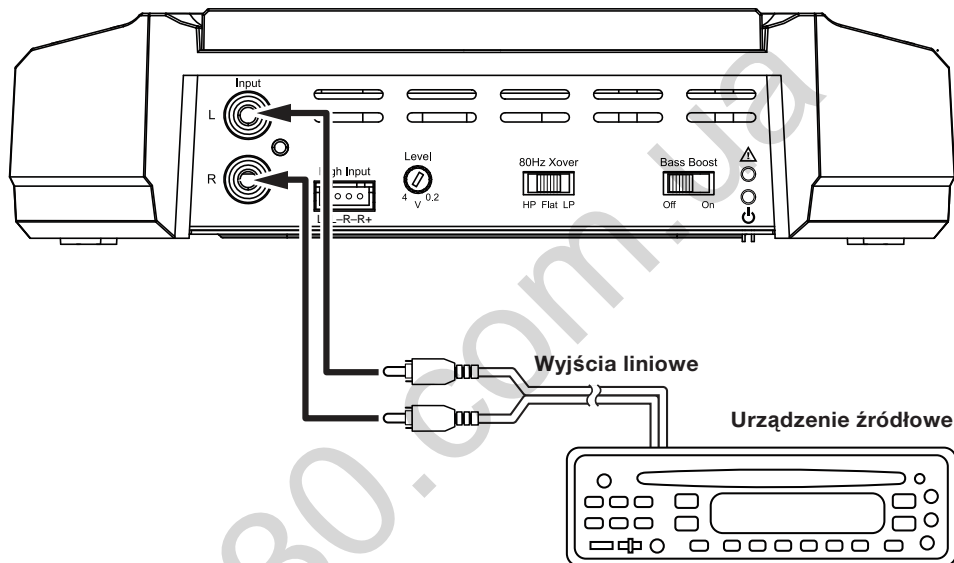
Minimalna impedancja głośników: 2 omy (każdy)

Podłącz głośnik lewy i prawy do zacisków FL i FR (+) oraz (-).



PODŁĄCZANIE SYGNAŁÓW WEJŚCIOWYCH DO WZMACNIACZA GX-A602 2 KANAŁY

Podłącz wyjścia liniowe urządzenia źródłowego lub procesora zgodnie z ilustracją poniżej.



Patrz *Ustawienia zwrotnic* na stronie 20, gdzie zamieszczono informacje na temat konfiguracji elementów sterowania wzmacniacza w trybie pracy 2-kanalowej.

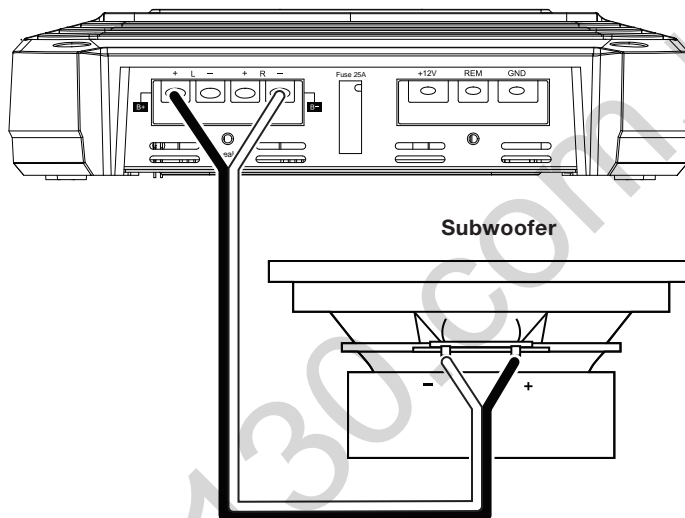
Aby użyć wejść głośnikowych zamiast wejść liniowych, zobacz część *Korzystanie z wejść głośnikowych*, na stronie 12.

PODŁĄCZANIE GŁOŚNIKÓW DO WZMACNIACZA GX-A602 PRACA W TRYBIE ZMOSTKOWANYM

Praca w trybie zmostkowanym umożliwia utworzenie dla subwoofera jednego kanału o dużej mocy.

Minimalna impedancja głośników: 4 omy

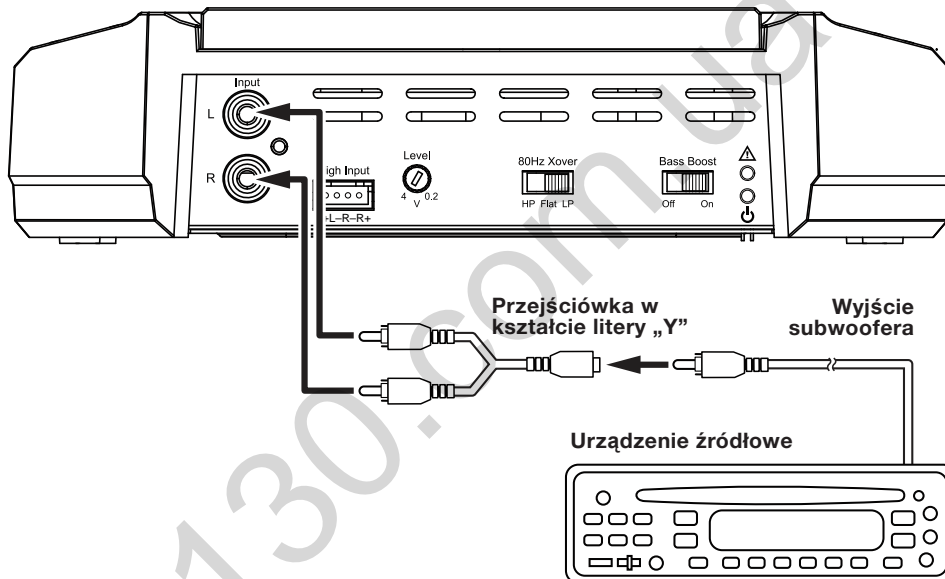
Podłącz subwoofer do zacisków RL (+) oraz RR (-). **UWAGA:** Aby zapewnić wymaganą minimalną impedancję 4 omy dla kanału subwoofera w trybie zmostkowanym, można podłączyć szeregowo dwa subwoofery o impedancji 2 omy każdy.



PODŁĄCZANIE SYGNAŁÓW WEJŚCIOWYCH DO WZMACNIACZA GX-A602 PRACA W TRYBIE ZMOSTKOWANYM

Podłącz wyjście liniowe subwoofera z urządzenia źródłowego lub procesora dźwięku do lewego wejścia wzmacniacza, zgodnie z poniższą ilustracją.

UWAGA: Użyj przejściówki o kształcie litery „Y”, aby podłączyć urządzenie źródłowe do lewego i prawego gniazda wejściowego wzmacniacza.



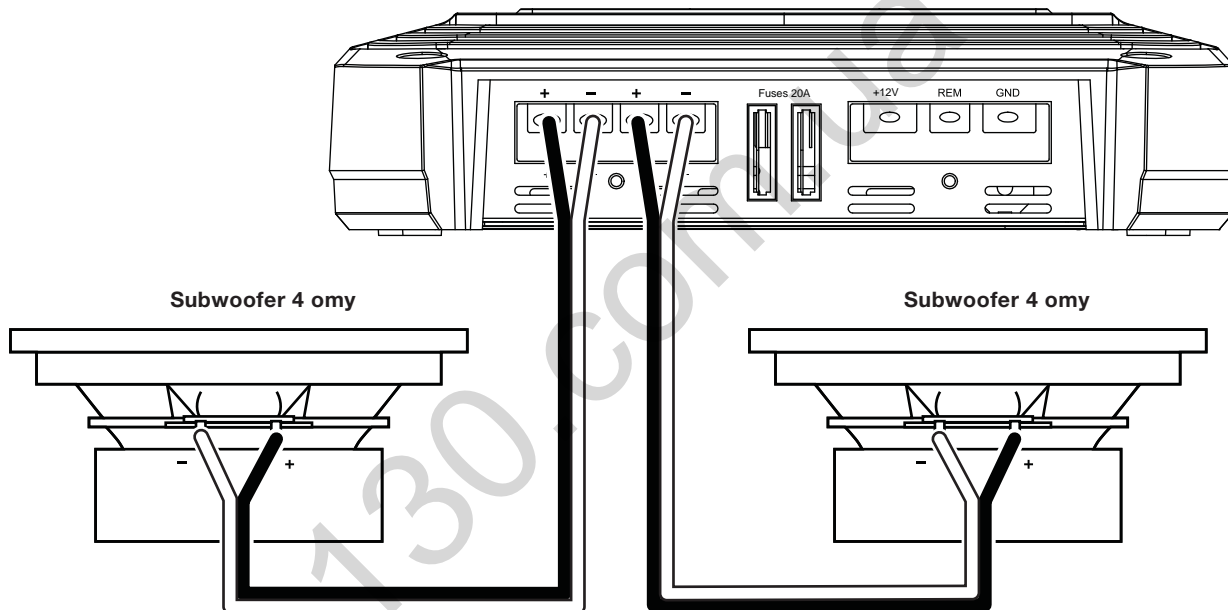
Patrz *Ustawienia zwrotnic* na stronie 20, gdzie zamieszczono informacje na temat konfiguracji elementów sterowania wzmacniacza w trybie zmostkowym.

Aby użyć wejść głośnikowych zamiast wejść liniowych, zobacz część *Korzystanie z wejść głośnikowych*, na stronie 12.

PODŁĄCZANIE GŁOŚNIKÓW DO WZMACNIACZA GX-A3001

Minimalna impedancja głośników: 2 omy (jeden subwoofer), 4 omy (2 subwoofery).

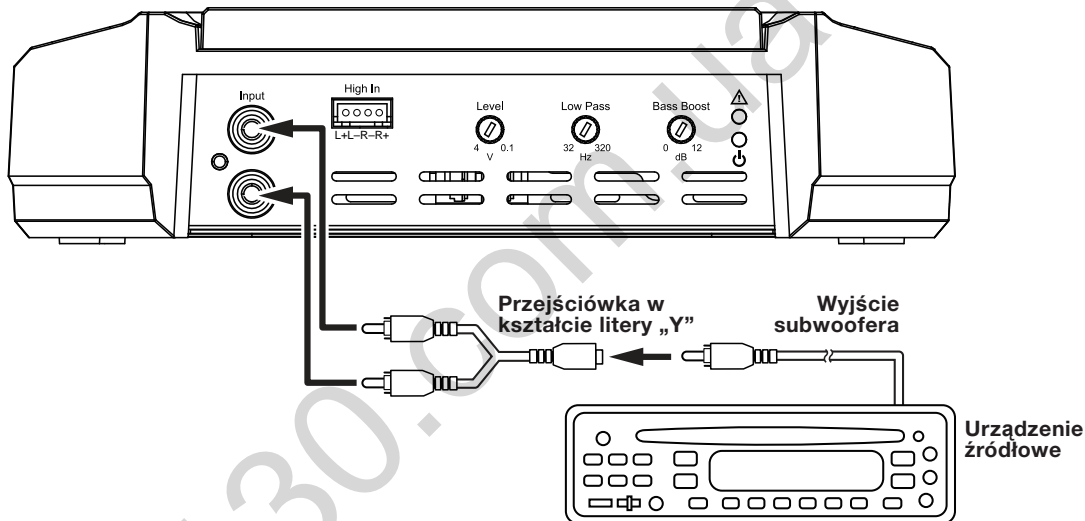
Model GX-A3001 jest wyposażony w dwa równoległe zestawy zacisków głośnikowych, umożliwiające podłączenie dwóch subwooferów.



- Jeśli używasz jednego subwoofera, możesz podłączyć go do dowolnego zestawu zacisków głośnikowych wzmacniacza GX-A3001.
- Jeśli używasz dwóch subwooferów o impedancji 2 omy, możesz podłączyć je do jednego z zestawów zacisków szeregowo, aby spełnić wymóg minimalnej impedancji 2 omów.

PODŁĄCZANIE SYGNAŁÓW WEJŚCIOWYCH DO WZMACNIACZA GX-A3001

Za pomocą przejściówki o kształcie litery „Y” podłącz wyjście liniowe subwoofera z urządzenia źródłowego lub procesora dźwięku do lewego i prawego wejścia wzmacniacza, zgodnie z poniższą ilustracją. Jeśli posiadane źródło dźwięku nie jest wyposażone w dedykowane wyjście subwoofera, możesz podłączyć jego wyjścia tylne lewe i prawe do lewego i prawego wejścia wzmacniacza.

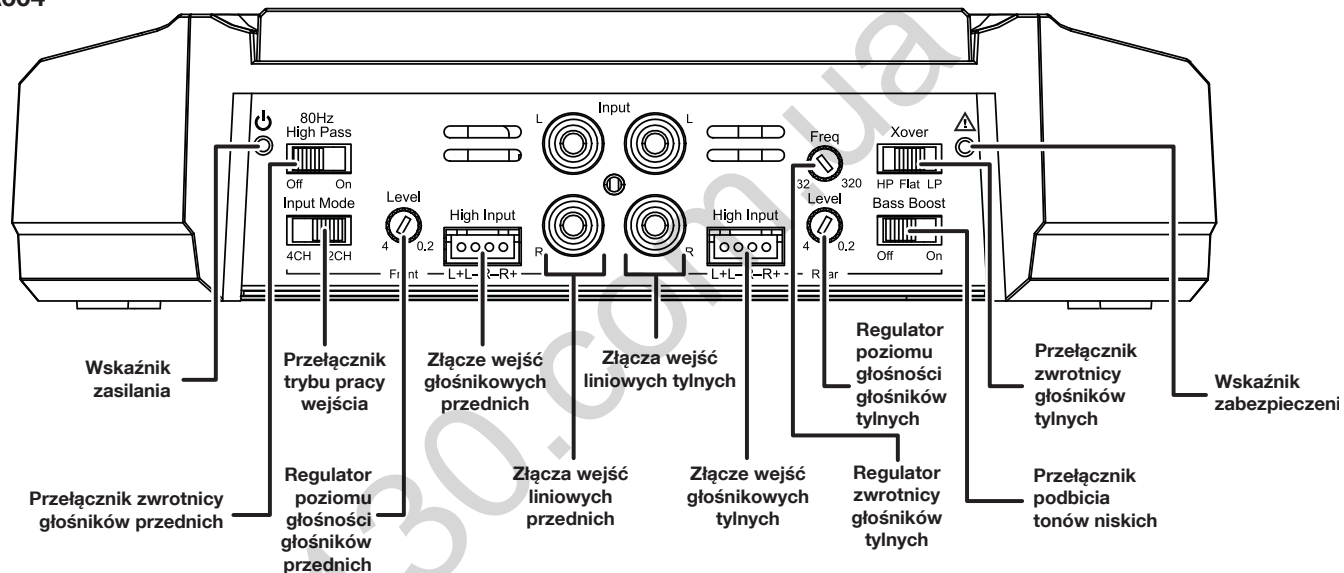


Patrz *Ustawienia zwrotnic* na stronie 20, gdzie zamieszczono informacje na temat konfiguracji elementów sterowania wzmacniacza.

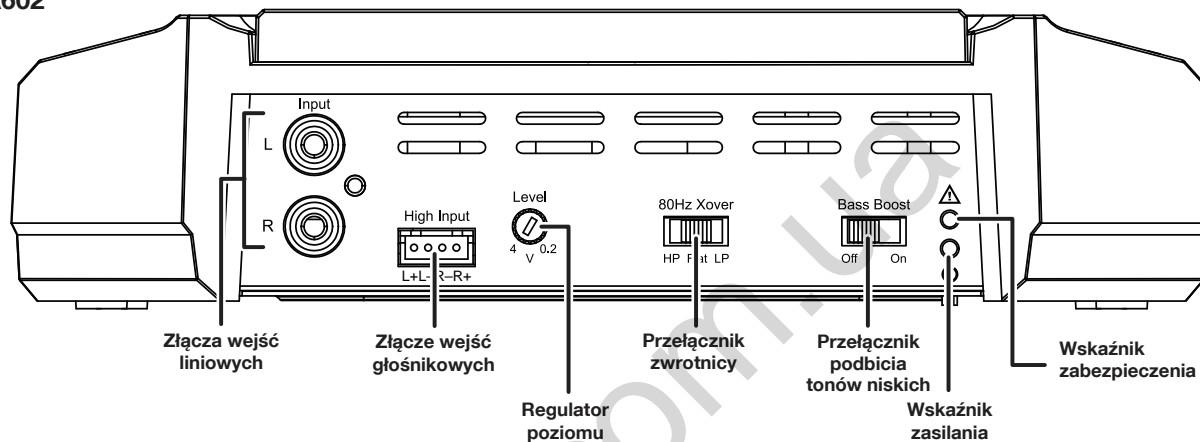
Aby użyć wejść głośnikowych zamiast wejść liniowych, zobacz część *Korzystanie z wejść głośnikowych*, na stronie 12.

ELEMENTY STEROWANIA, PODŁĄCZANIE WEJŚĆ I WSKAŹNIKI

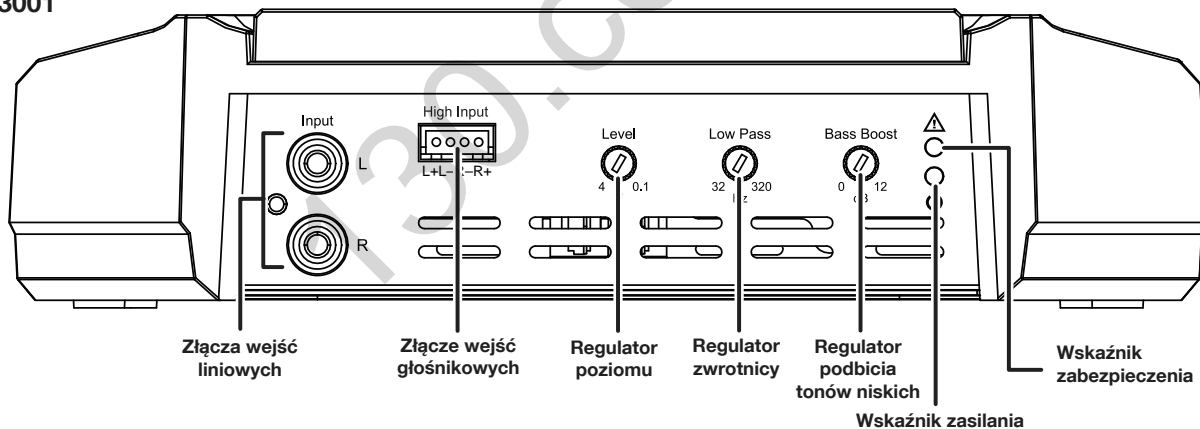
GX-A604



GX-A602



GX-A3001



USTAWIENIA ELEMENTÓW STEROWANIA ZWROTNICAMI

GX-A604: 4 KANAŁY

Przełącznik trybu pracy wejścia: Ustaw przełącznik trybu pracy wejścia w położenie „4CH” (4 kanały).

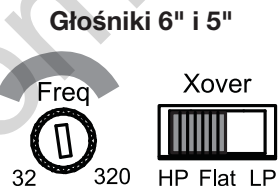
Przełącznik zwrotnicy głośników przednich: Ustaw przełącznik zwrotnicy głośników przednich w położenie „ON” (filtr górnoprzepustowy). Spowoduje to ograniczenie poziomu dźwięków o niskiej częstotliwości odtwarzanych przez głośniki, co pozwala znacznie zmniejszyć zniekształcenia i zapobiec uszkodzeniu głośników. **Wyjątek:** Jeśli posiadasz duże głośniki szerokopasmowe (6" x 9" lub większe) zdolne do odtwarzania niskich tonów z kanałów przednich wzmacniacza i nie korzystasz z subwoofera, ustaw przełącznik zwrotnicy głośników przednich w położenie „OFF” (pełne pasmo częstotliwości).

Przełącznik zwrotnicy głośników tylnych: Ustaw przełącznik zwrotnicy głośników tylnych w położenie „HP” (filtr górnoprzepustowy). Spowoduje to ograniczenie poziomu dźwięków o niskiej częstotliwości odtwarzanych przez głośniki, co pozwala znacznie zmniejszyć zniekształcenia i zapobiec uszkodzeniu głośników. **Wyjątek:** Jeśli posiadasz duże głośniki szerokopasmowe (6" x 9" lub większe) zdolne do odtwarzania niskich tonów z kanałów tylnych wzmacniacza i nie korzystasz z subwoofera, ustaw przełącznik zwrotnicy głośników tylnych w położenie „FLAT” (pełne pasmo częstotliwości).

Regulator zwrotnicy głośników tylnych: Gdy przełącznik zwrotnicy głośników tylnych jest ustawiony w położeniu „HP” (filtr górnoprzepustowy), za pomocą regulatora zwrotnicy głośników tylnych można ustawić częstotliwość, poniżej której dźwięk będzie miał mniejszą głośność.

W przypadku korzystania ze wzmacniacza w trybie 4-kanałowym, regulator zwrotnicy głośników tylnych należy ustawić zgodnie z wielkością głośników podłączonych do wzmacniacza — im mniejsze głośniki, tym wyższa powinna być częstotliwość odciążenia, aby chronić głośniki przed uszkodzeniem.

Po wstępnym ustawieniu częstotliwości zwrotnicy posłuchaj dobrze znanej muzyki zawierającej dużo niskich tonów. Jeśli odtwarzany dźwięk jest zniekształcony lub grozi uszkodzeniem głośników, przestaw regulator zwrotnicy w położenie odpowiadające wyższej częstotliwości, eliminując zniekształcenia lub groźbę uszkodzenia głośników. Ilustracja z prawej strony przedstawia zalecane częstotliwości odciążenia zwrotnicy dla głośników o różnych rozmiarach.



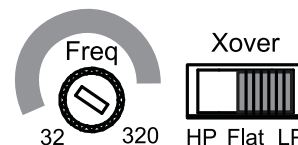
GX-A604: 3 KANAŁY

Przełącznik trybu pracy wejścia: Ustaw przełącznik trybu pracy wejścia w położenie „4CH” (4 kanały).

Przełącznik zwrotnicy głośników przednich: Ustaw przełącznik zwrotnicy głośników przednich w położenie „ON” (filtr górnoprzepustowy). Spowoduje to ograniczenie poziomu dźwięków o niskiej częstotliwości odtwarzanych przez głośniki, co pozwala znacznie zmniejszyć zniekształcenia i zapobiec uszkodzeniu głośników.

Przełącznik zwrotnicy głośników tylnych: W przypadku podłączania subwoofera lub głośnika niskotonowego do kanałów tylnych, ustaw przełącznik zwrotnicy głośników tylnych w położenie „LP” (filtr dolnoprzepustowy). Spowoduje to ograniczenie poziomu dźwięków o wysokiej częstotliwości odtwarzanych przez głośniki niskotonowe lub subwoofery, co pozwala poprawić przejrzystość wokalu i innych dźwięków z zakresu tonów średnich.

**Tryb pracy jako filtr dolnoprzepustowy:
Subwoofery i głośniki niskotonowe**



Regulator zwrotnicy głośników tylnych: Nastawa regulatora zwrotnicy głośników tylnych używana do subwooferów zależy od rodzaju i lokalizacji subwoofera. Rozpocznij od nastawy regulatora zwrotnicy głośników tylnych na częstotliwość nieco niższą niż nastawa 80 Hz dla kanałów przednich. Posłuchaj muzyki i dostosuj ustawienia regulatora zwrotnicy głośników tylnych tak, aby uzyskać płynne przejście od subwoofera do reszty głośników, bez tworzenia „dziury”, w której przypadają dźwięki nie odtwarzane już przez subwoofer i nie odtwarzane jeszcze przez pozostałe głośniki. Ilustracja z prawej strony przedstawia zalecany zakres częstotliwości regulatora zwrotnicy głośników tylnych.

GX-A604: 2 KANAŁY

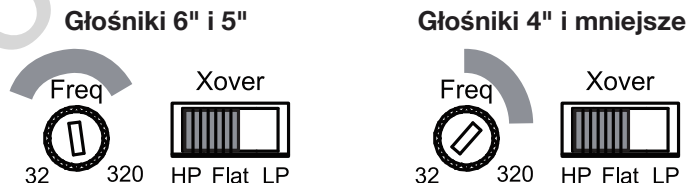
Przełącznik trybu pracy wejścia: Ustaw przełącznik trybu pracy wejścia w położenie „2CH” (2 kanały).

Przełącznik zwrotnicy głośników przednich: Ustaw przełącznik zwrotnicy głośników przednich w położenie „ON” (filtr górnoprzepustowy). Spowoduje to ograniczenie poziomu dźwięków o niskiej częstotliwości odtwarzanych przez głośniki, co pozwala znacznie zmniejszyć zniekształcenia i zapobiec uszkodzeniu głośników. **Wyjątek:** Jeśli posiadasz duże głośniki szerokopasmowe (6" x 9" lub większe) zdolne do odtwarzania niskich tonów z kanałów przednich wzmacniacza i nie korzystasz z subwoofera, ustaw przełącznik zwrotnicy głośników przednich w położenie „OFF” (pełne pasmo częstotliwości).

Przełącznik zwrotnicy głośników tylnych: Ustaw przełącznik zwrotnicy głośników tylnych w położenie „HP” (filtr górnoprzepustowy). Spowoduje to ograniczenie poziomu dźwięków o niskiej częstotliwości odtwarzanych przez głośniki, co pozwala znacznie zmniejszyć zniekształcenia i zapobiec uszkodzeniu głośników. **Wyjątek:** Jeśli posiadasz duże głośniki szerokopasmowe (6" x 9" lub większe) zdolne do odtwarzania niskich tonów z kanałów tylnych wzmacniacza i nie korzystasz z subwoofera, ustaw przełącznik zwrotnicy głośników tylnych w położenie „FLAT” (pełne pasmo częstotliwości).

Regulator zwrotnicy głośników tylnych: Gdy przełącznik zwrotnicy głośników tylnych jest ustawiony w położeniu „HP” (filtr górnoprzepustowy), za pomocą regulatora zwrotnicy głośników tylnych można ustawić częstotliwość, poniżej której dźwięk będzie miał mniejszą głośność.

W przypadku korzystania ze wzmacniacza w trybie 4-kanałowym, regulator zwrotnicy głośników tylnych należy ustawić zgodnie z wielkością głośników podłączonych do wzmacniacza — im mniejsze głośniki tym wyższa powinna być częstotliwość odcięcia, aby chronić głośniki przed uszkodzeniem. Po wstępnym ustawieniu częstotliwości zwrotnicy posłuchaj dobrze znanej muzyki zawierającej dużo niskich tonów. Jeśli odtwarzany dźwięk jest zniekształcony lub grozi uszkodzeniem głośników, przestaw regulator zwrotnicy w położenie odpowiadające wyższej częstotliwości, eliminując zniekształcenia lub groźbę uszkodzenia głośników. Ilustracja z prawej strony przedstawia zalecane częstotliwości odcięcia zwrotnicy dla głośników o różnych rozmiarach.



GX-A602: 2 KANAŁY

Przełącznik zwrotnicy:

- W przypadku podłączania wzmacniacza do pary głośników szerokopasmowych 6" lub mniejszych, ustaw przełącznik zwrotnicy w położenie „HP” (filtr górnoprzepustowy). Spowoduje to ograniczenie poziomu dźwięków o niskiej częstotliwości odtwarzanych przez głośniki, co pozwala znacznie zmniejszyć zniekształcenia i zapobiec uszkodzeniu głośników.
- Jeśli posiadasz duże głośniki szerokopasmowe (6" x 9" lub większe) zdolne do odtwarzania niskich tonów *i nie korzystasz z subwoofera*, ustaw przełącznik zwrotnicy głośników tylnych w położenie „FLAT” (pełne pasmo częstotliwości).
- W przypadku podłączania wzmacniacza do pary głośników niskotonowych lub subwooferów, ustaw przełącznik zwrotnicy w położenie „LP” (filtr dolnoprzepustowy). Spowoduje to ograniczenie poziomu dźwięków o wysokiej częstotliwości odtwarzanych przez głośniki niskotonowe/ subwoofery, co pozwala poprawić przejrzystość wokalu i innych dźwięków z zakresu tonów średnich.

GX-A602: PRACA W TRYBIE ZMOSTKOWANYM

Przełącznik zwrotnicy: W przypadku podłączania wzmacniacza w trybie zmostkowanym do subwoofera, ustaw przełącznik zwrotnicy w położenie „LP” (filtr dolnoprzepustowy). Spowoduje to ograniczenie odtwarzania dźwięków o wysokiej częstotliwości przez subwoofer.

GX-A3001

UWAGA: Wbudowana we wzmacniacz GX-A3001 zwrotnica pracuje w stałym trybie dolnoprzepustowym.

Regulator zwrotnicy: Zwrotnica ogranicza odtwarzania dźwięków o wysokiej częstotliwości przez subwoofer lub głośniki niskotonowe. Nastawa regulatora zwrotnicy dla subwooferów zależy od rodzaju i lokalizacji subwoofera. Rozpocznij od nastawy regulatora zwrotnicy na częstotliwość nieco niższą niż nastawa zwrotnicy górnoprzepustowej użyta dla pozostałych głośników. Posłuchaj muzyki i dostosuj ustawienia regulatora zwrotnicy tak, aby uzyskać płynne przejście od subwoofera do reszty głośników, bez tworzenia „dziury”, w której przepadają dźwięki nie odtwarzane już przez subwoofer i nie odtwarzane jeszcze przez pozostałe głośniki. Ilustracja z prawej strony przedstawia zalecany zakres częstotliwości regulatora zwrotnicy.

Subwoofery i głośniki niskotonowe:



USTAW POZIOM SYGNAŁU WEJŚCIOWEGO

1. Ustaw wszystkie regulatory poziomu sygnału we wszystkich wzmacniaczach w krańcowym położeniu w lewo.
2. Włącz odtwarzanie dynamicznej muzyki na urządzeniu źródłowym i ustaw jego regulator głośności tak, aby uzyskać 3/4 maksymalnej głośności.
3. Powoli obracając regulatorem poziomu sygnału na wzmacniaczu kanałów przednich ustaw poziom głośności, przy którym odtwarzany dźwięk zaczyna być zniekształcany.
4. Przekręć regulator poziomu sygnału lekko w lewo, tak, aby zanikły zniekształcenia dźwięku.
5. Jeśli korzystasz z więcej niż jednego wzmacniacza lub jeśli posiadasz wzmacniacz GX-A604, powtórz punkty 3 – 4 dla wszystkich pozostałych regulatorów poziomu sygnału.

NASTAWA FUNKCJI PODBICIA TONÓW NISKICH

GX-A604: Jeśli do zasilania subwoofera używasz kanałów tylnych wzmacniacza, funkcja podbicia tonów niskich pozwala uzyskać 12 dB wzmocnienia dla częstotliwości 45 Hz. (Polożenie przełącznika ma wpływ wyłącznie na kanały tylne wzmacniacza.) Ustaw ten przełącznik zgodnie z własnymi preferencjami, jednak jeśli dźwięk jest zniekształcony lub subwoofer ulega przeciążeniu, zaleca się, aby go ustawić w położenie „OFF” (wyłączone). **OSTROŻNIE:** Korzystaj z funkcji podbicia tonów niskich wyłącznie jeśli kanały tylne mają zasilać subwoofer. Użycie funkcji podbicia tonów niskich do głośników szerokopasmowych grozi uszkodzeniem głośników.

GX-A602: Jeśli do zasilania subwoofera używasz wzmacniacza pracującego w trybie zmostkowanym, funkcja podbicia tonów niskich pozwala uzyskać 12 dB wzmocnienia dla częstotliwości 45 Hz. (Ustaw ten przełącznik zgodnie z własnymi preferencjami, jednak jeśli dźwięk jest zniekształcony lub przeciąża subwoofer, zaleca się, aby go ustawić w położenie „OFF” (wyłączone)). **OSTROŻNIE:** Korzystaj z funkcji podbicia tonów niskich wyłącznie jeśli wzmacniacz ma zasilać subwoofer. Użycie funkcji podbicia tonów niskich do głośników szerokopasmowych grozi uszkodzeniem głośników.

GX-A3001: Funkcja podbicia tonów niskich zapewnia wzmocnienie 12 dB przy częstotliwości 45 Hz. Ustaw ten regulator zgodnie z własnymi preferencjami, jednak zachowaj ostrożność, aby nie przesadzić z poziomem głośności, powodując zniekształcenia dźwięku lub przeciążenie subwoofera.

WSKAŹNIKI LED ZASILANIA I ZABEZPIECZENIA

WSKAŹNIK LED ZASILANIA

- Wskaźnik LED świeci na pomarańczowo: normalny tryb pracy (zasilanie włączone).
- Wskaźnik LED świeci na pomarańczowo: wzmacniacz pracuje w trybie gotowości.

WSKAŹNIK LED ZABEZPIECZENIA

Wskaźnik LED zabezpieczenia wzmacniacza powinien być normalnie wyłączony podczas pracy wzmacniacza. Jeśli brak dźwięku z wzmacniacza a wskaźnik LED zabezpieczenia świeci na czerwono, zobacz część *Rozwiązywanie problemów* na stronie 24.

ROZWIĄZYWANIE PROBLEMÓW

Jeśli wzmacniacz nie działa Twoim zdaniem tak, jak powinien, sprawdź, czy dany problem nie jest omówiony w tej części instrukcji, zanim zadzwonisz do sprzedawcy lub skontaktujesz się z działem obsługi klienta firmy JBL.

PROBLEM

PRZYCZYNY I ROZWIĄZANIA

Brak dźwięku (wskaźnik LED zasilania wzmacniacza jest wyłączony)

- Sprawdź, czy prawidłowo podłączone są przewody +12 V i GND (masa) wzmacniacza.
- Sprawdź, czy bezpiecznik na przewodzie +12 V znajdujący się w pobliżu akumulatora nie jest przepalony: jeżeli tak, wymień bezpiecznik na identyczny.
- Sprawdź wszystkie bezpieczniki wzmacniacza, jeśli którykolwiek jest przepalony, wymień je na identyczne.
- Jeśli korzystasz ze złącza REM do włączania wzmacniacza, sprawdź, czy przewód jest prawidłowo podłączony do przewodu zdalnego włączania prowadzącego z zestawu audio lub do zacisku zasilania ACC pojazdu.

Brak dźwięku (wskaźnik LED zasilania wzmacniacza świeci na pomarańczowo)

- Sprawdź, czy prawidłowo podłączone są wszystkie przewody wejściowe i głośnikowe wzmacniacza.
- Sprawdź, czy elementy sterowania poziomem sygnału wzmacniacza nie są ustawione całkowicie w lewo (minimalna głośność).
- Sprawdź, czy regulator głośności na urządzeniu źródłowym dźwięku nie jest ustawiony na minimalną głośność.

Brak dźwięku (wskaźnik LED zasilania wzmacniacza świeci na czerwono)

- Sprawdź, czy napięcie zasilania dostarczane do wzmacniacza z instalacji elektrycznej samochodu mieści się w zakresie od 9 V do 16 V prądu stałego. Jeśli napięcie zasilania ma wartość spoza tego zakresu, zapewnij odpowiednie zasilanie zanim rozpoczniesz korzystanie ze wzmacniacza.
- Jeśli wzmacniacz jest przegrzany, odczekaj, aż ostygnie, zanim spróbujesz używać go ponownie.
- Odłącz wszystkie głośniki od wzmacniacza i spróbuj go włączyć ponownie:
 - Jeśli wzmacniacz się włącza (wskaźnik LED zasilania świeci na pomarańczowo), oznacza to, że występuje zwarcie w przynajmniej jednym z przewodów głośnikowych. Usuń zwarcie przed podłączeniem głośników do wzmacniacza.
 - Jeśli wzmacniacz się nie włącza (wskaźnik LED zabezpieczenia nadal świeci na czerwono a wskaźnik LED zasilania nie świeci) skontaktuj się z autoryzowanym przedstawicielem firmy JBL w celu uzyskania pomocy.

PROBLEM**PRZYCZYNY I ROZWIĄZANIA**

Tylko niektóre głośniki podłączone do wzmacniacza odtwarzają dźwięk

- Sprawdź, czy regulatory równoważenia kanału lewego i prawego (balans) oraz przód/tył (fader) są ustawione w położeniu środkowym (zerowym).
- (GX-A604): Sprawdź, czy wybrany za pomocą przełącznika tryb pracy wejść wzmacniacza jest zgodny ze sposobem wykonania podłączeń sygnałów wejściowych i głośników.

Dźwięk jest zbyt cichy, nawet gdy regulator głośności urządzenia źródłowego jest ustawiony na maksimum.

- Sprawdź, czy elementy sterowania poziomem sygnału wzmacniacza nie są ustawione na zbyt niski poziom. Patrz *Ustawienie poziomu sygnału wejściowego* na stronie 22, gdzie zamieszczono informacje na temat konfiguracji elementów sterowania poziomem sygnału wejściowego wzmacniacza.

Dźwięk z głośników przednich/tylnych jest zniekształcony

- Sprawdź, czy przełącznik zwrotnicy wzmacniacza dla kanałów ze zniekształconym dźwiękiem jest ustawiony w położenie HP (filtr górnoprzepustowy).
- Ustaw regulator zwrotnicy kanałów ze zniekształconym dźwiękiem na wyższą wartość częstotliwości.
- Sprawdź, czy zniekształcenia nie powstają w urządzeniu źródłowym.

Dźwięk z subwoofera jest zniekształcony

- (GX-A604, GX-A602): Ustaw przełącznik funkcji podbicia tonów niskich w położenie „OFF” (Wyłączone).
- (GX-A3001): Podczas słuchania muzyki zawierającej dużo niskich tonów przestaw regulator podbicia basów całkowicie w położenie najmniejszego podbicia, a następnie stopniowo zwiększaj poziom podbicia tonów niskich, aż do osiągnięcia poziomu, w którym dźwięk zaczyna być zniekształcony. Następnie lekko zmniejsz ustawienie funkcji podbicia tonów niskich, aby zniekształcenia zanikły i pozostaw takie ustawienie.
- Sprawdź, czy zniekształcenia nie powstają w urządzeniu źródłowym.

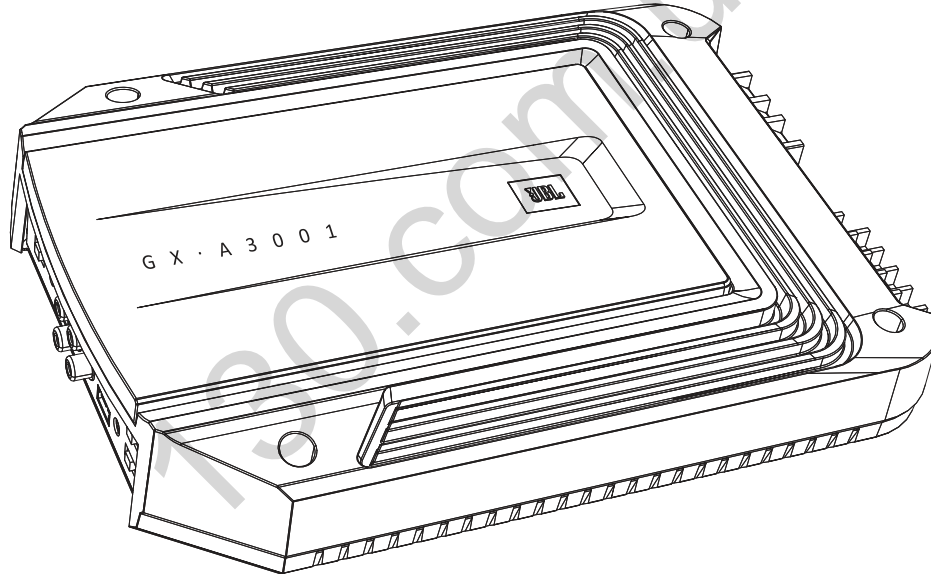
DANE TECHNICZNE

	GX-A604	GX-A602	GX-A3001
Moc maksymalna (15,5 V, 1 kHz, zniekształcenia harmoniczne 10% THD, pełne wystęrowanie, impedancja głośników 2 omy)	435 W	280 W	415 W (15,5 V, 50 Hz, zniekształcenia harmoniczne 10% THD, 2 omy)
Znamionowa moc wyjściowa przy impedancji 4 omy	60 W x 4	60 W x 2	200 W x 1
Znamionowa moc wyjściowa w trybie zmostkowanym przy impedancji 4 omy, poziom zniekształceń harmonicznnych (THD) 1%)	170 W x 2	170 W x 1	nie dotyczy
Poziom zniekształceń harmonicznnych THD+N przy mocy znamionowej	< 1%	< 1%	< 1%
Stosunek sygnał/szum (2 V przy impedancji 4 omy)	> 75 dB	> 75 dB	> 75 dB
Współczynnik tłumienia efektywnego (4 omy)	> 50	> 50	> 50
Pasma przenoszenia (-3 dB)	20 Hz – 20 kHz ±1dB	20 Hz – 20 kHz ±1dB	10 Hz – 320 Hz
Maksymalne napięcie wejściowe	20 V	20 V	20 V
Maksymalna czułość wejścia sygnałowego	200 mV	200 mV	200 mV
Obciążalność bezpieczników	20 A x 2	25 A	20 A x 2
Wymiary (wysokość x szerokość x głębokość)	2-1/16" x 11-13/16" x 8-1/8" (52 mm x 300 mm x 206 mm)	2-1/16" x 7-13/16" x 8-1/8" (52 mm x 198 mm x 206 mm)	2-1/16" x 11-7/16" x 8-1/8" (52 mm x 291mm x 206 mm)
Masa	5,3 funta (2,4 kg)	3,8 funta (1,7 kg)	5,3 funta (2,4 kg)



GX-A604/GX-A602/GX-A3001

güç amplifikatörü

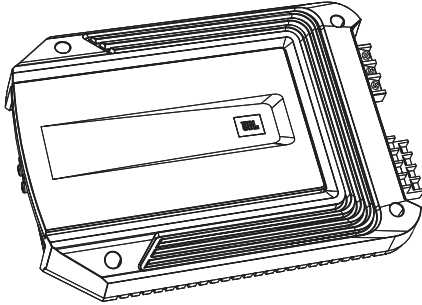


KULLANIM KILAVUZU

GİRİŞ

JBL® GX serisi amplifikatör satın aldığınız için **TEŞEKKÜR EDERİZ**. Lütfen orijinal satış fişini saklayın ve www.jbl.com adresinden amplifikatörünüzü çevrimiçi kaydettirin, böylece garanti hizmeti istemeniz gerektiğinde size daha iyi hizmet edebiliriz.

İÇİNDEKİ ÖGELER



GX Serisi Amplifikatör (x 1)



Hoparlör düzey giriş kablo demeti
(GX-A602, GX-A3001 x 1)
(GX-A604 x 2)

KONUM VE KURULUM

Bu talimatlar genel anlamda GX serisi amplifikatörlerin kurulumunu açıklasa da, bunlar belirli bir araç için gerekli olabilecek belirli kurulum yöntemlerini göstermez. Gerekli aletleriniz ya da deneyiminiz yoksa, kurulumu kendi kendinize yapmaya çalışmayın. Bunun yerine, lütfen bu işi profesyonel kurulum konusunda yetkili JBL araç ses bayisinden isteyin.

KURULUM UYARILARI VE İPUÇLARI

ÖNEMLİ: Kurulum başlamadan önce aracın negatif akü kutup başı (-) bağlantısını ayırın.

- Aletleri kullanırken her zaman koruyucu gözlük takın.
- Planlanan kurulum yüzeyinin her iki tarafındaki açıklıkları kontrol edin. Vidaların veya kabloların fren hatlarını, yakıt hatlarını veya kablo demetlerini delmeyeceğinden ve kablo çekmenin aracın güvenli çalışmasına engel olmayacağına emin olun.
- Elektrik bağlantılarını yaparken, bunların güvenli ve düzgün bir şekilde yalıtılmış olduğundan emin olun.
- Amplifikatörün sigortalarından herhangi birini değiştirmeniz gerekirse, orijinaliyle aynı tür ve akım nominal değeri aynı sigorta kullandığınızdan emin olun.

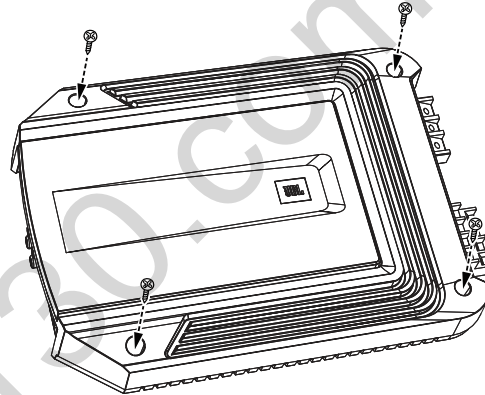
KURULUM KONUMU

Amplifikatörlerin soğuk kalması için hava sirkülasyonu gerekir. Amplifikatörün kendisini soğutması için yeterli hava sağlayan bir konum seçin.

- Uygun konumlar bir koltuk altı (amplifikatörün koltuk ayarı mekanizması ile engel olmaması kaydıyla), bagajda bir yer ya da yeterince soğuk hava sağlayan herhangi başka bir yerdir.
- Amplifikatörün soğutucu aşağı bakacak şekilde monte edilmesi amplifikatörün konveksiyon yoluyla soğutulmasını engelleyeceğinden, böyle monte etmeyin.
- Amplifikatörü arka koltuktaki yolcuların ayakları altında ezilmesinden veya bagajda kargo çekilmesinden zarar görmeyecek şekilde monte edin.
- Asla amplifikatörü arabanın dışında veya motor bölümünde bir yere monte etmeyin, amplifikatörü kuru kalacak şekilde monte edin.

AMPLİFİKATÖRÜN MONTE EDİLMESİ

NOT: Amplifikatörü kalıcı olarak araca monte etmeden önce, amplifikatöre tüm bağlantıların yapılması daha kullanışlı olabilir.



1. Yukarıda tarif edildiği gibi, uygun bir montaj konumu seçin.
2. Amplifikatörü bir şablon olarak kullanarak, montaj yüzeyine montaj deliklerinin yerlerini işaretleyin.
3. Montaj yüzeyinde pilot deliklerini delin.
4. Kendi seçtiğiniz dört uygun montaj vidası ile montaj yüzeyine amplifikatörü takın. 8'lik yıldız başlı sac vidaları kullanmanızı öneririz. Amplifikatörün güvenli bir şekilde monte edildiğinden emin olun.

GÜÇ VE TOPRAK BAĞLANTILARI

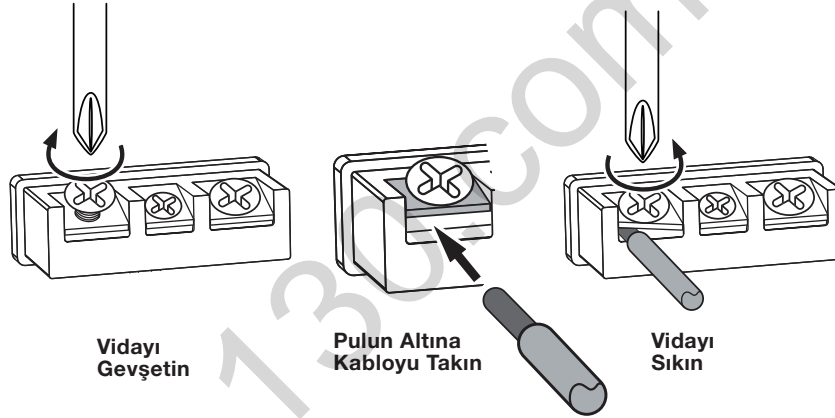
ÖNEMLİ: Kurulum başlamadan önce aracın negatif akü kutup başı (-) bağlantısını ayırın.

GX serisi amplifikatörler yüksek güç düzeyleri sunma yeteneğine sahiptir ve en iyi performansı elde etmek için aracın elektrik sistemine ağır hizmet türü ve güvenilir bağlantı gerektirir. Lütfen dikkatlice aşağıdaki talimatlara uyun.

KONNEKTÖRLERİN KULLANILMASI

GX serisi amplifikatörler güç ve hoparlör bağlantıları için aynı tip vida terminalleri kullanır. Bu tür terminal kullanımı kolaydır ve büyük kesitli kabloların kolay bağlanmasını sağlar.

Konnektörleri kullanmak için, aşağıdaki resimde gösterildiği gibi, bağlantı için belirlenen vidayı gevşetin, çıplak kabloyu takın ve konektörde kablo sabitlemek için belirlenen vidayı sıkmak için bir yıldız tornavida kullanın.



ÖNEMLİ: (+) ve (-) hoparlör çıplak kablolarının birbirlerine veya hem amplifikatör terminallerinde hem de hoparlör terminallerinde diğer terminallere temas etmediğinden emin olun. Birbirine temas eden kablolar amplifikatörünüze hasar verebilecek kısa devreye sebep olabilir.

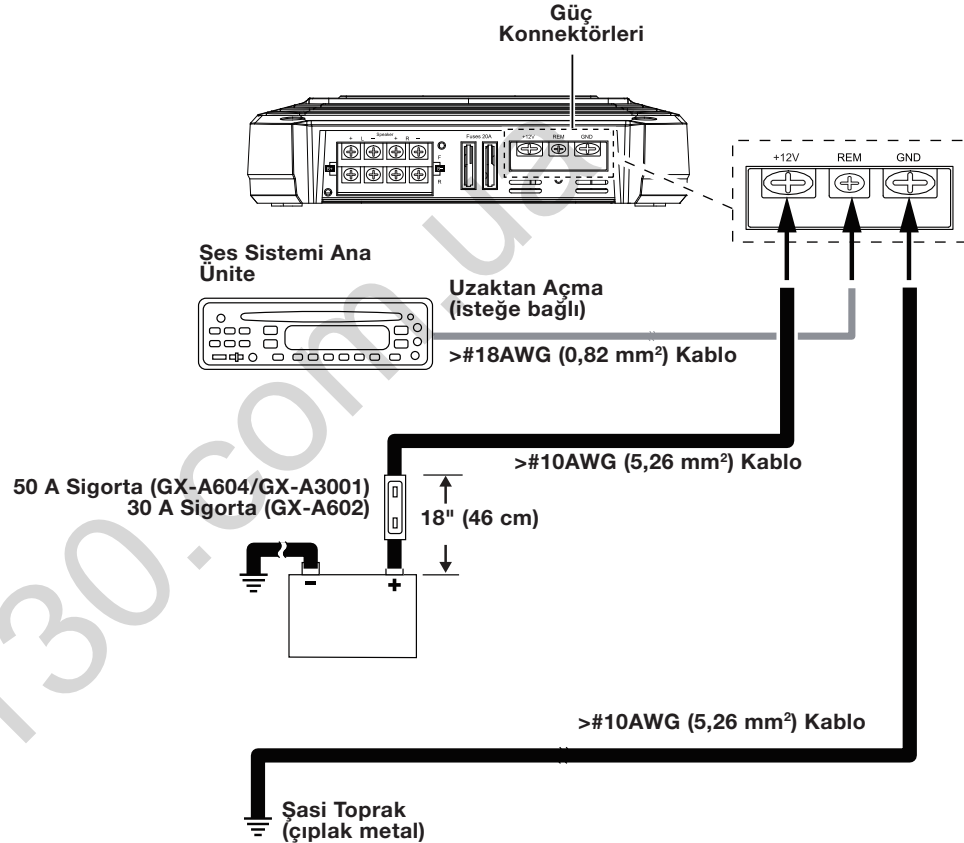
TOPRAK (GND) BAĞLANTISI

Amplifikatörün GND terminalinden doğrudan aracın şasisinde sağlam bir noktaya bir kablo (minimum 10AWG – 5,3 mm²) bağlayın.

- İyi bir bağlantı için, bu şasi noktasında metal yüzeyden boyayı temizlemek için zımpara kâğıdı kullanın. Kablonun bağlantı güvenliğini sağlamak için bir yıldız tipi tırtırlı pul kullanın.

GÜÇ (12 V) BAĞLANTISI

1. Akünün (+) terminaline doğrudan bir kablo (minimum 10AWG – 5,3 mm²) bağlayın.
2. Bu kablo üzerinde akünün (+) terminalinden en fazla 18" (46 cm) içinde 50 A sigorta (GX-A604, GX-A3001) veya 30 A sigorta (GX-A602) için bir sigorta tutucu takın. O anda tutucuya sigorta takmayın.
3. Bu kabloyu amplifikatör konumuna çekin ve amplifikatörün +12 V terminaline bağlayın. Sürücü kabini ile motoru ayıran metal bölme veya diğer saclardan geçen kablolar çekilirken uygun yalıtıma bilezikleri kullandığınızdan emin olun.
ÖNEMLİ: Pozitif kabloyu olası hasarlardan yeterince koruyamamak araçta yangına neden olabilir.
4. Bu kablunun çekilmesini ve bağlantılarını bitirdiğinizde, akü yakınındaki tutucuya uygun sigorta takın. (GX-A604, GX-A3001 – 50 A sigorta; GX-A602 – 30 A sigorta)



HOPARLÖR VE GİRİŞ BAĞLANTILARI

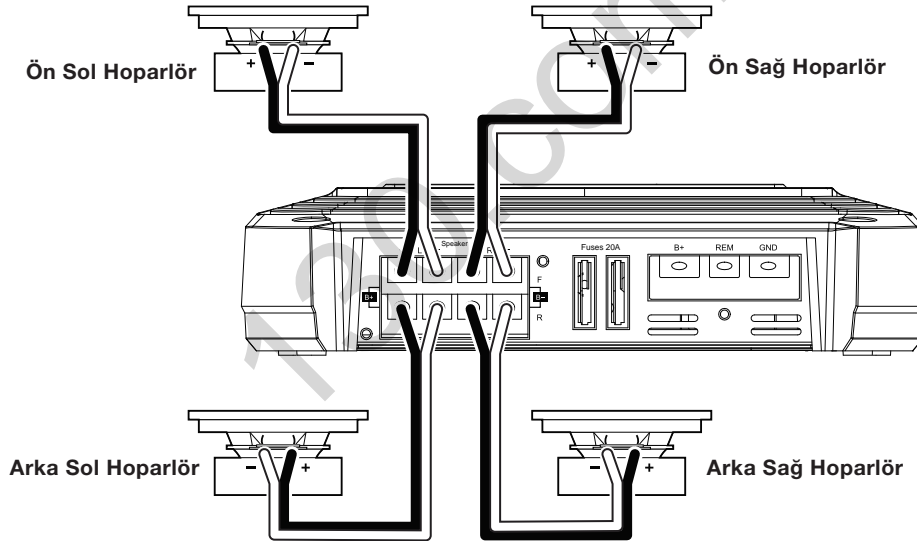
Her zaman amplifikatör üzerindeki (+) hoparlör terminalini hoparlör üzerindeki (+) terminale amplifikatör üzerindeki (-) hoparlör terminalini hoparlör üzerindeki (-) terminale bağlayın.

ÖNEMLİ: (+) ve (-) hoparlör çıplak kablolarının birbirlerine veya hem amplifikatör terminallerinde hem de hoparlör terminallerinde diğer terminallere temas etmediğinden emin olun. Birbirine temas eden kablolar amplifikatörünüze hasar verebilecek kısa devreye sebep olabilir.

GX-A604 HOPARLÖR BAĞLANTILARI: 4 KANALLI ÇALIŞMA

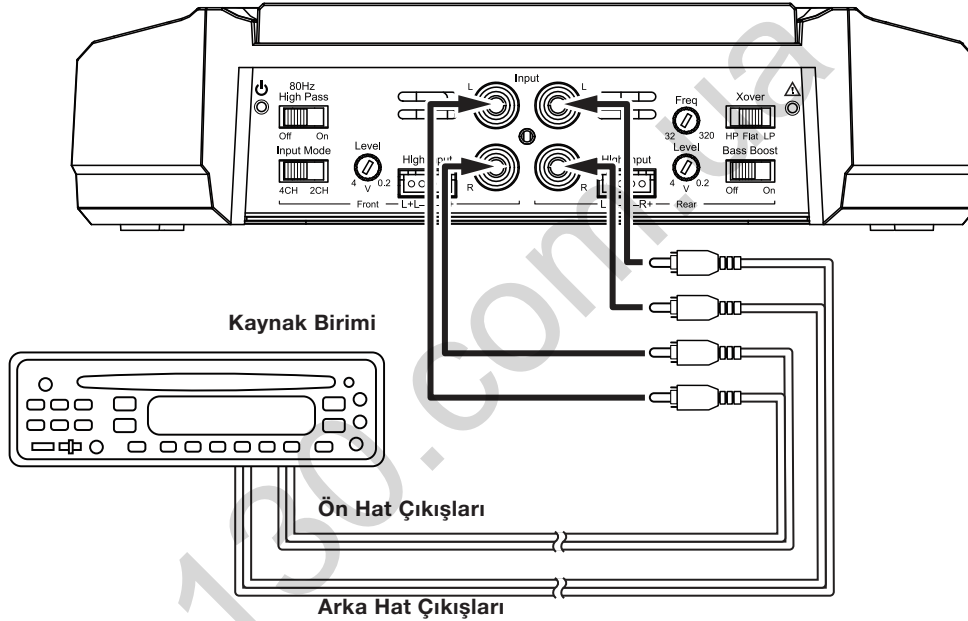
Minimum hoparlör empedansı: 2 ohm (her biri)

- Ön hoparlörleri FL ve FR (+) ve (-) terminallerine bağlayın.
- Arka hoparlörleri RL ve RR (+) ve (-) terminallerine bağlayın.



GX-A604 GİRİŞ BAĞLANTILARI: 4 KANALLI ÇALIŞMA

Kaynak birimini veya işlemcinin ön ve arka sol ve sağ çıkışlarını resimde gösterildiği gibi amplifikatörün girişlerine bağlayın.



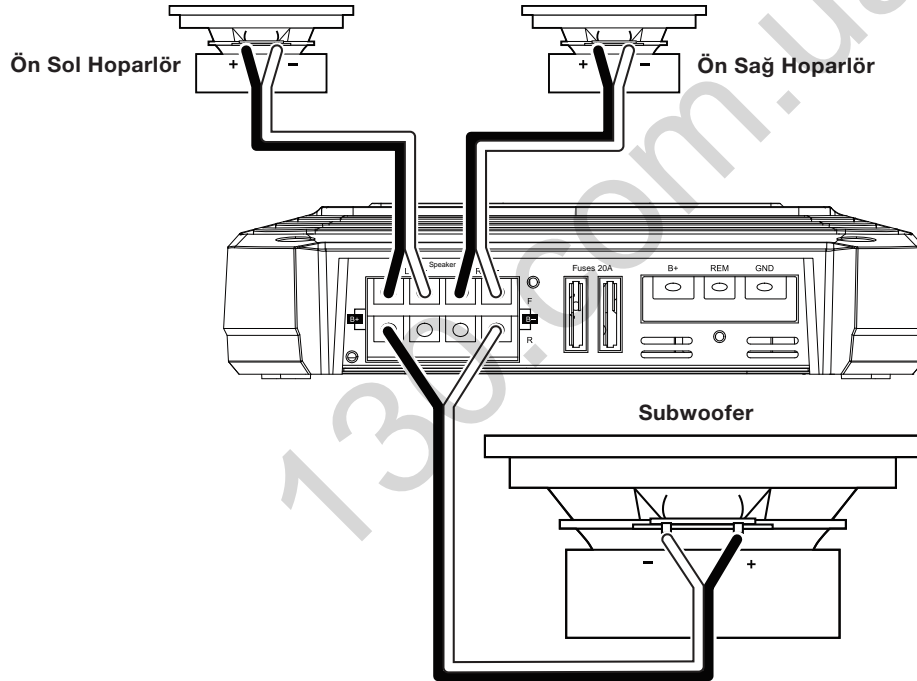
4 kanallı çalışmada amplifikatör kontrolleri ayarlanması hakkında bilgi için, sayfa 20, *Geçiş Kontrolleri Ayarı* bölümüne bakın.

Hat düzey girişleri yerine hoparlör düzey girişlerini kullanmak için, sayfa 12, *Hoparlör Düzey Girişlerinin Kullanılması* bölümüne bakın.

GX-A604 HOPARLÖR BAĞLANTILARI: 3 KANALLI ÇALIŞMA

Minimum hoparlör empedansı: 2 ohm her biri (sol ve sağ hoparlörler); 4 ohm (subwoofer)

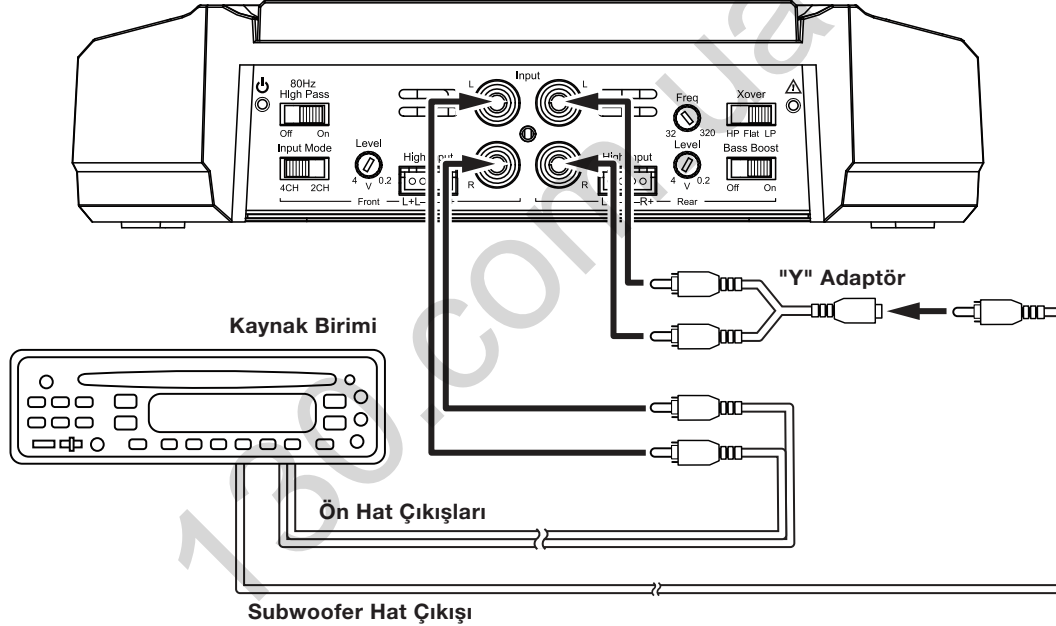
- Sol ve sağ hoparlörleri FL ve FR (+) ve (-) terminallerine bağlayın.
- Subwoofer'ı RL ve RR (+) ve (-) terminallerine bağlayın. (Arka kanal Bas Artırma kontrolü subwoofer bağlantısı için arka kanalları tercihli duruma getirir. Sayfa 23, *Bas Artırma Ayarı* bölümüne bakın.) **NOT:** Subwoofer kanalı için gerekli minimum 4 ohm empedansı korumak için seri olarak iki 2 ohm subwoofer bağlayabilirsiniz.



GX-A604 GİRİŞ BAĞLANTILARI: 3 KANALLI ÇALIŞMA

Kaynak birimi veya işlemcinin hat çıkışını aşağıdaki resimde gösterdiği gibi bağlayın. Giriş modu anahtarını "4 Kanal" konumuna getirin

NOT: Amplifikatör arka sol ve sağ giriş jaklarına kaynak biriminin subwoofer çıkışını bağlamak için bir "Y" adaptör kullanın.



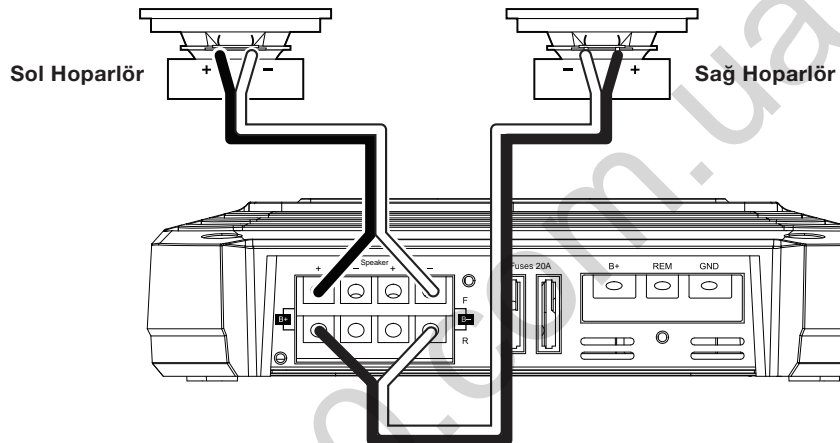
3 kanallı çalışmada amplifikatör kontrolleri ayarlanması hakkında bilgi için, sayfa 20, *Geçiş Kontrolleri Ayarı* bölümüne bakın.

Hat düzey girişleri yerine hoparlör düzey girişlerini kullanmak için, sayfa 12, *Hoparlör Düzey Girişlerinin Kullanılması* bölümüne bakın.

GX-A604 HOPARLÖR BAĞLANTILARI: 2 KANALLI ÇALIŞMA

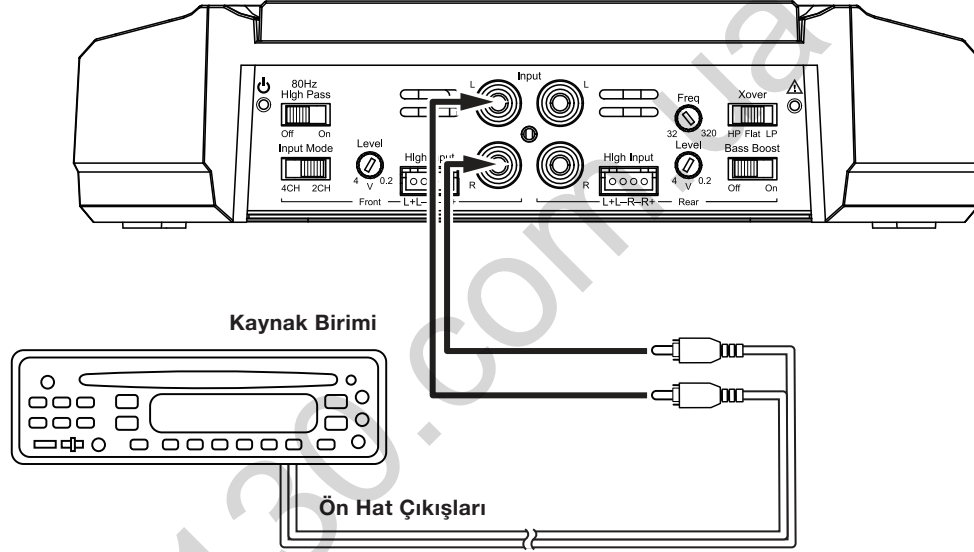
Minimum hoparlör empedansı: 4 ohm (her biri)

Sol ve sağ hoparlörleri aşağıdaki resimde gösterilen şekilde bağlayın.



GX-A604 GİRİŞ BAĞLANTILARI: 2 KANALLI ÇALIŞMA

Kaynak birimi veya işlemcinin hat çıkışını aşağıdaki resimde gösterildiği gibi bağlayın. Sadece ön sol ve sağ giriş bağlantılarını kullanın ve Giriş Modu anahtarının "2 Kanal" konumunda olduğundan emin olun.



2 kanallı çalışmada amplifikatör kontrolleri ayarlanması hakkında bilgi için, sayfa 20, *Geçiş Kontrolleri Ayarı* bölümüne bakın.

Hat düzey girişleri yerine hoparlör düzey girişlerini kullanmak için, sayfa 12, *Hoparlör Düzey Girişlerinin Kullanılması* bölümüne bakın.

HOPARLÖR DÜZEY GİRİŞLERİNİN KULLANILMASI

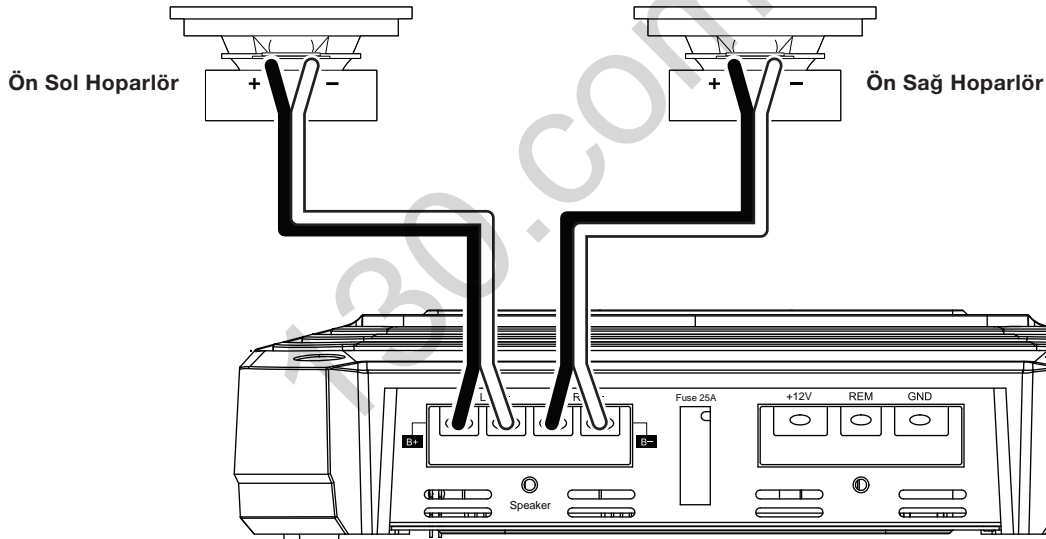
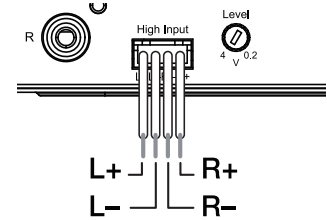
Kaynak biriminin hat düzey çıkışları yoksa, amplifikatörü kaynak biriminin hoparlör çıkışlarına bağlamak için ürünle birlikte verilen hoparlör düzey girişi kablo demetini kullanabilirsiniz. Soldan sağa, iletkenler: L+, L-, R-, R+ (sağ taraftaki resme bakın). Tüm GX serisi amplifikatör modellerinde hoparlör düzey konnektörleri bu kablolama yapılandırmasını izler.

Hat düzey konnektörleri yerine hoparlör düzey konnektörlerini koymak için, bir önceki bölümlerde verilen talimatları izleyin.

GX-A602 HOPARLÖR BAĞLANTILARI; 2 KANALLI ÇALIŞMA

Minimum hoparlör empedansı: 2 ohm (her biri)

Sol ve sağ hoparlörleri FL ve FR (+) ve (-) terminallerine bağlayın

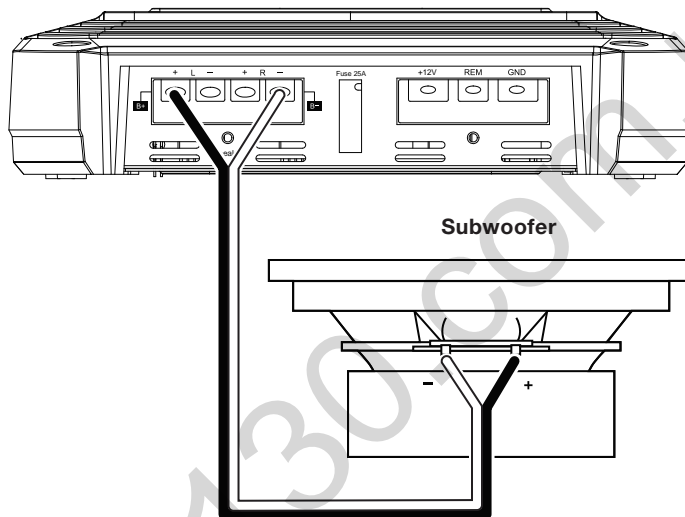


GX-A602 HOPARLÖR BAĞLANTILARI: KÖPRÜLÜ ÇALIŞMA

Köprülü çalışma bir subwoofer için tek bir yüksek güçlü kanal sağlar

Minimum hoparlör empedansı: 4 ohm

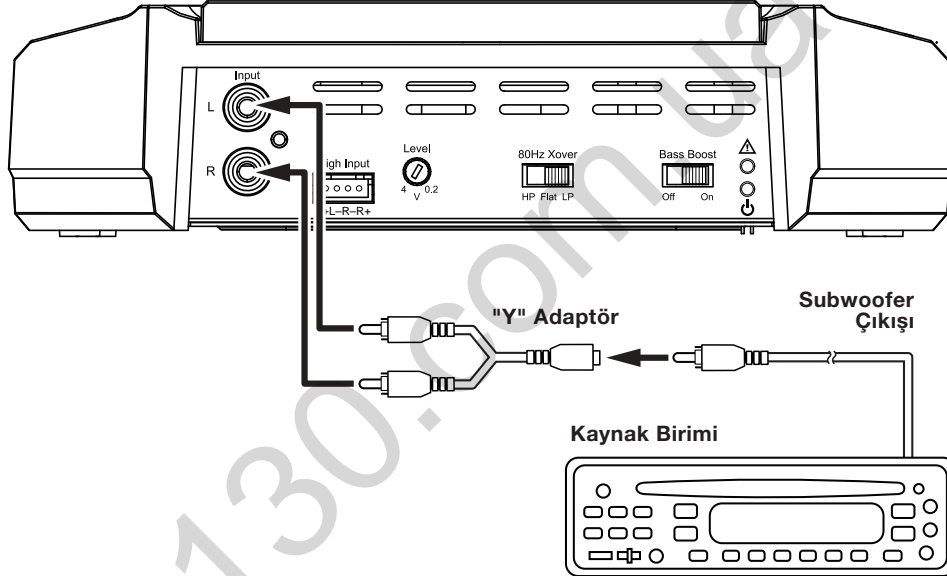
Subwoofer'ı RL ve RR (+) ve (-) terminallerine bağlayın.) **NOT:** Köprülü çalışma için gerekli 4 ohm empedansı korumak için seri olarak iki 2 ohm subwoofer bağlayabilirsiniz.



GX-A602 GİRİŞ BAĞLANTILARI: KÖPRÜLÜ ÇALIŞMA

Kaynak birimini veya işlemcinin subwoofer hat çıkışını aşağıdaki resimde gösterildiği gibi amplifikatörün sol girişine bağlayın.

NOT: Amplifikatör sol ve sağ giriş jaklarına kaynak birimini bağlamak için bir "Y" adaptör kullanın.



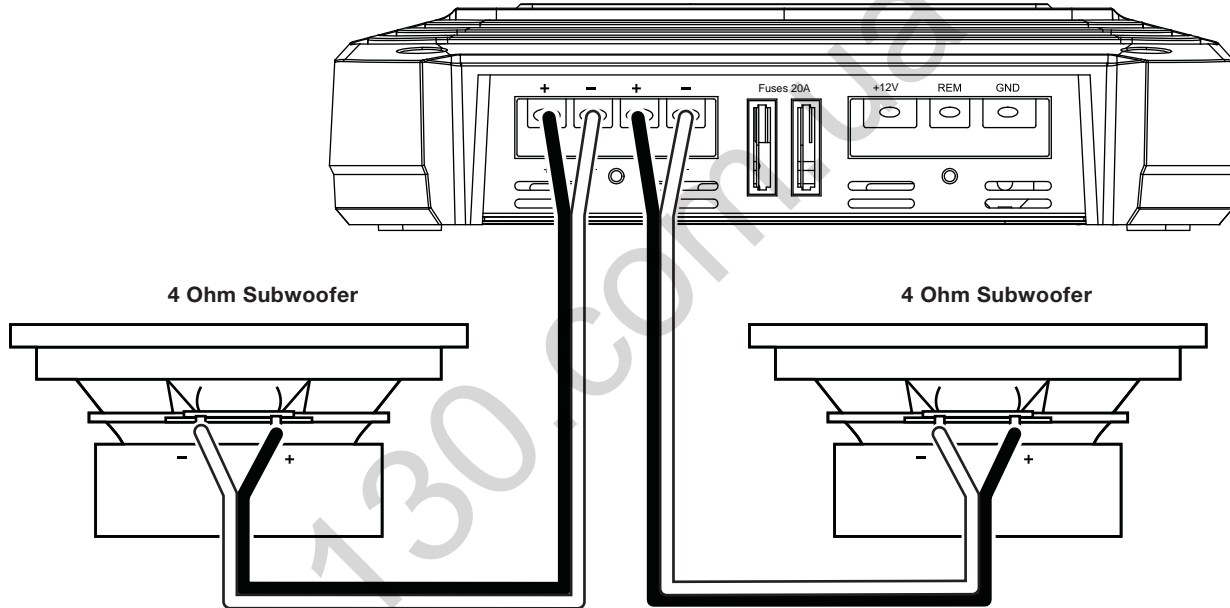
Köprülü çalışmada amplifikatör kontrolleri ayarlanması hakkında bilgi için, sayfa 20, *Geçiş Kontrolleri Ayarı* bölümüne bakın.

Hat düzey girişleri yerine hoparlör düzey girişlerini kullanmak için, sayfa 12, *Hoparlör Düzey Girişlerinin Kullanılması* bölümüne bakın.

GX-A3001 HOPARLÖR BAĞLANTILARI

Minimum hoparlör empedansı; 2 ohm (tek subwoofer), 4 ohm (2 subwoofer)

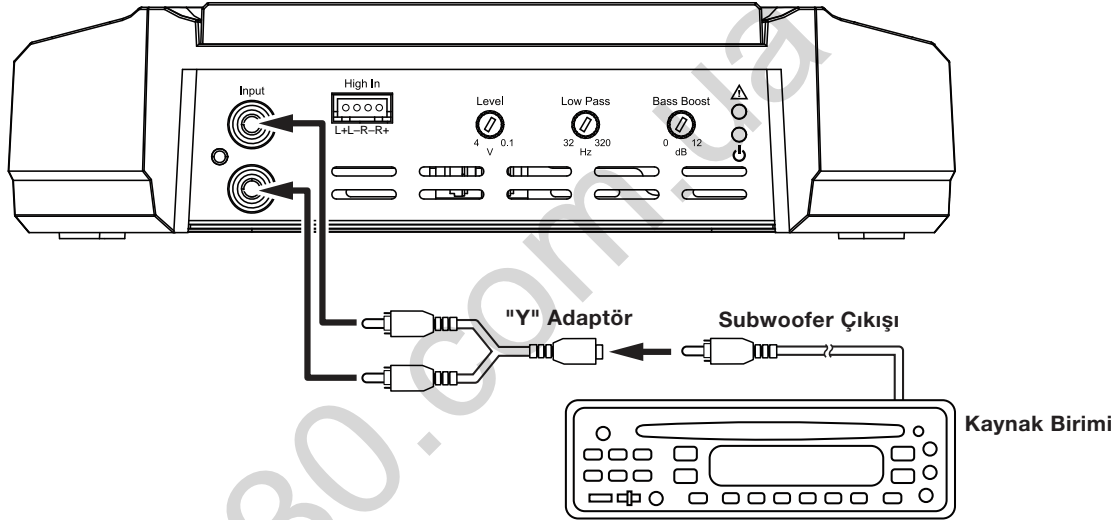
GX-A3001 iki subwoofer bağlantısına olanak sağlayan, iki paralel hoparlör konektörü seti vardır.



- Tek bir subwoofer kullanıyorsanız, iki GX-A3001 hoparlör konektörü setinden birine bağlayabilirsiniz.
- İki adet 2 ohm subwoofer kullanıyorsanız, gerekli minimum 2 ohm empedans üzerinde olmak amacıyla bunları seri olarak konektör setlerinden birine bağlayabilirsiniz.

GX-A3001 GİRİŞ BAĞLANTISI

Kaynak birimini veya işlemcinin subwoofer hat çıkışını aşağıdaki resimde gösterildiği gibi amplifikatörün sol ve sağ girişine bağlamak için bir "Y" adaptör kullanın. Kaynak biriminin özel bir subwoofer çıkışı yoksa amplifikatör sol ve sağ girişlerine arka sağ / sol çıkışları bağlayabilirsiniz.

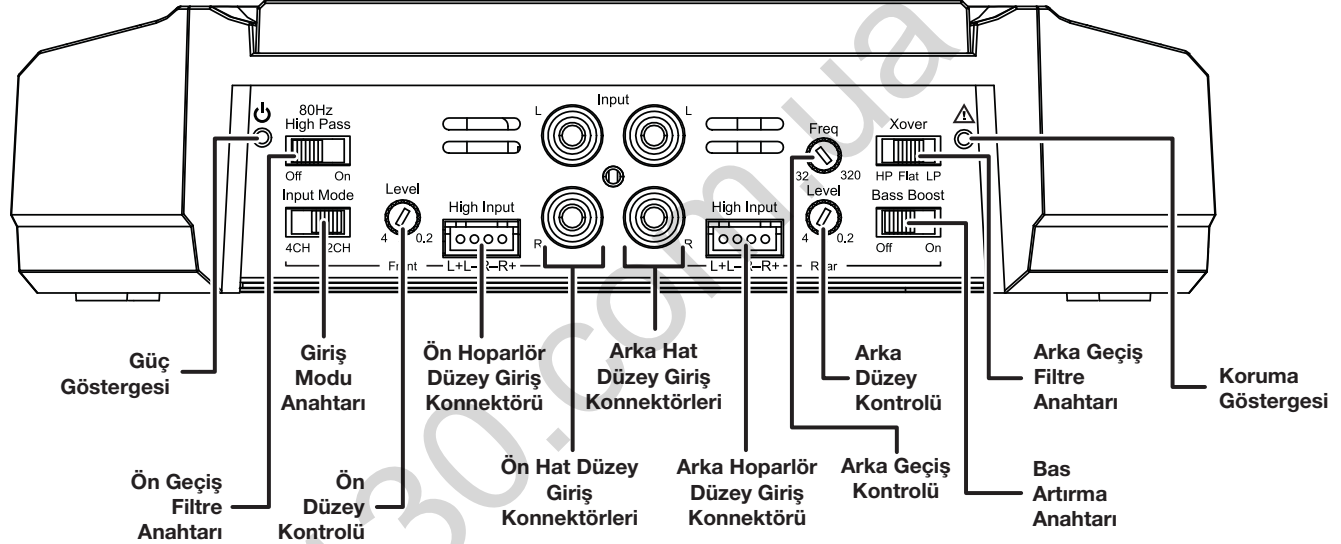


Amplifikatör kontrolleri ayarlanması hakkında bilgi için, sayfa 20, *Geçiş Kontrolleri Ayarı* bölümüne bakın.

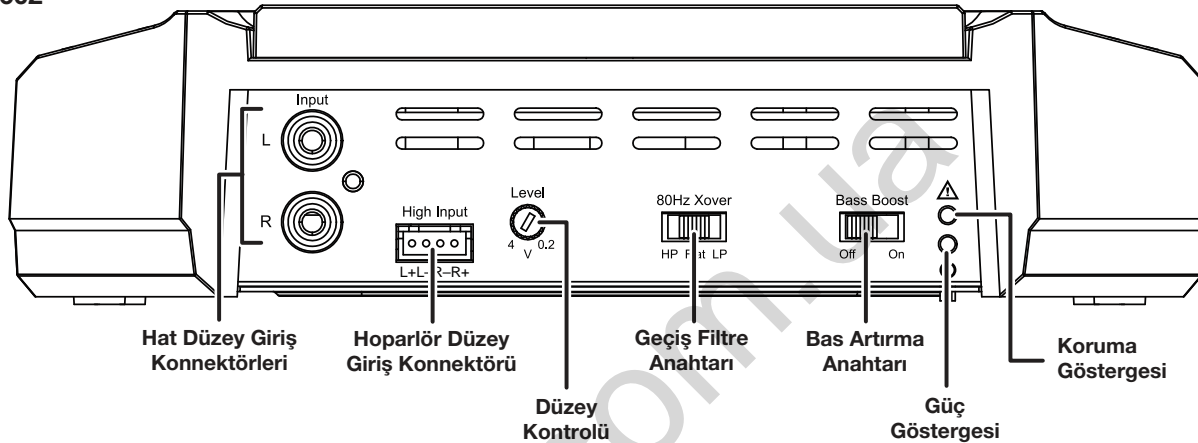
Hat düzey girişleri yerine hoparlör düzey girişlerini kullanmak için, sayfa 12, *Hoparlör Düzey Girişlerinin Kullanılması* bölümüne bakın.

KONTROLLER, GİRİŞ BAĞLANTILARI VE GÖSTERGELER

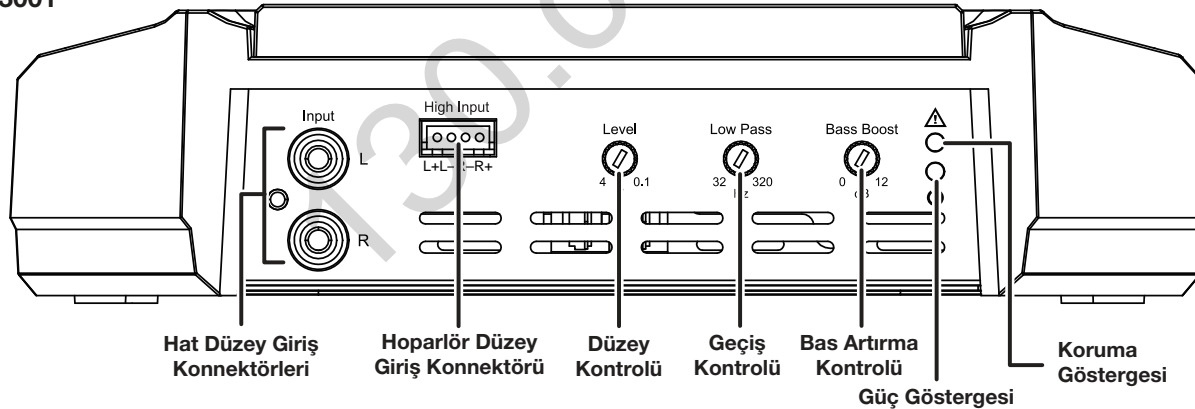
GX-A604



GX-A602



GX-A3001



GEÇİŞ KONTROLLERİ AYARI

GX-A604: 4 KANALLI ÇALIŞMA

Giriş Modu anahtarı: Giriş Modu anahtarını "4 Kanal" konumuna getirin.

Ön Geçiş Filtre anahtarı: Ön Geçiş Filtre anahtarını "ON [AÇIK]" (yüksek frekansları geçiren) konumuna getirin. Bu, önemli ölçüde bozulmayı azaltarak ve hoparlörlerin hasar görmesini önleyerek, hoparlörlere gönderilen alçak frekanslı enerji miktarını sınırlayacaktır. **İstisna:** Amplifikatör ön kanallarına önemli derecede bas gitmesini işleyebilen büyük tam aralıklı hoparlörler (6" x 9" veya daha büyük) bağladiysanız ve sistemde bir subwoofer kullanmıyorsanız, Ön Geçiş Filtre anahtarını "OFF [KAPALI]" (tam aralıklı) konumuna ayarlayın.

Arka Geçiş Filtre anahtarı: Ön Geçiş Filtre anahtarını "HP" (yüksek frekansları geçiren) konumuna getirin. Bu, önemli ölçüde bozulmayı azaltarak ve hoparlörlerin hasar görmesini önleyerek, hoparlörlere gönderilen alçak frekanslı enerji miktarını sınırlayacaktır. **İstisna:** Amplifikatör ön kanallarına önemli derecede bas gitmesini işleyebilen büyük tam aralıklı hoparlörler (6" x 9" veya daha büyük) bağladiysanız ve sistemde bir subwoofer kullanmıyorsanız, Arka Geçiş Filtre anahtarını "FLAT [DÜZ]" (tam aralıklı) konumuna ayarlayın.

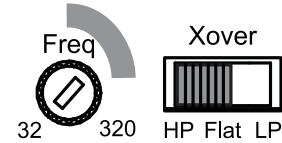
Arka Geçiş kontrolü Geçiş anahtarı "HP [Yüksek Frekansları Geçiren]" konumuna ayarlandığında, Arka Geçiş kontrolü alçak frekansların ses seviyesinin azaltılmaya başlandığı hoparlörlere gönderildiği frekansı belirler.

4 kanallı modda amplifikatör çalışırken, amplifikatör kanallarına bağlanmış hoparlörlerin büyüklüğüne göre Arka Geçiş kontrolü ayarlamamız gerekir - hoparlörlerin hasar görmesini önlemek için hoparlörler küçüldükçe kontrolü daha yüksek ayarlamamız gerekir. Başlangıçta geçiş frekansını ayarladıktan sonra, alışıktığınız güçlü bas ile müzik dinleyin. Hoparlör bozuk veya sorunlu ses çıkarıyorsa, bozulmayı / sorunu ortadan kaldırmak için geçiş frekans kontrolünü daha yüksek bir ayara getirin. Sağ taraftaki resim farklı hoparlör boyutları için önerilen geçiş filtresi frekans aralıklarını göstermektedir.

6" ve 5" Hoparlörler



4" ve Daha Küçük Hoparlörler



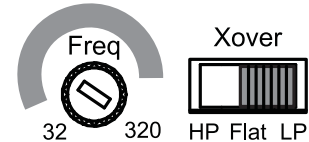
GX-A604: 3 KANALLI ÇALIŞMA

Giriş Modu anahtarı: Giriş Modu anahtarını "4 Kanal" konumuna getirin.

Ön Geçiş anahtarı: Ön Geçiş anahtarını "ON [AÇIK]" (yüksek frekansları geçiren) konumuna getirin. Bu, önemli ölçüde bozulmayı azaltarak ve hoparlörlerin hasar görmesini önleyerek, hoparlörlere gönderilen alçak frekanslı enerji miktarını sınırlayacaktır.

Arka Geçiş Filtre anahtarı: Arka kanallara bir subwoofer veya woofer bağlarken, Arka Geçiş Filtre anahtarını "LP" (alçak frekansları geçiren) konumuna getirin. Bu vokal ve diğer orta kademe seslerin netliği iyileştirerek, woofer veya subwoofer'a gönderilen yüksek frekanslı enerji miktarını sınırlar.

Alçak Frekansları Geçiren Çalışma: Subwooferlar ve Wooferlar



Arka Geçiş kontrolü: Subwoofer'lar için kullandığınız Arka Geçiş kontrolü sisteminizin subwoofer türüne ve yerine bağlıdır. Arka Geçiş kontrolünü ön kanallarda 80Hz ayarından biraz daha düşük bir frekansa ayarlayarak başlayın. Bir süre sistemde müzik dinledikten sonra, bir yandan seslerin subwoofer ve diğer hoparlörler arasında düşüyor görünmesinin meydana geldiği bir "boşluk" olayından kaçınarak, subwoofer'dan sistem hoparlörlerinden geri kalanına yumuşak bir geçiş elde etmek için Arka Geçiş kontrolü ayarının ince ayarını yapın. Sağ taraftaki resim önerilen Arka Geçiş kontrolü frekans aralıklarını göstermektedir.

GX-A604: 2 KANALLI ÇALIŞMA

Giriş Modu anahtarı: Giriş Modu anahtarını "2 Kanal" konumuna getirin.

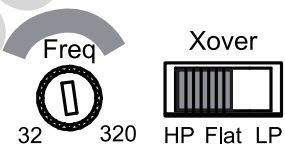
Ön Geçiş Filtre anahtarı: Ön Geçiş Filtre anahtarını "ON [AÇIK]" (yüksek frekansları geçiren) konumuna getirin. Bu, önemli ölçüde bozulmayı azaltarak ve hoparlörlerin hasar görmesini önleyerek, hoparlörlere gönderilen alçak frekanslı enerji miktarını sınırlayacaktır. **İstisna:** Amplifikatör ön kanallarına önemli derecede bas gitmesini işleyebilen büyük tam aralıklı hoparlörler (6" x 9" veya daha büyük) bağlıysanız ve sistemde bir subwoofer kullanmıyorsanız, Ön Geçiş Filtre anahtarını "OFF [KAPALI]" (tam aralıklı) konumuna ayarlayın.

Arka Geçiş Filtre anahtarı: Ön Geçiş Filtre anahtarını "HP" (yüksek frekansları geçiren) konumuna getirin. Bu, önemli ölçüde bozulmayı azaltarak ve hoparlörlerin hasar görmesini önleyerek, hoparlörlere gönderilen alçak frekanslı enerji miktarını sınırlayacaktır. **İstisna:** Amplifikatör ön kanallarına önemli derecede bas gitmesini işleyebilen büyük tam aralıklı hoparlörler (6" x 9" veya daha büyük) bağlıysanız ve sistemde bir subwoofer kullanmıyorsanız, Arka Geçiş Filtre anahtarını "FLAT [DÜZ]" (tam aralıklı) konumuna ayarlayın.

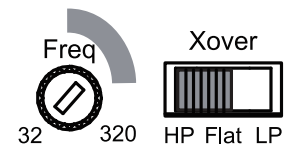
Arka Geçiş kontrolü Geçiş anahtarı "HP [(Yüksek Frekansları Geçiren)]" konumuna ayarlandığında, Arka Geçiş kontrolü alçak frekansların ses seviyesinin azaltılmaya başlandığı hoparlörlere gönderildiği frekansı belirler.

4 kanallı modda amplifikatör çalıştırırken, amplifikatör kanallarına bağlanmış hoparlörlerin büyüklüğüne göre Arka Geçiş kontrolü ayarlamamız gerekir - hoparlörlerin hasar görmesini önlemek için hoparlörler küçüldükçe kontrolü daha yüksek ayarlamamız gerekir. Başlangıçta geçiş frekansını ayarladıktan sonra, alışık olduğunuz güçlü bas ile müzik dinleyin. Hoparlör bozuk veya sorunlu ses çıkarıyorsa, bozulmayı / sorunu ortadan kaldırmak için geçiş frekans kontrolünü daha yüksek bir ayara getirin. Sağ taraftaki resim farklı hoparlör boyutları için önerilen geçiş filtresi frekans aralıklarını göstermektedir.

6" ve 5" Hoparlörler



4" ve Daha Küçük Hoparlörler



GX-A602: 2 KANALLI ÇALIŞMA

Geçiş Filtre anahtarı:

- Amplifikatöre bir çift 6" daha küçük tam aralıklı hoparlörler bağladıysanız, Geçiş Filtre anahtarını "HP" (yüksek frekansları geçiren) konuma getirin. Bu, önemli ölçüde bozulmayı azaltarak ve hoparlörlerin hasar görmesini önleyerek, hoparlörlere gönderilen alçak frekanslı enerji miktarını sınırlayacaktır.
- Amplifikatöre önemli derecede bas gitmesini işleyebilen bir çift büyük tam aralıklı hoparlörler (6" x 9" veya daha büyük) bağladıysanız ve *sistemde bir subwoofer kullanmıyorsanız*, Arka Geçiş Filtre anahtarını "FLAT [DÜZ]" (tam aralıklı) konumuna ayarlayın.
- Amplifikatöre bir çift woofer veya subwoofer bağladıysanız, Geçiş Filtre anahtarını "LP" (alçak frekansları geçiren) konuma getirin. Bu vokal ve diğer orta kademe seslerin netliği iyileştirerek, woofer / subwoofer'lara gönderilen yüksek frekanslı enerji miktarını sınırlar.

GX-A602: KÖPRÜLÜ ÇALIŞMA

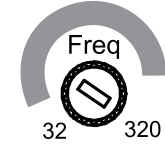
Geçiş Filtre anahtarı: Bir subwoofer'a köprülü modda amplifikatörü çalıştırırken, Geçiş Filtre anahtarı "LP" (alçak frekansları geçiren) konuma getirin. Bu subwoofer'a gönderilen yüksek frekanslı enerji miktarını sınırlar.

GX-A3001

NOT: GX-A3001 iç geçidi sürekli olarak alçak frekansları geçiren çalışmaya ayarlıdır.

Geçiş kontrolü: Geçiş kontrolü woofer veya subwoofer'lara gönderilen yüksek frekanslı enerji miktarını sınırlar. Subwoofer'lar için kullandığınız Geçiş kontrolü sisteminizin subwoofer türüne ve yerine bağlıdır. Geçiş kontrolünü sistemin diğer hoparlörlerinde kullandığınız yüksek frekansları geçiren geçiş ayarından biraz daha düşük bir frekansa ayarlayarak başlayın. Bir süre sistemde müzik dinledikten sonra, bir yandan seslerin subwoofer ve diğer hoparlörler arasında düşüyor görünmesinin meydana geldiği bir "boşluk" olayından kaçınarak, subwoofer'dan sistem hoparlörlerinden geri kalanına yumuşak bir geçiş elde etmek için Geçiş kontrolü ayarının ince ayarını yapın. Sağ taraftaki resim önerilen Geçiş kontrolü frekans aralıklarını göstermektedir.

Subwooferlar ve Wooferlar



GİRİŞ DÜZEYİ AYARI

1. Tüm amplifikatörler tüm Seviye Düzey kontrollerini tamamen saat yönünün aksine çevirin.
2. Kaynak birim ile biraz dinamik müzik çalın ve ses seviyesini 3/4 kadar açın.
3. Müzik bozuk ses çıkarmaya başlayınca kadar ön kanal amplifikatör üzerindeki Düzey kontrolünü yavaşça saat yönünde çevirin.
4. Müzik artık bozuk ses çıkarmıyınca kadar Düzey kontrolünü yavaşça saat yönünün aksine çevirin.
5. Birden fazla amplifikatör kullanıyorsanız veya GX-A604 kullanıyorsanız, geri kalan tüm amplifikatör Düzey kontrolleri için 3 – 4 adımlarını tekrarlayın.

BAS ARTIRMA AYARI

GX-A604: Bir subwoofer'ı beslemek için amplifikatörün arka kanallarını kullandığınızda, Bas Artırma anahtarı 45Hz'de 12dB bas artırma sağlayabilir. (Anahtar sadece amplifikatör arka kanallarını etkiler.) Kişisel zevkinize göre bu anahtarı ayarlayın, ancak kullanılırsa subwoofer'da duyulabilir bozulmaya veya en alta düşmeye neden olur, bunun "OFF [KAPALI]" olarak ayarlanmasını tavsiye ederiz. **DIKKAT:** Sadece bir subwoofer'ı beslemek için arka kanalları yapılandırdıysanız, Bas Artırma anahtarını kullanın. Tam aralıklı hoparlörler ile Bas Artırma anahtarının kullanılması hoparlörlere zarar verebilir.

GX-A602: Bir subwoofer'ı beslemek için amplifikatörü köprülü modda kullandığınızda, Bas Artırma anahtarı 45Hz'de 12dB bas artırma sağlayabilir. Kişisel zevkinize göre bu anahtarı ayarlayın, ancak kullanılırsa subwoofer'da duyulabilir bozulmaya veya en alta düşmeye neden olur, bunun "OFF [KAPALI]" olarak ayarlanmasını tavsiye ederiz. **DIKKAT:** Sadece bir subwoofer'ı beslemek için amplifikatörü kullanıyorsanız, Bas Artırma anahtarını kullanın. Tam aralıklı hoparlörler ile Bas Artırma anahtarının kullanılması hoparlörlere zarar verebilir.

GX-A3001: Bas Artırma kontrolü 45Hz'de 12dB'ye varan bas artırma sağlayabilir. Kişisel zevkinize göre bu kontrolü ayarlayın, ancak subwoofer'ın duyulabilir bozulmaya veya en alta düşmeye neden olmayacağı şekilde yeterince yüksek bir düzeyde kontrolü ayarlamaya dikkat edin.

GÜÇ VE KORUMA LED'LERİ

GÜÇ LED'İ

- LED turuncu yanar: Normal çalışma (güç açık).
- LED kapalı: Amplifikatör bekleme modunda.

KORUMA LED'İ

Amplifikatör Koruma LED'i normal çalışma sırasında kapalı kalmalıdır. Amplifikatörden hiç ses çıkmıyorsa ve Koruma LED'i kırmızı renkte yanıyorsa, sayfa 24, *Sorun Giderme* bölümüne bakın.

SORUN GİDERME

Amplifikatör çalışması gerektiğini düşündüğünüz şekilde çalışmıyorsa, bayinizi aramadan ya da JBL müşteri hizmetlerine başvurmadan önce, sorunun bu bölümde yer alıp almadığını görmek için sorun giderme bölümünü kontrol edin.

SORUN

NEDENLERİ VE ÇÖZÜMLERİ

Ses yok (amplifikatörün Güç LED'i kapalı)	<ul style="list-style-type: none">• Amplifikatörün +12 V ve GND bağlantılarının uygun olarak yapılmış olup olmadığını kontrol edin.• Akü yakınında bulunan +12 V kablo üzerindeki sigortanın atmış olup olmadığını kontrol edin: Atmışsa, aynı sigortayla değiştirin.• Tüm amplifikatör sigortalarını kontrol edin, herhangi biri atmışsa, aynı sigorta ile değiştirin.• Açmak için amplifikatörün REM bağlantısını kullanıyorsanız, kablunun ses sisteminin uzaktan açma kablosuna veya aracın ACC güç terminaline düzgün bağlanmış olup olmadığını kontrol edin.
Ses yok (amplifikatörün Güç LED'i turuncu)	<ul style="list-style-type: none">• Tüm amplifikatör giriş ve hoparlör bağlantıları uygun olarak yapılmış olup olmadığını kontrol edin.• Amplifikatörün Düzey kontrollerinin tamamen kapalı (saat yönünün tersine) olup olmadığını kontrol edin.• Araç ses sistemi kaynak biriminin ses seviyesi kontrolü tamamen kapalı olup olmadığını kontrol edin.
Ses yok (amplifikatörün Koruma LED'i kırmızı)	<ul style="list-style-type: none">• Aracın elektrik sisteminin amplifikatör 9 V - 16 V DC arasında besleme temin edip etmediğinden emin olun. Besleme gerilimi bu aralığın dışında ise, amplifikatörü kullanmaya başlamadan önce durumu düzeltin.• Amplifikatör aşırı ısınmışsa, tekrar kullanmaya başlamadan önce soğuyana kadar bekleyin.• Amplifikatörden tüm hoparlörleri çıkarın ve tekrar açmaya çalışın:<ul style="list-style-type: none">– Amplifikatör açılırsa (Güç LED'i turuncu), bir veya daha fazla hoparlör kablolarında kısa devre vardır. Amplifikatöre hoparlörleri yeniden bağlamadan önce tüm kısa devreleri düzeltin.– Amplifikatör açılmazsa (Koruma LED'i hâlâ kırmızı ve Güç LED'i kapalı), yardım için yetkili JBL bayisine başvurun.

SORUN**NEDENLERİ VE ÇÖZÜMLERİ**

Ses sadece amplifikatöre bağlı hoparlörlerin bazılarında geliyor

- Araç ses sistemi kaynak biriminin balans ve fader kontrollerinin kendi merkezi (orta noktası) konumlarına ayarlandığından emin olun.
- (GX-A604): Amplifikatör Mod Anahtarı ayarının amplifikatöre yapılan giriş ve hoparlör bağlantıları ile aynı olup olmadığını kontrol edin

Ses çok kısık, hatta araç ses sistemi kaynak biriminin ses seviyesi sonuna kadar açıkken

- Amplifikatörün Düzey kontrollerinin çok düşük olarak açılmış olup olmadığını kontrol edin. Düzey kontrolleri ayarlanması hakkında bilgi için, sayfa 22, *Giriş Düzeyi Ayarı* bölümüne bakın.

Ön / arka hoparlörlerde ses bozuk

- Bozuk kanallar için amplifikatörün Geçiş Filtre anahtarının HP'ye ayarlanmış olduğundan emin olun.
- Bozuk kanallar için Geçiş kontrolünü daha yüksek bir ayara getirin.
- Bozulmanın araç ses sistemi kaynak biriminden kaynaklanıp kaynaklanmadığını kontrol edin.

Subwoofer'da ses bozuk

- (GX-A604, GX-A602): Bas Artırma anahtarını "KAPALI [OFF]" konumuna getirin.
- (GX-A3001): Bas ağırlıklı müzik dinlerken, Bas Artırma kontrolünü tamamen aşağı çevirin ve ardından bozulma geri dönmeye başlayana kadar yavaş yavaş artırın. Bozulmayı ortadan kaldırmak için Bas Artırma kontrolü ayarını biraz azaltın ve orada ayarlı bırakın.
- Bozulmanın araç ses sistemi kaynak biriminden kaynaklanıp kaynaklanmadığını kontrol edin.

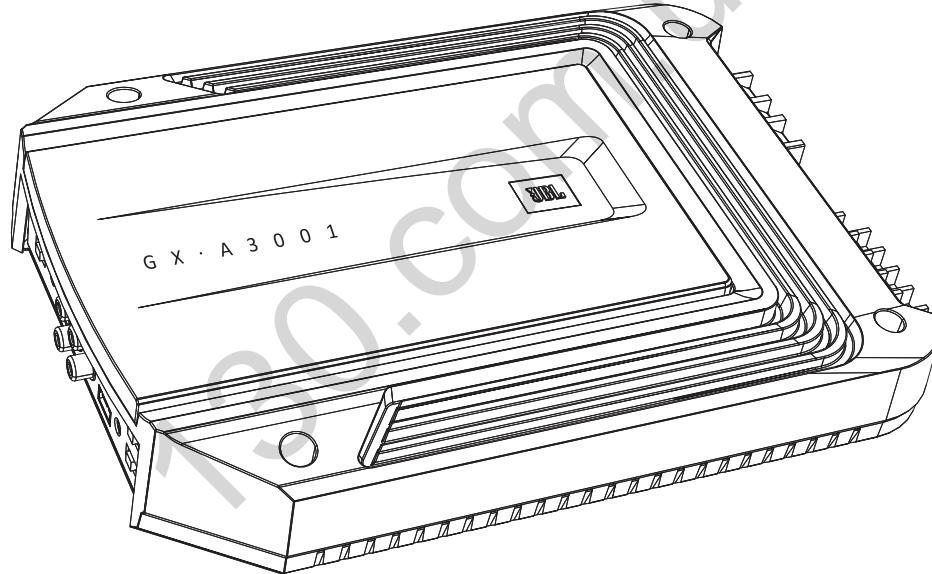
TEKNİK ÖZELLİKLER

	GX-A604	GX-A602	GX-A3001
Maks. güç (15,5 V, 1 kHz, %10 THD, toplam kanal, 2 ohm)	435 W	280 W	415 W (15,5 V, 50 Hz, %10 THD, 2 ohm)
Nominal güç çıkışı, 4 ohm'da	60 W x 4	60 W x 2	200 W x 1
Köprülü güç çıkışı (4 ohm, %1 THD)	170 W x 2	170 W x 1	Geçerli değil
THD+N, nominal güçte	< %1	< %1	< %1
Sinyal-gürültü (2 V, 4 ohm'da)	> 75 dB	> 75 dB	> 75 dB
Etkili sönümlleme faktörü (4 ohm)	> 50	> 50	> 50
Frekans yanıtı (-3 dB)	20 Hz – 20 kHz ±1 dB	20 Hz – 20 kHz ±1 dB	10 Hz – 320 Hz
Maksimum giriş gerilimi	20 V	20 V	20 V
Maksimum giriş hassasiyeti	200 mV	200 mV	200 mV
Sigorta boyutu	20 A x 2	25 A	20 A x 2
Boyutlar (Y x G x D)	2-1/16" x 11-13/16" x 8-1/8" (52 mm x 300 mm x 206 mm)	2-1/16" x 7-13/16" x 8-1/8" (52 mm x 198 mm x 206 mm)	2-1/16" x 11-7/16" x 8-1/8" (52 mm x 291 mm x 206 mm)
Ağırlık	5,3 lb (2,4 kg)	3,8 lb (1,7 kg)	5,3 lb (2,4 kg)



GX-A604/GX-A602/GX-A3001

power amplifier

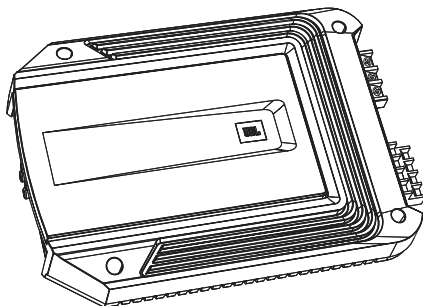


PETUNJUK PENGGUNAAN

PENDAHULUAN

TERIMA KASIH telah membeli amplifier JBL® GX-series. Agar kami dapat meningkatkan layanan apabila Anda memerlukan layanan garansi, mohon simpan nota pembelian Anda yang asli dan daftarkan amplifier Anda secara online di www.jbl.com.

ITEM-ITEM YANG DISERTAKAN



Amplifier GX-Series (x 1)



Kait input level speaker
(GX-A602, GX-A3001 x 1)
(GX-A604 x 2)

LOKASI DAN PEMASANGAN

Meski pun menjelaskan cara pemasangan amplifier GX-series secara umum, petunjuk-petunjuk yang diberikan di sini tidak menjelaskan metode pemasangan spesifik yang mungkin diperlukan untuk kendaraan Anda. Apabila Anda tidak memiliki alat atau pengalaman yang diperlukan, jangan coba-coba melakukan pemasangan sendiri. Konsultasikan dengan dealer audio mobil JBL resmi terkait pemasangan yang profesional.

PERINGATAN DAN KIAT PEMASANGAN

PENTING: Putuskan sambungan terminal baterai negatif (-) kendaraan sebelum memulai pemasangan.

- Kenakan selalu kacamata pelindung saat menggunakan peralatan.
- Periksa ruang kosong di kedua sisi permukaan yang akan dijadikan tempat pemasangan. Pastikan sekrup-sekrup atau kabel tidak akan mengenai saluran rem, saluran bahan bakar, atau kait perkabelan, dan pastikan jalur kabel tidak mengganggu keselamatan pengoperasian kendaraan.
- Saat melakukan penyambungan kelistrikan, pastikan sudah kencang dan diisolasi dengan benar.
- Jika Anda harus mengganti sekring amplifier, gunakan jenis sekring dan rating arus sesuai sekring yang digantikan.

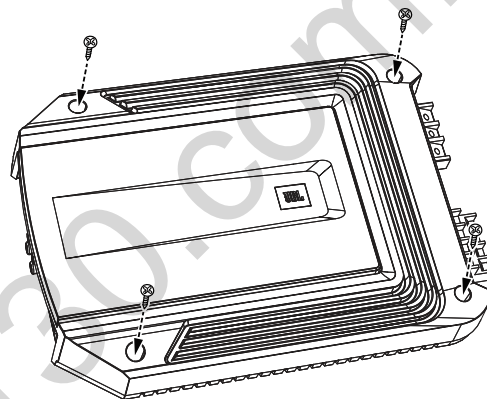
LOKASI PEMASANGAN

Amplifier memerlukan sirkulasi udara agar tetap dingin. Pilihlah lokasi yang memiliki sirkulasi udara cukup agar amplifier dapat tetap dingin.

- Lokasi yang cocok adalah di bawah jok (asalkan amplifier tidak mengganggu mekanisme penyetelan posisi), di dalam bagasi, atau di lokasi lain yang udaranya sejuk.
- Jangan memasang amplifier dalam posisi pendingin menghadap ke bawah, karena akan mengganggu pendinginan amplifier.
- Pasang amplifier sedemikian rupa sehingga tidak terinjak oleh kaki penumpang di kursi belakang atau tertimpa barang-barang di bagasi.
- Pasang amplifier sedemikian rupa sehingga tetap kering – jangan sekali-kali memasang amplifier di luar kendaraan atau dalam ruang mesin.

MEMASANG AMPLIFIER

CATATAN: Sebaiknya Anda melakukan semua penyambungan ke amplifier sebelum memasangnya secara permanen ke kendaraan.



1. Pilih lokasi pemasangan yang sesuai sebagaimana dijelaskan di atas.
2. Menggunakan amplifier sebagai template, tandai lokasi lubang-lubang pemasangan di permukaan yang akan dijadikan lokasi pemasangan.
3. Buat lubang-lubang perintis di permukaan pemasangan menggunakan bor.
4. Pasang amplifier ke permukaan pemasangan menggunakan empat sekrup sesuai pilihan Anda. Kami sarankan Anda menggunakan sekrup logam berkepala plus no.8. Pastikan amplifier terpasang dengan kencang.

KONEKSI DAYA DAN GROUND

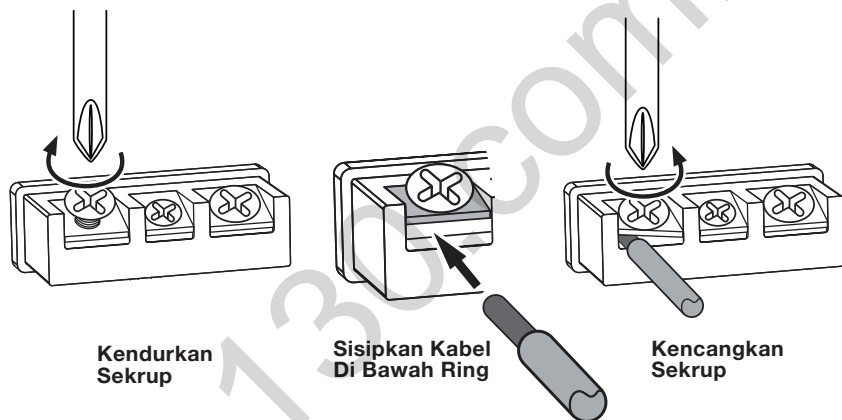
PENTING: Putuskan sambungan terminal baterai negatif (-) kendaraan sebelum memulai pemasangan.

Amplifier GX-series mampu menghasilkan daya tinggi, dan memerlukan sambungan yang kuat dan andal ke sistem kelistrikan kendaraan agar performa yang dihasilkan optimal. Patuhilah petunjuk berikut ini secara teliti.

MENGGUNAKAN KONEKTOR

Amplifier GX-series menggunakan jenis terminal sekrup yang sama untuk koneksi daya dan speaker. Jenis terminal ini mudah digunakan dan memudahkan penyambungan kabel besar.

Untuk menggunakan konektor, pakai obeng plus untuk mengendurkan sekrup konektor, masukkan kabel yang telah dikelupas dan kencangkan sekrup untuk mengencangkan kabel dalam konektor, seperti diperlihatkan oleh ilustrasi di bawah.



PENTING: Pastikan kabel speaker (+) dan (-) yang telah dikelupas tidak bersentuhan satu sama lain dan tidak menyentuh terminal-terminal lain di terminal amplifier maupun di terminal speaker. Kabel yang saling bersentuhan dapat menyebabkan korsleting serta merusak amplifier.

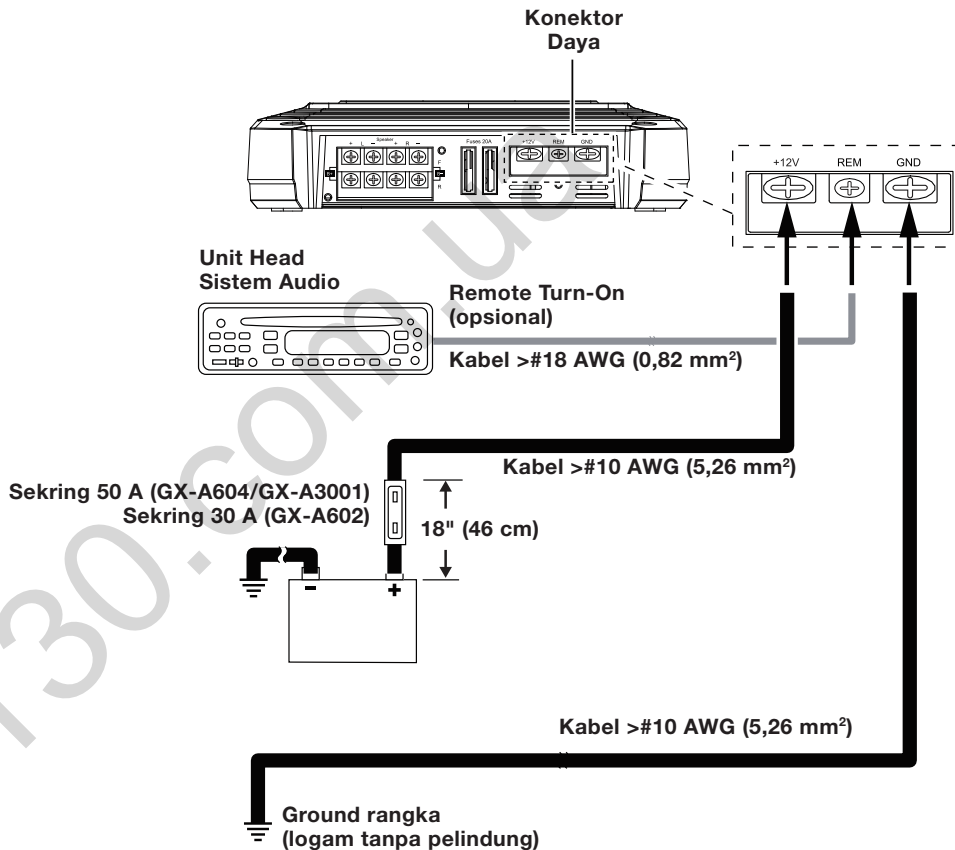
KONEKSI GROUND (GND)

Hubungkan kabel (minimum 10 AWG – 5,3 mm²) dari terminal GND amplifier langsung ke titik yang kokoh pada rangka kendaraan.

- Agar dihasilkan koneksi yang baik, gunakan ampelas untuk membersihkan cat dari permukaan logam di lokasi rangka ini. Gunakan ring pengunci tipe bintang untuk mengencangkan koneksi kabel.

KONEKSI DAYA (12 V)

1. Hubungkan kabel (minimum 10 AWG – 5,3 mm²) langsung ke terminal positif (+) baterai.
2. Pasang rumah sekring untuk sekring 50 A (GX-A604, GX-A3001) atau sekring 30 A (GX-A602) pada kabel ini dalam jarak 18" (46 cm) dari terminal positif (+) baterai. Jangan pasang dulu sekring ke dalam rumah sekring.
3. Jalurkan kabel ini ke lokasi amplifier dan hubungkan ke terminal + 12 V amplifier. Gunakan alas yang memadai ketika Anda menyalurkan kabel melalui firewall atau logam lembaran lainnya.
PENTING: Kendaraan dapat terbakar apabila kabel positif tidak dilindungi secara memadai.
4. Jika sudah selesai melakukan penjaluran dan koneksi kabel ini, pasanglah sekring yang sesuai dalam rumah sekring yang telah Anda pasang di dekat baterai tadi. (GX-A604, GX-A3001 – sekring 50 A; GX-A602 – sekring 30 A)



KONEKSI SPEAKER DAN INPUT

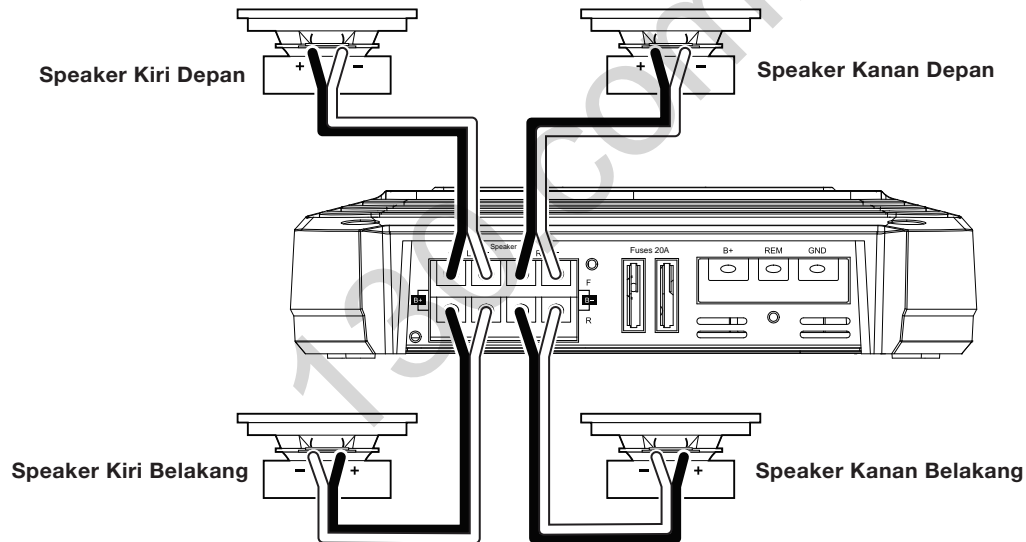
Selalu sambungkan terminal speaker (+) pada amplifier ke terminal (+) pada speaker dan terminal speaker (-) hitam pada amplifier ke terminal (-) pada speaker.

PENTING: Pastikan kabel (+) dan (-) yang telah dikelupas tidak bersentuhan satu sama lain dan tidak menyentuh terminal-terminal lain di terminal amplifier maupun di terminal speaker. Kabel yang saling bersentuhan dapat menyebabkan korsleting serta merusak amplifier.

KONEKSI SPEAKER GX-A604: OPERASI 4-CHANNEL

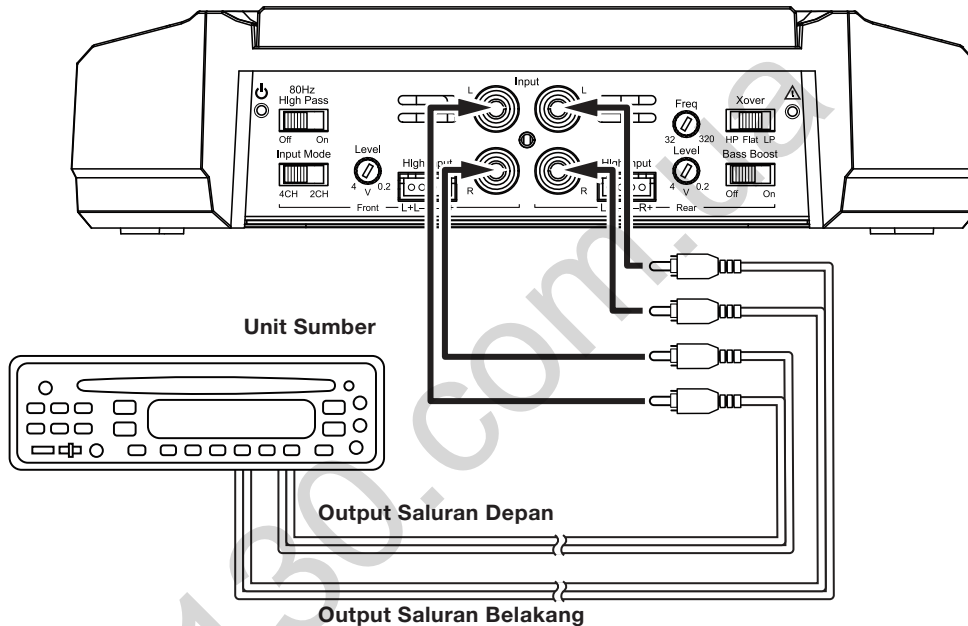
Impedansi speaker minimal: 2 ohm (masing-masing)

- Hubungkan speaker depan ke terminal (+) dan (-) FL dan FR.
- Hubungkan speaker belakang ke terminal (+) dan (-) RL dan RR.



KONEKSI INPUT GX-A604: OPERASI 4-CHANNEL

Hubungkan unit sumber atau output RL, RR, FL, dan FR prosesor ke input amplifier seperti diperlihatkan gambar.



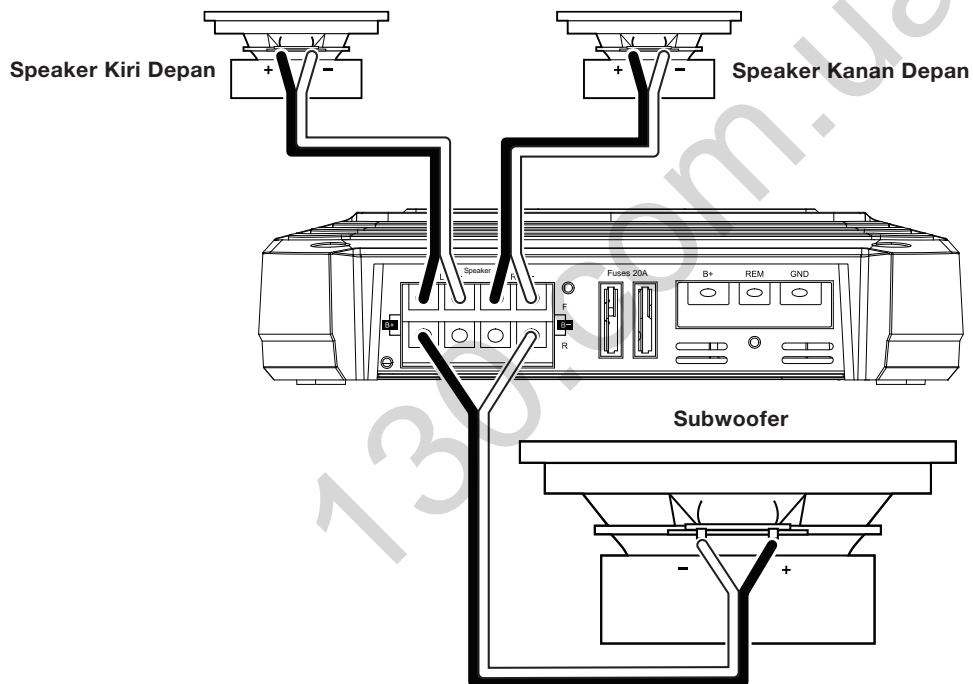
Lihat *Mengatur Kontrol Crossover*, di halaman 20 untuk informasi tentang pengaturan kontrol amplifier untuk operasi 4-channel.

Untuk menggunakan input level speaker alih-alih input level saluran, lihat *Menggunakan Input Level Speaker*, di halaman 12.

KONEKSI SPEAKER GX-A604: OPERASI 3-CHANNEL

Impedansi speaker minimal: Masing-masing 2 ohm (speaker kiri & kanan); 4 ohm (subwoofer)

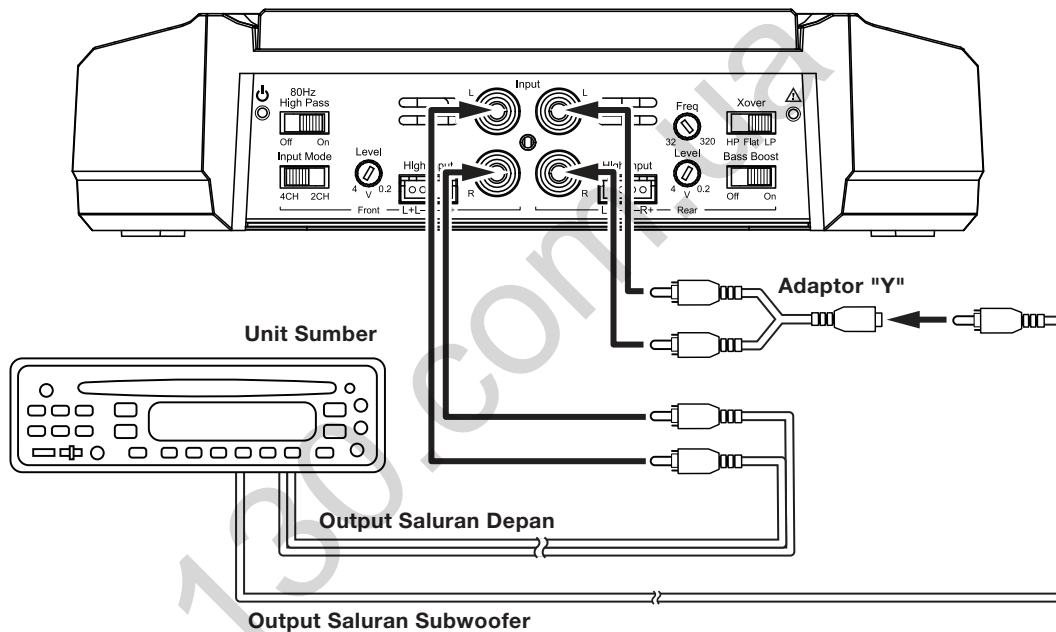
- Hubungkan speaker kiri dan kanan ke terminal (+) dan (-) FL dan FR.
- Hubungkan subwoofer ke terminal RL (+) dan RR (-). (Kontrol Bass Boost channel belakang membuat channel belakang lebih baik untuk koneksi subwoofer. Lihat *Mengatur Bass Boost*, di halaman 23.) **CATATAN:** Anda dapat menghubungkan dua subwoofer 2-ohm secara berseri untuk mempertahankan impedansi minimum yakni 4-ohm bagi channel subwoofer tersebut.



KONEKSI INPUT GX-A604: OPERASI 3-CHANNEL

Hubungkan unit sumber atau output saluran prosesor seperti diperlihatkan gambar di bawah. Atur sakelar mode input ke posisi "4CH"

CATATAN: Gunakan adaptor "Y" untuk menghubungkan output subwoofer unit sumber ke jack input RL dan RR amplifier.



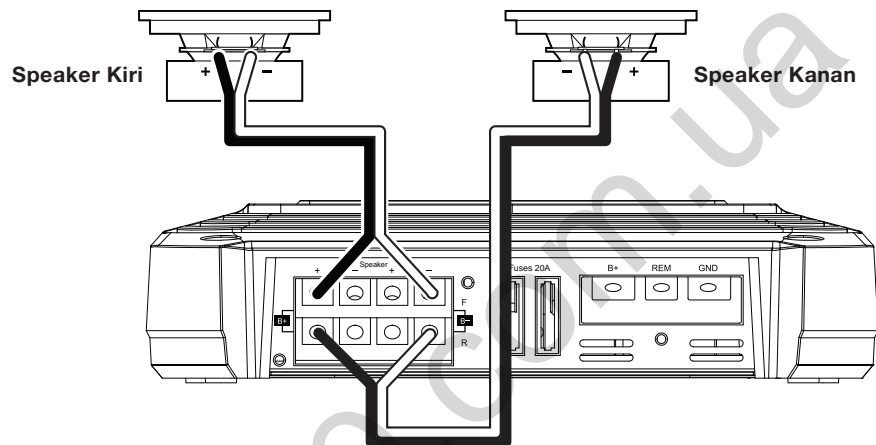
Lihat *Mengatur Kontrol Crossover*, di halaman 20 untuk informasi tentang pengaturan kontrol amplifier untuk operasi 3-channel.

Untuk menggunakan input level speaker alih-alih input level saluran, lihat *Menggunakan Input Level Speaker*, di halaman 12.

KONEKSI SPEAKER GX-A604: OPERASI 2-CHANNEL

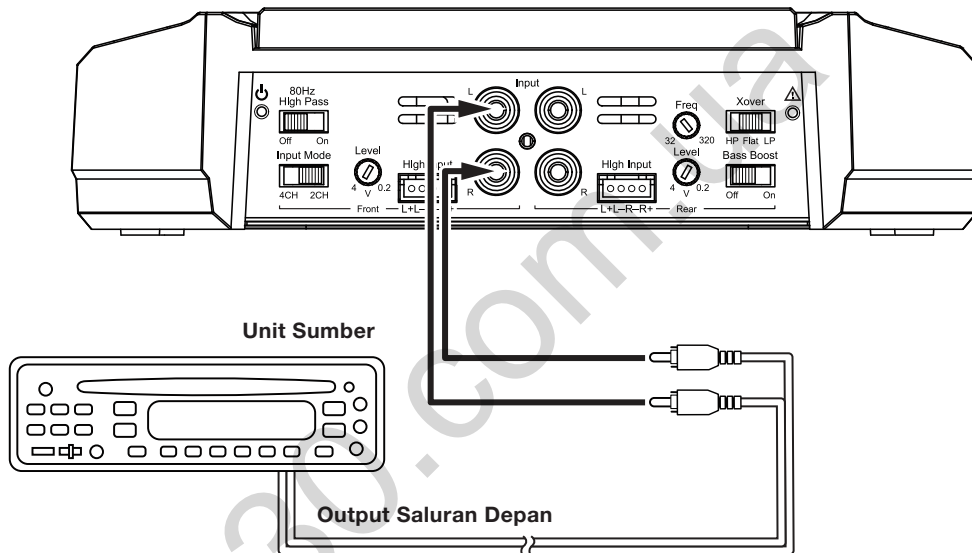
Impedansi speaker minimal: 4 ohm (masing-masing)

Sambungkan speaker kiri dan kanan seperti yang ditunjukkan pada gambar di bawah.



KONEKSI INPUT GX-A604: OPERASI 2-CHANNEL

Hubungkan unit sumber atau output saluran prosesor seperti diperlihatkan gambar di bawah. Gunakan hanya koneksi input FL dan FR dan pastikan bahwa sakelar Mode Input diatur ke posisi "2CH".



Lihat *Mengatur Kontrol Crossover*, di halaman 20 untuk informasi tentang pengaturan kontrol amplifier untuk operasi 2-channel.

Untuk menggunakan input level speaker alih-alih level saluran, lihat *Menggunakan Input Level Speaker*, di halaman 12.

MENGGUNAKAN INPUT LEVEL SPEAKER

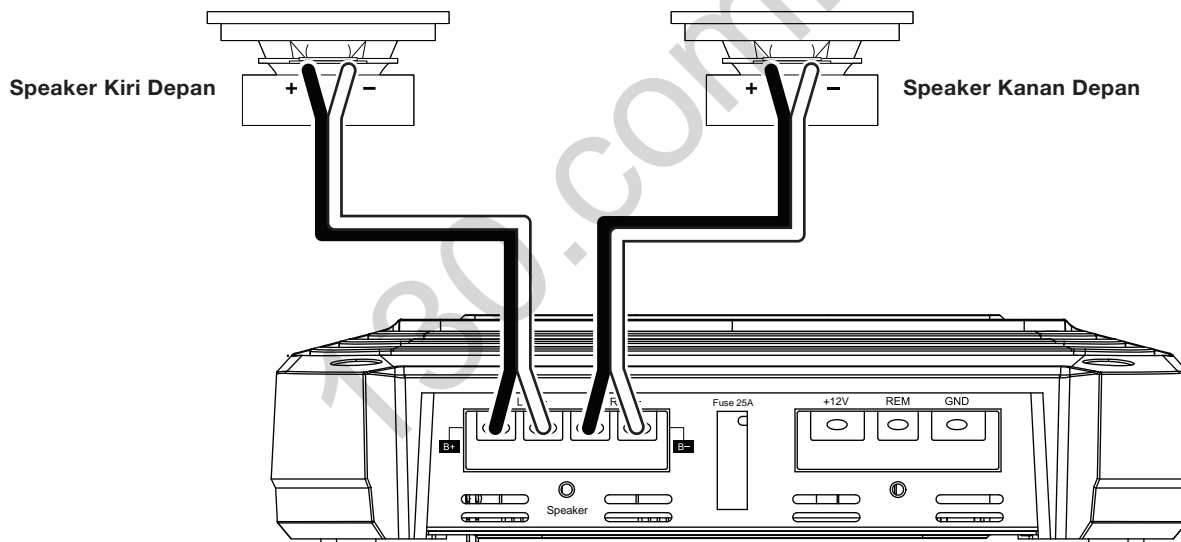
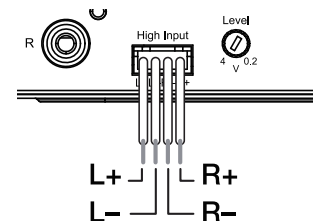
Jika unit sumber Anda tidak dilengkapi dengan output level saluran, Anda dapat menggunakan kait input level speaker yang disertakan untuk menghubungkan amplifier ke output speaker unit sumber. Dari kiri ke kanan, konduktornya adalah: L+, L-, R-, R+ (lihat ilustrasi di sebelah kanan). Konduktor level speaker di semua model amplifier GX-series mengikuti konfigurasi perkabelan ini.

Ikuti petunjuk di bagian sebelumnya, hanya saja konektor level speaker diganti dengan konektor level saluran.

KONEKSI SPEAKER GX-A602; OPERASI 2-CHANNEL

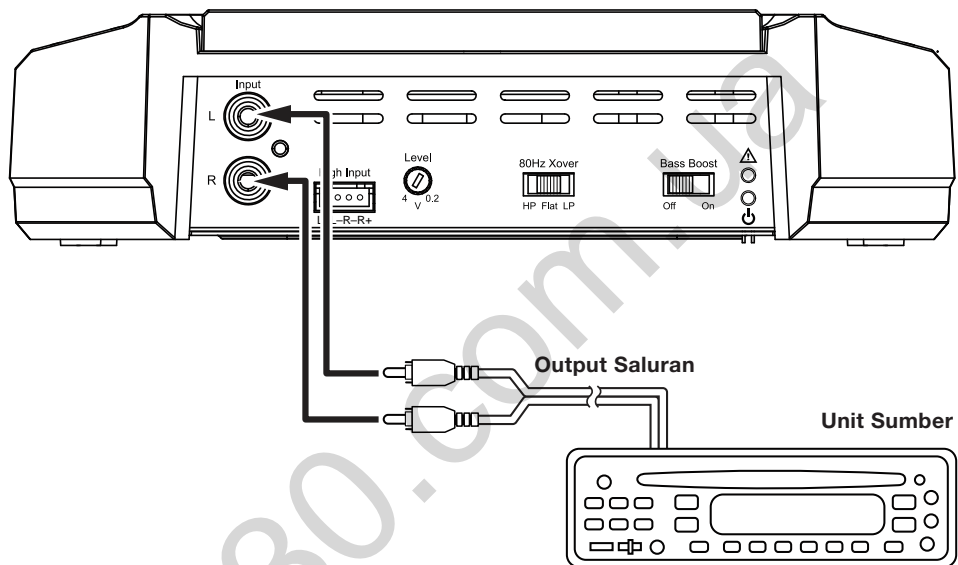
Impedansi speaker minimal: 2 ohm (masing-masing)

Hubungkan speaker kiri dan kanan ke terminal (+) dan (-) FL dan FR.



KONEKSI INPUT GX-A602: OPERASI 2-CHANNEL

Hubungkan unit sumber atau output saluran prosesor seperti diperlihatkan gambar di bawah.



Lihat *Mengatur Kontrol Crossover*, di halaman 20 untuk informasi tentang pengaturan kontrol amplifier untuk operasi 2-channel.

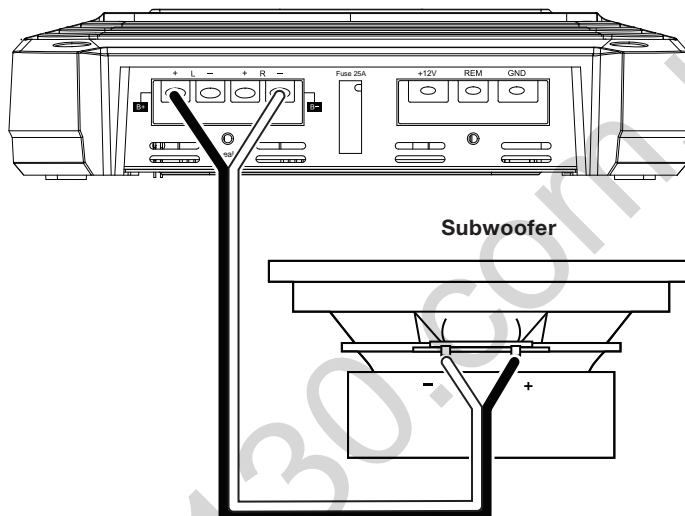
Untuk menggunakan input level speaker alih-alih input level saluran, lihat *Menggunakan Input Level Speaker*, di halaman 12.

KONEKSI SPEAKER GX-A602: OPERASI BERJEMBATAN

Operasi berjembatan menghasilkan satu channel berdaya tinggi untuk sebuah subwoofer

Impedansi speaker minimal: 4 ohm

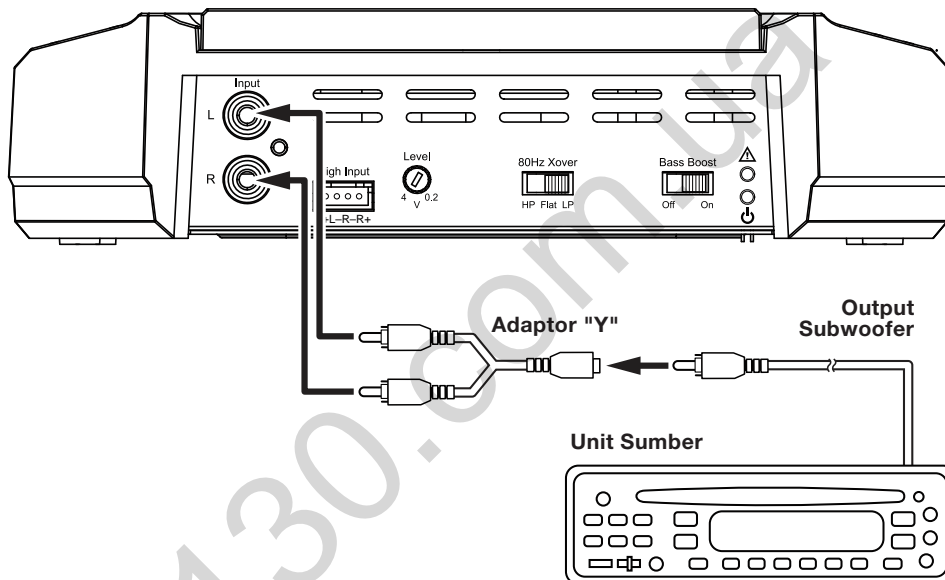
Hubungkan subwoofer ke terminal RL (+) dan RR (-). **CATATAN:** Anda dapat menghubungkan dua subwoofer 2-ohm secara berseri untuk mempertahankan impedansi yang diperlukan yakni 4-ohm bagi operasi berjembatan.



KONEKSI INPUT GX-A602: OPERASI BERJEMBATAN

Hubungkan unit sumber atau output saluran subwoofer prosesor ke input kiri amplifier seperti diperlihatkan gambar di bawah.

CATATAN: Gunakan adaptor "Y" untuk menghubungkan unit sumber ke jack input L dan R amplifier.



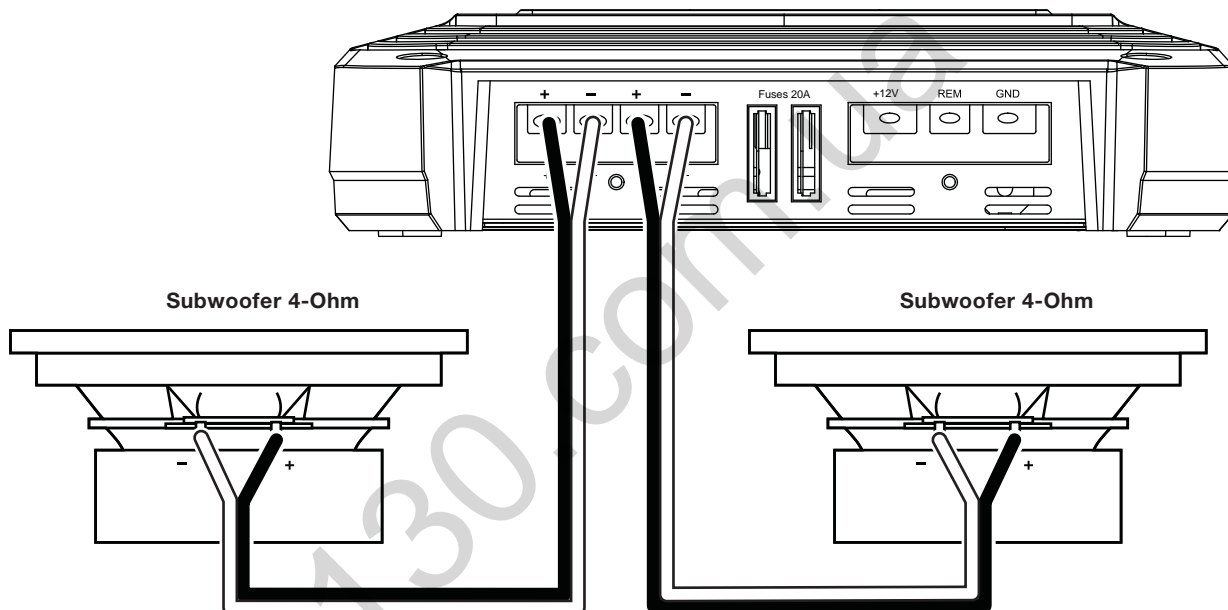
Lihat *Mengatur Kontrol Crossover*, di halaman 20 untuk informasi tentang pengaturan kontrol amplifier untuk operasi berjembatan.

Untuk menggunakan input level speaker alih-alih input level saluran, lihat *Menggunakan Input Level Speaker*, di halaman 12.

KONEKSI SPEAKER GX-A3001

Impedansi speaker minimal; 2 ohm (subwoofer tunggal); 4 ohm (2 subwoofer)

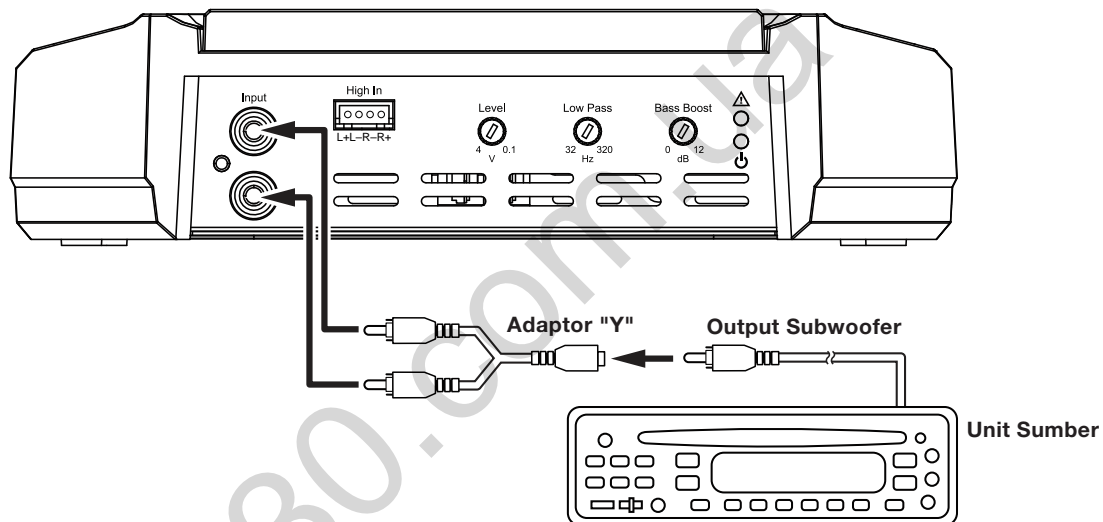
GX-A3001 memiliki dua set paralel konektor speaker, sehingga Anda dapat menghubungkan dua subwoofer sekaligus.



- Jika Anda menggunakan satu subwoofer, Anda dapat menghubungkannya ke set konektor speaker GX-A3001 yang mana saja.
- Jika Anda menggunakan dua subwoofer 2-ohm, Anda dapat menghubungkannya ke salah satu set konektor secara berseri agar dihasilkan impedansi di atas nilai minimum yang diperlukan yakni 2 ohm.

KONEKSI INPUT GX-A3001

Gunakan adaptor "Y" untuk menghubungkan unit sumber atau output saluran subwoofer prosesor ke input kiri dan kanan amplifier seperti diperlihatkan gambar di bawah. Jika unit sumber Anda tidak memiliki output subwoofer khusus, Anda dapat menghubungkan output RL/RR ke input L dan R amplifier.

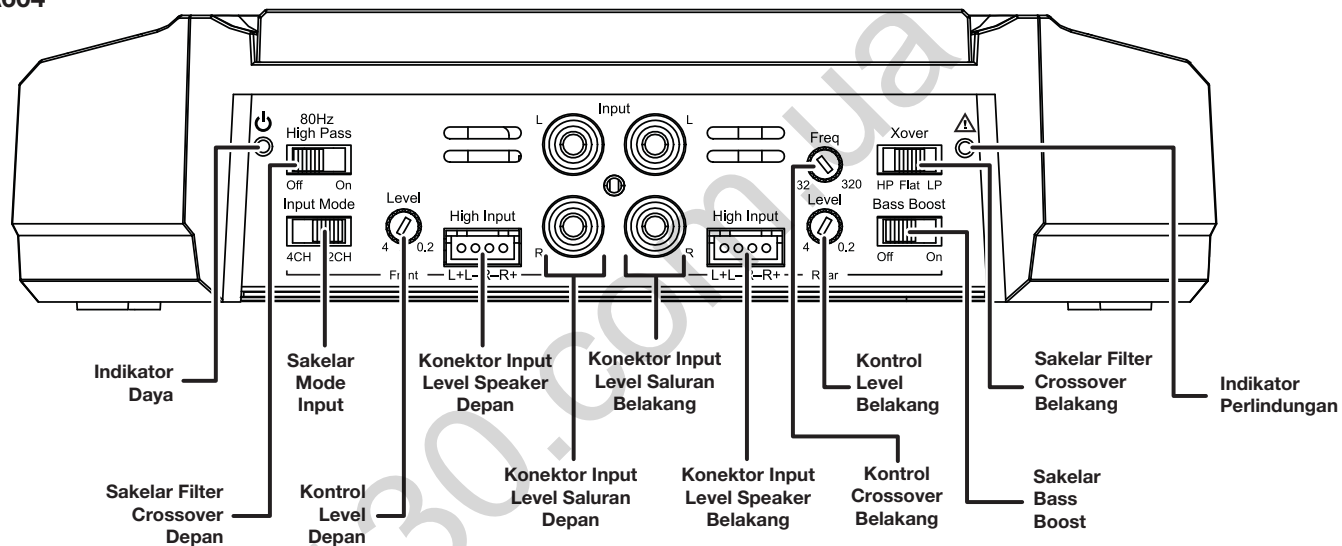


Lihat *Mengatur Kontrol Crossover*, di halaman 20 untuk informasi tentang pengaturan kontrol amplifier.

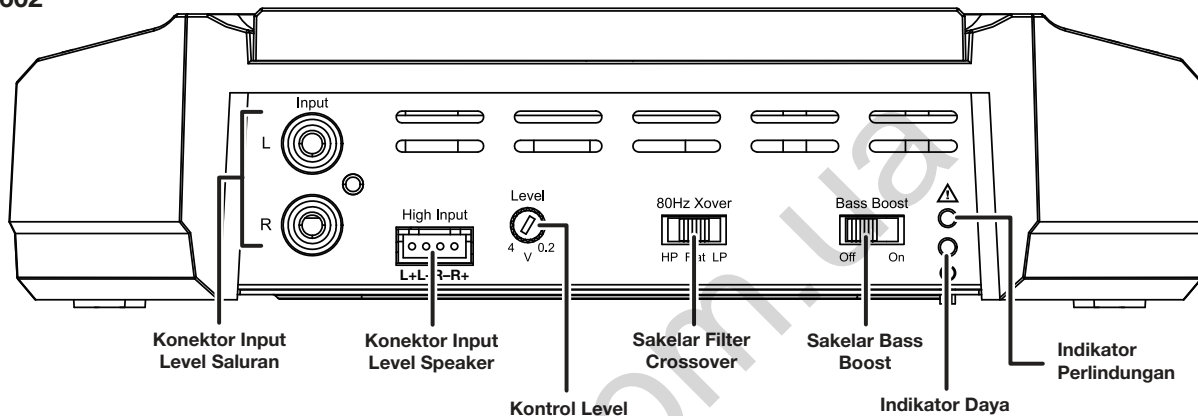
Untuk menggunakan input level speaker alih-alih input level saluran, lihat *Menggunakan Input Level Speaker*, di halaman 12.

KONTROL, KONEKSI INPUT, DAN INDIKATOR

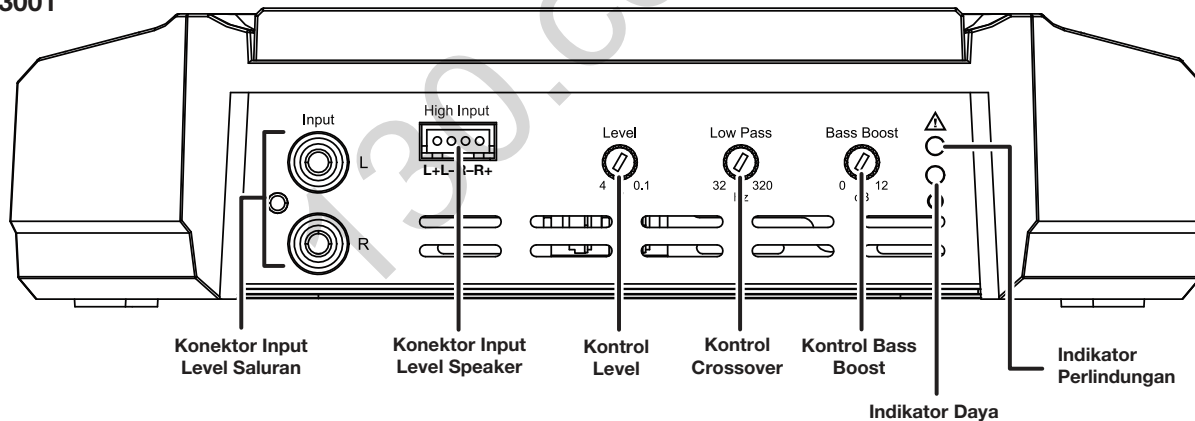
GX-A604



GX-A602



GX-A3001



MENGATUR KONTROL CROSSOVER

GX-A604: OPERASI 4-CHANNEL

Sakelar Mode Input: Atur sakelar Mode Input ke posisi "4CH".

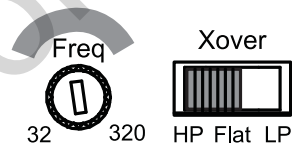
Sakelar Filter Crossover Depan: Atur sakelar Filter Crossover Depan ke posisi "ON" (lolos-tinggi). Pengaturan ini akan membatasi jumlah energi frekuensi rendah yang diterima speaker, sehingga mengurangi distorsi dan mencegah rusaknya speaker. **Pengecualian:** Jika Anda telah menyambungkan speaker full-range berukuran besar (6" x 9" atau lebih besar lagi) yang mampu menangani bass besar ke channel depan amplifier dan Anda tidak menggunakan subwoofer dalam sistem, atur sakelar Filter Crossover Depan ke posisi "OFF" (full-range).

Sakelar Filter Crossover Belakang: Atur sakelar Filter Crossover Belakang ke posisi "HP" (lolos-tinggi). Pengaturan ini akan membatasi jumlah energi frekuensi rendah yang diterima speaker, sehingga mengurangi distorsi dan mencegah rusaknya speaker. **Pengecualian:** Jika Anda telah menyambungkan speaker full-range berukuran besar (6" x 9" atau lebih besar lagi) yang mampu menangani bass besar ke channel depan amplifier dan Anda tidak menggunakan subwoofer dalam sistem, atur sakelar Filter Crossover Belakang ke posisi "FLAT" (full-range).

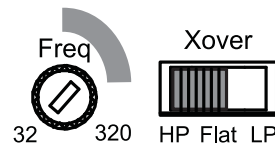
Kontrol Crossover Belakang: Ketika sakelar Crossover Belakang diatur ke posisi "HP", kontrol Crossover Belakang menentukan di mana frekuensi rendah yang diterima speaker akan mulai dikurangi volumenya.

Ketika mengoperasikan amplifier dalam mode 4-channel, Anda harus mengatur kontrol Crossover Belakang sesuai dengan ukuran speaker yang terhubung ke channel amplifier – semakin kecil speakernya, semakin tinggi Anda harus mengatur kontrol tersebut agar speaker tidak rusak. Setelah pengaturan awal frekuensi crossover, putarlah musik favorit Anda yang dentuman bass-nya keras. Jika speaker mengeluarkan bunyi distorsi atau noise, geser kontrol frekuensi crossover ke pengaturan yang lebih tinggi sampai distorsi atau noise ini lenyap. Ilustrasi di sebelah kanan menunjukkan kisaran frekuensi filter crossover yang disarankan untuk beragam ukuran speaker.

Speaker 6" dan 5"



Speaker 4" dan yang lebih kecil



GX-A604: OPERASI 3-CHANNEL

Sakelar Mode Input: Atur sakelar Mode Input ke posisi "4CH".

Sakelar Crossover Depan: Atur sakelar Crossover Depan ke posisi "ON" (lolos-tinggi). Pengaturan ini akan membatasi jumlah energi frekuensi rendah yang diterima speaker, sehingga mengurangi distorsi dan mencegah rusaknya speaker.

Sakelar Filter Crossover Belakang: Ketika menghubungkan subwoofer atau woofer ke channel belakang, atur sakelar Filter Crossover Belakang ke posisi "LP" (lolos-rendah). Pengaturan ini akan membatasi jumlah frekuensi tinggi yang diterima woofer atau subwoofer, menyempurnakan kejernihan vokal dan bunyi-bunyi kisaran menengah lainnya.

Operasi Lolos-Rendah (LP):
Subwoofer dan Woofer



Kontrol Crossover Belakang: Pengaturan kontrol Crossover Belakang yang Anda gunakan untuk subwoofer akan bergantung pada jenis dan lokasi subwoofer sistem Anda. Mulailah dengan mengatur kontrol Crossover Belakang ke frekuensi yang sedikit di bawah pengaturan 80Hz pada channel depan. Setelah memutar musik menggunakan sistem tersebut, sesuaikan pengaturan kontrol Crossover Belakang sehingga tercipta peralihan yang mulus dari subwoofer ke speaker-speaker lainnya dalam sistem tanpa timbul suara yang timpang antara subwoofer dan speaker-speaker lainnya. Ilustrasi di sebelah kanan menunjukkan kisaran frekuensi kontrol Crossover Belakang yang disarankan.

GX-A604: OPERASI 2-CHANNEL

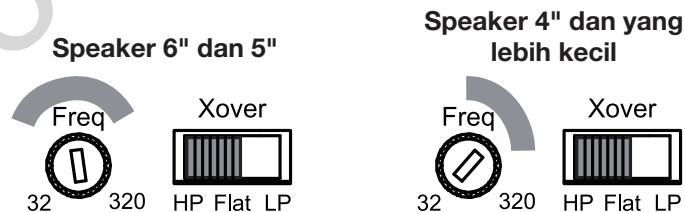
Sakelar Mode Input: Atur sakelar Mode Input ke posisi "2CH".

Sakelar Filter Crossover Depan: Atur sakelar Filter Crossover Depan ke posisi "ON" (lolos-tinggi). Pengaturan ini akan membatasi jumlah energi frekuensi rendah yang diterima speaker, sehingga mengurangi distorsi dan mencegah rusaknya speaker. **Pengecualian:** Jika Anda telah menyambungkan speaker full-range berukuran besar (6" x 9" atau lebih besar lagi) yang mampu menangani bass besar ke channel depan amplifier dan Anda tidak menggunakan subwoofer dalam sistem, atur sakelar Filter Crossover Depan ke posisi "OFF" (full-range).

Sakelar Filter Crossover Belakang: Atur sakelar Filter Crossover Belakang ke posisi "HP" (lolos-tinggi). Pengaturan ini akan membatasi jumlah energi frekuensi rendah yang diterima speaker, sehingga mengurangi distorsi dan mencegah rusaknya speaker. **Pengecualian:** Jika Anda telah menyambungkan speaker full-range berukuran besar (6" x 9" atau lebih besar lagi) yang mampu menangani bass besar ke channel depan amplifier dan Anda tidak menggunakan subwoofer dalam sistem, atur sakelar Filter Crossover Belakang ke posisi "FLAT" (full-range).

Kontrol Crossover Belakang: Ketika sakelar Crossover Belakang diatur ke posisi "HP", kontrol Crossover Belakang menentukan di mana frekuensi rendah yang diterima speaker akan mulai dikurangi volumenya.

Ketika mengoperasikan amplifier dalam mode 4-channel, Anda harus mengatur kontrol Crossover Belakang sesuai dengan ukuran speaker yang terhubung ke channel amplifier – semakin kecil speakernya, semakin tinggi Anda harus mengatur kontrol tersebut agar speaker tidak rusak. Setelah pengaturan awal frekuensi crossover, putarlah musik favorit Anda yang dentuman bass-nya keras. Jika speaker mengeluarkan bunyi distorsi atau noise, geser kontrol frekuensi crossover ke pengaturan yang lebih tinggi sampai distorsi atau noise ini lenyap. Ilustrasi di sebelah kanan menunjukkan kisaran frekuensi filter crossover yang disarankan untuk beragam ukuran speaker.



GX-A602: OPERASI 2-CHANNEL

Sakelar Filter Crossover:

- Jika Anda telah menghubungkan amplifier ke sepasang speaker full-range 6" atau speaker full-range yang lebih kecil, aturlah sakelar Filter Crossover ke posisi "HP" (lolos-tinggi). Pengaturan ini akan membatasi jumlah energi frekuensi rendah yang diterima speaker, sehingga mengurangi distorsi dan mencegah rusaknya speaker.
- Jika Anda telah menyambungkan sepasang speaker full-range berukuran besar (6" x 9" atau lebih besar lagi) yang mampu menangani bass besar dan Anda tidak menggunakan subwoofer dalam sistem, atur sakelar Filter Crossover ke posisi "FLAT" (full-range).
- Jika Anda telah menghubungkan amplifier ke sepasang woofer atau subwoofer, aturlah sakelar Filter Crossover ke posisi "LP" (lolos-rendah). Pengaturan ini akan membatasi jumlah frekuensi tinggi yang diterima woofer/subwoofer, menyempurnakan kejernihan vokal dan bunyi-bunyi kisaran menengah lainnya.

GX-A602: OPERASI BERJEMBATAN

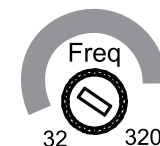
Sakelar Filter Crossover: Ketika mengoperasikan amplifier dalam mode berjemabatan ke subwoofer, aturlah sakelar Filter Crossover ke posisi "LP" (lolos-rendah). Pengaturan ini akan membatasi jumlah frekuensi tinggi yang diterima subwoofer.

GX-A3001

CATATAN: Crossover internal GX-A3001 sudah ditetapkan untuk operasi lolos-rendah (LP).

Kontrol Crossover: Pengaturan Crossover akan membatasi jumlah frekuensi tinggi yang diterima subwoofer. Pengaturan kontrol Crossover yang Anda gunakan untuk subwoofer akan bergantung pada jenis dan lokasi subwoofer sistem Anda. Mulailah dengan mengatur kontrol Crossover ke frekuensi yang sedikit di bawah pengaturan crossover lolos-tinggi yang Anda gunakan untuk speaker lainnya dalam sistem. Setelah memutar musik menggunakan sistem tersebut, sesuaikan pengaturan kontrol Crossover sehingga tercipta peralihan yang mulus dari subwoofer ke speaker-speaker lainnya dalam sistem tanpa timbul suara yang timpang antara subwoofer dan speaker-speaker lainnya. Ilustrasi di sebelah kanan menunjukkan kisaran frekuensi kontrol Crossover yang disarankan.

Subwoofer dan Woofer



MENGATUR LEVEL INPUT

1. Putar semua Pengontrol level di semua amplifier secara penuh berlawanan arah jarum jam.
2. Mainkan musik yang dinamis melalui unit sumber, dan putar volumenya hingga mencapai posisi 3/4 volume.
3. Putar perlahan kontrol Level pada amplifier channel depan searah jarum jam sampai terdengar bunyi distorsi.
4. Putar perlahan kontrol Level berlawanan arah jarum jam sampai bunyi distorsi lenyap.
5. Jika Anda menggunakan lebih dari satu amplifier atau menggunakan GX-A604, ulangi Langkah 3 - 4 untuk semua kontrol Level amplifier yang lainnya.

MENGATUR BASS BOOST

GX-A604: Ketika Anda menggunakan channel belakang amplifier untuk memberi daya kepada subwoofer, sakelar Bass Boost dapat menghasilkan kenaikan bass sebesar 12dB pada frekuensi 45Hz. (Sakelar ini hanya memengaruhi channel belakang amplifier.) Aturlah sakelar ini sesuai selera Anda. Namun, bila penggunaannya menimbulkan bunyi distorsi atau noise, sebaiknya sakelar diatur ke posisi "OFF." **PERHATIAN:** Gunakan sakelar Bass Boost hanya ketika Anda telah mengatur channel belakang untuk memberi daya ke subwoofer. Penggunaan sakelar Bass Boost dengan speaker full-range dapat merusak speaker.

GX-A602: Ketika Anda menggunakan amplifier dalam mode berjembatan untuk memberi daya kepada subwoofer, sakelar Bass Boost dapat menghasilkan kenaikan bass sebesar 12dB pada frekuensi 45Hz. (Aturlah sakelar ini sesuai selera Anda. Namun, bila penggunaannya menimbulkan bunyi distorsi atau noise, sebaiknya sakelar diatur ke posisi "OFF." **PERHATIAN:** Gunakan sakelar Bass Boost hanya ketika Anda menggunakan amplifier untuk memberi daya ke subwoofer. Penggunaan sakelar Bass Boost dengan speaker full-range dapat merusak speaker.

GX-A3001: Kontrol Bass Boost dapat menghasilkan kenaikan bass sebesar 12dB pada frekuensi 45Hz. Aturlah kontrol ini sesuai selera Anda. Namun, hati-hati jangan sampai kontrol diatur sedemikian tinggi sehingga menimbulkan distorsi atau noise pada subwoofer Anda.

LED DAYA DAN PERLINDUNGAN

LED DAYA

- LED menyala jingga: Operasi berlangsung normal (daya hidup).
- LED tidak menyala: Amplifier dalam mode siaga.

LED PERLINDUNGAN

LED Perlindungan amplifier harus tetap mati ketika amplifier beroperasi secara normal. Jika tidak ada bunyi dari amplifier dan LED Perlindungan menyala merah, lihat *Pemecahan Masalah*, di halaman 24.

PEMECAHAN MASALAH

Jika amplifier tidak berfungsi sebagaimana seharusnya, periksalah apakah masalah yang Anda alami telah dicakup di bagian ini sebelum menghubungi pihak dealer atau layanan pelanggan JBL.

MASALAH

PENYEBAB DAN SOLUSI

Tidak ada suara (LED Daya amplifier tidak menyala)

- Pastikan kabel +12 V dan GND amplifier telah dihubungkan dengan benar.
- Periksa apakah sekering pada kabel +12 V di dekat baterai telah putus: Jika benar telah putus, gantilah dengan sekering yang sama.
- Periksa semua sekering amplifier; jika ada yang putus, ganti dengan sekering yang sama.
- Jika Anda menggunakan koneksi REM amplifier untuk menyalakan, pastikan kabel telah terhubung dengan benar ke kabel remote turn-on sistem audio atau ke terminal daya ACC kendaraan Anda.

Tidak ada suara (LED Daya amplifier menyala jingga)

- Pastikan semua input amplifier dan kabel speaker telah dihubungkan dengan benar.
- Pastikan kontrol Level amplifier tidak dikecilkan habis (berlawanan jarum jam).
- Pastikan kontrol volume unit sumber sistem audio kendaraan tidak dikecilkan habis.

Tidak ada suara (LED Perlindungan menyala merah)

- Pastikan sistem kelistrikan kendaraan memberikan tegangan DC antara 9 V dan 16 V DC ke amplifier. Jika tegangan yang diberikan di luar kisaran ini, benahilah kondisinya sebelum menggunakan amplifier.
- Jika amplifier telah mengalami overheating (panas berlebih), tunggu sampai dingin sebelum menggunakannya kembali.
- Putuskan sambungan semua speaker dari amplifier dan coba nyalakan kembali:
 - Jika amplifier menyala (LED Daya menyala jingga), artinya terdapat hubung-singkat di salah satu kabel speaker atau lebih. Benahilah semua hubung-singkat ini sebelum menyambungkan kembali speaker ke amplifier.
 - Jika amplifier tidak menyala (LED Perlindungan tetap merah dan LED Daya tidak menyala), hubungi dealer resmi JBL untuk mendapatkan bantuan.

MASALAH**PENYEBAB DAN SOLUSI**

Bunyi hanya muncul dari sebagian speaker yang terhubung ke amplifier

- Pastikan kontrol balance dan fader pada unit sumber sistem audio kendaraan diatur ke posisi tengah.
- (GX-A604): Pastikan pengaturan Sakelar Mode amplifier sesuai dengan sambungan yang terjadi antara input dan speaker ke amplifier

Bunyi terlalu lirih, bahkan ketika volume pada unit sumber sistem audio kendaraan dibesarkan penuh

- Pastikan kontrol Level amplifier tidak dkecilkan habis. Lihat *Mengatur Level Input* di halaman 22 untuk informasi tentang pengaturan kontrol Level.

Terdengar bunyi noise pada speaker depan/ belakang

- Pastikan sakelar Filter Crossover amplifier untuk channel yang mengalami noise tersebut diatur ke posisi lolos-tinggi (HP).
- Atur kontrol Crossover untuk channel yang mengalami noise tersebut ke pengaturan yang lebih tinggi.
- Pastikan noise atau distorsi tidak berasal dari unit sumber sistem audio kendaraan.

Subwoofer mengeluarkan bunyi noise

- (GX-A604, GX-A602): Atur sakelar Bass Boost ke posisi "OFF."
- (GX-A3001): Ketika mendengarkan musik yang dentuman bass-nya keras, kecilkan penuh kontrol Bass Boost, lalu perlahan besarkan sampai terdengar noise. Dari posisi ini, kecilkan sedikit kontrol Bass Boost sampai noise lenyap dan biarkan di posisi tersebut.
- Pastikan noise atau distorsi tidak berasal dari unit sumber sistem audio kendaraan.

SPESIFIKASI

	GX-A604	GX-A602	GX-A3001
Daya maks. (15,5 V, 1 kHz, 10% THD, total ch, 2 ohm)	435 W	280 W	415 W (15,5 V, 50 Hz, 10% THD, 2 ohm)
Rating output daya @ 4 ohm	60 W x 4	60 W x 2	200 W x 1
Output daya berjembatan (4 ohm, 1% THD)	170 W x 2	170 W x 1	Tidak Tersedia
THD+N pada daya sesuai rating	< 1%	< 1%	< 1%
Sinyal-terhadap-derau (2 V @ 4 ohm)	> 75 dB	> 75 dB	> 75 dB
Faktor peredaman efektif (4 ohm)	> 50	> 50	> 50
Respons frekuensi (-3 dB)	20 Hz – 20 kHz \pm 1 dB	20 Hz – 20 kHz \pm 1 dB	10 Hz – 320 Hz
Tegangan input maksimal	20 V	20 V	20 V
Sensitivitas input maksimal	200 mV	200 mV	200 mV
Ukuran sekring	20 A x 2	25 A	20 A x 2
Dimensi (p x l x t):	2-1/16" x 11-13/16" x 8-1/8" (52 mm x 300 mm x 206 mm)	2-1/16" x 7-13/16" x 8-1/8" (52 mm x 198 mm x 206 mm)	2-1/16" x 11-7/16" x 8-1/8" (52 mm x 291 mm x 206 mm)
Berat	5,3 lb (2,4 kg)	3,8 lb (1,7 kg)	5,3 lb (2,4 kg)

130.com.ua



HARMAN HARMAN International Industries, Incorporated
8500 Balboa Boulevard, Northridge, CA 91329 USA

© 2013 HARMAN International Industries, Incorporated. All rights reserved.
JBL is a trademark of HARMAN International Industries, Incorporated, registered in the United States and/or other countries.

All Rights Reserved. Features, specifications and appearance are subject to change without notice.

Part No. 20130624 Rev: A

www.jbl.com