



ТЕЛЕФОНЫ

0 (800) 800 130
(050) 462 0 130
(063) 462 0 130
(067) 462 0 130

130
COM.UA

Интернет-магазин
автотоваров



SKYPE

km-130

АВТОМАГНИТОЛЫ — Магнитолы • Медиа-ресиверы и станции • Штатные магнитолы • CD/DVD чейнджеры • FM-модуляторы/USB адаптеры • Flash память • Переходные рамки и разъемы • Антенны • Аксессуары | **АВТОЗВУК** — Акустика • Усилители • Сабвуферы • Процессоры • Кроссоверы • Наушники • Аксессуары | **БОРТОВЫЕ КОМПЬЮТЕРЫ** — Универсальные компьютеры • Модельные компьютеры • Аксессуары | **GPS НАВИГАТОРЫ** — Портативные GPS • Встраиваемые GPS • GPS модули • GPS трекеры • Антенны для GPS навигаторов • Аксессуары | **ВИДЕОУСТРОЙСТВА** — Видеорегистраторы • Телевизоры и мониторы • Автомобильные ТВ тюнеры • Камеры • Видеомодули • Транскодеры • Автомобильные ТВ антенны • Аксессуары | **ОХРАННЫЕ СИСТЕМЫ** — Автосигнализации • Мотосигнализации • Механические блокираторы • Имобилайзеры • Датчики • Аксессуары | **ОПТИКА И СВЕТ** — Ксенон • Биксенон • Лампы • Светодиоды • Стробоскопы • Оптика и фары • Омыватели фар • Датчики света, дождя • Аксессуары | **ПАРКТРОНИКИ И ЗЕРКАЛА** — Задние парктроники • Передние парктроники • Комбинированные парктроники • Зеркала заднего вида • Аксессуары | **ПОДОГРЕВ И ОХЛАЖДЕНИЕ** — Подогревы сидений • Подогревы зеркал • Подогревы дворников • Подогревы двигателей • Автохолодильники • Автокондиционеры • Аксессуары | **ТЮНИНГ** — Виброизоляция • Шумоизоляция • Тонировочная пленка • Аксессуары | **АВТОАКСЕССУАРЫ** — Радар-детекторы • Громкая связь Bluetooth • Стеклоподъемники • Компрессоры • Звуковые сигналы, СГУ • Измерительные приборы • Автопылесосы • Автокресла • Разное | **МОНТАЖНОЕ ОБОРУДОВАНИЕ** — Установочные комплекты • Обивочные материалы • Декоративные решетки • Фазоинверторы • Кабель и провод • Инструменты • Разное | **ПИТАНИЕ** — Аккумуляторы • Преобразователи • Пуско-зарядные устройства • Конденсаторы • Аксессуары | **МОРСКАЯ ЭЛЕКТРОНИКА И ЗВУК** — Морские магнитолы • Морская акустика • Морские сабвуферы • Морские усилители • Аксессуары | **АВТОХИМИЯ И КОСМЕТИКА** — Присадки • Жидкости омывателя • Средства по уходу • Полироли • Ароматизаторы • Клеи и герметики | **ЖИДКОСТИ И МАСЛА** — Моторные масла • Трансмиссионные масла • Тормозные жидкости • Антифризы • Технические смазки

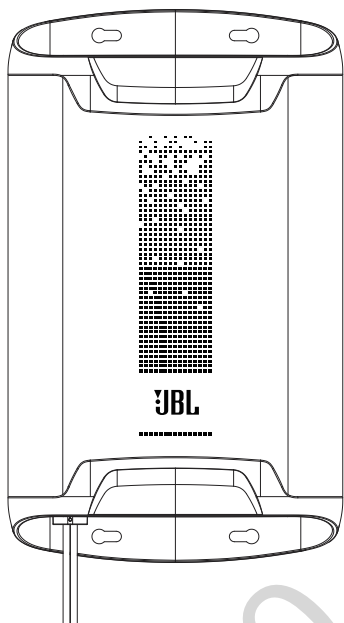


В магазине «130» вы найдете и сможете купить в Киеве с доставкой по городу и Украине практически все для вашего автомобиля. Наши опытные консультанты предоставят вам исчерпывающую информацию и помогут подобрать именно то, что вы ищете. Ждем вас по адресу

<https://130.com.ua>



JBL DSP Amplifier DSP4086



Owner's Manual

EN

Manual de propietario

ES

Mode d'emploi

FR

Руководство пользователя

RU

用户手册

ZH-CH

Panduan Pengguna

ID

取扱説明書

JP

사용자 설명서

KO

THANK YOU FOR YOUR PURCHASE . . .

Your product has been designed to provide you the performance and ease of operation you expect from JBL. Take time to read this manual before operating or installing your amplifier. This manual describes general installation guidelines and operation instructions. Please note that proper installation of mobile audio components requires qualified experience with mechanical and electrical procedures. If you do not have the knowledge and tools to perform this installation, we strongly recommend consulting an authorized JBL dealer about your installation options.

EN

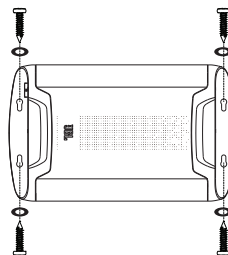
TABLE OF CONTENTS

PRODUCT DESCRIPTION	2
WHAT'S IN THE BOX	2
INSTALLATION AND WIRING	2
SETTING THE SOUND	4
SPECIFICATIONS	6
TROUBLESHOOTING	6

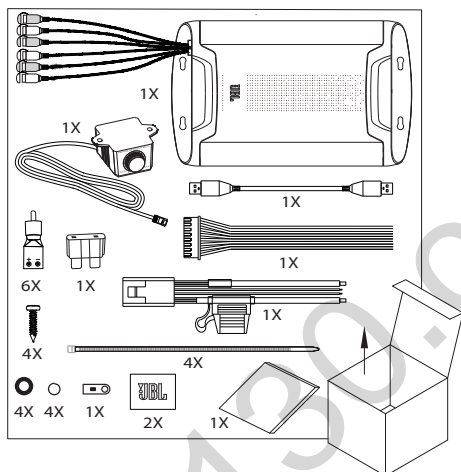
130.com.ua

PRODUCT DESCRIPTION

The JBL DSP Amplifier is an audio processor for fine-tuning of aftermarket audio systems. It is a self-contained audio system with 6-channel audio inputs, 8-channel powered audio outputs, an easy-to-use tuning interface a novice can understand, and detailed tuning capabilities to satisfy even experienced installers. With a USB connection to access the tuning interface using a Windows PC, you can control fully variable crossovers, selectable 0-to-48 dB slopes, time delay, 31-band parametric or graphic EQ adjustment, assignable input-to-output mixer with input channel summing, channel gain, master volume control, clipping indicator to ensure the audio output is not distorted, and ability to save up to 10 presets.



WHAT'S IN THE BOX



Power and Ground Connections

- **Power:** Connect the **+12V** power wire to the positive terminal of the vehicle's battery. Make sure the fuse and fuse holder are within 18" (457mm) of the battery.
- **Ground:** Connect the **GND** wire to the negative terminal of the vehicle's battery, or to the vehicle's chassis near the battery with a screw. **NOTE:** If possible, remove any paint from the chassis for best contact. It is recommended to use a star washer below the ring connector for a secure connection.
- **Remote-In:** Connect the remote turn-on wire to the "Remote Out" lead of the source unit, if using low-level signal inputs with an aftermarket stereo. **NOTE:** If you are using high-level signal inputs (your vehicle's speaker wires), you can choose to have the 12-volt DC offset feature turn the amplifier on when you turn on the vehicle power, or the audio-sensing feature turn on the amplifier when it detects audio signal. In either case, you will not have to connect the remote turn-on wire and can tape or cap it off to prevent the introduction of noise.
- **Remote-Out:** Connect the remote-out wire to external devices that require 12V turn-on after the JBL DSP Amplifier. This connection will allow turn-on of 12V devices after the amplifier wakes from turn-on by 12V remote-in, DC offset or audio signal sensing input.

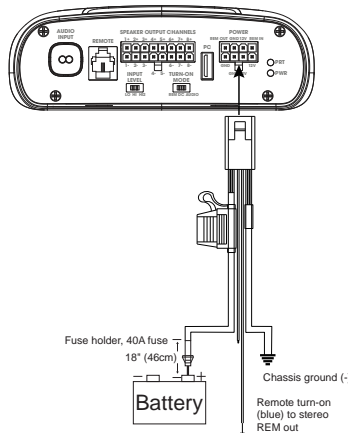
Power/Protect indicators

The power light will illuminate in green when the amplifier is getting power and playing. The light will illuminate in red if the amp enters protect mode in the event of conditions such as over/under voltage, short circuit, amplifier output circuit failure, or excessive heat.

INSTALLATION AND WIRING

IMPORTANT: Disconnect the vehicle's negative (-) battery terminal before beginning the installation.

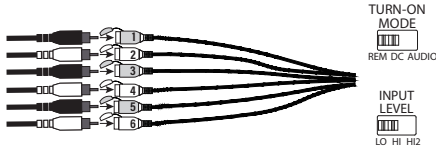
- Wear protective eyewear when using tools.
- Choose a safe mounting location. Check clearances on both sides of the location. Be sure that screws will not puncture brake or fuel lines or wiring harnesses, and that wire routing will not interfere with vehicle operation. Use caution when drilling or cutting.
- When making electrical connections, make sure they are secure and properly insulated.
- Do not mount the amplifier with the heat sink facing downward, as this interferes with cooling.
- Using the amplifier as a template, mark the locations of the holes on the mounting surface.
- Drill pilot holes in the mounting surface.
- Attach the amplifier to the mounting surface with the included sheet metal screws and washers.



Signal input

- **Line-level inputs:** If your source unit offers preamp outputs, connect the front outputs to inputs 1 and 2 on the amplifier, the rear outputs to inputs 3 and 4, and the subwoofer outputs to inputs 5 and 6 using RCA patch cables.

Note: when using low-level signals and remote turn-on lead, set the "Turn-on Mode" switch to "REM" and the "Input Level" switch to "LO".

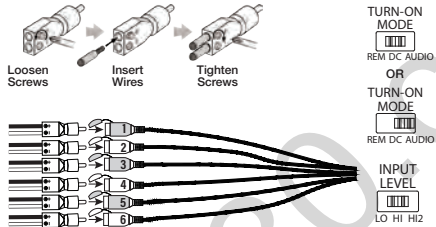


EN

- **High-level inputs:** If your audio system's source unit does not have line-level outputs, use the supplied high-level input adapters to connect to the speaker output wires of your source unit to the RCA inputs of the amplifier. The 12-volt DC offset feature will turn the amplifier on when it senses signal.

NOTE: You can connect the wires from as many as six of your vehicle's speakers to the amplifier. For example, these can include front left and right tweeters to inputs 1 and 2, front left and right woofers to inputs 3 and 4, and rear left and right full-range speakers to inputs 5 and 6. The signals from each of these speakers can be summed to create a full-range output, if necessary, and assigned to any of the amplifier output wires. See "Setting the Sound" for more details.

NOTE: When using high-level signals, set the "Turn-on Mode" switch to "DC" (to turn on when it receives battery power) or "AUDIO" (to turn on when it senses signal from your source unit), and the "Input Level" switch to "HI". If no sound plays, change the "Input Level" switch to "HI2".



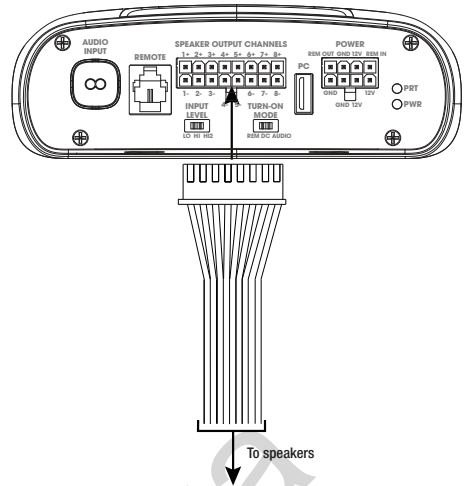
Speaker Output Connections

Connect your speakers to the wires of the speaker output wiring harness, observing proper polarity: connect each positive (+) lead to the appropriate positive (+) speaker terminal, and negative (-) lead to the appropriate negative (-) speaker terminal. Then plug the speaker output wiring harness into the DSP Amplifier.

NOTE: You can connect up to 8 speakers to the JBL DSP Amplifier, then specify the frequencies the amplifiers sends to each one with the JBL tuning software. See "Setting the Sound" for details.

NOTE: If you decide you need more power in your system, you can use two or more of the speaker output wires to connect one or more additional amplifiers. Connect the desired number of speaker output wires to the high-level inputs of the new amplifier(s). **IMPORTANT:** make sure to adjust the output levels of the channels you are connecting to the extra amplifier(s) to ensure that you do not overdrive the external amplifier(s) and reduce noise, if present.

IMPORTANT: None of the speaker output channels can be bridged.

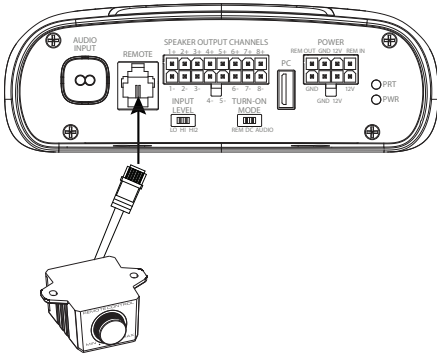


Wire color	Channel designation
White	Channel 1 +
White/Black	Channel 1 -
Gray	Channel 2 +
Gray/Black	Channel 2 -
Green	Channel 3 +
Green/Black	Channel 3 -
Purple	Channel 4 +
Purple/Black	Channel 4 -
Orange	Channel 5 +
Orange/Black	Channel 5 -
Blue	Channel 6 +
Blue/Black	Channel 6 -
Red	Channel 7 +
Red/Black	Channel 7 -
Yellow	Channel 8 +
Yellow/Black	Channel 8 -

Connecting the remote bass control

Plug the remote bass controller into the appropriate input on the control panel of the DSP Amplifier. Mount the remote in a convenient location, such as under the dash, using sheet metal screws.

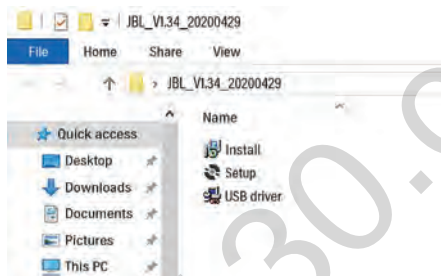
NOTE: The remote bass control is capable of controlling the subwoofer output level from channel 7 or 8 when assigned as a "sub" channel. This will allow adjustment of subwoofer level from -30dB to +6db in the tuning software. It is not a bass boost control. We expect that you will use the remote bass control from an external subwoofer amplifier should you want to control bass boost.



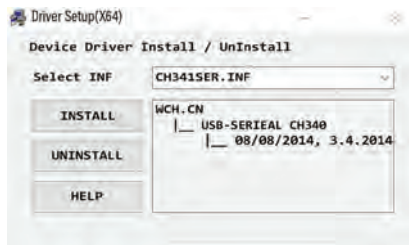
SETTING THE SOUND

Download the tuning software from JBL.com

1. Connect to internet with your Windows PC or laptop and go to JBL.com and download the Graphic User Interface for the DSP4086 Amplifier.
2. Complete the software installation setup wizard before you connect your computer to your JBL DSP Amplifier.
3. Double-click "JBL DSP software" from its saved location.



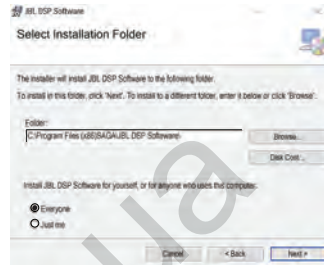
4. Double-click "USB driver" and click install
NOTE: Make sure to allow it to make changes to your computer if your anti-virus software requests it.



5. Double-click "setup.exe".
NOTE: Make sure to allow it to make changes to your computer if your anti-virus software requests it.



6. Click "Next" in the JBL DSP Software Setup Wizard.



7. Select preferred installation folder, or click "next" to choose the default location.



8. Click "Next" to confirm installation. Again, make sure that your anti-virus protection allows installation to be completed.
9. Sit back and wait while software installation completes...

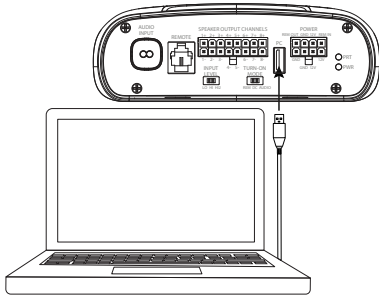


10. Installation Complete! Close setup wizard and continue to next section. You should see this icon on your computer screen (please note to icon is JBL orange).



Connecting JBL DSP Amplifier to your Windows PC

1. Connect your Windows PC to the DSP Amplifier with the included USB cable.



EN

2. Make sure to **turn your audio source down to a low volume** level before powering your JBL DSP Amplifier.
3. Activate/power your audio system and make sure all parts are operating.

NOTE: The DSP Amplifier will come with pre-flashed EQ profile that will act as "EQ Off" or preset 1.

4. With your PC connected to the JBL DSP Amplifier, double-click JBL software icon on your PC and open DSP tuning software.



NOTE: If the software appears with a window showing "No Comm Port Available", close the software, disconnect the USB cable from your computer, and return to step 4. Otherwise, proceed to step 5. The DSP software will function when not connected to the amplifier if you would like to familiarize yourself with the software and create a pre-configured audio system setup.



5. Connection complete! Continue on to Tuning Procedure...

User Interface Functions



The JBL tuning software features the following controls:

1. **Assign speaker locations to channels.** With this feature, you can designate the type of speaker and location in the car each output channel of the DSP is connected to.
2. **Individual channel volume control and muting.** You can raise and lower the relative volume level of each channel individually to ensure perfect level-matching and output.

3. **0°/180° phase adjustment.** You can set the phase of each channel individually for balanced, dynamic performance.
4. **Linking of paired channels.** You can link paired channels to apply volume and tone controls evenly.
5. **Clipping indicator.** Each channel features a clipping indicator to let you know if 10% or greater distortion is present. If it is, lower the volume level of the clipping channel until the indicator turns off. For best results, measure with a 100Hz and 1kHz @ 0dB sine wave.
6. **Time delay.** With time delay, you can adjust the focal point of the sound field to your desired location in the car. The closer a speaker is to your desired focal-point location, the longer its delay should be. To adjust, drag the slider to the right to increase the delay, and to the left to decrease it.
7. **Information display.** This display shows you the following statistics:
 - a. The master volume value
 - b. The current subwoofer volume level for channel 7 or 8, and adjustable from -30dB to +6dB when using the remote bass control.
 - c. The voltage the amplifier is reading at the power input
 - d. The amplifier's current operating temperature
 - e. Your current system configuration.
8. **X-OVER.** You can adjust the crossover points of the high-pass and low-pass crossovers for each channel to maximize the performance efficiency of each speaker connected to the DSP Amplifier. The selectable crossover slope for each channel can be set to 0/6/12/18/24/30/36/42/48dB.
9. **Speaker location view.** This shows which amplifier channels are in use, and the locations of the corresponding speakers in the vehicle.
10. **Master Volume.** You can raise or lower the volume of the entire system, or mute the entire system. Drag the slider up to raise the volume, and down to lower it. Click the speaker icon to mute the audio system.
11. **Write/Delete.** "Write" lets you save up to 10 preferred audio settings as presets, which you can apply to the amplifier. Click "write", then click a preset number to save a preset. Click "delete", then click a preset number to delete a preset.
12. **Input Mixer.** The Input Mixer feature lets you assign the audio signal from an input channel to a specific output channel. You can also sum the signals of multiple input channels and apply the resulting signal to a specific output channel, usually to allow a speaker to play the widest range of frequencies possible when using speaker-level input signals.

EXAMPLE: If you have connected a tweeter (high-frequency response only) to input channel 1 and a midrange speaker (midrange-frequency response only) to channel 2, you can sum the signals of each of these inputs, and assign the new, full-range signal to a full-range speaker you have connected to output channel 1.
13. **Save File.** This allows you to save saving a preferred audio system configuration to a folder on your computer for use later. It also allows you to retrieve a previous configuration from your computer and apply it to your connected amplifier.
14. **Settings.** You can control the following options in the "Settings" menu:
 - a. Language selection for the software: choose from English, Spanish, French, Chinese, and Japanese
 - b. Power settings for delaying the amplifier turn-on/off should your vehicle require either option
 - c. Firmware upgrades and resetting the software to original factory settings
15. **Reset EQ.** This button lets you reset the type of speaker, and location in the vehicle, of each output channel.
16. **EQ Mode.** This lets you choose either a 31 band parametric or graphic EQ to adjust for each channel.

17. **Parametric or graphic EQ.** You can apply custom EQ curves to each channel you have connected. To increase the level of a given frequency, drag the slider up. To lower it, drag the slider down.
18. **EQ Setup.** This EQ setup feature lets you click to select the channels to which you want to apply EQ curves.
NOTE: The FREQ, GAIN, and Q fields shows the values of the changes made by moving the EQ sliders. Only Gain is adjustable when in Graphic EQ Mode. Frequency, Gain, and Q are all adjustable in Parametric EQ Mode. These adjustments can be made using the sliders or entering specific values in the F, G, and Q fields.
19. **Bypass EQ and Restore EQ.** "Bypass EQ" allow you to return your EQ settings to flat so you can hear the differences made during your tuning. "Restore EQ" returns all EQ adjustments to the previous settings.

SPECIFICATIONS

- RMS Power Output (Watts x Channel) @ 2-ohm: 60W x 8
- RMS Power Output (Watts x Channel) @ 4-ohm: 40W x 8
- Amplifier Class: Class D
- Battery Voltage Range (Volts): 8V to 16V
- Selectable Turn-on Modes: 12V, Audio Signal Sense, DC Offset, 12V remote output
- LED Indicator: red/green
- Frequency Response: 10Hz to 22kHz @ -3dB
- Signal-to-Noise Ratio: 90dB
- Signal-to-Noise Ratio (CEA-2006): 75dB
- THD+N @ 4-ohm: <1%
- Input Sensitivity, selectable: High-level or low-level
- Input Sensitivity - Low Level: 680mV to 6V
- Input Sensitivity - High Level: 1.6V to 15V
- Variable Crossovers: All Channels: HPF, LPF, Band-pass w/ selectable 0 to 48dB slope
- Gain, variable: All Channels with PC
- Subwoofer level, variable : Channels 7 & 8 in PC software or using accessory remote control from -30dB to +6dB
- Fuse Rating: 40A
- Minimum Recommended Power/Ground Wire Gauge: 8awg
- Speaker Level Inputs: Yes (RCA adapter)
- Remote Bass Control: Included
- Length : 9-3/8" (237.5mm)
- Width: 5-11/16" (144mm)
- Height: 1-15/16" (49.5mm)
- Weight: Approx. 1000g
- Protection: DC, OVP, UVP, OCP, OTP

TROUBLESHOOTING

No audio and POWER INDICATOR is off.

- No voltage at BATT+ and/or REM terminals, or bad or no ground connection. Check voltages at amplifier terminals with VOM.

No audio and PROTECT INDICATOR flashes.

- DC voltage on amplifier output. Amplifier may need service; see enclosed warranty card for service information.

No audio and PROTECT and POWER INDICATORS flash.

- Voltage less than 9V on BATT+ connection. Check vehicle charging system.

EN

No audio and PROTECT INDICATOR is on.

- Amplifier is overheated. Make sure amplifier cooling is not blocked at mounting location. Verify that speaker-system impedance is within specified limits. Or, there may be voltage greater than 16V (or less than 8V) on BATT+ connection. Check vehicle charging system.

Amplifier fuse keeps blowing.

- The wiring is connected incorrectly or there is a short circuit. Review installation precautions and procedures. Check wiring connections.

Distorted audio.

- Gain is not set properly. Check Individual Channel Volume and/or Master Volume settings. Check speaker wires for shorts or grounds. Amplifier or source unit may be defective.

Distorted audio and PROTECT INDICATOR flashes.

- Short circuit in speaker or wire. Remove speaker leads one at a time to locate shorted speaker or wire, and repair.

Music lacks dynamics or "punch."

- Speakers are not connected properly. Use 0°/180° phase adjustment, and check speaker connections at amplifier and speaker.

GRACIAS POR TU COMPRA. . .

Este producto se ha diseñado para proporcionar el rendimiento y la facilidad de uso que se espera de JBL. Dedica un tiempo a leer este manual antes de instalar o utilizar el amplificador. Este manual describe directrices generales de instalación e instrucciones de uso. La instalación correcta de los componentes de audio y vídeo requiere experiencia cualificada en procedimientos mecánicos y eléctricos. Si no dispones de conocimientos y herramientas para realizar correctamente la instalación, te recomendamos encarecidamente que consultes a un distribuidor autorizado de JBL sobre las opciones de instalación.

ES

TABLA DE CONTENIDO

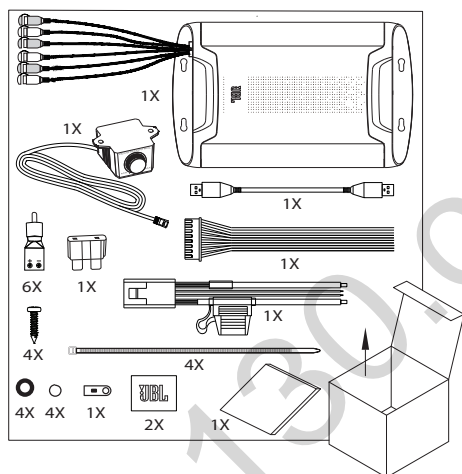
DESCRIPCIÓN DEL PRODUCTO	8
CONTENIDO DEL ENVASE	8
INSTALACIÓN Y CABLEADO	8
AJUSTE DEL SONIDO	10
ESPECIFICACIONES	12
LOCALIZACIÓN Y SOLUCIÓN DE PROBLEMAS.....	12

130.com.ua

DESCRIPCIÓN DEL PRODUCTO

El amplificador DSP JBL es un procesador de audio que sirve para ajustar sistemas de audio del mercado de repuestos con precisión. Se trata de un sistema de audio autónomo con 6 canales de entradas de audio, 8 canales de salidas alimentadas de sonido, una interfaz de ajuste fácil de usar incluso para alguien sin experiencia y capacidades de ajuste tan detalladas como para satisfacer a los instaladores experimentados. Con una conexión USB para acceder a la interfaz de ajustes con un PC Windows, es posible controlar los cortes de frecuencias totalmente variables, las pendientes seleccionables de 0 a -48 dB, el retardo de tiempo, los ajustes de EQ paramétrico o gráfico de 31 bandas, el mezclador de entradas a salidas asignables con suma de canales de entrada, la ganancia de canales, el control de volumen maestro, el indicador de recorte para garantizar que no se distorsione la salida de audio y la posibilidad de guardar hasta 10 configuraciones predefinidas.

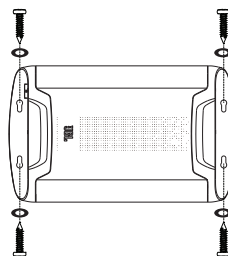
CONTENIDO DEL ENVASE



INSTALACIÓN Y CABLEADO

IMPORTANTE: Desconecta el terminal negativo (-) de la batería del vehículo antes de empezar la instalación.

- Lleva siempre puesta protección ocular mientras utilices herramientas.
- Elige una ubicación de montaje segura. Comprueba los espacios libres a ambos lados de la ubicación. Asegúrate de que los tornillos no pinchen las líneas de freno, las líneas de combustible ni los mazos de cables y que el tendido de los cables no interfiera en el funcionamiento seguro del vehículo. Perfora y corta con precaución.
- Al realizar conexiones eléctricas, asegúrate de que estén aseguradas y debidamente aisladas.
- No montes el amplificador con el sumidero de calor mirando hacia abajo, ya que esto interfiere con la refrigeración.
- Usando el amplificador como plantilla, marca las ubicaciones de los agujeros de montaje en la superficie de montaje.
- Taladra agujeros piloto en la superficie de montaje.
- Sujeta el amplificador a la superficie de montaje con los cuatro tornillos de montaje incluidos.



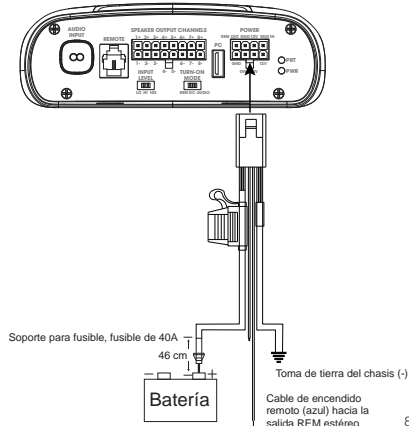
ES

Conexiones de alimentación y a tierra

- **Alimentación:** Conecta el cable de alimentación de **+12 V** al terminal positivo de la batería del vehículo. Asegúrate de que el fusible y su soporte estén a menos de 457 mm de la batería.
- **Toma de tierra:** Conecta el cable **GND** al terminal negativo de la batería del vehículo o al chasis del vehículo, cerca de la batería, con un tornillo. **NOTA:** Si es posible, quita la pintura del chasis para lograr el mejor contacto posible. Se recomienda utilizar una arandela estríada debajo del conector de anillo para asegurar la conexión.
- **Entrada de control remoto:** Conecta el cable de encendido remoto al cabo de salida de control remoto de la unidad de fuente, si utilizas las entradas de señal de bajo nivel de un equipo estéreo de repuesto. **NOTA:** Si vas a utilizar las entradas de señal de alto nivel (los cables de altavoz del vehículo), puedes elegir entre usar la característica de offset de 12 V CC para encender el amplificador al poner en marcha el vehículo o la función de detección automática para encender el amplificador cuando al detectar una señal de audio. En cualquiera de los casos, no es necesario conectar el cable de encendido remoto y es posible cubrirlo con cinta o recortarlo para evitar que introduzca ruido.
- **Salida de control remoto:** Conecta el cable de salida de control remoto a dispositivos que necesiten 12 V para encenderse después del amplificador DSP JBL. Esta conexión permite encender dispositivos de 12 V una vez que el amplificador se activa mediante el encendido de la entrada de 12 V, el desplazamiento de la CC o la detección de la entrada de una señal de audio.

Indicadores de alimentación/protección

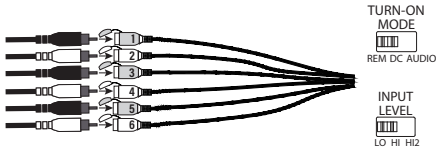
La luz de alimentación se iluminará en color verde cuando el amplificador reciba alimentación y reproduzca sonido. La luz se vuelve de color rojo si el amplificador se pone en modo de protección, en situaciones de sobretensión o la tensión insuficiente, cortocircuito, fallo en el circuito de salida del amplificador, calor excesivo y apagado automático.



Entrada de señal

- Entradas de nivel de línea:** Si la unidad de fuente ofrece salidas de preamplificación, conecta las salidas frontales a las entradas 1 y 2 del amplificador, las salidas a las entradas 3 y 4 y las salidas de subwoofer a las entradas 5 y 6 con latiguillos RCA.

Nota: si vas a usar señales de bajo nivel y el cable de encendido remoto, pon el interruptor "Turn-on Mode" (Modo de encendido) en la posición "REM" (Remoto) y el interruptor "Input Level" (Nivel de entrada) en la posición "LO" (Bajo).

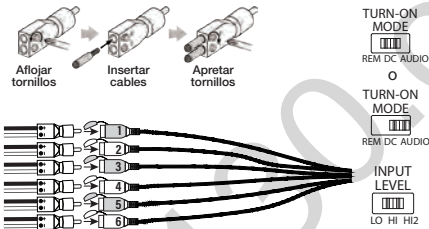


ES

- Entradas de alto nivel:** Si la unidad de fuente del sistema de audio no dispone de salidas de nivel de línea, utiliza los adaptadores de entrada de alto nivel suministrados para conectar los cables de salida de altavoz de la unidad de fuente a las entradas RCA del amplificador. La función de offset de 12 V CC enciende el amplificador en cuanto se detecta una señal.

NOTA: Puedes conectar los cables desde hasta seis altavoces del vehículo al amplificador. Por ejemplo, estos pueden incluir los altavoces de agudos delanteros izquierdo y derecho en las entradas 1 y 2, los woofers delanteros izquierdo y derecho en las entradas 3 y 4 y los altavoces de gama completa traseros izquierdo y derecho a las entradas 5 y 6. Es posible sumar las señales de estos altavoces para generar una salida de gama completa, si es necesario, y asignarla a cualquiera de los cables de salida del amplificador. Consulte los detalles adicionales en "Configurar el sonido".

NOTA: Si utilizas señales de alto nivel, coloca el interruptor "Turn-on Mode" (Modo de encendido) en la posición "DC" (CC) (para encender cuando reciba alimentación desde la batería) o "AUDIO" (para encender cuando se detecte una señal desde la unidad de fuente) y el interruptor "Input Level" (Nivel de entrada) en la posición "HI" (Alto). Si no se escucha ningún sonido, cambia el interruptor "Input Level" (Nivel de entrada) a la posición "HI2" (Alto 2).



Conexiones de salida de altavoces

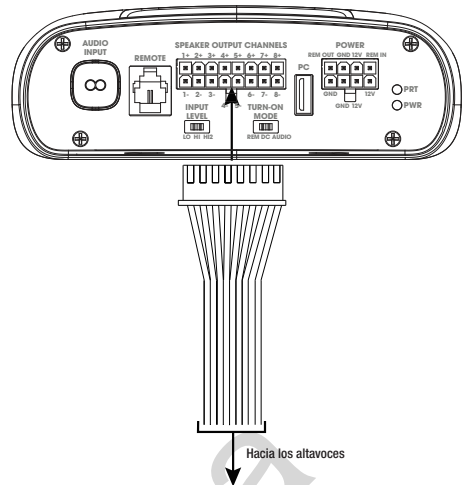
Conecta los altavoces a los cables del mazo de cables de salida de los altavoces, respetando la polaridad correcta: conecta cada cabo positivo (+) al terminal correspondiente positivo (+) adecuado de los altavoces y cada cabo negativo (-) al terminal correspondiente negativo (-) adecuado de los altavoces.

A continuación, conecta el mazo de cables de salida de los altavoces al amplificador DSP.

NOTA: Es posible conectar hasta 8 altavoces al amplificador DSP JBL y, a continuación, especificar las frecuencias que el amplificador envía a cada uno con el software de ajuste de JBL. Consulte los detalles en "Configurar el sonido".

NOTA: Si decides que necesitas más potencia en el sistema, puedes usar dos o más de los cables de salida de los altavoces para conectar uno o más amplificadores adicionales. Conecta el número que desees de cables de salida de los altavoces a las entradas de alto nivel de los nuevos amplificadores. **IMPORTANTE:** asegúrate de ajustar los niveles de salida de los canales que vayas a conectar a los amplificadores adicionales con el fin de no realimentar los amplificadores externos y reducir el ruido, si lo hay.

IMPORTANTE: No es posible puentear ninguno de los canales de salida de los altavoces.

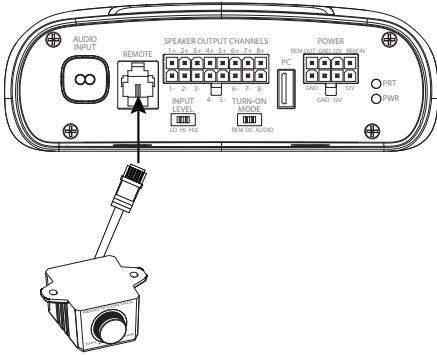


Color del cable	Designación de canales
Blanco	Canal 1 +
Blanco/negro	Canal 1 -
Gris	Canal 2 +
Gris/negro	Canal 2 -
Verde	Canal 3 +
Verde/negro	Canal 3 -
Morado	Canal 4 +
Morado/negro	Canal 4 -
Naranja	Canal 5 +
Naranja/negro	Canal 5 -
Azul	Canal 6 +
Azul/negro	Canal 6 -
Rojo	Canal 7 +
Rojo/negro	Canal 7 -
Amarillo	Canal 8 +
Amarillo/negro	Canal 8 -

Conectar el control remoto de bajos

Conecta el controlador remoto de bajos en la entrada adecuada del panel de control del amplificador DSP. Monta el control remoto en un lugar práctico, como debajo del salpicadero, utilizando los tornillos de lámina metálica.

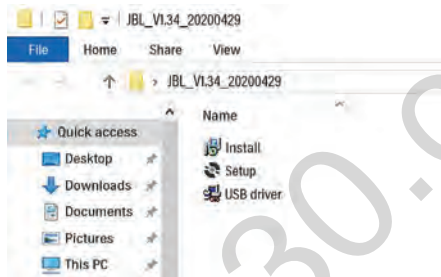
NOTA: El control remoto de bajos puede controlar el nivel de salida del subwoofer de los canales 7 u 8 cuando se asigna como canal "sub". Esto permite ajustar el nivel de subwoofer de -30 dB a +6 dB en el software de ajuste. No se trata de un control de potenciación de bajos. Se espera que el control remoto de bajos se utilice desde un amplificador de subwoofer externo para controlar la potenciación de bajos.



AJUSTE DEL SONIDO

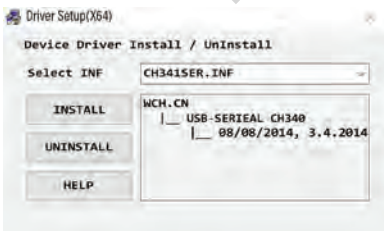
Descarga el software de ajuste de JBL.com

1. Conéctate a Internet con un ordenador con Windows, ve a JBL.com y descarga la interfaz gráfica de usuario del amplificador DSP4086.
2. Completa el asistente de instalación del software antes de conectar el ordenador al amplificador DSP JBL.
3. Haz doble clic en "JBL DSP software" en el lugar donde esté instalado.



4. Haz doble clic en "USB driver" y selecciona Install (Instalar).

NOTA: Asegúrate de seguir los pasos para realizar cambios en el ordenador si el software antivirus lo pide.



5. Haz doble clic en "setup.exe".

NOTA: Asegúrate de seguir los pasos para realizar cambios en el ordenador si el software antivirus lo pide.



6. Haz clic en "Next" (Siguiente) en el asistente de configuración del software de DSP JBL.



7. Selecciona la carpeta de instalación que desees o haz clic en "next" (Siguiente) para elegir la ubicación predeterminada.



8. Haz clic en "Next" (Siguiente) para confirmar la instalación. Una vez más, asegúrate de que el antivirus permita completar la instalación.
9. Espera a que la instalación se complete...



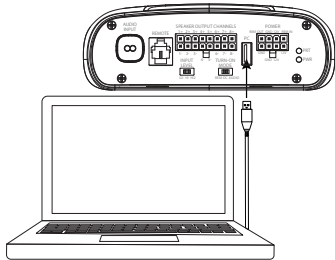
10. ¡Instalación finalizada! Cierra el asistente de configuración y continúa con la sección siguiente. Deberías ver este icono en la pantalla del ordenador (ten en cuenta que es un icono de JBL de color naranja).



ES

Conectar el amplificador DSP JBL a un ordenador con Windows

1. Conecta el ordenador con Windows al amplificador DSP con el cable USB suministrado.



ES

2. Asegúrate de **bajar el volumen de la fuente de audio a un nivel reducido** antes de encender el amplificador DSP JBL.
3. Activa/enciende el sistema de audio y comprueba que todas las piezas funcionen.

NOTA: El amplificador DSP viene con un perfil de EQ predefinido que actúa como "EQ Off" (EQ desactivado) o configuración predefinida 1.

4. Con el ordenador conectado al amplificador DSP JBL, haz doble clic en el icono del software de JBL en el ordenador y abre el software de ajuste de DSP.



NOTA: Si el software muestra una ventana con el mensaje "No Comm Port Available" (no hay puertos de comunicación disponibles), cierra el software, desconecta el cable USB del ordenador y vuelve al paso 4. De lo contrario, pasa al paso 5. El software DSP funciona cuando no está conectado al amplificador para que puedas familiarizarte con él y preparar una configuración previa de un sistema de audio.



5. ¡Conexión finalizada! Continúa con el procedimiento de ajuste...

Funciones de la interfaz de usuario



El software de ajuste de JBL ofrece los controles siguientes:

1. **Connected and Disconnected.** Con esta función, puedes comprobar si el amplificador se está comunicando con el ordenador Windows.
2. **Low and High.** Con esta función, puedes determinar si el amplificador está ajustado a nivel de entrada de bajo nivel o alto nivel en el panel de control del amplificador.

3. **Asignar ubicaciones de altavoz a canales.** Con esta función, puedes designar el tipo de altavoz conectado a cada canal de salida del DSP y su ubicación en el vehículo.
4. **Control y silenciado individual del volumen de los canales.** Puedes aumentar y disminuir el nivel de volumen relativo de cada canal por separado para garantizar un ajuste perfecto de los niveles y la salida.
5. **Ajuste de fase 0°/180°.** Es posible ajustar la fase de cada canal por separado para obtener un funcionamiento dinámico y equilibrado.
6. **Linking de canales emparejados.** Puedes vincular canales emparejados para aplicar los controles de volumen y tono de forma uniforme.
7. **Indicador Clipping.** Cada canal dispone de un indicador de recorte para que veas si hay una distorsión mayor o igual al 10 %. Si la hay, disminuye el nivel de volumen del canal recortado hasta que el indicador se apague. Para obtener los mejores resultados posibles, realiza medidas con una onda senoidal de 100 Hz y 1 kHz a 0 dB.
8. **Time delay.** Con el retardo de tiempo, puedes ajustar el punto focal del campo de sonido en la ubicación deseada del vehículo. Cuanto más cerca está un altavoz del punto focal deseado, más largo debe ser este retardo. Para ajustarlo, arrastra el control deslizante hacia la derecha para aumentar el retardo y hacia la izquierda para disminuirlo.
9. **Pantalla de información.** Esta pantalla muestra las estadísticas siguientes:
 - a. El valor **master volume**.
 - b. El nivel actual **subwoofer volume** de los canales 7 u 8, y ajustable de -30 dB a +6 dB cuando se utiliza el control remoto de bajos.
 - c. El **voltage** que el amplificador lee en la entrada de alimentación.
 - d. La temperatura actual de funcionamiento del amplificador.
 - e. La configuración actual del sistema.
10. **X-OVER.** Puedes ajustar los puntos de corte de frecuencia de los filtros pasaaltos y pasabajos de cada canal con el fin de maximizar la eficiencia de funcionamiento de cada altavoz conectado al amplificador DSP. Es posible configurar la pendiente de cada corte de frecuencias en 0/6/12/18/24/30/36/42/48 dB.
11. **Vista Speaker location.** Muestra qué canales de amplificador se utilizan y las ubicaciones de los altavoces correspondientes en el vehículo.
12. **Master Volume.** Es posible aumentar o disminuir el volumen del sistema completo o silenciarlo. Arrastra el control deslizante hacia arriba para aumentar el volumen y hacia abajo para disminuirlo. Haz clic en el icono del altavoz para silenciar el sistema de audio.
13. **Write/Delete.** "Write" (Escribir) permite guardar hasta 10 configuraciones predefinidas de audio que, después, se pueden aplicar en el amplificador. Haz clic en "Write" (Escribir) para guardar una configuración predefinida. Haz clic en "Delete" (Eliminar) y, a continuación, en un número de configuración predefinida, para eliminar dicha configuración.
14. **Input Mixer.** La función Input Mixer (Mezclador de entradas) permite asignar la señal de audio de un canal de entrada a un canal de salida específico. También permite sumar las señales de varios canales de entrada y aplicar la señal resultante a un canal de salida específico, generalmente para permitir a un altavoz reproducir la mayor gama de frecuencias posible a partir de señales de entrada de nivel de altavoz.

EJEMPLO: Si tienes un altavoz de agudos (solo con respuesta a altas frecuencias) conectado al canal de entrada 1 y un altavoz de gama media (solo con respuesta a frecuencias medias) conectado al canal 2, puedes sumar las señales de ambas entradas y asignar la nueva señal de gama completa a un altavoz de gama completa conectado al canal de salida 1.
15. **Save File.** Esto permite guardar una configuración preferida para un sistema de audio en una carpeta de un ordenador para utilizarla más tarde. También permite recuperar una configuración anterior de un ordenador y aplicarla a un

- amplificador conectado.
16. **Settings.** El menú "Settings" (Ajustes) permite controlar las opciones siguientes:
 - a. Selección del idioma del software entre inglés, español, francés, chino y japonés.
 - b. Ajustes de encendido para el retardo del encendido del amplificador, si el vehículo lo requiere.
 - c. Actualizaciones del firmware y restablecimiento del software a los ajustes originales de fábrica.
 17. **Reset Output.** Este botón permite restablecer el tipo de altavoz y la ubicación en el vehículo para cada canal de salida.
 18. **EQ Mode.** Esta opción permite elegir entre un EQ paramétrico o gráfico de 31 bandas para cada canal.
 19. **Parametric o graphic EQ.** Es posible aplicar curvas de EQ personalizadas a cada canal conectado. Para aumentar el nivel de una frecuencia determinada, arrastra el control deslizante hacia arriba. Para disminuirlo, arrastra el control deslizante hacia abajo.
 20. **EQ Setup.** Esta función de configuración de EQ permite hacer clic para seleccionar los canales a los cuales deseas aplicar las curvas de EQ.

NOTA: Los campos FREQ (Frecuencia), GAIN (Ganancia) y Q muestran los valores de los cambios realizados al mover los controles deslizantes de EQ. En modo de EQ gráfico, solo es posible ajustar la ganancia. Los valores Frequency (Frecuencia), Gain (Ganancia) y Q son, todos, ajustables en modo de EQ paramétrico. Estos ajustes pueden llevarse a cabo con los controles deslizantes o introduciendo valores específicos en los campos F, G y Q.
 21. **Bypass EQ and Restore EQ.** La opción "Bypass EQ" (Omitir EQ) permite devolver los ajustes de EQ a planos para poder escuchar la diferencia que suponen los ajustes. "Restore EQ" (Restablecer EQ) devuelve todos los ajustes de EQ a la situación anterior.
 22. **Reset EQ** – Este botón devuelve el EQ a los ajustes de fábrica.

ESPECIFICACIONES

- Potencia de salida RMS (W x canales) a 2 Ohm: 60 W x 8
- Potencia de salida RMS (W x canales) a 4 Ohm: 40 W x 8
- Clase de amplificador: Clase D
- Intervalo de tensiones de la batería (V): De 8 V a 16 V
- Modos de encendido seleccionables: 12 V, Audio Signal Sense (Detección de señal de audio), DC Offset (Offset de CC), 12 V Remote Output (Salida de control remoto de 12 V)
- Indicador LED: rojo/verde
- Respuesta en frecuencias: De 10 Hz a 22 kHz a -3 dB
- Relación señal-ruido: 90 dB
- Relación señal-ruido (CEA-2006): 75 dB
- THD+N a 4 Ohm: <1 %
- Sensibilidad de entrada, seleccionable: Alto nivel o bajo nivel
- Sensibilidad de entrada - bajo nivel: De 680 mV a 6 V
- Sensibilidad de entrada - alto nivel: De 1,6 V a 15 V
- Cortes de frecuencias variables: Todos los canales: HPF, LPF, pasabanda con pendiente seleccionable de 0 a 48 dB
- Ganancia, variable: Todos los canales con PC
- Nivel de subwoofer, variable: Canales 7 y 8 en el software para PC o utilizando un control remoto accesorio de -30 dB a +6 dB
- Valor nominal del fusible: 40 A
- Calibre mínimo recomendado del cable de alimentación/ conexión a tierra: 8 AWG
- Entradas de nivel de altavoz: Sí (adaptador RCA)
- Control remoto de bajos: Incluido
- Longitud: 237,5 mm
- Ancho: 144 mm
- Alto: 49,5 mm
- Peso: 1000 g aprox.
- Protección: DC, OVP, UVP, OCP, OTP

LOCALIZACIÓN Y SOLUCIÓN DE PROBLEMAS

No hay sonido y el indicador POWER (Alimentación) está apagado.

- No hay tensión en los terminales BATT+ y/o REM o la conexión con tierra es defectuosa o inexistente. Compruebe las tensiones en los terminales del amplificador con VOM.

Ningún INDICADOR PROTECT parpadea

- Tensión de CC en la salida del amplificador. Es posible que sea necesario reparar el amplificador. Consulta la información de servicio en la tarjeta de garantía incluida.

No hay sonido y los indicadores PROTECT (Proteger) y POWER (Alimentación) parpadean.

- La tensión en el conector BATT+ es menor que 9 V. Comprueba el sistema de carga del vehículo.

No hay sonido y el indicador PROTECT (Protección) está encendido.

- El amplificador está sobrecalentado. Comprueba que la refrigeración del amplificador no esté bloqueada en el lugar de montaje. Comprueba que la impedancia del sistema de altavoces esté dentro de los límites especificados. También es posible que la tensión sea mayor que 16 V (o menor que 8V) en el conector BATT+. Comprueba el sistema de carga del vehículo.

El fusible del amplificador se quema continuamente.

- El cableado está mal conectado o hay un cortocircuito. Revisa las precauciones y los procedimientos de instalación. Comprueba las conexiones de los cables.

Audio distorsionado.

- La ganancia no está bien configurada. Comprueba el volumen de cada canal y el ajuste de volumen maestro. Comprueba que no haya ningún cortocircuito ni derivación a tierra en los cables de los altavoces. Es posible que el amplificador o la unidad de fuente estén dañados.

Audio distorsionado y el indicador PROTECT (Proteger) parpadea.

- Cortocircuito en el altavoz o el cable. Quita los latiguillos de altavoz de uno en uno para localizar el cable o el altavoz cortocircuitado y repáralo.

La música carece de dinámica o "pegada".

- Los altavoces no están bien conectados. Utiliza el ajuste de fase de 0°/180° y comprueba las conexiones de los altavoces en los altavoces y en el amplificador.

ES

MERCI POUR VOTRE ACHAT. . .

Votre produit a été conçu pour vous offrir les performances et la facilité d'utilisation que attendez de JBL. Prenez le temps de lire ce manuel avant d'utiliser ou installer votre amplificateur. Ce manuel décrit les directives d'installation générales et les instructions d'utilisation. Veuillez noter qu'une installation convenable de composants audio mobiles requiert une expérience qualifiée et des procédures mécaniques et électriques. Si vous ne disposez pas des connaissances et des outils permettant d'exécuter cette installation, nous vous recommandons fortement de consulter un distributeur agréé JBL pour connaître vos options d'installation.

TABLE DES MATIÈRES

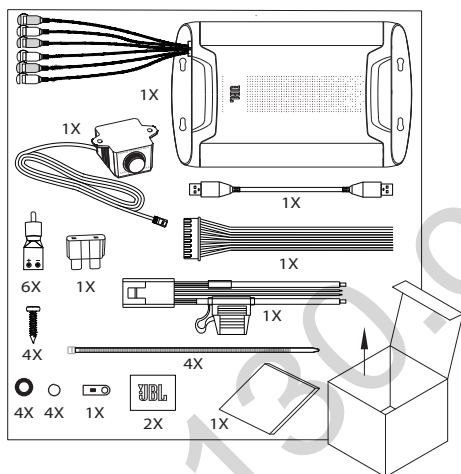
DESCRIPTION DU PRODUIT.....	14
FR CONTENU DE LA BOÎTE.....	14
INSTALLATION ET CÂBLAGE.....	14
RÉGLAGE DU SON	16
CARACTÉRISTIQUES TECHNIQUES.....	18
RÉSOLUTION DES PROBLÈMES.....	18

130.com.ua

DESCRIPTION DU PRODUIT

L'amplificateur DSP JBL est un processeur audio permettant le réglage fin des systèmes audio de seconde monte. C'est un système audio intégré qui comporte 6 canaux d'entrées audio, 8 canaux de sorties audio alimentées, une interface de réglage simple compréhensible par un novice et des capacités de réglage détaillées pour satisfaire même les installateurs expérimentés. Avec une connexion USB permettant l'accès à l'interface de réglage depuis un PC Windows, vous pouvez commander des filtres de croisement entièrement variables, des pentes de 0 à 48 dB sélectionnables, un retard, ajuster une égalisation paramétrique ou graphique à 31 bandes, un mélangeur d'entrées-sorties assignable avec sommation des canaux d'entrée, le gain des canaux, commander le volume principal, visualiser un indicateur de crête pour garantir que la sortie audio n'est pas déformée et disposer de la possibilité d'enregistrer jusqu'à 10 préréglages.

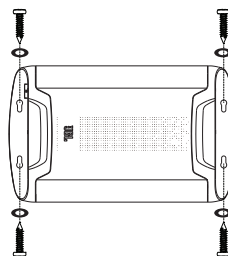
CONTENU DE LA BOÎTE



INSTALLATION ET CÂBLAGE

IMPORTANT : Débranchez la borne négative de la batterie (-) du véhicule avant de commencer l'installation.

- Portez des lunettes de protection pour utiliser des outils.
- Choisissez un emplacement de montage sûr. Vérifiez les espaces des deux côtés de l'emplacement. Veillez à ce que des vis ne percent pas de canalisations de freins, de carburant ou des faisceaux de câblage, et que le cheminement des câbles ne nuira pas à la sécurité de fonctionnement du véhicule. Percez ou coupez avec prudence.
- Lors de la réalisation des connexions électriques, veillez à ce qu'elles soient sûres et correctement isolées.
- Ne montez pas l'amplificateur avec son radiateur dessous, car ceci nuit à son refroidissement.
- En utilisant l'amplificateur comme gabarit, marquez l'emplacement des trous sur la surface de montage.
- Percez des trous pilotes dans la surface de montage.
- Fixez l'amplificateur à sa surface de montage avec les vis à tôle et rondelles incluses.



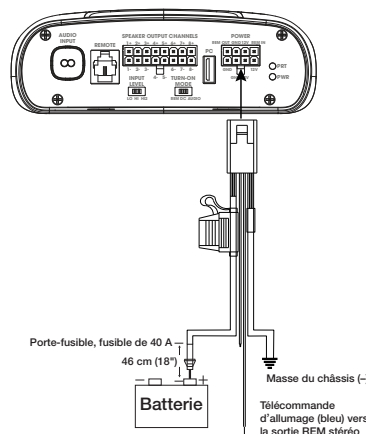
FR

Connexions d'alimentation et de masse

- **Alimentation :** Branchez le fil d'alimentation **+12 V** à la borne positive de la batterie du véhicule. Vérifiez que le fusible et le porte-fusible sont à moins de 457 mm (18") de la batterie.
- **Masse :** Branchez le fil **GND** à la borne négative de la batterie de véhicule, ou au châssis du véhicule, près de la batterie, avec une vis. **REMARQUE :** Si possible, retirez la peinture du châssis pour un meilleur contact. Il est recommandé d'utiliser une rondelle en étoile sous la cosse à œil pour une connexion sûre.
- **Entrée télécommande :** Connectez le fil d'allumage télécommandé au fil « Remote Out » de l'autoradio, si vous utilisez les entrées de signal de niveau bas avec un appareil stéréo de seconde monte. **REMARQUE :** Si vous utilisez des entrées de signal de niveau haut (les câbles des haut-parleurs de votre véhicule), vous pouvez choisir d'allumer l'amplificateur via la fonction de déport de 12 volts CC lorsque vous allumez le véhicule, ou via sa fonction de détection audio. Dans les deux cas, vous n'avez pas besoin de brancher le fil d'allumage télécommandé et pouvez le terminer avec de l'adhésif ou un bouchon afin d'éviter l'introduction de bruit.
- **Sortie télécommande :** Connectez le câble de sortie de télécommande aux appareils externes qui nécessitent un allumage 12 V après l'amplificateur DSP de JBL. Cette connexion permettra l'allumage des appareils 12 V après l'éveil de l'amplificateur par une entrée de télécommande 12 V, un déport de CC ou une entrée de détection de signal audio.

Témoin d'alimentation / protection

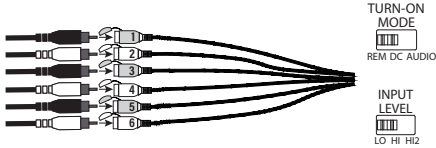
Le témoin d'alimentation s'allume vert lorsque l'amplificateur est alimenté et diffuse un signal. Le témoin s'allume rouge si l'amplificateur entre en mode de protection en cas de conditions telles qu'une sur/sous-tension, un court-circuit, une défaillance du circuit de sortie de l'amplificateur ou une chaleur excessive.



Entrées des signaux

- Entrées niveau ligne :** Si votre autoradio comporte des sorties de préamplificateur, connectez les sorties avant aux entrées 1 et 2 de l'amplificateur, les sorties arrière aux entrées 3 et 4 et les sorties de caisson de basses aux entrées 5 et 6 à l'aide de câbles de raccordement RCA.

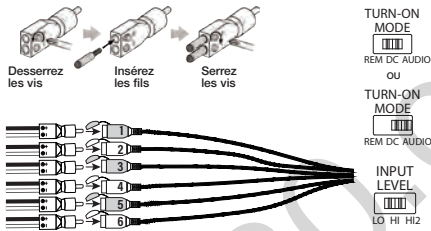
Remarque : si vous utilisez des signaux de niveau bas et un fil d'allumage télécommandé, réglez le commutateur « Turn-on Mode » sur « REM » et le commutateur « Input Level » sur « LO ».



- Entrées de niveau haut :** Si l'autoradio n'a pas de sorties de niveau ligne, utilisez les adaptateurs d'entrée de niveau haut fournis pour le branchement des fils de sortie des haut-parleurs de votre autoradio aux entrées RCA de l'amplificateur. La fonction de départ 12 volts CC allume l'amplificateur quand il détecte un signal.

REMARQUE : vous pouvez connecter les câbles de jusqu'à six haut-parleurs de votre véhicule à l'amplificateur. Par exemple, les tweeters avant gauche et droit peuvent être sur les entrées 1 et 2, les woofers avant gauche et droit sur les entrées 3 et 4, et les haut-parleurs large bande arrière gauche et droit sur les entrées 5 et 6. Les signaux de chacun de ces haut-parleurs peuvent être additionnés pour créer une sortie pleine gamme, si nécessaire, et être affectés à l'un des fils de sortie de l'amplificateur. Reportez-vous à « Réglage du son » pour plus de détails.

REMARQUE : Si vous utilisez des signaux de niveau haut, réglez le commutateur « Turn-on Mode » sur « DC » (pour l'activer lorsqu'il reçoit l'alimentation de la batterie) ou sur « AUDIO » (pour l'activer lorsqu'il détecte le signal de votre unité source), et le commutateur « Input Level » sur « HI ». En l'absence de son, basculez le commutateur « Input Level » sur « HI2 ».



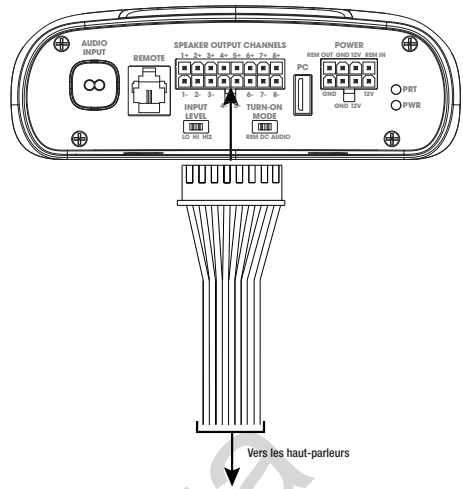
Connexions des sorties de haut-parleurs

Connectez vos haut-parleurs aux fils du faisceau de câblage des sorties des haut-parleurs, en respectant la polarité correcte : connectez chaque fil positif (+) à la borne positive (+) correspondante du haut-parleur et le fil négatif (-) à la borne négative (-) correspondante. Branchez ensuite le faisceau de câblage des sorties des haut-parleurs dans l'amplificateur DSP.

REMARQUE : Vous pouvez connecter jusqu'à 8 haut-parleurs à l'amplificateur DSP de JBL puis spécifier les fréquences que les amplificateurs envoient à chacun avec le logiciel de réglage de JBL. Reportez-vous à « Réglage du son » pour plus de détails.

REMARQUE : Si vous décidez que votre système requiert plus de puissance, vous pouvez utiliser deux des fils de sortie des haut-parleurs ou plus pour connecter un ou plusieurs amplificateurs supplémentaires. Connectez le nombre de fils de sorties de haut-parleurs souhaité aux entrées de niveau haut du ou des nouveaux amplificateurs. **IMPORTANT :** Assurez-vous d'ajuster les niveaux de sortie des canaux que vous connectez aux amplificateurs supplémentaires afin d'être sûr de ne pas saturer le ou les amplificateurs externes et de réduire le bruit, le cas échéant.

IMPORTANT : Aucun canal de sortie des haut-parleurs ne peut être ponté.

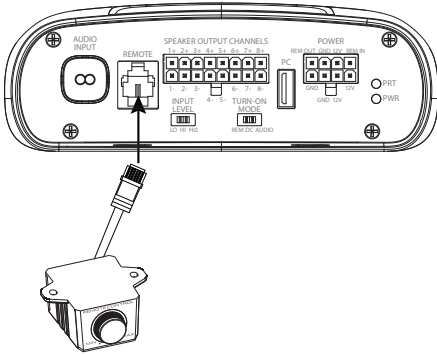


Couleur du fil	Désignation du canal
Blanc	Canal 1 +
Blanc/noir	Canal 1 -
Gris	Canal 2 +
Gris/noir	Canal 2 -
Vert	Canal 3 +
Vert/noir	Canal 3 -
Violet	Canal 4 +
Violet/noir	Canal 4 -
Orange	Canal 5 +
Orange/noir	Canal 5 -
Bleu	Canal 6 +
Bleu/noir	Canal 6 -
Rouge	Canal 7 +
Rouge/noir	Canal 7 -
Jaune	Canal 8 +
Jaune/noir	Canal 8 -

Branchement de la télécommande des graves

Branchez la télécommande des graves dans l'entrée appropriée du panneau de commande de l'amplificateur DSP. Installez la télécommande dans un endroit pratique, comme sous le tableau de bord, à l'aide de vis à tôle.

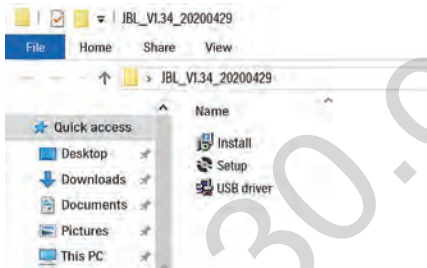
REMARQUE : La télécommande des graves peut régler le niveau de sortie d'un subwoofer sur le canal 7 ou 8 lorsque celui-ci est affecté en tant que canal « secondaire ». Cela permettra de régler le niveau du subwoofer de -30 dB à +6 dB dans le logiciel de réglage. Ce n'est pas une commande d'amplification des graves. Nous prévoyons que vous utiliserez la télécommande d'un amplificateur de subwoofer externe si vous souhaitez commander l'amplification des graves.



RÉGLAGE DU SON

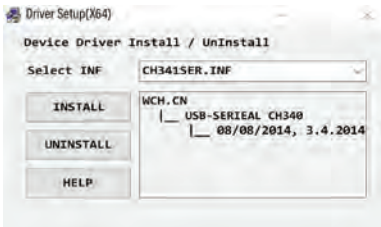
Téléchargement du logiciel de réglage depuis JBL.com

1. Connectez-vous à Internet avec votre PC ou ordinateur portable Windows, accédez à JBL.com et téléchargez l'interface utilisateur graphique de l'amplificateur DSP4086.
2. Exécutez l'assistant de configuration de l'installation du logiciel avant de connecter votre ordinateur à votre amplificateur DSP de JBL.
3. Cliquez deux fois sur « JBL DSP software » dans l'emplacement où il est enregistré.



4. Cliquez deux fois sur « USB driver » puis cliquez sur Install.

REMARQUE : Assurez-vous de lui permettre d'apporter des modifications à votre ordinateur si votre logiciel antivirus le demande.

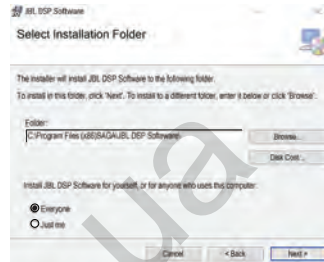


5. Cliquez deux fois sur « setup.exe ».

REMARQUE : Assurez-vous de lui permettre d'apporter des modifications à votre ordinateur si votre logiciel antivirus le demande.



6. Cliquez sur « Suivant » dans l'assistant de configuration du logiciel DSP de JBL.



7. Sélectionnez le dossier d'installation de votre choix ou cliquez sur « Suivant » pour choisir l'emplacement par défaut.



8. Cliquez sur « Suivant » pour confirmer l'installation. Encore une fois, assurez-vous que votre protection antivirus permet de terminer l'installation.
9. Détendez-vous et attendez la fin de l'installation du logiciel...



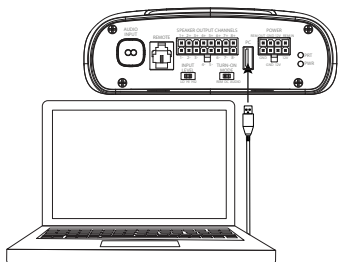
10. L'installation est terminée ! Fermez l'assistant de configuration et passez à la section suivante. Vous devriez voir cette icône sur l'écran de votre ordinateur (veuillez noter que la couleur de l'icône est l'orange JBL).



FR

Connexion de l'amplificateur DSP de JBL à votre PC Windows

1. Connectez votre PC Windows à l'amplificateur DSP avec le câble USB inclus.



FR

2. Veillez à **réduire le son de votre autoradio à un faible volume** avant d'allumer votre amplificateur DSP JBL.
3. Activez/allumez votre autoradio et vérifiez que tous ses composants fonctionnent.

REMARQUE : L'amplificateur DSP sera fourni avec un profil d'égalisation déjà flashé qui servira de « EG désactivé » ou préréglage 1.

4. Votre PC étant connecté à l'amplificateur DSP JBL, cliquez deux fois sur l'icône du logiciel JBL sur votre PC et ouvrez le logiciel de réglage du DSP.



REMARQUE : Si le logiciel apparaît avec une fenêtre indiquant « Aucun port de communication disponible », fermez le logiciel, déconnectez le câble USB de votre ordinateur et reprenez à l'étape 4. Sinon, passez à l'étape 5. Le logiciel du DSP fonctionne lorsqu'il n'est pas connecté à l'amplificateur si vous souhaitez vous familiariser avec lui et créer une configuration de système audio préconfigurée.



5. La connexion est effectuée ! Passez à la procédure de réglage...

Fonctions de l'interface utilisateur



Le logiciel de réglage JBL comprend les commandes suivantes :

1. **Connected and Disconnected.** Cette fonction vous permet de déterminer si l'amplificateur communique avec votre PC Windows.
2. **Low and High.** Cette fonction vous permet de déterminer si l'amplificateur est réglé sur une entrée de niveau bas ou une entrée de niveau haut sur le panneau de commande de l'amplificateur.
3. **Affectation des emplacements des haut-parleurs aux**

canaux. Cette fonction vous permet de désigner le type de haut-parleur et l'emplacement dans le véhicule auquel chaque canal de sortie du DSP est connecté.

4. **Commande du volume et coupure de chaque canal.** Vous pouvez augmenter et diminuer le niveau de volume relatif de chaque canal individuellement pour assurer une correspondance parfaite des niveaux et des sorties.
5. **Réglage de phase 0°/180°.** Vous pouvez régler individuellement la phase de chaque canal pour des performances dynamiques et équilibrées.
6. **Linking de canaux couplés.** Vous pouvez lier des canaux couplés pour appliquer uniformément les commandes de volume et de tonalité.
7. **Indicateur de Clipping.** Chaque canal inclut un indicateur d'écrêtage qui signale une distorsion de 10% ou plus. Si c'est le cas, baissez le volume du canal en écrêtage jusqu'à ce que l'indicateur s'éteigne. Pour obtenir les meilleurs résultats, mesurez avec une onde sinusoïdale de 100 Hz et 1 kHz à 0 dB.
8. **Time delay.** Le retard vous permet de régler le point focal du champ sonore à l'emplacement souhaité dans le véhicule. Plus un haut-parleur est proche de votre emplacement de point focal choisi, plus son retard doit être long. Le réglage s'effectue en faisant glisser le curseur vers la droite pour augmenter le retard et vers la gauche pour le diminuer.
9. **Affichage des informations.** Cet affichage vous présente les statistiques suivantes :
 - a. La valeur **master volume**
 - b. Le niveau du **subwoofer volume** actuel pour le canal 7 ou 8 et réglable de -30 dB à +6 dB en utilisant la télécommande des graves.
 - c. La **voltage** lue par l'amplificateur à l'entrée de l'alimentation.
 - d. La température de fonctionnement actuelle de l'amplificateur.
 - e. La configuration actuelle de votre système.
10. **X-OVER.** Vous pouvez ajuster les points de croisement des filtres de croisement passe-haut et passe-bas pour chaque canal afin de maximiser l'efficacité des performances de chaque haut-parleur connecté à l'amplificateur DSP. La pente de croisement sélectionnable pour chaque canal peut être réglée sur 0 / 6 / 12 / 18 / 24 / 30 / 36 / 42 / 48 dB.
11. **Vue de Speaker location.** Elle montre les canaux de l'amplificateur utilisés et les emplacements des haut-parleurs correspondants dans le véhicule.
12. **Master Volume.** Vous pouvez augmenter ou diminuer le volume de l'ensemble du système, ou le désactiver. Faites glisser le curseur vers le haut pour augmenter le volume et vers le bas pour le baisser. Cliquez sur l'icône du haut-parleur pour couper le son du système audio.
13. **Write/Delete.** « Écrire » vous permet d'enregistrer jusqu'à 10 paramètres audio préférés en tant que préréglages, que vous pouvez appliquer à l'amplificateur. Cliquez sur « Écrire », puis sur un numéro de préréglage pour enregistrer un préréglage. Cliquez sur « Effacer », puis sur un numéro de préréglage pour effacer un préréglage.
14. **Input Mixer.** La fonction Table de mélange d'entrée vous permet d'affecter le signal audio d'un canal d'entrée à un canal de sortie donné. Vous pouvez également additionner les signaux de plusieurs canaux d'entrée et appliquer le signal résultant à un canal de sortie spécifique, généralement pour permettre à un haut-parleur de lire la plus large gamme de fréquences possible lors de l'utilisation de signaux d'entrée de niveau haut-parleur.

EXEMPLE : Si vous avez connecté un tweeter (réponse aux hautes fréquences uniquement) au canal d'entrée 1 et un haut-parleur de médiums (réponse aux fréquences moyennes uniquement) au canal 2, vous pouvez additionner les signaux de ces deux entrées et affecter le nouveau signal large bande à un haut-parleur large bande que vous avez connecté au canal de sortie 1.
15. **Save File.** Cette fonction vous permet d'enregistrer une configuration de système audio préférée dans un dossier de votre ordinateur pour une utilisation ultérieure. Elle vous permet également de récupérer une configuration précédente depuis votre ordinateur et de l'appliquer à votre amplificateur connecté.
16. **Settings.** Vous pouvez gérer les options suivantes dans le menu « Paramètres » :

- a. Sélection de la langue du logiciel : choisissez parmi l'anglais, l'espagnol, le français, le chinois et le japonais.
 - b. Paramètres d'alimentation pour retarder la mise sous/hors tension de l'amplificateur si votre véhicule requiert l'une de ces options.
 - c. Mises à niveau du micrologiciel et réinitialisation du logiciel aux paramètres d'usine d'origine.
17. **Reset Output.** Ce bouton vous permet de réinitialiser le type de haut-parleur et l'emplacement dans le véhicule de chaque canal de sortie.
 18. **EQ Mode.** Cette option vous permet de choisir un égaliseur paramétrique ou graphique à 31 bandes à régler pour chaque canal.
 19. **EG Parametric ou graphic.** Vous pouvez appliquer des courbes d'égalisation personnalisées à chaque canal que vous avez connecté. Pour augmenter le niveau d'une fréquence donnée, faites glisser le curseur vers le haut. Pour l'abaisser, faites glisser le curseur vers le bas.
 20. **EQ Setup.** Cette fonction de configuration d'égalisation vous permet de cliquer pour sélectionner les canaux auxquels vous souhaitez appliquer des courbes d'égalisation.
REMARQUE : Les champs FREQ, GAIN et Q affichent les valeurs des modifications effectuées en déplaçant les curseurs d'égalisation. Seul le gain est réglable en mode d'égalisation graphique. La fréquence, le gain et le Q sont tous réglables en mode d'égalisation paramétrique. Ces réglages peuvent s'effectuer à l'aide des curseurs ou en entrant des valeurs précises dans les champs F, G et Q.
 21. **Bypass EQ and Restore EQ.** « Ignorer EG » vous permet de ramener vos réglages d'égalisation à plat afin de pouvoir entendre les différences apportées par vos ajustements. « Restaurer EG » ramène tous les réglages d'égalisation aux valeurs précédentes.
 22. **Reset EQ.** Ce bouton restaure les réglages d'usine de l'égaliseur.

CARACTÉRISTIQUES TECHNIQUES

- Puissance de sortie RMS (watts x canaux) sous 2 ohms : 60 W x 8
- Puissance de sortie RMS (watts x canaux) sous 4 ohms : 40 W x 8
- Classe d'amplificateur : Classe D
- Plage de tension de la batterie (volts) : 8 V à 16 V
- Modes d'allumage sélectionnables : 12 V, détection de signal audio, départ CC, sortie de télécommande 12 V
- Témoin lumineux : rouge / vert
- Réponse en fréquence : 10 Hz à 22 kHz à -3 dB
- Rapport signal sur bruit : 90 dB
- Rapport signal sur bruit (CEA-2006) : 75 dB
- DHT+B à 4 ohms : < 1 %
- Sensibilité d'entrée, sélectionnable : Niveau haut ou niveau bas
- Sensibilité d'entrée - niveau bas : 680 mV à 6 V
- Sensibilité d'entrée - niveau haut : 1,6 V à 15 V
- Filtrés de croisement variables : Tous les canaux : Passe-haut, passe-bas, passe-bande avec pente 0 à 48 dB sélectionnable
- Gain, variable : Tous les canaux avec PC
- Niveau de subwoofer, variable : Canaux 7 et 8 dans le logiciel PC ou à l'aide de la télécommande accessoire de -30 dB à 6 dB.
- Calibre du fusible : 40 A
- Calibre de fil d'alimentation/de terre minimum recommandé : 8,37 mm² (8 AWG)
- Entrées niveau haut-parleur : oui (adaptateur RCA)
- Télécommande des graves : Incline
- Longueur : 237,5 mm (9-3/8")
- Largeur : 144 mm (5-11/16")
- Hauteur : 49,5 mm (1-15/16")
- Poids : Environ 1000 g
- Protection : DC, OVP, UVP, OCP, OTP

RÉSOLUTION DES PROBLÈMES

Aucun son et TÉMOIN D'ALIMENTATION éteint.

- Aucune tension sur BATT + et/ou aux bornes REM, ou connexion de masse mauvaise ou absente. Vérifiez les tensions aux bornes de l'amplificateur avec un voltmètre.

Pas de son et TÉMOIN DE PROTECTION clignotant.

- Tension CC sur la sortie de l'amplificateur. L'amplificateur peut devoir être révisé, consultez la carte de garantie jointe pour des informations sur le service.

Aucun son et clignotement des TÉMOINS D'ALIMENTATION ET DE PROTECTION.

- Tension inférieure à 9 V sur la connexion à BATT +. Contrôlez le circuit de charge du véhicule.

Aucun son et TÉMOIN DE PROTECTION allumé.

- L'amplificateur a surchauffé. Vérifiez que le refroidissement de l'amplificateur n'est pas empêché à l'emplacement de montage. Vérifiez que l'impédance du système de haut-parleurs est dans les limites indiquées. Ou une tension supérieure à 16 V (ou inférieure à 8 V) est présente sur la connexion à BATT +. Contrôlez le circuit de charge du véhicule.

FR

Le fusible de l'amplificateur fond constamment.

- Le câblage est erroné ou il y a un court-circuit. Revoyez les précautions et les procédures d'installation. Vérifiez les connexions du câblage.

Son déformé.

- Le gain n'est pas réglé correctement. Vérifiez les paramètres de volume de chaque canal et/ou principal. Recherchez des courts-circuits ou des masses sur les câbles des haut-parleurs. L'amplificateur ou l'appareil source peuvent être défectueux.

Son déformé et TÉMOIN DE PROTECTION clignotant.

- Court-circuit dans le haut-parleur ou le fil. Débranchez un fil de haut-parleur à la fois pour localiser le haut-parleur ou le fil en court-circuit puis réparez.

La musique manque de dynamique ou de « punch ».

- Les haut-parleurs ne sont pas connectés correctement. Utilisez le réglage de phase de 0°/180° et vérifiez les connexions des haut-parleurs à l'amplificateur et aux haut-parleurs.

СПАСИБО ЗА ПОКУПКУ . .

Изделие разработано с целью предоставить вам ожидаемые от продукции JBL качество и простоту управления. Перед эксплуатацией или установкой усилителя прочтите данное руководство. В данном руководстве описаны общие правила установки и инструкции по эксплуатации. Обратите внимание, что для правильной установки мобильных аудиокомпонентов требуется профессиональный опыт выполнения механических и электрических работ. Если у вас нет знаний и инструментов, необходимых для выполнения установки, настоятельно рекомендуется проконсультироваться с официальным дилером JBL по вопросу вариантов выполнения установки.

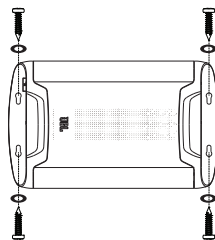
СОДЕРЖАНИЕ

ОПИСАНИЕ ИЗДЕЛИЯ	20
КОМПЛЕКТ ПОСТАВКИ.....	20
УСТАНОВКА И ПОДКЛЮЧЕНИЕ	20
RU НАСТРОЙКА ЗВУКА	22
ХАРАКТЕРИСТИКИ.....	24
УСТРАНЕНИЕ НЕПОЛАДОК.....	24

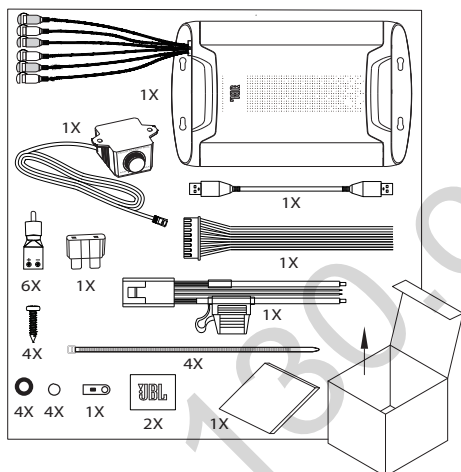
130.com.ua

ОПИСАНИЕ ИЗДЕЛИЯ

Усилитель JBL DSP представляет собой аудиопроцессор для выполнения точной настройки аудиосистем с послепродажной комплектацией. Это автономная аудиосистема с 6-канальными аудиовходами, 8-канальными аудиовыходами, простым в использовании интерфейсом настройки, понятным новичку, а также возможностями детальной настройки, способными удовлетворить даже опытных установщиков. Получив доступ к интерфейсу настройки на ПК с операционной системой Windows через USB-подключение, вы можете управлять полностью регулируемыми кроссоверами, спадями с возможностью выбора значений от 0 до 48 дБ, запаздыванием по времени, настройкой 31-полосного параметрического или графического эквалайзера, назначаемым микшером входа-выхода с суммированием по входному каналу, усилением канала, общей громкостью, индикатором отсечки, чтобы обеспечить отсутствие искажения аудиовыхода, и возможностью сохранять до 10 предустановок.



КОМПЛЕКТ ПОСТАВКИ



Силовое соединение и заземление

- Питание.** Подсоедините провод питания +12V к положительной клемме аккумулятора автомобиля. Убедитесь, что предохранитель и патрон предохранителя находятся на расстоянии не более 18 дюймов (457 мм) от аккумулятора.
- Заземление.** Подсоедините провод GND к отрицательной клемме аккумулятора автомобиля или к шасси автомобиля возле аккумулятора с помощью винта. **ПРИМЕЧАНИЕ.** Для улучшения контакта удалите с шасси краску, если это возможно. Для надежного соединения рекомендуется использовать шайбу звездчатого типа под кольцевой клеммой.
- Вход пульта.** Подключите провод дистанционного включения к выводу для пульта дистанционного управления источника аудиосигнала при использовании низкоуровневых входных сигналов со стереосистемой с послепродажной комплектацией. **ПРИМЕЧАНИЕ.** В случае использования высокоуровневых входных сигналов (провода динамиков автомобиля) можно выбрать, чтобы функция смещения постоянного тока на 12 В включала усилитель при включении питания автомобиля, или чтобы функция аудиосенсинга включала усилитель при обнаружении им аудиосигнала. В обоих случаях не требуется подключать провод дистанционного включения и можно будет заклеить его или поставить заглушку, чтобы предотвратить возникновение шума.
- Выход пульта.** Подключите провод вывода для пульта дистанционного управления ко внешним устройствам, для которых требуется включение при напряжении 12 В, после включения усилителя JBL DSP. Данное подключение позволит включать устройства, работающие при напряжении 12 В, после того как усилитель включится от 12-вольтового входа пульта, смещения постоянного тока или входа сенсинга аудиосигнала.

RU

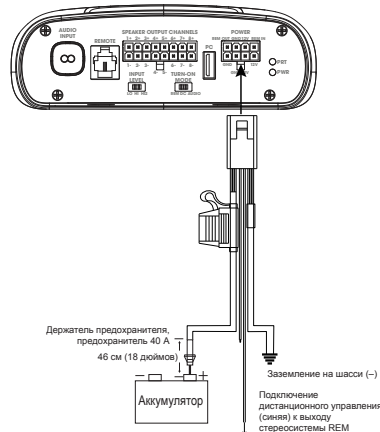
Индикаторы питания/защиты

Когда усилитель получает питание и выполняет воспроизведение, индикатор питания горит зеленым цветом. Индикатор загорится красным, если усилитель переходит в режим защиты в случае возникновения таких явлений, как избыточное/недостаточное напряжение, короткое замыкание, обрыв выходной цепи усилителя или перегрев.

УСТАНОВКА И ПОДКЛЮЧЕНИЕ

ВАЖНО: Перед началом установки отсоедините отрицательную (-) клемму автомобильного аккумулятора.

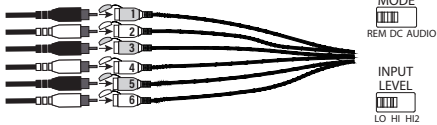
- При работе с инструментами носите защитные очки.
- Выберите безопасное место для проведения монтажа. Проверьте зазоры с обеих сторон на месте для проведения монтажа. Убедитесь, что шурупы не проткнут тормозную магистраль, топливопровод или электропроводку, а также что монтаж проводов не будет мешать эксплуатации автомобиля. Соблюдайте осторожность во время сверления или рези.
- Выполняя проводку, убедитесь, что электрические контакты надежны и должным образом изолированы.
- Не монтируйте усилитель радиатором вниз, так как это будет препятствовать охлаждению.
- Приложите усилитель к поверхности и отметьте положение монтажных отверстий.
- Просверлите направляющие отверстия для шурупов в монтажной поверхности.
- Прикрепите усилитель к монтажной поверхности с помощью прилагаемых винтов для крепления листового металла и шайб.



Вход сигнала

- Линейные входы.** Если на источнике аудиосигнала есть выходы для предусилителя, подключите передние выходы к входам 1 и 2 на усилителе, задние выходы к входам 3 и 4 и выходы сабвуфера к входам 5 и 6 с помощью соединительных кабелей RCA.

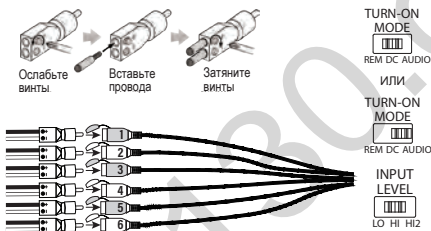
Примечание: при работе с сигналами низкой мощности с помощью пульт дистанционного включения установите переключатель Turn-on Mode (Режим включения) на REM (Удаленно), а переключатель Input Level (Мощность входного сигнала) на LO (Низкая).



- Высокоуровневые входы.** Если источник аудиосигнала аудиосистемы не имеет линейных выходов, используйте поставляемые адаптеры высокоуровневого входа для подключения к выходным проводам динамика источника аудиосигнала и входам RCA-усилителя. Функция смещения постоянного тока на 12 В включит усилитель при обнаружении им сигнала.

ПРИМЕЧАНИЕ. Вы можете подключить к усилителю в общей сложности шесть динамиков в вашем автомобиле. Например, можно подключить передние левый и правый высокочастотные динамики к входам 1 и 2, передние левый и правый низкочастотные динамики к входам 3 и 4, и задние правый и левый широкополосные динамики к входам 5 и 6. Чтобы добиться выхода на весь диапазон, если необходимо, сигналы от каждого из динамиков можно собрать воедино и назначить на любой из выходящих проводов усилителя. См. подробности в разделе «Настройка звука».

ПРИМЕЧАНИЕ. Если вы используете высокоуровневые сигналы, установите переключатель Turn-on Mode (Режим включения) на DC (Переменный ток), чтобы усилитель включался, когда получает питание от аккумулятора, либо на AUDIO (Аудио), чтобы усилитель включался, когда получает сигнал от устройства-источника аудио. Переключатель Input Level (Мощность входного сигнала) установите на HI (Высокая). Если нет звука, установите переключатель Input level (Мощность входного сигнала) на HI2 (Высокая 2).



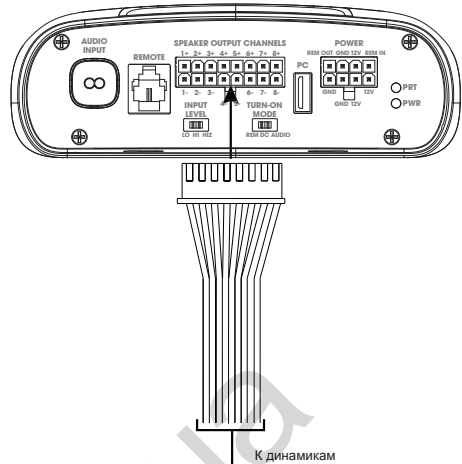
Выходные разъемы для подключения динамиков

Подключите динамики к выходам, соблюдая полярность: подсоедините положительный (+) провод каждого динамика к соответствующему положительному (+) выходу, а отрицательный (-) провод — к соответствующему отрицательному (-) выходу. Затем подключите выходной жгут проводов динамиков к усилителю DSP.

ПРИМЕЧАНИЕ. Вы можете подключить к усилителю JBL DSP до 8 динамиков, а затем с помощью программного обеспечения JBL задать частоты, которые усилитель посылает каждому из них. См. подробности в разделе «Настройка звука».

ПРИМЕЧАНИЕ. Если вы решите, что вашей аудиосистеме нужно больше мощности, вы можете использовать выходящие провода динамиков, чтобы подключить один или более дополнительных усилителей. Подключите необходимое количество выходных проводов динамиков к высокоуровневым входам нового усилителя (или усилителей). ВАЖНО: убедитесь в корректной настройке уровня выхода на каналах, к которым подключен дополнительный усилитель (усилители), чтобы не перегрузить дополнительный усилитель и уменьшить шум (если есть).

ВАЖНО: выходные каналы динамиков нельзя подключать по мостовой схеме.

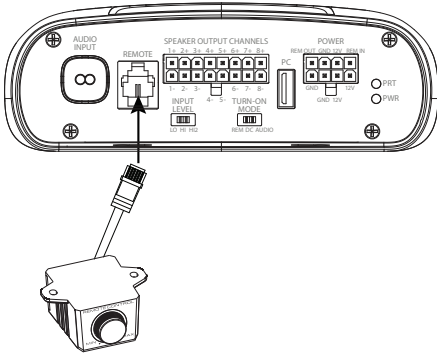


Цвет провода	Обозначение канала
Белый	Канал 1 +
Белый/черный	Канал 1 -
Серый	Канал 2 +
Серый/черный	Канал 2 -
Зеленый	Канал 3 +
Зеленый/черный	Канал 3 -
Фиолетовый	Канал 4 +
Фиолетовый/черный	Канал 4 -
Оранжевый	Канал 5 +
Оранжевый/черный	Канал 5 -
Синий	Канал 6 +
Синий/черный	Канал 6 -
Красный	Канал 7 +
Красный/черный	Канал 7 -
Желтый	Канал 8 +
Желтый/черный	Канал 8 -

Подключение регулятора уровня басов

Подключите удаленный регулятор басов в соответствующий разъем на панели управления усилителя DSP. Установите удаленный регулятор с помощью металлических винтов в удобном месте, например, под панелью.

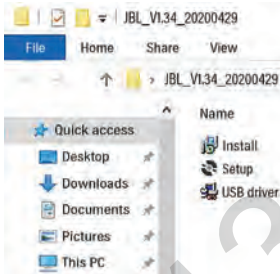
ПРИМЕЧАНИЕ. Удаленный регулятор баса может управлять уровнем выхода с сабвуфера по каналу 7 или 8, назначенному как канал sub. Он позволяет регулировать уровень сабвуфера от -30 дБ до +6 дБ на программном обеспечении для настройки звука. Это не регулятор усиления басов. Если захотите управлять усилением низких частот, используйте дистанционное управление басами от внешнего усилителя сабвуфера.



НАСТРОЙКА ЗВУКА

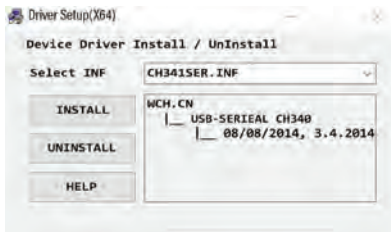
Скачайте программное обеспечение для настройки звука с сайта JBL.com.

1. С помощью компьютера или ноутбука с ОС Windows и выходом в Интернет скачайте с сайта JBL.com графический интерфейс пользователя для усилителя DSP4086.
2. Прежде чем подключить компьютер к усилителю JBL DSP, завершите установку программного обеспечения.
3. Откройте папку, в которой сохранено ПО, и нажмите два раза на значок JBL DSP software (ПО JBL DSP).



4. Нажмите два раза кнопку USB driver (Драйвер USB) и нажмите Install (Установить).

ПРИМЕЧАНИЕ. Если антивирусное ПО потребует разрешение на внесение изменений в компьютер, разрешите.

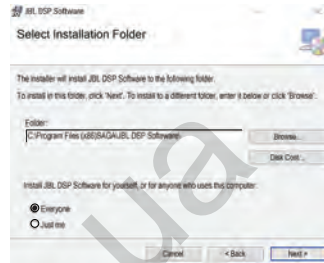


5. Нажмите два раза на файл setup.exe.

ПРИМЕЧАНИЕ. Если антивирусное ПО потребует разрешение на внесение изменений в компьютер, разрешите.



6. Нажмите Next (Далее) в окне JBL DSP Software Setup (Установка ПО JBL DSP).



7. Выберите желаемую папку для установки либо нажмите Next (Далее), чтобы выбрать папку по умолчанию.



8. Нажмите Next (Далее), чтобы подтвердить установку. Снова убедитесь, что ваше антивирусное ПО позволяет завершить установку.
9. Дождитесь окончания установки ПО.



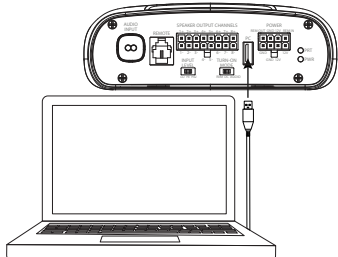
10. Установка завершена! Закройте установщик и переходите к следующему разделу. На экране должна появиться оранжевый значок JBL.



RU

Подключение усилителя JBL DSP к компьютеру (OC Windows)

1. Подключите компьютер под управлением ОС Windows к усилителю DSP с помощью прилагаемого USB-кабеля.



2. Прежде чем включать усилитель JBL DSP, убедитесь, что громкость на вашем источнике аудио установлена на низком уровне.
 3. Включите вашу аудиосистему и убедитесь, что все компоненты работают нормально.
- ПРИМЕЧАНИЕ.** Усилитель DSP по умолчанию запускается с профилем эквалайзера EQ Off (Эквалайзер выкл.) или Preset 1 (Предустановка 1).
4. Когда компьютер подключен к усилителю, нажмите два раза на значок JBL Software (ПО JBL) на ПК и откройте программу настройки DSP.



ПРИМЕЧАНИЕ. Если появится окно No Comm Port Available (Порт связи недоступен), закройте программу, отсоедините USB-кабель от компьютера и вернитесь к шагу 4. В ином случае переходите к шагу 5. Если вы захотите ознакомиться с программой DSP и создать свои настройки аудиосистемы, программа будет работать и без подключения к усилителю.



5. Подключение завершено! Переходите к процедуре настройки...

Функции в интерфейсе пользователя



Программа настройки звука JBL позволяет управлять следующими параметрами.

1. **Connected and Disconnected.** (Подключено и отключено). Эта функция отображает, подключен ли усилитель к компьютеру.
2. **Low and High.** (Высокий и низкий). С помощью этой функции вы можете определить, какой вход установлен на панели управления усилителя: низкоуровневый или

высокоуровневый.

3. **Назначение положения динамиков по каналам.** С помощью этой функции вы можете указать типы динамиков и их расположение в автомобиле для каждого из каналов усилителя DSP, к которым они подключены.
4. **Управление громкостью и приглушением отдельных каналов.** Вы можете повышать и понижать относительный уровень громкости каждого канала по отдельности, чтобы получить идеальное совпадение по уровню звучания.
5. **Регулировка фазы 0°/180°.** Вы можете установить фазу для каждого канала в отдельности для сбалансированного динамического звучания.
6. **Linking (Объединение) парных каналов.** Вы можете объединить парные каналы, чтобы управлять громкостью и тоном одинаково.
7. **Индикатор Clipping (Резкость).** У каждого канала есть индикатор резкости, который показывает, что наблюдается искажение 10% или выше. В таком случае уменьшите громкость данного канала, пока индикатор не отключится. Для наилучшего результата ориентируйтесь на параметры синусоидальной волны от 100 Гц до 1 кГц при 0 дБ.
8. **Time delay (Временная задержка).** С этой функцией вы можете настроить фокус звукового поля в желаемом месте автомобиля. Чем ближе динамик к желаемой точке фокуса, тем длиннее должна быть временная задержка. Для настройки сдвиньте бегунок вправо/влево, чтобы увеличить/уменьшить задержку.
9. **Дисплей Information (Информация).** На этом дисплее отображаются следующие параметры.
 - а. Значение **master volume** (Общая громкость)
 - б. Текущий уровень **subwoofer volume** (Громкость сабвуфера) для каналов 7 или 8, доступный для регулировки от -30 дБ до +6 дБ с помощью удаленного регулятора басов.
 - в. **voltage** (Напряжение), которое усилитель считывает на входе питания.
 - г. Текущая температура усилителя.
 - д. Текущая конфигурация системы.
10. **X-OVER (Кроссовер).** Настраивайте точки пересечения верхних и нижних частот каждого канала для максимальной эффективности динамиков, подключенных к усилителю DSP. Крутизна характеристики для каждого канала может быть установлена на 0/6/12/18/24/30/36/42/48 дБ.
11. **Представление Speaker location (Местоположение динамика).** Данная опция показывает используемые каналы усилителя, а также расположение соответствующих динамиков в автомобиле.
12. **Master Volume** (Общая громкость). Возможно увеличение и уменьшение громкости, а также отключение звука аудиосистемы. Потяните бегунок вверх для увеличения громкости. Потяните бегунок вниз для ее уменьшения. Нажмите на значок динамика для отключения звука аудиосистемы.
13. **Write/Delete (Запись/удаление).** Опция Write (Запись) позволяет сохранять до 10 предпочтительных настроек звука в качестве готового варианта настроек усилителя. Нажмите Write (Запись), затем нажмите номер предустановки, чтобы ее сохранить. Нажмите Delete (Удалить), затем нажмите номер предустановки, чтобы ее удалить.
14. **Input Mixer (Микшер входа).** Опция Input Mixer позволяет назначать аудиосигнал входного канала определенному выходному каналу. Вы также можете суммировать сигналы нескольких входных каналов и подавать результирующий сигнал на определенный выходной канал для воспроизведения самого широкого диапазона частот при использовании входных сигналов уровня динамика.

ПРИМЕР. При подключении высокочастотного динамика (воспроизведение только высоких частот) к каналу 1 и динамика среднего диапазона (воспроизведение только средних частот) к каналу 2 возможно сложение сигналов каждого из входов, а также назначение нового полнодиапазонного динамика, подключенного к выходному каналу 1.
15. **Save File (Сохранить файл).** Данная опция позволяет сохранять выбранные настройки аудиосистемы в папку на вашем компьютере для дальнейшего использования. Это также позволяет восстановить предыдущие настройки и применить их к подключенному усилителю.
16. **Settings (Настройки)** Для управления доступны следующие опции меню Settings (Настройки):

- а. выбор языка программного обеспечения. Выберите английский, испанский, французский, китайский или японский язык;
 - б. настройки питания для отложенного включения и выключения усилителя;
 - в. обновления встроенного и сброс ПО до заводских настроек.
17. **Reset Output** (Сброс выходных каналов). Нажмите эту клавишу для повторной настройки типа динамика и расположения каждого выходного канала в автомобиле.
18. **EQ Mode** (Режим эквалайзера). Нажмите эту клавишу для назначения 31-полосного параметрического или графического эквалайзера каждому из каналов.
19. **Parametric or graphic EQ (Параметрический или графический эквалайзер)**. Возможно применение пользовательских настроек эквалайзера для каждого из подключенных каналов. Для повышения уровня заданной частоты потяните бегунок вверх. Для понижения уровня заданной частоты потяните бегунок вниз.
20. **EQ Setup** (Настройка эквалайзера). Нажмите на данную опцию настроек эквалайзера для выбора тех каналов, к которым вы хотите применить характеристики эквалайзера.

ПРИМЕЧАНИЕ. Поля FREQ (Частота), GAIN (Усиление) и Q (Качество) отображают значения изменений при перемещении бегунков эквалайзера. В графическом режиме эквалайзера доступна только настройка усиления. В параметрическом режиме эквалайзера доступна настройка параметров частоты, усиления и качества. Для изменения настроек эквалайзера перемещайте бегунки или введите определенные значения в полях F, G и Q.

21. **Bypass EQ and Restore EQ** (Обход или восстановление эквалайзера). Опция Bypass EQ (Обход эквалайзера) позволяет вернуть первоначальные настройки эквалайзера, чтобы вы могли услышать различия звучания во время настройки. Опция Restore EQ (Восстановление эквалайзера) возвращает все настройки эквалайзера к предыдущим значениям.
22. **Reset EQ** (Сброс эквалайзера). Данная кнопка восстанавливает заводские настройки эквалайзера.

ХАРАКТЕРИСТИКИ

- Среднеквадратичная выходная мощность (Вт на канал) при сопротивлении 2 Ом: 8 x 60 Вт
- Среднеквадратичная выходная мощность (Вт на канал) при сопротивлении 4 Ом: 8 x 40 Вт
- Класс усилителя: класс D
- Диапазон напряжения аккумулятора (Вт): от 8 В до 16 В
- Режимы включения, доступные для выбора: 12 В, обнаружение звукового сигнала, смещение постоянного тока, дистанционный выход 12 В
- Светодиодный индикатор: красный/зеленый
- Частотная характеристика: 10 Гц – 22 кГц при –3 дБ
- Коэффициент «сигнал-шум»: 90 дБ
- Коэффициент «сигнал-шум» (CEA-2006): 75 дБ
- Полн. коэфф. гарм. искаж. + шум при 4 Ом: <1%
- Входная чувствительность, доступная для выбора: высокая или низкая
- Входная чувствительность — низкая: от 680 мВ до 6 В
- Входная чувствительность — высокая: от 1,6 В до 15 В
- Регулируемые кроссоверы: все каналы: HPF, LPF, полосовой/с возможностью выбора наклона от 0 до 48 дБ
- Усиление, регулируемое: Все каналы с ПК
- Уровень сабвуфера, регулируемый: каналы 7 и 8 в программном обеспечении ПК или с помощью пульта дистанционного управления от -30 дБ до +6 дБ
- Номинальные характеристики предохранителя: 40 А
- Минимальная рекомендованная мощность/калибр провода питания: 8 awg
- Входы на уровне динамика: Y-образный адаптер RCA
- Дистанционное управление басами: в комплекте
- Длина: 237,5 мм (9 3/8 дюйма)
- Ширина: 144 мм (5 11/16 дюйма)
- Высота: 49,5 мм (1 15/16 дюйма)
- Вес: прибл. 1000 г
- Защита: DC, OVP, UVP, OCP, OTP

УСТРАНЕНИЕ НЕПОЛАДОК

Звук нет, и ИНДИКАТОР ПИТАНИЯ не горит.

- Отсутствует напряжение на выходах BATT+ и/или REM, либо заземление плохое или отсутствует. Проверьте напряжение на выходах усилителя с помощью вольтметра.

Нет звука, и мигает ИНДИКАТОР ЗАЩИТЫ.

- Напряжение постоянного тока на выходе усилителя. Усилителю может потребоваться обслуживание. См. информацию по поводу сервисного обслуживания в прилагаемом гарантийном талоне.

Звук нет, и ИНДИКАТОРЫ ЗАЩИТЫ и ПИТАНИЯ мигают.

- Напряжение на соединении BATT+ меньше 9 В. Проверьте систему зарядки автомобиля.

Звук нет, и ИНДИКАТОР ПИТАНИЯ горит.

- Усилитель перегрелся. Убедитесь, что ничто не препятствует охлаждению усилителя в месте установки. Проверьте, чтобы импеданс системы динамиков находился в пределах нормы. Либо напряжение на соединении BATT+ может быть больше 16 В (или меньше 8 В). Проверьте систему зарядки автомобиля.

Предохранитель усилителя постоянно перегорает.

- Провода подсоединены неправильно, или произошло короткое замыкание. Изучите меры предосторожности и процедуры установки. Проверьте соединения проводов.

Искажение звука.

- Усиление настроено неправильно. Проверьте настройки Individual Channel Volume (Громкость отдельных каналов) и/или Master Volume (Общая громкость). Проверьте провода динамиков на предмет коротких замыканий или заземления. Возможна неисправность усилителя или источника аудиосигнала.

Искажения звука, и мигает ИНДИКАТОР ЗАЩИТЫ.

- Короткое замыкание в динамике или проводе. Извлекайте провод динамиков по одному, чтобы определить динамик или провод с коротким замыканием. Обнаружив поврежденный компонент, отремонтируйте его.

Музыке не хватает динамики или «мощи».

- Динамики подключены неправильно. Используйте регулировку фазы 0°/180° и проверьте подключение динамиков на усилителе и динамике.

RU

感谢您的购买。

本产品的设计目的在于为您提供您所期待的 JBL 性能和操作简便性。在操作或安装您的功放之前，请花些时间阅读这本用户手册。本手册描述了常规安装指南和操作说明。请注意，正确地安装车载音响需要在机械和电气方面具备合格的经验。如果您并不具备执行安装的工具和知识，我们强烈建议您向经过授权的 JBL 经销商咨询安装服务事宜。

目录

产品描述	26
产品清单	26
安装和接线	26
设置声音	28
规格	30
故障排除	30

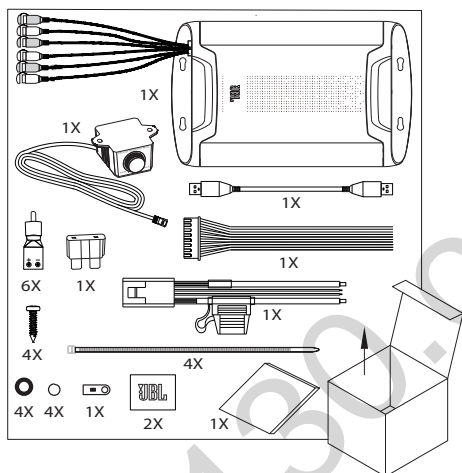
ZH-CH

130.com.ua

产品描述

JBL DSP 功放是一个音频处理器，用于对自购音频系统进行微调。它是一个独立的音频系统，具有 6 通道音频输入，8 通道功率输出，即使新手也可以理解的、易于使用的调谐界面，以及满足熟练安装人员之需求的详尽调谐功能。通过 USB 连接从 Windows PC 访问调谐接口，您可以控制完全可变的分频器、可选的 0 至 48 dB 斜率、时间延迟、31 频段参数或图形均衡器调节、可分配的输入至输出混频器（具有输入通道混合功能）、通道增益、主音量控制、削波指示器，以确保音频输出不会失真，并能够保存多达 10 个预设。

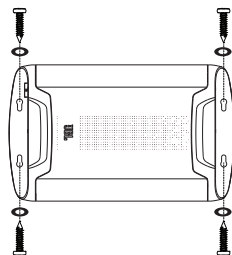
产品清单



安装和接线

重要信息：开始安装前，请先断开汽车的负极 (-) 电池端子连接。

- 使用工具时，应始终佩戴护目镜。
- 选择一个安全的安装位置。确认并清空安装位置的两侧空间。确保螺丝不会刺穿制动车、燃料管线或任何线束，且布线不会对车辆的安全驾驶造成干扰。钻孔或切割时应小心谨慎。
- 进行电气连接时，请确保连接牢固和绝缘。
- 安装时请勿将散热器朝向下，以免干扰功放冷却。
- 用功放作为模板，在安装表面标记出固定孔位置。
- 在安装表面上钻出导向孔。
- 使用随附的金属板螺丝和垫圈，将功放安装到表面。



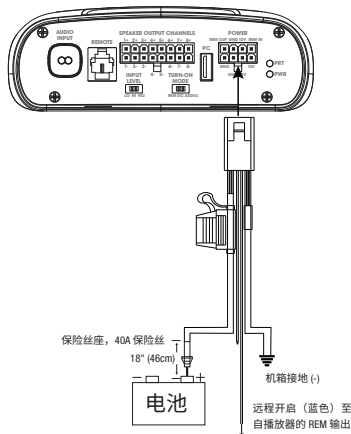
电源和接地连接

- **电源：**将 +12V 电源线连接到汽车电池的正极端子。确保保险丝和保险丝支架与电池的距离在 18" (457mm) 范围内。
- **接地：**将 GND 线用螺丝连接到车辆电池的负极端子或电池附近的车辆底盘处。**注意：**如有可能，请除去地线连接位置底盘上的油漆以获得最佳接触。建议在环形连接器下面使用一个星形垫圈，以确保安全连接。
- **远程输入：**如果使用自购立体声主机的低电平信号输入，请将远程启动线连接到源设备的“远程输出”引线。**注意：**如果您使用的是高电平信号输入（车辆的扬声器线），则可以选择在开启车辆电源时使 12 伏直流偏移功能打开功放，或者使音频感应功能在检测到音频信号时打开功放。在任何不需要连接远程启动线的情况下，您可以将其缠上胶带或将其绝缘封口以防止引入噪音。
- **远程输出：**将远程输出线连接到需要在 JBL DSP 功放之后开启 12V 功能的外部设备。借助此连接，当功放通过 12V 远程输入、直流偏移或音频信号感应输入从开启状态唤醒后，可开启 12V 设备。

ZH-CH

电源/保护指示灯

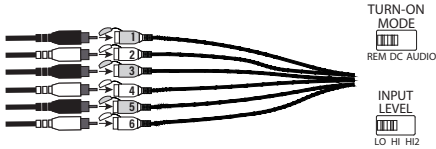
当功放接上电源并播放时，电源指示灯将会呈绿色亮起。若功放因过压/欠压、短路、功放输出电路故障或过热等情况进入保护模式，指示器将会呈红色亮起。



信号输入

- **线路电平输入：**如果您的源设备提供前置功放输出，请使用 RCA 跳线将前置输出连接到功放的输入 1 和 2，将后置输出连接到输入 3 和 4，将低音扬声器输出连接到输入 5 和 6。

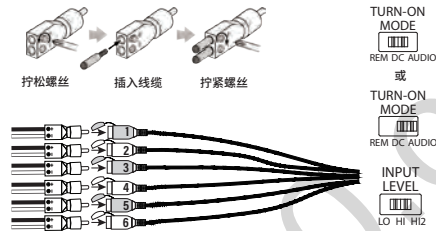
注意：当使用低电平信号和远程开启线时，请将“开启模式”开关设置为“REM”，将“输入电平”开关设置为“LO”。



- **高电平输入：**如果音频系统的源设备没有线路电平输出，请使用随附的高电平适配器将源设备的扬声器输出线连接到功放的 RCA 输入。12 伏直流偏移功能将在感应到信号时开启功放。

注意：您可以将多达八路扬声器的导线连接到 DSP 功放。例如，这些扬声器可以包括输入 1 和 2 的左前方和右前方高音扬声器，输入 3 和 4 的左前方和右前方低音扬声器以及输入 5 和 6 的左后方和右后方全频扬声器。如有需要，可以将来自每台扬声器的信号进行混合，以创建全频输出，并分配到任何功放的输出线。有关更多详细信息，请参见“设置声音”。

注意：使用高电平信号时，将“开启模式”开关设置为“DC”（在其接收到电池电源时开启）或“AUDIO”（在其检测到源设备的信号时开启），然后将“输入电平”切换到“HI”位置。如果没有声音输出，请将“输入电平”开关切换到“HI2”位置。



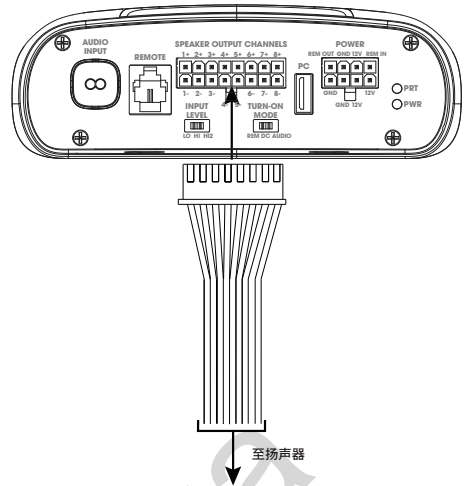
扬声器输出连接

在观察合适的极性前提下，将扬声器连接到扬声器输出线束的电线：将每条正极 (+) 导线连接到相应的正极 (+) 扬声器端子，将负极 (-) 导线连接到相应的负极 (-) 扬声器端子。然后将扬声器输出线束插入 DSP 功放。

注意：您最多可以将 8 只扬声器连接到 JBL DSP 功放，然后使用 JBL 调谐软件调节由功放发送到每台扬声器的频率。有关详细信息，请参见“设置声音”。

注意：如果您确定系统需要更大的功率，则可以使用两条或多条扬声器输出线连接一台或多台额外功放。将所需数量的扬声器输出线连接到新功放的高电平输入。重要信息：请调整要连接到额外功放的通道的输出电平，以确保外部功放不会过载，并降低噪声（若有的话）。

重要信息：扬声器输出通道均无法桥接。

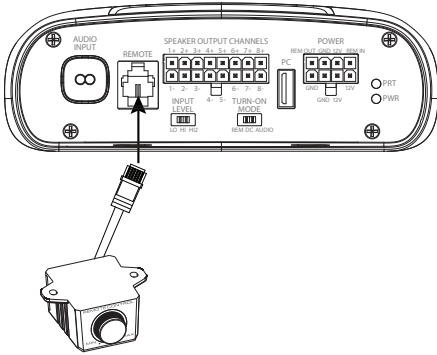


线缆颜色	通道名称
白色	通道 1 +
白色/黑色	通道 1 -
灰色	通道 2 +
灰色/黑色	通道 2 -
绿色	通道 3 +
绿色/黑色	通道 3 -
紫色	通道 4 +
紫色/黑色	通道 4 -
橙色	通道 5 +
橙色/黑色	通道 5 -
蓝色	通道 6 +
蓝色/黑色	通道 6 -
红色	通道 7 +
红色/黑色	通道 7 -
黄色	通道 8 +
黄色/黑色	通道 8 -

连接远程低音控件

将远程低音控件插入 DSP 功放控制面板上的相应输入。使用金属板螺丝将遥控器安装在仪表板下方等合适的位置。

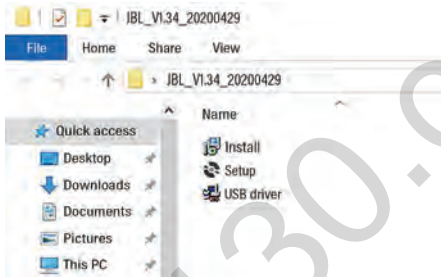
注意：当通道 7 或 8 被分配为“低音”通道时，远程低音控件能够控制其低音扬声器输出电平。这样可在调谐软件中将低音扬声器的增益从 -30dB 调谐到 +6dB。它不是低音增强控件。如果您想控制低音增强，您可以使用外部低音扬声器功放的远程低音控件。



设置声音

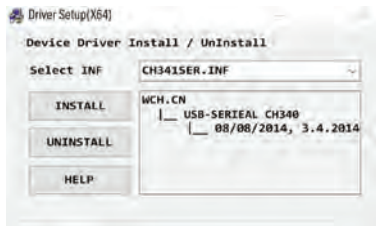
从 JBL.com 下载调谐软件

1. 使用 Windows PC 或笔记本电脑连接到互联网，然后访问 JBL.com，并下载 DSP4086 功放的图形用户界面。
2. 将计算机连接到 JBL DSP 功放之前，请完成软件安装设置向导。
3. 从已保存的位置双击“JBL DSP 软件”。



4. 双击“USB 驱动程序”，然后点击“安装”

注意：如果防病毒软件发出提醒，请确保允许它对您的计算机进行更改。

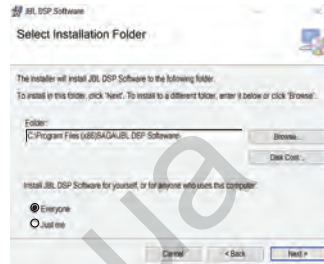


5. 双击“setup.exe”。

注意：如果防病毒软件发出提醒，请确保允许它对您的计算机进行更改。



6. 在 JBL DSP 软件设置向导中点击“下一步”。



7. 选择您想要的安装文件夹，或点击“下一步”以选择默认位置。



8. 点击“下一步”以确认安装。再次确保您的防病毒软件保护功能允许完成安装。
9. 请稍候，等待软件安装完成……



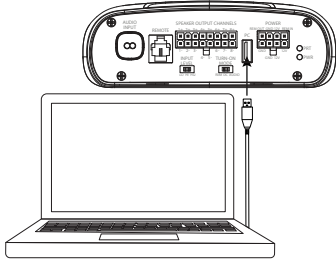
10. 安装完成！关闭安装向导，然后继续下一部分。您应该在计算机屏幕上看到此图标（请注意图标为 JBL 橙色）。



ZH-CH

将 JBL DSP 功放连接到 Windows PC

1. 使用随附的 USB 线将 Windows PC 连接到 DSP 功放。



2. 在为 JBL DSP 功放供电之前，请确保将音频源调到较低的音量。
3. 激活/启动音频系统的电源，并确保所有部件都能运行。
注意：DSP 功放将附带预刷新的均衡器配置文件，该配置文件将用作“均衡器关闭”或预设 1。
4. 在 PC 连接到 JBL DSP 功放的情况下，双击 PC 上的 JBL 软件图标，然后打开 DSP 调谐软件。

ZH-CH



注意：如果软件出现一个显示“无可用通信端口”的窗口，请关闭软件，从计算机上断开 USB 线，然后返回步骤 4。否则，请继续执行步骤 5。如果您想熟悉软件并创建预设配置的音频系统设置，您可以在未连接 DSP 功放时使用 DSP 软件。



5. 连接完成！继续执行调谐程序……

用户界面功能



JBL 调谐软件具有以下控件：

1. **Connected and Disconnected.** 使用此功能，您可以确定 DSP 功放是否正在与 Windows PC 通信。
2. **Low and High.** 使用此功能，您可以在 DSP 功放控制面板上确定将功放设置为低电平输入还是高电平输入。
3. **将扬声器位置分配到各通道。** 使用此功能，您可以指定扬声器的类型和 DSP 的每个输出通道所连接的汽车位置。
4. **单独通道的音量控制和静音。** 您可以分别提高和降低每个通道的相对音量，以确保完美的电平匹配和输出。
5. **0°/180° 相位调整。** 您可以单独设置每个通道的相位，以获得平衡的动态性能。
6. **已配对通道的 Linking.** 您可以链接已配对的通道，以均衡地应用音量和音调控件。
7. **Clipping 指示灯。** 每个通道都有一个削波指示灯，可以让您知道是否存在达到或超过 10% 的失真。如果是，请降低削波通道的音量，直到指示灯熄灭。为了获得最佳效果，请使用 100Hz 和 1kHz @ 0dB 正弦波进行测量。
8. **Time delay.** 借助时间延迟，您可以将声场的焦点调整到汽车中所需的位置。扬声器越靠近所需的焦点位置，其延迟应该越长。如需进行调整，请向右拖动滑块以增加延迟，向左拖动以减小延迟。
9. **信息显示屏。** 此显示屏向您展示以下统计信息：
 - a. **master volume** 值
 - b. 通道 7 或 8 的当前 **subwoofer volume**，使用远程低音控件时可在 -30dB 至 +6dB 范围内调节
 - c. 功放在电源输入的地方读取的 **voltage**
 - d. 功放的当前工作温度
 - e. 您当前的系统配置
10. **X-OVER.** 您可以调节每个通道的高通和低频分频器的分频点，以最大限度地提高连接到 DSP 功放的每台扬声器的性能效率。每个通道的可选分频频率可以设置为 0/6/12/18/24/30/36/42/48dB。
11. **Speaker location 视图。** 其显示了正在使用的功放通道，以及车辆中相应扬声器的位置。
12. **Master Volume.** 您可以提高或降低整个系统的音量，或使整个系统静音。向上拖动滑块以提高音量，向下拖动以降低音量。点击扬声器图标以使音频系统静音。
13. **Write/Delete.** “写入”最多可将 10 种首选音频设置保存为预设，您可以将其应用于功放。点击“写入”，然后点击预设编号以保存预设。点击“删除”，然后点击预设编号以删除预设。
14. **Input Mixer.** 输入混音功能使您可以将音频信号从输入通道分配到特定的输出通道。您还可以将多个输入通道的信号混合，并将形成的信号应用于特定的输出通道，通常用于使扬声器可播放尽可能宽的频率范围（使用扬声器电平输入信号时）。
示例：如果您将高音扬声器（仅含高频响应）连接到输入通道 1，并将中音扬声器（仅含中频响应）连接到通道 2，则可以将两个输入的信号混合，然后合成新的全频信号到已连接到输出通道 1 的全频扬声器。
15. **Save File.** 这样，您可以将首选的音频系统配置保存到计算机上的文件夹中，以供之后使用。它还使您可以从计算机中检索以前的配置，并将其应用到所连接的功放。
16. **Settings.** 您可以在“设置”菜单中控制以下选项：
 - a. 软件的语言选择：可选择英语、西班牙语、法语、中文和日语
 - b. 用于延迟功放开启/关闭的电源设置（如果您的车辆需要任一种选择）
 - c. 固件升级，以及将软件重置为原始出厂设置
17. **Reset Output.** 使用此按钮可以重置每个输出通道的扬声器类型和在车辆中的位置。

- 18. EQ Mode.** 此功能使您可以选择 31 个频段参数或图形均衡器，以便对每个通道进行调整。
- 19. Parametric 或 graphic 均衡器。** 您可以将自定义均衡器曲线应用于已连接的每个通道。要增加给定频率的电平，请向上拖动滑块。要降低电平，请向下拖动滑块。
- 20. EQ Setup.** 此均衡器设置功能使您可以点击以选择您要应用均衡器曲线的通道。
- 注意：** FREQ、GAIN 和 Q 字段显示通过移动均衡器滑块所做更改的值。在图形均衡器模式下，只有增益是可调的。在参数均衡器模式下，频率、增益和 Q 均可调节。可以使用滑块或在 F、G 和 Q 字段中输入特定值来进行这些调节。
- 21. Bypass EQ and Restore EQ.** “直通均衡器”可让您将均衡器设置恢复为平坦，以便您可以听到调谐过程中的差异。“直通均衡器”可将所有均衡器调节值恢复到先前的设置。
- 22. Reset EQ -** 此按钮使均衡器恢复为出厂设置。

规格

- RMS 功率输出 (瓦数 x 通道) @ 2-ohm: 60W x 8
- RMS 功率输出 (瓦数 x 通道) @ 4-ohm: 40W x 8
- 功放类别: D 级
- 电池电压范围 (伏特): 8V 至 16V
- 可选的开启模式: 12V, 音频信号检测, 直流偏移, 12V 远程输出
- LED 指示灯: 红色/绿色
- 频率响应: 10Hz 至 22kHz @ -3dB
- 信噪比: 90dB
- 信噪比 (CEA-2006): 75dB
- THD+N @ 4-ohm: <1%
- 输入灵敏度, 可选: 高电平或低电平
- 输入灵敏度 - 低电平: 680mV 至 6V
- 输入灵敏度 - 高电平: 1.6V 至 15V
- 可变变频: 所有通道: HPF、LPF、带通, 可选择 0 至 48dB 的斜率
- 增益, 可变: 可连接 PC 的所有通道
- 低音扬声器电平, 可变: PC 软件中的第 7 和第 8 通道, 或使用可从 -30dB 调节到 +6dB 的附件遥控器
- 保险丝等级: 40A
- 最低推荐功率/接地线规: 8awg
- 扬声器电平输入: 是 (RCA 适配器)
- 远程低音控件: 内含
- 长度: 9-3/8" (237.5mm)
- 宽度: 5-11/16" (144mm)
- 高度: 1-15/16" (49.5mm)
- 重量: 约 1000g
- 保护: DC、OVP、UVP、OCP、OTP

故障排除

无音频且电源指示灯关闭。

- BATT+ 和/或 REM 端子没有电压，接地线损坏或未接地。使用万用表检查功放端子电压。

无音频且保护指示灯闪烁。

- 功放输出直流电压故障。功放可能需要维修；请参阅随附保修卡以了解维修信息。

无音频且保护和电源指示灯闪烁。

- BATT+ 连接的电压小于 9V。检查汽车充电系统。

无音频且保护指示灯亮起。

- 功放过热。确保功放散热口未被安装位置阻挡。验证扬声器系统阻抗是否在规定的范围内。或者，BATT+ 连接的电压可能大于 16V (或小于 8V)。检查汽车充电系统。

功放保险丝熔断。

- 线路连接不正确，或存在短路。检查安装注意事项和步骤。检查线路连接。

音频失真。

- 增益未正确设置。检查单个通道的音量和/或总音量设置。检查扬声器电线是否短路或接地。功放或源设备可能存在质量缺陷。

音频失真且保护指示灯闪烁。

- 扬声器或电线短路。一次移除一根扬声器引线，定位短路的扬声器或电线并修理。

音乐声缺乏动力或“冲击力”。

- 扬声器未正确连接。使用 0°/180° 相位调节，并检查功放和扬声器上的连接。

ZH-CH

TERIMA KASIH ATAS PEMBELIAN ANDA. . .

Produk Anda telah dirancang untuk memberikan performa dan kemudahan pengoperasian yang bisa Anda harapkan dari JBL. Luangkan waktu untuk membaca buku panduan ini sebelum mengoperasikan atau memasang amplifier Anda. Manual ini menjelaskan pedoman pemasangan dan instruksi pengoperasian umum. Harap diingat bahwa pemasangan yang tepat dari komponen audio bergerak memerlukan pengalaman yang memadai tentang prosedur mekanis dan kelistrikan. Jika tidak memiliki pengetahuan dan alat untuk melakukan pemasangan ini, kami sangat menyarankan agar Anda berkonsultasi dengan dealer JBL resmi tentang opsi-opsi pemasangan.

DAFTAR ISI

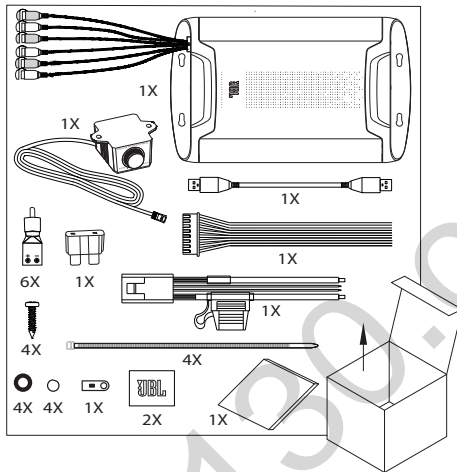
KETERANGAN PRODUK.....	32
ISI KOTAK	32
PEMASANGAN DAN PERKABELAN	32
MENGATUR SUARA	34
SPEKIFIKASI	36
PEMECAHAN MASALAH	36

ID

KETERANGAN PRODUK

JBL DSP Amplifier adalah pengolah audio untuk penyetelan sistem audio nonpabrik. Produk ini merupakan sistem audio mandiri dengan input audio 6 saluran, output audio aktif 8 saluran, antarmuka penyetelan yang sangat mudah digunakan bahkan oleh pemula, dan fitur penyetelan detail untuk pemasang berpengalaman. Dengan koneksi USB untuk mengakses antarmuka penyetelan menggunakan PC Windows, Anda dapat mengendalikan crossover secara penuh, kemiringan 0-hingga-48 dB yang dapat dipilih, penundaan waktu, EQ parametrik atau grafik 31-band, mixer input ke output yang dapat dialokasikan dengan penjumlahan saluran input, penguatan saluran, kontrol volume master, indikator pemotongan agar output audio tidak terdistorsi, dan fitur untuk menyimpan hingga 10 program.

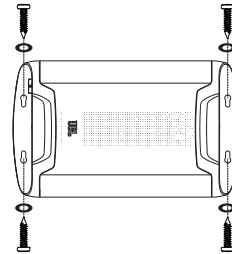
ISI KOTAK



PEMASANGAN DAN PERKABELAN

PENTING: Putuskan sambungan terminal aki negatif (-) kendaraan sebelum mulai memasang.

- Kenakan pelindung mata saat menggunakan peralatan untuk memasang.
- Pilih lokasi pemasangan yang aman. Pastikan ketersediaan ruang pada kedua sisi lokasi. Pastikan agar sekrup tidak akan menusuk jalur rem, saluran bahan bakar, atau harness kabel, dan jalur kabel tersebut tidak akan mengganggu pengoperasian kendaraan. Berhati-hatilah saat melubangi atau memotong.
- Saat mempersiapkan sambungan listrik, pastikan agar kabel-kabel listrik yang ada aman dan terisolasi dengan baik.
- Jangan memasang amplifier dengan pemuasan panas menghadap ke arah bawah, karena akan mengganggu proses pendinginan.
- Jiplaklah bentuk dan ukuran amplifier untuk menandai lokasi lubang pemasangannya pada permukaan pemasangan.
- Bor lubang pemandu pada permukaan pemasangan.
- Pasang amplifier ke permukaan pemasangan dengan sekrup dan ring lembaran logam yang sudah disertakan.

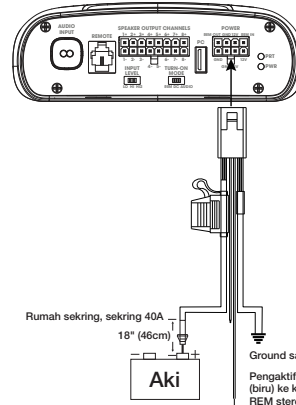


Sambungan Daya dan Ground

- **Daya:** Hubungkan kabel daya **+12V** ke terminal positif aki kendaraan. Pastikan sekring dan dudukan sekring berada dalam jarak 18" (457 mm) dari aki.
- **Ground:** Hubungkan kabel **GND** ke terminal negatif aki kendaraan, atau ke sasis kendaraan di dekat aki menggunakan sekrup. **CATATAN:** Jika memungkinkan, hapus cat sasis pada lokasi pemasangan agar terjadi kontak terbaik. Sebaiknya pasang cincin bintang di bawah konektor cincin untuk koneksi yang aman.
- **Remote-In:** Hubungkan kabel pengaktif jarak jauh ke kabel lead "Remote Out" pada unit sumber, jika menggunakan input sinyal tingkat rendah dengan stereo nonpabrik. **CATATAN:** Jika Anda menggunakan input sinyal tingkat tinggi (kabel speaker kendaraan), Anda dapat menggunakan fitur offset DC 12-volt untuk menghidupkan amplifier ketika daya kendaraan dihidupkan, atau fitur deteksi audio untuk menghidupkan amplifier ketika terdeteksi sinyal audio. Apapun opsi yang Anda pilih, Anda tidak perlu menghubungkan kabel pengaktif jarak jauh dan dapat merekatkan atau menutupnya agar tidak timbul derau.
- **Remote-Out:** Hubungkan kabel remote-out ke perangkat eksternal yang memerlukan pengaktif 12V setelah JBL DSP Amplifier. Sambungan ini akan memungkinkan pengaktif perangkat 12V setelah amplifier aktif dari pengaktif melalui remote-in 12V, offset DC, atau input deteksi sinyal audio.

Lampu Indikator Daya/Perlindungan

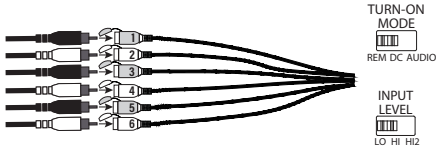
Lampu daya akan menyala hijau jika amplifier mendapatkan daya dan diputar. Lampu akan menyala merah jika amplifier masuk ke mode perlindungan saat terjadi hal seperti kekurangan/kelebihan voltase, arus pendek, kegagalan sirkuit output amplifier, atau panas berlebih.



Input sinyal

- **Input line-level:** Jika unit sumber menyediakan output preamp, hubungkan output depan ke input 1 dan 2 pada amplifier, output belakang ke input 3 dan 4, dan output subwoofer ke input 5 dan 6 menggunakan kabel patch RCA.

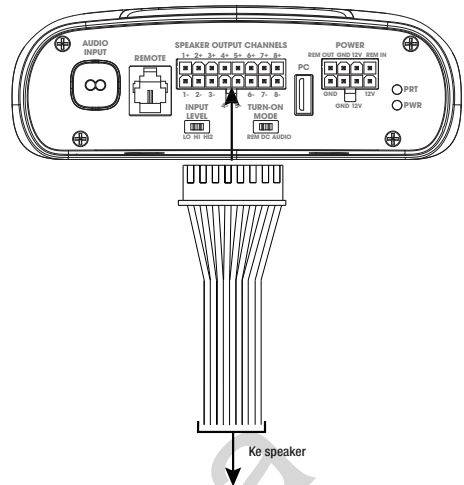
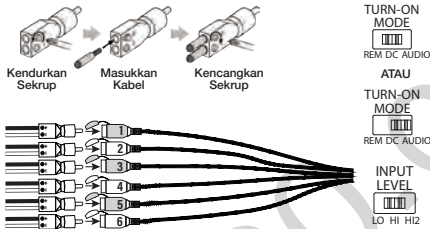
Catatan: ketika menggunakan sinyal tingkat rendah dan kabel lead pengaktif jarak jauh, geser sakelar "Turn-on Mode" ke "REM" dan sakelar "Input Level" ke "LO".



- **Input tingkat tinggi:** Jika unit sumber sistem audio tidak dilengkapi output line-level, gunakan adaptor input tingkat tinggi yang disediakan untuk menghubungkan kabel output speaker unit sumber ke input RCA amplifier. Fitur offset DC 12-volt akan menghidupkan amplifier ketika sinyal terdeteksi.

CATATAN: Anda dapat menghubungkan kabel dari maksimum enam speaker kendaraan ke amplifier. Contohnya antara lain tweeter kiri dan kanan depan ke input 1 dan 2, woofer kiri dan kanan depan ke input 3 dan 4, dan speaker jangkauan penuh kiri dan kanan belakang ke input 5 dan 6. Sinyal dari tiap-tiap speaker ini dapat digabungkan untuk menghasilkan output jangkauan penuh, dan dialokasikan ke sembarang kabel output amplifier. Lihat bagian "Mengatur Suara" untuk keterangan lebih lengkap.

CATATAN: Ketika menggunakan sinyal tingkat tinggi, geser sakelar "Turn-on Mode" ke "DC" (agar hidup ketika mendapatkan daya baterai) atau "AUDIO" (agar hidup ketika mendeteksi sinyal dari unit sumber), dan sakelar "Input Level" ke "HI". Jika tidak ada suara yang keluar, geser sakelar "Input Level" ke "HI2".



Warna kabel	Alokasi saluran
Putih	Saluran 1 +
Putih/Hitam	Saluran 1 -
Abu-abu	Saluran 2 +
Abu-abu/Hitam	Saluran 2 -
Hijau	Saluran 3 +
Hijau/Hitam	Saluran 3 -
Ungu	Saluran 4 +
Ungu/Hitam	Saluran 4 -
Jingga	Saluran 5 +
Jingga/Hitam	Saluran 5 -
Biru	Saluran 6 +
Biru/Hitam	Saluran 6 -
Merah	Saluran 7 +
Merah/Hitam	Saluran 7 -
Kuning	Saluran 8 +
Kuning/Hitam	Saluran 8 -

Sambungan Output Speaker

Hubungkan speaker ke kabel dari harness kabel output speaker, dengan tetap memerhatikan pemasangan yang tepat pada kutub-kutubnya: sambungkan setiap kabel lead positif (+) speaker ke terminal positif (+) speaker, dan kabel lead negatif (-) speaker ke terminal negatif (-) speaker. Kemudian, masukkan harness kabel output speaker ke dalam DSP Amplifier.

CATATAN: Anda dapat menghubungkan maksimum 8 speaker ke JBL DSP Amplifier, kemudian menentukan frekuensi yang dikirim amplifier ke masing-masing speaker menggunakan perangkat lunak penyetelan JBL. Lihat bagian "Mengatur Suara" untuk keterangan lengkap.

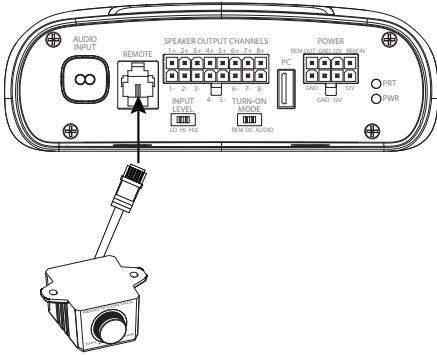
CATATAN: Jika ingin sistem yang lebih kuat lagi, Anda dapat menggunakan dua kabel output speaker atau lebih untuk menyambungkan satu atau beberapa amplifier tambahan. Hubungkan sejumlah kabel output speaker yang diinginkan ke input tingkat tinggi pada amplifier-amplifier baru. **PENTING:** pastikan Anda setel tingkat output saluran yang dihubungkan ke amplifier-amplifier tambahan agar tidak terjadi overdrive pada amplifier-amplifier eksternal dan derau dapat dikurangi (jika ada).

PENTING: Saluran output speaker tidak dapat digunakan untuk bridging (peningkatan daya).

Menghubungkan kontrol bass jarak jauh

Hubungkan pengontrol bass jarak jauh ke input yang sesuai pada panel kontrol DSP Amplifier. Pasang remote di tempat yang cocok (misalnya di bawah dasbor), menggunakan sekrup lembaran logam.

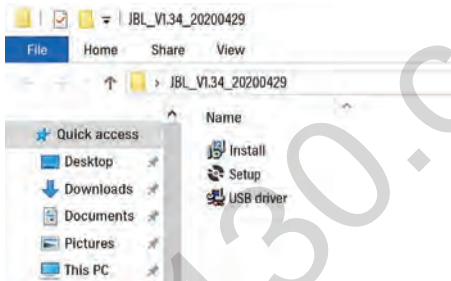
CATATAN: Kontrol bass jarak jauh dapat mengontrol tingkat output subwoofer dari saluran 7 atau 8 ketika dialokasikan menjadi saluran "sub". Dengan demikian, tingkat subwoofer dapat disesuaikan dari -30dB hingga +6dB dalam perangkat lunak penyetelan. Kontrol ini bukan untuk peningkat bass. Jika ingin mengontrol peningkat bass, gunakan kontrol bass jarak jauh dari amplifier subwoofer eksternal.



MENGATUR SUARA

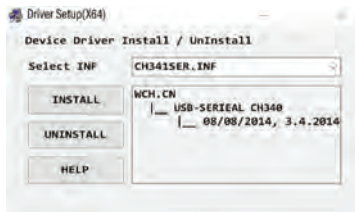
Unduh perangkat lunak penyetaan dari JBL.com

1. Sambung internet dengan PC atau laptop Windows Anda, kunjungi alamat JBL.com lalu unduh Antarmuka Pengguna Gratis untuk DSP4086 Amplifier.
2. Selesaikan wizard persiapan instalasi perangkat lunak sebelum Anda menyambungkan komputer ke JBL DSP Amplifier.
3. Klik dua kali "JBL DSP software" dari lokasi penyimpanan.



4. Klik dua kali "USB driver" lalu klik instal

CATATAN: Pastikan Anda memperbolehkan perangkat lunak melakukan perubahan komputer jika perangkat lunak antivirus menyangkannya.

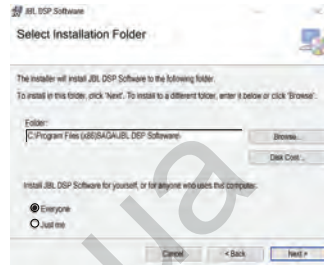


5. Klik dua kali "setup.exe".

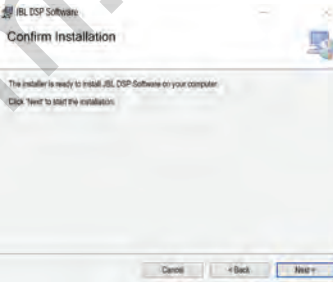
CATATAN: Pastikan Anda memperbolehkan perangkat lunak melakukan perubahan komputer jika perangkat lunak antivirus menyangkannya.



6. Klik "Next" dalam Wizard Penyiapan Perangkat Lunak JBL DSP.



7. Pilih folder instalasi yang diinginkan, atau klik "next" untuk jika ingin menggunakan lokasi default.



8. Klik "Next" untuk mengonfirmasi instalasi. Sekali lagi, pastikan antivirus mengizinkan instalasi diselesaikan.
9. Tunggu sampai proses instalasi perangkat lunak selesai...

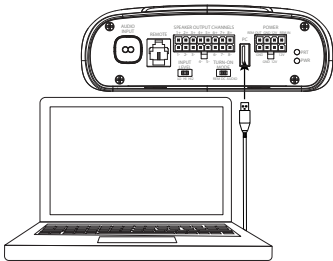


10. Instalasi Selesai! Tutup wizard penyiapan dan lanjutkan ke bagian berikutnya. Anda seharusnya melihat ikon ini pada layar komputer (perhatikan ikon JBL berwarna jingga).



Menghubungkan JBL DSP Amplifier ke PC Windows

1. Hubungkan PC Windows Anda ke DSP Amplifier menggunakan kabel USB yang disediakan.



2. Pastikan Anda **mengecilkan volume sumber audio** sebelum menghidupkan JBL DSP Amplifier.
3. Aktifkan/nyalakan sistem audio Anda dan pastikan semua komponen berfungsi dengan baik.

CATATAN: DSP Amplifier akan menggunakan profil EQ bawaan yang fungsinya seperti "EQ Off" atau program 1.

4. Jika PC sudah tersambung dengan JBL DSP Amplifier, klik dua kali ikon perangkat lunak JBL pada PC Anda lalu buka perangkat lunak penyetelan DSP.

ID



CATATAN: Jika muncul jendela "No Comm Port Available" (Port Komunikasi Tidak Ada), tutup perangkat lunak, cabut kabel USB dari komputer, lalu kembali ke langkah 4. Jika tidak muncul pesan tersebut, lanjutkan ke langkah 5. Perangkat lunak DSP akan tetap berfungsi meskipun tidak terhubung ke amplifier, sehingga Anda dapat membiasakan diri dengan perangkat lunak dan membuat pengaturan sistem audio terprogram.



5. Penyambungan selesai! Lanjutkan ke Prosedur Penyetelan...

Fungsi Antarmuka Pengguna



Perangkat lunak penyetelan JBL menyediakan kontrol-kontrol berikut ini:

1. **Connected and Disconnected.** Dengan fitur ini, Anda dapat mengetahui ada tidaknya komunikasi antara amplifier dan PC Windows.
2. **Low and High.** Dengan fitur ini, Anda dapat mengetahui

apakah amplifier diatur ke input tingkat rendah atau tingkat tinggi pada panel kontrol amplifier.

3. **Pengalokasian saluran sesuai lokasi speaker.** Dengan fitur ini, Anda dapat mengalokasikan setiap saluran output DSP ke jenis speaker dan lokasinya di kendaraan.
4. **Kontrol volume dan penonaktifan suara saluran sendiri-sendiri.** Anda dapat menaikkan dan menurunkan tingkat volume relatif setiap saluran agar diperoleh kesesuaian dan output yang sempurna.
5. **Penyesuaian fase 0°/180°.** Anda dapat mengatur fase setiap saluran sendiri-sendiri sehingga dihasilkan performa yang berimbang dan dinamis.
6. **Linking saluran yang berpasangan.** Anda dapat mengaitkan saluran berpasangan untuk menerapkan kontrol volume dan suara yang merata.
7. **Indikator Clipping.** Setiap saluran dilengkapi indikator pemotongan (clipping) sehingga Anda tahu ketika ada distorsi 10% atau lebih. Jika ada distorsi, turunkan tingkat volume saluran pemotongan (clipping) sampai indikator mati. Untuk hasil terbaik, ukur dengan gelombang sinus 100-hz dan 1kHz @ 0dB.
8. **Time delay.** Dengan penundaan waktu, Anda dapat mengatur titik fokus bidang suara sesuai lokasi yang diinginkan di kendaraan. Semakin dekat speaker dengan lokasi titik fokus yang diinginkan, semakin panjang penundaan waktunya. Untuk menyestet, seret penggeser ke kanan untuk menambah penundaan dan ke kiri untuk mengurangi penundaan.
9. **Tampilan informasi.** Tampilan ini menunjukkan statistik sebagai berikut:
 - a. Nilai **master volume**
 - b. Tingkat **subwoofer volume** saat ini untuk saluran 7 atau 8, dan dapat disetel dari -30dB hingga +6dB bila menggunakan kontrol bass jarak jauh
 - c. **voltage** yang dibaca oleh amplifier pada input daya
 - d. Suhu kerja amplifier saat ini
 - e. Konfigurasi sistem saat ini.
10. **X-OVER.** Anda dapat mengatur titik crossover frekuensi tinggi dan frekuensi rendah setiap saluran untuk memaksimalkan efisiensi kinerja setiap speaker yang terhubung ke DSP Amplifier. Turunan crossover untuk setiap saluran dapat diatur ke 0/6/12/18/24/30/36/42/48dB.
11. **Tampilan Speaker location.** Ini menunjukkan saluran amplifier mana yang sedang dipakai, serta lokasi speaker di kendaraan.
12. **Master Volume.** Anda dapat menaikkan atau menurunkan volume seluruh sistem, atau menonaktifkan suara seluruh sistem. Tarik penggeser ke atas untuk menaikkan volume dan ke bawah untuk menurunkan volume. Klik ikon speaker untuk menonaktifkan suara sistem audio.
13. **Write/Delete.** "Write" (Tulis) dapat Anda gunakan untuk menyimpan maksimum 10 pengaturan audio favorit menjadi program, yang dapat diterapkan ke amplifier. Klik "write" (tulis), kemudian klik nomor program untuk menyimpan program. Klik "delete" (hapus), kemudian klik nomor program untuk menghapus program.
14. **Input Mixer.** Fitur Input Mixer memungkinkan Anda mengalokasikan sinyal audio dari saluran input ke saluran output tertentu. Anda juga dapat menggabungkan sinyal dari beberapa saluran input dan menerapkannya ke saluran output tertentu, biasanya agar speaker mengeluarkan jangkauan frekuensi terluasnya sewaktu menggunakan sinyal input tingkat speaker.

CONTOH: Jika Anda telah menyambungkan tweeter (respons frekuensi tinggi saja) ke saluran input 1 dan speaker jangkauan tengah (respons frekuensi menengah saja) ke saluran 2, Anda dapat menggabungkan sinyal setiap input ini kemudian mengalokasikan sinyal baru dan berjangkauan penuh ke speaker jangkauan penuh yang telah Anda sambungkan ke saluran output 1.
15. **Save File.** Fitur ini memungkinkan Anda menyimpan konfigurasi sistem audio pilihan ke folder di komputer agar dapat digunakan nanti. Anda juga dapat mengambil konfigurasi dari komputer dan menerapkannya ke amplifier

yang tersambung.

16. **Settings.** Anda dapat mengontrol opsi-opsi berikut melalui menu "Settings" (Pengaturan):
 - a. Pilihan bahasa perangkat lunak: pilihannya adalah bahasa Inggris, Spanyol, Prancis, Tionghoa, dan Jepang
 - b. Pengaturan daya untuk menunda pengaktifan/penonaktifan amplifier apabila kendaraan Anda memerlukan opsi tersebut
 - c. Peningkatan firmware dan pengaturan ulang perangkat lunak ke setelah pabrik
17. **Reset Output.** Tombol ini memungkinkan Anda mengatur ulang jenis speaker, dan lokasi speaker di kendaraan, dari setiap saluran output.
18. **EQ Mode.** Ini memungkinkan Anda memilih EQ parametrik atau grafik 31 band untuk penyesuaian setiap saluran.
19. **EQ Parametric atau graphic.** Anda dapat menerapkan kurva EQ bebas ke setiap saluran yang telah Anda sambungkan. Untuk menaikkan tingkat frekuensi, tarik penggeser ke atas. Untuk menurunkan, tarik penggeser ke bawah.
20. **EQ Setup.** Fitur pengaturan EQ ini dapat Anda klik untuk memilih saluran yang ingin diberlakukan kurva EQ.

CATATAN: Bidang FREQ, GAIN, dan Q menunjukkan perubahan yang diakibatkan dengan menggerakkan penggeser EQ. Dalam Mode EQ Grafik, yang dapat diatur hanya Gain. Frekuensi, Gain, dan Q dapat diatur dalam Mode EQ Parametrik. Penyesuaian ini dapat dilakukan menggunakan penggeser atau memasukkan nilai ke bidang F, G, dan Q.
21. **Bypass EQ dan Restore EQ.** "Bypass EQ" (Pintas EQ) digunakan untuk mengembalikan pengaturan EQ menjadi datar sehingga terdengar perbedaan suara ketika Anda melakukan penyetelan. "Restore EQ" (Kembalikan EQ) mengembalikan semua setelah EQ ke pengaturan sebelumnya.
22. **Reset EQ** – Tombol ini digunakan untuk mengembalikan EQ ke pengaturan pabrik.

SPEKIFIKASI

- Output Daya RMS (Watt x Saluran) @ 2-ohm: 60W x 8
- Output Daya RMS (Watt x Saluran) @ 4-ohm: 40W x 8
- Kelas Amplifier: Kelas D
- Jangkauan Voltase Baterai (Volt): 8V hingga 16V
- Mode Pengaktif yang Dapat Dipilih: 12V, Deteksi Sinyal Audio, Offset DC, output remote 12V
- Indikator LED: merah/hijau
- Respons Frekuensi: 10Hz hingga 22kHz @ -3dB
- Rasio Sinyal-dibanding-Derau: 90dB
- Rasio Sinyal-dibanding-Derau (CEA-2006): 75dB
- THD+N @ 4-ohm: <1%
- Sensitivitas Input, dapat dipilih: Tingkat tinggi atau tingkat rendah
- Sensitivitas Input - Tingkat Rendah: 680mV hingga 6V
- Sensitivitas Input - Tingkat Tinggi: 1,6V hingga 15V
- Crossover Variabel: Semua Saluran: HPF, LPF, Band-pass dengan turunan 0 hingga 48dB yang bisa dipilih
- Gain, variabel: Semua Saluran dengan PC
- Tingkat subwoofer, variabel: Saluran 7 & 8 di perangkat lunak PC atau menggunakan remote kontrol aksesoris dari -30dB hingga +6dB
- Rating Sekring: 40A
- Pengukur Kabel Daya/Ground Minimal yang Disarankan: 8awg
- Input Tingkat Speaker: Ya (adaptor RCA)
- Kontrol Bass Jarak Jauh: Disertakan
- Panjang: 9-3/8" (237,5mm)
- Lebar: 5-11/16" (144mm)
- Tinggi: 1-15/16" (49,5mm)
- Berat: Sekitar 1000 g
- Perlindungan: DC, OVP, UVP, OCP, OTP

PEMECAHAN MASALAH

Tidak ada suara yang keluar dan LAMPU INDIKATOR DAYA tidak menyala.

- Tidak ada voltase pada terminal BATT+ dan/atau REM, atau ada koneksi yang jelek atau tidak ada koneksi ground. Cek voltase pada terminal amplifier dengan VOM.

Tidak ada suara yang keluar dan LAMPU INDIKATOR PERLINDUNGAN berkedip

- Tegangan DC pada output amplifier. Amplifier mungkin perlu diservis; lihat kartu garansi untuk informasi servis.

Tidak ada suara yang keluar dan LAMPU INDIKATOR PERLINDUNGAN serta LAMPU INDIKATOR DAYA berkedip.

- Voltase kurang dari 9 V pada koneksi BATT+. Periksa sistem pengisian daya kendaraan.

Tidak ada suara yang keluar dan LAMPU INDIKATOR PERLINDUNGAN menyala.

- Amplifier terlalu panas. Pastikan komponen pendingin dari amplifier tidak terblokir/tertutup di lokasi dudukan. Pastikan bahwa impedansi sistem speaker masih dalam batasan yang ditentukan. Atau, jika voltase lebih besar dari 16 V (atau kurang dari 8V) pada koneksi BATT+. Periksa sistem pengisian daya kendaraan.

Sekring amplifier cepat putus.

- Kabel tidak tersambung dengan benar atau ada arus pendek. Baca kembali tindakan-tindakan pencegahan dan prosedur pemasangan. Cek sambungan kabel.

Ada distorsi suara pada audio.

- Gain tidak diatur sebagaimana mestinya. Periksa pengaturan Volume Saluran Individual dan/atau Volume Master. Pastikan tidak ada kondisi kabel atau ground yang menyebabkan arus pendek. Amplifier atau unit sumber mungkin rusak.

Ada distorsi suara pada audio dan LAMPU INDIKATOR PERLINDUNGAN berkedip.

- Ada arus pendek pada speaker atau kabelnya. Lepaskan kabel-kabel lead pada speaker satu per satu untuk menemukan speaker atau kabel yang mengalami arus pendek, lalu perbaiki.

Musik terdengar kurang dinamis atau kurang "menendang."

- Speaker tidak tersambung dengan benar. Gunakan penyesuaian fase 0°/180°, dan periksa sambungan speaker di amplifier dan speaker.

ID

お買い上げいただきありがとうございます。..

お持ちの製品は、JBLに期待されるパフォーマンスと簡単な操作を実現するように設計されています。アンプの操作または設置の前に、時間を割いてこの取扱説明書をお読みください。この取扱説明書では、一般的な設置基準と操作手順を説明しています。モバイルオーディオコンポーネントの適切な設置には、適格な機械的および電気的手順の経験が必要なことにご注意ください。設置するための知識や道具をお持ちでない場合は、JBL認定販売店に設置オプションについて相談されることを強くお勧めいたします。

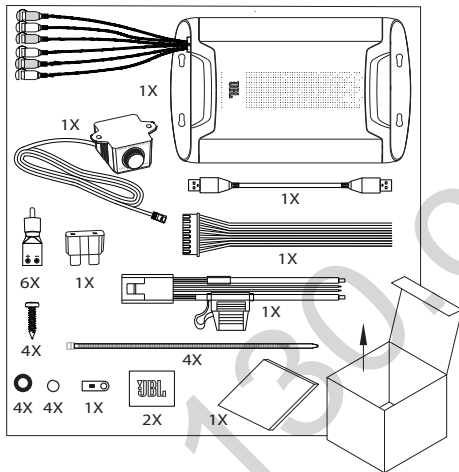
目次

製品の説明.....	38
同梱品.....	38
設置と配線.....	38
サウンドの設定.....	40
仕様.....	42
トラブルシューティング.....	42

製品の説明

JBL DSPアンプはアフターマーケットオーディオシステムを微調整するオーディオプロセッサです。本製品は6チャンネルオーディオ入力、8チャンネルパワードオーディオ出力、初心者でも理解できる使いやすいチューニングインターフェース、熟練した設置者でも満足できるきめ細かいチューニング機能を備えた、独立したオーディオシステムです。Windows PCを用いてチューニングインターフェースにアクセスできるUSB接続を備え、完全可変式クロスオーバーネットワーク、0~48dBのセレクタブルスロープ、時間遅延、31バンドパラメトリック、またはグラフィックEQ調節、入力チャンネルを加算する割り当て可能な入力-出力ミキサー、チャンネルゲイン、マスター音量調節、オーディオ出力が歪んでいないことを確かめるクリッピングインジケータ、最高10局のラジオプリセットを保存する機能を操作することができます。

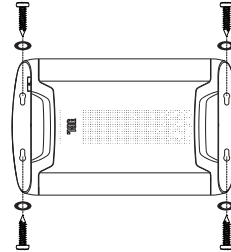
同梱品



設置と配線

重要：設置を開始する前に、自動車のマイナス (-) 極のバッテリー端子の接続を切ります。

- 工具を使用する際は、保護用の眼鏡類をかけてください。
- 安全な取付位置を選択します。取り付け位置の両側に隙間があることを確認してください。ねじがブレーキ、燃料系路、または電気配線を傷つけないこと、また、配線が、車両の運転の妨げにならないことを確認してください。穴を開ける、またはカットする際には注意してください。
- 電気接続を行なう場合、それが安全できちんと絶縁されていることを確認してください。
- 冷却を妨げるので、放熱板が下を向いている状態でアンプを設置しないでください。
- アンプを型板として利用して、取付け面の取り付け用穴の位置に印を付けてください。
- 取付け面にパイロット穴（案内孔）をあけてください。
- アンプを、付属の板金ネジとワッシャーで設置面に取り付けてください。



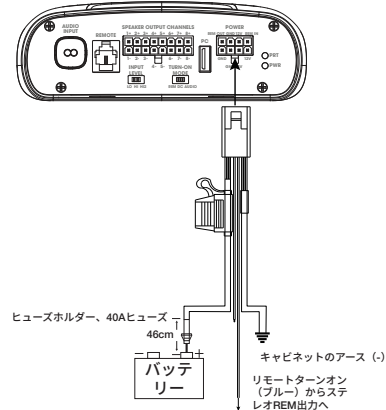
電力接続とアース接続

- **電源：**自動車のバッテリーの陽電極端子に+12V電源ケーブルを接続してください。バッテリーから457mm以内にヒューズとヒューズホルダーがあることを確認してください。
- **アース：**GNDワイヤーを自動車のバッテリーの負電極端子、またはバッテリー付近のシャーシにねじて接続してください。**注：**できるだけ接触しやすいように、シャーシから塗装をすてはがしてください。確実に接続するには、リングコネクタの下の星型ワッシャーを使用することを推奨します。
- **リモート入力：**アフターマーケットステレオで低レベル信号入力を使用する場合、リモートターンオンケーブルをソースユニットの「リモートアウト」のリード線に接続してください。**注：**高レベル信号入力（お持ちの自動車のスピーカーケーブル）を使用している場合、自動車の電源を入れた時、12V DCのオフセット機能でアンプの電源を入れるか、オーディオ信号を検出した時にオーディオ検出機能でアンプの電源を入れるかを選択することができます。どちらの場合でも、リモートターンオンケーブルを接続する必要はなく、ノイズが入るのを防ぐためにテープを剥がすか、キャップを外すことができます。
- **リモート出力：**JBL DSPアンプの後に12Vの電源を入れる必要がある外部機器にリモート出力ケーブルを接続してください。この接続により、12Vのリモート入力、DCオフセット、またはオーディオ信号検出力をオンにすることでアンプが起動した後、12Vの機器の電源を入れることができます。

JP

電源/プロテクトインジケータ

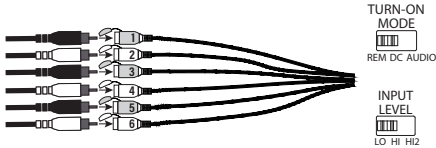
アンプの電源が入っていて音を再生している場合、電源ライトがグリーンで点灯します。過電圧/低電圧、ショート、アンプ出力回路の不良、または過熱の際に、アンプがプロテクトモードに入っている場合、ライトはレッドで点灯します。



信号入力

- ラインレベル入力：**ソースユニットがプリアンプ出力を備えている場合、アンプの入力端子1と2に前面出力端子を、入力端子3と4に背面出力端子を、RCAパッチケーブルを使用して入力端子5と6にsubwooferの出力端子を接続してください。

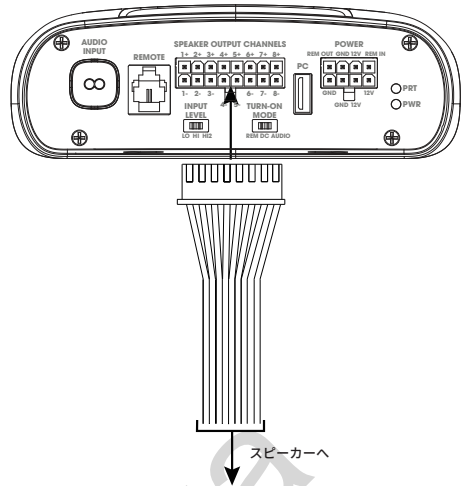
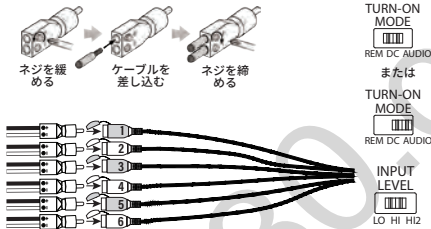
注：低レベル信号とリモートターンオンリード線を使用する場合、「ターンオンモード」スイッチを「REM」に、「入力レベル」スイッチを「LO」に設定してください。



- ハイレベル入力：**オーディオシステムのソースユニットがラインレベル出力を備えていない場合、付属の高レベル入力アダプターを使用して、アンプのRCA入力にソースユニットのスピーカー出力ケーブルを接続してください。12V DCオフセット機能により、信号を感じた時にアンプの電源が入ります。

注：このアンプに、自動車のスピーカーの6本と同数のケーブルを接続することができます。例えば、入力端子1と2に前面左右のツイーターを、入力端子3と4に前面左右のコーパーを、入力端子5と6に背面左右のフルレンジスピーカーを搭載することができます。必要な場合、これらの各スピーカーからの信号は合計でフルレンジ出力を生み出し、いずれかのアンプの出力ケーブルに割り当てることができます。詳細については、「サウンドの設定」をお読みください。

注：高レベル信号を使用している場合、「ターンオンモード」スイッチを「DC」（バッテリー電力を受信した場合に電源が入る）または「AUDIO」（ソースユニットからの信号を検出した場合に電源が入る）に、「入力レベル」スイッチを「HI」に設定してください。サウンドが再生されない場合は、「入力レベル」スイッチを「HI2」に切り替えてください。



ケーブルの色	チャンネルの指定
ホワイト	チャンネル1+
ホワイト/ブラック	チャンネル1-
グレイ	チャンネル2+
グレイ/ブラック	チャンネル2-
グリーン	チャンネル3+
グリーン/ブラック	チャンネル3-
パープル	チャンネル4+
パープル/ブラック	チャンネル4-
オレンジ	チャンネル5+
オレンジ/ブラック	チャンネル5-
ブルー	チャンネル6+
ブルー/ブラック	チャンネル6-
レッド	チャンネル7+
レッド/ブラック	チャンネル7-
イエロー	チャンネル8+
イエロー/ブラック	チャンネル8-

スピーカー出力接続

スピーカーをスピーカー出力電気配線のケーブルに接続し、極性が適切であることを確認します。それぞれの陽電極 (+) リード線を適切な陽電極 (+) スピーカー端子に接続し、負電極 (-) リード線を適切な負電極 (-) スピーカー端子に接続します。次に、スピーカー出力電気配線をDSPアンプに差し込みます。

注：JBL DSPアンプでは最大8台のスピーカーを接続し、JBLチューニングソフトウェアにより、アンプが各スピーカーに送信する周波数を指定することができます。詳細については、「サウンドの設定」をお読みください。

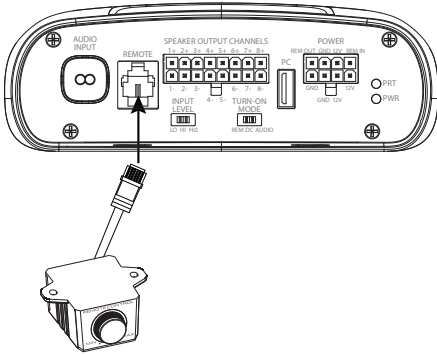
注：システムにもっと出力が必要な場合は、2本以上のスピーカー出力ケーブルを使用して1台、または2台以上のアンプを追加接続することができます。新しいアンプの高レベル入力にお好みの数のスピーカー出力ケーブルを接続してください。重要：追加のアンプに接続しているチャンネルの出力レベルを調整していることを確認し、外部アンプがオーバードライブしておらず、ノイズがあった場合は、それが軽減していることを確かめてください。

重要：どのスピーカー出力チャンネルもブリッジ接続することはできません。

リモートバスコントロールの接続

リモートバスコントローラーをDSPアンプのコントロールパネル上の適切な入力端子に差し込んでください。板金ねじを使用して、ダッシュボードの下のような便利な位置にリモコンを取り付けてください。

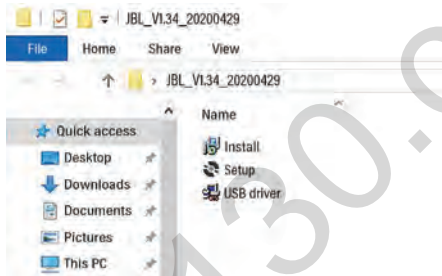
注：「サブ」チャンネルとして割り当てられた場合に、リモートバスコントロールはチャンネル7または8からsubwooferの出力レベルを操作することができます。これにより、チューニングソフトウェアで-30dBから+6dBまでsubwooferのレベルを調整することができます。これはバスブーストコントロールではありません。バスブーストを操作したい場合は、外部subwooferアンプからリモートバスコントロールを使用してください。



サウンドの設定

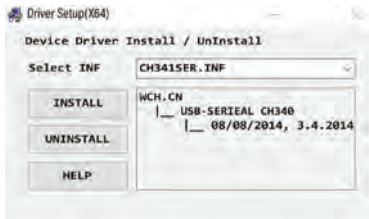
JBL.comからチューニングソフトウェアをダウンロードする

1. お持ちのWindows PCまたはノートPCでインターネットに接続し、JBL.comにアクセスして、DSP4086アンプ用のグラフィックユーザーインターフェースをダウンロードしてください。
2. お持ちのコンピューターをJBL DSPアンプに接続する前に、ソフトウェアのインストール設定ウィザードを終了してください。
3. 保存された位置から「JBL DSPソフトウェア」をダブルクリックしてください。



4. 「USBドライバー」をダブルクリックし、インストールをクリックしてください

注：アンチウイルスソフトウェアが変更の許可を要求する場合は、お持ちのコンピューターで変更ができることを確認してください。

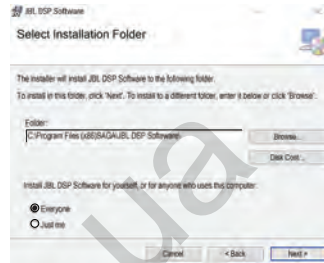


5. 「setup.exe」をダブルクリックしてください。

注：アンチウイルスソフトウェアが変更の許可を要求する場合は、お持ちのコンピューターで変更ができることを確認してください。



6. JBL DSPソフトウェアの設定ウィザードで「次へ」をクリックしてください。



7. お好みのインストールフォルダーを選択するか、「次へ」をクリックしてデフォルトの位置を選択してください。



8. 「次へ」をクリックしてインストールを確定してください。再度、アンチウイルス保護機能がインストールの終了を許可していることをご確認ください。
9. ソフトウェアのインストールが終了するまで、しばらくお待ちください...



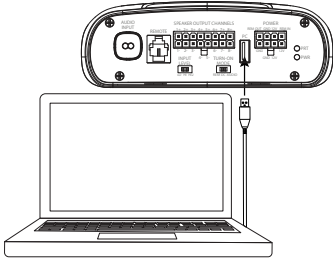
10. インストールが終了しました！設定ウィザードを閉じて次のセクションに進んでください。お持ちのコンピューターの画面にこのアイコンが見えます（アイコンがJBLのオレンジ色であることにご注意ください）。



JP

JBL DSPアンプをお持ちのWindows PCに接続する

1. 付属のUSBケーブルを使用して、お持ちのWindows PCをDSPアンプに接続してください。



2. JBL DSPアンプの電源を入れる前に、音源の音量を下げておくことをご確認ください。
3. オーディオシステムを起動させるか、電源を入れ、全てのパーツが動作可能であることをご確認ください。
注：DSPアンプは、「EQオフ」またはプリセット1として動作するプレフラッシュEQ機能を搭載しています。
4. お持ちのPCをJBL DSPアンプに接続して、お持ちのPCのJBLソフトウェアアイコンをダブルクリックし、DSPチューニングソフトウェアを開いてください。



注：ソフトウェアが「Comm Portは使用できません」とウィンドウに表示している場合は、ソフトウェアを閉じて、お持ちのコンピュータからUSBケーブルを外し、ステップ4に戻ってください。それ以外は、ステップ5に進んでください。DSPソフトウェアはアンプに接続されていない場合でも機能します。それは、ソフトウェアに習熟したい、および事前に構成されたオーディオシステム設定を作成したい場合です。



5. 接続が終了しました！チューニング手順に続きます…

ユーザーインターフェース機能



JBLチューニングソフトウェアでは次の操作が可能です：

1. **Connected and Disconnected.** この機能では、アンプがお持ちのWindows PCと通信しているかどうかを判定することができます。
2. **Low and High.** この機能では、アンプがコントロールパネル上で低レベル入力、または高レベル入力に設定されているかどうかを判定することができます。

3. **チャンネルにスピーカー位置を割り当てます。** この機能では、DSPの各出力チャンネルが接続されている車内のスピーカーのタイプと位置を指定することができます。
4. **個別のチャンネル音量の操作とミュート。** 各チャンネルの相対音量を個別に増減させ、完璧なレベル整合と出力を確保することができます。
5. **0°/180°位相調整。** バランスドやダイナミックパフォーマンス用に、各チャンネルの位相を個別に設定することができます。
6. **ペアリングしたチャンネルのLinking.** ペアリングされたチャンネルをリンクさせ、音量と音色の均等な調整を実行することができます。
7. **Clippingインジケーター。** 各チャンネルはクリッピングインジケーターを備え、10%以上の歪みが存在する場合に知らせてくれます。歪みがある場合は、インジケーターが消灯するまでクリッピングチャンネルの音量を下げてください。最高の結果を得るため、0dBの正弦波で100Hzと1kHzを測定してください。
8. **Time delay.** 時間の遅延では、音場の中心を車内のお好みの位置に調節することができます。スピーカーが好みの中心位置に近いほど、遅延が長くなります。調節する際は、右にスライダーをドラッグすると遅延が増大し、左にドラッグすると減少します。
9. **情報ディスプレイ。** このディスプレイは次の統計を表示します：
 - a. **master volume**値
 - b. チャンネルまたは8用の現在の**subwoofer volume**レベル。リモートパスコントロールを使用すると、-30dBから+6dBまで調節可能です。
 - c. アンプが電源入力時に測定した**voltage**
 - d. アンプの現在の動作保証温度
 - e. 現在のシステム設定。
10. **X-OVER.** 各チャンネル用のハイパスおよびローパスクロスオーバーネットワークのクロスオーバーポイントを調節してDSPアンプに接続された各スピーカーのパフォーマンス効率を最大限に引き出すことができます。各チャンネル用のセレクトブルクロスオーバーは0/6/12/18/24/30/36/42/48dBに設定可能です。
11. **Speaker location表示。** この表示はどのアンプチャンネルが使用中か、および車内の対応するスピーカー位置を示します。
12. **Master Volume.** システム全体の音量を増減させたり、システム全体をミュートすることができます。音量を上げるにはスライダーを上ドラッグし、下げるには下ドラッグします。スピーカーアイコンをクリックするとオーディオシステムをミュートします。
13. **Write/Delete.** 「書き込み」はプリセットとして最高10の好きなオーディオ設定を保存でき、アンプに適用することができます。「書き込み」をクリックして、プリセット番号をクリックするとプリセットを保存します。「削除」をクリックして、プリセット番号をクリックするとプリセットを削除します。
14. **Input Mixer.** 入力ミキサー機能で、ある入力チャンネルから特定の出力チャンネルへとオーディオ信号を割り当てるすることができます。複数の入力チャンネルの信号を合計し、その結果の信号を特定の出力チャンネルに適用することも可能です。これにより、通常スピーカーレベル入力信号を使用する場合は、可能な最大の周波数レンジでスピーカーを再生することができます。
例：入力チャンネル1にツイーター（高周波特性のみ）、チャンネル2に中域用スピーカー（中域周波数特性のみ）を接続した場合、これらの各入力の信号を合計し、出力チャンネル1に接続したフルレンジスピーカーに新しいフルレンジ信号を割り当てるすることができます。
15. **Save File.** この機能で、後で使用できるようにお持ちのコンピュータのフォルダーに好きなオーディオシステム設定を保存することができます。お持ちのコンピュータから以前の設定を修正し、接続されたアンプにその設定を適用することも可能です。
16. **Settings.** 「設定」メニューで次のオプションを操作することが可能です。

- a. ソフトウェア用の言語の選択：英語、スペイン語、フランス語、中国語、日本語から選択します
 - b. 自動車にどちらかのオプションが必要な場合に、アンプのオン/オフを遅らせるための電源設定
 - c. ファームウェアのアップグレードと、ソフトウェアを元の工場出荷時設定へリセットする
- 17. Reset Output.** このボタンで、各出力チャンネルのスピーカーのタイプと車内の位置をリセットすることが可能です。
- 18. EQ Mode.** このモードで、31バンドのパラメトリック、またはグラフィックEQのどちらかを選択して各チャンネル用に調節することが可能です。
- 19. ParametricまたはgraphicEQ.** 接続した各チャンネルにカスタムEQカーブを適用することができます。特定の周波数レベルを増大させるには、スライダーを上ドラッグします。減少させるには、スライダーを下にドラッグします。
- 20. EQ Setup.** このEQ設定機能では、クリックしてEQカーブを適用したいチャンネルを選択することができます。
- 注：**FREQ、ゲイン、QフィールドはEQスライダーを動かすことで変化した数値を表示します。グラフィックEQモードの場合、ゲインのみが調節可能です。パラメトリックEQモードでは周波数、ゲイン、Qを全て調節することが可能です。これらの調節は、スライダーを使用して、またはF、G、Qフィールドに特定の数値を入力して行うことができます。
- 21. Bypass EQ and Restore EQ.** 「バイパスEQ」でEQ設定をフラットに戻すことができ、チューニング中に生じた音の違いを聞くことができます。「EQの復元」では、全てのEQ調節が以前の設定に戻ります。
- 22. Reset EQ** -このボタンを押すと、EQが工場出荷時設定に戻ります。

仕様

- RMS電源出力 (ワットxチャンネル) @2Ω: 60Wx8
- RMS電源出力 (ワットxチャンネル) @4Ω: 40Wx8
- アンプクラス: クラスD
- バッテリー電圧範囲 (ボルト): 8V~16V
- セレクトアブルターンオンモード: 12V、オーディオ信号検出、DCオフセット、12Vリモート出力
- LEDインジケータ: レッド/グリーン
- 周波数特性: 10Hz~22kHz@-3dB
- S/N比90dB
- S/N比 (CEA-2006): 75dB
- THD+N@4Ω: 1%未満
- 入力音圧レベル、セレクトアブル: 高レベルまたは低レベル
- 入力音圧レベル-低レベル: 680mV~6V
- 入力音圧レベル-高レベル: 1.6V~15V
- 可変式クロスオーバーネットワーク: 全チャンネル: 0~48dBセレクトアブルスロープ搭載HPF、LPF、バンドパス
- ゲイン、可変式: PCの全チャンネル
- Subwooferレベル、可変式: PCソフトウェアのチャンネル7と8、または付属のリモコンを使用して-30dB~+6dB
- ヒューズ定格: 40A
- 最低推奨電源/アース線ゲージ: 8awg
- スピーカーレベル入力: あり (RCAアダプター)
- リモートバスコントロール: 付属
- 全長: 237.5mm
- 幅: 144mm
- 高さ: 49.5mm
- 重量: 約1000g
- プロテクション: DC、OVP、UVP、OCP、OTP

トラブルシューティング

オーディオが聞こえず、パワーインジケータがオフになっています。

- BATT+やREM端子に電圧がかかっていない、またはアース接続が不良か、接続していない。VOMでアンプ端子の電圧をチェックします。

オーディオが聞こえず、プロテクトインジケータが点滅しています。

- アンプ出力のDC電圧。アンプの点検が必要かもしれません。点検情報については、同封の保証書をご覧ください。

オーディオが聞こえず、プロテクトおよびパワーインジケータが点滅しています。

- BATT+接続の電圧が9V未満。自動車の充電システムをチェックしてください。

オーディオが聞こえず、プロテクトインジケータがオンになっています。

- アンプがオーバーヒートしています。取付位置でアンプの冷却が阻害されていないことをご確認ください。スピーカーシステムインピーダンスが指定された制限内であることをご確認ください。または、BATT+接続の電圧が16Vを上回っている(または8V未満)可能性があります。自動車の充電システムをチェックしてください。

アンプのヒューズが飛ぶ場合。

- 配線の接続が不適切か、ショートしています。設置上の注意と手順を再確認してください。配線の接続をチェックしてください。

歪んだオーディオ。

- ゲインが適切に設定されていません。個別のチャンネル音量やマスター音量設定をチェックしてください。ショートまたはアース用のスピーカーケーブルをチェックしてください。アンプまたはソースユニットに欠陥がある可能性があります。

オーディオが歪み、プロテクトインジケータが点滅しています。

- スピーカーまたはケーブルのショート。ショートしたスピーカーまたはケーブルを見つけて修理するため、本ずつスピーカーのリード線を取り外してください。

音楽にダイナミックさ、または「パンチ」が欠けています。

- スピーカーが適切に接続されていません。0°/180°位相調整を使用して、アンプとスピーカーの接続をチェックしてください。

JP

구입해 주셔서 감사합니다. . .

이 제품은 고객이 JBL로부터 기대하는 성능과 작동 편의를 제공하도록 설계되었습니다. 앰프를 작동하거나 설치하기 전에 시간을 내어 이 설명서를 읽어주십시오. 이 설명서는 일반적인 설치 및 작동 지침을 설명합니다. 휴대용 오디오 컴포넌트를 제대로 설치하려면 기계 및 전기적 절차에 대해 자격을 갖춘 경험자가 필요합니다. 이러한 설치를 수행하기 위한 지식 및 공구가 없는 경우 설치 옵션에 대해 공인 JBL 대리점과 상담하는 것이 가장 좋습니다.

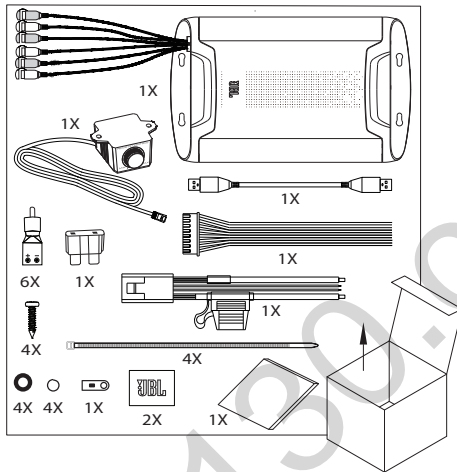
목차

제품 설명	44
구성품	44
설치 및 배선	44
사운드 설정	46
사양	48
문제 해결	48

제품 설명

JBL DSP Amplifier는 애프터마켓 오디오 시스템을 미세 조정할 수 있는 오디오 프로세서입니다. 본 제품은 6채널 오디오 입력, 8채널 파워드 오디오 출력이 탑재된 일체형 오디오 시스템으로, 초보자도 이해할 수 있는 간편한 튜닝 인터페이스는 물론 숙련된 설치자를 만족시킬 수 있는 섬세한 튜닝 기능도 제공합니다. USB 연결을 통해 Windows PC에서 튜닝 인터페이스에 액세스하여 완전 가변형 크로스오버, 선택 가능한 0~48dB 슬로프, 시간 지연, 31밴드 파라메트릭 또는 그래픽 EQ 조정, 입력 채널 가산으로 할당 가능한 입력-출력 믹서, 채널 게인, 마스터 볼륨 컨트롤, 오디오 출력 왜곡 방지를 보장하는 클리핑 표시기와 최대 10개의 프리셋 저장 기능을 제어할 수 있습니다.

구성품



전원 및 접지 연결

- **전원:** +12V 전원을 차량 배터리의 양극 단자에 연결합니다. 퓨즈 및 퓨즈 홀더와 배터리 간격이 457mm(18") 이내인지 확인합니다.
- **접지:** GND 전선을 차량의 음극 단자에 연결하거나 배터리 근처의 차량 새시에 나사로 연결합니다. **참고:** 최적의 접촉을 위해 가능하면 새시에서 모든 도장을 제거하십시오. 연결이 고정되도록 링 커넥터 아래 별 모양 와셔를 사용하는 것이 좋습니다.
- **원격 입력:** 애프터마켓 스테레오와 함께 하위 레벨 신호 입력부를 사용할 경우 원격 커짐 전선을 소스 장치의 "원격 출력" 리드에 연결합니다. **참고:** 상위 레벨 신호 입력(차량 스피커 전선)을 사용 중인 경우, 12V DC 오프셋 기능으로 차량 전원을 켤 때 앰프가 켜지거나 오디오 감지 기능으로 오디오 신호를 감지할 때 앰프가 켜지도록 선택할 수 있습니다. 두 경우 모두 원격 커짐 전선을 연결하지 않아도 되며, 잡음 발생 방지를 위해 테이프나 캡으로 마감 처리합니다.
- **원격 출력:** 원격 출력 전선을 JBL DSP Amplifier 다음으로 12V 전원 커기가 필요한 외부 장치에 연결합니다. 이 연결을 사용하면 12V 원격 입력, DC 오프셋 또는 오디오 신호 감지 입력을 통해 켜진 앰프의 대기 모드가 해제된 후 12V 장치를 켤 수 있습니다.

KO

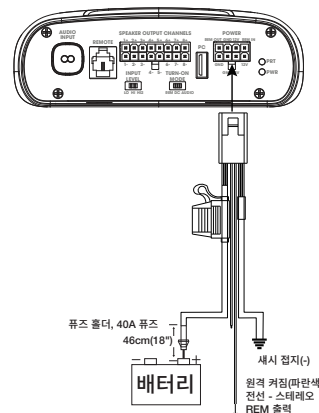
전원등/보호 표시등

앰프에 전원이 들어오고 재생 중일 경우 녹색 전원 표시등이 켜집니다. 과/저전압, 협선, 앰프 출력 회로 고장, 과열 등이 발생한 경우 앰프가 보호 모드에 진입하여 등이 빨간색으로 켜집니다.

설치 및 배선

중요: 설치하기 전에 차량 배터리 음극(-) 단자의 연결을 분리하십시오.

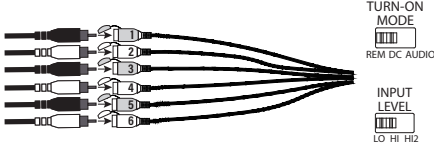
- 공구를 사용할 때는 눈 보호용 장비를 착용하십시오.
- 안전한 장착 위치를 선택합니다. 해당 위치의 양쪽 면 간격을 확인합니다. 나사가 브레이크나 연료 라인 또는 와이어링 하니스를 뚫지 않는지, 선 배치가 차량 작동을 방해하지 않는지 확인합니다. 드릴 작업을 하거나 절단할 때는 주의하십시오.
- 전기 연결을 할 때는 연결 상태가 안전하며 제대로 절연되었는지 확인합니다.
- 히트 싱크가 아래를 향하게 하여 앰프를 장착하지 마십시오. 앰프의 냉각을 방해하게 됩니다.
- 앰프를 템플릿으로 사용하여 구멍의 위치를 장착 표면에 표시합니다.
- 장착 표면에 예비 구멍을 뚫습니다.
- 포함된 판금 나사와 와셔로 앰프를 장착 표면에 부착합니다.



신호 입력

- **라인 레벨 입력:** 소스 장치가 프리앰프 출력을 제공하는 경우 RCA 패치 케이블을 사용하여 앰프 전면 출력을 입력 1과 2에, 후면 출력을 입력 3과 4에, 서브우퍼 출력을 입력 5와 6에 연결합니다.

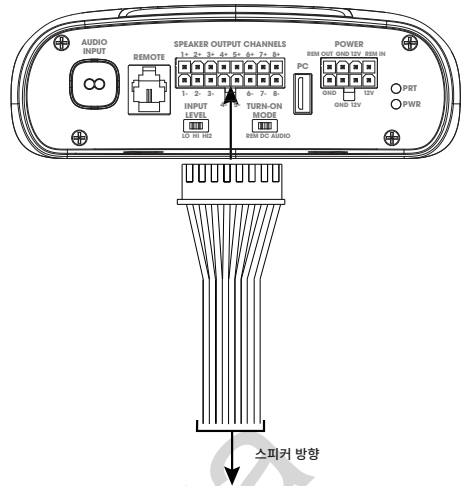
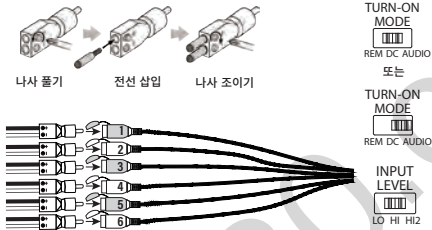
참고: 하위 레벨 신호 및 원격 커넥 리더선을 사용하려면 "Turn-on Mode" 스위치를 "REM"으로 설정하고 "Input Level" 스위치를 "LO"로 설정하십시오.



- **상위 레벨 입력:** 오디오 시스템의 소스 장치에 라인 레벨 출력이 없을 경우 제공된 상위 레벨 입력 어댑터를 사용하여 소스 장치의 스피커 출력선을 앰프의 RCA 입력에 연결합니다. 12V DC 오프셋 기능이 신호를 감지하면 앰프 전원이 켜집니다.

참고: 차량 스피커의 전선을 6개까지 앰프에 연결할 수 있습니다. 예를 들어 전면 좌우 트위터를 입력 1과 2에, 전면 좌우 우퍼를 입력 3과 4에, 후면 좌우 폴레인지 스피커를 입력 5와 6에 연결할 수 있습니다. 이러한 스피커 각각의 신호를 가산하여 폴레인지 출력을 생성하고 필요한 경우 어느 앰프 출력선이나 할당할 수 있습니다. 자세한 내용은 "사운드 설정"을 참조하십시오.

참고: 상위 레벨 신호를 사용할 경우, "Turn-on Mode" 스위치를 "DC" (배터리 전원을 사용할 때 켜려면) 또는 "AUDIO"(소스 장치의 신호를 감지할 때 켜려면)로 설정하고 "Input Level" 스위치를 "HI"로 설정하십시오 소리가 나지 않을 경우 "Input Level" 스위치를 "HI2"로 변경하십시오.



전선 색상	채널 명칭
흰색	채널 1 +
흰색/검은색	채널 1 -
회색	채널 2 +
회색/검은색	채널 2 -
녹색	채널 3 +
녹색/검은색	채널 3 -
보라색	채널 4 +
보라색/검은색	채널 4 -
주황색	채널 5 +
주황색/검은색	채널 5 -
파란색	채널 6 +
파란색/검은색	채널 6 -
빨간색	채널 7 +
빨간색/검은색	채널 7 -
노란색	채널 8 +
노란색/검은색	채널 8 -

스피커 출력 연결부

스피커를 스피커 출력 와이어링 하니스의 선에 연결합니다. 극성을 확인하고 양극(+) 리드는 각각 해당 양극(+) 스피커 단자에, 음극(-) 리드는 각각 해당 음극(-) 스피커 단자에 올바르게 연결합니다. 그런 다음, 스피커 출력 와이어링 하니스를 DSP Amplifier에 꽂습니다.

참고: JBL DSP Amplifier에 최대 8개의 스피커를 연결하고 JBL 튜닝 소프트웨어를 사용하여 앰프가 각 스피커에 전송할 주파수를 지정할 수 있습니다. 자세한 내용은 "사운드 설정"을 참조하십시오.

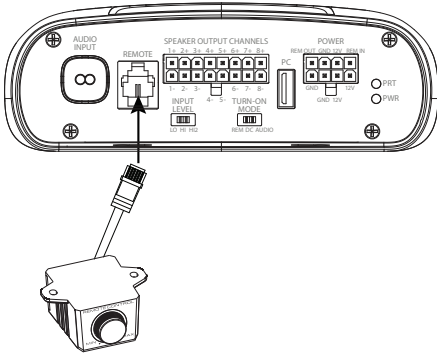
참고: 시스템에 추가 전력이 필요하다면 결정했다면 두 개 이상의 스피커 출력선을 사용하여 하나 이상의 앰프를 추가로 연결할 수 있습니다. 스피커 출력선을 원하는 만큼 새 앰프의 상위 레벨 입력에 연결하십시오. 중요: 외부 앰프의 오버드라이브 방지와 잠금 감소를 위해 추가 앰프에 연결하는 채널의 출력 레벨을 조정하십시오.

중요: 스피커 출력 채널은 브리지 작동할 수 없습니다.

원격 저음 제어 장치 연결

원격 저음 제어 장치를 DSP Amplifier 제어판의 해당 입력에 꽂습니다. 판금 나사를 사용하여 계기판 아래와 같이 편리한 위치에 원격 장치를 장착합니다.

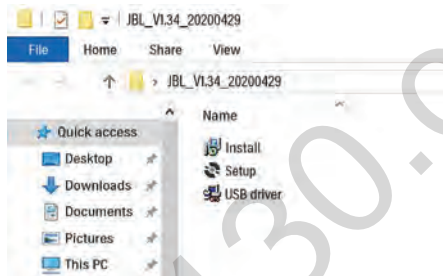
참고: 원격 저음 제어 장치를 "sub" 채널에 할당하면 채널 7 또는 8의 서브우퍼 출력 레벨을 제어할 수 있습니다. 튜닝 소프트웨어에서 서브우퍼 레벨을 -30dB에서 +6dB까지 조정할 수 있습니다. 이 기능은 저음 부스트 제어가 아닙니다. 저음 부스트 제어를 사용하려면 외부 서브우퍼 앰프에서 원격 저음 제어 장치를 사용하는 것이 좋습니다.



사운드 설정

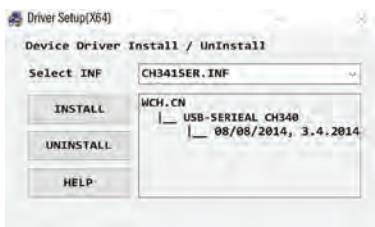
JBL.com에서 튜닝 소프트웨어 다운로드

1. Windows PC 또는 노트북을 인터넷에 연결하고 JBL.com 로 이동하여 DSP4086 Amplifier용 Graphic User Interface를 다운로드합니다.
2. 소프트웨어 설치 설정 방법을 완료하고 컴퓨터를 JBL DSP Amplifier에 연결합니다.
3. "JBL DSP 소프트웨어"를 저장한 위치를 두 번 클릭합니다.



4. "USB 드라이버"를 두 번 클릭하고 설치를 클릭합니다.

참고: 바이러스 백신 소프트웨어에서 컴퓨터 변경을 요청하면 허용하십시오.

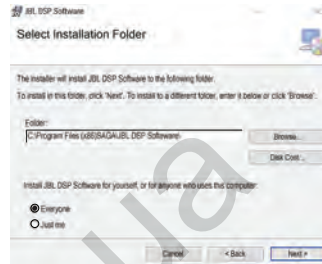


5. "setup.exe"를 두 번 클릭합니다.

참고: 바이러스 백신 소프트웨어에서 컴퓨터 변경을 요청하면 허용하십시오.



6. JBL DSP Software Setup Wizard에서 "Next(다음)"를 클릭합니다.



7. 선호하는 설치 폴더를 선택하거나 "Next(다음)"를 클릭하여 기본 위치를 선택합니다.



8. "Next(다음)"를 클릭하여 설치를 확인합니다. 바이러스 백신 소프트웨어에서 다시 한번 설치 완료를 확인합니다.
9. 소프트웨어 설치가 완료될 때까지 잠시 기다립니다...



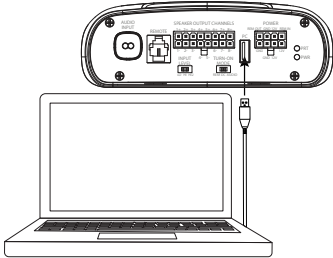
10. 설치가 완료되었습니다! 설정 방법을 닫고 다음 섹션으로 진행합니다. 컴퓨터 화면에 다음 아이콘이 표시되어야 합니다 (아이콘이 JBL 주황색인지 확인).



KO

JBL DSP Amplifier를 Windows PC에 연결

1. 포함된 USB 케이블을 사용하여 DSP Amplifier를 Windows PC에 연결합니다.



2. 오디오 소스 볼륨 레벨을 낮추고 JBL DSP Amplifier에 전원을 공급하십시오.
3. 오디오 시스템을 활성화/전원 공급하고 모든 부품이 작동하는지 확인합니다.
참고: DSP Amplifier는 "EQ Off" 또는 프리셋 1로 작동하는 프리플레이스트 EQ 프로필과 함께 제공됩니다.
4. PC를 JBL DSP Amplifier에 연결하고 PC의 JBL 소프트웨어 아이콘을 두 번 클릭한 다음, DSP 튜닝 소프트웨어를 엽니다.



참고: 소프트웨어에 "No Comm Port Available(사용 가능한 통신 포트 없음)"이라고 표시된 창이 나타나면 소프트웨어를 닫고 컴퓨터에서 USB 케이블을 분리한 다음, 4단계로 돌아가십시오. 해당 창이 나타나지 않으면 5단계로 진행하십시오. DSP 소프트웨어를 충분히 익히고 사전 구성된 오디오 시스템 설정을 만들기 위해 연결되지 않은 DSP 소프트웨어를 작동할 수 있습니다.



5. 연결이 완료되었습니다! Tuning Procedure(튜닝 절차)를 계속하십시오...

사용자 인터페이스 기능



JBL 튜닝 소프트웨어에는 다음 컨트롤 기능이 있습니다:

1. **Connected and Disconnected.** 이 기능을 사용하여 앰프와 Windows PC의 통신 여부를 결정할 수 있습니다.
2. **Low and High.** 이 기능을 사용하여 앰프 제어판에서 앰프의 하위 레벨 입력 또는 상위 레벨 입력 설정 여부를 결정할 수 있습니다.
3. **스피커 위치를 채널에 할당.** 이 기능을 사용하여 DSP가 연결된 각 출력 채널에서 차량 스피커 유형과 위치를 지정할 수 있습니다.
4. **개별 채널 볼륨 제어 및 음소거.** 각 채널의 상대 볼륨 레벨을 개별적으로 높이거나 낮추어 완벽한 레벨 일치 및 출력을 보장할 수 있습니다.
5. **0°/180° 위상 조정.** 밸런스, 다이내믹 성능을 위해 각 채널의 위상을 개별적으로 설정할 수 있습니다.
6. **페어링된 채널의 Linking.** 페어링된 채널을 연결하여 볼륨 및 톤을 균등하게 적용할 수 있습니다.
7. **Clipping 표시기.** 각 채널에는 클리핑 표시기가 있어 10% 이상의 왜곡이 있으면 알려줍니다. 왜곡이 있으면 표시기가 꺼질 때까지 클리핑 채널의 볼륨 레벨을 낮추십시오. 최상의 결과를 얻으려면 0dB에서 100Hz 및 1kHz 시인파로 측정하십시오.
8. **Time delay.** 시간 지연을 사용하여 음장의 초점을 차량 내 원하는 위치로 조절할 수 있습니다. 스피커가 원하는 초점 위치에 가까울수록 지연이 길어집니다. 조정하려면 슬라이더를 오른쪽으로 끌어 지연을 늘리고 왼쪽으로 끌어 지연을 줄이십시오.
9. **인포메이션 디스플레이.** 이 디스플레이에는 다음 통계가 표시됩니다:
 - a. master volume 값
 - b. 채널 7 또는 8의 현재 subwoofer volume, 원적 저음 제어 장치 사용 시 -30dB~+6dB 조정 가능.
 - c. 전원 입력 시 앰프가 읽는 voltage
 - d. 앰프의 현재 작동 온도
 - e. 현재 시스템 구성.
10. **X-OVER.** DSP Amplifier에 연결된 각 스피커의 성능 효율성을 극대화하기 위해 고음 통과 및 저음 통과 크로스오버의 크로스오버 지점을 조절할 수 있습니다. 각 채널에 대해 선택할 수 있는 크로스오버 슬로프는 0/6/12/18/24/30/36/42/48dB로 설정할 수 있습니다.
11. **Speaker location 보기.** 사용 중인 앰프 채널, 차량에서 해당 스피커의 위치를 표시합니다.
12. **Master Volume.** 전체 시스템의 볼륨을 높이거나 낮추거나 전체 시스템을 음소거할 수 있습니다. 슬라이더를 위로 끌어 볼륨을 높이고 아래로 끌어 내리십시오. 스피커 아이콘을 클릭하여 오디오 시스템을 음소거하십시오.
13. **Write/Delete.** "Write(쓰기)"를 사용하면 최대 10개의 기본 오디오 설정을 프리셋으로 저장하여 앰프에 적용할 수 있습니다. "write(쓰기)"를 클릭하고 프리셋 번호를 클릭한 다음, 프리셋을 저장하십시오. *delete(삭제)와 프리셋 번호를 차례로 클릭한 다음, 프리셋을 삭제하십시오.
14. **Input Mixer.** 입력 믹서 기능을 사용하면 입력 채널에서 특정 출력 채널로 오디오 신호를 할당할 수 있습니다. 또한 여러 입력 채널의 신호를 가산한 다음, 결과 신호를 특정 출력 채널에 적용하여, 흔히 스피커가 스피커 레벨 입력 신호를 사용할 때 가능한 가장 넓은 주파수 범위에서 재생되게 할 수 있습니다.
예: 트위터(고주파수 응답만)를 입력 채널 1에 연결하고 중간 범위 스피커(중간 범위 주파수 응답만)를 채널 2에 연결했다면 이러한 각 입력 신호를 가산한 새로운 풀레인지 신호를 출력 채널 1에 연결한 풀레인지 스피커에 할당할 수 있습니다.
15. **Save File.** 이를 통해 선호하는 오디오 시스템 구성을 컴퓨터 폴더에 저장하여 나중에 사용할 수 있습니다. 또한 컴퓨터에서 이전 구성을 검색하여 연결된 앰프에 적용할 수 있습니다.
16. **Settings.** "Settings(설정)" 메뉴에서 다음 옵션을 제어할 수 있습니다.
 - a. 소프트웨어 언어 선택: English(영어), Spanish(스페인어), French(프랑스어), Chinese(중국어), Japanese(일본어) 중 선택

- b. 앰프 커기/끼기 지연을 위한 전원 설정(차량에 이 두 옵션이 필요할 경우)
- c. 펌웨어 업그레이드 및 소프트웨어의 최초 공장 설정 초기화

17. Reset Output. 이 버튼을 사용하면 각 출력 채널의 스피커 유형, 차량 내 위치를 초기화할 수 있습니다.

18. EQ Mode. 각 채널에 맞게 31밴드 파라메트릭 또는 그래픽 EQ를 조정할 수 있습니다.

19. Parametric 또는 graphic EQ. 연결한 각 채널에 커스텀 EQ 곡선을 적용할 수 있습니다. 주어진 주파수 레벨을 높이면 슬라이더를 위로 끄십시오. 낮추려면 슬라이더를 아래로 끄십시오.

20. EQ Setup. 이 EQ 설정 기능을 사용하면 EQ 곡선을 적용하려는 채널을 클릭하여 선택할 수 있습니다.

참고: FREQ, GAIN 및 Q 필드에는 EQ 슬라이더를 움직여 변경한 값이 표시됩니다. Graphic EQ Mode(그래픽 EQ 모드)에서는 Gain 만 조정할 수 있습니다. Parametric EQ Mode(파라메트릭 EQ 모드)에서는 Frequency, Gain 및 Q를 모두 조정할 수 있습니다. 슬라이더를 사용하거나 F, G 및 Q 필드에 특정 값을 입력하여 이러한 조정을 수행할 수 있습니다.

21. Bypass EQ and Restore EQ. "Bypass EQ(EQ 바이패스)"를 사용하면 EQ 설정을 평탄화하여 튜닝 중 차이를 들을 수 있습니다. "Restore EQ(EQ 복원)"를 사용하면 모든 EQ 조정을 이전 설정으로 되돌립니다.

22. Reset EQ - 이 버튼은 EQ를 공장 설정으로 되돌립니다.

사양

- RMS 전원 출력(W x 채널) @ 2Ω: 60W x 8
- RMS 전원 출력(W x 채널) @ 4Ω: 40W x 8
- 앰프 등급: Class D
- 배터리 전압 범위(V): 8V~16V
- 선택 가능 커기 모드: 12V, 오디오 신호 감지, DC 오프셋, 12V 원격 출력
- LED 표시등: 빨간색/초록색
- 주파수 응답: 10Hz~22kHz @ -3dB
- 신호 대 잡음비: 90dB
- 신호 대 잡음비(CEA-2006): 75dB
- THD+N @ 4Ω: <1%
- 입력 감도, 선택 가능: 상위 레벨 또는 하위 레벨
- 입력 감도 - 하위 레벨: 680mV~6V
- 입력 감도 - 상위 레벨: 1.6V~15V
- 가변 크로스오버: 모든 채널: 0~48dB 슬로프 선택 가능 HPF, LPF, 대역 통과
- 게인, 가변: PC 사용 모든 채널
- 서브우퍼 레벨, 가변: PC 소프트웨어의 채널 7과 8 또는 -30~+6dB 액세서리 리모컨
- 퓨즈 정격: 40A
- 최소 권장 전력/접지 전선 게이지: 8awg
- 스피커 레벨 입력: 예(RCA 어댑터)
- 원격 저음 제어 장치: 구성
- 길이: 237.5mm (9-3/8")
- 너비: 144mm (5-11/16")
- 높이: 49.5mm (1-15/16")
- 중량: 약 1,000g
- 보호: DC, OVP, UVP, OCP, OTP

문제 해결

오디오가 나오지 않고 전원 표시등이 꺼져 있습니다.

- BATT+ 및/또는 REM 단자에 전압이 없거나 접지 연결이 불량하거나 없습니다. VOM으로 앰프 단자의 전압을 점검하십시오.

오디오가 재생되지 않고 보호 표시등이 깜박입니다.

- 앰프 출력의 DC 전압. 앰프를 점검해야 할 수 있습니다. 서비스 정보는 동봉된 보증서를 참조하십시오.

오디오가 나오지 않고 보호, 전원 표시등이 깜박입니다.

- BATT+ 연결 전압이 9V 미만입니다. 차량 충전 시스템을 점검하십시오.

오디오가 나오지 않고 보호 표시등이 켜져 있습니다.

- 앰프가 과열되었습니다. 앰프 장착 위치에서 냉각 차단 여부를 확인하십시오. 스피커-시스템 임피던스가 지정된 한도 내인지 확인하십시오. 또는 BATT+ 연결 전압이 16V를 초과했거나 8V 미만일 수 있습니다. 차량 충전 시스템을 점검하십시오.

앰프 퓨즈가 계속 나갑니다.

- 배선이 잘못 연결되었거나 합선되었습니다. 설치 주의 사항과 절차를 검토하십시오. 배선 연결을 점검하십시오.

오디오 왜곡.

- 게인이 제대로 설정되지 않았습니다. Individual Channel Volume (개별 채널 볼륨) 및/또는 Master Volume(마스터 볼륨) 설정을 확인하십시오. 스피커 전선의 합선이나 접지를 점검하십시오. 앰프나 소스 장치에 결함이 있을 수 있습니다.

오디오가 왜곡되고 보호 표시등이 깜박입니다.

- 스피커나 전선의 합선. 합선이 발생한 스피커나 전선을 찾기 위해 스피커 리드를 한 번에 하나씩 분리한 다음, 수리하십시오.

음악에 역동성이나 "타격감"이 부족합니다.

- 스피커가 제대로 연결되지 않았습니다. 0°/180° 위상 조정을 사용하고 앰프와 스피커에서 스피커 연결을 확인하십시오.

KO

Торговая марка:	JBL
Назначение товара:	Усилитель мощности
Изготовитель:	Харман Интернешнл Индастриз Инкорпорейтед, США, 06901 Коннектикут, г.Стэмфорд, Атлантик Стрит 400, офис 1500
Страна происхождения:	Китай
Импортер в Россию:	ООО "ХАРМАН РУС СиАйЭс", Россия, 127018, г.Москва, ул. Двинцев, д.12, к 1
Гарантийный период:	1 год
Информация о сервисных центрах:	www.harman.com/ru тел. +7-800-700-0467
Срок службы:	3 года



Товар сертифицирован

Дата производства: Дата изготовления устройства определяется по двум буквенным обозначениям из второй группы символов серийного номера изделия, следующих после разделительного знака «-». Кодировка соответствует порядку букв латинского алфавита, начиная с января 2010 года: 000000-MY0000000, где «M» - месяц производства (A - январь, B - февраль, C - март и т.д.) и «Y» - год производства (A - 2010, B - 2011, C - 2012 и т.д.).

Используйте устройство только по прямому назначению в соответствии с предоставленной инструкцией. Не пытайтесь самостоятельно вскрывать корпус товара и осуществлять ремонт. В случае обнаружения недостатков или дефектов, обращайтесь за гарантийным обслуживанием в соответствии с информацией из гарантийного талона. Особые условия хранения, реализации и (или) транспортировки не предусмотрены. Избегайте воздействия экстремальных температур, длительного воздействия влаги, сильных магнитных полей. Устройство предназначено для работы в жилых зонах. Срок годности не ограничен при соблюдении условий хранения.

产品中有害物质的名称及含量

部件名称	目标部件	有害物质或元素					
		铅 (Pb)	汞 (Hg)	镉 (Cd)	六价铬 (Cr (VI))	多溴联苯 (PBB)	多溴二苯醚 (PBDE)
箱体	外壳, 面板, 背板等	0	0	0	0	0	0
电路板	印刷电路板, 电路板上的电子零件, 内部相关连接线	×	0	0	0	0	0
零部件	电容, 连接器等	×	0	0	0	0	0
附件	电源线, 说明书, 包装等	0	0	0	0	0	0

本表格依据 SJ/T 11364 的规定编制

0: 表示该有害物质在该部件所有均质材料中的含量均在 GB/T 26572 规定的限量要求以下。

X: 表示该有害物质至少在该部件的某一均质材料中的含量超出 GB/T 26572 规定的限量要求。



在中华人民共和国境内销售的电子电气产品上将印有“环保使用期”(EUP)符号。

圆圈中的数字代表产品的正常环保使用年限。



哈曼产品保修卡



机身编号

产品型号: _____

销售(安装调试)日期: 20__年__月__日

发票号码: _____ (销售者印章)

用户姓名: _____

联系电话: _____

地址(邮编): _____

重要提示:根据国家“三包”规定,您必须完整填写本凭证并与购买发票原件同时出示方可享受相关售后服务。为了保护您的权益,请您购买产品时索取合法有效的发货票并请经销商在本凭证盖具包括名称、地址、电话等信息的印章。本凭证内容与商品实物标识不符或者涂改的将不提供售后服务,请务必妥善保管。请您核对产品机身编号,编号缺失、涂改或经查询非本公司授权经销商渠道销售产品均不提供售后服务。更多信息请您阅读下面的产品保修条例。

哈曼(中国)投资有限公司

公司地址:上海市黄浦区南京西路288号3004室

中国大陆地区客服热线:400 630 6678



合格证

扫描二维码获取全国联保

产品保修期:

JBL/INFINITY汽车音响产品提供一年的保修期,自消费者在本公司授权经销商、授权安装点购买之日(即,购买发票所述的日期)起算。

保修范围:

产品在上述保修期内出现故障,且经本公司授权经销商、授权安装点或授权维修站工程师检测确认属于正常使用情况下,由于制造过程或零件损坏/失灵所导致的故障,本公司将为您提供免费修理及零件更换。

下列情形不属于保修范围

包括但不限于未按产品使用说明要求使用(包括但不限于非汽车12V直流电源环境使用)、维护、保管而造成损坏的;经本公司授权维修站以外人员拆卸、改装造成损坏的;因不可抗力(如自然灾害、虫害、雷击、等)造成损坏的;非本公司产生的运输邮寄、压烂、液体浸入、外观损坏、磨损老化等人为原因造成损坏的;已超过保修期;无保修卡及有效的购买发票,或购买发票与保修卡不符,或购买发票被涂改或无法辨认均不提供保修服务,但本公司及本公司授权维修站可按相关规定实行收费维修。

保修服务仅在中华人民共和国大陆地区有效。

由于汽车音响产品的安装属性,产品发生故障后,消费者必须先联系本产品最初的授权安装点检查并排除非产品质量原因导致的故障。无论是产品质量原因还是非质量原因导致的所有故障,均应由授权安装点负责:拆卸故障产品、送交授权维修站、装回产品的工作。

本公司不负责任何由于汽车音响产品损坏或故障而直接或间接招致的其他损失。



HARMAN International Industries,
Incorporated 8500 Balboa Boulevard,
Northridge, CA 91329 USA
www.jbl.com

© 2020 HARMAN International Industries, Incorporated. All rights reserved.
JBL is a trademark of HARMAN International Industries, Incorporated,
registered in the United States and/or other countries. Features, specifications
and appearance are subject to change without notice.

130.com.ua