



PHONES

0 (800) 800 130  
(050) 462 0 130  
(063) 462 0 130  
(067) 462 0 130

130  
COM.UA

Internet store of  
autogoods



SKYPE

km-130

CAR RECEIVERS — Receivers • Media receivers and stations • Native receivers • CD/DVD changers • FM-modulators/USB adapters • Flash memory • Facia plates and adapters • Antennas • Accessories |  
 CAR AUDIO — Car audio speakers • Amplifiers • Subwoofers • Processors • Crossovers • Headphones • Accessories | TRIP COMPUTERS — Universal computers • Model computers • Accessories |  
 GPS NAVIGATORS — Portable GPS • Built-in GPS • GPS modules • GPS trackers • Antennas for GPS navigators • Accessories | VIDEO — DVR • TV sets and monitors • Car TV tuners • Cameras • Videomodules  
 • Transcoders • Car TV antennas • Accessories | SECURITY SYSTEMS — Car alarms • Bike alarms • Mechanical blockers • Immobilizers • Sensors • Accessories | OPTIC AND LIGHT — Xenon • Bixenon • Lamps  
 • LED • Stroboscopes • Optic and Headlights • Washers • Light, rain sensors • Accessories | PARKTRONICS AND MIRRORS — Rear parktronic • Front parktronic • Combined parktronic • Rear-view mirrors  
 • Accessories | HEATING AND COOLING — Seat heaters • Mirrors heaters • Screen-wipers heaters • Engine heaters • Auto-refrigerators • Air conditioning units • Accessories | TUNING — Vibro-isolation  
 • Noise-isolation • Tint films • Accessories | ACCESSORIES — Radar-detectors • Handsfree, Bluetooth • Windowlifters • Compressors • Beeps, loudspeakers • Measuring instruments • Cleaners • Car seats  
 • Miscellaneous | MOUNTING — Installation kits • Upholstery • Grilles • Tubes • Cable and wire • Tools • Miscellaneous | POWER — Batteries • Converters • Start-charging equipment • Capacitors  
 • Accessories | MARINE AUDIO AND ELECTRONICS — Marine receivers • Marine audio speakers • Marine subwoofers • Marine amplifiers • Accessories | CAR CARE PRODUCTS — Additives • Washer fluid •  
 Care accessories • Car polish • Flavors • Adhesives and sealants | LIQUID AND OIL — Motor oil • Transmission oil • Brake fluid • Antifreeze • Technical lubricant



In store "130" you can find and buy almost all necessary goods for your auto in Kyiv and other cities, delivery by ground and postal services. Our experienced consultants will provide you with exhaustive information and help you to choose the very particular thing. We are waiting for you at the address

<https://130.com.ua>



# Winch Installation Guide

Every winching situation has the potential for personal injury. In order to minimize that risk, it is important to read this guide and The Basic Guide to Winching Techniques carefully. Please familiarize yourself with the operation of your winch before using it and be constantly safety oriented. In this guide we provide important safety information and instructions on how to install your winch. Please read the Basic Guide to Winching Techniques for information on how to properly use your winch and proper rigging techniques.

Please keep this manual and other product literature found in this kit for future reference. In this kit you will find the following pieces of literature: Winch Installation Guide, Basic Guide to Winching Techniques, Specification and Performance Data, Product Warranty, Replacement Parts List and other product literature specific to some products. Should any of these be missing, please visit [www.warn.com](http://www.warn.com) or contact us at the number below.

TABLE OF CONTENTS:

SAFETY

Symbol Index .....2  
 General Safety Precautions .....3-5

INSTRUCTIONS

Safe Working Conditions .....6  
 Know Your Winch .....7  
 Mounting .....8-9  
 Electrical Connections ..... 10  
 First Time Operation Instructions ..... 11-13  
 Final Analysis and Maintenance ..... 14

Warn Industries Inc.  
 12900 SE Capps Road  
 Clackamas, OR 97015  
 USA

Customer Service: (800) 543-9276  
 International Fax: (503) 722-3005  
 Fax: (503) 722-3000  
[www.warn.com](http://www.warn.com)

## SYMBOL INDEX

SYMBOL	EXPLANATION
	Read All Product Literature
	Always Wear Hearing and Eye Protection
	Never Use Winch as a Hoist
	Properly Seat Load in Throat of Hook
	Wind Rope on Bottom of Drum
	Finger/Fairlead Crushing Hazard
	Hand Piercing/Cutting Hazard
	Explosion/Bursting Hazard
	Never Route Electrical Cables through Sharp Edges Hazard
	Avoid Installing Electrical Cables around Pinch and Wear/Abrasion Points

SYMBOL	EXPLANATION
	Always Wear Leather Gloves
	Do Not Move People
	Always Use Supplied Hook Strap
	Never Apply Load to Hook Tip or Latch
	Never Wind Rope Over Top of Drum
	Fairlead Pinch Point
	Hot Surface Hazard
	Fire and Burn Hazard
	Never Route Electrical Cables through or near Moving Parts Hazard
	Exposed Wiring Hazard, Insulate Exposed Wiring and Terminals
	Never Hook Back on Rope

## Warnings and Cautions



As you read these instructions, you will see WARNINGS, CAUTIONS, NOTICES and NOTES. Each message has a specific purpose. WARNINGS are safety messages that indicate a potentially hazardous situation, which, if not avoided could result in serious injury or death. CAUTIONS are safety messages that indicate a potentially hazardous situation which, if not avoided, could result in minor or moderate injury. A CAUTION may also be used to alert against unsafe practice. CAUTIONS and WARNINGS identify the hazard, indicate how to avoid the hazard, and advise of the probable consequence of not avoiding the hazard. NOTICES are messages to avoid property damage. NOTES are additional information to help you complete a procedure. **PLEASE WORK SAFELY!**



### MOVING PARTS ENTANGLEMENT HAZARD

Failure to observe these instructions could lead to serious injury or death.

- **Always** ensure hook latch is closed and not supporting load.
- **Never** apply load to hook tip or latch. Apply load only to the center of hook.
- **Never** use a hook whose throat opening has increased, or whose tip is bent or twisted.
- **Always** use a hook with a latch.
- **Always** ensure the operator and bystanders are aware of the stability of the vehicle and/or load.
- **Always** keep wired remote control lead and power cord clear of the drum, rope, and rigging. Inspect for cracks, pinches, frayed wires or loose connections. Damaged components must be replaced before operation.
- **Always** pass remote lead thru window when used in vehicle.
- **Never** hook back on rope.



### MOVING PARTS ENTANGLEMENT HAZARD

Failure to observe these instructions could lead to serious injury or death.

#### General Safety:

- **Always** Know Your Winch. Take time to fully read the Instructions and/or Operations Guide, and/or Basic Guide to Winching Techniques, in order to understand your winch and its operations.
- **Never** exceed winch or winch rope rated capacity. Double line using a snatch block to reduce winch load.
- **Always** wear heavy leather gloves when handling winch rope.
- **Never** use winch or winch rope for towing. Shock loads can damage, overload and break rope.
- **Never** use a winch to secure a load.
- **Never** operate this winch when under the influence of drugs, alcohol or medication.
- **Never** operate this winch if you are under 16 years of age.

#### Installation Safety:

- **Always** choose a mounting location that is sufficiently strong to withstand the maximum pulling capacity of your winch.
- **Always** use class 8.8 metric (grade 5) or better hardware.
- **Never** weld mounting bolts.
- **Always** use factory approved mounting hardware, components, and accessories.
- **Never** use bolts that are too long.
- **Always** complete the winch installation and hook attachment before installing the wiring.
- **Always** keep hands clear of winch rope, hook loop, hook and fairlead opening during installation, operation, and when spooling in or out.
- **Always** position fairlead with warning readily visible on top.
- **Always** prestretch rope and respool under load before use. Tightly wound rope reduces chances of "binding", which can damage the rope.

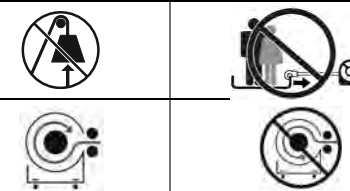


### MOVING PARTS ENTANGLEMENT HAZARD

Failure to observe these instructions could lead to serious injury or death.

#### Winching Safety:

- **Always** inspect winch rope, hook, and slings before operating winch. Frayed, kinked or damaged winch rope must be replaced immediately. Damaged components must be replaced before operation. Protect parts from damage.
- **Always** remove any element or obstacle that may interfere with safe operation of the winch.
- **Always** be certain the anchor you select will withstand the load and the strap or chain will not slip.
- **Always** use supplied hook strap whenever spooling winch rope in or out, during installation and during operation.
- **Always** require operators and bystanders to be aware of vehicle and/or load.
- **Always** be aware of stability of vehicle and load during winching, keep others away. Alert all bystanders of an unstable condition.
- **Always** unspool as much winch rope as possible when rigging. Double line or pick distant anchor point.
- **Always** take time to use appropriate rigging techniques for a winch pull.
- **Never** touch winch rope or hook while someone else is at the control switch or during winching operation.
- **Never** engage or disengage clutch if winch is under load, winch rope is in tension or drum is moving.
- **Never** touch winch rope or hook while under tension or under load.
- **Always** stand clear of winch rope and load and keep others away while winching.
- **Never** use vehicle to pull load on winch rope. Combined load or shock load can damage, overload and break rope.
- **Never** wrap winch rope back onto itself. Use a choker chain or tree trunk protector on the anchor.



### FALLING OR CRUSHING HAZARD

Failure to observe these instructions could lead to serious injury or death.

- **Always** stand clear, keep hands clear, keep others away.
- **Never** operate winch with less than 5 wraps of rope around the drum. Rope could come loose from the drum, as the rope attachment to the drum is not designed to hold a load.
- **Never** use winch as a hoist or to suspend a load.
- **Always** be certain anchor will withstand load, use appropriate rigging and take time to rig correctly.
- **Never** use winch to lift or move persons.
- **Never** use excessive effort to freespool winch rope.
- **Always** use proper posture/lifting technique or get lifting assistance while handling and installing product.
- **Always** wind the winch rope on bottom (mountside) of drum.
- **Never** wind rope over top of drum.
- **Always** spool the winch rope onto the drum in the direction specified by the drum rotation labels on the winch and/or in the documentation. This is required for the automatic brake (if so equipped) to function properly.



### CUT AND BURN HAZARD

Failure to observe these instructions could lead to serious injury or death.

#### To avoid injury to hands and fingers:

- **Always** wear heavy leather gloves when handling winch rope.
- **Always** be aware of possible hot surfaces at winch motor, drum or rope during or after winch use.



## GENERAL SAFETY PRECAUTIONS

## SAFE WORKING CONDITIONS

 <b>WARNING</b>		
		
		
<b>CHEMICAL AND FIRE HAZARD</b> <b>Failure to observe these instructions could lead to serious injury or death.</b> <ul style="list-style-type: none"><li>• <b>Always</b> remove jewelry and wear eye protection.</li><li>• <b>Never</b> route electrical cables across sharp edges.</li><li>• <b>Never</b> route electrical cables near parts that get hot.</li><li>• <b>Never</b> route electrical cables through or near moving parts.</li><li>• <b>Always</b> place the supplied terminal boots on wires and terminals as directed by the installation instructions.</li><li>• <b>Never</b> lean over battery while making connections.</li><li>• <b>Never</b> route electrical cables over battery terminals.</li><li>• <b>Never</b> short battery terminals with metal objects.</li><li>• <b>Always</b> verify area is clear of fuel lines, fuel tank, brake lines, electrical wires, etc., when drilling.</li><li>• <b>Always</b> consult operator's manual for proper wiring details.</li><li>• <b>Always</b> insulate and protect all exposed wiring and electrical terminals.</li></ul>		

 <b>CAUTION</b>	
	
<b>MOVING PARTS ENTANGLEMENT HAZARD</b> <b>Failure to observe these instructions could lead to minor or moderate injury.</b> <b>To avoid injury to hands or fingers:</b> <ul style="list-style-type: none"><li>• <b>Never</b> leave remote control where it can be activated during free spooling, rigging, or when the winch is not being used.</li><li>• <b>Never</b> leave the winch remote control plugged in when installing, freespooling, rigging, servicing or when the winch is not being used.</li></ul>	

<b>NOTICE</b>
<b>AVOID WINCH AND EQUIPMENT DAMAGE</b> <ul style="list-style-type: none"><li>• <b>Always</b> avoid side pulls which can pile up winch rope at one end of the drum. This can damage winch rope or winch.</li><li>• <b>Always</b> ensure the clutch is fully engaged or disengaged.</li><li>• <b>Always</b> use care to not damage the vehicle frame when anchoring to a vehicle during a winching operation.</li><li>• <b>Never</b> submerge winch in water.</li><li>• <b>Always</b> store the remote control in a protected, clean, dry area.</li></ul>

 <b>CAUTION</b>	
	
<b>CUT AND BURN HAZARD</b> <b>Failure to observe these instructions could lead to minor or moderate injury.</b> <ul style="list-style-type: none"><li>• <b>Never</b> let winch rope slip through your hands.</li></ul>	

This manual provides instructions on how to install your WARN winch system and initial operating instructions. Please read the Basic Guide To Winching Techniques for complete operational instructions for your WARN winch system.

### Safety

When installing your WARN winch system, read and follow all mounting and safety instructions.

Always use caution when working with electricity and remember to verify that no exposed electrical connections exist before energizing your winch circuit.

For specifications and performance data, refer to the specification sheet supplied with your winch.

## Know Your Winch

Before you begin, you should familiarize yourself with your WARN winch and each of its components:

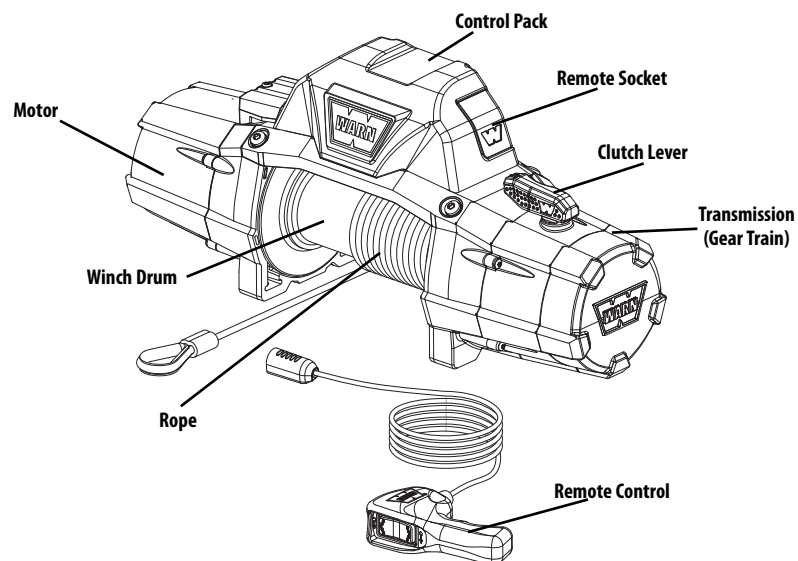


Figure 1

**Motor:** The winch motor is powered by the vehicle's battery. The motor provides power to the gear mechanism, which turns the winch drum and winds the winch rope.

**Winch Drum:** The winch drum is the cylinder onto which the winch rope feeds. The drum is driven by the motor and drive train. Its direction can be changed using the remote control.

**Rope\*:** The winch rope's diameter and length are determined by the winch's load capacity and design. Wrapped around the winch drum and fed through the fairlead, the winch rope is looped at the end to accept the hook's clevis pin.

**\* For synthetic rope models, be sure to fully read the WARN Synthetic Rope Installation Instruction manual, included in kit.**

**Gear Train:** The reduction gear converts the winch motor power into a large pulling force. The gear train design makes it possible for the winch to be lighter and more compact.

**Clutch Lever:** The clutch allows the operator to manually disengage the spooling drum from the gear train, enabling the drum to rotate freely (known as "freespooling"). Engaging the clutch "locks" the winch drum back onto the gear train.

**Remote Socket:** The remote socket is where the operator plugs in the wired remote control or optional wireless remote receiver, in order to control the winch.

**Control Pack\*:** Using electrical power from the vehicle's battery, the control pack's contactor switches power to the motor, enabling the operator to change the direction of the winch drum rotation.

**\*For specific applications, the optional Control Pack Relocation Kit details can be found at your WARN Authorized Dealer or [www.warn.com](http://www.warn.com).**

**Remote Control:** The remote control plugs into the winch control pack, via the remote socket, allowing the operator to control the winch direction, as well as stand well clear of the wire rope while operating the winch.

## Step 1 - Mount the Winch

Winch mounting kits are available from your WARN Dealer to satisfy nearly all applications. For information on available kits, contact your WARN product dealer.

**NOTICE** For optimal performance and the results you expect, WARN mounting plates are strongly recommended.

**CAUTION** To prevent accidental activation of the winch and serious injury, complete the winch installation and attach the hook before installing the wiring.

**WARNING** Always choose a mounting location that is sufficiently strong enough to withstand the maximum pulling capacity of your winch.

**WARNING** Never use bolts that are too long.

**WARNING** Always spool the winch rope onto the drum in the direction specified by the drum rotation labels on the winch and/or in the documentation. This is required for the automatic brake (if so equipped) to function properly.

**WARNING** Always wind the winch rope on the bottom (mount side) of the drum.

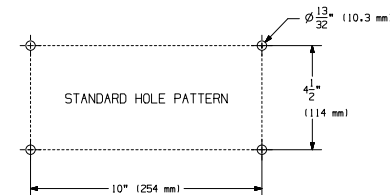
This winch should always be mounted in a horizontal orientation with the rope winding on/off the drum on the mount side of the drum and following the drum rotation arrow as labeled on the winch, see Figures 2 and 3.

Correct rotation is required for the automatic brake to function properly. Horizontal mounting helps prevent the rope from piling up on one end of the drum which can damage the winch.

The use of recommended bolt and lock washer combinations torqued to recommended levels will prevent vibration during operation. Specifications listed below. Mounting system will dictate bolt length.

## Mounting Bolt Pattern:

Standard: 254 mm x 114.3 mm (10" x 4.5")



Smooth and flat mounting surface, minimum thickness = 6.4 mm (1/4")

## Included Hardware:

- M10x1.5 flanged locknut 15mm hex
- M10-1.5 x 35 hex flange, 8.8, bolt (4x)
- M10-1.5 x 40 hex flange, 8.8, bolt (2x)

**Torque: 41 to 47 Nm (30-35 ft. lbs.)**

Choose a mounting location that is sufficiently strong enough to withstand the maximum pulling capacity of your winch.

1. Set flanged nuts into pockets of winch feet.
2. Set winch in mounting location. Confirm required bolt length.

Plate Thickness	Bolt Length
7 mm (1/4")	32 mm
10 mm (3/8")	40 mm
13 mm (1/2")	40 mm

3. Install bolts and tighten to 41 to 47 Nm (30-35 ft. lbs.)
  4. Cut elastic band retaining rope.
  5. Put clutch into free spool position.
  6. Manually feed rope loop through fairlead.
- WARNING** Always use supplied hook strap.
7. Attach hook to cable loop. Attach hook strap to hook.
  8. Rotate clutch back into fully engaged position.

Mounting Orientation

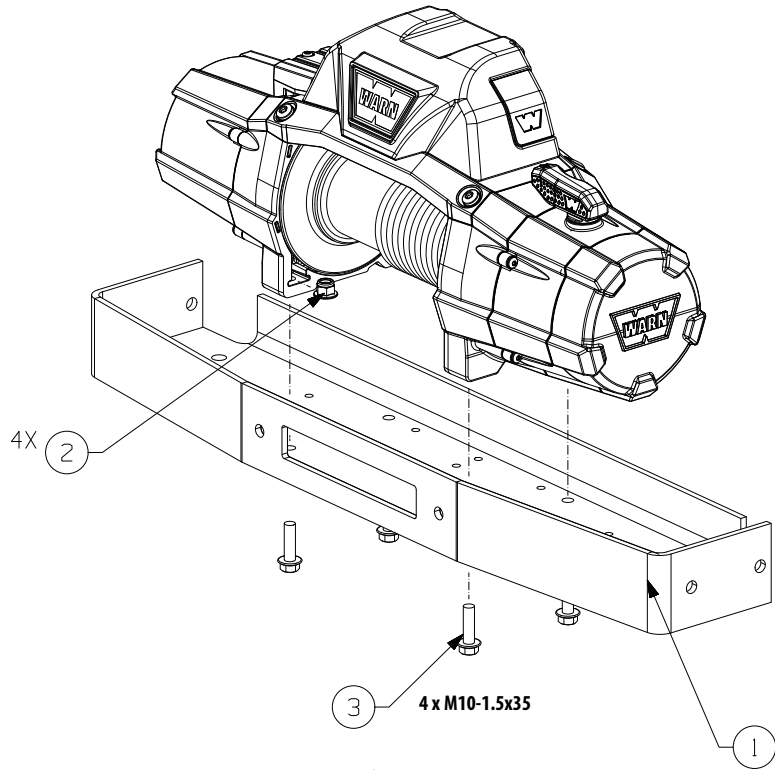


Figure 2 Horizontal Feet Down Orientation

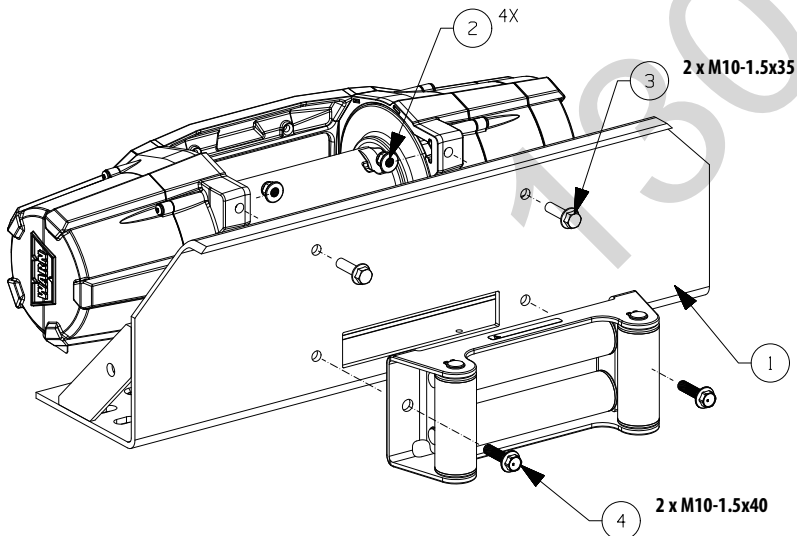


Figure 3 Horizontal Feet Forward Orientation

Step 2 - Install the Wiring

**⚠ WARNING** To prevent serious injury or death. Always place the supplied terminal boots on wires and terminals as directed by the installation instructions.

**⚠ WARNING** To prevent serious injury or death from electrical fire:

- Never route electrical cables across sharp edges.
- Never route electrical cables near parts that get hot.
- Never route electrical cables through or near moving parts.
- Avoid pinch and wear/abrasion points when installing all electrical cables.

**⚠ WARNING** Always insulate and protect all exposed wiring and electrical terminals.

**NOTICE** A fully charged battery and good connections are essential to the proper operation of your winch. The minimum requirement for a 12 volt DC battery is 650 Cold Cranking Amps.

Route battery connection cables in areas which will not cause them to chafe or cut through the insulation causing a potential short circuit.

The winch power wire must be routed to the battery. A direct battery connection of the power (red) and ground (black) cable is required. **WARNING! Do not connect ground to vehicle chassis.**

Routing the battery cables may require removal of vehicle fascia or body parts.

Always route battery cables along a path that allows the cables to be secured with zip ties.

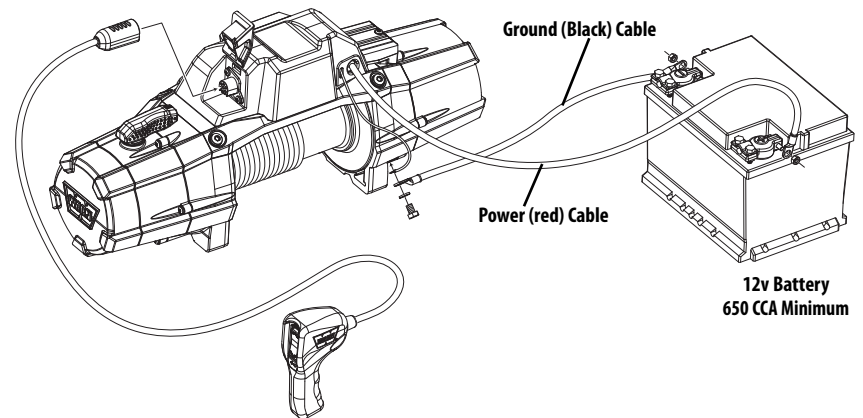


Figure 4 Electrical Diagram

**⚠ WARNING** Loose or unsecured power cables can cause serious injury or death.

Always protect power cables from sharp edges, areas that get too hot to touch with your hand and any moving parts.

1. Plan the routing path.
2. Loosely secure power cables along path.
3. Confirm power cables are protected from sharp edges, heat and moving parts. Consider chassis flex and vibration which might damage cable.
4. Carefully inspect electrical cable routing. Is it neat and tidy? Zip tie and secure electrical cables. Zip ties should be snug, but not cutting into wire insulation. Use electrical tape, pieces of rubber hose or electrical conduit to protect electrical cables and wire harness where needed to avoid electrical cable insulation wear or abrasion.
5. Attach battery cables, red (positive) cable FIRST, black (negative) second. Install boots as appropriate to protect connections. Torque battery terminal fasteners as directed by vehicle service manual.

Upon completion of installation, check winch for proper operation.

**Step 3 - (Optional) Synthetic Rope Installation**

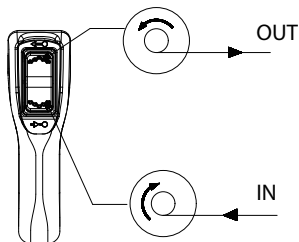
For synthetic rope models, be sure to fully read the WARN Synthetic Rope Installation Instruction manual for detailed synthetic rope installation instructions.

**Step 4 - System Check**

Once you have performed a system check, you are ready to confirm winch function. Proceed to First Time Operation Instructions and Final Analysis and Maintenance sections in this booklet.

**Step 5 - First Time Operating Instructions**

**WARNING** Always understand your winch and the winching operation by reviewing The Basic Guide to Winching Techniques included with your winch.

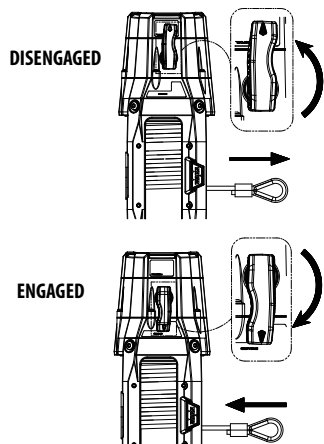


**Remote Control Switch**

Do not leave the remote plugged into the winch when not in use. Leaving the remote plugged in may result in a dangerous condition and/or battery drain.

**Clutch Operation:**

**WARNING** Never engage or disengage clutch if winch is under load, winch rope is in tension or drum is moving.



When the clutch is engaged, the gear train is coupled to the winch drum and power can be transferred from the winch motor. When the clutch is disengaged the drum is in the freespool position

and the gear train and winch rope drum are uncoupled allowing the drum to rotate freely.

The clutch lever, located on the winch housing opposite the motor, controls the clutch position. To prevent damage, always fully engage or fully disengage the clutch lever.

**Spooling Out**

**WARNING** Never operate winch with less than 5 wraps of rope around the drum. Rope could come loose from the drum, as the rope attachment to the drum is not designed to hold a load.

**WARNING** Always keep hands clear of winch rope, hook loop, hook and fairlead opening during installation, operation, and when spooling in or out.

**WARNING** Always wear heavy leather gloves when handling winch rope.

Freespooling is generally the quickest and easiest way to spool out winch rope. Before freespooling winch rope out from the winch, power out enough rope to remove any tension the winch rope might be under. Disengage the clutch. Then freespool by manually spooling out enough winch rope for the winching operation. See The Basic Guide to Winching Techniques for more information.

**NOTICE** Do NOT power out more than 30ft without allowing the winch to cool for 20 minutes before powering rope back in. Instead, place the clutch in freespool and pull the rope out by hand.

**WARNING** Always use supplied hook strap whenever spooling winch rope in or out, during installation or operation to avoid injury to hands and fingers.

**Spooling In Under Load**

**WARNING** Never exceed winch's rated line pull.

Power-in the winch rope evenly and tightly on the drum. This prevents the outer winch wraps from sinking into the inner wraps, binding, and damaging the winch rope.

Avoid shock loads when spooling, by pulsing the control switch to take up winch rope slack. Shock loads can momentarily far exceed the winch and rope ratings.

**Spooling In Under No Load**

**WARNING** Never touch winch rope or hook while someone else is at the control switch or during winching operation.

*Spooling with an Assistant:* Have the assistant hold the hook strap putting as much constant tension on the winch rope as possible. While keeping tension, the assistant should walk toward the winch while you operate the control switch spooling in the winch rope. Release the switch when the hook is a minimum of 6 ft. (2m) from the fairlead opening.

Spool in the remainder for storage as directed below.

*Spooling Alone:* Arrange the winch rope to be spooled so it will not kink or tangle when spooled. Be sure any winch rope on the drum is tightly and evenly layered. Spool enough winch rope to complete the next full layer on the drum. Tighten and straighten the layer. Repeat process until the hook is a minimum of 6 ft. (2 m) from the fairlead opening.

Spool in the remainder for storage as directed below.

**Spooling Remainder for Storage**

When the hook is within 6 ft. (2 m) of the fairlead, disconnect the hook from the anchor or load. Hold onto the supplied hook strap and hold tension on the winch rope. Slowly power-in the winch by "pulsing" the power-in switch on the remote control until the hook is within 3 ft. (1 m) of the fairlead.

Stop winching in and attach the hook to a suitable anchor point on the vehicle.

**NOTICE** Do not power the hook into the fairlead. This could cause damage to the fairlead.

Once the hook is suitably attached to the vehicle, power-in the remaining slack in the winch rope by "pulsing" the power-in switch on the remote control until there is minimal slack in the winch rope.

**Overloading/Overheating**

This winch is rated for intermittent duty. When the motor approaches stall speed, very rapid heat buildup occurs which may cause motor damage.

Double-line rigging (see The Basic Guide to Winching Techniques) will reduce the amperage draw, and reduce heat buildup in the motor. This allows longer continual use.

**STRETCHING WINCH ROPE**

**WARNING** Always prestretch rope and respool under load before use. Tightly wound rope reduces chances of "binding", which can damage the rope.

**WARNING** Never operate winch with less than 5 wraps of rope around the drum. Rope could come loose from the drum, as the rope attachment to the drum is not designed to hold a load.

The life of a winch rope is directly related to the use and care it receives. During its first use, a new winch rope must be spooled onto its drum under a load of at least 1000 lbs. (454 kgs). Use the following instructions to properly stretch the winch rope onto the winch drum.

- 1) Choose a FLAT AND LEVEL location that is large enough to run out the entire length of winch rope.
- 2) Turn the clutch lever on the winch to the "Free Spool" position. Spool out the winch rope to the last 5 wraps on the drum. Once the winch rope is spooled out, turn the clutch lever on the winch to the "Engaged" position.
- 3) Attach the hook end of the rope to a suitable anchor point and back the vehicle away from the anchor point until there is very little slack in the winch rope. Before getting out of the vehicle, set the parking brake, place the vehicle in gear or park and turn the vehicle off.
- 4) Connect the remote control to the winch. Standing approximately 8 ft. (2.44 m) away from the winch, power-in the winch until all of the slack is wound onto the winch drum. Disconnect the remote control from the winch. Hold tension on the winch rope with one hand; carefully push the winch rope to the side of the drum the winch rope is attached to so there are no gaps between each coil on the drum. Be sure to check that the winch rope is winding off the bottom if the drum, not the top, or the automatic load holding brake will not function properly. (If the winch rope is winding off the top you have powered the winch "out" instead of "in" on the remote control).

## FIRST TIME OPERATING INSTRUCTIONS

5) The following steps should be done using two people for proper safety. If you attempt to tension your winch rope alone be sure to always engage the parking brake, place the transmission in gear or park and turn the vehicle off every time you exit the vehicle to inspect the winch rope. Never exit the vehicle with a load on the winch rope. Tensioning the winch rope is critical to ensure a long product life. Tensioning the winch rope will prevent outer layers of winch rope from pinching and deforming the inner layers.

6) Use care to evenly wrap each layer to prevent damage to the rope.

7) Pass the remote control through the driver's window for the driver of the vehicle to operate. Instruct your assistant to stand to the side of the vehicle and away from the winch rope. Your assistant should signal you if the winch rope is winding correctly by watching it move across the fairlead as the winch rope is powered in. Start the vehicle and place the transmission in neutral. Release the parking brake while applying moderate brake pedal pressure.

Press power-in on the remote control switch. After winching in for approximately 6 ft. (2m), stop winching. Slowly let up off of the brake pedal and then apply the parking brake. This will ensure that there is no load on the winch rope. Then place the transmission in park or in gear and turn the vehicle off. Exit the vehicle and inspect the winch to make sure that the winch rope is being evenly wound onto the winch drum and not sinking into the lower layer. If the winch rope is sinking, power the winch rope out and repeat this step from the beginning with more brake pedal pressure.

8) When you are convinced the winch rope is winding onto the winch drum properly, repeat step 6 until the vehicle is within 6 ft. (2 m) of the winch anchor. Once within 6 ft. (2 m), slowly let up off of the brake pedal and then apply the parking brake. This will ensure that there is no load on the winch rope. Then place the transmission in park or in gear and turn the vehicle off. Exit the vehicle. Disconnect the hook from the anchor. While holding onto the supplied hook strap, hold tension on the winch rope and slowly power-in the winch by "pulsing" the power-in switch on the remote control until the hook is within 3 ft. (1 m) of the fairlead. Stop winching in and attach the hook to a suitable anchor point on the vehicle.

**NOTICE** Do not power the hook into the fairlead. This could cause damage to the fairlead.

Once the hook is suitably attached to the vehicle, power-in the remaining slack in the winch rope by "pulsing" the power-in switch on the remote control until there is minimal slack in the winch rope.

## FINAL ANALYSIS AND MAINTENANCE

Check	Before first operation	After each use	Every 90 days
Take time to fully read the Instructions and/or Operations Guide, and/or Basic Guide to Winching Techniques, in order to understand your winch and its operations	X		
Check fasteners and make sure they are tight and to proper torque. Replace damaged fasteners.	X		X
Verify wiring to all components is correct and be certain that all connections are tight.	X		X
Verify there is no exposed/bare wiring, terminals or cable insulation damage (chafing/cutting). Cover any exposures with terminal boots. Repair or replace damaged electrical cable.	X		X
Inspect rope for damage. Replace rope immediately if damaged.	X	X	X
Keep winch, rope and switch control free from contaminants. Use a clean rag or towel to remove any dirt and debris.		X	

**WARNING** To prevent serious injury or death:



Always spool the winch rope onto the drum as indicated by the drum rotation label.



Always Wind Rope on Bottom of Drum.



Never Wind Rope Over Top of Drum.

Take time to fully understand your winch and the winching operation by reviewing the Basic Guide to Winching Techniques included with your winch.

For further information or any questions contact:

WARN INDUSTRIES, INC.  
12900 S.E. Capps Road, Clackamas  
OR USA 97015-8903, 1-503-722-1200,  
Customer Service: 1-800-543-9276  
Dealer Locator Service: 1-800-910-1122  
or visit [www.warn.com](http://www.warn.com).





## Guide d'installation du treuil

Chaque situation de treuilage peut potentiellement occasionner des blessures. Afin de minimiser ce risque, il est important de lire attentivement le présent guide ainsi que le manuel de base des techniques de treuilage. Veillez à vous familiariser avec le maniement du treuil avant de l'utiliser et à vous préoccuper avant tout de la sécurité. Nous exposons dans ce guide de nombreuses règles de sécurité fondamentales pour le maniement du treuil. Veillez lire le manuel de base des techniques de treuilage pour de plus amples informations concernant votre treuil et les techniques adéquates de câblage. N'oubliez pas que, comme chaque situation de treuilage est différente, votre bon sens et votre attachement constant aux principes de sécurité sont d'une importance primordiale.

À titre de référence, veuillez conserver ce manuel et les documents complémentaires qui se trouvent dans ce kit. Vous trouverez dans ce kit la documentation suivante : Le manuel de base des techniques de treuilage, les spécifications techniques, la déclaration de conformité, les informations relatives à la garantie, le guide d'installation du treuil et un guide de l'utilisateur des câbles synthétiques en option. En cas de document manquant, veuillez nous contacter aux numéros ci-dessous ou visiter notre site [www.warn.com](http://www.warn.com).

### TABLE DES MATIÈRES :

#### SÉCURITÉ

Index des symboles .....	16
Mesures générales de sécurité .....	17-19

#### INSTRUCTIONS

Conditions de travail sûres.....	20
Se familiariser avec le treuil .....	21
Montage.....	22-23
Raccordements électriques .....	24
Instructions relatives à une première utilisation .....	25-27
Dernière analyse et entretien .....	28

Warn Industries Inc.  
12900 SE Capps Road  
Clackamas, OR 97015  
États-Unis

Service à la clientèle : (800) 543-9276  
No. de Fax international : (503) 722-3005  
Télécopie : (503) 722-3000  
[www.warn.com](http://www.warn.com)

Warn® et le logo WARN sont des marques déposées de Warn Industries Inc.  
© 2012 Warn Industries Inc.

## INDEX DES SYMBOLES

SYMBOLE	EXPLICATION
	Lire tous les documents relatifs au produit
	Toujours porter un dispositif de protection auditive et oculaire
	Ne jamais utiliser le treuil comme palan
	Positionner correctement la charge dans la gorge du crochet
	Enrouler le câble sur le dessous du tambour
	Danger d'écrasement des doigts dans le guide-câble
	Risque de percement/coupure des mains
	Risque d'explosion/rupture
	Danger en raison d'une arête tranchante
	Éviter les points de pincement et d'usure/abrasion lors de l'installation des câbles électriques

SYMBOLE	EXPLICATION
	Toujours porter des gants de cuir
	Ne pas déplacer des personnes
	Toujours utiliser la sangle de crochet fournie
	Ne jamais appliquer la charge sur l'extrémité ou le loquet du crochet
	Ne jamais enrouler le câble sur le dessus du tambour
	Point de pincement du guide-câble
	Risque de surface chaude
	Risque d'incendie et de brûlure
	Danger lié à des pièces mobiles
	Isoler tous les câbles exposés
	Ne jamais accrocher le câble à lui-même

## Avertissements et mises en garde



Les directives suivantes comprennent des indications intitulées AVERTISSEMENT, ATTENTION, AVIS et REMARQUE. Chacune d'entre elles comporte un objectif bien précis : AVERTISSEMENT présente des consignes de sécurité soulignant un danger potentiel qui, s'il n'est pas évité, peut entraîner des blessures graves ou la mort. ATTENTION comprend des consignes de sécurité signalant un danger potentiel qui, s'il n'est pas évité, peut entraîner des blessures légères ou modérées. ATTENTION sert aussi à signaler une utilisation dangereuse. ATTENTION et AVERTISSEMENT identifient un danger, indiquent comment l'éviter et montrent ses conséquences possibles si on l'ignore. AVIS présente des consignes visant à éviter les dommages matériels. REMARQUE donne des renseignements additionnels qui aident à accomplir une procédure. **TRAVAILLEZ PRUDEMMENT !**

### AVERTISSEMENT



#### DANGER DE HAPPEMENT PAR DES PIÈCES MOBILES

Le non-respect des consignes peut entraîner des blessures graves ou la mort.

- **Toujours** s'assurer que le loquet du crochet est fermé et qu'il ne soutient aucune charge.
- **Ne jamais** appliquer la charge sur l'extrémité ou le loquet du crochet. Appliquer la charge uniquement au centre du crochet.
- **Ne jamais** utiliser un crochet dont l'ouverture de la gorge a augmenté ou dont l'extrémité est courbée ou tordue.
- **Toujours** utiliser un crochet avec loquet.
- **Toujours** s'assurer que l'opérateur et les personnes présentes sont conscients de la stabilité du véhicule et/ou de la charge.
- **Toujours** garder le fil de la télécommande et le cordon d'alimentation à l'écart du tambour, du câble et du câblage. S'assurer qu'il n'y a pas de fissures, de points de pincement, de fils effilochés ou de connexions desserrées. Tous les composants endommagés doivent être remplacés avant d'utiliser le produit.
- **Toujours** faire passer la télécommande par la fenêtre, si on l'utilise de l'intérieur d'un véhicule.
- **Ne jamais** accrocher le câble à lui-même

### AVERTISSEMENT



#### DANGER DE HAPPEMENT PAR DES PIÈCES MOBILES

Le non-respect des consignes peut entraîner des blessures graves ou la mort.

##### Consignes de sécurité générales :

- **Toujours** se familiariser avec le treuil. Prendre le temps de bien lire le manuel d'utilisation, et/ou le manuel de base des techniques de treuillage, afin de comprendre le treuil et son fonctionnement.
- **Ne jamais** excéder la capacité nominale du treuil ou du câble d'acier. Un câblage double avec poulie ouvrante permet de réduire la charge subie par le treuil.
- **Toujours** porter des gants de cuir épais durant la manipulation du câble du treuil.
- **Ne jamais** utiliser le treuil ou le câble du treuil pour faire du remorquage. Cela peut endommager, surcharger et casser le câble.
- **Ne jamais** se servir du treuil pour maintenir une charge.
- **Ne jamais** faire fonctionner l'appareil sous l'effet de drogues, de l'alcool ou de médicaments.
- **Ne jamais** laisser des personnes âgées de moins de 16 ans utiliser ce treuil.

##### Consignes de sécurité se rapportant à l'installation :

- **Toujours** choisir une surface de montage suffisamment résistante pour supporter la capacité de traction maximale du treuil.
- **Toujours** utiliser un matériel de montage de catégorie 8,8 ou supérieure.
- **Ne jamais** souder les boulons de montage.
- **Toujours** utiliser un matériel de montage, des composants et des accessoires homologués par le fabricant.
- **Ne jamais** utiliser des boulons trop longs.
- **Toujours** achever le montage du treuil et la fixation du crochet avant d'effectuer le câblage.
- **Toujours** garder les mains éloignées du câble du treuil, de la boucle du crochet, du crochet et de l'ouverture du guide-câble durant l'installation et l'utilisation de l'appareil et l'enroulement ou le déroulement du câble.
- **Toujours** positionner le guide-câble avec l'avertissement visible sur le dessus.
- **Toujours** étirer au préalable le câble et l'enrouler sous charge avant de l'utiliser. Un câble enroulé de manière serrée réduit le risque qu'il coince et soit endommagé.

### AVERTISSEMENT



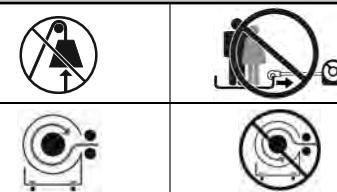
#### DANGER DE HAPPEMENT PAR DES PIÈCES MOBILES

Le non-respect des consignes peut entraîner des blessures graves ou la mort.

##### Consignes de sécurité concernant le treuillage :

- **Toujours** inspecter le câble du treuil, le crochet et les élingues avant de faire fonctionner le treuil. Tout câble de treuil effiloché, tordu ou endommagé doit être remplacé immédiatement. Tous les composants endommagés doivent être remplacés avant d'utiliser le produit. Protéger toutes les pièces contre le risque de dommages.
- **Toujours** s'assurer que tout objet ou obstacle pouvant gêner la bonne utilisation du treuil est écarté.
- **Toujours** s'assurer que le point d'ancrage choisi peut supporter la charge et que la sangle ou la chaîne ne glisse pas.
- **Toujours** utiliser la sangle de crochet fournie pour enrouler ou dérouler le câble du treuil, durant l'installation ou l'utilisation.
- **Toujours** exiger de l'opérateur et des personnes présentes d'être attentifs au véhicule et à la charge.
- **Toujours** être conscient de la stabilité du véhicule et de la charge durant le treuillage. Veiller à ce que personne ne s'approche. Alerter toutes les personnes alentour en cas d'instabilité.
- **Toujours** dérouler autant de câble du treuil que possible avant de procéder au câblage. Utiliser une ligne double ou choisir un point d'ancrage distant.
- **Toujours** prendre le temps d'utiliser des techniques de câblage adaptées avant d'utiliser le treuil pour tirer.
- **Ne jamais** toucher le câble du treuil ou le crochet lorsqu'une autre personne est à l'interrupteur de commande ou durant le fonctionnement du treuil.
- **Ne jamais** essayer d'embrayer ou de débrayer si le treuil est sous charge, si le câble du treuil est en tension ou si le tambour est en train de tourner.
- **Ne jamais** toucher le câble ou le crochet lorsque le câble est tendu ou sous charge.
- **Toujours** se tenir à l'écart du câble du treuil et de la charge durant l'utilisation et ne jamais laisser personne s'approcher.
- **Ne jamais** se servir d'un véhicule pour tirer une charge sur le câble du treuil. La charge combinée ou un choc peut endommager, surcharger et casser le câble.
- **Ne jamais** replier le câble du treuil sur lui-même.
- Utiliser **toujours** une chaîne ou une protection de tronç d'arbre sur le point d'ancrage.

### AVERTISSEMENT



#### DANGER DE CHUTE OU D'ÉCRASEMENT

Le non-respect des consignes peut entraîner des blessures graves ou la mort.

- **Toujours** rester à l'écart, en gardant les mains et les autres personnes à l'écart également.
- **Ne jamais** utiliser le treuil avec moins de 5 spires de câble enroulées autour du tambour, car le câble pourrait se dérouler du tambour, étant donné que l'ancrage du câble n'est pas conçu pour retenir une charge.
- **Ne jamais** utiliser le treuil comme palan ou pour suspendre une charge.
- **Toujours** s'assurer que le point d'ancrage peut supporter la charge, et prendre le temps d'employer des techniques de câblage appropriées.
- **Ne jamais** utiliser le treuil pour soulever ou transporter des personnes.
- **Ne jamais** forcer trop fort pour dérouler le câble du treuil.
- **Toujours** utiliser une posture/technique de levage adéquate ou demander de l'aide lors de la manipulation ou de l'installation du produit.
- **Toujours** enrouler le câble sur le tambour dans le sens spécifié par l'étiquette d'avertissement apposée sur le treuil ou la documentation du treuil. Cela est nécessaire pour que le frein automatique (le cas échéant) fonctionne correctement.
- **Toujours** enrouler le câble du treuil sur le tambour comme indiqué par l'autocollant de rotation du tambour.
- **Toujours** enrouler le câble du treuil sur le dessous (côté support) du treuil.
- **Ne jamais** enrouler le câble sur le dessus du tambour.
- **Toujours** enrouler le câble du treuil sur le tambour dans le sens spécifié par les étiquettes de rotation du tambour apposées sur le treuil et/ou par la documentation du treuil. Cela est nécessaire pour que le frein automatique (le cas échéant) fonctionne correctement.

 <b>AVERTISSEMENT</b>	
	
<p><b>RISQUE DE COUPURE ET DE BRÛLURE</b>  <b>Le non-respect des consignes peut entraîner des blessures graves ou la mort.</b></p> <p><b>Pour éviter de se blesser les mains et les doigts :</b></p> <ul style="list-style-type: none"> <li>• <b>Toujours</b> porter des gants de cuir épais durant la manipulation du câble du treuil.</li> <li>• <b>Toujours</b> penser aux surfaces chaudes au niveau du moteur du treuil, du tambour ou du câble durant ou après l'utilisation du treuil.</li> </ul>	

 <b>ATTENTION</b>	
	
<p><b>RISQUE DE COUPURE ET DE BRÛLURE</b>  <b>Le non-respect des instructions peut entraîner des blessures mineures ou modérées.</b></p> <ul style="list-style-type: none"> <li>• <b>Ne jamais</b> laisser le câble du treuil glisser dans les mains.</li> </ul>	

 <b>AVERTISSEMENT</b>		
		
		
<p><b>RISQUES ASSOCIÉS AUX PRODUITS CHIMIQUES ET RISQUE D'INCENDIE</b>  <b>Le non-respect des consignes peut entraîner des blessures graves ou la mort.</b></p> <ul style="list-style-type: none"> <li>• <b>Toujours</b> retirer les bijoux et porter des lunettes de sécurité.</li> <li>• <b>Ne jamais</b> faire passer les câbles électriques par-dessus des bords tranchants.</li> <li>• <b>Ne jamais</b> faire passer les câbles électriques à proximité de pièces qui s'échauffent.</li> <li>• <b>Ne jamais</b> faire passer les câbles électriques à travers des pièces mobiles ou à proximité.</li> <li>• <b>Toujours</b> placer les capuchons fournis sur les fils et les bornes, conformément aux instructions d'installation.</li> <li>• <b>Ne jamais</b> se pencher au-dessus de la batterie en procédant aux connexions.</li> <li>• <b>Ne jamais</b> faire passer les câbles électriques par-dessus les bornes de la batterie.</li> <li>• <b>Ne jamais</b> court-circuiter les bornes de la batterie avec des objets métalliques.</li> <li>• <b>Toujours</b> s'assurer que la zone ne contient pas de conduites de carburant, de réservoir de carburant, de conduites de frein, de câblage électrique, etc., avant de percer.</li> <li>• <b>Toujours</b> consulter le manuel de l'utilisateur pour les informations correctes de câblage.</li> <li>• <b>Toujours</b> isoler et protéger tous les fils et bornes électriques exposés.</li> </ul>		

 <b>ATTENTION</b>	
	
<p><b>DANGER DE HAPPEMENT PAR DES PIÈCES MOBILES</b>  <b>Le non-respect des instructions peut entraîner des blessures mineures ou modérées.</b></p> <p><b>Pour éviter de se blesser les mains ou les doigts :</b></p> <ul style="list-style-type: none"> <li>• <b>Ne jamais</b> laisser la télécommande dans un emplacement où elle peut être activée durant la mise en roue libre, le câblage ou quand le treuil n'est pas utilisé.</li> <li>• <b>Ne jamais</b> laisser la télécommande du treuil branchée durant l'installation, le déroulement en roue libre, le câblage, l'entretien ou quand le treuil n'est pas utilisé.</li> </ul>	

<b>AVIS</b>
<p><b>ÉVITER D'ENDOMMAGER LE TREUIL ET L'ÉQUIPEMENT</b></p> <ul style="list-style-type: none"> <li>• <b>Toujours</b> éviter de tirer sur le côté, ce qui a pour effet d'empiler le câble du treuil sur l'une des extrémités du tambour. Cela peut endommager le câble ou le treuil.</li> <li>• <b>Toujours</b> s'assurer d'avoir complètement embrayé ou complètement débrayé.</li> <li>• <b>Toujours</b> faire attention à ne pas endommager le châssis du véhicule si l'on décide de s'arrimer à un véhicule pour pouvoir travailler avec le treuil.</li> <li>• <b>Ne jamais</b> submerger le treuil dans l'eau.</li> <li>• <b>Toujours</b> ranger la télécommande dans un endroit sûr, propre et sec.</li> </ul>

Ce manuel contient des consignes d'installation du système de treuil WARN et les instructions pour la première utilisation. Veuillez consulter le Manuel de base des techniques de treuillage pour des instructions d'utilisation complètes relatives au système de treuil WARN.

**Sécurité**

Lire et suivre les instructions de montage et de sécurité lors de l'installation du système de treuil WARN.

Toujours faire attention lorsqu'on travaille avec l'électricité et ne pas oublier de s'assurer qu'aucune connexion électrique n'est exposée avant de mettre le circuit du treuil sous tension.

Pour les spécifications et les données de performance, veuillez vous référer à la fiche technique fournie avec le treuil.

## Se familiariser avec le treuil

Avant de commencer, vous devez vous familiariser avec votre treuil Warn et chacun de ses composants :

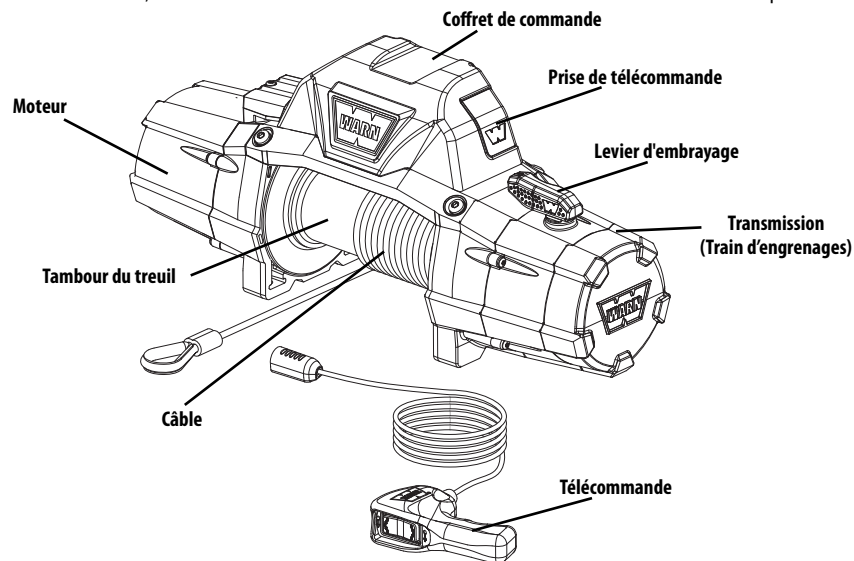


Figure 1

### **Moteur :**

Le moteur du treuil est alimenté par la batterie du véhicule. Le moteur fournit de la puissance au système de rapports qui fait tourner le tambour et enroule le câble du treuil.

### **Tambour du treuil :**

Le tambour du treuil est le cylindre sur lequel s'enroule le câble. Le tambour est entraîné par le moteur et le train d'engrenage. Son sens peut être changé en utilisant la télécommande.

### **Câble\* :**

Le diamètre du câble du treuil et sa longueur sont déterminés par la structure et la puissance de traction du treuil. Enroulé autour du tambour du treuil, le câble passe par le guide-câble et se termine par une boucle pour l'axe de chape du crochet.

**\*Pour des modèles avec un câble synthétique, prenez soin de lire le manuel des Instructions d'installation du câble synthétique, inclus dans le kit.**

### **Train d'engrenages :**

Le rapport de démultiplication convertit la puissance du moteur en une force de traction considérable. La conception du train d'engrenages permet au treuil d'être compact et léger.

### **Levier d'embrayage :**

L'embrayage permet à l'opérateur de dissocier manuellement le tambour du train de rapports, permettant au tambour de tourner librement. L'engagement de l'embrayage rend de nouveau le tambour solidaire du train d'engrenages.

### **Prise de télécommande :**

La prise de télécommande permet à l'opérateur de brancher le fil de la commande à distance ou le récepteur sans fil en option, afin de contrôler le treuil.

### **Coffret de commande\* :**

En utilisant le courant de la batterie du véhicule, le contacteur du coffret de commande commute l'alimentation vers le moteur, permettant ainsi à l'opérateur de changer le sens de rotation du tambour.

**\*Pour des applications spécifiques, consultez les informations relatives au Kit de repositionnement du coffret de commande en option chez votre concessionnaire agréé ou sur [www.warn.com](http://www.warn.com).**

### **Télécommande :**

La télécommande se branche dans le coffret de commande, sur la prise de télécommande, et permet à l'opérateur de commander le sens de rotation du treuil tout en restant loin du câble pendant le fonctionnement du treuil.

## Étape 1 – Monter le treuil

Vous trouverez auprès de votre concessionnaire Warn des kits de montage de treuil capables de satisfaire pratiquement tous vos besoins. Pour de plus amples informations sur les kits disponibles, contactez votre concessionnaire de produits WARN.

**AVIS** Pour obtenir une performance optimale et les résultats que vous attendez, les plaques de montage WARN sont fortement recommandées.

**ATTENTION** Afin de prévenir toute activation accidentelle du treuil et des blessures graves, terminer l'installation du treuil et fixer le crochet avant d'installer le câblage.

**AVERTISSEMENT** Toujours choisir une surface de montage suffisamment résistante pour supporter la capacité de traction maximale du treuil.

**AVERTISSEMENT** Ne jamais utiliser des boulons trop longs.

**AVERTISSEMENT** Toujours enrouler le câble du treuil sur le tambour dans le sens spécifié par les étiquettes de rotation du tambour apposées sur le treuil et/ou par la documentation du treuil. Cela est nécessaire pour que le frein automatique (le cas échéant) fonctionne correctement.

**AVERTISSEMENT** Toujours enrouler le câble du treuil sur le dessous (côté support) du treuil.

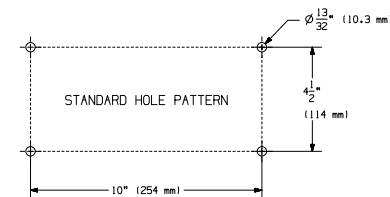
Ce treuil doit toujours être monté à l'horizontale avec l'enroulement/le déroulement du câble sur le côté support du tambour et en respectant le sens de rotation du tambour indiqué par la flèche apposée sur le treuil, voir Figures 2 et 3.

Le sens de rotation correct est nécessaire pour que le frein automatique fonctionne correctement. Le montage à l'horizontale permet d'éviter que le câble s'accumule à une extrémité du tambour, ce qui pourrait endommager le treuil.

Utiliser les boulons et les rondelles d'arrêt recommandés, ainsi que les couples de serrage recommandés pour éviter les vibrations du treuil pendant son fonctionnement. Les caractéristiques techniques sont présentées ci-après. Le système de montage détermine la longueur des boulons.

## Entraxe de fixation :

Standard : 254 mm x 114,3 mm (10" x 4,5")



Surface de montage lisse et plane, épaisseur minimale = 6,4 mm (1/1")

## Matériel inclus :

- Contre-écrou M10 x 1,5 15 mm hexagonal
- Boulon à embase hexagonale M10-1,5 x 35, 8,8 (4x)
- Boulon à embase hexagonale M10-1,5 x 40, 8,8 (2x)

## Couple : Entre 41 et 47 Nm

Choisir une surface de montage suffisamment résistante pour supporter la capacité de traction maximale du treuil.

1. Placer les contre-écrous dans les poches des pieds du treuil.
2. Installer le treuil sur la surface de montage. Confirmer la longueur de câble requise.

Épaisseur de plaque	Longueur de boulon
7 mm (1/4")	32 mm
10 mm (3/8")	40 mm
13 mm (1/2")	40 mm

3. Installer les boulons et serrer au couple de serrage compris entre 41 et 47 Nm.
4. Couper la bande élastique qui retient le câble.
5. Mettre l'embrayage en position de roue libre.
6. Passer manuellement la boucle du câble dans le guide-câble.

**AVERTISSEMENT** Toujours utiliser le cordon du crochet fourni.

7. Fixer le crochet à la boucle du câble. Fixer le cordon du crochet au crochet.
8. Faire tourner l'embrayage pour qu'il soit complètement embrayé.



Orientation de montage

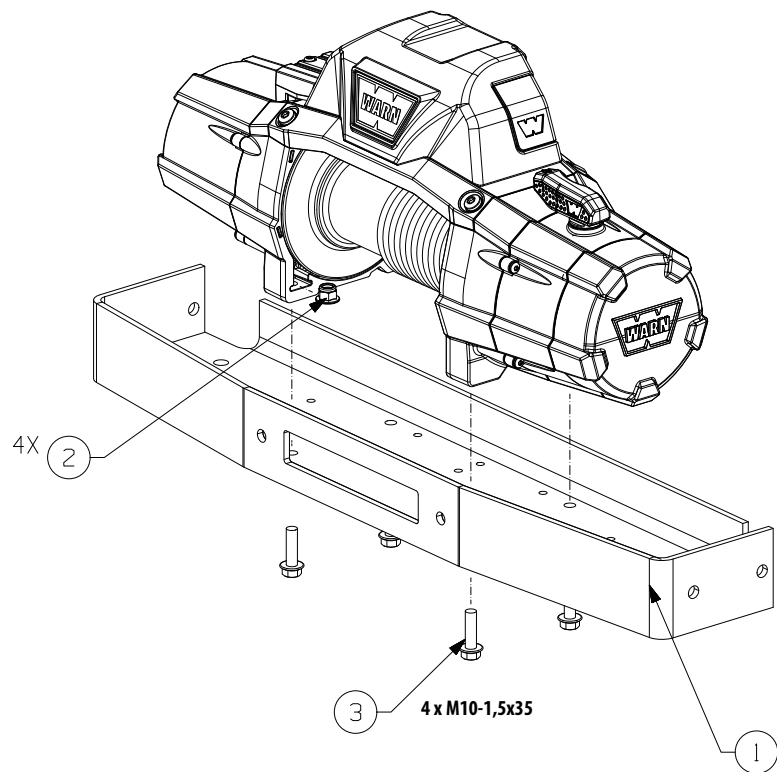


Figure 2 Orientation horizontale pieds abaissés

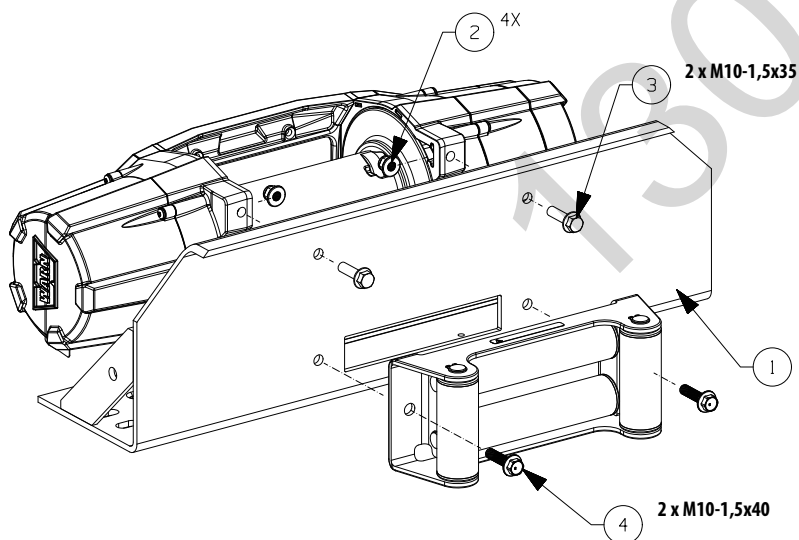






Figure 3 Orientation horizontale pieds vers l'avant

Étape 2 – Installation du câblage

**AVERTISSEMENT** Pour éviter des blessures graves ou la mort. Toujours placer les capuchons fournis sur les fils et les bornes, conformément aux instructions d'installation.

**AVERTISSEMENT** Pour éviter les risques de blessures graves ou mortelles suite à un feu électrique :

-  Ne jamais faire passer les câbles électriques par-dessus des bords tranchants.
-  Ne jamais faire passer les câbles électriques à proximité de pièces qui s'échauffent.
-  Ne jamais faire passer les câbles électriques à travers des pièces mobiles ou à proximité.
-  Éviter les points de pincement et d'usure/abrasion lors de l'installation des câbles électriques.

**AVERTISSEMENT** Toujours isoler et protéger tous les fils et bornes électriques exposés.

**AVIS** La charge de la batterie et la qualité des connexions sont essentielles pour que le treuil fonctionne correctement. La capacité de démarrage à froid minimale requise pour une batterie de 12 V c.c. est de 650 A.

Les fils de batterie doivent passer par des endroits qui ne risquent pas d'endommager ou de percer l'isolation et de créer des risques de court-circuit.

Le câble d'alimentation du treuil doit passer par la batterie. Il est obligatoire d'avoir une connexion directe de l'alimentation à la batterie (rouge) et un câble de mise à la terre (noir). **AVERTISSEMENT ! Ne pas brancher le câble de mise à la terre sur le châssis.**

Il peut s'avérer nécessaire de retirer le tableau de bord du véhicule ou des pièces de carrosserie pour faire passer les câbles de la batterie.

Toujours faire passer les câbles de la batterie le long d'un chemin permettant de les fixer avec des attaches mono-usage.

**AVERTISSEMENT** Des câbles d'alimentation pas ou mal fixés peuvent causer des accidents corporels graves, voire mortels.

Protéger toujours les câbles d'alimentation des bords tranchants, des zones qui deviennent trop chaudes pour y poser la main et des pièces mobiles.

1. Planifier le chemin de passage des câbles.
2. Fixer provisoirement les câbles d'alimentation.
3. Confirmer que les câbles d'alimentation sont protégés des bords tranchants, de la chaleur et des pièces mobiles. Tenir compte de la flexibilité et des vibrations du châssis pouvant endommager le câble.
4. Inspecter avec soin le chemin de passage des câbles électriques. Ils doivent être propres et bien rangés. Fixer les câbles électriques au moyen d'attaches mono-usage. Les attaches plastiques ne doivent pas être trop serrées pour ne pas couper l'isolant du câble. Utiliser du ruban isolant, des morceaux de tubes en caoutchouc ou une gaine électrique pour protéger les câbles électriques et le faisceau de fils, le cas échéant, pour éviter l'usure ou l'abrasion de l'isolant des câbles.
5. Fixer les câbles de la batterie, le câble rouge (positif) en premier, le noir (négatif) en second. Installer les capuchons au besoin pour protéger les connexions. Serrer les fixations des bornes de la batterie comme indiqué dans le manuel technique du véhicule. Une fois l'installation terminée, vérifier que le treuil fonctionne correctement.

Étape 3 – Installation du câble synthétique (en option)

Pour des modèles avec un câble synthétique, prenez soin de lire le manuel des Instructions d'installation du câble synthétique, qui donne des précisions.

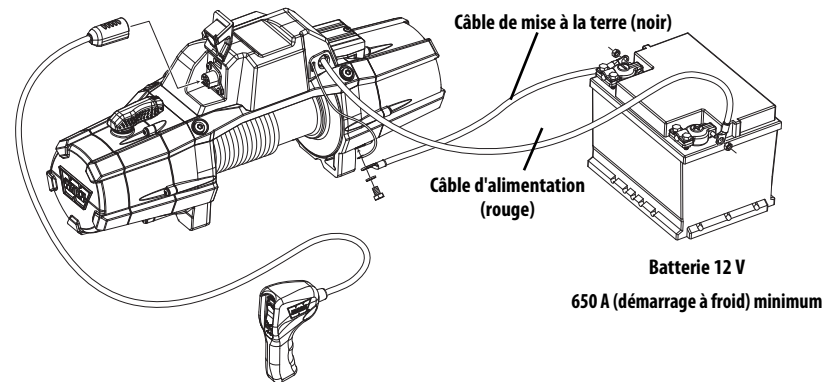


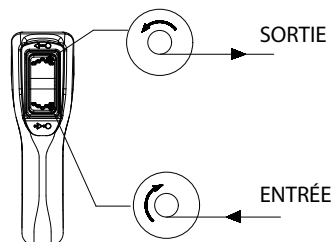
Figure 4 Schéma électrique

## Étape 4 – Vérification du système

Une fois la vérification du système achevée, vous pouvez confirmer le fonctionnement du treuil. Passez aux sections intitulées Instructions relatives à une première utilisation et Dernière analyse et entretien du présent livret.

## Étape 5 – Instructions relatives à une première utilisation

**AVERTISSEMENT** Toujours se familiariser avec le treuil et son fonctionnement en examinant le Manuel de base des techniques de treuillage inclus avec le treuil.

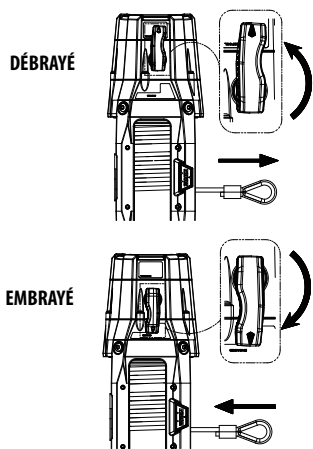


### Interrupteur télécommande

Ne pas laisser la télécommande branchée dans le treuil lorsque celui-ci n'est pas utilisé. Une télécommande qui reste branchée risque de créer des conditions dangereuses et de vider la batterie.

### Fonctionnement de l'embrayage :

**AVERTISSEMENT** Ne jamais essayer d'embrayer ou de débrayer si le treuil est sous charge, si le câble du treuil est en tension ou si le tambour est en train de tourner.



Lorsque l'embrayage est en prise, le train d'engrenages est couplé au tambour du treuil et l'entraînement peut alors être transféré du moteur

du treuil. Lorsque l'embrayage est débrayé, le tambour est en position de déroulement en roue libre et le train d'engrenages et le tambour du treuil se désaccouplent, ce qui permet au tambour de tourner librement.

Le levier d'embrayage, situé sur le carter du treuil en face du moteur, permet de commander la position de l'embrayage. Pour éviter tout dommage, tourner complètement le levier d'embrayage dans l'une ou l'autre position.

### Déroulement du câble

**AVERTISSEMENT** Ne jamais utiliser le treuil avec moins de 5 spires de câble enroulées autour du tambour, car le câble pourrait se dérouler du tambour, étant donné que l'ancrage du câble n'est pas conçu pour retenir une charge.

**AVERTISSEMENT** Toujours garder les mains éloignées du câble du treuil, de la boucle du crochet, du crochet et de l'ouverture du guide-câble durant l'installation et l'utilisation de l'appareil et l'enroulement ou le déroulement du câble.

**AVERTISSEMENT** Toujours porter des gants de cuir épais durant la manipulation du câble du treuil.

Le déroulement en roue libre constitue généralement la façon la plus rapide et la plus facile de dérouler le câble du treuil. Avant de mettre le treuil en roue libre pour dérouler le câble, dérouler au moteur une quantité suffisante de câble pour soulager le câble de toute tension. Débrayer. Dérouler ensuite manuellement une quantité suffisante de câble pour pouvoir travailler avec le treuil. Voir le manuel de base des techniques de treuillage pour de plus amples informations.

**AVIS** Ne PAS dérouler le câble de plus de 9 m sans laisser refroidir le treuil pendant 20 minutes avant de recommencer l'enroulement. Utiliser plutôt l'embrayage en déroulement libre en tirant le câble à la main.

**AVERTISSEMENT** Toujours utiliser le cordon du crochet fourni pour enrouler ou dérouler le câble, durant l'installation ou l'utilisation pour éviter de se blesser les mains ou les doigts.

### Enroulement sous charge

**AVERTISSEMENT** Ne jamais dépasser l'effort en 1ère couche du treuil.

Enrouler mécaniquement le câble du treuil sur le tambour de manière uniforme et serrée. Cela empêche les spires extérieures de s'enfoncer dans les spires intérieures, ce qui peut coincer et endommager le câble.

Pour éviter les charges de choc durant l'enroulement du câble, actionner l'interrupteur de commande de manière intermittente afin d'éliminer le mou du câble. Les charges de choc peuvent momentanément dépasser de loin la capacité du treuil et du câble.

### Enroulement à vide

**AVERTISSEMENT** Ne jamais toucher le câble du treuil ou le crochet lorsqu'une autre personne est à l'interrupteur de commande ou durant le fonctionnement du treuil.

*Déroulement avec un assistant :* demander à un assistant de tenir la sangle de crochet en appliquant une tension aussi constante que possible sur le câble du treuil. Tout en maintenant la tension, il devra se déplacer en direction du treuil pendant l'actionnement de l'interrupteur de commande pour enrouler le câble. Relâcher l'interrupteur lorsque le crochet parvient à une distance minimale de 2 m de l'ouverture du guide-câble.

Enrouler le reste du câble pour le ranger, de la manière indiquée ci-dessous.

*Déroulement sans assistance :* Arranger le câble à enrouler de manière à ce qu'il ne s'entortille ni ne s'emmêle pendant le rembobinage. Veiller à ce que le câble soit enroulé sur le tambour de manière uniforme et serrée. Enrouler une quantité suffisante de câble pour compléter une couche entière sur le tambour. Serrer et étaler de manière égale la couche de câble. Faire de même jusqu'à ce que le crochet se trouve à au moins 2 m de l'ouverture du guide-câble.

Enrouler le reste du câble pour le ranger, de la manière indiquée ci-dessous.

### Enroulement du reste du câble pour le ranger

Lorsque le crochet se trouve à moins de 2 m du guide-câble, détacher le crochet du point d'ancrage ou de la charge. En tenant la sangle de crochet fournie, maintenir la tension sur câble du treuil. Enrouler lentement le treuil en appliquant de petites pressions sur la touche « Power in » (enrouler) de la télécommande jusqu'à ce que le crochet soit à moins de 1 m du guide-câble.

Arrêter le treuillage et fixer le crochet sur un point d'ancrage approprié sur le véhicule.

**AVIS** Ne pas laisser le crochet atteindre le guide-câble. Cela pourrait endommager le guide-câble.

Une fois le crochet fixé correctement au véhicule, enrouler le câble de façon à éliminer le mou restant en appliquant de petites pressions sur la touche « Power in » (enrouler) de la télécommande jusqu'à ce que le mou soit minime sur le câble du treuil.

### Surcharge/surchauffe

Ce treuil est conçu pour un service intermittent. Lorsque le moteur est sur le point de caler, une accumulation rapide de chaleur se produit et peut endommager le moteur.

Le câblage double (voir le manuel de base des techniques de treuillage) permet de réduire le débit en ampères et de réduire ainsi l'accumulation de chaleur dans le moteur. Cela permet une utilisation continue prolongée.

### ÉTIREMENT DU CÂBLE DU TREUIL

**AVERTISSEMENT** Toujours étirer au préalable le câble et l'enrouler sous charge avant de l'utiliser. Un câble enroulé de manière serrée réduit le risque qu'il coince et soit endommagé.

**AVERTISSEMENT** Ne jamais utiliser le treuil avec moins de 5 spires de câble enroulées autour du tambour, car le câble pourrait se dérouler du tambour, étant donné que l'ancrage du câble n'est pas conçu pour retenir une charge.

La durée de vie du câble est directement liée à son utilisation et à l'entretien qu'il recevra. Lors de sa première utilisation, un câble neuf doit être enroulé sur son tambour sous une charge d'au moins 454 kg. Suivre simplement les directives suivantes pour étirer correctement le câble sur le tambour.

**1)** Choisir un emplacement PLAT ET DE NIVEAU suffisamment grand pour pouvoir dérouler le câble sur toute sa longueur.

**2)** Mettre le levier d'embrayage du treuil en position « Free Spool » (déroulement en roue libre). Dérouler le câble de façon à ne laisser que 5 spires sur le tambour. Une fois le câble déroulé, mettre le levier d'embrayage du treuil en position « Engaged » (en prise).

**3)** Attacher le crochet du câble à un point d'ancrage adéquat et éloigner le véhicule du point d'ancrage en marche arrière jusqu'à ce que le câble du treuil soit presque tendu. Avant de descendre du véhicule, serrer le frein à main et mettre le véhicule en prise ou en position de stationnement, puis couper le moteur.

## INSTRUCTIONS RELATIVES À UNE PREMIÈRE UTILISATION

4) Connecter la télécommande au treuil. Se tenir à environ 2,44 m du treuil et enrouler le câble sur le tambour du treuil jusqu'à éliminer complètement le mou du câble. Déconnecter la télécommande du treuil. Maintenir le câble tendu d'une main ; pousser avec précaution le câble vers le côté du tambour auquel le câble est fixé de façon à ce qu'il n'y ait pas d'espace entre les spires sur le tambour. S'assurer que le câble s'enroule sur le bas du tambour et non sur le haut, sinon le frein de retenue automatique de la charge ne fonctionnera pas correctement. (Si le câble s'enroule sur le haut, cela signifie que l'on a actionné le treuil en mode de déroulement et non d'enroulement au moyen de la télécommande).

5) Par mesure de sécurité, les étapes suivantes devraient être effectuées par deux personnes. Si vous tentez de tendre le câble tout seul, assurez-vous de toujours mettre le frein à main, la transmission en prise ou en position de stationnement et d'éteindre le moteur du véhicule chaque fois que vous descendez du véhicule pour inspecter le câble du treuil. Ne jamais quitter le véhicule alors que le câble du treuil porte une charge. Il est essentiel de tendre le câble pour assurer une longue durée de vie au produit. Tendre le câble empêchera les couches extérieures du câble de pincer et déformer les couches intérieures.

6) Prendre soin d'enrouler chaque couche de manière uniforme afin d'éviter d'endommager le câble.

7) Faire passer la télécommande par la fenêtre du conducteur afin de l'utiliser. Demander à l'assistant de s'éloigner du véhicule et du câble. L'assistant doit indiquer si le câble s'enroule correctement à mesure qu'il défile sur le guide-câble et s'enroule. Démarrer le véhicule et mettre le levier de vitesses au point mort. Desserrer le frein à main tout en appuyant modérément sur la pédale de frein.

Appuyer sur la touche « Power in » (enrouler) de la télécommande. Effectuer le treuillage sur environ 2m, puis arrêter. Relâcher lentement la pédale de frein, puis serrer le frein à main. Cela permet d'assurer qu'il n'y a aucune charge sur le câble. Mettre le levier de vitesse en position de stationnement ou en prise, puis couper le moteur. Descendre du véhicule et inspecter le treuil pour vous assurer que le câble est enroulé uniformément sur le tambour du treuil et qu'il ne creuse pas la couche inférieure. Si c'est le cas,

dérouler le câble et répéter cette étape à partir du début en appliquant davantage de pression sur la pédale de frein.

8) Après vous être assuré que le câble s'enroule correctement sur le tambour, répéter l'étape 6 jusqu'à ce que le véhicule soit à moins de 2 m du point d'ancrage. Une fois la distance atteinte, relâcher lentement la pédale de frein puis serrer le frein à main. Cela permet d'assurer qu'il n'y a aucune charge sur le câble. Mettre le levier de vitesse en position de stationnement ou en prise, puis couper le moteur. Descendre du véhicule. Décrocher le crochet du point d'ancrage. Tout en retenant le cordon du crochet fourni, maintenir la tension sur câble et enrouler lentement le treuil par de petites pressions sur l'interrupteur de commande jusqu'à ce que le crochet soit à moins de 1 m du guide-câble. Arrêter le treuillage et fixer le crochet sur un point d'ancrage approprié sur le véhicule.

**AVIS** Ne pas laisser le crochet atteindre le guide-câble. Cela pourrait endommager le guide-câble.

Une fois le crochet fixé correctement au véhicule, enrouler le câble de façon à éliminer le mou restant en appliquant de petites pressions sur la touche « Power in » (enrouler) de la télécommande jusqu'à ce que le mou soit minime sur le câble du treuil.

## DERNIÈRE ANALYSE ET ENTRETIEN

Contrôle	Avant la première utilisation	Après chaque utilisation	Tous les 90 jours
Prendre le temps de bien lire le manuel d'utilisation, et/ou le manuel de base des techniques de treuillage, afin de comprendre le treuil et son fonctionnement	X		
Vérifier les fixations et s'assurer qu'elles sont bien serrées aux couples de serrage indiqués. Remplacer toute fixation endommagée.	X		X
Vérifier que chaque composant est correct et que tous les points de connexion sont bien serrés;	X		X
Vérifier qu'il n'y a pas de fils exposés/nus, de bornes ou de câbles dont l'isolant est endommagé (frottement/coupure). Couvrir les parties exposées au moyen de capuchons. Au besoin, réparer ou remplacer les câbles électriques endommagés.	X		X
Vérifier que les câbles ne sont pas endommagés. Remplacer le câble immédiatement s'il est endommagé.	X	X	X
Garder le treuil, le câble et la télécommande exempts de contaminants. Utiliser un chiffon ou une serviette propre pour enlever les saletés et débris éventuels.		X	

**AVERTISSEMENT** Pour éviter des blessures graves ou la mort :



Toujours enrouler le câble du treuil sur le tambour comme indiqué par l'autocollant de rotation du tambour.



Toujours enrouler le câble sur le dessous du tambour. Ne jamais enrouler le câble sur le dessus du tambour.

Prendre le temps de bien vous familiariser avec le treuil et son fonctionnement en examinant le Manuel de base des techniques de treuillage inclus avec le treuil.

Pour plus d'informations ou pour toute question, contactez :

WARN INDUSTRIES, INC.  
12900 S.E. Capps Road, Clackamas, OR USA 97015-8903, 1-503-722-1200,  
Service à la clientèle : 1-800-543-9276  
Registre des concessionnaires : 1-800-910-1122  
ou visitez le site [www.warn.com](http://www.warn.com)



# Manual de instalación del cabrestante

En cada situación donde se utiliza un cabrestante existe la posibilidad de ocasionar daños personales. Para reducir al mínimo ese riesgo, es importante que lea detenidamente esta guía y la Guía básica de técnicas para el uso del cabrestante. Por favor, familiarícese con la operación del cabrestante antes de usarlo y tenga siempre presente la seguridad. En esta guía se establecen muchas de las reglas de seguridad para el uso del cabrestante. Lea la Guía básica de técnicas para el uso del cabrestante para obtener más información sobre su cabrestante y sobre las técnicas de maniobrado adecuadas. Recuerde que debido a que cada situación en la que se utiliza el cabrestante es diferente, es muy importante el buen juicio y un enfoque constante en la seguridad.

Guarde este manual y demás documentos suministrados con el kit para consultas futuras. Se incluyen los siguientes documentos: Guía básica del cabrestante, Características técnicas, Declaración de conformidad, Información sobre la garantía, Guía para la instalación del cabrestante, Guía del usuario del cable sintético (opcional). A falta de cualquiera de estos documentos, contacte con los siguientes números o visite [www.warn.com](http://www.warn.com).

## ÍNDICE:

### SEGURIDAD

Índice de símbolos ..... 30  
 Precauciones generales de seguridad..... 31-33

### INSTRUCCIONES

Condiciones de trabajo seguras..... 34  
 Familiarícese con el cabrestante..... 35  
 Montaje ..... 36-37  
 Conexiones eléctricas ..... 38  
 Instrucciones de primer funcionamiento..... 39-41  
 Análisis final y mantenimiento ..... 42

Warn Industries Inc.  
 12900 SE Capps Road  
 Clackamas, Oregon 97015  
 EE.UU.

Servicio de atención al cliente: (800) 543-9276  
 Fax internacional: (503) 722-3005  
 Fax: (503) 722-3000  
[www.warn.com](http://www.warn.com)

WARN® y el logotipo de WARN son marcas comerciales registradas de Warn Industries, Inc.  
 © 2012 Warn Industries, Inc.

## ÍNDICE DE SÍMBOLOS

SÍMBOLO	EXPLICACIÓN
	Lea toda la documentación sobre el producto
	Lleve siempre puesta protección ocular y auditiva
	Nunca utilice el cabrestante como si fuese una grúa
	Fije de forma apropiada la carga en la garganta del gancho
	Enrolle el cable en la parte inferior del tambor
	Peligro de aplastamiento de los dedos o de la guía del cable
	Peligro de perforación o corte en las manos
	Peligro de explosión o rotura
	Peligro de borde afilado
	Evite la instalación de cables eléctricos en torno a aristas filosas y puntos abrasivos o desgastadores

SÍMBOLO	EXPLICACIÓN
	Lleve siempre puestos guantes de cuero
	No lo use para desplazar personas
	Use siempre la correa del gancho suministrada
	No aplique nunca una carga a la punta del gancho o al seguro
	Nunca enrolle el cable en la parte superior del tambor
	Punto de pellizco de la guía del cable
	Peligro de superficie caliente
	Peligro de incendio y quemaduras
	Peligros asociados a la presencia de piezas móviles
	Aísle los cableados expuestos
	No enganche nunca el cable sobre sí mismo



**Advertencias y precauciones**



Al leer estas instrucciones, verá ADVERTENCIAS, PRECAUCIONES, AVISOS y NOTAS. Cada mensaje tiene un propósito específico. Las ADVERTENCIAS son mensajes de seguridad que indican que está ante una situación potencialmente peligrosa que, si no se evita, puede resultar en lesiones graves o en la muerte. Las PRECAUCIONES son mensajes de seguridad que indican una situación de posible peligro que, si no se evita, puede resultar en lesiones menores o de baja gravedad. Las PRECAUCIONES pueden alertar también contra prácticas no seguras. Las PRECAUCIONES y ADVERTENCIAS identifican el peligro, indican cómo evitarlo y advierten de las posibles consecuencias si no se evita tal peligro. Los AVISOS son mensajes para evitar daños a la propiedad. Las NOTAS contienen información adicional que le ayudarán a llevar a cabo un procedimiento. **TRABAJE SIEMPRE DE FORMA SEGURA.**

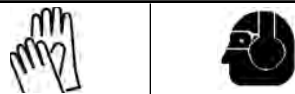
<b>ADVERTENCIA</b>		

**PELIGRO DE ENREDO EN LAS PARTES MÓVILES**

De no seguirse estas instrucciones, podrían producirse lesiones graves o incluso la muerte.

- Verifique **siempre** que el seguro del gancho está cerrado y que no soporta carga.
- **Nunca** aplique una carga a la punta del gancho o al seguro. Aplique la carga únicamente al centro del gancho.
- No utilice **nunca** un gancho cuya abertura haya aumentado o cuya punta esté doblada o retorcida.
- Utilice **siempre** un gancho con seguro.
- Asegúrese **siempre** de que el operador y otras personas sean conscientes de la estabilidad del vehículo y/o de la carga.
- Mantenga **siempre** el cable del control remoto y el cable de alimentación alejados del tambor, del cable y del cordaje. Inspeccione el aparato para comprobar la posible existencia de grietas, pellizcos, cables deshilachados o conexiones sueltas. Los componentes dañados deberán reemplazarse antes de la operación.
- Pase **siempre** el control remoto a través de una ventana cuando lo utilice en un vehículo.
- No enganche **nunca** el cable sobre sí mismo

**ADVERTENCIA**



**PELIGRO DE ENREDO EN LAS PARTES MÓVILES**

De no seguirse estas instrucciones, podrían producirse lesiones graves o incluso la muerte.

**Seguridad general:**

- Conozca **siempre** el funcionamiento de su cabrestante. Lea detenidamente las Instrucciones, la Guía de operación y/o la Guía básica de técnicas del cabrestante para comprender el funcionamiento y la manipulación del cabrestante.
- No exceda **nunca** la capacidad nominal del cabrestante ni del cable del cabrestante. Emplee un cable doble con una polea para reducir la carga del cabrestante.
- Lleve puestos **siempre** guantes gruesos de cuero para manipular el cable del cabrestante.
- No use **nunca** el cabrestante o el cable del cabrestante para remolcar. Un golpe a las cargas puede dañar, sobrecargar o romper el cable.
- No utilice **nunca** el cabrestante para amarrar una carga.
- No ponga **nunca** en funcionamiento este cabrestante si se encuentra bajo los efectos de drogas, alcohol o medicamentos.
- **Nunca** utilice este cabrestante si es menor de 16 años de edad.

**Seguridad en la instalación:**

- Elija **siempre** una ubicación de montaje que sea lo suficientemente sólida para soportar la capacidad de carga máxima del cabrestante.
- Utilice **siempre** piezas de grado 5 (grado 8.8 métrico) o superior.
- No suelde **nunca** los pernos de montaje.
- Use **siempre** piezas de montaje, componentes y accesorios aprobados por el fabricante.
- No utilice **nunca** pernos que sean demasiado largos.
- Complete **siempre** la instalación del cabrestante y el acoplamiento del gancho antes de instalar el cableado.
- Mantenga **siempre** las manos alejadas del cable del cabrestante, del bucle del gancho, del gancho y de la abertura de la guía durante la instalación, la operación y en el enrollado y desenrollado.
- Ponga **siempre** la guía del cable con la etiqueta de advertencia visible en la parte superior.
- Realice **siempre** un estiramiento previo del cable y vuelva a enrollarlo con carga antes de usarlo. Un cable bien enrollado reduce las posibilidades de tener "dobles" que puedan dañar el cable.

**ADVERTENCIA**



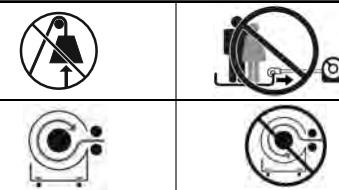
**PELIGRO DE ENREDO EN LAS PARTES MÓVILES**

De no seguirse estas instrucciones, podrían producirse lesiones graves o incluso la muerte.

**Seguridad durante la operación del cabrestante:**

- Inspeccione **siempre** el cable del cabrestante, el gancho y las eslingas antes de poner el cabrestante en funcionamiento. Si el cable del cabrestante está deshilachado, retorcido o dañado, deberá reemplazarse de inmediato. Los componentes dañados deberán reemplazarse antes de la operación. Evite que las piezas resulten dañadas.
- Retire **siempre** cualquier elemento u obstáculo que pueda interferir en la seguridad de la operación del cabrestante.
- Verifique **siempre** que el anclaje seleccionado soportará la carga y que la correa o la cadena no se deslizará.
- Utilice **siempre** la correa del gancho suministrada cuando vaya a enrollar o desenrollar el cable del cabrestante, durante la instalación y durante la operación.
- Haga **siempre** que los operadores y otras personas presentes vigilen el vehículo y/o la carga.
- Tenga **siempre** presente la estabilidad del vehículo y de la carga durante el uso del cabrestante; haga que las personas presentes se mantengan alejadas. Alerta a todas las personas presentes de una posible inestabilidad.
- Desenrolle **siempre** tanto cable del cabrestante como sea posible para el maniobrado. Emplee un cable doble o elija un punto de anclaje distante.
- Tómese **siempre** su tiempo para utilizar técnicas apropiadas de maniobrado cuando utilice el cabrestante.
- No toque **nunca** el cable del cabrestante ni el gancho si hay alguien cerca del interruptor de control, o si el cabrestante está en funcionamiento.
- **Nunca** embrague ni desembrague si el cabrestante está soportando una carga, si el cable está en tensión o si el tambor está en movimiento.
- No toque **nunca** el cable del cabrestante ni el gancho mientras están tensos o con carga.
- Manténgase **siempre** alejado del cable del cabrestante y de la carga, y no deje que otros se acerquen cuando el cabrestante esté en funcionamiento.
- No utilice **nunca** un vehículo para tirar de la carga en el cable del cabrestante. La carga combinada o un golpe en la carga pueden dañar, sobrecargar o romper el cable.
- No enrolle **nunca** el cable del cabrestante sobre sí mismo. Utilice una cadena de estrangulación o un protector de tronco de árbol en el anclaje.

**ADVERTENCIA**



**PELIGRO DE CAÍDA O APLASTAMIENTO**

De no seguirse estas instrucciones, podrían producirse lesiones graves o incluso la muerte.

- Manténgase **siempre** alejado y haga que otras personas también lo estén.
- **Nunca** accione el cabrestante si no hay, al menos, 5 vueltas de cable alrededor del tambor. El cable podría soltarse del tambor, ya que el acoplamiento del cable al tambor no está diseñado para aguantar cargas.
- No use **nunca** el cabrestante como grúa o para suspender una carga.
- Compruebe **siempre** que el anclaje soportará la carga. Utilice técnicas de maniobrado adecuadas y tómese tiempo para operar de forma correcta.
- No utilice **nunca** el cabrestante para levantar o desplazar personas.
- No realice **nunca** esfuerzos excesivos para enrollar el cable del cabrestante.
- Utilice **siempre** posturas y técnicas de levantamiento adecuadas o solicite ayuda a la hora de manipular e instalar el producto.
- Enrolle y desenrolle el cable del tambor **siempre** en la dirección especificada en la etiqueta de advertencia del cabrestante o en la documentación. Esto es necesario para el funcionamiento correcto del freno automático (si viene equipado con ello).
- **Siempre** enrolle el cable del cabrestante alrededor del tambor en el sentido indicado por la marca de rotación del cabrestante.
- **Siempre** enrolle el cable del cabrestante en la parte inferior (lado de montaje) del tambor.
- **Nunca** enrolle el cable en la parte superior del tambor.
- **Siempre** enrolle y desenrolle el cable al tambor en la dirección especificada en las etiquetas de rotación del tambor en el cabrestante o en la documentación. Esto es necesario para el funcionamiento correcto del freno automático (si viene equipado con ello).

**ADVERTENCIA**



**PELIGRO DE CORTES Y QUEMADURAS**

De no seguirse estas instrucciones, podrían producirse lesiones graves o incluso la muerte.

Para evitar daños en las manos:

- Lleve puestos **siempre** guantes gruesos de cuero para manipular el cable del cabrestante.
- Tenga **siempre** en cuenta que las superficies del motor, del tambor o del cable del cabrestante pueden estar calientes durante o después del uso del mismo.

**PRECAUCIÓN**



**PELIGRO DE CORTES Y QUEMADURAS**

Si no observa estas instrucciones, podrían producirse lesiones menores o moderadas.

- Nunca** deje que el cable del cabrestante se deslice por sus manos.

**ADVERTENCIA**



**PELIGRO DE INCENDIO O POR PRESENCIA DE PRODUCTOS QUÍMICOS**

De no seguirse estas instrucciones, podrían producirse lesiones graves o incluso la muerte.

- Acuérdese **siempre** de quitarse las joyas y utilizar protección ocular.
- No pase **nunca** los cables eléctricos por bordes afilados.
- No pase **nunca** los cables eléctricos cerca de piezas que se calienten.
- No pase **nunca** los cables eléctricos por partes móviles o cerca de ellas.
- Coloque **siempre** las fundas de terminales suministradas en los cables y los terminales, tal como se indica en las instrucciones de instalación.
- No se apoye **nunca** en la batería si está haciendo conexiones.
- No pase **nunca** los cables eléctricos sobre los terminales de la batería.
- No cortocircuite **nunca** los terminales de la batería con objetos metálicos.
- Si va a perforar, verifique **siempre** que en el área no haya tuberías o tanques de combustible, líneas de frenos, cables eléctricos, etc.
- Consulte **siempre** el manual del usuario para obtener detalles de cableado adecuados.
- Aísle y proteja **siempre** los cables y los terminales eléctricos que queden expuestos.

**PRECAUCIÓN**



**PELIGRO DE ENREDO EN LAS PARTES MÓVILES**

Si no observa estas instrucciones, podrían producirse lesiones menores o moderadas.

Para evitar daños en las manos:

- No deje **nunca** el control remoto donde pueda activarse durante el enrollado libre, el maniobrado o cuando el cabrestante no esté en uso.
- No deje **nunca** el control remoto del cabrestante conectado cuando se esté instalando o haciendo enrollado libre, maniobras o mantenimiento ni cuando no se esté utilizando el cabrestante.

**AVISO**

**EVITE DAÑOS AL EQUIPO Y AL CABRESTANTE**

- Evite **siempre** los tirones laterales, ya que pueden apilar el cable del cabrestante en un extremo del tambor. Esto puede dañar el cable del cabrestante o el propio cabrestante.
- Compruebe **siempre** que se ha embragado o desembragado completamente.
- Evite **siempre** dañar la estructura cuando vaya a anclar su vehículo en una operación con el cabrestante.
- No sumerja **nunca** el cabrestante en agua.
- Guarde **siempre** el control remoto en un área protegida, limpia y seca.

Este manual proporciona instrucciones sobre la instalación de su sistema de cabrestante WARN y las instrucciones de funcionamiento inicial. Lea la Guía básica de técnicas de operación del cabrestante para obtener instrucciones completas de funcionamiento para su sistema de cabrestante WARN.

**Seguridad**

Quando instale su sistema de cabrestante WARN, lea y siga todas las instrucciones de montaje y de seguridad.

Sea precavido siempre que trabaje con electricidad y no olvide comprobar que no haya ninguna conexión eléctrica expuesta antes de alimentar el circuito del cabrestante.

Para obtener las especificaciones y los datos de funcionamiento, consulte la hoja de información que viene con el cabrestante.

## Conozca el funcionamiento de su cabrestante

Antes de comenzar, debe familiarizarse con el cabrestante WARN y con cada uno de sus componentes:

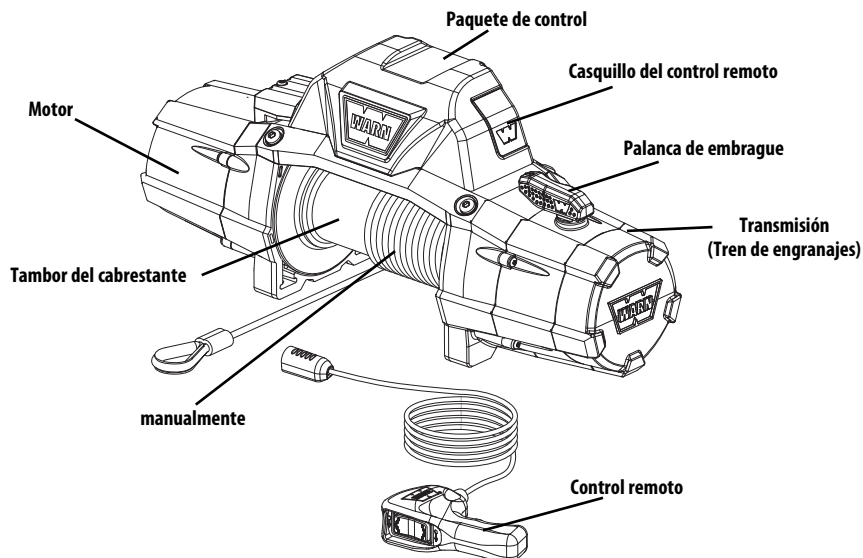


Figura 1

- Motor:** El motor del cabrestante funciona con la batería del vehículo. El motor proporciona energía al mecanismo de engranajes, que gira el tambor del cabrestante y enrolla el cable del cabrestante.
- Tambor del cabrestante:** El tambor del cabrestante es el cilindro en el cual se enrolla el cable del cabrestante. El motor acciona esta pieza y el tren accionador. Se puede cambiar el sentido de giro utilizando el control remoto.
- Cable\*:** El diámetro del cable del cabrestante y su longitud se determinan de acuerdo a la capacidad de carga del cabrestante y al diseño del mismo. Enrollado alrededor del tambor del cabrestante a través de la guía, el cable del cabrestante se enlaza al final para aceptar el perno del enganche.
- \* Para modelos con cable sintético, asegúrese de leer completamente la Guía de instalación del cable sintético de WARN, incluida en el kit.**
- Tren de engranajes:** El engranaje de reducción convierte la energía del motor del cabrestante en una fuerza de gran tracción. El diseño del tren de engranajes hace posible que el cabrestante sea más ligero y compacto.
- Palanca de embrague:** El embrague permite al usuario desactivar el tambor de enrollado desde el sistema de engranajes, permitiendo al tambor girar libremente (llamado "enrollado manual"). Al embragar se vuelve a "bloquear" el tambor del cabrestante en el tren de engranaje.
- Casquillo del control remoto:** El casquillo del control remoto es donde el operador enchufa el control remoto con cable o el receptor del control remoto sin cables opcional para controlar el cabrestante.
- Paquete de control\*:** Los contactores del paquete de control transmiten corriente al motor utilizando la energía eléctrica de la batería del vehículo. Esto permite que el usuario cambie la dirección de la rotación del tambor del cabrestante.
- \* Para aplicaciones específicas, puede encontrar los detalles del Kit de reubicación del paquete de control opcional en su distribuidor autorizado de WARN o en [www.warn.com](http://www.warn.com).**
- Control remoto:** El control remoto se conecta al paquete de control del cabrestante a través del casquillo del control remoto, que permite al usuario controlar la dirección del cabrestante y mantenerse alejado del cable mientras funciona.

## MONTAJE

### Paso 1 – Montaje del cabrestante

Puede encontrar los kits de montaje para cabrestantes en su distribuidor de WARN para la mayoría de las aplicaciones. Si desea más información sobre los kits disponibles, comuníquese con su distribuidor de productos WARN.

**AVISO** Para obtener las máximas prestaciones y los resultados esperados se recomienda el uso de las placas de montaje WARN.

**PRECAUCIÓN** Para evitar la activación accidental del cabrestante y lesiones de gravedad, realice la instalación del cabrestante y acople el gancho antes de instalar el cable.

**ADVERTENCIA** Elija siempre una ubicación de montaje que sea lo suficientemente sólida para soportar la capacidad de carga máxima del cabrestante.

**ADVERTENCIA** No utilice nunca pernos que sean demasiado largos.

**ADVERTENCIA** Siempre enrolle y desenrolle el cable al tambor en la dirección especificada en las etiquetas de rotación del tambor en el cabrestante o en la documentación. Esto es necesario para el funcionamiento correcto del freno automático (si viene equipado con ello).

**ADVERTENCIA** Siempre enrolle el cable del cabrestante en la parte inferior (lado de montaje) del tambor.

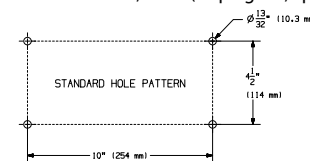
Este cabrestante debe montarse siempre en una orientación horizontal con el cable enrollando o desenrollando del tambor en el lado de montaje del tambor y siguiendo la flecha de rotación del tambor como indican las etiquetas del cabrestante, consulte la Figuras 2 y 3.

La rotación correcta es necesaria para que el freno automático funcione correctamente. El montaje horizontal evita que el cable se apile en un extremo del tambor, lo que puede dañar el cabrestante.

El uso de las combinaciones recomendadas de arandelas de presión y pernos, aplicando los niveles de apriete recomendados, evita las vibraciones durante el accionamiento. A continuación se enumeran las especificaciones. El sistema de montaje dictará la longitud de los pernos.

### Patrón de los pernos de montaje:

Estándar: 254 mm x 114,3 mm (10 pulg. x 4,5 pulg.)



Superficie de montaje suave y plana, grosor mínimo = 6,4 mm (1/4 pulg.)

### Hardware incluido:

- Contratuercas tapón M10 x 1,5 de 15 mm hexagonal
- Tuerca tapón hexagonal M10-1,5 x 35, 8,8, perno (4x)
- Tuerca tapón hexagonal M10-1,5 x 40, 8,8, perno (2x)

### Par de apriete: 41 a 47 Nm (30-35 lb/pie)

Seleccione una ubicación de montaje que sea lo suficientemente sólida para soportar la capacidad de carga máxima del cabrestante.

1. Coloque las tuercas tapón en los huecos de los pies del cabrestante.
2. Coloque el cabrestante en la ubicación de montaje. Confirme la longitud necesaria de los pernos.

Grosor de la placa	Longitud del perno
7 mm (1/4")	32 mm
10 mm (3/8")	40 mm
13 mm (1/2")	40 mm

3. Instale los pernos y apriete de 41 a 47 Nm (30-35 lb/pie)
4. Corte la banda elástica de retención del cable.
5. Coloque el embrague en la posición de enrollado libre.
6. Pase manualmente el bucle del cable a través de la guía.
- ADVERTENCIA** Use siempre la correa del gancho suministrada.
7. Coloque el gancho en el bucle del cable. Coloque la cinta del gancho en el gancho.
8. Gire el embrague a la posición de embragado completo.

Orientación de montaje

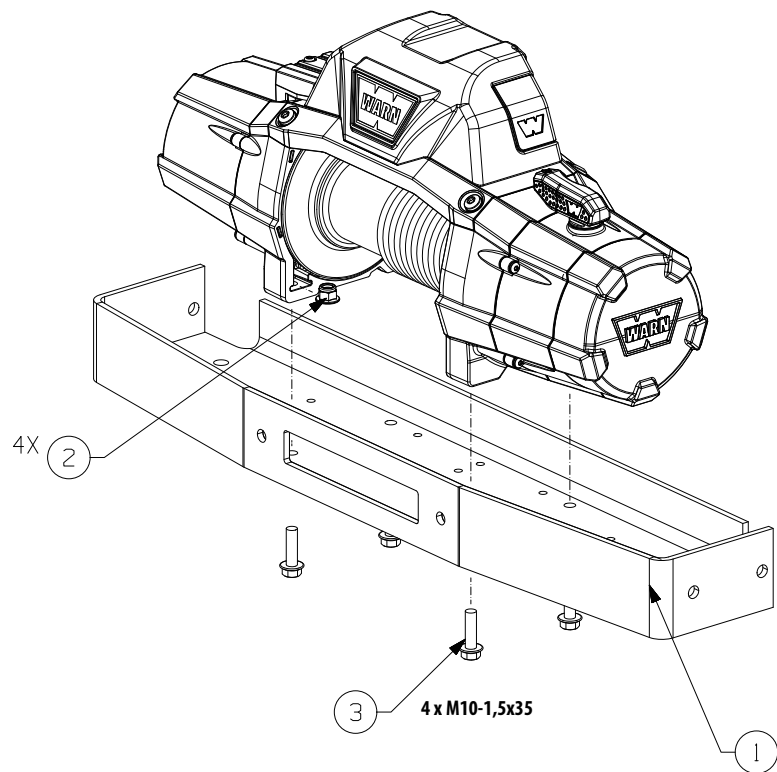


Figura 2 Orientación horizontal con pies hacia abajo

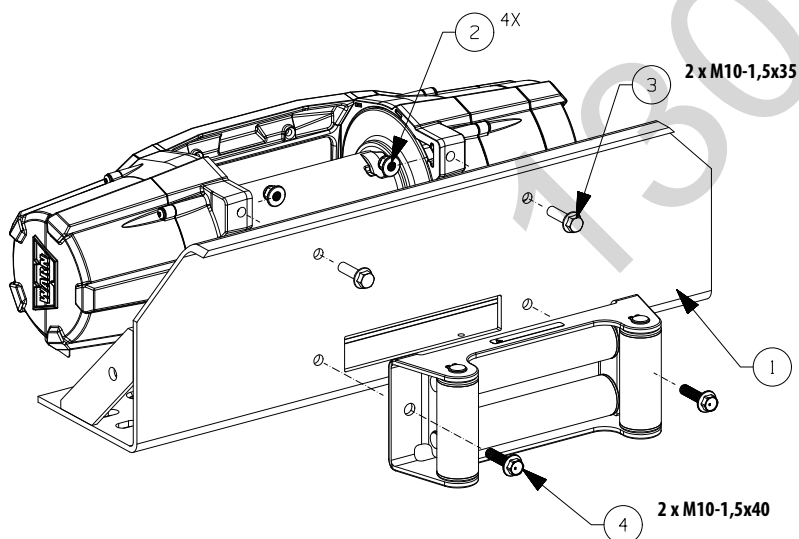


Figura 3 Orientación horizontal con pies hacia adelante

Paso 2 – Instalación del cableado

**⚠️ ADVERTENCIA** Para prevenir lesiones de gravedad o la muerte: Coloque siempre las fundas de terminales suministradas en los cables y en los terminales, tal como se indica en las instrucciones de instalación.

**⚠️ ADVERTENCIA** Para prevenir lesiones graves o accidentes mortales debidos a incendios de origen eléctrico:



No pase nunca los cables eléctricos por bordes afilados.



No pase nunca los cables eléctricos cerca de piezas que se calienten.



No pase nunca los cables eléctricos por partes móviles o cerca de ellas.



Evite los puntos de pellizco y desgaste o abrasión cuando instale todos los cables eléctricos.

**⚠️ ADVERTENCIA** Aísle y proteja siempre los cables y los terminales eléctricos que queden expuestos.

**⚠️ AVISO** Una batería completamente cargada y unas conexiones correctas resultan esenciales para el buen funcionamiento del cabrestante. El requisito mínimo para una batería de 12 voltios de CC es de 650 amperios para el arranque en frío.

No instale los cables de la batería donde puedan desgastarse debido al roce o sufrir cortes en el material aislante produciéndose así un cortocircuito.

El hilo de alimentación del cabrestante debe pasarse hasta la batería. Se requiere una conexión directa a batería del hilo de alimentación (rojo) y de masa (negro). **⚠️ ADVERTENCIA!** No conecte la masa al chasis del vehículo.

El cableado hasta la batería puede requerir el desmontaje del cuadro o piezas del vehículo.

Pase siempre los hilos de la batería por pasos que permitan que estos queden fijados con bridas.

**⚠️ ADVERTENCIA** Los hilos flojos o sueltos pueden provocar lesiones graves o la muerte.

Proteja en todo momento los hilos de alimentación de bordes afilados, de zonas que se calienten mucho al contacto o de piezas móviles.

1. Planifique el paso de los hilos.
2. Fije holgadamente los hilos de alimentación por el paso.
3. Confirme que los hilos de alimentación están protegidos de bordes afilados, calor y piezas móviles. Tenga en cuenta la vibración y la flexibilidad del chasis que pueden dañar los hilos.
4. Inspeccione cuidadosamente el paso de los hilos eléctricos. ¿Está en orden? Apriete las bridas y fije los hilos eléctricos. Las bridas deberían estar bien apretadas pero no deberían cortar el aislamiento de los cables. Utilice cinta aislante, trozos de manguera de goma o conductos eléctricos para proteger los cables eléctricos y el arnés y evitar el desgaste y la abrasión del aislamiento.
5. Conecte los cables de la batería, PRIMERO el rojo (positivo) y luego el negro (negativo). Instale las fundas para proteger las conexiones. Asegure los bornes de la batería siguiendo las instrucciones del manual del vehículo.

Cuando haya finalizado la instalación, compruebe si el cabrestante funciona correctamente.

Paso 3 – Instalación del cable sintético (opcional)

\* Para modelos con cable sintético, asegúrese de leer completamente la Guía de instalación del cable sintético de WARN para obtener instrucciones detalladas de instalación del cable sintético.

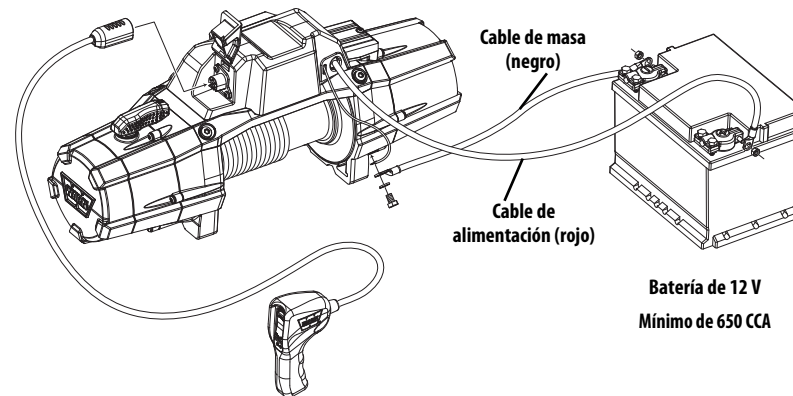


Figura 4 Diagrama eléctrico



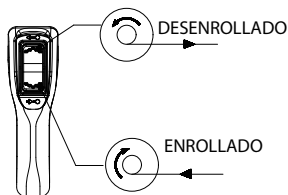
## Paso 4 – Revisión del sistema

Una vez haya realizado una revisión del sistema, estará listo para confirmar el funcionamiento del cabrestante. Siga en las secciones Instrucciones de primer funcionamiento y Análisis final y mantenimiento de este documento.

## Paso 5 – Instrucciones de primer funcionamiento

**ADVERTENCIA** Tome siempre su tiempo para conocer completamente el cabrestante y su funcionamiento revisando la Guía básica de técnicas de uso del cabrestante que viene con el mismo.

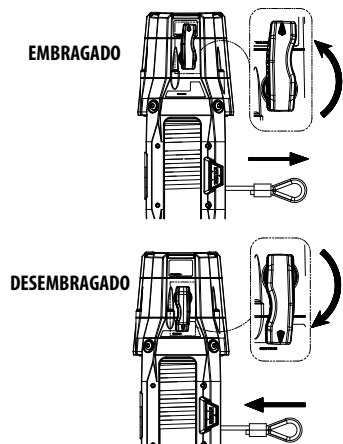
### Interruptor del control remoto



No deje el control remoto conectado al cabrestante cuando no se esté utilizando. El dejar el control enchufado puede producir una situación peligrosa o desgastar la batería.

### Accionamiento del embrague:

**ADVERTENCIA** Nunca embrague ni desembrague si el cabrestante está soportando una carga, si el cable está en tensión o si el tambor está en movimiento.



Cuando el embrague está activado, el sistema de engranajes se acopla al tambor del cabrestante y, en estas condiciones, puede transferirse movimiento desde el motor del cabrestante. Cuando el embrague

está desembragado el tambor se encuentra en posición de enrollado manual y el sistema de engranajes y el tambor del cable del cabrestante están desengranados, lo que permite que el tambor gire libremente.

La palanca del embrague, ubicada en la cubierta del cabrestante, enfrente del motor, controla la posición del embrague. Para evitar daños, engrane y desengrane siempre completamente la palanca del embrague.

### Desenrollado

**ADVERTENCIA** Nunca accione el cabrestante si no hay, al menos, 5 vueltas de cable alrededor del tambor. El cable podría soltarse del tambor, ya que el acoplamiento del cable al tambor no está diseñado para aguantar cargas.

**ADVERTENCIA** Siempre mantenga las manos alejadas del cable del cabrestante, del budo del gancho, del gancho y de la abertura de la guía durante la instalación, la operación y en el enrollado y desenrollado.

**ADVERTENCIA** Siempre lleve puestos siempre guantes gruesos de cuero para manipular el cable del cabrestante.

Generalmente, el desenrollado manual es la forma más rápida y sencilla de sacar el cable del cabrestante. Antes de proceder al desenrollado manual, saque suficiente cable del cabrestante a fin de eliminar cualquier tensión a la que pueda estar sometido el mismo. Quite el embrague. A continuación, proceda al desenrollado manual, sacando manualmente suficiente cable del cabrestante para la operación. Consulte la Guía básica de técnicas para el uso del cabrestante para obtener más información.

**AVISO** NO desenrolle el cable más de 9 metros sin dejar que el cabrestante se enfríe durante 20 minutos antes de volver a enrollar el cable. En su lugar, coloque el embrague en posición de enrollado libre y tire del cable a mano.

**ADVERTENCIA** Siempre utilice la correa del gancho suministrada cuando vaya a enrollar o desenrollar el cable del cabrestante o durante la instalación o el funcionamiento para evitar daños en las manos.

### Enrollado bajo carga

**ADVERTENCIA** No exceda nunca los límites de tracción del cable del cabrestante.

Enrolle el cable del cabrestante uniformemente y bien tensado alrededor del tambor. Esto evita que las vueltas más externas del cable del cabrestante se hundan en las vueltas internas; asimismo, evita atascamientos y daños al cable del cabrestante.

Evite las sacudidas de la carga cuando esté enrollando; para ello, pulse el interruptor de control a fin de tensar y hacer entrar las porciones del cable del cabrestante que puedan quedar flojas. Las sacudidas de la carga pueden hacer sobrepasar momentáneamente la capacidad nominal del cabrestante y del cable.

### Enrollado sin carga

**ADVERTENCIA** Nunca toque el cable del cabrestante ni el gancho si hay alguien cerca del interruptor de control, o si el cabrestante está en funcionamiento.

*Enrollado o desenrollado con un ayudante:* Pida al ayudante que sujete la correa del gancho tensando el cable del cabrestante de forma constante y tanto como sea posible. Manteniendo tenso el cable, el ayudante debe caminar hacia el cabrestante mientras usted acciona el interruptor de control para enrollar el cable del cabrestante. Suelte el interruptor cuando el gancho esté a una distancia mínima de 2 m (6 pies) de la abertura de la guía.

Luego, enrolle la parte final del cable para almacenarlo tal como se indica a continuación.

*Enrollado o desenrollado solo:* Disponga el cable del cabrestante de forma que no se doble ni se trabaje al enrollarlo. Asegúrese de que el cable del cabrestante ya enrollado alrededor del tambor esté bien tenso y dispuesto en capas uniformes. Enrolle suficiente cable del cabrestante como para formar la siguiente capa completa en el tambor. Tense y enderece la capa. Repita este proceso hasta que el gancho quede a una distancia mínima de 2 m (6 pies) de la abertura de la guía.

Luego, enrolle la parte final del cable para almacenarlo tal como se indica a continuación.

### Enrollado del resto del cable para el almacenamiento

Cuando el gancho se encuentre a 2 m (6 pies) de la guía, desconéctelo del punto de anclaje o carga. Sostenga la correa del gancho (incluida con el producto) y mantenga la tensión en el cable del cabrestante. Enrolle el cabrestante lentamente pulsando el botón de enrollado en el control remoto hasta que el gancho se encuentre a 1 metro (3 pies) de la guía.

Pare de enrollarlo y enganche el gancho al punto de anclaje apropiado en el vehículo.

**AVISO** No permita que el gancho toque la guía. Esto podría causar daños a la guía.

Una vez que el gancho esté bien acoplado al vehículo, enrolle el resto del cable suelto pulsando el interruptor de enrollado en el control remoto hasta que haya una holgura mínima en el cable.

### Sobrecarga/sobrecalentamiento

El cabrestante está indicado para un servicio intermitente. Cuando el motor se aproxima a la velocidad crítica, se genera calor muy rápidamente, lo que puede ocasionar daños al motor.

El maniobrado con línea de doble cable (consulte la Guía básica de técnicas para el uso del cabrestante) reduce el amperaje de consumo y el recalentamiento del motor. Esto permite un uso continuo más prolongado.

### ESTIRAMIENTO DEL CABLE DEL CABRESTANTE

**ADVERTENCIA** Realice siempre un estiramiento previo del cable y vuelva a enrollarlo con carga antes de usarlo. Un cable bien enrollado reduce las posibilidades de tener “dobletes” que puedan dañar el cable.

**ADVERTENCIA** Nunca accione el cabrestante si no hay, al menos, 5 vueltas de cable alrededor del tambor. El cable podría soltarse del tambor, ya que el acoplamiento del cable al tambor no está diseñado para aguantar cargas.

La vida útil del cable del cabrestante está directamente relacionada con la forma en que se utiliza y se cuida. Durante su primer uso, un cable del cabrestante nuevo debe enrollarse en el tambor bajo una carga de, por lo menos, 454 kg. (1000 lbs). Siga las instrucciones siguientes para tensar el cable del cabrestante correctamente en el tambor del cabrestante.

- 1) Escoja una superficie PLANA y PAREJA que sea lo suficientemente amplia como para poder extender todo el cable del cabrestante.
- 2) Gire la palanca del embrague del cabrestante hacia la posición “Free Spool” (enrollado libre). Desenrolle el cable del cabrestante del tambor hasta las últimas 5 vueltas. Una vez desenrollado el cable del cabrestante, ponga la palanca del embrague del cabrestante en la posición “Engaged” (embragado).
- 3) Acople el extremo del cable con gancho a un punto de anclaje apropiado y aleje el vehículo de tal punto hasta que quede muy poco cable del cabrestante suelto. Antes de salir del vehículo, ponga el freno de mano, deje una velocidad puesta o en aparcado (vehículos automáticos) y apague el vehículo.

## INSTRUCCIONES DE PRIMER FUNCIONAMIENTO

4) Conecte el control remoto al cabrestante. Desde una distancia de aproximadamente 2,44 metros (8 pies) del cabrestante, enrolle el cable hasta que se halla enrollado todo el cable suelto en el tambor del cabrestante. Desconecte el control remoto del cabrestante. Mantenga la tensión en el cable del cabrestante con una mano; empuje cuidadosamente el cable del cabrestante hacia el lado del tambor al que esté enganchado, de forma que no haya espacios libres en el tambor entre cada vuelta. Verifique que el cable del cabrestante se enrolle en la parte inferior del tambor y no en la superior, ya que, en caso contrario, el freno de carga automático no funcionará correctamente. (Si el cable del cabrestante se enrolla en la parte superior, habrá desenrollado el cabrestante en lugar de enrollarlo con el control remoto).

5) Para una mayor seguridad, dos personas deberán realizar los pasos siguientes. Si trata de tensar el cable del cabrestante usted solo, verifique siempre que el freno de mano esté puesto, deje una marcha puesta o estacione y apague el vehículo cada vez que lo abandone para inspeccionar el cable del cabrestante. No salga nunca del vehículo con una carga aplicada al cable. Tensar el cable del cabrestante es fundamental para garantizar una larga vida útil del mismo. Al tensarse el cable del cabrestante, se evitará que sus capas exteriores pellizquen o deformen las capas interiores.

6) Procure enrollar cada vuelta de forma pareja para evitar daños al cable.

7) Pase el control remoto a través de la ventanilla del conductor para que pueda usarlo el conductor del vehículo. Pida a su ayudante que se ubique en la parte lateral del vehículo, alejado del cable del cabrestante. Él deberá indicarle si el cable del cabrestante se está enrollando correctamente al verlo pasar por la guía. Arranque el vehículo y ponga la transmisión en punto muerto. Suelte el freno de mano mientras presiona moderadamente el pedal del freno.

Pulse el botón de enrollar en el control remoto. Después de enrollar aproximadamente 2m (6 pies) de cable, pare el enrollado. Lentamente, deje de presionar el pedal del freno para aplicar el freno de mano. Esto asegurará que no haya carga en el cable del cabrestante. A continuación, ponga la transmisión en aparcado (vehículos automáticos) o ponga una velocidad con la palanca de cambios y apague el vehículo. Salga del vehículo y asegúrese de que el cable del cabrestante esté enrollándose de forma pareja en el tambor del cabrestante y no hundiéndose en la capa inferior. Si el cable del cabrestante se está hundiendo, desenróllelo y repita este paso desde el principio con más presión en el pedal del freno.

8) Cuando esté convencido de que el cable del cabrestante está enrollándose correctamente en el tambor, repita el paso 6 hasta que el vehículo se encuentre a 2 metros (6 pies) del anclaje del cabrestante. Una vez que esté a 2 m (6 pies), deje de presionar el pedal del freno lentamente para utilizar el freno de mano. Esto asegurará que no haya carga en el cable del cabrestante. A continuación, ponga la transmisión en aparcado (vehículos automáticos) o ponga una velocidad con la palanca de cambios y apague el vehículo. Salga del vehículo. Desenganche el gancho del punto de anclaje. Mientras que sostiene la correa del gancho (incluida en el producto), mantenga la tensión en el cable del cabrestante y enróllelo lentamente pulsando el interruptor de enrollado en el control remoto hasta que el gancho se encuentre a 1 metro (3 pies) de la guía. Pare de enrollarlo y enganche el gancho al punto de anclaje apropiado en el vehículo.

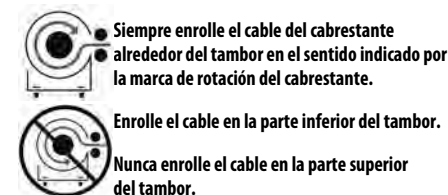
**AVISO** No permita que el gancho toque la guía. Esto podría causar daños a la guía.

Una vez que el gancho esté bien acoplado al vehículo, enrolle el resto del cable suelto pulsando el interruptor de enrollado en el control remoto hasta que haya una holgura mínima en el cable.

## ANÁLISIS FINAL Y MANTENIMIENTO

Control	Antes del primer uso	Después de cada uso	Cada 90 días
Lea detenidamente las Instrucciones, la Guía de operación y/o la Guía básica de técnicas del cabrestante para comprender el funcionamiento y la manipulación del cabrestante.	X		
Controle los elementos de fijación y asegúrese de que estén apretados con el par de apriete correcto. Sustituya todos los elementos de fijación que estén dañados.	X		X
Verifique que el cableado de todos los componentes es correcto y que todas las conexiones están bien apretadas.	X		X
Verifique que no hay cableado ni terminales expuestos/al aire o daños en el aislante (desgaste/corte). Cubra las exposiciones con fundas para terminales. Repare o sustituya los cables eléctricos dañados.	X		X
Compruebe que el cable no presente daños. Sustituya el cable de inmediato si está dañado.	X	X	X
Mantenga libres de contaminantes el cabrestante, el cable y el control de conmutación. Utilice un paño limpio o una toalla para quitar la suciedad.		X	

**ADVERTENCIA** Para prevenir lesiones de gravedad o la muerte:



Tómese su tiempo para comprender completamente el cabrestante y su funcionamiento revisando la Guía básica de técnicas de uso del cabrestante que viene con el mismo.

Para más información o preguntas contacte con:

WARN INDUSTRIES, INC.  
12900 S.E. Capps Road, Clackamas, OR USA 97015-8903, 1-503-722-1200,  
Servicio de atención al cliente: 1-800-543-9276  
Servicio localizador de distribuidor: 1-800-910-1122  
o visite [www.warn.com](http://www.warn.com).



# Windinstallationsanleitung

Jeder Windeneinsatz birgt ein Verletzungsrisiko. Um dieses Risiko zu minimieren, ist es wichtig, dass Sie diese Anleitung und die "Grundlegenden Richtlinien zur Windentechnik" aufmerksam lesen. Bitte machen Sie sich mit dem Betrieb Ihrer Winde vor deren Verwendung vertraut und achten Sie immer auf Sicherheit. In dieser Anleitung sind zahlreiche grundlegende Sicherheitsvorschriften für den Windenbetrieb aufgeführt. Bitte lesen Sie die "Grundlegenden Richtlinien zur Windentechnik" für weitere Information über Ihre Winde und Windentechnik. Denken Sie immer daran, dass gesundes Urteilsvermögen und sicherheitsorientiertes Handeln wichtig sind, da nicht alle Situationen gleich sind.

Bitte heben Sie dieses Handbuch und sonstige ergänzende Unterlagen, die Sie in diesem Set vorfinden, für künftige Verwendungszwecke auf. In diesem Set finden Sie die folgenden Unterlagen: Grundlegende Richtlinien zur Windentechnik, Technische Daten, Konformitätserklärung, Gewährleistungsinformationen, Windeninstallationsanleitung und eine optionale Anleitung zu synthetischen Seilen. Sollte etwas davon fehlen, setzen Sie sich bitte unter den nachstehend angegebenen Telefonnummern mit uns in Verbindung oder besuchen Sie [www.warn.com](http://www.warn.com).

## INHALTSVERZEICHNIS:

### SICHERHEIT

Symbolindex..... 44

Allgemeine Sicherheitsmaßnahmen..... 45-47

### ANLEITUNG

Sichere Arbeitsbedingungen ..... 48

Mit der Winde vertraut machen..... 49

Montage..... 50-51

Elektrische Anschlüsse..... 52

Anleitungen für den Erstbetrieb..... 53-55

Schlussanalyse und Wartung ..... 56

Warn Industries Inc.  
12900 SE Capps Road  
Clackamas, OR 97015  
USA

Kundendienst: (800) 543-9276  
Fax (International): (503) 722-3005  
Fax: (503) 722-3000  
[www.warn.com](http://www.warn.com)

WARN® und das WARN-Logo sind eingetragene Warenzeichen von Warn Industries Inc.  
© 2012 Warn Industries, Inc.

## SYMBOLINDEX


SYMBOL	ERKLÄRUNG
	Lesen Sie die gesamte Produktdokumentation
	Immer Gehör- und Augenschutz tragen
	Winde niemals zum Heben verwenden
	Last ordnungsgemäß im Hakenhals platzieren
	Seil von unten auf die Trommel aufspulen
	Quetschgefahr für die Finger in der Führung
	Schnitt-/Stichgefahr für die Hände
	Explosionsgefahr
	Gefahr durch scharfe Kanten
	Vermeiden Sie Quetschpunkte und scharfe Kanten bei der Installation von elektrischen Kabeln

SYMBOL	ERKLÄRUNG
	Immer Lederhandschuhe tragen
	Keine Personen befördern
	Immer mitgelieferten Hakengurt verwenden
	Hakenspitze oder Riegel niemals belasten
	Seil nie von oben auf die Trommel aufspulen
	Quetschgefahr durch Führung
	Gefahr durch heiße Flächen
	Brand- und Verbrennungsgefahr
	Gefahr durch bewegliche Teile
	Isolieren Sie freiliegende Drähte
	Niemals das Seil an sich selbst einhaken




## Warnhinweise und Vorsichtsmaßnahmen








In diesem Handbuch befinden sich WARNHINWEISE, VORSICHTSMASSNAHMEN, WICHTIGE ANMERKUNGEN und HINWEISE. Jeder dieser Punkte hat einen besonderen Zweck. WARNHINWEISE sind Sicherheitshinweise, die auf eine möglicherweise gefährliche Situation hinweisen, die zu schweren oder tödlichen Verletzungen führen kann, wenn sie nicht vermieden wird. VORSICHTSMASSNAHMEN sind Sicherheitshinweise, die auf eine möglicherweise gefährliche Situation hinweisen, die zu leichten oder mäßigen Verletzungen führen kann, wenn sie nicht vermieden wird. Eine VORSICHTSMASSNAHME kann auch auf unsichere Praktiken hinweisen. VORSICHTSMASSNAHMEN und WARNHINWEISE kennzeichnen die Gefahr, weisen auf Möglichkeiten zur Vermeidung der Gefahr hin und geben Aufschluss über die möglichen Folgen, wenn diese Gefahr nicht vermieden wird. Das Signalwort WICHTIG weist auf Anmerkungen mit Vorgehensweisen zur Vermeidung von Sachschäden hin. HINWEISE liefern zusätzliche Informationen, die Ihnen helfen, ein bestimmtes Verfahren durchzuführen. **BITTE UNBEDINGT ALLE SICHERHEITSMASSNAHMEN BEACHTEN!**

 <b>ACHTUNG</b>	
	
<b>GEFAHR DURCH BEWEGLICHE TEILE</b>	
<p><b>Die Missachtung dieser Anweisungen kann zu schweren oder tödlichen Verletzungen führen.</b></p> <p><b>Allgemeine Sicherheitsmaßnahmen:</b></p> <ul style="list-style-type: none"> <li>• <b>Immer</b> mit der Winde vertraut machen. Nehmen Sie sich Zeit, um die Anleitung und/oder Bedienungsanleitung und/oder Grundlegenden Richtlinien zur Windentechnik zu lesen, um sich mit der Winde und deren Betrieb vertraut zu machen.</li> <li>• <b>Niemals</b> die Nennkapazität der Winde bzw. des Windenseils überschreiten. Zur Reduzierung der Last sind eine Umlenkrolle und ein zweifach geschertes Seil erforderlich.</li> <li>• <b>Immer</b> schwere Lederhandschuhe bei der Handhabung des Windenseils tragen.</li> <li>• Winde oder Windenseil <b>niemals</b> zum Abschleppen verwenden. Schockbelastungen können das Seil beschädigen, überlasten und zum Reißen bringen.</li> <li>• Winde <b>niemals</b> zum Sichern einer Last verwenden.</li> <li>• Winde <b>niemals</b> unter Alkohol-, Drogen- oder Medikamenteneinfluss in Betrieb nehmen.</li> <li>• <b>Nur</b> Personen, die mindestens 16 Jahre alt sind, dürfen diese Winde in Betrieb nehmen.</li> </ul> <p><b>Sicherheitsmaßnahmen bei der Installation:</b></p> <ul style="list-style-type: none"> <li>• <b>Immer</b> eine Befestigungsstelle wählen, die fest genug ist, um der maximalen Nennleistung der Winde standhalten zu können.</li> <li>• Die Befestigungsteile müssen <b>immer</b> mindestens Grad 5 (d. h. 8,8) entsprechen.</li> <li>• Befestigungsschrauben <b>niemals</b> schweißen.</li> <li>• <b>Immer</b> nur vom Hersteller zugelassene Befestigungsteile, Komponenten und Zubehörteile verwenden.</li> <li>• <b>Niemals</b> zu lange Schrauben verwenden.</li> <li>• <b>Immer</b> die Windeninstallation und Hakenbefestigung abschließen, bevor die Verkabelung installiert wird.</li> <li>• <b>Immer</b> Kontakt mit dem Windenseil, der Öse, dem Haken und der Seilführung während der Installation, des Betriebs und beim Ab- und Aufspulen vermeiden.</li> <li>• Seilführung <b>immer</b> so positionieren, dass der Warnhinweis deutlich sichtbar nach oben zeigt.</li> <li>• <b>Immer</b> vor Inbetriebnahme das Seil dehnen und unter Last neu aufspulen. Ein fest aufgespultes Windenseil reduziert das Risiko, dass sich die Seillagen lockern und hängen bleiben oder Schäden verursachen.</li> </ul>	

 <b>ACHTUNG</b>		
		
<b>GEFAHR DURCH BEWEGLICHE TEILE</b>		
<p><b>Die Missachtung dieser Anweisungen kann zu schweren oder tödlichen Verletzungen führen.</b></p> <ul style="list-style-type: none"> <li>• <b>Immer</b> sicherstellen, dass der Riegel geschlossen ist und keine Last trägt.</li> <li>• <b>Niemals</b> Hakenspitze oder Riegel belasten. Nur die Hakenmitte belasten.</li> <li>• <b>Niemals</b> verworfene Haken bzw. Haken mit einer verbreiterten Durchlassöffnung verwenden.</li> <li>• <b>Immer</b> einen Haken mit Riegel verwenden.</li> <li>• <b>Immer</b> gewährleisten, dass Bedienpersonal und in der Nähe befindliche Personen auf die Stabilität von Fahrzeug und Last während des Windenbetriebs achten.</li> <li>• Fernsteuerungs- und Stromversorgungskabel <b>immer</b> von der Trommel, dem Seil und beim Abspannen fernhalten. Auf rissige, geknickte oder ausgefranzte Drähte oder lockere Anschlüsse achten. Beschädigte Komponenten sind vor der Inbetriebnahme auszuwechseln.</li> <li>• Fernsteuerungskabel bei Verwendung im Fahrzeug <b>immer</b> durch Fenster verlegen.</li> <li>• <b>Niemals</b> das Seil an sich selbst einhaken.</li> </ul>		

 <b>ACHTUNG</b>	
	
<b>GEFAHR DURCH BEWEGLICHE TEILE</b>	
<p><b>Die Missachtung dieser Anweisungen kann zu schweren oder tödlichen Verletzungen führen.</b></p> <p><b>Sicherheitsmaßnahmen beim Windenbetrieb:</b></p> <ul style="list-style-type: none"> <li>• Windenseil, Haken und Schlingen vor Inbetriebnahme der Winde <b>immer</b> prüfen. Ausgefranzte, geknickte oder beschädigte Windenseile müssen umgehend ausgetauscht werden. Beschädigte Komponenten sind vor der Inbetriebnahme auszuwechseln. Alle Einzelteile sind vor Schäden zu schützen.</li> <li>• Gegenstände oder Hindernisse, die einen sicheren Betrieb der Winde beeinträchtigen könnten, sind <b>immer</b> zu entfernen.</li> <li>• <b>Immer</b> sicherstellen, dass der gewählte Anker der Last standhalten kann und dass weder der Riemen noch die Kette verrutschen können.</li> <li>• Beim Auf- und Abspulen des Windenseils, während der Installation und während des Betriebs <b>immer</b> den mitgelieferten Hakengurt verwenden.</li> <li>• Bedienpersonal und in der Nähe befindliche Personen müssen sich des Fahrzeugs und der Last <b>immer</b> bewusst sein.</li> <li>• Beim Windenbetrieb <b>immer</b> auf die Stabilität des Fahrzeugs und der Last achten und andere Personen davon fernhalten. In der Nähe befindliche Personen müssen über instabile Zustände informiert werden.</li> <li>• Beim Abspannen <b>immer</b> möglichst viel abspulen. Windenseil zweifach scheren oder weit entfernten Ankerpunkt wählen.</li> <li>• <b>Immer</b> Vorsicht beim Abspannen in Vorbereitung des Windenvorgangs!</li> <li>• <b>Niemals</b> während des Windenbetriebs, oder wenn jemand anders die Steuerung der Winde übernommen hat, Windenseil oder Haken berühren.</li> <li>• <b>Niemals</b> die Kupplung bei belasteter Winde, gespanntem Windenseil oder sich bewegender Seiltrommel ein- oder austrasten lassen.</li> <li>• <b>Immer</b> Abstand zum Windenseil und zur Last einhalten und andere Person während des Windenbetriebs fernhalten.</li> <li>• <b>Niemals</b> Fahrzeug verwenden, um Last mit Windenseil zu ziehen. Kombinierte Lasten oder Schockbelastungen können das Seil beschädigen, überlasten und zum Reißen bringen.</li> <li>• Windenseil <b>niemals</b> übereinander aufspulen. Verwenden Sie eine Kette oder eine Baumschutzvorrichtung am Anker.</li> </ul>	

 <b>ACHTUNG</b>	
	
	
<b>STURZ- ODER QUETSCHGEFAHR</b>	
<p><b>Die Missachtung dieser Anweisungen kann zu schweren oder tödlichen Verletzungen führen.</b></p> <ul style="list-style-type: none"> <li>• <b>Immer</b> Abstand halten, Hände fernhalten, andere Personen fernhalten.</li> <li>• <b>Niemals</b> die Winde mit weniger als fünf Seilwicklungen um die Trommel betreiben. Das Seil könnte sich von der Trommel lösen, da die Seilbefestigung an der Trommel nicht für eine Belastung konzipiert wurde.</li> <li>• Winde <b>niemals</b> als Hebevorrichtung oder zum Anheben von Lasten verwenden.</li> <li>• <b>Immer</b> sicherstellen, dass der Anker der Last standhalten kann; unbedingt auf ordnungsgemäßes Abspannen achten.</li> <li>• Winde <b>niemals</b> als Lift oder zur Beförderung von Personen verwenden.</li> <li>• <b>Niemals</b> übermäßige Kraft für den Freilauf des Windenseils anwenden.</li> <li>• Beim Handling und Installieren des Produkts <b>immer</b> auf richtige Haltung/Hebetechnik achten oder Hebehilfe beschaffen.</li> <li>• Seil <b>immer</b> in der auf dem Warnetikett der Winde und/oder in den Unterlagen angegebenen Richtung auf die Trommel spulen. Diese Maßnahme ist für die ordnungsgemäße Funktion der Automatikbremse (wenn vorhanden) unerlässlich.</li> <li>• Windenseil <b>immer</b> entsprechend den Rotationsangaben auf dem Trommelaufkleber aufspulen.</li> <li>• Windenseil <b>immer</b> von unten (Montageseite) auf die Trommel aufspulen.</li> <li>• Seil <b>nie</b> von oben auf die Trommel aufspulen.</li> <li>• Windenseil <b>immer</b> in der den Rotationsangaben auf dem Trommelaufkleber und/oder in den Unterlagen entsprechenden Richtung auf die Trommel spulen. Dies ist für die ordnungsgemäße Funktion der Automatikbremse (wenn vorhanden) unerlässlich.</li> </ul>	



 <b>ACHTUNG</b>	
	
<p><b>SCNITTVERLETZUNGS- UND VERBRENNUNGSGEFAHR</b></p> <p><b>Die Missachtung dieser Anweisungen kann zu schweren oder tödlichen Verletzungen führen.</b></p> <p><b>So lassen sich Verletzungen an den Händen und Fingern vermeiden:</b></p> <ul style="list-style-type: none"> <li>• <b>Immer</b> schwere Lederhandschuhe bei der Handhabung des Windenseils tragen.</li> <li>• Während des Betriebs und nach Verwendung der Winde <b>immer</b> auf möglicherweise heiße Flächen in der Nähe des Motors, der Trommel oder des Seils achten.</li> </ul>	

 <b>VORSICHT</b>	
	
<p><b>SCNITTVERLETZUNGS- UND VERBRENNUNGSGEFAHR</b></p> <p><b>Die Missachtung dieser Anweisungen kann zu leichten oder mäßigen Verletzungen führen.</b></p> <ul style="list-style-type: none"> <li>• Windenseil <b>niemals</b> durch die Hände gleiten lassen.</li> </ul>	

 <b>ACHTUNG</b>		
		
		
<p><b>CHEMISCHE UND BRANDGEFAHR</b></p> <p><b>Die Missachtung dieser Anweisungen kann zu schweren oder tödlichen Verletzungen führen.</b></p> <ul style="list-style-type: none"> <li>• <b>Immer</b> Schmuck entfernen und Augenschutz tragen.</li> <li>• <b>Niemals</b> Elektrokabel über scharfe Kanten verlegen.</li> <li>• <b>Niemals</b> Elektrokabel in der Nähe von Teilen verlegen, die heiß werden.</li> <li>• <b>Niemals</b> Elektrokabel durch bewegliche Teile oder in der Nähe von beweglichen Teilen verlegen.</li> <li>• <b>Immer</b> die mitgelieferten Schutzmanschetten an Kabeln und Anschlüssen gemäß den Installationsanweisungen anbringen.</li> <li>• Beim Herstellen von Anschlüssen <b>niemals</b> über die Batterie beugen.</li> <li>• <b>Niemals</b> Elektrokabel über Batterieanschlüsse verlegen.</li> <li>• <b>Niemals</b> Batterieanschlüsse mit Metallgegenständen kurzschließen.</li> <li>• <b>Immer</b> sicherstellen, dass ein Bereich, in dem gebohrt werden soll, frei von Kraftstoffleitungen, Kraftstofftanks, Bremsleitungen, elektrischen Kabeln usw. ist.</li> <li>• Einzelheiten über richtige Verkabelung <b>immer</b> der Bedienungsanleitung entnehmen.</li> <li>• <b>Immer</b> freiliegende Kabel und elektrische Anschlüsse isolieren und schützen.</li> </ul>		

 <b>VORSICHT</b>	
	
<p><b>GEFAHR DURCH BEWEGLICHE TEILE</b></p> <p><b>Die Missachtung dieser Anweisungen kann zu leichten oder mäßigen Verletzungen führen.</b></p> <p><b>So lassen sich Verletzungen an Händen und Fingern vermeiden:</b></p> <ul style="list-style-type: none"> <li>• Fernsteuerung beim Freilauf, Abspannen oder bei Nichtgebrauch der Winde <b>immer</b> entfernen, damit sie nicht aktiviert werden kann.</li> <li>• Fernsteuerung beim Installieren, Freilauf, Abspannen, Wartungs-/Reparaturarbeiten oder bei Nichtgebrauch der Winde <b>niemals</b> angeschlossen lassen.</li> </ul>	

<b>HINWEIS</b>
<p><b>SO LASSEN SICH SCHÄDEN AN DER WINDE UND AN GERÄTEN VERMEIDEN:</b></p> <ul style="list-style-type: none"> <li>• Das Einziehen des seil von der Seite ist <b>immer</b> zu vermeiden, da sich das Windenseil sonst an einem Ende der Trommel ansammeln kann. Bei Nichtbeachtung dieser Anweisung können Schäden am Windenseil oder der Winde entstehen.</li> <li>• <b>Immer</b> darauf achten, dass die Kupplung vollkommen ein- oder ausgerastet ist.</li> <li>• <b>Immer</b> sicherstellen, dass das Chassis bei der Verankerung des Fahrzeugs während des Windenbetriebs nicht beschädigt wird.</li> <li>• <b>Niemals</b> die Winde in Wasser eintauchen.</li> <li>• Fernsteuerung <b>immer</b> an einem geschützten, sauberen, trockenen Ort aufbewahren.</li> </ul>

Dieses Handbuch enthält Anleitungen zur Installation Ihres WARN Windensystems und für den ersten Betrieb. Eine vollständige Bedienungsanleitung für Ihr WARN Windensystem finden Sie in den "Grundlegenden Richtlinien zur Windentechnik".

**Sicherheit**

Bei der Installation des WARN Windensystems sind alle Installations- und Sicherheitshinweise zu lesen und zu beachten.

Gehen Sie bei der Arbeit mit Elektrizität stets vorsichtig vor. Vergewissern Sie sich, dass keine elektrischen Anschlüsse frei liegen, bevor Sie den Windenschaltkreis an die Stromversorgung anschließen.

Technische Daten und Leistungsangaben entnehmen Sie bitte dem mit Ihrer Winde mitgelieferten Datenblatt.

## Mit der Winde vertraut machen

Zunächst sollten Sie sich mit der WARN-Winde und ihren Komponenten vertraut machen:

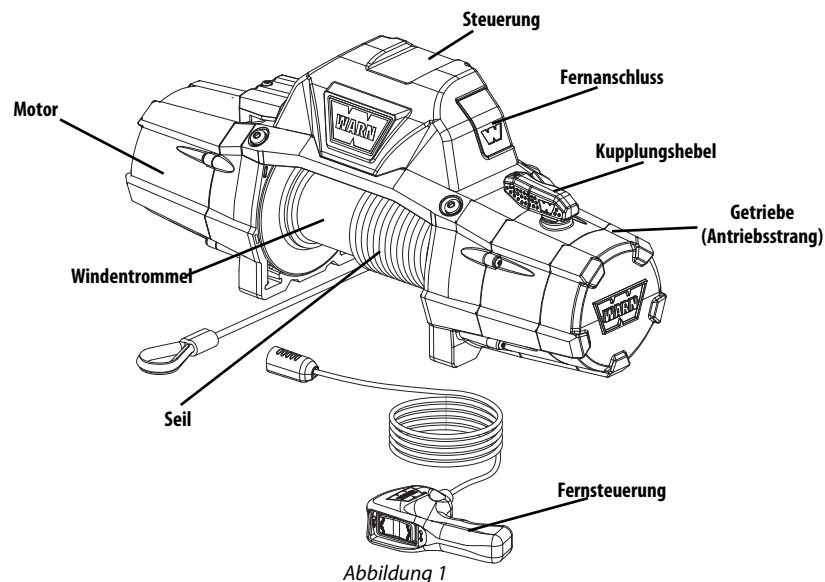


Abbildung 1

- Motor:** Der Windenmotor wird über die Fahrzeugbatterie gespeist. Der Motor treibt den Getriebemechanismus an, der wiederum die Trommel der Winde dreht und das Windenseil auf- und abspult.
- Windentrommel:** Bei der Windentrommel handelt es sich um den Zylinder, auf den das Seil gespult wird. Die Trommel wird vom Motor und Antriebsstrang bewegt. Die Drehrichtung der Trommel kann über die Fernsteuerung geändert werden.
- Seil\*:** Der Durchmesser und die Länge des Windenseils richten sich nach der Lastkapazität und Konstruktion der Winde. Das Windenseil wird um die Trommel gewickelt und tritt durch die Seilführung aus. Am Seilende befindet sich eine Schlaufe für den Lastösenbolzen des Windenhakens.  
\* Für Modelle mit Synthetikseil bitte unbedingt die dem Set beiliegende WARN Synthetikseil-Installationsanleitung vollständig lesen.
- Antriebsstrang:** Das Untersetzungsgetriebe setzt die Motorleistung in eine sehr große Zugkraft um. Dank der Bauweise des Antriebsstrangs ist die Winde leicht und kompakt.
- Kupplungshebel:** Anhand der Kupplung kann die Seiltrommel manuell vom Antriebsstrang gelöst und somit in den Freilauf geschaltet werden. Bei Einrasten der Kupplung wird die Trommel der Winde wieder mit dem Antriebsstrang gekuppelt.
- Fernanschluss:** Am Fernanschluss schließt der Bediener die kabelgebundene Fernsteuerung oder den optionalen Empfänger für die drahtlose Fernsteuerung der Winde an.
- Steuerung\*:** Der über die Fahrzeugbatterie gespeiste Schaltschütz in der Steuerung überträgt Strom an den Motor, um die Änderung der Trommeldrehrichtung zu bewirken.  
\* Einzelheiten zum optionalen Control Pack Relocation Kit für die Versetzung der Steuerung erhalten Sie bei Ihrem autorisierten WARN-Händler oder unter [www.warn.com](http://www.warn.com).
- Fernsteuerung:** Die Fernsteuerung wird an der Steuerung der Winde angeschlossen. Anhand der Fernsteuerung kann unter Einhaltung des Sicherheitsabstandes zur Winde die Drehrichtung der Windentrommel geändert werden.

## Schritt 1 – Montieren der Winde

Montagebausätze für Winden sind für fast alle Anwendungen bei Ihrem WARN-Händler erhältlich. Informationen zu den verfügbaren Bausätzen erhalten Sie bei Ihrem WARN-Händler.

**HINWEIS** Für optimale Leistung und ihren Erwartungen entsprechende Ergebnisse werden dringend WARN-Befestigungsplatten empfohlen.

**VORSICHT** Um ein versehentliches Aktivieren der Winde und somit schwere Verletzungen zu vermeiden, führen Sie die Windeninstallation aus und bringen Sie den Haken an, bevor Sie die Verkabelung installieren.

**ACHTUNG** Immer eine Befestigungsstelle wählen, die fest genug ist, um der maximalen Nennleistung der Winde standhalten zu können.

**ACHTUNG** Niemals zu lange Schrauben verwenden.

**ACHTUNG** Windenseil immer in der den Rotationsangaben auf dem Trommelaufkleber und/oder in den Unterlagen entsprechenden Richtung auf die Trommel spulen. Dies ist für die ordnungsgemäße Funktion der Automatikbremse (wenn vorhanden) unerlässlich.

**ACHTUNG** Windenseil immer von unten (Montageseite) auf die Trommel aufspulen.

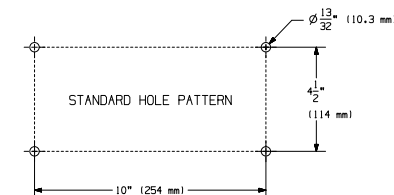
Diese Winde muss immer in horizontaler Ausrichtung montiert werden, sodass das Seil auf der Montageseite der Trommel und in Richtung des Rotationspfeils auf der Winde auf-/abgewickelt wird, siehe Abbildung 2 und 3.

Die richtige Rotationsrichtung ist für die ordnungsgemäße Funktion der Automatikbremse unerlässlich. Die horizontale Montage verhindert, dass sich das Seil an einem Ende der Trommel aufwickelt und die Winde beschädigt.

Die Verwendung der empfohlenen Schrauben und Sicherungsscheiben verhindert Vibrationen während des Betriebs, wenn sie mit den empfohlenen Drehmomenten festgezogen werden. Die Spezifikationen sind nachfolgend auflistet. Die Schraubenlänge ist abhängig vom Befestigungssystem.

## Montageschablone:

Standard: 254 mm x 114,3 mm



Glatte und flache Montagefläche, Mindeststärke = 6,4 mm

## Enthaltene Montageteile:

- M10 x 1,5 Bundmutter, 15 mm Sechskant
- M10-1,5 x 35 Sechskantflansch, 8,8, Schraube (4 x)
- M10-1,5 x 40 Sechskantflansch, 8,8, Schraube (2 x)

## Drehmoment: 41 bis 47 Nm

Eine Befestigungsstelle wählen, die fest genug ist, um der maximalen Nennleistung der Winde standhalten zu können.

1. Setzen Sie die Bundmuttern in die Aussparungen der Windenfüße.
2. Platzieren Sie die Winde an der Montagestelle. Überprüfen Sie die benötigte Schraubenlänge.

Blechdicke	Schraubenlänge
7 mm	32 mm
10 mm	40 mm
13 mm	40 mm

3. Bringen Sie die Schrauben an und ziehen Sie diese mit 41 bis 47 Nm fest.
4. Entfernen Sie das Gummiband um das Seil.
5. Schalten Sie die Kupplung auf Freilauf.
6. Legen Sie die Seilschlaufe manuell durch die Seilführung.

**ACHTUNG** Immer den mitgelieferten Hakengurt verwenden.

7. Befestigen Sie den Haken an der Kabelschlaufe. Befestigen Sie den Hakengurt am Haken.
8. Drehen Sie die Kupplung in die vollständig eingerastete Position zurück.

Montageausrichtung

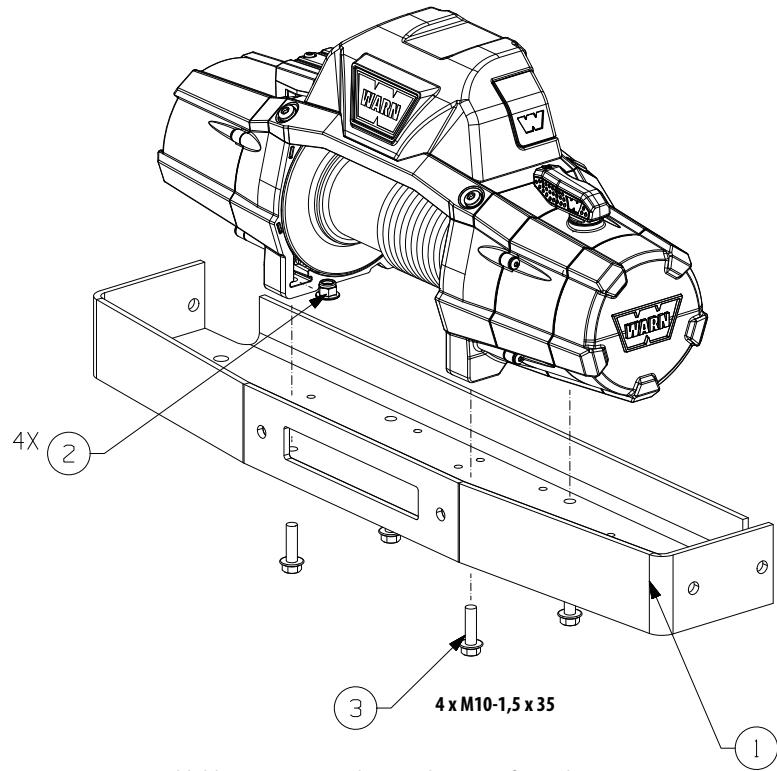


Abbildung 2 Horizontale Ausrichtung, FüÙe nach unten

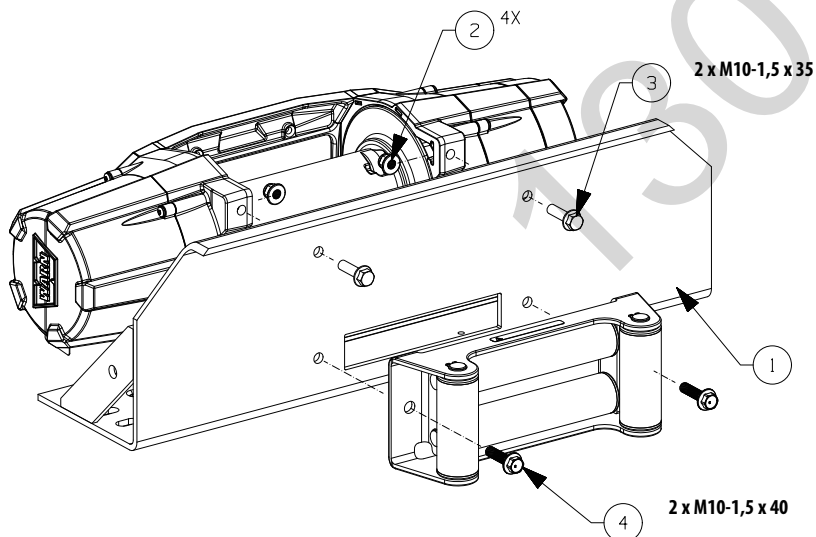






Abbildung 3 Horizontale Ausrichtung, FüÙe nach vorne

Schritt 2 – Installieren der Verkabelung

**ACHTUNG** So lassen sich schwere oder tödliche Verletzungen verhindern: Immer die mitgelieferten Schutzmanschetten an Kabeln und Anschlüssen gemäß den Installationsanweisungen anbringen.

**ACHTUNG** Um schwere oder tödliche Verletzungen durch Brand zu vermeiden:

-  Niemals Elektrokabel über scharfe Kanten verlegen.
-  Niemals Elektrokabel in der Nähe von Teilen verlegen, die heiß werden.
-  Niemals Elektrokabel durch bewegliche Teile oder in der Nähe von beweglichen Teilen verlegen.
-  Vermeiden Sie Quetschpunkte und scharfe Kanten bei der Installation aller elektrischen Kabel.

**ACHTUNG** Isolieren Sie freiliegende Kabel und elektrische Anschlüsse immer und schützen Sie sie.

**HINWEIS** Eine vollständig geladene Batterie und gute Anschlüsse sind für den ordnungsgemäÙen Betrieb der Winde unumgänglich. Die Mindestanforderungen für eine 12-V-Batterie (Gleichspannung) liegen bei 650 CCA.

Verlegen Sie die Batterieanschlusskabel an Stellen, wo sie die Isolierung nicht aufreiben oder durchschneiden und so einen Kurzschluss verursachen können.

Das Stromkabel der Winde muss zur Batterie geführt werden. Die Leitungen für Strom (rot) und Erde (schwarz) müssen direkt an die Batterie angeschlossen werden. **ACHTUNG!** Die Erdung nicht mit dem Fahrzeugchassis verbinden.

Für die Verlegung der Batteriekabel müssen eventuell das Armaturenbrett des Fahrzeuges oder Teile der Karosserie entfernt werden.

Verlegen Sie die Batteriekabel so, dass sie mit Kabelbindern gesichert werden können.

**ACHTUNG** Lose oder nicht gesicherte Stromkabel können zu schweren oder tödlichen Verletzungen führen.

Schützen Sie Stromkabel immer vor scharfen Kanten, Bereichen, die zu heiß werden, um sie anzufassen, und vor beweglichen Teilen.

1. Planen Sie die Kabelroute.
2. Befestigen Sie die Stromkabel lose entlang der Route.
3. Überprüfen Sie, dass die Stromkabel vor scharfen Kanten, Hitze und beweglichen Teilen sicher sind. Berücksichtigen Sie Biegungen im Fahrgestell und Vibrationen, die Kabel beschädigen könnten.
4. Überprüfen Sie sorgfältig den Verlauf der Elektrokabel. Ist er sauber und ordentlich? Binden Sie die Elektrokabel mit Kabelbindern zusammen und sichern Sie sie. Die Kabelbindern sollten eng anliegen, aber nicht in die Drahtisolierung einschneiden. Verwenden Sie Isolierband, Gummischlauchstücke oder Elektroinstallationsrohre, um Elektrokabel und Kabelbäume zu schützen, wo dies notwendig ist, um einen Verschleiß oder Abrieb der Elektrokabelisolierung zu verhindern.
5. Schließen Sie die Batteriekabel an, ZUERST das rote (positive) Kabel, dann das schwarze (negative). Installieren Sie nach Bedarf Manschetten, um die Anschlüsse zu schützen. Ziehen Sie die Anschlussbefestigungen der Batterie auf das im Wartungshandbuch des Fahrzeug angegebene Drehmoment an.

Nach der Installation muss die Seilwinde auf ordnungsgemäÙe Funktion überprüft werden.

Schritt 3 – Synthetikseil-Installation (Optionale)

Für Modelle mit Synthetikseil bitte unbedingt die detaillierte WARN Synthetikseil-Installationsanleitung vollständig lesen.

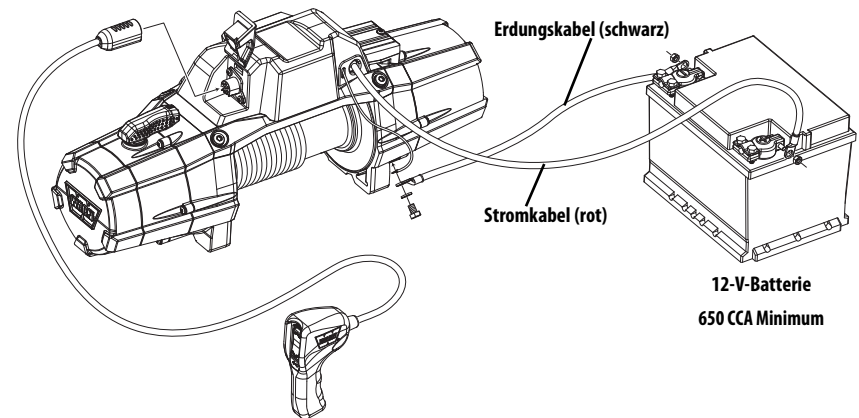


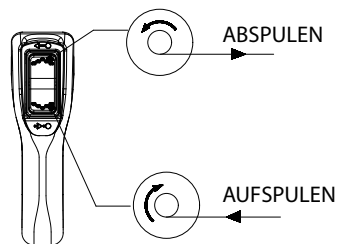
Abbildung 4 Verkabelungsplan

**Schritt 4 – Systemtest**

Nach erfolgter Systemprüfung können Sie die Funktion der Winde bestätigen. Fahren Sie fort mit den Abschnittsanleitung für den Erstbetrieb und Wartung in diesem Handbuch.

**Schritt 5 – Anleitung für den Erstbetrieb**

**ACHTUNG** Nehmen Sie sich die Zeit, sich anhand der Grundlegenden Richtlinien zur Windentechnik im Lieferumfang Ihrer Winde vollständig mit der Funktionsweise und dem Windenbetrieb vertraut zu machen.

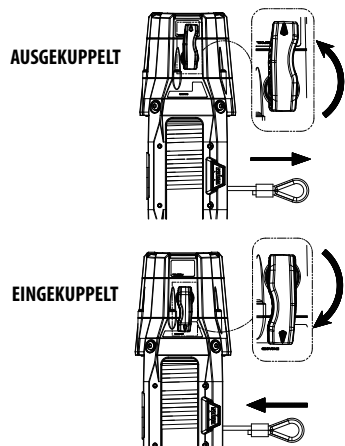


**Fernsteuerungsschalter**

Die Fernsteuerung sollte bei Nichtgebrauch nicht an die Winde angeschlossen sein. Bei Nichtbeachtung dieser Anweisung können Gefahrensituationen entstehen und/oder die Batterie entladen werden.

**Kupplungsbetrieb:**

**ACHTUNG** Niemals die Kupplung bei belasteter Winde, gespanntem Windenseil oder sich bewegender Seiltrommel ein- oder ausrasten lassen.



Bei eingerasteter Kupplung ist das Getriebe mit der Windentrommel verbunden. Unter Umständen wird jetzt schon Kraft vom Windenmotor übertragen.

Wenn die Kupplung ausgekuppelt ist, befindet sich die Trommel im Leerlauf (Seilfreilauf), und es besteht keine Verbindung zwischen dem Getriebe und der Windentrommel. Die Trommel dreht sich somit ungehindert.

Der Kupplungshebel, der sich auf dem Windengehäuse auf der anderen Seite des Motors befindet, steuert die Kupplungstätigkeit. Die Kupplung sollte über den Knauf immer nur voll eingerastet sein oder sich ungehindert im Leerlauf befinden. Nur so können Schäden vermieden werden.

**Abspulen**

**ACHTUNG** Niemals die Winde mit weniger als fünf Seilwicklungen um die Trommel betreiben. Das Seil könnte sich von der Trommel lösen, da die Seilbefestigung an der Trommel nicht für eine Belastung konzipiert wurde.

**ACHTUNG** Immer Kontakt mit dem Windenseil, der Öse, dem Haken und der Seilführung während der Installation, des Betriebs und beim Ab- und Aufspulen vermeiden.

**ACHTUNG** Bei der Handhabung des Windenseils immer schwere Lederhandschuhe tragen.

Beim Freilauf handelt es sich generell um die schnellste und einfachste Methode, das Windenseil abzuspulen. Bevor das Windenseil im Freilauf von der Winde gespult wird, sollte so viel Seil abgerollt werden, dass jegliche Spannung entfernt wird. Kupplung lösen. Dann per Hand genug Seil für den Windenbetrieb abspulen. Weitere Informationen entnehmen Sie bitte den Grundlegenden Richtlinien zur Windentechnik.

**HINWEIS** Spulen Sie NICHT mehr als 10 m Seil ab, ohne die Winde 20 Minuten abkühlen zu lassen, bevor Sie das Seil wieder aufspulen. Schalten Sie stattdessen die Kupplung in den Freilauf und ziehen Sie das Seil manuell ab.

**ACHTUNG** Immer den mitgelieferten Hakengurt beim Auf- und Abspulen, während der Installation oder während des Betriebs verwenden, um Verletzungen an den Händen und Fingern zu vermeiden.

**Aufspulen unter Last**

**ACHTUNG** Die maximale Zugkraft der Winde darf nie überschritten werden.

Das Windenseil gleichmäßig einziehen und fest um die Trommel legen. Dadurch wird verhindert, dass die äußeren Wickelschichten die darunter liegenden Schichten und Wicklungen und somit das Windenseil beschädigen.

Vermeiden Sie Stoßbelastungen beim Spulen, indem Sie regelmäßig den Steuerschalter verwenden, um lockere Seilabschnitte einzuziehen. Stoßbelastungen können die Nennwerte der Winde und des Seils kurzzeitig weit überschreiten.

**Aufspulen ohne Last**

**ACHTUNG** Niemals während des Windenbetriebs, oder wenn jemand anders die Steuerung der Winde übernommen hat, Windenseil oder Haken berühren.

*Spulen mit Hilfspersonal:* Lassen Sie das Hilfspersonal den Hakengurt halten, wobei diese Person das Windenseil ohne Unterbrechung und möglichst stark spannt. Unter Aufrechterhaltung der Spannung sollte diese Person nun auf die Winde zugehen, während Sie das Seil unter Verwendung des Steuerschalters aufspulen. Schalter loslassen, wenn der Haken mindestens 2 m von der Führungsöffnung entfernt ist.

Das restliche Seil nun zu Lagerzwecken wie folgt aufspulen.

*Alleine spulen:* Legen Sie das Windenseil so, dass es beim Aufspulen weder geknickt wird oder hängen bleiben kann. Vergewissern Sie sich, dass die Seillagen um die Trommel fest und gleichmäßig angeordnet sind. So viel Seil aufspulen, bis die nächste Lage um die Trommel voll ist. Seillage festziehen und gerade ausrichten. Wiederholen Sie diesen Vorgang, bis der Haken mindestens 2 m vom Seilfenster entfernt ist.

Das restliche Seil nun zu Lagerzwecken wie folgt aufspulen.

**Aufspulen des Restseils zu Lagerzwecken**

Den Haken vom Anker oder der Last lösen, wenn er sich 2 m von der Führung entfernt befindet. Den mitgelieferten Hakengurt festhalten und sicherstellen, dass das Windenseil weiterhin unter Spannung steht. Wickeln Sie das Seil langsam durch mehrfaches kurzes Einschalten der Wickelfunktion an der Fernsteuerung so weit auf, dass der Haken weniger als 1 m von der Seilführung entfernt ist.

Windenvorgang beenden und den Haken an einem geeigneten Ankerpunkt am Fahrzeug befestigen.

**HINWEIS** Nicht den Haken in die Seilführung ziehen. Dadurch könnte die Seilführung beschädigt werden.

Sobald der Haken an einer geeigneten Stelle am Fahrzeug befestigt ist, wickeln Sie das Windenseil durch mehrfaches kurzes Einschalten der Winde an der Fernsteuerung weiter auf, bis das Seil fast gespannt ist.

**Überlastung/Überhitzung**

Die Winde ist für den Aussetzbetrieb vorgesehen. Sinkt die Drehzahl, sodass die Gefahr besteht, dass der Motor bald stehen bleibt, kann sich die Winde

sehr schnell erhitzen und den Motor beschädigen.

Bei Verwendung einer Umlenkrolle (siehe Richtlinien zur Windentechnik) werden die Stromaufnahme und die Hitzebildung im Motor reduziert. Dadurch verlängert sich die mögliche Einsatzzeit der Winde.

**DEHNEN des WINDENSEILS**

**ACHTUNG** Immer vor Inbetriebnahme das Seil dehnen und unter Last neu aufspulen. Ein fest aufgespultes Seil reduziert das Risiko, dass sich die Seillagen lockern und hängen bleiben oder Schäden verursachen.

**ACHTUNG** Niemals die Winde mit weniger als fünf Seilwicklungen um die Trommel betreiben. Das Seil könnte sich von der Trommel lösen, da die Seilbefestigung an der Trommel nicht für eine Belastung konzipiert wurde.

Die Lebensdauer des Windenseils hängt von seiner Pflege und Einsatzhäufigkeit ab. Beim ersten Gebrauch muss ein neues Windenseil mit einer Last von mindestens 454 kg auf die Trommel gespult werden. Folgende Anweisungen beachten, damit das Windenseil korrekt auf die Windentrommel aufgespult wird.

- 1) Wählen Sie einen FLACHEN UND EBENEN Standort mit ausreichend Platz, um das Windenseil in ganzer Länge auszulegen.
- 2) Drehen Sie den Kupplungshebel an der Winde in die Freilaufstellung. Das Windenseil bis auf fünf Trommelumwindungen abwickeln. Kupplungshebel an der Winde nach dem Abspulen des Windenseils in die eingekuppelte Position stellen.
- 3) Das Hakenende des Seils an einem geeigneten Ankerpunkt befestigen und das Fahrzeug so weit zurückfahren, bis das Windenseil fast gespannt ist. Vor dem Aussteigen Feststellbremse anziehen, einen Gang einlegen bzw. bei Automatikgetriebe die Parkstellung wählen und den Motor abstellen..

- 4) Die Fernsteuerung an die Winde anschließen. Halten Sie ungefähr 2,5 m Abstand von der Winde und spulen Sie das Seil auf die Winde auf, bis es gespannt ist. Nehmen Sie die Fernsteuerung von der Winde ab. Windenseil mit einer Hand unter Spannung halten. Windenseil vorsichtig in Richtung der Trommelseite drücken, an der es befestigt ist, damit zwischen den einzelnen Wicklungen keine Abstände bleiben. Vergewissern Sie sich, dass das Windenseil auf der Unterseite der Trommel und nicht auf der Oberseite abläuft. Anderenfalls kann die automatische Lastbremse nicht ordnungsgemäß funktionieren. (Wenn das Windenseil auf der Oberseite abläuft, wurde der



Spulvorgang der Winde bei Verwendung der Fernsteuerung in die falsche Richtung aktiviert.)

5) Aus Sicherheitsgründen sollten die folgenden Schritte immer von zwei Personen ausgeführt werden. Falls Sie beabsichtigen, das Windenseil ohne die Unterstützung einer weiteren Person unter Spannung zu setzen, müssen Sie unbedingt darauf achten, dass die Feststellbremse angezogen ist, ein Gang eingelegt oder das Getriebe in die Parkposition gestellt ist und der Fahrzeugmotor abgeschaltet ist, wenn Sie zum Überprüfen des Windenseils aus dem Fahrzeug steigen. Steigen Sie niemals aus dem Fahrzeug aus, während das Seil unter Belastung steht. Das korrekte Anspannen des Windenseils trägt entscheidend dazu bei, dass es lange nutzbar bleibt. Durch das Anspannen des Windenseils wird verhindert, dass die inneren Lagen des Windenseils durch die äußeren Wicklungen eingeklemmt und verformt werden.

6) Darauf achten, dass jede Lage sauber aufgewickelt wird, um eine Beschädigung des Seils zu verhindern.

7) Übergeben Sie dem Fahrzeugführer die Fernsteuerung durch das Fenster auf der Fahrerseite. Weisen Sie Ihren Helfer an, sich neben das Fahrzeug zu stellen und Abstand zum Seil zu halten. Ihr Helfer sollte das Windenseil beobachten und Ihnen durch Signale mitteilen, dass es korrekt über die Seilführung aufgewickelt wird. Starten Sie den Fahrzeugmotor, und nehmen Sie den Gang heraus. Feststellbremse lösen und dabei mitmäßigem Druck auf die Bremse treten.

Aktivieren Sie die Aufwickelfunktion über die Fernsteuerung. Wickelvorgang nach ungefähr 2m stoppen. Langsam den Fuß von der Bremse nehmen und dann die Feststellbremse anziehen. Dadurch wird sichergestellt, dass das Windenseil nicht unter Belastung steht. Das Getriebe dann wieder in die Parkposition schalten oder einen Gang einlegen und den Fahrzeugmotor abschalten. Aus dem Fahrzeug aussteigen und überprüfen, ob das Windenseil gleichmäßig auf die Windentrommel aufgewickelt und nicht in einer darunter liegenden Lage eingeklemmt wird. Wenn das Windenseil sich zu verklemmen droht, wieder abspulen und den Vorgang wiederholen. Diesmal jedoch etwas fester auf die Bremse treten.

8) Wenn Sie sich davon überzeugt haben, dass das Windenseil korrekt auf die Windentrommel aufgewickelt wird, Schritt 6 so lange wiederholen, bis sich das Fahrzeug nur noch weniger als 2 m vom Windenankerpunkt entfernt befindet. Wenn der Abstand weniger als 2 m beträgt, langsam den Fuß von der Bremse nehmen und dann die Feststellbremse anziehen. Dadurch wird

sichergestellt, dass das Windenseil nicht unter Belastung steht. Das Getriebe dann wieder in die Parkposition schalten oder einen Gang einlegen und den Fahrzeugmotor abschalten. Aus dem Fahrzeug aussteigen. Den Haken vom Ankerpunkt lösen. Halten Sie den mitgelieferten Hakenurt fest und stellen Sie sicher, dass das Windenseil weiterhin unter Spannung steht. Wickeln Sie das Seil langsam durch mehrfaches kurzes Einschalten der Wickelfunktion an der Fernsteuerung so weit auf, dass der Haken weniger als 1 m von der Seilführung entfernt ist. Windenvorgang beenden und den Haken an einem geeigneten Ankerpunkt am Fahrzeug befestigen.

**HINWEIS** Nicht den Haken in die Seilführung ziehen. Dadurch könnte die Seilführung beschädigt werden.

Sobald der Haken an einer geeigneten Stelle am Fahrzeug befestigt ist, wickeln Sie das Windenseil durch mehrfaches kurzes Einschalten der Winde an der Fernsteuerung weiter auf, bis das Seil fast gespannt ist.

Prüfung	Vor dem ersten Betrieb	Nach jedem Einsatz	Alle 90 Tage
Nehmen Sie sich Zeit, um die Anleitung und/oder Bedienungsanleitung und/oder Grundlegenden Richtlinien zur Windentechnik zu lesen, um sich mit der Winde und deren Betrieb vertraut zu machen.	X		
Befestigungselemente prüfen und vergewissern, dass sie fest und mit dem richtigen Drehmoment angezogen sind. Beschädigte Befestigungselemente ersetzen.	X		X
Vergewissern Sie sich, dass die Verkabelung aller Komponenten korrekt ist, und stellen Sie sicher, dass alle Anschlusspunkte fest sitzen.	X		X
Vergewissern Sie sich, dass keine freiliegenden/blanken Drähte oder Anschlüsse oder schadhafte Kabelisolierungen (Abrieb/Schnitte) vorhanden sind. Alle freiliegenden Stellen mit Schutzmanschetten abdecken. Schadhafte Stromkabel reparieren oder erneuern.	X		X
Überprüfen Sie das Seil auf Schäden. Das Seil bei Schäden sofort ersetzen.	X	X	X
Halten Sie Winde, Seil und Schalter schmutzfrei. Entfernen Sie Schmutz und Rückstände mit einem sauberen Tuch.		X	

**ACHTUNG** So lassen sich schwere oder tödliche Verletzungen verhindern:



Windenseil immer entsprechend den Rotationsangaben auf dem Trommelaufkleber aufspulen.

Seil immer von unten auf die Trommel aufspulen.



Seil nie von oben auf die Trommel aufspulen.

Nehmen Sie sich die Zeit, um sich anhand der Richtlinien zur Windentechnik im Lieferumfang Ihrer Winde mit der Funktionsweise und dem Windenbetrieb vollständig vertraut zu machen.

Für weitere Informationen oder bei Fragen wenden Sie sich bitte an:

WARN INDUSTRIES, INC.  
12900 S.E. Capps Road, Clackamas, OR USA 97015-8903, 1-503-722-1200,  
Kundendienst: 1-800-543-9276  
Händlersuchdienst: 1-800-910-1122  
oder besuchen Sie [www.warn.com](http://www.warn.com).



# Vinschinstallationsguide

Alla vinschsituationer innebär risk för personskador. För att minimera denna risk är det viktigt att noga läsa dessa anvisningar och Grundläggande guide för vinschteknik. Lär dig hur man sköter vinschen innan du använder den och var alltid uppmärksam på säkerhet. I denna guide vill vi beskriva många grundläggande regler om säker vinschning. Läs Grundläggande guide för vinschteknik för ytterligare information om vinschen och korrekta sätt att rigga den. Kom ihåg att eftersom varje vinschsituation är olika är det viktigt att du alltid använder gott omdöme och genomgående koncentrerar dig på säkerheten.

Förvara denna bruksanvisning och andra trycksaker som medföljer denna sats för framtida referens. Dessa trycksaker medföljer denna sats: Grundläggande vinschteknikguide, Specifikationer, Konformitetsdeklaration, Garantiinformation, Vinschinstallationsguide och en Bruksanvisning för syntetisk lina (tillval). Om någon av dessa saknas, kontakta oss på telefonnumren nedan eller besök [www.warn.com](http://www.warn.com).

## INNEHÅLLSFÖRTECKNING

### SÄKERHET

Symbolindex..... 58  
Allmänna säkerhetsföreskrifter .....59-61

### ANVISNINGAR

Säkra arbetsförhållanden..... 62  
Lär känna din vinsch..... 63  
Montering..... 64-65  
Elektriska anslutningar ..... 66  
Bruksanvisning för första användning..... 67-69  
Slutkommentar och underhåll ..... 70

Warn Industries, Inc.  
12900 SE Capps Road  
Clackamas, OR 97015  
USA

Kundservice: (800) 543-9276  
Fax utanför USA: (503) 722-3005  
Fax: (503) 722-3000  
[www.warn.com](http://www.warn.com)

WARN® och WARNs logo är registrerade varumärken som tillhör Warn Industries Inc.  
© 2012 Warn Industries, Inc.

## SYMBOLINDEX

SYMBOL	FÖRKLARING
	Läs all produktlitteratur
	Ha alltid på dig skydd för öron och ögon
	Använd aldrig vinschen som lyftkran
	Placera lasten rätt i krokens hals
	Linda linan runt trummans botten
	Risk för att du krossar fingrar i linledaren
	Risk för att genomborra eller skära händerna
	Risk för explosion eller bristning
	Risk för skarp kant
	Undvik att installera elektriska kablar nära ställen där det finns risk att kabeln kommer att klämmas eller utsättas för slitage

SYMBOL	FÖRKLARING
	Ha alltid på dig läderhandskar
	Flytta inte människor
	Använd alltid medföljande krokstropp
	Belasta aldrig krokens spets eller spärr
	Linda aldrig lina över trummans topp
	Klämpunkt på linledare
	Risk för het yta
	Risk för brand och brännskador
	Risk för rörliga delar
	Isolera exponerade ledningar
	Kroka aldrig tillbaka på linan

## Fara och varningar



När du läser dessa anvisningar ser du FARA, VARNINGAR, OBSERVERA och ANM. Varje meddelande har ett speciellt syfte. FARA är säkerhetsmeddelanden som identifierar en situation som kan vara farlig och som, om du inte undviker den, kan leda till allvarlig skada eller dödsfall. VARNING är ett säkerhetsmeddelande som antyder att situationen kan vara farlig. Om du inte undviker den kan det leda till lindriga eller mindre allvarliga skador. En VARNING kan också användas för att göra dig uppmärksam på en farlig arbetsmetod. VARNING och FARA identifierar faran, anger hur faran kan undvikas och varnar för vad som kan hända, om du inte undviker faran. OBSERVERA är meddelanden att undvika skada på egendom. ANMÄRKNINGAR innehåller ytterligare information till hjälp för att genomföra proceduren. **ARBETA PÅ ETT SÄKERT SÄTT!**

 <b>FARA</b>		
		
<p><b>RISK FÖR ATT FASTNA I RÖRLIGA DELAR</b></p> <p><b>Risk för allvarlig skada eller dödsfall om dessa anvisningar inte följs.</b></p> <ul style="list-style-type: none"> <li>• Säkerställ <b>alltid</b> att krokens spärr är stängd och inte stöder en last.</li> <li>• Belasta <b>aldrig</b> krokens spets eller spärr. Belasta bara krokens centrum.</li> <li>• Använd <b>aldrig</b> en krok vars öppning har blivit större eller vars spets är böjd eller vriden.</li> <li>• Använd <b>alltid</b> en krok med en spärr.</li> <li>• Se <b>alltid</b> till att operatören och åskådare är medvetna om fordonets och/eller lastens stabilitet.</li> <li>• Se <b>alltid</b> till att den anslutna fjärrkontrollens sladd går fritt från trumman, lina och riggning. Kontrollera att det inte finns några sprickor, något sitter fastklämt, fransade kablar eller lösa anslutningar. Skadade komponenter måste bytas ut innan vinschen används.</li> <li>• Dra <b>alltid</b> in fjärrkontrollens sladd genom fönstret när den används i fordonet.</li> <li>• Kroka <b>aldrig</b> tillbaka på linan</li> </ul>		

 <b>FARA</b>	
	
<p><b>RISK FÖR ATT FASTNA I RÖRLIGA DELAR</b></p> <p><b>Risk för allvarlig skada eller dödsfall om dessa anvisningar inte följs.</b></p> <p><b>Allmänna säkerhetsföreskrifter:</b></p> <ul style="list-style-type: none"> <li>• Lär <b>alltid</b> känna din vinsch. Tag dig tid att ordentligt läsa igenom anvisningarna och/eller bruksanvisningen och/eller den grundläggande guiden för vinschteknik så att du förstår din vinsch och hur den fungerar.</li> <li>• Överskrid <b>aldrig</b> vinschens eller vinschlinans angivna kapacitet. För att minska belastningen på vinschen dubblas vajern med hjälp av ett brytblock.</li> <li>• Ha <b>alltid</b> på dig kraftiga läderhandskar när du hanterar en vinschlina.</li> <li>• Använd <b>aldrig</b> vinschen eller vinschlinan för bogsering. Stötbelastning kan skada, överbelasta och slita sönder linan.</li> <li>• Använd <b>aldrig</b> vinschen till att säkra en last.</li> <li>• Använd <b>aldrig</b> denna vinsch om du är påverkad av droger, alkohol eller mediciner.</li> <li>• Använd <b>aldrig</b> denna vinsch om du är under 16 år.</li> </ul> <p><b>Säkerhetsföreskrifter för installation:</b></p> <ul style="list-style-type: none"> <li>• Använd <b>alltid</b> en monteringsplats som är tillräckligt stark för att motstå vinschens maximala dragkraft.</li> <li>• Använd <b>alltid</b> klass 5 (klass 8,8 metriskt) eller bättre monteringsbeslag.</li> <li>• Svetsa <b>aldrig</b> monteringsbultar.</li> <li>• Använd <b>alltid</b> monteringsbeslag, komponenter och tillbehör som godkänts av fabriken.</li> <li>• Använd <b>aldrig</b> bultar som är för långa.</li> <li>• Genomför <b>alltid</b> installationen av vinschen och krokfästet innan du ansluter ledningarna.</li> <li>• Håll <b>alltid</b> händerna borta från vajer, ögla, krok och linledaröppning under installation, drift samt vid in- och utspolning.</li> <li>• Placera <b>alltid</b> linledaren med varningen tydligt synlig på ovasidan.</li> <li>• Dra <b>alltid</b> först ut linan och spola upp den med belastning innan den används. Lina som är stramt lindad minskar chansen av "inlindning" som kan skada linan.</li> </ul>	

 <b>FARA</b>	
	
<p><b>RISK FÖR ATT FASTNA I RÖRLIGA DELAR</b></p> <p><b>Risk för allvarlig skada eller dödsfall om dessa anvisningar inte följs.</b></p> <p><b>Säkerhetsföreskrifter för vinschning:</b></p> <ul style="list-style-type: none"> <li>• Titta <b>alltid</b> på vinschlina, krok och remmar innan du använder vinschen. Uppsplitsad, trasslig eller skadad vinschlina måste omedelbart bytas ut. Skadade komponenter måste bytas ut innan vinschen används. Skydda delar från skada.</li> <li>• Avlägsna <b>alltid</b> ett element eller hinder som kan hindra att vinschen körs säkert.</li> <li>• Se <b>alltid</b> till att den utvalda förankringen klarar belastningen och att stroppen eller kedjan inte kan glida.</li> <li>• Använd <b>alltid</b> medföljande krokstropp när du spolar lina in eller ut, under installation och under drift.</li> <li>• Se <b>alltid</b> till att den som sköter vinschen och de som står bredvid är medvetna om fordon och/eller last.</li> <li>• Var <b>alltid</b> medveten om hur stabilt fordonet och lasten är under vinschning och håll alla andra borta. Varna alla som står bredvid för eventuellt instabilt tillstånd.</li> <li>• Spola <b>alltid</b> av så mycket vinschlina som möjligt vid riggning. Dubbla vajern eller välj en avlägsen förankringspunkt.</li> <li>• Ta dig <b>alltid</b> tid att använda rätt riggningsteknik för dragning med vinschen.</li> <li>• Rör <b>aldrig</b> vajer eller krok då någon annan sköter reglaget eller då vinschen drar.</li> <li>• Koppla <b>aldrig</b> i eller ur kopplingen om vinschen är belastad, linan är spänd eller vajertrumman rör sig.</li> <li>• Rör <b>aldrig</b> vajer eller krok som är spänd eller belastad.</li> <li>• Stå <b>alltid</b> en bit ifrån vajer och last och håll andra borta under vinschningen.</li> <li>• Använd <b>aldrig</b> fordonet till att belasta vinschlinan. En kombination av belastning eller stötbelastning kan skada, överbelasta och slita sönder linan.</li> <li>• Linda <b>aldrig</b> vinschlina runt dig själv. Använd löpkedja, löpvajer eller trädstamskydd på förankringsstället.</li> </ul>	

 <b>FARA</b>	
	
	
<p><b>RISK FÖR FALL ELLER ATT BLI KROSSAD</b></p> <p><b>Risk för allvarlig skada eller dödsfall om dessa anvisningar inte följs.</b></p> <ul style="list-style-type: none"> <li>• Håll dig <b>alltid</b> ur vägen, håll händerna borta och håll andra borta.</li> <li>• Kör <b>aldrig</b> vinschen med mindre än 5 varv lina runt trumman. Linan kan lossa från trumman eftersom linans infästning i trumman inte är utformad för att hålla en last.</li> <li>• Använd <b>aldrig</b> vinschen som lyftkran eller för att hänga last.</li> <li>• Se <b>alltid</b> till att förankringen kan klara belastningen, använd lämplig riggning och ta dig tid att rigga på rätt sätt.</li> <li>• Använd <b>aldrig</b> vinschen för att lyfta eller flytta på människor.</li> <li>• Använd <b>aldrig</b> överdriven kraft till att dra ut vajern i friläge.</li> <li>• Använd <b>alltid</b> rätt hållning och lyftteknik eller skaffa hjälp när du hanterar och installerar produkten.</li> <li>• Spola <b>alltid</b> på linan på trumman i den riktning som specificeras på vinschens varningsetikett och/eller i dokumentationen. Detta krävs för att den automatiska bromsen (om den finns) ska fungera riktigt.</li> <li>• Spola <b>alltid</b> upp vajern på trumman i den riktning som framgår av riktningvisaren på vinschen.</li> <li>• Linda <b>alltid</b> vajern på botten (monteringsidan) av trumman.</li> <li>• Linda <b>aldrig</b> vajern över trummans topp.</li> <li>• Spola <b>alltid</b> på vajern på trumman i den riktning som anges av etiketterna för trumrotation på vinschen och/eller i dokumentationen. Detta krävs för att den automatiska bromsen (om den finns) ska fungera riktigt.</li> </ul>	

 <b>FARA</b>	
	
<p><b>RISK FÖR SÅR OCH BRÄNSKADOR</b></p> <p>Risk för allvarlig skada eller dödsfall om dessa anvisningar inte följs.</p> <p><b>Undvik skador på händer och fingrar:</b></p> <ul style="list-style-type: none"> <li>• Ha <b>alltid</b> på dig kraftiga läderhandskar när du hanterar en vinschlina.</li> <li>• Var <b>alltid</b> medveten om att ytor på vinschmotorn, trumman eller vajern kan vara varma under eller efter användning.</li> </ul>	

 <b>VARNING</b>	
	
<p><b>RISK FÖR SÅR OCH BRÄNSKADOR</b></p> <p>Om instruktionerna inte följs finns risk för mer eller mindre allvarliga skador.</p> <ul style="list-style-type: none"> <li>• Låt <b>aldrig</b> vinschens lina glida genom händerna.</li> </ul>	

 <b>FARA</b>	
	
	
	
<p><b>RISK FÖR BRAND OCH KEMISKA SKADOR</b></p> <p>Risk för allvarlig skada eller dödsfall om dessa anvisningar inte följs.</p> <ul style="list-style-type: none"> <li>• Ta <b>alltid</b> av smycken och använd alltid skyddsglasögon.</li> <li>• Drag <b>aldrig</b> elkablar över vassa kanter.</li> <li>• Dra <b>aldrig</b> elektriska ledningar nära delar som blir heta.</li> <li>• Drag <b>aldrig</b> elkablar genom eller i närheten av rörliga delar.</li> <li>• Placera <b>alltid</b> medföljande kabelskor på kablar och poler som visas i installationsanvisningarna.</li> <li>• Luta dig <b>aldrig</b> över batteriet när du kopplar.</li> <li>• Dra <b>aldrig</b> elektriska ledningar över batteripoler.</li> <li>• Kortslut <b>aldrig</b> batteripoler med metallföremål.</li> <li>• Kontrollera <b>alltid</b> att bränsleslangar, bränsletank, bromsledningar, elledningar osv. inte berörs av borrhingsarbete.</li> <li>• Läs <b>alltid</b> bruksanvisningen beträffande elektriska kopplingar.</li> <li>• Isolera och skydda <b>alltid</b> alla lösa ledningar och elterminaler.</li> </ul>	

 <b>VARNING</b>	
	
<p><b>RISK FÖR ATT FASTNA I RÖRLIGA DELAR</b></p> <p>Om instruktionerna inte följs finns risk för mer eller mindre allvarliga skador.</p> <p><b>Undvik skador på händer och fingrar:</b></p> <ul style="list-style-type: none"> <li>• Lämna <b>aldrig</b> fjärrkontrollen där den kan aktiveras under frispolande, riggning eller när vinschen inte används.</li> <li>• Lämna <b>aldrig</b> vinschens fjärrkontroll inkopplad när du installerar, frispolar, riggar, utför service eller när vinschen inte används.</li> </ul>	

<b>OBSERVERA</b>
<p><b>UNDVIK SKADOR PÅ VINSCH OCH UTRUSTNING</b></p> <ul style="list-style-type: none"> <li>• Undvik <b>alltid</b> att enbart dra i sidled, eftersom vajern då kan samlas endast på trummans ena sida. Detta kan skada vinschlina eller vinschen.</li> <li>• Se <b>alltid</b> till att kopplingen är helt i- eller urkopplad.</li> <li>• Se <b>alltid</b> till att fordonets ram inte skadas då fordonet förankras under vinschning.</li> <li>• Sänk <b>aldrig</b> ner vinschen i vatten.</li> <li>• Förvara <b>alltid</b> fjärrkontrollen på en skyddad, ren och torr plats.</li> </ul>

Den här bruksanvisningen innehåller instruktioner om hur du installerar din WARN-vinsch och instruktioner för hur du använder den första gången. Läs Grundläggande guide för vinschteknik för fullständig information om hur du använder WARN-vinschen.

**Säkerhet**

Då WARN-vinschsystemet installeras skall alla monterings- och säkerhetsföreskrifter läsas igenom och följas.

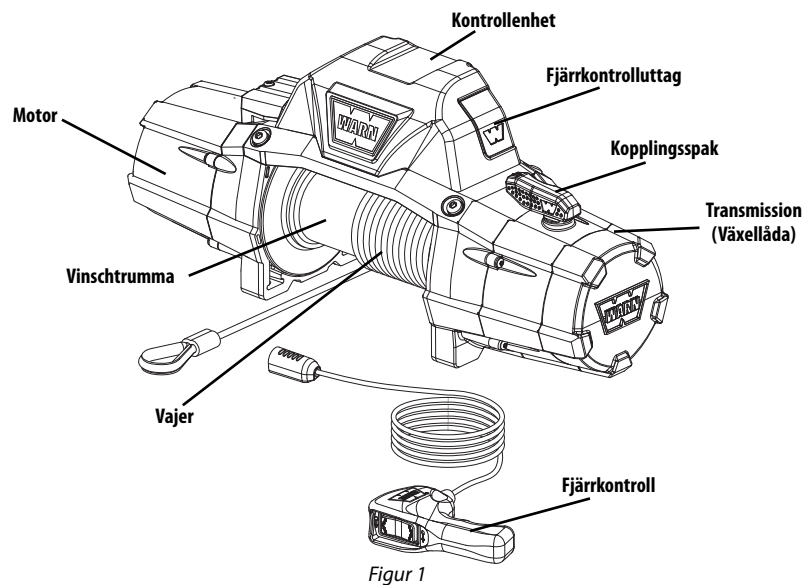
Var alltid försiktig med elarbeten och kom ihåg att kontrollera att inga exponerade elanslutningar förekommer, innan vinschens ström kopplas på.

Om du vill titta på specifikationer och prestanda, ska du läsa igenom specifikationsbladet som levereras med vinschen.



## Lär känna din vinsch

Innan du börjar skall du bekanta dig med din WARN-vinsch och alla dess delar.



- Motor:** Vinschmotorn drivs av fordonets batteri. Elmotorn driver kuggväxeln som vrider vinschtrumman och lindar upp vajern.
- Vinschtrumma:** Vinschtrumman är den cylinder på vilken vajern matas upp. Trumman drivs av elmotorn och kraftöverföringen. Vridningsriktningen kan ändras med fjärrkontrollen.
- Vajer\*:** Vajerns diameter och längd bestäms av vinschens lastkapacitet och utformning. Vajern är lindad runt vinschtrumman och matas genom linledaren. Den har en ögla i änden för krokens schackelbult.
- \* För modeller med syntetisk lina: läs noga igenom hela Installationsguide för WARNs syntetiska lina, som medföljer satsen.**
- Transmission:** Nedväxlingen omvandlar vinschmotorns kraft till en stor dragkraft. Transmissionens utformning gör att vinschen blir lättare och mer kompakt.
- Kopplingspak:** Kopplingen används för att koppla ifrån spoltrumman från transmissionen, vilket gör att trumman kan rotera fritt (kallas "frispolning"). Inkoppling av kopplingspaken "läser" vinschtrumman tillbaka i transmissionen.
- Fjärrkontrolluttag:** Fjärrkontrolluttaget är den plats där operatören kopplar in fjärrkontrollen med sladd eller den trådlösa fjärrmottagaren (tillval) för att styra vinschen.
- Kontrollenhet\*:** Reglerenhetens kontaktorbrytare styr ström till elmotorn från fordonets batteri så att operatören kan ändra riktningen på vinschtrummans rotation.
- \* För specifika tillämpningar finns information om tillvalsatsen för att placera om kontrollenheten hos din auktoriserade WARN-återförsäljare eller på [www.warn.com](http://www.warn.com).**
- Fjärrkontroll:** Fjärrkontrollen kopplas in i vinschens reglerenhet via fjärrkontrolluttaget, vilket gör att man kan kontrollera vinschriktningen, samt att man kan stå på tryggt avstånd från vajern då vinschen används.

## Steg 1 – Montera vinschen

Monteringsseter för vinschar som klarar nästan alla tillämpningar finns tillgängliga hos närmaste återförsäljare av WARN-produkter. Kontakta Warns återförsäljare för information om tillgängliga produkter.

**OBSERVERA** För bästa prestanda och de resultat du förväntar dig rekommenderas starkt WARNs fästplattor.

**⚠ WARNING** Undvik att aktivera vinschen av misstag och orsaka allvarlig skada genom att genomföra installationen av vinschen och fästa kroken innan du ansluter ledningarna.

**⚠ FARA** Använd alltid en monteringsplats som är tillräckligt stark för att motstå vinschens maximala dragkraft.

**⚠ FARA** Använd aldrig bultar som är för långa.

**⚠ FARA** Spola alltid på vajern på trumman i den riktning som anges av etiketterna för trumrotation på vinschen och/eller i dokumentationen. Detta krävs för att den automatiska bromsen (om den finns) ska fungera riktigt.

**⚠ FARA** Linda alltid vajern på botten (monteringsidan) av trumman.

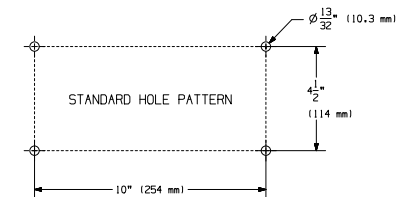
Den här vinschen ska monteras horisontellt. Vajern ska lindas på och av trumman på trummans monteringsida och i den riktning som anges av trumrotationspilen enligt etiketten på vinschen. Se Figur 2 och 3.

Korrekt rotation krävs för att den automatiska bromsen ska fungera riktigt. Horisontell montering hindrar att repet bara lindas upp på vinschens ena ände, vilket kan skada vinschen.

Genom att använda rekommenderad kombination av bult och läsbricka, åtdragen till rekommenderade värden, undviks vibrationer under vindschningen. Specifikationerna listas nedan. Monteringsystemet är avgörande för bultarnas längd.

## Mönster för monteringsbultar:

Standard: 254 x 114,3 mm



Jämn och flat monteringsyta, minsta tjocklek 6,4 mm

## Hårdvara som ingår:

- M10 x 1,5 låsmutter med flänsar 15 mm hex
- M10-1,5 x 35 sexkantsfläns, 8,8, bult (4x)
- M10-1,5 x 40 sexkantsfläns, 8,8, bult (4x)

## Vridmoment: 41 till 47 Nm

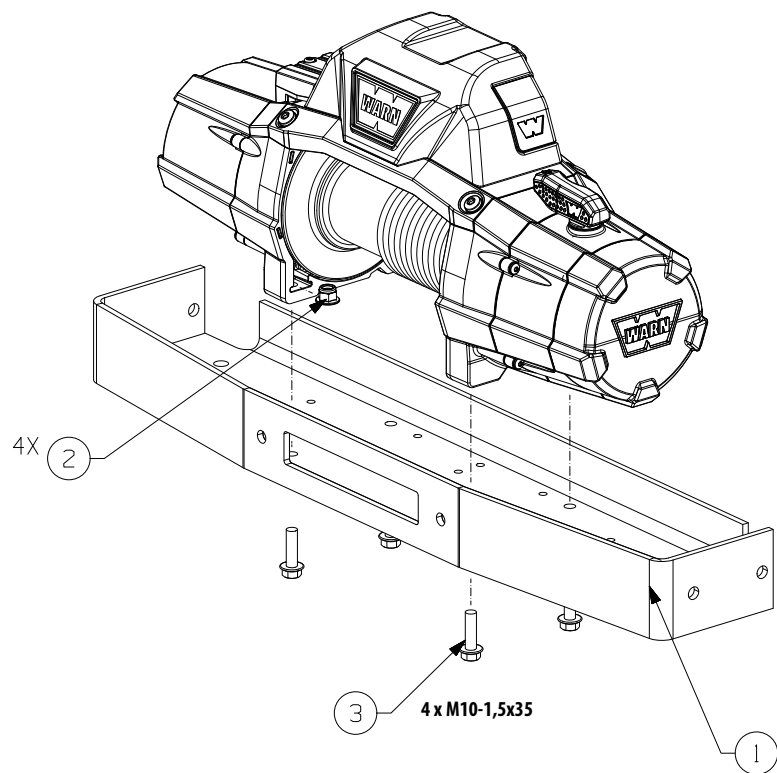
Välj en monteringsplats som är tillräckligt stark för att motstå vinschens maximala dragkraft.

1. Sätt flänsmuttrarna i vinschfötternas fickor.
2. Placera vinschen där den ska monteras. Kontrollera bultarnas längd.

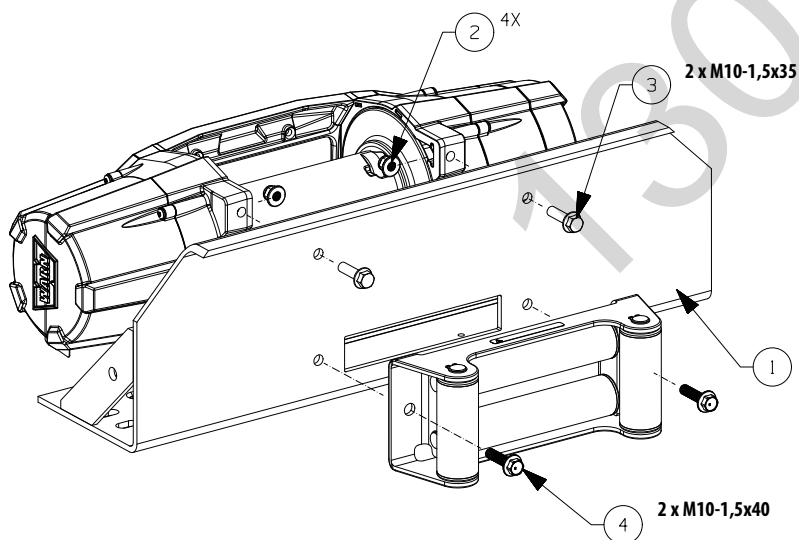
Plättjocklek	Bultlängd
7 mm	32 mm
10 mm	40 mm
13 mm	40 mm

3. Installera bulotarna och dra åt dem till 41 till 47 Nm.
  4. Klipp av det elastiska band som håller vajern på plats.
  5. Sätt kopplingen i friläge.
  6. Mata in vajeröglan för hand genom linledaren.
- ⚠ FARA** Använd alltid medföljande krokstropp.
7. Fäst kroken på vajeröglan. Fäst krokstroppen på kroken.
  8. Vrid tillbaka kopplingen tills den är helt ikopplad.

Monteringsorientering



Figur 2 Horisontell orientering, fötter nedåt







Figur 3 Horisontell orientering, fötter framåt

Steg 2 – Installera kablaget

**FARA** För att förhindra allvarlig skada eller dödsfall. Placera alltid medföljande kabelskor på kablar och poler som visas i installationsanvisningarna.

**FARA** Hur man undviker livsfarliga skador från elbränder:

-  Drag aldrig elkablar över vassa kanter.
-  Dra aldrig elektriska ledningar nära delar som blir heta.
-  Drag aldrig elkablar genom eller i närheten av rörliga delar.
-  Undvik ställen som klämmer eller sliter på elkablar då de installeras.

**FARA** Isolera och skydda alltid alla lösa ledningar och elterminaler.

**OBSERVERA** För korrekt användning av vinschen är det viktigt att alltid ha ett fulladdat batteri och bra anslutningar. För ett 12 Volt batteri är minimikravet 650 amperetimmar kallstartström.

Dra batterianslutningarna på ställen där de inte kan nötas eller skadas genom isoleringen vilket kan ge upphov till kortslutning.

Vinschens strömsladd måste anslutas till batteriet. Både spänningsladden (röd) och jordsladden (svart) måste vara direkt anslutna till batteriet. **FARA!** Anslut inte jord till fordonets chassi.

För att batterisladdarna ska kunna kopplas på rätt sätt kan du behöva montera loss fordonets instrumentbräda eller delar av karossen.

Koppla alltid batterisladdarna på ett sådant sätt att de kan fästas med buntband.

**FARA** Strömsladdar som sitter löst eller inte är korrekt fastsatta kan orsaka allvarlig skada eller dödsfall.

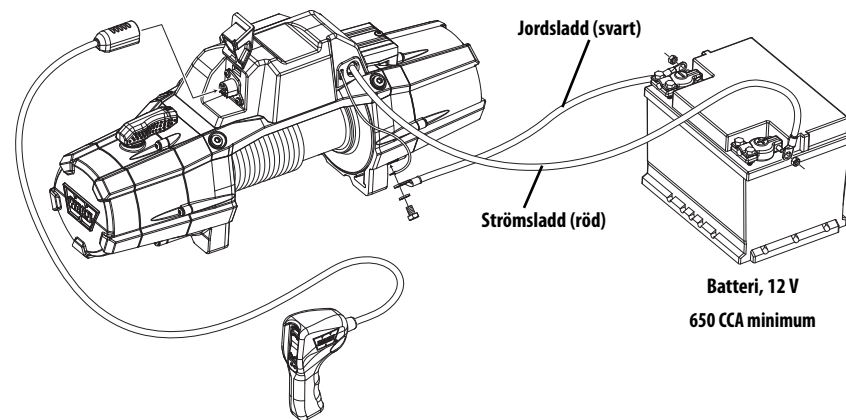
Skydda alltid strömsladdar från vassa kanter, områden som blir så varma att de inte kan beröras med handen och alla rörliga delar.

1. Planera hur sladdarna ska dras.
2. Fäst strömsladdarna löst längs dragningen.
3. Kontrollera att strömsladdarna är skyddade från skarpa kanter, heta ytor och rörliga delar. Tänk på att karossen kan röra sig eller vibrera och skada sladdarna.
4. Inspektera noggrant sladdragningen. Är det fint och ordentligt? Använd kabelband till att fästa elektriska sladdar. Kabelband ska vara fasta men inte skära in i ledningarnas isolering. Använd elektrisk tejp eller bitar av gummislang till att skydda elektriska sladdar och kablage där så erfordras för att undvika slitage på de elektriska sladdarnas isolering.
5. Fäst batterisladdar, röd (positiv) sladd FÖRST, svart (negativ) sedan. Installera höljen där så är lämpligt för att skydda anslutningarna. Dra åt batteripolernas fästdon enligt fordonets serviceanvisning.

Kontrollera att vinschen fungerar ordentligt efter installationen.

**Step 3 – (Tillval) Installation av syntetisk lina**

För modeller med syntetisk lina: läs noga igenom hela Installationsguide för WARNs syntetiska lina, som medföljer satsen. Den innehåller detaljerade instruktioner för att installera syntetisk lina.



Figur 4. Kopplingschema

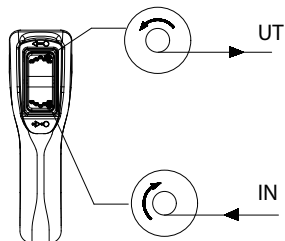
## Steg 4 – Systemkontroll

När du har utfört en systemkontroll är det dags att bekräfta vinschens funktion. Fortsätt till avsnitten Bruksanvisning för första användning och Slutkommentar och underhåll i den här handboken.

## Steg 5 – Bruksanvisning för första användning

**FARA** Ta dig alltid tid att helt och fullt förstå hur vinschen och dess hantering fungerar genom att gå igenom den grundläggande guiden för vinschteknik som medföljer denna vinsch.

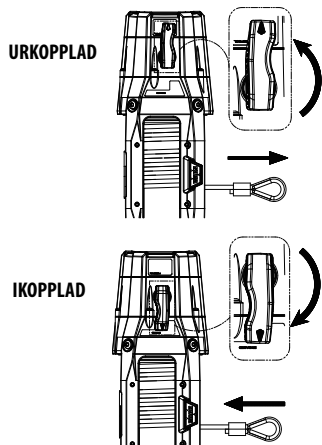
### Fjärrkontrollskontakt



Lämna inte fjärrkontrollen inkopplad i vinschen då den inte används. Det kan vara farligt att lämna fjärrkontrollen inkopplad. Dessutom kan batteriet tömmas.

### Använda kopplingen:

**FARA** Koppla aldrig i eller ur kopplingen om vinschen är belastad, vajern är spänd eller vajertrumman rör sig.



Då kopplingen är inkopplad är kugghjulet kopplat till vinschtrumman och kraft kan överföras från vinschmotorn. Då kopplingen är urkopplad står

den i friläge. Transmission och vinschtrumma är inte hopkopplade, och trumman kan rotera fritt.

Kopplingsspaken, som finns på vinschkåpan mitt emot motorn, kontrollerar kopplingens läge. Undvik skador genom att se till att kopplingsspaken alltid är ordentligt till- eller frånkopplad.

### Utspolning

**FARA** Kör aldrig vinschen med mindre än 5 varv vajern runt trumman. Vajern kan lossa från trumman eftersom vajerns infästning i trumman inte är utformad för att hålla en last.

**FARA** Håll alltid händerna borta från vajern, ögla, krok och linledaröppning under installation, under drift samt vid in- och utspolning.

**FARA** Ha alltid på dig kraftiga läderhandskar när du hanterar en vajern.

Frikoppling är oftast det snabbaste och enklaste sättet att spola ut vajern. Innan vajern spolas ut under frikoppling skall tillräckligt med vajern släppas ut med motorn, så att eventuell spänning i vajern försvinner. Koppla ur kopplingen. Då kan fri utspolning ske för hand till dess tillräckligt med vajern erhålls för vinschningen. Se Grundläggande guide för vinschteknik för ytterligare information.

**OBSERVERA** Vinscha inte ut vajern mer än 10 m utan att låta vinschen kallna under minst 20 minuter innan du vinschar in vajern igen. Placera i stället kopplingen i friläge och dra ut vajern för hand.

**FARA** Använd alltid bifogad stropp då vajern spolas in eller ut, vid montering eller hantering, så händer och fingrar inte skadas.

### Inspolning med belastning

**FARA** Överskrid aldrig vinschens nominella dragkraft.

Drag in vajern jämnt och tätt på trumman. Detta förhindrar att de yttre lindningarna sjunker in i de inre lindningarna, fastnar och skadar vajern.

Undvik chockbelastning vid spolning genom att pulsa kontrollenshetens kontakt för att ta upp den slaka vajern. Chockbelastning kan tillfälligt vida överskrida vinschens och vajerns kapacitet.

## Inspolning utan belastning

**FARA** Rör aldrig vajern eller krok då någon annan sköter reglaget eller då vinschen drar.

*Spolning med en medhjälpare:* Låt en medhjälpare hålla krokstroppen med så mycket konstant spänning på vajern som möjligt. Med bibehållen spänning skall medhjälparen sedan gå mot vinschen medan du använder reglaget för att spola in vajern. Släpp kontakten då kroken är minst 2 m från linledarens öppning.

Spola in resten för förvaring som anges nedan.

*Spolning ensam:* Arrangera så att den vajern som skall spolas in inte kinkar eller trasslar till sig under inspolningen. Se till att all vajern som redan finns på trumman är fördelad i täta och jämna lager. Spola in tillräckligt med vajern för att fullborda nästa hela lager på trumman. Spänn och räta ut lagret. Upprepa förfarandet tills kroken är minst 2 m från linledarens öppning.

Spola in resten för förvaring som anges nedan.

## Spola in resten för förvaring

När kroken är inom 2 m från linledaren, lossa kroken från förankringsstället eller lasten. Håll i medföljande krokstropp och håll spänning på vajern. Vinscha långsamt in vinschen genom att "pulsa" drag-in-kontakten på fjärrkontrollen tills kroken är inom 1 m från linledaren.

Sluta vinscha in och fäst kroken på ett lämpligt förankringsställe på fordonet.

**OBSERVERA** Kör inte in kroken i linledaren. Detta kan skada linledaren.

När kroken är lämpligt fäst på fordonet kör du in återstående slack i vajern genom att "pulsa" in resten med drag in-kontakten på fjärrkontrollen tills det är minimalt slack kvar i vajern.

## Överbelastning/överhettning

Denna vinsch är klassad för intermittent arbete. Då motorn närmar sig en hastighet då den stannar sker en mycket snabb värmeuppbbyggnad som kan skada motorn.

Riggning med dubbel vajern (se Grundläggande guide för vinschteknik) minskar ampereuttaget och minskar värmeutvecklingen i motorn. Detta medger längre kontinuerlig användning.

## STRÄCKNING AV VAJERN

**FARA** Dra alltid först ut vajern och spola upp den med belastning innan den används. Vajern som är stramt lindad minskar chansen för "inlindning" som kan skada vajern.

**FARA** Kör aldrig vinschen med mindre än 5 varv vajern runt trumman. Vajern kan lossa från trumman eftersom vajerns infästning i trumman inte är utformad för att hålla en last.

Vajerns livslängd är direkt beroende av hur den sköts och används. Då den först används måste vajern spolas upp på trumman med minst 450 kg belastning. 450 kg belastning. Följ nedanstående instruktioner för att sträcka vajern på vinschtrumman på rätt sätt.

1) Använd en PLAN OCH ICKE LUTANDE plats som är tillräckligt lång för att kunna dra ut vajern i hela dess längd.

2) Vrid kopplingspaken på vinschen till det frispolande läget "Free Spool". Dra ut vajern tills det återstår 5 varv på trumman. När vajern är avspolad vrids kopplingspaken på vinschen till inkopplingsläget "Engaged".

3) Fäst repets krokförsedda ände i ett lämpligt förankringsställe och backa bort fordonet från förankringsstället till dess det bara är lite slack kvar i vajern. Innan fordonet sedan lämnas skall man dra åt handbromsen och lägga in en växel eller sätta den i parkeringsläget och stänga av motorn.

4) Koppla fjärrkontrollen till vinschen. Stå cirka 2,5 m från vinschen och drag in vajern tills all slack är upplindad på vinschtrumman. Koppla ur fjärrkontrollen från vinschen. Håll spänning i vajern med ena handen och makt samtidigt vajern försiktigt till den sidan av trumman som vajern är fäst på så att det inte blir något glapp mellan varven på trumman. Kontrollera noga att vajern spolas från trummans undersida, inte ovasida, för annars fungerar inte den automatiska bromsen för att hålla lasten ordentligt. (Om vajern spolas av från ovasidan har du använt "out" i stället för "in" på fjärrkontrollen.)

5) Följande steg skall genomföras av två personer tillsammans för att det skall vara säkert. Om du försöker spänna vajern ensam skall du, innan du kliver ur fordonet för att inspektera vajern, alltid dra åt handbromsen, lägga in en växel (eller,

## BRUKSANVISNING FÖR FÖRSTA ANVÄNDNING

för automatväxlade fordon, ställa växelspaken i parkeringsläge) och stänga av motorn. Kliv aldrig ur fordonet med last på vajern. Det är absolut nödvändigt att spänna vajern för att den skall hålla länge. Genom att spänna vajern förhindrar du att yttre vajerlager kommer i kläm och förstör de inre lagren.

**6)** Se noga till att varje lager byggs upp jämnt så att vajern inte skadas.

**7)** Räck in fjärrkontrollen genom förarsidans ruta så att fordonsföraren kan sköta den. Säg till den som hjälper till att stå vid sidan av fordonet och hålla sig borta från vajern. Den som hjälper till skall signalera om vajern lindas upp ordentligt genom att flytta sig utmed linledaren medan vajern körs in. Starta motorn och lägg växeln i neutralläge. Släpp handbromsen medan du trycker ner bromspedalen med måttlig kraft.

Tryck in "drag in"-knappen på fjärrkontrollens reglage. Sluta vinscha när du har vinschat in ungefär 2 meter. Lätta sakta på bromspedalen och lägg i handbromsen. Detta förfarande gör att det inte är någon belastning på vajern. Lägg sedan in en växel eller i parkeringsläget och stäng av motorn. Kliv ur fordonet och kontrollera att vajern lindas upp jämnt på vinschtrumman och inte sjunker in i lagret under. Om vajern sjunker in, matar du ut vajern och upprepar det här steget från början med högre tryck på bromspedalen.

**8)** När du är övertygad om att vajern lindas upp på trumman riktigt upprepas steg 6 tills fordonet är inom 2 m från vinschens förankringsställe. När du väl är inom 2 m, släpper du sakta på bromspedalen och drar sedan åt handbromsen. Detta förfarande gör att det inte är någon belastning på vajern. Lägg sedan in en växel eller parkeringsläget och stäng av motorn. Kliv ur fordonet. Ta bort kroken från förankringsstället. Håll i den medföljande stroppen så att du håller spänning på vajern och drag sakta in vinschen genom att "pulsa" med "drag in"-kontakten på fjärrkontrollen tills kroken är inom 1 m från linledaren. Sluta vinscha in och fäst kroken på ett lämpligt förankringsställe på fordonet.

**OBSERVERA** Kör inte in kroken i linledaren. Detta kan skada linledaren.

När kroken är lämpligt fäst på fordonet kör du in återstående slack i vajern genom att "pulsa" in resten med "drag in"-kontakten på fjärrkontrollen tills det är minimalt slack kvar i vajern.

## SLUTKOMMENTAR OCH UNDERHÅLL

Kontrollera	Innan första användning	Efter varje användning	Var 90:e dag
Tag dig tid att ordentligt läsa igenom anvisningarna och/eller bruksanvisningen och/eller den grundläggande guiden för vinschteknik så att du förstår din vinsch och hur den fungerar	X		
Kontrollera fästdon och se till att de är åtdragna till rätt vridmoment. Byt ut skadade fästdon.	X		X
Bekräfta att ledningarna till alla komponenter är rätt och se till att alla anslutningar sitter ordentligt.	X		X
Kontrollera att det inte finns några exponerade sladdar eller poler och att det inte finns några skador på sladdarnas isolering. Täck exponerade sladdar med kabelskor. Reparera eller byt ut skadade elektriska sladdar.	X		X
Inspektera vajern beträffande skada. Om vajern är skadad skall den omedelbart bytas ut.	X	X	X
Håll vinsch, vajer och manöverkontakt rena. Använd en ren trasa eller handduk för att avlägsna smuts och skräp.		X	

**FARA** För att förhindra allvarlig skada eller dödsfall:



Spola alltid upp vajern på trumman i den riktning som framgår av riktningsskivan på vinschen.



Linda alltid vajern runt trummans botten.

Linda aldrig vajern över trummans topp.

Ta tid på dig att helt och fullt förstå hur vinschen och dess hantering fungerar genom att gå igenom Grundläggande Vinschtekniksguide som tillhör denna vinsch.

För ytterligare information eller frågor, kontakta:

WARN INDUSTRIES, INC.  
12900 S.E. Capps Road, Clackamas  
OR, USA 97015-8903, +1 503 722-1200,  
Kundservice: 1-800-543-9276  
Fråga om återförsäljare: 1-800-910-1122  
eller besök [www.warn.com](http://www.warn.com).



130.com.ua