



PHONES

0 (800) 800 130
(050) 462 0 130
(063) 462 0 130
(067) 462 0 130

130
COM.UA

Internet store of
autogoods



SKYPE

km-130

CAR RECEIVERS — Receivers • Media receivers and stations • Native receivers • CD/DVD changers • FM-modulators/USB adapters • Flash memory • Facia plates and adapters • Antennas • Accessories |
CAR AUDIO — Car audio speakers • Amplifiers • Subwoofers • Processors • Crossovers • Headphones • Accessories | TRIP COMPUTERS — Universal computers • Model computers • Accessories |
GPS NAVIGATORS — Portable GPS • Built-in GPS • GPS modules • GPS trackers • Antennas for GPS navigators • Accessories | VIDEO — DVR • TV sets and monitors • Car TV tuners • Cameras • Videomodules
• Transcoders • Car TV antennas • Accessories | SECURITY SYSTEMS — Car alarms • Bike alarms • Mechanical blockers • Immobilizers • Sensors • Accessories | OPTIC AND LIGHT — Xenon • Bixenon • Lamps
• LED • Stroboscopes • Optic and Headlights • Washers • Light, rain sensors • Accessories | PARKTRONICS AND MIRRORS — Rear parktronic • Front parktronic • Combined parktronic • Rear-view mirrors
• Accessories | HEATING AND COOLING — Seat heaters • Mirrors heaters • Screen-wipers heaters • Engine heaters • Auto-refrigerators • Air conditioning units • Accessories | TUNING — Vibro-isolation
• Noise-isolation • Tint films • Accessories | ACCESSORIES — Radar-detectors • Handsfree, Bluetooth • Windowlifters • Compressors • Beeps, loudspeakers • Measuring instruments • Cleaners • Carsits
• Miscellaneous | MOUNTING — Installation kits • Upholstery • Grilles • Tubes • Cable and wire • Tools • Miscellaneous | POWER — Batteries • Converters • Start-charging equipment • Capacitors
• Accessories | MARINE AUDIO AND ELECTRONICS — Marine receivers • Marine audio speakers • Marine subwoofers • Marine amplifiers • Accessories | CAR CARE PRODUCTS — Additives • Washer fluid •
Care accessories • Car polish • Flavors • Adhesives and sealants | LIQUID AND OIL — Motor oil • Transmission oil • Brake fluid • Antifreeze • Technical lubricant



In store "130" you can find and buy almost all necessary goods for your auto in Kyiv and other cities, delivery by ground and postal services. Our experienced consultants will provide you with exhaustive information and help you to chose the very particular thing. We are waiting for you at the address

<https://130.com.ua>



VRx and AXON™ Winch Rope Installation Instructions



Always Read All Product Literature **BEFORE** installing product.
Toujours lire toute la documentation produit **AVANT** d'installer le produit.
Siempre lea toda la literatura del producto **ANTES** de instalar el producto

www.warn.com

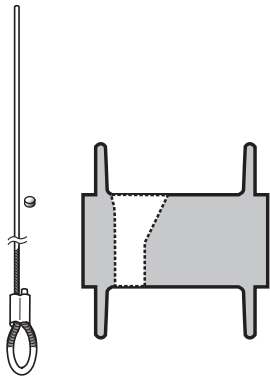
ITEMS NEEDED/ ÉLÉMENTS NÉCESSAIRES/ ELEMENTOS NECESARIOS



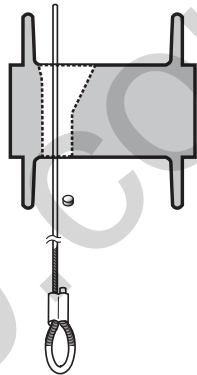
INSTALLATION/ INSTALACIÓN



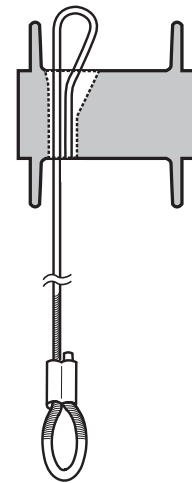
1.



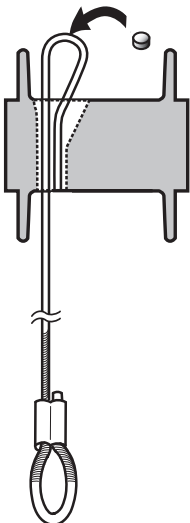
2.



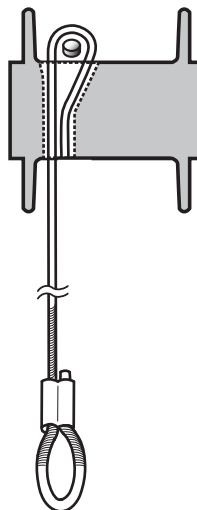
3.



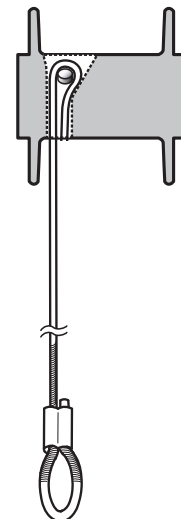
4.



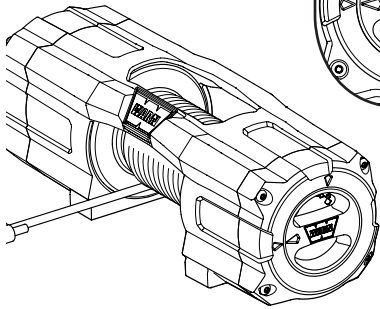
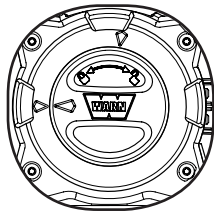
5.



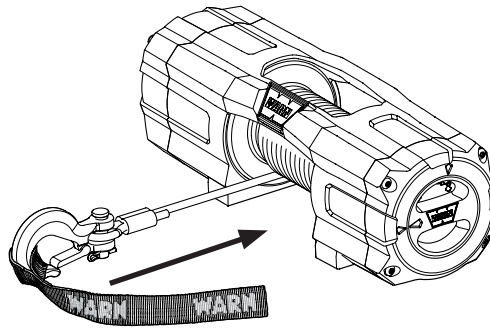
6.



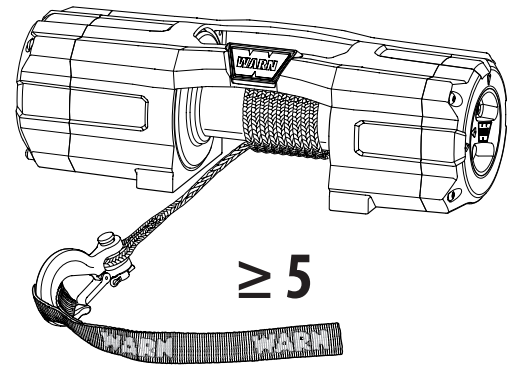
7.



8.



9.



- **Always** know the Working Load Limit (WLL) of your rope. / **Toujours** déterminer si le câble est adapté à l'application envisagée. / Verifique **siempre** que el cable sea apto para cada aplicación.
- **Never** exceed the WLL (Working Load Limit) of rope or shock load this rope. / **Ne jamais** dépasser la limite de charge de service (LCS) du câble ou secouer le câble sous charge / No exceda **nunca** el límite de carga de trabajo ni cargue bruscamente este cable.

Rope Size/ Dimension de câble / Tamaño del cable

Working Load Limit / Charge utile / Límite de carga de trabajo

WIRE

3/16" (4.8 mm)

2500 lb. (1134 kg)

7/32" (5.6 mm)

3500 lb. (1588 kg)

1/4" (6.3 mm)

5500 lb. (2495 kg)

SYNTHETIC

3/16" (4.8 mm)

3500 lb. (1588 kg)

1/4" (6.3 mm)

5500 lb. (2495 kg)



(Deutsch) Bitte besuchen www.warn.com für Installationsanleitung.

(Svenska) Besök www.warn.com för Installera instruktioner.

(Italiano) Visitare www.warn.com per installare istruzioni.

(Suomi) Vieraille www.warn.com asennusohje.

(Nederlands) Bezoek www.warn.com voor installatiehandleiding.

(Português) Visite www.warn.com para guia de instalação.

WARN INDUSTRIES, INC. 12900 S.E. Capps Road, www.warn.com
 Clackamas, OR USA 97015-8903, 1-503-722-1200, FAX: 1-503-722-3000
 Customer Service: 1-800-543-9276
 Dealer Locator Service: 1-800-910-1122
 International Fax: 1-503-722-3005