



PHONES

0 (800) 800 130  
(050) 462 0 130  
(063) 462 0 130  
(067) 462 0 130

130  
COM.UA

Internet store of  
autogoods



SKYPE

km-130

CAR RECEIVERS — Receivers • Media receivers and stations • Native receivers • CD/DVD changers • FM-modulators/USB adapters • Flash memory • Facia plates and adapters • Antennas • Accessories |  
 CAR AUDIO — Car audio speakers • Amplifiers • Subwoofers • Processors • Crossovers • Headphones • Accessories | TRIP COMPUTERS — Universal computers • Model computers • Accessories |  
 GPS NAVIGATORS — Portable GPS • Built-in GPS • GPS modules • GPS trackers • Antennas for GPS navigators • Accessories | VIDEO — DVR • TV sets and monitors • Car TV tuners • Cameras • Videomodules  
 • Transcoders • Car TV antennas • Accessories | SECURITY SYSTEMS — Car alarms • Bike alarms • Mechanical blockers • Immobilizers • Sensors • Accessories | OPTIC AND LIGHT — Xenon • Bixenon • Lamps  
 • LED • Stroboscopes • Optic and Headlights • Washers • Light, rain sensors • Accessories | PARKTRONICS AND MIRRORS — Rear parktronic • Front parktronic • Combined parktronic • Rear-view mirrors  
 • Accessories | HEATING AND COOLING — Seat heaters • Mirrors heaters • Screen-wipers heaters • Engine heaters • Auto-refrigerators • Air conditioning units • Accessories | TUNING — Vibro-isolation  
 • Noise-isolation • Tint films • Accessories | ACCESSORIES — Radar-detectors • Handsfree, Bluetooth • Windowlifters • Compressors • Beeps, loudspeakers • Measuring instruments • Cleaners • Car seats  
 • Miscellaneous | MOUNTING — Installation kits • Upholstery • Grilles • Tubes • Cable and wire • Tools • Miscellaneous | POWER — Batteries • Converters • Start-charging equipment • Capacitors  
 • Accessories | MARINE AUDIO AND ELECTRONICS — Marine receivers • Marine audio speakers • Marine subwoofers • Marine amplifiers • Accessories | CAR CARE PRODUCTS — Additives • Washer fluid •  
 Care accessories • Car polish • Flavors • Adhesives and sealants | LIQUID AND OIL — Motor oil • Transmission oil • Brake fluid • Antifreeze • Technical lubricant



In store "130" you can find and buy almost all necessary goods for your auto in Kyiv and other cities, delivery by ground and postal services. Our experienced consultants will provide you with exhaustive information and help you to choose the very particular thing. We are waiting for you at the address

<https://130.com.ua>



VICO-MORY

# Installation Guide

130.com.ua

VICO GPS  
MORY

[www.vicovation.com](http://www.vicovation.com)  
Copyright © 2018 VicoVation

視連科  
VICOVATION  
SIMPLY LIVELY

Autogoods "130"

# Index

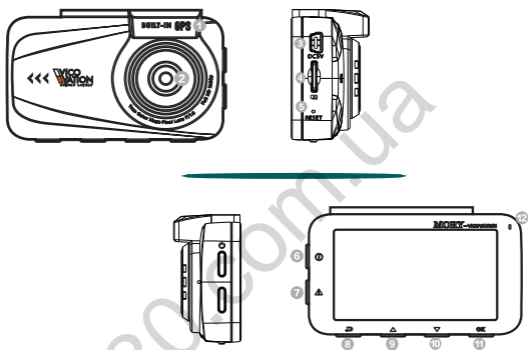
	English .....	02
	中文 .....	14



# Vico-MORY GPS Installation Guide

Thank you for choosing Vico-MORY GPS Car Camcorder. To ensure safety, please read this manual carefully before installation.

## Vico-MORY GPS Exterior Overview :



1. GPS Module.
2. Lens.
3. Power Cable Port.
4. Micro SD Card Slot.
5. Reset Button.
6. Power (hold for 3 seconds)
7. Emergency Recording Button.
8. Menu / Return.
9. Play Back / Up.
10. Snapshot / Down.
11. Confirm / Mute.
12. LED Indicator for

# Vico-MORY GPS Accessories :

---

## Standard Accessories :



Vico-MORY GPS



Sticker Bracket



3.5 Meters  
MORY Power Cable



Suction Bracket



Warranty Card



Installation guide

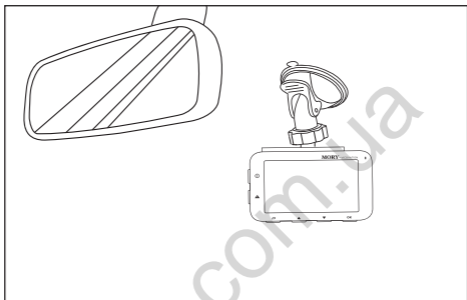


- Built in GPS :
  1. Auto Time-Calibration.
  2. Speed Stamp.
  3. GPS Position Stamp.
  4. LDWS.(Lane Departure Warning System)
  5. FCWS.(Forward Collision Warning System)
  6. Overspeed Alert.

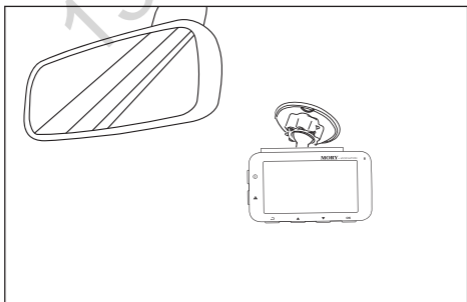
## Installation on the Mounts

Suction Bracket and Sticker Bracket are included in the package. Please follow the diagrams shown below to assemble your mounts on the windshield.

### Vico-MORY GPS + Suction Bracket



### Vico-MORY GPS + Sticker Bracket



# Camera and Cord Installation

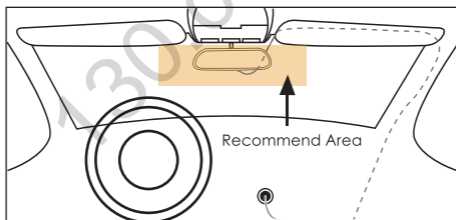
## Installation Steps

1. In order to keep the device functioning properly, please use the VicoVation power cable that comes with the package at all times.
2. Plug the Power Cable into the D/C outlet then connect the USB side with the device's power cable port.



## Recommend Installation Position for Wiring

To achieve a clean looking installation after you have plugged the camera in follow the cord back from the camera and tuck it in under the roof headliner. Then run it along the "A" Pillar and tuck it behind. Finally hide the cable under the passenger side floor mat.

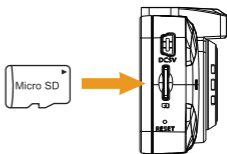


### Special Notice:

1. It is not recommended to wiring the cables on your own if your car is equipped with airbags in the "A" Pillar. Please seek for professional assistance.
2. To avoid effecting the water proof performance on the doors, please restore the rubber seal properly after wiring the power cable.

## Start Operating the Device

1. Insert the memory card into microSD Card Slot following the direction shown in the diagram. Push to the end until you hear a light click.
2. Vico-MORY GPS supports 1080p recording, and a class 10 memory card must be used.



## Recording Storage Capacity

	1080p 30fps	720p 60fps	720p 30fps
8GB	47 mins	102 mins	101 mins
16GB	94 mins	204 mins	202 mins
32GB	188 mins	408 mins	404 mins
64GB	376 mins	816 mins	808 mins

3. After connecting to a power source, the device will boot up and enter recording mode. Please adjust the "Time/date" settings and FORMAT memory card from the settings menu first before operating the device for the first time.
4. To remove your inserted memory card, please make sure the recording has been stopped and the power has been turned off. Do not try to eject the memory card while the camera is recording as this may result in the file becoming damaged.



# What's the Life Expectancy of a Memory Card?

---

One of the most important reasons to have a Dashcam installed in a car is to keep it recording in case something unexpected happens. Therefore, you should pay attention to your memory card as much as you care about the quality of your Dashcam.

There are more than 20 memory card brands out there. We recommend you to buy from more well-known and reliable ones.

If possible, you need to format your memory cards on a regular basis. Most of SDHC/SDXC cards on the market are TLC (Triple-Level Cell) type. They are hugely applied on smartphones, digital cameras, and tablets. Their rewrite cycles (TLC) are limited, and it's lower than MLC (Multi-Level Cell) and also cheaper.

Most people care about the specifications, image quality, and price when it comes to choosing a Dashcam. Usually, when you purchase a Dashcam, the package already includes a memory card. Therefore, the importance of selecting a good memory card is commonly ignored. If you were to purchase your own memory card, make sure you read the required class (usually Class 10) and maximum supported size (usually 32G or 64G) of your Dashcam first. Also, keep in mind that memory cards have limited rewrite cycles so they are considered as consumables.

TLC memory cards have limited rewrite cycle for about 500 to 1000 times. In other words, after going through the cycle for more than 500 times, chance of the memory card to be broken will be hugely increased. More, memory card can be broken in any time after going through the cycle more than 1000 times. Unlike TLC memory on smartphones, memory cards on Dashcams are constantly being written (recording). The higher the read/write frequency, the shorter of memory card life-time. There are more and more MLC memory cards for users to choose nowadays. Users may consider going for higher price MLC memory cards to have a better performing experience on Dashcams.

## Please be aware: memory cards have limited rewrite cycles so they are considered as consumables!

Brand new memory cards surely wouldn't make a difference at first, but you will be able to see the bad ones from the good ones though out time. Using poor quality memory cards could lead to crushing, stuck in the standby mode, or continuously restarting.

---

## Periodically check your memory cards:

### ★ 1. Manually perform a format once a month.

Always format your memory card from the Dashcam before you use it for the first time! After using the memory card for a while, the flash storage gets fragmented because of the constantly writing and rewriting. Manually format once a month will help to improve the data writing performance.

### ★ 2. Avoid direct exposure to the sunlight.

Normally, the operating temperature of memory card is under 60°C (140°F). It is recommended to keep your device in the glove box during summer. Exposing Dashcam in the direct sunlight may lead to damage of memory card and Dashcam both. Any electronic device shall avoid direct sun exposure and high temperature.

### ★ 3. Check if your recorded files are broken or in fragments with a computer.

Checking video data in memory through computers to see if all footages records normally. Switch to a new memory card if you find anything abnormal, like damage files, or unable to read from memory cards.

### ★ 4. Format/Deep-Scan with a computer with ScanTool.

This might take some time but performing this deep scan can determine whether your memory card is healthy or not. Please make sure to format the memory card again after inserting back into the Dashcam.

## Recommendations and notifications:

- ★ 1. Replacing with a new card after using the same one for two years.

Memory cards nowadays are almost half of the price (maybe even lower) comparing to years ago. The life expectancy of memory cards would decrease because of the increasing number on the rewrite cycles. If you are not sure whether your memory card is TLC (Triple-Layer Cell) or MLC (Multi-Level Cell), please simply replace a new one after two years.

- ★ 2. DO NOT eject your memory card without a safe shut down on your Dashcam first.

If you eject your card while the footages are still being saved onto memory card, file damaging and data lost could be occurred. In the event of car accidents, make sure DashCam has been power-off safely before you eject the memory card from DashCam.

- ★ 3. Always have a backup memory card in your car, in case the other one fails.

It's always nice to have a backup, in case of accidents.

- ★ 4. If you find anything unusual about your memory card or in doubt, replace with a new one immediately.

Memory cards are fairly cheap nowadays. Don't wait on replacing a new memory card if you are not sure if your memory card is working right or not. Better safe than sorry.

- ★ 5. DO NOT share the memory card you use on Dashcam with your smartphone or other devices.

The format type of the memory card could be changed when you apply it onto your cell phone due to the operating system requirements. This could lead to malfunctioning on your DashCam.

# Menu Functions

---

Press "UP button" to enter the menu.

## 《 Page 1 ( 1/5 ) 》

- Resolution : Set video recording resolution. Default is 1080p@30fps.
- Loop Recording Length : Change recording time per video under 1 min, 3 mins, or 5 mins. Default is 3 mins.
- G-Sensor : Set the sensitivity on the G-Sensor. Default is Off.
- Date/Time : Setup for Date/Time. Please setup correct time for the first time installation.
- Date Stamp : Set the displayed time on the device and footages. Default is On.
- Audio Record : Choose to record sound or not during recording. Default is On.

## 《 Page 2 ( 2/5 ) 》

- Device Volume : Set the Device Volume.
- Parking Surveillance : Default is Off. While this feature turn ON, Vico-MORY will enter Parking mode after engine off. (Motion Detection or Vibration Detection) Power source switch from external USB cigar charger into internal Li-Polymer Battery. (Vico-MORY is not compatible with Vico-Power PLUS for Smart Parking Surveillance)
- Exposure Value : Change exposure value for video brightness.
- Language : Choose language in between Traditional Chinese/Simplified Chinese/English/Japanese/Russian/German/Romanian/Thailand/Polksi.
- Screen Saver : Set a period of time before the display screen gets dark. Default is Off.
- Frequency : Change Frequency from 50/60Hz for anti-flicker. Default is 60Hz.

# Menu Functions

---

## 《 Page 3 ( 3/5 ) 》

- Format : Format the inserted memory card to erase all files.
- Factory Default : Reset to factory settings.
- Overspeed Camera Alert : Turn on this feature to enable Overspeed Camera Alert. Can only be enabled in Taiwan.
- LDWS : Setup Lane Departure Warning function. Default is Off. Only after the current vehicle speed reaches 70km/hr, leaving the current lane will cause the device beeping with voice alert to notify the driver.
- FCWS : Setup Forward Collision Warning function. Default is Off. When the current speed reaches 70km/hr while the distance with the car in the front is less than the safety distance (5~7 meters), the device will notify the driver.
- Overspeed setup : Select to set the value between 60/70/80/90/100/110/120/130km. When the driving speed is faster than setting, the device will alert the driver.

## 《 Page 4 ( 4/5 ) 》

- GPS Position Stamp : Choose whether to display GPS Position on the footages.
- Speed Stamp : Choose whether to display Speed on the footages.
- GPS Speed Display : Choose speed display unit in between KPH and MPH.
- Time Zone GMT : Set GPS regulation on time zone. Default is +8.
- Vico-Tag : Users may customize the characters to be embedded on the videos.
- Satellite Status : Show the information about the Satellite Status.

## 《 Page 5 ( 5/5 ) 》

- Satellite Sync : Set Auto Time-Calibration. Default is On.
- Video Playback : Play recorded videos from Normal Recording\Emergency Recording\Snapshot files.
- About : Firmware version on this device.

## 3-Axis G-Sensor Settings

---

The device is equipped with G-Sensor. It triggers Emergency Recording automatically when impacts are detected. To avoid false detections during initial installation, G-Sensor function is defaulted as OFF. Please activate this function manually after the device has been properly installed.

## Emergency Recording Function

---

Vico-MORY GPS supports manual-trigger emergency record & G-Sensor impact detection record. System separates Normal Recording & Emergency Record in Memory Card. Loop recording will circular only in Normal Recording folder.

***Emergency occupys max upto 30% of the memory card size.***

## Limited Warranty Service

---

1. The limited warranty starts from the Original Purchase Date. 12 months limited warranty is available on all car video recorders (body units only). 6 months limited warranty is available on all the accessories of VicoVation. The original valid proof of purchase will be required.
2. The limited warranty is only valid in the countries where this product is sold. Please contact the retailer or online shop who sold this unit for detailed in-warranty service.
3. The limited warranty does not apply to the damages caused by shipping, malfunctioning in events of accident, misuse, abuse, water, fire, or other acts of nature, external causes, or faulty installation.
4. Warranty is void if this unit has been disassembled or modified.

If you have any questions, please feel free to contact us or our local distributors.

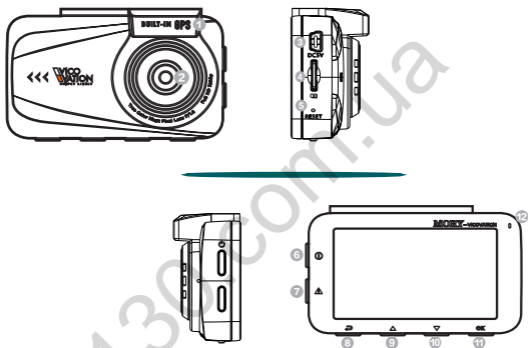
Email : [service@vicovation.com](mailto:service@vicovation.com)

Facebook : [www.facebook.com/VicoVationOfficial](http://www.facebook.com/VicoVationOfficial)

# Vico-MORY GPS行車紀錄器安裝 操作指南與注意事項

感謝您選購Vico-MORY GPS Full-HD行車紀錄器，請詳閱使用手冊，並注意以下提醒，正確操作主機。

## Vico-MORY GPS 產品外觀介紹



1. GPS接收器
2. 百萬像素鏡頭
3. 車充電源接孔
4. Micro SDHC卡槽
5. Reset鍵
6. 電源鍵 (長按三秒關機  
· 輕按一下開機)
7. 緊急錄影啟動鍵
8. 功能選單/返回鍵
9. 播放選單/向上鍵
10. 拍照鍵/向下鍵
11. OK鍵/錄音鍵/靜音鍵
12. 電源指示燈



# Vico-MORY GPS 產品盒內標準配件

產品盒內標準配件內容：



主機



黏貼式支架



原廠3.5米車充



吸盤式支架



保固卡



快速安裝指南

內建GPS接收器：



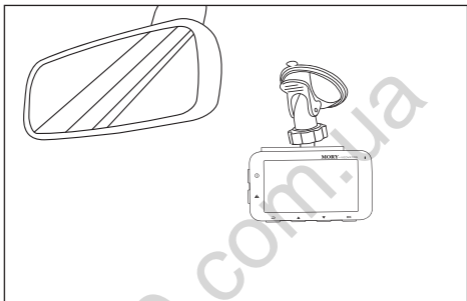
- 支援GPS相關功能：
  1. 台灣地區定點測速照相提醒。
  2. GPS時區自動校正時間。
  3. 行車時速顯示。
  4. GPS軌跡紀錄。
  5. LDWS車道偏離提醒。
  6. FCWS前車碰撞提醒。
  7. 超速提醒。

## 支架安裝說明

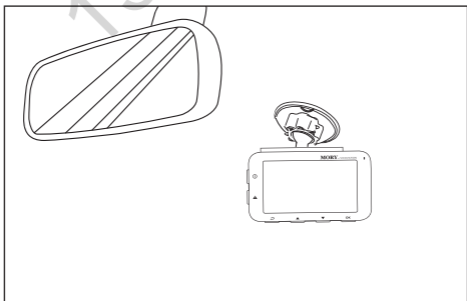
盒內附有專用吸盤式支架以及黏貼式支架。安裝方式如下圖，使用者可自行選擇適合自己愛車的方式以及安裝位置。

安裝以不影響行車視線為原則，請特別注意。

### 主機 + 吸盤式支架



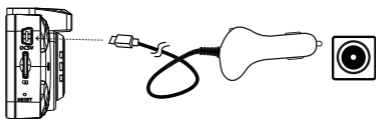
### 主機 + 黏貼式支架



# 車用環境安裝方式

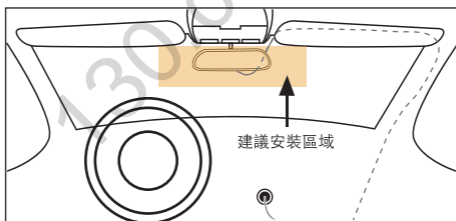
## 安裝步驟

1. 請務必使用Vicovation原廠車充線，以確保主機運作正常。
2. 請將車充電源線接至汽車點菸座，另一端接至主機的車充電源接口。



## 建議安裝位置與電源走線

簡易DIY走線方式：車充電源線可由副駕駛座(腳踏墊下方)，往上走右邊A柱內側防水膠條(可能需要工具輔助，請注意復原膠條位置。)，再經由副駕駛座遮陽板上固定，走至主機。

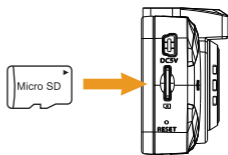


## 特別注意

1. 若您的愛車A柱內有安全氣囊，建議由專業人員協助安裝，不建議自行埋線安裝。
2. 安裝時請注意防水膠條的位置復原，否則可能影響車門防水性能。
3. 請務必使用盒內專屬車充電源線，請勿使用其他車充電源。

## 開始操作

1. 請依照正確方向插入 MicroSDHC / SDXC 記憶卡。輕推到底後會有輕微喀擦聲。(請注意卡片金手指方向)
2. Vico-MORY GPS支援Full-HD 1080p錄影，嚴禁使用低於Class10等級之記憶卡。(最大支援64GB記憶卡)



## 錄影時間對照表 (不含緊急錄影時間)

	1080p 30fps	720p 60fps	720p 30fps
8GB	47 mins	102 mins	101 mins
16GB	94 mins	204 mins	202 mins
32GB	188 mins	408 mins	404 mins
64GB	376 mins	816 mins	808 mins

3. 電源連接後，自動開機進入錄影模式。首次使用，請先設定時間並將記憶卡格式化。
4. 拔插記憶卡前，請先停止錄影或關閉電源，請勿在錄影中任意拔除記憶卡以避免資料損毀。

## 記憶卡的壽命限制與注意事項

行車紀錄器連續長時間使用，記憶卡多次循環讀寫之後，可能發生無預期的故障。我們多點關注，以免真正需要它時，發現記憶卡已損壞...

市面上記憶卡品牌種類繁多，品質有好有壞。選用大品牌高速記憶卡，自然比廉價雜牌有保障。(機率問題，即便是大品牌，也可能有不良的情況發生。) 使用任何品牌，都需要透過定期手動檢查來確保正常。一般市面上所販售的記憶卡(SDHC/SDXC)零售包裝，大部分是TLC製程記憶體所製造，大規模用於智慧型手機/數位相機/平板電腦，讀寫循環的次數與壽命比MLC製程來的低，也較為便宜。

購買行車紀錄器時，經銷商都會附贈記憶卡，針對記憶卡的挑選並不會在第一時間注意到。通常購買時的挑選，會落在主機規格/畫質功能與性價比，搭贈的記憶卡通常會被忽略。而自行購買記憶卡的使用者，也必須注意主機所能支援的最大容量，與最低傳輸速度限制(大部分行車紀錄器需要滿足Class10規格)。

零售通路所購買的TLC製程記憶卡，讀寫循環次數壽命約為500~1000次，也就是說循環500次以上，損壞機率就會大幅增加。若超過1000次以上，則隨時都有可能損壞。一般正常使用1~2年的記憶卡，損壞的機率曲線也會跟著曲率上升，畢竟TLC的記憶體用在智慧型手機/DSC/平板電腦上，並不像行車紀錄器持續頻繁地寫入檔案/刪檔循環。使用環境不同，壽命長短自然不同。

目前市面上有越來越多的MLC型記憶卡提供消費者選購，也可選購價格較高的MLC記憶卡來優化設備。

**記憶卡因為讀寫循環次數的壽命限制，嚴格說來算是一種消耗品，務必注意。**

當然，全新的記憶卡在一開始使用時，並不會有任何差異，而是使用一段時間之後，記憶卡優劣可能產生一些衍生問題，像是當機/卡在待機狀態停止錄影，或是反覆重開機。

# 記憶卡的壽命限制與注意事項

您可以透過以下幾個檢查，來確認您的行車記錄器與記憶卡是否正常運作：

## ★ 1. 定期手動格式化：

第一次使用全新記憶卡，一定要用行車記錄器主機來格式化。長時間錄影，在多次循環之後，磁區的完整性較低(較破碎)，建議定期手動格式化，也可以透過格式化的錯誤訊息來判斷狀況。如果記憶卡有損壞產生，格式化可能會有無法格式化/格式化失敗的錯誤訊息。定期格式化建議至少每個月手動操作一次。

## ★ 2. 盡量避免高溫錄影，停車時主機可放置物箱避免直射曝曬：

一般記憶卡的工作溫度是60度C以下，夏日氣候炎熱，在陽光曝曬之下，回到車上開車錄影時，在車內冷氣降溫前會有一段時間錄影是在極高溫度下執行存取工作，可能會對記憶卡壽命造成嚴重影響。建議停車在外高溫曝曬，可先將主機取下放置置物箱內。任何電子產品都應盡量避免高溫曝曬，高溫曝曬也可能對主機PCB造成老化與其他損壞問題發生。

## ★ 3. 電腦讀取記憶卡檔案，檢查是否有不連續的壞檔或碎檔：

也可使用電腦來檢查是否記憶卡的讀寫狀況正常與否。如果使用電腦檢查發現有異常，就建議更換記憶卡。

## ★ 4. 使用電腦深度格式化，或是使用Scan-Tool來確認記憶卡的狀況：

這是較花時間的步驟，可以深度檢查記憶卡狀態。但是請注意，使用電腦格式化程序或掃描之後，拿回行車記錄器使用時，請務必再使用行車記錄器主機格式化一次記憶卡。(電腦格式化可能會格式化成其他不同的檔案格式，導致行車記錄器無法使用。)

# 記憶卡的壽命限制與注意事項

## 其他重要使用注意事項與建議：

### ★ 1. 請勿直接拔卡，一定要先正常關機後再拔：

如果錄影中直接將記憶卡拔出，會造成檔案損壞與資料遺失的狀況。任何事故/事件發生之後，除了使用緊急錄影備份之外，若要取出卡片，請記得一定要先關機，確認關機之後再拔出卡片。

### ★ 2. 車上準備第二張記憶卡，以備不時之需：

道路意外事故無法預料，有時也可能成為事故發生的目擊者。您的行車記錄器錄下重要資料，當下提供記憶卡給警察處理，或是交由事故發生當事人使用，熱心助人為善。若車上有準備第二張記憶卡，可以方便替代使用，不擔心沒有記憶卡無法使用的窘境。

### ★ 3. 如果發現記憶卡有任何異常發生，建議立即更換，不要拖延：

不怕一萬，萬一置之不理而中途發生意外，沒有錄影的扼腕也是令人沮喪。記憶卡價格也多有降價，價格合理，有問題直接更換，不拖延是上上策。

### ★ 4. 專卡專用，不要拿行車器錄器的記憶卡與手機共用：

記憶卡使用在某些智慧型手機時，手機會因為作業系統需求，而將記憶卡變更為其他檔案格式使用。如果交互使用，可能會造成不相容問題產生，而衍生當機或是其他不錄影問題。專卡專用不混用。

### ★ 5. 連續使用兩年之後，建議更換新記憶卡：

現今記憶卡價格已經是多年前的半價，甚至更低。連續長時間使用下，記憶卡會因為循環次數而降低壽命，越來越接近使用壽命上限。如果不確定記憶卡是TLC或MLC，可以在使用兩年之後，固定時間汰換記憶卡。

# 選單功能介紹

## 進入選單方式

按左下方選單鍵，即可進入選單。

選單上方右側共有兩個標籤，切換標籤方式請按左下方選單鍵。

### 《第一頁 ( 1/5 ) 》

錄影解析度：設定錄製影像解析度大小。預設值為1080p 30fps。

錄影檔案長度：可設定每個影像檔案時間為1分鐘 / 3分鐘 / 5分鐘。預設值為3分鐘。

G-Sensor靈敏度：設定重力感測器靈敏度。預設值為關閉。

手動時間設定：手動設定現在的時間。

錄影時間戳記：關閉或開啟錄影時間戳記。預設值為開啟。

錄音設定：設定錄製的影像為錄音/靜音。

### 《第二頁 ( 2/5 ) 》

主機提示音：調整主機提示音量。

停車監控：關閉或開啟停車監控模式，可選擇位移偵測或震動感應觸發錄影。預設值為關閉。

**(開啟停車監控功能，主機將於熄火後，外接電源關閉時，切換至內置鋰電池供電來進行停車監控錄影，不需加裝Vico-PowerPLUS電力加。)**

曝光值設定：可調整錄影曝光值。

語言設定：選擇操作語言為：繁體中文/簡體中文/English/Japanese/Russian/German/Romanian/Thailand/Polksi。

螢幕自動休眠：設定螢幕休眠時間。預設值為關閉。

頻率：選擇主機頻率：50Hz / 60Hz。預設為60Hz。



# 選單功能介紹

## 《第三頁 ( 3/5 ) 》

- 格式化記憶卡：格式化記憶卡，清除記憶卡中的所有檔案。
- 回復原廠設定：將所有設定還原成出廠預設值。
- 台灣測速照相警示：設定台灣地區定點測速照相警示，預設值為關閉。
- LDWS車道偏離提醒：開啟或關閉LDWS車道偏離提醒，預設值為關閉。  
當車輛時速達70km/h以上，在車輛行進時偏離車道，主機機會發出警示音與圖示提醒駕駛車道已偏離。
- FCWS前車碰撞提醒：設開啟或關閉FCWS前車碰撞提醒，預設值為關閉。當車輛時速達70km/h，在行進中與前車未達安全距離約，主機機會發出警示音與圖示，提醒駕駛人前車距離過近。
- 超速提醒設定：可選擇時速到達60/70/80/90/100/110/120/130 Km/hr時出現超速提醒畫面，預設值為關閉。

## 《第四頁 ( 4/5 ) 》

- 座標標記：開啟或關閉行車軌跡座標標記。預設值為開啟。
- 時速標記：開啟或關閉行車時速標記。預設值為開啟。
- 時速單位：選擇時速標籤的顯示單位(KPH/MPH)。
- GMT時區設定：設定GPS時間校正區域。預設值為GMT:+8。
- 個性化標籤：可自行編輯影像浮水印標籤的文字內容。
- 衛星狀態：提供衛星定位狀態圖示。

## 《第五頁 ( 5/5 ) 》

- 衛星時間同步：開啟或關閉衛星時間同步。預設值為開啟。
- 錄影檔案播放：播放記憶卡中記錄的影像檔案(一般錄影、緊急錄影、照片)。
- 關於本機：顯示目前主機韌體版本。

# 三軸G-Sensor碰撞感測器

Vico-MORY GPS配備G-Sensor碰撞(三軸重力)感測器，能在碰撞發生時，自動觸發緊急錄影功能。為了避免誤動作發生，G-Sensor靈敏度功能預設值為關閉，請在車內安裝完畢之後進入選單開啟此功能。

## 緊急錄影介紹

1. 行車途中，遇見特殊狀況或緊急事故時，可手動觸發緊急錄影(螢幕左側下方按鍵)。此時螢幕中會出現鎖定檔案的提示。
2. 緊急錄影觸發時，錄影檔案會存放在EVENT資料夾下，不受循環錄影複寫。
3. 觸發緊急錄影最多僅能使用30%的記憶卡容量，觸發數量超出容量限制時，如果繼續觸發緊急錄影，檔案將會從第一組緊急錄影檔開始覆蓋。

## 回放操作

在錄影主畫面底下，停止錄影之後，可選擇播放選單(向上鍵)進入回放模式。

進入回放模式後，可選擇回放緊急錄影檔案、一般錄影檔案以及照片檔案。

## 維修服務與保固條款

視連科保證產品皆經過完整測試，避免原物料及加工過程之瑕疵，並符合所公佈之規格。若產品在保固期間內，於正常環境使用下有任何不良或損壞發生，您可與原購買的經銷商連絡，透過原購買經銷商寄回視連科維修。若有其他相關維修問題，也歡迎您直接撥打客服專線與我們聯繫。

客服專線：02 -2627-5883轉23

行動客服專線：0975-023-262

LINE線上客服ID：vicovation

視連科客服部地址：

台北市內湖區瑞光路358巷38弄36號2樓之2

## 免付費維修服務保固說明

1. 視連科產品主機提供一年保固，自消費者之原始購買日起算一年。用戶須出示原始購買日之證明(發票或是保固卡)始能享有保固服務。若無法提供正常購買證明，視連科將依產品序號判定保固期間。
2. 若產品主機在購買七日內(含)，於正常操作下發生硬體故障，視連科提供免費更換新品。
3. 所有配件(車充、支架、線材)為耗損品，自購買日起享有六個月的免費保修服務。
4. 如逾保固期之維修與配件更換則另行報價收費。

130.com.ua



Autogoods "130"