



PHONES

0 (800) 800 130  
(050) 462 0 130  
(063) 462 0 130  
(067) 462 0 130

130  
COM.UA

Internet store of  
autogoods



SKYPE

km-130

CAR RECEIVERS — Receivers • Media receivers and stations • Native receivers • CD/DVD changers • FM-modulators/USB adapters • Flash memory • Facia plates and adapters • Antennas • Accessories |  
 CAR AUDIO — Car audio speakers • Amplifiers • Subwoofers • Processors • Crossovers • Headphones • Accessories | TRIP COMPUTERS — Universal computers • Model computers • Accessories |  
 GPS NAVIGATORS — Portable GPS • Built-in GPS • GPS modules • GPS trackers • Antennas for GPS navigators • Accessories | VIDEO — DVR • TV sets and monitors • Car TV tuners • Cameras • Videomodules  
 • Transcoders • Car TV antennas • Accessories | SECURITY SYSTEMS — Car alarms • Bike alarms • Mechanical blockers • Immobilizers • Sensors • Accessories | OPTIC AND LIGHT — Xenon • Bixenon • Lamps  
 • LED • Stroboscopes • Optic and Headlights • Washers • Light, rain sensors • Accessories | PARKTRONICS AND MIRRORS — Rear parktronic • Front parktronic • Combined parktronic • Rear-view mirrors  
 • Accessories | HEATING AND COOLING — Seat heaters • Mirrors heaters • Screen-wipers heaters • Engine heaters • Auto-refrigerators • Air conditioning units • Accessories | TUNING — Vibro-isolation  
 • Noise-isolation • Tint films • Accessories | ACCESSORIES — Radar-detectors • Handsfree, Bluetooth • Windowlifters • Compressors • Beeps, loudspeakers • Measuring instruments • Cleaners • Car seats  
 • Miscellaneous | MOUNTING — Installation kits • Upholstery • Grilles • Tubes • Cable and wire • Tools • Miscellaneous | POWER — Batteries • Converters • Start-charging equipment • Capacitors  
 • Accessories | MARINE AUDIO AND ELECTRONICS — Marine receivers • Marine audio speakers • Marine subwoofers • Marine amplifiers • Accessories | CAR CARE PRODUCTS — Additives • Washer fluid •  
 Care accessories • Car polish • Flavors • Adhesives and sealants | LIQUID AND OIL — Motor oil • Transmission oil • Brake fluid • Antifreeze • Technical lubricant



In store "130" you can find and buy almost all necessary goods for your auto in Kyiv and other cities, delivery by ground and postal services. Our experienced consultants will provide you with exhaustive information and help you to choose the very particular thing. We are waiting for you at the address

<https://130.com.ua>



British Audio



## **POWERBOX 80.4M**

POWERBOX80.4M-V0

## **POWERBOX 100.4M**

POWERBOX100.4M-V0

## **POWERBOX 150.4M**

POWERBOX150.4M-V0

**Power box**  
**MINI**

Power Amplifiers

---

## Owners Manual

Congratulations on purchasing your VIBE amplifier. Please read this manual in order to fully understand how to get the best results from this product and ensure that all advice on how to look after the product is followed.

Thank you for buying VIBE, we hope you enjoy listening to your product as much as we enjoyed creating it.

### Attention



An aftermarket audio amplifier will place an additional load on the vehicles charging system.

Most modern vehicles have sufficient capacity in the charging system as not all the electrical components of the vehicle will be switched on at once.

Check the fuse rating of the amplifier and use this as the peak current requirement.

Generally the continuous current draw will be a third of the peak current.

### Warning

During the normal use of this amplifier the heatsink may become very hot.

Please do not touch during or immediately after use.

Please ensure that when installing this product the heatsink will not come into contact with any materials that may be damaged by heat such as upholstery or plastics.

## Limited Warranty

All VIBE products carry a full 12 month warranty, valid from the date of the original receipt and proof of purchase. The online warranty card should be completed within seven days of the original purchase date. The original receipt and packaging should be retained for this twelve month period. If the product develops a problem any stage during the warranty period, it should be returned to the point of purchase in it's original packaging, and complete with no items missing. If the store is unable to repair the product it may have to be returned to VIBE.

A full description of VIBE's warranty information can be found on our website:

**[www.vibeaudio.co.uk](http://www.vibeaudio.co.uk)**

### What Is Not Covered

- Damage to product due to improper installation.
- Subsequent damage to other components.
- Damage caused by exposure to moisture, excessive heat, chemical cleaners and / or UV radiation.
- Damage through negligence, misuse, accident or abuse. Repeated returns for the same fault may be considered abuse.
- Any cost or expense related to the removal and / or re-installation of the product.
- Damage caused by amplifier clipping or distortion.
- Items repaired or modified by any unauthorised repair facility.
- Return shipping on non defective items.
- Products returned without a returns authorisation number.
- Damage to product due to use of sealant.

### International Warranty

Contact your international VIBE dealer or distributor concerning specific procedure for your country's warranty policies. [www.vibeaudio.co.uk/warranty](http://www.vibeaudio.co.uk/warranty)

### Warning

VIBE equipment is capable of sound pressure levels that can cause permanent damage to your hearing and those around you. Please use common sense when listening to your audio system and practice safe sound.

### Copyright

All content included in this manual such as text, graphics, logos, icons, images and data, are the property of Midbass Distribution Limited t/a VIBE Technologies Limited (herein referred to as "VIBE", "us" or "we") and its affiliate or their content and technology providers, and are protected by United Kingdom and International copyright laws. All rights reserved. VIBE TV, VIBE Arcade, Bass Box, Optisound, Cinesound, BlackAir, BlackBox, Space, LiteAir, SLICK, BlackDeath, Bubonic, Reaper, Anti-VIBE, FastPlug, BlackHole, QB69, VIBE Turbo Port, Vibe TurboVent, Pressure Board, Super Driver, VIBE Pulse, VIBE Power, VIBE Digital, VIBE MAG Plugs, Ferrite Loaded, VIBE Solid Core, VIBE OCC, VIBE FLAT, ICC, Bass Enhance, Bass Enhance+, QBass, SpeedBass, PowerBass, N-Wedge, Box Grip, ARSS, Supercar Series and all stylised representations of product names, or the abbreviations of product names, as logos are all trademarks of VIBE. Graphics and logos are trademarks or trade dress of VIBE Technologies Ltd or its subsidiaries. VIBE's trademarks and trade dress may not be used in connection with any product or service that is not VIBE's, in any manner that is likely to cause confusion among customers or in any manner that disparages or discredits VIBE. All other trademarks not owned by VIBE or its subsidiaries that appear in this manual are the property of their respective owners, who may or may not be affiliated with, connected to, or sponsored by VIBE or its subsidiaries.

TO THE FULLEST EXTENT PERMITTED AT LAW, VIBE IS PROVIDING THIS MANUAL AND ITS CONTENT ON AN "AS IS" BASIS AND MAKES NO (AND EXPRESSLY DISCLAIMS ALL) REPRESENTATIONS OR WARRANTIES OF ANY KIND, EXPRESS OR IMPLIED, WITH RESPECT TO THIS MANUAL OR THE INFORMATION, CONTENT, MATERIALS OR PRODUCTS INCLUDED IN THIS MANUAL INCLUDING, WITHOUT LIMITATION, WARRANTIES OF MERCHANTABILITY AND FITNESS FOR A PARTICULAR PURPOSE. IN ADDITION, VIBE DOES NOT REPRESENT OR WARRANT THAT THE INFORMATION CONTAINED IN THIS MANUAL IS COMPLETE OR CURRENT, AND THAT ALL SPECIFICATIONS AND INFORMATION CONTAINED WITHIN THIS MANUAL ARE SUBJECT TO CHANGE WITHOUT NOTICE. VIBE RECOMMENDS CAUTION WHEN LISTENING TO MUSIC REPRODUCED THROUGH VIBE EQUIPMENT. VIBE EQUIPMENT IS CAPABLE OF PRODUCING SOUND AND SOUND PRESSURE LEVELS THAT CAN PERMANENTLY DAMAGE HEARING OF YOU AND THAT OF OTHERS. FOR SAFE AND ENJOYABLE LISTENING, THE SOUND SHOULD BE CLEAR WITHOUT DISTORTION AT A COMFORTABLE VOLUME. BY USING ANY VIBE EQUIPMENT, YOU AGREE TO TAKE FULL RESPONSIBILITY FOR YOUR OWN SAFETY AND THE SAFETY OF OTHERS WHEN LISTENING TO MUSIC AT HIGH VOLUMES THROUGH EQUIPMENT YOU HAVE PURCHASED. USE OF ANY VIBE EQUIPMENT CONSTITUTES AGREEMENT TO THIS DISCLAIMER. Except as specifically stated in this manual, to the fullest extent permitted at law, neither VIBE nor any of its affiliates, directors, employees or other representatives will be liable for damages arising out of or in connection with the use of this manual or the information, content, materials or products included. This is a comprehensive limitation of liability that applies to all damages of any kind, including (without limitation) compensatory, direct, indirect or consequential damages, loss of data, income or profit, loss of or damage to property and claims of third parties. For the avoidance of doubt, VIBE does not limit its liability for death or personal injury to the extent only that it arises as a result of negligence of VIBE, its affiliates, directors, employees or other representatives.

## Mounting Guidelines

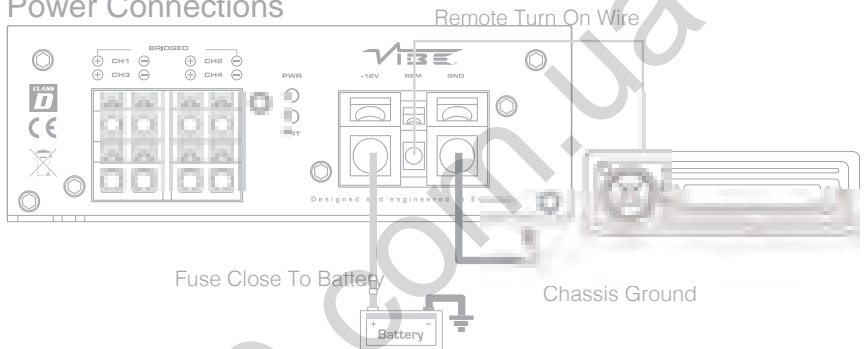
Your VIBE amplifier is designed with a swift installation routine in mind.

Please mount the amplifier in a dry location on a solid surface.

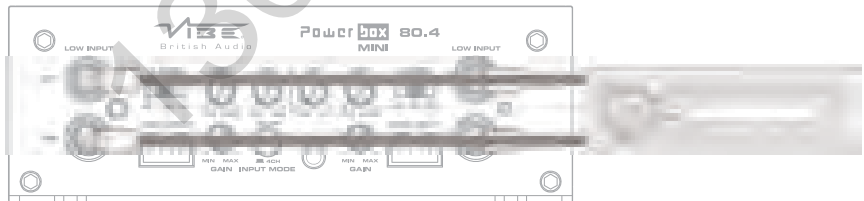
NEVER mount the amplifier upside down as this will cause the amplifier to over heat and will eventually damage the amplifier.

Before fixing the amplifier in place please ensure that there is sufficient air flow around the exterior of the casing, at least two inches is sufficient to allow effective cooling.

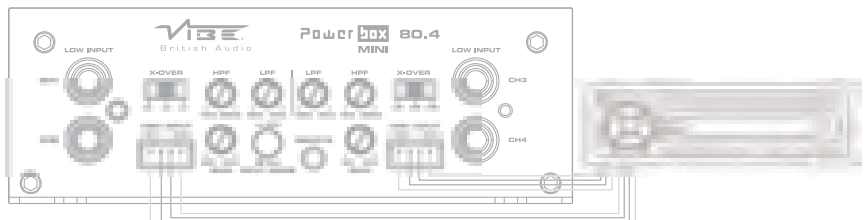
## Power Connections



## Low Level Input



## High Level Input



NOTE : When using high level input it is not necessary to connect the remote turn on wire. Do not connect both high level and low level input at the same time.

## Power Cable

- At least 8 gauge cable should be used for the power connection to the amplifier.
- The power cable should be taken directly from the battery. Rubber grommets should be used when passing through any bulkheads to prevent the cable from becoming chaffed or cut.
- It is vital that a fuse / circuit breaker (of at least equal value to the one fitted in the amplifier) is placed inline with the power cable and is no further than 18 inches away from the battery.
- Please ensure that the fuse is not fitted until the entire installation procedure is complete.

## Ground Cable

- At least 8 gauge cable should be used for the ground connection to the amplifier.
- The amplifier ground should be connected directly to the chassis of the vehicle, to bare metal.
- The cable length should be kept to an absolute minimum.
- It is not recommended that you connect the ground cable to the vehicles seatbelts anchor point.

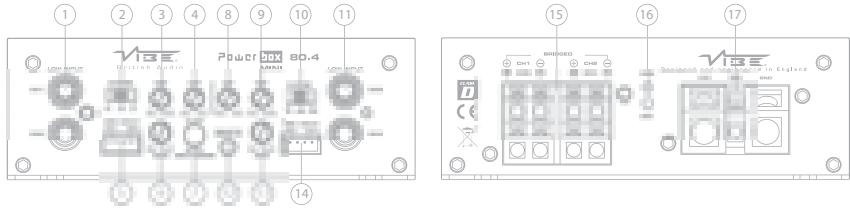
## Auto Turn On (High level Input Only)

- The PowerBox amplifiers feature an auto turn on circuit called Autosense.
- This circuit allows the amplifier to switch on and off without a remote turn on wire when using high level input, for low level input (RCA) it will still be necessary to connect the remote turn on wire from the headunit.
- When the connected source (headunit) is turned on the amplifier will turn on automatically, after the connected source (headunit) is turned off the amplifier will shut down.

## RCA Cables

- Depending on the model of your headunit and the number of speakers you wish to power you will have to run either one, two or three RCA cables from the source to the amplifier.
- Please take extra care when running these cables from the source to the amplifier. Ensure that they are placed away from all items that can generate any interference, wiring harnesses etc.
- It is recommended that the RCA cables should be run on opposite sides of the car to the previously installed power cables if possible, to avoid the cable picking up interference.

## Terminals And Connections



### 1. CH1 / CH2 low level input

For connection to any source (head unit) with a low level output to the front channels of the amplifier. This is your RCA output from the source (headunit).

### 2. CH1 / CH2 crossover mode select switch

This control is used to select the crossover mode of the rear channels of the amplifier. FR is for full range output, HPF is used to limit the amount of low frequency information passed to the speakers and LPF is used to limit the amount of high frequency information passed to the speakers.

### 3. CH1 / CH2 high pass filter control

The frequency is adjustable between 100Hz and 500Hz.

### 4. CH1 / CH2 low pass filter control

The frequency is adjustable between 40Hz and 4kHz.

### 5. CH1 / CH2 high level input

For connection to the speaker output of your source (head unit). This is to be used if the source (headunit) does not have a low level output.

### 6. CH1 / CH2 gain control

This control is used to match the input signal of the source to the front channels of the amplifier. See the setup section for more details.

### 7. Input mode switch

This switch is used to select 2 or 4 channel signal input into the amplifier allowing all 4 channels to be driven discretely or from a 2 channel source.

### 8. CH3 / CH4 low pass filter control

The frequency is adjustable between 10Hz and 500Hz.

### 9. CH3 / CH4 high pass filter control

The frequency is adjustable between 40Hz and 4kHz.

### 10. CH3 / CH4 crossover mode select switch

This control is used to select the crossover mode of the rear channels of the amplifier. FR is for full range output, HPF is used to limit the amount of low frequency information passed to the speakers and LPF is used to limit the amount of high frequency information passed to the speakers.

### 11. CH3 / CH4 low level input

For connection to any source (head unit) with a low level output to the rear channels of the amplifier. This is your RCA output from the source (headunit).

### 12. CH3 / CH4 Remote input socket

Used to connect the supplied remote gain control for the rear channels.

### 13. CH3 / CH4 gain control

This control is used to match the input signal of the source to the rear channels of the amplifier. See the setup section for more details.

### 14. CH3 / CH4 high level input

For connection to the speaker output of your source (head unit). This is to be used if the source (headunit) does not have a low level output.

### 15. Speaker terminals

Used to connect speaker cables to the amplifier. See the wiring configuration section for more details

### 16. Power / protect LED

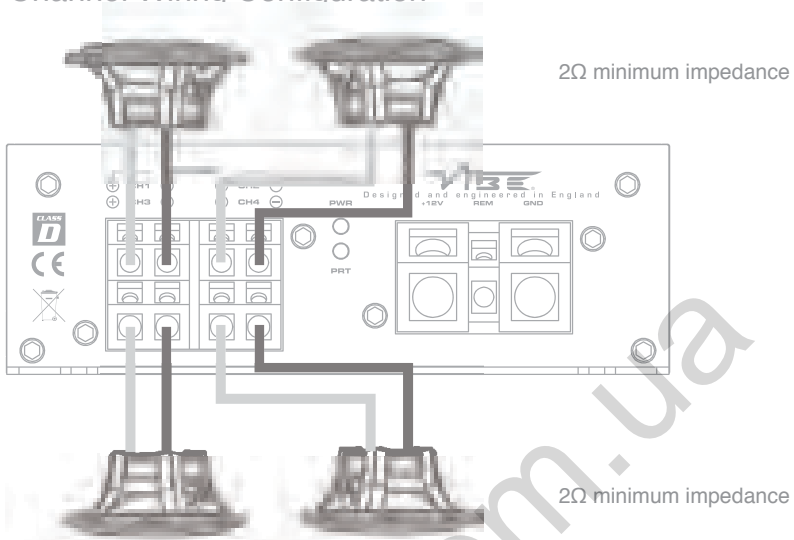
If the amplifier is operating normally, the GREEN LED will illuminate.

If the amplifier is in protection mode the RED LED will illuminate.

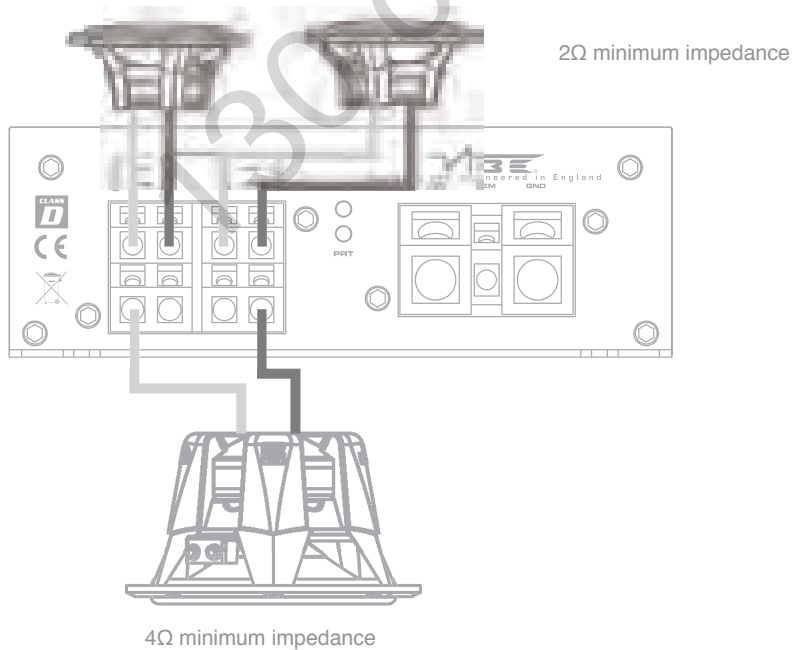
### 17. Power terminals

Used to connect DC power to the amplifier. See the power connections section for more details

## 4 Channel Wiring Configuration



## Bridged Wiring Configuration





## Specification

Model	POWERBOX80.4M-V0	POWERBOX100.4M-V0	POWERBOX150.4M-V0
Configuration	4 channel	4 channel	4 channel
Dimensions (H x W x D)	1.9" x 9.1" x 5.3" (47x 230 x 134mm)	1.9" x 9.1" x 5.3" (47x 230 x 134mm)	1.9" x 15.4" x 5.3" (47x 390 x 134mm)
RMS @ 4Ω Stereo	4 x 80 watts	4 x 100 watts	4 x 150 watts
RMS @ 2Ω Stereo	4 x 120 watts	4 x 120 watts	4 x 240 watts
RMS @ 4Ω Mono	2 x 240 watts	2 x 240 watts	2 x 480 watts
Maximum Power	960 watts	960 watts	1920 watts
Frequency Response	10Hz - 30kHz	10Hz - 30kHz	10Hz - 30kHz
Crossover Type	LP / HP / Flat	LP / HP / Flat	LP / HP / Flat
LP Crossover range	40Hz - 4kHz	40Hz - 4kHz	40Hz - 4kHz
HP Crossover Range	10Hz - 500Hz	10Hz - 500Hz	10Hz - 500Hz
Topology	Mini Class D	Mini Class D	Mini Class D

## UK Technical Enquiries

### Call 09067031420

Calls cost 50p per minute. Call costs correct at date of publication (01/02/12)  
Hours of business 9.00am - 5.30pm GMT Monday - Friday.  
All calls are recorded for training purposes.  
MIDBASS Distribution  
PO Box 11000  
B75 7WG



## International Technical Enquiries

For international technical support please contact the distribution agent for your country.

Please visit [www.vibeaudio.co.uk/contact](http://www.vibeaudio.co.uk/contact) for more details.



---

Notes :

130.com.ua

Notes :

130.com.ua



British Audio

130.com.ua

**Power box MINI**

Designed and engineered in England



[www.vibeaudio.co.uk](http://www.vibeaudio.co.uk)



[www.youtube.com/vibeaudio](http://www.youtube.com/vibeaudio)



[www.facebook.com/vibeaudio](http://www.facebook.com/vibeaudio)



[www.twitter.com/vibecaraudio](http://www.twitter.com/vibecaraudio)

