



PHONES

0 (800) 800 130  
(050) 462 0 130  
(063) 462 0 130  
(067) 462 0 130

130  
COM.UA

Internet store of  
autogoods



SKYPE

km-130

CAR RECEIVERS — Receivers • Media receivers and stations • Native receivers • CD/DVD changers • FM-modulators/USB adapters • Flash memory • Facia plates and adapters • Antennas • Accessories |  
CAR AUDIO — Car audio speakers • Amplifiers • Subwoofers • Processors • Crossovers • Headphones • Accessories | TRIP COMPUTERS — Universal computers • Model computers • Accessories |  
GPS NAVIGATORS — Portable GPS • Built-in GPS • GPS modules • GPS trackers • Antennas for GPS navigators • Accessories | VIDEO — DVR • TV sets and monitors • Car TV tuners • Cameras • Videomodules  
• Transcoders • Car TV antennas • Accessories | SECURITY SYSTEMS — Car alarms • Bike alarms • Mechanical blockers • Immobilizers • Sensors • Accessories | OPTIC AND LIGHT — Xenon • Bixenon • Lamps  
• LED • Stroboscopes • Optic and Headlights • Washers • Light, rain sensors • Accessories | PARKTRONICS AND MIRRORS — Rear parktronic • Front parktronic • Combined parktronic • Rear-view mirrors  
• Accessories | HEATING AND COOLING — Seat heaters • Mirrors heaters • Screen-wipers heaters • Engine heaters • Auto-refrigerators • Air conditioning units • Accessories | TUNING — Vibro-isolation  
• Noise-isolation • Tint films • Accessories | ACCESSORIES — Radar-detectors • Handsfree, Bluetooth • Windowlifters • Compressors • Beeps, loudspeakers • Measuring instruments • Cleaners • Car seats  
• Miscellaneous | MOUNTING — Installation kits • Upholstery • Grilles • Tubes • Cable and wire • Tools • Miscellaneous | POWER — Batteries • Converters • Start-charging equipment • Capacitors  
• Accessories | MARINE AUDIO AND ELECTRONICS — Marine receivers • Marine audio speakers • Marine subwoofers • Marine amplifiers • Accessories | CAR CARE PRODUCTS — Additives • Washer fluid •  
Care accessories • Car polish • Flavors • Adhesives and sealants | LIQUID AND OIL — Motor oil • Transmission oil • Brake fluid • Antifreeze • Technical lubricant



In store "130" you can find and buy almost all necessary goods for your auto in Kyiv and other cities, delivery by ground and postal services. Our experienced consultants will provide you with exhaustive information and help you to chose the very particular thing. We are waiting for you at the address

<https://130.com.ua>



OWNER'S MANUAL

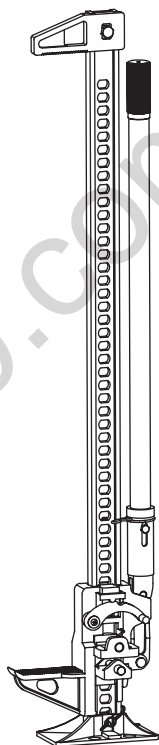
**TRA8205B 20" UTILITY JACK;** Capacity 6,000-lbs. (2,700-kgs)

**TRA8335B 33" UTILITY JACK;** Capacity 6,000-lbs. (2,700-kgs)

**TRA8365B 36" UTILITY JACK;** Capacity 6,000-lbs. (2,700-kgs)

**TR6501B (TRA8485B) 48" UTILITY JACK;** Capacity 6,000-lbs. (2,700-kgs)

**TR6502B (TRA8605B) 60" UTILITY JACK;** Capacity 6,000-lbs. (2,700-kgs)



**▲ WARNING!**

Questions, problems, missing parts? Before returning to your retailer, call our customer service department at 1-888-44-TORIN (1-888-448-6746), 8 a.m.- 5 p.m., PST, Monday-Friday.

Read carefully and understand all ASSEMBLY AND OPERATION INSTRUCTIONS before operating. Failure to follow the safety rules and other basic safety precautions may result in serious personal injury.

Version 03032017

## IMPORTANT

Before You Begin Register This Product.

For future reference, record the model name, model number, date of manufacture and purchase date of this product. You can find this information on the product.

Model Name \_\_\_\_\_

Model Number \_\_\_\_\_

Date of Manufacture \_\_\_\_\_

Date of Purchase \_\_\_\_\_

## OWNER / USER RESPONSIBILITY

**DO NOT OPERATE OR REPAIR THIS PRODUCT WITHOUT READING THIS MANUAL.**

Read and follow the safety instructions. Keep Instructions readily available for operators. Make certain all operators are properly trained and understand how to safely and correctly operate the product. By proceeding you agree that you fully understand and comprehend the full contents of this manual. Failure to operate this product as intended may cause injury or death. The manufacturer is not responsible for any damages or injury caused by improper use or neglect. Allow product operation only with all parts in place and operating safely. Use only genuine replacement parts. Service and maintain the product only with authorized or approved replacement parts; negligence will make the product unsafe for use and will void the warranty. Carefully inspect the product on a regular basis and perform all maintenance as required. Store these instructions in a protected dry location. Keep all decals on the product clean and visible. Do not modify and/or use for any application other than that for which this product was designed. If you have any questions relative to a particular application, DO NOT use the product until you have first contacted the distributor or manufacturer to determine if it can or should be performed on the product.

For technical questions please call 1-888-448-6746.

## INTENDED USE

This universal Ratcheting Utility Jack is very versatile. It's a perfect choice for any application that deals with lifting, pulling, clamping or spreading. This product is tested for reliability and safety to meet ASME B30.1 Standards

## TECHNICAL SPECIFICATIONS

Item	Length	Description	Specifications (Global)	Specifications (US)
TRA8205B	20-inch	Maximum Capacity	2,700 kgs	6,000-lbs
		Minimum Lifting Height	130 mm	5.12 inch
		Maximum Lifting Height	318 mm	12.52 inch
TRA8335B	33-inch	Maximum Capacity	2,700 kgs	6,000-lbs
		Minimum Lifting Height	130 mm	5.12 inch
		Maximum Lifting Height	670 mm	26.38 inch
TRA8365B	36-inch	Maximum Capacity	2,700 kgs	6,000-lbs
		Minimum Lifting Height	130 mm	5.12 inch
		Maximum Lifting Height	720 mm	28.35 inch
TR6501B TRA8485B	48-inch	Maximum Capacity	2,700 kgs	6,000-lbs
		Minimum Lifting Height	130 mm	5.12 inch
		Maximum Lifting Height	1016 mm	40 inch
TR6502B TRA8605B	60-inch	Maximum Capacity	2,700 kgs	6,000-lbs
		Minimum Lifting Height	130 mm	5.12 inch
		Maximum Lifting Height	1315 mm	51.77 inch

Safe Operating Temperature is between 40°F – 105°F (4°C - 41°C)

## GENERAL SAFETY RULES

- ⚠ **WARNING:** Read and understand all instructions. Failure to follow all instructions listed below may result in serious injury.
- ⚠ **CAUTION:** Do not allow persons to operate or assemble this jack until they have read this manual and have developed a thorough understanding of how the jack works.
- ⚠ **WARNING:** The warnings, cautions, and instructions discussed in this instruction manual cannot cover all possible conditions or situations that could occur. It must be understood by the operator that common sense and caution are factors that cannot be built into this product, but must be supplied by the operator.

## SAVE THESE INSTRUCTIONS IMPORTANT SAFETY CONSIDERATIONS

## JACK USE AND CARE

- **Do not modify the jack in any way.** Unauthorized modification may impair the function and/or safety and could affect the life of the equipment. There are specific applications for which the **jack** was designed.
- **Always check of damaged or worn out parts before using the jack.** Broken parts will affect the **jack** operation. Replace or repair damaged or worn parts immediately.
- **Store idle jack.** When **jack** is not in use, store it in a secure place out of the reach of children. Inspect it for good working condition prior to storage and before re-use.
- **Not for use by children** or people with reduced mental capacity.
- **Do not use under the influence of drugs or alcohol.**
- **Ensure children and other bystanders** are kept at a safe distance when using product.

## INSPECTION

- Inspect the jack carefully before each use. Ensure the jack is not damaged, excessively worn, or missing parts.
- Do not use the jack unless it is properly lubricated.
- Using a jack that is not in good clean working condition or properly lubricated may cause serious injury.
- Inspect the work area before each use. Make sure it is free and clear of any potential hazards.

## SAFETY MARKINGS

### ⚠ WARNING!

1. Study, understand, and follow all instructions before operating this device.
2. Ensure the jack is lubricated and in good working order before each use.
3. Do not exceed rated capacity. This is a lifting and pulling device only. Do not use to support load.
4. Ensure the work area is flat and sufficient to hold the load. Shifting of the load or work area can cause the jack to lose stability and shift or fall suddenly.
5. Use chocks or a blocking device on load before using jack.
6. Lift only on areas of a vehicle as specified by the vehicle manufacturer.
7. Only use adaptors and chains supplied by the manufacturer.
8. Ensure all chains or adaptors used have a rated load greater than that of the jack.
9. Keep head and hands clear of the range of movement of the jack handle. Unexpected shifting of the load or loss of grip on the handle could cause it to snap back.
10. Always keep handle against the standard bar when changing the reversing latch. This could cause sudden movement of the handle.
11. Do not use this jack for any use other than the manufacturer specified usage.
12. Failure to heed these markings may result in personal injury and/or property damage.

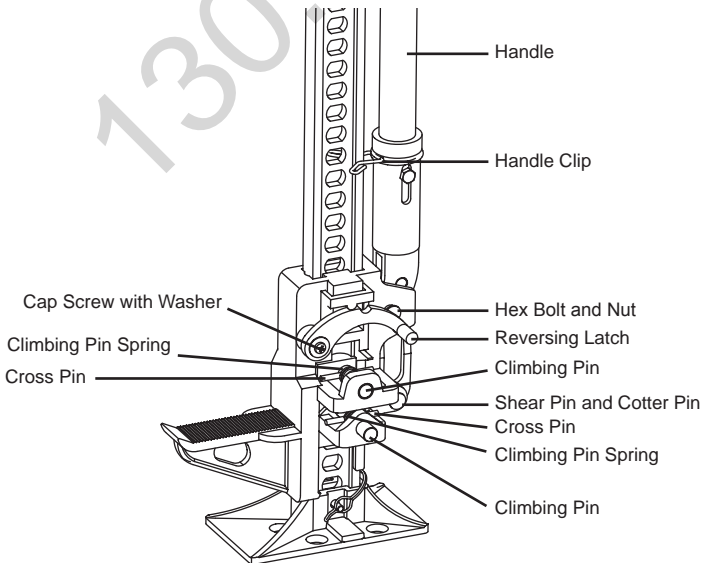
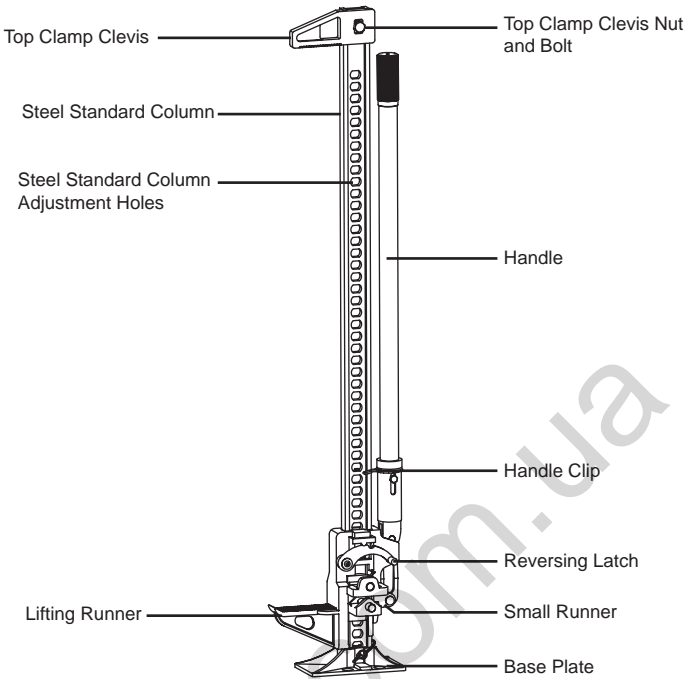
### ⚠ GENERAL SAFETY INSTRUCTIONS

#### ⚠ WARNING!

- Always inspect the jack before using, replace if damaged or malfunctioning.
- Do not remove any of the labels from the jack.
- Always ensure the jack is used on a hard flat and level surface
- Never lift any load over the rated capacity.
- Always center jack under load.
- Never allow load to tilt on the jack as the jack may kick out causing injury to the operator and/or cause the load to fall.
- When using more than one jack to lift a load, each jack must have the same lifting capacity of the entire load being lifted.
- Never force the Lifting Runners past the safety stop, as the Runner may come out of the jack and could result in personal injury and property damage.
- Always keep the Steel Standard Column lubricated for ease of operation and to prevent against rust.

# ASSEMBLY

## NO ASSEMBLY REQUIRED



## OPERATION

**⚠ WARNING!** Additional - Mechanical Jack Operating Practices  
**The rated load of the mechanical jack shall not be exceeded.**

**⚠ WARNING!**

- Do not use this jack on curved or tubular vehicle bumpers. The vehicle could slip off the jack and fall, causing serious injury or death. Do not raise inflated tire more than 2" above the ground. Never attempt to lift more than one wheel at a time.
- The working load of each chain or tow strap must be greater than the strength of the jack. If a chain or tow strap breaks while winching, the load could shift or the chain or tow strap could snap back. When used as a winch, the top clamp will support up to 3307 lbs. (1500 kg). If you go over this limit, the top clamp could bend or break, causing the load to shift or the chain or tow strap to snap back. If that occurs, it could result in damage or injury.
- The maximum clamping force is 750 lbs. (340 kg). If you exceed this limit, the top clamp could bend or break, resulting in injury or damage.

**⚠ DANGER:** Do not use the jack to support a load. Securely chock and block (stabilize) the load to be lifted. Never get under a raised load without properly chocking and supporting the load. If a raised load falls it can cause serious injury or death. Always place the handle against the steel standard (bar) before moving the reversing latch. This will prevent the handle from moving up and down rapidly, which could cause serious injury or death if it comes into contact with any part of your body. Always keep your head out of the travel path of the handle.

- **THIS JACK WILL NOT STABILIZE THE LOAD.** You must chock and block (stabilize) the load to prevent it from moving or falling. If a raised load falls, it can cause serious injury or death. Lowering the load can be dangerous. Keep your head clear of the path of the handle. During lowering, the weight of the load pushes up against the jack's handle. If your hands slip off the handle, or if the handle is horizontal when you move the reversing latch, it may move up very quickly. If your head is in the handle's travel path, it could strike you, causing serious injury or death.
- Do not use the jack to support a load. Securely chock and block (stabilize) the load to be lifted. Never get under a raised load without properly chocking and supporting the load. If a raised load falls it can cause serious injury or death.
- Never work under raised equipment unless additional supports are used under the lifted equipment.



### CHOCK AND BLOCK (STABILIZE)

A chock is a wedge for steadying a body and holding it motionless, or for preventing the movement of a wheel. When you block a load, you secure and support a load that is being lifted. The block(s) or stabilizer(s) should have a weight capacity that is greater than the weight of the load which is being lifted.



## **JACKING PRACTICES**

- a. All mechanical jacks shall be used according to the manufacturer's recommendations.
- b. A plan should be developed and communicated to affected personnel before the jacking operation begins. The plan should include load-handling procedures and communication methods.
- c. Off-center loading of the primary load point should be avoided.
- d. When jacking, ensure that the load avoids contact with any obstructions.
- e. When jacking, ensure that the primary or auxiliary load point is properly positioned under the load to avoid tip or edge.
- f. When jacking one side or end of a load, ensure the opposing side or end is-stabilized with sufficient blocking.
- g. The jack handle, primary and auxiliary load points, and the jack base should be free of slippery material or fluids.
- h. When jacking, a load should be raised or lowered in a limited range. Avoid jacking the side or end of the load on more than a 3% grade.
- i. When lifting one side of an object with a high center of gravity, personnel should be on the side of the load that is being lifted.
- j. A load shall not be left unattended while supported by jack. Jack Stands should be used to support unattended loads.
- k. The load weight and center of gravity shall be determined prior to selecting and placing jacks and blocking.
- l. Before jacking a load, consideration shall be given to fluids or other shifting materials that can change the location of the center of gravity.
- m. The base of the jack should be supported by a hard level surface (such as farm jack jacking pads, concrete, steel, or wood blocking) capable of supporting the load.
- n. The force of the jack's load point should be placed or distributed to prevent damage to the load.
- o. A jack handle of the size and length specified by the manufacturer shall be used. Never use a over length jack handle, extender, or "cheater pipe" over the handle.
- p. Ensure there is adequate range of motion for the jack handle to completely engage the operating linkage of the jack.

## **COMMUNICATION**

- a. Communication between personnel involved in the lift operation shall be maintained continuously during all jack movement. If at any time communication is disrupted, the jack operator(s) shall stop all movements until communication is restored.
- b. Signals to the jack operator should be in accordance with the ASME B30.1. If special signals are required, they shall be agreed upon by the load-handling personnel prior to jacking operations. Signals shall be discernible or audible at all times. No action shall be taken unless signals are clearly understood.
- c. Jack operators shall obey any stop signal.

## **SYNCHRONIZED LIFTS (DO NOT SYNCHRONIZE LIFT VEHICLES)**

- (a) When using jacks to lift the entire load in a synchronized lift, uneven raising and lowering can cause cross loading, instability, and overloading.
- (b) Some loads may require multiple lifting points and complex lifting procedures. A qualified person shall analyze the operation and instruct all personnel involved in the proper selection and positioning of the jacks and the movements to be made.
- (c) When using multiple ratchet jacks simultaneously, ensure they are identical type (manufacturer, make, model, and capacity), or lifting rate to ensure they are evenly loaded during jacking.
- (d) Unsynchronized lowering can cause an overload to a jack and may result in kickback of the jack handle or instability of the load.



## Blocking

- (a) While jacking, blocking should follow the load up or down to serve as an arresting device if the load falls.
- (b) Wedges or shims should be used as necessary to ensure the load is completely supported at its blocking points.
- (c) Blocking shall be of sufficient thickness, width, and length to prevent shifting, toppling, or excessive settlement of the load.
- (d) Blocking shall be of sufficient strength to prevent crushing, bending failure or shear failure, and to adequately transmit the load's weight to the supporting surface.

## Horizontal jacking

- a. Applications may arise where jacks are used in a position other than vertical. These applications, referred to as horizontal jacking, require special attention.
- b. Horizontal jacking shall comply with the requirements of, Operating Practices, as applicable
- c. A plan shall be developed and communicated to affected personnel before horizontal jacking operations begin. The plan shall consider but not be limited to the following:
  - 1. *Load weight*
  - 2. *Effects of friction*
  - 3. *Angle from horizontal plane*
  - 4. *Load stability and control*
  - 5. *Obstructions*
  - 6. *Jack base support*
  - 7. *Jack support*
  - 8. *Load contact point*
  - 9. *Handle clearance*
  - 10. *Center of gravity of the load*
  - 11. *Personnel safety*
- a. When jacking horizontally, the base of the jack should be perpendicular to the direction of load movement.
- b. If multiple jacks are used, maintain parallel lines of force to prevent side loading of the jacks.

## Note:

- (a) No alterations, or modifications shall be made to this product.
- (b) All replacement parts including pins, bolts, caps, and keepers shall meet or exceed the original equipment manufacturer's specifications.

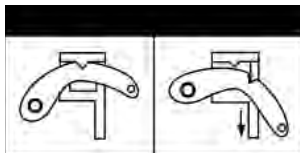
## Cautions to Personnel

- a. Personnel shall not place any part of their body between the jack and the load during lifting and lowering of the load.
- b. Personnel shall not place any part of their body under a load supported by a jack.
- c. Personnel should not place any part of their body under blocking that is positioned to support the load, when the load is supported by a jack.
- d. Personnel shall not straddle the handle of the jack.
- e. Personnel should ensure there is sufficient swing area to avoid pinch points while using the jack handle.
- f. Personnel should not be on a load supported by jacks.
- g. The jack operator should have firm footing and handle control while operating the jack.
- h. Unsynchronized operation of multiple ratchet jacks may produce increased or uncontrollable handle force.
- i. Personnel should avoid placing their head in the swing arc of the handle. Ratchet jack handles may produce sudden kickback while lifting or lowering the load.
- j. Ensure the handle load has been transferred to the jack before releasing the handle.

## OPERATING INSTRUCTIONS

### TO RAISE A LOAD

1. Place the jack on a hard and level surface beneath the load that is to be lifted.
2. Following all safety precautions, place the foot of the jack beneath the load. Lift the reversing latch (20) to the "UP" position and ensure it is locked in place. With the indentation in the latch firmly engaged in the notch on the reversing switch (18) (see figure 1), jack up the nose until it comes into contact with the load at the desired point of lift. Make sure a pause on this stage and check to ensure there are no obstacles for a clean lift.



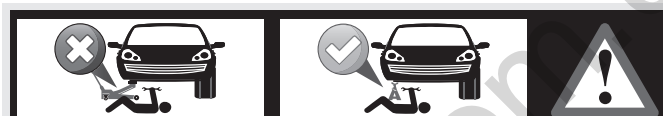
**REVERSING LATCH**

UP

DOWN

3. Pull down firmly and evenly on the handle and observe the load when rising. As the handle is pulled down, you will hear the Climbing Pin (15) click into place as it locates in a hole in the steel bar (3). At this point, relax the handle allowing the pin (15) to take the load. Raise the handle to the top of its stroke to take a fresh purchase and pump the handle once again.

### RAISING A VEHICLE



**THIS IS A LIFTING DEVICE ONLY!**

- This jack is designed only for lifting part of the total vehicle.
- Do not move or dolly the vehicle while on the jack.
- The vehicle must be supported after lifting immediately by appropriately rated jack stands.
- NEVER go under a vehicle that is not supported with appropriately rated jack stands.
- Use wheel chocks or other blocking device on opposing wheels before using jack stands.

Never work under raised equipment unless additional supports are used under the lifted equipment.

1. Securely chock and block (stabilize) the load you are going to lift. This will prevent it from rolling or shifting as you lift it.



2. Keep the handle against the steel standard (column) when not lifting or lowering.



**⚠ DANGER:** Always place the handle against the steel standard (bar) before moving the reversing latch. This will prevent the handle from moving up and down rapidly, which could cause serious injury or death if it comes into contact with any part of your body. Always keep your head out of the travel path of the handle.

3. Place the jack's base plate securely on a firm, level, and dry surface with the steel standard (column) pointing vertical.
4. Lift the reversing latch until it locks in the "UP" position.
5. Grasp the handle or the handle socket and raise the lifting mechanism until the nose is completely and securely under the load.
6. Grasp the handle firmly with both hands. Carefully pump the handle up and down to raise the load. Do not use an extension on the handle.



- The load will be raised on each DOWN stroke of the handle.
  - Watch the load and the jack carefully. Stop jacking if either one starts to move. Do not continue raising the load unless it is safe to do so. When safe, stabilize and block the load.
7. When the load is raised to the desired height, place the handle in the upright position against the steel standard (column).
  8. Block the load securely with jack stands.
  9. Lower the load onto the jack stands.

**Important!**

1. Do not use extensions on the handle.
2. Always keep a firm hold on the handle.

**TO LOWER A LOAD**

1. The jack must have a load on it (110 pounds or more) to lower step-by-step. Otherwise, the lifting mechanism will slide down to the base plate, "dropping" your load.
2. Before you move the reversing latch down, keep the handle in the upright position against the steel standard (column).
3. Move the reversing latch to the DOWN position.
- Taking all necessary precautions, with the load on the jack and ensuring the handle is in the full upright position, trip the reversing latch (17) so that it's in the "DOWN" position (i.e. the indentation on the latch becomes disengaged from the notch on the reversing switch).
4. Grasp the handle firmly with both hands. Carefully pump the handle up and down to begin lowering the load.



5. The load will be lowered on each UP stroke of the handle.

**Important!** The jack must be loaded with a minimum of 110lbs to lower step by step, otherwise the lifting nose (large runner) will drop.



**⚠ DANGER:** Lowering the load can be dangerous. Keep your head clear of the path of the handle. During lowering, the weight of the load pushes UP against the Jack's handle. If your hands slip off the handle, or if the handle is horizontal when you move the reversing latch, it may move up very quickly. If your head is in the handle's travel path, it could strike you, causing serious injury or death.

## WINCHING OR CLAMPING WITH THE JACK

You may use this jack as a winch or clamp. See the pictures on this page and follow these instructions.

### For Winching:

Make sure the top clamp is in line with the bar. Install one end of chain or tow strap securely to the object to be winched, and securely attach the other end of the chain or tow strap to the top clamp of the jack. Use a shackle if the chain or tow straps will not fit through the Top Clamp of the jack. Take another chain or tow strap and secure one end to a fixed, stable object, and the other end around the lifting nose on the jack (do not attach chain or shackle to bottom hole of the lifting nose). If the fixed object is a tree, follow Tread Lightly principles and use a tree strap. Operate the jack as you would for raising or lowering a load.

**⚠ DANGER:** The working load of each chain or tow strap must be greater than the strength of the jack. If a chain or tow strap breaks while winching, the load could shift or the chain or tow strap could snap back. When used as a winch, the top clamp will support up to 3307 lbs. If you go over this limit, the top clamp could bend or break, causing the load to shift or the chain or tow strap to snap back. If that occurs, it could result in damage or injury.

### For Clamping:

Loosen the top clamp bolt. Turn the top clamp 90° to the steel bar, and retighten the bolt. You can connect the top clamp anywhere along the steel standard (bar) to use the jack as a clamp. Operate the jack as you would for raising a load.

**⚠ DANGER:** The maximum clamping force is 750 lbs. If you exceed this limit, the top clamp could bend or break, resulting in injury or damage.

## MAINTENANCE

- **Maintain your jack.** It is recommended that the general condition of any jack be examined before it is used. Keep your jack in good repair by adopting a program of conscientious repair and maintenance. Have necessary repairs made by qualified service personnel.
  - Follow the maintenance instructions carefully to keep your equipment in good working condition. Never perform any maintenance on the equipment while it is under a load.
- a. All moving parts of the jack should be regularly cleaned.
  - b. Lubricate parts as required by the manufacturer's specifications. The type of lubricant should be as specified by the manufacturer or a qualified person. Lubrication systems should be checked to verify proper operation.
  - c. If additional maintenance is required, it should be completed in accordance with the instructions of the manufacturer or qualified person.

### Inspection

You should inspect the product for damage, wear, broken or missing parts (e.g.: pins) and that all components function before each use. Follow lubrication and storage instructions for optimum product performance. Check the climbing pins to make sure that they are not worn or damaged.

Check the steel standard (bar) to make sure that it is straight and that nothing is blocking the holes.

Do not use the jack unless it is in good, clean working condition and properly lubricated.

### Binding

If the product binds while under a load, use equipment with equal or a larger load capacity to lower the load safely to the ground. After un-binding; clean, lubricate and test that equipment is working properly. Rusty components, dirt, or worn parts can be causes of binding. Clean and lubricate the equipment as indicated in the lubrication section. Test the equipment by lifting without a load. If the binding continues, contact Customer Service.

### If your jack binds

As your jack becomes older, the climbing pins may start binding in the holes of the steel standard (bar). This will prevent the jack from operating properly and safely. Rusty climbing pins, dirt, or a worn bar can cause binding. Clean and lubricate the lifting mechanism. Test the jack by jacking it up without a load. If the binding continues, refer to the after sale parts and service. If your jack binds while under a load, use a jack with equal or larger load capacity to lower the load safely to the ground. Repeat the steps in this paragraph to the binding jack.

### Cleaning

If the moving parts of the equipment are obstructed, use cleaning solvent or another good degreaser to clean the equipment. Remove any existing rust, with a penetrating lubricant.

### Lubrication

If the moving parts of the jack or the steel standard) bar) are clogged, use air pressure, water pressure, or a stiff brush to clean. Use a non-flammable cleaning solvent or another good degreaser to clean the jack. Remove any existing rust, preferably with a penetrating lubricant. Then lubricate the jack using white lithium grease, light penetrating oil, or a silicon or Teflon spray at the following points:

Use a good lubricant on all moving parts.

For light duty use, lubrication is needed once a month.

For heavy and constant use, lubrication is recommended every week.

### Steel Bar:

Keep the front and back edges of the steel standard (column) lightly lubricated and free from dirt and rust.

### Pitman Pin:

Keep the pitman pin lubricated or it will damage the handle socket and pitman.

### Shear Pin:

Keep the shear bolt clean and lubricated to keep it from wearing out.

### Climbing Pins and springs:

Keep both climbing pins and springs lubricated and free from dirt and rust.

### Do not use motor oil or grease to lubricate the jack

### Rust Prevention:

Check daily for any signs of rust or corrosion.

Without a load lift the equipment as high as it goes and look under and behind the lifting points. If signs of rust are visible clean as needed.

**⚠ WARNING:** Jack is not self-lubricating. It will not operate safely without proper lubrication.

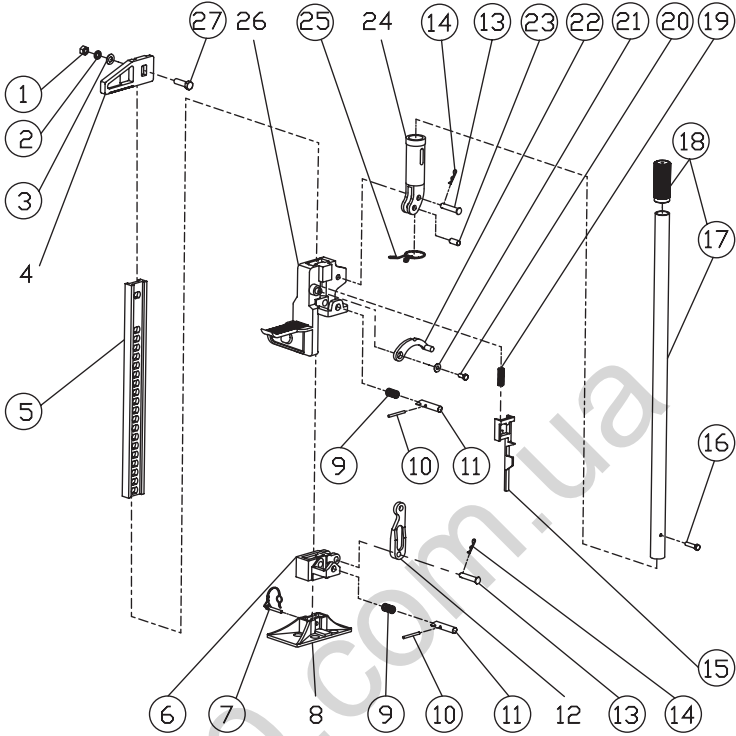
### **Storing the Jack**

1. Place the handle in the upright position against the steel standard (column).
2. Raise the reversing latch until it locks in the UP position.
3. Store the jack in a upright position in a dry location, preferably indoors. If the jack is stored outdoors, or is stored in a Loc-Rac or 4x4 RAC use a jack protector.
4. Store in a dry location, recommended indoors.
5. Mechanical jacks should be stored in an area where they will not be subjected to damage.
6. If extreme temperatures or chemically active or abrasive environments are involved, the guidance provided in shall be followed.
7. Temperature - When mechanical jacks are to be used at temperatures above 140°F (60°C) or below -20°F (-29°C), the jack manufacturer or a qualified person should be consulted.
8. Chemically Active Environments -The strength and operation of mechanical jacks can be affected by chemically active environments such as caustic or acid substances or fumes. The jack manufacturer or a qualified person should be consulted before mechanical jacks are used in chemically active environments.
9. Other Environments - The internal workings of jacks can be affected by high moisture, gravel or sand, silt, grit, or other dust-laden air. Jacks subject to these environments should have their inner components frequently cleaned, inspected, and lubricated.

**Note: If the jack is stored outdoors, be sure to lubricate all parts before and after use to ensure the jack stays in good working condition.**

# ASSEMBLY DIAGRAM

TRA8205B



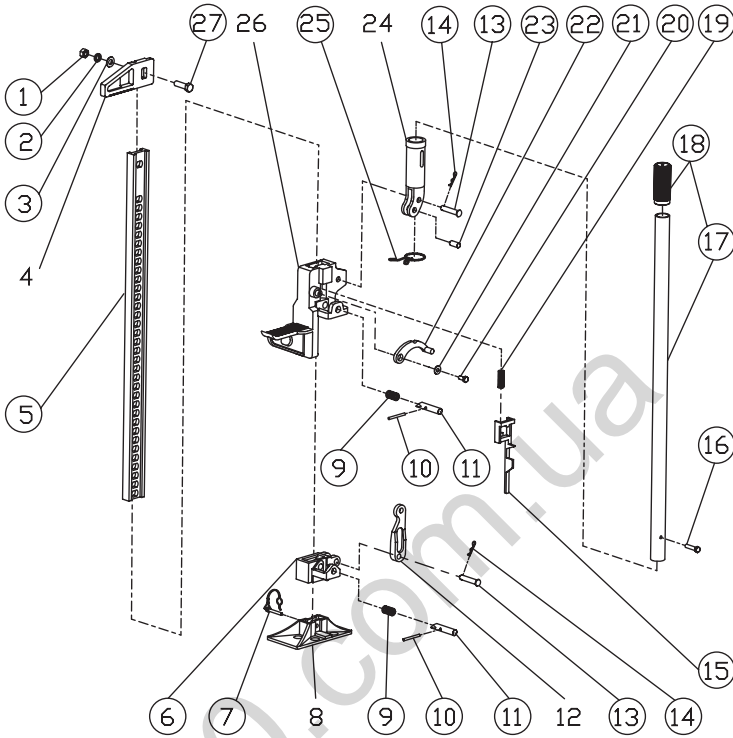
REF#	PART#	DESCRIPTION	QTY
1	GB6170-M12	Nut M12	1
2	GB93-12	Spring washer M12	1
3	GB97.1-12	Washer M12	1
4		Top clamp clevis	1
5	TRA8205B-1	Steel standard column	1
6	TRA8205B-2	Small runner	1
7	TRA8205B-3	Locking pin with wire retainer	1
8		Base plate	1
9	TRA8205B-4	Climping pin spring Ø16x30mm	2
10	TRA8205B-5	Cross pin Ø5x52mm	2
11	TRA8205B-6	Climbing pin	2
12		Pitman arm	1
13	TRA8205B-7	Pitman pin	2
14	TRA8205B-8	Cotter pin	2

REF#	PART#	DESCRIPTION	QTY
15	TRA8205B-9	Reversing switch column	1
16	GB6170-M8x40	Hex head screw M8x40mm	1
17	TRA8205B.1-1	Handle	1
18	TRA8205B.1-2	Handle grip	1
19	TRA8205B-10	Spring for reversing lever Ø13x60mm	1
20	GB6170-M8x16	Hex head cap screw M8x16mm	1
21	GB97.1-8	Washer M8	1
22	TRA8205B-11	Reversing latch	1
23	TRA8205B-12	Shear pin Ø12x22mm	1
24		Handle socket	1
25	TRA8205B-13	Handle clip	1
26		Lifting runner	1
27	GB6170-M12x50	Hex head screw M12x50mm	1



# ASSEMBLY DIAGRAM

TRA8335B

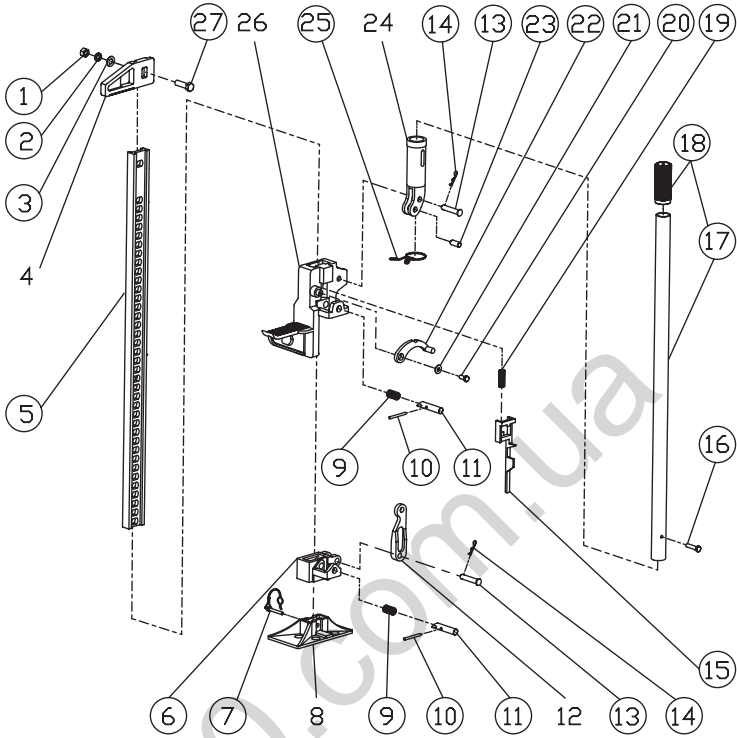


REF#	PART#	DESCRIPTION	QTY
1	GB6170-M12	Nut M12	1
2	GB93-12	Spring washer M12	1
3	GB97.1-12	Washer M12	1
4		Top clamp clevis	1
5	TRA8335B-1	Steel standard column	1
6	TRA8335B-2	Small runner	1
7	TRA8335B-3	Locking pin with wire retainer	1
8		Base plate	1
9	TRA8335B-4	Climping pin spring Ø16x30mm	2
10	TRA8335B-5	Cross pin Ø5x52mm	2
11	TRA8335B-6	Climbing pin	2
12		Pitman arm	1
13	TRA8335B-7	Pitman pin	2
14	TRA8335B-8	Cotter pin	2

REF#	PART#	DESCRIPTION	QTY
15	TRA8335B-9	Reversing switch column	1
16	GB6170-M8x40	Hex head screw M8x40mm	1
17	TRA8335B.1-1	Handle	1
18	TRA8335B.1-2	Handle grip	1
19	TRA8335B-10	Spring for reversing lever Ø13x60mm	1
20	GB6170-M8x16	Hex head cap screw M8x16mm	1
21	GB97.1-8	Washer M8	1
22	TRA8335B-11	Reversing latch	1
23	TRA8335B-12	Shear pin Ø12x22mm	1
24		Handle socker	1
25	TRA8335B-13	Handle clip	1
26		Lifting runner	1
27	GB6170-M12x50	Hex head screw M12x50mm	1

# ASSEMBLY DIAGRAM

TRA8365B

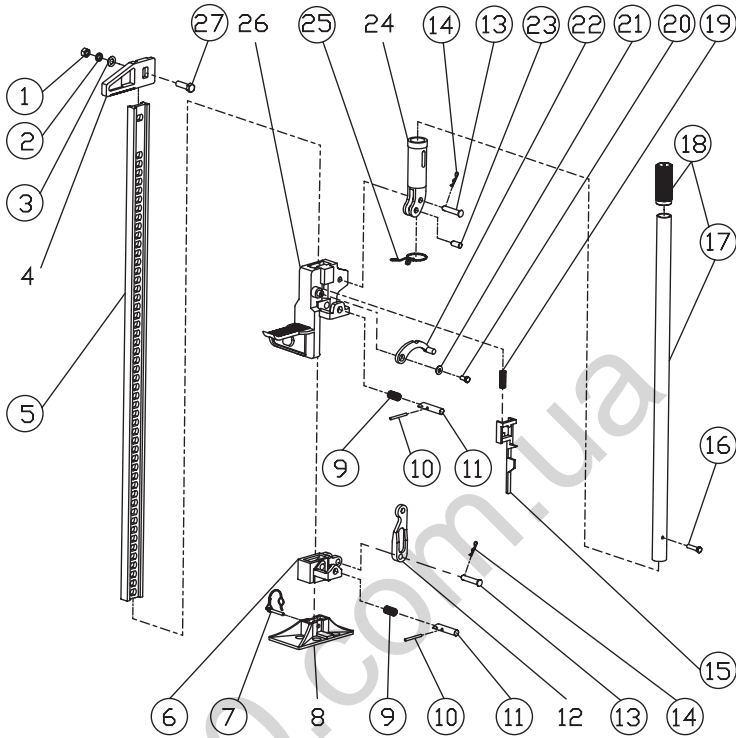


REF#	PART#	DESCRIPTION	QTY
1	GB6170-M12	Nut M12	1
2	GB93-12	Spring washer M12	1
3	GB97.1-12	Washer M12	1
4		Top clamp clevis	1
5	TRA8365B-1	Steel standard column	1
6	TRA8365B-2	Small runner	1
7	TRA8365B-3	Locking pin with wire retainer	1
8		Base plate	1
9	TRA8365B-4	Climping pin spring Ø16x30mm	2
10	TRA8365B-5	Cross pin Ø5x52mm	2
11	TRA8365B-6	Climbing pin	2
12		Pitman arm	1
13	TRA8365B-7	Pitman pin	2
14	TRA8365B-8	Cotter pin	2

REF#	PART#	DESCRIPTION	QTY
15	TRA8365B-9	Reversing switch column	1
16	GB6170-M8x40	Hex head screw M8x40mm	1
17	TRA8365B.1-1	Handle	1
18	TRA8365B.1-2	Handle grip	1
19	TRA8365B-10	Spring for reversing lever Ø13x60mm	1
20	GB6170-M8x16	Hex head cap screw M8x16mm	1
21	GB97.1-8	Washer M8	1
22	TRA8365B-11	Reversing latch	1
23	TRA8365B-12	Shear pin Ø12x22mm	1
24		Handle socker	1
25	TRA8365B-13	Handle clip	1
26		Lifting runner	1
27	GB6170-M12x50	Hex head screw M12x50mm	1

# ASSEMBLY DIAGRAM

TR6501B  
(TRA8485B)

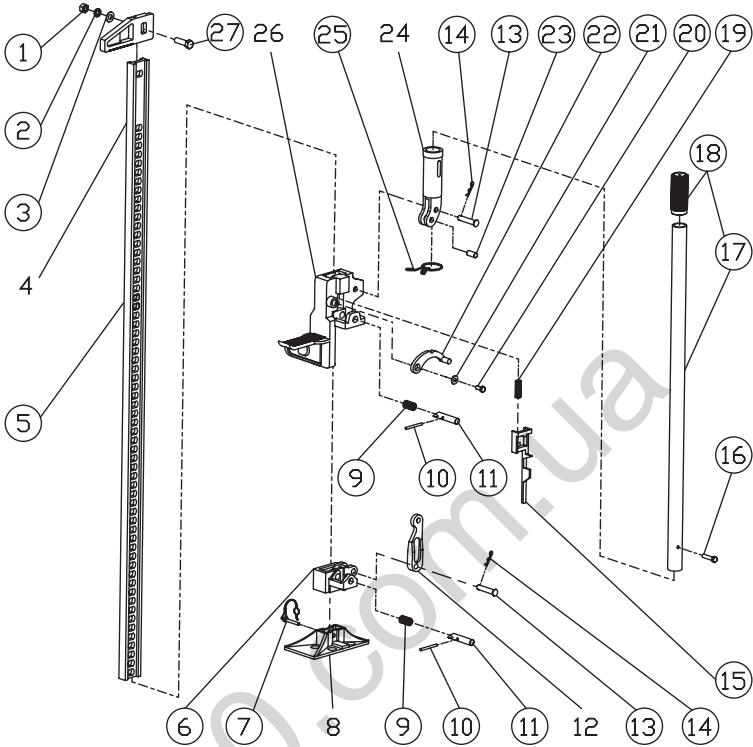


REF#	PART#	DESCRIPTION	QTY
1	GB6170-M12	Nut M12	1
2	GB93-12	Spring washer M12	1
3	GB97.1-12	Washer M12	1
4		Top clamp clevis	1
5	TRA8485B-1	Steel standard column	1
6	TRA8485B-2	Small runner	1
7	TRA8485B-3	Locking pin with wire retainer	1
8		Base plate	1
9	TRA8485B-4	Climping pin spring Ø16x30mm	2
10	TRA8485B-5	Cross pin Ø5x52mm	2
11	TRA8485B-6	Climbing pin	2
12		Pitman arm	1
13	TRA8485B-7	Pitman pin	2
14	TRA8485B-8	Cotter pin	2

REF#	PART#	DESCRIPTION	QTY
15	TRA8485B-9	Reversing switch column	1
16	GB6170-M8x40	Hex head screw M8x40mm	1
17	TRA8485B.1-1	Handle	1
18	TRA8485B.1-2	Handle grip	1
19	TRA8485B-10	Spring for reversing lever Ø13x60mm	1
20	GB6170-M8x16	Hex head cap screw M8x16mm	1
21	GB97.1-8	Washer M8	1
22	TRA8485B-11	Reversing latch	1
23	TRA8485B-12	Shear pin Ø12x22mm	1
24		Handle socker	1
25	TRA8485B-13	Handle clip	1
26		Lifting runner	1
27	GB6170-M12x50	Hex head screw M12x50mm	1

# ASSEMBLY DIAGRAM

TR6502B  
(TRA8605B)



REF#	PART#	DESCRIPTION	QTY
1	GB6170-M12	Nut M12	1
2	GB93-12	Spring washer M12	1
3	GB97.1-12	Washer M12	1
4		Top clamp clevis	1
5	TRA8605B-1	Steel standard column	1
6	TRA8605B-2	Small runner	1
7	TRA8605B-3	Locking pin with wire retainer	1
8		Base plate	1
9	TRA8605B-4	Climping pin spring Ø16x30mm	2
10	TRA8605B-5	Cross pin Ø5x52mm	2
11	TRA8605B-6	Climbing pin	2
12		Pitman arm	1
13	TRA8605B-7	Pitman pin	2
14	TRA8605B-8	Cotter pin	2

REF#	PART#	DESCRIPTION	QTY
15	TRA8605B-9	Reversing switch column	1
16	GB6170-M8x40	Hex head screw M8x40mm	1
17	TRA8605B.1-1	Handle	1
18	TRA8605B.1-2	Handle grip	1
19	TRA8605B-10	Spring for reversing lever Ø13x60mm	1
20	GB6170-M8x16	Hex head cap screw M8x16mm	1
21	GB97.1-8	Washer M8	1
22	TRA8605B-11	Reversing latch	1
23	TRA8605B-12	Shear pin Ø12x22mm	1
24		Handle socker	1
25	TRA8605B-13	Handle clip	1
26		Lifting runner	1
27	GB6170-M12x50	Hex head screw M12x50mm	1

## WARRANTY NOTICE

This equipment is covered under a 1-year limited warranty when used as recommended. Only those items listed with a Part # are available for purchase. For assistance with the operation or the availability of replacement parts, contact our Parts and Warranty Department at 1-888-44-TORIN (1-888-448-6746). Please have available a copy of your receipt, the model number of the product, serial number, and specific details regarding your question.

Not all equipment components are available for replacement; illustrations provided are a convenient reference of location and position in the assembly sequence.

**The manufacturer reserves the rights to make design changes and or improvements to product lines and manuals without notice.**

## WARRANTY INFORMATION

We want to know If you have any concerns with our products. If so, please call toll-free for Immediate assistance. For additional web customer support help inquiries visit the Customer Service section at: <http://www.torin-usa.com>.

130.com.ua

## TORIN ONE YEAR LIMITED WARRANTY

Torin Inc.® has been producing quality automotive repair and maintenance products since 1968. All products sold are felt to be of the highest quality and are covered by the following warranty:

With proof of purchase for a period of one year from the date of that purchase, the manufacturer will repair or replace, at its discretion, without charge, any of its products or parts thereof which fail due to a defect in material or workmanship. This warranty does not cover damage or defects caused by improper use, careless use or abuse of the equipment. This warranty does not cover parts normally considered to wear out or be consumed in the normal operation of the equipment. Except where such limitations and exclusions are specifically prohibited by applicable law, (1) THE CONSUMERS SOLE AND EXCLUSIVE REMEDY SHALL BE THE REPAIR OR REPLACEMENT OF DEFECTIVE PRODUCTS AS DESCRIBED ABOVE, and (2) THE MANUFACTURER SHALL NOT BE LIABLE FOR ANY CONSEQUENTIAL OR INCIDENTAL DAMAGE OR LOSS WHATSOEVER, and (3) THE DURATION OF ANY AND ALL EXPRESSED AND IMPLIED WARRANTIES, INCLUDING, WITHOUT LIMITATION, ANY WARRANTIES OF MERCHANTABILITY AND FITNESS FOR A PARTICULAR PURPOSE, IS LIMITED TO A PERIOD OF ONE YEAR FROM DATE OF PURCHASE. Product alteration in any manner by anyone other than us, with the sole exception of alterations made pursuant to product instructions and in a workman like manner. You acknowledge and agree that any use of the product for any purpose other than the specified use(s) stated in the product instructions is at Your own risk.

Always check for damaged or worn out parts before using any product. Broken parts will affect the equipment operation. Replace or repair damaged or worn parts immediately. Do not modify the product in any way. Unauthorized modification may impair the function and/or safety and could affect the life of the equipment. There are specific applications for which products are designed and tested during production. Manufacturer provided warranted items are not authorized to be repaired by anyone other than the manufacturer or manufacture approved repair person. Distributor does not have authorization to amend these statements. You acknowledge and agree that any modification of the product for any purpose other than manufacturer completed repairs is at your own risk. Before using this product, read the owner's manual completely and familiarize yourself thoroughly with the product and the hazards associated with its improper use.

**IMPORTANT: BEFORE FIRST USE** on any Lift verify that a daily inspection has been completed and that all components are in the proper working order.

This limited warranty gives you specific legal rights, and you also may have other rights, which vary from state to state. Some states do not allow limitations or exclusions on implied warranties or incidental or consequential damages, so the above limitations may not apply to You. This limited warranty is governed by the laws of the State of California, without regard to rules pertaining to conflicts of law. The state courts located in San Bernardino County, California shall have exclusive jurisdiction for any disputes relating to this warranty.

Manufacturer reserves the rights to make design changes and or improvements to this product lines and manual without notice. We at Torin have taken every effort to ensure complete and accurate instructions have been included in this manual. However, possible product updates, revisions and or changes may have occurred since this printing. Torin Inc. reserves the right to change specifications without incurring any obligation for equipment previously or subsequently sold. Not responsible for typographical errors. Alternately Customer Service can be reached through [www.torin-usa.com](http://www.torin-usa.com) or via email at [info@torin-usa.com](mailto:info@torin-usa.com).

Not all equipment components are available for replacement, but are illustrated as a convenient reference of location and position in the assembly sequence. Contact Customer Service for equivalent component. When you contact us, please have your Product's Model number, Serial Number and Description ready so that we may help you efficiently. This information can be found on a sticker on the product.

For any warranty support or if your Torin® equipment is not functioning properly contact Torin® Customer Service directly by telephone at 1-888-44-TORIN (1-888-448-6746)

8:00am – 5:00pm Pacific Time, Monday – Friday

[www.torin-usa.com](http://www.torin-usa.com)

Made in China



MANUAL DEL PROPIETARIO

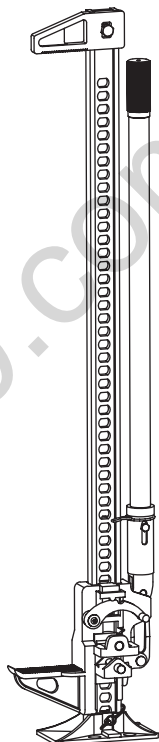
**CRIC UNIVERSEL TRA8205B DE 20 PO;** capacité de 2 700 kg (6 000 lb)

**CRIC UNIVERSEL TRA8335B DE 33 PO;** capacité de 2 700 kg (6 000 lb)

**CRIC UNIVERSEL TRA8365B DE 36 PO;** capacité de 2 700 kg (6 000 lb)

**CRIC UNIVERSEL TR6501B (TRA8485B) DE 48 PO;** capacité de 2 700 kg (6 000 lb)

**CRIC UNIVERSEL TR6502B(TRA8605B) DE 60 PO;** capacité de 2 700 kg (6 000 lb)



**▲ AVERTISSEMENT!**

Questions, problèmes, pièces manquantes? Avant de retourner voir votre fournisseur, appelez notre service à la clientèle au 1-888-44-TORIN (1-888-448-6746) entre 8 heures et 17 heures, HNP, du lundi au vendredi.

Lisez attentivement et comprenez toutes les DIRECTIVES DE MONTAGE ET DE FONCTIONNEMENT avant l'utilisation. Vous pouvez subir des blessures graves si vous ne vous conformez pas à ces règles et autres précautions de sécurité.



## IMPORTANT

Avant de commencer, enregistrez ce produit.

Pour référence future, enregistrez le nom de modèle, le numéro, la date de fabrication et la date d'achat du produit. Vous pouvez trouver ces renseignements sur le produit.

Nom de modèle \_\_\_\_\_

Numéro de modèle \_\_\_\_\_

Date de fabrication \_\_\_\_\_

Date d'achat \_\_\_\_\_

## RESPONSABILITÉ DU PROPRIÉTAIRE OU DE L'UTILISATEUR

**NE PAS UTILISER OU RÉPARER CE PRODUIT SANS AVOIR LU LE PRÉSENT MANUEL.**

Lisez et suivez les directives de sécurité. Conservez ces directives à la disponibilité des opérateurs. Assurez-vous que tous les opérateurs sont bien formés et savent comment utiliser le produit correctement et en toute sécurité. En continuant, vous convenez que vous comprenez complètement le contenu du présent manuel. Le produit peut causer des blessures ou provoquer la mort si vous n'utilisez pas le produit dans le but pour lequel il a été conçu. Le fabricant n'est pas responsable des dommages ou blessures provoqués par une utilisation inappropriée ou par négligence. Ne faites fonctionner le produit que si toutes les pièces sont en place et fonctionnent de manière sécuritaire. N'utilisez que des pièces de rechange authentiques. Effectuez l'entretien de ce produit uniquement avec des pièces de rechange autorisées ou approuvées; la négligence rendra l'utilisation du produit dangereuse et annulera la garantie. Inspectez régulièrement et avec soin le produit et effectuez tout l'entretien nécessaire. Conservez ces directives dans un endroit protégé sec. Conservez propres et visibles tous les autocollants sur le produit. Ne modifiez pas ou n'utilisez pas le produit pour une application autre que celle pour laquelle il a été conçu. Pour toute question relative à une application particulière, N'utilisez PAS le produit avant d'avoir communiqué avec le distributeur ou le fabricant afin de déterminer si cela peut se faire.

Pour toutes questions d'ordre technique, appelez au 1-888-44-TORIN (1-888-448-6746).

## UTILISATION PRÉVUE

Ce cric universel à cliquet est très polyvalent. Il s'agit de l'outil idéal pour toute application de levage, de traction, de serrage ou d'étalement. Ce produit a fait l'objet de tests de fiabilité et de sécurité pour se conformer aux normes B30.1 de l'ASME.

## SPÉCIFICATIONS TECHNIQUES

Article No.	Longueur	Description	Spécifications (globales)	Spécifications (US)
TRA8205B	20 po	Capacité maximale	2 700 kg	6 000 lb
		Hauteur de levage minimale	130 mm	5.12 po
		Hauteur de levage maximale	318 mm	12.52 po
TRA8335B	33 po	Capacité maximale	2 700 kg	6 000 lb
		Hauteur de levage minimale	130 mm	5.12 po
		Hauteur de levage maximale	670 mm	26.38 po
TRA8365B	36 po	Capacité maximale	2 700 kg	6 000 lb
		Hauteur de levage minimale	130 mm	5.12 po
		Hauteur de levage maximale	720 mm	28.35 po
TR6501B TRA8485B	48 po	Capacité maximale	2 700 kg	6 000 lb
		Hauteur de levage minimale	130 mm	5.12 po
		Hauteur de levage maximale	1 016 mm	40 po
TR6502B TRA8605B	60 po	Capacité maximale	2 700 kg	6 000 lb
		Hauteur de levage minimale	130 mm	5.12 po
		Hauteur de levage maximale	1 315 mm	51.77 po

La température de fonctionnement sécuritaire se situe entre 4°C et 41°C (40°F et 105°F)

## CONSIGNES GÉNÉRALES DE SÉCURITÉ

- ⚠ AVERTISSEMENT :** Lisez et comprenez toutes les directives. Il peut se produire des blessures graves si vous ne suivez pas toutes les directives ci-dessous.
- ⚠ MISE EN GARDE :** Ne permettez à personne d'utiliser ou d'assembler ce cric avant d'avoir lu le manuel et d'avoir bien compris le fonctionnement du cric.
- ⚠ AVERTISSEMENT :** Les avertissements, mises en garde et directives mentionnés dans le présent manuel d'instruction ne peuvent pas couvrir toutes les conditions ou situations qui peuvent se produire. L'opérateur doit comprendre que le simple bon sens et la prudence sont des facteurs qui ne peuvent pas se trouver dans ce produit, mais que l'opérateur doit y suppléer.

## CONSIGNES GÉNÉRALES DE SÉCURITÉ FACTEURS DE SÉCURITÉ IMPORTANTS

### UTILISATION ET SOINS À DONNER AU CRIC

- **Ne modifiez d'aucune façon le cric.** Une modification non autorisée peut nuire au fonctionnement ou à la sécurité et peut influencer sur la durée de vie de l'équipement. Le cric a été conçu pour des applications précises.
- **Avant d'utiliser le cric, vérifiez toujours s'il y a des pièces endommagées ou usées.** Les pièces brisées influent sur le fonctionnement du cric. Remplacez et réparez immédiatement les pièces endommagées ou usées.
- **Rangez un cric non utilisé.** Lorsque le cric n'est pas utilisé, rangez-le dans un endroit sûr, hors de portée des enfants. Vérifiez-en l'état avant l'entreposage et une nouvelle utilisation.
- **Ne doit pas être utilisé par des enfants** ou des personnes mentalement déficientes.
- **Ne pas utiliser sous l'influence de l'alcool ou des drogues.**
- **Assurez-vous que les enfants et autres spectateurs** se trouvent à une distance acceptable lors de l'utilisation du produit.

### INSPECTION

- Inspectez avec soin le cric avant chaque utilisation. Assurez-vous que le cric n'est pas endommagé, trop usé ou que des pièces y manquent.
- N'utilisez pas le cric à moins qu'il ne soit suffisamment lubrifié.
- L'emploi d'un cric qui n'est pas en bon état et bien lubrifié peut provoquer des blessures graves.
- Inspectez l'aire de travail avant chaque utilisation. Assurez-vous qu'elle est libre de tous dangers potentiels.

## MARQUAGES DE SÉCURITÉ

### ⚠ AVERTISSEMENT :

1. Étudiez, comprenez et suivez toutes les consignes avant d'utiliser cet appareil.
2. Assurez-vous que le cric est lubrifié et en bon état de fonctionnement avant chaque utilisation.
3. N'en dépassez pas la capacité nominale. C et appareil sert uniquement au levage et à la traction.  
Ne l'utilisez pas pour supporter une charge.
4. Assurez-vous que l'aire de travail est plane et suffisante pour supporter la charge. Un déplacement de la charge ou de l'aire de travail peut rendre le cric instable, le déplacer ou le faire tomber.
5. Avant d'utiliser le cric, placez des cales ou un dispositif de blocage sur la charge.
6. Soulevez un véhicule en ces seuls points spécifiés par le constructeur du véhicule.
7. Utilisez uniquement les adaptateurs et les chaînes fournies par le fabricant.
8. Assurez-vous que toutes les chaînes et adaptateurs utilisés possèdent une charge nominale plus élevée que celle du cric.
9. Gardez la tête et les mains hors de portée du déplacement du levier du cric. Un déplacement imprévu de la charge ou une perte de la prise sur le levier pourrait provoquer un retour brusque.
10. Placez toujours le levier contre le montant lors du changement de position du taquet d'inversion. Cela pourrait provoquer un déplacement soudain du levier.
11. N'utilisez pas ce cric pour une utilisation autre que celle spécifiée par le fabricant.
12. Il peut en résulter des blessures ou des dommages si vous ne suivez pas ces consignes.

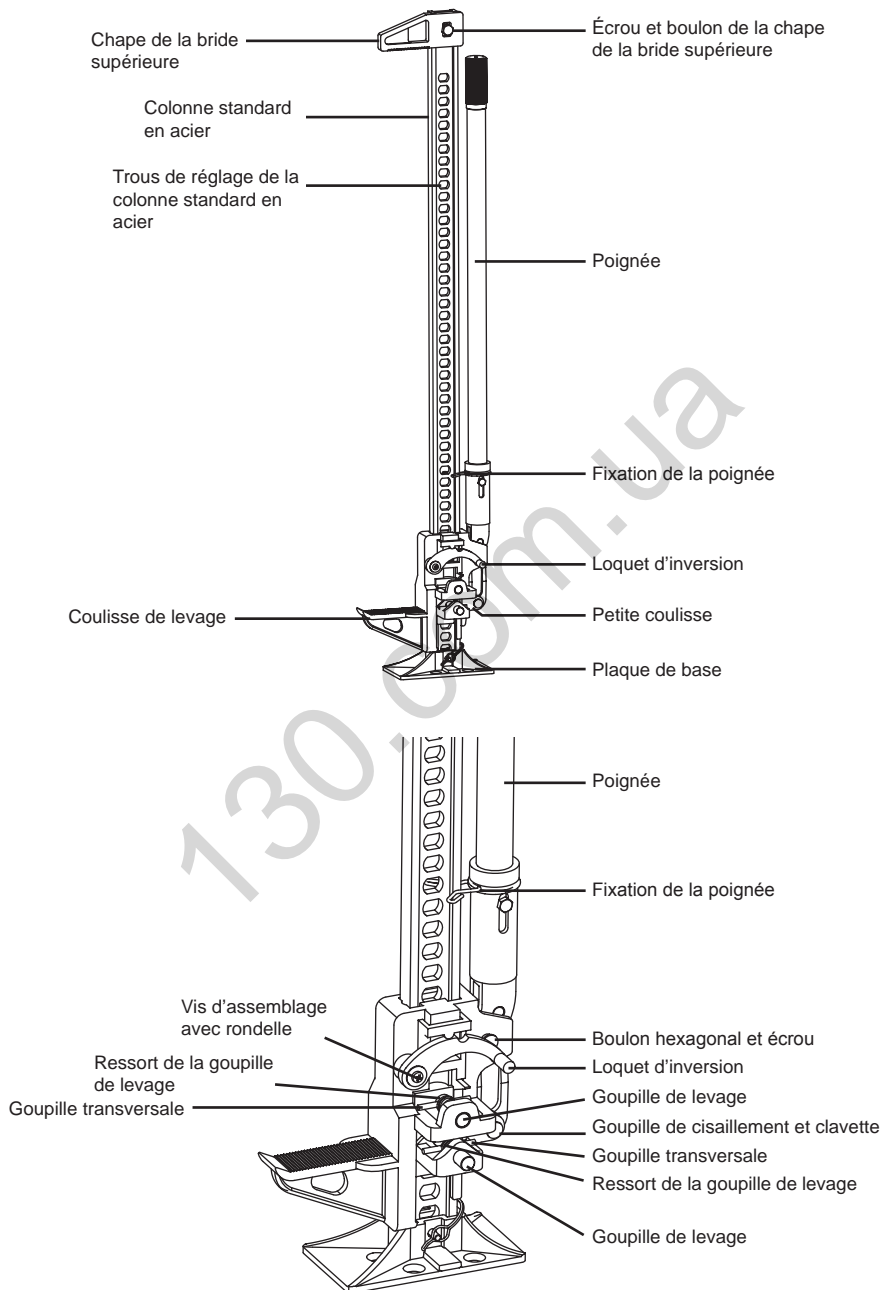
### ⚠ CONSIGNES GÉNÉRALES DE SÉCURITÉ

#### ⚠ AVERTISSEMENT :

- Inspectez toujours le cric avant de l'utiliser; remplacez-le s'il est endommagé.
- N'enlevez aucune des étiquettes du cric.
- Assurez-vous toujours que le cric est utilisé sur une surface dure et de niveau.
- Ne soulevez jamais une charge dépassant la capacité nominale du cric.
- Centrez toujours le cric sous la charge.
- Ne laissez jamais la charge s'incliner sur le cric car ce dernier peut s'éjecter et blesser l'opérateur ou laisser tomber la charge.
- Lors de l'utilisation de plus d'un cric pour soulever une charge, chaque cric doit posséder la même capacité de levage que la charge soulevée.
- Ne laissez jamais les coulisseaux de levage dépasser la butée de sécurité car le coulisseau peut sortir du cric et provoquer des blessures ou des dommages à la propriété.
- Gardez toujours le montant en acier bien lubrifié pour en faciliter le fonctionnement et prévenir la rouille.

## MONTAGE

### AUCUN MONTAGE NÉCESSAIRE



## FONCTIONNEMENT

**⚠ AVERTISSEMENT** : Procédures de fonctionnement supplémentaires du cric mécanique  
**Il ne faut pas dépasser la charge nominale du cric mécanique.**

**⚠ AVERTISSEMENT** :

- N'utilisez pas ce cric sur des pare-chocs incurvés ou tubulaires de véhicule. Le véhicule pourrait glisser du cric et tomber, provoquant ainsi des blessures graves ou la mort. Ne soulevez pas un pneu gonflé de plus de 2 pouces au-dessus du sol. Ne tentez jamais de soulever plus d'une roue à la fois.
- La charge de travail de chaque chaîne ou sangle de remorquage doit être supérieure à celle du cric. Si une chaîne ou une sangle de remorquage se brise en cours de treuilage, la charge pourrait se déplacer ou la chaîne ou la sangle pourrait revenir en arrière. Lorsque le cric est utilisé comme treuil, la fixation supérieure peut supporter jusqu'à 1 500 kg (3 307 lb). Si vous dépassez cette limite, la fixation supérieure pourrait plier ou se briser, provoquant ainsi un déplacement de la charge ou la chaîne ou la sangle pourrait revenir en arrière. Dans ce cas, il pourrait se produire des dommages ou des blessures.
- La force maximale de serrage est de 340 kg (750 lb). Si vous dépassez cette limite, la fixation supérieure pourrait plier ou se briser, et causer des blessures ou des dommages.

**⚠ DANGER** : N'utilisez pas le cric pour supporter une charge. Calez ou bloquez (stabilisez) de manière sécuritaire la charge à soulever. N'allez jamais sous une charge soulevée sans avoir calé et supporté adéquatement la charge. Si une charge soulevée tombe, elle peut provoquer des blessures graves ou la mort. Placez toujours le levier contre le montant en acier (barre) avant de changer la position du taquet d'inversion. Cela empêchera le levier de se déplacer rapidement vers le haut ou le bas, ce qui pourrait provoquer des blessures graves ou la mort s'il entre en contact avec l'une des parties du corps. Gardez toujours la tête hors de portée de la trajectoire du levier.

• **LE CRIC NE STABILISERA PAS LA CHARGE.** Vous devez caler et bloquer (stabiliser) la charge pour l'empêcher de se déplacer ou de tomber. Si une charge soulevée tombe, elle peut causer des blessures graves ou la mort. L'abaissement de la charge peut être dangereux. Gardez la tête hors de portée de la trajectoire du levier. Au cours de l'abaissement, le poids de la charge pousse contre le levier du cric. Si votre main glisse du levier ou si le levier se trouve à l'horizontale lorsque vous déplacez le taquet d'inversion, le levier peut se relever très rapidement.

Si votre tête se trouve sur la trajectoire du levier, ce dernier peut vous frapper et causer des blessures graves ou la mort.

• N'utilisez pas le cric pour supporter une charge. Calez ou bloquez (stabilisez) de manière sécuritaire la charge à soulever. N'allez jamais sous une charge soulevée sans avoir calé et supporté adéquatement la charge. Si une charge soulevée tombe, elle peut provoquer des blessures graves ou la mort.

• Ne travaillez jamais sous un équipement soulevé à moins que des supports supplémentaires soient utilisés sous l'équipement soulevé.



### CALAGE ET BLOCAGE (STABILISER)

Une cale est utilisée pour stabiliser un corps et le garder en place ou pour empêcher le déplacement d'une roue.

Lorsque vous bloquez une charge, vous fixez et supportez une charge qui est soulevée. Les blocs ou stabilisateurs devraient avoir une capacité pondérale supérieure au poids de la charge soulevée.

## PROCÉDURES DE LEVAGE

- a. Tous les crics mécaniques doivent être utilisés conformément aux recommandations du fabricant.
- b. Il faut mettre au point un plan et le communiquer au personnel concerné avant de commencer les opérations de levage. Le plan devrait comprendre les procédures de manutention de charge et les méthodes de communication.
- c. Il faut éviter le chargement décentré à partir du point de chargement principal.
- d. Lors du levage sur cric, assurez-vous que les charges n'entrent pas en contact avec des obstacles.
- e. Lors du levage sur cric, assurez-vous que le point de charge principal ou auxiliaire soit bien positionné sous la charge pour éviter le basculement.
- f. Lors du levage d'un côté ou d'une extrémité de la charge, assurez-vous que le côté opposé soit stabilisé à l'aide d'un blocage suffisant.
- g. Le levier du cric, les points de levage principal et auxiliaire ainsi que la base du cric ne doivent pas comporter de matériau ou de liquides glissants.
- h. Lors du levage sur cric, la charge doit être soulevée ou abaissée selon une amplitude limitée. Évitez de soulever le côté ou l'extrémité de la charge en pente de plus de 3 %.
- i. Lors du levage d'un côté d'un objet possédant un centre de gravité élevé, le personnel doit se trouver sur le côté soulevé de la charge.
- j. Une charge ne doit pas être laissée sans surveillance pendant qu'elle est supportée par un cric. Il faut utiliser des chandelles de levage pour supporter les charges laissées sans surveillance.
- k. Le poids de la charge de même que son centre de gravité doivent être déterminés avant de choisir et de placer les crics et le blocage.
- l. Avant de soulever une charge, il faut tenir compte des liquides et autres matériaux qui peuvent se déplacer et modifier l'emplacement du centre de gravité.
- m. La base du cric doit être supportée par une surface compacte, de niveau, (comme des appui-cric pour cric de ferme, en ciment, acier ou par blocs de bois) capable de supporter la charge.
- n. La force du point de charge du cric doit être placée ou répartie pour empêcher d'endommager la charge.
- o. Il faut utiliser un levier de cric de la taille et de la longueur spécifiée par le fabricant. N'utilisez jamais un levier de cric de surlongueur, une rallonge ou un tuyau de rallonge par-dessus le levier.
- p. Assurez-vous que la plage de déplacement du levier du cric est suffisante pour enclencher complètement la tringlerie de fonctionnement du cric.

## COMMUNICATIONS

- a. La communication entre le personnel concerné par l'opération de levage doit être maintenue en permanence pendant tout mouvement du cric. Si la communication est interrompue à un moment quelconque, les opérateurs de cric doivent cesser tout mouvement jusqu'à ce que la communication soit rétablie.
- b. Les signaux à l'opérateur du cric doivent être effectués conformément à la norme B30.1 de l'ASME. Si des signaux particuliers sont nécessaires, ils doivent être reconnus par le personnel de manutention des charges avant d'effectuer les opérations de levage. Les signaux doivent être visibles ou audibles en tout temps. Aucune mesure ne doit être prise à moins que les signaux soient bien compris.
- c. Les opérateurs de cric doivent obéir à tout signal d'arrêt.

## LEVAGES SYNCHRONISÉS (NE PAS SYNCHRONISER LE LEVAGE DES VÉHICULES)

- (a) Lors de l'utilisation de crics pour soulever une charge complète par levage synchronisé, le levage ou l'abaissement inégal peut provoquer une répartition de charge, une instabilité ou une surcharge.
- (b) Certaines charges peuvent exiger des points de levage multiples et des procédures de levage complexes. Une personne compétente doit analyser l'opération et diriger le personnel concerné dans la sélection et le positionnement appropriés des crics ainsi que des mouvements à effectuer.
- (c) Lors de l'utilisation simultanée de plusieurs crics à cliquet, assurez-vous qu'ils soient de type identique (fabricant, marque, modèle et capacité), ou de vitesse de levage identique pour s'assurer qu'ils sont chargés également au cours du levage.
- (d) Un abaissement non synchronisé peut provoquer une surcharge sur un cric et peut causer un retour brusque du levier du cric ou une instabilité de la charge.

## **Blocage**

- (a) Lors du levage sur cric, le blocage doit suivre la charge en levage ou en abaissement et servir de dispositif d'arrêt si la charge tombe.
- (b) Des cales ou des cales d'épaisseur doivent être utilisées au besoin pour s'assurer que la charge est complètement supportée en ses points de blocage.
- (c) Le blocage doit être d'une épaisseur, largeur et longueur suffisantes pour empêcher le déplacement, le basculement ou un affaissement excessif de la charge.
- (d) Le blocage doit être d'une force suffisante pour empêcher l'écrasement, la rupture par fatigue ou la rupture par cisaillement et pour transmettre adéquatement le poids de la charge à la surface d'appui.

## **Horizontal jacking**

- a. Il peut y avoir des applications où les crics sont utilisés dans une position autre que la position verticale. Ces applications, désignées comme traction à l'horizontale, exigent une attention spéciale.
- b. La traction à l'horizontale doit se conformer au besoin aux exigences des procédures de fonctionnement.
- c. Il faut mettre au point un plan et le communiquer au personnel concerné avant de commencer les opérations de traction à l'horizontale. Le plan doit examiner, sans s'y limiter, les points suivants :
  - 1. Poids de la charge
  - 2. Effets de la friction
  - 3. Angle en fonction du plan horizontal
  - 4. Stabilité et contrôle de la charge
  - 5. Obstacles
  - 6. Support de la base du cric
  - 7. Support du cric
  - 8. Point de contact de la charge
  - 9. Dégagement du levier
  - 10. Centre de gravité de la charge
  - 11. Sécurité du personnel
- d. Lors de la traction à l'horizontale, la base du cric doit être perpendiculaire au sens du déplacement de la charge.
- e. Si plusieurs crics sont utilisés, maintenez des lignes parallèles de force pour empêcher le chargement latéral des crics.

## **Remarque :**

- (a) Aucune modifications ne doivent être apportées à ce produit.
- (b) Toutes les pièces de rechange, y compris les goupilles, boulons, chapeaux et crochets doivent se conformer ou être supérieurs aux spécifications de l'équipement d'origine du fabricant.

## **▲ Mises en garde envers le personnel**

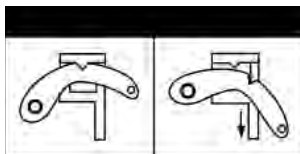
- a. Le personnel ne doit placer aucune partie du corps entre le cric et la charge au cours du levage et de l'abaissement de cette dernière.
- b. Le personnel ne doit placer aucune partie du corps sous une charge supportée par un cric.
- c. Le personnel ne doit placer aucune partie du corps sous le blocage positionné pour supporter la charge lorsque cette dernière est supportée par un cric.
- d. Le personnel ne doit pas enjamber le levier du cric.
- e. Le personnel doit s'assurer qu'il y a suffisamment de place pour éviter les points de pincement lors de l'utilisation du levier du cric.
- f. Le personnel ne doit pas se trouver sur une charge supportée par des crics.
- g. L'opérateur du cric doit avoir une prise ferme aux pieds et une bonne prise des mains sur le levier lors du fonctionnement du cric.
- h. Le fonctionnement non synchronisé de plusieurs crics à cliquet peut provoquer une force accrue ou incontrôlable sur le levier.
- i. Le personnel doit éviter de placer la tête dans l'arc de déplacement du levier. Les leviers des crics à cliquet peuvent produire des retours soudains lors du levage ou de l'abaissement de la charge.
- j. Assurez-vous que la charge du levier a été transférée au cric avant de relâcher le levier.



## DIRECTIVES D'UTILISATION

### POUR SOULEVER UNE CHARGE

1. Placez le cric sur une surface dure et de niveau sous la charge à soulever.
2. En suivant toutes les mises en garde de sécurité, placez la base du cric sous la charge.  
Soulevez le taquet d'inversion (20) en position « UP » et assurez-vous qu'il est verrouillé en place. Le cran du taquet étant fermement en prise dans la coche du levier d'inversion (18) (voir figure 1), soulevez le nez jusqu'à ce qu'il entre en contact avec la charge au point de levage voulu. Assurez-vous d'effectuer une pause à ce moment et vérifiez qu'il n'y a pas d'obstacle au levage.



**TAQUET D'INVERSION**

HAUT

BAS

3. Abaissez fermement et également le levier et observez le soulèvement de la charge. À mesure que le levier est abaissé, vous entendrez la goupille de montée (15) cliquer en place dans le trou de la barre d'acier (3). À ce moment, relâchez le levier et laissez la goupille (15) supporter la charge. Soulevez le levier vers le haut de sa course pour recommencer et abaissez-le de nouveau.

### LEVAGE D'UN VÉHICULE



#### CE DISPOSITIF SERT UNIQUEMENT AU LEVAGE!

- Ce cric est conçu uniquement pour le levage d'une partie du véhicule.
- Ne déplacez pas le véhicule ou ne le tirez pas sur chariot pendant qu'il est supporté sur cric.
- Le véhicule doit être supporté immédiatement après le levage à l'aide de chandelles de capacité suffisante.
- NE JAMAIS aller sous un véhicule qui n'est pas supporté par des chandelles de levage de capacité suffisante.
- Avant d'utiliser des chandelles de levage, placez des cales de roues ou un dispositif de blocage sur les roues opposées.

Ne travaillez jamais sous un équipement soulevé à moins que des supports supplémentaires soient utilisés sous l'équipement soulevé.

1. Calez ou bloquez (stabilisez) de manière sécuritaire la charge à soulever. Ceci empêche la charge de rouler ou de se déplacer pendant le levage.



2. Gardez le levier contre le montant en acier (colonne) lorsque vous ne soulevez ou n'abaissez pas la charge.



- ⚠ DANGER** : Placez toujours le levier contre le montant en acier (barre) avant de changer la position du taquet d'inversion. Cela empêchera le levier de se déplacer rapidement vers le haut ou le bas, ce qui pourrait provoquer des blessures graves ou la mort s'il entre en contact avec l'une des parties du corps. Gardez toujours la tête hors de portée de la trajectoire du levier.

- Placez de manière sécuritaire la plaque de base du cric sur une surface ferme, sèche et de niveau, le montant en acier (colonne) pointant à la verticale.
- Soulevez le taquet d'inversion jusqu'à ce qu'il se verrouille en position « UP » (haut).
- Saisissez le levier ou l'emboîtement du levier et soulevez le mécanisme de levage jusqu'à ce que le nez soit placé complètement sous la charge de façon sécuritaire.
- Saisissez le levier fermement à l'aide des deux mains. Effectuez un mouvement de pompage de haut en bas à l'aide du levier pour soulever la charge. N'utilisez pas de rallonge sur le levier.



- La charge se soulève à chaque course vers le BAS du levier.
- Examinez attentivement la charge et le cric. Cessez le levage si l'un ou l'autre commence à bouger. Ne poursuivez pas le levage à moins de le faire sans danger. Stabilisez et bloquez la charge lorsque la situation est sans danger.
- Lorsque la charge est soulevée à la hauteur voulue, placez le levier en position droite contre le montant en acier (colonne).
- Bloquez la charge de manière sécuritaire à l'aide de chandelles de levage.
- Abaissez la charge sur des chandelles de levage.

**Important!**

- N'utilisez pas de rallonges sur le levier.
- Ayez toujours une prise solide sur le levier.

**POUR ABAISSER UNE CHARGE**

- Le cric doit supporter une charge (110 livres ou plus) pour abaisser progressivement le cric. Autrement, le mécanisme de levage glissera vers la plaque de base, en « laissant tomber » la charge.
- Avant de déplacer le taquet d'inversion vers le bas, gardez le levier en position verticale contre le montant en acier (colonne).
- Déplacez le taquet d'inversion en position « DOWN » (bas).
- En prenant toutes les précautions nécessaires, la charge reposant sur le cric et le levier en position verticale complète, déclenchez le taquet d'inversion (17) pour qu'il soit en position « DOWN » (par ex. cran sur le taquet) pour qu'il se dégage de la coche sur le levier d'inversion.
- Saisissez le levier fermement à l'aide des deux mains. Effectuez un mouvement de pompage de haut en bas à l'aide du levier pour commencer à abaisser la charge.



- La charge s'abaisse à chaque course vers le HAUT du levier.

**Important!** Le cric doit supporter une charge d'au moins 110 livres pour abaisser progressivement le cric; autrement le nez de levage (gros coulisseau) tombe.



**⚠ DANGER :** L'abaissement de la charge peut représenter un danger. Gardez la tête hors de portée de la trajectoire du levier. Au cours de l'abaissement de la charge, le poids de la charge pousse vers le HAUT contre le levier du cric. Si vos mains glissent sur la poignée du levier ou si ce dernier est à l'horizontale lorsque vous déplacez le taquet d'inversion, le levier peut se déplacer très rapidement. Si votre tête se trouve sur la trajectoire du levier, ce dernier peut vous frapper et causer des blessures graves ou la mort.

## TREUILLAGE OU SERRAGE À L'AIDE DU CRIC

Vous pouvez utiliser ce cric comme un treuil ou une fixation. Consultez les images sur cette page et suivez-en les instructions :

### Pour le treuillage :

Assurez-vous que la fixation supérieure est alignée avec la barre. Posez de manière sécuritaire une extrémité de la chaîne ou de la sangle de remorquage sur l'objet à treuiller et fixez bien l'autre extrémité de la chaîne ou de la sangle à la fixation supérieure du cric. Utilisez une manille si la chaîne ou la sangle ne passe pas par la fixation supérieure du cric. Prenez une autre chaîne ou sangle et fixez une extrémité à un objet stable et fixe et l'autre extrémité autour du nez de levage du cric (ne fixez pas la chaîne ou la manille au trou inférieur du nez de levage). Si l'objet fixe est un arbre, utilisez une sangle pour arbre afin de ne pas endommager l'environnement. Utilisez le cric comme vous le feriez pour soulever ou abaisser une charge.

**⚠ DANGER** : La charge de travail de chaque chaîne ou sangle de remorquage doit être supérieure à celle du cric. Si une chaîne ou une sangle de remorquage se brise en cours de treuillage, la charge pourrait se déplacer ou la chaîne ou la sangle pourrait revenir en arrière.

Lorsque le cric est utilisé comme treuil, la fixation supérieure peut supporter jusqu'à 1 500 kg (3 307 lb). Si vous dépassez cette limite, la fixation supérieure pourrait plier ou se briser, provoquant ainsi un déplacement de la charge ou la chaîne ou la sangle pourrait revenir en arrière. Dans ce cas, il pourrait se produire des dommages ou des blessures.

### Pour le serrage :

Desserrez le boulon de la fixation supérieure. Faites pivoter la fixation supérieure de 90° par rapport à la barre d'acier et resserrez le boulon. Vous pouvez raccorder la fixation supérieure tout le long du montant en acier (barre) afin de l'utiliser comme pince. Utilisez le cric comme vous le feriez pour soulever une charge.

**⚠ DANGER** : La force maximale de serrage est de 340 kg (750 lb). Si vous dépassez cette limite, la fixation supérieure pourrait plier ou se briser, et causer des blessures ou des dommages.

## ENTRETIEN

- **Entretien du cric.** Il est recommandé d'examiner l'état général de tout cric avant de l'utiliser. Conservez votre cric en bon état en adoptant un programme planifié de réparation et de maintenance. Voyez à ce que les réparations soient effectuées par un personnel d'entretien compétent.
- Suivez attentivement les directives d'entretien pour conserver votre équipement en bon état de fonctionnement. N'effectuez jamais d'entretien sur l'équipement pendant qu'il est sous charge.
  - a. Toutes les pièces mobiles du cric doivent être nettoyées régulièrement.
  - b. Lubrifiez les pièces tels que prescrit par les spécifications du fabricant. Le type de lubrifiant doit être conforme aux spécifications du fabricant ou d'une personne compétente. Les systèmes de lubrification doivent être inspectés pour en vérifier le fonctionnement adéquat.
  - c. Si un entretien additionnel est nécessaire, il doit être effectué conformément aux directives du fabricant ou d'une personne compétente.

### Inspection

Vous devez inspecter le produit pour tout dommage, usure, pièces brisées ou manquantes (par ex. les goupilles) et vérifier que tous les composants fonctionnent avant chaque utilisation. Suivez les directives de lubrification et de rangement pour obtenir une performance optimale. Vérifiez les goupilles de montée afin de vous assurer qu'elles ne sont pas usées ou endommagées. Vérifiez le montant en acier (barre) pour vous assurer qu'il est droit et que rien ne bloque les trous. N'utilisez pas le cric à moins qu'il ne soit en bon état, propre et bien lubrifié.

### Grippage

Si le produit gripe lorsqu'il est sous charge, utilisez un équipement possédant une charge nominale égale ou supérieure pour abaisser sans danger la charge au sol. Après le dégrillage, nettoyez, lubrifiez et faites l'essai de l'équipement pour voir s'il fonctionne bien. Les composants rouillés, la saleté ou des pièces usées peuvent provoquer le grippage. Nettoyez et lubrifiez l'équipement selon les directives de la section de lubrification. Faites l'essai de l'équipement en soulevant sans charge.

Si le grippage continue, communiquez avec le Service à la clientèle.

### SI VOTRE CRIC GRIPPE

À mesure que votre cric vieillit, les goupilles de montée peuvent gripper dans les trous du montant en acier (barre). Ceci empêche le cric de bien fonctionner et de le faire sans danger. Les goupilles de montée rouillées, la saleté ou une barre usée peut provoquer le grippage. Nettoyez et lubrifiez le mécanisme de levage. Faites l'essai de l'équipement en effectuant un levage sans charge. Si le grippage continue, consultez le service d'entretien et des pièces après-vente. Si votre cric gripe lorsqu'il est sous charge, utilisez un cric possédant une charge nominale égale ou supérieure pour abaisser sans danger la charge au sol. Répétez les étapes du présent paragraphe relatives au grippage du cric.

### Nettoyage

Si les pièces mobiles de l'équipement sont colmatées, utilisez un solvant de nettoyage ou un autre bon agent de dégraissage pour nettoyer l'équipement. Enlevez la rouille existante à l'aide d'une huile pénétrante.

### Graissage

Si les pièces mobiles du cric ou le montant en acier (barre) sont colmatées, utilisez de l'air sous pression, de l'eau sous pression ou une brosse raide pour les nettoyer. Utilisez un solvant de nettoyage ininflammable ou un autre bon agent de dégraissage pour nettoyer le cric. Enlevez la rouille existante, de préférence à l'aide d'une huile pénétrante. Lubrifiez ensuite le cric à l'aide de graisse au lithium, d'huile pénétrante légère ou d'une pulvérisation de silicone ou de Teflon aux points suivants : Utilisez un bon lubrifiant sur toutes les pièces mobiles.

Dans le cas d'un usage léger, il faut lubrifier une fois par mois.

Dans le cas d'un usage constant et intense, il est recommandé de lubrifier toutes les semaines.

### Barre d'acier :

Conservez les rebords avant et arrière du montant en acier (barre) légèrement lubrifiés et sans saleté et rouille.

### Goupille d'axe :

Gardez la goupille d'axe lubrifiée, sinon elle endommagera l'emboîtement du levier ou la bielle.

### Shear Pin:

Gardez le boulon de cisaillement propre et lubrifié pour qu'il ne s'use pas.

### Goupilles de montée et ressorts :

Gardez les goupilles de montée et les ressorts lubrifiés et libres de saleté et de rouille.

### Ne pas utiliser d'huile moteur ou de graisse pour lubrifier le cric.

### Prévention de la rouille :

Vérifiez tous les jours s'il y a des signes de rouille ou de corrosion.

Sans charge, soulevez l'équipement aussi haut que possible et examinez le dessous et l'arrière des points de levage. S'il y a des signes de rouille, nettoyez au besoin.

**⚠ AVERTISSEMENT** : Le cric n'est pas autolubrifié. Il ne fonctionne pas sans une lubrification appropriée.

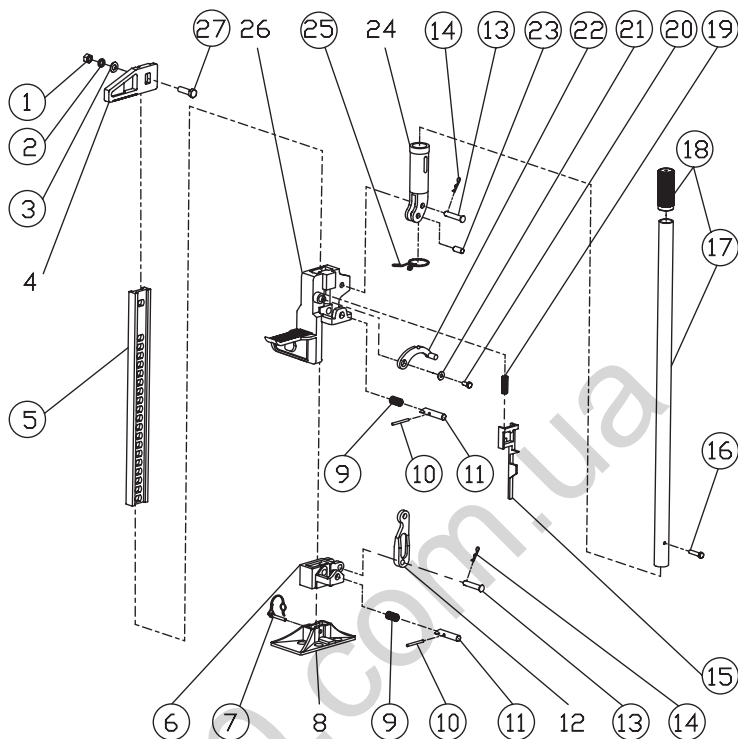
#### **Rangement du cric**

1. Placez le levier en position verticale contre le montant en acier (colonne).
2. Soulevez le taquet d'inversion jusqu'à ce qu'il se verrouille en position « UP » (haut).
3. Rangez le cric en position verticale dans un endroit sec, de préférence à l'intérieur. Si le cric est rangé à l'extérieur ou dans un Loc-Rac ou un RAC 4x4, utilisez un dispositif de protection de cric.
4. Rangez dans un endroit sec. On recommande à l'intérieur.
5. Les crics mécaniques doivent être rangés dans une aire où ils ne seront pas sujets à être endommagés.
6. En cas de températures extrêmes ou d'environnements chimiques actifs ou abrasifs, il faut suivre les directives contenues aux présentes.
7. Température - Lorsque des crics mécaniques doivent être utilisés à des températures supérieures à 60 °C (140 °F) ou inférieures à -29 °C (-20 °F), il faut consulter le fabricant du cric ou une personne compétente.
8. Environnements chimiques actifs - De tels environnements comportant des substances ou des vapeurs caustiques ou acides peuvent avoir un effet sur la force et le fonctionnement des crics mécaniques. Le fabricant du cric ou une personne compétente devrait être consultée avant d'utiliser des crics mécaniques dans des environnements chimiques actifs.
9. Autres environnements - Une humidité élevée, le gravier ou le sable, la boue, le sable grossier ou un air pollué par la poussière peut avoir des effets sur les pièces internes du cric. Les composants internes des crics soumis à ces environnements doivent être nettoyés, inspectés et lubrifiés souvent.

**Remarque : Si le cric est laissé à l'extérieur, assurez-vous de lubrifier toutes les pièces avant et après utilisation pour vous assurer qu'il demeure en bon état.**

# SCHÉMA DE MONTAGE

TRA8205B

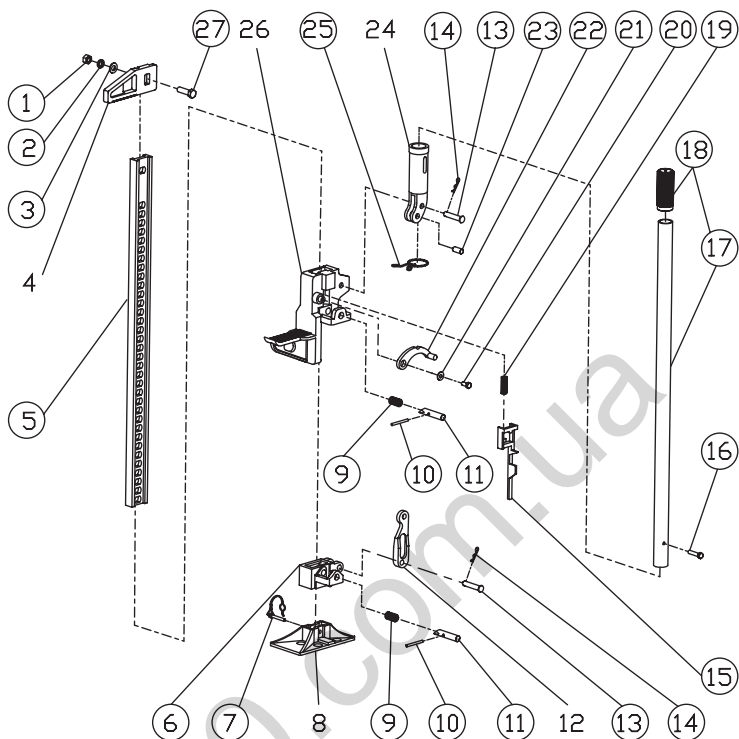


RÉF n°	PARTIE n°	DESCRIPTION	QUANTITÉ
1	GB6170-M12	Écrou M12	1
2	GB93-12	Rondelle élastique M12	1
3	GB97.1-12	Rondelle M12	1
4		Chape de la bride supérieure	1
5	TRA8205B-1	Colonne standard en acier	1
6	TRA8205B-2	Petite glissière	1
7	TRA8205B-3	Cheville d'arrêt avec fil de retenue	1
8		Plaque de base	1
9	TRA8205B-4	Ressort de la goupille de levage Ø16x30mm	2
10	TRA8205B-5	Goupille transversale Ø5x52mm	2
11	TRA8205B-6	Goupille de levage	2
12		Levier de direction	1
13	TRA8205B-7	Goupille du levier	2
14	TRA8205B-8	Clavette	2

RÉF n°	PARTIE n°	DESCRIPTION	QUANTITÉ
15	TRA8205B-9	Colonne de l'interrupteur d'inversion	1
16	GB6170-M8x40	Vis à tête hexagonale M8x40mm	1
17	TRA8205B.1-1	Poignée	1
18	TRA8205B.1-2	Manche de la poignée	1
19	TRA8205B-10	Ressort pour levier de renvoi Ø13x60mm	1
20	GB6170-M8x16	Vis à tête hexagonale M8x16mm	1
21	GB97.1-8	Rondelle M8	1
22	TRA8205B-11	Loquet réversible	1
23	TRA8205B-12	Goupille de cisaillement Ø12x22mm	1
24		Douille de la poignée	1
25	TRA8205B-13	Fixation de la poignée	1
26		Coulisse de levage	1
27	GB6170-M12x50	Vis à tête hexagonale M12x50mm	1

# SCHÉMA DE MONTAGE

TRA8335B

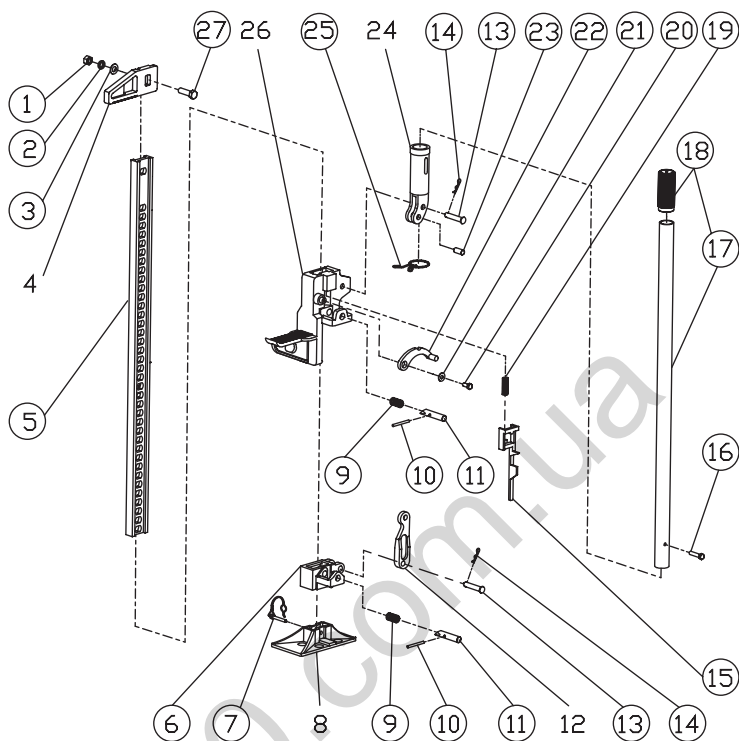


RÉF n°	PARTIE n°	DESCRIPTION	QUANTITÉ
1	GB6170-M12	Écrou M12	1
2	GB93-12	Rondelle élastique M12	1
3	GB97.1-12	Rondelle M12	1
4		Chape de la bride supérieure	1
5	TRA8335B-1	Colonne standard en acier	1
6	TRA8335B-2	Petite glissière	1
7	TRA8335B-3	Cheville d'arrêt avec fil de retenue	1
8		Plaque de base	1
9	TRA8335B-4	Ressort de la goupille de levage Ø16x30mm	2
10	TRA8335B-5	Goupille transversale Ø5x52mm	2
11	TRA8335B-6	Goupille de levage	2
12		Levier de direction	1
13	TRA8335B-7	Goupille du levier	2
14	TRA8335B-8	Clavette	2

RÉF n°	PARTIE n°	DESCRIPTION	QUANTITÉ
15	TRA8335B-9	Colonne de l'interrupteur d'inversion	1
16	GB6170-M8x40	Vis à tête hexagonale M8x40mm	1
17	TRA8335B.1-1	Poignée	1
18	TRA8335B.1-2	Manche de la poignée	1
19	TRA8335B-10	Ressort pour levier de renvoi Ø13x60mm	1
20	GB6170-M8x16	Vis à tête hexagonale M8x16mm	1
21	GB97.1-8	Rondelle M8	1
22	TRA8335B-11	Loquet réversible	1
23	TRA8335B-12	Goupille de cisaillement Ø12x22mm	1
24		Douille de la poignée	1
25	TRA8335B-13	Fixation de la poignée	1
26		Coulisse de levage	1
27	GB6170-M12x50	Vis à tête hexagonale M12x50mm	1

# SCHÉMA DE MONTAGE

TRA8365B



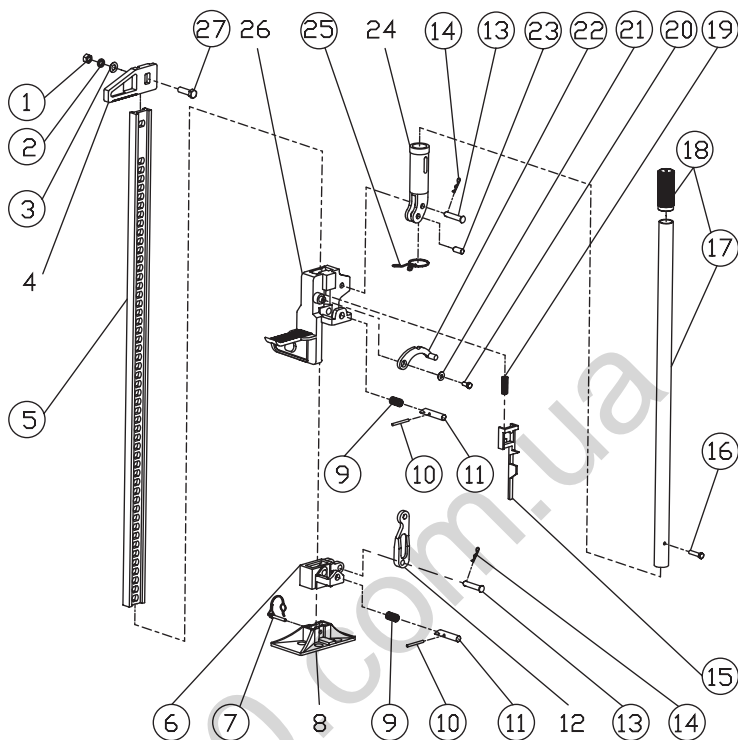
RÉF n°	PARTIE n°	DESCRIPTION	QUANTITÉ
1	GB6170-M12	Écrou M12	1
2	GB93-12	Rondelle élastique M12	1
3	GB97.1-12	Rondelle M12	1
4		Chape de la bride supérieure	1
5	TRA8365B-1	Colonne standard en acier	1
6	TRA8365B-2	Petite glissière	1
7	TRA8365B-3	Cheville d'arrêt avec fil de retenue	1
8		Plaque de base	1
9	TRA8365B-4	Ressort de la goupille de levage Ø16x30mm	2
10	TRA8365B-5	Goupille transversale Ø5x52mm	2
11	TRA8365B-6	Goupille de levage	2
12		Levier de direction	1
13	TRA8365B-7	Goupille du levier	2
14	TRA8365B-8	Clavette	2

RÉF n°	PARTIE n°	DESCRIPTION	QUANTITÉ
15	TRA8365B-9	Colonne de l'interrupteur d'inversion	1
16	GB6170-M8x40	Vis à tête hexagonale M8x40mm	1
17	TRA8365B.1-1	Poignée	1
18	TRA8365B.1-2	Manche de la poignée	1
19	TRA8365B-10	Ressort pour levier de renvoi Ø13x60mm	1
20	GB6170-M8x16	Vis à tête hexagonale M8x16mm	1
21	GB97.1-8	Rondelle M8	1
22	TRA8365B-11	Loquet réversible	1
23	TRA8365B-12	Goupille de cisaillement Ø12x22mm	1
24		Douille de la poignée	1
25	TRA8365B-13	Fixation de la poignée	1
26		Coulisse de levage	1
27	GB6170-M12x50	Vis à tête hexagonale M12x50mm	1



# SCHÉMA DE MONTAGE

TR6501B  
(TRA8485B)

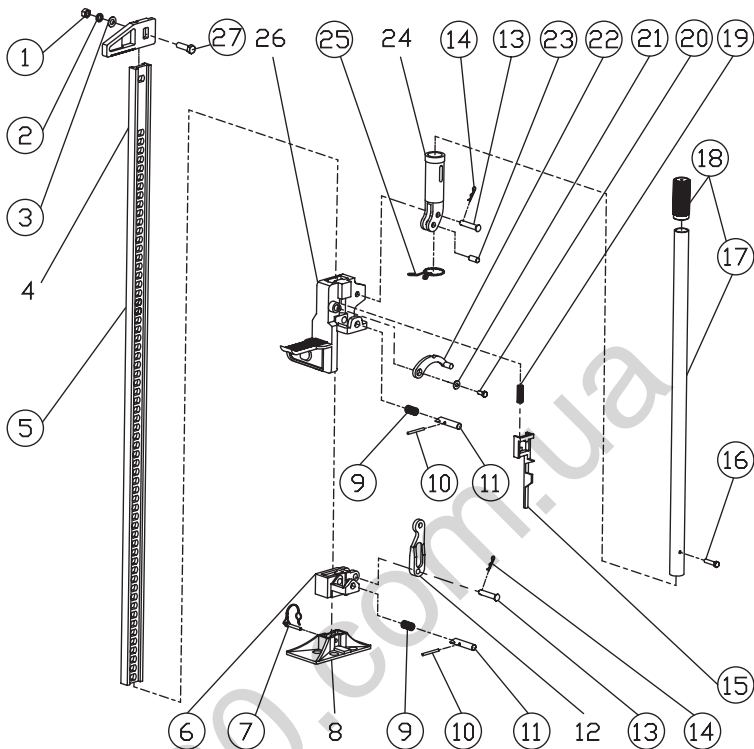


RÉF n°	PARTIE n°	DESCRIPTION	QUANTITÉ
1	GB6170-M12	Écrou M12	1
2	GB93-12	Rondelle élastique M12	1
3	GB97.1-12	Rondelle M12	1
4		Chape de la bride supérieure	1
5	TRA8485B-1	Colonne standard en acier	1
6	TRA8485B-2	Petite glissière	1
7	TRA8485B-3	Cheville d'arrêt avec fil de retenue	1
8		Plaque de base	1
9	TRA8485B-4	Ressort de la goupille de levage Ø16x30mm	2
10	TRA8485B-5	Goupille transversale Ø5x52mm	2
11	TRA8485B-6	Goupille de levage	2
12		Levier de direction	1
13	TRA8485B-7	Goupille du levier	2
14	TRA8485B-8	Clavette	2

RÉF n°	PARTIE n°	DESCRIPTION	QUANTITÉ
15	TRA8485B-9	Colonne de l'interrupteur d'inversion	1
16	GB6170-M8x40	Vis à tête hexagonale M8x40mm	1
17	TRA8485B.1-1	Poignée	1
18	TRA8485B.1-2	Manche de la poignée	1
19	TRA8485B-10	Ressort pour levier de renvoi Ø13x60mm	1
20	GB6170-M8x16	Vis à tête hexagonale M8x16mm	1
21	GB97.1-8	Rondelle M8	1
22	TRA8485B-11	Loquet réversible	1
23	TRA8485B-12	Goupille de cisaillement Ø12x22mm	1
24		Douille de la poignée	1
25	TRA8485B-13	Fixation de la poignée	1
26		Coulisse de levage	1
27	GB6170-M12x50	Vis à tête hexagonale M12x50mm	1

# SCHÉMA DE MONTAGE

TR6502B  
(TRA8605B)



RÉF n°	PARTIE n°	DESCRIPTION	QUANTITÉ
1	GB6170-M12	Écrou M12	1
2	GB93-12	Rondelle élastique M12	1
3	GB97.1-12	Rondelle M12	1
4		Chape de la bride supérieure	1
5	TRA8605B-1	Colonne standard en acier	1
6	TRA8605B-2	Petite glissière	1
7	TRA8605B-3	Cheville d'arrêt avec fil de retenue	1
8		Plaque de base	1
9	TRA8605B-4	Ressort de la goupille de levage Ø16x30mm	2
10	TRA8605B-5	Goupille transversale Ø5x52mm	2
11	TRA8605B-6	Goupille de levage	2
12		Levier de direction	1
13	TRA8605B-7	Goupille du levier	2
14	TRA8605B-8	Clavette	2

RÉF n°	PARTIE n°	DESCRIPTION	QUANTITÉ
15	TRA8605B-9	Colonne de l'interrupteur d'inversion	1
16	GB6170-M8x40	Vis à tête hexagonale M8x40mm	1
17	TRA8605B.1-1	Poignée	1
18	TRA8605B.1-2	Manche de la poignée	1
19	TRA8605B-10	Ressort pour levier de renvoi Ø13x60mm	1
20	GB6170-M8x16	Vis à tête hexagonale M8x16mm	1
21	GB97.1-8	Rondelle M8	1
22	TRA8605B-11	Loquet réversible	1
23	TRA8605B-12	Goupille de cisaillement Ø12x22mm	1
24		Douille de la poignée	1
25	TRA8605B-13	Fixation de la poignée	1
26		Coulisse de levage	1
27	GB6170-M12x50	Vis à tête hexagonale M12x50mm	1

## GARANTIE

Ce équipement est couvert par une garantie limitée d'un (1) an lorsqu'il est utilisé conformément aux recommandations. Seuls ces articles énumérés à l'aide d'un numéro de pièce sont disponibles pour achat. Pour obtenir de l'aide quant au fonctionnement ou à la disponibilité des pièces de rechange, communiquez avec notre Service des pièces et de garantie au 1-888-44-TORIN (1-888-448-6746). Ayez en main une copie de votre reçu, le numéro de modèle du produit, son numéro de série ainsi que des détails particuliers concernant votre question.

Ce ne sont pas tous les composants qui sont disponibles pour remplacement; les illustrations fournies offrent une référence commode quant à leur emplacement et à leur position dans la séquence de montage.

**Le fabricant se réserve le droit de modifier la conception du produit ou d'apporter sans préavis des améliorations aux gammes de produits et aux manuels.**

## INFORMATION RELATIVE À LA GARANTIE

Nous voulons savoir si nos produits vous posent des inquiétudes. Dans ce cas, appelez le numéro sans frais pour obtenir une aide immédiate. Pour toutes questions supplémentaires visant le service à la clientèle sur le Web, visitez la section du Service à la clientèle à l'adresse : <http://www.torin-usa.com>.

130.com.ua

## GARANTIE LIMITÉE D'UN AN DE TORIN

Torin Inc.® fabrique des produits de réparation et d'entretien automobile de qualité depuis 1968. Tous les produits vendus sont de la meilleure qualité et sont couverts par la garantie suivante: Pendant un an à compter de la date d'achat et accompagné de la preuve d'achat, le fabricant réparera ou remplacera, à sa discrétion et sans frais, l'un de ses produits ou pièces endommagées qui est devenue défectueuse à la suite d'un défaut de matériau ou de main-d'œuvre. La garantie ne couvre pas les dommages ou défauts provoqués par une utilisation inappropriée, une utilisation négligente ou abusive de l'équipement. La garantie ne couvre pas les pièces qui peuvent normalement s'user ou être consommées pendant l'utilisation normale de l'équipement. Sauf lorsque des limitations et exclusions sont interdites spécifiquement par la loi applicable, le (1) SEUL ET EXCLUSIF RECOURS DU CONSOMMATEUR SERA LA RÉPARATION OU LE REMPLACEMENT DU PRODUIT DÉFECTUEUX DÉCRIT CI-DESSUS et (2) LE FABRICANT NE SERA EN AUCUN CAS RESPONSABLE DE DOMMAGES INDIRECTS OU CONSÉCUTIFS OU DE TOUTE PERTE et (3) LA DURÉE DE TOUTES GARANTIES ÉCRITES OU IMPLICITES, Y COMPRIS, SANS S'Y LIMITER, TOUTES GARANTIES DE COMMERCIALITÉ ET D'APTITUDE À UN BUT PARTICULIER, EST LIMITÉE À UNE PÉRIODE D'UN AN À COMPTER DE LA DATE D'ACHAT. La modification du produit de quelque façon que ce soit par un tiers autre que nous, à la seule exception de modifications effectuées en conformité de directives relatives au produit et d'une façon adaptée. Vous reconnaissez et convenez que toute utilisation du produit dans un but autre que l'emploi spécifié et énoncé dans les directives relatives au produit se fait à vos propres risques.

Vérifiez toujours s'il y a des pièces endommagées ou usées avant d'utiliser tout produit. Des pièces brisées influenceront sur le fonctionnement de l'équipement. Remplacez et réparez immédiatement les pièces endommagées ou usées. Ne modifiez d'aucune façon le produit. Une modification non autorisée peut nuire au fonctionnement ou à la sécurité et peut influencer sur la durée de vie de l'équipement. Il existe des applications particulières pour lesquelles ce produit est conçu et testé en cours de production. Les articles garantis et fournis par le fabricant ne doivent pas être réparés par un autre que le fabricant ou un réparateur agréé par le fabricant. Le distributeur n'est pas autorisé à modifier ces énoncés. Vous reconnaissez et convenez que toute modification du produit dans un but autre que les réparations effectuées par le fabricant se fait à vos propres risques. Avant d'utiliser ce produit, lisez entièrement le manuel du propriétaire et familiarisez-vous complètement avec le produit et les dangers qui se rapportent à son utilisation inappropriée. **IMPORTANT: AVANT LA PREMIÈRE UTILISATION** sur tout appareil de levage, vérifiez si la vérification quotidienne a été effectuée et que tous les composants sont en bon ordre.

La présente garantie limitée vous donne des droits précis et vous pouvez aussi avoir d'autres droits qui peuvent varier d'état en état. Certains états ne permettent pas de limitations ou d'exclusions sur les garanties implicites ou de dommages directs ou consécutifs; les limitations précédentes peuvent donc ne pas s'appliquer à votre cas. La garantie limitée est réglementée par les lois de l'état de Californie, sans égard aux règles relatives aux conflits juridiques. Les tribunaux d'état situés dans San Bernardino County en Californie auront la compétence exclusive en ce qui a trait à tout différend relatif à la présente garantie.

Le fabricant se réserve le droit d'effectuer sans préavis des modifications de conception ou des améliorations à cette gamme de produits ainsi qu'au manuel. Torin fera tous les efforts pour que des instructions complètes et exactes soient incluses dans le présent manuel. Cependant, il est possible que des mises à jour, des révisions ou des changements aient eu lieu depuis la présente impression. Torin Inc. se réserve le droit de modifier les spécifications sans encourir d'obligation envers l'équipement vendu antérieurement ou subséquentement. Les erreurs typographiques ne sont pas de la responsabilité du fabricant.

Par contre, il est possible de joindre le service à la clientèle à l'adresse [www.torin-usa.com](http://www.torin-usa.com) ou par courriel à [info@torin-usa.com](mailto:info@torin-usa.com).

Ce ne sont pas tous les composants d'équipement qui sont disponibles pour remplacement, mais ils sont illustrés comme référence commode quant à leur emplacement et montage dans la séquence d'assemblage. Communiquez avec le service à la clientèle pour un composant équivalent. Lorsque vous communiquez avec nous, ayez sous la main le numéro de modèle du produit, le numéro de série et une description pour que nous puissions vous aider efficacement. Cette information se trouve sur un autocollant sur le produit.

Pour tout soutien quant à la garantie ou si votre équipement Torin® fonctionne mal, communiquez directement avec le Service à la clientèle Torin® au 1-888-44-TORIN (1-888-448-6746)

de 8 heures à 17 heures, heure du Pacifique, du lundi au vendredi

# Torin® **BIG RED JACKS**

MANUAL DEL PROPIETARIO

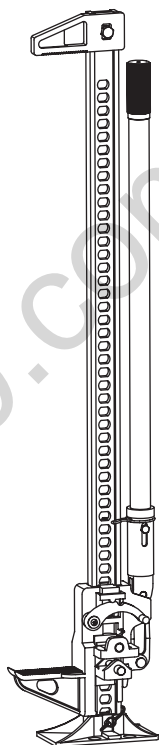
**GATO UTILITARIO TRA8205B de 50,8 cm; capacidad 2,700 kg (6,000 lb)**

**GATO UTILITARIO TRA8335B de 83,82 cm; capacidad 2,700 kg (6,000 lb)**

**GATO UTILITARIO TRA8365B de 91,44 cm; capacidad 2,700 kg (6,000 lb)**

**GATO UTILITARIO TR6501B (TRA8485B) de 121,92 cm; capacidad 2,700 kg (6,000 lb)**

**GATO UTILITARIO TR6502B (TRA8605B) de 152,4 cm; capacidad 2,700 kg (6,000 lb)**



## ⚠ ADVERTENCIA!

¿Alguna pregunta o problema? ¿Le faltan piezas? Antes de recurrir a su distribuidor, llame a nuestro departamento de atención al cliente al 1-888-44-TORIN (1-888-448-6746) de lunes a viernes de 8 a. m. a 5 p. m. Horas del Pacífico.

Lea atentamente y entienda todas las INSTRUCCIONES DE ENSAMBLAJE Y OPERACIÓN antes de utilizar el producto. Si no respeta las normas de seguridad y otras precauciones básicas de seguridad, pueden producirse lesiones personales graves.

## IMPORTANTE

Antes de empezar, registre este producto.

Como referencia para el futuro, registre el nombre del modelo, el número del modelo, la fecha de fabricación y la fecha de compra de este producto. Puede encontrar esta información en el producto.

Nombre del modelo \_\_\_\_\_

Número del modelo \_\_\_\_\_

Fecha de fabricación \_\_\_\_\_

Fecha de compra \_\_\_\_\_

## RESPONSABILIDAD DEL PROPIETARIO/USUARIO

**NO UTILICE NI REPARE EL PRODUCTO SIN HABER LEÍDO ESTE MANUAL.**

Lea y siga las instrucciones de seguridad. Ponga las instrucciones a disposición inmediata de los operadores. Asegúrese de que todos los operadores reciban el entrenamiento correspondiente y de que entiendan cómo utilizar el producto de forma segura y correcta. Al proceder, usted acepta que ha entendido y ha comprendido completamente la totalidad del contenido de este manual. Si no utiliza el producto correctamente, pueden producirse lesiones o la muerte. El fabricante no se hace responsable de ningún daño o lesión causados por uso inadecuado o negligencia. Utilice el producto solamente cuando todas las piezas estén en su lugar y funcionen de forma segura. Utilice solo piezas de repuesto originales. Realice una revisión y un mantenimiento del producto solo con las piezas de repuesto autorizadas o aprobadas; si se comete negligencia, no será seguro utilizar el producto y la garantía quedará anulada. Inspeccione cuidadosamente el producto con regularidad y realice todo mantenimiento que sea necesario. Guarde estas instrucciones en un lugar seco y protegido. Mantenga todas las calcomanías del producto limpias y visibles. No modifique el producto ni lo utilice para ninguna aplicación distinta a la que fue diseñado. Si tiene preguntas relacionadas a una aplicación en particular, NO utilice el producto hasta haberse contactado con el distribuidor o fabricante primero para determinar si dicha aplicación puede o debe realizarse en el producto.

Si tiene preguntas técnicas, llame al 1-888-448-6746.

## USO DEBIDO

Este gato utilitario universal de mecanismo tipo trinquete es muy versátil. Es una opción perfecta para cualquier aplicación que implique levantar, jalar, oprimir o estirar. La confiabilidad y la seguridad de este producto está comprobada en cumplimiento con las normas ASME B30.1

## ESPECIFICACIONES TÉCNICAS

Elemento	Longitud	Descripción	Specifications (Global)	Specifications (US)
TRA8205B	50.80 cm	Capacidad máxima	2,700 kg	6,000 lb
		Altura de elevación mínima	130 mm	5.12 in
		Altura de elevación máxima	318 mm	12.52 in
TRA8335B	83.82 cm	Capacidad máxima	2,700 kg	6,000 lb
		Altura de elevación mínima	130 mm	5.12 in
		Altura de elevación máxima	670 mm	26.38 in
TRA8365B	91.44 cm	Capacidad máxima	2,700 kg	6,000 lb
		Altura de elevación mínima	130 mm	5.12 in
		Altura de elevación máxima	720 mm	28.35 in
TR6501B TRA8485B	121 cm	Capacidad máxima	2,700 kg	6,000 lb
		Altura de elevación mínima	130 mm	5.12 in
		Altura de elevación máxima	1016 mm	40 in
TR6502B TRA8605B	152.40 cm	Capacidad máxima	2,700 kg	6,000 lb
		Altura de elevación mínima	130 mm	5.12 in
		Altura de elevación máxima	1315 mm	51.77 in

La temperatura de funcionamiento segura está entre 40 °F y 105 °F (4 °C y 41 °C).

## REGLAS GENERALES DE SEGURIDAD

- ⚠ ADVERTENCIA:** Asegúrese de leer y entender todas las instrucciones. Si no sigue todas las instrucciones incluidas a continuación, pueden ocurrir lesiones graves.
- ⚠ PRECAUCIÓN:** No permita que nadie utilice ni ensamble este gato hasta haber leído este manual y haber comprendido completamente cómo funciona este gato.
- ⚠ ADVERTENCIA:** Dentro de las advertencias, precauciones e instrucciones tratadas en este manual de instrucciones, no se pueden abarcar todas las posibles condiciones o situaciones que podrían ocurrir. El operador debe entender que el sentido común y la precaución son factores que no pueden incorporarse en este producto, sino que ellos mismos deben aportarlos.

## REGLAS GENERALES DE SEGURIDAD CONSIDERACIONES IMPORTANTES DE SEGURIDAD

### USOS Y CUIDADOS DEL GATO

- **No haga ningún tipo de cambio en el gato.** Cualquier modificación no autorizada puede alterar el funcionamiento o la seguridad y podría afectar la vida útil del equipo. Existen aplicaciones específicas para las que el gato fue diseñado.
- **Siempre revise si hay piezas dañadas o desgastadas antes de utilizar el gato.** Las piezas averiadas afectarán el funcionamiento del gato. Reemplace o repare las piezas dañadas o desgastadas de inmediato.
- **Guarde el gato cuando no lo utilice.** Cuando no utilice el gato, guárdelo en un lugar seguro fuera del alcance de los niños. Inspecciónelo para verificar su buen estado de funcionamiento antes de guardarlo y volver a utilizarlo.
- **El producto no debe ser utilizado por niños** ni personas con capacidad mental reducida.
- **No debe utilizarlo bajo la influencia de drogas o alcohol.**
- **Asegúrese de que los niños y otros transeúntes** mantengan una distancia segura cuando se utilice la grúa.

### INSPECCIÓN

- Inspeccione el gato cuidadosamente antes de cada uso. Asegúrese de que el gato no esté dañado, excesivamente desgastado o le falten piezas.
- No utilice el gato a menos que esté correctamente lubricado.
- Si utiliza el gato con un mal estado de funcionamiento y sucio o que no esté correctamente lubricado, pueden producirse lesiones graves.
- Inspeccione el área de trabajo antes de cada uso. Asegúrese de que esté libre y despejada ante cualquier posible peligro.

## MARCAS DE SEGURIDAD

### ⚠ ADVERTENCIA:

1. Revise, entienda y siga todas las instrucciones antes de utilizar este dispositivo.
2. Asegúrese de que el gato esté lubricado y en buen estado de funcionamiento antes de cada uso.
3. No supere la capacidad nominal. Este es solo un dispositivo para elevar y jalar. No lo utilice para apoyar una carga.
4. Asegúrese de que el área de trabajo sea plana y lo suficientemente amplia para sostener la carga. Desplazar la carga o cambiar el área de trabajo pueden causar que el gato pierda estabilidad y se mueva o caiga de repente.
5. Utilice cuñas o un dispositivo de bloqueo en la carga antes de utilizar el gato.
6. Levante solamente en áreas del vehículo especificadas por el fabricante del vehículo.
7. Solo utilice adaptadores y cadenas suministrados por el fabricante.
8. Asegúrese de que todas las cadenas o adaptadores utilizados tengan una carga nominal mayor que la del gato.
9. Mantenga la cabeza y las manos fuera del rango de movimiento de la palanca del gato. Un desplazamiento inesperado de la carga o la pérdida de control de la palanca pueden provocar que la palanca regrese rápidamente a su lugar original.
10. Siempre mantenga la palanca contra la barra estándar al cambiar el pestillo de retorno. Esto podría causar un movimiento repentino de la palanca.
11. No utilice este gato para fines que no sean los especificados por el fabricante.
12. Si no presta atención a estas marcas, pueden ocurrir lesiones personales o daños materiales.

### ⚠ INSTRUCCIONES GENERALES DE SEGURIDAD

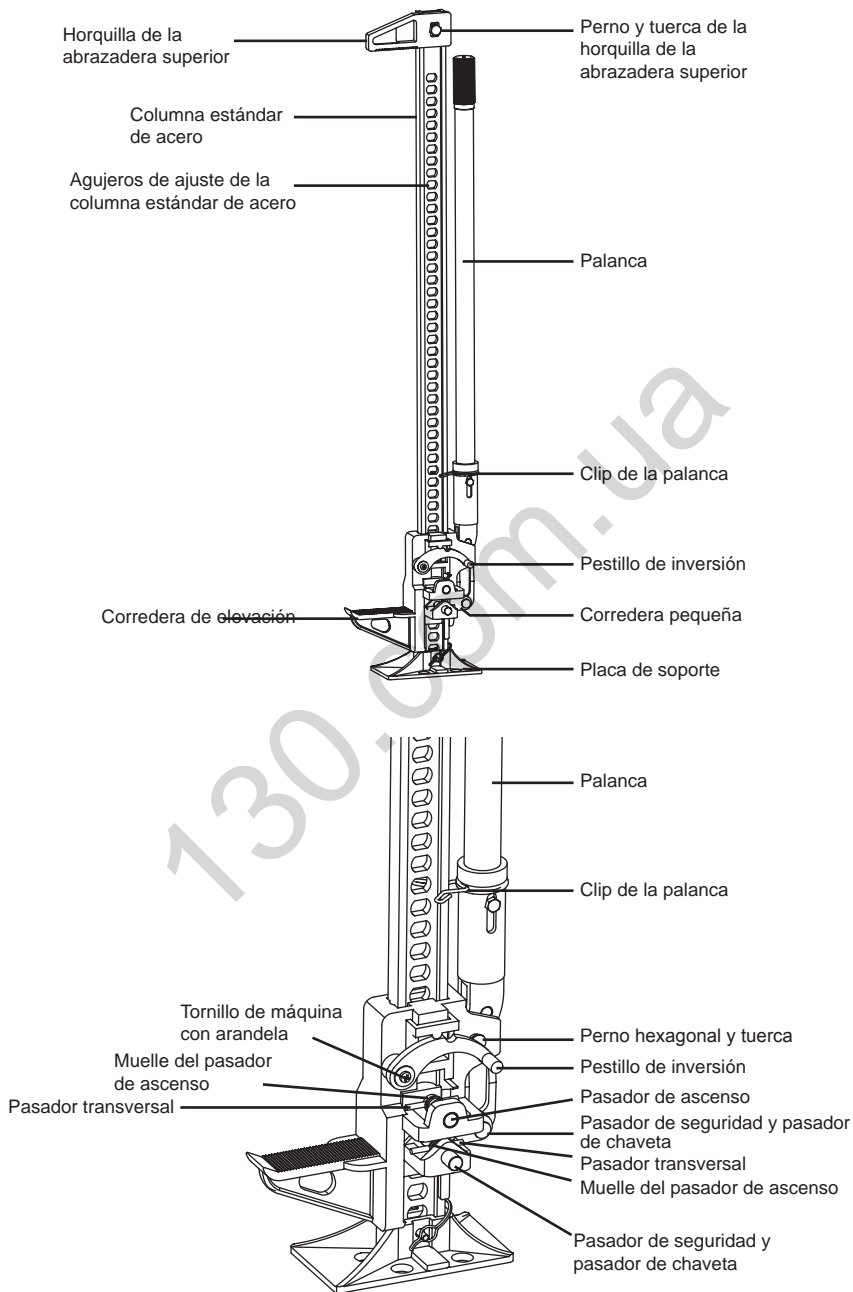
#### ⚠ ADVERTENCIA:

- Siempre inspeccione el gato antes de utilizarlo, reemplácelo si está dañado o no funciona correctamente.
- No retire ninguna de las etiquetas del gato.
- Siempre asegúrese de utilizar el gato sobre una superficie dura, plana y nivelada.
- Nunca levante una carga que supere la capacidad nominal.
- Siempre coloque el gato en el centro debajo de la carga.
- Nunca permita que la carga se incline sobre el gato, ya que el gato puede retornar violentamente y causar lesiones al operador o hacer que la carga se caiga.
- Cuando utilice más de un gato para levantar una carga, cada gato debe tener la misma capacidad de elevación de toda la carga que se levanta.
- Nunca fuerce los mecanismos de elevación más allá del límite de seguridad, puesto que el mecanismo puede desprenderse del gato y causar lesiones personales y daños materiales.
- Siempre mantenga la columna estándar de acero lubricada para facilitar el funcionamiento y evitar el óxido.



# ENSAMBLAJE

## NO SE REQUIERE ENSAMBLAJE



## OPERACIÓN

**⚠ ADVERTENCIA:** Adicional: prácticas de operación del gato mecánico  
**No debe superarse la carga nominal del gato mecánico.**

**⚠ ADVERTENCIA:**

- No utilice este gato sobre parachoques curvados o tubulares. El vehículo podría resbalarse del gato y caer, y causar lesiones graves o la muerte. No levante un neumático inflado más de 5,08 cm por encima del suelo. Nunca intente levantar más de una rueda a la vez.
- La carga de trabajo de cada cadena o la cinta de remolque deben ser superiores a la resistencia del gato. Si una cadena o cinta de remolque se rompe mientras jala, la carga podría desplazarse o la cadena o cinta de remolque podría volver rápidamente a su ubicación inicial. Cuando se utiliza como cabestrante, la abrazadera superior soporta hasta 1500.03 kg(3307 lb). Si se supera este límite, la abrazadera superior podría doblarse o romperse, lo que causaría que la carga se desplace o la cadena o cinta de remolque vuelva rápidamente a su ubicación inicial. Si eso ocurre, podrían producirse daños o lesiones.
- La fuerza de sujeción máxima es 340 kg (750 lb). Si se supera este límite, la abrazadera superior podría doblarse o romperse, lo que causaría lesiones o daños.

- ⚠ PELIGRO:** No utilice el gato para apoyar una carga. Calce y bloquee (estabilice) la carga por levantar de forma segura. Nunca se ubique debajo de una carga levantada sin haber calzado y apoyado la carga correctamente. Si una carga levantada cae, puede causar lesiones graves o la muerte. Siempre coloque la palanca contra la (barra) estándar de acero antes de mover el pestillo de retorno. Esto evitará que la palanca se mueva hacia arriba y hacia abajo rápidamente, lo que podría causar lesiones graves o la muerte si entra en contacto con cualquier parte del cuerpo. Siempre mantenga la cabeza fuera del recorrido de la palanca.
- **TESTE GATO NO ESTABILIZARÁ LA CARGA.** Debe calzar y bloquear (estabilizarse) la carga para evitar que se mueva o caiga. Si una carga levantada cae, puede causar lesiones graves o la muerte. Bajar la carga puede resultar peligroso. Siempre mantenga la cabeza fuera del recorrido de la palanca. Durante la bajada, el peso de la carga empuja contra la palanca del gato. Si sus manos se resbalan de la palanca o si la palanca está en posición horizontal cuando mueve el pestillo de retorno, la carga puede moverse hacia arriba muy rápido. Si su cabeza está en el recorrido de la palanca, podría golpearse con esta y sufrir lesiones graves o la muerte.
  - No utilice el gato para apoyar una carga. Calce y bloquee (estabilice) la carga por levantar de forma segura. Nunca se ubique debajo de una carga levantada sin haber calzado y apoyado la carga correctamente. Si una carga levantada cae, puede causar lesiones graves o la muerte.
  - Nunca trabaje debajo de un equipo levantado a menos que utilice soportes adicionales debajo del equipo levantado.



### CALZAR Y BLOQUEAR (ESTABILIZAR)

Un calce es una cuña para estabilizar un cuerpo y mantenerlo inmóvil o para evitar el movimiento de una rueda.

Cuando se bloquea una carga, se asegura y apoya una carga que se está levantando. Los bloques o estabilizadores deben tener una capacidad de peso superior al peso de la carga que se está levantando.

## PRÁCTICAS DE ELEVACIÓN CON GATO

- a. Todos los gatos mecánicos deben utilizarse según las recomendaciones del fabricante.
- b. Debe desarrollarse un plan y comunicárselo al personal involucrado antes de que empiece la operación de elevación con gato. El plan debe incluir procedimientos de manipulación de carga y métodos de comunicación.
- c. Debe evitarse llevar una carga que esté fuera del centro del punto de carga primario.
- d. Al levantar con el gato, asegúrese de que la carga no entre en contacto con ninguna obstrucción.
- e. Al levantar con el gato, asegúrese de que el punto de carga primario o auxiliar esté posicionado correctamente debajo de la carga para evitar el extremo (o el borde).
- f. Al levantar un lado o extremo de la carga con el gato, asegúrese de que el lado o extremo opuesto esté estabilizado con suficiente bloqueo.
- g. La palanca del gato, los puntos de carga primario y auxiliar y la base del gato deben estar libres de material resbaloso o líquidos.
- h. Al utilizar el gato, la carga debe levantarse o bajarse dentro de un rango limitado. Evite utilizar el gato en el lado o extremo de la carga a más de un grado de 3%.
- i. Al levantar el lado de un objeto con un alto centro de gravedad, el personal debe estar en el lado de la carga que se está levantando.
- j. No debe desatenderse una carga mientras la sostiene el gato. Deben utilizarse las bases del gato para apoyar cargas que no estén vigilando.
- k. Deben determinarse el peso de la carga y el centro de gravedad antes de seleccionar y colocar gatos y bloqueos.
- l. Antes de utilizar un gato en una carga, deben considerarse los líquidos u otro material que pueda cambiar la ubicación del centro de gravedad.
- m. La base del gato debe estar apoyada en una superficie nivelada y dura (como plataformas de apoyo para gato de cremallera, concreto, acero o bloques de madera) que sea capaz de soportar la carga.
- n. La fuerza del punto de carga del gato debe colocarse o distribuirse para evitar daños en la carga.
- o. Debe utilizarse una palanca de gato del tamaño y de la longitud especificados por el fabricante. Nunca utilice una palanca de gato demasiado larga, un expansor o una «barra alargadora» sobre la palanca.
- p. Asegúrese de que haya un rango adecuado de movimiento para que la palanca de gato engrane en el acoplamiento en funcionamiento del gato.

## COMUNICACIÓN

- a. Debe mantenerse una comunicación continua entre el personal que participa en la operación de levantamiento durante todo el movimiento del gato. Si en algún momento se interrumpe la comunicación, los operadores del gato deben detener todo movimiento hasta que se restablezca la comunicación.
- b. Las señalizaciones dirigidas al operador del gato deben guardar conformidad con ASME B30.1. Si se necesitan señalizaciones especiales, el personal que manipula la carga debe llegar a un acuerdo sobre ellas antes de las operaciones de elevación con el gato. Las señales deben ser distinguibles o audibles en todo momento. No debe tomarse ninguna acción, salvo que las señales sean entendidas claramente.
- c. Los operadores del gato deben obedecer cualquier señal de detención.

## LEVANTAMIENTOS SINCRONIZADOS (NO SINCRONIZAR LEVANTAMIENTO DE VEHÍCULOS)

- (a) Al utilizar gatos para levantar toda la carga en un movimiento sincronizado, levantar y bajar una carga desnivelada puede causar inestabilidad, sobrecarga y que esta se voltee.
- (b) Algunas cargas pueden requerir múltiples puntos de levantamiento y procedimientos de levantamiento complejos. Una persona calificada debe analizar la operación y dar indicaciones a todo el personal involucrado en la selección y posicionamiento apropiados de los gatos y los movimientos a realizar.
- (c) Al utilizar múltiples gatos de cremallera simultáneamente, asegúrese de que sean del mismo tipo (fabricante, marca, modelo y capacidad) o de que tengan el mismo grado de levantamiento para garantizar una distribución uniforme de la carga durante el levantamiento.
- (d) Si la carga baja de forma no sincronizada, uno de los gatos puede sobrecargarse y la palanca del gato puede regresar violentamente o la carga puede volverse inestable.

## Bloqueo

- (a) Al utilizar el gato, el bloqueo debe seguir la carga de arriba a abajo para servir como dispositivo de frenado en caso de que la carga caiga.
- (b) Deben utilizarse cuñas según sea necesario para garantizar un soporte completo de la carga en sus puntos de bloqueo.
- (c) El bloqueo debe tener suficiente grosor, ancho y longitud para evitar que la carga se desplace, se derrumbe o se asiente demasiado.
- (d) El bloqueo debe tener suficiente resistencia para evitar aplastamientos, fallas por flexión o fallas por deformación y para transmitir correctamente el peso de la carga a la superficie de soporte.

## Elevación horizontal con gato

- a. Pueden existir aplicaciones en las que los gatos se utilicen en una posición que no sea vertical. Estas aplicaciones, conocidas como elevación horizontal con gato, requieren atención especial.
- b. La elevación horizontal debe cumplir con los requisitos establecidos en las Prácticas de operación, según corresponda.
- c. Debe desarrollarse un plan y comunicarlo al personal involucrado antes de que empiece la operación de elevación con gato. El plan debe considerar sin limitarse a lo siguiente:
  - 1. *Peso de la carga*
  - 2. *Efectos de la fricción*
  - 3. *Ángulo desde el plano horizontal*
  - 4. *Estabilidad y control de la carga*
  - 5. *Obstrucciones*
  - 6. *Soporte de la base del gato*
  - 7. *Soporte del gato*
  - 8. *Punto de contacto de la carga*
  - 9. *Distancia con respecto a la palanca*
  - 10. *Centro de gravedad de la carga*
  - 11. *Seguridad del personal*
- a. Al levantar horizontalmente, la base del gato debe estar en posición perpendicular a la dirección del movimiento de la carga.
- b. Si se utilizan varios gatos, mantenga líneas paralelas de fuerza para evitar que los gatos de los lados reciban mucha carga.

## Nota:

- (a) No deben realizarse alteraciones o modificaciones en este producto.
- (b) Todas las piezas de repuesto como pasadores, pernos, tapas y piezas de seguridad, deben cumplir con las especificaciones del fabricante del equipo original o superarlas.

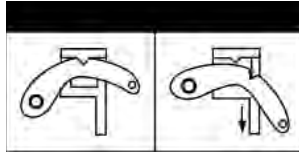
## Precauciones para el personal

- a. El personal no debe colocar ninguna parte del cuerpo entre el gato y la carga mientras la carga sube y baja.
- b. El personal no debe colocar ninguna parte del cuerpo debajo de la carga apoyada en un gato.
- c. El personal no debe colocar ninguna parte del cuerpo debajo de las piezas de bloqueo colocadas para soportar la carga, cuando la carga está apoyada en un gato.
- d. El personal no debe montarse sobre la palanca del gato.
- e. El personal debe asegurarse de que haya suficiente espacio de movimiento para la palanca del gato con el fin de evitar puntos de enganche mientras la utiliza.
- f. El personal no debe ubicarse sobre una carga apoyada en gatos.
- g. El operador del gato debe tener un punto de apoyo firme y control sobre la palanca mientras utiliza el gato.
- h. Un funcionamiento no sincronizado de varios gatos de cremallera puede producir una fuerza mayor o incontrolable de la palanca.
- i. El personal debe evitar colocar la cabeza en el arco de movimiento de la palanca. Las palancas de los gatos de cremallera pueden volver a su posición original de golpe mientras están levantando o bajando la carga.
- j. Asegúrese de que la carga de la palanca se haya transferido al gato antes de soltar la palanca.

## INSTRUCCIONES DE OPERACIÓN

### ELEVAR UNA CARGA

1. Coloque el gato sobre una superficie dura y nivelada debajo de la carga por levantar.
2. Respetando todas las precauciones de seguridad, coloque el pie del gato debajo de la carga. Levante el pestillo de retorno (20) a la posición «HACIA ARRIBA» y verifique que esté asegurado en su lugar. Con la muesca del pestillo encajada firmemente en la muesca del interruptor de retorno (18) (consultar figura 1), levante la corredera grande hasta que entre en contacto con la carga en el punto de levantamiento deseado. Asegúrese de hacer una pausa en este momento para verificar que no haya obstáculos y que se puede levantar sin problemas.



ARRIBA

ABAJO

**PESTILLO DE RETORNO**

3. Jale la palanca hacia abajo con firmeza y con una fuerza uniforme y observe la carga mientras se eleva. Mientras jala la palanca hacia abajo, oirá que el pasador de elevación (15) encaja en su lugar dentro de un orificio de la barra de acero (3). En este momento, deje de ejercer presión sobre la palanca y permita que el pasador (15) tome la carga. Levante la palanca hasta el final de su recorrido para volver a jalarla y repita el movimiento una vez más.

### ELEVACIÓN DE UN VEHÍCULO



**ESTE ES SOLO UN DISPOSITIVO DE ELEVACIÓN.**

- Este gato está diseñado únicamente para levantar una parte de todo el vehículo.
- No mueva ni traslade el vehículo mientras está sostenido por el gato.
- Inmediatamente después de levantar el vehículo, este debe apoyarse sobre las bases de un gato de clasificación apropiada.
- NUNCA pase por debajo de un vehículo que no esté apoyado sobre bases de gato de clasificación apropiada.
- Utilice cuñas para las ruedas u otro dispositivo de bloqueo en las ruedas opuestas antes de utilizar las bases de gato.

Nunca trabaje debajo de un equipo levantado a menos que utilice soportes adicionales debajo del equipo levantado.

1. Calce y bloquee (estabilice) la carga que desea levantar de forma segura. Esto evitará que se voltee o se desplace mientras se eleva.



2. Mantenga la palanca contra la (columna) estándar de acero cuando no levante ni baje ninguna carga.



**⚠ PELIGRO:** Always place the handle against the steel standard (bar) before moving the reversing. Siempre coloque la palanca contra la (barra) estándar de acero antes de mover el pestillo de retorno. Esto evitará que la palanca se mueva hacia arriba y hacia abajo rápidamente, lo que podría causar lesiones graves o la muerte si entra en contacto con cualquier parte del cuerpo. Siempre mantenga la cabeza fuera del recorrido de la palanca.

3. Coloque de manera segura la placa base del gato sobre una superficie firme, nivelada y seca con la (columna) estándar de acero en sentido vertical.
4. Levante el pestillo de retorno hasta que calce en la posición «HACIA ARRIBA».
5. Agarre la palanca o la rótula de la palanca y levante el mecanismo de elevación hasta que la corredera grande esté completamente debajo de la carga de manera segura.
6. Agarre la palanca con firmeza utilizando ambas manos. Mueva cuidadosamente la palanca hacia arriba y hacia abajo para elevar la carga. No utilice una extensión en la palanca.



- La carga se elevará con cada movimiento hacia ABAJO de la palanca.
  - Vigile la carga y el gato de cerca. Deje de levantar si alguno de ellos empieza a moverse de su lugar. No continúe levantando la carga a menos que sea seguro hacerlo. Cuando sea seguro, estabilice y bloquee la carga.
7. Cuando la carga alcance la altura deseada, coloque la palanca en la posición vertical contra la (columna) estándar de acero.
  8. Bloquee la carga de forma segura con las bases del gato.
  9. Baje la carga sobre las bases de gato.

**Importante**

1. No utilice extensiones en la palanca.
2. Siempre agarre con firmeza la palanca.

**PARA BAJAR UNA CARGA**

1. El gato debe tener una carga (50 kg o más) para bajar poco a poco. De lo contrario, el mecanismo de elevación bajará rápidamente hasta la placa base y dejará caer su carga.
2. Antes de mover el pestillo de retorno hacia abajo, mantenga la palanca en la posición vertical contra la (columna) estándar de acero.
3. Mueva el pestillo de retorno a la posición hacia ABAJO.
- Tomando todas las precauciones necesarias, con la carga sobre el gato y asegurándose de que la palanca esté bien colocada en la posición vertical, cambie el pestillo de retorno (17) a la posición hacia «ABAJO» (es decir, la muesca en el pestillo se separa de la muesca del interruptor de retorno).
4. Agarre la palanca con firmeza utilizando ambas manos. Mueva la palanca cuidadosamente hacia arriba y hacia abajo para empezar a bajar la carga.



5. La carga bajará con cada movimiento hacia ARRIBA de la palanca.

**Important!** The jack must be loaded with a minimum of 110lbs to lower step by step, otherwise the lifting nose (large runner) will drop.



**⚠ PELIGRO:** Bajar la carga puede resultar peligroso. Siempre mantenga la cabeza fuera del recorrido de la palanca. Durante la bajada, el peso de la carga empuja HACIA ARRIBA contra la palanca del gato. Si sus manos se resbalan de la palanca o si la palanca está en posición horizontal cuando mueve el pestillo de retorno, la carga puede moverse hacia arriba muy rápido. Si su cabeza está en el recorrido de la palanca, podría golpearse con esta y sufrir lesiones graves o la muerte.

## USO DEL GATO PARA REMOLCAR Y OPRIMIR

Puede utilizarse este gato como un cabestrante o una mordaza. Consulte las imágenes de esta página y siga estas instrucciones.

### Para utilizar el gato como cabestrante:

Asegúrese de que la abrazadera superior esté alineada con la barra. Conecte de forma segura uno de los extremos de la cadena o cinta de remolque al objeto que desea jalar y conecte de manera segura el otro extremo de la cadena o cinta de remolque a la abrazadera superior del gato. Utilice un grillete en caso de que la cadena o cinta de remolque no encaje en la abrazadera superior del gato. Tome otra cadena o cinta de remolque y asegure un extremo a un objeto fijo y estable y el otro extremo alrededor de la corredera grande del gato (no sujete la cadena o grillete al orificio inferior de la corredera grande). Si el objeto fijo es un árbol, aplique los principios de la organización Tread Lightly y utilice una correa especial para árboles. Utilice el gato al igual que lo haría para levantar o bajar una carga.

**⚠ PELIGRO:** La carga de trabajo de cada cadena o cinta de remolque debe ser superior a la resistencia del gato. Si una cadena o cinta de remolque se rompe mientras jala, la carga podría desplazarse o la cadena o cinta de remolque podría volver rápidamente a su ubicación inicial. Al utilizarse como cabestrante, la abrazadera superior soporta hasta 1500 kg. Si supera este límite, la abrazadera superior podría doblarse o romperse, lo que causaría que la carga se desplace o la cadena o cinta de remolque se retraiga. Si eso ocurre, podrían producirse daños o lesiones.

### Para utilizar el gato como mordaza:

Afloje el perno de la abrazadera superior. Gire la abrazadera superior 90° hacia la barra de acero y vuelva a ajustar el perno. Puede conectar la abrazadera superior en cualquier lugar a lo largo de la (barra) estándar de acero para utilizar el gato como mordaza. Utilice el gato al igual que lo haría para levantar una carga.

**⚠ PELIGRO:** La fuerza de opresión máxima es de 340 kg. Si se supera este límite, la abrazadera superior podría doblarse o romperse, lo que causaría lesiones o daños.

## MANTENIMIENTO

- Haga mantenimiento a su gato. Es recomendable examinar el estado general de cualquier gato antes de su uso. Mantenga su gato en buen estado de reparación al adoptar un programa de reparación y mantenimiento meticulosos. Pida al personal de mantenimiento calificado que realice las reparaciones necesarias.
  - Siga cuidadosamente las instrucciones de mantenimiento para mantener su equipo en buenas condiciones de funcionamiento. No haga ningún mantenimiento al equipo mientras esté llevando una carga.
- a. Todas las piezas móviles del gato deben limpiarse con regularidad.
  - b. Lubrique las piezas según lo requerido por las especificaciones del fabricante. El tipo de lubricante debe ser el especificado por el fabricante o una persona calificada. Deben revisarse los sistemas de lubricación para verificar su funcionamiento adecuado.
  - c. Si se requiere mantenimiento adicional, este debe realizarse de acuerdo con las instrucciones del fabricante o de una persona calificada.

### Inspección

Debe inspeccionar el producto en busca de daños, desgaste, averías o piezas faltantes (p. ej., pasadores) y verificar que todos los componentes funcionen correctamente antes de cada uso.

Siga las instrucciones de lubricación y almacenamiento para lograr un rendimiento óptimo del producto. Revise los pasadores de elevación para asegurarse de que no estén desgastados o dañados. Revise la (barra) estándar de acero para asegurarse de que no esté doblada y de que los agujeros no estén obstruidos. No utilice el gato a menos que esté en buenas condiciones de funcionamiento, limpio y correctamente lubricado.

### Atasco

Si el producto se atasca mientras lleva una carga, utilice un equipo con capacidad de carga equivalente o mayor para bajar la carga de manera segura hasta el suelo. Después de que el gato esté liberado, limpie, lubrique y compruebe que el equipo funciona correctamente. Los componentes oxidados, la suciedad y las piezas desgastadas pueden ser las causas del atasco.

Limpie y lubrique el equipo según lo indicado en la sección de lubricación. Pruebe el equipo levantando sin carga. Si el atasco continúa, comuníquese con el Servicio de Atención al Cliente.

### Si su gato se atasca

A medida que pase el tiempo, los pasadores de elevación pueden empezar a atascarse en los orificios de la (barra) estándar de acero. Esto evitará que el gato funcione de forma correcta y segura. Los pasadores de elevación oxidados, la suciedad o una barra desgastada pueden causar atascos. Limpie y lubrique el mecanismo de elevación. Pruebe el gato levantando sin carga. Si el atasco persiste, consulte las piezas y el servicio postventa. Si el producto se atasca mientras lleva una carga, utilice un gato con una capacidad de carga equivalente o mayor para bajar la carga de manera segura hasta el suelo. Repita los pasos de este párrafo con el gato atascado.

### Limpieza

Si las piezas en movimiento del equipo están obstruidas, utilice disolvente de limpieza u otro desengrasante fuerte para limpiar el equipo. Retire cualquier óxido existente con un lubricante penetrante.

### Lubricación

Si las piezas móviles del gato o la (barra) estándar de acero están obstruidas, utilice presión de aire, presión de agua o un cepillo duro para limpiarlas. Utilice un disolvente de limpieza no inflamable u otro desengrasante fuerte para limpiar el gato. Retire cualquier óxido existente preferentemente con un lubricante penetrante. Luego, lubrique el gato con grasa blanca de litio, aceite penetrante ligero o un aerosol de silicona o teflón en los siguientes puntos:

Utilice un buen lubricante en todas las piezas móviles.

Para trabajos livianos, se requiere lubricar una vez al mes.

Para trabajos pesados y de uso constante, se recomienda lubricar cada semana.

### Barra de acero:

Mantenga los bordes frontal y posterior de la (columna) estándar de acero ligeramente lubricados y libres de suciedad y óxido.

### Pasador Pitman:

Mantenga los bordes frontal y posterior de la (columna) estándar de acero ligeramente lubricados y libres de suciedad y óxido.

### Shear Pin:

Mantenga el perno de seguridad limpio y lubricado para evitar que se desgaste.

### Resortes y pasadores de elevación:

Mantenga los resortes y pasadores de elevación lubricados y libres de suciedad y óxido.

### No utilice aceite o grasa de motor para lubricar el gato.

### Prevención de óxido:

Revise el gato diariamente para detectar signos de oxidación o corrosión.

Sin carga, levante el equipo tanto como pueda y observe debajo y detrás de los puntos de elevación. Si observa signos de oxidación, limpie según sea necesario.



**⚠ ADVERTENCIA:** El gato no se lubrica automáticamente. No funciona de forma segura sin una lubricación apropiada.

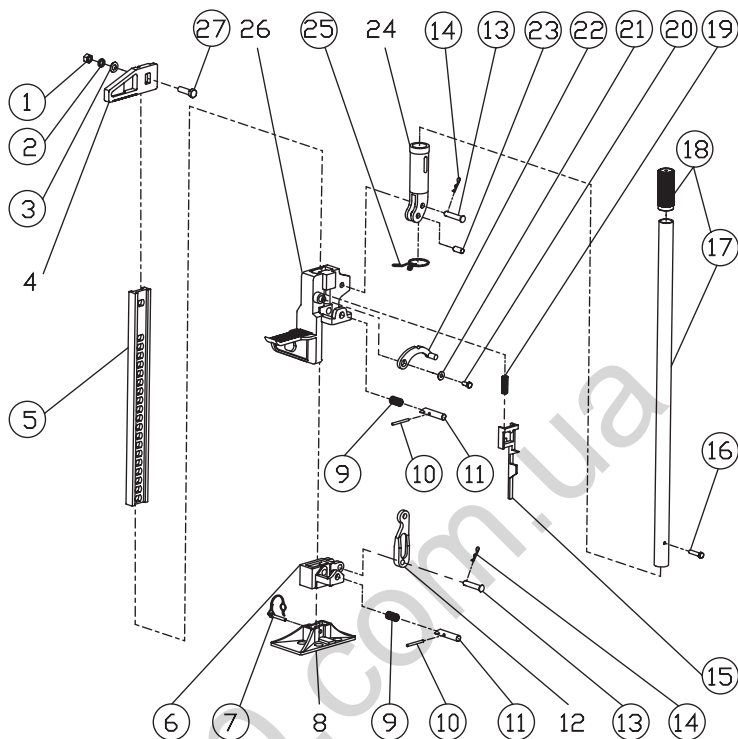
### **Almacenamiento del gato**

1. Coloque la palanca en posición vertical contra la (columna) estándar de acero.
2. Levante el pestillo de retorno hasta que se trabaje en la posición hacia «ARRIBA».
3. Guarde el gato en posición vertical en un lugar seco, de preferencia en interiores. Si guarda el gato en exteriores o en un Loc-Rac o 4x4 RAC, utilice un protector para el gato.
4. Guárdelo en un lugar seco, de preferencia en interiores.
5. Los gatos mecánicos deben guardarse en un área en la que no estén expuestos a daños.
6. Si existen temperaturas extremas o ambientes químicamente activos o abrasivos, debe seguirse la orientación provista.
7. Temperatura: cuando los gatos mecánicos se utilizan a temperaturas superiores a 140 °F (60 °C) o inferiores a -20 °F (-29 °C), debe consultarse con el fabricante del gato o con una persona calificada.
8. Ambientes químicamente activos: la resistencia y el funcionamiento de los gatos mecánicos pueden verse afectados por ambientes químicamente activos que contienen elementos como sustancias o vapores cáusticos o ácidos. Si los gatos mecánicos se utilizan en ambientes químicamente activos, debe consultarse con el fabricante del gato o con una persona calificada.
9. Otros tipos de ambiente: el mecanismo interno de los gatos puede verse afectado por un alto contenido de humedad, la presencia de grava o arena, limo, arenilla o aire cargado de polvo.

**Nota: Si guarda el gato en exteriores, asegúrese de lubricar todas las piezas antes y después de utilizarlo para asegurarse de que se mantenga en buenas condiciones de funcionamiento.**

# DIAGRAMA DE ENSAMBLAJE

TRA8205B

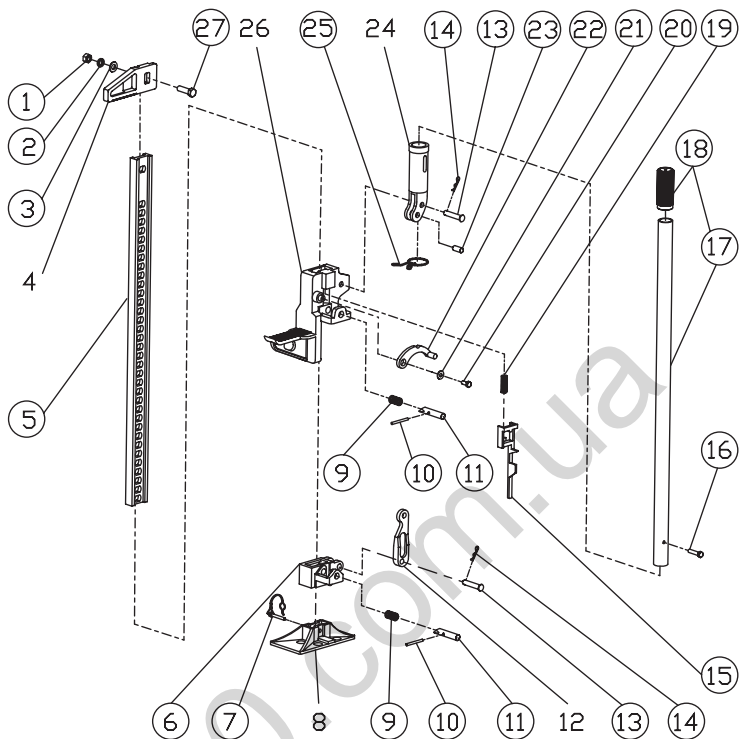


REF. No.	PARTE No.	DESCRIPCIÓN	CANT.
1	GB6170-M12	Tuerca M12	1
2	GB93-12	Arandela de resorte M12	1
3	GB97.1-12	Arandela M12	1
4		Horquilla de la abrazadera superior	1
5	TRA8205B-1	Columna estándar de acero	1
6	TRA8205B-2	Corredera pequeña	1
7	TRA8205B-3	Pasador de bloqueo con arandela de alambre	1
8		Placa de soporte	1
9	TRA8205B-4	Muelle del pasador de ascenso Ø16x30mm	2
10	TRA8205B-5	Pasador transversal Ø5x52mm	2
11	TRA8205B-6	Pasador de ascenso	2
12		Brazo de la biela	1
13	TRA8205B-7	Pasador de la biela	2
14	TRA8205B-8	Pasador de chaveta	2

REF. No.	PARTE No.	DESCRIPCIÓN	CANT.
15	TRA8205B-9	Columna del interruptor de inversión	1
16	GB6170-M8x40	Tornillo de cabeza hexagonal M8x40mm	1
17	TRA8205B.1-1	Palanca	1
18	TRA8205B.1-2	Empuñadura de la palanca	1
19	TRA8205B-10	Muelle de la leva de inversión Ø13x60mm	1
20	GB6170-M8x16	Tornillo Allen de cabeza hexagonal M8x16mm	1
21	GB97.1-8	Arandela M8	1
22	TRA8205B-11	Pestillo de inversión	1
23	TRA8205B-12	Pasador de seguridad Ø12x22mm	1
24		Receptáculo de la palanca	1
25	TRA8205B-13	Clip de la palanca	1
26		Corredera de elevación	1
27	GB6170-M12x50	Tornillo de cabeza hexagonal M12x50mm	1

# DIAGRAMA DE ENSAMBLAJE

TRA8335B

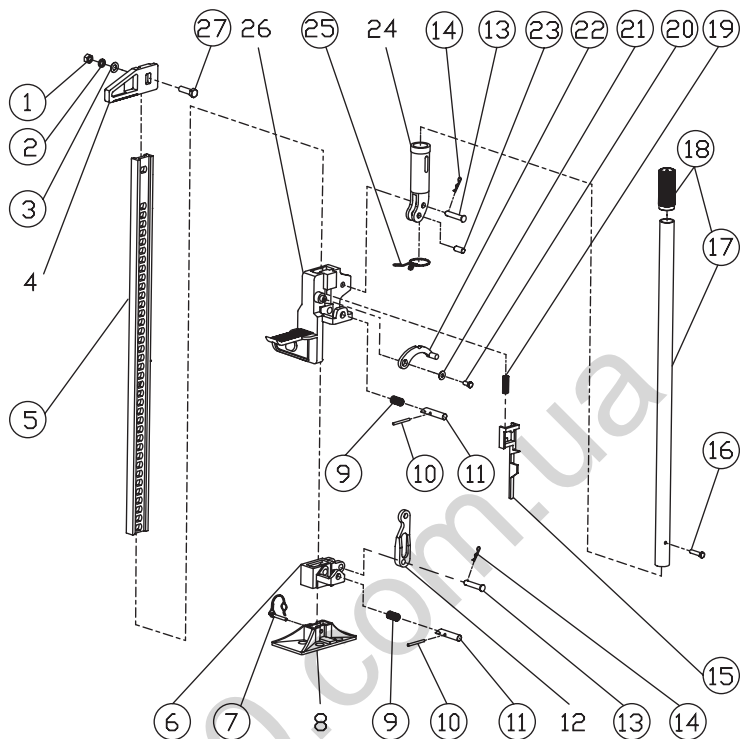


REF. No.	PARTE No.	DESCRIPCIÓN	CANT.
1	GB6170-M12	Tuerca M12	1
2	GB93-12	Arandela de resorte M12	1
3	GB97.1-12	Arandela M12	1
4		Horquilla de la abrazadera superior	1
5	TRA8335B-1	Columna estándar de acero	1
6	TRA8335B-2	Corredera pequeña	1
7	TRA8335B-3	Pasador de bloqueo con arandela de alambre	1
8		Placa de soporte	1
9	TRA8335B-4	Muelle del pasador de ascenso Ø16x30mm	2
10	TRA8335B-5	Pasador transversal Ø5x52mm	2
11	TRA8335B-6	Pasador de ascenso	2
12		Brazo de la biela	1
13	TRA8335B-7	Pasador de la biela	2
14	TRA8335B-8	Pasador de chaveta	2

REF. No.	PARTE No.	DESCRIPCIÓN	CANT.
15	TRA8335B-9	Columna del interruptor de inversión	1
16	GB6170-M8x40	Tornillo de cabeza hexagonal M8x40mm	1
17	TRA8335B.1-1	Palanca	1
18	TRA8335B.1-2	Empuñadura de la palanca	1
19	TRA8335B-10	Muelle de la leva de inversión Ø13x60mm	1
20	GB6170-M8x16	Tornillo Allen de cabeza hexagonal M8x16mm	1
21	GB97.1-8	Arandela M8	1
22	TRA8335B-11	Pestillo de inversión	1
23	TRA8335B-12	Pasador de seguridad Ø12x22mm	1
24		Receptáculo de la palanca	1
25	TRA8335B-13	Clip de la palanca	1
26		Corredera de elevación	1
27	GB6170-M12x50	Tornillo de cabeza hexagonal M12x50mm	1

# DIAGRAMA DE ENSAMBLAJE

TRA8365B

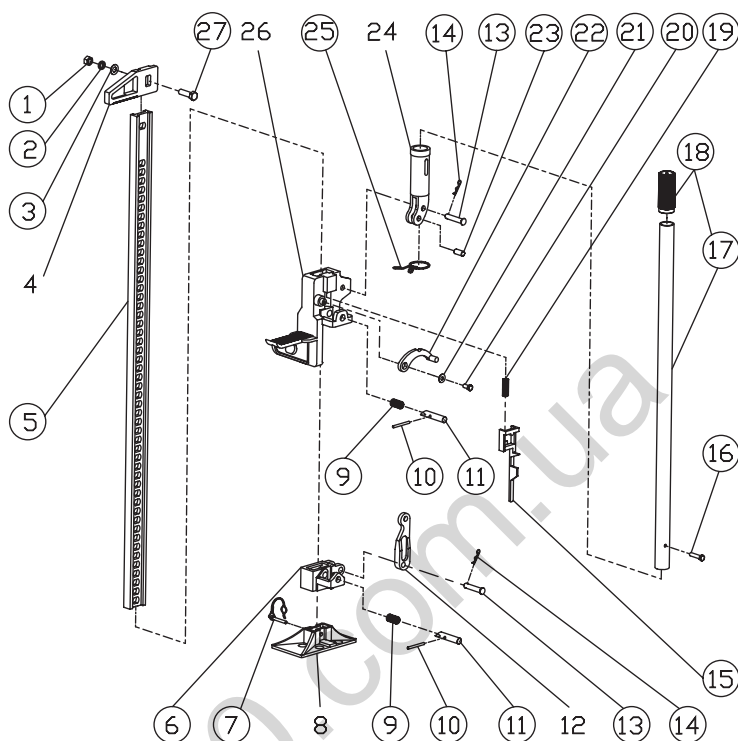


REF. No.	PARTE No.	DESCRIPCIÓN	CANT.
1	GB6170-M12	Tuerca M12	1
2	GB93-12	Arandela de resorte M12	1
3	GB97.1-12	Arandela M12	1
4		Horquilla de la abrazadera superior	1
5	TRA8365B-1	Columna estándar de acero	1
6	TRA8365B-2	Corredera pequeña	1
7	TRA8365B-3	Pasador de bloqueo con arandela de alambre	1
8		Placa de soporte	1
9	TRA8365B-4	Muelle del pasador de ascenso Ø16x30mm	2
10	TRA8365B-5	Pasador transversal Ø5x52mm	2
11	TRA8365B-6	Pasador de ascenso	2
12		Brazo de la biela	1
13	TRA8365B-7	Pasador de la biela	2
14	TRA8365B-8	Pasador de chaveta	2

REF. No.	PARTE No.	DESCRIPCIÓN	CANT.
15	TRA8365B-9	Columna del interruptor de inversión	1
16	GB6170-M8x40	Tornillo de cabeza hexagonal M8x40mm	1
17	TRA8365B.1-1	Palanca	1
18	TRA8365B.1-2	Empuñadura de la palanca	1
19	TRA8365B-10	Muelle de la leva de inversión Ø13x60mm	1
20	GB6170-M8x16	Tornillo Allen de cabeza hexagonal M8x16mm	1
21	GB97.1-8	Arandela M8	1
22	TRA8365B-11	Pestillo de inversión	1
23	TRA8365B-12	Pasador de seguridad Ø12x22mm	1
24		Receptáculo de la palanca	1
25	TRA8365B-13	Clip de la palanca	1
26		Corredera de elevación	1
27	GB6170-M12x50	Tornillo de cabeza hexagonal M12x50mm	1

## DIAGRAMA DE ENSAMBLAJE

TR6501B  
(TRA8485B)

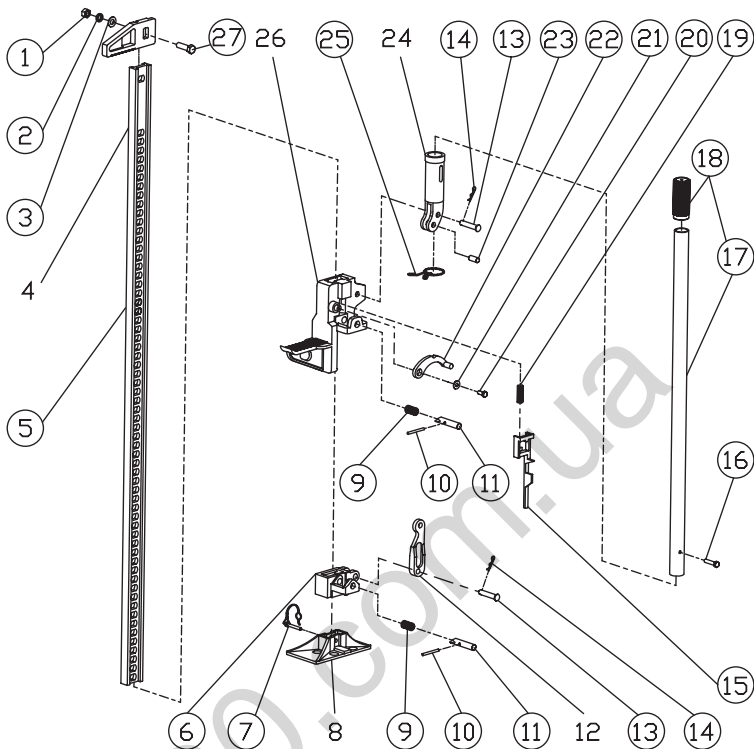


REF. No.	PARTE No.	DESCRIPCIÓN	CANT.
1	GB6170-M12	Tuerca M12	1
2	GB93-12	Arandela de resorte M12	1
3	GB97.1-12	Arandela M12	1
4		Horquilla de la abrazadera superior	1
5	TRA8485B-1	Columna estándar de acero	1
6	TRA8485B-2	Corredera pequeña	1
7	TRA8485B-3	Pasador de bloqueo con arandela de alambre	1
8		Placa de soporte	1
9	TRA8485B-4	Muelle del pasador de ascenso Ø16x30mm	2
10	TRA8485B-5	Pasador transversal Ø5x52mm	2
11	TRA8485B-6	Pasador de ascenso	2
12		Brazo de la biela	1
13	TRA8485B-7	Pasador de la biela	2
14	TRA8485B-8	Pasador de chaveta	2

REF. No.	PARTE No.	DESCRIPCIÓN	CANT.
15	TRA8485B-9	Columna del interruptor de inversión	1
16	GB6170-M8x40	Tornillo de cabeza hexagonal M8x40mm	1
17	TRA8485B.1-1	Palanca	1
18	TRA8485B.1-2	Empuñadura de la palanca	1
19	TRA8485B-10	Muelle de la leva de inversión Ø13x60mm	1
20	GB6170-M8x16	Tornillo Allen de cabeza hexagonal M8x16mm	1
21	GB97.1-8	Arandela M8	1
22	TRA8485B-11	Pestillo de inversión	1
23	TRA8485B-12	Pasador de seguridad Ø12x22mm	1
24		Receptáculo de la palanca	1
25	TRA8485B-13	Clip de la palanca	1
26		Corredera de elevación	1
27	GB6170-M12x50	Tornillo de cabeza hexagonal M12x50mm	1

# DIAGRAMA DE ENSAMBLAJE

TR6502B  
(TRA8605B)



REF. No.	PARTE No.	DESCRIPCIÓN	CANT.
1	GB6170-M12	Tuerca M12	1
2	GB93-12	Arandela de resorte M12	1
3	GB97.1-12	Arandela M12	1
4		Horquilla de la abrazadera superior	1
5	TRA8605B-1	Columna estándar de acero	1
6	TRA8605B-2	Corredera pequeña	1
7	TRA8605B-3	Pasador de bloqueo con arandela de alambre	1
8		Placa de soporte	1
9	TRA8605B-4	Muelle del pasador de ascenso Ø16x30mm	2
10	TRA8605B-5	Pasador transversal Ø5x52mm	2
11	TRA8605B-6	Pasador de ascenso	2
12		Brazo de la biela	1
13	TRA8605B-7	Pasador de la biela	2
14	TRA8605B-8	Pasador de chaveta	2

REF. No.	PARTE No.	DESCRIPCIÓN	CANT.
15	TRA8605B-9	Columna del interruptor de inversión	1
16	GB6170-M8x40	Tornillo de cabeza hexagonal M8x40mm	1
17	TRA8605B.1-1	Palanca	1
18	TRA8605B.1-2	Empuñadura de la palanca	1
19	TRA8605B-10	Muelle de la leva de inversión Ø13x60mm	1
20	GB6170-M8x16	Tornillo Allen de cabeza hexagonal M8x16mm	1
21	GB97.1-8	Arandela M8	1
22	TRA8605B-11	Pestillo de inversión	1
23	TRA8605B-12	Pasador de seguridad Ø12x22mm	1
24		Receptáculo de la palanca	1
25	TRA8605B-13	Clip de la palanca	1
26		Corredera de elevación	1
27	GB6170-M12x50	Tornillo de cabeza hexagonal M12x50mm	1

## AVISO DE GARANTÍA

Este equipo está cubierto por una garantía limitada de 1 año cuando se utiliza según lo recomendado. Únicamente los artículos que figuran con un número de pieza están disponibles para compra. Para obtener ayuda con la operación o la disponibilidad de las piezas de repuesto, comuníquese con nuestro departamento de piezas y garantía al 1-888-44-TORIN (1-888-448-6746). Tenga a mano una copia de su recibo, el número de modelo del producto, el número de serie y detalles específicos relacionados con su pregunta.

No se dispone de repuestos para todos los componentes del equipo; las ilustraciones provistas son una referencia conveniente de la ubicación y la posición en la secuencia de ensamblaje.

**El fabricante se reserva el derecho de realizar cambios de diseño o mejoras en las líneas de productos y manuales sin previo aviso.**

## INFORMACIÓN DE GARANTÍA

Deseamos saber si tiene alguna inquietud sobre nuestros productos. De ser así, llame a la línea gratuita para obtener ayuda de inmediato. Si tiene consultas adicionales sobre la ayuda de asistencia al cliente en línea, visite la sección de servicio al cliente en <http://www.torin-usa.com>.

130.com.ua

## GARANTÍA LIMITADA DE UN AÑO DE TORIN

Desde 1968 Torin Inc.® fabrica productos de reparación y mantenimiento automotriz de calidad. Todos los productos vendidos se consideran como productos de la más alta calidad y están cubiertos por la siguiente garantía:

Con el comprobante de compra y durante el período de un año desde la fecha de la compra, el fabricante reparará o reemplazará, a su criterio y sin cobro, cualquiera de sus productos o piezas que fallen debido a un defecto de material o fabricación. Esta garantía no cubre daños o defectos causados por un uso inapropiado, negligente o uso indebido del equipo. Esta garantía no cubre piezas que normalmente se desgastan o consumen durante el funcionamiento normal del equipo. A excepción de las disposiciones en las que dichas limitaciones y exclusiones estén específicamente prohibidas por la ley aplicable, (1) LA ÚNICA Y EXCLUSIVA COMPENSACIÓN PARA EL CONSUMIDOR SERÁ LA REPARACIÓN O EL REEMPLAZO DE LOS PRODUCTOS DEFECTUOSOS SEGÚN LO DESCRITO ANTERIORMENTE y (2) EL FABRICANTE NO SERÁ RESPONSABLE DE NINGÚN DAÑO O PÉRDIDA RESULTANTE O CASUAL, y (3) LA DURACIÓN DE TODAS LAS GARANTÍAS EXPRESAS E IMPLÍCITAS —QUE INCLUYEN PERO NO SE LIMITAN A CUALQUIER GARANTÍA DE COMERCIABILIDAD E IDONEIDAD PARA UN PROPÓSITO PARTICULAR— SE LIMITA A UN PERÍODO DE UN AÑO DESDE LA FECHA DE COMPRA. La alteración del producto de cualquier manera por parte de cualquier persona que no seamos nosotros, con la única excepción de alteraciones que guardan conformidad con las instrucciones del producto y que se realizan de manera profesional. Usted reconoce y acepta que cualquier uso del producto para cualquier fin distinto a los usos especificados en las instrucciones del producto corre por SU cuenta y riesgo.

Siempre revise si hay piezas dañadas o desgastadas antes de utilizar cualquier producto. Las piezas averiadas afectarán el funcionamiento del equipo. Reemplace o repare las piezas dañadas o desgastadas de inmediato. No modifique el producto de ninguna manera. Cualquier modificación no autorizada puede alterar el funcionamiento o la seguridad y podría afectar la vida útil del equipo. Existen aplicaciones específicas para las que los productos han sido diseñados y probados durante la producción. No se autoriza que los elementos bajo garantía provistos por el fabricante sean reparados por alguna persona que no sea el fabricante o una persona autorizada por el fabricante. El distribuidor no tiene autorización para modificar estas declaraciones. Usted reconoce y acepta que cualquier modificación del producto para cualquier fin que no sean las reparaciones realizadas por el fabricante corre por su cuenta y riesgo. Antes de utilizar este producto, lea todo el manual del propietario y familiarícese bien con el producto y los peligros asociados a su uso incorrecto.

**IMPORTANTE: ANTES DEL PRIMER USO, verifique que se haya completado una inspección diaria y que todos los componentes estén funcionando correctamente.**

Esta garantía limitada le otorga derechos legales específicos, y usted también puede tener otros derechos que varían según cada estado. Algunos estados no permiten limitaciones o exclusiones sobre las garantías implícitas o casuales o resultantes, por lo que posiblemente las limitaciones anteriores no se apliquen a SU caso. Esta garantía limitada está regida por las leyes del estado de California, sin tomar en consideración las normas relativas a conflictos de leyes. Los tribunales estatales ubicados en el condado de San Bernardino, California, tendrán jurisdicción exclusiva sobre cualquier disputa relacionada con esta garantía.

El fabricante se reserva el derecho de realizar cambios de diseño o mejoras en esta línea de productos y en este manual sin previo aviso. En Torin, hemos hecho nuestro mayor esfuerzo por garantizar que se incluyan instrucciones completas y exactas en este manual. Sin embargo, probablemente se hayan efectuado posibles actualizaciones, revisiones o cambios desde esta publicación. Torin Inc. se reserva el derecho de cambiar las especificaciones sin incurrir en ninguna obligación con respecto al equipo vendido anteriormente o posteriormente. No se hace responsable de los errores tipográficos.

Como otra alternativa, puede recurrir al Servicio de Atención al Cliente en [www.torin-usa.com](http://www.torin-usa.com) o vía correo electrónico a [info@torin-usa.com](mailto:info@torin-usa.com).

No se ofrece reemplazo para todos los componentes del equipo, pero estos se ilustran como referencia conveniente de la ubicación y la posición en la secuencia de ensamblaje. Comuníquese con el Servicio de Atención al Cliente para conocer componentes equivalentes. Cuando se comunique con nosotros, tenga a la mano el número de modelo, el número de serie y la descripción de su producto para que podamos ayudarlo de manera eficiente. Puede encontrar esta información en una calcomanía adherida al producto.

Para recibir apoyo sobre la garantía o si su equipo Torin® no funciona correctamente, comuníquese con el Servicio de Atención al Cliente de Torin® directamente por teléfono al 1-888-44-TORIN (1-888-448-6746) de lunes a viernes de 8:00 a. m. a 5 p. m. hora del Pacífico.





Contact Torin® Customer Service directly by telephone at:  
1-888-44-TORIN (1-888-448-6746)  
8:00am – 5:00pm Pacific Time, Monday – Friday

Communiquez directement avec le Service à la clientèle Torin® au:  
1-888-44-TORIN (1-888-448-6746)  
De 8 heures à 17 heures, heure du Pacifique, du lundi au vendredi

Comuníquese conel Servicio de Atención al Cliente de Torin® directamente por teléfono al:  
1-888-44-TORIN (1-888-448-6746)  
De lunes a viernes de 8:00 a. m. a 5 p. m. hora del Pacífico

Torin Inc.  
4355 E. Brickell Street Ontario, CA USA  
[www.torin-usa.com](http://www.torin-usa.com)  
Made in China - Fabriqué en Chine - Hecho en China

