



PHONES

0 (800) 800 130
(050) 462 0 130
(063) 462 0 130
(067) 462 0 130

130
COM.UA

Internet store of
autogoods



SKYPE

km-130

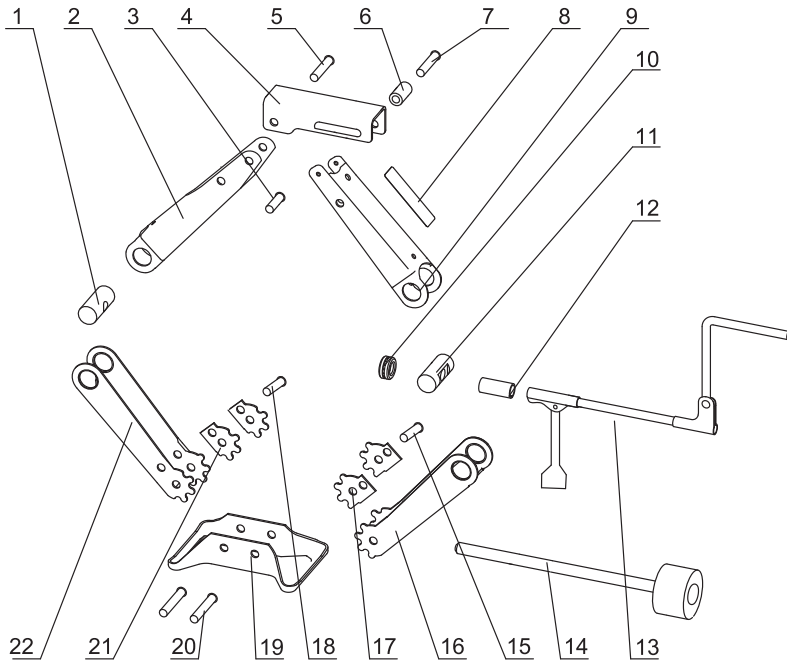
CAR RECEIVERS — Receivers • Media receivers and stations • Native receivers • CD/DVD changers • FM-modulators/USB adapters • Flash memory • Facia plates and adapters • Antennas • Accessories |
CAR AUDIO — Car audio speakers • Amplifiers • Subwoofers • Processors • Crossovers • Headphones • Accessories | TRIP COMPUTERS — Universal computers • Model computers • Accessories |
GPS NAVIGATORS — Portable GPS • Built-in GPS • GPS modules • GPS trackers • Antennas for GPS navigators • Accessories | VIDEO — DVR • TV sets and monitors • Car TV tuners • Cameras • Videomodules
• Transcoders • Car TV antennas • Accessories | SECURITY SYSTEMS — Car alarms • Bike alarms • Mechanical blockers • Immobilizers • Sensors • Accessories | OPTIC AND LIGHT — Xenon • Bixenon • Lamps
• LED • Stroboscopes • Optic and Headlights • Washers • Light, rain sensors • Accessories | PARKTRONICS AND MIRRORS — Rear parktronic • Front parktronic • Combined parktronic • Rear-view mirrors
• Accessories | HEATING AND COOLING — Seat heaters • Mirrors heaters • Screen-wipers heaters • Engine heaters • Auto-refrigerators • Air conditioning units • Accessories | TUNING — Vibro-isolation
• Noise-isolation • Tint films • Accessories | ACCESSORIES — Radar-detectors • Handsfree, Bluetooth • Windowlifters • Compressors • Beeps, loudspeakers • Measuring instruments • Cleaners • Car seats
• Miscellaneous | MOUNTING — Installation kits • Upholstery • Grilles • Tubes • Cable and wire • Tools • Miscellaneous | POWER — Batteries • Converters • Start-charging equipment • Capacitors
• Accessories | MARINE AUDIO AND ELECTRONICS — Marine receivers • Marine audio speakers • Marine subwoofers • Marine amplifiers • Accessories | CAR CARE PRODUCTS — Additives • Washer fluid •
Care accessories • Car polish • Flavors • Adhesives and sealants | LIQUID AND OIL — Motor oil • Transmission oil • Brake fluid • Antifreeze • Technical lubricant



In store "130" you can find and buy almost all necessary goods for your auto in Kyiv and other cities, delivery by ground and postal services. Our experienced consultants will provide you with exhaustive information and help you to chose the very particular thing. We are waiting for you at the address

<https://130.com.ua>

T10200



ITEM NO.	DESCRIPTION	QTY.	ITEM NO.	DESCRIPTION	QTY.
1	NUT	1	13	HANDLE	1
2	LEFT UPPER ARM	1	14	THREADED ROD	1
3	RIVET OF ARM	1	15	RIVET OF RIGHT TOOTH	1
4	SADDLE	1	16	RIGHT LOWER ARM	1
5	RIVET OF SADDLE	1	17	RIGHT TOOTH	2
6	ROLLER	1	18	RIVET OF LEFT TOOTH	1
7	RIVET OF ROLLER	1	19	BASE	1
8	LABEL	1	20	RIVET OF BASE	2
9	RIGHT UPPER ARM	1	21	LEFT TOOTH	2
10	BEARING	1	22	LEFT LOWER ARM	1
11	BRACKET	1			
12	COLLAR				

SPECIFICATIONS

ITEM	CONTENTS	CAPACITY	MIN. HEIGHT	MAX. HEIGHT
T10102		1000 KG	88 mm	383 mm
T10152		1500 KG	95 mm	390 mm
T10200		2000 KG	160 mm	510 mm



Torin Jacks, Inc.
 ONTARIO, CA, 91761
 MADE IN CHINA

Torin™
BIG RED JACKS
SCISSORS JACK
OWNER'S MANUAL



FOR YOUR SAFETY:
 Please read these instructions carefully before using your jack.



WARNING!

1. Study, understand, and follow all instructions before operating this device.
2. Do not exceed rated capacity.
3. Use only on hard level surface.
4. Use only for emergency tire changing or mounting tire chains.
5. Never get beneath the vehicle when it is supported by the jack.
6. If vehicle is pushed off of jack, discard jack. Do not reuse.
7. Failure to heed these markings may result in personal injury and/or property damage.
8. Activate the hazard warning flasher, turn off ignition, set parking brake, move automatic shift selector to park position. In case of a manual transmission, move gear selector into reverse position. In addition, the wheel diagonally opposite from the wheel being lifted shall be chocked in both directions.
9. Place jack only at points of the vehicle as specified by the vehicle manufacturer.
10. Follow tire changing procedure or tire chain mounting procedure specified in the vehicle manufacturer's owner's manual.
11. No alterations shall be made to this product.

OPERATING PROCEDURES!

1. BEFORE CHANGING TIRE

- Park on a level surface.
- Shift automatic transmission to "Park" or manual transmission to "Reverse".
- Set parking brake and turn on hazard warning flasher.
- Block fronts and rear of tire diagonally opposite the tire to be changed.
- Loose wheel nuts but do not remove them.
- Turn the jack's handle clockwise to raise jack.
- Put the jack under vehicle at bracket nearest the tire to be changed.
- Raise jack until the saddle fits in bracket.

2. TO RAISE VEHICLE

- Raise the vehicle until the tire is off the ground.
- Remove the wheel nuts and then the tire.
- Remove dirt and rust from the wheel and wheel mounting surfaces as soon as possible.
- Tighten each nut by hand until the wheel is held against the hub.

3. TO LOWER VEHICLE

- Lower the jack completely.
- Tighten wheel nuts.
- Remove wheel blocks from the blocked tire.
- Securely store the tire and all jacking equipments.

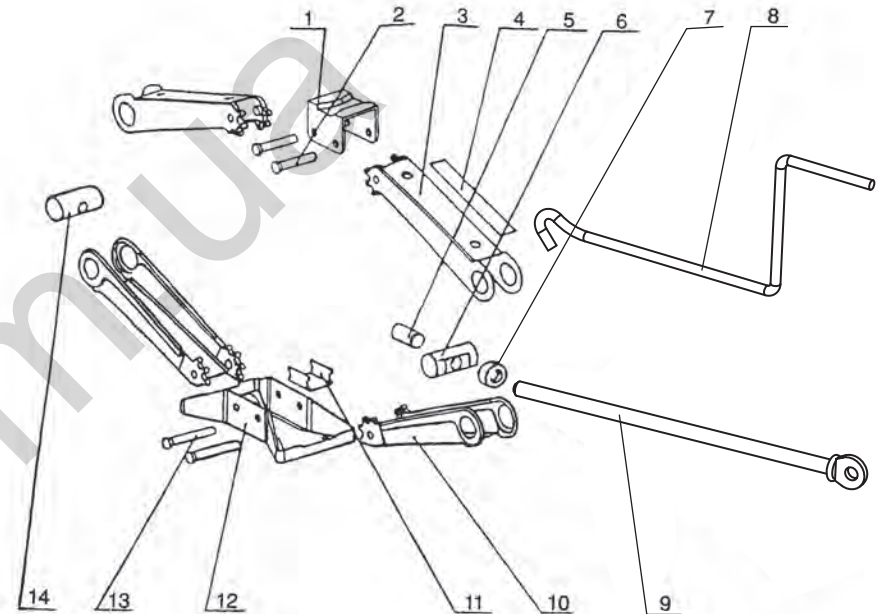
MAINTENANCE, INSPECTION AND ALTERNATION!

- Keep your jack clean and well lubricated with properly grease every 3 months.
- When not in use, always leave the jack in full down position.

- Visual inspection shall be made before each use of the jack by checking for abnormal conditions, such as cracked welds, and damaged or missing parts.
- Because of the potential hazards associated with the jack, no alternations shall be made to the product.

CONSTRUCTION DIAGRAM

T10102 T10152



ITEM NO.	DESCRIPTION	QTY
1	SADDLE	1
2	RIVET OF SADDLE	2
3	UPPER ARM	2
4	LABEL	1
5	COLLAR	1
6	BRACKET	1
7	BEARING	1
8	HANDLE	1
9	THREADED ROD	1
10	LOWER ARM	2
11	INNER STAY	1
12	BASE	1
13	RIVET OF BASE	2
14	NUT	1