



PHONES

0 (800) 800 130
(050) 462 0 130
(063) 462 0 130
(067) 462 0 130

130
COM.UA

Internet store of
autogoods



SKYPE

km-130

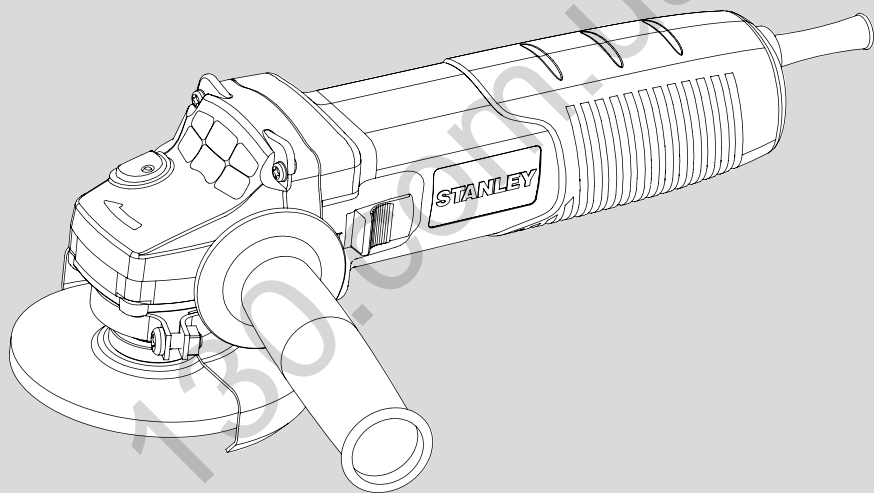
CAR RECEIVERS — Receivers • Media receivers and stations • Native receivers • CD/DVD changers • FM-modulators/USB adapters • Flash memory • Facia plates and adapters • Antennas • Accessories |
CAR AUDIO — Car audio speakers • Amplifiers • Subwoofers • Processors • Crossovers • Headphones • Accessories | TRIP COMPUTERS — Universal computers • Model computers • Accessories |
GPS NAVIGATORS — Portable GPS • Built-in GPS • GPS modules • GPS trackers • Antennas for GPS navigators • Accessories | VIDEO — DVR • TV sets and monitors • Car TV tuners • Cameras • Videomodules
• Transcoders • Car TV antennas • Accessories | SECURITY SYSTEMS — Car alarms • Bike alarms • Mechanical blockers • Immobilizers • Sensors • Accessories | OPTIC AND LIGHT — Xenon • Bixenon • Lamps
• LED • Stroboscopes • Optic and Headlights • Washers • Light, rain sensors • Accessories | PARKTRONICS AND MIRRORS — Rear parktronic • Front parktronic • Combined parktronic • Rear-view mirrors
• Accessories | HEATING AND COOLING — Seat heaters • Mirrors heaters • Screen-wipers heaters • Engine heaters • Auto-refrigerators • Air conditioning units • Accessories | TUNING — Vibro-isolation
• Noise-isolation • Tint films • Accessories | ACCESSORIES — Radar-detectors • Handsfree, Bluetooth • Windowlifters • Compressors • Beeps, loudspeakers • Measuring instruments • Cleaners • Car seats
• Miscellaneous | MOUNTING — Installation kits • Upholstery • Grilles • Tubes • Cable and wire • Tools • Miscellaneous | POWER — Batteries • Converters • Start-charging equipment • Capacitors
• Accessories | MARINE AUDIO AND ELECTRONICS — Marine receivers • Marine audio speakers • Marine subwoofers • Marine amplifiers • Accessories | CAR CARE PRODUCTS — Additives • Washer fluid •
Care accessories • Car polish • Flavors • Adhesives and sealants | LIQUID AND OIL — Motor oil • Transmission oil • Brake fluid • Antifreeze • Technical lubricant



In store "130" you can find and buy almost all necessary goods for your auto in Kyiv and other cities, delivery by ground and postal services. Our experienced consultants will provide you with exhaustive information and help you to choose the very particular thing. We are waiting for you at the address

<https://130.com.ua>

STANLEY



STGS9115
STGS9125

Autogoods "130"

| | | |
|------------|------|----|
| English | Page | 4 |
| Русский | Page | 14 |
| Українська | Page | 24 |
| Ukrainian | Page | 35 |

Figure 1

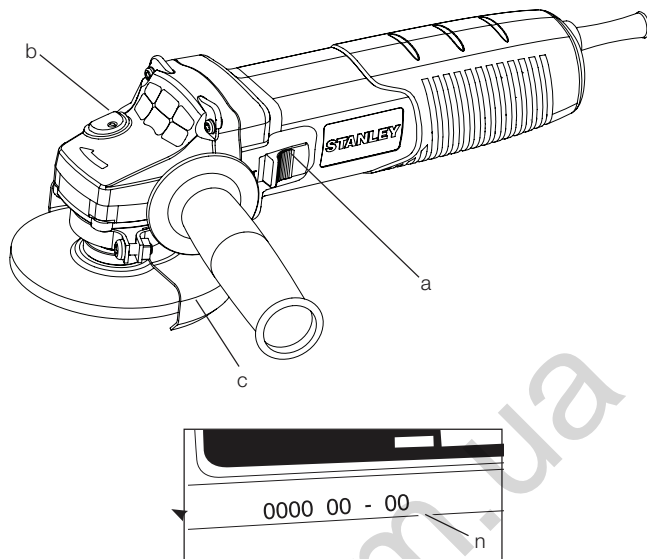


Figure 2

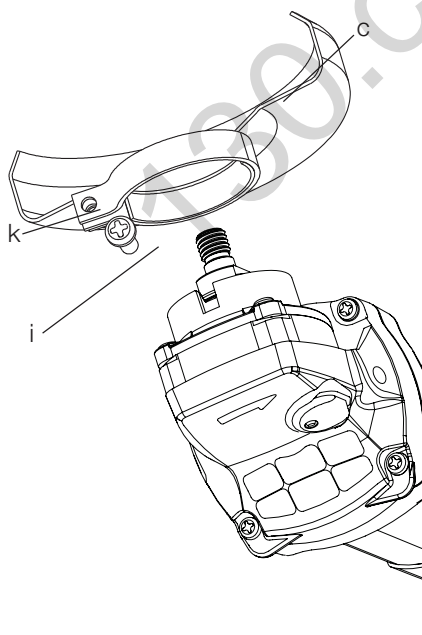


Figure 3

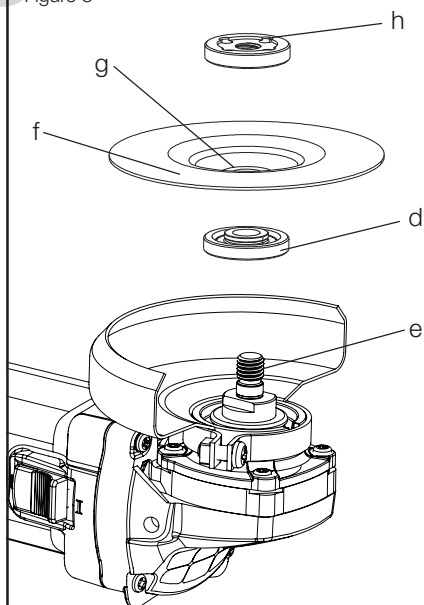


Figure 4

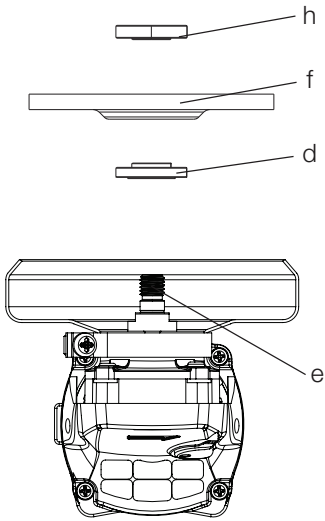


Figure 5

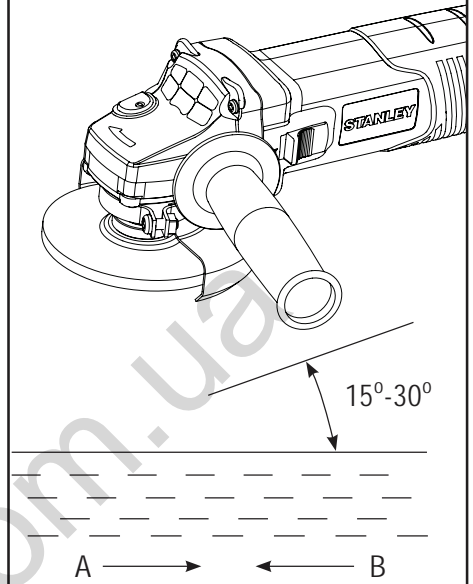
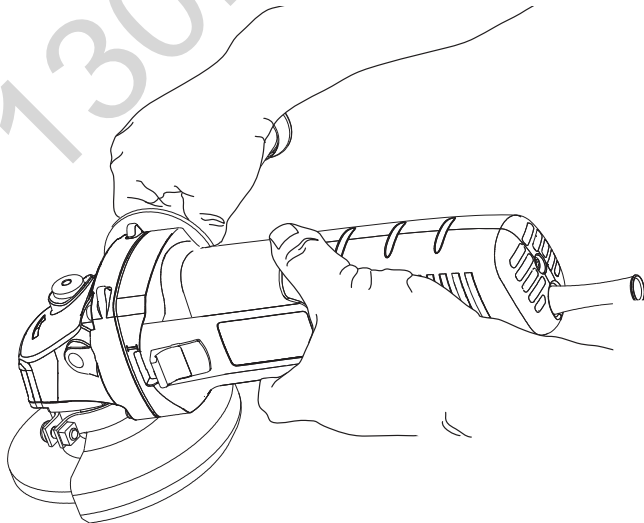


Figure 6



Intended Use

Your STANLEY angle grinder STGS9115-STGS9125 has been designed for grinding metal using the appropriate type of grinding disc. This tool is intended for professional use.

Definitions: Safety Guidelines

The definitions below describe the level of severity for each signal word. Please read the manual and pay attention to these symbols.



Danger: Indicates an imminently hazardous situation which, if not avoided, will result in **death or serious injury**.



Warning: Indicates a potentially hazardous situation which, if not avoided, **could** result in **death or serious injury**.



Caution: Indicates a potentially hazardous situation which, if not avoided, **may** result in **minor or moderate injury**.

Notice: Indicates a practice **not related to personal injury** which, if not avoided, **may** result in **property damage**.



Denotes risk of electric shock.



Denotes risk of fire.



Warning: To reduce the risk of injury, read the instruction manual.

General Power Tool Safety Warnings



Warning! Read all safety warnings and all instructions. Failure to follow the warnings and instructions may result in electric shock, fire and/or serious injury.

Save all warnings and instructions for future reference

The term "power tool" in the warnings refers to your mains-operated (corded) power tool or batteryoperated (cordless) power tool.

1) Work area safety

- a) **Keep work area clean and well lit.** Cluttered or dark areas invite accidents.
- b) Do not operate power tools in explosive

atmospheres, such as in the presence of flammable liquids, gases or dust. Power tools create sparks which may ignite the dust or fumes.

- c) **Keep children and bystanders away while operating a power tool.** Distractions can cause you to lose control.

2) Electrical safety

- a) **Power tool plugs must match the outlet. Never modify the plug in any way. Do not use any adapter plugs with earthed (grounded) power tools.** Unmodified plugs and matching outlets will reduce risk of electric shock.
- b) **Avoid body contact with earthed or grounded surfaces such as pipes, radiators, ranges and refrigerators.** There is an increased risk of electric shock if your body is earthed or grounded.
- c) **Do not expose power tools to rain or wet conditions.** Water entering a power tool will increase the risk of electric shock.
- d) **Do not abuse the cord. Never use the cord for carrying, pulling or unplugging the power tool. Keep cord away from heat, oil, sharp edges or moving parts.** Damaged or entangled cords increase the risk of electric shock.
- e) When operating a power tool outdoors, use an **extension cord suitable for outdoor use.** Use of a cord suitable for outdoor use reduces the risk of electric shock.
- f) **If operating a power tool in a damp location is unavoidable, use a residual current device (RCD) protected supply.** Use of an RCD reduces the risk of electric shock.

3) Personal safety

- a) **Stay alert, watch what you are doing and use common sense when operating a power tool. Do not use a power tool while you are tired or under the influence of drugs, alcohol or medication.** A moment of inattention while operating power tools may result in serious personal injury.
- b) **Use personal protective equipment. Always wear eye protection.** Protective equipment such as dust mask, non-skid safety shoes, hard hat, or hearing protection used for appropriate conditions will reduce personal injuries.

- c. **Prevent unintentional starting. Ensure the switch is in the off-position before connecting to power source and/or battery pack, picking up or carrying the tool.** Carrying power tools with your finger on the switch or energising power tools that have the switch on invites accidents.
- d. **Remove any adjusting key or wrench before turning the power tool on.** A wrench or a key left attached to a rotating part of the power tool may result in personal injury.
- e. **Do not overreach. Keep proper footing and balance at all times.** This enables better control of the power tool in unexpected situations.
- f. **Dress properly. Do not wear loose clothing or jewellery. Keep your hair, clothing and gloves away from moving parts.** Loose clothes, jewellery or long hair can be caught in moving parts.
- g. **If devices are provided for the connection of dust extraction and collection facilities, ensure these are connected and properly used.** Use of these devices can reduce dust related hazards.

4. Power tool use and care

- a. **Do not force the power tool. Use the correct power tool for your application.** The correct power tool will do the job better and safer at the rate for which it was designed.
- b. **Do not use the power tool if the switch does not turn it on and off.** Any power tool that cannot be controlled with the switch is dangerous and must be repaired.
- c. **Disconnect the plug from the power source and/or the battery pack from the power tool before making any adjustments, changing accessories, or storing power tools.** Such preventive safety measures reduce the risk of starting the power tool accidentally
- d. **Store idle power tools out of the reach of children and do not allow persons unfamiliar with the power tool or these instructions to operate the power tool.** Power tools are dangerous in the hands of untrained users.

- e. **Maintain power tools. Check for misalignment or binding of moving parts, breakage of parts and any other condition that may affect the power tools operation. If damaged, have the power tool repaired before use.** Many accidents are caused by poorly maintained power tools.
 - f. **Keep cutting tools sharp and clean.** Properly maintained cutting tools with sharp cutting edges are less likely to bind and are easier to control.
 - g. **Use the power tool, accessories and tool bits etc., in accordance with these instructions, taking into account the working conditions and the work to be performed.** Use of the power tool for operations different from those intended could result in a hazardous situation.
- #### 5. Service
- a. **Have your power tool serviced by a qualified repair person using only identical replacement parts.** This will ensure that the safety of the power tool is maintained.

Additional specific safety rules

Safety Instructions for All Operations

Safety Warnings Common for Grinding

- a) **This power tool is intended to function as a grinder. Read all safety warnings, instructions, illustrations and specifications provided with this power tool.** Failure to follow all instructions listed below may result in electric shock, fire and/or serious injury.
- b) **Operations such as cutting-off , sander, wire brush or polisher are not recommended to be performed with this power tool.** Operations for which the power tool was not designed may create a hazard and cause personal injury.
- c) **Do not use accessories which are not specifically designed and recommended by the tool manufacturer.** Just because the accessory can be attached to your power tool, it does not assure safe operation.
- d) **The rated speed of the accessory must be at least equal to the maximum speed marked on the power tool.** Accessories running faster than their rated speed can break and fly apart.

- e) **The outside diameter and the thickness of your accessory must be within the capacity rating of your power tool.** Incorrectly sized accessories cannot be adequately guarded or controlled.
- f) **Threaded mounting of accessories must match the grinder spindle thread. For accessories mounted by flanges, the arbour hole of the accessory must fit the locating diameter of the flange.** Accessories that do not match the mounting hardware of the power tool will run out of balance, vibrate excessively and may cause loss of control.
- g) **Do not use a damaged accessory. Before each use inspect the accessory such as abrasive wheel for chips and cracks, backing pad for cracks, tear or excess wear, wire brush for loose or cracked wires. If power tool or accessory is dropped, inspect for damage or install an undamaged accessory. After inspecting and installing an accessory, position yourself and bystanders away from the plane of the rotating accessory and run the power tool at maximum no-load speed for one minute.** Damaged accessories will normally break apart during this test time.
- h) **Wear personal protective equipment. Depending on application, use face shield, safety goggles or safety glasses. As appropriate, wear dust mask, hearing protectors, gloves and workshop apron capable of stopping small abrasive or workpiece fragments.** The eye protection must be capable of stopping flying debris generated by various operations. The dust mask or respirator must be capable of filtrating particles generated by your operation. Prolonged exposure to high intensity noise may cause hearing loss.
- i) **Keep bystanders a safe distance away from work area. Anyone entering the work area must wear personal protective equipment.** Fragments of workpiece or of a broken accessory may fly away and cause injury beyond immediate area of operation.
- j) **Hold the power tool by insulated gripping surfaces only, when performing an operation where the cutting accessory may contact hidden wiring or its own cord.** Cutting accessory contacting a "live" wire may make exposed metal parts of the power tool "live" and could give the operator an electric shock.
- k) **Position the cord clear of the spinning accessory.** If you lose control, the cord may be cut or snagged and your hand or arm may be pulled into the spinning accessory.
- l) **Never lay the power tool down until the accessory has come to a complete stop.** The spinning accessory may grab the surface and pull the power tool out of your control.
- m) **Do not run the power tool while carrying it at your side.** Accidental contact with the spinning accessory could snag your clothing, pulling the accessory into your body.
- n) **Regularly clean the power tool's air vents.** The motor's fan will draw the dust inside the housing and excessive accumulation of powdered metal may cause electrical hazards.
- o) **Do not operate the power tool near flammable materials.** Sparks could ignite these materials.
- p) **Do not use accessories that require liquid coolants.** Using water or other liquid coolants may result in electrocution or shock.

Further safety instructions for all operations

Kickback and Related Warnings

Kickback is a sudden reaction to a pinched or snagged rotating wheel, backing pad, brush or any other accessory. Pinching or snagging causes rapid stalling of the rotating accessory which in turn causes the uncontrolled power tool to be forced in the direction opposite of the accessory's rotation at the point of the binding.

For example, if an abrasive wheel is snagged or pinched by the workpiece, the edge of the wheel that is entering into the pinch point can dig into the surface of the material causing the wheel to climb out or kick out. The wheel may either jump toward or away from the operator, depending on direction of the wheel's movement at the point of pinching. Abrasive wheels may also break under these conditions.

Kickback is the result of tool misuse and/or incorrect operating procedures or conditions and can be avoided by taking proper precautions as given below:

- a) **Maintain a firm grip on the power tool and position your body and arm to allow you to resist kickback forces. Always use auxiliary handle, if provided, for maximum control over kickback or torque reaction during start up.** The operator can control torque reaction or kickback forces, if proper precautions are taken.
- b) **Never place your hand near the rotating accessory.** Accessory may kickback over your hand.
- c) **Do not position your body in the area where power tool will move if kickback occurs.** Kickback will propel the tool in direction opposite to the wheel's movement at the point of snagging.
- d) Use special care when working corners, sharp edges etc. **Avoid bouncing and snagging the accessory.** Corners, sharp edges or bouncing have a tendency to snag the rotating accessory and cause loss of control or kickback.
- e) Do not attach a saw chain woodcarving blade or **toothed saw blade.** Such blades create frequent kickback and loss of control.

Safety warnings specific for grinding operations

- a) **Use only wheel types that are recommended for your power tool and the specific guard designed for the selected wheel.** Wheels for which the power tool was not designed cannot be adequately guarded and are unsafe.
- b) **The guard must be securely attached to the power tool and positioned for maximum safety, so the least amount of wheel is exposed towards the operator.** The guard helps to protect operator from broken wheel fragments and accidental contact with wheel and sparks that could ignite clothing.
- c) **Wheels must be used only for recommended applications. For example: do not grind with the side of cut-off wheel.** Abrasive cut-off wheels are intended for peripheral grinding, side forces applied to these wheels may cause them to shatter.
- d) **Always use undamaged wheel flanges that are of correct size and shape for your selected wheel.** Proper wheel flanges support the wheel thus reducing

the possibility of wheel breakage. Flanges for cut-off wheels may be different from grinding wheel flanges.

- e) **Do not use worn down wheels from larger power tools.** Wheel intended for larger power tool is not suitable for the higher speed of a smaller tool and may burst.
- f) **The grinding surface of centre depressed wheels must be mounted below the plane of the guard lip.** An improperly mounted wheel that projects through the plane of the guard lip cannot be adequately protected.

Residual Risks









In spite of the application of the relevant safety regulations and the implementation of safety devices, certain residual risks cannot be avoided.

These are:

- Impairment of hearing
- Risk of personal injury due flying particles.
- Risk of burns due to accessories becoming hot during operation.
- Risk of personal injury due to prolonged use.
- Risk of dust from hazardous substances.

Labels on tool

The label on your tool may include the following symbols along with date code

| | | | | |
|---|--------------------------|---|---|---|
|  | Read Instructions Manual | Hz Hertz |  | Class II Construction |
|  | Use Eye Protection | W Watts |  | Earthing Terminal |
|  | Use Ear Protection | min minutes |  | Safety Alert Symbol |
| | |  | | Revolutions or Reciprocation per minute |
| | |  | | |
| V Volts | | | Direct Current |/min.. |
| A Amperes | | n_0 No-Load Speed | | |

Position of date barcode

The Date Code, which also includes the year of manufacture, is printed into the housing.

Example:

2014 XX JN
Year of manufacturing

Package Content

This product package includes:

- 1 Angle grinder
 - 1 Guard
 - 1 Flange set
 - 1 Spanner
 - 1 Handle
 - 1 Instruction manual
- Check the tool, parts, and accessories to see if they are damaged during transportation.
 - Take a few moments to read and understand this manual before using the tool.

Description (Fig. 1)



Warning: Never modify the power tool or any part of the tool, otherwise it may cause damage to the tool or result in personal injury.

- a. ON/OFF switch
- b. Spindle lock
- c. Guard

Purpose of Design

This angle grinder is designed especially for grinding.

Do not use sandpaper discs and grinding wheels other than those with depressed center.

Do not use the tool in wet conditions or environments in the presence of flammable liquids or gases.

This heavy-duty angle grinder is a professional power tool.

Do not allow children to come in contact with this tool. Inexperienced operators are required to use this tool under supervision.

No-Volt

The No-volt function stops the grinder restarting without the switch being cycled if there is a break in the power supply.

Electrical Equipment Safety

Only one voltage is applicable to this tool. Be sure to check that the power supply corresponds to the voltage on the rating plate.



Your Stanley tool is equipped with double insulation, hence, it does not require to be earthed.

When the power cord is damaged, have it sent to a Stanley service center for replacement to specially prepared cables.

Using Extension Cords

If an extension cord is required, please select a 3-phase extension cord that has been inspected and matches the input power (see Technical Data) of this tool. The minimum conductor size is 1.5mm², maximum length is 30 meters.

When using a cable reel, be sure to pull out all the cables.

Assembly and Adjustment



Warning: To minimize the danger of serious personal injury, please switch off the tool power and disconnect all plugs before adjusting or removing/installing any accessory. Before reassembling the tool, press and release the trigger switch to make sure the tool is already switched off.

Attaching and Removing the Wheel Guard (Fig. 2)

Warning: To minimize the danger of serious personal injury, please switch off the tool power and disconnect all plugs before adjusting or removing/installing any accessory. Before reassembling the tool, press and release the trigger switch to make sure the tool is already switched off.

Attaching the Guard

1. Place the angle grinder on a work bench, groove facing up.
2. Bring the flange of the guard (c) collar over the groove (i) of the gear housing.
3. Turn the guard (c) counterclockwise by 150 degrees.
4. Make sure that the screws (k) are tightened.

Removing the Guard

1. Loosen the screws (k) on the guard collar.
2. Pull up the guard (c).



Warning: Do not operate the tool when the safety guard is not in place.

Note: Refer to the grinding accessories chart at the end of this section for accessories that can be used together with this angle grinder.

Attaching and Removing Grinding Wheels (Fig. 3, 4)



Warning: Do not use damaged grinding wheels.

1. Place the tool on a work bench, groove facing up.
2. Attach the inner flange (d) correctly on the output shaft (e) (Fig. 3).
3. Place the grinding wheel (f) on the inner flange (d).
When attaching a grinding wheel with a raised center, make sure that the raised center (g) faces the inner flange (d).
4. Tighten the outer flange (h) until the output shaft (e) (Fig. 4). When attaching the grinding wheel, the ring on top of the outer flange (h) must face the wheel.
5. Press the spindle lock (b) and prevent the spindle (e) from rotating until it locks in place.

6. Use the pin spanner to tighten the outer flange (h).

Preparation Before Use

- Attach the safety guard and appropriate abrasive or grinding wheels. Do not use abrasive or grinding wheels that are overly worn.
- Make sure that the inner and outer flanges are attached correctly.
- Make sure that the abrasive or grinding wheels are rotating in the direction of the arrows on the accessories and tool.

Operation (Fig. 5)

Instructions



Warning: Always observe the safety instructions and applicable regulations.



Warning: To minimize the danger of serious personal injury, please switch off the tool power and disconnect all plugs before adjusting or removing/installing any accessory. Before reassembling the tool, press and release the trigger switch to make sure the tool is already switched off.



Warning:

- Make sure all materials to be grinded are secured in position.
 - Apply slight pressure to the tool. Do not apply side pressure to the abrasive disc.
 - Avoid overloading. If the tool becomes hot, let it spin for a few minutes with no load.
1. Be sure to hold the tool tightly with both hands (one hand on housing, the other on side handle). Start the tool and bring the grinding wheel on the workpiece.

2. Keep the edge of the wheel tilted at angle from 15 to 30 degrees against the surface of the workpiece.
3. When using a new grinding wheel, do not operate the wheel in the B direction, otherwise, it will cut into the workpiece. When the edge of wheel has been rounded off, you are free to operate the grinder in either the A or B direction.

Starting and Stopping (Fig. 1)



Warning: Before using the tool, check whether the handle is tightened securely. Check whether the ON/OFF switch is working normally.

Before plugging in the tool to the power supply, check whether the switch is in the OFF (o) position when pressing the rear end of the switch.

To start the tool, press the rear end of the switch and slide it forward. Then press the front end of the switch to lock it. Press the rear end of the switch to stop the tool.



Warning: Do not switch the tool on or off while under load conditions.

Proper Hand Position (Fig. 6)



Warning: To reduce the risk of serious personal injury, ALWAYS use proper hand position as shown.



Warning: To reduce the risk of serious personal injury, ALWAYS hold securely in anticipation of a sudden reaction.

Proper hand position requires one hand on the side handle (figure 1), with the other hand on the body of the tool, as shown in figure 6.

Switches



Caution: Hold the body of the tool firmly to maintain control of the tool at start up and during use and until the wheel or accessory stops rotating. Make sure the wheel has come to a

complete stop before laying the tool down.

Note: To reduce unexpected tool movement, do not switch the tool on or off while under load conditions. Allow the

grinder to run up to full speed before touching the work surface. Lift the tool from the surface before turning the tool off. Allow the tool to stop rotating before putting it down.

Slider switch (Fig. 1)

Warning: Before connecting the tool to a power supply, be sure the slider switch is in the off position by pressing the rear part of the switch and releasing. Ensure the slider switch is in the off position as described above after any interruption in power supply to the tool, such as the activation of a ground fault interrupter, throwing of a circuit breaker, accidental unplugging, or power failure. If the slider switch is locked on when the power is connected, the tool will start unexpectedly.

To start the tool, slide the slider switch (a) toward the front of the tool. To stop the tool, release the slider switch. For continuous operation, slide the switch toward the front of the tool and press the forward part of the switch inward. To stop the tool while operating in continuous mode, press the rear part of the slider switch and release.

Spindle lock (Fig. 1)

The spindle lock (b) prevents the output shaft from rotating when attaching or removing the grinding wheel. Only use the spindle lock when the tool is switched off, power is unplugged, and wheel stops completely.



Note: To minimize tool damages, don't use the spindle lock when the tool is operating.

Otherwise, it may damage the tool. The attached accessories may come off and cause injury.

If using the spindle lock, press the spindle lock button and rotate the output shaft until it stops.

Application on Metals

When applying the tool on metals, make sure that a residual-current device (RCD) is inserted to prevent danger from metal chips.

If the RCD causes power disconnection, have the tool sent to an authorized Stanley dealer for repair.



Warning: Under extreme working conditions, conductive dust and grit may accumulate on the housing interior when handling metal workpieces.

This could create an electric shock hazard as it weakens the protective insulation in the grinder.

To avoid accumulation of metal chips in the interior of the grinder, we recommend cleaning the ventilation ducts daily. Refer to Maintenance.

Using Grinding Wheels



Warning: Metal powder accumulates. Excessive use of the grinding wheel on metals may increase the risk of electric shock. To reduce the risk, insert the RCD before use and clean the ventilation ducts daily. Follow the maintenance instructions below to blow dry compressed air into the ventilation ducts.

Maintenance

Stanley power tools have been designed to operate over a long period of time with minimal maintenance. Continuous satisfactory operation depends upon proper tool care and regular cleaning.



Warning: To minimize the danger of serious personal injury, please switch off the tool power and disconnect all plugs before

adjusting or removing/installing any accessory. Before reassembling the tool, press and release the trigger switch to make sure the tool is already switched off.



Lubrication

This power tool does not require separate lubrication.



Cleaning



Warning: Once visible dust accumulates on the ventilation ducts and the surrounding, immediately use dry air to blow away dust and

grit out of the interior of the housing. You need to wear

approved eye and facial protective gear when performing this process.



Warning: Never use solvents or harsh chemicals to clean non-metal parts of the material of the parts. Use only mild soap and damp cloth to

clean the tool. Never let any liquid get inside the tool; never immerse any part of the tool into liquid.

Accessories



Warning: Excluding accessories provided by Stanley, all other accessories have not been tested for product compatibility. Using such accessories together with this tool may cause safety hazards. To minimize the risk of personal injury, we recommend you to use only Stanley accessories with this product.

Please inquire at your dealer for more information regarding suitable accessories.

Technical Data

| | | STGS9115 | STGS9125 |
|-----------------------------|-------------------|----------|----------|
| Input voltage | V_{AC} | 220-240 | 220-240 |
| Power input | W | 900 | 900 |
| Frequency | Hz | 50/60 | 50/60 |
| No-load speed | min^{-1} | 11000 | 11000 |
| Wheel diameter | mm | 115 | 125 |
| Spindle size | | M14 | M14 |
| Max grinding disc thickness | mm | 6 | 6 |
| Type of wheel | | 27 | 27 |
| Weight | kg | 2.2 | 2.3 |

Level of sound pressure according to EN 60745:

Sound pressure (LpA) 88.5 dB(A), uncertainty (K) 3 dB(A)

Sound power (LWA) 99.5 dB(A), uncertainty (K) 3 dB(A)

Vibration emission value ah:

ah,AG = m/s^2 8.2

Uncertainty K = m/s^2 1.5

Vibration

The vibration emission level given in this information sheet has been measured in accordance with a standardised test given in EN 60745 and may be used to compare one tool with another. It may be used for a preliminary assessment of exposure.



Warning: The declared vibration emission level represents the main applications of the tool.

However if the tool is used for different

applications, with different accessories or poorly maintained, the vibration emission may differ. This may significantly increase the 1.5exposure level over the total working period.

An estimation of the level of exposure to vibration should also take into account the times when the tool is switched off or when it is running but not actually doing the job. This may significantly reduce the exposure level over the total working period.

Identify additional safety measures to protect the operator from the effects of vibration such as: maintain the tool and the accessories, keep the hands warm, organisation of work patterns.

Protecting the environment



Separate collection. This product must not be disposed of with normal household waste.

Should you find one day that your Stanley product needs replacement, or if it is of no further use to you, do not dispose of it with household waste. Make this product available for separate collection.



Separate collection of used products and packaging allows materials to be recycled and used again.

Re-use of recycled materials helps prevent environmental pollution and reduces the demand for raw materials.

Local regulations may provide for separate collection of electrical products from the household, at municipal waste sites or by the retailer when you purchase a new product. Stanley provides a facility for the collection and recycling of Stanley products once they have reached the end of their working life. To take advantage of this service please return your product to any authorised repair agent who will collect them on our behalf.

You can check the location of your nearest authorised repair agent by contacting your local Stanley office at the address indicated in this manual. Alternatively, a list of authorised Stanley repair agents and full details of our after-sales service and contacts are available on the Internet at: www.2helpU.com

EC declaration of conformity
MACHINERY DIRECTIVE



STGS9115-STGS9125 Angle Grinder

STANLEY declares that these products described under "technical data" are in compliance with:

EN 60745-1:2009+A11:2010,
EN 60745-2-3:2011+A12:2014

These products also comply with Directive 2004/108/EC (until 19/04/2016) 2014/30/EU (from 20/04/2016) and 2011/65/EU. For more information, please contact STANLEY at the following address or refer to the back of the manual.

The undersigned is responsible for compilation of the technical file and makes this declaration on behalf of STANLEY.

A handwritten signature in black ink, appearing to read 'R. Laverick', is written over a light blue rectangular background.

R. Laverick
Engineering Manager
STANLEY, Europe, Egide Walschaertsstraat14-18,
2800 Mechelen, Belgium
01.2016

TWO YEAR WARRANTY

If your STANLEY product becomes defective due to faulty materials or workmanship within 24 months from the date of purchase, STANLEY guarantees to replace all defective parts free of charge or – at our discretion – replace the unit free of charge provided that:

- The product has not been misused and has been used in accordance with the instruction manual;
- The product has been subject to fair wear and tear;
- Repairs have not been attempted by unauthorized persons;
- Proof of purchase is produced;
- The STANLEY product is returned complete with all original components;
- The product hasn't been used for hire purposes.

If you wish to make a claim, contact your seller or check the location of your nearest authorised STANLEY repair agent in the STANLEY catalogue or contact your local STANLEY office at the address indicated in this manual. A list of authorised STANLEY repair agents and full details of our after sales service is available on the internet at: www.2helpU.com

Область застосування

Ваша кутова шліфувальна машина STANLEY STGS9115-STGS9125 була розроблена для робіт по різі / шліфуванню металу з використанням рекомендованого типу диска. Інструмент призначений для професійого викомалтання.

Определения: Правила техники безопасности

Приведенные ниже определения описывают уровень важности каждого сигнального слова. Пожалуйста, прочтите инструкцию и обратите внимание на эти символы.



Опасность: Указывает на потенциально опасную ситуацию, которая, если ее не избежать, приведет к смерти или серьезным травмам.



Предупреждение: Указывает на потенциально опасную ситуацию, которая, если ее не избежать, могла бы привести к смерти или серьезным травмам.



Предостережение: Указывает на потенциально опасную ситуацию, которая, если ее не избежать, может привести к легкой или средней травме.

Примечание: Указывает на ситуацию, не связанную с производственной травмой, которая, если ее не предотвратить, может привести к материальному ущербу.



Обозначает опасность поражения электрическим током.



Обозначает опасность возгорания.



Предупреждение: Чтобы уменьшить риск получения травмы, ознакомьтесь с инструкциями по эксплуатации.

Общие предупреждения по технике безопасности электроинструментов

Внимание! Ознакомьтесь со всеми правилами безопасности и инструкциями. Несоблюдение предупреждений и инструкций, указанных ниже, может привести к поражению электрическим током, пожару и/или серьезной травме.

Сохраните все предупреждения и инструкции для будущего использования.

Термин "электроинструмент" во всех предупреждениях, указанных ниже, относится к вашему сетевому (с кабелем) электроинструменту или аккумуляторному электроинструменту (без кабеля питания).

1. Безопасность рабочего места

- a. **Содержите рабочее место в чистоте и хорошо освещенным.** Беспорядок на рабочем месте или отсутствие освещения рабочего места может привести к аварии.
- b. **Не работайте с электроинструментом в месте хранения взрывоопасных материалов, например, в присутствии огнеопасных жидкостей, газов или пыли.** Электрические инструменты создают искры, которые могут воспламенить пыль или пары.
- c. **Дети и посторонние лица должны находиться как можно дальше во время работы с электроинструментом.** Вы можете отвлечься и потерять контроль.

2. Электробезопасность

- a. **Вилка электроинструмента должна соответствовать розетке. Никогда не модифицируйте вилку каким-либо образом. Не используйте никакие вилки-переходники с заземленными (замкнутыми на землю) электроинструментами.** Вилки и розетки, которые не подвергались никаким изменениям снижают риск поражения электрическим током.
- b. **Избегайте контакта тела с заземленными поверхностями, такими как трубы, радиаторы, плиты и холодильники.** Существует повышенный риск поражения электрическим током, если ваше тело заземлено.
- c. **Избегайте любого воздействия дождя или влаги на электроинструменты.** Вода, попавшая в электроинструмент, увеличивает риск поражения электрическим током.
- d. **Аккуратно обращайтесь со шнуром питания. Никогда не используйте шнур питания для переноски, перемещения или извлечения вилки из розетки. Держите шнур вдали от источников тепла, масла, острых краев или движущихся частей.** Поврежденные или запутанные шнуры увеличивают риск поражения электрическим током.

- e. При работе с электроинструментом на улице, используйте удлинитель, подходящий для наружного использования. Использование кабеля, пригодного для использования на открытом воздухе, снижает риск поражения электрическим током.
 - f. При необходимости работы с электроинструментом во влажной среде, используйте устройство защитного отключения (УЗО). Использование УЗО снижает риск поражения электрическим током.
3. Личная безопасность
- a. Будьте внимательны, смотрите, что вы делаете, используйте здравый смысл при работе с электроинструментом. Не используйте электроинструмент, если вы устали или находитесь под влиянием наркотиков, алкоголя или лекарств. Малейшая неосторожность при работе с электроинструментом может привести к серьезным травмам.
 - b. Используйте средства индивидуальной защиты. Всегда надевайте защитные очки. Другое защитное оборудование, включая респиратор, ботинки на нескользящей подошве, защитный шлем или средства защиты органов слуха, используемые в надлежащих условиях, уменьшают риск получения травмы.
 - c. Для предотвращения случайного запуска, убедитесь, что переключатель находится в выключенном положении перед подключением к источнику питания и/или аккумуляторной батарее, поднятия или переноски инструмента. Не переносите электроинструмент с пальцем на выключателе и не включайте питание на инструмент с включенным выключателем, что может привести к несчастному случаю.
 - d. Перед включением электроинструмента снимайте регулировочный или гаечный ключ. Гаечный или регулировочный ключ, оставленный на вращающейся части электроинструмента, может привести к травме.
 - e. Не тянитесь. Сохраняйте правильную стойку и баланс все время. Это позволяет лучше контролировать инструмент в неожиданных ситуациях.
 - f. Одевайтесь правильно. Не надевайте свободную одежду или украшения. Держите волосы, одежду и перчатки вдали от движущихся частей. Свободная одежда, украшения или длинные волосы могут попасть в движущиеся части.
 - g. Если имеются устройства для подключения пылесборника или вытяжки, убедитесь в том, что они подсоединены и используются правильно. Использование пылесборника снижает вероятность возникновения рисков, связанных с пылью.
4. Использование и уход за электроинструментом
- a. Не перегружайте электроинструмент. Используйте подходящий электрический инструмент для соответствующего применения. Правильно подобранный электроинструмент позволит выполнить работу лучше и безопаснее при скорости, для которой он был разработан.
 - b. Не используйте электроинструмент, если переключатель не может его включить и выключить. Любой электроинструмент, который нельзя контролировать с помощью переключателя, опасен и должен быть отремонтирован.
 - c. Отключите кабель питания от источника питания и/или аккумуляторный блок от электрического инструмента перед выполнением любых регулировок, замены принадлежностей или при хранении электроинструмента. Такие профилактические меры безопасности уменьшают риск непреднамеренного запуска электрического инструмента.
 - d. Храните неиспользуемые электроинструменты в недоступном для детей месте и не позволяйте лицам, не знакомым с электроинструментом или данными инструкциями, работать с электроинструментом. Электроинструменты опасны в руках неопытных пользователей.
 - e. Поддержание электроинструмента. Проверяйте разрегулированность или соединение подвижных частей, поломки частей и любые другие условия, которые могут повлиять на работу электроинструмента. При наличии повреждения, отремонтируйте электроинструмент перед использованием. Многие несчастные случаи являются следствием плохого ухода за электроинструментом.

- f. **Держите режущий инструмент острым и чистым.** Хорошо ухоженный режущий инструмент с острыми режущими кромками легче контролировать.
 - g. **Используйте электроинструмент, аксессуары и насадки в соответствии с данными инструкциями, принимая внимание условия работы и те работы, которые должны быть выполнены.** Использование электроинструмента для операций, отличающихся от тех, для которых он предназначен, может привести к опасной ситуации.
5. **Обслуживание**
- a. **Обеспечьте, чтобы обслуживание и ремонт вашего электроинструмента проводился в авторизованном сервисном центре по ремонту с использованием только оригинальных запасных частей.** Это станет гарантией безопасности электроинструмента.

Дополнительные указания по конкретным правилам безопасной работы

Правила техники безопасности для всех операций

Общие меры предосторожности для шлифования

- a. **Данный электроинструмент предназначен для работы в качестве шлифовального станка. Ознакомьтесь со всеми мерами предосторожности, инструкциями, иллюстрациями и спецификациями, поставляемыми с инструментом.** Несоблюдение всех инструкций, указанных ниже, может привести к поражению электрическим током, пожару и/или серьезной травме.
- b. **Такие операции, как резание, пескоструйная очистка, чистка проволочной щеткой или полировка не рекомендуется выполнять с помощью этого электроинструмента.** Операции, для которых электроинструмент не предназначен, могут создать опасность и причинить травму.
- c. **Не используйте принадлежности, которые не были специально разработаны и рекомендованы изготовителем инструмента.** Тот факт, что аксессуар может быть подключен к электроинструменту, не гарантируют безопасную работу.
- d. **Номинальная частота вращения аксессуара должны быть по меньшей мере равна максимальной скорости, обозначенной на инструменте.** Аксессуары работающие быстрее, чем их номинальная скорость, могут сломаться и разлететься.
- e. **Наружный диаметр и толщина аксессуара должна быть в пределах номинальных мощностей вашего инструмента.** Аксессуар неправильного размера не может быть адекватно защищен или контролироваться.
- f) **Резьбовый крепеж аксессуаров должен соответствовать резьбе шпинделя шлифовального станка.** Для аксессуаров, монтируемых при помощи фланцев, отверстие шпинделя аксессуара должно соответствовать местоположению диаметра фланца. Из-за аксессуаров, которые не соответствуют монтажному оборудованию электроинструмента, можно потерять равновесие, испытать чрезмерную вибрацию или потерять управление.
- g. **Не используйте поврежденные принадлежности.** Перед каждым применением проверяйте вспомогательное оборудование - абразивный круг на наличие сколов и трещин, шлифовальный диск на наличие трещин, повреждения или чрезмерный износ, болтающиеся или поврежденные провода. Если электроинструмент или аксессуар упал, проверьте его на наличие повреждений или установите неповрежденный аксессуар. После проверки и установки аксессуара, встаньте вдали от плоскости вращения аксессуара и запустите электроинструмент на максимальной скорости без нагрузки в течение одной минуты. Поврежденные аксессуары, как правило, распадаются в течение этого времени испытаний.
- h. **Наденьте средства индивидуальной защиты. В зависимости от применения, используйте защитную маску, или защитные очки. В случае необходимости, наденьте защитную маску, используйте средства для защиты слуха, перчатки и рабочий фартук, способные остановить мелкие абразивы или фрагменты деталей.** Средства защиты глаз должны быть способны остановить летящий мусор во время различных операций. Маска или респиратор должны быть способны фильтровать частицы, образуемые во время вашей работы. Длительное воздействие шума высокой интенсивности может привести к потере слуха.
- i. **Держите людей на безопасном расстоянии от места работы. Любой человек, входящий в рабочую зону, должен быть одет в средства индивидуальной защиты.** Фрагменты деталей или разбитый аксессуар может улететь и причинить травму за пределами непосредственной близости от места работы.

- j. Во время работы держите электроинструмент только за изолированные части, во время работы режущий инструмент может задеть скрытую проводку или собственный кабель.** Режущий аксессуар при контакте с проводом под напряжением может стать причиной удара электрическим током.
- k. Расположите шнур вдали от вращающегося аксессуара.** Если вы теряете контроль, шнур может быть разрезан или зацеплен, и ваша рука или руки могут быть втянуты в вращающийся аксессуар.
- l. Никогда не кладите электроинструмент, пока аксессуар полностью не остановился.** Вращающийся инструмент может захватить поверхность, и электроинструмент выйдет из под вашего контроля.
- m. Не запускайте электроинструмент во время его переноски.** Случайный контакт с вращающимся аксессуаром может затянуть вашу одежду и поранить ваше тело.
- n. Регулярно очищайте вентиляционные прорези электроинструмента.** Вентилятор двигателя будет выдувать пыль внутри корпуса и предотвращать от чрезмерного накопления металлических порошков, которые могут вызвать поражение электрическим током.
- o. Не используйте электроинструмент вблизи легковоспламеняющихся материалов.** Искры могут воспламенить эти материалы.
- p. Не используйте аксессуары, которые требуют охлаждающих жидкостей.** Использование воды или других охлаждающих жидкостей может привести к поражению электротоком.
- могут также ломаться в этих условиях. Отдача является результатом неправильного использования инструмента и/или неправильных действий оператора и условий, которых можно избежать путем принятия надлежащих мер предосторожности, как указано ниже:
- a. Крепко держите электроинструмент. Положение вашего тела и рук должно позволить вам противостоять воздействию отдачи. Всегда используйте вспомогательную рукоятку, если это предусмотрено, для максимального контроля над отдачей или реактивным крутящим моментом во время запуска.** Оператор может управлять реактивным крутящим моментом или отдачей, если приняты соответствующие меры предосторожности.
 - b. Никогда не помещайте руки вблизи вращающегося аксессуара.** Аксессуар может дать отдачу по вашей руке.
 - c. Не стойте там, где будет двигаться электроинструмент если произойдет случай отдачи.** Отдача будет двигать инструмент в направлении, противоположном движению кругов в точке зацепления.
 - d. Используйте особую осторожность при обработке углов, острых кромок и т.д. Избегайте отскока и зацепления аксессуара.** Углы, острые края или отскоки, как правило, могут привести к потере управления над вращающимся аксессуаром или к отдаче.
 - e. Не подкачайте лезвие пильной цепи для резьбы по дереву или зубчатые пилы.** Такие лезвия создают частую отдачу и потерю контроля.

Предупреждения по технике безопасности, специфичные для операций шлифования

Отдача и связанные с ней предупреждения

Отдача является внезапной реакцией на защемление или зацепление вращающегося круга, шлифовального диска или любого другого аксессуара. Сжатие или зацепление вызывает быстрый срыв вращающегося аксессуара, который в свою очередь поворачивает неконтролируемый электроинструмент в направлении, противоположном направлению вращения аксессуара в точке привязки. Например, если абразивный круг зацепил или зажег заготовку, край круга, который попадает в точку защемления может вбуриваться в поверхность материала, в результате чего круг выбивается из защемления. Круг может выскочить либо к или от оператора, в зависимости от направления вращения круга в точке защемления. Абразивные круги

- a) Используйте только те типы кругов, которые рекомендованы для вашего электроинструмента и конкретного кожуха, предназначенного для выбранного круга.** Круги, не предназначенные для данного электроинструмента, использовать небезопасно.
- b) Кожух должен быть надежно прикреплен к электроинструменту и расположен с учетом максимальной безопасности, так, чтобы как можно меньшая часть круга была открыта для оператора.** Кожух помогает защитить оператора от сломанных фрагментов круга и случайного контакта с кругом, а также искр, которые могут воспламенить одежду.

- с) Круги должны быть использованы только для рекомендованных приложений. Например: не шлифовать боковой частью отрезного круга. Абразивные отрезные круги предназначены для периферийного шлифования, боковая сила, применяемая к этим кругам может привести к их разрушению.
- д) Всегда используйте неповрежденные круговые фланцы, которые имеют правильный размер и форму для выбранного круга. Собственные круговые фланцы поддерживают круг, таким образом, уменьшая возможность поломки круга. Фланцы для отрезных кругов могут отличаться от фланцев для шлифовальных кругов.
- е) Не используйте изношенные круги от более крупных электроинструментов. Круги предназначенные для электроинструмента большего размера не подходят для более высокой скорости меньшего инструмента и могут лопнуть.
- ф) Поверхность шлифования круга с утопленным центром должна быть установлена ниже края кожуха. Неправильно установленный круг, который проецируется по плоскости края кожуха, не может быть защищен надлежащим образом.





Остаточные риски

Несмотря на соблюдение соответствующих правил техники безопасности и использование защитных устройств, некоторые остаточные риски невозможно избежать, а именно:

- Плохой слух
- Риск получения травмы от летящих частиц
- Риск получения ожогов из-за того, что аксессуары во время эксплуатации становятся горячими
- Риск получения травмы из-за длительного использования.
- Риск пыли от опасных веществ.

Этикетки на инструменте

Наравне с кодом даты на инструменте могут находиться следующие знаки:

| | | | | |
|--|---|---|---|--|
|  | Читайте инструкции по эксплуатации | Гц Герц |  | Конструкция класса II |
|  | Используйте средства защиты глаз | Вт Ватт |  | Терминал заземления |
|  | Используйте средства защиты органов слуха | мин. минуты |  | Символ предупреждения об опасности |
| | |  | Переменный ток | обороты или возвратно-поступательное движение в минуту |
| | |  | Постоянный ток | |
| V | Вольт | г ₀ | Скорость без нагрузки | |
| A | Ампер | | | |

Положение даты штрих-кода

Дата кода, который также включает год изготовления, печатается на корпусе.

Пример:

2014 XX JN
Год изготовления

Содержание упаковки

Данная упаковка включает в себя:

- 1 Угловую шлифовальную машину
 - 1 Кожух
 - 1 Набор фланцев
 - 1 Гаечный ключ
 - 1 Ручку
 - 1 Руководство по эксплуатации
- Проверьте инструмент, запчасти и аксессуары, чтобы понять не были ли они повреждены во время транспортировки.
 - Потратьте несколько минут, чтобы ознакомиться и понять данную инструкцию перед использованием инструмента.

Описание (рис. 1)



Предупреждение: Никогда не производите никаких модификаций электроинструмента или какой-либо его части, в противном случае это может привести к повреждению инструмента или травме.

- а) Переключатель ВКЛ./ВЫКЛ.
- б) Блокировка шпинделя
- с) Кожух

Цель дизайна

Данная угловая шлифовальная машина разработана специально для шлифования.

Не используйте круги с наждачной бумагой и шлифовальные круги кроме тех, которые имеют утопленный центр.

Не используйте инструмент во влажных условиях или условиях, где присутствуют легковоспламеняющиеся жидкости или газы.

Данная угловая шлифовальная машина для тяжелых условий эксплуатации является профессиональным электроинструментом.

Не допускайте детей к данному электроинструменту. Неопытные операторы обязаны использовать этот инструмент под наблюдением профессионалов.

Отключение при падении напряжения

Данная функция отключит шлифмашину без последующего запуска при исчезновении или сильном понижении напряжения.

Безопасность электротехнического оборудования

Для данного инструмента применяется только одно напряжение. Убедитесь, что электропитание соответствует напряжению, указанному на заводской табличке.



Ваш инструмент Stanley оснащен двойной изоляцией, следовательно, не требует заземления.

Если шнур питания поврежден, отправьте его в сервисный центр Stanley для замены специально подготовленных кабелей.

Использование удлинителей

Если требуется удлинитель, выберите 3-фазный удлинитель, который был проверен и соответствует входной мощности (см. Технические данные) этого инструмента. Минимальный размер проводника составляет 1,5 мм², максимальная длина составляет 30 метров.

При использовании кабельного барабана, убедитесь, что вы вытянули все кабели.

Монтаж и наладка



Предупреждение: Чтобы свести к минимуму опасность получения серьезной травмы, пожалуйста, выключите питание инструмента и отсоедините все вилки перед регулировкой или снятием/установкой любого аксессуара. Перед сборкой инструмента нажмите и отпустите курковый выключатель, чтобы убедиться, что инструмент уже выключен.

Установка и снятие защитного кожуха (рис. 2)

Предупреждение: Чтобы свести к минимуму опасность получения серьезной травмы, пожалуйста, выключите питание инструмента и отсоедините все вилки перед регулировкой или снятием/установкой любого аксессуара. Перед сборкой инструмента нажмите и отпустите курковый

выключатель, чтобы убедиться, что инструмент уже выключен.

Установка кожуха

1. Установите угловую шлифовальную машину на рабочий стол пазом вверх.
2. Установите фланец воротника кожуха (с) через паз (i) корпуса зубчатой передачи.
3. Поверните кожух (с) против часовой стрелки на 150 градусов.
4. Убедитесь, что винты (к) затянуты.

Снятие кожуха

1. Ослабьте винты (к) на вороте кожуха.
2. Поднимите кожух (с).



Предупреждение: Не используйте инструмент, если защитный кожух не находится на месте.

Примечание: Ознакомьтесь со шлифовальными аксессуарами в конце этого раздела для аксессуаров, которые могут быть использованы вместе с данной угловой шлифовальной машиной.

Установка и снятие шлифовальных кругов (рис. 3, 4)



Предупреждение: Не используйте поврежденные шлифовальные круги.

1. Установите инструмент на рабочий стол пазом вверх.
2. Установите внутренний фланец (d) правильно на выходном валу (e) (рис. 3).
3. Установите шлифовальный круг (f) на внутренний фланец (d). При установке шлифовального круга с приподнятым центром, убедитесь, что приподнятый центр (g) смотрит на внутренний фланец (d).
4. Затяните внешний фланец (h) до выходного вала (e) (рис. 4). При установке шлифовального круга, кольцо поверх внешнего фланца (h) должно смотреть на круг.
5. Нажмите на блокировку шпинделя (b) и предотвратите шпиндель (e) от вращения пока он не зафиксирован в нужном месте.
6. Используйте гаечный ключ, чтобы затянуть внешний фланец (h).

Подготовка к использованию

- Прикрепите безопасный кожух и соответствующие абразивные или шлифовальные круги. Не используйте чрезмерно изношенные абразивные или шлифовальные круги.
- Убедитесь в том, что внутренние и внешние фланцы закреплены правильно.
- Убедитесь, что абразивные или шлифовальные круги вращаются в направлении стрелок, указанных на аксессуарах и инструменте.

Операция (рис. 5)

Инструкции



Предупреждение: Всегда соблюдайте инструкции по технике безопасности и другие правила.



Предупреждение: Чтобы свести к минимуму опасность получения серьезной травмы, пожалуйста, выключите питание инструмента и отсоедините все вилки перед регулировкой или снятием/установкой любого аксессуара. Перед сборкой инструмента нажмите и отпустите курковый выключатель, чтобы убедиться, что инструмент уже выключен.



Предупреждение:

- Убедитесь, что все шлифуемые материалы закреплены в правильном положении.
 - Немного надавите на инструмент. Не применяйте боковое надавливание на абразивный круг.
 - Избегайте перегрузки. Если инструмент нагревается, дайте ему повращаться в течение нескольких минут без нагрузки.
1. Убедитесь, что держите инструмент плотно обеими руками (одной рукой за корпус, другой за боковую ручку). Запустите инструмент и проведите шлифовальным кругом по заготовке.
 2. Держите край колеса под углом от 15 до 30 градусов по отношению к поверхности обрабатываемой детали.
 3. При использовании нового шлифовального круга,

круг не должен работать в направлении В, в противном случае, он может разрезать заготовку. Когда край круга был закруглен, вы можете использовать шлифовальный станок как в направлении А, так и в направлении В.

Запуск и остановка (рис. 1)



Предупреждение: Перед использованием инструмента, проверьте, чтобы ручка была надежно затянута. Убедитесь, что переключатель ВКЛ./ВЫКЛ. работает нормально.

Перед включением инструмента в источник питания, убедитесь в том, что переключатель находится в положении ВЫКЛ. (о) при нажатии на заднюю часть переключателя.

Для запуска инструмента, нажмите на заднюю часть выключателя и сдвиньте его вперед. Затем нажмите на переднюю часть выключателя, чтобы зафиксировать ее. Нажмите на заднюю часть переключателя, чтобы выключить инструмент.



Предупреждение: Не включайте и не выключайте инструмент, когда он находится под нагрузкой.

Правильное положение рук (рис. 6)



Предупреждение: Чтобы уменьшить риск получения серьезной травмы, **ВСЕГДА** используйте правильное положение рук, как показано на рисунке.



Предупреждение: Чтобы уменьшить риск получения серьезной травмы, **ВСЕГДА** крепко держите инструмент в ожидании возможной внезапной реакции.

Правильное положение рук во время работы требует, чтобы одна рука была на боковой рукоятке (рис 1), тогда как другая на корпусе инструмента, как показано на рисунке 6.

Выключатели



Предостережение: Крепко держите корпус инструмента, сохраняя контроль над инструментом при запуске и во время использования до тех пор, пока круг или другой аксессуар не перестает вращаться. Убедитесь, что круг полностью остановился, прежде чем положить инструмент.

Примечание: Для уменьшения неожиданного движения инструмента, не включайте и не выключайте инструмент пока он находится под нагрузкой. Дайте шлифовальному станку поработать на полную мощность, прежде чем прикоснуться им к рабочей поверхности. Поднимите инструмент от поверхности, прежде чем выключить его. Дайте инструменту остановиться прежде чем положить его.


Скользящий переключатель (рис. 1)

Предупреждение: Перед подключением инструмента к источнику питания, убедитесь, что ползунок переключателя находится в выключенном положении, нажав на заднюю часть переключателя и освободив его. Убедитесь, что скользящий переключатель находится в выключенном положении, как описано выше, после любого перерыва в подаче электропитания на инструмент, например, активации прерывателя замыкания на землю, автоматического выключения, случайного отключения или сбоя питания. Если положение переключателя заблокировано, когда подключено питание, инструмент может включиться неожиданно.

Для запуска инструмента сдвиньте скользящий переключатель (а) в направлении передней части инструмента. Для остановки инструмента, отпустите ползунок переключателя. Для непрерывной работы, переведите переключатель в сторону передней части инструмента и нажмите на переднюю часть выключателя внутрь. Для остановки инструмента при работе в непрерывном режиме, нажмите на заднюю часть скользящего переключателя и отпустите его.

Блокировка шпинделя (рис. 1)

Блокировка шпинделя (b) предотвращает выходной вал от вращения при установке или удалении шлифовального круга. Используйте только блокировку шпинделя, когда инструмент выключен, питание отключено, и круг полностью остановлен.

 **Примечание:** Для уменьшения повреждений инструмента, не используйте блокировку шпинделя, когда инструмент работает. В противном случае, это может привести к повреждению инструмента. Прилагаемые аксессуары могут оторваться и нанести травму.

При использовании блокировки шпинделя, нажмите кнопку блокировки шпинделя и прокрутите выходной вал до упора.

Применение по металлам

При применении инструмента на металлах, убедитесь, что устройство защитного отключения (УЗО) встроено для предотвращения опасности повреждения металлической стружкой.

Если УЗО вызывает отключение питания, отправьте инструмент для проверки и ремонта в авторизованный центр Stanley.



Предупреждение: При экстремальных условиях работы, токопроводящая пыль и песок могут накапливаться внутри корпуса при работе с металлическими деталями. Это может создать опасность поражения электрическим током, так как ослабляет защитную изоляцию шлифовального станка.

Чтобы избежать накопления металлической стружки внутри корпуса шлифовального станка, мы рекомендуем ежедневно очищать вентиляционные каналы. Ознакомьтесь с руководством по техническому обслуживанию.

Использование шлифовальных кругов



Предупреждение: Металлический порошок накапливается. Чрезмерное использование шлифовального круга по металлу может увеличить риск поражения электрическим током. Чтобы уменьшить риск, вставьте УЗО перед использованием и очищайте вентиляционные каналы ежедневно. Следуйте инструкциям по техническому обслуживанию для чистки вентиляционных каналов сухим сжатым воздухом.

Обслуживание

Электроинструменты Stanley были разработаны для работы в течение длительного периода времени с минимальным обслуживанием. Срок службы и надежность обеспечиваются правильным уходом и регулярной чисткой.



Предупреждение: Чтобы свести к минимуму опасность получения серьезной травмы, пожалуйста, выключите питание инструмента и отсоедините все пробки перед регулировкой или снятием/установкой любого аксессуара. Перед сборкой инструмента нажмите и отпустите курковый выключатель, чтобы убедиться, что инструмент уже выключен.



Смазка

Этот электроинструмент не требует отдельной смазки.



Чистка



Предупреждение: Если вы можете видеть осевшую пыль на вентиляционных каналах и внутри корпуса, сразу же используйте сухой воздух, чтобы сдуть пыль и песок из внутренней части корпуса. Используйте средства защиты глаз и лица при выполнении этого процесса.

Предупреждение: Никогда не используйте растворители или агрессивные химические средства для очистки неметаллических частей. Используйте только мягкое мыло и влажную ткань, чтобы очистить инструмент. Никогда не допускайте попадания жидкости внутрь инструмента и никогда не погружайте любую часть инструмента в жидкость.

Аксессуары



Предупреждение: За исключением аксессуаров, поставляемых Stanley, все другие аксессуары не были проверены на совместимость с продуктом. Использование таких аксессуаров с данным инструментом может привести к опасной ситуации. Чтобы свести к минимуму риск получения травмы, мы рекомендуем использовать только аксессуары Stanley с этим продуктом.

Пожалуйста, получите дополнительную информацию о подходящих аксессуарах у своего дилера.

Технические характеристики

| | | STGS9115 | STGS9125 |
|-----------------------------|--------------------------|----------|----------|
| Напряжение питания | В _{перем. тока} | 220-240 | 220-240 |
| Потребляемая мощность | Вт | 900 | 900 |
| Частота тока | Гц | 50/60 | 50/60 |
| Число оборотов без нагрузки | об/мин | 11000 | 11000 |
| Диаметр круга | мм | 115 | 125 |
| Диаметр шпинделя | | M14 | M14 |
| Толщина шлифовального круга | мм | 6 | 6 |
| Тип круг | | 27 | 27 |
| Вес | кг | 2.2 | 2.3 |

Защита окружающей среды



Раздельный сбор и утилизация. Этот продукт не следует утилизировать вместе с бытовым мусором.

Если вы поймете, что ваш продукт Stanley нуждается в замене, или если он не имеет никакого дальнейшего применения для вас, не выбрасывайте его вместе с бытовыми отходами. Предоставьте этот продукт для раздельного сбора/утилизации.



Раздельный сбор продуктов и упаковок позволяет осуществить их переработку и использовать их повторно. Повторное использование переработанных материалов помогает защищать окружающую среду от загрязнения и снижает расход сырьевых материалов.

Местное законодательство может обеспечить сбор старых электроинструментов отдельно от бытового мусора на муниципальных свалках отходов или в торговом предприятии при покупке нового изделия. Stanley обеспечивает возможность для сбора и утилизации продуктов Stanley, как только они достигли конца своего срока службы. Для того чтобы воспользоваться этой услугой, вы можете сдать ваше изделие в любой авторизованный сервисный центр, который собирает их по нашему поручению.

Вы можете узнать место нахождения вашего ближайшего авторизованного сервисного центра, обратившись в местное отделение Stanley по адресу, указанному в данном руководстве. Кроме того, список авторизованных ремонтных агентов Stanley и полную информацию о нашем послепродажном обслуживании и контактах вы можете найти в Интернете: www.2helpU.com

STANLEY

Гарантийные условия

Уважаемый покупатель!

1. Поздравляем Вас с покупкой высококачественного изделия STANLEY и выражаем признательность за Ваш выбор.
2. При покупке изделия требуйте проверки его комплектности и исправности в Вашем присутствии, инструкцию по эксплуатации и заполненный гарантийный талон на русском языке.

В гарантийном талоне должны быть внесены: модель, дата продажи, серийный номер, дата производства инструмента; название, печать и подпись торговой организации. При отсутствии у Вас правильно заполненного гарантийного талона, а также несоответствия указанных в нем данных мы будем вынуждены отклонить Ваши претензии по качеству данного изделия.

3. Во избежание недоразумений убедительно просим Вас перед началом работы с изделием внимательно ознакомиться с инструкцией по его эксплуатации. Правовой основой настоящих гарантийных условий является действующее Законодательство. Гарантийный срок на данное изделие составляет 24 месяца и исчисляется со дня продажи. В случае устранения недостатков изделия, гарантийный срок продлевается на период его нахождения в ремонте. Срок службы изделия составляет 5 лет со дня продажи.
4. В случае возникновения каких-либо проблем в процессе эксплуатации изделия рекомендуем Вам обращаться только в уполномоченные сервисные центры STANLEY, адреса и телефоны которых Вы сможете найти в гарантийном талоне, на сайте www.2helpU.com или узнать в магазине. Наши сервисные станции - это не только квалифицированный ремонт, но и широкий ассортимент запчастей и принадлежностей.
5. Производитель рекомендует проводить периодическую проверку и техническое обслуживание изделия в уполномоченных сервисных центрах.



Изготовитель
Блэк энд Деккер Холдингс ГмБХ
Германия, 65510, Идштайн,
ул. Блэк энд Деккер, 40

6. Наши гарантийные обязательства распространяются только на неисправности, выявленные в течение гарантийного срока и вызванные дефектами производства и/или материалов.
7. **Гарантийные условия не распространяются на неисправности изделия, возникшие в результате:**
 - 7.1. Несоблюдения пользователем предписаний инструкции по эксплуатации изделия, применения изделия не по назначению, неправильном хранении, использования принадлежностей, расходных материалов и запчастей, не предусмотренных производителем.
 - 7.2. Механического повреждения (сколы, трещины и разрушения) внутренних и внешних деталей изделия, основных и вспомогательных рукояток, сетевого электрического кабеля, вызванного внешним ударным или любым иным воздействием
 - 7.3. Попадания в вентиляционные отверстия и проникновение внутрь изделия посторонних предметов, материалов или веществ, не являющихся отходами, сопровождающими применение изделия по назначению, такими как: стружка, опилки, песок, и пр.
 - 7.4. Воздействий на изделие неблагоприятных атмосферных и иных внешних факторов, таких как дождь, снег, повышенная влажность, нагрев, агрессивные среды, несоответствие параметров питающей электросети, указанных на инструменте.
 - 7.5. Стихийного бедствия. Повреждение или утрата изделия, связанное с непредвиденными бедствиями, стихийными явлениями, в том числе вследствие действия непреодолимой силы (пожар, молния, потоп и другие природные явления), а так же вследствие перепадов напряжения в электросети и другими причинами, которые находятся вне контроля производителя.
8. **Гарантийные условия не распространяются:**
 - 8.1. На инструменты, подвергавшиеся вскрытию, ремонту или модификации вне уполномоченного сервисного центра.
 - 8.2. На детали и узлы, имеющие следы естественного износа, такие как: приводные ремни и колеса, угольные щетки, смазка, подшипники, зубчатое зацепление редукторов, резиновые уплотнения, сальники, направляющие ролики, муфты, выключатели, бойки, толкатели, стволы, и т.п.
 - 8.3. На сменные части: патроны, цанги, зажимные гайки и фланцы, фильтры, аккумуляторные батареи, ножи, шлифовальные подошвы, цепи, звездочки, пильные шины, защитные кожухи, пилки, абразивы, пильные и абразивные диски, фрезы, сверла, буры и т.п.
 - 8.4. На неисправности, возникшие в результате перегрузки инструмента (как механической, так и электрической), повлекшей выход из строя одновременно двух и более деталей и узлов, таких как: ротора и статора, обеих обмоток статора, ведомой и ведущей шестерни редуктора или других узлов и деталей. К безусловным признакам перегрузки изделия относятся, помимо прочих: появление цветов побежалости, деформация или оплавление деталей и узлов изделия, потемнение или обугливание изоляции проводов электродвигателя под воздействием высокой температуры.



Приложение к руководству по эксплуатации

Угловые шлифмашины

Модели: STGS7115, STGS9115, STGS9125, STGS1125, STGL2223, STGL2123, STGL2023, STGL2218, STGL2018, STGS9100, STGS5100, STGS5115, STGS7100, STGS5800, STGS5815, STGS8100, STGS8115, STDG5006, STGP1318, FME811K, FME811, FME812, FME812K, FME841, FME841K, FMEK890. Сделано в Китае.

Сертификат №: RU C-DE.АГ49.В.03918

Действителен до: 12 марта 2018 г. Выдан: Общество с ограниченной ответственностью "Гильдия Качества", адрес местонахождения: 115088, город Москва, Шарикоподшипниковская улица, дом 4, корпус 12, фактический адрес: 248018, Калужская область, город Калуга, улица Карла Либкнехта, дом 31, телефон: +7(4842) 22-02-81, факс: +7(499)372-00-89, e-mail: gk.tr.ts@gmail.com.

Изготовитель: Блэк энд Деккер Холдингс ГмбХ

Германия, 65510, Идштайн,

ул. Блэк энд Деккер, 40

Уполномоченное изготовителем юр.лицо:

ООО "Стэнли Блэк энд Деккер", 117485, город Москва, улица Обручева, дом 30/1, строение 2

Телефон: + 7 (495) 258-3981, факс: + 7 (495) 258-3984, E-mail: inbox@dewalt.com

Сведения о импортере указаны в эксплуатационных документах и/или на упаковке

Хранение.

Необходимо хранить в сухом месте, вдали от источников повышенных температур и воздействия солнечных лучей. При хранении необходимо избегать резкого перепада температур. Хранение без упаковки не допускается

Срок службы.

Срок службы изделия составляет 5 лет. Не рекомендуется к эксплуатации по истечении 5 лет хранения с даты изготовления без предварительной проверки. Дата изготовления (код даты) указана на корпусе инструмента.

Код даты, который также включает год изготовления, отштампован на поверхности корпуса изделия.

Пример:

2014 46 XX, где 2014 –год изготовления, 46-неделя изготовления. Определить месяц изготовления по указанной неделе изготовления можно согласно приведенной ниже таблице.

Транспортировка.

Категорически не допускается падение и любые механические воздействия на упаковку при транспортировке.

При разгрузке/погрузке не допускается использование любого вида техники, работающей по принципу зажима упаковки.

Перечень критических отказов, возможные ошибочные действия персонала.

Не допускается эксплуатация изделия:

- При появлении дыма из корпуса изделия
- При поврежденном и/или оголенном сетевом кабеле
- при повреждении корпуса изделия, защитного кожуха, рукоятки
- при попадании жидкости в корпус
- при возникновении сильной вибрации
- при возникновении сильного искрения внутри корпуса

Критерии предельных состояний.

- При поврежденном и/или оголенном сетевом кабеле
- при повреждении корпуса изделия

| Месяц | Январь | Февраль | Март | Апрель | Май | Июнь | Июль | Август | Сентябрь | Октябрь | Ноябрь | Декабрь | Год производства |
|--------|--------|---------|------|--------|-----|------|------|--------|----------|---------|--------|---------|------------------|
| Неделя | 01 | 05 | 09 | 14 | 18 | 22 | 27 | 31 | 36 | 40 | 44 | 49 | 2014 |
| | 02 | 06 | 10 | 15 | 19 | 23 | 28 | 32 | 37 | 41 | 45 | 50 | |
| | 03 | 07 | 11 | 16 | 20 | 24 | 29 | 33 | 38 | 42 | 46 | 51 | |
| | 04 | 08 | 12 | 17 | 21 | 25 | 30 | 34 | 39 | 43 | 47 | 52 | |
| | 05 | 09 | 13 | 18 | 22 | 26 | 31 | 35 | 40 | 44 | 48 | | |
| Неделя | | | 14 | | | 27 | | | | | | | 2015 |
| | 01 | 05 | 09 | 14 | 18 | 23 | 27 | 31 | 36 | 40 | 44 | 49 | |
| | 02 | 06 | 10 | 15 | 19 | 24 | 28 | 32 | 37 | 41 | 45 | 50 | |
| | 03 | 07 | 11 | 16 | 20 | 25 | 29 | 33 | 38 | 42 | 46 | 51 | |
| | 04 | 08 | 12 | 17 | 21 | 26 | 30 | 34 | 39 | 43 | 47 | 52 | |
| Неделя | | 09 | 13 | 18 | 22 | 27 | 31 | 35 | 40 | 44 | 48 | 53 | 2016 |
| | | | 14 | | | | 36 | | | | 49 | | |
| | 01 | 05 | 09 | 13 | 17 | 22 | 26 | 31 | 35 | 39 | 44 | 48 | |
| | 02 | 06 | 10 | 14 | 18 | 23 | 27 | 32 | 36 | 40 | 45 | 49 | |
| | 03 | 07 | 11 | 15 | 19 | 24 | 28 | 33 | 37 | 41 | 46 | 50 | |
| Неделя | 04 | 08 | 12 | 16 | 20 | 25 | 29 | 34 | 38 | 42 | 47 | 51 | 2017 |
| | | 09 | 13 | 17 | 21 | 26 | 30 | 35 | 39 | 43 | 48 | 52 | |
| | | | | 22 | | | | | 44 | | | | |
| | 01 | 05 | 09 | 13 | 18 | 22 | 26 | 31 | 35 | 39 | 44 | 48 | |
| | 02 | 06 | 10 | 14 | 19 | 23 | 27 | 32 | 36 | 40 | 45 | 49 | |
| Неделя | 03 | 07 | 11 | 15 | 20 | 24 | 28 | 33 | 37 | 41 | 46 | 50 | 2017 |
| | 04 | 08 | 12 | 16 | 21 | 25 | 29 | 34 | 38 | 42 | 47 | 51 | |
| | 05 | 09 | 13 | 17 | 22 | 26 | 30 | 35 | 39 | 43 | 48 | 52 | |
| | | | | | 31 | | | 44 | | | | | |

Область застосування

Ваша кутова шліфувальна машина STANLEY STGS9115-STGS9125 була розроблена для робіт по різі / шліфуванню металу з використанням рекомендованого типу диска. Інструмент призначений для професійної викомалтання.

Визначення: Правила техніки безпеки

Наведені нижче визначення описують рівень важливості кожного сигнального слова. Будь ласка, прочитайте інструкцію і зверніть увагу на ці символи.



Danger: Небезпека: Вказує на потенційно небезпечну ситуацію, яка, якщо її не уникнути, призведе до смерті або серйозних травм.



Warning: Попередження: Вказує на потенційно небезпечну ситуацію, яка, якщо її не уникнути, могла б призвести до смерті або серйозних травм.



Застереження: Вказує на потенційно небезпечну ситуацію, яка, якщо її не уникнути, може призвести до легкої або середньої травми.

Примітка: Вказує на ситуацію, не пов'язану з виробничою травмою, яка, якщо їй не запобігти, може призвести до матеріального збитку.



Позначає небезпеку ураження електричним струмом.



Позначає небезпеку загоряння.



Попередження: Щоб зменшити ризик отримання травми, ознайомтеся з інструкціями з експлуатації.

Загальні попередження з техніки безпеки електроінструментів



Увага! Ознайомтеся з усіма правилами безпеки та інструкціями. Недотримання попереджень та інструкцій, зазначених нижче, може призвести до ураження електричним струмом, пожежі та/або серйозної травми.

Збережіть всі попередження та інструкції для майбутнього використання.

Термін "електроінструмент" у всіх попередженнях, зазначених нижче, відноситься до мережевого (з

кабелем) електроінструменту або акумуляторної батареї (без кабелю живлення).

1. Безпека робочого місця

- Утримуйте робоче місце в чистоті і добре освітленим.** Безлад на робочому місці або відсутність освітлення робочого місця може призвести до аварії.
- Не працюйте з електроінструментом в місці зберігання вибухонебезпечних матеріалів, наприклад, у присутності легкозаймистих рідин, газів або пилу.** Електричні інструменти створюють іскри, що можуть запалити пил або пари.
- Діти і сторонні особи повинні знаходитися якнайдалі під час роботи з електроприладами.** Ви можете відволіктися і втратити контроль.

2. Електробезпека

- Вилка електроінструменту повинна відповідати розетці. Ніколи не змінюйте вилку будь-яким чином. Не використовуйте ніякі вилки-перехідники з заземленими (замкнутими на землю) електроінструментами.** Вилки і розетки, які не піддавалися ніяким змінам знижують ризик ураження електричним струмом.
- Уникайте контакту тіла з заземленими поверхнями, такими як труби, радіатори, плити та холодильники.** Існує підвищений ризик ураження електричним струмом, якщо ваше тіло заземлене.
- Уникайте будь-якого впливу дощу або вологи на електроінструменти.** Вода, що потрапила в електроінструмент, збільшує ризик ураження електричним струмом.
- Обережно поводьтеся зі шнуром живлення. Ніколи не використовуйте шнур живлення для перенесення, переміщення або вилучення вилки з розетки. Тримайте шнур подалі від джерел тепла, масла, гострих країв або рухомих частин.** Пошкоджені або заплутані шнури збільшують ризик ураження електричним струмом.
- При роботі з електроінструментом на вулиці, використовуйте подовжувач, відповідний для зовнішнього використання.** Використання кабелю, придатного для використання на відкритому повітрі, знижує ризик ураження електричним струмом.
- При необхідності роботи з електроінструментом у вологому середовищі, використовуйте пристрій захисного відключення (ПЗВ).** Використання ПЗВ знижує ризик ураження електричним струмом.

3. Особиста безпека

a. Будьте уважні, дивіться, що ви робите, використовуйте здоровий глузд при роботі з електроприладами. Не використовуйте електроінструмент, якщо ви втомилися або перебуваєте під впливом наркотиків, алкоголю або ліків. Найменша необережність при роботі з електроінструментом може призвести до серйозних травм.

b. Використовуйте засоби індивідуального захисту. Завжди надягайте захисні окуляри. Інше захисне обладнання, включаючи респиратор, черевики на нековзній підшві, захисний шолом або засоби захисту органів слуху, використовувати в належних умовах, зменшать ризик отримання травми.

c. Для запобігання випадкового запуску, переконайтеся, що перемикач знаходиться у вимкненому положенні перед підключенням до джерела живлення та/або акумуляторної батареї, підняття або перенесення інструменту. Не переносьте електроінструмент з пальцем на вимикачі і не включайте електроживлення на інструмент з увімкненим вимикачем, що може призвести до нещасного випадку.

d. Перед включенням електроінструменту знімайте регульовальний або гайковий ключ. Гайковий або регульовальний ключ, залишений на обертовій частині електроінструменту, може призвести до травми.

e. Не тягніться. Зберігайте правильну стійку і баланс весь час. Це дозволяє краще контролювати інструмент в несподіваних ситуаціях.

f. Одягайтеся правильно. Не надягайте вільний одяг або прикраси. Тримайте волосся, одяг і рукавички далеко від рухомих частин. Вільний одяг, прикраси або довге волосся можуть потрапити в рухомі частини.

g. Якщо є пристрій для підключення пілозбірника або витяжки, переконайтеся в тому, що вони під'єднані і використовуються правильно. Використання пілозбірника знижує ймовірність виникнення ризиків, пов'язаних з пилом.

4. Використання та догляд за електроінструментом

a. Не перевантажуйте електроінструмент. Використовуйте відповідний електричний інструмент для відповідного застосування.

Правильно підібраний електроінструмент дозволить виконати роботу краще і безпечніше при швидкості, для якої він був розроблений.

b. Не використовуйте електроінструмент, якщо перемикач не може його включити і вимкнути. Будь-який електроінструмент, який не можна контролювати за допомогою перемикача, є небезпечний і повинен бути відремонтований.

c. Від'єднайте кабель живлення від джерела живлення та/або акумулятора від електричного інструменту перед виконанням будь-яких регулювань, заміни приладдя або при зберіганні електроінструменту. Такі профілактичні заходи безпеки зменшують ризик ненавмисного запуску електричного інструменту.

d. Зберігайте електроприлади в недоступному для дітей місці і не дозволяйте особам, які не знайомі з електричним інструментом або даними інструкціями, працювати з електроприладами. Електроінструменти небезпечні в руках недосвідчених користувачів.

e. Підтримання електроінструменту. Перевіряйте розрегульованість або з'єднання рухомих частин, поломки частин і будь-які інші умови, які можуть вплинути на роботу електроінструменту. При наявності пошкодження, відремонтуйте електроінструмент перед використанням. Багато нещасних випадків є наслідком поганого догляду за електроінструментом.

f. Тримайте ріжучий інструмент гострим і чистим. Добре доглянутий ріжучий інструмент з гострими ріжучими крайками легше контролювати.

g. Використовуйте електроінструмент, аксесуари та насадки відповідно до цих вказівок, приймаючи до уваги умови роботи і ті роботи, які повинні бути виконані. Використання електроінструменту для операцій, які відрізняються від тих, для яких він призначений, може призвести до небезпечної ситуації.

5. Обслуговування

a. Забезпечте, щоб обслуговування і ремонт вашого електроінструменту проводився в авторизованому сервісному центрі по ремонту з використанням тільки оригінальних запасних частин. Це стане гарантією безпеки електроінструменту.

Додаткові конкретні правила техніки безпеки

Правила техніки безпеки для всіх операцій

Загальні запобіжні заходи для шліфування

- a. Даний електроінструмент призначений для роботи в якості шліфувального верстата. Ознайомтеся з усіма запобіжними заходами, інструкціями, ілюстраціями і специфікаціями, що поставляються з інструментом. Недотримання всіх інструкцій, зазначених нижче, може призвести до ураження електричним струмом, пожежі та/або серйозної травми.
- b. Такі операції, як різання, піскоструминне очищення, чищення дротяною щіткою або полірування не рекомендується виконувати за допомогою цього електроінструменту. Операції, для яких електроінструмент не призначений, можуть створити небезпеку і заподіяти травму.
- c. Не використовуйте прилади, що не були спеціально розроблені і рекомендовані виробником інструменту. Той факт, що аксесуар може бути підключений до електроінструменту, не гарантує безпеку роботи.
- d. Номінальна частота обертання аксесуара повинна щонайменше дорівнюватися максимальній швидкості, позначеної на інструменті. Аксесуари які працюють швидше, ніж їх номінальна швидкість, можуть зламатися і розлетітися.
- e. Зовнішній діаметр і товщина аксесуара повинна бути в межах номінальних потужностей вашого інструменту. Аксесуар неправильного розміру не може бути адекватно захищений або контролюваний.
- f) Різьбове кріплення аксесуарів повинне відповідати різьбленню шпинделя шліфувального верстата. Для аксесуарів, що вмонтовуються за допомогою фланців, отвір шпинделя аксесуара повинен відповідати місцю розташування діаметру фланця. Із-за аксесуарів, які не відповідають монтажному устаткуванню електроінструменту, можна втратити рівновагу, відчути надмірну вібрацію або втратити управління.
- g. Не використовуйте пошкоджені принадлежности. Перед кожним застосуванням перевіряйте допоміжне обладнання - абразивний круг на наявність сколів і тріщин, шліфувальний диск на наявність тріщин, пошкодження або надмірний знос, проводи, що бовтаються або пошкоджені. Якщо електроінструмент або аксесуар впа, перевірте його на наявність пошкоджень або встановіть неушкоджений аксесуар. Після перевірки і установки аксесуара, встаньте далеко від площини обертання аксесуара і запустіть електроінструмент на максимальній швидкості без навантаження протягом однієї хвилини. Пошкоджені аксесуари, як правило, розпадаються протягом цього часу випробувань.
- h. Надіньте засоби індивідуального захисту. Залежно від застосування, використовуйте захисну маску, або захисні окуляри. У разі необхідності, надіньте захисну маску, використовуйте засоби для захисту слуху, рукавички і робочий фартух, здатні зупинити дрібні абразиви або фрагменти деталей. Засоби захисту очей повинні бути здатні зупинити літаюче сміття під час різних операцій. Маска або респіратор повинні бути здатні фільтрувати частки, утворені під час вашої роботи. Тривала дія шуму високої інтенсивності може призвести до втрати слуху.
- i. Тримайте людей на безпечній відстані від місця роботи. Будь-яка людина, що входить в робочу зону, повинна бути одягнена у засоби індивідуального захисту. Фрагменти деталей або розбитий аксесуар може полетіти і заподіяти травму за межами безпосередньої близькості від місця роботи.
- j. Під час роботи тримайте електроінструмент тільки за ізольовані частини, під час роботи ріжучий інструмент може зачепити приховану провідку або власний кабель. Ріжучий аксесуар при контакті з проводом під напругою може стати причиною удару електричним струмом.
- k. Розташуйте шнур подалі від обертового аксесуара. Якщо ви втрачаєте контроль, шнур може бути розрізаний або зачеплений, і ваша рука або руки можуть бути втягнуті в обертовий аксесуар.
- l. Ніколи не кладіть електроінструмент, поки аксесуар повністю не зупинився. Обертовий інструмент може захопити поверхню, і електроінструмент вийде з під вашого контролю.
- m. Не запускайте електроінструмент під час його перенесення. Випадковий контакт з обертовим аксесуаром може затягнути ваш одяг і поранити ваше тіло.
- n. Регулярно очищайте вентиляційні прорізи електроінструменту. Вентилятор двигуна буде видувати пил з середини корпусу і запобігати надмірному накопиченню металевих порохів, які можуть викликати ураження електричним струмом.

- p. **Не використовуйте електроінструмент поблизу легкозаймистих матеріалів.** Іскри можуть запалити ці матеріали.
- o. **Не використовуйте аксесуари, які вимагають охолоджуючих рідин.** Використання води або інших охолоджуючих рідин може призвести до ураження електрострумом.
- p. **Не використовуйте круги типу 11 для цього інструменту.** Використання невідповідних пристосувань може призвести до травм.
- d. **Використовуйте особливу обережність при обробці кутів, гострих кромки і т.д. Уникайте відскоку і зачеплення аксесуара.** Кути, гострі краї або відскоки, як правило, можуть призвести до втрати управління над обертовим аксесуаром або до віддачі.
- e. **Не присядьте лезо пиляльного ланцюга для різьблення по дереву або зубчасті пилки.** Такі леза створюють часту віддачу і втрату контролю.

Подальші інструкції з техніки безпеки для всіх операцій

Віддача і пов'язані з нею попередження

Віддача є раптової реакцією на заземлення або зачеплення обертового кола, шліфувального диска або будь-якого іншого аксесуара. Стиснення або зачеплення викликає швидкий зрив обертового аксесуара, який в свою чергу повертає неконтрольований електроінструмент в напрямку, протилежному напрямку обертання аксесуара в точці прив'язки.

Наприклад, якщо абразивний круг зачепив або зацелив зачіплю, край кола, який потрапляє в точку зачеплення може вбуриватися в поверхню матеріалу, в результаті чого круг вибирається з зачеплення. Круг може вискочити у напрямку до або від оператора, в залежності від напрямку обертання круга в точці зачеплення. Абразивні круги можуть також ламатися в цих умовах.

Віддача є результатом неправильного використання інструменту та/або неправильних дій оператора і умов, яких можна уникнути шляхом вжиття належних заходів обережності, як зазначено нижче:

- a. **Міцно тримайте електроінструмент.** Положення вашого тіла і рук повинно дозволити вам протистояти впливу віддачі. **Завжди використовуйте допоміжну рукоятку, якщо це передбачено, для максимального контролю над віддачею або реактивним крутним моментом під час запуску.** Оператор може керувати реактивним крутним моментом або віддачею, якщо прийняті відповідні запобіжні заходи.
- b. **Ніколи не кладіть руки поблизу обертового аксесуара.** Аксесуар може дати віддачу по вашій руці.
- c. **Не стійте там, де буде рухатися електроінструмент якщо відбудеться випадок віддачі.** Віддача буде рухати інструмент в напрямку, протилежному руху кругів в точці зачеплення.
- d) **Використовуйте тільки ті типи кругів, які рекомендовані для вашого електроінструменту і конкретного кожуха, призначеного для обраного круга.** Круги, не призначені для даного електроінструменту, використовувати небезпечно.
- b) **Кожух повинен бути надійно прикріплений до електроінструменту і розташований з урахуванням максимальної безпеки, так, щоб якомога менша частина круга була відкрита для оператора.** Кожух допомагає захистити оператора від зламаних фрагментів круга і випадкового контакту з ним, а також іскор, які можуть запалити одяг.
- c) **Круги мають бути використані лише для рекомендованих застосувань. Наприклад: не шліфувати бічною частиною відрізного круга.** Бічна сила, вживана до абразивних відрізних кругів, призначених для периферійного шліфування, може призвести до їх руйнування.
- d) **Завжди використовуйте неушкоджені кругові фланці, які мають правильний розмір і форму для обраного круга.** Власні кругові фланці підтримують круг, таким чином, зменшуючи можливість його поломки. Фланці для відрізних кругів можуть відрізнятися від фланців для шліфувальних кругів.
- e) **Не використовуйте зношені круги від більш великих електроінструментів.** Круги призначені для електроінструменту більшого розміру не личать для вищої швидкості меншого інструменту і можуть лопнути.
- f) **Поверхня шліфування круга з втопленим центром повинна бути встановлена нижче краю кожуха.** Неправильно встановлений круг, який проектується по плоскості краю кожуха, не може бути захищений належним чином.

Залишкові ризики

Незважаючи на дотримання відповідних правил техніки безпеки та використання захисних пристроїв, деяких залишкових ризиків неможливо уникнути, а саме:

- Поганий слух
- Ризик здобуття травми від часток, що летять
- Ризик отримання опіків через те, що аксесуари під час експлуатації стають гарячими
- Ризик отримання травми через тривале використання.
- Ризик пилу від небезпечних речовин.

Етикетки на інструменті

Окрім коду, що позначає дату випуску, на корпусі інструменту можуть знаходитись наступні позначки:

| | | | | |
|---------|---|-------------------|----------------------------|--|
| | Читайте інструкції з експлуатації | Gc Герц | | Конструкція класу II |
| | Використовуйте засоби захисту очей | Вт Ватт | | Термінал заземлення |
| | Використовуйте засоби захисту органів слуху | мин хвилини | | Символ попередження про небезпеку |
| | | | Змінний струм | хв.. обороти або зворотно-поступальний рух в хвилину |
| | | | Постійний струм | |
| V | Вольт | n_0 | Швидкість без навантаження | |
| A | Ампер | | | |

Положення дати штрих-коду

Дата коду, який також включає рік виготовлення, друкується на корпусі.

Приклад:

2014 XX JN
Рік виготовлення

Зміст упаковки

Дана упаковка включає:

- 1 Кутову шліфувальну машину
 - 1 Кожух
 - 1 Набір фланців
 - 1 Гайковий ключ
 - 1 Ручку
 - 1 Посібник користувача
- Перевірте інструмент, запчастини та аксесуари, щоб зрозуміти чи не були вони пошкоджені під час транспортування.

- Витратьте кілька хвилин, щоб ознайомитися і зрозуміти цю інструкцію перед використанням інструменту.

Опис (мал. 1)



Попередження: Ніколи не робіть жодних модифікацій електроінструменту або який-небудь його частини, інакше це може привести до пошкодження інструменту або травми.

- a. Перемикач ВКЛ. / ВИКЛ.
- b. Блокування шпинделя
- c. Кожух

Мета дизайну

Дана кутова шліфувальна машина розроблена спеціально для шліфування.

Не використовуйте круги з наждачним папером і шліфувальні круги крім тих, які мають втоплений центр.

Не використовуйте інструмент у вологих умовах або умовах, де присутні легкозаймисті рідини або газ.

Дана кутова шліфувальна машина для важких умов експлуатації є професійним електроінструментом.

Не допускайте дітей до даного електроінструменту. Недосвідчені оператори зобов'язані використовувати цей інструмент під наглядом професіоналів.

Функція відсутність живлення

Функція «відсутність живлення» зупиняє перезапуск шліфувальної машини без натискання вимикача в разі відмови живлення.

Безпека електротехнічного обладнання

Для даного інструменту застосовується тільки одна напруга. Переконайтеся, що живлення відповідає напрузі, вказаній на табличці.



Ваш інструмент Stanley оснащений подвійною ізоляцією, отже, не вимагає заземлення.

Якщо шнур живлення пошкоджений, відправте його в сервісний центр Stanley для заміни спеціально підготовлених кабелів.

Використання подовжувачів

Якщо потрібний подовжувач, виберіть 3-фазний подовжувач, який був перевірений і відповідає вхідній потужності (див. Технічні дані) цього інструменту. Мінімальний розмір провідника складає 1,5 мм², максимальна довжина складає 30 метрів.

При використанні кабельного барабана, переконайтеся, що ви витягнули всі кабелі.

Монтаж і налагодження



Попередження: Щоб звести до мінімуму небезпеку отримання серйозної травми, будь ласка, вимкніть живлення

інструменту і відключіть усі вилки перед регулюванням або зняттям/установкою будь-якого аксесуара. Перед складанням інструменту натисніть і відпустіть курок вимикача, щоб переконатися, що інструмент вже вимкнений.

Установка і зняття захисного кожуха (мал. 2)

Попередження: Щоб звести до мінімуму небезпеку отримання серйозної травми, будь ласка, вимкніть живлення інструменту і відключіть усі вилки перед регулюванням або зняттям/установкою будь-якого аксесуара. Перед складанням інструменту натисніть і відпустіть курок вимикача, щоб переконатися, що інструмент вже вимкнений.

Установка кожуха

1. Встановіть кутову шліфувальну машину на робочий стіл пазом вгору.
2. Встановіть фланець коміра кожуха (с) через паз (і) корпусу зубчастієї передачі.
3. Поверніть кожух (с) проти годинникової стрілки на 150 градусів.
4. Переконайтеся, що гвинти (к) затягнуті.

Зняття кожуха

1. Відкрутіть гвинти (к) на комірці кожуха.
2. Підніміть кожух (с).



Попередження: Не використовуйте інструмент, якщо захисний кожух не перебуває на місці.

Примітка: Ознайомтеся з шліфувальними аксесуарами в кінці цього розділу для аксесуарів, які можуть бути використані разом з цією кутовою шліфувальною машиною.

Установка і зняття шліфувальних кругів (мал. 3, 4)



Попередження: Не використовуйте пошкоджені шліфувальні круги.

1. Встановіть інструмент на робочий стіл пазом вгору.

2. Встановіть внутрішній фланець (d) правильно на вихідному валу (e) (мал. 3).
3. Встановіть шліфувальний круг (f) на внутрішній фланець (d). При установці шліфувального круга з піднятим центром, переконайтеся, що піднятий центр (g) дивиться на внутрішній фланець (d).
4. Затягніть зовнішній фланець (h) до вихідного валу (e) (мал. 4). При установці шліфувального круга, кільце поверх зовнішнього фланця (h) повинно дивитися на круг.
5. Натисніть на блокування шпинделя (b) і уникнете шпиндель (e) від обертання поки він не зафіксується в потрібному місці.
6. Використовуйте гайковий ключ, щоб затягнути зовнішній фланець (h).

Підготовка до використання

- Прикріпіть безпосередній кожух і відповідні абразивні або шліфувальні круги. Не використовуйте надмірно зношені абразивні або шліфувальні круги.
- Переконайтеся в тому, що внутрішні і зовнішні фланці закріплені правильно.
- Переконайтеся, що абразивні або шліфувальні круги обертаються в напрямку стрілок, вказаних на аксесуарах і інструменті.

Операція (мал. 5)

Інструкції



Попередження: Завжди дотримуйтесь інструкції з техніки безпеки та інших правил.



Попередження: Щоб звести до мінімуму небезпеку отримання серйозної травми, будь ласка, вимкніть живлення інструменту і відключіть усі вилки перед регулюванням або зняттям/установкою будь-якого аксесуара. Перед складанням інструменту натисніть і відпустіть курок вимикача, щоб переконатися, що інструмент вже вимкнений.



Попередження:

- Переконайтеся, що всі шліфовані матеріали закріплені в правильному положенні.
- Трохи натисніть на інструмент. Не використовуйте бічне натиснення на абразивний круг.

- Уникайте перевантаження. Якщо інструмент нагрівається, дайте йому пообертатися протягом декількох хвилин без навантаження.

1. Переконайтеся, що тримаєте інструмент щільно обома руками (однією рукою за корпус, другою за бокову ручку). Запустіть інструмент і проведіть шліфувальним кругом по заготівлі.
2. Тримайте край круга під кутом від 15 до 30 градусів по відношенню до поверхні оброблюваної деталі.
3. При використанні нового шліфувального круга, круг не повинен працювати в напрямку В, в іншому випадку, він може розрізати заготовку. Коли край круга був закруглений, ви можете використовувати шліфувальний верстат як у напрямку А, так і в напрямку В.

Запуск і зупинення (мал. 1)



Попередження: Перед використанням інструменту, перевірте, щоб ручка була надійно затягнута. Переконайтеся, що перемикач ВКЛ./ВИКЛ. працює нормально.

Перед включенням інструменту в джерело живлення, переконайтеся в тому, що перемикач знаходиться в положенні ВИКЛ. (о) при натисканні на задню частину перемикача.

Для запуску інструменту, натисніть на задню частину вимикача і посуňte його вперед. Потім натисніть на передню частину вимикача, щоб зафіксувати її. Натисніть на задню частину перемикача, щоб вимкнути інструмент.



Попередження: Не вмикайте та не вимикайте інструмент, коли він перебуває під навантаженням.

Правильне положення рук (рис. 6)



Попередження: Щоб зменшити ризик отримання серйозної травми, ЗАВЖДИ використовуйте правильне положення рук, як показано на малюнку.



Попередження: Щоб зменшити ризик отримання серйозної травми, ЗАВЖДИ міцно тримайте інструмент в очікуванні можливої раптової реакції.

Правильне положення рук під час роботи вимагає, щоб одна рука була на бічній рукоятці (мал. 1), тоді як інша на корпусі інструменту, як показано на малюнку 6.

Вимикачі



Застереження: Міцно тримайте корпус інструменту, зберігаючи контроль над інструментом при запуску і під час використання до тих пір, поки круг або аксесуар не перестане обертатися. Переконайтеся, що круг повністю зупинився, перш ніж покласти інструмент.

Примітка: Для зменшення несподіваного руху інструменту, не вимикайте і не вимикайте інструмент поки він знаходиться під навантаженням. Дайте шліфувальному верстату попрацювати на повну потужність, перш ніж доторкнутися їм до робочої поверхні. Підніміть інструмент від поверхні, перш ніж вимкнути його. Дайте інструменту зупинитися перш ніж покласти його.

Ковзний перемикач (мал. 1)

Попередження: Перед підключенням інструменту до джерела живлення, переконайтеся, що повзунок перемикача знаходиться у вимкненому положенні, натиснувши на задню частину перемикача і звільняючи його. Переконайтеся, що ковзний перемикач знаходиться у вимкненому положенні, як описано вище, після будь-якої перерви в подачі електроживлення на інструмент, наприклад, активації переривника замикання на землю, автоматичного виключення, випадкового відключення або збою живлення. Якщо положення перемикача заблоковано, коли підключено живлення, інструмент може включитися несподівано.

Для запуску інструменту посуňte ковзний перемикач (а) в напрямку передньої частини інструменту. Для зупинки інструмента, відпустіть повзунок перемикача. Для безперервної роботи, переведіть перемикач в бік передньої частини інструменту і натисніть на передню частину вимикача всередину. Для зупинки інструменту при роботі в безперервному режимі, натисніть на задню частину ковзного перемикача і відпустіть його.

Блокування шпинделя (мал. 1)

Блокування шпинделя (b) запобігає вихідному валу від обертання при установці або видаленні шліфувального круга. Використовуйте тільки блокування шпинделя, коли інструмент вимкнений, живлення відключено, і круг повністю зупинений.



Примітка: Для зменшення ушкоджень інструменту, не використовуйте блокування шпинделя, коли інструмент працює. В іншому випадку, це може призвести до пошкодження інструменту. Додаткові аксесуари можуть відірватися і нанести травму.

При використанні блокування шпинделя, натисніть кнопку блокування шпинделя і прокрутіть вихідний вал до упору.

Застосування на металах

При застосуванні інструменту на металах, переконайтеся, що пристрій захисного відключення (ПЗВ) вбудовано для запобігання небезпеки пошкодження металевою стружкою.

Якщо ПЗВ викликає відключення живлення, відправте інструмент для перевірки і ремонту в авторизований центр Stanley.



Попередження: При екстремальних умовах роботи, струмопровідна пил і пісок можуть накопичуватися всередині корпусу при роботі з металевими деталями. Це може створити небезпеку ураження електричним струмом, оскільки послаблює захисну ізоляцію шліфувального верстата.

Щоб уникнути накопичення металевої стружки всередині корпусу шліфувального верстата, ми рекомендуємо щодня очищати вентиляційні канали. Ознайомтеся з керівництвом з технічного обслуговування.

Використання шліфувальних кругів



Попередження: Металевий порошок накопичується. Надмірне використання шліфувального круга по металу може збільшити ризик ураження електричним струмом. Щоб зменшити ризик, вставте ПЗВ перед використанням і очищайте вентиляційні канали щодня. Дотримуйтесь інструкцій з технічного обслуговування для чищення вентиляційних каналів сухим стисненим повітрям.

Обслуговування

Електроінструменти Stanley були розроблені для роботи протягом тривалого періоду часу з мінімальним обслуговуванням. Термін служби і надійність забезпечуються правильним доглядом і регулярним чищенням.



Попередження: Щоб звести до мінімуму небезпеку отримання серйозної травми, будь ласка, вимкніть живлення інструменту і відключіть усі пробки перед регулюванням або зняттям/установкою будь-якого аксесуара. Перед складанням інструменту натисніть і відпустіть курок вимикач, щоб переконаватися, що інструмент вже вимкнений.



Масило

Цей електроінструмент не вимагає окремого мастила.



Очищення



Попередження: Якщо ви можете бачити пил, що осів, на вентиляційних каналах і усередині корпусу, відразу ж використовуйте сухе повітря, щоб здути пил і пісок з внутрішньої частини корпусу. Використовуйте засоби захисту очей і обличчя при виконанні цього процесу.



Попередження: Ніколи не використовуйте розчинники або агресивні хімічні засоби для очищення неметалевих частин. Використовуйте тільки м'яке мило і вологу тканину, щоб очистити інструмент. Ніколи не допускайте попадання рідини всередину інструменту і ніколи не занурюйте будь-яку частину інструменту в рідину.

Аксесуари



Попередження: За винятком аксесуарів, що поставляються Stanley, всі інші аксесуари не були перевірені на сумісність з продуктом. Використання таких аксесуарів з даним інструментом може призвести до небезпечної ситуації. Щоб звести до мінімуму ризик отримання травми, ми рекомендуємо використовувати тільки аксесуари Stanley з цим продуктом.

Будь ласка, отримайте додаткову інформацію про відповідні аксесуари у свого дилера.

Технічні характеристики

| | | STGS9115 | STGS9125 |
|---|----------------------------|----------|----------|
| Вхідна напруга | $V_{\text{змінн. струму}}$ | 220-240 | 220-240 |
| Вхідна потужність | Вт | 900 | 900 |
| Частота | Гц | 50/60 | 50/60 |
| Швидкість обертання в режимі без навантаження | об. / хв. | 11000 | 11000 |
| Діаметр круга | мм | 115 | 125 |
| Діаметр шпинделя | | M14 | M14 |
| Товщина шліфувального круга | мм | 6 | 6 |
| Тип круга | | 27 | 27 |
| Вага | кг | 2.2 | 2.3 |

Захист навколишнього середовища



Роздільний збір і утилізація. Цей продукт не слід утилізувати разом з побутовим сміттям.

Якщо ви зрозумієте, що ваш продукт Stanley потребує заміни, або якщо він не має ніякого подальшого застосування для вас, не викидайте його разом з побутовими відходами. Надайте цей продукт для роздільного збору/утилізації.



Роздільний збір продуктів і упаковок дозволяє здійснити їх переробку і використати їх повторно. Повторне використання перероблених матеріалів допомагає захищати довкілля від забруднення і знижує витрату сировинних матеріалів.

Місьцеве законодавство може забезпечити збір старих електроінструментів окремо від побутового сміття на муніципальних звалищах відходів або в торговому підприємстві при купівлі нового виробу. Stanley забезпечує можливість для збору і утилізації продуктів Stanley, як тільки вони досягли кінця свого терміну служби. Для того, щоб скористатися цією послугою, ви можете здати ваш виріб у будь-який авторизований сервісний центр, який збирає їх за нашим дорученням.

Ви можете упізнати місце знаходження вашого найближчого авторизованого сервісного центру, звернувшись в місцеве відділення Stanley за адресою, вказаною в цьому керівництві. Крім того, список авторизованих ремонтних агентів Stanley і повну інформацію про наше післяпродажне обслуговування і контакти ви можете знайти в Інтернеті: www.2helplu.com

Kullanım amacı

STANLEY taşlama makineniz STGS9115-STGS9125 uygun tipte taşlama diskini kullanarak metal taşlanması için tasarlanmıştır. Bu alet profesyonel kullanım içindir.

Tanımlar: Güvenlik Kuralları

Aşağıdaki tanımlar her işaret kelimesi için ciddiye derecesini açıklıyor. Lütfen kılavuzu okuyun ve bu sembolere dikkat edin.



Tehlike: Dikkate alınmadığı takdirde ölüm veya ciddi yaralanmalara neden olabilecek tehlikeli bir durumu belirtir.



Uyarı: Dikkate alınmadığı takdirde ölüm veya ciddi yaralanmalara neden olacak potansiyel tehlikeli bir durumu belirtir.



Dikkat: Dikkate alınmadığı takdirde, hafif veya orta derecede yaralanmaya neden olabilecek, potansiyel tehlikeli bir durumu belirtir.

Uyarı: Dikkate alınmadığı takdirde kişisel yaralanma ile ilgili olmayan maddi hasara neden olabilecek bir durumu gösterir.



Elektrik çarpma riskine işaret eder.



Yangın riskine işaret eder.



Uyarı: Yaralanma riskini azaltmak için, kullanım kılavuzunu okuyun.

Genel elektrikli alet güvenlik uyarıları

Uyarı! Bütün güvenlik uyarılarını ve tüm talimatları okuyun. Aşağıda yer alan uyarılar ve talimatlara uyulmaması elektrik çarpması, yangın ve/veya ciddi yaralanmalara neden olabilir.

Bütün uyarı ve talimatları ileride bakmak üzere saklayın.

Aşağıda listelenen tüm uyarılarda kullanılan "elektrikli alet" terimi şebeke elektriği ile (kablolu) veya aküyle (kablesiz) çalışan elektrikli aleti ifade etmektedir.

1. Çalışma alanının güvenliği

a. **Çalışma alanını temiz ve aydınlık tutun.** Dağınık ve karanlık alanlar kazaya davetiye çıkarır.

b. **Elektrikli aletleri, yanıcı sıvılar, gazlar ve tozların bulunduğu yerler gibi yanıcı ortamlarda çalıştırmayın.** Elektrikli aletler, toz veya dumanları ateşleyebilecek kıvılcımlar çıkarır.

c. **Bir elektrikli aleti çalıştırırken çocuklardan ve etraftaki kişilerden uzak tutun.** Dikkatinizi dağıtıcı şeyler kontrolü kaybetmenize neden olabilir.

2. Elektrik güvenliği

a. **Elektrikli aletlerin fişleri prizlere uygun olmalıdır. Fiş üzerinde kesinlikle hiçbir değişiklik yapmayın. Topraklı (topraklanmış) elektrikli aletlerde hiçbir adaptor fişi kullanmayın.** Değiştirilmemiş fişler ve uygun prizler elektrik çarpması riskini azaltacaktır.

b. **Borular, radyatörler, ocaklar ve buzdolapları gibi topraklanmış yüzeylerle vücut temasından kaçının.** Vücudunuzun topraklanması halinde yüksek elektrik çarpması riski vardır.

c. **Elektrikli aletleri yağmura maruz bırakmayın veya ıslatmayın.** Elektrikli alete su girmesi, elektrik çarpması riskini artıracaktır.

d. **Kablosuna zarar vermeyin. Elektrikli aleti kesinlikle kablosundan tutarak taşımayın, çekmeyin veya prizden çıkarmayın. Kabloyu sıcaktan, yağdan, keskin kenarlardan veya hareketli parçalardan uzak tutun.** Hasarlı veya dolaşmış kablolar elektrik çarpması riskini artırır.

e. **Elektrikli aleti açık havada kullanırken, açık hava kullanımına uygun bir uzatma kablosu kullanın.** Açık havada kullanıma uygun bir kablunun kullanılması elektrik çarpması riskini azaltır.

f. **Eğer bir elektrikli aleti nemli bir bölgede çalıştırması zorunluysa, bir artık akım aygıtı (RCD) korumalı bir kaynak kullanın.** Bir RCD kullanılması elektrik çarpması riskini azaltır.

3. Kişisel güvenliği

a. **Elektrikli bir alet kullanırken her zaman dikkatli olun, yaptığınız işe yoğunlaşın ve sağduyulu davranın. Elektrikli bir aleti yorgunken veya ilaç ya da alkolün etkisi altındayken kullanmayın.** Elektrikli aletleri kullanırken bir anlık dikkatsizlik ciddi yaralanmalara yol açabilir.

b. **Kişisel koruyucu ekipmanları mutlaka kullanın.** Daima koruyucu gözlük takın. Koşullara uygun toz maskesi, kaymayan güvenlik ayakkabıları, baret veya kulaklık gibi koruyucu donanımların kullanılması kişisel yaralanmaları azaltacaktır.

- c. **İstem dışı çalıştırılmasını önleyin. Cihazı güç kaynağına ve/veya aküye bağlamadan, kaldırmadan veya taşımadan önce düğmenin kapalı konumda olduğundan emin olun.** Aleti, parmağınız düğme üzerinde bulunacak şekilde taşımak veya açık konumdaki elektrikli aletleri elektrik şebekesine bağlamak kazaya davetiye çıkarır.
- d. **Elektrikli aleti çalıştırmadan önce herhangi bir ayarlama anahtarını veya vida anahtarını çıkarın.** Elektrikli aletin hareketli parçasına takılı bırakılan bir vida anahtarı veya anahtar, kişisel yaralanmaya neden olabilir.
- e. **Ulaşmakta zorlandığınız yerlerde kullanmayın. Her zaman sağlam ve dengeli basın.** Bu, beklenmedik durumlarda elektrikli aletin daha iyi kontrol edilmesine olanak tanır.
- f. **Uygun şekilde giyinin. Bol giysiler giymeyin ve takı takmayın. Saçınızı, giysinizi ve eldivenlerinizi hareketli parçalardan uzak tutun.** Bol giysiler, takılar veya uzun saçlar hareketli parçalara takılabilir.
- g. **Eğer kullandığınız üründe toz emme ve toplama özellikleri olan ataşmalar varsa bunların bağlı olduğundan ve doğru şekilde kullanıldığından emin olun.** Bu toz toplama ataşmanların kullanılması tozla ilgili tehlikeleri azaltabilir.
4. **Elektrikli aletlerin kullanımı ve bakımı**
- a. **Elektrikli aleti zorlamayın. Uygulanmaz için doğru elektrikli aleti kullanın.** Doğru elektrikli alet, belirlendiği kapasite ayarında kullanıldığında daha iyi ve güvenli çalışacaktır.
- b. **Düğme açmıyor ve kapatmıyorsa elektrikli aleti kullanmayın.** Düğmeyle kontrol edilemeyen tüm elektrikli aletler tehlikelidir ve tamir edilmesi gerekmektedir.
- c. **Herhangi bir ayarlama, aksesuar değişimi veya elektrikli aletlerin saklanması öncesinde fişi güç kaynağından çekin.** Bu tür önleyici güvenlik tedbirleri aletin istem dışı çalıştırılması riskini azaltır.
- d. **Elektrikli aleti, çocukların ulaşamayacağı yerlerde saklayın ve elektrikli aleti tanımayan veya bu talimatları bilmeyen kişilerin elektrikli aleti kullanmasına izin vermeyin.** Elektrikli aletler, eğitimsiz kullanıcıların elinde tehlikelidir.
- e. **Elektrikli aletlerin bakımını yapın. Hareketli parçalardaki hizalama hatalarını ve tutuklukları, parçalardaki kırılmalar ve elektrikli aletin çalışmasını etkileyebilecek tüm koşulları kontrol edin. Hasarlı ise, elektrikli aleti kullanmadan önce tamir ettirin.** Kazaların çoğu, elektrikli aletlerin bakımının yeterli şekilde yapılmamasından kaynaklanır.
- f. **Kesim aletlerini keskin ve temiz tutun.** Bakımı uygun şekilde yapılmış keskin kesim uçlu kesim aletlerinin sıkışma ihtimali daha düşüktür ve kontrol edilmesi kolaydır.
- g. **Elektrikli aleti, aksesuarlarını ve aletin diğer parçalarını vs. kullanırken bu talimatlara mutlaka uyun ve elektrikli alet türü için öngörüldüğü şekilde, çalışma ortamının koşullarını ve yapılacak işin ne olduğunu göz önünde bulundurun.** Elektrikli aletin öngörülen işlemler dışındaki işlemler için kullanılması tehlikeli durumlara neden olabilir.
5. **Servis**
- a. **Elektrikli aletinizi, sadece orijinal yedek parçaların kullanıldığı yetkili servise tamir ettirin.** Bu, elektrikli aletin güvenliğinin muhafaza edilmesini sağlayacaktır.
- Özel ek güvenlik kuralları**
- Tüm Operasyonlar için Güvenlik Talimatları**
- Taşlama için Ortak Güvenlik Kuralları**
- a) **Bu elektrikli alet, bir taşlama işlevi için tasarlanmıştır. Bu elektrikli aletle verilen tüm güvenlik uyarılarını, talimatları, çizimleri ve özellikleri okuyun.** Aşağıda listelenen tüm talimatlara uyulmaması, elektrik çarpması, yangın ve/veya ciddi yaralanmaya neden olabilir.
- b) **Bu elektrikli aletle, zımparalama, fırçalama, polisaj veya kesme işleri gibi uygulamaların yapılması tavsiye edilmez.** Elektrikli aletin tasarlanma amacı dışındaki işlemler tehlikelidir ve kişisel yaralanmalara neden olabilir.
- c) **Üretici firma tarafından özel olarak tasarlanmamış ve tavsiye edilmemiş aksesuarları kullanmayın.** Aksesuarların elektrikli aletinize takılabilir olması güvenli bir çalışma temin edeceği anlamına gelmez.
- d) **Aksesuarların nominal hızı en az elektrikli alet üzerinde yazan maksimum hıza eşit olmalıdır.** Nominal hızından daha hızlı çalışan aksesuarlar kırılabilir ve etrafa saçılabilir.

- e) **Aksesuarlarınızın dış çapı ve kalınlığı elektrikli aletinizin kapasite oranı içinde olmalıdır.** Yanlış ebatlı aksesuarlar yeteri kadar korumalı olmaz ve kontrol edilemez.
- f) **Aksesuarların parçacıklı montajı, taşlama mili dişine mutlaka uygun olmalıdır.** Flaşlarla monte aksesuarlar için, aksesuarların mil deliği, flaşın yerleştirme çapına mutlaka uygun olmalıdır. Elektrikli aletin montaj donanımına uymayan aksesuarlar, dengesiz çalışır, aşırı titreşim yapar ve kontrolü kaybetmeye neden olabilir.
- g) **Hasar görmüş olan bir aksesuarı kullanmayın.** Her kullanımdan önce aksesuarları inceleyin, örneğin zımpara taşına talaş ve çatlaklara karşı, taban pedini çatlaklara karşı, aşınma ve yıpranma, tel fırçayı gevşek ya da kırık tellere karşı kontrol edin. Elektrikli alet veya aksesuar düşürülürse, hasar olup olmadığını kontrol edin veya sağlam aksesuar takın. Aksesuarların incelenmesi ve monte edilmesinden sonra, kendinizi ve etrafınızdaki kişileri dönen aksesuarın düzleminden uzakta tutun ve bir dakika boyunca elektrikli aleti boşa ve maksimum hızda çalıştırın. Bu test süresince hasarlı aksesuarlar normal olarak kırılıp dağılacaktırlar.
- h) **Kişisel koruyucu ekipmanları mutlaka kullanın.** Uygulamaya bağlı olarak, yüz kalkanı, koruyucu gözlük ya da güvenlik gözlükleri kullanın. Yeri geldiğinde küçük aşındırıcı maddeleri ya da işleme tabi tutulan parçaları durdurabilen toz maskesi, kulaklık, eldiven ve iş önlüğü kullanın. Göz koruması, çeşitli işlemler sonucu açığa çıkan uçan parçacıkları durdurabilmelidir. Toz maskesi ya da gaz maskesi yaptığınız işlem sonucu açığa çıkan parçacıkları filtreleyebilmelidir. Uzun süreli yüksek şiddette gürültüye maruz kalınması, işitme kaybına neden olabilir.
- i) **Etrafınızda bulunan şahısları çalışma alanından uzakta güvenli bir mesafede tutun.** Çalışma alanına giren kişiler koruyucu ekipman kullanılmalıdır. İşleme tabi tutulan parçanın ya da kırık bir aksesuarın parçacıkları fırlayabilir ve çalışma alanının çevresinde yaralanmalara neden olabilir.
- j) **Kesme aksesuarlarının gizli kablolarına veya kendi kablosuna temas edebileceği yerlerde çalışma yaparken elektrikli aleti yalıtımlı kavrama yüzeylerinden tutun.** Kesme aksesuarlarının "akım taşıyan" bir kabloya temas etmesi durumunda elektrikli aletin metal kısımları da "akım taşıyıcı" hale gelebilir ve kullanıcının çarpmasına neden olabilir.
- k) **Kabloyu dönen aksesuardan uzak tutun.** Kontrolü kaybederseniz, kablo kesilebilir ya da kopabilir ve eliniz ya da kolunuz dönen aksesuar içine çekilebilir.
- l) **Aksesuar tamamen durmadıkça elektrikli aleti asla yere koymayın.** Döner aksesuar yüzeyi yakabilir ve elektrikli alet kontrolünüzden çıkabilir.
- m) **Elektrikli aleti yanınızda taşırken çalıştırmayın.** Kazara temas halinde, döner aksesuar giysinize takılabilir, aksesuarı vücudunuza doğru çekebilir.
- n) **Elektrikli aletin hava çıkışlarını düzenli olarak temizleyin.** Motor fanı, tozu muhafazanın içine çeker ve aşırı metal toplaması elektriksel tehlike yaratabilir.
- o) **Elektrikli aleti yanıcı malzemelerin yakınında çalıştırmayın.** Kıvılcım bu malzemeleri tutuşturabilir.
- p) **Sıvı soğutucu gerektiren aksesuarlar kullanmayın.** Su ya da diğer sıvı soğutucuların kullanılması elektrik çarpması ya da şok ile sonuçlanabilir.

Bütün uygulamalar için ek güvenlik talimatları

Geri Tepme ve İlgili Uyarılar

Geri tepme, sıkışmış veya takılmış bir disk, taban pedi, fırça veya diğer aksesuarlara verilen ani tepkidir. Sıkışma ve takılma döner aksesuarların aniden durmasına neden olur, bu daha sonra temas noktasında elektrikli aletin kontrolsüzce, aksesuarların dönme yönünün tersine doğru zorlanmasına yol açar.

Örneğin, bir aşındırıcı disk, işleme tabi tutulan parçaya takılırsa ya da sıkıştırsa, sıkışma noktasına giren disk kenarı malzemenin yüzeyine saplanarak, diskin geri tepmesine ya da fırlamasına neden olabilir. Disk, sıkışma noktasındaki hareket yönüne bağlı olarak ya kullanıcıya doğru ya da kullanıcıdan uzağa fırlayabilir. Aşındırıcı diskler bu koşullar altında kırılabilir.

Tepme, aletin yanlış kullanılmasından ve/veya yanlış çalıştırma işlemleri veya koşullarından kaynaklanır ve aşağıda belirtilen uygun tedbirler alınarak önlenbilir:

- a) Elektrikli aleti sıkıca tutun, vücudunuzu ve kolunuzu geri tepme gücüne karşı koyacak şekilde konumlandırın. Geri tepme ya da çalıştırma sırasındaki döndürme momenti tepkisine karşı maksimum kontrol sağlamak için eğer varsa yan tutma kolunu kullanın. Doğru önlemler alınırsa döndürme momenti tepkileri ya da geri tepmeler kullanıcı tarafından kontrol edilebilir.
- b) Döner aksesuar civarına asla elinizi sokmayın. Aksesuar elinizde geri tepme etkisi yapabilir.
- c) Geri tepmenin meydana gelmesi durumunda vücudunuzu elektrikli aletin hareket edeceği alanda bulundurmeyin. Geri tepme, takılma noktasında disk hareketinin tersi yönünde aleti itecektir.

- d) Köşe, keskin kenarlar vs. yerlerle çalışırken özellikle dikkat edin. Aksesuarların sekmesinden ve takılmasından kaçının. Köşeler, keskin kenarlar veya sektirme hareketi döner aksesuarı engelleme eğilimindedir ve kontrolün kaybedilmesine ya da geri tepmeye neden olabilir.
- e) Zincirli testere, ahşap oyma bıçağı ya da dişli testere bıçağı kullanmayın. Bu tür bıçaklar sık sık geri tepme ve kontrol kaybı oluşturur.

Taşlama Uygulamalarına Özel İlave Güvenlik Uyarıları

- a) Sadece elektrikli aletiniz için tavsiye edilen disk türlerini ve seçilen disk için tasarlanmış özel muhafazayı kullanın. Elektrikli aletin birlikte kullanılmak için tasarlanmadığı diskler yeteri kadar korunaklı ve güvenli değildir.
- b) Muhafazanın elektrikli alete güvenli bir şekilde bağlanması ve maksimum güvenlik için konumlandırılması gerekir, böylece diskin çok az bir kısmı kullanıcıya açık olacaktır. Muhafaza, kullanıcının kırılan disk parçacıklarından ve disk ile istenmeyen temaslardan ve giysileri yakabilecek kıvılcımlardan korunmasına yardımcı olur.
- c) Diskler sadece önerilen uygulamalar için kullanılmalıdır. Örneğin: kesme diskinin kenarı ile taşlama yapmayın. Aşındırıcı kesici diskler, çevresel aşındırma için tasarlanmıştır, bu disklere uygulanan yan kuvvetler diskleri parçalayabilir.

- d) Her zaman seçilen disk için doğru ebat ve şekilde, hasarsız disk flanşları kullanın. Uygun disk flanşları, diski destekler ve disk kırılması olasılığını azaltır. Kesme diski flanşları taşlama diski flanşlarından farklı olabilir.
- e) Daha büyük çaplı taşlamaların yıpranmış disklerini kullanmayın. Daha büyük elektrikli aletler için tasarlanmış disk, daha küçük bir aletin yüksek hızları için uygun değildir ve parçalanabilir.
- f) Merkez baskı disklerinin taşlama yüzeyi, muhafaza ağzının düzleminin altına monte edilmelidir. Muhafaza ağız düzlemi boyunca uzanan bir yanlış monte disk yeterince korunmalı olmaz.

Diğer Riskler









Emniyet tedbirlerini düzenleyen yönetmeliğin uygulanmasına ve emniyet sağlayıcı aygıtların kullanılmasına rağmen, başka belirli risklerden kaçınılmaz.

Bunlar:

- Duyma bozukluğu
- Sıçrayan parçacıklardan kaynaklanan yaralanma riski.
- Çalışma sırasında ısınan aksesuarlardan kaynaklanan yanık tehlikesi.
- Uzun süreli kullanımdan kaynaklanan yaralanma riski.
- Tehlikeli maddeler içeren tozun oluşması riski.

Alet üzerindeki etiketler

Aletin etiketinde aşağıdaki semboller tarih kodu ile birlikte bulunabilir:

| | | | | |
|---|----------------------------|---|---|--|
|  | Kullanım Kılavuzunu Okuyun | Hz Hertz |  | Sınıf II İnşaat |
|  | Koruyucu Gözlük kullanın | W Vat |  | Topraklama |
|  | Kulaklık Kullanın | dak dakika |  | Terminal Güvenlik uyarısı Sembolü |
| | |  | Alternatif Akım |/min.. Dakikada devir veya gel git sayısı |
| | |  | Direkt Akım | |
| V Volt | | boş Yüksüz | | |
| A Amper | | Hız | | |

Position of date barcode

The Date Code, which also includes the year of manufacture, is printed into the housing.

Example:

2014 XX JN
Year of manufacturing

Paket İçeriği

Paket, aşağıdaki parçaları içermektedir:

- 1 Açı taşlama
 - 1 Muhafaza
 - 1 Flanş seti
 - 1 Anahtar
 - 1 Kol
 - 1 Kullanım kılavuzu
- Alette, parçalarda veya aksesuarlarda nakliye sırasında meydana gelmiş olabilecek hasarı kontrol edin.
 - Aleti kullanmadan önce, bu kullanım kılavuzunu okuyup anlamak için zaman ayırın.

Açıklama (Şekil 1)



Uyarı: Hiçbir zaman elektrikli aleti veya herhangi bir parçasını değiştirmeyin, aksi takdirde aletin hasarı veya kişisel yaralanma ile sonuçlanabilir.

- AÇMA/KAPAMA düğmesi
- Mil kilidi
- Muhafaza

Tasarlanma amacı

Bu açı taşlama, özellikle taşlama için tasarlanmıştır.

Zımpara diskleri ve taşlama çarklarını bu merkez baskı dışında kullanmayın.

Islak koşullarda veya yanıcı sıvı ya da gazların mevcut olduğu ortamlarda kullanmayın.

Bu ağır hizmet tipi açı taşlama, profesyonel bir elektrikli alettir.

Çocukların aleti ellemesine izin vermeyin. Bu alet deneyimsiz kullanıcılar tarafından kullanılırken gözlem altında olmalıdır.

Akım korumalı tetik

Akım korumalı tetik özelliği güç kaynağında kesinti olursa taşlama makinesinin, tetik açık olsa dahi yeniden çalışmasını önler.

Elektrikli Ekipmanların Güvenliği

Bu alet için sadece bir voltaj uygulanır. Her zaman şebeke geriliminin aletin üretim etiketinde belirlenmiş değerlere uyup uymadığını kontrol edin.



Stanley aletiniz, çift yalıtımla donatılmıştır, dolayısıyla topraklama kablosuna gerek yoktur.

Güç kablosu hasarlı ise, özel olarak hazırlanmış bir kablo ile değiştirilmek üzere Stanley servisine gönderin.

Uzatma Kablolarının Kullanımı

Bir uzatma kablosu gerekli ise, bu aletin elektrik girişine uygun (teknik özelliklere bakın), onaylı bir 3-aşamalı uzatma kablosu kullanın. Minimum iletken boyutu 1.5mm², maksimum uzunluk 30 metredir.

Bir kablo makarası kullanırken, kabloyu daima sonuna kadar açın.

Montaj ve Ayarlama



Uyarı: Ciddi kişisel yaralanma riskini azaltmak için, lütfen ayarlama yapmadan veya herhangi bir parçayı söküp/takmadan önce aleti kapatın ve tüm fişleri çekin. Aleti yeniden monte etmeden önce, kapalı olduğundan emin olmak için tetik düğmesine basıp bırakın.

Disk Muhafazasının Takılması ve Çıkarılması (Şekil 2)

Uyarı: Ciddi kişisel yaralanma riskini azaltmak için, lütfen ayarlama yapmadan veya herhangi bir aksesuarı söküp/takmadan önce aleti kapatın ve tüm fişleri çekin. Aleti yeniden monte etmeden önce, kapalı olduğundan emin olmak için tetik düğmesine basıp bırakın.

Muhafazanın Takılması

1. Açık taşıma makinesini, yiv yukarı bakacak şekilde, çalışma masasına yatırın.
2. Dişli yuvasının yiv (i) üzerinden muhafaza (c) üzerindeki bileziğin flanşına getirin.
3. Muhafazayı (c) saat yönünün tersine 150 derece çevirin.
4. Vidaların (k) sıkılaştığından emin olun.

Muhafazanın Çıkartılması

1. Muhafaza üzerindeki bileziği tutan vidaları (k) gevşetin.
2. Muhafazayı çıkartın (c).



Uyarı: Aleti, kesinlikle muhafazası yerinde olmadan kullanmayın.

Not: Bu açık taşıma makinesi ile kullanılabilen diğer aksesuarlar için, bu kısmın sonundaki taşıma aksesuarları çizelgesine bakın.

Taşıma Disklerinin Takılması ve Çıkartılması (Şekil 3, 4)



Uyarı: Hasarlı diskleri kullanmayın.

1. Aleti yiv yukarı bakacak şekilde, çalışma masasına yatırın.
2. İç flanş (d) dış mil üzerine düzgünce takın (e) (Şekil 3).
3. Taşıma diskini (f) iç flanş üzerine yerleştirin (d). Yüksek merkezli bir taşıma diski takarken, yüksek merkezin (g) iç flanşa (d) baktığından emin olun.
4. Dış flanş (h) çıkış miline kadar (e) sıkılayın (Şekil 4). Taşıma diskini takarken, dış flanş üzerindeki halka (h) diske bakmalıdır.
5. Mil kilidi düğmesine (b) basılı tutun ve milin (e) yerine oturana kadar dönmelerini engelleyin.

6. Dış flanş (h) sıkılaştırmak için pim anahtarını kullanın.

Kullanmadan Önce

- Muhafazayı ve uygun aşındırıcı veya taşımayı takın. Fazla aşınmış aşındırıcı veya taşıma kullanmayın.
- İç ve dış flanş düzgün takıldığından emin olun.
- Aşındırıcı veya taşıma disklerinin, aletin ve aksesuarların üzerindeki oklar yönünde dönmelerine dikkat edin.

Kullanım (Şekil 5)

Talimatları



Uyarı: Daima güvenlik talimatlarına ve geçerli yönetmeliklere uyun.



Uyarı: Ciddi kişisel yaralanma riskini azaltmak için, lütfen herhangi bir aksesuarı ayarlamadan veya söküp/takmadan önce aleti kapatın ve tüm fişleri çekin. Aleti yeniden monte etmeden önce, kapalı olduğundan emin olmak için tetik düğmesine basıp bırakın.



Uyarı:

- Taşlanacak tüm malzemelerin yerlerine sıkıca sabitlendiğinden emin olun.
 - Alete hafif bir baskı uygulayın. Aşındırıcı diske yanıl basınç uygulamayın.
 - Aşırı yüklemekten kaçının. Alet çok ısındı ise, yüksüz durumda iken birkaç dakika çalıştırın.
1. Aleti her iki elinizle sıkıca kavradığınızdan emin olun (bir el gövdede, diğer el yan kol üzerinde). Aleti çalıştırın ve aşındırma diskini çalışma parçası üzerine getirin.
 2. Diskin kenarını, çalışma parçasının yüzeyine karşı 15 ila 30 derece arasında açı ile eğilmiş olarak tutun.

3. Yeni bir aşındırıcı disk kullanırken, diski B yönünde kullanmayın, aksi takdirde, çalışma parçasını keser. Diskin kenarları yuvarlaklaştığında, aşındırıcıyı A veya B yönünde çalıştırabilirsiniz.

Çalıştırılması ve Kapatılması (Şekil 1)



Uyarı: Aleti kullanmadan önce, kolun iyice sıkıldığından emin olun. AÇMA/KAPAMA düğmesinin normal çalışıp çalışmadığını kontrol edin.

Aleti güç kaynağına takmadan önce, anahtarın arka ucuna basıldığında düğmenin KAPALI (o) konumda olup olmadığını kontrol edin.

Aleti çalıştırmak için, anahtarın arka ucuna basın ve ileri doğru kaydırın. Sonra kilitlemek için anahtarın ön ucuna basın. Aleti durdurmak için anahtarın arka ucuna basın.



Uyarı: Aleti yük altında iken açıp kapatmayın.

Uygun El Pozisyonu (Şekil 6)



Uyarı: Ciddi kişisel yaralanma riskini azaltmak için, DAİMA gösterilen uygun el pozisyonu kullanın.



Uyarı: Ciddi kişisel yaralanma riskini azaltmak için, ani tepki ihtimaline karşı aleti DAİMA sıkıca tutun.

Uygun el pozisyonu için, bir el yan kolda (şekil 1), diğer el aletin gövdesinde olmalı, şekil 6'da gösterildiği gibi.

Anahtarlar



Dikkat: Aletin, çalıştığı ve kullanımı sırasında ve diskler veya aksesuarların dönmesi durana kadar kontrolü sürdürmek için, gövdesini sıkıca

tutun. Aleti yere koymadan önce, disklerin tam olarak durduğundan emin olun.

Not: Aletin istemsiz hareketini azaltmak için, yük altında iken aleti açmayın veya kapatmayın. Aşındırıcının çalışma yüzeyine dokunmadan önce tam hızda çalışmasına izin

verin. Aleti kapatmadan önce yüzeyden kaldırın. Aleti yere bırakmadan önce dönmenin durmasını bekleyin.

Kaydırma anahtarı (Şekil 1)

Uyarı: Aleti güç kaynağına bağlamadan önce, kaydırma anahtarının arka kısmına basarak ve bırakarak kapalı konumda olduğundan emin olun. Aletin güç kaynağındaki kesintiden sonra, yukarıda açıklandığı gibi kaydırma anahtarının kapalı konumda olduğundan emin olun, bunlar, topraklama hatası kesici aktivasyonu, bir devre kesici, yanlışlıkla fişi çıkarmak veya elektrik kesintisi olabilir. Kaydırma anahtarı güç bağlıyken kilitli ise, alet istemsiz çalışmaya başlar.

Aleti çalıştırmak için, kaydırma anahtarını (a) aletin önüne doğru kaydırın. Aleti durdurmak için, kaydırma anahtarını bırakın. Sürekli çalışması için, anahtarı aletin ön tarafına doğru kaydırın ve anahtarın ön kısmını içe doğru basın. Aletin sürekli çalışma modunu durdurmak için, kaydırma anahtarının arka kısmına basın ve bırakın.

Mil Kilidi (Şekil 1)

Mil kilidi (b), aşındırma diskleri takılırken veya çıkarılırken dış milin dönmesini engeller. Mil kilidini sadece alet kapalıyken, güç kaynağından çekilmişken ve diskler tamamen durduğunda kullanın.



Not: Aletin hasar görmesini en aza indirmek için, alet çalışırken mil kilidini kullanmayın. Aksi takdirde, alet hasar görebilir. Takılı aksesuar yerinden çıkarak yaralanmaya neden olabilir.

Kilidi devreye sokmak için, mil kilit düğmesine basın ve dış mil durana kadar çevirin.

Metal Uygulamaları

Aleti metal uygulamalar üzerinde kullanırken, metal talaşın tehlikesinden kaçınmak için artık akım aygıtının (RCD) takılı olduğundan emin olun.

Artık akım aygıtı RCD tarafından güç kaynağı kapatılırsa, aleti yetkili Stanley servisine onarılmak için götürün.



Uyarı: Uç çalışma koşullarında metalle çalışırken, iletken toz ve metal talaşları, metal parçaları üzerinde işlem yaparken gövde içine birikebilir. Bu, aşındırıcıyı koruyucu yalıtımın zayıflamasına ve olası elektrik şoku tehlikesine neden olabilir.

Aşındırıcı içinde metal talaş birikmesine engel olmak için, günlük havalandırma deliği temizliğini öneriyoruz. Bakım kısmına bakınız.

Aşındırma Disklerin Kullanımı



Uyarı: Metal tozu birikimi. Metal uygulamalarında aşındırma disklerinin aşırı kullanılması elektrik çarpması riskini artırır. Riski azaltmak için, kullanmadan önce RCD takın ve havalandırma deliklerini her gün temizleyin. Aşağıdaki bakım talimatlarını takip ederek, havalandırma deliklerine kuru basınçlı hava üfleterek temizleyin.

Bakım

Stanley elektrikli aletiniz, minimum bakımla uzun süre çalışacak şekilde tasarlanmıştır. Kesintisiz olarak memnuniyet verici şekilde çalışması, gerekli özenin gösterilmesine ve düzenli temizliğe bağlıdır.



Uyarı: Ciddi kişisel yaralanma riskini azaltmak için, lütfen herhangi bir aksesuarı ayarlamadan veya söküp/takmadan önce aleti kapatın ve tüm fişleri çekin. Aleti yeniden monte etmeden önce, kapalı olduğundan emin olmak için tetik düğmesine basıp bırakın.



Yağlama

Elektrikli aletiniz ek bir yağlama gerektirmemektedir.



Temizleme



Uyarı: Havalandırma kanallarında ve çevresinde toz toplanması halinde bu biriken tozu ve kiri

kuru hava kullanarak derhal temizleyin. Bu işlemi yaparken onaylı bir göz koruyucu ve yüz koruyucu kullanın.



Uyarı: Aletin metalik olmayan parçalarını temizlemek için asla çözücü veya başka sert kimyasal madde kullanmayın. Aleti temizlemek için sadece yumuşak sabun ve nemli bez kullanın. Aletin içine sıvı kaçmasına asla izin vermeyin; aletin herhangi bir parçasını bir sıvı içine daldırmayın.

Aksesuarlar



Uyarı: Stanley tarafından tedarik edilenlerin dışındaki aksesuarlar bu ürün üzerinde test edilmemiştir. Bu alet ile birlikte bu tür aksesuarlar kullanıldığında güvenlik açısından tehlike yaratabilir. Kişisel yaralanma riskini en aza indirmek için, bu ürünle birlikte sadece Stanley aksesuarlarını kullanmanızı öneriyoruz.

Uygun aksesuarlar hakkında daha fazla bilgi için lütfen bayinize danışın.

Teknik veri

| | | STGS9115 | STGS9125 |
|-----------------------------|---------|----------|----------|
| Giriş voltajı | VAC | 220-240 | 220-240 |
| Giriş gücü | W | 900 | 900 |
| Frekans | Hz | 50/60 | 50/60 |
| Yüksüz hızı | dev/dak | 11000 | 11000 |
| Disk çapı | mm | 115 | 125 |
| Mil Bağlantı Dişi | | M14 | M14 |
| Maks talaşma disk kalınlığı | mm | 6 | 6 |
| Disk tipi | | 27 | 27 |
| Ağırlık | kg | 2.2 | 2.3 |

EN 60745'e göre ses basıncı düzeyi:

Ses basıncı (LpA) 88.5 dB(A), belirsizlik (K) 3 dB(A)

Ses gücü (LWA) 99.5 dB(A), belirsizlik (K) 3 dB(A)

Toplam titreşim değerleri ah:

ah,AG = m/s² 8.2

Belirsizlik (K) 1.5 m/s²

Titreşim

Bu bilgi sayfasında verilen titreşim emisyon düzeyi, EN 60745'te sağlanan standart teste uygun olarak ölçülmüştür ve aletleri birbiriyle karşılaştırmak için kullanılabilir. Ön maruziyet değerlendirmesi için kullanılabilir.



Uyarı: Beyan edilen titreşim emisyon düzeyi, aletin ana uygulamalarını yansıtır. Ancak, alet farklı aksesuarlarla farklı uygulamalar için kullanılırsa veya bakımı kötü yapılırsa, titreşim emisyonu değişebilir. Bu, toplam maruziyet düzeyini 1,5 oranında artırabilir.

Tahmini titreşim maruziyeti, aletin kapalı kaldığı veya çalışmasına karşı iş görmediği zamanları da dikkate almalıdır. Bu, toplam çalışma süresindeki maruziyet düzeyini önemli ölçüde azaltabilir.

Kullanıcıyı titreşim etkilerinden korumak için belirtilen ek güvenlik önlemlerini alın: aletin ve aksesuarın bakımını yapın, elleri sıcak tutun, çalışma modellerini düzenleyin.

Çevrenin korunması



Ayrı toplanmalı. Bu ürün normal ev atıklarıyla birlikte atılmamalıdır.

Stanley ürünlerinizin değiştirilmesi gerektiğinde ya da artık kullanmanızı gerektirmeyen bir gün geldiğinde, evsel atıklarla birlikte atmayın. Bu ürünün ayrı toplanmasını sağlayın.



Kullanılmış ürünlerin ve ambalajların ayrı toplanması bu maddelerin geri dönüşüme tabii tutularak yeniden kullanılmasına olanak tanır.

Yeniden kullanım, geri dönüşümlü malzemelerin çevre kirliliğinin önlenmesine yardımcı olur ve ham madde ihtiyacını azaltır.

Yerel düzenlemeler, elektrikli ürünlerin evlerden toplanıp belediye atık tesislerine aktarılmasını veya yeni bir ürün satın alırken perakende satıcı tarafından toplanmasını sağlayabilir. Stanley hizmet ömrünün sonuna ulaşan Stanley ürünlerinin toplanması ve geri dönüşüme sokulması için bir imkan sunmaktadır. Bu hizmetin avantajlarından faydalanmak için, lütfen, ürününüzü bizim adımıza teslim alacak herhangi bir yetkili servise iade edin.

Bu kılavuzda belirtilen adresteki yerel Stanley ofisine başvurarak size en yakın yetkili tamir servisinin yerini öğrenebilirsiniz. Alternatif olarak, internet'ten Stanley yetkili tamir servislerinin listesini ve satış sonrası hizmetlerimizle ilgili tüm bilgiler ve temas bilgilerine bu adresten ulaşabilirsiniz: www.2helpU.com

AT uygunluk beyanı

MAKİNE DİREKTİFİ



STGS9115-STGS9125 - Avuç Taşlama

STANLEY, "teknik özellikler" bölümünde açıklanan bu ürünlerin bu yönergelere uygun olduğunu beyan eder:
EN 60745-1:2009+A11:2010, EN 60745-2-3:2011+A12:2014

Bu ürünler aynı zamanda Direktif ile uyumludur
22004/108/EC (19/04/2016 tarihine kadar), 2014/30/EU
(20/04/2016 tarihinden itibaren). Daha fazla bilgi için, lütfen
aşağıdaki adresten STANLEY ile temasa geçin veya
kılavuzun arkasına bakın.

Bu belge altında imzası bulunan yetkili, teknik dosyanın
derlenmesinden sorumludur ve bu beyanı STANLEY adına
vermiştir.

R.Laverick
Mühendislik Yöneticisi
STANLEY , Europe, Egide Walschaertsstraat14-18,
2800 Mechelen, Belgium
01.2016

Sanayi ve Ticaret Bakanlığı tebliğince kullanım ömrü 7 yıldır.

Türkiye Distribütörü
STANLEY BLACK&DECKER TURKEY ALET ÜRETİM SAN. TIC. LTD.STI.
Kozyatağı Mh Değirmen Sk. Nida Kule No:18 Kat:6
34742 Kadıköy İstanbul
Tel : (0216) 665 29 00
Faks : (0216) 665 29 01
E-posta: info-tr@sbdinc.com

İKİ YIL GARANTİ

Sahip olduğunuz STANLEY ürünü satın alma tarihinden itibaren 24 ay içinde hatalı malzeme veya işçilik nedeniyle bozulursa, STANLEY aşağıdaki şartlara uyulması koşuluyla ücretsiz olarak tüm kusurlu parçaların yenilenmesini veya -kendi inisiyatifine bağlı olarak- satın alınan ürünün değiştirilmesini garanti eder:

- Ürün, hatalı kullanılmamış kullanım kılavuzuna uygun kullanılmıştır.
- Ürün yıpranmamış, hırpalanmamış ve aşınmamıştır;
- Satın alma belgesi (fatura) ibraz edilmiştir;
- STANLEY ürünü, tüm orijinal parçaları ile birlikte iade edilmiştir;
- Ürün kiralama amacıyla kullanılmamıştır.

Garanti talebinde bulunmak için, lütfen satıcıyla irtibata geçin veya STANLEY katalogunda belirtilen size en yakın STANLEY yetkili satıcı adresini kontrol edin veya ürünün kılavuzunda belirtilen adresteki yerel STANLEY yetkili tamir servisi ile temas kurun. İnternet'ten STANLEY yetkili tamir servislerinin listesine ve satış sonrası hizmetlerimizle ilgili tüm bilgilerine aşağıdaki siteden ulaşabilirsiniz:
www.2helpU.com

130.com.ua