



PHONES

0 (800) 800 130
(050) 462 0 130
(063) 462 0 130
(067) 462 0 130

130
COM.UA

Internet store of
autogoods



SKYPE

km-130

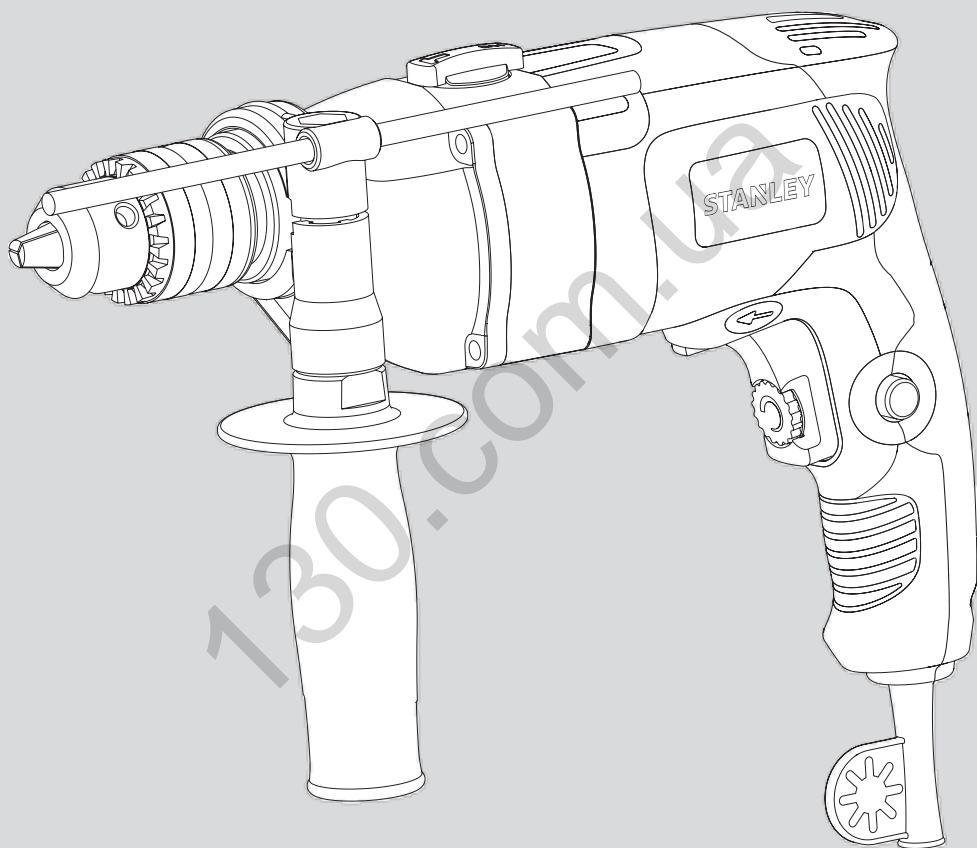
CAR RECEIVERS — Receivers • Media receivers and stations • Native receivers • CD/DVD changers • FM-modulators/USB adapters • Flash memory • Facia plates and adapters • Antennas • Accessories |
 CAR AUDIO — Car audio speakers • Amplifiers • Subwoofers • Processors • Crossovers • Headphones • Accessories | TRIP COMPUTERS — Universal computers • Model computers • Accessories |
 GPS NAVIGATORS — Portable GPS • Built-in GPS • GPS modules • GPS trackers • Antennas for GPS navigators • Accessories | VIDEO — DVR • TV sets and monitors • Car TV tuners • Cameras • Videomodules
 • Transcoders • Car TV antennas • Accessories | SECURITY SYSTEMS — Car alarms • Bike alarms • Mechanical blockers • Immobilizers • Sensors • Accessories | OPTIC AND LIGHT — Xenon • Bixenon • Lamps
 • LED • Stroboscopes • Optic and Headlights • Washers • Light, rain sensors • Accessories | PARKTRONICS AND MIRRORS — Rear parktronic • Front parktronic • Combined parktronic • Rear-view mirrors
 • Accessories | HEATING AND COOLING — Seat heaters • Mirrors heaters • Screen-wipers heaters • Engine heaters • Auto-refrigerators • Air conditioning units • Accessories | TUNING — Vibro-isolation
 • Noise-isolation • Tint films • Accessories | ACCESSORIES — Radar-detectors • Handsfree, Bluetooth • Windowlifters • Compressors • Beeps, loudspeakers • Measuring instruments • Cleaners • Car seats
 • Miscellaneous | MOUNTING — Installation kits • Upholstery • Grilles • Tubes • Cable and wire • Tools • Miscellaneous | POWER — Batteries • Converters • Start-charging equipment • Capacitors
 • Accessories | MARINE AUDIO AND ELECTRONICS — Marine receivers • Marine audio speakers • Marine subwoofers • Marine amplifiers • Accessories | CAR CARE PRODUCTS — Additives • Washer fluid •
 Care accessories • Car polish • Flavors • Adhesives and sealants | LIQUID AND OIL — Motor oil • Transmission oil • Brake fluid • Antifreeze • Technical lubricant



In store "130" you can find and buy almost all necessary goods for your auto in Kyiv and other cities, delivery by ground and postal services. Our experienced consultants will provide you with exhaustive information and help you to choose the very particular thing. We are waiting for you at the address

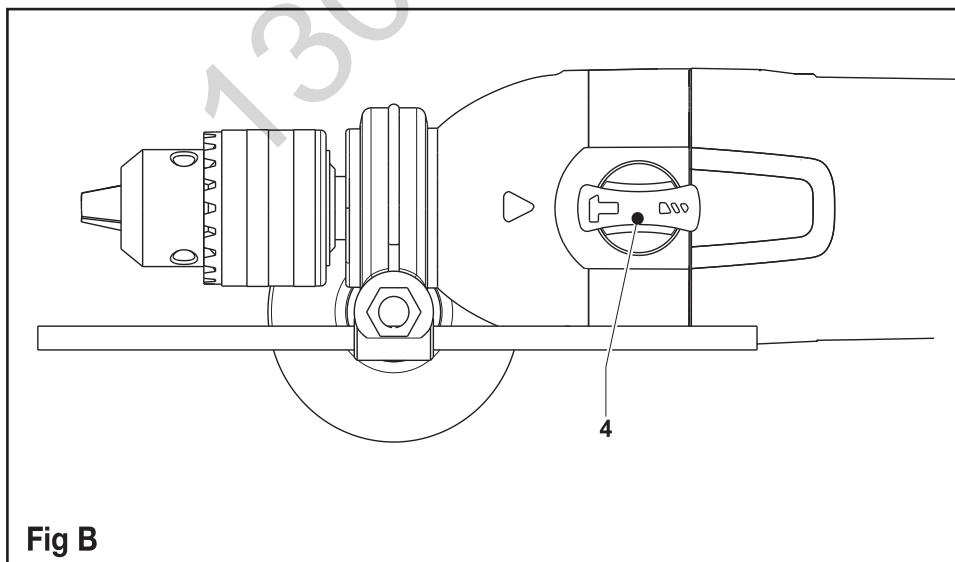
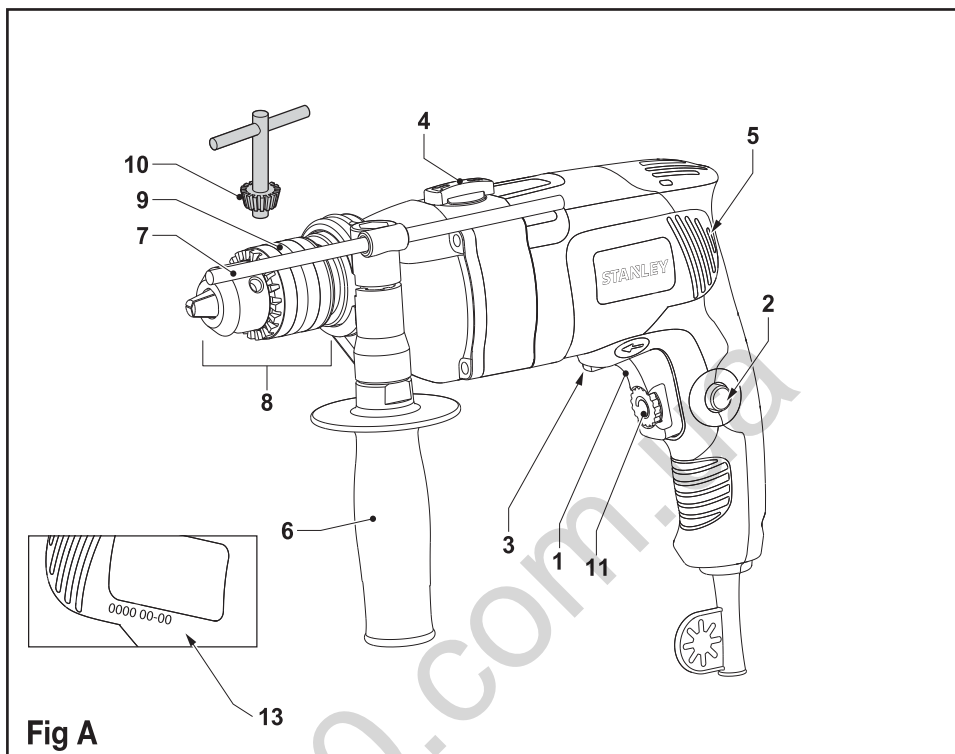
<https://130.com.ua>

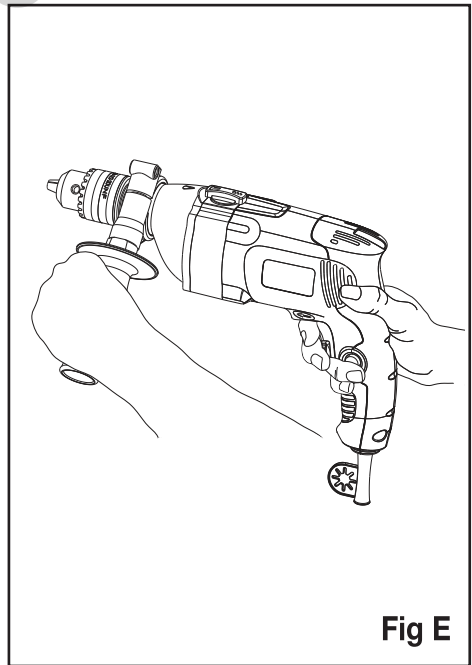
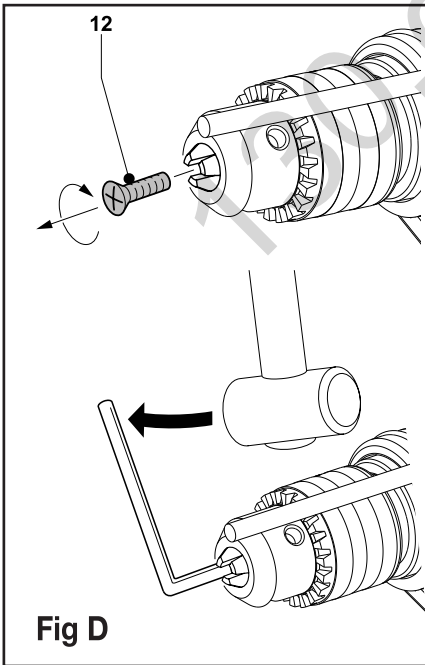
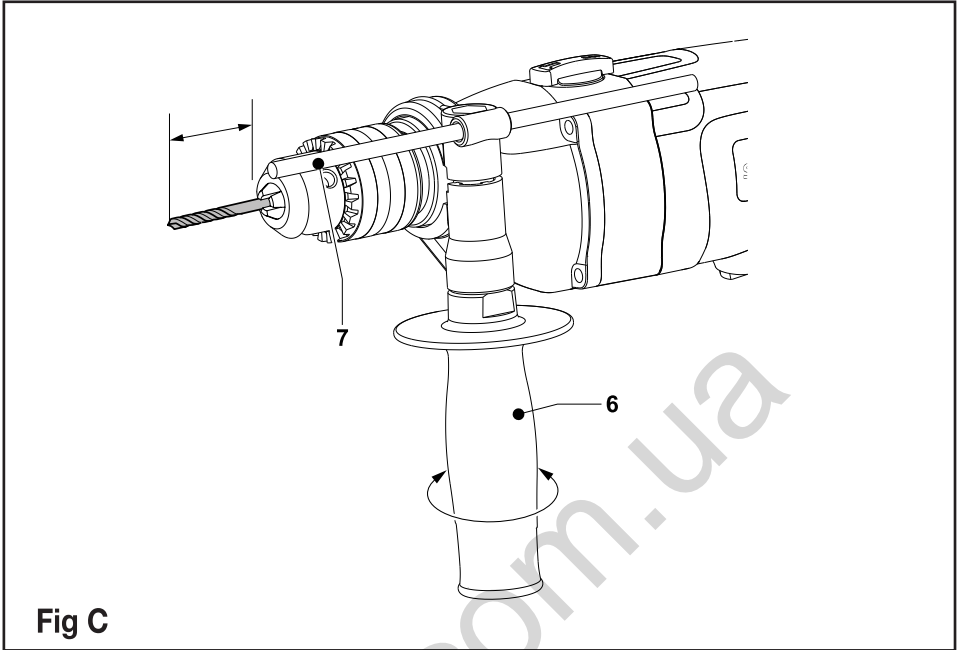
STANLEY



STDH8013

| | |
|-----------|---------|
| English | Page 4 |
| Russian | Page 12 |
| Ukrainian | Page 22 |





Intended use

Your STANLEY STDH8013 drill has been designed for drilling in wood, metal and concrete for semi-professional and professional use

Safety instructions



General power tool safety warnings

Warning! Read all safety warnings and all instructions. Failure to follow the warnings and instructions may result in electric shock, fire and/or serious injury.

Save all warnings and instructions for future reference. The term "power tool" in all of the warnings listed below refers to your mains operated (corded) power tool or battery operated (cordless) power tool.

1. **Work area safety**
 - a. **Keep work area clean and well lit.** Cluttered or dark areas invite accidents.
 - b. **Do not operate power tools in explosive atmospheres, such as in the presence of flammable liquids, gases or dust.** Power tools create sparks which may ignite the dust or fumes.
 - c. **Keep children and bystanders away while operating a power tool.** Distractions can cause you to lose control.
2. **Electrical safety**
 - a. **Power tool plugs must match the outlet. Never modify the plug in any way. Do not use any adapter plugs with earthed (grounded) power tools.** Unmodified plugs and matching outlets will reduce risk of electric shock.
 - b. **Avoid body contact with earthed or grounded surfaces, such as pipes, radiators, ranges and refrigerators.** There is an increased risk of electric shock if your body is earthed or grounded.
 - c. **Do not expose power tools to rain or wet conditions.** Water entering a power tool will increase the risk of electric shock.
 - d. **Do not abuse the cord. Never use the cord for carrying, pulling or unplugging the power tool. Keep cord away from heat, oil, sharp edges or moving parts.** Damaged or entangled cords increase the risk of electric shock.
 - e. **When operating a power tool outdoors, use an extension cord suitable for outdoor use.** Use of a cord suitable for outdoor use reduces the risk of electric shock.
 - f. **If operating a power tool in a damp location is unavoidable, use a residual current device (RCD) protected supply.** Use of an RCD reduces the risk of electric shock.
3. **Personal safety**
 - a. **Stay alert, watch what you are doing and use common sense when operating a power tool. Do not use a power tool while you are tired or under the influence of drugs, alcohol or medication.** A moment of inattention while operating power tools may result in serious personal injury.
 - b. **Use personal protective equipment. Always wear eye protection.** Protective equipment such as dust mask, non-skid safety shoes, hard hat, or hearing protection used for appropriate conditions will reduce personal injuries.
 - c. **Prevent unintentional starting. Ensure the switch is in the off-position before connecting to power source and/or battery pack, picking up or carrying the tool.** Carrying power tools with your finger on the switch or energising power tools that have the switch on invites accidents.
 - d. **Remove any adjusting key or wrench before turning the power tool on.** A wrench or a key left attached to a rotating part of the power tool may result in personal injury.
 - e. **Do not overreach. Keep proper footing and balance at all times.** This enables better control of the power tool in unexpected situations.
 - f. **Dress properly. Do not wear loose clothing or jewellery. Keep your hair, clothing and gloves away from moving parts.** Loose clothes, jewellery or long hair can be caught in moving parts.
 - g. **If devices are provided for the connection of dust extraction and collection facilities, ensure these are connected and properly used.** Use of dust collection can reduce dust-related hazards.
4. **Power tool use and care**
 - a. **Do not force the power tool. Use the correct power tool for your application.** The correct power tool will do the job better and safer at the rate for which it was designed.
 - b. **Do not use the power tool if the switch does not turn it on and off.** Any power tool that cannot be controlled with the switch is dangerous and must be repaired.

- c. **Disconnect the plug from the power source and/or the battery pack from the power tool before making any adjustments, changing accessories, or storing power tools.** Such preventive safety measures reduce the risk of starting the power tool accidentally.
- d. **Store idle power tools out of the reach of children and do not allow persons unfamiliar with the power tool or these instructions to operate the power tool.** Power tools are dangerous in the hands of untrained users.
- e. **Maintain power tools. Check for misalignment or binding of moving parts, breakage of parts and any other condition that may affect the power tool's operation. If damaged, have the power tool repaired before use.** Many accidents are caused by poorly maintained power tools.
- f. **Keep cutting tools sharp and clean.** Properly maintained cutting tools with sharp cutting edges are less likely to bind and are easier to control.
- g. **Use the power tool, accessories and tool bits etc. in accordance with these instructions, taking into account the working conditions and the work to be performed.** Use of the power tool for operations different from those intended could result in a hazardous situation.

5. Service

- a. **Have your power tool serviced by a qualified repair person using only identical replacement parts.** This will ensure that the safety of the power tool is maintained.

Additional power tool safety warnings



Warning! Additional safety warnings for drills and impact drills

Drill safety warnings

- **Wear ear protectors when impact drilling.** Exposure to noise can cause hearing loss.
- **Use auxiliary handle(s), if supplied with the tool.** Loss of control can cause personal injury.
- **Hold power tool by insulated gripping surfaces, when performing an operation where the cutting**

accessory may contact hidden wiring or its own cord. Cutting accessory contacting a "live" wire may make exposed metal parts of the power tool "live" and could give the operator an electric shock.

- Use clamps or another practical way to secure and support the workpiece to a stable platform. Holding the work by hand or against your body leaves it unstable and may lead to loss of control.
- Before drilling into walls, floors or ceilings, check for the location of wiring and pipes.
- Avoid touching the tip of a drill bit just after drilling, as it may be hot.
- This tool is not intended for use by persons (including children) with reduced physical, sensory or mental capabilities, or lack of experience and knowledge, unless they have been given supervision or instruction concerning use of the appliance by a person responsible for their safety. Children should be supervised to ensure that they do not play with the appliance.
- The intended use is described in this instruction manual. The use of any accessory or attachment or performance of any operation with this tool other than those recommended in this instruction manual may present a risk of personal injury and/or damage to property.

Safety of others

- This appliance is not intended for use by persons (including children) with reduced physical, sensory or mental capabilities, or lack of experience and knowledge, unless they have been given supervision or instruction concerning use of the appliance by a person responsible for their safety.
- Children should be supervised to ensure that they do not play with the appliance.

Residual risks

Additional residual risks may arise when using the tool which may not be included in the enclosed safety warnings. These risks can arise from misuse, prolonged use etc. Even with the application of the relevant safety regulations and the implementation of safety devices, certain residual risks can not be avoided. These include:









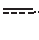
- Injuries caused by touching any rotating/moving parts.

ENGLISH (Original instructions)

- Injuries caused when changing any parts, blades or accessories.
- Injuries caused by prolonged use of a tool. When using any tool for prolonged periods ensure you take regular breaks.
- Impairment of hearing.
- Health hazards caused by breathing dust developed when using your tool (example:- working with wood, especially oak, beech and MDF.)

Labels on tool

The label on your tool may include the following symbols along with the date code:


| | | | | | |
|--|--------------------------|---|---------------------------|---|---|
|  | Read Instructions Manual | Hz | Hertz |  | Class II Construction |
|  | Use Eye Protection | W | Watts |  | Earthing Terminal |
|  | Use Ear Protection | min | minutes |  | Safety Alert Symbol |
| | |  | Alternating Current |  | Revolutions or Reciprocation per minute |
| | |  | Direct Current | .../min.. | |
| V | Volts | n_0 | No-Load Speed | | |
| A | Amperes | | | | |

Position of date barcode

The Date Code, which also includes the year of manufacture, is printed into the housing.
Example:

2014 XX JN
Year of manufacturing

Electrical safety

 Double insulation measures are taken in this power tool, so no grounding is needed. Please check whether the voltage of power supplied is consistent with the voltage on the nameplate or not.

- If the wire is damaged, it should be replaced by the manufacturer or a service center authorized by STANLEY, to avoid danger.

Using an extension cable

- If an extension cable is required, use an approved extension cable suitable for the power input of this tool (see technical data). The minimum conductor size is 1.5 mm².

When using a cable reel, always unwind the cable completely.

Also refer to the table below.

| Conductor size (mm ²) | | Cable rating (Amperes) | | | | | |
|-----------------------------------|-------------|------------------------|----|----|----|----|----|
| 0.75 | | 6 | | | | | |
| 1.00 | | 10 | | | | | |
| 1.50 | | 15 | | | | | |
| 2.50 | | 20 | | | | | |
| 4.00 | | 25 | | | | | |
| Cable length (m) | | | | | | | |
| | | 7.5 | 15 | 25 | 30 | 45 | 60 |
| Voltage | Amperes | Cable rating (Amperes) | | | | | |
| 115 | 0 - 2.0 | 6 | 6 | 6 | 6 | 6 | 10 |
| | 2.1 - 3.4 | 6 | 6 | 6 | 6 | 15 | 15 |
| | 3.5 - 5.0 | 6 | 6 | 10 | 15 | 20 | 20 |
| | 5.1 - 7.0 | 10 | 10 | 15 | 20 | 20 | 25 |
| | 7.1 - 12.0 | 15 | 15 | 20 | 25 | 25 | - |
| 230 | 12.1 - 20.0 | 20 | 20 | 25 | - | - | - |
| | 0 - 2.0 | 6 | 6 | 6 | 6 | 6 | 6 |
| | 2.1 - 3.4 | 6 | 6 | 6 | 6 | 6 | 6 |
| | 3.5 - 5.0 | 6 | 6 | 6 | 6 | 10 | 15 |
| | 5.1 - 7.0 | 10 | 10 | 10 | 10 | 15 | 15 |
| 7.1 - 12.0 | 15 | 15 | 15 | 15 | 20 | 20 | |
| 12.1 - 20.0 | 20 | 20 | 20 | 20 | 25 | - | |

- Check for damage to the tool, parts or accessories which may have occurred during transport.
- Take the time to thoroughly read and understand this manual prior to operation.

Features (fig. A)

1. Variable speed switch
2. Lock-on button
3. Forward/reverse slider
4. Mode selector
5. Ventilation slots
6. Side handle
7. Depth adjustment rod
8. Keyed chuck
9. Sleeve
10. Chuck key
11. Speed dial

Assembly

Warning! Before assembly, please ensure that the power tool is powered off and the power plug of the tool is unplugged from the power source.

Selecting the operating mode (fig. B) The tool can be used in two operating modes:

Rotary drilling:
for steel, wood and plastics.

Impact drilling:
simultaneous rotating and impacting for concrete and masonry drilling operations.

- Select the required operating mode by rotating the mode selector (4) to the required position.

Inserting and removing a bit (fig. A)

Keyed chuck

- Open the chuck by turning the sleeve (9) counterclockwise and insert the bit shank.
- Put the chuck key (10) into each hole in the side of the chuck and turn clockwise until tight.
- To remove the bit, proceed in reverse order.

Fitting the side handle (fig. A)

The side handle (6) can be fitted to suit both RH- and LH-users.



Always use the drill with the side handle properly assembled.

- Loosen the side handle.
- For RH-users, slide the side handle clamp over the collar behind the chuck, handle at the left.
- For LH-users, slide the side handle clamp over the collar behind the chuck, handle at the right.
- Rotate the side handle to the desired position and tighten the handle.

Setting the drilling depth (fig. C)

- Insert the required drill bit into the chuck.
- Slacken the side handle (6).
- Fit the depth adjustment rod (7) through the hole in the side handle clamp.

- Adjust the drilling depth as shown.
- Tighten the side handle.

Forward/reverse slider (fig. A)

- To select forward or reverse rotation, use the forward/reverse-switch (3) (see arrow on tool).



Always wait until the motor has come to a complete standstill before changing the direction of rotation.

Chuck removal (fig. D)

- Open the chuck jaws as far as possible
- Insert a screwdriver into the chuck and remove the chuck retaining screw (12) by turning clockwise.
- Tighten an Allen key into the chuck and strike it with a hammer as shown.

Hints for optimum use

- Always observe the safety instructions and applicable regulations.
- Be aware of the location of pipework and wiring.
- Apply only a gentle pressure to the tool. Excessive force does not speed up drilling but decreases tool performance and may shorten tool life.
- Wear ear protectors with impact drills. Exposure to noise can cause hearing loss.
- Use auxiliary handles supplied with the tool. Loss of control can cause personal injury.
- Hold power tool by insulated gripping surfaces, when performing an operation where the cutting accessory may contact hidden wiring or its own cord. Cutting accessory contacting a "live" wire may make exposed metal parts of the power tool "live" and shock the operator.
- If operating a power tool in a damp location is unavoidable, use a residual current device (RCD) protected supply. Use of an RCD reduces the risk of electric shock.

Prior to operation

- Insert the appropriate bit.
- Mark the spot where the hole is to be drilled.

Proper Hand Position (fig. A, E)



Warning: To reduce the risk of serious personal injury, ALWAYS use proper hand position as shown.



Warning: To reduce the risk of serious personal injury, ALWAYS hold securely in anticipation of a sudden reaction.

Proper hand position requires one hand on the side handle (6), with the other hand on the main handle.

Switching on and off

- To switch the tool on, press the variable speed switch (1). The tool speed depends on how far you press the switch.
- For continuous operation, press the lock-on button (2) and release the variable speed switch. This option is available only at full speed.
- To switch the tool off, release the variable speed switch. To switch the tool off when in continuous operation, press the variable speed switch once more and release it.
- Based on the different applications, turn around the speed dial (11) to control the maximum speed.

Drilling in metal

Start drilling with slow speed and increase to full power while applying firm pressure on the tool. A smooth even flow of metal chips indicates the proper drilling rate. Use a cutting lubricant when drilling metals. The exceptions are cast iron and brass which should be drilled dry.

Note: Large [5/16" (8 mm) to 1/2" (13 mm)] holes in steel can be made easier if a pilot hole [5/32" (4 mm) to 3/16" (5 mm)] is drilled first.

Drilling in wood

Start drilling with slow speed and increase to full power while applying firm pressure on the tool. Holes in wood can be made with the same twist drills used for metal. These bits may overheat unless pulled out frequently to clear chips from the flutes. Work that is apt to splinter should be backed up with a block of wood.

Drilling in masonry

When drilling in masonry, use carbide-tipped bits rated for Impact drilling and be certain that the bits are sharp. Use a

constant and firm force on the tool to drill most effectively. A smooth, even flow of dust indicates the proper drilling rate.

Screwdriving

- Select forward or reverse rotation.

Impact drilling (fig. A)

- Select the Impact mode.
- Press the switch (1).

Rotary drilling (fig. A)

- Select the rotary drilling mode.
- Proceed as described for Impact drilling.

Consult your dealer for further information on the appropriate accessories.

Accessories

The performance of an electric tool depends on its accessories. STANLEY accessories are designed according to high quality standards, to enhance the performance of electric tool. The use of these accessories can help you conveniently operate the tool.

Maintenance

The STANLEY cord / cordless appliance / tools are of sophisticated design, can be used for a long time, and only little maintenance is needed. To obtain consistent satisfactory use, proper maintenance and regular cleaning of the tools are necessary.

Warning! Before performing any maintenance work on the cord / cordless electric tools, the following points must be implemented:

- Switch off the power of the equipment / tools and pull off the plug;
- If the equipment / tools are equipped with independent battery pack, please turn off the power and remove the battery pack from the equipment / tools.
- If the equipment / tools are equipped with an integrated battery, please run out the battery, before turning off its power.

- Before the cleaning, unplug the charger plug from the power source. In addition, except the regular cleaning on your charger, no other maintenance is needed.
- Regularly use the soft brush or dry cloth to clean the ventilation slot of the equipment / tools / charger.
- Regularly use a damp cloth to clean the motor housing. Please do not use any abrasive cleaning agents or solvent-based cleansing agents.
- Regularly open the clamping chuck and tap it gently to remove any internal dust (after installation).



Cleaning



Warning! Once the visible dust build-up is found at and/or around the ventilating ports, immediately flush the dust and powder within the host shell with clean dry air. To perform this procedure, wear the approved safety equipment and dust mask.



Warning! It is strictly forbidden to clean the non-metallic parts of the tool with the solvents or other irritant chemicals. These chemicals may weaken the materials of these components. Use a cloth moistened with a mild soapy water to clean it. Do not let any substance permeate into the tool and do not immerse any part of the tool into a liquid.

Notes

- STANLEY's policy is one of continuous improvement to our products and, as such, we reserve the right to change product specifications without prior notice.
- Standard equipment and accessories may vary by country.
- Product specifications may differ by country.
- Complete product range may not be available in all countries. Contact your local STANLEY dealers for range availability.

Protecting the environment



Separate collection. This product must not be disposed of with normal household waste.

Should you find one day that your STANLEY product needs replacement, or if it is of no further use to you, do not dispose of it with household waste. Make this product available for separate collection.



Separate collection of used products and packaging allows materials to be recycled and used again. Re-use of recycled materials helps prevent environmental pollution and reduces the demand for raw materials.

Local regulations may provide for separate collection of electrical products from the household, at municipal waste sites or by the retailer when you purchase a new product. STANLEY provides a facility for the collection and recycling of STANLEY products once they have reached the end of their working life. To take advantage of this service please return your product to any authorised repair agent who will collect them on our behalf.

You can check the location of your nearest authorised repair agent by contacting your local STANLEY office at the address indicated in this manual. Alternatively, a list of authorised STANLEY repair agents and full details of our after-sales service and contacts are available on the Internet at: www.2helpU.com

Technical data

| Impact Drill | | STDH8013 |
|--------------------------|------|----------|
| Voltage | V | 230 |
| Frequency | Hz | 50 |
| Power input | W | 800 |
| No-load speed | /min | 0-3000 |
| Impact rate | IPM | 0-54000 |
| Reverse/Forward rotation | | Yes |
| Chuck capacity | mm | 1,5-13 |
| Max capacity | | |
| Concrete | mm | 16 |
| Metal | mm | 13 |
| Wood | mm | 32 |
| Weight | kg | 2,5 |

Level of sound pressure according to EN 60745:

Noise level: L_p: 100,5 dB (A) L_w: 111,5 dB (A) K = 3 dB (A)

Vibration level: a_h, I_D = 15,0 m/s² K = 1,5 m/s²

a_h, D = 6,1 m/s² K = 1,5 m/s²

Vibration

The declared vibration emission values stated in the technical data and the declaration of conformity have been measured in accordance with a standard test method provided by EN 60745 and may be used for comparing one tool with another. The declared vibration emission value may also be used in a preliminary assessment of exposure.

Warning! The vibration emission value during actual use of the power tool can differ from the declared value depending on the ways in which the tool is used. The vibration level may increase above the level stated. When assessing vibration exposure to determine safety measures required by 2002/44/EC to protect persons regularly using power tools in employment, an estimation of vibration exposure should consider, the actual conditions of use and the way the tool is used, including taking account of all parts of the operating cycle such as the times when the tool is switched off and when it is running idle in addition to the trigger time.

Service Information

STANLEY offers a full network of authorized service locations. All STANLEY Service Centers are staffed with trained personnel to provide customers with efficient and reliable power tool service. Whether you need technical advice, repair, or genuine factory replacement parts, contact the STANLEY location nearest to you.

Two years full warranty

If your STANLEY product becomes defective due to faulty materials or workmanship within 24 months from the date of purchase, STANLEY guarantees to replace all defective parts free of charge or – at our discretion – replace the unit free of charge provided that:

- The product has not been misused and has been used in accordance with the instruction manual.
- The product has been subject to fair wear and tear;
- Repairs have not been attempted by unauthorised persons;
- Proof of purchase is produced.
- The STANLEY product is returned complete with all original components

If you wish to make a claim, contact your seller or check the location of your nearest authorised STANLEY repair agent in the STANLEY catalogue or contact your local STANLEY office at the address indicated in this manual. A list of authorised STANLEY repair agents and full details of our after sales service is available on the internet at: www.stanleytools.com

EC declaration of conformity
MACHINERY DIRECTIVE



STDH8013 Impact Drill

STANLEY declares that these products described under "technical data" are in compliance with 2006/42/EC, 'EN 60745-1:2009 + A11:2010', EN 60745-2-1:2010'

These products also comply with Directive 2004/108/EC (until 19/04/2016) 2014/30/EU (from 20/04/2016) and 2011/65/EU. For more information, please contact STANLEY at the following address or refer to the back of the manual.

The undersigned is responsible for compilation of the technical file and makes this declaration on behalf of STANLEY

A handwritten signature in black ink, appearing to read 'R. Laverick', is written over a faint, light-colored rectangular stamp.

R.Laverick
Engineering Manager
STANLEY , Europe, Egide Walschaertsstraat14-18,
2800 Mechelen, Belgium
07.2015

Использование по назначению

Ваша ударная дрель STANLEY была разработана для сверления отверстий в древесине, металле и бетоне.

Общие предупреждения по технике безопасности электроинструментов



Внимание! Ознакомьтесь со всеми правилами безопасности и инструкциями.

Несоблюдение предупреждений и инструкций, указанных ниже, может привести к поражению электрическим током, пожару и/или серьезной травме.

Сохраните все предупреждения и инструкции для будущего использования.

Термин "электроинструмент" во всех предупреждениях, указанных ниже, относится к вашему сетевому (с кабелем) электроинструменту или аккумуляторному электроинструменту (без кабеля питания).

1. Безопасность рабочего места

- a. **Содержите рабочее место в чистоте и хорошо освещенным.** Беспорядок на рабочем месте или отсутствие освещения рабочего места может привести к аварии.
- b. **Не работайте с электроинструментом в месте хранения взрывоопасных материалов, например, в присутствии огнеопасных жидкостей, газов или пыли.** Электрические инструменты создают искры, которые могут воспламенить пыль или пары.
- c. **Дети и посторонние лица должны находиться как можно дальше во время работы с электроинструментом.** Вы можете отвлечься и потерять контроль.

2. Электробезопасность

- a. **Вилка электроинструмента должна соответствовать розетке. Никогда не модифицируйте вилку каким-либо образом. Не используйте никакие вилки-переходники с заземленными (замкнутыми на землю) электроинструментами.** Вилки и розетки, которые

не подвергались никаким изменениям снижают риск поражения электрическим током.

- b. **Избегайте контакта тела с заземленными поверхностями, такими как трубы, радиаторы, плиты и холодильники.** Существует повышенный риск поражения электрическим током, если ваше тело заземлено.
- c. **Избегайте любого воздействия дождя или влаги на электроинструменты.** Вода, попавшая в электроинструмент, увеличивает риск поражения электрическим током.
- d. **Аккуратно обращайтесь со шнуром питания. Никогда не используйте шнур питания для переноски, перемещения или извлечения вилки из розетки. Держите шнур вдали от источников тепла, масла, острых краев или движущихся частей.** Поврежденные или запутанные шнуры увеличивают риск поражения электрическим током.
- e. **При работе с электроинструментом на улице, используйте удлинитель, подходящий для наружного использования.** Использование кабеля, пригодного для использования на открытом воздухе, снижает риск поражения электрическим током.
- f. **При необходимости работы с электроинструментом во влажной среде, используйте устройство защитного отключения (УЗО).** Использование УЗО снижает риск поражения электрическим током. Примечание: Термин "устройство защитного отключения (УЗО)" может быть заменен на "аварийный прерыватель заземления" или "автоматический выключатель тока утечки".

3. Личная безопасность

- a. **Будьте внимательны, смотрите, что вы делаете, используйте здравый смысл при работе с электроинструментом. Не используйте электроинструмент, если вы устали или находитесь под влиянием наркотиков, алкоголя или лекарств.** Малейшая неосторожность при работе с электроинструментом может привести к серьезным травмам.

- b. Используйте средства индивидуальной защиты. Всегда надевайте защитные очки. Другое защитное оборудование, включая респиратор, ботинки на нескользящей подошве, защитный шлем или средства защиты органов слуха, используемые в надлежащих условиях, уменьшат риск получения травмы.**
- c. Для предотвращения случайного запуска, убедитесь, что переключатель находится в выключенном положении перед подключением к источнику питания и/или аккумуляторной батареи, поднятия или переноски инструмента.** Не переносите электроинструмент с пальцем на выключателе и не включайте питание на инструмент с включенным выключателем, что может привести к несчастному случаю.
- d. Перед включением электроинструмента снимайте регулировочный или гаечный ключ.** Гаечный или регулировочный ключ, оставленный на вращающейся части электроинструмента, может привести к травме.
- e. Не тянитесь. Сохраняйте правильную стойку и баланс все время.** Это позволяет лучше контролировать инструмент в неожиданных ситуациях.
- f. Одевайтесь правильно. Не надевайте свободную одежду или украшения. Держите волосы, одежду и перчатки вдали от движущихся частей.** Свободная одежда, украшения или длинные волосы могут попасть в движущиеся части.
- g. Если имеются устройства для подключения пылесборника или вытяжки, убедитесь в том, что они подсоединены и используются правильно.** Использование пылесборника снижает вероятность возникновения рисков, связанных с пылью.
- 4. Использование и уход за электроинструментом**
- a. Не перегружайте электроинструмент. Используйте подходящий электрический инструмент для соответствующего применения.** Правильно подобранный электроинструмент позволит выполнить работу лучше и безопаснее при скорости, для которой он был разработан.
- b. Не используйте электроинструмент, если переключатель не может его включить и выключить.** Любой электроинструмент, который нельзя контролировать с помощью переключателя, опасен и должен быть отремонтирован.
- c. Отключите кабель питания от источника питания и/или аккумуляторный блок от электрического инструмента перед выполнением любых регулировок, замены принадлежностей или при хранении электроинструмента.** Такие профилактические меры безопасности уменьшают риск непреднамеренного запуска электрического инструмента.
- d. Храните неиспользуемые электроинструменты в недоступном для детей месте и не позволяйте лицам, не знакомым с электроинструментом или данными инструкциями, работать с электроинструментом.** Электроинструменты опасны в руках неопытных пользователей.
- e. Поддержание электроинструмента. Проверяйте разрегулированность или соединение подвижных частей, поломки частей и любые другие условия, которые могут повлиять на работу электроинструмента. При наличии повреждения, отремонтируйте электроинструмент перед использованием.** Многие несчастные случаи являются следствием плохого ухода за электроинструментом.
- f. Держите режущий инструмент острым и чистым.** Хорошо ухоженный режущий инструмент с острыми режущими кромками легче контролировать.
- g. Используйте электроинструмент, аксессуары и насадки в соответствии с данными инструкциями, принимая во внимание условия работы и те работы, которые должны быть выполнены.** Использование электроинструмента для операций, отличающихся от тех, для которых он предназначен, может привести к опасной ситуации.
- 5. Обслуживание**
- a. Обеспечьте, чтобы обслуживание и ремонт вашего электроинструмента проводился в авторизованном сервисном центре по ремонту с использованием только оригинальных запасных частей.** Это станет гарантией безопасности электроинструмента.
- b. Не используйте электроинструмент, если**

Дополнительные меры безопасности для электроинструментов



Предостережение! Дополнительные меры безопасности для дрелей и ударных дрелей

Правила техники безопасности при работе с дрелью

- **Надевайте защитные наушники при сверлении.** Воздействие шума может привести к потере слуха.
- **Используйте дополнительные рукоятки, если они входят в комплект поставки инструмента.** Потеря контроля может привести к травме.
- **Держите инструмент за изолированные поверхности во время работы, при которой режущий инструмент может задеть скрытую проводку или собственный кабель.** При контакте режущего аксессуара с «живым» проводом или открытыми металлическими частями электроинструмента оператора может ударить электрическим током.
- Используйте тиски или другое подходящее приспособление для обеспечения и поддержания обрабатываемого изделия на устойчивой платформе. Проведение работы по направлению руки или против вашего тела, лишает устойчивости и может привести к потере контроля.
- Перед сверлением стен, полов и потолков, проверьте местоположение электропроводки и труб.
- Не прикасайтесь к кончику сверла сразу после окончания сверления, так как оно может быть горячим.
- Этот инструмент не предназначен для использования лицами (включая детей) с ограниченными физическими, чувствительными или умственными способностями или с недостатком опыта или знаний, если они не были под контролем и руководством лица, контролирующего использование инструмента или лицом, ответственным за их безопасность. Дети должны быть под присмотром взрослых, чтобы не допустить никаких игр с инструментом.
- Назначение инструмента описывается в данном руководстве. Использование любых аксессуаров или приспособлений, выполнение любых операций с помощью этого инструмента, не рекомендованных в данном руководстве, может представлять опасность получения травм и/или повреждения имущества.

Безопасность посторонних лиц

- Этот инструмент не предназначен для использования лицами (включая детей) с ограниченными физическими, чувствительными или

умственными способностями или с недостатком опыта или знаний, если они не были под контролем и руководством лица, контролирующего использование инструмента или ответственным за их безопасность.

- Дети должны быть под присмотром взрослых, чтобы не допустить никаких игр с инструментом.

Остаточные риски

Дополнительные остаточные риски могут возникнуть при использовании инструмента, которые не включены в описанные здесь правила техники безопасности. Эти риски могут возникнуть при неправильном или продолжительном использовании изделия и т.п. Несмотря на соблюдение соответствующих правил техники безопасности и использование предохранительных устройств, некоторых остаточных рисков невозможно избежать. Они включают в себя:

- Травмы в результате касания вращающихся/движущихся частей.
- Риск получения травмы во время смены деталей инструмента, ножей или насадок
- Травмы, вызванные продолжительным использованием инструмента. При использовании инструмента в течение продолжительного периода времени делайте регулярные перерывы в работе.
- Плохой слух.
- Ущерб здоровью в результате вдыхания пыли при использовании инструмента (пример: работа с деревом, в особенности, древесины дуба, бука и древесноволокнистой плитой средней плотности).

Этикетки на инструменте

Этикетка на вашем инструменте может включать следующие символы:

| | | | | |
|---------|---|----------------------|-----------------------|--|
| | Читайте инструкции по эксплуатации | Гц Герц | | Конструкция класса II |
| | Используйте средства защиты глаз | Вт Ватт | | Терминал заземления |
| | Используйте средства защиты органов слуха | мин..... минуты | | Символ предупреждения об опасности |
| | | | | обороты или возвратно-поступательное движение в минуту |
| | | | | |
| | | ----- Постоянный ток | | |
| V | Вольт | n ₀ | Скорость без нагрузки | |
| A | Ампер | | | |

Положение даты штрих-кода

Дата кода, который также включает год изготовления, печатается на корпусе.

Пример:

2014 XX JN
Год изготовления

Электрическая безопасность

Ваше зарядное устройство защищено двойной изоляцией, поэтому заземляющий провод не требуется. Всегда проверяйте, чтобы напряжение сети соответствовало напряжению, указанному на заводской табличке. Никогда не пытайтесь заменить зарядный блок стандартным сетевым штепселем.

- Если шнур питания поврежден, он должен быть заменен производителем или уполномоченным сервисным центром STANLEY для того, чтобы избежать опасности.

Использование удлинителя

- Если необходим удлинительный кабель, используйте утвержденный кабель-удлинитель, подходящий для входной мощности данного инструмента (см технические данные). Минимальный размер проводника 1,5 мм².

При использовании кабельного барабана, всегда разматывайте кабель полностью.

Также смотрите в таблице ниже.

| Размер проводника (мм ²) | Номинальная мощность (Амперы) | | | | | | |
|--------------------------------------|-------------------------------|-------------------------------|----|----|----|----|----|
| 0,75 | 6 | | | | | | |
| 1,00 | 10 | | | | | | |
| 1,50 | 15 | | | | | | |
| 2,50 | 20 | | | | | | |
| 4,00 | 25 | | | | | | |
| Длина кабеля (м) | | | | | | | |
| 7,5 15 25 30 45 60 | | | | | | | |
| Напряжение | Ампер | Номинальная мощность (Амперы) | | | | | |
| 115 | 0 - 2,0 | 6 | 6 | 6 | 6 | 6 | 10 |
| | 2,1 - 3,4 | 6 | 6 | 6 | 6 | 15 | 15 |
| | 3,5 - 5,0 | 6 | 6 | 10 | 15 | 20 | 20 |
| | 5,1 - 7,0 | 10 | 10 | 15 | 20 | 20 | 25 |
| | 7,1 - 12,0 | 15 | 15 | 20 | 25 | 25 | - |
| 230 | 12,1 - 20,0 | 20 | 20 | 25 | - | - | - |
| | 0 - 2,0 | 6 | 6 | 6 | 6 | 6 | 6 |
| | 2,1 - 3,4 | 6 | 6 | 6 | 6 | 6 | 6 |
| | 3,5 - 5,0 | 6 | 6 | 6 | 6 | 10 | 15 |
| | 5,1 - 7,0 | 10 | 10 | 10 | 10 | 15 | 15 |
| 7,1 - 12,0 | 15 | 15 | 15 | 15 | 20 | 20 | |
| 12,1 - 20,0 | 20 | 20 | 20 | 20 | 25 | - | |

- Проверьте, не поврежден ли инструмент, детали и аксессуары, которые могут произойти во время транспортировки.
- Потратьте время, чтобы внимательно прочитать и понять данную инструкцию перед началом работы.

Описание (рис. А)

1. Переключатель плавного хода
2. Фиксатор клавиши
3. Ползунок вперед/назад
4. Селектор режима
5. Вентиляционные отверстия
6. Боковая рукоятка
7. Рычаг регулировки глубины
8. Кнопочный патрон
9. Рукав
10. Ключ патрона
11. Быстрый набор

Сборка

Предостережение! Перед сборкой, пожалуйста, убедитесь, что электроинструмент выключен и вилка шнура питания инструмента отключена от источника питания.

Выберите режим работы (рис В). Этот инструмент может быть использован в двух режимах:

Вращательное сверление: для стали, дерева и пластмасс.

Ударное сверление: одновременное вращение и осуществление буровых работ в бетонной и каменной кладке.

- Выберите нужный режим работы, установив переключатель режимов (4) в требуемое положение.

Установка и снятие сверла (рис. А)

Кнопочный патрон

- Откройте сверильный патрон, повернув втулку (9) против часовой стрелки и вставьте сверло.
- Поместите ключ зажимного патрона (10) в каждое отверстие в боковой части патрона и поверните по часовой стрелке до упора.

- Для удаления сверла, действуйте в обратном порядке.

Установка боковой рукоятки (рис. А)

Боковая рукоятка (6) может быть установлена для удобства как правой, так и левой.



Всегда используйте дрель с правильно установленной боковой рукояткой.

- Ослабьте боковую рукоятку.
- Для правой, сдвиньте боковую рукоятку зажима над воротником за патроном, рукоятка слева.
- Для левой, сдвиньте боковую рукоятку зажима над воротником за патроном, рукоятка справа.
- Поверните боковую рукоятку в желаемое положение и затяните ручку.

Установка глубины сверления (Рис. С)

- Вставьте нужное сверло в патрон.
- Ослабьте вспомогательную рукоятку (6).
- Установите рычаг регулировки глубины (7) через отверстие в зажиме боковой ручки.
- Отрегулируйте глубину сверления, как показано на рисунке.
- Затяните боковую рукоятку.

Ползунок вперед/назад (рис. А)

- Для выбора вращения вперед или назад, используйте переключатель вперед/назад (3) (см. на стрелку на инструменте).



Обязательно дождитесь, чтобы двигатель полностью остановился перед изменением направления вращения.

Удаление патрона (рис. D)

- Откройте зажимы патрона, насколько это возможно
- Вставьте отвертку в патрон и снимите винт, фиксирующий патрон (12), повернув по часовой стрелке.
- Затяните шестигранный ключ в патроне и ударьте по нему молотком, как показано на рисунке.

Инструкция по применению

- Всегда соблюдайте инструкции по технике безопасности, а также другие предписания.
- Необходимо знать о местонахождении трубопроводов и электропроводки.
- Применяйте только легкое надавливание на инструмент. Чрезмерное надавливание не ускоряет сверление, а снижает производительность инструмента и может сократить срок его службы.
- Надевайте защитные наушники при работе с ударной дрелью. Шум может привести к потере слуха.
- Используйте дополнительные ручки, поставляемые с инструментом. Потеря контроля может привести к травме.
- Держите инструмент за изолированные поверхности при выполнении действий, при которых режущий инструмент может задеть скрытую проводку или собственный кабель. При контакте с «живым» проводом, металлические части электроинструмента могут привести к удару электрическим током.
- При работе с электроинструментом в сыром месте, используйте устройство защитного отключения (УЗО). Использование УЗО снижает риск поражения электрическим током.

До работы

- Вставьте соответствующее сверло.
- Отметьте место, где должно быть просверлено отверстие.

Правильное положение рук (рис. А, Е)



Предупреждение: Чтобы уменьшить риск получения серьезной травмы, ВСЕГДА держите руки в правильном положении, как показано на рисунке.



Предупреждение: Чтобы уменьшить риск получения серьезной травмы, ВСЕГДА надежно удерживайте инструмент для предупреждения внезапной реакции.

Для правильного положения рук во время работы необходимо, чтобы одна рука была на боковой рукоятке (6), а другая на главной ручке.

Включение и выключение

- Чтобы включить инструмент, нажмите переключатель плавного хода (1). Скорость инструмента зависит от того, насколько вы нажмете выключатель.
- Для непрерывной работы нажмите фиксатор клавиши (2) и отпустите переключатель плавного хода. Эта опция доступна только на полной скорости.
- Чтобы включить инструмент, отпустите кнопку переключателя плавного хода. Чтобы выключить инструмент при работе в непрерывном режиме, нажмите клавишу переключателя плавного хода еще раз и отпустите его.
- В зависимости от применения, поверните ручку быстрого набора (11) для достижения максимальной скорости.

Сверление в металле.

Начинайте сверление с низкой скоростью, постепенно увеличивая мощность и применяя сильное надавливание на инструмент. Спокойный, ровный выход металлической стружки указывает на правильную частоту сверления. Используйте режущую смазку при сверлении металлов. Исключения составляют чугун и латунь, которые необходимо сверлить сухими.

Примечание: Отверстия большего диаметра [5/16" (8 мм) до 1/2" (13 мм)] в стали легче просверлить, если сначала сделать пилотное отверстие [5/32" (4 мм), 3/16" (5 мм)].

Сверление в дереве.

Начинайте сверление с низкой скоростью, постепенно увеличивая мощность и применяя сильное надавливание на инструмент. Отверстия в дереве могут быть сделаны теми же сверлами, которые используются для металла. Сверла могут перегреваться, периодически вынимайте их из отверстия. Заготовки, от которых могут лететь осколки, должны быть усилены блоком древесины.

Бурение в кладке.

При бурении в кирпичной кладке, используйте сверла из твердых сплавов, рассчитанные для ударного сверления и обязательно убедитесь, что, сверла достаточно острые. Используйте постоянное и уверенное надавливание на инструмент, для наиболее эффективного сверления. Гладкий, ровный поток пыли указывает на правильную частоту бурения.

Завинчивание

- Выберите прямое или обратное вращение

Ударное сверление (рис. А)

- Выберите режим
- Нажмите выключатель (1).

Вращательное сверление (рис. А)

- Выберите режим поворотного сверления
- Действуйте согласно инструкции для ударного сверления.

Обратитесь к своему дилеру для получения дополнительной информации о соответствующих аксессуарах.

Аксессуары

Производительность электроинструмента зависит от его аксессуаров. Аксессуары STANLEY разработаны в соответствии с высокими стандартами качества, чтобы повысить производительность электроинструмента. Использование этих аксессуаров может помочь вам удобно работать с инструментом.

Обслуживание

Проводные и беспроводные инструменты STANLEY имеют сложные конструкции и могут быть использованы в течение длительного времени при минимальном техническом обслуживании. Для последовательного удовлетворительного использования, необходимо надлежащее техническое обслуживание и регулярная чистка инструмента.

Предостережение! Перед выполнением любых работ по техобслуживанию проводных/беспроводных электрических инструментов, необходимо выполнить следующие требования:

- Выключите питание оборудования/инструментов и вытащите вилку;
- Если оборудование/инструмент имеют независимую аккумуляторную батарею, пожалуйста, выключите питание и извлеките аккумулятор из оборудования/инструмента.
- Если оборудование/инструменты оснащены встроенным аккумулятором, пожалуйста, вытащите из него батарейку, перед выключением питания.

- Перед чисткой отключите вилку зарядного устройства от источника питания. Кроме того, за исключением регулярной чистки вашего зарядного устройства, другое обслуживание не требуется.
- Регулярно используйте мягкую щетку или сухую тряпку для очистки вентиляционных отверстий оборудования/инструментов/зарядного устройства.
- Регулярно используйте влажную ткань для очистки корпуса двигателя. Пожалуйста, не используйте абразивные чистящие средства или чистящие средства на основе растворителей.
- Регулярно открывайте патрон и поверните его осторожно, чтобы удалить какую-либо пыль внутри (после установки).



Чистка



Предостережение! Если вы видите пыль на и/или вокруг вентиляционных портов, немедленно удалите пыль из корпуса при помощи чистого сухого воздуха. Для выполнения этой процедуры, пользуйтесь соответствующими средствами обеспечения безопасности и респиратором.



Предостережение! Строго запрещено очищать неметаллические детали инструмента с помощью растворителей или других раздражающих химических веществ. Эти химикаты могут нанести вред материалам, из которых изготовлены данные компоненты. Для чистки используйте ткань, смоченную в слабом мыльном растворе. Не допускайте попадания вещества внутрь инструмента и не опускайте какую-либо часть инструмента в жидкость.

Информационная служба

STANLEY предлагает полную сеть авторизованных сервисных центров, принадлежащих компании по всей Азии. Все сервисные центры STANLEY укомплектованы персоналом, прошедшим обучение, чтобы предоставить клиентам эффективный и надежный сервис. Независимо нужен ли вам технический совет, ремонт или оригинальные запасные части, вам необходимо обратиться в ближайший к вам сервисный центр STANLEY.

Примечания

- Политика STANLEY является процессом непрерывного совершенствования нашей продукции и, таким образом, мы оставляем за собой право

изменять спецификацию продукта без предварительного уведомления.

- Стандартное оборудование и аксессуары могут варьировать в зависимости от страны.
- Характеристики могут различаться в зависимости от страны.
- Полный ассортимент продукции может варьировать в зависимости от страны. Свяжитесь с вашим местным дилером STANLEY для получения информации о наличных моделях.

Защита окружающей среды



Раздельный сбор и утилизация. Этот продукт не следует утилизировать вместе с бытовым мусором.

Если вы поймете, что ваш продукт Stanley нуждается в замене, или если он не имеет никакого дальнейшего применения для вас, не выбрасывайте его вместе с бытовыми отходами. Предоставьте этот продукт для раздельного сбора/утилизации.



Раздельный сбор продуктов и упаковок позволяет осуществить их переработку и использовать их повторно. Повторное использование переработанных материалов помогает защищать окружающую среду от загрязнения и снижает расход сырьевых материалов.

Местное законодательство может обеспечить сбор старых электроинструментов отдельно от бытового мусора на муниципальных свалках отходов или в торговом предприятии при покупке нового изделия. Stanley обеспечивает возможность для сбора и утилизации продуктов Stanley, как только они достигли конца своего срока службы. Для того чтобы воспользоваться этой услугой, вы можете сдать ваше изделие в любой авторизованный сервисный центр, который собирает их по нашему поручению.

Вы можете узнать место нахождения вашего ближайшего авторизованного сервисного центра, обратившись в местное отделение Stanley по адресу, указанному в данном руководстве. Кроме того, список авторизованных ремонтных агентов Stanley и полную информацию о нашем послепродажном обслуживании и контактах вы можете найти в Интернете: www.2helpU.com

Технические данные

| Ударная дрель | | STDH8013 |
|-------------------------|------|----------|
| Напряжение | V | 230 |
| Частота | Hz | 50 |
| Входная мощность | W | 800 |
| Скорость без нагрузки | /мин | 0-3000 |
| Частота ударов | IPM | 0-54000 |
| Обороты вперед/назад | | Да |
| Объем зажимного патрона | мм | 1,5-13 |
| Максимальная емкость | | |
| Бетон | мм | 16 |
| Металл | мм | 13 |
| Дерево | мм | 32 |
| Вес | кг | 2,5 |

STANLEY

Гарантийные условия

Уважаемый покупатель!

1. Поздравляем Вас с покупкой высококачественного изделия STANLEY и выражаем признательность за Ваш выбор.
2. При покупке изделия требуйте проверки его комплектности и исправности в Вашем присутствии, инструкцию по эксплуатации и заполненный гарантийный талон на русском языке.

В гарантийном талоне должны быть внесены: модель, дата продажи, серийный номер, дата производства инструмента; название, печать и подпись торговой организации. При отсутствии у Вас правильно заполненного гарантийного талона, а также несоответствия указанных в нем данных мы будем вынуждены отклонить Ваши претензии по качеству данного изделия.

3. Во избежание недоразумений убедительно просим Вас перед началом работы с изделием внимательно ознакомиться с инструкцией по его эксплуатации. Правовой основой настоящих гарантийных условий является действующее Законодательство. Гарантийный срок на данное изделие составляет 24 месяца и исчисляется со дня продажи. В случае несоответствия недостатков изделия, гарантийный срок продлевается на период его нахождения в ремонте. Срок службы изделия составляет 5 лет со дня продажи.
4. В случае возникновения каких-либо проблем в процессе эксплуатации изделия рекомендуем Вам обратиться только в уполномоченные сервисные центры STANLEY, адреса и телефоны которых Вы сможете найти в гарантийном талоне, на сайте www.2helpU.com или узнать в магазине. Наши сервисные станции - это не только квалифицированный ремонт, но и широкий ассортимент запчастей и принадлежностей.
5. Производитель рекомендует проводить периодическую проверку и техническое обслуживание изделия в уполномоченных сервисных центрах.



Изготовитель

Блэк энд Деккер Холдингс ГмБХ
Германия, 65510, Идштайн,
ул. Блэк энд Деккер, 40

6. Наши гарантийные обязательства распространяются только на неисправности, выявленные в течение гарантийного срока и вызванные дефектами производства и/или материалов.
7. **Гарантийные условия не распространяются на неисправности изделия, возникшие в результате:**
 - 7.1. Несоблюдения пользователем предписаний инструкции по эксплуатации изделия, применения изделия не по назначению, неправильного хранения, использования принадлежностей, расходных материалов и запчастей, не предусмотренных производителем.
 - 7.2. Механического повреждения (сколы, трещины и разрушения) внутренних и внешних деталей изделия, основных и вспомогательных рукояток, сетевого электрического кабеля, вызванного внешним ударным или любым иным воздействием
 - 7.3. Попадания в вентиляционные отверстия и проникновение внутрь изделия посторонних предметов, материалов или веществ, не являющихся отходами, сопровождающими применение изделия по назначению, такими как: стружка, опилки, песок, и пр.
 - 7.4. Воздействий на изделие неблагоприятных атмосферных и иных внешних факторов, таких как дождь, снег, повышенная влажность, нагрев, агрессивные среды, несоответствие параметров питающей электросети, указанных на инструменте.
 - 7.5. Стихийного бедствия. Повреждение или утрата изделия, связанное с непредвиденными бедствиями, стихийными явлениями, в том числе вследствие действия непреодолимой силы (пожар, молния, потоп и другие природные явления), а так же вследствие перепадов напряжения в электросети и другими причинами, которые находятся вне контроля производителя.
8. **Гарантийные условия не распространяются:**
 - 8.1. На инструменты, подвергавшиеся вскрытию, ремонту или модификации вне уполномоченного сервисного центра.
 - 8.2. На детали и узлы, имеющие следы естественного износа, такие как: приводные ремни и колеса, угольные щетки, смазка, подшипники, зубчатое зацепление редукторов, резиновые уплотнения, сальники, направляющие ролики, муфты, выключатели, бойки, толкатели, стволы, и т.п.
 - 8.3. На сменные части: патроны, цанги, зажимные гайки и фланцы, фильтры, аккумуляторные батареи, ножи, шлифовальные подошвы, цепи, звездочки, пыльные шины, защитные кожухи, пилки, абразивы, пыльные и абразивные диски, фрезы, сверла, буры и т.п.
 - 8.4. На неисправности, возникшие в результате перегрузки инструмента (как механической, так и электрической), повлекшей выход из строя одновременно двух и более деталей и узлов, таких как: ротора и статора, обеих обмоток статора, ведомой и ведущей шестерни редуктора или других узлов и деталей. К безусловным признакам перегрузки изделия относятся, помимо прочего: появление цветов побелости, деформация или оплавление деталей и узлов изделия, потемнение или облупливание изоляции проводов электродвигателя под воздействием высокой температуры.



Приложение к руководству по эксплуатации

Дрели

Модели: STDR5510, STDH5510, STDH6513, STDH8013, STDH7013, STDH6013, STDR3565, STDH7213, FME140, FME142, FME190. Шуруповерт по гипсокартону. Модель: STDR5206. Сделано в Китае.

Сертификат №: RU C-DE.АГ49.В.03918

Действителен до: 12 марта 2018 г. Выдан: Общество с ограниченной ответственностью "Гильдия Качества", адрес местонахождения: 115088, город Москва, Шарикоподшипниковская улица, дом 4, корпус 12, фактический адрес: 248018, Калужская область, город Калуга, улица Карла Либкнехта, дом 31, телефон: +7(4842) 22-02-81, факс: +7(499)372-00-89, e-mail: gk.tr.ts@gmail.com.

Изготовитель: Блэк энд Деккер Холдингс ГмбХ

Германия, 65510, Идштайн,

ул. Блэк энд Деккер, 40

Хранение.

Необходимо хранить в сухом месте, вдали от источников повышенных температур и воздействия солнечных лучей. При хранении необходимо избегать резкого перепада температур. Хранение без упаковок не допускается

Срок службы.

Срок службы изделия составляет 5 лет. Не рекомендуется к эксплуатации по истечении 5 лет хранения с даты изготовления без предварительной проверки. Дата изготовления (код даты) указана на корпусе инструмента.

Код даты, который также включает год изготовления, отштампован на поверхности корпуса изделия.

Пример:

2014 46 XX, где 2014 –год изготовления, 46–неделя изготовления. Определить месяц изготовления по указанной неделе изготовления можно согласно приведенной ниже таблице.

| Месяц | Январь | Февраль | Март | Апрель | Май | Июнь | Июль | Август | Сентябрь | Октябрь | Ноябрь | Декабрь | Год производства |
|--------|--------|---------|------|--------|-----|------|------|--------|----------|---------|--------|---------|------------------|
| Неделя | 01 | 05 | 09 | 14 | 18 | 22 | 27 | 31 | 36 | 40 | 44 | 49 | 2014 |
| | 02 | 06 | 10 | 15 | 19 | 23 | 28 | 32 | 37 | 41 | 45 | 50 | |
| | 03 | 07 | 11 | 16 | 20 | 24 | 29 | 33 | 38 | 42 | 46 | 51 | |
| | 04 | 08 | 12 | 17 | 21 | 25 | 30 | 34 | 39 | 43 | 47 | 52 | |
| | 05 | 09 | 13 | 18 | 22 | 26 | 31 | 35 | 40 | 44 | 48 | | |
| Неделя | | | 14 | | | 27 | | | | | | | 2015 |
| | 01 | 05 | 09 | 14 | 18 | 23 | 27 | 31 | 36 | 40 | 44 | 49 | |
| | 02 | 06 | 10 | 15 | 19 | 24 | 28 | 32 | 37 | 41 | 45 | 50 | |
| | 03 | 07 | 11 | 16 | 20 | 25 | 29 | 33 | 38 | 42 | 46 | 51 | |
| | 04 | 08 | 12 | 17 | 21 | 26 | 30 | 34 | 39 | 43 | 47 | 52 | |
| Неделя | | | 09 | 13 | 18 | 22 | 27 | 31 | 35 | 40 | 44 | 48 | 53 |
| | | | 14 | | | | | 36 | | | 49 | | |
| | 01 | 05 | 09 | 13 | 17 | 22 | 26 | 31 | 35 | 39 | 44 | 48 | 2016 |
| | 02 | 06 | 10 | 14 | 18 | 23 | 27 | 32 | 36 | 40 | 45 | 49 | |
| | 03 | 07 | 11 | 15 | 19 | 24 | 28 | 33 | 37 | 41 | 46 | 50 | |
| 04 | 08 | 12 | 16 | 20 | 25 | 29 | 34 | 38 | 42 | 47 | 51 | | |
| 05 | 09 | 13 | 17 | 21 | 26 | 30 | 35 | 39 | 43 | 48 | 52 | | |
| Неделя | | | | 22 | | | | 44 | | | | | 2017 |
| | 01 | 05 | 09 | 13 | 18 | 22 | 26 | 31 | 35 | 39 | 44 | 48 | |
| | 02 | 06 | 10 | 14 | 19 | 23 | 27 | 32 | 36 | 40 | 45 | 49 | |
| | 03 | 07 | 11 | 15 | 20 | 24 | 28 | 33 | 37 | 41 | 46 | 50 | |
| | 04 | 08 | 12 | 16 | 21 | 25 | 29 | 34 | 38 | 42 | 47 | 51 | |
| 05 | 09 | 13 | 17 | 22 | 26 | 30 | 35 | 39 | 43 | 48 | 52 | | |

Уполномоченное изготовителем юр.лицо:

ООО "Стэнли Блэк энд Деккер", 117485, город Москва, улица Обручева, дом 30/1, строение 2

Телефон: + 7 (495) 258-3981, факс: + 7 (495) 258-3984, E-mail: inbox@dewalt.com

Сведения о импортере указаны в эксплуатационных документах и/или на упаковке

Транспортировка.

Категорически не допускается падение и любые механические воздействия на упаковку при транспортировке.

При разгрузке/погрузке не допускается использование любого вида техники, работающей по принципу зажима упаковки.

Перечень критических отказов, возможные ошибочные действия персонала.

Не допускается эксплуатация изделия:

- При появлении дыма из корпуса изделия
- При поврежденном и/или оголенном сетевом кабеле
- при повреждении корпуса изделия, защитного кожуха, рукоятки
- при попадании жидкости в корпус
- при возникновении сильной вибрации
- при возникновении сильного искрения внутри корпуса

Критерии предельных состояний.

- При поврежденном и/или оголенном сетевом кабеле
- при повреждении корпуса изделия

Використання за призначенням

Ваш ударний дріль STANLEY був розроблений для свердління отворів в деревині, металі і бетоні.

Загальні попередження з техніки безпеки електроінструментів



Увага! Ознайомтеся з усіма правилами безпеки та інструкціями. Недотримання

попереджень та інструкцій, зазначених нижче, може призвести до ураження електричним струмом, пожежі та/або серйозної травми.

Збережіть всі попередження та інструкції для майбутнього використання.

Термін "електроінструмент" у всіх попередженнях, зазначених нижче, відноситься до мережевого (з кабелем) електроінструменту або акумуляторної батареї (без кабелю живлення).

1. Безпека робочого місця

- a. Утримуєте робоче місце в чистоті і добре освітленим. Безлад на робочому місці або відсутність освітлення робочого місця може призвести до аварії.
- b. Не працюйте з електроінструментом в місці зберігання вибухонебезпечних матеріалів, наприклад, у присутності легкозаймистих рідин, газів або пилу. Електричні інструменти створюють іскри, що можуть запалити пил або пари.
- c. Діти і сторонні особи повинні знаходитися якнайдалі під час роботи з електроприладами. Ви можете відволіктися і втратити контроль.

2. Електробезпека

- a. Вилка електроінструмента повинна відповідати розетці. Ніколи не змінюйте вилку будь-яким чином. Не використовуйте ніякі вилки-перехідники з заземленими (замкнутими на землю) електроінструментами. Вилки і розетки, які не піддавалися ніяким змінам знижують ризик

ураження електричним струмом.

- b. Уникайте контакту тіла з заземленими поверхнями, такими як труби, радіатори, плити та холодильники. Існує підвищений ризик ураження електричним струмом, якщо ваше тіло заземлене.
 - c. Уникайте будь-якого впливу дощу або вологи на електроінструменти. Вода, що потрапила в електроінструмент, збільшує ризик ураження електричним струмом.
 - d. Обережно поведіться зі шнуром живлення. Ніколи не використовуйте шнур живлення для перенесення, переміщення або вилучення вилки з розетки. Тримайте шнур подалі від джерел тепла, масла, гострих країв або рухомих частин. Пошкоджені або заплутані шнури збільшують ризик ураження електричним струмом.
 - e. При роботі з електроінструментом на вулиці, використовуйте подовжувач, відповідний для зовнішнього використання. Використання кабелю, придатного для використання на відкритому повітрі, знижує ризик ураження електричним струмом.
 - f. При необхідності роботи з електроінструментом у вологому середовищі, використовуйте пристрій захисного відключення (ПЗВ). Використання ПЗВ знижує ризик ураження електричним струмом. Примітка: Термін "пристрій захисного відключення (ПЗВ)" може бути замінений на "аварійний переривач заземлення" або "автоматичний вимикач струму витоку".
- #### 3. Особиста безпека
- a. Будьте уважні, дивіться, що ви робите, використовуйте здоровий глузд при роботі з електроприладами. Не використовуйте електроінструмент, якщо ви втомилися або перебуваєте під впливом наркотиків, алкоголю або ліків. Найменша необережність при роботі з електроінструментом може призвести до серйозних травм.

- b. Використовуйте засоби індивідуального захисту. Завжди надягайте захисні окуляри. Інше захисне обладнання, включаючи респіратор, черевики на нековзній підшві, захисний шолом або засоби

захисту органів слуху, використовувані в належних умовах, зменшать ризик отримання травми.

- c. Для запобігання випадкового запуску, переконайтеся, що перемикач знаходиться у вимкненому положенні перед підключенням до джерела живлення та/або акумуляторної батареї, підняття або перенесення інструменту. Не переносьте електроінструмент з пальцем на вимикачі і не включайте електроживлення на інструмент з увімкненим вимикачем, що може призвести до нещасного випадку.

- d. Перед включенням електроінструменту знімайте регульовальний або гайковий ключ. Гайковий або регульовальний ключ, залишений на обертівій частині електроінструменту, може призвести до травми.

- e. Не тягніться. Зберігайте правильну стійку і баланс весь час. Це дозволяє краще контролювати інструмент в несподіваних ситуаціях.

- f. Одягайтеся правильно. Не надягайте вільний одяг або прикраси. Тримайте волосся, одяг і рукавички далеко від рухомих частин. Вільний одяг, прикраси або довге волосся можуть потрапити в рухомі частини.

- g. Якщо є пристрої для підключення пилосбірника або витяжки, переконайтеся в тому, що вони під'єднані і використовуються правильно. Використання пилосбірника знижує ймовірність виникнення ризиків, пов'язаних з пилом.

4. Використання та догляд за електроінструментом

- a. Не перевантажуйте електроінструмент. Використовуйте відповідний електричний інструмент для відповідного застосування. Правильно підібраний електроінструмент дозволить виконати роботу краще і безпечніше при швидкості, для якої він був розроблений.

- b. Не використовуйте електроінструмент, якщо перемикач не може його включити і вимкнути. Будь-який електроінструмент, який не можна контролювати за допомогою перемикача, є

небезпечний і повинен бути відремонтований.

- c. Від'єднайте кабель живлення від джерела живлення та/або акумулятора від електричного інструменту перед виконанням будь-яких регулювань, заміни приладдя або при зберіганні електричного інструменту. Такі профілактичні заходи безпеки зменшують ризик ненавмисного запуску електричного інструменту.

- d. Зберігайте електроприлади в недоступному для дітей місці і не дозволяйте особам, які не знайомі з електричним інструментом або даними інструкціями, працювати з електроприладами. Електроінструменти небезпечні в руках недосвідчених користувачів.

- e. Підтримання електроінструменту. Перевіряйте разрегульованість або з'єднання рухомих частин, поломки частин і будь-які інші умови, які можуть вплинути на роботу електроінструменту. При наявності пошкодження, відремонтуйте електроінструмент перед використанням. Багато нещасних випадків є наслідком поганого догляду за електроінструментом.

- f. Тримайте ріжучий інструмент гострим і чистим. Добре доглянутий ріжучий інструмент з гострими ріжучими крайками легше контролювати.

- g. Використовуйте електроінструмент, аксесуари і насадки відповідно до даних інструкцій, зважаючи на умови роботи, і ті роботи, які мають бути виконані. Використання електроінструменту для операцій, що відрізняються від тих, для яких він призначений, може привести до небезпечної ситуації.

5. Обслуговування

- a. Забезпечте, щоб обслуговування і ремонт вашого електроінструменту проводився в авторизованому сервісному центрі по ремонту з використанням тільки оригінальних запасних частин. Це стане гарантією безпеки електроінструменту.

Додаткові заходи безпеки для електроінструментів



Застереження! Додаткові заходи безпеки для дрилів і ударних дрилів

Правила техніки безпеки при роботі з дрилем

- **Одягайте захисні навушники при роботі з ударними дрелями.** Вплив шуму може призвести до втрати слуху.
- **Використовуйте додаткові ручки, що поставляються з інструментом.** Втрата контролю може призвести до травми.
- **Тримайте інструмент за ізольованій поверхні при виконанні операцій, коли ріжучий інструмент може зачепити приховану проводку.** Ріжучі аксесуари при контакті з «живим» проводом, можуть відкрити металеві частини електроінструменту і вдарити оператора електричним струмом.
- Використовуйте лещата або інший відповідний спосіб, щоб забезпечити і підтримувати оброблюваний виріб на стійкій платформі. Проведення роботи по напрямку руки або проти вашого тіла, позбавляє стійкості і може призвести до втрати контролю.
- Перед свердлінням стін, підлог і стель, перевірте розташування трубопроводів і електропроводки.
- Намагайтеся не доторкатися до кінчика свердла відразу ж після закінчення свердління, так як він може бути гарячим.
- Цей інструмент не призначений для використання особами (включаючи дітей) з обмеженими фізичними, чутливими або розумовими здібностями або з браком досвіду чи знань, якщо вони не були під контролем і керівництвом особи, яка контролює використання приладу або особою, відповідальною за їх безпеку. Діти повинні бути під наглядом дорослих, щоб не допустити ніяких ігор з приладом.
- Призначення приладу описується в цьому посібнику. Використання будь-яких речей або пристосувань, виконання будь-яких операцій за допомогою цього інструменту, які не рекомендовані в цьому посібнику, можуть становити небезпеку отримання травм та/або пошкодження майна.

Безпека сторонніх осіб

- Цей інструмент не призначений для використання особами (включаючи дітей) з обмеженими фізичними, чутливими або розумовими здібностями або з браком досвіду чи знань, якщо вони не були під контролем і керівництвом особи, яка контролює використання приладу або відповідальна за їх безпеку.

- Діти повинні бути під наглядом дорослих, щоб не допустити ніяких ігор з приладом.

Залишкові ризики

Додаткові залишкові ризики можуть виникнути при використанні інструменту, які не можуть бути включені в описані тут правила техніки безпеки. Ці ризики можуть виникнути при неправильному або тривалому використанні виробу і т.п. Незважаючи на дотримання відповідних правил техніки безпеки та використання запобіжних пристроїв, деяких залишкових ризиків неможливо уникнути. Вони включають в себе:

- Травми в результаті торкання до обертових/рухомих частин.
- Ризик отримання травми під час зміни деталей інструменту, ножів або насадок.
- Травми, викликані тривалим використанням інструменту. При використанні інструменту протягом тривалого періоду часу, робіть регулярні перерви в роботі.
- Поганий слух
- Збиток здоров'ю внаслідок вдихання пилу при використанні інструменту (приклад: роботи з деревом, особливо, деревинною дуба, бука і деревоволокнистими плитами середньої щільності)

Електрична безпека



Ваш зарядний пристрій захищено подвійною ізоляцією, тому заземлюючий провід не потрібен. Завжди перевіряйте, щоб напруга мережі відповідала напрузі, вказаній на табличці. Ніколи не намагайтеся замінити зарядний блок стандартним мережевим штепселем.

- Якщо шнур живлення пошкоджений, він повинен бути замінений виробником або уповноваженим сервісного центру STANLEY для того, щоб уникнути небезпеки.

Використання подовжувача

- Якщо необхідний подовжувач, використовуйте затвердженій кабель-подовжувач, відповідний для вхідної потужності даного інструменту (див. технічні дані). Мінімальний розмір провідника 1,5 мм².

При використанні кабельного барабана, завжди розмотуйте кабель повністю.

Також дивіться в таблиці нижче.

| Розмір провідника (мм ²) | Номінальна потужність (ампери) | | | | | | |
|--------------------------------------|--------------------------------|--------------------------------|----|----|----|----|----|
| 0.75 | 6 | | | | | | |
| 1.00 | 10 | | | | | | |
| 1.50 | 15 | | | | | | |
| 2.50 | 20 | | | | | | |
| 4.00 | 25 | | | | | | |
| Длина кабеля (м) | | | | | | | |
| 7.5 15 25 30 45 60 | | | | | | | |
| Напруга | Ампер | Номінальна потужність (ампери) | | | | | |
| 115 | 0 - 2,0 | 6 | 6 | 6 | 6 | 6 | 10 |
| | 2,1 - 3,4 | 6 | 6 | 6 | 6 | 15 | 15 |
| | 3,5 - 5,0 | 6 | 6 | 10 | 15 | 20 | 20 |
| | 5,1 - 7,0 | 10 | 10 | 15 | 20 | 20 | 25 |
| | 7,1 - 12,0 | 15 | 15 | 20 | 25 | 25 | - |
| 230 | 12,1 - 20,0 | 20 | 20 | 25 | - | - | - |
| | 0 - 2,0 | 6 | 6 | 6 | 6 | 6 | 6 |
| | 2,1 - 3,4 | 6 | 6 | 6 | 6 | 6 | 6 |
| | 3,5 - 5,0 | 6 | 6 | 6 | 6 | 10 | 15 |
| | 5,1 - 7,0 | 10 | 10 | 10 | 10 | 15 | 15 |
| 7,1 - 12,0 | 15 | 15 | 15 | 15 | 20 | 20 | |
| 12,1 - 20,0 | 20 | 20 | 20 | 20 | 25 | - | |

- Перевірте, чи не пошкоджений інструмент, деталі і аксесуари, які можуть статися під час транспортування.
- Витратьте час, щоб уважно прочитати і зрозуміти цю інструкцію перед початком роботи.

Опис (мал. А)

1. Перемикач плавного ходу
2. Фіксатор клавші
3. Повзунок вперед/назад
4. Селектор режиму
5. Вентиляційні отвори
6. Бічна рукоятка
7. Важіль регулювання глибини

8. Кнопковий патрон

9. Рукав

10. Ключ патрона

11. Бистрий набір

Збірка

Застереження! Перед складанням, будь ласка, переконайтеся, що електроінструмент вимкнений і вилка шнура живлення інструменту відключена від джерела живлення.

Виберіть режим роботи (мал. В). Цей інструмент може бути використаний у двох режимах:

Обертальне свердління:
для сталі, дерева та пластмас.

Ударне свердління:
одночасне обертання і здійснення бурових робіт в бетонній і кам'яній кладці.

- Оберіть потрібний режим роботи, встановивши перемикач режимів (4) в необхідне положення.

Установка і зняття свердла (мал. А)

Кнопковий патрон

- Відкрийте патрон, повернувши втулку (9) проти годинникової стрілки і вставте свердло.
- Помістіть ключ затисного патрона (10) в кожен отвір в бічній частині патрона і поверніть за годинниковою стрілкою до упору.
- Для видалення свердла, дійте в зворотному порядку.

Установка бічної рукоятки (мал. А)

Бічна рукоятка (6) може бути встановлена для зручності як правшів, так і лівшів.



Завжди використовуйте дріль з правильно встановленою бічною рукочкою.

- Послабте бічну рукоятку.
- Для правшів, посуньте бічну рукоятку затиску над коміром за патроном, рукоятка ліворуч.

- Для лівшів, посуňte бічну рукоятку затиску над коміром за патроном, рукоятка праворуч.
- Поверніть бічну рукоятку в бажане положення і затагніть ручку.

Установка глибини свердління (Рис. С)

- Вставте потрібне свердло в патрон.
- Послабте допоміжну рукоятку (6).
- Встановіть важіль регулювання глибини (7) через отвір в затиску бічної ручки.
- Відрегулюйте глибину свердління, як показано на малюнку.
- Затагніть бічну ручку.

Повзунок вперед/назад (мал. А)

- Для вибору обертання вперед або назад, використовуйте перемикач вперед/назад (3) (див. на стрілку на інструменті).



Обов'язково дочекайтеся, щоб двигун повністю зупинився перед зміною напрямку обертання.

Видалення патрона (рис. D)

- Відкрийте затискачі патрона, наскільки це можливо
- Вставте викрутку в патрон і зніміть гвинт, що фіксує патрон (12), провернув за годинниковою стрілкою.
- Затагніть шестигранний ключ в патроні і вдарте по ньому молотком, як показано на малюнку.

Інструкція по застосуванню

- Завжди дотримуйтесь інструкції з техніки безпеки, а також інших правил.
- Необхідно знати про місцезнаходження трубопроводів і електропроводів.
- Застосовуйте лише легке натискання на інструмент. Надмірне натискання не прискорює свердління, а знижує продуктивність інструменту і може скоротити термін його служби.

- Одягайте захисні навушники при роботі з ударним дрилем. Шум може призвести до втрати слуху.
- Використовуйте додаткові ручки, що поставляються з інструментом. Втрата контролю може призвести до травми.
- Тримайте інструмент за ізольовані поверхні при виконанні дій, при яких ріжучий інструмент може зачепити приховану проводку або власний кабель. При контакті з «живим» проводом, металеві частини електроінструменту можуть привести до удару електричним струмом.
- При роботі з електроінструментом в сирому місці, використовуйте пристрій захисного відключення (ПЗВ). Використання ПЗВ знижує ризик ураження електричним струмом.

До роботи

- Вставте відповідне свердло.
- Відзначте місце, де має бути просвердлений отвір.

Правильне положення рук (рис. А, Е)



Попередження: Щоб зменшити ризик отримання серйозної травми, ЗАВЖДИ тримайте руки в правильному положенні, як показано на малюнку.



Попередження: Щоб зменшити ризик отримання серйозної травми, ЗАВЖДИ надійно утримуйте інструмент для попередження раптової реакції. Для правильного положення рук під час роботи необхідно, щоб одна рука була на бічній рукоятці (6), а інша на головній ручці.

Вмикання і вимикання

- Щоб включити інструмент, натисніть перемикач плавного ходу (1). Швидкість інструменту залежить від того, наскільки ви натиснете вимикач.
- Для безперервної роботи натисніть фіксатор клавіші (2) і відпустіть перемикач плавного ходу. Ця опція доступна тільки на повній швидкості.
- Щоб включити інструмент, відпустіть кнопку перемикача плавного ходу. Щоб вимкнути інструмент при роботі в безперервному режимі, натисніть клавішу перемикача плавного ходу ще раз і відпустіть його.

- Залежно від вживання, оберніть ручку швидкого набору (11) для досягнення максимальної швидкості.

Свердління в металі.

Починайте свердління з низькою швидкістю, поступово збільшуючи потужність і застосовуючи сильне натискання на інструмент. Спокійний, рівний вихід металевої стружки вказує на правильну частоту свердління. Використовуйте мастило при свердлінні металів. Винятки становлять чавун і латунь, які необхідно свердлити сухими.

Примітка: Отвори більшого діаметру [5/16 "(8 мм) до 1/2" (13 мм)] у сталі легше просвердлити, якщо спочатку зробити пілотний отвір [5/32 "(4 мм), 3/16" (5 мм)].

Свердління в дереві.

Починайте свердління з низькою швидкістю, поступово збільшуючи потужність і застосовуючи сильне натискання на інструмент. Отвори в дереві можуть бути зроблені тими ж свердлами, які використовуються для металу. Свердла можуть перегріватися, періодично виймайте їх з отвору. Заготовки, від яких можуть летіти осколки, повинні бути посилені блоком деревини.

Буріння в кладці.

При бурінні в цегляній кладці, використовуйте свердла з твердих сплавів, розраховані для ударного свердління та обов'язково переконайтеся, що свердла досить гострі. Використовуйте постійне і впевнене натиснення на інструмент, для найбільш ефективного свердління. Гладкий, рівний потік пилу вказує на правильну частоту буріння.

Загвинчування

- Виберіть пряме або зворотне обертання

Ударне свердління (мал. А)

- Виберіть режим
- Натисніть вимикач (1).

Обертальне свердління (мал. А)

- Виберіть режим поворотного свердління
- Дійте згідно інструкції для ударного свердління.

Зверніться до свого дилера для отримання додаткової інформації про відповідні аксесуари.

Аксесуари

Продуктивність електроінструменту залежить від його аксесуарів. Аксесуари STANLEY розроблені у відповідності з високими стандартами якості, щоб підвищити продуктивність електроінструменту. Використання цих аксесуарів може допомогти вам зручно працювати з інструментом.

Обслуговування

Дротові і бездротові інструменти STANLEY мають складні конструкції і можуть бути використані протягом тривалого часу при мінімальному технічному обслуговуванні. Для послідовного задовільного використання, необхідно належне технічне обслуговування та регулярне чищення інструменту.

Застереження! Перед виконанням будь-яких робіт з техобслуговування дротових/бездротових електричних інструментів, необхідно виконати наступні вимоги:

- Вимкніть живлення обладнання/інструментів і витягніть вилку;
- Якщо обладнання/інструмент мають незалежну акумуляторну батарею, будь ласка, вимкніть живлення та вийміть акумулятор з обладнання/інструменту.
- Якщо обладнання/інструменти оснащені вбудованим акумулятором, будь ласка, витягніть з нього батарею, перед вимиканням живлення.
- Перед чищенням відключіть вилку зарядного пристрою від джерела живлення. Крім того, за винятком регулярного чищення вашого зарядного пристрою, інше обслуговування не потрібно.
- Регулярно використовуйте м'яку щітку або суху ганчірку для очищення вентиляційних отворів обладнання/інструментів/зарядного пристрою.
- Регулярно використовуйте вологу тканину для очищення корпусу двигуна. Будь ласка, не використовуйте абразивні чистячі засоби або чистячі засоби на основі розчинників.
- Регулярно відкривайте патрон і поверніть його обережно, щоб видалити який-небудь пил всередині (після установки).



Чищення



Застереження! Якщо ви бачите пил на і/або навколо вентиляційних портів, негайно видаліть пил з корпусу за допомогою чистого сухого повітря. Для виконання цієї процедури, користуйтеся відповідними засобами забезпечення безпеки і респиратором.



Застереження! Строго заборонено очищати неметалеві деталі інструменту за допомогою розчинників або інших дратівливих хімічних речовин. Ці хімікати можуть завдати шкоди матеріалам, з яких виготовлені дані компоненти. Для чищення використовуйте тканину, змочену в слабкому мильному розчині. Не допускайте попадання речовини всередину інструменту і не опускайте будь-яку частину інструменту в рідину.

інформаційна служба

STANLEY пропонує повну мережу авторизованих сервісних центрів, що належать компанії по всій Азії. Всі сервісні центри STANLEY укомплектовані персоналом, який пройшов навчання, щоб надати клієнтам ефективний і надійний сервіс. Незалежно чи потрібна вам технічна рада, ремонт або оригінальні запасні частини, вам необхідно звернутися в найближчий до вас сервісний центр STANLEY.

Примітки

- Політика STANLEY є процесом безперервного вдосконалення нашої продукції і, таким чином, ми залишаємо за собою право змінювати специфікацію продукту без попереднього повідомлення.
- Стандартне обладнання та аксесуари можуть варіювати залежно від країни.
- Характеристики можуть відрізнятися в залежності від країни.
- Повний асортимент продукції може варіювати залежно від країни. Зв'яжіться з вашим місцевим дилером STANLEY для отримання інформації про моделі, що є в наявності.

Захист навколишнього середовища



Роздільний збір і утилізація. Цей продукт не слід утилізувати разом з побутовим сміттям.

Якщо ви зрозумієте, що ваш продукт Stanley потребує заміни, або якщо він не має ніякого подальшого застосування для вас, не викидайте його разом з побутовими відходами. Надajte цей продукт для роздільного збору/утилізації.



Роздільний збір продуктів і упаковок дозволяє здійснити їх переробку і використати їх повторно. Повторне використання перероблених матеріалів допомагає захищати довкілля від забруднення і знизити витрату сировинних матеріалів.

Міське законодавство може забезпечити збір старих електроніструментів окремо від побутового сміття на муніципальних звалищах відходів або в торговому підприємстві при купівлі нового виробу. Stanley забезпечує можливість для збору і утилізації продуктів Stanley, як тільки вони досягли кінця свого терміну служби. Для того, щоб скористатися цією послугою, ви можете здати ваш виріб у будь-який авторизований сервісний центр, який збирає їх за нашим дорученням.

Ви можете упізнати місце знаходження вашого найближчого авторизованого сервісного центру, звернувшись в місцеве відділення Stanley за адресою, вказаною в цьому керівництві. Крім того, список авторизованих ремонтних агентів Stanley і повну інформацію про наше післяпродажне обслуговування і контакти ви можете знайти в Інтернеті: www.2helpu.com

Технічні дані

| Ударний дріль | | STDH8013 |
|----------------------------|------|----------|
| Напруга | V | 230 |
| Частота | Hz | 50 |
| Вхідна потужність | W | 800 |
| Швидкість без навантаження | /мин | 0-3000 |
| Частота ударів | IPM | 0-54000 |
| Обороти вперед/назад | | Так |
| Обсяг затискного патрона | мм | 1,5-13 |
| Максимальна ємність | | |
| Бетон | мм | 16 |
| Метал | мм | 13 |
| Дерево | мм | 32 |
| Вага | кг | 2,5 |

STANLEY

Гарантійні умови

Шановний покупець!

1. Вітаємо Вас з покупкою високоякісного виробу STANLEY і висловлюємо вдячність за Ваш вибір.
2. При покупці виробу вимагайте перевірки його комплектності і справності у Вашій присутності, інструкцію за експлуатації та заповнений гарантійний талон українською мовою

В гарантійному талоні повинні бути внесені: модель, дата продажу, серійний номер, дата виробництва інструменту; назва, печатка і підпис торгової організації. За відсутності у Вас правильно заповненого гарантійного талону, а також при невідповідності зазначених у ньому даних ми будемо змушені відхилити Ваші претензії щодо якості даного виробу.

3. Щоб уникнути непорозумінь, переконливо просимо Вас перед початком роботи з виробом уважно ознайомитися з інструкцією з його експлуатації. Правовою основою справжніх гарантійних умов є чинне Законодавство. Гарантійний термін на даний виріб складає 24 місяці і обчислюється з дня продажу. У разі усунення недоліків виробу, гарантійний строк продовжується на період його перебування в ремонті. Термін служби виробу становить 5 років з дня продажу.
4. У разі виникнення будь-яких проблем у процесі експлуатації виробу рекомендуємо Вам звертатися тільки в уповноважені сервісні центри STANLEY, адреси та телефони яких Ви зможете знайти в гарантійному талоні, на сайті www.2helpU.com або дізнатися в магазині. Наші сервісні станції - це не тільки кваліфікований ремонт, але і широкий асортимент запчастин і аксесуарів.
5. Виробник рекомендує проводити періодичну перевірку і технічне обслуговування виробу в уповноважених сервісних центрах.
6. Наші гарантійні зобов'язання поширюються тільки на несправності, виявлені протягом гарантійного терміну і викликані дефектами виробництва та \ або матеріалів.
7. Гарантійні умови не поширюються на несправності виробу, що виникли в результаті:
- 7.1 Недотримання користувачем приписів інструкції з експлуатації виробу, застосування виробу не за призначенням, неправильного зберігання, використання приладдя, витратних матеріалів і запчастин, що не передбачені виробником.
- 7.2 Механічного пошкодження (відколи, тріщини і руйнування) внутрішніх і зовнішніх деталей виробу, основних і допоміжних рукояток, мережевого кабелю, що викликані зовнішнім ударним або будь-яким іншим впливом

- 7.3 Потраплення у вентиляційні отвори та проникнення всередину виробу сторонніх предметів, матеріалів або речовин, що не є відходами, які супроводжують застосування виробу за призначенням, такими як: стружка, тирса, пісок, та ін.
- 7.4 Впливу на виріб несприятливих атмосферних і інших зовнішніх факторів, таких як дощ, сніг, підвищена вологість, нагрівання, агресивні середовища, невідповідність параметрів електромережі, що зазначені на інструменті.
- 7.5 Стихійного лиха. Пошкодження або втрати виробу, що пов'язані з непередбаченими лихами, стихійними явищами, у тому числі внаслідок дії непереборної сили (пожежа, блискавка, потоп і інші природні явища), а також внаслідок перепадів напруги в електромережі та іншими причинами, які знаходяться поза контролем виробника.
8. Гарантійні умови не поширюються:
- 8.1. На інструменти, що піддавались розкриттю, ремонту або модифікації поза уповноваженим сервісним центром.
- 8.2. На деталі, вузли та матеріали, що мають сліди природного зносу, такі як: приводні ремені і колеса, вузькі шітки, мастило, підшипники, зубчасті зчеплення редукторів, гумові ущільнення, сальники, направляючі ролики, муфти, вимикачі, бойки, штовхачі, стволи тощо.
- 8.3. На змінні частини: патрони, цанги, затискні гайки і фланці, фільтри, акумуляторні батареї, ножі, шліфувальні підшви, ланцюги, зірочки, пильні шини, захисні кожухи, пилики, абразиви, пильні і абразивні диски, фрези, свердла, бури тощо
- 8.4. На несправності, що виникли в результаті перевантаження інструменту (як механічного, так і електричного), що спричинили вихід з ладу одночасно двох і більше деталей і вузлів, таких як: ротора і статора, обох обмоток статора, веденої і ведучої шестерень редуктора або інших вузлів і деталей. До безумовних ознак перевантаження виробу відносяться, крім інших: поява кольорів мінілності, деформація або оплавлення деталей і вузлів виробу, потемніння або обуглювання ізоляції проводів електродвигуна під впливом високої температури.



Виробник:

"Stanley Black & Decker Deutschland GmbH" Black-&-Decker Str.40, D-65510 Idstein, Німеччина

130.com.ua

130.com.ua