



PHONES

0 (800) 800 130  
(050) 462 0 130  
(063) 462 0 130  
(067) 462 0 130

130  
COM.UA

Internet store of  
autogoods



SKYPE

km-130

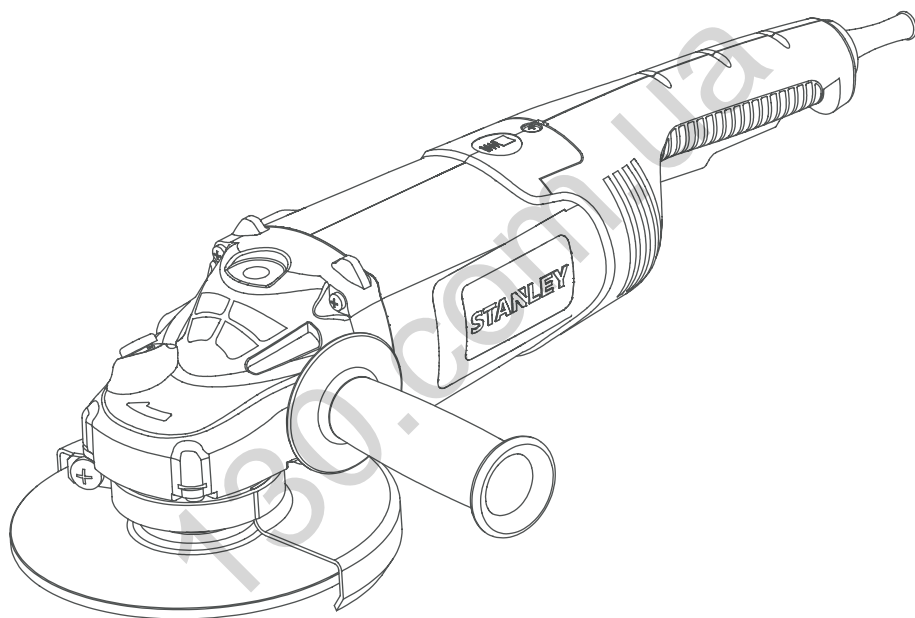
CAR RECEIVERS — Receivers • Media receivers and stations • Native receivers • CD/DVD changers • FM-modulators/USB adapters • Flash memory • Facia plates and adapters • Antennas • Accessories |  
CAR AUDIO — Car audio speakers • Amplifiers • Subwoofers • Processors • Crossovers • Headphones • Accessories | TRIP COMPUTERS — Universal computers • Model computers • Accessories |  
GPS NAVIGATORS — Portable GPS • Built-in GPS • GPS modules • GPS trackers • Antennas for GPS navigators • Accessories | VIDEO — DVR • TV sets and monitors • Car TV tuners • Cameras • Videomodules  
• Transcoders • Car TV antennas • Accessories | SECURITY SYSTEMS — Car alarms • Bike alarms • Mechanical blockers • Immobilizers • Sensors • Accessories | OPTIC AND LIGHT — Xenon • Bixenon • Lamps  
• LED • Stroboscopes • Optic and Headlights • Washers • Light, rain sensors • Accessories | PARKTRONICS AND MIRRORS — Rear parktronic • Front parktronic • Combined parktronic • Rear-view mirrors  
• Accessories | HEATING AND COOLING — Seat heaters • Mirrors heaters • Screen-wipers heaters • Engine heaters • Auto-refrigerators • Air conditioning units • Accessories | TUNING — Vibro-isolation  
• Noise-isolation • Tint films • Accessories | ACCESSORIES — Radar-detectors • Handsfree, Bluetooth • Windowlifters • Compressors • Beeps, loudspeakers • Measuring instruments • Cleaners • Car seats  
• Miscellaneous | MOUNTING — Installation kits • Upholstery • Grilles • Tubes • Cable and wire • Tools • Miscellaneous | POWER — Batteries • Converters • Start-charging equipment • Capacitors  
• Accessories | MARINE AUDIO AND ELECTRONICS — Marine receivers • Marine audio speakers • Marine subwoofers • Marine amplifiers • Accessories | CAR CARE PRODUCTS — Additives • Washer fluid •  
Care accessories • Car polish • Flavors • Adhesives and sealants | LIQUID AND OIL — Motor oil • Transmission oil • Brake fluid • Antifreeze • Technical lubricant



In store "130" you can find and buy almost all necessary goods for your auto in Kyiv and other cities, delivery by ground and postal services. Our experienced consultants will provide you with exhaustive information and help you to choose the very particular thing. We are waiting for you at the address

<https://130.com.ua>

# STANLEY®



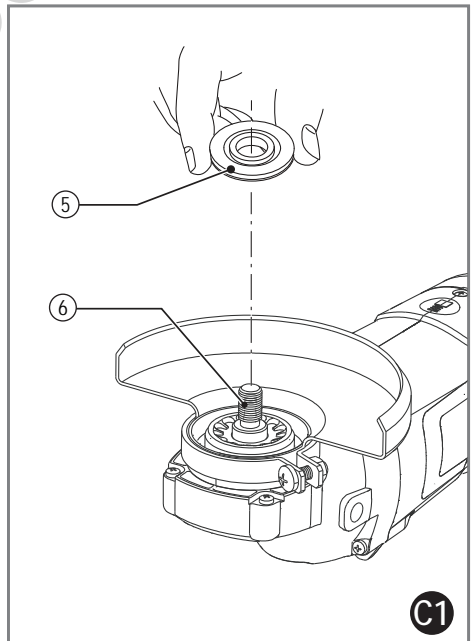
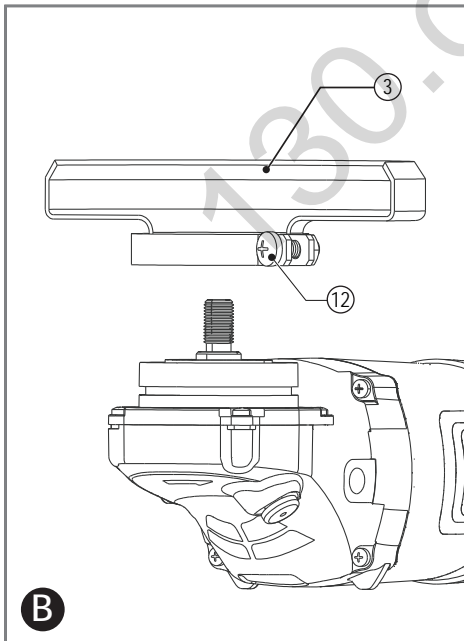
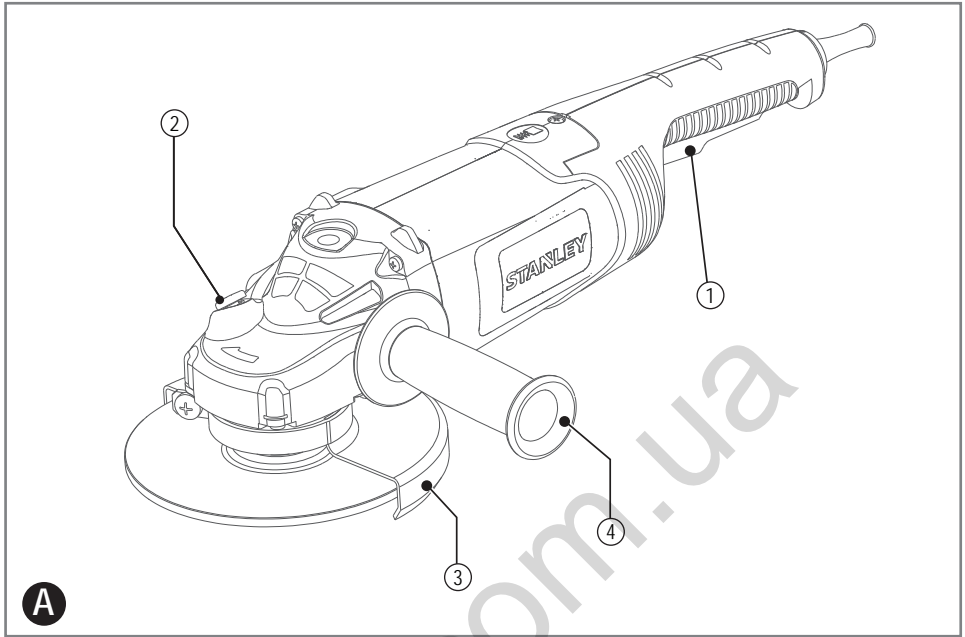
**SL207**

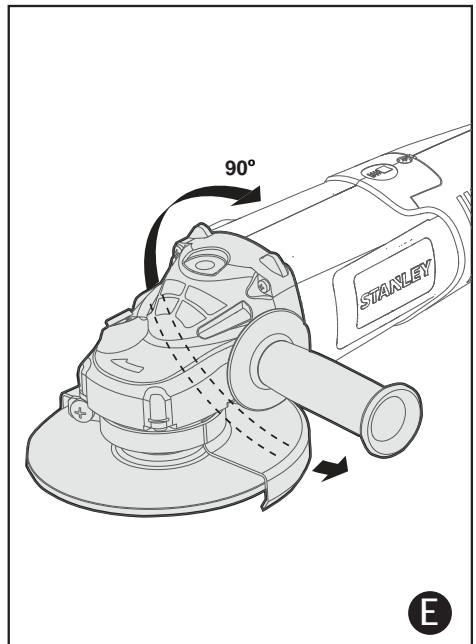
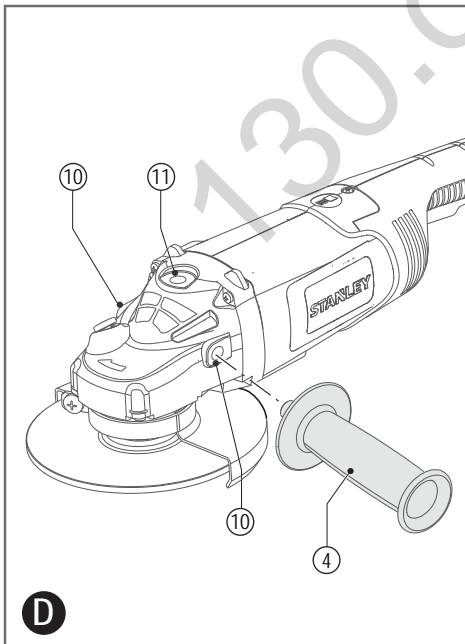
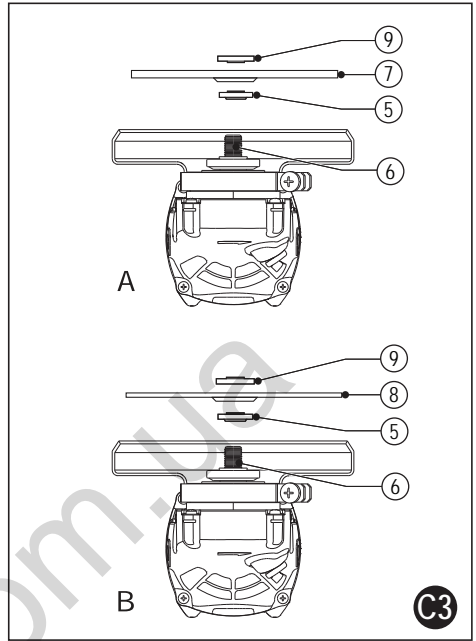
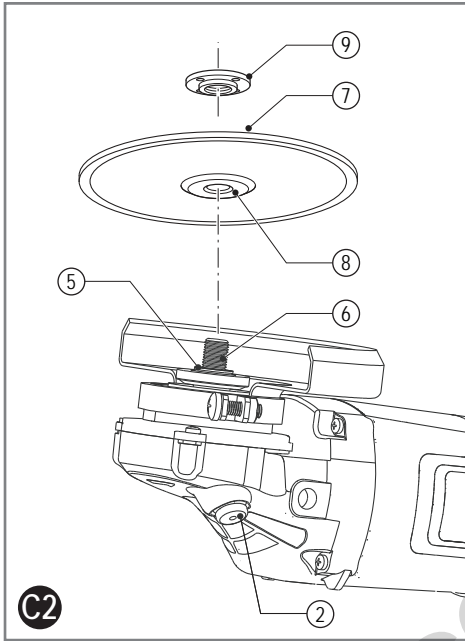
**SL209**

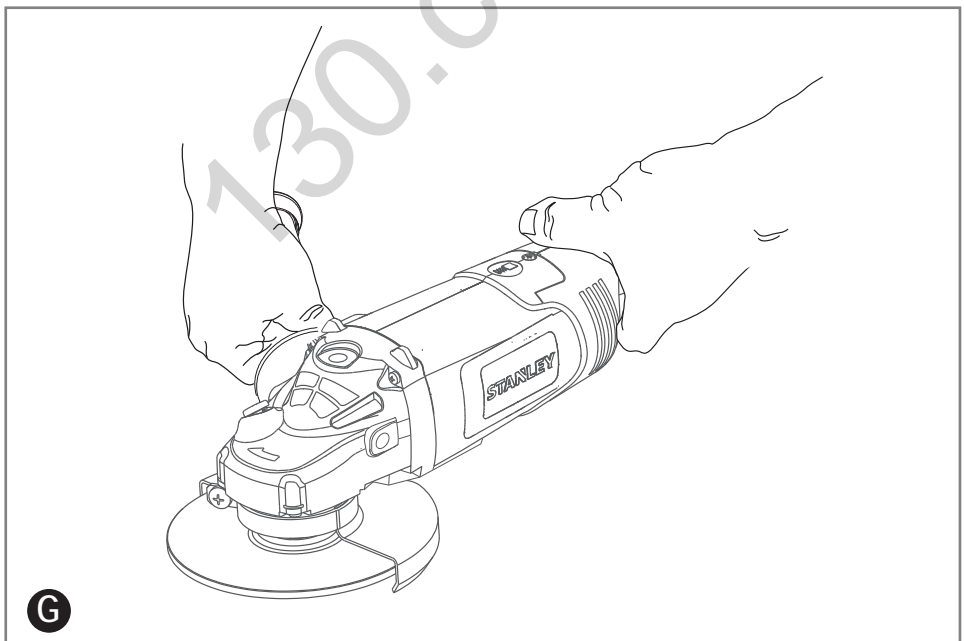
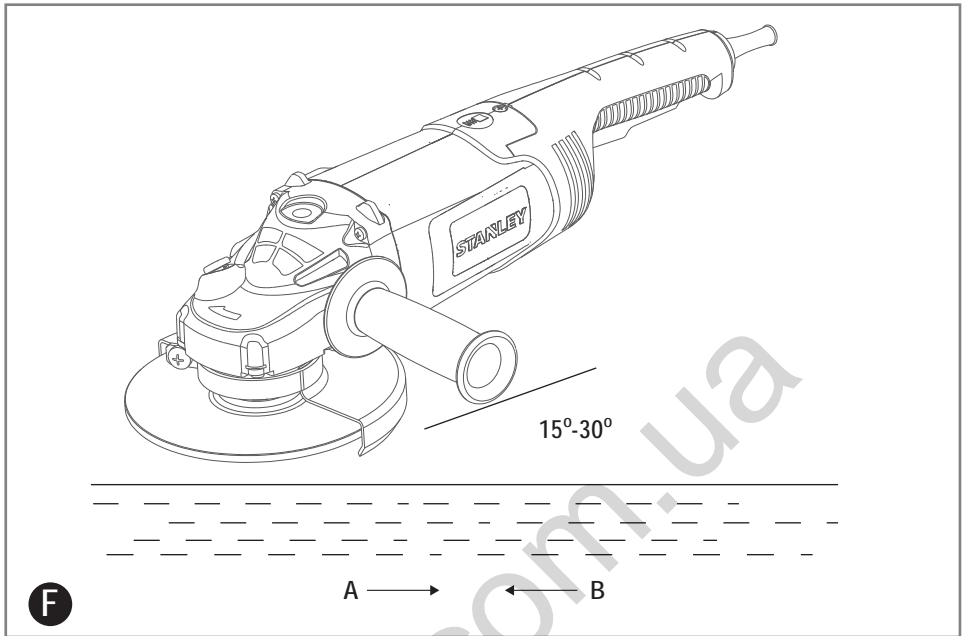
**SL227/SL227S**

**SL229/SL229S**

English	Page	05
Russian	Page	13
Ukrainian	Page	23
Turkish	Page	32







**INTENDED USE**

Your STANLEY large angle grinder SL207, SL209, SL227/SL227S, SL229/SL229S have been designed for grinding metal using the appropriate type of grinding disc. These tools are intended for professional use.

**SAFETY INSTRUCTIONS****General power tool safety warnings**

**WARNING!** Read all safety warnings, instructions, illustrations and specifications provided with this power tool. Failure to follow all instructions listed below may result in electric shock, fire and/or serious injury.

Save all warnings and instructions for future reference.

The term "power tool" in the warnings refers to your mains-operated (corded) power tool or battery-operated (cordless) power tool.

**1. Work area safety**

- a. Keep work area clean and well lit. Cluttered or dark areas invite accidents.
- b. Do not operate power tools in explosive atmospheres, such as in the presence of flammable liquids, gases or dust. Power tools create sparks which may ignite the dust or fumes.
- c. Keep children and bystanders away while operating a power tool. Distractions can cause you to lose control.

**2. Electrical safety**

- a. Power tool plugs must match the outlet. Never modify the plug in any way. Do not use any adapter plugs with earthed (grounded) power tools. Unmodified plugs and matching outlets will reduce risk of electric shock.
- b. Avoid body contact with earthed or grounded surfaces such as pipes, radiators, ranges and refrigerators. There is an increased risk of electric shock if your body is earthed or grounded.
- c. Do not expose power tools to rain or wet conditions. Water entering a power tool will increase the risk of electric shock.
- d. Do not abuse the cord. Never use the cord for carrying, pulling or unplugging the power tool. Keep cord away from heat, oil, sharp edges or moving parts. Damaged or entangled cords increase the risk of electric shock.
- e. When operating a power tool outdoors, use an extension cord suitable for outdoor use. Use of a cord suitable for outdoor use reduces the risk of electric shock.
- f. If operating a power tool in a damp location is unavoidable, use a residual current device (RCD) protected supply. Use of an RCD reduces the risk of electric shock.

**3. Personal safety**

- a. Stay alert, watch what you are doing and use common sense when operating a power tool. Do not use a power tool while you are tired or under the influence of drugs, alcohol or medication. A moment of inattention while operating power tools may result in serious personal injury.
- b. Use personal protective equipment. Always wear eye protection. Protective equipment such as a dust mask, non-skid safety shoes, hard hat, or hearing protection used for appropriate conditions will reduce personal injuries.
- c. Prevent unintentional starting. Ensure the switch is in

the off-position before connecting to power source and/or battery pack, picking up or carrying the tool. Carrying power tools with your finger on the switch or energising power tools that have the switch on invites accidents.

- d. Remove any adjusting key or wrench before turning the power tool on. A wrench or a key left attached to a rotating part of the power tool may result in personal injury.
  - e. Do not overreach. Keep proper footing and balance at all times. This enables better control of the power tool in unexpected situations.
  - f. Dress properly. Do not wear loose clothing or jewellery. Keep your hair and clothing away from moving parts. Loose clothes, jewellery or long hair can be caught in moving parts.
  - g. If devices are provided for the connection of dust extraction and collection facilities, ensure these are connected and properly used. Use of dust collection can reduce dust-related hazards.
  - h. Do not let familiarity gained from frequent use of tools allow you to become complacent and ignore tool safety principles. A careless action can cause severe injury within a fraction of a second.
4. Power tool use and care
    - a. Do not force the power tool. Use the correct power tool for your application. The correct power tool will do the job better and safer at the rate for which it was designed.
    - b. Do not use the power tool if the switch does not turn it on and off. Any power tool that cannot be controlled with the switch is dangerous and must be repaired.
    - c. Disconnect the plug from the power source and/or remove the battery pack, if detachable, from the power tool before making any adjustments, changing accessories, or storing power tools. Such preventive safety measures reduce the risk of starting the power tool accidentally.
    - d. Store idle power tools out of the reach of children and do not allow persons unfamiliar with the power tool or these instructions to operate the power tool. Power tools are dangerous in the hands of untrained users.
    - e. Maintain power tools and accessories. Check for misalignment or binding of moving parts, breakage of parts and any other condition that may affect the power tools operation. If damaged, have the power tool repaired before use. Many accidents are caused by poorly maintained power tools.
    - f. Keep cutting tools sharp and clean. Properly maintained cutting tools with sharp cutting edges are less likely to bind and are easier to control.
    - g. Use the power tool, accessories and tool bits etc. in accordance with these instructions, taking into account the working conditions and the work to be performed. Use of the power tool for operations different from those intended could result in a hazardous situation.
    - h. Keep handles and grasping surfaces dry, clean and free from oil and grease. Slippery handles and grasping surfaces do not allow for safe handling and control of the tool in unexpected situations.
  5. Service
    - a. Have your power tool serviced by a qualified repair person using only identical replacement parts. This will ensure that the safety of the power tool is maintained.

**SAFETY INSTRUCTIONS FOR ALL OPERATIONS****Safety warnings common for grinding.**

- a. This power tool is intended to function as a grinder. Read all safety warnings, instructions, illustrations and specifications provided with this power tool. Failure to follow all instructions listed below may result in electric shock, fire and/or serious injury.
- b. Operations such as polishing, cutting-off and wire brushing are not recommended to be performed with this power tool. Operations for which the power tool was not designed may create a hazard and cause personal injury.
- c. **Do not use accessories which are not specifically designed and recommended by the tool manufacturer.** Just because the accessory can be attached to your power tool, it does not assure safe operation.
- d. **The rated speed of the accessory must be at least equal to the maximum speed marked on the power tool.** Accessories running faster than their rated speed can break and fly apart.
- e. The outside diameter and the thickness of your accessory must be within the capacity rating of your power tool. Incorrectly sized accessories can not be adequately guarded or controlled.
- f. Threaded mounting of accessories must match the grinder spindle thread. For accessories mounted by flanges, the arbor hole of the accessory must fit the locating diameter of the flange. Accessories that do not match the mounting hardware of the power tool will run out of balance, vibrate excessively and may cause loss of control.
- g. Do not use a damaged accessory. Before each use inspect the accessory such as abrasive wheel for chips and cracks. If power tool or accessory is dropped, inspect for damage or install an undamaged accessory. After inspecting and installing an accessory, position yourself and bystanders away from the plane of the rotating accessory and run the power tool at maximum no-load speed for one minute. Stop immediately if there is a considerable vibration or if other defects are detected. If this condition occurs, check the machine to determine the cause. Always store the abrasive wheel safely and on dry places outside of the reach of children. Damaged accessories will normally break apart during this test time.
- h. **Wear personal protective equipment. Depending on application, use face shield, safety goggles or safety glasses. As appropriate, wear dust mask, hearing protectors, gloves and shop apron capable of stopping small abrasive or workpiece fragments. The eye protection must be capable of stopping flying debris generated by various operations.** The dust mask or respirator must be capable of filtrating particles generated by your operation. Prolonged exposure to high intensity noise may cause hearing loss.
- i. Keep bystanders a safe distance away from work area. Anyone entering the work area must wear **personal protective equipment.** Fragments of workpiece or of a broken accessory may fly away and cause injury beyond immediate area of operation.
- j. Hold the power tool by insulated gripping surfaces only, when performing an operation where the cutting accessory may contact hidden wiring or its own cord. Cutting accessory contacting a "live" wire may make exposed metal parts of the power tool "live" and could give the operator an electric shock.
- k. Position the cord clear of the spinning accessory. If you lose control, the cord may be cut or snagged and your hand or arm may be pulled into the spinning accessory.
- l. **Never lay the power tool down until the accessory has come to a complete stop.** The spinning accessory may grab the surface and pull the power tool out of your control.
- m. Do not run the power tool while carrying it at your side. Accidental contact with the spinning accessory could snag your clothing, pulling the accessory into your body.
- n. Regularly clean the power tool's air vents. The motor's fan will draw the dust inside the housing and excessive accumulation of powdered metal may cause electrical hazards.
- o. **Do not operate the power tool near flammable materials.** Sparks could ignite these materials.
- p. **Do not use accessories that require liquid coolants.** Using water or other liquid coolants may result in electrocution or shock.

**FURTHER SAFETY INSTRUCTIONS FOR ALL OPERATIONS****Kickback and related warnings**

Kickback is a sudden reaction to a pinched or snagged rotating wheel, backing pad, brush or any other accessory. Pinching or snagging causes rapid stalling of the rotating accessory which in turn causes the uncontrolled power tool to be forced in the direction opposite of the accessory's rotation at the point of the binding.

For example, if an abrasive wheel is snagged or pinched by the workpiece, the edge of the wheel that is entering into the pinch point can dig into the surface of the material causing the wheel to climb out or kick out. The wheel may either jump toward or away from the operator, depending on direction of the wheel's movement at the point of pinching. Abrasive wheels may also break under these conditions.

Kickback is the result of tool misuse and/or incorrect operating procedures or conditions and can be avoided by taking proper precautions as given below:

- a. **Maintain a firm grip on the power tool and position your body and arm to allow you to resist kickback forces.** Always use auxiliary handle, if provided, for **maximum control over kickback or torque reaction during start up.** The operator can control torque reaction or kickback forces, if proper precautions are taken.

- b. Never place your hand near the rotating accessory. Accessory may kickback over your hand.
- c. Do not position your body in the area where power tool will move if kickback occurs. Kickback will propel the tool in direction opposite to the wheel's movement at the point of snagging.
- d. Use special care when working corners, sharp edges etc. Avoid bouncing and snagging the accessory. Corners, sharp edges or bouncing have a tendency to snag the rotating accessory and cause loss of control or kickback.
- e. Do not attach a saw chain woodcarving blade or toothed saw blade. Such blades create frequent kickback and loss of control.

- Risk of personal injury due to prolonged use.
- Risk of dust from hazardous substances.

**ELECTRICAL SAFETY**



Your tool is double insulated; therefore no earth wire is required. Always check that the main voltage corresponds to the voltage on the rating plate.



**WARNING!** If the power cord is damaged, it must be replaced by the manufacturer, authorized STANLEY Service Center or an equally qualified person in order to avoid damage or injury. If the power cord is replaced by an equally qualified person, but not authorized by STANLEY, the warranty will not be valid.

**SAFETY WARNINGS SPECIFIC FOR GRINDING**

- a. Use only wheel types that are recommended for your power tool and the specific guard designed for the selected wheel. Wheels for which the power tool was not designed cannot be adequately guarded and are unsafe.
- b. The grinding surface of the centre depressed wheels must be mounted below the plane of the guard lip. An improperly mounted wheel that projects through the plane of the guard lip cannot be adequately protected.
- c. The guard must be securely attached to the power tool and positioned for maximum safety, so the least amount of wheel is exposed towards the operator. The guard helps to protect the operator from broken wheel fragments, accidental contact with wheel and sparks that could ignite clothing.
- d. Wheels must be used only for recommended applications. For example: do not grind with the side of cut-off wheel. Abrasive cut-off wheels are intended for peripheral grinding, side forces applied to these wheels may cause them to shatter.
- e. Always use undamaged wheel flanges that are of correct size and shape for your selected wheel. Proper wheel flanges support the wheel thus reducing the possibility of wheel breakage. Flanges for cut-off wheels may be different from grinding wheel flanges.
- f. Do not use worn down wheels from larger power tools. Wheel intended for larger power tool is not suitable for the higher speed of a smaller tool and may burst.

**USING AN EXTENSION CABLE**

If it is necessary to use an extension cable, please use an approved extension cable that fits the tool's power input specifications. The minimum cross-sectional area of the conducting wire is 1.5 sq. mm. Cables should be untangled before reeling up.

Cable cross-sectional area (mm <sup>2</sup> )	Cable cross-sectional area (mm <sup>2</sup> )
0.75	6
1.00	10
1.50	15
2.50	20
4.00	25

Cable length (m)						
	7.5	15	25	30	45	60

Voltage	Amperes	Cable rated current (Ampere)					
110-127	0 - 2.0	6	6	6	6	6	10
	2.1 - 3.4	6	6	6	6	15	15
	3.5 - 5.0	6	6	10	15	20	20
220-240	5.1 - 7.0	10	10	15	20	20	25
	7.1 - 12.0	15	15	20	25	25	-
	12.1 - 20.0	20	20	25	-	-	-
220-240	0 - 2.0	6	6	6	6	6	6
	2.1 - 3.4	6	6	6	6	6	6
	3.5 - 5.0	6	6	6	6	10	15
	5.1 - 7.0	10	10	10	10	15	15
	7.1 - 12.0	15	15	15	15	20	20
	12.1 - 20.0	20	20	20	20	25	-

**ADDITIONAL SAFETY INFORMATION**

- This tool is not designed to be used with wire wheels and wire cup.



**WARNING:** We recommend the use of a residual current device with a residual current rating of 30mA or less.

**RESIDUAL RISKS**

In spite of the application of the relevant safety regulations and the implementation of safety devices, certain residual risks cannot be avoided. These are:

- Impairment of hearing
- Risk of personal injury due flying particles.
- Risk of burns due to accessories becoming hot during operation.



**LABELS ON TOOL**

The label on your tool may include the following symbols:

	WARNING! To reduce the risk of injury, the user must read the instruction manual before use.		
	Wear safety glasses or goggles.		
	Wear ear protection.		
	Wear a dust mask.		
V	Volts		Direct Current
A	Amperes	$n_0$	No-Load Speed
Hz	Hertz		Class II Construction
W	Watts		Earthing Terminal
min	minutes		Safety Alert Symbol
	Alternating Current	/min.	Revolutions or Reciprocation per minute

**Position of date code**

The date code, which also includes the year of manufacture, is printed into the housing.

Example:

2017 XX JN  
Year of manufacturing

**PACKAGE CONTENTS**

- 1 Angle grinder
- 1 Guard
- 1 Side handle
- 1 Flange set
- 1 Two-pin spanner
- 1 Instruction manual
- Check for damage to the tool, parts or accessories which may have occurred during transport.
- Take the time to thoroughly read and understand this manual prior to operation.

**FEATURES (Fig A)**

This appliance includes some or all of the following features.

**WARNING:** Never modify the power tool or any part of it. Damage or personal injury could result.

1. Switch
2. Spindle lock
3. Guard
4. Side handle

**Purpose of design**

This angle grinder is designed especially for grinding.

Do not use sandpaper discs and grinding wheels other than those with depressed center.

Do not use the tool in wet conditions or environments in the presence of flammable liquids or gases.

This angle grinder is a professional power tool. Do not allow children to come in contact with this tool. Inexperienced operators are required to use this tool under supervision.

**ASSEMBLY**



**WARNING:** To minimize the danger of serious personal injury, please switch off the tool power and disconnect all plugs before adjusting or removing/installing any accessory. Before reassembling the tool, press and release the trigger switch to make sure the tool is already switched off.

**Attaching and removing the wheel guard (Fig. B)**



**WARNING** To minimize the danger of serious personal injury, please switch off the tool power and disconnect all plugs before adjusting or removing/installing any accessory. Before reassembling the tool, press and release the trigger switch to make sure the tool is already switched off.

**Attaching the guard**

1. Place the angle grinder on a work bench, groove facing up.
2. Bring the flange of the guard (3) collar over the groove of the gear housing.
3. Turn the guard (3) counterclockwise by 150 degrees.
4. Make sure that the screws (12) are tightened.

**Removing the guard**

1. Loosen the screws (12) on the guard collar.
2. Pull up the guard (3).



**WARNING:** Do not operate the tool when the safety guard is not in place.

**Fitting and removing a grinding wheel (Fig C1, C2, C3)**



**WARNING:** Do not use damaged grinding wheels.

1. Place the tool on a work bench, guard up.
2. Fit the inner flange (5) correctly onto the spindle (6) (Fig. C1).
3. Place the disc (7) on the flange (5) (Fig.C2). When fitting a disc with a raised center, make sure that the raised centre (8) is facing the flange (5).
4. Screw the out flange (9) onto the spindle (6) (Fig. C3)
  - the ring on the flange (9) must face towards the disc when fitting a grinding disc (C3-A)
  - the ring on the flange (9) must face away from the disc when fitting a cutting disc (C3-B)

5. Press the spindle lock (2) and rotate the spindle (6) until it locks in position (Fig. C2).
6. Tighten the flange (9) with the two-pin spanner supplied.
7. Release the spindle lock.
8. To remove the disc, loosen the flange (9) with the two-pin spanner.



**WARNING:** Do not use a damaged disc.

**Attaching the Side Handle (Fig D)**



**WARNING:** Before using the tool, check that the handle is tightened securely.



**WARNING:** The side handle should always be used to maintain control of the tool at all times.

Screw the side handle (4) tightly into one of the holes (10) or (11) on either side of the gear case.

**Preparation before use**

- Attach the safety guard and appropriate abrasive or grinding wheels. Do not use abrasive or grinding wheels that are overly worn.
- Make sure that the inner and outer flanges are attached correctly.
- Make sure that the abrasive or grinding wheels are rotating in the direction of the arrows on the accessories and tool.

**VOLTAGE DROPS**

In rush currents cause short-time voltage drops. Under unfavourable power supply conditions, other equipment may be affected. If the system impedance of the power supply is lower than 0.175Ω, disturbances are unlikely to occur.

**USE (Fig F)**



**WARNING:** Always observe the safety instructions and applicable regulations.



**WARNING:** To minimize the danger of serious personal injury, please switch off the tool power and disconnect all plugs before adjusting or removing/installing any accessory. Before reassembling the tool, press and release the trigger switch to make sure the tool is already switched off.

- Make sure all materials to be grinded are secured in position.
  - Apply slight pressure to the tool. Do not apply side pressure to the abrasive disc.
  - Avoid overloading. If the tool becomes hot, let it spin for a few minutes with no load.
1. Be sure to hold the tool tightly with both hands (one hand on housing, the other on side handle). Start the tool and bring the grinding wheel on the workpiece.
  2. Keep the edge of the wheel tilted at angle from 15 to 30 degrees against the surface of the workpiece.
  3. When using a new grinding wheel, do not operate the wheel in the B direction, otherwise, it will cut into the workpiece. When the

edge of wheel has been rounded off, you are free to operate the grinder in either the A or B direction.

**Starting and stopping (Fig A)**



**WARNING:** Before using the tool, check whether the handle is tightened securely. Check whether the switch is working normally.

Before plugging in the tool to the power supply, check whether the switch is in the OFF position.



**WARNING:** Do not switch the tool on or off while under load conditions.

**Proper hand position (Fig G)**



**WARNING:** To reduce the risk of serious personal injury, ALWAYS use proper hand position as shown.



**WARNING:** To reduce the risk of serious personal injury, ALWAYS hold securely in anticipation of a sudden reaction.

Proper hand position requires one hand on the side handle (figure A), with the other hand on the body of the tool, as shown in figure G.

**Soft Start Feature SL227S and SL229S**

The soft start feature allows a slow speed build-up to avoid an initial jerk when starting. This feature is particularly useful when working in confined spaces.

**Switch**

**CAUTION:** Hold the body of the tool firmly to maintain control of the tool at start up and during use and until the wheel or accessory stops rotating. Make sure the wheel has come to a complete stop before laying the tool down.

**NOTE:** To reduce unexpected tool movement, do not switch the tool on or off while under load conditions. Allow the grinder to run up to full speed before touching the work surface. Lift the tool from the surface before turning the tool off. Allow the tool to stop rotating before putting it down.



**WARNING:** Before connecting the tool to a power supply, be sure the slider switch is in the off position by pressing the front part of the switch and releasing. Ensure the slider switch is in the off position as described above after any interruption in power supply to the tool, such as the activation of a ground fault interrupter, throwing of a circuit breaker, accidental unplugging, or power failure. If the slider switch is locked on when the power is connected, the tool will start unexpectedly.

**Lock-Off feature of the switch**

Slide trigger (1) to the front of the tool and then press the trigger (1), the tool will start. Release the trigger (1), the tool will stop running.

Explanation: Before coming into contact with the object you are working on, make sure the abrasive wheel is turning at maximum speed. Before turning off the tool, lift the tool up from the object you are working on.

**CAUTION:** Make sure the abrasive wheel is completely stopped before putting down the tool.

### Rotating the gear case (Fig E)

The gear case is mounted onto the tool casing, and it can be rotated to give the user a more comfortable experience while cutting.

The rotating gear case can be turned 90 degrees, 180 degrees, and 270 degrees to the left or to the right.

- Loosen the four screws on the gear case.
- Rotate the gear case till it reaches its ideal location.
- Tighten the four screws on the gear case.
- Ensure that the rotating mechanism is locked.



**WARNING:** Do NOT use the tool when the gear case is unlocked.

### Application on metals

When applying the tool on metals, make sure that a residual-current device (RCD) is inserted to prevent danger from metal chips.

If the RCD causes power disconnection, have the tool sent to an authorized STANLEY dealer for repair.



**WARNING:** Under extreme working conditions, conductive dust and grit may accumulate on the housing interior when handling metal workpieces. This could create an electric shock hazard as it weakens the protective insulation in the grinder.

To avoid accumulation of metal chips in the interior of the grinder, we recommend cleaning the ventilation ducts daily. Refer to Maintenance.

### Using grinding wheels



**WARNING:** Metal powder accumulates. Excessive use of the grinding wheel on metals may increase the risk of electric shock. To reduce the risk, insert the RCD before use and clean the ventilation ducts daily. Follow the maintenance instructions below to blow dry compressed air into the ventilation ducts.

### Lubrication



This power tool does not require separate lubrication.



### Cleaning



**WARNING:** Once visible dust accumulates on the ventilation ducts and the surrounding, immediately use dry air to blow away dust and grit out of the interior of the housing. You need to wear approved eye and facial protective gear when performing this process.



**WARNING:** Never use solvents or harsh chemicals to clean non-metal parts of the tool. These chemicals may weaken the material of the parts. Use only mild soap and damp cloth to clean the tool. Never let any liquid get inside the tool; never immerse any part of the tool into liquid.

### ACCESSORIES



**WARNING:** Excluding accessories provided by STANLEY, all other accessories have not been tested for product compatibility. Using such accessories together with this tool may cause safety hazards. To minimize the risk of personal injury, we recommend you to use only STANLEY accessories with this product.

Please inquire at your dealer for more information regarding suitable accessories.

### PROTECTING THE ENVIRONMENT



**Separate collection.** This product must not be disposed of with normal household waste.

Should you find one day that your STANLEY product needs replacement, or if it is of no further use to you, do not dispose of it with household waste. Make this product available for separate collection.



STANLEY provides a facility for the collection and recycling of STANLEY products once they have reached the end of their working life. To take advantage of this service please return your product to any authorised repair agent who will collect them on our behalf.

You can check the location of your nearest authorised repair agent by contacting your local STANLEY office at the address indicated in this manual. Alternatively, a list of authorised STANLEY repair agents and full details of our after-sales service and contacts are available on the Internet at [www.2helpU.com](http://www.2helpU.com).

### MAINTENANCE

Your STANLEY tool has been designed to operate over a long period of time with a minimum of maintenance. Continuous satisfactory operation depends upon proper tool care and regular cleaning.



**WARNING:** To minimize the danger of serious personal injury, please switch off the tool power and disconnect all plugs before adjusting or removing/installing any accessory. Before reassembling the tool, press and release the trigger switch to make sure the tool is already switched off.

### Pop-off Brushes

The motor will be automatically shut off indicating that the carbon brushes are nearly worn out and that the tool needs servicing. The carbon brushes are not user-serviceable. Take the tool to an authorized STANLEY repair agent.

## NOTES

STANLEY's policy is one of continuous improvement to our products and as such, we reserve the right to change product specifications without prior notice. Standard equipment and accessories may vary by country. Product specifications may differ by country.

Complete product range may not be available in all countries. Contact your local STANLEY dealers for range availability

## SERVICE INFORMATION

STANLEY offers a full network of company-owned and authorized service locations. All STANLEY Service Centers are staffed with trained personnel to provide customers with efficient and reliable power tool service. For more information about our authorized service centers and if you need technical advice, repair, or genuine factory replacement parts, contact the STANLEY location nearest you.

### SL207

Level of sound pressure according to EN 60745:

Sound pressure ( $L_{pA}$ )	dB(A)	93
Sound pressure uncertainty ( $K_{pA}$ )	dB(A)	3
Sound power ( $L_{WA}$ )	dB(A)	104
Sound power uncertainty ( $K_{WA}$ )	dB(A)	3

Vibration emission value  $a_n$  (surface grinder)

$(a_n) =$	$m/s^2$	8.5
Uncertainty (K) =	$m/s^2$	1.5

## TECHNICAL DATA

LARGE ANGLE GRINDER		SL207	SL209	SL227/SL227S*	SL229/SL229S*
Input voltage	$V_{AC}$	220-240	220-240	220-240	220-240
Frequency	Hz	50-60	50-60	50-60	50-60
Power input	W	2000	2000	2200	2200
No-load speed	$min^{-1}$	8500	6500	8500	6500
Wheel diameter	mm	180	230	180	230
Spindle size		M14	M14	M14	M14
<b>Max disc thickness</b>					
Grinding discs	mm	6.6	6.6	6.6	6.6
Weight	kg	4.1	4.1	4.3	4.3

EPTA weight is the bare tool without guard, side handle, flange or cable.

\* SL227S and SL229S have "SOFT START" function

### SL209

Level of sound pressure according to EN 60745:

Sound pressure ( $L_{pA}$ )	dB(A)	94
Sound pressure uncertainty ( $K_{pA}$ )	dB(A)	3
Sound power ( $L_{WA}$ )	dB(A)	105
Sound power uncertainty ( $K_{WA}$ )	dB(A)	3

Vibration emission value  $a_n$  (surface grinder)

$(a_n) =$	$m/s^2$	7.8
Uncertainty (K) =	$m/s^2$	1.5

### SL227/SL227S

Level of sound pressure according to EN 60745:

Sound pressure ( $L_{pA}$ )	dB(A)	95
Sound pressure uncertainty ( $K_{pA}$ )	dB(A)	3
Sound power ( $L_{WA}$ )	dB(A)	106
Sound power uncertainty ( $K_{WA}$ )	dB(A)	3

Vibration emission value  $a_n$  (surface grinder)

$(a_n) =$	$m/s^2$	8
Uncertainty (K) =	$m/s^2$	1.5

### SL229/SL229S

Level of sound pressure according to EN 60745:

Sound pressure ( $L_{pA}$ )	dB(A)	95
Sound pressure uncertainty ( $K_{pA}$ )	dB(A)	3
Sound power ( $L_{WA}$ )	dB(A)	106
Sound power uncertainty ( $K_{WA}$ )	dB(A)	3

Vibration emission value  $a_n$  (surface grinder)

$(a_n) =$	$m/s^2$	8
Uncertainty (K) =	$m/s^2$	1.5

## VIBRATION

The declared vibration emission values stated in the technical data and the declaration of conformity have been measured in accordance with a standard test method provided by EN 60745 and may be used for comparing one tool with another. The declared vibration emission value may also be used in a preliminary assessment of exposure.



**WARNING!** The vibration emission value during actual use of the power tool can differ from the declared value depending on the ways in which the tool is used. The vibration level may increase above the level stated.

When assessing vibration exposure to determine safety measures required by 2002/44/EC to protect persons regularly using power tools in employment, an estimation of vibration exposure should consider, the actual conditions of use and the way the tool is used, including taking account of all parts of the operating cycle such as the times when the tool is switched off and when it is running idle in addition to the trigger time.

### EC declaration of conformity MACHINERY DIRECTIVE



#### SL207, SL209, SL227, SL227S, SL229, SL229S Large Angle Grinders

STANLEY declares that these products described under "technical data" are in compliance with: 2006/42/EC, EN 60745-1:2009 + A11:2010, EN 60745-2-3:2011+ A2:2013 + A11:2014 + A12:2014 + A13:2015

These products also comply with Directive 2014/30/EU and 2011/65/EU. For more information, please contact STANLEY at the following address or refer to the back of the manual.

The undersigned is responsible for compilation of the technical file and makes this declaration on behalf of STANLEY.

R. Laverick  
Engineering Manager  
STANLEY, Europe, Egide Walschaertsstraat14-18,  
2800 Mechelen, Belgium  
12.2019

## TWO YEAR WARRANTY

If your STANLEY product becomes defective due to faulty materials or workmanship within 24 months from the date of purchase, STANLEY guarantees to replace all defective parts free of charge or – at our discretion – replace the unit free of charge provided that:

- The product has not been misused and has been used in accordance with the instruction manual;
- The product has been subject to fair wear and tear;
- Repairs have not been attempted by unauthorized persons;
- Proof of purchase is produced;
- The STANLEY product is returned complete with all original components;
- The product hasn't been used for hire purposes.

If you wish to make a claim, contact your seller or check the location of your nearest authorised STANLEY repair agent in the STANLEY catalogue or contact your local STANLEY office at the address indicated in this manual. A list of authorised STANLEY repair agents and full details of our after sales service is available on the internet at: [www.2helpU.com](http://www.2helpU.com)

**НАЗНАЧЕНИЕ**

Ваша большая угловая шлифмашина STANLEY SL207, SL209, SL227/SL227S, SL229/SL229S предназначена для шлифования металла с использованием шлифовальных кругов соответствующего типа. Данный инструмент предназначен для профессионального использования.

**ИНСТРУКЦИИ ПО ТЕХНИКЕ БЕЗОПАСНОСТИ**

**Общие правила безопасности при работе с электроинструментами**



**ВНИМАНИЕ!** Внимательно прочтите все инструкции по использованию, правила безопасности, спецификации, а также рассмотрите все иллюстрации, входящие в руководство по эксплуатации данного электроинструмента. Несоблюдение всех перечисленных ниже инструкций может привести к поражению электрическим током, возникновению пожара и/или получению серьёзной травмы.

Сохраните все инструкции по безопасности и руководство по эксплуатации для их дальнейшего использования. Термин «Электроинструмент» во всех приведённых ниже указаниях относится к вашему сетевому (с кабелем) электроинструменту или аккумуляторному (беспроводному) электроинструменту.

**1. Безопасность рабочего места**

- a. Содержите рабочее место в чистоте и обеспечьте хорошее освещение. Плохое освещение или беспорядок на рабочем месте может привести к несчастному случаю.
- b. Не используйте электроинструменты, если есть опасность возгорания или взрыва, например, вблизи легко воспламеняющихся жидкостей, газов или пыли. В процессе работы электроинструменты создают искровые разряды, которые могут воспламенить пыль или горючие пары.
- c. Во время работы с электроинструментом не подпускайте близко детей или посторонних лиц. Отвлечение внимания может вызвать у Вас потерю контроля над рабочим процессом.

**2. Электробезопасность**

- a. Вилка кабеля электроинструмента должна соответствовать штепсельной розетке. Ни в коем случае не видоизменяйте вилку электрического кабеля. Не используйте соединительные штепсели-переходники, если в силовом кабеле электроинструмента есть провод заземления. Использование оригинальной вилки кабеля и соответствующей ей штепсельной розетки уменьшает риск поражения электрическим током.
- b. Во время работы с электроинструментом избегайте физического контакта с заземлёнными объектами, такими как трубопроводы, радиаторы отопления, электроплиты и холодильники. Риск поражения

электрическим током увеличивается, если Ваше тело заземлено.

- c. Не используйте электроинструмент под дождём или во влажной среде. Попадание воды в электроинструмент увеличивает риск поражения электрическим током.
- d. Бережно обращайтесь с электрическим кабелем. Ни в коем случае не используйте кабель для переноски электроинструмента или для вытягивания его вилки из штепсельной розетки. Не подвергайте электрический кабель воздействию высоких температур и смазочных веществ; держите его в стороне от острых кромок и движущихся частей электроинструмента. Повреждённый или запутанный кабель увеличивает риск поражения электрическим током.
- e. При работе с электроинструментом на открытом воздухе используйте удлинительный кабель, предназначенный для наружных работ. Использование кабеля, пригодного для работы на открытом воздухе, снижает риск поражения электрическим током.
- f. При необходимости работы с электроинструментом во влажной среде используйте источник питания, оборудованный устройством защитного отключения (УЗО). Использование УЗО снижает риск поражения электрическим током.

**3. Личная безопасность**

- a. При работе с электроинструментами будьте внимательны, следите за тем, что Вы делаете, и руководствуйтесь здравым смыслом. Не используйте электроинструмент, если Вы устали, а также находясь под действием алкоголя или понижающих реакцию лекарственных препаратов и других средств. Малейшая неосторожность при работе с электроинструментами может привести к серьёзной травме.
- b. При работе используйте средства индивидуальной защиты. Всегда надевайте защитные очки. Своевременное использование защитного снаряжения, а именно: пылезащитной маски, ботинок на нескользящей подошве, защитного шлема или противосуммовых наушников, значительно снизит риск получения травмы.
- c. Не допускайте непреднамеренного запуска. Перед тем, как подключить электроинструмент к сети и/или аккумулятору, поднять или перенести его, убедитесь, что выключатель находится в положении «выключено». Не переносите электроинструмент с нажатым курковым выключателем и не подключайте к сетевой розетке электроинструмент, выключатель которого установлен в положение «включено», это может привести к несчастному случаю.
- d. Перед включением электроинструмента снимите с него все регулировочные или гаечные ключи. Регулировочный или

гаечный ключ, оставленный закреплённым на вращающейся части электроинструмента, может стать причиной получения тяжёлой травмы.

- e. **Работайте в устойчивой позе. Всегда твёрдо стойте на ногах, сохраняя равновесие.** Это позволит Вам не потерять контроль при работе электроинструментом в непредвиденной ситуации.
  - f. **Одевайтесь соответствующим образом. Во время работы не надевайте свободную одежду или украшения.** Следите за тем, чтобы Ваши волосы или одежда находились в постоянном отдалении от движущихся частей инструмента. Свободная одежда, украшения или длинные волосы могут попасть в движущиеся части инструмента.
  - g. **Если электроинструмент снабжён устройством сбора и удаления пыли, убедитесь, что данное устройство подключено и используется надлежащим образом.** Использование устройства пылеудаления значительно снижает риск возникновения несчастного случая, связанного с запылённостью рабочего пространства.
  - h. **Даже если Вы являетесь опытным пользователем и часто используете подобные инструменты, не позволяйте себе расслабляться и игнорировать правила безопасности при использовании инструментов.** Неосторожность и невнимательность при работе могут привести к тяжёлым травмам за доли секунды.
- 4. Использование электроинструментов и технический уход**
- a. **Не перегружайте электроинструмент.** Используйте Ваш инструмент по назначению. Электроинструмент работает надёжно и безопасно только при соблюдении параметров, указанных в его технических характеристиках.
  - b. **Не используйте электроинструмент, если его выключатель не устанавливается в положение включения или выключения.** Электроинструмент с неисправным выключателем представляет опасность и подлежит ремонту.
  - c. **Отключайте электроинструмент от сетевой розетки и/или извлекайте аккумулятор (если имеется) перед регулировкой, заменой принадлежностей или при хранении электроинструмента.** Такие меры предосторожности снижают риск случайного включения электроинструмента.
  - d. **Храните неиспользуемые электроинструменты в недоступном для детей месте и не позволяйте лицам, не знакомым с электроинструментом или данными инструкциями, работать с электроинструментом.** Электроинструменты представляют опасность в руках неопытных пользователей.
  - e. **Регулярно проверяйте исправность электроинструмента и дополнительных**

**принадлежностей.** Проверьте точность совмещения и легкость перемещения подвижных частей, целостность деталей и любых других элементов электроинструмента, воздействующих на его работу. Не используйте неисправный электроинструмент, пока он не будет полностью отремонтирован. Большинство несчастных случаев являются следствием недостаточного технического ухода за электроинструментом.

- f. **Следите за остротой заточки и чистотой режущих принадлежностей.** Принадлежности с острыми кромками позволяют избежать заклинивания и делают работу менее утомительной.
- g. **Используйте электроинструмент, аксессуары и насадки в соответствии с данным Руководством по эксплуатации и с учётом рабочих условий и характера будущей работы.** Использование электроинструмента не по назначению может создать опасную ситуацию.
- h. **Следите, чтобы рукоятки и поверхности захвата оставались сухими, чистыми и не содержали следов масла и консистентной смазки.** Скользкие рукоятки и поверхности захвата не обеспечивают безопасное обращение и управление инструментом в неожиданных ситуациях.

## 5. Техническое обслуживание

- a. **Ремонт Вашего электроинструмента должен производиться только квалифицированными специалистами с использованием идентичных запасных частей.** Это обеспечит безопасность Вашего электроинструмента в дальнейшей эксплуатации.

## МЕРЫ БЕЗОПАСНОСТИ ПРИ ВЫПОЛНЕНИИ ВСЕХ ОПЕРАЦИЙ

**Общие правила безопасности при работе шлифовальными машинами**

- a. **Данный электроинструмент предназначен для шлифования. Внимательно прочтите все инструкции по использованию, правила безопасности, спецификации, а также рассмотрите все иллюстрации, входящие в руководство по эксплуатации данного электроинструмента.** Несоблюдение всех перечисленных ниже инструкций может привести к поражению электрическим током, возникновению пожара и/или получению серьёзной травмы.
- b. **Не рекомендуется выполнение данным инструментом работ по полировке.** Использование инструмента не по назначению может привести к повреждению инструмента и получению телесной травмы.
- c. **Не используйте дополнительные принадлежности и насадки, специально не разработанные и не рекомендованные производителем инструмента.** Возможность установки принадлежностей и насадок

на электроинструмент не обеспечивает безопасности при его использовании.

- d. **Номинальная скорость вращения насадок должна соответствовать скорости, указанной на электроинструменте.** Насадки при вращении на скорости, превышающей их номинальную скорость, могут разрушиться и сорваться с крепления.
- e. **Внешний диаметр и толщина насадки должны соответствовать диапазону мощности вашего электроинструмента.** Насадка неправильного размера не закрывается надлежащим образом защитным кожухом и не обеспечивает контроля при управлении инструментом.
- f. **Монтажная резьба насадок должна соответствовать резьбе шпинделя шлифмашины. Для насадок, устанавливаемых на фланцы: посадочное отверстие насадки должно соответствовать установочному диаметру фланца.** Насадки, не соответствующие крепёжным деталям электроинструмента, могут стать причиной разбалансированности, повышенной вибрации и потери контроля над электроинструментом.
- g. **Не используйте повреждённые насадки. Перед каждым использованием проверяйте абразивные диски на наличие сколов и трещин, диски-подшвы - на наличие надрывов и трещин, проволочные щётки - на наличие ослабленной или сломанной проволоки. В случае падения электроинструмента или насадки проверьте их на наличие повреждений или установите неповреждённую насадку. После проверки и установки насадки отведите электроинструмент от себя и посторонних лиц в сторону и запустите его на максимальной скорости без нагрузки в течение одной минуты. Повреждённые насадки отлетят в сторону в течение данного тестового периода.**
- h. **Используйте средства индивидуальной защиты. В зависимости от типа выполняемых работ надевайте щиток для защиты лица, защитную маску или защитные очки. В соответствии с необходимостью надевайте респиратор, защитные наушники, перчатки и рабочий фартук, способный защитить от отлетающих мелких абразивных частиц и фрагментов обрабатываемой детали. Средства защиты для глаз должны останавливать частицы, вылетающие при выполнении различных видов работ. Противопылевая маска или респиратор должны обеспечивать фильтрацию твёрдых частиц, образующихся в ходе работ. Длительное воздействие шума высокой интенсивности может привести к нарушениям слуха.**
- i. **Не подпускайте посторонних лиц близко к рабочей зоне. Любое лицо, входящее в рабочую зону, должно использовать средства индивидуальной защиты.** Отлетающие фрагменты обрабатываемой

детали или разрушенной насадки могут стать причиной получения травмы даже за пределами рабочей зоны.

- j. **Держите электроинструмент только за изолированные поверхности при выполнении работ, во время которых режущая принадлежность может задеть скрытую проводку или кабель подключения к электросети.** При контакте с находящимся под напряжением проводом, на изолированных металлических частях инструмента также появляется напряжение, что приводит к поражению электрическим током.
- k. **Располагайте кабель подключения к электросети на удалении от вращающейся насадки.** В случае потери контроля кабель может быть разрезан или защемлён, а Ваша рука может быть затянута вращающейся насадкой.
- l. **Никогда не кладите электроинструмент, пока насадка полностью не остановится.** Вращающаяся насадка может задеть за поверхность, и электроинструмент вырвется из ваших рук.
- m. **Не включайте электроинструмент, если насадка направлена на вас.** Случайный контакт с вращающейся насадкой может привести к захвату насадкой вашей одежды и получению телесной травмы.
- n. **Регулярно очищайте вентиляционные отверстия электроинструмента.** Вентилятор электродвигателя затягивает пыль внутрь корпуса, а скопление большого количества пыли на металле электродвигателя повышает риск поражения электротоком.
- o. **Не используйте электроинструмент вблизи с пожароопасными материалами.** Искровые разряды могут привести к их воспламенению.
- p. **Не используйте насадки, требующие жидкостного охлаждения.** Использование воды или других жидких охлаждающих средств может привести к поражению электрическим током вплоть до смертельного исхода.

#### ДОПОЛНИТЕЛЬНЫЕ МЕРЫ БЕЗОПАСНОСТИ ПРИ ВЫПОЛНЕНИИ ВСЕХ ОПЕРАЦИЙ

##### Причины обратного удара и меры по его предотвращению

Обратный удар является внезапной реакцией на защемление или застревание вращающегося диска, диска-подшвы, щётки или какой-либо другой насадки. Защемление или застревание могут стать причиной мгновенной остановки вращающейся насадки, что в свою очередь приводит к потере контроля над электроинструментом и его внезапному отбрасыванию назад в направлении, противоположном вращению насадки.

Например, если абразивный диск был защемлён или застрял в заготовке, край диска в момент защемления может врезаться в поверхность заготовки, в результате чего диск поднимается или отскакивает назад. В зависимости от направления движения круга в момент защемления, круг может



резко подняться в сторону или от оператора. В этот момент абразивные диски могут также сломаться. Обратный удар является результатом использования инструмента не по назначению и/или неправильных действий оператора и условий работы, и его можно избежать, соблюдая следующие меры безопасности:

- a. **Крепко удерживайте электроинструмент и следите за положением тела и рук, чтобы эффективно противостоять воздействию обратного удара. Для максимального контроля силы обратного удара или реакции от крутящего момента всегда используйте вспомогательную рукоятку, если она предусмотрена.** При соблюдении соответствующих мер предосторожности оператор может контролировать силу обратного удара и реакцию от крутящего момента.
- b. **Никогда не держите руки вблизи от вращающейся насадки.** При обратном ударе насадка может поранить ваши руки.
- c. **Не стойте в зоне действия обратного удара электроинструмента.** В момент заклинивания сила обратного удара отбросит инструмент в направлении, обратном движению круга.
- d. **Будьте особенно осторожны при обработке углов, острых кромок и пр. Избегайте отскока и заклинивания насадки.** Именно при обработке углов, острых кромок или при отскоке высокая вероятность заклинивания вращающейся насадки, что может послужить причиной потери контроля над инструментом или образования обратного удара.
- e. **Не устанавливайте на инструмент диск для резки по дереву или зубчатый пильный диск.** Данные диски увеличивают вероятность возникновения обратного удара и потери контроля над инструментом.

#### СПЕЦИАЛЬНЫЕ МЕРЫ БЕЗОПАСНОСТИ ПРИ ШЛИФОВАНИИ

- a. **Используйте только круги, рекомендованные для использования с вашим электроинструментом, а также защитные кожаные, специально разработанные для выбранного типа кругов.** Круги, не предназначенные для использования с данным электроинструментом, не будут надёжно защищены кожухом и представляют опасность.
- b. **Шлифовальная поверхность кругов с утопленным центром должна быть установлена ниже плоскости кромки защитного кожуха.** Неправильно установленный круг, выступающий за плоскость кромки защитного кожуха, не будет защищён должным образом.
- c. **Защитный кожух должен быть надёжно закреплён на электроинструменте. Для достижения максимальной безопасности кожух должен быть установлен таким образом, чтобы со стороны оператора была открыта самая незначительная часть круга.**

Защитный кожух поможет защитить оператора от фрагментов разрушенного круга и случайного контакта с кругом, а также от искр, способных воспламенить одежду оператора.

- d. **Круги должны использоваться только строго в соответствии с их назначением. Например, не выполняйте шлифование боковой стороной отрезного диска.** Абразивные отрезные диски предназначены для шлифования периферией диска, поэтому боковая сила, применимая к данному типу дисков, может стать причиной их разрушения.
- e. **Всегда используйте неповреждённые дисковые фланцы, размер и форма которых полностью соответствуют выбранному вами типу кругов.** Правильно подобранные дисковые фланцы поддерживают круг, снижая вероятность его разрушения. Фланцы для отрезных дисков могут отличаться от фланцев для шлифовальных кругов.
- f. **Никогда не используйте изношенные круги с электроинструментами большей мощности.** Круги, предназначенные для использования с электроинструментами большей мощности, не подходят для высоких скоростей инструментов меньшей мощности, и могут разрушиться.

#### ДОПОЛНИТЕЛЬНЫЕ ИНСТРУКЦИИ ПО БЕЗОПАСНОСТИ

- Данный инструмент не предназначен для использования с проволочными и чашеобразными шлифовальными кругами.



#### ВНИМАНИЕ:

Рекомендуется использование устройства защитного отключения с остаточным током 30 мА или менее.

#### БЕЗОПАСНОСТЬ ПОСТОРОННИХ ЛИЦ

- Данное изделие не может использоваться людьми (включая детей) со сниженными физическими, сенсорными и умственными способностями или при отсутствии необходимого опыта или навыка, за исключением, если они выполняют работу под присмотром лица, отвечающего за их безопасность.
- Не позволяйте детям играть с инструментом.

#### ОСТАТОЧНЫЕ РИСКИ

Несмотря на соблюдение соответствующих инструкций по технике безопасности и использование предохранительных устройств, некоторые остаточные риски невозможно полностью исключить. К ним относятся:

- Ухудшение слуха
- Риск получения травмы от разлетающихся частиц.
- Риск получения ожогов от принадлежностей и насадок, которые в процессе работы сильно нагреваются.
- Риск получения травмы, связанный с продолжительным использованием инструмента.

- Риск вдыхания пыли от опасных для здоровья веществ.

## ЭЛЕКТРОБЕЗОПАСНОСТЬ



Данный инструмент защищён двойной изоляцией, что исключает потребность в заземляющем проводе. Всегда проверяйте, соответствует ли напряжение, указанное на табличке с техническими параметрами, напряжению электросети.



**ВНИМАНИЕ!** Во избежание повреждений или получения травмы, замена повреждённого кабеля питания должна производиться только на заводе-изготовителе, в авторизованном сервисном центре STANLEY или квалифицированным персоналом. При замене кабеля питания квалифицированным лицом, но не имеющим авторизацию STANLEY, гарантия на продукт будет недействительной.

## ИСПОЛЬЗОВАНИЕ УДЛИНИТЕЛЬНОГО КАБЕЛЯ

При необходимости использования удлинительного кабеля, используйте только утверждённые 3-х жильные кабели промышленного изготовления, рассчитанные на мощность не меньшую, чем потребляемая мощность данного инструмента (см. раздел «Технические характеристики»). Минимальный размер проводника должен составлять 1,5 мм<sup>2</sup>; максимальная длина кабеля не должна превышать 30 м. При использовании кабельного барабана, всегда полностью разматывайте кабель.

Поперечное сечение проводника (мм <sup>2</sup> )	Номинал (Ампер)	кабеля
0.75	6	
1.00	10	
1.50	15	
2.50	20	
4.00	25	

## Длина кабеля (м)

	7.5	15	25	30	45	60
--	-----	----	----	----	----	----

Напряжение	Ампер	Номинал кабеля (Ампер)					
110-127	0 - 2.0	6	6	6	6	6	10
	2.1 - 3.4	6	6	6	6	15	15
	3.5 - 5.0	6	6	10	15	20	20
	5.1 - 7.0	10	10	15	20	20	25
220-240	7.1 - 12.0	15	15	20	25	25	-
	12.1 - 20.0	20	20	25	-	-	-
	0 - 2.0	6	6	6	6	6	6
	2.1 - 3.4	6	6	6	6	6	6
	3.5 - 5.0	6	6	6	6	10	15
	5.1 - 7.0	10	10	10	10	15	15
	7.1 - 12.0	15	15	15	15	20	20
	12.1 - 20.0	20	20	20	20	25	-

## МАРКИРОВКА ИНСТРУМЕНТА

На инструменте имеются следующие знаки:

	<b>ВНИМАНИЕ!</b> Полное ознакомление с руководством по эксплуатации перед использованием инструмента снизит риск получения травмы.		
	Надевайте защитные очки или маску.		
	Используйте средства защиты органов слуха.		
	Надевайте защитную маску или респиратор.		
V	Вольт		Постоянный ток
A	Ампер	$\eta_0$	Скорость без нагрузки
Hz	Герц		Конструкция Класса II
W	Ватт		Клемма заземления
min	минут		Символ опасности
	Переменный ток	/min.	Кол-во оборотов или шагов в минуту

### Место положения кода даты

Код даты, который также включает в себя год изготовления, отштампован на поверхности корпуса инструмента.

Пример:

2017 XX JN

Год изготовления

### В УПАКОВКУ ВХОДЯТ:

- 1 Угловая шлифмашина
- 1 Защитный кожух
- 1 Боковая рукоятка
- 1 Набор дисковых фланцев
- 1 Спецключ
- 1 Руководство по эксплуатации

- Проверьте инструмент, детали и дополнительные приспособления на наличие повреждений, которые могли произойти во время транспортировки.
- Перед началом работы необходимо внимательно прочитать настоящее руководство и принять к сведению содержащуюся в нем информацию.

### ОПИСАНИЕ (Рис. А)



**ВНИМАНИЕ:** Ни в коем случае не модифицируйте электроинструмент или какую-либо его деталь. Это может привести к получению травмы или повреждению инструмента.

1. Клавиша пускового выключателя
2. Кнопка блокировки шпинделя
3. Защитный кожух
4. Боковая рукоятка

### Назначение инструмента

Данная угловая шлифмашина предназначена для шлифования поверхностей.

Не используйте бумажные шлифовальные диски и шлифовальные круги с утопленным центром.

Не используйте инструмент во влажных условиях или при наличии в окружающем пространстве легко воспламеняющихся жидкостей или газов.

Данная угловая шлифмашина является профессиональным электроинструментом.

Не разрешайте детям прикасаться к инструменту. Неопытные пользователи всегда должны работать под наблюдением

### СБОРКА



**ВНИМАНИЕ:** Для снижения риска получения серьезной травмы, перед регулировкой или снятием/установкой насадок выключайте инструмент и отсоединяйте его от электросети. Перед повторной сборкой инструмента нажмите и отпустите пусковой выключатель, чтобы убедиться, что инструмент действительно выключен.

### Установка и снятие защитного кожуха (Рис. В)



**ВНИМАНИЕ!** Для снижения риска получения серьезной травмы, перед регулировкой или снятием/установкой насадок выключайте инструмент и отсоединяйте его от электросети. Перед повторной сборкой инструмента нажмите и отпустите пусковой выключатель, чтобы убедиться, что инструмент действительно выключен.

### Установка защитного кожуха

1. Положите угловую шлифмашину на рабочий стол прорезью вверх.
2. Поместите фланец воротника защитного кожуха (3) поверх прорези на коробке редуктора.
3. Поверните защитный кожух (3) на 150 градусов против часовой стрелки.
4. Убедитесь, что винты (12) затянуты.

### Снятие защитного кожуха

1. Ослабьте винты (12) на воротнике защитного кожуха.
2. Снимите защитный кожух (3).



**ВНИМАНИЕ!** Не используйте инструмент без установленного защитного кожуха.

### Установка и снятие шлифовальных кругов (Рис. С1, С2, С3)



**ВНИМАНИЕ!** Не используйте поврежденные шлифовальные круги.

1. Положите инструмент на рабочий стол защитным кожухом вверх.
2. Установите внутренний фланец (5) на шпиндель (6) (Рис. С1).
3. Установите круг (7) на фланец (5) (Рис. С2). При установке кругов с выпуклым центром проследите, чтобы выпуклый центр (8) примыкал к фланцу (5).
4. Навинтите внешний фланец (9) на шпиндель (6) (Рис. С3).
  - При установке шлифовального круга кольцо на фланце (9) должно быть обращено к кругу (С3-А).
  - При установке отрезного диска кольцо на фланце (9) должно быть обращено в противоположную сторону от диска (С3-В).
5. Нажмите на кнопку блокировки шпинделя (2) и поворачивайте шпиндель (6) до его полной фиксации на месте (Рис. С2).
6. Затяните фланец при помощи спецключа (9), входящего в комплект поставки.
7. Отпустите кнопку блокировки шпинделя.
8. Чтобы снять круг, ослабьте фланец (9) при помощи спецключа.



**ВНИМАНИЕ:** Не используйте повреждённые круги.

#### Установка боковой рукоятки (Рис. D)



**ВНИМАНИЕ:** Перед использованием инструмента убедитесь, что рукоятка надёжно затянута.



**ВНИМАНИЕ:** Для обеспечения полного контроля над инструментом во время работы всегда должна использоваться боковая рукоятка.

Вставьте боковую рукоятку (4) в одно из резьбовых отверстий (10) или (11), расположенных на обеих сторонах корпуса редуктора, и надёжно затяните.

#### Подготовка к использованию

- Установите защитный кожух и соответствующий абразивный или шлифовальный круг. Не используйте очень изношенные абразивные или шлифовальные круги.
- Убедитесь в правильной установке наружного и внутреннего фланцев.
- Проследите, чтобы абразивный или шлифовальный круг вращался в соответствии с указательными стрелками на шлифмашине и на самой насадке.

#### ПЕРЕПАДЫ НАПЯЖЕНИЯ

При бросках тока возникают кратковременные перепады напряжения. Недостаточные параметры электропитания могут привести к сбоям в работе другого оборудования. Если полное электрическое сопротивление системы ниже 0.175 Ω, вероятность возникновения помех крайне мала.

#### ИСПОЛЬЗОВАНИЕ (Рис. F)



**ВНИМАНИЕ:** Всегда следуйте указаниям действующих норм и правил безопасности.



**ВНИМАНИЕ:** Для снижения риска получения серьёзной травмы, перед регулировкой или снятием/установкой насадок выключайте инструмент и отсоединяйте его от электросети. Перед повторной сборкой инструмента нажмите и отпустите пусковой выключатель, чтобы убедиться, что инструмент действительно выключен.

- Следите, чтобы все обрабатываемые заготовки были надёжно зафиксированы на месте.
  - Не прилагайте к инструменту чрезмерного усилия. Ни в коем случае не прилагайте бокового усилия к абразивному диску!
  - Избегайте перегрузки. Если инструмент очень нагрелся, дайте ему поработать несколько минут на холостом ходу.
1. Крепко удерживайте инструмент обеими руками (одной рукой за корпус, другой рукой за боковую рукоятку). Включите инструмент и опустите шлифовальный круг на заготовку.
  2. Следите, чтобы край шлифовального круга находился под углом 15-30° к поверхности заготовки.
  3. При использовании нового шлифовального круга, не ведите шлифмашину в направлении В,

иначе шлифовальный круг врежется в заготовку. Когда край шлифовального круга округлится, Вы сможете свободно работать в любом направлении – А или В.

#### Включение и выключение (Рис. A)



**ВНИМАНИЕ:** Перед использованием инструмента убедитесь, что рукоятка надёжно затянута. Проверьте функциональность пускового выключателя.

Перед подключением инструмента к источнику питания убедитесь, что пусковой выключатель находится в положении «ВЫКЛ.».



**ВНИМАНИЕ:** Не включайте и не выключайте инструмент, находящийся под нагрузкой.

#### Правильное положение рук во время работы (Рис. G)



**ВНИМАНИЕ:** Для уменьшения риска получения тяжёлой травмы, ВСЕГДА правильно удерживайте электроинструмент, как показано на рисунке.



**ВНИМАНИЕ:** Для уменьшения риска получения тяжёлой травмы ВСЕГДА надёжно удерживайте инструмент, предупреждая внезапные сбои в работе.

Правильное положение рук во время работы: одной рукой возьмитесь за боковую рукоятку (Рисунок А), другой рукой удерживайте корпус инструмента, как показано на Рис. G.

#### Плавный пуск: SL227S и SL229S

С помощью функции плавного пуска набор частоты (скорости) вращения электродвигателя шлифмашины происходит плавно, без рывков. Данная функция особенно удобна при работе в ограниченном пространстве.

#### Клавиша пускового выключателя

**ПРЕДУПРЕЖДЕНИЕ:** Крепко удерживайте корпус инструмента для обеспечения контроля над инструментом при запуске, во время работы и до тех пор, пока диск или насадка не прекратит вращаться. Прежде чем положить инструмент убедитесь, что диск полностью остановился.

**ПРИМЕЧАНИЕ:** Для предотвращения неожиданного движения инструмента не включайте/не выключайте инструмент, находящийся под нагрузкой. Перед началом работы с заготовкой дождитесь, пока инструмент не наберёт полную скорость. Перед выключением инструмента, сначала поднимите его с заготовки. Прежде чем положить инструмент, дождитесь полной остановки двигателя.



**ВНИМАНИЕ:** Перед подключением инструмента к источнику питания убедитесь, что пусковой выключатель находится в положении «ВЫКЛ.»; для этого нажмите и отпустите переднюю половину выключателя.

После любого прерывания электроснабжения инструмента, например, при срабатывании аварийного прерывателя заземления или автоматического выключателя, при случайном отсоединении от источника питания или при нарушении электропитания, всегда проверяйте, что передвижной пусковой выключатель находится в положении «ВЫКЛ.», как было описано выше. Если передвижной пусковой выключатель при подаче питания находится в положении «ВКЛ.», инструмент внезапно начнёт работать.

### Пусковой выключатель с функцией защиты от непреднамеренного пуска

Чтобы включить инструмент, передвиньте пусковой выключатель (1) в сторону передней части инструмента и нажмите на пусковой выключатель (1). Чтобы выключить инструмент, отпустите пусковой выключатель (1).

Пояснение: Прежде чем приступить к шлифованию заготовки убедитесь, что абразивный круг вращается на максимальной скорости. Перед выключением инструмента, сначала поднимите его с заготовки.

**ПРЕДУПРЕЖДЕНИЕ:** Прежде чем положить инструмент на рабочую поверхность убедитесь, что абразивный круг полностью остановился.

### Поворачивание корпуса редуктора (Рис. Е)

Корпус редуктора установлен непосредственно на корпусе инструмента, и он может поворачиваться в разные стороны, обеспечивая оператору удобное положение при работе.

Поворотный корпус редуктора может поворачиваться на 90°, 180° и 270° влево или вправо.

- Ослабьте четыре винта на корпусе редуктора.
- Поворачивайте корпус редуктора, пока он не будет установлен в максимально удобное положение.
- Затяните четыре винта на корпусе редуктора.
- Убедитесь, что поворотный механизм заблокирован.



**ВНИМАНИЕ:** НЕ ИСПОЛЬЗУЙТЕ инструмент, если корпус редуктора не зафиксирован.

### Обработка металла

При использовании инструмента для обработки металла убедитесь, в наличии устройства защитного отключения (УЗО), предотвращения опасности в связи с металлической стружкой.

Если УЗО провоцирует отключение электроэнергии, отнесите инструмент в авторизованный сервисный центр Stanley для проведения ремонта.



**ВНИМАНИЕ!** В экстремальных условиях работы токопроводящая пыль и песок могут накапливаться на внутренней поверхности корпуса при обработке металлических деталей. Это ослабляет изоляцию шлифмашины и может создать опасность поражения электрическим током.

Во избежание скапливания внутри шлифмашины металлической стружки рекомендуется ежедневная очистка вентиляционных прорезей. См. раздел «Техническое обслуживание».

### Использование шлифовальных кругов



**ВНИМАНИЕ!** Скапливание металлической пыли. Чрезмерное использование шлифовального круга для обработки металла может увеличить риск поражения электрическим током.

Для снижения риска, перед использованием устанавливайте УЗО и ежедневно прочищайте вентиляционные прорези. Для прочистки вентиляционных прорезей сжатым воздухом см. инструкции по техническому обслуживанию.

Ваш инструмент STANLEY рассчитан на работу в течение продолжительного времени при минимальном техническом обслуживании. Срок службы и надёжность инструмента увеличивается при правильном уходе и регулярной очистке.



**ВНИМАНИЕ!** Для снижения риска получения серьёзной травмы, перед регулировкой или снятием/установкой насадок выключайте инструмент и отсоединяйте его от электросети. Перед повторной сборкой инструмента нажмите и отпустите пусковой выключатель, чтобы убедиться, что инструмент действительно выключен.

### Износ угольных щёток:

Двигатель автоматически выключится по истечении срока службы угольных щёток, указывая на то, что инструмент нуждается в сервисном обслуживании. Угольные щётки не подлежат самостоятельной замене оператором. Отнесите инструмент в авторизованный сервисный центр STANLEY.



### Смазка

Ваш электроинструмент не требует дополнительной смазки.



### Чистка



**ВНИМАНИЕ:** Выдувайте грязь и пыль из корпуса сухим сжатым воздухом по мере видимого скопления грязи внутри и вокруг вентиляционных отверстий. Выполняйте данную процедуру, надев средство защиты глаз и респиратор утверждённого типа.



**ВНИМАНИЕ:** Никогда не используйте растворители или другие агрессивные химические средства для очистки неметаллических деталей инструмента. Эти химикаты могут ухудшить свойства материалов, применённых в данных деталях. Используйте ткань, смоченную в воде с мягким мылом. Не допускайте попадания какой-либо жидкости внутрь инструмента; ни в коем случае не погружайте какую-либо часть инструмента в жидкость.

### ПРИСПОСОБЛЕНИЯ



**ВНИМАНИЕ:** Поскольку принадлежности, отличные от тех, которые предлагает STANLEY, не проходили тесты на данном изделии, то использование этих принадлежностей может привести к опасной ситуации. Во избежание риска получения травмы, с данным продуктом должны использоваться только дополнительные принадлежности, рекомендованные STANLEY.

По вопросу приобретения дополнительных принадлежностей обращайтесь к вашему продавцу.

### ЗАЩИТА ОКРУЖАЮЩЕЙ СРЕДЫ



Раздельный сбор. Данное изделие нельзя утилизировать вместе с обычными бытовыми отходами.

Если однажды вы захотите заменить ваше изделие STANLEY или вы больше в нём не нуждаетесь, не выбрасывайте его вместе с бытовыми отходами. Отнесите изделие в специальный приёмный пункт.



Фирма STANLEY обеспечивает приём и переработку отслуживших свой срок изделий STANLEY. Чтобы воспользоваться этой услугой, вы можете сдать ваше изделие в любой авторизованный сервисный центр, который собирает их по нашему поручению.

Вы можете узнать место нахождения вашего ближайшего авторизованного сервисного центра, обратившись в ваш местный офис STANLEY по адресу, указанному в данном руководстве по эксплуатации. Кроме того, список авторизованных сервисных центров STANLEY и полную информацию о нашем послепродажном обслуживании и контактах Вы можете найти в интернете по адресу: [www.2helpU.com](http://www.2helpU.com).

### ПРИМЕЧАНИЯ

Политика STANLEY нацелена на постоянное усовершенствование нашей продукции, поэтому фирма оставляет за собой право изменять технические характеристики изделий без предварительного уведомления. Стандартное оборудование и дополнительные принадлежности могут меняться в зависимости от страны продаж. Технические характеристики продуктов могут различаться в зависимости от страны продаж. Полная линия продуктов присутствует на рынках не всех стран. Для получения информации касательно линии продуктов в вашей стране обратитесь в ближайший сервисный центр STANLEY

### ИНФОРМАЦИЯ ПО ТЕХНИЧЕСКОМУ ОБСЛУЖИВАНИЮ

STANLEY имеет обширную сеть принадлежащих компании и авторизованных сервисных центров. В целях предоставления клиентам эффективного и надёжного технического обслуживания электроинструментов во всех сервисных центрах STANLEY работает обученный персонал. За дополнительной информацией о наших авторизованных сервисных центрах, а также, если вы нуждаетесь в технической консультации, ремонте или покупке оригинальных запасных частей, обратитесь в ближайший к вам сервисный центр STANLEY.

### ТЕХНИЧЕСКИЕ ХАРАКТЕРИСТИКИ

БОЛЬШАЯ УГЛОВАЯ ШЛИФМАШИНА		SL207	SL209	SL227/ SL227S*	SL229/ SL229S*
Входное напряжение	В перем.	220-240	220-240	220-240	220-240
Частота	Гц	50-60	50-60	50-60	50-60
Потребляемая мощность	Вт	2000	2000	2200	2200
Число оборотов без нагрузки	об/мин	8500	6500	8500	6500
Диаметр круга	мм	180	230	180	230
Размер шпинделя		M14	M14	M14	M14
Макс. толщина круга Шлифовальные круги	мм	6,6	6,6	6,6	6,6
Вес	кг	4,1	4,1	4,3	4,3

Вес ЕРТА - это вес самого инструмента без защитного кожуха, боковой рукоятки, фланца и кабеля.

Модели SL227S и SL229S оборудованы функцией «ПЛАВНОГО ПУСКА»



**Приложение к руководству по эксплуатации электроинструмента**  
Машины шлифовальные:

151ST+  
187ST

Модели: STGS6100\*-, STGS7115\*-, STGS9115\*-, STGS9125\*-, STGS1125\*-, STGL2223\*-, STGL2123\*-, STGL2023\*-, STGL2218\*-, STGL2018\*-, STGS9100\*-, STGS5100\*-, STGS5115\*-, STGS7100\*-, STGS5800\*-, STGS5815\*-, STGS58100\*-, STGS8115\*-, STDG5006\*-, STGP1318\*-, STSS025\*-, FME440\*-, FMEG230\*-, FMEG825\*-, FMEG725\*-, FME811K\*-, FME811\*-, FME841K\*-, FMEK890\*-, где \* - не более 5 символов (буква от «А» до «Z» и/или цифра от 0 до 9, знак дефис или их отсутствие)

СЕРТИФИКАТ СООТВЕТСТВИЯ № RU C-DE.AЯ46.B.84291 Действителен до: 01 марта 2021 г.

**Машины шлифовальные:**

Модели: SP137\*-, SL209\*-, SL229\*-, где \* - не более 5 символов (буква от «А» до «Z» и/или цифра от 0 до 9, знак дефис или их отсутствие)

СЕРТИФИКАТ СООТВЕТСТВИЯ № RU C-DE.AЯ46.B.89083 Действителен до: 28 октября 2021 г.

**Сертификат выдан:** Орган по сертификации "РОСТЕСТ - Москва", Адрес: 119049, г. Москва, улица Житная, д. 14, стр. 1; 117418, Москва, Нахимовский просп., 31 (фактический), Телефон: (499) 1292311, (495) 6682893, Факс: (495) 6682893, E-mail: office@rostest.ru

**Изготовитель:** Изготовитель: Блэк энд Деккер Холдингс ГмбХ, Германия, 65510, Идштайн, ул. Блэк энд Деккер, 40, тел. +496126212790.

**Хранение.**

Необходимо хранить в сухом месте, вдали от источников повышенных температур и воздействия солнечных лучей. При хранении необходимо избегать резкого перепада температур. Хранение без упаковки не допускается

**Срок службы.**

Срок службы изделия составляет 5 лет. Не рекомендуется к эксплуатации по истечении 5 лет хранения с даты изготовления без предварительной проверки.

Дата изготовления (код даты) указана на корпусе инструмента.

Код даты, который также включает год изготовления, отштампован на поверхности корпуса изделия.

**Пример:**

2018 46 XX, где XX –год изготовления, 46-неделя изготовления.

Определить месяц изготовления по указанной неделе изготовления можно согласно приведенной ниже таблице.

**Уполномоченное изготовителем юр.лицо:**

ООО "Стэнли Блэк энд Деккер", 117485, город Москва, улица Обручева, дом 30/1, строение 2

Телефон: + 7 (495) 258-3981, факс: + 7 (495) 258-3984, E-mail:

inbox@dewalt.com

Сведения о импортере указаны в сопроводительной документации и/или на упаковке

**Транспортировка.**

Категорически не допускается падение и любые механические воздействия на упаковку при транспортировке.

При разгрузке/погрузке не допускается использование любого вида техники, работающей по принципу зажима упаковки.

**Перечень критических отказов, возможные ошибочные действия персонала.**

Не допускается эксплуатация изделия:

-При появлении дыма из корпуса изделия

-При поврежденном и/или оголенном сетевом кабеле

-при повреждении корпуса изделия, защитного кожуха, рукоятки

-при попадании жидкости в корпус

-при возникновении сильной вибрации

-при возникновении сильного искрения внутри корпуса

**Критерии предельных состояний.**

-При поврежденном и/или оголенном сетевом кабеле

-при повреждении корпуса изделия

Месяц	Январь	Февраль	Март	Апрель	Май	Июнь	Июль	Август	Сентябрь	Октябрь	Ноябрь	Декабрь	Год производства
Неделя	01	05	09	13	17	22	26	31	35	39	44	48	2016
	02	06	10	14	18	23	27	32	36	40	45	49	
	03	07	11	15	19	24	28	33	37	41	46	50	
	04	08	12	16	20	25	29	34	38	42	47	51	
		09	13	17	21	26	30	35	39	43	48	52	
Неделя					22					44			2017
	01	05	09	13	18	22	26	31	35	39	44	48	
	02	06	10	14	19	23	27	32	36	40	45	49	
	03	07	11	15	20	24	28	33	37	41	46	50	
	04	08	12	16	21	25	29	34	38	42	47	51	
Неделя							31			44			2018
	01	05	09	13	18	22	26	31	35	40	44	48	
	02	06	10	14	19	23	27	32	36	41	45	49	
	03	07	11	15	20	24	28	33	37	42	46	50	
	04	08	12	16	21	25	29	34	38	43	47	51	
Неделя				18			31						2019
	05	09	13	17	22	26	30	35	39	44	48	52	
										40			
	01	05	09	14	18	22	27	31	35	40	45	48	
	02	06	10	15	19	23	28	32	36	41	46	49	
Неделя	03	07	11	16	20	24	29	33	37	42	47	50	2020
	04	08	12	17	21	25	30	34	38	43	48	51	
	05	09	13	18	22	26	31	35	39	44	48	52	
	01	05	09	14	18	23	27	31	36	40	44	49	
Неделя	02	06	10	15	19	24	28	32	37	41	45	51	2020
	03	07	11	16	20	25	29	33	38	42	46	51	
	04	08	12	17	21	26	30	34	39	43	47	52	
	05	09	13	18	22	27	31	35	40	44	48	53	
				14					36		49		

## ПРИЗНАЧЕННЯ

Велика кутова шліфмашина STANLEY SL207, SL209, SL227/SL227S, SL229/SL229S розроблена для обробки металу за допомогою кіл належного типу. Цей інструмент призначений для професійного використання.

## ІНСТРУКЦІЇ З ТЕХНІКИ БЕЗПЕКИ

**Загальні вказівки щодо безпечної роботи з електричним інструментом**



**УВАГА!** Необхідно ретельно ознайомитись із усіма попереджувальними знаками, вказівками щодо безпечної роботи, графічними матеріалами та технічними описами, що додаються до цього електричного інструмента. Недотримання вказівок щодо безпечної роботи може призвести до ураження електричним струмом, пожежі та/або серйозних травм персоналу.

**Зберігайте всі попереджувальні написи та вказівки щодо безпечної роботи для використання в майбутньому.** Термін «електричний інструмент», що використовується в попереджувальних написах та вказівках щодо техніки безпеки, відносяться до електричного інструмента, який працює від мережі (зі шнуром електроживлення) або від акумуляторної батареї (без шнура живлення).

### 1. Вказівки з техніки безпеки на робочому місці

- a. **Утримуйте робоче місце в чистоті і добре освітленим.** Безлад або погане освітлення на робочому місці можуть призвести до нещасного випадку.
- b. **Не працюйте з електроінструментом в місці зберігання вибухонебезпечних матеріалів, наприклад, у присутності легкозаймистих рідин, газів або пилу.** Електричні інструменти створюють іскри, що можуть запалити пил або пари.
- c. **Забороняється перебування дітей та сторонніх осіб поблизу працюючого електричного інструменту.** Ви можете відволіктися і втратити контроль за роботою інструменту.

### 2. Електрична безпека

- a. **Вилка шнура живлення інструмента повинна відповідати мережівій розетці.** Забороняється вносити будь-які зміни у вилку шнура живлення. Не використовуйте жодних вилок-перехідників із заземленими (зануленими) електроінструментами. Відсутність змін у вилках шнурів живлення та відповідність електричних вилок і розеток знижує ризик ураження електричним струмом.
- b. **Не торкайтеся поверхонь заземлених чи занулених предметів, наприклад труб, радіаторів, електроплит або холодильників.** Заземлення чи занулення тіла підвищує ризик ураження електричним струмом.

c. **Забороняється піддавати електричні інструменти впливу дощу чи підвищеної вологості.** При попаданні вологи всередину електричного інструмента підвищується ризик ураження електричним струмом.

d. **Забороняється пошкоджувати шнур живлення.** У жодному разі не використовуйте шнур живлення для перенесення чи зміни положення інструмента; не тягніть за шнур, виймаючи вилку з розетки. Не прокладайте шнур живлення поруч із гарячими предметами, мастилом, гострими краями і рухомими деталями. Пошкодження й заплутування шнурів живлення підвищує ризик ураження електричним струмом.

e. **Під час роботи з електричним інструментом за межами приміщень використовуйте відповідний подовжувач.** Використання подовжувача, призначеного для роботи поза приміщеннями, знижує ризик ураження електричним струмом.

f. **Якщо електричним інструментом необхідно користуватись у вологому місці, слід використовувати пристрій захисного відключення (ПЗВ) електричної мережі.** Використання ПЗВ знижує ризик ураження електричним струмом.

### 3. Безпека персоналу

- a. **Під час роботи з електричним інструментом необхідно бути обачним, слідкувати за виконуваною роботою та керуватися здоровим глуздом.** Забороняється працювати з електричним інструментом у стані втомі чи під впливом наркотиків, алкоголю й лікарських препаратів. Ослаблення уваги навіть на мить може призвести до серйозної травми.
- b. **Використовуйте засоби індивідуального захисту. Завжди користуйтеся засобами захисту очей.** Використання у відповідних умовах засобів індивідуального захисту, наприклад пилозахисної маски, протиковзного захисного взуття, захисної каски або засобів захисту органів слуху, завжди знижує ризик отримання травми.
- c. **Не допускайте ненавмисного вмикання інструмента. Перш ніж підключити джерело живлення та/або акумулятор, піднімати чи переносити інструмент, переконайтесь, що його вимикач переведено у положення «вимкнено».** Якщо тримати палець на вимикачі під час перенесення інструмента чи підключення увімкненого інструмента до мережі, це підвищує ризик нещасного випадку.
- d. **Перш ніж увімкнути електричний інструмент, обов'язково вийміть із нього регулювальний чи гайковий ключ.** Ключ, залишений ключ на обертальній деталі інструмента, може призвести до травмування.
- e. **Не намагайтеся дотягнутися до важкодоступних місць. Завжди міцно**



тримайтеся на ногах і зберігайте рівновагу під час роботи. Це дозволяє краще контролювати електричний інструмент у непередбачуваних ситуаціях.

- f. **Необхідно використовувати захисний одяг. Забороняється одягати вільний одяг та прикраси. Волосся та одяг мають знаходитися на безпечній відстані від рухомих деталей інструменту.** Вільний одяг, прикраси чи довге волосся можуть бути захоплені рухомими елементами.
- g. **Якщо встановлені пристрої підключення засобів пилоловлювання та пилозбірників, необхідно перевіряти, щоб вони були підключені та використовувалися належним чином.** Використання цих пристроїв знижує рівень ризику, пов'язаного з пилом.
- h. **Досвід роботи з електричним інструментом та часте його використання не повинні ставати причиною легковажного ставлення до правил безпечної експлуатації чи їх ігнорування.** Легковажне ставлення навіть на частку секунди може призвести до серйозної травми.

**4. Використання та догляд за електричним інструментом**

- a. **Не застосовуйте надмірне зусилля до електричного інструмента. Використовуйте електричний інструмент тільки за призначенням.** Правильно підібраний електроінструмент дозволить виконати роботу краще і безпечніше при швидкості, для якої він був розроблений.
- b. **Забороняється використовувати цей електричний інструмент, якщо не дається ввімкнути чи вимкнути його вимикачем.** Будь-який електричний інструмент, роботою якого неможливо керувати за допомогою вимикача, є небезпечним, і його обов'язково потрібно відремонтувати.
- c. **Перш ніж регулювати електричний інструмент, замінювати на ньому приладдя чи класти на зберігання, необхідно витягти вилку живлення з розетки та/або від'єднати від нього акумулятор.** Такий запобіжний захід безпеки знижує ризик ненавмисного увімкнення інструменту.
- d. **Зберігайте електричний інструмент, який в даний момент не використовується, в недоступному для дітей місці та не дозволяйте працювати з інструментом особам, які не знайомі з ним або з цими вказівками.** Електричний інструмент є небезпечним в руках ненавченої людини.

- e. **Технічне обслуговування електроінструмента та приладдя.** Перевіряйте центрування та з'єднання рухомих деталей, наявність пошкоджених деталей та будь-які фактори, які можуть негативно позначитися на роботі електричного інструмента. У разі виявлення пошкодження електричний інструмент необхідно

відремонтувати перед використанням. Багато нещасних випадків трапляється через неналежне технічне обслуговування електричних інструментів.

- f. **Ріжучі інструменти мають бути загостреними й чистими.** Підтримуваний у належному робочому стані ріжучий інструмент з гострими лезами менше застряє, ним легше керувати.
- g. **Використовуйте електричний інструмент, приладдя, вставні різці і т. п. відповідно до даних вказівок, враховуючи умови експлуатації та роботу, яка має бути виконана.** Використання електричного інструменту не за призначенням може призвести до небезпечної ситуації.
- h. **Необхідно забезпечувати відсутність бруду, вологі та залишків оливи та мастила на рукоятках та поверхнях утримання інструменту.** Слизькі рукоятки та поверхні утримання є джерелами небезпеки під час роботи з електричним інструментом та не дозволяють надійно керувати інструментом в нештатних ситуаціях.

**5. Обслуговування**

- a. **Обслуговувати електричний інструмент повинен тільки кваліфікований ремонтний персонал із використанням лише ідентичних запасних частин.** Це забезпечить утримання електричного інструмента у безпечному стані.

**ВКАЗІВКИ ЩОДО БЕЗПЕЧНОГО ВИКОНАННЯ ВСІХ ОПЕРАЦІЙ**

**Запобіжні заходи, загальні для усіх операцій шліфування.**

- a. **Цей електричний інструмент призначений для використання в якості шліфувальної машини. Необхідно ретельно ознайомитись із усіма попереджувальними знаками, вказівками щодо безпечної роботи, графічними матеріалами та технічними описами, що додаються до цього електричного інструмента.** Недотримання вказівок щодо безпечної роботи може призвести до ураження електричним струмом, пожежі та/або серйозних травм персоналу.
- b. **Цим електричним інструментом не рекомендується виконувати такі операції як полірування, різання або оброблення дріткою шліфувальною. Операції, на які не розрахована конструкція цього електричного інструмента, можуть призвести до виникнення аварійної ситуації та травм.**
- c. **Не використовуйте приладдя, що не були розроблені та не рекомендовані виробником інструменту. Якщо приладдя можна встановити на ваш інструмент, це ще не є гарантією безпечної роботи.**
- d. **Номінальна швидкість приладдя повинна щонайменше дорівнювати максимальній швидкості, зазначеній на електричному**

- інструменті.** Приладдя, що працює з швидкістю, яка перевищує свою номінальну швидкість, може зруйнуватися та розлетітися в сторони.
- e. Зовнішній діаметр і товщина приладдя повинні лежати в межах характеристик вашого електричного інструмента.** Приладдя неправильного розміру не може бути належним чином захищене запобіжним щитком, і його роботу неможливо нормально контролювати.
- f. Різьбове кріплення приладдя має збігатися з різьбою шпинделя шліфувальної машини.** Для приладдя, що кріпиться за допомогою фланців, центровий отвір має відповідати кріпильному діаметру фланця. Приладдя, що не збігається з елементами кріплення електричного інструмента, буде розбалансованим, буде відчувати надмірні вібрації та може стати причиною втрати контролю за інструментом.
- g. Забороняється використовувати пошкоджене приладдя.** Перед початком роботи завжди перевіряйте приладдя, наприклад, абразивне коло, на відсутність сколів та тріщин. У випадку падіння електричного інструмента та приладдя перевірте їх на наявність пошкоджень або замініть пошкоджене приладдя. Після перевірки та установки приладдя оператор та сторонні особи повинні відійти убік від площини обертання приладдя, після чого необхідно увімкнути електричний інструмент на максимальну швидкість холостого ходу без навантаження. Негайно припиніть роботу, якщо шліфмашинка сильно вібує або демонструє інші ознаки несправності. Перевірте шліфмашинку і з'ясуйте причину несправності. Зберігайте абразивні кола у безпечному сухому місці, недоступному для дітей. Пошкоджене приладдя за цей час зазвичай розлітається.
- h. Використовуйте засоби індивідуального захисту.** Залежно від способу використання, використовуйте захисту прозору маску, відкриті або закриті захисні окуляри. У разі необхідності надягайте пілозахисну маску, засоби захисту органів слуху, захисні рукавички та робочий фартух, що здатні зупинити дрібні абразивні частки або осколки робочої деталі. Засіб захисту очей повинен зупиняти частинки, які можуть розлітатися під час роботи. Пілозахисна маска або респіратор мають відфільтровувати частинки, які з'являються під час роботи. Тривалий вплив сильного шуму може призвести до погіршення слуху.
- i. Сторонні особи повинні перебувати на безпечній відстані від робочої зони.** Будь-які особи, які входять до робочої зони, повинні використовувати засоби індивідуального захисту. Уламки робочого приладдя або зруйнованого диска можуть розлетітися та спричинити травмування персоналу за межами безпосередньої зони роботи.
- j. Під час виконання робіт, коли ріжуча деталь електричного інструменту може стикатися з прихованою електропроводкою або зі своїм шнуром, інструмент необхідно тримати тільки за діелектричну поверхню.** В разі контакту ріжучої деталі з дротом, що знаходиться під напругою, під напругу також можуть потрапити металеві деталі електричного інструмента, внаслідок чого виникне небезпека ураження оператора електричним струмом.
- k. Розташуйте шнур на безпечній відстані від рухомих деталей.** У разі втрати контролю можливе обрізання шнура або оголення проводів, а ваша рука може постраждати від контакту з рухомими деталями.
- l. Забороняється класти інструмент до повної зупинки рухомих деталей.** Обертове приладдя може захопити частину поверхні, в результаті чого інструмент вийде з-під вашого контролю.
- m. Не вмикайте електричний інструмент, який знаходиться збоку від вас.** В разі випадкового контакту обертального приладдя може порватися ваш одяг, а приладдя може увійти в тіло.
- n. Регулярно очищуйте вентиляційні отвори електричного інструменту.** Вентилятор двигуна може втягувати пил всередину його корпусу, і через надмірне скупчення металевого пилю може виникнути небезпека ураження електричним струмом.
- o. Не використовуйте електроінструмент поблизу легкозаймистих матеріалів.** Такі матеріали можуть займатися від іскор.
- p. Не використовуйте приладдя, що потребує рідких охолоджувачів.** Використання води та інших рідких охолоджувачів може призвести до ураження електричним струмом або навіть до летального наслідку.

#### ДОДАТКОВІ ІНСТРУКЦІЇ ЩОДО БЕЗПЕЧНОГО ВИКОНАННЯ ОПЕРАЦІЙ

##### Віддача та пов'язані з нею вказівки щодо безпечної роботи

Віддача — це миттєва реакція на затиснуте або застопоре не приладдя, яке обертається: підшву, щітку тощо. Затискання або стопоріння призводить до швидкої зупинки обертального приладдя, що, у свою чергу, призводить до того, що некерований електричний інструмент починає обертатися в напрямку, протилежному напрямку обертання приладдя, в точці зчеплення.

Наприклад, якщо шліфувальний диск застопорився або був затиснутий деталлю, що оброблюється, то край диска, який заходить в місце затиснення, може заглибитися в поверхню матеріалу, що призведе до виштовхування або віддачі з боку диска. В залежності від напрямку обертання приладдя в точці затиснення, диск може

відскочити в напрямку оператора або від нього. У таких умовах шліфувальні диски можуть також руйнуватися.

Віддача є результатом неправильного використання інструмента та/або неправильної послідовності виконання дій і неправильних умов роботи, і може бути усунена в разі дотримання заходів безпеки, зазначених нижче:

- a. **Не послабляйте захоплення інструмента та встановіть таке положення корпусу вашого тіла, щоб він чинив опір силам віддачі.** Щоб максимально контролювати віддачу і реакцію від крутильного моменту під час пуску, необхідно використовувати додаткову рукоятку, якщо вона входить в комплект. Оператор може контролювати реакцію від крутильного моменту або віддачу, якщо були забезпечено виконання належних запобіжних заходів.
- b. **Забороняється тримати руки поблизу приладдя, що обертається.** Приладдя може відскочити назад через руку.
- c. **Забороняється ставати в напрямку руху інструменту в разі віддачі.** Віддача буде штовхати інструмент в напрямку, протилежному напрямку руху диску в місці затискання.
- d. **Під час роботи з кутами, гострими краями та/або необхідною зберігати особливу пильність.** Необхідно уникати стрибків та затискання приладдя. Кути, гострі краї та підстрибування призводять до затискання обертового приладдя і втрати контролю або віддачі.
- e. **Забороняється прикріплювати до інструменту ніж ланцюгової пили для дерева або зубчастий різальний диск.** Таке різальне приладдя часто спричиняє віддачу та втрату керуваності.

### СПЕЦІАЛЬНІ ВКАЗІВКИ ЩОДО БЕЗПЕЧНОГО ВИКОНАННЯ ШЛІФУВАННЯ

- a. **Використовуйте тільки ті типи дисків, які рекомендовані для вашого електричного інструменту, та запобіжні щитки, розроблені для відповідного типу дисків.** Для дисків, які не відповідають інструкції вашого інструмента, не може бути встановлений належний запобіжний щиток, і тому використання таких дисків є небезпечним.
- b. **Шліфувальна поверхня кіл з втопленням центром має бути встановлена нижче площини запобіжного виступу.** Неправильно встановлений диск, що виступає за площину запобіжного виступу, не може бути належним чином обгороджений.
- c. **Запобіжний щиток має бути надійно прикріплений до електричного інструменту та встановлений в максимально безпечне положення, в якому до оператора буде звернена найменша відкрита частина диску.** Запобіжний щиток допомагає захищати оператора від частинок кола, від випадкового

контакту з колом та від іскор, від яких може загорітися одяг.

- d. **Використання дисків дозволене тільки в тих випадках, коли вони рекомендовані до застосування.** Наприклад: не можна виконувати шліфування бічною поверхнею відрізного диску. Абразивні відрізни диски призначені для шліфування кромок, тому поперечні сили, прикладені до такого диску, можуть призвести до його руйнування.
- e. **Завжди використовуйте тільки справні фланці для кіл, розмір та форма яких відповідають вибраному колу.** Правильно обраний фланець слугує опорою для диска, завдяки чому зменшується ймовірність руйнування диску. Фланці для відрізних дисків можуть відрізнятись від фланців для шліфувальних дисків.
- f. **Забороняється використовувати зношені диски від електричних інструментів більшого розміру.** Диск, призначений для інструменту більшого розміру, не підходить для більшої швидкості інструменту меншого розміру та може зруйнуватися.

### ДОДАТКОВІ ІНСТРУКЦІ З ТЕХНІКИ БЕЗПЕКИ

- Цей інструмент не призначений для виконання робіт з обробки дротяною щіткою або чашковою дротяною щіткою.



**ОБЕРЕЖНО:** Рекомендується використовувати пристрій захисного відключення з номінальним струмом вимкнення до 30 mA.

### БЕЗПЕКА ІНШИХ ОСІБ

- Цей інструмент не призначений для використання особами (включаючи дітей) з обмеженими фізичними, сенсорними або розумовими здібностями або особами, у яких відсутній необхідний досвід і знання, крім випадків, коли вони знаходяться під наглядом і отримали належні інструкції по роботі з інструментом від особи, відповідальної за їхню безпеку.
- Щоб діти не гралися з інструментом, вони повинні знаходитися під наглядом.

### ЗАЛИШКОВИЙ РИЗИК

Навіть за умови дотримання всіх відповідних правил техніки безпеки та використання захисних пристроїв, неможливо повністю усунути залишковий ризик. Серед таких небезпек:

- погіршення слуху;
- безпека травмування частинками, що розлітаються;
- безпека опіків внаслідок нагрівання приладдя під час роботи;
- безпека травмування внаслідок тривалої роботи;
- безпека, що спричинена пилом шкідливих речовин.

**ЕЛЕКТРИЧНА БЕЗПЕКА**



Цей інструмент має подвійну ізоляцію, тому дріт заземлення для нього не потрібен. Завжди перевіряйте, чи мережева напруга відповідає значенню, вказаному в таблиці з паспортними даними.



**ОБЕРЕЖНО!** Щоб уникнути травм і матеріальних збитків, пошкоджений шнур живлення необхідно замінити, звернувшись до виробника, в авторизований сервісний центр STANLEY чи до особи, яка має відповідну кваліфікацію. Якщо заміну шнура живлення виконує особа, яка має відповідну кваліфікацію, але не уповноважена компанією STANLEY, гарантію буде анульовано.

**ВИКОРИСТАННЯ ПОДОВЖУВАЧА**

Дозволяється використовувати лише 3-дротовий схвалений для застосування подовжувач, що відповідає вхідній потужності інструменту (див. Технічні характеристики). Мінімальний перетин кабелю має бути 1,5 мм<sup>2</sup>, максимальна довжина — 30 метрів. У разі використання кабельної катушки обов'язково розмотувати подовжувач повністю.

Площа перерізу кабелю, мм <sup>2</sup>	Номінальний струм кабелю, А
0.75	6
1.00	10
1.50	15
2.50	20
4.00	25

**Довжина кабелю, м**

	7.5	15	25	30	45	60
--	-----	----	----	----	----	----

Напруга	Ампер	Номінальний струм кабелю (ампер)					
		6	6	6	6	6	10
110-127	0 - 2.0	6	6	6	6	6	10
	2.1 - 3.4	6	6	6	6	15	15
	3.5 - 5.0	6	6	10	15	20	20
	5.1 - 7.0	10	10	15	20	20	25
	7.1 - 12.0	15	15	20	25	25	-
220-240	0 - 2.0	6	6	6	6	6	6
	2.1 - 3.4	6	6	6	6	6	6
	3.5 - 5.0	6	6	6	6	10	15
	5.1 - 7.0	10	10	10	10	15	15
	7.1 - 12.0	15	15	15	15	20	20
	12.1-20.0	20	20	20	20	25	-

**НАКЛЕЙКИ НА ІНСТРУМЕНТІ**

Наклеяка на вашому інструменті може містити наступні символи:

	Прочитати інструкцію з експлуатації перед його використанням. <b>ОБЕРЕЖНО!</b> Щоб знизити ризик травмування, необхідно уважно		
	Використовуйте відкриті і закриті захисні окуляри.		
	Необхідно застосовувати засоби захисту органів слуху.		
	Одягайте маску для захисту від пилу.		
V	Вольт		Постійний струм
A	Ампер	$n_0$	Швидкість холостого ходу
Гц	Герц		Конструкція II класу
Вт	Ват		Клема заземлення
хв	хвилини		Попереджувальний знак
	Змінний струм	/хв.	Кількість обертів або зворотно-поступальних рухів за хвилину

## Положення коду з датою

На корпусі надрукований код з датою, який також містить рік виготовлення.

Приклад:

2017 XX JN

Рік виготовлення

## ВМІСТ УПАКОВКИ

- 1 кутова шліфувальна машина
- 1 Запобіжний щиток
- 1 бічна рукоятка
- 1 Набір фланців
- 1 Ключ з двома штифтами

Посібник з експлуатації — 1 шт

- Переверніть інструмент, деталі та приладдя на відсутність пошкоджень внаслідок транспортування.
- Перед початком експлуатації уважно прочитайте посібник користувача.

## ДЕТАЛІ ІНСТРУМЕНТА (РИС. А)

Цей побутовий прилад може мати всі або деякі з перерахованих нижче функцій.



**ОБЕРЕЖНО:** Заборонено змінювати конструкцію інструмента або його частин. Це може призвести до травмування.

- 1. Перемикач
- 2. Кнопка фіксації шпинделя
- 3. Запобіжний кожух
- 4. Бічна рукоятка

## Призначення інструменту

Ця кутова шліфувальна машина розроблена спеціально для виконання шліфування.

Дозволяється використовувати наждакові диски та шліфувальні кола тільки з увігнутим центром.

Забороняється використовувати цей інструмент в умовах підвищеної вологості та в середовищі з наявністю легкозаймистих рідин і газів.

Ця кутова шліфувальна машина є професійним електричним інструментом.

Не дозволяйте дітям грати з цим інструментом. Недосвідчені оператори повинні працювати з інструментом під наглядом більш досвідчених колег.

## МОНТАЖ



**ОБЕРЕЖНО:** Щоб запобігти травмуванню, перед початком регулювання або зняття/встановлення приладдя завжди вимикайте інструмент і від'єднуйте джерело живлення. Перед повторним складанням інструмента короткочасно натисніть пусковий вимикач, щоб упевнитися, що інструмент вимкнено.

## Встановлення і зняття захисного щитка кола (рис. В)



**ОБЕРЕЖНО** Щоб запобігти травмуванню, перед початком регулювання або зняття/встановлення приладдя завжди вимикайте інструмент і від'єднуйте джерело живлення. Перед повторним складанням інструмента короткочасно натисніть пусковий вимикач, щоб упевнитися, що інструмент вимкнено.

## Прикріплення запобіжного щитка

1. Установіть кутову шліфувальну машину на верстак пазом вгору.
2. Установіть фланець кільця запобіжного щитка (3) в паз корпусу редуктора.
3. Поверніть запобіжний щиток (3) проти годинникової стрілки на 150 градусів.
4. Переверніть затяжку гвинтів (12).

## Зняття захисного щитка

1. Послабте гвинти (12) на кільці запобіжного щитка.
2. Зніміть щиток (3).



**ОБЕРЕЖНО:** Забороняється робота інструмента, якщо запобіжний щиток не встановлений на місце.

## Установка та зняття шліфувального кола (Рисунки С1, С2, С3)



**ОБЕРЕЖНО:** Забороняється використовувати пошкоджені кола.

1. Встановіть кутову шліфувальну машину на верстак запобіжним щитком вгору.
2. Встановіть внутрішній фланець (5) точно на шпиндель (6) (Рис. С1).
3. Встановіть коло (7) на фланець (5) (Рис.С2). При установці кола з піднятим центром перевіряйте, щоб піднятий центр (8) був направлений до фланця (5).
4. Загвинтіть зовнішній фланець (9) на шпиндель (6) (Рис. С3)
  - при установці шліфувального кола (С3-А) кільце на фланці (9) повинно бути спрямоване до кола
  - при установці ріжучого кола (С3-В) кільце на фланці (9) повинно бути спрямоване від кола
5. Натисніть кнопку фіксації шпинделя (2) та повертайте шпиндель (6) до тих пір, поки він не зафіксується за місцем (Рис. С2).
6. Затягніть фланець (9) двоштифтовим ключем, що входить в комплект поставки.
7. Відпустіть кнопку фіксації шпинделя.
8. Щоб зняти диск, послабте фланець (9) за допомогою двоштифтового ключа.



**ОБЕРЕЖНО:** Забороняється використовувати пошкоджене коло.

### Кріплення рукоятки (Рис. D)



**ОБЕРЕЖНО:** Перед використанням інструменту перевірте, чи надійно закріплена рукоятка.



**ОБЕРЕЖНО:** Щоб надійно тримати інструмент під час роботи, потрібно завжди використовувати бічне руків'я.

Закрутіть до упору бічну рукоятку (4) в отвір (10) або (11) на кожному з боків корпусу редуктора.

### Підготовка до роботи

- Установіть запобіжний щиток і відповідні абразивні та шліфувальні кола. Не використовуйте надмірно зношені абразивні та шліфувальні кола.
- Перевірте, чи правильно встановлені внутрішній та зовнішній фланці.
- Перевірте, щоб абразивний чи шліфувальне коло оберталося в напрямку, вказаному стрілками на приладді та інструменті.

### ПАДІННЯ НАПРУГИ

При пікових токах виникає короткочасне падіння напруги. При несприятливих умовах електроживлення робота інструменту може відбутися на іншому обладнанні. Якщо опір навантаження джерела живлення менш ніж 0,175 Ом, перешкоди навряд чи виникнуть.

### ЕКСПЛУАТАЦІЯ (Рис. F)



**ОБЕРЕЖНО:** Завжди дотримуйтесь інструкцій із техніки безпеки і відповідних норм.



**ОБЕРЕЖНО:** Щоб запобігти травмуванню, перед початком регулювання або зняття/встановлення приладдя завжди вимикайте інструмент і від'єднуйте джерело живлення. Перед повторним складанням інструмента короткочасно натисніть пусковий вимикач, щоб упевнитися, що інструмент вимкнено.

- Перевірте, щоб усі матеріали, що підлягають шліфуванню, були закріплені.
  - Прикладайте помірні зусилля до інструмента. Не прикладайте бічне зусилля до абразивного кола.
  - Уникайте перевантажень інструмента. Якщо інструмент нагрівся, дайте йому попрацювати декілька хвилин без навантаження.
- Міцно тримайте інструмент двома руками (однією рукою тримайте корпус, іншою — руків'я). Увімкніть інструмент і підведіть коло до робочої деталі.
  - Підтримуйте кут нахилу кола до поверхні робочої деталі в межах 15 - 30 градусів.
  - При використанні нового шліфувального кола не працюйте з ним в напрямку В, інакше він почне врзатися в робочу деталь. Коли край кола стане заокругленим, шліфувальну машину можна буде використовувати як в напрямку А, так і в напрямку В.

### Запуск і зупинка (Рис. А)



**ОБЕРЕЖНО:** Перед використанням інструмента переконайтеся, що руків'я надійно закріплене. Перевірте, чи

нормально працює вимикач. Перед тим, як під'єднати інструмент до джерела живлення, перевірте, щоб вимикач знаходився у положенні «ВИМКНЕНО».



**ОБЕРЕЖНО:** Не перемикайте перемикач під час роботи інструмента в режимі навантаження.

### Правильне положення рук (Рис. G)



**ОБЕРЕЖНО:** Щоб зменшити ризик отримання серйозної травми, ЗАВЖДИ тримайте руки в положенні, показаному на рисунку.



**ОБЕРЕЖНО:** Щоб зменшити ризик отримання серйозної травми, ЗАВЖДИ міцно тримайте інструмент та будьте готовим до раптової реакції.

Правильне положення рук вимагає, щоб одна рука була на бічній рукоятці (Рисунком А), а друга рука на корпусі інструмента, як показано на Рисунку G.

### Функція плавного пуску: SL2275 та SL2295

Функція плавного пуску забезпечує повільний набір обертів, що дозволяє уникнути початкового поштовху при пуску. Ця функція особливо корисна при роботі в обмеженому просторі.

### Перемикач

**УВАГА:** Міцно утримуйте корпус інструмента і належним чином керуйте ним під час запуску, під час роботи і до повної зупинки кола чи приладдя. Перш ніж покласти інструмент, переконайтеся, що коло повністю зупинилося.

**ПРИМІТКА:** Щоб зменшити ризик несподіваного руху інструмента, не вимкайте і не вимикайте інструмент під час роботи з навантаженням. Перед тим, як доторкнутися робочої поверхні, дайте шліфувальній машині набрати повні оберти. Перед вимиканням інструмента підніміть його над поверхнею. Перш ніж опустити інструмент, почекайте, поки він не перестане обертатися.



**ОБЕРЕЖНО:** Перед під'єднанням до джерела живлення переконайтеся, що пересувний перемикач вимкнений. Для цього короткочасно натисніть на передню частину перемикача. Встановлюйте пересувний вимикач у вимкнене положення, як описано вище, після кожного відключення живлення інструмента, такого як спрацювання переривача замикання на землю, спрацювання автоматичного вимикача, випадкове випадання вилки шнура з розетки або збій живлення. Якщо пересувний перемикач встановлений в увімкнене положення в момент підключення джерела живлення, інструмент раптово увімкнеться.

### Функція розблокування перемикача

Посуньте перемикач (1) вперед, після чого натисніть на перемикач (1) - інструмент запрацює. Відпустіть перемикач (1), інструмент зупинить роботу.

Пояснення. Перш ніж абразивне коло вступить в контакт з оброблюваною деталлю, переконайтеся, що інструмент працює на повних обертах. Перш ніж вимкнути інструмент, підійміть його вгору над оброблюваною деталлю.

**УВАГА:** Перед тим, як покласти інструмент, переконайтеся, що абразивне коло повністю зупинилося.

### Поворот корпусу редуктора (Рис. Е)

Корпус редуктора встановлений на корпусі інструменту, і він може повертатися на ньому, що забезпечує для оператора більш зручне положення під час різання.

Корпус редуктора можна повертати на 90 градусів, на 180 градусів і на 270 градусів як за годинниковою, так і проти годинникової стрілки.

- Відпустіть чотири гвинти на корпусі редуктора.
- Повертайте корпус редуктора до тих пір, поки він досягне оптимального положення.
- Затягніть чотири гвинти на корпусі редуктора.
- Перевірте, щоб поворотний механізм був заблокований.



**ОБЕРЕЖНО:** ЗАБОРОНЯЄТЬСЯ використовувати інструмент, коли положення корпусу редуктора не зафіксовано.

### Робота з металами

При використанні інструменту для обробки металів, перевірте, щоб було встановлено пристрій захисного відключення (ПЗВ) для запобігання небезпечно впливу металеві стружки.

Якщо встановлений ПЗВ призводить до відключення живлення, надішліть інструмент на ремонт в уповноважений сервісний центр STANLEY.



**ОБЕРЕЖНО:** В умовах граничного режиму обробки металевих робочих деталей електропровідний пи́л і металеві крихти можуть осідати на внутрішній поверхні корпусу.

Внаслідок цього виникає небезпека ураження електричним струмом, оскільки послаблюється захисна ізоляція шліфувальної машини.

Щоб уникнути накопичення металевих крихт всередині шліфувальної машини, ми рекомендуємо виконувати щоденне очищення повітряних отворів. Дивіться розділ технічного обслуговування.

### Використання шліфувальних кіл



**ОБЕРЕЖНО:** Накопичення металевого пилу. Тривала обробка металів шліфувальним колом може призвести до виникнення небезпеки ураження електричним струмом.

Щоб зменшити такий ризик, установіть перед роботою ПЗВ і щодня очищайте повітряні отвори. Щоб прочистити стисненим повітрям повітряні канали, керуйтеся вказівками з технічного обслуговування, які наведені нижче.

### ТЕХНІЧНЕ ОБСЛУГОВУВАННЯ

Конструкція інструмента STANLEY розрахована на роботу протягом тривалого періоду часу з мінімальним технічним обслуговуванням. Належний догляд і регулярне чищення – запорука тривалої задовільної роботи інструмента.



**ОБЕРЕЖНО:** Щоб запобігти травмуванню, перед початком регулювання або зняття/встановлення приладдя завжди вимикайте інструмент і від'єднуйте джерело живлення.

Перед повторним складанням інструмента короткочасно натисніть пусковий вимикач, щоб упевнитися, що інструмент вимкнено.

### Зйомні щітки:

Автоматичне вимкнення електродвигуна вказує на зношення вугільних щіток та необхідність технічного обслуговування. Вугільні щітки не слід замінити самостійно. Для заміни зверніться в офіційний сервісний центр STANLEY.



### Змащування

Цей електричний інструмент не вимагає окремої змазки.



### Очищення

**ОБЕРЕЖНО:** Якщо на вентиляційних виводах та навколишніх предметах починає накопичуватися пи́л, негайно здуйте його потоком сухого повітря та вичистіть внутрішню поверхню кожуха. Перед виконанням цієї операції необхідно одягти засоби захисту очей та обличчя.



### ОБЕРЕЖНО:

Забороняється використовувати для очищення неметалевих частин інструмента розчинники і агресивні хімічні речовини. Ці хімічні речовини можуть погіршити міцність матеріалів цих частин. Для очищення інструмента можна користуватися тільки м'яким мильним розчином і вологою ганчіркою. В жодному разі не дозволяйте попадати рідині всередину інструменту і не занурюйте інструмент будь-якою частиною в рідину.

### ПРИЛАДДЯ



**ОБЕРЕЖНО:** За винятком приладдя, що надається STANLEY, всі інші приладдя не проходили випробування на сумісність.

Сумісне використання такого приладдя з даним інструментом може призвести до небезпечної ситуації. Щоб звести до мінімуму ризик травмування, ми рекомендуємо із цим виробом використовувати тільки приладдя STANLEY.

Більш детальну інформацію щодо відповідного приладдя можна дізнатися у свого дилера.

### ЗАХИСТ НАВКОЛИШНЬОГО СЕРЕДОВИЩА



Роздільний збір відходів. Забороняється утилізувати цей виріб разом зі звичайними побутовими відходами.

Якщо ви вирішите, що ваш виріб STANLEY необхідно замінити, або припините його використовувати, не викидайте його разом із побутовими відходами. Цей виріб підлягає роздільному збору відходів.



Компанія STANLEY має систему збору і повторної переробки виробів STANLEY після закінчення терміну експлуатації.

Щоб скористатися перевагою цього сервісу, будь ласка, надішліть ваш виріб будь-якому уповноваженому представнику з ремонту, який збирає такі вироби від нашого імені.

Адресу вашого найближчого уповноваженого представника з ремонту можна дізнатися, звернувшись у регіональне представництво STANLEY за адресою, наведеною в цій інструкції. Крім того, список уповноважених представників з ремонту STANLEY, детальну інформацію про обслуговування після продажу та контактні дані можна знайти на сайті: [www.2helpU.com](http://www.2helpU.com).

### ПРИМІТКИ

Одним із принципів політики STANLEY є постійне вдосконалення наших виробів, тому ми залишаємо за собою право змінювати характеристики нашої продукції без попереднього сповіщення. Перелік стандартного та додаткового обладнання може візнитися залежно від країни. Технічні характеристики виробів можуть візнитися залежно від країни. Повний асортимент продукції може бути доступний не в усіх країнах. З питання наявності наших продуктів зверніться до дилерів STANLEY

### ІНФОРМАЦІЯ З ОБСЛУГОВУВАННЯ

Компанія STANLEY має широку мережу власних та авторизованих сервісних центрів. Всі сервісні центри компанії STANLEY укомплектовано персоналом із відповідною підготовкою, який виконує ефективне і надійне сервісне обслуговування власників електричних інструментів. Щоб отримати додаткову інформацію про авторизовані сервісні центри, пораду технічного спеціаліста чи замовити ремонт та оригінальні запасні частини, зверніться до найближчого представництва STANLEY.

### ТЕХНІЧНІ ХАРАКТЕРИСТИКИ

ВЕЛИКА КУТОВА ШЛИФУВАЛЬНА МАШИНА		SL207	SL209	SL227/ SL227S*	SL229/ SL229S*
Вхідна напруга	Взм. ст.	220-240	220-240	220-240	220-240
Частота	Гц	50-60	50-60	50-60	50-60
Потребляемая мощность	Вт	2000	2000	2200	2200
Число оборотов без нагрузки	хв. <sup>-1</sup>	8500	6500	8500	6500
Диаметр круга	мм	180	230	180	230
Розмір шпинделя		M14	M14	M14	M14
Максимальна товщина диску Шліфувальні кола	мм	6,6	6,6	6,6	6,6
Вага	кг	4,1	4,1	4,3	4,3

Вага EPTA – це вага інструмента нетто без захисного кожуха, бічної рукоятки, фланця та кабелю

\* SL227S та SL229S мають функцію плавного пуску "SOFT START"



## KULLANIM AMACI

STANLEY SL207, SL209, SL227/SL227S, SL229/SL229S büyük taşlama makinesi uygun tipte taşlama diskini kullanarak metal taşlaması için tasarlanmıştır. Bu alet profesyonel kullanım içindir.

## GÜVENLİK TALİMATLARI

### Genel elektrikli alet güvenlik uyarıları



**UYARI! Bu elektrikli alet ile verilen tüm güvenlik uyarıları, talimatlar, resimli açıklamalar ve teknik özellikleri okuyun.** Aşağıda belirtilen tüm talimatların herhangi birisine uyulmaması elektrik çarpması, yangın ve/veya ciddi yaralanma riskine neden olabilir.

Bütün uyarı ve güvenlik talimatlarını ileride bakmak üzere saklayın. Aşağıda yer alan uyarılardaki «elektrikli alet» terimi şebeke elektrikleyle (kablolu) veya akü/pille (şarjlı) çalışan elektrikli aletinizi ifade etmektedir.

### 1. Çalışma alanının güvenliği

- Çalışma alanını temiz ve aydınlık tutun.** Karışık veya karanlık alanlar kazaya davetiye çıkarır.
- Elektrikli aletleri, yanıcı sıvılar, gazlar ve tozların bulunduğu yerler gibi yanıcı ortamlarda çalıştırmayın.** Elektrikli aletler, toz veya dumanları ateşleyebilecek kıvılcımlar çıkarır.
- Bir elektrikli aleti çalıştırırken çocuklardan ve etraftaki kişilerden uzak tutun.** Dikkatinizi dağıtıcı şeyler kontrolü kaybetmenize neden olabilir.

### 2. Elektrik güvenliği

- Elektrikli aletlerin fişleri prizlere uygun olmalıdır. Fiş üzerinde kesinlikle hiçbir değişiklik yapmayın.** Topraklı elektrikli aletlerde hiçbir adaptör fişi kullanmayın. Değiştirilmemiş fişler ve uygun prizler elektrik çarpması riskini azaltacaktır.
- Borular, radyatörler, ocaklar ve buzdolapları gibi topraklanmamış yüzeylerle vücut temasından kaçının.** Vücudunuzun topraklanması halinde yüksek bir elektrik çarpması riski vardır.
- Elektrikli aletleri yağmura maruz bırakmayın veya ıslatmayın.** Elektrikli alete su girmesi elektrik çarpması riskini arttıracaktır.
- Elektrik kablosunu uygun olmayan amaçlarla kullanmayın.** Elektrikli aleti kesinlikle kablosundan tutarak taşımayın, çekmeyin veya prizden çıkartmayın. Kabloyu sıktan, yağdan, keskin kenarlardan veya hareketli parçalardan uzak tutun. Hasarlı veya dolaşmış kablolar elektrik çarpması riskini artırır.
- Elektrikli bir aleti açık havada çalıştırıyorsanız, açık havada kullanıma uygun bir uzatma kablosu kullanın.** Açık havada kullanıma uygun bir kablolu kullanılması elektrik çarpması riskini azaltır.
- Eğer bir elektrikli aletin nemli bir bölgede**

**çalıştırılması zorunluysa, bir artık akım aygıtı (RCD) korumalı bir kaynak kullanın.** Bir RCD kullanılması elektrik şoku riskini azaltır.

### 3. Kişisel güvenlik

- Elektrikli bir aleti kullanırken her zaman dikkatli olun, yaptığınız işe yoğunlaşın ve sağduyulu davranın.** Elektrikli bir aleti yorgunken veya ilaç ya da alkolün etkisi altındayken kullanmayın. Elektrikli aletleri kullanırken bir anlık dikkatsizlik ciddi kişisel yaralanmayla sonuçlanabilir.
  - Kişisel koruyucu ekipmanları mutlaka kullanın. Daima koruyucu gözlük takın.** Koşullara uygun toz maskesi, kaymayan güvenlik ayakkabıları, baret veya kulaklık gibi koruyucu donanımların kullanılması kişisel yaralanmaları azaltacaktır.
  - İstem dışı çalıştırılmasını önleyin. Aleti güç kaynağına ve/veya aküye bağlamadan, yerden kaldırmadan veya taşımadan önce açma/kapama düğmesinin kapalı konumda olduğundan emin olun.** Aleti, parmağınız tetik üzerinde bulunacak şekilde taşımak veya açık konumdaki elektrikli aletleri elektrik şebekesine bağlamak kazaya davetiye çıkarır.
  - Elektrikli aleti açmadan önce tüm ayarlama anahtarlarını çıkartın.** Elektrikli aletin hareketli bir parçasına takılı kalmış bir anahtar kişisel yaralanmaya neden olabilir.
  - Ulaşmakta zorlandığınız yerlerde kullanmayın. Daima sağlam ve dengeli basın.** Bu, beklenmedik durumlarda elektrikli aletin daha iyi kontrol edilmesine olanak tanır.
  - Uygun şekilde giyinin. Bol elbiseler giymeyin ve takı takmayın.** Saçınızı ve elbiselerinizi hareketli parçalardan uzak tutun. Bol elbiseler ve takılar veya uzun saç hareketli parçalara takılabilir.
  - Eğer kullandığınız üründe toz emme ve toplama özellikleri olan ataşmanlar varsa bunların bağlı olduğundan ve doğru şekilde kullanıldığından emin olun.** Bu toz toplama ataşmanların kullanılması tozla ilgili tehlikeleri azaltabilir.
  - Aletlerin sık kullanımından edindiğiniz aşinalığın sizi dikkatsiz kılmasına ve alet güvenlik prensiplerini önemsememeye izin vermeyin.** Dikkatsiz bir eylem, bir saniyeden daha az sürede ciddi yaralanmalara neden olabilir.
- ### 4. Elektrikli aletlerin kullanımı ve bakımı
- Elektrikli aleti zorlamayın. Uygulamanız için doğru elektrikli aleti kullanın.** Doğru elektrikli alet, belirlendiği kapasite ayarında kullanıldığında daha iyi ve güvenli çalışacaktır.
  - Tetik açmıyor ve kapatmıyorsa elektrikli aleti kullanmayın.** Tetikle kontrol edilemeyen tüm elektrikli aletler tehlikelidir ve tamir edilmesi gerekmektedir.
  - Herhangi bir ayarlama, aksesuar değişimi**

veya elektrikli aletlerin saklanması öncesinde fişi güç kaynağından çekin ve/veya aküyü elektrikli aletten ayırın. Bu tür önleyici güvenlik tedbirleri aletin istem dışı olarak çalıştırılması riskini azaltacaktır.

- d. Elektrikli aleti, çocukların ulaşamayacağı yerlerde saklayın ve elektrikli aleti tanımayan veya bu talimatları bilmeyen kişilerin elektrikli aleti kullanımına izin vermeyin. Elektrikli aletler, eğitimsiz kullanıcıların elinde tehlikelidir.
- e. Elektrikli aletleri ve aksesuarları iyi durumda muhafaza edin. Hareketli parçalardaki hizalama hatalarını ve tutuklukları, parçalardaki kırılmalar ve elektrikli aletin çalışmasını etkileyebilecek tüm diğer koşulları kontrol edin. Hasarlı ise, elektrikli aleti kullanmadan önce tamir ettirin. Kazaların çoğu, elektrikli aletlerin bakımının yeterli şekilde yapılmamasından kaynaklanır.
- f. Kesim aletlerini keskin ve temiz tutun. Bakımı uygun şekilde yapılmış keskin kesim uçlu kesim aletlerinin sıkışma ihtimali daha düşüktür ve kontrol edilmesi daha kolaydır.
- g. Elektrikli aleti, aksesuarlarını ve aletin diğer parçalarını kullanırken bu talimatlara mutlaka uyun ve çalışma ortamının koşullarını ve yapılacak işin ne olduğunu göz önünde bulundurun. Elektrikli aletin öngörülen işlemler dışındaki işlemler için kullanılması tehlikeli durumlara neden olabilir.
- h. Kolları ve kavrama yüzeylerini kuru, yağsız ve gresiz tutun. Kaygan kollar ve kavrama yüzeyleri, beklenmeyen durumlarda aletin güvenli bir şekilde taşınması ve kontrol edilmesine izin vermez.
5. Servis
- a. Elektrikli aletinizi, sadece orijinal yedek parçaların kullanıldığı yetkili servise tamir ettirin. Bu, elektrikli aletin güvenliğinin muhafaza edilmesini sağlayacaktır.

## BÜTÜN UYGULAMALAR İÇİN GÜVENLİK TALİMATLARI

**Taşıma uygulamaları için güvenlik talimatları.**

- a. Bu elektrikli alet bir taşıma makinesi olarak kullanılmak üzere tasarlanmıştır. Bu elektrikli alet ile verilen tüm güvenlik uyarıları, talimatlar, resimli açıklamalar ve teknik özellikleri okuyun. Aşağıda belirtilen tüm talimatların herhangi birisine uyulmaması elektrik çarpması, yangın ve/veya ciddi yaralanma riskine neden olabilir.
- b. Polisaj işlerinin bu elektrikli alet ile yapılması tavsiye edilmez. Elektrikli aletin tasarlanma amacı dışındaki işlemler tehlike ve kişisel yaralanmalara neden olabilir.
- c. Üretici firma tarafından özel olarak tasarlanmamış ve tavsiye edilmemiş aksesuarları kullanmayın. Aksesuarın elektrikli aletinize takılabilir olması güvenli bir çalışma temin edeceği anlamına gelmemektedir.
- d. Aksesuarın nominal hızı en az elektrikli alet

üzerinde yazan maksimum hıza eşit olmalıdır. Nominal hızından daha hızlı çalışan aksesuarlar kırılabilir ve etrafa saçılabilir.

- e. Aksesuarınızın dış çapı ve kalınlığı elektrikli aletinizin kapasite oranı içinde olmalıdır. Yanlış ebatlı aksesuarlar yeterli kadar korunamaz ve kontrol edilemez.
- f. Metrik dişli aksesuarlar taşımanın boyutuna uymalıdır. Flanşa monte edilen aksesuarların delikleri flanşın geçme çapına uygun uymalıdır. Elektrikli aletin montaj donanımına uymayan aksesuarlar dengesiz çalışır, aşırı titreşim yapar ve kontrolü kaybetmeye neden olabilir.
- g. Hasar görmüş olan bir aksesuarı kullanmayın. Her kullanımdan önce aksesuarları inceleyin, örneğin diski talaş ve çatlaklara karşı, tabanı çatlak, kopma ya da aşırı kullanıma karşı, tel fırçayı gevşek ya da kırık tellere karşı kontrol edin. Elektrikli alet ya da aksesuar düşürülürse, hasar olup olmadığını kontrol edin ya da sağlam aksesuar takın. Aksesuarın incelenmesi ve monte edilmesinden sonra kendinizi ve etraftaki kişileri dönen aksesuarın düzleminden uzakta yerleştirin ve bir dakika boyunca elektrikli aleti boşa ve maksimum hızda çalıştırın. Bu test süresince hasarlı aksesuarlar normal olarak kırılarak dağılacaktır.
- h. Kişisel koruyucu ekipmanları mutlaka kullanın. Uygulamaya bağlı olarak yüz kalkanı, koruyucu gözlük ya da güvenlik gözlükleri kullanın. Yeri geldiğinde küçük aşındırıcı maddeleri ya da işleme tabi tutulan parçaları durdurabilen toz maskesi, kulaklık, eldiven ve iş önlüğü giyin. Göz koruması, çeşitli işlemler sonucu açığa çıkan uçan parçacıkları durdurabilir. Toz maskesi ya da gaz maskesi yaptığınız işlem sonucu açığa çıkan parçacıkları filtreleyebilir. Uzun süreli yüksek şiddetli gürültüye maruz kalınması işitme kaybına neden olabilir.
- i. Çevrede bulunan şahısları çalışma alanından uzakta güvenli bir mesafede tutun. Çalışma alanına giren şahıslar kişisel koruyucu ekipman giymelidir. İşleme tabi tutulan parçanın ya da kırık bir aksesuarın parçacıkları fırlatabilir ve çalışma alanının yakın çevresinde yaralanmalara neden olabilir.
- j. Kesme aksesuarının gizli kabloları veya kendi kablosuna temas edebileceği yerlerde çalışma yaparken elektrikli aleti yalıtımlı kavrama yüzeylerinden tutun. Kesme aksesuarının «akım taşıyan» bir kabloya temas etmesi durumunda elektrikli aletin metal kısımları da «akım taşıyıcı» hale gelecek ve kullanıcının çarpılmasına neden olabilir.
- k. Kabloyu dönen aksesuardan uzak tutun. Kontrolü kaybederseniz kablo kesilebilir ya da kopabilir ve eliniz ya da kolunuz dönen aksesuar içine çekilebilir.
- l. Aksesuar tamamen durmadıkça elektrikli aleti asla yere koymayın. Dönen aksesuar yüzeyi yakalayabilir ve elektrikli aleti kontrolünüzden çıkarabilir.

- m. Elektrikli aleti yanınızda taşıırken çalıştırmayın.** Kaza ile temas halinde, dönen aksesuar gijysinize takılabilir, aksesuarı vücudunuza doğru çekebilir.
- n. Elektrikli aletin hava çıkışlarını düzenli olarak temizleyin.** Motor fanı, tozu muhafaza içine çekerek ve aşırı metal toplanması elektriksel tehlike yaratabilir.
- o. Elektrikli aleti yanıcı malzemelerin yakınında çalıştırmayın.** Kıvılcım bu malzemeleri tutuşturabilir.
- p. Sıvı soğutucu gerektiren aksesuarlar kullanmayın.** Su ya da diğer sıvı soğutucuların kullanılması elektrik çarpması ya da şok ile sonuçlanabilir.

## **BÜTÜN UYGULAMALAR İÇİN EK GÜVENLİK TALİMATLARI**

### **Geri tepme ve ilgili uyarılar**

Geri tepme, sıkışmış veya takılmış bir disk, taban, fırça veya diğer aksesuarlara verilen ani tepkidir. Sıkışma veya takılma dönen aksesuarın aniden durmasına neden olur, bu daha sonra temas noktasında elektrikli aletin kontrolsüzce, aksesuarın dönme yönünün tersine doğru zorlanmasına yol açar.

Örneğin, bir aşındırıcı disk, işleme tabii tutulan parçaya takılır ya da sıkışır; sıkışma noktasına giren disk kenarı malzemenin yüzeyine saplanarak, diskin geri tepmesine ya da fırlamasına neden olabilir. Disk, sıkışma noktasındaki hareket yönüne bağlı olarak ya kullanıcıya doğru ya da kullanıcıdan uzağa fırlayabilir. Aşındırıcı diskler bu koşullar altında kırılabilir. Geri tepme, aletin yanlış kullanılmasından ve/veya yanlış çalıştırma işlemleri veya koşullarından kaynaklanır ve aşağıda da belirtilen uygun tedbirler alınarak önlenabilir:

- a. Elektrikli aleti sıkıca tutun, vücudunuzu ve kolunuzu geri tepme gücüne karşı koyacak şekilde konumlandırın. Geri tepmeye ya da çalıştırma sırasındaki döndürme momenti tepkisine karşı maksimum kontrol sağlamak için eğer varsa yan tutma kolunu kullanın.** Doğru önlemler alınırsa döndürme momenti tepkileri ya da geri tepmeler kullanıcı tarafından kontrol edilebilir.
- b. Döner aksesuar civarına asla elinizi sokmayın.** Aksesuar elinizde geri tepme etkisi yapabilir.
- c. Geri tepmenin meydana gelmesi durumunda vücudunuzu elektrikli aletin hareket edeceği alanda bulundurmayın.** Geri tepme hareketi aleti takılma noktasında disk hareketine ters yönde itecektir.
- d. Köşe, keskin kenarlar vb. yerlerle çalışırken özellikle dikkatli olun. Aksesuarın sekmesinden ve takılmasından kaçının.** Köşeler, keskin kenarlar ya da sektirme hareketi döner aksesuarı engelleme eğilimindedir ve kontrolün kaybedilmesine ya da geri tepmeye neden olabilir
- e. Zincirli testere zinciri, ahşap oyma bıçağı ya da diğli daire/gönye testere bıçağı takmayın.** Bu tür bıçaklar sık sık geri tepme ve kontrol kaybı oluşturur.

## **TAŞLAMA UYGULAMALARINA ÖZEL İLAVE GÜVENLİK UYARILARI**

- a. Sadece elektrikli aletiniz için tavsiye edilen disk türlerini ve seçilen disk için tasarlanmış özel muhafazayı kullanın.** Elektrikli aletin birlikte kullanılmak için tasarlanmadığı diskler yeterli kadar korunamazlar ve güvenli değillerdir.
- b. Basık merkezli disklerin taşılama yüzeyi muhafaza çıkıntısı düzeyinden dışarı edilmelidir.** Muhafaza çıkıntısı düzeyinden dışarı doğru çıkan yanlış monte edilmiş diskler gerektiği gibi korunamazlar.
- c. Muhafazanın elektrikli alete güvenli bir şekilde bağlanması ve maksimum güvenlik için konumlandırılması gerekir, böylece diskin çok az bir kısmı kullanıcıya açık olacaktır.** Muhafaza, kullanıcının kırılan disk parçacıklarından ve disk ile istenmeyen temaslardan ve gijysileri yakabilecek kıvılcımlardan korunmasına yardımcı olur.
- d. Diskler sadece önerilen uygulamalar için kullanılmalıdır.** Örneğin: kesme diskinin kenarı ile taşılama yapmayın. Aşındırıcı kesici diskler çevresel aşındırma için tasarlanmıştır, bu disklere uygulanan yan kuvvetler diskleri parçalayabilir.
- e. Her zaman seçilen disk için doğru ebat ve şekilde, hasarsız flanşları kullanın.** Uygun flanşlar, diski destekler ve disk kırılması olasılığını azaltır. Kesme diski flanşları taşılama diski flanşlarından farklı olabilir.
- f. Daha büyük çaplı taşlamaların yıpranmış disklerini kullanmayın.** Daha büyük elektrikli aletler için tasarlanmış disk daha küçük bir aletin yüksek hızları için uygun değildir ve parçalanabilir.

## **EK GÜVENLİK TALİMATLARI**

Bu alet, tel diskler ve tel çanakları ile kullanılacak şekilde tasarlanmamıştır.



**UYARI:** Alet, 30mA akımı aşmayan akım kesici cihazla beraber kullanılmaya tavsiye edilir.

## **DiğER KişİLERİN GÜVENLİĞİ**

- Bu alet fiziksel ve zihinsel kapasitesinin yanı sıra algılama gücü azalmış olan veya yeterince deneyim ve bilgisi bulunmayan kişiler (çocuklar dahil) tarafından kullanılmak üzere üretilmemiştir. Bu tür kişiler aleti ancak güvenliklerinden sorumlu bir kişi tarafından cihazın kullanımıyla ilgili talimatların verilmesi veya sürekli kontrol altında tutulması durumunda kullanılabilir.
- Çocuklar, aletle oynamalarını önlemek amacıyla kontrol altında tutulmalıdır.

## **DiğER TEHLİKELER**

Emniyet tedbirlerini düzenleyen yönetmeliğın uygulanmasına ve emniyet sağlayıcı aygıtların kullanılmasına rağmen, başka belirli risklerden kaçınılamaz. Bunlar:

- Duyma bozukluğu
- Sıçrayan parçacıklardan kaynaklanan yaralanma riski.
- Çalışma sırasında ısınan aksesuarlardan kaynaklanan yanık tehlikesi.

- Uzun süreli kullanımdan kaynaklanan yaralanma riski.
- Tehlikeli maddeler içeren tozun oluşması riski.

**ELEKTRİK GÜVENLİĞİ**

Bu alet çift yalıtımlıdır. Bu yüzden hiçbir topraklama kablosuna gerek yoktur. Her zaman şebeke geriliminin aletin üretim etiketinde belirlenmiş değerlere uyup uymadığını kontrol edin.



**UYARI!** Elektrik kablosu hasarlı ise, bir tehlike oluşmasını önlemek için üretici ya da yetkili STANLEY Servis Merkezi tarafından değiştirilmelidir. Elektrik kablosu STANLEY yetkili servisi haricinde değiştirilirse, garanti geçerli olmayacaktır.

**UZATMA KABLOLARININ KULLANIMI**

Bir uzatma kablosu gerekli ise, bu aletin elektrik girişine uygun (Teknik Özellikleri bölümüne bakın), onaylı bir 3 telli uzatma kablo kullanın. Minimum iletken boyutu 1,5 mm<sup>2</sup>'dir; maksimum uzunluk 30 m'dir. Bir kablo makarası kullanırken, kabloyu daima sonuna kadar açın.

İletken boyutu (mm <sup>2</sup> )	Kablo gücü (Amper)
0.75	6
1.00	10
1.50	15
2.50	20
4.00	25

**Kablo uzunluğu (m)**

	7.5	15	25	30	45	60
--	-----	----	----	----	----	----

Voltaj	Amper	Kablo gücü (Amper)					
110-127	0 - 2.0	6	6	6	6	6	10
	2.1 - 3.4	6	6	6	6	15	15
	3.5 - 5.0	6	6	10	15	20	20
	5.1 - 7.0	10	10	15	20	20	25
	7.1 - 12.0	15	15	20	25	25	-
12.1 - 20.0	12.1 - 20.0	20	20	25	-	-	-
	0 - 2.0	6	6	6	6	6	6
	2.1 - 3.4	6	6	6	6	6	6
	3.5 - 5.0	6	6	6	6	10	15
	5.1 - 7.0	10	10	10	10	15	15
220-240	7.1 - 12.0	15	15	15	15	20	20
	12.1 - 20.0	20	20	20	20	25	-

**ALET ÜZERİNDEKİ ETİKETLER**

Aletin etiketinde aşağıdaki semboller bulunabilir:

	<b>UYARI!</b> Yaralanma riskini en aza indirmek için kullanıcı kullanım talimatlarını mutlaka okumalıdır.		
	Koruyucu gözlük takın.		
	Kulaklık takın.		
	Toz maskesi takın.		
V	Volt		Doğru akım
A	Amper		Yüksüz hızı
Hz	Hertz		Çift yalıtım
W	Watt		Topraklı terminal
min	dakikalar		Güvenlik uyarı sembolü
	Dalgalı akım	/min.	Dakikada devir veya darbe sayısı

**Tarih kodu konumu**

İmalat yılını da içeren Tarih Kodu gövdeye basılıdır.

Örnek:

2017 XX JN

İmalat Yılı

**AMBALAJ, AŞAĞIDAKİ PARÇALARI İÇERMEKTEDİR**

1 Büyük taşıma makinesi

1 Muhafaza

1 Yan kol

1 Flanş seti

1 Çift pimli anahtar

1 Kullanım kılavuzu

- Alette, parçalarda veya aksesuarlarda nakliye sırasında meydana gelmiş olabilecek hasarı kontrol edin.
- Aleti çalıştırmadan önce, bu kullanım kılavuzunu baştan sonra okuyup anlamak için gerekli zamanı ayırın.

**ÖZELLİKLER (ŞEKİL A)**

**UYARI!** Hiçbir zaman elektrikli aleti veya herhangi bir parçasını değiştirmeyin. Hasarla veya yaralanmayla sonuçlanabilir.

1. Açma/kapama düğmesi
2. Mil kilidi düğmesi
3. Muhafaza
4. Yan kol

**Kullanım amacı**

Bu taşlama makinesi özellikle taşlama uygulamaları için tasarlanmıştır.

Basık merkezli taşlama disklerinin dışında taşlama ve zımpara disklerini kullanmayın.

Islak koşullarda veya yanıcı sıvı ya da gazların mevcut olduğu ortamlarda kullanmayın.

Bu taşlama makinesi profesyonel bir elektrikli alettir.

Çocukların aleti ellemesine izin vermeyin. Bu alet deneyimsiz kullanıcılar tarafından kullanılırken nezaret edilmelidir

**MONTAJ**

**UYARI:** Ciddi yaralanma riskini azaltmak için herhangi bir ayar yapmadan ya da parça veya aksesuarları söküp takmadan önce aleti kapatın ve güç kaynağından ayırın. Aleti yeniden bağlamadan önce aletin kapalı olduğundan emin olmak için tetik düğmesine basıp bırakın.

**Muhafazanın takılması ve çıkartılması (Şekil B)**

**UYARI!** Ciddi yaralanma riskini azaltmak için herhangi bir ayar yapmadan ya da parça veya aksesuarları söküp takmadan önce aleti kapatın ve güç kaynağından ayırın. Aleti yeniden bağlamadan önce aletin kapalı olduğundan emin olmak için tetik düğmesine basıp bırakın.

**Muhafazanın takılması**

1. Taşlama makinesini, oluğu yukarı gelecek şekilde bir çalışma tezgahına yatırın.
2. Muhafaza (3) desteğinin flanşını vites muhafazasının oluğunun üzerine takın.
3. Muhafazayı (3) 150 derece saatin ters yönünde çevirin.
4. Vidaların (12) sıkıldığında emin olun.

**Muhafazanın çıkartılması**

1. Muhafaza desteğindeki vidayı (12) gevşetin.
2. Muhafazayı (3) aletten çıkartın.



**UYARI!** Muhafaza yerinde değilse aleti kesinlikle kullanmayın.

**Taşlama diskinin takılması ve çıkartılması (Şekil C1, C2, C3)**

**UYARI!** Hasar görmüş olan taşlama disklerini kullanmayın.

1. Muhafaza yukarı gelecek şekilde aleti bir çalışma tezgahına yatırın.
  2. İç flanş (5) mil (6) üzerine düzgünce takın (Şekil C1).
  3. Diski (7) iç flanş (5) üzerine yerleştirin (Şekil C2). Yüksek merkezli bir disk takarken yüksek merkezli (8) iç flanşa (5) baktığınızdan emin olun.
  4. Dişli dış flanş (9) mil (6) üzerine döndürerek sabitleyin (Şekil C3).
- taşlama diskini takarken dış flanştaki (9) yüksek

merkez diske bakmalıdır (C3-A)

- taşlama diskini takarken dış flanştaki (9) yüksek merkez diske bakmalıdır (C3-B)
5. Mil kilidi düğmesini (2) basılı tutun ve mili (6) yerinde kilitlemeye kadar döndürün (Şekil C2).
  6. Verilen çift pimli anahtar kullanarak flanş (9) sıkın.
  7. Mil kilidi düğmesini bırakın.
  8. Diski çıkartmak için, flanş (9) verilen iki pimli anahtar ile gevşetin.



**UYARI:** Hasarlı disk kullanmayın.

**Yan kolun takılması (Şekil D)**

**UYARI:** Aleti kullanmadan önce ikinci tutma kolunu iyice sıkıldığınızdan emin olun.



**UYARI:** Yan kol, aletin tam kontrolünü sağlamak için her zaman kullanılmalıdır.

Yan kolu (4) gövdenin her iki tarafındaki deliklerden birine (10) veya (11) iyice vidalayın.

**Aleti kullanmadan önce**

- Muhafazayı ve uygun bir aşındırıcı veya taşlama diskini takın. Çok yıpranmış aşındırıcı veya taşlama disklerini kullanmayın.
- İç ve dış flanşın düzgün takıldığından emin olun.
- Aşındırıcı veya taşlama diskinin, aksesuar ve aletin üzerindeki oklar yönünde dönmeye dikkat edin.

**VOLTAJ DÜŞMELERİ**

Ani akımlar kısa süreli voltaj düşmelerine neden olabilir. Uygun olmayan güç kaynağı koşullarında, diğer donanım zarar görebilir. Güç kaynağının sistem empedansı 0.175  $\Omega$ 'dan düşerse, arıza meydana gelebilir.

**KULLANIM (Şekil F)**

**UYARI:** Güvenlik talimatlarına ve geçerli yönetmeliklere daima uyun.



**UYARI:** Ciddi yaralanma riskini azaltmak için herhangi bir ayar yapmadan ya da parça veya aksesuarları söküp takmadan önce aleti kapatın ve güç kaynağından ayırın. Aleti yeniden bağlamadan önce aletin kapalı olduğundan emin olmak için tetik düğmesine basıp bırakın.

- Taşlanacak tüm malzemelerin yerlerine sıkıca sabitlendiklerinden emin olun.
  - Alete yalnızca hafif bir baskı uygulayın. Aşındırıcı diske yanal basınç uygulamayın.
  - Aşırı yüklenmeden kaçının. Alet çok fazla ısındığında yüksüz durumdakinden birkaç dakika çalıştırın.
1. Aleti iki elinizle sıkıca tutun (bir el alet gövdesinin, diğer el yan kolun üzerinde olacak şekildedir). Aleti çalıştırın ve taşlama diskini iş parçasının üzerine getirin.
  2. İş parçasının yüzeyine karşı 15 ila 30 derece arasında açı ile disk kenarını eğimli tutun.
  3. Yeni bir taşlama diskini kullanırken B yönünde çalışmayın, aksi takdirde disk iş parçasını kesebilir. Diskin kenarı yuvarlanmış olduktan sonra her yönünde, A ya da B, serbestçe çalışabilirsiniz.

**Açılması ve kapatılması (Şekil A)**

**UYARI:** Aleti kullanmadan önce yan kolun iyice sıkkıldığından emin olun. Açma/kapama düğmesinin düzgün çalıştığını kontrol edin.

Elektrik prizine takmadan önce açma/kapama düğmesinin kapalı konumunda olduğundan mutlaka emin olun.



**UYARI:** Aleti yük altındayken açık kapamayın.

**Uygun el pozisyonu (Şekil G)**

**UYARI:** Ciddi yaralanma riskini azaltmak için, DAİMA şekilde gösterilen uygun el pozisyonunu kullanın.



**UYARI:** Ciddi yaralanma riskini azaltmak için, ani tepki ihtimaline karşı aleti DAİMA sıkıca tutun.

Uygun el pozisyonu Şekil G'de gösterildiği gibi bir elin yan kolunda (Şekil A) ve diğer elin aletin gövdesinde olmasını gerektirir.

**Yumuşak ilk hareket özelliği: SL2275 ve SL2295**

Yumuşak ilk hareket özelliği, başlatma sırasında ilk sarsıntıyı önlemek için hızı yavaş bir şekilde artırır. Bu özellik, özellikle kısıtlı alanlarda çalışırken kullanışlıdır.

**Açma/kapama düğmesi**

**DİKKAT:** Daya iyi kontrol sağlamak için aleti çalıştırırken, kullanımı sırasında ve diskin veya aksesuarın dönmesi durana kadar aletin gövdesini sıkı bir şekilde tutun. Disk tamamen durmadıkça elektrikli aleti asla yere koymayın.

**NOT:** Beklenmeyen alet hareketini önlemek için aleti yük altındayken açık kapamayın. Taşlama makinesi iş yüzeyine dokunmadan önce tam hızı kadar çalıştırın. Kapatmadan önce aleti iş yüzeyinden kaldırın. Aleti elinizden bırakırken mutlaka diskin durmasını bekleyin.



**UYARI:** Elektrik prizine takmadan önce açma/kapama düğmesinin ön kısmını basıp bırakarak elektrikli aletin kapalı olduğundan mutlaka emin olun.

Kaçak akım koruma cihazının ve devre kesicinin çalışması, yanlışlıkla prizden çıkartma veya güç kesintisi gibi herhangi bir elektrik kesintisi sonrasında yukarıda açıklandığı gibi açma/kapama düğmesinin kapalı olduğundan emin olun. Alet güç kaynağına bağlanırken düğmesi açık konumunda kilitli ise, alet hemen çalışmaya başlayacaktır.

**Açma/kapama düğmesinin güvenlik özelliği**

Aleti çalıştırmak için, açma/kapama düğmesini (1) aletin önüne doğru kaydırın ve basın, alet çalışmaya başlayacaktır. Aleti durdurmak için açma/kapama düğmesini (1) bırakın.

Açıklama: Üzerinde çalıştığınız malzeme ile temas etmeden önce, aşındırıcı diskin maksimum hızda döndüğünden emin olun. Kapatmadan önce aleti üzerinde çalıştığınız malzemeden kaldırın.

**DİKKAT:** Aleti yere bırakmadan önce aşındırıcı diskin dönüşünün durduğundan emin olun.

**Döner vites kutusu (Şekil E)**

Vites kutusu aletin gövdesi üzerine monte edilir ve

kesim esnasında kullanıcıya rahat bir deneyim sunmak için döndürülebilir.

Döner vites kutusu sağa veya sola 90, 180 ve 270 derece dönebilir.

- Vites kutusu üzerindeki dört vidayı gevşetin.
- En uygun konuma ulaşına kadar vites kutusunu döndürün.
- Vites kutusu üzerindeki dört vidayı sıkın.
- Dönme mekanizmasının kilitli olduğundan emin olun.



**UYARI:** Vites kutusu kilitli olmadığında aleti KULLANMAYIN.

**Metal uygulamalar**

Aleti metal uygulamalarda kullanırken metal talaşının neden olduğu kalıcı riskleri engellemek için bir artık akım aygıtının (RCD) takılı olduğundan emin olun.

Artık akım aygıtı güç kesilmesine neden olunca aleti yetkili Stanley servis merkezine tamir için getirin.



**UYARI!** Uç çalışma koşullarında, metalle çalışırken makine gövdesinde iletken toz birikebilir. Bu ise makinenin içindeki koruyucu izolasyonun bozulmasına ve olası elektrik çarpması risklerine neden olabilir.

Aletin içinde metal toplanmasını önlemek için havalandırma deliklerinin her gün temizlemesi tavsiye edilir. «Bakım» kısmına bakın.

**Taşlama disklerinin kullanılması:**

**UYARI!** Metal tozu toplama riski. Taşlama diskinin metalde yoğun kullanılması elektrik çarpması riskini arttıracaktır. Bu riski azaltmak için aleti kullanmadan önce artık akım aygıtını (RCD) takın ve her gün havalandırma deliklerini temizleyin. Havalandırma deliklerinin basınçlı hava ile temizlemesi için aşağıdaki bakım talimatlarını izleyin.

**BAKIM**

STANLEY aletiniz minimum bakımla uzun bir süre çalışacak şekilde tasarlanmıştır. Kesintisiz olarak memnuniyet verici bir şekilde çalışması gerekli özenin gösterilmesine ve düzenli temizliğe bağlıdır.



**UYARI!** Ciddi yaralanma riskini azaltmak için herhangi bir ayar yapmadan ya da parça veya aksesuarları söküp takmadan önce aleti kapatın ve güç kaynağından ayırın. Aleti yeniden bağlamadan önce aletin kapalı olduğundan emin olmak için tetik düğmesine basıp bırakın.

**Taşlama disklerinin kullanılması**

Karbon kömürlerin kullanım ömrünün hemen dolduğunu ve aletin servise ihtiyaç duyduğunu göstermek üzere motor otomatik olarak kapanır. Karbon kömürlere kullanıcı tarafından servis yapılamaz. Aleti yetkili STANLEY servisine götürün.

**Yağlama**

Elektrikli aletiniz ek bir yağlama gerektirmemektedir.



## Temizleme



**UYARI!** Havalandırma deliklerinin içinde ve çevresinde görünür toz toplanırken hemen basınçlı hava ile aletin gövdesinde birikmiş tozu temizleyin. Bu işlemi yaparken onaylanmış koruyucu gözlük ve yüz maskesi takmalısınız.



**UYARI!** Aletin metalik olmayan parçalarını temizlemek için asla çözücü veya başka sert kimyasal kullanmayın. Bu kimyasallar bu parçalarda kullanılan malzemeleri güçsüzeleştirir. Aleti temizlemek için, sadece yumuşak sabun ve nemli bir bez kullanın. Aletin içine sıvı kaçmasına kesinlikle izin vermeyin; aletin herhangi bir parçasını bir sıvı içine daldırmayın.

## AKSESUARLAR



**UYARI:** STANLEY tarafından tedarik veya tavsiye edilenlerin dışındaki aksesuarlar bu ürün üzerinde test edilmediğinden, söz konusu aksesuarların bu aletle birlikte kullanılması tehlikeli olabilir. Yaralanma riskini azaltmak için bu ürünle birlikte sadece STANLEY tarafından tavsiye edilen aksesuarlar kullanılmalıdır.

Uygun aksesuarlarla ilgili daha ayrıntılı bilgi için bayinize danışın.

## ÇEVRENİN KORUNMASI



Ayrı olarak atın. Bu ürün, normal evsel atıklarla birlikte atılmamalıdır.

STANLEY ürününüzün değiştirilmesi gerektiğini düşünmeniz veya artık kullanılamaz durumda olması halinde onu, evsel atıklarla birlikte atmayın. Bu ürünü, ayrı olarak toplanacak şekilde atın.



STANLEY, hizmet ömrünün sonuna ulaşan STANLEY ürünlerinin toplanması ve geri dönüşüme sokulması için bir imkân sunmaktadır. Bu hizmetin avantajlarından faydalanmak için, lütfen, ürününüzü bizim adımıza teslim alacak herhangi bir yetkili servise iade edin.

Bu kılavuzda belirtilen listeden size en yakın STANLEY yetkili tamir servisinin yerini öğrenebilirsiniz. Ya da, alternatif olarak internet'ten STANLEY yetkili tamir servislerinin listesini ve satış sonrası hizmetlerimizle ilgili tüm bilgiler ve temas bilgilerine aşağıdaki sitenin ulaşabilirsiniz. [www.2helpU.com](http://www.2helpU.com)

## NOTLAR

STANLEY olarak, ürünlerimizi sürekli iyileştirme politikası uyguladığımızdan, önceden haber vermeden ürün özelliklerini değiştirme hakkını saklı tutarız. Standart ekipman ve aksesuarlar ülkeye göre değişebilir. Ürün özellikleri ülkelere göre farklı olabilir. Komple ürün çeşidi tüm ülkelerde geçerli olmayabilir. Ürün çeşidi durumu hakkında lütfen en yakın STANLEY yetkili servisiyle temas kurun

## SERVİS BİLGİLERİ

STANLEY, kendisine ait ve yetkili servisler ile tam bir servis ağı sunmaktadır. Tüm STANLEY Servis Merkezleri müşterilere etkili ve güvenilir elektrikli el aleti hizmeti sunmak için eğitimli personel ile donatılmıştır. Yetkili servis merkezlerimiz hakkında daha fazla bilgi almak istiyorsanız veya teknik danışmanlık, onarım ya da orijinal fabrika yedek parçası ihtiyacınız varsa, size en yakın STANLEY satış noktasına başvurun.

## TEKNİK ÖZELLİKLERİ

BÜYÜKTASLAMA		SL207	SL209	SL227/ SL2275*	SL229/ SL2295*
Giriş voltajı	V <sub>ac</sub>	220-240	220-240	220-240	220-240
Frekans	Hz	50-60	50-60	50-60	50-60
Giriş gücü	W	2000	2000	2200	2200
Yüksüz hızı	dlev/ dak.	8500	6500	8500	6500
Disk çapı	mm	180	230	180	230
Mil boyutu		M14	M14	M14	M14
Maks. disk gövde kalınlığı					
Taslama diskleri	mm	6,6	6,6	6,6	6,6
Ağırlık	kg	4,1	4,1	4,3	4,3

EPTA ağırlık, muhafaza, yan kol, flanş veya kablo olmadan sadece aletin ağırlığıdır.

\*SL2275 ve SL229S «YUMUŞAK İLK HAREKET» özelliğine sahiptirlerdir.

### SL207

#### EN 60745'e göre ses basıncı düzeyi:

Ses basıncı (L <sub>PA</sub> )	dB(A)	93
Ses basıncı belirsizliği (K <sub>PA</sub> )	dB(A)	3
Akustik güç (L <sub>WA</sub> )	dB(A)	104
Akustik güç belirsizliği (K <sub>WA</sub> )	dB(A)	3

#### Titreşim emisyon değeri ah (yüzey taşlaması):

(ah) =	m/s <sup>2</sup>	8,5
belirsizlik (K) =	m/s <sup>2</sup>	1,5

### SL209

#### EN 60745'e göre ses basıncı düzeyi:

Ses basıncı (L <sub>PA</sub> )	dB(A)	94
Ses basıncı belirsizliği (K <sub>PA</sub> )	dB(A)	3
Akustik güç (L <sub>WA</sub> )	dB(A)	105
Akustik güç belirsizliği (K <sub>WA</sub> )	dB(A)	3

**Titreşim emisyon değeri ah (yüzey taşlaması):**(ah) = m/s<sup>2</sup> 8belirsizlik (K) = m/s<sup>2</sup> 1,5**SL227/SL227S****EN 60745'e göre ses basıncı düzeyi:**Ses basıncı (L<sub>pA</sub>) dB(A) 95Ses basıncı belirsizliği (K<sub>pA</sub>) dB(A) 3Akustik güç (L<sub>WA</sub>) dB(A) 106Akustik gücü belirsizliği (K<sub>WA</sub>) dB(A) 3**Titreşim emisyon değeri ah (yüzey taşlaması):**(ah) = m/s<sup>2</sup> 8belirsizlik (K) = m/s<sup>2</sup> 1,5**SL229/SL229S****EN 60745'e göre ses basıncı düzeyi:**Ses basıncı (L<sub>pA</sub>) dB(A) 95Ses basıncı belirsizliği (K<sub>pA</sub>) dB(A) 3Akustik güç (L<sub>WA</sub>) dB(A) 106Akustik gücü belirsizliği (K<sub>WA</sub>) dB(A) 3**Titreşim emisyon değeri ah (yüzey taşlaması):**(ah) = m/s<sup>2</sup> 8belirsizlik (K) = m/s<sup>2</sup> 1,5**TİTREŞİM VE SES**

Teknik veriler ve uygunluk beyanatı içerisinde belirtilen titreşim ve ses emisyon değerleri EN 62841 tarafından belirlenen standart bir test yöntemine uygun olarak ölçülmektedir ve diğer bir aletle karşılaştırma yaparken kullanılabilir. Beyan edilen titreşim ve ses emisyon değeri aynı zamanda maruz kalmanın önceden değerlendirilmesinde de kullanılabilir.



**UYARI!** Elektrikli aletin mevcut kullanımı sırasındaki titreşim ve ses emisyon değeri, aletin kullanım yöntemine bağlı olarak, beyan edilen değere göre farklılık sergileyebilir. Titreşim ve ses düzeyi belirlenen seviyenin üzerinde artış gösterebilir.

İşyerinde düzenli olarak elektrikli alet kullanan çalışanları korumak amacıyla 2002/44/EC tarafından getirilen elektrik güvenliği önlemlerini belirlemek üzere titreşim ve sese maruz kalmayı değerlendirirken, çalışma döngüsü içerisinde örneğin aletin kapalı olduğu ve aktif durumda olmasının yanı sıra boşta çalıştığı zamanlar gibi, bütün zaman dilimleri dahil olmak üzere mevcut kullanım durumu ve aletin kullanım şekli göz önünde bulundurularak değerlendirilmelidir.

**AT Uygunluk Beyanatı**

MAKİNE DİREKTİFİ

**SL207, SL209, SL227, SL227S, SL229, SL229S - Büyük Taşlama Makineleri**

STANLEY, «teknik özellikleri» bölümünde açıklanan bu ürünlerin aşağıda belirtilen yönergelere uygun olduğunu beyan eder: 2006/42/EC, EN 60745-1:2009 + A11:2010, EN 60745-2-3:2011 + A2:2013 + A11:2014 + A12:2014 + A13:2015.

Bu ürünler ayrıca 2014/30/EU ve 2011/65/EU Direktiflerine de uygundur.

Daha fazla bilgi için, lütfen aşağıdaki adresten STANLEY ile irtibata geçin veya kılavuzun arkasına bakın. Bu belge altında imzası bulunan yetkili, teknik dosyanın derlenmesinden sorumludur ve bu beyanı STANLEY adına vermiştir.

**R.Laverick**

Mühendislik Bölümü Müdürü

STANLEY Europe, Egide Walschaertsstraat 14-18,

2800 Mechelen, Belçika

03.2020



**İKİ YILLIK GARANTİ**

Sahip olduğunuz STANLEY ürünü satın alma tarihinden itibaren 24 ay içinde hatalı malzeme veya işçilik nedeniyle bozulursa, STANLEY aşağıdaki şartlara uyulması koşuluyla ücretsiz olarak tüm kusurlu parçaların yenilenmesini veya -kendi inisiyatifine bağlı olarak- satın alınan ürünün değiştirilmesini garanti eder:

- Ürün, hatalı kullanılmamış kullanım kılavuzuna uygun kullanılmıştır;
- Ürün yıpranmamış, hırpalanmamış ve aşınmamıştır;
- Yetkili olmayan kişilerce tamire çalışılmamıştır;
- Satın alma belgesi (fatura) ibraz edilmiştir;
- STANLEY ürünü, tüm orijinal parçaları ile birlikte iade edilmiştir;
- Ürün kiraya verilmemiştir.

Garanti talebinde bulunmak için, lütfen satıcıyla irtibata geçin veya STANLEY katalogunda belirtilen size en yakın STANLEY yetkili satıcı adresini kontrol edin veya ürünün kılavuzunda belirtilen adresteki yerel STANLEY yetkili tamir servisi ile temas kurun. İnternet'ten Stanley yetkili tamir servislerinin listesine ve satış sonrası hizmetlerimizle ilgili tüm bilgilerine aşağıdaki siteden ulaşabilirsiniz: [www.2helpU.com](http://www.2helpU.com)

Sanayi ve Ticaret Bakanlığı tebligince kullanım ömrü 7 yıldır.

Türkiye Distribütörü

**STANLEY BLACK&DECKER TURKEY ALET ÜRETİM  
SAN. TIC. LTD.STI. AND Kozyatağı**

İçerenköy Mahallesi Umut Sokak

No:10-12 Kat :19 Ataşehir / İstanbul

Tel : (0216) 665 29 00

Faks : (0216) 665 29 01

E-posta: [info-tr@sbdinc.com](mailto:info-tr@sbdinc.com)