



PHONES

0 (800) 800 130
(050) 462 0 130
(063) 462 0 130
(067) 462 0 130

130
COM.UA

Internet store of
autogoods



SKYPE

km-130

CAR RECEIVERS — Receivers • Media receivers and stations • Native receivers • CD/DVD changers • FM-modulators/USB adapters • Flash memory • Facia plates and adapters • Antennas • Accessories |
 CAR AUDIO — Car audio speakers • Amplifiers • Subwoofers • Processors • Crossovers • Headphones • Accessories | TRIP COMPUTERS — Universal computers • Model computers • Accessories |
 GPS NAVIGATORS — Portable GPS • Built-in GPS • GPS modules • GPS trackers • Antennas for GPS navigators • Accessories | VIDEO — DVR • TV sets and monitors • Car TV tuners • Cameras • Videomodules
 • Transcoders • Car TV antennas • Accessories | SECURITY SYSTEMS — Car alarms • Bike alarms • Mechanical blockers • Immobilizers • Sensors • Accessories | OPTIC AND LIGHT — Xenon • Bixenon • Lamps
 • LED • Stroboscopes • Optic and Headlights • Washers • Light, rain sensors • Accessories | PARKTRONICS AND MIRRORS — Rear parktronic • Front parktronic • Combined parktronic • Rear-view mirrors
 • Accessories | HEATING AND COOLING — Seat heaters • Mirrors heaters • Screen-wipers heaters • Engine heaters • Auto-refrigerators • Air conditioning units • Accessories | TUNING — Vibro-isolation
 • Noise-isolation • Tint films • Accessories | ACCESSORIES — Radar-detectors • Handsfree, Bluetooth • Windowlifters • Compressors • Beeps, loudspeakers • Measuring instruments • Cleaners • Car seats
 • Miscellaneous | MOUNTING — Installation kits • Upholstery • Grilles • Tubes • Cable and wire • Tools • Miscellaneous | POWER — Batteries • Converters • Start-charging equipment • Capacitors
 • Accessories | MARINE AUDIO AND ELECTRONICS — Marine receivers • Marine audio speakers • Marine subwoofers • Marine amplifiers • Accessories | CAR CARE PRODUCTS — Additives • Washer fluid •
 Care accessories • Car polish • Flavors • Adhesives and sealants | LIQUID AND OIL — Motor oil • Transmission oil • Brake fluid • Antifreeze • Technical lubricant



In store "130" you can find and buy almost all necessary goods for your auto in Kyiv and other cities, delivery by ground and postal services. Our experienced consultants will provide you with exhaustive information and help you to chose the very particular thing. We are waiting for you at the address

<https://130.com.ua>

RYOBI®

RTS1800
RTS1800S
RTS1800ES
RTS1800EF

ORIGINAL INSTRUCTIONS
TRADUCTION DES INSTRUCTIONS ORIGINALES
ÜBERSETZUNG DER ORIGINALANLEITUNG
TRADUCCIÓN DE LAS INSTRUCCIONES ORIGINALES
TRADUZIONE DELLE ISTRUZIONI ORIGINALI
VERTALING VAN DE ORIGINELE INSTRUCTIES
TRADUÇÃO DAS INSTRUÇÕES ORIGINAIS
OVERSÆTTELSE AF DE ORIGINALE INSTRUKTIONER
ÖVERSÄTTNING AV DE URSPRUNGLIGA INSTRUKTIONERNA
ALKUPERÄISTEN OHJEIDEN SUOMENNO
OVERSETTELSE AV DE ORIGINALE INSTRUKSJONENE
ПЕРЕВОД ОРИГИНАЛЬНЫХ ИНСТРУКЦИЙ
TŁUMACZENIE INSTRUKCJI ORYGINALNEJ
PŘEKLAD ORIGINALNÍCH POKYNŮ
AZ EREDETI ÚTMUTATÓ FORDÍTÁSA
TRADUCEREA INSTRUCȚIUNILOR ORIGINALE
TULKOTS NO ORIĢINĀLĀS INSTRUKCIJAS
ORIGINALIŲ INSTRUKCIJŲ VERTIMAS
ORIGINALJUHENDI TÕLGE
PRIJEVOD ORIGINALNIH UPUTA
PREVOD ORIGINALNIH NAVODIL
PREKLAD ORIGINALNYCH POKYNOV
ΜΕΤΑΦΡΑΣΗ ΤΩΝ ΠΡΩΤΟΤΥΠΩΝ ΟΔΗΓΙΩΝ
ORIJ NAL TALIMATLARIN TERCÜMESI



EN
FR
DE
ES
IT
NL
PT
DA
SV
FI
NO
RU
PL
CS
HU
RO
LV
LT
ET
HR
SL
SK
EL
TR





Important!	It is essential that you read the instructions in this manual before assembling, operating and maintaining this machine.
Attention!	Il est essentiel que vous lisiez les instructions contenues dans ce mode d'emploi avant d'assembler, d'entretenir et d'utiliser cette machine.
Achtung!	Es ist wichtig, dass Sie vor Zusammenbau, Benutzung und Wartung dieser Maschine die Anweisungen in dieser Anleitung lesen.
¡Atención!	Antes de montar, de utilizar o de realizar el mantenimiento de esta máquina es muy importante que lea las instrucciones de este manual.
Attenzione!	È essenziale leggere le istruzioni contenute nel manuale prima di montare, mettere in funzione e svolgere le operazioni di manutenzione sull'utensile.
Let op!	Het is van essentieel belang dat u de instructies in deze gebruiksaanwijzing leest voor u deze machine monteert, bedient en onderhoudt.
Atenção!	É essencial que leia as instruções neste manual antes de montar, operar e efetuar manutenção a esta máquina.
OBS!	Det er meget vigtigt, at man læser anvisningerne i denne brugsanvisning, inden maskinen samles, betjenes og vedligeholdes.
Observera!	Det är viktigt att du läser instruktionerna i manualen före monteringen, användningen och underhållet av maskinen.
Huomio!	On tärkeää, että luet tämän käsikirjan ennen tämän laitteen kokoamista, huoltoa ja käyttöä.
Advarsel!	Det er viktig at du leser instruksjonene i denne brukermanualen før du monterer, bruker og vedlikeholder maskinen.
Внимание!	Необходимо прочитать инструкции в данном руководстве перед сборкой, эксплуатацией и обслуживанием этого устройства.
Uwaga!	KoniecznIE przeczytaj instrukcje zawarte w tym podręczniku przed montażem, obsługą oraz konserwacją tej maszyny.
Důležitě upozornění!	Neinstalujte, neprovádějte údržbu ani nepoužívejte tento nástroj dříve, než si přečtete pokyny uvedené v tomto návodu.
Figyelem!	Fontos, hogy a gép összeszerelése, használatá és karbantartása előtt elolvassa a kézikönyvben található utasításokat.
Atenție!	Este esențial să citiți instrucțiunile din acest manual, înainte de asamblarea, operarea sau întreținerea acestui aparat.
Uzmanību!	Pirms ierīces montāžas, darbināšanas un apkopes veikšanas obligāti izlasiet norādījumus šajā rokasgrāmatā.
Dėmesio!	Prieš surinkdami, eksploatuodami ir prižiūradami šį įrenginį, būtina, kad perskaitytumėte nurodymus, pateiktus šiame naudotojo vadove.
Tähtis!	Enne masina kokkupanekut, kasutama ja hooldama hakkamist tuleb käesolevas juhendis esitatud juhised kindlasti läbi lugeda.
Upozorenje!	Vrlo je važno da ste prije sklapanja, rada i održavanja ovog stroja pročitali upute u ovom priručniku.
Pomembno!	Zelo pomembno je, da pred sestavljanjem, vzdrževanjem in uporabo te naprave preberete navodila v tem priročniku.
Dôležité!	Pred montážou, používaním a údržbou tohto nástroja je dôležité, by ste si prečítali pokyny v tomto návode.
Προσοχή!	Είναι απαραίτητο να διαβάσετε τις συστάσεις των οδηγιών αυτών πριν και τη θέση σε λειτουργία.
Dikkat!	Cihazın çalıştırılmasından önce bu klavuzda bulunan talimatları okumanız zorunludur.

Subject to technical modification / Sous réserve de modifications techniques / Technische Änderungen vorbehalten /
Bajo reserva de modificaciones técnicas / Con riserva di eventuali modifiche tecniche / Technische wijzigingen voorbehouden /
Com reserva de modificações técnicas / Med forbehold for tekniske ændringer / Med förbehåll för tekniska ändringar /
Tekniset muutokset varataan / Med forbehold om tekniske ændringer / могут быть внесены технические изменения /
Z zastrzeżeniem modyfikacji technicznych / Změny technických údajů vyhrazeny / A műszaki módosítás jogát fenntartjuk /
Sub rezerva modificațiilor tehnice / Paturam tiesības mainīt tehniskos raksturlielumus / Pasliiekant teisę daryti techninius pakeitimus /
Tehnilised muudatused võimalikud / Podloženo tehničkim promjenama / Tehnične spremembe dopuščene /
Právo na technické zmeny je vyhradené / Υπό την επιφύλαξη τεχνικών τροποποιήσεων / Teknik değışiklik hakkı saklıdır



GENERAL POWER TOOL SAFETY WARNINGS

WARNING

Read all safety warnings, instructions, illustrations and specifications provided with this power tool. Failure to follow all instructions listed below may result in electric shock, fire and/or serious injury.

Save all warnings and instructions for future reference. The term "power tool" in the warnings refers to your mains-operated (corded) power tool or battery-operated (cordless) power tool.

WORK AREA SAFETY

- **Keep work area clean and well lit.** Cluttered or dark areas invite accidents.
- **Do not operate power tools in explosive atmospheres, such as in the presence of flammable liquids, gases or dust.** Power tools create sparks which may ignite the dust or fumes.
- **Keep children and bystanders away while operating a power tool.** Distractions can cause you to lose control.

ELECTRICAL SAFETY

- **Power tool plugs must match the outlet. Never modify the plug in any way. Do not use any adapter plugs with earthed (grounded) power tools.** Unmodified plugs and matching outlets will reduce risk of electric shock.
- **Avoid body contact with earthed or grounded surfaces, such as pipes, radiators, ranges and refrigerators.** There is an increased risk of electric shock if your body is earthed or grounded.
- **Do not expose power tools to rain or wet conditions.** Water entering a power tool will increase the risk of electric shock.
- **Do not abuse the cord. Never use the cord for carrying, pulling or unplugging the power tool. Keep cord away from heat, oil, sharp edges or moving parts.** Damaged or entangled cords increase the risk of electric shock.
- **When operating a power tool outdoors, use an extension cord suitable for outdoor use.** Use of a cord suitable for outdoor use reduces the risk of electric shock.
- **If operating a power tool in a damp location is unavoidable, use a residual current device (RCD) protected supply.** Use of an RCD reduces the risk of electric shock.

PERSONAL SAFETY

- **Stay alert, watch what you are doing and use common sense when operating a power tool. Do not use a power tool while you are tired or under the influence of drugs, alcohol or medication.** A moment of inattention while operating power tools may result in serious personal injury.
- **Use personal protective equipment. Always wear**

eye protection. Protective equipment such as a dust mask, non-skid safety shoes, hard hat, or hearing protection used for appropriate conditions will reduce personal injuries.

- **Prevent unintentional starting. Ensure the switch is in the off -position before connecting to power source and/or battery pack, picking up or carrying the tool.** Carrying power tools with your finger on the switch or energising power tools that have the switch on invites accidents.
- **Remove any adjusting key or wrench before turning the power tool on.** A wrench or a key left attached to a rotating part of the power tool may result in personal injury.
- **Do not overreach. Keep proper footing and balance at all times.** This enables better control of the power tool in unexpected situations.
- **Dress properly. Do not wear loose clothing or jewellery. Keep your hair and clothing away from moving parts.** Loose clothes, jewellery or long hair can be caught in moving parts.
- **If devices are provided for the connection of dust extraction and collection facilities, ensure these are connected and properly used.** Use of dust collection can reduce dust-related hazards.
- **Do not let familiarity gained from frequent use of tools allow you to become complacent and ignore tool safety principles.** A careless action can cause severe injury within a fraction of a second.

POWER TOOL USE AND CARE

- **Do not force the power tool. Use the correct power tool for your application.** The correct power tool will do the job better and safer at the rate for which it was designed.
- **Do not use the power tool if the switch does not turn it on and off.** Any power tool that cannot be controlled with the switch is dangerous and must be repaired.
- **Disconnect the plug from the power source and/or remove the battery pack, if detachable, from the power tool before making any adjustments, changing accessories, or storing power tools.** Such preventive safety measures reduce the risk of starting the power tool accidentally.
- **Store idle power tools out of the reach of children and do not allow persons unfamiliar with the power tool or these instructions to operate the power tool.** Power tools are dangerous in the hands of untrained users.
- **Maintain power tools and accessories. Check for misalignment or binding of moving parts, breakage of parts and any other condition that may affect the power tool's operation. If damaged, have the power tool repaired before use.** Many accidents are caused by poorly maintained power tools.
- **Keep cutting tools sharp and clean.** Properly maintained cutting tools with sharp cutting edges are less likely to bind and are easier to control.
- **Use the power tool, accessories and tool bits etc. in accordance with these instructions, taking into**

account the working conditions and the work to be performed. Use of the power tool for operations different from those intended could result in a hazardous situation.

- **Keep handles and grasping surfaces dry, clean and free from oil and grease.** Slippery handles and grasping surfaces do not allow for safe handling and control of the tool in unexpected situations.

SERVICE

- **Have your power tool serviced by a qualified repair person using only identical replacement parts.** This will ensure that the safety of the power tool is maintained.

SAFETY INSTRUCTIONS FOR TABLE SAWS

GUARDING RELATED WARNINGS

- **Keep guards in place. Guards must be in working order and be properly mounted.** A guard that is loose, damaged, or is not functioning correctly must be repaired or replaced.
- **Always use saw blade guard and riving knife for every through-cutting operation.** For through-cutting operations where the saw blade cuts completely through the thickness of the workpiece, the guard and other safety devices help reduce the risk of injury.
- **Immediately reattach the guarding system after completing an operation (such as rebating or resawing cuts) which requires removal of the guard.** The guard and riving knife help to reduce the risk of injury.
- **Make sure the saw blade is not contacting the guard, riving knife or the workpiece before the switch is turned on.** Inadvertent contact of these items with the saw blade could cause a hazardous condition.
- **Adjust the riving knife as described in this instruction manual.** Incorrect spacing, positioning and alignment can make the riving knife ineffective in reducing the likelihood of kickback.
- **For the riving knife device to work, it must be engaged in the workpiece.** The riving knife is ineffective when cutting workpieces that are too short to be engaged with the riving knife. Under these conditions a kickback cannot be prevented by the riving knife.
- **Use the appropriate saw blade for the riving knife.** For the riving knife to function properly, the saw blade diameter must match the appropriate riving knife and the body of the saw blade must be thinner than the thickness of the riving knife and the cutting width of the saw blade must be wider than the thickness of the riving knife.
- **Feed the workpiece into the saw blade only against the direction of rotation.** Feeding the workpiece in the same direction that the saw blade is rotating above the table may result in the workpiece, and your hand, being pulled into the saw blade.
- **Never use the mitre gauge to feed the workpiece when ripping and do not use the rip fence as a length stop when cross cutting with the mitre gauge.** Guiding the workpiece with the rip fence and the mitre gauge at the same time increases the likelihood of saw blade binding and kickback.
- **When ripping, always apply the workpiece feeding force between the fence and the saw blade. Use a push stick when the distance between the fence and the saw blade is less than 150 mm, and use a push block when this distance is less than 50 mm.** "Work helping" devices will keep your hand at a safe distance from the saw blade.
- **Use only the push stick provided by the manufacturer or constructed in accordance with the instructions.** This push stick provides sufficient distance of the hand from the saw blade.
- **Never use a damaged or cut push stick.** A damaged push stick may break causing your hand to slip into the saw blade.
- **Do not perform any operation "freehand". Always use either the rip fence or the mitre gauge to position and guide the workpiece.** "Freehand" means using your hands to support or guide the workpiece, in lieu of a rip fence or mitre gauge. Freehand sawing leads to misalignment, binding and kickback.
- **Never reach around or over a rotating saw blade.** Reaching for a workpiece may lead to accidental contact with the moving saw blade.
- **Provide auxiliary workpiece support to the rear and/or sides of the saw table for long and/or wide workpieces to keep them level.** A long and/or wide workpiece has a tendency to pivot on the table's edge, causing loss of control, saw blade binding and kickback.
- **Feed workpiece at an even pace. Do not bend or twist the workpiece. If jamming occurs, turn the product off immediately, unplug the product then clear the jam.** Jamming the saw blade by the workpiece can cause kickback or stall the motor.
- **Do not remove pieces of cut-off material while the saw is running.** The material may become trapped between the fence or inside the saw blade guard and the saw blade pulling your fingers into the saw blade. Turn the saw off and wait until the saw blade stops before removing material.
- **Use an auxiliary fence in contact with the table top when ripping workpieces less than 2 mm thick.** A thin workpiece may wedge under the rip fence and create a kickback.

CUTTING PROCEDURES WARNINGS

DANGER

Never place your fingers or hands in the vicinity or in line with the saw blade. A moment of inattention or a slip could direct your hand towards the saw blade and result in serious personal injury.

KICKBACK CAUSES AND RELATED WARNINGS

Kickback is a sudden reaction of the workpiece due to a pinched, jammed saw blade or misaligned line of cut in the workpiece with respect to the saw blade or when a part of the workpiece binds between the saw blade and the rip fence or other fixed object. Most frequently during kickback,



EN
FR
DE
ES
IT
NL
PT
DA
SV
FI
NO
RU
PL
CS
HU
RO
LV
LT
ET
HR
SL
SK
EL
TR

the workpiece is lifted from the table by the rear portion of the saw blade and is propelled towards the operator.

Kickback is the result of saw misuse and/or incorrect operating procedures or conditions and can be avoided by taking proper precautions as given below.

- **Never stand directly in line with the saw blade. Always position your body on the same side of the saw blade as the fence.** Kickback may propel the workpiece at high velocity towards anyone standing in front and in line with the saw blade.
- **Never reach over or in back of the saw blade to pull or to support the workpiece.** Accidental contact with the saw blade may occur or kickback may drag your fingers into the saw blade.
- **Never hold and press the workpiece that is being cut off against the rotating saw blade.** Pressing the workpiece being cut off against the saw blade will create a binding condition and kickback.
- **Align the fence to be parallel with the saw blade.** A misaligned fence will pinch the workpiece against the saw blade and create kickback.
- **Use a featherboard to guide the workpiece against the table and fence when making non-through cuts such as rebating or resawing cuts.** A featherboard helps to control the workpiece in the event of a kickback.
- **Support large panels to minimise the risk of saw blade pinching and kickback.** Large panels tend to sag under their own weight. Support(s) must be placed under all portions of the panel overhanging the table top.
- **Use extra caution when cutting a workpiece that is twisted, knotted, warped or does not have a straight edge to guide it with a mitre gauge or along the fence.** A warped, knotted, or twisted workpiece is unstable and causes misalignment of the kerf with the saw blade, binding and kickback.
- **Never cut more than one workpiece, stacked vertically or horizontally.** The saw blade could pick up one or more pieces and cause kickback.
- **When restarting the saw with the saw blade in the workpiece, centre the saw blade in the kerf so that the saw teeth are not engaged in the material.** If the saw blade binds, it may lift up the workpiece and cause kickback when the saw is restarted.
- **Keep saw blades clean, sharp, and with sufficient set. Never use warped saw blades or saw blades with cracked or broken teeth.** Sharp and properly set saw blades minimise binding, stalling and kickback.

TABLE SAW OPERATING PROCEDURE WARNINGS

- **Turn off the table saw and disconnect the power cord when removing the table insert, changing the saw blade or making adjustments to the riving knife or saw blade guard, and when the machine is left unattended.** Precautionary measures will avoid accidents.
- **Never leave the table saw running unattended. Turn it off and don't leave the product until it comes to a complete stop.** An unattended running saw is an uncontrolled hazard.

- **Locate the table saw in a well-lit and level area where you can maintain good footing and balance. It should be installed in an area that provides enough room to easily handle the size of your workpiece.** Cramped, dark areas, and uneven slippery floors invite accidents.
- **Frequently clean and remove sawdust from under the saw table and/or the dust collection device.** Accumulated sawdust is combustible and may self-ignite.
- **The table saw must be secured.** A table saw that is not properly secured may move or tip over.
- **Remove tools, wood scraps, etc. from the table before the table saw is turned on.** Distraction or a potential jam can be dangerous.
- **Always use saw blades with correct size and shape (diamond versus round) of arbour holes.** Saw blades that do not match the mounting hardware of the saw will run off-centre, causing loss of control.
- **Never use damaged or incorrect saw blade mounting means such as flanges, saw blade washers, bolts or nuts.** These mounting means were specially designed for your saw, for safe operation and optimum performance.
- **Never stand on the table saw, do not use it as a stepping stool.** Serious injury could occur if the product is tipped or if the cutting tool is accidentally contacted.
- **Make sure that the saw blade is installed to rotate in the proper direction. Do not use grinding wheels, wire brushes, or abrasive wheels on a table saw.** Improper saw blade installation or use of accessories not recommended may cause serious injury.

ADDITIONAL SAFETY WARNINGS FOR TABLE SAWS

- Setup or fix the machine in a stable position appropriate for the work being done. This could be mounted on a workbench, leg support or fixed to the floor.
- If fitted, set the adjustable leg extension to achieve a level stable platform to work on.
- Working at the proper height, using good working posture, will help prevent strain or other injuries during operation.
- Provide adequate general or localised lighting to prevent stroboscopic effect and hazards.
- Wear suitable personal protective equipment when necessary. This includes hearing protection to reduce the risk of hearing loss, respiratory protection to reduce the risk of inhaling harmful dust, sturdy gloves when handling saw blades and rough material.
- Always wear safety goggles when using the machine. It is recommended to wear sturdy non slipping shoes with toe caps to protect from objects falling from the table.
- The dust produced when using this tool may be harmful to your health, inflammable or explosive. Do not inhale the dust. Use a dust extraction system and wear a suitable dust protection mask. Remove deposited dust thoroughly, e.g., with a brush and vacuum cleaner.





- Keep the floor in the working area free from excessive sawdust, cut-offs and power cables. This reduces the risk of tripping and falling onto the blade.
- Keep the table clear of objects including tools and discarded wood cut-offs.
- Keep the surface of the table, fence and mitre guide clean. Beware of glue, paint and other items. The wood must slide smoothly and not catch or snag anywhere otherwise the risk of severe injury due to kickback is significantly increased.
- Use only blades specified in this manual, complying with EN 847-1.
- Do not use saw blades made of high-speed steel.
- Use only saw blades that are marked with a speed equal or higher than the speed marked on the tool.
- Do not force the work piece into the cutting blade. Let the tool do the work. Excessive force will overheat the blade and cutting tips, it may burn the work piece. It may result in unexpected events which could cause serious personal injury.
- Do not use dull or damaged blades. Unsharpened or improperly set blades produce narrow kerf causing excessive friction, blade binding and kickback.
- Never use blade washers or bolts that are defective or incorrect.
- Saw blades should be carried in a holder whenever possible.
- Do not operate the tool without the table insert and replace the table insert when worn.
- Unless performing a non through cut, always keep the blade guard and riving knife in place and in proper working order. Blade guards should raise and fall easily to allow passage of the workpiece under them. Ensure the blade guard is securely fitted to the riving knife. Do not use with any covers/guards removed.
- Always make sure the blade is parallel to the fence. This is a major contributor to kickback which can result in serious injury.
- Always use the saw blade guard and riving knife for every through sawing operation. Through sawing operations are those in which the blade cuts completely through the work piece when ripping or cross-cutting.
- Always ensure you thoroughly check the material you intend to cut, particularly when using recycled wood, for foreign objects such as nails, screws, staples. If these or similar items contact the blade whilst cutting the saw will be damaged and severe injury to the operator or others may occur.
- No dado cuts are allowed or possible with this power tool.
- Use the push stick when required. Always use a push stick for ripping narrow timber. The push stick should always be stored with the machine when not in use.
- Never reach into the area near the saw blade when it is running. Keep your fingers out of the area defined by the table insert.
- Never leave tool running unattended. Turn power off. Do not leave the tool until it comes to a complete stop.
- Never attempt to stop a machine in motion rapidly by

jamming a workpiece or other means against the blade. Serious accidents can be caused unintentionally in this way.

- Do not touch the saw blade immediately after sawing. The saw blade gets hot during sawing.
- If the saw blade becomes jammed during cutting, turn the machine off and disconnect it from power supply. Remove the workpiece and ensure that the saw blade runs free. Turn the machine on and start new cutting operation with reduced feed force.
- When transporting the machine, remove the blade guard, adjust the riving knife to its lowest position and lower the blade so it is below the table surface in its transit position.
- If the power supply cord is damaged, it must be replaced only by the manufacturer or by an authorised service centre to avoid risk.
- Do not use any attachments or accessories not recommended by the manufacturer. The use of attachments or accessories not recommended can result in serious personal injury.
- Appliances used at many different locations including open air should be connected via a residual current device (RCD).
- If the power to the table saw is interrupted, the machines on/off switch will automatically set itself to off.

SPECIFIC SAFETY INSTRUCTIONS FOR WOOD CUTTING BLADE

- Please read the manual and instructions carefully before using the saw blade and the power tool.
- The power tool must be in good condition, the spindle without deformation and vibration.
- Ensure the operator is adequately trained in safety precautions, adjustment and operation of the power tool.
- Always wear goggles and ear protection when using the power tool. It is recommended to wear gloves, sturdy non slipping shoes and apron.
- Before using any accessory, consult the instruction manual. The improper use of an accessory can cause damage and increase the potential for injury.
- Keep the blade clean. This includes saw dust and particularly sticky substances like wood resin. A clean blade cuts more accurately and safely.
- Use only blades specified in this manual, complying with EN 847-1.
- Observe the maximum speed marked on the saw blade. Ensure the speed marked on the saw blade is at least equal to the speed marked on the saw.
- Always use blades with correct size and shape of arbor holes. Blades that do not match the mounting hardware of the saw will run eccentrically, causing loss of control.
- Do not use saw blades with a body thickness greater or a width of the groove cut (kerf) smaller than the thickness of the riving knife.
- Do not use blades of larger or smaller diameter than recommended. Do not use any loose washers or spacers to make the blade fit onto the spindle.





- Check the tips of the saw blade for damage or abnormal appearance before each use. Tips that are damaged or loose can become flying objects in use and increase the risk of personal injury.
- Do not use cracked or distorted saw blades. Do not use saw blades that are damaged or deformed.
- Scrap the saw blade if damaged, deformed, distorted or cracked, repairing is not permitted.
- Do not use HSS blades.
- Ensure the saw blade is mounted correctly, tighten the arbor nut securely before use.
- Fastening screw and nuts shall be tightened using the appropriate spanner, etc.
- Using an extension on the spanner or tightening using hammer blows is not permitted.
- Make sure the blade and flanges are clean and the recessed sides of the collar are against the blade.
- Make sure the blade rotates in the correct direction and does not contact any part of the machine or guarding system.
- Before work, make a dummy cut without the motor turned on so the position of the blade, operation of the guards with respect to other product parts and work piece may be checked.
- Never leave the power tool unattended.
- Do not apply lubricants on the blade when it is running.
- Never attempt to stop the power tool in motion rapidly by jamming a tool or other means against the blade, serious accidents can be caused unintentionally in this way.
- Disconnect the power tool from the mains supply before changing blades or carrying out maintenance.
- Pay attention to blade packing and unpacking, it is easy to be injured by the sharp blade tips.
- Use a blade holder or wear gloves when handling a saw blade. Remember, the blade will be hot after cutting operations.
- Keep and store the blade in original packaging or other suitable packaging, keep in dry conditions and away from chemicals which may damage the blade.

INTENDED USE

The table saw is designed to be operated by one person for the purpose of rip and cross cutting wood, up to a maximum depth of 80 mm at 0° bevel angle. At the maximum 45° bevel angle the maximum depth of cut is 55 mm. The table saw is designed and intended to be fixed to a stable surface or a work stand as supplied by the manufacturer. Hard and soft wood plus particle and fibre boards may be cut.

Only blade and riving knife combinations supplied by the manufacturer of this table saw, for this table saw may be used.

RESIDUAL RISKS

Even when the table saw is used as prescribed, it is still impossible to completely eliminate certain residual risk factors. The operator should pay particular and additional attention to these points in order to reduce the risk of serious

personal injury.

- Non through cutting. The blade guard is removed and top of saw blade is exposed.
- Contact with the blade – avoid reaching towards, over and around the saw blade.
- Kickback – never stand in front of the blade.
- Stability – ensure the product is stable, whenever possible, secure it.
- Thrown cutting blade tips – wear eye protection at all times when working.
- Inhalation of dust – wear a mask if necessary. Dust produced when working certain types of wood products (e.g. MDF) can be hazardous to your respiratory system.
- Eye injury from wood and dust particles – wear eye protection at all times when working.
- Hearing injury – restrict exposure and wear appropriate hearing protection.
- Noise levels can vary widely from machine depending on conditions of use. Persons exposed to high noise levels, even for a short time, may experience temporary partial hearing loss and continuous exposure to high levels can result in permanent hearing damage.

KNOW YOUR PRODUCT

See page 242.

1. Table insert
2. Adjustable extended riving knife
3. Mitre guide
4. Saw blade
5. Saw blade guard
6. Table insert release
7. Fence/Rip fence
8. Side table extension (RTS1800ES, RTS1800EF)
9. Fixing holes (secure to work bench or legs)
10. On/off paddle switch
11. Bevel angle adjustment wheel
12. Bevel angle lock
13. Depth of cut handle
14. Saw table
15. Dust exhaust
16. Dust port accessory

OPERATION

WARNING

You must read and fully understand all of the warnings and instructions contained in this manual before applying power to and starting to cut with this table saw.

Through cutting: Any cutting operation where the saw blade protrudes beyond the thickness of the workpiece. For this operation the riving knife should be in the raised position and the blade guard must be fitted. Use a fence or mitre guide to correctly position the workpiece.

Non through cutting: Any cutting operation where the saw blade does not protrude beyond the thickness of the workpiece. For this operation the riving knife should be in its lowered position. The top of the riving knife should





be slightly lower than the top of the saw blade. The blade guard cannot be fitted. Use a fence or mitre guide to correctly position the workpiece.

Rip cutting: Using the rip fence parallel to the blade to guide the workpiece. Predominantly the cut is made in the direction of the wood grain (if present). Can be a through or non through cut.

Cross cutting: Using the mitre guide or cross cutting fence. This device is designed to slide parallel to the saw blade and enables the workpiece to be held at a fixed angle across the cutting axis of the blade. Predominantly the cut is made across the direction of the wood grain (if present). Can be a through or non through cut.

Bevel cutting: The angle of the blade with respect to the table surface is changed between 90 and 45°. Produces a cut with an angled edge. Can be a through or non through cut. Either the rip fence or the mitre guide should be used to correctly position the workpiece.

Mitre cutting: The workpiece is presented to the blade at an angle. The angle required is set on the mitre guide, which can then hold the workpiece at this angle whilst sliding parallel to the blade to make the cut. Can be a through or non through cut.

Tapered cutting: Tapered cross cuts are possible using the mitre guide set to the angle required. It is not possible to perform tapered rip cut's as a special fixture is required.

USING THE FENCE SAFELY

- Never use the rip fence and the mitre angle guide at the same time. This increases the potential for kickback and personal injury. When either is not in use, remove it from the table and store safely out of the way.
- Each time the fence is used or moved to another position it is essential that it is checked for parallelism to the saw blade.
- A non parallel fence can trap the workpiece between the blade and the fence causing kickback which can lead to severe personal injury to yourself and others.
- A badly adjusted or set fence can cause the workpiece to be fed toward the blade at the wrong angle which may cause the blade to bind or jam. It can also cause kickback (see above).
- To fit or adjust the fence properly, hook the end of the fence over the back edge of the table then lower the front edge to engage with the front of the table. Then apply pressure from the front of the fence so that the two edges set at a right angle to the direction of the fence contact the front edge of the table. This helps ensure the fence is parallel to the blade. Then lock the fence in position by pushing the locking handle downwards.
- The force by which the locking handle holds the fence in position can be adjusted by rotating the knurled screw just above the locking handle.
- Always check the parallelism of the fence to the blade by measurement or by an accurately cut block of wood before making the cut.

Aligning the distance marks, blade to fence

Set the edge of the fence against the blade and then adjust the indicator sight glass to align with the 0 mm mark on the front edge of the table. Loosen the screw, adjust the sight glass and re-tighten the screw.

Use of the auxiliary fence

There are circumstances when the fitting of the auxiliary fence to the main fence is required.

- a. When a narrow workpiece cannot be held by hand or push stick because the fence is in the way.
- b. When a thin workpiece is being cut. Very thin workpieces may slip under the main fence and catch or drag causing potential for kickback. Use the auxiliary fence to help prevent this.

Remove the auxiliary fence whenever it is safe to use the main fence only.

When making bevel cuts on narrow work pieces, always use the fence on the opposite side of the blade to the way it is leaning over otherwise it is easy to trap the push block or stick against the blade guard or fence.

Fixing the auxiliary fence to the main fence

- With the wing nuts and washers on one side of the fence, push the bolts through from the other side, and screw together a few turns. Now slide the auxiliary fence over the bolt heads onto the slot provided. Tighten the auxiliary fence in position as required.

NOTE: The auxiliary fence is only intended to guide the workpiece past the blade and riving knife, it does not have to cover the full length of the main fence.

Remove the auxiliary fence whenever it is safe to use the main fence only. Do not leave the bolts and wing nuts in place on the main fence.

Using a feather board

A feather board is a device similar to a comb but cut at an angle. Normally constructed of wood or plastic the thin fingers slightly bend as the workpiece slides into position, applying an even and consistent pressure to hold the workpiece. Use one of these devices when a precision cut of a narrow workpiece is required. This device is attached to the table via the mitre guide slots and alleviates the need for the operator's fingers to be near the blade.

Third party feather boards may be purchased at specialist woodworking stores.

OVERLOAD PROTECTION DEVICE

The product has an overload protection device. When overloading is detected, the product will automatically switch off. Turn the power off. If the overload protector is actuated, the motor must be allowed to cool down for 3 minutes. Make sure the blade can rotate freely and is not jammed or tight. Press the reset button (below the on/off switch). Turn the power on. Press the on button to start the product.

MAINTENANCE

- Ensure the saw blade is completely stopped and the power cord is removed from the power source before





EN
FR
DE
ES
IT
NL
PT
DA
SV
FI
NO
PL
RU
CS
HU
RO
LV
LT
ET
HR
SL
SK
EL
TR

conducting any maintenance or cleaning.

- If the power supply cord is damaged it must be repaired at an authorised service centre.
- The blade has sharp edges and may also remain hot after cutting operations. Exercise extreme caution when cleaning an exposed blade. Wear gloves to protect yourself from personal injury.
- Clean the saw and its accessories from dust regularly, especially moving parts including the blade guard. Use a hand brush or vacuum cleaner to remove dust effectively.

⚠ WARNING

Do not attempt to disassemble the blade guard assembly for cleaning or repair. Damaged guards should not be used. Return to an authorised service centre for repair or replacement.

- The table saw is lubricated at the factory and should not require additional lubrication.
- To check and adjust bevel angles and blade/fence parallelism, see the "Checking and setting the bevel angle" and "Checking and setting the parallelism of the blade to the mitre guide slots" sections in this manual".

CHECKING AND SETTING THE BEVEL ANGLE

NOTE: Setting the blade to be 90° from the table results in a 0° bevel angle.

1. Turn off the power and remove the plug from the wall socket.
2. Pay particular attention to the saw blade tips, they are very sharp and can cause personal injury.
3. Raise the blade and riving knife assembly to its highest height.
4. Remove the blade guard.
5. Place the riving knife to its lower position.
6. Ensure the blade and table surface are clear of dust and debris.
7. Place a 90° "set square" against the table surface and the highest part of the blade. Be careful not to contact the blade tips during this measurement as it will result in an error. You need to align the body surface of the saw blade.
8. There should be no gaps between the edge of the set square and the blade or the table, in this condition the blade is in a true vertical alignment and no further adjustment of the blade angle is necessary.
9. If a gap exists, loosen the bevel locking knob and carefully move the angle of the bevel whilst constantly re-checking the gap. Once no gap exists, tighten the bevel locking knob securely.
10. Loosen the screw on the bevel angle indicator and adjust the clear plastic line carrier so it shows alignment with the 0° mark. Tighten the screw.
11. Repeat this operation to check and set various angles between 90° and 45° as you feel necessary.

CHECKING AND SETTING THE PARALLELISM OF THE BLADE TO THE MITRE GUIDE SLOTS

1. Turn off the power and remove the plug from the wall socket.

2. Pay particular attention to the saw blade tips, they are very sharp and can cause personal injury.
3. Raise the blade and riving knife assembly to its highest height.
4. Remove the blade guard.
5. Complete the checks detailed in this manual "How to check and set the bevel angle." Ensure the bevel angle is securely fixed at 0°.
6. Take the mitre angle guide and fit it into one of the slots on the table. Set the angle on the mitre angle guide to 90°.
7. Place a steel ruler firmly against the mitre angle guide and with the straight end of the ruler set it to touch the body of the saw blade. You may use an accurately cut block of wood in place of the steel ruler.
8. Maintain a firm grip on the ruler / block and slide the whole mitre angle guide so the ruler / block is now contacting the other end of the blade. The ruler or block should have the same level of contact with the blade as it moves across the blade body. If this is the case, then the parallelism between blade and table slots is accurate and no adjustment is necessary. Check the slot on the other side of the table using the same method.

ADJUSTING THE PARALLELISM OF BLADE TO TABLE SLOTS

There are two bolts at the front of the saw blade and two more at the back. These can be accessed from under the table surface.

When these bolts are loosened, the entire blade, riving knife and motor assembly can be moved to accurately align the blade to the slots in the table.

You may find this difficult to achieve unless you have experience in such adjustments, so in case of difficulty, return your table saw to the nearest authorised Ryobi service centre for professional set-up.

ENVIRONMENTAL PROTECTION



Recycle raw materials instead of disposing of as waste. The machine, accessories and packaging should be sorted for environmental-friendly recycling.

SYMBOLS ON THE PRODUCT



Safety alert



CE conformity



EurAsian Conformity Mark





Class II tool, double insulation



Please read the instructions carefully before starting the product.



Wear ear protection.



Wear eye protection.



Wear safety gloves.



Danger! Sharp blade.



Cutting capacity



Blade width of cut (kerf)



Number of teeth on this saw blade



For cutting wood and analogous material



Not for cutting metals



Blade rotation direction (shown on saw blade)



Blade rotation direction (shown on riving knife)



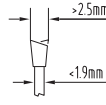
Blade rotation direction (shown on table)



Blade rotation direction (shown on blade guard)



Blade diameter



Blade body thickness and width of cut



Riving knife thickness and hardness



Rated power



Tungsten carbide 48 tooth blade



Soft start



Overload protection



Cast aluminium table



Table dimension
(RTS1800, RTS1800S)



Table dimension
(RTS1800ES, RTS1800EF)



Table extension dimension



Removable scissor leg



Foldable deluxe leg



Cutting capacities (90° and 45°)



Waste electrical products should not be disposed of with household waste. Please recycle where facilities exist. Check with your Local Authority or retailer for recycling advice.

EN
FR
DE
ES
IT
NL
PT
DA
SV
FI
NO
RU
PL
CS
HU
RO
LV
LT
ET
HR
SL
SK
EL
TR

SYMBOLS IN THIS MANUAL



Connect to power outlet.



Disconnect from power outlet.



Parts or accessories sold separately



Waste electrical products should not be disposed of with household waste. Please recycle where facilities exist.



Note



Warning

130.com.ua

AVERTISSEMENTS GÉNÉRAUX CONCERNANT LES OUTILS ÉLECTRIQUES

▲ AVERTISSEMENT

Lisez attentivement l'ensemble des avertissements, instructions et spécifications fournis avec cet outil, et reportez-vous aux illustrations. Le non-respect des instructions présentées ci-après peut entraîner des accidents tels que des incendies, des chocs électriques et/ou des blessures corporelles graves.

Conservez tous les avertissements ainsi que le mode d'emploi pour vous-y reporter dans le futur. Le terme "outil électrique" dans les avertissements se rapporte à votre outil électrique alimenté par le secteur (à fil) ou par batterie (sans fil).

SÉCURITÉ DE L'ENVIRONNEMENT DE TRAVAIL

- **Gardez l'espace de travail propre et bien éclairé.** Les espaces de travail sombres ou encombrés sont propices aux accidents.
- **N'utilisez pas d'outil électrique en atmosphère explosive, comme en présence de liquides inflammables, de gaz ou de poussières.** Les appareils électriques produisent des étincelles susceptibles d'enflammer poussières et vapeurs.
- **Gardez les enfants et les visiteurs à distance lorsque vous utilisez un outil électrique.** Les distractions peuvent entraîner une perte de contrôle.

SÉCURITÉ ÉLECTRIQUE

- **Les fiches secteur des outils électriques doivent correspondre à la prise de courant. Ne modifiez jamais la fiche secteur d'aucune façon. N'utilisez aucun adaptateur de prise avec les outils électriques reliés à la terre.** L'utilisation de fiches secteur non modifiées et adaptées à la prise de courant réduit le risque de décharge électrique.
- **Évitez que votre corps entre en contact avec des surfaces reliées à la terre, telles que des tuyaux, radiateurs, cuisinières et réfrigérateurs.** Le risque de décharge électrique est accru si votre corps est électriquement relié à la terre.
- **N'exposez pas les outils électriques à la pluie ou à des conditions humides.** La pénétration d'eau dans un outil électrique augmente le risque de décharge électrique.
- **Ne maltraitez pas le câble d'alimentation. Ne vous servez jamais du câble d'alimentation pour transporter l'outil, pour le tirer, ou pour en débrancher la fiche secteur. Tenez le câble secteur éloigné de la chaleur, de l'huile, des bords coupants ou des pièces en mouvement.** Les câbles endommagés ou emmêlés augmentent le risque de décharge électrique.
- **Lorsque vous utilisez un outil électrique en extérieur, utilisez une rallonge adaptée à un usage en extérieur.** L'utilisation d'une rallonge adaptée à un usage en extérieur réduit les risques de choc électrique.

- **S'il n'est pas possible d'éviter d'utiliser un outil électrique en environnement humide, utilisez une alimentation électrique équipée d'un disjoncteur différentiel.** L'utilisation d'un disjoncteur différentiel réduit le risque de choc électrique.

SÉCURITÉ PERSONNELLE

- **Restez vigilant, regardez ce que vous faites et faites preuve de bon sens lorsque vous utilisez un outil électrique. N'utilisez pas d'outil électrique si vous êtes fatigué ou sous l'influence de l'alcool, de drogues ou de médicaments.** Un moment d'inattention lors de l'utilisation d'un outil électrique suffit à provoquer de graves blessures.
- **Utilisez des protections individuelles. Portez toujours une protection oculaire.** Des équipements de protection tels qu'un masque anti poussières, des chaussures de sécurité antidérapantes, ou une protection auditive dans les conditions appropriées réduit le risque de blessures.
- **Prévenez les mises en marche accidentelles. Assurez-vous que l'interrupteur est en position «arrêt» avant la connexion au secteur et/ou l'insertion du pack batterie, ainsi qu'avant de saisir ou de transporter l'outil.** Le transport d'un outil électrique avec votre doigt sur l'interrupteur ou la mise sous tension d'un outil dont l'interrupteur est en position «marche» est propice aux accidents.
- **Retirez toute clé ou tout outil de réglage avant de mettre l'outil en marche.** Une clé ou un outil laissé sur une partie tournante d'un outil électrique est susceptible d'entraîner des blessures.
- **Ne travaillez pas en extension. Gardez un bon appui et un bon équilibre en toute circonstance.** Vous contrôlerez ainsi mieux l'outil électrique en cas d'imprévu.
- **Habilitez-vous correctement. Ne portez pas de vêtements ou de bijoux amples. Maintenez vos cheveux ainsi que vos vêtements éloignés des éléments en mouvement.** Les vêtements et bijoux amples ainsi que les cheveux longs sont susceptibles d'être happés par les parties en mouvement.
- **Si un dispositif d'extraction et de collecte des poussières est fourni, assurez-vous que ce dispositif est installé et utilisé de façon correcte.** L'utilisation d'un dispositif de collecte des poussières réduit les risques associés aux poussières.
- **Ne laissez pas l'habitude liée à l'utilisation régulière d'un outil vous rendre trop sûr de vous et vous faire oublier les principes de sécurité requis par l'utilisation des outils.** Une action imprudente peut entraîner de graves blessures en une fraction de seconde.

UTILISATION ET ENTRETIEN DES OUTILS ÉLECTRIQUES

- **Ne faites pas forcer un outil électrique. Utilisez un outil électrique adapté au travail à effectuer.** Un outil électrique adapté utilisé dans les limites de ses capacités effectuera un meilleur travail dans de meilleures conditions de sécurité.



EN
FR
DE
ES
IT
NL
PT
DA
SV
FI
NO
RU
PL
CS
HU
RO
LV
LT
ET
HR
SL
SK
EL
TR

- **N'utilisez pas un outil électrique dont l'interrupteur marche/arrêt est inopérant.** Tout outil électrique qui ne peut pas être contrôlé par son interrupteur est dangereux et doit être réparé.
- **Débranchez la fiche secteur de la source de courant et/ou retirez le pack batterie (s'il est amovible) de l'outil électrique avant d'effectuer tout réglage, tout changement d'accessoire, et avant de le ranger.** De telles mesures préventives de sécurité réduisent les risques de mettre accidentellement en marche l'outil électrique.
- **Rangez les outils électriques inutilisés hors de portée des enfants et ne laissez pas les personnes non familiarisées avec l'outil électrique ou avec ces instructions s'en servir.** Les outils électriques sont dangereux entre des mains non entraînées.
- **Entretenez vos outils électriques ainsi que leurs accessoires. Vérifiez que les pièces en mouvement sont bien alignées et non déformées, qu'aucune pièce n'est cassée ou mal montée, et qu'aucun autre problème n'est susceptible d'affecter le bon fonctionnement de l'outil électrique. En cas de dommage, faites réparer l'outil électrique avant de l'utiliser.** Beaucoup d'accidents sont dus à des outils électriques mal entretenus.
- **Gardez les outils coupants propres et affûtés.** Les outils coupants bien entretenus et bien affûtés sont moins susceptibles de se déformer et sont plus faciles à contrôler.
- **Utilisez l'outil électrique, ses accessoires et ses embouts, etc. en concordance avec ces instructions, en prenant en compte les conditions de travail et le travail à effectuer.** L'utilisation détournée d'un outil électrique entraîne des situations dangereuses.
- **Gardez les poignées et les surfaces de préhension sèches, propres et exemptes d'huile et de graisse.** Des poignées et des surfaces de préhension glissantes ne permettent pas une manipulation et un contrôle de l'outil en toute sécurité en cas de situation imprévue.

RÉPARATIONS

- **Faites réparer votre outil électrique par un réparateur qualifié n'utilisant que des pièces détachées identiques.** Vous maintiendrez ainsi la sécurité d'utilisation de votre outil électrique.

CONSIGNES DE SÉCURITÉ RELATIVES AUX SCIÉS SUR TABLE

AVERTISSEMENTS CONCERNANT LES PROTECTIONS

- **Laissez les protections en place. Les protections doivent être opérationnelles et correctement mises en place.** Une protection lâche, endommagée, ou ne fonctionnant pas correctement doit être réparée ou remplacée.
- **Utilisez toujours le protège-lame ainsi que le couteau diviseur pour toute opération de coupe.** Pour les opérations de coupe traversante où la lame de scie coupe toute l'épaisseur de la pièce, le protège-

lame et les autres dispositifs de sécurité aident à réduire les risques de blessures.

- **Remettez immédiatement le système de protection en place après avoir terminé une opération (comme une coupe en feuillure ou une reprise de coupe) nécessitant le retrait de la protection.** Le protège-lame et le couteau diviseur aident à réduire les risques de blessure.
- **Assurez-vous que la lame de scie n'entre pas en contact avec le protège-lame, le couteau diviseur ou la pièce à couper avant d'actionner l'interrupteur d'alimentation.** La mise en contact involontaire de ces éléments avec la lame de scie peut se révéler dangereuse.
- **Réglez le couteau diviseur comme décrit dans ce manuel d'instructions.** Un décalage, un positionnement ou un alignement incorrects peuvent rendre le couteau diviseur inopérant et augmenter le risque de rebond.
- **Pour que le couteau diviseur remplisse son office, il doit pénétrer dans la pièce à couper.** Le couteau diviseur est inopérant lorsque les pièces à couper sont trop courtes pour y pénétrer. Dans ces conditions, le couteau diviseur ne peut pas empêcher le rebond.
- **Utilisez une lame de scie adaptée au couteau diviseur.** Pour que le couteau diviseur fonctionne correctement, le diamètre de la lame de scie doit correspondre au couteau diviseur et l'épaisseur de la lame de scie doit être inférieure à celle du couteau diviseur, et la largeur de coupe de la lame de scie doit être supérieure à l'épaisseur du couteau diviseur.

AVERTISSEMENTS RELATIFS AUX PROCÉDURES DE COUPE

DANGER

Ne mettez jamais vos doigts ou vos mains à proximité de la lame de scie ou dans son alignement. Un moment d'inattention ou un dérapage sont susceptibles d'entraîner votre main vers la lame de scie et de provoquer de graves blessures.

- **Introduisez toujours la pièce à couper en opposition par rapport au sens de rotation de la lame.** L'introduction de la pièce à couper dans le même sens que la rotation de la lame de scie (en avalant) sur le plateau de la scie est susceptible d'entraîner la pièce ainsi que votre main en direction de la lame.
- **N'utilisez jamais le guide d'onglet pour introduire la pièce à couper en coupe longitudinale et n'utilisez jamais le guide latéral en tant que butée de longueur pour effectuer des coupes transversales avec le guide d'onglet.** Le fait de guider la pièce à couper à la fois avec le guide latéral et le guide d'onglet augmente le risque de coinçage de la lame de scie et le risque de rebond.
- **Lors d'une coupe longitudinal, appliquez toujours la force d'avancement entre le guide et la lame. Utilisez un poussoir lorsque la distance entre le guide et la lame de scie est inférieure à 150 mm,**





et utilisez un bloc d'introduction lorsque cette distance est inférieure à 50 mm. Les dispositifs "d'aide au travail" garderont vos mains à une distance sûre de la lame de scie.

- **N'utilisez que des poussoirs fournis par le fabricant ou conçus selon les instructions.** Le poussoir permet de garder une distance suffisante entre la main et la lame de scie.
- **N'utilisez jamais de poussoir endommagé ou coupé.** Un poussoir endommagé est susceptible de se rompre, ce qui pourrait entraîner votre main vers la lame.
- **N'effectuez aucune opération à «main nue».** Utilisez toujours soit le guide longitudinal ou le guide d'onglet pour caler et guider la pièce à couper. "Main nue" signifie que vous utilisez vos mains pour maintenir et guider la pièce à couper, à la place d'un guide longitudinal ou transversal. Le sciage à main nue entraîne des défauts d'alignement, des torsions et des rebonds.
- **N'approchez jamais vos mains d'une lame en rotation, et ne passez jamais au-dessus.** Essayer d'atteindre une pièce à couper par dessus une lame ou à sa proximité peut entraîner la mise en contact accidentelle avec cette lame en rotation.
- **Supportez la pièce à couper de façon supplémentaire en avant ou en arrière si celle-ci est de grande longueur, afin de la garder de niveau.** Une pièce à couper large et/ou longue a tendance à pivoter sur le bord du plateau, entraînant une perte de contrôle, un coincement de la lame et un rebond.
- **Faites progresser la pièce à couper de façon régulière. Ne tordez pas la pièce à couper et ne la faites pas pivoter. En cas de blocage, arrêtez immédiatement le produit, débranchez-le et éliminez la cause du blocage.** Le blocage de la lame de scie par la pièce à couper peut entraîner un rebond ou caler le moteur.
- **Ne retirez pas de matériau coupé lorsque la lame tourne. Le matériau peut se voir piégé entre le guide ou l'intérieur du protège-lame et la lame, tirant vos doigts vers la lame de scie.** Arrêtez la scie et attendez l'arrêt de la lame avant de retirer le matériau en cause.
- **Utilisez un guide auxiliaire en contact avec le plateau de la scie pour couper des pièces d'une épaisseur inférieure à 2 mm.** Une pièce à couper fine est susceptible de se coincer sous le guide longitudinal et de provoquer un rebond.

CAUSES DE REBOND ET AVERTISSEMENTS ASSOCIÉS

Un rebond est une réaction brusque de la pièce à couper due à un pincement, à une lame de scie coincée ou à un trait de coupe non-aligné par rapport à la lame de scie, ou due au coincement d'une partie de la pièce à couper entre la lame de scie et le guide longitudinal ou autre partie fixe. La plupart du temps, en cas de rebond, la pièce à couper se voit soulevée de la table par la partie arrière de la lame de scie et projetée en direction de l'opérateur.

Le rebond est donc le résultat d'une mauvaise utilisation de l'outil et/ou de procédures ou de conditions de coupe

incorrectes. Il peut être évité en veillant à respecter quelques précautions.

- **Ne restez jamais dans l'alignement de la lame de scie. Placez toujours votre corps du même côté de la lame que le guide longitudinal.** Un rebond est susceptible de projeter la pièce à couper à grande vitesse en direction de quiconque se trouvant en avant de la lame de scie et dans son alignement.
- **Ne tentez jamais de tirer ou de maintenir la pièce à couper en passant au dessus de la lame de scie ou en arrière de celle-ci.** Un contact accidentel avec la lame de scie est susceptible de se produire, ou un rebond pourrait entraîner vos doigts vers la lame de scie.
- **Ne maintenez ou ne pressez jamais la pièce à couper contre la lame de scie en rotation.** Le fait de presser la pièce à couper contre la lame de scie est susceptible d'entraîner une situation de torsion et de rebond.
- **Alignez le guide longitudinal de façon parallèle à la lame de scie.** Un guide mal aligné entraînera un pincement de la pièce à couper contre la lame ainsi qu'un rebond.
- **Utilisez un presseur à peigne pour guider la pièce à couper contre la table et le guide longitudinal lorsque vous effectuez des coupes non-traversantes telles que des coupes en feuillure ou des reprises de coupe.** Un presseur à peigne aide à contrôler la pièce à couper en cas de rebond.
- **Supportez les grands panneaux pour minimiser les risques de pincement et de rebond.** Les longues pièces à usiner ont tendance à ployer sous leur propre poids. Des supports doivent être placés sous toutes les parties du panneau qui débordent du plateau de la scie.
- **Soyez particulièrement vigilant lors de la coupe d'une pièce tordue, voilée, contenant des nœuds lorsque vous devez la guider le long du guide longitudinal ou transversal.** Une pièce à couper voilée, tordue ou contenant des nœuds est instable et entraîne un désalignement du trait de coupe par rapport à la lame de scie, un coincement et un rebond.
- **Ne coupez jamais plusieurs pièces à la fois, que ce soit verticalement ou horizontalement.** La lame de scie pourrait agripper une ou plusieurs pièces et provoquer un rebond.
- **Lorsque vous redémarrez la scie dans l'élément à couper, centrez la lame dans le trait de coupe et vérifiez que ses dents ne mordent pas dans le matériau.** Si la lame de scie se coince, elle est susceptible de soulever la pièce à couper et d'entraîner un rebond une fois la lame remise en marche.
- **Gardez les lames de scie propres, affûtées, et en nombre suffisant. N'utilisez jamais de lame de scie voilée, fendue, ou ayant des dents cassées.** Des lames de scie affûtées et en bon état minimisent les risques de pincement, de blocage et de rebond.





EN
FR
DE
ES
IT
NL
PT
DA
SV
FI
NO
RU
PL
CS
HU
RO
LV
LT
ET
HR
SL
SK
EL
TR

AVERTISSEMENTS RELATIFS À L'UTILISATION DES SCIES SUR TABLE

- Arrêtez la scie sur table et débranchez son alimentation lorsque vous retirez l'insert de plateau, lorsque vous changez de lame ou lorsque vous procédez au réglage du couteau diviseur ou du protège-lame, ainsi que lorsque vous laissez la machine sans surveillance. Les mesures de protection évitent les accidents.
- Ne laissez jamais la scie fonctionner sans surveillance. Arrêtez-la et ne vous en éloignez pas avant son arrêt complet. Une scie en fonctionnement sans surveillance constitue un danger non-contrôlé.
- Installez la scie sur table dans un endroit de niveau et bien éclairé où vous pouvez conserver un bon appui au sol et un bon équilibre. Elle doit être installée dans un endroit qui procure assez de place à vos pièces à couper pour que puissiez les manipuler aisément. Les endroits exigus, sombres, au sol irrégulier et glissant sont propices aux accidents.
- Retirez régulièrement la sciure qui se trouve sous la scie sur table et/ou dans le dispositif de collecte de la sciure. La sciure de bois accumulée est un combustible susceptible de s'enflammer.
- La scie sur table doit être fixée. Une scie sur table mal fixée est susceptible de bouger ou de se renverser.
- Retirez les outils, les chutes de bois, etc. du plateau avant de mettre la scie en marche. Une distraction ou un blocage potentiel peuvent être dangereux.
- Utilisez toujours des lames de scie dont la forme de l'ouverture centrale (en forme de diamant contrairement à ronde) correspond à la broche. Les lames qui ne correspondent pas au système de fixation de la scie tourneront de façon excentrée et entraîneront une perte de contrôle.
- N'utilisez jamais d'éléments de fixation de lame de scie tels que brides, rondelles, boulons ou écrous endommagés ou incorrects. Ces éléments de fixation ont été spécialement conçus pour votre scie, afin de procurer une utilisation sûre et des performances optimales.
- Ne montez jamais sur la scie sur table, ne l'utilisez jamais comme marchepied. De graves blessures pourraient se produire au cas où le produit basculerait ou en cas de mise en contact accidentelle avec l'élément de coupe.
- Assurez-vous que la lame de scie est montée de façon à tourner dans le bon sens. N'utilisez pas de disques à tronçonner, de brosses rotatives ou de disques à meuler avec une scie sur table. Un montage incorrect d'une lame de scie ou l'utilisation d'accessoires non-recommandés peut entraîner de graves blessures.

CONSIGNES DE SÉCURITÉ ADDITIONNELLES RELATIVES AUX SCIES SUR TABLE

- Installez ou fixez la machine de façon stable et adaptée au travail à effectuer. Elle peut être montée sur un établi, un pied support ou fixée au sol.
- Si vous utilisez des rallonges de pied, installez-les de

façon à obtenir une plateforme de travail stable.

- Travailler à la bonne hauteur et adopter une bonne posture de travail aide à éviter les tensions ou autres blessures en cours d'opération.
- Fournissez un éclairage général ou ponctuel adéquat de manière à éviter les effets stroboscopiques et leurs dangers.
- Portez un équipement de protection individuel lorsque cela est nécessaire. Ceci inclut une protection auditive pour réduire les risques de perte auditive, une protection respiratoire pour réduire le risque d'inhalation de poussières nocives, des gants solides lors de la manipulation des lames de scie et des matériaux rugueux.
- Portez toujours des lunettes de sécurité lorsque vous utilisez la machine. Il est recommandé de porter des chaussures solides et antidérapantes à bout renforcé pour se protéger des objets qui pourraient tomber du plateau.
- La sciure générée par l'utilisation de cet outil peut être préjudiciable à votre santé, inflammable ou explosive. Utilisez un dispositif d'aspiration de la sciure et portez un masque de protection adapté. Retirez soigneusement la sciure, par ex. à l'aide d'un pinceau et d'un aspirateur.
- Gardez le sol de l'environnement de travail exempt de sciure en excès, de chutes de bois et de câbles électriques. Ceci réduira les risques de trébucher et de tomber sur la lame.
- Gardez le plateau libre de tout objet, outils et chutes de coupe compris.
- Gardez la surface du plateau et les guides de coupe longitudinal et latéral propres. Méfiez-vous de la colle, de la peinture et autres produits. Le bois doit glisser en douceur et ne s'accrocher nulle part, pour ne pas créer de risques de blessures graves dues au risque accru de rebond.
- N'utilisez que les lames spécifiées dans ce manuel, répondant à la norme EN 847-1.
- Ne pas utiliser de lame de scie fabriquées en acier à coupe rapide.
- N'utilisez que des lames de scies portant une valeur de vitesse maximale supérieure ou égale à la vitesse marquée sur l'outil.
- Ne faites pas forcer la pièce à couper contre la lame de coupe. Laissez l'outil effectuer le travail. Une force excessive fera surchauffer la lame et les dents, risquant de brûler la pièce à couper. Il pourrait en résulter des événements inattendus susceptibles d'entraîner de graves blessures.
- N'utilisez pas de lames émoussées ou endommagées. Des lames émoussées ou endommagées produisent des traits de coupe étroits, ce qui entraîne un frottement excessif, un coincement du disque et un rebond.
- Les lames de scie doivent être transportées emballées dans la mesure du possible.
- Ne faites pas fonctionner l'outil sans insert de plateau et remplacez-le une fois usé.
- A moins d'effectuer une coupe non traversante, gardez





toujours le protège-lame et le couteau diviseur en place et en état de fonctionner. Un protège-lame doit pouvoir monter et s'abaisser facilement pour permettre le passage de la pièce à couper. Assurez-vous que le protège-lame est bien fixé sur le couteau diviseur. Ne pas utiliser si un(e) quelconque carter/protection n'est pas en place.

- Assurez-vous toujours que la lame est parallèle au guide longitudinal. Ceci contribue largement au risque de rebond pouvant entraîner de graves blessures.
- Utilisez toujours le protège-lame ainsi que le couteau diviseur pour toute opération de coupe traversante. Une coupe traversante est une coupe longitudinale ou transversale sur toute l'épaisseur de la pièce à couper.
- Assurez-vous de toujours vérifier le matériau à couper, en particulier s'il s'agit de bois de récupération, à la recherche d'objets étrangers tels que clous, vis, agrafes.
- Si de tels objets entrent en contact avec la lame en cours de coupe, celle-ci s'en trouvera endommagée et de graves blessures pourraient être occasionnées à l'opérateur ou autres personnes.
- Aucune coupe de rainure d'assemblage ne doit être effectuée ni n'est possible avec cet outil électrique.
- Utilisez la baguette poussoir lorsque cela est nécessaire. Utilisez toujours une baguette poussoir pour couper les pièces étroites. La baguette poussoir doit toujours être rangée avec la machine lorsque vous ne l'utilisez pas.
- Ne vous approchez jamais des environs de la lame de scie lors du fonctionnement. Gardez vos doigts éloignés de la zone définie par l'insert de plateau.
- Ne laissez jamais la machine fonctionner sans surveillance.
- Coupez l'alimentation.
- Ne vous éloignez pas de l'outil avant son arrêt complet.
- Ne tentez jamais d'arrêter rapidement une machine en rotation en coinçant un morceau de matériau ou autre élément contre la lame. Vous risqueriez de provoquer de graves accidents en agissant de la sorte.
- Ne touchez pas la lame de scie immédiatement après une coupe. La lame de scie devient chaude au cours de la coupe.
- Lorsque la lame de scie se bloque en cours de coupe, arrêtez la machine et débranchez son alimentation électrique. Retirez la pièce à couper et assurez-vous que la scie tourne de façon libre. Mettez la machine en marche et recommencez la coupe en diminuant la force d'introduction.
- Lorsque vous transportez la machine, retirez le protège-lame, mettez le couteau diviseur à sa position la plus basse, et abaissez la lame de façon qu'elle se trouve sous la surface du plateau, dans sa position de déplacement.
- Si le câble d'alimentation est endommagé, il ne doit être remplacé que par le fabricant ou par un service après-vente agréé, pour éviter tout danger.
- N'utilisez pas d'accessoires non recommandés par le fabricant. L'utilisation d'accessoires non recommandés

peut entraîner de graves blessures. Les appareils utilisés en de multiples endroits, y-compris à l'extérieur, doivent être alimentés par l'intermédiaire d'un disjoncteur différentiel.

- Si l'alimentation de la scie table vient à être interrompue, alors l'interrupteur marche/arrêt se mettra automatiquement en position arrêt.

INSTRUCTIONS DE SÉCURITÉ PARTICULIÈRES CONCERNANT LA LAME DE COUPE DU BOIS

- Veuillez lire attentivement le manuel et les instructions avant d'utiliser la lame de scie et l'outil électrique.
- L'outil électrique doit être en bon état, son axe de broche non déformé et sans vibrations.
- Assurez-vous que l'opérateur est suffisamment familiarisé avec les précautions de sécurité, ainsi qu'avec les réglages et l'utilisation de l'outil électrique.
- Portez toujours des lunettes et une protection auditive lorsque vous utilisez l'outil électrique. Des gants de sécurité, des chaussures solides et à semelles antidérapantes et un tablier sont recommandés.
- Avant toute utilisation d'un accessoire, consultez le manuel utilisateur. L'utilisation inappropriée d'un accessoire est susceptible de provoquer des dommages et d'augmenter les risques de blessures.
- Gardez la lame propre. Ceci inclut la sciure et en particulier les substances collantes comme la résine de bois. Une lame propre coupe de façon plus sûre et plus précise.
- N'utilisez que les lames spécifiées dans ce manuel, répondant à la norme EN 847-1.
- Respectez la vitesse maximale de rotation indiquée sur la lame. Assurez-vous que la vitesse marquée sur la lame de scie est au moins égale à la vitesse marquée sur la scie.
- Utilisez toujours des lames dont la forme de l'ouverture centrale correspond à la broche. Des lames non adaptées à l'arbre sur lequel elles doivent être montées ne tourneront pas correctement et peuvent vous faire perdre de contrôle de l'outil.
- N'utilisez pas de lames dont le flanc est plus épais que le couteau diviseur ou qui produisent un trait de coupe plus étroit que l'épaisseur du couteau diviseur.
- N'utilisez pas de lames d'un diamètre supérieur ou inférieur à celui recommandé. N'utilisez pas de rondelles ou d'entretoises pour adapter la lame à la broche.
- Avant chaque utilisation, vérifiez que les dents de la lame de scie ne sont pas abîmées et qu'elles n'ont pas une apparence anormale. Des dents abîmées ou mal fixées peuvent se transformer en objets projetés en cours d'utilisation et augmenter les risques de blessures.
- Ne pas utiliser de lames de scie fissurées ou déformées. Ne pas utiliser de lames de scie qui sont endommagées ou déformées.
- Jetez la lame de scie si elle est endommagée, déformée, tordue ou fissurée, il n'est pas permis de la réparer.





EN
FR
DE
ES
IT
NL
PT
DA
SV
FI
NO
RU
PL
CS
HU
RO
LV
LT
ET
HR
SL
SK
EL
TR

- N'utilisez pas de lames HSS.
- Assurez-vous que la lame de scie est montée de façon correcte, serrez fermement l'écrou de broche avant utilisation.
- Les vis et écrous de serrage doivent être serrés avec une clé appropriée, etc.
- Il n'est pas permis d'utiliser une rallonge de clé ou de donner des coups de marteau sur la clé pour le serrage.
- Assurez-vous que toutes les lames et tous les flasques sont propres et que les parties épaulées des colliers sont orientés vers la lame.
- Assurez-vous que la lame tourne dans le bon sens et n'entre en contact avec aucune partie de la machine ou du dispositif de protection.
- Avant de travailler, faites une coupe à blanc moteur arrêté afin de pouvoir vérifier la position de la lame, le fonctionnement des protections par rapport aux autres éléments du produit ainsi que la pièce à couper.
- Ne laissez jamais l'outil électrique sans surveillance.
- N'appliquez pas de lubrifiant sur la lame lorsqu'elle est en rotation.
- Ne tentez jamais d'arrêter rapidement l'outil électrique en rotation en coinçant un outil ou autre élément contre la lame, vous risqueriez de provoquer de graves accidents.
- Débranchez l'outil électrique du secteur avant de l'entretenir ou d'en changer la lame.
- Prenez garde lors de l'emballage et du déballage de la lame, il est facile de se blesser avec les dents affûtées.
- Utilisez un porte-lame ou portez des gants lorsque vous manipulez une lame de scie. Rappelez-vous, la lame deviendra chaude après les opérations de coupe.
- Conservez et stockez la lame dans son emballage d'origine ou dans un autre emballage adapté, au sec et à l'abri des produits chimiques susceptibles de l'endommager.

UTILISATION PRÉVUE

La scie sur table a été conçue pour être utilisée par une personne seulement, pour la coupe longitudinale et transversale de bois, sur une épaisseur maximale de 80 mm à un angle de biseau de 0°. A l'angle de biseau maximal de 45°, la profondeur de coupe est de 55 mm. La scie sur table est conçue pour être fixée à une surface stable ou sur un pied de travail tel que fourni par le fabricant. Des bois durs et tendres ainsi que des bois agglomérés ou des panneaux de particules peuvent être coupés.

Seule la combinaison lame + couteau diviseur fournie par le fabricant de cette scie table peut être utilisée.

RISQUES RÉSIDUELS

Même lorsque la scie table est utilisée selon les prescriptions, il reste impossible d'éliminer totalement certains facteurs de risque résiduels.

L'opérateur doit toujours prêter particulièrement attention à ces points afin de réduire les risques de blessures graves.

- Coupe non-traversante. Le protège-lame est démonté et le haut de la lame est exposé.

- Contact avec la lame – évitez tout mouvement vers, par-dessus et autour de la lame de scie.
- Rebond – ne vous tenez jamais en face de la lame.
- Stabilité – assurez-vous que le produit est stable, bloquez-le lorsque cela est possible.
- Éjection de dents de la lame – portez une protection oculaire à tout moment en cours de travail.
- Inhalation de sciure – portez un masque au besoin. La sciure produite par la coupe de certains produits à base de bois (par ex. MDF) peut s'avérer nocive pour votre système respiratoire.
- Blessures oculaires dues à la sciure et aux particules de bois – portez une protection oculaire à tout moment en cours de travail.
- Atteinte auditive – limitez l'exposition et portez une protection auditive appropriée.
- Les niveaux de bruit émis par la machine sont susceptibles de varier dans une large mesure en fonction des conditions d'utilisation. Les personnes exposées à de hauts niveaux de bruit, même pendant une courte période, peuvent temporairement ressentir une perte partielle d'audition et l'exposition continue à de hauts niveaux sonores peut entraîner des dommages auditifs permanents.

APPRENEZ À CONNAÎTRE VOTRE OUTIL.

Voir page 242.

1. Insert de plateau
2. Couteau diviseur rallongé réglable
3. Guide d'onglet
4. Lame de scie
5. Protège-lame
6. Déverrouillage de l'insert de plateau
7. Guide/Guide longitudinal
8. Rallonge de plateau (RTS1800ES, RTS1800EF)
9. Trous de fixation (pour fixation à un établi ou à des pieds)
10. Interrupteur marche/arrêt à palette
11. Roue de réglage de l'angle de biseau
12. Verrouillage de l'angle de biseau
13. Poignée de profondeur de coupe
14. Plateau de la scie
15. Sortie de la sciure
16. Conduit d'extraction de la sciure en accessoire

UTILISATION

AVERTISSEMENT

Vous devez lire et comprendre en totalité tous les avertissements et toutes les instructions contenues dans ce manuel avant d'alimenter cette scie sur table en courant et avant de vous en servir pour couper.

Coupe traversante : Toute opération de coupe où la lame de scie dépasse de l'épaisseur de la pièce à couper. Pour cette opération le couteau diviseur doit être déployé et le protège-lame doit être en place. Utilisez un guide longitudinal ou transversal pour positionner correctement la pièce à couper.





Coupe non-traversante : Toute opération de coupe où la lame de scie ne dépasse pas de l'épaisseur de la pièce à couper. Pour cette opération, le couteau diviseur doit être en position abaissée. Le haut du couteau diviseur doit être légèrement plus bas que le haut de la lame de scie. Le protège-lame ne peut pas être mis en place. Utilisez un guide longitudinal ou transversal pour positionner correctement la pièce à couper.

Coupe longitudinale : Utilisez le guide longitudinal parallèle à la lame pour guider la pièce à couper. La coupe doit se faire de préférence dans le sens des fibres du bois (le cas échéant). La coupe peut être traversante ou non.

Coupe transversale : La coupe doit se faire à l'aide du guide d'onglet ou du guide transversal. Ce dispositif est conçu pour coulisser parallèlement à la lame de scie et permet de maintenir la pièce à couper à un angle fixe par rapport à l'axe de coupe de la lame. La coupe doit se faire de préférence dans le sens des fibres du bois (le cas échéant). La coupe peut être traversante ou non.

Coupe en biseau : L'angle de la lame par rapport à la surface du plateau peut varier de 90 à 45°. La coupe produite possède un bord incliné. La coupe peut être traversante ou non. Soit le guide longitudinal ou le guide d'onglet doit être utilisé pour positionner correctement la pièce à couper.

Coupe d'onglet : La pièce à couper est présentée à la lame avec un angle. L'angle requis est réglé sur le guide d'onglet, qui peut ensuite maintenir la pièce à couper à cet angle tout en coulissant de façon parallèle à la lame pour effectuer la coupe. La coupe peut être traversante ou non.

Coupe en pointe : Les coupes transversales en pointe sont possibles à l'aide du guide d'onglet qui permet de régler l'angle requis. Il n'est pas possible d'effectuer des coupes en pointe de façon longitudinale, cela nécessiterait une installation spéciale.

UTILISATION DU GUIDE EN TOUTE SÉCURITÉ

- N'utilisez jamais simultanément le guide longitudinal et le guide transversal. Ceci augmenterait les risques de rebond et de blessures. Lorsque vous n'utilisez ni l'un ni l'autre des guides, retirez-les du plateau et rangez-les de façon sûre pour qu'ils n'encombrent pas.
- Chaque fois que le guide est utilisé ou déplacé, il est essentiel de vérifier son parallélisme avec la lame de scie.
- Un guide non-parallèle est susceptible de piéger la pièce à couper entre la lame et le guide, provoquant un rebond pouvant provoquer des blessures graves.
- Un guide mal réglé ou mal mis en place peut faire progresser la pièce à couper vers la lame sous un mauvais angle, ce qui peut être la cause d'une torsion ou d'un blocage de la lame. Cela peut également provoquer un rebond (voir plus haut).
- Pour mettre en place ou ajuster le guide correctement, accrochez son extrémité au bord arrière du plateau puis abaissez sa partie avant pour l'engager dans l'avant du plateau. Appliquez ensuite une pression sur l'avant du guide afin que les deux bords qui font un angle droit par rapport à la direction du guide soient en contact avec le bord avant du plateau. Cela aidera à garantir le parallélisme du guide avec la lame. Verrouillez ensuite

le guide en poussant la poignée de verrouillage vers le bas.

- La force avec laquelle la poignée de verrouillage maintient le guide en position peut être réglée en tournant la vis moletée située juste au dessus de la poignée de verrouillage.
- Vérifiez toujours le parallélisme du guide avec la lame en le mesurant ou en utilisant un bloc de bois coupé avec précision avant de procéder à la coupe.

Alignement des repères de distance, de la lame vers le guide

Mettez le bord du guide en contact avec la lame puis réglez le verre de visée afin de l'aligner avec le repère 0 mm du devant du plateau. Desserrez la vis, réglez le verre de visée puis resserrez la vis.

Utilisation du guide auxiliaire

Certaines circonstances demandent que le guide auxiliaire soit mis en place sur le guide principal.

- a. Lorsqu'une pièce étroite ne peut pas être tenue à la main ou manipulée à l'aide du pousoir car le guide se trouve sur le chemin.
- b. Lorsqu'une fine pièce doit être coupée. Lorsque de fines pièces sont susceptibles de glisser sous le guide principal et d'être happées, entraînant des risques de rebond. Utilisez le guide auxiliaire pour aider à éviter ceci.

Retirez le guide auxiliaire chaque fois qu'il est sûr de n'utiliser que le guide principal.

Lorsque vous effectuez des coupes en biseau sur des pièces étroites, utilisez toujours le guide du côté opposé de l'inclinaison de la lame, autrement le bloc de poussée ou le pousoir pourraient être facilement coincés contre le protège-lame ou le guide.

Fixation du guide auxiliaire sur le guide principal

- A l'aide des écrous papillon et des rondelles sur un côté du guide, faites traverser les boulons à partir de l'autre côté, puis effectuez quelques tours de serrage. Faites maintenant glisser le guide auxiliaire sur les têtes des boulons dans la glissière présente. Serrez le guide auxiliaire en place tel que requis.

NOTE: Le guide auxiliaire sert uniquement à guider la pièce à couper au delà de la lame et du couteau diviseur, il n'a pas besoin de recouvrir toute la longueur du guide principal.

Retirez le guide auxiliaire chaque fois qu'il est sûr de n'utiliser que le guide principal. Ne laissez pas les boulons et les écrous papillon en place sur le guide principal.

Utilisation d'un presseur à peigne

Un presseur à peigne est un dispositif similaire à un peigne, mais coupé de façon à faire un angle. Généralement en bois ou en plastique, ses dents se plient légèrement lorsque la pièce à couper glisse en position, appliquant une pression constante et répartie afin de maintenir la pièce à couper. Utilisez un de ces dispositifs lorsque vous devez couper avec précision une pièce étroite. Ce dispositif est fixé au plateau par l'intermédiaire des rainures du guide d'onglet et permet à l'utilisateur de ne pas avoir à approcher ses





EN
FR
DE
ES
IT
NL
PT
DA
SV
FI
NO
RU
PL
CS
HU
RO
LV
LT
ET
HR
SL
SK
EL
TR

doigts de la lame de scie.

Vous pouvez acheter un presseur à peigne adaptable auprès des revendeurs spécialisés en machines à bois.

DISPOSITIF DE PROTECTION CONTRE LES SURCHARGES

Le produit est équipé d'un dispositif de protection contre les surcharges. Lorsqu'une surcharge est détectée, le produit s'arrête automatiquement. Coupez l'alimentation. Si la protection anti-surcharge s'est déclenchée, il convient de laisser refroidir le moteur pendant 3 minutes. Assurez-vous que la lame peut tourner librement et qu'elle n'est ni bloquée ni serrée. Appuyez sur le bouton de remise à zéro (situé sous l'interrupteur marche/arrêt). Branchez l'alimentation. Appuyez le bouton pour mettre le produit en marche.

ENTRETIEN

- Assurez-vous que la lame de scie s'est complètement arrêtée et que le câble d'alimentation est débranché de la source de courant avant d'effectuer toute opération de nettoyage ou d'entretien.
- Si le câble d'alimentation est endommagé, il doit être réparé par un service après-vente agréé.
- La lame possède des bords coupants et peut-être chaude après utilisation. Soyez extrêmement prudent lorsque vous nettoyez une lame nue. Portez des gants pour vous protéger de toute blessure.
- Nettoyez régulièrement la lame et ses accessoires pour les débarrasser de la sciure, en particulier les éléments en mouvement comme le protège-lame. Utilisez un pinceau ou un aspirateur pour retirer efficacement la sciure.

⚠ AVERTISSEMENT

Ne tentez pas de démonter le protège-lame pour le nettoyer ou pour le réparer. Un protège-lame endommagé ne doit pas être utilisé. Retournez-le à un service après-vente agréé pour le faire réparer ou remplacer.

- La scie sur table a été lubrifiée en usine et ne requiert aucune lubrification supplémentaire.
- Pour vérifier et régler les angles de biseau et le parallélisme lame/guide longitudinal, reportez-vous aux chapitres "Vérification et réglage de l'angle de biseau" et "Vérification et réglage du parallélisme de la lame avec les rainures du guide d'onglet" de ce manuel.

VÉRIFICATION ET RÉGLAGE DE L'ANGLE DE BISEAU

NOTE: Le réglage de la lame à 90° par rapport au plateau correspond à un angle de biseau de 0°.

1. Arrêtez l'alimentation et débranchez le câble secteur.
2. Prenez particulièrement garde aux dents de la lame de scie, ils sont très coupants et peuvent provoquer des blessures.
3. Réglez la lame et le couteau diviseur au plus haut.
4. Retirez le protège-lame.
5. Abaissez le couteau diviseur au plus bas.

6. Assurez-vous que la lame et la surface du plateau sont exemptes de sciure et de débris.
7. Placez une équerre à 90° contre la surface du plateau et contre la partie la plus haute de la lame. Prenez garde de ne pas toucher les dents de la lame pendant cette opération, ce qui entraînerait une erreur de mesure. Vous devez aligner la surface du flanc de la lame.
8. Il ne doit pas y avoir de jeu entre le bord de l'équerre et la lame ou le plateau, ce qui correspond à un vrai alignement vertical ; aucun autre réglage de l'angle de la lame n'est nécessaire.
9. En cas de jeu, desserrez le bouton de verrouillage de l'angle de biseau et ajustez l'angle avec soin en vérifiant constamment le jeu. Une fois l'absence de jeu obtenue, serrez fermement le bouton de verrouillage de l'angle de biseau.
10. Desserrez la vis de l'indicateur de l'angle de biseau et réglez la position du support en plastique du trait de mesure afin de l'aligner avec le repère 0°. Serrez la vis.
11. Répétez cette opération pour vérifier et régler différents angles entre 90° et 45° lorsque vous sentez que cela est nécessaire.

VÉRIFICATION ET RÉGLAGE DU PARALLÉLISME DE LA LAME AVEC LES RAINURES DU GUIDE D'ONGLET

1. Arrêtez l'alimentation et débranchez le câble secteur.
2. Prenez particulièrement garde aux dents de la lame de scie, ils sont très coupants et peuvent provoquer des blessures.
3. Réglez la lame et le couteau diviseur au plus haut.
4. Retirez le protège-lame.
5. Effectuez les vérifications détaillées dans ce manuel sous "Comment vérifier et régler l'angle de biseau". Assurez-vous que l'angle de biseau est bien fixé à 0°.
6. Munissez-vous du guide d'onglet et insérez-le dans l'une des rainures du plateau. Réglez l'angle du guide d'onglet à 90°.
7. Placez fermement une règle métallique contre le guide d'onglet, son extrémité droite en contact avec le flanc de la lame de scie. Vous pouvez utiliser un bloc de bois usiné avec précision à la place de la règle métallique.
8. Maintenez fermement la règle / le bloc et faites glisser l'ensemble du guide d'onglet de façon à mettre en contact la règle / le bloc en contact avec l'autre côté de la lame. La règle ou le bloc doit avoir le même niveau de contact avec la lame à mesure qu'elle/il se déplace le long du flanc de la lame. Si cela est le cas, alors le parallélisme entre la lame et les rainures du plateau est correct et aucun réglage n'est nécessaire. Vérifiez la rainure de l'autre côté du plateau en utilisant la même méthode.

RÉGLAGE DU PARALLÉLISME DE LA LAME AVEC LES RAINURES DU PLATEAU

Deux boulons sont présents à l'avant de la lame de scie et deux autres à l'arrière. On peut y accéder par le dessous de la surface du plateau.

Une fois ces boulons desserrés, l'ensemble lame, couteau diviseur et bloc moteur peut être déplacé afin d'aligner précisément la lame avec les rainures du plateau.

Vous pouvez trouver ce genre de réglage difficile si vous n'en avez pas l'expérience, alors en cas de difficulté,



retournez votre scie sur table au service après-vente agréé Ryobi le plus proche pour la faire régler par un professionnel.

PROTECTION DE L'ENVIRONNEMENT



Recyclez les matières premières au lieu de les jeter avec les ordures ménagères. Pour protéger l'environnement, l'outil, les accessoires et les emballages doivent être triés.

SYMBOLES APPLIQUÉS SUR LE PRODUIT



Alerte de sécurité



Conformité CE



Marque de qualité EurAsian



Outil de Classe II, isolation double



Veillez lire attentivement les instructions avant de mettre l'appareil en marche.



Portez une protection auditive.



Portez une protection oculaire.



Portez des gants de sécurité.



Danger ! Lame Coupante.



Capacité de coupe



Largeur de coupe de la lame (trait de coupe)



Nombre de dents de cette lame de scie



Pour la coupe du bois et des matériaux semblables



Ne convient pas à la coupe des métaux



Sens de rotation de la lame (indiqué sur le protège-lame)



Sens de rotation de la lame (indiqué sur le couteau diviseur)



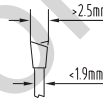
Sens de rotation de la lame (indiqué sur la lame de scie)



Sens de rotation de la lame (indiqué sur le plateau)



Diamètre du disque de coupe



Épaisseur du corps de la lame et largeur de coupe



Épaisseur et dureté du couteau diviseur



Puissance nominale



Lame 48 dents au carbure de tungstène



Démarrage progressif



Protection contre les surcharges



Plateau en fonte d'aluminium



Dimensions du plateau (RTS1800, RTS1800S)



Dimensions du plateau (RTS1800ES, RTS1800EF)



Dimensions de la rallonge de plateau



Pied amovible de type ciseaux



Pied de luxe pliable



Capacités de coupe (90° et 45°)



Les produits électriques hors d'usage ne doivent pas être jetés avec les ordures ménagères. Recyclez-les par l'intermédiaire des structures disponibles. Contactez les autorités locales ou votre revendeur pour connaître les possibilités de recyclage.

SYMBLES DE CE MANUEL



Branchez sur le secteur.



Débranchez du secteur.



Pièces détachées et accessoires vendus séparément



Les produits électriques hors d'usage ne doivent pas être jetés avec les ordures ménagères. Recyclez-les par l'intermédiaire des structures disponibles.



Note:



AVERTISSEMENT

ALLGEMEINE SICHERHEITSVORSCHRIFTEN FÜR ELEKTROWERKZEUGE

⚠️ WARNUNG

Lesen Sie aufmerksam alle mit diesem Werkzeug gelieferten Warnungen, Anweisungen und Spezifikationen, beziehen Sie sich auf die Illustrationen. Die Nichtbeachtung der weiter unten aufgeführten Anweisungen kann Unfälle wie Brände, Elektroschocks und/oder schwere Körperverletzungen zur Folge haben.

Bewahren Sie alle Warnhinweise und Anleitungen zum späteren Nachschlagen auf. Die Bezeichnung „Elektrowerkzeug“ in den Warnhinweisen bezieht sich auf Ihr Elektrowerkzeug, das an das Stromnetz angeschlossen wird oder das akkubetriebene (kabellose) Elektrowerkzeug.

SICHERHEIT IM ARBEITSBEREICH

- Der Arbeitsbereich muss sauber und gut ausgeleuchtet sein. Unordnung oder schlechte Beleuchtung bergen Unfallrisiken.
- Setzen Sie Elektrowerkzeuge nicht in explosiver Umgebung ein, wie z.B. bei Vorhandensein entzündlicher Flüssigkeiten, von Gasen oder Staub. Elektrowerkzeuge erzeugen Funken, die Staub oder Dämpfe entzünden können.
- Halten Sie Kinder und Außenstehende bei der Arbeit mit dem Werkzeug fern. Jede Ablenkung kann dazu führen, dass Sie die Kontrolle verlieren.

ELEKTRISCHE SICHERHEIT

- Der Stecker des Elektrowerkzeugs muss in die Steckdose passen. Den Stecker niemals auf irgendeine Weise modifizieren. Verwenden Sie niemals Adapterstecker mit geerdeten Elektrowerkzeugen. Nicht-modifizierte Stecker und passende Steckdosen reduzieren das Risiko von Stromschlägen.
- Vermeiden Sie Körperkontakt mit geerdeten Oberflächen, wie Rohren, Heizkörpern, Küchenherden und Kühlschränken. Es besteht ein erhöhtes Stromschlagrisiko wenn Ihr Körper geerdet ist.
- Setzen Sie Elektrowerkzeuge nicht nassen oder feuchten Bedingungen aus. Ein Eindringen von Wasser in ein Elektrowerkzeug erhöht die Gefahr eines Stromschlags.
- Das Stromkabel nicht zweckentfremden. Verwenden Sie das Kabel niemals, um das Werkzeug damit zur tragen, zu ziehen oder, um den Stecker aus der Steckdose zu ziehen. Halten Sie das Kabel von Hitze, Öl und scharfen Kanten oder sich bewegenden Teilen fern. Beschädigte oder verwickelte Kabel erhöhen die Stromschlaggefahr.
- Verwenden Sie bei der Arbeit mit Elektrowerkzeugen im Freien nur Verlängerungskabel, die auch zum Gebrauch im Freien geeignet sind. Die Verwendung eines Kabels, das zum Gebrauch im Freien geeignet

ist, verringert die Stromschlaggefahr.

- Falls der Einsatz eines Elektrowerkzeugs an einem feuchten Ort unvermeidbar sein sollte, verwenden Sie ein durch eine Fehlerstromschutzschaltung geschütztes Stromnetz. Der Einsatz einer Fehlerstromschutzschaltung verringert die Stromschlaggefahr.

PERSÖNLICHE SICHERHEIT

- Bleiben Sie wachsam, achten Sie auf das was Sie tun und benutzen Sie bei der Arbeit mit Werkzeugen Ihren gesunden Menschenverstand. Verwenden Sie das Werkzeug nicht bei Müdigkeit oder unter dem Einfluss von Drogen, Alkohol oder Medikamenten. Ein kurzer Moment der Unachtsamkeit bei der Arbeit mit einem Werkzeug kann zu schweren Verletzungen führen.
- Verwenden Sie persönliche Schutzausrüstung! Tragen Sie immer Augenschutz! Schutzausrüstung wie Staubmasken, rutschfeste Sicherheitsschuhe, Schutzhelm oder Gehörschutz, die unter entsprechenden Bedingungen verwendet werden, reduzieren die Verletzungsgefahr.
- Vermeiden Sie ein unbeabsichtigtes Einschalten! Vergewissern Sie sich, dass der Schalter des Werkzeugs sich vor dem Anschluss an das Stromnetz und/oder dem Akku, beim Aufheben oder Tragen, in der OFF (AUS) Position befindet. Das Tragen von Elektrowerkzeugen mit dem Finger am Schalter bzw. von an das Stromnetz angeschlossenen Elektrowerkzeugen bei eingeschaltetem Schalter kann zu Unfällen führen.
- Entfernen Sie Einstellschlüssel bevor Sie das Werkzeug einschalten! Ein auf einem sich drehenden Teil des Werkzeugs verbleibender Schlüssel kann zu Verletzungen führen.
- Vermeiden Sie eine abnormale Körperhaltung. Sorgen Sie jederzeit für einen festen Stand und ein gutes Gleichgewicht. Dies sorgt für eine bessere Kontrolle über das Werkzeug in unerwarteten Situationen.
- Kleiden Sie sich den Umständen entsprechend! Tragen Sie keine lockere Kleidung oder Schmuck! Halten Sie Haare und Kleidung von sich bewegenden Teilen fern. Locker sitzende Kleidung, Schmuck oder lange Haare können von sich bewegenden Teilen erfasst werden.
- Falls Zubehörteile zum Absaugen von Staub oder als Sammelvorrichtungen montiert werden können, vergewissern Sie sich, dass diese angeschlossen sind und ordnungsgemäß funktionieren. Der Einsatz von Staubsammelvorrichtungen kann staubbedingte Gefahren reduzieren.
- Werden Sie aufgrund von Vertrautheit durch öftere Benutzung des Werkzeugs nicht nachlässig und ignorieren die Sicherheitsprinzipien. Eine unvorsichtige Aktion kann in einem Sekundenbruchteil eine schwere Verletzung verursachen.



BENUTZUNG UND BEHANDLUNG DES ELEKTROWERKZEUGS

- Überlasten Sie das Gerät nicht. Verwenden Sie das geeignete Werkzeug für Ihre Arbeit. Das geeignete Werkzeug erledigt die Arbeit besser und sicherer mit der Geschwindigkeit für die es ausgelegt wurde.
- Verwenden Sie das Elektrowerkzeug nicht, falls es sich durch den Schalter nicht ein- und ausschalten lässt. Ein Elektrowerkzeug, das sich durch den Schalter nicht steuern lässt, ist gefährlich und muss repariert werden.
- Ziehen Sie den Netzstecker aus der Steckdose und/oder nehmen den Akku aus dem Elektrowerkzeug, wenn er abnehmbar ist, bevor Sie irgendwelchen Einstellungen vornehmen, Zubehör wechseln oder Elektrowerkzeuge weglegen. Diese vorbeugenden Maßnahmen reduzieren das Risiko eines unbeabsichtigten Startens des Elektrowerkzeugs.
- Bewahren Sie Werkzeuge, die nicht benutzt werden, außer Reichweite von Kindern auf und erlauben Sie Personen, die mit dem Werkzeug oder dieser Anleitung nicht vertraut sind, nicht den Umgang mit dem Werkzeug. Werkzeuge in den Händen unbedarfter Anwender sind ein Gefahr!
- Pflegen Sie Elektrowerkzeuge und Zubehör mit Sorgfalt. Kontrollieren Sie, ob bewegliche Teile einwandfrei funktionieren und nicht klemmen, ob Teile gebrochen oder so beschädigt sind, dass die Funktion des Elektrowerkzeuges beeinträchtigt ist. Lassen Sie das Werkzeug bei Beschädigung vor dem Gebrauch reparieren. Viele Unfälle werden durch schlecht gepflegte Werkzeuge verursacht.
- Halten Sie Schneidwerkzeuge scharf und sauber. Ordnungsgemäß gepflegte Schneidwerkzeuge mit scharfen Schneidklingen blockieren nicht so leicht und lassen sich einfacher unter Kontrolle halten.
- Benutzen Sie das Elektrowerkzeug, Zubehör und Werkzeugeinsätze usw. gemäß diesen Anweisungen und ziehen die Arbeitsbedingungen und die zu leistende Arbeit in Betracht. Der Einsatz des Elektrowerkzeugs für Arbeiten, für die es nicht vorgesehen ist, kann zu gefährlichen Situationen führen.
- Halten Sie die Griffe und Griffflächen trocken, sauber und frei von Öl und Schmierstoffen. Rutschige Griffe und Griffflächen verhindern die sichere Bedienung und Kontrolle des Werkzeugs in unerwarteten Situationen.

SERVICE

- Lassen Sie Ihr Werkzeug durch qualifizierte Fachleute unter ausschließlicher Verwendung von identischen Ersatzteilen warten. Dadurch wird sichergestellt, dass die Sicherheit des Elektrowerkzeuges erhalten bleibt.

SICHERHEITSHINWEISE FÜR TISCHKREISSÄGEN

SCHUTZABDECKUNGSBEZOGENE SICHERHEITSHINWEISE

- Lassen Sie Schutzabdeckungen montiert. Schutzabdeckungen müssen in funktionsfähigem Zustand und richtig montiert sein. Lockere, beschädigte oder nicht richtig funktionierende Schutzabdeckungen müssen repariert oder ersetzt werden.
- Verwenden Sie für Trennschnitte stets die Sägeblatt-Schutzabdeckung und den Spaltkeil. Für Trennschnitte, bei denen das Sägeblatt vollständig durch die Werkstückdicke sägt, verringern die Schutzabdeckung und andere Sicherheitseinrichtungen das Risiko von Verletzungen.
- Befestigen Sie nach Fertigstellung von Arbeitsvorgängen (z. B. Falzen oder Auftrennen im Umschlagverfahren), bei denen das Entfernen von Schutzabdeckung, Spaltkeil erforderlich ist, unverzüglich wieder das Schutzsystem. Die Schutzabdeckung und der Spaltkeil verringern das Risiko von Verletzungen.
- Stellen Sie vor dem Einschalten des Elektrowerkzeugs sicher, dass das Sägeblatt nicht die Schutzabdeckung, den Spaltkeil oder das Werkstück berührt. Versehentlicher Kontakt dieser Komponenten mit dem Sägeblatt kann zu einer gefährlichen Situation führen.
- Justieren Sie den Spaltkeil gemäß der Beschreibung in dieser Betriebsanleitung. Falsche Abstände, Position und Ausrichtung können der Grund dafür sein, dass der Spaltkeil einen Rückschlag nicht wirksam verhindert.
- Damit der Spaltkeil wirken kann, muss er sich im Sägespalt befinden. Bei Schnitten in Werkstücke die zu kurz sind, um den Spaltkeil in Eingriff kommen zu lassen, ist der Spaltkeil unwirksam. Unter diesen Bedingungen kann ein Rückschlag nicht durch den Spaltkeil verhindert werden.
- Verwenden Sie das für den Spaltkeil passende Sägeblatt. Damit der Spaltkeil richtig wirkt, muss der Sägeblattdurchmesser zu dem entsprechenden Spaltkeil passen, das Stammblatt des Sägeblatts dünner als der Spaltkeil sein und die Zahnbreite mehr als die Spaltkeildicke betragen.

SICHERHEITSHINWEISE FÜR SÄGEVERFAHREN

GEFAHR

Kommen Sie mit Ihren Fingern und Händen nicht in die Nähe des Sägeblatts oder in den Sägebereich. Ein Moment der Unachtsamkeit oder ein Ausrutschen könnte Ihre Hand zum Sägeblatt hin lenken und zu ernsthaften Verletzungen führen.

- Führen Sie das Werkstück nur entgegen der Drehrichtung dem Sägeblatt zu. Zuführen des Werkstücks in der gleichen Richtung wie die Drehrichtung des Sägeblatts oberhalb des Tisches





kann dazu führen, dass das Werkstück und Ihre Hand in das Sägeblatt gezogen werden.

- **Verwenden Sie bei Längsschnitten niemals den Gehrungsanschlag zur Zuführung des Werkstücks, und verwenden Sie bei Querschnitten mit dem Gehrungsanschlag niemals zusätzlich den Parallelanschlag zur Längeneinstellung.** Gleichzeitiges Führen des Werkstücks mit dem Parallelanschlag und dem Gehrungsanschlag erhöht die Wahrscheinlichkeit, dass das Sägeblatt klemmt und es zum Rückschlag kommt.
- **Üben Sie bei Längsschnitten die Zuführkraft auf das Werkstück immer zwischen Anschlagsschiene und Sägeblatt aus. Verwenden Sie einen Schiebestock, wenn der Abstand zwischen Anschlagsschiene und Sägeblatt weniger als 150 mm, und einen Schiebblock, wenn der Abstand weniger als 50 mm beträgt.** Derartige „Arbeits Hilfsmittel“ sorgen dafür, dass Ihre Hand in sicherer Entfernung zum Sägeblatt bleibt.
- **Verwenden Sie nur den mitgelieferten Schiebestock des Herstellers oder einen, der anweisungsgemäß hergestellt ist.** Der Schiebestock sorgt für ausreichenden Abstand zwischen Hand und Sägeblatt.
- **Verwenden Sie niemals einen beschädigten oder angesägten Schiebstock.** Ein beschädigter Schiebstock kann brechen und dazu führen, dass Ihre Hand in das Sägeblatt gerät.
- **Arbeiten Sie nicht „freihändig“.** Verwenden Sie immer den Parallelanschlag oder den Gehrungsanschlag um das Werkstück anzulegen und zu führen. „Freihändig“ bedeutet, das Werkstück statt mit Parallelanschlag oder Gehrungsanschlag mit den Händen zu stützen oder zu führen. Freihändiges Sägen führt zu Fehlansrichtung, Verklemmen und Rückschlag.
- **Greifen Sie nie um oder über ein sich drehendes Sägeblatt.** Das Greifen nach einem Werkstück kann zu unbeabsichtigter Berührung mit dem sich drehenden Sägeblatt führen.
- **Stützen Sie lange und/oder breite Werkstücke hinter und/oder seitlich des Sägebretts ab, so dass diese waagrecht bleiben.** Lange und/oder breite Werkstücke neigen dazu, am Rand des Sägebretts abzukippen; dies führt zum Verlust der Kontrolle, Verklemmen des Sägebretts und Rückschlag.
- **Führen Sie das Werkstück gleichmäßig zu. Verbiegen oder verdrehen Sie das Werkstück nicht.** Falls das Sägeblatt verklemmt, schalten Sie das Elektrowerkzeug sofort aus, ziehen Sie den Netzstecker und heben Sie die Ursache für das Verklemmen. Das Verklemmen des Sägebretts durch das Werkstück kann zu Rückschlag oder zum Blockieren des Motors führen.
- **Entfernen Sie abgesägtes Material nicht, während die Säge läuft.** Abgesägtes Material kann sich zwischen Sägeblatt und Anschlagsschiene oder in der Schutzabdeckung festsetzen und beim Entfernen Ihre Finger in das Sägeblatt ziehen. Schalten Sie die Säge aus und warten Sie, bis das Sägeblatt zum Stillstand gekommen ist, bevor Sie das Material entfernen.

- **Verwenden Sie für Längsschnitte an Werkstücken, die dünner als 2 mm sind, einen Zusatz-Parallelanschlag.** Dünne Werkstücke können sich unter dem Parallelanschlag verkeilen und zu Rückschlag führen.

RÜCKSCHLAG – URSACHEN UND ENTSPRECHENDE SICHERHEITSHINWEISE

Ein Rückschlag ist die plötzliche Reaktion des Werkstücks infolge eines hakenden, klemmenden Sägebretts oder eines bezogen auf das Sägeblatt schräg geführten Schnitts in das Werkstück, oder wenn ein Teil des Werkstücks zwischen Sägeblatt und Parallelanschlag oder einem anderen feststehenden Objekt eingeklemmt wird.

In den meisten Fällen wird bei einem Rückschlag das Werkstück durch den hinteren Teil des Sägebretts erfasst, vom Sägebrett angehoben und in Richtung der Bedienperson geschleudert.

Ein Rückschlag ist die Folge eines falschen oder fehlerhaften Gebrauchs der Tischkreissäge. Er kann durch geeignete Vorsichtsmaßnahmen, wie nachfolgend beschrieben, verhindert werden.

- **Stellen Sie sich nie in direkter Linie mit dem Sägeblatt. Halten Sie sich immer auf der Seite zum Sägeblatt, auf der sich auch die Anschlagsschiene befindet.** Bei einem Rückschlag kann das Werkstück mit hoher Geschwindigkeit auf Personen geschleudert werden, die vor und in einer Linie mit dem Sägeblatt stehen.
- **Greifen Sie niemals über oder hinter das Sägeblatt um das Werkstück zu ziehen oder zu stützen.** Es kann zu unbeabsichtigter Berührung mit dem Sägeblatt kommen oder ein Rückschlag kann dazu führen, dass Ihre Finger in das Sägeblatt gezogen werden.
- **Halten und drücken Sie das Werkstück, welches abgesägt wird, niemals gegen das sich drehende Sägeblatt.** Drücken des Werkstücks, welches abgesägt wird, gegen das Sägeblatt führt zu Verklemmen und Rückschlag.
- **Richten Sie die Anschlagsschiene parallel zum Sägeblatt aus.** Eine nicht ausgerichtete Anschlagsschiene drückt das Werkstück gegen das Sägeblatt und erzeugt einen Rückschlag.
- **Verwenden Sie bei verdeckten Sägeschnitten (z. B. Falzen oder Auftrennen im Umschlagverfahren) einen Druckkamm um das Werkstück gegen Tisch und Anschlagsschiene zu führen.** Mit einem Druckkamm können Sie das Werkstück bei Rückschlag besser kontrollieren.
- **Stützen Sie große Platten ab, um das Risiko eines Rückschlags durch ein klemmendes Sägeblatt zu vermindern.** Große Platten können sich unter ihrem Eigengewicht durchbiegen. Platten müssen auf beiden Seiten abgestützt werden, sowohl in Nähe des Sägespalts als auch an der Kante.
- **Seien Sie besonders vorsichtig beim Sägen von Werkstücken, die verdreht, verknottet, verzogen sind oder nicht über eine gerade Kante verfügen, an der sie mit einem Gehrungsanschlag oder entlang einer Anschlagsschiene geführt werden können.** Ein verzogenes, verknottetes oder verdrehtes Werkstück ist





instabil und führt zur Fehlausrichtung der Schnittfuge mit dem Sägeblatt, Verkleben und Rückschlag.

- **Sägen Sie niemals mehrere aufeinander oder hintereinander gestapelte Werkstücke.** Das Sägeblatt könnte ein oder mehrere Teile erfassen und einen Rückschlag verursachen.
- **Wenn Sie eine Säge, die im Werkstück steckt, wieder starten wollen, zentrieren Sie das Sägeblatt im Sägespalt so, dass die Sägezähne nicht im Werkstück verhakt sind.** Klemmt das Sägeblatt, kann es das Werkstück anheben und einen Rückschlag verursachen, wenn die Säge erneut gestartet wird.
- **Halten Sie Sägeblätter sauber, scharf und ausreichend geschränkt.** Verwenden Sie niemals verzogene Sägeblätter oder Sägeblätter mit rissigen oder gebrochenen Zähnen. Scharfe und richtig geschränkte Sägeblätter minimieren Klemmen, Blockieren und Rückschlag.

SICHERHEITSHINWEISE FÜR DIE BEDIENUNG VON TISCHKREISSÄGEN

- **Schalten Sie die Tischkreissäge aus und trennen Sie sie vom Netz, bevor Sie die Einlegeplatte entfernen, das Sägeblatt wechseln, Einstellungen an Spaltkeil, oder der Sägeblattschutzabdeckung vornehmen, sowie nach jedem abgeschlossenen Sägevorgang.** Vorsichtsmaßnahmen dienen der Vermeidung von Unfällen.
- **Lassen Sie die Tischkreissäge nie unbeaufsichtigt laufen.** Schalten Sie das Elektrowerkzeug aus und verlassen es nicht, bevor es vollständig zum Stillstand gekommen ist. Eine unbeaufsichtigte laufende Säge stellt eine unkontrollierte Gefahr dar.
- **Stellen Sie die Tischkreissäge an einem Ort auf, der eben und gut beleuchtete ist und wo Sie sicher stehen und das Gleichgewicht halten können.** Der Aufstellort muss genug Platz bieten, um die Größe Ihrer Werkstücke gut zu handhaben. Unordnung, unbeleuchtete Arbeitsbereiche und unebene, rutschige Böden können zu Unfällen führen.
- **Entfernen Sie regelmäßig Sägespäne und Sägemehl unter dem Sägertisch und/oder von der Staubabsaugung.** Angesammeltes Sägemehl ist brennbar und kann sich selbst entzünden.
- **Sichern Sie die Tischkreissäge.** Eine nicht ordnungsgemäß gesicherte Tischkreissäge kann sich bewegen oder umkippen.
- **Entfernen Sie Einstellwerkzeuge, Holzreste, usw. von der Tischkreissäge, bevor Sie diese einschalten.** Ablenkung oder mögliche Verklebungen können gefährlich sein.
- **Verwenden Sie immer Sägeblätter in der richtigen Größe und mit passender Aufnahmebohrung (z. B. sternförmig oder rund).** Sägeblätter, die nicht zu den Montageteilen der Säge passen, laufen unrund und führen zum Verlust der Kontrolle.
- **Verwenden Sie niemals beschädigtes oder falsches Sägeblatt-Montagematerial, wie Flansche, Unterlegscheiben, Schrauben oder Muttern.** Dieses Sägeblatt-Montagematerial wurde speziell für Ihre Säge konstruiert, für sicheren Betrieb und optimale

Leistung.

- **Stellen Sie sich nie auf die Tischkreissäge und benutzen Sie die Tischkreissäge nicht als Tritthocker.** Es können ernsthafte Verletzungen auftreten, wenn das Elektrowerkzeug umkippt oder wenn Sie versehentlich mit dem Sägeblatt in Kontakt kommen.
- **Stellen Sie sicher, dass das Sägeblatt in der richtigen Drehrichtung montiert ist. Verwenden Sie keine Schleifscheiben oder Drahtbürsten mit der Tischkreissäge.** Unsachgemäße Montage des Sägeblattes oder die Benutzung von nicht empfohlenem Zubehör kann zu ernsthaften Verletzungen führen.

ZUSÄTZLICHE SICHERHEITSWARNUNGEN FÜR TISCHKREISSÄGEN

- Bauen Sie die Maschine in einer stabilen Position auf, geeignet für die zu leistende Arbeit. Das kann auf einer Werkbank, Stütze oder befestigt am Boden sein.
- Falls angebaut, stellen Sie die verstellbare Stütze so ein, dass Sie eine eben ausgerichtete Fläche zum Arbeiten erhalten.
- Arbeiten in der richtigen Höhe, bei guter Arbeitshaltung, hilft Belastungs- und andere Verletzungen zu verhindern.
- Sorgen Sie für ausreichend allgemeine und punktuelle Beleuchtung, um Stroboskopeffekt und Gefahren zu verhindern.
- Tragen Sie geeignete persönliche Schutzausrüstung, wenn erforderlich. Das umfasst Gehörschutz, um das Risiko von Hörverlust zu verringern, Atemschutz, um das Risiko schädlichen Staub einzuatmen zu verringern, Handschuhe beim Handhaben der Sägeblätter und von rauem Material.
- Tragen Sie immer eine Sicherheitsbrille, wenn Sie die Maschine benutzen. Es wird empfohlen feste, rutschfeste Schuhe mit Schutzkappen zu tragen, um Schutz vor Gegenständen die vom Tisch fallen zu bieten.
- Der bei der Benutzung dieses Werkzeugs entstehende Staub kann gesundheitsschädigend, brennbar oder explosiv sein. Benutzen Sie ein System zur Staubabsaugung und tragen Sie eine geeignete Staubschutzmaske. Entfernen Sie gründlich den abgelagerten Staub, z. B. mit einer Bürste oder einem Staubsauger.
- Halten Sie den Boden in dem Arbeitsbereich frei von übermäßigem Sägemehl, Sägeresten und Netzkabeln. Das verringert das Risiko zu stolpern und in das Sägeblatt zu fallen.
- Halten Sie den Tisch frei von Gegenständen, einschließlich Werkzeug und abgesägtem Holz.
- Halten Sie die Oberflächen des Tisches, Anschlags und Gehrungsführung sauber. Achten Sie auf Kleber, Farbe und andere Dinge. Das Holz muss reibungslos rutschen und darf nicht irgendwo verhaken, sonst ist die Gefahr schwerer Verletzungen durch Rückschlag erheblich vergrößert.
- Benutzen Sie nur in dieser Bedienungsanleitung angegebene Sägeblätter die EN 847-1 erfüllen.

EN
FR
DE
ES
IT
NL
PT
DA
PA
SV
FI
NO
RU
PL
CS
HU
RO
LV
LT
HR
ET
SL
SK
EL
TR





- Keine aus Schnellarbeitsstahl gefertigten Sägeblätter verwenden.
- Benutzen Sie nur Sägeblätter die mit einer Drehzahl höher oder gleich der Drehzahl auf dem Werkzeug markiert sind.
- Schieben Sie ein Werkstück nicht mit Gewalt in das Sägeblatt. Lassen Sie das Werkzeug die Arbeit machen! Übermäßige Gewalt überhitzt das Sägeblatt und die Zähne, das Werkstück kann dadurch verbrennen. Das kann zu einem unerwarteten Ereignis führen das schwere Verletzungen verursacht.
- Verwenden Sie keine stumpfen oder beschädigten Sägeblätter. Unzureichend geschärfte und nicht richtig geschränkte Blätter führen zu einem engen Schnitt, was übermäßige Reibung, ein Verklemmen des Sägeblattes und Rückschlag führt.
- Sägeblätter sollten immer, wenn es möglich ist, in einer Halterung getragen werden.
- Benutzen Sie das Werkzeug nicht ohne den Tischeinsatz und ersetzen Sie den Tischeinsatz, wenn er abgenutzt ist.
- Lassen Sie immer den Sägeblattschutz und den Spaltkeil montiert und funktionstüchtig, außer Sie sägen eine Kerbe. Der Sägeblattschutz sollte sich leichtgängig heben und leichtgängig fallen, um den leichten Durchlauf des Werkstücks zu ermöglichen. Stellen Sie sicher, dass der Sägeblattschutz sicher an dem Spaltkeil befestigt ist. Nicht mit entfernten Abdeckungen/Schutzvorrichtungen benutzen.
- Stellen Sie immer sicher, dass das Sägeblatt parallel zu dem Anschlag ist. Das ist ein Hauptgrund für einen Rückschlag, der schwere Verletzungen verursachen kann.
- Verwenden Sie immer einen Sägeblattschutz und einen Spaltkeil für jeden durchgehenden Sägevorgang. Durchsägen bedeutet, dass das Sägeblatt beim Längs- und Querschnitten vollständig durch das Werkstück sägt.
- Stellen Sie immer sicher, dass Sie das Material das Sie sägen möchten gründlich auf Fremdkörper wie Nägel, Schrauben, Drahtklammern überprüfen, besonders wenn Sie wiederverwertetes Holz benutzen.
- Wenn solche oder ähnlich Dinge beim Sägen in Kontakt mit dem Sägeblatt kommen, wird die Säge beschädigt und schwere Verletzungen des Benutzers oder anderen können erfolgen.
- Das Sägen von Nuten ist mit dieser Säge weder erlaubt noch möglich.
- Benutzen Sie den Schiebstock, wenn erforderlich. Benutzen Sie immer einen Schiebstock für den Längsschnitt von schmalen Latten. Der Schiebstock sollte immer mit der Maschine aufbewahrt werden, wenn er nicht benutzt wird.
- Greifen Sie niemals in den Bereich in der Nähe des Sägeblattes, wenn die Säge läuft. Halten Sie Ihre Finger von dem durch den Tischeinsatz definierten Bereich fern.
- Lassen Sie das Werkzeug während es sich in Betrieb befindet niemals unbeaufsichtigt. Strom ausschalten. Verlassen Sie das Werkzeug nicht, bis es vollständig angehalten ist.
- Versuchen Sie niemals eine Maschine in Bewegung zu stoppen, indem Sie ein Werkstück oder anderen Gegenstand gegen das Sägeblatt klemmen. Schwere Unfälle können so unbeabsichtigt verursacht werden.
- Berühren Sie das Sägeblatt nicht direkt nach dem Sägen. Das Sägeblatt wird während des Sägens heiß.
- Wenn das Sägeblatt beim Sägen verklemmt wird, schalten Sie die Maschine aus und trennen sie von der Stromversorgung. Entfernen Sie das Werkstück und stellen sicher, dass das Sägeblatt freigängig ist. Schalten sie die Maschine an und beginnen Sie mit einem neuen Sägevorgang mit verringerter Schiebekraft.
- Wenn Sie die Maschine transportieren, entfernen Sie den Sägeblattschutz, stellen den Spaltkeil auf die niedrigste Position ein und senken das Sägeblatt ab, sodass es sich in der Transportposition unter der Oberfläche des Tisches befindet.
- Wenn das Netzkabel beschädigt ist darf es nur vom Hersteller oder einem autorisierten Kundendienst ersetzt werden, um Gefahren zu vermeiden.
- Verwenden Sie keine Anbauteile oder Zubehör das nicht durch den Hersteller empfohlen wird. Die Verwendung von nicht empfohlenen Komponenten oder Zubehörteilen kann zu schweren Verletzungen führen.
- Geräte, die an verschiedenen Orten eingesetzt werden (einschließlich im Freien), sollten über eine Fehlerstromschutzschaltung (RCD) an das Stromnetz angeschlossen werden.
- Wenn die Stromzufuhr zu der Tischkreissäge unterbrochen ist, wird der An/Aus Schalter der Maschine automatisch auf Aus gestellt.

BESONDERE SICHERHEITSAUWEISUNGEN FÜR HOLZSÄGEBLATT

- Lesen Sie diese Bedienungsanleitung und Anweisungen bitte sorgfältig durch, bevor Sie das Sägeblatt und das Elektrowerkzeug benutzen.
- Das Elektrowerkzeug muss in gutem Zustand sein, die Spindel ohne Verformung und Vibration.
- Stellen Sie sicher, dass der Benutzer ausreichend in Sicherheitsvorkehrungen, Einstellung und Betrieb des Elektrowerkzeugs geschult ist.
- Tragen Sie immer eine Schutzbrille, wenn Sie das Elektrowerkzeug benutzen. Schutzhandschuhe, festes und rutschsicheres Schuhwerk und Schürze werden empfohlen.
- Lesen Sie immer die Bedienungsanleitung, bevor Sie ein Zubehörteil benutzen. Falsche Benutzung eines Zubehörteils kann Schäden verursachen und die Verletzungsgefahr erhöhen.
- Halten Sie das Sägeblatt sauber. Das schließt Sägemehl und besonders klebrige Substanzen wie Harz ein. Ein sauberes Sägeblatt schneidet genauer und sicherer.
- Benutzen Sie nur in dieser Bedienungsanleitung angegebene Sägeblätter die EN 847-1 erfüllen.





EN
FR
DE
ES
IT
NL
PT
DA
SV
FI
NO
RU
PL
CS
HU
RO
LV
LT
ET
HR
SL
SK
EL
TR

- Beachten Sie die auf dem Sägeblatt angezeigte maximale Drehzahl. Stellen Sie sicher, dass die auf dem Sägeblatt gekennzeichnete Drehzahl mindestens der auf der Säge gekennzeichneten Drehzahl entspricht.
- Verwenden Sie ausschließlich Sägeblätter mit der richtigen Größe und mit passender Aufnahmebohrung (sternförmig / rund). Sägeblätter, die nicht an die Spindel angepasst sind, an der sie montiert werden, laufen nicht korrekt und können dazu führen, dass Sie die Kontrolle über Ihr Gerät verlieren.
- Benutzen Sie keine Sägeblätter bei denen der Sägeblattgrundkörper dicker oder die Zahnbreite kleiner als die Dicke des Spaltkeils ist.
- Benutzen Sie keine Sägeblätter mit größeren oder kleineren Durchmesser als empfohlen. Benutzen Sie keine Unterlegscheiben um das Sägeblatt an die Spindel anzupassen.
- Überprüfen Sie die Zähne des Sägeblattes vor jeder Benutzung auf Beschädigung oder ungewöhnliches Aussehen. Beschädigte oder lockere Zähne können beim Einsatz geschleudert werden und die Verletzungsgefahr erhöhen.
- Rissige Sägeblätter oder solche, die ihre Form verändert haben, dürfen nicht verwendet werden! Keine Sägeblätter benutzen die beschädigt oder verformt sind.
- Entsorgen Sie das Sägeblatt, wenn es verformt, verbogen oder gerissen ist, Reparaturen sind nicht zulässig.
- Verwenden Sie keine HSS Sägeblätter.
- Stellen Sie sicher, dass das Sägeblatt ordnungsgemäß montiert ist, ziehen Sie die Spindelmutter vor der Benutzung fest.
- Befestigungsschrauben und Muttern müssen mit dem geeigneten Schraubenschlüssel usw. angezogen werden.
- Verlängerung des Schraubenschlüssels oder Festziehen mit Hammerschlägen ist nicht gestattet.
- Stellen Sie sicher, dass alle Sägeblätter und Flansche sauber sind und die vertiefte Seite der Flansche an dem Sägeblatt anliegen.
- Stellen Sie sicher, dass sich das Sägeblatt in der richtigen Richtung dreht und keine anderen Teile der Maschine oder Schutzvorrichtung berührt.
- Machen Sie einen Testdurchlauf ohne angeschalteten Motor, bevor Sie mit der Arbeit beginnen, um die Position des Sägeblattes, Funktion der Schutzvorrichtungen in Relation zu anderen Produktteilen und des Werkstücks zu überprüfen.
- Lassen Sie das Elektrowerkzeug niemals unbeaufsichtigt.
- Tragen Sie keine Schmiermittel auf die laufende Säge auf.
- Versuchen Sie niemals das Elektrowerkzeug anzuhalten, indem Sie ein Werkzeug oder einen anderen Gegenstand gegen das Sägeblatt klemmen, schwere Unfälle können so versehentlich verursacht werden.

- Trennen Sie das Elektrowerkzeug vom Stromnetz, bevor Sie das Sägeblatt wechseln oder Wartungsarbeiten durchführen.
- Seien Sie beim Ver- und Entpacken des Sägeblattes vorsichtig, Verletzungen durch die scharfen Zähne sind schnell passiert.
- Benutzen Sie eine Sägeblatthalterung oder tragen Sie Handschuhe, wenn Sie das Sägeblatt handhaben. Vergessen Sie nicht, die Säge ist nach dem Sägevorgang heiß.
- Bewahren und lagern Sie das Sägeblatt in der Originalverpackung oder einer anderen geeigneten Verpackung, bewahren Sie es in trockener Umgebung und fern von Chemikalien, die das Sägeblatt beschädigen können, auf.

VORGESEHENE VERWENDUNG

Die Tischkreissäge ist konstruiert, um durch eine Person zum Zweck von längs- und quersägen von Holz bedient zu werden, bis zu einer maximalen Tiefe von 80 mm im 0° Winkel. Bei 45° Winkel beträgt die maximale Sägetiefe 55 mm. Die Tischkreissäge wurde konstruiert und ist bestimmt, um auf einer stabilen Oberfläche oder einem Arbeitsständer, wie von dem Hersteller erhältlich, befestigt zu sein. Harte und weiche Hölzer sowie Spanplatten und Faserplatten dürfen gesägt werden.

Nur Kombinationen von Sägeblatt und Spaltkeil die von dem Hersteller diese Tischkreissäge geliefert werden, dürfen mit dieser Tischkreissäge benutzt werden.

RESTRISIKEN

Sogar wenn die Tischkreissäge wie vorgeschrieben benutzt wird, ist es unmöglich ein gewisses Restrisiko vollständig zu beseitigen.

Der Benutzer sollte besonders und zusätzlich auf diese Punkte achten, um die Gefahr schwerer Verletzungen zu verringern.

- Verdeckte Sägeschnitte. Der Sägeblattschutz ist entfernt und die Oberseite des Sägeblattes liegt frei.
- Kontakt mit dem Sägeblatt- vermeiden Sie in Richtung, über und um das Sägeblatt zu greifen.
- Rückschlag - stehen Sie niemals vor dem Sägeblatt.
- Stabilität- stellen Sie sicher, daß das Produkt stabil steht, sichern Sie es wenn möglich.
- Geschleuderte Sägeblattzähne - tragen Sie immer einen Augenschutz, wenn Sie arbeiten.
- Einatmen von Staub- tragen Sie eine Gesichtsmaske, wenn erforderlich. Staub der bei der Bearbeitung bestimmter Holzarten entsteht (z.B.MDF), kann Ihrem Atmungssystem schaden.
- Augenverletzungen durch Holz- und Staubteile - tragen Sie bei der Arbeit immer einen Augenschutz.
- Gehörverletzungen - schränken Sie die Belastung ein und tragen einen geeigneten Gehörschutz.
- Lärmpegel können zwischen Geräten je nach Einsatzbedingungen stark variieren. Personen die hohen Lärmpegeln ausgesetzt sind, auch für kurze Zeit, können teilweisen Hörverlust erleiden und ständige Aussetzungen bei hohen Pegeln kann zu dauerhafter



Gehörschädigung führen.

MACHEN SIE SICH MIT DEM WERKZEUG VERTRAUT.

Siehe Seite 242.

1. Tischeinsatz
2. Einstellbarer verlängerter Spaltkeil
3. Gehrungsschiene
4. Sägeblatt
5. Sägeblattschutz
6. Entsperrung des Tischeinsatzes
7. Parallelanschlag
8. Seitliche Tischverlängerung (RTS1800ES, RTS1800EF)
9. Befestigungslöcher (zum Sichern auf Werkbank oder Beinen)
10. Ein/Aus Schalter
11. Einstellrad für Winkel
12. Verriegelung für Winkel
13. Griff für Sägetiefe
14. Sägetisch
15. Staubabsaugung
16. Anschluss für Staubabsaugungszubehör

BETRIEB

⚠️ WARNUNG

Sie müssen alle Warnungen und Anweisungen in dieser Bedienungsanleitung lesen und vollständig verstehen, bevor Sie diese Tischkreissäge an das Stromnetz anschließen und damit sägen.

Durchsägen: Jeder Sägevorgang bei der das Sägeblatt über die Dicke des Werkstücks herausragt. Für diesen Vorgang muss der Spaltkeil in der erhöhten Position sein und der Sägeblattschutz muss montiert sein. Benutzen Sie einen Anschlag oder eine Gehrungsführung, um das Werkstück richtig zu positionieren und führen.

Verdeckte Sägeschnitte: Jeder Sägevorgang bei der das Sägeblatt über die Dicke des Werkstücks nicht herausragt. Für diesen Vorgang muss der Spaltkeil in der niedrigen Position sein. Die Oberseite des Spaltkeils sollte etwas niedriger als die Oberkante des Sägetisches sein. Der Sägeblattschutz kann nicht montiert werden. Benutzen Sie einen Anschlag oder eine Gehrungsführung, um das Werkstück richtig zu positionieren und führen.

Längsschnitte: Benutzen Sie den Anschlag parallel zu dem Sägeblatt, um das Werkstück zu führen. Der Schnitt ist meist in Richtung der Holzmaserung (wenn vorhanden). Kann Durchsägen oder verdeckter Sägeschnitt sein.

Querschnitt: Benutzen Sie die Gehrungsführung oder Queranschlag. Dieses Gerät ist entwickelt, um parallel zu dem Sägeblatt zu gleiten und das Werkstück und ermöglicht, dass das Werkstück in einem festen Winkel zu der Sägelinie des Sägeblattes gehalten wird. Der Schnitt ist meist quer zur Holzmaserung. Kann Durchsägen oder verdeckter Sägeschnitt.

Schrägschnitt: Der Winkel des Sägeblattes in Bezug auf die Tischoberfläche wechselt zwischen 90° und 45°. Liefert einen Schnitt mit abgewinkelter Kante. Kann Durchsägen

oder verdeckter Sägeschnitt sein. Entweder der Anschlag oder die Gehrungsführung muss benutzt werden, um das Werkstück richtig zu positionieren.

Gehrungsschnitt: Das Werkstück wird dem Sägeblatt in einem Winkel präsentiert. Der gewünschte Winkel wird an der Gehrungsführung eingestellt, der dann das Werkstück in diesem Winkel hält während es an dem Sägeblatt zum Sägen vorbei gleitet. Kann Durchsägen oder verdeckter Sägeschnitt sein.

Konisches Schneiden: konisches Querschneiden mit der Gehrungsführung in dem gewünschten Winkel. Es ist nicht möglich einen konischen Längsschnitt durchzuführen, weil ein besonderes Zubehör benötigt wird.

SICHERE BENUTZUNG DES ANSCHLAGS

- Benutzen Sie den Parallelanschlag und die Gehrungsführung niemals gleichzeitig. Das erhöht die Gefahr eines Rückschlags und von Verletzungen. Wenn sie nicht verwendet werden, entfernen Sie sie von dem Tisch und verwahren Sie sicher wo es nicht stört.
- Immer wenn der Anschlag benutzt wird oder an eine andere Stelle bewegt wird, ist es unerlässlich, dass die Parallelität zum Sägeblatt überprüft wird.
- Ein Anschlag der nicht parallel läuft kann das Werkstück zwischen Sägeblatt und Anschlag einklemmen und einen Rückschlag verursachen der zu schwere Verletzungen bei Ihnen und anderen führen kann.
- Ein schlecht eingestellter Anschlag kann das Werkstück im falschen Winkel in Richtung Sägeblatt ziehen und das Sägeblatt blockieren oder verklemmen. Es kann auch einen Rückschlag verursachen (siehe oben).
- Zum ordnungsgemäßen Montieren und Einstellen des Anschlags, haken Sie das Ende des Anschlags über die hintere Kante des Tisches und senken dann die vordere Kante ab, um sie mit der Vorderseite des Tisches zu verbinden. Wenden Sie dann Druck von der Vorderseite des Anschlags an, sodass die beiden Kanten im rechten Winkel zu der Richtung des Anschlags die Vorderseite des Tisches berühren. Das hilft sicherzustellen, dass der Anschlag parallel zu dem Sägeblatt ist. Verriegeln Sie dann den Anschlag, indem Sie den Verriegelungsgriff nach unten drücken.
- Die Kraft, mit der der Verriegelungsgriff den Anschlag in Position hält, kann durch Drehen der Rändelschraube über dem Verriegelungsgriff eingestellt werden.
- Überprüfen sie immer ob der Anschlag parallel zu dem Sägeblatt ist, indem Sie nachmessen oder mit einem genau gesägten Holzblock, bevor Sie sägen.

Ausrichtung der Abstandsmarkierungen, Sägeblatt zu Anschlag

Setzen Sie die Kante des Anschlags gegen das Sägeblatt und stellen dann die Einstellanzeige ein, dass er mit der 0 mm Markierung an der Vorderkante des Tisches ausgerichtet ist. Lockern sie die Schraube, stellen die Einstellanzeige ein und ziehen die Schraube wieder fest.

Benutzung des Zusatzanschlags

Es gibt Umstände, daß die Montage des Zusatzanschlags an den Hauptanschlag erforderlich ist.



- a. Wenn ein schmales Werkstück nicht mit der Hand oder dem Schiebstock gehalten werden kann, weil der Anschlag im Weg ist.
- b. Wenn ein dünnes Werkstück gesägt wird. Sehr dünne Werkstücke können unter den Anschlag rutschen und sich verhaken oder schleifen und die Gefahr eines Rückschlags verursachen. Benutzen Sie den Zusatzanschlag, um das zu verhindern.

Entfernen Sie den Zusatzanschlag, wenn es sicher ist nur den Hauptanschlag zu benutzen.

Wenn Sie Schrägschnitte an schmalen Werkstücken machen, benutzen Sie den Anschlag nicht an der sich zum Tisch anlegenden Seite des Sägeblattes sondern gegenüber, sonst ist es einfach den Schiebstock oder -stock im Sägeblattschutz oder Anschlag zu verklemmen.

Befestigen des Zusatzanschlages an dem Hauptanschlag

- Mit Flügelmutter und Unterlegscheiben auf der einen Seite des Anschlages, schieben Sie die Schrauben von der anderen Seite durch und schrauben sie mit ein paar Drehungen fest. Schieben Sie jetzt den Zusatzanschlag über die Schraubenköpfe in den vorgesehenen Schlitz. Ziehen Sie den Zusatzanschlag in der gewünschten Position fest.

BITTE BEACHTEN: Der Zusatzanschlag ist nur dafür bestimmt das Werkstück hinter das Sägeblatt und den Spaltkeil zu führen, er muss nicht die gesamte Länge des Hauptanschlages abdecken.

Entfernen Sie den Zusatzanschlag, wenn es sicher ist nur den Hauptanschlag zu benutzen. Lassen Sie nicht die Schrauben und Flügelmutter am Hauptanschlag.

Benutzung eines Druckkamms

Ein Druckkamm ist ähnlich einem Kamm, aber in einem Winkel abgeschnitten. Normal besteht er aus Holz oder Kunststoff, die dünnen Finger verbiegen sich etwas während das Werkstück in Position gleitet, und wendet gleichmäßigen und konstanten Druck an, um das Werkstück zu halten. Benutzen Sie solch ein Gerät, wenn ein genauer Schnitt eines Schmalen Werkstücks benötigt wird. Das Gerät wird an den Tisch über die Schlitz für die Gehrungsführung befestigt und verringert die Notwendigkeit für den Benutzer die Finger in der Nähe des Sägeblattes zu halten.

Druckkämme von anderen Herstellern können bei Fachhändler für die Holzbearbeitung gekauft werden.

ÜBERLASTUNGSSCHUTZ

Das Produkt verfügt über einen Überlastungsschutz. Wenn eine Überlastung festgestellt wird, schaltet sich das Produkt automatisch aus. Schalten Sie den Strom aus. Wenn der Überlastungsschutz ausgelöst hat, muss der Motor für 3 Minuten abkühlen. Stellen Sie sicher, dass das Sägeblatt sich frei dreht und nicht verklemmt oder schwergängig ist. Drücken Sie den Rückstellknopf (unter dem An/Aus Schalter). Schalten Sie den Strom ein. Drücken Sie den An-Schalter, um das Produkt zu starten.

WARTUNG UND PFLEGE

- Stellen Sie sicher, dass das Sägeblatt vollständig zum Stillstand gekommen ist und das Netzkabel aus der Steckdose gezogen ist, bevor Sie irgendwelche Wartungs- oder Reinigungsarbeiten durchführen.
- Wenn das Netzkabel beschädigt ist, muss es von einem autorisierten Kundendienst repariert werden.
- Das Sägeblatt hat scharfe Kanten und ist nach Sägearbeiten heiß. Seien Sie extrem vorsichtig, wenn Sie das freilegende Sägeblatt reinigen. Tragen Sie Handschuhe zum Schutz vor Verletzungen.
- Reinigen Sie die Säge und die Zubehörteile regelmäßig vom Staub, besonders die beweglichen Teile einschließlich dem Sägeblattschutz. Benutzen Sie eine Handbürste oder Staubsauger um den Staub wirksam zu entfernen.

⚠️ WARNUNG

Versuchen Sie nicht den Sägeblattschutz zum Reinigen oder Reparieren zu zerlegen. Beschädigte Teile sollten nicht benutzt werden. An einen autorisierten Kundendienst zur Reparatur oder Austausch zurückgeben.

- Die Tischkreissäge ist ab Werk geschmiert und sollte keine zusätzliche Schmierung benötigen.
- Siehe „Überprüfen und Einstellen des Gehrungswinkels“ und „Überprüfen und Einstellen der Parallelität von Sägeblatt und Gehrungsführungsschlitz“ in dieser Bedienungsanleitung zum Überprüfen und Einstellen von Gehrungswinkel und Parallelität von Sägeblatt/Anschlag.

ÜBERPRÜFEN UND EINSTELLEN DES GEHRUNGSWINKELS

BITTE BEACHTEN: Einstellen des Sägeblatt auf einen Winkel von 90 ° zum Tisch ergibt einen Gehrungswinkel von 0 °.

1. Schalten Sie die Stromzufuhr aus und ziehen den Netzstecker aus der Steckdose.
2. Achten Sie besonders auf die Sägeblattzähne, sie sind sehr scharf und können Verletzungen verursachen.
3. Verstellen Sie das Sägeblatt und den Spaltkeil auf die oberste Position.
4. Entfernen Sie den Sägeblattschutz.
5. Stellen Sie den Spaltkeil auf die untere Position.
6. Stellen Sie sicher, dass die Tischoberfläche frei von Staub und Abfall ist.
7. Setzen Sie einen 90 ° Winkel auf die Tischoberfläche und gegen den obersten Teil des Sägeblattes. Achten Sie darauf die Sägeblattzähne bei der Messung nicht zu berühren, weil dadurch ein Fehler entsteht. Sie müssen den Korpus des Sägeblattes ausrichten.
8. Es sollten keine Lücken zwischen der Kante des Winkels und dem Sägeblatt auftreten, in diesem Zustand ist das Sägeblatt genau senkrecht ausgerichtet.
9. Lockern Sie die Verriegelung für Winkel, wenn eine Lücke besteht und ändern den Winkel vorsichtig, während Sie die Lücke konstant überprüfen. Wenn keine Lücke mehr besteht, ziehen Sie die Verriegelung





für Winkel fest.

10. Lockern Sie die Schraube auf der Winkelanzeige und stellen den durchsichtigen Kunststoffträger ein, sodass er mit der 0 ° Markierung ausgerichtet ist. Ziehen Sie die Schraube fest.
11. Wiederholen Sie diesen Vorgang, um verschiedene Winkel zwischen 90° und 45° nach Wunsch zu überprüfen und einzustellen.

ÜBERPRÜFEN UND EINSTELLEN DER PARALLELITÄT VON SÄGEBLATT UND GEHRUNGSFÜHRUNGSSCHLITZEN

1. Schalten Sie die Stromzufuhr aus und ziehen den Netzstecker aus der Steckdose.
2. Achten Sie besonders auf die Sägeblattzähne, sie sind sehr scharf und können Verletzungen verursachen.
3. Verstellen Sie das Sägeblatt und den Spaltkeil auf die oberste Position.
4. Entfernen Sie den Sägeblattschutz.
5. Führen Sie die Überprüfungen in dem Abschnitt „Überprüfen und Einstellen des Gehrungswinkels“ in dieser Bedienungsanleitung. Stellen Sie sicher, dass der Gehrungswinkel sicher auf 0° fixiert ist.
6. Nehmen Sie die Gehrungsführung und stecken sie in einen der Schlitze in dem Tisch. Stellen Sie den Winkel der Gehrungsführung auf 90° ein.
7. Drücken Sie ein Stahllineal fest gegen die Gehrungsführung und mit dem geraden Ende des Lineals gegen den Korpus des Sägeblattes. Sie können einen Holzblock exakt sägen und diesen statt ein Stahllineal benutzen.
8. Halten das Lineal / den Block fest und schieben die ganze Gehrungsführung, sodass das Lineal / der Block das andere Ende des Sägeblattes berührt. Das Lineal oder der Block sollte gleichmäßigen Kontakt mit dem Sägeblatt haben, während es sich entlang dem Korpus des Sägeblattes bewegt. Wenn das der Fall ist, sind Sägeblatt und die Schlitze im Tisch parallel und keine weitere Einstellung erforderlich. Überprüfen Sie, dass der Schlitz auf der anderen Seite des Tisches mit der selben Methode.

EINSTELLEN DER PARALLELITÄT VON SÄGEBLATT UND SCHLITZEN IM TISCH

An der Vorderseite des Sägeblattes sind zwei Schrauben und zwei weitere auf der Rückseite. Sie können von der Unterseite des Tisches erreicht werden.

Wenn diese Schrauben gelockert sind, kann die ganze Baugruppe aus Sägeblatt, Spaltkeil und Motor bewegt werden, um das Sägeblatt exakt an den Schlitzen im Tisch auszurichten.

Das ist für Sie vielleicht schwierig, außer Sie haben Erfahrung mit solchen Einstellungen, wenn Sie also Schwierigkeiten damit haben, geben Sie Ihre Tischkreissäge Ihrem nächsten Ryobi Kundendienst für eine professionelle Einstellung.

UMWELTSCHUTZ



Recyceln Sie die Rohstoffe, anstatt sie im Haushaltsabfall zu entsorgen. Zum Schutz der Umwelt müssen das Gerät, die Zubehörteile und die Verpackungen getrennt entsorgt werden.

SYMBOLE AUF DEM PRODUKT



Sicherheitswarnung



CE Konformität



EurAsian Konformitätszeichen.



Klasse II Werkzeug, doppelte Isolation



Bitte lesen Sie die Anweisungen sorgfältig durch, bevor Sie das Produkt einschalten.



Tragen Sie einen Gehörschutz



Tragen Sie einen Augenschutz



Tragen Sie Sicherheitshandschuhe



Gefahr! Scharfes Sägeblatt.



Schnittleistung



Schneidbreite (Kerbe)



Anzahl der Zähne an diesem Sägeblatt





Zum Sägen von Holz und ähnlichem Material



Nicht zum Sägen von Metallen



Drehrichtung des Sägeblattes (auf Sägeblattschutz gezeigt)



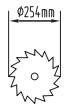
Drehrichtung des Sägeblattes (auf Spaltkeil gezeigt)



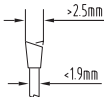
Drehrichtung des Sägeblattes (auf Sägeblatt gezeigt)



Drehrichtung des Sägeblattes (auf Tisch gezeigt)



Sägeblattdurchmesser



Dicke von Sägeblattkorpus und Schneidbreite



Dicke von Spaltkeil und Härte



Nennleistung



Wolframkarbid 48 Zahn-Sägeblatt



Sanfter Anlauf



Überlastungsschutz



Tisch aus Aluminiumguss



Tischabmessungen (RTS1800, RTS1800S)



Tischabmessungen (RTS1800ES, RTS1800EF)



Abmessungen der Tischverlängerung



Entfernbarer Scherenfuß



Klappbarer Deluxe Fuß



Sägeleistung (90° und 45°)



Elektrische Geräte sollten nicht mit dem übrigen Müll entsorgt werden. Bitte entsorgen Sie diese an den entsprechenden Entsorgungsstellen. Erkundigen Sie sich bei Ihren örtlichen Behörden oder Ihrem Händler über Wiederverwertungsmöglichkeiten.

SYMBOLS IN DER BEDIENUNGSANLEITUNG



Anschließen an das Stromnetz.



Trennen vom Stromnetz.



Teile oder Zubehör getrennt erhältlich



Elektrische Geräte sollten nicht mit dem übrigen Müll entsorgt werden. Bitte entsorgen Sie diese an den entsprechenden Entsorgungsstellen.



Bitte beachten:



WARNUNG

INSTRUCCIONES GENERALES DE SEGURIDAD DE LA HERRAMIENTA

⚠ ADVERTENCIA

Lea atentamente todas las advertencias, instrucciones y especificaciones suministradas con la herramienta, y consulte las ilustraciones. El incumplimiento de las instrucciones que se indican a continuación puede ocasionar diversos accidentes como incendios, descargas eléctricas y/o graves heridas corporales.

Guarde todas estas advertencias e instrucciones para futuras referencias. El término "herramienta eléctrica" que aparece en las advertencias se refiere a su herramienta eléctrica (con cable) o con batería (sin cables).

SEGURIDAD EN EL ÁREA DE TRABAJO

- **Mantenga el área de trabajo limpia y bien iluminada.** Las zonas oscuras o poco despejadas pueden provocar accidentes.
- **No utilice herramientas eléctricas en atmósferas explosivas, como en presencia de gases, polvos o líquidos inflamables.** Las herramientas eléctricas producen chispas que pueden inflamar el polvo o humos.
- **Mantenga a los niños y personas ajenas alejadas de la zona en la que está utilizando la herramienta eléctrica.** Las distracciones pueden hacerle perder el control de la unidad.

SEGURIDAD ELÉCTRICA

- **Las conexiones de la herramienta eléctrica deben corresponder a los de la toma de corriente. No modifique el enchufe de ninguna manera. No utilice ningún adaptador con herramientas eléctricas conectadas a tierra.** Utilizar enchufes sin modificar y tomas correspondientes reducirán el riesgo de descargas eléctricas.
- **Evite el contacto corporal con superficies conectadas a tierra, como tuberías, radiadores, estufas y refrigeradores.** Existe un mayor riesgo de descargas eléctricas si su cuerpo está conectado a tierra.
- **No exponga las herramientas eléctricas a la lluvia o a la humedad.** Si entra agua en una herramienta eléctrica aumentará el riesgo de descargas eléctricas.
- **Utilice correctamente el cable. No utilice el cable para llevar, tirar o desconectar el cable de la herramienta. Mantenga el cable alejado del calor, aceite, de los bordes afilados y de partes móviles.** Los cables dañados o enredados aumentan el riesgo de descargas eléctricas.
- **A la hora de utilizar herramientas eléctricas al aire libre, utilice un alargador adecuado para uso en exteriores.** El uso de un cable adecuado para uso en exteriores reduce el riesgo de descargas eléctricas.
- **Si es inevitable utilizar una herramienta eléctrica en un lugar húmedo, utilice un dispositivo de corriente**

residual (RCD) como protección. El uso de un RCD reduce el riesgo de descargas eléctricas.

SEGURIDAD PERSONAL

- **Manténgase alerta y atento a lo que está haciendo y utilice el sentido común al utilizar una herramienta eléctrica. No utilice una herramienta eléctrica cuando esté cansado o bajo la influencia de drogas, alcohol o medicamentos.** Un momento de distracción mientras utiliza herramientas eléctricas puede resultar en lesiones personales graves.
- **Utilice equipo de protección individual. Utilice siempre gafas de protección.** El equipo de protección como las máscaras de polvo, calzado antideslizante de seguridad, cascos rígidos o unas condiciones adecuadas reducirán los daños corporales.
- **Evite la puesta en marcha accidental de la herramienta. Asegúrese de que el interruptor está en posición OFF antes de conectar la herramienta a una toma de corriente y/o batería, y levantar o transportar la herramienta.** El transporte de herramientas con el dedo sobre el interruptor o la conexión de herramientas eléctricas con el interruptor en ON puede causar accidentes.
- **Extraiga cualquier llave de ajuste antes de encender la herramienta eléctrica.** Una llave que se encuentra conectada a una pieza de rotación puede resultar en lesiones personales.
- **No realice sobreesfuerzos. Mantenga un equilibrio adecuado en todo momento.** Esto permite un mejor control de la herramienta eléctrica en situaciones inesperadas.
- **Vístase adecuadamente. No utilice ropa holgada ni joyas. Mantenga el cabello la y ropa alejados de las piezas móviles.** La ropa suelta, joyas o el cabello largo pueden quedar atrapados en las piezas móviles.
- **Si existen dispositivos para la conexión de accesorios de recogida y extracción de polvo, asegúrese de que están conectados y que se utilizan adecuadamente.** El uso de accesorios de recogida de polvo puede reducir riesgos relacionados con el polvo.
- **No deje que la familiaridad adquirida con el uso frecuente de herramientas le haga ser descuidado e ignorar los principios de seguridad de la herramienta.** Una acción negligente puede causar lesiones graves en una fracción de segundo.

USO Y CUIDADO DE LA HERRAMIENTA ELÉCTRICA

- **No fuerce la herramienta eléctrica. Utilice la herramienta correcta para su aplicación.** La herramienta correcta hará un trabajo más seguro y mejor en la medida en que haya sido diseñada para dicho trabajo.
- **No utilice la herramienta eléctrica si el interruptor de encendido no responde.** Cualquier herramienta que no puede ser controlada con el interruptor de encendido es peligrosa y debe ser reparada.
- **Desconecte el enchufe de la fuente de alimentación y/o extraiga la batería de la herramienta eléctrica, si se puede, antes de hacer cualquier ajuste, cambiar**



accesorios o almacenar herramientas eléctricas. Estas medidas preventivas de seguridad reducen el riesgo de arranque accidental de la herramienta.

- **Coloque las herramientas eléctricas a ralentí fuera del alcance de los niños y no permita que personas no familiarizadas con la herramienta o con estas instrucciones la utilicen.** Las herramientas eléctricas son peligrosas en manos de personas no capacitadas.
- **Mantenimiento de las herramientas eléctricas y accesorios. Compruebe la alineación o unión de las piezas móviles, si existe rotura de piezas o cualquier otro problema que pueda afectar al funcionamiento de la herramienta. Si alguna pieza está dañada, la herramienta eléctrica debería repararse antes de volver a utilizarla.** Muchos accidentes son causados por un mantenimiento deficiente.
- **Mantenga las herramientas de corte bien afiladas y limpias.** Las herramientas de corte con bordes de corte afilados que tienen un mantenimiento adecuado reducen su deterioro y son más fáciles de controlar.
- **Utilice la herramienta, accesorios, partes eléctricas, etc., de acuerdo con estas instrucciones, teniendo en cuenta las condiciones de trabajo y el trabajo que se va a realizar.** Utilizar la herramienta eléctrica para realizar trabajos diferentes a los que esta herramienta está destinada podría dar como resultado una situación peligrosa.
- **Mantenga los mangos y las superficies de agarre secos, limpios y libres de aceite y grasa.** Los mangos y las superficies de agarre resbaladizas no permiten la manipulación y el control seguro de la herramienta en situaciones inesperadas.

MANTENIMIENTO

- **Su herramienta eléctrica debería ser reparada por personas cualificadas, que deberían utilizar únicamente piezas de repuesto idénticas.** Esto garantizará la seguridad a la hora de utilizar la herramienta eléctrica.

INSTRUCCIONES DE SEGURIDAD PARA SIERRAS DE MESA

ADVERTENCIAS RELACIONADAS CON LAS PROTECCIONES

- Mantenga las protecciones en su lugar. Las protecciones deben estar en buen estado y correctamente montadas. Las protecciones flojas, dañadas o que no funcionen correctamente deben repararse o sustituirse.
- Use siempre el protector de la hoja de la sierra y la cuña de separación para cada operación de corte. En operaciones de corte donde la hoja de la sierra corta completamente el espesor de la pieza de trabajo, la protección y otros dispositivos de seguridad ayudan a reducir el riesgo de lesiones.
- Vuelva a colocar inmediatamente el sistema de protección después de completar operaciones que requieran la retirada de la protección (por ejemplo, cortes para rebajar o reparar). La protección y la cuña de separación ayudan a reducir el riesgo de lesiones.

- Asegúrese de que la hoja de la sierra no esté en contacto con la protección, la cuña de separación o la pieza de trabajo antes de encender el interruptor. El contacto involuntario de estos elementos con la hoja de la sierra podría provocar una situación peligrosa.
- Ajuste la cuña de separación tal como se describe en este manual de instrucciones. Un espaciado, posicionamiento y/o alineación incorrectos pueden provocar fallos de la cuña de separación en la reducción de la probabilidad de retroceso.
- Para que la cuña de separación funcione debe estar acoplada a la pieza de trabajo. La cuña de separación no sirve para cortar piezas de trabajo que son demasiado cortas para acoplarlas a la cuña de separación. En estas condiciones no se puede prevenir el retroceso mediante la cuña de separación.
- Utilice la hoja de sierra adecuada para la cuña de separación. Para que la cuña de separación funcione correctamente, el diámetro de la hoja de la sierra debe coincidir con la cuña de separación, el cuerpo de la hoja de la sierra debe ser más delgado que el espesor de la cuña de separación y la anchura de corte de la hoja de la sierra debe ser mayor que el espesor de la cuña de separación.

ADVERTENCIAS PARA LOS PROCEDIMIENTOS DE CORTE

PELIGRO

No coloque los dedos o las manos cerca de la hoja de la sierra o en línea con ésta. Un momento de distracción o un resbalón podría dirigir su mano hacia la hoja de la sierra y provocar lesiones personales graves.

- **Introduzca la pieza de trabajo en la hoja de la sierra sólo en sentido contrario a la dirección de giro.** Introducir la pieza de trabajo en la misma dirección en la que está girando la hoja de la sierra por encima de la mesa puede provocar que la pieza de trabajo y su mano sean arrastradas hacia la hoja de la sierra.
- **No utilice la ingletadora para introducir la pieza de trabajo al despedazar y no use la guía de corte como un tope de longitud cuando esté realizando cortes transversales con la ingletadora.** Guiar la pieza de trabajo con la guía de corte y ingletadora al mismo tiempo aumenta la probabilidad de que la hoja de sierra se bloquee y retroceda.
- **Al despedazar una pieza, aplique siempre la fuerza de alimentación de la pieza de trabajo entre la valla y la hoja de la sierra.** Use un listón de empuje cuando la distancia entre la valla y la hoja de sierra sea inferior a 150 mm y el uso un bloque de empuje cuando la distancia sea inferior a 50 mm. Los dispositivos "de ayuda" mantendrán su mano a una distancia segura de la hoja de la sierra.
- **Utilice sólo el listón de empuje proporcionado por el fabricante o construido de acuerdo con las instrucciones.** Este listón de empuje proporciona suficiente distancia desde la mano a la hoja de la sierra.
- **No use listones de empuje dañado o cortados.** Un





listón de empuje dañado puede romperse haciendo que la mano se deslice hacia la hoja de la sierra.

- **No realice ninguna operación “a mano alzada”.** Use siempre la guía de corte o la ingletadora para colocar y guiar la pieza de trabajo. Trabajar “a mano alzada” significa utilizar sus manos para apoyar o guiar la pieza de trabajo, en lugar de una guía de corte o la ingletadora. Serrar a mano alzada provoca fallos de alineación, bloqueos y retrocesos.
- **No coloque la mano alrededor o sobre una hoja de sierra giratoria.** Intentar sujetar la pieza de trabajo puede dar lugar a un contacto accidental con la hoja de la sierra en movimiento.
- **Proporcione soporte extra a la pieza de trabajo en la parte trasera y/o laterales de la mesa de la sierra para piezas de trabajo largas y/o anchas para mantenerlas niveladas.** Las piezas de trabajo largas y/o anchas tienden a girar en el borde de la mesa, provocando la pérdida de control y que la hoja de la sierra se atasque y retroceda.
- **Introduzca la pieza de trabajo a un ritmo constante. No doble ni tuerza la pieza de trabajo. Si se produce un atasco, apague la herramienta inmediatamente, desenchúfela y solucione el atasco.** Un atasco de la hoja de la sierra por una pieza de trabajo puede causar retroceso o detener el motor.
- **No retire piezas del material cortado mientras la sierra está en marcha. El material puede quedar atrapado entre la valla o en el interior de la protección de la hoja y hacer que la hoja de la sierra tire de sus dedos hacia la hoja de la sierra.** Apague la sierra y espere hasta que la hoja de la sierra se detenga antes de retirar el material.
- **Use una valla auxiliar en contacto con la superficie de la mesa al cortar piezas de trabajo de menos de 2 mm de espesor.** Una pieza delgada puede atascarse bajo la guía de corte y provocar retroceso.

CAUSAS DEL RETROCESO Y ADVERTENCIAS

El retroceso es una reacción súbita de la pieza de trabajo debido a que la hoja de sierra se ha atascado o pinzado o a una línea de corte desalineada de la pieza de trabajo con respecto a la hoja de la sierra o cuando una parte de la pieza de trabajo se atasca entre la hoja de la sierra y la guía de corte u otro objeto fijo. Con mayor frecuencia durante el retroceso, la parte trasera de la hoja de la sierra levanta la pieza de trabajo de la mesa y la impulsa hacia el operario.

Por lo tanto, el rebote es el resultado de una mala utilización de la máquina y/o de procedimientos o condiciones de corte incorrectas. Puede evitarse teniendo algunas precauciones.

- **No se coloque directamente en línea con la hoja de la sierra. Coloque el cuerpo siempre en el mismo lado de la hoja de sierra como la valla.** El retroceso puede impulsar la pieza de trabajo a gran velocidad hacia la persona situada en frente y en línea con la hoja de la sierra.
- **No coloque la mano por encima o en la parte posterior de la hoja de la sierra para tirar de la pieza de trabajo o apoyarla.** Puede provocar contacto

accidental con la hoja de la sierra un retroceso que arrastre los dedos hacia la hoja de la sierra.

- **No sostenga ni presione la pieza de trabajo que está cortando contra la hoja de la sierra en movimiento.** Al presionar la pieza de trabajo que está cortando contra la hoja de la sierra provocará que se atasque y retroceda.
- **Alinee la valla en paralelo con la hoja de la sierra.** Una valla desalineada pellizcará la pieza de trabajo contra la hoja de la sierra y provocará su retroceso.
- **Utilice un peine de sujeción para guiar la pieza de trabajo contra la mesa y la valla al realizar cortes parciales como para rebajar o reparar.** Un peine de sujeción ayuda a controlar la pieza de trabajo en caso de retroceso.
- **Coloque los paneles grandes en un soporte para minimizar el riesgo de que la cuchilla de la sierra se enganche y produzca una acción de retroceso.** Los paneles grandes tienden a hundirse bajo su propio peso. Debe colocarse apoyo en todas las partes del panel que sobresale por el tablero de la mesa.
- **Tenga mucho cuidado al cortar una pieza de trabajo que esté torcida, anudado, deformada o que no tenga un borde recto para guiarla con la ingletadora o a lo largo de la valla.** Una pieza torcida, anudada o deformada es inestable y causa la desalineación del corte con la hoja de la sierra, atascos y retroceso.
- **No corte más de una pieza de trabajo, apiladas vertical u horizontalmente.** La hoja de la sierra podría coger una o más piezas y causar retroceso.
- **Al volver a arrancar la sierra con la hoja de la sierra en la pieza de trabajo, centre la hoja de la sierra en el corte de forma que los dientes de sierra no queden enganchados en el material.** Si la hoja de sierra se atasca, puede levantar la pieza de trabajo y causar retroceso al volver a arrancar la sierra.
- **Mantenga las hojas de la sierra limpias, afiladas y con juego suficiente. No utilice hojas de sierra deformadas o con los dientes agrietados o rotos.** Las hojas de sierra afiladas y con suficiente juego minimizan el riesgo de atascos y retroceso.

ADVERTENCIAS PARA EL USO DE LA SIERRA DE MESA

- **Apague la sierra de mesa y desconecte el cable de alimentación al retirar el inserto de la mesa, cambiar la hoja de la sierra o hacer ajustes a la cuña de separación o a la protección de la hoja, y cuando la máquina se deje desatendida.** Las medidas preventivas podrán evitar accidentes.
- **No deje la sierra de mesa en funcionamiento sin vigilancia. Apáguela y no deje el producto hasta que se detenga por completo.** Una sierra en funcionamiento sin vigilancia es un riesgo no controlado.
- **Coloque la sierra de mesa en una zona bien nivelada e iluminada donde usted pueda estar en posición estable y con buen equilibrio. Debe instalarse en un área que ofrezca suficiente espacio para manejar fácilmente el tamaño de la pieza de trabajo.** Las zonas oscuras y estrechas y los suelos resbaladizos





irregulares pueden provocar accidentes.

- **Limpie y elimine regularmente el serrín de debajo de la mesa de la sierra y/o el dispositivo de recogida de polvo.** El serrín acumulado es combustible y puede inflamarse.
- **La sierra de mesa debe estar bien segura.** Una sierra de mesa que no está adecuadamente asegurada puede moverse o volcar.
- **Retire las herramientas, trozos de madera, etc. de la mesa antes de encender la sierra de mesa.** Las distracciones o posibles atascos pueden ser peligrosos.
- **Utilice siempre cuchillas de la sierra del tamaño y la forma apropiados para los agujeros del portaherramientas (diamante o redonda).** Las hojas de la sierra que no coinciden con los componentes de instalación de la sierra girarán descentradas, provocando la pérdida de control.
- **No use medios de montaje de la hoja incorrectos o dañados, como bridas, arandelas, pernos o tuercas.** Estos medios de montaje han sido especialmente diseñados para su sierra, para un funcionamiento seguro y un rendimiento óptimo.
- **No se quede de pie sobre la sierra de mesa, no la use como taburete.** Podrían producirse lesiones graves si el producto se inclina o si la herramienta de corte se toca de forma accidental.
- **Asegúrese de que la hoja de la sierra está instalada para girar en la dirección correcta. No utilice ruedas molturadoras, cepillos de alambre o ruedas abrasivas en una sierra de mesa.** Una instalación incorrecta de la hoja de la sierra o el uso de accesorios no recomendados pueden causar lesiones graves.

ADVERTENCIAS DE SEGURIDAD ADICIONALES PARA SIERRAS CIRCULARES DE MESA

- Instale o fije la máquina en una posición estable adecuada para el trabajo que va a realizar. Podría ser montada en un banco de trabajo, una pata de apoyo o fijada al suelo.
- Si se instala, configure la extensión de la pata ajustable para lograr una plataforma con nivel estable para trabajar.
- Trabajar a la altura adecuada, utilizando una buena postura de trabajo, ayudará a prevenir la tensión y otras lesiones durante el uso.
- Proporcione una iluminación general o localizada adecuada para evitar el efecto estroboscópico y otros riesgos.
- Utilice un equipo de protección personal adecuado cuando sea necesario. Esto incluye protección auditiva para reducir el riesgo de pérdida auditiva, protección respiratoria para reducir el riesgo de inhalación de polvo nocivo, guantes resistentes al manipular las hojas de la sierra y el material en bruto.
- Use siempre gafas de seguridad al utilizar la máquina. Se recomienda llevar calzado resistente antideslizante con puntera para protegerse contra los objetos que caen de la mesa.
- El polvo producido al utilizar esta herramienta puede

ser perjudicial para su salud, inflamable o explosivo. Use un sistema de extracción de polvo y una máscara contra el polvo adecuada. Retire el polvo depositado a fondo, por ejemplo, con un cepillo limpiador y una aspiradora.

- Mantenga el suelo de la zona de trabajo libre de serrín en exceso, trozos de madera y cables de alimentación. Esto reduce el riesgo de tropezar y caer sobre la hoja.
- Mantenga la mesa libre de objetos incluyendo las herramientas y los trozos de madera desechados.
- Mantenga limpia la superficie de la mesa, la valla y la ingletadora. Tenga cuidado con el pegamento, la pintura y otros artículos. La madera debe deslizarse suavemente y no quedar atrapada o enganchada en ningún sitio, de lo contrario el riesgo de lesiones graves debido al retroceso aumenta significativamente.
- Use solamente hojas especificadas en este manual, según EN 847-1.
- No emplear hojas de sierra elaboradas de acero de corte rápido.
- Utilice sólo hojas de sierra que estén marcadas con una velocidad igual o superior a la velocidad marcada en la herramienta.
- No fuerce la pieza de trabajo hacia la hoja de corte. Deje que la herramienta haga el trabajo. La fuerza excesiva recalentará la hoja y los puntos de corte, lo que puede hacer arder la pieza de trabajo. Puede dar lugar a eventos inesperados que podrían causar lesiones personales graves.
- No utilice hojas de sierra desafiladas o deterioradas. Las hojas sin afilar o colocadas incorrectamente producen un corte
- Las hojas de sierra deben transportarse en un soporte siempre que sea posible.
- No haga funcionar la herramienta sin el inserto de la mesa y reemplácelo en caso de desgaste.
- A menos que esté realizando un corte superficial, mantenga siempre la protección de la hoja y la cuña de separación en su lugar y en buen estado de funcionamiento. Las protecciones de la hoja deben subir y bajar fácilmente para permitir el paso de la pieza de trabajo por debajo. Asegúrese de que la protección de la hoja esté bien encajada en la cuña de separación. No la utilice sin retirar la cubierta/protector.
- Asegúrese siempre de que la hoja esté paralela a la valla. Esto suele contribuir al retroceso que puede resultar en lesiones graves.
- Utilice siempre la protección de la hoja y la cuña de separación para cada corte completo. Los cortes completos son aquellos en los que la hoja corta completamente la pieza de trabajo mediante un despedazado o corte transversal.
- Asegúrese siempre de comprobar a fondo el material que desee cortar, sobre todo cuando utilice madera reciclada, en busca de objetos extraños como clavos, tornillos o grapas.
- Si estos elementos u otros similares entran en contacto con la hoja mientras está cortando, la sierra se dañará y podría provocar lesiones graves al operario o a otras personas.





- Esta herramienta eléctrica no permite hacer cortes en dado.
- Use la varilla de empuje cuando sea necesario. Use siempre una varilla de empuje para serrar madera estrecha. La varilla de empuje siempre se debe guardar con la máquina cuando no se esté utilizando.
- No acerque la mano al área cerca de la hoja de la sierra cuando esté en funcionamiento. Mantenga los dedos fuera de la zona definida por el inserto de la mesa.
- Nunca deje desatendida una herramienta en funcionamiento.
- Desconecte la alimentación.
- No suelte la herramienta hasta que se detenga por completo.
- No intente detener una máquina en movimiento rápidamente introduciendo una pieza de trabajo u otros medios contra la hoja. De este modo pueden causarse accidentes graves inintencionadamente.
- No toque la hoja de sierra inmediatamente después de serrar. La hoja de la sierra se calienta durante el aserrado.
- Si la hoja de la sierra se atasca durante el corte, apague la máquina y desconéctela de la toma de corriente. Retire la pieza de trabajo y asegúrese de que la lámina de la sierra se mueve libremente. Conecte la máquina e inicie una nueva operación de corte con fuerza de aceleración reducida.
- Al transportar la máquina, retire la protección de la hoja, coloque la cuña de separación en su posición más baja y baje la hoja de manera que quede por debajo de la superficie de la mesa en su posición de tránsito.
- Si el cable de alimentación está dañado, debería ser reemplazado únicamente por el fabricante o por un centro de servicio autorizado para evitar riesgos.
- No utilice ningún acoplamiento o accesorio no recomendado por el fabricante. El uso de cualquier pieza o accesorio no recomendado puede ocasionar lesiones personales graves. Los aparatos utilizados en muchos lugares diferentes, incluyendo al aire libre, deben conectarse a través de un dispositivo de corriente residual (RCD).
- Si se interrumpe la alimentación de la sierra de mesa, el interruptor de encendido/apagado de la máquina se colocará automáticamente en posición de apagado.

INSTRUCCIONES DE SEGURIDAD ESPECÍFICAS PARA LA HOJA PARA CORTAR MADERA

- Lea atentamente el manual y las instrucciones antes de utilizar la hoja de sierra y la herramienta eléctrica.
- La herramienta eléctrica debe estar en buenas condiciones, sin deformaciones ni vibraciones en el perno.
- Asegúrese de que el operario ha recibido la formación adecuada en cuanto a precauciones de seguridad, ajustes y funcionamiento de la herramienta eléctrica.
- Use siempre gafas de seguridad y protección auditiva al utilizar la herramienta eléctrica. Se recomienda utilizar guantes, calzado pesado antideslizante y delantal.
- Antes de utilizar cualquier accesorio, consulte el

manual de instrucciones. El uso inadecuado de un accesorio puede causar daños y aumentar el riesgo de lesiones.

- Mantenga la hoja limpia. Esto incluye el polvo de serrado y sustancias especialmente pegajosas como la resina. Una hoja limpia corta con mayor precisión y seguridad.
- Use solamente hojas especificadas en este manual, según EN 847-1.
- Observe la velocidad máxima marcada en la lámina de la sierra. Asegure que a velocidad indicada no disco da serra é pelo menos igual à velocidade indicada na serra.
- Utilice siempre hojas con orificios de acoplamiento de forma y tamaño adecuados. Unas hojas que no se adaptan al eje en el que se deben montar no girarán correctamente y provocarán una pérdida de control.
- No utilice hojas de sierra con un espesor mayor o una anchura de la ranura de corte (ranura) menor que el espesor de la cuña de separación.
- No utilice láminas de diámetro mayor o más pequeño que el recomendado. No utilice ningún espaciador para encajar la lámina en el eje.
- Compruebe que las puntas de la hoja no están dañadas ni tienen un aspecto anómalo antes de utilizarla. Las puntas dañadas o sueltas se pueden convertir en proyectiles durante la utilización y aumentan el riesgo de lesiones.
- No usar discos de corte rotos o defectuosos. No use hojas de sierra dañadas o deformadas.
- Deseche la hoja de sierra si está dañada, deformada, combada o rayada. No está permitido repararlas.
- No utilice láminas HSS.
- Asegúrese de que la hoja de sierra se ha montado correctamente, apretando bien la tuerca de ajuste antes de utilizar la sierra.
- El tornillo y tuercas siempre deben apretarse utilizando la llave adecuada, etc.
- No se permite el uso de una extensión sobre la llave o apretar utilizando golpes de martillo.
- Asegúrese de que la hoja y las bridas están limpias y de que los resortes laterales se apoyan contra la hoja.
- Asegúrese de que la hoja gira en la dirección correcta y no toque ninguna parte de la máquina o del sistema de protección.
- Antes de empezar a trabajar, haga un corte de prueba sin encender el motor para comprobar la posición de la sierra. Compruebe el correcto funcionamiento de las protecciones respecto a otras partes del producto y piezas de trabajo.
- No deje la herramienta desatendida.
- No aplique lubricantes en la hoja cuando esté en funcionamiento.
- No intente nunca acelerar la parada de la herramienta interponiendo, cuando aún esté en movimiento, una herramienta u otro objeto: si lo hace, puede provocar involuntariamente accidentes graves.
- Desenchufe la herramienta eléctrica antes de cambiar la hoja o efectuar cualquier tarea de mantenimiento.





- Tenga cuidado a la hora de embalar y desembalar la hoja: es fácil lesionarse con sus afiladas puntas.
- Utilice un porta-hojas o póngase guantes para manipular la hoja de sierra.
- Guarde y almacene la hoja en su embalaje original o en otro adecuado. Consérvelo en un lugar seco y alejado de productos químicos que puedan dañar la hoja.

USO PREVISTO

La sierra de mesa está diseñada para ser utilizada por una sola persona con el propósito de desmenuzar y cortar madera, hasta una profundidad máxima de 80 mm a 0° de ángulo de bisel. En el ángulo de bisel máximo de 45°, la profundidad máxima de corte es de 55 mm. La sierra de mesa está diseñada y destinada a fijarse a una superficie estable o a un puesto de trabajo tal como la suministra el fabricante. Se puede cortar madera dura y blanda, además de tableros de partículas y de fibra.

Sólo deben utilizarse las combinaciones de hoja y cuña de separación suministradas por el fabricante de la sierra de mesa.

RIESGOS RESIDUALES

Incluso cuando se utiliza la sierra de mesa según las instrucciones, sigue siendo imposible eliminar por completo ciertos factores de riesgo residuales.

El operario debe prestar especial atención a estos puntos para minimizar el riesgo de lesiones personales graves.

- Corte superficial La protección de la hoja se retira y la parte superior de la hoja de la sierra está expuesta.
- Contacto con la hoja – evitar acercarse a la hoja, tanto por arriba como alrededor.
- Retroceso – no se quede de pie delante de la hoja.
- Estabilidad – asegúrese de que el producto es estable, siempre que sea posible, asegúrelo.
- Partículas lanzadas por la hoja – utilice protección ocular en todo momento durante el trabajo.
- Inhalación de polvo – use una mascarilla si es necesario. El polvo producido al trabajar ciertos tipos de productos de madera (por ejemplo, MDF) puede ser peligroso para su sistema respiratorio.
- Lesión ocular por partículas de polvo y madera – utilice protección ocular en todo momento durante el trabajo.
- Lesión auditiva – limite la exposición y lleve puesta la protección auditiva adecuada.
- Los niveles de ruido pueden variar ampliamente de una máquina a otra en función de las condiciones de uso. Las personas expuestas a altos niveles de ruido, aunque sea por un corto período de tiempo, pueden experimentar pérdida de audición parcial temporal y la exposición continua a altos niveles puede causar daños auditivos permanentes.

CONOZCA SU HERRAMIENTA.

Véase la página 242.

1. Inserto de la mesa
2. Cuña de separación ampliada ajustable
3. Guía de inglete

4. Cuchilla de la sierra
5. Protección de la hoja de sierra
6. Apertura del inserto de la mesa
7. Valla/tope guía
8. Extensión de la mesa lateral (RTS1800ES, RTS1800EF)
9. Agujeros de fijación (asegurar a la mesa de trabajo o patas)
10. Interruptor de encendido/apagado
11. Rueda de ajuste del ángulo de bisel
12. Bloqueo del ángulo de bisel
13. Manilla de profundidad de corte
14. Mesa de la sierra
15. Escape de polvo
16. Accesorio del canal de polvo

FUNCIONAMIENTO

⚠ ADVERTENCIA

Debe leer y entender completamente todas las advertencias e instrucciones contenidas en este manual antes de enchufar la sierra de mesa y empezar a cortar con ella.

Corte completo: Cualquier operación de corte donde la hoja de sierra sobresale más allá del espesor de la pieza de trabajo. Para esta operación la cuña de separación debe estar en posición elevada y debe estar instalada la protección de la hoja. Use una valla o ingletadora para colocar correctamente la pieza de trabajo.

Corte superficial: Cualquier operación de corte donde la hoja de sierra no sobresale más allá del espesor de la pieza de trabajo. Para esta operación la cuña de separación debe estar en posición baja. La parte superior de la cuña de separación debe estar ligeramente más baja que la parte superior de la hoja de la sierra. La protección de la hoja no se puede montar. Use una valla o ingletadora para colocar correctamente la pieza de trabajo.

Cortes en dirección de la veta: Usando la guía de corte paralela a la hoja para orientar la pieza. Usualmente el corte se hace en la dirección de la textura de la madera (si existe). Puede ser un corte pasante o no pasante.

Corte transversal: Usando la ingletadora o la valla para cortes transversales. El aparato fue diseñado para deslizar paralelamente a la hoja de la sierra y permite que la pieza esté en un ángulo fijo en el eje de corte de la hoja. Usualmente el corte se hace en la dirección de la textura de la madera (si existe). Puede ser un corte pasante o no pasante.

Corte en bisel: El ángulo de la hoja relativo a la superficie de la mesa varía entre 90 y 45°. Permite un corte en un borde en ángulo. Puede ser un corte pasante o no pasante. La guía de corte o la ingletadora deben ser usadas para posicionar correctamente la pieza.

Corte en inglete: La pieza debe ser presentada a la hoja en un ángulo. O ángulo necesario es configurado en la ingletadora, que puede sostener la pieza en el ángulo mientras desliza paralelamente a la hoja para hacer el corte. Puede ser un corte pasante o no pasante.

Corte cónico: Os cortes transversales cónicos se pueden





hacer usando la ingletadora definida para el ángulo requerido. No es posible hacer corte cónico recto ya que se requiere un accesorio especial.

USAR LA VALLA DE FORMA SEGURA

- Nunca use la guía de corte y la ingletadora al mismo tiempo. Así se aumenta el riesgo de retroceso y daños personales. Cuando no está en uso, retirela de la mesa y guárdela en un lugar seguro fuera de alcance.
- Cada vez que se usa la valla o que se mueve para otra posición es importante comprobar el paralelismo con la hoja de la sierra.
- Una valla no paralela puede atrapar la pieza entre la hoja y la valla causando retroceso que puede causar graves daños personales a usted y a otros.
- Una valla incorrectamente colocada o ajustada puede causar que la pieza se mueva hacia la hoja en un ángulo incorrecto lo que puede causar que la hoja se atasque o se tuerza. También puede causar retroceso (ver arriba).
- Para colocar o ajustar correctamente la valla, cuelgue el extremo de la valla sobre el borde trasero de la mesa para acoplar con la frente de la mesa. En seguida, aplique presión en la parte frontal de la valla de manera que los dos bordes colocados en el ángulo correcto en la dirección de la valla contactan el borde frontal de la mesa. Así es más fácil asegurar que la valla esté paralela a la hoja. Después, bloquee la valla en la posición empujando el mango de bloqueo hacia abajo.
- Se puede regular la fuerza del mango de bloqueo sobre la valla en posición girando el tornillo de cabeza moleteada bajo el mango de bloqueo.
- Compruebe siempre el paralelismo de la valla a la hoja por medición o con un bloque de madera correctamente cortada antes de hacer el corte.

Alinear las marcas de distancia, de la hoja a la valla

Coloque el borde de la valla contra la hoja y ajuste el indicador de nivel para alinear con la marca de 0 mm en el borde frontal de la mesa. Afloje el tornillo, ajuste el indicador de nivel y vuelva a apretar el tornillo.

Uso de la valla auxiliar

Hay circunstancias en que es necesario el ajuste de la valla auxiliar a la valla principal.

- a. Cuando una pieza estrecha no se puede sostener con la mano o con un listón porque la valla está en el camino.
- b. Cuando se corta una pieza delgada. Piezas muy delgadas pueden deslizar bajo la valla principal y ser atrapadas o arrastradas causando riesgo de retroceso. Use la valla auxiliar para evitarlo.

Retire la valla auxiliar cuando sea seguro usar solamente la valla principal.

Cuando haga cortes de bisel en piezas estrechas, use siempre la valla en el lado opuesto a la hoja al lado en que se está inclinando, para evitar que el bloque de empuje o el listón sean atrapados contra el protector de la hoja o la valla.

Fijación de la valla auxiliar a la valla principal

- Con las tuercas de mariposa y las arandelas de un lado de la valla, empuje los pernos para el otro lado y atornille con varias vueltas. Ahora deslice la valla auxiliar sobre las cabezas de los pernos en la ranura facultada. Apriete la valla auxiliar en la posición requerida.

NOTA: La valla auxiliar es solamente para orientar la pieza por la hoja y la cuña de separación, no tiene que cubrir toda la longitud de la valla principal.

Retire la valla auxiliar cuando sea seguro usar solamente la valla principal. No deje los pernos y tuercas de mariposa en la valla principal.

Usando una tabla de canto biselado

Una tabla de canto biselado es un aparato semejante a un peine pero cortado con un ángulo. Usualmente construido de madera o plástico los dedos delgados se pliegan ligeramente mientras la pieza desliza para la posición, aplicando una presión uniforme y consistente para sostener la pieza. Use uno de estos aparatos cuando es necesario un corte estrecho en la pieza. El aparato está conectado a la mesa a través de las ranuras de la ingletadora y reduce la necesidad de que los dedos del operador estén cerca de la hoja.

Se pueden comprar tablas de canto biselado en tiendas especializadas en trabajos en madera.

DISPOSITIVO DE PROTECCIÓN CONTRA SOBRECARGA

El producto tiene un dispositivo de protección contra sobrecarga. Cuando hay demasiada carga, el producto se apaga automáticamente. Apague la sierra. Si el protector de sobrecarga se activa, debe dejar que el motor se enfríe durante 3 minutos. Compruebe que la hoja puede girar libremente y que no está atascada o apretada. Pulse el botón reiniciar (baja el interruptor de encendido/apagado). Encienda la sierra. Pulse el botón de encendido para arrancar el producto.

MANTENIMIENTO

- Compruebe que la hoja de la sierra está totalmente detenida y que el cable de alimentación ha sido retirado antes de hacer el mantenimiento o limpieza.
- Si el cable de alimentación está dañado debe ser reparado en un centro de asistencia autorizado.
- La hoja tiene bordes afilados y puede también estar caliente después de hacer el corte. Debe tener mucho cuidado cuando limpia una hoja expuesta. Debe usar guantes para protegerse de daños personales.
- Limpie la hoja y sus accesorios del polvo regularmente, en especial las partes móviles incluyendo el protector de la hoja. Use un cepillo manual o una aspiradora para retirar el polvo de forma eficiente.





⚠ ADVERTENCIA

No intente desmontar el protector de la hoja para limpiar o reparar. No se deben usar protectores dañados. Devuelva al centro de servicio autorizado para su reparación o reemplazo.

- La sierra de mesa está lubricada de fábrica y no necesita lubricación adicional.
- Para comprobar y ajustar los ángulos de bisel y el paralelismo hoja/valla, consulte las secciones "Comprobar y ajustar el ángulo de bisel" y "Comprobar y ajustar el paralelismo de la hoja con las ranuras de la ingletadora" en este manual".

COMPROBAR Y AJUSTAR EL ÁNGULO DE BISEL

NOTA: Ajustar la hoja para 90° de los resultados de la mesa con un ángulo de bisel de 0°.

3. Apague y retire el enchufe de la toma de pared.
1. Preste especial atención a las puntas de la hoja, ya que son muy afiladas y pueden causar daños personales.
2. Suba la hoja y la cuña de separación para la altura máxima.
3. Retire el protector de la hoja.
4. Coloque la cuña de separación en su posición más baja.
5. Asegúrese que la hoja y la superficie de la mesa están limpias de polvo y residuos.
6. Coloque una escuadra de 90° en la superficie de la mesa y en la parte más alta de la hoja. Preste atención de no tocar en las puntas de la hoja durante la medición para evitar errores. Es necesario alinear la superficie del cuerpo de la hoja de la sierra.
7. No debe haber huecos entre el borde de la escuadra y la hoja o la mesa, en esta condición, la hoja está en un verdadero alineamiento vertical y no es necesario ajustar más del ángulo de la hoja.
8. Si exista un hueco, afloje el botón de bloqueo del bisel y mueva con cuidado el ángulo del bisel comprobando siempre el hueco. Cuando no exista un hueco, apriete al botón de bloqueo del bisel de forma segura.
9. Afloje el tornillo en el indicador de ángulo de bisel y ajuste el portahilos de plástico transparente para que presente un alineamiento con la marca de 0°. Apretar el tornillo.
10. Repita la operación para comprobar y ajustar varios ángulos entre 90° e 45° según sea necesario.

COMPROBAR Y AJUSTAR EL PARALELISMO DE LA HOJA A LAS RANURAS DE LA INGLETADORA

1. Apague y retire el enchufe de la toma de pared.
2. Preste especial atención a las puntas de la hoja, ya que son muy afiladas y pueden causar daños personales.
3. Suba la hoja y la cuña de separación para la altura máxima.
4. Retire el protector de la hoja.
5. Complete las comprobaciones indicadas en este manual "Como comprobar y ajustar el ángulo de bisel." Asegúrese que el ángulo de bisel está fijado de forma segura en los 0°.
6. Retire la guía de ángulo de inglete y colóquela en una ranura en la mesa. Coloque el ángulo en el guía de

ángulo de inglete en los 90°.

7. Coloque una regla de acero firmemente en la guía de ángulo de inglete y con la extremidad recta de la regla toque el cuerpo de la hoja de la sierra. Puede usar un bloque de madera cortado de forma exacta en vez de la regla de acero.
8. Mantenga un agarre firme en la regla / bloque y deslice toda la guía de ángulo de inglete de manera que la regla / bloque contacte ahora el otro extremo de la hoja. La regla del bloque debe estar al mismo nivel de contacto con la hoja cuando se mueve por el cuerpo de la hoja. Si este es el caso, el paralelismo entre la hoja y las ranuras de la mesa está correcto y no es necesario ajuste. Compruebe la ranura en el otro lado de la mesa usando el mismo método.

AJUSTAR EL PARALELISMO DE LA HOJA A LAS RANURAS DE LA MESA

Hay dos pernos en la parte frontal de la hoja de la sierra y otros dos en la parte trasera. Estos pueden ser accesorios a partir de la parte inferior de la superficie de la mesa.

Cuando se afloja los pernos, toda la hoja, cuña de separación y conjunto del motor puede moverse para alinear de manera exacta la hoja a las ranuras de la mesa. Puede considerar difícil de alcanzar, excepto si tiene experiencia en estos ajustes, en caso de dificultad, devuelva su sierra de mesa al centro de asistencia Ryobi autorizado más cercano para ajuste profesional.

PROTECCIÓN DEL MEDIO AMBIENTE



Recicle las materias primas en lugar de tirarlas a la basura doméstica. Para proteger el medio ambiente, debe separar la herramienta, los accesorios y los embalajes.

SÍMBOLOS EN EL PRODUCTO



Alerta de seguridad



Conformidad CE



Certificado EAC de conformidad



Herramienta de tipo II, doble aislamiento



Por favor, lea atentamente las instrucciones antes de encender el producto.

- EN
- FR
- DE
- ES**
- IT
- NL
- PT
- DA
- SV
- FI
- NO
- RU
- PL
- CS
- HU
- RO
- LV
- LT
- ET
- HR
- SL
- SK
- EL
- TR





Use protectores auditivos.



Use gafas de protección.



Use guantes de protección.



¡Peligro! Cuchilla afilada.



Capacidad de corte



Longitud del corte de la hoja (canal)



Número de dientes en la hoja de la sierra



Para cortar madera y material análogo



No se aplica a metales de corte



Dirección de rotación de la hoja (exhibido en el protector de la hoja)



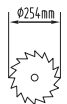
Dirección de rotación de la hoja (exhibido en la cuña de separación)



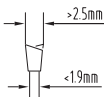
Dirección de rotación de la hoja (exhibido en la hoja de la sierra)



Dirección de rotación de la hoja (exhibido en la mesa)



Diámetro de la hoja



Espesor del cuerpo de la hoja y anchura de corte

T2.2mm
38-48HRC

Dureza y espesor de la cuña de separación

1800
W

Potencia nominal

48
TCT
254 mm

Hoja de 48 dientes de carburo de tungsteno

SOFT START

Arranque suave

Protección de sobrecarga

alu

Mesa de aluminio fundido

560 x 590 mm

Dimensión de la mesa (RTS1800, RTS1800S)

560 x 710 mm

Dimensión de la mesa (RTS1800ES, RTS1800EF)

1800 mm
480 mm

Dimensión de la extensión de la mesa



Elevador de tijera removible



Elevador plegable deluxe

0°/90° 0°/45°
Vertical

Capacidades de corte (90° y 45°)



Los productos eléctricos de desperdicio no deben desecharse con desperdicios caseros. Por favor reciclos donde existan dichas instalaciones. Consulte con las autoridades o distribuidores locales para recibir asesoramiento sobre el reciclaje.

SÍMBOLOS EN ESTE MANUAL



Conectar a la toma de corriente.



Desconectar de la toma de corriente.



Las piezas o accesorios se venden por separado



Los productos eléctricos de desperdicio no deben desecharse con desperdicios caseros. Por favor recíclelos donde existan dichas instalaciones.



Nota:



ADVERTENCIA

- EN
- FR
- DE
- ES**
- IT
- NL
- PT
- DA
- SV
- FI
- NO
- RU
- PL
- CS
- HU
- RO
- LV
- LT
- ET
- HR
- SL
- SK
- EL
- TR

130.com.ua

NORME DI SICUREZZA GENERALI

⚠ AVVERTENZE

Leggere attentamente tutte le avvertenze, le istruzioni e le specifiche fornite con l'apparecchio e fare riferimento alle illustrazioni. La mancata osservanza delle istruzioni riportate di seguito potrebbe provocare incidenti quali incendi, scosse elettriche e/o gravi lesioni fisiche.

Conservare tutte le istruzioni e le avvertenze per eventuali riferimenti futuri. Il termine "elettrotensile" nelle avvertenze fa riferimento a un elettrotensile che funziona con una spina (con cavo) o a batterie (senza cavo).

SICUREZZA AREA LAVORO

- Tenere l'area di lavoro pulita e ben illuminata. Aree non ordinate o non illuminate possono causare incidenti.
- Non mettere in funzione gli elettrotensili in atmosfere esplosive, come in presenza di liquidi infiammabili, gas o polvere. Gli elettrotensili creano scintille che potranno causare incendi se a contatto con polveri o vapori.
- Tenere bambini ed eventuali osservatori lontani quando si mette in funzione un elettrotensile. Eventuali distrazioni potranno causare una perdita di controllo.

SICUREZZA ELETTRICA

- La spina dell'elettrotensile deve combaciare con la presa. Non modificare mai la spina. Non utilizzare prolunghes e adattatori qualsiasi con elettrotensili con messa a terra (collegati a terra). Spine non modificate e prese adeguate ridurranno il rischio di scosse elettriche.
- Evitare il contatto del corpo con superfici con messa a terra o collegate a terra, come tubi, radiatori, fornelli e refrigeratori. Esiste un maggior rischio di scosse elettriche se il corpo dell'operatore entra in contatto con un dispositivo con messa a terra.
- Non esporre gli elettrotensili a pioggia o umidità. Nel caso in cui dell'acqua entrerà nell'elettrotensile, si aumenterà il rischio di scosse elettriche.
- Non sottoporre il cavo a stress. Non tirare l'elettrotensile dal cavo per trasportarlo, né scollegarlo tirando il cavo dell'alimentazione. Tenere il cavo dell'alimentazione lontano da fonti di calore, olio e estremità appuntite o parti in movimento. Cavi danneggiati o intrecciati potranno aumentare il rischio di scosse elettriche.
- Quando si mette in funzione un utensile in esterni, utilizzare una prolunga adatta per tali scopi. Utilizzare un cavo adeguato per esterni ridurrà il rischio di scosse elettriche.
- Nel caso in cui non si possa fare a meno di mettere in funzione un elettrotensile in un luogo umido, utilizzare un dispositivo di corrente residua (RCD).

Utilizzare un RCD ridurrà il rischio di scosse elettriche.

SICUREZZA PERSONALE

- Fare attenzione sempre al lavoro che si sta svolgendo e seguire sempre il proprio buon senso quando si mette in funzione un elettrotensile. Non utilizzare un elettrotensile se stanchi o sotto l'influenza di droghe, alcool o medicinali. Un momento di disattenzione mentre si utilizzano elettrotensili potrà causare gravi lesioni personali.
- Utilizzare equipaggiamento di protezione personale. Indossare sempre occhiali di protezione. Equipaggiamento personale come maschere per la polvere, calzature antiscivolo, elmetti duri o cuffie di protezione utilizzate per condizioni appropriate ridurranno le lesioni personali.
- Evitare l'avvio non intenzionale dell'utensile. Assicurarsi che l'interruttore si trovi sulla posizione spento prima di collegare il dispositivo all'alimentazione e/o al gruppo batterie, prima di alzare o trasportare l'utensile. Trasportare elettrotensili con un dito sull'interruttore o utensili elettrici con l'interruttore acceso potrà causare incidenti.
- Rimuovere eventuali chiavi o dispositivi prima di accendere l'elettrotensile. Un utensile o un cavo lasciati collegati a una parte rotante dell'elettrotensile potranno causare gravi lesioni personali.
- Non protendersi. Mantenere sempre l'equilibrio e un punto di appoggio sicuro. Ciò permetterà un controllo migliore dell'elettrotensile in situazioni inaspettate.
- Vestirsi adeguatamente. Non indossare abiti con parti svolazzanti o gioielli. Tenere capelli e vestiti lontani dalle parti in movimento. Abiti con parti svolazzanti, gioielli o capelli lunghi potranno rimanere impigliati nelle parti in movimento.
- Nel caso in cui siano collegati dispositivi per l'estrazione e la raccolta della polvere, assicurarsi che essi siano collegati e correttamente utilizzati. Utilizzare un dispositivo di raccolta polvere potrà ridurre i rischi causati dalla polvere.
- Non lasciare che l'eccessiva familiarità nell'utilizzare il dispositivo permetta all'operatore di rilassarsi e ignorare i principi di sicurezza che regolano l'utilizzo dell'utensile. Azioni svolte distrattamente potranno causare gravi lesioni in una frazione di secondo.

UTILIZZO E CURA DI UN UTENSILE

- Non forzare l'elettrotensile. Utilizzare il corretto elettrotensile per il lavoro da svolgere. Il corretto elettrotensile svolgerà il lavoro meglio e in maniera più sicura al ritmo per il quale è stato progettato.
- Non utilizzare l'elettrotensile se l'interruttore non lo accende o spegne. Un elettrotensile non controllabile dall'interruttore è pericoloso e deve essere riparato.
- Scollegare la presa dall'alimentazione e/o rimuovere il gruppo batterie, se scollegabile, dall'utensile prima di svolgere le dovute regolazioni, cambiare gli accessori o riporre gli elettrotensili. Tali misure di sicurezza preventive riducono il rischio di avvio



accidentale dell'utensile.

- **Riporre elettroutensili non in funzione lontano dalla portata dei bambini e non lasciare che persone che non conoscono il funzionamento dell'elettroutensile mettano in funzione il dispositivo.** Gli elettroutensili possono essere pericolosi nelle mani di operatori non qualificati.
- **Riporre gli elettroutensili e gli accessori. Controllare eventuali parti allineate male o parti in movimento bloccate, parti rotte o qualsiasi altra condizione che può influire sul corretto funzionamento dell'elettroutensile.** Se danneggiato, far riparare l'elettroutensile prima dell'utilizzo. Molti incidenti sono causati da elettroutensili sui quali non è stata svolta una corretta manutenzione.
- **Tenere gli utensili di taglio puliti e ben affilati.** Utensili di taglio correttamente conservati con lame affilate si bloccheranno meno facilmente e saranno più facili da controllare.
- **Utilizzare l'elettroutensile, gli accessori e le punte ecc secondo le seguenti istruzioni tenendo sempre presenti le condizioni di lavoro e il lavoro da svolgere.** Utilizzare l'elettroutensile per operazioni diverse da quelle per le quali è stato progettato potrà causare una situazione pericolosa.
- **Tenere manici e superfici in gomma asciutte, pulite e libere da olio e grasso.** Manici e superfici in gomma scivolose non permettono di maneggiare con sicurezza e controllare l'utensile in situazioni inaspettate.

MANUTENZIONE

- **Fare svolgere sempre le dovute riparazioni da una persona qualificata che utilizzi solo parti di ricambio identiche.** In questo modo verrà garantita la sicurezza dell'utensile.

ISTRUZIONI DI SICUREZZA PER LE SEGHE DA TAVOLO

AVVERTENZE LEGATE AI PARALAME DI PROTEZIONE

- **Tenere i paralame di protezione al loro posto. I paralame devono funzionare ed essere montati correttamente.** Un paralame allentato, danneggiato o non funzionante correttamente deve essere riparato o sostituito.
- **Utilizzare sempre un paralame e un cuneo per tagli completi.** Per operazioni di tagli completi che implicano che la lama della motosega passi completamente attraverso il pezzo da tagliare, i paralame e qualsiasi altro dispositivo di sicurezza potranno aiutare a ridurre il rischio di lesioni.
- **Ricollegare immediatamente il sistema di paralame di sicurezza dopo aver completato una operazione (come tagli di ribattitura o ritaglio) che richiede la rimozione dello stesso sistema.** I paralame di sicurezza e il cuneo aiuteranno a ridurre il rischio di lesioni.
- **Assicurarsi che la lama non entri in contatto con il paralame, il cuneo o il pezzo sul quale si sta lavorando prima che l'interruttore sia acceso. Il**

contatto di queste parti con la lama potrà causare situazioni pericolose.

- **Regolare il cuneo come descritto nel presente manuale.** Spaziature, posizionamento e allineamento scorretti renderanno il cuneo inadeguato a ridurre un eventuale rimbalzo.
- **Per fare in modo che il cuneo funzioni, deve essere incastrato nel pezzo sul quale si sta lavorando.** Il cuneo non è adeguato ad essere utilizzato con pezzi di lavoro troppo corti in quanto non rimarranno ben ancorati con il cuneo. In queste condizioni non si potrà evitare un eventuale rimbalzo del cuneo.
- **Utilizzare la lama corretta per il cuneo.** Per fare in modo che il cuneo funzioni correttamente, il diametro della lama deve essere pari a quello del cuneo e il corpo della lama deve essere più stretto rispetto a quello del cuneo, mentre la profondità di taglio della lama deve essere più ampia rispetto alla profondità del cuneo.

AVVERTENZE PROCEDURE DI TAGLIO

⚠ PERICOLO

Non posizionare mai dita o mani accanto o in linea con la lama. Un momento di disattenzione o una svista da parte dell'utente potrà dirigere la mano verso la motosega e causare gravi lesioni alla persona.

- **Spingere il pezzo sul quale si sta lavorando nella motosega solo contro la direzione di rotazione.** Spingere il pezzo sul quale si sta lavorando nella stessa direzione in cui la motosega sta ruotando sul tavolo potrà causare un risucchio da parte dell'utensile del pezzo di lavoro o della mano.
- **Non utilizzare mai il misuratore angolare per spingere il pezzo sul quale si sta lavorando nell'utensile durante operazioni di taglio e non utilizzare la guida angolare come un dispositivo di arresto durante operazioni di tagli incrociati con il misuratore angolare.** Guidare il pezzo sul quale si sta lavorando con la guida angolare e il misuratore angolare aumenta allo stesso tempo la possibilità che la motosega si blocchi e causi rimbalzi.
- **Durante le operazioni di taglio, applicare sempre la forza di spinta sul pezzo sul quale si sta lavorando tra la guida e la lama. Utilizzare uno spingitoio quando la distanza tra la guida e la lama è inferiore a 150 mm, e un blocco spingitoio quando la distanza è inferiore a 50 mm.** Dipositivi "aiuta lavoro" manterranno la mano a una distanza sicura dalla lama.
- **Utilizzare solo lo spingitoio fornito dalla ditta produttrice o costruito secondo le norme indicate nelle istruzioni.** Questo spingitoio fornisce una distanza sufficiente della mano dalla lama.
- **Non utilizzare mai uno spingitoio danneggiato o tagliato.** Uno spingitoio danneggiato potrà rompersi facendo scivolare la mano dalla lama.
- **Non svolgere alcuna operazione "a mano libera". Utilizzare sempre la guida parallela o il misuratore angolare per posizionare e guidare il pezzo sul quale si sta lavorando.** "A mano libera" significa

EN
FR
DE
ES
IT
NL
PT
DA
SV
FI
NO
RU
PL
CS
HU
RO
LV
LT
ET
HR
SL
SK
EL
TR





utilizzando le mani per sostenere o guidare il pezzo sul quale si sta lavorando, senza l'aiuto di una guida parallela o di un misuratore. Svolgere le operazioni di lavoro a mano libera causerà allineamenti errati, blocchi e rimbalzi.

- **Non protendersi mai su o attorno a una lama rotante.** Protendersi per raggiungere un pezzo sul quale si sta lavorando potrà causare il contatto accidentale con la lama in movimento.
- **Fornire il massimo sostegno al pezzo di lavoro per sostenere la parte posteriore e/o laterale della motosega da tavolo e/o di ampi pezzi sui quali si sta lavorando per mantenerli al livello corretto.** Materiale da tagliare lungo e/o largo ha la tendenza di rigirarsi sull'orlo del tavolo causando perdita di controllo, blocco della lama e rimbalzo.
- **Inserire il materiale da tagliare a un ritmo sostenibile. Non piegare nè torcere il pezzo sul quale si sta lavorando. In caso di blocchi, arrestare immediatamente il prodotto, scollegarlo e quindi rimuovere il materiale che costituisce un blocco.** Incastrare il pezzo sul quale si sta lavorando nella lama potrà causare rimbalzi o bloccare il motore.
- **Non rimuovere parti di materiale di scarto mentre la motosega è in funzione.** Il materiale potrà rimanere intrappolato tra la guida parallela o la parte interna dello schermo paralame e la lama potrà spingere le dita nella motosega. Spegnerne la motosega e attendere fino a che la lama non si arresta prima di rimuovere materiale.
- **Utilizzare una guida ausiliare che entri in contatto con la parte superiore del tavolo quando si taglia materiale con uno spessore inferiore a 2 mm.** Materiale sottile potrà depositarsi sotto la guida parallela e causare rimbalzi.

CAUSE DEL RIMBALZO E AVVERTENZE COLLEGATE

Il rimbalzo è una reazione improvvisa del pezzo sul quale si sta lavorando a causa di una lama bloccata, incastrata o di una linea di taglio non allineata correttamente nel pezzo sul quale si sta lavorando rispetto alla lama o quando una parte del pezzo sul quale si sta lavorando rimane incastrata tra la lama e la guida parallela od altri oggetti fissi. Di solito durante il rimbalzo il materiale sul quale si sta lavorando si alza dal tavolo ad iniziare dalla parte posteriore della lama e viene scagliato verso l'operatore.

Il contraccolpo è pertanto il risultato di un utilizzo errato dell'apparecchio e/o di procedimenti o di condizioni di taglio inappropriati. Questa evenienza può essere evitata assicurandosi di adottare alcune misure precauzionali.

- **Non posizionarsi mai direttamente in linea con la lama. Posizionare il corpo sempre sullo stesso lato della lama come la guida.** Il rimbalzo potrà scagliare il pezzo sul quale si sta lavorando ad alta velocità contro chiunque si trovi di fronte all'utensile e in linea con la lama.
- **Non protendersi mai sulla lama per spingere o sostenere il pezzo sul quale si sta lavorando.** Si potranno verificare contatti accidentali con la lama o il rimbalzo potrà spingere le dita verso la lama.
- **Non reggere nè spingere il pezzo sul quale si sta lavorando contro la lama rotante.** Spingere il pezzo

sul quale si sta lavorando contro la lama creerà un blocco e causerà un rimbalzo.

- **Allineare la guida in modo che sia parallela alla lama.** Una guida non allineata correttamente incasterà il materiale sul quale si sta lavorando contro la lama creando un rimbalzo.
- **Utilizzare un premepezzo a pettine per guidare il materiale contro il tavolo e la guida quando non si stanno facendo dei tagli completi ma si svolgono operazioni di ritaglio o ribattitura.** Il premepezzo a pettine aiuta a controllare il pezzo sul quale si sta lavorando in caso di rimbalzo.
- **Sostenere pannelli larghi per minimizzare il rischio di blocco e rimbalzo della lama.** I pezzi lunghi tendono infatti a flettersi sotto il loro stesso peso. Posizionare sotto tutte le porzioni del pannello che pende sulla parte superiore del tavolo un supporto(i).
- **Fare la massima attenzione quando si taglia legno piegato, che presenta nodi o imperfezioni o che non ha una parte dritta che può essere guidata con un misuratore angolare o spinta lungo la guida.** Il legno piegato, con nodi o imperfezioni non è stabile e potrà causare allineamenti errati del taglio e blocchi e rimbalzi della lama.
- **Non tagliare mai più di un pezzo, impilato verticalmente o orizzontalmente.** La lama potrà impigliarsi in uno o più punti e causare rimbalzi.
- **Quando si riavvia la sega con la lama nel pezzo sul quale si sta lavorando, centrare la lama nel taglio in modo che i denti della sega non rimangano bloccati nel materiale.** Se la lama si blocca, potrà alzare il pezzo sul quale si sta lavorando, causando un rimbalzo quando la motosega viene riavviata.
- **Tenere le lame pulite, affilate e correttamente inserite. Non utilizzare lame piegate o lame con denti rotti o spezzati.** Lame affilate e correttamente montate minimizzano eventuali blocchi, stalli e rimbalzi.

AVVERTENZE PROCEDURA FUNZIONAMENTO MOTOSEGA DA TAVOLO

- **Arrestare la motosega da tavolo e scollegare il cavo dell'alimentazione quando si rimuove il tavolo, si cambia la lama o si svolgono le dovute regolazioni al cuneo o alla guida lame, e quando l'utensile viene lasciato incustodito.** Le misure di precauzione eviteranno incidenti.
- **Non lasciare mai la motosega incustodita in funzione.** Spegnerne il dispositivo e non lasciare il prodotto fino a che non si sia completamente arrestato. Una motosega incustodita lasciata in funzione costituisce un pericolo.
- **Posizionare la sega da tavolo in una zona ben illuminata e ben equilibrata dove è possibile all'operatore mantenere equilibrio e una presa salda.** Il dispositivo dovrebbe essere installato in una zona che permette di muoversi liberamente e gestire comodamente le dimensioni del materiale di lavoro. Zone di lavoro disordinate e buie e pavimenti scivolosi causano incidenti.
- **Pulire frequentemente e rimuovere la segatura dal tavolo e/o dal dispositivo di raccolta polvere.** La





segatura accumulata è combustibile e potrà prendere fuoco.

- **La sega da tavolo deve essere assicurata.** Una sega da tavolo non assicurata correttamente potrà spostarsi o cadere.
- **Rimuovere gli utensili, gli scarti del legno, ecc. dal tavolo prima di attivare a motosega.** Eventuali distrazioni o blocchi potranno essere pericolosi.
- **Utilizzare sempre lame con fori di ancoraggio di dimensioni e forme corrette (diamante contro lama rotonda).** Le lame che non combaciano con la sede della motosega scorreranno in maniera errata, causando perdita di controllo.
- **Non utilizzare elementi di montaggio danneggiati o inadeguati come flange, rondelle, bulloni o dadi.** Questi elementi di montaggio sono appositamente progettati per la motosega, per operazioni sicure e per prestazioni ottimali.
- **Non posizionarsi mai sulla motosega, non utilizzarla come sgabello.** Si potranno verificare gravi lesioni se il prodotto viene rovesciato o se l'utensile di taglio viene accidentalmente toccato.
- **Assicurarsi che lama sia installata per ruotare nella direzione corretta. Non utilizzare ruote per la smerigliatura, spazzole in metallo o ruote abrasive con la motosega.** Una installazione scorretta della motosega o un utilizzo scorretto di accessori non raccomandati potrà causare gravi lesioni.

ULTERIORI AVVERTENZE DI SICUREZZA PER MOTOSEGHE DA TAVOLO

- Montare o fissare l'utensile in una posizione stabile idonea al lavoro da svolgere. L'utensile potrebbe essere per esempio montato su una panca da lavoro, un cavalletto o fissato a terra.
- Se fissato, calibrare l'estensione regolabile della gamba per ottenere una piattaforma stabile sulla quale lavorare.
- Lavorare alla giusta altezza, mantenendo la postura ideale aiuterà a prevenire strappi e lesioni durante le operazioni.
- Fornire una illuminazione adeguata generale o locale per prevenire rischi causati da effetti stroboscopici.
- Indossare equipaggiamento di protezione di sicurezza quando necessario. Ciò comprende cuffie di protezione per ridurre il rischio di perdita di udito, maschera per ridurre il rischio di inalazione di polveri pericolose, guanti resistenti per toccare lame e materiali ruvidi.
- Indossare sempre occhiali di sicurezza quando si utilizza questo dispositivo. Indossare scarpe antiscivolo resistenti con rinforzo sulle punte per proteggersi da oggetti in caduta dal tavolo.
- La polvere prodotta quando si utilizza questo utensile potrebbe essere pericolosa per la salute, infiammabile o esplosiva. Utilizzare un sistema per l'estrazione della polvere e indossare una maschera di protezione dalla polvere adatta. Rimuovere attentamente tutta la polvere depositata per esempio con una scopa e un aspirapolvere.
- Rimuovere segatura eccessiva, ritagli e cavi dell'elettricità dal pavimento dell'area di lavoro. Ciò ridurrà il rischio di inciampi e cadute sulla lama.
- Rimuovere eventuali oggetti dal tavolo da lavoro compreso utensili e scarti del legno.
- Tenere la superficie del tavolo, l'paralame e il misuratore angolare puliti. Fare attenzione a colle, vernici ed altre sostanze simili. Il legno deve scorrere in maniera delicata e non impigliarsi in alcun punto, in caso contrario si correrà il rischio di gravi lesioni dal momento che il rischio di rimbalzi aumenterà.
- Utilizzare solo lame specificate con questo manuale, rispettando lo standard EN 847-1.
- Non utilizzare lame di sega fatte in acciaio rapido.
- Utilizzare solo lame contrassegnate con una velocità pari o più alta della velocità indicata sull'utensile.
- Non forzare il pezzo di lavoro nella lama di taglio. Lasciare che l'utensile svolga il proprio lavoro. Una forza eccessiva surriscalderebbe la lama e le punte di taglio, bruciando il pezzo sul quale si sta lavorando. Ciò risulterà in eventi inaspettati che potranno causare gravi lesioni alla persona.
- Non utilizzare lame smussate o danneggiate. Lame non affilate o montate in maniera non corretta produrranno tagli stretti causando eccessiva frizione, blocco delle lame e possibilità di rimbalzo.
- Le lame dovranno essere trasportate quando possibile in un contenitore.
 - Non mettere in funzione l'utensile senza l'apposito inserto per il tavolo e sostituirlo quando è consumato.
 - A meno che non si stia lavorando a un taglio parziale, tenere sempre il paralame e il cuneo al loro posto e in condizioni di lavoro ottimali. I paralame dovranno alzarsi e abbassarsi facilmente per lasciar passare il materiale sul quale si sta lavorando sotto di loro. Assicurarsi che il paralame sia montato correttamente sul cuneo. Non utilizzare l'utensile senza coperture/paralame.
 - Assicurarsi che la lama sia parallela alla guida. In caso contrario si produrrà un rimbalzo che potrà risultare in gravi lesioni.
- Utilizzare sempre lo schermo lame e il cuneo per operazioni di taglio completo. Le operazioni di taglio completo sono quelle in cui la lama passa completamente attraverso il materiale durante operazioni di estrazione o tagli incrociati.
- Assicurarsi sempre di aver controllato attentamente il materiale che si intende tagliare, in modo particolare quando si si utilizza legno riciclato, per individuare corpi estranei come viti, chiodi e fermagli.
- Nel caso in cui questi o altri oggetti entrino in contatto con la lama durante le operazioni di taglio, la motosega verrà danneggiata e si potranno causare gravi lesioni all'operatore o a eventuali osservatori.
- Questo elettrotensile non permette tagli a solco rettangolari.
- Utilizzare lo spingitoio quando necessario. Utilizzare sempre uno spingitoio per tagliare pezzi di legno stretti. Rimettere a posto lo spingitoio quando l'utensile non





viene utilizzato.

- Non protendersi mai nell'area accanto alla motosega quando è in funzione. Tenere le dita lontane dall'area definita dall'inserito tavolo.
- Non lasciare mai l'utensile incustodito.
- Spegner l'alimentazione.
- Non lasciare l'utensile fino a che non si ferma completamente.
- Non tentare di fermare un utensile in movimento rapidamente incastrando del materiale o altri dispositivi contro la lama. Si potranno verificare gravi incidenti non intenzionalmente in questo modo.
- Non toccare la lama di taglio subito dopo aver svolto le operazioni di taglio. La lama si riscalda durante le operazioni di taglio.
- Se la lama si incastra durante le operazioni di taglio, spegnere l'utensile e scollegarlo dalla presa dell'alimentazione. Rimuovere il pezzo sul quale si sta lavorando e assicurarsi che la motosega funzioni liberamente. Accendere il dispositivo e avviare una nuova operazione di taglio con forza ridotta.
- Quando si trasporta l'utensile, rimuovere il paralame, regolare il cuneo alla posizione più bassa e abbassare la lama in modo che si trovi al di sotto della superficie del tavolo nella posizione di transito.
- Se il cavo dell'alimentazione è danneggiato, dovrà essere sostituito dalla ditta produttrice o da un centro servizi autorizzato per evitare eventuali rischi.
- Non utilizzare accessori o ricambi non raccomandati dalla ditta produttrice. L'impiego di componenti o accessori non raccomandati potrebbe comportare il rischio di gravi lesioni. Gli utensili utilizzati in luoghi diversi compreso all'aria aperta dovranno essere collegati attraverso un dispositivo di corrente residuo (RCD).
- Se viene interrotta l'energia alla sega da tavolo, l'interruttore acceso/spento dell'utensile si posizionerà automaticamente su off (spento).

ISTRUZIONI DI SICUREZZA SPECIFICHE PER LA LAMA PER TAGLI NEL LEGNO.

- Leggere il manuale e le istruzioni attentamente prima di utilizzare la motosega e l'elettrotensile.
- L'elettrotensile deve essere tenuto in ottime condizioni, l'albero non deve essere deformato né deve vibrare.
- Assicurarsi che l'operatore sia preparato adeguatamente e abbia preso le dovute precauzioni di sicurezza, sia in grado di svolgere regolazioni e conosca il funzionamento dell'elettrotensile.
- Indossare sempre occhiali e cuffie di protezione quando si utilizza l'elettrotensile. Inoltre si consiglia di indossare guanti, calzature resistenti antiscivolo e un grembiule.
- Prima di utilizzare un qualsiasi accessorio, consultare il manuale d'istruzioni. L'utilizzo incorretto di un accessorio potrà causare danni e aumentare la possibilità di lesioni.
- Mantenere la lama pulita. Ciò include segatura e sostanze particolarmente collose come la resina del

legno. Una lama affilata taglia in maniera accurata e con sicurezza.

- Utilizzare solo lame specificate con questo manuale, rispettando lo standard EN 847-1.
- Rispettare la velocità massima indicata sulla motosega. Assicurarsi che la velocità indicata sulla lama della motosega sia uguale a quella indicata dalla motosega.
- Utilizzare sempre lame con fori di ancoraggio di dimensione e forma corretta. Una lama non idonea all'albero sul quale deve essere montata non è in grado di girare correttamente e potrebbe causare una perdita del controllo dell'apparecchio.
- Non utilizzare lame con uno spessore maggiore o con una ampiezza di taglio (intaccatura) inferiore allo spessore del cuneo.
- Non utilizzare lame di un diametro più grande o più piccolo di quello raccomandato. Non utilizzare distanziatori per inserire la lama nell'albero.
- Controllare la lama per individuare danni o aspetto non normale prima di ciascun utilizzo. Le punte danneggiate o allentate potranno trasformarsi in pericolosi oggetti scagliati dall'utensile aumentando il rischio di lesioni alla persona.
- Non devono essere utilizzate né lame incrinata né lame la cui forma abbia subito alterazioni. Non usare lame danneggiate o deformate.
- Smaltire la lama se danneggiata, deformata, storta o rotta, non sono ammesse riparazioni.
- Non utilizzare lame HSS.
- Assicurarsi che la lama sia montata correttamente, serrare il dado di ancoraggio prima dell'utilizzo.
- Le viti e i bulloni di serraggio dovranno essere serrati utilizzando la chiave adeguata, ecc.
- Utilizzare una estensione sulla chiave o serrare le parti con colpi di martello non è permesso.
- Assicurarsi che la lama e le flange siano pulite e che le parti rientrare del colletto siano posizionate contro la lama.
- Assicurarsi che la lama ruoti nella direzione corretta e che non entri in contatto con alcuna parte dell'utensile o del sistema paralame.
- Prima di avviare le operazioni, fare un taglio di prova senza attivare il motore in modo che si possano controllare la posizione della lama, il funzionamento dei paralame rispetto ad altre parti del prodotto e il pezzo sul quale si sta lavorando.
- Non lasciare mai l'elettrotensile incustodito.
- Non applicare lubrificanti sulla lama quando non è in funzione.
- Non tentare mai di arrestare l'elettrotensile rapidamente mentre è in funzione incastrando un utensile o altri materiali tra la lama, in caso contrario si potranno causare gravi incidenti non intenzionali.
- Scollegare l'elettrotensile dall'alimentazione principale prima di cambiare le lame o svolgere le operazioni di manutenzione.
- Fare attenzione alle operazioni di estrazione e riponimento lame nell'imballo, è facile rimanere feriti dalle punte affilate delle lame.





- Utilizzare un reggilame o indossare guanti quando si utilizza una motosega. Ricordarsi che la lama sarà calda dopo le operazioni di taglio.
- Conservare e riporre la lama nell'imballo originale o in un imballo adeguato, tenere all'asciutto e lontano da agenti chimici che potranno danneggiare la lama.

UTILIZZO

La sega da tavolo è progettata per essere messa in funzione da una persona per lo scopo di tagliare e intaccare legno fino a una profondità massima di 80 mm a un angolo di smussatura di 0°. All'angolo di smussatura di 45° la profondità massima di taglio sarà di 55 mm. La motosega è progettata e disegnata per essere fissata su una superficie stabile o su una piattaforma di lavoro fornita dalla ditta produttrice. Questo utensile è idoneo a tagliare legno duro e morbido e materiali legnosi composti da particelle e fibre. Utilizzare solo lame e cunei forniti dalla ditta fabbricatrice dell'utensile con questo dispositivo.

RISCHI RESIDUI

Anche quando la motosega viene utilizzata come prescritto è ancora impossibile eliminare completamente alcuni fattori di rischio residuo.

L'operatore dovrà prestare particolare e ulteriore attenzione a questi punti per ridurre il rischio di gravi lesioni alla persona.

- Taglio parziale. Il paralame viene rimosso e la parte superiore della lama viene esposta.
- Contatto con la lama – evitare di protendersi verso, sulla e attorno alla lama.
- Rimbalzo – non sostare mai davanti alla lama.
- Stabilità – assicurarsi che il prodotto sia stabile e quando possibile assicurarlo.
- Punta lame di taglio – indossare occhiali di protezione sempre durante il funzionamento.
- Inalazione della polvere – indossare una maschera se necessario. La polvere prodotta quando si lavorano alcuni tipi di legno (per esempio MDF – pannelli di fibra a media densità) può essere pericolosa per il sistema respiratorio.
- Lesioni agli occhi provocate da particelle di legno e polvere – indossare sempre una protezione occhi quando si lavora.
- Lesioni alle orecchie – limitare l'esposizione e indossare cuffie di protezione adeguate.
- I livelli di rumore variano ampiamente da utensile a utensile a seconda delle condizioni d'uso. Le persone esposte ad alti livelli di rumore, anche per un breve periodo di tempo, potranno provare perdita temporanea dell'udito e l'esposizione continua ad alti livelli potrà causare danni permanenti all'udito.

FAMILIARIZZARE CON L'UTENSILE

Vedere pagina 242.

1. Inserto tavolo
2. Cuneo regolabile esteso
3. Guida per tagli ad angolo

4. Lama sega
5. Paralame
6. Rilascia inserto tavolo
7. Guida/guida angolare
8. Estensione tavolo laterale (RTS1800ES, RTS1800EF)
9. Fori di fissaggio (assicurare alla panca da lavoro o alle gambe)
10. Interruttore piatto On/off (acceso/spento)
11. Ruota di regolazione angolo di smussatura
12. Blocco angolo di smussatura
13. Profondità manico di taglio
14. Tavolo per sega
15. Scarico polvere
16. Accessorio porta polvere

FUNZIONAMENTO

⚠ AVVERTENZE

Leggere e comprendere tutti gli avvertimenti e le istruzioni contenuti nel presente manuale prima di avviare l'utensile e le operazioni di taglio.

Taglio completo: Una operazione di taglio in cui la lama protrude oltre lo spessore del pezzo sul quale si sta lavorando. Per questa operazione il cuneo dovrà essere alzato verso l'alto e il paralame dovrà essere inserito. Utilizzare una guida o un misuratore angolare per posizionare correttamente il materiale di lavoro.

Taglio parziale: qualsiasi operazione di taglio in cui la lama non protrude oltre lo spessore del pezzo sul quale si sta lavorando. Per questa operazione il cuneo dovrà essere abbassato. La parte superiore del cuneo dovrà essere leggermente più in basso di quella superiore della lama. Il paralame non potrà essere montato. Utilizzare una guida o un misuratore angolare per posizionare correttamente il materiale di lavoro.

Taglio angolare: Utilizzare la guida angolare parallela alla lama per guidare il pezzo sul quale si sta lavorando. Il taglio viene predominantemente fatto nella direzione delle venature del legno (se presenti). Può essere un taglio completo o parziale.

Taglio incrociato: Utilizzando il misuratore angolare o la guida per il taglio incrociato. Questo dispositivo è progettato per scorrere parallelamente alla motosega e permette ai pezzi sui quali si sta lavorando di essere ancorati a un angolo fisso attraverso l'asse di taglio della lama. Il taglio viene predominantemente fatto attraverso la direzione dell venature (se presenti). Può essere un taglio completo o parziale.

Taglio di smussatura: L'angolo della lama rispetto alla superficie del tavolo cambia tra 90 e 45°. Produce un taglio con un orlo angolare. Può essere un taglio completo o parziale. La guida angolare o il misuratore angolare dovranno essere utilizzati per posizionare correttamente il materiale sul quale si sta lavorando.

Taglio angolare: Il pezzo sul quale si sta lavorando viene presentato ad angolo alla lama. L'angolo richiesto viene regolato sul misuratore angolare che permette di reggere il pezzo sul quale si sta lavorando a questa angolazione mentre scorre parallelo alla lama per fare il taglio. Può





essere un taglio totale o parziale.

Taglio rastremato: è possibile realizzare tagli rastremati incrociati utilizzando il misuratore angolare impostato all'angolo richiesto. Non è possibile fare tagli angolari rastremati dal momento che si avrà bisogno di un accessorio speciale.

UTILIZZARE LA GUIDA IN MANIERA SICURA

- Non utilizzare mai la guida angolare e il misuratore angolare allo stesso tempo. Ciò aumenterà la possibilità di rimbalzi e rischi alla persona. Quando il dispositivo non viene utilizzato rimuoverlo dal tavolo e riportarlo in un luogo sicuro.
- Ogni volta che la guida viene utilizzata o spostata in un'altra posizione è essenziale che venga controllata per individuare se sia parallela alla lama.
- Una guida non parallela potrà intrappolare il pezzo sul quale si sta lavorando tra la lama e la guida causando rimbalzi che potranno causare gravi lesioni personali a se stessi e agli altri.
- Una guida male regolata o impostata potrà fare in modo che il materiale da spingere verso la lama si trovi all'angolo incorretto il che potrà causare blocchi o arresti alla lama. Può inoltre causare rimbalzi (vedere sopra).
- Per montare e regolare la guida correttamente, agganciare una estremità della guida all'estremità posteriore del tavolo quindi abbassare la parte anteriore per agganciarsi alla parte anteriore del tavolo. Applicare pressione sulla parte anteriore della guida in modo che le due estremità posizionate al giusto angolo rispetto alla direzione della guida entrino in contatto con l'estremità anteriore del tavolo. Ciò aiuterà ad assicurarsi che la guida sia parallela alla lama. Bloccare la guida in posizione spingendo il dispositivo di blocco verso il basso.
- La forza con la quale il manico di blocco regge la guida in posizione può essere regolata ruotando la vite zigrinata situata al di sopra del manico di blocco.
- Controllare sempre che la guida sia parallela alla lama attraverso misurazioni o tagliando accuratamente il blocco di legno prima di fare il taglio.

Allineare i segni della distanza, da lama a guida

Regolare l'estremità della guida contro la lama e quindi regolare l'indicatore di livello di vetro in modo che sia allineato con il numero 0 mm sull'estremità anteriore del tavolo. Allentare la vite, regolare l'indicatore di livello di vetro e serrare di nuovo la vite.

Utilizzare la guida ausiliaria

In alcune circostanze è necessario il montaggio della guida ausiliaria alla guida principale.

- a. Quando non è possibile reggere un pezzo di legno con la mano o spingerlo perchè la guida crea intralcio.
- b. Quando si taglia un pezzo di legno sottile. Quando pezzi di legno molto sottili potranno scivolare sotto la guida principale e impigliarsi o trascinarsi causando potenziali rimbalzi. Utilizzare la guida ausiliaria per aiutare a prevenire che ciò si verifichi.

Rimuovere la guida ausiliaria quando è sicuro utilizzare solo la guida principale.

Quando si fanno tagli di smussatura su pezzi di legno stretti, utilizzare sempre la guida sul lato opposto della lama dal lato verso il quale è inclinata in caso contrario sarà facile intrappolare il tasto di blocco o il bastone contro il paralame o la guida.

Fissare la guida ausiliaria alla guida principale

- Con i dadi ad alette e le rondelle da un lato della guida, spingere i bulloni attraverso l'altro lato e avvitarli il tutto per alcuni giri. Far scivolare la guida ausiliaria sulle teste dei bulloni sulla fessura richiesta. Serrare la guida ausiliaria in posizione come richiesto.

NOTE: La guida ausiliaria è progettata per guidare il materiale oltre la lama e il cuneo e non deve coprire l'intera lunghezza della guida principale.

Rimuovere la guida ausiliaria quando è sicuro utilizzare solo la guida principale. Non lasciare i bulloni e i dadi ad aletta al loro posto sulla guida principale.

Utilizzare un premepezzo a pettine

Un premepezzo a pettine è un dispositivo simile a un pettine ma con un taglio angolare. Normalmente è fatto di legno o plastica e i dentini si piegano leggermente quando il materiale scorre in posizione, applicando una pressione uguale e consistente per reggere il materiale. Utilizzare uno di questi dispositivi quando si richiede un taglio di precisione di un pezzo di legno stretto. Questo dispositivo è montato al tavolo attraverso le fessure del misuratore angolare e allevia la necessità per le dita dell'operatore di trovarsi accanto alla lama.

I premepezzi a pettine possono essere acquistati a parte presso negozi di falegnameria specializzati.

DISPOSITIVO DI PROTEZIONE DI SOVRACCARICO

Il prodotto è dotato di un dispositivo di protezione da sovraccarico. In caso di sovraccarico, il prodotto si spegnerà automaticamente. Spegnerne l'alimentazione. Se il dispositivo di protezione da sovraccarico è acceso, il motore dovrà essere lasciato a raffreddarsi per 3 minuti. Assicurarsi che la lama possa ruotare liberamente e non sia incastrata o bloccata. Premere il tasto di reset (sotto l'interruttore acceso/spento). Accendere l'alimentazione. Premere il tasto acceso per avviare il prodotto.

MANUTENZIONE

- Assicurarsi che la lama si sia completamente arrestata e che il cavo dell'alimentazione sia stato scollegato dall'alimentazione prima di svolgere operazioni di manutenzione o pulizia.
- Se il cavo dell'alimentazione è danneggiato dovrà essere riparato presso un centro servizi autorizzato.
- La lama è dotata di estremità affilate e può surriscaldarsi durante le operazioni di taglio. Fare la massima attenzione quando si puliscono lame esposte. Indossare guanti per proteggersi da gravi lesioni alla persona.
- Pulire la motosega e i suoi accessori dalla polvere



regolarmente, soprattutto le parti in movimento compreso il paralame. Utilizzare una spazzola o un aspirapolvere per rimuovere la polvere in maniera efficace.

AVVERTENZE

Non tentare di smontare il gruppo lame per svolgere operazioni di pulizia o riparazione. Non utilizzare paralame danneggiati. Riportare presso un centro servizi autorizzato per svolgere le dovute riparazioni o sostituzioni.

- La motosega è lubrificata in fabbrica e non richiede ulteriori lubrificazioni.
- Controllare e regolare gli angoli di smussatura e il parallelismo lama/guida, vedere i paragrafi "Controllare e regolare l'angolo di smussatura" e "Controllare e regolare il parallelismo della lama con i fori del misuratore angolare" nel presente manuale.

CONTROLLARE E REGOLARE L'ANGOLO DI SMUSSATURA

NOTE: Regolare la lama a 90° dal tavolo crea un angolo di smussatura di 0°.

1. Spegnerne l'alimentazione e rimuovere la presa dall'alimentazione.
2. Prestare particolare attenzione alle punte della motosega, dal momento che sono affilate e possono causare lesioni alla persona.
3. Alzare il gruppo lama e cuneo alla massima altezza.
4. Rimuovere il paralame.
5. Posizionare il cuneo nella posizione più bassa.
6. Assicurarsi che polvere e detriti siano stati rimossi dalla lama e dalla superficie del tavolo.
7. Posizionare una "squadra" a 90° contro la superficie del tavolo e verso la parte più alta della lama. Fare attenzione a non entrare in contatto con le punte delle lame durante queste misurazioni dal momento che ciò potrà causare un errore. Allineare la superficie del corpo con la motosega.
8. Non ci dovrebbero essere spazi tra l'estremità della squadra e della lama o del tavolo, in questa condizione la lama si trova in un allineamento verticale vero e non è necessaria alcun'altra regolazione della lama.
9. Se esiste uno spazio, allentare la manopola di blocco della smussatura e muovere attentamente l'angolo di smussatura mentre si ricontra attentamente lo spazio. Una volta eliminato lo spazio, serrare la manopola di blocco della smussatura in maniera sicura.
10. Allentare la vite sull'indicatore dell'angolo di smussatura e regolare il filo trasportatore in plastica trasparente in modo che indichi l'allineamento con il contrassegno 0°. Serrare la vite.
11. Ripetere questa operazione per controllare e regolare vari angoli tra 90° e 45° come necessario.

CONTROLLARE E REGOLARE IL PARALLELISMO DELLA LAMA CON I FORI DEL MISURATORE ANGO-LARE.

1. Spegnerne l'alimentazione e rimuovere la presa dall'alimentazione.
2. Prestare particolare attenzione alle punte della motosega, dal momento che sono affilate e possono causare lesioni alla persona.
3. Alzare il gruppo lama e cuneo alla massima altezza.
4. Rimuovere il paralame.
5. Completare i controlli indicati nel manuale al paragrafo "Come controllare e regolare l'angolo di smussatura." Assicurarsi che l'angolo di smussatura sia fissato saldamente su 0°.
6. Prendere la guida del misuratore angolare e montarla in una delle fessure sul tavolo. Regolare l'angolo della guida dell'indicatore angolare su 90°.
7. Posizionare un righello in acciaio contro la guida del misuratore angolare e con l'estremità dritta che tocchi il corpo della motosega. E' possibile utilizzare un blocco di legno tagliato accuratamente al posto di un righello in acciaio.
8. Mantenere una presa solida sul righello / blocco e far scivolare la guida dell'indicatore angolare in modo che il righello / blocco entri in contatto con l'altra estremità della lama. Il righello o blocco dovranno avere lo stesso livello di contatto con la lama man mano che si muovono sul corpo della lama. In questo caso il parallelismo tra lama e fessure del tavolo è accurato e non sarà necessaria alcuna regolazione. Controllare la fessura sull'altro lato del tavolo utilizzando lo stesso metodo.

REGOLARE IL PARALLELISMO DELLE LAME CON LE FESSURE DEL TAVOLO

Ci sono due bulloni nella parte anteriore della motosega e altri due bulloni nella parte posteriore. E' possibile accedere a questi bulloni dalla parte inferiore del tavolo.

Quando si allentano questi bulloni, la lama intera, e il gruppo cuneo e motore possono essere spostati in maniera accurata in modo da allineare la lama alle fessure nel tavolo.

E' possibile che questa operazione si riveli difficile da svolgere a meno che non si abbia già esperienza nel fare regolazioni, in caso di difficoltà, riportare la motosega al più vicino centro servizi autorizzato Ryobi per ricevere un aiuto professionale.

TUTELA DELL'AMBIENTE



Riciclare le materie prime anziché gettarle tra i rifiuti domestici. Per tutelare l'ambiente, l'apparecchio, gli accessori e gli imballaggi devono essere smaltiti separatamente.

SIMBOLI SUL PRODOTTO



Indicazioni sicurezza



Conformità CE



direzione rotazione lame (indicato sulla lama)



Marchio di conformità EurAsian



direzione rotazione lame (indicato sul tavolo)



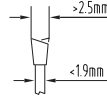
Utensile di Classe II, a doppio isolamento



Diametro lama



Leggere attentamente le istruzioni prima di utilizzare il prodotto.



Spessore corpo lama e ampiezza del taglio



Indossare cuffie di protezione.



Indossare occhiali di protezione.



Spessore e durezza cuneo



Indossare guanti di sicurezza.



Alimentazione nominale



Pericolo! Lama affilata.



Lama da 48 denti al carbonio di tungsteno da 48 denti



Capacità di taglio



Avvio morbido



Ampiezza lama di taglio (intaccatura)



Protezione da sovraccarico



Numero di denti su questa motosega



Tavolo in alluminio fuso



Per tagliare legno e altri materiali simili



Dimensioni tavolo (RTS1800, RTS1800S)



Inadeguato per tagliare metalli



Dimensioni tavolo (RTS1800ES, RTS1800EF)



direzione rotazione lame (indicato sullo schermo paralame)



Dimensioni estensione tavolo



direzione rotazione lame (indicato sul cuneo)



Gamba pieghevole a forbice



Gamba pieghevole deluxe



Capacità di taglio (90° e 45°)



I prodotti elettrici non devono essere smaltiti con i rifiuti domestici. Vi sono strutture per smaltire tali prodotti. Controllare con le autorità locali o con il proprio rivenditore di fiducia per consigli sul riciclaggio.

SIMBOLI NEL PRESENTE MANUALE



Collegare alla presa dell'alimentazione.



Scollegare dalla presa dell'alimentazione.



Parti o accessori venduti separatamente



I prodotti elettrici non devono essere smaltiti con i rifiuti domestici. Vi sono strutture per smaltire tali prodotti.



Note:



AVVERTENZE

- EN
- FR
- DE
- ES
- IT**
- NL
- PT
- DA
- SV
- FI
- NO
- RU
- PL
- CS
- HU
- RO
- LV
- LT
- ET
- HR
- SL
- SK
- EL
- TR

ALGEMENE VEILIGHEIDSVOORSCHRIFTEN

⚠ WAARSCHUWING

Lees aandachtig alle waarschuwingen, aanwijzingen en specificaties die bij deze machine worden meegeleverd en bestudeer de afbeeldingen. Als u onderstaande voorschriften niet opvolgt, kan dit leiden tot ongelukken zoals brand, elektrische schokken en/of ernstig lichamelijk letsel.

Bewaar alle waarschuwingen en instructies voor toekomstig gebruik. De term "elektrisch gereedschap" in de waarschuwingen verwijst naar gereedschap dat met de stroomtoevoer is verbonden (met snoer) of accu-aangedreven (snoerloos) gereedschap.

WERKPLEKVEILIGHEID

- Houd de werkplaats schoon en goed verlicht. Rommelige of donkere plaatsen nodigen uit tot ongevallen.
- Gebruik gereedschapswerktuigen niet in explosieve atmosferen, zoals in de aanwezigheid van ontvlambare vloeistoffen, gassen of stof. Werktuigen kunnen vonken veroorzaken die stof of gassen kunnen ontsteken.
- Houd kinderen en omstanders weg terwijl u het werktuig gebruikt. Wanneer u wordt afgeleid kunt u de controle verliezen.

ELEKTRISCHE VEILIGHEID

- Werkuigstekkers moeten overeenkomen met de contactdoos. Wijzig de stekker nooit. Gebruik geen adapterstekkers met geaarde werktuigen. Ongewijzigde stekkers en overeenkomstige contactdozen zullen het risico op elektrische schok verminderen.
- Vermijd lichamelijk contact met geaarde oppervlakken, zoals buizen, radiatoren, fornuizen en koelkasten. Er bestaat een verhoogd risico op elektrische schokken als uw lichaam geaard is.
- Stel gereedschapswerktuigen niet bloot aan regen of natte omstandigheden. Wanneer water een gereedschapswerktuig binnenkomt zal het risico op een elektrische schok toenemen.
- Misbruik het snoer niet. Gebruik het snoer nooit om het werktuig te dragen of de stekker uit het stopcontact te trekken. Houd het snoer weg van hitte, olie, scherpe randen en bewegende delen. Beschadigde of verstrikte snoeren verhogen het risico op elektrische schokken.
- Wanneer u een werktuig buitenshuis gebruikt, gebruikt u een verlengsnoer dat geschikt is voor buitenshuis gebruik. Gebruik een snoer dat geschikt is voor buitenshuis gebruik, wat het risico op elektrische schok vermindert.
- Als het gebruik van een elektrisch werktuig op een vochtige plaats onvermijdelijk is, gebruikt u een contactdoos die beschermd is door een aardlekschakelaar. Het gebruik van een

aardlekschakelaar vermindert het risico op elektrische schok.

PERSOONLIJKE VEILIGHEID

- Blijf alert, kijk naar wat u doet en gebruik uw gezond verstand wanneer u een werktuig bedient. Gebruik een werktuig niet wanneer u moebent of onder de invloed van drugs, alcohol of medicijnen. Een ogenblik van onoplettendheid terwijl u gereedschapswerktuigen gebruikt, kan leiden tot ernstige persoonlijke letsels.
- Gebruik een persoonlijke beschermuitrusting. Draag altijd gehoorbescherming. Een persoonlijke beschermuitrusting, zoals een stofmaker, antislipschoenen, veiligheidshelm of gehoorsbescherming dat naargelijk de omstandigheden wordt gebruikt, vermindert lichamelijke letsels.
- Voorkom ongewild opstarten. Zorg ervoor dat de schakelaar zich in de uit-stand bevindt voor u een stroombron en/of batterijpack verbindt of het werktuig optilt of meedraagt. Wanneer u het werktuig draagt met uw vinger aan de knop of terwijl het werktuig is ingeschakeld, nodigt uit tot ongevallen.
- Verwijder alle afstelsleutels voor u het werktuig inschakelt. Een sleutel die op een ronddraaiend onderdeel van het werktuig achterblijft, kan leiden tot lichamelijke letsels.
- Overrek u niet. Houd steeds een goed evenwicht en sta stevig met beide voeten op de grond. Dit geeft u een betere controle over het werktuig in overwachte omstandigheden.
- Draag aangepaste kleding. Draag geen losse kledij of juwelen. Houd uw haar en kledij weg van bewegende onderdelen. Losse kledij, juwelen of lang haar kan in bewegende delen vastraken.
- Als er apparaten worden meegeleverd om stof of vuil te verzamelen, zorg er dan voor dat deze zijn verbonden en correct worden gebruikt. Het gebruik van stofverzamelzakken kan stofgerelateerde gevaren verminderen.
- Laat de vertrouwdheid die u opdeed door het frequent gebruik van het werktuig, niet leiden tot zelfgenoegzaamheid of het negeren van de veiligheidsprincipes. Een onzorgvuldige handeling kan binnen enkele seconden leiden tot ernstige verwondingen.

GEbruik EN ONDERHOUD VAN EEN ELEKTRISCH WERKTUIG

- Forceer het werktuig niet. Gebruik het correcte werktuig voor uw toepassing. Het correcte werktuig zal de taak beter en veiliger uitvoeren aan het vermogen waarvoor het werd ontworpen.
- Gebruik het werktuig niet als de schakelaar het werktuig niet in- of uitschakelt. Een werktuig dat niet met de schakelaar kan worden bediend, is gevaarlijk en moet worden gerepareerd.
- Trek de stekker uit de contactdoos en/of verwijder het batterijpack, indien afneembaar, van het werktuig voor u het afstelt, de accessoires vervangt of het opbergt. Een dergelijke preventieve



veiligheidsmaatregel vermindert het risico dat het werktuig per ongeluk start.

- **Bewaar niet-gebruikte werktuigen buiten het bereik van kinderen en laat personen die niet vertrouwd zijn met het werktuig of deze instructies, het werktuig niet gebruiken.** Werktuigen zijn gevaarlijk in de handen van niet-opgeleide gebruikers.
- **Onderhoud werktuigen en accessoires. Controleer of de bewegende onderdelen niet verkeerd zijn afgesteld of verstrikt zijn geraakt, er onderdelen defect zijn en alle andere problemen die de werking van het werktuig kunnen beïnvloeden.** Indien beschadigd, laat u het werktuig voor gebruik herstellen. Veel ongevallen worden veroorzaakt door slecht onderhouden werktuigen.
- **Houd snijwerktuigen scherp en schoon.** Een goed onderhouden werktuig met scherpe snijranden zal minder snel verstrikt raken en is makkelijker te bedienen.
- **Gebruik het werktuig, de accessoires en werktuigstukken, etc. in samenspraak met deze instructies en houd rekening met de werkomstandigheden en het werk dat moet worden uitgevoerd.** Het gebruik van werktuigen voor andere dan de beschreven doeleinden, kan leiden tot gevaarlijke situaties.
- **Houd handgrepen droog, schoon en vrij van olie en vet.** Gladde handgrepen voorkomen een veilig manipuleren van het werktuig in onverwachte omstandigheden.

ONDERHOUD

- **Laat uw werktuig door een gekwalificeerde reparateur onderhouden en gebruik uitsluitend identieke vervangonderdelen.** Dit zal ervoor zorgen dat de veiligheid van het gereedschap wordt bewaard.

VEILIGHEIDSLINSTRUCTIES VOOR TAFELZAAGMACHINES

WAARSCHUWINGEN M.B.T. DE BESCHERMERS

- **Houd de beschermers op hun plaats.** De beschermers moeten in een goede staat worden gehouden en correct worden gemonteerd. Een beschermer die los, beschadigd of niet correct werkt moet worden hersteld of vervangen.
- **Gebruik altijd een zaagbladbeschermer en splijtmes voor elke zaagbewerking.** Voor zaagbewerkingen waar het zaagblad volledig door het werkstuk zaagt, helpt de beschermer en andere veiligheidsvoorzieningen het verwondingsgevaar te verminderen.
- **Bevestig het beschermersysteem altijd terug na het voltooiën van een bewerking (zoals het herzagen of verdiepen van een zaagsnede) waarbij nodig is dat de beschermer wordt verwijderd.** De beschermer en het splijtmes helpen het verwondingsgevaar te verminderen.
- **Zorg ervoor dat het zaagblad niet in contact komt met de beschermer, het splijtmes of het werkstuk**

voor de schakelaar is ingeschakeld. Ongewild contact van deze voorwerpen met het zaagblad kan leiden tot gevaarlijke situaties.

- **Stel het splijtmes af, zoals beschreven in deze gebruiksaanwijzing.** Een foutieve afstand, plaats en uitlijning kunnen het splijtmes ineffectief maken in het verminderen van de mogelijkheid tot terugslag.
- **Opdat het splijtmes werkt, moet het in het werkstuk worden geactiveerd.** Het splijtmes is ineffectief wanneer het te korte werkstukken zaagt waardoor het splijtmes niet kan worden geactiveerd. In deze omstandigheden kan een terugslag door het splijtmes niet worden vermeden.
- **Gebruik het gepaste zaagblad voor het splijtmes.** Opdat het splijtmes correct werkt, moet de zaagblad diameter overeenkomen met het splijtmes en moet het lichaam van het zaagblad dunner zijn dan de dikte van het splijtmes en moet de breedte van het zaagblad groter zijn dan de breedte van het splijtmes.

ZAAGPROCEDUREWAARSCHUWINGEN

⚠ GEVAAR

Plaats uw handen of vingers nooit in de buurt van in lijn van het zaagblad. Een onoplettend ogenblik of een verstrooiing kan uw hand onmiddellijk naar het zaagblad brengen, waardoor er ernstige letsels ontstaan.

- **Plaats het werkstuk in het zaagblad en tegen de richting van de wijzers van de klok.** Als u het werkstuk in dezelfde richting inbrengt dan het zaagblad boven de tafel draait, kan dit leiden tot schade aan het werkstuk en kunnen uw handen in de zaag worden gerokken.
- **Gebruik nooit de verstekbak om het werkstuk in te brengen bij het splijten en gebruik nooit de geleiderlineaal als lengtestop wanneer u met de verstekbak verstekzaagt.** Als u het werkstuk met de geleiderlineaal en verstekbak tegelijk inbrengt, verhoogt dit de kans dat het zaagblad verstrikt raakt en terugslaat.
- **Tijdens het splijten gebruikt u altijd de inbrengkracht van het werkstuk tussen de geleider en het zaagblad.** Gebruik een stoter wanneer de afstand tussen de geleider en het zaagblad kleiner is dan 150 mm en een stootblok wanneer deze afstand kleiner is dan 50 mm. "Hulpapparaten" houden uw hand op een veilige afstand van het zaagblad.
- **Gebruik uitsluitend de stoter die door de fabrikant wordt meegeleverd of werd ontwikkeld in overeenstemming met de instructies.** Deze stoter biedt voldoende afstand tussen hand en zaagblad.
- **Gebruik nooit een beschadigde of doorzaagde stoter.** Een beschadigde stoter kan breken waardoor uw hand in het zaagblad kan glijden.
- **Voer geen enkele handeling met "de vrije hand" uit.** Gebruik altijd ofwel de geleiderlineaal of de verstekbak om een werkstuk te plaatsen en te geleiden. "Met de vrije hand" betekent dat u uw handen gebruikt om het werkstuk te ondersteunen of te geleiden

EN
FR
DE
ES
IT
NL
PT
DA
SV
FI
NO
RU
PL
CS
HU
RO
LV
LT
ET
HR
SL
SK
EL
TR





in plaats van een verstekbak of geleiderlineaal. Met de vrije hand zagen lijdt tot verkeerde aflijning, verstriking en terugslag.

- **Reik nooit rond of over een roterend zaagblad.** Als u voor een werkstuk reikt, kan dit leiden tot accidenteel contact met het bewegend zaagblad.
- **Zorg voor bijkomende ondersteuning aan de achterzijde en/of de zijden van het zaagblad voor lange en/of brede werkstukken om ze vlak te houden.** Een lang en/of breed werkstuk heeft de neiging om op de tafelrand te draaien, waardoor u de controle verliest, het zaagblad verstrikt raakt en terugslaat.
- **Breng het werkstuk aan een gelijkmatig tempo in. Buig of plooi het werkstuk niet. Als het zaagblad vast raakt, schakelt u het product onmiddellijk uit en trekt u de stekker uit de contactdoos om vervolgens de blokkering vrij te maken.** Wanneer het zaagblad in het werkstuk vstraakt, kan dit leiden tot terugslag of kan de motor stilvallen.
- **Verwijder geen stukken afgezaagd materiaal terwijl de zaag draait.** Het materiaal kan tussen de geleider of in de zaagbladbeschermer vast komen te zitten, waardoor het zaagblad uw vingers in de richting van het zaagblad trekt. Schakel de zaagmachine uit en wacht tot het zaagblad is stilgevallen voor u het materiaal verwijdert.
- **Gebruik een bijkomende geleider die in contact staat met de bovenkant van de tafel wanneer u werkstukken van minder dan 2 mm dik zaagt.** Een dun werkstuk kan onder de geleiderlineaal vast komen te zitten en een terugslag veroorzaken.

ORZAKEN VAN TERUGSLAG EN WAARSCHUWINGEN

Terugslag is een plotse reactie van het werkstuk omwille van een geklemd zaagblad of foutief afgelijnde zaaglijn in het werkstuk met betrekking tot het zaagblad of wanneer een deel van het werkstuk tussen het zaagblad en de geleiderlineaal of een ander vast voorwerp vast komt te zitten. Meestal wordt het werkstuk bij terugslag door het achterste deel van het zaagblad van de tafel opgetild en wordt in de richting van de bediener geworpen.

Terugslag is dus het gevolg van foutief gebruik van de machine en/of van onjuiste procedures of omstandigheden. Terugslag kan worden vermeden door de volgende voorzorgsmaatregelen te nemen.

- **Sta nooit in een rechte lijn met het zaagblad. Plaats uw lichaam altijd aan dezelfde zijde van het zaagblad als de geleider.** Terugslag kan het werkstuk aan hoge snelheid werpen in de richting van een persoon die zich voor en in de lijn van het zaagblad bevindt.
- **Reik nooit over of terug in het zaagblad om aan een werkstuk te trekken of een werkstuk te ondersteunen.** Ongewild contact met het zaagblad kan voorkomen of terugslag kan uw vingers in het zaagblad trekken.
- **Houd een werkstuk nooit vast of druk nooit op een werkstuk dat tegen het roterend zaagblad wordt afgezaagd.** Wanneer u op het werkstuk drukt dat

tegen het zaagblad wordt afgezaagd, kan het zaagblad verstrikt raken of kan dit leiden tot terugslag.

- **Lijn de geleider af zodat deze parallel is met het zaagblad.** Een verkeerd afgelijnde geleider zal het werkstuk tegen het zaagblad drukken en een terugslag veroorzaken.
- **Gebruik een veerlempaat om het werkstuk tegen de tafel en geleider te geleiden wanneer u een zaagsnede herzaagt of verdiept.** Een veerlempaat helpt het werkstuk onder controle te krijgen in geval van terugslag.
- **Ondersteun grote panelen om het risico dat een zaagblad verstrikt raakt en terugslaat te minimaliseren.** Lange werkstukken hebben de neiging onder hun eigen gewicht door te buigen. De steun(en) moeten onder alle delen van het paneel worden geplaatst die over de bovenkant van de werktafel hangen.
- **Wees extra voorzichtig wanneer u een werkstuk zaagt dat gedraaid, verwrongen of geknoot is of geen rechte rand heeft om het met behulp van een verstekbak of langs de geleider te geleiden.** Een verwrongen, geknoot of gedraaid werkstuk is onstabiel en zorgt ervoor dat de insnijding met het zaagblad verkeerd wordt afgelijnd, verstrikt raakt en terugslaat.
- **Zaag nooit meer dan een werkstuk tegelijk, dat verticaal of horizontaal is opgestapeld.** Het zaagblad kan een of meerdere stukken opnemen, waardoor terugslag kan ontstaan.
- **Wanneer u de zaagmachine met het zaagblad in het werkstuk opnieuw opstart, plaatst u het zaagblad in het midden van de insnijding zodat de zaagtanden niet in het materiaal vast zitten.** Als het zaagblad verstrikt raakt, kan dit het werkstuk optillen en een terugslag veroorzaken wanneer de zaag opnieuw wordt opgestart.
- **Houd zaagbladen schoon, scherp en in voldoende aantal bij.** Gebruik nooit verwrongen zaagbladen of zaagbladen met gebarsten of gebroken tanden. Scherpe en correct afgestelde zaagbladen minimaliseren het verstrikt raken, stilvallen en terugslag.

WAARSCHUWINGEN M.B.T. HET BEDIENEN VAN DE TAFELZAAGMACHINE

- **Schakel de tafelzaag uit en trek de stekker uit de contactdoos wanneer u het tafelinzetstuk verwijdert, het tafelzaagblad vervangt of het slijtmes of de zaagbladbeschermer afstelt of de machine onbeheerd achterlaat.** Voorzorgsmaatregelen voorkomen ongevallen
- **Laat de tafelzaag nooit onbeheerd draaiend achter. Schakel ze uit en laat het product niet achter tenzij het volledig is stilgevallen.** Een onbeheerd achtergelaten draaiende zaagmachine is een ongecontroleerd gevaar.
- **Plaats de tafelzaagmachine op een goed verlichte, vlakke plaats waar u stevig vast kunt staan en het evenwicht behouden. Deze moet worden geïnstalleerd op een plaats die voldoende ruimte**





biedt om makkelijk een werkstuk van uw afmetingen te manipuleren. Kleine, donkere plaatsen en oneffen, bladden vloeren nodigen uit tot ongevallen.

- **Reinig en verwijder regelmatig stof van onder de tafelzaagmachine en/of de stofverzamelzak.** Opgestapeld zaagstof is ontvlambaar en kan zelfontbranden.
- **De tafelzaagmachine moet worden vastgemaakt.** Een tafelzaagmachine die onvoldoende is vastgemaakt kan bewegen of kantelen.
- **Verwijder werktuigen, houtschaafsel, etc. van de tafel voor de tafelzaagmachine wordt ingeschakeld.** Een verstrooiing of mogelijke blokkering kan gevaarlijk zijn.
- **Gebruik altijd zaagbladen met een asopening met de correcte afmetingen en vorm (diamant versus rond).** Zaagbladen die niet met de montagehardware van de zaagmachine overeenkomen zullen van het centrum afwijken, waardoor u de controle kan verliezen.
- **Gebruik nooit beschadigde of foutieve zaagbladmontagestukken, zoals flenzen, zaagbladsluitringen, bouten of moeren.** Deze montagestukken werden speciaal voor uw zaagmachine ontwikkeld, voor het veilig gebruik ervan en optimale prestaties.
- **Sta nooit op de tafelzaagmachine, gebruik ze niet als opstaphulp.** Er kunnen ernstige verwondingen ontstaan als het product omkantelt of als er ongewild contact met het zaagblad ontstaat.
- **Zorg ervoor dat het zaagblad zo is geïnstalleerd dat het in de juiste richting draait. Gebruik geen slijpschijven, stalen borstels of slijpwielen op een tafelzaagmachine.** Een foutieve zaagbladinstallatie of het gebruik van accessoires die niet zijn aangewezen, kan leiden tot ernstige verwondingen.

BIJKOMENDE VEILIGHEIDSVORSCHRIFTEN VOOR TAFELZAGEN

- Stel de machine op of monteer deze in een stabiele positie die geschikt is voor de werken die moeten worden uitgevoerd. Ze kan op een werkbank of steunbank worden geïnstalleerd of op de bodem worden vastgemaakt.
- Indien gemonteerd, stelt u de afstelbare steunpoot zo af dat er een effen, stabiel werkoppervlak ontstaat.
- Als u op de juiste hoogte en in de juiste houding werkt, helpt dit oververmoeidheid en andere letsels tijdens de bediening te voorkomen.
- Zorg voor voldoende algemene of plaatselijke verlichting om stroboscoopeffecten en andere gevaren te voorkomen.
- Draag, indien nodig, een geschikte beschermuitrusting. Dit omvat gehoorbescherming om het gevaar voor gehoorverlies te verminderen, ademhalingsbescherming om het gevaar voor het inademen van schadelijk stof te verminderen en stevige veiligheidshandschoenen bij het manipuleren van zaagbladen en ruwe materialen.
- Draag altijd een veiligheidsbril wanneer u de machine gebruikt. Het is aangewezen om stevige

antislipschoenen met stalen toppen te dragen als bescherming tegen voorwerpen die van de tafel vallen.

- Het stof dat wordt veroorzaakt tijdens het gebruik van dit werktuig kan schadelijk zijn voor de gezondheid, ontvlambaar of ontplofbaar. Gebruik een stofextractiesysteem en draag een geschikte stofmasker. Verwijder afgezet stof grondig, vb. met een borstel en stofzuiger.
- Houd de vloer in de werkplaats vrij van overvloedig zaagstof, zaagsel en stroomsoeren. Dit vermindert het risico op struikelen en vallen op het zaagblad.
- Houd de tafel vrij van voorwerpen, w.o. werktuigen en zaagsel.
- Houd het oppervlak van de tafel, geleider en verstekbak schoon. Pas op voor lijm en andere voorwerpen. Het hout moet vloot schuiven en mag nergens vaststraken of -haken. Zoniet verhoogt het verwondingsgevaar omwille van terugslag aanzienlijk.
- Gebruik uitsluitend zaagbladen die in deze gebruiksaanwijzing worden gespecificeerd en die overeenstemmen met EN 847 - 1.
- Gebruik geen zaagbladen van sneldraaistaal.
- Gebruik uitsluitend zaagbladen die zijn gemarkeerd met een snelheid gelijk aan of hoger dan de snelheid die op het werktuig is aangebracht.
- Forceer het werkstuk niet in het zaagblad. Laat het toestel het werk voor u doen. Overmatig geweld zal het zaagblad en de zaagtanden oververhitten, dit kan het werkstuk verbranden. Dit kan leiden tot onverwachte omstandigheden die ernstige verwondingen kunnen veroorzaken.
- Gebruik geen botte of beschadigde zaagbladen. Botte of foutief geïnstalleerde zaagbladen veroorzaken een smalle insnijding, wat overmatige wrijving, het verstrikt raken van het zaagblad en terugslag veroorzaakt.
- Zaagbladen moeten, indien mogelijk, in een houder worden gedragen.
- Bedien het werktuig niet zonder tafelinzetstuk en vervang het tafelinzetstuk als het versleten is.
- Tenzij u een zaagsnede aanbrengt die niet volledig het werkstuk doorzaagt, houdt u de zaagblad en splijtmes altijd op zijn plaats en in goede staat. Bladbeschermers moeten makkelijk opgetild kunnen worden en vallen om de doorgang van het werkstuk te garanderen. Zorg ervoor dat de bladbeschermer veilig aan het splijtmes is bevestigd. Niet gebruiken wanneer deksels/beschermkappen zijn verwijderd.
- Zorg er altijd voor dat het zaagblad zich parallel met de geleider bevindt. Dit is een van de belangrijkste oorzaken van terugslag, wat kan leiden tot ernstige verwondingen.
- Gebruik altijd de zaagbladbeschermer en het splijtmes voor elke zaagoperatie waarbij het werkstuk volledig wordt doorzaagd. Zaagoperaties waarbij het werkstuk volledig wordt doorzaagd, zijn deze waarbij het zaagblad volledig door het werkstuk zaagt tijdens het splijten of verstekzagen.
- Zorg er altijd voor dat u het materiaal dat moet worden gezaagd, grondig controleert op vreemde voorwerpen, zoals nagels, schroeven en nietjes, in het bijzonder

EN
FR
DE
ES
IT
NL
PT
DA
SV
FI
NO
RU
PL
CS
HU
RO
LV
LT
ET
HR
SL
SK
EL
TR





wanneer u gerecycled hout gebruikt.

- Als deze of gelijkaardige voorwerpen in contact komen met het zaagblad terwijl u zaagt, zal de zaagmachine beschadigd raken en kan de bediener ernstig gewond raken.
- Halve insnijdingen zijn met dit werktuig niet toegelaten of mogelijk.
- Gebruik zo nodig de duwstok. Gebruik altijd een duwstok voor het splijten van smalle houtstukken. De duwstok moet altijd opgeborgen worden wanneer de machine niet in gebruik is.
- Reik nooit in het gebied in de buurt van de zaag terwijl deze draait. Houd uw vingers uit het bereik, gedefinieerd door het tafelinzetstuk.
- Laat de machine nooit onbeheerd draaien.
- Zet de stroom uit.
- Laat het apparaat niet alleen voordat deze volledig stil staat.
- Probeer een machine die in beweging is, nooit snel tot stilstand te brengen door een werkstuk te blokkeren of iets anders tegen het zaagblad te houden. Op deze manier kunnen ongewild ernstige ongevallen worden veroorzaakt.
- Het zaagblad direct na het zagen niet aanraken. Het zaagblad wordt warm tijdens het gebruik.
- Als het zaagblad tijdens het zagen verstrikt raakt, schakelt u de machine uit en trekt u de stekker uit de contactdoos. Verwijder het werkstuk en zorg ervoor dat het zaagblad vrij draait. Schakel de machine in en start een nieuwe zaagopdracht met beperkt voedingsvermogen.
- Wanneer u de machine transporteert, verwijdert u de bladbeschermer en stelt u het splijtmes in zijn laagste positie af of verlaagt u het zaagblad zodat het zich onder het tafelloppervlak bevindt in de transitpositie.
- Als het stroomsnoer beschadigd raakt, mag dit uitsluitend door de fabrikant of een geautoriseerd onderhoudscentrum worden vervangen om risico's te vermijden.
- Gebruik geen voorzetstukken of accessoires die niet door de fabrikant zijn aangewezen. Bij gebruik van niet aanbevolen onderdelen of accessoires bestaat gevaar voor ernstig lichamelijk letsel. Apparaten die in vele verschillende locaties in de open lucht worden gebruikt, moeten worden verbonden met een differentieelschakelaar.
- Als de stroom aan de tafelzaagmachine is onderbroken, zal de aan-/uitschakelaar van de machine zich automatisch in de uit-stand schakelen.

SPECIFIEKE VEILIGHEIDSINSTRUCTIES VOOR HOUTZAAGBLADEN

- Lees zorgvuldig de gebruiksaanwijzing en instructies voor u het zaagblad en werktuig gebruikt.
- Het werktuig moet zich in een goede staat bevinden, de as mag niet zijn vervormd of trillen.
- Zorg dat de bediener goed is opgeleid inzake veiligheidsvoorzieningen, het afstellen en bedienen van het werktuig.

- Draag altijd een veiligheidsbril en gehoorbescherming tijdens het gebruik van het werktuig. Het is aangewezen om handschoenen, stevige en antislipschoenen en een schort te dragen.
- Voor u een accessoire gebruikt, raadpleegt u de gebruiksaanwijzing. Foutief gebruik van een accessoire kan schade veroorzaken en de kans op verwondingen verhogen.
- Houd het zaagblad schoon. Dit omvat ook zaagstof en bijzonder plakkerige stoffen, zoals hars. Een schoon zaagblad zaagt nauwkeuriger en veiliger.
- Gebruik uitsluitend zaagbladen die in deze gebruiksaanwijzing worden gespecificeerd en die overeenstemmen met EN 847 - 1.
- Houd rekening met de maximumsnelheid die op het zaagblad is aangeduid. Controleer of de snelheid die op het zaagblad staat vermeld ten minste gelijk is aan de snelheid die op de zaag staat vermeld.
- Gebruik altijd zaagbladen met asopeningen met de juiste afmetingen en vorm. Zaagbladen die niet geschikt zijn voor de as waarop ze moeten worden gemonteerd zullen niet op de juiste manier ronddraaien en kunnen u de macht over de machine doen verliezen.
- Gebruik geen zaagbladen met een dikte of breedte groter of groefsnede (insnijding) kleiner is dan de dikte van het splijtmes.
- Gebruik geen zaagbladen met een grotere of kleinere diameter dan aangewezen. Gebruik geen afstandhouders om het zaagblad op de as te doen passen.
- Controleer voor elk gebruik de punten van het zaagblad op schade of abnormale toestand. Punten die beschadigd of los zijn kunnen tijdens gebruik rondvliegende voorwerpen worden en de kans op verwondingen verhogen.
- Gescheurde zaagbladen of welke van vorm veranderd zijn, mogen niet gebruikt worden. Gebruik geen zaagbladen die beschadigd of vervormd zijn.
- Gooi het zaagblad weg indien het beschadigd, vervormd, gebarsten of gebroken is. Herstel is niet toegestaan.
- Gebruik geen HSS-zaagbladen.
- Zorg ervoor dat het zaagblad correct is gemonteerd, maak de asmoer stevig vast voor gebruik.
- De bevestigingsschroeven en -moeren moeten met behulp van de gepaste sleutel worden aangespannen, etc.
- Het gebruik van een verlengstuk op de sleutel of het aanspannen met behulp van een hamer is niet toegestaan.
- Zorg ervoor dat het zaagblad en de flenzen schoon zijn en de verzonken zijden van de krans zich tegen het zaagblad bevinden.
- Zorg ervoor dat het zaagblad in de correcte richting draait en niet in contact komt met de machine of de beschermers.
- Voor u begint te werken, maakt u een testinsnede waarbij de motor is uitgeschakeld zodat de positie van het zaagblad, de werking van de beschermers





t.o.v. andere productonderdelen en werkstukken, kan worden gecontroleerd.

- Laat een werktuig nooit onbeheerd achter.
- Gebruik geen smeermiddelen op het zaagblad wanneer dit draait.
- Probeer een werktuig dat in beweging is, nooit snel stil te leggen door het te blokkeren of iets anders tegen het zaagblad te houden. Zo kunnen ongewild ernstige ongevallen gebeuren.
- Trek de stekker uit de contactdoos voor u het zaagblad vervangt of onderhoudswerken uitvoert.
- Let op tijdens het verpakken en uitpakken van het zaagblad; het is makkelijk zich aan de scherpe zaagbladranden te verwonden.
- Gebruik een zaagbladhouder of draag handschoenen wanneer u het zaagblad manipuleert. Onthoud dat het zaagblad warm wordt na het zagen.
- Bewaar het zaagblad in de originele verpakking of een andere geschikte verpakking, bewaar in droge omstandigheden en weg van chemische producten die het zaagblad kunnen beschadigen.

BEOOGD GEBRUIK

De tafelzaagmachine is ontworpen om door een persoon te worden bediend voor het splijten en verstekzagen van hout met een maximumdiepte van 80 mm aan een afschuinhoek van 0°. Aan de maximale afschuinhoek van 45° bedraagt de maximale diepte van de insnede 55 mm. De tafelzaagmachine is ontworpen en bedoeld om te worden vastgemaakt aan een stabiel oppervlak of werkbank, zoals geleverd door de fabrikant. Er kunnen hard- en zacht hout en spaan- en vezelplaten worden gezaagd.

Deze tafelzaagmachine mag uitsluitend worden gebruikt met zaagblad- en splijtmescombinaties die door de fabrikant van deze tafelzaag worden geleverd.

RESTRISICO'S

Zelfs wanneer de tafelzaagmachine, zoals voorgeschreven, wordt gebruikt, is het nog altijd onmogelijk om bepaalde restrisico's volledig te voorkomen.

De bediener moet bijzondere aandacht hebben voor deze punten om het gevaar op ernstige verwondingen te verminderen.

- Geen doorzagen. De bladbeschermer wordt verwijderd en de bovenzijde van het zaagblad ligt bloot.
- Contact met het zaagblad - vermijd in de richting van, boven of rond het zaagblad te reiken.
- Terugslag - sta nooit voor het zaagblad.
- Stabiliteit - zorg ervoor dat het product stabiel is en maak het waar nodig vast.
- Weggeslingerde zaagbladpunten - draag tijdens het gebruik altijd gezichtsbescherming.
- Stofinhalatie - draag, indien nodig, een stofmasker. Stof dat wordt opgewekt wanneer men met bepaalde types hout (vb. MDF) werkt, kan gevaarlijk zijn voor de ademhalingswegen.
- Oogletsels door hout- of stofpartikels - draag tijdens het gebruik altijd gezichtsbescherming.

- Gehoorletsels - beperk de blootstelling en draag aangepaste gehoorbescherming.
- Het geluidsniveau van de machine kan sterk variëren naargelang de gebruiksomstandigheden. Personen die aan hoge geluidsniveaus worden blootgesteld, zelfs indien van korte duur, kunnen tijdelijk gedeeltelijk gehoorverlies ervaren en een voortdurende blootstelling aan hoge niveaus kan leiden tot permanente gehoorschade.

KEN UW WERKTUIG

Zie pagina 242.

1. Tafelinzetstuk
2. Afstelbaar verlengbaar splijtmes
3. Verstekgeleider
4. Zaagblad
5. Zaagbladbeschermer
6. Ontgrendelknop tafelinzetstuk
7. Geleider/geleiderlineaal
8. Zijtafeluitbreiding (RTS1800ES, RTS1800EF)
9. Bevestigingsopeningen (vastgemaakt aan werkbank of benen)
10. Aan/uit-schoepenschakelaar
11. Afstelwiel afschuinhoek
12. Vergendeling afschuinhoek
13. Diepte van de snijhandgreep
14. Zaagtafel
15. Stofuitlaat
16. Stofpoortaccessoire

BEDIENING

⚠ WAARSCHUWING

U moet alle waarschuwingen en instructies in deze gebruiksaanwijzing lezen en volledig begrijpen voor u de stroom inschakelt en met deze tafelzaagmachine begint te zagen.

Het werkstuk volledig doorzagen: alle zaagbewerkingen waarbij het zaagblad de dikte van het werkstuk overstijgt. Voor deze handelingen moet het splijtmes zich in de omhooggeheven positie worden gezet en moet de zaagbladbeschermer worden gemonteerd. Gebruik een geleider of geleiderlineaal om het werkstuk correct te plaatsen.

Het werkstuk niet volledig doorzagen: alle zaagbewerkingen waarbij het zaagblad niet boven de dikte van het werkstuk uitsteekt. Voor deze handeling moet het splijtmes zich in de laagste positie bevinden. De bovenkant van het splijtmes moet een klein beetje lager zijn dan de bovenzijde van het zaagblad. De zaagbladbeschermer kan niet worden gemonteerd. Gebruik een geleider of geleiderlineaal om het werkstuk correct te plaatsen.

Splijten: de geleiderlineaal met het zaagblad gebruiken om het werkstuk te geleiden. De zaagsnede wordt voornamelijk in de richting van de houtvezel (indien aanwezig) gemaakt. Kan volledig of niet volledig zijn doorzaagd.

Verstekzagen: de afschuingeleider of verstekbak gebruiken. Dit apparaat is ontworpen om parallel met het zaagblad te glijden en laat toe dat u het werkstuk in





een vaste hoek langs de zaagas van het zaagblad. De zaagsnede wordt hoofdzakelijk in de langsricting van het houtvezel (indien aanwezig) gemaakt. Kan volledig of niet volledig zijn doorzaagd.

Afkorten: de hoek van het zaagblad ten opzichte van het tafelloppervlak wordt gewijzigd tussen de 90 en 45°. Zorgt voor een zaagsnede met een hoek. Kan volledig of niet volledig zijn doorzaagd. De geleiderlineaal of verstekbak moet worden gebruikt om het werkstuk correct te plaatsen.

Verstekzagen: het werkstuk wordt in een hoek bij het zaagblad gebracht. De vereiste hoek wordt ingesteld op de geleiderlineaal die vervolgens het werkstuk in deze hoek kan vasthouden terwijl het parallel met het zaagblad wordt gehouden om de zaagsnede te maken. Kan volledig of niet volledig zijn doorzaagd.

Afschuinen: afschuinen is mogelijk met behulp van een verstekbak die in de gewenste hoek is ingesteld. Het is niet mogelijk om af te schuinen met behulp van een splitsnede aangezien een speciaal accessoire nodig is.

DE GELEIDER VEILIG GEBRUIKEN

- Gebruik de geleiderlineaal en verstekhoekgeleider nooit tegelijk. Dit verhoogt het risico op terugslag en verwondingen. Wanneer niet in gebruik, verwijdert u deze van de tafel en bewaart u het op een veilige plaats.
- Elke keer dat de geleider wordt gebruikt of in een andere positie wordt geplaatst, is het uitermate belangrijk dat het parallelisme met het zaagblad wordt gecontroleerd.
- Bij een geleider die niet parallel is kan het werkstuk tussen het zaagblad en de geleider vast raken, waardoor terugslag ontstaat wat kan leiden tot ernstige verwondingen bij uzelf en anderen.
- Een slecht afgestelde geleider kan ervoor zorgen dat het werkstuk in de verkeerde hoek in de richting van het zaagblad wordt gebracht, waardoor het zaagblad verstrikt kan raken of blokkeren. Het kan ook terugslag veroorzaken (zie hierboven).
- Om de geleider correct te installeren of in te stellen, haakt u het einde van de geleider over de achterste rand van de tafel en verlaagt u de voorste rand om met de voorkant van de tafel in contact te komen. Druk dan lichtjes op de voorzijde van de geleider zodat de twee randen die in een juiste hoek t.o.v. de richting van de geleider zijn ingesteld, in contact kunnen komen met de voorste rand van de tafel. Dit helpt ervoor te zorgen dat de geleider zich parallel t.o.v. het zaagblad bevindt. Vergendel de geleider dan op zijn plaats door de vergrendelgreep naar beneden te drukken.
- De kracht waarmee de vergrendelgreep de geleider op zijn plaats houdt, kan worden afgesteld door aan de kartelschroef net boven de vergrendelgreep te draaien.
- Controleer altijd het parallelisme van de geleider met het zaagblad door het te meten of met behulp van een correct gezaagd houtblok voor u de zaagsnede maakt.

Afstandsmarkeringen aflijnen, zaagblad tot geleider

Stel de rand van de geleider tegen het zaagblad en stel het indicatiekijkglas in om af te lijnen met de 0 mm markering aan de voorste rand van de tafel. Maak de schroef los, stel het kijkglas af en span de schroef opnieuw aan.

Bijkomende geleider gebruiken

Er zijn omstandigheden waarbij het nodig is een bijkomende geleider aan de hoofdgeleider te monteren.

- a. Wanneer een smal werkstuk niet met de hand of een stoter kan worden vastgehouden omdat de geleider in de weg is.
- b. Wanneer een dun werkstuk wordt gezaagd. Heel dunne werkstukken kunnen onder de hoofdgeleider glijden en verstrikt raken of slepen, waardoor een terugslag wordt veroorzaakt. Het gebruik van een bijkomende geleider helpt dit te voorkomen.

Verwijder de bijkomende geleider wanneer het veilig is om uitsluitend de hoofdgeleider te gebruiken.

Wanneer u afkort op smalle werkstukken, gebruikt u de geleider altijd aan de overzijde van het zaagblad tot de kant waarlangs het overheft anders is het makkelijk om het stootblok of de stoter tegen de bladbeschermer of geleider vast te maken.

Bijkomende geleider aan hoofdgeleider bevestigen

- Met behulp van de vleugelmoeren en sluitringen aan een zijde van de geleider, drukt u de bouten vanaf de andere zijde door en schroeft u ze een paar keer dicht. Schuif nu de bijkomende geleider over de boutkoppen in de voorziene gleuf. Maak de bijkomende geleider in de gewenste positie vast.

OPMERKING: De bijkomende geleider is uitsluitend geschikt om het werkstuk voorbij het zaagblad en splitsmes te geleiden; het dekt niet de volledige lengte van de hoofdgeleider.

Verwijder de bijkomende geleider wanneer het veilig is om uitsluitend de hoofdgeleider te gebruiken. Laag de bouten en vleugelmoeren niet op de hoofdgeleider gemonteerd.

Veerklemplaat gebruiken

Een veerklemplaat is een apparaat dat gelijkaardig is aan een kam, maar in een hoek gezaagd. Normaal gemaakt van hout of plastic, buigen de dunne vingers lichtjes terwijl het werkstuk op zijn plaats glijdt, waarbij een gelijkmatige en consatnte druk wordt uitgeoefend om het werkstuk vast te houden. Gebruik een van deze apparaten wanneer een nauwkeurige zaagsnede op een smal werkstuk nodig is. Dit apparaat is met behulp van de verstekgeleidergleuven aan de tafel vastgemaakt en voorkomt dat het nodig is dat de vingers van de bediener zich in de buurt van het zaagblad bevinden.

Veerklemplaten van derden kunnen in gespecialiseerde houtbewerkingswinkels worden gekocht.

BEVEILIGING TEGEN OVERBELASTING

Het product beschikt over een overbelastingsbescherming. Wanneer overbelasting wordt gedetecteerd zal het product automatisch uitschakelen. Zet het toestel uit. Als de overladersbescherming wordt geactiveerd, moet de motor gedurende 3 minuten kunnen afkoelen. Zorg ervoor dat het zaagblad vrij kan ronddraaien en niet wordt geklemd of gehinderd. Druk op de resetknop (onder de aan-/uitschakelaar). Zet het toestel aan. Druk op de aan-knop om het product te starten.





EN
FR
DE
ES
IT
NL
PT
DA
SV
FI
NO
RU
PL
CS
HU
RO
LV
LT
ET
HR
SL
SK
EL
TR

ONDERHOUD

- Zorg ervoor dat het zaagblad volledig is stilgevallen en dat het stroom snoer uit de contactdoos is getrokken voor u onderhoudswerken uitvoert of de machine reinigt.
- Als het stroom snoer beschadigd is, moet het door een geautoriseerd onderhoudscentrum worden hersteld.
- Het zaagblad heeft scherpe randen en kan na het zagen ook warm blijven. Wees uiterst voorzichtig wanneer u een blootgesteld zaagblad reinigt. Draag beschermhandschoenen om uzelf tegen verwondingen te beschermen.
- Reinig regelmatig het stof van de zaag en de accessoires, in het bijzonder bewegende onderdelen met inbegrip van de zaagbladbeschermer. Gebruik een handborstel of stofzuiger om het stof goed te verwijderen.

⚠ WAARSCHUWING

Probeer de zaagbladbeschermer niet te demonteren voor onderhoud of herstel. Beschadigde beschermers mogen niet worden gebruikt. Breng ze naar een geautoriseerd onderhoudscentrum terug voor herstelling of vervanging.

- De tafelzaagmachine is gesmeerd in de fabriek en vereist geen bijkomende smering.
- Om de verstekhoeken en het parallelisme van het zaagblad/geleider te controleren en af te stellen, zie de hoofdstukken "Verstekhoek instellen en controleren" en "Parallelisme van het zaagblad met de verstekgeleidergleuven instellen en controleren".

VERSTEKHOEK INSTELLEN EN CONTROLEREN

OPMERKING: Het instellen van het zaagblad in een hoek van 90° t.o.v. de tafel leidt tot een verstekhoek van 0°.

1. Schakel de stroom uit en trek de stekker uit de contactdoos.
2. Wees bijzonder voorzichtig met de zaagbladpunten, ze zijn heel scherp en kunnen verwondingen veroorzaken.
3. Hef het zaagblad en het splijtmes in zijn hoogste stand op.
4. Verwijder de zaagbladbeschermer.
5. Plaats het splijtmes in zijn laagste positie.
6. Zorg ervoor dat het zaagblad en het tafelloppervlak vrij zijn van stof en afval.
7. Plaats een "vaste hoek" van 90° tegen het tafelloppervlak op het hoogste punt van het zaagblad. Let op om niet in contact te komen met de zaagbladpunten tijdens het opmeten aangezien dit zal leiden tot fouten. U moet het lichaam van het zaagblad aflijnen.
8. Er mogen geen openingen zijn tussen de rand van de vaste hoek en het zaagblad of de tafel, in dit geval bevindt het zaagblad zich in een echte verticale aflijning en moet de bladhoek niet worden afgesteld.
9. Als er een opening is, maakt u de verstekvergrendelknop los en beweegt u de hoek van de geleider voorzichtig terwijl u de opening voortdurend controleert. Als er geen opening meer is, spant u de verstekvergrendelknop stevig aan.

10. Maak de schroef op de verstekhoekindicator los en stel de doorzichtige kunststof lijndrager af zodat deze de aflijning met de 0° markering aangeeft. Maak de schroef vast.
11. Herhaal deze handeling om de verschillende hoeken tussen de 90° en 45° af te stellen, naargelang de noodzaak.

PARALLELISME VAN HET ZAAGBLAD MET DE VERSTEKGELEIDERGLEUVEN INSTELLEN EN CONTROLEREN.

1. Schakel de stroom uit en trek de stekker uit de contactdoos.
2. Wees bijzonder voorzichtig met de zaagbladpunten, ze zijn heel scherp en kunnen verwondingen veroorzaken.
3. Hef het zaagblad en het splijtmes in zijn hoogste stand op.
4. Verwijder de zaagbladbeschermer.
5. Voltooi de controles in de gebruiksaanwijzing "Verstekhoek instellen en controleren". Zorg ervoor dat de verstekhoek stevig op 0° is vastgemaakt.
6. Neem de afkorthoekgeleider en plaats deze in een van de gleuven op de tafel. Zet de hoek op de afkorthoekgeleider op 90° in.
7. Plaats een stalen lineaal stevig tegen de afkorthoekgeleider en met het rechte eind van het lineaal raakt u het lichaam van het zaagblad. U kan een nauwkeurig gezaagd houtblok gebruiken in plaats van een stalen lineaal.
8. Houd een stevige grip op de lineaal / het blok en schuif de hele afkorthoekgeleider zodat de lineaal / het blok nu in contact komt met het andere uiteinde van het zaagblad. De lineaal of het blok moet hetzelfde contact met de zaagbladen hebben terwijl het langs het zaagbladlichaam beweegt. Als dit het geval is, is het parallelisme tussen zaagblad en tafelleuven nauwkeurig en is er geen afstelling nodig. Controleer de gleuf aan de andere kant van de tafel op dezelfde manier.

PARALLELISME VAN DE ZAAGBLADEN T.O.V. DE TAFELLEUVEN AFSTELLEN

Er bevinden zich twee bouten aan de voorzijde van het zaagblad en twee aan de achterzijde. U krijgt toegang tot deze bouten vanaf de onderzijde van het tafelloppervlak.

Wanneer deze bouten worden losgemaakt, kunnen het hele zaagblad, het splijtmes en de motor worden bewogen om het zaagblad nauwkeurig af te lijnen met de gleuven in de tafel.

U kan dit moeilijk vinden tenzij u ervaring hebt in dergelijke afstellingen. In geval van moeilijkheden, brengt u de tafelzaagmachine naar het dichtstbijzijnde geautoriseerde Ryobi onderhoudscentrum voor een professionele afstelling.



MILIEUBESCHERMING



Zorg dat grondstoffen worden gerecycleerd in plaats van weggegooid als afval. Om het milieu te beschermen dient de machine, de accessoires en de verpakking gesorteerd bij een erkend recyclingcentrum te worden aangeleverd.

SYMBOLEN OP HET PRODUCT



Veiligheidswaarschuwing



EG conformiteit



EurAsian-symbool van overeenstemming.



Klasse II werktuig, dubbele isolatie



Lees zorgvuldig de instructies voor u het product start.



Draag gehoorbescherming



Draag gezichtsbescherming



Draag veiligheidshandschoenen



Gevaar! Scherp zaagblad.



Zaagcapaciteit



Zaagbladbreedte van de zaagsnede



Aantal tanden op dit zaagblad



Voor het zagen van hout en analog materiaal



Niet voor het zagen van metaal



Zaagbladrotatierichting (op de zaagbladbeschermer weergegeven)



Zaagbladrotatierichting (op het splijtmes weergegeven)



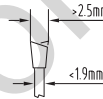
Zaagbladrotatierichting (op het zaagblad weergegeven)



Zaagbladrotatierichting (op de tafel weergegeven)



Zaagblad \varnothing



Dikte van het zaagbladlichaam en breedte van de zaagsnede



Dikte en hardheid van het splijtmes



Gemeten vermogen



Wolfram carbide 48 tanden zaagblad



Zacht starten



Overbelastingsbescherming



Gegoten aluminium tafel



Tafelafmetingen (RTS1800, RTS1800S)



Tafelafmetingen (RTS1800ES, RTS1800EF)



Afmetingen tafelverlenging



Verwijderbaar schaarbeen



Plooibaar luxebeen



Zaagvermogen (90° en 45°)



Elektrisch afval mag niet met ander huishoudafval worden weggegooid. Gelieve te recycleren indien de mogelijkheid bestaat. Raadpleeg uw plaatselijke overheid of handelaar i.v.m. recycleadvies

- EN
- FR
- DE
- ES
- IT
- NL**
- PT
- DA
- SV
- FI
- NO
- RU
- PL
- CS
- HU
- RO
- LV
- LT
- ET
- HR
- SL
- SK
- EL
- TR

SYMBOLEN IN DEZE GEBRUIKSAANWIJZING



Met contactdoos verbinden.



Van contactdoos ontkoppelen



Onderdelen of accessoires afzonderlijk gekocht



Elektrisch afval mag niet samen met ander huishoudafval worden weggegooid. Gelieve te recycleren indien de mogelijkheid bestaat.



Opmerking:



WAARSCHUWING

AVISOS GERAIS DE SEGURANÇA DE FERRAMENTAS ELÉCTRICAS

⚠ AVISO

Leia com atenção todas as advertências, instruções e especificações fornecidas com a ferramenta, e consulte as ilustrações. O incumprimento das instruções seguintes pode ocasionar acidentes como incêndios, choques eléctricos e/ou ferimentos graves.

Guarde todos os avisos e instruções para futuras consultas. O termo "ferramenta eléctrica" nos avisos refere-se à ferramenta operada através de ligação à rede eléctrica (com fios) ou à ferramenta operada através de bateria (sem fios).

SEGURANÇA NA ÁREA DE TRABALHO

- **Mantenha a área de trabalho limpa e bem iluminada.** As áreas desordenadas ou escuras são um convite para acidentes.
- **Não opere ferramentas eléctricas em atmosferas explosivas, como na presença de líquidos, gases ou poeiras inflamáveis.** As ferramentas eléctricas produzem faíscas que podem inflamar o pó ou fumos.
- **Ao operar esta ferramenta eléctrica, mantenha as crianças e as pessoas presentes afastadas.** As distrações podem levá-lo a perder o controlo.

SEGURANÇA ELÉCTRICA

- **As fichas eléctricas da ferramenta têm de corresponder à tomada.** Nunca altere a ficha seja de que maneira for. Não use quaisquer fichas adaptadoras com ferramentas de ligação com terra. As fichas não modificadas e tomadas compatíveis reduzirão o risco de choque eléctrico.
- **Evite o contacto do corpo com superfícies com ligação terra ou enterradas, tais como tubos, radiadores, fogões e frigoríficos.** Há um aumento do risco de choque eléctrico se o seu corpo estiver ligado à terra.
- **Não exponha as ferramentas eléctricas à chuva ou a condições de humidade.** Se entra água numa ferramenta eléctrica aumentará o risco de descargas eléctricas.
- **Não puxe pelo cabo.** Nunca use o cabo para carregar, puxar ou retirar a ficha da ferramenta da tomada. Mantenha o cabo afastado de fontes de calor, óleo, extremidades afiadas ou peças móveis. Os cabos danificados ou emaranhados aumentam o risco de choque eléctrico.
- **Ao operar uma ferramenta eléctrica ao ar livre, use um cabo de extensão apropriado para o uso ao ar livre.** A utilização de um cabo apropriado para o uso ao ar livre reduz o risco de choque eléctrico.
- **Se operar uma ferramenta eléctrica num local húmido é inevitável, use uma fonte com protecção de dispositivo de corrente residual (RCD).** O uso de um RCD reduz o risco de choque eléctrico.

SEGURANÇA PESSOAL

- **Ao operar esta ferramenta eléctrica, permaneça alerta, tenha em atenção ao que está a fazer e use o bom senso.** Não utilize a ferramenta eléctrica quando se sentir cansado ou se se encontrar sob a influência de drogas, álcool ou medicamentos. Um momento de distração durante a operação de ferramentas eléctricas pode resultar em lesões físicas graves.
- **Use equipamento de protecção pessoal. Use sempre protecção para os olhos.** O equipamento de protecção tal como a máscara contra pó, calçado anti-derrapante de segurança, capacete, ou protecção para os ouvidos, usado para condições apropriadas irá reduzir a probabilidade de ferimentos.
- **Evite o arranque involuntário. Assegure-se de que o interruptor se encontra na posição de desligado antes de o ligar à fonte de energia e/ou bateria, levantando ou transportando a ferramenta.** Transportar ferramentas eléctricas com o seu dedo no interruptor ou ligar à corrente ferramentas eléctricas que têm o interruptor ligado são um convite a acidentes.
- **Remova qualquer chave de ajuste antes de ligar a ferramenta eléctrica.** Uma chave-inglesa ou uma chave colocada numa peça móvel da ferramenta eléctrica pode causar lesões pessoais.
- **Não se aproxime em demasia. Mantenha sempre o equilíbrio e a posição dos pés adequada.** Isto possibilita um melhor controlo da ferramenta eléctrica em situações inesperadas.
- **Vista-se adequadamente. Não use roupas largas ou jóias.** Mantenha o cabelo e a roupa afastados das peças móveis. A roupa solta, jóias ou o cabelo comprido podem ficar presos nas peças móveis.
- **Se são fornecidos os dispositivos para a ligação de espaços de extração e recolha de pó, assegure-se de que estes se encontram conectados e usados corretamente.** A utilização de um coletor de pó pode reduzir os perigos relacionados com o pó.
- **Não deixe que a familiaridade adquirida com o uso frequente de ferramentas o faça descuidar-se e ignorar os princípios de segurança da ferramenta.** Uma ação negligente pode causar lesões graves numa fração de segundos.

UTILIZAÇÃO E MANUTENÇÃO DA FERRAMENTA ELÉCTRICA

- **Não force a ferramenta eléctrica.** Use a ferramenta eléctrica correta para a sua aplicação. A ferramenta fará o seu trabalho melhor e de forma mais segura trabalhando ao ritmo para que foi concebida.
- **Não use uma ferramenta caso o interruptor não ligue e desligue a ferramenta eléctrica correctamente.** Qualquer ferramenta eléctrica que não possa ser controlada com o interruptor é perigosa e deve ser reparada.
- **Desligue a ficha da alimentação eléctrica e/ou retire a bateria da ferramenta, se for amovível, antes de proceder a quaisquer ajustes, substituição de acessórios ou de armazenar a ferramenta.** Estas



medidas de segurança preventivas reduzem o risco de arranque acidental da ferramenta eléctrica.

- **Armazene as ferramentas eléctricas fora do alcance das crianças e não permita que pessoas não familiarizadas com a ferramenta eléctrica ou com estas instruções utilizem a ferramenta eléctrica.** As ferramentas eléctricas são perigosas nas mãos de utilizadores inexperientes.
- **Manutenção das ferramentas eléctricas e acessórios.** Verifique se existe desalinhamento ou emperramento das peças móveis, rutura das peças e qualquer outra condição que possa ter afetado o funcionamento da ferramenta eléctrica. Se danificado, mande a ferramenta eléctrica para ser reparada antes de a utilizar. Muitos acidentes são causados por ferramentas eléctricas com fracas manutenções.
- **Mantenha as ferramentas de corte afiadas e limpas.** É menos provável que as ferramentas de corte com uma correta manutenção e com pontas de corte afiadas fiquem presas e são mais fáceis de controlar.
- **Utilize a ferramenta, acessórios, peças eléctricas, etc., de acordo com estas instruções, tendo em conta as condições de trabalho e o trabalho que se vai realizar.** O uso da ferramenta eléctrica para as operações diferentes daquelas a que se destina podem causar uma situação perigosa.
- **Mantenha as mangueiras e as superfícies de agarre secos, limpos e livres de óleo e gordura.** As mangueiras e as superfícies de agarre resvaladiças não permitem a manipulação e o controlo seguro da ferramenta em situações inesperadas.

ASSISTÊNCIA

- **A manutenção da sua ferramenta eléctrica deve ser efectuada por uma pessoa qualificada para reparações, utilizando apenas peças de substituição idênticas.** Isto assegurará que a segurança da ferramenta eléctrica é mantida.

INSTRUÇÕES DE SEGURANÇA PARA SERRAS DE MESA

ADVERTÊNCIAS RELACIONADAS COM AS PROTEÇÕES

- **Mantenha as proteções no seu lugar. As proteções devem estar em bom estado e corretamente montadas.** As proteções desapertadas, danificadas ou que não funcionem corretamente devem ser reparadas ou substituídas.
- **Use sempre o protetor da lâmina da serra e faca de separação para cada operação de corte.** Em operações de corte onde a lâmina da serra corta completamente a espessura da peça de trabalho, a proteção e outros dispositivos de segurança ajudam a reduzir o risco de lesões.
- **Volte a colocar imediatamente o sistema de proteção depois de completar operações que requeiram a retirada da proteção (por exemplo, cortes para baixar ou aparar).** A proteção e a faca de

separação ajudam a reduzir o risco de lesões.

- **Assegure-se de que a lâmina da serra não entra em contacto com a proteção, a faca de separação ou da peça de trabalho antes de ligar o interruptor.** O contacto involuntário destes elementos com a lâmina de serra poderá provocar uma situação perigosa.
- **Ajuste a faca de separação tal como se descreve neste manual de instruções.** Um espaçamento, posicionamento e/ou alinhamento incorretos podem provocar falhas da faca de separação na redução da probabilidade de retrocesso.
- **Para que a faca de separação funcione deve estar ligada à peça de trabalho.** A faca de separação não serve para cortar peças de trabalho que são demasiado curtas para ligá-las à faca de separação. Nestas condições não pode prevenir-se o retrocesso através da barra de separação.
- **Utilize a folha de serra adequada para a barra de separação.** Para que a barra de separação funcione corretamente, o diâmetro da folha da serra deve coincidir com a barra de separação, o corpo da folha da serra deve ser mais fino do que a espessura da barra de separação e a largura de corte da folha da serra deve ser maior do que a espessura da barra de separação.

ADVERTÊNCIAS PARA OS PROCEDIMENTOS DE CORTE

PERIGO

Não coloque os dedos ou as mãos perto da folha da serra ou em linha com esta. Um momento de distração ou um deslizamento poderia dirigir a sua mão para a folha da serra e provocar lesões pessoais graves.

- **Introduza a peça de trabalho na folha da serra apenas no sentido contrário à direção de rotação.** Introduzir a peça de trabalho na mesma direção de rotação da folha da serra por cima da mesa pode fazer com que a peça de trabalho e a sua mão sejam arrastadas até à folha da serra.
- **Não utilize a esquadria para introduzir a peça de trabalho ao despedaçar e não use a guia de corte como uma guia de comprimento quando estiver a realizar cortes transversais com a esquadria.** Guiar a peça de trabalho com a guia de corte e a esquadria aumenta simultaneamente a probabilidade de a folha de serra bloquear e retroceder.
- **Ao despedaçar uma peça, aplique sempre a força de alimentação da peça de trabalho entre a guia de corte e a folha da serra.** Use uma placa de empurrão quando a distância entre a guia de corte e a folha da serra seja inferior a 150 mm e use um bloco de empurrão quando a distância seja inferior a 50 mm. Os dispositivos "de ajuda" manterão a sua mão a uma distância segura da folha da serra.
- **Utilize apenas a placa de empurrão facultada pelo fabricante ou construída de acordo com as instruções.** Esta placa de empurrão proporciona uma distância suficiente entre a mão e a folha da serra.

EN
FR
DE
ES
IT
NL
PT
DA
SV
FI
NO
RU
PL
CS
HU
RO
LV
LT
ET
HR
SL
SK
EL
TR





- **Não use placas de empurrão danificadas ou cortadas.** Uma placa de empurrão danificada pode partir-se fazendo com que a mão deslize até à folha da serra.
- **Não realize nenhuma operação “mãos livres”.** Use sempre a guia de corte ou a esquadria para colocar e guiar a peça de trabalho. Trabalhar com “mãos livres” significa utilizar as suas mãos para apoiar ou guiar a peça de trabalho, em vez de uma guia de corte ou a esquadria. Serrar com mãos livres provoca falhas de alinhamento, bloqueios e retrocessos.
- **Não coloque a mão em volta ou em cima de uma folha de serra giratória.** Tentar prender a peça de trabalho pode dar lugar a um contacto acidental com a folha da serra em movimento.
- **Proporcione um suporte extra à peça de trabalho na parte traseira e/ou laterais da mesa da serra para peças de trabalho compridas e/ou largas para mantê-las niveladas.** As peças de trabalho compridas e/ou largas tendem a girar na beira da mesa, provocando a perda de controlo e o atrancamento e retrocesso da folha da serra.
- **Introduza a peça de trabalho a um ritmo constante. Não dobre nem torça a peça de trabalho. Se ocorrer um atrancamento, desligue a ferramenta imediatamente, desconecte-a e solucione o atrancamento.** Um atrancamento da folha da serra por uma peça de trabalho pode causar retrocesso ou parar o motor.
- **Não retire peças do material cortado enquanto a serra estiver a funcionar.** O material pode ficar atacadado entre a guia de corte ou no interior da proteção da folha e fazer com que a folha da serra puxe os seus dedos até à folha da serra. Desligue a serra e espere até que a folha da serra pare antes de retirar o material.
- **Use uma guia de corte auxiliar em contacto com a superfície da mesa ao cortar peças de trabalho com menos de 2 mm de espessura.** Uma peça fina pode atrancar-se debaixo da guia de corte e provocar retrocesso.
- **Não coloque a mão em cima ou na parte posterior da folha da serra para puxar a peça de trabalho ou apoiá-la.** Pode provocar contacto acidental com a folha da serra ou um retrocesso que arraste os seus dedos até à folha da serra.
- **Não sustenha nem pressione a peça de trabalho que está a cortar contra a folha da serra em movimento.** Ao pressionar a peça de trabalho que está a cortar contra a folha da serra fará com que se atranque e retroceda.
- **Alinhe a guia de corte em paralelo com a folha da serra.** Uma guia de corte desalinhada beliscará a peça de trabalho contra a folha da serra e provocará o seu guia de corte retrocesso.
- **Utilize uma escova de sujeição para guiar a peça de trabalho contra a mesa e a guia de corte ao realizar cortes parciais como rebaixar ou repassar.** Uma escova de sujeição ajuda a controlar a peça de trabalho no caso de retrocesso.
- **Suporte painéis grandes para minimizar o risco de compressão e ricochete da lâmina.** As peças a trabalhar compridas têm tendência a abalar devido ao próprio peso. Deve colocar-se um apoio em todas as partes do painel que sobressaia no tabuleiro da mesa.
- **Tenha muito cuidado ao cortar uma peça de trabalho que esteja torcida, interligada, deformada ou que não tenha um borde reto para guiá-la com a esquadria ou ao longo da guia de corte.** Uma peça torcida, interligada ou deformada é instável e causa o desalinhamento do corte com a folha da serra, atrancamentos e retrocesso.
- **Não corte mais do que uma peça de trabalho, apilhadas vertical ou horizontalmente.** A folha da serra poderia recolher uma ou mais peças y causar retrocesso.
- **Ao ligar novamente a serra com a folha da serra na peça de trabalho, centre a folha da serra no corte para que os dentes de serra não fiquem enganchados no material.** Se a folha de serra atrancar, pode levantar a peça de trabalho e causar retrocesso ao ligar novamente a serra.
- **Mantenha as folhas da serra limpas, afiladas e com jogo suficiente. Não utilize folhas de serra deformadas ou com os dentes gretados ou partidos.** As folhas de serra afiladas e com suficiente jogo minimizam o risco de atrancamentos e retrocesso.

CAUSAS DO RETROCESSO E ADVERTÊNCIAS

O retrocesso é uma reação súbita da peça de trabalho devido à folha de serra ter ficado atrancada ou pinçada ou a uma linha de corte desalinhada da peça de trabalho relativamente à folha da serra ou quando uma parte da peça de trabalho fica atrancada entre a folha da serra e a guia de corte ou outro objeto fixo. Com maior frequência durante o retrocesso, a parte traseira da folha da serra levanta a peça de trabalho da mesa e impulsiona-a para o operário.

O coice é portanto o resultado de uma má utilização da ferramenta e/ou de procedimentos ou de condições de corte incorrectas. Pode ser evitado tendo o cuidado de cumprir certas precauções.

- Não se coloque diretamente em linha com a folha da serra. Coloque o corpo sempre no mesmo lado da folha de serra como a guia de corte. O retrocesso pode impulsionar a peça de trabalho a grande velocidade até à pessoa situada em frente e em linha com a folha da serra.

ADVERTÊNCIAS PARA A UTILIZAÇÃO DA SERRA DE MESA

- **Desligue a serra de mesa e desconecte o cabo de alimentação ao retirar a inserção da mesa, mudar a folha da serra ou fazer ajustes à barra de separação ou à proteção da folha, e quando a máquina ficar sozinha.** As medidas preventivas poderão evitar acidentes.
- **Não deixe a serra de mesa em funcionamento sem vigilância. Desligue e não deixe o produto até parar por completo.** Uma serra em funcionamento sem vigilância é um risco não controlado.
- **Coloque a serra de mesa numa zona bem nivelada e iluminada onde possa estar em posição estável**





e com um bom equilíbrio. Deve instalar-se numa área que ofereça espaço suficiente para manipular facilmente o tamanho da peça de trabalho. As zonas escuras e estreitas e os solos escorregadios irregulares podem provocar acidentes.

- **Limpe e elimine regularmente o serrim existente debaixo da mesa da serra e/ou do dispositivo de recolha de pó.** O serrim acumulado é combustível e pode inflamar-se.
- **A serra de mesa deve estar bem segura.** Uma serra de mesa que não esteja adequadamente segura pode mover-se ou cair.
- **Retire as ferramentas, troços de madeira, etc. da mesa antes de ligar a serra de mesa.** As distrações ou possíveis atrancamentos podem ser perigosos.
- **Utilize sempre lâminas de serra com o tamanho e forma corretos (diamante versus redondo) de furos do veio.** As folhas da serra que não coincidem com os componentes de instalação da serra girarão descentradas, provocando a perda de controlo.
- **Não utilize meios de montagem da folha incorretos ou danificados, como bridas, arandelas, pernos ou parafusos.** Estes meios de montagem foram especialmente desenhados para a sua serra, para um funcionamento seguro e um rendimento ótimo.
- **Não se ponha em pé em cima da serra da mesa, não a use como escadote.** Podem ocorrer lesões graves se o produto se inclina ou se a ferramenta de corte for tocada de forma acidental.
- **Verifique se a folha da serra está instalada para girar na direção correta. Não utilize rodas misturadoras, escovas com fios ou rodas abrasivas numa serra de mesa.** Uma instalação incorreta da folha da serra ou a utilização de acessórios não recomendados podem causar lesões graves.

ADVERTÊNCIAS DE SEGURANÇA ADICIONAIS PARA SERRAS CIRCULARES DE MESA

- Instale ou fixe a máquina numa posição estável adequada para o trabalho que vai realizar. Poderia ser montada num banco de trabalho, numa coluna de apoio ou fixada ao solo.
- Uma vez instalada, configure a extensão da coluna ajustável para conseguir uma plataforma com nível estável para trabalhar.
- Trabalhar na altura adequada, utilizando uma boa postura de trabalho, ajudará a prevenir a tensão e outras lesões durante a utilização.
- Proporcione uma iluminação geral ou localizada, adequada para evitar o efeito estroboscópico e outros riscos.
- Utilize um equipamento de proteção individual adequado quando for necessário. Isto inclui proteção auditiva para reduzir o risco de perda auditiva, proteção respiratória para reduzir o risco de inalação de pó nocivo, luvas resistentes para manipular as folhas da serra e o material em bruto.
- Use sempre óculos de proteção ao utilizar a máquina. É recomendada a utilização de calçado resistente antiderrapante com ponteira para proteger-se contra

os objetos que caem da mesa.

- O pó produzido ao utilizar esta ferramenta pode ser prejudicial para a sua saúde, pode ser inflamável ou explosivo. Utilize um sistema de extração de pó e uma máscara adequada contra o pó. Retire o pó depositado no fundo, por exemplo, com uma escova de limpeza e um aspirador.
- Mantenha o solo da zona de trabalho livre de serrim em excesso, troços de madeira e cabos de alimentação. Isto reduz o risco de tropeçar e cair sobre a folha.
- Mantenha a mesa livre de objetos incluindo as ferramentas e os troços de madeira descartados.
- Mantenha limpas a superfície da mesa, a guia da serra e a esquadria. Tenha cuidado com a cola, a tinta e outros artigos. A madeira deve deslizar suavemente e não ficar atarracada ou engatada em nenhum sítio, caso contrário o risco de lesões graves devido ao retrocesso aumenta significativamente.
- Use lâminas apenas especificadas neste manual, em conformidade com EN 847-1.
- Não utilize folhas de serra fabricadas de aço rápido.
- Utilize apenas folhas de serra que estejam marcadas com uma velocidade igual ou superior à velocidade marcada na ferramenta.
- Não force a peça de trabalho para a folha de corte. Deixe a ferramenta fazer o trabalho. A força excessiva irá reaquecer a folha e os pontos de corte, o que pode fazer arder a peça de trabalho. Pode dar lugar a eventos inesperados que poderiam causar lesões pessoais graves.
- Não utilize lâminas embotadas ou danificadas. As lâminas não afiadas ou impropriamente ajustadas produzem um corte estreito que causa a fricção excessiva, o emperramento da lâmina e ricochete.
- As folhas de serra devem ser transportadas num suporte sempre que seja possível.
- Não faça funcionar a ferramenta sem a inserção da mesa e substitua-a em caso de desgaste.
- A menos que esteja a realizar um corte superficial, mantenha sempre a proteção da folha e a barra de separação no seu lugar e em bom estado de funcionamento. As proteções da folha devem subir e descer facilmente para permitir a passagem da peça de trabalho por debaixo delas. Certifique-se que a proteção da folha está bem encaixada na barra de separação. Não utilizar com qualquer tampa/resguardo retirado.
- Certifique-se sempre que a folha está paralela à guia. Isto contribui bastante para o retrocesso que pode resultar em lesões graves.
- Utilize sempre a proteção da folha e a barra de separação para cada corte completo. Os cortes completos são aqueles em que a folha corta completamente a peça de trabalho através de um despedaçamento ou corte transversal.
- Lembre-se sempre de analisar bem o material que deseja cortar, sobretudo quando utiliza madeira reciclada, procurando objetos estranhos como tachas, parafusos ou agrafos.

EN
FR
DE
ES
IT
NL
PT
DA
SV
FI
NO
RU
PL
CS
HU
RO
LV
LT
ET
HR
SL
SK
EL
TR





- Se estes elementos ou outros similares entrarem em contacto com a folha enquanto está a cortar, a serra ficará danificada e poderia provocar lesões graves ao operário ou a outras pessoas.
- Esta ferramenta elétrica não permite fazer cortes em dado.
- Utilize o cabo de empurrar quando requerido. Utilize sempre um cabo de empurrar para serrar madeira estreita. O cabo de empurrar deve ser sempre armazenado com a máquina quando não estiver a ser utilizado.
- Não aproxime a mão da área junto à folha da serra quando estiver em funcionamento. Mantenha os dedos fora da zona definida pela inserção da mesa.
- Nunca deixe uma ferramenta em funcionamento sem vigilância.
- Desligue a alimentação.
- Não deixe a ferramenta até que se detenha totalmente.
- Não tente parar rapidamente uma máquina em movimento introduzindo uma peça de trabalho ou outros meios contra a folha. Deste modo podem ocorrer acidentes graves sem intencionalidade.
- Não toque na lâmina de serra imediatamente após a serração. A lâmina de serra fica quente durante a serração.
- Se a folha da serra atarraca durante o corte, desligue a máquina e desconecte-a da corrente elétrica. Remova a peça de trabalho e assegure que a lâmina da serra se move livremente. Ligue a máquina e comece uma nova operação de corte com força de aceleração reduzida.
- Ao transportar a máquina, retire a proteção da folha, coloque a barra de separação na sua posição mais baixa e desça a folha de maneira de maneira que fique por debaixo da superfície da mesa na sua posição de trânsito.
- Se o cabo de alimentação estiver danificado, deverá ser substituído unicamente pelo fabricante ou por um centro de serviço autorizado para evitar riscos.
- Não utilize nenhum acoplamento ou acessório não recomendado pelo fabricante. A utilização de peças ou acessórios não recomendados pode ocasionar riscos de ferimentos graves. Os aparelhos utilizados em diversos locais incluindo ao ar livre devem ser ligados através de um dispositivo diferencial (RCD).
- Se a alimentação da serra de mesa for interrompida, o interruptor de ligar/desligar da máquina colocar-se-á automaticamente em posição de desligado.

INSTRUÇÕES DE SEGURANÇA ESPECÍFICAS PARA A FOLHA DE CORTAR MADEIRA

- Agradecemos que leia o manual e as instruções atentamente antes de utilizar a lâmina de serra e a ferramenta elétrica.
- A ferramenta elétrica tem que estar em boas condições, o eixo sem deformações e vibrações.
- Certifique-se de que o operador está devidamente formado quanto às precauções de segurança, ajustes e funcionamento da ferramenta elétrica.
- Utilize sempre óculos de segurança e proteção auditiva

ao trabalhar com a ferramenta elétrica. Recomenda-se a utilização de luvas de protecção, calçado pesado anti-deslizante e avental.

- Antes de utilizar qualquer acessório, consulte o manual de instruções. O uso inapropriado de um acessório pode causar danos e aumentar o potencial de lesão.
- Mantenha a folha limpa. Isto inclui o pó de serragem e substâncias especialmente pegajosas como a resina. Uma folha limpa corta com maior precisão e segurança.
- Use lâminas apenas especificadas neste manual, em conformidade com EN 847-1.
- Observe a velocidade máxima marcada na lâmina da serra. Assegure que a velocidade indicada no disco da serra é pelo menos igual à velocidade indicada na serra.
- Utilize sempre lâminas com a forma e tamanho corretos dos orifícios de encaixe. Lâminas não adaptadas ao eixo onde elas devem ser montadas não trabalharão correctamente e provocarão uma perda de controlo da ferramenta.
- Não utilize folhas de serra com uma espessura maior ou uma largura da ranhura de corte (ranhura) menor do que a espessura da barra de separação.
- Não utilize lâminas de diâmetro maior ou mais pequeno que o recomendado. Não utilize qualquer espaçador para encaixar a lâmina no eixo.
- Inspeccione as pontas da lâmina da serra quanto a danos ou uma aparência anormal antes de cada utilização. As pontas que estão danificadas ou soltas podem ser projetadas durante a utilização e aumentam o risco de lesões pessoais.
- Não utilizar lâminas de corte fissuradas ou deformadas. Não use folhas de serra danificadas ou deformadas.
- Elimine a lâmina de serra caso esta se encontre danificada, deformada, torcida ou rachada. A sua reparação não é permitida.
- Não utilize lâminas HSS.
- Certifique-se de que a lâmina de serra está montada corretamente, aperte a porca com firmeza antes de usar.
- O aperto do parafuso e porcas deve ser realizado com a chave apropriada, etc.
- Não é permitida a utilização de uma extensão sobre a chave ou apertar utilizando golpes de martelo.
- Certifique-se de que a lâmina e as flanges estão limpas e os lados em recesso da braçadeira estão contra a lâmina.
- Certifique-se de que a folha gira na direção correta e não toque em nenhuma parte da máquina ou do sistema de protecção.
- Antes do trabalho, faça um corte experimental sem o motor ligado, para que possa então verificar a posição da lâmina, a operação das proteções em relação a outras peças do produto e a peça de trabalho.
- Não deixe a ferramenta sozinha.
- Não aplique lubrificantes na lâmina quando estiver em funcionamento.
- Nunca tente parar uma ferramenta elétrica em movimento rápido encravando uma ferramenta ou



outros meios contra a lâmina, acidentes graves podem ser causados involuntariamente desta forma.

- Desligue a ferramenta elétrica da tomada elétrica antes de trocar as lâminas ou efetuar uma manutenção.
- Tenha cuidado com a embalagem da lâmina e ao desembalar a mesma, é fácil lesionar-se com as pontas afiadas da lâmina.
- Use um porta-lâminas ou use luvas protetoras ao manipular uma lâmina de serra. Lembre-se que a lâmina estará quente depois das operações de corte.
- Guarde e armazene a lâmina na embalagem original ou outra embalagem apropriada, mantenha-a em condições secas e afastada de produtos químicos que possam danificar a lâmina.

UTILIZAÇÃO PREVISTA

A serra de mesa está desenhada para ser utilizada apenas por uma pessoa com o propósito de despedaçar e cortar madeira, até uma profundidade máxima de 80 mm a 0° de ângulo de bisel. No ângulo de bisel máximo de 45°, a profundidade máxima de corte é de 55 mm. A serra de mesa está desenhada e destina-se a ser fixada a uma superfície estável ou a um posto de trabalho tal como foi fornecida pelo fabricante. Pode cortar-se madeira dura e macia, além de tabuleiros de partículas e de fibra.

Apenas devem utilizar-se as combinações de folha e a barra de separação fornecidas pelo fabricante da serra de mesa.

RISCOS RESIDUAIS

Mesmo quando se utiliza a serra de mesa segundo as instruções, continua a ser impossível eliminar por completo certos fatores de risco residuais.

O operário deve prestar especial atenção a estes pontos para minimizar o risco de lesões pessoais graves.

- Corte superficial A proteção da folha retira-se e a parte superior da folha da serra fica exposta.
- Contacto com a folha - evitar aproximar-se da folha, tanto por cima como à volta.
- Retrocesso – não fique em pé em frente à folha.
- Estabilidade – certifique-se que o produto é estável, sempre que seja possível, assegure-o.
- Partículas lançadas pela folha - utilize sempre proteção durante o trabalho.
- Inalação de pó – utilize uma máscara se necessário. O pó produzido ao trabalhar certos tipos de produtos de madeira (por exemplo, MDF) pode ser perigoso para o seu sistema respiratório.
- Lesão ocular por partículas de pó e madeira - utilize sempre proteção durante o trabalho.
- Lesão auditiva. Limite a exposição e coloque a proteção auditiva adequada.
- Os níveis de ruído podem variar amplamente de uma máquina para outra em função das condições de utilização. As pessoas expostas a altos níveis de ruído, embora seja por um curto período de tempo, podem experimentar perda de audição parcial temporária e a exposição contínua a altos níveis pode causar danos

auditivos permanentes.

CONHEÇA A SUA FERRAMENTA

Ver a página 242.

1. Inserção da mesa
2. Barra de separação ampliada ajustável
3. Guia de corte/graminho
4. Lâmina da serra
5. Proteção da folha de serra
6. Abertura da inserção da mesa
7. Guia/Guia de despedaçamento
8. Extensão da mesa lateral (RTS1800ES, RTS1800EF)
9. Buracos de fixação (fixar à mesa de trabalho ou pernas)
10. Interruptor de ligar/desligar
11. Roda de ajuste do ângulo de bisel
12. Bloqueio do ângulo de bisel
13. Manípulo da profundidade de corte
14. Mesa da serra
15. Exaustão do pó
16. Acessório do canal de pó

OPERAÇÃO

⚠ AVISO

Deve ler e compreender completamente todas as advertências e instruções contidas neste manual antes de ligar a serra de mesa e começar a cortar com ela.

Corte completo: Qualquer operação de corte onde a folha de serra ultrapassa a espessura da peça de trabalho. Para esta operação a barra de separação deve estar em posição elevada e deve estar instalada a proteção da folha. Utilize uma guia ou uma esquadria para colocar corretamente a peça de trabalho.

Corte superficial: Qualquer operação de corte onde a folha de serra não ultrapassa a espessura da peça de trabalho. Para esta operação a barra de separação deve estar em posição baixa. A parte superior da barra de separação deve estar ligeiramente abaixo da parte superior da folha da serra. A proteção da folha não pode ser montada. Utilize uma guia ou uma esquadria para colocar corretamente a peça de trabalho.

Cortes na direção da guia de corte: Usando a guia de corte paralela à lâmina para orientar a peça de trabalho. Usualmente o corte é feito na direção da textura da madeira (caso exista). O corte pode atravessar ou não atravessar.

Corte transversal: Usando a esquadria ou a guia de corte para cortes transversais. O aparelho foi concebido para deslizar paralelamente à lâmina da serra e permite que a peça de trabalho esteja num ângulo fixo no eixo de corte da lâmina. Usualmente o corte é feito na direção da textura da madeira (caso exista). O corte pode atravessar ou não atravessar.

Corte em bisel: O ângulo da lâmina relativo à superfície da mesa varia entre 90 e 45°. Permite um corte numa borda em ângulo. Pode ser um corte que atravessa ou não. A guia de corte ou a esquadria devem ser usadas para posicionar corretamente a peça.

Corte em esquadria: A peça deve ser apresentada à lâmina com ângulo. O ângulo necessário é configurado



na esquadria, que pode sustentar a peça num ângulo enquanto desliza paralelamente à lâmina para fazer o corte. Pode ser um corte que atravessa ou não atravessa.

Corte cônico: Os cortes transversais cônicos podem ser feitos usando a esquadria definida para o ângulo requerido. Não é possível fazer corte cônico reto dado que se requer um acessório especial.

USAR A GUIA DE CORTE DE FORMA SEGURA

- Nunca use a guia de corte e a esquadria ao mesmo tempo. Assim se aumenta o risco de retrocesso e danos pessoais. Quando não está em uso, retire-a da mesa e guarde-a num lugar seguro fora de alcance.
- Cada vez que se usa a guia de corte ou que se mova para outra posição e importante verificar o paralelismo com a lâmina da serra.
- Uma guia de corte não paralela pode ficar presa na peça entre a lâmina e a guia de corte causando retrocesso que pode causar graves danos pessoais a si e a outros.
- Uma guia de corte incorretamente colocada ou ajustada pode causar que a peça se mova para a lâmina num ângulo incorreto o que pode causar que a lâmina se prenda ou se encrave. Também pode causar retrocesso (ver acima).
- Para colocar ou ajustar corretamente a guia de corte, pendure o extremo da guia de corte sobre a borda traseira da mesa para acoplar com a parte frontal da mesa. Em seguida, aplique pressão na parte frontal da guia de corte de forma que as duas bordas colocadas no ângulo correto na direção da guia de corte contactem a borda frontal da mesa. Assim é mais fácil assegurar que a guia de corte esteja paralela à lâmina. Depois, bloqueie a guia de corte na posição empurrando o manípulo de bloqueio para baixo.
- Pode-se regular a força do manípulo de bloqueio sobre a guia de corte em posição rodando o parafuso de cabeça estriada por baixo do manípulo de bloqueio.
- Verifique sempre o paralelismo da guia de corte por medição ou com um bloco de madeira corretamente cortado antes de fazer o corte.

Alinhar as marcas de distância, da lâmina à guia de corte

Coloque a borda da guia de corte contra a lâmina e ajuste o indicador de nível para alinhar com a marca de 0 mm na borda frontal da mesa. Desaperte o parafuso, ajuste o indicador de nível e volte a apertar o parafuso.

Uso da guia de corte auxiliar

Há circunstâncias em que é necessário o ajustamento da guia de corte auxiliar à guia principal.

- a. Quando uma peça estreita não se pode fixar com a mão ou com uma haste porque a guia de corte está no percurso.
- b. Quando se corta uma peça de trabalho delgada. Peças muito delgadas podem deslizar sob a guia de corte principal e ficar presas ou ser arrastadas causando risco de retrocesso. Use a guia de corte auxiliar para o evitar.

Retire a guia de corte auxiliar quando seja seguro usar apenas a guia de corte principal.

Quando fizer cortes de bisel em peças estreitas, use sempre a guia de corte no lado oposto à lâmina ao lado para onde se está a inclinar, para evitar que o bloco de empurre ou a haste fiquem presos no protetor da lâmina ou na guia de corte.

Fixação da guia de corte auxiliar à guia de corte principal

- Com as porcas de orelha e as arruelas de um lado da guia de corte, empurre os pernos para o outro lado e aparafuse com várias voltas. Agora deslize a guia de corte auxiliar sobre as cabeças dos pernos na ranhura facultada. Aperte a guia de corte auxiliar na posição requerida.

NOTA: A guia auxiliar é apenas para orientar a peça pela lâmina e a barra de separação, não tem que cobrir todo o comprimento da guia de corte principal.

Retire a guia de corte auxiliar quando seja seguro usar apenas a guia de corte principal. Não deixe os pernos e porcas de orelhas na guia de corte principal.

Usando uma mesa de canto biselado

Uma mesa de canto biselado é um aparelho semelhante a um pente mas cortado com ângulo. Usualmente construído de madeira ou plástico os dedos delgados dobram-se ligeiramente enquanto a peça desliza para a posição, aplicando uma pressão uniforme e consistente para fixar a peça. Use um destes aparelhos quando é necessário um corte estreito na peça de trabalho. O aparelho está unido à mesa através das ranhuras da esquadria e reduz a necessidade de que os dedos do operador estejam junto da lâmina.

Podem-se comprar tábuas de canto biselado em lojas especializadas em trabalhos em madeira.

DISPOSITIVO DE PROTECÇÃO DE SOBRECARGA

O produto tem um dispositivo de proteção contra sobrecarga. Quando há demasiada carga, o produto apaga-se automaticamente. Apague a serra. Se o protector de sobrecarga se activar, deve deixar que o motor arrefeça durante 3 minutos. Verifique que a lâmina pode rodar livremente e que não está presa ou apertada. Prima o botão reiniciar (sob o interruptor de ligar/desligar). Acenda a serra. Prima o botão de ligar para iniciar o funcionamento do produto.

MANUTENÇÃO

- Verifique que a lâmina da serra esteja totalmente parada e que o cabo de alimentação foi retirado antes de fazer a manutenção ou limpeza.
- Se o cabo de alimentação estiver danificado deve ser reparado num centro de assistência autorizado.
- A lâmina tem arestas afiadas e pode também estar quente depois de fazer o corte. Deve ter muito cuidado quando limpa uma lâmina exposta. Deve usar luvas para se proteger de ferimentos.
- Limpe a lâmina e os acessórios do pó regularmente, em especial as partes móveis incluindo o protetor da lâmina. Use uma escova manual ou um aspirador para



retirar o pó de forma eficiente.

AVISO

Não tente desmontar o protetor da lâmina para limpar ou reparar. Não se devem usar protetores danificados. Devolva ao centro de assistência autorizado para a reparação ou substituição.

- A serra de mesa está lubrificada de fábrica e não necessita de lubrificação adicional.
- Para verificar e ajustar os ângulos de bisel e o paralelismo lâmina / guia de corte, consulte as secções "Verificar e ajustar o ângulo de bisel" e "Verificar e ajustar o paralelismo da lâmina com as ranhuras da esquadria" neste manual".

VERIFICAR E AJUSTAR O ÂNGULO DE BISEL

NOTA: Ajustar a lâmina para 90° dos resultados da mesa com um ângulo de bisel de 0°.

1. Apague e retire a ficha da tomada de parede.
2. Preste especial atenção às pontas da folha, dado que são muito afiadas e podem causar danos pessoais.
3. Suba a lâmina e a barra de separação para a altura máxima.
4. Retire o protetor da lâmina.
5. Coloque a barra de separação na sua posição mais baixa.
6. Assegure-se que a lâmina e a superfície da mesa estejam limpas de pó e resíduos.
7. Coloque um esquadro de 90° na superfície da mesa e na parte mais alta da lâmina. Preste atenção de não tocar nas pontas da folha durante a medição para evitar erros. É necessário alinhar a superfície do corpo da lâmina da serra.
8. Não deve haver orifícios entre a borda do esquadro e a lâmina ou a mesa, nesta condição, a lâmina está num verdadeiro alinhamento vertical e não é necessário ajustar mais o ângulo da lâmina.
9. Se existir um orifício, desaperte o botão de bloqueio do bisel e mova com cuidado o ângulo do bisel comprovando sempre o orifício. Quando não existir orifício, aperte o botão de bloqueio do bisel de forma segura.
10. Desaperte o parafuso no indicador de ângulo de bisel e ajuste o porta-fio de plástico transparente para que apresente um alinhamento com a marca de 0°. Apertar o parafuso.
11. Repita a operação para verificar e ajustar vários ângulos entre 90° e 45° consoante seja necessário.

VERIFICAR E AJUSTAR O PARALELISMO DA LÂMINA ÀS RANHURAS DA GUIA DE CORTE

1. Apague e retire a ficha da tomada de parede.
2. Preste especial atenção às pontas da folha, dado que são muito afiadas e podem causar danos pessoais.
3. Suba a lâmina e a barra de separação para a altura máxima.
4. Retire o protetor da lâmina.
5. Complete as verificações indicadas neste manual "Como verificar e ajustar o ângulo de bisel." Assegure-se que o ângulo de bisel esteja fixado de forma segura

nos 0°.

6. Retire a guia de ângulo de corte e coloque-a numa ranhura na mesa. Coloque o ângulo na guia de ângulo de corte nos 90°.
7. Coloque uma régua de aço firmemente na guia de ângulo de corte e com a extremidade reta da régua toque o corpo da lâmina da serra. Pode usar um bloco de madeira cortado de forma exata em vez da régua de aço.
8. Mantenha um fixação firme na régua / bloco e deslize toda a guia de ângulo de corte de maneira que a régua / bloco contacte agora o outro extremo da lâmina. A régua do bloco deve estar ao mesmo nível de contacto com a lâmina quando se move pelo corpo da lâmina. Se for o caso, o paralelismo entre a lâmina e as ranhuras da mesa está correto e não é necessário ajustar. Verifique a ranhura no outro lado da mesa usando o mesmo método.

AJUSTAR O PARALELISMO DA LÂMINA ÀS RANHURAS DA MESA

Há dois pernos na parte frontal da lâmina da serra e outros dois na parte traseira. Estes podem ser acedidos a partir da parte inferior da superfície da mesa.

Quando se desaperta os pernos, toda a lâmina, barra de separação e conjunto do motor pode mover-se para alinhar de forma exata a lâmina com as ranhuras da mesa.

Pode considerar difícil de alcançar, exceto se tiver experiência nestes ajustamentos, em caso de dificuldade, devolva a sua serra de mesa ao centro de assistência Ryobi autorizado mais próximo para ajuste profissional.

PROTECÇÃO DO AMBIENTE



Recicle os materiais em vez de pô-los directamente no lixo doméstico. Para proteger o ambiente, a ferramenta, os acessórios e as embalagens devem ser seleccionados.

SÍMBOLOS NO PRODUTO



Alerta de segurança



Conformidade CE



Marca de conformidade EurAsian.



Ferramenta de tipo II, duplo isolamento



Por favor, leia atentamente as instruções antes de acender o produto.



Use protetores auditivos.



Use luvas de proteção.



Use luvas de proteção.



Perigo! Lâmina afiada.



Capacidade de corte



Comprimento do corte da lâmina (canal)



Número de dentes na lâmina da serra



Para cortar madeira e material análogo



Não se aplica a metais de corte



Direção de rotação da lâmina (apresentado no protetor da lâmina)



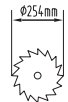
Direção de rotação da lâmina (apresentado na barra de separação)



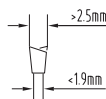
Direção de rotação da lâmina (apresentado na lâmina da serra)



Direção de rotação da lâmina (apresentado na mesa)



Diâmetro da lâmina



Espessura do corpo da lâmina e largura de corte

T2.2mm
38-48HRC

Dureza e espessura da barra de separação

1800
W

Potência nominal



Lâmina de 48 dentes de carboneto de tungstênio



Arranque suave



Proteção de sobrecarga



Mesa de alumínio fundido



Dimensão da mesa (RTS1800, RTS1800S)



Dimensão da mesa (RTS1800ES, RTS1800EF)



Dimensão da extensão da mesa



Elevador de tesoura removível



Elevador dobrável deluxe



Capacidades de corte (90° e 45°)



Os aparelhos eléctricos antigos não devem ser eliminados juntamente com o lixo doméstico. Recicle onde existem instalações para o efeito. Consulte as autoridades ou distribuidores locais para receber assessoria sobre a reciclagem.

SÍMBOLOS NESTE MANUAL



Ligar à tomada elétrica.



Desligar da tomada elétrica.



As peças ou acessórios vendem-se separadamente



Os aparelhos eléctricos antigos não devem ser eliminados juntamente com o lixo doméstico. Recicle onde existem instalações para o efeito.



Nota:



AVISO

130.com.ua

ALMINDELIGE SIKKERHEDSREGLER FOR ELVÆRKTØJET

⚠ ADVARSEL

Læs alle omhyggeligt alle advarsler, anvisninger og specifikationer, som følger med maskinen, og studer illustrationerne. Hvis nedenstående forskrifter ikke overholdes, kan der ske uheld og ulykker som brand, elektrisk stød og/eller alvorlige personskader.

Gem alle advarsler og brugsanvisninger til senere brug. Med udtrykket "elværktøj" i advarslerne henvises til dit lysnet-drevne (via ledning) elværktøj eller batteridrevne (ledningfri) elværktøj.

SIKKERHED I ARBEJDSOMRÅDET

- Hold arbejdsområdet rent og godt oplyst. Rodede eller mørke områder inviterer til ulykker.
- Brug ikke elværktøjer i eksplosive omgivelser som fx i nærheden af brandbar væske, gas eller støv. Elværktøjer udløser gnister, som kan antænde støvet eller dampene.
- Der må ikke være børn og tilskuere i nærheden, når et elværktøj anvendes. Distractioner kan medføre, at du mister kontrollen.

ELEKTRISK SIKKERHED

- Elværktøjets elstik skal passe til elnetkontakten. Elstikket må aldrig modificeres på nogen som helst måde. Undlad brug af adapterstik til jordede (stelforbundne) elværktøjer. Umodificerede elstik og passende elnetkontakter reducerer faren for elektrisk stød.
- Undgå kropskontakt med jordede eller stelforbundne overflader som fx rør, radiatorer, komfurer og køleskabe. Der er forøget risiko for elektrisk stød, hvis din krop er forbundet med jord eller stel.
- Undlad at udsætte elværktøjer for regn eller fugt. Hvis der trænger vand ind i et elværktøj, øges faren for elektrisk stød.
- Undlad at misbruge ledningen. Ledningen må aldrig bruges til at bære eller trække i elværktøjet eller til at trække stikket ud. Hold ledningen på afstand af varme, olie og skarpe kanter eller bevægelige dele. Beskadigede eller sammenfiltrede ledninger øger faren for elektrisk stød.
- Når et elværktøj anvendes i det fri, skal der bruges en forlængerledning, der er egnet til udendørs brug. Brug af ledninger beregnet til udendørs brug reducerer faren for elektrisk stød.
- Hvis man er nødt til at bruge et elværktøj i fugtige omgivelser, skal strømforsyningen have en fejlstrømsafbryder (RCD-afbryder). Brug af fejlstrømssikring reducerer faren for elektrisk stød.

PERSONLIG SIKKERHED

- Når man bruger et elværktøj, skal man være agtpågivende, iagttagende hvad man gør og bruge

sund fornuft. Undlad at bruge et elværktøj, hvis du er træt eller påvirket af narkotika, alkohol eller medikamenter. Et øjeblik uopmærksomhed under brug af motoriserede værktøjer kan medføre alvorlige personskader.

- Brug personlige værnemidler. Brug altid øjenværn. Værnemidler som fx støvmaske, skridfast sikkerhedsfodtøj, hjelm eller høreværn anvendt korrekt i forhold til de givne forhold reducerer faren for personskader.
- Forebyg utilsigtet start. Kontrollér, at kontakten er i pos. OFF (=slukket), inden værktøjet sluttes til strømkilde og/eller batteri, samles op eller bæres. At bære elværktøjer med fingeren på kontakten eller at slutte strøm til elværktøjer med tændt kontakt er at invitere til ulykker.
- Fjern evt. skruenøgler, inden der tændes for elværktøjet. En efterladt skruenøgle fastgjort til en roterende del af elværktøjet kan medføre personskader.
- Læn dig aldrig for langt frem. Sørg for altid at have godt fodfæste og god balance. Dette giver bedre kontrol over elværktøjet i uventede situationer.
- Vær ordentligt klædt på. Bær ikke løstsiddende tøj eller smykker. Sørg for, at hår og tøj ikke kommer i nærheden af bevægelige dele. Løstsiddende tøj, smykker eller langt hår kan hænge fast i bevægelige dele.
- Hvis der findes anordninger for tilslutning af støvudsugnings- og -opsamlingsudstyr, skal disse tilsluttes og anvendes korrekt. Brug af støvopsamling kan reducere støvrelaterede faremomenter.
- Sørg for, at fortrolighed opnået ved hyppig brug af værktøjer ikke forleder dig til at føle dig for selv sikker og dermed ignorerer værktøjets sikkerhedsprincipper. En uforsigtig handling kan forårsage alvorlige personskader på en brøkdæl af et sekund.

BRUG OG PLEJE AF ELVÆRKTØJ

- Undlad at tvinge elværktøjet. Brug elværktøjet til det tiltænkte anvendelsesformål. Det korrekte elværktøj klarer opgaven bedre og sikrere med den hastighed, det er designet til.
- Elværktøjet må ikke tages i brug, hvis TÆND/SLUK-kontakten ikke virker. Et elværktøj, der ikke kan kontrolleres med TÆND/SLUK-kontakten, er farligt og skal repareres.
- Inden udførelse af justeringer, udskiftning af tilbehør eller opbevaring af elværktøjer skal elstikket trækkes ud af lysnetkontakten, og/eller batteriet skal tages ud af elværktøjet. Disse forebyggende sikkerhedsforanstaltninger reducerer faren for utilsigtet start af elværktøjet.
- Når elværktøjer ikke bruges, skal de opbevares utilgængeligt for børn; personer, som ikke er fortrolige med elværktøjet eller denne brugsanvisning, må ikke anvende elværktøjet. Elværktøjer er farlige i hænderne på ukyndige brugere.
- Elværktøj og tilbehør skal vedligeholdes. Kontrollér, om der er forkert indjusterede eller



forbundne bevægelige dele, afbrækkede dele samt andre tilstande, som kan påvirke elværktøjs funktionsmåde. Hvis der konstateres skader, skal elværktøjet repareres inden brug. Mange ulykker skyldes dårligt vedligeholdte elværktøjer.

- Skærende værktøjer skal holdes skarpe og rene. Korrekt vedligeholdte skærende værktøjer med skarpe skær er mindre tilbøjelige til at binde/ blokere og er lettere at kontrollere.
- Brug elværktøjet, tilbehøret og værktøjs-bits osv. som foreskrevet i denne brugsanvisning, og tag højde for arbejdsforholdene og den aktuelle arbejdsopgave. Brug af elværktøjet i strid med de tiltænkte anvendelsesformål kan medføre farlige situationer.
- Hold håndtagene og gribefladerne tørre, rene og fri for olie og fedt. Glatte håndtag og gribeflader umuliggør sikker håndtering og kontrol af redskabet i uventede situationer.

SERVICE

- Sørg for, at elværktøjet serviceres af en kvalificeret reparatør, som kun benytter sig af originale reservedele. Herved garanteres sikkerheden for elproduktet.

SIKKERHEDSINSTRUKSER FOR BORDSAVE

ADVARSLER VEDR. AFSKÆRMNING

- Afskærmninger skal altid være påmonteret. Afskærmninger skal være i fejlfri stand og monteret korrekt. En afskærmning, som er løs, beskadiget, eller som ikke fungerer korrekt, skal repareres eller udskiftes.
- Brug altid savklingskærmen og spaltekniven til hver eneste arbejdsopgave, herunder gennemsavning. Til gennemsavningsarbejde, hvor savklingen skærer helt igennem emnets tykkelse, kan afskærmning og andet sikkerhedsudstyr bidrage til at reducere faren for personskader.
- Man skal straks genmontere afskærmningssystemet efter udført arbejde (som fx falsning eller gensavning af snit), som kræver afmontering af skærmen. Skærmen og spaltekniven bidrager til at reducere faren for personskader.
- Kontrollér, at savklingen ikke rører ved skærmen, spaltekniven eller emnet, inden der tændes for kontakten. Utilsigtet kontakt med disse dele med savklingen kan forårsage farlige situationer.
- Justér spaltekniven som beskrevet i denne brugsanvisning. Forkert afstand, positionering og indjustering kan bevirke, at spaltekniven ikke er i stand til at mindske sandsynligheden for tilbageslag ("kickback").
- For at spaltekniven kan fungere, skal den være i indgreb i emnet. Spaltekniven fungerer ikke, når der skæres i emner, der er for korte til, at spaltekniven kan få fat i emnet. Unde sådanne omstændigheder kan tilbageslag ("kickback") ikke forhindres med spaltekniven.
- Brug passende savklinge i forhold til spaltekniven.

For at spaltekniven kant fungere korrekt, skal savklingsdiametere matche den pågældende spaltekniv, og savklingskroppen skal være tyndere end spalteknivenstykket, og endelig skal savklingsens skærebredde være bredere end spalteknivens tykkelse.

ADVARSLER VEDR. SKÆREPROCEDURER

FARE

Anbring aldrig fingrene eller hænderne i nærheden af eller på linje med savklingen. Et øjeblik uopmærksomhed eller en smutter kan styre din hånd direkte mod savklingen og resultere i alvorlig personskade.

- Emnet må kun indføres i savklingen imod rotationsretningen. Indføring af emnet i samme retning, som savklingen roterer over bordet, kan bevirke, at både emnet og hånden bliver trukket ind i savklingen.
- Brug aldrig geringslæren til at fremføre emnet under længdeskæring, og undlad at bruge parallelanslaget som længdestop, når der savnes tværgående med geringslæren. Styring af emnet med parallelanslaget og geringslæren samtidigt øger sandsynligheden for, at savklingen sætter sig fast og springer tilbage.
- Ved længdeskæring skal man altid anbringe emnefremføringskraften mellem anslaget og savklingen. Brug en skubbepind, når afstanden mellem anslaget og savklingen er mindre end 150 mm, og brug en skubbepind, når afstanden er mindre end 50 mm. Diverse hjælperedskaber kan bidrage til at holde din hånd på sikker afstand af savklingen.
- Brug kun skubbepinden fra producenten, eller en der er kontrueret ifølge de givne anvisninger. Skubbepinden tilvejebringer tilstrækkelig afstand mellem hånd og savklinge.
- Der må aldrig benyttes en beskadiget eller savet skubbepind. En beskadiget skubbepind kan knække, så din hånd glider ind i savklingen.
- Udfør aldrig "frihåndssavning". Brug altid enten parallelanslaget eller geringslæren til positionering og styring af emnet. Med "frihåndssavning" menes, at man bruger hænderne til at støtte eller føre emnet, i stedet for et parallelanslag eller en geringslære. Frihåndssavning medfører fejljustering, blokering og tilbageslag ("kickback").
- Ræk aldrig rundt om eller hen over en roterende savklinge. Hvis man rækker ud efter et emne, risikerer man at komme i kontakt med den kørende savklinge.
- Tilvejebring ekstra emnestøtter bag og/eller ved siderne af savebordet til lange og/eller brede emner, så de holdes i vage. Et langt og/eller bredt emne har tendens til at vippe på bordkanten, så man mister kontrollen, og savklingen sætter sig fast eller slår tilbage.
- Emnet skal fremføres i et jævnt tempo. Undgå at bukke eller vride emnet. Hvis savklingen sætter sig

EN
FR
DE
ES
IT
NL
PT
DA
SV
FI
NO
RU
PL
CS
HU
RO
LV
LT
ET
HR
SL
SK
EL
TR





fast, skal man straks slukke for produktet, trække stikket ud og først derefter afhjælpe blokeringen. Hvis savklingen sætter sig fast i emnet, risikerer man tilbageslag ("kickback"), eller at motoren går i stå.

- **Man må ikke fjerne stykker af afsavet materiale, så længe saven kører.** Materialet kan sætte sig fast mellem anslaget eller i klingskærmen, hvorved savklingen kan trække fingrene ind i savklingen. Sluk for saven, og vent, til klingen er helt stoppet, inden materialet fjernes.
- **Brug et ekstra anslag, som er i kontakt med bordets overflade, når der længdeskæres emner, som er mindre end 2 mm tykke.** Et tyndt emne kan kile sig ind under parallelanslaget og forårsage tilbageslag ("kickback").

ÅRSAGER TIL TILBAGESLAG ('KICKBACK') OG TILHØRENE ADVARSLER

Tilbageslag ('kickback') er en pludselig emnereaktion på grund af en fastklemt, blokeret savklinge eller en fejljusteret savelinje i emnet i forhold til savklingen, eller når en del af emnet sætter sig fast mellem savklingen og parallelanslaget eller en anden fast genstand. Ved tilbageslag sker der oftest det, at emnet løftes op fra bordet ved den bageste del af savklingen og slynges ind mod operatøren.

Tilbageslag skyldes altså, at værktøjet bruges forkert, og/eller at saveforholdene eller fremgangsmåden er u hensigtsmæssige. Det kan undgås, hvis der tages nogle forholdsregler.

- **Man må aldrig stille sig på linje med savklingen.** Man skal altid placere sin krop på samme side af savklingen som anslaget. Tilbageslag ('kickback') kan udslynge emnet med høj hastighed mod enhver, der står foran eller på linje med savklingen.
- **Man må aldrig række ind over eller ind bag ved savklingen for at trække i eller afstøtte emnet.** Der kan ske utilsigtet kontakt med savklingen, eller et tilbageslag kan trække fingrene ind i savklingen.
- **Man må aldrig holde og presse det emne, der skæres af, imod den roterende savklinge.** Ved at presse det emne, der skæres af, ind mod savklingen, forårsages en blokeringstilstand og tilbageslag ('kickback').
- **Anslaget skal indstilles, så det er parallelt med savklingen.** Et fejlindstillet anslag vil klemme emnet fast mod savklingen og forårsage tilbageslag ('kickback').
- **Brug et featherboard til at styre emnet imod bordet og anslaget, når der foretages ikke-gennemgående snit såsom falsning eller genopsavning.** En featherboard hjælper med at kontrollere emnet i tilfælde af tilbageslag ('kickback').
- **Større emner skal understøttes for at minimere faren for blokering af savklingen og tilbageslag.** Lange emner har tendens til at bukke under deres egen vægt. Der skal anbringes støtte(r) under alle de dele af emnet, som hænger ud over bordoverfladen.
- **Man skal være ekstra forsigtig, når man skærer et emne, der er vredet, knudret, har slået sig, eller som ikke har en lige kant til at styre det med et geringslære eller langs anslaget.** Et vindskævt,

knudet eller vredet emne er ustabilt og forårsager forskydning af snitfugen, så savklingen sætter sig fast og slår tilbage.

- **Der må aldrig skæres i mere end ét emne ad gangen, som er stablet lodret eller vandret.** Man risikerer, at savklingen opsamler ét eller flere emner og forårsager tilbageslag ('kickback').
- **En man genstarter saven med savklingen siddende i emnet, skal man centrere savklingen i snitfugen, så de nye tænder ikke griber ind i materialet.** Hvis savklingen sætter sig fast, risikerer man, at den løfter emnet op og forårsager tilbageslag, når saven startes igen.
- **Sørg for, at savklingerne er rene, skarpe og korrekt indstillet.** Der må aldrig benyttes skæve savklinger eller nye savklinger med krakelerede eller knækkede tænder. Skarpe og korrekt indstillede savklinger minimerer risikoen for blokering, stalling og tilbageslag.

ADVARSLER VEDR. SAVBETJENINGSPROCEDURER

- **Sluk for bordsavsaven, og træk stikket ud af lysnetkontakten, når du fjerner bordindsatsen, skifter savklingen eller foretager justering af spaltekniven eller savklingskærmen, og når maskinen efterlades uden opsyn.** Forebyggende foranstaltninger forhindrer ulykker.
- **Man må aldrig lade bordsaven køre uden opsyn.** Sluk saven, og forlad ikke produktet, før det er helt standstet. En kørende sav uden opsyn er et ukontrolleret faremoment.
- **Bordsaven skal placeres i et godt oplyst område, hvor man kan have godt fodfæste og være i balance.** Den bør installeres i et område, hvor der er tilstrækkelig plads til ubesværet håndtering af emner i den relevante størrelse. Trange, mørke områder og ujævne, glatte gulve inviterer til ulykker.
- **Man skal hyppigt rengøre og fjerne savsmuld under savbordet og/eller i støvopsamlingsanordningen.** Ophobet savsmuld er brændbart og kan selvantænde.
- **Savbordet skal være fast monteret.** En bordsav, der ikke er fast monteret, kan bevæge sig eller vælte.
- **Fjern værktøjer, trærester mv. fra bordet, inden der tændes for bordsaven.** Distraction eller potentielle fastklemninger kan være farlige.
- **Brug altid savklinger, hvor akselhullerne har den rigtige størrelse og form (diamant kontra rund).** Savklinger, som ikke passer til savens monteringsdele, vil køre excentrisk med tab af kontrol til følge.
- **Der må aldrig benyttes beskadigede eller forkerte monteringsmidler til savklingen, det være sig flanger, klingspændskiver, bolte eller møtrikker.** Disse monteringsmidler er specialdesignet til denne sav af hensyn til sikker betjening og optimal ydelse.
- **Man må aldrig stå på bordsaven, ligesom man ikke må benytte den som trappetrin eller skamle.** Der kan opstå alvorlige personskader, hvis produktet tipper, eller hvis skæreværktøjet berøres utilsigtet.
- **Kontrollér, at savklingen er monteret, så den roterer i den rigtige retning.** Der må ikke benyttes





slibeskiver, stålborster eller slibehjul på en bordsav. Forkert savklingemontering eller brug af tilbehør, der ikke anbefales, kan forårsage alvorlige personskader.

YDERLIGERE SIKKERHEDSADVARSLER FOR BORDSAV

- Maskinen skal opstilles eller monteres fast i en stabil position, der egner sig til de relevante arbejdsopgaver. Den kan evt. monteres på en arbejdsbænk, benstøtte eller fastgøres til gulvet.
- Hvis muligt indstiller man de justerbare ben, så der tilvejebringes en plan, stabil platform, der kan arbejdes på.
- Ved at arbejde i den rette højde ved hjælp af en god arbejdsstilling kan man forhindre forstrækninger eller andre personskader under arbejdet.
- Tilvejebring passende generel eller målrettet belysning for at forhindre stroboskopiske virkninger og faremomenter.
- Benyt om nødvendigt egnede personlige værnemidler. Dette indbefatter høreværn til reduktion af risikoen for pådragelse af høretab, åndedrætsværn til reduktion af faren for inhalering af sundhedsfarligt støv, robuste handsker ved håndtering af savklinger og groft materiale.
- Man skal altid bære sikkerhedsbriller, når man benytter maskinen. Det anbefales at bære solide, skridsikre sko med tåkappe for at beskytte mod genstande, der måtte falde ned fra bordet.
- Det støv, der dannes under brug af dette værktøj, kan være sundhedsskadeligt, brændbart eller eksplosivt. Brug et støvudsugningssystem, og bær passende støvmaske. Fjern aflejret støv omhyggeligt, fx med en børste eller en støvsuger.
- Gulvet i arbejdsområdet skal holdes fri for ophobet savsmuld, affaldsstykker og elledninger. Herved reduceres faren for at snuble eller falde ind i klingen.
- Bordet skal holdes fri for genstande, herunder værktøjer og træaffald.
- Bordoverflade, anslag og geringslære skal holdes rene. Pas på lim, maling og andre elementer. Træet skal glide jævnt og ikke hænge fast eller gribe fat nogen steder, ellers øges risikoen for alvorlige personskader som følge af tilbageslag ('kickback') betragteligt.
- Brug kun klinger, som er specificeret i denne brugsanvisning, og som overholder EN 847-1.
- Brug ikke savklinger, som er fremstillet af high-speed stål.
- Brug kun savklinger, der er mærket med en hastighed lig med eller højere end den hastighed, der er angivet på værktøjet.
- Undgå at tvinge emnet ind i klingen. Lad redskabet gøre arbejdet. Overdreven kraftudøvelse vil overophede klingen og tænderne, og man risikerer at brænde emnet. Det kan medføre uventede hændelser, som kan forårsage alvorlige personskader.
- Brug aldrig sløve eller beskadigede savklinger. Uskarpe eller forkert monterede klinger giver en smal

savfuge, hvilket giver meget friktion, der igen medfører klingebløking og tilbageslag.

- Savklinger bør så vidst muligt transporteres og opbevares i en holder.
- Undgå at bruge værktøjet uden bordindsatsen, og udskift denne, når der er slidt.
- Med mindre man udfører ikke-gennemgående snit, skal klingskærmen og spaltekniven altid være monteret og i god stand. Klingskærmen skal ubesværet løfte sig og falde ned, så emnet kan passere ind under dem. Kontrollér, at klingskærmen er ordentligt fastgjort til spaltekniven. Må ikke bruges uden påmonterede afdækninger/skærme.
- Kontrollér, at klingen er parallel med anslaget. Dette er en væsentlig årsag til tilbageslag ('kickback'), som kan medføre alvorlige personskader.
- Brug altid savklingskærmen og spaltekniven, hver gang der udføres gennemgående snit. Med 'gennemsavning' menes savning, hvor klingen skærer helt igennem emnet under længde- eller tværskæring.
- Husk altid grundigt at kontrollere det materiale, du har til hensigt at skære (især ved anvendelse af genbrugstræ) for fremmedlegemer såsom søm, skruer, hæfteklammer.
- Hvis disse eller lignende genstande kommer i kontakt med klingen, vil saven blive beskadiget med evt. alvorlige personskader for brugeren eller andre personer til følge.
- Finskæresnit er hverken tilladt eller muligt med dette elværktøj.
- Brug skubbepinden efter behov. Brug altid en skubbepind til længdeskæring af smalle træstykker. Når skubbepinden ikke anvendes, skal den altid opbevares sammen med maskinen.
- Ræk aldrig hånden ind i maskinens farezone, når denne kører. Hold fingrene på afstand af det område, der defineres af bordindsatsen.
- Lad aldrig værktøjet køre uden opsyn.
- Sluk for strømmen.
- Efterlad ikke værktøjet, før det er stoppet fuldstændigt.
- Forsøg aldrig at stoppe en maskine i bevægelse på en hurtig måde ved at klemme et emne eller andre ting ind mod klingen. På denne måde kan der opstå alvorlige ulykker.
- Rør ikke ved savklingen umiddelbart efter savning. Savklingen bliver varm under savningen.
- Hvis savklingen sidder fast under skæring, skal man slukke for maskinen og afbryde den fra strømforsyningen. Fjern emnet, og kontrollér, at savklingen kører uhindret. Tænd for maskinen, og genstart skærearbejdet med reduceret tilspændingskraft.
- Når man transporterer maskinen, skal man fjerne klingskærmen, stille spaltekniven i laveste position og sænke savklingen, så den er under bordoverfladen i transportposition.
- Hvis strømforsyningskablet beskadiges, skal det udskiftes af producenten eller på et autoriseret servicecenter for at undgå risici.
- Der må ikke bruges tilbehør eller ekstraudstyr, som

EN
FR
DE
ES
IT
NL
PT
DA
SV
FI
NO
RU
PL
CS
HU
RO
LV
LT
ET
HR
SL
SK
EL
TR





ikke anbefales af producenten af dette produkt. Hvis der anvendes ikke-anbefalede dele eller tilbehør, kan man komme alvorligt til skade. Tilbehør, som bruges på mange forskellige steder, herunder udendørs, skal tilsluttes via reststrømsenhed (RCD).

- Hvis strømmen til bordsaven afbrydes, vil maskinens Tænd/Sluk-kontakt automatisk springe i pos. Sluk (Off).

SPECIFIKKE SIKKERHEDSREGLER FOR TRÆSKÆREKLINGER

- Læs venligst vejledningen og sikkerhedsreglerne omhyggeligt før brug savklingen og elværktøjet.
- Elværktøjet skal være i god stand, og spindlen må ikke være deformet eller vibrere.
- Sørg for, at operatøren har sat sig tilstrækkeligt ind i sikkerhedsregler, justering og betjening af elværktøjet.
- Bær altid beskyttelsesbriller og høreværn, når du bruger maskinen. Beskyttelseshandsker, skridsikre sko, høreværn og forklæde anbefales.
- Konsulter brugsanvisningen inden brug af ekstraudstyr/tilbehør. Udsigtsmæssig anvendelse af tilbehør til kan medføre skader og øge risikoen for personskader.
- Hold savklingen ren. Dette indbefatter savsmuld og især klæbende substanser som træharpiks. En ren klinge skærer mere præcist og sikkert.
- Brug kun klinger, som er specificeret i denne brugsanvisning, og som overholder EN 847-1.
- Overhold den maksimale hastighed, der er markeret på savklingen. Kontrollér, at den hastighed, der er anført på savklingen, som minimum svarer til den hastighed, der er anført på saven.
- Brug altid klinger med korrekt størrelse og spindelhul-form. Klinger, som ikke passer til akslen, de skal monteres på, vil ikke dreje ordentligt rundt og kan bevirke, at man mister kontrollen over værktøjet.
- Undlad brug af savklinger, hvor selve klingen er tykkere end spaltekniven, eller hvor snittet (saverillen) er mindre end tykkelsen af spaltekniven.
- Undlad brug af klinger med større eller mindre diameter end anbefalet. Undlad brug af mellemstykker for at få klingen til at passe til spindlen.
- Kontrollér inden brug, at savklings tænder ikke er beskadiget eller unormale. Tænder, som er beskadiget eller løse, kan blive til flyvende genstande og øge faren for personskader.
- Ridsede savklinger eller sådanne, som har ændret form, må ikke bruges. Benyt ikke savblade, der er beskadiget eller deformet.
- Kasser savklingen, hvis den bliver beskadiget, deform, forvreden eller hakket; den må ikke repareres.
- Undlad brug af HHS-klinger.
- Sørg for, at savklingen er monteret korrekt; husk at spænde spindelme-trikken forsvarligt før brug.
- Fastgørelsesskruer og -møtrikker skal spændes fast med den tilhørende skruenøgle mv.
- Det er ikke tilladt at udvide skruenøglen eller at foretage fastspændingen med hammerslag.
- Sørg for, at savklingen og flangerne er rene, og at

manchettens forsænkede sider ligger an mod klingen.

- Sørg for, at klingen roterer i den rigtige retning og ikke rører ved nogen del af maskinen eller skærmsystemet.
- Inden påbegyndelse af arbejdet skal man foretage et prøvesnit uden tændt motor, så man kontrollerer klingens position og skærmenes funktionsmåde i forhold til produktdele og emnet.
- Forlad aldrig elværktøjet uden opsyn.
- Undlad at påføre smøremidler på klingen, mens denne kører.
- Forsøg aldrig at stoppe en elværktøjet i bevægelse på en hurtig måde ved at presse et værktøj eller andre genstande ind mod klingen; dette kan resultere i alvorlige ulykker.
- Afbryd elværktøjet fra lysnettet inden klingskift eller udførelse af vedligeholdelsesarbejde.
- Vær forsigtig ved ind- og udpakning af klingen - man kan nemt komme til skade på de skarpe klingetænder.
- Brug en klingeholder, eller bær handsker, under håndtering af savklingen. Husk, at klingen stadig vil være varm efter udført savearbejde.
- Klingen skal opbevares i den oprindelige emballage eller anden passende emballage, opbevares tørt og ikke i nærheden af kemikalier, som kan ødelægge klingen.

TILTÆNKT ANVENDELSESFORMÅL

Bordsaven er designet til at blive betjent af én person med henblik på længde- og tværskæring af træ, op til en maksimal dybde på 80 mm ved 0° smigvinkel. Ved den maksimale smigvinkel på 45° er den maksimale snitdybde 55 mm. Bordsaven er designet og beregnet til at blive fastgjort til en stabil overflade eller et arbejdsstativ, som leveres af producenten. Der må saves i hårdt og blødt træ samt i partikel- og fiberplader.

Kun savklinge- og spaltekniv-kombinationer, der leveres af producenten til denne bordsav, må benyttes på samme bordrundsav.

UUNDGÅELIGE RISICI

Selv om bordsaven anvendes som foreskrevet, er det stadig umuligt at eliminere visse uundgåelige risikofaktorer fuldstændigt.

Operatøren skal være særlig og ekstra opmærksomhed på disse punkter for at mindske risikoen for alvorlig personskade.

- Ikke-gennemgående skæring. Klingskærmen fjernes, og det øverste af klingen blotlægges.
- Kontakt med savklingen - undgå at række hen over og rundt om savklingen.
- Tilbageslag ('kickback') – stil dig aldrig foran savklingen.
- Stabilitet - sørg for, at produktet er stabilt, og fastgør det så vidt muligt.
- Udslyngede savtænder - bær øjenværn til alle tider, når du arbejder.
- Inhalering af støv – bær om nødvendig støvmaske. Støv produceret under bearbejdning af visse typer træprodukter (fx MDF) kan være farlige for





åndedrætsorganerne.

- Øjenskader fra træ- og støvpartikler - bór øjenværn til alle tider, når du arbejder.
- Høreskader - begræns eksponering, og benyt passende høreværn.
- Støjniveauet kan variere kraftigt fra maskine til maskine afhængigt af anvendelsesbetingelserne. Personer, der eksponeres for højt støjniveau (også kortvarigt) kan opleve midlertidigt delvist høretab, mens vedvarende eksponering for højt støjniveau kan medføre permanent høretab.

BLIV FORTROLIG MED ELVÆRKTØJET

Se side 242.

1. Bordindsats
2. Indstilbar forlænget spaltekniv
3. Geringsanslag
4. Savklinge
5. Savklingskærm
6. Bordindsats-udløser
7. Anslag/parallelanslag
8. Sidebordsforlængelse (RTS1800ES, RTS1800EF)
9. Fikseringshuller (fastgøres til arbejdsbænk eller ben)
10. Tænd/Sluk-kontakt
11. Smigvinkel-justeringshjul
12. Smigvinkellås
13. Skæredybdehåndtag
14. Savbord
15. Støvudsugning
16. Støvåbnings-tilbehør

BETJENING

⚠ ADVARSEL

Man skal læse og forstå alle de advarsler og instruktioner, der er indeholdt i denne vejledning, før man tilslutter strøm til og begynder at skære med denne bordsav.

Gennemgående skæring: Alt skærende arbejde, hvor savklingen længere ud end emnetykkelsen. Til denne operation skal spaltekniven være i løftet position, og klingskærmen skal være påmonteret. Brug et anslag eller en geringslære til at korrigere emnets position.

Ikke-gennemgående skæring: Alt skærende arbejde, hvor savklingen ikke rager længere ud end emnetykkelsen. Til denne operation skal spaltekniven være i nederste position. Toppen af spaltekniven skal være lidt lavere end toppen af savklingen. Klingskærmen kan ikke monteres. Brug et anslag eller en geringslære til at korrigere emnets position.

Længdeskæring: Parallelanslaget anbringes parallelt med klingen for at støtte emnet. Snittet foretages fortlinsvis i retning med træets åre (hvis sådanne findes). Kan være et gennemgående eller ikke-gennemgående snit.

Tværskæring: Anvendelse af geringslære eller tværskæringsanslag. Denne enhed er designet til at glide parallelt med savklingen og gøre det muligt at holde emnet i en fast vinkel på tværs af savklingsens skæreakse. Snittet foretages fortlinsvis på tværs af træets åre (hvis

sådanne findes). Kan være et gennemgående eller ikke-gennemgående snit.

Smigskæring: Savklingsens vinkel i forhold til bordoverfladen ændres mellem 90 og 45°. Fremstiller et snit med en vinkelkant. Kan være et gennemgående eller ikke-gennemgående snit. Enten parallelanslaget eller geringslæren bør anvendes til at korrigere emnets position.

Geringskæring: Emnet placeres i en vinkelposition i forhold til savklingen. Den ønskede vinkel indstilles på geringslæren, som derefter kan holde emnet i denne vinkel, mens den glider parallelt med klingens for at udføre snittet. Kan være et gennemgående eller ikke-gennemgående snit.

Konisk skæring: Koniske tværsnit kan udføres ved at bruge geringslæren til at indstille den ønskede vinkel. Det er ikke muligt at udføre koniske længdesnit, fordi der kræves et specielt fikstur.

SIKKER BRUG AF ANSLAGET

- Man må aldrig bruge parallelanslaget og geringsvinkellæren på samme tid. Herved øges faren for tilbageslag ('kickback') og personskader. Når en af dem ikke er i brug, skal denne fjernes fra bordet og opbevares på et sikkert sted.
- Hver gang anslaget benyttes eller flyttes til en anden position, er det vigtigt, at man kontrollerer, at det er parallelt med savklingen.
- En ikke-parallel anslag kan indfange emnet imellem savklingen og anslaget, der forårsager tilbageslag ('kickback'), hvilket kan føre til alvorlige personskader på dig selv og andre.
- Et dårligt justeret eller indstillet anslag kan bevirke, at emnet fremføres mod klingens i den forkerte vinkel, hvilket kan medføre, at klingens sætter sig fast. Det kan også forårsage tilbageslag ('kickback') (se ovenfor).
- Man tilpasser eller justerer anslaget korrekt ved at fastgøre enden af anslaget til bordets bagkant og dernæst sænke forkanten, så den går i hak i bordets forside. Herefter presser man på fra anslagets forside, så de to kanter, der er indstillet i en ret vinkel i forhold til anslagets retning, rører ved bordets forside. Herved kan man sikre sig, at anslaget er parallelt med savklingen. Derefter låser man anslaget i denne position ved at presse låsehåndtaget nedad.
- Den kraft, med hvilken låsehåndtaget fastholder anslaget i sin position, kan justeres ved at dreje på fingerskruen lige over låsehåndtaget.
- Kontrollér altid, at anslaget er parallelt med savklingen via måling eller med en nøje afskåret træklods, inden påbegyndelse af savningen.

Indjustering af afstandsmærker, klinge til anslag

Læg kanten af anslaget an mod klingens, og justér derefter indikator-skueglasset, så det flugter med 0 mm-mærket på den forreste kant af bordet. Løsn skruen, indstil skueglasset, og spænd skruen til igen.

Brug af hjælpeanslag

Der findes situationer, der kræver, at man monterer hjælpeanslaget på hovedanslaget.

- a. Når en smalt emne ikke kan holdes med hånden



eller en skubbepind, fordi anslaget er i vejen.

- b. När ett tunt arbetsstycke sågas. Mycket tunna arbetsstycken kan glida under anhållet och fastna eller dra och orsaka kickback. Använd extraanhållet för att förhindra detta.

Fjern hjælpeanslaget, så snart det er sikkert kun at benytte hovedafslaget.

Når man foretager smigsnit i smalle emner, skal man altid benytte anslaget på den modsatte side af klingens til den side, det hælder mod; ellers risikerer man at indfange skubbeklodsen eller hænge fast i klingskærmen eller anslaget.

Montering af hjælpeanslaget til hovedanslaget

- Med vingemøtrikkerne og spændskiverne på den ene side af anslaget skubber man boltene igennem fra den anden side og skruer dem sammen ved at dreje dem et par omgange. Nu skyder man hjælpeanslaget hen over bolthovederne og ind i den hertil indrettede rille. Man spænder hjælpeanslaget fast i den ønskede position.

BEMÆRK: Hjælpeanslaget er kun beregnet til at styre emnet forbi savklingen og spaltekniven; det behøver ikke dække den fulde længde af hovedanslaget.

Fjern hjælpeanslaget, så snart det er sikkert kun at benytte hovedafslaget. Lad ikke boltene og vingemøtrikkerne sidde i hovedanslaget.

Brug af featherboard

En featherboard er en anordning, der ligner en kam, men er skåret i en vinkel. De tynde fingre, der normalt er fremstillet af træ eller plastic, bøjes en smule, når emnet glider på plads, og de udøver et jævnt og ensartet tryk for at fastholde emnet. Brug en af disse anordninger, når der kræves præcisionssnit i et smalt emne. Denne anordning fastgøres til bordet via geringsrillerne og mindsker behovet for, at operatørens fingre skal være i nærheden af klingens.

Man kan købe featherboards fra andre producenter i specialforretninger.

OVERBELASTNINGSBESKYTTELSE

Produktet har overbelastningsbeskyttelse. Når der detekteres en overbelastning, slukker produktet automatisk. Sluk for strømmen. Hvis overbelastningsbeskytteren aktiveres, skal man lade motoren køle af i 3 minutter. Kontrollér, at savklingen kan rotere frit og ikke sætter sig fast eller går trægt. Tryk på Reset-knappen (under Tænd-/Sluk-kontakten). Tænd for strømmen. Tryk på knappen for at starte produktet.

VEDLIGEHOLDELSE

- Sørg for, at savklingen er helt standset og strømkablet er trukket ud af stikkontakten for påbegyndelse af alle vedligeholdelses- eller rengøringsarbejder.
- Hvis strømforsyningskablet er beskadiget, skal det repareret på et autoriseret servicecenter.
- Savklingen har skarpe kanter og kan desuden være varm efter skærearbejde. Vær ekstremt forsigtig under rengøring af den blottede savklinge. Benyt handsker for at beskytte dig mod personskader.

- Rengør saven og dens tilbehør fra støv regelmæssigt, især bevægelige dele, herunder klingskærmen. Brug en hånbørste eller støvsuger til at fjerne støvet effektivt.

⚠ ADVARSEL

Forsøg ikke at demontere klingskærmen i forbindelse med rengøring eller reparation. Beskadigede skærme må ikke benyttes. Indlevér på autoriseret servicecenter til reparation eller udskiftning.

- Bordsaven er smurt på fabrikken og bør ikke kræve yderligere smøring.
- For at kontrollere og justere smigvinkler og klinge-/anslags-parallellitet, se "Kontrol og indstilling af smigvinkel" og "Kontrol og indstilling af parallelitet af savklinge i forhold til geringsriller" i denne brugsanvisning".

KONTROL OG INDSTILLING AF SMIGVINKEL

BEMÆRK: Indstilling af savklingen til 90° i forhold til bordet giver en smigvinkel på 0°.

- Sluk for strømmen, og træk stikket ud af stikkontakten
- Vær især opmærksom på savklingens tænder, da disse er meget skarpe og kan forårsage personskade.
- Løft savklinge- og spalteknivmodulet i øverste position.
- Fjern savklingskærmen.
- Sæt spaltekniven i nederste position.
- Kontrollér, at savklinge og bordoverflade er rene for støv og affald.
- Læg en 90° "retteklo" an mod bordoverfladen og mod det øverste punkt af savklingen. Pas på ikke at røre ved savklingens spidser under denne måling, da dette vil resultere i en fejl. Overfladen af selve savklingen skal indjusteres.
- Der bør ikke være mellemrum mellem kanten af retteklo og savklingen eller bordet; i denne tilstand er savklingen i en korrekt lodret justering og der kræves ikke yderligere justering af savklingens vinkel.
- Hvis der ikke findes mellemrum, løsner man smiglæseknappen og flytter forsigtigt smigvinklen, mens man hele tiden holder øje med mellemrummet. Når der ikke findes mellemrum, spænder man smiglæseknappen til.
- Løsn skruen på smigvinkel-indikatoren, og juster den transparente linjeholder, så den viser, at den passer til 0°-mærket. Spænd skruen til.
- Gentag denne operation for at kontrollere og indstille forskellige vinkler mellem 90° og 45° efter behov.

KONTROL OG INDSTILLING AF PARALLELITETEN MELLEMLAVKLINGEN OG GERINGSRILLERNE

- Sluk for strømmen, og træk stikket ud af stikkontakten
- Vær især opmærksom på savklingens tænder, da disse er meget skarpe og kan forårsage personskade.
- Løft savklinge- og spalteknivmodulet i øverste position.
- Fjern savklingskærmen.
- Udfør de kontrolprocedurer, der er forklaret i denne brugsanvisning "Sådan kontrolleres og indstilles

smigvinklen." Kontrollér, at smigvinklen er sikkert fastgjort til 0°.

6. Tag geringsvinkellæren, og fastgør den til en af rillerne i bordet. Indstil vinklen på geringsvinkellæren til 90°.
7. Læg en stållineal fast an mod geringsvinkellæren, og indstil den med den lige ende af linealen, så den rører ved kroppen af savklingen. Man kan bruge en præcist skåret træblok i stedet for stållinealen.
8. Bevar et fast greb om linealen/blokken, og forskyd hele geringsvinkellæren, så linealen/blokken nu rører ved den anden ende af savklingen. Linalen eller blokken skal have samme kontaktniveau med savklingen, i takt med at den flyttes hen over kroppen af savklingen. Hvis dette er tilfældet, er paralleliteten mellem savklinge og bordriller præcis, og der kræver ikke yderligere indstilling. Kontrollér på samme måde rillen på den anden side af bordet.

JUSTERING AF PARALLELITET MELLEML SAVKLINGE OG BORDRILLER

Der findes to bolte foran savklingen og yderligere to bagved. Man kan få adgang til disse fra bordoverfladens underside.

Når disse bolte er løsnet, kan hele savklinge-, spalteknavs- og motormodulet flyttes, så savklingen tilpasses perfekt med rillerne i bordet.

Det kan være, at du finder operation for vanskelig, hvis du ikke har erfaring med sådanne justeringer. Har du problemer, kan du indlevere bordsaven på nærmeste autoriserede Ryobi-servicecenter for professionel opsætning.

MILJØBESKYTTELSE



Råmaterialerne skal genbruges og ikke bortskaffes som almindeligt affald. Af hensyn til miljøet skal redskab, tilbehør og emballage sorteres.

SYMBOLER PÅ PRODUKTET



Sikkerhedsadvarsel



CE-overensstemmelse



EurAsian overensstemmelsesmærke.



Klasse II-værktøj, dobbelt-isoleret



Læs venligst vejledningen omhyggeligt inden start af produktet.



Bær høreværn.



Benyt øjenværn.



Brug sikkerhedshandsker.



Fare! Skarp klinge.



Savekapacitet



skærebredde (snitfuge)



Antal tænder på denne savklinge



Til skæring af træ eller lignende materiale



Ikke beregnet til skæring af metal



Klingens omløbsretning (vist på klingeskærm)



Klingens omløbsretning (vist på spalteknav)



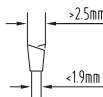
Klingens omløbsretning (vist på savklinge)



Klingens omløbsretning (vist på bord)



Klingediameter



Klingetykkelse og snitfugebredde

T2.2mm
38-48HRC

Spalteknivens tykkelse og hårdhed

1800
W

Mærkeeffekt

48
TCT
254 mm¹

Hårdmetalklinge med 48 tænder

SOFT START

Soft-start

Overbelastningsbeskyttelse

alu

Støbt aluminiumsbord

Borddimensioner (RTS1800, RTS1800S)

Borddimensioner (RTS1800ES,
RTS1800EF)

Bordudvidelses-dimensioner

Aftageligt sakseben

Sammenklappeligt deluxe-ben

Skærekapacitet (90° og 45°)



Elektriske affaldsprodukter bør ikke afskaffes sammen med husholdningsaffald. Genbrug venligst hvor faciliteterne tillader dette. Indhent oplysninger om genbrugsfaciliteter hos lokale myndigheder eller forhandler.



Træk stikket ud af stikkontakten.



Dele eller tilbehør, der sælges separat



Elektriske affaldsprodukter bør ikke afskaffes sammen med husholdningsaffald. Genbrug venligst hvor faciliteterne tillader dette.



Bemærk:



ADVARSEL

SYMBOLER I DENNE BRUGSANVISNING



Tilslut til stikkontakt.

ALLMÄNNA SÄKERHETSFORESKRIFTER FÖR MASKINVERKTYG

⚠ VARNING

Läs uppmärksamt alla varningar, instruktioner och specifikationer som bifogas med detta verktyg och studera bilderna. Underlåtenhet att respektera dessa föreskrifter kan leda till olyckor som brand, elektriska stötår och/eller allvarliga kroppsskador.

Behåll dessa varningar och anvisningar för framtida referens. Termen "kraftverktyg" i varningarna hänvisar till ditt eldrivna (med sladd) verktyg eller ditt batteridrivna (utan sladd) verktyg.

ARBETSOMRÅDESSKYDD

- Håll arbetsområdet rent och använd god belysning. Skräpiga och mörka utrymmen inbjuder till olyckor.
- Använd inte motordrivna verktyg i explosiva miljöer, till exempel i närheten av brännbara vätskor, brännbara gaser eller damm. Motordrivna verktyg skapar blixtrar som kan antända damm och ångor.
- Håll barn och åskådare på avstånd när du använder verktyget. Distractioner kan få dig att tappa kontrollen.

ELSÄKERHET

- El-verktygskontakter måste passa i vägguttaget. Gör aldrig ändringar i kontakten på något sätt. Använd inga adapterkontakter med jordade elverktyg. Oförändrade kontakter och passande vägguttag reducerar risken för elektrisk chock.
- Undvik kroppskontakt med jordade ytor som rör, radiatorer och kylskåp. Risken för elektrisk chock ökar om din kropp är jordad.
- Utsätt inte motordrivna verktyg för regn eller blöta omgivning. Vatten som tränger in i ett motordrivet verktyg ökar risken för elektrisk stöt.
- Skada inte sladden. Använd aldrig sladden till att bära med, dra ur eller koppla ur el-verktyget med. Håll strömsladden borta från värme, olja, vassa kanter och rörliga delar. Trassliga eller skadade sladdar ökar risken för elektrisk chock.
- När du använder ett el-verktyg utomhus måste en förlängningsladd för utomhusbruk användas. Användning av kabel avsedd för utomhusbruk reducerar risken för elektrisk chock.
- Använd en jordfelsbrytare om det är oundvikligt att använda ett kraftverktyg i en fuktig miljö. En jordfelsbrytare reducerar risken för elektrisk chock.

PERSONSÄKERHET

- Var på din vakt, håll reda på vad du gör och använd sunt förnuft vid drift av elverktyget. Använd inte elverktyg om du är trött, sjuk eller påverkad av alkohol, droger eller medicin. Ett ögonblicks ouppmärksamhet vid användning av motordrivna verktyg kan resultera i allvarlig personskada.
- Använd personlig skyddsutrustning. Bär alltid

ögonskydd. Skyddsutrustning som dammask, halkfria skyddsskor, hjälm och hörselskydd vid lämpliga tillfällen minskar risken för personskador.

- Hindra start av misstag. Se till att brytaren är i läget AV före anslutning till strömkälla och/eller batteri, när du plockar upp och när du bär elverktyget. Bära elverktyg med fingret på brytaren eller att strömsätta elverktyg med brytaren i läge PÅ är att bjuda in till olyckor.
- Avlägsna inställningsverktyg eller nyckel innan du sätter på el-verktyget. En nyckel eller annat verktyg som sitter kvar på en roterande del i el-verktyget kan orsaka kroppsskada.
- Sträck dig inte. Ha alltid ett bra fotfäste och en god balans. Detta ger bättre kontroll av el-verktyget i oväntade situationer.
- Klä dig korrekt. Bär inte löst åtsittande kläder eller smycken. Håll hår, kläder och handskar borta från rörliga delar. Löst åtsittande kläder, smycken och långt hår kan fastna i rörliga delar.
- Om det finns enheter för anslutning av dammsugning och -uppsamling ska du se till att de är monterade och används. Användning av dammsugning kan minska dammrelaterade risker.
- När du är bekant med produkten och använt den många gånger måste du se till att behålla uppmärksamheten och inte slarva med säkerheten. En oförsiktig handling kan orsaka allvarlig personskada på bara bråkdelen av en sekund.

ANVÄNDNING OCH UNDERHÅLL AV MOTORVERKTYG

- Tvinga aldrig elverktyget. Använd rätt elverktyg för det som ska utföras. Korrekt elverktyg gör arbetet mer rätt och säkrare som det är avsett för.
- Använd inte el-verktyget om det inte startar när du slår på eller av switchen. Ett el-verktyg som inte kan kontrolleras med switchen är farligt och måste repareras.
- Koppla från eluttaget och/eller batteriet från elverktyget före justeringar, byte av tillbehör eller förvaring. Sådana preventiva säkerhetsåtgärder minskar risken att elverktyget startar av misstag.
- Förvara oanvända el-verktyg utom räckhåll för barn och låt inte oerfarna människor använda el-verktyget. El-verktyg är farliga i händerna på oerfarna användare.
- Underhåll av elverktyg och tillbehör. Kontrollera inriktning för rörliga delar, koppling av rörliga delar, eventuella skador på delar och annat som kan påverka elverktygets användning. Om det är skadat ska du se till att det repareras före användning. Många olyckor orsakas av dåligt underhåll elverktyg.
- Håll de skärande delarna vassa och rena. Välskötta skärverktyg med vassa blad löper mindre risk att fastna och är lättare att kontrollera.
- Använd elverktyg, tillbehör, bits och liknande enligt dessa instruktioner och överväg även arbetsförhållande och det arbete som ska utföras. Användning av elverktyg för saker som de inte är avsedda för kan leda till riskfyllda situationer.



- Håll handtag och grepp torra, rena och fria från olja och smörj fett. Hala handtag och grepp innebär osäker hantering och dålig kontroll över verktyget i oväntade situationer.

SERVICE

- Se till att ditt el-verktyg får service av en kvalificerad tekniker som bara använder identiska reservdelar. Detta garanterar en säker användning av det motordrivna verktyget.

SÄKERHETSINSTRUKTIONER FÖR BORDSSÅGAR

SKYDDSRELATERADE VARNINGAR

- Se till att skydd sitter på plats. Skydd måste fungera och vara korrekt monterade. Skydd som är lösa, skadade eller inte fungerar korrekt ska repareras eller bytas ut.
- Använd alltid skydd för sågklinga och spånkniv vid kapning. Vid kapning där sågklingan skär igenom hela arbetsstyckets tjocklek hjälper skydd och andra säkerhetsanordningar till att minska skaderisken.
- Fäst omedelbart skyddssystemet på nytt efter att någon åtgärd som förutsätter borttagning av skydd (som försänkning eller spårning) har utförts. Skyddet och spånkniven hjälper till att minska skaderisken.
- Se till att sågklingan inte vidrör skydd, anhåll eller arbetsstycket innan strömbrytaren slås till. Kontakt med dessa objekt med sågklingan av misstag kan skapa en risksituation.
- Justera anhållet enligt instruktionerna i denna användningsmanual. Fel avstånd, placering eller inriktning kan göra anhållet verkningslöst och ökar risken för kickback.
- För att spånkniven ska fungera måste den vara applicerad i arbetsstycket. Spånkniven är verkningslös om arbetsstycket är för kort för att spånkniven ska kunna appliceras. I sådana fall kan inte kickback förhindras med spånkniv.
- Använd korrekt sågklinga för spånkniven. För att anhållet ska fungera korrekt måste sågklingans diameter stämma med motsvarande spånkniv, sågklingans tjocklek måste vara mindre än spånknivens samt skärbredden för sågklingan måste vara större än den för spånkniven.

VARNINGAR VID SÅGPROCEDURER

FARA

Ha aldrig fingrar eller händer i närheten av eller i linje med sågklingan. Ett ögonblicks bristande uppmärksamhet kan dra in handen mot sågklingan och leda till allvarlig personskada.

- Mata alltid arbetsstycket mot sågklingan i motsatt rotationsriktning. Matas arbetsstycket in i samma riktning som klingan roterar ovanför bordet kan arbetsstycket, och din hand, dras in mot sågklingan.

- Använd inte geringanslaget för att mata in arbetsstycket vid rivning och använd inte anhållet som längdstopp vid tvärkapning med geringanslag. Att styra arbetsstycket med anhållet och geringanslaget samtidigt ökar risken för att sågklingan sätter sig och kickback.
- Vid klyvning ska alltid matningen ske mellan anhållet och sågklingan. Skjut på med skjutanhåll om avståndet mellan anhållet och sågklingan är under 150 mm och en påskjutarkloss om avståndet är under 50 mm. Enheter som "hjälp till" ser till att dina händer är på säkert avstånd från klingan.
- Använd enbart påskjutarstaven som tillverkaren tillhandahåller eller som överensstämmer med instruktionerna. Påskjutarstaven ger tillräckligt avstånd mellan handen och sågklingan.
- Använd aldrig en skadad eller avbruten påskjutarstav. En skadad stav kan brytas och en hand dras in i sågklingan.
- Utför inget arbete på "fri hand". Använd alltid anhållet eller geringanslaget för att placera och styra arbetsstycket. Fri hand innebär att du använder händerna för att stödja eller styra arbetsstycket i stället för anhållet eller geringanslaget. Sågning på "fri hand" ger dålig justering, att sågklingan fastnar och kickback.
- Sträck dig aldrig runt eller över en sågklinga. Om du sträcker dig efter ett arbetsstycke kan det leda till kontakt med sågklingan av misstag.
- Se till att det finns tillräckligt stöd för arbetsstycket i bakkant och/eller på sidorna av sågbordet för att långa och/eller breda arbetsstycken ska hållas plana. Ett långt och/eller brett arbetsstycke kan lätt vinklas mot bordskanten och leda till förlorad kontroll, att sågklingan sätter sig och/eller kickback.
- Mata arbetsstycket i jämn takt. Böj och vrid inte arbetsstycket. Om något sätter sig ska produkten omedelbart stängas av, därefter kopplas från och rengöras. Om sågklingan sätter sig i ett arbetsstycke kan kickback uppkomma eller motorn stanna.
- Ta inte bort bitar avsågat material medan sågen är igång. Materialet kan fastna i anhållet eller inuti sågskyddet och sågklingan drar in dina fingrar i klingan. Stäng av sågen och vänta tills sågklingan stannat innan materialet tas bort.
- Använd extra anhåll som ligger an mot bordsytan vid rivning av arbetsstycken som är mindre än 2 mm tjocka. Ett tunt arbetsstycke kan kilas fast under anhållet och ge en kickback.

ORSAKER TILL KICKBACK OCH RELATERADE VARNINGAR

Kickback är en plötslig reaktion från arbetsstycket som uppkommer om sågklingan sätter sig, vid en mot sågklingan felriktad kapning eller om någon del av arbetsstycket sätter sig mellan sågklingan och anhållet eller något annat fast föremål. Det vanligaste vid kickback är att arbetsstycket lyfts från bordsytan av sågklingans bakre del och skjuts iväg mot användaren.

Ett bakslag är alltså resultatet av en felaktig användning av verktyget och/eller av felaktiga arbetsmetoder eller arbetsförhållanden. Det kan undvikas genom att vidta





några försiktighetsåtgärder.

- **Var aldrig placerad i rak linje med sågklingan. Se till att alltid ha kroppen på samma sida av sågklingan som anhållet.** Kickback kan skjuta iväg arbetsstycket i mycket hög hastighet mot någon som står framför eller i linje med sågklingan.
- **Sträck dig aldrig över eller bakom sågklingan för att dra eller stödja arbetsstycket.** Kontakt med sågklingan kan uppkomma av misstag eller kickback kan dra in dina fingrar mot sågklingan.
- **Håll och tryck aldrig det arbetsstycke som kapas mot den roterande sågklingan.** Trycker du på arbetsstycket som kapas mot sågklingan finns risk för att det sätter sig och ger en kickback.
- **Linjera anhållet så att det är parallellt med sågklingan.** Felinriktat anhåll klämmer arbetsstycket mot sågklingan och ger kickback.
- **Använd fjäderbord för att styra arbetsstycket mot bordet och anhållet när du gör spår som inte går genom som försänkning eller spårning.** Fjäderbordet hjälper till att hålla arbetsstycket vid eventuell kickback.
- **Stöd stora paneler för att minimera risken att sågklingan kläms och ger kickback.** Långa arbetsstycken tenderar att böja sig under sin egen vikt. Stöppart måste placeras under panelens hela yta som är utanför bordsytan.
- **Var extra noga när du sågar arbetsstycken som är böjda, vrida, knotriga eller inte har någon rak sida att lägga an mot geringsanslaget eller anhållet.** Ett böjt, vridet eller knotrigt arbetsstycke är instabilt och ger felinriktning mot sågklingan som kan klämmas och ge kickback.
- **Såga aldrig mer än ett arbetsstycke vare sig horisontellt eller vertikalt.** Sågklingan kan fastna i ett eller flera stycken och ge kickback.
- **När sågen startas om med sågklingan i arbetsstycket ska klingan centreras i skåret så att tänderna inte sitter i materialet.** Om sågklingan sätter sig kan den lyfta upp arbetsstycket och ge kickback när sågen startas om.
- **Håll sågklingor rena, vassa och med tillräckligt slag.** Använd aldrig vridna sågklingor eller klingor som har brutna eller spruckna tänder. Vassa och korrekt inställda sågklingor minskar risken för klämning, stopp och kickback.

VARNINGAR VID ANVÄNDNING AV BORDSSÅG

- **Stäng av bordssågen och koppla ur elkabeln när bordsinlägget tas bort, sågklingan byts eller justeringar på spånkniv eller sågskydd samt när maskinen nämnas utan uppsikt.** Ordentligt utförda säkerhetsåtgärder i god tid förhindrar olyckor.
- **Lämna aldrig sågen i gång utan uppsikt. Stäng av den och lämna inte produkten förrän den har stannat helt.** En såg som är i gång och inte under uppsikt är en okontrollerad risk.
- **Placera sågbordet på en väl upplyst och jämn yta där du har bra fötäfte och balans. Det ska installeras på en yta där det finns tillräckligt utrymme för att enkelt kunna hantera arbetsstycken.** Trånga, mörka

utrymmen och ojämna hala golv inbjuder till olyckor.

- **Rengör och ta regelbundet bort sågspån från under sågbordet och/eller dammuppsamlingsenheten.** Ansamlat sågspån är lättantändligt och kan ta eld av sig själv.
- **Bordssågen måste vara säkrad.** En bordssåg som inte är ordentligt säkrad kan flytta sig eller välta.
- **Ta bort verktyg, träflisor, etc. från bordet innan bordssågen startas.** Distraktioner eller eventuellt trassel kan vara farligt.
- **Använd alltid sågklingor med korrekt storlek och form (diamant gentemot rund) på hål.** Sågklingor som inte stämmer med monteringsfäste på sågen kommer att bli ocentrerade och inte kunna kontrolleras.
- **Använd aldrig skadade eller felaktiga fästen för sågklingor som muttrar, bultar och skruvar för sågklingor.** Fästena är speciellt utformade för din såg så att den ska fungera säkert med bästa prestanda.
- **Stå aldrig på sågbordet, använd det aldrig som pall.** Det finns risk för allvarlig personskada om produkten välter eller om man av misstag kommer i kontakt med sågverket.
- **Se till att sågklingan har monterats så att den roterar i rätt riktning. Använd inte sliphjul eller stålborstar på en bordssåg.** Felaktig installation av sågklingan eller användning av tillbehör som inte rekommenderas kan orsaka allvarlig skada.

YTTERLIGARE SÄKERHETSFORESKRIFTER FÖR BORDSSÅGAR

- **Sätt upp eller fixera maskinen i lämpligt stabilt läge för det arbete som ska utföras.** Den kan monteras på en arbetsbänk, benstativ eller fixeras på golvet.
- **Om den har inställningsbara ben så använd dem för att få en stabil plattform för arbetet.**
- **Arbete på rätt höjd, med god hållning för arbetet hjälper till att motverka påfrestning eller andra skador under användningen.**
- **Ha tillräckligt med allmän belysning eller punktbelysning så att du slipper stroboskopeffekter och risker.**
- **Använd passande personlig skyddsutrustning vid behov. Det inkluderar hörselskydd för att undvika hörselskador, andningsskydd för att undvika andas in skadligt damm och kraftiga arbetshandskar vid hantering av sågklingor och grovt material.**
- **Bär alltid skyddsglasögon vid användning av maskinen.** Vi rekommenderar kraftiga halkfria skor med ståltåhätta som skydd mot föremål som kan falla ned från bordet.
- **Det damm uppkommer vid användning av verktyget kan vara farligt för hälsan, lättantändligt eller explosivt.** Använd dammuppsamlingsystem och lämpligt andningsskydd. Var noga med att ta bort ansamlat, använd exempelvis en borste eller dammsugare.
- **Se till att golvet hålls fritt från sågspån, kapade bitar och elkablar.** Det minskar risken att snubbla och falla mot sågklingan.
- **Se till att bordet är tomt och det inte ligger verktyg och små kapade bitar på det.**
- **Håll ytorna på bord, anhåll och gering rena.** Var





försiktig med lim, målarfärg och andra objekt. Trät måst glida fritt och inte fastna på olika ställen eftersom det innebär att risken för allvarlig personskada på grund av kickback ökar.

- Använd endast klingor som specificerats i denna manual, enligt EN 847-1.
- Använd inga sågklingor som är tillverkade av highspeed stål.
- Använd enbart sågklingor som markerats med en hastighet som är minst lika hög som hastigheten för verktyget.
- Tvinga inte in arbetsstycket mot sågklingan. Låt maskinen göra arbetet. Överdriven kraft överhettar klingan och spetsarna vilket gör att de kan bränna arbetsstycket. Det kan leda till oväntade händelser som kan orsaka allvarliga personskador.
- Använd inte slöa eller skadade sågklingor. Dåligt vassa eller felaktigt inställda klingor kan ge smala sågspår som ger för stor friktion, att klingan sätter sig och kickback.
- Sågklingor ska om möjligt alltid förvaras i sina fodral.
- Använd inte verktyget utan bordsinlägg och byt ut bordsinlägget när det börjar bli slitet.
- Såvida det inte görs några icke genomgående sågningar ska alltid sågklingans skydd och spånkniven vara på plats och i gott skick. Skydd får sågklingan ska enkelt kunna höjas och sänkas så att arbetsstycket glider fritt under. Kontrollera att skyddet ligger säkert an mot spånkniven. Använd inte sågen om några skydd är borttagna.
- Var noga med att sågklingan alltid är parallell mot anhållet. Detta kan vara en väsentligt bidragande orsak till kickback som kan orsaka allvarliga personskador.
- Använd skydd för sågklinga och spånkniv vid alla kapningar. Genomgående sågningar är de där sågklingan går hela vägen genom arbetsstycket vid klyvning eller kapning.
- Var alltid noga med att kontrollera materialet som ska sågas, speciellt om det är återanvänt trä, så att det inte finns föremål som spik, skruvar eller klemmar i det.
- Om sådana eller liknande föremål kommer i kontakt med sågklingan under sågning förstörs sågen och det kan även orsaka allvarliga personskador på användaren och andra.
- Inga urfasningar tillåts eller är möjliga med detta verktyg.
- Använd påtrycksbiten när det behövs. Använd alltid en påtrycksbit vid klyvning av smala arbetsstycken. Påtrycksbiten ska alltid förvaras tillsammans med maskinen när den inte används.
- Sträck dig aldrig in mot sågklingan eller dess närhet när den är igång. Håll fingrarna utanför det område som begränsas av bordsinlägget.
- Lämna aldrig ett verktyg som är igång.
- Stäng av strömmen.
- Lämna inte verktyget förrän det har stannat helt.
- Stoppa aldrig en maskin som är igång snabbt genom att köra in ett arbetsstycke eller något annat mot klingan. Det kan av misstag ge upphov till allvarliga olyckor.

- Vidrör inte sågklingan direkt efter sågning. Sågklingan blir varm under sågning.
- Om sågklingan fastnar under sågning ska maskinen stängas av och kopplas bort från eluttag. Ta bort arbetsstycket och kontrollera att sågklingan rör sig fritt. Sätt på maskinen och inled en ny sågning med reducerad matarstyrka.
- Vid transport av maskinen ska sågklingan tas loss, spånkniven ska ställas i lägsta läget och klingan sänkas så att den är under bordsytan i transportläge.
- Om elkabeln är skadad ska den bytas ut enbart av tillverkaren eller auktoriserat servicecenter för att undvika risker.
- Använd inga tillsatser eller tillbehör som inte rekommenderas av tillverkaren. Användning av icke rekommenderade delar eller tillbehör kan medföra risker för allvarliga skador. Maskiner som används på flera olika ställen, inklusive utomhus, ska anslutas via en jordfelsbrytare.
- Om strömmen till bordssågen bryts kommer maskinens strömbrytare automatiskt att ställas i läge AV.

SÄKERHETSINSTRUKTIONER FÖR TRÄSÄGKLINGA

- Läs igenom manualen och instruktionerna noga innan sågen och elverktyget används.
- Maskinen ska vara i gott skick, spindeln ska vara utan deformation och utan vibrationer.
- Se till att användaren har lämplig utbildning i säkerhetsåtgärder, inställning och användning av maskinen.
- Bär alltid skyddsglasögon och hörselskydd vid användning av elverktyget. Det är rekommenderat att använda handskar, kraftiga skor med halkskydd och ett förkläde.
- Läs alltid bruksanvisningen innan ett tillbehör skall användas. Felaktig användning av något tillbehör kan orsaka skada och öka risken för personskada.
- Håll sågklingan ren. Det inkluderar sågspån och speciellt klistriga ämnen som träkåda. En ren klinga sågar mer exakt och mer säkert.
- Använd endast klingor som specificerats i denna manual, enligt EN 847-1.
- Observera den maximala hastigheten som finns angiven på sågklingan. Kontrollera att hastigheten som anges på sågklingan är minst lika hög som den som anges på sågen.
- Använd alltid sågklingor med korrekt storlek och form på hål. Sågklingor som inte är anpassade till axeln på vilken de ska monteras roterar inte normalt och leder till att man förlorar kontrollen.
- Använd inte sågklingor som ger större bredd eller spårbredd som är smalare än spånknivens bredd.
- Använd inte klingor av större eller mindre diameter än vad som rekommenderas. Använd inte brickor för att få klingan att passa på tappen.
- Kontrollera spetsar på sågklingan så att de inte är skadade eller ser konstiga ut före användning. Spetsar som är skadade eller lösa kan flyga iväg och innebära





risk för personskador.

- Spruckna sågklingor eller sådana som förändrat form får ej användas! Använd inga sågblad som har tagit skada eller är defomerade.
- Avyttra sågklingan om den är skadad, deformerad eller sprucken. Reparation tillåts inte.
- Använd inte HSS-klingor.
- Se till att sågklingan monteras korrekt, dra åt spindelmuttern ordentligt före användning.
- Fästsruvar och -muttrar ska dras åt med lämpligt spännverktyg.
- Förlängning av spännverktyg eller åtdragning med hammarslag tillåts inte.
- Se till att klingan och flänsarna är rena och att de fördjupade sidorna på kragen ligger an mot klingan.
- Kontrollera att klingan roterar i korrekt riktning och inte kommer i kontakt med någon del av maskinen eller skyddssystemet.
- Före arbete bör du göra en provkapning utan motorn påslagen så att läge för blad och skydd i förhållande till andra produktdelar och arbetsstycket kan kontrolleras.
- Lämna aldrig maskinen utan tillsyn.
- Applicera in smörjmedel på bladet när det är igång.
- Försök aldrig att stoppa elverktyget i rörelse snabbt genom att köra in något verktyg eller något annat mot klingan. I sådana fall finns risk för allvarlig personskada.
- Koppla bort elverktyget från eluttaget innan klingan byts eller underhåll utförs.
- Var noga vid packning och upppackning av klingan, man kan lätt skadas av de vassa spetsarna.
- Använd hållare eller skyddshandskar när du hanterar sågklingor. Kom ihåg att klingan blir varm vid användning.
- Förvara klingan i sin originalförpackning eller annan lämplig förpackning, se till att den förvaras torr och inte i närheten av kemikalier som kan skada klingan.

ANVÄNDNINGSSOMRÅDE

Bordssågen är gjord för att skötas av en person till att klyva och kapa trä upp till maxdjup på 80 mm vid 0° vinkel. Vid maximala 45° vinkel är maximalt djup 55 mm. Bordssågen är utvecklad och avsedd för att fixeras på ett stabilt underlag eller ett arbetsstativ som tillhandahålls av tillverkaren. Hårt och mjukt trä samt spån- och fiberskivor kan sågas.

Enbart kling- och spånknivkombinationer från tillverkaren av bordssågen får användas med denna bordssåg.

RESIDUALRISK

Även om bordet används enligt instruktionerna går det inte att eliminera alla eventuella riskfaktorer.

Användaren ska vara extra noga och uppmärksam med dessa punkter för att minska risken för allvarlig personskada.

- Icke genomgående sågning. Klingskyddet är borttaget och toppen på sågklingan exponeras.
- Kontakt med klingan – undvik att sträcka dig mot, över eller runt sågklingan.

- Kickback – var aldrig placerad framför klingan.
- Stabilitet – kontrollera att produkten står stabilt och, om möjligt, säkra den.
- Spetsar på sågtänder kastas i väg – använd alltid skyddsglasögon under arbete.
- Inandning av damm – bär ansiktsmask vid behov. Spån som uppkommer vid arbete med vissa trätyper (som MDF) kan vara farligt för ditt andningssystem.
- Ögonskador av trä- eller spånpartiklar – använd alltid skyddsglasögon under arbete.
- Hörselskador – begränsa exponering och använd lämpliga hörselskydd.
- Bullernivåer från maskinen kan variera kraftigt beroende på arbetsförhållande. Personer som exponeras för höga bullernivåer, även under kortare tid, kan uppleva tillfälligt delvis nedsatt hörsel och kontinuerlig exponering för höga bullernivåer kan leda till permanenta hörselskador.

KÄNN TILL DITT VERKTYG

Se sida 242.

1. Bordsinlägg
2. Justerbar utskjutande spånkniv
3. Geringsguide
4. Sågblad
5. Skydd för sågklinga
6. Spärr för bordsinlägg
7. Anhåll/Spånanhåll
8. Sidobordstillägg (RTS1800ES, RTS1800EF)
9. Säkringshåll (säkra vid arbetsbänk eller ben)
10. PÅ/AV vippströmbrytare
11. Vred för vinkeljustering
12. Läs för vinkeljustering
13. Handtag för sågdjup
14. Sågbord
15. Dammutsläpp
16. Dammportstillägg

ANVÄNDNING

⚠ VARNING

Du ska läsa och vara införstådd med alla varningar och säkerhetsföreskrifter som finns i denna manual innan du strömsätter och börjar såga med denna bordssåg.

Genomgående sågning: Alla sågningar där sågklingan skjuter utanför arbetsstyckets tjocklek. För denna sågning ska spånkniven vara i upphöjt läge och klingskyddet måste sitta på. Använd anhåll eller geringguide för att placera arbetsstycket korrekt.

Icke genomgående sågning: Alla sågningar där sågklingan inte skjuter utanför arbetsstyckets tjocklek. För denna sågning ska spånkniven vara i nedsänkt läge. Ovankanten på spånkniven ska vara något lägre än ovankanten på sågklingan. Skydd för sågklingan kan inte användas. Använd anhåll eller geringguide för att placera arbetsstycket korrekt.

Klyvning: Använd anhållet parallellt med klingan för att styra arbetsstycket. Vanligtvis sker kapningen i träets





längdriktning (om sådan finns). Kan vara genomgående eller icke genomgående.

Kapning: Använd gering eller anhåll. Enheten är avsedd att glida parallellt med sågklingan och gör att arbetsstycket kan fixeras i vinkel med kapaxeln på klingan. Vanligtvis sker kapningen tvärs träets längdriktning (om sådan finns). Kan vara genomgående eller icke genomgående.

Vinkelkapning: Sägklingans vinkel mot bordets yta kan variera mellan 90 och 45°. Ger ett snitt med vinklad kant. Kan vara genomgående eller icke genomgående. Använd alltid anhållet eller geringslaget för att placera och styra arbetsstycket.

Geringkapning: Arbetsstycket placeras mot bladet i vinkel. Önskad vinkel ställs in på geringguiden som sedan håller arbetsstycket i denna vinkel medan den förs parallellt med klingan för att kapa. Kan vara genomgående eller icke genomgående.

Konad kapning: Konade kapningar kan göras med geringguiden inställd i önskad vinkel. Det är inte möjligt att göra konade klyvningar eftersom specialutrustning krävs.

ANVÄNDA ANHÅLLET SÄKERT

- Använd inte klyvanhållet och geringguiden samtidigt. Det ökar risken för kickback och personskada. När någon av dem inte används ska den tas bort från bordet och ställas undan.
- Varje gång anhåll används eller flyttas till nytt läge måste det kontrolleras så att det är parallellt med sågklingan.
- Ett icke parallellt anhåll kan klämma arbetsstycket mellan sågklingan och anhållet och orsaka kickback som kan leda till allvarlig personskada för dig själv och för andra.
- Ett illa justerat eller inställt anhåll kan göra att arbetsstycket matas mot klingan i felaktig vinkel som kan göra att klingan sätter sig. Det kan även orsaka kickback (se ovan).
- För att anpassa och justera anhållet korrekt ska änden på anhållet krokas över baksidan på bordet och sedan ska främre änden sänkas för att greppa tag i bordets främre kant. Tryck sedan från anhållets framsida så att de två kanterna, vinkelräta mot anhållets riktning, kommer i kontakt med bordets främre kant. Detta hjälper till att säkerställa att anhållet är parallellt med sågklingan. Läs anhållet i läge genom att trycka låshandtaget nedåt.
- Hur stor kraft som låshandtaget håller anhållet i läge med kan ställas in med den räfflade skruven precis ovanför låshandtaget.
- Kontrollera alltid att anhållet är parallellt med sågklingan genom mätning eller med en exakt träbit innan sågningen påbörjas.

Justera avståndsmärken, klinga med anhåll

Ställ in kanten på anhållet mot klingan och justera sedan siktglasets i linje med 0 mm-märket på bordets främre kant. Lossa skruven, justera siktglasets och dra åt skruven igen.

Använda extra anhåll

Det finns tillfällen då det kan vara bra att använda extraanhållet tillsammans med huvudanhållet.

- När ett smalt arbetsstycke inte kan hållas med handen eller påskjutarstav eftersom anhållet är i vägen.
- Kun leikataan ohutta työkalpaletta. Hyvin ohuet työkalpaletet voivat liukua pääohjaimen alle ja takertua tai liukua ohjaimen mukana, aiheuttaen takapotkun. Estä tämä käyttämällä lisäohjainta.

Ta bort extraanhållet när det är säkert att enbart använda huvudanhållet.

Vid vinklade kapningar på smala arbetsstycken ska alltid anhållet på motsatt sida klingan användas så att det lutar över annars kan lätt påskjutarblock eller -stav komma i kontakt med klingskyddet eller anhållet.

Fixera extraanhållet vid huvudanhållet

- Med vingmuttrar och brickor på ena sidan anhållet ska bultarna tryckas igenom från andra sidan och sedan skruvas samman några varv. För nu extraanhållet över bulthuvudena på det spår som finns. Skruva fast extraanhållet i önskat läge.

NOTERA: Extraanhållet är enbart avsett att guida arbetsstycket förbi klingan och spånkniven, det måste inte täcka hela längden på huvudanhållet.

Ta bort extraanhållet när det är säkert att enbart använda huvudanhållet. Låt inte bultar och vingmuttrar sitta kvar på huvudanhållet.

Använda fjäderbord

Ett fjäderbord påminner om en kam men är vinklat. De tunna fingrarna som oftast är gjorda i trä eller plast böjs lite när arbetsstycket förs i läge och applicerar ett jämnt och stabilt tryck som håller arbetsstycket. Använd någon av dessa enheter när ett smalt arbetsstycke ska precisionsågas. Enheten fästs vid bordet i geringspåret och minskar risken för att användarens fingrar kommer i närheten av klingan. Tredje parts fjäderbord kan köpas hos trähandlare.

ÖVERBELASTNINGSSKYDD

Produkten har överbelastningsskydd. Produkten stängs automatiskt av när överbelastning upptäcks. Stäng av strömmen. Om överbelastningsskyddet har aktiverats måste motorn svalna i 3 minuter. Kontrollera att klingan kan rotera fritt och inte sitter fast eller tajt. Tryck på återställningsknappen (under PÅ/AV-brytaren). Sätt på strömmen. Tryck på PÅ-knappen för att starta produkten.

UNDERHÅLL

- Säkerställ att sågklingan har stannat helt och elkabeln har tagits bort från eluttaget innan underhåll eller rengöring utförs.
- Om elkabeln är skadad ska den bytas ut av auktoriserat servicecenter.
- Klingan har vassa kanter och kan även bli mycket varm efter sågning. Var extremt försiktig vid rengöring av exponerad klinga. Använd skyddshandskar som skydd mot personskador.
- Rengör regelbundet sågen och dess tillbehör från sågspån och -damm, speciellt de rörliga delarna inklusive klingskyddet. Använd en handborste eller



dammsugare för att ta bort damm på effektivt sätt.

⚠ VARNING

Ta inte isär klingskyddet för rengöring eller reparation. Skadade skydd får inte användas. Lämna in dem till auktoriserat servicecenter för reparation eller byte.

- Bordssågen är smord på fabriken och ingen ytterligare smörjning behövs.
- För att kontrollera och justera vinklar och att anhåll/ klinga är parallella ska du läsa avsnitten "Kontrollera och ställa in vinklar" och "Kontrollera och ställa in klingan parallellt med geringguiden" i denna manual.

KONTROLLERA OCH STÄLLA IN VINKLAR

NOTERA: Att ställa in klingan i 90° mot bordet motsvarar en vinkel på 0°.

1. Stäng av strömmen och ta ur kontakten ur eluttaget.
2. Var extra uppmärksam på sågklingans tänder, de är mycket vassa och kan orsaka personskada.
3. Hög klingan och skärkniven till högsta läget.
4. Ta bort klingskyddet.
5. Placera spånkniven i lägsta läge.
6. Kontrollera att klingan och bordsytan är ren från damm, spån och skräp.
7. Placera ett 90° "vinkeljärn" på bordsytan och klingans högsta del. Var försiktig så du inte kommer i kontakt med klingans spetsar under mätningen eftersom det kommer att ge mätfel. Du måste linjera sågklingans yta.
8. Det får inte finnas några glapp mellan kanten på vinkeln och klingan eller bordet så att vinkeln i detta läge är exakt vertikalt inriktad och ingen ytterligare justering av klingans vinkel krävs.
9. Om det finns glapp lossar du vinkelvredet och ändrar försiktigt vinkeln medan du hela tiden kontrollerar eventuellt glapp. När det inte finns något glapp drar du åt vinkelvredet ordentligt.
10. Lossa skruven på vinkelindikatorn och justera den klara plastlinjen så att den är linjerad med märket för 0°. Dra åt skruven.
11. Upprepa för att kontrollera och ställa in olika vinklar mellan 90° och 45°.

KONTROLLERA OCH STÄLLA IN KLINGAN PARALLELL MED SPÅREN PÅ GERINGGUIDEN

1. Stäng av strömmen och ta ur kontakten ur eluttaget.
2. Var extra uppmärksam på sågklingans tänder, de är mycket vassa och kan orsaka personskada.
3. Hög klingan och skärkniven till högsta läget.
4. Ta bort klingskyddet.
5. Slutför kontrollerna i "Kontrollera och ställa in vinklar". Se till att vinkeln är ordentligt fixerad på 0°.
6. Ta geringvinkelguiden och passa in den i något av spåren på bordet. Ställ in vinkeln på geringguiden på 90°.
7. Placera en ställinjal dikt an mot geringguiden och låt den raka delen av linjalen komma i kontakt med sågklingan. Du kan använda en exakt skuren träbit i stället för ställinjal.
8. Håll ett fast grepp om linjalen/träbiten och för hela geringguiden så att linjalen/träbiten når och rör vid

andra delen av klingan. Linjalen eller träbiten ska ha likvärdig kontakt med klingan allt efter som den flyttas längs klingan. Om det stämmer är klingan och bordsspåren parallella och ingen ytterligare justering krävs. Kontrollera spåret på andra sidan av bordet på samma sätt.

STÄLLA IN KLINGAN OCH BORDETS SPÅR PARALLELLA

Det sitter två bultar fram på sågklingan och ytterligare två bak. Dessa kan man nå från under bordsskivan.

När dessa bultar lossas kan hela sågklingan, spånkniven och motorn flyttas för exakt inställning av klingan med spåren i bordet.

Detta kan vara svårt att göra om man inte är van vid dylika justeringar. Vid problem ska du ta sågen till närmaste auktoriserade Ryobi servicecenter för inställning.

MILJÖSKYDD



Råmaterialen ska återvinnas i stället för att kastas i hushållsavfallet. För att skona miljön ska verktyget, tillbehören och emballagen sorteras.

SYMBOLER PÅ PRODUKTEN



Säkerhetsvarning



CE-överensstämmelse



EurAsian överensstämmelse-symbol.



Klass II-verktyg, dubbelt isolerat



Läs alla instruktioner noggrant innan du startar produkten.



Använd hörselskydd.



Använd skyddsglasögon.



Använd skyddshandskar.



Fara! Vass klinga.



Skärkapacitet



Sågsnittets bredd



Antal tänder på sågklingan



För att kapa trä och liknande material



Inte för att kapa metall



Klingans rotationsriktning (visas på klingskyddet)



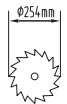
Klingans rotationsriktning (visas på spånkniven)



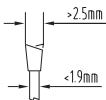
Klingans rotationsriktning (visas på sågklingan)



Klingans rotationsriktning (visas på bordet)



Klingdiameter



Klingans tjocklek och sågbredd



Spånknivens tjocklek och hårdhet



Klassad effekt



48-tandad klinga i tungstenkarbid



Mjukstart



Överbelastningsskydd



Gjutet aluminiumbord



Bordsdimension (RTS1800, RTS1800S)



Bordsdimension (RTS1800ES, RTS1800EF)



Bordsförlängningsdimension



Löstagbara saxben



Vikbara ben



Kapkapacitet (90° och 45°)



Gamla elektroniska produkter ska inte kastas med hushållssoporna. Återvinn där sådana faciliteter finns. Ta kontakt med lokala myndigheter eller återförsäljaren för information.

SYMBOLER I MANUALEN



Anslut till eluttag.



Koppla från eluttag.



Delar och utrustning säljs separat



Gamla elektroniska produkter ska inte kastas med hushållssoporna. Återvinn där sådana faciliteter finns.



Notera:



WARNING

- EN
- FR
- DE
- ES
- IT
- NL
- PT
- DA
- SV**
- FI
- NO
- RU
- PL
- CS
- HU
- RO
- LV
- LT
- ET
- HR
- SL
- SK
- EL
- TR

130.com.ua

YLEISET SÄHKÖTYÖKALUJEN TURVALLISUUSVAROITUKSET

VAROITUS

Lue tarkkaavaisesti kaikki tämän työkalun kanssa toimitetut varoitukset, ohjeet ja spesifikaatiot, ja katso lisäksi kuvat. Seuraavassa esitettyjen ohjeiden laiminlyönnistä saattaa olla seurauksena onnettomuuksia kuten tulipalot, sähköiskut ja/tai vakavia kehon vammoja.

Säästä kaikki varoitukset ja ohjeet tulevaa käyttöä varten. Sana "sähkötyökalu" viittaa varoituksissa verkkovirta- (langalliseen) tai akkukäyttöiseen (langattomaan) sähkötyökaluun.

TYÖALUEEN TURVALLISUUS

- Pidä työalue siistinä ja valoisa. Epäjärjestyksessä olevat ja pimeät alueet myötävaikuttavat onnettomuuksiin.
- Älä käytä sähkötyökalua räjähdysalttiissa paikoissa, kuten helposti syttyvien nesteiden tai kaasujen tai pölyn läheisyydessä. Sähkötyökalut kipinöivät, mikä saattaa sytyttää pölyn tai höyryt.
- Pidä lapset ja sivulliset loitolla, kun käytät sähkötyökaluja. Häiriöt voivat saada koneen riistäytymään hallinnasta.

SÄHKÖTURVALLISUUS

- Pistokkeen on sovittava pistorasiaan. Älä koskaan muunna pistoketta millään tavalla. Älä käytä maadoitettujen sähkötyökalujen kanssa minkäänlaisia sovitinpistokkeita. Alkuperäiset pistokkeet ja niitä vastaavat pistorasiat pienentävät sähköiskun vaaraa.
- Älä kosketa maadoitettuihin pintoihin, kuten putkiin, lämpöpattereihin, helioihin tai jääkaappeihin. Jos ruumiisi on maadoitettu, sähköiskun vaara on suurempi.
- Älä altista sähkötyökalua sateelle tai kosteudelle. Sähkötyökaluun joutunut vesi kasvattaa sähköiskun vaaraa.
- Pidä huolta sähköjohdosta. Älä koskaan kannata tai vedä sähkötyökalua johdosta tai irrota pistoketta johdosta vetämällä. Älä päästä johtoa koskettamaan kuumuuden lähteitä, öljyä, teräviä reunoja tai liikkuvia osia. Vioittunut tai takkuinen johto lisää sähköiskun vaaraa.
- Kun käytät sähkötyökalua ulkotiloissa, käytä ulkokäyttöön sopivaa jatkojohtoa. Ulkokäyttöön sopivan johdon käyttö pienentää sähköiskun vaaraa.
- Jos sähkötyökalua on pakko käyttää kosteissa tiloissa, käytä jäännösvirtalaitteella (RCD) suojattua pistorasiaa. RCD:n käyttö pienentää sähköiskun vaaraa.

KÄYTTÄJÄN TURVALLISUUS

- Ole valpas, katso mitä teet ja käytä maalaisjärkeä, kun käytät sähkötyökalua. Älä käytä sähkötyökalua väsyneenä tai huumeiden, alkoholin tai lääkkeiden

vaikutuksen alaisena. Tarkkaamattomuus sähkötyökalua käytettäessä saattaa johtaa vakavaan loukkaantumiseen.

- Käytä henkilökohtaisia suojavarusteita. Käytä aina suojalaseja. Suojalaitteet, kuten pölynaamari, luistamattomat suojakengät, kypärä ja kuulosuojaimet, vähentävät loukkaantumisen vaaraa.
- Älä anna koneen käynnistyä vahingossa. Varmista, että katkaisin on poissa päältä, ennen kuin kytket koneen virtalähteeseen ja/tai akkuun ja ennen kuin nostat tai kannat konetta. Sähkötyökalun kantaminen sormi katkaisimella ja virran kytkeminen koneeseen, joka on päällä, saattaa johtaa onnettomuuksiin.
- Irrota säätöavaimet ja jakoavaimet ennen sähkötyökalun käynnistystä. Sähkötyökalun pyöriivään osaan jätetty jako- tai säätöavain saattaa johtaa loukkaantumiseen.
- Älä kurkota liian kauas. Säilytä aina kunnollinen jalansija ja tasapaino. Tällöin sähkötyökalua on helpompi hallita odottamattomissa tilanteissa.
- Pukeudu asianmukaisesti. Älä käytä väljiä vaatteita tai koruja. Pidä hiukset ja vaatteet etäällä liikkuvista osista. Löysät vaatteet, korut ja pitkät hiukset saattavat tarttua liikkuviin osiin.
- Jos laitetta varten on pölynpoisto- ja keräyslaite, kytke se asianmukaisesti ja käytä sitä oikein. Pölyn kerääminen voi vähentää pölyn liittyviä vaaroja.
- Älä anna itsesi turtua laitteiden jatkuvasta käytöstä siten, että laiminlöisit laitteiden turvallisuusperiaatteet. Huolimaton toiminto voi aiheuttaa välittömän loukkaantumisen.

SÄHKÖTYÖKALUN KÄYTTÖ JA HUOLTO

- Älä pakota sähkötyökalua. Käytä työhön sopivaa sähkötyökalua. Asianmukainen sähkötyökalu hoitaa työt paremmin ja turvallisemmin sillä vauhdilla, jota varten se on suunniteltu.
- Älä käytä sähkötyökalua, jos se ei käynnisty ja sammu katkaisimesta. Jos sähkötyökalua ei voida hallita katkaisimella, se on vaarallinen ja vaatii korjaamista.
- Irrota pistoke virranlähteestä ja/tai akku työkoneesta, jos se on irrotettavissa, ennen kuin teet säätöjä, vaihdat varusteita tai varastoit koneen. Tällaiset varoitimet pienentävät sitä vaaraa, että kone käynnistyy vahingossa.
- Varastoi sähkötyökalu pois lasten ulottuvilta äläkä anna kenenkään, joka ei tunne työkonetta tai näitä ohjeita, käyttää sitä. Sähkötyökalut ovat vaarallisia kouluttamattomien käyttäjien käsissä.
- Pidä sähkötyökalut ja lisävarusteet hyvässä kunnossa. Tarkista, että liikkuvat osat on kohdistettu oikein ja että ne liikkuvat kunnolla, että osia ei ole rikkoutunut ja että mikään muu seikka ei haittaa sähkötyökalun toimintaa. Jos sähkötyökalu vioittuu, korjaa se ennen käyttöä. Onnettomuudet johtuvat usein sähkötyökalujen huonosta huollosta.
- Pidä leikkuutyökalut terävinä ja puhtaina. Asianmukaisesti huolletut leikkuutyökalut, joiden leikkuupinnat ovat teräviä, eivät jumiudu helposti ja niitä

on helppo hallita.

- Käytä sähkötyökäluä, lisävarusteita, teriä jne. näiden ohjeiden mukaisesti, ja huomioi työolosuhteet ja tehtävän työn laatu. Työkoneen käyttö muuhun kuin sille tarkoitettuun työhön voi aiheuttaa vaarallisia tilanteita.
- Pidä kädensijat ja tartuntapinnat kuivina ja puhtaina liasta, öljystä ja rasvasta. Liukkaat kahvat ja tartuntapinnat tekevät käytöstä vaarallista, eikä laitetta voi hallita odottamattomissa tilanteissa.

HUOLTO

- Huollata työkone pätevällä huoltomiehellä, joka käyttää ainoastaan asianmukaisia varaosia. Tämä varmistaa, että sähkötyökälu on turvallinen.

PYÖRÖSAHOJEN TURVALLISUUSOHJEET

SUOJIIN LIITTYVÄT VAROITUKSET

- Pidä suojat paikoillaan. Suojien on oltava käyttökunnossa ja asianmukaisesti asennettuja. Löysä, vioittunut tai epäkuntoinen suoja on korjattava tai vaihdettava.
- Käytä aina teränsuojusta ja suojakiilaa kaikissa toimissa, mukaan lukien puutavaran katkaisussa. Kun sahaa käytetään katkaisuun ja sahanterä leikkaa koko työkappaleen paksuudelta, suoja ja muut turvalaitteet auttavat pienentämään loukkaantumisvaaraa.
- Asenna suojajärjestelmä välittömästi takaisin sellaisen toiminnon jälkeen, jossa suoja on irrotettava (kuten huollostaminen ja leikkausten uudelleensahaaminen). Suoja ja suojakiila auttavat pienentämään loukkaantumisvaaraa.
- Varmista, että sahanterä ei kosketa suojusta, suojakiilaa tai työkappaletta, ennen kuin kytket laitteen päälle. Jos sahanterä koskettaa niitä vahingossa, seurauksena voi olla vaarallinen tilanne.
- Säädä suojakiila tämän ohjekirjan mukaisesti. Virheellinen välys, sijainti tai suunta voi tehdä suojakiilasta tehottoman takapotkujen estämisessä.
- Jotta suojakiila toimii, sen on kosketettava työkappaletta. Suojakiilasta ei ole hyötyä leikattaessa työkappaleita, jotka ovat liian lyhyitä koskettaakseen suojakiilaa. Näissä olosuhteissa suojakiila ei voi estää takapotkua.
- Käytä suojakiilaa vastaavaa sahanterää. Jotta suojakiila toimisi asianmukaisesti, sahanterän halkaisijan on vastattava suojakiilaa ja sahanterän rungon on oltava ohuempi kuin suojakiila ja sahanterän leikkuuleveyden on oltava suojakiilan paksuutta kapeampi.

LEIKKAAMISTA KOSKEVAT VAROITUKSET

VAARA

Älä koskaan laita sormiasi sahanterän lähelle tai leikkuulinjalle. Hetkellinenkin huomion kirpoaminen tai lipsahdus saattaa ohjata käden sahanterää kohden ja johtaa vakavaan vammaan.

- Syötä työkappale sahanterään vain kiertosuuntaa vastaan. Jos työkappaletta syötetään sahanterän kiertosuunnassa pöydän päällä, työkappale ja kätesi saattavat tempautua sahanterään.
- Älä koskaan syötä työkappaletta viistemitalta puuta halkaistessasi äläkä käytä ohjauslaitetta pituusrajoittimena katkaistessasi puuta viistemitan avulla. Työkappaleen ohjaaminen ohjauslaitteella ja viistemitalta samanaikaisesti kasvattaa todennäköisyyttä, että sahanterä jumittuu ja aiheuttaa takapotkun.
- Kun halkaiset puuta, kohdista työkappaleen syöttövoima aina ohjaimen ja sahanterän väliin. Käytä työntötikkua, kun ohjaimen ja sahanterän välinen etäisyys on alle 150 mm, ja käytä työntöpalkkia, kun etäisyys on alle 50 mm. ”Työtä auttavat” laitteet pitävät kädet turvallisella etäisyydellä sahanterästä.
- Käytä vain valmistajalta saatua tai ohjeiden mukaan valmistettua työntötikkua. Tämä työntöttikku pitää käden riittävän kaukana sahanterästä.
- Älä koskaan käytä vioittunutta tai katkennutta työntötikkua. Vioittunut työntöttikku saattaa rikkoutua ja saada käden lipsahtamaan sahanterään.
- Älä suorita mitään toimintoa ”vapaalla kädellä”. Käytä asemointiin ja ohjaukseen aina ohjauslaitetta tai viistemittaa. ”Vapaalla kädellä” tarkoittaa työkappaleen tukemista tai ohjaamista käsin ohjauslaitteen tai viistemitan asemesta. Vapaalla kädellä sahaaminen aiheuttaa suuntavirheitä, jumittumista ja takapotkuja.
- Älä koskaan kurota pyörivän sahanterän ympäri tai yli. Työkappaletta kohden kurottaminen saattaa aiheuttaa tahattoman kontaktin pyörivän sahanterän kanssa.
- Tue työkappale takaa ja/tai sahapöydän sivuilta sen ollessa pitkä ja/tai leveä, jotta se pysyy vakaana. Pitkällä ja/tai leveällä työkappaleella on taipumus kääntyä pöydän reunalla, jolloin menetetään hallinta ja sahanterä jumittuu ja potkaisee takaisin.
- Syötä työkappaletta tasaisella nopeudella. Älä taivuta tai taita työkappaletta. Jos työkappale jumittuu, sammuta laite välittömästi, irrota se pistorasiasta ja poista tukos. Jos työkappale jumittaa sahanterän, voi aiheutua takapotku tai moottori voi pysähtyä.
- Älä poista leikkuujätteitä sahan ollessa käynnissä. Materiaali saattaa jäädä ohjaimen väliin tai sahanteränsuojuksen ja sahanterän sisään ja vetää sormesi sahanterään. Sammuta saha ja odota, että saha pysähtyy, ennen kuin poistat materiaalit.



- Käytä pöytälevyä koskettavaa lisäohjainta halkaistessasi alle 2 mm:n paksuisia työkappaleita. Ohut työkappale saattaa kiillautua ohjauslaitteen alle ja aiheuttaa takapotkun.

TAKAPOTKU JA SIIHEN LIITTYVÄT VAROITUKSET

Takapotku tarkoittaa työkappaleen äkillistä reaktiota, joka johtuu puristuksiin jääneestä, jumittuneesta sahanterästä tai vinosta leikkuulinjasta työkappaleessa sahanterään nähden tai siitä, että osa työkappaletta jumittuu sahanterän ja ohjauslaitteen tai muun kiinteään esineen väliin. Takapotkun sattuessa sahanterän takaosa tavallisesti nostaa työkappaleen pöydältä ja sinkoaa sen käyttäjää kohden.

Takaisku aiheutuu siis työkalun huonosta käytöstä ja/ tai vääristä sahausmenetelmistä tai -olosuhteista. Tämä voidaan ehkäistä varokeinoja noudattamalla.

- Älä koskaan seiso samassa linjassa sahanterän kanssa. Asetu aina samalle puolelle sahanterää ohjaimen kanssa. Takapotku saattaa singota työkappaleen suurella nopeudella suoraan sahanterän edessä seisovaa henkilöä kohden.
- Älä koskaan kurota sahanterän yli tai taakse vetääksesi tai tukeaksesi työkappaletta. Tästä saattaa seurata tahaton kontakti sahanterän kanssa tai takapotku voi vetää sormesi sahanterään.
- Älä koskaan pidä ja paina leikkattavaa työkappaletta pyöriivää sahanterää vasten. Leikkattavan työkappaleen painaminen leikkattavaa työkappaletta vasten aiheuttaa jumittumisen ja takapotkun.
- Kohdista ohjain siten, että se on samansuuntainen sahanterän kanssa. Väärin suunnattu ohjain juristtaa työkappaleen sahanterää vasten ja aiheuttaa takapotkun.
- Ohjaa työkappaletta pöytää ja ohjainta vasten sulkalevyllä tehdessäsi leikkauksia, jotka eivät ulotu työkappaleen läpi, kuten sahatessasi huuliteita tai uusiessasi leikkauksia. Sulkalevy auttaa hallitsemaan työkappaletta takapotkun sattuessa.
- Tue suuret paneelit minimoidaksesi sahanterän puristumisen ja takapotkun riski. Pitkillä työkappaleilla on taipumusta keinua oman painovoiman johdosta. Kaikki paneelin pöytälevyn ulkopuolelle ulottuvat osat on tuettava.
- Ole erittäin varovainen leikatessasi vääristynyttä, oksaista tai kiertynyttä työkappaletta tai työkappaletta, jossa ei ole suoraa reunaa jota voidaan ohjata viistemittaa tai ohjainta pitkin. Vääristynyt, oksainen tai kiertynyt työkappale on epävakaa ja saa uurteen viistoon sahanterään nähden, aiheuttaen jumittumista ja takapotkun.
- Älä koskaan leikkaa useampaa kuin yhtä työkappaletta kasaamalla niitä päällekkäin tai vierekkäin. Sahanterä saattaa tarttua yhteen tai useampaan kappaleeseen ja aiheuttaa takapotkun.
- Kun työkappaleen sahausta jatketaan keskeltä, aseta terä uurroksen keskelle siten, että sahan hampaat eivät kosketa materiaalia. Jos sahanterä jumittuu, se saattaa nostaa työkappaletta ja aiheuttaa takapotkun, kun saha käynnistetään uudestaan.

- Pidä sahanterät puhtaina ja terävinä ja varastoi niitä riittävästi. Älä koskaan käytä vääristyneitä sahanteriä tai sahanteriä, joissa on lohjonneita tai rikkoutuneita hampaita. Terävä ja asianmukaisesti asetettu sahanterä minimoi jumittumisen, pysähtymisen ja takapotkut.

PYÖRÖSAHAN KÄYTTÖÄ KOSKEVAT VAROITUKSET

- Sammuta pyörösaha ja irrota virtajohto pistorasiasta irrottaessasi pöytään kiinnitettyjä osia, vaihtaessasi sahanterää ja säätäessäsi suojakiilaa tai sahanteränsuojusta sekä kun laite jätetään valvomatta. Varotoimet estävät onnettomuudet.
- Älä koskaan jätä pyörösahaa käymään valvomatta. Sammuta se äläkä jätä laitetta yksin, ennen kuin se on pysähtynyt täysin. Valvoton käynnissä oleva saha on vaaratekijä.
- Sijoita pyörösaha hyvin valaistulle ja vaakasuoralle alueelle, jossa se seisoo tukevasti ja tasapainossa. Se tulee asentaa alueelle, jossa on riittävästi tilaa käsitellä helposti työkappaleet. Ahtaat, hämärät alueet ja epätasaiset, liukkaat lattiat voivat aiheuttaa onnettomuuksia.
- Siivoa ja poista sahanpurut säännöllisesti pyörösahan alta ja/tai pölynkerääjästä. Kerääntynyt sahanpuru syttyy helposti ja saattaa syttyä itsestään.
- Pyörösaha on kiinnitettävä paikoilleen. Pyörösaha, jota ei ole kiinnitetty asianmukaisesti, saattaa liikkua tai kaatua.
- Poista työkalut, puunkappaleet jne. pöydältä ennen pyörösahan käynnistämistä. Häiriöt ja mahdolliset jumittumiset voivat olla vaarallisia.
- Käytä aina oikeankokoisia ja -muotoisia sahanteriä (timantti vs. pyöreä). Terät, jotka eivät vastaa sahan asennusosia, pyörivät epäkeskosti eikä niitä voi hallita.
- Älä koskaan käytä voittunutta tai virheellistä sahanterän kiinnityskeinoja, kuten laippoja, sahanterän välilevyjä, pultteja tai muttereita. Nämä kiinnityskeinot on erityisesti suunniteltu sahaasi varten takaamaan sen turvallisen käytön ja optimaalisen tuloksen.
- Älä koskaan seiso pyörösahan päällä tai käytä sitä astinlautana. Laitteen kaatumisesta ja leikkuulaitteen tahattomasta kosketuksesta voi aiheutua vakava vamma.
- Varmista, että pyörösaha on asennettu siten, että se pyörii oikeaan suuntaan. Älä käytä katkaisulaikkoja, teräsharjoja tai himalaikkoja pyörösahaan. Virheellinen sahanterän asennus ja suositusten vastaisten lisävarusteiden käyttö voi aiheuttaa vakavan loukkaantumisen.

PYÖRÖSAHOJEN YLIMÄÄRISET TURVALLISUUSVAROITUKSET

- Asenna tai kiinnitä laite vakaaseen ja työtä vastaavaan asentoon. Se voidaan asentaa työpöydälle tai jaloille tai kiinnittää lattiaan.
- Jos laitteessa on säädettävät katkojalat, säädä ne siten, että työpinta on suorassa ja vakaa.





- Oikealla korkeudella työskentely hyvässä työasennossa estää räsitusta ja muita vammoja käytön aikana.
- Järjestä riittävä yleis- tai kohdevalaistus, joka ei aiheuta stroboskooppi-ilmiotä eikä vaaroja.
- Käytä tarvittaessa asianmukaisia suojavarusteita. Tähän kuuluu kuulosuojaimet, jotka vähentävät kuulon menetyksen vaaraa, hengityssuojain, joka pienentää vahingollisen pölyn hengittämisen vaaraa, ja vankat käsineet käsitellessäsi sahanteriä ja karkeita materiaaleja.
- Käytä aina suojalaseja laitetta käyttäessäsi. Suositellaan, että käytetään tukevia, lipsuttomia suojakenkiä, jotka suojaavat pöydältä putoileilta kappaleilta.
- Laitteen käytöstä syntyvä pöly voi olla haitaksi terveydelle ja palo- tai räjähdysaltista. Käytä pölynimuria ja asianmukaista pölynaamaria. Poista kerääntynyt pöly huolella, esim. harjalla ja pölynimurilla.
- Pidä työalueen lattia vapaana liiallisesta sahanpurusta, leikkuujätteistä ja virtajohdoista. Tämä pienentää kompastumisen ja terän päälle kaatumisen vaaraa.
- Pidä pöytä puhtaana esineistä, kuten työkaluista ja leikkuujätteistä.
- Pidä pöydän pinta, ohjain ja viistemitta puhtaina. Varo liimaa, maalia tms. Puun tulee liukua tasaisesti ja olla tarttumatta tai takertumatta mihinkään; muutoin takapotkusta aiheutuvan vakavan loukkaantumisen vaara kasvaa merkittävästi.
- Käytä ainoastaan tämän käyttöoppaan mukaisia teriä, jotka noudattavat EN 847-1 -standardia.
- Ei saa käyttää pikateräksestä valmistettuja sahanteriä.
- Käytä ainoastaan sahanteriä, joiden nopeusmerkintä on sama tai suurempi kuin laitteen nopeusmerkintä.
- Älä pakota työkappaletta leikkuuterään. Anna poran tehdä työ. Liiallinen voima ylikuumentaa terän ja kärjet ja saattaa polttaa työkappaletta. Se saattaa aiheuttaa odottamattomia tapahtumia, jotka voivat aiheuttaa vakavan loukkaantumisen.
- Älä käytä tlysyneitä tai viiallisia teriä. Teroittamattomat ja väärin asennetut terät tekevät uurroksesta kapean, mikä aiheuttaa liiallista kitkaa ja saa terän takertumaan ja potkaisemaan takaisin.
- Sahanteriä tulee kantaa telineessä aina kun mahdollista.
- Älä käytä laitetta ilman pöydän lisäosia, ja vaihda pöydän lisäosat kun ne kuluvat.
- Paitsi kun et leikkaa kappaleen läpi, pidä teränsuojus ja suojakiila aina paikoillaan ja kunnossa. Teränsuojusten tulee nousta ja laskeutua helposti, jotta työkappale pääsee kulkemaan niiden ali. Varmista, että teränsuojus on kiinnitetty asianmukaisesti suojakiilaan. Älä käytä laitetta, jos jokin kansista tai suojusta on irrotettu.
- Varmista aina, että terä on ohjaimen suuntainen. Tämä on suuri syy takapotkuihin ja voi johtaa vakavaan loukkaantumiseen.
- Käytä aina teränsuojusta ja suojakiilaa lukien puutavaran katkaisussa. Läpisaheus tarkoittaa toimintoa, jossa terällä leikataan koko matkan työkappaleen läpi sahattaessa puuta sen syiden

suuntaisesti tai sitä katkaistaessa.

- Tarkista aina leikattava materiaali huolella vieraskappaleiden, kuten naulojen, ruuvien, niittien tms. varalta, erityisesti käyttäessäsi kierrätettyä puuta.
- Jos ne koskettavat terää leikattaessa, saha vaurioituu ja käyttäjä tai sivulliset saattavat loukkaantua vakavasti.
- Tällä sähkötyökalulla ei saa eikä voi tehdä uurreleikkauksia.
- Käytä tarvittaessa työntökeppiä. Kun sahaa kapeaa kappaletta puun syiden suuntaisesti, käytä sen työntämiseen aika keppiä. Työntökeppiä tulee aina säilyttää laitteen kanssa, kun sitä ei käytetä.
- Älä koskaan kurota sahanterän lähelle sen pyöriessä. Pidä sormet kaukana pöydän lisäosien rajoittamalta alueelta.
- Älä koskaan jätä käynnissä olevaa laitetta vartioimatta.
- Kytke virta pois.
- Älä jätä laitetta yksin, ennen kuin se on pysähtynyt täysin.
- Älä koskaan yritä pysäyttää käynnissä olevaa laitetta työntämällä työkappale tms. terään nopeasti. Tämä voi aiheuttaa vakavan onnettomuuden.
- Älä kosketa sahanterää heti sahaamisen jälkeen. Sahanterä kuumenee sahaamisen aikana.
- Jos sahanterä jumittuu leikkauksen aikana, sammuta laite ja irrota se pistorasiasta. Poista työkappale ja tarkista, että sahanterä pyörii vapaasti. Sammuta laite ja aloita uusi leikkaus pienemmällä syöttövoimalla.
- Kun kuljetat laitetta, irrota teränsuojus säädä suojakiila ala-asentoon ja laske alas pöydän pinnan alapuolelle kuljetusasentoon.
- Jos virtajohto vioittuu, se on vaihdettava ainoastaan valmistajalla tai valtuutetussa huollossa, jotta vältytään vaaroilta.
- Älä käytä muita kuin tämän laitteen valmistajan suosittelemia lisälaitteita. Muiden kuin suositeltujen lisävarusteiden ja lisävarusteiden käyttö voi aiheuttaa vakavan loukkaantumisen. Monessa paikassa, kuten ulkotiloissa, käytetyt laitteet tulee kytkeä sähköverkkoon jännönsivirtalaitteen (RCD) kautta.
- Jos sähkö katkeaa, laitteen on/off-kytkin kytkeytyy automaattisesti off-asentoon.

PUUTERÄN ERITYISET TURVALLISUUSOHJEET

- Lue käyttöopas ja ohjeet huolella ennen sahanterän ja sähkötyökalun käyttöä.
- Sähkötyökalun on oltava hyvässä kunnossa, eikä karassa saa olla vääristymiä eikä sen saa täristä.
- Käyttäjällä on oltava riittävä koulutus sähkötyökalun varoimisissa, oltaivissa ja käytössä.
- Käytä aina suojalaseja ja kuulosuojaimia käyttäessäsi sähkötyökalua. Suojakäsineiden, turvallisten ja tukevapohjaisten kenkien, kuulosuojainten ja suojaesiliinan käyttöä suositellaan.
- Tutustu käyttöoppaaseen ennen lisälaitteiden käyttöä. Lisävarusteen epäasianmukainen käyttö voi aiheuttaa vaurioita ja kasvattaa loukkaantumisen vaaraa.
- Pidä terä puhtaana. Tämä koskee sahanpurua ja





erityisesti tahmeita aineita, kuten pihkaa. Puhdas terä leikkaa tarkemmin ja turvallisemmin.

- Käytä ainoastaan tämän käyttöoppaan mukaisia teriä, jotka noudattavat EN 847-1 -standardia.
- Noudata terään merkittyä maksiminopeutta. Varmista, että sahanterään merkitty nopeus on vähintään yhtä suuri kuin sahaan merkitty nopeus.
- Käytä aina jyrinnässä oikeankokoisia ja -muotoisia teriä. Akselille sopimattomat terät eivät pyöri oikealla tavalla ja voivat aiheuttaa työkalun hallinnan menettämisen.
- Älä käytä sahanteriä, joiden rungon paksuus on suurempi tai leikatun uran leveys on pienempi kuin suojakiilan paksuus.
- Älä käytä suosittelua suurempia tai pienempiä teriä. Älä käytä välilevyjä sovittaessasi terää karaan.
- Tarkista terän kärjet vaurioiden ja epätavallisen ulkonäön varalta ennen jokaista käyttökertaa. Vioittuneet tai irralliset kärjet voivat sinkoutua käytössä ja lisätä loukkaantumisen riskiä.
- Rikkinäisiä sahanteriä tai sellaisia, jotka ovat muuttaneet muotoaan ei saa käyttää! Älä käytä sahanteriä, jotka ovat vahingoittuneet tai vääntyneet.
- Hävitä sahanteriä, jos se vioittuu, vääristyy, vääntyy tai lohkeilee; sitä ei saa korjata.
- Älä käytä pikateräksisiä teriä.
- Tarkista ennen käyttöä, että sahanteriä on asennettu oikein, ja kiristä karan mutteri ennen käyttöä.
- Kiinnitysruuvit ja mutterit on kiristettävä asianmukaisella avaimella.
- Avainta ei saa pidentää eikä kiristyksessä saa käyttää vasaraa.
- Varmista, että terä ja laipat ovat puhtaat ja että holkin uralliset sivut ovat terää vasten.
- Varmista, että terä pyörii oikeaan suuntaan eikä kosketa mitään laitteen tai suojajärjestelmän osaa.
- Tee ennen työn aloittamista koeleikkaus moottori päällä, jotta voit tarkistaa terän sijainnin ja suojien toiminnan laitteen osiin ja työkalupaleeseen nähden.
- Älä koskaan jätä sähkötyökalua valvomatta.
- Älä voitele terää sen pyöriessä.
- Älä koskaan yritä pysäyttää liikkuvaa sähkötyökalua nopeasti työntämällä työkalua tms. terää vasten; tämä voisi aiheuttaa vakavan onnettomuuden.
- Irrota sähkötyökalu pistorasiasta ennen terän vaihtoa samoin kuin ennen huoltoa.
- Ole tarkkana pakatessasi terää ja ottaessasi sitä pakkauksesta; terän terävät kärjet aiheuttavat helposti loukkaantumisen.
- Käytä sahanteriä käsitellessäsi telinettä tai käsineitä. Muista, että terä on kuuma leikkaamisen jälkeen.
- Säilytä terää alkuperäisessä tai muussa sopivassa pakkauksessa, kuivassa ympäristössä ja kaukana kemikaaleista, jotka voisivat vioittaa terää.

KÄYTTÖTARKOITUS

Pyörösaha on suunniteltu yhden hengen käytettäväksi puun halki- ja poikkileikkaukseen puun ollessa enintään

80 mm:n paksuinen 0° viistekulmalla. Suurimmalla 45° viistekulmalla suurin leikkuusvyvyys on 55 mm. Pyörösaha on suunniteltu ja tarkoitettu kiinnitettäväksi vakaalle pinnalle tai valmistajan toimittamalle tuelle. Sillä voidaan leikata kovaa ja pehmeää puuta ja lastulevyä sekä kuitulevyä.

Tässä pyörösahassa saa käyttää vain valmistajan tälle pyörösahalle toimittamia terän ja suojakiilan yhdistelmiä.

KÄYTÖN RISKIT

Vaikka pyörösahaa käytettäisiin ohjeiden mukaisesti, ei ole mahdollista täysin eliminoida tiettyjä käyttöön liittyviä riskitekijöitä.

Käyttäjän on kiinnitettävä erityistä huomiota näihin kohtiin pienentääkseen vakavan loukkaantumisen vaaraa.

- Muu kuin katkaisuleikkaus. Teränsuojus on irrotettu ja sahanterän yläosa on paljas.
- Terään koskettaminen – älä kurota sahanteriä kohden tai sen yli tai ympäri.
- Takapotku – älä koskaan seiso terän edessä.
- Tasapaino—varmista, että laite on tasapainossa, ja kiinnitä se paikoilleen kun mahdollista.
- Sinkoilevat leikkuuterän kärjet – käytä aina työskennellessäsi suojalaseja.
- Pölyn hengittäminen – käytä tarvittaessa maskia. Tietyn tyyppisten tuotteiden (esim. MDF:n) käsittelyssä syntyvä pöly voi olla vaarallista hengitystiehyille.
- Puu- ja pölyhiukkasista aiheutuva silmävamma – käytä suojalaseja aina työskennellessäsi.
- Kuulovamma – rajoita altistuminen ja käytä asianmukaisia kuulosuojaimia.
- Melutasot voivat vaihdella huomattavasti käyttöolosuhteista riippuen. Korkeille melutasoille edes lyhyiksi aikaa altistivat kärsiä tilapäisestä osittaisesta kuulon menetyksestä, ja jatkuva altistuminen korkeille melutasoille voi aiheuttaa pysyvän kuulohäiriön.

TUNNE SÄHKÖTYÖKALUSI.

Katso sivu 242.

1. Pöydän lisäosa
2. Säädettävä pidennetty suojakiila
3. Viistehojain
4. Sahanteriä
5. Sahanteränsuojus
6. Pöydän lisäosan vapautin
7. Ohjain/ohjauslaite
8. Sivupöytäjatke (RTS1800ES, RTS1800EF)
9. Kiinnitysreiät (kiinnitä työpöytä tai jalkoihin)
10. On/off-melakytin
11. Viistekulman säätöpyörä
12. Viistekulman lukko
13. Leikkuusvyvyyden säätökahva
14. Sahanpöytä
15. Pölynpoisto
16. Pölyaukon lisävaruste



KÄYTTÖ

VAROITUS

Lue ja ymmärrä kaikki tämän käsikirjan varoitukset ja ohjeet ennen kuin kytket virran tähän pyörösahaan ja alat käyttää sitä.

Katkaisuleikkaus: Leikkaus, jossa sahanterä ulottuu työkappaleen paksuutta korkeammalle. Tällöin suojakiilan tulee olla ylhäällä ja teränsuojuksen paikoillaan. Käytä ohjainta tai viistemittaa työkappaleen asemointiin.

Muu kuin katkaisuleikkaus: Leikkaus, jossa sahanterä ei ulotu työkappaleen paksuutta korkeammalle. Tällöin suojakiilan tulee olla ala-asennossa. Suojakiilan yläosan tulee olla hieman sahanterän huipun alapuolella. Teränsuojusta ei voi käyttää. Käytä ohjainta tai viistemittaa työkappaleen asemointiin.

Halkileikkaus: Ohjauslaitetta käyttäen terän suuntaisena työkappaleen ohjaimiseksi. Tavallisesti tämä leikkaus tapahtuu puun syiden mukaan (jos niitä on). Voi olla katkaisuleikkaus tai muu.

Poikkileikkaaminen: Viistemittaa tai poikkileikkausohjainta käyttäen. Tämä laite on suunniteltu liukumaan sahanterän suuntaisesti, ja sillä voidaan pitää työkappale kiinteässä kulmassa terän leikkuulinjan suhteen. Tavallisesti tämä leikkaus tapahtuu puun syiden poikki (jos niitä on). Voi olla katkaisuleikkaus tai muu.

Viisteleikkaus: Terän ja pöydän pinnan välinen kulma on välillä 90°–45°. Tuottaa viistoreunaisen leikkauksen. Voi olla katkaisuleikkaus tai muu. Käytä joko ohjauslaitetta tai viistemittaa työkappaleen asemointiin.

Kulmaleikkaus: Työkappale ohjataan terään kulmassa. Vaadittu kulma säädetään viistemittalla, joka pitelee työkappaletta oikeassa kulmassa liukuessaan terän suuntaisesti leikkausta tehtäessä. Voi olla katkaisuleikkaus tai muu.

Suippoleikkaus: Suippenevia poikkileikkaamisia voidaan suorittaa vaadittuun kulmaan säädetyllä viistemittalla. Suippoja halkileikkauksia ei ole mahdollista suorittaa, sillä ne vaativat erityisvälineen.

OHJAIMEN TURVALLINEN KÄYTTÖ

- Älä koskaan käytä ohjauslaitetta ja viistemittaa samanaikaisesti. Se kasvattaisi takapotkun ja loukkaantumisen vaaraa. Kun jompaa kumpaa ei käytetä, irrota se pöydästä ja varastoi se turvallisesti pois työalueelta.
- Aina, kun ohjainta käytetään tai se siirretään toiseen asentoon, on tärkeää tarkistaa että se on samansuuntainen sahanterän kanssa.
- Jos ohjain ei ole terän suuntainen, työkappale saattaa takertua terän ja ohjaimen väliin ja aiheuttaa takapotkun, josta voi seurata vakava loukkaantuminen käyttäjälle ja sivullisille.
- Huonosti säädetty tai asetettu ohjain voi aiheuttaa sen, että työkappale syötetään terää kohden väärässä kulmassa, mikä voi jumittaa tai takerruttaa terän. Se voi myös aiheuttaa takapotkun (katso yllä).
- Aseta tai säädä ohjain asianmukaisesti kytkemällä

ohjaimen pääty pöydän takareunan ympärille ja laskemalla etureuna alas siten, että se koskettaa pöydän etuosaa. Paina sitten ohjaimen etuosaa siten, että molemmat reunat ovat suorassa kulmassa ohjaimen ja pöydän etureunaan nähden. Tämä takaa, että ohjain on terän suuntainen. Lukitse sitten ohjain paikoilleen painamalla lukituskahva alas.

- Voimaa, jolla lukituskahva pitelee ohjainta paikoillaan, voidaan säätää kiertämällä heti lukituskahvan päällä olevaa pyällettyä ruuvia.
- Tarkista aina ennen leikkaamista, että ohjain on terän suuntainen, mittaamalla tai tarkasti leikatulla puukappaleella.

Etäisyysmerkkien kohdistaminen, terästä ohjaimeen

Aseta ohjaimen reuna terää vasten ja säädä pöydän etureunan ilmaisimen tarkastuslasi 0 mm:n kohdalle. Löysennä ruuvia, säädä tarkastuslasi ja kiristä ruuvi.

Lisäohjaimen käyttö

Joissain olosuhteissa vaaditaan asentamaan lisäohjain pääohjaimen.

- Kun kapeaa työkappaletta ei voi pidellä käsin tai työntökivillä, koska ohjain on tiellä.
- Kun leikataan ohutta työkappaletta. Hyvin ohuet työkappalet voivat liukua pääohjaimen alle ja takertua tai liukua ohjaimen mukana, aiheuttaen takapotkun. Estä tämä käyttämällä lisäohjainta.

Irrota lisäohjain aina, kun on turvallista käyttää pelkkää pääohjainta.

Kun leikkaat viisteleikkauksia ohuisiin työkappaleisiin, käytä aina ohjainta vastakkaisella puolella terän kallistussuuntaan nähden; muutoin työntöpalkki tai -tikku jumittuu helposti teränsuojusta tai ohjainta vasten.

Lisäohjaimen kiinnittäminen pääohjaimen

- Siipimuttereiden ja välilevyjen ollessa ohjaimen yhdellä puolella työntä pulitit läpi toiselta puolelta, ja ruuvaa niitä yhteen muuttaman kierroksen. Työntä sitten lisäohjain pulitin päiden yli sille tarkoitettuun uraan. Kiristä lisäohjain tarvittaessa paikoilleen.

HUOM: Lisäohjaimen tarkoitus on ainoastaan ohjata työkappale terän ja ohjauskiilan ohi, sen ei tarvitse kattaa pääohjaimen koko pituutta.

Irrota lisäohjain aina, kun on turvallista käyttää pelkkää pääohjainta. Älä jätä pulitteja ja siipimuttereita kiinni pääohjaimen.

Sulkalevyn käyttö

Sulkalevy on kampaava vastaava laite, joka on leikattu viistoon. Se on tavallisesti valmistettu puusta tai muovista, ja sen ohuet "sormet" taipuvat hieman työkappaleen liukuessa asentoon, kohdistuen työkappaleeseen tasaisen ja yhdenmukaisen paineen. Käytä tällaista laitetta, kun kapea työkappale on täsmäleikattava. Tämä laite kiinnitetään pöydän viistemittaan uriin, ja sen ansiosta käyttäjän sormien ei tarvitse olla lähellä terää.

Kolmannen osapuolen sulkalevyjä voidaan ostaa puutyökaupoista.

YLIKUORMITUKSEN SUOJALAITE

Laitteessa on ylikuormituksesta suojaava laite. Kun laitteessa havaitaan ylilataantumista, se sammuu automaattisesti. Kytke virta pois. Jos ylivirtasuojaa pannaan käyntiin, moottorin on annettava jäähtyä 3 minuuttia. Varmista, että terä pääsee pyörimään vapaasti eikä ole jumittunut tai kireä. Paina reset-painiketta (on/off-kytkimen alla). Kytke virta päälle. Käynnistä laite painamalla on-painiketta.

HUOLTO

- Varmista, että sahanterä on pysähtynyt täysin ja virtajohto on irrotettu pistorasiasta, ennen kuin huollat tai puhdistat laitetta.
- Jos virtajohto on vioittunut, valtuutetun huollon on korjattava se.
- Terän reunat ovat terävät ja voivat olla kuumia leikkaamisen jälkeen. Ole erittäin varovainen puhdistaessasi paljasta terää. Käytä käsiineitä suojataksesi itsesi loukkaantumiselta.
- Puhdista saha ja lisävarusteet pölystä säännöllisesti, erityisesti liikkuvat osat, mukaan lukien teränsuojus. Pöly saadaan irti tehokkaimmin harjalla tai pölynimurilla.

VAROITUS

Älä yritä purkaa teränsuojuskokoonpanoa puhdistusta tai korjausta varten. Vahingoittuneita suojuksia ei saa käyttää. Palauta valtuutettuun huoltoon korjattavaksi tai vaihdettavaksi.

- Pyörösaha on tehdasvoideltu, eikä sen tulisi vaatia ylimääräistä voitelua.
- Viistekulmien tarkistaminen ja säätö ja terän/ohjaimen yhdensuuntaistaminen kuvataan tämän käyttöoppaan luvuissa "Viistekulman tarkistaminen ja säätäminen" ja "Terän ja viistemitan urien yhdensuuntaisuuden tarkistaminen ja säätäminen".

VIISTEKULMAN TARKISTAMINEN JA SÄÄTÄMINEN

HUOM: Terän asettaminen 90° kulmaan pöytään nähden synnyttää 0° viistekulman.

1. Sammuta virta ja irrota pistoke pistorasiasta.
2. Kiinnitä erityistä huomiota sahanterän kärkiin; ne ovat hyvin teräviä ja voivat aiheuttaa loukkaantumisen.
3. Nosta terä- ja suojakiilakokoonpano korkeimpaan asentoon.
4. Irrota teränsuojus.
5. Laske suojakiila alimpaan asentoon.
6. Varmista, että terä ja pöydän pinta ovat puhtaita pölystä ja roskista.
7. Laita 90° suorakulma pöydänpintaa ja terän korkeinta kohtaa vasten. Varo, ettei kosketa terän kärkiä tämän mittauksen aikana, sillä se aiheuttaisi virheen. Sahanterän rungon pinta on kohdistettava.
8. Suorakulman reunan ja terän ja pöydän välissä ei tule olla rakoja; tällöin terä on suorassa kulmassa, eikä terän kulmaa tarvitse säätää tätä enempää.
9. Jos niiden välissä on rako, löysennä viisteen lukitusnappia ja säädä viistekulmaa varovasti samalla

kun pidät silmällä rakoja. Kun rako katoaa, kiristä viisteen lukitusnappi tiukasti.

10. Löysennä viistekulman ilmaismisen ruuvia ja säädä läpinäkyvä muovinen liuku siten, että se on kohdakkain 0° merkin kanssa. Kiristä ruuvi.
11. Toista tämä tarkistaaksesi ja säätääksesi muut kulmat välillä 90°–45° sen mukaan, mitä pidät tarpeellisena.

TERÄN JA VIISTEMITAN URIEN YHDENSUUNTAISUUDEN TARKISTAMINEN JA SÄÄTÄMINEN

1. Sammuta virta ja irrota pistoke pistorasiasta.
2. Kiinnitä erityistä huomiota sahanterän kärkiin; ne ovat hyvin teräviä ja voivat aiheuttaa loukkaantumisen.
3. Nosta terä- ja suojakiilakokoonpano korkeimpaan asentoon.
4. Irrota teränsuojus.
5. Suorita tämän oppaan luvun "Viistekulman tarkistaminen ja säätäminen" mukaiset tarkastukset. Varmista, että viistekulma on kiinnitetty arvoon 0°.
6. Sovita viistemitta johonkin pöydän urista. Aseta viistemitan kulmaksi 90°.
7. Laita teräsviivoitin tiukasti viistemittaa vasten ja aseta se viivoittimen suoralla päädyllä koskettamaan sahanterän runkoa. Teräsviivoittimen sijaan voidaan käyttää täsmäleikkattua puunkappaletta.
8. Pitele viivoittimesta/kappaleesta tukevasti ja työnnä koko viistemittaa siten, että viivoitin/kappale koskettaa terän toista päätä. Viivoittimen tai kappaleen tulisi koskettaa terää yhtä paljon sen liukuessa terän runkoa pitkin. Jos näin on, terä ja pöydän urat ovat yhdensuuntaiset eikä säätöjä tarvita. Tarkista pöydän toisen puolen ura samalla tavalla.

TERÄN YHDENMUKAISUUDEN SÄÄTÄMINEN PÖYDÄN URIEN KANSSA

Pyörösahan edessä on kaksi pulttia ja takana toiset kaksi. Niihin pääsee kaksiksi pöytäpinnan alapuolelta.

Kun näitä pultteja löysennetään, koko terän, suojakiilan ja moottorin kokoonpanoa voidaan siirtää ja terä kohdistaa tarkasti pöydän uriin.

Tämä saattaa olla vaikeaa, ellei sinulla ole kokemusta tällaisista säädöistä, jolloin voit palauttaa pyörösahan lähimpään valtuutettuun Ryobi-huoltoon ammattilaisen säädettäväksi.

YMPÄRISTÖNSUOJELU



Älä hävitä raaka-aineita jätteinä vaan vie ne kierrätykseen. Ympäristönsuojelun kannalta työkalu, lisäksi rusteet ja pakkausmateriaali on lajiteltava.

TUOTTEESSA OLEVAT SYMBOLIT



Turvallisuusvaroitus



Todistus CE-sääntöjen noudattamisesta



Terän pyörintäsuunta (ilmoitetaan sahanterässä)



EurAsian-vaatimustenmukaisuusmerkki.



Terän pyörintäsuunta (ilmoitetaan pöydässä)



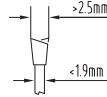
Luokan II laite, kaksoiseristetty



Terän läpimitta



Lue ohjeet huolella ennen laitteen käyttöä.



Terän rungon paksuus ja leikkuuleveys



Käytä kuulosuojaimia.



Käytä silmäsuojaimia.



Suojakiilan paksuus ja kovuus



Käytä suojakäsineitä.



Nimellisteho



Vaara! Terävä terä.



48-hampainen kovametalliterä



Leikkuukapasiteetti



Pehmeä käynnisty



Terän leikkuuleveys (uurre)



Ylikuormitusuojaus



Tämän sahanterän hampaiden määrä



Pöytä valettua alumiinia



Puun ja vastaavan materiaalin leikkaamiseen



Pöydän mitat (RTS1800, RTS1800S)



Ei metallin leikkaamiseen



Pöydän mitat (RTS1800ES, RTS1800EF)



Terän pyörintäsuunta (ilmoitetaan teränsuojuksessa)



Pöydän jatkeen mitat



Terän pyörintäsuunta (ilmoitetaan suojakiilassa)



Irrotettavat saksijalat

EN

FR

DE

ES

IT

NL

PT

DA

SV

FI

NO

RU

PL

CS

HU

RO

LV

LT

ET

HR

SL

SK

EL

TR



Kokoon taitettavat deluxe-jalat



Leikkuupaksuus (90° ja 45°)



Käytöstä poistettavia sähkölaitteita ei pidä hävittää talousjätteiden mukana. Ne on mahdollisuuksien mukaan pantava kiertoon. Pyydä paikallisilta viranomaisilta tai jälleenmyyjältä neuvoa.

TÄMÄN KÄSIKIRJAN SYMBOLIT



Kytke pistorasiaan.



Irrota pistorasiasta



Osat ja lisävarusteet on hankittava erikseen



Käytöstä poistettavia sähkölaitteita ei pidä hävittää talousjätteiden mukana. Ne on mahdollisuuksien mukaan pantava kiertoon.



Huom:



VAROITUS

GENERELLE SIKKERHETSADVARSLER FOR ELEKTRISK VERKTØY

⚠ ADVARSEL

Les nøye gjennom alle advarslene, instruksene og spesifikasjonene som følger med verktøyet, og se på tegningene. Hvis forskriftene nedenfor ikke overholdes, kan det forårsake ulykker som brann, elektrisk støt og/eller alvorlige personskader.

Ta vare på alle advarsler og anvisninger for senere bruk. Begrepet "elektrisk verktøy" i advarslene gjelder ditt elektriske verktøy koblet til strømmettet (med ledning) eller batteridrevet (uten ledning) elektrisk verktøy.

SIKKERHET PÅ ARBEIDSMRÅDET

- **Hold arbeidsområdet rent, ryddig og godt opplyst.** Uryddige og dårlig opplyste områder fører lett til ulykker.
- **Ikke bruk elektrisk verktøy i eksplosive atmosfærer, hvor det finnes brennbare væsker, gasser eller støv.** Elektrisk verktøy skaper gnister som kan antenne støv eller gasser.
- **Hold barn og andre på avstand når et elektrisk verktøy brukes.** Distrasjon kan føre til tap av kontroll.

ELEKTRISK SIKKERHET

- **Støpslet på det elektriske verktøyet må stemme med stikkkontakten.** Foreta aldri noen form for endringer av støpslet. Ikke bruk noen adapterkontakter med jordet elektroverktøy. Umodifiserte støpsler og tilpassede stikkontakter vil redusere risikoen for elektrisk støt.
- **Unngå kroppskontakt med jordet overflate slik som rør, radiatorer, områder og kjøleskap.** Det er økt risiko for elektrisk støt dersom kroppen din har kontakt med jord.
- **Ikke utsett elektrisk verktøy for regn eller høy fuktighet.** Vann som trenger inn i et elektrisk verktøy vil øke faren for elektrisk støt.
- **Ikke misbruk den elektriske ledningen.** Bruk aldri ledningen til å bære det elektriske verktøyet eller trekke støpslet ut av stikkkontakten. Hold ledningen vekk fra varme, olje, skarpe kanter eller bevegelige deler. Skadet eller sammenfloklet ledning øker risikoen for elektrisk støt.
- **Når du bruker det elektriske verktøyet utendørs, bruk en skjøteledning som er tilpasset utendørs bruk.** Bruk av ledning som er tilpasset utendørs bruk reduserer risikoen for elektrisk støt.
- **Dersom bruk av elektrisk verktøy i fuktige omgivelser ikke er til å unngå, bruk en strømkrets med sikring som er tilpasset verktøyet.** Bruk av strømkrets med sikring reduserer risikoen for elektrisk støt.

PERSONLIG SIKKERHET

- **Vær oppmerksom, følg med på hva du gjør og bruk sunn fornuft når du bruker elektroverktøy.** Ikke bruk elektroverktøy mens du er trøtt eller under

påvirkning av stoffer, alkohol eller medikamenter. Et øyeblikks uoppmerksomhet mens elektrisk eller luftdrevet verktøy brukes kan føre til alvorlige personskader.

- **Bruk personlig verneutstyr. Bruk alltid øyebeskyttelse.** Verneutstyr som støvmaske, sklisikre vernesko, hjelm eller hørselvern brukt når forholdene krever det vil redusere personskader.
- **Unngå utilsiktet oppstart. Påse at bryteren er i av-stilling før du kobler til strømkilde og/eller batteripakke, plukker opp eller bærer verktøyet.** Det å bære elektroverktøy med fingeren på bryteren eller sette strøm på verktøy som har strømbryteren på inviterer til ulykker.
- **Fjern justeringsnøkler og annet verktøy før du setter strøm på det elektriske verktøyet.** En fastnøkkel eller annet verktøy festet til en roterende del av et elektrisk verktøy når det startes kan føre til personskade.
- **Ikke len deg for langt frem. Sørg for godt fotfeste og god balanse til enhver tid.** Dette gir bedre kontroll over det elektriske verktøyet i en uventet situasjon.
- **Kle deg riktig. Ikke bruk løstsittende plagg og/eller løsthengende smykker. Hold hår og klær unna bevegelige deler.** Løse plagg, smykker og langt hår kan fanges opp av bevegelige deler.
- **Om enheter er utrustet for tilkobling av støvuttrekk og oppsamlingsinnretninger må det påses at disse er tilkoblet og brukes riktig.** Bruk av støvoppsamling kan redusere støvrelaterte farer.
- **Ikke la familiaritet opptjent gjennom hyppig bruk av verktøy gjøre deg selvgod slik at du ignorerer sikkerhetsprinsippene for verktøy.** En uforsiktig handling kan forårsake alvorlig skade i et brøkdels sekund.

ELEKTRISK VERKTØY - BRUK OG STELL

- **Ikke bruk makt på verktøyet. Bruk korrekt verktøy for ditt behov.** Riktig verktøy vil gjøre jobben bedre og sikrere i den farten det ble konstruert for.
- **Ikke bruk verktøyet hvis bryteren ikke slår verktøyet av og på.** Ethvert elektrisk verktøy som ikke kan kontrolleres med bryteren er farlig og må repareres før det kan brukes.
- **Koble kontakten fra strømkilden og/eller fjern batteripakken, hvis denne kan fjernes, fra verktøyet før det gjøres noen justeringer, byttes tilbehør eller elektroverktøyet lagres.** Slike forebyggende sikkerhetstiltak reduserer risikoen for utilsiktet oppstart av elektroverktøyet.
- **Oppbevar elektrisk verktøy som ikke brukes utenfor barns rekkevidde og la ikke personer som ikke er kjent med det elektriske verktøyet eller dets instruksjoner bruke det.** Elektrisk verktøy er farlig i hendene på uerfarne brukere.
- **Vedlikehold elektroverktøy og tilbehør.** Sjekk for feiljustering eller binding av bevegelige deler, ødelagte deler eller enhver annen tilstand som kan påvirke bruken av elektroverktøyet. Hvis det er skadet må elektroverktøyet repareres før bruk. Vedlikehold elektroverktøy og tilbehør. Sjekk for



feiljustering eller binding av bevegelige deler, ødelagte deler eller enhver annen tilstand som kan påvirke bruken av elektroverktøyet. Hvis det er skadet må elektroverktøyet repareres før bruk. Mange ulykker er forårsaket av dårlig vedlikeholdt elektroverktøy.

- **Hold skjæreverktøy skarpe og rene.** Godt vedlikeholdte skjæreverktøy med skarpe skjærekanter har mindre sannsynlighet for binding og er enklere og kontrollere.
- **Bruk elektroverktøyet, tilbehør og bits osv. i overensstemmelse med disse instruksjonene og vær oppmerksom på arbeidsforhold og det arbeidet som skal utføres.** Bruk av elektroverktøyet til andre operasjoner enn tiltenkte kan føre til en farlig situasjon.
- **Hold håndtak og gripeflater tørre, rene og fri for olje og fett.** Glatte håndtak og gripeflater gir ikke trygg håndtering og kontroll over verktøyet i uventede situasjoner.

SERVICE

- **Sørg for at reparasjoner og vedlikehold av ditt elektriske verktøy utføres av kvalifiserte teknikere som kun bruker originale reservedeler.** Dette vil sørge for at sikkerheten med verktøyet ivaretas.

SIKKERHETSINSTRUKSJONER FOR BORDSAGER

ADVARSLER RELATERT TIL VERN

- **Behold vern på plass.** Vern må være i driftsmessig stand og være riktig montert. Et vern som er løst, skadet eller som ikke fungerer korrekt må repareres eller byttes ut.
- **Bruk alltid bladbeskytter og spaltekniv for enhver gjennomkuttingsoperasjon.** For gjennomkutting hvor sagbladet kutter helt gjennom arbeidsstykkets tykkelse bidrar beskyttelsen og andre sikkerhetsinnretninger til å redusere faren for skader.
- **Fest umiddelbart vernesystemet igjen etter en operasjon (som falsing eller oppsaging av kutt) som krever fjerning av beskyttelsen.** Vernet og spaltekniven bidrar til å redusere faren for skader.
- **Påse at sagbladet ikke er i kontakt med vernet, spaltekniven eller arbeidsstykket før bryteren skrur på.** Uaktsom kontakt mellom disse elementene og sagbladet kan skape en farlig situasjon.
- **Juster spaltekniven som beskrevet i denne brukerveiledningen.** Feil avstand, plassering og innretning kan gjøre spaltekniven ineffektiv og ikke redusere faren for tilbakeslag.
- **For at spaltekniven skal fungere må den være festet til arbeidsstykket.** Spaltekniven er ineffektiv ved kutting av arbeidsstykket som er for korte til å festes med spaltekniven. Under disse forholdene kan ikke et tilbakeslag forebygges med spaltekniven.
- **Bruk sagblad som passer til spaltekniven.** For at spaltekniven skal fungere skikkelig må sagbladets diameter samsvare med spaltekniven, tykkelsen på sagbladet må være mindre enn tykkelsen på

spaltekniven og kuttebredden på sagbladet må være bredere enn spalteknivens tykkelse.

ADVARSLER FOR KUTTEPROSEDYRER

⚠ FARE

Plasser aldri fingrene eller hendene i nærheten av eller på linje med sagbladet. Et øyeblikks uoppmerksomhet eller en glidning kan føre hånden din mot sagbladet og føre til alvorlig personskade.

- **Mat kun arbeidsstykket inn til sagbladet mot rotasjonsretningen.** Det å mate arbeidsstykket i samme retning som sagbladet roterer over bordet kan føre til at arbeidsstykket, og hånden din, trekkes inn i sagbladet.
- **Bruk aldri gjæringsmåleren til å mate arbeidsstykket ved klyving og bruk ikke lengdeanslaget som lengdestopper ved krysskutting med gjæringsmåleren.** Føring av arbeidsstykket med lengdeanslag og gjæringsmåleren samtidig øker sannsynligheten for binding og tilbakeslag.
- **Ved klyving må man alltid bruke matekraft på arbeidsstykket mellom anslaget og sagbladet.** Bruk en skyvepinne når avstanden mellom anslaget og sagbladet er mindre enn 150 mm og bruk en skyveblokk når avstanden er mindre enn 50 mm. «Arbeidshjelp»-innretninger vil holde hendene dine i sikker avstand fra sagbladet.
- **Bruk kun skyvepinne som er levert av produsenten eller som er produsert i samsvar med instruksjonene.** Denne skyvepinnen gir tilstrekkelig avstand mellom hånden og sagbladet.
- **Bruk aldri en skadet eller kuttet skyvepinne.** En skadet skyvepinne kan brenke og forårsake at hånden din glir inn i sagbladet.
- **Utfør ikke noen operasjoner på «frihånd».** Bruk alltid enten lengdeanslaget eller gjæringsmåleren for å plassere og måle arbeidsstykket. «Frihånd» betyr at du bruker hendene for å støtte eller føre arbeidsstykket i mangel på lengdeanslag eller gjæringsmåler. Frihåndssaging fører til feiljustering, binding og tilbakeslag.
- **Aldri strekk deg rundt eller over et sagblad.** Å strekke seg etter et arbeidsstykke kan føre til utilsikket kontakt med det roterende sagbladet.
- **Sørg for ekstra støtte for arbeidsstykket bak og/eller på sidene av sagbordet for lange og/eller brede arbeidsstykker for å holde dem rett.** Et langt og/eller bredt arbeidsstykke har en tendens til å dreie seg på bordets kant og forårsake tap av kontroll, sagbladbinding og tilbakeslag.
- **Mat arbeidsstykket i jevn hastighet.** Ikke bøy eller vri arbeidsstykket. Om det oppstår blokkering må produktet umiddelbart slås av, kobles fra og deretter fjernes blokkeringen. Når arbeidsstykket blokkerer sagbladet kan det oppstå tilbakeslag eller hindre motoren.
- **Ikke fjern stykker av avkuttet materiale mens sagen går.** Materialet kan bli sittende fast mot anslaget eller





inne i sagbladbeskyttelsen og sagbladet kan trekke fingrene dine inn i seg. Skru av sagen og vent til sagbladet stopper før du fjerner materiale.

- **Bruk et ekstra anslag i kontakt med bordflaten ved klyving av arbeidsstykker som er mindre enn 2 mm tykke.** Et tynt arbeidsstykke kan kile seg under lengdeanslaget og forårsake et tilbakeslag.

ÅRSAKER TIL TILBAKESLAG OG RELATERTE ADVARSLER

Tilbakeslag er en brå bevegelse av arbeidsstykket forårsaket av et klemt, blokkert sagblad eller feilinnrettet skjæringslinje i arbeidsstykket med hensyn til sagbladet eller når en del av arbeidsstykket bindes mellom sagbladet og lengdeanslaget eller annet fast objekt. Det som oftest skjer under et tilbakeslag er at arbeidsstykket løftes fra bordet av sagbladets bakre del og blir drevet mot operatøren.

Tilbakekast er altså forårsaket av gal bruk av verktøyet og/eller gale sageprosedyrer eller –forhold. Det kan unngås ved å ta visse forholdsregler.

- **Stå aldri på direkte linje med sagbladet. Plasser deg alltid på samme side av sagbladet som anslaget.** Tilbakeslag kan drive arbeidsstykket i høy hastighet mot enhver som står foran eller på linje med sagbladet.
- **Strekk deg aldri over eller bak sagbladet for å trekke eller støtte arbeidsstykket.** Det kan oppstå utilsiktet kontakt med sagbladet eller så kan et tilbakeslag trekke fingrene dine inn i sagbladet.
- **Aldri hold og press arbeidsstykket som kuttet mot det roterende sagbladet.** Trykking på arbeidsstykket som kuttet mot sagbladet vil forårsake binding og tilbakeslag.
- **Innrett anslaget så det er parallelt med sagbladet.** Et feilinnrettet anslag vil klippe arbeidsstykket mot sagbladet og forårsake tilbakeslag.
- **Bruk et fjærbrett for å lede arbeidsstykket mot bordet og anslaget når det utføres delvis skjæring som fals eller oppsaging av kutt.** Et fjærbrett bidrar til å kontrollere arbeidsstykket ved et tilbakeslag.
- **Støtt store plater for å minimere risikoen for klemming av sagbladet og tilbakeslag.** Lange arbeidsstykker har lett for å bøyes under sin egne vekt. Støtte(r) må plasseres under alle deler av platen som henger ut over bordplaten.
- **Utvis ekstra forsiktighet ved kutting av et arbeidsstykke som er vridd, knudret, vindskjevt eller ikke har en rett kant så det kan føres med en gjæringsmåler eller langs anslaget.** Et vindskjevt, knudrete eller vridd arbeidsstykke er ustabilt og forårsaker feilinnretting av sagsnittet, binding og tilbakeslag.
- **Kutt aldri mer enn ett arbeidsstykke, stablet vertikalt eller horisontalt.** Sagbladet kan plukke opp ett eller flere stykker og forårsake tilbakeslag.
- **Ved restarting av sagen med sagbladet i arbeidsstykket må sagbladet sentreres i sagsnittet slik at sagtennene ikke sitter fast i materialet.** Om sagen bindes kan den løfte opp hele arbeidsstykket og forårsake tilbakeslag når sagen startes på nytt.

- **Hold sagblad rene, skarpe og med tilstrekkelig omkrets.** Bruk aldri sagblad med kast i eller sagblad med sprukne eller brukte tenner. Skarpe og riktig oppsatte sagblad minimerer binding, hindring og tilbakeslag.

ADVARSLER ANGÅENDE BETJENING AV BORDSAG

- **Skru av bordsagen og koble fra strømkabelen ved fjerning av bordinnsatsen, bytting av sagbladet eller ved justering av spaltekniiven eller sagbladbeskyttelsen og når maskinen skal stå uten tilsyn.** Forebyggende tiltak vil bidra til å unngå ulykker.
- **Forlat aldri bordsagen i gang uten tilsyn.** Skru den av og ikke forlat den før den stopper helt. En bordsag som går er en ukontrollert fare.
- **Plasser bordsagen i et god opplyst og jevnt område hvor du kan ha godt fotfeste og god balanse.** Den bør monteres i et område som har nok plass til å enkelt håndtere størrelsen på arbeidsstykket ditt. Trange, mørke områder og glatte gulv inviterer til ulykker.
- **Rengjør hyppig og fjern sagmugg fra under sagbordet og/eller støvoppsamlingsinnretningen.** Oppsamlet sagmugg er brennbar og kan selvantenne.
- **Bordsagen må sikres.** En bordsag som ikke er skikkelig sikret kan velte.
- **Fjern verktøy, trerester osv. fra bordet før bordsagen slås på.** Distraksjon eller potensiell blokkering kan være farlig.
- **Bruk alltid sagblad med korrekt størrelse og form (diamant kontra rund) på akselhullene.** Sagblad som ikke samsvarer med monteringsstedet på sagen vil kjøre ut av senter og forårsake tap av kontroll.
- **Bruk aldri skadede eller feil hjelpemidler for montering av sagblad, slik som flenser, sagbladskiver, bolter eller muttere.** Disse hjelpemidlene for montering er spesielt konstruert for din sag, for sikker bruk og optimal ytelse.
- **Stå aldri på bordsagen, ikke bruk den som klatreinnretning.** Alvorlig skade kan oppstå om produktet velter eller om man utilsiktet kommer i kontakt med kutteverktøyet.
- **Pass på at sagbladet er montert slik at det roterer i riktig retning. Ikke bruk slipeskiver eller stålborster på en bordsag.** Feil montering av sagblad eller bruk av tilbehør som ikke er anbefalt kan forårsake alvorlig skade.

YTTERLIGERE SIKKERHETSADVARSLER FOR BORDSAGER

- **Sett opp eller fest maskinen i en stabil posisjon som er egnet for det arbeidet som skal utføres.** Denne kan monteres på en arbeidsbenk, på beinstøtte eller festes til gulvet.
- **Hvis den er utstyrt med det stilles den utvidbare beinforlengeren inn slik at man oppnår en stabil arbeidsplattform.**
- **Arbeid i riktig høyde og med en god arbeidsstilling vil bidra til å forebygge belastning eller andre skader under bruk.**





- Sørg for tilstrekkelig generelt eller lokalisert llys for å forebygge stroboskopeffekt og farer.
- Bruk egnet personlig verneutstyr ved behov. Dette inkluderer hørselsvern for å redusere faren for hørselstap, åndedrettsvern for å redusere faren for å inhalere skadelig støv og kraftige hansker ved håndtering av sagblad og grovt materiale.
- Bruk alltid vernebriller når maskinen brukes. Det er anbefalt og bruke kraftige sko som ikke er glatte og som har vernetå for å beskytte mot objekter som faller fra bordet.
- Støvet som produseres ved bruk av dette verktøyet kan være brennbar, eksplosivt og skadelig for helsen din. Bruk et støvoppsamlingsystem og bruk egnet støvmaske. Fjern oppsamlet støv grundig, f.eks. med en børste og støvsuger.
- Hold gulvet i arbeidsområdet fritt for sagmugg avskjær og strømkabler. Dette reduserer faren for at man snubler og faller på sagbladet.
- Hold bordet fritt for objekter, inkludert verktøy og avskjær.
- Hold overflatene på bordet, anslaget og gjæringsføreren rene. Vær oppmerksom på lim, maling og andre elementer. Treet må gli jevnt og ikke henge seg opp i eller lugge noen steder, ellers blir faren for alvorlig skade på grunn av tilbakeslag vesentlig økt.
- Bruk bare sagblader som er spesifisert i denne manualen og er i henhold til EN 847-1.
- Bruk ingen sageblad laget av hurtigstål.
- Bruk kun sagblader som er merket med en hastighet lik eller høyere enn sagens hastighetsmerking.
- Ikke press arbeidsstykket inn i sagbladet. La verktøyet gjøre jobben. Overdrevent press vil overopphete bladet og skjæretaggene og arbeidsstykket kan bli brent. Det kan føre til uventede hendelser som kan forårsake alvorlig personskade.
- Bruk ikke sløve eller skadete blad. Uskarpe eller feil oppsatte blader gir småe sagsnitt som forårsaker overdreven friksjon, bladbinding og tilbakeslag.
- Sagblad bør fraktes i en holder når det er mulig.
- Ikke betjen verktøyet uten bordinnsatsen og skift ut bordinnsatsen når den blir slitt.
- Med mindre du skal utføre et kutt som ikke går helt gjennom må du alltid holde bladbeskyttelsen og spaltekniven i god driftsmessig stand. Bladbeskyttelser skal heves og senkes enkelt for å tillate at arbeidsstykket passerer under dem. Påse at bladbeskyttelsen er sikkert montert til spaltekniven. Ikke bruk dersom beskyttelsesinnretninger er fjernet.
- Forsikre alltid at bladet er parallelt med anslaget. Dette er en av hovedgrunnene til tilbakeslag som kan forårsake alvorlig personskade.
- Bruk alltid sagbladbeskyttelsen og spaltekniven for hver gjennomkuttingsoperasjon. Gjennomkuttingsoperasjoner er de hvor bladet kutter helt gjennom arbeidsstykket ved klyving eller krysskutting.
- Sørg alltid for at du utfører en grundig sjekk etter fremmedlegemer som spiker, skruer og stifter på

materialet du tenker å kutte, særlig ved bruk av resirkulert tre.

- Om disse eller lignende elementer kommer i kontakt med bladet under kutting vil sagen bli skadet og alvorlig skade på operatøren eller andre kan oppstå.
- Ingen sokkelkutt er tillatt eller mulige med dette elektroverktøyet.
- Bruk skyvepinnen der det er nødvendig. Bruk alltid en skyvepinne for kapping av småe arbeidsstykker. Skyvepinnen må alltid oppbevares sammen med maskinen når den ikke er i bruk.
- Strekk aldri inn i området nær sagbladet mens det er i gang. Hold fingrene unna området som er angitt av bordinnsatsen.
- La aldri sagen gå uten betjening.
- Slå av strømmen.
- Ikke forlat verktøyet før det har stoppet helt.
- Forsøk aldri å stoppe en maskin i bevegelse hurtig ved å kile et arbeidsstykke eller andre ting mot bladet. På denne måten kan man utisiktet forårsake alvorlige ulykker.
- Ikke berør sagbladet umiddelbart etter saging. Sagbladet blir varmt ved saging.
- Om sagbladet blokkeres under kutting må maskinen slås av og kobles fra strømforsyningen. Fjern arbeidsstykket og påse at sagbladet løper fritt. Slå maskinen på og start kapping med redusert fremføringstrykk.
- Ved transport av maskinen kan fjerne bladbeskyttelsen, justere spaltekniven til sin laveste posisjon og senke bladet slik at det er i transportstilling under bordflaten.
- Om strømkablen er skadet må den skiftes ut av produsenten eller av et autorisert servicesenter for å unngå fare.
- Ikke bruk fester eller tilbehør som ikke er anbefalt av produsenten. Bruken av deler eller tilbehør som ikke anbefales kan føre til alvorlig personskade. Utstyr som brukes på mange forskjellige steder, inklusive utendørs, må tilkobles strømmenettet via reststrømutstyr (RCD).
- Om strømmen til bordsagen blir kuttet vil maskinens på-/avbryter automatisk gå i av-stilling.

SPESIELLE SIKKERHETSINSTRUKSJONER FOR SAGBLAD FOR TRE

- Vennligst les håndboken og instruksjonene grundig før bruk av sagbladet og elektroverktøyet.
- Elektroverktøyet må være i god stand, spindelen uten misdannelse og vibrasjon.
- Påse at operatøren er tilstrekkelig opplært i sikkerhetsforanstaltninger, justering og bruk av elektroverktøyet.
- Bruk alltid vernebriller og hørselsvern ved bruk av elektroverktøyet. Det anbefales å bruke arbeidshansker, faste og sklisikre sko og forkle.
- Før det benyttes noen form for tilbehør, se brukermanualen. Feil bruk av tilbehør kan forårsake skade og øke faren for personskade.
- Hold bladet rent. Dette inkluderer sagmugg og særlig





klebrige stoffer som harpiks. Et rent blad kutter mer nøyaktig og sikkert.

- Bruk bare sagblader som er spesifisert i denne manualen og er i henhold til EN 847-1.
- Observer maksimumshastigheten som er angitt på sagbladet. Påse at hastigheten som er merket av på sagbladet er minst lik hastigheten merket av på selve sagsen.
- Bruk alltid blader med korrekt størrelse og form å akselhullene. Et blad som ikke passer til spindelen som det skal monteres på vil ikke gå rundt riktig og kan få deg til å miste kontroll over verktøyet.
- Ikke bruk sagblad med større tykkelse eller sagsnitt med mindre tykkelse enn spaltekniven.
- Ikke bruk blader med større eller mindre diameter enn anbefalt. Ikke bruk avstandsstykker for å få bladet til å passe på spindelen.
- Sjekk taggene på sagbladet for skade eller unormalt utseende før hver bruk. Tagger som er skadet eller løse kan bli flygende objekter under bruk og øke faren for personskade.
- Sagblad som har sprekker eller som har endret form må ikke brukes! Ikke bruk sageblader som er skadet eller deformerte.
- Kasser sagbladet om det er skadet, deformert, forvrent eller sprukket, reparasjon er ikke tillatt.
- Ikke bruk HSS-blader.
- Påse at bladet er korrekt montert, stram spindelmutteren sikkert før bruk.
- Festeskruer og muttere skal strammes ved bruk av egnet skrunøkkel, etc.
- Bruk av en forlenger på skrunøkkel eller stramming med hammerslag er ikke tillatt.
- Pass på at bladet og flensene er rene og at de tilbaketrukne sidene av kragen ligger mot bladet.
- Påse at bladet roterer i riktig retning og ikke er i kontakt med noen del av maskinen eller noe beskyttelsessystem.
- Før arbeid, utfør et forsøksutt uten motoren slått på slik at plassering av bladet, betjening av beskyttelser med hensyn til andre produktdele og arbeidsstykke kan kontrolleres.
- Forlat aldri elektroverktøyet uten tilsyn.
- Ikke påfør smøremidler på sagbladet mens det er i bevegelse.
- Forsøk aldri å stoppe et elektroverktøy i bevegelse ved å kile et verktøy eller andre ting mot bladet, på denne måten kan man utilsiktet forårsake alvorlige ulykker.
- Koble elektroverktøyet fra strøm før det skiftes bladet eller utføres vedlikehold.
- Vær oppmerksom ved senking og heving av bladet, det er lett å bli skadet av de skarpe sagtaggene.
- Bruk en bladholder eller bruk hansker ved håndtering av sagblad. Husk at bladet er varmt etter kutteoperasjoner.
- Oppbevar og lagre bladet i originalemballasjen eller annen egnet emballasje, oppbevar tørt og borte fra kjemikalier som kan skade bladet.

TILTENKT BRUK

Bordsagen er konstruert for å betjenes av en person for klyving og krysskutting av tre med en maksimal dybde opp til 80 mm ved 0° gjæringsvinkel. Ved den maksimale gjæringsvinkelen på 45° er den maksimale kuttedybden 55 mm. Bordsagen er konstruert og beregnet for å være festet til en stabil overflate eller et arbeidsbord levert av produsenten. Man kan kutte hardt og mykt tre pluss sponplater og fiberplater.

Kun blad og spalteknivkombinasjoner levert av produsenten av denne bordsagen kan brukes til denne bordsagen.

GJENVÆRENDE RISIKO

Selv når bordsagen brukes som beskrevet er det likevel umulig å fullstendig eliminere visse gjenværende risikofaktorer.

Operatøren må utvise særlig oppmerksomhet på disse punktene for å redusere risikoen for alvorlig personskade.

- Kutting som ikke går helt gjennom. Bladbeskyttelsen er fjernet og toppen av sagbladet er eksponert.
- Kontakt med bladet - unngå strekking mot, over og rundt sagbladet.
- Tilbakeslag - aldri stå foran bladet.
- Stabilitet - påse at produktet er stabilt og sikre det når det er mulig.
- Flyvende sagbladetagger - bruk øyebeskyttelse til enhver tid under arbeid.
- Inhalering av støv - bruk maske om nødvendig. Støv som produseres under arbeid med visse typer treprodukter (f.eks. MDF) kan være skadelig for ditt luftveissystem.
- Øyeskade fra støv- og støvpartikler - bruk øyebeskyttelse til enhver tid under arbeid.
- Hørselsskader - begrenns eksponering og bruk egnet hørselvern.
- Støynivåer kan variere veldig fra maskinen etter bruksforhold. Personer som eksponeres for høyt støynivå, selv over kort tid, kan oppleve midlertidig delvis hørselstap og kontinuerlig eksponering for høye nivåer kan føre til permanent hørselsskade.

GJØR DEG KJENT MED VERKTØYET

Se side 242.

1. Bordinnsats
2. Justerbar utvidet spaltekniv
3. Smygmål
4. Sagblad
5. Sagbladbeskyttelse
6. Utløser for bordinnsats
7. Anslag/lengdeanslag
8. Side bordutvider (RTS1800ES, RTS1800EF)
9. Festehull (feste til arbeidsbenk eller bein)
10. På/av bryter
11. Justeringshjul for gjæringsvinkel
12. Lås for gjæringsvinkel
13. Håndtak for kuttedybde
14. Sagbord
15. Støvavsug

EN

FR

DE

ES

IT

NL

PT

DA

SV

FI

NO

RU

PL

CS

HU

RO

LV

LT

ET

HR

SL

SK

EL

TR



BRUK**⚠ ADVARSEL**

Du må lese og forstå alle advarsler og instruksjoner i denne håndboken før du tilfører strøm og begynner å sage med denne bordsagen.

Gjennomkutting: Enhver kutteoperasjon hvor sagbladet stikker fram over arbeidsstykkets tykkelse. For denne operasjonen skal spaltekniven være i hevet posisjon og bladbeskyttelsen må monteres. Bruk et anslag eller en gjæringsfører til å plassere arbeidsstykket riktig.

Kutting som ikke går helt gjennom: Enhver kutteoperasjon hvor sagbladet ikke stikker fram over arbeidsstykkets tykkelse. For denne operasjonen skal spaltekniven være i senket posisjon. Toppen av spaltekniven skal være litt lavere enn toppen av sagbladet. Bladbeskyttelsen kan ikke monteres. Bruk et anslag eller en gjæringsfører til å plassere arbeidsstykket riktig.

Klyving: Bruk lengdeanslaget parallelt med bladet for å lede arbeidsstykket. Hovedsakelig gjøres kuttet i trefiberets retning (hvis tilgjengelig). Kan være et gjennomgående eller ikke gjennomgående kutt.

Krysskutting: Bruker gjæringsføreren eller krysskuttingsanslag. Denne innretningen er konstruert for å gli parallelt med sagbladet og gjør det mulig å holde arbeidsstykket i en fast vinkel over bladets kuttakse. Hovedsakelig gjøres kuttet på tvers av trefiberets retning (hvis tilgjengelig). Kan være et gjennomgående eller ikke gjennomgående kutt.

Skråkutting: Vinkelen på bladet med hensyn til bordets overflate endres mellom 90 og 45°. Gir et kutt med en vinklet kant. Kan være et gjennomgående eller ikke gjennomgående kutt. Enten lengdeanslaget eller gjæringsføreren brukes til å plassere arbeidsstykket riktig.

Gjæringskutting: Arbeidsstykket føres til bladet i en vinkel. Den nødvendige vinkelen stilles inn på gjæringsføreren som deretter kan holde arbeidsstykket i denne vinkelen mens den føres langs bladet for å utføre kuttet. Kan være et gjennomgående eller ikke gjennomgående kutt.

Konisk kutting: Koniske kutt er mulig ved at man bruker gjæringsføreren til å stille inn den nødvendige vinkelen. Det er ikke mulig å utføre koniske klyvinger ettersom det er nødvendig med en et spesielt tilbehør.

BRUKE ANSLAGET SIKKERT

- Bruk aldri lengdeanslaget og gjæringsføreren samtidig. Dette øker faren for tilbakeslag og personskade. Når en av dem ikke er i bruk må den fjernes fra bordet og lagres sikkert ute av veien.
- Hver gang anslaget brukes eller flyttes til en annen stilling er det viktig at det kontrolleres for parallellitet til sagbladet.
- Et anslag som ikke er parallelt kan fange arbeidsstykket mellom bladet og anslaget og forårsake tilbakeslag som kan føre til alvorlig personskade på deg selv og andre.
- Et dårlig justert eller innstilt anslag kan forårsake at

arbeidsstykket mates mot bladet i feil vinkel, noe som kan forårsake at bladet bindes eller blokkeres. Det kan også forårsake tilbakeslag (se ovenfor).

- For å montere eller justere anslaget riktig, heng enden av anslaget over bordets bakkant og senk deretter framenden til den festes foran på bordet. Påfør deretter press fra anslagets front slik at de to endene danner en rett vinkel til retningen for anslagets kontakt foran på bordet. Dette bidrar til å sørge for at anslaget er parallelt til bladet. Lås deretter anslaget i stilling ved å skyve låsehåndtaket nedover.
- Styrken som låsehåndtaket holder anslaget i stilling med kan justeres ved å rotere den riflede skruen rett over låsehåndtaket.
- Kontroller alltid anslagets parallellitet til bladet ved måling eller med en nøyaktig kuttet treblokk før det utføres et kutt.

Innrett avstandsmerkene, blad til anslag

Still kanten på anslaget mot bladet og juster deretter indikatortitteglasset til innretning med 0 mm-merket på bordets forkant. Løse skruen, juster titeglasset og stram til skruen igjen.

Bruk av det ekstra anslaget

Det er omstendigheter hvor montering av det ekstra anslaget på hovedanslaget er påkrevd.

- Når et lite arbeidsstykke ikke kan holdes for hånd eller med en skyvepinne fordi anslaget er i veien.
- Når et tynt arbeidsstykke skal kuttes. Veldig tynne arbeidsstykker kan gli under hovedanslaget og fanges eller dras og dermed skape fare for tilbakeslag. Bruk det ekstra anslaget for å bidra til å motvirke dette.

Fjern det ekstra anslaget når det er sikkert å bruke bare hovedanslaget.

Når det utføres vinkelkutt på smale arbeidsstykker må man alltid bruke anslaget på motsatt side i forhold til hvor bladet lener seg over, ellers er det enkelt å fange skyveblokken eller pinnen mot bladbeskyttelsen eller anslaget.

Feste det ekstra anslaget til hovedanslaget

- Med vingemutrene og skivene på en side av gjerdet skyves boltene gjennom fra den andre siden og det skrues sammen med noen få omdreininger. Skyv nå det ekstra anslaget over boltehodene på falsen. Stram det ekstra anslaget i stilling etter behov.

NB: Det ekstra anslaget er kun beregnet for å lede arbeidsstykket forbi bladet og spaltekniven, det må ikke dekke hele lengden på hovedanslaget.

Fjern det ekstra anslaget når det er sikkert å bruke bare hovedanslaget. Ikke etterlat boltene og vingemutrene på hovedanslaget.

Bruk av fjærbrett

Et fjærbrett er en innretning som ligner en kam men som kutter i vinkel. Normalt konstruert av tre eller plast bøyes de tynne fingrene litt ettersom arbeidsstykket glir i stilling og påfører et jevnt og konsekvent trykk for å holde arbeidsstykket. Bruk en av disse innretningene når det er behov for presis kutting av et smalt arbeidsstykke.



Denne innretningen festes til bordet via portene for gjæringsføreren og minker behovet for at operatørens fingre må være nær bladet.

Tredjeparts fjærbrett kan kjøpes hos snekkerbutikker.

BESKLYTTELSESINNRETNING MOT

Produktet har et overbelastningsvern. Når overbelastning påvises vil produktet automatisk slås av. Slå av strømmen. Hvis overbelastningsbryteren aktiveres må motoren kjøles ned i 3 minutter. Sørg for at bladet kan rotere fritt og ikke er blokkert eller fast. Trykk på tilbakestillingsknappen (under på-/avbryteren). Slå på strømmen. Trykk på på-knappen for å starte produktet.

VEDLIKEHOLD

- Sørg for at sagbladet er helt stoppet og at strømkabelen er koblet fra strømkilden før det utføres vedlikehold eller rengjøring.
- Om strømkabelen er skadet må den repareres ved et autorisert servicesenter.
- Bladet har skarpe kanter og kan også være varmt etter kutteoperasjoner. Utvis ekstrem forsiktighet ved rengjøring av et eksponert blad. Bruk hansker for å beskytte deg selv mot personskaade.
- Rengjør sagen og tilbehør jevnlig for støv, spesielt bevegelige deler, inkludert bladbeskyttelsen. Bruk en feiekost eller støvsuger for effektiv fjerning av støv.

⚠ ADVARSEL

Ikke forsøk å demontere bladbeskyttelsen for rengjøring eller reparasjon. Skadet beskyttelse må ikke brukes. Returner til et autorisert servicesenter for reparasjon eller utskiftning.

- Bordsagen er smurt på fabrikk og skal ikke behøve ytterligere smøring.
- For å kontrollere og justere gjæringsvinkel og parallellitet for blad/anslag, se «Kontroll og innstilling av gjæringsvinkel» og «Kontroll og innstilling av parallellitet for blad til gjæringsførerporter» i denne håndboken.

KONTROLL OG INNSTILLING AV GJÆRINGSVINKEL

NB: Stille inn bladet så det er i 90° vinkel fra bordet gir en 0° gjæringsvinkel.

1. Skru av strømmen og ta støpselet ut av kontakten.
2. Vær spesielt oppmerksom på sagtaggene, de er veldig skarpe og kan forårsake personskaade.
3. Hev bladet og spalteknivsatsen til den høyeste høyden.
4. Fjerne bladbeskyttelsen.
5. Plasser spaltekniven i den laveste stillingen.
6. Sørg for at bladet og bordoverflaten er frie for støv og rester.
7. Plasser en 90° "vinkelhake" mot bordoverflaten og den høyeste delen av bladet. Vær omhyggelig med å ikke kontakte sagtaggene under denne målingen ettersom det vil føre til feil. Du må innrette sagbladets overflate.
8. Det skal ikke være noen åpninger mellom kanten på vinkelhaken og bladet eller bordet, i denne tilstanden er bladet en ekte vertikal innretning og det er ikke

nødvendig med ytterligere justering av bladets vinkel.

9. Om det er en åpning, løsne låseknotten for gjærings og fjern forsiktig vinkelen mens åpningen konstant sjekkes om igjen. Når det ikke lenger er noen åpning strammes låseknotten sikkert.
10. Løsne skruen på gjæringsvinkelindikatoren og juster den klare plastlinjebærerens så den viser innretning med 0°-merket. Stram skruen.
11. Gjenta denne operasjonen for å kontrollere og stille inn forskjellige vinkler mellom 90° og 45° ettersom du føler det nødvendig.

KONTROLL OG INNSTILLING AV PARALLELLITETEN FOR BLAD TIL GJÆRINGSFØRERPORTER

1. Skru av strømmen og ta støpselet ut av kontakten.
2. Vær spesielt oppmerksom på sagtaggene, de er veldig skarpe og kan forårsake personskaade.
3. Hev bladet og spalteknivsatsen til den høyeste høyden.
4. Fjerne bladbeskyttelsen.
5. Fullfør kontrollene som er beskrevet i «Hvordan kontrollere og stille inn gjæringsvinkelen» i denne håndboken. Påse at gjæringsvinkelen er sikkert festet til 0°.
6. Ta gjæringsvinkelføreren og monter den i en av portene på bordet. Still inn vinkelen på gjæringsvinkelføreren til 90°.
7. Plasser en stållinjål fast mot gjæringsvinkelføreren og still den rette enden av injalen mot sagbladet. Du kan bruke en nøyaktig kuttet treblokk i stedet for stållinjalen.
8. Ha et fast grep på injalen/blokken og skyv hele gjæringsvinkelføreren slik at injalen/blokken nå er i kontakt med den andre enden av bladet. Injalen eller blokken skal nå ha samme nivå av kontakt med bladet når den beveges langs sagbladet. Om dette er tilfelle er parallelliteten mellom blad og bordportene nøyaktig og det er ikke nødvendig med justering. Kontroller porten på den andre siden av bordet med samme metode.

JUSTERING AV PARALLELLITETEN FOR BLAD TIL BORDPORTENE.

Det er to bolter foran sagbladet og to til bak. Man får tilgang til disse fra undersiden av bordplaten.

Når disse boltene løsnes kan hele bladet, spaltekniven og motorsatsen beveges for korrekt innretning av bladet til portene på bordet.

Du kan synes dette er vanskelig å få til med mindre du har erfaring i slike justeringer så hvis du får problemer kan du returnere bordsagen din til nærmeste autoriserte Ryobi servicesenter for profesjonell oppsett.

MILJØVERN



Resirkuler råmaterialer istedenfor å kaste dem i søppelen. Verktøyet, tilbehørene og emballasjen bør sorteres for miljøvennlig resirkulering.

EN
FR
DE
ES
IT
NL
PT
DA
SV
FI
NO
RU
PL
CS
HU
RO
LV
LT
ET
HR
SL
SK
EL
TR



SYMBOLER PÅ PRODUKTET



Sikkerhetsadvarsel



CE samsvarserklæring



EurAsian Konformitetstegn.



Klasse II verktøy, dobbelisolert



Les instruksjonene nøye før apparatet tas i bruk.



Bruk hørselvern.



Bruk øyebeskyttelse.



Bruk vernehansker.



Fare! Skarpt blad.



Sagekapasitet



Bladbredde på kutt (sagsnitt)



Antall tagger på dette sagbladet



For kutting av tre og lignende materiale



Ikke for kutting av metaller



Rotasjonsretning for blad (vist på bladbeskyttelse)



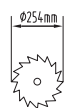
Rotasjonsretning for blad (vist på spaltekniv)



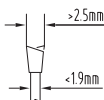
Rotasjonsretning for blad (vist på sagblad)



Rotasjonsretning for blad (vist på bord)



Bladdiameter



Bladtykkelse og bredde på kutt



Spaltekniv tykkelse og hardhet



Nominell effekt



Wolframkarbid 48-tagger blad



Myk start



Overbelastningsbeskyttelse



Støpt aluminiumsbord



Bordstørrelse (RTS1800, RTS1800S)



Bordstørrelse (RTS1800ES, RTS1800EF)



Størrelse på bordutvidelse



Avtagbart saksebein



Brettbart luksusbein



Kuttekapasiteter (90° og 45°)



Avfall fra elektriske produkter skal ikke kastes sammen med husholdningsavfall. Vennligst resirkulervedeksisterende avfallsbehandlingssted. Forhør deg med lokale myndigheter eller forhandler om gjenvinningsråd.

SYMBOLER I DENNE HÅNDBOKEN



Koble til strømuttak.



Koble fra strømuttak.



Deler eller tilbehør solgt separat



Avfall fra elektriske produkter skal ikke kastes sammen med husholdningsavfall. Vennligst resirkulervedeksisterende avfallsbehandlingssted.



Nb:



ADVARSEL

ОСНОВНЫЕ УКАЗАНИЯ ПО ТЕХНИКЕ БЕЗОПАСНОСТИ ПРИ РАБОТЕ С ЭЛЕКТРОИНСТРУМЕНТОМ

⚠ ОСТОРОЖНО

Прочтите все указания, инструкции, иллюстрации и спецификации, поставляемый с этим электроинструментом. Несоблюдение всех инструкций, указанных ниже, может привести к поражению электрическим током, пожару и / или серьезным травмам.

Сохраните все предупреждения и инструкции для дальнейшего использования. Термин «электроинструмент» в данном описании относится к инструментам с питанием от сети (проводные) и от аккумуляторных батарей (беспроводные).

БЕЗОПАСНОСТЬ НА РАБОЧЕМ МЕСТЕ

- Рабочий участок должен быть свободным и хорошо освещенным. Загромождение или плохое освещение рабочей зоны может привести к несчастным случаям.
- Не используйте электроинструменты во взрывоопасной среде, например, при наличии легковоспламеняющихся жидкостей, газов или пыли. В электрических устройствах могут образовываться искры, что может привести к воспламенению пыли или газа.
- Не допускайте присутствия детей и посторонних лиц при работе с электроинструментом. Отвлечение на посторонних лиц может привести к потере контроля во время эксплуатации агрегата.

ЭЛЕКТРОБЕЗОПАСНОСТЬ

- Вилки кабеля питания инструмента должны соответствовать используемой розетке. Не подвергайте вилку кабеля каким-либо изменениям. Запрещено использование переходников для подключения заземленных электроинструментов. Использование оригинальных штепсельных вилок и соответствующих розеток предотвращает опасность поражения электрическим током.
- Избегайте контакта с заземленными предметами, например, трубами, батареями, кухонными плитами, холодильниками. При соприкосновении частей тела человека с заземленными участками возрастает опасность поражения электрическим током.
- Не оставляйте электроинструменты под дождем или в условиях повышенной влажности. Попавшая внутрь электроинструмента вода увеличивает опасность поражения электрическим током.
- Не допускайте неправильного обращения с кабелем. Не используйте кабель для переноски, перемещения или отключения инструмента от сети питания. Не складывайте кабель вблизи источников тепла, масла, острых предметов или подвижных элементов. Поврежденные

или запутанные провода повышают опасность поражения электрическим током.

- При работе с электроинструментом вне помещений пользуйтесь удлинительным кабелем, предназначенным для наружного применения. Использование кабеля, предназначенного для наружного применения, снижает опасность поражения электрическим током.
- Если нет возможности избежать работы в условиях повышенной влажности, подключайте инструмент через устройство защитного отключения. При использовании устройства защитного отключения снижается опасность поражения электрическим током.

ЛИЧНАЯ БЕЗОПАСНОСТЬ

- Будьте внимательны, следите за своими действиями и руководствуйтесь здравым смыслом при работе с электроинструментом. Не работайте с электроинструментом, если вы утомлены, находитесь в состоянии алкогольного, наркотического опьянения или под воздействием лекарственных средств. Малейшая невнимательность при работе с электроинструментом может привести к серьезной травме.
- Используйте индивидуальные средства защиты. Всегда надевайте защитные очки. Средства индивидуальной защиты, например, противопылевые респираторы, защитная обувь с нескользящей подошвой, каски, средства защиты органов слуха, помогут вам избежать травм.
- Не допускайте случайного запуска. Убедитесь, что выключатель находится в положении Выкл. перед тем как подключаться к электросети или батарее, брать или переносить инструмент. Перенос электроинструмента с пальцем на выключателе или подключение к электросети во включенном состоянии может привести к несчастному случаю.
- Перед включением электроинструмента уберите все регулировочные и гаечные ключи. Гаечные или регулировочные ключи, оставленные на вращающихся частях электроинструмента, могут привести к телесному повреждению.
- Не прикладывайте чрезмерных усилий. Старайтесь сохранять устойчивость и подыскивайте твердую опору. Это обеспечивает лучшую управляемость электроинструментом в непредвиденных ситуациях.
- Одевайтесь соответствующим образом. Не надевайте одежду свободного покроя и украшения. Не допускайте попадания волос и одежды в движущиеся детали. Свободная одежда, украшения и длинные волосы могут попасть в движущиеся части.
- Если электроинструмент снабжен пылеулавливающей системой, убедитесь в том, что она подключена и правильно функционирует. Использование пылесборника



может снизить влияние опасных факторов, связанных с запыленностью.

- Не допускайте того, чтобы в результате приобретенного опыта работы с инструментами вы расслабились и игнорировали принципы безопасности при работе с инструментами. Неосторожное действие может стать причиной тяжелых травм в течение доли секунды.

ЭКСПЛУАТАЦИЯ ЭЛЕКТРОИНСТРУМЕНТА И УХОД ЗА НИМ

- Не перегружайте электроинструмент. Правильно подбирайте инструмент для выполнения необходимой работы. Правильно подобранный электроинструмент лучше и безопаснее выполняет свою работу на такой скорости вращения двигателя, для которой он был разработан.
- Не пользуйтесь электроинструментом, если выключатель не включается или не выключается. Любой электроинструмент, не управляемый выключателем, представляет опасность и должен быть отремонтирован.
- Отсоедините вилку от источника питания и/или извлеките из электроинструмента батарею, если она съемная, прежде чем выполнять насадку, менять насадки или помещать электроинструмент на хранение. Такие меры предосторожности снижают риск случайного пуска электроинструмента.
- Храните неиспользуемые электроинструменты в месте, недоступном для детей, а также не допускайте к использованию данного инструмента лиц, не знакомых с его работой или не ознакомленных с данными инструментами. Использование электроинструментов лицами, не подготовленных к работе с подобными электроинструментами, может стать причиной создания опасных ситуаций.
- Поддерживайте электроприбор и дополнительное оборудование в надлежащем рабочем состоянии. Проверьте движущиеся детали на предмет несоосности или заедания, выявите поломанные детали и другие условия, которые могут повлиять на работу электроинструмента. Если в электроинструменте есть неполадки, устранили их перед его использованием. Плохое обслуживание электроинструментов является причиной большого числа несчастных случаев.
- Держите режущие инструменты в заточенном и чистом состоянии. Режущие инструменты с острыми краями, поддерживаемые в надлежащем рабочем состоянии, реже заклиниваются, и ими легче управлять.
- Применяйте электроинструмент, дополнительное оборудование, наконечники и т. п. в соответствии с настоящими инструкциями, учитывая при этом рабочие условия и выполняемую работу. Во избежание опасности соблюдайте указанное для электроинструмента предназначение.

- Держите ручки и поверхности захватывания сухими, чистыми, не допускайте попадания на них смазочных веществ. Скользкие ручки и поверхности захватывания не позволяют безопасно управлять и контролировать инструмент в непредвиденных ситуациях.

ОБСЛУЖИВАНИЕ

- Техническое обслуживание и ремонт электроинструмента должен выполнять только квалифицированный специалист с использованием взаимозаменяемы запасных частей. Это обеспечит нормальное техническое состояние устройства.

ИНСТРУКЦИИ ПО ТЕХНИКЕ БЕЗОПАСНОСТИ ДЛЯ ЦИРКУЛЯРНОГО СТАНКА

ПРЕДУПРЕЖДЕНИЯ ОТНОСИТЕЛЬНО ЗАЩИТНЫХ ПРИСПОСОБЛЕНИЙ

- Следите за тем, чтобы защитные приспособления были на своем месте. Защитные приспособления должны находиться в рабочем состоянии и быть закреплены надлежащим образом. Слабо держащееся, поврежденное или неправильно функционирующее защитное приспособление подлежит ремонту или замене.
- Всегда используйте кожух пильного диска и расклинивающий нож при каждом сквозном распиле. Кожух и другие устройства защиты помогают снизить опасность получения травм при сквозном распиле, когда пильный диск полностью пропиливает толщину заготовки.
- Установите защитные приспособления сразу после завершения таких работ как прорезание пазов или распилов на заготовку определенного размера, которые требуют снятия кожуха. Кожух и предохранительный клин снижают опасность получения травм.
- Убедитесь, что пильный диск не контактирует с кожухом, предохранительным клином или заготовкой, перед тем как включить устройство. Непреднамеренный контакт этих элементов с пильным диском может создать опасную ситуацию.
- Отрегулируйте расклинивающий нож, как описано в настоящем руководстве по эксплуатации. Неправильное расположение, установка и центрирование могут сделать расклинивающий нож неэффективным в снижении вероятности отбрасывания.
- Чтобы расклинивающий нож работал, он должен контактировать с заготовкой. Расклинивающий нож неэффективен при распилах слишком коротких заготовок, не контактирующих с расклинивающим ножом. В этих условиях расклинивающий нож не сможет предотвратить отбрасывание.
- Применяйте соответствующие друг другу пильный диск и расклинивающий нож. Для правильного функционирования расклинивающего ножа диаметр пильного диска должен

EN
FR
DE
ES
IT
NL
PT
DA
PA
SV
FI
NO
RU
PL
CS
HU
RO
LV
LT
ET
HR
SL
SK
EL
TR



соответствовать параметрам расклинивающего ножа, пильный диск должен быть тоньше расклинивающего ножа, а ширина пропила диска должна превышать толщину ножа.

ПРЕДУПРЕЖДЕНИЯ ОТНОСИТЕЛЬНО ПРОЦЕДУР РАСПИЛА

ОПАСНО

Никогда не держите свои руки не стойте вблизи пильного диска или на одной линии с ним. Малейшая невнимательность или ошибка может вызвать движение руки в сторону пильного диска и привести к серьезным травмам.

- Подавайте заготовку к пильному диску строго против направления его вращения. Подача заготовки в направлении вращения пильного диска может испортить заготовку, а ваша рука может попасть под пильный диск.
- Никогда не применяйте угловой упор для подачи заготовки во время продольного распила, а также не используйте направляющую планку в качестве упора для установки длины во время поперечного распила с угловым упором. Направление заготовки одновременно с помощью направляющей планки и углового упора повышает вероятность заедания пильного диска и отбрасывания.
- Во время продольного распила всегда распределяйте силу подачи заготовки между направляющей планкой и пильным диском. Используйте толкатель, когда расстояние между направляющей планкой и пильным диском менее 150 мм. Применяйте толкающий блок, если расстояние менее 50 мм. Вспомогательные устройства будут держать ваши руки на безопасном расстоянии от пильного диска.
- Используйте толкатель, поставляемый только производителем или конструкция которого соответствует данным инструкциям. Этот толкатель обеспечивает необходимое расстояние между рукой и пильным диском.
- Никогда не используйте поврежденный или укороченный толкатель. Поврежденный толкатель может сломаться, в результате чего ваша рука может соскользнуть и коснуться пильного диска.
- Не выполняйте никакие операции «свободной рукой». Всегда применяйте направляющую планку или угловой упор для установки и направления заготовки. «Свободная рука» означает использование ваших рук для поддержки или направления заготовки вместо направляющей планки или углового упора. Распил с помощью свободной руки приводит к несоосности, заеданию и отбрасыванию.
- Никогда не тянитесь к вращающемуся пильному диску или над ним. Если тянуться к заготовке, то может произойти случайный контакт с

вращающимся пильным диском.

- Обеспечивайте дополнительную поддержку заготовки в задней части и/или по сторонам циркулярного станка для длинных и/или широких заготовок, чтобы они были ровными. Длинная и/или широкая заготовка имеет тенденцию колебаться на краях станка, приводя к потере контроля, заеданию пильного диска и отбрасыванию.
- Подавайте заготовку равномерно. Не гните и не вращайте заготовку. В случае заклинивания немедленно выключите устройство, отсоедините его от сети питания, затем устраните заклинивание. Заклинивание пильного диска заготовкой может привести к отбрасыванию или заглохению двигателя.
- Не удаляйте отпиленный материал во время работы пилы. Материал может быть зажат между направляющей планкой или кожухом пильного диска и пильным диском, толкая ваши пальцы к пильному диску. Перед удалением отпиленного материала выключите пилу и дождитесь остановки пильного диска.
- Используйте дополнительную направляющую планку, касающуюся поверхности стола, при продольном распиливании заготовок толщиной менее 2 мм. Тонкая заготовка может попасть под направляющую планку и вызвать отбрасывание.

ПРИЧИНЫ ОТБРАСЫВАНИЯ И СООТВЕТСТВУЮЩИЕ ПРЕДУПРЕЖДЕНИЯ.

Отбрасывание – это внезапная реакция заготовки, возникающая вследствие зажатого, заклинившего пильного диска или смещенной линии распила заготовки, или когда часть заготовки заклинивает между пильным диском и направляющей планкой или другим закрепленным объектом. Чаще всего во время отбрасывания заготовка поднимается вверх над станком с задней части пильного диска и двигается по направлению к оператору.

Отдача является результатом ненадлежащего использования инструмента и/или неправильной работы оператора, и ее можно избежать путем принятия надлежащих мер предосторожности, которые приводятся ниже.

- Никогда не стойте на одной линии с пильным диском. Корпус вашего тела должен всегда располагаться на той же стороне от пильного диска, что и направляющая планка. Отбрасывание может вызвать вращение заготовки с большой скоростью по направлению к тому, кто стоит перед пильным диском или на одной линии с ним.
- Никогда не тянитесь через пильный диск или к его задней стороне для продвижения и поддержки заготовки. В этом случае может произойти непреднамеренный контакт с пильным диском, или отбрасывание может привести к соскальзыванию ваших пальцев к пильному диску.
- Никогда не держите и не давите на заготовку, распиливаемую против направления вращения



пильного диска. Давление на заготовку, которая обрабатывается против направления вращения пильного диска, вызовет заедание пильного диска и отбрасывание.

- Установите направляющую планку параллельно пильному диску. Смещенная направляющая планка может привести к заеданию заготовки и отбрасыванию.
- Используйте гребенчатый прижим для надлежащей установки заготовки относительно стола и направляющей планки при совершении несквозных распилов, таких как прорезание пазов или распил на заготовки определенного размера. Гребенчатый прижим помогает контролировать заготовку в случае отбрасывания.
- Поддерживайте большие листы, чтобы уменьшить риск заклинивания пильного диска и отбрасывания. Крупные заготовки как правило прогибаются под своим весом. Одна или несколько опор должны быть установлены равномерно под той частью листа, которая выступает за пределы стола.
- Во избежание травм соблюдайте особую осторожность при распиле заготовки, если она вращается, изгибается, отклоняется от вертикали или не имеет ровного края для направления при помощи углового упора или вдоль направляющей планки. Отклоняющаяся, изгибающаяся или вращающаяся заготовка нестабильна и вызывает несоосность и изменение ширины пропила заготовки пильным диском, заедание и отбрасывание.
- Никогда не распиливайте более одной заготовки, расположенной в вертикальном или горизонтальном положении. Пильный диск может зацепить одну или несколько частей заготовки и вызвать отбрасывание.
- При повторном включении станка в момент нахождения пильного диска в заготовке, отцентрируйте пильный диск в пропиле так, чтобы зубья диска не касались заготовки. В случае заклинивания пильный диск может подбросить заготовку и вызвать отбрасывание при повторном включении станка.
- Держите пильные диски в чистом, заточенном состоянии в необходимом комплекте. Никогда не работайте с деформированными пильными дисками или пильными дисками с треснутыми или сломанными зубьями. Острые и поддерживаемые в надлежащем состоянии пильные диски минимизируют риск заедания, остановки и отбрасывания.

ПРЕДУПРЕЖДЕНИЯ ОТНОСИТЕЛЬНО ЭКСПЛУАТАЦИИ ЦИРКУЛЯРНОГО СТАНКА

- Выключите циркулярный станок и отсоедините кабель от сети питания, когда необходимо снять пластину для пропила, сменить пильный диск или отрегулировать расклинивающий нож или кожух пильного диска, а также когда устройство будет оставлено без присмотра. Соблюдение мер

предосторожности позволяют избежать несчастных случаев.

- Никогда не оставляйте циркулярный станок без присмотра. Выключите его и не уходите, пока устройство полностью не остановится. Работающий станок, оставленный без присмотра – это неконтролируемый источник опасности.
- Расположите циркулярный станок в хорошо освещенном и ровном месте, где вы можете занять устойчивое положение. Станок должен быть установлен так, чтобы было достаточно места для свободного перемещения заготовки любого размера. Тесные, плохо освещенные места, неровные и скользкие полы приводят к несчастным случаям.
- Регулярно мойте и удаляйте опилки из-под циркулярного станка и/или из пылесборника. Накапливаемые опилки могут самовоспламениться.
- Циркулярный станок должен быть надежно закреплен. Ненадлежаще закрепленный циркулярный станок может сдвинуться или перевернуться.
- Уберите инструменты, деревянные опилки и т. д. со стола, прежде чем включить циркулярный станок. Рассеянность внимания или возможное застревание могут быть опасны.
- Всегда правильно подбирайте размер пильных дисков и форму осевого отверстия. Пильные диски, размеры которых не в точности соответствуют деталям станка, будут несбалансированы, что может привести к потере контроля.
- Никогда не используйте поврежденные или неподходящие средства крепления пильных дисков, такие как фланцы, шайбы, болты или гайки. Данные средства крепления были специально разработаны для безопасной эксплуатации и оптимальной производительности вашего циркулярного станка.
- Никогда не становитесь на циркулярный станок и не используйте его как стул-стремянку. Опрокидывание устройства или непреднамеренное касание режущих инструментов может привести к серьезным травмам.
- Убедитесь в том, что пильный диск установлен для вращения в нужном направлении. Не применяйте шлифовальные круги, металлические щетки или абразивные круги на циркулярном станке. Неправильная установка пильного диска или использование нерекомендуемого дополнительного оборудования может привести к серьезным травмам.

ДОПОЛНИТЕЛЬНЫЕ ПРАВИЛА БЕЗОПАСНОСТИ, КАСАЮЩИЕСЯ ЦИРКУЛЯРНОГО СТАНКА

- Установите или закрепите устройство в устойчивом положении, что необходимо для надлежащего выполнения работ. Устройство может быть установлено на верстаке, опоре-стойке или прикреплено к полу.
- После установки настройте регулируемые





удлинительные ножи для достижения горизонтального положения.

- Работа на нужной высоте наряду с правильным рабочим положением помогут предотвратить растяжение сухожилий и другие травмы в процессе работы.
- Обеспечьте надлежащее общее или местное освещение, чтобы предотвратить стробоскопический эффект и факторы риска.
- При необходимости носите надлежащие индивидуальные средства защиты. К ним относятся средства защиты органов слуха для снижения риска потери слуха, средства защиты органов дыхания для снижения риска вдыхания наносящей вред здоровью пыли, жесткие перчатки при работе с пыльными дисками и грубым обтирочным материалом.
- Всегда носите защитные очки при работе с устройством. Рекомендуется носить жесткую несскользящую обувь с металлическим носком для защиты от падения предметов со стола.
- Пыль, образуемая при работе с инструментом, может причинить вред вашему здоровью, а также быть легковоспламеняющейся и взрывоопасной. Используйте устройство для отсасывания пыли и носите пылезащитную маску. Тщательно убирайте скапливающуюся пыль, например, при помощи щетки или пылесоса.
- Держите пол в рабочей зоне чистым и не допускайте накопления опилок, обрезков и проводов. Это снижает риск спотыкания и падения на диск.
- Держите стол чистым и свободным от посторонних предметов, включая инструмент и деревянные обрезки.
- Держите поверхность стола, направляющей планки и углового упора в чистоте. Не допускайте попадания на станок клея, краски и других веществ. Древесина должна продвигаться плавно, не застревать и не цепляться, так как в противном случае риск получения серьезной травмы в следствии отбрасывания значительно возрастает.
- Используйте только режущие диски, указанные в данном руководстве и удовлетворяющие требованиям стандарта EN 847-1.
- Не применяйте какие-либо пыльные диски из быстрорежущей стали.
- Используйте только те пыльные диски, на маркировке которых указана скорость, равная скорости, указанной на инструменте или превышающая ее.
- Не прикладывайте усилие при толкании заготовки в пыльный диск. Инструмент сделает свою работу. Чрезмерное применение силы приведет к перегреванию диска и режущих элементов и может привести к возгоранию заготовки. Это может привести к непредвиденным явлениям, которые могут привести к серьезным травмам.
- Не используйте тупые или поврежденные пыльные диски. Затупленный или неправильно установленный пыльный диск образуют узкий

пропил, вызывая чрезмерное трение, заедание и отбрасывание.

- Пыльные диски следует по возможности хранить в футляре.
- Не работайте с инструментом без пластины для пропила и заменяйте изношенные пластины.
- За исключением случаев выполнения несквозных распилов всегда держите кожух пыльного диска и расклинивающий нож в рабочем положении и в надлежащем эксплуатационном состоянии. Кожух пыльного диска должен легко подниматься и опускаться, чтобы обеспечить проход заготовки под ним. Убедитесь, что кожух пыльного диска надежно прикреплено к предохранительному клину. Не пользуйтесь инструментом со снятыми крышками или защитными приспособлениями.
- Всегда следите за тем, чтобы диск был параллелен направляющей планке. Это является основной причиной отбрасывания, которое может привести к серьезным травмам.
- Всегда используйте кожух пыльного диска и расклинивающий нож при каждом сквозном распиле. Сквозной распил – это вид операции, при которой диск полностью распиливает всю заготовку во время продольного или поперечного распила.
- Каждый тщательно проверяйте заготовку, которую вы собираетесь распилить, нет ли в ней посторонних предметов, таких как гвозди, винты, скобы, особенно если это повторно используемая древесина.
- При контакте перечисленных или аналогичных элементов с диском во время распила, диск получит повреждение и может нанести серьезную травму оператору или другим лицам.
- Конструкция данного электроинструмента не допускает возможности выполнять облицовочные спилы.
- При необходимости используйте направляющую линейку. При продольной распиловке узких лесоматериалов всегда пользуйтесь направляющей линейкой. Если направляющая линейка при работе не используется, ее следует хранить рядом с инструментом.
- Не прикасайтесь к пыльному диску во время работы. Следите за тем, чтобы ваши пальцы не попали в зону, занимаемую пластиной для пропила.
- Никогда не оставляйте инструмент работающим без присмотра.
- Выключите питание.
- Не оставляйте инструмент до его полного останова.
- Никогда не пытайтесь остановить устройство, находящееся в движении, придерживая заготовку или применяя другие действия по отношению к диску. Это может привести к серьезным травмам.
- Не касайтесь режущего полотна сразу после распиловки. При распиловке режущий диск нагревается.
- В случае заклинивания во время работы пыльного диска выключите устройство и отключите его от





источника электропитания. Уберите заготовку, чтобы освободить режущий диск пилы. Включите устройство и заново начните операцию резки, уменьшив усилие подачи.

- При транспортировке устройства снимите кожух пильного диска, установите расклинивающий нож в нижнее положение и опустите диск так, чтобы он находился ниже поверхности стола в транспортировочном положении.
- Если шнур питания поврежден, он должен быть заменен только производителем или авторизованным сервисным центром во избежание опасности.
- Не используйте насадки или устройства, не рекомендованные производителем. Использование других деталей и аксессуаров ведет к тяжелым травмам. Устройства, используемые во многих условиях, включая места на открытом воздухе, следует подключать через устройство защитного отключения.
- Если подача питания к циркулярному станку прерывается, выключатель устройства автоматически переключится в положение Выкл.

ИНСТРУКЦИИ ПО ТЕХНИКЕ БЕЗОПАСНОСТИ ДЛЯ ПИЛЬНОГО ДИСКА ПО ДЕРЕВУ

- Просим внимательно прочесть данное руководство и инструкции перед использованием пильного диска и электроинструмента.
- Электроинструмент должен быть в исправном состоянии, шпиндель – без деформации и вибрации.
- Убедитесь, что оператор прошел надлежащую подготовку по технике безопасности, регулировке и эксплуатации электроинструмента.
- Всегда носите защитные очки и наушники при использовании электроинструмента. Рекомендуется надевать перчатки, прочные нескользящие ботинки и фартук.
- Перед использованием принадлежностей обязательно прочитайте информацию о них в руководстве по эксплуатации. Неправильное использование устройств может привести к повреждению и повысить вероятность получения травмы.
- Держите диск в чистоте. Это относится к опилкам и особенно к вязким веществам, таким как древесная смола. Чистый диск производит аккуратный и безопасный распил.
- Используйте только режущие диски, указанные в данном руководстве и удовлетворяющие требованиям стандарта EN 847-1.
- Во время работы не допускайте превышения максимальной скорости вращения, указанной на режущем диске. Убедитесь, что скорость, указанная на пильном диске, больше или равна скорости, указанной на пиле.
- Всегда правильно подбирайте размер пильных дисков и форму осевых отверстий. Диски с посадочным отверстием не соответствующим

диаметру шпинделя пилы будут работать с биением, что может привести к потере контроля над инструментом.

- Не используйте пильные диски, толщина которых больше или меньше толщины расклинивающего ножа.
- Используйте режущие диски только предписанного диаметра! Не используйте прокладки для закрепления режущего диска в шпинделе.
- Проверьте края пильного диска на наличие повреждений и иных дефектов перед каждым использованием. Поврежденные или слабо держащиеся края могут отлететь во время эксплуатации и привести к получению травм.
- Не используйте треснувшие или погнутые полотна пилы. Не используйте поврежденные или деформированные пильные полотна.
- Выбрасывайте пильный диск, если он поврежден, деформирован, искажен или имеет трещины, его ремонт не допускается.
- Не пользуйтесь режущими дисками из быстрорежущей стали.
- Убедитесь в том, что пильный диск установлен правильно, надежно затяните гайки перед началом работы.
- Крепежные винты и гайки должны быть затянуты с помощью соответствующего ключа.
- Удлинение гаечного ключа или затяжка с использованием молотка не допускается.
- Удостоверьтесь, что диск и фланцы находятся в чистом состоянии и утопленные стороны зажимной шайбы установлены напротив диска.
- Убедитесь в том, что диск вращается в правильном направлении и не касается каких-либо частей станка или защитных приспособлений.
- Перед работой выполните имитирующий проход с выключенным двигателем, чтобы проверить положение диска, функционирование защитных приспособлений по отношению к другим деталям устройства и заготовке.
- Никогда не оставляйте электроинструмент без присмотра.
- Не пытайтесь смазать маслом режущий диск во время его работы.
- Никогда не пытайтесь остановить электроинструмент, находящийся в движении, придерживая инструмент или применяя другие действия по отношению к диску. Это может привести к серьезным травмам.
- Отсоедините электроинструмент от электрической сети перед заменой дисков или проведением технического обслуживания.
- Будьте внимательны при упаковке и распаковке пильных дисков, об острые концы можно легко обрезать.
- Переносите пильный диск с использованием специального держателя или в перчатках. Помните, что диск будет горячим после выполнения распила.
- Храните пильный диск в оригинальной упаковке

EN
FR
DE
ES
IT
NL
PT
DA
SV
FI
NO
RU
PL
CS
HU
RO
LV
LT
HR
ET
SL
SK
EL
TR



или иной подходящей упаковке в сухости вдали от химических веществ, которые могут повредить диск.

НАЗНАЧЕНИЕ

Циркулярный станок разработан для управления одним человеком в целях продольного и поперечного распила древесины с максимальной глубиной до 80 мм под углом 0°. При максимальном угле скоса 45° максимальная глубина распила составляет 55 мм. Циркулярный станок разработан для установки на горизонтальной поверхности или рабочей площадке, поставяемой производителем. Можно распиливать твердую и сухую древесину и деревоплиты.

Только комбинация диска и расклинивающего ножа, поставяемая производителем циркулярного станка, может быть использована в данном станке.

ОСТАТОЧНЫЕ РИСКИ

Даже когда циркулярный станок используют согласно инструкциям, невозможно полностью устранить факторы риска.

Оператор должен уделять особое внимание данным моментам, чтобы снизить риск получения телесных повреждений.

- Несквозной распил. Кожух пильного диска снят, а пильный диск выдвинут.
- Касание диска – не тянитесь к диску или над ним.
- Отбрасывание – никогда не стойте перед диском.
- Устойчивость – убедитесь, что электроинструмент в устойчивом положении, по возможности закрепите его.
- Советы на случай отбрасывания пильного диска – всегда носите защитные очки во время работы.
- Вдыхание пыли и ворсинок – при необходимости носите маску. Опилки, образующиеся при работе с определенными видами материалов (например МДФ), могут быть опасными для дыхательной системы.
- Повреждение глаз опилками и частицами пыли – всегда носите защитные очки во время работы.
- Повреждение органов слуха – уменьшите риск воздействия опасных факторов и носите соответствующие средства защиты органов слуха.
- Уровни шума могут различаться в зависимости от режима использования устройства. У людей, подвергшихся воздействию шума высокого уровня даже в течение короткого времени, может возникнуть временная частичная потеря слуха, а непрерывное воздействие шума высокого уровня может привести к необратимому повреждению органов слуха.

ОЗНАКОМЬТЕСЬ С РАБОТОЙ ИНСТРУМЕНТА

См. стр. 242.

1. Пластина для пропила
2. Регулируемый выдвигающийся расклинивающий нож
3. Наклонная направляющая

4. Пильное полотно
5. Кожух пильного диска
6. Защелка пластины для пропила
7. Линейка/направляющая планка
8. Приставной инструментальный столик (RTS1800ES, RTS1800EF)
9. Крепежные отверстия (для крепления на верстаке или на ножках)
10. Лопаточный переключатель
11. Колесо регулировки угла скоса
12. Блокировка угла скоса
13. Ручка регулировки глубины пропила
14. Циркулярный станок
15. Отсос пыли
16. Насадка пылеприемника

ЭКСПЛУАТАЦИЯ

⚠ ОСТОРОЖНО

Прочитайте и уясните все правила безопасности и иные инструкции в данном руководстве перед использованием электроинструмента и распилом с помощью циркулярной пилы.

Сквозной распил Любая операция распила, при которой пильный диск выступает за пределы толщины обрабатываемой детали. Для этой операции расклинивающий нож должен быть в поднятом положении, и должен быть установлен кожух диска. Используйте направляющую линейку или направляющую скоса для правильной установки обрабатываемой детали.

Несквозной распил Любая операция распила, при которой пильный диск не выступает за пределы толщины обрабатываемой детали. Для этой операции расклинивающий нож должен быть в опущенном положении. Верх расклинивающего ножа должен быть чуть ниже верхней части пильного диска. Кожух пильного диска не устанавливается. Используйте направляющую линейку или направляющую скоса для правильной установки обрабатываемой детали.

Распил по направляющей Используется направляющая планка параллельная диску. Обычно распил выполняется в направлении волокна древесины (если имеется). Распил может быть как сквозным так и несквозным.

Поперечный распил Используется направляющая скоса или поперечная планка. Конструкция данного устройства предполагает перемещение параллельно пильному диску и позволяет держать заготовку под фиксированным углом поперек режущей оси диска. Обычно распил выполняется поперек направления волокна древесины (если имеется). Распил может быть как сквозным так и несквозным.

Скошенный распил Угол наклона диска относительно поверхности стола изменяется в диапазоне от 90° до 45°. Производится распил со скошенным краем. Распил может быть как сквозным так и несквозным. Следует использовать направляющую линейку или направляющую скоса для правильной



EN
FR
DE
ES
IT
NL
PT
DA
SV
FI
NO
RU
PL
CS
HU
RO
LV
LT
ET
HR
SL
SK
EL
TR

установки обрабатываемой детали.

Распил под углом Заготовка подается к диску под углом. Требуется установить угол в направляющей скоса, которая затем удерживает заготовку под этим углом, в то время как перемещение заготовки происходит параллельно диску для выполнения распила. Распил может быть как сквозным так и несквозным.

Обработка скошенных поверхностей Обработка скошенных поверхностей возможна с использованием направляющей скоса, установленной под определенным углом. Невозможно выполнить продольный скошенный распил, так как для этого требуется специальное приспособление.

БЕЗОПАСНОЕ ИСПОЛЬЗОВАНИЕ НАПРАВЛЯЮЩЕЙ ПЛАНКИ

- Никогда не используйте направляющую планку и угловой упор одновременно. Это повышает вероятность отбрасывания и получения травмы. Когда она не используется, уберите ее со стола и храните в безопасном месте.
- Каждый раз, когда направляющая планка используется или перемещается в другое место, необходимо проверять ее параллельность пильному диску.
- Непараллельная направляющая планка может привести к застреванию заготовки между диском и планкой и вызывать отбрасывание с причинением вреда себе и другим людям.
- Плохо отрегулированная или установленная направляющая планка может привести к тому, что заготовка подается к лезвию под неправильным углом, что в свою очередь может привести к повреждению диска или заклиниванию. Это также может вызвать отбрасывание (см. выше).
- Чтобы правильно установить или отрегулировать направляющую планку, зацепите конец планки за задний край стола, затем опустите передний край до касания передней части стола. Затем надавите на переднюю часть направляющей планки, чтобы установить нужный угол. Всегда следите за тем, чтобы направляющая планка была параллельна диску. Затем зафиксируйте направляющую планку в этом положении, нажав на зажимную рукоятку.
- Силу, с которой зажимная рукоятка держит направляющую планку в нужном положении, можно регулировать вращением винта с насеченной головкой чуть выше зажимной рукоятки.
- Всегда проверяйте параллельность направляющей планки и диска путем измерения или точно вырезанным бруском, прежде чем выполнять распил.

Совмещение меток длины направляющей и диска

Установите край направляющей напротив диска, а затем отрегулируйте индикатор смотрового стекла, чтобы совместить с меткой 0 мм на переднем крае стола. Ослабьте винт, отрегулируйте смотровое стекло и снова затянуть винт.

Использование дополнительной направляющей планки

В определенных обстоятельствах необходимо устанавливать дополнительную направляющую планку на основную.

- a. Когда узкую заготовку невозможно держать рукой или толкателем, потому что на пути направляющая планка.
- b. Когда выполняется распил тонкой заготовки. Очень тонкие заготовки могут проскользнуть под основной направляющей планкой и вызвать заедание, что может привести к отбрасыванию. Используйте дополнительную направляющую планку для предотвращения этого.

Уберите дополнительную направляющую планку, когда для соблюдения безопасности достаточно использовать только основную направляющую планку.

При выполнении скошенных распилов на узких заготовках всегда используйте направляющую планку на противоположной стороне диска так, чтобы она свешивалась, иначе может произойти толкающий блок или толкатель может упереться в кожух пилы или направляющую планку.

Установка дополнительной направляющей планки на основную

- Используйте барашковые гайки и шайбы на одной стороне направляющей планки, продавите болты на другую сторону и затяните, повернув несколько раз. Теперь задвиньте дополнительную направляющую планку по головкам болтов на предусмотренный паз. Надлежащим образом затяните дополнительную направляющую планку.

ПРИМЕЧАНИЕ: Дополнительная направляющая планка предназначена только для того, чтобы направить заготовку мимо диска и расклинивающего ножа, она не должна покрывать всю длину основной направляющей планки.

Уберите дополнительную направляющую планку, когда для соблюдения безопасности достаточно использовать только основную направляющую планку. Не оставляйте болты и барашковые гайки на своем месте на основной направляющей планке.

Использование гребенчатого прижима

Гребенчатый прижим – это устройство, похожее на расческу, но срезанное под углом. Обычно изготовленные из дерева или пластика, тонкие зубцы слегка сгибаются, когда заготовка задвигается в нужное место, оказывая равномерное и постоянное давление для удержания заготовки. Используйте одно из этих устройств, когда требуется точный распил узкой заготовки. Это устройство крепится к столу с помощью пазов направляющей скоса, и оператору не требуется держать пальцы рядом с диском.

Гребенчатые прижимы сторонних производителей могут быть приобретены в специализированных магазинах деревообрабатывающего оборудования.



УСТРОЙСТВО ЗАЩИТЫ ОТ ПЕРЕГРУЗОК

Изделие имеет устройство защиты от перегрузки. При обнаружении перегрузки изделие автоматически выключается. Выключите питание. Если сработало устройство защиты от перегрузки, дайте двигателю остыть в течение 3 минут. Убедитесь, что диск может вращаться свободно без заедания и сопротивления. Нажмите кнопку повторного пуска (под выключателем). Включите питание. Нажмите кнопку Вкл, чтобы запустить устройство.

ТЕХНИЧЕСКОЕ ОБСЛУЖИВАНИЕ

- Перед проведением обслуживания или чистки убедитесь, что пильный диск полностью остановился, а шнур питания извлечен из розетки.
- Если шнур питания поврежден, он должен быть отремонтирован в авторизованном сервисном центре.
- Лезвие имеет острые края, а также может некоторое время оставаться горячим после эксплуатации. Во избежание травм проявляйте крайнюю осторожность при чистке пильного диска. Носите перчатки, чтобы защитить себя от травм.
- Регулярно очищайте циркулярный станок и ее принадлежности от пыли, особенно движущиеся части, включая кожух диска. Пользуйтесь зубной щеткой или пылесосом для эффективного удаления пыли.

⚠ ОСТОРОЖНО

Не пытайтесь разбирать кожух пильного диска для чистки или ремонта. Не используйте поврежденный кожух. Верните его в авторизованный сервисный центр для ремонта или замены.

- Циркулярный станок смазан на заводе и не требует дополнительной смазки.
- Для получения сведений по проверке и регулировке углов скоса, а также параллельности диска и направляющей планки см. разделы «Проверка и установка угол скоса» и «Проверка и настройка параллельности диска пазам направляющей скоса» данного руководства.

ПРОВЕРКА И УСТАНОВКА УГОЛ СКОСА

ПРИМЕЧАНИЕ: Установка диска под углом 90° к столу дает в результате угол скоса 0°.

1. Выключите питание и выньте вилку из розетки.
2. Обращайте особое внимание на зубья диска, они очень острые и могут привести к травмам.
3. Поднимите пильный диск и расклинивающий нож на максимальную высоту.
4. Снимите кожух пильного диска.
5. Установите расклинивающий нож в нижнем положении.
6. Следите за тем, чтобы диск и поверхность стола были очищены от пыли и мусора.
7. Разместите поверхность стола и самую высокую часть диска под прямым углом, равным 90°. Будьте

осторожны, чтобы не дотронуться до зубьев диска во время этих измерений, так как это приведет к ошибке. Вы должны выровнять поверхность пильного диска.

8. Не должно быть никаких зазоров между краем угольника и диском или столом, в этом состоянии диск находится в совершенно вертикальном положении, и дальнейшая регулировка угла диска не требуется.
9. Если имеется зазор, ослабьте стопорное кольцо скоса и аккуратно измените угол скоса, постоянно перепроверяет зазор. Когда зазора не будет, надежно затяните стопорное кольцо скоса.
10. Ослабьте винт на указателе угла наклона и отрегулируйте прозрачный пластиковый держатель так, чтобы он совпадал с отметкой 0°. Затяните винт.
11. Повторите эту операцию для проверки и настройки различных углов между 90° и 45°, если это необходимо.

ПРОВЕРКА И НАСТРОЙКА ПАРALLELЛЬНОСТИ ДИСКА ПАЗАМ НАПРАВЛЯЮЩЕЙ СКОСА

1. Выключите питание и выньте вилку из розетки.
2. Обращайте особое внимание на зубья диска, они очень острые и могут привести к травмам.
3. Поднимите пильный диск и расклинивающий нож на максимальную высоту.
4. Снимите кожух пильного диска.
5. Выполните все этапы проверки, описанной в разделе «Как проверить и установить угол скоса». Убедитесь, что угол скоса надежно установлен на 0°.
6. Возьмите направляющую скоса и установите ее в один из пазов на столе. Установите угол направляющей скоса равным 90°.
7. Поместите стальную линейку вплотную к направляющей скоса так, чтобы прямой конец линейки касался пильного диска. Вы можете использовать аккуратно вырезанный брусок вместо стальной линейки.
8. Крепко держите линейку/брусок и сдвиньте всю направляющую скоса так, чтобы линейка/брусок теперь касались другого конца диска. Необходимо, чтобы у линейки или бруска была одинаковая степень контакта с диском по мере движения поперек диска. Если это так, то параллельность между диском и пазами стола является точной, и регулировка не требуется. Проверьте паз на другой стороне стола, используя тот же метод.

НАСТРОЙКА ПАРALLELЛЬНОСТИ ДИСКА И ПАЗОВ СТОЛА

Имеется два болта в передней части диска и еще два на задней. Доступ к ним можем быть осуществлен из-под поверхности стола.

Когда эти болты ослаблены, весь диск, расклинивающий нож и двигатель могут быть перемещены, чтобы точно выровнять диск по отношению к пазам на столе.

Возможно, этого трудно будет достичь, если у вас нет опыта в такой настройке, поэтому в случае затруднений обратитесь в ближайший авторизованный сервисный центр Ryobi для профессиональной настройки вашего

циркулярного станка.

ЗАЩИТА ОКРУЖАЮЩЕЙ СРЕДЫ



Утилизируйте как сырье, а не выбрасывайте как мусор. Машина, аксессуары и упаковка должны быть отсортированы.

УСЛОВНЫЕ ОБОЗНАЧЕНИЯ НА ИЗДЕЛИИ



Сигнал опасности



Соответствие требованиям CE



Знак Евразийского Соответствия



Инструмент класса II, двойная изоляция



Внимательно прочтите данные инструкции перед использованием продукта.



Носите специальные устройства для защиты глаз.



Носите специальные устройства для защиты глаз.



Носите защитные перчатки.



Опасность! Острый режущий диск!



Режущая способность



Ширина пропила пильного диска



Количество зубьев на этом пильном диске



Предназначен для распила древесины и аналогичных материалов



Нельзя использовать для резки металлов



Направление вращения диска (показано на ограждении пильного диска)



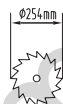
Направление вращения диска (показано на расклинивающем ноже)



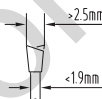
Направление вращения диска (показано на пильном диске)



Направление вращения диска (показано на столе)



Диаметр режущего диска



Толщина пильного диска и ширина пропила



Толщина расклинивающего ножа и твердость



Номинальная мощность



Карбид-вольфрамовый диск (48 зубьев)



Плавный пуск



Защита от перегрузки



Литой алюминиевый стол



Размеры стола (RTS1800, RTS1800S)



Размеры стола (RTS1800ES, RTS1800EF)



Размеры приставного стола



Съемная задвигающаяся ножка



Складная улучшенная ножка



Распилочная способность (90° и 45°)



Отработанная электротехническая продукция должна уничтожаться вместе с бытовыми отходами. Утилизируйте, если имеется специальное техническое оборудование. Проконсультируйтесь с местными органами власти или вашим продавцом по вопросу утилизации.

УСЛОВНЫЕ ОБОЗНАЧЕНИЯ В ДАННОМ РУКОВОДСТВЕ



Подключите к электрической розетке.



Отсоедините от электрической розетки.



Детали или принадлежности, приобретаемые отдельно



Отработанная электротехническая продукция должна уничтожаться вместе с бытовыми отходами. Утилизируйте, если имеется специальное техническое оборудование.



Примечание:



ОСТОРОЖНО

OGÓLNE ZASADY BEZPIECZEŃSTWA DOTYCZĄCE URZĄDZEŃ ELEKTRYCZNYCH

⚠ OSTRZEŻENIE

Prosimy o uważne zapoznanie się z ostrzeżeniami, instrukcjami i specyfikacjami dostarczonymi z tym narzędziem oraz z zawartymi w nich ilustracjami. Nie przestrzeganie przedstawionych niżej zaleceń mogłoby pociągnąć za sobą wypadki takie jak pożary, porażenia prądem elektrycznym i /lub poważne obrażenia ciała.

Zachowaj wszystkie ostrzeżenia i instrukcje do wykorzystania w przyszłości. Termin "elektronarzędzia" stosowany w przedstawionych tu zasadach bezpieczeństwa odnosi się zarówno do urządzeń zasilanych z sieci energetycznej (przewodowych) jak i urządzeń zasilanych z akumulatora (beprzewodowych).

BEZPIECZEŃSTWO MIEJSCA PRACY

- Miejsce pracy musi być utrzymywane w czystości i dobrze oświetlone. „Zagracone” i słabo oświetlone miejsca pracy to częsta przyczyna wypadków.
- Nie używać elektronarzędzi w atmosferze wybuchowej, np. w obecności łatwopalnej cieczy, gazów i pyłów. Elektronarzędzia wytwarzają iskry, co może spowodować zapłon pyłu lub oparów.
- Podczas używania narzędzi elektrycznych należy utrzymywać osoby postronne i dzieci z dala od miejsca pracy. Utrata koncentracji może spowodować utratę kontroli nad urządzeniem.

BEZPIECZEŃSTWO ELEKTRYCZNE

- Wtyczki zasilania elektronarzędzi muszą pasować do gniazd sieciowych. Nie wolno modyfikować wtyczek w żaden sposób. Nie używać żadnych przejściowych wtyczek/adapterów w przypadku uziemionych elektronarzędzi. Stosowanie oryginalnych wtyczek i dopasowanych gniazd sieciowych zmniejsza ryzyko porażenia prądem.
- Należy unikać kontaktu ciała z uziemionymi powierzchniami, takimi jak rury, grzejniki, kuchenki i lodówki. Kontakt ciała z masą lub uziemieniem zwiększa ryzyko porażenia prądem.
- Nie narażać elektronarzędzi na działanie deszczu lub wody. Woda dostająca się do elektronarzędzia stwarza zagrożenie porażenia prądem.
- Nie rozciągać nadmiernie przewodu. Nie wolno używać przewodu zasilania do przenoszenia, ciągnięcia urządzenia lub jego odłączania z gniazda sieciowego. Przewód zasilania należy trzymać z dala od oleju, ostrych krawędzi lub ruchomych części. Uszkodzony lub zaplątany przewód elektryczny zwiększa ryzyko porażenia prądem.
- W przypadku używania urządzenia na zewnątrz, ewentualne przedłużacze muszą być do tego przystosowane. Zastosowanie przedłużacza przystosowanego do warunków zewnętrznych zmniejsza ryzyko porażenia prądem.
- Jeśli nie można uniknąć użytkowania urządzenia

elektrycznego w warunkach wilgotnych, należy je zasilac z obwodu zabezpieczonego wyłącznikiem różnicowo-prądowym (RCD). Zastosowanie takiego wyłącznika pozwala zmniejszyć ryzyko porażenia prądem elektrycznym.

BEZPIECZEŃSTWO OSOBISTE

- Posługując się elektronarzędziem, należy zachować czujność i kierować się zdrowym rozsądkiem. Nie używać tego elektronarzędzia w stanie zmęczenia, będąc pod wpływem narkotyków, alkoholu lub leków. Chwila nieuwagi podczas obsługi elektronarzędzi może spowodować poważne obrażenia ciała.
- Należy stosować środki ochrony osobistej. Zawsze nosić okulary ochronne. Środki ochronne, takie jak maska przeciwpyłowa, obuwie przeciwpoślizgowe, kask ochronny lub środki ochrony słuchu stosowane w odpowiednich okolicznościach ograniczają ryzyko odniesienia obrażeń ciała.
- Nie dopuścić do przypadkowego uruchomienia. Należy upewnić się, że przełącznik znajduje się w położeniu wyłączenia przed podłączeniem urządzenia do źródła zasilania oraz/lub akumulatora, przed podniesieniem lub przeniesieniem narzędzia. Przenoszenie elektronarzędzi z palcem znajdującym się na wyłączniku lub włączenie zasilania w przypadku elektronarzędzia, którego wyłącznik znajduje się w położeniu włączenia, zwiększa ryzyko wypadku.
- Usunąć wszelkie narzędzia i klucze przed włączeniem zasilania. Uruchomienie urządzenia z kluczem lub innym narzędziem założonym na ruchomym elemencie grozi poważnym wypadkiem.
- Nie sięgać zbyt daleko. Należy cały czas pewnie opierać stopy i utrzymywać równowagę. Zapewni to lepsze panowanie nad urządzeniem w nieprzewidzianych sytuacjach.
- Należy zakładać odpowiednią odzież ochronną. Nie zakładać luźnego ubioru ani biżuterii. Nie należy zbliżać włosów ani odzieży do ruchomych części. Luźna odzież, biżuteria lub długie włosy mogą zostać wciągnięte przez ruchome części.
- Jeśli są zapewnione urządzenia do podłączenia instalacji wyciągu pyłu oraz odbioru materiału, należy upewnić się, że są one dobrze podłączone i prawidłowo używane. Stosowanie instalacji wyciągu pyłu może ograniczyć zagrożenie związane z pyłem.
- Nie należy dopuścić do tego, aby rutyna osłabiła czujność i spowodowała ignorowanie zasad bezpiecznej obsługi narzędzia. Nieostrożna obsługa może spowodować poważne urazy ciała w ciągu ułamka sekundy.

UŻYTKOWANIE I KONSERWACJA URZĄDZEŃ ELEKTRYCZNYCH

- Nie używać siły podczas obsługi elektronarzędzia. Należy stosować odpowiednie elektronarzędzia do danych zastosowań. Elektronarzędzie będzie najwydajniejsze i najbezpieczniejsze w obsłudze, jeśli będzie używane zgodnie z przeznaczeniem.
- Nie wolno używać tego urządzenia, jeśli wyłącznik



nie pracuje poprawnie. Używanie urządzenia bez sprawnego wyłącznika jest zbyt niebezpieczne – należy oddać je do naprawy.

- Wyjąć wtyczkę z gniazda elektrycznego oraz/lub akumulator, jeśli jest wymienny, z elektronarzędzia przed wykonywaniem regulacji, wymianą akcesoriów lub przechowywaniem elektronarzędzia. Tego typu prewencyjne środki zapobiegawcze ograniczają ryzyko przypadkowego uruchomienia elektronarzędzia.
- Nieużywane urządzenia należy przechowywać poza zasięgiem dzieci. Nie wolno zezwalać osobom nie obeznanym z obsługą urządzeń elektrycznych na ich używanie. Urządzenia elektryczne mogą być niebezpieczne w rękach osób nie posiadających odpowiedniego przygotowania.
- Należy dbać o odpowiednią konserwację elektronarzędzia. Sprawdzić, czy ruchome części są dobrze dopasowane i zamocowane, czy nie są uszkodzone. Należy również uwzględnić inne okoliczności, które mogą mieć wpływ na pracę elektronarzędzia. Jeśli elektronarzędzie jest uszkodzone, należy naprawić je przed użyciem. Wiele wypadków jest spowodowanych przez nieprawidłową konserwację elektronarzędzia.
- Narzędzia tnące powinny być ostre i czyste. Odpowiednio konserwowane narzędzia tnące z ostrą powierzchnią tnącą są mniej podatne na zacinanie i łatwiej je kontrolować.
- Należy używać elektronarzędzi, akcesoriów oraz osprzętu itp. zgodnie z tymi instrukcjami, uwzględniając warunki robocze oraz pracę do wykonania. Stosowanie elektronarzędzi do innych prac niż zgodne z ich przeznaczeniem może doprowadzić do niebezpiecznych sytuacji.
- Uchwyty i powierzchnie do trzymania muszą zawsze być suche, czyste i wolne od smaru oraz oleju. Śliskie uchwyty i powierzchnie do trzymania nie umożliwiają bezpiecznej obsługi i kontrolowania narzędzia w nieoczekiwanych sytuacjach.

SERWIS

- Urządzenie elektryczne powinno być naprawiane przez wykwalifikowany personel, z zastosowaniem identycznych części zamiennych. Dzięki temu zapewnione będzie bezpieczeństwo użytkownika urządzenia.

INSTRUKCJE BEZPIECZEŃSTWA DLA PILAREK STOŁOWYCH

OSTRZEŻENIA DOTYCZĄCE OSŁON

- Osłony muszą być zamontowane na swoim miejscu. Osłony muszą być w odpowiednim stanie i muszą być prawidłowo zamontowane. Luźna, uszkodzona lub nieprawidłowo działająca osłona wymaga naprawy lub wymiany.
- Zawsze należy używać osłony ostrza pilarki oraz klina rozszczepiającego do wszystkich czynności związanych z przecinaniem. W przypadku rozcinania,

gdy ostrze pilarki przecina obrabiany obiekt na całej szerokości, osłona oraz inne zabezpieczenia pomagają ograniczyć ryzyko urazu ciała.

- Po zakończeniu czynności (takich jak frezowanie lub rozpiłowywanie), które wymagają zdjęcia osłony, należy natychmiast zamocować osłonę. Osłona oraz klin rozszczepiający pomagają ograniczyć ryzyko urazu ciała.
- Przed ustawieniem przełącznika w położeniu włączenia należy upewnić się, że ostrze piły nie styka się z osłoną, klinem rozszczepiającym ani obrabianym obiektem. Przypadkowe zetknięcie tych elementów z ostrzem pilarki może spowodować niebezpieczną sytuację.
- Należy ustawić zgodnie z opisem podanym w instrukcji obsługi. Nieprawidłowy odstęp, ustawienie i wyrównanie mogą ograniczyć funkcję klina rozszczepiającego w zakresie eliminowania odskoku.
- Aby klin rozszczepiający spełniał swoją funkcję, musi mieć kontakt z obrabianym obiektem. Klin rozszczepiający nie spełnia swojej funkcji w przypadku cięcia elementów, które są na tyle krótkie, że nie mają kontaktu z klinem rozszczepiającym. W takich przypadkach klin rozszczepiający nie zapewnia ochrony przed odskokiem.
- Należy używać ostrza pilarki odpowiedniego dla danego klina rozszczepiającego. Aby klin rozszczepiający działał prawidłowo, średnica ostrza pilarki musi pasować do odpowiedniego klina rozszczepiającego, a ostrze pilarki musi być cieńsze od klina rozszczepiającego, natomiast szerokość cięcia ostrza pilarki musi być szersza od grubości klina rozszczepiającego.

OSTRZEŻENIA DOTYCZĄCE PROCEDUR CIĘCIA

▲ NIEBEZPIECZEŃSTWO

Nigdy nie wolno umieszczać palców lub dłoni w pobliżu lub na linii ostrza pilarki. Chwila nieuwagi lub potknięcie mogą spowodować przesunięcie dłoni w stronę ostrza pilarki i w rezultacie poważne obrażenia ciała.

- Obrabiany element należy przesuwac wyłącznie przeciwnie do kierunku obrotów ostrza pilarki. Przesuwanie obrabianego elementu w tym samym kierunku co obroty ostrza pilarki nad stołem może spowodować pociągnięcie obrabianego elementu oraz ręki operatora w kierunku ostrza pilarki.
- Nigdy nie należy używać wskaźnika kąтового do podawania obrabianego elementu podczas cięcia wzdłużnego i nie należy używać prowadnicy wzdłużnej jako ogranicznika długości w przypadku cięcia poprzecznego przy użyciu wskaźnika kąтового. Prowadzenie obrabianego elementu jednocześnie przy użyciu prowadnicy wzdłużnej i wskaźnika kąтового zwiększa ryzyko zablokowania ostrza pilarki i odskoku.
- W przypadku cięcia wzdłużnego zawsze należy dopychać obrabiany element pomiędzy prowadnicą





i ostrzem pilarki. Należy użyć popychacza, jeśli odległość między prowadnicą i ostrzem pilarki wynosi mniej niż 150 mm oraz należy użyć klocka popychającego, jeśli ta odległość wynosi mniej niż 50 mm. Te akcesoria pozwolą zachować bezpieczną odległość rąk od ostrza pilarki.

- **Należy wyłączyć używać popychacza dostarczonego przez producenta lub zbudowanego zgodnie z instrukcjami.** Ten popychacz zapewni odpowiednią odległość ręki od ostrza pilarki.
- **Nigdy nie wolno używać uszkodzonego lub przeciętego popychacza.** Uszkodzony popychacz może pęknąć, powodując zetknięcie ręki z ostrzem pilarki.
- **Nie należy wykonywać żadnych czynności bez odpowiedniego zabezpieczenia obrabianego elementu.** Zawsze należy używać prowadnicy wzdłużnej lub wskaźnika kąтового w celu ustawiania i prowadzenia obrabianego elementu. „Bez odpowiedniego zabezpieczenia” oznacza używanie rąk do przytrzymywania lub prowadzenia obrabianego elementu, zamiast użycia prowadnicy wzdłużnej lub wskaźnika kąтового. Piłowanie bez odpowiedniego zabezpieczenia prowadzi do zmiany ustawienia obiektu, zablokowania i odskoku.
- **Nigdy nie wolno umieszczać części ciała lub pochyłać się nad obracającym się ostrzem pilarki.** Sięganie po obrabiany element może doprowadzić do przypadkowego kontaktu z obracającym się ostrzem pilarki.
- **Należy zapewnić dodatkowe oparcie obrabianego elementu z tyłu oraz/lub po bokach stołu pilarki w przypadku długich oraz/lub szerokich obrabianych elementów, aby utrzymać je w równej płaszczyźnie.** Długi oraz/lub szeroki obrabiany element ma tendencję do przechylania się na krawędzi stołu, powodując utratę kontroli, zakleszczenie ostrza pilarki oraz odskok.
- **Obrabiany element należy przesuwac w równomiernym tempie.** Nie zginac ani nie przechylać obrabianego elementu. W przypadku zablokowania należy natychmiast wyłączyć urządzenie, odłączyć je od źródła zasilania i usunąć zacięcie. Zablokowanie ostrza pilarki przez obrabiany element może spowodować odskok lub zablokowanie silnika.
- **Nie usuwać kawałków odciętego materiału, gdy pilarka pracuje.** Materiał może ulec zablokowaniu pomiędzy prowadnicą lub wewnątrz osłony ostrza pilarki i ostrzem pilarki, powodując wciągnięcie palców do ostrza pilarki. Przed wyjęciem materiału należy wyłączyć pilarkę i odczekać aż ostrze pilarki zatrzyma się.
- **W przypadku przecinania elementów o grubości poniżej 2 mm należy używać pomocniczej prowadnicy zapewniającej kontakt z blatem stołu.** Cienki element może zaklinować się pod prowadnicą wzdłużną i może spowodować odskok.

PRZYCZYNY ODSKOKU I POWIĄZANE OSTRZEŻENIA

Odkok to nagła reakcja obrabianego materiału na skutek zakleszczenia, zablokowania ostrza pilarki lub

przekrzywienia linii cięcia obrabianego elementu w stosunku do płaszczyzny ostrza albo sytuacja, gdy część obrabianego elementu zablokuje się pomiędzy ostrzem pilarki i prowadnicą wzdłużną lub innym stałym obiektem. Najczęściej podczas odskoku obrabiany element jest podnosi się nad stołem na skutek kontaktu z tylną częścią ostrza pilarki i jest odrzucany w stronę operatora.

Odbicie jest wynikiem złego użycia narzędzia i /lub niepoprawnego sposobu lub warunków cięcia. Można go uniknąć podejmując środki ostrożności.

- **Nigdy nie należy stać bezpośrednio na linii ostrza pilarki. Ciało operatora zawsze powinno znajdować się po stronie ostrza pilarki od strony prowadnicy.** Odkok może spowodować odrzucenie obrabianego elementu z dużą prędkością w stronę osoby stojącej przed oraz w linii ostrza pilarki.
- **Nigdy nie należy nachylać się nad lub z tyłu ostrza pilarki w celu pociągnięcia lub podtrzymania obrabianego elementu.** Może dojść do przypadkowego kontaktu z ostrzem pilarki lub odskok może spowodować wciągnięcie palców pod ostrze pilarki.
- **Nigdy nie należy przytrzymywać i dociskać ciętego obrabianego materiału do obracającego się ostrza pilarki.** Dociskanie ciętego obrabianego materiału do ostrza pilarki spowoduje zablokowanie ostrza i odskok.
- **Wyrównać prowadnicę, aby była ustawiona równolegle do ostrza pilarki.** Nieprawidłowo wyrównana prowadnica spowoduje zakleszczenie obrabianego elementu względem ostrza pilarki oraz odskok.
- **Należy użyć „grzebień” w celu poprowadzenia obrabianego elementu wzdłuż stołu i prowadnicy w przypadku wykonywania cięcia innego niż na całkowite przecinanie, np. frezowanie lub rowkowanie.** „Grzebień” pomaga przytrzymać obrabiany element w przypadku odskoku.
- **Większe płyty należy przytrzymywać, aby ograniczyć ryzyko zablokowania się ostrza pilarki oraz odskoku.** Długie elementy do obróbki mają skłonność do uginania się pod własnym ciężarem. Wsporniki muszą być umieszczone pod wszystkimi częściami panelu zwisającego nad blatem stołu.
- **Należy zachować szczególną ostrożność podczas cięcia materiału, który jest skręcony, splątany, wypaczony lub nie ma prostej krawędzi, co uniemożliwia prowadzenie go przy użyciu wskaźnika kąтового lub wzdłuż prowadnicy.** Skręcony, splątany lub wypaczony materiał jest niestabilny i powoduje zmianę położenia rządu ostrza pilarki i w rezultacie zablokowanie i odskok.
- **Nigdy nie należy ciąć więcej niż jednego elementu – ani w pozycji poziomej ani pionowej.** Ostrze pilarki mogłoby poderwać jeden lub kilka elementów, powodując odskok.
- **W przypadku ponownego uruchamiania pilarki z ostrzem pilarki w obrabianym materiale należy wyśrodkować ostrze pilarki w rzazie, tak aby zęby piły nie stykały się z materiałem.** Jeśli ostrze pilarki zablokuje się, może ono poderwać obrabiany element i spowodować odskok w chwili ponownego

EN
FR
DE
ES
IT
NL
PT
DA
SV
FI
NO
RU
PL
CS
HU
RO
LV
LT
ET
HR
SL
SK
EL
TR



uruchomienia pilarki.

- **Ostrza pilarki muszą być czyste, ostre i odpowiednio przygotowane. Nigdy nie należy używać wykrzywionych ostrzy lub ostrzy ze złamanymi lub pękniętymi zębami.** Ostre i odpowiednio ustawione ostrza pilarki ograniczają ryzyko zablokowania, zakleszczenia oraz odskoku.

OSTRZEŻENIA DOTYCZĄCE OBSŁUGI PILARKI STOŁOWEJ

- **Wyłączyć pilarkę stołową i odłączyć przewód zasilający w przypadku wyjmowania wkładu stołowego, wymiany ostrza pilarki lub regulacji klina rozszczepiającego lub osłony ostrza pilarki oraz w przypadku pozostawienia maszyny bez nadzoru.** Środki bezpieczeństwa pomogą ustrzec się przed wypadkami.
- **Nigdy nie należy pozostawiać pracującej pilarki stołowej bez nadzoru. Wyłączyć urządzenie i nie pozostawiać produktu dopóki nie zatrzyma się całkowicie.** Pracująca pilarka pozostawiona bez nadzoru stanowi niekontrolowane ryzyko.
- **Pilarkę stołową należy zamontować w dobrze oświetlonym i równym miejscu, gdzie można bez trudu utrzymać równowagę i zapewnić odpowiednią pozycję roboczą.** Urządzenie należy zamontować w miejscu, które zapewni wystarczająco dużo miejsca do obsługi obrabianego materiału. Ciasne, ciemne miejsca oraz nierówne śliskie posadzki stwarzają ryzyko wypadku.
- **Należy często czyścić i usuwać pył drzewny spod stołu pilarki oraz/lub przyrządu do zbierania pyłu.** Nagromadzony pył drzewny jest łatwopalny i może dojść do jego samozapłonu.
- **Pilarka stołowa musi być zamocowana.** Nieprawidłowo zamocowana pilarka stołowa może przemieścić się lub przewrócić.
- **Usunąć narzędzia, wióry itp. ze stołu przed włączeniem pilarki stołowej.** Utrata koncentracji lub zablokowanie urządzenia mogą stwarzać niebezpieczeństwo.
- **Zawsze należy używać ostrzy pilarki o odpowiednim rozmiarze i kształcie (diamentowe lub okrągłe) otworów mocujących.** Ostrza pilarki, które nie pasują do osprzętu mocującego pilarkę utracą wyśrodkowanie, powodując utratę kontroli.
- **Nigdy nie należy używać uszkodzonych elementów mocujących ostrza pilarki, takich jak kołnierze, podkładki ostrza pilarki, śruby lub nakrętki.** Te elementy mocujące zostały specjalnie zaprojektowane pod kątem danej pilarki, w celu zapewnienia bezpiecznej i wydajnej obsługi.
- **Nigdy nie wolno stawać na pilarence stołowej i nie używać jako podstawki.** Przypadkowe nadeptanie lub kontakt z ostrzem mogą spowodować poważne obrażenia ciała.
- **Należy upewnić się, że ostrze pilarki jest zamontowane w odpowiednim kierunku. Nie montować tarczy ściernych, szczotek drucianych ani tarczy tnących na pilarence stołowej.** Nieprawidłowe zamontowanie ostrza pilarki lub korzystanie z

akcesoriów niezalecanych do tego urządzenia może spowodować poważne obrażenia ciała.

DODATKOWE OSTRZEŻENIA DOTYCZĄCE BEZPIECZEŃSTWA OBSŁUGI PILAREK STOŁOWYCH

- Ustawić lub zamocować maszynę w stabilnym położeniu odpowiednim dla wykonywanej pracy. Maszyna może być zamontowana na blacie roboczym, zamocowana na nogach lub przytwierdzona do podłogi.
- W przypadku zamocowania należy odpowiednio wyregulować teleskopowe nogi, aby uzyskać równą stabilną płaszczyznę roboczą.
- Praca na odpowiedniej wysokości i w odpowiedniej pozycji roboczej pomoże uchronić przed przesileniem lub innymi urazami podczas obsługi urządzenia.
- Należy zapewniać odpowiednie ogólne lub punktowe oświetlenie, w celu wyeliminowania efektu stroboskopowego i innych zagrożeń.
- W razie potrzeby należy stosować odpowiednie środki ochrony osobistej. Obejmuje to środki ochrony słuchu, środki ochrony dróg oddechowych w celu ograniczenia ryzyka wdychania szkodliwego pyłu, wytrzymałe rękawice przy obsłudze ostrzy piły oraz chropowatych materiałów.
- Podczas korzystania z maszyny zawsze należy nosić okulary ochronne. Zalecane jest noszenie wytrzymałych antypoślizgowych butów ze wzmocnionymi czubkami chroniącymi palce stóp przed elementami spadającymi ze stołu.
- Pył powstający podczas korzystania z narzędzia może być szkodliwy dla zdrowia, łatwopalny lub wybuchowy. Należy stosować instalację odpylania oraz nosić odpowiednią maskę przeciwpyłową. Należy dokładnie usuwać gromadzący się pył, np. za pomocą szczotki i odkurzacza.
- Podłogi w miejscu pracy muszą być odpowiednio odkurzone, wolne od skrawków materiału oraz przewodów zasilających. Ogranicza to ryzyko poślizgnięcia i kontaktu z ostrzem.
- Na stole nie powinny znajdować się inne obiekty, w tym również narzędzia lub ścinki materiału.
- Powierzchnia stołu, przewodnicy i wskaźnika kąтового powinna być czysta. Należy zwrócić uwagę na klej, farbę oraz inne elementy. Drewno musi przesuwac się swobodnie i nie może blokować się w żadnym miejscu, ponieważ w przeciwnym razie może znacznie wzrosnąć ryzyko poważnych urazów ciała na skutek odskoku.
- Stosować wyłącznie ostrza wyszczególnione w tym materiale, zgodne z EN 847-1.
- Nie używać brzeszczotów wykonanych ze stali szybko tnącej.
- Należy wyłącznie używać ostrzy pilarki z oznaczeniem prędkości równym lub wyższym prędkości narzędzia.
- Nie należy na siłę dopychać obrabianego elementu do ostrza. Urządzenie wykona zadanie bez zbędnej ingerencji z zewnątrz. Stosowanie nadmiernej siły spowoduje przegrzanie ostrza i końcówek elementu i może dojść do przypalenia obrabianego elementu.



Może to doprowadzić do nieoczekiwanych sytuacji, które mogą spowodować obrażenia ciała.

- Nie używajcie uszkodzonych lub stępionych tarcz. Tępe lub nie prawidłowo zamocowane ostrza wytwarzają wąski rżaz, co powoduje nadmierne tarcie, blokowanie ostrza oraz odskok.
- Nie używać uszkodzonych lub niewłaściwych podkładek ani śrub mocujących tarczę tnącą.
- Jeśli jest to możliwe, ostrza pilarki należy przenosić przy użyciu uchwytu.
- Nie należy obsługiwać narzędzia bez wkładu stołowego i zużyty wkład stołowy należy wymienić.
- W przypadku wykonywania cięcia innego niż pełne przecięcie, osłona ostrza i klin rozszczepiający zawsze muszą znajdować się na swoim miejscu oraz muszą być w odpowiednim stanie. Osłony ostrza powinny podnosić się oraz opadać swobodnie, aby zapewnić swobodne przechodzenie obrabianego materiału. Należy upewnić się, że osłona ostrza jest dobrze przymocowana do klina rozszczepiającego. Nie używać bez osłon/pokryw.
- Ostrze zawsze powinno być ustawione równoległe do prowadnicy. Element ten ma główny wpływ na odskok, który może spowodować poważne obrażenia ciała.
- Zawsze należy używać osłony ostrza pilarki oraz klina rozszczepiającego do wszystkich czynności związanych z przecinaniem. Pełne przecinanie to czynność, w przypadku której ostrze całkowicie przecina obrabiany element przy cięciu wzdłużnym lub poprzecznym.
- Zawsze należy dokładnie sprawdzić materiał, który ma być cięty, szczególnie w przypadku cięcia wcześniej używanego drewna. Należy sprawdzić, czy nie ma obcych elementów, takich jak gwoździe, śruby lub spinacze.
- Jeśli takie lub podobne elementy stykają się z ostrzem podczas cięcia, pilarka może ulec uszkodzeniu, powodując poważne obrażenia ciała operatora lub innych osób.
- To elektronarzędzie nie jest przeznaczone do wykonywania cięć paneli.
- Gdy to konieczne, stosować popychacz. Do przecinania wąskich przedmiotów należy używać popychacza w celu popychania przedmiotów. Popychacz powinien być przechowywany przy maszynie, gdy nie jest używany.
- Nigdy nie wolno zbliżać się do ostrza pracującego elektronarzędzia. Nie zbliżać rąk do obszaru wkładu stołowego.
- Nie wolno zostawiać maszyny podczas pracy bez nadzoru. Wyłączyć zasilanie. Nie odkładać narzędzia, aż do całkowitego zatrzymaniaruchotarczy.
- Nigdy nie należy próbować zatrzymywać szybko maszyny będącej w ruchu, poprzez przykładanie narzędzia lub innego przedmiotu do ostrza. W ten sposób może dojść do poważnych obrażeń ciała.
- Nie dotykać tarczy tnącej bezpośrednio po zakończeniu cięcia. Tarcza tnąca nagrzewa się podczas cięcia.
- Jeśli ostrze pilarki zablokuje się podczas cięcia, należy

wyłączyć maszynę i odłączyć ją od źródła zasilania. Wyjąć obrabiany materiał i sprawdzić, czy ostrze piły obraca się swobodnie. Włączyć maszynę i rozpocząć nowe czynności cięcia, przy obniżonej sile zasilania.

- W przypadku transportowania maszyny należy zdjąć osłonę ostrza, ustawić klin rozszczepiający w dolnym położeniu i obniżyć ostrze, tak aby znajdowało się poniżej powierzchni stołu.
- Jeśli przewód zasilający zostanie uszkodzony, aby uniknąć ryzyka, wymianę należy powierzyć wyłącznie producentowi lub autoryzowanemu serwisowi.
- Nie używać żadnych przyrządów ani akcesoriów, które nie są rekomendowane przez producenta. Stosowanie jakichkolwiek przystawek lub akcesoriów nie zalecanych przez producenta grozi poważnym zranieniem! Urządzenia używane w wielu różnych miejscach, w tym na zewnątrz pomieszczeń powinny być podłączone do zasilania za pośrednictwem wyłącznika różnicowo-prądowego (RCD).
- W przypadku zaniku zasilania pilarki stołowej, wyłącznik urządzenia automatycznie przełączy się do położenia wyłączenia.

SPECJALNE INSTRUKCJE BEZPIECZEŃSTWA DOTYCZĄCE OSTRZA DO DREWNA

- Przed użyciem ostrza pilarki oraz elektronarzędzia należy uważnie zapoznać się z podręcznikiem oraz instrukcjami.
- Elektronarzędzie musi być w dobrym stanie, wrzeczono nie może być odkształcone ani nie może wibrować.
- Operator musi być odpowiednio przeszkolony w zakresie zasad bezpieczeństwa, regulacji i obsługi elektronarzędzia.
- Podczas używania elektronarzędzia zawsze należy nosić okulary ochronne oraz środki ochrony słuchu. Zalecane jest także noszenie rękawic, mocnego, nie ślizgającego się obuwia oraz ubrania roboczego.
- Przed użyciem jakichkolwiek akcesoriów należy zapoznać się z instrukcją obsługi. Nieprawidłowe użycie akcesoriów może spowodować uszkodzenie i podwyższone ryzyko obrażeń ciała.
- Ostrze zawsze musi być czyste. Dotyczy to również pyłu drzewnego, a w szczególności przywierających substancji, takich jak żywica. Czyste ostrze zapewnia bezpieczniejsze i bardziej precyzyjne cięcia.
- Stosować wyłącznie ostrza wyszczególnione w tym materiale, zgodne z EN 847-1.
- Należy przestrzegać ograniczenia maksymalnej prędkości dot. ostrza piły. Należy upewnić się, że prędkość podana na ostrzu piły jest przynajmniej taka sama jak prędkość podana na pile.
- Zawsze należy używać ostrzy o odpowiednim rozmiarze i kształcie otworów mocujących. Tarcze tnące nie dostosowane do wrzeciona, na którym mają być zamontowane nie będą się naleźyć obracały i mogą spowodować utratę kontroli nad narzędziem.
- Nie stosować ostrzy o większej grubości lub mniejszej szerokości rżazu niż grubość klina rozszczepiającego.

EN
FR
DE
ES
IT
NL
PT
DA
SV
FI
NO
RU
PL
CS
HU
RO
LV
LT
ET
HR
SL
SK
EL
TR





- Nie używać ostrzy o większej lub mniejszej średnicy od zalecanej średnicy ostrza. Nie stosować żadnych przekładek/podkładek, aby umożliwić dopasowanie wrzeciona.
- Przed każdym użyciem należy sprawdzić zęby pilarki stołowej w zakresie uszkodzenia lub nieprawidłowego wyglądu. Uszkodzone lub poluzowane zęby mogą oderwać się od urządzenia i spowodować obrażenia ciała.
- Nie używać pękniętych lub zniekształconych brzeszczotów! Nie używać brzeszczotów/tarcz, które są zniekształcone lub uszkodzone.
- Jeśli ostrze pilarki jest uszkodzone, odkształcone, zwichrowane lub pęknięte, należy je wyrzucić. Naprawa ostrza jest niedopuszczalna.
- Nie stosować ostrzy HSS.
- Przed użyciem należy upewnić się, czy ostrze pilarki jest dobrze zamontowane i czy nakrętka mocująca jest dobrze dokręcona.
- Śruby i nakrętki mocujące muszą być dokręcone przy użyciu odpowiedniego klucza.
- Użycie przedłużki klucza lub dokręcanie przy użyciu narzędzi pneumatycznych nie jest dozwolone.
- Ostrze i kołnierze muszą być czyste, a wpuszczone strony kołnierza muszą być skierowane w stronę ostrza.
- Należy upewnić się, że ostrze obraca się w odpowiednim kierunku i nie styka się z żadną częścią urządzenia lub osłoną.
- Przed pracą należy wykonać próbne cięcia przy włączonym silniku w celu sprawdzenia położenia ostrza, działania osłon w stosunku do innych części urządzenia oraz obrabianego elementu.
- Nigdy nie wolno pozostawiać elektronarzędzia bez nadzoru.
- Nie aplikować smarów na obracające się ostrze.
- Nigdy nie należy próbować zatrzymywać szybko elektronarzędzia będącego w ruchu, poprzez przykładanie narzędzia lub innego przedmiotu do ostrza; w ten sposób może dojść do poważnych obrażeń ciała.
- Odłączyć elektronarzędzie od źródła zasilania przed wymianą ostrzy lub przed przeprowadzeniem czynności konserwacyjnych.
- Należy zachować ostrożność podczas pakowania i rozpakowywania ostrza. Ostrze zęby ostrza mogą spowodować obrażenia ciała.
- Podczas obsługi ostrza należy stosować uchwyt lub nosić rękawice ochronne. Należy pamiętać, że po cięciu ostrze jest gorące.
- Ostrze należy przechowywać w oryginalnym opakowaniu lub innym odpowiednim opakowaniu, przechowywać w suchych warunkach oraz z dala od środków chemicznych, które mogą spowodować uszkodzenie ostrza.

PRZEZNACZENIE

Pilarka stołowa jest przeznaczona do obsługi przez jedną osobę w celu cięcia poprzecznego i wzdłużnego drewna o maks. głębokości 80 mm przy kącie pochylenia ostrza 0°.

Przy maks. kącie pochylenia ostrza 45° głębokość cięcia wynosi 55 mm. Pilarka stołowa jest przeznaczona do zamocowania na stabilnej powierzchni lub na stanowisku roboczym dostarczonym przez producenta. Za pomocą narzędzia można ciąć twarde i miękkie drewno oraz płyty pilśniowe i wiórowe.

Można używać wyłącznie kombinacji ostrza i klina rozszczepiającego dostarczonych przez producenta tej pilarki stołowej.

RYZIKO ZWIĄZANE Z UŻYTKOWANIEM

Nawet jeśli pilarka stołowa jest używana zgodnie z zaleceniami, nadal nie jest możliwe wyeliminowanie określonych czynników ryzyka.

Operator powinien zwracać szczególną i dodatkową uwagę na te punkty w celu ograniczenia ryzyka poważnych obrażeń ciała.

- Cięcia inne niż przecinanie. Osłona ostrza jest zdjęta i górna część ostrza jest odkryta.
- Kontakt z ostrzem – należy unikać pochylania się i sięgania w pobliżu ostrza pilarki.
- Odskok – nigdy nie wolno stawać przed ostrzem.
- Stabilność – należy upewnić się, że produkt jest stabilny i jeśli jest to możliwe, należy go zabezpieczyć.
- Odrzucane wióry – przez cały czas podczas pracy należy nosić środki ochrony oczu.
- Wdychanie pyłu – w razie potrzeby nosić maskę. Pył wytwarzany podczas obróbki określonych produktów drewnianych (np. płyta MDF) może być niebezpieczny dla układu oddechowego.
- Urazu oczu na skutek wiórów i cząstek pyłu – przez cały czas podczas pracy należy nosić okulary ochronne.
- Urazy słuchu – ograniczyć poziom narażenia i stosować odpowiednie środki ochrony słuchu.
- Poziom hałasu może różnić się w dużym stopniu w zależności od warunków użytkowania. Osoby narażone na wysoki poziom hałasu, nawet przez krótki czas, mogą doświadczyć tymczasowej częściowej utraty słuchu, a ciągłe narażenie na wysoki poziom hałasu może doprowadzić do trwałej utraty słuchu.

ZAPOZNAĆ SIĘ Z OBSŁUGIWANIEM ELEKTRONARZĘDZIEM.

Patrz str. 242.

1. Wkład stołu
2. Regulowany wysuwany klin rozszczepiający
3. Prowadnica ukośna
4. Tarcza tnąca
5. Osłona ostrza pilarki
6. Zwolnienie wkładu stołu
7. Prowadnica/prowadnica wzdłużna
8. Boczne przedłużenie stołu (RTS1800ES, RTS1800EF)
9. Otwory mocujące (zamocować do blatu roboczego lub do nóg)
10. Przelącznik wł./wyl.
11. Kółko regulacji kąta pochylenia
12. Blokada kąta pochylenia
13. Głębokość uchwytu cięcia
14. Stół pilarki



15. Wylot pyłu
16. Akcesoria wylotu pyłu

OBSŁUGA

⚠ OSTRZEŻENIE

Przed podłączeniem tej pilarki stołowej do źródła zasilania i rozpoczęciem cięcia należy przeczytać i w pełni zrozumieć wszystkie ostrzeżenia oraz instrukcje zawarte w tym podręczniku.

Cięcia przecinające: Wszelkie czynności cięcia, gdy ostrze pilarki przechodzi przez całą grubość obrabianego elementu. W przypadku takich czynności klin rozszczepiający powinien znajdować się w podniesionej pozycji oraz musi być zamontowana osłona ostrza. Należy używać prowadnicy lub wskaźnika kąтового do prawidłowego ustawiania obrabianego elementu.

Cięcia inne niż przecinanie: Wszelkie czynności cięcia, gdy ostrze pilarki nie przechodzi przez całą grubość obrabianego elementu. W przypadku tej czynności klin rozszczepiający powinien znajdować się w opuszczonej pozycji. Góra klina rozszczepiającego powinna znajdować się nieco poniżej góry ostrza pilarki. Nie można zamontować osłony ostrza. Należy używać prowadnicy lub wskaźnika kąтового do prawidłowego ustawiania obrabianego elementu.

Cięcie wzdłużne: Użycie prowadnicy wzdłużnej równoległe do ostrza w celu poprowadzenia obrabianego elementu. Przeważnie cięcie wykonywane jest w kierunku słojów drewna (jeśli występują). Może to być cięcie przecinające lub nieprzecinające.

Cięcie poprzeczne: Przy użyciu wskaźnika kąтового lub prowadnicy poprzecznej. Urządzenie to jest przeznaczone do przesuwu równoległego do ostrza pilarki i umożliwia przytrzymanie obrabianego elementu pod stałym kątem względem osi cięcia ostrza. Przeważnie cięcie wykonywane jest w poprzek słojów drewna (jeśli występują). Może to być cięcie przecinające lub nieprzecinające.

Cięcie skośne: Kąt cięcia względem powierzchni stołu jest zmienny w zakresie od 90° do 45°. Powstaje cięcie ze skośną krawędzią. Może to być cięcie przecinające lub nieprzecinające. W celu prawidłowego umiejscowienia obrabianego elementu należy zastosować prowadnicę wzdłużną lub wskaźnik kątowy.

Cięcie kątowe: Obrabiany obiekt jest ustawiony względem ostrza pod kątem. Wymagany kąt jest ustawiany na prowadnicy kątowej, która następnie może przytrzymywać obrabiany element pod tym kątem, przy przesuwaniu elementu równoległe do ostrza w celu wykonania cięcia. Może to być cięcie przecinające lub nieprzecinające.

Cięcie stożkowe: Stożkowe cięcie poprzeczne można wykonać przy użyciu wskaźnika kąтового ustawionego pod wymaganym kątem. Nie można wykonać stożkowego cięcia wzdłużnego, ponieważ wymagane jest specjalne zamocowanie.

BEZPIECZNE KORZYSTANIE Z PROWADNICY

- Nigdy nie należy używać jednocześnie prowadnicy wzdłużnej oraz wskaźnika kąтового. Zwiększa to

ryzyko odskoku oraz obrażeń ciała. Jeśli któryś z tych elementów nie jest używany, należy zdjąć go ze stołu i odłożyć w bezpiecznym miejscu.

- Za każdym razem, gdy prowadnica jest używana lub ustawiana w innym położeniu, istotne jest sprawdzenie, czy jest ona ustawiona równoległe względem ostrza pilarki.
- Prowadnica ustawiona nierównoległe może spowodować zablokowanie obrabianego elementu i dociśnięcie go do ostrza i prowadnicy, powodując odskok. Może to prowadzić do poważnych obrażeń ciała operatora lub innych osób.
- Nieprawidłowo ustawiona prowadnica może spowodować przesunięcie obrabianego elementu w stronę ostrza pod złym kątem, co może spowodować zablokowanie lub zakleszczenie ostrza. Może to również spowodować odskok (patrz powyżej).
- W celu prawidłowego zamontowania lub ustawienia prowadnicy należy zaczepić koniec prowadnicy o tylną krawędź stołu, a następnie należy opuścić przednią krawędź, aby zetknęła się z przodem stołu. Następnie należy dociśnąć prowadnicę od przodu, tak aby dwie krawędzie ustawione pod odpowiednim kątem do kierunku prowadnicy zetknęły się z przednią krawędzią stołu. Pomaga to zapewnić, że prowadnica jest ustawiona równoległe do ostrza. Następnie należy zablokować prowadnicę w pozycji, naciskając na dół uchwyt blokujący.
- Siła, z jaką uchwyt blokujący przytrzymuje prowadnicę w określonym miejscu, można ustawić, obracając radełkowaną śrubę nieco nad dźwignią blokującą.
- Zawsze należy sprawdzić równoległość prowadnicy do ostrza. W tym celu należy przeprowadzić pomiar lub przez przyłożenie dokładnie dociętego drewnianego klocka przed cięciem.

Ustawianie oznaczeń odległości, ostrze do prowadnicy

Ustawić krawędź prowadnicy względem ostrza i ustawić okienko wskaźnika, tak aby dopasować je do oznaczenia 0 mm na przedniej krawędzi stołu. Poluzować śrubę, wyregulować okienko i dokręcić śrubę.

Użycie pomocniczej prowadnicy

W pewnych okolicznościach wymagane jest zamocowanie dodatkowej prowadnicy do głównej prowadnicy.

- Gdy wąskiego obrabianego elementu nie można przytrzymać ręką lub popchnąć popychaczem z powodu blokującej prowadnicy.
- W przypadku cięcia cienkiego obrabianego elementu. Bardzo cienkie elementy mogą prześlizgnąć się pod główną prowadnicą i mogą być pochwycone lub wciągnięte, powodując odskok. Aby do tego nie dopuścić, należy użyć pomocniczej prowadnicy.

Jeśli użycie samej głównej prowadnicy jest bezpieczne, należy zdjąć pomocniczą prowadnicę.

W przypadku wykonywania cięć skośnych wąskich elementów zawsze należy używać prowadnicy po przeciwnej stronie ostrza, tak aby pochylało się. W przeciwnym razie może łatwo dość do zablokowania klocka popychającego lub przycepienia się do osłony

ostrza lub prowadnicy.

Mocowanie pomocniczej prowadnicy do głównej prowadnicy

- Gdy nakrętki motylkowe i podkładki znajdują się po jednej stronie prowadnicy, należy przelożyć śruby z drugiej strony obrócić razem o kilka utworów. Teraz należy nasunąć pomocniczą prowadnicę na głowice śrub, na dostępne otwory. Dokręcić odpowiednio pomocniczą prowadnicę.

UWAGA: Pomocnicza prowadnica służy wyłącznie do prowadzenia obrabianego elementu przez ostrze oraz główną prowadnicę.

Jeśli użycie samej głównej prowadnicy jest bezpieczne, należy zdjąć pomocniczą prowadnicę. Nie należy pozostawiać środka i nakrętek sprężynowych na głównej prowadnicy.

Użycie „grzebień”

„Grzebień” to narzędzie przypominające wyglądem grzebień do włosów, ale przycięty pod kątem. Cienkie palce, które z reguły są wykonane z drewna lub tworzywa, lekko uginają się, gdy obrabiany element przesuwa się na swoje miejsce, zapewniając równomierny i stały docisk umożliwiający przytrzymanie elementu. Tych narzędzi należy używać, gdy wymagane jest precyzyjne cięcie wąskiego elementu. Narzędzie to jest mocowane do stołu przy użyciu otworów wskaźnika kąтового i dzięki niemu operator nie musi zbliżać rąk do ostrza.

W specjalistycznych sklepach technicznych można kupić „grzebień” innych producentów.

ZABEZPIECZENIE PRZECIĄŻENIOWE

Produkt jest wyposażony w zabezpieczenie przeciążeniowe. Gdy zostanie wykryte przeciążenie, urządzenie automatycznie wyłączy się. Wyłączyć zasilanie. Jeśli zadziała zabezpieczenie przeciążeniowe, należy odczekać 3 minut, aż silnik ostygnie. Należy upewnić się, że ostrze może swobodnie się obracać i nie jest zablokowane lub ciasne. Nacisnąć przycisk resetowania (poniżej przełącznika wł./wył.). Włączyć zasilanie. Nacisnąć przycisk WŁ., aby włączyć produkt.

KONSERWACJA

- Przed rozpoczęciem prac konserwacyjnych lub czyszczenia należy upewnić się, że ostrze pilarki jest całkowicie zatrzymane i przewód zasilający jest odłączony od źródła zasilania.
- Jeśli przewód zasilający jest uszkodzony, należy powierzyć wymianę producentowi lub autoryzowanemu serwisowi.
- Ostrze ma ostre krawędzie i po zakończeniu cięcia może nadal być gorące. W przypadku czyszczenia odkrytego ostrza należy zachować najwyższą ostrożność. Należy nosić rękawice ochronne, aby uniknąć ryzyka urazu ciała.
- Należy regularnie czyścić pilarkę oraz akcesoria, usuwając pył, szczególnie dotyczy to ruchomych części, w tym również osłony ostrza. Do skutecznego usuwania pyłu należy używać ręcznej szczotki lub

odkurzacza.

⚠ OSTRZEŻENIE

Nie należy rozbierać zespołu osłony ostrza na potrzeby czyszczenia lub naprawy. Nie wolno używać uszkodzonej osłony. Przekazać urządzenie do autoryzowanego centrum serwisowego do naprawy lub wymiany.

- Pilarka stołowa została nasmarowana fabrycznie i nie wymaga dodatkowego smarowania.
- Aby sprawdzić i wyregulować kąty pochylenia oraz równoległość ostrza/prowadnicy, należy zapoznać się z punktami „Sprawdzanie i ustawianie kąta pochylenia” oraz „Sprawdzanie i ustawianie równoległości ostrza do otworów wskaźnika kąтового” w tym podręczniku.

SPRAWDZANIE I USTAWIANIE KĄTA POCHYLENIA

UWAGA: Ustawienie ostrza pod kątem 90° od stołu spowoduje ustawienie kąta odchylenia 0°.

1. Wyłączyć zasilanie i wyjąć wtyczkę z gniazda elektrycznego.
2. Należy zwrócić szczególną uwagę na końcówki ostrza pilarki. Są one bardzo ostre i mogą spowodować obrażenia ciała.
3. Podnieść ostrze i zespół klina rozszczepiającego na maksymalną wysokość.
4. Zdjąć osłonę ostrza.
5. Ustawić klin rozszczepiający w najniższym położeniu.
6. Należy upewnić się, że powierzchnia ostrza i stołu jest wolna od pyłu i zanieczyszczeń.
7. Ustawić kąt prosty 90° względem powierzchni stołu i najwyższej części ostrza. Należy zwrócić uwagę, aby nie dotknąć końcówek ostrza podczas tego pomiaru, ponieważ spowoduje to błąd. Wymagane jest wyrównanie powierzchni korpusu z ostrzem pilarki.
8. Nie powinno być żadnych przerw między krawędzią ustawionego kwadratu i ostrzem lub stołem. W tym stanie ostrze jest w rzeczywistym ustawieniu pionowym i dalsze ustawienia kąta ostrza nie są wymagane.
9. Jeśli występuje przerwa, należy poluzować pokrętko blokujące pochylenia i ostrożnie zmienić kąt pochylenia, jednocześnie cały czas sprawdzając przerwę. Gdy nie ma już przerwy, dokręcić dobrze pokrętko blokujące pochylenia.
10. Poluzować śrubę na wskaźniku kąta pochylenia i ustawić przezroczysty plastikowy nośnik linii, tak aby wskazywał dopasowanie z oznaczeniem 0°. Dokręcić śrubę.
11. Powtórzyć tę czynność, w celu sprawdzenia i ustawienia różnych kątów, w zakresie od 90° do 45°.

SPRAWDZANIE I USTAWIANIE RÓWNOLEGŁOŚCI OSTRZA DO OTWORÓW WSKAŹNIKA KĄTOWEGO

1. Wyłączyć zasilanie i wyjąć wtyczkę z gniazda elektrycznego.
2. Należy zwrócić szczególną uwagę na końcówki ostrza pilarki. Są one bardzo ostre i mogą spowodować obrażenia ciała.
3. Podnieść ostrze i zespół klina rozszczepiającego na maksymalną wysokość.
4. Zdjąć osłonę ostrza.

- Przeprowadzić kontrolę opisaną w punkcie „Sposób sprawdzania i ustawiania kąta pochylenia”. Należy upewnić się, że kąt pochylenia jest dobrze zamocowany w ustawieniu 0°.
- Przyłożyć prowadnicę kątową do jednego z otworów na stole. Ustawić kąt 90° na prowadnicy kątowej.
- Przyłożyć mocno stalowy przymiar do prowadnicy kątowej i do prostego końca przymiaru, tak aby dotykał ostrza pilarki. Zamiast stalowego przymiaru można użyć odpowiedniego przyciętego klocka drewnianego.
- Przytrzymać mocno przymiar/klocek i przesunąć całą prowadnicę kątową, aby przymiar/klocek stykał się teraz z drugim końcem ostrza. Przymiar lub klocek powinny mieć w takim samym stopniu stykać się z ostrzem, gdy przechodzi przez ostrze. W takim przypadku równoległość pomiędzy ostrzem i otworami stołu jest dokładna i nie są wymagane żadne ustawienia. Sprawdzić otwór z drugiej strony stołu przy użyciu tego samego sposobu.

USTAWIANIE RÓWNOLEGŁOŚCI OSTRZA WZGLĘDEM OTWORÓW STOŁU

Dwie śruby znajdują się z przodu piły i dwie kolejne znajdują się z tyłu. Można uzyskać dostęp od spodu powierzchni stołu.

Gdy śruby te zostaną poluzowane, całe ostrze, klin rozszczepiający oraz zespół silnika można przesunąć w celu precyzyjnego wyrównania ostrza względem otworów w stole.

Niedoświadczone osoby mogą mieć trudności z tą czynnością i w razie problemów należy przekazać pilarkę stołową do najbliższego autoryzowanego punktu serwisowego Ryobi w celu przeprowadzenia profesjonalnego ustawienia.

OCHRONA ŚRODOWISKA



Surowce należy oddawać do powtórnego przetworzenia zamiast wyrzucać je na śmieci. Z myślą o ochronie środowiska, narzędzie, akcesoria i opakowania powinny być sortowane.

SYMBOLE NA PRODUKCIE



Uwaga dotycząca bezpieczeństwa



Zgodność CE



Znak zgodności EurAsian



Narzędzie klasy II, podwójna izolacja



Przed uruchomieniem produktu należy dokładnie przeczytać te instrukcje.



Stosować środki ochrony słuchu.



Nosić okulary ochronne.



Nosić rękawice ochronne.



Niebezpieczeństwo! Tarcza tnąca powinna być ostra.



Zakres możliwości cięcia



Szerokość cięcia ostrza (rzaz)



Liczba zębów tego ostrza pilarki



Do cięcia drewna i materiałów drewnopochodnych



Nie do cięcia metali



Kierunek obrotu ostrza (przedstawione na osłonie ostrza)



Kierunek obrotu ostrza (przedstawione na klinie rozszczepiającym)



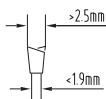
Kierunek obrotu ostrza (przedstawione na ostrzu pilarki)



Kierunek obrotu ostrza (przedstawione na stole)



Średnica tarczy tnącej



Grubość noża i szerokość cięcia

T2.2mm
38-48HRC

Grubość i twardość klina rozszczepiającego

1800
W

Moc znamionowa

48
TCT

Ostrze z 48 zębami z węgla wolframu

SOFT START

Płynny start

Zabezpieczenie przeciążeniowe

alu

Stół z odlewu aluminium

Wymiary stołu (RTS1800, RTS1800S)

Wymiary stołu (RTS1800ES, RTS1800EF)

Wymiary przedłużenia stołu

Usuwana noga nożycowa

Składana noga delux

Parametry cięcia (90°C i 45°)



Zużyte produkty elektryczne nie powinny być utylizowane z odpadami domowymi. Prosimy poddawać recyklingowi w odpowiednich miejscach. Informacje na ten recyklingu można uzyskać w lokalnych urzędach.

SYMBOLE W TYM PODRĘCZNIKU



Podłączyć do źródła zasilania.



Odłączyć od źródła zasilania.



Części lub akcesoria sprzedawane oddzielnie



Zużyte produkty elektryczne nie powinny być utylizowane z odpadami domowymi. Prosimy poddawać recyklingowi w odpowiednich miejscach.



Uwaga:



OSTRZEŻENIE

OBECNÁ BEZPEČNOSTNÍ VAROVÁNÍ K POHÁNĚNÝM NÁSTROJŮM

VAROVÁNÍ

Přečtěte si pozorně upozornění, pokyny a technické specifikace dodané s nářadím a prohlédněte si ilustrace. Nedodržení uvedených pokynů může způsobit požár, úraz elektrickým proudem a/nebo jiné vážné zranění.

Uchovávejte si všechny pokyny a varování pro budoucí nahlédnutí. Pojem „elektricky poháněný nástroj“ ve varování poukazuje na váš nástroj, který je napájen pomocí napájecího kabelu z elektrické sítě (s kabelem) nebo z baterie (bez přírodního kabelu).

BEZPEČNOST PRACOVNÍ OBLASTI

- Udržujte pracovní prostor čistý a dobře osvětlený. Zaházené nebo tmavé oblasti vedou k nehodám.
- Nepracujte s tímto elektrickým nástrojem ve výbušných prostředích, například v přítomnosti hořlavých kapalin, plynu nebo prachu. Elektricky poháněné nástroje vytvářejí jiskry, které mohou zapálit prach nebo výpary.
- Udržujte děti a přihlížející během práce s elektricky poháněným nástrojem stranou. Rozptylování může způsobit ztrátu kontroly.

ELEKTRICKÁ BEZPEČNOST

- Zástrčky elektricky poháněného nástroje musí být shodné s elektrickou zásuvkou. Nepokoušejte se zástrčku jakýmkoliv způsobem upravovat. Nepoužívejte žádný adaptér zástrček se zemněným (uzemněným) elektricky poháněným nástrojem. Neupravené zástrčky a shodné zásuvky snižují nebezpečí elektrického úrazu.
- Předcházejte tělesnému kontaktu s uzemněnými nebo zemněnými povrchy, například trubkami, radiátory, sporáky a lednicemi. Je zde zvýšené nebezpečí zásahu elektrickým proudem, pokud je vaše tělo zemněno nebo uzemněno.
- Nezavazujte elektrické nástroje dešti nebo vysoké vlhkosti. Voda vnikající do elektricky poháněného nástroje zvyšuje nebezpečí elektrického úrazu.
- Nepoškoďte napájecí kabel. Nikdy pro odpojování, táhnutí nebo přenášení elektricky poháněného nástroje nepoužívejte kabel. Udržujte kabel mimo horké plochy, olej, pohyblivé součásti nebo ostré hrany. Poškozené nebo zamotané kabely zvyšují nebezpečí elektrického úrazu.
- Pokud používáte elektricky poháněný nástroj ve venkovním prostředí, používejte prodlužovací kabel vhodný pro venkovní prostředí. Použití kabelu vhodného pro venkovní prostředí snižuje nebezpečí elektrického úrazu.
- Pokud používáte elektricky poháněný nástroj ve vlhkém prostředí, je nezbytné používat proudový chránič (PCH). Použitím PCH snížíte nebezpečí poranění elektrickým proudem.

OSOBNÍ BEZPEČNOST

- Buďte ve střehu, hlídejte, co děláte a používejte zdravý rozum při provozu tohoto elektricky poháněného nástroje. Elektrický nástroj nepoužívejte, pokud jste unaveni nebo pod vlivem drog, alkoholu nebo léků. Chvilce nepozornosti při práci s tímto elektricky poháněným nástrojem může způsobit vážná poranění osob.
- Používejte osobní ochranné pomůcky. Vždy noste ochranu očí. Ochranná výbava jako respirátor, protiskluzová obuv, ochranná přilba nebo ochrana sluchu použitá pro příslušné podmínky snižuje osobní poranění.
- Zabraňte náhodnému spuštění. Zabezpečte, aby byl spínač v poloze vypnuto (off) před připojením zdroje energie a/nebo bloku baterií, přípravou nebo nesením nástroje. Nošení elektrického nástroje s vaším prstem na spínači nebo se zapojenou zástrčkou elektrického nástroje může při zapnutí vést k nehodě.
- Odstraňte všechny seřizovací klíče nebo šroubováky, než zapnete elektricky poháněný nástroj. Klíč nebo šroubovák ponechaný přiložený k pohyblivému dílu elektricky poháněného nástroje může způsobit poranění osob.
- Nepřečenejte se. Udržujte řádné postavení a rovnováhu po celou dobu práce. Toto umožňuje lepší ovládání elektricky poháněného nástroje v neočekávaných situacích.
- Správně se oblékejte. Nenoste volný oděv nebo šperky. Udržujte svoje vlasy a oděv mimo pohybující se části. Volný oděv, šperky nebo dlouhé vlasy mohou být zachyceny do pohybujících se částí.
- Pokud jsou zařízení vybavena přípojkou pro odsávání prachu a sběrným zařízením, ujistěte se, že jsou správně připojeny k nástroji, a že se správně používají. Použití odsavače prachu může snížit nebezpečí související s prachem.
- Neseznamujte se velmi s přístrojem (při velmi častém používání), může to způsobit chybu z nedbalosti. Nedbalá činnost může způsobit poranění ze zlomku sekundy.

POUŽITÍ A PÉČE O NÁSTROJ

- Na elektricky poháněný nástroj netlačte. Nářadí vybírejte podle povahy práce, kterou chcete provádět. Správný elektricky poháněný nástroj bude svou práci provádět lépe a bezpečněji při práci, pro kterou byl navržen.
- Elektricky poháněný nástroj nepoužívejte, pokud spínač nezapíná a nevypíná. Každý elektricky poháněný nástroj, který nemůže být ovládan spínačem, je nebezpečný a musí být opraven.
- Odpojte zástrčku od zdroje napájení anebo bateriový modul dříve, než provedete jakákoliv nastavení, výměnu příslušenství nebo než elektrický nástroj uložíte. Také bezpečnostní preventivní opatření snižují riziko náhodného spuštění elektrického nástroje.
- Ukládejte nečinný elektricky poháněný nástroj mimo dosah dětí a nenechávejte neznámé osoby pracovat s elektricky poháněným nástrojem nebo



s těmito pokyny k obsluze elektrického nástroje. Elektricky poháněné nástroje jsou nebezpečné v rukou nekvalifikovaných uživatelů.

- **Provádějte údržbu elektrických nástrojů a doplňků. Kontrolujte vychýlení nebo zasekávání pohyblivých dílů, rozbité části a každé jiné podmínky, které mohou ovlivnit funkci elektricky poháněných nástrojů. Zjistí-li se poškození, musí se elektricky poháněný nástroj před použitím opravit.** Mnoho úrazů je způsobeno nedostatečně udržovanými elektricky poháněnými nástroji.
- **Udržujte řezné nástroje ostré a čisté.** Řádně udržované řezné nástroje s ostrými řeznými hranami mají nízkou pravděpodobnost zaseknutí a jsou snadněji ovladatelné.
- **Poháněné nástroje, příslušenství a vrtáky, atd. používejte v souladu s těmito pokyny s ohledem k pracovním podmínkám a práci, která má být provedena.** Použití elektricky poháněného nástroje pro práce jiné, než zamýšlené by mohlo mít za následek nebezpečnou situaci.
- **Udržujte rukojeti a úchopové oblasti suché, čisté a bez mastnot a oleje.** Kluzké rukojeti a úchopové plochy neumožňují bezpečnou manipulaci a kontrolu nad nástrojem v neočekávaných situacích.

SERVIS

- **Váš elektricky poháněný nástroj smí opravovat pouze kvalifikovaný opravárenský pracovník a musí používat pouze vhodné náhradní díly.** Toto zajišťuje, že bezpečnost elektrického nástroje je udržována.

BEZPEČNOSTNÍ POKYNY PRO STOLOVÉ PILY

KRYTY SOUVISEJÍCÍ VAROVÁNÍ

- **Mějte řádně namontované kryty. Udržujte kryty v provozuschopném stavu a řádně namontované.** Kryt, který je uvolněný, poškozený nebo správně nefunguje, musí být opraven nebo vyměněn.
- **Vždy používejte kryt pilového kotouče a rozpěrný klín při každém řezání.** Pro přeřezávání, kdy pilový kotouč řeže přes celou tloušťku obrobku, kryt a další bezpečnostní zařízení pomáhají snižovat riziko poranění.
- **Ihned po dokončení operace znovu připojte systém krytů (například falcování nebo rozmitací řezy), která vyžaduje odstranění krytu.** Kryt a rozpěrný klín pomáhají snížit riziko poranění.
- **Ujistěte se, že se pilový kotouč nedotýká krytu, rozpěrného klínu nebo obrobku před zapnutím vypínače.** Neúmyslný dotyk těchto částí s pilovým kotoučem může způsobit nebezpečný stav.
- **Nastavte rozpěrný klín tak, jak je popsáno v tomto návodu.** Nesprávné mezery, umístění a zarovnání může způsobit to, že rozpěrný klín nebude účinně snižovat pravděpodobnost vzniku zpětného vrhu.
- **Pro funkci rozpěrného klínu musí být klín zasunut do obrobku.** Štípací klín není funkční při řezání obrobků, které jsou příliš krátké, aby se do nich zasunul rozpěrný klín. Za těchto podmínek nelze zpětnému rázu

zabránit rozpěrným klínem.

- **Použijte vhodný pilový kotouč pro rozpěrný klín.** Pro správnou funkci rozpěrného klínu musí průměr pilového kotouče odpovídat danému rozpěrnému klínu a těleso pilového kotouče musí být tenčí než tloušťka rozpěrného klínu a řezná šířka pilového kotouče musí být širší, než je tloušťka rozpěrného klínu.

VAROVÁNÍ PRO ŘEZÁNÍ

NEBEZPEČÍ

Nikdy nepokládejte prsty ani ruce do blízkosti nebo linie pilového kotouče. Chvilu nepozornosti nebo uklouznutí by mohlo nasměrovat vaši ruku směrem k pilovému kotouči a způsobit vážné poranění.

- **Nasouvajte obrobek do kotouče pouze proti směru otáčení.** Přisun obrobku ve stejném směru jako se pilový kotouč otáčí nad stolem může vést k tomu, že obrobek a ruka budou vtaženy do pilového kotouče.
- **Nikdy nepoužívejte měřidlo pokosu pro přísun obrobku při rozřezávání a nepoužívejte podélné pravítko jako délkový doraz u příčných řezů s měřidlem pokosu.** Vedení obrobku podélným pravítkem a měřidlem pokosu ve stejnou dobu zvyšuje pravděpodobnost uvíznutí pilového kotouče a zpětného rázu.
- **Při rozřezávání vždy používejte sílu přísuvu obrobku mezi pravítkem a pilovým kotoučem. Používejte přitlačovací tyč, když je vzdálenost mezi pravítkem a pilovým kotoučem menší než 150 mm a použijte přitlačovací blok, když je tato vzdálenost menší než 50 mm.** „Pracovní pomůcka“ udržuje vaše ruce v bezpečné vzdálenosti od pilového kotouče.
- **Používejte pouze přitlačovací tyč od výrobce nebo vyrobenou v souladu s návodem k obsluze.** Přitlačovací tyč poskytuje dostatečnou vzdálenost ruky od pilového kotouče.
- **Nikdy nepoužívejte poškozenou nebo pořezanou přitlačovací tyč.** Poškozená přitlačovací tyč může prasknout s následkem vklouznutí vaší ruky do pilového kotouče.
- **Nevykonávejte žádné činnosti „od ruky“.** Vždy používejte podélné pravítko nebo měřidlo pokosu pro polohování a vedení obrobku. „Od ruky“ znamená to, že sahání rukou na podpírání nebo vedete obrobek místo podélného pravítka či měřidla pokosu. Řezání od ruky vede k vychýlení, uvíznutí a zpětnému rázu.
- **Nikdy nesahejte kolem nebo přes rotující pilový kotouč.** Sáhání po obrobku může vést k náhodnému kontaktu s pohybujícím se pilovým kotoučem.
- **Zajistěte doplňkovou podporu obrobku na zadní anebo bočních stranách stolu pily pro dlouhé nebo široké obrobky pro zachování jejich roviny.** Dlouhé nebo široké obrobky mají tendenci se otáčet na okraj stolu, což způsobuje ztrátu kontroly, uvíznutí pilového kotouče a zpětný ráz.
- **Ved'te obrobek rovnoměrným tempem. Neohýbejte ani nekrutěte obrobek. Dojde-li k uvíznutí, ihned vypněte zařízení, odpojte zařízení a poté odstraňte**



příčinu uvíznutí. Uvíznutí pilového kotouče do obrobku může způsobit zpětný ráz nebo zastavení motoru.

- **Neodstraňujte kusy odřezaného materiálu, když je pila v chodu.** Materiál se může zachytit mezi podélným pravítkem nebo uvnitř krytu pilového kotouče a pilový kotouč může zatáhnout vaše prsty do pilového kotouče. Vypněte pilu a před odebráním materiálu počkejte, až se pilový kotouč zastaví.
- **Při řezání obrobků tenčích než 2 mm použijte doplňkové pravítko v kontaktu s deskou stolu.** Tenký obrobek se může zaklínit pod podélné pravítko a vyvolat zpětný ráz.

PŘÍČINY ZPĚTNÉHO VRHU A SOUVISEJÍCÍ VAROVÁNÍ

Zpětný vrh je náhlá reakce obrobku na sevření, uvíznutí pilového kotouče nebo vychýlený řez v obrobku vzhledem k pilovému kotouči nebo pokud část obrobku uvízne mezi pilovým kotoučem a podélným pravítkem nebo jiným pevným předmětem. Nejčastěji se v průběhu zpětného rázu obrobek zvedne ze stolu u zadní části pilového kotouče a je odhozen směrem k obsluze.

Zpětný vrh je tudíž způsoben nesprávným používáním nářadí a/nebo nevhodným postupem při řezání, případně nevhodnými podmínkami řezání. Zpětnému vrhu - vymrštění nářadí lze předcházet dodržováním několika základních opatření.

- **Nikdy nestůjte přímo za pilovým kotoučem. Vždy umístěte své tělo na stejné straně pilového kotouče jako je pravítko.** Zpětný ráz může odhodit obrobek vysokou rychlostí k přihlížejícím v přední části a ve směru pilového kotouče.
- **Nikdy nesahejte na nebo do zadní části pilového kotouče pro vytážení či podporu obrobku.** Náhodný kontakt s pilovým kotoučem může způsobit zpětný ráz nebo může zachytit prsty do pilového kotouče.
- **Nikdy nedržte ani netlačte obrobek, který se má řezat proti rotujícímu pilovému kotouči.** Tlačení obrobku, který se má řezat proti rotujícímu pilovému kotouči způsobí podmínky pro uvíznutí a zpětný ráz.
- **Srovnejte pravítko, aby bylo rovnoběžné s pilovým kotoučem.** Nevyrované pravítko bude tlačit k pilovému kotouči s možností tvorby zpětného rázu.
- **Použijte upevňovací desku pro vedení obrobku vůči stolu a pravítku, když provádíte zářezy, například falcování nebo rozmitání řezy.** Upevňovací deska pomáhá kontrolovat obrobek v případě zpětného rázu.
- **Podepřete velké panely pro minimalizaci nebezpečí sevření pilového kotouče a zpětného vrhu.** Dlouhé díly mají tendenci se prohýbat v důsledku své vlastní váhy. Podpěra(y) musí být umístěna pod všemi částmi panelu přesahujícími desku stolu.
- **Při řezání obrobku, který je zkroutený, sukovitý, zdeformovaný nebo nemá rovný okraj, jej veďte velmi opatrně měřidlem pokosu nebo podél pravítka.** Zvlhčený, sukovitý nebo zkroutený obrobek je nestabilní a způsobuje vychýlení pilového kotouče z řezné spáry, uvíznutí a zpětný vrh.
- **Nikdy neřezejte více než jeden obrobek nastohovaný vertikálně nebo horizontálně.** Pilový kotouč by mohl nadzvednout jeden nebo více kusů a

způsobit zpětný vrh.

- **Pokud znovu spouštíte pilu v obrobku, vystředte pilový kotouč v řezné spáře a zkontrolujte, že zuby pily nejsou zařaty do materiálu.** Pokud pilový kotouč uvízl, může z obrobku vyskočit nebo být zpětně vržen, když se pila znovu spustí.
- **Udržujte pilové kotouče čisté, ostré a vhodně nastavené. Nikdy nepoužívejte deformované pilové kotouče nebo pilové kotouče s trhlínami nebo zlomenými zuby.** Ostré a správně nastavené pilové kotouče minimalizují uvíznutí, zaseknutí a zpětný vrh.

VAROVÁNÍ PRO ŘEZÁNÍ NA STOLOVÉ PILE

- **Vypněte stolovou pilu a odpojte nabíjecí kabel při výměně pilového kotouče nebo provádění úprav na rozpěrném klínu nebo krytu pilového kotouče a také, když je stroj ponechán bez dozoru.** Preventivními opatřeními se předchází nehodám.
- **Nikdy nenechávejte kotoučovou pilu běžet bez dozoru. Vypněte pilu a neopouštějte ji, dokud se plně nezastaví.** Nehlídaná běžící pila je nekontrolovaně nebezpečí.
- **Umístěte pilu na dobře osvětleném a rovném místě, kde můžete udržovat dobrý postoj a rovnováhu. Pila by se měla instalovat v místě, které je poskytnut dostatek prostoru pro snadnou manipulaci s velikostí vašeho obrobku.** Stísněné, tmavé místa a nerovné kluzké podlahy mohou vést k úrazům.
- **Často čistěte a odstraňujte piliny pod stolovou pilou nebo odsávacím zařízením prachu.** Naakumulované piliny jsou hořlavé a mohou se vznítit.
- **Kotoučová pila musí být zajištěna.** Pila, která není řádně zabezpečena, se může pohybovat nebo převrátit.
- **Odeberte nástroje, dřevěné zbytky atd. ze stolu dřívě, než se pila zapne.** Rozptylování nebo potenciální rušení může být nebezpečné.
- **Vždy používejte pilové kotouče se správnou velikostí a ostrostí (hrana versus zakulacení).** Pilové kotouče, které nesouhlasí s montážním materiálem pily, budou pracovat nevytředěně, což způsobí ztrátu kontroly.
- **Nikdy nepoužívejte poškozené nebo nesprávně upevněné montážní prostředky pilového kotouče, jako příruby, podložky pilového kotouče, šrouby nebo matice.** Tyto montážní prostředky byly speciálně navrženy pro vaši pilu, pro bezpečný provoz a optimální výkon.
- **Nikdy nestůjte na stolu pily, nepoužívejte ji jako schůdky/plošinu.** Nebezpečí poranění, pokud si stoupnete na přístroj nebo pokud je přístroj neúmyslně kontaktován.
- **Ujistěte se, že je pilový kotouč nainstalován tak, aby se otáčel ve správném směru. Nepoužívejte na stolové pile brusné kotouče, drátěné kartáče nebo abrazivní kotouče.** Nesprávná instalace pilového kotouče nebo použití příslušenství, které není doporučené, může způsobit vážné zranění.

EN
FR
DE
ES
IT
NL
PT
DA
SV
FI
NO
RU
PL
CS
HU
RO
LV
LT
ET
HR
SL
SK
EL
TR





DOPLŇUJÍCÍ BEZPEČNOSTNÍ VAROVÁNÍ PRO STOLOVÉ PILY

- Nastavte nebo upevněte stroj ve stabilní poloze vhodné pro práci, která má být provedena. Lze montovat na pracovní stůl, nohovou podpěru nebo připevnit k podlaze.
- Po montáži nastavte natažení seřizovatelné nohy pro dosažení stabilní plošiny pro práci.
- Práce ve správné výšce, za využití nejlepší pracovní polohy, pomůže zabránit namáhání nebo jiným zraněním během provozu.
- Poskytněte vhodné prostorové či bodové osvětlení, aby se zabránilo stroboskopickému efektu a nebezpečím.
- Používejte dle nutnosti osobní ochranné pomůcky. Tzn. ochranu sluchu pro snížení zařezání ztráty sluchu hlukem, respirátor pro snížení nebezpečí inhalace škodlivého prachu, rukavice, když manipulujete s pilovým kotoučem surovým materiálem.
- Vždy noste během provozu zařízení bezpečnostní brýle. Doporučuje se nosit pevnou neklouzavou obuv s vyztuženou špičí pro ochranu před pádem předmětů ze stolu.
- Prach vznikající při práci s nástrojem bývá zdraví škodlivý, hořlavý nebo výbušný. Použijte systém absorpce prachu a noste vhodný respirátor. Řádně odstraňujte usazený prach, např. kartáčem a vysavačem.
- Udržujte oblast podlahy čistou, to znamená bez pilin, kabeláže a odřezků. Tím se snižuje nebezpečí klopýtnutí a pádu na kotouč.
- Udržujte stůl bez předmětů, včetně nástrojů a vyřazených dřevěných odřezků.
- Udržujte povrch stolu, pravítka a měřidla pokosu čisté. Dejte si pozor na lepidlo, barvy a dalších složky. Dřevo musí hladce klouzat a nezachytávat se nebo kdekoliv blokovat, jinak hrozí riziko vážného poranění v důsledku velmi vysoké pravděpodobnosti zpětného vrhu.
- Používejte pouze kotouče určené manuálem, dle EN 847-1.
- Nepoužívejte pilové listy vyrobené z rychlořezné oceli.
- Používejte pouze pilové kotouče, které jsou označeny pro rychlostí stejnou nebo vyšší, než je rychlost vyznačená na nástroji.
- Netlačte obrobek do pilového kotouče. Nechte nářadí dělat svoji práci. Nadměrná síla vede k přehřátí kotouče a zubů pily, což může obrobek spálit. To může mít za následek neočekávané události, které by mohly způsobit vážné zranění.
- Nepoužívejte poškozené nebo tupé pilové kotouče. Neostře nebo nesprávně nastavené kotouče vytvářejí zužování řezu, které způsobuje uvíznutí kotouče, nadměrné tření a zpětný vrh. Používejte pouze pilové kotouče, které jsou označeny pro rychlostí stejnou nebo vyšší, než je rychlost vyznačená na nástroji.
- Netlačte obrobek do pilového kotouče. Nechte nářadí dělat svoji práci. Nadměrná síla vede k přehřátí kotouče a zubů pily, což může obrobek spálit. To může mít za následek neočekávané události, které by mohly způsobit vážné zranění.

- Nepoužívejte poškozené nebo tupé pilové kotouče. Neostře nebo nesprávně nastavené kotouče vytvářejí zužování řezu, které způsobuje uvíznutí kotouče, nadměrné tření a zpětný vrh.
- Je-li to nutné, použijte přitlačovací tyč. Pro řezání tenkého dřeva vždy používejte přitlačovací tyč. Přitlačovací tyč je třeba skladovat u stroje, pokud se nepoužívá.
- Nikdy nesahejte do nebezpečné oblasti pilového kotouče, když běží. Udržujte své prsty mimo určenou oblast na stole.
- Nikdy nenechávejte činný nástroj bez dozoru. Vypněte napájení. Neodcházejte od nástroje, dokud se zcela nezastaví.
- Nikdy se nepokoušejte rychle zastavit stroj pomocí zablokováním obrobkem nebo jiným prostředkem umístěným proti kotouči. Vážné nehody mohou být neúmyslně zapříčiněny tímto způsobem.
- Nedotýkejte se řezného kotouče ihned po řezání. Pilový kotouč se během používání zahřívá.
- V případě, že pilový kotouč při řezání uvízne, vypněte stroj a odpojte jej od elektrické sítě. Odeberte obrobek a ujistěte se, že pila volně běží. Zapněte stroj a spusťte nově řezání se sníženou rychlostí posuvu
- Při přepravě stroje demontujte kryt kotouče, nastavte rozpěrný klín do nejnižší polohy a sklopte kotouč tak, že se nachází pod povrchem stolu ve své přepravní poloze.
- Pokud je napájecí kabel poškozen, musí být nahrazen pouze výrobcem nebo pověřeným servisním střediskem za účelem odstranění nebezpečí.
- Nepoužívejte s tímto zařízením příslušenství nebo doplňky, jež nejsou doporučeny výrobcem. Používání doplňků a příslušenství nedoporučených výrobcem mohou způsobit vážná osobní poranění.
- Pro přístroje používané v mnoha prostředích včetně venkovních prostředí je nezbytné používat proudový chránič (PCH).
- V případě, že se přeruší dodávka elektrické energie, přepne se automaticky vypínač pily do polohy vypnuto.

ZVLÁŠTNÍ BEZPEČNOSTNÍ POKYNY ŘEZNÝ KOTOUČ PRO DŘEVO

- Před použitím pilového kotouče a elektrického nástroje si prosím řádně přečtete tyto pokyny.
- Elektrický nástroj musí být v dobrém stavu, vřetenem bez deformací a vibrací.
- Zajistěte odpovídající školení obsluhy o bezpečnosti, seřízení a obsluze elektrického nástroje.
- Noste vždy ochranu sluchu a zraku při použití elektrického nástroje. Doporučuje se používat ochranné rukavice, pevnou protiskluzovou obuv a zástěru.
- Před použitím doplňku pečlivě přečtete návod k používání. Nesprávné použití příslušenství může způsobit poškození a zvýšit riziko poranění.
- Udržujte kotouč čistý. To znamená piliny a zejména lepidlo látky, jako je pryskyřice ze dřeva. Čistý kotouč řezá přesněji a bezpečně.
- Používejte pouze kotouče určené manuálem, dle EN





847-1.

- Sledujte maximální rychlost kotouče, vyznačenou na pilovém kotouči. Ujistěte se, že je rychlostní značení pilového kotouče alespoň stejné jako rychlostní značení na pile.
- Vždy používejte kotouče se správnou velikostí a tvarem otvoru pro trn v kotouči. Pilové kotouče s nesprávným upínacím průměrem se nebudou správně otáčet na hřídeli. Navíc existuje riziko, že ztratíte kontrolu nad nářadím.
- Nepoužívají pilové kotouče s tloušťkou tělesa větší nebo šířkou drážky řezu (řezné spára/zářez) menší, než je tloušťka rozpěrného klínu.
- Nepoužívejte kotouče o menším či větším průměru, než doporučeném. Nepoužívejte distanční vložky pro upevnění kotouče na vřeteně.
- Kontrolujte před každým použitím zuby kotouče na poškození či neobvyklý vzhled. Poškozené či uvolněné zuby mohou během používání odlétávat a zvýšit riziko poranění osob.
- Nepoužívejte prasklé nebo polámané pilové kotouče. Nepoužívejte poškozené nebo deformované pilové listy.
- Zlikvidujte pilový kotouč v případě jeho poškození, deformace, narušení nebo prasknutí, oprava není povolena.
- Nepoužívejte HSS kotouče.
- Ujistěte se, že pilový kotouč je správně namontován, bezpečně utáhněte matici trnu před použitím.
- Upevňovací šrouby a matice je nutné utahovat vhodným klíčem.
- Utahování úderu kladivem či prodlužování páky není povoleno.
- Ujistěte se, že jsou kotouč a příruby čisté a zapuštěné strany objímky jsou umístěny proti ostří.
- Ujistěte se, že se kotouč otáčí ve správném směru a nepřichází do styku s žádnou částí stroje nebo systémem krytů.
- Před prací proveďte zkušební řez bez zapnutého motoru tak, aby se dala zkontrolovat poloha nože, funkčnost krytů s ohledem na ostatní části stroje a obrobek.
- Přístroj nikdy nenechávejte elektrický nástroj bez dozoru.
- Nemažte kotouč, když běží.
- Nikdy se nepokoušejte rychle zastavit elektrický nástroj pomocí zablokování obrobkem nebo jiným prostředkem umístěným proti kotouči, tímto způsobem mohou být neúmyslně zapříčiněny vážné nehody.
- Před výměnou kotoučů nebo prováděním údržby odpojte elektrický nástroj od zdroje napájení.
- Při balení či rozbalování kotouče se lze snadno poranit ostrými zuby kotouče.
- Používejte držák kotouče či při manipulaci s kotoučem noste rukavice. Pamatujte si, že se kotouč řezáním zahřívá.
- Uchovávejte a skladujte kotouč v originálním obalu či jiném vhodném obalu, uchovávejte v suchu a mimo

působení chemikálií poškozujících kotouč.

ZAMÝŠLENÉ POUŽITÍ

Stolová pila je určena k obsluze jednou osobou za účelem podélných a příčných řezání dřeva, až do maximální hloubky 80 mm při úhlu zešíkmení 0°. Při maximálním úhlu zešíkmení 45 ° je maximální hloubka řezu 55 mm. Stolová pila je navržena a určena k připevnění na stabilní povrch nebo na pracovní podstavec, který dodává výrobce. Lze řezat tvrdé a měkké dřevo a také dřevotřísku a dřevovláknité desky.

Lze použít pouze kotouč a rozpěrný klín dodaný výrobcem této stolové pily a pro danou pily.

ZBYTKOVÁ RIZIKA

Dokonce, i když se stolová pila provozuje jak je předepsáno, je stále nemožné zcela eliminovat veškeré zbytkové rizikové faktory.

Obsluha by měla věnovat zvláštní pozornost těmto bodům, aby se snížilo riziko vážného poranění.

- Bez přežávání. Kryt kotouče je odstraněn a horní část pilového kotouče je odkryta.
- Kontakt s kotoučem - nesahejte na, nad a kolem pilového kotouče.
- Zpětný vrh - nikdy nestůjte před kotoučem.
- Stabilita - ujistěte se, že výrobek je stabilní, pokud je to možné, zajistěte jej.
- Vymrštěné zuby kotouče - používejte ochranu očí po celý průběh práce.
- Inhalace prachu – noste masku, je-li to třeba. Prach vytvořený během práce s určitými typy dřevěných výrobků (například MDF) může být nebezpečný pro vaše dýchací cesty.
- Poranění očí dřevem a prachovými částicemi - používejte ochranu očí po celý průběh práce.
- Poranění sluchu - omezte vystavení a noste ochranu sluchu.
- Hladina hluku se může výrazně lišit dle zařízení v závislosti na podmínkách použití. U osob vystavených vysokým hladinám hluku, a to i na krátkou dobu, může dojít k dočasné či částečné ztrátě sluchu a při souvislém působení vysokých hladin může dojít k trvalému poškození sluchu.

SEZNAMTE SE DÚKLADNĚ SE SVÝM NÁŘADÍM.

Viz strana 242.

1. Vložka stolu
2. Seřizovatelný prodloužený rozpěrný klín
3. Pokosové pravítko
4. Pilový kotouč
5. Kryt pilového kotouče
6. Uvolnění vložky stolu
7. Pravítko/podélné pravítko
8. Boční prodloužení stolu (RTS1800ES, RTS1800EF)
9. Upevňovací otvory (zajištění pracovního stolu či noh)
10. Nožní spínač On/Off (Zapnuto/Vypnuto)
11. Seřizovací kolo úhlu zešíkmení
12. Zámek úhlu zešíkmení
13. Hloubka řezu



- 14. Stolová pila
- 15. Odsávání prachu
- 16. Konektor odvodu prachu

OBSLUHA

VAROVÁNÍ

Musíte si přečíst a plně pochopit všechna varování a pokyny uvedené v tomto návodu k obsluze před zapnutím pily a prováděním řezů touto stolovou pilou.

Průřez: Jakékoliv řezání, kdy pilový kotouč prořeže celou tloušťku obrobku. Pro tuto činnost by měl být rozpěrný klín ve zvednuté poloze a musí být upevněn kryt kotouče. Použijte pravítko nebo měřidlo pokosu pro správné umístění obrobku.

Drážkové řezy: Jakékoliv řezání, kdy pilový kotouč neprořeže celou tloušťku obrobku. Pro tuto činnost by měl být rozpěrný klín ve své spodní poloze. Horní část rozpěrného klínu by měla být o něco níže než horní část pilového kotouče. Kryt kotouče nesmí být upevněn. Použijte pravítko nebo měřidlo pokosu pro správné umístění obrobku.

Podélný řez: Pomocí podélného pravítka rovnoběžně s kotoučem pro vedení obrobku. Převážně se řez provádí ve směru kresby dřeva (pokud je přítomna). Lze řezat jako drážku či jako úplný průřez dřevem.

Příčný řez: pomocí měřidla pokosu nebo pravítkem příčného řezu. Zařízení je navržen tak, aby posouvalo rovnoběžně s pilovým kotoučem a aby byl obrobek zajištěn v pevném úhlu napříč osou řezání kotouče. Převážně se řez provádí napříč kresbou dřeva (pokud je přítomna). Lze řezat jako drážku či jako úplný průřez dřevem.

Šikmý řez: Úhel kotouče vzhledem k ploše stolu se mění mezi 90 a 45°. Vytváří řez okraje pod úhlem. Lze řezat jako drážku či jako úplný průřez dřevem. Pro správnou polohu obrobku použijte buď podélné pravítko nebo měřidlo pokosu.

Pokosový řez: Obrobek je uveden na kotouč pod úhlem. Úhel se nastaví na měřidle pokosu, které pak může držet obrobek v tomto úhlu, a řez se provádí posouváním rovnoběžně s kotoučem. Lze řezat jako drážku či jako úplný průřez dřevem.

Zkosený řez: Zkosené příčné řezy jsou možné pomocí měřidla pokosu nastaveného na požadovaný úhel. Není možné provádět zkosené drážkové řezy, protože je zapotřebí speciální upevňovací přípravek.

BEZPEČNÉ POUŽÍVÁNÍ PRAVÍTKA

- Nikdy nepoužívejte současně podélné pravítko a měřidlo úhlu pokosu. Zvyšuje to potenciál zpětného rázu a poranění. Když ani jeden nepoužíváte, odeberte je ze stolu a uložte bezpečným způsobem.
- Pokaždé, když pravítko používáte, nebo přemísťujete do jiné polohy, je nezbytné, aby se zkontrolovala rovnoběžnost k pilovému kotouči.
- Nerovnoběžnost pravítka může zachytit obrobek mezi kotoučem a pravítkem s následkem zpětného rázu, což může vést k vašemu vážnému poranění i přihlížejících.

- Nesprávné seřízené nebo nastavené může způsobit to, že je obrobek přiváděn ke kotouči v nesprávném úhlu, což může způsobit, že kotouč uvízne nebo se zablokuje. Může to také způsobit zpětný vrh (viz výše).
- Pro řádné seřízení pravítka zahákněte konec pravítka přes zadní okraj stolu, poté snižte dolů přední okraj pro spojení s přední stranou stolu. Poté tlačte z přední strany pravítka tak, že se dva okraje nastavené na správný úhel ke směru pravítka dotýkají předního okraje stolu. To pomáhá zajistit rovnoběžnost pravítka s kotoučem. Poté zajistěte pravítko v poloze zatlačením pojistky rukojetí směrem dolů.
- Síla, kterou zamykací rukojetí udržuje pravítko v poloze lze nastavit otáčením šroubu s rýhovanou hlavou těsně nad zamykací rukojetí.
- Vždy zkontrolujte rovnoběžnost pravítka vůči kotouči měřením nebo přesně řezaným blokem dřeva před prováděním řezu.

Vyrovnání vzdálenostních značek, kotouče vůči pravítku

Nastavte pravítko proti kotouči a poté nastavte ukazatel průhledítka na značku 0 mm na předním okraji stolu. Povolte šroub, nastavte průhledítko a znovu utáhněte šroub.

Použití pomocného pravítka

Jsou chvíle, kdy je zapotřebí montáž pomocného pravítka hlavnímu pravítku.

- a. Když nemůžete udržet rukou úzký obrobek nebo přitlačovací tyčí, protože pravítko je v dráze.
- b. Má-li se řezat tenký obrobek. Velmi tenké obrobky mohou sklouznout pod hlavní pravítko a zachytit se nebo přitáhnout, což může způsobit zpětný vrh. Používejte doplňující pravítko, abyste tomuto předešli.

Demontujte pomocné pravítko, pokud je to bezpečné pro používání pouze hlavního pravítka.

Při provádění šikmých řezů na úzkých obrobkách vždy používejte pravítko na opačné straně kotouče než je prováděný řez jinak se snadno zachytí posouvací blok proti krytu kotouče nebo pravítku.

Přípevnění pomocného pravítka k hlavnímu pravítku

- S křídlovými maticemi a podložkami na jedné straně pravítka zatlačte šrouby z druhé strany a přišroubujte o několik otáček. Nyní nasuňte pomocné pravítko přes hlavy šroubů do otvoru. Utáhněte pomocné pravítko v požadované poloze.

POZNÁMKA: Pomocné pravítko je určeno pouze k vedení obrobku od kotouče a rozpěrného klínu, ale nemusí pokrývat celou délku hlavního pravítka.

Demontujte pomocné pravítko, pokud je to bezpečné pro používání pouze hlavního pravítka. Nenechávejte šrouby a křídlové matice na místě na hlavního pravítka.

Použití upevňovací desky

Upevňovací deska je zařízení podobné hřebenu, ale uřízané pod úhlem. Obvykle je vyrobena ze dřeva nebo plastu, tenké kolíky se lehce ohýbají jak se obrobek posouvá do pozice, vytváří rovnoměrný a stálý tlak pro



držení obrobku. Je-li požadována přesnost řezu na úzkém obrobku, použijte jedno z těchto zařízení. Toto zařízení je připevněno ke stolu pomocí otvorů měřidla pokosu a snižuje potřebu prstů obsluhy v blízkosti kotouče.

Upevňovací desku jiných výrobců lze zakoupit ve specializovaném obchodu.

OCHRANA ZAŘÍZENÍ PŘED PŘETÍŽENÍM

Tento produkt má zařízení ochrany proti přetížení. Pokud se zjistí přetížení, produkt se automaticky vypne. Vypněte napájení. Při aktivaci přetěžovací ochrany se musí nechat motor chladit 3 minut. Ujistěte se, že se kotouč může volně otáčet a nedochází k uvíznutí nebo sevření. Stiskněte tlačítko reset (pod spínačem vypnuto/zapnuto [on/off]). Zapněte napájení. Stiskněte tlačítko pro spuštění výrobku.

ÚDRŽBA

- Ujistěte se, že je pilový kotouč zcela zastaven a napájecí kabel je odpojen od zdroje napájení před každou údržbou nebo čistěním.
- Pokud je napájecí kabel poškozen, musí být nahrazen pověřeným servisním střediskem.
- Kotouč má ostré hrany a během řezání se může zahřívát. Je třeba opatrnosti, když čistíte kotouč. Používejte ochranné rukavice, abyste se chránili před zraněním.
- Čistěte pravidelně pilu a jeho příslušenství od prachu, zejména pohyblivé části včetně krytu kotouče. Používejte pouze ruční kartáč nebo vysavač pro účinné odstranění prachu.

⚠ VAROVÁNÍ

Nepokoušejte se pro čistění či opravu demontovat sestavu krytu kotouče. Poškozený kryt kotouče se nesmí používat. Odevzdejte nejbližšímu servisnímu středisku k opravě nebo výměně.

- Stolová pila je namazána ve výrobní továrně a nevyžaduje se další mazání.
- Chcete-li zkontrolovat a upravit úhel zkosení úhly a rovnoběžnost kotouče/pravítka, viz oddíl „Kontrola a nastavení úhlu zešíkmení“ a „Kontrola a nastavení rovnoběžnosti kotouče s otvory měřidla pokosu“ v tomto návodu“.

KONTROLA A NASTAVENÍ ÚHLU ZEŠÍKMENÍ

POZNÁMKA: Nastavení kotouče musí být 90° z tabulky výsledků při úhlu zešíkmení 0°.

1. Vypněte napájení a vytáhněte zástrčku ze zásuvky.
2. Věnujte zvláštní pozornost zubům pilového kotouče, jsou velmi ostré a mohou způsobit poranění.
3. Zvedněte kotouč a sestavu rozpěrného klínu do nejvyšší výšky.
4. Demontujte kryt kotouče.
5. Rozpěrný klín je z továrny nastaven do spodní polohy.
6. Ujistěte se, že kotouč a povrch stolu jsou zbaveni prachu a nečistot.
7. Umístěte 90° „rýsovací trojúhelník“ proti povrchu stolu a nejvyšší části čepele. Dávejte pozor, aby se nedotýkaly

zuby kotouče během tohoto měření, bude to mít za následek chyby. Musíte se přizpůsobit povrch tělesa pilového kotouče.

8. Mezi kotoučem nebo stolem a okrajem rýsovacího trojúhelníku nesmí být vůle, v tomto stavu je kotouč ve skutečném vertikální vyrovnání a žádná další nastavení úhlu kotouče nejsou nutná.
9. Pokud je zde vůle, povolte zamykací šroub zešíkmení a opatrně přemístěte úhel zešíkmení a neustále přitom kontrolujte vůli. Jakmile vůle neexistuje, dobře utáhněte zamykací šroub zešíkmení.
10. Uvolněte šroub na ukazateli úhlu zešíkmení a nastavte plastový unášec tak, že ukazuje srovnání se značkou 0°. Utáhněte šrouby.
11. Opakujte tuto operaci pro kontrolu a nastavení různých úhlů mezi 90° a 45°, jak považujete za nezbytné.

KONTROLA A NASTAVENÍ ROVNOBĚŽNOSTI KOTOUČE S OTVORY MĚŘIDLA POKOSU

1. Vypněte napájení a vytáhněte zástrčku ze zásuvky.
2. Věnujte zvláštní pozornost zubům pilového kotouče, jsou velmi ostré a mohou způsobit poranění.
3. Zvedněte kotouč a sestavu rozpěrného klínu do nejvyšší výšky.
4. Demontujte kryt kotouče.
5. Kompletní kontroly popsány v této příručce „Jak zkontrolovat a nastavit úhel zešíkmení.“ Zajistěte bezpečné upevnění na úhlu zešíkmení 0°.
6. Vezměte měřidlo úhlu pokosu a vložte jej do jednoho otvoru na stole. Nastavte měřidlo úhlu pokosu na 90°.
7. Umístěte ocelové pravítko naproti měřidlu úhlu pokosu a rovným koncem pravítka jej nastavte, aby se dotýkalo tělesa pilového kotouče. Lze využít přesně řezaný blok dřeva místo ocelového pravítka.
8. Pevně držte úchop na pravítku/blok a posunujte celé měřidlo úhlu pokosu tak, že se pravítko/blok nyní dotýká druhého konce kotouče. Pravítko nebo blok by měl mít stejnou úroveň kontaktu s kotoučem, který se pohybuje napříč tělesem kotouče. Pokud je to váš případ, pak je rovnoběžnost mezi kotoučem a otvory stolu přesná a není nutná žádná úprava. Zkontrolujte otvor na druhé straně stolu stejným postupem.

NASTAVENÍ ROVNOBĚŽNOSTI KOTOUČE K OTVORŮM VE STOLU

K dispozici jsou dva šrouby na přední části pilového kotouče a další dvě vzadu. Ty lze zpřístupnit ze spodní části stolu.

Jsou-li tyto šrouby uvolněny, lze celý kotouč, rozpěrný klín a sestavu motoru posouvat pro přesné vyrovnání kotouče s otvory ve stolu.

Pokud nejste schopni sami dosáhnout dle vašich stávajících zkušeností takových úprav, obraťte se v případě problémů s vaší kotoučovou pilou na nejbližší autorizované servisní středisko Ryobi pro profesionální nastavení.



OCHRANA ŽIVOTNÍHO PROSTŘEDÍ



V rámci možností neodhazujte vysloužilé nářadí do domovního odpadu a upřednostněte jeho recyklaci. V souladu s předpisy na ochranu životního prostředí odkládejte vysloužilé nářadí, příslušenství i obalový materiál do tříděného odpadu.

SYMBOLY NA VÝROBKU



Bezpečnostní výstraha



Shoda CE



Euroasijská značka shody



Zařízení třídy II, dvojitě izolováno



Před použitím přístroje si prosím řádně přečtěte tyto pokyny.



Noste ochranu sluchu.



Vždy noste ochranné brýle.



Noste bezpečnostní rukavice.



Nebezpečí! Ostrý kotouč.



Maximální prořez



Šířka řezu kotouče (zářez)



Počet zubů na pilový kotouč



Pro řezání dřeva a podobných materiálů



Nevhodné pro řezání kovu



Směr otáčení kotouče (uvedeno na krytu kotouče)



Směr otáčení kotouče (uvedeno na rozpěrném klínu)



Směr otáčení kotouče (uvedeno na pilovém kotouči)



Směr otáčení kotouče (uvedeno na stole)



Průměr kotouče



Tloušťka tělesa kotouče a šířka řezu



Tloušťka rozpěrného klínu a tvrdost



Jmenovitý výkon



Kotouč z karbidu wolframu, 48 zubů



Pozvolný rozběh



Ochrana proti přetížení



Stůl z litého hliníku



Rozměry stolu (RTS1800, RTS1800S)



Rozměry stolu (RTS1800ES, RTS1800EF)



Rozměry zvětšení stolu



Demontovatelný nůžkový podstavec



Skládací podstavec deluxe



Řezací kapacita (90° a 45°)



Odpad elektrických výrobků se nesmí likvidovat v domovním odpadu. Recyklujte prosím na sběrných místech. Ptejte se u vašich místních úřadů nebo u svého prodejce pro informace o recyklaci.

- EN
- FR
- DE
- ES
- IT
- NL
- PT
- DA
- SV
- FI
- NO
- RU
- PL
- CS**
- HU
- RO
- LV
- LT
- ET
- HR
- SL
- SK
- EL
- TR

SYMBOLY V NÁVODU



Připojte k zásuvce.



Odpojte od zásuvky.



Díly nebo příslušenství jsou v prodeji samostatně



Odpad elektrických výrobků se nesmí likvidovat v domovním odpadu. Recyklujte prosím na sběrných místech.



Poznámka:



VAROVÁNÍ



ÁLTALÁNOS BIZTONSÁGI ELŐÍRÁSOK

▲ FIGYELEM

Figyelmesen olvassa el az ehhez a szerszámhoz mellékelt összes figyelmeztetést, utasítást és műszaki adatokat, valamint tanulmányozza az ábrákat is. Az alább részletezett előírások be nem tartása olyan baleseteket okozhat, mint pl. tűz, áramütés és/vagy súlyos testi sérülések.

A jövőbeli felhasználásra őrizze meg az összes figyelmeztetést és útmutatót. A figyelmeztetésekben a „szerszámgép” kifejezés az elektromos hálózatról (kábel) működtetett vagy akkumulátorról (kábel nélkül) működtetett gépet jelenti.

A MUNKATERÜLET BIZTONSÁGA

- A munkaterületet tartsa tisztán és jól megvilágítva. A rendetlen vagy sötét munkaterületek balesetekhez vezethetnek.
- Az elektromos szerszámgépeket ne működtesse robbanásveszélyes környezetben, mint például robbanásveszélyes folyadékok, gázok vagy porok jelenlétében. Az elektromos készülékekben szikrák keletkeznek, amik begyűjthetik a port vagy a gőzöket.
- Az elektromos szerszámgép használatakor a gyerekeket és a kívülállókat tartsa távol. A figyelem elterelődése az irányítás elvesztését okozhatja.

ELEKTROMOS BIZTONSÁG

- Az elektromos szerszám dugaszának egyeznie kell az aljzattal. Semmilyen módon ne módosítsa a dugaszt. A földelt elektromos gépekhez ne használjon adapter dugaszokat. A nem módosított és illeszkedő dugasz csökkenti az áramütés kockázatát.
- Kerülje az érintkezést földelt felületekkel, mint például csövekkel, radiátorokkal és hűtőkkel. Megnöveli az áramütés kockázatát, ha a teste földeltté válik.
- Ne tegye ki az elektromos szerszámokat esőnek vagy nedves környezetnek. Az elektromos gépekbe kerülő víz növeli az áramütés kockázatát.
- Ne rongálja meg a kábelt. Az elektromos szerszám kábelét soha ne használja a szerszám hordozására, húzására vagy kihúzására. Tartsa távol a kábelt hőforrásoktól, olajtól, éles szélektől és mozgó alkatrészekről. Sérült vagy beakadt kábelek növelik az áramütés kockázatát.
- Elektromos szerszám szabadtéri működtetésekor egy kültéri használatra is megfelelő hosszabbító kábelt használjon. Kültéri használatra megfelelő hosszabbító kábel csökkenti az áramütés kockázatát.
- Ha a szerszámgép használata nedves környezetben elkerülhetetlen, használjon áram-védőkacsolót (RCD). Az RCD használata csökkenti az áramütés kockázatát.

SZEMÉLYI BIZTONSÁG

- Elektromos gép működtetésekor legyen mindig éber, figyeljen arra, amit csinál, és használja a józan eszét. Ne használja a szerszámgépet, ha fáradt vagy alkoholt, gyógyszert illetve más tudatmódosító szerek hatása alatt áll. A szerszámgépek használata közben már egyetlen figyelmen kívül hagyás is súlyos személyi sérüléshez vezethet.
- Használjon személyi védőeszközöket. Mindig viseljen védőszemüveget. A védelmi felszerelések, mint például a pormaszok, a csúszásmentes biztonsági lábbelik, a védősisak vagy a fűlvédő megfelelő használata csökkenti a személyi sérüléseket.
- Kerülje el a véletlen bekapcsolást. A szerszám szállítása vagy felemelése, az áramellátás és/vagy akkumulátor csatlakoztatása előtt ellenőrizze, hogy a kapcsoló kikapcsolt állásban van. Szerszámgépek szállítása a kapcsolón tartott ujjal vagy bekapcsolt szerszámgépek áram alá helyezése balesetekhez vezet.
- A szerszámgépről bekapcsolás előtt távolítson el minden beállító kulcsot és csavarkulcsot. Egy a szerszámgép forgó alkatrészén maradt beállító kulcs vagy csavarkulcs személyi sérülést eredményezhet.
- Ne hajoljon ki túlságosan. Mindig tartson megfelelő testtartást és egyensúlyt. Ez a szerszámgép jobb irányítását teszi lehetővé váratlan helyzetekben.
- Viseljen megfelelő ruházatot. Ne vegyen fel laza ruhát vagy ékszereket. A haját és a ruháit tartsa távol a mozgó alkatrészekről. A laza ruházat és ékszerek vagy a hosszú haj beakadhatnak a mozgó alkatrészekbe.
- Ha a készülék el van látva porkivezető vagy -gyűjtő berendezésekhez való csatlakozási lehetőséggel, akkor ügyeljen rá, hogy ezeket csatlakoztassák és megfelelően használják. A porfogó használata csökkentheti a porral kapcsolatos veszélyeket.
- Ne hagyja, hogy a szerszámgépek gyakori használatától túl magabiztos legyen, és figyelmen kívül hagyja szerszámgépekre vonatkozó biztonsági alapelveket. Egy figyelmen kívül hagyás a másodperc törtrésze alatt súlyos sérüléseket okozhat.

A SZERSZÁMGÉP HASZNÁLATA ÉS KARBANTARTÁSA

- Ne erőltesse a szerszámgépet. A feladathoz a megfelelő szerszámgépet használja. Az adott feladatra megfelelő szerszámgép jobb teljesítménnyel és sokkal biztonságosabban fog dolgozni olyan körülmények között, amilyenekre azt tervezték.
- Ne használja a szerszámgépet, ha a kapcsoló nem kapcsol be és ki. Bármilyen szerszámgép veszélyes, amit a kapcsolóval nem lehet irányítani. Azt meg kell javítani.
- Bármilyen beállítás, tartozékcseré elvégzése vagy a szerszámgép tárolása előtt húzza ki a gépet a hálózatról és/vagy ha kivehető, vegye ki az akkumulátort a szerszámgépéből. Az ilyen megelőző biztonsági óvintézkedések csökkentik a gép véletlen bekapcsolódásának kockázatát.





EN
FR
DE
ES
IT
NL
PT
DA
SV
FI
NO
PL
RU
CS
HU
RO
LV
LT
ET
HR
SL
SK
EL
TR

- A használaton kívüli készüléket gyerekek számára nem elérhető helyen tárolja, és ne hagyja, hogy a szerszámgépet vagy a kézikönyvet nem ismerő személyek használják a szerszámgépet. Gyakorlatlan felhasználók kezében a szerszámgépek veszélyesek.
- Tartsa megfelelő állapotban a szerszámgépeket és a tartozékokat. Ellenőrizze a mozgó alkatrészek akadását vagy helytelen beállítását, az alkatrészek törését és minden más körülményt, ami hatással lehet a szerszámgép működésére. Ha sérült, a szerszámgépet használat előtt meg kell javítani. Sok balesetet a rosszul karbantartott szerszámgépek okoznak.
- A vágószerszámok legyenek élesek és tiszták. A megfelelően karbantartott, éles vágóélű vágószerszámok kevésbé akadnak be és könnyebben irányíthatók.
- A szerszámgépet, a tartozékokat és a biteket stb. ezen utasításban leírtaknak megfelelően használja, figyelembe véve a munkakörülményeket és az elvégzendő feladatot. A szerszámgép rendeltetésétől eltérő műveletekre való használata veszélyes helyzeteket eredményezhet.
- A fogantyúk és a markolatok felületét tartsa szárazon, tisztán, olajtól és kenőzsírtól mentesen. A csúszós fogantyúk és a markolatok váratlan helyzetben nem teszik lehetővé a gép biztonságos kezelését és irányítását.

- A hasítókést csak a használati útmutatóban leírtaknak megfelelően állítsa be. A helytelen távolság, pozicionálás vagy beigazítás hatástalanná teheti a hasítókést a visszarúgás veszélyének csökkentésében.
- A hasítókést a megfelelő működéséhez bele kell engedni a munkadarabba. A hasítókések hatástalan, ha olyan munkadarabokat vág, amelyek túl rövidek ahhoz, hogy a hasítókések beléjük akadjanak. Ebben az esetben a visszarúgás nem védhető ki a hasítókéssel.
- A megfelelő fűrészlapot használja a hasítókéshöz. A hasítókések megfelelő működéséhez a fűrészlap átmérőjének illeszkednie kell a hasítókéshöz, és a fűrészlap vastagságának kisebbnek kell lennie a hasítókésenél, és a fűrészlap vágásszélességének nagyobbak kell lennie a hasítókések vastagságánál.

A VÁGÁSI ELJÁRÁSOKRA VONATKOZÓ FIGYELMEZTETÉSEK

⚠ VESZÉLY

Soha ne tegye a kezét vagy az ujját a fűrészlap vonalába vagy annak közelébe. Egy figyelmetlen pillanat vagy megcsúszás miatt a keze a fűrészlaphoz kerülhet, ami súlyos személyi sérülést eredményezhet.

- A fűrészlap forgásirányával szemben adagolja a munkadarabot. Ha a munkadarabot a fűrészlap asztal feletti forgásirányába adagolja, a fűrészlap beránthatja a munkadarabot és a kezét.
- Ne használja a gérvágó mércét a munkadarab adagolásához hasításkor, és ne használja a vezetősínt hosszúsági ütközőnek, amikor keresztvágást végez a gérvágó mércével. A munkadarabnak a vezetősínnel és a gérvágó mércével való egyidejű adagolása megnöveli a fűrészlap beakadásának és a visszarúgásnak a veszélyét.
- Hosszválgáskor mindig a sín és a fűrészlap között fejtse ki az adagolási erőt. Használjon tolórudat, ha a sín és a fűrészlap közötti távolság kisebb 150 mm-nél, és használjon nyomótömböt, ha a távolság 50 mm-nél is kisebb. A „munkát segítő” eszközök biztonságos távolságban tartják a kezét a fűrészlaptól.
- Csak a gyártó által mellékelte vagy annak utasításai szerint elkészített tolórudat használjon. Ez a tolórúd elegendő távolságot biztosít a keze és a fűrészlap között.
- Soha ne használjon sérült vagy elvágott tolórudat. A sérült tolórúd eltörhet, ami miatt a keze a fűrészlapba csúszhat.
- Ne végezzen semmilyen műveletet „szabad kézzel”. Mindig használja a vezetősínt vagy a gérvágó mércét a munkadarab pozicionáláshoz és vezetéséhez. A „szabad kézzel” azt jelenti, hogy a kezeit használja a munkadarab megtámasztásához vagy vezetéséhez a vezetősín vagy gérvágó mércé ellenében. A teljesen szabad kezes fűrészelés helytelen beállítást, akadást és visszarúgást okoz.
- Ne hajoljon a forgó fűrészlap fölé vagy köré. Ha egy munkadarab után nyúl, véletlenül érintkezhet a mozgó

SZERVIZELÉS

- A szerszámgépet csak szakképzett szervizszakemberrel szervizeltesse, csak azonos cserealkatrészeket használva. Ez biztosítja, hogy a szerszámgép használata továbbra is biztonságos legyen.

ASZTALI FÜRÉSZEKRE VONATKOZÓ BIZTONSÁGI UTASÍTÁSOK

VÉDŐBERENDEZÉSEKRE VONATKOZÓ FIGYELMEZTETÉSEK

- A védőberendezések legyenek a helyükön. A védőberendezések legyenek működőképes és megfelelően felszerelt állapotban. A laza, sérült vagy nem megfelelően működő védőberendezést meg kell javíttatni vagy ki kell cseréltetni.
- Minden átvágási művelethez használja a fűrészlapvédőt és a hasítókést. Azon átvágási műveletekhez, ahol a fűrészlap teljes vastagságban átvágja a munkadarabot, a védő és más biztonsági eszközök segítenek csökkenteni a sérülésveszélyt.
- Egy a védőberendezés eltávolítását szükségeltető művelet (falcolás vagy újravágás) elvégzése után azonnal szerelje vissza a védőberendezést. A védő és a hasítókések segítenek csökkenteni a sérülésveszélyt.
- A kapcsoló bekapcsolása előtt ellenőrizze, hogy a fűrészlap ne érintkezzen a védőberendezéssel, a hasítókéssel vagy a munkadarabbal. Ezen elemeknek a fűrészlappal való véletlenszerű érintkezése veszélyes helyzetet eredményezhet.





fűrészlappal.

- **Biztosítson** kiegészítő megtámasztást a munkadarabnak a fűrészasztal hátulján és/vagy oldalán, hogy a hosszú és/vagy széles munkadarabokat vízszintesen tartsa. Egy hosszú és/vagy széles munkadarab az asztal szélénél hajlamos lebukni, ami az irányítás elvesztését, a fűrészlap beakadását és visszarúgást okozhat.
- **Egyenletes** tempóban adagolja a munkadarabot. Ne hajlítsa meg és ne tekerje meg a munkadarabot. Elakadás esetén azonnal kapcsolja ki a terméket, húzza ki a hálózatból, majd szüntesse meg az elakadást. A fűrészlap munkadarabba való beakadása visszarúgást vagy a motor elakadását okozhatja.
- **Ne távolítsa el** a levágott darabokat, amikor a fűrészlap forog. Az anyag beakadhat a vezetősínnél vagy a fűrészlap védőburkolatának belsejébe kerülhet, és a fűrészlap behúzhatja az ujjait a fűrészlapba. Az anyag eltávolítása előtt kapcsolja ki a fűrészlapot, és várja meg, amíg megáll.
- **Használjon egy** az asztal tetejével érintkező kiegészítő vezetősínt, ha 2 mm-nél vékonyabb munkadarabot vág hosszában. A vékony munkadarab beékelődhet a vezetősín alá, és visszarúgást okoz.

A VISSZARÚGÁS OKAI ÉS KAPCSOLÓDÓ FIGYELMEZTETÉSEK

A visszarúgás a munkadarabnak a beakadt, becsípődött fűrészlap vagy a fűrészlaphoz képest rosszul beigazított vágásvonal, illetve a fűrészlap és a vezetősín vagy más rögzített tárgy közé való beszorulás miatti hirtelen reakciója. Visszarúgáskor leggyakrabban a munkadarabot felemeli a fűrészlap hátsó része az asztalról, és az a kezelő felé vetődik.

A megúrás ily módon a szerszám nem megfelelő használatának és/vagy a helytelen vágási módoknak / körülményeknek az eredménye. Néhány óvintézkedés meghozatalával és figyelmes betartásával azonban elkerülhető ez a veszélyes jelenség.

- **Ne álljon közvetlenül a fűrészlap vonalába.** A testét mindig a fűrészlap azon az oldalára pozicionálja ahol a vezetősín található. A visszarúgás nagy sebességgel pörgetheti a munkadarabot a fűrészlap előtt és annak vonalában álló személy felé.
- **Ne nyúljon a fűrészlap fölé vagy mögé a munkadarab húzásához vagy megtámasztásához.** Véletlenül érintkezhet a fűrészlappal vagy a visszarúgás behúzhatja az ujjait a fűrészlapba.
- **Ne tartsa és nyomja a munkadarab levágandó részét a forgó fűrészlap felé.** A munkadarab levágandó részének a fűrészlap felé tolása beakadást és visszarúgást okozhat.
- **Úgy állítsa be a vezetősínt, hogy párhuzamos legyen a fűrészlappal.** A rosszul beállított vezetősín becsípi a munkadarabot a fűrészlapba és visszarúgást okoz.
- **Használjon fésűfát a munkadarab vezetéséhez az asztal és a vezetősín mentén, amikor nem átvágást végez, hanem falcol vagy újravág.** A fésűfa segít irányítani a munkadarabot visszarúgáskor.

- **A nagyméretű táblákat** támassza alá, hogy minimalizálja a fűrészlap becsípődésének és a visszarúgásnak a kockázatát. A hosszú munkadarabok meghajolhatnak a súlyuk alatt. Támasztó(ka)t a táblának az asztalról lenyúló minden része alá kell helyezni.
- **Különös figyelemmel** járjon el megcsavarodott, görcsöket tartalmazó, megvetemedett vagy egyetlen, gérvágó mércével vagy vezetősínnel való vezetést biztosító egyes élel sem rendelkező munkadarabok vágásakor. A megcsavarodott, görcsöket tartalmazó vagy megvetemedett munkadarab nem stabil, és a fűrészjárat fűrészlaptól való eltérését, a fűrészlap beakadását vagy visszarúgást okozhat.
- **Ne vágjon egyszerre** egynél több függőlegesen vagy vízszintesen egymásra rakott munkadarabot. A fűrészlap elkaphat egy vagy több darabot, és visszarúgást okozhat.
- **Ha úgy indítja újra a fűrészlapot, hogy a fűrészlap a munkadarabban van, helyezze középre a fűrészlapot a vajatban, hogy a fűrészlap fogai ne legyenek beakadva az anyagba.** Ha a fűrészlap beakad, az felemelheti a munkadarabot, és visszarúgást okozhat a fűrész újraindításakor.
- **A fűrészlapok legyenek tiszták, élesek, megfelelő fogferdeséggel rendelkezők.** Ne használjon deformálódott fűrészlapokat, vagy törött vagy repedt fogazatú fűrészlapot. Az éles és megfelelően beállított fűrészlapok minimalizálják a beakadást, a belassulást és a visszarúgást.

ASZTALI FÜRÉSZEK HASZNÁLATÁRA VONATKOZÓ FIGYELMEZTETÉSEK

- **Kapcsolja ki az asztali fűrészlapot, és húzza ki a tápkábelt az asztalbetét eltávolításakor, a fűrészlap cseréjekor, a hasítóes és a fűrészlap védőburkolatának beállításakor, és amikor a gép felügyelet nélkül marad.** Az óvintézkedések betartásával elkerülhetők a balesetek.
- **Soha ne hagyja felügyelet nélkül az asztali körfűrészlapot.** Kapcsolja ki, és ne hagyja ott a gépet, amíg az teljesen meg nem állt. A felügyelet nélkül hagyott fűrész ellenőrizhetetlen veszélyt jelent.
- **Az asztali körfűrészlapot jól megvilágított és vízszintes területen helyezze el, ahol biztosítható a jó támaszkodás és egyensúly.** A gépet olyan területen kell üzembe helyezni, ahol elegendő hely van a munkadarab kezeléséhez. A szűkös, sötét területek és az egyenetlen, csúszós padlók vonzzák a baleseteket.
- **Gyakran tisztítsa és távolítsa el a fűrészport a fűrészasztal alól és/vagy a porgyűjtő berendezésből.** A felgyülemlett fűrészpor gyúlékony és öngyulladó.
- **Az asztali fűrészlapot le kell rögzíteni.** A nem megfelelően rögzített asztali fűrész elmozdulhat vagy felborulhat.
- **Távolítsa el a szerszámokat, a fahulladékokat stb.** az asztalról, mielőtt bekapcsolja az asztali fűrészlapot. A figyelem elterelődése vagy egy esetleges elakadás miatt ezek veszélyforrások lehetnek.
- **Mindig helyes méretű és alakú (gyémánt vagy kerek) középső furattal rendelkező fűrészlapot**





használjon. A fűrész rögzítő eszközeihez nem illeszkedő fűrészlapok excentrikusan fognak forogni, ami az irányítás elvesztését okozza.

- **Ne használjon sérült vagy hibás fűrészlaprögzítőt, például peremeket, fűrészlap alátéteket, csavarokat vagy anyákat.** A rögzítő eszközök speciálisan a fűrészhez lettek kialakítva, hogy a működés biztonságos, teljesítmény pedig optimális legyen.
- **Ne álljon az asztali fűrészre, ne használja fellépőként.** Súlyos sérülést okozhat, ha a gép átfordul vagy véletlenül megérinti a vágószerszámot.
- **Ügyeljen arra, hogy a fűrészlap a megfelelő forgásirányba legyen felszerelve. Ne használjon csiszoló tárcsát, drótkéfe tárcsát vagy csiszolókorongot az asztali fűrészre.** A fűrészlap hibás felszerelése vagy nem ajánlott tartozékok használata súlyos sérülést okozhat.

AZ ASZTALI FŰRÉSZEKRE VONATKOZÓ TOVÁBBI BIZTONSÁGI FIGYELMEZTETÉSEK

- Az elvégzendő munkának megfelelően állítsa be vagy rögzítse a gépet egy stabil helyzetbe. Felszerelhető egy munkapadra, támasztólábra vagy rögzíthető a padlóra is.
- Ha fel van szerelve, úgy állítsa be a szabályozható támasztólábát, hogy vízszintes stabil munkaasztalt kapjon.
- A megfelelő magasságban végzett munka, a jó munkapozíció használata segít megakadályozni a fáradást vagy egyéb sérüléseket a használat során.
- Biztosítson megfelelő általános vagy helyi világítást, hogy elkerülje a stroboszkóp hatást és a veszélyeket.
- Szükség esetén viseljen személyi védőeszközöket. Ezek közé tartozik a fülvédő a halláskárosodás veszélyének csökkentéséhez, a légzésvédő a káros por belélegzése ellen, az erős kesztyű a fűrészlapok és durva anyagok kezeléséhez.
- Mindig viseljen szemvédőt a gép használata során. Ajánlott az erős, orrmerevítő, nem csúszós lábbeli használata, amely megvédi a lábát az asztalról leeső tárgytól.
- A gép használata közben keletkező por egészségre káros, gyúlékony vagy robbanásveszélyes lehet. Használjon porkihordó rendszert, és viseljen megfelelő pormaszkot. Alaposan távolítsa el a lerakódott port, pl. egy kefével és porszívóval.
- A munkaterület padlóját tartsa fűrészportól, hulladéktól és tápkábelektől mentesen. Ez csökkenti a megbotlás és a fűrészlapba esés veszélyét.
- Az asztalon ne tartson tárgyakat, beleértve a szerszámokat és kidobott fadarabokat sem.
- Tartsa tisztán az asztal felületét, a vezetősínt és a gérvezetőt. Kerülje a ragasztók, a festékek és más tárgyak használatát. A fának finoman kell csúsznia és nem szabad beakadnia vagy megakadnia, máskülönben jelentősen megnő a súlyos sérülésveszélyt okozó visszarúgás kockázata.
- Csak az útmutatóban meghatározott fűrészlapot használjon, amely megfelel az EN 847-1 előírásainak.

- Ne használjanak gyorsacélból készült fűrészlapokat!
- Csak olyan fűrészlapokat használjon, melyek meg vannak jelölve a szerszámgépen jelölt vagy annál nagyobb fordulatszámon való használatra.
- Ne erőltesse a munkadarabot a fűrészlapba. Hagyja, hogy a szerszám végezze el a munkát. A túlzott erővel tolás felhevíti a fűrészlapot és a fogakat, és megégetheti a munkadarabot. Váratlan eseményeket okozhat, ami súlyos személyi sérüléshez vezethet.
- Ne használjon életlen ill. megrongálódott fűrész tárcsát. Az életlen vagy helytelenül beállított lapok keskeny vágójáratot vágnak, ezzel túlzott súrlódást, a fűrészlap beakadását és visszarúgást okozva.
- Amikor csak lehetséges, célszerű a fűrészlapokat tartóba tartani.
- Ne működtesse a gépet behelyezett asztalbetét nélkül, és elhasználódása esetén cserélje ki az asztalbetétet.
- Hacsak nem átvágást végez, a fűrészlapvédőt és a hasítókést mindig tartsa a helyén, működőképes állapotban. A fűrészlap védőburkolatnak könnyen kell felemelkednie és leesnie, hogy lehetővé tegye a munkadarab alatta történő áthaladását. Ügyeljen rá, hogy fűrészlap védőburkolat fel legyen szerelve a hasítókéstre. Ne működtesse a gépet eltávolított védőburkolatokkal/borításokkal.
- Mindig ügyeljen arra, hogy a fűrészlap párhuzamos legyen a vezetősínnel. Ez jelentős mértékben hozzájárul a visszarúgáshoz, ami súlyos sérülést okozhat.
- Minden művelethez használja a fűrészlapvédőt és a hasítókést, még átvágás esetén is. Az átvágási műveletek azok, melyeknél a fűrészlap teljesen átvágja a munkadarabot hossz- vagy keresztvágás esetén.
- Mindig alaposan ellenőrizze a vágandó anyagot, különösen újrahasonított fa esetében az idegen tárgyak, mint a szögek, csavarok, kapcsok stb. tekintetében.
- Ha ezek vagy más hasonló tárgyak a vágás során érintkeznek a fűrészlappal, a fűrész károsodik és a kezelő vagy mások súlyos sérülése léphet fel.
- Horonyvágás nem engedélyezett illetve nem végezhető a géppel.
- Szükség esetén használja a tolórudat. Mindig használja a tolórudat vékony fadarabok hosszanti vágásakor. A tolórudat használaton kívül mindig a géppel együtt kell tárolni.
- Ne nyúljon be a fűrészlap közeli területre, ha a gép működik. Az asztalbetét által behatárolt területtől tartsa távol az ujjait.
- Soha ne hagyja felügyelet nélkül a működő gépet.
- Mindig kapcsolja ki a gépet.
- Ne hagyja ott a gépet, amíg az teljesen meg nem állt.
- Ne próbáljon meg megállítani egy gyorsan forgó gépet egy munkadarab megakasztásával vagy a fűrészlap más módon történő megállításával. Véletlenül súlyos balesetet okozhat így.
- Ne érintse meg a fűrészlapot közvetlenül a vágás után. A fűrészlap a fűrészelés során felforrósodik.
- Ha vágás közben a fűrészlap beakadt, kapcsolja





ki a gépet, és válassza le a hálózati áramforrásról. Távolítsa el a munkadarabot, és biztosítsa a fűrészlap szabad forgását. Kapcsolja be a gépet, és kezdjen meg egy új vágást lassúbb adagolással.

- A gép szállításakor távolítsa el a fűrészlapvédőt, állítsa a hasítókést a legalacsonyabb pozíciójába, és engedje le a fűrészlapot, hogy az asztal felülete alá essen a szállítási pozícióba.
- Ha a tápkábel sérült, azt a veszélyek elkerülése érdekében csak a gyártó vagy annak hivatalos szervizközpontja cserélheti ki.
- Ne használjon a gyártó által nem javasolt kiegészítőket vagy tartozékokat. A nem előírt alkatrészek és tartozékok használata súlyos sérülésekkel járó baleseteket idézhet elő. A számos különböző helyen – közte a szabad levegőn is – használt készülékeket áram-védőkapcsolón (RCD) keresztül kell csatlakoztatni.
- Ha az asztali fűrész áramellátása megszakadt, a gép főkapcsolója automatikusan kikapcsolja önmagát.

SPECIÁLIS BIZTONSÁGI ÚTUTATÓ FÁHÓZ VALÓ FÜRÉSZLAPOKHOZ

- A fűrészlap és a gép használata előtt figyelmesen olvassa el a kézikönyvet és az utasításokat.
- A szerszámgépnél jó állapotban kell lennie, az orsó nem lehet deformált és nem rezeghet.
- Ügyeljen arra, hogy a kezelő megismerje a biztonsági óvintézkedéseket, és a gép beállításának és működtetésének módját.
- A gép működtetésekor mindig viseljen szem- és fülvédőt. Védőkesztyű, zárt és csúszásmentes cipő, valamint védőkötény használata szintén javasolt.
- Bármilyen tartozék használata előtt olvassa el a használati útmutatót. Egy kiegészítő nem megfelelő használata károsodást okozhat és növeli a sérülés kockázatát.
- Tartsa tisztán a fűrészlapot. Ez magába foglalja a fűrészpor és a különösen ragadós anyagok, mint a fagyanta eltávolítását is. Egy tiszta fűrészlap sokkal pontosabban és biztonságosabban vág.
- Csak az útmutatóban meghatározott fűrészlapot használjon, amely megfelel az EN 847-1 előírásainak.
- Ügyeljen a fűrészlapon látható maximális fordulatszámra. Ügyeljen arra, hogy a fűrészlap oldalán megadott fordulatszámérték legalább annyi legyen, mint a fűrészlen megadott.
- Mindig a helyes méretű és alakú középső furattal rendelkező fűrészlapot használjon. Egy, a hajtótengelynek nem megfelelő fűrésztartócska nem fog megfelelőképp fogorni, és így ahhoz vezethet, hogy elveszíti uralmát a gép felett.
- Ne használjon a hasítókésnél vékonyabb vagy azzal azonos méretű fűrészjártatot (vájatot) vágó fűrészlapokat.
- Ne használjon az ajánltnál nagyobb vagy kisebb átmérőjű fűrészlapokat. Ne használjon távtartókat ahhoz, hogy a fűrészlap illeszkedjen az orsóra.
- Minden használat előtt ellenőrizze a fűrészlap élet

sérülések vagy látható elváltozások tekintetében. A sérült vagy rosszul rögzített élek használat közben kirepülhetnek, ami személyi sérülést okozhat.

- Tilos repedt vagy deformált fűrészlapot használni! Ne használjon sérült vagy deformálódott vágólapot.
- Selejtezze le a fűrészlapot, ha sérült, deformálódott, torzult vagy megrepedt, a javítás nem engedélyezett.
- Ne használjon HSS fűrészlapokat.
- Használat előtt győződjön meg róla, hogy a fűrészlap megfelelően rögzítve van, húzza meg a tengely csavaranyáját.
- A rögzítőcsavart és -anyákat a megfelelő kulccsal meg kell húzni stb.
- Kulcshosszabbító használata vagy a kulcs szárának kalapáccsal való ütogetése nem engedélyezett.
- Ellenőrizze, hogy a fűrészlap és peremek tiszták, és a gallér rovátkolt oldala van a fűrészlap felé.
- Ellenőrizze, hogy a fűrészlap a megfelelő irányba forog, és nem érintkezik a gép vagy a védőrendszer egy elemével sem.
- A munka megkezdése előtt bekapcsolt motor nélkül végezzen próbavágást a fűrészlap helyzete, a védőberendezések működése, a gép más részei és a munkadarab helyzete ellenőrzése céljából.
- Soha ne hagyja felügyelet nélkül a szerszámgépet.
- Ne vigyen fel kenőanyagot a fűrészlapra, ha forog.
- Ne próbálja hirtelen megállítani a gépet, ha mozgásban van, úgy, hogy beakaszt egy szerszámot vagy más tárgyat a fűrészlapba, mert ez súlyos balesetet okozhat.
- Válassza le a gépet az elektromos hálózatról a fűrészlapok cseréje vagy karbantartás végrehajtása előtt.
- Figyeljen oda a fűrészlap ki- és becsomagolásakor, könnyen megsérülhet az éles élek miatt.
- Használjon tartót vagy viseljen kesztyűt a fűrészlap kezelésekor. Ne feledje, hogy a vágás után a fűrészlap forró lesz.
- A fűrészlapot az eredeti csomagolásban vagy más erre alkalmas tartóban tárolja, száraz helyen és a fűrészlapot esetleg károsító vegyszerektől távol.

RENDELTETÉSSZERŰ HASZNÁLAT

Az asztali fűrész egyetlen személy általi használatra lett tervezve, fa hossz- és átvágására szolgál legfeljebb 80 mm-es vastagságig 0°-os ferdevágási szögnél. A maximális 45°-os ferdevágási szögben a maximális vágásmélység 55 mm lehet. Az asztali fűrész a gyártó által leszállított állapotban stabil felületre vagy munkaállványra kell rögzíteni. Kemény és puha, valamint furnér és farostlemezek is vágathatók a géppel.

Csak a gyártó által az asztali fűrészhez mellékelte fűrészlap és hasítókéskombináció használható az asztali fűrészszel.

VISSZAMARADÓ KOCKÁZATOK

Még az asztali fűrész rendeltetészerű használat esetén sem lehet teljesen kiküszöbölni minden kockázati tényezőt. A kezelőnek különös figyelmet kell fordítania ezekre a pontokra, hogy csökkentse a súlyos személyi sérülés





kockázatát.

- Nem teljes átvágás. A fűrészlapvédő le van szerelve, és az asztali fűrész felső része szabadon marad.
- Fűrészlappal való érintkezés – kerülje a fűrészlap felé, fölé és mögé való benyúlást.
- Visszarúgás – soha ne álljon a fűrészlap elé.
- Stabilitás – biztosítsa a termék stabilitását, amikor csak lehetséges, rögzítse.
- Kivetődő fűrészlaphegyek – a munka során mindig viseljen szemvédőt.
- Por belégzése – ha szükséges, viseljen maszkot. Bizonyos faipari termékekkel (pl. MDF) való munkavégzés során képződő por veszélyes lehet a légzőrendszerre.
- Szemsérülés a fa- és porszemcséktől – a munka során mindig viseljen szemvédőt.
- Hallássérülés – korlátozza a kitettséget, és viseljen megfelelő hallásvédőt.
- A zajszintek a gép használati feltételeitől függően nagymértékben különbözhetnek. A magas zajszintnek akár csak rövid időre is kitett személyek ideiglenes halláscsökkenést tapasztalhatnak, és a magas zajszinteknek való folyamatos kitettség végleges halláskárosodást okozhat.

ISMERJE MEG A GÉPET

Lásd 242. oldal.

1. Asztalbetét
2. Szabályozható kitolható hasítóké
3. Gérvezető
4. Fűrészlap
5. Fűrészlapvédő
6. Asztalbetét kioldó
7. Vezető/vezetősín
8. Oldalsó asztalhosszabbító (RTS1800ES, RTS1800EF)
9. Rögzítőfuratok (munkapadhoz vagy lábakhoz való rögzítés)
10. Be/ki váltókapcsoló
11. Ferdevágás szögbeállító kerék
12. Ferdevágás szögének rögzítése
13. Vágásmélység fogantyú
14. Fűrészasztal
15. Porkifúvó
16. Porcsatlakozó tartozék

HASZNÁLAT

▲ FIGYELEM

El kell olvasnia és meg kell értenie a kézikönyvben található összes figyelmeztetést és utasítást, mielőtt csatlakoztatná a gépet az elektromos hálózatba és elkezdene vágni ezzel az asztali fűrészszel.

Átvágás: Minden vágási művelet, ahol a fűrészlap túlhalad a munkadarab vastagságán. Ehhez a művelethez a hasítókének felemelt állapotban kell lennie, és a fűrészlapvédőnek felszerelve kell lennie. Használjon vezetősínt vagy gérvezetőt a munkadarab megfelelő pozicionálásához.

Nem teljes átvágás: Minden olyan vágási művelet, ahol a fűrészlap nem halad túl a munkadarab vastagságán. Ehhez a művelethez a hasítókének leeresztett állapotban kell lennie. A hasítóké tejetének egy kicsit lejjebb kell állnia, mint a fűrészlap teteje. A fűrészlapvédő nem szerelhető fel. Használjon vezetősínt vagy gérvezetőt a munkadarab megfelelő pozicionálásához.

Hosszavágás: A vezetősín a fűrészlappal párhuzamosan beállítva használható a munkadarab vezetéséhez. A vágás legtöbbször a fa rostjainak irányába történik (ha vannak). Lehet teljes vagy nem teljes átvágás.

Keresztvágás: A gérvezető vagy keresztvágás vezető használatával. Ez az eszköz arra szolgál, hogy párhuzamosan csúszson a fűrészlappal és lehetővé tegye a munkadarab fix szögben tartását a fűrészlap vágótengelyéhez képest. A vágás legtöbbször a fa rostjaira merőlegesen történik (ha vannak). Lehet teljes vagy nem teljes átvágás.

Ferdevágás: A fűrészlap szöge az asztal felületéhez viszonyítva 90 és 45° között módosítható. Egy ferde széllet eredményező vágás. Lehet teljes vagy nem teljes átvágás. Használja a vezetősínt vagy a gérvezetőt a munkadarab megfelelő pozicionálásához.

Gérvágás: A munkadarab valamilyen szögben lesz nekítolva a fűrészlaphoz. A kívánt szöveget a gérvezetőn kell beállítani, ami ezután ebben a szögben fogja tartani a munkadarabot, miközben párhuzamosan csúsztatja a fűrészlaphoz a vágás végrehajtásakor. Lehet teljes vagy nem teljes átvágás.

Kúpos vágás: A kúpos keresztvágások a gérvezetőnek a kívánt szögbe állításával végezhetők el. Nem lehetséges kúpos hosszirányú vágást végezni, mert ahhoz speciális rögzítés szükséges.

A VEZETŐ BIZTONSÁGOS HASZNÁLATA

- Ne használja egyszerre a vezetősínt és a gérvezetőt. Növeli a visszarúgás és a személyi sérülés veszélyét. Ha egyik sincs használatban, szerelje le azokat az asztalról és biztonságosa tárolja el.
- A vezető minden használatakor vagy más helyzetbe állításakor elengedhetetlen a fűrészlappal való párhuzamosságának ellenőrzése.
- A nem párhuzamos vezető beszoríthatja a munkadarabot a vezető és a fűrészlap közé, ami visszarúgást okoz, ez pedig a kezelő vagy mások súlyos személyi sérüléséhez vezethet.
- A rosszul szabályozott vagy beállított vezető a munkadarab rossz szögben való továbbítását okozhatja a fűrészlaphoz, ami a fűrészlap megszorulásához vagy megakadásához vezethet. Okozhat visszarúgást is (lásd fent).
- A vezető megfelelő illesztéséhez vagy beállításához akassza a vezető végét az asztal hátsó szélére, majd eressze le az első végét, hogy beleakadjon az asztal elejébe. Ezután fejtson ki nyomást a vezető elejére, hogy a két él merőleges legyen a vezetőknek az asztal első élével érintkező részével. Ez segít biztosítani, hogy a vezető párhuzamos legyen a fűrészlappal. Ezután rögzítse a vezetőt a rögzítőfogantyú lefelé nyomásával.
- Az erő, amivel a vezető a rögzítőfogantyúval a





pozíciójában rögzíthető, a rögzítőfogantyú mellett recés csavarok elforgatásával módosítható.

- a vágás előtt Méréssel vagy egy pontosan levágott fablokkal mindig ellenőrizze a vezető párhuzamosságát a fűrészlappal.

A fűrészlap-vezető távolságjelzések beállítása

Állítsa be a vezető szélét a fűrészlaphoz, majd állítsa be a jelző nézőüvegét, hogy egy vonalba kerüljön a 0 mm-es jelzéssel az asztal elülső szélén. Lazítsa meg a csavart, állítsa be a nézőüvegét, és húzza meg a csavart.

A segédvezető használata

Bizonyos körülmények között fel kell szerelni a segédvezetőt a fővezetőre.

- Amikor egy keskeny munkadarab kézzel vagy tolórúddal nem tartható, mert a vezető útban van.
- Vékony munkadarab vágásakor. A nagyon vékony munkadarabok becsúszhatnak a fővezető alá, beszorulásuk vagy a gép általi behúzásuk visszarángást okozhat. Ennek elkerüléséhez használjon segédvezetőt.

Szerelje le a segédvezetőt, amikor a fővezető használata biztonságos.

Ferdevágás végzésekor keskeny munkadarabokon mindig a fűrészlap hajlással átelenes oldalán használja a vezetőt, mert máskülönben könnyen beszoríthatja a nyomótömböt vagy tolórudat a fűrészlapvédő vagy a vezető mellett.

A segédvezető rögzítése a fővezetőre

- A szárnyas anyákat és az alátéteket a vezető egyik oldalára helyezze tolja át a csavarokat a másik oldalról, és néhány fordulattal tekerje az anyákat a csavarokra. Most csúsztassa a segédvezetőt a csavarfejek felett a megadott foglalatba. Rögzítse a helyére a segédvezetőt.

MEGJEGYZÉS: A segédvezető csak a munkadarabnak a fűrészlap és a hasítókécs utáni vezetésére szolgál, nem fedi le a fővezető teljes hosszúságát.

Szerelje le a segédvezetőt, amikor a fővezető használata biztonságos. Ne hagyja a fővezetőben a csavarokat és a szárnyas anyákat.

Fésűfa használata

A fésűfa egy fésűhöz hasonló eszköz, ami ferdén van levágva. Általában fából vagy műanyagból készül, hogy a vékony ujjak meghajolhassanak, ahogy a munkadarab a helyére csúszik, egyenletes és állandó nyomást fejtve ki a munkadarabra annak helyén tartásához. Használja ezen eszközök egyikét, ha egy keskeny munkadarabot kell pontosan vágni. Az eszköz a gérvezető foglalatait használva rögzíthető az asztalra, és segít elkerülni, hogy a kezelő a fűrészlap közelében tartsa az ujjait.

Harmadik féltől származó fésűfák fagegmunkálással foglalkozó boltokban szerezhetőek be.

TÜLTERHELÉS ELLENI VÉDŐESZKÖZ

A termék fel van szerelve egy túlterhelés elleni védőeszközzel. Túlterhelés érzékelése esetén a termék automatikusan kikapcsol. Kapcsolja ki a gépet. Ha a

túlterhelés elleni védelem aktiválódott, a motort hagyja 3 percig lehűlni. Ellenőrizze, hogy a fűrészlap könnyedén forog, és nincs beakadva vagy megszorulva. Nyomja meg a visszaállítás gombot (a be-/kikapcsoló alatt). Kapcsolja be a gépet. Nyomja meg a bekapcsológombot a termék beindításához.

KARBANTARTÁS

- Bármilyen karbantartás vagy tisztítás végrehajtása előtt ellenőrizze, hogy a fűrészlap teljesen megállt és a tápkábel ki van húzva a hálózatról.
- Ha a tápkábel megsérült, azt le kell cserélni egy hivatalos szervizközpontban.
- A fűrészlap éles éllel rendelkezik és a vágási műveletek után forró maradhat. A fűrészlap tisztításakor legyen különösen óvatos. Viseljen kesztyűt, hogy védje önmagát a személyi sérüléstől.
- Rendszeresen tisztítsa meg a fűrész és a tartozékait a portól, különösen a forgó részeket, beleértve a fűrészlapvédőt. Egy kézikéfével vagy porszívóval távolítsa el a port.

⚠ FIGYELEM

Ne kísérelje meg szétszerelni a fűrészlapvédő szerelvényt a tisztításhoz vagy a javításhoz. A sérült védőeszközök nem használhatók. Javításra vagy cserére vigye vissza azokat egy hivatalos szervizközpontba.

- Az asztali fűrész a gyárban le van kenve, és nem igényel további kenést.
- A ferdevágási szögek és a fűrészlap/vezető párhuzamosságának ellenőrzéséhez és beállításához lásd a kézikönyv „A ferdevágási szög ellenőrzése és beállítása” és „A fűrészlap és a gérvezető foglalatok párhuzamosságának ellenőrzése és beállítása” fejezeteit.

A FERDEVÁGÁSI SZÖG ELLENŐRZÉSE ÉS BEÁLLÍTÁSA

MEGJEGYZÉS: A fűrészlapnak az asztaltól 90°-ra való beállítása 0°-os ferdevágási szöget eredményez.

- Kapcsolja ki a gépet, és húzza ki a csatlakozót a fali aljzatból.
- Szenteljen különös figyelmet a fűrészlap élének, a fogak nagyon élesek, és személyi sérülést okozhatnak.
- Emelje fel a fűrészlapot és a hasítókécs szerelvényt a legmagasabb pozícióba.
- Távolítsa el a fűrészlapvédőt.
- Állítsa a hasítókécs a legalacsonyabb pozícióba.
- Biztosítsa, hogy a fűrészlap és az asztal felülete por és szennyeződésmentes legyen.
- Helyezzen egy 90°-os "derékszöveget" az asztal felületére és a fűrészlap legmagasabb pontjához. Ügyeljen rá, hogy a mérés során ne érjen a fűrészlapfogakhoz, mert az hibát eredményezhet. A fűrészlap testét kell a megfelelő irányba állítani.
- Nem lehetnek hézagok a derékszög és a fűrészlap vagy az asztal között; ebben az állapotban a fűrészlap teljesen függőlegesen van beigazítva, és fűrészlap szögének állítására nincs szükség.





9. Ha hézag van, lazítsa meg a ferdevágás rögzítógombot, és óvatosan állítsa a ferdevágás szöveget, miközben folyamatosan ellenőrzi a hézagot. Amikor nincs hézag, erősen húzza be a ferdevágás rögzítógombot.
10. Lazítsa meg a csavart a ferdevágás szögjelzőn, és állítsa be az átlátszó műanyag tartót, hogy az egy vonalba kerüljön a 0° jelzéssel. Húzza meg a csavart.
11. Ismétlje meg a műveletet az ellenőrzéshez, és szükség esetén állítson be 90° és 45° közötti szögeket is.

A FŰRÉSZLAP ÉS A GÉRVÉZETŐ FOGLALATOK PÁRHUZAMOSSÁGÁNAK ELLENŐRZÉSE ÉS BEÁLLÍTÁSA

1. Kapcsolja ki a gépet, és húzza ki a csatlakozót a fali aljzatból.
2. Szenteljen különös figyelmet a fűrészlap élének, a fogak nagyon élesek, és személyi sérülést okozhatnak.
3. Emelje fel a fűrészlapot és a hasítókécs szerelvényt a legmagasabb pozícióba.
4. Távolítsa el a fűrészlapvédőt.
5. Végezze el a kézikönyv „A ferdevágási szög ellenőrzése és beállítása” részében részletezett ellenőrzéseket. Ügyeljen arra, hogy a ferdevágási szög 0°-ban erősen rögzítve legyen.
6. Fogja meg a gérvágási szögvezetőt, és szerelje fel az asztal egyik foglatába. Állítsa be a szöveget a gérvágási szögvezetőn 90°-ra.
7. Nyomjon egy acélvonalzót erősen a gérvágási szögvezetőhöz úgy, hogy az egyenes vége érintkezzen a fűrészlap testével. Használhat egy precízen levágott fatömböt is az acélvonalzó helyett.
8. Erősen fogja meg a vonalzó/tömböt, és csúsztassa el a teljes gérvágási szögvezetőt, hogy a vonalzó/tömb hozzáérjen a fűrészlap másik végéhez. A vonalzónak vagy a tömbnek ugyanarra kell érintkeznie a fűrészlappal, ahogy végighalad a fűrészlaptest mentén. Ha ez az eset áll fenn, akkor a fűrészlap és az asztal foglalat párhuzamossága pontos, és nincs szükség beállításra. Ugyanezzel a módszerrel ellenőrizze a foglalatot az asztal másik oldalán is.

A FŰRÉSZLAP ÉS A FOGLALATOK PÁRHUZAMOSSÁGÁNAK BEÁLLÍTÁSA

Két csavar található a fűrészlap előtt és további kettő mögötte. Ezekhez az asztal alatt lehet hozzáférni.

Amikor ezek a csavarok meg vannak lazítva, a teljes fűrészlap, a hasítókécs és a motor szerelvény elmozdítható, és a fűrészlap pontosan egy vonalba állítható az asztal foglalaival.

A beállítást nehéznek találhatja, ha nincs tapasztalata az ilyen műveletek terén, ezért amennyiben nem boldogul, a professzionális beállításhoz vigye el az asztali fűrészelt a legközelebbi hivatalos Ryobi szervizközpontba.

KÖRNYEZETVÉDELEM



Segítse elő az alapanyagok újrahasznosítását azzal, hogy nem helyezi el őket a háztartási szemétben. Környezetvédelmi megfontolásból az elhasznált gépet és tartozékokat, valamint a csomagolóanyagokat szelektív módon kell gyűjteni.

SZIMBÓLUMOK A TERMÉKEN



Biztonsági figyelmeztetés



CE megfelelés



Eurázsiai megfelelési jelzés.



II. osztályú gép, kettős szigetelésű



Kérjük, olvassa át gondosan ezt az útmutatót a termék beindítása előtt.



Viseljen fülvédőt.



Viseljen védőszemüveget.



Viseljen védőkesztyűt.



Veszély! Éles fűrészlap.



Vágásteljesítmény (vágási vastagság)



Fűrészlap vágásszélessége (fűrészjárat)



A fűrészlap fogainak száma





Fa és azzal analóg anyagok vágására alkalmas



Nem alkalmas fémek vágására



A fűrészlap forgásiránya (a fűrészlapvédőn látható)



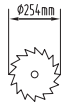
A fűrészlap forgásiránya (a hasítókésen látható)



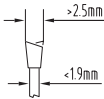
A fűrészlap forgásiránya (a fűrészlapon látható)



A fűrészlap forgásiránya (az asztalon látható)



Tárcsa átmérője



Fűrészlaptest vastagsága és vágásszélessége



Hasítókés vastagsága és keménysége



Névleges teljesítmény



Wolfram-karbid 48 fogas fűrészlap



Lágyindítás



Túlterhelésvédelem



Öntött alumínium asztal



Asztal méretei (RTS1800, RTS1800S)



Asztal méretei (RTS1800ES, RTS1800EF)



Asztalhosszabbító méretei



Levehető ollós lábak



Behajtható deluxe lábak



Vágási kapacitás (90° és 45°)



A kiselejtezett elektromos termékeket nem szabad a háztartási hulladékkal együtt kidobni. Ezeket újra kell hasznosítani, ha van rá lehetőség. Az újrahasznosítással kapcsolatos tudnivalókról érdeklődjön a helyi hatóságnál vagy a forgalmazónál.

A KÉZIKÖNYVBEN HASZNÁLT SZIMBÓLUMOK



Csatlakoztassa egy elektromos hálózati aljzathoz.



Húzza ki az elektromos hálózati aljzathból.



Külön értékesített alkatrészek és kiegészítők



A kiselejtezett elektromos termékeket nem szabad a háztartási hulladékkal együtt kidobni. Ezeket újra kell hasznosítani, ha van rá lehetőség.



Megjegyzés:



FIGYELEM

AVERTIZĂRI DE SIGURANȚĂ GENERALE PENTRU APARAT

⚠ AVERTISMENT

Citiți, cu atenție, toate avertismentele, instrucțiunile și specificațiile furnizate împreună cu aparatul, și consultați ilustrațiile. Nerespectarea instrucțiunilor prezentate în continuare poate provoca accidente cum ar fi incendii, electrocutare și/sau vătămări corporale grave.

Salvați toate avertizările și instrucțiunile pentru o consultare ulterioară. Termenul de „unealtă electrică” folosit în avertismente se referă la uneltele electrice alimentate de la rețea (cu cablu) sau cu acumulator (fără cablu).

SIGURANȚA ZONEI DE LUCRU

- **Mențineți curată și bine iluminată zona de lucru.** Zonele dezordonate și întunecate prezintă pericol de accidente.
- **Nu operați cu unealta electrică în atmosfere explozive, precum în prezența lichidelor, gazelor sau a prafului inflamabil(e).** Uneltele electrice creează scânteie care pot aprinde praful sau vaporii.
- **Țineți copiii și persoanele din jur la distanță în timpul operării unei unelte electrice.** Distragerea atenției vă poate face să pierdeți controlul.

SIGURANȚĂ ELECTRICĂ

- **Ștecărele uneltelor electrice trebuie să se potrivească cu priza. Nu modificați niciodată ștecărul în nici un fel. Nu folosiți niciun adaptor de priză la sculele electrice cu împământare.** Ștecărele nemodificate și prizele potrivite reduc riscul de electrocutare.
- **Evitați contactul corpului cu suprafețele cu împământare precum țevile, caloriferele, mașinile de gătit și frigiderere.** Există un risc crescut de electrocutare când corpul dumneavoastră are contact cu împământarea.
- **Nu expuneți uneltele electrice la ploaie sau umezeală.** Apa care intră într-o unealtă electrică va crește riscul de electrocutare.
- **Nu forțați cablul. Nu trageți niciodată unealta electrică de cablul de alimentare pentru a o transporta, a o trage sau a scoate ștecărul din priză. Țineți cordonul la distanță de căldură, ulei, mυχii ascuțiți sau piese în mișcare.** Cablurile deteriorate sau încurcate cresc riscul de electrocutare.
- **Atunci când lucrați cu o unealtă electrică în aer liber, folosiți un prelungitor adecvat pentru utilizarea în aer liber.** Folosirea unui prelungitor adecvat pentru utilizarea în aer liber reduce riscul de electrocutare.
- **În cazul în care operarea unei unelte electrice într-o zonă umedă nu poate fi evitată, folosiți o alimentare protejată cu un dispozitiv de curent rezidual (RCD).** Utilizarea unui RCD reduce riscul de electrocutare.

SIGURANȚĂ PERSONALĂ

- **Fiți prevăzător, fiți atent la ceea ce faceți și folosiți bunul simț atunci când operați o sculă electrică. Nu folosiți o sculă electrică când sunteți obosit sau sub influența medicamentelor, a alcoolului sau a unei medicații.** Un moment de neatenție în timpul operării uneltelor electrice poate cauza vătămare personală gravă.
 - **Folosiți echipament personal de protecție. Purtați întotdeauna ochelari de protecție.** Echipamentul de protecție precum masca împotriva prafului, încălțăminte de protecție antiderapantă, casca de protecție sau protecția pentru auz folosite în condiții corespunzătoare vor reduce vătămarea personală.
 - **Preveniți pornirea neintenționată. Asigurați-vă că întrerupătorul este în poziția oprit înainte de conectarea la sursa de curent și/sau acumulator, sau de ridicarea și transportarea sculei.** Transportarea sculelor electrice cu degetul pe întrerupător sau alimentarea sculelor electrice ce au întrerupătorul în poziția pornit invită la accidente.
 - **Îndepărtați orice cheie de reglare înainte de a porni unealta.** O cheie sau rămasă atașată de o piesă rotativă a uneltei electrice poate cauza vătămări corporale.
 - **Nu vă întindeți excesiv. În timpul operării dispozitivului, păstrați-vă în permanență echilibrul și stabilitatea.** Acest lucru permite un mai bun control al uneltei electrice în situații neașteptate.
 - **Îmbrăcați-vă corespunzător. Nu purtați haine largi sau bijuterii. Țineți părul și hainele ferite de piesele în mișcare.** Hainele largi, bijuteriile sau părul lung pot fi prinse de piesele aflate în mișcare.
 - **Dacă dispozitivele sunt furnizate cu conectare de extragere a prafului și dispozitive de colectare, asigurați-vă că acestea sunt conectate și folosite corespunzător.** Folosirea de colectare a prafului poate reduce pericolele legate de praf.
 - **Nu lăsați ca familiaritatea obținută din folosirea frecventă a sculei să vă permită să deveniți mulțumit de sine și să ignorați principiile de siguranță a sculei.** O acțiune neglijentă poate cauza o vătămare gravă într-o fracțiune de secundă.
- ### FOLOSIREA ȘI ÎNTREȚINEREA UNELTEI ELECTRICE
- **Nu forțați scula electrică. Folosiți scula corectă corespunzătoare pentru scopul dvs.** Scula electrică corespunzătoare va îndeplini sarcina mai bine și mai în siguranță la un ritm la care a fost proiectată.
 - **Nu folosiți unealta electrică dacă comutatorul nu o poate porni și opri.** Orice unealtă electrică, care nu poate fi controlată cu comutatorul este periculoasă și trebuie reparată.
 - **Deconectați ștecherul de la priza electrică și/sau îndepărtați acumulatorul, dacă e detașabil, de scula electrică, înainte de a face orice reglaje, de a schimba accesoriile sau de a depozita sculele electrice.** Asemenea măsuri preventive de siguranță reduc riscul pornirii accidentale a sculei electrice.
 - **Nu lăsați uneltele electrice la îndemâna copiilor și nu permiteți persoanelor nefamiliarizate cu unealta**



electrică sau cu aceste instrucțiuni să folosească unealta. Unelele electrice sunt periculoase în mâinile utilizatorilor neinstruiți.

- **Întrețineți sculele electrice și accesoriile. Verificați alinierea sau îmbinările părților în mișcare, dacă există piese rupte sau orice alte condiții ce ar putea afecta operarea sculei electrice. Dacă este deteriorată, duceți scula electrică la reparat înainte de a o folosi.** Multe accidente sunt cauzate de sculele electrice slab întreținute.
- **Păstrați sculele așchietoare ascuțite și curate.** Sculele așchietoare corect întreținute cu margini de tăiere ascuțite au o probabilitate mai mică să se îndoiască și sunt mai ușor de controlat.
- **Folosiți scula electrică, accesoriile și cuțitele demontabile etc în conformitate cu aceste instrucțiuni, luând în considerare condițiile de lucru și lucrul ce vine îndeplinit.** Folosirea sculei electrice pentru operațiuni diferite față de cele destinate poate rezulta în situații periculoase.
- **Păstrați mânerul și suprafețele de prindere uscate, curate și fără urme de ulei sau grăsime.** Mănerul și suprafețele de prindere alunecoase nu permit o manipulare sigură și controlul sculei în situații neașteptate.

OPERAȚII DE SERVICE

- **Solicitați efectuarea lucrărilor de service la unealta dvs. electrică numai de către o persoană calificată în reparații, folosind numai piese de schimb identice.** Acest lucru va asigura păstrarea în siguranță a unelei electrice.

INSTRUCȚIUNI DE SIGURANȚĂ PENTRU FERĂSTRĂUL CIRCULAR DE MASĂ.

AVERTIZĂRI LEGATE DE APĂRĂTOARE

- **Țineți apărătorii la locul lor. Apărătorii trebuie să fie în stare de funcționare și montate corespunzător.** O apărătoare ce e slăbită, deteriorată sau care nu funcționează corespunzător trebuie reparată sau înlocuită.
- **Folosiți întotdeauna apărătoare discului de tăiere și a cuțitului de despicare pentru orice operațiune de debitare.** La operațiunile de debitare unde discul ferăstrăului taie prin grosimea piesei de lucru, apărătoarea și alte dispozitive de siguranță ajută la reducerea riscului de vătămare.
- **Reașezați imediat sistemul de apărători după completarea unei operațiuni (precum fălțuirea sau tăieturi de spintecare) ce necesită îndepărtarea apărătorii.** Apărătoarea și cuțitul de despicare ajută la reducerea riscului de vătămare.
- **Asigurați-vă că discul ferăstrăului nu vine în contact cu apărătoarea, cu cuțitul de despicare sau cu piesa de lucru înainte ca întrerupătorul să fie în poziția pornit.** Contactul accidental a acestor obiecte cu discul de tăiere poate cauza o situație periculoasă.
- **Reglați cuțitul de despicare așa cum este descris în acest manual de instrucțiuni.** Spațierea, poziționarea

și alinierea incorectă poate face cuțitul de despicare să fie ineficient în reducerea unui recul probabil.

- **Pentru ca dispozitivul cuțitului de despicare să funcționeze, trebuie să fie angajată piesa de lucru.** Cuțitul de despicare este ineficient atunci când piesele de lucru ce vin tăiate sunt prea scurte pentru a fi angajate cu cuțitul de despicare. În aceste condiții reculul cuțitului de despicare nu poate fi împiedicat.
- **Folosiți discul de tăiere corespunzător pentru cuțitul de despicare.** Pentru o funcționare corespunzătoare a cuțitului de despicare, diametrul discului de tăiere trebuie să se potrivească cu cuțitul de despicare corespunzător și corpul discului trebuie să fie mai subțire decât grosimea cuțitului de despicare și lățimea tăieturii discului de tăiere să fie mai mare decât grosimea cuțitului de despicare.

AVERTIZĂRI PRIVIND PROCEDURILE DE TĂIERE

PERICOL

Nu puneți niciodată degetele sau mâinile în apropierea sau în linie cu discul de tăiere. Un moment de neatenție sau o alunecare poate să vă direcționeze mâna înspre discul de tăiere și rezulta într-o vătămare personală gravă.

- **Avansați piesa de lucru în discul de tăiere doar contra direcției de rotire.** Avansarea piesei de lucru în aceeași direcție a rotirii discului de tăiere deasupra mesei poate rezulta ca piesa de lucru și mâna dvs să fie trase în discul de tăiere.
- **Nu folosiți niciodată ferăstrăul unghiular pentru a avansa piesa de lucru atunci când debitați și nu folosiți rigla de ghidare ca și oprire a lungimii când faceți tăieturi încrucșate cu ferăstrăul unghiular.** Ghidarea piesei de lucru cu ajutorul riglei de ghidare la debitare și a ferăstrăului unghiular în mod simultan crește probabilitatea înțepenirii și reculului discului ferăstrăului.
- **La debitare, aplicați întotdeauna forța de avansare a piesei de lucru între rigla de ghidare și discul ferăstrăului.** Folosiți un băț de împingere atunci când distanța dintre rigla de ghidare și discul ferăstrăului este mai mică de 150 mm, și folosiți o piesă de blocare prin împingere când distanța este mai mică de 50 mm. Dispozitivele de „ajutare a lucrului” vă vor ține mâinile la o distanță sigură de discul ferăstrăului.
- **Folosiți doar bățul de împingere furnizat de producător sau conceput în conformitate cu instrucțiunile.** Acest băț de împingere asigură o distanță suficientă a mâinii de discul ferăstrăului.
- **Nu folosiți niciodată un băț de împingere deteriorat sau scurtat.** Un băț de împingere deteriorat ar putea să se rupă cauzând mâinii dvs alunecarea în discul ferăstrăului.
- **Nu îndepliniți nicio operație cu „mâinile libere”.** Folosiți întotdeauna fierigla de ghidare sau ferăstrăul unghiular pentru a poziționa și ghida piesa de lucru. „Mâini libere” înseamnă folosirea mâinilor pentru a sprijini sau ghida piesa de lucru, în





legătură cu rigla de ghidare sau ferăstrăul unghiular. Taiere cu „mâini libere” duce la dezalinare, înțepenire a obiectului de lucru sau recul.

- **Nu vă întindeți niciodată în jurul sau deasupra discului ferăstrăului în rotire.** Întinderea la piesa de lucru poate duce la contactul accidental cu discul de tăiere în mișcare.
- **Asigurați sprijin suplimentar piesei de lucru în spatele și/sau marginile mesei ferăstrăului pentru piesele de lucru lungi și/sau late pentru a le ține drepte.** O piesă de lucru lungă și/sau lată are tendința să pivoteze pe marginea mesei, cauzând pierderea controlului, înțepenirea discului ferăstrăului și recul.
- **Avansați piesa de lucru într-un ritm uniform. Nu îndoiiți sau răsușiți piesa de lucru.** Dacă are loc o înțepenire, opriți produsul imediat, deconectați-l de la priză și eliberați blocajul. Înțepenirea discului ferăstrăului de către piesa de lucru poate cauza recul sau calarea motorului.
- **Nu îndepărtați piesele materialului tăiat câtă vreme ferăstrăul funcționează.** Materialul poate fi prins între rigla de ghidare sau în interiorul apărătorii discului ferăstrăului și discul ferăstrăului trăgându-vă degetele înspre discul ferăstrăului. Oprii ferăstrăul și așteptați până când discul ferăstrăului s-a oprit înainte de a îndepărta materialul.
- **Folosiți o riglă de ghidare suplimentară în contactul cu partea de sus a mesei când despicați piese de lucru mai subțiri de 2 mm.** O piesă de lucru subțire poate să se strecoare sub rigla de ghidare a despicării și poate să creeze recul.

CAUZELE RECOLULUI ȘI AVERTIZĂRI LEGATE DE EL

Recul este reacția bruscă a piesei de lucru datorată prinderii, blocării discului ferăstrăului sau a liniei de tăiere nealiniate a piesei de lucru față de discul ferăstrăului sau când o parte a piesei de lucru este strânsă între discul ferăstrăului și rigla de ghidare sau alt obiect fix. Cel mai frecvent în timpul reculului, piesa de lucru este ridicată de pe masă de către partea din spate a discului ferăstrăului și aruncată înspre operator.

Recul este deci rezultatul unei utilizări incorecte a aparatului și/sau a procedurilor sau a condițiilor de tăiere incorecte. Reculul poate fi evitat printr-o atenție deosebită acordată respectării unor precauțiuni.

- **Nu stați niciodată în linie cu discul ferăstrăului. Poziționați-vă întotdeauna corpul pe aceeași parte a discului ferăstrăului unde se află și rigla de ghidare.** Reculul poate arunca piesa de lucru cu o viteză ridicată înspre oricine stă în față și în linie cu discul ferăstrăului.
- **Nu vă întindeți niciodată deasupra sau în spatele discului ferăstrăului pentru a trage sau sprijini piesa de lucru.** Contact accidental cu discul ferăstrăului poate rezulta sau reculul ar putea să vă tragă degetele înspre discul ferăstrăului.
- **Nu țineți sau nu apăsați niciodată piesa de lucru ce vine tăiată contra discului ferăstrăului în mișcare.** Apăsarea piesei de lucru ce vine tăiată față de discul ferăstrăului va crea condiții de înțepenire și recul.
- **Aliniați rigla de ghidare în așa fel încât să fie paralelă cu discul ferăstrăului.** O riglă de ghidare

nealinată va prinde piesa de lucru față de disc și va crea recul.

- **Folosiți un pieptene pentru a ghida piesa de lucru față de masă și rigla de ghidare atunci când faceți tăieri netransversale precum fălțurii sau tăieturi de spintecare a lemnului.** Pieptenele ajută la controlul piesei de lucru în cazul unui recul.
- **Sprijiniți panourile mari pentru a micșora riscul prinderii discului ferăstrăului și a reculului.** Piese de prelucrat lungi au tendința să se îndoie sub propria lor greutate. Suportul/suportii de sprijin trebuie să fie așezați sub toate porțiunile panoului ce atarnă de pe partea de sus a mesei.
- **Folosiți atenție sporită când tăiați o piesă de lucru ce este încovoiată, deformată sau noduroasă sau care nu are margine dreaptă pentru a fi ghidată cu ferăstrăul unghiular sau de-a lungul riglei de ghidare.** O piesă de lucru încovoiată, deformată sau noduroasă este instabilă și cauzează nealiniera tăieturii cu discul ferăstrăului, prinderea și reculul piesei
- **Nu tăiați niciodată mai mult de o piesă de lucru, așezată orizontal sau vertical.** Discul ferăstrăului poate prelua una sau mai multe piese și poate cauza recul.
- **Atunci când reporniți ferăstrăul cu discul ferăstrăului în piesa de lucru, centrați discul ferăstrăului în tăietură în așa fel încât dintele ferăstrăului să nu fie angajat în material.** Dacă discul ferăstrăului este prins, ar putea să ridice piesa de lucru și să cauzeze recul atunci când ferăstrăul este repornit.
- **Păstrați discurile ferăstrăului curate, ascuțite și în sortiment suficient. Nu folosiți niciodată discuri ale ferăstrăului încovoiate sau discuri ce sunt crăpate sau cu dinți crăpați.** Discurile de ferăstrău ascuțite și corect montate micșorează posibilitatea prinderii, înțepenirii și reculului.

AVERTIZĂRI PRIVIND PROCEDURILE DE OPERARE A MESEI FERĂSTRĂULUI.

- **Oprii ferăstrăul de masă și deconectați cablul electric când îndepărtați elementul de intercalare a mesei, când schimbați discul ferăstrăului sau când faceți reglări la cuțitul de despicare sau la apărătoarea discului ferăstrăului și când mașina este lăsată nesupravegheată.** Măsurile de precauție vor evita accidentele.
- **Nu lăsați niciodată ferăstrăul de masă să funcționeze nesupravegheat. Oprii-l și nu părăsiți produsul până când nu s-a oprit complet.** Un ferăstrău în funcțiune nesupravegheat este un pericol necontrolat.
- **Plasați ferăstrăul de masă într-o zonă bine luminată și dreaptă unde puteți menține o priză bună pe picioare și un bun echilibru. Trebuie să fie instalat într-o zonă care asigură spațiu suficient pentru a manipula ușor mărimea piesei dvs de lucru.** Zonele înghesuite, întunecoase, alunecoase și care nu sunt drepte invită la accidente.
- **Curățați frecvent și îndepărtați praful de sub masa ferăstrăului și/sau din dispozitivul de colectare a prafului.** Praful de la ferăstrău acumulat este





combustibil și se poate aprinde.

- **Masa ferăstrăului trebuie să fie fixă.** O masă ce nu este corespunzător fixată se poate mișca sau răsturna.
- **Îndepărtați sculele, resturile de lemn etc. de pe masă înainte ca masa ferăstrăului să fie pornită.** Neatenția sau o blocare potențială poate fi periculoasă.
- **Folosiți întotdeauna discuri ale ferăstrăului de mărime și formă corespunzătoare (de diamant versus cele rotunde) în găurile axului.** Discurile de ferăstrău ce nu se potrivesc cu echipamentul de montare al ferăstrăului vor funcționa necentrate, cauzând pierderea controlului.
- **Nu folosiți niciodată mijloace de montare deteriorate sau incorecte, mijloace precum flanșe, șaibe, șuruburi și piulițe ale discului ferăstrăului.** Aceste mijloace de montare au fost în mod specific proiectate pentru ferăstrăul dvs pentru o operare în siguranță și o performanță optimă.
- **Nu stați niciodată pe masa ferăstrăului, nu o folosiți ca pe un scaun pliant.** Poate avea loc vătămare gravă dacă produsul este răsturnat sau este avut accidental contact cu sculele de tăiere.
- **Asigurați-vă că discul ferăstrăului este instalat să se rotească în direcția potrivită. Nu folosiți discuri de șlefuit, perii de metal sau roți abrazive la un ferăstrău de masă.** Instalarea incorectă a discurilor ferăstrăului sau folosirea de accesorii nerecomandate poate cauza vătămare gravă.

AVERTIZĂRI DE SIGURANȚĂ SUPLIMENTARE PENTRU FERĂSTRĂILE DE MASĂ

- Instalați sau fixați mașina într-o poziție stabilă corespunzător lucrului ce va fi efectuat. Ea poate fi montată pe un banc de lucru, cu picioare de sprijin sau fixată la sol.
- Dacă sunt furnizate, reglați prelungirile ajustabile ale picioarelor pentru a obține o platformă stabilă de lucru.
- Lucrând la o înălțime corespunzătoare, folosind o poziție de lucru bună, vă va ajuta să preveniți solicitarea dvs sau alte vătămări în timpul operației produsului.
- Asigurați iluminare generală sau localizată adecvată pentru a preveni efectele stroboscopice și pericolele.
- Purtați echipament personal de protecție adecvat atunci când e necesar. Acesta include protecție a auzului pentru a reduce riscul de pierdere a auzului, protecție a respirației pentru a reduce riscul de inhalare a prafului periculos, mănuși rezistente când manipulați discurile ferăstrăului și materiale dure.
- Purtați întotdeauna ochelari de protecție când folosiți aparatul. Este recomandat să purtați încălțăminte rezistentă nealunecoasă cu bombeu metalic pentru a vă proteja de obiectele ce ar putea cădea de pe masă.
- Praful produs când se folosește acest aparat poate fi periculos sănătății dvs, poate fi inflamabil sau exploziv. Folosiți un sistem de extracție a prafului și purtați o mască de protecție corespunzătoare împotriva prafului. Îndepărtați praful acumulat peste tot cu o perie sau cu un aspirator.
- Păstrați podeaua din zona de lucru liberă de praf de

la ferăstrău adunat excesiv, de resturi de la tăiere sau cabluri de curent. Acest lucru reduce riscul de a păși greșit și de a cădea pe disc.

- Păstrați masa liberă de obiecte incluzând scule și resturi de lemn tăiate.
- Păstrați curată suprafața mesei, a riglelor de ghidare și a ghidajului mitrei. Fiți atent la adevizi, vopsele și alte articole. Lemnul trebuie să alunece ușor și nu trebuie să se prindă sau blocheze nicăieri căci altminteri este crescut semnificativ riscul vătămării grave datorat reculului.
- Folosiți numai pânze specificate în acest manual, în conformitate cu EN 847-1.
- Nu folosiți pânze de ferăstrău din oțel rapid.
- Folosiți doar discuri de ferăstrău ce sunt marcate cu o viteză egală sau mai mare decât viteza marcată pe sculă.
- Nu forțați piesa de lucru în discul de tăiere. Lăsați scula să facă munca. Forța excesivă va supraîncălzi discul și vârful de tăiere și ar putea arde piesa de lucru. Poate rezulta în eveniment neașteptate ce pot cauza vătămare personală gravă.
- Nu utilizați lame tocite sau deteriorate. Seturile de discuri neascuțite sau necorespunzătoare produc tăieturi înguste ce cauzează frecare excesivă, prinderea discului și recul.
- Nu folosiți niciodată șaibe sau șuruburi de pânză care sunt defecte sau incorecte.
- Discurile ferăstrăului trebuie transportate într-un suport oricând e posibil.
- Nu operați scula fără intercalările mesei și înlocuiți elementele de intercalare când sunt uzate.
- În cazul în care faceți o tăiere netransversală, păstrați întotdeauna apărătoarea discului și cuțitul de despicare la locul lor și în stare bună de funcționare. Apărătorile discului trebuie să se ridice și coboare ușor pentru a permite trecerea piesei de lucru pe sub ele. Asigurați-vă că apărătoarea discului este fix prinsă de cuțitul de despicare. Nu utilizați cu capace/apărători scoase.
- Întotdeauna asigurați-vă că discul este paralel cu rigla de ghidare. El este un mare contribuitor la recul ce poate rezulta în vătămare gravă.
- Folosiți întotdeauna apărătoarea discului ferăstrăului și a cuțitului de despicare pentru orice operațiune de tăiere. Operațiunile complete de tăiere sunt acelea în care discul taie complet prin piesă atunci când e vorba de debitare sau tăietură încrucșată..
- Asigurați-vă întotdeauna că verificați complet materialul pe care intenționați să-l tăiați, în special când folosiți lemn reciclat, de obiecte străine precum cuie, șuruburi sau capse. Dacă asemenea obiecte sau altele similare vin în contact cu discul în timpul tăierii, ferăstrăul va fi deteriorat și vătămare gravă a operatorului sau a altora poate avea loc.
- Nu sunt permise sau posibile tăieri pe soclu cu această sculă electrică.
- Utilizați tija de împingere când este necesar. Utilizați întotdeauna o tijă de împingere pentru tăierea lemnului îngust. Tija de împingere trebuie depozitată





întotdeauna împreună cu utilajul când nu este utilizată.

- Nu vă întindeți niciodată în zona apropiată discului ferăstrăului când acesta funcționează. Țineți-vă degetele în afara zonei definite de elementele de intercalare a mesei.
- Nu lăsați niciodată unealta să funcționeze nesupravegheată. Opriti alimentarea. Nu părăsiți unealta până când nu se oprește complet.
- Nu încercați niciodată să opriți rapid mașina în mișcare blocând discul cu o piesă de lucru sau alte mijloace. Accidente grave pot fi cauzate neintenționat în acest fel.
- Nu atingeți pânda de fierăstrău imediat după tăiere. Pânda de ferăstrău devine fierbinte în timpul tăierii.
- Dacă discul ferăstrăului se blochează în timpul tăierii, opriți mașina și deconectați-o de la alimentarea cu curent. Scoateți piesa de lucru și asigurați-vă că pânda de ferăstrău se învârtă liber. Porniți aparatul și începeți o operațiune de tăiere nouă cu forță de împingere redusă.
- Atunci când transportați mașina, îndepărtați apărătoarea discului, reglați cuțitul de despicare în cea mai joasă poziție și coborâți apărătoarea în așa fel încât să fie sub suprafața mesei în poziția sa de tranzit.
- În cazul în care cablul electric este deteriorat, el trebuie înlocuit doar de către producător sau de către un centru service autorizat pentru a evita riscurile.
- Nu folosiți niciun atașament sau accesoriu nerecomandat de către producător. Utilizarea de piese sau accesorii nerecomandate poate prezenta riscuri de răniri grave.
- Aparat utilizat în mai multe locații, inclusiv în aer liber, trebuie să fie conectate prin intermediul unui dispozitiv de curent rezidual (RCD).
- Dacă curentul ferăstrăului de masă este întrerupt, întrerupătorul pornit/oprit al mașinii va trece automat în poziția oprit.

INSTRUCȚIUNI SPECIFICE DE SIGURANȚĂ A DISCULUI DE TĂIERE A LEMNULUI.

- Vă rugăm citiți cu atenție instrucțiunile și manualul înainte de a folosi ferăstrăul cu disc și sula electrică.
- Sula electrică trebuie să fie într-o stare bună, axul să nu fie deformat sau să aibă vibrații.
- Asigurați-vă că operatorul este instruit adecvat privind precauțiile de siguranță, reglajele și operarea sculei electrice.
- Purtați întotdeauna protecție pentru ochi și auz atunci când folosiți sula electrică. Se recomandă purtarea mănușilor, a încălțăminte solide nealunecoase și a șorțului de protecție.
- Înainte de a utiliza orice accesoriu, consultați manualul de instrucțiuni. Folosirea improprie a unui accesoriu poate cauza deteriorarea și creșterea riscului unei potențiale vătămări.
- Păstrați discul curat. Aceasta include praful de la ferăstrău și în special substanțele lipicioase precum rășina lemnului. Un disc curat taie mult mai precis și mai sigur.

- Folosiți numai pânze specificate în acest manual, în conformitate cu EN 847-1.
- Respectați turația maximă marcată pe pânda de ferăstrău. Asigurați-vă că viteza marcată pe discul ferăstrăului este cel puțin egală cu viteza marcată pe ferăstrău.
- Folosiți întotdeauna discuri cu mărimea corectă a găurilor pentru ax. Lamele neadaptate la axul pe care trebuie să fie montate nu se vor roti corect și pot conduce la o pierdere a controlului asupra aparatului.
- Nu folosiți discuri cu o grosime a lor mai mare sau o lățime a tăierii mai mică decât grosimea cuțitului de despicat.
- Nu folosiți pânze cu diametrul mai mare sau mai mic decât cel recomandat. Nu folosiți pânze cu diametrul mai mare sau mai mic decât cel recomandat. Nu utilizați distanțiere pentru a fixa pânda pe ax.
- Verificați vârfurile discului ferăstrăului să nu fie deformat sau să aibă un aspect anormal, înainte de fiecare folosire. Vârfurile care sunt deteriorate sau slăbite pot deveni obiecte aruncate în timpul folosirii și cresc riscul vătămării personale.
- Nu folosiți lame de ferăstrău crăpate sau deformat. Nu folosiți pânze de circular deteriorate ori deformat.
- Eliminați discurile de ferăstrău deteriorate, deformat, îndoite sau crăpate, repararea nu este permisă.
- Nu utilizați pânze din oțel rapid (HSS).
- Asigurați-vă că discul ferăstrăului este montat corect, strângeți piulița axului înainte de fiecare folosire.
- Strângerea șuruburilor și piulițelor trebuie să fie făcute cu cheia corespunzătoare.
- Folosirea unei prelungiri a cheii sau strângerea folosind lovituri de ciocan nu este permisă.
- Asigurați-vă că discul și flanșele sunt curate și că marginile înfundate ale colierului sunt cu fașa la disc.
- Asigurați-vă că discul se rotește în direcția corectă și nu vine în contact cu nicio parte a mașinii sau cu sistemul de protecție.
- Înaintea lucrului, faceți o tăietură falsă fără a avea motorul pornit în așa fel încât să poată fi verificată poziția discului, operarea apărătorilor față de piese ale produsului și piesa de lucru.
- Nu lăsați niciodată sula electrică nesupravegheată.
- Nu aplicați lubrifianți pe pânda atunci când aceasta este în funcțiune.
- Nu încercați niciodată să opriți rapid sula electrică în mișcare blocând discul cu o piesă sau alte mijloace, accidente grave pot fi cauzate neintenționat în acest fel.
- Deconectați sula electrică de la priza de curent înainte schimbării discurilor sau la efectuarea întreținerii.
- Acordați atenție la împachetarea și dezpachetarea discului, este ușor să fiți răniți de vârfurile ascuțite ale discului.
- Folosiți un suport de discuri sau purtați mănuși când manipulați un disc de ferăstrău. Rețineți, discul va fi fierbinte după operațiunile de tăiere.
- Păstrați și depozitați discul în ambalajul original sau alt ambalaj corespunzător, păstrați în mediu uscat și feriiți

EN
FR
DE
ES
IT
NL
PT
DA
SV
FI
NO
RU
PL
CS
HU
RO
LV
LT
ET
HR
SL
SK
EL
TR



de substanțele chimice ce ar putea deteriora discul.

DOMENIU DE APLICAȚII

Ferăstrăul de masă este proiectat a fi operat de către o singură persoană cu scopul de a debita și tăia încrucișat lemul, la o adâncime maximă de 80 mm, la un unghi al raportorului de 0°. La un unghi maxim de 45° al raportorului, adâncimea maximă de tăiere este de 55 mm. Ferăstrăul de masă este proiectat și destinat a fi fixat pe o suprafață stabilă sau pe un stand de lucru furnizat de către producător. Pot fi tăiate materiale lemnoase tari și moi plus plăci cu particule sau fibre.

Doar combinațiile de discuri și cuțite de despicat furnizate de producător pentru acest ferăstrău de masă pot fi folosite la acest ferăstrău de masă.

RISCURI REZIDUALE

Chiar și atunci când ferăstrăul de masă este folosit așa cum este prescris, este imposibil să fie eliminată complet anumii factori de risc reziduali.

Operatorul trebuie să acorde o atenție specială și suplimentară la aceste puncte pentru a reduce riscul unei răniri personale grave.

- Tăiere nontransversală Apărătoarea discului este îndepărtată și este expus discul ferăstrăului.
- Contactul cu discul - evitați întinderea în față, deasupra sau în jurul discului ferăstrăului.
- Recul - nu stați niciodată în fața discului.
- Stabilitate - asigurați-vă că masa este stabilă, și oricând e posibil fixați-o.
- Aruncarea vârfurilor discului ferăstrăului - când lucrați purtați întotdeauna protecție pentru ochi.
- Inhalarea de praf - purtați o mască dacă e necesar. Praful produs atunci când se lucrează pe anumite tipuri de lemn (de ex MDF) poate fi periculos sistemului dvs respirator.
- Vătămarea ochilor de la lemn și particule de praf - când lucrați purtați întotdeauna protecție pentru ochi.
- Vătămare a auzului - restricționați expunerea și purtați protecție pentru auz corespunzătoare.
- Nivelele de zgomot pot varia mult la mașină în funcție de condițiile de folosire. Persoanele expuse nivelelor ridicate de zgomot, chiar și pentru o perioadă scurtă, pot avea o pierdere temporară a auzului iar expunerea continuă la nivele ridicate de zgomot poate duce la pierderea permanentă a auzului.

FAMILIARIZAȚI-VĂ CU SCULA DUMNEAVOASTRĂ ELECTRICĂ.

Vezi pagina 242.

1. Elemente de intercalare a mesei
2. Prelungire reglabilă a cuțitului de despicat.
3. Ghidaj în unghi
4. Lama ferăstrăului
5. Apărătoare a discului ferăstrăului
6. Eliberare a elementelor de intercalare a mesei.
7. Riglă de ghidare
8. Extindere a mării mesei (RTS1800ES, RTS1800EF)

9. Găuri de fixare (prindere banc de lucru sau picioare)
10. Întrerupătoare cu paletă pornit/oprit
11. Roată de reglare a raportorului
12. Blocare a raportorului
13. Adâncime a mânerului de tăiere
14. Ferăstrău de masă
15. Evacuare a prafului
16. Accesorii admise praf

OPERAREA

⚠ AVERTISMENT

Trebuie să citiți și să înțelegeți complet toate avertizările și instrucțiunile conținute în acest manual înainte de a conecta la curent și a începe să tăiați cu acest ferăstrău de masă.

Debitare: orice operațiune de tăiere unde discul ferăstrăului iese dincolo de grosimea piesei de lucru. Pentru această operațiune cuțitul de despicare trebuie să fie în poziție ridicată iar apărătoarea discului trebuie potrivită. Folosiți rigla de ghidare sau ghidajul în unghi pentru a poziționa corect piesa de lucru.

Tăiere fără pătrundere. Orice operațiune de tăiere unde discul ferăstrăului nu iese dincolo de grosimea piesei de lucru. Pentru această operațiune cuțitul de despicare trebuie să fie în poziția coborâtă. Vârful cuțitului de despicare trebuie să fie ușor mai jos decât vârful discului ferăstrăului. Apărătoarea discului nu poate fi potrivită. Folosiți rigla de ghidare sau ghidajul în unghi pentru a poziționa corect piesa de lucru.

Tăiere de-a lungul fibrei lemnului. Folosind rigla de ghidare paralel cu discul pentru a ghida piesa de lucru. Predominant tăierea este făcută în direcția fibrei lemnului (dacă este prezentă). Poate fi o tăiere tip debitare sau fără pătrundere.

Tăiere încrucișată: Folosind ghidajul unghiular sau rigla de ghidare la tăiere încrucișată. Acest dispozitiv este proiectat să alunece paralel cu discul ferăstrăului și permite piesei de lucru să fie ținută la un unghi fix de-a lungul axei de tăiere a discului. Predominant tăierea este făcută de-a latul direcției fibrei lemnului (dacă este prezentă) Poate fi o tăiere tip debitare sau fără pătrundere.

Tăierea în unghi: Unghiul discului față de suprafața mesei este schimbat între 90° și 45°. Produce o tăietură cu o margine în unghi. Poate fi o tăiere tip debitare sau fără pătrundere. Fie rigla de ghidare sau ghidajul în unghi trebuie să fie folosite pentru a poziționa corect piesa de lucru.

Tăierea în unghi. Piesa de lucru este prezentată discului într-un unghi. Unghiul cerut este reglat pe ghidajul unghiular, care poate mai apoi ține piesa de lucru la acest unghi în timp ce aluneacă paralel cu discul pentru a efectua tăierea. Poate fi o tăiere tip debitare sau fără pătrundere.

Tăierea ascuțită: Tăierile transversale ascuțite sunt posibile folosind ghidajul unghiular pentru a regla unghiul cerut. Nu este posibil să se îndeplinească tăiere transversală ascuțită întrucât un dispozitiv de fixare special este necesar.



FOLOSIND ÎN SIGURANȚĂ RIGLA DE GHIDARE

- Nu folosiți niciodată în același timp rigla de ghidare și ghidajul unghiular. Acest lucru crește potențialul unui recul și vătămarea personală. Când niciuna din ele nu e folosită, îndepărtați-le de pe masă și depozitați-le în siguranță în afara ei.
- De fiecare dată când e folosită sau mutată rigla de ghidare către o altă persoană este esențial să fie verificat paralelismul discului ferăstrăului.
- O riglă de ghidare neparalelă poate să prindă piesa de lucru între disc și rigla de ghidare cauzând recul ce poate duce la vătămare personală gravă dvs și celorlalți.
- O riglă de ghidare reglată sau setată greșit poate face ca piesa de lucru să fie avansată înspre disc într-un unghi greșit ceea ce poate cauza discul să fie prins sau blocat. Poate de asemenea să cauzeze recul (vezi deasupra).
- Pentru a regla sau potrivi corect rigla de ghidare, agățați capătul riglei de ghidare deasupra marginii din spate a mesei apoi coborâți marginea din față pentru a o angaja cu partea din față a mesei. Apoi aplicați presiune din partea din față a riglei de ghidare în așa fel încât cele două margini setate la un unghi drept în direcția riglei de ghidare să vină în contact cu marginea din față a mesei. Acest lucru ajută ca rigla de ghidare să fie paralelă cu discul. Apoi blocați rigla de ghidare în poziție împingând mânerul de blocare în jos.
- Forța cu care mânerul de blocare ține rigla de ghidare în poziție poate fi reglată rotind șurubul zimțat de deasupra mânerului de blocare.
- Verificați întotdeauna paralelismul riglei de ghidare cu discul prin măsurare sau printr-un bloc de lemn tăiat precis înainte de a face o tăietură.

Alinierea semnelor de distanță, a discului la rigla de ghidare

Reglați marginea riglei de ghidare față de disc și apoi reglați indicatorul vizorului pentru a alinia cu semnul 0 mm pe marginea frontală a mesei. Slăbiți șurubul, reglați vizorul apoi restrângeți șurubul.

Folosirea de rigle de ghidare suplimentare

Există situații când potrivirea de rigle de ghidare suplimentare la rigla de ghidare principală sunt cerute.

- Atunci când o piesă de lucru îngustă nu poate fi ținută cu mâna sau împinsă cu bățul de împingere întrucât rigla de ghidare este în calea lor.
- Atunci când este tăiată o piesă de lucru subțire. Piese de lucru foarte subțiri pot să alunece sub rigla de ghidare principală și pot să fie prinse sau târate cauzând potențial pentru recul. Folosiți rigla de ghidare suplimentară pentru a ajuta la prevenirea acestui lucru.

Îndepărtați rigla de ghidare suplimentară oricând este sigur sau folosiți doar rigla de ghidare principală.

Atunci când faceți tăieturi oblice pe piese de lucru înguste, folosiți întotdeauna rigla de ghidare pe partea opusă a discului în așa fel încât să atârne deasupra altfel este ușor să fie prins blocul de împingere față de apărătoria

discului sau rigla de ghidare.

Fixarea riglei de ghidare suplimentare la rigla de ghidare principală

- Cu piulițele fluture și șaibele pe o parte a riglei de ghidare, împingeți șuruburile de pe cealaltă parte și înșurubați-le împreună. Acum glisați rigla de ghidare suplimentară peste capetele șuruburilor în orificiile prevăzute. Strângeți rigla de ghidare auxiliară în poziție așa cum este cerut.

NOTĂ: Rigla de ghidare suplimentară este destinată doar să ghideze piesa de lucru peste disc și cuțitul de despicare, nu trebuie să acopere întreaga lungime a riglei de ghidare principale.

Îndepărtați rigla de ghidare suplimentară oricând este sigur sau folosiți doar rigla de ghidare principală. Nu lăsați șuruburile și piulițele fluture la loc pe rigla de ghidare principală.

Folosirea pieptenului

Pieptenele este un dispozitiv similar unui pieptene de păr dar care este tăiat în unghi. Construit normal din lemn sau plastic, dinții subțiri se îndoaie ușor pe măsură de piesa de lucru alunecă în poziție, aplicând o presiune egală și consistentă pentru a ține piesa de lucru. Folosiți unul din aceste dispozitive atunci când este cerută o tăiere precisă sau îngustă a piesei de lucru. Acest dispozitiv este atașat mesei prin intermediul unui orificiu al ghidajului unghiular și ușurează nevoia ca degetele operatorului să fie în apropierea discului.

Pieptenii pot fi achiziționați din magazinele specializate

DISPOZITIV DE PROTECȚIE ÎMPOTRIVA SUPRAÎNCĂRCĂRIILOR

Produsul are un dispozitiv de protecție a supraîncărcării. Atunci când este detectată supraîncărcarea, produsul automat se va opri. Oprii alimentarea. Dacă protecția la suprasarcină este acționată, motorul trebuie lăsat să se răcească timp de 3 de minute. Asigurați-vă că discul se poate roti liber și nu este blocat sau strâns. Apăsăți butonul de resetare (dedesubtul întrerupătorului de pornit/oprit). Porniți alimentarea. Apăsăți butonul pornire pentru a porni produsul.

ÎNȚREȚINEREA

- Asigurați-vă că discul este complet oprit și că cablul electric este scos din priză înainte de a îndeplini orice operațiuni de întreținere sau curățenie.
- În cazul în care cablul de alimentare este deteriorat trebuie să fie reparat la un centru service autorizat.
- Discul are margini ascuțite și poate de asemenea să rămână fierbinte după operațiunile de tăiere. Exercițiți maximă atenție atunci când curățați discul descoperit. Purtați mănuși pentru a vă proteja de răniri.
- Curățați ferăstrăul și accesoriile sale regulat de praf, în special piesele în mișcare incluzând apărătoria discului. Folosiți o perie de mână sau aspiratorul pentru a îndepărta eficient praful.



⚠️ AVERTISMENT

Nu încercați să dezasamblați ansamblul apărătoare disc pentru a-l curăța sau repara. Apărătorile deteriorate nu trebuie folosite. Returnați-o la un centru service autorizat pentru reparare sau înlocuire.

- Ferăstrăul de masă este uns din fabrică și nu necesită ungere suplimentară.
- Pentru a verifica și regla raportorul și paralelismul discului/riglei de ghidare, vezi secțiunile „Verificarea și setarea raportorului” și „Verificarea și setarea paralelismului discului orificiile ghidajului unghiular” din acest manual.

VERIFICAREA ȘI SETAREA RAPORTORULUI

NOTĂ: Setarea discului să fie la 90° de masă rezultă un unghi de 0° a raportorului.

1. Oprii alimentarea și scoateți ștecherul din priză.
2. Acordați atenție specială vârfurilor discului ferăstrăului, ele sunt foarte ascuțite și pot cauza vătămare personală.
3. Ridicați discul și ansamblul cuțitului de despicare la cea mai mare înălțime a lor.
4. Îndepărtați apărătoarea discului.
5. Așezați cuțitul de despicare în poziția sa mai joasă.
6. Asigurați-vă că discul și suprafața mesei sunt fără praf și alte resturi.
7. Așezați un pătrat cu unghiuri de 90° față de suprafața mesei și în partea cea mai de sus a discului. Fiți atent să nu veniți în contact cu vârfurile discului în timpul acestei măsurări întrucât va rezulta într-o eroare. Trebuie să aliniați suprafața corpului discului ferăstrăului.
8. Nu trebuie să existe spațiu liber între marginea regaltă a pătratului și discul sau masa, în aceste condiții discul este aliniat vertical și nicio altă ajustare a unghiului discului nu e necesară.
9. Dacă există spațiu, slăbiți butonul rotativ de blocare a raportorului și cu atenție mutați unghiul raportorului în timp ce constant reverificați spațiul liber. Odată ce nu mai există spațiu, strângeți butonul rotativ de blocare al raportorului.
10. Slăbiți șurubul de pe indicatorul raportorului și reglați purtătorul liniei plasticului transparent așa încât să arate o aliniere cu semnul 0°. Strângeți șurubul.
11. Repetați operațiunea pentru a verifica și regla diferite unghiuri între 90° și 45° așa cum considerați necesar.

VERIFICAREA ȘI REGLAREA PARALELISMULUI DISCULUI CU ORIFICIILE GHIDAJULUI FERĂSTRĂULUI UNGHIULAR.

1. Oprii alimentarea și scoateți ștecherul din priză.
2. Acordați atenție specială vârfurilor discului ferăstrăului, ele sunt foarte ascuțite și pot cauza vătămare personală.
3. Ridicați discul și ansamblul cuțitului de despicare la cea mai mare înălțime a lor.
4. Îndepărtați apărătoarea discului.
5. Completați verificările detaliate în acest manual „Cum să verific și să setez raportorul”. Asigurați-vă că raportorul este fixat fix la 0°.
6. Luați ghidajul ferăstrăului unghiular și potriviți-l pe unul

din orificiile mesei. Setati ghidajul ferăstrăului unghiular la 90°.

7. Așezați o riglă de metal față de ghidajul ferăstrăului unghiular și cu capătul drept al riglei setat să atingă corpul discului ferăstrăului. Puteți folosi un bloc de lemn precis tăiat în locul unei rigle de metal.
8. Mențineți o prindere fermă a riglei / blocului și glisați întregul ghidaj al ferăstrăului unghiular în așa fel încât rigla / blocul intră în contact cu celălalt capăt al discului. Rigla sau blocul trebuie să aibă același nivel de contact cu discul pe măsură ce se mișcă de-a lungul corpului discului. Dacă acesta este cazul, atunci paralelismul dintre disc și orificiile mesei este precis și nu mai e necesară nicio reglare. Verificați orificiul de pe cealaltă parte a mesei folosind aceeași metodă.

REGLAREA PARALELISMULUI DISCULUI CU ORIFICIILE MESEI

Există două șuruburi în partea din față a discului ferăstrăului și încă două în spate. Acestea pot fi accesate de dedesubtul suprafeței mesei.

Atunci când aceste șuruburi sunt slăbite, întregul disc, cuțitul de despicare și ansamblul motorului pot fi mișcate pentru a alinia precis discul cu orificiile mesei.

Ați putea găsi că e dificil să obțineți în afară de cazul în care aveți experiență în asemenea reglări, așa încât în caz de dificultate, returnați ferăstrăul de masă la cel mai apropiat centru service Ryobi autorizat pentru o montare profesională.

PROTECȚIA MEDIULUI ÎNCONJURĂTOR



Reciclați materiile prime în loc să le aruncați la gunoi, împreună cu deșeurile menajere. Pentru a proteja mediul înconjurător, mașina, accesoriile acesteia și ambalajele trebuie triate.

SIMBOLURI PE ACEST PRODUS



Alertă de siguranță



Conformitate CE



Marcaj de conformitate EurAsian.



Aparat clasa II, izolare dublă



Citiți instrucțiunile cu atenție înainte de pornirea produsului.



Purtați protecție pentru auz.



Purtați protecție pentru ochi.



Purtați mănuși de protecție.



Pericol! Pânză ascuțită.



Capacitate de tăiere



Lățimea de tăiere a discului



Număr de dinți pe acest disc al ferăstrăului



Pentru a tăia material lemnos și materiale similare



Nu este pentru a tăia metale



Direcția de rotire a discului (arătat pe apărătoarea discului)



Direcția de rotire a discului (arătat pe cuțitul de despăcat)



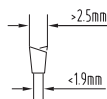
Direcția de rotire a discului (arătat pe discul ferăstrăului)



Direcția de rotire a discului (arătat în tabel)



Diametru lamă



Grosime a corpului discului și lățime a tăierii

T2.2mm
38-48HRC

Grosime și duritate cuțit de despăcare



Putere nominală



Disc cu 48 de dinți din carbură de tungsten



Pornire ușoară



Protecție la supraîncărcare



Masă de aluminiu turnat



Dimensiunea mesei (RTS1800, RTS1800S)



Dimensiunea mesei (RTS1800ES, RTS1800EF)



Dimensiune de extindere a mesei



Picior încrucișat detașabil



Picior de lux pliabil



Capacități de tăiere (90° și 45°)



Deșeurile produselor electrice nu trebuie să fie înălțurate împreună cu deșeurile casnice. Vă rugăm reciclați acolo unde există facilități. Verificați la autoritățile dvs locale sau la vânzător privind sfaturile de reciclare.

SIMBOLURI ÎN ACEST MANUAL



Conectați la priza de curent.



Deconectați de la priza de curent.



Piese sau accesorii vândute separat



Deșeurile produselor electrice nu trebuie să fie înălțurate împreună cu deșeurile casnice. Vă rugăm să reciclați acolo unde există facilități.



Notă



AVERTISMENT

130.com.ua



VISPĀRĒJIE DROŠĪBAS BRĪDINĀJUMI

▲ BRĪDINĀJUMS

Izlasiet visus drošības brīdinājumus, instrukcijas, specifikācijas un apskatiet attēlus šī elektroinstrumenta dokumentācijā. Visu uzskaitīto instrukciju neievērošana ir bīstama; tā var izraisīt elektrisko triecienu, aizdegšanos un/vai nopietnas traumas.

Visus brīdinājumus un norādījumus saglabāiet turpmākām uzziņām. Nosaukums "elektroinstruments" brīdinājumos attiecas uz jūsu elektrisko (ar vadu) elektroinstrumentu vai ar akumulatoru darbināmo (bez vada) elektroinstrumentu.

DROŠĪBA DARBA VIETĀ

- Uzturiet darba vietu tīru un labi apgaismotu. Nekārtīgās vai tumšās vietās ir paaugstināts negadījumu risks.
- Nedarbiniet elektroinstrumentus sprādzienbīstamā vidē, piemēram, degošu šķidrumu, gāzu vai putekļu klātbūtnē. Elektroinstrumenti rada dzirksteles, kas var aizdedzināt putekļus vai gāzes.
- Neļaujiet bērniem un apkārtesošajiem atrasties tuvumā, kamēr tiek darbināts elektroinstruments. Izkļaidības dēļ jūs varat zaudēt kontroli.

ELEKTRODROŠĪBA

- Elektroinstrumenta kontaktdakšām ir jābūt atbilstošām kontaktilgudzām. Nekad nekādā veidā neveiciet kontaktdakšas izmaiņas. Iezemētiem elektroinstrumentiem neizmantojiet adapteru spraudņus. Nemodificētas kontaktdakšas un atbilstošas kontaktilgudzas mazinās elektrošoka risku.
- Ķermenis nedrīkst pieskarties iezemētām virsmām, piemēram, caurulēm, radiatoriem, plītim un ledusskapjiem. Ja jūsu ķermenis ir ir zemēs, pastāv palielināts elektrošoka risks.
- Nepakļaujiet elektroinstrumentus lietošanai mitriem apstākļiem. Ūdens iekļūšana elektroinstrumentā palielina elektriskā trieciena risku.
- Izmantojiet barošanas vadu tikai pareizi. Nekad neizmantojiet kabeļi elektroinstrumenta nēsāšanai, vilkšanai vai atvienošanai. Vadam jāatrodas pietiekamā atstatumā no siltumavotiem, eļļas, asām malām un kustīgām detaļām. Bojāti vai sapinušies kabeļi palielina elektrošoka risku.
- Darbinot elektroinstrumentu ārā, lietojiet pagarinātāja kabeļi, kas ir piemērotas ārā lietošanai. Izmantojot kabeļi, kas ir piemēroti lietošanai ārā, tiek samazināts elektrošoka risks.
- Ja elektroinstruments ir jālieto mitrās telpās, izmantojiet strāvas noplūdes automātslēdzi (RCD) barošanas vadā. Izmantojot RCD, tiek samazināts elektrošoka risks.

PERSONAS DROŠĪBA

- Strādājot ar elektroinstrumentu, saglabājiet modrību, rūpīgi sekojiet līdzi savām darbībām un pajaukieties uz veselo saprātu. Nelietojiet elektroinstrumentu, ja esat noguris vai atrodaties narkotiku, alkohola vai medikamentu ietekmē. Neuzmanības brīdis, strādājot ar elektroinstrumentiem, var izraisīt smagus ievainojumus.
- Izmantojiet individuālos aizsarglīdzekļus. Vienmēr lietojiet aizsargbrilles. Atbilstoši izmantojot aizsarglīdzekļus, piemēram, putekļu maskas, neslidošus darba apavus, ķiveres vai dzirdes aizsarglīdzekļus, mazinās traumu risku.
- Nepieļaujiet nejaūšu ierīces ieslēgšanu. Pirms instrumenta pievienošanas elektropadeves avotam un/vai akumulatora blokam, paņemšanas vai nešanas pārliecinieties, vai slēdzis atrodas izslēgšanas pozīcijā. Elektroinstrumentu nešana, pirkstam atrodoties uz slēdža, vai pieslēgšana barošanai, ja slēdzis ir ieslēgtā pozīcijā, rada traumatisma risku.
- Pirms elektroinstrumenta ieslēgšanas izņemiet visus regulējošos ķīļus vai uzgriežņu atslēgas. Pie elektromotora rotējošas daļas atstāta uzgriežņu atslēga vai ķīlis var izraisīt savainojumus.
- Nesniedzieties tam pāri. Visu laiku stāviet stingri un stabili. Tādējādi tiek nodrošināta labāka elektroinstrumenta kontrole negaidītās situācijās.
- Apģērbieties pareizi. Nenēsājiet vaļīgu apģērbu un rotaslietas. Nekad netuviniet matus un apģērbu kustīgām daļām. Vaļīgs apģērbs, rotaslietas vai gari mati var tikt ierauti starp kustīgām detaļām.
- Ja ir ierīces, kas paredzētas putekļu ekstrakcijas un savākšanas līdzekļu pieslēgšanai, nodrošiniet, lai tās tiktu pieslēgtas un pareizi izmantotas. Putekļu savākšana var mazināt ar putekļiem saistītos riskus.
- Nepieļaujiet, lai palāvēta, kas izveidojusies biežas instrumentu lietošanas gaitā, ļautu ieslēgt pašapmierinātībā un neievērot instrumentu drošības principus. Nevērīga darbība var acumirkli izraisīt nopietnu traumu.

ELEKTROINSTRUMENTA LIETOŠANA UN APKOPE

- Nespiediet elektroinstrumentu ar spēku. Izmantojiet uzdevumam atbilstošu elektroinstrumentu. Ar pareizo elektroinstrumentu darbu var paveikt labāk un drošāk paredzētajā ātrumā.
- Nelietojiet elektroinstrumentu, ja slēdzis to neieslēdz un neizslēdz. Visi elektroinstrumenti, kurus nevar kontrolēt ar slēdzi, ir bīstami un tie ir jāremontē.
- Pirms regulēšanas darbu veikšanas, piederumu maiņas vai elektroinstrumenta uzglabāšanas atslēdziet kontaktdakšu no elektropadeves avota un/vai, ja iespējams, noņemiet akumulatora bloku. Šādi profilaktiski piesardzības pasākumi samazina risku, ka elektroinstruments var nejaūsi ieslēgties.
- Turiet elektroinstrumentus bērniem nepieejamā vietā, un neļaujiet cilvēkiem, kas nepazīst šo elektroinstrumentu vai šīs instrukcijas, darbināt elektroinstrumentu. Neapmācītu lietotāju rokās

EN
FR
DE
ES
IT
NL
PT
DA
SV
FI
NO
RU
PL
CS
HU
RO
LV
LT
ET
HR
SL
SK
EL
TR





elektroinstrumenti ir bīstami.

- **Veiciet elektroinstrumentu un piederumu apkopi.** Pārbaudiet, vai kustīgās daļas ir noregulētas un neķeras, vai daļas nav salūzušas vai tādā stāvoklī, kas var ietekmēt elektroinstrumenta darbību. Ja elektroinstrumenti ir bojāti, pirms lietošanas to **salabojiet**. Daudzus negadījumus izraisa slikti uzturēti elektroinstrumenti.
- **Griezējinstrumentus uzturiet asus un tīrus.** Ja griezējinstrumentiem ir veikta pareiza apkope un to griezējmalas ir asas, samazinās to aizķeršanās iespējas risks un tie ir vieglāk kontrolējami.
- **Elektroinstrumentu, piederumu, instrumentu uzgaļus u.c. izmantojiet atbilstoši šīm instrukcijām, ņemot vērā darba apstākļus un veicamo darbu.** Elektroinstrumentu izmantošana darbībām, kurām tie nav paredzēti, var radīt bīstamu situāciju.
- **Rokturiem un satveršanas virsmām jābūt sausām un tīrām, bez eļļas un smērvielām.** Slideni rokturi un satveršanas virsmas traucē drošai instrumenta izmantošanai un vadībai neparedzamās situācijās.

TEHNISKĀ APKOPE

- **Nododiet savu elektroinstrumentu apkopei kvalificētam tehnikim, izmantojot tikai identiskas rezerves daļas.** Tādā veidā tiek nodrošināta elektroinstrumenta drošība.

DROŠĪBAS TEHNIKAS NOTEIKUMI GALDA ZĀGIEM

AR AIZSARGIEM SAISTĪTI BRĪDINĀJUMI

- **Aizsargiem jābūt savās vietās.** Aizsargiem ir jābūt darba kārtībā un pareizi uzstādītiem. Ja aizsargs ir vaļņīgs, bojāts vai nefunkcionē pareizi, tas jāsamontē vai jāaizstāj.
- **Vienmēr katrai caurzāģēšanas darbībai izmantojiet zāģa asmens aizsargu un šķejamo nazi.** Caurzāģēšanas darbībās, kuru laikā zāģa asmens pilnībā pārgriež sagatavi, aizsargs un citas drošības ierīces palīdz samazināt traumas risku.
- **Pēc tādas darbības pabeigšanas (piemēram, paplatināšanas vai atkārtotas iegriezumu zāģēšanas), kuras laikā ir nepieciešama aizsarga noņemšana, nekavējoties atkal uzstādiet aizsargsistēmu.** Aizsargs un šķejamais nazis palīdz samazināt traumas risku.
- **Pirms slēdža ieslēgšanas pārliedcinieties, vai zāģa ripa nepieskaras aizsargam, šķejamajam nazim vai sagatavei.** Šo priekšmetu netīša saskare ar zāģa ripu var izraisīt bīstamu situāciju.
- **Noregulējiet šķejamo nazi, kā aprakstīts lietošanas pamācībā.** Nepareizi atstatumi, pozicionēšana un salāgošana var šķejamo nazi padarīt neefektīvu, samazinot atsitiena iespēju.
- **Lai šķejamā naža ierīce darbotos, tai jāieķeras sagatavē.** Šķejamais nazis nav efektīvs, griežot sagataves, kas ir pārāk tsas, lai sakertos ar šķejamo nazi. Šādos apstākļos šķejamais nazis nevar novērst atsitieni.

- **Izmantojiet šķejamajam nazim atbilstošu zāģa ripu.** Lai šķejamais nazis darbotos pareizi, zāģa ripas diametram ir jāatbilst attiecīgajam šķejamajam nazim, zāģa ripas korpusam jābūt plānākam par šķejamā naža biežumu, bet zāģa ripas griešanas platumam ir jāpārsniedz šķejamā naža biežums.

GRIEŠANAS PROCEDŪRU BRĪDINĀJUMI

▲ BĪSTAMI

Nekad nelieciet pirkstus vai rokas zāģa ripas tuvumā vai ceļā. Neuzmanības mirklī vai paslīdot roka var nonākt pret zāģa ripu, un tas var izraisīt nopietnu traumu.

- **Padodiet sagatavi uz zāģa ripu tikai pret griešanās virzienu.** Sagataves padošana tādā pašā virzienā, kādā zāģa ripa rotē virs galda, var izraisīt sagataves un rokas ievilkšanu zāģa ripā.
- **Nekad nelietojiet leņķa regulatoru, lai sagatavi padotu izvilkšanas laikā, un neizmantojiet vadlīnēnu kā garuma aizturi, šķērsām zāģējot ar leņķa regulatoru.** Sagataves virzīšana kopā ar vadlīnēnu un leņķa regulatoru palielina zāģa ripas ieķeršanās un atsitiena iespēju.
- **Zāģējot šķērsām, vienmēr lietojiet sagataves padeves spēku starp barjeru un zāģa ripu.** Bīdīšanai izmantojiet nūju, kad atstatums starp barjeru un zāģa ripu ir mazāks par 150 mm, un izmantojiet spiežambloku, kad attālums ir zem 50 mm. "Darba palīgierīces" ļauj rokas turēt drošā attālumā no zāģa ripas.
- **Izmantojiet tikai ražotāja piedāvāto bīdīšanas nūju vai tādu, kas konstruēta atbilstoši instrukcijām.** Šī bīdīšanas nūja nodrošina pietiekamu rokas attālumu no zāģa ripas.
- **Nekad nelietojiet bojātu vai sagrieztu bīdīšanas nūju.** Bojāta bīdīšanas nūja var salūzt, izraisot rokas ieslēdēšanu zāģa ripā.
- **Neveiciet nekādas "brīvroku" darbības.** Sagataves novietošanai un vadībai vienmēr izmantojiet vadlīnēnu vai leņķa regulatoru. "Brīvroku" nozīmē roku izmantošanu, lai atbalstītu vai virzītu sagatavi, nelietojot vadlīnēnu vai leņķa regulatoru. Brīvroku zāģēšana izraisa nobīdi, ieķeršanos un atsitieni.
- **Nekad nesniedzieties apkārt vai pāri rotējošai zāģa ripai.** Sniegšanās pēc sagataves var izraisīt nejausu saskari ar kustīgu zāģa ripu.
- **Nodrošiniet papildu sagataves atbalstu zāģa galda aizmugurei un/vai malām garām un/vai platām sagatavēm, lai tās noturētu līmeni.** Garai un/vai platai sagatavei ir tendence pagriezties uz galda malas, izraisot vadības zudumu, zāģa ripas ieķeršanos un atsitieni.
- **Padodiet sagatavi vienmērīgi.** Nesavijiet un nelokiet sagatavi. Ja tā iestrēgst, nekavējoties izslēdziet produktu, atvienojiet to un pēc tam izfriet iesprūdumu. Zāģa ripas iesprūšana ar sagatavi var izraisīt atsitieni vai motora apstāšanos.
- **Nenonemiet nozāģētā materiāla gabalus, kamēr zāģis darbojas.** Materiāls var iesprūst starp barjeru





vai zāga ripas aizsarga iekšpusi un zāga ripu, ieraujot pirkstus zāga asmenī. Pirms materiāla noņemšanas izslēdziet zāgi un pagaidiet, līdz zāga ripa apstājas.

- **Griežot sagataves, kas ir plānākas par 2 mm, saskarē ar galda virsmu izmantojiet papildu barjeru.** Plāna sagatave var nobloķēties zem vadlīnēaļa un izraisīt atsitieni.

ATSITIENA CĒĻŅI UN SAISTĪTIE BRĪDINĀJUMI

Atsitieni ir pēkšņa sagataves reakcija uz iespiestu, iesprūdušu zāga ripu vai nepareizi noregulētu griešanas līniju sagatavē attiecībā pret zāga ripu vai sagataves daļas iekēršanās starp zāga ripu un vadlīnēaļu vai citu nekustīgu priekšmetu. Visbiežāk atsitiena laikā sagatave tiek pacelta no galda ar zāga ripas aizmugurējo daļu un grūsta pret operatoru.

Atsitieni rodas no zāga nepareizas lietošanas un/vai nepareizas darba procedūras vai apstākļiem; no tā var izvairīties, veicot pareizus drošības pasākumus.

- **Nekad nestāviet vienā līnijā ar zāga ripu. Vienmēr novietojiet zāga ripas barjeru pusē.** Atsitieni var sagatavi lielā ātrumā grūst pretī ikvienam, kurš stāv priekšpusē un vienā līnijā ar zāga ripu.
- **Nekad nesniedzieties pāri zāga ripai vai aiz tās, lai pavilktu vai atbalstītu sagatavi.** Var notikt nejauša saskare ar zāga ripu vai atsitieni var ieraut pirkstus zāga ripā.
- **Nekad neturiet un nespiediet griezamo sagatavi pret rotējošu zāga ripu.** Griežamās sagataves spiešana pret zāga ripu izraisīs iekēršanos un atsitieni.
- **Barjeru salāgojiet paralēli ar zāga ripu.** Nepareizi noregulēta barjera iespiešs sagatavi pret zāga ripu un izraisīs atsitieni.
- **Veidojot necaurejošus iegriezumus, piemēram, paplašinot vai zāģējot atkārtoti, izmantojiet leņķa regulatoru, lai sagatavi vadītu pret galdū un barjeru.** Leņķa regulators palīdz kontrolēt sagatavi atsitiena gadījumā.
- **Atbalstiet lielas plāksnes, lai samazinātu zāga ripas iespiešanos un atsitieni.** Lielas plāksnes parasti liecas no sava svara. Atbalsts(-i) ir jānovieto zem visām paneļa daļām, ja tas ir lielāks par galda virsmu.
- **Rīkojieties īpaši piesardzīgi, griežot sagatavi, kas ir savērpta, samezglota, sagriezusies vai kurai nav taisnas malas, lai to vadītu ar leņķa regulatoru vai gar barjeru.** Savērpta, samezglota vai sagriezta sagatave nav stabila un izraisa zobu nepareizu noregulējumu ar zāga ripu, iespiešanos un atsitieni.
- **Nekad negrieziet vairākas sagataves, kas novietotas viena virs otras vertikāli vai horizontāli.** Zāga ripa var aizķert vienu vai vairākus gabalus un izraisīt atsitieni.
- **Ja atkārtoti ieslēdzat zāgi, kad zāga ripa atrodas sagatavē, centrējiet zāga ripu griezumā tā, lai zāga zobi nav iekērušies materiālā.** Ja zāga ripa iekēras, tā var pacelt sagatavi un izraisīt atsitieni, restartējot zāgi.
- **Zāga ripas uzturiet tīras, asas un pietiekami noregulētas.** Nekad nelietojiet zāga ripas, kas ir izliektas vai ar saplaisājušiem vai salauztiem

zobiem. Asas un pareizi iestatītas zāga ripas samazina iespiešanās, iekēršanās un atsitiena iespēju.

GALDA ZĀGA DARBA PROCEDŪRU BRĪDINĀJUMI

- **Noņemot galda ieliktni, mainot zāga ripu vai arī regulējot šķeļošo nazi vai zāga ripas aizsargu, kā arī tad, kad ierīce tiek atstāta bez uzraudzības, izslēdziet galda zāgi un atvienojiet strāvas vadu..** Piesardzības pasākumi ļauj izvairīties no negadījumiem.
- **Neatstājiet bez uzraudzības galda zāgi, kas darbojas. Izslēdziet un neatstājiet produktu, līdz tas nav pilnībā apstājies.** Zāģis, kas darbojas bez uzraudzības, ir nekontrolētas briesmas.
- **Novietojiet galda zāgi labi apgaismotā un līdzenā vietā, kur var nodrošināt labu atbalstu kājām un līdzsvaru. Tas jāuzstāda tur, kur ir pietiekami vietas, lai viegli varētu apstrādāt attiecīgā izmēra sagatavi.** Šauras, tumšas telpas un nelīdzenas, slidenas grīdas ir negadījumu cēloņi.
- **Regulāri izfriet un noņemiet skaidas no zāga galda apakšas un/vai skaidu savākšanas ierīces.** Uzkrājušās skaidas ir ugunsne drošas un var uzliesmot.
- **Galda zāģis ir jānostiprina.** Nepietiekami nostiprināts galda zāģis var pārvietoties vai apgāzties.
- **Noņemiet no galda instrumentus, koka atgriezumus u.c. pirms galda zāga ieslēgšanas.** Uzmanības novēršana vai iesprūšana var būt bīstama.
- **Vienmēr izmantojiet zāga ripas ar pareiza izmēra un formas (rombveida vai noapaļotām) loka atverēm.** Zāga ripas, kuras neatbilst zāga stiprinājuma detaļām, kustēsies ekscentriski, mazinot kontroli.
- **Nedrīkst izmantot bōjotus vai nepareizus zāga ripas uzstādīšanas līdzekļus, piemēram, atlokus, zāga ripas paplāksnes, skrūves vai uzgriežņus.** Šie montāžas materiāli ir īpaši izstrādāti jūsu zāģim, lai panāktu drošu darbību un optimālu veiktspēju.
- **Nekad nestāviet uz galda zāga un neizmantojiet to kā pakāpienu.** Produkta sašķiešanās vai nejauša saskare ar griezamo instrumentu var izraisīt nopietnu traumu.
- **Pārliecinieties, vai zāga ripa ir uzstādīta rotācijai pareizā virzienā. Ar galda zāgi neizmantojiet slīpripas, stieplu sukas vai abrazīvās ripas.** Nepareiza zāga ripas uzstādīšana vai neieteicamu piederumu lietošana var izraisīt nopietnas traumas.

PAPILDŪ DROŠĪBAS BRĪDINĀJUMI PAR GALDA ZĀĢIEM

- **Uzstādiēt vai nostipriniet ierīci stabilā pozīcijā atbilstoši veicamajam darbam. To var uzstādīt uz darbgalda, kāju atbalsta vai nostiprināt pie grīdas.**
- **Ja der, iestatiet regulējamus kāju pagarinājumus, lai sasniegtu līdzenu, stabili platformu, uz kuras strādāt.**
- **Darbs pareizā augstumā, izmantojot labu darba pozū, palīdzēs novērst spriedzi vai citas traumas darba laikā.**
- **Nodrošiniet adekvātu vispārējo vai lokālo apgaismojumu, lai novērstu stroboskopisku ietekmi un risku.**

EN
FR
DE
ES
IT
NL
PT
DA
SV
FI
NO
RU
PL
CS
HU
RO
LV
LT
ET
HR
SL
SK
EL
TR





- Kad nepieciešams, izmantojiet piemērotus individuālos aizsarglīdzekļus. Tie ietver ausu aizsarglīdzekļus, lai mazinātu dzirdes zudumu risku, elpceļu aizsarglīdzekļus, lai samazinātu kaitīgu putekļu ieelpošanas risku, izturīgus cimdus, strādājot ar zāģa ripām un rupju materiālu.
- Ierīces lietošanas laikā vienmēr valkājiet aizsargbrilles. Aizsardzībai gadījumos, kad no galda nokrīt kādi priekšmeti, ieteicams valkāt izturīgus, neslīdošus apavus ar cietu purngalu.
- Šī instrumenta izmantošanas laikā radušies putekļi var būt kaitīgi veselībai, uzliesmojoši un sprādzienbīstami. Izmantojiet putekļu ekstrakcijas sistēmu un nēsājiet piemērotu putekļu aizsargmasku. Rūpīgi noņemiet uzkrājušos putekļus, piemēram, ar birsti un putekļsūcēju.
- Nodrošiniet, lai darba zonā uz grīdas nebūtu lieku skaidu, atgriezum un strāvas kabeļu. Šādi tiek samazināts risks pakļaut un uzkrīst uz ripas.
- Atbrīvojiet galdu no priekšmetiem, tostarp instrumentiem un atrestiem koka atgriezumiem.
- Uzturiet tīru galda virsmu, barjeru un leņķa regulatoru. Uzmanieties no līmes, krāsas un citām lietām. Kokam jāslīd viegli, bez aizķeršanās, jo citādi pastāv nopietnu traumu risks, ko izraisa ievērojama atsitiena palielināšanās.
- Izmantojiet tikai šajā rokasgrāmatā norādītās ripas atbilstoši EN 847-1.
- Neizmantojiet zāģa asmeņus, kas izgatavoti no ātrgriezējītērauda.
- Izmantojiet tikai zāģa ripas, kuru ātruma marķējums vienāds vai lielāks nekā instrumenta norādītais ātrums.
- Nespiediet sagatavi zāģēšanas ripā. Ļaujiet strādāt instrumentam. Pārmērīgs spēks pārķersēs ripu un griešanas galus, tas var aizdedzināt sagatavi. Tas var izraisīt neparedzamus gadījumus, radot nopietnas traumas.
- Nelietojiet ripas ar neasinātiem zobiem vai bojātas ripas. Neuzasinātas vai nepareizi uzstādītas ripas veido šauru zāģējuma eju, kas izraisa pārāk lielu berzi, ripas leraušānu un atsitieni.
- Zāģa ripas ir jāpārmēša turētājā, kad vien tas ir iespējams.
- Neizmantojiet instrumentu bez galda ieliktna un nomainiet, kad ir tas nolietojies.
- Ja neveicat neaurejošu griezumus, asmens aizsargam un šķeļošajam nazim vienmēr jābūt vietā un darba kārtībā. Ripas aizsargiem ir viegli jāpaceļas un jānolaižas, ļaujot sagatavei pārvietoties zem tiem. Nodrošiniet, lai ripas aizsargs būtu uzlikts kārtīgi uz šķejamā naža. Nelietojiet instrumentu, ja noņēmti pārsegi/aizsargi.
- Vienmēr pārliecinieties, vai ripa ir paralēli barjerai. Tas ir galvenais atsitiena veicinātājs, kas var izraisīt nopietnu traumu.
- Vienmēr katrai caurzāģēšanai izmantojiet zāģa ripas aizsargu un šķejamo nazi. Caurzāģēšanas darbību laikā, veicot griešanu vai caurgriešanu, asmens pilnībā pārgriež sagatavi.
- Vienmēr nodrošiniet, lai griešanai paredzētais materiāls tiek pilnībā pārbaudīts, it īpaši, izmantojot pārstrādātu koku, pārbaudiet svešķermeņus, piemēram, naglas, skrūves, skavas. Ja šie vai līdzīgi priekšmeti saskaras ar ripu griešanas laikā, zāģis tiek bojāts, un operators vai citi var gūt nopietnas traumas.
- Ar šo elektroinstrumentu nav atļauta un iespējama frēzēšana.
- Pēc nepieciešamības izmantojiet bīdīšanas nūju. Šauru kokmateriālu plēšanai vienmēr izmantojiet piespiežamu nūju. Bīdīšanai izmantojamā nūja, kad tā netiek lietota, vienmēr jāuzglabā kopā ar iekārtu.
- Nekad neiesniedzieties zāģa ripas tuvumā, kamēr tā darbojas. Turiet pirkstus ārpus galda ieliktna noteiktās zonas.
- Nekad neatstājiet darbojošos instrumentu bez uzraudzības. Izslēdziet barošanu. Neatstājiet instrumentu, līdz tas nav pilnībā apstājies.
- Nekad nemēģiniet ātri apturēt kustībā esošu iekārtu, spiežot sagatavi vai kādu citu priekšmetu pret ripu. Šādi var nejauši izraisīt nopietnus negadījumus.
- Neaizskariet zāģa asmeni uzreiz pēc zāģēšanas. Zāģa asmens zāģēšanas laikā sakarst.
- Ja zāģa ripa griešanas laikā ir iesprūdusi, izslēdziet iekārtu un atvienojiet to no barošanas padeves. Noņemiet detaļu un pārliecinieties, vai zāģa ripa pārvietojas brīvi. Ieslēdziet iekārtu un sāciet jaunu griešanas darbību ar samazinātu padeves spēku.
- Transportējot iekārtu, noņemiet ripas aizsargu, noregulējiet šķejamo nazi uz zemāko pozīciju un nolaidiet ripu tā, lai tā būtu zem galda virsmas pārvietošanas pozīcijā.
- Ja bojāts strāvas padeves vads, lai izvairītos no riska, to drīkst nomainīt tikai ražotājs vai pilnvarota apkopes centra darbinieki.
- Neizmantojiet pielikumus vai piederumus, kurus neiesaka ražotājs. Ja tiek lietotas papildierīces vai piederumi, ko nav ieteicis ražotājs, tas var novest pie nopietnām traumām.
- Dažādās vietās, tostarp ārā, izmantotās ierīces jāpievieno caur noplūdstrāvas aizsargierīci (RCD).
- Ja strāvas padeve uz galda zāģim tiek pārtraukta, iekārtas ieslēgšanas/izslēgšanas slēdzis tiek automātiski iestatīts kā izslēgts.

ĪPAŠI DROŠĪBAS NORĀDĪJUMI KOKA ZĀĢĒŠANAS RIPAI

- Pirms zāģa ripas un elektroinstrumenta izmantošanas, lūdzu, rūpīgi izlasiet rokasgrāmatu un norādījumus.
- Elektroinstrumentam jābūt labā stāvoklī, vārpstai bez deformācijas un vibrācijas.
- Pārliecinieties, vai operators ir pienācīgi apguvis drošības pasākumus, regulēšanu un elektroinstrumenta lietošanu.
- Elektroinstrumenta lietošanas laikā vienmēr lietojiet aizsargbrilles un ausu aizbāžņus. Ieteicams valkāt cimdus, smagnējus, neslīdošus apavus un priekšautu.
- Pirms jebkura piederuma lietošanas skatiet informāciju lietošanas pamācībā. Nepareizi izmantojot piederumu,





var izraisīt bojājumus un palielināt traumu risku.

- Asmenim ir pastāvīgi jābūt tīram. Tas ietver zāgu skaidas un it īpaši lipīgas vielas, piemēram, koka sveķus. Tīrs asmens griež precīzāk un drošāk.
- Izmantojiet tikai šajā rokasgrāmatā norādītās ripas atbilstoši EN 847-1.
- Ievērojiet uz zāga ripas norādīto maksimālo ātrumu. Pārlicinieties, ka uz zāga plātnes norādītais ātrums, ir vismaz vienāds ar ātrumu, kas norādīts uz zāga.
- Vienmēr izmantojiet asmeņus ar atbilstoša izmēra un formas vārpstas atverēm. Ripas, kuru forma neatbilst zāga stiprināšanas ietaisēm, kustēsies ekscentriski, kas mazina kontroli pār zāgi.
- Neizmantojiet zāga ripas, kurām ir biežāks korpusa vai mazāks gropes izgriezuma (zobu) platums nekā šķeļošanai nazim.
- Neizmantojiet ripas, kuru diametrs ir lielāks vai mazāks par ieteicamo. Neizmantojiet ripas, kuru diametrs ir lielāks vai mazāks par ieteicamo. Ripas uzstādīšanai uz ass neizmantojiet nekādas starplikas.
- Pirms katras lietošanas pārbaudiet, vai zāga ripas galiem nav bojājumu vai savāds izskats. Bojāti vai vaļīgi gali lietošanas laikā var aizlidot un palielināt traumu risku.
- Neizmantojiet ieplaisājušus vai izkropļotus zāga asmeņus. Neizmantojiet bojātus vai deformētus zāga asmeņus.
- Ja zāga ripa ir bojāta, deformēta, salauzta vai saplaisājusi, izmetiet to, nevis remontējiet.
- Neizmantojiet HSS ripas.
- Pirms lietošanas pārlicinieties, vai zāga ripa ir uzstādīta pareizi un kārtīgi pievelciet ass uzgriezni.
- Stiprinājuma skrūve un uzgriežņi jāpievelk, izmantojot, piemēram, atbilstošu uzgriežņatslēgu.
- Aizliegts izmantot uzgriežņatslēgas pagarinājumu vai pievilkt, sitot ar āmuru.
- Pārlicinieties, vai ripa un atloki ir tīri un ieliktna atvirzītās malas atrodas pret asmeni.
- Pārlicinieties, vai ripa griežas pareizā virzienā un nesaskaras ne ar vienu iekārtas daļu vai aizsargsistēmu.
- Pirms darba veiciet imitācijas iegriezumu, neieslēdzot motoru, lai pārbaudītu ripas novietojumu un aizsargu darbību attiecībā pret citām produkta daļām un sagatavi.
- Nekad neatstājiet elektroinstrumentu bez uzraudzības.
- Neelļojiet ripu tās ekspluatācijas laikā.
- Nekad nemēģiniet ātri apturēt kustībā esošu elektroinstrumentu, spiežot kādu instrumentu vai citu priekšmetu pret ripu, jo šādi var netaisīt izraisīt nopietnus negadījumus.
- Pirms ripu maiņas un apkopes darbu veikšanas atslēdziet elektroinstrumentu no elektrotīkla.
- Ripas saiņošanu un izsaiņošanu veiciet uzmanīgi, jo ar asajiem ripas galiem var viegli savainoties.
- Strādājot ar zāga ripu, izmantojiet tās turētāju vai nēsājiet cimdus. Atcerieties, ka ripa pēc lietošanas ir karsta.
- Glabājiet ripu oriģinālajā vai citā piemērotā iepakojumā

sausā vietā, kurā nav ķīmikāliju, kas var to sabojāt.

PAREDZĒTĀ LIETOŠANA

Galda zāģis ir izstrādāts tā, lai to izmantotu viena persona koka zāģēšanai un šķērsgriešanai līdz ne vairāk kā 80 mm dziļumam 0 savērūmā. Maksimālajā 45 leņķī maksimālais griezuma dziļums ir 55 mm. Galda zāģis ir izstrādāts un paredzēts nostiprināšanai pie stabilas virsmas vai darba staffva, ko piegādā ražotājs. Ar to var griezt cietu un mīkstu koku, kā arī saplākšņus un šķiedru plāksnes.

Šim galda zāģim drīkst izmantot tikai ripas un šķeļšanas asmens kombinācijas, ko nodrošina šī galda zāga ražotājs.

PALIEKOŠIE RISKI

Tomēr pat tad, ja galda zāģis tiek lietots atbilstoši norādījumiem, ir neiespējami pilnībā novērst dažus pārējo risku faktoros.

Operatoram ir jāpievērš īpaša un papildu uzmanība šiem punktiem, lai samazinātu nopietnu traumu risku.

- Necaurejošā griešana. Ripas aizsargs ir noņemts, un zāga ripas augša ir atsegta.
- Saskare ar ripu — izvairieties no sniegšanās pret galda zāģi, tam pāri un apkārt.
- Atsitiens — nekad nestāviet ripas priekšā.
- Stabilitāte — nodrošiniet, lai produkts būtu stabils, un, kur vien iespējams, nostipriniet to.
- Mesti zāģēšanas ripas gali — darba laikā vienmēr izmantojiet acu aizsarglīdzekļus.
- Putekļu ieelpošana — ja nepieciešams, valkājiet masku. Putekļi, kas rodas, strādājot ar noteiktiem koka produkta veidiem (piemēram, MDF), var būt bīstami elpceļu sistēmai.
- Koka un putekļu daļiņu izraisītas acu traumas — strādājot vienmēr izmantojiet acu aizsarglīdzekļus.
- Dzirdes bojājumi — ierobežojiet iedarbību un izmantojiet atbilstošus dzirdes aizsarglīdzekļus.
- Trokšņa līmeņi dažādām iekārtām var ievērojami atšķirties atkarībā no lietošanas apstākļiem. Personas, kuras kaut vai īslaicīgi ir pakļautas liela trokšņa līmeņa iedarbībai, var īslaicīgi daļēji zaudēt dzirdi, bet nepārtraukta augsta līmeņa iedarbība var izraisīt pastāvīgu dzirdes bojājumus.

IEPAZĪSTIET SAVU ELEKTROINSTRUMENTU.

Skatīt 242. lappusi

1. Galda ieliktnis
2. Regulējams izvērsts šķeļamais nazis
3. 45° leņķa vadošā detaļa
4. Zāga asmens
5. Zāga ripas aizsargs
6. Galda ieliktna atbrīvošana
7. Barjera/vadotne
8. Galda sānu paplašinājums (RTS1800ES, RTS1800EF)
9. Stiprinājumu caurumi (nostiprināšanai pie darbgalda vai kājām)
10. Ieslēgšanas/izslēgšanas lāpstīņas slēdzis
11. Slīpuma leņķa regulēšanas rats

EN
FR
DE
ES
IT
NL
PT
DA
SV
FI
NO
RU
PL
CS
HU
RO
LV
LT
ET
HR
SL
SK
EL
TR



12. Slīpuma leņķa fiksators
13. Griešanas dziļuma rokturis
14. Zāģa galds
15. Putekļu izvads
16. Putekļu nosūkšanas savienojuma piederums

EKSPLUATĀCIJA

⚠ BRĪDINĀJUMS

Pirms pieslēgt strāvu un sākt griešanu ar šo galds zāģi, izlasiet un pilnībā izprotiet visus šajā rokasgrāmatā ietvertos brīdinājumus un norādījumus.

Caurzāģēšana: jebkura griešanas darbība, kuras laikā zāģa ripa izvīrās aiz sagataves biežuma. Lai veiktu šo darbību, šķejamajam nazim ir jābūt paceltā pozīcijā un jābūt uzstādītam zāģa aizsargam. Sagataves pareizai novietošanai izmantojiet barjeru vai leņķa regulatoru.

Necaurejošā griešana: jebkura griešanas darbība, kuras laikā zāģa ripa neizvīrās aiz sagataves biežuma. Veicot šo darbību, šķejamajam nazim jābūt nolaistam. Šķejamā naža augšai jābūt nedaudz zemāk nekā zāģa ripas augšai. Ripas aizsargu nevar uzstādīt. Sagataves pareizai novietošanai izmantojiet barjeru vai leņķa regulatoru.

Šķērseniskā zāģēšana: izmantojot vadotni paralēli ripai, lai vadītu sagatavi. Galvenokārt griezum tiek veikts koka šķiedras virzienā (ja tā ir redzama). Var būt caurejošs vai necaurejošs griezum.

Šķērs griešana: izmantojot leņķa regulatoru vai šķērs griešanas barjeru. Ir paredzēts, ka šī ierīce slīd paralēli zāģa ripai un ļauj sagatavi turēt fiksētā leņķī šķērsām pret ripas griešanas asi. Galvenokārt griezum tiek veikts šķērsām koka šķiedras virzienam (ja tā ir redzama). Var būt caurejošs vai necaurejošs griezum.

Slīpa zāģēšana: ripas leņķis attiecībā pret galds virsmu tiek mainīts starp 90 un 45°. Veido griezum ar slīpu malu. Var būt caurejošs vai necaurejošs griezum. Sagataves pareizai novietošanai izmantojiet vadotni vai leņķa regulatoru.

Zāģēšana 45 leņķī: sagatave pret ripu atrodas leņķī. Nepieciešamais leņķis tiek iestatīts ar leņķa regulatoru, kas var sagatavi noturēt šajā leņķī, bīdot paralēli ripai, lai veidotu griezum. Var būt caurejošs vai necaurejošs griezum.

Konusveida griešana: konusveida šķērs griezum ir iespējams, izmantojot leņķa regulatoru un iestatot nepieciešamo leņķi. Nav iespējams veikt konusveida šķērs griezum, jo nepieciešams īpašs stiprinājums.

DROŠA BARJERAS IZMANTOŠANA

- Nekad neizmantojiet vienlaicīgi vadotni un leņķa regulatora vadotni. Tas palielina atsitienu un traumu risku. Kad kāds no tiem netiek izmantots, noņemiet to no galds un droši novietojiet pietiekamā attālumā.
- Ik reizi, kad barjera tiek izmantota vai pārvietota citā pozīcijā, ir svarīgi pārbaudīt tās paralelītāti zāģa ripai.
- Neparalēla barjera var iespiest sagatavi starp ripu un barjeru, radot atsitienu, kas var izraisīt nopietnas traumas jums un citiem.

- Slikti noregulēta vai uzstādīta barjera var izraisīt sagataves padošanu pret ripu nepareizā leņķī, izraisot ripas iespiešanu vai iekēršanos. Tas var izraisīt arī atsitienu (skatiet iepriekš).
- Lai pareizi uzstādītu vai noregulētu barjeru, aizāķējiet tās galu aiz galds aizmugurējās malas, pēc tam nolaidiet priekšējo malu, lai tā saslēgtos ar galds priekšu. Pēc tam pielietojiet spiedienu no barjeras priekšas, lai abas malas tiktu iestatītas taisnā leņķī pret barjeras saskares ar galds priekšējo malu virzienu. Tas palīdz nodrošināt barjeras paralelītāti ripai. Pēc tam barjeru bloķējiet vietā, piespiežot uz leju bloķēšanas rokturi.
- Spēku, ar kuru bloķēšanas rokturis notur vietā barjeru, var regulēt, griežot rievoto skrūvi tieši virs bloķēšanas roktura.
- Pirms griešanas vienmēr pārbaudiet barjeras paralelītāti ripai, to izmērot vai izmantojot precīzi nogrieztu koka bloku.

Atstatuma atzīmju salāgošana ripai pret barjeru

Iestatiet barjeras malu pret ripu un pēc tam noregulējiet indikatora skatstiklu, lai to salāgotu ar 0 mm atzīmi uz galds priekšējās malas. Atbrīvojiet skrūvi, noregulējiet skatstiklu un atkal pievelciet skrūvi.

Palīgbarjeras izmantošana

Dažos apstākļos papildus galvenajai barjerai ir jāuzstāda arī palīgbarjera.

- a. Ja šauru sagatavi nevar noturēt ar roku vai padeves dēlīti, jo ceļā ir barjera.
- b. Ja tiek griezta plāna sagatave. Ļoti plānas sagataves var paslidēt zem galvenās barjeras un iekerties vai tiek viltas, izraisot atsitienu risku. Lai palīdzētu to novērst, izmantojiet palīgbarjeru.

Kad ir droši izmantot tikai galveno barjeru, noņemiet palīgbarjeru.

Veidojot slīpus griezumus uz šaurām sagatavēm, vienmēr izmantojiet barjeru uz pretējās ripas puses tās slīpuma virzienā, jo citādi bīdīšanas dēlītis vai nūja var viegli tikt iespiesta pret ripas aizsargu vai barjeru.

Palīgbarjeras nostiprināšana pie galvenās barjeras

- Kad spārnuzgriežņi un paplāksnes ir vienā barjeras malā, izspiediet skrūves cauri no otras puses un saskrūvējiet kopā ar dažiem apgriezieniem. Pēc tam palīgbarjeru pārbīdiet pāri skrūvju galvām uz nodrošinātās rievās. Pievelciet palīgbarjeru nepieciešamajā vietā.

PIEZĪME: Palīgbarjera ir paredzēta tikai sagataves vadīšanai gar asmeni un šķejamo nazi, tai nav jānosedz galvenā barjera visā garumā.

Kad ir droši izmantot tikai galveno barjeru, noņemiet palīgbarjeru. Neatstājiet skrūves un spārnuzgriežņus vietā uz galvenās barjeras.

Piespiedējdzīļa izmantošana

Piespiedējdzīlis ir ierīce, kas līdzīga ķemmei, bet izveidota leņķī. Parasti no koka vai plastmasas izgatavotās tievās tapas viegli liecas, kad sagatave ieslid vietā, pielietojot vienmērīgu un konsekventu spiedienu, lai noturētu sagatavi.



Izmantojiet vienu no šīm ierīcēm, kad nepieciešams precīzs griezumšaurai sagatavei. Šī ierīce tiek nostiprināta pie galda, izmantojot leņķa regulatora rievās, un, pateicoties tai, operatora pirkstiem nav jāatrodas ripas tuvumā.

Speciālajos kokapstrādes veikalos var iegādāties citu ražotāju padevējdēļīšus.

PĀRSLODZES AIZSARGS

Produktam ir pārslodzes aizsargierīce. Ja konstatēta pārslodze, produkts automātiski izslēdzas. Izslēdziet barošanu. Ja pārslodzes aizsardzība ir ieslēgta, motoram jāļauj atdzist 3 minūtes. Pārlicinieties, vai ripa var rotēt brīvi un nav iesprūduši vai cieša. Nospiediet iestatīšanas pogu (zem ieslēgšanas/izslēgšanas slēdža). Ieslēdziet barošanu. Nospiediet ieslēgšanas pogu, lai palaistu produktu.

APKOPE

- Pirms apkopes vai tīrīšanas pārlicinieties, vai zāģa ripa ir pilnībā apstājusies un strāvas vads ir atvienots no strāvas avota.
- Ja strāvas padeves vads ir bojāts, tas jāsalabo pilnvarotā apkopes centrā.
- Ripai ir asas malas, kas var joprojām būt karstas pēc griešanas darbībām. Tīrot atsegtu ripu, rīkojieties īpaši uzmanīgi. Valkājiet cimdus, lai pasargātos no traumām.
- Regulāri attīriet zāģi un tā piederumus no putekļiem, it īpaši kustīgās daļas, tostarp ripas aizsargu. Izmantojiet rokas suku vai putekļsūcēju, lai efektīvi noņemtu putekļus.

▲ BRĪDINĀJUMS

Nemēģiniet izjaukt ripas aizsarga konstrukciju tīrīšanas vai remonta nolūkos. Nedrīkst izmantot bojātus aizsargus. Ja jāveic remonts vai nomaiņa, nododiet sertificētā apkopes centrā.

- Galda zāģis ir ieeļļots rūpnīcā, un tam nav nepieciešama papildu eļļošana.
- Informāciju par slīpuma leņķu, kā arī un ripas/barjeras paralelītātes pārbaudi un regulēšanu skatiet šīs rokasgrāmatas sadaļās "Slīpuma leņķa pārbaude un iestatīšana" un "Ripas paralelītātes pret leņķa regulatora rievām pārbaude un iestatīšana".

SLĪPUMA LEŅĶA PĀRBAUDE UN IESTATĪŠANA

PIEZĪME: PIEZĪME: Ripas iestatīšana 90° leņķī no galda veido 0° slīpuma leņķi.

1. Izslēdziet strāvu un atslēdziet kontaktdakšu no kontaktligzdas.
2. Īpašu uzmanību pievēršiet zāģa ripu galiem, jo tie ir ļoti asi un var izraisīt traumas.
3. Paceliet ripu un šķejamā naža montāžu augstākajā pozīcijā.
4. Noņemiet ripas aizsargu.
5. Šķejamo nazi novietojiet zemākajā pozīcijā.
6. Pārlicinieties, vai uz ripas un galda virsmas nav putekļu un gružu.
7. Novietojiet 90° "iestatījuma kvadrātu" pret galda

virsmu un ripas augstāko daļu. Šī mērījuma laikā rīkojieties uzmanīgi, lai nepieskartos ripas galiem, jo tas var izraisīt kļūdu. Zāģa ripas korpasa virsmai ir nepieciešama salāgošana.

8. Nedrīkst būt nekādu spraugu starp uzstādītā kvadrāta malu un ripu vai galdu, jo šādā stāvoklī ripa atrodas reālā vertikālā izlīdzinājumā, un nav nepieciešama ripas leņķa turpmāka regulēšana.
9. Ja ir sprauga, atbrīvojiet slīpuma bloķēšanas pogu un uzmanīgi pārvietojiet slīpuma leņķi, nepārtraukti pārbaudot spraugu. Tiklīdz spraugas nav, cieši pievelciet slīpuma bloķēšanas pogu.
10. Atskrūvējiet skrūvi uz slīpuma leņķa indikatora un noregulējiet caurspīdīgo plastmasas līniju vadītli, lai būtu redzams salāgojums ar 0° atzīmi. Pievelciet skrūvi.
11. Atkārtojiet šo darbību, lai pārbaudītu un pēc nepieciešamības iestatītu dažādus leņķus starp 90 un 45°.

RIPAS PARALELĪTĀTES PRET LEŅĶA REGULATORA RIEVĀM PĀRBAUDE UN IESTATĪŠANA

1. Izslēdziet strāvu un atslēdziet kontaktdakšu no kontaktligzdas.
2. Īpašu uzmanību pievēršiet zāģa ripu galiem, jo tie ir ļoti asi un var izraisīt traumas.
3. Paceliet ripu un šķejamā naža montāžu augstākajā pozīcijā.
4. Noņemiet ripas aizsargu.
5. Veiciet pārbaudes, kas ir sīkāk aprakstītas šīs rokasgrāmatas sadaļā "Kā pārbaudīt un iestatīt slīpu leņķi". Nodrošiniet, lai slīpais leņķis būtu droši fiksēts pie 0°.
6. Paņemiet leņķa regulatora vadotni un ievietojiet to vienā no galda rievām. Iestatiet leņķa regulatora leņķa vadotni uz 90°.
7. Novietojiet tērauda lineālu stingri pret leņķa regulatora vadotni un ar taisnu lineāla galu iestatiet to saskarei ar zāģa ripas korpusu. Tērauda lineāla vietā varat izmantot precīzi nogrieztu koka bloku.
8. Stingri saturiet lineālu/bloku un visu leņķa regulatora vadotni bīdīet tā, lai lineāls/bloks saskartos ar ripas otru galu. Lineālam vai blokam ir nepieciešams tāds pats saskares līmenis ar ripu, kā pārvietojoties pāri ripas korpusam. Šādā gadījumā paralelītāte starp ripu un galda rievām ir precīza un nav jāregulē. Ar tādu pašu metodi pārbaudiet rievu otru galda pusē.

RIPAS PARALELĪTĀTES REGULĒŠANA PRET GALDA RIEVĀM

Zāģa ripas priekšā un aizmugurē ir pa divām skrūvēm. Tām var piekļūt no galda virsmas apakšas.

Kad šīs skrūves ir atskrūvētas, visu ripu, šķejamo nazi un motora montāžu var pārvietot, lai ripu precīzi salāgotu ar galda rievām.

Iespējams, ka to ir grūti sasniegt bez šādas regulēšanas pieredzes, tāpēc problēmu gadījumā nogādājiet galda zāģi uz tuvāko pilnvaroto Ryobi servisa centru, kurā var veikt profesionālu uzstādīšanu.

EN
FR
DE
ES
IT
NL
PT
DA
SV
FI
NO
RU
PL
CS
HU
RO

LV

LT
ET
HR
SL
SK
EL
TR



VIDES AIZSARDZĪBA



Tā vietā, lai izejmateriālus izmestu atkritumos, nododiet tos otrreizējai pārstrādei. Mašīna, aksesuāri un iepakojums ir jāsašķiro un jānodod videi draudzīgā atkārtotas pārstrādes vietā.

UZ PRODUKTA REDZAMIE SIMBOLI



Drošības brīdinājums



CE atbilstība



EurAsian atbilstības marķējums.



II klases instruments, divkārtša izolācija



Pirms iedarbināt izstrādājumu, lūdzu, uzmanīgi izlasiet norādījumus.



Izmantojiet ausu aizsargus.



Izmantojiet acu aizsarglīdzekļus.



Nēsājiet aizsargcimdus.



Bīstami! Ass asmens.



Zāģēšanas ražība



Ripas griezuma (iegriezuma) platums



Šis zāģa ripas zobu skaits



Koka un analogu materiālu griešanai



Nav paredzēts metālu griešanai



Ripas griešanās virziens (parādīts uz ripas aizsarga)



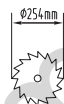
Ripas griešanās virziens (parādīts uz šķejamā naža)



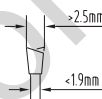
Ripas griešanās virziens (parādīts uz zāģa ripas)



Ripas griešanās virziens (parādīts uz galda)



Asmens diametrs



Ripas korpusa biezums un griezuma platums



Šķejamā naža biezums un cietība



Nominālā jauda



Volframa karbīda 48 zobu ripa



Pakāpeniskā uzsākšana



Aizsardzība pret pārslodzi



Lieta alumīnija galds



Galda izmēri (RTS1800, RTS1800S)



Galda izmēri (RTS1800ES, RTS1800EF)



Galda pagarinājuma izmēri



Noņemama šķērveida kāja



Salokāma deluxe kāja



Griešanas kapacitāte (90° un 45°)



Izlietotie elektroprodukti nedrīkst tikt izmesti kopā ar mājsaimniecības atkritumiem. Lūdzu, nododiet tos attiecīgajās atkār tolas izmantošanas vietās. Lai iegūtu informāciju par pārstrādi, sazinieties ar vietējo pašvaldību vai mazumtirgotāju.

- EN
- FR
- DE
- ES
- IT
- NL
- PT
- DA
- SV
- FI
- NO
- RU
- PL
- CS
- HU
- RO
- LV**
- LT
- ET
- HR
- SL
- SK
- EL
- TR

SIMBOLI ŠAJĀ ROKASGRĀMATĀ



Pievienojiet kontaktligzdai.



Atvienojiet no kontaktligzdas.



Atsevišķi nopērkamās daļas vai piederumi



Izlietotie elektroprodukti nedrīkst tikt izmesti kopā ar mājsaimniecības atkritumiem. Lūdzu, nododiet tos attiecīgajās atkār tolas izmantošanas vietās.



Piezīme



BRĪDINĀJUMS

BENDROSIOS ELEKTRINIO ĮRANKIO SAUGOS TAISYKLĖS

⚠ ĮSPĖJIMAS

Perskaitykite visus saugos įspėjimus, visas instrukcijas, paveikslėlius ir techninius reikalavimus, pateikiamus su šiuo elektriniu įrankiu. Apačioje išdėstyti instrukcijų nesilaikymas gali sukelti elektros smūgį, gaisrą ir (ar) sunkius sužeidimus.

Kad tinkamai naudotumėte įrankį, žr. visus perspėjimus ir nurodymus. Įspėjimuose nurodytas terminas „elektrinis įrankis“ reiškia elektrinio įrankio naudojimą, jį prijungus prie maitinimo tinklo (laidu) arba maitinimo baterijos (belaids).

DARBO ZONOS SAUGUMAS

- Darbo vieta turi būti švari ir gerai apšviesta. Nelaimingi atsitikimai įvyksta netvarkingose ar tamsiose vietose.
- Nenaudokite elektrinių įrankių, jei šalia yra degios ir sprogti galinčios medžiagos (degūs skysčiai, dujos ar dulkės). Elektriniai įrankiai kibirkščiuoja ir gali uždegti dulkes arba garus.
- Neleiskite vaikams ir šalia esantiems asmenims būti šalia įjungto elektrinio įrankio. Išsiblaškę galite prarasti kontrolę.

ELEKTROS SAUGA

- Elektrinio įrankio kištukai turi atitikti kištukinį lizdą. Niekada nekeiskite kištuko. Nenaudokite jokių adapterio kištukų su įžemintais elektriniais įrankiais. Nepakeisti kištukai ir atitinkantys lizdai sumažina elektros smūgio pavojų.
- **Atsargiai, kad kūnu nepriliestumėte prie įžemintų paviršių, pavyzdžiui, vamzdžių, radiatorių, viryklių ir šaldytuvų.** Įžeminius savo kūną, padidės elektros smūgio pavojus.
- Saugokite elektrinius įrankius nuo lietaus ar drėgmės. Dėl vandens, patekusio į elektrinį įrankį, padidėja elektros smūgio pavojus.
- Laidą naudokite pagal jo paskirtį. Niekada jo nenaudokite elektriniams įrankiams pernešti, tempti ar išjungti. Saugokite maitinimo laidą nuo karščio, tepalų, aštrių kampų bei judančių detalių. Pažeisti ar supainioti laidai padidina elektros smūgio galimybę.
- Dirbdami su elektriniu įrankiu lauke, naudokite tik lauke naudoti skirtus ilginamuosius laidus. Naudojant tinkamą laukui laidą sumažinama elektros smūgio tikimybė.
- Jei būtina naudotis elektriniu įrankiu drėgnomis oro sąlygomis, naudokite likutinės srovės prietaisą (RCD). Naudojant RCD sumažinama elektros smūgio tikimybė.

ASMENINĖ SAUGA

- Būkite budrus, stebėkite, ką darote, ir, dirbdami elektriniu įrankiu, vadovaukitės sveiku protu. Neekspluatuokite elektrinio įrankio, kai esate

pavargę arba apsvaigę nuo narkotinių medžiagų, alkoholio ar medikamentų. Neatidumas darbo su elektriniu įrankiu metu gali sukelti sunkius sužeidimus.

- Naudokite individualias saugos priemones. Visada dėvėkite akių apsaugos priemones. Tinkamomis sąlygomis naudojama apsauginė įranga, pavyzdžiui: medžiaginė dulkių kaukė, nuo slidimo apsaugantys pusbačiai, šlamos arba klausos apsauga, sumažins susižalojimo grėsmę.
- Būkite atsargūs, kad įrankis atsitiktinai neįsijungtų. Prieš jungdami prie maitinimo šaltinio ir (arba) akumulatoriaus sąrankos, keldami arba nešdami įrankį, patikrinkite, ar jungiklis yra išjungtoje padėtyje. Nešant elektrinius įrankius uždėjus pirštą ant jungiklio arba kraunant juos, kai jungiklis yra įjungtoje padėtyje, gali įvykti nelaimingų atsitikimų.
- Prieš įjungiant elektrinį įrankį, išimkite derinimo raktą ar veržliaraktį. Jei juos paliksite pridėtus prie besisukančios įrankio dalies, galite susižaloti.
- Nesiekite per toli. Visada tvirtai stovėkite ir išlaikykite pusiausvyrą. Tai padės geriau kontroliuoti įrankį netikėtų situacijų metu.
- Dėvėkite tik darbai tinkamus drabužius. Nedėvėkite laisvų, nepriglundusių drabužių ir juvelyrinių dirbinių. Saugokite plaukus ir drabužius nuo judančių dalių. Laisvi drabužiai, papuošalai ar ilgi plaukai gali įspainioti į judančias prietaiso detales.
- Jei komplekte yra įtaisai dulkių ištraukimo ir surinkimo funkcijai prijungti, užtikrinkite, kad jie būtų prijungti ir tinkamai naudojami. Naudojant dulkių surinkimo funkciją, galima sumažinti su dulkelėmis susijusias grėsmes.
- Net jei dažnai naudodami įrankius pažįstate juos, pernelyg nepasitikėkite savimi ir paisykite pagrindinių saugos principų. Dėl nerūpestingų veiksmų galima rimtai susižaloti per sekundes dalį.

ELEKTRINIO ĮRANKIO NAUDOJIMAS IR PRIEŽIŪRA

- Eksploatuodami elektrinį įrankį, nenaudokite jėgos. Elektrinį įrankį naudokite pagal tinkamą naudojimo paskirtį. Naudodami tinkamą elektrinį įrankį, darbą atliksite geriau ir saugiau tokiu greičiu, kuriam jis ir buvo suprojektuotas.
- Nenaudokite elektrinio įrankio, jei jungiklio negalite įjungti ir išjungti. Jungikliu nevaldomas elektrinis įrankis yra pavojingas ir jį reikia taisyti.
- Prieš reguliuodami, keisdami priedus arba sandėliuodami elektrinius įrankius, ištraukite kištuką iš maitinimo šaltinio ir (arba) akumulatoriaus sąranką, jei ji ištraukiamas, iš elektrinio įrankio. Tokios prevencinės saugos priemonės sumažina riziką, kad elektrinis įrankis įsijungs atsitiktinai.
- Laikykite elektrinį įrankį vaikams neprieinamoje vietoje ir neleiskite juo naudotis asmenims, kurie nemoka juo naudotis. Neįgudusiems asmenims elektriniai įrankiai yra pavojingi.
- Prižiūrėkite elektrinius įrankius ir priedus. Patikrinkite, ar judančios dalys tinkamai sulūgiuotos ir nėra sulipusios, ar nėra sulūžusių detalių, ir bet kokias kitas sąlygas, kurios gali



turėti poveikio elektrinio įrankio veikimui. Jei elektrinis įrankis pažeistas, prieš naudodami jį, suremontuokite. Daug nelaimingų atsitikimų įvyksta dėl netinkamai prižiūrimų elektrinių įrankių.

- Pjovimo įrankiai turi būti aštrūs ir švarūs. Tinkamai prižiūrimi pjovimo įrankiai aštriais pjovimo kraštais gerokai rečiau stringa ir lengviau valdomi.
- Elektrinį įrankį, priedus, įrankio atgalius ir pan. eksploatuokite pagal šią instrukciją, atsižvelgdami į darbo sąlygas ir atliekamą darbą. Naudojant elektrinį įrankį ne pagal numatytą eksploatavimo paskirtį, gali iškilti pavojingos situacijos.
- Rankenos ir suėmimo paviršiai turi sausi, švarūs, nesutepti alyva ir tepalais. Slidžios rankenos ir suėmimo paviršiai neužtikrina saugaus įrankio eksploatavimo ir kontrolės nenumatytoje situacijoje.

TECHNINĖ PRIEŽIŪRA

- Elektrinį įrankį turi remontuoti tik kvalifikuoti darbuotojai, kurie naudoja identiškas atsargines dalis. Tai užtikrina elektrinio įrankio saugumą.

MEDŽIO PJOVIMO STAKLIŲ SAUGOS NURODYMAI

PRIVALOMA LAIKYTI SUSIJUSIŲ ĮSPĖJIMŲ!

- Apsauginės dalys turi būti pritvirtintos atitinkamose vietose. Apsauginės dalys turi būti tinkamos darbinės būklės ir tinkamai pritvirtintos. Laisvą, pažeistą arba netinkamai veikiančią apsauginę dalį būtina suremontuoti arba pakeisti.
- Skaldydami medieną, visada naudokite apsauginę pjūklo ašmenų dalį ir skaldymo peilį. Skaldant, kai pjūklo ašmenimis ruošinys visiškai perpjaunamas per visą storį, apsauginė dalis ir kiti saugos įtaisai padeda sumažinti susižalojimo grėsmę.
- Užbaigę darbą, kuriam atlikti turite nuimti apsauginę dalį (pavyzdžiui, užkaičių arba lentų pjovimui), nedelsdami vėl uždėkite apsauginio ribojimo sistemą. Apsauginė dalis ir skaldymo peilis padeda sumažinti susižalojimo grėsmę.
- Prieš įjungdami jungiklį, patikrinkite, ar ašmenys nesiliečia su apsauginėmis dalimis, skaldymo peiliu arba ruošiniu. Neapdairūs šių dalių sąlytis su pjūklo ašmenimis gali sudaryti pavojingas sąlygas.
- Skaldymo peilį nustatykite, kaip aprašyta naudojimo vadove. Dėl netinkamų atstumų, padėties ir lygiuotės skaldymo peilis gali būti neveiksmingas mazinant atatranks (atgalinio išmetimo) tikimybę.
- Kad skaldymo peilis veiktų, jis turi užsifiksuoti ruošinyje. Skaldymo peilis nėra veiksmingas, jei pjaunami ruošiniai yra per trumpi, kad susiliestų su įtaisu. Tokiomis sąlygomis skaldymo peilis negali apsaugoti nuo atatranks.
- Naudokite skaldymo peiliui tinkamus pjūklo ašmenis. Kad skaldymo peilis tinkamai veiktų, pjūklo ašmenų skersmuo turi atitikti tinkamą skaldymo peilį, jų korpusas turi būti plonesnis negu skaldymo peilio storis, o pjūklo ašmenų pjovimo plotis turi būti platesnis už skaldymo peilio storį.

ĮSPĖJIMAI DĖL PJOVIMO PROCEDŪRŲ

⚠ PAVOJUS

Niekada nedėkite rankų arba pirštų greta pjūklo ašmenų ar į vieną liniją su jais. Menkas nedėmesingumas arba paslydus jūsų ranką gali slystelėti link pjūklo ašmenų, dėl to galite rimtai susižaloti.

- Ruošinį ant pjūklo ašmenų stumkite tik prieš sukimosi kryptį. Stumiant ruošinį ta pačia kryptimi, kuria sukasi pjūklo ašmenys virš stalo, ruošinį ir jūsų ranką gali įtraukti pjūklo ašmenys.
- Pjaudami išilgai, niekada nenaudokite kampinės atramos ruošiniui stumti, o pjaudami skersai su kampine atrama, kreipiklio (kreipiamosios lentelės) nenaudokite kaip atraminės liniuotės. Ruošinį kreipiant ir su kreipikliu, ir su kampine atrama vienu metu, didesnė tikimybė, kad pjūklo ašmenys užstrigs ir atšoks.
- Pjaudami išilgai, ruošinį visada stumkite tarp kreipiklio ir pjūklo ašmenų. Jei atstumas tarp kreipiklio ir pjūklo ašmenų yra mažesnis negu 150 mm, naudokite stūmimo lazda, o jei atstumas yra mažesnis negu 50 mm - stūmimo trinkelę. „Pagalbiniai darbo“ įtaisai padės jums rankas laikyti saugiu atstumu nuo pjūklo ašmenų.
- Naudokite tik gamintojo tiekiamą arba pagal nurodymus pagamintą stūmimo lazda. Ši stūmimo lazda užtikrina pakankamą rankų atstumą nuo pjūklo ašmenų.
- Niekada nenaudokite pažeistos arba įpjautos stūmimo lazdos. Pažeista stūmimo lazda gali sulūžti, o jūsų ranka nuslysti ant pjūklo ašmenų.
- Jokių darbų neatlikite „rankomis“. Visada naudokite arba kreipiklį, arba kampinę atramą, kad nustatytumėte ruošinio padėtį ir nukreiptumėte jį. Žodis „rankomis“ reiškia, kad ruošinį laikysite arba kreipsite rankomis vietoj to, kad naudotumėte kreipiklį arba kampinę atramą. Pjaustant rankomis, neužtikrinama lygiuotė, ruošinys gali įstrigti ir atšokti.
- Niekada nesilenkite prie judančių pjūklo ašmenų arba virš jų. Siekiant ruošinio, galima netyčia paliesti judančius pjūklo ašmenis.
- Kad būtų išlaikytas ilgų ir (arba) plačių ruošinių tolygumas, užpakalinėje pjovimo stalo dalyje ir (arba) jo šonuose naudokite papildomą ruošinio atramą. Ilgas ir (arba) platus ruošinys gali sukilti ant stalo krašto, todėl prarandama darbo kontrolė, pjūklo ašmenys užstringa ir atšoka.
- Ruošinį stumkite vienoda sparta. Nelenkite ir nesukite ruošinio. Jei užstringa, nedelsdami išjunkite įrenginį, išjunkite jo maitinimą ir ištraukite užstrigusį ruošinį. Jei pjūklo ašmenys užstringa ruošinyje, pastarasis gali atšokti arba užgesti variklis.
- Kol veikia pjūklas, netraukite supjaustytos medžiagos. Medžiaga gali būti užstrigusi tarp kreipiklio arba pjūklo ašmenų apsauginės dalies, todėl jūsų pirštai gali patekti ant pjūklo ašmenų. Prieš pašalindami medžiagą, išjunkite pjūklą ir palaukite, kol pjūklo ašmenys nustos sukilti.

EN
FR
DE
ES
IT
NL
PT
DA
PA
SV
FI
NO
RU
PL
CS
HU
RO
LV
LT
ET
HR
SL
SK
EL
TR





- Kai pjaunate mažesnio negu 2 mm storio ruošinius išilgai, naudokite papildomą kreipiklį, padėtą ant stalo viršaus. Plonas ruošinys gali įsisprausti ir užstrigti po kreipikliu, paskui atšokti.

ATŠOKIMO PRIEŽASTYS IR SUSIJĘ ĮSPĖJIMAI

Atšokimas yra staigi ruošinio reakcija dėl prispaustų, užstrigusių pjūklo ašmenų arba ruošinio pjūvio, netinkamai sulygiuoto pagal pjūklo ašmenis, arba, kai ruošinio dalis užstringa tarp pjūklo ašmenų ir kreipiklio ar kito fiksuoto objekto. Ruošiniui atšokus, jį dažniausiai pakelia užpakalinė pjūklo ašmenų dalis ir išmeta link operatoriaus.

Atgalinis smūgis yra netinkamo pjūklo naudojimo ir (ar) klaidingo darbo proceso ar sąlygų rezultatas. Jo galima išvengti laikantis atitinkamų žemiau išdėstytų apsaugos priemonių.

- Niekada nestovėkite vienoje linijoje su pjūklo ašmenimis. Visada stovėkite toje pačioje pjūklo ašmenų pusėje, kurioje yra kreipiklis. Atšokęs ruošinys gali dideliu greičiu nuskrieti link asmens, stovinčio prieš pjūklo ašmenis arba vienoje linijoje su jais.
- Niekada nesilenkite virš arba už pjūklo ašmenų, kad ištrauktumėte ruošinį arba atremtumėte jį. Galite atsitiktinai prisiliesti prie pjūklo ašmenų arba, atšokus ruošiniui, jūsų pirštus gali įtraukti pjūklo ašmenys.
- Niekada nelaikykite ir nespauskite pjaunamo ruošinio į judančius pjūklo ašmenis. Spaudžiant pjaunamą ruošinį į pjūklo ašmenis, jie įstrigs ir ruošinys atšoks.
- Kreipiklis turi būti sulygiuotas lygiagrečiai su pjūklo ašmenimis. Netinkamai sulygiuotas kreipiklis prispaus ruošinį prie pjūklo ašmenų ir ruošinys atšoks.
- Naudokite kryptinį prispaudiklį, kad nukreiptumėte ruošinį link stalo ir kreiptuvo darydami įpovus, pavyzdžiui: užkaičių arba ruošinių pjūviai. Kryptinis prispaudiklis padeda reguliuoti ruošinį, jei jis atšoka.
- Dideles plokštės atremkite, kad sumažėtų rizika pjūklo ašmenims užstrigti ir atšokti. Dėl savo svorio didelės plokštės paprastai įlinksta. Atramą (-as) reikia padėti po visomis plokštės dalimis, išsikišančiomis už stalviršio.
- Būkite ypač budrūs pjaudami ruošinį, kuris yra susisukęs, susimazgęs, įvyniotas arba neturi tiesių kraštų, pagal kurį jį galima būti kreipti kampine atrama arba pagal kreipiklį. Įvyniotas, susimazgęs arba susisukęs ruošinys yra nestabilus ir neužtikrina įpovos lygiuotės, todėl pjūklo ašmenys užstringa ir atšoka.
- Niekada nepjaukite daugiau negu vieną ruošinį, uždėtą vertikaliai arba horizontaliai. Pjūklo ašmenys gali pakelti vieną arba daugiau ruošinių, kurie gali atšokti.
- Įjungiant pakartotinai pjūklą, kai ašmenys yra ruošinyje, sucentruokite pjūklo ašmenis įpovoje taip, kad pjūklo dantys nebūtų užstrigę medžiagoje. Jei pjūklo ašmenys įstringa, jie gali pakelti ruošinį ir, vėl įjungus pjūklą, ruošinys gali atšokti.
- Pjūklo ašmenys turi būti švarūs, aštrūs ir su pakankama praskyra. Niekada nenaudokite

įvyniotus pjūklo ašmenis arba su įtrūkusiais ar nulūžusiais dantimis. Aštrūs ir tinkamai nustatyti pjūklo ašmenys sumažina galimybę užstrigti, įstrigti arba atšokti.

STALINIO PJŪKLO EKSPLOATAVIMO PROCEDŪROS ĮSPĖJIMAI

- Stalinį pjūklą išjunkite ir ištraukite maitinimo laidą prieš ištraukdami stalo įdėklą, keisdami pjūklo ašmenis arba reguliuodami skaldymo peilį arba apsauginę pjūklo ašmenų dalį ir, kai mechanizmas paliekamas be priežiūros. Tinkamos atsargumo priemonės apsaugos nuo nelaimingų įvykių.
- Niekada nepalikite veikiančio stalinio pjūklo be priežiūros. Išjunkite ir nesitraukite nuo įrenginio, kol jis visiškai nesustoja. Veikiantis pjūklas be priežiūros kelia nekontroliuojamą pavojų.
- Stalinį pjūklą pastatykite gerai apšviestoje ir lygioje vietoje, kur užtikrinama tinkama kojų atrama ir pusiausvyra. Jis turi būti montuojamas teritorijoje, kurioje yra pakankamai erdvės, kad būtų galima lengvai apdoroti jūsų ruošinio dydį. Ankštose, tamsiose teritorijose ir ten, kur grindys yra nelygios ir slidžios, gali įvykti nelaimingų atsitikimų.
- Po pjūklo stalu ir (arba) dulkių surinkimo įtaisų dažnai valykite ir šalinkite pjuvenas. Susikaupusios pjuvenos yra degios ir gali savaime užsiliepsnoti.
- Stalinį pjūklą būtina pritvirtinti. Netinkamai pritvirtintas stalinis pjūklas gali judėti arba apsisverti.
- Įrankius, medžio atliekas ir pan. pašalinkite nuo stalo prieš įjungdami stalinį pjūklą. Išsiblaškymas arba galima įstrigimas gali būti pavojingi.
- Visada naudokite tinkamo dydžio pjūklo ašmenis ir tinkamos formos (rombo arba apvalios) ašies skyles. Pjūklo ašmenys, kurie neatitinka pjūklo montavimo įrangos, bus ekscentriški, todėl buvo prarasta kontrolė.
- Niekada nenaudokite pažeistų arba netinkamų pjūklo ašmenų tvirtinimo priemonių, pavyzdžiui, lingių, pjūklo ašmenų poveržlių, varžtų ar veržlių. Tvirtinimo priemonės specialiai suprojektuotos jūsų pjūklui, kad užtikrintų saugų darbą ir optimalias darbinės charakteristikas.
- Niekada nesistokite ant stalinio pjūklo, nenaudokite jo kaip pakopinės įrangos. Galima rimtai susižaloti, jei įrenginys apvirs, arba, atsitiktinai prisilietus prie pjovimo įrankio.
- Patikrinkite, ar pjūklo ašmenys sumontuoti ir sukasi tinkama kryptimi. Ant stalinio pjūklo nenaudokite šlifavimo diskų, vielinį šepečių arba abrazyvinių diskų. Netinkamai sumontavus ašmenis arba naudojant nerekomenduojamus priedus, galima rimtai susižaloti.

PAPILDOMI ĮSPĖJIMAI DĖL STALINIŲ PJŪKLŲ SAUGOS

- Mechanizmą sumontuokite arba pritvirtinkite stabilioje padėtyje, kuri tiktų atliekamam darbui. Galima montuoti ant darbastalio, atraminių kojų arba pritvirtinti prie grindų.





- Jei pritvirtinta, nustatykite reguliuojamą ilginamąją atramos dalį, kad užtikrintumėte lygią ir stabilią platformą darbui.
- Dirbant tinkamame aukštyje ir tinkamoje darbinėje padėtyje, padės apsisaugoti nuo persitempimo arba kitų susižalojimų darbo metu.
- Užtikrinkite tinkamą bendrąjį arba vietinį apšvietimą, kad apsisaugotumėte nuo stroboskopinio efekto ir pavojų.
- Kai būtina, naudokite tinkamą individualią saugos įrangą. Tai yra klausos apsauga, kad sumažėtų apkurtimo grėsmė, kvėpavimo organų apsauga, kad sumažėtų grėsmė įkvėpti kenksmingų dulkių, tvirtas pirštines, kai tvarkote pjūklo ašmenis ir grubią medžiagą.
- Eksploatuodami mechanizmą, visada dėvėkite apsauginius akinius. Kad apsisaugotumėte nuo daiktų, krentančių nuo stalo, patariama avėti tvirtus, neslystančius pusbačius pakietintomis pirštų dalimis.
- Dulks, susidarantis naudojantis šiuo įrankiu, gali būti kenksmingos jūsų sveikatai, lengvai užsiliepsnojančios arba sprogios. Naudokite dulkių ištraukimo sistemą ir dėvėkite tinkamą apsaugos nuo dulkių kaukę. Kruopščiai valykite susikaupusias dulkes, pvz.: šepetėliu ir dulkių siurbliu.
- Ant grindų darbo vietoje neturi būti pernelyg daug pjuvenų, nuopjovų ir maitinimo laidų. Taip sumažėja grėsmė užkliūti ir apvirsti ant ašmenų.
- Ant stalo neturi būti kitų daiktų, įskaitant įrankius ir medienos nuopjovų atliekas.
- Stalo, kreipiklio ir kampinio kreipiklio paviršiai turi būti švarūs. Saugokitės klijų, dažų ir kitų medžiagų. Medis turi slysti lengvai, neturi niekur užkliūti ar užstrigti, nes dėl atšokimo smarkiai padidėja grėsmė rimtai susižaloti.
- Naudokite tik šioje instrukcijoje nurodytas geležtes, atitinkančias standartą EN 847-1.
- Nenaudokite pjūklo geležčių, pagamintų iš didelio greičio plieno.
- Naudokite tik tokius pjūklo ašmenis, ant kurių nurodytas greitis yra lygus greičiui, pažymėtam ant įrankio, arba didesnis už jį.
- Nestumkite ruošinio ant pjovimo ašmenų jėga. Leiskite darbą atlikti įrankiui. Dėl pernelyg didelės jėgos ašmenys ir pjovimo antgaliai perkais, todėl ruošinys gali užsidegti. Dėl to gali įvykti netikėti įvykiai, kurių metu galima rimtai susižaloti.
- Nenaudokite atšipusių ir pažeistų geležčių. Dėl neaštrių arba netinkamai nustatytų ašmenų susidaro siaura įpjova, todėl pernelyg padidėja trintis, ašmenys užstringa ir atšoka.
- Jei tik įmanoma, pjūklo ašmenys turi būti laikomi laikiklyje.
- Neekspluatuokite įrankio be stalo įdėklo. Jei pastarasis susidėvėjo, pakeiskite jį.
- Apsauginė ašmenų dalis ir skaldymo peilis visada turi būti pritvirtinti ir būti tinkamos būklės, išskyrus, kai atliekate kiaurinius pjūvius. Apsauginės ašmenų dalys turi lengvai pakilti ir nusileisti, kad po jomis galėtų praėti ruošinys. Užtikrinkite, kad apsauginė ašmenų dalis

būtų gerai pritvirtinta prie skaldymo peilio. Nenaudokite staklių, jei dangčiai / apsauginiai gaubtai yra nuimti.

- Visada patikrinkite, ar ašmenys yra lygiagretūs su kreipikliu. Tai pagrindinė atšokimo priežastis, dėl kurios galima rimtai susižaloti.
- Pjaudami medieną kiaurai, visada naudokite apsauginę pjūklo ašmenų dalį ir skaldymo peilį. Kiauriniai pjūviai yra tokie, kurių metu ašmenys ruošinį perpjauja visiškai, kai pjaunama išilgai arba skersai.
- Visada kruopščiai patikrinkite medžiagą, kurią ketinate pjauti, ypač pjaudami pakartotinai naudojamą medieną, ar nėra pašalinių objektų, pavyzdžiui: vinių, varžtų, sąvarų.
- Jei pjaunant tokie arba panašūs daiktai susiliečia su ašmenimis, jie bus pažeisti, o operatorius arba kiti asmenys gali būti rimtai sužaloti.
- Šiuo elektriniu įrankiu negalima drožinėti.
- Kai būtina, naudokite stumiamąjį strypelį. Visada naudokite stumiamąjį strypelį pjaunant siaurą medienos ruošinį. Stumiamąjį strypelį visada būtina laikyti staklėse, kai jis nenaudojamas.
- Niekada nesilenkite arti pjūklo ašmenų, kai mechanizmas veikia. Pirštus laikykite už stalo įdėklo pažymėtos srities.
- Niekada nepalikite veikiančio įrankio be priežiūros.
- Išjunkite stakles.
- Neatsitraukite nuo įrankio, kol jis visiškai nesustojo.
- Niekada nebandykite stabdyti veikiančio mechanizmo kišdami ruošinį arba kitas priemones į ašmenis. Taip atsitiktinai gali įvykti rimti nelaimingi incidentai.
- Iš karto atlikus pjovimą staklių disko nelieskite. Pjovimo metu pjovimo diskai įkaista.
- Jei pjaunant užstringa pjūklo ašmenys, išjunkite mechanizmą ir ištraukite maitinimo laidą. Nuimkite ruošinį ir patikrinkite, ar pjūklo geležtė laisvai sukasi. Įrenginį įjunkite ir pradėkite naują pjovimą mažesne padavimo jėga.
- Transportuodami mechanizmą, nuimkite apsauginę ašmenų dalį, skaldymo peilį nuleiskite į žemiausiąją padėtį, o ašmenis taip, kad jie būtų žemiau stalo paviršiaus pereinamojoje padėtyje.
- Jei maitinimo laidas pažeistas, jį turi pakeisti gamintojas arba įgaliotasis remonto centras, kad nekiltų grėsmė.
- Nenaudokite jokių įtaisų arba priedų, kurių nerekomenduoja gamintojas. Naudojant nerekomenduojamus papildomus įtaisus ar priedus, galima rimtai susižaloti. Prietaisus, naudojamus skirtingose vietose, įskaitant atvirame ore, būtina prijungti per likutinės srovės įtaisą.
- Jei stalinio pjūklo maitinimas nutrūksta, mechanizmo įjungimo / išjungimo jungiklis automatiškai pats išsijungs.

SPECIALŪS MEDIENOS PJOVIMO AŠMENŲ SAUGOS NURODYMAI

- Prieš naudodami pjūklo ašmenis ir elektrinį prietaisą, atidžiai perskaitykite vadovą ir instrukciją.
- Elektrinis prietaisas turi būti geros būklės, suktis





nesideformuodamas ir nevibruodamas.

- Užtikrinkite, kad operatorius būtų tinkamai supažindintas su atsargumo priemonėmis, kaip reguliuoti ir eksploatuoti elektrinį prietaisą.
- Eksploatuodami elektrinį prietaisą, visada dėvėkite apsauginius akinius. Rekomenduojama mėvėti pirštines, stabilius batus neslystančiais padais bei prijuostę.
- Prieš naudojant bet kokį priedą susipažinkite su jo naudojimo instrukcijomis. Netinkamai naudojant priedus, galima juos sugadinti arba susižaloti.
- Ašmenys turi būti švarūs. Tai taikoma ir pjuvenoms, ir ypač lipnioms medžiagoms, pavyzdžiui, medžių sakams. Švarūs ašmenys saugiau ir tiksliau pjauna.
- Naudokite tik šioje instrukcijoje nurodytas geležtes, atitinkančias standartą EN 847-1.
- Atkreipkite dėmesį į didžiausią leistiną greitį, pažymėtą ant pjūklo geležtės. Pasirūpinkite, kad greitis, nurodytas ant pjūklo geležtės, mažiausiai atitiktų greitį, nurodytą ant pjūklo.
- Visada naudokite tinkamo dydžio ir ašies skylių formos ašmenis. Geležtės, nepritaikytos pagal pjūklo montavimo detales, suksis ekscentriškai, dėl to pjūklo nesuvaldysite.
- Nenaudokite pjūklo ašmenų, kurių pagrindas yra storesnis arba išdrožos pjūvio (įpjovos) plotis yra mažesnis negu skaldymo peilio storis.
- Nenaudokite didesnio ar mažesnio skersmens geležčių nei rekomenduojama. Nenaudokite jokių tarpiklių, norėdami geležtę pritaikyti taip, kad ji atitiktų ašį.
- Prieš kiekvieną naudojimą patikrinkite, ar pjūklo ašmenų antgaliai nėra pažeisti arba nenormalios išvaizdos. Pažeisti arba atsilaisvinę antgaliai gali darbo metu nuskrieti, taip padidinami grėsmę susižaloti.
- Nenaudokite įskilusių ar deformuotų geležčių. Nenaudokite pažeistų ar įtrūkusių pjūklo geležčių.
- Pažeistus, deformuotus, iškraipytus arba įtrūkusius pjūklo ašmenis reikia išmesti, jų remontuoti negalima.
- Nenaudokite didelio greičio plieno (HSS) geležčių.
- Prieš naudodami, užtikrinkite, kad pjūklo ašmenys būtų tinkamai sumontuoti, o veleno veržlė tinkamai užveržta.
- Varžtai ir veržlės turi būti užveržiami atitinkamais raktais ir pan.
- Neleidžiama naudoti veržlirakčių ilgiklių arba kaltų.
- Patikrinkite, ar ašmenys ir jungė yra švarūs, įgiliintosios žiedo pusės yra prie ašmenų.
- Patikrinkite, ar ašmenys sukasi teisinga kryptimi ir nesiliečia su jokia mechanizmo arba apsauginės sistemos dalimi.
- Prieš pradėdami darbą, atlikite bandomąjį pjūvį neįjungdami variklio, kad nustatytumėte ašmenų padėtį, apsauginių dalių veikimą pagal kitas įrenginio dalis, ir paskui galima patikrinti ruošinį.
- Niekada nepalikite elektrinio prietaiso be priežiūros.
- Geležtei sukantis jos netepkite alyva.
- Niekada nebandykite elektrinio įrenginio staigiai sustabdyti į ašmenis kišdami įrankį arba kitokią priemonę, nes gali įvykti rimtas nelaimingas atsitikimas.

- Prieš keisdami ašmenis arba atikdami techninę priežiūrą, atjunkite elektrinį prietaisą nuo maitinimo šaltinio.
- Išpakuodami ir supakuodami ašmenis, būkite atsargūs, nes aštrūs ašmenų galai gali sužaloti.
- Naudokite ašmenų laikiklį arba mėvėkite pirštines, kai tvarkote pjūklo ašmenis. Neužmirškite, kad ašmenys bus karšti po pjovimo darbų.
- Ašmenis laikykite ir sandėliuokite originalioje arba kitokioje tinkamoje pakuotėje, laikykite sausomis sąlygomis, atokiau nuo cheminių medžiagų, kurios gali pažeisti ašmenis.

NAUDOJIMO PASKIRTIS

Stalinis pjūklas skirtas dirbti vienam žmogui, jo naudojimo paskirtis – medienai pjaustyti išilgai arba skersai iki 80 mm gylio 0° nuosklembos kampu. Pjaunant maksimaliuoju 45° nuosklembos kampu, didžiausias pjūvio gylys siekia 55 mm. Stalinis pjūklas turi būti tvirtinamas ant stabiliaus paviršiaus arba darbinio stovo, kurį tiekia gamintojas. Galima pajuti kietą ir minkštą medieną, klijuotą medieną, medienos plokštes.

Galima naudoti tik šio stalinio pjūklo gamintojo tiekiamų ašmenų ir skaldymo peilių derinius, skirtus šiam konkrečiam staliniam pjūklui.

ŠALUTINIS PAVOJUS

Net jei stalinis pjūklas naudojamas, kaip nurodyta, vis tiek neįmanoma visiškai pašalinti likutinės rizikos veiksnių.

Operatorius turi būti ypač dėmesingas ir papildomai atsižvelgti į šiuos punktus, kad sumažėtų rimtų susižalojimų grėsmė.

- Nekiaurinis pjovimas. Nuėmus apsauginę ašmenų dalį, pasirodo viršutinė pjūklo ašmenų dalis.
- Sąlytis su ašmenimis: nesilenkite link, virš ir per pjūklo ašmenis.
- Atšokimas: niekada nestovėkite priešais stalą.
- Stabilumas: užtikrinkite, kad gaminyje būtų stabilus; jei galima, pritvirtinkite jį.
- Išmesti pjovimo ašmenų antgaliai: visada dirbdami, dėvėkite akių saugos priemones.
- Dulkių įkvėpimas: jei būtina, dėvėkite dulkių kaukę. Dulkės, susidarancios apdorojant kai kurių rūšių medinius gaminius (pvz., MDF), gali būti kenksmingos jūsų kvėpavimo sistemai.
- Akių sužalojimas dėl medžio ir dulkių dalelių: visada dirbdami naudokite akių saugos priemones.
- Žala klausai: ribokite poveikį ir naudokite tinkamas klausos saugos priemones.
- Triukšmas lygis gali smarkiai skirtis atsižvelgiant į eksploatacines sąlygas. Žmonės, kuriuos veikia didelis triukšmas net ir labai trumpą laiką, gali laikinai dalinai netekti klausos, o dėl ilgalaikio triukšmo poveikio galima visiškai pažeisti klausą.

PAŽINKITE SAVO ELEKTRINĮ ĮRANKĮ

Žr. 242 psl.

1. Stalo įdėklas





2. Reguluojamas ištraukiamasis skaldymo peilis
3. Nuožambaus pjovimo kreiptuvus
4. Pjūklo geležtė
5. Apsauginė pjūklo ašmenų dalis
6. Stalo įdėklo paleisties mechanizmas
7. Kreipiklis / kreipiamoji liniuotė
8. Šoninis stalo ilgiklis (RTS1800ES, RTS1800EF)
9. Tvirtinimo skylys (tvirtinama prie darbatalio arba atramų)
10. Įjungimo / išjungimo perjungimo pedalas
11. Nuosklembos kampo reguliavimo rankena
12. Nuosklembos kampo užraktas
13. Pjūvio rankenos gylis
14. Pjūklo stalas
15. Dulkių ištraukimas
16. Dulkių angos priedas

VEIKIMAS

⚠ ĮSPĖJIMAS

Prieš įjungdami maitinimą ir pradėdami eksploatuoti šį stalinį pjūklą, privalote perskaityti visus įspėjimus ir nurodymus, pateiktus šiame vadove, ir gerai juos suprasti.

Kiaurinis pjovimas: Bet koks pjovimo veiksmas, kai pjūklo ašmenys prasikiša per visą ruošinio storį. Atliekant tokį pjūvį, skaldymo peilį reikia pakelti ir pritvirtinti apsauginę ašmenų dalį. Norėdami tinkamai nustatyti ruošinio padėtį, naudokite kampinį kreipiklį.

Nekiaurinis pjovimas: Bet koks pjovimo veiksmas, kai pjūklo ašmenys neprasikiša per visą ruošinio storį. Atliekant tokį pjūvį, skaldymo peilis turi būti nuleistas į žemiausią padėtį. Viršutinė skaldymo peilio dalis turi būti šiek tiek žemiau viršutinės pjūklo ašmenų dalies. Apsauginės ašmenų dalies pritvirtinti negalima. Norėdami tinkamai nustatyti ruošinio padėtį, naudokite kampinį kreipiklį.

Pjovimas išilgai: Naudojant išilginio pjovimo kreipiklį, lygiagrečiai su ašmenimis, ruošiniui nukreipti. Dažniausiai pjaunama pagal medžio rievių kryptį (jei tokios yra). Galima pjauti kiaurai arba nekiaurai.

Skersinis pjovimas: Naudojant nuožambųjį arba skersinio pjovimo kreipiklį. Šis įtaisas skirtas slysti lygiagrečiai su pjūklo ašmenimis ir leidžia išlaikyti ruošinį nustatytuju kampu per visą ašmenų pjovimo ašį. Dažniausiai pjaunama skersai medžio rievių krypties (jei tokios yra). Galima pjauti kiaurai arba nekiaurai.

Nuožambusis pjovimas: Ašmenų kampas pagal stalą paviršių gali būti keičiamas nuo 90 iki 45°. Gaunami pjūviai su kampiniu kraštu. Galima pjauti kiaurai arba nekiaurai. Norint tinkamai nustatyti ruošinio padėtį, reikia naudoti išilginį arba nuožambųjį kreipiklį.

Nuožambusis pjovimas: Ruošinys pastatomas tam tikru kampu prie ašmenų. Reikalingas kampas nustatomas ant nuožambiojo kreipiklio, kuris gali išlaikyti ruošinį tokiu kampu, kol slysta lygiagrečiai su ašmenimis, kai daromas pjūvis. Galima pjauti kiaurai arba nekiaurai.

Laipsniškas pjovimas: Galima pjauti laipsniškai skersai naudojant nuožambųjį kreipiklį, nustatytą reikiamu kampu. Neįmanoma atlikti laipsninių tolygiųjų pjūvių, nes reikia

specialios įrangos.

SAUGUS KREIPIKLIO NAUDOJIMAS

- Niekada nenaudokite tolygiojo ir nuožambiojo kampo kreipiklių vienu metu. Padidėja atšokimo ir susižalojimo grėsmė. Jei kuris nors nenaudojamas, patraukite jį nuo stalo ir laikykite saugiai.
- Kiekvieną kartą, kai naudojamas kreipiklis arba perkeliamas į kitą padėtį, būtina patikrinti, ar yra lygiagretus su pjūklo ašmenimis.
- Jei kreipiklis nėra lygiagretus, ruošinys gali užstrigti tarp ašmenų ir kreipiklio, atšokti ir smarkiai sužaloti operatorių arba kitus asmenis.
- Dėl prastai sureguliuoto arba nustatyto kreipiklio ruošinys gali būti paduodamas link ašmenų netinkamu kampu, todėl ašmenys gali įstrigti arba užstrigti. Jis taip pat gali atšokti (žr. ankstesnę informaciją).
- Norėdami tinkamai pritvirtinti arba sureguliuoti kreipiklį, pakabinkite kreipiklio galą ant užpakalinio stalo krašto, paskui nuleiskite priekinį kraštą, kad užfiksuotumėte stalo priekį. Paskui spustelėkite kreipiklio priekį, kad tinkamu kampu pagal kreipiklio kryptį nustatyti du kraštai susilietų su priekiniu stalo kraštu. Tai padeda užtikrinti, kad kreipiklis būtų yra lygiagretus su ašmenimis. Paskui užfiksuokite kreipiklį spustelėję užrakinimo rankeną žemyn.
- Užrakinimo rankenos jėgą, kuria fiksuojamas kreipiklis, galima reguliuoti sukant sraigtinį varžtą, esantį tiesiog virš užrakinimo rankenos.
- Prieš pjaudami, visada patikrinkite, ar kreipiklis yra lygiagretus su ašmenimis matu arba tiksliai išpjauta medžio trinkele.

Atstumo žymų, ašmenų sulygiavimas su kreipikliu

Padėkite kreipiklio kraštą prieš ašmenis, reguliuokite indikatorius stebėjimo langeli, kad susilygiuotų su 0 mm žyma, esancia ant priekinio stalo krašto. Atsukite sraigta, nustatykite stebėjimo langelį ir vėl užveržkite varžtą.

Pagalbinio kreipiklio naudojimas

Būna aplinkybių, kai prie pagrindinio kreipiklio reikia pritvirtinti pagalbinį.

- a. Kai rankomis arba stūmimo lazda negalima prilaikyti siauro ruošinio, nes trukdo kreipiklis.
- b. Kai pjaunamas plonas ruošinys. Labai ploni ruošiniai gali nuslysti po pagrindiniu kreipikliu, įstrigti arba užstrigti ten, todėl gali atšokti. Kad taip nenutiktų, naudokite pagalbinį kreipiklį.

Jei saugu naudoti tik pagrindinį kreipiklį, pagalbinį kreipiklį nuimkite.

Darydami siaurų ruošinių nusklemtuosius pjūvius, kreipiklį visada naudokite priešingoje ašmenų pusėje, kurioje jis lenkiasi, nes stūmimo trinkelė arba lazda gali lengvai užstrigti apsauginėje ašmenų dalyje arba kreipiklyje.

Pagalbinio kreipiklio tvirtinimas ant pagrindinio

- Sparnuotosioms veržlėms ir poveržlėms esant vienoje kreipiklio pusėje, įstumkite varžtus į kitą pusę ir pasukite kartu kelis sukus. Dabar užstumkite pagalbinį kreipiklį virš varžtų galvučių ant esamų skylių. Priveržkite pagalbinį kreipiklį reikiamoje padėtyje.

EN
FR
DE
ES
IT
NL
PT
DA
SV
FI
NO
RU
PL
CS
HU
RO
LV
LT
ET
HR
SL
SK
EL
TR





PASTABA: Pagalbinis kreipiklis skirtas tik ruošiniui nukreipti už asmenų ir skaldymo peilio, jis neturi uždengti visą pagrindinio kreipiklio ilgį.

Jei saugu naudoti tik pagrindinį kreipiklį, pagalbinį kreipiklį nuimkite. Varžtų ir sparnuotųjų veržlų nepalikite ant pagrindinio kreipiklio.

Kryptinio prispaudiklio naudojimas

Kryptinis prispaudiklis yra įtaisas, panašus į šukas, tačiau išpjautas kampu. Paprastai gaminamas iš medžio arba plastiko, plonieji pirštai šiek tiek susilenkia, kai ruošinys slysta naudojant tolygų ir pastovų spaudimą, kad ruošinys būtų palaikomas. Vieną iš šių įtaisų naudokite, kai reikia tiksliai pjauti siaurus ruošinius. Šis įtaisas tvirtinamas prie stalo per nuožambiojo kreipiklio angas, todėl operatoriaus pirštai nebeturi būti arti asmenų.

Kryptinius prispaudiklius galima įsigyti specializuotose medienos parduotuvėse.

APSAUGINIS ĮTAISAS NUO PERKROVOS

Gaminyje yra apsaugos nuo perkrovos įranga. Nustačius perkrovą, prietaisas automatiškai išsijungia. Išjunkite įrankį. Jei perkrovos apsauga yra sužadinama, reikia palaukti 3 minučių, kol variklis atvės. Patikrinkite, ar asmenys laisvai sukasi, nėra užstrigusios arba priveržtos. Spustelėkite grįžties mygtuką (žemiau įjungimo / išjungimo jungiklio). Įjunkite įrankį. Nuspauskite mygtuką, kad paleistumėte prietaisą.

PRIEŽIŪRA

- Prieš atlikdami techninę apžiūrą arba valydami, patikrinkite, ar pjūklo asmenys visiškai sustojo ir ištraukite maitinimo laidą iš maitinimo šaltinio.
- Jei maitinimo laidas yra pažeistas, jį reikia suremontuoti įgaliotajame remonto centre.
- Asmenų kraštai yra aštrūs, po darbo taip pat jie būna įkaitę. Būkite itin atsargūs valydami atidengtus asmenis. Kad apsisaugotumėte ir nesusižalotumėte, mūvėkite pirštines.
- Reguliariai nuo pjūklo ir jo priedų, ypač judančių dalių, įskaitant apsauginę asmenų dalį, valykite dulkes. Kad veiksmingai nuvalytumėte dulkes, naudokite rankinį šepetį arba dulkių siurbį.

⚠️ ĮSPĖJIMAS

Kad išvalytumėte arba suremontuotumėte, nebandykite išmontuoti asmenų apsaugos bloko. Pažeistų apsauginių dalių eksploatuoti nebegalima. Nuvežkite į įgaliotąjį remonto centrą, kad suremontuotų arba pakeistų.

- Stalinis pjūklas suteptas gamykloje, papildomai jo tepti nebereikia.
- Kad patikrintumėte ir sureguliuotumėte nuožulnius kampus, asmenų ir kreipiklių lygiagretumą, žr. šio vadovo skyrius „Nuožulniojo kampo patikra ir nustatymas“ ir „Asmenų lygiagretumo su nuožambiojo kreipiklio angomis patikra ir nustatymas“.

NUOŽULNIOJO KAMPO PATIKRA IR NUSTATYMAS

PASTABA: Nustačius asmenis 90° kampu su stalu, gaunamas 0° nuožulnis kampas.

1. Išjunkite maitinimą ir ištraukite kištuką iš maitinimo lizdo.
2. Ypač būkite atsargūs su pjūklo asmenų galais, nes jie yra labai aštrūs ir gali sužaloti.
3. Pakelkite asmenų ir sklėimo peilio sąranką į aukščiausią padėtį.
4. Nuimkite apsauginę asmenų dalį.
5. Skaldymo peilį nuleiskite į žemiausią padėtį.
6. Patikrinkite, ar ant asmenų ir stalo paviršiaus nėra dulkių ir nuolaužų.
7. Ant stalo paviršiaus ir aukščiausios asmenų dalies padėkite 90° „nustatytąjį kvadratą“. Būkite atsargūs, kad matuodami neprisiilestumėte prie asmenų galų, nes atsiras paklaida. Jums reikia sulygiuoti pjūklo asmenų pagrindo paviršių.
8. Tarp nustatytojo kvadrato krašto ir asmenų arba stalo neturi būti jokio tarpo. Esant tokiai sąlygai, asmenys yra tikrosios vertikalios lygiuotės, todėl asmenų kampo reguliuoti daugiau nebereikia.
9. Jei yra tarpas, atlaisvinkite fiksuojamąjį rankeną ir atsargiai keiskite nuožambio kampa nuolat pakartotinai patikrindami tarpą. Kai tarpo nebebus, tvirtai užveržkite nuožambio fiksavimo rankeną.
10. Atsukite varžtą ant nuožambio kampo indikatorius ir nustatykite permatomo plastiko liniuotės laikiklį taip, kad jo lygiuotė būtų 0° žyma. Užsukite varžtą.
11. Kartokite šią procedūrą, kad patikrintumėte ir nustatytumėte įvairius kampus nuo 90° iki 45°, kaip jums atrodo tinkama.

AŠMENŲ LYGIAGRETUMO SU NUOŽAMBIOJO KREIPIKLIO ANGOMIS PATIKRA IR NUSTATYMAS

1. Išjunkite maitinimą ir ištraukite kištuką iš maitinimo lizdo.
2. Ypač būkite atsargūs su pjūklo asmenų galais, nes jie yra labai aštrūs ir gali sužaloti.
3. Pakelkite asmenų ir sklėimo peilio sąranką į aukščiausią padėtį.
4. Nuimkite apsauginę asmenų dalį.
5. Atlikite patikrą, aprašyta šio vadovo skyriuje „Kaip patikrinti ir nustatyti nuožambųjį kampa“. Užtikrinkite, kad būtų tvirtai nustatytas 0° nuožambusis kampas.
6. Paimkite nuožambiojo kampo kreipiklį ir įkiškite į vieną iš stalo angų. Nustatykite 90° nuožambiojo kampo kreipiklio kampa.
7. Tvirtai atremkite plieninę liniuotę į nuožambiojo kampo kreipiklį ir naudodami tiesųjį liniuotės galą nustatykite jį, kad susiliestų su pjūklo asmenų pagrindu. Vietoj plieninės liniuotės galite naudoti tiksliai išpjautą medinę trinkelę.
8. Tvirtai suimkite liniuotę / trinkelę ir stumkite visą nuožambiojo kampo kreipiklį, kad liniuotė / trinkelė susiliestų su kitu asmenų galu. Liniuotė arba trinkelė turi būti tokio paties sąlyčio su asmenimis lygio, kai ji slysta skersai asmenų pagrindo. Jei yra būtent toks atvejis, asmenys yra tiksliai lygiagrečios su stalo angomis, todėl jų reguliuoti nebereikia. Patikrinkite angą kitoje stalo pusėje naudodami tokį patį metodą.



AŠMENŲ LYGIAGRETUMO SU STALO ANGOMIS NUS-TATYMAS

Pjūklo ašmenų priekyje yra du varžtai ir dar du – užpakalinėje dalyje. Juos galima pasiekti po stalo paviršiumi.

Atsukus šiuos varžtus, galima pajudinti visą ašmenų, skėlimo peilio ir variklio bloką, kad galima būtų tiksliai sulygiuoti ašmenis su viso stalo angomis.

Jums gali būti sunku tai padaryti, nebent turite patirties reguliuodami panašius prietaisus. Jei sunku, nuvežkite savo įrenginį į artimiausią „Ryobi“ techninės priežiūros ir remonto centrą, kad nustatytų kvalifikuotas specialistas.

APLINKOS APSAUGA



Žaliavines medžiagas perdirbkite pakartotinai, o ne išmeskite kaip atliekas. Mechanizmas, priedai ir pakuotės turi būti laikomi pakartotinai perdirbti aplinkai nekenksmingu būdu.

ŽENKLAI ANT GAMINIO



Saugos perspėjimas



CE atitiktis



„EurAsian“ atitikties ženklas.



II klasės įrankis, dviguba izoliacija



Prieš pradėdami naudoti šį prietaisą, prašome atidžiai perskaityti šias instrukcijas.



Dėvėkite klausos apsaugos priemones.



Naudokite apsaugines akių priemones.



Mūvėkite apsaugines pirštines.



Pavojinga! Aštri geležtė.



Pjovimo talpa



Ašmenų pjūvio (pjovos) plotis



Dantų ant šių pjūklo ašmenų skaičius



Medienai ir analogiškomis medžiagoms pjauti



Neskirta metalams pjauti



Ašmenų sukimosi kryptis (nurodyta ant apsauginės ašmenų dalies)



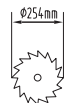
Ašmenų sukimosi kryptis (nurodyta ant skaldymo peilio)



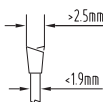
Ašmenų sukimosi kryptis (nurodyta ant pjūklo ašmenų)



Ašmenų sukimosi kryptis (nurodyta ant stalo)



Pjovimo disko skersmuo



Ašmenų korpuso storis ir pjūvio plotis



Skaldymo peilio storis ir kietis



Nominalioji galia



Volframo karbido 48 dantų ašmenys



Švelnusis paleidimas



Pastaba:



Apsauga nuo perkrovos



ĮSPĖJIMAS



Lieto aliuminio stalas



Stalo matmenys (RTS1800, RTS1800S)



Stalo matmenys (RTS1800ES, RTS1800EF)



Ilginamosios stalo dalies matmenys



Ištraukiamoji žirklinė atrama



Sulankstomoji prabangi atrama



Pjovimo pajėgumai (90° ir 45°)



Elektrinių produktų atliekos neturi būti metamos kartu su namų ūkio atliekomis. Prašome perdirbkite jas ten, kur yra tokios perdirbimo bazės. Dėl pakartotinio perdirbimo konsultacijos kreipkitės į vietos valdžios institucijas arba mažmeninį prekybininką.

ŠIAME VADOVE PANAUDOTI ŽENKLAI



Prijunkite prie maitinimo lizdo.



Atjunkite nuo maitinimo lizdo.



Detalės arba priedai yra parduodami atskirai



Elektrinių produktų atliekos neturi būti metamos kartu su namų ūkio atliekomis. Prašome perdirbkite jas ten, kur yra tokios perdirbimo bazės.

ÜLDISED OHUTUSREEGLID

⚠ HOIATUS

Lugege läbi kõik mehaanilise tööriista kohta esitatud ohuhoiatused ning tutvuge tööriista jooniste ja tehniliste andmetega. Allpool esitatud hoiatuste ja juhiste eiramise puhul on oht saada elektrilööki või raskeid kehavigastusi ning/või tekitada tulekahju.

Hoidke kõik hoiatused ja juhised edaspidiseks juhindumiseks alles. Hoiatuses kasutatav termin „elektritööriist“ tähendab mehaanilist tööriista, mis saab toidet elektrivõrgust (juhtmega) või akust (ilma juhtmata).

TÖÖKOHA OHUTUS

- Hoidke töökoht puhas ja hästi valgustatud. Korrastamata ja pimedas kohas töötamisel võivad juhtuda õnnetused.
- Ärge kasutage suruühutööriistu plahvatusohtlikes keskkondades, näiteks kergestisüttivate vedelike ja gaaside läheduses ega tolmuses kohas. Elektritööriistad tekitavad sädemeid, mis võivad tolmu või auru süüdata.
- Elektritööriistaga töötamisel hoidke lapsed ja kõrvalised isikud eemal. Tähelepanu hajumise korral võib teil kontroll kaduda.

ELEKTRIOHUTUS

- Elektritööriistade pistikud peavad pistikupesasa sobima. Ärge püüdke pistiku konstruktsiooni mingil moel muuta. Ärge ühendage maanduskontaktiga (kordusmaandusega) elektritööriistu elektrivõrku läbi vahepistmike. Pistiku ja pistikupesasa konstruktsiooni muutmise korral tekib elektrilöögi oht.
- Hoiduge kehalisest kontaktist maandatud pindadega, näiteks torud, radiaatorid, elektripliidid ja külmikud. Kehaosade maandamisel suureneb elektrilöögi saamise oht.
- Ärge jätke tööriistu vihma kätte ega niiskesse kohta. Vee sattumisel elektrilise tööriista sisse suureneb elektrilöögi saamise oht.
- Ärge kasutage toitejuhet nõuetevastasel. Ärge kasutage toitejuhet tööriista kandmiseks, vedamiseks või pistikupesast väljatõmbamiseks. Hoidke toitejuhe eemale küttekehast, õlist, teravatest servadest ja liikuvatest osadest. Vigastatud või keerduv toitekaablid suurendavad elektrilöögi ohtu.
- Väljas töötamisel kasutage välistingimustes kasutamiseks sobivaid pikendusjuhtmeid. Välistingimustele sobiva pikendusjuhtme kasutamine vähendab elektrilöögi ohtu.
- Kui elektritööriistaga töötamine niisketes oludes on välistatud, siis kasutage rikkevoolu-kaitselülitiga (RCD) kaitsitud vooluvõrku. RCD kasutamine vähendab elektrilöögi ohtu.

ISIKUKAITSE

- Mehaanilise tööriistaga töötamisel jälgige tööpiirkonda ja kasutage sealjuures tervet mõistust. Ärge kasutage tööriista siis, kui te olete väsinud, uimastite, alkoholi või ravimite mõju all. Hetkeline tähelepanu hajumine tööriista kasutamise ajal võib põhjustada raske kehavigastuse.
 - Kasutage isikukaitsevahendeid. Kandke alati silmakaitsevahendeid. Kui tööolud seda nõuavad, tuleb kasutada isikukaitsevahendeid, näiteks tolmumaski, libisemiskindlaid turvajalatsi, kiivrit ja kuulmiskaitsevahendeid, mis kehavigastuste riski vähendavad.
 - Vältige tahtmatut käivitumist. Enne toitejuhtme ja/või aku ühendamist, tööriista kätte võtmist või teiseladmist veenduge, et tööriista lülitil on välja lülitatud. Õnnetuste vältimiseks ärge hoidke tööriista kandmise ajal sõrme lülitusnupul ega ühendage tööriista toitevõrku siis, kui lülitil on sisse lülitatud.
 - Enne tööriista sisselülitamist eemaldage sellelt reguleerivõti või mutrivõti. Elektritööriista külge jäetud reguleerivõti või mutrivõti võivad põhjustada raske kehavigastuse.
 - Ärge küünitage end töötamisel liigselt välja. Hoidke end pidevalt jalgedel ja tasakaalus. Siis on teil ootamatu olukorra tekkimisel tööriista üle parem kontroll.
 - Kandke tööks sobivat riietust. Ärge kandke lõtvu riideid ega ehteid. Hoidke juuksed ja riietusesemed liikuvatest osadest eemal. Lahtised riietusesemed, ehted ja pikad juuksed võivad haakuda liikuvate osade külge.
 - Kui tööriistal tuleb kasutada tolmu eraldamis- või kogumisseadiseid, siis veenduge, et need on ühendatud ja nõuetekohases kasutuses. Tolmukoguri kasutamisega saab vähendada tolmuga seotud ohtusid.
 - Ärge muutuge hooletuks, kui olete seadmega korduvalt töötanud, sest siis võite muutuda liiga enesekindlaks ja hakata ohutusreegleid eirama. Hooletu tegutsemine võib põhjustada raske kehavigastuse mõne sekundi mürdosa jooksul.
- ### ELEKTRITÖÖRIISTA KASUTAMINE JA KORRASHOID
- Ärge koormake elektritööriista üle. Kasutage tööks sobivat elektritööriista. Õigesti valitud tööriist töötab paremini ja ohutumalt selles võimsuspiirkonnas, millele see on ette nähtud.
 - Ärge kasutage elektritööriista, kui lülitil ei lülita seda sisse ja välja. Lülitiga lülitamatu tööriista kasutamine on ohtlik ja see tuleb lasta ära remontida.
 - Enne tööriista reguleerimist, tarvikute vahetamist või houstamist võtke toitejuhe pistikupesast välja või eemaldage aku. Need ennetavad ohutusmeetmed vähendavad tööriista tahtmatu käivitumise riski.
 - Hoidke kasutuses mitteolevaid elektritööriistu lastele kättesaamatus kohas ja ärge lubage elektritööriista mittetundvaid või kasutusjuhendiga mittetutvunud isikuid elektritööriista kasutada. Oskamatu kasutaja käes olev elektritööriist on ohtlik.



- **Hooldage oma mehaanilisi tööriistu ja tarvikuid.** Kontrollige liikuvate osade mittetsentreeritust ja kinnitumist, osade vigastusi ning tehke kindlaks muud seisundid, mis võivad mõjustada elektritööriista tööd. Kui mõni osa on vigastatud, siis laske elektritööriist enne kasutamist ära parandada. Halvasti hooldatud elektritööriistad põhjustavad palju õnnetusi.
- **Hoidke lõiketerad teravad ja puhtad.** Teravate lõiketeradega ja nõuetekohaselt hooldatud lõikeriistad jäävad harvemini kinni ning neid on kergem kontrolli all hoida.
- **Tööriistade, tarvikute, otsakute ja muude lisaseadmete kasutamisel juhenduge nende kasutusjuhenditest, võttes arvesse tehtavat tööd ja tööolusid.** Tööoperatsiooniks mitte ettenähtud tööriista kasutamine võib tekitada ohtliku olukorra.
- **Hoidke tööriista käepidemed ja haardepinnad kuivana, puhtana ja ärge laske neile sattuda õli või määret.** Libedad käepidemed ja haardepinnad ei võimalda tööriista turvaliselt haarata ja ootamatutes olukordades kontrollida.

HOOLDUS

- **Laske oma elektrilist tööriista hooldada väljaõppinud teenindustöötajal.** Remontimisel tohib kasutada ainult originaalvaruosi. See tagab hooldatud seadme elektriohutuse.

SAEPINKIDE OHUTUSEESKIRJAD

KAITSEKATTEGA SEOTUD HOIATUSED

- **Hoidke kaitsekatted oma kohtadel.** Kaitsekatted peavad olema töökorras ja õigesti paigaldatud. Kui kaitsekate on lõtvunud, vigastatud või ei tööta nõuetekohaselt, tuleb see parandada või asendada.
- **Kasutage lõikeketta kaitsekate ja lõhestusnuga igal läbisaagimise operatsioonil.** Läbisaagimisel, mille puhul lõikeketas lõikab tooriku täielikult läbi, aitavad kaitsekate ja teised ohutusseadised vähendada vigastumisohtu.
- **Pärast kaitsekate eemaldamist nõudvate operatsioonide (valtši saagimine või lõhestamine) lõpetamist paigaldage kaitstesüsteem viivitamatult.** Kaitsekate ja lõhestusnuga aitavad vähendada kehavigastuse ohtu.
- **Enne sisse lülitamist veenduge, et saelaual pole kaitsekate, lõhestusnuga ega toorikut.** Nende ootamatu kokku puutumine lõikekettaga võib põhjustada ohtliku olukorra.
- **Kasutage lõhestusnuga ainult sellisel viisil nagu käesolevas kasutusjuhendis kirjeldatud.** Lõhestusnoa valed vahemikud, asetus ja joondamine võivad põhjustada lõhestusnoa ebaefektiivse töö tagasilöögi vältimisel.
- **Selleks, et lõhestusnuga töötaks, peab see toorikuga kokkupuutes olema.** Lõhestusnuga ei tööta piisavalt, kui lõikate toorikut, mis on liiga lühike, et see lõhestusnoaga kokku puutuks. Sellises olukorras ei ole tagasilööki võimalik lõhestusnoa abil vältida.
- **Kasutage lõhestusnoaga kokku sobivat lõikeketast.** Lõhestusnoa nõuetekohaseks töötamiseks peab lõikeketta läbimõõt lõhestusnoaga sobima ja lõikeketta kettaosa peab olema õhem kui lõhestusnuga ning lõikeketta lõikelaius peab ületama lõhestusnoa paksuse.

LÕIKAMISPROTSEDUURIDEGA SEOTUD HOIATUSED

⚠ OHT.

Ärge pange oma sõrmi ja käsi lõikeketta vahetusse lähedusse või lõikejoonele. Hetkelise tähelepanu hajumise või libisemise korral võib teie käsi puudutada lõikeketast ja selle tagajärjel võite saada raske kehavigastuse.

- **Juhtige toorik vastu lõikeketast ainult vastu lõikeketta pöörlemissuunda.** Töölaua kohal oleva tooriku juhtimine lõikeketta pöörlemise suunas võib põhjustada tooriku ja teie käe tõmbamise lõikekettasse.
- **Pikisaagimisel ärge mingil juhul kasutage tooriku etteandmiseks nurksuunajat ja ärge kasutage nurksuunajaga lõikamisel pikkuse piirajana pikilõike juhikut.** Kui tooriku suunamiseks kasutada samaaegselt pikilõike suunajat ja nurkjuhikut, siis suureneb lõikeketta kinnijäämise ning tagasilöögi tõenäosus.
- **Pikisaagimisel rakendage toorikule etteandjõudu pikilõike juhiku ja lõikeketta vahelt.** Kui juhiku ja lõikeketta vaheline kaugus on alla 150 mm, kasutage surupulka ja kui see kaugus on alla 50 mm, siis kasutage suruklotsi. Abivahendid hoiavad teie käsi lõikekettast piisaval kaugusel.
- **Kasutage vaid tootja poolt tarnitud või esitatud juhiste järgi valmistatud surupulka.** Surupulga abil saate hoida oma käsi lõikekettast piisavalt kaugel.
- **Ärge mingil juhul kasutage vigastatud või sisselõikega surupulka.** Vigastatud surupulk võib puruneda ja teie käsi võib sattuda lõikekettasse.
- **Ärge tehke mingeid lõikeid vaba käega.** Kasutage tooriku kohal hoidmiseks ja suunamiseks alati pikilõike juhikut või nurksuunajat. Vaba käega lõikamisel kasutate tooriku toetamiseks ja juhtimiseks pikilõike juhiku või nurksuunaja asemel oma käsi. Vaba käega saagimisel tekib vale joondamine, kinni kiilumine ja tagasilöögid.
- **Ärge küünitage end lõikeketta lähedusse või üle selle.** Tooriku järele küünitamisel võite sattuda kokkupuutesse liikuva lõikekettaga.
- **Pikkade ja/või laiate toorikute saagimisel seadke saelaua taha ja/või külgedele täiendavad tooriku toed.** Pikad ja/või laiad toorikud võivad laua serval kalduda ja sellisel juhul võite kaotada kontrolli, lõikeketas võib kinni jääda ning võib tekkida tagasilööki.
- **Andke toorikut ette sujuvalt.** Ärge toorikut painutage ega väänake. Kui ilmneb kinni kiilumine, lülitage enne kiilumise põhjuse kõrvaldamist saag kohe välja ja võtke pistik pistikupesast välja. Lõikeketta ummistumine toorikus võib põhjustada tagasilööki või mootori seiskumise.





- **Ärge püüdke eemaldada saepuru ja jäätmeid sae töötamise ajal.** Suunaja ja saeketta kaitsekatte või saeketta vahele jäänud materjal tõmbab teie sõrmi kokkupuutesse lõikekettaga. Enne materjali eemaldamist lülitage saag välja ja oodake kuni lõikeketas seiskub.
- **Kui pikilõigatav materjal on õhem kui 2 mm, kasutage töölaua pealispinnal täiendavat kaitsepiiret.** Õhuke toorik võib pikilõike suunaja alla kinni kiiluda ja põhjustada tagasilöögi.

TAGASILÖÖK JA SELLEGA SEOTUD HOIATUSED.

Tagasilöök on tooriku ootamatu reaktsioon, mis järgneb lõikeketta külge pitsumisele, kinni kiilumisele või saetee kõrvale kaldumisele lõikeketta suhtes või siis kui toorik jääb kinni lõikeketta ja suunaja või mõne muu kinnisdetaili vahele. Tagasilöögi ajal tõstab lõikeketta tagaosa sagedasti tooriku saelaualt üles ja see suundub operaatori suunas.

Tagasilöök on sae väära kasutamise, ebaõigete töövõtete või tööks mittevastavate töötingimuste tulemus ja seda saab vältida allpool esitatud ettevaatusabinõude rakendamisega.

- **Ärge mingil juhul seiske lõikekettaga samal joonel.** Hoidke oma keha alati lõikekettast samale poole kui suunaja. Tagasilöök võib suunata tooriku suurel kiirusel kellegi suunas, kes seisab saepingi ees ja lõikeketta lõiketee suunas.
- **Ärge mingil juhul küünitage ennast lõikekettast üle või lõikeketta taha, et toorikut tõmmata või seda toetada.** Võite sattuda lõikekettaga ootamatusse kokkupuutesse või tagasilöök võib tõmmata teie sõrmed lõikekettasse.
- **Ärge mingil juhul hoidke lõigatavast toorikust kinni või suruge seda vastu pöörlevat lõikeketast.** Lõigatava tooriku surumine vastu lõikeketast tekitab kinnijäämise ja põhjustab tagasilöögi.
- **Seadke suunaja lõikekettaga paralleelseks.** Mitteparalleelne suunaja surub tooriku vastu lõikeketast ja tekitab sellega tagasilöögi.
- **Kasutage vedrustatud juhikut, et suunata toorik vastu töölauda ja suunajat, kui teete mitteläbivaid lõikeid, näiteks valtside või soonte lõikamisel.** Vedrustatud juhik aitab teil toorikut kontrolli all hoida ja vältib tagasilööki.
- **Toetage suuri plaate, et minimeerida lõikeketta kinnijäämise ning tagasilöögi riski.** Suurteil plaatidel on kalduvus oma raskuse all läbi vajuda. Tugi (toed) peavad olema kogu paneeli all, mis üle töölaua ulatuvad.
- **Olge eriti ettevaatlik väärdunud, oksliku, deformeerunud toorikutega või nende toorikutega, millel puuduvad sirded servad ja mida tuleb juhtida nurkjuhiku või suunajaga.** Deformeerunud, okslikud või väärdunud toorikud on ebastabiilsed ning põhjustavad saetee hälbimist, lõikeketta kinnijäämist ja tagasilööki.
- **Ärge püüdke kunagi lõigata mitut toorikut üheaegselt, ei vertikaalselt ega horisontaalselt.** Lõikeketas võib läbi lõigata ühe või mõne tooriku ja põhjustada tagasilöögi.

- **Kui tooriku sees oleva sae uuesti käivitade, seadke lõikeketas saetee teljele ja kontrollige, et saehambad ei ole tooriku materjalis kinni.** Kui lõikeketas jääb kinni, siis võib toorik üles tõusta ja põhjustada tagasilöögi kui saag uuesti käivitada.
- **Hoidke lõikekettad puhtad, teravad ja teritage õigete lõikenurkade all.** Ärge mingil juhul kasutage deformeerunud, pragunenud või murdunud hammastega lõikekettaid. Teravad ja õigete lõikenurkade all teritatud lõikekettad vähendavad kinnijäämist, seiskumist ja tagasilööki.

OHUHOIATUSED LAUASAEGA TÖÖTAMISEL

- **Kui võtate välja töölaua piluplaadi, vahetate lõikeketast, reguleerite lõhestusnuga ja lõikeketta kaitsekattet või jätate sae järelevalveta, lülitage lausaag välja ja ühendage lahti toitejuhe.** Ettevaatusabinõud õnnetuste vältimiseks.
- **Ärge kunagi jätke töötavat lausaagi järelevalveta.** Lülitage saag välja ja ärge lahkuge seadme juurest enne kui see on täielikult seiskunud. Järelevalveta töötava sae juures on kontrollimatu risk.
- **Paigutage lausaag hästi valgustatud ja tasasele kohale, kus teil on kindel jalgealune ja saete hoida end tasakaalus. See tuleb paigaldada kohta, kus on piisavalt ruumi oma toorikut käsitleda.** Piiratud, pimedad kohad ja libedad põrandad kutsuvad esile õnnetusi.
- **Puhastage saelaua alust ja/või tolmukogumise seadist korrapäraselt saepurust.** Kogunenud saepuru on tuleohtlik ja iseseütiv.
- **Töölaud peab kindlalt püsti seisma.** Töölaud, mis kindlalt püsti ei seisa, võib liikuma hakata või ümber kukkuda.
- **Eemaldage enne saepingi sisse lülitamist töölaualt tööriistad, puidujätmed jne.** Tähelepanu hajumine võib takerdumine võib olla ohtlik.
- **Kasutage ainult õiget mõõtu ja õige (lõikeketta mitte teemantketta) völliavaga lõikeketast.** Mittesobiva avaga lõikekettad pöörlevad ekstsentriliselt ja põhjustavad sellega kontrolli kadumist sae üle.
- **Ärge mingil juhul kasutage vigastatud või ebasobivaid lõikeketaste paigaldusvahendeid - äärikud, lõikeketaste seibid, poldid või mutrid.** Paigaldusvahendid on sellele saele sobivad ning need tagavad optimaalse tootluse ja tööohutuse.
- **Ärge mingil juhul astuge sae peale, ärge kasutage seda astmelauana.** Kui tööriist läheb ümber või satute tööriistaga kontakti, siis võite saada raske kehavigastuse.
- **Jälgige sealjuures, et saehambad oleks õiges suunas.** Ärge kasutage lausaal lihvkettaid, traatharju ega lõikekettaid. Valesti paigaldatud lõikeketas või mittesoovitatud tarvikud võivad põhjustada raske kehavigastuse.

SAEPINKIDE TÄIENDAVAD OHUHOIATUSED

- **Pange masin üles ja kinnitage tehtava töö jaoks stabiilsesse asendisse.** Võite selle paigaldada töölauale, jalandile või kinnitada põrandale.

EN
FR
DE
ES
IT
NL
PT
DA
SV
FI
NO
RU
CS
PL
HU
RO
LV
LT
ET
HR
SL
SK
EL
TR





- Kui komplektis on jalapikendi, reguleerige see välja, et saavutada horisontaalne stabiilne tööplatvorm.
- Õigel kõrgusel, mugavat tööasendit kasutades saate vältida töötamisel tekkivaid lihase pingeid ja muid vigastusi.
- Tagage piisav üld- ja kohtvalgustus, et vältida stroboskoopilist efekti ja riske.
- Kandke vajaduse korral sobivaid isikukaitsevahendeid. Nendeks on kuulmiskaitse kuulmise kaotamise ohu vältimiseks, tolmutumask ohtliku tolmu sisse hingamise vältimiseks ja lõikeketaste ja kareda materjali käitsemisel kaitsekindad.
- Masinaga töötamisel kandke alati kaitseprille. Soovitav on kanda tugevaid mittelibisevaid jalanõusid, millel on ninakaitse, mis kaitsevad lauait kukkuvate esemetega.
- Selle masinaga töötamisel tekkiv tolm võib olla tervisele ohtlik, kergsüttiv ja plahvatusohtlik. Kasutage tolmueraldussüsteemi ja kandke sobivat tolmutumaski. Eemaldage kogunenud tolm täielikult, nt harja või tolmuimejaga.
- Hoidke tööpiirkond vaba liigest saepurust, jäätmetest ja toitekaablitest. See vähendab komistamise ja lõikekettale kukkumise riski.
- Hoidke töölaud puhas kõikidest esemetest, kaasa arvatud tööriistad ja jäätmed.
- Hoidke laua, suunaja ja nurkjuhiku pinnad puhtad. Olge ettevaatlik liimi, värvide ja muude sarnaste toodetega. Puit peab libisema sujuvalt ja ei tohi kuskile kinni jääma, vastasel juhul suureneb tunduvalt tagasilöögit tingitud raske kehavigastuse oht.
- Kasutage ainult kasutusjuhendis ettenähtud saekettaid, mis vastavad standardile EN 847-1.
- Ärge kasutage kiirlõiketerasest saekettaid.
- Kasutage vaid sellist lõikeketast, millele märgitud kiirus võrdub või on suurem seadmele märgitud kiirusest.
- Ärge suruge toorikut lõikekettasse sisse. Laske tööriistal ava puurida. Liigne surve kuumutab lõikeketast ja hambaid ning võib toorikut põletada. See võib põhjustada ootamatuid tagajärgi, mis võib tekitada raske kehavigastuse.
- Ärge kasutage nūri või vigastatud saeketast. Teritamata või valesti paigaldatud lõikekettad lõikavad kitsa saetee, mis põhjustab ülemäärast hõõrdumist, lõikeketta kinnijäämist ja tagasilööki.
- Lõikekettaid tuleb vastavalt võimalusele transportida hoidikus.
- Ärge kasutage masinat ilma töölaua piluplaadita ja asendage see kulumise korral.
- Kui te ei tee mitteläbivat lõiget, hoidke kettakaitse ja lõhestusnuga ettenähtud kohal ja töökorras. Lõikeketta kaitseid peavad hõlpsalt üles tõusma ja langema, et võimaldada toorikul nende alt läbi pääseda. Veenduge, et kettakaitse on kindlalt lõhestusnoa külge kinnitatud. Ärge kasutage saagi siis, kui kaitsekatted/-piirded on eemaldatud.
- Jälgige pidevalt, et lõikeketas on suunajaga paralleelne. See on põhiline tagasilöögi tegur, mis võib põhjustada raske kehavigastuse.
- Kasutage alati lõikeketta kaitsekatet ja lõhestusnuga igal läbisaagimise operatsioonil. Läbisaagimine on selline, mille puhul lõikeketas lõikab risti- või pikisaagimisel tooriku täielikult läbi.
- Vaadake lõigatav materjal hoolikalt üle võõrkehade - näiteks naelad, kruvid klambrid - suhtes, olge eriti tähelepanelik kui puitu taaskasutate.
- Kui need või sarnased võõrkehad sattuvad lõikekettaga kokkupuutesse, siis saab saag kahjustada ja operaator või kõrvalseisjad võivad saada raske kehavigastuse.
- Selle seadmega ei tohi kasutada soone saagimisketaste komplekti.
- Vajaduse korral kasutage surupulka. Kitsa riba saagimisel kasutage alati lükkamispulka. Lükkamispulka tuleb mittekasutamise ajal hoida sae juures.
- Ärge küünitage end sae töötamise ajal lõikeketta lähedusse. Hoidke oma sõrmed eemale piirkonnast, mis on määratud piluplaadiga.
- Ärge jätke masinat pöörlema järelevalveta.
- Lülitage toide välja.
- Ärge lahkuge masina juurest enne, kui see on täielikult seiskunud.
- Ärge kunagi püüdke masina pöörlemist järsult peatada tooriku või mõne muu vahendi lükkamisega vastu lõikeketast. Sellisel viisil tegutsemine võib põhjustada raske kehavigastuse.
- Ärge puudutage saeketast vahetult pärast töö lõpetamist. Saeketas kuumeneb saagimise ajal.
- Kui lõikeketas on saagimise ajal kinni jäänud, siis lülitage saag välja ja ühendage toitevõrgust lahti. Eemaldage toorik ja veenduge, et saeketas pöörleb vabalt. Lülitage masin sisse ja alustage uut saagimisoperatsiooni väiksema etteandejõuga.
- Masina transportimisel eemaldage lõikeketta kaitsekate, seadke lõhestusnuga oma madalamasse asendisse ja langetage lõikeketas nii, et see on allpool laua tasapinda.
- Kui toitejuhe on vigastatud, siis tuleb see lasta asendada tootja või klienditeenindaja poolt, et ohtusid vältida.
- Ärge kasutage mingeid lisaseadmeid või tarvikuid, mis ei ole tootja poolt soovitatud. Soovitamata lisaseadmete ja tarvikute kasutamine võib põhjustada tõsise kehavigastuse. Need seadmed, mida kasutatakse erinevates kohtades, kaasa arvatud õues, tuleb lülitada võrku, milles on liigvoolu kaitselülit (RCD).
- Kui lauasae toide on katkestatud, siis lülitub masina sisse/välja lülitamise lüliti välja lülitatud asendisse.

PUIDU LÕIKEKETTA TÄIENDAVALD OHUTUSJUHISED

- Enne lõikeketta ja masina kasutamist lugege kasutusjuhend ning juhised hoolikalt läbi.
- Saepink peab olema heas töökorras ja spindel ilma deformatsioonideta ning ei tohi vibreerida.
- Veenduge, et kasutaja on masinaga töötamiseks saanud vastava väljaõppe.





- Masinaga töötamisel kandke alati kaitseprille ja kõrvakaitsevahendeid. Soovitatakse kanda kaitsekindaid, tugevaid mittelibisevaid jalanõusid ja kaitsepõlle.
- Enne ükskõik millise tarviku kasutamist tutvuge kasutusjuhendi vastavate nõuetega. Tarvikute nõuetevastane kasutamine võib vigastada masinat ja põhjustada kehavigastusi.
- Hoidke lõikeketas puhas. See hõlmab saepuru ja eriti kleepuvaid aineid, näiteks puiduvaiku. Puhas lõikeketas lõikab täpsemalt ja ohutumalt.
- Kasutage ainult kasutusjuhendis ettenähtud saekettaid, mis vastavad standardile EN 847-1.
- Pidage kinni saekettale märgitud maksimaalkiirusest. Veenduge, et saekettal märgitud pöörlemiskiirus on sael märgitud pöörlemiskiirusega vähemalt võrdne.
- Kasutage ainult õige suuruse ja õige völliavaga lõikeketast. Sae kinnitusedetailidega mittesobivad saekettad pöörlevad ekstsentriliselt ja põhjustavad sellega kontrolli kadumist sae üle.
- Ärge kasutage lõikeketast, mille kettaosa on paksem või mille hamba paksus (saetee) on väiksem kui lõhestusnoa paksus.
- Ärge kasutage saekettaid, mille läbimõõt on suurem või väiksem kui soovitatud. Ärge kasutage saeketta sobitamiseks mingeid vaheseibe.
- Enne lõikeketta kasutamise alustamist kontrollige selle hambad üle vigastuste ja ebahariliku väljanägemise suhtes. Vigastatud ja lõdvad saehambad võivad välja paiskuda ning seetõttu põhjustada kehavigastuse.
- Ärge kasutage pragunenud ega auklikku saeketast. Ärge kasutage saekettaid, mis on vigastatud või deformeerunud.
- Kõrvaldage vigastatud, deformeerunud, väärdunud või pragunenud lõikekettad kasutusest, ärge püüdke neid parandada.
- Ärge kasutage kiirlõiketerasest saekettaid.
- Veenduge, et lõikeketas on õigesti paigaldatud ja enne kasutamist veenduge kinnituse nõuetekohasuses.
- Kinnituskruvid ja mutrid tuleb pingutada nõuetekohase võtmega jne.
- Võtme pikendi või haamri kasutamine pingutamiseks ei ole lubatud.
- Veenduge, et lõikekettad ja äärikud on puhtad ja ääriku tugipinnad on vastu lõikeketta pinda.
- Veenduge, et lõikeketas pöörleb õiges suunas ja hambad ei ole kokkupuutes mingi masinaosa või juhtüsteemiga.
- Enne töö alustamist tehke lõiget imiteeriv liigutus mootorit käivitamata, et kontrollida lõikeketta asendit ja kaitsekatte liikumist teiste masinaosade ning tooriku suhtes.
- Ärge jätke töötavat masinat järelevalveta.
- Ärge kandke töötamise ajal saekettale määrdeaineid.
- Ärge kunagi püüdke masina pöörlemist järsult peatada lõikeketta tõkestamisega või muul viisil, sest see võib põhjustada raske õnnetuse.
- Enne lõikeketta vahetamist või hooldamist ühendage

saag toitevõrgust lahti.

- Olge lõikeketta pakkimisel ja lahtipakkimisel ettevaatlik, sest teravad hambad võivad põhjustada vigastusi.
- Kasutage lõikeketaste teisaldamisel katet või kandke kindaid. Pärast masinaga töötamist on lõikeketas kuum.
- Hoidke lõikeketast originaalpakendis või muus sobivas pakendis, kuivas kohas, kus pole kahjustavaid kemikaale.

OTSTARBEKOHANE KASUTAMINE

Lauasaag on ette nähtud kasutamiseks ühe töötaja poolt piki- ja ristisaagimiseks, maksimaalse lõikesügavusega 80 mm kaldenurgal 0°. Maksimaalkaldel 45° on maksimaalne lõikesügavus 55 mm. Lauasaag on välja töötatud kasutamiseks stabiilsel pinnal või tootja poolt tarnitud jalandil. Selle saega võib saagida kõva ja pehmet puitu, kiudplaate ning vineeri.

Kasutada võib vaid tootja poolt selle lausae jaoks tarnitud lõikeketta ja lõhestusnoa komplekti.

JÄÄKRISKID

Isegi siis, kui lauasaagi kasutatakse kirjeldatud viisil, ei ole võimalik kõrvaldada kõiki jääkriskide mõjureid.

Kasutaja peab nendele pöörama erilist tähelepanu ja olema hoolikas, et kehavigastuse ohtu vähendada.

- Mitteläbiv lõikamine lõikeketta kaitse on eemaldatud ja lõikeketta ülaosa on paljastatud.
- Kokkupuude lõikekettaga - vältige lõikeketta suunas või üle selle küünitamist ja viibimist lõikeketta läheduses.
- Tagasilöök - ärge seiske mingil juhul lõikeketta ees.
- Stabiilsus - veenduge, et seade on stabiilne, vajadusel kinnitage.
- Väljapaiskuvad lõiketerad - kandke töötamise ajal kogu aeg silmakaitsevahendeid.
- Tolmu sissehingamine - kandke vajadusel tolumumaski. Mõnda tüüpi puutoodete (nt MDF) saagimisel tekkinud tolm võib olla teie hingamisorganitele ohtlik.
- Silmade vigastamine puidu ja tolmu osakestega - kandke töötamise ajal kogu aeg silmakaitsevahendeid.
- Kuulmiskahjustus - piirake kokkupuudet ja kandke nõuetekohaseid kuulmiskaitsevahendeid.
- Müratase sõltub suurel määral seadme kasutustingimustest. Tugev müra, isegi lühikeses aja jooksul, võib põhjustada osalist kuulmiskadu ja pidev viibimine tugeva müra mõju piirkonnas võib põhjustada püsiva kuulmiskahjustuse.

ÕPPIGE OMA TÖÖRIISTA TUNDMA.

Vt leht 242.

1. Tõelaua piluplaat
2. Reguleeritav ja pikendatav lõhestusnuga
3. Kaldlõike juhik
4. Saeleht
5. Lõikeketta kaitsekate
6. Tõelaua piluplaadi vabasti
7. Pikilõike juhik / Nurksuunaja
8. Külglaua pikendi (RTS1800ES, RTS1800EF)



9. Kinnitusavad (töölaua või jalgade kinnitamiseks)
10. Sisse/Välja - tiiblüüti
11. Püstnurga reguleeritav
12. Püstnurga lukusti
13. Lõikesügavuse käepide
14. Saelaud
15. Tolmu väljalase
16. Tolmuava otsak

KASUTAMINE

⚠ HOIATUS

Enne lauasae pingestamist ja käivitamist tuleb selle kasutusjuhendi hoiatused ja juhised hoolikalt läbi lugeda ning endale selgeks teha.

Läbiv lõige: Iga lõikeoperatsioon, mille puhul lõikeketas ulatub saelaualt üle tooriku paksuse välja. Selle operatsiooni tegemiseks peab lõhestusnuga olema üles tõstetud asendis ja lõikeketta kaitsekate paigaldatud. Kasutage suunajat või nurkjuhikut tooriku suhtes õiges asendis.

Mitteläbiv lõikamine: Iga lõikeoperatsioon, mille puhul lõikeketas ei ulatu saelaualt üle tooriku paksuse välja. Selle operatsiooni tegemiseks peab lõhestusnuga olema langetatud asendis. Lõhestusnoa ots peab olema veidi madalam kui lõikeketta ülaosa. Lõikeketta kaitsekate ei ole võimalik paigaldada. Kasutage suunajat või nurkjuhikut tooriku suhtes õiges asendis.

Lahti lõikamine: Kasutage tooriku juhtimiseks lõikekettaga paralleelset suunajat. Valdavalt tehakse lõikamist puiduki (kui on olemas) suunas. Võib läbi saagida või mitte läbi saagida.

Ristlõikamine: Kasutage nurkjuhikut või ristlõike suunajat. See seade on ette nähtud nihutamiseks paralleelselt lõikekettaga ja võimaldab toorikut hoida kindla nurga all lõikeketta suhtes. Valdavalt tehakse lõikamist ristikiudu (kui on olemas) suunas. Võib läbi saagida või mitte läbi saagida.

Püstnurga all lõikamine: Lõiketera nurka laua pinna suhtes saab muuta vahemikus 90 ja 45°. Võimalik on lõigata ääre kaldnurka. Võib läbi saagida või mitte läbi saagida. Kasutage pikisaagimise juhikut või nurksuunajat tooriku suhtes õiges asendis.

Nurga saagimine: Toorikut juhitakse lõikeketta suhtes nurga all. Nõutav nurk seadistatakse nurksuunajale, millel saab hoida toorikut, kui seda lükatakse lõike tegemiseks paralleelselt lõikesaele. Võib läbi saagida või mitte läbi saagida.

Teravnurga saagimine: Teravnurgaga ristlõiget on võimalik teha soovitava nurga alla seadistatud nurksuunajat kasutades. Pikisaagimine teravnurga all ei ole võimalik, sest see nõuab erivahendeid.

PIKISAAGIMISE SUUNAJA KASUTAMINE

- Ärge mingil juhul kasutage pikilõike suunajat ega nurkjuhikut samaaegselt. See suurendab tagasilöögi ja kehavigastuse ohtu. Kui ühte neist ei kasutata, võtke see laualt maha ja hoiustage ohutult sobivas kohas.
- Iga kord, kui suunajat hakatakse kasutatama või on

see lükatud uude kohta, on oluline kontrollida selle paralleelsust lõikekettaga.

- Mitteparalleelne suunaja võib suruda tooriku vastu lõikeketast ja põhjustada tagasilööki, mis võib põhjustada raske kehavigastuse teile endale ja kõrvalseisjatele.
- Valesti reguleeritud või seadistatud suunaja võib põhjustada tooriku lõikekettale etteandmise vale nurga all, mis võib põhjustada lõikeketta kinni kiilumise või kinni jäämise. See võib põhjustada ka tagasilöögi (vaadake ülalpoolt).
- Suunaja õigeks kinnitamiseks ja reguleerimiseks haakige suunaja laua tagaserva taha ja seejärel langetage esiservale, nii et see haakub laua esiosaga. Seejärel suruge suunaja esiosale, et kaks serva seaduks suunaja suhtes täisnurgale kontaktis töölaua esiservaga. See aitab tagada, et suunaja on lõikekettaga paralleelne. Lukustage suunaja oma kohale lukustushoova alla lükkamise teel.
- Lukustushoova poolt rakendatavat jõudu, millega suunaja on oma kohale kinnitatud, saab reguleerida pöördpoldiga, mis asub vahetult lukustushoova all.
- Enne lõike tegemist kontrollige alati suunaja paralleelsust lõikeketta suhtes või lõigake klots ja kontrollige selle mõõtmete täpsust.

Kaugusemärkide joondamine, lõikeketta ja suunaja vaheline kaugus

Seadke suunaja vastu lõikeketast ja reguleerige laua esiosas asuva viida vaateklaas välja näidule 0 mm. Lõdvendage kruvi, reguleerige vaateklaas välja ja kinnitage kruvi taas.

Lisasuunaja kasutamine

Teatud asjaoludel on vaja tavasuunajale paigaldada lisasuunaja.

- a. Kui toorikut ei saa hoida käega ega surupulgaga, sest suunaja jääb ette.
- b. Kui on vaja lõigata õhukest toorikut. Väga õhuke toorik võib pikilõike suunaja alla kinni kiiluda või takerduda ja põhjustada tagasilöögi. Selle vältimiseks kasutage lisasuunajat.

Eemaldage lisasuunaja kui tavasuunajaga töötamine on ohutu.

Kui saete kitsastele toorikutele lõikeid püstnurga all, kasutage alati suunajat lõikekettast teisel poolel, nii et see toetub suunajast üle, muidu takerdub suruklots või surupulk vastu lõikeketta kaitset või suunajat.

Lisasuunaja kinnitamine tavasuunajale

- Pange tiibmutrid ja seibid juhiku ühele küljele ja suruge poldid teiselt poolelt sisse ning keerake mõne pöörde võrra kinni. Lükake lisasuunaja soon üle poldipeade. Pingutage soovitud asendisse seatud lisasuunaja kinnitus.

MÄRKUS: Lisasuunaja on ette nähtud tooriku juhtimiseks lõikeketta ja lõhestusnoa taga, see ei kata tavasuunajat kogu pikkuses.

Eemaldage lisasuunaja kui tavasuunajaga töötamine on ohutu. Ärge jätke polte ja tiibmutreid tavasuunajale.



Elastse külgsuruti kasutamine

Elastne külgsuruti kujutab endast kaldu lõigatud kammi. Puidust või plastist õhukesed elemendid painduvad kergelt kui toorik oma kohale liigub, toorikut ühtlaselt ja pidevalt surudes. Kasutage seda tarvikut, kui on vaja väikese ristlõikega toorikut täpselt lõigata. Selle tarviku saab kinnitada lauale kaldjuhiku soonte kaudu ja operaator ei pea oma sõrmi lõikeketta läheduses hoidma.

Elastset külgsurutit müüakse puidutöötlemise masinate kauplustes.

ÜLEKOORMUSKAITSE

Saepingil on ülekoormuse kaitseseade. Kui ilmneb ülekoormus, lülitub saepink automaatselt välja. Lülitage toide välja. Kui ülekoormuskaitse rakendub, siis tuleb mootor lasta 3 minuti jooksul maha jahtuda. Veenduge, et lõikeketas saab vabalt pöörelda ja ei kiildu kinni. Vajutage juhtpaneeli all olevale lähtestamise nupule (sees/ väljas-nupu all). Lülitage toide sisse. Vajutage saepingi käivitamiseks nupule.

HOOLDUS

- Veenduge, et lõikeketas on täielikult seiskunud ja toitejuhe on toiteallikast lahti ühendatud, enne kui hakkate tegema hooldus- või puhastustöid.
- Kui toitejuhe on vigastatud, tuleb see asendada pädeva elektriku poolt.
- Lõikeketta hambad on teravad ja võivad pärast lõikamist olla kuumad. Olge paljastatud lõikeketaste käsitsemisel äärmiselt ettevaatlik. Kandke kindaid, et kaitsta end kehavigastuste eest.
- Puhastage saagi ja selle tarvikuid tolmu regulaarselt, erilist tähelepanu tuleb pöörata liikuvatele osadele, kaasa arvatud lõikeketta kaitse. Kasutage tolmu eemaldamiseks käsiharja või tolmuimejat.

⚠ HOIATUS

Ärge püüdke lõikeketta kaitset puhastamiseks või parandamiseks lahti võtta. Ärge kasutage vigastatud kaitsekatteid. Andke need volitatud hoolduskeskusesse remondiks või asendamiseks.

- Lauasaag on tehases määritud ja ei vaja täiendavat määrimist.
- Püstnurga ja lõikeketta/juhiku paralleelsuse kontrollimise juhiseid vaadake selle kasutusjuhendi osadest "Püstnurga kontrollimine ja seadistamine" ja "Lõikeketta ja nurksuunaja soonte paralleelsuse kontrollimine".

PÜSTNURGA KONTROLLIMINE JA SEADISTAMINE

MÄRKUS: Lõikeketta seadistamine 90-kraadise nurga alla püstnurgale 0°.

1. Lülitage toide välja ja võtke pistik pistikupesast välja.
2. Pöörake erilist tähelepanu lõikeketta hammastele, need on väga teravad ja võivad põhjustada kehavigastuse.
3. Tõstke lõikeketas ja lõhestusnuga kõrgeimasse asendisse.
4. Eemaldage lõikeketta kaitse.

5. Seadke lõhestusnuga alumisse piirasendis.
6. Veenduge, et lõikeketas ja saelaua pind on puhas tolmu ning prahist.
7. Pange 90-kraadine mõõtenurgik laua pinnale ja vastu lõikeketta kõrgeimat piirkonda. Olge ettevaatlik, et mõõtmisel ei tekiks kokkupuudet lõikeketta hammastega, sest see võib põhjustada mõõteviga. Mõõta tuleb lõikeketta kettosa pinda.
8. Kui mõõtenurgiku ja laua või lõikeketta vahel ei ole näha pilu, siis on lõikeketas täpselt vertikaalne ja lõikeketta nurka ei ole vaja täiendavalt reguleerida.
9. Kui leiate nurgiku vahel pilu, lõdvendage lukustusnupp ja reguleerige püstnurka, kontrollides pilu uuesti. Kui pilu on kõrvaldatud, keerake püstnurga lukustusnupp tugevasti kinni.
10. Lõdvendage püstnurga viida kinnituskrui ja seadke läbipaistval plastil olev joon sellisesse asendisse, et see ühtib 0° tähisega. Keerake kruvi kinni.
11. Korrake seda operatsiooni ja seadistage vajaduse korral erinevad nurgad vahemikus 90° kuni 45°.

LÕIKEKETTA JA NURKSUUNAJA SOONTE PARALLELSUSE KONTROLLIMINE

1. Lülitage toide välja ja võtke pistik pistikupesast välja.
2. Pöörake erilist tähelepanu lõikeketta hammastele, need on väga teravad ja võivad põhjustada kehavigastuse.
3. Tõstke lõikeketas ja lõhestusnuga kõrgeimasse asendisse.
4. Eemaldage lõikeketta kaitse.
5. Tehke kontrolltoimingud, mida on kirjeldatud selle kasutusjuhendi osas "Püstnurga kontrollimine ja seadistamine". Veenduge, et püstnurk on fikseeritud kaldele 0°.
6. Pange nurkjuhik töölaua ühte soonde. Seadke nurkjuhik nurgale 90°.
7. Pange metalljoonlaud tihedasti vastu nurkjuhikut ja lükake joonlauda täisnurkne ots vastu lõikeketta kettaosa. Võite kontrollimiseks kasutada metalljoonlauda asemel täpset puitklotsi.
8. Hoidke joonlauda/puitklotsi tugevasti kinni ja nihutage nurkjuhikut kuni joonlaud/puitklots on kokkupuutes lõikeketta teise otsaga. Joonlaud või puitklots peab jääma lõikekettaga kontakti kogu nihutamise teekonna ulatuses. Sellisel juhul on lõikeketas ja töölauda soon paralleelsed ja reguleerimine ei ole vajalik. Kontrollige samal viisil teisel laua poolel oleva soone paralleelsust.

LÕIKEKETTA JA NURKSUUNAJA SOONTE PARALLELSUSE REGULEERIMINE

Lõikeketta ees on kaks kinnituspolti ja lõikeketta taga on kaks kinnituspolti. Need on kättesaadavad töölauda alt.

Kui need lahti keerata, siis saab lõikeketta, lõhestusnoa ja mootori koostu liigutada, et joondada lõikeketas töölauda soontega.

Kui teil pole selleks kogemusi, võib see teile olla keeruline, seega reguleerimise probleemide korral pöörduge Ryobi hoolduskeskuse poole pädevaks reguleerimiseks.

EN
FR
DE
ES
IT
NL
PT
DA
SV
FI
NO
PL
RU
CS
HU
RO
LV
LT
ET
HR
SL
SK
EL
TR



KESKKONNAKAITSE



Taaskasutage materjale nende jäätmekäitluse andmise asemel. Masin, selle lisaseadmed ja pakend tuleb jäätmekäitluseks keskkonnasõbralikult sorteerida.

MASINAL OLEVAD SÜMBOLID



Ohuhoiatus



CE-vastavus



Euraasia vastavusmärk.



Tööriista klass II, topeltisolatsiooniga



Lugege enne masina kasutamist juhised hoolikalt läbi.



Kandke kuulmiskaitsevahendeid.



Kandke silmakaitsevahendeid.



Kandke turvakindaid.



Oht! Terav lõikeketas.



Lõikesügavus:



Lõikeketta lõikelaius (saetee)



Lõikeketta hammaste arv



Puidu ja puidusamaste materjalide lõikamiseks



Metalli lõikamiseks ei ole kasutatav



Lõikeketra pöörlemissuund (näidatud lõikeketta kaitsel)



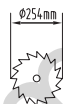
Lõikeketra pöörlemissuund (näidatud lõhestusnoal)



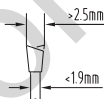
Lõikeketra pöörlemissuund (näidatud lõikeketal)



Lõikeketra pöörlemissuund (näidatud töölaual)



Saeketta läbimõõt



Lõikeketta alusketta paksus ja lõikelaius



Lõhestusnoa paksus ja kõvadus



Nimivõimsus



48 volframkarbiidhammast



Pehme käivitus



Ülekoormuse kaitse



Valualumiiniumist töölaud



Saelaua mõõtmed (RTS1800, RTS1800S)



Saelaua mõõtmed (RTS1800ES, RTS1800EF)



Saelaua pikendi mõõtmed



Eemaldatav käärjalg



Kokkuvolditav jalg Delux



Lõikevõime (90° ja 45°)



Mittekasutatavaid elektritooteid ei tohi visata olmejäätmete hulka. Vaid tuleb viia vastavasse kogumispunkti. Taaskäitlemise võimaluste väljaselgitamiseks pöörduge kohaliku omavalitsuse või edasimüüja poole.

- EN
- FR
- DE
- ES
- IT
- NL
- PT
- DA
- SV
- FI
- NO
- RU
- PL
- CS
- HU
- RO
- LV
- LT
- ET**
- HR
- SL
- SK
- EL
- TR

KASUTUSJUHENDI SÜMBOLID



Ühendage pistikupesassa.



Võtke pistikupesast välja.



Eraldi ostetavad osad või tarvikud



Mittekasutatavaid elektritooteid ei tohi visata olmejäätmete hulka. Vaid tuleb viia vastavasse kogumispunkti.



Märkus



HOIATUS

OPĆA SIGURNOSNA PRAVILA ZA KORIŠTENJE AKU ALATA

⚠ UPOZORENJE

Pažljivo pročitajte sva upozorenja, upute i specifikacije priložene uz alat i pogledajte crteže. Nepoštovanje svih uputa može dovesti do električnog udara, požara i / ili teške ozljede.

Spremite sva upozorenja i upute za buduće korištenje. Pojam „električni alat“ u upozorenjima odnosi se na vaš glavni alat (napajanje preko kabela) ili električni alat koji se napaja preko baterije (bez kabela).

SIGURNOST RADNOG PODRUČJA

- **Držite radni prostor čistim i dobro osvijetljenim.** Zatrpani i neosvijetljeni radni prostori izazivaju nezgode.
- **Nemojte rukovati električnim alatima u eksplozivnim atmosferama poput onih u kojima su prisutne zapaljive tekućine, plinovi ili prašina.** Električni alati stvaraju iskre koje mogu zapaliti prašinu ili pare.
- **Tijekom rada s električnim alatom držite podalje djecu i promatrače.** Ometanje može dovesti do toga da izgubite kontrolu.

ELEKTRIČNA SIGURNOST

- **Utikači električnog alata moraju odgovarati utičnici.** Nikada nemojte modificirati utikače ni na koji način. Nemojte koristiti nikakve adapter utikače s uzemljenim električnim alatima. Originalni utikači i odgovarajuće utičnice smanjuju opasnost od strujnog udara.
- **Izbjegavajte kontakt tijela s uzemljenim površinama poput cijevi, radijatora, štednjaka i hladnjaka.** Ako je vaše tijelo uzemljeno, povećava se opasnost od strujnog udara.
- **Nemojte izlagati električne alate kiši ili vlažnim uvjetima.** Ulazak vode u električni alat povećava opasnost od strujnog udara.
- **Nemojte zlorabiti kabel.** Nikada nemojte koristiti kabel za nošenje, povlačenje ili isključivanje električnog alata. Držite kabel podalje od topline, ulja, oštih rubova ili rotirajućih dijelova. Oštećeni ili zapleteni kabeli povećavaju opasnost od strujnog udara.
- **Kada radite s električnim alatom na otvorenom, koristite produžni kabel prikladan za rad na otvorenom.** Korištenje kabela prikladnog za rad na otvorenom smanjuje opasnost od strujnog udara.
- **Ako se ne može izbjeći rad s električnim alatom u vlažnoj lokaciji koristite FID sklopku (RCD uređaj) za zaštitu napajanja.** Korištenje RCD uređaja smanjuje opasnost od električnog udara.

OSOBNJA SIGURNOST

- **Budite na oprezu, gledajte to što radite i pri radu s električnim alatom koristite zdrav razum.** Nemojte koristiti električni alat kad ste umorni ili pod utjecajem droge, alkohola ili lijekova. Trenutak

nepažnje pri radu s električnim alatima može dovesti do teških osobnih ozljeda.

- **Koristite osobnu zaštitnu opremu. Uvijek nosite zaštitna sredstva za oči.** Zaštitna oprema poput maske za prašinu, zaštitna obuća sa zaštitom od klizanja, kaciga ili zaštita za uši koja se koristi u odgovarajućim uvjetima smanjuje osobne ozljede.
- **Spriječite slučajno pokretanje. Osigurajte da je prije priključivanja na izvor napajanja i/ili baterije, podizanja ili nošenja alata, sklopka u položaju OFF (isključeno).** Nošenje električnog alata s vašim prstom na sklopki ili uključivanje električnih alata sa sklopkom postavljenom na položaj on (uključeno) dovodi do nezgoda.
- **Prije uključivanja električnog alata uklonite sve klinove za podešavanje i ključeve.** Ključ ili klin ostavljen priključen na rotirajućem dijelu električnog alata može dovesti do osobne ozljede.
- **Nemojte se naginjati preko rubova. Cijelo vrijeme držite pravilno uporište i ravnotežu.** Ovo u neočekivanim situacijama omogućuje bolju kontrolu nad električnim alatom.
- **Pravilno se odjenite. Nemojte nositi široku odjeću ili nakit.** Kosu i odjeću držite podalje od pokretnih dijelova. Široka odjeća, nakit ili dugačka kosa mogu biti zahvaćeni u pokretne dijelove.
- **Ako su uređaji opremljeni s priključkom aparata za odvajanje i prikupljanje prašine, osigurajte da su oni priključeni i pravilno korišteni.** Korištenje uređaja za sakupljanje prašine smanjuje opasnosti vezane uz prašinu.
- **Ne dopustite da vam poznavanje stečeno čestim korištenjem alata omoguću da postane spokojni i ignorirate sigurnosna pravila za alat.** Nepažljiv rad može uzrokovati ozbiljne povrede unutar djelića sekunde.

KORIŠTENJE I BRIGA O ELEKTRIČNOM ALATU

- **Nemojte električni alat koristiti iznad njegovih mogućnosti.** Za vašu primjenu koristite točan električni alat. Točan električni alat bolje će i sigurnije uraditi posao u odnosu za što je namijenjen.
- **Nemojte koristiti električni alat ako ga sklopka pravilno ne uključuje i isključuje.** Svaki električni alat koje se ne može kontrolirati pomoću sklopke je opasan i mora se popraviti.
- **Prije nego što izvršite bilo kakva podešavanja, zamijenite dodatni pribor ili pohranite električne alate, odspojite utikač iz izvora napajanja i/ili uklonite bateriju, ako je odvojiva, iz električnog alata.** Ovakve preventivne sigurnosne mjere smanjuju opasnost od slučajnog pokretanja električnog alata.
- **Električne alate pohranite u stanju mirovanja izvan dohvata djece i ne dopustite rad s električnim alatom osobama koje nisu upoznate s električnim alatom ili ovim uputama.** Električni alati su opasni u rukama nestručnih korisnika.
- **Održavajte električne alate i pribore.** Provjerite radi pogrešnog poravnanja ili savijanja pokretnih dijelova, puknuća dijelova i drugih uvjeta koji mogu



utjecati na rad električnog alata. Ako je oštećen, električni alat prije korištenja popravite. Većina nezgoda uzrokovano je od strane električnih alata koji su slabo održavani.

- **Rezne alate držite oštrim i čistim.** Pravilno održavanim reznim alatima s oštrim rubovima za rezanje, manja je vjerojatnost zahvaćanja i lakše se kontroliraju.
- **Koristite električni alat, pribor i dijelove alata itd., u skladu s ovim uputama i uzevši u obzir radne uvjete i rad koji treba izvršiti.** Korištenje električnog alata za radove drugačije od njegove namjene može dovesti do opasne situacije.
- **Održavajte ručke i površine hvata suhim, čistim i da na njima nema ulja i masti.** Skliske ručke i površine za hvatanje ne omogućuju sigurno rukovanje i kontrolu alata u neočekivanim situacijama.

SERVIS

- **Neka vaš električni alat servisira kvalificirana osoba za popravak koristeći samo identične zamjenske dijelove.** Ovo će osigurati da se održi sigurnost električnog alata.

SIGURNOSNE UPUTE ZA STOLNE PILE

ČUVANJE VEZANO ZA UPOZORENJA

- **Držite štitnike na mjestu. Štitnici moraju biti u radnom stanju i pravilno montirani.** Štitnik koji je labav, oštećen ili ne radi pravilno mora se popraviti ili zamijeniti.
- **Uvijek koristite štitnik za list pile i razdjelni nož za svaki rad, uključujući prerezivanje.** Za radove prerezivanja kod kojih list pile potpuno prolazi kroz debljinu izratka, štitnik i ostali sigurnosni uređaji pomažu smanjiti opasnost od ozljeda.
- **Odmah ponovno priključite sustav za zaštitu nakon završetka rada (poput ponovnog užljebljivanja ili rezanja) koji zahtijevaju uklanjanje štitnika.** Štitnik i razdjelni nož pomažu smanjiti opasnost od ozljeda.
- **Provjerite da list pile na dodiruje štitnik, razdjelni nož ili izradak prije uključivanja.** Slučajni kontakt ovih stavki s listom pile može uzrokovati opasno stanje.
- **Podesite razdjelni nož kao što je opisano u ovim uputama za upotrebu.** Netočan razmak, pozicioniranje i poravnanje mogu učiniti da razdjelni nož postane neučinkovit u smanjenju povratnog udara.
- **Za rad razdjelnog noža, on mora biti postavljen u izradak.** Razdjelni nož nije učinkovit kada reže izradak koji je prekratak da bude priključen s razdjelnim nožem. Pod ovim uvjetima povratni udar se ne može spriječiti razdjelnim nožem.
- **Koristite odgovarajući list pile za razdjelni nož.** Da bi razdjelni nož pravilno funkcionirao, promjer oštrice noža mora odgovarati razdjelnom nožu, a tijelo lista pile mora biti tanje od debljine razdjelnog noža, te širina reza lista pile mora biti šira od debljine razdjelnog noža.

UPOZORENJA VEZANO ZA POSTUPKE REZANJA

⚠ OPASNOST

Nikada ne postavljajte prste ili ruke u blizinu ili u liniji s listom pile. Trenutak nepažnje ili kliznuća može usmjeriti vašu ruku prema listu pile i rezultirati ozbiljnim osobnim ozljedama.

- **Umetnite izradak na list pile samo naspram smjera rotacije.** Umetanje izratka u istom smjeru u kojem se okreće list pile iznad stola može rezultirati da izradak i vaša ruka budu povučeni na list pile.
- **Nikada ne koristite kutnik za umetanje izratka kada uzdužno režete i nemojte koristiti rezu letvu kao zaustavljač kada poprečno režete s kutnikom.** Usmjeravanje izratka s reznom letvom i kutnikom u isto vrijeme povećava vjerojatnost savijanja lista pile i povratnog udara.
- **Prilikom uzdužnog rezanja, uvijek kod umetanja primijenite silu na izradak između letve i lista pile.** Koristite šipku za guranje kada je udaljenost između letve i lista pile manja od 150 mm, te koristite blok za guranje kada je udaljenost manja od 50 mm. Uređaji za „pomoć u radu“ držat će vaše ruke na sigurnoj udaljenosti od lista pile.
- **Koristite samo šipku za guranje isporučenu od strane proizvođača ili konstruktora u skladu s uputama.** Ova šipka za guranje omogućuje dovoljnu udaljenost ruke od lista pile.
- **Nikada ne koristite oštećenu ili odrezanu šišku za guranje.** Oštećena šipka za guranje se može slomiti uzrokujući da vaša ruka sklizne na list pile.
- **Nikada ne izvodite neku radnju „slobodnom rukom“.** Uvijek koristite rezu letvu ili kutnik za pozicioniranje i usmjeravanje izratka. „Slobodnom rukom“ znači korištenje ruku za podršku ili usmjeravanja izratka, umjesto rezne letve ili kutnika. Slobodno rezanje dovodi do neravnina, savijanja i povratnog udara.
- **Nikada ne posežite okolo ili preko rotirajućeg lista pile.** Posezanje za izratkom može dovesti do slučajnog kontakta s pokrenutom listom pile.
- **Omogućite dodatnu podršku izratku na stražnjem kraju i/ili na bočnim stranama stolne pile za duge i/ili široke izratke kako bi bili ravni.** Dugi i/ili široki izratci imaju tendenciju da se nagnu preko ruba stola, uzrokujući gubitak kontrole, savijanje lista pile i povratni udar.
- **Umetnite izradak pri jednolikoj brzini.** Nemojte savijati ili uvrtati izradak. Ako dođe do zaglavljivanja, odmah isključite proizvod, izvucite utikač iz utičnice i potom otklonite zaglavljenje. Zaglavljenje lista pile u izratku može uzrokovati povratni udar ili kvar motora.
- **Nemojte uklanjati komade odrezanog materijala dok je pila pokrenuta.** Materijal se zaglavљуje između letve ili unutarnjeg štitnika lista pile, a list pile povlači vaše prste na list. Isključite pilu i prije uklanjanja materijala pričekajte dok se list pile ne zaustavi.
- **Koristite pomoćnu letvu za kontakt sa stolom**

EN
FR
DE
ES
IT
NL
PT
DA
SV
FI
NO
RU
PL
CS
HU
RO
LV
LT
ET
HR
SL
SK
EL
TR





prilikom uzdužnog rezanja izratka manjeg od 2 mm debljine. Tanki izradak može se ukliniti ispod rezne letve i stvoriti povratni udar.

UPOZORENJA NA POV RATNI UDAR I DRUGE VEZANE OPASNOSTI

Povratni udar je iznenadna reakcija izratka zbog prignječenja, zaglavljeno g lista pile ili neravne linije reza u izratku u odnosu na list pile ili kada se dio izratka savije između lista pile i rezne letve, ili drugog učvršćenog predmeta. Uglavnom je tijekom povratnog udara izradak podignut sa stola stražnjim krajem lista pile i usmjeren prema operateru.

Može ga se izbjeći ako se poštuju neke mjere opreza.

- **Nikada ne stojte izravno u liniji s listom pile. Uvijek se pozicionirajte na istoj strani lista pile kao letva.** Povratni udar može izbaciti izradak velikom brzinom prema svakome tko stoji ispred i u liniji s listom pile.
- **Nikada ne posežite preko ili iza lista pile kako biste povlačili ili držali izradak.** Može doći do slučajnog kontakta s listom pile ili povratni udar može povući vaše prste na list pile.
- **Nikada ne držite i ne pritišćite izradak koji se reže suprotno od rotiranja lista pile.** Pritiskanje izratka koji se reže suprotno od lista pile dovodi do savijanja i povratnog udara.
- **Poravnajte letvu da bude paralelna s listom pile.** Pogrešno poravnata letva prignječit će izradak na list pile i stvoriti povratni udar.
- **Koristite glavnu ploču za usmjerenje izratka po stolu i letvi kada radite neprozrezivanjem poput, užljebljivanja ili ponovnog rezanja.** Glavna ploča pomaže kontrolirati izradak u slučaju povratnog udara.
- **Poduprite velike ploče kako biste minimizirali opasnost od prignječenja lista pile i povratnog udara.** Dugi komadi koje obrađujete znaju se saviti pod vlastitom težinom. Podrška mora biti postavljena ispod svih dijelova ploče koji prelaze preko stola.
- **Budite posebno oprezni kada režete izradak koji deformiran, pun čvorova, izvitooperen ili nema dovoljno jake rubove za njihovo usmjeravanje s kutnikom ili uzduž letve.** Deformiran, pun čvorova ili izvitooperen izradak je nestabilan i uzrokuje usjek, savijanja i povratni udar lista pile.
- **Nikada ne režite više od jednog izratka, naslaganih okomito ili vodoravno.** List pile može podignuti jedan ili više izradaka i uzrokovati povratni udar.
- **Kada ponovno pokrećete list pile u izratku, centrirajte list u zasjeku i provjerite da zub pile nije zahvaćen u materijal.** Ako se list pile savije, može podignuti izradak i uzrokovati povratni udar kada se pila ponovno pokrene.
- **Održavajte listove pile čistim, oštrom, te imajte dovoljno kompleta. Nikada ne koristite izvitooperene listove pile ili listove pile s napuklim ili slomljenim zubima.** Oštri i pravilno postavljeni listovi pile minimiziraju savijanje, zaglavljivanje i povratni udar.

UPOZORENJA O POSTUPCIMA VEZANO ZA RAD SA STOLNOM PILOM

- **Isključite stolnu pilu i odspojite kabel za napajanje kada uklanjate podložak stola, mijenjate list pile ili podešavate razdjelni nož ili štitnik lista, te kada je uređaj ostavljen bez nadzora.** Mjere predostrožnosti sprječavaju nesreće.
- **Nikada ne ostavljajte pokrenutu pilu bez nadzora. Isključite je i ne napuštajte proizvod dok se potpuno ne zaustavi.** Pokrenuta pila bez nadzora je nekontrolirana opasnost.
- **Postavite stolnu pilu u dobro osvijetljenom i ravnom području gdje možete održavati dobro uporište i ravnotežu.** Treba biti instalirana u području koje omogućuje dovoljno prostora za jednostavno rukovanje veličinom izratka. Uska, tamna područja i neravni sklizavi podovi zovu na nesreću.
- **Često čistite i uklanjajte prašinu piljenja ispod stola pile i/ili iz uređaja za prikupljanje prašine.** Nakupljena prašina od piljenja je zapaljiva i može se samozapaliti.
- **Stolna pila mora biti sigurna.** Stolna pila koja nije pravilno osigurana može se pomaknuti ili preokrenuti.
- **Uklonite alate, drvene komade itd. sa stola prije nego uključite stolnu pilu.** Prepreka ili potencijalno zaglavljivanje može biti opasno.
- **Uvijek koristite listove pile točne veličine i oblika s otvorom za vratilo (verzija u obliku karoa).** Listovi pile koji ne odgovaraju montaži na kućište pile pokretat će se ekscentrično, uzrokujući gubitak kontrole.
- **Nikada nemojte koristiti oštećene ili neispravne elemente za montažu lista pile poput prirubnica, podloški lista pile, vijaka ili matica.** Elementi za montažu posebno su namijenjeni za pilu, radi sigurnosti u radu i optimalne učinkovitosti.
- **Nikada ne stojte na stolnoj pili, nemojte je koristiti kao stepenicu.** Može doći do ozbiljnih ozljeda ako se proizvod prevrne ili se alat za rezanje slučajno dotakne.
- **Osigurajte da je list pile ugrađen u pravilnom smjeru rotacije. Nemojte koristiti brusne kotače, čelične četke ili abrazivne kotače na stolnoj pili.** Nepravilna instalacija lista pile ili korištenje dodatnog pribora koji nije preporučeni mogu uzrokovati ozbiljne ozljede.

DODATNA SIGURNOSNA UPOZORENJA ZA STOLNE PILE

- Postavite ili pričvrstite uređaj na stabilna položaja koji odgovara radu kojeg trebate izvršiti. To se može ugraditi na radni stol, nožice za podršku ili pričvrstiti na pod.
- Ako je pričvršćeno, podesite produžetke nožica kako biste postigli ravnu stabilnu platformu za rad.
- Rad na pravilnoj visini, korištenjem dobrog radnog položaja pomaže sprječiti istegnuća ili druge ozljede tijekom rada.
- Omogućite odgovarajuću opću ili rasvjetu na licu mjesta kako biste spriječili efekt stroboskopa i opasnosti.
- Po potrebi odjenite prikladnu osobnu zaštitnu opremu.





To uključuje zaštitu za sluh radi smanjenja opasnosti od gubitka sluha, respiratornu zaštitu radi smanjenja opasnosti od udisanja štetne prašine, rukavice prilikom rukovanja s listovima pile i sirovim materijalom.

- Uvijek nosite zaštitne naočale kad koristite stroj. Preporučujemo da nosite čvrste cipele protiv klizanja sa zaštitnim kavicama od predmeta koji padaju sa stola.
- Prašina proizvedena tijekom korištenja ovog alata može biti štetna za zdravlje, zapaljiva ili eksplozivna. Koristite sustav za izdvajanje prašine i nosite prikladnu zaštitnu masku za prašinu. Temeljito uklonite nakupine prašine, npr. pomoću četke ili usisavača.
- Održavajte pod u radnom području čistim od prekomjerne prašine, otpadaka i kabela za napajanje. To smanjuje opasnost od saplitanja i padova na oštricu.
- Održavajte stol čistim od predmeta uključujući alate i odbačene ostatke drva.
- Održavajte površinu stola, letvu i kutnik čistim. Pazite na ljepljivo, boju i ostale stavke. Drvo mora glatko kliziti i ne zahvaćati ili uloviti bilo gdje jer u suprotnom opasnost od ozbiljne ozljede zbog povratnog udara značajno raste.
- Koristite samo oštricu navedenu u ovim uputama koja je u skladu s EN 847-1.
- Nemojte koristiti oštrice pile izrađene od čelika za velike brzine.
- Koristite samo listove pile koji su označeni s istom ili većom brzinom od brzine označene na alatu.
- Nemojte silom gurati izradak na reznu oštricu. Pustite da alat radi. Pretjerano korištenje sile zagrijava oštricu i rezne vrhove, to može spaliti izradak. Može dovesti do neočekivanih događaja koji mogu uzrokovati ozbiljne osobne ozljede.
- Ne upotrebljavajte tupe ili oštećene oštrice. Nenaoštrene ili nepravilno postavljene oštrice stvaraju užu zasjek dovodeći do povećanog trenja, savijanja oštrice i povratnog udara.
- Listove pile treba nositi u držaču kad got je praktično.
- Ne radite s alatom bez podloška stola, te zamijenite podlošku stola kad se istroši.
- Osim ako izvodite neprorezivanje, uvijek držite štitnike za oštricu i razdjelni nož na mjestu i ispravne za rad. Štitnici za oštricu trebaju se dizati i padati kako bi omogućili jednostavna prolaz izratka ispod njih. Osigurajte da je štitnik za oštricu čvrsto postavljen na razdjelni nož. Nemojte koristiti s uklonjenim bilo kojim pokrovom/štitnikom.
- Uvijek osigurajte da je oštrica paralelna s letvom. To je glavni uzročnik povratnog udara koji može rezultirati ozbiljnom ozljedom.
- Uvijek koristite štitnik za list pile i razdjelni nož za svaku radnju prorezivanja. Radovi prorezivanja su oni u kojima rezne oštrice potpuno prolaze kroz izradak prilikom uzdužnog ili poprečnog rezanja.
- Uvijek temeljito provjerite materijal koji namjeravate rezati, posebice kada koristite reciklirano drvo, za strane predmete poput čavala, vijaka, spojnice.
- Ako ovi ili slični premeti dođu u dodir s oštricom tijekom rezanja, pila će se oštetiti te može doći do ozbiljnih

ozljeda operatera ili drugih osoba.

- Proizvoljni rezovi s ovim alatom nisu dopušteni niti mogući.
- Po potrebi koristite šipku za guranje. Uvijek koristite štap za guranje za uzdužno rezanje drva. Šipka za guranje uvijek treba biti pohranjena s uređajem kad se ne koristi.
- Nikada ne posežite u područje lista pile kada je pokrenuta. Držite prste dalje od podloška stola.
- Nikada ne ostavljajte alat da radi bez nadzora.
- Isključite napajanje.
- Ne ostavljajte alat dok se potpuno ne zaustavi.
- Nikad ne pokušavajte zaustaviti uređaj u brzom kretanju zaglavljivanjem izratka ili oštrice na drugi način. Na ovaj način može doći do ozbiljne nesreće.
- Ne dodirujte list pile odmah nakon piljenja. List pile postaje vruć tijekom piljenja.
- Ako se list pile zaglavi tijekom rezanja, isključite uređaj i odspojite ga iz napajanja. Uklonite izradak i osigurajte da se pila slobodno pokreće. Uključite uređaj i započinite novu radnju rezanja sa smanjenom uporabom sile.
- Prilikom transporta uređaja, uklonite štitnik oštrice, podesite razdjelni nož u najniži položaj i spustite oštricu tako da je ispod površine stola u svojem položaju za prijenos.
- Ako je kabel za napajanje oštećen, mora ga zamijeniti samo proizvođač ili ovlašteni servisni centar kako bi se izbjegla opasnost.
- Nemojte koristiti nikakve priključke ili dodatni pribor koji nije preporučen od strane proizvođača. Uporaba dijelova i dodatne opreme koje nije preporučio proizvođač može dovesti do teških ozljeda. Uređaji korišteni na mnogim različitim lokacijama uključujući na otvorenom moraju se povezati preko sigurnosnog prekidača strujnog kruga (RCD).
- Ako je prekinuto napajanje na stolnu pilu, sklopka za uklij./isklij. uređaja automatski se postavlja u isključeno.

SPECIFIČNE SIGURNOSNE UPUTE ZA OŠTRICU ZA REZANJE DRVETA

- Molimo da prije korištenja lista pile i električnog alata pažljivo pročitate priručnik i upute.
- Električni alat mora biti u dobrom stanju, osovina bez deformacija i vibracija.
- Osigurajte da je rukovatelj adekvatno obučen u mjerama predostrožnosti, podešavanjima i radu s električnim alatom.
- Uvijek nosite naočale i zaštitu za sluh kada raditi s električnim alatom. Preporuča se nošenje rukavica, čvrstih cipela koje se ne klizu i pregaču.
- Prije korištenja bilo kakvog dodatnog pribora pogledajte upute za uporabu. Nepravilna uporaba dodatnog pribora može dovesti do oštećenja i povećati opasnost za ozljede.
- Održavajte oštricu čistom. To uključuje piljevinu i posebice ljepljive tvari poput drvene smole. Čista oštrica reže preciznije i sigurnije.
- Koristite samo oštricu navedenu u ovim uputama koja

EN
FR
DE
ES
IT
NL
PT
DA
SV
FI
NO
RU
PL
CS
HU
RO
LV
LT
ET
HR
SL
SK
EL
TR





je u skladu s EN 847-1.

- Održavajte maksimalnu brzinu naznačenu na listu pile. Provjerite je li brzina označena na oštrici noža približno jednaka brzini označenoj na pili.
- Uvijek koristite oštrice s točnom veličinom i oblikom za otvor na vratilu. Nikad ne upotrebljavajte vijke i podložne pločice koji su oštećeni ili neprilagođeni.
- Nemojte koristiti listove pile s tijelom veće debljine ili širinom zubiju (usjekom) manjom od debljine razdjelnog noža.
- Nemojte koristiti oštrice većeg ili manjeg promjera od preporučenog. Nemojte koristiti nikakve razmačnike kako biste priključili oštricu na osovinu.
- Provjerite vrhove oštrica pile na oštećenja ili abnormalna izgled prije korištenja. Vrhovi koji su oštećeni ili labavi mogu postati leteći predmeti prilikom korištenja i povećati opasnost za osobne ozljede.
- Nemojte koristiti slomljene ili iskorištene oštrice pile. Nemojte koristiti oštrice pile koje su oštećene ili deformirane.
- Bacite list pile ako je oštećen, deformiran, istrošen ili napukao, opravak nije dozvoljen.
- Nemojte koristiti HSS oštrice.
- Prije korištenja osigurajte da ej list pile točno montiran, čvrsto pritegnite maticu na vratilu.
- Pričvrstne vijke i matice treba pritegnuti korištenjem odgovarajućeg ključa.
- Korištenje produžetka na ključu ili pritezanje korištenjem udarnog čekića nije dopušteno.
- Osigurajte da su sve oštrice i pribornice čiste i da su upuštene strane spojnice prema oštrici.
- Osigurajte da se oštrice rotiraju u točnom smjeru i da nema kontakta s nijednim dijelom uređaja ili sustava štitnika.
- Prije rada, izvršite probni rez bez uključenog motora kako biste pozicionirali oštricu, rad štitnika u odnosu na druge dijelove proizvoda i izradak mogu se također provjeriti.
- Nikada ne ostavljajte električni alat bez nadzora.
- Ne podmazujte list pile kad je pokrenut.
- Nikad ne pokušavajte zaustaviti električni uređaj u brzom kretanju zaglavlivanjem alata ili drugim načinom prema oštrici, na ovaj način može doći do ozbiljne nesreće.
- Iskopčajte električni alat iz glavnog napajanja prije promjene oštrica ili izvođenja održavanja.
- Obratite pozornost na pakiranje i raspakiranje, vrlo lako se može ozlijediti na oštre vrhove.
- Koristite držač oštrice ili nosite rukavice prilikom rukovanja s listom pile. Zapamtite, oštrica će biti vruća nakon postupka rezanja.
- Održavajte i čuvajte oštricu u originalnom pakiranju ili drugom prikladnom pakiranju, čuvajte u suhim uvjetima i dalje od kemikalija koje mogu oštetiti oštricu.

NAMJENA

Stolna pila namijenjena je za rad jedne osobe u svrhu rezanja i poprečnog rezanja drveta, do maksimalne dubine

od 80 mm pri kutu nagiba od 0°. Pri maksimalnom nagibu od 45° i maksimalnoj dubini reza od 55 mm. Stolna pila je dizajnirana i namijenjena za postavljanje na stabilnu površinu ili radni stalak koji je isporučen od proizvođača. mogu se rezati tvrdo i meko drvo plus ploče od šperploče.

Samo kombinacija oštrice i razdjelnog noža isporučena od proizvođača ove stolne pile se smiju koristiti za ovu stolnu pilu.

PREOSTALE OPASNOSTI

Čak i kad je stolna pila korištena kao što je prethodno opisano, još uvijek nije moguće potpuno isključiti ostale čimbenike opasnosti.

Operater mora obratiti posebnu pozornost i dodatnu pažnju ovim točkama kako bi smanjio opasnost od ozbiljnih osobnih ozljeda.

- Neprorezivanje. Štitnik za oštricu je uklonjen i vrh lista pile je izložen.
- Dodir s oštricom - izbjegavajte posezati ispred, preko ili oko lista pile.
- Povratni udar - nikada ne stojte ispred oštrice.
- Stabilnost - osigurajte da je proizvod stabilan, kad je to moguće, osigurajte ga.
- Savjeti za odbačene komade kod rezova - nosite zaštitu za oči cijelo vrijeme dok radite.
- Udisanje prašine - po potrebi nosite masku. Prašina proizvedena radom s određenim vrstama drvenih proizvoda (npr. MDF) može biti opasna za vaš dišni sustav.
- Ozljede oka od čestica drveta i prašine - nosite zaštitu za vid cijelo vrijeme rada.
- Ozljede sluha - ograničite izlaganje i nosite odgovarajuću zaštitu za sluh.
- Razine buke mogu se razlikovati između uređaja ovisno o uvjetima korištenja. Osobe izložene visokim razinama buke, čak i za kratko vrijeme, mogu doživjeti privremeni gubitak sluha, a kontinuirano izlaganje visokim razinama može dovesti do trajnog oštećenja sluha.

UPOZNAJTE SVOJ ELEKTRIČNI ALAT

Pogledajte stranicu 242.

1. Podložak stola
2. Podesivi produžetak razdjelnog noža
3. Kutna vodilica
4. List pile
5. Štitnik lista pile
6. Otpuštane podloška stola
7. Letva/rezna letva
8. Bočni produžetak stola (RTS1800ES, RTS1800EF)
9. Otvori za učvršćivanje (osiguravaju radni stol ili nožice)
10. Sklopka za on/off (uklj./isklj.)
11. Kotač za podešavanje kuta nagiba
12. Brava za zaključavanje kuta
13. Dubina ručke reza
14. Stolna pila
15. Izbacivanje prašine
16. Ulaz za dodatni pribor za prašinu



RAD

⚠ UPOZORENJE

Morate pročitati i potpuno razumjeti sva upozorenja i upute sadržane u ovom priručniku prije napajanja i pokretanja za rezanje s ovom stolnom pilom.

Prorezivanje: Svaka radnja rezanja gdje list pile prolazi kroz debljinu izratka. Za ovaj rad razdjelni nož treba biti u podignutom položaju, a štitnik za oštricu treba biti postavljen. Koristite letvu ili kutnik za točno pozicioniranje izratka.

Neprorezivanje: Svaka radnja rezanja gdje list pile ne prolazi kroz debljinu izratka. Za ovaj rad razdjelni nož treba biti u najnižem položaju. Vrh razdjelnog noža treba biti lagano niži od gornjeg dijela lista pile. Štitnik za oštricu se ne može postaviti. Koristite letvu ili kutnik za točno pozicioniranje izratka.

Rezanje: Korištenjem rezne letve paralelno na oštricu uz vodilicu izratka. Glavni rez se vrši u smjeru godova drveta (ako postoje). Može biti prorez ili neprorez.

Poprečno rezanje: Korištenje kutnika ili letve za poprečno rezanje. Ovaj uređaj namijenjen je za bočno pomicanje prema listu pile i omogućuje izratku da se drži po utvrđenim kutom poprečne osi rezanja oštrice. Glavni rez se vrši u poprečno od godova drveta (ako postoje). Može biti prorez ili neprorez.

Rezanje pod nagibom: Kut oštrice u odnosu na površinu stola promijenjen je između 90 i 45°. Proizvodnja reza po kutom ruba. Može biti prorez ili neprorez. Reznu letvu ili kutnik treba koristiti za pravilno pozicioniranje izratka.

Kutno rezanje: Izradak je postavljen prema oštrici pod kutom. Potreban kut je postavljen na kutniku, koji potom može izradak držati pod kutom, te ga pod ovim kutom istovremeno povlačiti po oštrici izvodeći rez. Može biti prorez ili neprorez.

Zašiljeno rezanje: Zašiljeno poprečno rezanje moguće je korištenjem kutnika postavljenog pod potrebnim kutom. Nije moguće izvesti zašiljeno rezanje jer je potreban poseban pričvršni element.

SIGURNO KORIŠTENJE LETVE

- Nikada istovremeno ne koristite reznu letvu i kutnik. Ovo povećava mogućnost povratnog udara i osobne ozljede. Kada se nijedno ne koristi, uklonite ih sa stola i spremite na sigurno.
- Svaki puta kada se koristi letva ili se pomiče na drugu poziciju, bitno je da se provjeri njezina paralelnost na list pile.
- Neparalelna letva može zahvatiti izradak između oštrice i letve te uzrokovati povratni udar koji može dovesti do ozbiljnih osobnih ozljeda na vama i drugima.
- Loše podešena ili postavljena letva može uzrokovati da izradak bude pomaknut prema oštrici pod krivim kutom što može dovesti do savijanja ili zaglavljavanja oštrice. Također može uzrokovati povratni udar (pogledajte gore).
- Za pravilno postavljanje ili podešavanje letve, zakačite kraj letve preko stražnjeg ruba stola, potom snizite

prednji rub za priključivanje s prednjim dijelom stola. Potom pritisnite prednji dio letve tako da se dva ruba postave pod pravim kutom u smjeru letve koja dodiruje prednji rub stola. Ovo pomaže osigurati da je letva paralelna s oštricom. Potom zaključajte letvu u položaju tako da gurnete ručku za zaključavanje prema dolje.

- Sila kojom ručka za zaključavanje drži letvu u položaju može se podesiti rotiranjem vijka iznad ručke za zaključavanje.
- Uvijek provjerite paralelnost letve prema oštrici mjerenjem ili točnim blokiranjem reza drveta prije vršenja reza.

Poravnanje oznaka udaljenosti, oštrica prema letvi

Postavite rub letve prema oštrici i potom podesite indikator pokaznog stalca za poravnanje s oznakom od 0 mm na prednjem rubu stola. Olabavite vijak, podesite pokazno stalce i potom pritegnite vijak.

Korištenje pomoćne letve

Postoje okolnosti kad je potrebno uz glavnu letvu postaviti i pomoćnu letvu.

- Kada se uski izradak ne može držati rukom ili gurnuti šipkom jer se nalazi letva ispred.
- Kada se reže tanki izradak. Vrlo tanki izratci mogu skliznuti ispod glavne letve i zahvatiti se ili podvući uzrokujući potencijalni povratni udar. Za sprječavanje ovog koristite pomoćnu letvu.

Uklonite pomoćnu letvu kad got je sigurno koristiti samo glavnu letvu.

Kada raditi rez pod nagibom na uskim izratcima, uvijek koristite letvu na suprotnoj strani oštrice na način da je naslonjena, jer je u suprotnom može lako zahvatiti i povući blok ili šišku prema štitniku oštrice ili letve.

Pričvršćivanje pomoćne letve na glavnu letvu

- Pomoću krilnih matrica i podloški na jednoj strani letve, gurnite vijke kroz drugu stranu i zajedno pritegnite za nekoliko okreta. Sada pomaknite pomoćnu letvu preko glave vijka na omogućeni utor. Pritegnite pomoćnu letvu u položaj po potrebi.

NAPOMENA: Namjena pomoćne letve je samo da usmjerava izradak da prođe oštricu i razdvojni nož, ne pokriva cijelu duljinu glavne letve.

Uklonite pomoćnu letvu kad got je sigurno koristiti samo glavnu letvu. Nemojte ostaviti vijke i krilne matrice na mjestu na glavnoj letvi.

Korištenje kutne ploče

Kutna ploča je uređaj sličan kombu no za rezanje pod kutom. Obično izrađena od drveta ili plastike lagano se pomiče kako izradak dolazi u položaj, primjenjujući ravnomjeran i konstantan pritisak za držanje izratka. Koristite jedan od ovih uređaja kod preciznog reza uskih izradaka. Ovaj uređaj priključen je na stol putem utora kutnika i zamjenjuje potrebu da prsti operatera budu pored oštrice.

Kutna ploča treće strane može se kupiti u specijalnim trgovinama za rad s drvetom.



UREĐAJ ZA ZAŠTITU OD PREOPTEREĆENJA

Proizvod ima uređaj za zaštitu od preopterećenja. Kad je otkriveno preopterećenje, proizvod se automatski isključuje. Isključite napajanje. Ako je aktiviran prekidač za preopterećenje, morate omogućiti motoru 3 minuta da se ohladi. Osigurajte da se oštrica ne može slobodno okretati i da nije zaglavljena ili pretegnuta. Pritisnite gumb za otpuštanje (ispod sklopke za uklj./isklj.). Uključite napajanje. Pritisnite na gumb za pokretanje proizvoda.

ODRŽAVANJE

- osigurajte da je list pile potpuno zaustavljen i da je kabel za napajanje uklonjen iz izvora napajanja prije provođenja bilo kakvog održavanja ili čišćenja.
- Ako je kabel za napajanje oštećen, mora se popraviti u ovlaštenom servisnom centru.
- Oštrica ima oštre rubove i također ostaje vruća nakon radova rezanja. Budite izuzetno pažljivi kada čistite izloženu oštricu. Nosite rukavice kako biste se zaštitili od osobnih ozljeda.
- Redovito čistite pilu i dodatni pribor od prašine, posebice pomične dijelove uključujući štitičnik za oštricu. Koristite ručnu četku ili usisavač za učinkovito uklanjanje prašine.

⚠ UPOZORENJE

Nemojte pokušavati rastaviti sklop štitičnika za oštricu radi čišćenja ili popravka. Oštećeni štitičnici za oštricu se ne smiju koristiti. Vratite u ovlašteni servisni centar radi popravka ili zamjene.

- Stolna pila tvornički je podmazana i ne treba dodatno podmazivanje.
- Za provjeru i podešavanje paralelnosti oštrice/letve, pogledajte odlomke u ovom priručniku „Provjera i postavljanje kuta nagiba“ i „Provjera i postavljanje paralelnosti oštrice prema utorima kutnika“.

PROVJERAVANJE I POSTAVLJANJE KUTA NAGIBA

NAPOMENA: Postavljanje oštrice da bude pod 90° od stola u kutu nagiba 0°.

1. Isključite napajanje i uklonite utikač iz zidne utičnice.
2. Obratite posebnu pozornost na vrhove rezne pile, vrlo su oštri i mogu dovesti do osobnih ozljeda.
3. Podignite sklop oštrice i razdjelnog noža u njihov najviši položaj.
4. Uklonite štitičnik za oštricu.
5. Postavite razdjelni nož u njegov najniži položaj.
6. Osigurajte da su oštrica i površina stola čisti od prašine i ostataka.
7. Postavite 90° „kocku“ prema površini stola i najvišeg dijela oštrice. Pazite da ne dotaknete vrhove oštrice tijekom ovog mjerenja je će to dovesti do pogreške. Trebate poravnati površinu kućišta s listom pile.
8. Ne smije biti razmak između ruba kocke i oštrice ili stola, u ovom uvjetu oštrica je potpuno okomito poravnata i nije potrebno dodatno podešavati kut oštrice.
9. Ako postoji razmak, olabavite gumb za zaključavanje

nagiba i pažljivo pomaknite kut nagiba provjeravajući razmak. Kada više nema razmaka, pritegnite gumb za zaključavanje nagiba.

10. Olabavite vijak na pokazatelju kuta nagiba i podesite nosač plastične linije da prikazuje oznaku poravnanja 0°. Pritegnite vijak.
11. Ponovite ovu radnju za provjeru i postavljanje različitih kutova između 90° i 45° po vašoj potrebi.

PROVJERA I POSTAVLJANJE PARELELNOSTI OŠTRICE PREMA UTORIMA KUTNIKA

1. Isključite napajanje i uklonite utikač iz zidne utičnice.
2. Obratite posebnu pozornost na vrhove rezne pile, vrlo su oštri i mogu dovesti do osobnih ozljeda.
3. Podignite sklop oštrice i razdjelnog noža u njihov najviši položaj.
4. Uklonite štitičnik za oštricu.
5. Izvršite detaljne provjere u ovom priručniku „Kako provjeriti i postaviti kut nagiba“. Osigurajte da je kut nagiba pričvršćen na 0°.
6. Uzmite kutnik i postavite ga na jedan od utora na stolu. Postavite kut na kutnika na 90°.
7. Postavite čelični graničnik naspram kutnika i ravni kraj graničnika postavite da dodiruje tijelo lista pile. Možete koristiti točan rezni blok drveta umjesto čeličnog graničnika.
8. Držite čvrsto graničnik/blok i pomaknite cijeli kutnik kako bi graničnik/blok sada dodirivao drugi kraj oštrice. Graničnik ili blok trebaju imati istu razinu kontakta s oštricom kako ga pomičete preko tijela oštrice. Ako je tako, paralelnost između oštrice i stola je točna i nije potrebno podešavanje. Provjerite utor na drugoj strani stola korištenjem istog načina.

PODEŠAVANJE PARELELNOSTI OŠTRICE PREMA UTORIMA STOLA

Postoje dva vijka na prednjem dijelu lista pile i još dva na stražnjem dijelu. Njima se može pristupiti s donje strane površine stola.

Kada se ovi vijci otpuste, cijela oštrica, razdjelni nož i sklop motora se mogu ukloniti radi točnog poravnanja oštrice u utorima na stolu.

Možda vam ovo bude teško ako nemate iskustva u ovakvim podešavanjima, stoga u slučaju poteškoća, vratite svoju stolnu pilu najbližem ovlaštenom servisnom centru Ryobi za profesionalno postavljanje.

ZAŠTITA OKOLIŠA



Sirovine reciklirajte, umjesto da ih odlažete kao otpad. Kako biste zaštitili okoliš, alat, dodatke i ambalažu treba odvojeno baciti u otpad.

SIMBOLI NA PROIZVODU



Sigurnosno upozorenje





CE usklađenost



EurAsian znak konformnosti.



Alat II razreda s dvostrukom izolacijom



Molimo vas da prije pokretanja uređaja pažljivo pročitate upute.



Nosite zaštitu za sluh.



Nosite sredstva za zaštitu očiju.



Nosite zaštitne rukavice.



Opasnost! Oštra oštrica.



Kapacitet rezanja



Širina reza oštrice (usjek)



Broj zubiju na ovom listu pile



Za rezanje drveta i sličnih materijala



Nije za rezanje metala



Smjer rotacije oštrice (prikazano na štitniku oštrice)



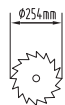
Smjer rotacije oštrice (prikazano na razdjelnom nožu)



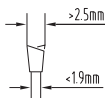
Smjer rotacije oštrice (prikazano na listu pile)



Smjer rotacije oštrice (prikazano na stolu)



Promjer rezne ploče



Debljina tijela i širina reza oštrice



Debljina i tvrdoća razdjelnog noža



Nazivna snaga



Oštrica od 48 zubiju od tungsten karbida



Mekani start



Zaštita od preopterećenja



Stol od tankog aluminija



Dimenzije stola (RTS1800, RTS1800S)



Dimenzije stola (RTS1800ES, RTS1800EF)



Dimenzije za proširenje stola



Uklonjiva nožica škara

- EN
- FR
- DE
- ES
- IT
- NL
- PT
- DA
- SV
- FI
- NO
- RU
- PL
- CS
- HU
- RO
- LV
- LT
- ET
- HR**
- SL
- SK
- EL
- TR



Preklopiva delux nožica



Kapacitet rezanja (90° i 45°)



Otpadni električni proizvodi ne treba da se odlažu s otpadom iz domaćinstva. Molimo da reciklirate gdje je to moguće. Provjerite kod lokalnih tijela ili trgovca radi savjeta o recikliranju.

SIMBOLI U OVOM PRIRUČNIKU



Priključite u utičnicu za napajanje.



Isključite iz utičnice za napajanje.



Dijelovi ili pribor prodan odvojeno



Otpadni električni proizvodi ne treba da se odlažu s otpadom iz domaćinstva. Molimo da reciklirate gdje je to moguće.



Napomena:



UPOZORENJE



SPLOŠNA VARNOSTNA NAVODILA ZA ELEKTRIČNA ORODJA

⚠ OPOZORILO

Preberite vsa varnostna opozorila, navodila, ilustracije in specifikacije, ki so priložene temu električnemu orodju. Če ne upoštevate opozoril in navodil, lahko pride do električnega udara, ognja in/ali hudih poškodb.

Vsa opozorila in vsa navodila shranite za bodočo referenco. Izraz »električno orodje« v opozorilih se nanaša na orodja, ki jih poganja električni tok (žična), ali na akumulatorska (brezžična) orodja.

VARNOST NA DELOVNEM PROSTORU

- Delovno območje naj bo čisto in dobro osvetljeno. V neurejenih in temnih območjih se rade zgodijo nesreče.
- Ne delajte z električnimi orodji v okolju, kjer je nevarnost eksplozije na primer v prisotnosti vnetljivih tekočin, plinov ali prahu. Električna orodja proizvajajo iskre, ki lahko vnemajo prah ali hlape.
- Med uporabo električnega orodja v bližino ne pustite otrok in drugih ljudi. Zaradi zmanjšane koncentracije lahko izgubite nadzor.

ELEKTRIČNA VARNOST

- Vtiči električnih orodij se morajo prilegati vtičnicam. Vtiča nikoli in na noben način ne smete spreminjati. Z ozemljenimi električnimi orodji ne uporabljajte adapterjev za vtičake. Nespremenjeni vtiči in ustrezne vtičnice zmanjšajo tveganje električnega udara.
- Izogibajte se telesnemu stiku z ozemljenimi površinami, kot so cevi, radiatorji, štedilniki in hladilniki. Če je vaše telo ozemljeno, obstaja povečano tveganje električnega udara.
- Električnih orodij ne izpostavljajte dežju ali vlažnim pogojem. Voda v električnem orodju znatno poveča tveganje električnega udara.
- Kabla ne uporabljajte za neustrezne namene. Kabla nikoli ne uporabljajte za prenašanje, vleko ali izklop električnega orodja. Kabel imejte proč od vročine, olja, ostrih robov ali premikajočih se delov. Poškodovani ali zapleteni kabli zvišujejo tveganje električnega udara.
- Med uporabo električnega orodja na prostem uporabljajte podaljševalni kabel, ki je primeren za zunanjo uporabo. Uporaba kabla, primerne za zunanjo uporabo, znižuje tveganje električnega udara.
- Če je delo z električnim orodjem v vlažnem okolju neizogibno, uporabite tokovno zaščitno stikalo (RCD). Uporaba naprave RCD zmanjša tveganje za električni udar.

OSEBNA VARNOST

- Med uporabo električnega orodja bodite pozorni, spremljajte potek dela in uporabljajte zdrav razum. Električnega orodja ne uporabljajte, ko ste utrujeni oz. pod vplivom drog, alkohola ali zdravil. Trenutek

nezaljivosti med uporabo električnega orodja - kompresorja lahko povzroči hude telesne poškodbe.

- Uporabljajte osebno varovalno opremo. Vedno nosite zaščito za oči. Če v različnih okoliščinah nosite ustrezno varovalno opremo, kot je maska proti prahu, obutev z neodrsečim podplatom, trda čelada in zaščita za sluh, zmanjšate možnost telesnih poškodb.
- Preprečite neželjen zagon. Preden orodje priključite na vir napajanja in/ali vstavite baterije, ga vzamete v roke ali prenašate, se prepričajte, da je stikalo v položaju za izklop. Prenašanje električnih orodij s prstom na stikalu ali dovajanje napajanja električnim orodjem, pri katerih je stikalo v položaju za vklop, lahko povzroči nesrečo.
- Pred vklopom električnega orodja odstranite morebitne nastavitvene ključe ali izvijače. Izvijač ali ključ, ki je pritrjen na vrtljivi del električnega orodja, lahko povzroči telesne poškodbe.
- Ne segajte preko dosega. Pazite, da stojite stabilno in da imate ravnotežje. To omogoča boljši nadzor nad električnim orodjem v nepričakovanih situacijah.
- Bodite primerno oblečeni. Ne nosite ohlapnih oblačil ali nakita. Pazite, da lasje in oblačila ne pridejo v bližino gibljivih delov. Ohlapna obleka, nakit ali dolgi spuščeni lasje se zlahka ujamejo v gibajoče se dele.
- Če imate na voljo naprave za sesanje in zbiranje prahu, preverite, ali so priključene in ali se ustrezno uporabljajo. Zbiranje prahu lahko zmanjša nevarnosti, povezane s prahom.
- Pazite, da zaradi predhodnega poznavanja uporabe orodij ne postanete preveč samozavestni in začnete zanemarjati varnostna načela. Lahkomiselna dejanja lahko v trenutku povzročijo hude poškodbe.

UPORABA IN NEGA ELEKTRIČNEGA ORODJA

- Električnega orodja ne preobremenjujte. Uporabite električno orodje, ki ustreza vašemu delu. Ustrezno električno orodje bo nalogo opravilo bolje in varneje pri zmogljivosti, za katero je bilo zasnovano.
- Ne uporabljajte električnega orodja, če ga stikalo ne vklopi ali izklopi, kot bi bilo treba. Kakršno koli električno orodje, ki ga ni mogoče nadzirati s stikalom, je nevarno in ga je potrebno popraviti.
- Preden opravljate kakršne koli prilagoditve, menjate pripomočke ali shranjujete električno orodje, izklopite vtiak iz vtičnice in/ali odstranite baterijo. Tovrstni preventivni varnostni ukrepi zmanjšujejo tveganje nehotnega zagona električnega orodja.
- Električna orodja, ki niso v uporabi, shranjujte izven dosega otrok in ne dovolite, da bi električno orodje uporabljale osebe, ki niso seznanjene z električnim orodjem ali s temi navodili. Električna orodja so v rokah neusposobljenih uporabnikov nevarna.
- Električna orodja in pripomočke redno vzdržujte. Preverite, ali so gibljivi deli morda napačno pritrjeni ali poškodovani, oz. ali obstaja kakršno koli drugo stanje, ki bi lahko vplivalo na delovanje električnega orodja. Če je električno orodje poškodovano, ga pred ponovno uporabo dajte v popravilo. Mnogo

EN
FR
DE
ES
IT
NL
PT
DA
PA
SV
FI
NO
RU
PL
CS
HU
RO
LV
LT
ET
HR
SL
SK
EL
TR



nesreč se pripeti zaradi slabo vzdrževanih električnih orodij.

- **Rezalna orodja naj bodo vedno nabrušena in čista.** Pravilno vzdrževana rezalna orodja z ostrimi rezili se težje zaskočijo in jih je lažje nadzirati.
- **Električno orodje, pripomočke, nastavke za orodje itd. uporabljajte v skladu s temi navodili ter upoštevajte delovne pogoje in vrsto dela, ki ga boste izvajali.** Če boste električno orodje uporabljali za neustrezne namene, lahko pride do nevarnih situacij.
- **Ročaji in prijemalne površine naj bodo suhi, čisti in brez mastnih madežev.** Če so ročaji spolzki, varno rokovanje in upravljanje z orodjem v nepričakovanih situacijah ni zagotovljeno.

SERVIS

- **Električno orodje naj servisira za to usposobljena oseba, uporabljati pa sme le originalne nadomestne dele.** To bo zagotovilo vzdrževanje varnostni električne naprave.

VARNOSTNA NAVODILA ZA NAMIZNE ŽAGE

OPOZORILA GLEDE VAROVAL

- **Vsa varovala naj bodo na vedno na svojem mestu. Varovala morajo biti pravilno nameščena in v delovnem stanju.** Slabo pritrjeno, poškodovano ali nedelujoče varovalo je treba popraviti ali zamenjati.
- **Pri vsakem polnem žaganju uporabljajte varovalo žaginega lista in razporni klin.** Pri vrstah žaganja, kjer z listom obdelovanec prežagamo po celotni debelini, varovalo in druge varnostne naprave pomagajo pri zmanjševanju tveganja za poškodbe.
- **Ko končate z delom, za katerega ste morali odstraniti varovalo (npr. žaganje utorov ali furnirja).** Varovalo in razporni klin pomagata pri zmanjševanju tveganja za poškodbe.
- **Pred vklopom stikala preverite, da se žagin list ne dotika varovala, razpornega klina ali obdelovanca.** Nenameren stik žaginega lista s temi predmeti lahko povzroči nevarno situacijo.
- **Razporni klin prilagodite, kot je opisano v navodilih za uporabo.** Napačen razmik, pozicioniranje ali poravnava razpornega klina zmanjša njegovo sposobnost preprečevanja povratnih sunkov.
- **Za pravilno delovanje mora biti razporni klin v stiku z obdelovancem.** Razporni klin ne učinkuje pri žaganju obdelovancev, ki so prekratki, da bi prišli v stik z njim. V takih razmerah razporni klin ne more preprečiti povratnega sunka.
- **Uporabljajte ustrezno kombinacijo žaginega lista in razpornega klina.** Za pravilno delovanje razpornega klina se mora ta ujemati s premerom žaginega lista, hkrati pa mora biti list tanjši od debeline razpornega klina in širina rezanja širša od debeline razpornega klina.

OPOZORILA GLEDE POSTOPKOV REZANJA

⚠ NEVARNOST

Svojih prstov ali rok nikoli ne približujte žaginemu listu. Zaradi trenutka nepazljivosti vam lahko roka zdrsne proti žaginemu listu, kar se lahko konča s hudimi telesnimi poškodbami.

- **Obdelovanec proti žaginemu listu pomikajte samo v nasprotni smeri vrtenja.** Če obdelovanec proti žaginemu listu pomaknete v smeri vrtenja, lahko list k sebi potegne tako obdelovanec kot vaše roke.
- **Pri razcepljanju nikoli ne uporabljajte zajeralnega merila za pomikanje obdelovanca, pri prečnem rezanju za zajeralnim merilom pa nikoli ne uporabljajte vzdolžne letve za omejevanje dolžine.** Če za vodenje obdelovanca hkrati uporabljate vzdolžno letev in zajeralno merilo, povečajte tveganje za ukleščenje žaginega lista in povratni sunek.
- **Pri razcepljanju obdelovanec vedno potiskajte tako, da je sila potiska med vzdolžno letvijo in žaginim listom.** Če je razdalja med letvijo in žaginim listom manjša od 150 mm, za potiskanje uporabite palico, če je razdalja manjša od 50 mm, pa uporabite klado. »Pripomočki za delo« bodo poskrbeli, da boste roke vedno imeli dovolj proč od žaginega lista.
- **Za potiskanje uporabljajte samo palico, ki jo je priložil proizvajalec, oz. palico, ki je bila izdelana skladno z navodili.** Palica za potiskanje omogoča zadosten odmik roke od žaginega lista.
- **Za potiskanje nikoli ne uporabljajte poškodovane ali odrezane palice.** Zaradi poškodovane palice za potiskanje vam lahko roka zdrsne v žagin list.
- **Nobenih opravil ne izvajajte »s prostimi rokami«.** Za pozicioniranje in vodenje obdelovanca vedno uporabljajte vzdolžno letev ali zajeralno merilo. »S prostimi rokami« pomeni, da za podpiranje oz. vodenje obdelovanca namesto vzdolžne letve ali zajeralnega merila uporabljate svoje roke. Žaganje s prostimi rokami lahko povzroči napačno poravnavo, kleščenje in povratne sunke.
- **Nikoli ne segajte okoli oz. preko delujočega žaginega lista.** Seganje po obdelovancu lahko povzroči nenameren stik z delujočim listom.
- **Za dolge in/ali široke obdelovance na zadnji in/ali stranski del mize namestite pomožne podporne elemente, da obdelovanec ostane stabilen.** Dolgi in/ali široki obdelovanci se radi prevmejo preko roba mize, zaradi česar lahko pride do izgube nadzora, ukleščenja žaginega lista ter povratnega sunka.
- **Obdelovanec pomikajte pri enakomerni hitrosti. Obdelovanca ne krivite ali zvijajte. Če pride do zatikanja, takoj ugasnite in izklopite izdelek, šele nato odstranite vzrok.** Zatikanje žaginega lista v obdelovanec lahko povzroči povratni sunek ali ustavitve motorja.
- **Ne odstranjujte odrezkov, dokler žaga obratuje.** Material se lahko zagozdi med letev ali v notranjost varovala žaginega lista, zaradi česar vam bo prste začelo vleči proti listu. Izklopite žago in počakajte, da



se žagin list ustavi, šele nato odstranite zagozdeni material.

- **Pri razcepjanju obdelovancev z debelino manj kot 2 mm vedno uporabljajte pomožno letev, ki je v stiku s površino mize.** Tanek obdelovanec se lahko zagozdi pod vzdolžno letev in povzroči povratni sunek.

VZROKI POVRATNIH SUNKOV IN POVEZANA OPOZORILA

Povratni sunek je nenadna reakcija obdelovanca zaradi stisnjene ali zagozdenega žaginega lista, zaradi nepravilne linije rezanja obdelovanca glede na list ali zaradi ujetega dela obdelovanca med listom in vzdolžno letvijo oz. drugo oviro. Pri povratnem sunku se obdelovanec najpogosteje dvigne z mize pri zadnjem delu žaginega lista in odleti proti operaterju.

Odsunek je posledica nepravilne uporabe žage in/ali nepravilnih postopkov ali pogojev delovanja ter ga lahko preprečimo z upoštevanjem ustreznih spodaj navedenih varnostnih predpisov.

- **Nikoli ne stojte popolnoma poravnani z žaginin listom. Vedno se postavite na tisto stran žaginega lista, kjer je letev.** Zaradi povratnega sunka lahko obdelovanec z visoko hitrostjo odleti proti kateri koli osebi, ki stoji pred žaginin listom oz. v njegovi liniji.
- **Nikoli ne segajte preko žaginega lista ali proti zadnji strani lista z namenom vlečenja ali podpiranja obdelovanca.** Lahko pride do nenamerne stika z žaginin listom ali povratnega sunka, zaradi katerega vam prste lahko potegne v list.
- **Obdelovanca, ki ga režete, nikoli ne držite ali potiskajte proti delujočemu žaginemu listu.** Če obdelovanec, ki ga režete, potiskate proti delujočemu žaginemu listu, boste povzročili ukleščenje lista in povratni sunek.
- **Poravnajte letev tako, da bo vzporedno z žaginin listom.** Napačno poravnana letev bo stisnila obdelovanec ob žagin list in povzročila povratni sunek.
- **Za vodenje obdelovanca po mizi uporabite prslon, za delne reze, kot npr. žaganje utorov ali furnirja, pa vodilno letev.** S prslonom boste lažje obvladali obdelovanec v primeru povratnega sunka.
- **Široke plošče ustrezno podprite. S tem preprečite stiskanje žaginega lista in povratne sunke.** Velike plošče se rade upogibajo pod lastno težo. Podpore postavite pod vse dele plošče, ki visijo preko mize.
- **Bodite še posebej previdni pri rezanju obdelovanca, ki je deformiran, grčav, ukrivljen ali nima ravnih robov, da bi ga lahko vodili z zajeralnim merilom ali ob letvi.** Ukrivljen, grčav ali deformiran obdelovanec ni stabilen in lahko povzroči napačno poravnano zarezo z žaginin listom, ukleščenje ter povratni sunek.
- **Nikoli ne režite več kot enega obdelovanca hkrati, ne glede na to, ali jih zložite navpično ali vodoravno.** Žagin list lahko zagrabl enega ali več kosov in povzroči povratni sunek.
- **Pri ponovnem vklopu žage z žaginin listom v obdelovancu se mora list nahajati v zarezi, zobje pa se ne smejo dotikati obdelovanca.** Če pride do ukleščenja žaginega lista, lahko obdelovanec ob

ponovnem zagonu žage sune nazaj.

- **Žagini listi naj bodo vedno čisti, ostri in primerno nastavljeni. Nikoli ne uporabljajte ukrivljenih žaginin listov ali listov s počenimi oz. polomljenimi zobmi.** Ostri in pravilno nastavljeni žagini listi zmanjšajo možnost ukleščenja, ustavitve motorja in povratnega sunka.

OPOZORILA V ZVEZI S POSTOPKI UPORABE NAMIZNE ŽAGE

- **Pred odstranjevanjem vložka mize, menjavo žaginega lista, prilagajanjem razpornega klina ali varovala žaginega lista ter puščanjem stroja brez nadzora vedno ugasnite žago in izklopite napajalni kabel.** S previdnostnimi ukrepi boste preprečili marsikatero nesrečo.
- **Nikoli ne puščajte delujoče namizne žage brez nadzora. Izdelek izklopite in ga ne zapustite, dokler se popolnoma ne ustavi.** Delujoča namizna žaga brez nadzora predstavlja nekontrolirano tveganje.
- **Namizno žago namestite v dobro osvetljeno in ravno območje, kjer boste lahko dovolj stabilni. Izdelek namestite v območje, kjer boste imeli dovolj prostora za enostavno upravljanje z obdelovancem.** Temni, utesnjeni prostori ter neravna in spolzka tla kar kličejo k nezgodam.
- **Redno čistite in odstranjujte žagovino izpod namizne žage in/ali naprave za zbiranje prahu.** Nakopičena žagovina je vnetljiva, zato lahko pride tudi to samovžiga.
- **Namizno žago morate dobro pritrditi.** Slabo pritrjena namizna žaga se lahko premika ali prekucne.
- **Odstranite orodje, ostanke lesa ipd. z mize, preden vklopite namizno žago.** Odvratanje pozornosti ali morebitno zagozdenje je lahko nevarno.
- **Vedno uporabljajte žagine liste pravilne velikosti in oblike pritržilne izvrtine (romboidna ali okrogla).** Če se žagin list ne ujema z namestitvenimi elementi žage, se bo vrtel ekscentrično in lahko povzroči izgubo nadzora.
- **Nikoli ne uporabljajte poškodovanih ali napačnih elementov za namestitev žaginega lista, kot so prirobnice, podložke za list, vijaki in matice.** Ti namestitveni elementi so bili zasnovani posebej za varno delovanje in optimalno zmogljivost vaše žage.
- **Nikoli ne stopite na namizno žago in ne uporabljajte je kot pručko.** Če se izdelek prevrne ali če nenamerno pridete v stik z rezalnim orodjem, lahko pride do hudih poškodb.
- **Pazite, da boste žagin list namestili tako, da se bo vrtil v pravilno smer. Na namizni žagi ne uporabljajte brusnih kamnov, žičnih brusilnikov ali brusilnih kolutov.** Napačna namestitev žaginega lista ali uporaba nepriljubljenih pripomočkov lahko povzroči hude poškodbe.

DODATNA VARNOSTNA OPOZORILA ZA NAMIZNE ŽAGE

- **Stroj namestite oz. pritrdite v stabilen položaj, primeren za delo, ki ga opravljate. Lahko ga namestite na delovni**

EN
FR
DE
ES
IT
NL
PT
DA
SV
FI
NO
RU
PL
CS
HU
RO
LV
LT
ET
HR
SL
SK
EL
TR





- pult, stojalo ali tla.
- Prilagodljive izvlečne noge (če so nameščene) nastavite tako, da dobite ravno in stabilno platformo za delo.
- Delo na ustrezni višini s pravilno držo bo pripomoglo k manjšim naporom in manj poškodbam med upravljanjem.
- Zagotovite ustrezno splošno in lokalno osvetljavo, da preprečite stroboskopski učinek in nevarnosti.
- Po potrebi nosite osebno varovalno opremo. To vključuje zaščito za sluh, ki zmanjša tveganje poškodb sluha, dihalno zaščito, ki zmanjša tveganje vdihavanja škodljivega prahu, ter delovne rokavice za rokovanje z žaginimi listi in grobim materialom.
- Pri uporabi stroja vedno nosite zaščitna očala. Priporočamo, da nosite masivne čevlje z nedersečim podplatom in kapico za zaščito prstov pred padajočimi predmeti.
- Prah, ki nastane ob uporabi tega orodja, je lahko škodljiv za zdravje, vnetljiv ali eksploziven. Uporabljajte sistem odsesavanja prahu in nosite ustrezno masko za zaščito proti prahu. Temeljito odstranite nakopičeni prah, npr. s krtačko in sesalnikom.
- Na tleh v delovnem območju naj ne bo obilice žagovine, odrezkov ter napajalnih kablov. Tako boste zmanjšali tveganje, da bi se spotaknili in padli na rezilo.
- Na mizi ne imejte drugih predmetov, vključno z raznimi orodji in odrezki.
- Površino mize, letev in zajeralno vodilo redno čistite. Pazite na madeže lepila, barve ipd. Les mora gladko teči po mizi in se ne zatikati, sicer se znatno poveča tveganje za hude telesne poškodbe zaradi povratnega sunka.
- Uporabljajte le rezila, ki so določena v teh navodilih in so v skladu z EN 847-1.
- Ne uporabljajte rezil iz hitroreznega jekla.
- Uporabljajte samo žagine liste, ki so izdelani za hitrosti, višje od nazivne hitrosti orodja.
- Obdelovanca ne potiskajte v rezilo na silo. Naj orodje opravi svoje delo. Zaradi pretirane sile se rezilo in konice lahko pregrejejo in zažgejo obdelovanec. Lahko pride tudi do nepredvidenih dogodkov, ki lahko povzročijo hude telesne poškodbe.
- Ne uporabljajte topih ali poškodovanih rezil. Skrhana ali nepravilna nastavljena rezila ustvarijo ozko zarezo, prekomerno trenje, stiskanje rezila in povratni sunek.
- Žagine liste vedno prenašajte v držalu, če je to izvedljivo.
- Orodja ne uporabljajte brez vložka mize in vložek mize zamenjajte, ko je ta obrabljen.
- Varovalo rezila in razporni klin naj bosta vedno nameščena in v dobrem stanju, razen za delne reze. Dviganje in spuščanje varovala rezila mora biti lahkotno, da ne ovira pomikanja obdelovanca. Preverite, ali je varovalo rezila dobro pritrjeno na razporni klin. Ne uporabljajte, če so pokrovi ali varovala odstranjeni.
- Vedno preverite, ali je rezilo vzporedno z letvijo. To v veliki meri prispeva k nastanku povratnega sunka, kar se lahko konča s hudimi poškodbami.

- Pri vsakem polnem žaganju uporabljajte varovalo rezila in razporni klin. Polna žaganja so tista, kjer z rezilom obdelovanec prežagamo po celotni debelini, kot npr. pri razcepljanju ali prečnem žaganju.
- Vedno temeljito pregledjte, ali so v materialu, ki ga želite rezati, tujki kot npr. žebliji, vijaki ali sponke, še posebej v primeru uporabe recikliranega lesa.
- Če ti oz. podobni predmeti med žaganjem pridejo v stik z rezilom, lahko poškodujejo žago in povzročijo hude telesne poškodbe operaterja in drugih.
- To električno orodje ne omogoča žlebičenja.
- Kadar je to potrebno, uporabite potisno palico. Pri razcepljanju ozkih kosov lesa vedno uporabljajte potisno palico. Potisno palico vedno shranite poleg stroja, ko tega ne uporabljate.
- Nikoli ne segajte v bližino žaginega lista, ko ta deluje. Prstov ne približujte območju, ki je določeno z vložkom mize.
- Orodje nikoli ne pustite teči brez nadzora.
- Izklopite napajanje.
- Orodja ne zapustite, dokler se ta popolnoma ne ustavi.
- Delujočega stroja nikoli ne poskušajte na hitro ustaviti tako, da rezilo blokirate z obdelovancem ali drugim pripomočkom. Na ta način lahko pride do hudih nesreč.
- Rezila žage se ne dotikajte takoj po rezanju. Med žaganjem se rezilo segreje.
- Če žagin list med žaganjem zablokira, stroj ugasnite in ga izklopite iz napajanja. Obdelovanec odstranite in zagotovite, da se rezilo vrti prosto. Stroj vključite in začnite žagati z zmanjšano hitrostjo.
- Pred prenašanjem stroja vedno odstranite varovalo rezila, nastavite razporni klin v najnižji položaj ter spustite rezilo tako, da je pod površino mize, tj. v transportnem položaju.
- Če je napajalni kabel poškodovan, naj ga zaradi preprečevanja tveganja zamenja proizvajalec ali pooblaščen servis.
- Ne uporabljajte priključkov ali pripomočkov, ki jih proizvajalec tega orodja ne priporoča. Uporaba sestavnih delov ali pribora, ki niso priporočeni, lahko povzroči hude telesne poškodbe. Naprave, ki se uporabljajo na različnih mestih (tudi na prostem), morajo biti povezane s stikalom naprave za rezidualni tok.
- Če pride do prekinitve napajanja namizne žage, se bo stikalo za vklop/izklop stroja samodejno premaknilo v položaj za izklop.

POSEBNA VARNOSTNA NAVODILA ZA REZILLO ZA LES

- Pred uporabo žaginega lista in električnega orodja pazljivo preberite priročnik in navodila.
- Električno orodje mora biti v dobrem stanju, vreteno pa ne sme biti deformirano ali vibrirati.
- Operater mora biti ustrezno usposobljen za varno uporabo, nastavitve in upravljanje električnega orodja.
- Pri uporabi električnega orodja vedno nosite zaščitna očala in zaščito za sluh. Priporočljivo je, da nosite





rokavice, masivne čevlje, v katerih ne drsi, in predpasnik.

- Preden uporabite kateri koli dodatek, preverite navodila za uporabo. Nepravilna uporaba pripomočka lahko povzroči okvaro in poveča tveganje za poškodbe.
- Rezilo naj bo vedno čisto. To vključuje tudi žagovino in lepljive snovi, kot je npr. smola. Čisto rezilo reže natančneje in varneje.
- Uporabljajte le rezila, ki so določena v teh navodilih in so v skladu z EN 847-1.
- Upoštevajte maksimalno hitrost, ki je označena na rezilu. Prepričajte se, da je hitrost, označena na rezilu, vsaj enaka hitrosti, označeni na žagi.
- Vedno uporabljajte rezila pravilne velikosti in oblike pritrdilne izvrtine. Če se rezila ne ujemajo z montažnimi elementi žage, je njihovo vrtenje ekscentrično, kar povzroči izgubo nadzora.
- Ne uporabljajte žaginih listov, ki so debelejša ali ustvarijo zarezo, ki je ožja od debeline razpornega klina.
- Ne uporabljajte rezil večjega ali manjšega premera, kot je priporočen. Ne uporabljajte distančnikov, da bi namestili rezilo na vreteno.
- Pred vsako uporabo preverite, ali so konice žaginega lista poškodovane oz. videti neobičajno. Konice, ki so poškodovane ali razrahljane, lahko med uporabo odletijo in povzročijo telesne poškodbe.
- Ne uporabljajte zvitihi ali počenih rezil. Nikoli ne uporabljajte poškodovanih ali deformiranih rezil.
- Če je žagin list poškodovan, deformiran, zviti ali počen, ga zavrzite – popravljanje ni dovoljeno.
- Ne uporabljajte rezil HSS.
- Pred uporabo zagotovite, da je žagin list pravilno nameščen in matica pritrdilne izvrtine dobro privita.
- Pritrdilne vijake in matice je treba priviti z ustreznim ključem za vijake.
- Ključa za vijake ne smete podaljšati in za privijanje ne smete uporabiti kladiva.
- Preverite čistočo rezila in prirobnic ter se prepričajte, da so utori prirobnice usmerjeni proti rezilu.
- Preverite, ali se rezilo vrti v pravo smer in ne pride v stik z nobenim delom stroja ali varovalnega sistema.
- Pred začetkom dela najprej naredite slepi rez brez vključenega motorja, da preverite položaj rezila in delovanje varoval glede na druge dele izdelka ter glede na obdelovanec.
- Električnega orodja nikoli ne puščajte brez nadzora.
- Ne mažite rezila, ko se rezilo vrti.
- Delujočega električnega orodja nikoli ne poskušajte na hitro ustaviti tako, da rezilo blokirate z orodjem ali drugim pripomočkom, saj lahko pride do hudih nesreč.
- Pred menjavo rezil ali vzdrževalnimi deli električno orodje izklopite iz napajanja.
- Ko rezilo pakirate in odpirate, bodite previdni, saj se lahko hitro poškodujete z ostrimi konicami rezila.
- Pri rokovanju z rezilom uporabite držalo za rezilo ali pa nosite rokavice. Upoštevajte, da bo rezilo po rezanju vroče.

- Rezilo hranite v originalni ali drugi primerni embalaži, in sicer v suhih pogojih ter proč od kemikalij, ki ga lahko poškodujejo.

NAMEN UPORABE

Namizna žaga je zasnovana razcepljanje in prečno žaganje lesa do debeline največ 80 mm pri naklonu 0°, upravlja pa jo lahko ena oseba. Pri največjem naklonu, ki znaša 45°, je globina reza največ 55 mm. Namizna žaga je zasnovana in namenjena za namestitvev na stabilno površino ali na originalno delovno stolojo proizvajalca. Režete lahko trše in mehkejše vrste lesa ter iverne in vlaknene plošče.

Uporabljajte lahko samo kombinacije rezila in razpornega klina, ki jih je za to namizno žago predvidel proizvajalec.

PREOSTALA TVEGANJA

Tudi če namizno žago uporabljate tako, kot je predpisano, ni mogoče popolnoma odpraviti določenih dejavnikov tveganja.

Operater naj bo posebej pozoren na naslednje točke, če želi zmanjšati tveganje za hude telesne poškodbe.

- Delno rezanje Varovalo rezila je odstranjeno in vrh žaginega lista je izpostavljen.
- Stik z rezilom – izogibajte se seganjev proti, preko in okoli žaginega lista.
- Povratni sunek – nikoli ne stojte neposredno pred rezilom.
- Stabilnost – poskrbite za stabilnost izdelka in ga, če je le možno, pritrdite.
- Odlomljene konice rezila – pri delu vedno nosite zaščitna očala.
- Vdihavanje prahu – po potrebi nosite masko. Prah, ki nastaja pri delu z določenimi vrstami lesnih izdelkov (npr. MDF), lahko škoduje dihalom.
- Poškodba oči zaradi delcev lesa in prahu – pri delu vedno nosite zaščitna očala.
- Poškodbe sluha – omejite izpostavljenost hrupu in uporabite primerno zaščito sluha.
- Ravni hrupa se lahko med posameznimi stroji močno razlikujejo glede na pogoje uporabe. Osebe, izpostavljene visokim ravnem hrupu, tudi če le za kratek čas, lahko začasno izgubijo sluh, trajna izpostavljenost visokim ravnem hrupu pa lahko povzroči trajne poškodbe sluha.

SPOZNAJTE SVOJE ELEKTRIČNO ORODJE.

Glejte stran 242.

1. Vložek mize
2. Prilagodljivi izvlečni razporni klin
3. Kotno vodilo
4. Rezilo žage
5. Varovalo žaginega lista
6. Sprostitev vložka mize
7. Letev/vzdolžna letev
8. Stranski podaljšek mize (RTS1800ES, RTS1800EF)
9. Pritrdilne luknje (za pritrditev na delovni pult ali stolojo)
10. Stikalo za vklop/izklop
11. Krmilo za nastavitvev kota naklona
12. Zaklepanje kota naklona



13. Ročica za globino reza
14. Miza žage
15. Izpušna odprtina za prah
16. Pripomoček odprtine za prah

DELOVANJE

⚠ OPOZORILO

Pred vklopom napajanja in začetkom žaganja z namizno žago morate prebrati in v celoti razumeti vsa opozorila in navodila v tem priročniku.

Polno rezanje: kakršno koli rezanje, pri katerem list žage prereže obdelovanec po celotni debelini. Pri tej vrsti dela naj bo razporni klin v dvignjenem položaju, varovalo rezila pa nameščeno. Obdelovanec pravilno pozicionirajte s pomočjo letve ali zajeralnega vodila.

Delno rezanje: kakršno koli rezanje, pri katerem list žage ne prereže obdelovanca po celotni debelini. Pri tej vrsti dela naj bo razporni klin v spuščnem položaju. Zgornji del razporega klina naj bo malenkost nižje kot zgornji del žaginega lista. Varovala rezila ni mogoče namestiti. Obdelovanec pravilno pozicionirajte s pomočjo letve ali zajeralnega vodila.

Razcepjanje: za vodenje obdelovanca se uporablja vzdolžna letev, ki je vzporedno z rezilom. Rezanje večinoma poteka v smeri lesnih vlaken (če so prisotna). Možno je polno ali delno rezanje.

Prečno rezanje: uporaba zajeralnega vodila oz. letve za prečno rezanje. Ta naprava je zasnovana tako, da drsi vzporedno z žaginin listom in omogoča, da obdelovanec držite pod določenim kotom glede na os rezanja. Rezanje večinoma poteka prečno na lesena vlakna (če so prisotna). Možno je polno ali delno rezanje.

Naklonsko rezanje: spreminjanje kota rezila glede na površino mize med 90° in 45°. Izvedba rezanja s poševnim robom. Možno je polno ali delno rezanje. Za pravilno pozicioniranje obdelovanca uporabite bodisi vzdolžno letev ali zajeralno vodilo.

Zajeralno rezanje: obdelovanec proti rezilu pomikamo poševno. Želeni kot nastavimo na zajeralnem vodilu, ki nato obdelovanec drži pod tem kotom, obenem pa drsi vzporedno z rezilom, da omogoča rezanje. Možno je polno ali delno rezanje.

Rezanje v konico: prečno rezanje v konico je možno tako, da zajeralno vodilo nastavite na zeleni kot. Vzdolžno rezanje v konico ni mogoče, saj potrebujete poseben nastavek.

VARNA UPORABA LETVE

- Nikoli ne uporabljajte vzdolžne letve in zajeralnega vodila hkrati. Na ta način boste povečali tveganje za povratni sunek in telesne poškodbe. Kadar ne uporabljate niti vzdolžne letve niti zajeralnega vodila, ju odstranite z mize in shranite na varnem mestu.
- Ob vsaki uporabi oz. premikanju letve v drug položaj morate nujno preveriti vzporednost z žaginin listom.
- Če letev ni vzporedno, se lahko obdelovanec zagozdi med rezilo in letev ter povzroči povratni sunek, ki lahko vam ali drugim osebam povzroči hude telesne

poškodbe.

- Slabo nastavljena letev lahko povzroči vodenje obdelovanca proti rezilu pod napačnim kotom, zaradi česar se lahko rezilo uklešči oz. zatakne. Lahko pride tudi do povratnega sunka (glejte zgoraj).
- Če želite pravilno namestiti oz. nastaviti letev, njen konec zataknete preko zadnjega roba mize, nato pa spustite sprednji rob, da se zatakne v sprednji konec mize. Nato s sprednje strani pritisnite na letev, tako da se bosta oba roba, ki sta pod pravim kotom glede na smer letve, dotaknila sprednjega dela mize. Tako zagotovite, da je letev vzporedno z rezilom. Nato zaklenite položaj letve tako, da zaklepni ročaj potisnete navzdol.
- Silo, s katero zaklepni ročaj drži letev v svojem položaju, lahko nastavite tako, da zavrtite narebrčen vijak tik nad zaklepnim ročajem.
- Pred rezanjem vedno preverite vzporednost letve z rezilom, bodisi z merjenjem ali z natančno izrezanim kosom lesa.

Poravnavanje distančnih oznak od rezila do letve

Rob letve pritisnite ob rezilo, nato pa prilagodite indikatorsko okence tako, da je poravnano z oznako 0 mm na sprednji strani mize. Odvijte vijak, prilagodite okence in znova privijte vijak.

Uporaba pomožne letve

V določenih okoliščinah boste morali na glavno letev namestiti pomožno letev.

- a. Če ozkega obdelovanca ne morete držati z rokami ali palico za potiskanje, ker je letev v napoto.
- b. Pri rezanju tankega obdelovanca. Zelo tanki obdelovanci lahko zdrsnejo pod glavno letvijo ter se zataknejo ali otežujejo premikanje in tako povečujejo tveganje za povratni sunek. S pomožno letvijo lahko to preprečite.

Ko je uporaba zgolj glavne letve varna, lahko pomožno letev odstranite.

Pri poševnem rezanju ozkih obdelovancev vedno uporabljajte letev na nasprotni strani nagiba rezila, sicer se lahko klada ali palica za potiskanje zatakne ob varovalo rezila ali letev.

Nameščanje pomožne letve na glavno letev

- Ko imate krilate matice in podložke na eni strani letve, z druge strani skozi letev potisnite vijake in privijte. Nato pomaknite pomožno letev preko glav vijakov na pripravljeno režo. Privijte pomožno letev na svoje mesto.

OPOMBA: Pomožna letev je namenjena le za vodenje obdelovanca mimo rezila in razporega klina, zato ni treba, da je dolga toliko kot glavna letev.

Ko je uporaba zgolj glavne letve varna, lahko pomožno letev odstranite. Ne puščajte vijakov in krilatih matic nameščenih na glavni letvi.

Uporaba prislona

Prislon je glavniku podobna naprava za rezanje pod kotom. Običajno je izdelana iz lesa ali plastike, tanke ščetine pa se ob pomiku obdelovanca v delovni položaj rahlo ukrivijo



in enakomerno pritiskajo na obdelovanec. Tako napravo uporabite, če morate natančno odrezati ozek obdelovanec. Naprava je na mizo pritrjena s pomočjo rež na zajeralnem vodilu in zmanjša možnost za poškodbe, saj operaterju ni treba približevati prstov delujočemu rezilu.

Prisloni lahko kupite v specializiranih tesarskih prodajalnah.

NAPRAVA, KI ŠČITI PRED PREOBREMENITVIJO

Izdelek ima napravo, ki ščiti pred preobremenitvijo. Če naprava zazna preobremenitev, se izdelek samodejno izključi. Izklopite napajanje. Če je vključena pretokovna zaščita, se mora motor hladiti 3 minut. Preverite, ali se rezilo lahko prosto vrti in ni zatakнено oz. napeto. Pritisnite gumb za ponastavitev (pod stikalom za vklop/izklop). Vključite napajanje. Pritisnite gumb za zagon izdelka.

VZDRŽEVANJE

- Pred kakršnim koli vzdrževanjem ali čiščenjem preverite, ali se je žagin list popolnoma ustavil in je napajalni kabel izklopljen iz napajanja.
- Če je napajalni kabel poškodovan, naj ga zaradi preprečevanja tveganja popravi pooblaščen servis.
- Rezilo ima ostre robove in je lahko po uporabi vroče. Pri čiščenju izpostavljenega rezila bodite izredno pazljivi. Nosite zaščitne rokavice, da se zaščitite pred poškodbami.
- Z žage in njenih pripomočkov, še posebej z gibljivih delov in varovala rezila, redno odstranjujte prah. Za učinkovito odstranjevanje prahu uporabite ščetko ali sesalnik.

⚠ OPOZORILO

Ne poskušajte sami razstaviti varovala rezila, da bi ga očistili ali popravili. Poškodovanih varoval ne smete uporabljati. Za popravilo ali zamenjavo se obrnite na pooblaščen servis.

- Namizna žaga je tovarniško namazana in ne potrebuje dodatnega mazanja.
- Za preverjanje in prilagajanje kotov naklona ter vzporednosti rezila/letve si oglejte poglavja »Preverjanje in nastavljanje kota naklona« ter »Preverjanje in nastavljanje vzporednosti rezila z režami zajeralnega vodila« v tem priročniku.

PREVERJANJE IN NASTAVLJANJE KOTA NAKLONA

OPOMBA: Če rezilo nastavite na 90° glede na mizo, je kot naklona 0°.

1. Ugasnite napravo in izklopite vtičač iz stenske vtičnice.
2. Bodite posebej pozorni na konice žaginega lista, saj so zelo ostre in vas lahko poškodujejo.
3. Dvignite rezilo in razporni klin na najvišjo višino.
4. Odstranite varovalo rezila.
5. Namestite razporni klin v spodnji položaj.
6. Preverite, da na rezilu in površini mize ni prahu ali drugih ostankov.
7. Ob površino mize in najvišji del rezila pristavite 90° trikotno ravnilo. Pazite, da pri merjenju ne pridete v

stik s konicami rezila, sicer meritev ne bo pravilna. Poravnajte površino žaginega lista.

8. Med robom trikotnega ravnila ter rezilom ali mizo ne sme biti reže; le tako je rezilo popolnoma navpično, dodatno prilagajanje kota rezila pa ni potrebno.
9. Če je prisotna reža, odvijte gumb za zaklepanje naklona in previdno premaknite kot naklona, pri tem pa stalno preverjajte režo. Ko reža ni prisotna, dobro privijte gumb za zaklepanje naklona.
10. Odvijte vijak na indikatorju kota naklona ter prilagodite prozorni plastični del tako, da je poravnan z oznako 0°. Privijte vijak.
11. Po potrebi ponovite postopek, da preverite različne kote med 90° in 45°.

PREVERJANJE IN NASTAVLJANJE VZPOREDNIŠTVA REZILA Z REŽAMI ZAJERALNEGA VODILA

1. Ugasnite napravo in izklopite vtičač iz stenske vtičnice.
2. Bodite posebej pozorni na konice žaginega lista, saj so zelo ostre in vas lahko poškodujejo.
3. Dvignite rezilo in razporni klin na najvišjo višino.
4. Odstranite varovalo rezila.
5. Opravite postopke v poglavju »Preverjanje in nastavljanje kota naklona« v tem priročniku. Poskrbite, da bo kot naklona točno 0°.
6. Vzemite zajeralno vodilo in ga namestite v eno izmed rež na mizi. Nastavite kot na zajeralnem vodilu na 90°.
7. Ob zajeralno vodilo pritisnite kovinsko ravnilo in vodilo nastavite tako, da se z ravnim delom ravnila dotaknete površine žaginega lista. Namesto kovinskega ravnila lahko uporabite tudi natančno izrezan kos lesa.
8. Dobro držite ravnilo/kos lesa in pomaknite celotno zajeralno vodilo tako, da se ravnilo/kos lesa dotika drugega konca rezila. Ravnilo oz. kos lesa mora imeti med pomikanjem po površini rezila enakomeren stik z njim. Če je temu tako, je rezilo popolnoma vzporedno z režami mize in nastavljanje ni potrebno. Režo na drugi strani mize preverite z enakim postopkom.

PRILAGAJANJE VZPOREDNIŠTVA MED REZILOM IN REŽAMI MIZE

Pred in za žaginim listom lahko najdete po dva vijaka. Dostop do njih je mogoč s spodnje strani površine mize.

Če te vijake odvijete, lahko celoten sklop rezila, razpornega klina in motorja premaknete, da poravnate rezilo z režami v mizi.

Če z opravljanjem takih nastavitev nimate izkušenj, se vam bo postopek morda zdel zahteven, zato v primeru težav nesite namizno žago na najbližji pooblaščen servis Ryobi, kjer vam jo bodo profesionalno nastavili.

ZAŠČITA OKOLJA



Namesto, da napravo zavržete, reciklirajte surovine. Napravo, pribor in embalažo je treba sortirati za okolju prijazno recikliranje.

EN
FR
DE
ES
IT
NL
PT
DA
SV
FI
NO
RU
PL
CS
HU
RO
LV
LT
ET
HR
SL
SK
EL
TR



SIMBOLI NA IZDELKU



Varnostno opozorilo



Skladnost CE



EurAsian oznaka o skladnosti.



Orodje razreda II, dvojna izolacija



Pred zagonom naprave pozorno preberite navodila.



Nosite zaščito za sluh.



Nosite zaščito za oči.



Nosite zaščitne rokavice.



Nevarnost! Ostro rezilo.



Zmogljivost rezanja



Širina zareze rezila



Število zob na žaginem listu



Za rezanje lesa in podobnega materiala



Ni za primerno rezanje kovin



Smer vrtenja rezila (prikazano na varovalu rezila)



Smer vrtenja rezila (prikazano na razporem klinu)



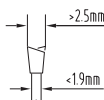
Smer vrtenja rezila (prikazano na žaginem listu)



Smer vrtenja rezila (prikazano na mizi)



Premer rezila



Debelina rezila in širina reza



Debelina in trdota razpornega klina



Nazivna moč



Rezilo iz volframovega karbida z 48 zobmi



Nežen zagon



Zaščita pred preobremenitvijo



Ulita aluminijasta miza



Dimenzije mize (RTS1800, RTS1800S)



Dimenzije mize (RTS1800ES, RTS1800EF)



Dimenzije podaljška mize



Odstranljive škarjaste noge



Zložljive nadstandardne noge



Sposobnost rezanja (90° in 45°)



Odpadne električne izdelke ne odlagajte skupaj z ostalimi gospodinjstvi odpadki. Reciklažo opravljajte na predpisanih mestih. Za nasvet glede recikliranja se posvetujete z lokalnimi oblastmi ali prodajalcem.

SIMBOLI V TEM PRIROČNIKU



Priključite v vtičnico.



Izključite iz vtičnice.



Deli ali dodatki so na prodaj ločeno



Odpadne električne izdelke ne odlagajte skupaj z ostalimi gospodinjstvi odpadki. Reciklažo opravljajte na predpisanih mestih.



Opomba



OPOZORILO

- EN
- FR
- DE
- ES
- IT
- NL
- PT
- DA
- SV
- FI
- NO
- RU
- PL
- CS
- HU
- RO
- LV
- LT
- ET
- HR
- SL**
- SK
- EL
- TR

VŠEOBECNÉ BEZPEČNOSTNÉ VÝSTRAHY PRE ELEKTRICKÝ NÁSTROJ

VAROVANIE

Prečítajte si všetky výstrahy, pokyny, vyobrazenia a špecifikácie dodané k tomuto elektrickému nástroju. Pri nedodržaní týchto výstrah a pokynov môže dôjsť k úrazu elektrickým prúdom, požiaru a/alebo závažnému poraneniu

Odložte všetky výstrahy a pokyny pre budúce použitie. Pojem „mechanický nástroj“ vo výstrahách sa vzťahuje na váš sieťový (káblový) mechanický nástroj alebo akumulátorový (bezkáblový) mechanický nástroj.

BEZPEČNOSŤ PRACOVISKA

- Pracovisko udržiavajte v čistote a správne osvetlené. Prepchané alebo tmavé miesta zvyšujú pravdepodobnosť nehôd.
- Nepracujte s mechanickými nástrojmi vo výbušných atmosférach, napríklad v blízkosti zápalných tekutín, plynov alebo prachu. Mechanické nástroje vytvárajú iskry, ktoré môžu podpáliť takýto prach alebo výpary.
- Deti a okolostojaci sa počas práce s mechanickým nástrojom nesmú zdržovať v jeho blízkosti. Rozptýlenie môže spôsobiť, že stratíte nad nástrojom kontrolu.

ELEKTRICKÁ BEZPEČNOSŤ

- Zástrčky mechanického nástroja musia zodpovedať zásuvke. Zástrčku nikdy žiadnym spôsobom neupravujte. S uzemnenými mechanickými nástrojmi nepoužívajte rozdvojnú zásuvku. Použitím neupravených zástrčiek a zodpovedajúcich zásuviek sa znižuje riziko úrazu elektrickým prúdom.
- Vyhýbajte sa telesnému kontaktu s uzemnenými povrchmi, napríklad rúrami, radiátormi, sporákmi a chladničkami. Ak je vaše telo uzemnené, hrozí vysoké riziko úrazu elektrickým prúdom.
- Mechanické nástroje nevystavujte dažďu ani mokrému prostrediu. Voda, ktorá vnikne do mechanického nástroja, zvyšuje riziko úrazu elektrickým prúdom.
- Kábel nenamáhajte. Nikdy nepoužívajte kábel na prenášanie, ťahanie alebo odpájanie mechanického nástroja. Kábel nedávajte do blízkosti tepla, oleja, ostrých hrán alebo pohybujúcich sa dielov. Poškodené alebo zamotané káble zvyšujú riziko úrazu elektrickým prúdom.
- Pri práci s mechanickým nástrojom v exteriéri používajte predlžovací kábel vhodný pre použitie v exteriéri. S káblom vhodným pre použitie v exteriéri sa znižuje riziko úrazu elektrickým prúdom.
- Ak je nevyhnutné pracovať s mechanickým nástrojom vo vlhkom prostredí, použite zdroj chránený zariadením pre zvyškový prúd. Použitie zariadenia pre zvyškový prúd znižuje riziko úrazu elektrickým prúdom.

OSOBNÁ BEZPEČNOSŤ

- Pri práci s mechanickým nástrojom buďte ostražití, sledujte, čo robíte a používajte zdravý rozum. Nepoužívajte mechanický nástroj, keď ste unavení alebo pod vplyvom drog, alkoholu alebo liekov. Chvilka nepozornosti počas práce s mechanickými nástrojmi môže spôsobiť závažné osobné poranenie.
- Používajte osobné ochranné pomôcky. Vždy používajte chrániče zraku. Ochranné pomôcky ako protiprachová maska, protišmyková bezpečnostná obuv, pevný klobúk alebo chrániče sluchu, používané pre príslušné podmienky, znižujú riziko vzniku osobného poranenia.
- Zabráňte neúmyselnému spusteniu. Pred zapojením zariadenia do siete a/alebo k jednotke akumulátora, zdvihanim alebo prenášaním nástroja vždy skontrolujte, či je spínač vo vypnutej polohe. Pri prenášaní mechanických nástrojov s prstom položeným na spínači alebo pripájaní mechanických nástrojov so zapnutým spínačom sa zvyšuje riziko úrazu.
- Pred zapnutím nástroja odstráňte prípadný nastavovací klin alebo kľúč. Keď necháte kľúč alebo klin nasadený na rotujúci diel mechanického nástroja, môže dôjsť k vážnemu poraneniu osôb.
- Nesiahajte príliš ďaleko. Neustále zachovávajte pevnú oporu nôh a rovnováhu. Tak si zaistíte lepšiu kontrolu nad mechanickým nástrojom v nečakaných situáciách.
- Primerane sa oblečte. Nenoste voľný odev ani šperky. Vlasy a odev nepribližujte k pohybujúcim sa dielom. Voľný odev, šperky či dlhé vlasy sa môžu zachytiť do pohyblivých častí.
- Ak sú zariadenia vybavené pripojením na prostriedky na odsávanie a zber prachu, zaistite, aby boli správne pripojené a primerane sa používali. Pri použití týchto prostriedkov sa znižujú riziká pochádzajúce z prachu.
- Nedovoľte, aby vaša znalosť získaná častým používaním nástrojov nespôsobilá nedbalé používanie ignorovanie bezpečnostných princípov. Nedbanlivosť môže spôsobiť závažné poranenie v zlomku sekundy.

POUŽÍVANIE ELEKTRICKÉHO NÁSTROJA A STAROSTLIVOSŤ OŇ

- Na mechanický nástroj nevyvíjajte silu. Používajte vhodný nástroj pre dané použitie. Správny mechanický nástroj splní svoju úlohu lepšie a bezpečnejšie pri rýchlosti, na ktorú je určený.
- Mechanický nástroj nepoužívajte, ak spínač nezapína a nevypína nástroj. Mechanický nástroj, ktorý sa nedá ovládať spínačom, je nebezpečný a musí sa dať opraviť.
- Pred vykonaním akýchkoľvek úprav, výmenou príslušenstva alebo odložením mechanického nástroja odpojte zástrčku zo sieťovej zásuvky alebo vyberte jednotku akumulátora, ak je odnímateľná. Takéto preventívne opatrenie znižuje riziko neúmyselného spustenia mechanického nástroja.



EN
FR
DE
ES
IT
NL
PT
DA
SV
FI
NO
RU
PL
CS
HU
RO
LV
LT
ET
HR
SL
SK
EL
TR

- **Nečinné mechanické nástroje odložte mimo dosahu detí a nedovoľte používať mechanický nástroj osobám neoboznámenným s mechanickým nástrojom alebo týmito pokynmi.** Mechanické nástroje sú v rukách netrénovaných osôb nebezpečné.
- **Na mechanických nástrojoch a príslušenstve vykonávajte údržbu. Skontrolujte, či pohyblivé diely nie sú nesprávne nastavené alebo zablokované, či niektoré diely nie sú poškodené, ako aj akýkoľvek iný stav, ktorý by mohol ovplyvniť činnosť mechanického nástroja.** V prípade poškodenia nechajte mechanický nástroj pre použitím opraviť. Veľké množstvo nehôd je spôsobených nedostatočnou údržbou mechanických nástrojov.
- **Rezacie nástroje udržiavajte ostré a v čistote.** Správne udržiavané rezacie nástroje s ostrými ostriami sa menej pravdepodobne zaseknú a ľahšie sa ovládajú.
- **Mechanický nástroj, príslušenstvo a vrtáky a pod., používajte v súlade s týmto návodom, pričom berte do úvahy pracovné podmienky a úlohu, ktorú chcete vykonať.** Pri používaní mechanického nástroja na iné ako určené činnosti môže dôjsť k nebezpečným situáciám.
- **Rukoväte a úchopné povrchy udržiavajte suché, čisté a bez zvyškov oleja či maziva.** Klzké rukoväte a úchopné povrchy neumožňujú bezpečnú manipuláciu a ovládanie nástroja v neočakávaných situáciách.

SERVIS

- **Servis mechanického nástroja prenechajte kvalifikovanému servisnému pracovníkovi s použitím len identických náhradných dielov.** Týmto sa zabezpečí, že sa zachová bezpečnosť elektrického nástroja.

BEZPEČNOSTNÉ POKYNY PRE STOLOVÉ PÍLY

VAROVANIA TÝKAJÚCE SA OCHRANNÝCH KRYTOV

- **Ochranné kryty nechávajte na svojom mieste. Ochranné kryty musia byť vo funkčnom stave a správne namontované.** Ochranný kryt, ktorý je uvoľnený, poškodený alebo nefunguje správne, je potrebné opraviť alebo vymeniť.
- **Pri každej operácii prerezávania používajte kryt rezného ostria a štiepiaci nôž.** Pri operáciách prerezávania, kedy pilové ostrie prereže úplne cez celú hrúbku obrobku, ochranný kryt a ďalšie bezpečnostné zariadenia pomáhajú znižovať riziko poranenia.
- **Po dokončení operácie, kedy je potrebné odstrániť ochranný kryt, hneď znova nasadte systém ochranných krytov (napríklad drážkovanie alebo pozdĺžne rozrezávanie).** Ochranný kryt a štiepiaci nôž pomáhajú znižovať riziko poranenia.
- **Skôr, ako zapnete spínač, skontrolujte, či sa pilové ostrie nedotýka ochranného krytu, štiepiaceho noža alebo obrobku.** Ich neúmyselný kontakt s pilovým ostrím by mohlo spôsobiť nebezpečnú situáciu.
- **Štiepiaci nôž nastavte podľa popisu v tomto návode na použitie.** Nesprávne rozmiestnenie, umiestnenie a zarovnanie môžu znížiť účinnosť štiepiaceho noža pri znižovaní pravdepodobnosti spätného nárazu.

- **Aby štiepiaci nôž fungoval, musí byť zasunutý do obrobku.** Štiepiaci nôž je neúčinný pri rezaní obrobkov, ktoré sú príliš krátke, aby ich bolo do nich možné štiepiaci nôž zasunúť. Za týchto podmienok nie je možné zabrániť spätnému nárazu štiepiacim nožom.
- **Používajte vhodné pilové ostrie pre štiepiaci nôž.** Aby štiepiaci nôž fungoval správne, priemer pilového ostria musí zodpovedať príslušnému štiepiacemu nožu a telo pilového ostria musí byť tenšie ako hrúbka štiepiaceho noža a šírka rezania pilového ostria musí byť širšia ako hrúbka štiepiaceho noža.

VAROVANIA PRE POSTUPY REZANIA

⚠ NEBEZPEČENSTVO

Nikdy nedávajte prsty alebo ruky blízkosti alebo do dráhy pilového ostria. Vo chvíli nepozornosti alebo pri pošmyknutí by sa vám mohla ruka nasmerovať k pilovému ostriu a spôsobiť závažné telesné poranenie.

- **Obrobok posúvajte do pilového ostria len proti smeru otáčania.** Pri posúvaní obrobku v smere, ktorým rotuje pilové ostrie nad stolom sa obrobok a vaša ruka vtiahnu do pilového ostria.
- **Na posúvanie obrobku pri pozdĺžnom rezaní nikdy nepoužívajte úkosnú šablónu a pri priečnom rezaní s úkosnou šablónou nepoužívajte bariéru na pozdĺžne rezanie ako dĺžkovú zarážku.** Pri vedení obrobku s úkosnou šablónou a súčasne bariérou na pozdĺžne rezanie sa zvyšuje pravdepodobnosť, že dôjde k zovretiu pilového ostria a spätnému nárazu.
- **Pri pozdĺžnom rezaní vždy aplikujte posuvnú silu a obrobok medzi bariérou a pilovým ostrím. Keď je vzdialenosť medzi bariérou a pilovým ostrím menšia ako 150 mm, použite zatlačiaci tyč a keď je táto vzdialenosť menšia ako 50 mm, použite zatlačací blok.** Zariadenia na „pomoc pri práci“ udržia vašu ruku v bezpečnej vzdialenosti od pilového ostria.
- **Používajte len zatlačiaciu tyč dodanú výrobcom alebo zostrojenú podľa pokynov.** Táto zatlačacia tyč zabezpečí dostatočnú vzdialenosť od pilového ostria.
- **Nikdy nepoužívajte poškodenú alebo orezanú zatlačiaciu tyč.** Poškodená zatlačacia tyč sa môže zlomiť a spôsobiť, že sa vám ruka pošmykne do pilového ostria.
- **Nevykonávajte žiadne operácie „voľnou rukou“.** Na umiestnenie a vedenie vždy použite buď bariéru na pozdĺžne rezanie alebo úkosnú šablónu. „Voľnou rukou“ znamená, že obrobok podporiate alebo pridržiavate rukami namiesto použitia bariéry na pozdĺžne rezanie alebo úkosnej šablóny. Pri pílení voľnou rukou dochádza k nevyrovnaniu, zovretiu a spätnému nárazu.
- **Nikdy nesiahajte do blízkosti ostria pily ani nadeň.** Pri siahaní na obrobok môže viesť k neúmyselnému kontaktu s pohybujúcim sa pilovým ostrím.
- **Pri dlhých alebo širokých obrobkoch poskytnite obrobku ďalšiu podporu na zadnej alebo bočnej strane pilového ostria, aby zostávali vyrovnané.** Dlhý alebo široký obrobok má tendenciu sčičiť sa





na okraji stola, čím dôjde k strate kontroly, zovretiu pilového ostria a spätnému nárazu.

- **Obrobok posúvajte v rovnomernom pohybe. Obrobok neohýbajte ani ho nestáčajte. Ak dôjde k zaseknutiu, ihneď zariadenie vypnite, odpojte a odstráňte zaseknutie.** Pri zaseknutí pilového ostria obrobkom môže dôjsť ku spätnému nárazu alebo k uviaznutiu motora.
- **Neodstraňujte kúsky odrezaného materiálu, kým je píla v pohybe.** Materiál sa môže zachytiť medzi bariérou alebo vnútri ochranného krytu pilového ostria a následne dôjsť ku vťahnutiu prstov do pilového ostria. Predtým, ako odstránite materiál, vypnite pílu a počkajte, kým sa pilové ostrie nezastaví.
- **Pri pozdĺžnom rezaní obrobkov tenších ako 2 mm použite pomocnú bariéru v kontakte s povrchom stola.** Tenký obrobok sa môže vkliniť pod bariéru na pozdĺžne rezanie a spôsobiť spätný náraz.

PRÍČINY SPÄTNÉHO NÁRAZU A SÚVISIACE VAROVANIA

Spätný náraz je náhla reakcia obrobku v dôsledku zovretého, zaseknutého pilového ostria alebo nezarovnanej línie rezu v obrobku vzhľadom na pilové ostrie alebo keď sa časť obrobku zovrie medzi pilové ostrie a bariéru na pozdĺžne rezanie či iný pevný objekt. Počas spätného nárazu sa obrobok najčastejšie nadvihne zo stola zadnou časťou pilového ostria a vyvrstí sa smerom k obsluhujúcemu.

Spätný náraz je výsledok nesprávneho používania píly a/alebo nesprávnych prevádzkových postupov a možno mu predchádzať vykonávaním príslušných predbežných opatrení uvedených nižšie.

- **Nikdy nestojte priamo v línii s pilovým ostrím.** Telom vždy stojte na rovnakej strane pilového ostria ako bariéra. Spätný náraz vyvrstí obrobok vysokou rýchlosťou smerom k osobe stojacej pred pilovým ostrím a v línii s ním.
- **Nikdy nesiahajte za alebo do zadnej časti pilového ostria za účelom potiahnutia alebo podoprenia obrobku.** Môže nastať neúmyselný kontakt s pilovým ostrím alebo spätný náraz vám môže vtláčať prsty do pilového ostria.
- **Nikdy nedržte a netlačte práve rezaný obrobok na rotujúce pilové ostrie.** Pri tlačení práve rezaného obrobku na pilové ostrie dochádza k stavu zovretia a spätného nárazu.
- **Zarovnajte bariéru tak, a by bola rovnobežne s pilovým ostrím.** Nezarovnaná bariéra zovrie obrobok k pilovému ostríu a vytvorí spätný náraz.
- **Pri vykonávaní neúplných prierezov, napríklad drážkovaní alebo pozdĺžnom rozrezávaní, pomocou žliabkovej dosky posúvajte obrobok oproti stolu a bariére.** Žliabková doska pomáha riadiť obrobok v prípade spätného nárazu.
- **Veľké panely podprite, aby sa minimalizovalo riziko zovretia kotúča a spätného nárazu.** Veľké panely sa zvyknú prehýbať pod vlastnou váhou. Podpery sa musia umiestniť pod všetky časti panela, ktoré previsujú cez povrch stola.

- **Pri rezaní obrobku, ktorý je skrútený, hrčkový, zvlnený alebo nemá rovný okraj, ktorým by sa dal viesť pomocou úkosnej šablóny alebo pozdĺž bariéry, buďte mimoriadne opatrní.** Zvlnený, hrčkový alebo skrútený obrobok je nestabilný a spôsobí stratu zarovnania zárezu s pilovým ostrím, zovretie a spätný náraz.
- **Nikdy nepište viac ako jeden obrobok, položený zvisle alebo vodorovne.** Pilové ostrie by mohlo nabrať jeden alebo viac kusov a spôsobiť spätný náraz.
- **Pri opätovnom spustení píly s pilovým ostrím v obrobku vycentrujte pilové ostrie v záreze, aby zuby píly nezachádzali do materiálu.** Ak sa pilové ostrie zovrie, pri opätovnom spustení píly môže nadvihnúť obrobok a spôsobiť spätný náraz.
- **Pilové ostrie udržiavajte v čistej, ostrej a s dostatočným vsadením. Nikdy nepoužívajte zvlnené pilové ostrie alebo pilové ostrie s prasknutými alebo vylomenými zubami.** Ostré a správne nastavené pilové ostrie minimalizujú zovretie, zaseknutie a spätný náraz.

VAROVANIA K PREVÁDZKOVÝM POSTUPOM PRE STOLOVÚ PÍLU

- **Vypnite stolovú pílu a odpojte napájací kábel, keď odstránite vložku taniera, vymieňate pilové ostrie alebo vykonávate úpravy na ochrannom kryte štiepiaceho noža alebo pilového ostria a keď necháte zariadenie bez dozoru.** Preventívne opatrenia zabránia nehodám.
- **Stolovú pílu nikdy nenechávajte spustenú bez dozoru. Vypnite zariadenie a neodchádzajte od neho, kým sa úplne nezastaví.** Spustená píla bez dozoru predstavuje nekontrolované riziko.
- **Stolovú pílu umiestite v dobre osvetlenej oblasti s rovným povrchom, kde môžete udržať dobrú oporu nôh a rovnováhu. Píla musí byť umiestnená tak, aby ste mali dostatok miesta okolo nej na jednoduchú manipuláciu s obrobkom potrebnej veľkosti.** Preplnené tmavé priestory a nerovné klzké dlážky priťahujú nehody.
- **Pravidelne čistite a odstraňujte piliny spod stola píly alebo zariadenia na zber pilín.** Nahromadené piliny sú horľavé a môžu sa samé vznietiť.
- **Stolová píla musí byť zaistená.** Stolová píla, ktorá nie je náležite zaistená, sa môže posunúť alebo prevrátiť.
- **Odstráňte nástroje, odrezky dreva a pod.** zo stola pred tým, ako pílu zapnete. Nepozornosť alebo potenciálne zaseknutie môžu byť nebezpečné.
- **Vždy používajte pilové ostrie s otvormi na hriadeľ správnej veľkosti a tvaru (kosoštvorcové alebo okrúhle).** Pilové ostrie, ktoré nie sú kompatibilné s montážnym technickým vybavením píly, budú bežať excentricky a spôsobia stratu kontroly.
- **Nikdy nepoužívajte poškodené alebo nesprávne prostriedky na montáž pilového ostria, ako sú príruby, podložky na pilové ostrie, maticové skrutky alebo matice.** Tieto montážne prostriedky boli špeciálne navrhnuté pre vašu pílu, na jej bezpečnú prevádzku a optimálny výkon.





- **Na stolovej píle nikdy nestojte ani ju nepoužívajte ako podložku.** Pri prevrhnutí zariadenia alebo neúmyselnom kontakte s ním môže dôjsť k vážnemu poraneniu.
- **Dbajte na to, aby pílové ostrie bolo namontované tak, aby rotovalo v správnom smere. Na stolovej píle nepoužívajte brúsne kotúče, drôtené kefy alebo abrazívne kotúče.** Pri nesprávnej inštalácii pílového ostria alebo použití neodporúčaného príslušenstva môže dôjsť k závažnému poraneniu.

ĎALŠIE BEZPEČNOSTNÉ VAROVANIA PRE STOLOVÉ PÍLY

- Zariadenie nainštalujte alebo upevnite v stabilnej polohe vhodnej pre práve vykonávanú prácu. Možno ho namontovať na pracovný stôl, na stojan s nohami alebo upevniť k podlahe.
- Ak je upevnené, nastaviteľné vysúvacie nohy nastavte tak, aby ste dosiahli rovnú stabilnú plochu, na ktorej budete pracovať.
- Pri práci v správnej výške a udržiavaní správneho pracovného postoja zabránite presilenou či iným poraneniam v priebehu práce.
- Zabezpečte primerané všeobecné alebo lokálne osvetlenie, aby nevznikli stroboskopické efekty a riziká.
- Podľa potreby používajte osobné ochranné pomôcky. K nim patria chrániče sluchu na zníženie rizika straty sluchu, ochranu dýchania na zníženie rizika vdýchnutia škodlivého prachu, pevné rukavice na manipuláciu s ostrými píly a drsným materiálom.
- Pri práci so zariadením vždy používajte ochranné okuliare. Odporúča sa používať pevné alebo nešmykľavé topánky vybavené oceľovými špičkami na ochranu pred predmetmi padajúcimi zo stola.
- Prach vytváraný pri práci s týmto nástrojom môže byť zdraviu škodlivý, zápalný alebo výbušný. Používajte systém na odsávanie prachu a noste vhodnú masku na ochranu pred prachom. Dôkladne odstráňte usadený prach, napr. pomocou kefy a vysávača.
- Dlážku na pracovisku udržiavajte v čistote, bez nadmerných nánosov pilín, odrezkov a napájacích káblov. Znižuje sa tým riziko zakopnutia a pád na ostrie.
- Na stole nenechávajte predmety ako nástroje a odhodené drevené odrezky.
- Povrch ochranného krytu stola, bariéry a úkosnej šablóny udržiavajte v čistote. Pozor na lepidlá, nátery či iné podobné položky. Drevo musí hladko kĺzať a nesmie sa nikde zachytávať, inak sa výrazne zvyšuje riziko závažného poranenia následkom spätného nárazu.
- Používajte len ostria špecifikované v tomto návode, ktoré spĺňajú normu EN 847-1.
- Nepoužívajte pílové kotúče vyrobené z vysokorychlostnej ocele.
- Používajte len pílové ostria, ktoré sú označené rýchlosťou rovno alebo vyššou ako je rýchlosť vyznačená na nástroji.
- Obrobok nestlačte do rezného ostria nasilu. Nechajte pracovať nástroj. Nadmerná sila môže spôsobiť prehriatie ostria a rezacích hrotov, čo môže spôsobiť ohorenie obrobku. Následkom môžu byť neočakávané udalosti, ktoré by mohli spôsobiť závažné osobné poranenie.
- Nepoužívajte otupené alebo poškodené príslušenstvo. Nezaostrené alebo nesprávne nasadené ostria vytvárajú úzky zárez a dochádza k nadmernému treniu, zovieraniu ostria a spätnému nárazu.
- Pílové ostrie je potrebné podľa možnosti vždy prenášať v držiaku.
- Nepracujte s nástrojom bez vložky taniera a vymeňte vložku taniera, keď je opotrebovaná.
- Pokiaľ nevykonávate úplne prepíľovanie, ochranný kryt ostria a štiepiaci nôž vždy nechávajte na svojom mieste a v prevádzkovom stave. Ochranné kryty ostria by sa mali ľahko zdvíhať a padať, aby bolo možný voľný prechod obrobku pod nimi. Dbajte na to, aby ochranný kryt ostria bol bezpečne nasadený na štiepiacom noži. Nepoužívajte pri demontovaných krytoch/vodidlách.
- Vždy skontrolujte, či je ostrie rovnobežné s bariérou. Toto najviac prispieva k spätnému nárazu, ktorý môže spôsobiť závažné poranenie.
- Pri každej operácii úplného prerezávania používajte ochranný kryt pílového ostria a štiepiaci nôž. Medzi operácie pílenia patria také, pri ktorých ktoré ostrie úplne prereže obrobok, napríklad pozdĺžne rezanie alebo priečne rezanie.
- Vždy dôkladne skontrolujte materiál, ktorý chcete rezať, najmä keď ide o recyklované drevo, či neobsahuje cudzie predmety ako klince, skrutky, skoby.
- Ak sa tieto alebo podobné predmety dostanú pri rezaní do kontaktu s ostrím, dôjde k poškodeniu píly a závažnému poraneniu obsluhujúceho alebo iných osôb.
- S týmto mechanickým nástrojom sa nedajú a nesmú vykonávať žiadne drážkové rezy.
- Podľa potreby použite zatláčaciu tyč. Pri pozdĺžnom rezaní úzkych trémov vždy používajte zatláčaciu tyč. Zatláčaciu tyč je potrebné odkladať spolu s nástrojom, keď sa nepoužíva.
- Nikdy nesiachajte do priestoru v blízkosti pílového ostria počas činnosti. Nedávajte prsty do blízkosti definovanej vložky taniera.
- Stroj nikdy nenechajte spustený bez dozoru.
- Vypnite napájanie.
- Neodchádzajte od nástroja, kým sa úplne nezastaví.
- Nikdy sa nepokúšajte rýchlo zastaviť zariadenie v pohybe vzpriečením obrobku či iného prostriedku do ostria. Takto môže dôjsť k neúmyselným závažným nehodám.
- Nedotýkajte sa ostria píly bezprostredne po pílení. Ostrie píly a pri pílení zohrieva.
- Pri zaseknutí pílového ostria pri rezaní vypnite zariadenie a odpojte ho z elektrickej siete. Odstráňte obrobok a skontrolujte, či pílové ostrie beží voľne. Zapnite stroj a začnite novú operáciu rezanie so zníženou posuvnou silou.
- Pre prepravu zariadenia odstráňte ochranný kryt ostria,





nastavte štiepiaci do jeho najnižšej polohy a spustíte ostrie, aby bolo pod povrchom stola v prepravnej polohe.

- Ak dôjde k poškodeniu napájacieho kábla, aby nedošlo k ohrozeniu, musí ho vymeniť výrobca alebo autorizované servisné stredisko.
- Nepoužívajte žiadne násady či príslušenstvo, ktoré nie sú odporúčané výrobcom. Pri použití príslušenstva, ktoré neodporúča výrobca, môže dôjsť k vážnemu osobnému zraneniu. Zariadenia používané na veľkom počte rôznych miest vrátane vonkajších priestorov musia byť pripojené cez zariadenie pre zvyškový prúd (RCD).
- Pri prerušení napájania stolovej píly zariadenie automaticky prepne svoj hlavný spínač do vypnutej polohy.

ŠPECIÁLNE BEZPEČNOSTNÉ POKYNY PRE OSTRIE NA REZANIE DREVA

- Pred použitím pilového ostria a zariadenia si pozorne prečítajte návod a pokyny.
- Mechanické zariadenie musí byť v dobrom stave, vreteno bez deformácií a vibrácií.
- Dbajte na to, aby bola obsluhujúca osoba primerane oboznámená s bezpečnostnými opatreniami, nastavovaním a obsluhou mechanického zariadenia.
- Pri práci s mechanickým zariadením vždy používajte okuliare a chrániče sluchu. Odporúča sa používať rukavice, pevné nešmyklivé topánky a zásteru.
- Pred použitím akéhokoľvek príslušenstva si pozrite návod na použitie. Pri nesprávnom používaní príslušenstva môže dôjsť k poškodeniu a zvyšuje sa riziko poranenia.
- Ostrie udržiavajte čisté. To sa týka pilín a najmä lepkavých látok ako živica. Čisté ostrie reže presnejšie a bezpečnejšie.
- Používajte len ostria špecifikované v tomto návode, ktoré spĺňajú normu EN 847-1.
- Dodržiavajte označenie maximálnej rýchlosti na pilovom ostrí. Skontrolujte, či rýchlosť vyznačená na pilovom ostrí je minimálne rovná rýchlosti vyznačenej na píle.
- Vždy používajte ostria s otvormi na hriadeľ správnej veľkosti a tvaru. Ostria, ktoré nie sú kompatibilné s montážnym technickým vybavením píly, budú bežať excentricky a spôsobia stratu kontroly.
- Nepoužívajte pilové ostria s hrúbkou tela väčšou alebo šírkou rezu drážky (zárezu) menšou ako hrúbka štiepiaceho noža.
- Nepoužívajte ostria väčšieho alebo menšieho priemeru ako odporúčané. Nepoužívajte žiadne rozpieryky umožňujúce prispôbenie ostria do vretena.
- Pred každým použitím skontrolujte hrotky pilového ostria, či nie sú poškodené alebo nemajú nevšedný vzhľad. Poškodené alebo voľné hroty sa môžu stať odletujúcimi predmetmi a zväčšujú riziko poranenia osôb.
- Nepoužívajte prasknuté alebo porušené pilové kotúče. Nepoužívajte poškodené alebo deformované pilové

kotúče.

- Ak je pilové ostrie poškodené, zdeformované, pokrivené alebo prasknuté, vyradte ho. Opravy nie sú povolené.
- Nepoužívajte ostria HSS.
- Pred použitím skontrolujte, či je pilové ostrie namontované správne a pred použitím utiahnite maticu hriadeľa.
- Upínacia skrutka a matice sa musia utáňovať pomocou príslušného skrutkového kľúča.
- Rozťahovaním skrutkového kľúča alebo utáňovaním pomocou úderov kladiva nie je povolené.
- Dbajte na to, aby všetky ostria a príruby boli čisté a zapustené strany objímky boli oproti ostriu.
- Skontrolujte, či ostrie rotuje v správnom smere a nie je v kontakte so žiadnou časťou zariadenia alebo systému ochranných krytov.
- Pred začatím práce vykonajte skúšobný rez so zapnutým motorom, na kontrolu polohy ostria, funkčnosti ochranných krytov vzhľadom na ostatné súčasti zariadenia a obrobku.
- Mechanické zariadenie nikdy nenechávajte bez dozoru.
- Na ostrie nenášajte mazivá počas behu.
- Nikdy sa nepokúšajte rýchlo zastaviť mechanické zariadenie v pohybe tak, že zaseknete nástroj či iný predmet do ostria – takýmto spôsobom môže neúmyselne dôjsť k závažným poraneniam.
- Pred výmenou ostrí alebo vykonaním údržby odpojte mechanické zariadenie od elektrickej siete.
- Pri rozbalovaní a balení ostria buďte opatrní, môžete sa ľahko poraniť ostrými hrotmi ostria.
- Pri manipulácii s pilovým ostrím používajte držiak ostria alebo rukavice. Nezabudnite, ostrie bude po rezaní horúce.
- Ostrie uchovávajte a skladujte v pôvodnom balení či inom vhodnom obale, skladujte ho v suchom prostredí a mimo chemikálií, ktoré ho mohli poškodiť.

ÚČEL POUŽITIA

Stolová píla je určená na obsluhu jednou osobou za účelom prezerania dreva do maximálnej hĺbky 80 mm pri uhle úkosu 0°. Pri maximálnom uhle úkosu 45° je maximálna hĺbka rezu 55 mm. Stolová píla je určená na pripavenie k stabilnému povrchu alebo pracovnému stojanu v stave dodanom od výrobcu. Rezať je možné tvrdé aj mäkké drevo plus drevotrieskové a drevotlákne dosky.

Možno používať len kombinácie ostria a štiepiaceho noža dodané výrobcom tejto stolovej píly pre túto stolovú pílu.

ZVÝŠKOVÁ RIZIKOVOSŤ

Aj keď sa stolová píla používa podľa predpisu, nie je možné eliminovať určité zvyškové rizikové faktory.

Obsluhujúci musí týmto bodom venovať špeciálnu a zvýšenú pozornosť, aby znížil riziko závažného osobného poranenia.

- Nie úplné prerezávanie. Ochranný kryt ostria je odstránený a vrchná časť pilového ostria je obnažená.
- Kontakt s ostrím – nesiahajte ponad, cez a do okolia





pilového ostria.

- Spätňý náraz – nikdy nestojte pred ostrím.
- Stabilita – zaistíte, aby bolo zariadenie stabilné a vždy, keď je to možné, zaistíte ho.
- Vymrštené hroty rezacieho ostria – pri práci neustále používajte chrániče zraku.
- Vdýchnutie prachu – v prípade potreby používajte masku. Prach vytváraný pri práci s istými druhmi drevených produktov (napr. MDF) môže byť pre váš respiračný systém nebezpečný.
- Poranenie očí drevenými a prachovými čistočkami – pri práci neustále používajte chrániče zraku.
- Poranenie sluchu – obmedzte vystavenie a používajte primeranú ochranu sluchu.
- Hladiny hluku sa pri nástrojoch môžu značne v závislosti od podmienok použitia. Osoby vystavené vysokým hladinám hluku, aj keď po krátku dobu, môžu zaznamenať dočasnú čiastočnú stratu sluchu a pri nepretržitom vystavení vysokým hladinám môže dôjsť k trvalému poškodeniu sluchu.

OBOZNÁMTE SA S VAŠIM ELEKTRICKÝM NÁSTROJOM

Pozrite stranu 242.

1. Vložka taniera
2. Nastaviteľný predĺžený štiepiaci nôž
3. Vodidlo sklonu
4. Čepeľ pily
5. Ochranný kryt pilového ostria
6. Uvoľnenie vložky taniera
7. Bariéra/bariéra na pozdĺžne rezanie
8. Bočné predĺženie stola (RTS1800ES, RTS1800EF)
9. Upevňovacie otvory (zaistenie k pracovnému stolu alebo nohám)
10. Hlavný nožný vypínač
11. Nastavovací kotúč uhla úkosu
12. Zaistenie uhla úkosu
13. Rukoväť hĺbky rezu
14. Stôl pily
15. Vyfukovaný prach
16. Príslušenstvo prachového otvoru

PREVÁDZKA

VAROVANIE

Predtým, ako túto stolovú pílu zapojíte a spustíte, musíte si s plným porozumením prečítať všetky varovania a pokyny uvedené v tomto návode.

Úplné prerezávanie: Akékoľvek rezanie, kedy pilové ostrie prenikne za hrúbku obrobku. Pri tejto operácii musí byť štiepiaci nôž vo zdvihnutej polohe a musí byť nasadený ochranný kryt ostria. Na správne umiestnenie obrobku použite bariéru alebo úkosnú šablónu.

Nie úplné prerezávanie: Akékoľvek rezanie, kedy pilové ostrie neprenikne za hrúbku obrobku. Pri tejto operácii musí byť štiepiaci v spustenej polohe. Vrchná časť štiepiaceho noža musí byť o trochu nižšie ako vrchná časť pilového ostria. Ochranný kryt ostria sa nedá nasadiť.

Na správne umiestnenie obrobku použite bariéru alebo úkosnú šablónu.

Pozdĺžne rezanie: S použitím bariéry na pozdĺžne rezanie rovnobežne s ostrím a účelom vedenia obrobku. Rez sa robí prevažne v smere vlákien dreva (ak sú prítomné). Môže ísť o úplné alebo neúplné prerezávanie.

Krížové rezanie: S použitím úkosnej šablóny alebo bariéry na krížové rezanie. Toto zariadenie je určené na posúvanie rovnobežne k pilovému ostriu a umožňuje držanie obrobku v pevnom uhle krížom na os rezania ostria. Rez sa robí prevažne krížom na smer vlákien dreva (ak sú prítomné). Môže ísť o úplné alebo neúplné prerezávanie.

Skosené rezanie: Uhol ostria vzhľadom na povrch stola sa mení v rozmedzí 90 až 45°. Vytvára rez s hranatým okrajom. Môže ísť o úplné alebo neúplné prerezávanie. Na správne umiestnenie obrobku treba použiť buď bariéru na pozdĺžne rezanie alebo úkosnú šablónu.

Šikmé rezanie: Obrobok je postavený k ostriu v uhle. Požadovaný uhol sa nastavuje na úkosnej šablóne, ktorá potom drží obrobok v tomto uhle, pričom pri vytváraní rezu sa k liže rovnobežne k ostriu. Môže ísť o úplné alebo neúplné prerezávanie.

Kuželové rezanie: Kuželové priečne rezy sú možné vďaka úkosnej šablóne nastavenej do požadovaného uhla. Kuželový rez nie je možné vykonať, na to treba špeciálny upínač.

BEZPEČNÉ POUŽITIE BARIÉRY

- Nikdy nepoužívajte súčasne bariéru na pozdĺžne rezanie aj úkosnú šablónu. To zvyšuje riziko spätého nárazu a osobného poranenia. Keď sa jedno z tohto príslušenstva nepoužíva, odstráňte ho zo stola a bezpečne odložte mimo dosah.
- Pri každom použití bariéry na pozdĺžne rezanie alebo jej presunutí do inej polohy je veľmi dôležité skontrolovať jej rovnobežnosť s pilovým ostrím.
- Nerovnobežne nastavená bariéra môže zachytiť obrobok medzi ostrie a bariéru, čo môže spôsobiť závažné osobné poranenie vám i ostatným osobám.
- Nesprávne nastavená bariéra môže spôsobiť posunutie obrobku smerom k ostriu v nesprávnom uhle, čo môže spôsobiť uviaznutie alebo zaseknutie ostria. Môže tiež spôsobiť spätý náraz (pozrite vyššie).
- Správne nastavenie alebo nastavenie bariéry: zaháňte koniec bariéry vez zadný okraj stola, potom spustíte predný okraj, aby zapadol do prednej strany stola. Potom pritlačíte od prednej časti bariéry tak, aby oba okraje dosadli v správnom uhle ku smeru kontaktu bariéry s predným okrajom stola. Takto lepšie zaistíte, že bariéra bude rovnobežne s ostrím. Potom zaistíte bariéru na mieste zatlačením poistnej rukoväte nadol.
- Sila, ktorou poistná rukoväť drží bariéru na svojom mieste sa dá nastaviť otáčaním vrúbkovanej skrutky tesne nad poistnou rukoväťou.
- Pred vykonaním rezu vždy skontrolujte rovnobežnosť bariéry s ostrím odmeraním alebo pomocou presne odrezaného bloku dreva.





Zarovnanie distančných značiek, od ostria po bariéru

Nastavte okraj bariéry oproti ostriu a potom upravte priezor indikátora tak, by bol zarovnaný so značkou 0 mm na prednom okraji stola. Uvoľnite skrutku, nastavte sklený priezor a znova utiahnite skrutku.

Použitie pomocnej bariéry

To sú okolnosti, kedy je nevyhnutné na hlavnú bariéru nasadiť pomocnú bariéru.

- Keď nie je možné úzky obrobok držať rukou alebo zatlačiacou tyčou, pretože zavádza bariéra.
- Keď sa reže tenký obrobok. Veľmi tenké obroby môžu preklznúť pod hlavnou bariérou a zachytiť sa alebo strhnúť, čím vzniká potenciálne riziko spätného nárazu. Tomu zabránite použitím pomocnej bariéry.

Pomocnú bariéru odstráňte, keď je bezpečné použiť len hlavnú bariéru.

Pri vykonávaní skosených rezov na úzkych obrobkoch vždy použite bariéru na opačnej strane ostria až do takej miery, kedy cezeň prevísa, inak sa zatlačací blok alebo zatlačacia tyč ľahšie zachytia do ochranného krytu ostria alebo bariéry.

Upevnenie pomocnej bariéry ku hlavnej bariére

- S krídlovými maticami a podložkami na jednej strane bariéry prestrčte z druhej strany maticové skrutky a priskrutkujte ich k sebe niekoľkými otočeniami. Teraz nasuňte pomocnú bariéru cez hlavy maticových skrutiek do prítomnej štrbiny. Podľa potreby utiahnite pomocnú bariéru na mieste.

POZNÁMKA: Pomocná bariéra slúži len na vedenie obrobku za ostrie a štiepiaci nôž, nemá zakrývať celú dĺžku hlavnej bariéry.

Pomocnú bariéru odstráňte, keď je bezpečné použiť len hlavnú bariéru. Nenechávajte maticové skrutky a krídlové matice nasadené na hlavnej bariére.

Použitie žliabkovej dosky

Žliabková doska je zariadenie podobné hrebeňu, ale je odrezaná v uhle. Tenké prsty, spravidla vyrobené z plastu alebo dreva, sa pri posúvaní obrobku na miesto jemne ohýňajú a vyvíjajú rovnomerný a neprerušovaný prítlak, ktorý pridrižiava obrobok na mieste. Použitie jedno z týchto zariadení, keď potrebujete vykonať presný rez na úzkom obrobku. Toto zariadenie sa pripieňuje ku stolu pomocou štrbín na úkosnej šablóne a znižuje potrebu, aby obsluhujúci dával prsty do blízkosti ostria.

Žliabkové dosky tretích výrobcov môžete zakúpiť v špeciálnych predajniach pre stolárov.

ZARIADENIE NA OCHRANU PRED PREŤAŽENÍM

Tento produkt má zariadenie na ochranu pred preťažením. Pri detegovaní preťaženia sa produkt automaticky vypne. Vypnite napájanie. Pri aktivovaní ochrany proti preťaženiu je potrebné nechať motor na 3 minút vychladnúť. Skontrolujte, či sa ostrie môže voľne otáčať a nie je zaseknuté alebo stiesnené. Stlačte nulovacie tlačidlo (pod hlavným spínačom). Zapnite napájanie. Produkt spustíte stlačením hlavného spínača.

ÚDRŽBA

- Pred vykonaním akejkoľvek údržby alebo čistením počkajte, kým sa pílové úplne nezastaví a odpojte napájací kábel z elektrickej siete.
- Ak je napájací kábel poškodený, je potrebné dať ho opraviť v autorizovanom servisnom centre.
- Ostrie má ostré okraje a po rezaní môže byť tiež horúce. Pri čistení obnaženého ostria dbajte na mimoriadnu opatnosť. Používajte rukavice na ochranu pred osobným poranením.
- Pílu a jej príslušenstvo pravidelne čistite od prachu, najmä pohyblivé diely vrátane ochranného krytu ostria. Na účinné odstraňovanie prachu použite ručný štetec alebo vysávač.

VAROVANIE

Pri čistení alebo oprave sa nepokúšajte rozoberať zostavu ochranného krytu ostria. Poškodené ochranné kryty sa nesmú používať. Odovzdajte zariadenie do autorizovaného centra na opravu alebo výmenu.

- Stolová píla je namazaná z výroby a nevyžaduje ďalšie mazanie.
- Ak chcete skontrolovať a nastaviť uhly úkosu a rovnobežnosť ostria a bariéry, pozrite časti „Kontrola a nastavenie uhla úkosu“ a „Kontrola a nastavenie rovnobežnosti ostria a štrbín úkosnej šablóny“ v tomto návode.

KONTROLA A NASTAVENIE UHLA ÚKOSU

POZNÁMKA: Nastavením ostria do uhla 90° od stola dosiahnete uhol úkosu 0°.

- Vypnite napájanie a odpojte zástrčku z elektrickej siete.
- Dávajte osobitný pozor na hroty pílového ostria, sú veľmi ostré a môžu spôsobiť osobné poranenie.
- Nadvihnite zostavu ostria a štiepacieho noža do jej najvyššej výšky.
- Odstráňte ochranný kryt ostria.
- Spustite štiepiaci nôž do jeho najnižšej polohy.
- Skontrolujte, či ostria a povrch stola sú čisté a bez prachu a sutiny.
- 90° "merací trojuholník" umiestnite oproti povrchu stola a najvyššej časti ostria. Dávajte pozor, aby ste sa pri tomto meraní nedotkli hrotov ostria, inak bude výsledkom chyba. Musíte zarovnať povrch tela s pílovým ostrím.
- Medzi meracím trojuholníkom a ostrím alebo stolom nesmú byť žiadne medzery, v tomto stave je ostrie v skutočnom zvislom zarovnaní a nie je potrebné žiadne nastavovanie uhla ostria.
- Ak existuje medzera, uvoľnite zaisťovacie tlačidlo úkosu a opatrne posúvajte uhol úkosu a súčasne nepretržite kontrolujte medzeru. Akonáhle sa medzera stratí, bezpečne utiahnite zaisťovacie tlačidlo úkosu.
- Uvoľnite skrutku na indikátore uhla úkosu a nastavte priehľadný plastový nosič, aby ukazoval zarovnanie so značkou 0°. Uťahnite skrutku.
- Keď potrebujete skontrolovať a nastaviť rôzne uhly v rozmedzí 90° až 45°, zopakujte túto operáciu.





KONTROLA A NASTAVENIE ROVNOBEŽNOSTI OSTRIA A ŠTRBÍN ÚKOSNEJ ŠABLÓNY

1. Vypnite napájanie a odpojte zástrčku z elektrickej siete.
2. Dávajte osobitný pozor na hroty pilového ostria, sú veľmi ostré a môžu spôsobiť osobné poranenie.
3. Nadvihnite zostavu ostria a štiepacieho noža do jej najvyššej výšky.
4. Odstráňte ochranný kryt ostria.
5. Vykonajte kontroly podrobne popísané v tejto príručke v časti „Kontrola a nastavenie uhla úkosu.“ Skontrolujte, či je uhol úkosu bezpečne zaistený v polohe 0°.
6. Vezmite ochranný kryt úkosnej šablóny a vložte ho do jednej zo štrbín na stole. Nastavte uhol na ochrannom kryte úkosnej šablóny na 90°.
7. Položte ocelové pravítko pevne oproti ochrannému krytu úkosnej šablóny a pomocou rovného konca pravítka ho nastavte tak, aby sa dotýkal tela pilového ostria. Namiesto ocelového pravítka môžete použiť presne odrezaný blok dreva.
8. Pevne držte pravítko/blok a posúvajte celý ochranný kryt úkosnej šablóny tak, aby sa pravítko/blok teraz dotýkali druhého konca ostria. Pravítko alebo blok by sa mali v rovnakej miere dotýkať ostria pri ich pohybe telom ostria. Ak nastane takýto prípad, rovnobežnosť medzi ostrím a štrbinami stola je presná a nie je potrebné žiadne nastavovanie. Rovnakou metódou skontrolujte štrbinu na druhom konci stola.

NASTAVENIE ROVNOBEŽNOSTI OSTRIA K ŠTRBINÁM STOLA

V prednej časti pilového ostria sú dve maticové skrutky a dve ďalšie sú v zadnej časti. K nim je možný prístup zospodu stola.

Pri uvoľnení týchto maticových skrutiek je možné posúvať celú zostavu ostria, štiepacieho noža a motora, aby sa ostrie presne zarovnal so štrbinami na stole.

Pokiaľ v takýchto nastaveniach nie ste skúsení, môže to byť ťažko dosiahnuteľné, takže odovzdajte stovú pílu do najbližšieho autorizovaného servisného centra Ryobi a požiadajte o profesionálne nastavenie.

OCHRANA ŽIVOTNÉHO PROSTREDIA



Surové materiály recyklujte, nelikvidujte ich ako odpad. Stroj, príslušenstvo a obaly by sa mali triedene recyklovať spôsobom šetrným k životnému prostrediu.

SYMBOLY NA PRODUKTE



Buďte ostražití



Zhoda CE



Euroázijská značka zhody



Nástroj triedy II, dvojité izolácia



Pred spustením zariadenia si pozorne prečítajte tento návod.



Noste chrániče sluchu.



Používajte chrániče sluchu.



Používajte ochranné rukavice.



Nebezpečenstvo! Ostré čepele.



Kapacita rezania



Šírka ostria v reze (záreze)



Počet zubov na tomto pilovom ostrí



Na rezanie dreva a podobných materiálov



Nie je určené na rezanie kovov



Smer otáčania ostria (vyobrazené na ochrannom kryte ostria)



Smer otáčania ostria (vyobrazené na štiepacom noži)



Smer otáčania ostria (vyobrazené na pilovom ostrí)

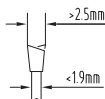




Smer otáčania ostria (vyobrazené na stole)



Priemer pílového kotúča



Hrúbka tela ostria a šírka rezu



Hrúbka a tvrdosť štiepiaceho noža



Menovitý výkon



Ostri z volfrám-karbidu so 48 zubami



Pozvoľný rozbeh



Ochrana proti preťaženiu



Stôl z hliníkovej zliatiny



Rozmery stola (RTS1800, RTS1800S)



Rozmery stola (RTS1800ES, RTS1800EF)



Rozmery predĺženia stola



Demontovateľná nožnicová noha



Sklápacie noha deluxe



Kapacita rezania (90° a 45°)



Opotrebované elektrické zariadenia by ste nemali odhadzovať do domového odpadu. Prosíme o recykláciu ak je možné. Informácie o recyklovaní získate na miestnom úrade alebo u predajcu.

SYMBOLY V TOMTO NÁVODE



Pripojte do elektrickej zásuvky.



Odpojte z elektrickej zásuvky.



Diely alebo príslušenstvo predávané samostatne



Opotrebované elektrické zariadenia by ste nemali odhadzovať do domového odpadu. Prosíme o recykláciu ak je možné.



Poznámka:



VAROVANIE

ΓΕΝΙΚΕΣ ΣΥΣΤΑΣΕΙΣ ΑΣΦΑΛΕΙΑΣ ΧΡΗΣΗΣ ΗΛΕΚΤΡΟΚΙΝΗΤΩΝ ΕΡΓΑΛΕΙΩΝ

▲ ΠΡΟΕΙΔΟΠΟΙΗΣΗ

Διαβάστε προσεκτικά όλες τις προειδοποιήσεις, οδηγίες και προδιαγραφές που παρέχονται με το εργαλείο και ανατρέξτε στις εικόνες. Η μη τήρηση των ακόλουθων οδηγιών μπορεί να επιφέρει ατυχήματα όπως πυρκαγιές, ηλεκτροπληξίες ή και σοβαρό σωματικό τραυματισμό.

Φυλάσσετε όλες τις προειδοποιήσεις και οδηγίες για μελλοντική χρήση. Ο όρος «ηλεκτρικό εργαλείο» που χρησιμοποιείται στις παρακάτω συστάσεις ασφαλείας ορίζει τόσο τα ηλεκτρικά εργαλεία με καλώδιο όσο και τα επαναφορτιζόμενα ηλεκτρικά εργαλεία.

ΑΣΦΑΛΕΙΑ ΣΤΟΝ ΧΩΡΟ ΕΡΓΑΣΙΑΣ

- Διατηρείτε τον χώρο εργασίας καθαρό και καλά φωτισμένο. Χώροι με υπερβολικά αντικείμενα ή μη φωτισμένοι προκαλούν ατυχήματα.
- Μην χρησιμοποιείτε ηλεκτροκίνητα προϊόντα σε εκρηκτικές ατμόσφαιρες, όπως στην παρουσία εύφλεκτων υγρών, αερίων ή σκόνης. Τα ηλεκτροκίνητα εργαλεία δημιουργούν σπινθήρες που μπορεί να προκαλέσουν ανάφλεξη στη σκόνη ή τις αναθυμιάσεις.
- Διατηρείτε τα παιδιά και τους παριστάμενους μακριά όσο χρησιμοποιείτε μηχανοκίνητα εργαλεία. Οι αποστάσεις μπορούν να προκαλέσουν απώλεια ελέγχου.

ΗΛΕΚΤΡΙΚΗ ΑΣΦΑΛΕΙΑ

- Τα βύσματα των μηχανοκίνητων εργαλείων πρέπει να ταιριάζουν με την πρίζα. Μην τροποποιείτε ποτέ το βύσμα με οποιονδήποτε τρόπο. Μην χρησιμοποιείτε βύσματα προσαρμογέα με γειωμένα μηχανικά εργαλεία. Μη τροποποιημένα βύσματα και αντίστοιχες πρίζες μειώνουν τον κίνδυνο ηλεκτροπληξίας.
- Αποφύγετε την επαφή με γειωμένες επιφάνειες όπως σωλήνες, σώματα καλοριφέρ, ηλεκτρικές σειρές και ψυγεία. Αν το σώμα σας γειωθεί, υπάρχει αυξημένος κίνδυνος ηλεκτροπληξίας.
- Μην εκθέτετε τα ηλεκτροκίνητα εργαλεία σε βροχή ή συνθήκες υγρασίας. Η είσοδος νερού σε ηλεκτροκίνητα εργαλεία αυξάνει τον κίνδυνο ηλεκτροπληξίας.
- Προσέχετε στη χρήση του καλωδίου. Μην χρησιμοποιείτε ποτέ το καλώδιο για να μεταφέρετε, τραβάτε ή αποσυνδέετε το μηχανοκίνητο εργαλείο. Διατηρείτε το καλώδιο μακριά από θερμότητα, λάδι, αιχμηρές γωνίες ή κινούμενα εξαρτήματα. Φθαρμένα ή μπερδεμένα καλώδια αυξάνουν τον κίνδυνο ηλεκτροπληξίας.
- Όταν χρησιμοποιείτε μηχανοκίνητα εργαλεία σε εξωτερικούς χώρους, χρησιμοποιείτε και καλώδιο προέκτασης κατάλληλο για εξωτερική χρήση. Η χρήση κατάλληλου καλωδίου για εξωτερικούς χώρους

μειώνει τον κίνδυνο ηλεκτροπληξίας.

- Όταν χρησιμοποιείτε μηχανοκίνητα εργαλεία σε νωπή τοποθεσία, χρησιμοποιείτε διάταξη προστασίας ρεύματος διαρροής (RCD). Η χρήση RCD μειώνει τον κίνδυνο ηλεκτροπληξίας.

ΠΡΟΣΩΠΙΚΗ ΑΣΦΑΛΕΙΑ

- Προσέχετε και χρησιμοποιείτε την κοινή λογική όταν χειρίζεστε μηχανικά εργαλεία. Μην χρησιμοποιείτε μηχανικά εργαλεία εάν είστε κουρασμένοι ή υπό την επήρεια ναρκωτικών, αλκοόλ ή φαρμάκων. Μια στιγμή απροσεξίας κατά τον χειρισμό ηλεκτροκίνητων εργαλείων, αρκεί για να προκληθεί σοβαρός τραυματισμός.
 - Χρησιμοποιείτε εξοπλισμό προσωπικής προστασίας. Φοράτε πάντα προστατευτικά ματιών. Χρησιμοποιείτε προστατευτικό εξοπλισμό όπως μάσκα κατά της σκόνης, αντλιοσθητικά υποδήματα, κράνη ή προστατευτικά ακοής όταν χρειάζεται, για μείωση του κινδύνου τραυματισμού.
 - Φροντίστε να μην ξεκινάει τυχαία η λειτουργία του εργαλείου. Βεβαιωθείτε ότι ο διακόπτης βρίσκεται στη θέση απενεργοποίησης πριν συνδέσετε το εργαλείο στο ρεύμα και/ή την μπαταρία, πριν το σκώσετε ή το μεταφέρετε. Αν μεταφέρετε μηχανικά εργαλεία με το δαχτυλό σας στον διακόπτη ή παρέχετε ενέργεια σε εργαλεία με ανοιχμένο τον διακόπτη, υπάρχει κίνδυνος ατυχήματος.
 - Αφαιρέστε τυχόν κλειδιά πριν ενεργοποιήσετε το μηχανοκίνητο εργαλείο. Ένα κλειδί αφημένο σε περιστρεφόμενο μέρος του μηχανοκίνητου εργαλείου μπορεί να προκαλέσει τραυματισμούς.
 - Μην τεντώνετε. Διατηρείτε σταθερό πάτημα και ισορροπία συνεχώς. Έτσι θα έχετε καλύτερο έλεγχο του μηχανοκίνητου εργαλείου σε περίπτωση απρόσμενων συνθηκών.
 - Ντυθείτε κατάλληλα. Μην φοράτε χαλαρά ρούχα ή κοσμήματα. Διατηρείτε τα μαλλιά και τα ρούχα σας μακριά από κινούμενα εξαρτήματα. Τα χαλαρά ρούχα, κοσμήματα ή μακριά μαλλιά μπορούν να πιαστούν στα κινούμενα εξαρτήματα.
 - Αν παρέχονται συσκευές για την απομάκρυνση και συλλογή σκόνης, βεβαιωθείτε ότι είναι σωστά συνδεδεμένες και χρησιμοποιούνται με τον κατάλληλο τρόπο. Η χρήση συσκευών συλλογής σκόνης, μειώνει τους κινδύνους που σχετίζονται με την σκόνη.
 - Καθώς εξοικειώνεστε με τη συχνή χρήση εργαλείων, συνεχίστε να τηρείτε τις οδηγίες ασφάλειας. Απρόσεκτες ενέργειες μπορούν να προκαλέσουν τραυματισμό, ακόμη και αν η προσοχή σας διασπαστεί στιγμιαία.
- ### ΧΡΗΣΗ ΚΑΙ ΦΡΟΝΤΙΔΑ ΕΡΓΑΛΕΙΟΥ
- Μην πιέζετε υπερβολικά το μηχανικό εργαλείο. Χρησιμοποιείτε το σωστό μηχανικό εργαλείο για την εφαρμογή σας. Το σωστό μηχανικό εργαλείο θα εκτελέσει την εργασία σας καλύτερα και ασφαλέστερα, με τον τρόπο για τον οποίο σχεδιάστηκε.
 - Μην χρησιμοποιείτε το μηχανοκίνητο εργαλείο αν ο διακόπτης δεν το ενεργοποιεί και απενεργοποιεί.



Μηχανοκίνητα εργαλεία που δεν ελέγχονται με τον διακόπτη τους, είναι επικίνδυνα και θα πρέπει να επισκευάζονται.

- **Αποσυνδέστε το βύσμα από το ρεύμα και/ή αφαιρέστε την μπαταρία, αν αφαιρείται, από το μηχανικό εργαλείο πριν κάνετε οποιαδήποτε προσαρμογή, αλλάξετε εξαρτήματα ή αποθηκεύσετε το εργαλείο.** Αυτά τα προληπτικά μέτρα ασφάλειας μειώνουν τον κίνδυνο τυχαίας έναρξης του μηχανικού εργαλείου.
- **Φυλάσσετε τα μηχανοκίνητα εργαλεία που δεν χρησιμοποιείτε μακριά από παιδιά και μην αφήνετε άτομα που δεν είναι εξοικειωμένα μαζί τους ή με αυτές τις οδηγίες να τα χρησιμοποιούν.** Τα μηχανοκίνητα εργαλεία είναι επικίνδυνα όταν χρησιμοποιούνται από μη εκπαιδευμένους χρήστες.
- **Συντηρείτε τα μηχανικά εργαλεία και τα εξαρτήματά τους.** Ελέγξτε το εργαλείο για προβλήματα ευθυγράμμισης ή πιασίματα των κινούμενων εξαρτημάτων, φθορές εξαρτημάτων και άλλα τυχόν προβλήματα που μπορεί να επηρεάσουν τη λειτουργία του. Σε περίπτωση φθοράς, επισκευάστε το μηχανικό εργαλείο πριν τη χρήση. Πολλά ατυχήματα προκαλούνται από κακή συντήρηση μηχανικών εργαλείων.
- **Διατηρείτε τα εργαλεία κοπής αιχμηρά και καθαρά.** Τα εργαλεία κοπής που συντηρούνται σωστά και έχουν αιχμηρές γωνίες, είναι λιγότερο πιθανό να “πιαστούν” και ελέγχονται ευκολότερα.
- **Χρησιμοποιείτε το μηχανικό εργαλείο και τα εξαρτήματά του κ.λπ. σύμφωνα με τις παρούσες οδηγίες, λαμβάνοντας υπ όψη τις συνθήκες εργασίας και την ίδια την εργασία που θα εκτελεστεί.** Η χρήση μηχανικών εργαλείων για χρήσεις διαφορετικές από τις προοριζόμενες, μπορεί να ενέχει κινδύνους.
- **Διατηρείτε τις λαβές και τις επιφάνειες χειρισμού στεγνές, καθαρές και χωρίς λάδια και γράσο.** Λαβές και επιφάνειες χειρισμού που γλιστρούν, δεν επιτρέπουν τον ασφαλή χειρισμό και τον έλεγχο του εργαλείου σε απρόσμενες συνθήκες.

ΣΥΝΤΗΡΗΣΗ

- **Επισκευάστε το μηχανοκίνητο εργαλείο σας από ειδικευμένους τεχνικούς, χρησιμοποιώντας μόνο πανομοιότυπα ανταλλακτικά.** Έτσι θα διασφαλιστεί η διατήρηση της ασφάλειας του εργαλείου.

ΟΔΗΓΙΕΣ ΑΣΦΑΛΕΙΑΣ ΓΙΑ ΕΠΙΤΡΑΠΕΖΙΑ ΠΡΙΟΝΙΑ

ΟΔΗΓΙΕΣ ΣΧΕΤΙΚΑ ΜΕ ΤΑ ΠΡΟΣΤΑΤΕΥΤΙΚΑ

- **Διατηρείτε τα προστατευτικά στη θέση τους.** Τα προστατευτικά πρέπει να λειτουργούν σωστά και να είναι καλά τοποθετημένα. Προστατευτικά χαλαρά, φθαρμένα ή που δεν λειτουργούν σωστά, πρέπει να επισκευάζονται ή να αντικαθίστανται.
- **Χρησιμοποιείτε πάντα προστατευτικό λεπίδας πριονιού και θραύστη για κάθε εργασία κοπής.** Για εργασίες κοπής όπου η λεπίδα του πριονιού διαπερνά το πάχος του τεμαχίου, το προστατευτικό και άλλες συσκευές ασφάλειας βοηθούν στη μείωση κινδύνου

τραυμαισμού.

- **Αφού ολοκληρώσετε την εργασία που απαιτεί αφαίρεση του προστατευτικού (όπως κοπές γλυφής ή επανακοπές) επανασυνδέστε αμέσως το προστατευτικό σύστημα.** Το προστατευτικό και ο θραύστης βοηθούν στη μείωση του κινδύνου τραυματισμών
- **Βεβαιωθείτε ότι η λεπίδα πριονιού δεν έρχεται σε επαφή με το προστατευτικό, τον θραύστη και το τεμάχιο εργασίας, πριν ενεργοποιήσετε τον διακόπτη.** Η τυχαία επαφή αυτών των στοιχείων με τη λεπίδα πριονιού, ενέχει κινδύνους.
- **Προσαρμόστε τον θραύστη, όπως περιγράφεται στο παρόν εγχειρίδιο.** Η εσφαλμένη απόσταση, τοποθέτηση και ευθυγράμμιση μπορεί να καταστήσουν τον θραύστη μη αποτελεσματικό στη μείωση της πιθανότητας επιστροφής.
- **Για να λειτουργεί ο θραύστης, πρέπει να είναι εμπλεγμένος με το τεμάχιο εργασίας.** Ο θραύστης δεν λειτουργεί όταν κόβετε τεμάχια πολύ μικρά που δεν εμπλέκονται μαζί του. Σε αυτές τις συνθήκες, ο θραύστης δεν μπορεί να αποτρέψει την επιστροφή.
- **Χρησιμοποιείτε την κατάλληλη λεπίδα πριονιού για τον θραύστη.** Για να λειτουργήσει σωστά ο θραύστης, η διάμετρος της λεπίδας πριονιού πρέπει να αντιστοιχεί με τον κατάλληλο θραύστη και το σώμα της λεπίδας πριονιού πρέπει να είναι λεπτότερο από το πάχος του θραύστη. Επίσης, το πλάτος κοπής της λεπίδας πριονιού πρέπει να είναι μεγαλύτερο από το πάχος του θραύστη.

ΠΡΟΕΙΔΟΠΟΙΗΣΕΙΣ ΔΙΑΔΙΚΑΣΙΩΝ ΚΟΠΗΣ

⚠ ΚΙΝΔΥΝΟΣ

Μην τοποθετείτε ποτέ τα δάχτυλα ή τα χέρια σας κοντά ή στην ίδια ευθεία με τη λεπίδα πριονιού. Μια στιγμή απροσεξίας ή ένα γλιστρήμα μπορούν να οδηγήσουν το χέρι σας προς τη λεπίδα πριονιού και να προκαλέσουν σοβαρό τραυματισμό.

- **Τροφοδοτείτε το τεμάχιο εργασίας στη λεπίδα πριονιού μόνο αντίθετα με την φορά της περιστροφής.** Αν τροφοδοτήσετε το τεμάχιο με την ίδια φορά όπως περιστρέφεται η λεπίδα πριονιού πάνω από τον πάγκο, μπορεί το τεμάχιο και το χέρι σας να τραβηχτούν μέσα στη λεπίδα πριονιού.
- **Μην χρησιμοποιείτε ποτέ την καλίμπρα λοξοτομής για να τροφοδοτήσετε το τεμάχιο εργασίας όταν εκτελείτε εργασίες απόσχισης και μην χρησιμοποιείτε το προστατευτικό απόσχισης ως μέτρηση μήκους όταν εκτελείτε εγκάρσιες εργασίες κοπής με την καλίμπρα λοξοτομής.** Οδηγώντας το τεμάχιο εργασίας με το προστατευτικό απόσχισης και την καλίμπρα λοξοτομής ταυτόχρονα, αυξάνεται η πιθανότητα πιασίματος και επιστροφής της λεπίδας πριονιού.
- **Κατά τη διάρκεια εργασιών απόσχισης, εφαρμόζετε πάντα το τεμάχιο εργασίας με δύναμη ανάμεσα στο προστατευτικό και τη λεπίδα πριονιού.** Χρησιμοποιείτε ένα κομμάτι ώθησης





όταν η απόσταση ανάμεσα στο προστατευτικό και τη λεπίδα πριονιού είναι μικρότερη από 150 mm και μεγαλύτερο κομμάτι όταν η απόσταση είναι μικρότερη από 50 mm. Οι συσκευές "βοήθειας εργασίας" διατηρούν το χέρι σας σε ασφαλή απόσταση από τη λεπίδα πριονιού.

- **Χρησιμοποιείτε μόνο το κομμάτι ώθησης που παρέχεται από τον κατασκευαστή ή κατασκευάζεται σύμφωνα με τις οδηγίες.** Αυτό το κομμάτι ώθησης παρέχει αρκετή απόσταση ανάμεσα στο χέρι και τη λεπίδα πριονιού.
- **Μην χρησιμοποιείτε ποτέ φθαρμένο ή κομμένο κομμάτι ώθησης.** Ένα φθαρμένο κομμάτι ώθησης μπορεί να σπάσει, αφήνοντας το χέρι σας να γλιστρήσει στη λεπίδα πριονιού.
- **Μην εκτελείτε οποιαδήποτε εργασία χωρίς προστασία.** Χρησιμοποιείτε πάντα το προστατευτικό απόσχισης ή την καλίμπρα λοξοτομής για να τοποθετήσετε και να οδηγήσετε το τεμάχιο εργασίας. Ο όρος "χωρίς προστασία" αναφέρεται στη χρήση των χεριών σας για την υποστήριξη ή καθοδήγηση του τεμαχίου εργασίας, χωρίς προστατευτικό απόσχισης ή καλίμπρα λοξοτομής. Η πραγματοποίηση εργασιών κοπής χωρίς προστασία, προκαλεί εσφαλμένη ευθυγράμμιση, πιάσιμο και επιστροφή.
- **Μην απλώνετε ποτέ τα χέρια σας γύρω ή πάνω από μια περιστρεφόμενη λεπίδα πριονιού.** Διαφορετικά υπάρχει κίνδυνος τυχαίας επαφής με την κινούμενη λεπίδα πριονιού.
- **Παρέχετε βοηθητική υποστήριξη στο τεμάχιο εργασίας, στο πίσω μέρος και / ή τα πλαϊνά του επιτραπέζιου πριονιού σε μεγάλα και/ή πλατιά τεμάχια εργασίας, για να διατηρήτε επίπεδα.** Τα μακριά και/ή πλατιά τεμάχια εργασίας, έχουν την τάση να περιστρέφονται στις άκρες του πάγκου, προκαλώντας απώλεια ελέγχου, πιάσιμο της λεπίδας πριονιού και επιστροφή.
- **Τροφοδοτείτε το τεμάχιο εργασίας με σταθερό ρυθμό. Μην λυγίζετε ή κάμπτετε το τεμάχιο εργασίας. Αν προκληθεί φρακάρισμα, απενεργοποιήστε αμέσως τη συσκευή, αποσυνδέστε την από το ρεύμα και λύστε το πρόβλημα.** Το φρακάρισμα της λεπίδας πριονιού από το τεμάχιο εργασίας μπορεί να προκαλέσει επιστροφή ή διακοπή του κινητήρα.
- **Μην αφαιρείτε τεμάχια κομμένου υλικού όσο λειτουργεί η λεπίδα.** Το υλικό μπορεί να παγιδευτεί ανάμεσα στο προστατευτικό ή μέσα στο προστατευτικό λεπίδας πριονιού και τη λεπίδα, τραβώντας τα δάχτυλά σας πάνω της. Απενεργοποιήστε το πριόνι και περιμένετε να σταματήσει η λεπίδα πριν αφαιρέσετε το υλικό.
- **Χρησιμοποιείτε ένα βοηθητικό προστατευτικό σε επαφή με την κορυφή του πάγκου όταν κόβετε τεμάχια με πάχος μικρότερο από 2 mm.** Τα λεπτά τεμάχια εργασίας μπορούν να πιαστούν κάτω από το προστατευτικό απόσχισης και να δημιουργήσουν επιστροφή.

ΑΙΤΙΕΣ ΕΠΙΣΤΡΟΦΗΣ ΚΑΙ ΣΧΕΤΙΚΕΣ ΠΡΟΕΙΔΟΠΟΙΗΣΕΙΣ

Η επιστροφή είναι μια ξαφνική αντίδραση του τεμαχίου εργασίας, εξαιτίας πιασίματος, φρακάρισμένης λεπίδας πριονιού ή μη ευθυγραμμισμένης ευθείας κοπής στο τεμάχιο, αναφορικά με την λεπίδα πριονιού ή όταν ένα μέρος του τεμαχίου εργασίας πιάνεται ανάμεσα στη λεπίδα πριονιού και το προστατευτικό απόσχισης ή άλλο σταθερό αντικείμενο. Τις περισσότερες φορές, στη διάρκεια επιστροφής, το τεμάχιο εργασίας ανασηκώνεται από τον πάγκο από το πίσω μέρος της λεπίδας πριονιού και εκτοξεύεται προς τον χειριστή.

Το κλότσημα είναι συνεπώς το αποτέλεσμα λανθασμένης χρήσης του εργαλείου ή/και λανθασμένων διαδικασιών ή συνθηκών κοπής.

- **Μην στέκεστε ποτέ απευθείας στην ίδια ευθεία με τη λεπίδα πριονιού. Τοποθετείτε πάντα το σώμα σας στην ίδια πλευρά της λεπίδας πριονιού με το προστατευτικό.** Η επιστροφή μπορεί να εκτινάξει το τεμάχιο εργασίας με μεγάλη ταχύτητα προς οποιονδήποτε στέκεται μπροστά και στην ίδια ευθεία με τη λεπίδα πριονιού.
- **Μην απλώνετε ποτέ το χέρι σας πάνω ή πίσω από τη λεπίδα πριονιού για να τραβήξετε ή να στηρίξετε το τεμάχιο εργασίας σας.** Μπορεί να προκληθεί τυχαία επαφή με τη λεπίδα πριονιού ή επιστροφή, τραβώντας τα δάχτυλά σας στη λεπίδα.
- **Μην κρατάτε και πιέζετε ποτέ το τεμάχιο εργασίας που κόβετε κόντρα στην περιστρεφόμενη λεπίδα πριονιού.** Πιέζοντας το τεμάχιο εργασίας που κόβεται κόντρα στη λεπίδα πριονιού, μπορεί να πιαστεί και να προκαλέσει επιστροφή.
- **Ευθυγραμμίστε το προστατευτικό παράλληλα με τη λεπίδα πριονιού.** Μη ευθυγραμμισμένο προστατευτικό, μπορεί να πιάσει το τεμάχιο εργασίας κόντρα στη λεπίδα πριονιού και να προκαλέσει επιστροφή.
- **Χρησιμοποιήστε ένα featherboard για να οδηγήσετε το τεμάχιο εργασίας κόντρα στον πάγκο και το προστατευτικό όταν κάνετε κοπές μη διείσδυσης, όπως κοπές γλυφής ή επανακοπές.** Το featherboard βοηθάει στον έλεγχο του τεμαχίου εργασίας σε περίπτωση επιστροφής.
- **Στηρίξτε τα μεγάλα πλαίσια για να ελαχιστοποιήσετε τον κίνδυνο πιασίματος και επιστροφής της λεπίδας πριονιού.** Τα μακριά προς επεξεργασία αντικείμενα έχουν την τάση να λυγίζουν λόγω ίδιου τους του βάρους. Κάτω από πλαίσια που στηρίζονται στον πάγκο πρέπει να τοποθετούνται υποστηρίγματα.
- **Προσέχετε ιδιαίτερα όταν κόβετε ένα τεμάχιο που έχει συστραφεί, έχει πιαστεί, έχει τυλιχθεί ή δεν έχει ίσια άκρα για να το οδηγήσετε με καλίμπρα λοξοτομής ή κατά μήκος του προστατευτικού.** Τυλιγμένα ή πιασμένα τεμάχια ή τεμάχια που έχουν συστραφεί είναι ασταθή και προκαλούν λάθος ευθυγράμμιση του αρμού με τη λεπίδα πριονιού, πιάσιμο και επιστροφή.
- **Μην κόβετε ποτέ περισσότερα από ένα τεμάχια, στοιβαγμένα κάθεται ή οριζόντια.** Η λεπίδα πριονιού μπορεί να πιάσει ένα ή περισσότερα τεμάχια και να προκαλέσει επιστροφή.





- Όταν ξεκινάτε ξανά το πριόνι με τη λεπίδα πριονιού στο τεμάχιο εργασίας, κεντράρετε τη λεπίδα πριονιού στον αρμό, ώστε τα δόντια του να μην εμπλέκονται με το υλικό. Αν η λεπίδα πριονιού πιαστεί, μπορεί να αναστηλώσει το τεμάχιο εργασίας και να προκαλέσει επιστροφή όταν ξεκινήσει ξανά το πριόνι.
- Διατηρείτε τις λεπίδες του πριονιού καθαρές, αιχμηρές και καλά στερεωμένες. Μην χρησιμοποιείτε ποτέ λυγισμένες λεπίδες ή λεπίδες με ραγισμένα ή σπασμένα δόντια. Οι αιχμηρές και καλά τοποθετημένες λεπίδες πριονιού, ελαχιστοποιούν τον κίνδυνο πιασίματος, κολλήματος και επιστροφής.

ΠΡΟΕΙΔΟΠΟΙΗΣΕΙΣ ΔΙΑΔΙΚΑΣΙΩΝ ΛΕΙΤΟΥΡΓΙΑΣ ΕΠΙΤΡΑΠΕΖΙΟΥ ΠΡΙΟΝΙΟΥ

- Απενεργοποιήστε το επιτραπέζιο πριόνι και αποσυνδέστε το καλώδιο του ρεύματος όταν αφαιρείτε την εσοχή πάγκου, αλλάζετε τη λεπίδα πριονιού ή κάνετε προσαρμογές στον θραύστη ή το προστατευτικό λεπίδας πριονιού και όταν το μηχάνημα δεν έχει επίβλεψη. Η εφαρμογή μέτρων ασφαλείας βοηθάει στην αποφυγή ατυχημάτων.
- Μην αφήνετε ποτέ το επιτραπέζιο πριόνι να λειτουργεί χωρίς επίβλεψη. Απενεργοποιήστε το και αφήστε τη συσκευή να σταματήσει τελείως. Ένα πριόνι που λειτουργεί χωρίς επίβλεψη, είναι ένας ανεξέλεγκτος κίνδυνος.
- Τοποθετήστε το επιτραπέζιο πριόνι σε καλά φωτισμένη και επίπεδη επιφάνεια όπου μπορείτε να διατηρήσετε γερό πάτημα και ισορροπία. Πρέπει να τοποθετηθεί σε περιοχή που παρέχει αρκετό χώρο για εύκολο χειρισμό του μεγέθους του τεμαχίου εργασίας. Σκοτεινές περιοχές και μη ομοιόμορφα, ολισθηρά δάπεδα, μπορούν να προκαλέσουν ατύχημα.
- Καθαρίζετε συχνά και αφαιρείτε το πριονίδι κάτω από το επιτραπέζιο πριόνι και/ή τη συσκευή συλλογής σκόνης. Το συσσωρευμένο πριονίδι είναι εύφλεκτο και μπορεί να προκαλέσει ανάφλεξη μόνο του.
- Το επιτραπέζιο πριόνι πρέπει να είναι ασφαλισμένο. Διαφορετικά μπορεί να μετακινηθεί ή να πέσει.
- Αφαιρείτε εργαλεία, υπολείμματα ξύλου κ.λπ. από τον πάγκο, πριν ενεργοποιήσετε το πριόνι. Οι αποσπάσεις ή ένα πιθανό φρακάρισμα, μπορεί να ενέχουν κινδύνους.
- Χρησιμοποιείτε πάντα λεπίδες πριονιού με σωστό μέγεθος και σχήμα (διαμαντοειδείς ή στρογγυλές) όπως ακρίστρωσης. Λεπίδες πριονιού που δεν αντιστοιχούν με το υλικό τοποθέτησης του πριονιού, χάνουν το κέντρο τους και προκαλούν απώλεια ελέγχου.
- Μην χρησιμοποιείτε φθαρμένα ή εσφαλμένα μέσα στερέωσης λεπίδας πριονιού, όπως φλάντζες, ροδέλες λεπίδας, μπουλόνια ή παξιμάδια. Αυτά τα μέσα στερέωσης έχουν σχεδιαστεί ειδικά για το πριόνι σας, για ασφαλή λειτουργία και βέλτιστη απόδοση.
- Μην στέκεστε ποτέ στο επιτραπέζιο πριόνι και μην το χρησιμοποιείτε ως σκαμνί. Υπάρχει πιθανότητα

σοβαρού τραυματισμού εάν το προϊόν γλιστρήσει ή αν γίνει τυχαία επαφή με το εργαλείο κοπής.

- Βεβαιωθείτε ότι η λεπίδα πριονιού είναι εγκατεστημένη ώστε να περιστρέφεται στη σωστή κατεύθυνση. Μην χρησιμοποιείτε λειαντικούς τροχούς, συμμάτινες βούρτσες ή τροχούς τριβής σε επιτραπέζιο πριόνι. Η εσφαλμένη εγκατάσταση λεπίδας πριονιού ή η χρήση εξαρτημάτων που δεν προτείνονται, μπορούν να προκαλέσουν σοβαρό τραυματισμό.

ΕΠΙΠΡΟΣΘΕΤΕΣ ΟΔΗΓΙΕΣ ΑΣΦΑΛΕΙΑΣ ΓΙΑ ΕΠΙΤΡΑΠΕΖΙΑ ΠΡΙΟΝΙΑ

- Ρυθμίστε ή στερεώστε το μηχάνημα σε σταθερή θέση, κατάλληλη για την εργασία που εκτελείται. Η συσκευή μπορεί να τοποθετηθεί σε πάγκο, πόδια στήριξης ή στο δάπεδο.
- Όταν τοποθετηθεί, ρυθμίστε την προέκταση ποδιού για να έχετε μια επίπεδη πλατφόρμα στην οποία θα εργαστείτε.
- Εργαζόμενοι σε σωστό ύψος, με καλή στάση εργασίας, εμποδίζετε την κόπωση ή άλλους τραυματισμούς στη διάρκεια της εργασίας.
- Παρέχετε επαρκή γενικό ή εστιασμένο φωτισμό για να αποφεύγετε στροβοσκοπικά φαινόμενα και κινδύνους.
- Φοράτε τον κατάλληλο εξοπλισμό προσωπικής προστασίας όπου χρειάζεται. Στον εξοπλισμό περιλαμβάνονται και προστατευτικά ακοής, προστατευτικά αναπνοής για μείωση του κινδύνου εισπνοής επιβλαβούς σκόνης και γερά γάντια για τον χειρισμό λεπίδων πριονιού και σκληρών υλικών.
- Φοράτε πάντα προστατευτικά γυαλιά όσο χειρίζεστε τη συσκευή. Προτείνεται η χρήση σταθερών, αντιολισθητικών υποδημάτων με προστατευτικά δαχτύλων για την αποφυγή κινδύνων από αντικείμενα που πέφτουν από τον πάγκο.
- Η σκόνη που παράγεται κατά τη χρήση του εργαλείου, μπορεί να είναι επιβλαβής για την υγεία, εύφλεκτη ή εκρηκτική. Χρησιμοποιήστε σύστημα απόσπασης σκόνης και φοράτε κατάλληλη μάσκα προστασίας. Αφαιρείτε την σκόνη που μαζεύεται προσεκτικά, π.χ. με βούρτσα και ηλεκτρική σκούπα.
- Διατηρείτε το δάπεδο στον χώρο εργασίας καθαρό από υπερβολικά πριονίδια, κομμένα κομμάτια και καλώδια ρεύματος. Έτσι μειώνετε τον κίνδυνο να σκοντάψετε και να πέσετε στη λεπίδα.
- Διατηρείτε τον πάγκο καθαρό από αντικείμενα όπως εργαλεία και κομμάτια ξύλου.
- Διατηρείτε την επιφάνεια του πάγκου, το προστατευτικό και τον οδηγό λοξοτομής καθαρά. Προσέχετε την κόλλα, την μογιά και άλλα αντίστοιχα αντικείμενα. Το ξύλο πρέπει να γλιστράει ομαλά και να μην πιάνεται ή μαγκώνει οπουδήποτε, διαφορετικά αυξάνεται σημαντικά ο κίνδυνος σοβαρού τραυματισμού λόγω επιστροφής.
- Χρησιμοποιείτε μόνο λεπίδες που ορίζονται στο παρόν εγχειρίδιο, σύμφωνα με το EN 847-1.
- Δεν χρησιμοποιείτε πριονοδίσκους κατασκευασμένους από ταχυάλυβα.





- Χρησιμοποιείτε μόνο λεπίδες πριονιού που έχουν σήμανση για ταχύτητα ίση ή μεγαλύτερη από την ταχύτητα που αναφέρεται στο εργαλείο.
- Μην πιέζετε το τεμάχιο εργασίας στην λεπίδα κοπής. Αφήστε το εργαλείο να κάνει τη δουλειά. Η υπερβολική άσκηση δύναμης υπερθερμαίνει τη λεπίδα και τα εξαρτήματα κοπής και μπορεί να κάψει το τεμάχιο εργασίας. Αυτό μπορεί να οδηγήσει σε απρόσμενες συνθήκες και σοβαρό τραυματισμό.
- Μη χρησιμοποιείτε αβλυμμένους ή φθαρμένους δίσκους. Μη ακονισμένες ή ακατάλληλα τοποθετημένες λεπίδες μπορεί να προκαλέσουν στενό αρμό και υπερβολική τριβή, πιάσιμο της λεπίδας και επιστροφή.
- Οι λεπίδες πριονιού πρέπει να μεταφέρονται σε θήκη, όπου αυτό είναι δυνατό.
- Μην χρησιμοποιείτε το εργαλείο χωρίς την εσοχή πάγκου και αντικαταστήστε την όταν φθαρεί.
- Αν δεν εκτελείτε διαπεραστική κοπή, διατηρείτε πάντα το προστατευτικό λεπίδας και τον θραύστη στη θέση τους και σε καλή κατάσταση λειτουργίας. Τα προστατευτικά λεπίδας πρέπει να σηκώνονται και να πέφτουν εύκολα, επιτρέποντας το πέρασμα του τεμαχίου εργασίας από κάτω. Βεβαιωθείτε ότι το προστατευτικό λεπίδας είναι καλά τοποθετημένο στον θραύστη. Μην χρησιμοποιείτε τη συσκευή με αφαιρεμένα τα καλύμματα / προστατευτικά.
- Βεβαιωθείτε πάντα ότι η λεπίδα είναι παράλληλη με το προστατευτικό. Αυτό συμβάλλει πολύ στην επιστροφή και μπορεί να προκαλέσει σοβαρό τραυματισμό.
- Χρησιμοποιείτε πάντα το προστατευτικό λεπίδας πριονιού και τον θραύστη για κάθε εργασία διαπεραστικής κοπής. Οι εργασίες διαπεραστικής κοπής είναι αυτές στις οποίες η λεπίδα κόβει τελείως το τεμάχιο εργασίας κατά την απόσχιση ή εγκάρσια κοπή.
- Βεβαιωθείτε ότι ελέγχετε πλήρως το υλικό που σκοπεύετε να κόψετε, ιδιαίτερα όταν χρησιμοποιείτε ανακυκλωμένο ξύλο, για ξένα αντικείμενα όπως καρφιά, βίδες, συρραπτικά.
- Αν αυτά ή παρόμοια αντικείμενα έρθουν σε επαφή με τη λεπίδα κατά την κοπή, το πριόνι θα καταστραφεί και μπορεί να προκληθεί σοβαρός τραυματισμός στον χειριστή ή άλλους.
- Δεν επιτρέπονται και δεν είναι δυνατές οι κοπές πολλαπλής αυλακώσεως με αυτό το εργαλείο.
- Χρησιμοποιείτε το τεμάχιο ώθησης όπου χρειάζεται. Χρησιμοποιείτε πάντα τεμάχιο ώθησης για το σχίσσιμο στενής ξυλείας. Το τεμάχιο ώθησης πρέπει να φυλάσσεται πάντα με το μηχανήμα όταν δεν χρησιμοποιείται.
- Μην απλώνετε ποτέ τα χέρια σας στην περιοχή κοντά στη λεπίδα πριονιού όσο αυτή λειτουργεί. Διατηρείτε τα δάχτυλά σας μακριά από την περιοχή που ορίζεται από την εσοχή πάγκου.
- Μην αφήνετε ποτέ το εργαλείο να λειτουργεί χωρίς την επίβλεψή σας.
- Απενεργοποιήστε τη συσκευή.
- Μην αφήνετε το εργαλείο μέχρι να σταματήσει τελείως.
- Μην προσπαθείτε ποτέ να σταματήσετε ένα μηχανήμα που κινείται γρήγορα τοποθετώντας τεμάχιο εργασίας

ή άλλο μέσο κόντρα στη λεπίδα. Υπάρχει κίνδυνος σοβαρού τραυματισμού.

- Μην αγγίζετε τη λεπίδα του κόπτη αμέσως μετά το πριόνισμα. Η λεπίδα κόπτη θερμαίνεται κατά τη χρήση.
- Αν η λεπίδα πριονιού φρακάρει κατά την κοπή, απενεργοποιήστε το μηχανήμα και αποσυνδέστε το από το ρεύμα. Αφαιρέστε το τεμάχιο εργασίας και βεβαιωθείτε ότι η λεπίδα κόπτη λειτουργεί ελεύθερη. Ενεργοποιήστε το μηχανήμα και ξεκινήστε την κοπή με μειωμένη ταχύτητα.
- Όταν μεταφέρετε το μηχανήμα, αφαιρέστε το προστατευτικό λεπίδας, φέρετε τον θραύστη στη χαμηλότερη θέση του και χαμηλώστε τη λεπίδα ώστε να βρίσκεται κάτω από την επιφάνεια του πάγκου στη θέση μεταφοράς.
- Αν το καλώδιο ρεύματος χαλάσει, πρέπει να αντικατασταθεί μόνο από τον κατασκευαστή ή εξουσιοδοτημένο κέντρο σέρβις για την αποφυγή κινδύνων.
- Μην χρησιμοποιείτε προσαρτήματα ή εξαρτήματα που δεν προτείνονται από τον κατασκευαστή. Η χρήση μη συνιστώμενων ανταλλακτικών ή εξαρτημάτων μπορεί να επιφέρει κίνδυνο σοβαρού τραυματισμού. Συσκευές που χρησιμοποιούνται σε πολλές διαφορετικές τοποθεσίες (συμπεριλαμβανοντας υπαίθριες τοποθεσίες) θα πρέπει να συνδέονται μέσω διάταξης προστασίας ρεύματος διαρροής (RCD).
- Αν η τροφοδοσία του επιτραπέζιου πριονιού διακοπεί, ο διακόπτης ενεργοποίησης/απενεργοποίησης του μηχανήματος απενεργοποιείται αυτόματα.

ΣΥΓΚΕΚΡΙΜΕΝΕΣ ΟΔΗΓΙΕΣ ΑΣΦΑΛΕΙΑΣ ΓΙΑ ΛΕΠΙΔΑ ΚΟΠΗΣ ΞΥΛΟΥ

- Παρακαλούμε διαβάστε προσεκτικά το εγχειρίδιο και τις οδηγίες πριν χρησιμοποιήσετε τη λεπίδα πριονιού και το μηχανικό εργαλείο.
- Το μηχανικό εργαλείο πρέπει να διατηρείται σε καλή κατάσταση και η άτρακτός του να μη φέρει παραμορφώσεις και κραδασμούς.
- Βεβαιωθείτε ότι ο χειριστής είναι εξοικειωμένος με τις οδηγίες ασφάλειας, την προσαρμογή και τον χειρισμό του μηχανικού εργαλείου.
- Φοράτε πάντα προστατευτικά γυαλιά και προστατευτικά ακοής όταν χρησιμοποιείτε το μηχανικό εργαλείο. Συνίστανται τα προστατευτικά γάντια, τα σταθερά και αντιολισθητικά παπούτσια και η ποδιά.
- Πριν χρησιμοποιήσετε οποιοδήποτε εξάρτημα, συμβουλευτείτε το εγχειρίδιο χρήσης. Ακατάλληλη χρήση ενός εξαρτήματος μπορεί να προκαλέσει φθορά και να αυξήσει την πιθανότητα τραυματισμού.
- Διατηρείτε τη λεπίδα καθαρή. Μην ξεχνάτε τα πριονίδια και κολλώδεις ουσίες, όπως ρητίνη ξύλου. Η καθαρή λεπίδα λειτουργεί αποτελεσματικότερα και με ασφάλεια.
- Χρησιμοποιείτε μόνο λεπίδες που ορίζονται στο παρόν εγχειρίδιο, σύμφωνα με το EN 847-1.
- Τηρείτε τη μέγιστη ταχύτητα που ενδείκνυται στην λεπίδα κόπτη. Βεβαιωθείτε ότι η ταχύτητα που αναγράφεται στην λεπίδα κόπτη είναι τουλάχιστον ίση με την ταχύτητα που αναγράφεται στον κόπτη.





- Χρησιμοποιείτε πάντα λεπίδες με σωστό μέγεθος και σχήμα οπών αγκίστρωσης. Μην χρησιμοποιείτε ποτέ ελαττωματικές ή ακατάλληλες βίδες ή φλάντζες δίσκου.
- Μην χρησιμοποιείτε λεπίδες με πάχος σώματος μεγαλύτερο ή πλάτος κοπής αυλακίου (αρμός) μικρότερο από το πάχος του θραύστη.
- Μην χρησιμοποιείτε λεπίδες μεγαλύτερης ή μικρότερης διαμέτρου από το προτεινόμενο. Μην χρησιμοποιείτε σφήνες για να κάνετε τη λεπίδα να εφαρμόσει στην άτρακτο.
- Ελέγχετε τις άκρες της λεπίδας πριονιού για βλάβες ή μη κανονική εμφάνιση πριν από κάθε χρήση. Άκρες που έχουν χαλάσει ή χαλαρώσει, μπορούν να εκτιναχθούν κατά τη διάρκεια της χρήσης, αυξάνοντας τον κίνδυνο τραυματισμού.
- Τεμάχια κατεργασίας μεγάλου μήκους πρέπει να στηρίζονται κατάλληλα. Μην χρησιμοποιείτε ελαττωματικές ή στρεβλωμένες πριονολάμες.
- Πετάξτε τη λεπίδα πριονιού αν χαλάσει, παραμορφωθεί, διαστρεβλωθεί ή ραγίσει. Δεν επιτρέπεται η επισκευή της.
- Μην χρησιμοποιείτε λεπίδες HSS.
- Βεβαιωθείτε ότι η λεπίδα πριονιού έχει τοποθετηθεί σωστά, σφίξτε το παξιμάδι αγκύρωσης καλά πριν από τη χρήση.
- Οι βίδες και τα παξιμάδια πρέπει να σφικτούν με τη χρήση κατάλληλου κλειδιού κ.λπ.
- Δεν επιτρέπεται η χρήση προέκτασης στο κλειδί ή το σιζίμο με χρήση σφυριού.
- Βεβαιωθείτε ότι η λεπίδα και οι φλάντζες είναι καθαρά και ότι οι πλευρές του κολλάρου με εσοχή βρίσκονται κόντρα στη λεπίδα.
- Βεβαιωθείτε ότι η λεπίδα περιστρέφεται προς τη σωστή κατεύθυνση και δεν έρχεται σε επαφή με οποιοδήποτε μέρος του μηχανήματος ή του συστήματος προστασίας.
- Πριν την εργασία, κάντε μια δοκιμαστική κοπή χωρίς να είναι ενεργός ο κινητήρας, ώστε να ελέγξετε τη θέση της λεπίδας, τη λειτουργία των προστατευτικών αναφορικά με άλλα μέρη του προϊόντος και το τεμάχιο εργασίας.
- Μην αφήνετε ποτέ το εργαλείο να λειτουργεί χωρίς επίβλεψη.
- Μην τοποθετείτε λιπαντικά στην λεπίδα όσο λειτουργεί.
- Μην προσπαθείτε να σταματήσετε το εργαλείο ενώ κινείται γρήγορα, τοποθετώντας άλλο εργαλείο ή μέσο κόντρα στη λεπίδα, γιατί υπάρχει κίνδυνος σοβαρών τραυματισμών.
- Αποσυνδέστε το μηχανικό εργαλείο από το ρεύμα πριν αλλάξετε λεπίδες ή εκτελέσετε εργασίες συντήρησης.
- Προσέχετε κατά το άνοιγμα και κλείσιμο των συσκευασιών λεπίδων καθώς υπάρχει κίνδυνος τραυματισμού από τις αιχμηρές άκρες των λεπίδων.
- Χρησιμοποιείτε θήκη λεπίδων ή φοράτε γάντια κατά τον χειρισμό λεπίδων πριονιού. Να θυμάστε ότι η λεπίδα θα καίει μετά τις εργασίες κοπής.
- Διατηρείτε και φυλάσσετε τη λεπίδα στην συσκευασία της ή άλλη κατάλληλη συσκευασία, αποφεύγοντας τις συνθήκες υγρασίας και μακριά από χημικά που μπορεί να προκαλέσουν φθορές.

ΠΡΟΟΡΙΖΟΜΕΝΗ ΧΡΗΣΗ

Το επιτραπέζιο πριόνι είναι σχεδιασμένο για να λειτουργεί από ένα άτομο με σκοπό την απόσχιση και εγκάρσια κοπή ξύλου, με μέγιστο βάθος 80 mm σε γωνία 0°. Στην μέγιστη γωνία 45° το μέγιστο βάθος κοπής είναι 55 mm. Το επιτραπέζιο πριόνι είναι σχεδιασμένο για να τοποθετείται ή στερεώνεται σε σταθερή επιφάνεια ή σταντ εργασίας, όπως παρέχονται από τον κατασκευαστή. Μπορεί να κοπεί σκληρό και μαλακό ξύλο και σκληρό χαρτόνι.

Μπορούν να χρησιμοποιηθούν μόνο οι συνδυασμοί λεπίδας και θραύστη που παρέχονται από τον κατασκευαστή του επιτραπέζιου πριονιού συγκεκριμένα για αυτόν.

ΑΛΛΟΙ ΚΙΝΔΥΝΟΙ

Ακόμη και όταν το επιτραπέζιο πριόνι χρησιμοποιείται σύμφωνα με τις οδηγίες, δεν υπάρχει δυνατότητα να εξαιρεθούν ολοκληρωτικά ορισμένοι παράγοντες κινδύνου.

Ο χειριστής θα πρέπει να προσέχει ιδιαίτερα αυτά τα σημεία για να μειώσει τον κίνδυνο σοβαρού τραυματισμού.

- Μη διαπεραστική κοπή Το προστατευτικό λεπίδας αφαιρείται και εκτίθεται η πάνω πλευρά της λεπίδας πριονιού.
- Επαφή με τη λεπίδα – αποφύγετε να απλώνετε το χέρι προς το μέρος της λεπίδας, πάνω και γύρω από αυτήν.
- Επιστροφή – μην στέκεστε ποτέ μπροστά από τη λεπίδα.
- Σταθερότητα – βεβαιωθείτε ότι το προϊόν είναι σταθερό και όπου αυτό είναι δυνατό, ασφαλίστε το.
- Εκτινασσόμενα κομμάτια λεπίδας κοπής – φοράτε προστατευτικά ματιών καθ' όλη τη διάρκεια της εργασίας.
- Εισπνοή σκόνης – φοράτε μάσκα αν χρειάζεται. Η σκόνη που παράγεται κατά την εργασία με συγκεκριμένους τύπους ξύλου (π.χ. MDF), μπορεί να είναι επικίνδυνη για το αναπνευστικό σας σύστημα.
- Τραυματισμοί ματιών από μόρια ξύλου και σκόνη – φοράτε προστατευτικά ματιών καθ' όλη τη διάρκεια της εργασίας.
- Τραυματισμοί ακοής – περιορίστε την έκθεση και φοράτε κατάλληλα προστατευτικά ακοής.
- Τα επίπεδα θορύβου ποικίλλουν πολύ από μηχανήμα σε μηχανήμα, σύμφωνα με τις συνθήκες χρήσης. Άτομα που εκθέτονται σε υψηλά επίπεδα θορύβου, ακόμη και για σύντομα χρονικά διαστήματα, μπορεί να παρουσιάσουν προσωρινή απώλεια ακοής και η συνεχής έκθεση σε αυτά μπορεί να μονιμοποιήσει τη βλάβη.

ΕΞΟΙΚΕΙΩΘΕΙΤΕ ΜΕ ΤΟ ΜΗΧΑΝΟΚΙΗΤΟ ΕΡΓΑΛΕΙΟ ΣΑΣ.

Βλ. σελίδα 242.

1. Εσοχή πάγκου
2. Ρυθμιζόμενος επεκτεινόμενος θραύστης
3. Οδηγός λοξόμησης
4. Λεπίδα κόπτη
5. Προστατευτικό λεπίδας πριονιού
6. Απελευθέρωση εσοχής πάγκου





7. Προστατευτικό / προστατευτικό απόσχισης
8. Πλαϊνή επέκταση πάγκου (RTS1800ES, RTS1800EF)
9. Οπές στερέωσης (ασφαλίζονται στον πάγκο ή τα πόδια)
10. Διακόπτης ενεργοποίησης / απενεργοποίησης
11. Τροχός προσαρμογής λοξογωνίας
12. Κλειδίωμα λοξογωνίας
13. Λαβή βάθους κοπής
14. Επιπρατέζιο πριόνι
15. Έξοδος σκόνης
16. Εξάρτημα θύρας σκόνης

ΛΕΙΤΟΥΡΓΙΑ

ΠΡΟΕΙΔΟΠΟΙΗΣΗ

Διαβάστε προσεκτικά όλες τις συστάσεις και οδηγίες αυτού του εγχειριδίου πριν ενεργοποιήσετε το επιπρατέζιο πριόνι και πραγματοποιήσετε εργασίες κοπής με αυτό.

Διαπεραστική κοπή: οποιαδήποτε εργασία κοπής όπου η λεπίδα πριονιού προεξέχει πέρα από το πάχος του τεμαχίου εργασίας. Για αυτήν την εργασία, ο θραύστης πρέπει να βρίσκεται στη σηκωμένη θέση και να έχει τοποθετηθεί το προστατευτικό λεπίδας. Χρησιμοποιήστε προστατευτικό ή οδηγό λοξοτομής για να τοποθετήσετε σωστά το τεμάχιο εργασίας.

Μη διαπεραστική κοπή: οποιαδήποτε εργασία κοπής όπου η λεπίδα πριονιού δεν προεξέχει πέρα από το πάχος του τεμαχίου εργασίας. Για αυτήν την εργασία, ο θραύστης πρέπει να βρίσκεται στη χαμηλωμένη θέση. Το πάνω μέρος του θραύστη πρέπει να είναι ελαφρά χαμηλότερα από το πάνω μέρος της λεπίδας πριονιού. Το προστατευτικό λεπίδας δεν μπορεί να τοποθετηθεί. Χρησιμοποιήστε προστατευτικό ή οδηγό λοξοτομής για να τοποθετήσετε σωστά το τεμάχιο εργασίας.

Κοπή απόσχισης: Χρήση του προστατευτικού απόσχισης παράλληλα με τη λεπίδα για να οδηγηθεί το τεμάχιο εργασίας. Αυτή η κοπή γίνεται κυρίως με τη φορά του κόκκου ξύλου (αν υπάρχει). Μπορεί να είναι διαπεραστική ή μη διαπεραστική.

Εγκάρσια κοπή: Χρήση του οδηγού λοξοτομής ή προστατευτικού εγκάρσιας κοπής. Η συσκευή είναι σχεδιασμένη για να γλιστράει παράλληλα με τη λεπίδα πριονιού και επιπρέπει να κρατιέται το τεμάχιο εργασίας σε σταθερή γωνία κατά μήκος του άξονα κοπής της λεπίδας. Αυτή η κοπή γίνεται κυρίως κατά μήκος της κατεύθυνσης του κόκκου ξύλου (αν υπάρχει). Μπορεί να είναι διαπεραστική ή μη διαπεραστική.

Λοξή κοπή: Η γωνία της λεπίδας αναφορικά με την επιφάνεια του πάγκου αλλάζει μεταξύ 90 και 45°. Προσφέρει κοπή με γωνιακό άκρο. Μπορεί να είναι διαπεραστική ή μη διαπεραστική. Το προστατευτικό απόσχισης ή ο οδηγός λοξοτομής πρέπει να χρησιμοποιούνται για να τοποθετηθεί σωστά το τεμάχιο εργασίας.

Κοπή λοξοτομής: Το τεμάχιο εργασίας τοποθετείται στη λεπίδα με γωνία. Η γωνία που απαιτείται ορίζονται στον οδηγό λοξοτομής, που μπορεί στη συνέχεια να κρατήσει το τεμάχιο εργασίας σε αυτή τη γωνία, γλιστρώντας παράλληλα με τη λεπίδα για να πραγματοποιηθεί η κοπή. Μπορεί να είναι διαπεραστική ή μη διαπεραστική.

Κοπή με κλίση: Οι εγκάρσιες κοπές με κλίση είναι δυνατές με τη χρήση του οδηγού λοξοτομής ορισμένου στην απαιτούμενη γωνία. Δεν είναι δυνατό να εκτελεστούν κοπές απόσχισης με κλίση, καθώς απαιτείται ειδικό εξάρτημα.

ΧΡΗΣΗ ΤΟΥ ΠΡΟΣΤΑΤΕΥΤΙΚΟΥ ΜΕ ΑΣΦΑΛΕΙΑ.

- Μην χρησιμοποιείτε ποτέ το προστατευτικό απόσχισης και τον οδηγό γωνίας λοξοτομής ταυτόχρονα. Έτσι αυξάνεται η πιθανότητα επιστροφής και τραυματισμού. Όταν δεν χρησιμοποιείτε ένα από αυτά, αφαιρείτε το από τον πάγκο και φυλάσσετε το σε άλλη θέση.
- Κάθε φορά που το προστατευτικό χρησιμοποιείται ή μετακινείται σε άλλη θέση, είναι σημαντικό να ελέγχετε πως είναι παράλληλο με τη λεπίδα πριονιού.
- Μη παράλληλο προστατευτικό μπορεί να παγιδεύσει το τεμάχιο εργασίας ανάμεσα στη λεπίδα και το προστατευτικό, προκαλώντας επιστροφή και πιθανότητα σοβαρού τραυματισμού.
- Λάθος προσαρμοσμένο ή ρυθμισμένο προστατευτικό μπορεί να προκαλέσει τροφοδότηση του τεμαχίου εργασίας προς τη λεπίδα σε λάθος γωνία, οδηγώντας σε πάσιμο ή φρακάρισμα της λεπίδας. Μπορεί επίσης να προκαλέσει επιστροφή (βλ. Παραπάνω).
- Για να προσαρμόσετε ή να ρυθμίσετε το προστατευτικό σωστά, πιάστε την άκρη του πάνω από την πίσω άκρη του πάγκου και στη συνέχεια χαμηλώστε την μπροστινή άκρη για να εμπλακεί με το μπροστινό μέρος του πάγκου. Έπειτα πιέστε από την μπροστινή πλευρά του προστατευτικού, ώστε τα δύο άκρα να ορίσουν μια ορθή γωνία προς την κατεύθυνση της επαφής του προστατευτικού με το μπροστινό άκρο του πάγκου. Έτσι το προστατευτικό μένει παράλληλα με τη λεπίδα. Στη συνέχεια κλειδώστε το προστατευτικό στη θέση του, σπρώχνοντας τη λαβή κλειδώματος προς τα κάτω.
- Η δύναμη με την οποία η λαβή κλειδώματος κρατάει το προστατευτικό στη θέση του, μπορεί να ρυθμιστεί, περιστρέφοντας την βίδα πάνω ακριβώς από τη λαβή κλειδώματος.
- Ελέγχετε πάντα αν το προστατευτικό είναι παράλληλο με τη λεπίδα, με μέτρηση ή με ένα καλά κομμένο κομμάτι ξύλο πριν την εργασία κοπής.

Ευθυγράμμιση σημαδιών απόστασης, από λεπίδα σε προστατευτικό

Τοποθετήστε την άκρη του προστατευτικού κόντρα στη λεπίδα και στη συνέχεια προσαρμόστε το γυαλί ένδειξης ώστε να ευθυγραμμίζεται με το σημάδι 0 mm στο μπροστινό άκρο του πάγκου. Χαλαρώστε τη βίδα, προσαρμόστε το γυαλί και σφίξτε ξανά τη βίδα.

Χρήση βοηθητικού προστατευτικού

Μερικές φορές, απαιτείται η τοποθέτηση του βοηθητικού προστατευτικού πάνω στο βασικό.

- a. Όταν ένα στενό τεμάχιο εργασίας δεν μπορεί να κρατηθεί με το χέρι ή το κομμάτι ώθησης, επειδή βρίσκεται μπροστά το προστατευτικό.
- b. Όταν κόβεται λεπτό τεμάχιο εργασίας. Πολύ λεπτά τεμάχια εργασίας μπορούν να γλιστρήσουν κάτω από το βασικό προστατευτικό και να πιαστούν ή συρθούν, προκαλώντας πιθανή επιστροφή. Χρησιμοποιήστε το βοηθητικό προστατευτικό για να





αποφύγετε αυτή την περίπτωση.

Αφαιρέστε το βοηθητικό προστατευτικό όταν μπορείτε να χρησιμοποιήσετε μόνο το βασικό με ασφάλεια.

Όταν εκτελείτε λοξές κοπές σε στενά τεμάχια εργασίας, χρησιμοποιείτε πάντα το προστατευτικό στην αντίθετη πλευρά της λεπίδας, από την πλευρά που ακουμπάει, διαφορετικά μπορεί να παγιδευτεί το τεμάχιο ώθησης κόντρα στο προστατευτικό λεπίδας ή το προστατευτικό.

Τοποθέτηση βοηθητικού προστατευτικού στο βασικό

- Με τις πεταλούδες και τις ροδέλες στην μια πλευρά του προστατευτικού, σπρώξτε τα μπουλόνια από την άλλη πλευρά και βιδώστε μαζί. Τώρα περάστε το βοηθητικό προστατευτικό πάνω από τις κεφαλές των μπουλονιών στην παρεχόμενη υποδοχή. Σφίξτε το βοηθητικό προστατευτικό όσο χρειάζεται.

ΣΗΜΕΙΩΣΗ: Το βοηθητικό προστατευτικό χρησιμοποιείται μόνο για να οδηγήσει το τεμάχιο εργασίας πέρα από τη λεπίδα και τον θραύστη και δεν χρειάζεται να καλύπτει όλο το μήκος του βασικού.

Αφαιρέστε το βοηθητικό προστατευτικό όταν μπορείτε να χρησιμοποιήσετε μόνο το βασικό με ασφάλεια. Μην αφήνετε τα μπουλόνια και τις πεταλούδες πάνω στο βασικό προστατευτικό.

Χρήση feather board

Το feather board είναι μια συσκευή παρόμοια με μια χτένα, αλλά κόβει σε γωνία. Συνήθως είναι ξύλινη ή πλαστική και τα λεπτά δάχτυλά της λυγίζουν ελαφρά καθώς το τεμάχιο εργασίας γλιστράει στη θέση του, ασκώντας ομοιόμορφη και σταθερή πίεση και συγκρατώντας το τεμάχιο εργασίας. Χρησιμοποιήστε μία από αυτές τις συσκευές όταν απαιτείται ακριβής κοπή σε στενά τεμάχια εργασίας. Η συσκευή συνδέεται στον πάγκο μέσω των οπίων οδηγού λοξοτομής και έτσι ο χειριστής δεν χρειάζεται να έχει τα δάχτυλά του κοντά στη λεπίδα.

Feather board κατασκευασμένα από τρίτους μπορούν να αγοραστούν σε εξειδικευμένα καταστήματα ξυλουργικής.

ΔΙΑΤΑΞΗ ΠΡΟΣΤΑΣΙΑΣ ΑΠΟ ΥΠΕΡΦΟΡΤΩΣΗ

Το προϊόν διαθέτει διάταξη προστασίας υπερφόρτωσης. Όταν εντοπίζεται υπερφόρτωση, το προϊόν απενεργοποιείται αυτόματα. Απενεργοποιήστε τη συσκευή. Αν το προστατευτικό υπερφόρτωσης ενεργοποιηθεί, ο κινητήρας θα πρέπει να κρουώσει για 3 λεπτά. Βεβαιωθείτε ότι η λεπίδα μπορεί να περιστραφεί ελεύθερα και δεν έχει φρακάρει ούτε είναι στενή. Πατήστε το κουμπί επαναφοράς (κάτω από τον διακόπτη ενεργοποίησης/ απενεργοποίησης). Ενεργοποιήστε τη συσκευή. Πατήστε το κουμπί ενεργοποίησης για να ξεκινήσει το προϊόν.

ΣΥΝΤΗΡΗΣΗ

- Βεβαιωθείτε ότι η λεπίδα πριονιού έχει σταματήσει τελείως και το καλώδιο ρεύματος έχει αφαιρεθεί από την πρίζα, πριν εκτελέσετε εργασίες συντήρησης ή καθαρισμού.
- Αν το καλώδιο ρεύματος έχει χαλάσει, θα πρέπει να επισκευαστεί από εξουσιοδοτημένο κέντρο σέρβις.
- Η λεπίδα έχει αιχμηρές άκρες και μπορεί να παραμείνει θερμή μετά τις εργασίες κοπής. Προσέχετε πολύ όταν

καθαρίζετε μια εκτεθειμένη λεπίδα. Φοράτε γάντια για να προστατεύσετε από πιθανότητα τραυματισμού.

- Καθαρίζετε τη λεπίδα και τα εξαρτήματά της από υπολείμματα σκόνης τακτικά, ιδιαίτερα τα κινούμενα εξαρτήματα, συμπεριλαμβανομένου του προστατευτικού λεπίδας. Χρησιμοποιήστε σκουπάκι ή ηλεκτρική σκούπα για να καθαρίσετε αποτελεσματικά την σκόνη.

▲ ΠΡΟΕΙΔΟΠΟΙΗΣΗ

Μην προσπαθήσετε να αποσυναρμολογήσετε το προστατευτικό λεπίδας για καθαρισμό ή επισκευή. Μην χρησιμοποιείτε χαλασμένα προστατευτικά. Επιστρέψτε το προϊόν σε εξουσιοδοτημένο κέντρο σέρβις για επισκευή ή αντικατάσταση.

- Το επιτραπέζιο πριόνι έχει λιπανθεί στο εργοστάσιο και δεν απαιτεί επιπρόσθετη λίπανση.
- Για να ελέγξετε και να προσαρμόσετε τις λοξές γωνίες και την παράλληλη όψη λεπίδας/προστατευτικού, βλ. “Ελεγχος και ορισμός λοξής γωνίας” και “Ελεγχος και ρύθμιση παράλληλης τοποθέτησης λεπίδας με υποδοχές οδηγού λοξοτομής” στο παρόν χειρίδιο.

ΕΛΕΓΧΟΣ ΚΑΙ ΟΡΙΣΜΟΣ ΛΟΞΗΣ ΓΩΝΙΑΣ

ΣΗΜΕΙΩΣΗ: Ορίζοντας την λεπίδα σε γωνία 90° από τον πάγκο, δημιουργείται 0° λοξή γωνία.

1. Απενεργοποιήστε τη συσκευή και αφαιρέστε το βύσμα από την πρίζα.
2. Προσέχετε ιδιαίτερα τις άκρες των λεπίδων πριονιού, καθώς είναι πολύ αιχμηρές και μπορούν να προκαλέσουν τραυματισμό.
3. Ανασηκώστε τη διάταξη λεπίδας και θραύστη στο μεγαλύτερο ύψος.
4. Αφαιρέστε το προστατευτικό λεπίδας.
5. Τοποθετήστε τον θραύστη στο χαμηλότερο ύψος.
6. Βεβαιωθείτε ότι η λεπίδα και η επιφάνεια του πάγκου δεν περιέχουν σκόνες και υπολείμματα.
7. Τοποθετήστε ένα τετράγωνο 90° κόντρα στην επιφάνεια του πάγκου και το υψηλότερο μέρος της λεπίδας. Προσέχετε να μην έρθετε σε επαφή με τις άκρες της λεπίδας κατά τη μέτρηση γιατί θα προκληθεί λάθος. Πρέπει να ευθυγραμμίσετε την επιφάνεια του σώματος της λεπίδας πριονιού.
8. Δεν πρέπει να υπάρχουν κενά ανάμεσα στις άκρες του τετραγώνου και την λεπίδα ή τον πάγκο. Σε αυτή την κατάσταση, η λεπίδα είναι σε πραγματική κάθετη ευθυγράμμιση και δεν χρειάζεται άλλη προσαρμογή της γωνίας της.
9. Αν υπάρχουν κενά, χαλαρώστε το κουμπί κλειδώματος λοξότητας και μετακινήστε προσεκτικά τη λοξή γωνία ενώ ελέγχετε ξανά συνεχώς το κενό. Όταν εξαφανιστούν τα κενά, σφίξτε καλά το κουμπί κλειδώματος λοξότητας.
10. Χαλαρώστε τη βίδα στην ένδειξη λοξής γωνίας και προσαρμόστε τη διαφανή πλαστική γραμμή ώστε να δείχνει ευθυγράμμιση με το σημάδι 0°. Σφίξτε τη βίδα.
11. Επαναλάβετε τη διαδικασία για να ελέγξετε και να ορίσετε διάφορες γωνίες μεταξύ 90° και 45° που θεωρείτε απαραίτητες.



ΕΛΕΓΧΟΣ ΚΑΙ ΡΥΘΜΙΣΗ ΠΑΡΑΛΛΗΛΗΣ ΤΟΠΟΘΕΤΗΣΗΣ ΛΕΠΙΔΑΣ ΜΕ ΥΠΟΔΟΧΕΣ ΟΔΗΓΟΥ ΛΟΞΟΤΟΜΗΣ

1. Απενεργοποιήστε τη συσκευή και αφαιρέστε το βύσμα από την πρίζα.
2. Προσέχετε ιδιαίτερα τις άκρες των λεπιδιών πριονιού, καθώς είναι πολύ αιχμηρές και μπορούν να προκαλέσουν τραυματισμό.
3. Ανασηκώστε τη διάταξη λεπίδας και θραύστη στο μεγαλύτερο ύψος.
4. Αφαιρέστε το προστατευτικό λεπίδας.
5. Ολοκληρώστε τους ελέγχους που περιγράφονται στο παρόν χειρίδιο "Πώς να ελέγξετε και να ορίσετε τη λοξή γωνία". Βεβαιωθείτε ότι η λοξή γωνία είναι ασφαλώς ρυθισμένη στις 0°.
6. Πάρτε τον οδηγό γωνίας λοξοτομής και τοποθετήστε τον σε μία από τις υποδοχές του πάγκου. Ορίστε τη γωνία στον οδηγό γωνίας λοξοτομής στις 90°.
7. Τοποθετήστε έναν ατσάλινο χάρακα γερά κόντρα στον οδηγό γωνίας λοξοτομής και με το ευθύ άκρο του να αγγίζει το σώμα της λεπίδας πριονιού. Μπορείτε να χρησιμοποιήσετε ένα με ακρίβεια κομμένο κομμάτι ξύλο αντί για τον χάρακα.
8. Κρατήστε καλά τον χάρακα / το ξύλο και περάστε ολόκληρο τον οδηγό γωνίας λοξοτομής ώστε ο χάρακας / το ξύλο να έρχεται σε επαφή με το άλλο άκρο της λεπίδας. Ο χάρακας ή το ξύλο πρέπει να έχουν το ίδιο σημείο επαφής με τη λεπίδα καθώς κινούνται κατά μήκος του σώματός της. Αν ισχύει αυτό, η παράλληλη σχέση μεταξύ λεπίδας και υποδοχών πάγκου είναι ακριβής και δεν χρειάζονται προσαρμογές. Ελέγξτε την υποδοχή στην άλλη πλευρά του πάγκου ακολουθώντας την ίδια μέθοδο.

ΡΥΘΜΙΣΗ ΠΑΡΑΛΛΗΛΗΣ ΣΧΕΣΗΣ ΛΕΠΙΔΑΣ ΜΕ ΥΠΟΔΟΧΕΣ ΠΑΓΚΟΥ

Υπάρχουν δύο μπουλόνια στην μπροστινή όψη της λεπίδας πριονιού και άλλα δύο στην πίσω. Η πρόσβαση επιτρέπεται κάτω από την επιφάνεια του πάγκου.

Όταν αυτά τα δύο μπουλόνια ξεσφικτούν, ολόκληρη η λεπίδα, ο θραύστης και η διάταξη κινητήρα μπορούν να μετακινηθούν για σωστή ευθυγράμμιση της λεπίδας με τις υποδοχές στον πάγκο.

Αυτό μπορεί να σας δυσκολέψει αν δεν έχετε πείρα σε αυτές τις προσαρμογές. Σε περίπτωση δυσκολίας, επιστρέψτε το πριόνι στο πλησιέστερο εξουσιοδοτημένο κέντρο σέρβις Ryobi για επαγγελματική ρύθμιση.

ΠΡΟΣΤΑΣΙΑ ΤΟΥ ΠΕΡΙΒΑΛΛΟΝΤΟΣ



Ανακυκλώνετε τις πρώτες ύλες αντί να τις πετάτε ως απορρίμματα. Για την προστασία του περιβάλλοντος, πρέπει να γίνεται η διαλογή του εργαλείου, των εξαρτημάτων και των συσκευασιών του.

ΣΥΜΒΟΛΑ ΣΤΟ ΠΡΟΪΟΝ



Προειδοποίηση ασφαλείας



Συμμόρφωση CE



EurAsian σήμα πιστότητας.



Εργαλείο Κλάσης II, διπλή μόνωση



Παρακαλούμε διαβάστε προσεκτικά τις οδηγίες πριν χρησιμοποιήσετε το προϊόν.



Φοράτε προστατευτικά αυτιών.



Φοράτε προστατευτικά ματιών.



Φοράτε γάντια ασφαλείας.



Κίνδυνος! Αιχμηρή λεπίδα.



Ικανότητα κοπής



Πλάτος κοπής λεπίδας (αριμός)



Αριθμός δοντιών στην λεπίδα κοπής



Για κοπή ξύλου και παρόμοιου υλικού



Όχι για κοπή μετάλλου



Φορά περιστροφής λεπίδας (εμφανίζεται στο προστατευτικό λεπίδας)



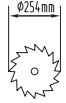
Φορά περιστροφής λεπίδας (εμφανίζεται στον θραύστη)



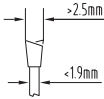
Φορά περιστροφής λεπίδας (εμφανίζεται στη λεπίδα πριονιού)



Φορά περιστροφής λεπίδας (εμφανίζεται στον πίνακα)



Διάμετρος λεπίδας



Πάχος σώματος λεπίδας και πλάτος κοπής



Πάχος και σκληρότητα θραύστη



Βαθμονομημένη ισχύς



Λεπίδα με 48 δόντια από καρβίδιο σκληρομετάλλου



Ομαλή εκκίνηση



Προστασία υπερφόρτωσης



Πάγκος από χυτό αλουμίνιο



Διαστάσεις πάγκου (RTS1800, RTS1800S)



Διαστάσεις πάγκου (RTS1800ES, RTS1800EF)



Διαστάσεις επέκτασης πάγκου



Αφαιρούμενο πόδι



Πολυτελές πόδι που διπλώνει



Δυνατότητες κοπής (90° και 45°)



Τα ηλεκτρικά προϊόντα προς απόρριψη δεν θα πρέπει να απορρίπτονται μαζί με τα οικιακά απόβλητα. Παρακαλούμε ανακυκλώστε όπου υπάρχουν οι αντίστοιχες εγκαταστάσεις. Συμβουλευτείτε τις τοπικές αρχές ή το κατάστημα πώλησης για οδηγίες ανακύκλωσης.

ΣΥΜΒΟΛΑ ΣΤΟ ΕΓΧΕΙΡΙΔΙΟ



Συνδέστε στο ρεύμα.



Αποσυνδέστε από το ρεύμα.



Ανταλλακτικά και εξαρτήματα πωλούνται χωριστά



Τα ηλεκτρικά προϊόντα προς απόρριψη δεν θα πρέπει να απορρίπτονται μαζί με τα οικιακά απόβλητα. Παρακαλούμε ανακυκλώστε όπου υπάρχουν οι αντίστοιχες εγκαταστάσεις.



Σημείωση:



ΠΡΟΕΙΔΟΠΟΙΗΣΗ

ELEKTRIKLİ ALET İÇİN GENEL GÜVENLİK TALİMATLARI

⚠ UYARI

Bu aletle birlikte verilen tüm uyarı, talimat ve özellikleri dikkatlice okuyunuz ve resimli açıklamalara bakınız. Aşağıda belirtilen talimatlara uyulmaması, yangın, elektrik çarpması ve/veya ciddi bedensel yaralanmalar gibi kazalar sebep olabilir.

Tüm uyarıları ve talimatları daha sonra başvurmak üzere saklayın. Güvenlik talimatlarında kullanılan “elektrikli alet” terimi, kablosuz elektrikli aletler olduğu gibi kablolu elektrikli aletlerde belirtmektedir.

ÇALIŞMA ALANI EMNİYETİ

- Çalışma alanını temiz ve iyi aydınlatılmış halde tutun. Dağınık ya da karanlık alanlar kazalara davetiye çıkarır.
- Elektrikli aletleri, yanıcı sıvıların, gazların veya tozların vb. bulunduğu patlayıcı ortamlarda çalıştırmayın. Elektrikli aletler buharı ateşleyebilecek kıvılcım çıkarırlar.
- Elektrikli bir alet çalışırken çocukları ve çevredekileri aletten uzak tutun. Dikkat dağılması kontrolünüzü kaybetmenize neden olabilir.

ELEKTRİKLE İLGİLİ GÜVENLİK

- Elektrikli aletin fişi elektrik prizine uymalıdır. Elektrik fişini asla modifiye etmeyin. Topraklanmış elektrikli aletler ile hiçbir fiş adaptörü kullanmayın. Modifiye edilmemiş fişler ve doğru prizler elektrik çarpması riskini azaltır.
- Borular, radyatörler, ocaklar ve buzdolapları gibi topraklanmış yüzeylere temas etmeyin. Vücudunuz topraklanmışsa elektriğe çarpılma riskiniz çok yüksektir.
- Elektrikli aletleri yağmura veya ıslak ortamlara maruz bırakmayın. Elektrikli aletin içine giren su elektrik çarpması riskini çoğaltacaktır.
- Elektrik kablosunu kötü kullanmayın. Elektrikli aleti taşımak, çekmek ya da fişini çekmek için asla elektrik kablosunu kullanmayın. Kabloyu ısıdan, yağdan, keskin kenarlardan ve hareketli parçalardan uzak tutun. Hasarlı ya da dolaşmış kablolar elektrik çarpması riskini yükseltir.
- Elektrikli bir aleti dış mekanda kullanırken mutlaka dış mekanda kullanıma uygun bir uzatma kablosu kullanın. Dış mekana uygun bir uzatma kablosu kullanmak elektrik çarpması riskini azaltır.
- Elektrikli aleti nemli bir yerde kullanmak zorundaysanız, artık akım cihazı (RCD) korumalı bir besleme kullanın. RCD kullanımı elektrik çarpması riskini azaltır.

KİŞİSEL EMNİYET

- Dikkatli olun, ne yaptığınızı takip edin ve elektrikli bir aleti kullanırken sağduyulu olun. Yorgunken veya uyuşturucu madde, alkol veya ilaç etkisi altındayken elektrikli bir aleti kullanmayın. Elektrikli

aletlerle çalışırken bir anlık dikkat eksikliği ciddi kişisel yaralanmalara neden olabilir.

- Kişisel koruyucu ekipman kullanın. Her zaman koruyucu gözlük kullanın. Uygun koşullarda toz maskesi, kaymaz güvenlik ayakkabısı, baret veya koruyucu kulaklık kullanmak yaralanmaları azaltacaktır.
- Yanlışlıkla başlatmayı önleyin. Aleti bir güç kaynağına ve/veya batarya takımına bağlamadan, kaldırmadan veya taşımadan önce anahtarın kapalı pozisyonda olduğundan emin olun. Elektrikli aletleri parmağınızı anahtarın üzerine koyarak taşımak veya çalıştırmak kazalara davetiye çıkarır.
- Elektrikli aleti çalıştırmadan önce ayar anahtarını veya İngiliz anahtarını çıkarın. Elektrikli aletin dönen parçalarının üzerinde unutulmuş bir anahtar veya civata anahtar kişisel yaralanmalara neden olabilir.
- Aşırı derecede uzanmayın. Her zaman güvenli ve dengede durun. Bu sayede elektrikli aletin beklenmedik durumlarda daha iyi kontrol edilmesi sağlanır.
- Uygun giysiler giyin. Bol giysiler giymeyin ya da takı takmayın. Saçınızı ve kıyafetlerinizi hareketli parçalardan uzak tutun. Bol elbiseler, takılar veya uzun saç hareketli parçalara kaptrınabilir.
- Eğer cihazlara toz çıkarma veya toplama özellikleri eklendiyse bu parçaların uygun şekilde bağlandığından ve kullanıldığından emin olun. Toz toplama özelliğini kullanmak tozla bağlantılı tehlikeleri azaltabilir.
- Aletleri sık sık kullandığınız için alet güvenliği prensiplerine karşı kayıtsız kalmayın veya bu prensipleri gözmezden gelmeyin. Dikkatsizce gerçekleştirilen bir eylem çok kısa bir anda ciddi bir yaralanmaya sebep olabilir.

ELEKTRIKLİ CİHAZ KULLANIMI VE BAKIMI

- Elektrikli aleti zorlamayın. Uygulamaya uygun elektrikli aleti kullanın. Doğru elektrikli alet, işi uygun bir hızda daha iyi ve daha güvenli bir şekilde yapar.
- Düğmesinden açılıp kapatılmıyorsa elektrikli aleti kullanmayın. Düğmesiyle kontrol edilemeyen elektrikli aletler tehlikelidir ve onarılması gerekir.
- Herhangi bir ayar, aksesuar değişikliği yapmadan veya elektrikli aletleri depolamadan önce fişi güç kaynağından ve/veya (eğer sökülebiliyorsa) batarya takımından çıkarın. Bu tarz koruyucu güvenlik önlemleri elektrikli aletlerin yanlışlıkla çalıştırılmasını önler.
- Rölanti halindeki elektrikli aletleri çocukların ulaşamayacakları bir yerde muhafaza edin ve elektrikli aleti tanımayan veya kullanım talimatlarını bilmeyen kişilerin kullanılmasına izin vermeyin. Elektrikli aletler deneyimsiz kişilerin ellerinde tehlikeli olabilir.
- Elektrikli aletleri ve aksesuarları bakımdan geçirin. Hareketli parçaların hizasını veya bağlantılarını, kırılan parçaları ve elektrikli aletin işletimini etkileyebilecek diğer tüm koşulları kontrol edin. Hasar görmüşse elektrikli aleti kullanmadan önce tamir ettirin. Elektrikli aletlerin bakımı kötü yapıldığı için pek çok kaza meydana gelir.



- **Kesme aletlerini keskin ve temiz tutun.** Kesici kenarları keskin olan ve bakımı düzgün yapılan kesme aletleri daha az sıkışır ve kontrol etmek daha kolaydır.
- **Elektrikli aleti, aksesuarları ve alet uçlarını vb. çalışma koşullarını ve yapılacak işlemleri dikkate alarak bu talimatlara uygun olarak kullanın.** Elektrikli aletleri amaç dışı kullanmak tehlikeli durumlar yaratabilir.
- **Kolları ve kavrama yüzeylerini kuru, temiz, yağdan ve gresten arındırılmış halde tutun.** Kaygan saplar ve kavrama yüzeyleri beklenmedik durumlarda aletin güvenli kullanımını ve kontrolünü imkansız hale getirir.

SERVIS

- **Elektrikli aletin bakımını/onarımını sadece yetkili onarım personeline yaptırın, sadece orijinal yedek parça kullanılmasını sağlayın.** Böylece elektrikli aletinizin güvenliği korunmuş olur.

TEZGAH TESTERELERİ İÇİN GÜVENLİK TALİMATLARI

KORUMAYA YÖNELİK UYARILAR

- **Koruyucuları yerinde tutun.** Koruyucular çalışma konumunda ve düzgün monte edilmiş olmalıdır. Gevşek, hasarlı veya doğru şekilde çalışmayan bir koruyucu onarılmalı veya değiştirilmelidir.
- **Tüm ortadan kesimlerde daima testere bacağı koruyucusu ve yarma bacağı kullanın.** Testere bacağının iş parçasını baştan sona kestiği ortadan kesim işlemlerinde koruyucu ve diğer güvenlik cihazları yaralanma riskini azaltmaya yardımcı olabilir.
- **Koruyucunun çıkarılmasını gerektiren bir işlemin (oyma veya bıçkı kesimleri gibi) ardından koruyucu sistemi hemen yerine takın.** Koruyucu ve yarma bacağı yaralanma riskini azaltmaya yardımcı olur.
- **Güç anahtarını açmadan önce testere bacağının koruyucusu, yarma bacağına veya iş parçasına temas etmediğinden emin olun.** Bu parçaların testere bacağına yanlışlıkla temas etmesi tehlikeli bir duruma sebep olabilir.
- **Yarma bacağı bu talimat kılavuzunda belirtildiği şekilde ayarlayın.** Boşluk ayarının, konumlandırmanın ve hizalamanın yanlış yapılması yarma bacağının olası geri tepmeleri azaltma verimini düşürür.
- **Yarma bacağı cihazının çalışması için iş parçasına geçirilmesi gerekir.** Yarma bacağına geçirilemeyecek kadar kısa olan iş parçalarını keserken yarma bacağı verimli olmaz. Bu koşullar altında bir geri tepme yarma bacağı tarafından önlenemez.
- **Yarma bacağı için uygun bir testere bacağı kullanın.** Yarma bacağının doğru şekilde çalışması için testere bacağının çapı yarma bacağına uygun olmalı, testere bacağının gövdesi yarma bacağı kalınlığından daha ince olmalı ve testere bacağının kesme genişliği yarma bacağının kalınlığından daha geniş olmalıdır.

KESME İŞLEMİ UYARILARI

⚠ TEHLİKE

Parmaklarınızı veya ellerinizi asla testere bacağının yakınına veya hizasına getirmeyin. Kısa bir dikkatsizlik anı veya bir kayma elinizi testere bacağına yaklaştırabilir ve ciddi yaralanmalara sebep olabilir.

- **İş parçasını testere bacağına sadece dönüş yönünün tersi yönden yaklaştırın.** İş parçasını, testere bacağının tezgah üzerindeki dönüş yönü ile aynı yönden yaklaştırmak iş parçasının veya elinizin testere bacağı içine çekilmesine sebep olabilir.
- **Parçalama işlemi yaparken iş parçasını geçirmek için asla açılı ölçme aleti kullanmayın ve açılı ölçme aleti ile enine kesim yaparken uzunlamasına kesim çitasını bir uzunluk kısıtlayıcı olarak kullanmayın.** İş parçasını, uzunlamasına kesim çitası ve açılı ölçme aleti ile aynı anda geçirmek testere bacağının sıkışma ve geri tepme olasılığını artırır.
- **Parçalama yaparken çita ile testere bacağı arasında daima itme kuvveti uygulayın.** Çita ile testere bacağı arasındaki mesafe 150 mm'den daha az olduğunda bir itme çubuğu ve mesafe 50 mm'den daha az olduğunda bir itme bloku kullanın. "İşi kolaylaştırıcı" cihazlar elinizi testere bacağından güvenli bir uzaklıkta tutacaktır.
- **Sadece üretici tarafından temin edilen veya talimatlara uygun olarak yapılmış itme çubuğunu kullanın.** Bu itme çubuğu elinizi testere bacağından yeterli bir uzaklıkta tutmanızı sağlar.
- **Hasarlı veya kesik bir itme çubuğunu asla kullanmayın.** Hasarlı bir itme çubuğu kırılarak elinizin testere bacağı içine kaymasına sebep olur.
- **Hiçbir işlemi "el ile" gerçekleştirilmeyin.** İş parçasını konumlandırmak veya geçirmek için her zaman ya bir uzunlamasına kesim çitası veya açılı ölçme aleti kullanın. "El ile" ifadesi, iş parçasını desteklemek veya geçirmek için bir uzunlamasına kesim çitası veya açılı ölçme aleti yerine elleri kullanmak anlamına gelir. El ile testere kesimi yapmak hizalama sorunlarına, sıkışmaya ve geri tepmeye sebep olur.
- **Asla dönen bir testere bacağının etrafından veya üstünden uzanmaya çalışmayın.** Bir iş parçasına uzanmak hareketli testere bacağına yanlışlıkla temas etmeye sebep olabilir.
- **Uzun ve/veya geniş iş parçalarını düz tutmak için testere tezgahının arkasına ve/veya yanlarına yardımcı iş parçası desteği koyun.** Tezgahın kenarındaki eksene eğimli uzun ve/veya geniş bir iş parçası çok fazla kontrol kaybına, testere bacağının sıkışmasına ve geri tepmesine sebep olur.
- **İş parçasını dengeli bir hızla geçirin.** İş parçasını eğmeyin veya döndürmeyin. Sıkışma meydana gelirse ürünü hemen kapatın, prizden çıkarın ve sıkışıklığı giderin. Testere bacağı iş parçasıyla sıkıştırmak geri tepmeye veya motorun durmasına sebep olabilir.
- **Testere çalışırken kesilen materyalin parçalarını çıkarmayın.** Materyal, çita arasında veya testere





biçağı koruyucusu ile testere biçağı sıkışıp kalabilir ve parmaklarınızı testere biçağı içine çekebilir. Materyali çıkarmadan önce testereyi kapatın ve testere biçağının durmasını bekleyin.

- **Kalınlığı 2 mm'den ince olan iş parçalarını parçalarırken tezgah üstü ile temas halinde bir yardımcı çita kullanın.** İnce bir iş parçası, uzunlamasına kesim çitasının altına girebilir ve bir geri tepmeye sebep olabilir.

GERİ TEPME SEBEPLERİ VE İLGİLİ UYARILAR

Geri tepme; bir testere biçağının takılmasına, sıkışmasına ya da testere biçağına göre iş parçasında yapılan hizasız bir kesime veya iş parçasının bir kısmının testere biçağı ve uzunlamasına kesim çitası ya da başka bir sabit nesne arasında sıkışmasına iş parçasının verdiği ani bir tepkidir. Geri tepme sırasında genellikle iş parçası testere biçağının arka kısmı tarafından tezgahın kaldırılır ve operatöre doğru fırlatılır.

Birkaç önleme uyararak engellenebilir.

- **Asla testere biçağı ile tamamen aynı hizada durmayın.** Vücudunuzu her zaman testere biçağının çitanın bulunduğu tarafında tutun. Geri tepme, iş parçasını yüksek bir hızla testere biçağının önünde veya bıçak ile aynı hizada duran bir kişiye fırlatabilir.
- **İş parçasını çekmek veya desteklemek için asla testere biçağının üstünden veya arkasına uzanmayın.** Testere biçağına yanlışlıkla temas edebilirsiniz veya geri tepme sebebiyle parmaklarınızı testere biçağının içine çekilebilir.
- **Kesilen iş parçasını asla dönen testere biçağına doğru tutup bastırmayın.** Kesilen iş parçasını testere biçağına bastırarak bir sıkışma yaratır ve geri tepmeye sebep olur.
- **Çitayı, testere biçağına paralel olacak şekilde hizalayın.** Hizalı olmayan bir çita iş parçasının testere biçağına takılmasına ve geri tepme oluşmasına sebep olacaktır.
- **Oyma veya bıçkı kesimleri gibi ortadan olmayan kesimler yaparken iş parçasını tezgahın ve çitadan geçirmek için bir koruyucu kesme plakası kullanın.** Bir koruyucu kesme plakası, geri tepme sırasında iş parçasını kontrol etmeye yardımcı olur.
- **Testere biçağının takılması ve geri tepmesi riskini en aza indirmek için büyük panelleri destekleyin.** Kesilecek uzun maddeler kendi ağırlıklarından dolayı bel vermeye eğilimlidir. Tezgahın üstünde çıkıntı yapan panel kısımlarının altına destek(ler) yerleştirilmelidir.
- **Kıvrımlı, boğumlu, eğri veya düz bir kenarı olmayan bir iş parçasını keserken bir açı ölçme aleti ile veya çita boyunca geçirmek için daha dikkatli olunmalıdır.** Eğri, boğumlu veya kıvrımlı bir iş parçası dengesizdir ve çentiğin testere biçağı ile hizasız olmasına, sıkışmaya ve geri tepmeye sebep olur.
- **Dikey veya yatay olarak peş peşe koyarak asla birden fazla iş parçasını kesmeyin.** Testere biçağı bir veya birden fazla parçayı kaparak geri tepmeye sebep olabilir.
- **Testere biçağı iş parçasının içindeyken testereyi**

yeniden çalıştırırken testere biçağını çentiğin ortasına getirerek testere dişinin materyalin içine girmesini önleyin. Eğer testere biçağı sıkıştırsa iş parçasını yukarı kaldırabilir ve testere yeniden çalıştırıldığında geri tepmeye sebep olabilir.

- **Testere bıçaklarını temiz, keskin ve uygun ayarında tutun.** Eğri, çatlamış ya da kırık dişli testere bıçaklarını asla kullanmayın. Keskin ve uygun ayardaki testere bıçakları sıkışma, durma ve geri tepmeyi en aza indirir.

TEZGAH TESTERESİ İŞLETİM PROSEDÜRÜ UYARILARI

- **Talaş emniyetini çıkarırken, testere biçağını değiştirirken veya yarma biçağı ya da testere biçağı koruyucusunda değişiklikler yaparken ve makineyi başıboş bıraktığınızda tezgah testerelerini kapatın ve elektrik fişini çekin.** Koruyucu önlemler kazaları önleyecektir.
- **Tezgah testerelerini çalışırken asla başıboş bırakmayın.** Kapatın ve tamamen durana kadar ürünün başından ayrılmayın. Çalışan başıboş bir testere kontrol edilemeyen bir tehlike kaynağıdır.
- **Tezgah testerelerini iyi bir dayanak ve denge sağlayacak, aydınlatması iyi ve düz bir alana yerleştirin.** İş parçasının kolayca hareket ettirilebileceği büyüklükte bir yere kurulmalıdır. Kısıtlı, karanlık alanlar ve engelli, kaygan yüzeyler kazalara davetiye çıkarır.
- **Testere tezgahı altındaki testere tozunu sık sık temizleyin ve/veya toz toplama cihazını çıkarın.** Biriken tozu yanıcı bir hale gelir ve kendi kendine tutuşabilir.
- **Tezgah testereleri sabitlenmelidir.** Uygun şekilde sabitlenmemiş bir tezgah testereleri hareket edebilir veya devrilebilir.
- **Tezgah testereleri açılmadan önce aletleri, odun parçalarını vb. tezgahın çıkarın.** Dikkat dağıtıcılığı veya olası bir sıkışma tehlikeli olabilir.
- **Her zaman doğru dingil delikleri boyutuna ve şekline (elmas veya yuvarlak) sahip testere bıçakları kullanın.** Testerenin montaj donanımı ile uyumlu olmayan testere bıçakları merkezden kayar, kontrol kaybına sebep olur.
- **Flanşlar, testere biçağı pulları, civataları veya somunlar gibi hasarlı veya yanlış testere biçağı montaj elemanlarını asla kullanmayın.** Bu montaj elemanları testerenizin, güvenli işletim ve ideal performansı için özel olarak tasarlanmıştır.
- **Asla tezgah testerelerinin üstüne çıkmayın, ürünü bir tabure olarak kullanmayın.** Ürün devrilsen veya kesme aletine yanlışlıkla temas edilirse ciddi yaralanmalar meydana gelebilir.
- **Testere biçağının doğru yönde dönecek şekilde takıldığından emin olun.** Bir tezgah testereleri üzerinde taşlama çarkları, tel fırçalar veya aşındırıcı çarklar kullanmayın. Testere biçağının yanlış takılması veya tavsiye edilmeyen aksesuarların kullanılması ciddi yaralanmalara sebep olabilir.



TEZGAH TESTERELERİ İÇİN EK GÜVENLİK UYARILARI

- Makineyi, yapılacak işe uygun sabit bir pozisyona sabitleyin. Bir tezgaha, ayaklı desteğe veya zemine monte edilebilir.
- Sabitledikten sonra üzerinde çalışılacak düz bir platform elde etmek için ayarlanabilir ayak uzantısını ayarlayın.
- Doğru yükseklikte ve iyi bir vücut pozisyonu ile çalışmak kasılmaları veya işletim sırasındaki diğer yaralanmaları önlemeye yardımcı olur.
- Stroboskopik etkiyi ve tehlikeleri önlemek için yeterli miktarda genel veya bölgesel aydınlatma sağlayın.
- Gerekliğinde uygun korunma ekipmanı kullanın. Bu ekipmanların arasında işleme kaybı riskini azaltan koruyucu kulaklık, zararlı tozları soluma riskini azaltan solunum desteği, testere bıçakları ve sert malzemelerle işlem yaparken kullanılan sağlam eldivenler bulunur.
- Makineyi kullanırken daima koruyucu gözlük takın. Tezgah üzerinden düşen nesnelere korumak için ayak parmakları kısmı korumalı sağlam, kaymaz ayakkabılar giymeniz tavsiye edilir.
- Bu ürün kullanılırken ortaya çıkan toz sağlığa zararlı olabilir, yanabilir veya yakılabilir. Bir toz çıkarma sistemi kullanın ve uygun bir toz maskesi takın. Biriken tozu ör; bir fırça veya vakumlu temizleyici ile tamamen çıkarın.
- Çalışma alanının zemininde testere tozu, talaş ve elektrik kablolarının bulunmamasına dikkat edin. Bu, sendeleme ve bıçak üstüne düşme riskini azaltır.
- Tezgahı; aletler ve kesilen odun parçaları da dahil olmak üzere tüm nesnelere arındırın.
- Tezgahın yüzeyini, çitayı ve açılı kılavuzunu temiz tutun. Yapışkan, boya ve diğer öğelere dikkat edin. Odun parçası sorunsuzca kaymalıdır ve hiçbir yere kapılmamalı veya takılmamalıdır. Aksi takdirde geri tepme kaynaklı ciddi yaralanma riski önemli ölçüde artar.
- Sadece bu kılavuzda açıklanan EN 847-1'e uygun bıçaklar kullanın.
- Yüksek hız çeliğinden yapılmış testere bıçaklarını kullanmayın.
- Sadece alet üzerinde belirtilen hıza eşit veya bu hızdan daha yüksek hıza sahip testere bıçakları kullanın.
- İş parçasını kesme bıçağına iterken kuvvet uygulamayın. Aletin kendisinin işi yapmasına izin verin. Aşırı kuvvet bıçağın ve kesici uçların aşırı ısınmasına sebep olarak iş parçasının yanmasına sebep olabilir. Bu, ciddi yaralanmalara sebep olabilecek beklenmedik durumlara neden olabilir.
- Körelmiş yada zarar görmüş bıçakları kullanmayınız, iyi bilinmemiş yada yerleştirilmemiş bıçaklar, bıçağın aşırı sürtünmesine sebep olacak ince işaret meydana getirecektir ve bu da sürtünme ve sıçrama riskleri oluşturacaktır. Bilinmemiş veya yanlış ayarlanmış bıçaklar dar çentik oluşturarak aşırı sürtünmeye, bıçak sıkışmasına ve geri tepmeye sebep olur.
- Testere bıçakları mümkün olduğunca bir kutu içinde taşınmalıdır.

- Aleti, talaş emniyetini takmadan veya aşınmış talaş emniyeti ile çalıştırmayın.
- Ortadan kesim yaptığınız sürece bıçak koruyucusunu ve yarma bıçağını daima yerinde ve uygun bir çalışma konumunda tutun. Bıçak koruyucuları kolay kalkıp inerek iş parçasının alttan geçirilmesine olanak sağlamalıdır. Bıçak koruyucusunun yarma bıçağına sağlam bir şekilde sabitlendiğinden emin olun. Kapaklar veya koruyucular sökülmüş halde aleti kullanmayın.
- Bıçağın çitaya paralel olduğundan daima emin olun. Bu, ciddi yaralanmalara sebep olabilen geri tepmelerin önemli bir nedenidir.
- Her ortadan kesim işleminde daima testere bıçağı koruyucusu ve yarma bıçağı kullanın. Ortadan kesim işlemleri; yarma veya enine kesim yaparken bıçağın iş parçasını baştan sona kestiği işlemlerdir.
- Kesmek istediğiniz malzemede, özellikle geri dönüştürülmüş odun kullanırken, çivi, vida, zımba teli gibi yabancı nesnelere olup olmadığını iyice kontrol edin.
- Eğer bunlar veya benzeri nesnelere kesme işlemi sırasında bıçağına temas ederse testere hasar görür ve operatör veya diğer kişiler yaralanabilir.
- Bu elektrikli aletle yuvalı kesim yapmak mümkün değildir ve yasaktır.
- Gerekli zamanlarda rakle kullanın. Dar keresteleri yarmak için mutlaka bir rakle kullanın. Kullanılmadığı zamanlarda rakle mutlaka makineyle birlikte saklanmalıdır.
- Çalışan testere bıçağı alanının yakınına uzanmayın. Parmaklarınızı talaş emniyeti ile belirlenen alandan uzak tutun.
- Aleti asla çalışır durumdayken gözetimsiz bırakmayın.
- Gücü kapatın.
- Tamamen durmadan aleti yere bırakmayın.
- Hareket halindeki bir makineyi asla bıçağına aniden bir iş parçası veya başka bir nesne sıkıştırarak durdurmaya çalışmayın. Bu tarz bir müdahale ciddi kazalara sebep olur.
- Kesme işi bittikten hemen sonra testere bıçağına dokunmayın. Kesme işi sırasında testere bıçağı ısınır.
- Kesim işlemi sırasında testere bıçağı sıkışırsa makineyi kapatın ve makinenin elektrik kaynağı bağlantısını kesin. Çalışılan malzemeyi çıkarın ve testere bıçağının sorunsuz çalıştığından emin olun. Makineyi açın ve yeni kesim işine düşük besleme kuvvetiyle başlayın.
- Makineyi taşıırken bıçak koruyucusunu çıkarın, yarma bıçağını en alçak pozisyona ayarlayın ve bıçağı alçaltarak tezgahın altına, taşıma pozisyonuna getirin.
- Eğer elektrik kablosu hasar görmüşse risk oluşumunu önlemek için sadece üretici veya yetkili bir servis merkezi tarafından değiştirilmelidir.
- Üretici tarafından tavsiye edilmeyen hiçbir eklenti veya aksesuar kullanmayın. Tavsiye edilmeyen parça ya da aksesuarların kullanılması ciddi kişisel yaralanmalara neden olabilir. Açık hava dâhil farklı ortamlarda kullanılan aletler, artık akım cihazı ile bağlanmalıdır.
- Eğer tezgah testeresinin elektrik bağlantısı kesilirse makinenin açık/kapalı anahtarları kendisini otomatik olarak kapalı olarak ayarlar.



ODUN KESME BİÇAĞINA YÖNELİK GÜVENLİK TALİMATLARI

- Testere bıçağını ve elektrikli aleti kullanmadan önce lütfen kılavuzu ve talimatları dikkatlice okuyun.
- Elektrikli alet iyi bir durumda olmalı, milde deformasyon veya titreşim olmamalıdır.
- Operatörün güvenlik önlemleri, elektrikli aletin ayarlanması ve işletimi hakkında yeterli eğitimi almasını sağlayın.
- Elektrikli aleti kullanırken daima koruyucu gözlük ve koruyucu kulaklık takın. Makineyi kullanırken eldiven, kaymayan ayakkabı ve önlük giymeniz önerilir.
- Herhangi bir aksesuar kullanmadan önce kullanım kılavuzuna başvurun. Bir aksesuarın yanlış kullanılması hasara yol açabilir ve yaralanma riskini artırabilir.
- Bıçağı temiz tutun. Buna testere tozu ve özellikle yapışkan odun reçinesi de dahildir. Temiz bir bıçak daha düzgün ve güvenli kesim yapar.
- Sadece bu kılavuzda açıklanan EN 847-1'e uygun bıçaklar kullanın.
- Testere bıçağında belirtilen maksimum hızı asla aşmayın. Testere bıçağında belirtilen hızın en az testere üzerindeki hıza eşit olduğundan emin olun.
- Her zaman doğru dingil delikleri boyutuna ve şekline sahip bıçaklar kullanın. Asla defolu yada uygun olmayan vida ve bıçak kenedi kullanmayın.
- Yarma bıçağının kalınlığına göre gövde kalınlığı daha büyük olan veya oyuk kesigi (çentik) genişliği daha küçük olan testere bıçakları kullanmayın.
- Tavsiye edilenden daha büyük veya küçük çapta bıçaklar kullanmayın. Bıçağı mile oturtmak amacıyla ara parçalar kullanmayın.
- Her kullanımdan önce testere bıçağının ucunda hasar veya anormal bir görünüm olup olmadığını kontrol edin. Hasar gören veya gevşeyen uçlar kullanım sırasında fırlayabilir ve yaralanma riskini artırabilir.
- Çatlaklı ya da eğri, düzgün olmayan testere kullanmayınız. Arızalı ya da deforme olmuş testere kullanmayınız.
- Hasar gören, deforme olan, bozulan veya çatlayan testere bıçağını hurdaya çıkarın, tamir edilemez.
- HSS bıçaklar kullanmayın.
- Kullanmadan önce testere bıçağının doğru monte edildiğinden emin olun ve dingil somununu iyice sıkın.
- Tespit vidası ve somunları uygun bir anahtar, vb. bir alet kullanılarak sıkılacaktır.
- Anahtar üzerinde uzatma kullanmak veya çekiçle vurarak sıkılmak yasaktır.
- Bıçağın ve flanşların temiz olduğundan ve burcun oluklu kenarlarının bıçağa baktığından emin olun.
- Bıçağın doğru yönde döndüğünden ve makinenin veya koruma sisteminin hiçbir parçasına temas etmediğinden emin olun.
- Çalışmadan önce motoru açmadan yapay bir kesim yaparak bıçak pozisyonunu, koruyucuların diğer ürün parçalarına göre nasıl çalıştığını ve iş parçasını kontrol edin.

- Elektrikli aleti asla başıboş bırakmayın.
- Çalıştığı sırada bıçağa yağlama yağı sürmeyin.
- Hareket halindeki bir elektrikli aleti asla bıçağa aniden bir alet veya başka bir nesne sıkıştırarak durdurmaya çalışmayın. Bu tarz bir müdahale ciddi kazalara sebep olur.
- Bakım uygulamadan veya bıçak değişimi yapmadan önce elektrikli aleti elektrik prizinden mutlaka çıkarın.
- Bıçağı paketlerken ve paketten çıkarırken dikkatli olun, keskin bıçak uçları yaralanmanıza neden olabilir.
- Bir testere bıçağı kullanırken bir bıçak tutucu kullanın veya iş eldiveni takın. Unutmayın, kesim işleminin ardından bıçak sıcak olacaktır.
- Bıçağı orijinal paketinde veya uygun başka bir pakette, kuru ve bıçağa zarar verebilecek kimyasal maddelerden uzak bir ortamda saklayın.

KULLANIM AMACI

Tezgaah testeresi bir kişi tarafından, 0° gönye açısında maksimum 80 mm derinlikte yarma veya enine odun kesme amaçlı olarak kullanılacak şekilde tasarlanmıştır. Maksimum 45° gönye açısında maksimum kesim derinliği 55 mm'dir. Tezgaah testeresi sabit bir yüzeye veya üretici tarafından temin edilen bir çalışma standına sabitlenecek şekilde tasarlanmıştır. Sert ve yumuşak odun, sunta ve liv levha kesilebilir.

Bu tezgaah testeresinde, sadece bu tezgaah testeresi üreticisi tarafından temin edilen bıçak ve yarma bıçağı kombinasyonları kullanılmalıdır.

ARDIL RİSKLER

Tezgaah testeresi verilen talimatlara uygun şekilde kullanıldığında bile belirli risk faktörlerini ortadan kaldırmak mümkün olmamaktadır.

Operatör, ciddi yaralanma riskini azaltmak için bu noktalara çok dikkat etmelidir.

- Yarım kesim. Bıçak koruyucu çıkarılır ve testere bıçağının üstü açığa kalır.
- Bıçağa temas – testere bıçağına doğru, bıçağın üstünden veya çevresinden uzanmayın.
- Geri tepme – asla bıçağın önünde durmayın.
- Sabitlik – ürünü sabit olduğundan emin olun, mümkün olduğunda sağlamlaştırın.
- Kesme bıçağı ucunun fırlaması – çalışırken her zaman koruyucu gözlük takın.
- Tozun solunması – gerekirse bir maske takın. Belirli odun ürünü türleriyle (ör; MDF) çalışırken çıkan toz solunum sistemine zarar verebilir.
- Odun ve toz parçaları kaynaklı göz hasarı – çalışırken her zaman koruyucu gözlük takın.
- İşitme hasarı – maruz kalma oranını azaltın ve uygun koruyucu kulaklık kullanın.
- Makineden çıkan gürültü seviyesi kullanım şekline göre farklılık gösterebilir. Yüksek seviye gürültüye kısa bir süre bile maruz kalmak geçici duyma kaybına neden olabilir ve bu durumun devam etmesi durumunda duyma kaybı kalıcı olabilir.



ELEKTRIKLİ ALETİNİZİ TANIYIN

242. sayfaya bakınız.

1. Talaş emniyeti
2. Ayarlanabilir uzatmalı yarma bıçağı
3. Gönye kılavuzu
4. Testere bıçağı
5. Testere bıçağı koruyucusu
6. Talaş emniyeti açma
7. Çıta/Yarma çitası
8. Yan tezgah uzantısı (RTS1800ES, RTS1800EF)
9. Tespit delikleri (iş tezgahına veya ayaklara sabitleyin)
10. Kanatlı açma/kapama anahtarı
11. Gönye açısı ayarlama tekerleği
12. Gönye açısı kilidi
13. Kesme kolu derinliği
14. Testere tezgahı
15. Toz çıkarma
16. Toz çıkışı aksesuarı

ÇALIŞTIRMA

⚠ UYARI

Tezgah testeresini elektriğe bağlamadan ve testere ile kesim yapmaya başlamadan önce bu kılavuzdaki tüm uyarıların ve talimatların tamamını okumalı ve anlamalısınız.

Ortadan kesme: Testere bıçağının iş parçasını bir uçtan diğer uca kadar kestiği kesim işlemidir. Bu işlem için yarma bıçağı kalkık pozisyonda olmalıdır ve bıçak koruyucusu takılmalıdır. İş parçasını doğru şekilde konumlandırmak için bir çıta veya açılı kılavuzu kullanın.

Yarım kesim: Testere bıçağının iş parçasını bir uçtan diğer uca kadar kesmediği kesim işlemidir. Bu işlem için yarma bıçağı alçak pozisyonda olmalıdır. Yarma bıçağının üstü testere bıçağının üstünden biraz daha aşağıda olmalıdır. Bıçak koruyucusu takılmaz. İş parçasını doğru şekilde konumlandırmak için bir çıta veya açılı kılavuzu kullanın.

Uzunlamasına kesim: Uzunlamasına kesim çitası iş parçasını geçirmek için bıçağa paralel olarak kullanılır. Kesim ağırlıklı olarak ağaç damarları (eğer varsa) yönünde yapılır. Bir ortadan veya yarım kesim olabilir.

Enine kesim: Açılı kılavuzu veya enine kesim çitası kullanılarak yapılır. Bu cihaz testere bıçağına paralel olarak kayacak şekilde tasarlanmıştır ve iş parçasının bıçağın kesim eksenini boyunca sabit bir açıda tutulmasını sağlar. Kesim ağırlıklı olarak ağaç damarlarının (eğer varsa) ters yönünde yapılır. Bir ortadan veya yarım kesim olabilir.

Açılı kesim: Bıçağın tezgah yüzeyine göre açısı 90 ila 45° arasında değiştirilir. Açılı kenara sahip bir kesim yapar. Bir ortadan veya yarım kesim olabilir. İş parçasını doğru şekilde konumlandırmak için uzunlamasına kesim çitası veya açılı kılavuzu kullanılmalıdır.

Gönyeli kesim: İş parçası bıçağa bir açı ile yaklaştırılır. Gerekli açı, daha sonra kesimi yapmak için bıçağa paralel olarak kayarken iş parçasını o açıda tutabilen açılı kılavuzunda ayarlanır. Bir ortadan veya yarım

kesim olabilir.

Konik kesim: Gerekli açığı ayarlamak için açılı kılavuzu kullanılarak konik enine kesimler yapılabilir. Özel bir donanım gerektiği için konik uzunlamasına kesim yapmak mümkün değildir.

ÇİTAYI GÜVENLİ BİR ŞEKİLDE KULLANMAK

- Uzunlamasına kesim çitası ile açılı kılavuzunu asla aynı anda kullanmayın. Bu, geri tepme ve yaralanma riskini artırır. Kullanımda değilken bile tezgahın çıkarın ve ortalıktan kaldırın.
- Çıta her kullanıldığında veya bir başka pozisyona taşındığında çitanın testere bıçağına paralel olduğunu kontrol etmek çok önemlidir.
- Paralel olmayan bir çıta iş parçasını bıçak ile çıta arasında sıkıştırarak sizin veya başkalarının ciddi bir biçimde yaralanmasına sebep olabilecek geri tepmeler yaratabilir.
- Kötü ayarlanmış bir çıta iş parçasının bıçağa yanlış bir açıyla itilmesine sebep olarak bıçağın sıkışmasına neden olabilir. Ayrıca geri tepmeye de sebep olabilir (yukarıya bakın).
- Çitayı doğru şekilde takmak ve ayarlamak için çitanın ucunu tezgahın arka ucuna geçirin ve ardından tezgahın önüne takmak için ön ucunu aşağı indirin. Daha sonra çitanın önünden baskı uygulayarak iki ucun çitanın yönüne göre doğru bir açıya ayarlanarak tezgahın ön ucuna temas etmesini sağlayın. Bu, çitanın bıçağa paralel olmasını sağlar. Ardından kilitleme kolunu aşağı iterek çıta pozisyonunu sabitleyin.
- Kilitleme kolunun çitayı yerinde tutmasını sağlayan kuvvet, kilitleme kolunun üstünde bulunan tırtırlı vida döndürülerek ayarlanabilir.
- Kesim yapmadan önce ölçerek veya doğru kesilmiş bir odun bloku ile çitanın bıçağa paralel olduğunu her zaman kontrol edin.

Bıçaktan çitaya doğru olan mesafe işaretlerini hizalamak

Çitanın ucunu bıçağa karşı getirin ve ardından gösterge kontrol camını, tezgahın ön ucundaki 0 mm işareti ile hizalayın. Vidayı gevşetin, kontrol camını ayarlayın ve vidayı tekrar sıkın.

Yardımcı çıta kullanımı

Ana çitaya yardımcı bir çitanın takılmasını gerektiren bazı durumlar bulunmaktadır.

- a. Dar bir iş parçası, o alanda çıta bulunduğu için elle veya itme çubuğu ile tutulmadığı zaman.
- b. İnce bir iş parçası kesileceği zaman. Çok ince iş parçaları ana çitanın altından kaçabilir ve takılma veya sürülme riski nedeniyle geri tepmeye neden olabilir. Bu durumu önlemek için yardımcı çıta kullanın.

Sadece ana çitayı kullanmak güvenli olduğunda yardımcı çitayı çıkarın.

Dar iş parçaları üzerinde açılı kesimler yaparken çitayı daima bıçağın karşı tarafında, yönelmiş tarafta kullanın. Aksi takdirde, itme blokunu veya çubuğunu bıçak koruyucusuna veya çitaya kolayca takabilir.



Yardımcı çıtayı ana çıtaya takmak

- Kelebek somunlar veya pullar çitanın bir tarafında iken civataları diğer taraftan itin ve birkaç tur vidalayın. Şimdi yardımcı çıtayı civata başlarının üzerinden mevcut yuvaya kaydırın. Yardımcı civatayı istediğiniz gibi sabitleyin.

NOT: Yardımcı çitanın tek görevi iş parçasını bıçaktan ve yarma bıçağından geçirmektir. Ana çitanın uzunluğunu tamamen kapsamaması gerekmez.

Sadece ana çıtayı kullanmak güvenli olduğunda yardımcı çıtayı çıkarın. Civataları ve kelebek somunları ana çita üzerinde bırakmayın.

Bir koruyucu kesme plakası kullanmak

Koruyucu kesme plakası tarağa benzeyen, ancak bir açılı ile kesim yapan bir cihazdır. Genel olarak odun veya plastikten yapılan ince parmaklar, iş parçası yerine kayarken hafifçe eğilir, iş parçasını yerinde tutmak için dengeli ve sürekli bir baskı uygular. Dar bir parçayı milimetrik bir şekilde keseceğiniz zaman bu cihazlardan birini kullanın. Bu cihaz açılı kılavuzu yuvaları ile tezgaha takılır ve operatörün parmaklarını bıçağına yaklaştırmaya zorunluluğunu azaltır.

Uzman aşşap işçiliği mağazalarından diğer markaların koruyucu kesme plakaları satın alınabilir.

AŞIRI YÜKE KARŞI KORUMA SİSTEMİ

Üründe bir aşırı yük koruma cihazı bulunmaktadır. Aşırı yüklenme tespit edildiğinde ürün otomatik olarak kapanır. Testereyi kapatın. Aşırı yük koruyucusu etkin hale gelmişse motorun 3 dakika süreyle soğuması beklenmelidir. Bıçağın rahatça döndüğünden ve sıkışmadığından emin olun. Sıfırlama tuşuna (açma/kapama anahtarının altında) basın. Testereyi açın. Ürünü çalıştırmak için açma tuşuna basın.

BAKIM

- Herhangi bir bakım veya onarım çalışması yapmadan önce testere bıçağının tamamen durduğundan ve elektrik fişinin çekildiğinden emin olun.
- Hasar gören elektrik kablosu yetkili bir servis merkezinde değiştirilmelidir.
- Bıçağın kenarları keskindir ve kesim işlemlerinden sonra sıcak olabilir. Açıkta olan bir bıçağı temizlerken çok dikkatli olun. Kendinizi yaralanmalara karşı korumak için iş eldiveni takın.
- Testere ve aksesuarlardaki, özellikle de bıçak koruyucusu da dahil olmak üzere hareketli parçalardaki tozu düzenli olarak temizleyin. Tozu verimli bir biçimde temizlemek için bir el fırçası veya vakumlu temizleyici kullanın.

⚠ UYARI

Bıçak koruyucusu donanımını temizlik veya onarım için sökmeye kalkışmayın. Hasar gören koruyucular kullanılmamalıdır. Onarım veya değişim için yetkili bir servis merkezine gönderin.

- Tezgah testeresi fabrikada yağlanmış ve normal koşullarda ek yağlama gerektirmez.
- Gönye açılarını ve bıçak/çita paralellliğini kontrol

etmek ve ayarlamak için bu kılavuzdaki "Gönye açısını kontrol etmek ve ayarlamak" ve "Bıçağın açılı kılavuzu yuvalarına paralellliğini kontrol etmek ve ayarlamak" bölümlerine bakın.

GÖNYE AÇISINI KONTROL ETMEK VE AYARLAMAK

NOT: Bıçağı tezgahın 90°'ye ayarlamak 0°'lik bir gönye açısı oluşturur.

- Gücü kapatın ve fişi prizden çekin.
- Testere bıçağının uçlarına çok dikkat edin. Çok keskindirler ve yaralanmalara sebep olabilirler.
- Bıçak ve yarma bıçağı donanımını en yüksek konuma getirin.
- Bıçak koruyucusunu çıkarın.
- Yarma bıçağının en alçak konumuna getirin.
- Bıçak ve tezgah yüzeyindeki tozu veya kiri temizleyin.
- Tezgah yüzeyine ve tezgahın en yüksek bölümünün karşısına 90°'lik bir "gönye" yerleştirin. Bu ölçüm sırasında bıçak uçlarına dokunmamaya dikkat edin, çünkü bu durum bir hataya sebep olabilir. Testere bıçağının gövde yüzeyini hizalamanız gerekir.
- Gönyenin ucu ile bıçak veya tezgah arasında hiç boşluk olmamalıdır. Bu durumda bıçak dikey düzlemde tam olarak hizalanmış olur ve başka bir bıçak açısı ayarı yapılmasına gerek yoktur.
- Eğer bir boşluk olursa eğim kilitleme düğmesini gevşetin ve boşluğu tekrar kontrol ederek eğim açısını dikkatlice değiştirin. Hiç boşluk kalmadığı zaman eğim kilitleme düğmesini iyice sıkın.
- Gönye açısı göstergesindeki vidayı gevşetin ve şeffaf plastik şerit taşıyıcıyı, 0° işareti ile hizalı olacak şekilde ayarlayın. Vidayı sıkın.
- Gerek duyduğunuzda 90° ve 45° derece arasındaki çeşitli açılara kontrol etmek ve ayarlamak için bu işlemi tekrarlayın.

BİÇAĞIN AÇILI KILAVUZU YUVALARINA PARALELLİĞİNİ KONTROL ETMEK VE AYARLAMAK

- Gücü kapatın ve fişi prizden çekin.
- Testere bıçağının uçlarına çok dikkat edin. Çok keskindirler ve yaralanmalara sebep olabilirler.
- Bıçak ve yarma bıçağı donanımını en yüksek konuma getirin.
- Bıçak koruyucusunu çıkarın.
- Bu kılavuzda, "Gönye açısı nasıl kontrol edilir ve ayarlanır" bölümünde detaylı olarak açıklanan kontrolleri tamamlayın. Gönye açısının 0°'ye sağlam bir şekilde sabitlendiğinden emin olun.
- Açılı kılavuzunu alın ve tezgah üzerindeki yuvalardan birini takın. Açılı kılavuzdaki açığı 90°'ye ayarlayın.
- Çelik bir cetveli, düz kenarlı testere bıçağının gövdesine temas edecek şekilde açılı kılavuzuna sıkıca yerleştirin. Çelik cetvel yerine doğru şekilde kesilmiş bir odun bloku kullanılabilirsiniz.
- Cetvel / blok üzerinde sıkı bir kavrama oluşturun ve tüm açılı kılavuzunu, cetvel / blok artık bıçağın diğer ucuna temas edecek şekilde kaydırın. Cetvel veya blok, bıçak gövdesi boyunca hareket ederken bıçağı aynı düzeye temas etmelidir. Bu durum elde edildiğinde bıçak ile tezgah yuvaları arasındaki paralellik doğrudur ve ayar yapmaya gerek yoktur. Aynı yöntemi kullanarak tezgahın diğer tarafındaki yuvayı kontrol edin.



BIÇAĞIN TEZGAH YUVALARINA PARALELLİĞİNİ AYARLAMAK

Testere bıçağının ön ve arka tarafında ikiye cıvata bulunmaktadır. Bunlara tezgah yüzeyinin altından ulaşılabilir.

Bu cıvatalar gevşediğinde, bıçağı tezgahdaki yuvalara doğru şekilde hizalamak için tüm bıçak, yarma bıçağı ve motor donanımı hareket ettirilebilir.

Bu tarz ayarlar yapma konusunda tecrübeli değilseniz bu işlem size zor gelebilir. Zorluk yaşamamanız halinde tezgah testerenizi en yakın Ryobi profesyonel kurulum hizmeti merkezine gönderebilirsiniz.

ÇEVRENİN KORUNMASI



Ham maddeleri çöp olarak atmak yerine geri dönüştürün. Çevreyi korumak için, alet, aksesuarlar ve ambalajlar tasnif edilmelidir.

ÜRÜN ÜZERİNDEKİ SEMBOLLER



Güvenlik ikazı



CE uygunluğu



EurAsian Uyumluluk işareti



Sınıf II alet, çift yalıtım



Ürünü çalıştırmadan önce, lütfen aşağıdaki talimatları dikkatlice okuyun.



Koruyucu kulaklık kullanın.



Koruyucu gözlük kullanın.



İş eldiveni kullanın.



Tehlike! Keskin bıçak.



Kesim kapasitesi



Bıçak kesim genişliği (çentik)



Bu testere bıçağı üzerindeki diş sayısı



Oduv ve benzer malzemeleri kesmek için



Metal kesmeye uygun değildir



Bıçak dönüş yönü (bıçak koruyucusu üzerinde gösterilmiştir)



Bıçak dönüş yönü (yarma bıçağı üzerinde gösterilmiştir)



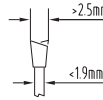
Bıçak dönüş yönü (testere bıçağı üzerinde gösterilmiştir)



Bıçak dönüş yönü (tezgah üzerinde gösterilmiştir)



Bıçak çapı



Bıçak gövdesi kalınlığı ve kesim genişliği



Yarma bıçağı kalınlığı ve sertliği



Nominal güç



Tungsten karbür 48 dişli bıçak



Yavaş başlatma



Aşırı yük koruması



Dökme alüminyum tezgah



Tezgaah boyutu (RTS1800, RTS1800S)



Tezgaah boyutu (RTS1800ES, RTS1800EF)



Tezgaah uzantısı boyutu



Çıkarılabilir çapraz bacak



Katlanabilir delüks bacak



Kesim kapasiteleri (90° ve 45°)



Atık elektrikli ürünler evsel atıklarla birlikte atılmamalıdır. Tesis bulunuyorsa lütfen geri dönüşüme verin. Geri dönüşüm tavsiyeleri için yerel yetkili makamlara veya satıcınıza başvurun.



Not:



UYARI

EN

FR

DE

ES

IT

NL

PT

DA

SV

FI

NO

RU

PL

CS

HU

RO

LV

LT

ET

HR

SL

SK

EL

TR

BU KILAVUZDAKI SEMBOLLER



Prize takın.



Prizden çıkarın.

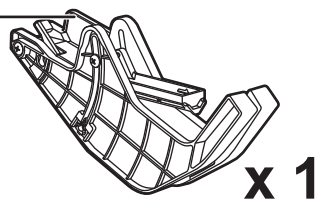
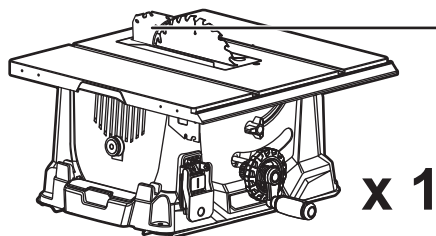


Parçalar ya da aksesuarlar ayrı olarak satılır.

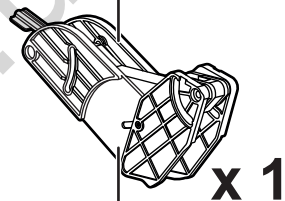
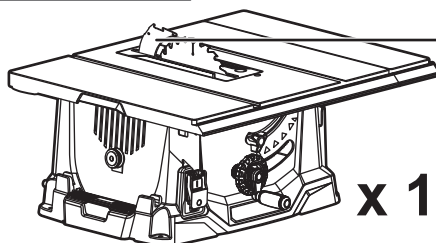


Atık elektrikli ürünler evsel atıklarla birlikte atılmamalıdır. Tesis bulunuyorsa lütfen geri dönüşüme verin.

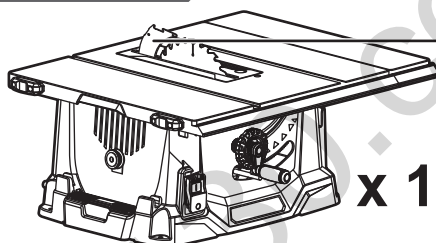
RTS1800 / RTS1800S



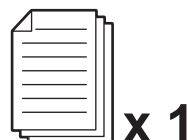
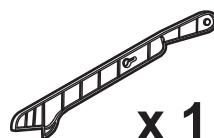
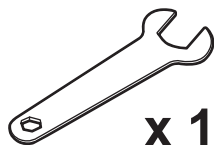
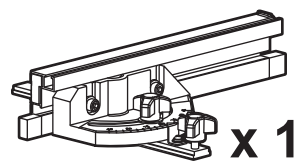
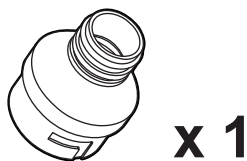
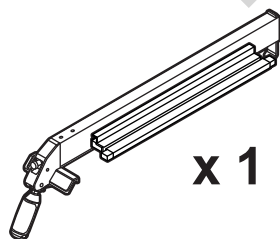
RTS1800ES



RTS1800EF



RTS1800 / RTS1800S / RTS1800ES / RTS1800EF



RTS1800



x 4

M8 X 80



x 8

Ø8



x 4

Ø8



x 4

M8

RTS1800S / RTS1800ES



x 4

M8 X 35



x 8

Ø8



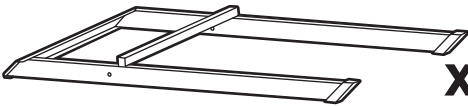
x 4

Ø8



x 4

M8



x 1



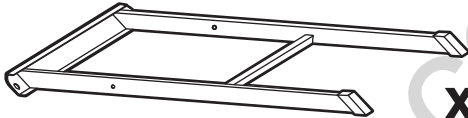
x 2

Ø8



x 2

M8 X 55



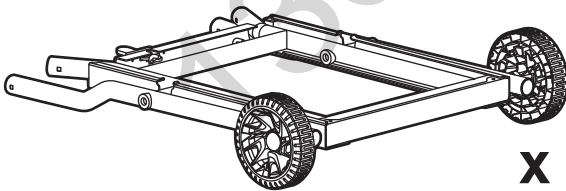
x 1



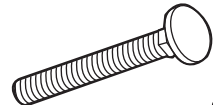
x 2

M8

RTS1800EF



x 1



M6 X 25

x 2



x 1

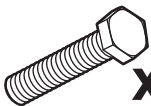


x 3



M6

x 4



x 4

M6 X 40



x 4

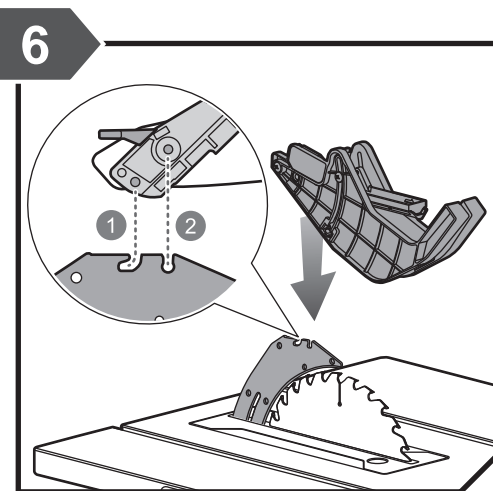
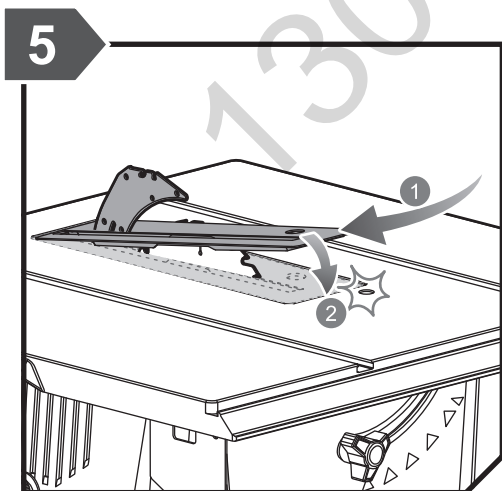
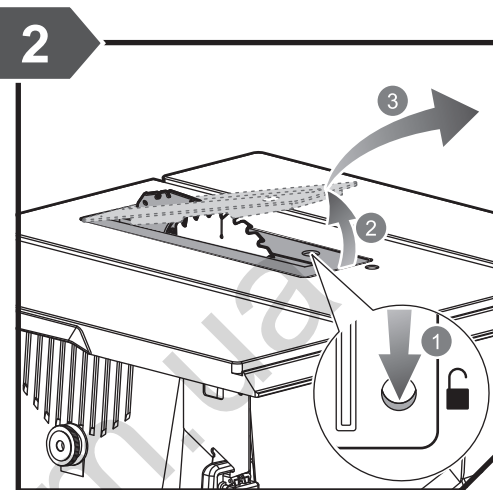
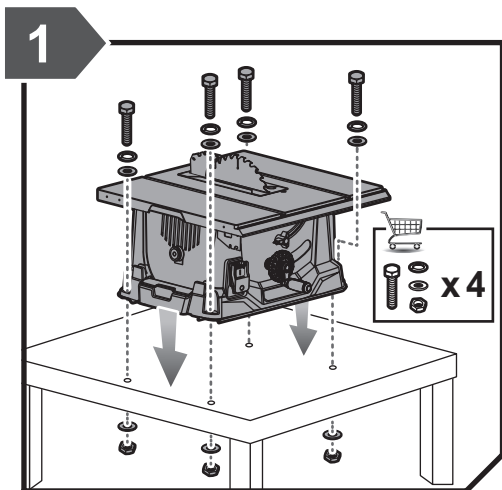
Ø6

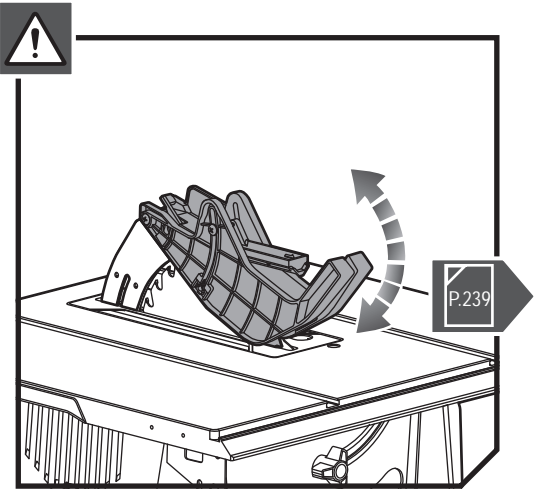
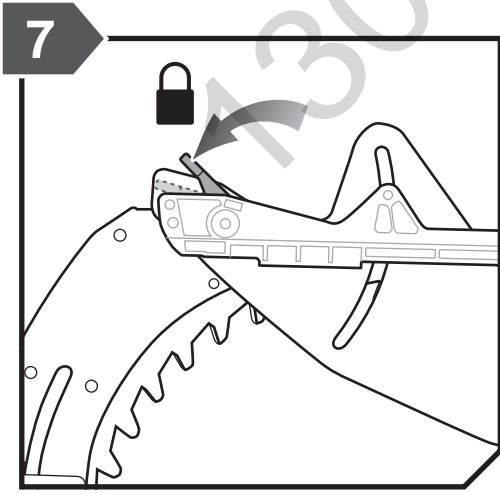
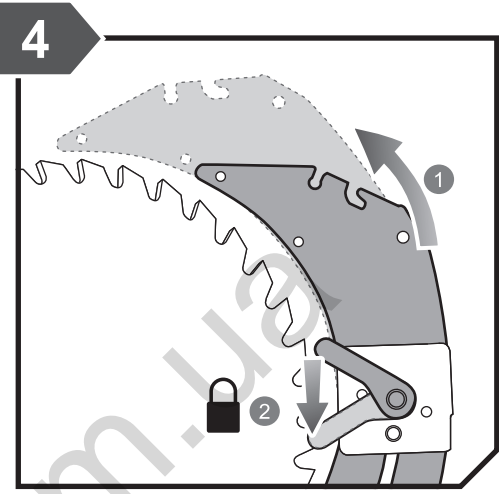
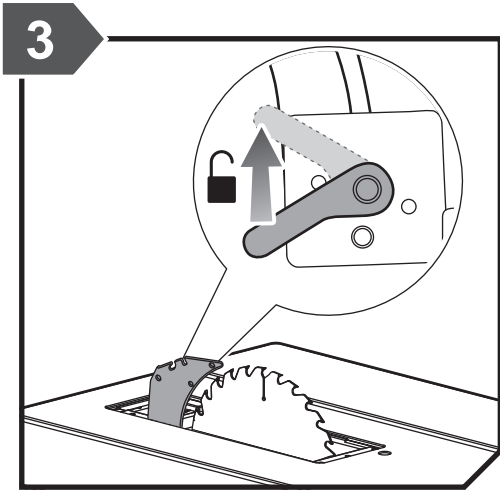


x 4

Ø6

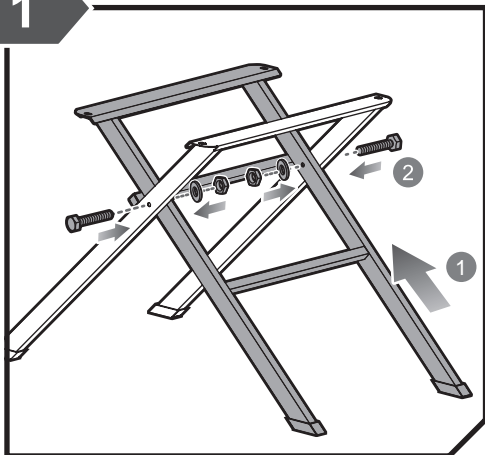
RTS1800



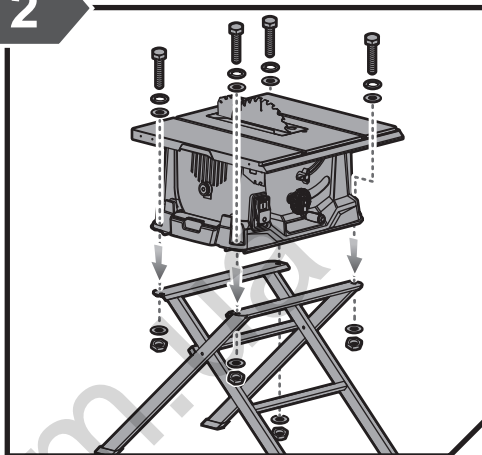


RTS1800S

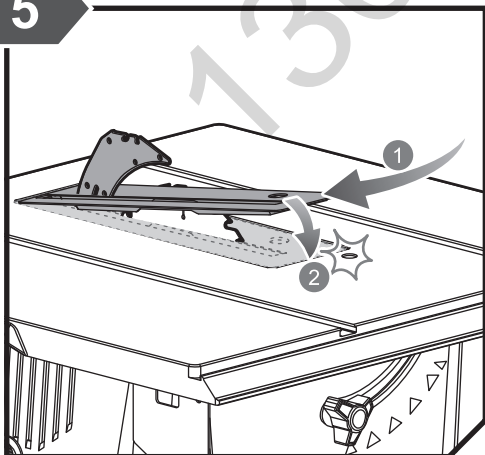
1



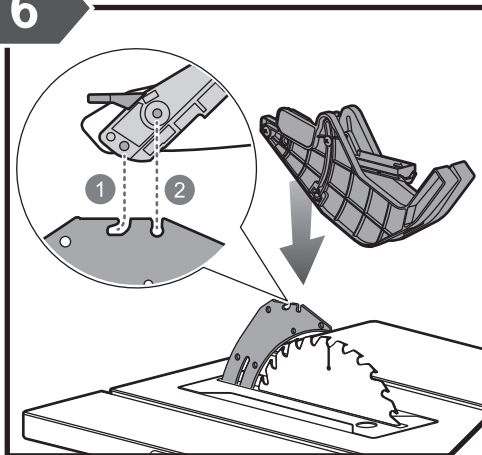
2

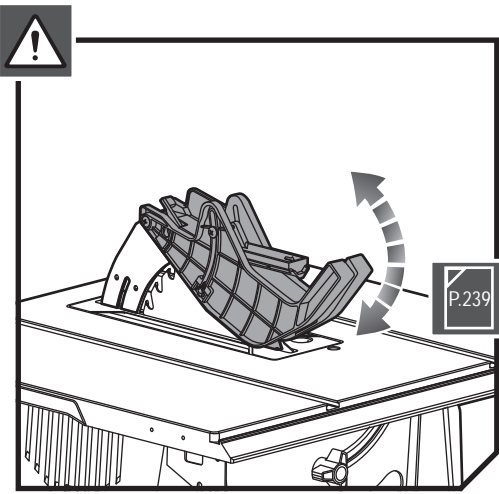
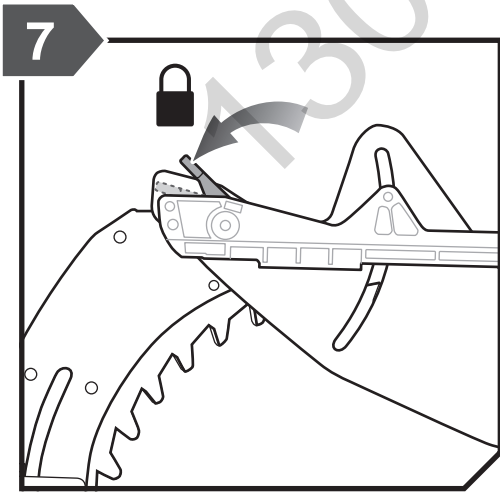
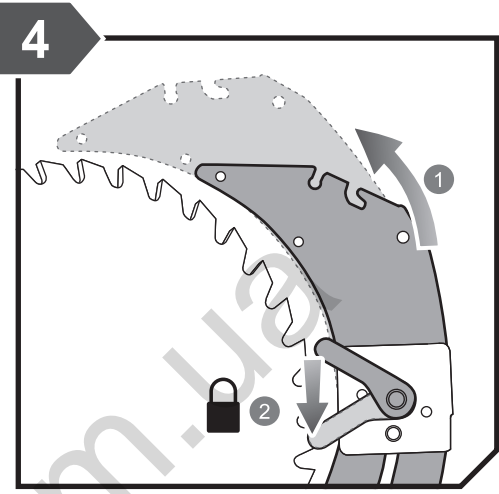
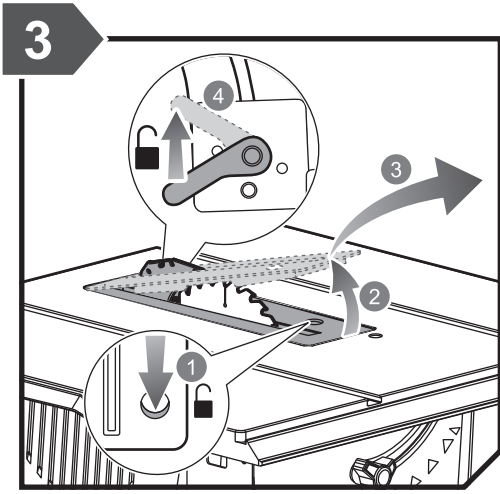


5



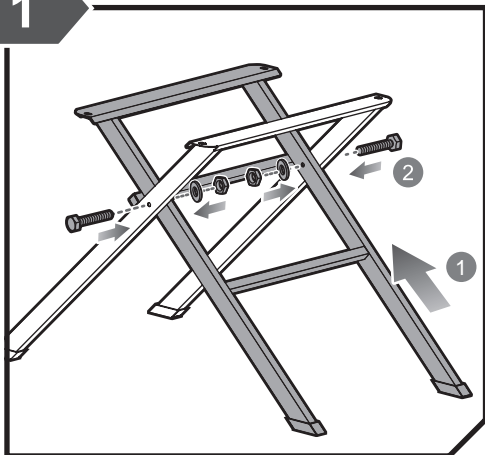
6



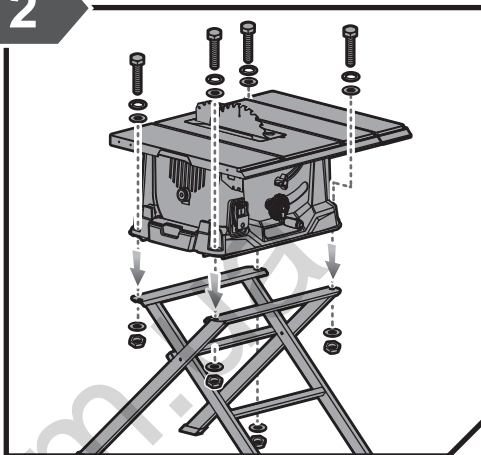


RTS1800ES

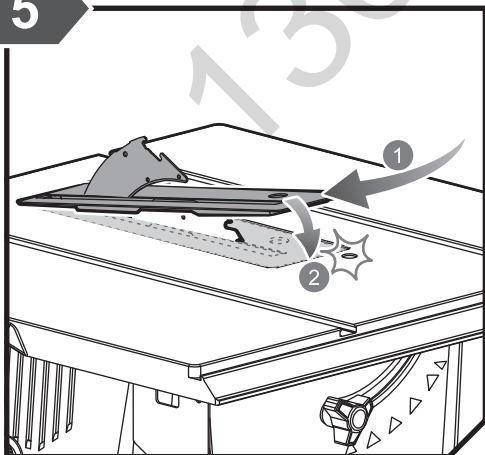
1



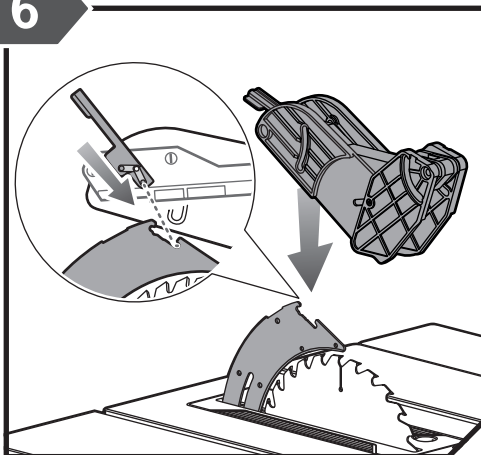
2

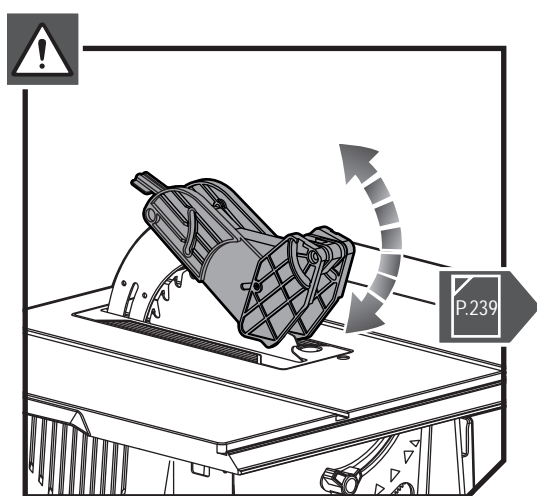
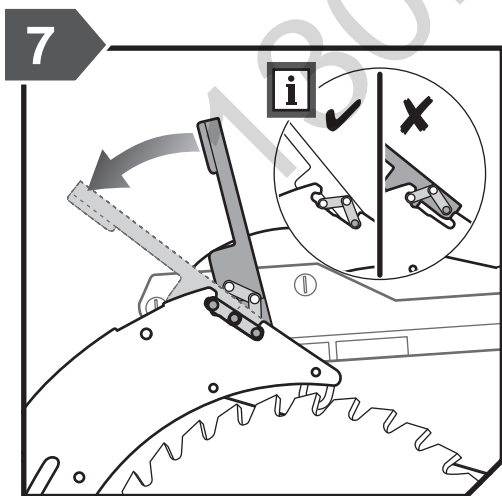
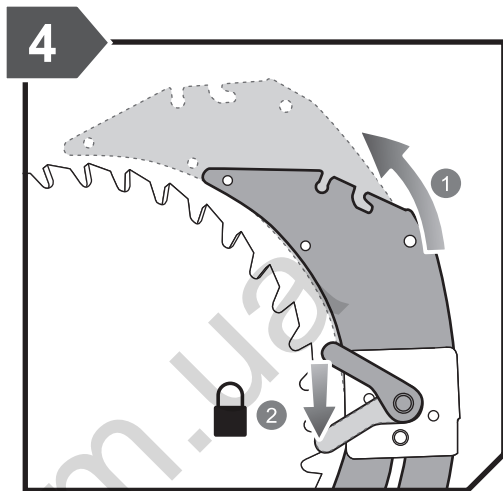
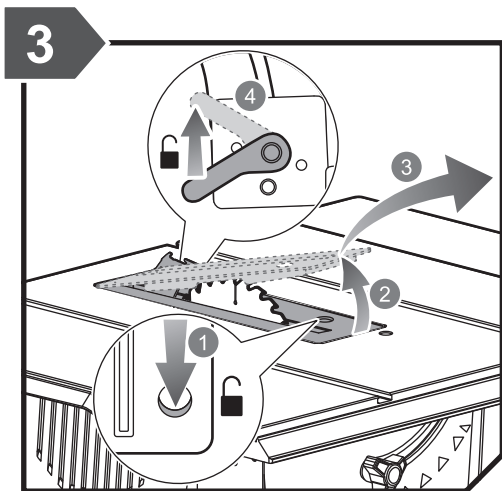


5

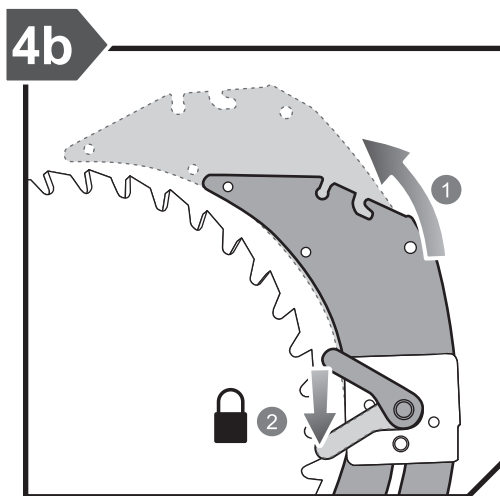
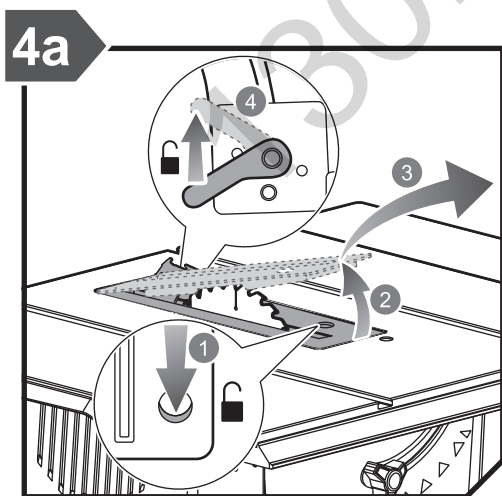
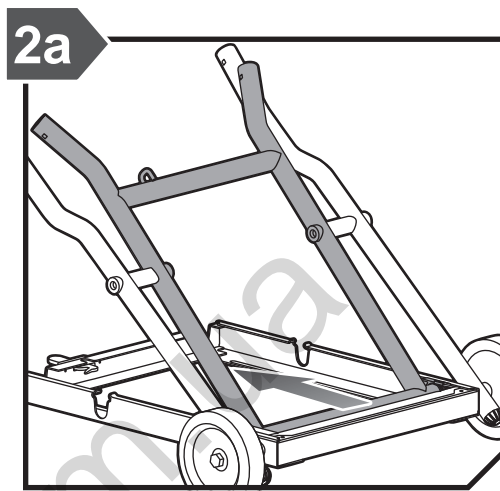
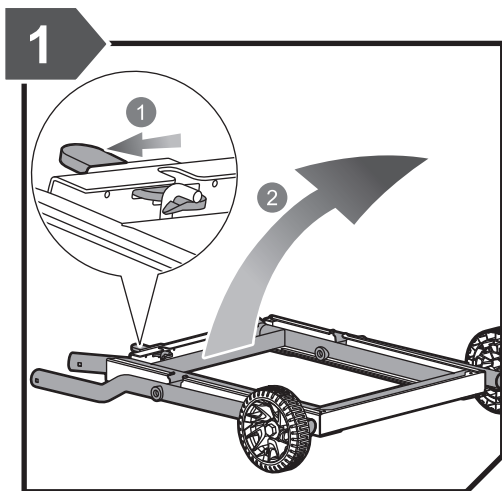


6



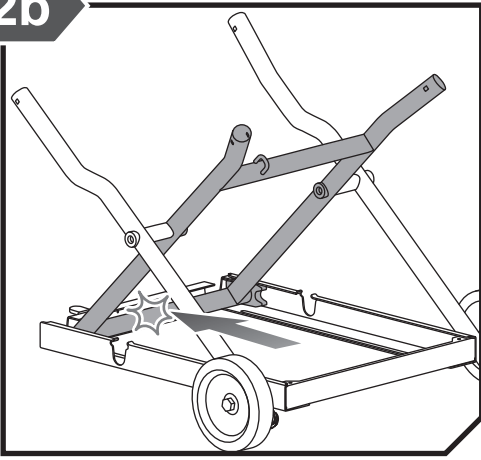


RTS1800EF

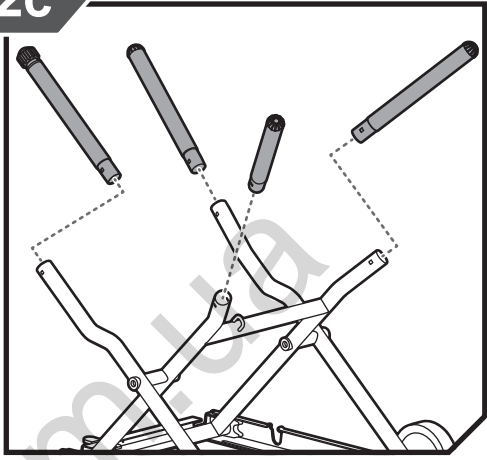




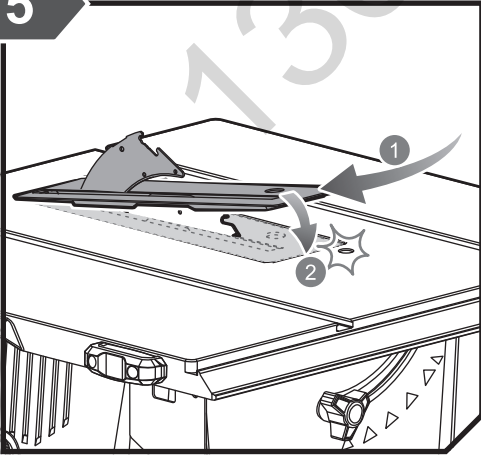
2b



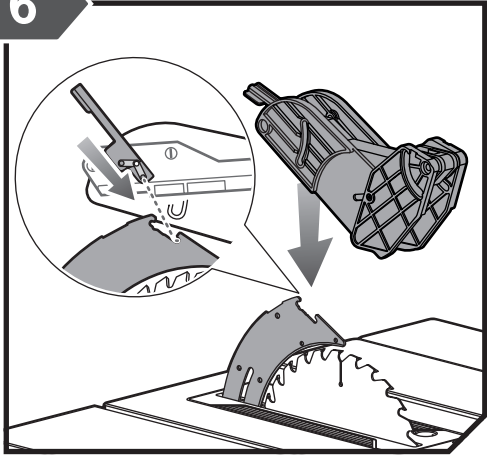
2c



5

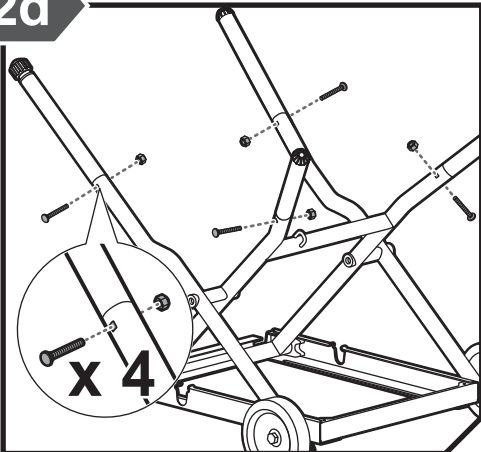


6

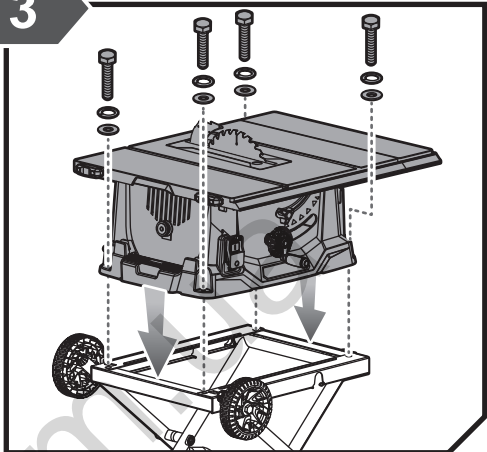




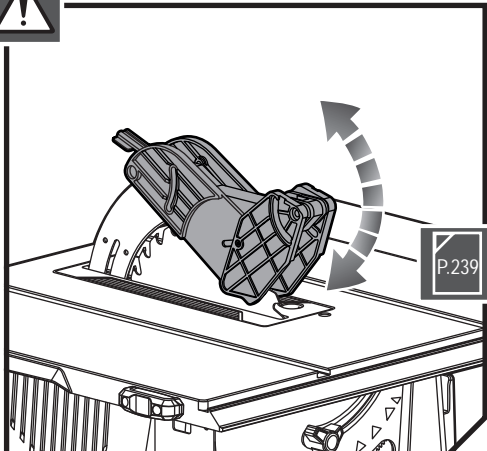
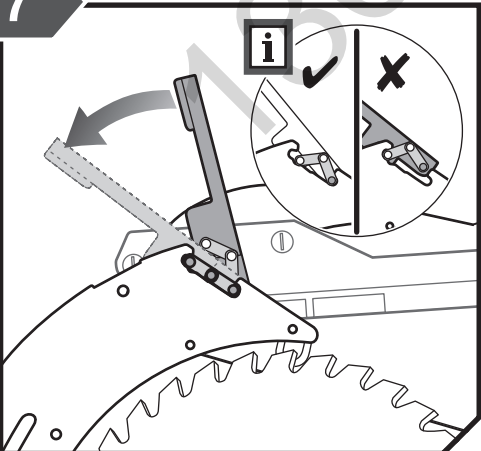
2d



3



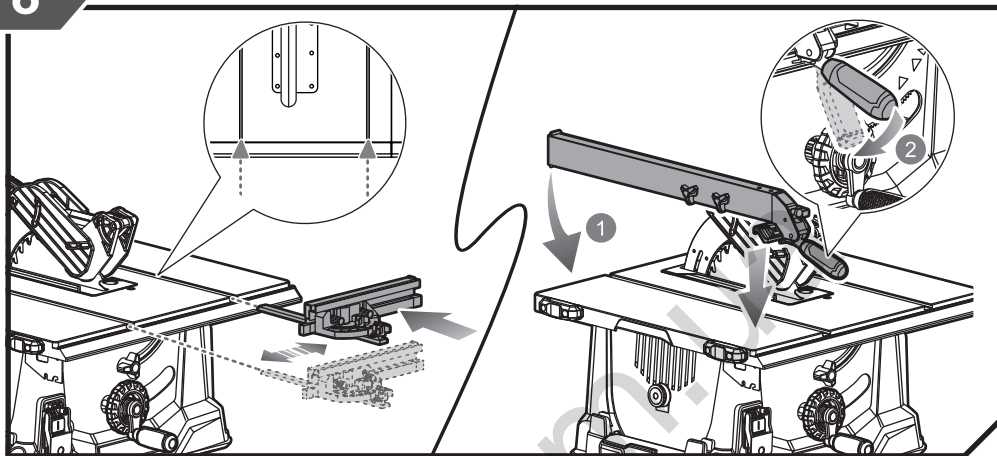
7



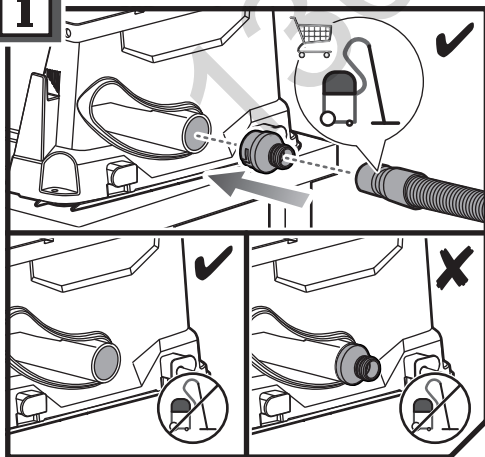
130.com.ua

130.com.ua

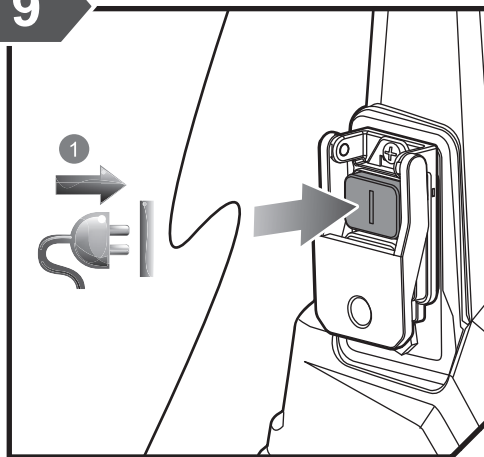
8

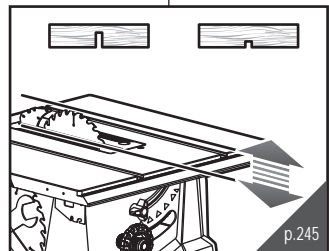
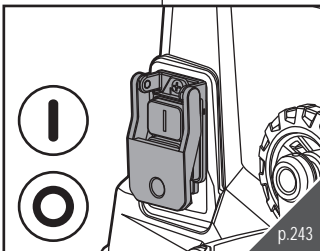
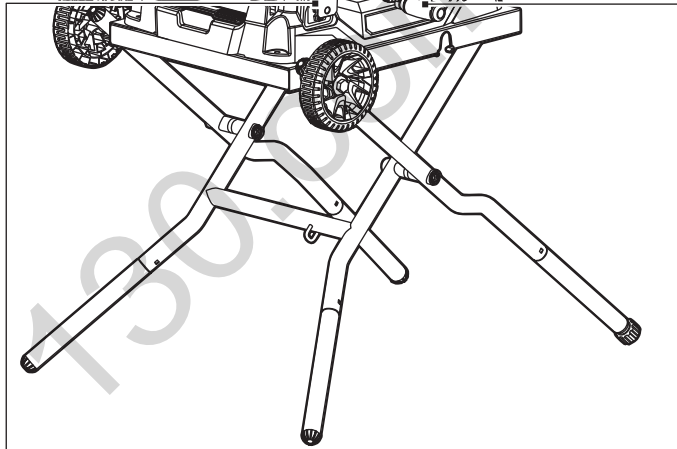
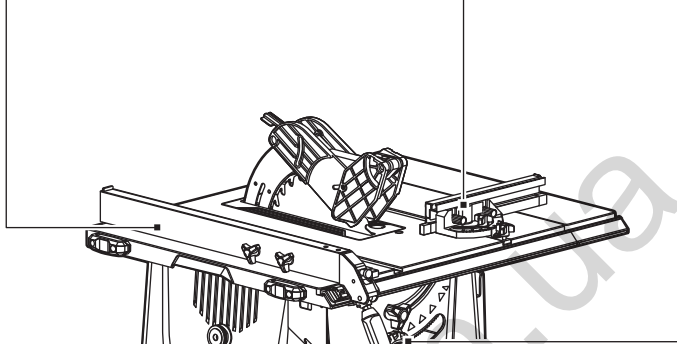
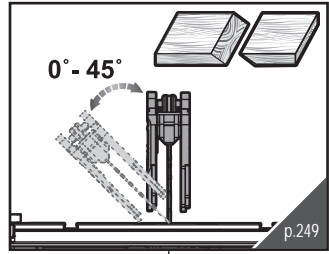
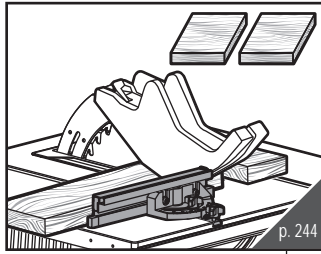
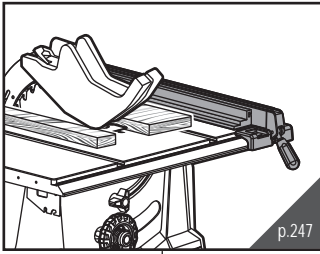


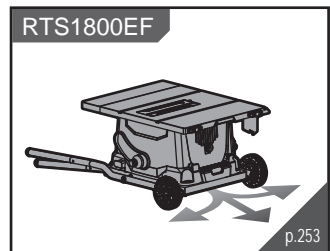
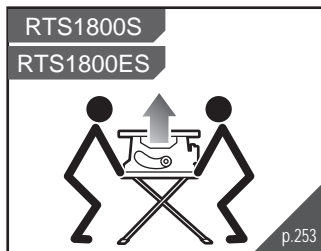
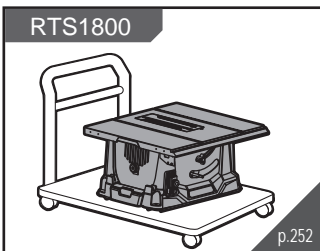
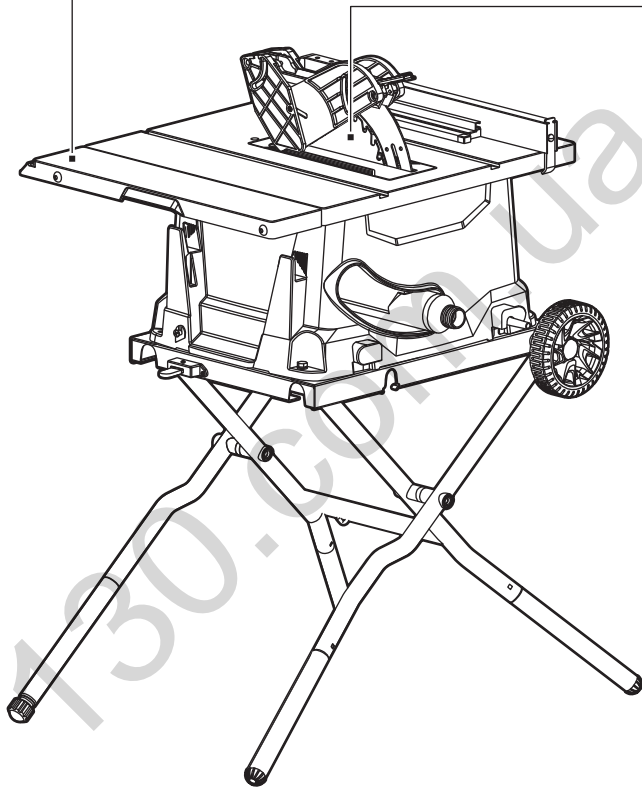
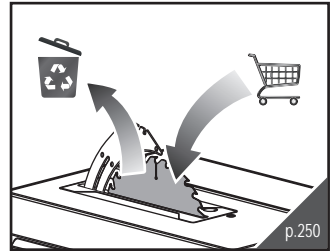
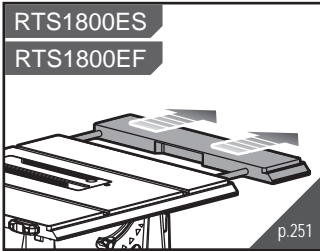
i

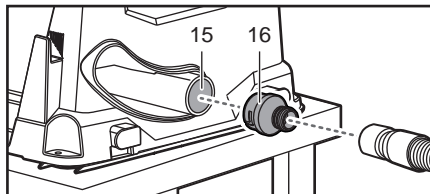
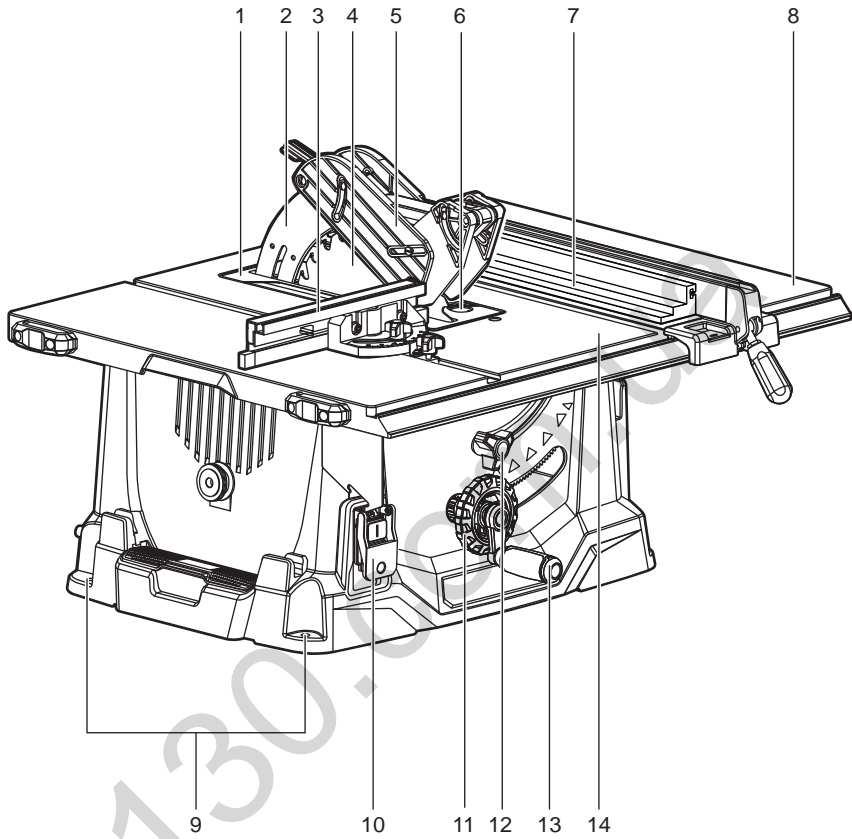


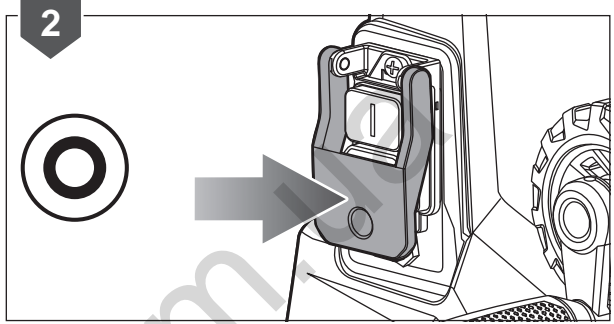
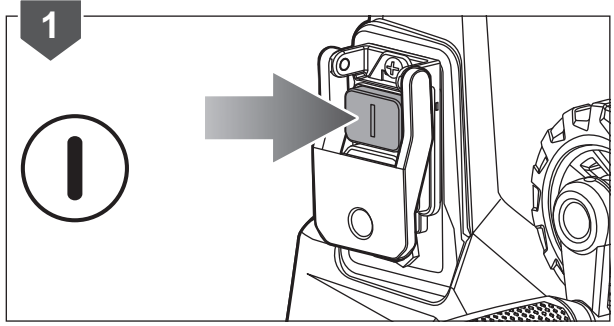
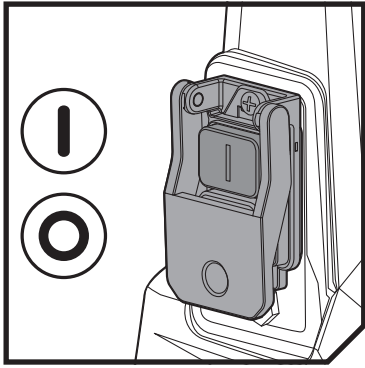
9



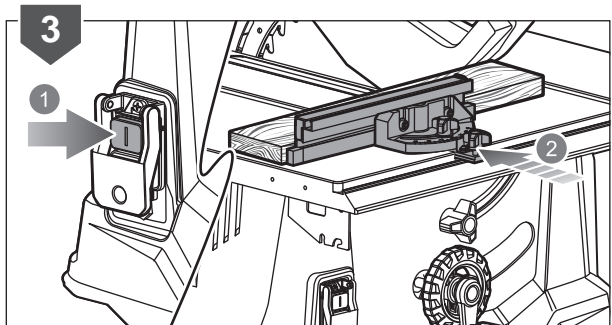
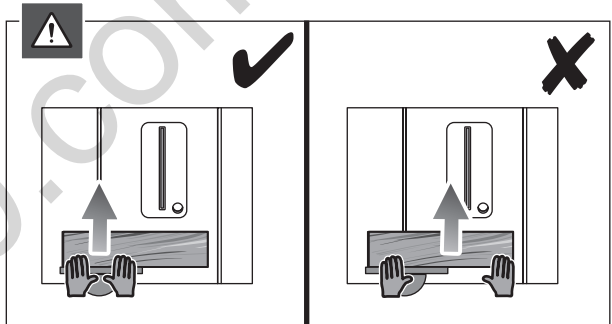
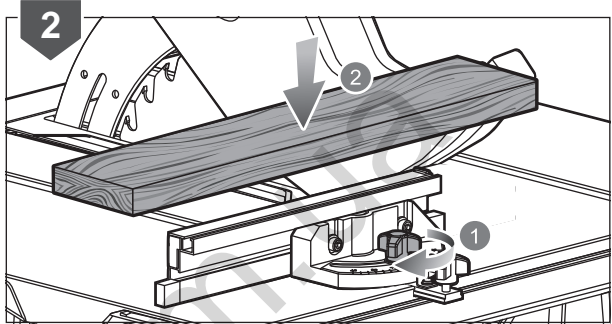
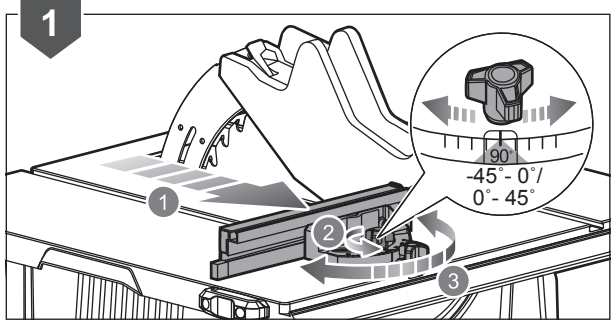
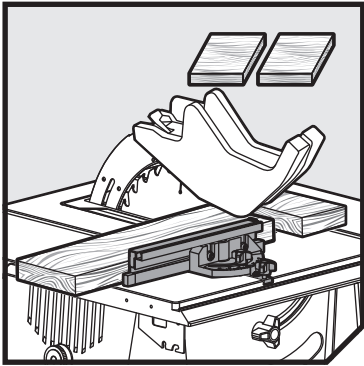


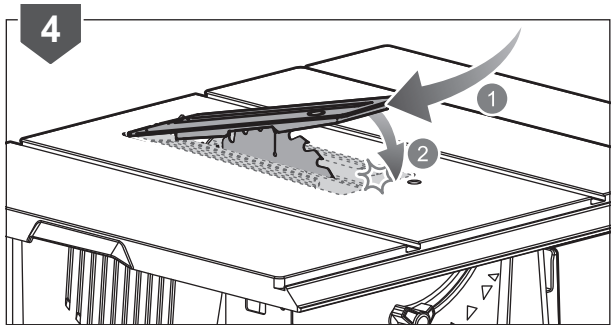
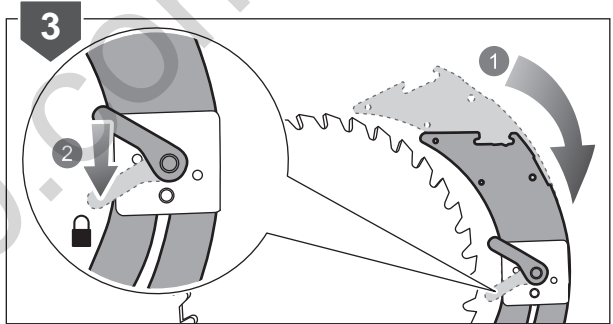
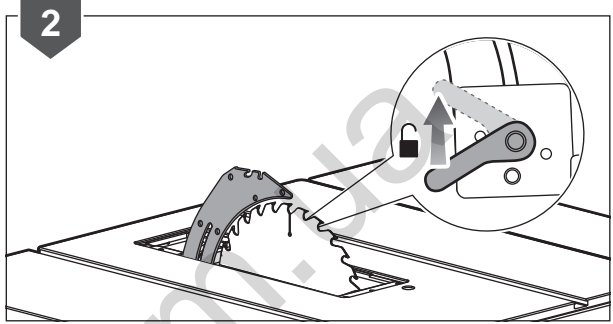
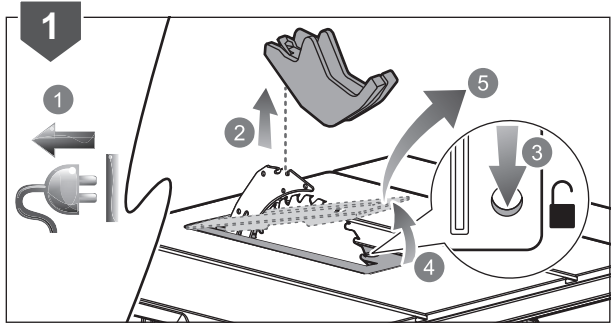
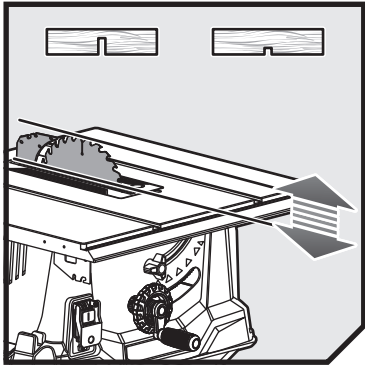


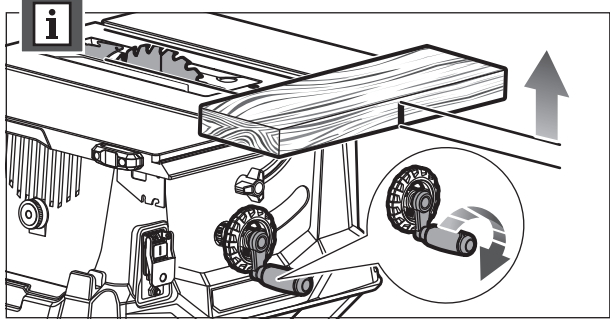
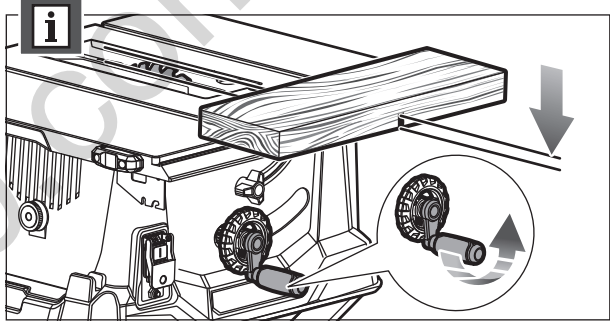
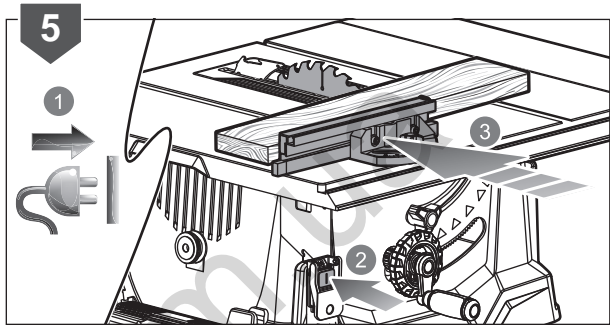
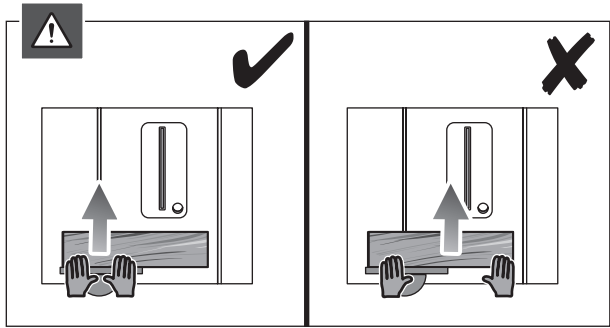


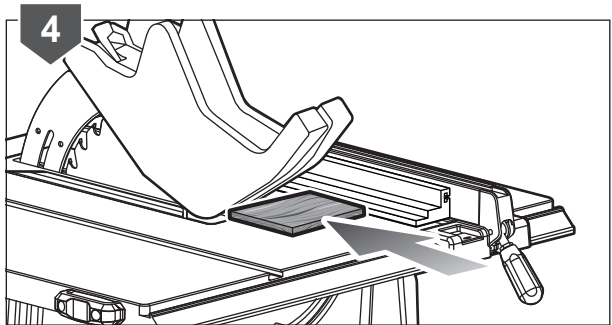
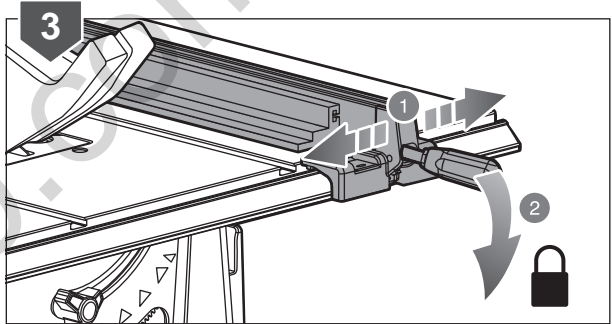
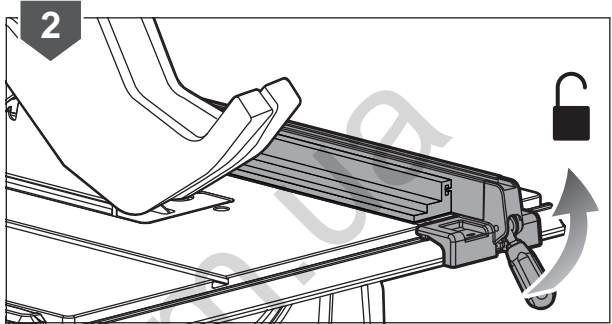
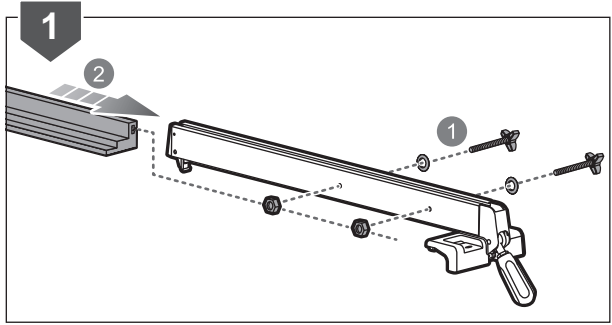
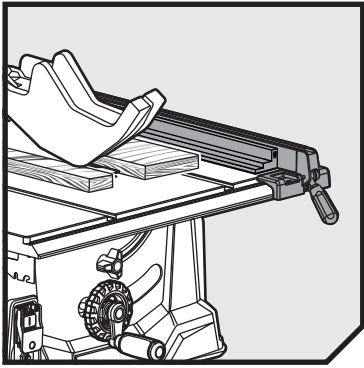


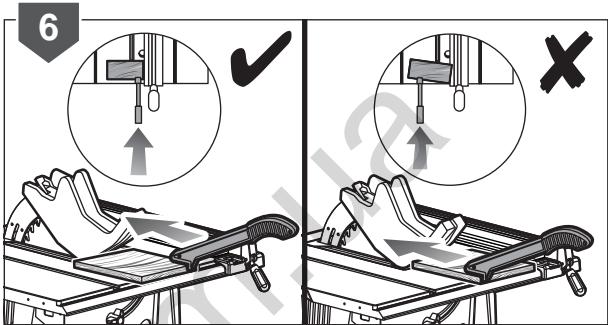
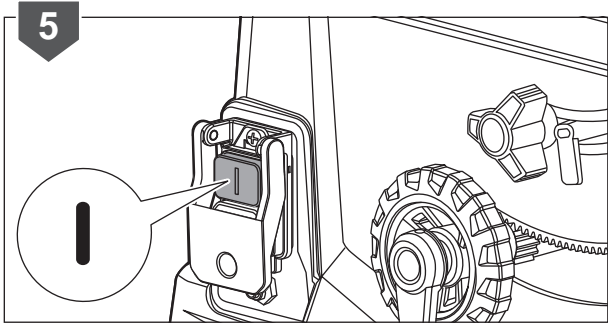
130.com





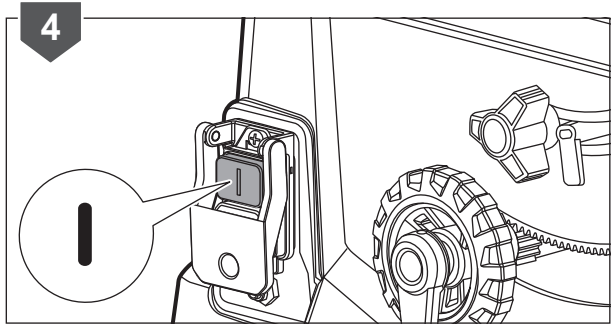
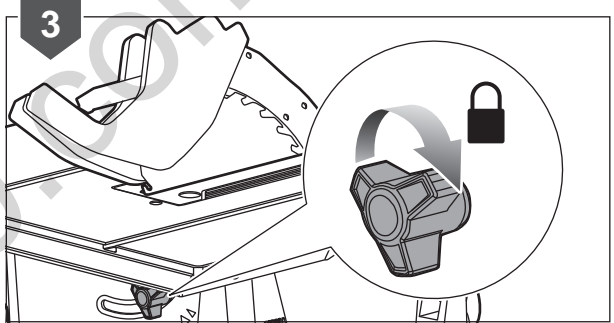
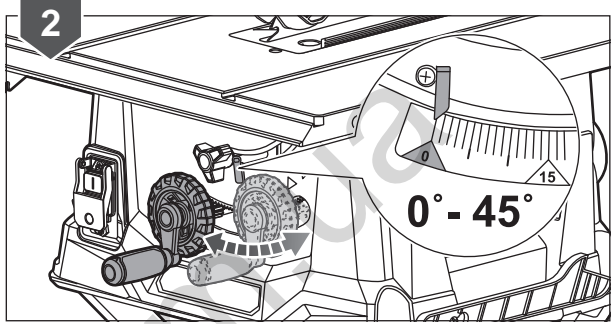
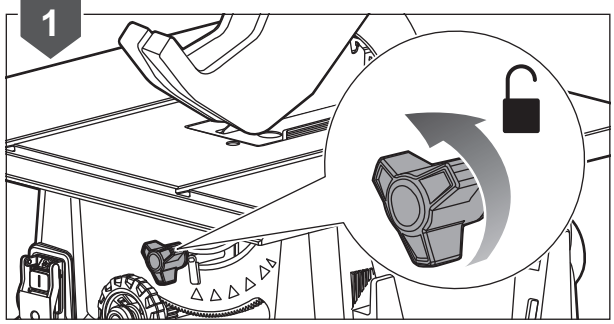
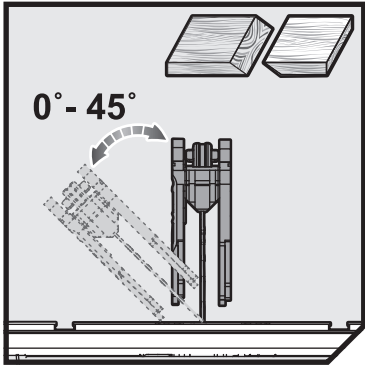


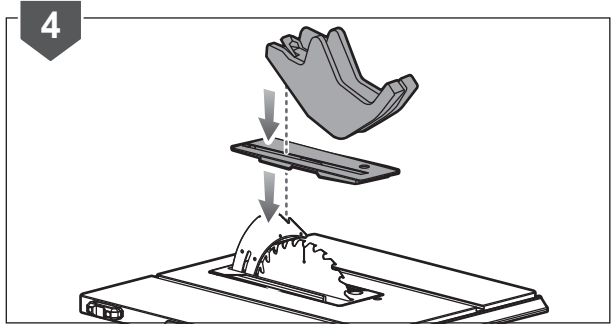
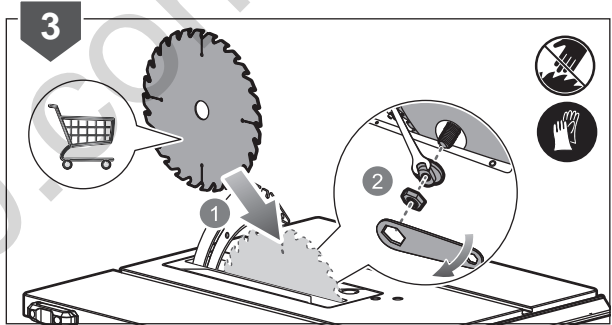
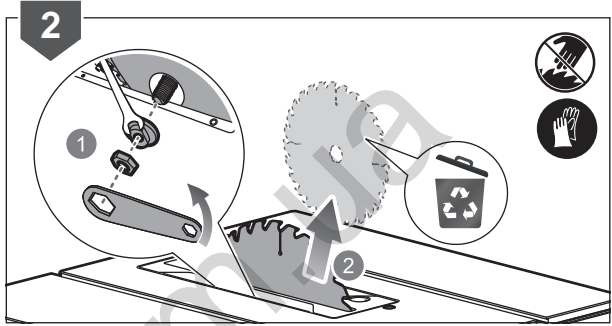
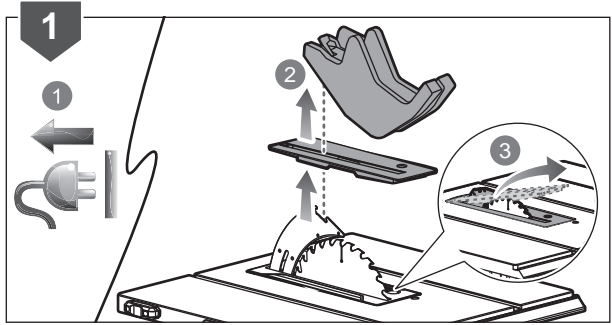
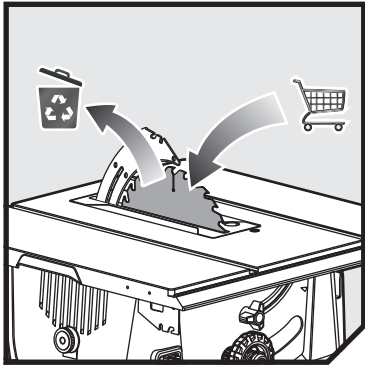


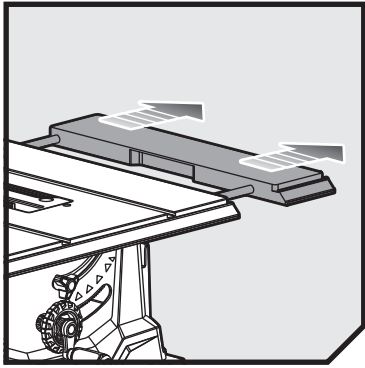


130.COM



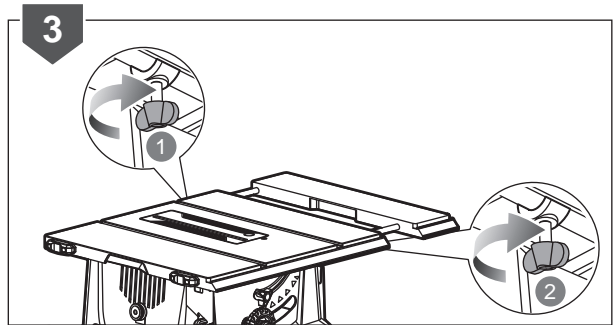
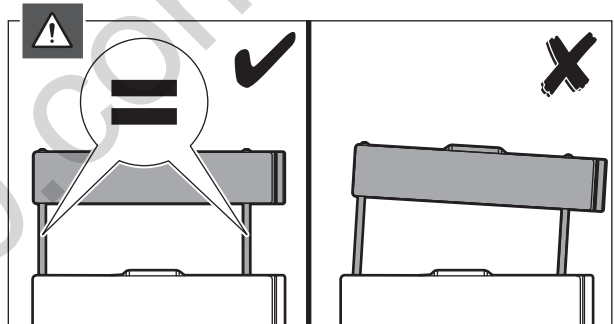
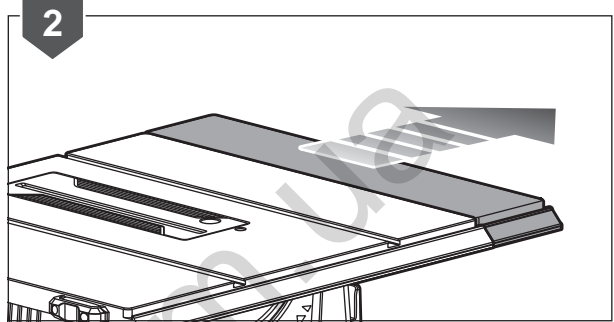
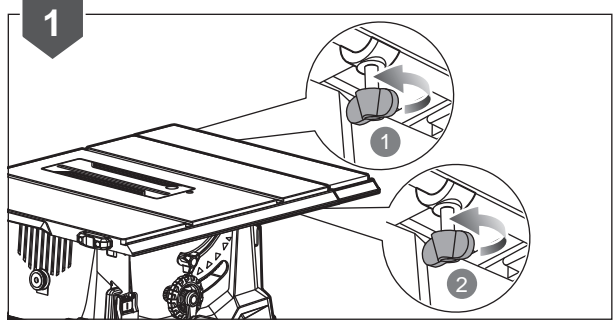


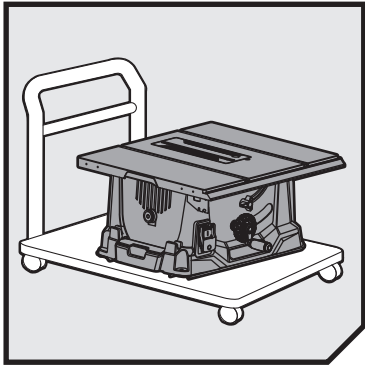




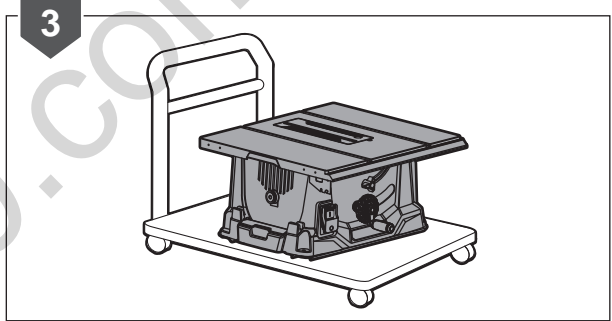
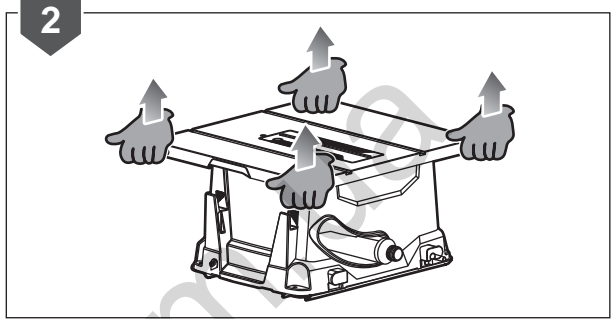
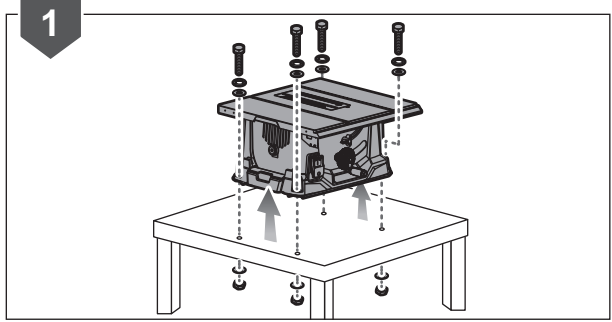
RTS1800ES

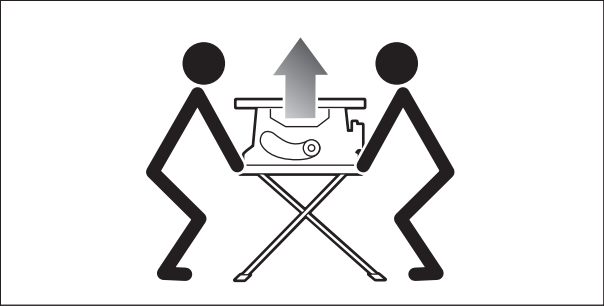
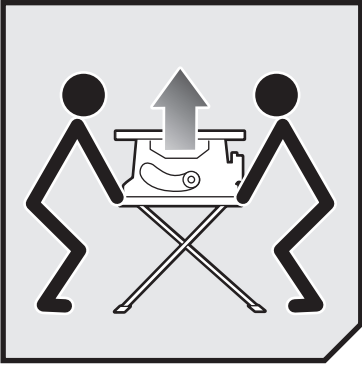
RTS1800EF





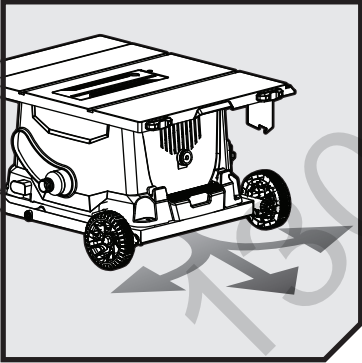
RTS1800



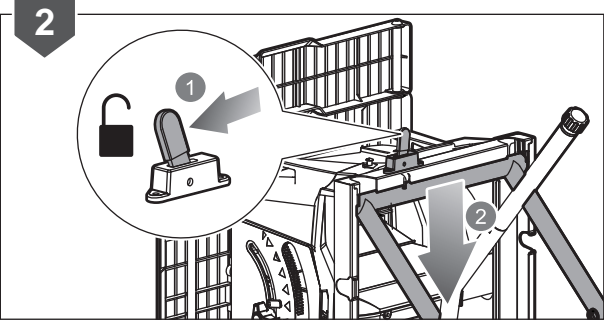
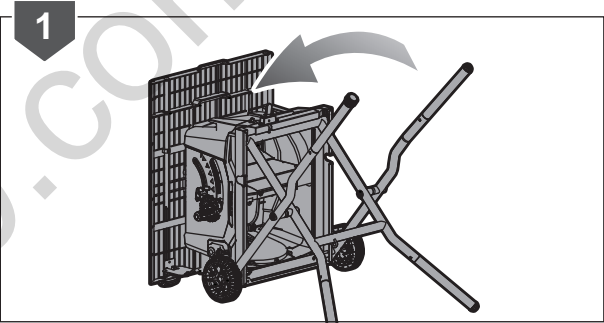


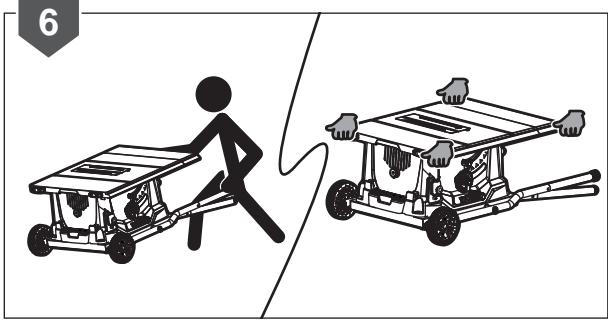
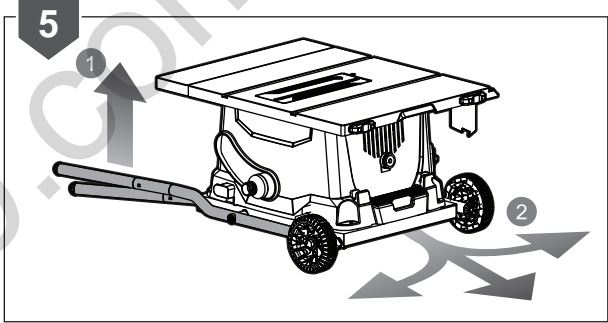
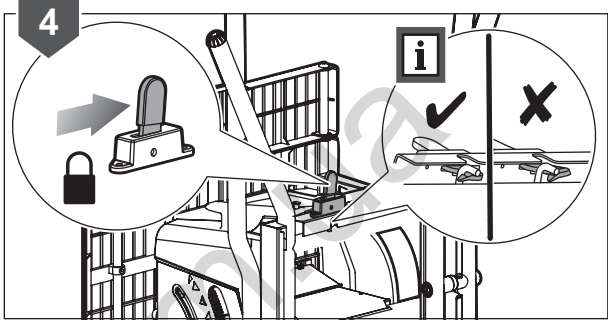
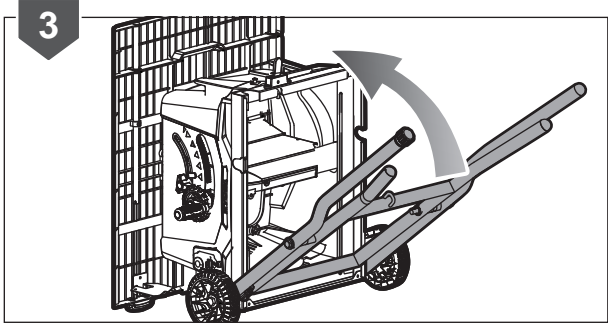
RTS1800S

RTS1800ES



RTS1800EF





20141015v2



130.com.ua



English	Français	Deutsch	Español	Italiano	Nederlands	Português
Product specifications	Caractéristiques de l'appareil	Produkt-Spezifikationen	Especificaciones del producto	Specifiche prodotto	Productspecificaties	Especificações do produto
Net weight	Poids net	Nettogewicht	Peso neto	Peso netto	Nettogewicht	Peso líquido
Maximum blade diameter	Diamètre maximum de la lame	Maximaler Sägeblattdurchmesser	Diámetro máximo de la hoja	Diametro massimo lama	Maximum zaagbladdiameter	Diâmetro máximo da lâmina
Blade body thickness	Épaisseur du corps de la lame	Sägeblatt Dicke Korpus	Espesor de la hoja	Spessore lama	Zaagbladdikte	Espessura do corpo da lâmina
Arbour hole	Trou de broche	Aufnahmebohrung	Huevo del eje	Foro dell'albero	Centergat	Orifício do eixo
Blade teeth	Nombre de dents	Sägezähne	Dientes de la hoja	Denti lame	Zaagbladtanden	Dentes da lâmina
Width of cut (kerf)	Largeur de coupe (trait de coupe)	Breite des Schnitts	Ancho del corte (en madera)	Ampiezza di taglio (intaccatura)	Maalbreedte (snijbreedte)	Largura do corte (em madeira)
No-load speed r/min. (RPM)	Vitesse à vide tr/min. (tr.min ⁻¹)	Leerlaufdrehzahl U/min	Velocidad sin carga r/min. (RPM)	Velocità a vuoto r/min. (RPM)	Onbelast toerental t/min. (TPM)	Velocidade em vazio r/min. (RPM)
Living knife thickness	Épaisseur du couteau diviseur	Spaltkeildicke	Espesor de la cuña de separación	Spessore cuneo	Splijmesdikte	Espessura da fenda da lâmina
Living knife hardness	Dureté du couteau diviseur	Spaltkeilhärte	Dureza de la cuña de separación	Durezza cuneo	Splijmeshardheid	Dureza da fenda da lâmina
Input	Alimentation	Stromversorgung	Cargador	Alimentazione	Input	Admissão
Power	Puissance	Leistung	Potencia	Alimentazione	Vermogen	Potência
Main table size	Taille du plateau principal	Größe Haupttisch	Tamaño de la mesa principal	Dimensioni tavolo principale	Afmeting hoofdtafel	Tamanho da mesa principal
Depth of cut at 45°	Profondeur de coupe à 45°	Schnitttiefe bei 45°	Profundidad de corte a 45°	Profondità di taglio a 45°	Diepte van snede bij 45°	Profundidade de corte a 45°
Depth of cut at 90°	Profondeur de coupe à 90°	Schnitttiefe bei 90°	Profundidad de corte a 90°	Profondità di taglio a 90°	Diepte van snede bij 90°	Profundidade de corte a 90°
Measured values determined according to FprEN 62841 A-weighted sound pressure level	Valeurs mesurées obtenues selon FprEN 62841 Niveau de pression sonore pondéré-A	Gemäß FprEN 62841 gemessene Werte A-bewerteter Schalldruckpegel	Valores medidos determinados de acuerdo con FprEN 62841 Nivel de presión acústica ponderada en A	Valori misurati determinati in accordo con lo standard FprEN 62841 Livello di pressione sonora pesato A	Valeurs mesurées obtenues selon FprEN 62841 A-gewogen geluidsdrukniveau	Valores medidos calculados de acuerdo con FprEN 62841 Nivel de pressão sonora ponderada A
Uncertainty K	Incertitude K	Unsicherheit K	Incertidumbre K	Incertezza K	Onzekerheid K	Incerteza K
Measured values determined according to FprEN 62841 A-weighted sound power level	Valeurs mesurées obtenues selon FprEN 62841 Niveau de puissance sonore pondéré-A	Gemäß FprEN 62841 gemessene Werte A-bewerteter Schalleistungspegel	Valores medidos determinados de acuerdo con FprEN 62841 Nivel de potencia acústica ponderada en A	Valori misurati determinati in accordo con lo standard FprEN 62841 Livello di potenza sonora pesato A	Valeurs mesurées obtenues selon FprEN 62841 A-gewogen geluidsniveau	Valores medidos calculados de acuerdo con FprEN 62841 Nivel de potência sonora ponderada A
Uncertainty K	Incertitude K	Unsicherheit K	Incertidumbre K	Incertezza K	Onzekerheid K	Incerteza K

Replacement parts	Pièces de Rechange	Ersatzteile	Piezas de repuesto	Parti di ricambio	Vervangonderdelen	Peças de substituição
Blade	Lame	Sägeblatt	Hoja	Lama	Zaagblad	Lâmina
Inner flange	Bride intérieure	Innere Flansch	Reborde interior	Flangia interna	Binnenste flens	Reborde interior
Outer flange	Flasque extérieur	Flansch	Reborde exterior	Flangia esterna	Buitenflens	Flange externa
Blade guard assembly	Ensemble carter de protection de la lame	Sägeblattschutz	Sistema protector de la hoja	Gruppo paralame	Zaagbladbechermer	Sistema de proteção da lâmina
Table insert	Insert de plateau	Tischensatz	Inserto para sierra de mesa	Inserto da tavolo	Tafelinzetstuk	Inserção para serra de mesa
Rip fence	Guide longitudinal	Parallelanschlag	Guía de corte	Guida parallela	Breedtegeleider	Guia de corte
Mitre guide	Guide d'onglet	Gehrungsschiene	Guía de inglete	Guida per tagli ad angolo	Verstekgeleider	Guia de corte/graminho
Push stick	Poussoir	Schiebestock	Empujador	Spingitoio	Drukstok	Empurrador





Dansk	Svenska	Suomi	Norsk	Русский	RTS1800	RTS1800S	RTS1800ES	RTS1800EF
Produktspecifikationer	Produktspecifikationer	Tuotteen tekniset tiedot	Produktspecificasjoner	Характеристики изделия	RTS1800	RTS1800S	RTS1800ES	RTS1800EF
Nettovægt	Nettovikt	Kokonaispaino	Nettovekt	Вес нетто	17.8 kg	22.6 kg	24.3 kg	26.8 kg
Max klingediameter	Max bladdiameter	Terän maksimihalkaisija	Maksimalt bladdiameter	Максимальный диаметр пильного диска	254 mm	254 mm	254 mm	254 mm
Klingetykkelse	Bladjocklek	Terän rungon paksuus	Bladenhetens tykkelse	Толщина пильного диска	< 1.9 mm	< 1.9 mm	< 1.9 mm	< 1.9 mm
Spindelhul	Spindelhål	Karan reikä	Spindelhull	Рабочее отверстие	30 mm	30 mm	30 mm	30 mm
Klingetænder	Sågtand	Terän hampaat	Bladtenner	Число зубьев	48 T	48 T	48 T	48 T
Snitbredde (snitfuge)	Skärbredd (brott)	Leikkauksen leveys (uurre)	Bredde på kappet (sagsnitt)	Ширина разреза (пропила)	2.6 mm	2.6 mm	2.6 mm	2.6 mm
Tomgangshastighed omdr./min. (RPM)	Tomgångshastighet v/min (varv per minut)	Tyhjäkäyntinopeus kierr./min (RPM)	Hastighet ubelastet o/min. (RPM)	Скорость на холостом ходу об/мин	2.2 mm	2.2 mm	2.2 mm	2.2 mm
Spaltekniv-tykkelse	Tjocklek rivkniv	Pyyröosahan suojakiilan paksuus	Kløyvekniv tykkelse	Толщина расклинивающего ножа	38 - 48 HRC	38 - 48 HRC	38 - 48 HRC	38 - 48 HRC
Spaltekniv-hårdhed	Hårdhet rivkniv	Pyyröosahan suojakiilan kovuus	Kløyvekniv hardhet	Твердость расклинивающего ножа	4,500	4,500	4,500	4,500
Strømforsyning	Matningsspänning	Virrankulutus	Input	Питание	220V-240V - 50 Hz	220V-240V - 50 Hz	220V-240V - 50 Hz	220V-240V - 50 Hz
Effekt	Strøm	Teho	Effekt	Мощность	1,800 W	1,800 W	1,800 W	1,800 W
Størrelse af hovedbord	Storlek på hovedbordet	Pääpöydän koko	Sterrelsen på hovedbordet	Длина основного верстака	560 mm x 590 mm	560 mm x 590 mm	560 mm x 590 mm	560 mm x 590 mm
Snitdybde ved 45°	Sågdjupet är 45°	Leikkusuuyvyys kuimalla 45°	Kappedybde ved 45°	Глубина выреза под углом 45°	55 mm	55 mm	55 mm	55 mm
Snitdybde ved 90°	Sågdjupet är 90°	Leikkusuuyvyys kuimalla 90°	Kappedybde ved 90°	Глубина выреза под углом 90°	80 mm	80 mm	80 mm	80 mm
Målte værdier bestemmes i henhold til FprEN 62841 A-vægtet lydtrykniveau	Värden uppmätta enligt FprEN 62841 A-vägd ljudtryknivå	Mitatut arvot määritetty FprEN 62841 -standardin mukaan A-painotettu äänenpainetaso	Målte verdier i samsvar med FprEN 62841 A-vektet lydtryknivå	Измеренные значения определены в соответствии с FprEN 62841 Уровень A-взвешенного звукового давления	$L_{pA} = 95,5 \text{ dB(A)}$	$L_{pA} = 95,5 \text{ dB(A)}$	$L_{pA} = 95,5 \text{ dB(A)}$	$L_{pA} = 95,5 \text{ dB(A)}$
Usikkerhed K	Osäkerhet K	Epätarkuus K	Usikkerhet K	Разброс K	3 dB	3 dB	3 dB	3 dB
Målte værdier bestemmes i henhold til FprEN 62841 A-vægtet lydeffektniveau	Värden uppmätta enligt FprEN 62841 A-vägd lydeffektsnivå	Mitatut arvot määritetty FprEN 62841 -standardin mukaan A-painotettu äänenteho	Målte verdier i samsvar med FprEN 62841 A-vektet lydeffektnivå	Измеренные значения определены в соответствии с FprEN 62841 Уровень A-взвешенной звуковой мощности	$L_{WA} = 108.0 \text{ dB(A)}$	$L_{WA} = 108.0 \text{ dB(A)}$	$L_{WA} = 108.0 \text{ dB(A)}$	$L_{WA} = 108.0 \text{ dB(A)}$
Usikkerhed K	Osäkerhet K	Epätarkuus K	Usikkerhet K	Разброс K	3 dB	3 dB	3 dB	3 dB

Reserve dele	Utbytesdelar	Varaosat	Reservedeler	Запасные части	RTS1800	RTS1800S	RTS1800ES	RTS1800EF
Klinge	Sågklinga	Terä	Blad	Лезвие	SB254T48A1			
Indvendig flange	Inre fläns	Sisälaiippa	Innvendig flens	Внутренний фланец	5131032497			
Yderflange	Ytre fläns	Ulkolaiippa	Utvendig sidestykke	Внешний фланец	5131032498			
Klingskærmsmodul	Bladskydd	Terän suojakokoonpano	Bladbeskyttelse	Ограждение пильного диска	5131032493	5131032499		
Bordindsats	Bordsinlägg	Pöytälisäke	Bordenhet	Пластина для пропила	5131032492			
Kantstyr	Stångselklippare	Ojhauslaitte	Føringsskinne	Направляющая планка	5131032495			
Geringsanslag	Geringsguide	Viistehöjain	Smygmål	Наклонная направляющая	5131032496			
Skubbepind	Tryckstav	Työntötkku	Skyvepinne	Выталкиватель	5131032494			





Polski	Čeština	Magyar	Română	Latviski	Lietuviškai	Eesti
Parametry techniczne	Technické údaje produktu	Termék műszaki adatai	Specificațiile produsului	Produkta specifikācijas	Gaminio techninės savybės	Toote tehnilised andmed
Masa netto	Čistá hmotnost	Nettó tömeg	Greutate netă	Svars neto	Nelo svoris	Netomass
Maksymalna średnica ostrza	Maximální průměr kotouče	Maximális fűrészlapátmérő	Diametrul maxim al discului	Maksimālais asmens diametrs	Didžiausias ašmenų skersmuo	Lõikeketta maksimaalläbimõõt
Grubość korpusu ostrza	Tloušťka tělesa kotouče	Fűrészlap szélessége	Grosimea corpului discului	Asmens galvenās daļas biezums	Ašmenų korpuso storis	Ketta lehe paksus
Otwór trzypienia	Otvor hífele	Tengelyfurat	Orificiu arbore	Vārpstas atvere	Ašies anga	Võlliava
Liczba zębów tarczy	Zub kotouče	Fűrészlap fogai	Dinte lamă	Asmens zobi	Geležties dantukų skaičius	Lõiketera hammas
Szerokość cięcia (rzaz)	Šiřka řezu (zářez)	Vágás szélessége (fűrészjártat)	Viteză în gol (lățimea tăierii)	Griezuma platums (ieģiežums)	Pļojimo plotis (pļojava)	Lõikelaius (saetee)
Prędkość bez obciążenia obr./min. (RPM)	Otáčky naprázdno ot./min. (RPM)	Üresjáratú fordulatszám ford./perc (RPM)	Viteză în gol rot./min. (RPM)	Apģiežieni bez slodzes apģ./min. (RPM)	Greitis be apkrovimo aps./min. (apsukų per minutę)	Kiirus ilma koormuseta p./min. (p/min)
Grubość kłina rozszczepiającego	Tloušťka štípačho kłinu	Hasítókécs vastagsága	Grosimea cuțitului de despiciare	Sadalītāja biezums	Praļojvos platinimo peilio storis	Lõhestusnoa paksus
Twardość kłina rozszczepiającego	Tvrđost štípačho kłinu	Hasítókécs keménysége	Duritatea cuțitului de despiciare	Sadalītāja izturība	Praļojvos platinimo peilio kiets	Lõhestusnoa kõvadus
Zasilanie	Vstup	Bemenet	Intrare	Ieeja	Ivestis	Vooluvõrk
Moc	Výkon	Teljesítmény	Alimentare	Strāva	Gaļa	Võimsus
Rozmiar głównego stolika	Hlavní rozšiřující stůl	Főasztal mérete	Dimensiuni masă principală	Galvenā galdā lielums	Pagrindinio pļojimo stalo dydis	Põhitoolaua suurus
Głębokość cięcia przy 45°	Hlubka řezu při 45°	Vágásmélység 45°-on	Adâncimea de tăiere la 45°	Griezuma dziļums 45° leņķī	Pļūvio gylis yra 45°	Lõikesügavus nurga 45° korral
Głębokość cięcia przy 90°	Hlubka řezu při 90°	Vágásmélység 90°-on	Adâncimea de tăiere la 90°	Griezuma dziļums 90° leņķī	Pļūvio gylis yra 90°	Lõikesügavus nurga 90° korral
Wartości sumaryczne drgań (suma wektora trójosiowego) określone zgodnie z normą FprEN 62841	Naměřené hodnoty zjištěné dle FprEN 62841	A mért értékek meghatározása az FprEN 62841 szerint történő A-súlyozott hangnyomásszint	Valori măsurate determinate în conformitate cu FprEN 62841	Izmērītās vērtības saskaņā ar FprEN 62841	Išmatuotosios vertės nustatytos pagal FprEN 62841	Mõõteväärtused on kindlaks määratud vastavalt standarditele FprEN 62841
A-ważyony poziom ciśnienia hałasu	Hladina akustického tlaku vážená funkcí A		Nivel de presiune acustică ponderată A	A-līmeņa skaņas spiediena līmenis	A svertinis garso slėgio lygis	
Niepewność pomiaru K	Nejistota K	Bizonytalanság K	Incertitudine K	Kļūdas vērtība K	Nepastovumas K	Mõõtemääramatus K
Wartości sumaryczne drgań (suma wektora trójosiowego) określone zgodnie z normą FprEN 62841	Celkové hodnoty vibrací (Trojsojý vektorový součet) určené v souladu s FprEN 62841	A vibráció teljes értékei (háromtengelyű vektorösszeg), az FprEN 62841 szerint meghatározva	Valori totale ale vibrațiilor (sumă vector triaxială) au fost determinate în conformitate cu FprEN 62841	Vibrācijas kopējās vērtības (triaksilāļā vektoru summa) ir noteiktas atbilstoši FprEN 62841	Bendros vibracijos vertės (triacio vektoriaus suma) nustatomos pagal FprEN 62841	Vibratsiooni üldväärtus (kolme suuna vektorisumma) on kindlaks määratud vastavalt standarditele FprEN 62841
Poziom drgań	Úroveň emisí vibrací	Vibráció-kibocsátás értéke	Valoarea emisiilor de vibrații	Vibrāciju emisijas vērtība	Vibracijos emisijos vertė	Vibratsiooniemisiooni väärtus
Niepewność pomiaru K	Nejistota K	Bizonytalanság K	Incertitudine K	Kļūdas vērtība K	Nepastovumas K	Mõõtemääramatus K

Części zamienne	Náhradní díly	Cserealkatrészek	Piese de schimb	Rezerves daļas	Atsarginės detalės	Asendusosad
Tarcza	Pilový kotouč	Fűrészlemez	Lamă	Ripa	Geležtė	Saeketas
Kolnier wewnętrzny	Vnitřní příruba	Belső perem	Flanșa interioară	Iekšējais atloks	Vidinė jungė	Seesmine äärk
Kolnier zewnętrzny	Vnější příruba	Külső alátét	Flanșa exterioară	Ārējais atloks	Disko jungė	Ketta äärk
Zespół osłony ostrza	Sestava krytu kotouče	Fűrészlapvédő szerelvény	Ansamblu apărătoare disc	Asmens aizsarga montāža	Ašmenų apsaugos sąranka	Kettakaitse koost
Wkład stolu	Vložka stolu	Asztalbetét	Introducere masă	Galdā ielaidums	Plokštės įdėklas	Tõolauga piluplaat
Prowadnica piły tarczowej wzdłużnej	Sundavaci doraz	Párhuzamvezető	Apărătoare la despiciare	Zāģa ripas aizsargs	Kreipiamasis įtaisas	Piklõike juhik
Prowadnica ukošna	Pokosové pravítko	Gérvezető	Ghidaj în unghi	45° leņķa vadošā detaļa	Nuožambaus pļojimo kreiptuvas	Kaldlõike juhik
Popychacz	Posouvací tyč	Tolórúd	Băt de împingere	Stumšanas rokturis	Stūmiklis	Surupulk



Hrvatski	Slovensko	Slovenčina	Ελληνικά	Türkçe				
Specifikacije proizvoda	Specifikacije izdelka	Špecifikácia	Προδιαγραφές Προϊόντος	Ürün Özellikleri	RTS1800	RTS1800S	RTS1800ES	RTS1800EF
Neto težina	Neto teža	Hmotnosť	Καθαρό βάρος	Net ağırlık	17.8 kg	22.6 kg	24.3 kg	26.8 kg
Maksimalan promjer oštrice	Najveći premer rezila	Maximálny priemer ostria	Μέγιστη διάμετρος λεπίδας	Maksimum bıçak çapı	254 mm	254 mm	254 mm	254 mm
Debljina tijela oštrice	Debelina rezila	Hrúbka tela ostria	Πάχος σώματος λεπίδας	Bıçak gövde kalınlığı	< 1.9 mm	< 1.9 mm	< 1.9 mm	< 1.9 mm
Otvor za vratilo	Izvrtna vretena	Otvor hriadeľa	Όπή άξονα	Mil deliği	30 mm	30 mm	30 mm	30 mm
Zubi pile	Zobje rezila	Zúbky čepele	Δόντια λεπίδας	Bıçak dişleri	48 T	48 T	48 T	48 T
Širina reza (usjek)	Širina rezanja (zarez)	Šírka rezu (zárez)	Πλάτος κοπής (εγκοπή)	Kesim genişliği (kesme)	2.6 mm	2.6 mm	2.6 mm	2.6 mm
Brzina bez opterećenja o/min (OKR/MIN)	Hitrost brez obremenitve vrt./min (RPM)	Otáčky bez zataženia ot./min.	Ταχύτητα σι κεν r/min. (RPM)	Bota hız d/dak. (DDS)	2.2 mm	2.2 mm	2.2 mm	2.2 mm
Debljina razdjelnog noža	Debelina cepilne zagozde	Hrúbka štiepiaceho noža	Πάχος θραύστη	Yarma bıçağı kalınlığı	38 - 48 HRC	38 - 48 HRC	38 - 48 HRC	38 - 48 HRC
Tvrdoća razdjelnog noža	Trdnost cepilne zagozde	Tvrdość štiepiaceho noža	Σκληρότητα θραύστη	Yarma bıçağı sertliği	4,500	4,500	4,500	4,500
Ulaz	Vhod	Vstup	Είσοδος ρεύματος	Giriş	220V-240V - 50 Hz	220V-240V - 50 Hz	220V-240V - 50 Hz	220V-240V - 50 Hz
Napajanje	Napajanje	Napájanie	Ισχύς	Güç	1,800 W	1,800 W	1,800 W	1,800 W
Veličina glavne ploče	Velikost glavne mize	Velkost hlavného stola	Μέγεθος βασικού πιακού	Ana masa ebadı	560 mm x 590 mm	560 mm x 590 mm	560 mm x 590 mm	560 mm x 590 mm
Dubina rezanja pri 45°	Globina reza pri 45°	Hĺbka rezu pri 45°	Βάθος κοπής 45°	45°'de kesme derinliği	55 mm	55 mm	55 mm	55 mm
Dubina rezanja pri 90°	Globina reza pri 90°	Hĺbka rezu pri 90°	Βάθος κοπής 90°	90°'de kesme derinliği	80 mm	80 mm	80 mm	80 mm
Mjerne vrijednosti određene su prema FprEN 62841	Izmerjene vrednosti določene v skladu s standardom FprEN 62841	Namerané hodnoty určené podľa FprEN 62841	Οι υπολογισμένες τιμές καθορίστηκαν σύμφωνα με το FprEN 62841 A-σταθμισμένο επίπεδο πίεσης ήχου	FprEN 62841 ile uyumlu olarak belirlenen ölçülen değerler	$L_{pA} = 95.5 \text{ dB(A)}$	$L_{pA} = 95.5 \text{ dB(A)}$	$L_{pA} = 95.5 \text{ dB(A)}$	$L_{pA} = 95.5 \text{ dB(A)}$
Ponderirana razina tlaka zvuka	A-izmerjena raven zvočnega tlaka	Vážená A hladina akustického tlaku		A ağırlıklı ses basınç seviyesi				
Neodređenost K	Nedoloč. K	Odhýľka K	Αβεβαιότητα K	Belirsizlik K	3 dB	3 dB	3 dB	3 dB
Ukupne vrijednosti vibracija (troosovinski vektorski zbroj) određuje se u skladu s FprEN 62841	Efektivna vrednost vibracij (triaksialna vektorska vsota) določena v skladu z FprEN 62841	Celkové hodnoty vibrácií (priestorový vektorový súčet) stanovené podľa noriem FprEN 62841	Οι συνολικές τιμές κραδασμών (τρισδιάστατο διανυσματικό άθροισμα) καθορίστηκαν σύμφωνα με το FprEN 62841	Titreşim toplam değeri (üçekseni vektör toplamı) FprEN 62841 standartlarına göre belirlenmiştir.	$L_{wA} = 108.0 \text{ dB(A)}$	$L_{wA} = 108.0 \text{ dB(A)}$	$L_{wA} = 108.0 \text{ dB(A)}$	$L_{wA} = 108.0 \text{ dB(A)}$
Vrijednost emisija vibracije	Vrednost emisij vibracij	Hodnota emisií vibrácií	Τιμή εκπομπών κραδασμών	Titreşim emisyon değeri				
Neodređenost K	Nedoloč. K	Odhýľka K	Αβεβαιότητα K	Belirsizlik K	3 dB	3 dB	3 dB	3 dB

Zamjena dijelova	Nadomestni deli	Náhradné diely	Ανταλλακτικά	Yedek parçalar	RTS1800	RTS1800S	RTS1800ES	RTS1800EF
Oštrica	Rezilo	Ostrie	Λάμα	Bıçak	SB254T48A1			
Unutarnja priрубica	Notranja priрубica	Vnútrošná priрубica	Εσωτερική φλάντζα	İç flanş	5131032497			
Vanjska priрубica	Kolutna priрубica	Priрубica disku	Εξωτερική φλάντζα	Diş flanş	5131032498			
Sklop štitnika noža	Varovala rezila	Jednotka chrániča ostria	Διάταξη προστατευτικού λεπίδος	Bıçak koruyucu	5131032493	5131032499		
Podložak stola	Namizni vstavek	Vložka taniera	Εισαγωγική πιάκου	Tezgah ek parçası	5131032492			
Rezna letva	Ograja	Ochranné zariadenie na pozdĺžne rezanie	Προστατευτικό απόσχισης	Yarma korkuluğu	5131032495			
Kutna vodilica	Kotno vodilo	Vodidlo sklónu	Οδηγός λοξότμησης	Gönye kilavuzu	5131032496			
Šipka za guranje	Potsna palica	Prepichňavacia tyčka	Μοχλός ώθησης	İtme çubuğu	5131032494			



EN GARANTÉE

In addition to any statutory rights resulting from the purchase, this product is covered by a guarantee as stated below.

- The guarantee period is 24 months for consumers and commences on the date when the product was purchased. This date has to be documented by an invoice or other proof of purchase. The product is designed and dedicated to consumer and private use only. So there is no guarantee provided in case of professional or commercial use.
- There is, in some cases (i.e. promotion, range of tools), a possibility to extend the warranty period over the period described above using the registration on the www.ryobitools.eu website. The eligibility of the tool is clearly displayed in stores and/or on packaging. The end user needs to register his/her newly-acquired tools online within 8 days from the date of purchase. The end user may register for the extended warranty in his country of residence if listed on the online registration form where this option is valid. Furthermore, end users must give their consent to the storage of the data which are required to enter online and they have to accept the terms and conditions. The registration confirmation receipt, which is sent out by e-mail, and the original invoice showing the date of purchase will serve as proof of the extended warranty. Your statutory rights remain unaffected.
- The guarantee covers all defects of the product during the warranty period due to defaults in workmanship or material at the purchase date. The guarantee is limited to repair and/or replacement and does not include any other obligations including but not limited to incidental or consequential damages. The warranty is not valid if the product has been misused, used contrary to the instruction manual, or being incorrectly connected. This guarantee does not apply to:
 - any damage to the product that is the result of improper maintenance
 - any product that has been altered or modified
 - any product where original identification (trade mark, serial number) markings have been defaced, altered or removed
 - any damage caused by non-observance of the instruction manual
 - any non CE product
 - any product which has been attempted to be repaired by a non-qualified professional or without prior authorization by Techtronic Industries
 - any product connected to improper power supply (amps, voltage, frequency)
 - any damage caused by external influences (chemical, physical, shocks) or foreign substances
 - normal wear and tear of spare parts
 - inappropriate use, overloading of the tool
 - use of non-approved accessories or parts
 - carburettor after 6 months, carburettor adjustments after 6 months
 - power tool accessories provided with tool or purchased separately. Such exclusions include but is not limited to screw driver bits, drill bits, abrasive discs, sand paper and blades, lateral guide
 - components (parts and accessories) subject to natural wear and tear, including but not limited to carbon brushes, chuck, power cord, auxiliary handle, sanding plate, dust bag, dust exhaust tube
- For servicing, the product must be sent or presented to a RYOBI authorized service station listed for each country in the following list of service station addresses. In some countries your local RYOBI dealer undertakes to send the product to the RYOBI service organisation. When sending a product to a RYOBI service station, the product should be safely packed without any dangerous contents such as petrol, marked with sender's address and accompanied by a short description of the fault.
- A repair/replacement under this guarantee is free of charge. It does not constitute an extension or a new start of the guarantee period. Exchanged parts or tools become our property. In some countries delivery charges or postage will have to be paid by the sender.
- This guarantee is valid in the European Community, Switzerland, Iceland, Norway, Liechtenstein, Turkey and Russia. Outside these areas, please contact your authorized RYOBI dealer to determine if another warranty applies.

AUTHORISED SERVICE CENTRE

To find an authorised service centre near you, visit <http://uk.ryobitools.eu/header/service-and-support/service-agents>.

FR GARANTIE

En plus des droits statutaires liés à l'achat, ce produit est couvert par une garantie telle que décrite ci-dessous.

- La durée de la garantie accordée au consommateur est de 24 mois à partir de la date d'achat. Cette date doit être authentifiée par une facture ou tout autre preuve d'achat. Le produit a été conçu en vue d'une utilisation strictement privée. Aucune garantie ne s'applique donc en cas d'utilisation professionnelle ou commerciale.
- Il existe, dans certains cas (par exemple promotion, gamme d'outils), une possibilité d'étendre la période de garantie au-delà de la période précédemment décrite en utilisant le formulaire d'enregistrement présent sur le site Internet www.ryobitools.eu. L'éligibilité d'un outil est clairement affichée dans les points de vente et/ou sur l'emballage. L'utilisateur final doit enregistrer son/ses outil(s) nouvellement acheté(s) en ligne dans les 8 jours qui suivent la date d'achat. L'utilisateur a la possibilité de s'enregistrer pour l'extension de garantie dans son pays de résidence si celui-ci est listé dans le formulaire d'enregistrement en ligne où cette option est valide. L'utilisateur final doit donner son consentement pour l'enregistrement des données requises pour accéder au site et doit accepter les termes et conditions. La confirmation d'enregistrement, envoyée par courrier électronique, ainsi que la facture originale mentionnant la date d'achat serviront de preuve de l'extension de garantie. Vos droits statutaires restent inchangés.
- La garantie couvre les défauts des pièces et de main d'oeuvre du produit pendant la période de garantie à partir de la date d'achat. La garantie n'inclut aucune autre obligation, tel que, mais sans s'y limiter, les dommages accessoires ou indirects. La garantie est non valable en cas de mauvaise utilisation du produit, d'utilisation contraire aux instructions du mode d'emploi, ou en cas de branchement incorrect. Cette garantie ne s'applique pas pour :
 - tout dommage au produit résultant d'un mauvais entretien
 - tout produit ayant été altéré ou modifié
 - tout produit dont les marquages originaux d'identification (marque, numéro de série) ont été dégradés, altérés ou retirés
 - tout dommage causé par le non-répect des instructions du mode d'emploi
 - tout produit non CE
 - tout produit ayant subi une tentative de réparation par du personnel non qualifié ou sans autorisation préalable de Techtronic Industries
 - tout produit raccordé à une alimentation secteur non conforme (ampérage, voltage, fréquence)
 - tout dommage causé par des influences extérieures (chimiques, physiques, chocs) ou par des substances étrangères
 - l'usure normale des pièces consommables
 - une utilisation inappropriée, une surcharge de l'outil
 - l'utilisation de pièces ou accessoires non agréés
 - carburateurs âgés de plus de 6 mois, réglages du carburateur après 6 mois
 - accessoires d'outil à moteur fournis avec l'outil ou achetés séparément. De telles exclusions incluent de façon non exhaustive les embouts de vissage, les forets, les disques de ponçage, le papier de verre et les lames, les guides latéraux
 - composants (pièces et accessoires) sujets à une usure naturelle, incluant de façon non exhaustive les charbons, les mandrins, les câbles secteur, les poignées auxiliaires, les semelles de ponçage, les sacs à poussières, les tubes d'extraction de la poussière
- Si le produit doit être réparé, envoyez-le à un service après-vente agréé RYOBI dont vous trouverez ci-dessous la liste pour chaque pays. Dans certains pays, votre revendeur RYOBI se chargera d'envoyer le produit à un centre de réparation RYOBI. Lorsque vous envoyez un produit à un service après-vente RYOBI, celui-ci doit être correctement emballé, sans contenir aucun produit dangereux tel que de l'essence, et vous devez indiquer votre adresse ainsi qu'une courte description du problème.
- Une réparation / un remplacement sous garantie est gratuit(e). Ceci ne constituera pas une extension de garantie ni un nouveau départ de la période de garantie. Les pièces ou les outils remplacés deviennent notre propriété. Dans certains pays, les frais de port devront être assumés par l'expéditeur.
- Cette garantie est valable au sein de l'Europe, de la Suisse, de l'Islande, de la Norvège, du Liechtenstein, de la Turquie, de la Russie. En dehors de ces zones, veuillez contacter votre distributeur agréé RYOBI pour déterminer si une autre garantie s'applique.

SERVICE APRÈS-VENTE AGRÉÉ

Pour trouver le service après-vente agréé le plus proche, rendez-vous sur <http://fr.ryobitools.eu/header/service-and-support/service-agents>.



DE GARANTIE

Zusätzlich zu den aufgrund des Kaufs entstehenden gesetzlichen Rechten, ist dieses Produkt von der unten aufgeführten Garantie abgedeckt.

1. Die Garantiezeit für Endverbraucher beträgt 24 Monate für und beginnt ab dem Kaufdatum des Produktes. Dieses Datum muss durch eine Rechnung oder einen anderen Kaufbeleg dokumentiert sein. Das Produkt ist ausschließlich für den Privategebrauch entwickelt und bestimmt. Deshalb wird keine Garantie im Fall von professionellem oder kommerziellem Einsatz angeboten.
2. In einigen Fällen (z.B. Promotion, auf eine bestimmte Produktpalette oder auf bestimmte Produkte begrenzt) besteht die Möglichkeit die Garantiezeit über den oben genannten Zeitraum, durch Registrierung auf der Webseite www.ryobitools.eu, zu verlängern. Der verlängerte Garantieanspruch für ein bestimmtes Produkt wird deutlich in den Geschäften und/oder auf der Verpackung des Produktes gezeigt. Der Endverbraucher muss seine neu gekauften Produkte innerhalb von 8 Tagen ab Kaufdatum registrieren. Der Endverbraucher kann sich für die erweiterte Garantie im Land seines permanenten Wohnsitzes registrieren, wenn diese Möglichkeit in dem Online-Formular gegeben ist. Des weiteren müssen die Endverbraucher ihr Einverständnis zur Speicherung der online angegebenen Daten geben und die Geschäftsbedingungen annehmen. Die per E-Mail verschickte Bestätigung der Registrierung und die Originalrechnung mit Kaufdatum dienen als Nachweis für die verlängerte Garantie. Ihre gesetzlichen Rechte bleiben unangetastet.
3. Die Garantie deckt während der Garantiezeit ab Kaufdatum alle Produktmängel aufgrund von Material- oder Herstellungsmängeln ab. Diese Garantie ist auf Reparatur und/oder Ersatz beschränkt und enthält keine weitere Verpflichtungen einschließlich aber nicht beschränkt auf beiläufige oder resultierende Schäden. Die Garantie ist nicht gültig, wenn das Produkt missbräuchlich oder entgegen der Bedienungsanleitung benutzt, oder falsch angeschlossen wurde. Diese Garantie gilt nicht für:
 - Jegliche Schäden die an dem Produkt aufgrund falscher Wartung entstehen.
 - Jedes Produkt das verändert oder modifiziert wurde.
 - Jedes Produkt an dem die originale Identifizierung (Markenzeichen, Seriennummer) verunstaltet, verändert oder entfernt wurden.
 - Jede Beschädigung die durch Nichtbeachtung der Bedienungsanleitung verursacht wurde.
 - Jedes Produkt ohne CE Zeichen.
 - Jedes Produkt das von einer unqualifizierten Person oder ohne vorherige Genehmigung von Techntron Industries versucht wurde zu reparieren.
 - Jedes Produkt das an eine falsche Stromversorgung (Ampere, Spannung, Frequenz) angeschlossen wurde.
 - Jede Beschädigung die von äußeren Einflüssen (chemisch, physisch, Stöße) oder fremden Substanzen verursacht wurde.
 - Normaler Verschleiß und Abnutzung von Ersatzteilen.
 - Zweckwidrige Benutzung, Überlastung des Werkzeugs.
 - Benutzung von nicht zugelassenem Zubehör oder Teilen.
 - Den Vergaser nach 6 Monaten, die Vergasereinstellung nach 6 Monaten.
 - Mit dem Werkzeug gelieferte oder separat erhältliche Zubehör. Diese Ausnahmen sind einschließlich aber nicht beschränkt auf Schraubeinsätze, Bohrer, Schleifscheiben, Sandpapier und Klingen, seitliche Führungen.
 - Komponenten (Teile und Zubehör) die normalem Verschleiß unterliegen, einschließlich aber nicht beschränkt auf Kohlebürsten, Spannfutter, Netzkabel, Zusatzhandgriffe, Schleifplatten, Staubbeutel, Staubabzugschläuche
4. Zur Wartung muss das Produkt eingeschickt werden oder einem für jedes Land in der folgenden Liste aufgeführten autorisierten RYOBI Kundendienst gebracht werden. In einigen Ländern schickt Ihr örtlicher RYOBI Händler das Produkt an den RYOBI Kundendienst. Wenn ein Produkt an den RYOBI Kundendienst geschickt wird, sollte es sicher verpackt werden, ohne gefährlichen Inhalt, wie Treibstoff, mit der Absenderadresse versehen sein und eine kurze Beschreibung des Fehlers enthalten.
5. Reparatur/Ersatz unter dieser Garantie sind kostenfrei. Das stellt keine Verlängerung oder Neustart der Garantiezeit dar. Ausgewechselte Teile oder Werkzeuge treten in unseren Besitz über. In einigen Ländern müssen Lieferkosten oder Postgebühren von dem Absender getragen werden.
6. Diese Garantie gilt in der Europäischen Gemeinschaft, Schweiz, Island, Norwegen, Liechtenstein, Türkei und Russland. Bitte kontaktieren Sie Ihren autorisierten RYOBI-Händler, um herauszufinden ob eine andere Gewährleistung außerhalb dieser Gebiete gültig ist.

AUTORISIERTER KUNDENDIENST

Besuchen Sie <http://de.ryobitools.eu/header/service-and-support/service-agents>, um einen autorisierten Kundendienst in Ihrer Nähe zu finden.

ES GARANTÍA

Además de cualquier derecho estatutario derivado de la compra, este producto está cubierto por la siguiente garantía.

1. El período de garantía es de 24 meses para los consumidores y comienza a partir de la fecha de compra del producto. Esta fecha debe demostrarse con una factura u otra prueba de compra. El producto está diseñado y destinado al consumidor y únicamente para uso privado. Por tanto, no se ofrece ninguna garantía en caso de uso profesional o comercial.
2. En algunos casos (como promociones o un conjunto de herramientas) existe la posibilidad de ampliar el período de garantía hasta el período descrito anteriormente mediante el registro en el sitio web www.ryobitools.eu. La elegibilidad de la herramienta se muestra claramente en las tiendas o en el embalaje. El usuario final debe registrar sus herramientas recién adquiridas en línea en los 8 días siguientes a la fecha de compra. El usuario final podrá registrarse para ampliar la garantía en su país de residencia si éste aparece en el formulario de registro en línea en que esta opción es válida. Además, los usuarios finales deben dar su consentimiento para que se guarden los datos que se solicitan para entrar en línea y aceptar los términos y condiciones. El recibo de la confirmación de registro, que se enviará por correo electrónico, y la factura original que muestre la fecha de compra servirán como prueba de la ampliación de la garantía. Sus derechos estatutarios permanecerán intactos.
3. La garantía cubre, durante el período de garantía, todos los defectos del producto que se deban a fallos de la mano de obra o a fallos del material en la fecha de compra. La garantía tiene un límite de reparación o sustitución y no incluye ninguna otra obligación se deba a, aunque sin limitarse a ello, daños accidentales o incidentales. La garantía no es válida si se ha hecho un uso inadecuado del producto, si no se ha usado siguiendo el manual de instrucciones o si se ha conectado incorrectamente. Esta garantía no se aplica a:
 - cualquier daño del producto derivado de un mantenimiento inadecuado
 - cualquier producto que haya sido alterado o modificado
 - cualquier producto en el que las marcas de identificación originales (marca comercial, número de serie) hayan sido borradas, modificadas o eliminadas
 - cualquier daño causado por el incumplimiento del manual de instrucciones
 - cualquier producto que no sea CE
 - cualquier producto que haya intentado reparar un profesional no cualificado o sin una autorización previa de Techntron Industries
 - cualquier producto conectado a un suministro eléctrico inadecuado (amperios, tensión, frecuencia)
 - cualquier daño causado por influencias externas (de productos químicos, daños físicos, descarga eléctrica) o sustancias extrañas
 - desgaste o rotura normal de las piezas de repuesto
 - uso inadecuado, sobrecarga de la herramienta
 - uso de accesorios o piezas no homologados
 - carburador después de 6 meses, ajustes del carburador después de 6 meses
 - accesorios de las herramientas eléctricas suministrados con la herramienta o adquiridos por separado. Dichas exclusiones incluyen, aunque sin limitarse a ello, puntas de destornilladores, brocas, discos abrasivos, lijas de papel y cuchillas, guía lateral
 - componentes (piezas y accesorios) sujetos a desgaste y rotura natural, incluyendo, pero sin limitarse a ellos, escobillas de carbón, portabrocas, cable de alimentación, mango auxiliar, bolsa para el polvo, tubo de salida del polvo
4. Para el servicio, el producto debe enviarse o entregarse en un punto de servicio técnico autorizado RYOBI enumerado para cada país en la siguiente lista de direcciones de servicio técnico. En algunos países su distribuidor local RYOBI se encarga de enviar el producto a la organización del servicio de RYOBI. Al enviar un producto a un punto de servicio técnico RYOBI, el producto debe embalarse de forma segura sin que contenga ninguna sustancia peligrosa como petróleo, debe llevar la dirección del remitente e ir acompañado de una breve descripción del fallo.
5. Una reparación/sustitución dentro de esta garantía se realiza de forma gratuita. No constituye una ampliación ni un reinicio del período de garantía. Las piezas o herramientas que se cambian pasan a ser de nuestra propiedad. En algunos países los gastos de envío o del franquicio deberá pagarlos el remitente.
6. Esta garantía es válida en la Comunidad Europea, Suiza, Islandia, Noruega, Liechtenstein, Turquía y Rusia. Fuera de estas zonas, póngase en contacto con su distribuidor autorizado RYOBI para determinar si se aplica otra garantía.

SERVICIO TÉCNICO AUTORIZADO

Para encontrar el servicio técnico autorizado más cercano, visite <http://uk.ryobitools.eu/header/service-and-support/service-agents>.



IT GARANZIA

Oltre ai legittimi diritti derivanti dall'acquisto del prodotto, quest'ultimo è coperto da garanzia come indicato nei seguenti punti.

1. Il periodo di garanzia per il consumatore è di 24 mesi ed ha inizio dalla data in cui il prodotto è stato acquistato. Questa data deve essere documentata da una ricevuta o da altra prova d'acquisto. Il prodotto è stato disegnato e progettato solo per l'utilizzo privato del consumatore. La garanzia viene invalidata in caso di utilizzo professionale o commerciale.
2. In alcuni casi (per esempio promozioni e gamme di prodotti) esiste la possibilità di estendere il periodo di garanzia oltre il periodo indicato sopra registrandosi sul sito web www.ryobitools.eu. L'idoneità del prodotto a rievitare tale estensione viene indicata chiaramente nei punti vendita e/o sull'imballo. L'utente finale deve registrare il suo prodotto appena acquistato online entro 8 giorni dalla data d'acquisto. L'utente finale può accedere all'offerta nel suo paese quando la stessa è valida e qualora si sia registrato online. Inoltre, gli utenti finali devono dare il proprio consenso all'archiviazione dei dati che si inseriscono online indicando che i termini e le condizioni sono stati accettati. La ricevuta della conferma della registrazione verrà inviata via email e la fattura originale indicante la data d'acquisto verrà utilizzata come prova della garanzia estesa. I diritti legittimi dell'utente rimarranno invariati.
3. La garanzia copre tutti i difetti di fabbricazione del prodotto durante il periodo di garanzia a causa di guasti di fabbricazione o di materiale alla data di acquisto. La garanzia è limitata alla riparazione e/o alla sostituzione e non include altri obblighi compreso ma non limitato a danni incidentali o consequenziali. La garanzia non è valida se il prodotto non è stato utilizzato come indicato nel manuale di istruzioni o se è stato collegato in maniera non corretta. La garanzia non si applica a:
 - qualsiasi danno al prodotto che sia il risultato di una scorretta manutenzione
 - qualsiasi prodotto che sia stato alterato o modificato
 - qualsiasi prodotto sul quale l'identificazione originale (marchio registrato, numero di serie) sia stata resa illeggibile, sia stata danneggiata o alterata
 - qualsiasi danno causato dalla non osservanza del manuale d'istruzioni
 - qualsiasi prodotto non contrassegnato con il marchio CE
 - qualsiasi prodotto che una persona non qualificata abbia tentato di riparare o che si è tentato di riparare senza l'autorizzazione delle Techntronisnoc Industries
 - qualsiasi prodotto collegato a un'alimentazione non corretta (per amp, voltaggio, frequenza)
 - qualsiasi danno causato da agenti esterni (chimici, fisici o shock) o da sostanze estranee
 - normale usura di parti di ricambio
 - utilizzo non appropriato, sovraccaricamento di utensili
 - utilizzo non approvato di accessori o parti
 - carburatore dopo 6 mesi, regolazioni al carburatore dopo 6 mesi
 - elettroutensili forniti con l'utensile o separatamente. Tali esclusioni comprendono ma non sono limitate a punte per giraviti, punte per trapani, dischi abrasivi, carta vetrata e lame, guida laterale
 - componenti (parti e accessori) soggetti a naturale usura, compreso ma non limitatamente a spazzole al carbonio, mandrino, cavo dell'alimentazione, manico ausiliario, piastra di levigazione, sacchetto per la polvere, tubo di scarico polvere
4. Per servizi di manutenzione, il prodotto dovrà essere mandato o presentato presso un punto di servizio clienti autorizzato RYOBI indicato nella seguente lista. In alcune nazioni il rivenditore RYOBI si occuperà di inviare il prodotto al più vicino servizio clienti Ryobi. Quando si invia un prodotto a un servizio clienti RYOBI, il prodotto dovrà essere correttamente imballato senza eventuali contenuti pericolosi quali carburanti, e contrassegnato con l'indirizzo della persona che lo ha inviato e accompagnato da una breve descrizione del problema riscontrato.
5. Si garantisce una riparazione/sostituzione gratuita quando il prodotto è coperto da garanzia. Questa sostituzione o riparazione non costituisce una estensione o un nuovo inizio di un periodo di garanzia. Le parti o l'utensile cambiati sono di proprietà della ditta. In alcune nazioni i costi di consegna o invio dovranno essere pagati dalla persona che spedisce.
6. Questa garanzia è valida all'interno della Comunità Europea, in Svizzera, Islanda, Norvegia, Liechtenstein, Turchia e Russia. Al di fuori di queste aree, si prega di contattare il proprio gestore autorizzato RYOBI per determinare se si applica un'altra garanzia.

CENTRO SERVIZI AUTORIZZATO

Per individuare il più vicino centro servizi autorizzato, visitare il sito <http://uk.ryobitools.eu/header/service-and-support/service-agents>.

NL GARANTIE

Bovenop de statutaire rechten als gevolg van de aankoop, wordt dit product gedekt door een garantie, zoals deze hieronder wordt beschreven.

1. De garantieperiode bedraagt 24 maanden voor consumenten en begint vanaf de datum waarop het product werd aangekocht. Deze datum moet worden gedocumenteerd door een factuur of ander aankoopbewijs. Het product is uitsluitend ontworpen en bedoeld voor particuliere gebruikers. De garantie vervalt bij professioneel of commercieel gebruik.
2. In enkele gevallen (vb. promotie, gereedschapsaanbod) bestaat er een mogelijkheid om de garantieperiode te verlengen met dezelfde periode als deze hierboven beschreven met behulp van de registratie op de website www.ryobitools.eu. Of het product al of niet in aanmerking komt, is duidelijk aangegeven in winkels en/of de verpakking. De eindgebruiker dient zijn/haar nieuw werktuig binnen de 8 dagen na de aankoopdatum online registreren. De eindgebruiker kan zich aanmelden voor de uitgebreide garantie in zijn verblijfsland als dit op het online registratieformulier is opgenomen wanneer deze optie geldig is. Bovendien moet de eindgebruiker zijn toestemming geven om informatie te gebruiken die nodig is om toegang te krijgen tot de website en dient de algemene voorwaarden te accepteren. Het ontvangstbewijs van dit registratieformulier, dat via e-mail wordt verzonden, en de originele factuur die de aankoopdatum vermeldt dienen als bewijs van de uitgebreide garantie. Uw statutaire rechten blijven onveranderd.
3. De garantie dekt alle defecten van het product gedurende de garantieperiode als gevolg van fouten in het werk of materiaal op de aankoopdatum. De garantie is beperkt tot de reparatie en/of vervanging en omvat geen andere verplichtingen waaronder, maar niet beperkt tot, incidentele of gevolgschade. De garantie is niet geldig als het product werd misbruikt, in tegenspraak met de gebruiksaanwijzing werd gebruikt of foutief werd verbonden. Deze garantie geldt niet voor:
 - schade aan het product als gevolg van foutief onderhoud
 - als het product op enigerlei wijze werd gewijzigd
 - als originele markeringen ter identificatie (handelsmerk, serienummer) van het product werden verwijderd of gewijzigd
 - voor schade als gevolg van het niet in acht nemen van deze gebruiksaanwijzing
 - een niet EC-product
 - een product, waaraan een niet-gekwalificeerde vakman reparaties uitvoerde of waaraan reparaties werden uitgevoerd zonder voorafgaande toestemming van Techntron Industries
 - een product dat werd aangesloten aan een foutieve krachtbron (amps, spanning, frequentie)
 - schade veroorzaakt door externe invloeden (chemische, fysieke schokken) of vreemde stoffen
 - normale slijtage van reserve-onderdelen
 - foutief gebruik, overbelasting van het werktuig
 - gebruik van niet-goedgekeurde accessoires of onderdelen
 - de carburator na 6 maanden, carburatorafstellingen na 6 maanden
 - gereedschapsaccessoires die met het werktuig worden meegeleverd of afzonderlijk worden aangekocht. Deze uitsluitingen omvatten, maar zijn niet beperkt tot schroevendraaiers, boorstiften, slijpschijven, schuurpapier en -bladen, laterale geleiders
 - componenten (onderdelen en accessoires) die onderhevig zijn aan natuurlijke slijtage met inbegrip van, maar niet beperkt tot, koolborstels, boorhouders, stroom snoeren, bijkomende handvatten, schuurplaten, stofzakken, stofuitlaatuizen
4. Voor onderhoud moet het product naar een geautoriseerd RYOBI-onderhoudsstation worden gestuurd of gebracht. Een lijst met de adressen van deze stations per land is hier opgenomen. In bepaalde landen verzendt uw plaatselijke RYOBI-verdeler het product naar de RYOBI-onderhoudsorganisatie. Als een product naar een RYOBI-onderhoudsstation wordt gezonden, moet het product veilig zijn verpakt zonder gevaarlijke inhoud, zoals benzine, met aanduiding van het adres van de verzender en met inbegrip van een korte beschrijving van de fout.
5. Een reparatie/vervanging onder deze garantie is gratis. Dit heeft geen gevolgen voor de duur van deze garantie of betekent niet dat de garantie wordt verlengd of opnieuw begint. Vervangen onderdelen of werktuigen worden onze eigendom. In bepaalde landen moeten verzendings- of leveringskosten door de verzender worden betaald.
6. Deze garantie is geldig in de Europese Unie, Zwitserland, IJsland, Noorwegen, Liechtenstein, Turkije en Rusland. Buiten deze landen neemt u contact op met uw geautoriseerde RYOBI-verdeler om te bepalen of er een andere garantie geldig is.

GEAUTORISEERD ONDERHOUDSCENTRUM

Om een geautoriseerd onderhoudscentrum in uw buurt te vinden, surf u naar <http://uk.ryobitools.eu/header/service-and-support/service-agents>.



PT GARANTIA

Além de qualquer direito estatutário derivado da compra, este produto está coberto com a seguinte garantia.

1. O período de garantia é de 24 meses para os consumidores e começa a partir da data de compra do produto. Esta data deve ser comprovada com uma factura ou outra prova de compra. O produto foi desenhado e destinado ao consumidor e apenas para uso privado. Portanto, não se oferece qualquer garantia em caso de uso profissional ou comercial.
2. Em alguns casos (como promoções ou um conjunto de ferramentas) existe a possibilidade de ampliar o período de garantia até ao período descrito anteriormente através do registo no website www.ryobitools.eu. A elegibilidade da ferramenta mostra-se claramente nas lojas ou na embalagem. O utilizador final deve registar as suas ferramentas recém-adquiridas on-line nos 8 dias seguintes à data de compra. O utilizador final poderá registar-se para ampliar a garantia no seu país de residência se este aparecer no formulário de registo on-line em que esta opção é válida. Além disso, os utilizadores finais devem dar o seu consentimento para se guardarem os dados que se solicitam para entrar on-line e aceitar os termos e condições. A confirmação de registo, que será enviada por correio electrónico, e a factura original que mostre a data de compra servirão como prova da ampliação da garantia. Os seus direitos estatutários permanecerão intactos.
3. A garantia cobre, durante o período de garantia, todos os defeitos do produto que se devam a falhas da mão-de-obra ou a falhas do material na data de compra. A garantia tem um limite de reparação ou substituição e não inclui qualquer outra obrigação que se deva a, embora sem se limitar a tal, danos accidentais ou incidentais. A garantia não é válida se se fez um uso inadequado do produto, se não se usou seguindo o manual de instruções ou se foi ligado incorrectamente. Esta garantia não se aplica a:
 - qualquer dado do produto derivado de uma manutenção inadequada
 - qualquer produto que tenha sido alterado ou modificado
 - qualquer produto em que as marcas de identificação originais (marca comercial, número de série) tenham sido apagadas, modificadas ou eliminadas
 - qualquer dano causado por incumprimento do manual de instruções
 - qualquer produto que não seja CE
 - qualquer produto que um profissional não qualificado tenha tentado reparar ou sem uma autorização prévia de Techtronic Industries
 - qualquer produto ligado a um fornecimento eléctrico inadequado (ampérios, tensão, frequência)
 - qualquer dano causado por influências externas (de produtos químicos, danos físicos, descarga eléctrica) ou substâncias estranhas
 - desgaste ou ruptura normal das peças de substituição
 - uso inadequado, sobrecarga da ferramenta
 - uso de acessórios ou peças não homologadas
 - carburador após 6 meses, ajustes do carburador após 6 meses
 - acessórios das ferramentas eléctricas fornecidos com a ferramenta ou adquiridos em separado. Ditas exclusões incluem, embora sem se limitarem a tal, pontas de chave de fendas, brocas, discos abrasivos, lixas de papel e lâminas, guia lateral
 - componentes (peças e acessórios) sujeitos a desgaste e ruptura natural, incluindo, mas sem limitar a eles, escovas de carvão, portabrocas, cabo de alimentação, mangueira auxiliar, bolsa para o pó, tubo de saída do pó
4. Para o serviço, o produto deve ser enviado ou entregue num ponto de serviço técnico autorizado RYOBI enumerado para cada país na seguinte lista de moradas de serviço técnico. Em alguns países o seu distribuidor local RYOBI encarrega-se de enviar o produto para a organização do serviço de RYOBI. Ao enviar um produto a um ponto de serviço técnico RYOBI, o produto deve ser embalado de forma segura sem que contenha qualquer substância perigosa como petróleo, deve levar a morada do remetente e ir acompanhado de uma breve descrição da falha.
5. Uma reparação/substituição dentro desta garantia realiza-se de forma gratuita. Não constitui uma ampliação nem um reinício do período de garantia. As peças e ferramentas que se alterem passam a ser da nossa propriedade. Em alguns países os gastos de envio ou da franquia deverá pagá-los o remetente.
6. Esta garantia é válida na Comunidade Europeia, Suíça, Islândia, Noruega, Liechtenstein, Turquia e Rússia. Fora destas zonas, entre em contacto com o seu distribuidor autorizado RYOBI para determinar se se aplica outra garantia.

CENTRO DE ASSISTÊNCIA AUTORIZADO

Para encontrar um centro de assistência autorizado próximo de si, visite <http://uk.ryobitools.eu/header/service-and-support/service-agents>.

DA GARANTI

Ud over de lovbestemte rettigheder ved køb, er dette produkt dækket af en garanti som angivet nedenfor.

1. Garantien er 24 måneder for forbrugere og træder i kraft den dato, hvor produktet bliver købt. Denne dato skal dokumenteres af en faktura eller andet købsbevis. Produktet er designet og beregnet til privat brug. Så der er ingen garanti i tilfælde af erhvervs-mæssig brug.
2. Der er i visse tilfælde (f.eks. kampagner eller udvalgt produkter) mulighed for at forlænge garantien i perioden beskrevet ovenfor ved at registrere produktet på www.ryobitools.dk. Bærettigelsen af produktet vises tydeligt i butikker og / eller på emballagen. Slutbrugeren skal registrere hans/hendes ny erhvervede produkter online indenfor 8 dage fra købsdatoen. Slutbrugeren kan tilmelde sig den udvidede garanti i sit bopælsland, hvis det er opført på den online tilmeldingsformular. Desuden skal slutbrugere give deres samtykke til lagring af de data, der er nødvendige for at komme ind på nettet, og de er nødt til at acceptere vilkår og betingelser. Kvitteringen på modtagelsen af registreringerne, som udsendes via e-mail, og den originale faktura, der angiver købsdatoen, fungerer som bevis på den udvidede garanti. Dine lovbestemte rettigheder forblive uændret.
3. Garantien dækker alle fejl ved produktet i løbet af garantiperioden, som kan føres tilbage til fabrikkations- eller materialefejl på købsdatoen. Garantien begrænser sig til reparation og/eller udskiftning og omfatter ikke andre forpligtelser inklusiv, men ikke begrænset til, skader eller følgeskader. Garantien er ikke gyldig, hvis produktet har været udsat for misbrug, anvendelse i strid med brugsanvisningen eller har været tilsletet forkert. Denne garanti dækker ikke:
 - Enhver skade på produktet som følge af ukorrekt vedligeholdelse
 - Ethvert produkt, som er blevet ændret eller modificeret
 - Ethvert produkt, hvor de originale identifikationsmærker (varemærke, serienummer) er blevet ødelagt, ændret eller fjernet
 - Enhver skade, der skyldes manglende overholdelse af brugsanvisningen
 - Ethvert produkt uden CE-mærkning
 - Ethvert produkt, som har været udsat for forsøg på reparation af en uautoriseret fagmand eller uden accept fra Techtronic Industries
 - Ethvert produkt, der har været sluttet til forkert strømforsyning (ampere, spænding, frekvens)
 - Enhver skade, der skyldes udefra kommende påvirkninger (kemisk, fysisk, stød) eller fremmedlegemer
 - normal slitage på reservedele
 - Forkert anvendelse, overbelastning af produktet
 - Brug af ikke-godkendt tilbehør eller (reserve)dele
 - Karburator efter 6 måneder, karburatorjusteringer efter 6 måneder
 - Tilbehør til elprodukter, der er forsynet med værktøj eller købt separat. Sådanne undtagelser inkluderer, men er ikke begrænset til, skruetrækkerbits, borebits, silbeskiver, sandpapir og knive, sideføring
 - komponenter (dele og tilbehør), der udsættes for naturlig slitage, inklusive, men ikke begrænset til, kulbørster, spændepatron, strømforsyningskabel, hjælpéhåndtag, slibeplade, støvsugerpose, støvsugerrosor
4. Til servicering skal produktet indleveres til eller forevies et autoriseret RYOBI serviceværksted for det pågældende land. I nogle lande vil din lokale RYOBI-forhandler sende produktet til RYOBI's serviceorganisation. Når et produkt indleveres til et RYOBI serviceværksted, skal det emballeres forsvarligt uden farligt indhold (som f.eks. benzin), være forsynet med afsenderadresse og ledsaget af en kort beskrivelse af fejlen.
5. Reparation/udskiftning i henhold til denne garanti er gratis. Den medfører ikke forlængelse eller ny start af garantiperioden. Udskiftede dele eller værktøjer overgår til vores ejendom. I nogle lande skal leveringsomkostninger eller porto betales af afsenderen.
6. Denne garanti er gyldig i EU, Schweiz, Island, Norge, Liechtenstein, Tyrkiet og Rusland. Uden for disse områder bedes man venligst kontakte sin autoriserede RYOBI-forhandler for at få opklaret, om evt. andre garantier er gældende.

AUTORISEREDE SERVICEVÆRKSTEDER

Find nærmeste autoriserede serviceværksted på <http://dk.ryobitools.eu/header/service-and-support/service-agents>.

SV GARANTI

Förutom de lagstadgade rättigheter som följer köpet omfattas denna produkt av en garanti som anges nedan.

- Garantitiden är 24 månader för konsumenter och börjar den dag då produkten köptes. Detta datum måste kunna dokumenteras av en faktura eller annat inköpsbevis. Produkten är utformad och avsedd för konsumenter och ska endast användas för privat bruk. Det innebär att ingen garanti lämnas vid yrkesmässig eller kommersiell användning.
- I vissa fall (t.ex. marknadsföring, sorfiment av verktyg), finns det en möjlighet att förlänga garantitiden under den period som beskrivs ovan genom registrering på hemsidan www.ryobitools.eu. De verktyg det gäller för framgår tydligt i butiker och/eller på förpackningen. Slut användaren måste registrera sitt nyinköpta verktyg på nätet inom 8 dagar från inköpsdatum. Slut användaren kan registrera sig för den utökade garantitiden i sitt hemland om det framgår på registreringsformuläret online där detta alternativ är giltigt. Dessutom måste slut användarna ge sitt samtycke till lagring av de uppgifter som krävs för att komma in på nätet och de måste godkänna villkoren. Registreringens mottagningsbevis som skickas ut via e-post och de ursprungliga fakturan som visar inköpsdatum fungerar som bevis på förlängd garanti. Dina lagstadgade rättigheter påverkas inte.
- Garantin täcker alla fel på produkten under garantitiden som beror på fel i utförande eller material vid inköpsdatumet. Garantin är begränsad till reparation och/eller utbyte och inkluderar inte några andra åtaganden, inklusive men inte begränsat till oförutsedda skador eller följdskador. Garantin gäller inte om produkten har använts på fel sätt, använts på ett sätt som inte följer användarhandboken eller som har anslutits på ett felaktigt sätt. Denna garanti gäller inte för:
 - skador på produkten som beror på felaktigt underhåll
 - om produkten har ändrats eller modifierats
 - en produkt där den ursprungliga identifieringen (varumärke, serienummer) har förstörts, ändrats eller tagits bort
 - skador som orsakas av att användarhandboken inte har följts
 - alla produkter som inte följer CE-bestämmelser
 - en produkt som är icke-kvalificerad yrkesperson eller en person som inte har behörighet från Techtronic Industries har försökt att reparera
 - en produkt som ansluts till elluttaget (ampere, spänning, frekvens) på fel sätt
 - skador som orsakas av yttre påverkan (kemiska, fysikaliska, stötar) eller främmande ämnen
 - normalt slitage av reservdelar
 - felaktig användning, överbelastning av verktyget
 - användning av icke-godkända tillbehör eller delar
 - förgasare efter 6 månader, justering av förgasare efter 6 månader
 - elverktygstillbehör som medföljer verktyget eller köps separat. Sådana undantag inkluderar men är inte begränsat till skruvmejseldelar, bormejslar, slipskivor, sandpapper och blad, sidostyrning
 - komponenter (delar och tillbehör) med förbehåll för normalt slitage, inklusive men inte begränsat till kolborstar, chuck, nätkabel, extrahandtag, slipningsplåt, dammpåse, dammrör
- För service, måste produkten skickas eller presenteras till en RYOBI-godkänd servicestation som anges för varje land i följande lista med adresser. I vissa länder ombesörjer den lokala RYOBI-återförsäljaren att skicka produkten till RYOBI-serviceorganisationen. När en produkt skickas till en RYOBI-servicestation, ska produkten förpackas på ett säkert sätt utan farligt innehåll som bensin, märkt med avsändarens adress tillsammans med en kort som beskriver felet.
- En reparation/utbyte som sker under denna garanti är gratis. Den utgör inte en förlängning eller en ny start på garantitiden. Utbyts delar eller verktyg blir vår egendom. I vissa länder måste leveranskostnader eller porto betalas av avsändaren.
- Denna garanti gäller i EU, Schweiz, Island, Norge, Liechtenstein, Turkiet och Ryssland. Utanför dessa områden ska du kontakta din auktoriserade RYOBI-återförsäljare för att avgöra om en annan garanti gäller.

AUKTORISERAT SERVICECENTER

Du hittar närmaste auktoriserade servicecenter genom att gå till <http://uk.ryobitools.eu/header/service-and-support/service-agents>.

FI TAKUUS

Hankinnasta koituvien laillisten oikeuksien lisäksi tätä tuotetta hallitsee alla kuvattu takuu.

- Takuukausi on 24 kuukautta kuluttajille ja alkaa tuotteen ostopäivästä. Tämän päivän on oltava merkitty kuittiin tai muuhun todisteseen hankinnasta. Tämä tuote on suunniteltu ja tarkoitettu ainoastaan kuluttajien yksityiskäyttöön. Ammatti- ja kaupalliseen käyttöön ei näin ollen ole takuuta.
- Joissain tapauksissa (kuten tarjous, laitesarjat) takuukausta voidaan pidentää kuvattua kautta pidemmäksi rekisteröimällä tuote osoitteessa www.ryobitools.eu. Takuun pidentysmahdollisuus ilmoitetaan selkeästi kaupassa ja/tai pakkauksessa. Loppukäyttäjän on rekisteröitävä uusi laitteensa online 8 päivän sisällä sen hankkimisesta. Loppukäyttäjällä voi rekisteröityä saadakseen jatkettua takuun asuinmaassaan, jos se mainitaan online-rekisteröintilomakkeessa. Lisäksi, loppukäyttäjän on annettava suostumuksensa tallentaa syötetyt tiedot online, ja hänen on hyväksyttävä ehdot. Sähköpostitse lähetettävä rekisteröintivahvistus ja alkuperäinen kuitti, josta ilmenee hankintapäivä, toimivat todistena takuun jatkamisesta. Lailliset oikeutesi eivät muutu.
- Takuu kattaa takuukaikana kaikki tuotteen viat, jotka johtuvat valmistus- tai materiaaliavista hankintapäivänä. Takuu rajoittuu korjaukseen ja/ tai vaihtoon eikä sisällä mitään muita velvoitteita, mukaan lukien mm. satunnaiset ja seuraamukselliset vauriot. Takuu ei ole voimassa, jos tuotetta on vääринkäytetty tai käytetty käyttöoppaan vastaisesti tai se on kytketty virheellisesti. Takuu ei kata seuraavia:
 - tuotteelle koituneet vahingot, jotka johtuvat virheellisestä ylläpidosta
 - tuote, jota on muunneltu
 - tuote, jossa alkuperäiset tunnisteet (tavaramerkki, sarjanumero) ovat turmeltuneet tai niitä on muutettu tai ne on poistettu
 - käyttöoppaan laiminlyönnistä johtuvat vauriot
 - ei-EC-tuotteet
 - tuotteet, joita on yritetty korjata ei-pätevä asentaja tai jonka korjaukselle ei ole saatu Techtronic Industriesiltä hyväksyntää etukäteen
 - tuotteet, jotka on kytketty väärienlaisen virtalähteen (virta, jännite, taajuuus)
 - vauriot, jotka johtuvat ulkoisista syistä (kemikaalit, fyysiset tekijät, iskut) tai vieraista aineista
 - normaali varaosien kuluminen
 - virheellinen käyttö, laitteen ylikuormitus
 - muiden kuin hyväksytyjen lisävarusteiden ja osien käyttö
 - kaasutin 6 kuukauden jälkeen, kaasuttimen säätö 6 kuukauden jälkeen
 - laitteen mukana tulleet tai erikseen hankitut sähkölaitteiden lisävarusteet. Tällaiset poistojat sisältävät mm. ruuvinvääntimet terät, poranterät, hiontakiekot, hiiekkapaperi ja terät, sivuohjain
 - komponentit (osat ja lisävarusteet), joihin kohdistuu luonnollista kulumista, mukaan lukien mm. hiiliharjat, istukka, virtajohto, lisäkahva, hiontalevy, pölypussit, pölyn poistoputki
- Huollon saaminen edellyttää, että tämä tuote lähetetään tai vietään RYOBI:n valtuuttamaan huoltoon, jonka luettelalla mainittain seuraavassa huoltojen osoiteluettelossa. Joissain maissa paikallinen RYOBI-jälleenmyyjä hoitaa tuotteen lähettämisen RYOBI-huoltoon. Kun tuote lähetetään RYOBI-huoltoon, se on pakattava turvallisesti ilman mitään vaarallista sisältöä, kuten bensiiniä, siihen on merkittävä lähettäjän osoite ja sen mukana on lähetettävä vian kuvauks.
- Tämän takuun puitteissa tapahtuva korjaaminen/vaihto on ilmaista. Se ei merkitse takuujakson jatkamista tai uuden kauden alkua. Vaihdetuista osista ja laitteista tulee meidän omaisuuttamme. Joissain maissa lähettäjän on maksettava toimituskulut tai postimaksu.
- Tämä takuu on voimassa Euroopan Yhteisössä, Sveitsissä, Islannissa, Norjassa, Liechtensteinissa, Turkissa ja Venäjällä. Jos olet näiden alueiden ulkopuolella, ota yhteys valtuutettuun RYOBI-jälleenmyyjään, joka voi kertoa, onko joku muu takuu voimassa.

VALTUUTETTU HUOLTO

Voit etsiä lähimmän valtuutetun huollon sivulta <http://fi.ryobitools.eu/header/service-and-support/service-agents>.

NO GARANTI

I tillegg til enhver lovbestemt rettighet som følge av dette kjøpet er dette produktet dekket av en garanti som beskrevet nedenfor.

1. Garantitiden er 24 måneder for forbrukere, og starter på produktets kjøpsdato. Denne datoen må dokumenteres av faktura eller annet kjøpsbevis. Produktet er konstruert og beregnet på forbrukere og kun privat bruk. Det gis ingen garanti ved profesjonell eller kommersiell bruk.
2. Det er, i noen tilfeller, (dvs. markedsføring, serie av verktøy), mulig å utvide garantitiden ut over den perioden som er nevnt ovenfor ved bruk av registrering på nettstedet www.ryobitools.eu. Verktøyets garantiberegning vises klart i butikkene og/eller på emballasjen. Sluttbruker må registrere sitt nylig innkjøpte verktøy på nettet innen 8 dager etter kjøpsdatoen. Sluttbruker kan registrere seg for utvidet garanti i det landet hvor vedkommende bor hvis dette landet er ført opp på nettregistreringsskjemaet hvor dette alternativet er gyldig. Sluttbruker må også gi sin tillatelse til lagring av de data som er påkrevet å registrere på nettet, og må akseptere vilkår og betingelser. Registreringsbekreftelsen, som sendes som epost, og den originale kvitteringen som viser kjøpsdatoen, vil gjelde som bevis på den utvidede garantien. Dine lovbestemte rettigheter vil fortsatt gjelde.
3. Garantien gjelder alle defekter på produktet i garantitiden som følge av feil på arbeid eller materialer på kjøpsdatoen. Garantien er begrenset til reparasjon og/eller utskifting av produktet, og inkluderer ingen annen forpliktelse, inklusive men ikke begrenset til tilfældige eller direkte eller indirekte følgeskader. Garantien gjelder ikke dersom produktet er misbrukt, brukt i strid med brukermanualens instruksjoner eller vært feilaktig tilkoblet. Denne garantien gjelder ikke:
 - enhver skade på produktet som følge av utilstrekkelig vedlikehold
 - et produkt som er endret eller modifisert
 - ethvert produkt hvor original identifikasjonsmerke (varemerke, serienummer) er tildekket, endret eller fjernet
 - enhver skade som følge av at instruksjoner i brukermanualen ikke er fulgt
 - ethvert ikke-CE-produkt
 - ethvert produkt som er forsøkt reparert av en ukvalifisert person, eller uten forutgående tillatelse av Techtronic Industries
 - ethvert produkt som er tilkoblet uriktig strømkilde (ampere, spenning, frekvens)
 - enhver skade forårsaket av eksterne påvirkninger (kjemiske, fysiske eller slag) eller fremmede substanser
 - normal slitasje på reservedeler
 - feilaktig bruk, overbelastning av verktøyet
 - bruk av ikke godkjent tilbehør eller reservedeler
 - forgasser etter 6 måneder, forgasserjusteringer etter 6 måneder
 - tilbehør til elektrisk verktøy, enten levert med verktøyet eller kjøpt separat. Slike unntak inkluderer men er ikke begrenset til skrutrekkerbits, bor, slipeskiver, sandpapir, og blader, sidestyrer
 - komponenter (deler og tilbehør) gjenstand for normal slitasje, inklusive, men ikke begrenset til karbonborster, chuck, elektrisk ledning, hjelpéhåndtak, slipeskiver, støvpose, støvuttrekkslange
4. For ettersyn og reparasjoner må produktet leveres til et RYOBI- autorisert servicesenter ført opp for det enkelte land i følgende liste av servicestasjonsadresser. I noen land vil din lokale RYOBI-forhandler sørge for å sende produktet til RYOBI's serviceorganisasjon. Når et produkt sendes til en RYOBI servicestasjon må produktet være forsvarlig emballert uten farlig innhold som bensin, merket med senders navn og adresse og medsendt en kort beskrivelse av feilen.
5. En reparasjon/utskifting i henhold til denne garantien er gratis. Den representerer ikke en forlengelse av garantiperioden eller en ny start på garantiperioden. Utskiftede deler eller verktøy vil være eiendom. I noen land vil leveringskostnader eller porto måtte betales av sender.
6. Denne garantien er gyldig i EU, Sveits, Island, Norge, Liechtenstein, Tyrkia og Russland. Utenfor disse områdene ber vi om at du kontakter en autorisert RYOBI-forhandler for å finne ut om en annen garanti gjelder.

AUTORISERT SERVICESENTER

For å finne et autorisert servicesenter i nærheten, gå til <http://no.ryobitools.eu/header/service-and-support/service-agents>.

RU ГАРАНТИЯ

В дополнение к законным правам, вытекающим из факта покупки, на данный продукт распространяются следующие гарантийные обязательства.

1. Гарантийный период составляет 24 месяца для покупателей и начинается с даты приобретения продукта. Дата приобретения подтверждается документально товарным чеком или другим доказательством покупки. Данный продукт предназначен для использования только в личных целях. Гарантия не предоставляется в случае профессионального или коммерческого использования данного продукта.
2. В некоторых случаях (например, при продвижении продукта, приобретении некоторых видов инструментов) возможно продление гарантийного срока при регистрации продукта на веб-сайте www.ryobitools.eu. Применимость продукта разъясняется в магазинах при продаже и/или на упаковке продукта. Конечному пользователю следует зарегистрировать вновь приобретенный инструмент через Интернет в течение 8 дней с даты покупки. Конечный пользователь может зарегистрировать продукт для получения расширенной гарантии в стране проживания, если данная возможность предоставляется интернет-формой регистрации. Также, конечный пользователь должен дать свое согласие на хранение данных, требуемых при заполнении формы через Интернет, и принять условия соглашения. Уведомление о подтверждении регистрации, отправляемое по электронной почте, и оригинальный товарный чек с датой покупки служат доказательством расширенной гарантии. Законные права потребителя при этом остаются в силе.
3. Данная гарантия распространяется на все дефекты продукта, связанные с производственным браком или браком материалов в момент приобретения, в течение гарантийного периода. Данная гарантия ограничивается ремонтом и/или заменой и не включает другие обязательства, в том числе, связанные с побочным или косвенным ущербом. Гарантия недействительна в случае ненадлежащего использования, использования с нарушением инструкций руководства по эксплуатации или неправильного подключения продукта. Гарантия недействительна, если:
 - повреждение продукта вызвано ненадлежащим техническим обслуживанием
 - продукт подвергся изменениям или был модифицирован
 - оригинальная маркировка (товарный знак, заводской номер) необработана, изменена или удалена
 - повреждение вызвано несоблюдением инструкций данного руководства
 - отсутствует маркировка CE
 - была попытка отремонтировать продукт неквалифицированным лицом или без предварительного согласования с компанией Techtronic Industries
 - продукт подключался к ненадлежащему источнику питания (неадекватная сила тока, напряжение, частота)
 - повреждение вызвано внешним воздействием (химические, физические, удары) или посторонними веществами
 - это связано с нормальным износом заменяемых деталей
 - это связано с ненадлежащим использованием, перегрузкой инструмента
 - это связано с использованием нерекондованных принадлежностей или деталей
 - карбюратор использовался свыше 6 месяцев, регулировка карбюратора после 6 месяцев
 - принадлежности для инструмента, поставляемые с инструментом или приобретаемые отдельно. В том числе, угольные щетки, зажимной патрон, кабель питания, дополнительная ручка, шлифовальная пластина, пылесборник, трубка отвода пыли
 - компоненты (детали и принадлежности) подверженные естественному износу, в том числе, угольные щетки, зажимной патрон, кабель питания, дополнительная ручка, шлифовальная пластина, пылесборник, трубка отвода пыли
4. Для проведения технического обслуживания продукт следует представить в официальный центр технического обслуживания компании RYOBI в соответствии со списком по каждой стране. В некоторых странах дилерам компании RYOBI потребуются пересылка продукта в соответствующий сервисный центр компании RYOBI. При отправке продукта в центр технического обслуживания RYOBI, продукт следует упаковать надлежащим образом без содержания любых опасных веществ (таких как бензин) с указанием адреса отправителя и кратким описанием неисправности.
5. Ремонт/замена продукта по условиям данной гарантии осуществляются бесплатно. В данном случае не предусмотрено продление срока гарантии или начало нового гарантийного периода. Заменяемые детали или инструмент становятся собственностью компании. В некоторых странах оплата доставки и почтовые расходы ложатся на отправителя.
6. Данная гарантия действительна в странах ЕС, Швейцарии, Исландии, Норвегии, Лихтенштейне, Турции и России. Для получения информации о применении данной гарантии в других регионах обращайтесь к официальному дилеру компании RYOBI.

УПОЛНОМОЧЕННЫЙ СЕРВИСНЫЙ ЦЕНТР

Чтобы найти ближайший уполномоченный сервисный центр, обратитесь к веб-сайту <http://uk.ryobitools.eu/header/service-and-support/service-agents>

PL GWARANCJA

Oprócz wszelkich praw ustawowych wynikających z zakupu, ten produkt jest objęty gwarancją jak podano poniżej.

- Okres gwarancji wynosi 24 miesiące dla konsumentów i rozpoczyna się w dniu, w którym produkt został zakupiony. Ta data musi być udokumentowana przez fakturę lub inny dowód zakupu. Produkt został zaprojektowany i jest przeznaczony wyłącznie do użytku konsumenckiego i prywatnego. W związku z tym gwarancja nie jest udzielana w przypadku zastosowań profesjonalnych i komercyjnych.
- Nie ma, w niektórych przypadkach (promocja tj. zakres narzędzi), możliwości przedłużenia okresu gwarancji w okresie opisanym powyżej przy rejestracji na stronie internetowej www.ryobitools.eu. Kwalifikowalność narzędzia jest wyraźnie określona w sklepach oraz/lub na opakowaniu. Użytkownik końcowy musi zarejestrować swoje nowe zakupione narzędzia online w ciągu 8 dni od daty zakupu. Użytkownik końcowy może zarejestrować się w celu rozszerzenia gwarancji w swoim kraju zamieszkania, jeśli jest on wymieniony w formularzu rejestracji online, kiedy ta opcja jest ważna. Ponadto użytkownicy końcowi muszą wyrazić zgodę na przechowywanie danych, które są wymagane do zalogowania online oraz muszą zaakceptować regulamin. Otrzymanie potwierdzenia rejestracji, które jest wysyłane na adres e-mail oraz oryginalna faktura z podaną datą zakupu będą służyć jako dowód przedłużonej gwarancji. Twoje prawa ustawowe pozostają nienaruszone.
- Gwarancja obejmuje wszystkie wady produktu w okresie gwarancyjnym, spowodowane usterekami w wykonaniu lub materiale w chwili nabycia. Gwarancja jest ograniczona do naprawy oraz/lub wymiany i nie obejmuje żadnych innych obowiązków w tym m.in. odpowiedzialności za szkody przypadkowe lub wtórne. Gwarancja nie jest ważna, jeśli produkt był użytkowany w niewłaściwy sposób, był wykorzystywany w sposób niezgodny z instrukcją obsługi lub był nieprawidłowo podłączony. Ta gwarancja nie obejmuje:
 - uszkodzenia produktu, które jest wynikiem nieprawidłowej konserwacji
 - produktu, który został przerobiony lub zmodyfikowany
 - produktu, w którym znieskształcono, zmieniono lub usunięto oryginalne oznaczenia (nazwę handlową, numer seryjny)
 - uszkodzeń spowodowanych nieprzestrzeganiem instrukcji obsługi
 - produktu bez certyfikatu CE
 - produktu, który był naprawiany przez niewykwalifikowaną osobę lub bez uprzedniej autoryzacji firmy Technonic Industries
 - produktu podłączonego do nieprawidłowego źródła zasilania (napięcie, napięcie, częstotliwość)
 - uszkodzeń spowodowanych przez przez czynniki zewnętrzne (chemiczne, fizyczne, uderzenia) lub obce substancje
 - normalnego zużycia części zamiennych
 - niewłaściwego użytkowania, przeciążenia narzędzia
 - stosowania niezatwierdzonych akcesoriów lub części
 - gaźnika po 6 miesiącach, regulacji gaźnika po 6 miesiącach
 - akcesoriów do elektronarzędzi dostarczonych z narzędziem lub zakupionych osobno. Takie wykluczenia obejmują m.in. bity śrubokręta, wiertła, tarcze ściernie, papier ścierny i ostrza, prowadnicę ukośną
 - elementów (części i akcesoriów) podlegających naturalnemu zużyciu, w tym m.in. szcetek, uchwyty, przewodu zasilającego, dodatkowego uchwyty, tarczy ściernej, torby na pył, przewodu wyrzutu pyłu
- W celu serwisowania produkt należy wysłać lub okazać w autoryzowanym centrum serwisowym RYOBI wymienionym dla każdego kraju na poniższej liście adresów stacji serwisowych. W niektórych krajach lokalny dealer firmy RYOBI zobowiązuje się wysłać produkt do centrum serwisowego firmy RYOBI. W przypadku wysyłki produktu do centrum serwisowego RYOBI, produkt należy dobrze zapakować, bez umieszczenia żadnych niebezpiecznych rzeczy, tj. paliwa i oznaczyć adresem nadawcy oraz krótkim opisem usterek.
- Naprawa/wymiana w ramach tej gwarancji jest bezpłatna. Nie stanowi to przedłużenia lub nowego rozpoczęcia okresu gwarancji. Wymieniane części lub narzędzia stają się naszą własnością. W niektórych krajach koszty wysyłki lub pocztowe będą musiały być opłacone przez nadawcę.
- Ta gwarancja obowiązuje na terytorium Wspólnoty Europejskiej, Szwajcarii, Islandii, Norwegii, Liechtenstein, Turcji i Rosji. Poza tymi obszarami należy skontaktować się z autoryzowanym dealerm RYOBI aby sprawdzić, czy dostępna jest jeszcze inna gwarancja

AUTORYZOWANY PUNKT SERWISOWY

Najbliższy autoryzowany punkt serwisowy można wyszukać w witrynie internetowej <http://uk.ryobitools.eu/header/service-and-support/service-agents>.

CS ZÁRUKA

Navíc k zákonným právům, které vznikají nákupem, je k výrobku poskytována záruka.

- Záruka je období 24 měsíců pro spotřebitele a začíná běžet datem nákupu produktu. Toto datum musí být zadokumentováno fakturou nebo jiným důkazem o koupi. Tento výrobek je určen a vyhrazen jen pro domácí a soukromé používání. Záruka se tedy neposkytuje pro profesionální ani komerční používání.
- Existuje, v některých případech (tj. propagace, určité nástroje), možnost prodloužení doby záruky nad výše uvedené období pomocí registrace na stránkách www.ryobitools.eu. Vhodnost nástroje je jasně vyobrazena v prodejních a/nebo na obalu. Koncový uživatel musí zaregistrovat své nové pořízené nástroje online během 8 dní od data nákupu. Koncový uživatel se může zaregistrovat k prodloužení doby záruky v zemi jeho trvalého bydliště, pokud je uvedeno v online registračním formuláři, kde je tato možnost platná. Navíc musí koncový uživatel poskytnout souhlas s uchováním údajů, které jsou zapotřebí do online registru a musí přijmout podmínky smlouvy. Přijetí potvrzení o registraci, odeslané e-mailem, a originální faktura udávající datum nákupu slouží jako důkaz prodloužené záruky. Vaše zákonná práva zůstávají nedotčena.
- Záruka pokrývá veškeré vady produktu během záruky způsobené vadami při zpracování nebo v materiálu v době nákupu. Záruka se omezuje na opravu a/nebo výměnu a nezahnuje žádné jiné závazky včetně, ale ne omezeně na související nebo následné škody. Záruka neplatí, pokud, pokud se produkt nesprávně používal, používal v rozporu s návodem nebo byl nesprávně zapojen. Záruku nelze uplatnit v následujících případech:
 - jakákoliv škoda na výrobku v důsledku nesprávné údržby
 - jákykoliv výrobek byl pozmeněn či modifikován
 - jakýkoliv výrobek, kde byly původní identifikační značky (obchodní značka, výrobní číslo) odstraněny, pozmeněny či modifikovány
 - jakákoliv škoda způsobená nedodržením návodu k obsluze
 - výrobek nemá značku CE
 - každý výrobek, kde došlo k pokusu jej opravit nequalifikovanou osobou nebo bez předchozího souhlasu společnosti Technonic Industries
 - každý výrobek byl připojen nesprávnému napájení (proud, napětí, frekvence)
 - každý výrobek, který se používal s nesprávnou palivovou směsí (palivo, olej, podíl oleje)
 - běžné opotřebení a spotřební náhradní díly
 - nehodné používání, přetěžování nástroje
 - použití neschválených doplňků nebo dílů
 - karburátor po 6 měsících, seřízení karburátoru po 6 měsících
 - doplňky elektrických nástrojů dodaných s nástrojem či zakoupených zvlášť. Takové výjimky, včetně, ale ne omezených na, nástavce šroubováku, vrtáky, brusné kotouče, brusný papír a nože, příčné vedení
 - komponenty (díly a doplňky) podléhající běžnému opotřebení a spotřebě, včetně, ale ne omezeně, uhlikových kartáčů, sklíčidla, síťového kabelu, doplňkové rukojeti, brusné desky, vaku pro prach, odsávací trubky prachu
- Pro servis výrobku je třeba zaslat nebo předložit pověřenému servisnímu středisku RYOBI dle seznamu adres servisních středisek. V některých zemích váš místní prodejce RYOBI provádí odeslání výrobku servisní organizaci RYOBI. Při zaslání výrobku servisnímu středisku RYOBI by se měl výrobek bezpečně zabalit bez nebezpečného obsahu jako benzín, označit adresou odesílatele a přiložit list krátkým popisem vady.
- Oprava/výměna během záruky je bezplatná. Neznámená prodloužení ani začátek nového záručního období. Vyměněné díly či nástroje se stávají naším vlastnictvím. V některých zemích doručení či poštovné platí odesílatele.
- Záruka je platná v Evropské unii, Švýcarsku, Islandu, Norsku, Lichtenštejnsku, Turecku a Rusku. U ostatních oblastí prosím kontaktujte pověřeného prodejce RYOBI pro upřesnění, zda platí jiná záruka.

POVĚŘENÉ SERVISNÍ STŘEDISKO

Pro nalezení nejbližšího pověřeného servisního střediska navštivte <http://uk.ryobitools.eu/header/service-and-support/service-agents>.

HU GARANCIA

A vásárlással összefüggő esetleges törvényi adta jogok mellett a termékre az alábbiakban részletezett garancia vonatkozik.

1. A garancia időtartama a fogyasztók számára 24 hónap, ami a termék megvásárlásának napjától számítódik. Ezt a dátumot számlával vagy a vásárlást igazoló más dokumentummal kell igazolni. A terméket kizárólag a vevő állíti, személyes célokra való használatra tervezték és készítették. Ezért a garancia nem vonatkozik a profik általi vagy üzleti célokra való használatra.
2. Egyes esetekben (pl. promóció, bizonyos termékcsaládok) lehetőség van a garancia időtartamának a fent leírt garanciaperióduson túli meghosszabbítására a www.ryobitools.eu webhelyen történő regisztrációval. Az, hogy egy adott gép jogosult-e erre, egyértelműen fel van tüntetve a boltokban és/vagy a csomagoláson. A végfelhasználónak a vásárlás napjától számított 8 napon belül regisztrálnia kell az újonnan beszerzett gépet. A végfelhasználó a kiterjesztett garanciáért a lakóhelye szerinti országban regisztrálhat, ha az szerepel az online regisztrációs űrlapon. Emellett a végfelhasználónak hozzá kell járulnia az online belépéshez szükséges adatai tárolásához és el kell fogadnia a szerződési feltételeket. A regisztráció e-mailben küldött visszaigazolása, valamint a vásárlást igazoló eredeti számla szolgálják a kiterjesztett garancia érvényesítésére. A törvényi adta jogai nem sérülnek.
3. A garancia a garancia időtartama alatt a termék összes olyan hibájára kiterjed, amelyek a vásárlás napján is fennálló gyártási vagy anyaghiba miatt következnek be. A garancia javításra és/vagy cseréire korlátozódik, és nem tartalmaz további kötelezettséget, beleértve, de nem kizárólag a véletlenszerű vagy következetes károknak vonatkozó kötelezettségeket sem. A garancia nem érvényes a termék helytelen használatára, a használati utasításban leírtakkal ellentétes használatra vagy hibás csatlakoztatás esetén. A garancia nem vonatkozik a következőkre:
 - a termék helytelen karbantartásából eredő esetleges károsodásokra
 - átalakított vagy módosított termékekre
 - olyan termékekre, melyen az eredeti azonosító jelöléseket (védjegy, sorozatszám) megrongálták, átalakították vagy eltávolították
 - a használati utasítás be nem tartásával összefüggő károokra
 - a CE minősítéssel nem rendelkező termékekre
 - a nem képzett szakember által vagy a Techtronic Industries előzetes jóváhagyása nélkül javított termékekre
 - a nem megfelelő tápforrásokhoz (áramerősség, feszültség, frekvencia) csatlakoztatott termékekre
 - külső hatások (vegyi, fizikai, ütés) vagy idegen anyagok által okozott károsodásokra
 - a cserealkatrészek normál kopására és elhasználódására
 - helytelen használatra, a szerszám túlterhelésére
 - nem jóváhagyott tartozékok vagy alkatrészek használatára
 - a karburátorra 6 hónap elteltével, a karburátor beállítására 6 hónap elteltével
 - a szerszámgéphez mellékelt vagy külön megvásárolt szerszámgépek tartozékaira. A kizárások közé tartoznak még, de nem kizárólag, a csavarhúzó bitek, fűrőbitek, csiszolókorongok, csiszolópapírok és korongok, oldalsó vezetők
 - természetes elhasználódásnak és kopásnak kitett összetevőkre (alkatrészek és tartozékok), beleértve, de nem kizárólag a szénkeféket, tokmányokat, tápkábeleket, kiegészítő fogantyúkat, csiszolólapokat, porzsákokat, porkifúvó csöveket.
4. A szervizeléshez a terméket el kell küldeni vagy be kell mutatni valamelyik hivatalos RYOBI szervizközpontban, melyek elérhetősége az egyes országokban az alábbiakban van megadva. Egyes országokban a RYOBI kereskedő vállalja, hogy elküldi a terméket a RYOBI szervizbe. A terméknek a RYOBI szervizállomásra való küldésekora a terméket biztonságosan be kell csomagolni, mindenféle veszélyes anyagot, pl. üzemenyagot el kell távolítani belőle, meg kell adni a feladó címét és a hiba rövid leírását.
5. A garancia keretében végzett javítás/cseréje ingyenes. Ugyanakkor ez nem jelenti a garancia időtartamának kiterjesztését vagy új garanciaperiódus kezdetét. A kicserélt alkatrészek vagy szerszámgépek a mi tulajdonunkban maradnak. Egyes országokban a szállítási vagy a postaköltségeket a feladó fizeti.
6. Ez a garancia az Európai Közösségben, Svájcban, Izlandon, Norvégiában, Liechtensteinben, Törökországban és Oroszországban érvényes. Ezen területeken kívül az érvényes garancia-feltételeket illetően lépjen kapcsolatba a hivatalos RYOBI forgalmazóval.

HIVATALOS SZERVIZKÖZPONT

A legközelebbi hivatalos szervizközpont megtalálásához látogasson el a <http://uk.ryobitools.eu/header/service-and-support/service-agents>.

RO GARANȚIE

În plus față de alte drepturi statutare rezultând din achiziție, produsul este acoperit de o garanție ca cea menționată mai jos.

1. Perioada de garanție este de 24 de luni pentru consumatorii și începe de la data la care produsul a fost achiziționat. Această dată trebuie să fie dovădită de o factură sau altă dovadă de cumpărare. Produsul este proiectat și dedicat pentru consumator și doar pentru uz privat. Ca urmare nu există nicio garanție asigurată în caz de folosire profesională sau comercială.
2. Există, în anumite cazuri (de ex. promoții, game de produse) o posibilitate de a prelungi perioada de garanție peste perioada descrisă mai sus folosind înregistrarea pe site-ul www.ryobitools.eu. Eligibilitatea aparatului este afișată clar în magazine și/sau ambalaj. Utilizatorul final se poate înregistra pentru o garanție extinsă în țara sa de reședință dacă e listată pe formularul de înregistrare online acolo unde opțiunea este validă. Mai mult, utilizatorii finali trebuie să și dea consimțământul cu privire la păstrarea datelor ce sunt cerute a fi introduse online și trebuie să accepte termenii și condițiile. Notificarea de confirmare a înregistrării, ce este trimisă prin email, și factura originală ce arată data achiziționării vor servi ca dovadă a garanției extinse. Drepturile dvs statutare rămând neafectate.
3. Garanția acoperă toate defectele produsului în timpul perioadei de garanție cauzate de defecte din procesul de producție sau ale materialului la data achiziționării. Garanția este limitată la reparație și/sau înlocuire și nu include alte obligații incluzând dar nelimitându-se la pagube incidentale sau secundare. Garanția nu este validă dacă produsul a fost folosit greșit, folosit contrar instrucțiunilor din manual sau a fost conectat incorect. Această garanție nu se aplică la:
 - orice defecțiune a produsului ca rezultat a întreținerii necorespunzătoare
 - orice produs ce a fost schimbat sau modificat
 - orice produs unde marcajul original de identificare (marcă comercială, număr serie) a fost deteriorat, schimbat sau modificat
 - orice defecțiune cauzată de nerespectarea manualului de instrucțiuni
 - orice produs non CE
 - orice produs care a fost încercat să fie reparat de către o persoană necalificată sau fără autorizare în prealabil de către Techtronic Industries
 - orice produs conectat necorespunzător la sursa de curent (amperi, voltaj, frecvență)
 - orice defecțiune cauzată de influențe externe (chimice, fizice, șocuri) sau substanțe străine
 - uzura normală a pieselor de schimb
 - folosire necorespunzătoare, supraîncălzirea a sculei
 - folosire de accesorii și părți neaprobate
 - carburator după 6 luni, reglări ale carburatorului după 6 luni
 - accesoriiile sculelor de putere furnizate cu scula sau achiziționate separat. Asemenea excluderi includ dar nu se limitează la capete de surbelniță, burghie, discuri abrazive, smirgheluri, discuri de șlefuit, ghid lateral
 - componente (părți și accesorii) subiect a uzurii naturale, incluzând dar nelimitându-se la perii de carbon, mandrine, cablu electric, mâner auxiliar, placă de șlefuit, sac pentru praf, tub de evacuare praf
4. Pentru servicii, produsul trebuie să fie trimis sau prezentat la un punct de servicii RYOBI autorizat listat pentru fiecare țară în următoarea listă cu adrese ale punctelor de servicii. În anumite țări reprezentantul dvs local RYOBI se angajează să trimită produsul la un punct de servicii RYOBI. Atunci când se trimite un produs la un punct de servicii RYOBI, produsul trebuie să fie împachetat cu grijă fără a conține produse periculoase precum benzină, marcat cu adresa expeditorului și însoțit de o scurtă descriere a defecțiunii.
5. Repararea/înlocuirea în timpul garanției este fără niciun cost. Nu constituie o prelungire sau un nou început a perioadei de garanție. Părțile sau aparatele schimbate devin proprietatea noastră. În anumite țări taxele de expediere trebuie să fie plătite de către expeditor.
6. Garanția este valabilă în Uniunea Europeană, Elveția, Islanda, Norvegia, Liechtenstein, Turcia și Rusia. În afara acestor zone, vă rugăm contactați reprezentantul dvs local autorizat RYOBI pentru a determina dacă se aplică altă garanție.

CENTRU DE SERVICI AUTORIZAT

Pentru a găsi un centru de servicii autorizat lângă dvs., vizitați <http://uk.ryobitools.eu/header/service-and-support/service-agents>.



LV GARANTĪJA

Papildus visām likumā paredzētajām tiesībām saistībā ar iegādi šim izstrādājumam ir turpinājumā izklāstītā garantija.

- Garantijas periods patērētājiem ir 24 mēneši, un tas sākas izstrādājuma iegādes dienā. Šim datumam ir jābūt dokumentētam rēķinā vai citā iegādā noteiktosā dokumentā. Šis izstrādājums ir izgatavots un paredzēts vienīgi patērētājam un privātai lietošanai. Profesionālas vai komerciālas lietošanas gadījumā garantija nav spēkā.
- Atsevišķos gadījumos (piem., akcija, vairāki instrumenti) pastāv iespēja pagarināt garantijas periodu virs šeit minētā perioda, reģistrējot to www.ryobitools.eu vietnē. Instrumenta pielietojums ir skaidri norādīts veikalos un/vai uz iepakojuma. Lietotājiem ir jāreģistrē savi jauniegūtie instrumenti tiešsaistē 8 dienu laikā no iegādes datuma. Lietotājs var reģistrēties pagarinātajai garantijai savā dzīvesvietas valstī, ja tā ir norādīta tiešsaistes reģistrācijas veidlapā, kur pieejama šī iespēja. Turklāt lietotājiem ir jāievada dati tiešsaistē, jādod piekrišana šo datu uzglabāšanai un jāpiekrīt noteikumiem. Saņemtais reģistrācijas apstiprinājums, kas izsūtīts pa e-pastu, un rēķina oriģināls, kurā redzams iegādes datums, ir pagarinātās garantijas pierādījums. Jūsu likumā paredzētās tiesības netiek ietekmētas.
- Garantija attiecas uz visiem izstrādājuma bojājumiem, kas radušies garantijas perioda laikā iegādes dienā esošo izgatavošanas vai materiāla defektu dēļ. Garantija ir ierobežota līdz remontam un/vai nomaigai un neietver citus pienākumus, ieskaitot, bet neaprobežojoties ar nejausiem vai netiesiem zaudējumiem. Garantija nav spēkā, ja izstrādājums ir liets nepareizi vai neievērojot rokasgrāmatas norādījumus vai ticis nepareizi savienots. Garantija netiecas uz:
 - izstrādājuma bojājumiem, kas radušies nepareizas apkopes dēļ;
 - izstrādājumiem, kas tikuši pielāgoti vai pārveidoti;
 - izstrādājumiem, kuru oriģinālais identifikācijas marķējums (preču zīme, sērijas numurs) ticis sabojāts, pārveidots vai noņemts;
 - bojājumiem, kurus izraisījis rokasgrāmatas norādījumu neievērošana;
 - izstrādājumiem bez CE marķējuma;
 - izstrādājumiem, kurus ir mēģinājis remontēt nekvalificēts speciālists vai kuri remontēti bez Techronic Industries atļaujas;
 - izstrādājumiem, kas tikuši pievienoti neatbilstoši energopadevei (apmēri, spriegums, frekvence);
 - bojājumiem, kurus izraisījis ārēja iedarbība (ķīmiska, fiziska, triecieni) vai svešas vielas;
 - normālu detaļu nolietojumu un nodilumu;
 - instrumenta nepareizu lietošanu, pārslozdi;
 - neapstiprinātu detaļu un piederumu lietošanu;
 - karburatoru pēc 6 mēnešiem, karburatoru regulējumiem pēc 6 mēnešiem;
 - elektroinstrumenta piederumiem, kas piegādāti kopā ar instrumentu vai iegādāti atsevišķi. Šie izņēmumi ietver, bet neaprobežojas ar skrūvgriežu uzgaliem, urbja uzgaliem, abrazīvajiem diskkiem, smilšpapīru, asmeņiem un sānu vadotni;
 - komponentiem (detaļām un piederumiem), kas ir pakļauti dabiskam nodilumam un nolietojumam, ietverot, bet neaprobežojoties ar oglekļa sukām, patronu, elektrības vadu, palīgrokturi, slīpēšanas loksni, putekļu maisu un putekļu izvades cauruli.
- Ja nepieciešams veikt remontu, izstrādājuma jānosūta vai jānodod RYOBI pilnvarotam servisa centram, kas norādīts pie attiecīgās valsts servisa centru adresu sarakstā. Atsevišķās valstīs vietējais RYOBI dīleris uzņemas nosūtīt izstrādājumu RYOBI servisa organizācijai. Nosūtīt izstrādājumu RYOBI servisa centram, izstrādājumam jābūt droši iepakotam bez bīstama satura, piemēram, degvielas, marķētam ar sūtītāja adresi un kopā ar isu aprakstu par defektu.
- Remonts/nomaiga šīs garantijas ietvaros ir bez maksas. Tas nepagarina un neuzsāk jaunu garantijas periodu. Nomainītās detaļas un instrumenti nonāk mūsu īpašumā. Atsevišķās valstīs piegādes maksa un pasta izdevumi jāsedz sūtītājam.
- Šī garantija ir derīga Eiropas Kopienā, Šveicē, Islandē, Norvēģijā, Līhtenšteinā, Turcijā un Krievijā. Ārpus šiem reģioniem, Līdz, sazinieties ar savu pilnvaroto RYOBI dīleri, lai noskaidrotu, vai ir spēkā cita garantija.

AUTORIZĒTS APKALPOŠANAS CENTRS

Lai atrastu tuvāko autorizēto apkalpošanas centru, apmeklējiet <http://uk.ryobitools.eu/header/service-and-support/service-agents>.

LT GARANTĪJA

Be įstatymais nustatytų teisių, įgyjamų nusipirkus šį produktą, produktui taikoma toliau nurodyta garantija.

- Pirkėjams galiojantis garantinis periodas yra 24 mėnesiai ir prasideda nuo produkto pirkimo datos. Data turi būti nurodyta sąskaitoje-faktūroje arba kitame pirkimą įrodančiame dokumente. Produkto sukurtas ir skirtas tik naudotojui ir tik asmeniniam naudojimui. Todėl garantija netaikoma produktą naudojan profesionaliai ar komerciniams tikslais.
- Kai kuriais atvejais yra galimybė pratęsti garantinį laikotarpį iki toliau nurodyto laikotarpio, prieš tai užsiregistravus www.ryobitools.eu svetainėje. Įrankio tinkamumo aiškiai parodytas parduotuvsė ir (arba) ant pakuočės. Galutinis naudotojas turi užregistruoti savo naujai įsigytus įrankius internetu per 8 dienas nuo jų pirkimo datos. Galutinis naudotojas gali užsiregistruoti dėl garantijos pratęsimo savo šalyje, jei ši pateikta registracijos internetu formoje, kurioje galimas šis pasirinkimas. Be to, galutiniai naudotojai privalo duoti savo sutikimą laikyti duomenis, kuriuos reikia įvesti internete, ir jie turi sutikti su sąlygomis ir nuostatomis. Registracijos patvirtinimo pranešimas, išsiunčiamas el. paštu, ir originali sąskaita faktūra, kurioje nurodyta pirkimo data, įrodo pratęsta garantija. Jūsų įstatymuose nustatytiems teisėms nebus pakenkta.
- Garantiniu laikotarpiu garantija taikoma visiems produkto trūkumams, atsiradusiems dėl prastos darbo kokybės arba prastų produkto medžiagų pirkimo diena. Garantija taikoma tik taisymui ir (arba) pakeitimui ir joje nenumatyti jokie kiti įsipareigojimai, įskaitant, bet neapsiribojant atsitiktine ar susijusia žala. Garantija negalioja produktą netinkamai naudojant, priešingai vadove nurodytoms instrukcijoms, arba netinkamai prijungus. Garantija netaikoma šiais atvejais:
 - produktui padarytai žalai netinkamai atliekant produkto techninę priežiūrą;
 - pakeistam arba modifikuotam produktui;
 - bet kokiems produktams, kurių originalios identifikacijos (prekės ženklas, serijos numeris) žymės buvo sugadintos, pakeistos ar pašalintos;
 - bet kokiai žalai, patirtai nesaikant naudojimo vadovo;
 - bet kokiam CE nepaženklintam produktui;
 - bet kokiam produktui, kurį bandė taisyti nekvalifikuotas specialistas, arba iš anksto negavus „Techronic Industries“ leidimo;
 - bet kokiam produktui, įjungtam į netinkamą maitinimo tinklą (amperai, įtampa, dažnis);
 - bet kokiai žalai, kilusiai dėl išorinio poveikio (cheminis, fizinis poveikis, smūgiai) arba pašalinių medžiagų;
 - įprastam atsarginių dalių dėvėjimuisi;
 - produktą netinkamai naudojant arba jį perkrovus;
 - naudojant nepatvirtintus priedus arba dalis;
 - karbiuratoriu po 6 mėnesių, karbiuratoriaus reguliavimui po 6 mėnesių;
 - elektrinio įrankio priedams, pateiktiems kartu su įrankiu ar pirktiems atskirai; Prie tokių išimčių priskaitomi, neapsiribojant, atsuktuvu antgaliai, gražto antgaliai, abrazyviniai diskai, švitrinis popierius ir asmenys, šoninis kreiptuvas;
 - komponentai (daly ir priedai), kurie dėvėsi savaime, įskaitant, bet neapsiribojant anglies šepetėliais, griebtuvu, maitinimo laidu, papildoma rankena, šlifavimo plokštė, dulkių maišeliu, dulkių išmetimo vamzdeliu.
- Norint atlikti techninį aptarnavimą, produktą reikia nusiųsti arba pristatyti į vieną iš RYOBI įgaliotų techninio aptarnavimo punktų, esančių kiekvienoje šalyje toliau pateiktame aptarnavimo punktų adresų sąrašė. Kai kuriose šalyse jūsų vietinis RYOBI pardavėjas gali nusiųsti produktą į RYOBI techninio aptarnavimo punktą. Siunčiant produktą į RYOBI techninio aptarnavimo punktą, produktą reikia saugiai supakuoti, prieš tai iš jo pašalinus pavojingas medžiagas, pavojyžiai, benzina, nurodyti siuntėjo adresą ir pridėti trumpą gedimo aprašymą.
- Pagal šią garantiją taisymo ar keitimo darbai atliekami nemokamai. Garantijoje nenumatytas garantijos pratęsimas ar naujo garantinio laikotarpio pradėjimas. Pakeistos dalys arba įrankiai tampa mūsų nuosavybe. Kai kuriose šalyse pristatymo ar siuntimo paštu išlaidas turi padengti siuntėjas.
- Ši garantija taikoma Europos bendrijoje, Šveicarijoje, Islandijoje, Norvegijoje, Lichtenšteine, Turkiijoje ir Rusijoje. Kitose šalyse kreipkitės į savo įgaliotą RYOBI pardavėją, norėdami sužinoti, ar taikoma kita garantija.

ĮGALIOTAS TECHNINĖS PRIEŽIŪROS CENTRAS

Jei norite surasti įgaliotą techninės priežiūros centrą netoli Jūsų, apsilankykite interneto svetainėje <http://uk.ryobitools.eu/header/service-and-support/service-agents>.



ET GARANTII

Lisaks ostu puhul kaasnevate seadusjärgsetele õigustele kehtib tootele allpool esitatud tingimustega garantiid.

- Ostja poolt ostetud tootele on kehtestatud garantiiperiood 24 kuud ja see hakkab kehtima toote ostmise kuupäeval. See kuupäev on märgitud arvel või muule ostu tõendavale dokumendile. Toode on ette nähtud ostjale ainult isiklikuks kasutamiseks. Kui toodet kasutatakse ametialastel või ärilistel eesmärkidel, siis garantiid ei kehti.
- Mõnel juhul (nt reklaam, seadmete seeria) on võimalik pikendada garantiiperioodi pikemaks ajaks kui ülal mainitud, kui kasutatakse registreerimise veebisaidil www.ryobitools.eu kaudu. Registreerimise tingimused on välja pandud kauplustesse ja/või on pakendil. Lõppkasutaja peab oma uued tööriistad veebis registreerima 8 päeva jooksul alates ostukuupäevast. Lõppkasutaja võib registreerida end pikendatud garantiiks oma asukohamaal, kui see on esitatud veebis registreerimise loendil, seal kus see valik on olemas. Peale selle, lõppkasutajad peavad andma nõusoleku enda andmete salvestamiseks, mida vajatakse veebi siseneamiseks ja nõustuma esitatud tingimustega. Pikendatud garantiid kehtivust tõendab e-postiga saadetud registreerimise kinnitusteade ja algupärane arve, millel on ostukuupäev. Teie seadusjärgsed õigused jäävad mõjutamata.
- Garantiid kehtib kõikide ostukuupäevast kehtima hakkaval garantiiperioodil ilmnenu rike suhtes, mis on tingitud töötlemis- või materjalvigadest. Garantiid on piiratud remondi ja/või asendamise ja ei sisalda muid kohustusi, kuid mitte ainult, kaasneva või tuleneva kahju eest. Garantiid ei kehti, kui toodet on väärasutatud, kasutusjuhendis nimetatud otstarbele mittevastavalt kasutatud või toode on ebaõigesti ühendatud. See garantiid ei rakendu järgmistel juhtudel:
 - tootel on mingi vigastus, mis on põhjustatud ebaõigest kasutamisest,
 - toodet on mingil viisil ümber ehitatud või muudetud,
 - toote algupärane tuvastusmarkeerimine (kaubamärk, seerianumber) on kahtlustatud, ümber tehtud või eemaldatud,
 - tootel on mingi vigastus, mis on tingitud kasutusjuhendi mittejälgimisest, toode ei ole CE-märgisega,
 - toodet on püüdnud parandada ebapädev spetsialist või seda on tehtud ilma Technronic Industries volitusteta,
 - toode on ühendatud selleks mitteettnähtud elektritoitevõrguga (väär voolu tugevus, pinge või sagedus),
 - tootel on vigastus välismõjudest (keemilised või füüsilised mõjud või löögid),
 - toote varuosadel ilmneb tavapärane kulumine,
 - toodet on ebaõigesti kasutatud või üle koormatud,
 - tootel on kasutatud mitteettnähtud tarvikuid või osi,
 - toote karburaator pärast 6 kuu mõödumist, toote karburaatori sätteid pärast 6 kuu mõödumist,
 - ajamiga tööriista tarvikud, mis tarnitakse koos tööriistaga või on ostetud eraldi. See välistus hõlmab, kuid mitte ainult, kruvikeeraja otsakuid, puure, abrasiivõikekettaid, lihvpaberit, lihvkettaid ja lõikekettaid, küljjuhikut,
 - toote koostesadel (osad ja tarvikud) ilmneb tavapärane kulumine järgmistel detailidel (kuid mitte ainult): stisinkharjad, puuripadrud, toitejuhe, lisakäepide, lihvlaat, tolmukott, tolmuaäramistur.
- Hooldamiseks tuleb toode saata või tuua mõnda RYOBI volitatud hoolduspunkti, mis on esitatud loendis iga riigi jaoks ja milles on hoolduspunkti aadressid. Mõnes riigis kohustus RYOBI edasimüüja saatma toote RYOBI hoolduskeskusesse. Kui toode saadetakse RYOBI hoolduskeskusesse, tuleb toode turvaliselt ära pakkida ilma, et sellesse jääks ohtlikku sisu, näiteks bensiin ja pakendile tuleb märkida saatja aadress ja rikke lühikirjeldus.
- Selle garantiid alusel tehtud remont/asendus on tasuta. Sellega ei kaasne garantiiperioodi pikendamine või uue garantiiperioodi algus. Asendatud osad ja tööriistad jäävad meie omandusse. Mõnes riigis tuleb saate- või postikulud tasuta saatja poolt.
- See garantiid kehtib Euroopa Liidus, Šveitsis, Islandil, Norras, Liechtensteinis, Türgis ja Venemaal. Väljaspool neid riike võtke ühendust Ryobi volitatud edasimüüjaga, et teada saada teistsuguste garantiide kehtivus.

VOLITATUD HOOLDUSKESKUS

Oma volitatud hoolduskeskuse leiate veebisaidil <http://uk.ryobitools.eu/header/service-and-support/service-agents>.

HR JAMSTVO

U dodatku svih zakonskih prava koja proizlaze kao rezultat kupnje, ova proizvod pokriven je jamstvom kao što je utvrđeno u nastavku.

- Jamstveno razdoblje je 24 mjeseca za korisnike, a započinje na datum kupnje proizvoda. Ovaj datum treba biti dokumentiran računom ili nekim drugim dokazom o kupnji. Proizvod je dizajniran i namijenjen samo za korisnike i osobno korištenje. Stoga nema omogućenog jamstava u slučaju profesionalnog ili komercijalnog korištenja.
- U nekim slučajevima (primjerice promocije, paleta alata) postoji mogućnost produljenog jamstvenog razdoblja preko gore navedenog razdoblja korištenjem registracije na web mjestu www.ryobitools.eu. Sukladnost alata jesno je prikazana u trgovini i/ili na pakiranju. Krajnji korisnik treba registrirati svoje novo pribavljene alate na mreži unutar 8 dana od datuma kupnje. Krajnji korisnik može se registrirati za produljeno trajanje jamstva u svojoj zemlji stanovanja ako je navedena na mrežnom obrascu za registraciju gdje je ova opcija valjana. Nadalje, krajnji korisnici moraju dati svoje odobrenje za spremanje podatka koji su potrebni za unos na mreži i moraju prihvatiti uvjete i odredbe. Primitak potvrde o registraciji, koja se šalje e-poštom i originalni račun koji prikazuje datum kupnje služe kao dokaz produljenog jamstva. Vaša zakonska prava ostaju nepromijenjena.
- Jamstvo pokriva sve kvarove proizvoda tijekom jamstvenog razdoblja zbog pogreški u izradi ili materijalu na datum kupnje. Jamstvo je ograničeno na popravak i/ili zamjenu i ne uključuje nikakve druge obveze uključujući no ne ograničavajući se na slučajne ili posljedične štete. Jamstvo nije valjano ako je proizvod pogrešno korišten, korišten suprotno od korisničkog priručnika ili je nepravilno priključen. Ovo jamstvo se ne primjenjuje na:
 - svako oštećenje proizvoda koje je rezultat nepravilnog održavanja
 - svaki proizvod koji je izmijenjen ili modificiran
 - svaki proizvod gdje su originalne identifikacijske oznake (zaštitni znak, serijski broj) izbrisane, zamijenjene ili uklonjene
 - svako oštećenje uzrokovano neprikladnim korištenjem korisničkog priručnika
 - svaki proizvod koji nije CE
 - svaki proizvod koji je pokušao popraviti neovlašten profesionalac ili bez prethodnog odobrenja od strane Technronic Industries
 - svaki proizvod priključen na nepravilno napajanje energijom (amperi, napon, frekvencija)
 - svako oštećenje uzrokovano vanjskim utjecajima (kemijsko, fiziko, udar) ili stranim stvarima
 - normalno trošenje i habanje rezervnih dijelova
 - nepravilno korištenje, preopterećenje alata
 - korištenje neodobrenog dodatnog pribora ili dijelova
 - rasplinjača nakon 6 mjeseci, podešavanje rasplinjača nakon 6 mjeseci
 - Dodatni pribor aku-alata koji je omogućen s alatom ili kupljen zasebno. Ovakva izuzeća uključuju no ne ograničavajući se na svrdla za odvijanje, svrdla za bušenje, brusne diskove, papir za brušenje i oštice, poprečne vodilice
 - Komponente (dijelovi i dodatni pribor) koji su predmet prirodnog trošenja i habanja, uključujući no ne ograničavajući se na ugljične četke, glave, kabel za napajanje, pomoćnu ručku, ploču za brušenje, vrećicu za prašinu, cijev za izbacivanje prašine
- Za servisiranje, proizvod se mora poslati ili predati ovlaštenoj stanici za servis tvrtke RYOBI navedenoj za svaku zemlju u sljedećem popisu adresa stanica za servis. U nekim zemljama vaš lokalni RYOBI zastupnik obvezan je poslati proizvod u servisnu organizaciju tvrtke RYOBI. Priklom slanja proizvoda u stanicu za servis tvrtke RYOBI, proizvod treba biti sigurno pakiran bez ikakvog opasnog sadržaja poput benzina, s označenom adresom pošiljatelja i pripadajućim kratkim opisom pogreške.
- Popravak/zamjena pod ovim jamstvom se ne naplaćuje. Ne produljuje zakonsko ili ne započinje novo jamstveno razdoblje. Zamijenjeni dijelovi ili alati postaju naše vlasništvo. U nekim zemljama pošiljatelj plaća poštarinu.
- Ovo jamstvo je valjano u Europskoj zajednici, Švicarskoj, Islandu, Norveškoj, Lihtenštajnu, Turskoj i Rusiji. Izvan ovih područja molimo vas da kontaktirate vašeg ovlaštenog zastupnika tvrtke RYOBI kako biste odredili ako se primjenjuje druga jamstva.

OVLAŠTENI SERVISNI CENTAR

Za pronalaženje ovlaštenog servisnog centra pored vas posjetite <http://uk.ryobitools.eu/header/service-and-support/service-agents>.

SL GARANCIJA

Poleg kakršnih koli zakonskih pravic, ki jih pridobite z nakupom, za ta izdelek velja tudi garancija, kot je opisano spodaj.

1. Garancijsko obdobje je 24 mesecev za potrošnike in se začne z datumom nakupa. Ta datum mora biti dokumentiran z računom ali drugim dokazilom o nakupu. Izdelek je namenjen in posvečen le potrošniški in zasebni uporabi. Zato garancija ne velja za profesionalno ali komercialno uporabo.
2. V nekaterih primerih (npr. promocija, obseg orodij) obstaja možnost podaljšanja garancijskega obdobja prek zgoraj opisanega obdobja, kar je mogoče storiti z registracijo na spletnem mestu www.ryobitools.eu. Namen orodja je jasno označen v trgovinah in/ali na embalaži. Končni uporabnik mora svoje novo orodje registrirati prek spleta v 8 dneh od datuma nakupa. Končni uporabnik se lahko registrira za podaljšano garancijo v svoji državi, kjer ima stalno prebivališče, če je država vključena na seznam v obrazcu za registracijo, kjer je ta možnost veljavna. Poleg tega mora končni uporabnik odobriti shranjevanje podatkov, ki so potrebni za spletni vstop, in morajo sprejeti pogoje in določila. Potrdilo o registraciji, ki se pošlje po e-pošti, ter originalni račun, na katerem je naveden datum nakupa, veljata kot dokazilo o podaljšani garanciji. Vaše zakonske pravice ostanjo nespremenjene.
3. Garancija krije vse okvare izdelka med garancijskim obdobjem zaradi napak v izdelavi ali materialu na datum nakupa. Garancija je omejena na popravilo/zamenjavo in ne vključuje drugih obveznosti, med drugim ne vključuje obveznosti zaradi nenamerne ali posledične škode. Garancija ni veljavna, če je bil izdelek zloražen, uporabljen v nasprotju z navodili za uporabo ali nepravilno priključen. Garancija ne velja:
 - za kakršno koli poškodbo izdelka, ki je posledica neprimernega vzdrževanja,
 - če je bil izdelek spremenjen ali modificiran,
 - če so originalne identifikacijske oznake (blagovna znamka, serijska številka) na izdelku poškodovane, spremenjene ali odstranjene,
 - če je do poškodbe prišlo zaradi neupoštevanja navodil za uporabo,
 - za katere koli izdelke, ki niso skladni z oznako CE,
 - če je izdelek poskusil opraviti neusposobljen strokovnjak ali brez predhodne odobritve družbe Techntron Industries,
 - če je bil izdelek priključen na neustrezno električno omrežje (jakost, napetost, frekvenca),
 - če je do poškodbe prišlo zaradi zunanjih vplivov (kemični, fizični, udarci) ali tujih snovi,
 - za normalno obrabo nadomestnih delov,
 - neustrezne uporabe, preobremenitve orodja,
 - uporabe neodobrenih dodatkov ali delov,
 - za uplinjač po 6 mesecih, prilagoditve uplinjača po 6 mesecih,
 - za dodatke električnega orodja, priložene orodju ali na prodaj ločeno – takšne omejitve med drugim vključujejo nastavke za vijačenje, vrtnale svedre, abrazivne diske, brusni papir in rezila, bočna vodila,
 - za sestavne dele (dele in dodatke), ki so podvrženi normalni obrabi, med drugim za karbonske krtačke, vpenjalno glavo, električni kabel, dodatni ročaj, brusno ploščo, vrečo za prah, cev za odvod prahu.
4. Za servisiranje je treba izdelek poslati ali prinesiti v pooblaščen servisni center RYOBI, ki je za vsako državo naveden na naslednjem seznamu z naslovi servisnih centrov. V nekaterih državah pošiljanje izdelka servisnemu centru RYOBI prevzame lokalni trgovec z izdelki RYOBI. Za pošiljanje servisnemu centru RYOBI mora biti izdelek varno zapakiran, brez kakršnih koli nevarnih snovi, npr. gorivo, označen z naslovom pošiljatelja, priložen pa mora biti kratek opis napake.
5. Popravilo/nadomestilo v sklopu te garancije je brezplačno. Ne pomeni podaljšanja ali novega začetka garancijskega obdobja. Zamenjani deli ali orodja postanejo naša last. V nekaterih državah mora stroške pošiljanja ali dostave poravnati pošiljatelj.
6. Ta garancija je veljavna v Evropski skupnosti, Švici, na Islandiji, Norveškem, v Liechtensteinu, Turčiji in Rusiji. Izven teh področij stopite v stik s pooblaščenim trgovcem RYOBI, da ugotovite, ali velja katera druga garancija.

POOBLAŠČEN SERVISNI CENTER

Pooblaščen servisni center blizu vas poiščite na <http://uk.ryobitools.eu/header/service-and-support/service-agents>.

SK ZÁRUKA

Okrem zákonných práv vyplývajúcich zo zakúpenia je tento produkt pokrytý zárukou, ako je uvedené nižšie.

1. Záručná doba pre spotrebiteľov je 24 mesiacov a začína dňom zakúpenia produktu. Tento dátum musí byť zdokumentovaný faktúrou alebo iným dokladom o kúpe. Tento produkt je navrhnutý a určený len na spotrebné a osobné použitie. Takže v prípade profesionálneho alebo komerčného použitia neplatí žiadna záruka.
2. V niektorých prípadoch (napr. reklamná akcia, rad produktov) existuje možnosť predĺženia záručnej doby nad dobu uvedenú vyššie pomocou registrácie na webovej stránke www.ryobitools.eu. Spôsobilosť nástroja je zreteľne zobrazená v obchodoch a ha obale. Koncový používateľ si musí zaregistrovať svoje novonadobudnuté nástroje online do 8 dní odo dňa zakúpenia. Koncový používateľ sa môže zaregistrovať za účelom získania predĺženej záruky vo svojej krajine, ak je uvedená v online registračnom formulári, kde je táto možnosť platná. Okrem toho musia koncoví používatelia poskytnúť súhlas k uloženiu údajov, ktoré sa zadávajú online a musia súhlasiť so zmluvnými podmienkami. Doklad s potvrdením o registrácii, ktorý posielame prostredníctvom e-mailu a originál faktúry s uvedeným dátumom zakúpenia slúžia ako dôkaz predĺženej záruky. Vaše zákonné práva ostávajú nedotknuté.
3. Táto záruka pokrýva všetky poruchy produktu počas záručnej doby, ktoré vznikli následkom nedostatkov vo vypracovaní alebo materiáli v deň zakúpenia. Táto záruka je obmedzená na opravu alebo výmenu a nezahŕňa ďalšie povinnosti, napríklad vedľajšie alebo následné škody. Táto záruka je neplatná, ak bol produkt poživývny nesprávne, používaný v rozpore s návodom na použitie alebo nesprávne pripojený. Táto záruka sa nevzťahuje na:
 - akékoľvek poškodenie produktu, ku ktorému došlo následkom nesprávnej údržby
 - akýkoľvek produkt, ktorý bol pozmenený alebo upravený
 - akýkoľvek produkt, na ktorom boli poškodené pozmenené alebo odstránené originálne identifikáčne znaky (obchodná známka, sériové číslo)
 - akékoľvek poškodenie spôsobené následkom nedodržania návodu na použitie
 - akýkoľvek produkt iný ako CE
 - akýkoľvek produkt, o ktorého opravu sa pokúšal nekvalifikovaný odborník alebo v prípade opravy bez predchádzajúceho oprávnenia od spoločnosti Techntron Industries
 - akýkoľvek produkt pripojený k nesprávne napájaciemu zdroju (prúd, napätie, frekvencia)
 - akékoľvek poškodenie spôsobené vonkajšími vplyvmi (chemické, fyzické, nárazy) alebo cudzími látkami
 - bežné opotrebenie náhradných dielov
 - nesprávne používanie a preťažovanie nástroja
 - používanie neschváleného príslušenstva alebo dielov
 - karburátor po 6 mesiacoch, úpravy karburátora po 6 mesiacoch
 - príslušenstvo pre elektrické nástroje dodané s nástrojom alebo zakúpené samostatne. Takého výnimky sa vzťahujú napríklad na hroty skrutkovačov, vrtáky, brusné kotúče, brusné papiere a ostria a bočné vedenie
 - komponenty (diely a príslušenstvo), ktoré podliehajú prirodzenému opotrebeniu, napríklad uhlíkové kefy, skľučovadlo, napájací kábel, pomocná rukoväť, leštiaca doska, vrecko na prach, rúrka na vylukovanie prachu
4. Na servis sa musí produkt odoslať alebo predložiť autorizovanému servisnému centru RYOBI uvedenému pre každú krajinu v nasledujúcom zozname adres servisných stanic. V niektorých krajinách pošle produkt do servisnej organizácie RYOBI váš miestny predajca produktov RYOBI. Pri odosielaní produktu do servisnej stanice RYOBI musí byť produkt bezpečne zabalený bez akéhokoľvek nebezpečného obsahu, napríklad paliva, označený adresou odosielateľa a musí byť k nemu priložený krátky popis poruchy.
5. Oprava či výmena v rámci tejto záruky je bezplatná. Nevyplýva z nej predĺženie či nový začiatok záručnej doby. Vymenené diely alebo nástroje sa stávajú našim majetkom. V niektorých krajinách doručovací poplatok alebo poštovné platí odosielateľ.
6. Táto záruka je platná v Európskej únii, Švajčiarsku, na Islande, v Nórsku, Lichtenštajnsku, Turecku a Rusku. Mimo týchto oblastí kontaktujte autorizovaného predajcu spoločnosti Ryobi, u ktorého zistíte, či platí nejaká iná záruka.

AUTORIZOVANÉ SERVISNÉ CENTRUM

Ak chcete nájsť najbližšie autorizované servisné centrum, navštívte stránku <http://uk.ryobitools.eu/header/service-and-support/service-agents>.

EL ΕΓΓΥΗΣΗ

Επιπροσθέτως τυχόν νομικών δικαιωμάτων που προκύπτουν από την αγορά, το προϊόν καλύπτεται από εγγύηση όπως αναφέρεται παρακάτω.

- Η περίοδος εγγύησης είναι 24 μήνες για τους καταναλωτές και τίθεται σε ισχύ από την ημερομηνία αγοράς του προϊόντος. Η ημερομηνία αυτή πρέπει να τεκμηριώνεται από τιμολόγιο ή άλλη απόδειξη αγοράς. Το προϊόν είναι σχεδιασμένο μόνο για καταναλωτική και ιδιωτική χρήση. Η εγγύηση δεν ισχύει σε περίπτωση επαγγελματικής ή εμπορικής χρήσης.
- Σε ορισμένες περιπτώσεις (δηλ. προώθηση, σειρά εργαλείων) υπάρχει η δυνατότητα παράτασης της περιόδου εγγύησης πέραν της αναφερόμενης περιόδου παραπάνω, μέσω εγγραφής στην ιστοσελίδα www.ryobitools.eu. Η δυνατότητα συμμετοχής του εκάστοτε εργαλείου δηλώνεται σαφώς στα καταστήματα και/ή τη συσκευασία του. Ο τελικός χρήστης πρέπει να εγγραφεί αναφέροντας τα στοιχεία του εργαλείου online εντός 8 ημερών από την ημερομηνία αγοράς. Ο τελικός χρήστης μπορεί να εγγραφεί για την παρατεταμένη εγγύηση στη χώρα κατοικίας του αν περιέχεται στην online φόρμα εγγραφής, όπου ισχύει αυτή η επιλογή. Επιπλέον, οι τελικοί χρήστες πρέπει να δώσουν τη συγκατάθεσή τους για την αποθήκευση των δεδομένων που συλλέγονται online και πρέπει να δεχθούν τους όρους και τις διατάξεις. Η απόδειξη επιβεβαίωσης εγγραφής, που αποστέλλεται μέσω email και το πρωτότυπο τιμολόγιο που φέρει την ημερομηνία αγοράς, λειτουργούν ως αποδεικτικά στοιχεία για την παρατεταμένη περίοδο εγγύησης. Τα νομικά δικαιώματά σας δεν επηρεάζονται.
- Η εγγύηση καλύπτει κάθε τυχόν ατέλεια του προϊόντος στη διάρκεια ισχύος της, εξαιτίας κατασκευαστικών ατελειών ή ατελειών του υλικού κατά την ημερομηνία αγοράς. Η εγγύηση περιορίζεται στην επισκευή και/ή αντικατάσταση και δεν περιλαμβάνει άλλες υποχρεώσεις, συμπεριλαμβανόμενες μεταξύ άλλων θηπικές ή αποθηκικές ζημιές. Η εγγύηση δεν ισχύει αν το προϊόν έχει χρησιμοποιηθεί με εσφαλμένο τρόπο, αντίθετα με τις οδηγίες του εγχειριδίου χρήσης ή έχει συνδεθεί εσφαλμένα. Η εγγύηση δεν ισχύει στα κάτωθι:
 - οποιαδήποτε βλάβη στο προϊόν ως συνέπεια εσφαλμένης συντήρησης
 - οποιαδήποτε τροποποίηση ή παραλλαγή του προϊόντος
 - προϊόντα ή αρχική ταυτοποίηση των οποίων (σήμα κατατεθέν, σειριακός αριθμός) έχει αλλοιωθεί, αλλάξει ή αφαιρεθεί
 - οποιαδήποτε βλάβη προκλήσει από μη τήρηση των οδηγιών στο εγχειρίδιο λειτουργίας
 - οποιοδήποτε μη CE προϊόν
 - οποιοδήποτε προϊόν στο οποίο έχει γίνει απόπειρα επισκευής από μη ειδικευμένο επαγγελματία ή χωρίς προηγούμενη εξουσιοδότηση της Techtronic Industries
 - οποιοδήποτε προϊόν συνδεθεί σε ακατάλληλη παροχή ρεύματος (αμπερ, τάση, συχνότητα)
 - οποιαδήποτε βλάβη προκλήσει από εξωτερικές επιρροές (χημικές, φυσικές, κρυσταλλικές) ή ξζνες υασιές
 - φυσική φθορά των ανταλλακτικών
 - ανάρμοστη χρήση, υπερφόρτωση του εργαλείου
 - χρήση μη εγκεκριμένων εξαρτημάτων ή ανταλλακτικών
 - καρμπυρατέρ μετά από 6 μήνες, προσαρμογές καρμπυρατέρ μετά από 6 μήνες
 - εξαρτήματα εργαλείου που παρέχονται με το εργαλείο ή αγοράστηκαν ξεχωριστά. Οι εξαιρέσεις αυτές περιλαμβάνουν μεταξύ άλλων εξαρτήματα καταβιδιών, εξαρτήματα τρυπανιών, λειαντικούς δίσκους, γυαλόχαρτο και λεπίδες, πλεουρικό οδηγό
 - ενότητες (εξαρτήματα και ανταλλακτικά) που υπόκεινται σε φυσική φθορά, συμπεριλαμβανομένων μεταξύ άλλων ψηκρών, τσακ, καλυδίων ρεύματος, βοηθητικών λαβών, πλακετών λείανσης, σκαουλών σκόνης, σωλήνων εξάτμισης σκόνης
- Για απτήματα σέρβις, το προϊόν πρέπει να σταλεί ή παραδοθεί σε εξουσιοδοτημένο σταθμό σέρβις της RYOBI, όπως αναγράφονται για κάθε χώρα στην παρακάτω λίστα. Σε ορισμένες χώρες, ο τοπικός αντιπρόσωπος της RYOBI αναλαμβάνει την αποστολή του προϊόντος στον οργανισμό σέρβις RYOBI. Όταν στέλνεται ένα προϊόν σε σταθμό σέρβις της RYOBI, το προϊόν θα πρέπει να είναι συσκευασμένο με ασφάλεια, χωρίς επικίνδυνα περιεχόμενα όπως βενζίνη και με αναφορά της διεύθυνσης του αποστολέα, ενώ θα πρέπει να συνοδεύεται και από σύντομη περιγραφή του προβλήματος.
- Επισκευές / αντικαταστάσεις στα πλαίσια της εγγύησης παρέχονται δωρεάν. Δεν παρέχεται παράταση ή επανεκκίνηση της περιόδου εγγύησης. Τα εξαρτήματα ή εργαλεία που αντικαθίστανται, περιέχονται στην ιδιοκτησία μας. Σε ορισμένες χώρες, ισχύουν χρεώσεις παράδοσης ή ταχυδρομικά τέλη που καταβάλλονται από τον αποστολέα.
- Η εγγύηση ισχύει στην Ευρωπαϊκή Κοινότητα, την Ελβετία, την Ισλανδία, τη Νορβηγία, το Λιχτενστάιν, την Τουρκία και τη Ρωσία. Εκτός αυτών των περιοχών, παρακαλούμε επικοινωνήστε με τον εξουσιοδοτημένο αντιπρόσωπο της RYOBI για να εξεκριβώσετε εάν ισχύουν άλλες εγγυήσεις.

ΕΞΟΥΣΙΟΔΟΤΗΜΕΝΟ ΚΕΝΤΡΟ ΣΕΡΒΙΣ

Για να εντοπίσετε ένα εξουσιοδοτημένο κέντρο σέρβις στην περιοχή σας, επισκεφτείτε τη σελίδα <http://uk.ryobitools.eu/header/service-and-support/service-agents>.

TR GARANTİ

Bu satın alma işleminden doğan tüm yasal haklara ek olarak, bu ürün aşağıda açıklanan garanti kapsamındadır.

- Garanti süresi tüketiciler için 24 aydır ve bu süre ürünün satın alınması ile başlar. Bu tarih fatura veya başka bir satın alım belgesi ile kanıtlanmalıdır. Ürün sadece tüketici ve bireysel kullanım için tasarlanmıştır ve sunulmuştur. Profesyonel veya ticari amaçlı kullanımlarda garanti verilmaz.
- Bazı durumlarda (örn. tanıtım, aletlerin düzenlenmesi), yukarıda belirtilen garanti süresi uzatılabilir. Bunun için www.ryobitools.eu Internet sitesindeki kaydı yapmak gerekir. Aletin nitelikleri mağazalarda ve/veya ambalaj üzerinde açıkça belirtilmiştir. Son kullanıcı, aleti satın aldıktan sonra en geç 8 gün içinde aletin kaydını çevrim içi olarak yapmalıdır. Son kullanıcı, garanti uzatma seçeneğinin geçerli olduğu ülkelerden birindeyse kayıt yaptırarak bu fırsattan yararlanabilir. Ayrıca, son kullanıcılar çevrim içi giriş yapmak için gerekli olan verilerin saklanması için izin vermesi, şartlar ve koşulları kabul etmelidir. E-posta ile gönderilen kayıt onay belgesi ve satın alım tarihini belgeleyen orijinal fatura garantinin uzatılmasını sağlamak için kanıt niteliği taşımaktadır. Yasal haklarını aynı kalacaktır.
- Garanti, ürünün satın alın tarihindeki tüm işçilik ve malzeme kusurlarından kaynaklanan tüm sorunlar garanti süresi içinde kapsamaktadır. Garanti onarım ve/veya değiştirme işi sınırlıdır ve sadece istenmeyen arızalar, vb. durumlarda herhangi bir sorumluluk kabul edilmez. Ürünün yanlış kullanılması, kullanım kılavuzuna uygun kullanılmaması veya yanlış başlatılma kurulumunda garanti geçerliliğini yitirir. Garanti kapsamı dışındaki durumlar:
 - bakımın yanlış yapılmasından kaynaklanan tüm hasarlar
 - ürünün değiştirilmesi veya düzenlenmesi
 - ürünün değiştirilmesi (ticari sembol, seri numarası) işaretlerinin tahrip olması, değiştirilmesi veya çıkarılması
 - kullanım kılavuzunun dikkate alınmaması nedeniyle oluşan tüm hasarlar
 - ürünün AB ürünü olmaması
 - ürünün kalifiye olmayan bir kişi tarafından veya Techtronic Industries'in izni olmadan onarılmaya çalışılması
 - ürünün yanlış güç desteğine (amper, voltaj, frekans) bağlanması
 - dış etkenler (kimyasal, fiziksel, darbeler) veya yabancı cisimlerden kaynaklanan arızalar
 - yedek parçaların normal aşınması ve yıpranması
 - yanlış kullanım, aletin fazla yüklenmesi
 - onaylanmayan aksesuarların veya parçaların kullanılması
 - karbüratörü sistemlerde karbüratör ayarlarının 6 ayın ardından yapılması
 - elektronik alet aksesuarlarının alet ile birlikte veya ayrı olarak satın alınması. Akülü vidalama uçları, matkap uçları, aşındırıcı diskler, zımpara kağıdı ve bıçaklar, yatay kılavuz gibi parçaların dahil olduğu, ancak bu parçaların sınırlı olmayan istisnalar
 - karbon fırçalar, kovan, elektrik kablosu, yardımcı kol, kumlama plakası, toz torbası, toz egzoz borusu gibi parçaların bulunduğu, ancak bu parçaların sınırlı olmayan doğal aşınma ve yıpranmaya maruz kalan bileşenler
- Tamir işlemi için ürünün, her ülke için listelenmiş olan aşağıdaki servis istasyonuna adreslerinde bulunan bir RYOBI yetkili servis istasyonuna gönderilmesi veya verilmesi gerekir. Bazı ülkelerde yerel RYOBI satıcınız ürünü RYOBI servis istasyonuna gönderme işlemi üstlenir. RYOBI servis istasyonuna gönderilen ürün; içinde petrol gibi tehlikeli maddeler olmadan emniyetli bir şekilde paketlenmeli, gönderinin adresini ve sorunun kısa bir açıklamasını içermelidir.
- Bu garanti kapsamında gerçekleşen bir onarım/değişim ücretsizdir. Bu tarz işlemler garanti süresini uzatmaz veya bitirmez. Değiştirilen parçalar veya aletler firmamıza ait olur. Bazı ülkelerde teslimat masrafları veya posta ücreti gönderici tarafından ödenmelidir.
- Bu garanti Avrupa Birliği, İsviçre, İzlanda, Norveç, Lihtenştayn, Türkiye ve Rusya'da geçerlidir. Bu bölgelerin dışında yer alan müşterilerin diğer garanti seçenekleri için yetkili RYOBI satıcısına danışmaları gerekir.

YETKİLİ SERVİS MERKEZİ

En yakın yetkili servis merkezini öğrenmek için <http://uk.ryobitools.eu/header/service-and-support/service-agents> sitesine girin.



EN EC DECLARATION OF CONFORMITY

Technronic Industries GmbH
Max-Eyth-Straße 10, 71364 Winnenden, Germany

We declare under our sole responsibility that the product

Table saw
Brand: Ryobi
Model number: RTS1800, RTS1800S, RTS1800ES, RTS1800EF
Serial number range:
RTS1800: 44424201000001 - 44424201999999
RTS1800S: 44424401000001 - 44424401999999
RTS1800ES: 44424501000001 - 44424501999999
RTS1800EF: 44424701000001 - 44424701999999

is in conformity with the relevant provisions of the following directives
2006/42/EC, 2004/108/EC(untill 19 Apr. 2016), 2014/30/EU(from 20 Apr. 2016),
2011/65/EU

And furthermore, we declare that the following
harmonised standards:

EN 55014-1-2:2006+A1:2009+A2:2011, EN 55014-2:1997+A1:2001+A2:2008, EN
61000-3-2:2006+A1:2009+A2:2009, EN 61000-3-3:2013, EN 50581:2012

and standards:

IEC 62841-1:2014
Fpr EN 62841-1:2013 (BT148/DG9544/DV)
EN 62841-3-1:2014

have been used.

Notified body 2140, DEKRA Testing and Certification GmbH Enderstraße 92b 01277
Dresden Germany, has carried out EC type approval, and the certificate no. is
4812015.14002.

Andrew John Eyre (BEng, CEng, MIET)
Vice President, Regulatory & Safety
Winnenden, Oct. 15, 2014

Authorised to compile the technical file:

Alexander Krug, Managing Director
Technronic Industries GmbH
Max-Eyth-Straße 10, 71364 Winnenden, Germany

DE EC KONFORMITÄTSERKLÄRUNG

Technronic Industries GmbH
Max-Eyth-Straße 10, 71364 Winnenden, Germany

Wir erklären in eigener Verantwortlichkeit, dass das Produkt

Tischkreissäge
Marke: Ryobi
Modellnummer: RTS1800, RTS1800S, RTS1800ES, RTS1800EF
Seriennummernbereich:
RTS1800: 44424201000001 - 44424201999999
RTS1800S: 44424401000001 - 44424401999999
RTS1800ES: 44424501000001 - 44424501999999
RTS1800EF: 44424701000001 - 44424701999999

mit den entsprechenden Bestimmungen der folgende Richtlinien übereinstimmt
2006/42/EC, 2004/108/EC(bis 19 Apr. 2016), 2014/30/EU(ab 20 Apr. 2016),
2011/65/EU

und weiterhin erklären wir, dass folgende
harmonisierte Normen

EN 55014-1-2:2006+A1:2009+A2:2011, EN 55014-2:1997+A1:2001+A2:2008, EN
61000-3-2:2006+A1:2009+A2:2009, EN 61000-3-3:2013, EN 50581:2012

und Normen

IEC 62841-1:2014
Fpr EN 62841-1:2013 (BT148/DG9544/DV)
EN 62841-3-1:2014

eingesetzt wurden.

Benannte Stelle 2140, DEKRA Testing and Certification GmbH Enderstraße 92b 01277
Dresden Germany, hat die EC Typen-Überprüfung durchgeführt und die Zertifikatnummer
lautet 4812015.14002 .

Andrew John Eyre (BEng, CEng, MIET)
Vizepräsident, Vorschriften und Sicherheit
Winnenden, Oct. 15, 2014

Autorisiert die technische Datei zu erstellen:

Alexander Krug, Geschäftsführer
Technronic Industries GmbH
Max-Eyth-Straße 10, 71364 Winnenden, Germany

FR DÉCLARATION DE CONFORMITÉ EC

Technronic Industries GmbH
Max-Eyth-Straße 10, 71364 Winnenden, Germany

Nous déclarons sous notre seule responsabilité que le produit

Scie Circulaire sur Plateau
Marque: Ryobi
Numéro de modèle: RTS1800, RTS1800S, RTS1800ES, RTS1800EF
Étendue des numéros de série:
RTS1800: 44424201000001 - 44424201999999
RTS1800S: 44424401000001 - 44424401999999
RTS1800ES: 44424501000001 - 44424501999999
RTS1800EF: 44424701000001 - 44424701999999

est conforme aux réserves applicables des directives suivantes
2006/42/EC, 2004/108/EC(jusqu'au 19 Apr. 2016), 2014/30/EU(à partir du 20 Apr.
2016), 2011/65/EU

Nous déclarons par ailleurs que
les normes harmonisées suivantes :

EN 55014-1-2:2006+A1:2009+A2:2011, EN 55014-2:1997+A1:2001+A2:2008, EN
61000-3-2:2006+A1:2009+A2:2009, EN 61000-3-3:2013, EN 50581:2012

et les normes suivantes :

IEC 62841-1:2014
Fpr EN 62841-1:2013 (BT148/DG9544/DV)
EN 62841-3-1:2014

ont été utilisées.

L'organisme notifié 2140, DEKRA Testing and Certification GmbH Enderstraße 92b
01277 Dresden Germany, a validé la conformité EC, et le No de certificat est
4812015.14002 .

Andrew John Eyre (BEng, CEng, MIET)
Vice-Président, Réglementation & Sécurité
Winnenden, Oct. 15, 2014

Autorisé à rédiger le dossier technique:

Alexander Krug, Directeur Général
Technronic Industries GmbH
Max-Eyth-Straße 10, 71364 Winnenden, Germany

ES DECLARACIÓN EC DE CONFORMIDAD

Technronic Industries GmbH
Max-Eyth-Straße 10, 71364 Winnenden, Germany

Declaramos bajo nuestra única responsabilidad que el producto

Sierra de mesa
Marca: Ryobi
Número de modelo: RTS1800, RTS1800S, RTS1800ES, RTS1800EF
Intervalo del número de serie:
RTS1800: 44424201000001 - 44424201999999
RTS1800S: 44424401000001 - 44424401999999
RTS1800ES: 44424501000001 - 44424501999999
RTS1800EF: 44424701000001 - 44424701999999

se ajusta a las disposiciones relevantes de las siguientes directivas
2006/42/EC, 2004/108/EC(hasta 19 Apr. 2016), 2014/30/EU(desde 20 Apr. 2016),
2011/65/EU

Además, declaramos que las siguientes
normas armonizadas:

EN 55014-1-2:2006+A1:2009+A2:2011, EN 55014-2:1997+A1:2001+A2:2008, EN
61000-3-2:2006+A1:2009+A2:2009, EN 61000-3-3:2013, EN 50581:2012

y normas:

IEC 62841-1:2014
Fpr EN 62841-1:2013 (BT148/DG9544/DV)
EN 62841-3-1:2014

se han utilizado.

El organismo notificado 2140, DEKRA Testing and Certification GmbH Enderstraße 92b
01277 Dresden Germany, ha llevado a cabo la homologación de tipo EC, y el n.º de
certificado es 4812015.14002 .

Andrew John Eyre (BEng, CEng, MIET)
Vicepresidente, Director General de Normativa y Seguridad
Winnenden, Oct. 15, 2014

Autorizado para elaborar la ficha técnica:

Alexander Krug, Administrador Ejecutivo
Technronic Industries GmbH
Max-Eyth-Straße 10, 71364 Winnenden, Germany





IT DICHIARAZIONE DI CONFORMITÀ EC

Techtronic Industries GmbH
Max-Eyth-Straße 10, 71364 Winnenden, Germany

Dichiaro sotto la nostra responsabilità che il prodotto

Sega da tavolo
Marca: Ryobi
Numero modello: RTS1800, RTS1800S, RTS1800ES, RTS1800EF
Gamma numero seriale:
RTS1800: 44424201000001 - 44424201999999
RTS1800S: 44424401000001 - 44424401999999
RTS1800ES: 44424501000001 - 44424501999999
RTS1800EF: 44424701000001 - 44424701999999

è conforme alle rilevanti norme indicate dalle seguenti direttive
2006/42/EC, 2004/108/EC(fino a 19 Apr. 2016), 2014/30/EU(fino a 20 Apr. 2016),
2011/65/EU

inoltre si dichiara quanto segue

Standard armonizzati:
EN 55014-1:2006+A1:2009+A2:2011, EN 55014-2:1997+A1:2001+A2:2008, EN
61000-3-2:2006+A1:2009+A2:2009, EN 61000-3-3:2013, EN 50581:2012

e standard:

IEC 62841-1:2014
Fpr EN 62841-1:2013 (BT148/DG9544/DV)
EN 62841-3-1:2014

sono stati utilizzati

Ente notificatore 2140, DEKRA Testing and Certification GmbH Enderstraße 92b 01277
Dresden Germany, ha svolto i test di conformità EC e il N. del certificato è 4812015.14002.

Andrew John Eyre (BEng, CEng, MIET)
Vice-Presidente, Dipartimento Regolazioni & Sicurezza
Winnenden, Oct. 15, 2014

Autorizzato per compilare il file tecnico:
Alexander Krug, Direttore Amministrativo
Techtronic Industries GmbH
Max-Eyth-Straße 10, 71364 Winnenden, Germany

NL EC CONFORMITEITSVERKLARING

Techtronic Industries GmbH
Max-Eyth-Straße 10, 71364 Winnenden, Germany

We verklaren hierbij onder exclusieve verantwoordelijkheid dat het product

Tafelzaag
Merk: Ryobi
Modelnummer: RTS1800, RTS1800S, RTS1800ES, RTS1800EF
Serienummerbereik:
RTS1800: 44424201000001 - 44424201999999
RTS1800S: 44424401000001 - 44424401999999
RTS1800ES: 44424501000001 - 44424501999999
RTS1800EF: 44424701000001 - 44424701999999

overeenstemt met de relevante bepalingen van de volgende richtlijnen
2006/42/EC, 2004/108/EC(tot 19 Apr. 2016), 2014/30/EU(vanaf 20 Apr. 2016),
2011/65/EU

*en bovendien verklaren wij hierbij dat de volgende
geharmoniseerde normen:*

EN 55014-1:2006+A1:2009+A2:2011, EN 55014-2:1997+A1:2001+A2:2008, EN
61000-3-2:2006+A1:2009+A2:2009, EN 61000-3-3:2013, EN 50581:2012

en normen:

IEC 62841-1:2014
Fpr EN 62841-1:2013 (BT148/DG9544/DV)
EN 62841-3-1:2014

worden toegepast.

Aangemelde instantie 2140, DEKRA Testing and Certification GmbH Enderstraße 92b
01277 Dresden Germany, heeft de EC-typegoedkeuring uitgevoerd en het certificaatnr.
is. 4812015.14002.

Andrew John Eyre (BEng, CEng, MIET)
Vice-president, Regelgeving en Veiligheid
Winnenden, Oct. 15, 2014

Afgevaardigde voor het samenstellen van de technische fiche:
Alexander Krug, Directeur
Techtronic Industries GmbH
Max-Eyth-Straße 10, 71364 Winnenden, Germany

PT DECLARAÇÃO EC DE CONFORMIDADE

Techtronic Industries GmbH
Max-Eyth-Straße 10, 71364 Winnenden, Germany

Declaramos sob a nossa responsabilidade que o produto

Serra de Mesa
Marca: Ryobi
Número do modelo: RTS1800, RTS1800S, RTS1800ES, RTS1800EF
Intervalo do número de série:
RTS1800: 44424201000001 - 44424201999999
RTS1800S: 44424401000001 - 44424401999999
RTS1800ES: 44424501000001 - 44424501999999
RTS1800EF: 44424701000001 - 44424701999999

encontra-se em conformidade com as disposições relevantes das diretivas seguintes
2006/42/EC, 2004/108/EC(até 19 Apr. 2016), 2014/30/EU(desde 20 Apr. 2016),
2011/65/EU

Além disso, declaramos que as seguintes

normas harmonizadas:
EN 55014-1:2006+A1:2009+A2:2011, EN 55014-2:1997+A1:2001+A2:2008, EN
61000-3-2:2006+A1:2009+A2:2009, EN 61000-3-3:2013, EN 50581:2012

e normas:

IEC 62841-1:2014
Fpr EN 62841-1:2013 (BT148/DG9544/DV)
EN 62841-3-1:2014

foram utilizadas.

Órgão notificado 2140, DEKRA Testing and Certification GmbH Enderstraße 92b 01277
Dresden Germany, realizou a aprovação tipo EC, e o certificado é o N° 4812015.14002.

Andrew John Eyre (BEng, CEng, MIET)
Vice-Presidente, Regulação & Segurança
Winnenden, Oct. 15, 2014

Autorizado para compilar o ficheiro técnico:
Alexander Krug, Administrador Executivo
Techtronic Industries GmbH
Max-Eyth-Straße 10, 71364 Winnenden, Germany

DA EC OVERENSSTEMMELSEERKLÆRING

Techtronic Industries GmbH
Max-Eyth-Straße 10, 71364 Winnenden, Germany

Vi erklærer under eget ansvar, at produktet

Bordsav
Brand: Ryobi
Modelnummer: RTS1800, RTS1800S, RTS1800ES, RTS1800EF
Serienummerområde:
RTS1800: 44424201000001 - 44424201999999
RTS1800S: 44424401000001 - 44424401999999
RTS1800ES: 44424501000001 - 44424501999999
RTS1800EF: 44424701000001 - 44424701999999

er i overensstemmelse med alle relevante bestemmelser i følgende direktiver
2006/42/EC, 2004/108/EC(indtil 19 Apr. 2016), 2014/30/EU(fra 20 Apr. 2016),
2011/65/EU

*Og vi erklærer desuden, at følgende
harmoniserede standarder:*

EN 55014-1:2006+A1:2009+A2:2011, EN 55014-2:1997+A1:2001+A2:2008, EN
61000-3-2:2006+A1:2009+A2:2009, EN 61000-3-3:2013, EN 50581:2012

og standarderne:

IEC 62841-1:2014
Fpr EN 62841-1:2013 (BT148/DG9544/DV)
EN 62841-3-1:2014

er blevet andt.

Bemyndiget organ 2140, DEKRA Testing and Certification GmbH Enderstraße 92b
01277 Dresden Germany, har foretaget EC-typegodkendelse, og certifikatnummeret er
4812015.14002.

Andrew John Eyre (BEng, CEng, MIET)
Vicepræsident, Regler og Sikkerhed
Winnenden, Oct. 15, 2014

Bemyndiget til at udarbejde det tekniske kartotek:
Alexander Krug, Administrerende Direktør
Techtronic Industries GmbH
Max-Eyth-Straße 10, 71364 Winnenden, Germany



(SV) EC-KONFORMITETSDEKLARATION

Technronic Industries GmbH
Max-Eyth-Straße 10, 71364 Winnenden, Germany

Vi intygar, med ansvar, att produkten

Bordssåg
Märke: Ryobi
Modellnummer: RTS1800, RTS1800S, RTS1800ES, RTS1800EF
Serienummerintervall:
RTS1800: 44424201000001 - 44424201999999
RTS1800S: 44424401000001 - 44424401999999
RTS1800ES: 44424501000001 - 44424501999999
RTS1800EF: 44424701000001 - 44424701999999

överensstämmer med relevanta riktlinjer i följande direktiv
2006/42/EC, 2004/108/EC(till och med 19 Apr. 2016), 2014/30/EU(från och med
20 Apr. 2016), 2011/65/EU

*Dessutom intygar vi att följande
harmoniserade standarder*

EN 55014-1:2006+A1:2009+A2:2011, EN 55014-2:1997+A1:2001+A2:2008, EN
61000-3-2:2006+A1:2009+A2:2009, EN 61000-3-3:2013, EN 50581:2012
och standarder:

IEC 62841-1:2014
Fpr EN 62841-1:2013 (BT148/DG9544/DV)
EN 62841-3-1:2014

har använts.

Anmält organ 2140, DEKRA Testing and Certification GmbH Enderstraße 92b
01277 Dresden Germany, har utfört EC-typgodkännandet och certifikatnumret är
4812015.14002 .

Andrew John Eyre (BEng, CEng, MIET)
Vice President, Regelverk och Säkerhet
Winnenden, Oct. 15, 2014

Godkänt att sammanställa den tekniska filen:
Alexander Krug, VD
Technronic Industries GmbH
Max-Eyth-Straße 10, 71364 Winnenden, Germany

CE

(NO) EC-SAMSVARSERKLÆRING

Technronic Industries GmbH
Max-Eyth-Straße 10, 71364 Winnenden, Germany

Vi erklærer under vårt ansvar at dette produktet

Bordsag
Merke: Ryobi
Modellnummer: RTS1800, RTS1800S, RTS1800ES, RTS1800EF
Serienummerserie:
RTS1800: 44424201000001 - 44424201999999
RTS1800S: 44424401000001 - 44424401999999
RTS1800ES: 44424501000001 - 44424501999999
RTS1800EF: 44424701000001 - 44424701999999

er i samsvar med relevante forskrifter i følgende direktiv
2006/42/EC, 2004/108/EC(til 19 Apr. 2016), 2014/30/EU(fra 20 Apr. 2016),
2011/65/EU

*I tillegg erklærer vi at følgende
harmoniserte standarder:*

EN 55014-1:2006+A1:2009+A2:2011, EN 55014-2:1997+A1:2001+A2:2008, EN
61000-3-2:2006+A1:2009+A2:2009, EN 61000-3-3:2013, EN 50581:2012

og standarder:

IEC 62841-1:2014
Fpr EN 62841-1:2013 (BT148/DG9544/DV)
EN 62841-3-1:2014

har blitt anvendt.

Teknisk kontrollorgan 2140, DEKRA Testing and Certification GmbH Enderstraße 92b
01277 Dresden Germany, har gjennomført EC typegodkjenning, og sertifikatnummeret
er 4812015.14002 .

Andrew John Eyre (BEng, CEng, MIET)
Visepresident, Forskrifter og Sikkerhet
Winnenden, Oct. 15, 2014

Autorisert til å sette sammen den tekniske filen:
Alexander Krug, Administrerende Direktor
Technronic Industries GmbH
Max-Eyth-Straße 10, 71364 Winnenden, Germany

CE

(FI) EC-SÄÄNNÖSTEN NOUDATTAMINEN

Technronic Industries GmbH
Max-Eyth-Straße 10, 71364 Winnenden, Germany

ilmoitamme täysin omalla vastuullamme, että tuote

Pyröösaha
Tuotemerkki: Ryobi
Mallinumero: RTS1800, RTS1800S, RTS1800ES, RTS1800EF
Sarjanumeroaalue:
RTS1800: 44424201000001 - 44424201999999
RTS1800S: 44424401000001 - 44424401999999
RTS1800ES: 44424501000001 - 44424501999999
RTS1800EF: 44424701000001 - 44424701999999

noudattaa seuraavien direktiivien asianmukaisia edellytyksiä
2006/42/EC, 2004/108/EC(19 Apr. 2016 saakka), 2014/30/EU(20 Apr. 2016
alkaen), 2011/65/EU

*Lisäksi ilmoitamme, että seuraavia
harmonisointistandardeja:*

EN 55014-1:2006+A1:2009+A2:2011, EN 55014-2:1997+A1:2001+A2:2008, EN
61000-3-2:2006+A1:2009+A2:2009, EN 61000-3-3:2013, EN 50581:2012

ja standardeja:

IEC 62841-1:2014
Fpr EN 62841-1:2013 (BT148/DG9544/DV)
EN 62841-3-1:2014

on käytetty.

Ilmoituksen saanut elin 2140, DEKRA Testing and Certification GmbH Enderstraße 92b
01277 Dresden Germany, on suorittanut EC-tyyppisen hyväksynnän, ja todistuksen
numero on 4812015.14002 .

Andrew John Eyre (BEng, CEng, MIET)
Varatoimitusjohtaja, Säästöstenmukaisuus ja Turvallisuus
Winnenden, Oct. 15, 2014

Valtuutettu kokoamaan tekninen tiedosto:
Alexander Krug, Toimitusjohtaja
Technronic Industries GmbH
Max-Eyth-Straße 10, 71364 Winnenden, Germany

CE

(RU) ЗАЯВЛЕНИЕ О СООТВЕТСТВИИ ТРЕБОВАНИЯМ ЕС

Technronic Industries GmbH
Max-Eyth-Straße 10, 71364 Winnenden, Germany

Мы заявляем под свою исключительную ответственность, что изделие

Отрезной станок со столом
Марка: Ryobi
Номер модели: RTS1800, RTS1800S, RTS1800ES, RTS1800EF
Диапазон заводских номеров:
RTS1800: 44424201000001 - 44424201999999
RTS1800S: 44424401000001 - 44424401999999
RTS1800ES: 44424501000001 - 44424501999999
RTS1800EF: 44424701000001 - 44424701999999

соответствует положениям следующих директив
2006/42/EC, 2004/108/EC(до 19 Apr. 2016), 2014/30/EU(с 20 Apr. 2016),
2011/65/EU

*И кроме того, мы заявляем, что следующие
согласованные стандарты:*

EN 55014-1:2006+A1:2009+A2:2011, EN 55014-2:1997+A1:2001+A2:2008, EN
61000-3-2:2006+A1:2009+A2:2009, EN 61000-3-3:2013, EN 50581:2012

и стандарты:

IEC 62841-1:2014
Fpr EN 62841-1:2013 (BT148/DG9544/DV)
EN 62841-3-1:2014

соблюдены.

DEKRA Testing and Certification GmbH Enderstraße 92b 01277 Dresden Germany,
выполнила утверждение типового образца по стандарту ЕС, номер сертификата
4812015.14002 .

Andrew John Eyre (BEng, CEng, MIET)
Вице-Президент По Технике Безопасности И Стандартам
Winnenden, Oct. 15, 2014

Лицо, ответственное за подготовку технической документации:
Alexander Krug, Директор
Technronic Industries GmbH
Max-Eyth-Straße 10, 71364 Winnenden, Germany

CE



PL DEKLARACJA ZGODNOŚCI EC

Technronic Industries GmbH
Max-Eyth-Straße 10, 71364 Winnenden, Germany

Deklarujemy z pełną odpowiedzialnością, że produkt

Pilarka stolowo-tarczowa
Marka: Ryobi
Numer modelu: RTS1800, RTS1800S, RTS1800ES, RTS1800EF
Zakres numerów seryjnych:
RTS1800: 44424201000001 - 44424201999999
RTS1800S: 44424401000001 - 44424401999999
RTS1800ES: 44424501000001 - 44424501999999
RTS1800EF: 44424701000001 - 44424701999999

jest zgodny z odpowiednimi przepisami następujących dyrektyw
2006/42/EC, 2004/108/EC(do 19 Apr. 2016), 2014/30/EU(od 19 Apr. 2016),
2011/65/EU

A ponadto, oświadczamy, że następujące

normy zharmonizowane:

EN 55014-1-2:2006+A1:2009+A2:2011, EN 55014-2:1997+A1:2001+A2:2008, EN
61000-3-2:2006+A1:2009+A2:2009, EN 61000-3-3:2013, EN 50581:2012

oraz normy:

IEC 62841-1:2014
Fpr EN 62841-1:2013 (BT148/DG9544/DV)
EN 62841-3-1:2014

zostały zastosowane.

Jednostka notyfikowana 2140, DEKRA Testing and Certification GmbH Enderstraße
92b 01277 Dresden Germany, potwierdziła zgodność z dyrektywami EC, nr certyfikat
4812015.14002 .

Andrew John Eyre (BEng, CEng, MIET)
Wiceprezes ds. Zgodności Prawnej i Bezpieczeństwa
Winnenden, Oct. 15, 2014

Osoba upoważniona do sporządzenia dokumentu technicznego:
Alexander Krug, Dyrektor Zarządzający
Technronic Industries GmbH
Max-Eyth-Straße 10, 71364 Winnenden, Germany

HU EC MEGFELELŐSÉGI NYILATKOZAT

Technronic Industries GmbH
Max-Eyth-Straße 10, 71364 Winnenden, Germany

Saját felelősségünk tudatában kijelentjük, hogy a termék:

Asztali körfűrész
Márka: Ryobi
Típusszám: RTS1800, RTS1800S, RTS1800ES, RTS1800EF
Sorozatszám tartomány:
RTS1800: 44424201000001 - 44424201999999
RTS1800S: 44424401000001 - 44424401999999
RTS1800ES: 44424501000001 - 44424501999999
RTS1800EF: 44424701000001 - 44424701999999

megfelel a következő irányelvek vonatkozó rendelkezéseinek
2006/42/EC, 2004/108/EC(2016 Arp. 19-ig), 2014/30/EU(2016 Apr. 19-től),
2011/65/EU

Továbbá kijelentjük, hogy a következő

harmonizált szabványok:

EN 55014-1-2:2006+A1:2009+A2:2011, EN 55014-2:1997+A1:2001+A2:2008, EN
61000-3-2:2006+A1:2009+A2:2009, EN 61000-3-3:2013, EN 50581:2012

és szabványok:

IEC 62841-1:2014
Fpr EN 62841-1:2013 (BT148/DG9544/DV)
EN 62841-3-1:2014

voltak felhasználva.

Az EC típusjóváahagyási eljárást a 2140, DEKRA Testing and Certification GmbH
Enderstraße 92b 01277 Dresden Germany, alatti tanúsító testület végezte; a tanúsítvány
száma 4812015.14002 .

Andrew John Eyre (BEng, CEng, MIET)
Alelnök, Megfelelőségi és Biztonsági Területek
Winnenden, Oct. 15, 2014

A műszaki dokumentáció összeállítására felhatalmazott:
Alexander Krug, Ügyvezető Igazgató
Technronic Industries GmbH
Max-Eyth-Straße 10, 71364 Winnenden, Germany

CS PROHLÁŠENÍ O SHODĚ EC

Technronic Industries GmbH
Max-Eyth-Straße 10, 71364 Winnenden, Germany

Tímto na svou výhradní odpovědnost prohlašujeme, že produkt

Stolová píla
Značka: Ryobi
Číslo modelu: RTS1800, RTS1800S, RTS1800ES, RTS1800EF
Rozsah sériových čísel:
RTS1800: 44424201000001 - 44424201999999
RTS1800S: 44424401000001 - 44424401999999
RTS1800ES: 44424501000001 - 44424501999999
RTS1800EF: 44424701000001 - 44424701999999

je v souladu s příslušnými ustanoveními následujících směrnic
2006/42/EC, 2004/108/EC(do 19 Apr. 2016), 2014/30/EU(od 20 Apr. 2016),
2011/65/EU

Navíc dále prohlašujeme, že

byly zohledněny harmonizované normy:

EN 55014-1-2:2006+A1:2009+A2:2011, EN 55014-2:1997+A1:2001+A2:2008, EN
61000-3-2:2006+A1:2009+A2:2009, EN 61000-3-3:2013, EN 50581:2012

a normy:

IEC 62841-1:2014
Fpr EN 62841-1:2013 (BT148/DG9544/DV)
EN 62841-3-1:2014

Byly zohledněny.

Úředně oznámený orgán 2140, DEKRA Testing and Certification GmbH Enderstraße
92b 01277 Dresden Germany, provedl typovou zkoušku EC a vystavil osvědčení č
4812015.14002 .

Andrew John Eyre (BEng, CEng, MIET)
Viceprezident, Normy a Bezpečnost
Winnenden, Oct. 15, 2014

Pověření ke kompilaci technického souboru:
Alexander Krug, Generální Ředitel
Technronic Industries GmbH
Max-Eyth-Straße 10, 71364 Winnenden, Germany

RO DECLARAȚIE DE CONFORMITATE EC

Technronic Industries GmbH
Max-Eyth-Straße 10, 71364 Winnenden, Germany

Declarăm sub propria noastră responsabilitate că acest produs

Ferăstrău circular cu masa
Mărcă: Ryobi
Număr serie: RTS1800, RTS1800S, RTS1800ES, RTS1800EF
Gamă număr serie:
RTS1800: 44424201000001 - 44424201999999
RTS1800S: 44424401000001 - 44424401999999
RTS1800ES: 44424501000001 - 44424501999999
RTS1800EF: 44424701000001 - 44424701999999

este în conformitate cu prevederile relevante ale următoarelor directive
2006/42/EC, 2004/108/EC(până la 19 Apr. 2016), 2014/30/EU(de la 20 Apr. 2016),
2011/65/EU

Mai mult, declarăm că următoarele

standarde armonizate:

EN 55014-1-2:2006+A1:2009+A2:2011, EN 55014-2:1997+A1:2001+A2:2008, EN
61000-3-2:2006+A1:2009+A2:2009, EN 61000-3-3:2013, EN 50581:2012

și standardele:

IEC 62841-1:2014
Fpr EN 62841-1:2013 (BT148/DG9544/DV)
EN 62841-3-1:2014

au fost folosite.

Agenția notificată 2140, DEKRA Testing and Certification GmbH Enderstraße 92b 01277
Dresden Germany, a efectuat o procedură de aprobare tip EC, iar nr. certificatului este
4812015.14002 .

Andrew John Eyre (BEng, CEng, MIET)
Vicepreședinte, Reglementare & Siguranță
Winnenden, Oct. 15, 2014

Autorizat să completeze fișa tehnică:
Alexander Krug, Director General
Technronic Industries GmbH
Max-Eyth-Straße 10, 71364 Winnenden, Germany



**LV EC ATBILSTĪBAS DEKLARĀCIJA**

Techtronic Industries GmbH
Max-Eyth-Straße 10, 71364 Winnenden, Germany

Mēs uzņemamies atbildību, ka produkts

Galda zāģis
Zīmols: Ryobi
Modeļa numurs: RTS1800, RTS1800S, RTS1800ES, RTS1800EF
Sērijas numura intervāls:
RTS1800: 44424201000001 - 44424201999999
RTS1800S: 44424401000001 - 44424401999999
RTS1800ES: 44424501000001 - 44424501999999
RTS1800EF: 44424701000001 - 44424701999999

atbilst attiecīgajiem turpmāk minētās direktīvas noteikumiem

2006/42/EC, 2004/108/EC(līdz 19 Apr. 2016), 2014/30/EU(no 20 Apr. 2016), 2011/65/EU

Kā arī mēs paziņojam, ka turpmākie**saskaņotie standarti:**

EN 55014-1:2006+A1:2009+A2:2011, EN 55014-2:1997+A1:2001+A2:2008, EN 61000-3-2:2006+A1:2009+A2:2009, EN 61000-3-3:2013, EN 50581:2012

un standarti:

IEC 62841-1:2014
Fpr EN 62841-1:2013 (BT148/DG9544/DV)
EN 62841-3-1:2014

ir izmantoti.

Informētā iestāde 2140, DEKRA Testing and Certification GmbH Enderstraße 92b 01277 Dresden Germany, ir veikusi EC tipa pārbaudi, un sertifikāta Nr. IR 4812015.14002.

Andrew John Eyre (BEng, CEng, MIET)
Viceprezidents, Darba Drošības Noteikumi
Winnenden, Oct. 15, 2014

Pilnvarots sastādīt tehnisko failu:

Alexander Krug, Izpilddirektors
Techtronic Industries GmbH
Max-Eyth-Straße 10, 71364 Winnenden, Germany

CE**ET EC VASTAVUSDEKLARĀTSIOON**

Techtronic Industries GmbH
Max-Eyth-Straße 10, 71364 Winnenden, Germany

Kinnitame oma vastutusele, et toode

Saepink
Mark: Ryobi
Mudeli number: RTS1800, RTS1800S, RTS1800ES, RTS1800EF
Sērienumbri vahemik:
RTS1800: 44424201000001 - 44424201999999
RTS1800S: 44424401000001 - 44424401999999
RTS1800ES: 44424501000001 - 44424501999999
RTS1800EF: 44424701000001 - 44424701999999

vastab järgmistele direktiivide asjakohastele nõuetele

2006/42/EC, 2004/108/EC(kuni 19 Apr. 2016), 2014/30/EU(alates 19 Apr. 2016), 2011/65/EU

Lisaks deklareerime, et on järgitud harmoniseeritud standardite:

EN 55014-1:2006+A1:2009+A2:2011, EN 55014-2:1997+A1:2001+A2:2008, EN 61000-3-2:2006+A1:2009+A2:2009, EN 61000-3-3:2013, EN 50581:2012

ja standardite:

IEC 62841-1:2014
Fpr EN 62841-1:2013 (BT148/DG9544/DV)
EN 62841-3-1:2014

nõudeid.

Tunnustatud asutus 2140, DEKRA Testing and Certification GmbH Enderstraße 92b 01277 Dresden Germany, on läbi viinud EC tüübikinnustustingitud ja välja andnud sertifikadi nr 4812015.14002.

Andrew John Eyre (BEng, CEng, MIET)
Asepresident Standardiseerimise Ja Ohutuse Alal
Winnenden, Oct. 15, 2014

Tehnilise faili koostamiseks volitatud isik:

Alexander Krug, Tegevdirektor
Techtronic Industries GmbH
Max-Eyth-Straße 10, 71364 Winnenden, Germany

CE**LT EC ATITIKTIES PAREIŠKIMAS**

Techtronic Industries GmbH
Max-Eyth-Straße 10, 71364 Winnenden, Germany

Atsakingai pareiškiamė, kad gaminytis

Pjovimo staklės
Prekės ženklas: Ryobi
Modelio numeris: RTS1800, RTS1800S, RTS1800ES, RTS1800EF
Serijinio numerio diapazonas:
RTS1800: 44424201000001 - 44424201999999
RTS1800S: 44424401000001 - 44424401999999
RTS1800ES: 44424501000001 - 44424501999999
RTS1800EF: 44424701000001 - 44424701999999

atitinka taikomas toliau nurodytų direktyvų nuostatas

2006/42/EC, 2004/108/EC(iki 2016 m. Apr. 19 d.), 2014/30/EU(nuo 2016 m. Apr. 20 d.), 2011/65/EU

Be to, informuojame, kad toliau nurodyti**suderintieji standartai:**

EN 55014-1:2006+A1:2009+A2:2011, EN 55014-2:1997+A1:2001+A2:2008, EN 61000-3-2:2006+A1:2009+A2:2009, EN 61000-3-3:2013, EN 50581:2012

ir standartai:

IEC 62841-1:2014
Fpr EN 62841-1:2013 (BT148/DG9544/DV)
EN 62841-3-1:2014

buvo taikomi.

Notifikuoti įstaiga 2140, DEKRA Testing and Certification GmbH Enderstraße 92b 01277 Dresden Germany, atliko EC tipo patvirtinimą. Pažymėjimo numeris 4812015.14002.

Andrew John Eyre (BEng, CEng, MIET)
Kontrolės Ir Saugos Viceprezidentas
Winnenden, Oct. 15, 2014

Įgaliotas sudaryti techninį failą:

Alexander Krug, Generalinis Direktorius
Techtronic Industries GmbH
Max-Eyth-Straße 10, 71364 Winnenden, Germany

CE**HR EC IZJAVA O USKLAĐENOSTI**

Techtronic Industries GmbH
Max-Eyth-Straße 10, 71364 Winnenden, Germany

Izjavljujemo pod punom odgovornošću da je proizvod

Stolina pila
Marka: Ryobi
Broj modela: RTS1800, RTS1800S, RTS1800ES, RTS1800EF
Raspon serijskog broja:
RTS1800: 44424201000001 - 44424201999999
RTS1800S: 44424401000001 - 44424401999999
RTS1800ES: 44424501000001 - 44424501999999
RTS1800EF: 44424701000001 - 44424701999999

usklađen s relevantnim odredbama sljedećih direktiva

2006/42/EC, 2004/108/EC(do 19 Apr. 2016), 2014/30/EU(da 20 Apr. 2016), 2011/65/EU

Nadalje, izjavljujemo da su usklađene**sljedeće norme:**

EN 55014-1:2006+A1:2009+A2:2011, EN 55014-2:1997+A1:2001+A2:2008, EN 61000-3-2:2006+A1:2009+A2:2009, EN 61000-3-3:2013, EN 50581:2012

i norme:

IEC 62841-1:2014
Fpr EN 62841-1:2013 (BT148/DG9544/DV)
EN 62841-3-1:2014

su korištene:

Nadzorno tijelo 2140, DEKRA Testing and Certification GmbH Enderstraße 92b 01277 Dresden Germany, izdalo je odobrenje tipa EC i broj certifikata je 4812015.14002.

Andrew John Eyre (BEng, CEng, MIET)
Potpredsjednik za Pravila i Sigurnost
Winnenden, Oct. 15, 2014

Ovlašten da sastavi tehničku datoteku:

Alexander Krug, Direktor Upravljanja
Techtronic Industries GmbH
Max-Eyth-Straße 10, 71364 Winnenden, Germany

CE

**SL** IZJAVA EC O SKLADNOSTI

Techtronic Industries GmbH
Max-Eyth-Straße 10, 71364 Winnenden, Germany

Na lastno odgovornost izjavljamo, da je izdelek

Namizna žaga
Znamka: Ryobi
Številka modela: RTS1800, RTS1800S, RTS1800ES, RTS1800EF
Razpon serijskih števil:
RTS1800: 44424201000001 - 44424201999999
RTS1800S: 44424401000001 - 44424401999999
RTS1800ES: 44424501000001 - 44424501999999
RTS1800EF: 44424701000001 - 44424701999999

skladen v veljavnimi določili naslednjih direktiv
2006/42/EC, 2004/108/EC(do 19 Apr. 2016), 2014/30/EU(od 20 Apr. 2016),
2011/65/EU

Poleg tega izjavljamo, da so bili uporabljeni naslednji
usklašeni standardi:

EN 55014-1:2006+A1:2009+A2:2011, EN 55014-2:1997+A1:2001+A2:2008,
EN 61000-3-2:2006+A1:2009+A2:2009, EN 61000-3-3:2013, EN 50581:2012

in standardi:

IEC 62841-1:2014
Fpr EN 62841-1:2013 (BT148/DG9544/DV)
EN 62841-3-1:2014

Priglašeni organ 2140, DEKRA Testing and Certification GmbH Enderstraße 92b 01277
Dresden Germany, je izvedel EC homologacijo, številka certifikata pa je 4812015.14002.

Andrew John Eyre (BEng, CEng, MIET)
Podpredsednik, Zakonodajne In Varnostne Zadeve
Winnenden, Oct. 15, 2014

Pooblaščenca oseba za sestavo tehnične dokumentacije:
Alexander Krug, Izvršni Direktor
Techtronic Industries GmbH
Max-Eyth-Straße 10, 71364 Winnenden, Germany

CE**EL** ΕΚ ΔΗΛΩΣΗ ΣΥΜΜΟΡΦΩΣΗΣ

Techtronic Industries GmbH
Max-Eyth-Straße 10, 71364 Winnenden, Germany

Δηλώνουμε κατ' αποκλειστική μας ευθύνη ότι το προϊόν

Επιτραπέζιος Κόπτης
Μάρκα: Ryobi
Αριθμός μοντέλου: RTS1800, RTS1800S, RTS1800ES, RTS1800EF
Εύρος σειριακών αριθμών:
RTS1800: 44424201000001 - 44424201999999
RTS1800S: 44424401000001 - 44424401999999
RTS1800ES: 44424501000001 - 44424501999999
RTS1800EF: 44424701000001 - 44424701999999

είναι σύμφωνο με τις σχετικές διατάξεις των παρακάτω οδηγιών
2006/42/EC, 2004/108/EC(έως 19 Apr. 2016), 2014/30/EU(από 20 Apr. 2016),
2011/65/EU

Και επιπλέον δηλώνουμε ότι τα παρακάτω
εναρμονισμένα πρότυπα:

EN 55014-1:2006+A1:2009+A2:2011, EN 55014-2:1997+A1:2001+A2:2008,
EN 61000-3-2:2006+A1:2009+A2:2009, EN 61000-3-3:2013, EN 50581:2012

και πρότυπα:

IEC 62841-1:2014
Fpr EN 62841-1:2013 (BT148/DG9544/DV)
EN 62841-3-1:2014

έχουν εφαρμοστεί.

Κοινοποιημένος Οργανισμός: DEKRA Testing and Certification GmbH Enderstraße
92b 01277 Dresden Germany Ap. Κοινοποιημένος Οργανισμός: 2140
Ap. πιστοποιητικού: 4812015.14002

Andrew John Eyre (BEng, CEng, MIET)
Αντιπρόεδρος, Τμήμα Ρυθμίσεων & Ασφάλειας
Winnenden, Oct. 15, 2014

Εξουσιοδοτημένο άτομο για σύνταξη τεχνικού αρχείου:
Alexander Krug, Διευθυντής Σύμβουλος
Techtronic Industries GmbH
Max-Eyth-Straße 10, 71364 Winnenden, Germany

CE**SK** PREHLÁSENIE O ZHODE EC

Techtronic Industries GmbH
Max-Eyth-Straße 10, 71364 Winnenden, Germany

Vyhlasujeme na vlastnú zodpovednosť, že tento produkt

Stolová píla
Značka: Ryobi
Číslo modelu: RTS1800, RTS1800S, RTS1800ES, RTS1800EF
Rozsah sériových čísel:
RTS1800: 44424201000001 - 44424201999999
RTS1800S: 44424401000001 - 44424401999999
RTS1800ES: 44424501000001 - 44424501999999
RTS1800EF: 44424701000001 - 44424701999999

je v súlade s platnými ustanoveniami nasledujúcich smerníc
2006/42/EC, 2004/108/EC(do 19 Apr. 2016), 2014/30/EU(od 20 Apr. 2016),
2011/65/EU

A ďalej vyhlasujeme, že boli použité
nasledujúce harmonizované normy:

EN 55014-1:2006+A1:2009+A2:2011, EN 55014-2:1997+A1:2001+A2:2008,
EN 61000-3-2:2006+A1:2009+A2:2009, EN 61000-3-3:2013, EN 50581:2012

a normy:

IEC 62841-1:2014
Fpr EN 62841-1:2013 (BT148/DG9544/DV)
EN 62841-3-1:2014

Upovedomený orgán 2140, DEKRA Testing and Certification GmbH Enderstraße
92b 01277 Dresden Germany, previedol schválenie typu EC a certifikáciu č
4812015.14002.

Andrew John Eyre (BEng, CEng, MIET)
Viceprezident, Regulácia a Bezpečnosť
Winnenden, Oct. 15, 2014

Oprávnená osoba na zostavenie technického súboru:
Alexander Krug, Generálny Riaditeľ
Techtronic Industries GmbH
Max-Eyth-Straße 10, 71364 Winnenden, Germany

CE**TR** EC UYGUNLUK BEYANI

Techtronic Industries GmbH
Max-Eyth-Straße 10, 71364 Winnenden, Germany

Ürünün aşağıdaki direktiflerin ilgili hükümleri

Testlere tezgahi
Marka: Ryobi
Model numarasi: RTS1800, RTS1800S, RTS1800ES, RTS1800EF
Seri numarasi araligi:
RTS1800: 44424201000001 - 44424201999999
RTS1800S: 44424401000001 - 44424401999999
RTS1800ES: 44424501000001 - 44424501999999
RTS1800EF: 44424701000001 - 44424701999999

ile uyumlu olduğuna dair sorumluluk bize aittir.
2006/42/EC, 2004/108/EC(19 Apr. 2016'ya kadar), 2014/30/EU(20 Apr.
2016'dan), 2011/65/EU

Ayrıca aşağıdaki
uyumlaştırılmış standartları da beyan ederiz:

EN 55014-1:2006+A1:2009+A2:2011, EN 55014-2:1997+A1:2001+A2:2008,
EN 61000-3-2:2006+A1:2009+A2:2009, EN 61000-3-3:2013, EN 50581:2012

ve şu standartlar:

IEC 62841-1:2014
Fpr EN 62841-1:2013 (BT148/DG9544/DV)
EN 62841-3-1:2014

kullanılmıştır.

Onaylanmış kuruluş: TÜV Rheinland LGA Products GmbH Tillystraße 2 - 90431
Nürnberg, Germany. Onaylanmış kuruluş No: 2140
Sertifika No: 4812015.14002

Andrew John Eyre (BEng, CEng, MIET)
Başkan Vekili, Düzenleme ve Güvenlik
Winnenden, Oct. 15, 2014

Teknik dosya hazırlamaya yetkilidir:
Alexander Krug, Genel Müdür
Techtronic Industries GmbH
Max-Eyth-Straße 10, 71364 Winnenden, Germany

CE

130.com.ua

130.com.ua



130.com.ua