



PHONES

0 (800) 800 130
(050) 462 0 130
(063) 462 0 130
(067) 462 0 130

130
COM.UA

Internet store of
autogoods



SKYPE

km-130

CAR RECEIVERS — Receivers • Media receivers and stations • Native receivers • CD/DVD changers • FM-modulators/USB adapters • Flash memory • Facia plates and adapters • Antennas • Accessories |
CAR AUDIO — Car audio speakers • Amplifiers • Subwoofers • Processors • Crossovers • Headphones • Accessories | TRIP COMPUTERS — Universal computers • Model computers • Accessories |
GPS NAVIGATORS — Portable GPS • Built-in GPS • GPS modules • GPS trackers • Antennas for GPS navigators • Accessories | VIDEO — DVR • TV sets and monitors • Car TV tuners • Cameras • Videomodules
• Transcoders • Car TV antennas • Accessories | SECURITY SYSTEMS — Car alarms • Bike alarms • Mechanical blockers • Immobilizers • Sensors • Accessories | OPTIC AND LIGHT — Xenon • Bixenon • Lamps
• LED • Stroboscopes • Optic and Headlights • Washers • Light, rain sensors • Accessories | PARKTRONICS AND MIRRORS — Rear parktronic • Front parktronic • Combined parktronic • Rear-view mirrors
• Accessories | HEATING AND COOLING — Seat heaters • Mirrors heaters • Screen-wipers heaters • Engine heaters • Auto-refrigerators • Air conditioning units • Accessories | TUNING — Vibro-isolation
• Noise-isolation • Tint films • Accessories | ACCESSORIES — Radar-detectors • Handsfree, Bluetooth • Windowlifters • Compressors • Beeps, loudspeakers • Measuring instruments • Cleaners • Car seats
• Miscellaneous | MOUNTING — Installation kits • Upholstery • Grilles • Tubes • Cable and wire • Tools • Miscellaneous | POWER — Batteries • Converters • Start-charging equipment • Capacitors
• Accessories | MARINE AUDIO AND ELECTRONICS — Marine receivers • Marine audio speakers • Marine subwoofers • Marine amplifiers • Accessories | CAR CARE PRODUCTS — Additives • Washer fluid •
Care accessories • Car polish • Flavors • Adhesives and sealants | LIQUID AND OIL — Motor oil • Transmission oil • Brake fluid • Antifreeze • Technical lubricant



In store "130" you can find and buy almost all necessary goods for your auto in Kyiv and other cities, delivery by ground and postal services. Our experienced consultants will provide you with exhaustive information and help you to choose the very particular thing. We are waiting for you at the address

<https://130.com.ua>

RYOBI®

RSS280

ORIGINAL INSTRUCTIONS
TRADUCTION DES INSTRUCTIONS ORIGINALES
ÜBERSETZUNG DER ORIGINALANLEITUNG
TRADUCCIÓN DE LAS INSTRUCCIONES ORIGINALES
TRADUZIONE DELLE ISTRUZIONI ORIGINALI
VERTALING VAN DE ORIGINELE INSTRUCTIES
TRADUÇÃO DAS INSTRUÇÕES ORIGINAIS
OVERSETTELSE AF DE ORIGINELE INSTRUKTIONER
ÖVERSÄTTNING AV DE URSPRUNGLIGA INSTRUKTIONERNA
ALKUPERÄISTEN OHJEIDEN SUOMENNO
OVERSETTELSE AV DE ORIGINELE INSTRUKSJONENE
ПЕРЕВОД ОРИГИНАЛЬНЫХ ИНСТРУКЦИЙ
TŁUMACZENIE INSTRUKCJI ORYGINALNEJ
PŘEKLAD ORIGINÁLNÍCH POKYNŮ
AZ EREDETI ÚTMUTATÓ FORDÍTÁSA
TRADUCEREA INSTRUCȚIUNILOR ORIGINALE
TULKOTS NO ORIGINĀLĀS INSTRUKCIJAS
ORIGINALIŲ INSTRUKCIJŲ VERTIMAS
ORIGINAALJUHENDI TÕLGE
PRIJEVOD ORIGINALNIH UPUTA
PREVOD ORIGINALNIH NAVODIL
PREKĽAD ORIGINĀLNÝCH POKYNOV
ПРЕВОД ОТ ОРИГИНАЛНИТЕ ИНСТРУКЦИИ
PEREKĽAD OРИГИНАЛЬНИХ ІНСТРУКЦІЙ
ORIJ NAL TALIMATLARIN TERCÜMESİ
ΜΕΤΑΦΡΑΣΗ ΤΩΝ ΠΡΩΤΟΤΥΠΩΝ ΟΔΗΓΙΩΝ



EN
FR
DE
ES
IT
NL
PT
DA
SV
FI
NO
RU
PL
CS
HU
RO
LV
LT
ET
HR
SL
SK
BG
UK
TR
EL





- Important!** It is essential that you read the instructions in this manual before assembling, maintaining and operating the product.
- Attention!** Il est essentiel que vous lisiez les instructions contenues dans ce manuel avant d'assembler, d'entretenir et d'utiliser le produit.
- Achtung!** Es ist wichtig, dass Sie vor Zusammenbau, Wartung und Benutzung des Produktes die Anweisungen in dieser Anleitung lesen.
- ¡Atención!** Resulta fundamental que lea este manual de instrucciones antes de realizar el montaje, el mantenimiento y de utilizar este producto
- Attenzione!** È importante leggere le istruzioni contenute nel presente manuale prima di montare il prodotto, svolgere le operazioni di manutenzione sullo stesso e metterlo in funzione.
- Let op!** Het is van essentieel belang dat u de instructies in deze gebruiksaanwijzing leest voor u het product monteert, onderhoudt en gebruikt.
- Atenção!** É fundamental que leia as instruções deste manual antes da montagem, manutenção e operação do aparelho.
- OBS!** Det er vigtigt, at man læser instrukserne i denne brugsanvisning, inden man samler, vedligeholder og betjener produktet.
- Observera!** Det är viktigt att du läser instruktionerna i manualen före montering, användning och underhåll av produkten.
- Huomio!** On tärkeää, että luet tämän käsikirjan ohjeet ennen tuotteen kokoamista, huoltoa ja käyttöä.
- Advarsel!** Det er viktig at du leser instruksjonene i denne manualen før sammensetning, vedlikehold og bruk av produktet
- Внимание!** Необходимо прочитать инструкции в данном руководстве перед сборкой, обслуживанием и эксплуатацией этого изделия.
- Uwaga!** Koniecznie należy przeczytać instrukcje zawarte w tym podręczniku przed montażem, obsługą oraz konserwacją produktu.
- Důležité upozornění!** Neinstalujte, neprovádějte údržbu ani nepoužívejte tento výrobek dřív, než si přečtete pokyny uvedené v tomto návodu.
- Figyelem!** Fontos, hogy a termék összeszerelése, karbantartása és használatá elött elolvassa a kézikönyvben található utasításokat.
- Atenție!** Este esențial să citiți instrucțiunile din acest manual înainte de asamblare, efectuarea întreținerii și operarea produsului.
- Uzmanību!** Ir svarīgi izlasīt šīs rokasgrāmatas instrukcijas pirms uzstādīšanas, apkopes un preces darbināšanas.
- Děmesio!** Prieš surenkant, prižiūrint ir naudojant gaminį, būtina perskaityti šiam vadove pateiktus nurodymus.
- Tähtis!** Enne masina kokkupanekut, hooldamist ja kasutama hakkamist tuleb käesolevas juhendis esitatud juhised kindlasti läbi lugeda.
- Upozorenie!** Vrlo je važno da ste prije sklapanja, održavanja i rada s ovim proizvodom pročitali upute u ovom priručniku.
- Pomembno!** Pomembno je da pred montažo vzdrževanjem in uporabo tega izdelka preberete navodila v tem priručniku.
- Upozornenie!** Je dôležité, aby ste si pred montážou, údržbou a obsluhou produktu prečítali pokyny v tomto návode.
- Важно!** Исключительно важно е да прочетете инструкциите в настоящото ръководство, преди да преминете към сглобяване, поддръжка или работа с продукта.
- Важливо!** Дуже важливо, щоб ви прочитали інструкції в цьому керівництві перед складанням, обслуговуванням та експлуатацією цієї машини.
- Dikkat!** Ürünün montajını, bakımını yapmadan ve ürünü çalıştırmadan önce bu kılavuzda yer alan talimatları okumanız önemlidir.
- Προσοχή!** Είναι πολύ σημαντικό να διαβάσετε τις οδηγίες στο παρόν εγχειρίδιο πριν συναρμολογήσετε, συντηρήσετε ή λειτουργήσετε το προϊόν.

Subject to technical modification | Sous réserve de modifications techniques | Technische Änderungen vorbehalten | Bajo reserva de modificaciones técnicas | Con riserva di eventuali modifiche tecniche | Technische wijzigingen voorbehouden | Com reserva de modificações técnicas | Med forbehold for tekniske ændringer | Med förbehåll för tekniska ändringar | Tekniset muutokset varataan | Med forbehold om tekniske ændringer | могут быть внесены технические изменения | Z zastrzeżeniem modyfikacji technicznych | Změny technických údajů vyhrazeny | A műszaki módosítás jogát fenntartjuk | Sub rezerva modifiцаiilor tehnice | Paturam tiesības mainīt tehnisko raksturlielumus | Pasiliekan teisę daryti techninius pakeitimus | Tehnilised muudatused võimalikud | Podložno tehničkim promjenama | Tehnične spremembe dopuščene | Právo na technické zmeny je vyhradené | Подлежи на технически модификации | Є об'єктом для технічних змін | Teknik değişiklik hakkı saklıdır | Υπό την επιφύλαξη τεχνικών τροποποιήσεων





Safety, performance, and dependability have been given top priority in the design of your 1/3 sheet sander.

INTENDED USE

The 1/3 sheet sander is intended for sanding and finishing metal, wood, plastic or similar materials using the abrasive pads or sheets provided. The 1/3 sheet sander is intended to be used by adult operators who have read the instruction manual and understand the risks and hazards. The 1/3 sheet sander should only be used in well ventilated areas. The 1/3 sheet sander is designed for dry sanding only.

The 1/3 sheet sander is intended only for consumer use. Do not use the product in any way other than those stated in intended use. Use of the product for operations different from intended could result in a hazardous situation.

⚠ WARNING

Read all safety warnings, instructions, illustrations and specifications provided with this power tool.
Failure to follow all instructions listed below may result in electric shock, fire and/or serious injury.

Save all warnings and instructions for future reference.

SHEET SANDER SAFETY WARNINGS

- **Always wear safety goggles and a dust mask.**
- **A suitable breathing respirator must be worn while sanding lead paint, some woods and metal to avoid breathing the harmful/toxic dust or air.** Contact with or inhalation of dust produced from these materials can endanger the health of operator and bystanders.
- Do not throw sanding dust on an open fire because materials in fine particle form may be explosive.
- **The product is not suitable for wet sanding.**
- When not in use, all tools should be disconnected from power source.
- Caution, fire hazard! Avoid overheating the object being sanded as well as the sander. Always empty the dust collector before taking breaks.
- **Clamp workpiece with a clamping device.** Unclamped workpieces can cause severe injury and damage. Do not hold the material you are sanding by hand.
- Do not apply excessive pressure to the product.
- **Do not use sanding paper larger than needed.** Extra paper extending beyond the sanding pad can also cause serious lacerations.
- **The dust collection box shall be equipped with the tool.** It should be emptied frequently. To connect dust collection box, insert the adapter of dust box to the dust-collection opening on the rear end of the sander.
- The product will restart automatically if stalled. Switch off the product immediately if it stalls. Do not switch on the product again while it is still stalled, as doing so could trigger a sudden recoil with a high reactive force. Determine why the product stalled and rectify this, paying heed to the safety instructions.

⚠ WARNING

Do not throw sanding dust into an open fire because materials in fine particle form may be explosive.

⚠ WARNING

A suitable breathing respirator must be worn while sanding lead paint, some woods and metal to avoid breathing the harmful/toxic dust or air.

⚠ WARNING

Dust from certain paints, coatings, and materials may cause irritation or allergic reactions. Dust from wood, such as oak, beech, MDF, and others are carcinogenic. Materials containing asbestos should only be worked on or processed by qualified specialist operators.

RESIDUAL RISKS

Even when the product is used as prescribed, it is still impossible to completely eliminate certain residual risk factors. The following hazards may arise and the operator should pay special attention to avoid the following:

- Injury caused by dust
 - Using the product will produce considerable amount of dust and fine particles. Use the dust collection device or connect a dust extraction vacuum when operating the product. Wear dust masks containing filters appropriate to the materials being worked on. Ensure adequate workplace ventilation. Do not eat, drink, or smoke in the work area.
- Injury caused by noise and vibration
 - Wear ear protection during the sanding operation. Do not operate the product for long periods of time. See "Risk reduction".

RISK REDUCTION

It has been reported that vibrations from handheld tools may contribute to a condition called Raynaud's Syndrome in certain individuals. Symptoms may include tingling, numbness and blanching of the fingers, usually apparent upon exposure to cold. Hereditary factors, exposure to cold and dampness, diet, smoking and work practices are all thought to contribute to the development of these symptoms. There are measures that can be taken by the operator to possibly reduce the effects of vibration:

- Keep your body warm in cold weather. When operating the unit wear gloves to keep the hands and wrists warm. It is reported that cold weather is a major factor contributing to Raynaud's Syndrome.
- After each period of operation, exercise to increase blood circulation.
- Take frequent work breaks. Limit the amount of exposure per day.

If you experience any of the symptoms of this condition, immediately discontinue use and see your doctor about these symptoms.

EN
FR
DE
ES
IT
NL
PT
DA
SV
FI
NO
RU
PL
CS
HU
RO
LV
LT
ET
HR
SL
SK
BG
UK
TR
EL



WARNING

Injuries may be caused or aggravated by prolonged use of a tool. When using any tool for prolonged periods, ensure you take regular breaks.

KNOW YOUR PRODUCT

See page 93.

1. On/off switch
2. Variable speed control selector
3. 1/3 Sheet pad
4. Paper Clamp
5. Dust collection box
6. Handle, insulated gripping surface
7. Adhesive sandpaper
8. Non-adhesive sandpaper

SANDPAPER SELECTION

Selecting the correct size, grit and type of sand paper is an extremely important step in achieving a high quality sanded finish. Aluminum oxide, silicon carbide, and other synthetic abrasives are best for power sanding. Natural abrasives, such as flint and garnet are too soft for economical use in power sanding.

In general, coarse grit will remove the most material and finer grit will produce the best finish in all sanding operations. The condition of the surface to be sanded will determine which grit will do the job. If the surface is rough, start with a coarse grit and sand until the surface is uniform. Medium grit may then be used to remove scratches left by the coarser grit and finer grit used for finishing of the surface. Always continue sanding with each grit until surface is uniform.

WARNING

Do not use sander without sandpaper; doing so will damage the cushion.

Sheet/pad recommended use

80-grit sanding sheet	Coarse sanding
120-grit sanding sheet	Light sanding
150-grit sanding sheet	Light sanding

MAINTENANCE

WARNING

The product should never be connected to a power supply when assembling parts, making adjustments, cleaning, performing maintenance, or when the product is not in use. Disconnecting the product from the power supply will prevent accidental starting that could cause serious injury.

- When servicing, use only identical RYOBI replacement parts. Use of any other parts may create a hazard or cause product damage.

- Avoid using solvents when cleaning plastic parts. Most plastics are susceptible to various types of commercial solvents and may be damaged by their use. Use clean cloths to remove dirt, carbon dust, etc.
- Do not at any time let brake fluids, gasoline, petroleum-based products, penetrating oils, etc., come in contact with plastic parts. They contain chemicals that can damage, weaken or destroy plastic.
- Always wear safety goggles or safety glasses with side shields during power tool operation or when blowing dust. If operation is dusty, also wear a dust mask.
- If the power supply cord is damaged, it must be replaced only by the manufacturer or by an authorized service center to avoid risk. Contact authorized service center.
- For greater safety and reliability, all repairs should be performed by an Authorized RYOBI Service Centre.

WARNING

Electrical tools used on fiberglass material, wallboard, spackling compounds, or plaster are subject to accelerated wear and possible premature failure because the fiberglass chips and grindings are highly abrasive to bearings, brushes, commutators, etc. We do not recommend using the product for extended work on these types of materials.

WARNING

Do not use compressed air to blow dust from the product. This practice is dangerous and can cause dirt and grit to be blasted into someone's eyes, causing injury.

LUBRICATION

All of the bearings in the product are lubricated with a sufficient amount of high grade lubricant for the life span of the product under normal operating conditions. Therefore, no further lubrication is required.

CLEANING THE SANDING SHEETS

The sanding sheets that come with the product are made to be re-used. Therefore, it is important that they be cleaned periodically to remove sanding residue and foreign material that can accumulate over time.

To clean sanding sheets, rub the sheets with a hard rubber block. You can also use the clean rubber sole of a shoe.

ENVIRONMENTAL PROTECTION



Recycle raw materials instead of disposing of as waste. The machine, accessories and packaging should be sorted for environment-friendly recycling.

SYMBOL



Safety Alert

- V** Volts
- Hz** Hertz
- \sim Alternating Current
- W** Watts
- n₀** No-load speed
- min⁻¹** Revolutions or reciprocations per minute



Orbital Diameter



CE Conformity



EurAsian Conformity Mark.



Ukrainian mark of conformity



Class II tool, double insulation



Wear ear protection



Wear eye protection



Please read the instructions carefully before starting the machine.



Waste electrical products should not be disposed of with household waste. Please recycle where facilities exist. Check with your Local Authority or retailer for recycling advice.



On



Without force



With force

The following signal words and meanings are intended to explain the levels of risk associated with this product:

⚠ DANGER

Indicates an imminently hazardous situation, which, if not avoided, will result in death or serious injury.

⚠ WARNING

Indicates a potentially hazardous situation, which, if not avoided, could result in death or serious injury.

⚠ CAUTION

Indicates a potentially hazardous situation, which, if not avoided, may result in minor or moderate injury.

CAUTION

(Without Safety Alert Symbol) Indicates a situation that may result in property damage.

EN
FR
DE
ES
IT
NL
PT
DA
SV
FI
NO
RU
PL
CS
HU
RO
LV
LT
ET
HR
SL
SK
BG
UK
TR
EL

SYMBOLS IN THIS MANUAL



Connect to the power supply.



Disconnect from the power supply.



Parts or accessories sold separately



Lock



Unlock



Note



Off



Votre ponceuse vibrante 1/3 de feuille a été conçue en donnant priorité à la sécurité, à la performance et à la fiabilité.

UTILISATION PRÉVUE

Ce produit est destiné au ponçage et au polissage du métal, du bois, ou plastique, ou matériaux similaires à l'aide des feuilles des tampons abrasifs fournis. Il est conçu pour être utilisé par un opérateur ayant lu le manuel d'instructions et ayant compris les risques et dangers. Il ne doit être utilisé que dans un environnement bien ventilé. Ce produit n'est prévu que pour le ponçage à sec.

Ce produit est destiné à une utilisation par des particuliers et ne doit être utilisé que comme décrit ci-dessus, à l'exclusion de toute autre utilisation.

⚠ AVERTISSEMENT

Lisez tous les avertissements de sécurité, les instructions, les illustrations et les spécifications fournis avec cet outil électrique. Ne pas suivre les instructions énumérées ci-dessous peut provoquer une décharge électrique, un incendie et/ou une blessure grave.

Conservez ces avertissements et instructions pour pouvoir vous y reporter ultérieurement.

AVERTISSEMENTS DE SÉCURITÉ RELATIFS À LA PONCEUSE

- **Portez toujours des lunettes de sécurité et un masque anti-poussière.**
- **Portez un masque anti-poussière adéquat lorsque vous ponchez des surfaces recouvertes de peinture à base de plomb ainsi que certains bois et métaux pour éviter d'inhaler de la poussière ou des vapeurs toxiques.** L'inhalation ou la mise en contact avec la poussière générée par ces matériaux peut mettre en danger la santé de l'opérateur et des personnes alentour.
- Ne jetez pas les poussières provenant du ponçage dans un feu ouvert car les matériaux sous forme de fines particules peuvent être explosifs.
- **Ce produit ne convient pas à un ponçage à l'eau.**
- Tous les outils électriques doivent être débranchés lorsqu'ils ne sont pas utilisés.
- Attention, risque d'incendie ! Évitez de faire surchauffer l'objet à poncer ainsi que la ponceuse. Videz toujours le collecteur de poussières avant de faire une pause.
- **Sécurisez la pièce à usiner à l'aide d'un dispositif de serrage.** Une pièce à usiner non fixée peut être la cause de blessures graves et de dommages. Ne tenez pas à la main le matériau à poncer.
- N'appliquez pas une pression excessive sur le produit.
- **La feuille de papier abrasif ne doit pas être trop grande.** Si vous laissez le papier abrasif dépasser du patin, vous vous exposez à des risques de blessures graves.
- **Le boîtier collecteur de poussières doit être installé sur l'outil.** Il doit être vidé fréquemment. Pour installer

le boîtier collecteur de poussières, emboîtez la bague du boîtier sur la buse d'évacuation située à l'arrière de la ponceuse.

- Le produit redémarrera automatiquement s'il a calé. Arrêtez immédiatement le produit s'il a calé. Ne réactivez pas le produit tant qu'il cale. Ceci risquerait de déclencher un recul soudain, avec une force réactive élevée. Identifiez pourquoi le produit a calé et corrigez le problème, en tenant compte des instructions de sécurité.

⚠ AVERTISSEMENT

Ne jetez pas les poussières provenant du ponçage dans un feu ouvert car les matériaux sous forme de fines particules peuvent être explosifs.

⚠ AVERTISSEMENT

Portez un masque anti-poussière adéquat lorsque vous ponchez des surfaces recouvertes de peinture à base de plomb ainsi que certains bois et métaux pour éviter d'inhaler de la poussière ou des vapeurs toxiques.

⚠ AVERTISSEMENT

La sciure issue de certains vernis, matériaux et peintures est susceptible de provoquer des irritations ou des réactions allergiques. La sciure de bois tels que le chêne, le hêtre, l'aggloméré et autres est cancérigène. Seuls des spécialistes qualifiés sont autorisés à utiliser le produit sur des matériaux contenant de l'amiante.

RISQUES RÉSIDUELS

Même lorsque le produit est utilisé selon les prescriptions, il reste impossible d'éliminer totalement certains facteurs de risque résiduels. Les dangers suivants risquent de se présenter en cours d'utilisation et l'utilisateur doit prêter particulièrement garde aux points suivants :

- **Blessures dues à la poussière**
Le produit génère des quantités considérables de poussière et de fines particules lors de son utilisation. Utilisez le dispositif de collecte des poussières ou raccordez un aspirateur d'extraction des poussières lorsque vous utilisez le produit. Portez un masque anti-poussière équipé de filtres adaptés au matériau sur lequel vous travaillez. Assurez une ventilation correcte à l'espace de travail. Ne mangez pas, ne buvez pas, et ne fumez pas dans l'espace de travail.
- **Blessures causées par le bruit et les vibrations**
Portez une protection auditive lors des opérations de ponçage. N'utilisez pas le produit de façon prolongée. Voir « Réduction des risques ».

RÉDUCTION DES RISQUES

Il a été reporté que les vibrations engendrées par les outils tenus à main peuvent contribuer à l'apparition d'un état appelé le syndrome de Raynaud chez certaines personnes. Les symptômes peuvent comprendre des fourmillements,





un engourdissement et un blanchiment des doigts, généralement par temps froid. Des facteurs héréditaires, l'exposition au froid et à l'humidité, le régime alimentaire, le tabagisme et les habitudes de travail peuvent contribuer au développement de ces symptômes. Certaines mesures peuvent être prises par l'utilisateur pour aider à réduire les effets des vibrations:

- Gardez votre corps au chaud par temps froid. Lorsque vous utilisez l'appareil, portez des gants afin de garder vos mains et vos poignets au chaud. Le temps froid est considéré comme un facteur contribuant très largement à l'apparition du syndrome de Raynaud.
- Après chaque session de travail, pratiquez des exercices qui favorisent la circulation sanguine.
- Faites des pauses fréquentes. Limitez la quantité d'exposition journalière.

Si vous ressentez l'un des symptômes associés à ce syndrome, arrêtez immédiatement le travail et consultez votre médecin pour lui en faire part.

⚠ AVERTISSEMENT

L'utilisation prolongée d'un outil est susceptible de provoquer ou d'aggraver des blessures. Assurez-vous de faire des pauses de façon régulière lorsque vous utilisez tout outil de façon prolongée.

APPRENEZ À CONNAÎTRE VOTRE PRODUIT

Voir page 93.

1. Interrupteur marche/arrêt
2. Variateur de vitesse
3. Patin 1/3 de feuille
4. Attache pour papier de verre
5. Boîtier collecteur de poussières
6. Poignée, surface de préhension isolée
7. Papier de verre adhésif
8. Papier abrasif standard

CHOIX DU PAPIER ABRASIF

Le choix de la taille, du grain et du type de papier abrasif est extrêmement important si l'on veut obtenir un ponçage de qualité. Pour un dégrossissage, nous vous recommandons d'utiliser des abrasifs synthétiques tels que l'alumine ou le carbure de silicium. Les abrasifs naturels tels que le silicium ou le grenat sont en effet trop mous pour être utilisés de façon économique pour un ponçage de dégrossissage.

De manière générale, un gros grain permet de retirer le plus gros du matériau, tandis qu'un grain fin permet d'obtenir un ponçage de finition. L'état de la surface à poncer permet de déterminer la taille du grain à utiliser. Si la surface est rugueuse, commencez le ponçage avec un papier à gros grain jusqu'à ce que la surface soit uniforme. Vous pouvez ensuite utiliser un papier à grain moyen pour éliminer les éraflures laissées par le papier à gros grain, et enfin un papier à grain fin pour polir la surface. Poncez avec chaque taille de grain jusqu'à ce que la surface soit uniforme.

⚠ AVERTISSEMENT

N'utilisez PAS la ponceuse sans papier abrasif pour ne pas endommager le patin.

Recommandations quant au choix des tampons/feuilles

Papier abrasif grain Ø 80	Ponçage grossier
Papier abrasif grain Ø 120	Ponçage léger
Papier abrasif grain Ø 150	Ponçage léger

ENTRETIEN

⚠ AVERTISSEMENT

Le produit ne doit jamais être branché à une source de courant lorsque vous y montez des pièces, lorsque vous effectuez des réglages, lorsque vous le nettoyez, lorsque vous l'entretenez, ou lorsque vous ne l'utilisez pas. Le fait de débrancher le produit évitera toute mise en marche accidentelle susceptible de provoquer de graves blessures.

- N'effectuez les opérations de réparation et d'entretien qu'avec des pièces détachées d'origine RYOBI. L'utilisation de toute autre pièce est susceptible de présenter un danger ou d'endommager votre outil.
- Évitez d'utiliser des solvants pour nettoyer les parties en plastique. La plupart des plastiques sont susceptibles d'être endommagés par les solvants disponibles dans le commerce. Utilisez un chiffon propre pour essuyer les impuretés, la poussière, etc.
- Ne laissez jamais du liquide de frein, de l'essence, des produits pétroliers, des huiles pénétrantes, etc. entrer en contact avec les éléments en plastique. Ces produits chimiques contiennent des substances qui peuvent endommager, fragiliser ou détruire le plastique.
- Portez toujours un masque oculaire ou des lunettes de protection à volets latéraux lorsque vous utilisez l'outil électrique ou lorsque vous soufflez de la poussière. Si l'opération génère des poussières, portez également un masque anti-poussière.
- Si le câble d'alimentation est endommagé, il ne doit être remplacé que par le fabricant ou par un service après-vente agréé, pour éviter tout danger. Contactez un service après-vente agréé.
- Pour plus de sécurité et de fiabilité, toutes les réparations doivent être effectuées par un service après-vente RYOBI agréé.



⚠ AVERTISSEMENT

Les outils électriques utilisés sur des matériaux en fibre de verre, des plaques de plâtre, des panneaux de revêtement, ou du plâtre ont tendance à s'user plus rapidement et à présenter des défaillances prématurées car les poussières en provenance de ces matériaux sont très abrasives pour les roulements, les charbons, les interrupteurs, etc. Nous recommandons de ne pas utiliser ce produit pendant de longues périodes de temps avec ce genre de matériau.

⚠ AVERTISSEMENT

N'utilisez pas d'air comprimé pour retirer la poussière du produit. Cette pratique est dangereuse et susceptible de projeter des saletés et des poussières et de blesser les yeux de quelqu'un.

LUBRIFICATION

Tous les roulements de ce produit sont lubrifiés avec une quantité suffisante d'huile de haute qualité pour toute sa durée de vie dans des conditions d'utilisation normales. Par conséquent, aucune lubrification supplémentaire n'est nécessaire.

NETTOYAGE DES PAPIERS ABRASIFS

Les papiers abrasifs fournis avec votre ponceuse sont réutilisables. Il est donc important de les nettoyer régulièrement afin de retirer la poussière et les particules qui s'accumulent sur la surface au cours des différentes opérations de ponçage.

Pour nettoyer les papiers abrasifs, frottez-les à l'aide d'un bloc compact de caoutchouc. Vous pouvez par exemple utiliser une semelle de chaussure propre.

PROTECTION DE L'ENVIRONNEMENT



Recyclez les matières premières au lieu de les jeter avec les ordures ménagères. Pour protéger l'environnement, l'outil, les accessoires et les emballages doivent être triés.

SYMBOLES APPLIQUÉS SUR LE PRODUIT



Alerte de sécurité

V

Volts

Hz

Hertz

~

Courant alternatif

W

Watts

n°

Vitesse à vide

min⁻¹

Nombre de tours ou de mouvements par minute



Diamètre orbital



Conformité CE



Marque de conformité d'Eurasie



Marque de conformité ukrainienne



Classe II, isolation double



Portez une protection auditive



Portez une protection oculaire



Veillez lire attentivement le mode d'emploi avant de démarrer la machine.



Les produits électriques hors d'usage ne doivent pas être jetés avec les ordures ménagères. Recyclez-les par l'intermédiaire des structures disponibles. Contactez les autorités locales ou votre distributeur pour vous renseigner sur les conditions de recyclage.

SYMBOLES PRÉSENTS DANS LE MANUEL



Raccorder au secteur.



Débrancher du secteur.



Pièces détachées et accessoires vendus séparément



Verrouillage



Déverrouillage



Remarque



Arrêt



Marche



Sans force



Avec de la force

Les symboles suivants, et les noms qui leur sont associés, permettent d'expliquer les différents niveaux de risques liés à l'utilisation de cet outil.

⚠ DANGER

Imminence d'un danger qui, si l'on n'y prend garde, peut entraîner des blessures graves voire mortelles.

⚠ AVERTISSEMENT

Situation potentiellement dangereuse qui, si l'on n'y prend garde, peut entraîner des blessures graves voire mortelles.

⚠ ATTENTION

Situation potentiellement dangereuse qui, si l'on n'y prend garde, peut entraîner des blessures moyennes ou légères.

ATTENTION

(Sans symbole de sécurité) Indique une situation pouvant provoquer des dommages matériels.

EN
FR
DE
ES
IT
NL
PT
DA
SV
FI
NO
RU
PL
CS
HU
RO
LV
LT
ET
HR
SL
SK
BG
UK
TR
EL

Sicherheit, Leistung und Zuverlässigkeit hatten oberste Priorität bei der Entwicklung Ihres Schwingschleifers.

BESTIMMUNGSGEMÄSSE VERWENDUNG

Der Schwingschleifer ist zum Schleifen und Veredeln von Metall, Holz, Kunststoff oder ähnlichen Materialien mit den mitgelieferten Schleifpads vorgesehen. Er ist nur für den Gebrauch von Erwachsenen vorgesehen, die die Bedienungsanleitung gelesen haben und die Risiken und Gefahren verstehen. Er sollte nur in einem gut belüfteten Bereich benutzt werden. Er ist ausschließlich zum Trockenschleifen bestimmt.

Der Schwingschleifer ist ausschließlich für den Hausgebrauch bestimmt.

Benutzen Sie das Produkt nicht für andere Aufgaben, als die genannten bestimmungsgemäßen Verwendungen. Der Einsatz des Werkzeugs für Arbeiten, für die es nicht vorgesehen ist, kann zu gefährlichen Situationen führen.

⚠️ WARNUNG

Lesen Sie alle Sicherheitshinweise und Anweisungen. Versäumnisse bei der Einhaltung der Sicherheitshinweise und Anweisungen können elektrischen Schlag, Brand und/oder schwere Verletzungen verursachen.

Bewahren Sie diese Sicherheitshinweise und Anweisungen für einen späteren Gebrauch gut auf.

SCHLEIFER SICHERHEITSWARNUNGEN

- **Tragen Sie immer eine Sicherheitsbrille und Staubmaske.**
- **Tragen Sie eine geeignete Staubschutzmaske, wenn Sie Flächen schleifen, die mit einer bleihaltigen Farbe lackiert sind, sowie beim Schleifen bestimmter Holzarten und Metalle, um zu vermeiden, dass Sie giftige Stäube oder Dämpfe einatmen.** Kontakt oder Einatmen des mit diesen Materialien erzeugten Staubs kann die Gesundheit des Benutzers oder von Anwesenden gefährden.
- Werfen Sie den Schleifstaub nie in ein offenes Feuer, denn die Bestandteile können in Form von feinen Partikeln explosiv sein.
- **Das Produkt ist nicht zum Nassschleifen geeignet.**
- Alle Werkzeuge sollten von der Stromquelle getrennt werden, wenn sie nicht benutzt werden.
- Achtung, Feuergefahr! Vermeiden Sie den Schleifgegenstand und den Schwingschleifer zu überhitzen. Leeren Sie immer den Staubsammelbehälter, bevor Sie eine Pause machen.
- **Sichern Sie Ihr Werkstück mit einer Spannvorrichtung.** Ungesicherte Werkstücke können schwere Verletzungen und Schäden verursachen. Halten Sie das zu schleifende Material nicht mit der Hand.
- Üben Sie keinen zu starken Druck auf das Produkt aus.
- **Das Schleifpapier darf nicht zu groß sein.** Wenn das Schleifpapier über Schleifplatte hinausragt, kann es zu schweren Verletzungen kommen.

- **Der Staubsammelbehälter muss am Gerät befestigt sein und regelmäßig geleert werden.** Zur Installation des Staubsammelbehälters muss das Verbindungsstück des Staubsammelbehälters auf die Aufnahme gesteckt werden, die sich am hinteren Teil des Schleifers befindet.
- Das Produkt läuft automatisch wieder an wenn es abgewürgt wurde. Schalten Sie das Produkt sofort aus, wenn es stoppt. Schalten Sie das Produkt nicht erneut ein, während es blockiert ist, um einen plötzlichen Rückstoß mit einer hohen Reaktionskraft zu verhindern. Bestimmen Sie die Ursache des Stillstands des Produkts und beheben Sie das Problem unter Beachtung der Sicherheitshinweise.

⚠️ WARNUNG

Werfen Sie den Schleifstaub nie in ein offenes Feuer, denn die Bestandteile können in Form von feinen Partikeln explosiv sein.

⚠️ WARNUNG

Tragen Sie eine geeignete Staubschutzmaske, wenn Sie Flächen schleifen, die mit einer bleihaltigen Farbe lackiert sind, sowie beim Schleifen bestimmter Holzarten und Metalle, um zu vermeiden, dass Sie giftige Stäube oder Dämpfe einatmen.

⚠️ WARNUNG

Staub von bestimmten Farben, Beschichtungen und Materialien können Irritationen oder allergische Reaktionen der Atemwege verursachen. Staub von Holz wie Eiche, Buche, Faserstoffplatten und anderen kann krebserregend sein. Asbesthaltige Materialien dürfen nur von qualifizierten Spezialisten bearbeitet oder verarbeitet werden.

RESTRISIKEN

Sogar wenn das Produkt wie vorgeschrieben benutzt wird, ist es unmöglich ein gewisses Restrisiko vollständig auszuschließen. Die folgenden Gefahren können bei der Benutzung entstehen, und der Benutzer sollte besonders auf folgende Punkte achten:

- **Durch Staub verursachte Verletzungen.**
Die Benutzung des Produktes verursacht erhebliche Mengen von Staub und feinen Partikeln. Verwenden Sie die Staubsammelvorrichtung oder schließen eine Staubabsaugung an, wenn Sie das Produkt bedienen. Tragen Sie eine für das zu bearbeitende Material geeignete Staubmaske mit Filter. Sorgen Sie für ausreichende Belüftung des Arbeitsbereichs. Essen, trinken oder rauchen Sie nicht in dem Arbeitsbereich.
- **Verletzungen durch Lärm und Vibration**
Tragen Sie einen Gehörschutz während der Schleifarbeiten. Benutzen Sie das Produkt nicht für lange Zeiträume. Siehe "Risikoverringerung".

RISIKOVERRINGERUNG

Vibrationen von in der Hand gehaltenen Werkzeugen können bei einigen Personen zu einem Zustand, der Raynaud-Syndrom genannt wird, führen. Symptome sind u.a. Kribbeln, Taubheitsgefühl und episodische Weißfärbung der Finger und treten normalerweise bei Kälte auf. Man geht davon aus, dass ererbte Faktoren, Kälte und Feuchtigkeit, Essgewohnheiten, Rauchen und Arbeitsweise zur Entwicklung dieser Symptome beitragen. Der Anwender kann Maßnahmen ergreifen, um die Auswirkungen der Vibrationen möglicherweise zu verringern:

- Halten Sie den Körper bei Kälte warm. Tragen Sie beim Betrieb des Geräts Handschuhe, um Hände und Handgelenke warm zu halten. Berichten zu Folge ist kaltes Wetter ein wesentlicher Faktor, der zum Raynaud Syndrom beiträgt.
- Betätigen Sie sich nach jedem Einsatz körperlich, um den Blutkreislauf zu steigern.
- Machen Sie regelmäßige Pausen. Beschränken Sie die Beanspruchung pro Tag.

Sollten bei Ihnen eines der zuvor beschriebenen Symptome / Zustände auftreten, stellen Sie unverzüglich den Betrieb ein und suchen Sie bezüglich der Symptome einen Arzt auf.

⚠️ WARNUNG

Verletzungen können durch lange Benutzung eines Werkzeugs entstehen oder verschlimmert werden. Machen Sie regelmäßig Pause, wenn Sie ein Werkzeug für lange Zeit benutzen.

MACHEN SIE SICH MIT IHREM PRODUKT VERTRAUT

Siehe Seite 93.

1. Ein-/Ausschalter
2. Drehzahlregler
3. Schleifplatte
4. Klemme
5. Staubsammelbox
6. Handgriff, isolierte Grifffläche
7. Haftendes Schleifpapier
8. Standard-Schleifpapier

WAHL DES SCHLEIFPAPIERS

Die Wahl der Größe, des Kornes und des Typs des Schleifpapiers ist sehr wichtig, um ein qualitativ hochwertiges Schleifergebnis zu erzielen. Für das Rohschleifen empfehlen wir Ihnen die Verwendung von synthetischem Schleifpapieren, wie z. B. Aluminiumoxid oder Siliziumkarbid. Natürliche Schleifpapiere, wie Silex oder Granat, sind zu weich für ein effizientes Schleifen oder Rohschleifen.

Im Allgemeinen kann mit einem groben Korn das gröbste Material entfernt werden, während ein feines Korn einen Feinschliff ermöglicht. Die Größe des zu verwendenden Kornes richtet sich nach dem Zustand der zu schleifenden Fläche. Bei einer rauen Fläche schleifen Sie zunächst

mit einem grobkörnigen Papier, bis die Fläche einheitlich ist. Anschließend können Sie ein Papier mit mittlerem Korn verwenden, um die vom grobkörnigen Papier hinterlassenen Kratzer zu entfernen und zuletzt ein feinkörniges Papier zum Polieren der Fläche. Schleifen Sie mit allen Korngrößen so lange, bis die Fläche einheitlich ist.

⚠️ WARNUNG

Verwenden Sie den Schleifer nicht ohne Schleifpapier, um die Schleifplatte nicht zu beschädigen.

Empfohlene Papier/Pad Verwendung

Schleifpapier Körnung 80	Grobes Schleifen
Schleifpapier Körnung 120	Leichtes Schleifen
Schleifpapier Körnung 150	Leichtes Schleifen

WARTUNG UND PFLEGE

⚠️ WARNUNG

Das Produkt darf niemals an das Stromnetz angeschlossen sein, wenn Sie Teile zusammenbauen, Einstellungen vornehmen, reinigen, Wartungsarbeiten durchführen, oder wenn das Produkt nicht benutzt wird. Trennen des Produktes vom Stromnetz verhindert ein unbeabsichtigtes Einschalten, das schwere Verletzungen verursachen könnte.

- Verwenden Sie zur Wartung ausschließlich original RYOBI Ersatzteile des Herstellers. Der Einsatz von anderen Teilen kann eine Gefahr verursachen oder das Produkt beschädigen.
- Vermeiden Sie beim Reinigen der Plastikteile den Einsatz von Lösungsmitteln. Die meisten Kunststoffe können durch im Handel erhältliche Lösungsmittel beschädigt werden. Verwenden Sie einen sauberen Lappen für die Reinigung von Verschmutzungen, Kohlenstaub usw.
- Lassen Sie niemals Bremsflüssigkeiten, Benzine, Produkte auf Erdölbasis, Rostlöser usw. mit den Plastikteilen in Kontakt geraten. Diese chemischen Produkte enthalten Substanzen, die den Kunststoff beschädigen, schwächen oder zerstören können.
- Tragen Sie beim Arbeiten mit motorbetriebenen Werkzeugen oder beim Wegblasen von Staub immer eine Schutzbrille mit Seitenschutz. Tragen Sie außerdem bei staubigen Arbeitsbedingungen eine Atemschutzmaske.
- Falls das Stromkabel beschädigt sein sollte, darf es, um jegliche Risiken zu vermeiden, ausschließlich durch den Hersteller oder ein autorisiertes Kundendienstzentrum ausgetauscht werden. Wenden Sie sich an den autorisierten Kundendienst.
- Alle Reparaturen sollten zur besseren Sicherheit und Zuverlässigkeit von einem autorisierten Kundendienst durchgeführt werden.

⚠️ WARNUNG

Elektrische Geräte, die zur Bearbeitung von Glasfasermaterial, Gipsplatten und Verkleidungsplatten verwendet werden, werden schneller abgenutzt und versagen möglicherweise vorzeitig, weil die Späne und Schleifstaub dieser Materialien sehr abrasiv für Lager, Bürsten, Kollektoren usw. sind. Wir empfehlen nicht das Produkt für längere Zeit mit diesen Materialien zu benutzen.

⚠️ WARNUNG

Benutzen Sie keine Druckluft, um Staub von dem Produkt zu entfernen. Diese Vorgehensweise ist gefährlich und kann Schmutz und Späne wegblasen und die Augen einer Person verletzen.

ÖLEN

Alle Lagerelemente in dem Produkt sind mit genug qualitativ hochwertigem Schmiermittel für die gesamte Lebensdauer des Produktes unter normalen Betriebsbedingungen geölt. Es ist daher keine zusätzliche Schmierung erforderlich.

REINIGUNG DER SCHLEIFPAPIERE

Die mit Ihrer Schleifmaschine gelieferten Schleifpapiere sind wiederverwendbar. Sie müssen daher regelmäßig gereinigt werden, um den Staub und die Partikel zu entfernen, die sich bei den verschiedenen Schleifoperationen auf der Fläche ansammeln können.

Reiben Sie die Schleifpapiere zur Reinigung mit einem kompakten Kautschukblock ab. Sie können auch die saubere Gummisohle eines Schuhs verwenden.

UMWELTSCHUTZ



Recyceln Sie die Rohstoffe, anstatt sie im Haushaltsabfall zu entsorgen. Zum Schutz der Umwelt müssen das Gerät, die Zubehörteile und die Verpackungen getrennt entsorgt werden.

SYMBOLE AUF DEM PRODUKT



Sicherheitswarnung

V

Volt

Hz

Hertz

~

Wechselstrom

W

Watt

n_o

Leerlaufdrehzahl

min⁻¹

Anzahl Umdrehungen oder Bewegungen pro Minute



Schwingkreisdurchmesser



CE-Konformität



EurAsian Konformitätszeichen



Ukrainisches Prüfzeichen



Klasse II, Doppelisolierung



Gehörschutz tragen



Augenschutz tragen



Bitte lesen Sie die Anweisungen sorgfältig, bevor Sie das Gerät einschalten.



Elektrische Geräte sollten nicht mit dem übrigen Müll entsorgt werden. Bitte entsorgen Sie diese an den entsprechenden Entsorgungsstellen. Wenden Sie sich an die örtliche Behörde oder Ihren Händler, um Auskunft über die Entsorgung zu erhalten.

SYMBOLE IN DER BEDIENUNGSANLEITUNG



An das Stromnetz anschließen.



Von dem Stromnetz trennen.



Teile oder Zubehör getrennt erhältlich



Sperren



Öffnen



Hinweis



Aus



Ein



Ohne Kraft



Mit Kraft



Mit den folgenden Symbolen wird die Bedeutung der verschiedenen Risikostufen, die mit dem Produkt einhergehen, dargestellt.

 **GEFAHR**

Bezeichnet eine unmittelbare Gefahrensituation, die, falls nicht vermieden, zum Tod oder schweren Verletzungen führen kann.

 **WARNUNG**

Bezeichnet eine mögliche Gefahrensituation, die, falls nicht vermieden, zum Tod oder schweren Verletzungen führen kann.

 **ACHTUNG**

Bezeichnet eine mögliche Gefahrensituation, die, falls nicht vermieden, zu kleineren und mittleren Verletzungen führen kann.

ACHTUNG

(Ohne Warnsymbol) Weist auf eine Situation hin, die zu Sachschaden führen kann.

EN
FR
DE
ES
IT
NL
PT
DA
SV
FI
NO
RU
PL
CS
HU
RO
LV
LT
ET
HR
SL
SK
BG
UK
TR
EL

130.com.ua

Seguridad, desempeño y fiabilidad han sido las prioridades en el diseño de su lijadora de hoja.

USO PREVISTO

El producto está diseñado para trabajos de lijado y acabado de metal, madera, plástico o materiales similares utilizando las almohadillas abrasivas suministradas. Está diseñada para ser utilizada por operarios que hayan leído el manual de instrucciones y comprendido el peligro y los riesgos. El producto solo debe utilizarse en áreas bien ventiladas. El producto está diseñado solo para lijado en seco.

El producto está diseñado para uso doméstico y solo debe utilizarse tal como se describe anteriormente y no para otros fines.

⚠ ADVERTENCIA

Lea atentamente todas las advertencias, instrucciones y especificaciones suministradas con la herramienta, y consulte las ilustraciones. No seguir las instrucciones que se detallan a continuación podría provocar una descarga eléctrica, fuego y/o lesiones graves.

Guarde estas advertencias e instrucciones para poder consultarlas posteriormente.

ADVERTENCIAS DE SEGURIDAD DE LA LIJADORA

- **Utilice siempre gafas de seguridad y una mascarilla.**
- **Debe utilizar una máscara facial con filtro cuando lije superficies cubiertas con pintura a base de plomo, al igual que cuando trabaje ciertas maderas o metales, para evitar la inhalación de polvo o de vapores tóxicos.** El contacto o la inhalación del polvo producido por estos materiales pueden poner en peligro la salud del operador y las personas de alrededor.
- No tire el polvo recogido en el saco en un fuego que no esté protegido porque las finas partículas del material pueden producir una explosión.
- **El producto no es apto para lijado en húmedo.**
- Cuando no se encuentran en funcionamiento, todas las herramientas deben desconectarse de su fuente de alimentación.
- ¡Cuidado, peligro de incendio! Evite el sobrecalentamiento del objeto que va a lijar así como el de la lijadora. Vacíe siempre el colector de polvo antes de hacer pausas.
- **Verifique a fondo o material que desea cortar, sobretudo cuando utilizar madeira reciclada, em busca de objetos estranhos como pregos, parafusos ou agrafos.** Las piezas de trabajo mal sujetas pueden causar daños y lesiones graves. No sujete el material que esté lijando con la mano.
- No ejerza demasiada presión sobre el producto.
- **La hoja de papel abrasivo de lija no debe ser demasiado grande.** Si la hoja de lija rebasa el patín, podrá sufrir heridas graves.
- **El saco para el polvo debe estar instalado cuando trabaje con la máquina y se lo debe vaciar con**

regularidad. Se procederá al vaciado de frecuencia. Para colocar el saco para el polvo, inserte el anillo del saco en la boquilla de salida que se encuentra en la parte trasera de la lijadora, haciéndolo girar hacia la derecha hasta que el saco quede firmemente sujeto.

- El producto se reiniciará automáticamente si se atasca. Apague el producto inmediatamente si se atasca. No vuelva a encender el producto cuando está atascado, ya que podría generar un retroceso repentino con una elevada fuerza reactiva. Analice por qué se ha atascado el producto y rectifíquelo, prestando atención a las instrucciones de seguridad.

⚠ ADVERTENCIA

No tire el polvo recogido en el saco en un fuego que no esté protegido porque las finas partículas del material pueden producir una explosión.

⚠ ADVERTENCIA

Debe utilizar una máscara facial con filtro cuando lije superficies cubiertas con pintura a base de plomo, al igual que cuando trabaje ciertas maderas o metales, para evitar la inhalación de polvo o de vapores tóxicos.

⚠ ADVERTENCIA

El polvo de ciertas pinturas, revestimientos y materiales puede causar irritación o reacciones alérgicas en el sistema respiratorio. El polvo de madera como el roble, la haya, el MDF y otros es cancerígeno. El material que contiene amianto sólo debe ser trabajado o procesado por operadores especialistas cualificados.

RIESGOS RESIDUALES

Incluso cuando se utiliza el producto según las instrucciones, sigue siendo imposible eliminar por completo ciertos factores de riesgo residuales. Pueden surgir los siguientes riesgos durante el uso y el operador debe prestar especial atención para evitar lo siguiente:

- Lesiones causadas por el polvo
El uso del producto producirá una cantidad considerable de polvo y partículas. Use el dispositivo de recogida de polvo o conecte un aspirador para extracción de polvo al utilizar el producto. Utilice mascarillas con filtros adecuados para los materiales con los que esté trabajando. Asegure una ventilación adecuada del lugar de trabajo. No comer, beber o fumar en el área de trabajo.
- Lesiones causadas por el ruido y la vibración
Utilice protección auditiva durante los trabajos de lijado. No utilice el producto durante largos periodos de tiempo. Consulte el apartado "Reducción De Riesgos".

REDUCCIÓN DEL RIESGO

Se ha informado de que las vibraciones de las herramientas manuales pueden contribuir a una enfermedad llamada síndrome de Raynaud en ciertos individuos. Los síntomas



pueden incluir hormigueo, entorpecimiento y decoloración de los dedos, generalmente aparentes cuando tiene lugar una exposición al frío. Se considera que los factores hereditarios, exposición al frío y a la humedad, dieta, tabaquismo y prácticas de trabajo contribuyen al desarrollo de estos síntomas. Existen medidas que pueden ser tomadas por el operador para reducir los efectos de vibración:

- Mantenga su cuerpo caliente durante el tiempo frío. Al manipular la unidad, utilice guantes para mantener las manos y las muñecas calientes. Hay informes que indican que el tiempo frío es un gran factor que contribuye al síndrome de Raynaud.
- Después de cada período de funcionamiento, realice ejercicios para aumentar la circulación sanguínea.
- Haga pausas de trabajo frecuentes. Limite la cantidad de exposición por día.

Si siente alguno de los síntomas de esta enfermedad, interrumpa inmediatamente el uso y consulte a su médico estos síntomas.

⚠ ADVERTENCIA

El uso prolongado de la herramienta puede provocar o agravar lesiones. Al utilizar cualquier herramienta durante períodos prolongados asegúrese de tomar descansos regulares.

CONOZCA EL PRODUCTO

Consulte la página 93.

1. Interruptor de encendido/apagado
2. Variador de velocidad
3. 1/3 Patín de hoja
4. Pinza
5. Caja de recogida de polvo
6. Asa, superficie de agarre aislada
7. Lija adhesiva
8. Papel abrasivo estándar

ELEGIR EL PAPEL ABRASIVO ADECUADO

Elegir el tamaño, el grano y el tipo de papel abrasivo adecuado es sumamente importante para obtener un lijado de calidad. Para las operaciones de desbaste, le recomendamos que emplee papel de lija con abrasivo sintético tal como alúmina o carburo de silicio. En efecto, los abrasivos naturales como por ejemplo el sílex o el granate son demasiado blandos para ser utilizados de manera económica para un lijado de desbaste.

De manera general, un grano grueso permite retirar el grueso del material, mientras que un grano fino permite obtener un lijado de acabado. El estado de la superficie que va a lijar permite determinar el tamaño de grano que deberá utilizar. Si la superficie es rugosa, empiece a lijar con un papel de grano grueso hasta que la superficie se vuelva uniforme. Después, puede utilizar un papel de grano medio para eliminar las raspaduras provocadas por el papel de grano grueso y, para terminar, emplee un papel de grano fino para pulir la superficie. Lije con cada tamaño de grano hasta que la superficie se vuelva uniforme.

⚠ ADVERTENCIA

NO utilice la lijadora sin papel abrasivo para no dañar el patín.

Uso recomendado de hoja/almohadilla

Papel abrasivo grano Ø 80	Lijado basto
Papel abrasivo grano Ø 120	Lijado ligero
Papel abrasivo grano Ø 150	Lijado ligero

MANTENIMIENTO

⚠ ADVERTENCIA

El aparato nunca debe estar conectado a una fuente eléctrica mientras se estén montando las piezas, realizando ajustes, limpiando, llevando a cabo el mantenimiento o cuando no esté en uso. Apagar el aparato evitará que se ponga en marcha accidentalmente y cause lesiones graves.

- En las operaciones de reparación, utilice solo piezas de repuesto originales del fabricante. El uso de otras piezas puede ocasionar riesgos o daños en el producto.
- Evite el uso de disolventes para limpiar las piezas de plástico. La mayor parte de los plásticos pueden resultar dañados con los disolventes que se venden en el mercado. Utilice un paño limpio para quitar las impurezas, el polvo, etc.
- No permita en ningún momento que las piezas de plástico entren en contacto con líquido de frenos, gasolina, productos derivados del petróleo, aceites penetrantes, etc. Estos productos químicos contienen sustancias que pueden deteriorar, debilitar o destruir el plástico.
- Siempre use gafas de seguridad o gafas de seguridad con protección lateral durante el funcionamiento de la herramienta eléctrica o cuando ésta desprenda polvo. Si la superficie de trabajo es polvorienta, use también una careta específica.
- Si el cable de alimentación está dañado, debería ser reemplazado únicamente por el fabricante o por un centro de servicio autorizado para evitar riesgos. Póngase en contacto con el centro de servicio autorizado.
- Para una mayor seguridad y fiabilidad, todas las reparaciones deben ser realizadas por un centro de servicio autorizado RYOBI.



⚠ ADVERTENCIA

Las herramientas eléctricas utilizadas en material de fibra de vidrio, placas de yeso o paneles de revestimiento suelen desgastarse más rápidamente y tener fallos o averías prematuramente ya que la viruta y el serrín resultantes de la fibra de vidrio son muy abrasivos para los cojinetes, las escobillas, los interruptores, etc. No recomendamos utilizar el aparato durante largos períodos de trabajo en estos tipos de materiales.

⚠ ADVERTENCIA

No use aire comprimido para eliminar el polvo del producto. Esta práctica es peligrosa y puede hacer que la suciedad y el polvo salgan disparados y dañen los ojos de alguien.

LUBRICACIÓN

Todos los cojinetes de este producto están lubricados con una cantidad suficiente de lubricante de alta calidad para la vida del producto en condiciones normales de funcionamiento. Por lo tanto, no es menester prevenir ninguna lubricación adicional.

LIMPIEZA DE HOJAS DE LIJA

Las hojas de lija que vienen con la lijadora están diseñadas para ser reutilizadas. Por lo tanto, es importante que una limpieza periódica para eliminar residuos de lijado y material extraño que puede acumularse con el tiempo.

Para limpiar las hojas de lija, frotar las hojas con un bloque de goma dura. También puede utilizar la suela de goma limpia de un zapato.

PROTECCIÓN DEL MEDIO AMBIENTE



Recicle las materias primas en lugar de tirarlas a la basura doméstica. Para proteger el medio ambiente, debe separar la herramienta, los accesorios y los embalajes.

SÍMBOLOS EN EL PRODUCTO



Atención

V Voltios

Hz Hertzios

~ Corriente alterna

W Vatios

nº Velocidad sin carga

min⁻¹ Número de revoluciones o movimientos por minuto



Diámetro orbital



Conformidad con CE



Certificado EAC de conformidad



Marca de conformidad ucraniana



Clase II, doble aislamiento



Utilice dispositivos de protección para los oídos



Utilice gafas de seguridad



Por favor lea las instrucciones detenidamente antes de arrancar la máquina.



Los productos eléctricos de desperdicio no deben desecharse con desperdicios caseros. Por favor recíclelos donde existan dichas instalaciones. Compruebe con su autoridad local o minorista para reciclar.

SÍMBOLOS EN ESTE MANUAL



Conectarse a la red eléctrica.



Desconectar de la red eléctrica.



Las piezas o accesorios se venden por separado



Bloquear



Desbloquear



Nota



Botón de apagado



Encendido



Sin fuerza



Con fuerza

Los siguientes símbolos y palabras detallan los niveles de cuidado necesarios para usar este producto.

⚠ PELIGRO

Indica una situación inminente de peligro que, si no se evita, provocará la muerte o lesiones graves.

⚠ ADVERTENCIA

Indica una situación potencialmente peligrosa que, si no se evita, podría causar la muerte o lesiones graves.

⚠ PRECAUCIÓN

Indica una situación potencialmente peligrosa que, si no se evita, puede provocar lesiones leves o moderadas.

PRECAUCIÓN

(Sin símbolo de seguridad) Indica una situación que podría ocasionar daños materiales.

EN
FR
DE
ES
IT
NL
PT
DA
SV
FI
NO
RU
PL
CS
HU
RO
LV
LT
ET
HR
SL
SK
BG
UK
TR
EL

130.com.ua

E' stata data massima priorità a sicurezza, prestazioni e affidabilità nel design di questa levigatrice a piastra.

UTILIZZO

Il prodotto è indicato per levigare e rifinire metalli, legno, plastica o altri materiali simili utilizzando i fogli abrasivi forniti. E' adatto per essere utilizzato da operatori che hanno letto il manuale di istruzioni e comprendono rischi e i pericoli connessi. Il prodotto deve essere utilizzato solo in zone ben ventilate. Il prodotto è progettato solo per operazioni di levigatura a secco.

Il prodotto è indicato per l'uso hobbistico e deve essere utilizzato solo come descritto sopra e non per qualsiasi altro scopo.

AVVERTENZE

Leggere attentamente tutte le avvertenze, le istruzioni e le specifiche fornite con l'apparecchio e fare riferimento alle illustrazioni. La mancata osservanza delle istruzioni elencate sotto può causare folgorazione, incendio e/o lesioni gravi.

Conservare le presenti avvertenze ed istruzioni per poterle consultare in seguito.

AVVERTENZE DI SICUREZZA PER LA LEVIGATRICE

- **Indossare sempre occhiali di protezione e una maschera per la polvere.**
- **Indossare una maschera antipolvere adeguata quando si levigano superfici ricoperte di pittura al piombo nonché alcuni tipi di legno o di metallo, al fine di non inalare polveri o vapori tossici.** Il contatto con la polvere prodotta o l'inalazione della stessa potrebbe mettere in pericolo la salute dell'operatore e di eventuali osservatori.
- Non gettare mai nel fuoco la polvere prodotta dalla levigatura, in quanto i materiali in forma di piccole particelle possono essere esplosivi.
- **Il prodotto non è adatto per levigatura ad umido.**
- Quando l'utensile non viene utilizzato, scollegarlo dall'alimentazione.
- Attenzione, pericolo di incendio! Evitare di surriscaldare l'oggetto da levigare e la levigatrice. Svuotare sempre il sacchetto di raccolta polvere prima di fare delle pause.
- **Agganciare il pezzo sul quale si sta lavorando con un morsetto.** Pezzi non assicurati correttamente potranno causare gravi lesioni e danni. Non reggere il materiale sul quale si sta lavorando con le mani.
- Non applicare una pressione eccessiva sul prodotto.
- **Il foglio di carta abrasiva non deve essere troppo grande.** Se la carta abrasiva fuoriesce dal pattino, ci si espone a rischi di gravi ferite.
- **Il sacchetto raccogli polvere deve essere applicato sull'apparecchio e svuotato periodicamente.** Esso è svuotato di frequente. Per installare il sacchetto raccogli polvere, incastrare l'anello del sacchetto sull'ugello di scarico situato sul retro della levigatrice, ruotandolo verso destra sino a quando il sacchetto non risulterà

fissato correttamente.

- In caso di stallo il prodotto si riavvierà automaticamente. In caso di stallo spegnere il prodotto immediatamente. Non riaccendere il prodotto mentre è ancora in stallo, in quanto si potrebbe produrre un improvviso contraccolpo con un'elevata forza reattiva. Determinare la causa dello stallo e correggerla, prestando attenzione alle istruzioni di sicurezza.

AVVERTENZE

Non gettare mai nel fuoco la polvere prodotta dalla levigatura, in quanto i materiali in forma di piccole particelle possono essere esplosivi.

AVVERTENZE

Indossare una maschera antipolvere adeguata quando si levigano superfici ricoperte di pittura al piombo nonché alcuni tipi di legno o di metallo, al fine di non inalare polveri o vapori tossici.

AVVERTENZE

La polvere di alcune vernici, rivestimenti e materiali potrà causare irritazioni o reazioni allergiche al sistema respiratorio. La polvere prodotta da legno come quercia, betulla, pannelli di fibra a media densità (MDF) e altri tipi di legname è cancerogena. Materiali contenenti amianto devono essere lavorati o manipolati solo da operatori specializzati qualificati.

RISCHI RESIDUI

Anche quando il prodotto viene utilizzato come indicato, sarà ancora impossibile eliminare completamente alcuni fattori di rischio residuo. Si potranno verificare i seguenti rischi e l'operatore dovrà prestare particolare attenzione per evitare quanto segue:

- **Lesioni causate dalla polvere**
Utilizzare il prodotto produrrà una considerevole quantità di polvere e piccole particelle. Utilizzare il dispositivo di raccolta o collegare un aspiratore per l'estrazione della polvere quando si mette in funzione il prodotto. Indossare maschere per la polvere con filtri adeguati ai materiali sui quali si sta lavorando. Assicurarsi una adeguata ventilazione del luogo di lavoro. Non mangiare, bere, né fumare nell'area di lavoro.
- **lesioni causate da rumore e vibrazioni**
Indossare cuffie di protezione durante le operazioni di levigatura. Non mettere in funzione il prodotto per lunghi periodi di tempo. Vedere "Riduzione Rischio".

RIDUZIONE DEL RISCHIO

E' stato fatto presente che le vibrazioni da utensili a mano potrebbero contribuire a una condizione chiamata Sindrome di Raynaud in alcuni individui. I sintomi, comprendenti formicolio, intorpidimento e perdita di colore alle dita, si verificano di solito quando ci si espone al freddo.



Fattori ereditari, esposizione a freddo e umidità, una dieta scorretta, fumo e condizioni di lavoro non sicure potranno contribuire allo sviluppo di questi sintomi. È possibile prendere delle precauzioni per ridurre le vibrazioni:

- Tenere il corpo al caldo a basse temperature. Quando si utilizza l'utensile, indossare guanti e tenere le mani e i polsi caldi. Le basse temperature contribuiscono a causare la Sindrome di Raynaud.
- Dopo aver utilizzato l'utensile per un certo periodo, fare degli esercizi per stimolare la circolazione del sangue.
- Fare spesso delle pause. Limitare la quantità di esposizione giornaliera.

Nel caso in cui si provino i sintomi di questa condizione, interrompere immediatamente l'utilizzo dell'utensile e consultare un dottore.

⚠ AVVERTENZE

L'utilizzo prolungato dell'utensile potrà causare o aggravare lesioni già esistenti. Quando si utilizza questo utensile per periodi di tempo prolungati, assicurarsi di fare sempre delle pause regolari.

FAMILIARIZZARE CON IL PRODOTTO

Vedere a pagina 93.

1. Interruttore On/Off (Acceso/Spento)
2. Variatore di velocità
3. 1/3 Pattino di foglio
4. Pinza
5. Sacchetto di raccolta polvere
6. Impugnatura con superficie isolata antiscivolo
7. Carta vetrata adesiva
8. Carta abrasiva standard

SCELTA DELLA CARTA ABRASIVA

La scelta del formato, della grana e del tipo di carta abrasiva è estremamente importante se si desidera ottenere una levigatura di qualità. Per le operazioni di sgrossatura, si raccomanda di utilizzare abrasivi sintetici come l'allumina o il carburo di silicio. Gli abrasivi naturali, come la selce o il granato, sono infatti troppo teneri e pertanto il loro impiego per la levigatura di sgrossatura non sarebbe economico.

In linea generale, una grana grossa consente di rimuovere la quantità di materiale più consistente, mentre una grana fine permette di ottenere una levigatura di finitura. Lo stato della superficie da levigare consente di scegliere il formato della grana da utilizzare. Se la superficie appare ruvida, iniziare la levigatura con una carta a grana grossa sino ad ottenere una superficie uniforme. In seguito, è possibile utilizzare una carta a grana media per eliminare le scalfitture lasciate dalla carta a grana grossa e terminare con una carta a grana fine per lucidare la superficie. Levigare con ogni formato di carta sino a quando la superficie non risulta uniforme.

⚠ AVVERTENZE

NON utilizzare la levigatrice senza carta abrasiva, onde evitare di danneggiare il pattino.

Utilizzo raccomandato del foglio/cuscinetto di levigatura

Carta abrasiva con grana Ø 80	Levigatura grossolana
Carta abrasiva con grana Ø 120	Levigatura leggera
Carta abrasiva con grana Ø 150	Levigatura leggera

MANUTENZIONE

⚠ AVVERTENZE

Questo prodotto non dovrà mai essere collegato all'alimentazione mentre si montano le sue parti, svolgono regolazioni, operazioni di pulizia e manutenzione o quando il prodotto non viene utilizzato. Scollegare il prodotto per prevenire l'avvio accidentale che potrà causare gravi lesioni.

- Quando si svolgono operazioni di manutenzione, utilizzare solo parti di ricambio originali della ditta produttrice. Utilizzare parti di ricambio diverse potrebbe causare rischi o danneggiare il prodotto.
- Evitare di utilizzare solventi quando si puliscono le parti in plastica. La maggior parte dei materiali plastici rischia di essere danneggiata dall'uso dei solventi disponibili in commercio. Utilizzare un panno pulito per rimuovere lo sporco, la polvere, ecc.
- Non lasciare che liquidi per freni, benzina, prodotti a base di petrolio, oli penetranti, ecc. entrino in contatto con le parti in plastica. Tali prodotti chimici contengono sostanze che possono danneggiare, indebolire o distruggere la plastica.
- Indossare sempre occhiali di sicurezza o occhiali di sicurezza con schermi laterali durante le operazioni con l'elettro utensile o quando si aspira della polvere. Nel caso in cui si preveda che le operazioni di lavoro causeranno polvere, indossare sempre una maschera anti-polvere.
- Se il cavo di alimentazione è danneggiato deve essere sostituito solo dalla ditta produttrice o dal centro servizi autorizzato per evitare eventuali rischi. Contattare il centro servizi autorizzato.
- Per una maggior sicurezza e affidabilità, tutte le riparazioni dovranno essere svolte da un centro servizi autorizzato RYOBI.

⚠ AVVERTENZE

Gli apparecchi elettrici utilizzati su prodotti in fibra di vetro, lastre di gesso o pannelli di rivestimento tendono ad usurarsi più rapidamente e a presentare precoci problemi di funzionamento dal momento che trucioli e segatura prodotti da tali materiali risultano molto abrasivi nei confronti dei componenti di apparecchi elettrici quali gli ingranaggi, le spazzole, gli interruttori, ecc. Si raccomanda di utilizzare l'utensile per operazioni di lavoro lunghe su questi materiali.



⚠ AVVERTENZE

Non utilizzare aria compressa per rimuovere la polvere dal prodotto. Questa pratica è pericolosa e potrà causare a sporco e sabbia di essere soffiati verso occhi di operatori ed eventuali osservatori causando lesioni.

LUBRIFICAZIONE

Tutti i cuscinetti in questo prodotto sono stati lubrificati con una quantità di lubrificante ad alto indice di viscosità per tutta la durata del prodotto nelle normali condizioni di funzionamento. Di conseguenza, non è necessario effettuare alcuna lubrificazione supplementare.

PULIZIA DEI FOGLI DI CARTA ABRASIVA

I fogli di carta abrasiva forniti in dotazione con questa levigatrice sono riutilizzabili. È pertanto importante pulirli regolarmente per rimuovere la polvere e le particelle che si accumulano sulla superficie nel corso delle diverse operazioni di levigatura.

Per pulire i fogli di carta abrasiva, strofinarli con un pezzo di gomma dura. Si può utilizzare, ad esempio, la suola di una scarpa pulita.

TUTELA DELL'AMBIENTE



Riciclare le materie prime anziché gettarle tra i rifiuti domestici. Per tutelare l'ambiente, l'apparecchio, gli accessori e gli imballaggi devono essere smaltiti separatamente.

SIMBOLI SUL PRODOTTO



Allarme di sicurezza

V

Volt

Hz

Hertz

~

Corrente alternata

W

Watt

n_o

Velocità a vuoto

min⁻¹

Numero di giri o di movimenti al minuto



Diametro orbitale



Conformità CE



Marchio di conformità EurAsian



Marchio di conformità ucraino



Classe II con doppio isolamento



Indossare cuffie di protezione



Indossare occhiali di protezione



Leggere attentamente le istruzioni prima di avviare l'utensile.



I prodotti elettrici non devono essere smaltiti con i rifiuti domestici. Vi sono strutture per smaltire tali prodotti. Informarsi presso il proprio Comune o rivenditore di sicurezza per smaltire adeguatamente tali rifiuti.

SIMBOLI NEL MANUALE



Collegare all'alimentazione.



Scollegare dall'alimentazione.



Parti o accessori venduti separatamente



Blocco



Sblocco



Note



Spento



Acceso



Senza forza



Con forza

I seguenti simboli indicano i livelli di rischio associati a questo prodotto.

⚠ PERICOLO

Indica una situazione immediatamente pericolosa che, se non evitata, potrà causare gravi lesioni o morte.

⚠ AVVERTENZE

Indica una situazione potenzialmente pericolosa che, se non evitata potrà causare gravi lesioni o morte.



EN
FR
DE
ES
IT
NL
PT
DA
SV
FI
NO
RU
PL
CS
HU
RO
LV
LT
ET
HR
SL
SK
BG
UK
TR
EL

⚠ ATTENZIONE

Indica una situazione potenzialmente pericolosa che, se non evitata, potrà causare lesioni minori o moderate.

ATTENZIONE

(Senza simbolo di allarme in materia di sicurezza) Indica una situazione che può provocare danni materiali.

130.com.ua





Veiligheid, prestaties en betrouwbaarheid kregen topprioriteit in het ontwerp van uw vlakschuurmachine.

BEOOGD GEBRUIK

Het product is bedoeld voor het schuren en afwerken van metaal, hout, kunststof of gelijkaardige materialen met behulp van de meegeleverde schuurpads. Hij is bedoeld om te worden gebruikt door bedieners die de gebruiksaanwijzing hebben gelezen en de risico's en gevaren begrijpen. Het product mag uitsluitend in goed eventilerde ruimtes worden gebruikt. Het product is uitsluitend ontworpen voor het droog afschuren.

Het product is bedoeld voor doe-het-zelf gebruik en mag uitsluitend zoals hierboven beschreven en dus niet voor andere doeleinden worden gebruikt.

⚠ WAARSCHUWING

Lees aandachtig alle waarschuwingen, aanwijzingen en specificaties die bij deze machine worden meegeleverd en bestudeer de afbeeldingen. Wanneer niet alle onderstaande instructies worden opgevolgd, kan dit leiden tot elektrische schok, brand en/of ernstig letsel.

Bewaar deze waarschuwingen en voorschriften zorgvuldig om ze ook later te kunnen inzien.

VEILIGHEIDSWAARSCHUWINGEN SCHUURMACHINE

- **Draag altijd een veiligheidsbril en stofmasker.**
- **Draag een geschikt stofmasker tijdens het schuren van oppervlakken bedekt met verf op loodbasis en bij het schuren van bepaalde houtsoorten en metalen om te voorkomen dat u giftige stoffen of giftige dampen inademt.** Contact met of inademen van stof dat door deze materialen wordt voortgebracht, kan de gezondheid van de gebruiker en omstanders ernstig in gevaar brengen.
- Gooi geen schuurstof in een open vuur, want materiaal in de vorm van fijne deeltjes kan explosief zijn.
- **Het product is niet geschikt voor nat schuren.**
- Wanneer u de machine niet gebruikt, dient u het uit de contactdoos te trekken.
- Pas op, brandgevaar! Vermijd dat het voorwerp dat wordt gezandstraald en de zandstraalmachine oververhitten. Maak de stofvergaarbak altijd leeg voor u een pauze neemt.
- **Klem het werkstuk met een klem vast.** Werkstukken die niet zijn vastgeklemd kunnen ernstige letsels en schade veroorzaken. Houd het materiaal dat u schuurt niet met de hand vast.
- Oefen niet té veel druk op het product uit.
- **Het vel schuurpapier mag niet te groot zijn.** Als u het schuurpapier over de randen van de schuurvoet laat uitsteken, stelt u zich bloot aan het gevaar voor lichamelijke letsels.
- **De stofzak moet op de machine zijn geïnstalleerd en regelmatig worden geleegd.** Het wordt vaak worden geleegd. U plaatst de stofzak door deze

over de steuning van de zak te schuiven en deze op het afvoermondstuk aan de achterkant van de schuurmachine te draaien (rechtson) totdat de zak goed vastzit.

- Het product wordt automatisch opnieuw gestart als het tot stilstand komt. Schakel het product onmiddellijk uit als het tot stilstand komt. Schakel het product niet opnieuw in terwijl het nog steeds stil staat, omdat dit een plotselinge terugslag hoge reactieve kracht kan veroorzaken. Bepaal waarom het product is stil gevallen en corrigeer dit overeenkomstig de veiligheidsinstructies.

⚠ WAARSCHUWING

Gooi geen schuurstof in een open vuur, want materiaal in de vorm van fijne deeltjes kan explosief zijn.

⚠ WAARSCHUWING

Draag een geschikt stofmasker tijdens het schuren van oppervlakken bedekt met verf op loodbasis en bij het schuren van bepaalde houtsoorten en metalen om te voorkomen dat u giftige stoffen of giftige dampen inademt.

⚠ WAARSCHUWING

Stof van bepaalde verven, coatings of materialen kunnen irritatie of allergische reacties aan de ademhalingswegen veroorzaken. Stof van hout, zoals eik, beuk, MDF en anderen zijn kankerverwekkend. Materiaal dat asbest bevat mag uitsluitend door een gekwalificeerde specialist worden bewerkt of verwerkt.

RESTRISICO'S

Zelfs wanneer het product zoals voorgeschreven wordt gebruikt, blijft het onmogelijk om alle restrisico's te voorkomen. De volgende gevaren kunnen optreden bij gebruik en de gebruiker dient speciaal op te letten om het volgende te voorkomen:

- **Verwonding veroorzaakt door stof**
Het gebruik van het product veroorzaakt grote hoeveelheden stof en fijne deeltjes. Gebruik de stofopvanginrichting of verbindt een stofzuiger aan de machine wanneer u het gebruikt. Draag stofmaskers met filters die geschikt zijn voor het materiaal waarin wordt gewerkt. Zorg voor voldoende ventilatie op de werkplaats. Eten, drinken of roken verboden in het werkgebied.
- **verwondingen veroorzaakt door geluid en vibratie**
Draag gehoorbescherming tijdens het schuren. Gebruik dit product niet voor een lange periode. Zie "Risico's Beperken".

RISICOBEPERKING

Vibraties van handgereedschap kan in bepaalde individuele gevallen leiden tot het syndroom van Raynaud.





Symptomen kunnen ondermeer tintelingen, gevoelloosheid en bleek worden van de vingers omvatten, wat normaal gezien duidelijk wordt bij blootstelling aan koude. Erfelijke factoren, blootstelling aan koude en vocht, dieet, roken en werkroutine kunnen allemaal bijdragen tot de ontwikkeling van deze symptomen. Er kunnen door de bediener maatregelen worden genomen om de gevolgen van de tintelingen te beperken:

- Houd bij koud weer uw lichaam warm. Draag handschoenen wanneer u de machine gebruikt om handen en polsen warm te houden. Men neemt aan dat koud weer een belangrijke factor is die bijdraagt tot het Syndroom van Raynaud.
- Doe oefeningen om de bloeddorstroming te bevorderen na elke periode van gebruik.
- Neem regelmatig een pauze. Beperk het aantal uren dat u per dag wordt blootgesteld.

Wanneer u enige van de symptomen van deze aandoening ervaart, stop dan onmiddellijk met het gebruik van het toestel en raadpleeg uw dokter

⚠ WAARSCHUWING

Letsels kunnen optreden of verergeren door langdurig gebruik van een gereedschap. Als u een werktuig gedurende langere periodes gebruikt, neem dan regelmatig pauze.

KEN UW PRODUCT

Zie pagina 93.

1. Aan-/uitschakelaar
2. Snelheidsregelaar
3. 1/3 vel schuurvoet
4. Spantang
5. Stofverzameldoos
6. Hendel, geïsoleerd grijppoppervlak
7. Zelfklevend schuurpapier
8. Standaard schuurpapier

SCHUURPAPIER KIEZEN

De keuze van de maat en het type schuurpapier en de juiste korrelgrootte is zeer belangrijk als u kwaliteitswerk wilt leveren. Voor een voorbewerking raden wij aan schuurpapier met een synthetische schuurlaag te gebruiken, bijvoorbeeld aluminiumoxide of siliciumcarbide. Natuurlijke schuurmiddelen zoals silex of granaat zijn namelijk als materiaal te zacht om rendabel voor voorbewerkingen te kunnen worden gebruikt.

Algemeen kan worden gesteld dat grofkorrelig papier dient om het grootste gedeelte van het af te schuren oppervlak te verwijderen en dat een fijnere korrel dient voor de eindafwerking. De staat waarin het te schuren oppervlak zich bevindt is bepalend voor de te gebruiken korrelgrootte. Als het oppervlak oneffen is, begint u eerst met een grofkorrelig papier totdat u een gelijkmatig oppervlak hebt verkregen. Daarna kunt u met medium grof papier de krassen weghalen die door het grove papier zijn achtergelaten, en daarna gebruikt u fijner schuurpapier om het oppervlak mooi af te werken. Schuur met elke korrelgrootte totdat u een gelijkmatig oppervlak hebt

verkregen.

⚠ WAARSCHUWING

Gebruik de schuurmachine niet zonder schuurpapier want dat zou de schuurvoet kunnen beschadigen.

Schuurblad/pad aanbevolen gebruik

Schuurpapier met korrel Ø 80	Grof schuurwerk
Schuurpapier met korrel Ø 120	Licht schuurwerk
Schuurpapier met korrel Ø 150	Licht schuurwerk

ONDERHOUD

⚠ WAARSCHUWING

Het product mag nooit worden aangesloten op de netvoeding bij het aansluiten van onderdelen, maken van afstellingen, schoonmaken, uitvoeren van onderhoud of als het product niet wordt gebruikt. Ontkoppelen van het product voorkomt accidenteel opstarten, wat ernstig letsel kan veroorzaken.

- Gebruik voor het onderhoud uitsluitend originele vervangingsonderdelen van de fabrikant. Gebruik van niet originele onderdelen kan gevaar opleveren of schade aan de machine veroorzaken.
- Voorkom het gebruik van oplosmiddelen wanneer u kunststof onderdelen reinigt. De meeste kunststoffen kunnen worden beschadigd door de in de handel zijnde oplosmiddelen. Gebruik een schone doek om vuil of stof te verwijderen.
- Remvloeistof, benzine, producten op basis van petroleum, kruipolie, enz mogen nooit in contact komen met kunststof onderdelen. Deze chemicaliën bevatten namelijk stoffen die kunststof kunnen beschadigen, verzwakken of aantasten.
- Draag altijd een veiligheidsbril of gezichtsbescherming met zijdelingse bescherming terwijl u het werktuig gebruikt of wanneer u stof blaast. Als het werk stof veroorzaakt, draag dan ook een stofmasker.
- Als het stroomsnoer beschadigd is, mag deze uitsluitend worden vervangen door de fabrikant of door een geautoriseerd onderhoudscentrum om risico te voorkomen. Neem contact op met een geautoriseerd onderhoudscentrum.
- Voor meer veiligheid en betrouwbaarheid, moeten alle herstellingen door een geautoriseerd RYOBI onderhoudscentrum worden uitgevoerd.



⚠ WAARSCHUWING

Gereedschap dat voor bewerking van glasvezeldelen, gipsplaten of bekledingsplaten wordt gebruikt, loopt meer risico om voortijdig te slijten of defect te raken. Het zaagsel en slijpsel dat uit deze materialen ontstaat, heeft een zeer schurende werking op bepaalde onderdelen van elektrisch gereedschap, zoals overbrengingen, borstels, schakelaars, enz. We raden aan dat u het product niet gedurende langere periodes op dit type materiaal gebruikt.

⚠ WAARSCHUWING

Gebruik geen perslucht om stof van het product te verwijderen. Deze praktijk is gevaarlijk en kan ertoe leiden dat vuil en grind kan worden weggeblazen en in de ogen van iemand kan terecht komen.

SMERING

Alle lagers in het product zijn gesmeerd met voldoende kwalitatief smeermiddel voor de gehele levensduur van het product bij normale gebruiksomstandigheden. Extra smering is daarom niet noodzakelijk.

SCHUURPAPIER REINIGEN

De stukken schuurpapier die bij de schuurmachine worden geleverd zijn geschikt voor hergebruik. Het is daarom belangrijk om ze regelmatig te reinigen door het stof en de materiaaldeeltjes te verwijderen die zich op het oppervlak hebben opgehoopt tijdens de verschillende schuurbewerkingen.

Om het schuurpapier te reinigen kunt u het afschrobben met een massief stuk rubber. U kunt ook een schone schoenool gebruiken.

MILIEUBESCHERMING



Zorg dat grondstoffen worden gerecycleerd in plaats van weggegooid als afval. Om het milieu te beschermen dient de machine, de accessoires en de verpakking gesorteerd bij een erkend recyclingcentrum te worden aangeleverd.

SYMBOLEN OP HET PRODUCT



Veiligheidswaarschuwing

V

Volt

Hz

Hertz

~

Wisselstroom

W

Watt

n_o

Onbelast toerental

min⁻¹

Aantal toeren of omwentelingen per minuut



Diameter cirkelbeweging



EU-conformiteit



EurAsian-symbool van overeenstemming



Oekraïens conformiteitssymbool



Klasse II, dubbelgeïsoleerd



Draag gehoorbescherming



Draag gezichtsbescherming



Lees de instructies zorgvuldig voordat u de machine in gebruik neemt.



Elektrisch afval mag niet samen met ander huishoudafval worden weggegooid. Gelieve te recyclen indien de mogelijkheid bestaat. Neem contact op met uw gemeente of handelaar om advies te krijgen over recyclage.

SYMBOLEN IN DE GEBRUIKSAANWIJZING



Verbind met de stroombron.



Ontkoppel van de stroombron.



Onderdelen of accessoires afzonderlijk gekocht



Vergrendeling



Ontgrendeling



Opmerking



Uit



Aan



Zonder kracht



Met kracht



De volgende kernwoorden en verklaringen zijn bedoeld om de gevaarniveaus die op dit toestel betrekking hebben, te verklaren.

⚠ GEVAAR

Wijst op een gevaarlijke situatie die, indien ze niet wordt vermeden, kan leiden tot ernstige verwondingen of de dood.

⚠ WAARSCHUWING

Wijst op een mogelijk gevaarlijke situatie die, indien ze niet wordt vermeden, kan leiden tot ernstige verwondingen of de dood.

⚠ LET OP

Wijst op een mogelijk gevaarlijke situatie die, indien ze niet wordt vermeden, kan leiden tot lichte of middelmatige verwondingen.

LET OP

(Zonder veiligheidssymbool) Geeft een situatie aan die materiële schade zou kunnen veroorzaken.v

EN
FR
DE
ES
IT
NL
PT
DA
SV
FI
NO
RU
PL
CS
HU
RO
LV
LT
ET
HR
SL
SK
BG
UK
TR
EL

130.com.ua

Segurança, desempenho e fiabilidade foram as prioridades na conceção da sua lixadora de lâmina.

UTILIZAÇÃO PREVISTA

O produto foi desenhado para trabalhos de lixar e acabamento de metal, madeira, plástico ou materiais similares utilizando as almofadinhas abrasivas fornecidas. Foi desenhada para ser utilizada por operários que tenham lido o manual de instruções e compreendido o perigo e os riscos. O produto apenas deve ser utilizado em áreas bem ventiladas. O produto foi desenhado apenas para lixar em seco.

O produto foi desenhado para uso doméstico e apenas deve ser utilizado tal como se descreve anteriormente e não para outros fins.

⚠ AVISO

Leia com atenção todas as advertências, instruções e especificações fornecidas com a ferramenta, e consulte as ilustrações. Se alguma das instruções listadas abaixo não for cumprida, daí poderá resultar choque eléctrico, incêndio e/ou ferimentos graves.

Guarde todos os avisos e instruções para futuras consultas.

AVISOS DE SEGURANÇA DA LIXADORA

- **Utilize sempre óculos de segurança e uma máscara.**
- **Deve usar uma máscara anti-pó adequada quando lixar superfícies revestidas com tinta à base de chumbo assim como certas madeiras e metais, para evitar inalar poeiras ou vapores tóxicos.** O contacto ou a inalação do pó produzido por estes materiais podem colocar em perigo a saúde do operador e as pessoas ao seu redor.
- Não despeje o pó proveniente da lixagem num fogo aberto porque os materiais na forma de partículas finas podem ser explosivos.
- **O produto não é apto para lixar em húmido.**
- Quando não se encontram em utilização, todas as ferramentas devem ser desconectadas da fonte de alimentação.
- Cuidado, perigo de incêndio! Evite o sobreaquecimento do objecto a ser lixado bem como da lixadeira. Esvazie sempre o colector de pó antes de fazer pausas.
- **Fixe a peça de trabalho com um dispositivo de fixação.** As peças de trabalho mal presas podem causar danos e lesões graves. Não segure o material que estiver a lixar com a mão.
- Não aplique pressão excessiva no produto.
- **A folha de lixa não deve ser grande demais.** Se deixar a folha de lixa ultrapassar o prato, fica exposto a ferimentos graves.
- **O saco de pó deve ser instalado na ferramenta e despejado regularmente.** Deve ser esvaziada com frequência. Para instalar o saco do pó, encaixe o anel do saco no bico de evacuação situado atrás da lixadeira rodando-o para a direita até que o saco fique correctamente fixado.

- Se o produto entrar em paragem espontânea, irá recomeçar a funcionar automaticamente. Se o produto entrar em paragem espontânea, desligue imediatamente o produto no interruptor. Não volte a ligar o produto no interruptor enquanto o produto ainda estiver em paragem espontânea, porque isso poderá causar um ressalto súbito, com uma grande força de reacção. Descubra o problema que fez o produto entrar em paragem espontânea e corrija-o, certificando-se de que cumpre todas as instruções de segurança.

⚠ AVISO

Não despeje o pó proveniente da lixagem num fogo aberto porque os materiais na forma de partículas finas podem ser explosivos.

⚠ AVISO

Deve usar uma máscara anti-pó adequada quando lixar superfícies revestidas com tinta à base de chumbo assim como certas madeiras e metais, para evitar inalar poeiras ou vapores tóxicos.

⚠ AVISO

O pó de certas pinturas, revestimentos e materiais pode causar irritação ou reacções alérgicas no sistema respiratório. O pó de madeira como o carvalho, a faia, o MDF e outros é cancerígeno. O material que contém amianto apenas deve ser trabalhado ou processado por operadores especialistas qualificados.

RISCOS RESIDUAIS

Mesmo quando se utiliza o produto segundo as instruções, continua a ser impossível eliminar por completo certos fatores de risco residuais. Podem surgir os seguintes riscos durante o uso e o operador deve prestar especial atenção para evitar o seguinte:

- **Prejuízo causado pela poeira**
O uso do produto produzirá uma quantidade considerável de pó e partículas. Use o dispositivo de recolha de pó ou conecte um aspirador para extração de pó ao utilizar o produto. Utilize máscaras com filtros adequados para os materiais com que estiver a trabalhar. Assegure uma ventilação adequada do local de trabalho. Não coma, beba ou fume na área de trabalho.
- **Lesões causadas pelo ruído e a vibração**
Utilize proteção auditiva durante os trabalhos de lixar. Não utilize o produto durante longos períodos de tempo. Consulte o ponto "Redução De Riscos".

REDUÇÃO DO RISCO

Informou-se que as vibrações das ferramentas manuais podem contribuir para uma doença chamada síndrome de Raynaud em certos indivíduos. Os sintomas podem incluir formigueiro, entorpecimento e empalidezimento dos dedos, habitualmente visível aquando da exposição ao frio. Estima-se que os factores hereditários, exposição ao



frio e humidade, dieta, tabagismo e práticas de trabalho contribuem todos para o desenvolvimento destes sintomas. Existem medidas que podem ser tomadas pelo operador para possivelmente reduzir os efeitos da vibração:

- Mantenha o seu corpo quente durante o tempo frio. Ao operar a unidade, use luvas para manter as mãos e os pulsos quentes. Encontra-se reportado que o tempo frio é um grande factor que contribui para o Síndrome de Raynaud.
- Após cada período de operação, exercite para aumentar a circulação sanguínea.
- Faça pausas frequentes no trabalho. Limite o tempo de exposição por dia.

Caso sinta algum dos sintomas desta doença, interrompa de imediato a sua utilização e consulte o seu médico sobre estes sintomas.

⚠ AVISO

As lesões podem ser causadas ou agravadas pelo uso prolongado de uma ferramenta. Ao usar qualquer ferramenta durante períodos prolongados, assegure-se que faz intervalos regulares.

CONHEÇA O SEU PRODUTO

Consulte a página 93.

1. Interruptor desligado/ligado
2. Variador de velocidade
3. 1/3 Placa rectangular
4. Pinça
5. Caixa colectora de pó
6. Pega, superfícies de prensão isoladas
7. Lixa adesiva
8. Folha de lixa standard

ESCOLHA DA FOLHA DE LIXA

A escolha do tamanho correcto, do grão e do tipo de folha de lixa é extremamente importante se quiser obter um lixamento de qualidade. Para um lixamento de desbaste, é aconselhável utilizar abrasivos sintéticos como a alumina ou o carboneto de silício. Os abrasivos naturais tais como o sílex ou a granada são muito macios para que possam ser utilizados de maneira económica para um lixamento de desbaste.

De um maneira geral, um grão grosso permite retirar mais material, enquanto que um grão fino permite obter um melhor acabamento. O estado da superfície a lixar permite determinar o tamanho do grão a utilizar. Se a superfície for rugosa, comece o lixamento com uma folha de lixa de grão grosso até que a superfície fique uniforme. Pode utilizar em seguida uma folha de lixa de grão médio para eliminar os arranhões deixados pela folha de lixa de grão grosso e por fim uma folha de lixa de grão fino para polir a superfície. Lixe sempre com cada tamanho de grão até que a superfície fique uniforme.

⚠ AVISO

NÃO utilize a lixadeira sem folha de lixa para não danificar o prato.

Utilização Recomendada da Folha / Almofada

Folha de lixa grão Ø 80	Lixamento grosseiro
Folha de lixa grão Ø 120	Lixamento ligeiro
Folha de lixa grão Ø 150	Lixamento ligeiro

MANUTENÇÃO

⚠ AVISO

O produto não deve nunca ligado à corrente eléctrica durante a montagem de peças, a realização de ajustes, limpeza, operações de manutenção ou quando não está em uso. Ao deligar o produto estará a evitar um arranque acidental que pode causar lesões graves.

- Na reparação só devem ser utilizadas peças sobresselentes do fabricante. O uso de quaisquer outras peças pode criar perigo ou causar danos ao aparelho.
- Evite usar solventes ao limpar as peças de plástico. A maioria dos plásticos pode ser danificada pelos solventes vendidos no comércio. Utilize um pano limpo para remover as sujidades, o pó, etc.
- Nunca, em qualquer momento, deixe que fluidos de travagem, gasolina, produtos petrolíferos, óleos de perfuração, etc., entrem em contacto com as peças de plástico. Estas substâncias contêm produtos químicos que podem danificar, enfraquecer ou destruir o plástico.
- Use sempre óculos de protecção ou óculos de segurança com protecções laterais durante a operação da ferramenta eléctrica ou quando estiver a levantar poeira no ar. Caso a operação seja poeirenta, use também uma máscara contra o pó.
- Se o cabo de alimentação estiver danificado, deverá ser substituído unicamente pelo fabricante ou por um centro de serviço autorizado para evitar riscos. Contacte o centro de serviço autorizado.
- Para uma maior segurança e fiabilidade, todas as reparações devem ser realizadas por um centro de assistência autorizado RYOBI.

⚠ AVISO

As ferramentas eléctricas utilizadas em equipamentos de fibra de vidro, placas de gesso, painéis de revestimento têm tendência a desgastarem-se mais rapidamente e a apresentar falhas prematuras, dado que as aparas e a serradura provenientes destes materiais são com efeito muito abrasivas para as peças das ferramentas eléctricas como por exemplo as engrenagens, as escovas, os interruptores, etc. Não recomendamos a utilização do aparelho durante longos trabalhos nestes tipos de materiais.



⚠️ AVISO

Não use ar comprimido para eliminar o pó do produto. Esta prática é perigosa e pode fazer com que a sujidade e poeiras sejam projetadas e ferir os olhos de alguém.

LUBRIFICAÇÃO

Todos os rolamentos deste produto estão lubrificados com um montante suficiente de lubrificante de elevado nível, de acordo com a duração de vida do produto em condições normais de funcionamento. Por conseguinte, não requer nenhuma lubrificação suplementar.

LIMPEZA DAS FOLHAS DE LIXAS

As folhas de lixas fornecidas com a sua lixadeira podem ser reutilizadas. É portanto importante que as limpe regularmente para retirar o pó e as partículas que se acumulam na superfície durante as diversas operações de lixamento.

Para limpar as folhas de lixas, esfregue-as com um bloco compacto de borracha. Pode utilizar, por exemplo, uma sola de sapatos de borracha limpa.

PROTECÇÃO DO AMBIENTE



Recicle os materiais em vez de pô-los directamente no lixo doméstico. Para proteger o ambiente, a ferramenta, os acessórios e as embalagens devem ser seleccionados.

SÍMBOLOS NO PRODUTO



Alerta de Segurança

V

Volts

Hz

Hertz

~

Corrente alterna

W

Watts

n_o

Velocidade em vazio

min⁻¹

Número de rotações ou movimentos por minuto



Diâmetro orbital



Conformidade CE



Marca de conformidade EurAsian



Marca de conformidade ucraniana



Classe II, com duplo isolamento



Use protecção para os ouvidos



Use protecção para os olhos



Agradecemos que leia atentamente as instruções antes de iniciar a máquina.



Os aparelhos eléctricos antigos não devem ser eliminados juntamente com o lixo doméstico. Recicle onde existem instalações para o efeito. Verifique com as suas Autoridades Locais ou revendedor para obter informações sobre reciclagem.

SÍMBOLOS NESTE MANUAL



Conecte à fonte de alimentação.



Desconecte da fonte de alimentação.



As peças ou acessórios vendem-se separadamente



Bloqueio



Abrir



Nota



Desligar



Desligado



Sem força



Com força

As seguintes palavras de sinal e significados destinam-se a explicar os níveis de risco associados a este produto.

⚠️ PERIGO

Indica uma situação de perigo iminente, a qual, se não for evitada, pode resultar em morte ou ferimentos graves.

⚠️ AVISO

Indica uma situação potencialmente perigosa que, se não for evitada, pode resultar em morte ou ferimentos graves.

⚠ CAUTELA

Indica uma situação potencialmente perigosa que, se não for evitada, pode resultar em ferimentos leves ou moderados.

CAUTELA

(Sem símbolo de segurança) Indica uma situação que pode provocar danos materiais.

- EN
- FR
- DE
- ES
- IT
- NL
- PT**
- DA
- SV
- FI
- NO
- RU
- PL
- CS
- HU
- RO
- LV
- LT
- ET
- HR
- SL
- SK
- BG
- UK
- TR
- EL

130.com.ua



Sikkerhed, ydelse og driftssikkerhed har fået topprioritet i designet af din rystepudser.

TILTÆNKT ANVENDELSESFORMÅL

Produktet er beregnet til slibning og overfladebehandling af metal, træ, plast eller lignende materialer ved hjælp af medfølgende slibepads. Der er beregnet til at blive anvendt af operatører, som har læst brugsanvisningen og forstået de involverede risici og farer. Produktet må kun benyttes i godt ventilerede områder. Produktet er kun beregnet til tørslibning.

Produktet er beregnet til privat brug og må kun bruges som beskrevet ovenfor og ikke til noget andet formål.

⚠ ADVARSEL

Læs alle omhyggeligt alle advarsler, anvisninger og specifikationer, som følger med maskinen, og studer illustrationerne. Manglende iagttagelse af samtlige nedenstående instrukser kan medføre elektrisk stød, brand og/eller alvorlige personskader.

Gem alle advarsler og brugsanvisninger til senere brug.

SIKKERHEDSADVARSLER VEDR. SLIBEMASKINER

- **Benyt altid sikkerhedsbriller og støvmaske.**
- **Der skal benyttes et egnet åndedrætsværn ved slibning af blyholdig maling, visse trætyper og metal for at undgå indånding af skadeligt/giftigt støv eller luft.** Kontakt med eller indånding af støv fremstillet af disse materialer kan indebære en sundhedsfare for operatøren og omkringstående.
- Smid ikke slibestøv på åben ild, da materialer i finpartikelform kan være eksplosive.
- **Produktet er ikke egnet til vådslibning.**
- Værktøjer, som ikke anvendes, skal kobles fra strømforsyningskilden.
- Pas på - brandfare! Undgå at overophede den genstand, der slibes, samt slibemaskinen. Husk altid at tømme støvsamlere, inden der holdes pause.
- **Emnet skal fastspændes med en fastspændingsanordning.** Ikke-spændte emner kan forårsage alvorlige (person)skader. Undlad at holde det materiale, der slibes, med hånden.
- Undlad at udsætte produktet for kraftigt pres.
- **Brug ikke større stykker sandpapir end nødvendigt.** Ekstra papir, der stikker ud over bladbpladen, kan også forårsage alvorlige flænger.
- **Støvposen skal sidde på maskinen.** Sørg for at tømme den regelmæssigt. For at montere støvposen skal du sætte støvposens adapter i åbningen til støvsamling bag på slibemaskinen.
- Produktet genstarter automatisk, hvis det er gået i stå. Sluk straks for produktet, hvis det går i stå. Tænd ikke for produktet igen, mens det er gået i stå, fordi det kunne udløse et pludseligt tilbageslag med en høj reaktiv kraft. Slå fast, hvorfor produktet gik i stå, og foretag udbedring af dette, og tag samtidig højde for sikkerhedsanvisningerne.

⚠ ADVARSEL

Smid ikke slibestøv på åben ild, da materialer i finpartikelform kan være eksplosive.

⚠ ADVARSEL

Der skal benyttes et egnet åndedrætsværn ved slibning af blyholdig maling, visse trætyper og metal for at undgå indånding af skadeligt/giftigt støv eller luft.

⚠ ADVARSEL

Støv fra visse typer maling, belægninger og materialer kan forårsage irritation eller allergiske reaktioner i åndedrætssystemet. Støv fra træ som fx eg, bøg, MDF og andre er kræftfremkaldende. Materiale, som indeholder asbest, må kun bearbejdes eller håndteres af hertil kvalificerede specialoperatører.

UUNDGÅELIGE RISICI

Selv om produktet anvendes som foreskrevet, er det stadig umuligt at eliminere visse uundgåelige risikofaktorer fuldstændigt. Følgende risici kan opstå under brug, og operatøren bør være særligt opmærksom for at undgå følgende:

- Personskader forårsaget af støv
Anvendelse af produktet frembringer betydelige mængder støv og fine partikler. Brug støvsamlingsenheden, eller tilslut en støvsugningsanordning, når produktet benyttes. Benyt støvmasker med filtre, der svarer til det materiale, der arbejdes med. Sørg for tilstrækkelig ventilation på arbejdspladsen. Undlad at spise, drikke eller ryge i arbejdsområdet.
- Fare for personskade pga. støj og vibration
Benyt høreværn under slibearbejde. Undlad at benytte produktet i længere perioder ad gangen. Se "Risikoreduktion".

RISIKOREDUKTION

Der er rapporteret om, at vibrationer fra håndholdte værktøjer kan være medvirkende til en lidelse kaldet Raynauds syndrom hos visse personer. Symptomerne herpå kan være prikken, følelsesløshed og blegning af fingre, der normalt viser sig ved kuldepåvirkning. Faktorer som arvelighed, udsættelse for kulde og fugt, kost, rygning og arbejdsvaner menes alle at medvirke til udviklingen af disse symptomer. Der findes forholdsregler, som operatøren kan træffe for at begrænse påvirkningen fra vibrationer:

- Hold kroppen varm i koldt vejr. Brug handsker, så hænder og vriste holdes varme under arbejdet. Der er rapporteret om, at koldt vejr er en væsentlig faktor til Raynauds syndrom.
- Motionér efter hver arbejdsperiode for at øge blodcirkulationen.
- Hold hyppige arbejdspauser. Begræns eksponeringen for vibrationer pr. dag.

Hvis du mærker nogen af symptomerne på denne tilstand, skal du straks ophøre med arbejdet og søge læge.



⚠ ADVARSEL

Længere tids brug af et værktøj kan forårsage - eller forværre - personskader. Når man bruger et værktøj i længere perioder ad gangen, skal man huske at holde hyppige pauser.

KEND PRODUKTET

Se side 93.

1. Tænd/Sluk-kontakt
2. Hastighedsvariator
3. 1/3 Bundplade til ark
4. Klemme
5. Støvsamlingsboks
6. Håndtag, isoleret gribeplade
7. Selvklæbende slibepapir
8. Standard slibepapir

VALG AF SLIBEPAPIR

Det er meget vigtigt at vælge den rigtige størrelse og type slibepapir og den rigtige finhedsgrad for at opnå et godt resultat. Til grovslibning anbefales syntetiske slibemidler såsom aluminiumoxid eller siliciumkarbid. Naturlige slibemidler som kisel eller granat er for bløde og ikke økonomiske i brug til grovslibning.

Som hovedregel anvendes groft slibepapir først til at fjerne de groveste partier og finere slibepapir til den afsluttende slibning. Overfladens beskaffenhed bestemmer, hvilken finhedsgrad der skal anvendes. Hvis fladen er ru, startes med groft slibepapir, indtil fladen er jævn. Derefter anvendes mellemfint slibepapir til at fjerne de ridser, det grove slibepapir har efterladt, og til sidst pudses efter med det fine slibepapir. Slib med hver finhedsgrad, indtil fladen er ensartet.

⚠ ADVARSEL

BRUG IKKE slibemaskinen uden sandpapir, da det kan beskadige bundpladen.

Sandpapir/slibeplade anbefalet brug

Slibepapir finhed Ø 80	Grovslibning
Slibepapir finhed Ø 120	Lettere slibning
Slibepapir finhed Ø 150	Lettere slibning

VEDLIGEHOLDELSE

⚠ ADVARSEL

Produktet må aldrig sluttes til en strømforsyning, mens man er i færd med at samle dele, foretage justeringer, rengøre, udføre vedligeholdelsesarbejde, eller når produktet ikke anvendes. Ved at afbryde forbindelsen til strømforsyningen forhindrer man utilsigtet start af produktet, hvilket kan medføre alvorlige personskader.

- Brug kun originale reservedele fra maskinproducenten i forbindelse med servicearbejde. Brug af alternative

dele kan forårsage farlige situationer eller ødelægge produktet.

- Undgå brug af opløsningsmidler til rengøring af plastdele. De fleste plasttyper bliver ødelagt, hvis de renses med almindelige gængse opløsningsmidler. Fjern snavs, støv m.v. med en ren klud.
- Sørg for, at bremsevæske, benzin, petroleumsbaserede produkter, penetreringsolie, mv., aldrig kommer i kontakt med plastdele. Disse kemiske produkter indeholder stoffer, som kan beskadige, mørne eller ødelægge plastmaterialet.
- Bær altid sikkerhedsbriller med sideskjolde under betjening af elværktøjet eller ved støv-ophvirvling. Hvis der ophvirvles støv under arbejdet, bæres også støvmaske.
- Hvis strømforsyningskablet beskadiges, skal det udskiftes af producenten eller på et autoriseret servicecenter for at undgå risici. Kontakt et autoriseret servicecenter.
- Af hensyn til større sikkerhed og pålidelighed skal alt reparationsarbejde udføres på et autoriseret RYOBI-servicecenter.

⚠ ADVARSEL

Elektriske værktøjer, som bruges på glasfiber, gipsplader og beklædningsplader har tendens til at blive slidt hurtigere og evt. få flere driftsproblemer. Spåner og savsmuld fra disse materialer har nemlig en kraftig slibevirkning på det elektriske værktøjs dele, fx lejer, kulbørster, omskiftere osv. Vi kan ikke anbefale, at man benytter produktet i større omfang på disse materiale typer.

⚠ ADVARSEL

Undlad at bruge trykluft til at fjerne støv fra produktet. Denne praksis er farlig og kan bevirke, at der blæses snavs og grus, hvilket kan beskadige andres øjne.

SMØRING

Alle lejerne i produktet er smurt for produktets levetid under normale driftsbetingelser med en tilstrækkelig mængde højkvalitetssmøremiddel. Det er derfor ikke nødvendigt med yderligere smøring.

RENGØRING AF SLIBEPAPIR

Slibepapiret leveret med denne slibemaskine kan genbruges. Det er derfor vigtigt at rense det regelmæssigt for støv og partikler ophobet på fladen under de forskellige slibearbejder.

Slibepapiret renses ved gnidning mod en kompakt gummiflade. Man kan også bruge en ren skogummisål.

MILJØBESKYTTELSE



Råmaterialerne skal genbruges og ikke bortskaffes som almindeligt affald. Af hensyn til miljøet skal redskab, tilbehør og emballage sorteres.

SYMBOLER PÅ PRODUKTET



Sikkerheds Varsel

V

Volt

Hz

Hertz

~

Vekselstrøm

W

Watt

n_o

Tomgangshastighed

min⁻¹

Antal omdrejninger eller bevægelser pr. Minut



Kredsbanediameter



CE Overensstemmelse



EurAsian overensstemmelsesmærke



Ukrainsk overensstemmelsesmærke



Klasse II, dobbeltisoleret



Benyt høreværn



Benyt øjenværn



Læs venligst vejledningen grundigt igennem før maskinen tages i brug.



Elektriske affaldsprodukter bør ikke afskaffes sammen med husholdningsaffald. Genbrug venligst hvor faciliteterne tillader dette. Tjek med din lokale kommune eller forhandler for genbrugsråd.



Bemærk



Slukket



Tænd



Uden kraft



Med kraft

De følgende ikoner og betydninger er beregnet til at forklare risikoen involveret i at anvende denne enhed.

FARE

Indikerer en umiddelbart farlig situation, som - hvis den ikke afværges - vil medføre dødsfald eller alvorlig personskade.

ADVARSEL

Indikerer en potentielt farlig situation, som - hvis den ikke afværges - kan medføre dødsfald eller alvorlig personskade.

VÆR OPMÆRKSOM

Indikerer en potentielt farlig situation, som - hvis den ikke afværges - kan medføre mindre eller middelsvær personskade.

VÆR OPMÆRKSOM

(Uden sikkerhedssymbol) indikerer en situation som kan føre til skade af personlig ejendom.

SYMBOLER I BRUGSANVISNINGEN



Slut til strømforsyningen.



Kobl fra strømforsyningen.



Dele eller tilbehør, der sælges separat



Lås



Oplås

Säkerhet, prestanda och pålitlighet har varit högsta prioritet vid design av din slipmaskin.

ANVÄNDNINGSMOMRÅDE

Produkten är avsedd för att slipa trä, metall, plast och liknande material med tillhörande slipskivor. Den är avsedd att användas av personer som har läst bruksanvisningen och är införstådda med riskerna. Produkten bör endast användas i väl ventilerade utrymmen. Produkten är avsedd enbart för torrslipning.

Produkten är avsedd för privat bruk och får enbart användas så som beskrivs ovan och inte för något annat ändamål.

⚠ VARNING

Läs uppmärksamt alla varningar, instruktioner och specifikationer som bifogas med detta verktyg och studera bilderna. Om inte alla instruktioner som listas här beaktas kan konsekvensen bli elektriska stötar, brand och/eller allvarliga skador.

Behåll dessa varningar och anvisningar för framtida referens.

VIKTIGA SÄKERHETSVARNINGAR FÖR SLIPMASKINER

- **Bär alltid skyddsglasögon och dammask.**
- **Du bör använda en lämplig skyddsmask mot damm då du slipar ytor som är täckta med blybaserad färg eller vissa träslag och metaller, för att inte andas in damm eller giftiga ångor.** Kontakt eller inandning av damm från dessa material kan innebära hälsorisker för användare eller personer i närheten.
- Kasta inte damm som alstrats av slipningen i öppen eld, för ämnena i form av små partiklar kan vara explosiva.
- **Produkten är inte avsedd för våtslipning.**
- Alla verktyg ska kopplas bort från strömkälla när de inte används.
- Varning, brand! Undvik att överhettat objekt som ska slipas liksom slipmaskinen. Töm alltid dammsamlaren innan du tar raster.
- **Fest arbetsstycket med klämanordning.** Icke fastklämda arbetsstycken kan orsaka allvarliga skador och skada på egendom. Håll inte det material som slipas med enbart handen.
- Tryck inte för hårt med produkten.
- **Sandpappret får inte vara för stort.** Om sandpappret är större än slipytan, kan du skada dig allvarligt.
- **Damppåsen ska placeras på verktyget och tömmas regelbundet.** Det ska tömmas ofta. Montera påsen så här: för in påsringen i munstycket som finns baktill på slipmaskinen och vrid den till höger ända tills påsen sitter stadigt fast.
- Produkten startar om automatiskt om den fått motorstopp. Slå av produkten omedelbart om den får motorstopp. Slå inte på produkten igen medan den fortfarande har motorstopp, eftersom det kan orsaka en plötslig rekyl med hög reaktionskraft. Fastställ varför produkten fick motorstopp och åtgärda detta, samtidigt

som du beaktar säkerhetsanvisningarna.

⚠ VARNING

Kasta inte damm som alstrats av slipningen i öppen eld, för ämnena i form av små partiklar kan vara explosiva.

⚠ VARNING

Du bör använda en lämplig skyddsmask mot damm då du slipar ytor som är täckta med blybaserad färg eller vissa träslag och metaller, för att inte andas in damm eller giftiga ångor.

⚠ VARNING

Damm från viss typ av färg, ytor och material kan skapa irritation eller allergiska reaktioner i andningssystemet. Damm från trä som ek, bok, MDF och annat är cancerframkallande. Material som innehåller asbest får enbart bearbetas av specialutbildade användare.

RESIDUALRISK

Även om produkten används enligt instruktionerna går det inte att eliminera alla eventuella riskfaktorer. Följande risker kan uppstå vid användning och operatören ska vara extra uppmärksam för att undvika följande:

- Skador orsakade av damm
Användning av produkten ger ansenliga mängder damm och småpartiklar. Använd dammuppsamlare eller anslut produkter till extern dammsugare. Använd andningsskydd med filter som är lämpliga för de material som bearbetas. Se till att arbetsplatsen är tillräckligt ventilerad. Ät, drick eller rök inte på arbetsområdet.
- skador orsakade av buller eller vibrationer
Använd hörselskydd vid slipning. Använd inte produkten under längre tidsperioder. Se "Riskreducering".

RISKMINSKNING

Det finns rapporter om att vibrationer från handhållna produkter kan bidra till ett tillstånd som kallas Raynauds syndrom för vissa personer. Symptomen brukar vara att det sticker i fingrarna och att de domnar bort; fingrarna kan också bli vita, särskilt vid kyla. Årftliga faktorer, kyla och fukt, diet, rökning och arbetsrutiner tros alla bidra till att orsaka dessa symptom. Det finns förebyggande åtgärder som du kan vidta för att försöka minska vibrationernas påverkan:

- Håll dig varm när du arbetar i kallt väder. Använd handskar för att hålla kvar värmen i händer och handleder. Kyla har rapporterats som en viktig del i utvecklandet av Raynauds syndrom.
- Träna och rör på dig efter varje användningstillfälle för att öka blodcirkulationen.
- Ta ofta pauser från arbetet. Begränsa tiden du utsätter dig varje dag.

Upphör omedelbart om du upplever några av dessa symptom och uppsök din läkare.

EN
FR
DE
ES
IT
NL
PT
DA
SV
FI
NO
RU
PL
CS
HU
RO
LV
LT
ET
HR
SL
SK
BG
UK
TR
EL

⚠ VARNING

Risk för person- eller slitage-skador vid användning av verktyget under lång tid. Om verktyget används under längre perioder krävs regelbundna pauser.

LÄR KÄNNA DIN PRODUKT

Se sidan 93.

1. Av/på-knapp
2. Hastighetsvariator
3. 1/3 Slipdyna ark
4. Klämma
5. Dammlåda
6. Handtag, isolerad greppyta
7. Vidhäftande sandpapper
8. Standard slippapper

VAL AV SANDPAPPER

Valet av storlek, korn och typ av slippapper är ytterst viktigt för att erhålla ett högklassigt resultat. För grovbearbetning rekommenderar vi att använda syntetiska slipmedel som alunin eller kiselkarbid. Naturliga slipmedel som flinta eller granat är nämligen för mjuka för att vara ekonomiska vid grovbearbetning.

Allmänt taget är ett grovt slipmedel lämpligt för grovare och ett fint slipmedel för finpolering. Det är materialets yta som avgör hurdant slipmedel som bör användas. Om ytan är skrovlig är det skäl att börja slipningen med ett grovt slippapper, ända tills ytan är jämn. Sedan kan du använda mediumtyp för att eliminera de repor som lämnats kvar av det grova slippappret och slutligen ett fint slippapper för att polera ytan. Slipa med varje typ av slippapper, ända tills ytan är helt jämn.

⚠ VARNING

Använd INTE slipmaskinen utan sandpapper, för att inte skada slipdynan.

Rekommenderad användning av ark/papper

Slippapper, kornstorlek Ø 80	Grov slipning
Slippapper, kornstorlek Ø 120	Lätt slipning
Slippapper, kornstorlek Ø 150	Lätt slipning

UNDERHÅLL

⚠ VARNING

Produkten får aldrig anslutas till strömkälla under montering, justeringar, rengöring, underhåll eller när produkten inte används. Frånkoppling av produkten förhindrar uppstart av misstag vilket kan orsaka allvarliga skador.

- Under servicearbete ska enbart tillverkarens originaltillbehör användas. Användning av andra delar kan orsaka fara eller produktskada.

- Undvik att använda lösningsmedel vid rengöring av plastdelar. Flertalet plaster kan skadas vid användning av vissa lösningsmedel som säljs i affärerna. Använd en ren tygrasa för att torka bort smuts, damm, osv.
- Låt aldrig bromsvätska, bensin, petroleumbaserade produkter, penetrerande oljor och liknande komma i kontakt med plastdelar. Dessa ämnen innehåller kemiska produkter som kan skada, försvaga eller förstöra plasten.
- Använd alltid skyddsglasögon när du använder verktyget eller när du blåser damm. Använd en ansiktsmask om det dammar mycket.
- För att minska risken får en skadad strömladd endast repareras av tillverkaren eller ett auktoriserat servicecenter. Kontakta auktoriserat servicecenter.
- För säkerhet och pålitlighet ska alla reparationer utföras av auktoriserat RYOBI reparationscenter.

⚠ VARNING

Elektriska verktyg som används på glasfiber, gipsplattor eller beklädnadspaneler tenderar att slitas snabbare och få funktionsavbrott i förtid på grund av att spån och sågspån som härstammar från dessa material angriper kugghjul, elborstar, strömbrytare, osv. Vi rekommenderar inte att produkten används under längre tidsperioder på dessa typer av material.

⚠ VARNING

Använd inte tryckluft för att blåsa bort smuts/damm från produkten. Denna metod är riskfylld och kan göra att smuts och skräp flyger iväg och orsakar ögonskador.

SMÖRJNING

Alla lager i produkten har smorts med tillräcklig mängd högklassig smörjmedel för produktens livslängd under normala driftförhållanden. Därför behövs ingen ytterligare smörjning.

RENGÖRING AV SLIPPAPPREN

Slippappren som följer med slipmaskinen kan återanvändas. Därför är det viktigt att rengöra dem regelbundet, för att få bort damm och partiklar som hopar sig på ytan under olika sliparbeten.

För att rengöra slippappren kan du gnugga dem med en kompakt gummibit. Du kan också använda till exempel en ren skosula.

MILJÖSKYDD



Råmaterialen ska återvinnas i stället för att kastas i hushållsavfallet. För att skona miljön ska verktyget, tillbehören och emballagen sorteras.

SYMBOLER PÅ PRODUKTEN



Säkerhetsvarning

- V** Volt
- Hz** Hertz
- ~ Växelström
- W** Watt
- n_o** Tomgångshastighet
- min⁻¹** Antal varv eller rörelser per minut



Bandiameter



CE-konformitet



EurAsian överensstämmelsesymbol



Ukrainskt märke för överensstämmelse



Klass II, dubbelisolerad



Bär hörselskydd.



Använd skyddsglasögon



Läs instruktionerna ordentligt innan start av maskinen.



Gamla elektroniska produkter ska inte kastas med hushållssoporna. Återvinn där sådana faciliteter finns. Kontrollera med din lokala myndighet eller säljaren för att få återvinningstips.



Av



Av



Utan kraftpåslag



Med kraftpåslag

Följande signalord och betydelser är tänkta att förklara de olika risknivåerna som är associerade med denna produkt.

FARA

Visar på en direkt riskfylld situation som, om den inte undviks, kan orsaka dödsfall eller allvarig personskada.

VARNING

Visar på en potentiellt riskfylld situation som, om den inte undviks, kan orsaka dödsfall eller allvarig personskada.

FÖRSIKTIGHET

Visar på en potentiellt riskfylld situation som, om den inte undviks, kan orsaka mindre eller måttlig personskada.

FÖRSIKTIGHET

(Utan säkerhetssymbolen) Indikerar en situation som kan leda till egendomsskada.

- EN
- FR
- DE
- ES
- IT
- NL
- PT
- DA
- SV**
- FI
- NO
- RU
- PL
- CS
- HU
- RO
- LV
- LT
- ET
- HR
- SL
- SK
- BG
- UK
- TR
- EL

SYMBOLER I MANUALEN



Anslut till eluttag.



Koppla bort från eluttag.



Delar och utrustning säljs separat



Lås



Lås upp



Notera



Tasohiomakoneen suunnittelussa on pidetty etusijalla turvallisuutta, suorituskykyä ja luotettavuutta.

KÄYTTÖTARKOITUS

Tämä tuote on tarkoitettu metallin, puun, muovien ja vastaavien materiaalien hiontaan ja viimeistelyyn käyttäen mukana toimitettuja hiomatyynyjä. Se on tarkoitettu sellaisten käyttäjien käytettäväksi, jotka ovat lukeneet käyttöoppaan ja ymmärtävät riskit ja vaarat. Tuotetta saa käyttää vain hyvin tuulettussa tilassa. Tuote on suunniteltu vain kuivahiontaan.

Tuote on tarkoitettu yksityiskäyttöön, ja sitä saa käyttää vain yllä kuvatulla tavalla; sitä ei ole tarkoitettu mihinkään muuhun käyttöön.

VAROITUS

Lue tarkkaavaisesti kaikki tämän työkalun kanssa toimitetut varoitukset, ohjeet ja spesifikaatiot, ja katso lisäksi kuvat. Seuraavassa lueteltujen ohjeiden laiminlyönti saattaa johtaa sähköiskuun, tulipaloon ja/tai vakavaan henkilövammaan.

Säästä kaikki varoitukset ja ohjeet tulevaa käyttöä varten.

HIOMAKONEEN TURVALLISUUSVAROITUKSET

- Käytä aina suojalaseja ja pölynaamaria.
- Työhön sopivaa hengityssuojainta on käytettävä, kun hiotaan lyijymaalia, joitain puupintoja ja metallia, jotta vältytään haitallisen/myrkyllisen pölyn tai ilman hengittämiseltä. Näistä materiaaleista syntyneen pölyn koskettaminen tai hengittäminen voi vaarantaa käyttäjän ja sivullisten terveyttä.
- Älä heitä hiontapölyä avotuleen, koska pieninä hiukkasina olevat materiaalit saattavat olla räjähdysherkkiä.
- Älä käytä tuotetta märkähiontaan.
- Kun et käytä laitteita, ne tulee irrottaa virtalähteestä.
- Varoitus; tulipalon vaara! Varo, ettei hiottava kappale tai hiomakone ylikuumene. Tyhjennä pölynkerääjä aina ennen taukojen pitämistä.
- Kiinnitä työkalulle paikoilleen puristimella. Kiinnittämätön työkalu voi aiheuttaa vakavan vamman ja vaurioita. Älä pitele hiomaasi materiaalia kädessä.
- Älä paina tuotetta liikaa.
- Älä käytä liian suurta hiekkapaperia. Hiomalaikan reunojen yli ulottuva ylimääräinen paperi saattaa aiheuttaa vakavia haavoja.
- Työkaluun on kiinnitettävä pölypussi, ja se on tyhjennettävä säännöllisesti. Se on tyhjennettävä usein. Liitä pölypussi asettamalla pölypussin sovitin hiomakoneen takaosassa olevaan pölyaukkoon.
- Tuote käynnistyy uudelleen automaattisesti, jos se jumittuu. Sammuta tuote välittömästi, jos se jumittuu. Älä käynnistä tuotetta uudelleen sen ollessa jumissa, sillä muutoin seurauksena voi olla voimakas takapotku. Määritä, miksi tuote on jumittunut, ja korjaa tilanne noudattaen turvallisuusohjeita.

VAROITUS

Älä heitä hiontapölyä avotuleen, koska pieninä hiukkasina olevat materiaalit saattavat olla räjähdysherkkiä.

VAROITUS

Työhön sopivaa hengityssuojainta on käytettävä, kun hiotaan lyijymaalia, joitain puupintoja ja metallia, jotta vältytään haitallisen/myrkyllisen pölyn tai ilman hengittämiseltä.

VAROITUS

Erilaisista maaleista, pinnoitteista ja materiaaleista syntyvä pöly saattaa aiheuttaa ärsytystä tai allergisia reaktioita hengitysteissä. Esim. tammen, pyökin ja MDF:n puupöly on karsinogeenistä. Vain asiaan erikoistuneet työntekijät saavat käsitellä tai työstää asbestia sisältäviä materiaaleja.

KÄYTÖN RISKIT

Vaikka tuotetta käytettäisiin ohjeiden mukaisesti, ei ole mahdollista täysin eliminoida tiettyjä käyttöön liittyviä riskitekijöitä. Käytössä voi aiheutua seuraavia vaaroja, ja käyttäjän tulee kiinnittää erityistä huomiota niiden välttämiseen:

- Pölyn aiheuttama vamma
Tuotteen käyttö synnyttää huomattavan määrän pölyä ja hienoja hiukkasia. Käytä pölynkeruulaitetta tai kytke pölynpoistomuri, kun käytät tuotetta. Käytä suodattimella varustettua pölynaamaria, joka sopii käsiteltävälle materiaalille. Huolehdi työpaikalla riittävästä tuuletuksesta. Älä syö, juo tai tupakoi työalueella.
- Melun ja värinän aiheuttama vamma
Käytä kuulosuojaimia hioessasi. Älä käytä tuotetta pitkiä aikoja. Katso kohta Riskien Vähentäminen.

RISKIEN VÄHENTÄMINEN

Raporttien mukaan käsityökalujen värinä voi joidenkin kohdalla myötävaikuttaa Raynaudin oireen ilmenemiseen. Oireita ovat pistely, turtuus ja sormien kalpeneminen, yleensä kylmässä ilmassa. Perinnölliset tekijät, kylmyys ja kosteus, ruokavalio, tupakointi sekä työtavat voivat kaikki myötävaikuttaa näiden oireiden ilmenemiseen. Käyttäjä voi ehkäistä värinän aiheuttamia vaikutuksia seuraavasti:

- Pidä itsesi lämpimänä kylmällä säällä. Käytä laitteen käytön aikana käsineitä, jotta kätesi ja ranteesi pysyvät lämpöisinä. Raporttien mukaan kylmä ilma on tärkeä tekijä Raynaud's Syndromen (Raunaudin oireiden) ilmenemisessä.
- Harjoita kunkin käyttöjakson jälkeen liikuntaa, jotta verenkierto lisääntyi.
- Pidä työn aikana säännöllisesti taukoja. Rajoita päivittäisen värinän määrää.

Jos mitään yllä mainittuja oireita ilmenee, lopeta heti



laitteen käyttö ja kerro oireista lääkärille.

VAROITUS

Laitteen pitkittynyt käyttö voi aiheuttaa tai vaikeuttaa vammoja. Kun käytät mitä tahansa laitetta pitkiä aikoja, muista pitää säännöllisiä taukoja.

TUNNE TUOTTEESI

Katso sivu 93.

1. Käynnistys/sammutuskytkin
2. Nopeusvaraattori
3. 1/3 Tasohiontaluin arkki
4. Pihti
5. Pölynkeruusäiliö
6. Kahva, eristetty tartuntapinta
7. Liimattava hiomapaperi
8. Vakio hiomapaperi

HIOMAPAPERIN VALINTA

Sopivan hiomapaperikoon ja –tyypin sekä sen karheuden valinta on tehtävä huolellisesti mikäli haluat saada laadukkaan tuloksen. Esihionnassa suosittelemme synteettisen kuten alumiinioksiidi- tai piikarbidipäälysteisen hiomapaperin käyttöä. Luonnolliset piikivi- tai kranaattipäälysteiset hiomapaperit ovat pehmeitä ja niiden käyttö esihionnassa ei ole taloudellista.

Yleensä karkeaa hiomapaperia käytetään materiaalin irrottamiseen ja hionaa hiomapaperia viimeistelytyöhön. Käytettävä hiomapaperilaatu määritellään hiottavan pinnan mukaisesti. Jos hiottava pinta on epätasainen, hio ensin karkealla hiomapaperilla kunnes pinta on tasainen. Käytä sitten medium-paperia jäljellä olevien naarmujen poistamiseksi ja kiilloita lopuksi pinta hienolla hiomapaperilla. Jatka hiontaa kullakin paperilaadulla kunnes pinta on tasainen.

VAROITUS

ÄLÄ KÄYTÄ hiomakonetta ilman hiekkapaperia. Muuten tyyny vaurioituu.

Laikan/tyynyn suositeltu käyttötarkoitus

Hiomapaperi Ø 80	Esihionta
Hiomapaperi Ø 120	Kevyt hionta
Hiomapaperi Ø 150	Kevyt hionta

HUOLTO

VAROITUS

Tuotetta ei tule koskaan kytkeä pistorasiaan osia koottaessa, säätöjä tehtäessä, puhdistettaessa, huollon aikana tai kun tuotetta ei aiotä käyttää. Tuotteen irrottaminen pistorasiasta estää sitä käynnistymättä vahingossa, jolloin vältetään mahdollisilta vakavilta vammoilta.

- Käytä huollossa ainoastaan alkuperäisiä valmistajan tuottamia varaosia. Muunlaisten osien käyttö voi aiheuttaa vaaran tai vioittaa laitetta.
- Älä puhdistu muoviosia luottimilla. Suurin osa muoveista ei siedä markkinoilla olevia määrättyjä liuotteita, jotka vahingoittavat niitä. Käytä puhdasta riepua lian, pölyn jne. puhdistukseen.
- Älä koskaan päästä jarrunesteitä, bensiiniä, öljytuotteita, lämpäiseviä öljyjä tms. kosketuksiin muoviosien kanssa. Nämä kemialliset aineet voivat vaurioittaa, heikentää tai tuhota muovin.
- Käytä aina sähkölaitetta käyttäessäsi tai pölyä puhaltaessasi suojalaseja, joissa on sivusuojaimet. Käytä lisäksi pölynaamarina, jos työ on pölyistä.
- Jos virtajohto vioittuu, se on vaihdettava ainoastaan valmistajalla tai valtuutetussa huollossa, jotta vältetään vaaroilta. Ota yhteys valtuutettuun huoltoon.
- Jotta laite toimisi turvallisesti ja luotettavasti, kaikki korjaukset tulee antaa valtuutetun RYOBI-huoltopisteen hoidettavaksi.

VAROITUS

Lasikuidun, kipsin, pinnotteiden ja laastin käsittelyyn käytetyillä sähkötyökaluilla on taipumus kuluu nopeammin, ja ne saattavat rikkoutua nopeammin sen takia, että lasikuitulastut ja hiomapöly kuluttavat laakereita, harjoja, kollektoreja jne. nopeasti. Emme suosittele, että tuotetta käytetään pitkiä aikoja tämän tyyppisten materiaalien kanssa.

VAROITUS

Älä poista pölyä tuotteesta paineilmalla. Tämä on vaarallista, ja voi aiheuttaa sen, että roskia ja pölyä sinkoutuu laitteesta ja vahingoittaa ihmisten silmiä.

VOITELU

Tuotteen laitteen laakerit on voideltu laitteen eliniäksi normaaliolosuhteissa riittävällä määrällä korkealaatuista voiteluainetta. Tästä syystä työkalu ei kaipaa lisävoitelua.

HIOMAPAPERIN PUHDISTAMINEN

Hiomakoneen mukana toimitettuja hiomaliuskoja voidaan käyttää uudelleen. Näin ollen on erittäin tärkeää, että niiden pinnalle kertynyt pöly ja hiukkaset poistetaan säännöllisin väliajoin.

Puhdista hiomapaperin pinta hankaamalla kovalla kumiyyngyllä. Voit esimerkiksi käyttää puhdasta kumista kengänpohjaa.

YMPÄRISTÖNSUOJELU



Älä hävitä raaka-aineita jätteinä vaan vie ne kierrätykseen. Ympäristönsuojelun kannalta työkalu, lisäksi r-usteet ja pakkausmateriaali on lajiteltava.

TUOTTEESSA OLEVAT SYMBOLIT



Turvavaroitus

V

Voltti

Hz

Hertz

~

Vaihtovirta

W

Watti

n_o

Tyhjäkäyntinopeus

min⁻¹

Kierrosten tai liikkeiden määrä minuutissa



Radan halkaisija



CE-vastaavuus



EurAsian-vaatimustenmukaisuusmerkki



Ukrainalainen säädöstenmukaisuusmerkintä



Luokka II, kaksoiseristetty



Käytä kuulosuojaimia



Käytä suojalaseja



Lue ohjeet huolellisesti ennen laitteen käynnistämistä.



Käytöstä poistettavia sähkölaitteita ei pidä hävittää talousjätteiden mukana. Ne on mahdollisuuksien mukaan pantava kiertoon. Kierrätysohjeita antavat kunnan viranomaiset ja vähittäiskauppiat.

KÄSIKIRJAN SYMBOLIT



Kytke virtalähteeseen.



Irrota virtalähteestä.



Osat ja lisävarusteet on hankittava erikseen



Lukko



Avaa



Huom



Sammuksissa



Käynnistys



Ei voimakkaasti



Voimakkaasti

Seuraavat signaalisanat ja merkitykset on tarkoitettu selittämään tähän tuotteeseen liittyviä riskin tasoja.

⚠ VAARA

Ilmoittaa välittömästä vaaratilanteesta, joka saattaa aiheuttaa kuoleman tai vakavan vamman.

⚠ VAROITUS

Ilmoittaa mahdollisesta vaaratilanteesta, joka saattaa aiheuttaa kuoleman tai vakavan vamman.

⚠ VAROITUS

Ilmoittaa mahdollisesta vaaratilanteesta, joka saattaa aiheuttaa pienen tai kohtalaisen vamman.

VAROITUS

(Ilman varoitusmerkkiä) Tilanne, joka voi aiheuttaa materiaalista vahinkoa.

Sikkerhet, ytelse og driftssikkerhet er gitt topp prioritet i konstruksjonen av din plansliper.

TILTENKT BRUK

Produktet har som oppgave å slippe og overflatebehandle metall, tre, plast eller lignende materialer ved å bruke slipeputene som følger med. Sagen er kun ment brukt av voksne personer som har lest brukermanualen og som forstår risikoen og farene forbundet med bruken av produktet. Dette produktet må bare brukes i et godt ventilerte områder. Produktet er kun ment for tørrsliping.

Produktet er kun ment brukt av vanlige forbrukere og skal bare brukes som beskrevet ovenfor og ikke for noe annet bruk.

⚠ ADVARSEL

Les nøye gjennom alle advarslene, instruksene og spesifikasjonene som følger med verktøyet, og se på tegningene. Hvis ikke alle instruksjonene nedenfor blir fulgt, kan det føre til elektrisk støt, brann eller alvorlig personskade.

Ta vare på alle advarsler og anvisninger for senere bruk.

SIKKERHETSADVARSLER SLIPEMASKIN

- **Bruk alltid vernebriller og støvmaske.**
- **Du må bruke en egnet støvmaske når du sliper flater som er dekket med blyholdig maling og enkelte treslag og metaller, for ikke å puste inn giftig støv eller damp.** Kontakt eller innånding av støv som dannes av disse materialene kan være en fare for helsen til både bruker og personer i nærheten.
- Kast ikke støvet som dannes av sliping på åpen ild, da materialer i form av fine partikler kan være eksplosive.
- **Produktet egner seg ikke for sliping av våte gjenstander.**
- Når verktøyet ikke er i bruk må det kobles vekk fra strømkilden.
- Advarsel, brannfare! Unngå overoppheting av både gjenstanden som slipes og slipemaskinen. Tøm alltid støvoppsamleren før det tas pauser.
- **Fest arbeidsstykket med en tvinge.** Ikke festede emner kan påføre alvorlig personskade og materielle skader. Ikke hold materialet du skal slippe i hånden.
- Ikke bruk for mye trykk på produktet.
- **Slipepapiret må ikke være for stort.** Hvis slipepapiret stikker ut av sålen, risikerer du alvorlige kroppsskader.
- **Oppsamlerposen skal installeres på verktøyet, og tømmes regelmessig.** Den skal tømmes hyppig. For å installere oppsamler-posen fester du posens adapter på stussen bak på sliperen og dreier mot høyre til den er godt festet.
- Produktet vil starte på nytt automatisk hvis det stopper. Slå av produktet umiddelbart hvis det stopper. Ikke slå på produktet igjen mens det fortsatt er stoppet, da dette kunne utløse en plutselig rekyl med en høy reaksjonskraft. Bestem hvorfor produktet stoppet og utbedre dette, samtidig som sikkerhetsanvisningene

overholdes.

⚠ ADVARSEL

Kast ikke støvet som dannes av sliping på åpen ild, da materialer i form av fine partikler kan være eksplosive.

⚠ ADVARSEL

Du må bruke en egnet støvmaske når du sliper flater som er dekket med blyholdig maling og enkelte treslag og metaller, for ikke å puste inn giftig støv eller damp.

⚠ ADVARSEL

Støv fra visse malingstyper, belegg og materialer vil kunne skape irritasjoner eller allergiske reaksjoner i åndedrettsystemet. Støv fra tresorter som eik, bjørk, fiberplater og andre er kreftfremkallende. Materialer som inneholder må kun bearbeides av kvalifiserte spesialoperatører.

GJENVÆRENDE RISIKO

Også når produktet brukes som beskrevet, er det ikke mulig å utelukke risiko for brukere eller personer i nærheten. Følgende farer kan oppstå ved bruk og operatøren bør være spesielt oppmerksom på å unngå/sikre følgende:

- Skader skapt av støv.
Bruken av produktet vil skape betydelige mengder støv og fine partikler. Bruk en støvoppsamler eller kople produktet til en støvsuger når det brukes. Bruk åndedrettsbeskyttelse med filter som er tilpasset materialene det arbeides på Sørg for tilfredsstillende ventilasjon av arbeidsområdet. Ikke spis, drikk eller røyk i arbeidsområdet.
- skade skapt av støy og vibrasjoner
Bruk hørselsbeskyttelse ved sliping. Ikke bruk produktet sammenhengende over lang tid. Se "Farereduksjon".

FAREREDUKSJON

Det har blitt rapportert at vibrasjonene fra håndholdt verktøy kan bidra til en tilstand som heter Raynauds syndrom hos enkelte. Symptomene kan omfatte følelsesløshet og gjøre fingrene bleke, vanligvis synlig ved eksponering til lave temperaturer. Arvelige faktorer, eksponering mot lave temperaturer og fuktighet, diett, røyking og arbeidspraksis blir alle ansett for å kunne bidra til å utvikle disse symptomene. Brukeren kan iverksette tiltak for mulig å redusere virkningene av vibrasjonene:

- Hold kroppen din varm i kaldt vær. Bruk hansker og hold hender og vrister varme ved bruk av gressklipperen. Det er rapportert at kaldt vær er en viktig faktor som bidrar til Raynauds Syndrome.
- Etter hver arbeidsperiode bør det utføres øvelser for å øke blodsirkulasjonen.
- Ta ofte pauser fra arbeidet som utføres. Begrens mengden av eksponering pr. dag.

Hvis du opplever noen av symptomene på denne tilstanden

EN
FR
DE
ES
IT
NL
PT
DA
SV
FI
NO
RU
PL
CS
HU
RO
LV
LT
ET
HR
SL
SK
BG
UK
TR
EL

må du øyeblikkelig avbryte arbeidet og oppsøke en lege med disse symptomene.

⚠ ADVARSEL

Skader kan oppstå eller forsterkes ved forlenget bruk av et verktøy. Når du bruker et verktøy over en lenger tidsperiode, husk å ta regelmessige pauser.

KJENN DITT PRODUKT.

Se side 93.

1. Av/På-bryter
2. Hastighetsvariator
3. 1/3 Såle ark
4. Klemme
5. Støvpopsamlingsboks
6. Håndtak, isolert gripeoverflate
7. Klebende sandpapir
8. Standard slipepapir

VALG AV SLIPEPAPIR

Det er meget viktig å velge riktig størrelse, korn og type på slipepapiret for å oppnå en tilfredsstillende sliping. Til grov sliping anbefaler vi bruken av syntetiske slipemidler som aluminiumoksid eller karborundum. Naturlige slipemidler som flint og granat er for milde og det ville ikke være økonomisk å bruke dem til grovsliping.

Som regel brukes grovkornet papir til å fjerne det grovste, mens en fin korning egner seg til slutt pussing. Tilstanden til overflaten som skal slipes bestemmer hvilken korning du skal bruke. Hvis overflaten er ru, begynn å slippe med et grovkornet papir helt til overflaten er jevn. Deretter kan du bruke middels korning til å få bort riper etter det grovkornede papiret og til slutt et finere papir til å polere overflaten. Slip med hver kornstørrelse helt til overflaten er jevn.

⚠ ADVARSEL

Sliperen må **ALDRI** brukes uten slipepapir - dette kan skade sålen.

Ark/pute anbefalt bruk

Slipepapir korning Ø 80	Grovsliping
Slipepapir korning Ø 120	Lett sliping
Slipepapir korning Ø 150	Lett sliping

VEDLIKEHOLD

⚠ ADVARSEL

Produktet skal aldri kobles til en strømforsyning mens du monterer på deler, gjør justeringer, rengjør, utfører vedlikehold eller når produktet ikke er i bruk. Ved å koble fra produktet hindrer man utilsiktet start som kan forårsake alvorlig personskade.

- Bruk bare produsentens originale reservedeler til reparasjoner og vedlikehold. Bruk av andre deler kan

skape fare eller føre til skade på produktet.

- Unngå bruk av løsemidler når du rengjør plastdelene. De fleste plastmaterialene kan skades ved bruk av løsningsmidlene som fås i handelen. Bruk en ren klut til å tørke bort smuss, støv osv.
- Du må aldri la bremsevæske, drivstoff, petroleumsbaserte produkter, rustopløsende olje osv. komme i kontakt med plastikkdeler. Slike kjemiske produkter inneholder stoffer som kan skade, svekke eller ødelegge plasten.
- Bruk alltid vernebriller eller sikkerhetsbriller med sidebeskyttelse ved bruk av elektrisk verktøy eller når det blåses støv. Hvis arbeidet utløser støv, bruk også en støvmaske.
- Hvis strømledningen skades må den kun erstattes av produsenten eller et autorisert servicesenter for å unngå risiko. Kontakt et autorisert servicesenter.
- Før store sikkerhet og pålitelighet, bør alle reparasjoner utføres av et autorisert RYOBI servicesenter.

⚠ ADVARSEL

Elektroverktøy som brukes på glassfibermaterialer, sponplater og bekleddingspaneler slites hurtigere og svikter tidligere siden flis og spon fra disse materialene er meget slipende for enkelte deler av elektriske verktøy som lagere, børster, brytere osv. Vi anbefaler ikke at produktet brukes for større arbeider på disse materialtypene.

⚠ ADVARSEL

Ikke bruk komprimert luft til å fjerne støv fra produktet. En slik fremgangsmåte er farlig og kan føre til at smuss slenges ut og skader øynene til noen.

SMØRING

Alle lager i dette produktet skal smøres med en tilstrekkelig mengde med et høyverdig smøremiddel for å sikre lang levetid under normale driftsforhold. Det er derfor nødvendig med tilleggs smøring.

RENGJØRING AV SLIPEPAPIRENE

Slipepapirene som fulgte med sliperen kan brukes igjen. Det er derfor viktig å gjøre dem rene regelmessig for å få bort støv og partikler som samler seg opp på overflaten under slipearbeidene.






For å rengjøre slipepapirene, gni dem med en kompakt gummiblokk. Du kan for eksempel bruke en ren gummisåle på en sko.

MILJØVERN








Resirkuler råmaterialer istedenfor å kaste dem i søppelen. Verktøyet, tilbehørene og emballasjen bør sorteres for miljøvennlig resirkulering.

SYMBOLER PÅ PRODUKTET

-  Sikkerhetsalarm
- V** Volt
- Hz Hertz
- ~ Vekselstrøm
- W** Watt
- n₀** Hastighet ubelastet
- min⁻¹** Antall omdreininger eller bevegelser pr. Minutt
-  Omkretsdiameter
- CE** CE samsvar
- EAC** EurAsian Konformitetstegn
-  Ukrainsk merke for konformitet
-  Class II, dobbeltisolert
-  Bruk hørselsvern
-  Bruk øyeskyttelse
-  Vennligst les instruksjonene nøye før du starter maskinen.
-  Avfall fra elektriske produkter skal ikke kastes sammen med husholdningsavfall. Vennligst resirkulervedeksisterende avfallsbehandlingssted. Undersøk hos dine lokale myndigheter eller forhandler for råd om resirkulering.


SYMBOLER I MANUALEN

-  Koble til strømmettet.
-  Koble fra strømmettet.
-  Deler eller tilbehør solgt separat
-  Lås
-  Låse opp

 Nb

 Av

 Av

 Uten kraft

 Med kraft

Følgende symboler og betydninger forklarer risikonivået som er assosiert med dette produktet.

FARE
Indikerer en umiddelbart farlig situasjon, som, dersom den ikke unngås, kan føre til alvorlig personskade eller død.

ADVARSEL
Indikerer en potensiell farlig situasjon, som, dersom den ikke unngås, kan føre til alvorlig personskade eller død.

ADVARSEL
Indikerer en potensiell farlig situasjon, som, dersom den ikke unngås, kan føre til mindre eller moderate skader.

ADVARSEL
(Uten sikkerhetssymbol) Indikerer en situasjon som kan resultere i skader på eiendom.



При разработке этой ленточной шлифмашины особое внимание уделялось безопасности, производительности и надежности.

НАЗНАЧЕНИЕ

Изделие предназначено для шлифования и полировки металла, древесины, пластмассы и аналогичных материалов, используя шлифовальную насадку, входящую в комплект поставки. Изделием могут пользоваться операторы, которые прочли инструкции по технике безопасности и осознали опасности, связанные с эксплуатацией изделия. Используйте данное изделие только в хорошо проветриваемых помещениях. Изделие предназначено для сухого шлифования.

Используйте данное изделие только по его прямому назначению в соответствии с данным руководством.

⚠ ОСТОРОЖНО

Прочтите все указания, инструкции, иллюстрации и спецификации, поставляемый с этим электроинструментом. Несоблюдение нижеуказанных инструкций может стать причиной поражения электрическим током, пожара и/или серьезной травмы.

Храните настоящие предупреждения и инструкции для последующих консультаций.

ПРЕДОСТЕРЕЖЕНИЯ ОТНОСИТЕЛЬНО БЕЗОПАСНОГО ИСПОЛЬЗОВАНИЯ ШЛИФМАШИНЫ

- Всегда носите защитные очки и респиратор.
- Во время шлифования поверхностей, покрытых свинцовыми белилами, некоторых пород древесины и металлических изделий необходимо надевать подходящий респиратор, чтобы предотвратить вдыхание вредной/токсичной пыли или воздуха. Контакт с пылью или вдыхание пыли, образующейся из этих материалов, может привести к ухудшению здоровья оператора и находящихся поблизости людей.
- Не допускайте попадания образующейся при работе пыли в открытый огонь, так как мелкие частицы материалов могут быть взрывоопасны.
- Устройство не подходит для мокрого шлифования.
- Если инструмент не используется, отключите его от источника питания.
- Осторожно; возможно возгорание! Не допускайте перегрева обрабатываемой детали, а также шлифовального устройства. Перед перерывами опорожняйте пылесборник.
- Зажимайте обрабатываемое изделие зажимным устройством. Незажатые обрабатываемые изделия могут стать причиной тяжелых травм и повреждений. Не держите шлифуемый материал рукой.
- Не давите слишком сильно на изделие.
- Не используйте шлифовальную бумагу дольше, чем нужно. Кроме того, шлифовальной бумагой, выступающей за рамки шлифовальной накладки,

можно серьезно пораниться.

- На инструменте должен быть установлен пылесборник. Он должен быть очищен часто. Для подключения пылесборника вставьте его переходник в пылесборное отверстие с задней стороны шлифовального инструмента.
- Инструмент запусится автоматически в случае его остановки. Немедленно выключите инструмент, если он прекратил работу. Не включайте инструмент повторно после его остановки, так как это может привести к его внезапному откату с большой силой противодействия. Определите причину остановки инструмента и устраните ее, уделяя особое внимание соблюдению инструкций по технике безопасности.

⚠ ОСТОРОЖНО

Не допускайте попадания образующейся при работе пыли в открытый огонь, так как мелкие частицы материалов могут быть взрывоопасны.

⚠ ОСТОРОЖНО

Во время шлифования поверхностей, покрытых свинцовыми белилами, некоторых пород древесины и металлических изделий необходимо надевать подходящий респиратор, чтобы предотвратить вдыхание вредной/токсичной пыли или воздуха.

⚠ ОСТОРОЖНО

Пыль, представляющая собой частицы определенных красок, покрытий и материалов, может вызвать раздражение или аллергические реакции дыхательной системы. Пыль от дуба, бука, MDF и прочей древесины является канцерогенной. К обработке материалов, содержащих асбест, допускаются только опытные квалифицированные операторы.

ОСТАТОЧНЫЕ РИСКИ

Даже когда изделие используют согласно инструкциям, невозможно полностью устранить факторы риска. Следующие опасности могут возникнуть во время его использования, и во избежание их рабочий должен обратить особое внимание на следующие:

- Травмы, вызываемые пылью
В результате использования данного изделия появляется значительное количество пыли и мелких частиц. Используйте устройство сбора пыли или подключайте пылеотсос при эксплуатации изделия. Носите респираторы, содержащие фильтры, соответствующие обрабатываемым материалам. Обеспечьте надлежащую вентиляцию на рабочем месте. Не ешьте, не пейте и не курите в рабочей зоне.
- травмы, вызываемые шумом и вибрацией
Носите специальные устройства для защиты глаз во время шлифования. Не эксплуатируйте изделие в течение длительного периода времени без перерыва. См «Снижение Риска».



СНИЖЕНИЕ РИСКА

Сообщалось, что вибрация ручных электроинструментов у отдельных лиц может способствовать состоянию, которое называется синдром Рейно. К симптомам могут относиться покалывание, онемение и побеление пальцев (как при переохлаждении). Считают, что наследственные факторы, охлаждение и влажность, диета, курение и практический опыт способствуют развитию этих симптомов. Ниже приводятся меры, которые может принять оператор для снижения воздействия вибрации:

- Одевайтесь теплее в холодную погоду. При работе с устройством пользуйтесь перчатками, чтобы руки и запястья были в тепле. Считается, что холодная погода является основным фактором, способствующим возникновению болезни Рейно (Raynaud's Syndrome).
- После каждого этапа работы выполните упражнения для усиления кровообращения.
- Чаще делайте перерывы в работе. Сократите длительность ежедневного пребывания на открытом воздухе.

При появлении каких-либо из указанных симптомов сразу же прекратите работу и обратитесь по их поводу к врачу.

⚠ ОСТОРОЖНО

Продолжительное использование инструмента без перерыва может привести к травмам. При использовании инструмента в течение длительного времени делайте регулярные перерывы.

ИЗУЧИТЕ ИЗДЕЛИЕ

Стр 93.

1. Тумблер включения/выключения
2. Переменные выбора контроля скорости
3. 1/3 Подошва листа
4. Зажим
5. Контейнер для сбора пыли
6. Ручка, изолированная поверхность захвата
7. Шлифлисты на липучке
8. Стандартная шлифовальная бумага

НАЖДАЧНАЯ БУМАГА

Выбор нужного размера, зернистости и типа шлифовальной бумаги является необычайно важным шагом для обеспечения высококачественной отделки при шлифовании. Для машинного шлифования более всего подходят окись алюминия, карбид кремния и синтетические абразивы. Природные абразивы, такие, как кремень и гранат, слишком мягки для экономичного использования при машинном шлифовании.

В целом при использовании крупнозернистой бумаги удаляется максимальное количество материала, а при мелкой зернистости достигается наилучшая отделка в любых операциях шлифования. Зернистость используемой для шлифования бумаги определяется состоянием обрабатываемой поверхности. Если поверхность грубая, начните работу с крупнозернистой бумаги и производите шлифование до тех пор, пока поверхность не станет однородной. Для удаления

царапин, оставленных крупнозернистой шлифовальной бумагой, можно использовать бумагу средней зернистости, а затем использовать бумагу мелкой зернистости для окончательной отделки поверхности. Всегда продолжайте шлифование абразивом соответствующей зернистости, пока поверхность не будет однородной.

⚠ ОСТОРОЖНО

Чтобы не повредить рабочую колодку, НЕ ПОЛЬЗУЙТЕСЬ шлифовальной машиной без бумаги.

Рекомендуемые шлифовальные листы/накладки

80-зернистости шлифовальных листов	Грубый шлифовальный
120-зернистости шлифовальных листов	Свет шлифовальный
150-зернистости шлифовальных листов	Свет шлифовальный

ЭКСПЛУАТАЦИЯ

⚠ ОСТОРОЖНО

При потере электропитания или другом самопроизвольном выключении машины немедленно переведите клавишу выключателя в положение «ОТКЛЮЧЕНО» и отсоедините вилку от розетки. Если при потере напряжения машина осталась включенной то при возобновлении питания она самопроизвольно заработает, что может привести к телесному повреждению и(или) материальному ущербу.

ТЕХНИЧЕСКОЕ ОБСЛУЖИВАНИЕ

⚠ ОСТОРОЖНО

Прибор ни в коем случае не должен подсоединяться к источнику питания, когда вы разбираете его компоненты, выполняете регулировку, очистку, проводите техническое обслуживание, или когда прибор не используется. Отсоединение прибора позволит защитить инструмент от случайного запуска, чреватого серьезными физическими травмами.

- При выполнении технического обслуживания используйте только оригинальные запчасти от производителя. Использование других запчастей может представлять опасность или повредить изделия.
- Избегайте использования растворителей во время чистки пластмассовых частей. Многие пластмассы чувствительны к воздействию различных бытовых растворителей и в результате их использования

могут разрушиться. Для снятия грязи, пыли и пр. пользуйтесь чистой тряпкой.

- Никогда не допускайте контакта тормозной жидкости, бензина, продуктов на нефтяной основе, пропиточного масла и т. д. с пластмассовыми частями. Эти химикаты содержат вещества, которые могут испортить, ослабить или разрушить пластмассу.
- Всегда надевайте предохранительные или защитные очки с боковыми защитными экранами при работе с данным инструментом или сдувании пыли. Если во время работы образуется много пыли, также надевайте пылезащитную маску.
- Если кабель питания поврежден, во избежание опасности его должен заменить либо сам производитель, либо специалист авторизованного сервисного центра. Свяжитесь с авторизованным сервисным центром.
- Для большей безопасности и надежности все ремонтные работы должны выполняться в авторизованном сервисном центре RYOBI.

ОСТОРОЖНО

Электрические инструменты, используемые для обработки материалов из стекловолокна, древесноволокнистых плит, поверхностей, покрытых шпатлевкой или штукатуркой, подвержены более быстрому износу и преждевременному выходу из строя, так как крошка стекловолокна и шлифовальная пыль оказывают сильное истирающее действие на подшипники, щетки, коллектор и т.д. Мы не рекомендуем длительно эксплуатировать изделие с этими видами материалов.

ОСТОРОЖНО

Не пользуйтесь сжатым воздухом для выдувания пыли из изделия. Это опасно, так как в результате грязь и песок могут попасть в глаза и привести к их травме.

СМАЗКА

Все подшипники в изделии смазаны достаточным количеством высокосортной смазки для продолжительной эксплуатации изделия в нормальных рабочих условиях. Поэтому дополнительная смазка не требуется.

ОЧИСТКА ШЛИФОВАЛЬНЫХ ЛИСТОВ

Шлифовальные листы, прилагающиеся к шлифовальному инструменту, можно использовать повторно. Поэтому важно, чтобы они были очищены периодически удалять шлифовальной вычетов и зарубежных материалов, которые могут накапливаться с течением времени.

Для очистки шлифовальных листов, руб листы с жесткого блока резины. Можно также использовать чистую обувную подошву.

ЗАЩИТА ОКРУЖАЮЩЕЙ СРЕДЫ



Утилизируйте как сырье, а не выбрасывайте как мусор. Машина, аксессуары и упаковка должны быть отсортированы.

УСЛОВНЫЕ ОБОЗНАЧЕНИЯ НА ПРОДУКТЕ



Внимание

V

Вольт

Hz

Герц

~

Переменный ток

W

Ватт

n₀

Скорость на холостом ходу

min⁻¹

Оборотов или возвратно-поступательных движений в минуту



Диаметра орбиты



Соответствие требованиям CE

Знак Евразийского Соответствия
Сертификат Соответствия
№ TC RU C-DE.PC52.B.00876
Срок действия Сертификата Соответствия
По 14.02.2022

«Региональный центр
оценки соответствия»
123060, город Москва, улица
Маршала Рыбалко, дом 2,
корпус 9, помещение 638.



Украинский знак стандартизации



Класс защиты II, двойная изоляция



Применяйте средства защиты органов слуха



Применяйте средства защиты органов зрения



Перед использованием прибора внимательно ознакомьтесь с данной инструкцией.

Отработанная электротехническая продукция должна уничтожаться вместе с бытовыми отходами. Утилизируйте, если имеется специальное техническое оборудование. По вопросам утилизации проконсультируйтесь с местным органом власти или предприятием розничной торговли.



ОБОЗНАЧЕНИЯ В РУКОВОДСТВЕ

-  Подключите к источнику питания.
-  Отключите от источника питания.
-  Детали или принадлежности, приобретаемые отдельно
-  Зафиксировать
-  Расцепить
-  Примечание
-  Выкл
-  Включение
-  Без усилия
-  С усилием

Следующие сигнальные слова и значения предназначены, чтобы объяснить уровни риска, связанного с этим изделием.

⚠ ОПАСНО

Указывает на потенциально опасную ситуацию, которая, если ее не избежать, приведет к летальному исходу или серьезной травме.

⚠ ОСТОРОЖНО

Указывает на потенциально опасную ситуацию, которая, если ее не избежать, может привести к летальному исходу или серьезной травме.

⚠ ВНИМАНИЕ

Указывает на потенциально опасную ситуацию, которая, если ее не избежать, может привести к травме легкой или средней тяжести.

ВНИМАНИЕ

(Без Символа Тревоги Безопасности) Указывает ситуацию, которая может кончиться повреждением собственности.

Транспортировка:

Категорически не допускается падение и любые механические воздействия на упаковку при транспортировке.

При разгрузке/погрузке не допускается использование любого вида техники, работающей по принципу зажима упаковки.

Хранение:

Необходимо хранить в сухом месте.

Необходимо хранить вдали от источников повышенных температур и воздействия солнечных лучей.

При хранении необходимо избегать резкого перепада температур.

Хранение без упаковки не допускается.

Срок службы изделия:

Срок службы изделия составляет 5 лет.

Не рекомендуется к эксплуатации по истечении 5 лет хранения с даты изготовления без предварительной проверки.

Дата изготовления (код даты) отштампован на поверхности корпуса изделия.

Пример:

W17 Y2015, где Y2015 - год изготовления

W17 – неделя изготовления

Определить месяц изготовления можно согласно приведенной ниже таблице, на примере 2015 года.

Обратите внимание! Количество недель в месяце различается от года в год.

Месяц	Январь	Февраль	Март	Апрель	Май	Июнь	Июль	Август	Сентябрь	Октябрь	Ноябрь	Декабрь	Год
Неделя	01	05	09	14	18	22	27	31	36	40	44	49	2015
	02	06	10	15	19	23	28	32	37	41	45	50	
	03	07	11	16	20	24	29	33	38	42	46	51	
	04	08	12	17	21	25	30	34	39	43	47	52	
	05	09	13	18	22	26	31	35	40	44	48	53	
		14			27								

W przypadku szlifierki oscylacyjnej zwrócono szczególną uwagę na zapewnienie bezpieczeństwa, wysokiej wydajności oraz niezawodności.

PRZEZNACZENIE

Produkt jest przeznaczony do szlifowania i wykańczania metalu, drewna, tworzywa sztucznego lub podobnych materiałów przy użyciu dostarczonych tarczy ściernych. Jest ona przeznaczona do obsługi przez operatorów, którzy przeczytali podręcznik obsługi i rozumieją powiązane ryzyka i zagrożenia. Produkt powinien być używany wyłącznie w dobrze wentylowanych miejscach. Produkt jest przeznaczony wyłącznie do szlifowania na sucho.

Produkt jest przeznaczony do zastosowań konsumenckich i powinien być używany wyłącznie zgodnie z wyżej podaną instrukcją; produkt nie jest przeznaczony do żadnego innego celu.

⚠ OSTRZEŻENIE

Prosimy o uważne zapoznanie się z ostrzeżeniami, instrukcjami i specyfikacjami dostarczonymi z tym narzędziem oraz z zawartymi w nich ilustracjami. Nieprzestrzeganie wszystkich podanych poniżej instrukcji może skutkować porażeniem elektrycznym, pożarem lub.

Zachowajcie te ostrzeżenia i zalecenia, aby móc się do nich odnieść w późniejszym czasie.

SZLIFIERKA – OSTRZEŻENIA DOTYCZĄCE BEZPIECZEŃSTWA

- Zawsze należy nosić okulary ochronne i maskę przeciwpyłową.
- Kiedy szlifujecie powierzchnie pokryte farbą na bazie ołowiu, czy niektóre drewna i metale, powinniście zakładać odpowiednią maskę przeciwpyłową w celu uniknięcia wdychania pyłu czy toksycznych oparów. Kontakt lub wdychanie pyłu pochodzącego z tych materiałów może zagrażać zdrowiu operatora oraz osób postronnych.
- Nie wyrzucajcie pyłów pochodzących ze szlifowania do wolnego ognia, gdyż materiały w formie drobnych cząstek mogą być wybuchowe.
- Produkt nie jest przeznaczony do szlifowania na mokro.
- Nieużywane narzędzia powinny być odłączone od źródła zasilania.
- Ostrożnie: ryzyko pożaru! Unikaj przegrzewania szlifowanego obiektu oraz szlifierki. Zawsze opróżniaj pojemnik na pył przed przerwą.
- Obrabiany element należy zamocować za pomocą zacisku. Niezabezpieczone elementy mogą spowodować poważne obrażenia ciała i uszkodzenia. Nie trzymać szlifowanego materiału rękoma.
- Nie dociskać zbyt mocno produktu.
- Arkusz okładziny ścierniej nie powinien być za duży. Jeżeli zostawicie okładzinę ścierną o większym wymiarze niż płyta szlifierska, narażacie się na poważne okaleczenie.

- Worek na pył powinien być zainstalowany na narzędziu i regularnie opróżniany. Jest ona często opróżniana. W celu zainstalowania worka na pył, należy umieścić obejmę worka na przyłączy do odciągu pyłu znajdującego się z tyłu szlifierki, obracając w prawą stronę, aż worek będzie poprawnie zamocowany.
- W przypadku samoczynnego zatrzymania produktu uruchomi się automatycznie. W przypadku samoczynnego zatrzymania natychmiast wyłączyć produkt. Bezpośrednio po samoczynnym zatrzymaniu nie włączać produktu ponownie, ponieważ może to spowodować nagłe odbicie spowodowane wysoką siłą reakcji. Określić przyczynę samoczynnego zatrzymania i usunąć ją, zwracając uwagę na zalecenia dotyczące bezpieczeństwa.

⚠ OSTRZEŻENIE

Nie wyrzucajcie pyłów pochodzących ze szlifowania do wolnego ognia, gdyż materiały w formie drobnych cząstek mogą być wybuchowe.

⚠ OSTRZEŻENIE

Kiedy szlifujecie powierzchnie pokryte farbą na bazie ołowiu, czy niektóre drewna i metale, powinniście zakładać odpowiednią maskę przeciwpyłową w celu uniknięcia wdychania pyłu czy toksycznych oparów.

⚠ OSTRZEŻENIE

Pył z określonych farb, powłok oraz materiałów może powodować podrażnienie lub reakcje alergiczne układu oddechowego. Pył z drzew takich jak dąb, brzoza, z płyt MDF itp. jest rakotwórczy. Materiał zawierający azbest może być obsługiwany wyłącznie przez specjalnie wykwalifikowanych operatorów.

RYZYKO ZWIĄZANE Z UŻYTKOWANIEM

- Nawet jeśli produkt jest używany zgodnie z zaleceniami, nadal nie jest możliwe wyeliminowanie określonych czynników ryzyka. Następujące zagrożenia mogą wystąpić podczas używania urządzenia i operator powinien zwracać szczególną uwagę na poniższe punkty:
- Urazy ciała spowodowane pyłem
Podczas używania produktu wytwarzane są duże ilości pyłu i drobnych cząstek. Podczas obsługi produktu należy używać urządzenia odpylającego lub odkurzacza. Należy nosić maskę ochronną z filtrem odpowiednim do obrabianego materiału. Należy zapewnić odpowiednią wentylację miejsca pracy. Nie jeść, nie pić i nie palić w miejscu pracy.
 - Urazy spowodowane hałasem i wibracjami
Podczas szlifowania należy nosić okulary ochronne. Nie należy używać produktu przez dłuższy czas. Patrz "Ograniczenie Ryzyka".

EN
FR
DE
ES
IT
NL
PT
DA
SV
FI
NO
RU
PL
CS
HU
RO
LV
LT
ET
HR
SL
SK
BG
UK
TR
EL

OGRANICZENIE RYZYKA

Znane są przypadki wywołania u niektórych osób objawu Raynauda spowodowanego wibracjami ręcznych narzędzi. Typowe objawy to mrowienie, drętwienie i blednięcie palców, widoczne zwykle po wystawieniu na działanie zimna. Uważa się, że czynniki dziedziczne, wystawienie na działanie zimna i wilgoci, dieta, palenie papierosów i przyjęte zwyczaje przyczyniają się do rozwoju tych objawów. Istnieją środki zaradcze, które może podjąć operator narzędzia, aby zmniejszyć efekt wibracji:

- Zadać w niskich temperaturach o ciepłotę własnego ciała, zakładając odpowiednie ubranie. Podczas obsługi urządzenia należy nosić rękawice, aby dłonie i nadgarstki były ciepłe. Wiadomo, że niskie temperatury są główną przyczyną powstawania objawu Raynauda.
- Podczas przerw w pracy należy wykonywać ćwiczenia poprawiające krążenie krwi..
- Podczas pracy robić częste przerwy. Ograniczyć ekspozycję w ciągu dnia.

W razie doświadczenia dowolnego z wymienionych objawów, należy niezwłocznie zaprzestać użytkowania tego urządzenia i skontaktować się z lekarzem.

⚠ OSTRZEŻENIE

Długotrwałe użytkowanie narzędzia może spowodować obrażenia ciała lub nasilić dolegliwości zdrowotne. W przypadku używania narzędzia przed dłuższy czas należy pamiętać o regularnych przerwach.

INFORMACJE O PRODUKCJI

Patrz strona 93.

1. Przełącznik Wł-Wył
2. Przekładnia zmiany prędkości
3. 1/3 Płyta okładziny
4. Zacisk
5. Pojemnik na pył
6. Uchwyt, izolowana powierzchnia chwytna
7. Samoprzylepny papier ścierny
8. Standardowy papier ścierny

WYBÓR OKŁADZINY SZLIFIERSKIEJ

Wybór rozmiaru, typu okładziny ścierniej i odpowiedniej grubości ziarna jest bardzo istotny dla uzyskania szliflu dobrej jakości. Do zdzierania zalecamy Państwu używanie syntetycznych materiałów ściernych, jak tlenek glinowy czy węgiel krzemowy. Naturalne materiały ściernie, jak krzemień czy granat są zbyt miękkie by móc je stosować oszczędnie do szlifowania zgrubnego.

Ogólnie mówiąc, okładziny gruboziarniste pozwalają zeszlifować materiał zgrubsza a drobnociarnistymi uzyskuje się szlifowanie wykańczające. W zależności od stanu powierzchni do szlifowania określamy wielkość ziarna okładziny ścierniej, której użyjemy. Jeżeli powierzchnia jest chropowata, zacznijcie szlifować przy użyciu okładziny gruboziarnistej aż do uzyskania jednolitej powierzchni. Później możecie użyć papieru średnioziarnistego w celu zatarcia rys pozostawionych po okładzinie gruboziarnistej, następnie papieru drobnociarnistego do polerowania.

Szlifujcie każdym rozmiarem ziarna aż do uzyskania jednolitej powierzchni.

⚠ OSTRZEŻENIE

NIE WOLNO używać szlifierki bez okładziny ścierniej, aby nie uszkodzić płyty szlifierskiej.

Zalecane arkusze/poduszki szlifierskie

Papier ścierny ziarnistość Ø 80	Zgrubne szlifowanie
Papier ścierny ziarnistość Ø 120	Lekkie szlifowanie
Papier ścierny ziarnistość Ø 150	Lekkie szlifowanie

KONSERWACJA

⚠ OSTRZEŻENIE

Produkt nigdy nie może być podłączony do źródła zasilania podczas montażu części, regulacji, czyszczenia, konserwacji lub gdy nie jest używany. Odłączenie produktu zapobiegnie przypadkowemu uruchomieniu, które mogłoby spowodować poważne obrażenia ciała.

- Do serwisowania należy stosować wyłącznie oryginalne części zamienne producenta. Użycie jakiegokolwiek innej części mogłoby spowodować zagrożenie lub też uszkodzić wasze narzędzie.
- Nie stosować rozpuszczalników do czyszczenia elementów plastikowych. Większość tworzyw sztucznych, mogłoby zostać uszkodzone przez użycie rozpuszczalników dostępnych w sprzedaży. Używajcie czystej szmatki do mycia zabrudzeń, pyłu, itd.
- Nie wolno dopuścić do kontaktu plastikowych części z płynem hamulcowym, benzyną, produktami ropopochodnymi, olejami penetrującymi itp. Substancje te zawierają produkty chemiczne, które mogłyby uszkodzić, osłabić lub zniszczyć plastik.
- Podczas użytkowania elektronarzędzi lub wydmuchiwania pyłu należy zawsze nosić okulary ochronne z osłonami bocznymi. Jeśli wykonywanej pracy towarzyszy powstawanie pyłu, należy również stosować maskę przeciwpyłową.
- Uszkodzony przewód sieciowy powinien zostać wymieniony przez autoryzowany punkt serwisowy, samodzielna wymiana zagraża bezpieczeństwu użytkownika. Należy skontaktować się z autoryzowanym centrum serwisowym.
- Dla większego bezpieczeństwa i lepszej pewności, wszystkie naprawy powinny być wykonywane w Autoryzowanym Punkcie Serwisowym RYOBI.

⚠ OSTRZEŻENIE

Stosowanie elektronarzędzi do obróbki włókna szklanego, płyt gipsowo-kartonowych, tynku lub innych materiałów budowlanych powoduje ich szybsze zużycie i ryzyko przedwczesnego uszkodzenia z powodu właściwości ściernych pyłu i opiłków przedostających się do łożysk, szczotek, komutatora itp. Nie zalecamy używania produktu przed długi czas do obróbki materiałów tego typu.

⚠ OSTRZEŻENIE

Nie używać sprężonego powietrza do usuwania pyłu z produktu. Takie działanie jest niebezpieczne i może powodować wydmuchanie pyłu i zanieczyszczeń oraz uraz oczu.

SMAROWANIE

Wszystkie łożyska produktu są smarowane przy użyciu odpowiedniej ilości wysokiej jakości smaru na cały okres eksploatacji produktu przy uwzględnieniu normalnych warunków roboczych. W wyniku czego, nie zachodzi potrzeba dodatkowego smarowania.

CZYSZCZENIE OKŁADZIN ŚCIERNYCH

Arkusze papieru ściernego dostarczane ze szlifierką są przeznaczone do ponownego użycia. Ważne jest ich regularne czyszczenie w celu usunięcia pyłu i cząsteczek, które nagromadziły się na powierzchni w trakcie różnych czynności szlifowania.

Aby wyczyścić okładziny szlifierskie, pocierajcie je kawałkiem zbitego kauczuku. Można też użyć czystej gumowej podeszwy buta.

OCHRONA ŚRODOWISKA



Surowce należy oddawać do powtórnego przetworzenia zamiast wyrzucać je na śmieci. Z myślą o ochronie środowiska, narzędzie, akcesoria i opakowania powinny być sortowane.

SYMBOLE PRODUKTU



Alarm bezpieczeństwa

V

Wolt

Hz

Herc

~

Prąd przemienny

W

Wat

n_o

Prędkość bez obciążenia

min⁻¹

Ilość obrotów czy ruchów na minutę



Mimośrodowość



Zgodność CE



Znak zgodności EurAsian



Ukraiński znak zgodności



Klasa II, podwójna izolacja



Stosować środki ochrony słuchu



Stosować środki ochrony wzroku



Przed uruchomieniem urządzenia prosimy uważnie przeczytać instrukcję



Zużyte produkty elektryczne nie powinny być utylizowane z odpadami domowymi. Prosimy poddawać recyklingowi w odpowiednich miejscach. Informacje o właściwych metodach recyklingu można uzyskać u władz lokalnych lub sprzedawcy.

SYMBOLE W INSTRUKCJI



Podłączyć do źródła zasilania.



Odłączyć od źródła zasilania.



Części lub akcesoria sprzedawane oddzielnie



Blokada



Odkręcenie uchwytu



Uwaga



Wylądzone



Wł



Bez przykładania siły



Po przyłożeniu siły



Poniższe symbole i nazwy które im nadano, pozwalają wyjaśnić różne poziomy ryzyka związanego z używaniem tego narzędzia.

 **NIEBEZPIECZEŃSTWO**

Oznacza bezpośrednio niebezpieczną sytuację, która, jeśli nie zostanie uniknięta, spowoduje śmierć lub poważne urazy ciała.

 **OSTRZEŻENIE**

Oznacza potencjalnie niebezpieczną sytuację, która, jeśli nie zostanie uniknięta, może spowodować śmierć lub poważne urazy ciała.

 **UWAGA**

Oznacza potencjalnie niebezpieczną sytuację, która, jeśli nie zostanie uniknięta, może spowodować niewielkie lub umiarkowane urazy ciała.

UWAGA

(Bez symbolu bezpieczeństwa) Wskazuje na sytuację mogącą spowodować straty materialne.

130.com.ua





Bezpečnost, výkon a spolehlivost byli hlavní prioritou při návrhu vaší vibrační brusky.

ZAMÝŠLENÉ POUŽITÍ

Produkt je určen k broušení a konečné úpravě kovů, dřeva, plastů nebo podobných materiálů pomocí dodaných brusných komponentů. Je určeno pro použití osobami, které si přečetli návod k obsluze a porozuměli rizikům a nebezpečí. Produkt by měl být používán pouze v době větraných prostorách. Tento výrobek je určen jen k broušení za sucha.

Produkt je určen pro spotřebitelské využití a měl by být používán pouze, jak je popsáno výše a nikoli k žádnému jinému účelu.

VAROVÁNÍ

Přečtěte si pozorně upozornění, pokyny a technické specifikace dodané s nářadím a prohlédněte si ilustrace. Nedodržení všech uvedených pokynů může vést k elektrickému šoku, požáru, popřípadě k závažnému poranění.

Ušchovejte všechny pokyny a upozornění, abyste se k nim mohli v budoucnosti vrátit.

BEZPEČNOSTNÍ VAROVÁNÍ K BRUSCE

- **Vždy jako obsluha noste ochranu sluchu a respirátor.**
- **Při broušení barev s obsahem olova, při opracovávání povrchu dřeva a při leštění kovu používejte vhodný protiprašný respirátor, abyste nevdechovali prach z odbroušeného materiálu, který může být u některých druhů dřeva a kovů toxický.** Kontakt nebo vdechování prachu vyprodukovaného z těchto materiálů může ohrozit zdraví obsluhy a přítomných osob.
- Prach z odbroušeného materiálu neodhazujte do otevřeného ohně, neboť jemné částice odpadního materiálu mohou být výbušné.
- **Výrobek není vhodný pro broušení za mokra.**
- Odpojte všechny nástroje od napájení, když je nepoužíváte.
- Pozor, nebezpečí požáru! Zabraňte přehřátí broušených předmětů i brusky. Odsavač prachu vždy vyprázdňte před přestávkami.
- **Upínadlo obrobku s upínacím zařízením.** Neupnuté obrobky mohou způsobit vážné zranění nebo škody na majetku. Nedržte materiál, který se brousí rukou.
- **Nevyvíjejte nadměrný tlak na výrobek.**
- **Nikdy nepoužívejte příliš velký brusný papír.** Pokud brusný papír přesahuje brusný talíř, vystavujete se nebezpečí vážného úrazu.
- **Sáček na prach je třeba nasadit na nářadí a pravidelně ho vyprazdňovat.** To se vyprázdňuje často. Sáček na prach se připevňuje tak, že se uzávěr sáčku nasadí na odsávací hrdlo umístěné na zadní straně brusky a otočí se doprava.
- Bruska se při zastavení v důsledku přetížení automaticky restartuje. Pokud dojde k zastavení brusky v důsledku přetížení, okamžitě ji vypněte. Brusku znovu

nezapínejte dokud přetrvává příčina přetížení, jinak by mohlo dojít k silnému zpětnému rázu. Určete příčinu zastavení brusky a odstraňte tuto příčinu při dodržování bezpečnostních pokynů.

VAROVÁNÍ

Prach z odbroušeného materiálu neodhazujte do otevřeného ohně, neboť jemné částice odpadního materiálu mohou být výbušné.

VAROVÁNÍ

Při broušení barev s obsahem olova, při opracovávání povrchu dřeva a při leštění kovu používejte vhodný protiprašný respirátor, abyste nevdechovali prach z odbroušeného materiálu, který může být u některých druhů dřeva a kovů toxický.

VAROVÁNÍ

Prach z určitých barev, laků a materiálů může způsobit podráždění nebo alergické reakce na dýchací ústrojí. Prach ze dřeva, jako je dub, buk, překližka a jiných, je karcinogenní. Materiál obsahující azbest se nesmí nikdy zpracovávat nebo pouze zpracovávat kvalifikovaným specialistou.

ZBYTKOVÁ RIZIKA

Dokonce, i když se výrobek provozuje jak je předepsáno, je stále nemožné zcela eliminovat veškeré zbytkové rizikové faktory. Následující nebezpečí mohou nastat při používání; vyhybejte se:

- **Zranění způsobené prachem**
Používání produktu vede ke tvorbě značného množství prachu a jemných částic. Při provozování produktu používejte zařízení na zachycení prachu nebo připojte vysavač. Noste masky obsahující filtry vhodné pro materiály, se kterými pracujete. Zajistit dostatečné větrání pracoviště. V pracovní oblasti výrobku nejíst, nepít, ani nekouřit.
- **zranění způsobená hlukem a vibracemi**
Při broušení noste chrániči sluchu. Neprovazujte produkt příliš dlouhou dobu. Viz "Snižování Rizik".

SNÍŽENÍ RIZIKA

Bylo zjištěno, že vibrace z nástrojů mohou u některých osob přispívat ke stavu tzv Raynaud's Syndrome (Raynaudovu syndromu). Mezi jeho příznaky patří brnění, necitlivost a zblednutí prstů, patrně obvykle po pobytu v chladu. Vědci se domnívají, že k rozvinutí těchto příznaků přispívají dědičné faktory, pobyt v chladu a vlhku, strava, kouření a pracovní návyky. Uživatel může omezit případné působení vibrací použitím vhodných opatření:

- Za chladného počasí se teple oblečte. Při práci s nástrojem si navlékněte rukavice, abyste udrželi ruce a zápěstí v teple. Bylo zjištěno, že chladné počasí je hlavním faktorem přispívajícím k Raynaud's Syndrome (Raynaudovu syndromu).
- Během práce si v pravidelných intervalech zacvičte, abyste zvýšili krevní oběh.

EN
FR
DE
ES
IT
NL
PT
DA
SV
FI
NO
RU
PL
CS
HU
RO
LV
LT
ET
HR
SL
SK
BG
UK
TR
EL



- Zařazujte časté pracovní přestávky. Omezte dobu práce za den.

Jakmile pocítíte některý z výše uvedených příznaků tohoto syndromu, okamžitě přerušte práci a vyhledejte lékaře.

VAROVÁNÍ

Poranění mohou být způsobena, či zhoršena, prodlouženým používáním nástroje. Když používáte jakýkoliv nástroj delší dobu, dělejte pravidelné přestávky.

SEZNAMTE SE S VÝROBKEM

Viz strana 93.

1. Spínač On/Off (Zapnuto/Vypnuto)
2. Regulátor rychlosti
3. 1/3 Brusná deska listu
4. Svorka pro uchycení brusného papíru
5. Sběrná nádoba prachu
6. Rukojeť s izolací a protiskluzovým povrchem
7. Samopřilnavý smirkový papír
8. Standardní brusný papír

VÝBĚR BRUSNÉHO PAPIRU

Správný výběr velikosti, hrubosti a typu brusného papíru je velmi důležitý pro kvalitní brusný výkon. Pro hrubé broušení se doporučuje použít syntetické brusné přípravky na bázi kysličníku hlinitého nebo karbidu křemíku. Přírodní brusné látky jako sílex nebo granát jsou příliš měkké a jejich používání s bruskou není ekonomické.

U všech brusných prací platí, že hrubý brusný papír se používá k největšímu úběru materiálu, jemný brusný papír k jemnému dokončovacím broušení. Hrubost brusného papíru je třeba vybírat v závislosti na stavu broušené plochy. Pokud je broušená plocha nerovná, je třeba začít brousit hrubým brusným papírem a srovnat povrch broušené plochy. Pak můžete pokračovat v práci se středně hrubým brusným papírem a zarovnat rýhy po hrubozrném brusném papíru. Dokončovací broušení a vyleštění plochy provedete jemnozrným brusným papírem. Postupně vystřídejte brusné papíry s různou hrubostí, aby byla plocha rovnoměrně zbrusněna.

VAROVÁNÍ

NEPOUŽÍVEJTE brusku bez brusného papíru, abyste nepoškodili brusný talíř.

Doporučené použití podložky/ listu

Brusný papír s průměrem zrna Ø 80	Hrubé broušení
Brusný papír s průměrem zrna Ø 120	Jemné broušení
Brusný papír s průměrem zrna Ø 150	Jemné broušení

ÚDRŽBA

VAROVÁNÍ

Výrobek nikdy nepřipojujte ke zdroji napájení, když se montují díly, provádí seřizování, čištění, údržba nebo když se nepoužívá. Odpojením produktu předejdete náhodnému spuštění a tím vážnému osobnímu poranění.

- Při údržbě používejte pouze původní náhradní díly výrobce. Použití jakýchkoliv jiných dílů může vytvořit nebezpečí nebo způsobit poškození výrobku.
- Vyhnete se používání rozpouštědel, když čistíte plastové díly. Většina ředidel běžně dostupných v obchodní síti se nehodí k čištění plastových částí, neboť narušuje povrch plastů. K odstranění nečistot, prachu apod. používejte čistý hadr.
- Nikdy nenechte přijít brzdové kapaliny, petrolej, výrobky založené na petroleji, pronikavé oleje, atd. do kontaktu s plastovými součástmi. Tyto výrobky obsahují chemikálie, které mohou poškodit, oslabit nebo zničit plastové části, případně snížit jejich životnost.
- Vždy noste bezpečnostní brýle nebo bezpečnostní brýle s postranními štítky, když obsluhujete elektricky poháněný nástroj nebo při rodmýchávání (tvorbě) prachu. Pokud pracujete v prachu, noste také respirátor.
- Pokud je napájecí kabel poškozen, musí být nahrazen pouze výrobcem nebo pověřeným servisním střediskem za účelem odstranění nebezpečí. Obratě se na autorizované servisní středisko.
- Pro větší bezpečnost a spolehlivost by veškeré opravy měly být prováděny autorizovaným servisním střediskem RYOBI.

VAROVÁNÍ

Elektrické nářadí používané k opravování materiálu ze skleněného vlákna, sádrových desek, obkladových desek se snadněji opotřebává a má kratší životnost, protože trisky a kovové piliny vznikající při řezání kovů odírají některé díly elektronářadí, jako jsou převody, kartáče, spouštěče apod. U těchto typů materiálů nedoporučujeme výrobek používat dlouhou dobu.

VAROVÁNÍ

K odstranění prachu z produktu nepoužívejte nikdy stlačený vzduch. Tato činnost je nebezpečná a může způsobit odhození nečistot a šterku a někomu poranit zrak.

MAZÁNÍ

Veškerá ložiska nářadí byla výrobcem namazána dostatečným množstvím vysoce účinného maziva, které stačí na celou dobu životnosti produktu při normálních podmínkách používání. Žádné další mazání nářadí není nutné.

ČIŠTĚNÍ BRUSNÝCH PAPIRŮ

Brusné papíry dodávané s vaší bruskou lze opakovaně použít. Je proto důležité je pravidelně čistit a odstraňovat prach a částice, které se na brusném papíru usazují při broušení.

K čištění brusného papíru použijte např. kus pryže. Můžete použít čisté gumové podrážky u boty.

OCHRANA ŽIVOTNÍHO PROSTŘEDÍ



V rámci možností neodhazujte vysloužilé nářadí do domovního odpadu a upřednostněte jeho recyklaci. V souladu s předpisy na ochranu životního prostředí odkládejte vysloužilé nářadí, příslušenství i obalový materiál do tříděného odpadu.

SYMBOLY NA VÝROBKU



Bezpečnostní výstraha

V Napětí

Hz Hertz

~ Střídavý proud

W Watt

n_o Otáčky naprázdno

min⁻¹ Počet otáček nebo pohybů (kmitů) za minutu



Průměr upínání



Shoda CE



Euroasijská značka shody



Ukrajinská značka shody



Třída II, dvojitě izolováno



Noste ochranu sluchu



Noste ochranu očí



Před spuštěním přístroje si řádně přečtěte pokyny.



Odpad elektrických výrobků se nesmí likvidovat v domovním odpadu. Recyklujte prosím na sběrných místech. Ptejte se u místních úřadů nebo prodejce na postup při recyklaci.

SYMBOLY POUŽITÉ V NÁVODU



Připojte k elektrické síti.



Odpojte od elektrické sítě.



Díly nebo příslušenství jsou v prodeji samostatně



Zamknuto



Odemknuto



Poznámka



Vypnout



Zapnuto



Bez přítlaku



S přítlakem

Následující signální slova a významy jsou vhodné pro vysvětlení úrovně nebezpečí spojených s tímto výrobkem.

NEBEZPEČÍ

Upozorňuje na bezprostředně nebezpečnou situaci, která vede k usmrcení nebo těžkému zranění.

VAROVÁNÍ

Upozorňuje na možnou nebezpečnou situaci, která by mohla vést ke smrtelnému úrazu nebo k závažnému zranění.

POZOR

Upozorňuje na možnou nebezpečnou situaci, která může vést k menšímu nebo lehkému zranění.

POZOR

(Bez bezpečnostního výstražného symbolu) Určuje situaci, která může mít za následek vážné poškození.



A rezgőcsiszoló tervezésekor a biztonság, a teljesítmény és a megbízhatóság voltak a legfontosabb szempontok.

RENDELTETÉSSZERŰ HASZNÁLAT

A termék fém, fa, műanyag és más hasonló anyagok csiszolására és felületének megmunkálására használható a mellékelt csiszolóeszközökkel. Csak olyan kezelők használhatják, akik elolvasták a használati utasítást és tisztában vannak a kapcsolódó veszélyekkel és kockázatokkal. A termék csak jól szellőző helyeken használható. A termék csak száraz csiszolásra való.

A termék csak otthoni használatra alkalmas, és csak a fent meghatározottak szerint használható, és nem alkalmas semmilyen más célra.

▲ FIGYELEM

Figyelmesen olvassa el az ehhez a szerszámmal mellékelt összes figyelmeztetést, utasítást és műszaki adatokat, valamint tanulmányozza az ábrákat is. Ha nem tartja be a lent felsorolt összes utasítást, az áramütést, tüzet és/vagy súlyos sérülést okozhat.

Őrizze meg ezeket a figyelmeztetéseket és utasításokat a későbbi tájékozódásra is.

CSISZOLÓRA VONATKOZÓ BIZTONSÁGI FIGYELMEZTETÉSEK

- **Mindig viseljen védőszemüveget és pormaszkot.**
- **Hordjon a célnak megfelelő (gáz)álarcot ha ólmot tartalmazó festékekkel fedett tárgyat, illetve ha bizonyos fa- vagy fémterméket csiszol.** Az anyagok porával való érintkezés vagy annak belélegzése káros lehet a kezelő és a közelben tartózkodók egészségére.
- Ne dobja nyílt tűzbe a csiszolásból származó port mert a finom port képző anyag robbanásveszélyes.
- **A termék nem használható nedves csiszolásra.**
- Ha nem használják, a szerszámgépeket húzza ki a hálózathoz.
- Vigyázat, tűzveszély! Kerülje a megmunkált munkadarab és a csiszoló túlmelegítését. Ha szünetet tart, előtte mindig ürítse ki a porgyűjtőt.
- **Szorítsa le a munkadarabot egy szorítóval.** A nem rögzített munkadarabok súlyos sérüléseket és károkat okozhatnak. Ne fogja az éppen csiszolt anyagot a kezében.
- Ne fejtse ki túlzott nyomást a termékre.
- **Ügyeljen arra, hogy a csiszolópapír mérete ne legyen túl nagy.** A túl nagy csiszolópapír balesetet okozhat.
- **Szerelje a helyére a porsákat és rendszeresen ürítse ki.** Ki kell üríteni gyakran. Illessze a porsákat a csiszoló hátsó részén található porszívó fúvókára.
- A termék automatikusan újraindul, ha leáll. Leállítás esetén azonnal kapcsolja ki a terméket. Ne kapcsolja be a terméket újra, amíg leállít állapotban van, mert az nagy reaktív erővel hirtelen visszalökést válthat ki. Határozza meg, miért állt le a termék, igazítsa ki,

tekintettel a biztonsági utasításokra.

▲ FIGYELEM

Ne dobja nyílt tűzbe a csiszolásból származó port mert a finom port képző anyag robbanásveszélyes.

▲ FIGYELEM

Hordjon a célnak megfelelő (gáz)álarcot ha ólmot tartalmazó festékekkel fedett tárgyat, illetve ha bizonyos fa- vagy fémterméket csiszol.

▲ FIGYELEM

Bizonyos festékekből, bevonatokból és anyagokból a por irritációt vagy allergiás reakciót válthat ki a légzőrendszerben. A fából, pl. tölgy, bükk, MDF stb. származó por rákkeltő. Az azbesztet tartalmazó anyaggal csak szakképzett kezelők dolgozhatnak, illetve csak ők dolgozhatják azt fel.

VISSZAMARADÓ KOCKÁZATOK

Még a termék rendeltetésszerű használatát esetén sem lehet teljesen kiküszöbölni minden kockázati tényezőt. A gép használata során a következő veszélyek merülhetnek fel, és a kezelőnek különösen oda kell figyelnie az alábbiak elkerülésére:

- Por okozta sérülések
A termék használata jelentős mennyiségű port és finom szemcsét generál. Használja a porgyűjtő berendezést vagy csatlakoztasson egy porszívó berendezést a termék használatakor. Viseljen pormaszkot, ami a megmunkálandó anyagoknak megfelelő szűrőket tartalmaz Biztosítson megfelelő szellőztetést. Ne egyen, igyon vagy dohányozzon a munkaterületen.
- a zaj és vibráció sérüléseket okozhat
A csiszolási műveletek közben viseljen védőszemüveget. Ne használja hosszabb ideig a terméket. Lásd "Kockázatcsökkentés".

KOCKÁZATCSÖKKENTÉS

Ismert, hogy a kézi szerszámgépek használata során fellépő vibráció bizonyos személyeknél hozzájárulhat az úgynevezett Raynaud-szindróma (Raynaud's Syndrome) nevű állapot kialakulásához. A tünetei lehetnek: az ujjak zsibbadása, elfehéredése, zsúrosok érzése, amelyek hidegnek kitéve gyakran felerősödnek. Az örökletes tényezők, a hidegnek kitettség és verejtékezés, a diéta, a dohányzás és munka közben alkalmazott fogások valószínűleg mind hozzájárulhatnak ezen tünetek megjelenéséhez. A vibráció hatásainak csökkentése érdekében a kezelőnek be kell tartani az alábbi óvintézkedéseket:

- Hideg időben tartsa melegen a testét. A gép használatakor viseljen kesztyűt a kéz és a csukló melegen tartásához. Arról számoltak be, hogy a hideg időjárásnak fontos szerepe van a Raynaud-szindróma kialakulásában.



- Bizonyos időtartamú használat után mindig végezzen gyakorlatokat a vérkeringés javításához.
- Gyakran tartson munkaszünetet. Korlátozza a napi munkaidőt.

Ha ezen állapot bármelyik tünetét tapasztalja, azonnal hagyja abba a munkát, és tájékoztassa az orvosát a tünetekről.

▲ FIGYELEM

A gép hosszabb idejű folyamatos használata sérüléseket okozhat vagy súlyosbíthatja a tüneteket. Ha a gépet hosszú időn át kell használnia, tartson gyakran szünetet.

ISMERJE MEG A TERMÉKET

Lásd a 93. oldalon.

1. Be/ki kapcsoló
2. Fordulatszám szabályozó
3. 1/3 talp
4. Kapocs
5. Porgyűjtő tartály
6. Kar, szigetelt fogófelület
7. Öntapadós csiszolópapír
8. Standard csiszolópapír

A CSISZOLÓPAPÍR MEGVÁLASZTÁSA

Ha jó minőségű csiszolást szeretne elérni, rendkívül fontos, hogy a csiszolópapír méretét, típusát és szemcseméretét jól válassza meg. Durvább, nagyoló csiszoláshoz szintetikus, mint pl. alumíniumoxid- vagy szilíciumkarbid alapú csiszolópapírt kell használni. A természetes alapú papírok - mint pl. a szilícium-dioxid- (flint) vagy gránát (garnet) alapúak - nagyon puhák, így nagyoló csiszoláshoz való használatuk nem gazdaságos.

Általánosan megfogalmazva a nagyobb szemcsét az anyag nagyjának leválasztásához, míg a kisebbet a finommegmunkáláshoz (finiselés) használják. A csiszolandó felület anyaga és minősége szerint meg lehet választani a használt papír / lap szemcseméretét. Amennyiben a felület érdes, egyenetlen, akkor kezdje a csiszolást egy nagy szemcsés papírral, amíg egyenletes felületet nem kap. Ezután egy közepes szemcseméretű papírt kell használni, mely a nagy szemcsék által hagyott karcolásokat („árkokat”) tünteti el, a finom szemcseméretű papírral pedig a végén polírozhatja a felületet. A csiszolást tehát a több szemcsemérettel kell végezni, amíg a felület megfelelőképp egyenletes nem lesz.

▲ FIGYELEM

Ne használja a csiszolót csiszolópapír nélkül. Ellenkező esetben megrongálja a talpazatot.

Lemez/Párna javasolt használata

Csiszolópapír, szemcseméret Ø 80

Durva, nagyoló csiszolás

Csiszolópapír, szemcseméret Ø 120

Közepes, finomabb csiszolás

Csiszolópapír, szemcseméret Ø 150

Közepes, finomabb csiszolás

KARBANTARTÁS

▲ FIGYELEM

Alkatrészek szerelések, beállítások végzésekor, tisztítások, karbantartás végzésekor, illetve használaton kívül mindig húzza ki a gépet az elektromos hálózatról. A termék hálózatról történő leválasztása megakadályozza a véletlen bekapcsolódást, ami súlyos sérülést okozhat.

- Szervizelőskor csak eredeti, a gyártó által biztosított cserealkatrészeket használjon. Bármilyen más alkatrész használata veszélyes és a termék károsodását okozhatja.
- A műanyag részek tisztításakor tartózkodjon a tisztítószer használataától. A kereskedelmi forgalomban kapható oldószerek rongáló hatással vannak a műanyagból készült elemek többségére. A por és egyéb szennyeződések stb. tisztítására használjon egy tiszta ruhadarabot.
- A műanyag részek semmilyen körülmények között nem érintkezhetnek fékolajjal, benzinnel, petróleum alapú termékekkel, beszívódó olajokkal stb. Ezen anyagok olyan vegyületeket tartalmaznak, amelyek károsíthatják, meggyengíthetik vagy tönkretelhetik a műanyagot.
- Elektromos szerszámgépek használatakor vagy a por kifúvásakor mindig viseljen védőszemüveget, ami a szemet oldalról is védi. Ha a használat poros környezetben történik, vegyen fel egy pormaszkot is.
- Ha a tápkábel sérült, azt a veszélyek elkerülése érdekében csak a gyártó vagy annak hivatalos szervizközpontja cserélheti ki. Lépjön kapcsolatba egy hivatalos szervizközponttal.
- A nagyobb biztonság és megbízhatóság érdekében minden javítást hivatalos RYOBI szervizközpontban kell elvégeztetni.

▲ FIGYELEM

Azok az elektromos szerszámok, amelyeket üvegszálás munkadarabokon, gipszkartonon lapokon ill. burkolólapokon használnak, jobban ki vannak téve a gyors elhasználódásnak és az idő előtti meghibásodásoknak, mert az ilyen anyagokból származó forgács és por rendkívül súlyos hatású az elektromos szerszámok alkatrészeire (fogaskerekek, szénkefék, kapcsolók stb.). Nem javasoljuk a termék ezen típusú anyagokon való hosszabb idejű használatát.

▲ FIGYELEM

Ne használjon sűrített levegőt a pornak a termékről való eltávolításához. Ez a gyakorlat veszélyes, és szennyeződések és por szemcsék kifújását, valamint a szem sérülését okozhat.

KENÉS

A termékben lévő összes csapágy a termék teljes élettartamára elegendő kenőanyaggal van feltöltve, normál körülmények közötti használat esetén. Ebből kifolyólag nincs szükség arra, hogy a gép belső részeit kenje.

A CSISZOLÓPAPIROK TISZTÍTÁSA

A csiszolóhoz mellékelt csiszolópapírok újrafelhasználhatók. Emiatt fontos az, hogy rendszeresen tisztítsa őket, azaz hogy a különböző csiszolási műveletek során a felületen összegyűlt port és részecskéket eltávolítsa.

A csiszolópapírok tisztításához dörzsölje le őket egy kemény gumival. Ehhez a művelethez egy cipő tiszta talpát is használhatja.

KÖRNYEZETVÉDELEM



Segítse elő az alapanyagok újrahasznosítását azzal, hogy nem helyezi el őket a háztartási szemétként. Környezetvédelmi megfontolásból az elhasználandó gépet és tartozékait, valamint a csomagolóanyagokat szelektív módon kell gyűjteni.

SZIMBÓLUMOK A TERMÉKEN



Biztonsági figyelmeztetés

V Volt

Hz Hertz

~ Váltóáram (AC)

W Watt

n_o Üresjárat fordulatszám

min⁻¹ Fordulatok ill. löketek száma percenként



Átmérő (orbitális)



CE megfelelés



Eurázsiai megfelelési jelzés



Ukrainai megfelelési nyilatkozat



II. osztály, kettős szigetelés



Viseljen fülvédőt



Viseljen szemvédőt



A gép bekapcsolása előtt figyelmesen olvassa el az útmutatót.



A kiselejtezett elektromos termékeket nem szabad a háztartási hulladékkal együtt kidobni. Ezeket újra kell hasznosítani, ha van rá lehetőség. Az újrahasznosítással kapcsolatban érdeklődjön a helyi önkormányzatnál vagy a termék forgalmazójánál.

A KÉZIKÖNYVBEN HASZNÁLT SZIMBÓLUMOK



Csatlakoztassa az elektromos hálózathoz.



Húzza ki az elektromos hálózathoz.



Külön értékesített alkatrészek és kiegészítők



Retesz



Szétnyitás



Megjegyzés



Ki



Be



Erő nélkül



Erővel

A következő jelölőszavak és jelentések arra szolgálnak, hogy megmagyarázzák a termékkel kapcsolatos veszélyességi szinteket.

VESZÉLY

Egy bekövetkező veszélyes helyzetet jelez, ami, ha nem előzik meg, halált vagy komoly sérülést eredményez.

FIGYELEM

Egy potenciálisan bekövetkező veszélyes helyzetet jelez, ami, ha nem előzik meg, halált vagy súlyos sérülést eredményezhet.

VIGYÁZAT

Egy potenciálisan veszélyes helyzetet jelez, ami, ha nem előzik meg, kisebb vagy mérsékelt súlyos sérülést

eredményezhet.

VIGYÁZAT

(Biztonsági figyelmeztető szimbólum nélkül) Egy olyan helyzetet jelez, ami anyagi kárt eredményezhet.

- EN
- FR
- DE
- ES
- IT
- NL
- PT
- DA
- SV
- FI
- NO
- RU
- PL
- CS
- HU**
- RO
- LV
- LT
- ET
- HR
- SL
- SK
- BG
- UK
- TR
- EL

130.com.ua



Au fost acordate priorități maxime asupra siguranței, performanței și fiabilității în proiectarea mașinii dvs. de șlefuit.

DOMENIU DE APLICAȚII

Produsul este proiectat pentru șlefuirea și finisarea metalului, lemnului, plasticului sau a materialelor similare folosind tampoanele abrazive furnizate. Este destinată a fi folosită de către operatori care au citit manualul de instrucțiuni și au înțeles riscurile și pericolele. Produsul trebuie folosit doar în zone bine aerisite. Produsul este proiectat doar pentru șlefuire uscată.

Produsul este destinat pentru uz comercial și trebuie folosit doar așa cum este descris mai sus și pentru niciun alt scop.

⚠️ AVERTISMENT

Citiți, cu atenție, toate avertismentele, instrucțiunile și specificațiile furnizate împreună cu aparatul, și consultați ilustrațiile. Nerespectarea instrucțiunilor de mai jos poate avea consecințe grave: electrocutări, incendii sau vătămări corporale grave.

Păstrați aceste avertismente și instrucțiuni, pentru a le putea consulta ulterior.

AVERTIZĂRI DE SIGURANȚĂ ALE MAȘINII DE ȘLEFUIT.

- **Purtați întotdeauna ochelari de protecție și o mască împotriva prafului.**
- **Trebuie să folosiți o mască de respirat adecvată când șlefuiți suprafețe acoperite cu vopsea pe bază de plumb și de asemenea pentru anumite tipuri de lemn sau de metal pentru a evita să inhalați praf sau vapori toxici.** Contactul cu sau inhalarea de praf produs de la aceste materiale poate pune în pericol sănătatea operatorului sau a persoanelor prezente.
- Nu aruncați praful ce provine de la șlefuire în foc deoarece particulele fine de materiale inflamabile pot fi explozive.
- **Produsul nu este destinat pentru șlefuire umedă.**
- Atunci când nu sunt în funcțiune, toate uneltele trebuie deconectate de la sursa de alimentare.
- Atenție, pericol de incendiu! Evitați supraîncălzirea obiectului ce vine șlefuit precum și a mașinii de șlefuit. Goliți întotdeauna colectorul de praf înaintea luării de pauze.
- **Prindeți piesa de lucru cu un dispozitiv de prindere.** Piese de lucru nefixate cu clemă pot cauza vătămare gravă și pagube. Nu țineți cu mâna materialul care îl șlefuiți.
- Nu aplicați o presiune excesivă asupra produsului.
- **Foia de hârtie abrazivă nu trebuie să fie prea mare.** Dacă lăsați hârtia abrazivă să depășească talpa, vă expuneți riscului de răniri grave.
- **Sacul de praf trebuie să fie instalat pe aparat și golit frecvent.** Acesta trebuie golit în mod frecvent. Pentru a instala sacul de praf, cuplați inelul sacului la buza de evacuare situată în spatele mașinii răsucindu-l spre

dreapta până ce sacul este fixat corect.

- **Produsul va fi repornit automat dacă se blochează.** În cazul blocării, opriți imediat produsul. Nu reporniți produsul atunci când este blocat, deoarece riscați producerea unui recul puternic. Identificați cauza blocării produsului și eliminați-o respectând instrucțiunile de siguranță.

⚠️ AVERTISMENT

Nu aruncați praful ce provine de la șlefuire în foc deoarece particulele fine de materiale inflamabile pot fi explozive.

⚠️ AVERTISMENT

Trebuie să folosiți o mască de respirat adecvată când șlefuiți suprafețe acoperite cu vopsea pe bază de plumb și de asemenea pentru anumite tipuri de lemn sau de metal pentru a evita să inhalați praf sau vapori toxici.

⚠️ AVERTISMENT

Praful de la anumite vopsele, tencuieli și materiale pot cauza iritații sau reacții alergice ale sistemului respirator. Praful de la lemn precum stejarul, fagul, PAL-ul și altele sunt cancerigene. Materialul conținând azbest trebuie să fie prelucrat sau procesat doar de către operatori specialiști calificați.

RISCURI REZIDUALE

Chiar dacă produsul este folosit așa cum este descris, este totuși imposibil să se elimine complet anumii factori de risc reziduali. Următoarele pericole ar putea apărea în timpul folosirii iar operatorul trebuie să acorde o atenție specială pentru a evita următoarele:

- **Vătămare cauzată de praf.**
Folosind produsul se va produce o cantitate considerabilă de praf și particule fine. Folosiți dispozitivul de colectare al prafului sau conectați aspiratorul de extragere al prafului atunci când operați produsul. Purtați mască de praf conținând filtre potrivite pentru materialele la care se va lucra. Asigurați aerisire adecvată la locul de muncă. Nu mâncați, beți sau fumați în zona de lucru.
- **vătămare cauzată de zgomot și vibrații.**
Purtați protecție pentru ochi în timpul operației de șlefuire. Nu operați produsul pentru perioade lungi de timp. Vezi „Reducerea Riscului”

REDUCEREA RISCULUI

S-a reținut că vibrațiile de la sculele de mână pot contribui la starea numită Sindromul lui Raynaud, la anumite persoane. Simptomele pot include furnicături, amorțeală și albirea degetelor, care apare, de obicei, după expunerea la frig. Factori ereditari, expunerea la frig și umiditate, dieta, fumatul și practicile de muncă contribuie la dezvoltarea acestor simptome. Există măsurători care pot fi efectuate de către operator pentru a reduce efectele de vibrațiilor:





- Păstrați-vă temperatura corporală ridicată pe vreme rece. Când operați unitatea purtați mănuși pentru a vă menține mâinile și încheieturile la căldură. S-a constatat că vremea rece este un factor major care contribuie la sindromul Raynaud.
- După fiecare perioadă de operare, trebuie făcute exerciții pentru a crește circulația sângelui.
- Trebuie făcute pauze la intervale de timp regulate. Limitați expunerea zilnică.

Dacă sunt experimentate oricare dintre simptomele acestei afecțiuni, trebuie întrerupt utilizarea și consultat un medic.

⚠ AVERTISMENT

Poti fi cauzate, sau agravate vătămări prin folosirea prelungită a sculei. Atunci când folosiți o sculă pentru perioade prelungite, asigurați-vă că luați pauze regulate.

CUNOAȘTEȚI-VĂ PRODUSUL.

Vezi pagina 93.

1. Întrerupător pornire/oprire
2. Variator de viteză
3. 1/3 Talpă de foaie
4. Clemă de fixare
5. Cutie de colectare a prafului
6. Mâner, suprafață de contact izolată
7. Hârtie abrazivă adezivă
8. Hârtie abrazivă standard

ALEGEREA HÂRTIEI ABRAZIVE

Alegerea dimensiunii, granulației și a tipului de hârtie abrazivă este foarte importantă dacă doriți să obțineți o șlefuire de calitate. Pentru șlefuirea brută, vă recomandăm să utilizați abrazivi sintetici cum ar fi alumina sau carbura de siliciu. Abrazivii naturali, cum ar fi șilexul sau granatul, sunt prea moi pentru a putea fi folosiți eficient la șlefuirea brută.

În general, o granulație mare vă permite să îndepărtați o cantitate mare de material, în timp ce o granulație fină vă permite să obțineți o șlefuire de finisare. Starea suprafeței de șlefuit permite determinarea mărării granulației care se va utiliza. Dacă suprafața este rugoasă, începeți șlefuirea cu o hârtie cu granulație mare până când suprafața este uniformă. Apoi puteți folosi o hârtie cu granulație medie pentru a elimina zgărieturile lăsate de hârtia cu granulație mare, și în final o hârtie cu granulație fină pentru a șlefui suprafața. Șlefuiți cu fiecare mărime a granulației până când suprafața este uniformă.

⚠ AVERTISMENT

Nu utilizați mașină fără hârtie abrazivă pentru a nu deteriora talpa.

Utilizare recomandată pentru foaie/arpipioară

Hârtie abrazivă cu granulație Ø 80	Șlefuire brută
Hârtie abrazivă cu granulație Ø 120	Șlefuire ușoară
Hârtie abrazivă cu granulație Ø 150	Șlefuire ușoară

ÎNTREȚINEREA

⚠ AVERTISMENT

Produsul nu trebuie conectat niciodată la priză atunci când asamblați părțile, faceți reglaje, curățați sau faceți întreținerea, sau atunci când produsul nu este folosit. Deconectarea produsului va preveni pornirea accidentală ce poate cauza vătămare gravă.

- La efectuarea service-ului folosiți doar piese de schimb originale ale producătorului. Utilizarea altor piese poate crea situații periculoase sau poate conduce la deteriorarea produsului.
- Evitați utilizarea solventilor atunci când curățați piesele din plastic. Majoritatea materialelor plastice pot să fie deteriorate prin utilizarea unor solventi vânduți în comerț. Utilizați o cârpă curată pentru a curăța murdăriile, praful etc.
- Nu lăsați niciun moment ca lichidele de frână, produsele pe bază de petrol, uleiurile penetrante etc să intre în contact cu părțile din plastic. Aceste produse chimice conțin substanțe care pot afecta, slăbi sau distruge plasticul.
- Atunci când operați scula electrică sau când îndepărtați praful, purtați întotdeauna ochelari de protecție sau ochelari de protecție cu apărători laterale. Dacă mediu de lucru este plin de praf, purtați întotdeauna o mască împotriva prafului.
- Dacă cordonul de alimentare electrică este deteriorat, acesta trebuie înlocuit de către producător sau de către un centru de service autorizat pentru a evita riscurile. Contactați centrul service autorizat.
- Pentru o siguranță și fiabilitate sporită, toate reparațiile trebuie să fie efectuate la un centru service RYOBI autorizat.

⚠ AVERTISMENT

Aparatele electrice utilizate pentru fibra de sticlă, plăci de fibră, compuși de mastic sau ipsos sunt supuse uzurii accelerate și riscului de deteriorare prematură, deoarece așchiile și resturile provenind din prelucrarea fibrei de sticlă sunt foarte abrazive pentru rulmenți, bușe, comutatoare etc. Nu recomandăm folosirea produsului pentru lucrări prelungite pe aceste tipuri de materiale.

⚠ AVERTISMENT

Nu folosiți aer comprimat pentru a îndepărta praful de pe produs. Aceasta practică este periculoasă și poate cauza mizeria și pilitura să fie aruncată și să vătămeze ochii cuiva.

LUBRIFIEREA

Toți rulmenții din interiorul produsului sunt lubrifiați cu o cantitate suficientă de lubrifianț de calitate înaltă pentru durata produsului în condiții normale de folosire. În consecință, nici o ungere suplimentară nu este necesară.



CURĂȚAREA HÂRȚILOR ABRAZIVE

Hârțile abrazive furnizate cu mașina de șlefuit sunt reutilizabile. Este important deci să le curățați regulat pentru a îndepărta praful și particulele care se acumulează pe suprafață în timpul diferitelor operațiuni de șlefuire.

Pentru a curăța hârțile abrazive, frecăți-le cu un bloc compact de cauciuc. Puteți folosi, de exemplu, talpa curată a unui pantof.

PROTECȚIA MEDIULUI ÎNCONJURĂTOR



Reciclați materiile prime în loc să le aruncați la gunoi, împreună cu deșeurile menajere. Pentru a proteja mediul înconjurător, mașina, accesoriile acesteia și ambalajele trebuie triate.

SIMBOLURILE DE PE PRODUS.



Avertizare de siguranță

V

Volți

Hz

Herți

~

Curent alternativ

W

Wați

n_o

Viteză în gol

min⁻¹

Număr de rotații sau de mișcări pe minut



Diametrul orbital



Conform CE



Marcaj de conformitate EurAsian



Semn de conformitate ucrainean



Clasa II, dublu izolat



Purtați echipamente de protecție a auzului



Purtați echipamente de protecție a vederii



Vă rugăm citiți instrucțiunile cu atenție înainte de pornirea aparatului.



Deșeurile produselor electrice nu trebuie scum înlăturate împreună cu deșeurile casnice. Vă rugăm reciclați acolo unde există facilități. Verificați la autoritatea dvs locală sau la vânzător pentru sfaturi privind reciclarea.

SIMBOLURILE DIN MANUAL



Conectați la sursa de curent.



Deconectați de la sursa de curent.



Piese sau accesorii vândute separat



Piedică



Deblocare



Notă



Oprit



Pornire



Fără forță



Cu forță

Rmătoarele cuvinte simbol și înțelesul lor au intenția de a explica nivelele de risc asociate cu acest produs.

PERICOL

Indică o situație imediată de pericol, care dacă nu este evitată va rezulta în deces sau rănire gravă.

AVERTISMENT

Indică o situație potențială de pericol, care dacă nu este evitată poate rezulta în deces sau rănire gravă.

PRECAUȚIE

Indică o situație potențial periculoasă, care dacă nu este eviată, poate rezulta în vătămare minoră sau moderată.

PRECAUȚIE

(Fără simbol de alertă de siguranță) Indică o situație ce poate rezulta în distrugerea proprietății.



Izstrādājot šo slīpmašīnu, īpaša uzmanība veltīta drošībai, veiktspējai un uzticamībai.

PAREDZĒTĀ LIETOŠANA

Preci paredzēts izmantot slīpēšanai un metāla, koka, plastmasas vai līdztīgu materiālu apstrādei, izmantojot pievienotos abrazīvos līdzekļus. To drīkst lietot operatori, kas ir izlasījuši rokasgrāmatu un izprot riskus un draudus. Preci jāizmanto tikai labi ventilētās vietās. Prece ir paredzēta tikai sausai slīpēšanai.

Prece paredzēta klientu lietošanai un to drīkst izmantot tikai kā aprakstīts iepriekš un ne citiem mērķiem.

BRĪDINĀJUMS

Izlasiet visus drošības brīdinājumus, instrukcijas, specifikācijas un apskatiet attēlus šī elektroinstrumenta dokumentācijā. Visu tālāk uzskaitīto norāžu neievērošana var izraisīt elektrošoku, aizdegšanos un/vai smagus ievainojumus.

Saglabājiet visus brīdinājumus un instrukcijas uzziņām nākotnē.

SLĪPMAŠĪNAS DROŠĪBAS BRĪDINĀJUMI

- Vienmēr valkājiet aizsargbrilles un putekļu masku.
- Lai izvairītos no kaitīgu/toksisku putekļu vai gaisa ieelpošanas, svina krāsas, dažu kokmateriālu un metāla slīpēšanas laikā ir jāizmanto piemērots elpošanas respirators. Saskare ar putekļiem, kas radušies no šiem materiāliem, vai to ieelpošana var apdraudēt operatora un apkārtējo cilvēku veselību.
- Nemetiet slīpēšanas putekļus uz atklātas liesmas, jo materiāls, kuru veido smalkas daļiņas, var būt sprādzienbīstams.
- Ierīce nav piemērota mitrai slīpēšanai.
- Visiem instrumentiem jābūt atvienotiem no strāvas avota, kad tie netiek izmantoti.
- Uzmanību, aizdegšanās risks! Uzmanieties no slīpējamā objekta un slīpmašīnas pārslodzes. Pirms pārtraukumiem vienmēr iztukšojiet putekļu savācēju.
- **Nostipriniet apstrādājamo objektu ar nostiprinājuma skavu.** Neiespīlētas sagataves var izraisīt nopietnas traumas un bojājumus. Neturiet slīpējamo materiālu ar roku.
- Neizmantojiet pārmērīgu spiedienu uz ierīci.
- **Neizmantojiet smilšpapīru, kas ir lielāks kā nepieciešams.** Ja papīrs ir lielāks par slīpēšanas uzliktni, tas var izraisīt nopietnus plūsumus.
- **Instruments ir jāaprīko ar putekļu tvertni.** Tā ir bieži jāiztukšo. Lai pievienotu putekļu tvertni, putekļu tvertnes adapteri ievietojiet putekļu savākšanas atverē, kas atrodas slīpmašīnas aizmugurējā galā.
- Ja apstājas, produkts automātiski atsāks darboties. Ja produkts apstājas, nekavējoties to izslēdziet. Neieslēdziet produktu, kamēr tas ir nobloķējies, jo šādā veidā var izraisīt pēkšņu augsta reakтивā spēka atbrīvošanos. Nosakiet, kāpēc produkts ir apstājies, un novērsiet traucējumus, pievēršot uzmanību drošības instrukcijām.

BRĪDINĀJUMS

Nemetiet slīpēšanas putekļus uz atklātas liesmas, jo materiāls, kuru veido smalkas daļiņas, var būt sprādzienbīstams.

BRĪDINĀJUMS

Lai izvairītos no kaitīgu/toksisku putekļu vai gaisa ieelpošanas, svina krāsas, dažu kokmateriālu un metāla slīpēšanas laikā ir jāizmanto piemērots elpošanas respirators.

BRĪDINĀJUMS

Putekļi no dažādām krāsām, klājumiem un materiāliem var izraisīt kairinājumu vai alerģijas reakcijas elpošanas sistēmai. Putekļi no tādiem kokiem, kā ozols, dižskābardis, šķiedrkartons un citiem ir kancerogēni. Ar azbestu saturošu materiālu būtu jāstrādā tikai kvalificētiem speciālistiem.

PALIEKOŠIE RISKI

Pat tad, ja ierīce tiek lietota, kā aprakstīts, joprojām nav iespējams pilnībā novērst atsevišķus riska faktorus. Lietošanas laikā var rasties šādas briesmas un strādniekam īpaša uzmanība jāpievērš šim:

- Putekļu izraisītas traumas
Preces izmantošana radīs ievērojamu daudzumu putekļu un sīku daļiņu. Darbinot precī, izmantojiet putekļu savākšanas ierīces vai savienojiet ar rūpniecisko putekļu savācēju. Nēsājiet putekļu aizsargmaskas, kurām ir materiāliem, ar kuriem strādāsi atbilstoši filtri. Darba vietā nodrošiniet atbilstošu ventilāciju. Darba vietā neēdiet, nedzeriet un nesmēķējiet.
- trokšņa un vibrācijas radīti savainojumi
Slīpēšanas laikā nēsājiet ausu aizsargus. Nedarbiniot precī ilgstoši. Skatīt "Risku Samazināšana".

RISKA SAMAZINĀŠANA

Ir ziņots, ka rokās turamu preču vibrācijas dažām personām var veicināt „Reino sindromu”. Simptomi var ietvert pirkstu tīkšķēšanu, nejutīgumu un nobālēšanu, parasti aukstā laikā. Tiek uzskatīts, ka tradicionālie faktori, aukstums un mitrums, uzturs, smēķēšana un darba prakse sekmē šo simptomu attīstību. Operators var veikt pasākumus, lai iespējami samazinātu vibrācijas efektu:

- Aukstā laikā ķermenim jābūt siltam. Darbinot ierīci, nēsājiet cimdus, lai rokas un plaukostas locītavas būtu siltas. Ir pētījumi, ka auksts laiks ir galvenais faktors, kas veicina Reino sindromu.
- Ik pēc laika apturiet darbu un veiciet vingrinājumus, kas uzlabo asins cirkulāciju.
- Strādājot jābūt biežiem pārtraukumiem. Ierobežojiet iedarbības ilgumu dienā.

Ja jūs izjūtat kādu no šiem simptomiem, nekavējoties apturiet ierīces lietošanu un sazinieties ar ārstu par šiem simptomiem.

EN
FR
DE
ES
IT
NL
PT
DA
SV
FI
NO
RU
PL
CS
HU
RO
LV
LT
ET
HR
SL
SK
BG
UK
TR
EL



⚠ BRĪDINĀJUMS

Ilgstoša instrumenta lietošana var izraisīt traumas vai pasliktināt veselības stāvokli. Ilgstoši lietojot jebkuru instrumentu, pārļiecinieties, ka tiek veikti regulāri pārtraukumi.

IERĪCES IEPAZĪŠANA

Skatīt 93. lpp.

1. Ieslēgšanas/izslēgšanas slēdzis
2. Variējama ātruma regulators
3. 1/3 Loksnes uzliktnis
4. Papīra skava
5. Putekļu savākšanas tvertne
6. Rokturis, izolēta satveršanas virsma
7. Pašlīpošs smilšpapīrs
8. Neflīpošais smilšpapīrs

SLĪPPAPĪRA IZVĒLE

Lai noslīpētā apdare būtu ļoti kvalitatīva, īpaši svarīgi ir izvēlēties pareizā lieluma un veida smilšpapīru ar pareiza raupjuma smiltīm. Spēcīgai slīpēšanai vispiemērotākais ir alumīnija oksīds, silikona karbīds un citas sintētiskās abrazīvās vielas. Dabiski abrazīvi materiāli, piemēram, krams un granāts, ir pārāk mīksti, lai tos ekonomiski izmantotu spēcīgai slīpēšanai.

Parasti ar rupju smilšpapīru tiks noņemta lielākā daļa materiāla, bet ar smalkāku - izveidota vislabākā apdare visu slīpēšanas darbību laikā. Izmantojamo smilšpapīru nosaka slīpējamās virsmas stāvoklis. Ja virsma ir raupja, sāciet ar rupju smilšpapīru un slīpējiet, līdz virsma ir līdzena. Pēc tam, lai likvidētu rupjākā smilšpapīra atstātās skrambas, var izmantot vidēji rupju, bet virsmas apdarei - smalkāku smilšpapīru. Vienmēr turpiniet slīpēšanu ar katru smilšpapīru, līdz virsma ir līdzena.

⚠ BRĪDINĀJUMS

NE lietojiet slīpmašīnu bez slīppapīra. Tas bojās slīpēšanas pamatni.

Loksnes/paliktņa ieteicamā izmantošana

80-grants smiltīm lapa	Rupjiem smiltīm
120-grants smiltīm lapa	Gaismas smiltīm
150-grants smiltīm lapa	Gaismas smiltīm

APKOPE

⚠ BRĪDINĀJUMS

Produktu nekad nedrīkst pievienot barošanas padevei, veicot daļu montāžu, regulēšanu, tīrīšanu vai apkopi, kā arī laikā, kad tas netiek izmantots. Atvienojot produktu, tiek novērsta nejauša ieslēgšanās, kas var izraisīt nopietnu traumu.

- Veicot apkopi, izmantojiet tikai oriģinālās ražotāja rezerves daļas. Jebkādi citu detaļu izmantošana var

izraisīt bīstamību vai produkta bojājumus.

- Tīrot plastmasas daļas, izvairieties no šķīdinātāju lietošanas. Vairums plastmasu ir jutīgas pret dažāda veida pārdošanu esošajiem šķīdinātājiem un to izmantošanas rezultātā var tikt bojātas. Izmantojiet tīru drānu, lai notīrītu netīrumus, oglekļa putekļus utt.
- Nekādā gadījumā plastmasas daļām neļaujiet nonākt saskarē ar bremžu šķidrums, benzīnu, naftas izstrādājumiem, eļļām ar paaugstinātu mitrināšanas spēju utt. Ķīmikālijas var sabojāt, novājināt vai iznīcināt plastmasas detaļas.
- Elektroinstrumenta darbības vai putekļu pūšanas laikā vienmēr izmantojiet aizsargbrilles vai drošības brilles ar sānu aizsargiem. Ja darbība ir saistīta ar putekļu rašanos, uzlieciet arī putekļu masku.
- Ja bojāts strāvas padeves vads, lai izvairītos no riska, to drīkst nomainīt tikai ražotājs vai pilnvarotā apkopes centrā. Sazinieties ar pilnvarotu servisa centru.
- Lielākai drošībai un uzticamībai, visus remontdarbus jāveic RYOBI pilnvarotam servisa centram.

⚠ BRĪDINĀJUMS

Elektroinstrumenti, kurus izmanto stikla šķiedras materiāla, gipsa plāksnes, plastikāta savienojumu vai apmetuma apstrādei, ātrāk nodilst un var priekšlaicīgi nolietoties, jo stikla šķiedras šķembas un putekļi ļoti abrazīvi iedarbojas, piemēram, uz gultņiem, sukām un komutatoriem. Mēs neiesakām izmantot precī ilgstošos laika periodos ar šāda veida materiāliem.

⚠ BRĪDINĀJUMS

Putekļu tīrīšanai no preces neizmantojiet saspiestu gaisu. Tas ir bīstami, jo grūzus un skaidas var iepūst kādam acīs.

EĻĻOŠANA

Visi izstrādājuma gultņi tiek eļļoti ar pietiekamu augstas kvalitātes smērvielas daudzumu, lai nodrošinātu produkta kalpošanas laiku normālos lietošanas apstākļos. Tāpēc papildu eļļošana nav nepieciešama.

TĪRĪŠANA SLĪPĒŠANAS LOKSNES

Slīpmašīnas komplektā iekļautās slīpēšanas loksnes ir paredzētas vairākkārtējai izmantošanai. Tādēļ ir svarīgi, lai tie būtu jātīra regulāri, lai novērstu smiltiņcas atlikumu un ārzemju materiālus, kas var uzkrāties laikā.


Lai notīrītu slīpēšanas loksnes, noberziet tās ar cietu gumijas klucīti. Varat izmantot arī tīru kurpes gumijas zoli.


VIDES AIZSARDŽĪBA





Tā vietā, lai izejmateriālus izmestu atkritumos, nododiet tos otrreizējai pārstrādei. Mašīna, aksesuāri un iepakojums ir jāsašķiro un jānodod videi draudzīgā atkārtotas pārstrādes vietā.


UZ PRECES ESOŠIE SIMBOLI


-  Drošības brīdinājums
- V** Volti
- Hz Herci
- ~ Maiņstrāva
- W** Vati
- n_o** Apgriezieni bez slodzes
- min⁻¹** Apgriezieni minūtē


-  Orbitālā Diametrs
- CE** CE atbilstība
- EAC** EurAsian atbilstības marķējums


-  Ukrainas apstiprinājuma zīme

-  II klase, dubulta izolācija

-  Lietojiet dzirdes aizsargus

-  Valkājiet acu aizsarglīdzekļus

-  Pirms iedarbināt mašīnu, lūdzu rūpīgi izlasiet instrukcijas.

 Izlietotie elektroprodukti nedrīkst tikt izmesti kopā ar mājāsaimniecības atkritumiem. Lūdzu, nododiet tos attiecīgajās atkār tolas izmantošanas vietās. Sazinieties ar savu vietējo varas pārstāvi vai izplafitāju, lai noskaidrotu, kur iespējama atkārtota pārstrāde.

SIMBOLI ROKASGRĀMATĀ

-  Pievienojiet elektropadevei.
-  Atvienojiet no elektropadeves.
-  Atsevišķi nopērkamās daļas vai piederumi
-  Bloķētājs
-  Atbloķēt

-  Piezīme

-  Izslēgt

-  Ieslēgšanas

-  Bez spēka

-  Ar spēku

Lai izskaidrotu risku, kas saistīti ar izstrādājumu, līmeni, paredzēti šādi norādījuma vārdi un jēdzieni.

BĪSTAMI

Norāda uz nenovēršami bīstamu situāciju, kas, ja netiks novērsta, izraisīs nāvi vai nopietnus miesas bojājumus.

BRĪDINĀJUMS

Norāda uz potenciāli bīstamu situāciju, kas, ja netiks novērsta, var izraisīt nāvi vai nopietnus miesas bojājumus.

UZMANĪBU

Norāda uz potenciāli bīstamu situāciju, kas, ja netiek novērsta, var izraisīt vieglus vai vidējus miesas bojājumus.

UZMANĪBU

(Bez drošības trauksmes simbola), kas norāda, uz situāciju, kas var novest pie īpašuma bojājuma.



Projektuojant lakštinį šlifukojį, didžiausias prioritetas suteiktas saugai, eksploatacinėms savybėms ir patikimumui.

NAUDOJIMO PASKIRTIS

Gaminys skirtas metalo, medienos, plastiko ar panašių medžiagų šlifavimui ir apdailinimui gaminio komplekte pridėtais abrazyviniais švitrinio popieriaus lapeliais. Jį gali naudoti asmenys, perskaitę instrukcijų vadovą ir suvokiantys rizikos bei pavojų veiksnius. Gaminį galima naudoti tik gerai vėdinamose vietose. Gaminys skirtas šlifavimui sausuoju būdu.

Gaminys – platus vartojimo ir turi būti naudojamas tik pagal nurodytą paskirtį.

⚠ ĮSPĖJIMAS

Perskaitykite visus saugos įspėjimus, visas instrukcijas, paveikslėlius ir techninius reikalavimus, pateikiamus su šiuo elektriniu įrankiu. Jei nesilaikysite visų toliau pateiktų instrukcijų, kyla elektros smūgio, gaisro ir (arba) sunkaus sužeidimo pavojus.

Visus įspėjimus ir instrukcijas saugokite, nes jų gali prireikti ateityje.

ŠLIFUOKLIO SAUGOS ĮSPĖJIMAI

- **Būtina dėvėti apsauginius akinius ir dulkių kaukę.**
- **Šlifudami švino dažus, tam tikras medienos rūšis ir metalą dėvėkite respiratorių, kad neįkvėptumėte nuodingų / žalingų dulkių arba oro.** Patekus šių medžiagų dulkių arba jų įkvėpus, gali kilti pavojus darbuotojo ar pašalinių asmenų sveikatai.
- Nemeskite nuo šlifavimo likusių dulkių į atvirą ugnį, kadangi smulkintose dalelėse esančios medžiagos gali sprogti.
- **Gaminio negalima naudoti šlifavimui šlapiuoju būdu.**
- Kai įrankiai nenaudojami, juos visus būtina atjungti nuo maitinimo šaltinio.
- **Atsargiai: gaisro pavojus!** Atsargiai neperkaitinkite šlifuojamo ruošinio bei šlifuklio. Prieš darydami pertrauką visada ištuštinkite dulkių surinktuvą.
- **Suspauskite ruošinį spaustu.** Neprispausti ruošiniai gali pajudėti ir sukelti sunkių traumų ar apgadinti vietą, prie kurios yra tvirtinami. Šlifuojamos medžiagos negalima laikyti ranka.
- Gaminio negalima pernelyg spausti.
- **Nenaudokite didesnio švitrinio popieriaus nei reikia.** Iš šlifavimo pado išsikišęs popierius gali smarkiai draskyti paviršius.
- **Dulkių surinkimo talpą reikia pritvirtinti prie įrankio.** Jį reikia dažnai ištuštinti. Norėdami pritvirtinti dulkių surinkimo talpą, įstatykite dulkių talpos adapterį į šlifuklio užpakalinėje dalyje esančią dulkių surinkimo angą.
- Įrankiu užstrigus, iš naujo jį pasileidžia automatiškai. Jei įranki užstrigtų, nedelsiant jį išjunkite. Kol įrankis užstrigęs nebandykite jo įjungti – atatrunkos didele

jėga pavojus. Išsiaiškinkite įrankio užstrigimo priežastį ir pašalinkite ją, nepamirškite laikytis saugos taisyklių.

⚠ ĮSPĖJIMAS

Nemeskite nuo šlifavimo likusių dulkių į atvirą ugnį, kadangi smulkintose dalelėse esančios medžiagos gali sprogti.

⚠ ĮSPĖJIMAS

Šlifudami švino dažus, tam tikras medienos rūšis ir metalą dėvėkite respiratorių, kad neįkvėptumėte nuodingų / žalingų dulkių arba oro.

⚠ ĮSPĖJIMAS

Tam tikrų dažų, gruntų ir medžiagų dulkės gali dirginti ar sukelti alergines kvėpavimo sistemos reakcijas. Ažuolo, beržo, medienos plaušų plokščių ir kitos dulkės kancerogeninės. Medžiagos, kurių sudėtyje yra asbesto, gali pjauti ar apdirbti tik kvalifikuoti specialistai.

ŠALUTINIS PAVOJUS

Net naudojant gaminį griežtai pagal paskirtį neįmanoma visiškai atmesti kai kurių liktinių rizikos veiksnių. Būkite budrus atlikdami priežiūros ar valymo darbus: po įrankio naudojimo geležtę kurį laiką išlieka įkaitusi.

- **Dulkių sukeliama žala**
Naudojant gaminį susidaro dideli kiekiai dulkių bei smulkiųjų dalelių. Apdorojant medžiagas šiuo gaminiu reikia naudoti dulkių surinktuvą arba dulkių siurbį. Būtina dėvėti dulkių apsaugines kaukes su specialiais filtrais, skirtais apsaugoti nuo apdorojamų medžiagų. Darbo vieta turi būti tinkamai vėdinama. Darbo vietoje negalima valgyti, gerti ar rūkyti.
- **triuškimo ir vibracijos sukeliama sužeidimai**
Šlifuojant būtina dėvėti akių apsaugą. Gaminio negalima naudoti ilgai. Žr. "Rizikos Veiksnių Mažinimas".

RIZIKOS MAŽINIMAS

Pranešama, kad rankinių įrankių keliamos vibracijos kai kuriems asmenims gali paskatinti Reino sindromo vystymąsi. Šios ligos požymiai yra pirštų dilgčiojimas, nutirpimas ir pabalimas, paprastai pasireiškiantis nuo šalčio. Šie simptomai vystosi dėl paveldimų veiksnių, nesisaugant nuo šalčio ir drėgmės, dėl mitybos, rūkymo ir darbo praktikos. Operatorius gali imtis šių priemonių, kurios gali sumažinti vibracijos poveikį:

- Apsirenkite kuo šilčiau šaltu oru. Dirbant šiuo prietaisu mūvėkite pirštines, kad plaštakos ir riešai būtų laikomi šiltai. Turime pranešimų, kad Raynaud sindromas labiausiai vystosi nuo šalto oro sąlygų.
- po darbo kiekvieną kartą pasportuokite, kad pagerėtų kraujotaka;
- dažnai darykite darbo pertraukas. Apribokite darbo laikotarpį per dieną.

Jei jums pasireiškia kokie nors šios būklės simptomai, nedelsdami nutraukite darbą ir kreipkitės į gydytoją.





⚠️ ĮSPĖJIMAS

Ilgai naudojant įrankį, galima susižaloti arba pakenkti sveikatai. Ilgiau naudojant įrankius, reikia reguliariai daryti pertraukas.

GERAI ĮSMANYKITE APIE GAMINĮ

Žiūrėti 93 psl.

1. Įjungimo / išjungimo mygtukas
2. Kintamo greičio valdiklis
3. 1/3 Popieriaus padas
4. Popieriaus spaustuvas
5. Dulkių surinktuvas
6. Rankena, izoliuotu paviršiumi
7. Lipnus švitrinis popierius
8. Nelipnus švitrinis popierius

ŠVITRINIO POPIERIAUS PASIRINKIMAS

Siekiant pasiekti aukštos kokybės šlifavimo rezultatų, labai svarbu pasirinkti teisingo rupumo, dydžio ir tipo šlifavimo popierių. Elektriniam šlifavimui labiausiai tinka aliuminio oksido, silikono karbido ir kitos sintetinės šlifavimo medžiagos. Natūralios šlifavimo medžiagos, pvz. titnagas ar granatas, yra per minkšti, kad būtų ekonomiškai naudojami šlifuojant elektriniu būdu.

Apskritai, šiurkštus rupumas pašalina didžiąją medžiagos dalį, o smulkus rupumas visose šlifavimo operacijose suteikia geriausių rezultatų. Pagal šlifuojamo paviršiaus būklę galima nustatyti, koks rupumas labiausiai tinka. Jei paviršius yra grublėtas, pradėkite nuo šiurkštaus rupumo ir šlifukite tol, kol paviršius taps lygus. Tada naudokite vidutinį rupumą, kad pašalintumėte įbrėžimus, kuriuos palieka šiurkštesnis rupumas, o smulkesnis rupumas naudojamas paviršių apdailai. Visada naudokite kiekvieno rupumo šlifavimo būdą tol, kol paviršius taps lygus.

⚠️ ĮSPĖJIMAS

NENAUDOKITE šlifuojuo be švitrinio popieriaus. Tai sugadins padėklą.

Lakšto / padelio rekomenduojamas naudojimas

80-smėlio barstymo lapas	Šiurkščiavilnių smėlio barstymo
120-smėlio barstymo lapas	Šviesos šlifavimas
150-smėlio barstymo lapas	Šviesos šlifavimas

PRIEŽIŪRA

⚠️ ĮSPĖJIMAS

Perforatoriaus jokia būdu negalima jungti į maitinimo šaltinį montuojant dalis, reguliuojant, valant, atliekant priežiūros darbus ar jo nenaudojant. Atjungus perforatorių, jis nepasileis atsitiktinai: pasileidęs, šis įrankis gali sunkiai sužaloti.

- Atliekant techninės priežiūros darbus, galima naudoti

tik gamintojo atsargines dalis. Kitų detalių naudojimas gali sukelti pavojų ar sugadinti įrankį.

- Valydami plastikines detales, nenaudokite tirpiklių. Daugelis plastikų jautrūs įvairių tipų komerciniams tirpikliams ir juos naudojant galima pažeisti plastikines detales. Valydami purvą, anglies dulkes ir kt. naudokite švrią šluostę.
- Stabdžių skysčiai, gazolinas ir benzino produktai, skvarbiuos alyvos ir pan. jokia būdu negali patekti ant plastiko dalių. Juose yra chemikalų, kurie gali sugadinti, pažeisti arba susilpninti plastiką.
- Dirbdami su elektriniu įrankiu ar kai pučiamos dulkės, visada dėvėkite apsauginius akinius ar akinius su šonine apsauga. Jei darbo metu kyla dulkės, taip pat dėvėkite kaukę nuo dulkių.
- Jeigu maitinimo laidas pažeistas, jį turi pakeisti tik gamintojas arba įgaliota techninės priežiūros įmonė, kad būtų išvengta pavojaus. Kreipkitės į įgaliotąjį techninio aptarnavimo centrą.
- Siekiant užtikrinti didesnę saugumą ir patikimumą, visus taisymo darbus turi atlikti įgaliotas „RYOBI“ techninio aptarnavimo centras.

⚠️ ĮSPĖJIMAS

Su stiklo pluošto medžiagomis, sieninėmis plokštėmis, kibirkščiujančiais junginiais ar tinku darbo metu naudojami elektriniai įrankiai greitai susidėvi ir sugenda todėl, kad stiklo pluošto atplaišos ir šlifavimo likučiai agresyviai veikia guolius, šepetčius, komutatorius, ir t. t. Nepartartina gaminių per ilgai pjauti šių tipų medžiagų.

⚠️ ĮSPĖJIMAS

Dulkių nuo gaminio negalima šalinti suspaustu oru. Darbas pavojingas ir nešvarumai bei nuopjovos gali būti išpūstos ir sužeisti akis.

SUTEPIMAS

Kad įprastomis darbo sąlygomis perforatorius ilgai nesusidėvėtų, visi jo guoliai sutepti reikiamu kiekiu aukštos klasės tepalo. Todėl daugiau jo tepti nebereikia.

VALYMO ŠLIFAVIMO LAKŠTŲ

Kartu su šlifuojuo esantis švitrinis popierius pagamintas taip, kad jį būtų galima naudoti pakartotinai. Todėl svarbu, kad jį būtų periodiškai valoma pašalinti šlifavimo atliekas ir užsienio medžiaga, kuri gali kaupiasi laikui bėgant.

Norėdami nuvalyti šlifavimo lapai, patrinti lapus su kietos gumos blokas. Valymui taip pat galite naudoti švarų guminį bato padą.

APLINKOS APSAUGA



Žaliavines medžiagas perdirbkite pakartotinai, o ne išmeskite kaip atliekas. Mechanizmas, priedai ir pakuotės turi būti laikomi pakartotinai perdirbti aplinkai nekenksmingu būdu.

- EN
- FR
- DE
- ES
- IT
- NL
- PT
- DA
- SV
- FI
- NO
- RU
- PL
- CS
- HU
- RO
- LV
- LT**
- ET
- HR
- SL
- SK
- BG
- UK
- TR
- EL



SIMBOLIAI ANT ĮRENGINIO



Pranešimas apie saugumą

V

Voltai

Hz

Hercai

~

Kintamoji srovė

W

Vatai

n_o

Greitis be apkrovimo

min⁻¹

Apsukos ar judėjimas per minutę



Orbitinis skersmuo



CE suderinimas



„EurAsian“ atitikties ženklas



Ukrainos atitikties ženklas



II klasė, dviguba izoliacija



Dėvėkite klausos apsaugos priemones



Dėvėkite akių apsaugos priemones



Atidžiai perskaitykite instrukcijas prieš pradėdami naudoti mechanizmą.



Elektrinių produktų atliekos neturi būti metamos kartu su namų ūkio atliekomis. Prašome perdirbkite jas ten, kur yra tokios perdirbimo bazės. Dėl perdirbimo paŃarimo kreipkitės į savo vietinę savivaldybę ar pardavėją.

SIMBOLIAI VADOVE



Jungimas prie maitinimo lizdo.



Išjungimas iš maitinimo lizdo.



Detalės arba priedai yra parduodami atskirai



Blokėtąjs



Atrakinti



Pastaba



Išjungta



Ijungimo



Nenaudojant jėgos



Naudojant jėgą

Šie signaliniai žodžiai yra skirti nurodyti su prietaiso naudojimu susijusio pavojaus lygį.

⚠ PAVOJUS

Rodo grėšiančią pavojingą situaciją, kurios neišvengus galima patirti mirtiną arba sunkų sužalojimą.

⚠ ĮSPĖJIMAS

Rodo potencialiai pavojingą situaciją, kurios neišvengus galima patirti mirtiną arba sunkų sužalojimą.

⚠ ATSARGIAI

Rodo potencialiai pavojingą situaciją, kurios neišvengus galima patirti nesunkų arba vidutinio sunkumo sužalojimą.

ATSARGIAI

(Be įspėjamojo šauktuko) Reiškia situaciją, kurioje galima sugadinti turtą.



Taldlihvmasina konstrueerimisel on peaeesmärgiks olnud toote ohutus, tootlikkus ja töökindlus.

OTSTARBEKOHANE KASUTAMINE

See seade on ette nähtud metallide, puidu, plastide ja nendega sarnaste materjalide lihvimiseks ja viimistlemiseks komplektis olevate abrasiivpatjade abil. Seda seadet tohivad kasutada vaid täiskasvanud, kes on ohutusjuhised läbi lugenud ja riskidest ning ohtudest aru saanud. Seadet tohib kasutada ainult hästi ventileeritud kohas. Seade on ette nähtud vaid kuivlihvimiseks.

Seade on ette nähtud erakasutajale ja seda tuleb kasutada vaid eespool kirjeldatud otstarveteks ning seda ei tohi kasutada mingiks muuks otstarbeks.

⚠ HOIATUS

Lugege läbi kõik mehaanilise tööriista kohta esitatud ohuhoiatused ning tutvuge tööriista jooniste ja tehniliste andmetega. Kõigi allpool loetletud juhiste mittejärgimine võib põhjustada elektrilöögi, tulekahju ja/või raske vigastuse.

Hoidke hoiatusi ja juhiseid edaspidiseks juhendumiseks alles.

LIHVMASINA OHUTUSJUHISED

- **Kandke alati turvaprilile ja tolmumaski.**
- **Kandke nõuetekohast respiraatorit kui lihvite tina sisaldavaid värve, kõva puitu või metalle, et ohtlikku/mürgist tolmu või õhku mitte sisse hingata.** Nendest materjalidest tekkiva tolmuga kokkupuutumine või selle sissehingamine võib kahjustada kasutaja ja kõrvalseisjate tervist.
- Ärge visake lihvimistolmu tulle, sest tolmu peenosakesed võivad plahvatada.
- **Seade ei ole ette nähtud märglihvimiseks.**
- Kui seade ei ole kasutusel, ühendage see toiteallikalt lahti.
- Ettevaatust, tuleoht! Vältige lihvitava pinna ja lihvmasina ülekuumenemist. Enne töövaheajale minekut tühjendage tolmukogu.
- **Kinnitage toorik pitskruviga.** Kinnitamata toorik võib põhjustada raske kehavigastuse või tekitada varakahju. Ärge hoidke lihvitavat materjali käega kinni.
- Ärge rakendage seadmele liigset rõhku.
- **Ärge kasutage lihvimisel suuremat lihvpaberit, kui vaja.** Lihvimistallast üleulatuv lihvpaberi osa võib põhjustada kehavigastusi.
- **Töötamine ilma nõuetekohaselt paigaldatud tolmukarbina ei ole lubatud.** Seda tuleb regulaarselt tühjendada. Tolmukarbi ühendamiseks pange tolmukarbi ühendusmuhv lihvmasina tagaosal asuval tolmukogumisotsakule.
- Kui toode kiilib kinni, taaskäivitub see automaatselt. Kui toode kiilib kinni, lülitage see otsekohe välja. Ärge lülitage toodet sisse, kui see on kinni kiilunud, vastasel korral võib tekkida ootamatu tugeva reaktsioonijõuga tagasipõrge. Tehke kindlaks, miks toode kinni kiilus ja kõrvaldage selle põhjus, sealjuures pidage kinni ohutusjuhistest.

⚠ HOIATUS

Ärge visake lihvimistolmu tulle, sest tolmu peenosakesed võivad plahvatada.

⚠ HOIATUS

Kandke nõuetekohast respiraatorit kui lihvite tina sisaldavaid värve, kõva puitu või metalle, et ohtlikku/mürgist tolmu või õhku mitte sisse hingata.

⚠ HOIATUS

Mõnede värvide tolm, pinnakatted ja materjalid võivad põhjustada hingamisteede ärritust või allergiilisi reaktsioone. Tamme- ja kasepuu, MDF-i ja mõnede muude materjalide tolm on kantserogeenne. Asbesti sisaldavaid materjale tohivad lõigata vastava väljaõppega erioperaatorid.

JÄÄKRISKID

Isegi siis, kui seadet kasutatakse kirjeldatud viisil, ei ole võimalik kõrvaldada kõiki jääkriskide mõjureid. Töötamise ajal võivad tekkida järgmised ohud, millele operaator peab pöörama erilist tähelepanu.

- **Tolmust põhjustatud kehavigastus**
Seadme kasutamisel tekib märkimisväärsel määral tolmu ja peenosakesi. Kasutage seadme kasutamise ajal tolmu kogumisseadet või ühendage sellele tolmuiumeja. Kandke hingamismaski, milles on filter vastavalt töödeldavatele materjalidele. Tagage töökohal nõuetekohane ventilatsioon. Ärge töökohal sööge, jooge ega suitsetage.
- **mürast ja vibratsioonist põhjustatud kehavigastus**
Lihvimise ajal kasutage kuulmiskaitsevahendeid. Ärge kasutage seadet pikka aega. Consulte el apartado "Reducción De Riesgos".

RISKI ALANDAMINE

Teadaolevalt võib käsitööriistade kasutamine põhjustada mõnedel inimestel seisundit, mida nimetakse Raynaud' sündroomiks. Los sintomas pueden incluir hormigueo, entorpecimiento y decoloración de los dedos, generalmente aparentes cuando tiene lugar una exposición al frío. Nende sümptomite puhul tuleb hoiduda külmast ja niiskusest, diidest ning sütleamisest ja kasutada õigeid töövõtteid. Vibratsiooni mõju vähendamiseks tuleb rakendada järgmisi abinõusid.

- Külma ilmaga hoidke oma keha soe. Kandke kindaid, et hoida oma käed ja randmed soojad. Uuringud näitavad, et Raynaud's Syndrome ilmneb põhiliselt külma ilmaga.
- Pärast külmas töötamist tehke harjutusi, et verevarustust kiirendada.
- Tehke regulaarselt töövaheagasis. Piirake tööperioodi pikkust.

Kui ilmnevad haigustunnused, lõpetage kohe töö ja pöörduge arsti poole.

EN
FR
DE
ES
IT
NL
PT
DA
SV
FI
NO
RU
PL
CS
HU
RO
LV
LT
ET
HR
SL
SK
BG
UK
TR
EL



⚠ HOIATUS

Seadme pikaajalisel kasutamisel võite saada kehavigastusi või vigastused võivad süveneda. Seadme kasutamisel pika aja jooksul tuleb teha korralisi vaheaegasid.

ÕPPIGE OMA TOODET TUNDMA

Vt lk 93.

1. „Sisse/välja“-lüüti
2. Käigukiiruse valits
3. 1/3 Lihvpaberi alusplaat
4. Paberiklemm
5. Tolmukogumiskarp
6. Isoleeritud haardepinnaga käepide
7. Takjakinnitusega lihvpaper
8. Mittekleepuv lihvpaper

LIHVPABERI VALIMINE

Lihvpaberi tera õige suuruse ja tüübi valimine on äärmiselt tähtis, et saavutada lihvitud pinna kõrge kvaliteet. Masinlihvimisel on kõige parem kasutada sünteetilisi abrasiive, mis on alumiiniumoksiidi, ränikarbiidi või teiste materjalide põhised. Looduslikud abrasiivid, näiteks räni või mineraalid, on efektiivselt masinlihvimiseks liiga pehmed.

Tavaliselt eemaldab jämedateraline lihvpaper rohkem materjali ja peeneteraline lihvpaper loob parema viimistluspinna kõikides lihvimisoperatsioonides. Töötamisel määrab tera suuruse ära lihvitava pinna seisund. Kui pind on jämedakoeline, siis alustage lihvimist jämedateralise lihvpaperiga ja lihvige seni, kui pind on sile. Keskmise tera suurusega lihvpaperit võib kasutada nende kriimustuste mahalihvimiseks, mis on jäänud jämelihvimisest ning peenema teraga lihvpaperit võib kasutada pindade lõppviimistluseks. Kasutage järjest väiksemat terasuurust kuni pind on ühtlaselt sile.

⚠ HOIATUS

ÄRGE PÜÜDKE kasutada lihvmasinat ilma lihvpaperita. Sellisel juhul saab taldmiku padi vigastada.

Lihvpaberi/taldmiku kasutussoovitused

80 liivpaberiga lihvimine lehel	Jäme lihvimine
120 liivpaberiga lihvimine lehel	Light lihvimine
150 liivpaberiga lihvimine lehel	Light lihvimine

HOOLDUS

⚠ HOIATUS

Seade ei tohi mingil juhul olla toitepinge all sel ajal kui kinnitate selle osi, teete reguleerimistoiminguid, puhastate või hooldate seadet ning siis kui seda ei kasutata. Seadme elektrivõrgust lahtiühendamine väldib selle tahtmatu käivitumise, mis võib põhjustada raske kehavigastuse.

- Kasutage hooldamisel ainult tootja originaalvaruosi. Muude osade kasutamine võib tekitada ohuolukorra ja põhjustada seadme vigastumise.
- Vältige plastosade puhastamisel lahustite kasutamist. Enamik plaste on tundlikud kaubandusvõrgust saadaolevate lahustite suhtes ja võivad nende mõjul oma omadusi kaotada. Tolmust, õlist, määrdest ja muust mustusest puhastamiseks kasutage puhast riidelappi.
- Ärge laske plastosadel mitte mingil juhul sattuda kokkupuutesse auto pidurivedeliku, bensiini, bensiinipõhiste toodete, immutusõlidega või muude samalaadsete vedelikega. Kemikaalid võivad kahjustada, nõrgendada või hävitada plastiku.
- Töötamisel ja tolmu ärापuhumisel kandke alati silmamaski või küljekaitsetega kaitseprille. Kui töötlemine on tolmune, siis kandke tolmumaski.
- Kui toitejuhe on vigastatud, siis tuleb see lasta asendada tootja või klienditeenindaja poolt, et ohtusid vältida. Põrdtuge volitatud hoolduskeskuse poole.
- Kõik remonttööd tuleb lasta teha RYOBI volitatud hoolduskeskuses, et tagada masina ohutus ja töövõime.

⚠ HOIATUS

Elektritööriistade kasutamisel klaaskiudmaterjalide, seinapaneelide, pahtlisegu või kipsi lihvimiseks võib kaasnedes masinaosade kiirenenud kulumine ning võimalikud rikked, sest klaaskiududest ja teistest peenosakestest koosnev väga abrasiivne lihvimitolm kulutab laagreid, kollektori harju, kommutaatorit ja teisi mootoriosi. Nimetatud tüüpi materjalide pikaajaline töötlemine selle seadmega pole soovitatav.

⚠ HOIATUS

Ärge kasutage tööriistalt tolmu/mustuse eemaldamiseks suruõhku. Selline kasutusviis on ohtlik ja võib põhjustada mustuse ja abrasiivikübetete väljapuhumist ja tekitada kellelegi silmakahjustusi.

MÄÄRIMINE


Kõik selle tööriista laagrid on tehases täidetud piisava hulga kvaliteetse määrdega, mis tagab tavatingimustes nende töövõime kogu kasutusea jooksul. Seetõttu ei ole täiendav määrimine vajalik.

PUHASTUS LIHVIMINE LEHED

Lihvmasina kompleksis olevad lihvpaperi lehed on kordvõrkkasutatavad. Seetõttu on oluline, et need tuleb puhastada korrapäraselt, et kõrvaldada lihvimine jääkide ja välisriikide materjalidele, mis võivad aja jooksul akumuleerub.

Et puhas lihvimine lehed, hõõruda lehed kõvakummist blokeerida. Selleks võite kasutada ka puhast taldmiku kummi.



KESKKONNAKAITSE

 Taaskasutage materjale nende jäätmekäitlusse andmise asemel. Masin, selle liseseadmed ja pakend tuleb jäätmekäitluseks keskkonnasõbralikult sorteerida.

MASINAL OLEVAD SÜMBOLID




-  Ohutusalane teave
- V** Volt
- Hz Hertz
- ~ Vahelduvvool
- W** Watt
- n₀** Kiirus ilma koormuseta
- min⁻¹** Pöörete või löökide arv minutis
-  Orbital Läbimõõt
- CE** CE vastavus
- EAC** Euraasia vastavusmärk
-  Ukraina vastavusmärgis
-  Klass II, topeltisolatsiooniga
-  Kandke kuulmise kaitsevahendeid
-  Kandke silmade kaitsevahendeid
-  Enne seadme kasutamist lugege palun kasutusjuhend hoollega läbi.
-  Mittekasutatavaid elektritooteid ei tohi visata olmejäätmete hulka. Vaid tuleb viia vastavasse kogumispunkti. Vajadusel küsige sellekohast nõu oma edasimüüjalt või vastavalt kohaliku omavalitsuse institutsioonilt.

KASUTUSJUHENDIS KASUTATUD SÜMBOLID

-  Ühendage toitevõrku.
-  Ühendage seade toitevõrgust lahti.

-  Eraldi ostetavad osad või tarvikud
-  Lukk
-  Lahtikeeramine
-  Märkus
-  Väljas
-  Sisse
-  Ilma jõudu kasutamata
-  Jõudu kasutades

Järgnevad märguandesõnad ja tähendused on mõeldud selle toote kasutamiseiga seotud riskitasemete kirjeldamiseks.

-  **OHT.**
Osutab ähvardavale ohuolukorrale, mille mittevältimine lõpeb surma või tõsise vigastusega.
-  **HOIATUS**
Osutab võimalikule ohuolukorrale, mille mittevältimine võib lõppeda surma või tõsise kehavigastusega.
-  **ETTEVAATUST**
Osutab võimalikule ohuolukorrale, mille mittevältimine võib lõppeda väiksemate või möödukate kehavigastustega.

ETTEVAATUST
(Ilma ohutussümbolit) Viitab olukorrale, mis võib põhjustada kahjustusi varale.



U razvoju ove vibracijske brusilice dati su maksimalni prioriteti sigurnosti, performansama i pouzdanosti.

NAMJENA

Proizvod je namijenjen za brušenje i finišenje metala, drveta, psatike ili sličnih materijala korištenjem isporučениh abrazivnih jastučića. Namijenjena za korištenje samo od strane operatera koji su pročitali upute za korištenje i razumiju opasnosti. Proizvod treba koristiti samo u dobro ventiliranim područjima. Proizvod je namijenjen samo za suho brušenje.

Proizvod je namijenjen za korištenje i treba se koristiti samo kao što je gore opisano i nije namijenjeno za bilo koju drugu svrhu.

⚠ UPOZORENJE

Pažljivo pročitate sve upozorenja, upute i specifikacije priložene uz alat i pogledajte crteže. U slučaju nepoštivanja uputa u priručniku može doći do električnog udara i/ili ozbiljnih tjelesnih ozljeda.

Sačuvajte ova upozorenja i upute kako biste ih naknadno mogli konzultirati.

SIGURNOSNA UPOZORENJA VEZANO ZA BRUSILICU

- **Uvijek nosite zaštitne naočale i masku za zaštitu od prašine.**
- **Mora se nositi prikladan respirator za disanje tijekom brušenja boje, nekih drva i metala kako bi se izbjeglo udisanje štetne/otrovne prašine ili zraka.** Kontakt s ili udisanje prašine proizvedene od ovih materijala može dovesti u pitanje zdravlja operatera i promatrača.
- **Nemojte bacati brusnu prašinu u otvoreni plamen jer materijali u obliku finih čestica mogu biti eksplozivni.**
- **Uređaj nije prikladan za mokro brušenje.**
- Kad se ne koriste, svi alati trebaju biti isključeni iz napajanja.
- Oprez, opasnost od požara! Izbjegnite pregrijavanje predmeta kojeg brusite kao i brusilice. Prije uzimanja stanke uvijek ispraznite sakupljač za prašinu.
- **Spojite uradak s uređajem za spajanje.** Odspojeni izratci mogu uzrokovati ozbiljne ozljede i oštećenje. Nemojte držati materijal kojeg brusite s rukom.
- Nemojte primijeniti preveliki pritisak na proizvod.
- **Nemojte koristiti veći brusni papir od potrebnog.** Dodatni produljeni papir iza podloge brusilice također može uzrokovati ozbiljne ozljede.
- **Kutija za prašinu treba biti u opremi s alatom.** Treba ga često prazniti. Za priključivanje kutije za prašinu, umetnite adapter kutije za prašinu na otvor za prikupljanje prašine na stražnjem kraju brusilice.
- U slučaju zastoja u radu proizvod će se automatski ponovno pokrenuti. Ako proizvod zastaje u radu, odmah ga isključite. Nemojte ponovno uključivati proizvod dok je proizvod u zastoju, pošto tako možete uzrokovati naglo odbijanje i odskakanje proizvoda sa snažnom

reaktivnom silom. Odredite zašto dolazi do zastoja u radu proizvoda i ispravite to, obračunajući pažnju na sigurnosne upute.

⚠ UPOZORENJE

Nemojte bacati brusnu prašinu u otvoreni plamen jer materijali u obliku finih čestica mogu biti eksplozivni.

⚠ UPOZORENJE

Mora se nositi prikladan respirator za disanje tijekom brušenja boje, nekih drva i metala kako bi se izbjeglo udisanje štetne/otrovne prašine ili zraka.

⚠ UPOZORENJE

Prašina iz određenih boja, premaza i materijala mogu uzrokovati iritacije ili alergijske reakcije u respiratornom sustavu. Prašina iz drveta poput hrasta, bukve, MDF-a i ostalog je karcinogena. Materijalom koji sadrži azbest trebaju uvijek raditi ili obrađivati kvalificirani stručnjaci.

PREOSTALE OPASNOSTI

Čak i kad je proizvod korišten kao što je prethodno opisano, još uvijek nije moguće potpuno isključiti ostale čimbenike opasnosti. Može doći do sljedećih opasnosti prilikom korištenja i operater mora obratiti posebnu pozornost kako bi izbjegao sljedeće:

- **Ozljede uzrokovane prašinom**
Korištenje proizvoda proizvodi značajnu količinu prašine ili finih čestica. Koristite proizvod za prikupljanje prašine ili spojite usisavač za izvlačenje prašine kad proizvod radi. Nosite respiratorne maske koje sadrže odgovarajuće filtere za materijale s kojima se radi. Osigurajte odgovarajuću ventilaciju radnog mjesta. Nemojte jesti, piti ili pušiti u radom području.
- **povrede uzrokovane bukom i vibracijom**
Nosite zaštitu za sluh tijekom brušenja. Nemojte raditi s proizvodom dulje vremensko razdoblje. Pogledajte „Smanjenje Opasnosti“.

SMANJENJE OPASNOSTI

Prijavljeno je da vibracije alata kod određenih pojedinaca mogu doprinijeti stanju pod nazivom Raynaud's Syndrome. Simptomi mogu uključivati trnce, ukočenost i bjelinu prstiju, obično uočljivo po izlaganju hladnoći. Smatra se da nasljedne osobine, izlaganje hladnoći i vlazi, dijeta, pušenje i radni postupci pridonose razvoju ovih simptoma. Postoje mjere koje operater može poduzeti kako bi smanjio moguće učinke vibracije:

- **Održavajte svoje tijelo toplim u hladnim vremenskim uvjetima.** Kad radite s uređajem nosite rukavice kako biste ruke i zglobove održavali toplima. Prijavljeno je da je hladnoća glavni čimbenik koji doprinosi Raynaud's Syndrome.
- **Nakon svakog perioda rada vježbajte kako biste povećali cirkulaciju krvi.**
- **Uzimajte česte stanke u radu.** Ograničite količinu



izlaganja po danu.

Ako osjetite neke od simptoma ovog stanja, odmah prekinite korištenje i obratite se svome liječniku vezano uz ove simptome.

⚠ UPOZORENJE

Ozljede mogu biti uzorkovane ili izazvane produljenim vremenskim razdobljem korištenja alata. Kada koristite bilo koji alat dulje vremena, osigurajte da uzimate povremene stanke.

UPOZNAJTE SVOJ PROIZVOD

Pogledajte stranicu 93.

1. Sklopka za Uklj./isklj. (ON/OFF)
2. Promjenljivi kontrola brzine selektor
3. 1/3 Brusna ploča lista
4. Kvačica
5. Kutija za prikupljanje prašine
6. Drška, izolirana površina za hvatanje
7. Samoljepljivi brusni papir
8. Jednostavni brusni papir

ODABIR BRUSNOG PAPIRA

Odabir točne veličine, gradacije i vrste brusnog papira vrlo je važan korak u dostizanju visoko kvalitetnog brušenog završetka. Aluminijски oksid, silikonski karbid i drugi sintetički abrazivni materijali su najbolji za električno brušenje. Prirodni abrazivi, kao što je kremen ili granit su premekani za ekonomično korištenje s električnom brusilicom.

Općenito, gruba gradacija će ukloniti većinu materijala, a finija gradacija će proizvesti najbolju završnu obradu u svim radovima brušenja. Stanje površine koja će se brusiti određuje s kojom gradacijom će se raditi. Ako je površina gruba, započnite s grubom gradacijom i brusite dok površina ne bude jednaka. Potom se može koristiti srednja gradacija za uklanjanje preostalih ogrebotina od grube gradacije, a fina gradacija za finiisanje površine. Uvijek nastavite brušenje s istom gradacijom sve dok površina na postane jednaka.

⚠ UPOZORENJE

NE rabite brusilicu bez brusnog papira kako ne biste oštetili brusnu ploču.

Preporučeno korištenje lista/ jastučića

Zmati brusni papir Ø 80	Grubo brušenje
Zmati brusni papir Ø 120	Lagano brušenje
Zmati brusni papir Ø 150	Lagano brušenje

ODRŽAVANJE

⚠ UPOZORENJE

Proizvod nikad ne smije biti priključen na izvor napajanja kada sastavljate dijelove, vršite podešenja, čistite, izvodite održavanje ili kada se proizvod ne koristi. Iskapčanje proizvoda sprječava slučajno pokretanje koje može dovesti do ozbiljnih osobnih ozljeda.

- Prilikom servisiranja, koristite samo originalne zamjenske dijelove od proizvođača. Korištenje nekih drugih dijelova može dovesti do opasnosti ili uzrokovati oštećenje alat.
- Prilikom čišćenja plastičnih dijelova izbjegavajte koristiti kemijska sredstva. Većina plastika je podložna različitim vrstama komercijalnih kemijskih sredstava za čišćenje i mogu se oštetiti prilikom njihovog korištenja. Za uklanjanje nečistoća, prašine, ulja masti i drugog upotrebljavajte čistu krpu.
- Nikada ne dopustite kontakt plastičnih dijelova s tekućinom za kočnice, benzinom, proizvodima na bazi petroleja, sredstvima za odmašćivanje, idr. Ti kemijski proizvodi sadrže tvari koje mogu oštetiti, oslabiti ili uništiti plastiku.
- Uvijek tijekom rada s električnim alatom ili prilikom ispuhivanja prašine nosite zaštitne naočale i zaštitne naočale s bočnim štيتnicima. Ako radite u prašini nosite i masku za zaštitu od prašine.
- Ako je kabel za napajanje oštećen, mora ga zamijeniti samo proizvođač ili ovlašten servisni centar kako bi se izbjegla opasnost. Obratite se ovlaštenom servisnom centru.
- Radi veće sigurnosti i pouzdanosti, sve popravke treba izvoditi ovlašteni RYOBI servisni centar.

⚠ UPOZORENJE

Električni alati korišteni na stakloplastici, zidnim pločama, pregradnim pločama ili plastici podložni su ubrzanom trošenju i mogućem prijevremenom kvaru jer iverje i strugotine stakloplastike su vrlo abrazivni za ležajeve, četkice, sklopke itd. Ne preporučujemo korištenje proizvoda za dulje vremensko razdoblje na ovim vrstama materijala.

⚠ UPOZORENJE

Nemojte koristiti komprimirani zrak za uklanjanje prašine iz proizvoda. Ove čestice su opasne i mogu uzrokovati prljavštinu i biti odbačene te ozlijediti nečije oči.

PODMAZIVANJE

Svi ležajevi u ovom proizvodu podmazani su s dovoljnom količinom visokokvalitetnog sredstva za podmazivanje za životni vijek proizvoda u normalnim radnim uvjetima. Stoga nije potrebno daljnje podmazivanje.

EN
FR
DE
ES
IT
NL
PT
DA
SV
FI
NO
RU
PL
CS
HU
RO
LV
LT
ET
HR
SL
SK
BG
UK
TR
EL

ČIŠĆENJE BRUSNIH PAPIRA

Brusni listovi koji su isporučeni s vašom brusilicom izrađeni su za višekratno korištenje. Stoga, vrlo je važno da povremeno bude očišćen kako bi se uklonili ostaci i strani materijal koji se nakupi tijekom vremena.

Za čišćenje brusnog lista, iščekajte listove s tvrdim gumenim blokom. Također možete koristiti čisti gumeni đon od cipele.

ZAŠTITA OKOLIŠA



Sirovine reciklirajte, umjesto da ih odlažete kao otpad. Kako biste zaštitili okoliš, alat, dodatke i ambalažu treba odvojeno baciti u otpad.

SIMBOLI NA PROIZVODU



Sigurnosno upozorenje

V

Volti

Hz

Herzi

~

Izmjenična struja

W

Wati

n_o

Brzina bez opterećenja

min⁻¹

Broj okreta ili pokreta u minuti



Promjer putanje



Sukladno CE



EurAsian znak konformnosti



Ukrajinska oznaka za sukladnost



Klasa II, dvostruka izolacija



Nosite zaštitu za sluh



Nosite zaštitu za vid



Molimo da pažljivo pročitate upute prije pokretanja stroja.



Otpadni električni proizvodi ne treba da se odlažu s otpadom iz domaćinstva. Molimo da reciklirate gdje je to moguće. Potražite savjet od lokalnih vlasti ili prodavca kako reciklirati.

SIMBOLI U PRIRUČNIKU



Priključite na napajanje.



Odspojite iz napajanja.



Dijelovi ili pribor prodan odvojeno



Brava



Otključavanje



Napomena



Isključeno



Uklj.



Bez primjene sile



S primjenom sile

Slijedeće riječi upozorenja i značenja imaju namjeru da objasne nivo rizika u vezi s ovim proizvodom.

OPASNOST

Naznačuje prijeteću opasnu situaciju, koja ako se ne izbjegne dovodi do smrti ili ozbiljnih ozljeda.

UPOZORENJE

Naznačuje potencijalno opasnu situaciju, koja ako se ne izbjegne dovodi do smrti ili ozbiljnih ozljeda.

OPREZ

Naznačuje potencijalno opasnu situaciju, koja ako se ne izbjegne dovodi do lakših ili srednjih ozljeda.

OPREZ

(Bez simbola upozorenja sigurnosti) Označava situaciju koja može izazvati oštećenje imovine



Varnost, učinkovitost in zanesljivost so bile pri načrtovanju tračnega brusilnika ključnega pomena.

NAMEN UPORABE

Izdelek je namenjen peskanju in končnemu obdelovanju kovine, lesa, plastike ali podobnih materialov s pomočjo priloženih abrazivnih blazinic. Brusilnik lahko uporabljajo upravljavci, ki so prebrali navodila za uporabo in razumejo tveganja ter nevarnosti. Izdelek smete uporabljati le v dobro prezračenih prostorih. Izdelek je namenjen samo za suho peskanje.

Izdelek je namenjen za potrošniško uporabo in se sme uporabljati le tako, kot je opisano zgoraj in ne v druge namene.

⚠ OPOZORILO

Preberite vsa varnostna opozorila, navodila, ilustracije in specifikacije, ki so priložene temu električnemu orodju. Neupoštevanje vseh spodaj navedenih navodil lahko privede do električnega udara, požara in/ali hude poškodbe.

Shranite vsa opozorila in navodila za kasnejšo uporabo.

VARNOSTNA OPOZORILA ZA PESKALNIK

- **Vedno nosite zaščitna očala in zaščitno masko.**
- **Med brušenjem svinčene barve, nekaterih vrst lesa in kovine nosite ustrezni dihalni aparat, da se izognete vdihavanju škodljivega/strupenega prahu ali zraka.** Stik s prahom ali vdihavanje praha, ki nastane pri peskanju teh materialov, lahko ogrozi zdravje upravljavca in drugih navzočih oseb.
- Ne mečite brusilnega prahu v odprt ogenj, saj so lahko materiali v prahu eksplozivni.
- **Izdelek ni primeren za mokro brušenje.**
- Ko orodje ne uporabljate, jih morate odklopiti z električnega napajanja.
- Previdno – nevarnost požara! Izogibajte se pregrevanju tako predmeta, ki ga brusite, kot brusilnika. Pred premori vedno izpraznite zbiralnik za prah.
- **Obdelovanec vpnite z vpenjalno napravo.** Obdelovanci, ki niso vpeti, lahko povzročijo hude poškodbe in škodo. Materiala, ki ga peskate, ne držite z roko.
- Na izdelek ne pritiskajte s prekomerno silo.
- **Ne uporabljajte večjega brusilnega papirja, kot ga potrebujete.** Če papir sega preko brusilne blazinice, se lahko resno poškodujete.
- **Na orodju mora biti nameščena posoda za prah.** Pogosto izpraznite. Za priklop posode za prah vstavite njen adapter v odprtino za zbiranje prahu na zadnjem delu brusilnika.
- Izdelek se po zastoju samodejno znova zažene. Če izdelek zastane, ga takoj izklopite. Če je izdelek zastal, ga ne vklopite znova, ker lahko s tem sprožite nenaden sunek z veliko reakcijsko silo. Ugotovite vzrok za zastoj izdelka in ga odpravite, pri čemer upoštevajte varnostna navodila.

⚠ OPOZORILO

Ne mečite brusilnega prahu v odprt ogenj, saj so lahko materiali v prahu eksplozivni.

⚠ OPOZORILO

Med brušenjem svinčene barve, nekaterih vrst lesa in kovine nosite ustrezni dihalni aparat, da se izognete vdihavanju škodljivega/strupenega prahu ali zraka.

⚠ OPOZORILO

Prah z določenih delov, premazi in materiali lahko povzročijo draženje ali alergijske reakcije dihal. Prah z lesa, kot je hrast, bukev, MDF-plošče ali drugi, je karcinogen. Materiale, ki vsebujejo azbest naj obdeluje ali procesira zgolj usposobljen specialističen upravljavec.

PREOSTALA TVEGANJA

Nekateri preostalih dejavnikov tveganja ni mogoče povsem odpraviti, tudi če ta izdelek uporabljate v skladu z navodili. Med uporabo se lahko pojavijo nekatere nevarnosti, upravljavec pa naj bo pozoren na naslednje:

- **Poškodbe zaradi prahu**
Pri uporabi izdelka nastane precejšnja količina prahu in finih delcev. Pri uporabi izdelka uporabljajte zbiralnik prahu ali priključite sesalnik za prah. Nosite zaščitne maske s primernimi filtri za obdelovane materiale. Zagotovite primerno prezračevanje prostora. V delovnem območju je prepovedano jesti, piti in kaditi.
- **poškodbe zaradi hrupa in vibracij**
Med peskanjem nosite zaščito za sluh. Izdelka ne uporabljajte predolgo. Glejte »Zmanjševanje Tveganj«.

ZMANJŠANJE TVEGANJA

Poročali so že, da lahko vibracije ročnih orodij pri nekaterih posameznikih pripomorejo k razvoju Raynaudovega sindroma. Simptomi so lahko mravljinici, otrplost in pobeljeni prsti, kar je običajno vidno, kadar je oseba izpostavljena mrazu. Dedni dejavniki, izpostavljenost mrazu in vlagi, dieta, kajenje in delovne navade naj bi pripomogle k razvoju teh simptomov. Za zmanjšanje učinkov vibracij lahko upravljavec upošteva naslednja navodila:

- Poskrbite, da bo vaše telo na mrazu toplo. Med upravljanjem nosite rokavice in tako ohranjajte toploto vaših dlani in zapestij. Kot poročajo, je mraz glavni dejavnik, ki prispeva k Raynaudovemu sindromu.
- Po vsakem obdobju upravljanja naprave telovadite in tako pospešite krvni obtok.
- Pogosto si vzemite odmor. Omejite dnevno količino izpostavljenosti.

Če zaznavate kakršnekoli simptome takšnega stanja, takoj prenehajte z uporabo naprave in se posvetujte z zdravnikom.

EN
FR
DE
ES
IT
NL
PT
DA
SV
FI
NO
RU
PL
CS
HU
RO
LV
LT
ET
HR
SL
SK
BG
UK
TR
EL



OPOZORILO

Zaradi daljše uporabe orodja lahko pride do poškodb oz. se morebitne poškodbe poslabšajo. Kadar orodje uporabljate dalj časa, si večkrat vzemite odmor.

SPOZNAJTE SVOJ IZDELEK

Glej stran 93.

1. Stikalo za vklop/izklop
2. Gumb za spreminjanje hitrosti
3. 1/3 Podloga pole
4. Sponka za papir
5. Posoda za zbiranje prahu
6. Ročaj, izolirano držalo
7. Samolepilni smirkov papir
8. Nelepljiv brusni papir

IZBIRA BRUSNEGA PAPIRJA

Izbira pravilne velikosti, granulacije in vrste brusilnega papirja je izredno pomemben korak za doseganje visokokakovostne končne obdelave. Za strojno brušenje so najboljši aluminijev oksid, silicijev karbid in druga sintetična brusila. Naravna brusila, kot sta npr. kremen in granat, so premehka za ekonomično rabo pri strojnem brušenju.

Na splošno je pri brušenju tako, da boste z bolj grobo granulacijo odstranili večino materiala, z bolj fino granulacijo pa dosegli najboljšo končno obdelavo. Stanje površine brušenja določa, kakšna granulacija je potrebna za dobro opravljeno delo. Če je površina zelo hrapava, začnite z bolj grobo granulacijo in brusite, dokler ni površina enotna. Srednjo granulacijo lahko uporabite za odstranitev prask, ki ste jih naredili z grobo granulacijo, fino granulacijo pa nato uporabite za končno obdelavo podlage. Nadaljujte z brušenjem z vsemi granulacijami, dokler ni površina enotna.

OPOZORILO

NE uporabljajte brusilke brez brusnega papirja. V nasprotnem primeru se bo poškodovala blazinica.

Priporočena uporaba lista/ blazinice

80-drovina brúsneho listu	Hrubé brúsenie
120-drvína brúsneho listu	L'ahké pieskovanie
150-drvína brúsneho listu	L'ahké pieskovanie

VZDRŽEVANJE

OPOZORILO

Ko sestavljate dele, prilagajate, čistite ali vzdržujete orodje, ali ko izdelka ne uporabljate, ga nikoli ne imejte priključenega na vir napajanja. Če izdelek odklopite, preprečite nenameren zagon, ki bi lahko povzročil hude poškodbe.

- Za servisiranje uporabljajte samo nadomestne dele originalnega proizvajalca. Uporaba drugih delov lahko

pomeni tveganje ali povzroči škodo na izdelku.

- Pri čiščenju plastičnih delov se izogibajte toplim. Večina vrst plastik se lahko pri uporabi različnih komercialnih topil poškoduje. Za odstranjevanje umazanije, saj in podobnega uporabljajte čisto krpo.
- Zavorna tekočina, gorivo, izdelki na osnovi nafte, prodirajoče olje ipd. nikoli ne smejo priti v stik s plastičnimi deli. Kemikalije lahko poškodujejo, oslabijo ali uničijo plastiko.
- Vedno nosite zaščitna očala s stranskimi ščitniki, ko uporabljate električna orodja ali ko spihujete prah. Če pri delu nastaja prah, nosite tudi zaščitno masko proti prahu.
- Če je napajalni kabel poškodovan, ga mora zaradi izogibanja tveganja zamenjati proizvajalec ali pooblaščen servis. Kontaktirajte pooblaščen servisni center.
- Za večjo varnost in zanesljivost mora vsa popravila izvesti pooblaščen servisni center RYOBI.

OPOZORILO

Električna orodja, ki jih uporabljate na steklenih vlaknih, zidnih ali mavčnih ploščah ter izravnalnih masah se hitreje obrabijo in se lahko hitreje okvarijo, saj odkruški in ostružki steklenih vlaken lahko odrgnejo ležaje, ščetke, komutatorje itd. Odsvetujemo uporabo izdelka za dolgotrajno delo pri tvrstnih materialih.

OPOZORILO

Iz izdelka prahu ne spihujte s stisnjenim zrakom. Takšno ravnanje je nevarno in lahko povzroči dvig umazanije ter peska in posledično poškoduje oči.

MAZANJE

Vsi ležaji na napravi so namazani z dovolj kakovostnega maziva, tako da mazanje naprave ob normalni uporabi do konca življenjske dobe naprave ni več potrebno. Zato dodatno mazanje ni potrebno.

ČIŠČENJE BRUSILNEGA PAPIRJA

Brusilni papirji, ki ste jih dobili skupaj z brusilnikom, so primerni za ponovno uporabo. Preto je dôležité, aby mali byť čistené pravidelne odstraňovať zvyšky piesku a zahraničných materiálov, ktoré môžu časom kumulovať.

Za čiščenje brusilnega papirja uporabljajte klado iz trde gume. Lahko uporabite tudi čist gumijasti podplat na čevlju.

ZAŠČITA OKOLJA



Namesto, da napravo zavržete, reciklirajte surovine. Napravo, pribor in embalažo je treba sortirati za okolju prijazno recikliranje.

SIMBOLI NA IZDELKU



Varnostni alarm

- V** Volti
- Hz** Hertz
- \sim Izmenični tok
- W** Watt
- n_o** Hitrost brez obremenitve
- min⁻¹** Vrtljajev ali nihajev na minuto



Orbitálnej Priemer



Skladnost CE



EurAsian oznaka o skladnosti



Ukrajinska oznaka za skladnost



Razred II, dvojno izolirano



Nosite zaščito za ušesa



Nosite zaščito za oči



Prosimo, da si pred zagonom naprave pozorno preberete navodila



Odpadne električne izdelke ne odlagajte skupaj z ostalimi gospodinjskimi odpadki. Reciklažo opravljajte na predpisanih mestih. Za nasvet se obrnite na lokalne oblasti.



Vklop



Ne na silo



Na silo

Sledeče signalne besede in pomeni naj bi pojasnili ravni tveganja, ki so povezane s tem izdelkom.

⚠ NEVARNOST

Označuje neizogibno nevarno stanje, ki lahko povzroči smrt ali hude poškodbe, če ga ne preprečite.

⚠ OPOZORILO

Označuje morebitno nevarno stanje, ki bi lahko povzročilo smrt ali hude poškodbe, če ga ne preprečite.

⚠ POZOR

Označuje morebitno nevarno stanje, ki lahko povzroči manjše ali zmerne poškodbe, če se ga ne preprečite.

POZOR

(Brez simbola Varnostni alarm) Označuje stanje, ki lahko privede do poškodovanja lastnine.

- EN
- FR
- DE
- ES
- IT
- NL
- PT
- DA
- SV
- FI
- NO
- RU
- PL
- CS
- HU
- RO
- LV
- LT
- ET
- HR
- SL**
- SK
- BG
- UK
- TR
- EL

SIMBOLI V PRIROČNIKU



Priključite na električno napajanje.



Odklopite z električnega napajanja.



Deli ali dodatki so na prodaj ločeno



Zaklenjeno



Odklenjeno



Opomba



Izklop



Na dosiahnutie jednoduchkej obsluhy a prevádzky boli pri navrhovaní tejto listovej brúsky najvyššou prioritou bezpečnosť, výkon a spoľahlivosť.

ÚČEL POUŽITIA

Tento produkt je určený na brúsenie a leštenie kovu, drevu, plastu alebo podobných materiálov pomocou pribalených brúsnych podložiek. Je určená na použitie obsluhujúcimi osobami, ktoré si prečítali návod na použitie a porozumeli všetkým rizikám a ohrozeniam. Tento produkt možno používať len v dobre vetraných priestoroch. Tento produkt je určený len na suché brúsenie.

Tento produkt je určený na použitie spotrebiteľom, musí sa používať len podľa vyššie uvedeného popisu a nie je určený na žiadny iný účel.

VAROVANIE

Prečítajte si všetky výstrahy, pokyny, vyobrazenia a špecifikácie dodané k tomuto elektrickému nástroju. Nedodržanie nižšie uvedených pokynov môže mať za následok úraz elektrickým prúdom, vznik požiaru alebo vážne poranenie.

Všetky varovania a inštrukcie uschovajte pre použitie v budúcnosti.

NÁRAZOVÝ SKRUTKOVAČ – BEZPEČNOSTNÉ VÝSTRAHY

- **Vždy používajte ochranné okuliare sluchu a protiprachovú masku.**
- **Pri brúsení olovených farieb, dreva a kovov treba nosiť plynovú masku aby ste predišli zdychaniu škodlivých/jedovatých látok zo vzduchu.** Kontakt alebo vdýchnutie prachu vytvoreného z týchto materiálov môže spôsobiť ohrozenie zdravia operátora a okolostojacich osôb.
- Praha, ki nastane pri brušenju, ne mečite v odprtí ogenj, ker so drobni delci materiala lahko eksplozivni.
- **Tento nástroj nie je vhodný na mokré leštenie.**
- Nepoužívané náradie treba odpojiť z elektrickej siete.
- Pozor, nebezpečenstvo požiaru! Nedovoľte, aby došlo k prehriatiu brúseného objektu či brúsky. Predtým, ako si dáte prestávku, vždy vyprázdňte zberač prachu.
- **Upnite obrobok pomocou upínacieho zariadenia.** Neupnuté obróbky môžu spôsobiť závažné poranenie a škody. Nedržte brúsený materiál rukou.
- Na nástroj nevyvíjajte prílišný prítlak.
- **Ne uporabljajte večjega brusnega papirja, kot je potrebno.** Tudi prevelik papir, ki sega preko brusne podloge, lahko povzroči resne poškodbe.
- **Orodje mora biti opremljeno z lovilcem prahu.** Pogosto ga morate izprazniť. Za priključitev lovilca prahu vstavite adapter lovilca v odprtino za zbiranje prahu na zadnji strani brusilke.
- Výrobok sa po zastavení automaticky reštartuje. Ak dôjde k zastaveniu výrobu, okamžite ho vypnite. Zastavený výrobok nezapínajte, pretože by na vypínač mohla pôsobiť náhla veľká sila v opačnom smere.

Zistite, prečo sa výrobok zastavil, odstráňte príčinu zastavenia a dodržiavajte pritom bezpečnostné pokyny.

VAROVANIE

Praha, ki nastane pri brušenju, ne mečite v odprtí ogenj, ker so drobni delci materiala lahko eksplozivni.

VAROVANIE

Pri brúsení olovených farieb, dreva a kovov treba nosiť plynovú masku aby ste predišli zdychaniu škodlivých/jedovatých látok zo vzduchu.

VAROVANIE

Prach z niektorých farieb, náterov a materiálov môže spôsobiť podráždenie alebo alergické reakcie dýchaciemu systému. Prach z dreva, napríklad, dubu, buku MDF a iných, je karcinogénny. S materiálom obsahujúcim azbest môžu manipulovať alebo ho spracovávať len kvalifikovaní obsluhujúci – špecialisti.

ZVYŠKOVÁ RIZIKOVOSŤ

Aj keď sa nástroj používa podľa predpisu, nie je možné eliminovať určité zvyškové rizikové faktory. Pri použití vznikajú nasledujúce riziká a obsluhujúca osoba musí venovať zvláštnu pozornosť, aby nedošlo k nasledovnému:

- Zranenie spôsobené prachom
Pri používaní produktu vzniká značné množstvo prachových a jemných častíc. Pri práci s produktom používajte zariadenie na zber prachu alebo vysávač na odsávanie prachu. Používajte protiprachové masky obsahujúce filtre vhodné pre obrábané materiály. Zabezpečte primerané vetranie pracoviska. Na pracovisku nejezdte, nepite ani nefajčite.
- poranenie spôsobené hlukom a vibráciami
Pri operácii brúsenia používajte ochranu sluchu. Nepoužívajte produkt príliš dlhé časové obdobia. Pozrite časť „Znižovanie Rizika“.

OBMEDZENIE RIZIKA

Boli hlásené prípady, kedy vibrácie z ručných nástrojov u niektorých osôb prispeli k stavu nazývanému Raynaudov syndróm. K symptómom patria: trpnutie, znecitlivenie a blednutie prstov, zvyčajne zjavné po vystavení zime. Je známe, že k vývoju týchto symptómov prispievajú: dedičné faktory, vystavovanie zime a vlhkosti, diéta, fajčenie a pracovné návyky. Opatrenia, ktoré môže vykonať obsluhujúca osoba na možné zníženie účinkov vibrácií:

- V studenom počasí udržiavajte svoje telo v teple. Pri práci so zariadením noste rukavice, aby ste mali ruky a zápästia v teple. Boli hlásené prípady, kedy hlavným faktorom prispievajúcim k Raynaudovmu syndrómu bolo studené počasie.
- Po každom určitom časovom úseku prevádzky cvičte, aby ste zlepšili krvný obeh.
- Počas práce si doprajte časté prestávky. Obmedzte



počet vystavení za deň.

Ak zistíte ktorýkoľvek zo symptómov tohto stavu, okamžite prerušte používanie zariadenia, navštívte svojho lekára a povedzte mu o symptómoch.

VAROVANIE

Dlhodobé používanie nástroja môže spôsobiť alebo zhoršiť poranenia. Pri používaní nástroja príliš dlhé obdobia si vždy doprajte pravidelné prestávky.

OBOZNÁMTE SA S VAŠIM PRODUKTOM

Vid' strana 93.

1. Hlavný spínač
2. Volič premenlivej rýchlosti
3. 1/3 Listová podložka
4. Upínač papiera
5. Kazeta na zber prachu
6. Rúčka, izolovaný povrch na držanie
7. Prilnavý brúsny papier
8. Neadhezívny brúsny papier

VÝBER BRÚSNEHO PAPIERA

Izbra pravilne veľkosti, granulácie in vrste brusnega papirja je izjemno pomemben korak do kakovostnega brušenja. Za strojno brušenje so najprimernejši materiali aluminijev oksid, silicijev karbid in drugi sintetični abrazivi. Naravna abrazijska sredstva kot sta kremen in granat, so premeška za ekonomično strojno brušenje.

V splošnem bo pri vsakem brušenju grob brusni papir odstranil veliko materiala, finejši pa dal fino brušeno površino. Stanje površine, ki jo morate obrusiti, bo določalo izbiro najprimernejše granulácie papirja. Če je površina neravna, začnite z grobim papirjem in brusite, dokler se površina ne izravna. Potem s papirjem srednje granulácie odstranite raze, ki jih je na površini pustil grobi brusni papir. Brušenje s papirjem določene granulácie nadaljujte, dokler ni vsa površina enakomerno gladka.

VAROVANIE

NEPOUŽÍVAJTE brúsku bez brúsneho papiera. Inak poškodíte podošku.

Odporúčané použitie listov/ podložiek

80-brusni papir	Grobo brušenje
120-brusni papir	Fino brušenje
150-brusni papir	Fino brušenje

ÚDRŽBA

VAROVANIE

Tento produkt sa nikdy nesmie pripájať do elektrickej siete, keď montujete diely, vykonávate úpravy, čistíte alebo vykonávate údržbu, alebo keď produkt nepoužívate. Odpojením produktu zabránite náhodnému spusteniu, ktoré by mohlo spôsobiť závažné poranenie.

- Pri servise používajte len originálne náhradné diely výrobcu. Použitie iných dielov môže predstavovať riziko alebo spôsobiť poškodenie produktu.
- Vyhýbajte sa použitiu rozpúšťadiel pri čistení plastových častí. Večina plastických materialov je občutlivá na različne vrste komercialno dostupnih topil in jih z njihovo uporabo lahko poškodujemo. Na odstránenie špiny, uhliškého prachu a pod. použite čisté tkaniny.
- Dbajte na to, aby do kontaktu s plastovými dielmi nikdy neprišli do kontaktu brzdové kvapaliny, benzín, ropné produkty, prenikavé oleje a pod. Chemikálie môžu poškodiť, oslabiť či zničiť plast.
- Pri práci s mechanickým nástrojom alebo ofukovaní prachu vždy používajte ochranné okuliare alebo ochranné okuliare s bočnými chráničmi. Ak pri práci vzniká prach, používajte aj protiprachovú masku.
- Ak dôjde k poškodeniu napájacieho kábla, aby nedošlo k ohrozeniu, musí ho vymeniť výrobca alebo autorizované servisné stredisko. Obráťte sa na autorizované servisné centrum.
- Pre vyššiu bezpečnosť a spoľahlivosť sa musia všetky opravy vykonávať v autorizovanom servisnom centre RYOBI.

VAROVANIE

Elektrické náradie, ktoré sa používa na prácu so sklenenými vláknami, sádrokartónovými a obkladovými doskami, majú tendenciu sa rýchlejšie opotrebovať a prednostne sa poškodiť. Prach z týchto materiálov pôsobí na časti náradia ako sú ozubené kolesá, uhličky, vypínače, veľmi abrazívne. Neodporúčame používanie tohto produktu na dlhšiu prácu na týchto typoch materiálov.

VAROVANIE

Na odstraňovanie prachu z produktu nepoužívajte stlačený vzduch. Tento zvyk je nebezpečný a môže spôsobiť odfúknutie hlíny a štrku poraniť niekomu zrak.

MAZANIE

Všetky ložiská v produkte sú namazané dostatočným množstvom mazivom vysokej akosti na celú životnosť produktu pri bežných prevádzkových podmienkach. Preto nie je potrebné žiadne ďalšie mazanie.

ČIŠČENJE BRUSNIH PAPIRJEV

Brúsne listy, ktoré sa dodávajú s brúskou, sú určené na opakované používanie. Zato je pomembno, da jih občasno očistite tako, da odstranite vse ostanke brušenja in vključke, ki so se nabrali na papirju.

Papirje očistite tako, da jih otrete z blokom iz trde gume. Můžete použiť aj čistú gumenu podošvu topánky.

OCHRANA ŽIVOTNÉHO PROSTREDIA



Surové materiály recyklujte, nelikvidujte ich ako odpad. Stroj, príslušenstvo a obaly by sa mali triedene recyklovať spôsobom šetrným k životnému prostrediu.

- EN
- FR
- DE
- ES
- IT
- NL
- PT
- DA
- SV
- FI
- NO
- RU
- PL
- CS
- HU
- RO
- LV
- LT
- ET
- HR
- SK
- BG
- UK
- TR
- EL

SYMBOLY NA PRODUKTE

	Výstražná značka
V	Napätie
Hz	Hertz
~	Striedavý prúd
W	Watty
n_o	Otáčky bez zaťaženia
min⁻¹	Počet otáčok za minútu
	Orbitálny premer
	CE konformita
	Euroázijská značka zhody
	Ukrajinské označenie zhody
	Trieda II, dvojité izolácia
	Noste ochranu sluchu
	Noste ochranu zraku
	Pred zapnutím zariadenia si prosím prečítajte inštrukcie
	Opotrebované elektrické zariadenia by ste nemali odhadzovať do domového odpadu. Prosíme o recykláciu ak je možné. Kontaktujte miestne úrady, alebo predajcu pre viac informácií ohľadom ekologického spracovania.

SYMBOLY V NÁVODE

	Pripojte do elektrickej siete.
	Odpojte z elektrickej siete.
	Diely alebo príslušenstvo predávané samostatne
	Zamknuté
	Odomknuté

	Poznámka
	Vyp
	Vyp
	Bez vyvíjania sily
	S vyvinutím sily

Nasledujúce značky a významy vysvetľujú úroveň rizika spojeným s výrobkom.

NEBEZPEČENSTVO

Označuje bezprostredne nebezpečnú situáciu, ktorá, ak jej nepredídete, spôsobí usmrtenie alebo vážne poranenie.

VAROVANIE

Označuje potenciálne nebezpečnú situáciu, ktorá, ak jej nepredídete, môže spôsobiť usmrtenie alebo vážne poranenie.

UPOZORNENIE

Označuje potenciálne nebezpečnú situáciu, ktorá, ak jej nepredídete, môže spôsobiť menšie alebo stredne závažné poranenie.

UPOZORNENIE

(Bez výstražnej značky s výkričníkom) Označuje situáciu, ktorá môže zapríčiniť škody na majetku.

Безопасността, производителността и надеждността са аспектите, на които е отделен най-голям приоритет при проектирането на вашата листова шлайфмашина.

ПРЕДНАЗНАЧЕНИЕ

Листовата шлайфмашина 1/3 е предназначена за шлифване и доработване на материали от метал, дърво, пластмаса или подобни, като се използват абразивни подложки или листи. Продуктът е предназначен да се използва от възрастни оператори, които са прочели ръководството с инструкции и разбират рисковете и опасностите. Продуктът трябва да се използва само на добре вентилирани места. Продуктът е проектиран само за сухо шлифване.

Продуктът е предназначен само за потребителска употреба.

Не използвайте продукта по начини, различни от посочените.

⚠ ПРЕДУПРЕЖДЕНИЕ

Прочетете всички предупреждения за безопасност инструкции, илюстрации и спецификации, предоставени с този електрически инструмент. Неспазването на всички инструкции, посочени по-долу, може да доведе до токов удар, пожар и/или сериозно нараняване.

Съхранявайте всички предупреждения и инструкции за бъдещи справки.

ПРЕДУПРЕЖДЕНИЯ ЗА БЕЗОПАСНОСТ ПРИ РАБОТА С ШЛАЙФМАШИНАТА

- **Винаги носете предпазни очила и противопрахова маска.**
- **Трябва да се носи подходящ дихателен респиратор, докато се шлифова оловна боя, някои видове дърво и метал, за да се избегне вдишването на вреден/токсичен прах или въздух.** Контактът с или вдишването на праха, възникнал при работа с тези материали, може да застрашат здравето на оператора и хората наблизо.
- **Не изхвърляйте шлайфпрах в открит огън, тъй като материалите във фините частици могат да бъдат взривоопасни.**
- **Продуктът не е подходящ за мокро шлифване.**
- **Когато не се използват, всички инструменти трябва да бъдат изключено от електрозахранването.**
- **Внимание, опасност от пожар!** Избягвайте прегряване на обекта, който шлифвате, както и на шлайфмашината. Винаги изпразвайте прахоуловителя, преди да спрете за почивка.
- **Закрепете работния детайл с устройство за захващане.** Незакрепени обработвани детайли могат да причинят сериозно нараняване или щети. Не дръжте материала, който шлифвате, с ръка.
- **Не прилагайте прекомерен натиск към изделието.**
- **Не използвайте шкурка, по-голяма от необходимото.** Шкурка, която излиза извън шлифовъчната подложка, може да причини

сериозни разкъсвания.

- **Инструментът трябва да бъде оборудван с кутия за събиране на прах.** Тя трябва да се изпразва редовно. За да свържете кутията за събиране на прах, вкарайте адаптера ѝ в отвора за събиране на прах на задната страна на шлайфмашината.
- **Продуктът ще се рестартира автоматично, ако блокира.** Изключете продукта незабавно, ако блокира. Не включвайте продукта отново, докато е блокирал, тъй като това може да предизвика внезапен откат с голяма реактивна сила. Определете защо продуктът е блокирал и отстранете причината за това, като се съобразите с инструкциите за безопасност.

⚠ ПРЕДУПРЕЖДЕНИЕ

Не изхвърляйте шлайфпрах в открит огън, тъй като материалите във фините частици могат да бъдат взривоопасни.

⚠ ПРЕДУПРЕЖДЕНИЕ

Трябва да носите подходящ респиратор, докато шлифвате оловни бои, някои видове дървесина и метал, за да избегнете вдишване на вреден/отровен прах или въздух.

⚠ ПРЕДУПРЕЖДЕНИЕ

Прахът от определени бои, покрития и материали може да причини дразнене или алергични реакции. Прахът от дървесина, напр. дъб, бук, MDF и др., е канцероген. Материали, съдържащи азбест, трябва да се обработват само от квалифицирани, специализирани оператори.

НЕПРЕДВИДЕНИ РИСКОВЕ.

Дори когато продуктът се използва по предназначение, е невъзможно напълно да се ограничи влиянието на определени рискови фактори. Могат да възникнат следните опасности и операторът трябва да обърне особено внимание, за да ги избегне:

- **Наранявания, причинени от прах**
 - Използването на продукта ще произвежда значително количество прах и фини частици. Използвайте устройството за събиране на прах или свържете смукателно устройство за извличане на прах, когато работите с продукта. Носете маски против прах с филтри, подходящи за материалите, върху които работите. Осигурете подходяща вентилация на работното място. Не употребявайте храни, напитки или цигари в зоната на работа.
- **Наранявания, причинени от шум и вибрации**
 - Носете антифони по време на операциите по шлифване. Не работете с продукта за продължителни периоди от време. Вижте „Намаляване на опасността“.



НАМАЛЯВАНЕ НА РИСКА

Известно е, че вибрациите, произвеждани от ръчни инструменти може да предизвикат у някои индивиди заболяване, наречено Синдром на Рейнолд (Raynaud's Syndrome). Симптомите може да включват изтръпване, схващане и изbledняване на пръстите, обикновено се забелязват при излагане на студ. Смята се, че наследствените фактори, излагането на студ и влага, диетите, пушенето и някои работни навици допринасят за развитието на тези симптоми. Могат да се вземат някои мерки, които могат да се предприемат от оператора, за да се намалят ефектите от вибрациите:

- Поддържайте телесната температура в студено време. Когато боравите с инструмента, носете ръкавици, за да поддържате ръцете и китките си топли. Според изследвания главният фактор, допринасящ за развитието на Raynaud's Syndrome, е студеното време.
- Правете упражнения за активизиране на кръвообращението след всеки работен цикъл.
- Редовно излизайте в почивка. Ограничете излагането на вибрации на ден.

При поява на някой от симптомите на това заболяване, незабавно прекратете употребата на инструмента и посетете лекар.

⚠ ПРЕДУПРЕЖДЕНИЕ

Продължителното използване на инструмента може да доведе до наранявания или влошаване. При използване на инструмента за продължителни периоди от време правете чести почивки.

ОПЗНАЙТЕ ВАШИЯ ПРОДУКТ

Вж. страница 93.

1. Превключвател ON/OFF (ВКЛЮЧВАНЕ / ИЗКЛЮЧВАНЕ)
2. Селектор за управление на различни скорости
3. 1/3 подложка лист
4. Скоба за шкурката
5. Кутия за събиране на прах
6. Ръкохватка, изолирана повърхност за схващане
7. Адхезивна шкурка
8. Незалепваща шкурка

ИЗБОР НА ШКУРКА

Избирането на правилния размер, grit и вида на шкурката е изключително важна стъпка към постигането на висококачествено изглаждане при шлифване. Алуминиевият оксид, силициевият карбид и други синтетични абразиви са най-добри за електрическо шлифване. Естествените абразиви, като кремък и гранат, са прекалено меки за икономична употреба при електрическо шлифване.

Като цяло грубата шкурка ще премахне повечето материал, а по-фината ще осигури по-добро изглаждане на всички операции по шлифване. Състоянието на повърхността, която ще бъде шлифована, ще определи grita, подходящ за целта. Ако повърхността

е груба, започнете с груб grit и шлифвайте, докато стане равномерна. След това може да се използва среден grit за премахване на драскотини, оставени от грубия, а по-фин grit се използва за изглаждане на повърхността. Не спирайте да шлифовате с един и същ grit, докато повърхността не стане равномерна.

⚠ ПРЕДУПРЕЖДЕНИЕ

Не използвайте продукта без шкурка; в противен случай ще повредите основата.

Препоръчителна употреба на листа/подложката

Шлифовъчен лист с grit 80	Грубо шлифоване
Шлифовъчен лист с grit 120	Леко шлифоване
Шлифовъчен лист с grit 150	Леко шлифоване

ПОДДРЪЖКА

⚠ ПРЕДУПРЕЖДЕНИЕ

Продуктът не трябва никога да се включва в захранване, когато сглобявате части, правите настройки, почиствате, извършвате поддръжка или когато не го използвате. Изключването на продукта от захранването ще предотврати случайно стартиране, което би могло да причини сериозни наранявания.

- При ремонт използвайте само идентични резервни части на RYOBI. Използването на други части може да ви постави в опасност или да повреди продукта.
- Избягвайте използването на разтворители при почистването на пластмасовите части. Повечето пластмаси са чувствителни към различни видове разтворители и може да се повредят при използването на такива. Използвайте меки кърпи за отстраняване на замърсявания, въглероден прах и др.
- В никакъв случай не позволявайте пластмасовите части да влизат в контакт със спирачни течности, нефтени продукти, проникващи масла и т.н. Те съдържат химически вещества, които могат да повредят, отслабят или разрушат пластмасата.
- Винаги носете предпазна маска или очила със странични екрани, когато боравите с механизирани инструменти или издухвате прах. Ако при работата се отдели прах, използвайте и маска за предпазване от него.
- Ако захранващият кабел е повреден, той трябва да се смени от производителя или от оторизиран сервиз, за да се избегнат рискове. Свържете се с упълномощен сервизен център.
- За по-голяма безопасност и надеждност всички ремонти трябва да се извършват от оторизиран сервиз на RYOBI.



⚠ ПРЕДУПРЕЖДЕНИЕ

Електрически инструменти, които се използват върху материали от фибростъкло, гипскартон, шпакловъчни съединения или мазилка са подложени на ускорено износване и могат да бъдат повредени преждевременно, тъй като пукнатините и ръбовете на фибростъклото са силно абразивни за лагери, четки, колектори и др. Не препоръчваме използването на продукта за продължителна работа върху тези видове материали.

⚠ ПРЕДУПРЕЖДЕНИЕ

Не използвайте компресиран въздух за издухване на прах от продукта. Тази практика е опасна и може да доведе до издухване на прах или песъчинки в очите на някого, причинявайки наранявания.

СМАЗВАНЕ

Всички лагери в този продукт за смазани с достатъчно количество висококачествено масло, което трябва да стигне за целия експлоатационен живот на инструмента при нормални работни условия. Затова не е необходимо допълнително смазване.

ПОЧИСТВАНЕ НА ШЛИФОВЪЧНИТЕ ЛИСТОВЕ

Шлифовъчните листове, предоставени с продукта, са предназначени за многократна употреба. Затова е важно да ги почиствате периодично, за да отстраните остатъците от шлифоването и чуждите материали, които могат да се съберат с времето.

За да почистите шлифовъчните листове, ги изтъркайте с твърда гума. Можете да използвате също и чиста гумена подметка на обувка.

ОПАЗВАНЕ НА ОКОЛНАТА СРЕДА



Рециклиране на суровини, вместо за обезвреждане като отпадък. Машината, допълнителните приспособления и опаковките трябва да бъдат подложени на подходяща преработка за оползотворяване на съдържащите се в тях вторични суровини.

ЗНАК



Предупреждение относно безопасността

V

Напрежение

Hz

Херц

~

Променлив ток

W

Ват

n_o

Скорост в ненатоварен режим

min⁻¹

Обороти или възвратно-постъпателни движения в минута



Орбитален диаметър



ЕС Съответствие



EurAsian знак за съответствие



Украински знак за съответствие



Инструмент от клас II, двойна изолация



Носете антифони



Носете защитни средства за очи



Прочетете инструкциите внимателно, преди да стартирате машината.



Електрическите уреди не трябва да се изхвърлят заедно с битовите отпадъци. Рециклирайте, където има възможност. За съвети относно рециклирането се обърнете към вашите местни власти или търговски представители.

СИМВОЛИ В НАСТОЯЩОТО РЪКОВОДСТВО



Включете в захранването.



Изключете от електрическото захранване.



Частите или принадлежностите се продават отделно



Ключалка



Отключване



Забележка



Изкл.



Вкл.



Без усилие



С усилие

Следните сигнални думи и значенията им са предназначени да обяснят нивата на опасност, свързани с този продукт.

⚠ ОПАСНОСТ

Указва неминуемо опасна ситуация, която ако не бъде избегната, ще доведе до сериозни наранявания или смърт.

⚠ ПРЕДУПРЕЖДЕНИЕ

Указва потенциално опасна ситуация, която ако не бъде избегната, може да доведе до сериозни наранявания или смърт.

⚠ ВНИМАНИЕ

Указва потенциално опасна ситуация, която ако не бъде избегната, може да доведе до дребни или средни наранявания.

ВНИМАНИЕ

(Без предупредителен символ за безопасност) Указва ситуация, която може да доведе до имуществени щети.

130.com.ua



В дизайні плоскошліфувальної машинки вищий пріоритет наданий безпеці, продуктивності і надійності.

ПРИЗНАЧЕННЯ

Продукт призначений для шліфування та оброблення металу, дерева, пластика, або подібних матеріалів, використовуючи надані абразивні насадки. Вона призначена для використання операторами, які прочитали інструкцію і зрозуміли ризики і небезпеки. Продукт повинен бути використаний тільки в добре провітрюваних приміщеннях. Продукт призначений тільки для сухого шліфування.

Продукт призначений для побутового використання і повинен використовуватися тільки як описано вище, і не для якихось інших цілей.

⚠ ПОПЕРЕДЖЕННЯ

Прочитайте всі правила безпеки, інструкції, ілюстрації і специфікації, що поставляються з електроінструментом. Недотримання наведених нижче вказівок може призвести до ураження електричним струмом, пожежі та / або серйозних травм.

Збережіть всі інструкції і вказівки для майбутнього використання.

ЗАТИСКАЧ ПАПЕРУ

- Завжди надягайте захисні окуляри і респіратор.
- Придатний дихальний респіратор повинен одягатися під час шліфування свинцевої фарби, деякої деревини і металу, щоб уникнути вдихання шкідливого / токсичного пилу або повітря. Контакт з пилом або вдихання пилу, виробленого з цих матеріалів може поставити під загрозу здоров'я оператора і перехожих.
- Не кидайте шліфувальний пил у відкритий вогонь, так як матеріали у формі дрібних частинок можуть бути вибухонебезпечними.
- **Продукт не призначений для мокрого шліфування.**
- Якщо не використовуються, всі інструменти повинні бути відключені від джерела живлення.
- Увага, небезпека пожежі! Уникайте перегріву об'єкта, що шліфуються, а також шліфувального інструменту. Перш ніж робити перерву, завжди очистіть пилосбірник.
- **Затисніть заготовку за допомогою затисного пристрою.** Незатиснені заготовки можуть привести до серйозних травм і пошкоджень. Не тримайте матеріал, який ви шліфуйте вручну.
- Не прикладайте надлишкового тиску на продукт.
- **Не використовуйте шліфувальний папір більший, ніж потрібно.** Зайвий папір, виходить за рамки шліфувального диску також може викликати серйозні рвані рани.
- **Техніка безпеки при роботі зі шліфувальною машинкою** Інструмент має біти оснащений пилосбірником. Його треба регулярно

спорожнювати. Для під'єднання пилосбірника вставте перехідник пилосбірника в отвір для збору пилу на задній стороні шліфувальної машинки.

- Пристрій автоматично перезапущається, якщо він глухне. Негайно вимкніть пристрій, якщо якщо він заглух. Не вмикайте пристрій, якщо він заглух, це може спричинити раптову видачу тригера з високою швидкістю. Визначте чому пристрій заглух та усуньте її, звертаючи особливу увагу на інструкції з безпеки.

⚠ ПОПЕРЕДЖЕННЯ

Не кидайте шліфувальний пил у відкритий вогонь, так як матеріали у формі дрібних частинок можуть бути вибухонебезпечними.

⚠ ПОПЕРЕДЖЕННЯ

Придатний дихальний респіратор повинен одягатися під час шліфування свинцевої фарби, деякої деревини і металу, щоб уникнути вдихання шкідливого / токсичного пилу або повітря.

⚠ ПОПЕРЕДЖЕННЯ

Пил від певних фарб, покриттів та матеріалів може викликати подразнення або алергічні реакції. Пил від дерев, таких як дуб, бук, МДФ та інших подібних матеріалів може бути канцерогенним. Матеріали, що містять азбест повинні бути опрацьовані або оброблятися тільки кваліфікованими операторами-фахівцями.

ЗАЛИШКОВІ РИЗИКИ

Навіть коли продукт використовується як написано, залишається неможливим повністю усунути деякі залишкові чинники ризику. Наступні небезпеки можуть виникнути і оператор повинен звернути особливу увагу, щоб уникнути наступного:

- Травми, викликані пилом.
Використання пристрою буде виробляти значну кількість пилу і дрібних частинок. Використовуйте пристрій для збору пилу або підключіть пиловидалюючий вакуумний прилад при роботі з продуктом. Носіть респіратори, що містять фільтри, відповідні до обробляємих матеріалів. Забезпечте достатню вентиляцію на робочому місці. Не їжте, не пийте і не паліть в робочій зоні.
- пошкодження, викликані шумом і вібрацією
Користуйтеся засобами захисту слуху під час операції шліфування. Не використовуйте продукт протягом тривалого періоду часу. Дивіться ЗНИЖЕННЯ РИЗИКУ.

ЗНИЖЕННЯ РИЗИКУ

Повідомлялося, що вібрації від ручних інструментів у певних осіб можуть сприяти стану, який називається синдромом Рейно. Симптоми можуть включати





поколювання, оніміння і збліднення пальців, як правило, очевидні при впливі холоду. Спадкові фактори, вплив холоду і вогкості, дієта, куріння і робоча практика, всі ці чинники роблять свій внесок у розвиток цих симптомів. Ці заходи можуть бути прийняті оператором, щоб можливо зменшити вплив вібрації:

- Тримайте тіло в теплі в холодну погоду . При експлуатації приладу, одягате рукавички, щоб тримати руки і зап'ястя у теплі. Повідомлялося, що холодна погода є основним чинником, що сприяє синдрому Рейно.
- Після кожного періоду роботи, здійснюйте вправи для підвищення кровообігу.
- Робіть часті перерви в роботі. Зробіть обмеження кількості впливу на день.

Якщо ви відчуваєте будь-які з симптомів цього стану, негайно припиніть використання і зверніться до лікаря з ціми симптомами.

⚠ ПОПЕРЕДЖЕННЯ

Тривале використання інструменту може викликати або посилити травми. При використанні інструменту протягом тривалого періоду, робіть регулярні перерви.

ЗНАЙТЕ СВІЙ ПРОДУКТ.

Стор 93.

1. Перемикач увімкн. / вимкн.
2. Селектор керування швидкістю
3. 1/3-прямокутна прокладка
4. Затискач паперу
5. Пілосбірник
6. Ручка, ізольована поверхня для утримання
7. Наждачний папір з адгезивною стороною
8. Нелипкий наждачний папір

ВИБІР НАЖДАЧНОГО ПАПЕРУ

Вибір правильного розміру, зернистості та типу наждачного паперу є найбільш важливим кроком для досягнення високої якості відшліфованої поверхні. Для механічного шліфування найкраще підходять абразиви на основі оксиду алюмінію, карбїду кремнію або інші синтетичні абразиви. Природні абразиви, такі як кремїнь та гранат є дуже м'якими для економічного використання при механічному шліфуванні.

Загалом, крупне зерно видаляє основний матеріал, а більш дрібне зерно забезпечує найкращу обробку при будь-якому шліфуванні. Вибір зернистості для роботи залежить від поверхні, яку треба шліфувати. Якщо поверхня не оброблена, почніть з крупного зерна і шліфуйте, доки поверхня не буде однорідною. Потім можна застосувати середнє зерно, щоб видалити подряпини, залишені більш крупним зерном, а більш дрібне зерно можна застосувати для чистової обробки поверхні. Завжди продовжуйте шліфування кожним зерном, доки поверхня не буде однорідною.

⚠ ПОПЕРЕДЖЕННЯ

Не використовуйте шліфувальну машинку без наждачного паперу; така дія пошкодить подушку.

Рекомендоване використання листа/прокладки

Наждачний лист зернистості 80	Грубе шліфування
Наждачний лист зернистості 120	Кінцеве шліфування
Наждачний лист зернистості 150	Кінцеве шліфування

ОБСЛУГОВУВАННЯ

⚠ ПОПЕРЕДЖЕННЯ

Продукт не повинен бути підключений до джерела живлення, коли ви збираєте деталі, регулюєте, чистите, проводите технічне обслуговування або коли продукт не використовується. Відключення продукту допоможе уникнути випадкового запуску, який може призвести до серйозних травм.

- При обслуговуванні використовуйте тільки оригінальні запасні частини виробника. Використання будь-яких інших деталей може створити небезпеку або спричинити пошкодження продукту.
- Не використовуйте розчинники для очищення пластмасових деталей. Більшість пластмас вразлива до різних видів комерційних розчинників і може бути пошкоджена їх використанням. Використовуйте чисті ганчірки для видалення бруду і вугільного пилу.
- Ніколи не дозволяйте гальмівній рідині, бензину, продуктам на основі нафти, і проникаючим маслам вступати в контакт з пластиковими деталями. Вони містять хімічні речовини, які можуть зашкодити, послабити або знищити пластик.
- Завжди надягайте захисні окуляри або захисні окуляри з бічними щитками під час роботи електроінструмента або при здуванні пилу. Якщо робота пильна, також носіть захисну маску.
- Якщо шнур живлення пошкоджений, він повинен бути замінений тільки виробником або в авторизованому сервісному центрі, щоб уникнути ризику. Зв'яжіться з авторизованим сервісним центром.
- Для більшої безпеки і надійності, всі ремонтні роботи повинні виконуватися уповноваженим RYOBI сервісним центром.



⚠ ПОПЕРЕДЖЕННЯ

Електричні інструменти, використовувані на скляноволоконному матеріалі, стінних панелях, мастиках або штукатурці підлягають прискореному зносу і можлива їх передчасна відмова, бо скляноволоконна стружка і шліфування є дуже абразивним для підшипників, щіток, комутаторів і т.д. Ми не рекомендуємо використовувати продукт протягом тривалого періоду часу для цих типів матеріалів.

⚠ ПОПЕРЕДЖЕННЯ

Не використовуйте стиснене повітря для видалення пилу з продукту. Ця практика небезпечна і може призвести до потрапляння бруду і піску, що бути здувається, і потрапити туди у чийсь очі.

ЗМАЩУВАННЯ

Всі підшипники в продукті змащені достатньою кількістю високоякісного мастила для всього терміну служби продукту при нормальних умовах експлуатації. Таким чином, додаткове змащення не потрібно.

ЧИЩЕННЯ НАЖДАЧНИХ ЛИСТІВ

Наждачні листи, які постачаються з виробом можуть використовуватись повторно. Отже, важливо їх періодично чистити, щоб видалити залишки шліфування та сторонні матеріали, які можуть з часом накопичуватись.

Для чищення наждачних листів потрібні їх твердою гумовою колодкою. Також можна використовувати чисту гумову підощву взуття.

ЗАХИСТ НАВКОЛИШНЬОГО СЕРЕДОВИЩА.



Переробляйте сировину замість утилізації в якості відходів. Машини, обладнання та упаковка повинні бути відсортовані для дружньої для навколишнього середовища утилізації.

СИМВОЛИ НА ПРОДУКТІ



Попередження безпеки

V

Вольти

Hz

Герц

~

Alternating Current

W

Ватти

n°

Швидкість без навантаження

min⁻¹

Оберти або зворотно-поступальні рухи у хвилину



Орбітальний діаметр



CE відповідність



Євразійський знак відповідності



Український знак відповідності



Інструмент II класу, подвійна ізоляція



Носіть захист слуху



Носіть захист для очей



Будь ласка, уважно прочитайте інструкцію перед запуском продукту.



Відходи електротехнічної продукції не слід викидати разом із побутовими відходами. Будь ласка, переробляйте там, де наявне устаткування. Перевірте з вашим місцевим органом влади або продавцем для консультацій з приводу переробки.

СИМВОЛИ В ЦЬОМУ ПОСІБНИКУ



Підключіть до джерела живлення.



Відключіть від джерела живлення.



Запчастини та аксесуари, що продаються окремо



Блокувати



Розблокувати



Примітка



Вимк.



Вмик.



Без натиску



З натиском



Наступні сигнальні слова і значення призначені, щоб пояснити рівні ризику, пов'язаного з цим виробом.

⚠ НЕБЕЗПЕКА

Вказує на неминуче небезпечну ситуацію, яка, якщо її не уникнути, може призвести до смерті або серйозних травм.

⚠ ПОПЕРЕДЖЕННЯ

Вказує на потенційно небезпечну ситуацію, яка, якщо її не уникнути, може призвести до смерті або серйозних травм.

⚠ УВАГА

Вказує на потенційно небезпечну ситуацію, яка, якщо її не уникнути, може призвести до середньої або легкої травми.

УВАГА

(Без Символу Тривоги Безпеки) Вказує ситуацію, яка може закінчуватися пошкодженням власності.

130.com.ua



Zımpara makineniz tasarlanırken temel öncelik güvenlik, performans ve güvenilirlik özelliklerine verilmiştir.

KULLANIM AMACI

Ürün, zımpara pedi kullanarak metal, ahşap, plastik ya da benzeri materyalleri zımparalamak ve cilalamak için tasarlanmıştır. Talimat kılavuzunu okumuş ve riskleri ve tehlikeleri anlamış operatörler tarafından kullanılması amaçlanmıştır. Ürün sadece iyi havalandırılmış alanlarda kullanılmalıdır. Ürün sadece kuru zımparalama için tasarlanmıştır.

Ürün sadece tüketici kullanımı için tasarlanmıştır, yukarıda anlatıldığı gibi kullanılmalı ve başka hiçbir amaç için kullanılmamalıdır.

UYARI

Bu aletle birlikte verilen tüm uyarı, talimat ve özellikleri dikkatlice okuyunuz ve resimli açıklamalara bakınız. Aşağıda sıralanan bütün talimatlara uymamak elektrik çarpmasına, yangına ve/veya ciddi yaralanmalara neden olabilir.

Bu uyarıları ve talimatları daha sonra bakabilmek için saklayın.

ZIMPARA MAKİNESİ GÜVENLİK UYARILARI

- Her zaman güvenlik gözlükleri ve bir toz maskesi takın.
- Toz ve zehirli buharlar solunmayı önlemek için kurşun bızlı boya kaplı yüzeyler veya bazı ahşap ve metal yüzeyleri zımparladığınızda uygun toz önleyici bir maske takınız. Bu materyallerden çıkan tozla temas edilmesi veya solunması operatörün veya üçüncü kişilerin sağlığını tehlikeye atabilir.
- Zımparadan kaynaklanan tozları açık ateşe atmayınız çünkü ince zerre şeklindeki malzemeler yanıcı olabilir.
- Ürün, yaş zımpara için uygun değildir.
- Kullanılmadığı zamanlarda tüm aletler elektrik kaynağından ayrılmalıdır.
- Dikkat, yangın tehlikesi! Kumlanan nesnenin ve aynı şekilde kumlayıcının aşırı ısınmasına engel olun. Ara vermeden önce toz toplayıcıyı daima boşaltın.
- İş parçasını bir mengene ile sıkıştırın. Sabitlenmemiş parçalar ciddi yaralanmaya ve hasara sebep olabilir. Zımparaladığınız materyali elinizle tutmayın.
- Ürüne aşırı kuvvet uygulamayın.
- Zımpara kağıdı çok büyük olmamalıdır. Zımpara kağıt pateni aşarsa, ciddi yaralanma riskleriyle karşılaşabilirsiniz.
- Toz torbası alet üzerinde yer almalıdır ve düzenli olarak boşaltılmalıdır. Sık sık boşaltılmalı olacaktır. Toz torbasını yerleştirmek için, torbanın doğru şekilde tespit edilene kadar torba halkasını zımparanın arkasında yer alan tahliye ağızını sağa doğru çeviriniz.
- Ürün stop ettiğinde, otomatik olarak yeniden çalışır. Stop ettiğinde, ürünü derhal kapatın. Stop etmekte olan ürünü yeniden çalıştırmayın, böylece bir davranış çok güçlü bir geri tepmeye yol açabilir. Güvenlik talimatlarını göz önünden uzaklaştırmadan, ürünün

neden stop ettiğini belirleyin.

UYARI

Zımparadan kaynaklanan tozları açık ateşe atmayınız çünkü ince zerre şeklindeki malzemeler yanıcı olabilir.

UYARI

Toz ve zehirli buharlar solunmayı önlemek için kurşun bızlı boya kaplı yüzeyler veya bazı ahşap ve metal yüzeyleri zımparladığınızda uygun toz önleyici bir maske takınız.

UYARI

Belirli boyalardan, kaplamalardan veya materyallerden kaynaklanan toz solunum sisteminde tahrişe veya alerjik reaksiyona neden olabilir. Meşe, kayın, MDF ve diğer ağaçlar gibi ahşaptan kaynaklanan toz kanserojendir. Asbest içeren materyal yalnızca nitelikli uzman operatörler tarafından işlenmeli ve üzerinde çalışma yapılmalıdır.

ARDIL RİSKLER

Ürün belirtildiği şekilde kullanıldığı zaman bile belirli artık risk faktörlerinin tamamen ortadan kaldırılması mümkün değildir. Kullanım sırasında aşağıdaki tehlikeler ortaya çıkabilir ve operatör bunlardan kaçınmak için özellikle dikkat etmelidir:

- Toz kaynaklı yaralanmalar
Ürün kullanımı büyük ölçüde toz ve ince parçacık meydana getirecektir. Ürünü işleme alırken toz toplama makinesi kullanın ya da toz vakumu bağlayın. Üzerinde çalışılan materyale uygun filtreler içeren toz maskeleri takın. Çalışma yerinin uygun şekilde havalandırıldığından emin olun. Çalışma alanı içinde bir şey yemeyin, içmeyin veya sigara içmeyin.
- Titreşim ve sestten meydana gelen yaralanma
Zımparalama yaparken koruyucu gözlük kullanın. Ürünü uzun süre kullanmayın. Bkz. "Risk Azaltma".

RİSK AZALTMA

El aletlerinden kaynaklanan titreşimlerin belirli kişilerde Raynaud Sendromu olarak adlandırılan bir durumu etkileyebileceği rapor edilmiştir. Karıncalanma, hissizlik ve parmakların sararması gibi genelde soğuğa maruz kaldıktan sonra görülen semptomlar oluşabilir. Kalıtsal faktörler, soğuğa ve neme maruz kalmak, diyet, sigara ve çalışma pratikleri de bu semptomların oluşmasına neden olabilecek etkenler olarak kabul edilmektedir. Operatör titreşim etkilerini azaltabilecek önlemler alabilir:

- Soğuk havalarda vücudunuzu sıcak tutun. Ürünü çalıştırırken ellerinizi ve bileklerinizi sıcak tutmak için eldiven takın. Soğuk havanın Raynaud Sendromunun ana tetikleyicilerinden olduğu bildirilmiştir.
- Her operasyon sürecinden sonra kan dolaşımını arttırmak için egzersiz yapın.
- Sık sık işe ara verin. Günlük maruziyet miktarını

sınırlandırın.

Bu rahatsızlığın semptomlarından herhangi birini görürseniz, aleti kullanmayı derhal bırakın ve bir doktora görünün.

⚠ UYARI

Bir aletin uzun süre kullanılması nedeniyle yaralanmalar olabilir veya mevcut yaraların durumu kötüleşebilir. Herhangi bir aleti uzun bir süre boyunca kullanırken düzenli olarak ara vermeyi ihmal etmeyin.

ÜRÜNÜNÜZÜ TANIYIN

Sayfa 93'ya bakın.

1. Açma/kapama anahtarı
2. Hız değiştiricisi
3. 1/3 kağıt paten
4. Pense
5. Toz toplama kutusu
6. Tutamak, yalıtılmış kavrama yüzeyi
7. Yapışkan zımpara kağıdı
8. Düz zımpara kağıdı

ZIMPARA KAĞIDININ SEÇİMİ

İyi kalitede bir zımparalama elde etmek için, parlatıcı kağıdın tanecik ve tip seçimi son derece önemlidir. Kabasını alma için, alüminyum oksit yada silisyum karbür gibi sentetik bir parlatıcı kağıt seçmenizi tavsiye ediyoruz. Çakmaktaşı yada grena gibi doğal parlatıcılar, kabasını alma zımparası için ekonomik şekilde kullanım için çok yumuşaktırlar.

Genel anlamda, büyük tanecik, malzemenin büyük kısmını alır, buna karşın ince tanecik son bir zımparalama yapmaya yarar. Zımparalama yapılacak yüzeyin durumu, kullanılacak tanecik iriliğini belirlemeye yardımcı olur. Şayet yüzey pütürlü ise, yüzeyin düzgün hale gelmesi için zımparalamaya önce iri tanecikli zımpara kağıdı ile başlayınız. Ardından, iri tanecikli kağıttan kalan çizikler ortadan kaldırmak için orta irilikte tanecikli zımpara kağıdı kullanabilirsiniz, ve son olarak, yüzeyi cilalamak için ince tanecikli kağıt kullanınız. Yüzey düzgün olana dek her boy tanecikli kağıt ile zımparalayınız.

⚠ UYARI

Patene zarar vermeme için zımpara aletini zımpara kağıdı olmadan KULLANMAYINIZ.

Önerilen tabaka/ped kullanımı

Zımpara kağıdı tane Ø 80	Kabaca parlatma
Zımpara kağıdı tane Ø 120	Hafif parlatma
Zımpara kağıdı tane Ø 150	Hafif parlatma

BAKIM

⚠ UYARI

Parçaları monte ederken, ayar, temizlik, bakım çalışması yaparken veya ürün kullanılmadığı zaman ürünü asla güç kaynağına bağlamayın. Ürünün bağlantısının kesilmesi ciddi yaralanmalara neden olabilecek kazara çalışmayı önleyecektir.

- Uygulama sırasında yalnızca üreticinin orijinal yedek parçalarını kullanın. Diğer parçaları kullanmak tehlike yaratabilir ya da hasara neden olabilir.
- Plastik parçaları temizlerken solventleri kullanmaktan kaçının. Plastiklerin çoğu ticari kullanımlı uçucu maddeler karşı hassastır. Lekeleri, tozu, vb. temizlemek için temiz bir bez kullanınız.
- Asla fren hidroliğinin, benzinin, petrol esaslı ürünlerin, yüzeye işleyen yağların vb. plastik parçalarla temas etmesine izin vermeyin. Bu kimyasal ürünler, plastiğe zarar verebilecek, kırılır hale getirebilecek ya da yok edebilecek maddeler içermektedir.
- Elektrikli aletlerle çalışma veya toz üfleme işlemi esnasında daima yan siperlikleri bulunan koruyucu gözlükler kullanın. İşlem tozlu olucaksa aynı zamanda bir toz maskesi de kullanın.
- Elektrik kablosu hasar görmüşse tehlikeyi önlemek için sadece üretici veya yetkili bir servis merkezi tarafından değiştirilmelidir. Yetkili servis merkezini arayın.
- Daha yüksek güvenlik ve güvenilirlik için tüm onarım çalışmaları yetkili bir RYOBI servis merkezi tarafından yapılmalıdır.

⚠ UYARI

Cam elyafı malzemeler, alçı plakaları, dolgu alçısı veya alçı üzerinde kullanılan elektrikli aletler daha hızlı aşınabilir ve erken arızalara neden olabilir, çünkü cam elyafı malzemelerin talaşları ile kalıntılarının rulmanlar, fırçalar, komütatör gibi parçalar üzerinde son derece aşındırıcı etkisi vardır. Ürünün bu tip materyaller üzerinde uzun süreli çalışmalar için kullanılmasını önermiyoruz.

⚠ UYARI

Üründeki tozu temizlemek için sıkıştırılmış hava kullanmayın. Bu uygulama tehlikelidir, kirin ve taneciklerin fırlamasına ve gözlerinizin yaralanmasına neden olabilir.

YAĞLAMA

Üründeki tüm yataklar normal çalışma koşullarında ürünün hizmet ömrü boyunca yeterli miktarda yüksek kalite yağ ile yağlanır. Buna göre, fazladan yağlama yapılmasına gerek yoktur.

PARLATICI KAĞITLARIN TEMİZLENMESİ

Zımpara aletiniz ile verilen zımpara kağıtları tekrar tekrar kullanılabilir. Dolayısı ile, değişik zımparalama işlemleri

sırasında yüzeylerinde kalan tozu ve zerrecikleri almak için düzenli olarak temizlemek önemlidir.

Cilalama kağıtlarını temizlemek için, kauçuk bir blok ile sürtünüz. Ayrıca temiz bir ayakkabı tabanı da kullanabilirsiniz.

ÇEVRENİN KORUNMASI



Ham maddeleri çöp olarak atmak yerine geri dönüştürün. Çevreyi korumak için, alet, aksesuarlar ve ambalajlar tasnif edilmelidir.

ÜRÜN ÜZERİNDEKİ SEMBOLLER



Güvenlik Uyarısı

V

Volt

Hz

Hertz

~

Alternatif akım

W

Watt

n_o

Bota hız

min⁻¹

Saniyede devir veya hareket sayısı



Yörünge çapı



CE Uygunluğu



EurAsian Uyumluluk işareti



Ukrayna uygunluk işareti



Sınıf II, çift yalıtımlı



Koruyucu kulaklık kullanın



Koruyucu gözlük kullanın



Makineyi çalıştırmadan talimatları dikkatlice okuyun.



Atık elektrikli ürünler evsel atıklarla birlikte atılmamalıdır. Tesis bulunuyorsa lütfen geri dönüşüme verin. Geri dönüşümle ilgili tavsiye için Yerel Makamlarla veya bayi ile irtibat kurun.

KİTAPÇIKTAKİ SEMBOLLER



Güç kaynağına bağlayın.



Güç kaynağından ayırın.



Parçalar ya da aksesuarlar ayrı olarak satılır.



Kilit



Kilidi açma



Not



Kapalı



Açma



Kuvvet uygulamadan



Kuvvet uygulayarak

Aşağıdaki işaret sözcükleri ve anlamları, bu ürünle ilişkili risk seviyelerini açıklamaya yöneliktir:

⚠ TEHLİKE

Önlenmemesi durumunda ölüm veya ciddi yaralanma ile sonuçlanacak, tehdit edici tehlikeli bir durumu gösterir.

⚠ UYARI

Önlenmemesi durumunda ölüm veya ciddi yaralanma ile sonuçlanabilecek potansiyel olarak tehlikeli bir durumu gösterir.

⚠ DİKKAT

Önlenmemesi durumunda önemsiz veya orta derece yaralanma ile sonuçlanabilecek potansiyel olarak tehlikeli bir durumu gösterir.

DİKKAT

(Güvenlik Uyarı Sembolü Yok) Mal hasarına neden olabilecek bir durumu gösterir.

EN

FR

DE

ES

IT

PT

NL

DA

SV

FI

NO

RU

PL

CS

HU

RO

LV

LT

ET

HR

SL

SK

BG

UK

TR

EL



Στον σχεδιασμό του λειαντήρα ελασμάτων σας έχει δοθεί μέγιστη προτεραιότητα στην ασφάλεια, την απόδοση και την αξιοπιστία.

ΠΡΟΟΡΙΖΟΜΕΝΗ ΧΡΗΣΗ

Το προϊόν διατίθεται για λείανση και φινιρίσμα μετάλλου, ξύλου, πλαστικού ή παρόμοιων υλικών, με χρήση των λειαντικών επιθεμάτων που παρέχονται. Πρέπει να χρησιμοποιείται από χειριστές που έχουν διαβάσει το εγχειρίδιο χρήσης και κατανοούν τους σχετικούς κινδύνους. Το προϊόν πρέπει να χρησιμοποιείται μόνο σε χώρους με καλό εξαερισμό. Το προϊόν είναι σχεδιασμένο μόνο για ξηρή λείανση.

Το προϊόν διατίθεται για καταναλωτική χρήση και πρέπει να χρησιμοποιείται μόνο σύμφωνα με την παραπάνω περιγραφή και για κανέναν άλλο σκοπό.

⚠ ΠΡΟΕΙΔΟΠΟΙΗΣΗ

Διαβάστε προσεκτικά όλες τις προειδοποιήσεις, οδηγίες και προδιαγραφές που παρέχονται με το εργαλείο και ανατρέξτε στις εικόνες. Τυχόν παράβλεψη των παρακάτω οδηγιών μπορεί να επιφέρει ηλεκτροπληξία, πυρκαγιά ή και σοβαρό τραυματισμό.

Φυλάξτε αυτές τις προειδοποιήσεις και οδηγίες για να μπορέσετε να ανατρέξετε μελλοντικά.

ΠΡΟΕΙΔΟΠΟΙΗΣΕΙΣ ΑΣΦΑΛΕΙΑΣ ΜΗΧΑΝΗΜΑΤΟΣ ΛΕΙΑΝΣΗΣ

- **Φοράτε πάντα προστατευτικά γυαλιά και μάσκα κατά της σκόνης.**
- **Πρέπει να φοράτε κατάλληλη μάσκα κατά της σκόνης όταν λειαίνετε επιφάνειες καλυμμένες με χρώμα με βάση το μόλυβδο καθώς και ορισμένα ξύλα και μέταλλα ώστε να μην εισπνέετε τοξικές σκόνες ή αέρια.** Η επαφή με ή η εισπνοή σκόνης που παράγεται από τα υλικά, μπορεί να θέσει σε κίνδυνο την υγεία του χειριστή και των παρισταμένων.
- Μην πετάτε τις προερχόμενες από τη λείανση σκόνες σε ανοικτή φωτιά διότι τα υπό μορφή λεπτών μορίων υλικά μπορεί να είναι εκρηκτικά.
- **Το προϊόν δεν είναι κατάλληλο για υγρό τρίψιμο.**
- Όταν δεν χρησιμοποιούνται, όλα τα εργαλεία πρέπει να αποσυνδέονται από το ρεύμα.
- Προσοχή, κίνδυνος πυρκαγιάς! Αποφύγετε την υπερθέρμανση του αντικείμενου που τρίβεται καθώς και του λειαντήρα. Αδειάζετε πάντα τον συλλέκτη πριονιδίων πριν κάνετε διάλειμμα.
- **Αγκιστρώστε το τεμάχιο με μια συσκευή συγκράτησης.** Ελεύθερα τεμάχια εργασίας μπορούν να προκαλέσουν σοβαρό τραυματισμό και ζημιές. Μην κρατάτε με το χέρι το υλικό που λειαίνετε.
- Μην ασκείτε υπερβολική πίεση στο προϊόν.
- **Το φύλλο γυαλόχαρτου δεν πρέπει να περισσεύει.** Αν αφήσετε το γυαλόχαρτο να περισσεύει από το πέλμα, εκτίθεστε σε κίνδυνο σοβαρού τραυματισμού.
- **Ο σάκος συλλογής σκόνης πρέπει να τοποθετηθεί επάνω στο εργαλείο και να αδειάζεται τακτικά.**

Θα πρέπει να εκκινώνονται συχνότερα. Για να τοποθετήσετε το σάκο συλλογής σκόνης, εισάγετε το δακτύλιο του σάκου στο στόμιο εκκένωσης που βρίσκεται στο πίσω μέρος του τριβείου στρέφοντας τον προς τα δεξιά μέχρι να στερεωθεί σωστά ο σάκος.

- Το προϊόν θα κάνει αυτόματη επανεκκίνηση εάν διακοπεί η λειτουργία του. Απενεργοποιήστε αμέσως το προϊόν εάν διακοπεί η λειτουργία του. Μην ενεργοποιήσετε και πάλι το προϊόν ενώ η λειτουργία του βρίσκεται ακόμη σε διακοπή, διότι αυτό θα μπορούσε να πυροδοτήσει ξαφνική ανάκρουση με υψηλή δύναμη αντίδρασης. Προσδιορίστε την αιτία διακοπής λειτουργίας του προϊόντος και διορθώστε την, προσέχοντας την τήρηση των οδηγιών ασφάλειας.

⚠ ΠΡΟΕΙΔΟΠΟΙΗΣΗ

Μην πετάτε τις προερχόμενες από τη λείανση σκόνες σε ανοικτή φωτιά διότι τα υπό μορφή λεπτών μορίων υλικά μπορεί να είναι εκρηκτικά.

⚠ ΠΡΟΕΙΔΟΠΟΙΗΣΗ

Πρέπει να φοράτε κατάλληλη μάσκα κατά της σκόνης όταν λειαίνετε επιφάνειες καλυμμένες με χρώμα με βάση το μόλυβδο καθώς και ορισμένα ξύλα και μέταλλα ώστε να μην εισπνέετε τοξικές σκόνες ή αέρια.

⚠ ΠΡΟΕΙΔΟΠΟΙΗΣΗ

Η σκόνη από ορισμένα χρώματα, επιχρίσματα και υλικά μπορεί να προκαλέσει ερεθισμό ή αλλεργικές αντιδράσεις στο αναπνευστικό σύστημα. Η σκόνη από ξύλο, όπως η δρυς, οξιά, MDF και άλλα είναι καρκινογόνος. Υλικά που περιέχουν αμίαντο πρέπει να υποβάλλονται σε επεξεργασία μόνο από εξειδικευμένο έμπειρο προσωπικό.

ΑΛΛΟΙ ΚΙΝΔΥΝΟΙ

Ακόμη και όταν το προϊόν χρησιμοποιείται σύμφωνα με τις οδηγίες, δεν είναι δυνατή η απόλυτη απαλειφή συγκεκριμένων παραγόντων κινδύνου. Κατά τη χρήση μπορεί να προκύψουν οι ακόλουθοι κίνδυνοι και ο χειριστής πρέπει να δίδει ιδιαίτερη προσοχή προς αποφυγή των εξής:

- Τραυματισμός που προκαλείται από τη σκόνη
Η χρήση του προϊόντος προκαλεί σημαντικές ποσότητες σκόνης και μικρών σωματιδίων. Χρησιμοποιήστε τη συσκευή συλλογής σκόνης ή συνδέστε μία αντλία απόσπασης σκόνης όταν χρησιμοποιείτε το προϊόν. Φοράτε ειδικές μάσκες με φίλτρα κατάλληλα για τα υλικά στα οποία εργάζεστε. Βεβαιωθείτε ότι υπάρχει επαρκής εξαερισμός του χώρου εργασίας. Μην τρώτε, πίνετε ή καπνίζετε στον χώρο εργασίας.
- Τραυματισμοί εξαιτίας θορύβου και κραδασμών
Φοράτε προστατευτικά αυτιών κατά τις εργασίες λείανσης. Μην χρησιμοποιείτε το προϊόν για μεγάλα χρονικά διαστήματα. Βλ. "Μείωση Κινδύνου".



ΜΕΙΩΣΗ ΚΙΝΔΥΝΟΥ

Έχει αναφερθεί ότι οι κραδασμοί των χειροκίνητων εργαλείων μπορεί να συμβάλλει σε μια πάθηση γνωστή ως Σύνδρομο Raynaud σε ορισμένα άτομα. Τα συμπτώματα περιλαμβάνουν κνησμό, μούδιασμα και λευκότητα των δακτύλων, που εμφανίζονται συνήθως μετά την έκθεση σε κρύο. Κληρονομικοί παράγοντες, έκθεση σε κρύο και υγρασία, κάπνισμα και πρακτικές εργασίας θεωρείται ότι συμβάλλουν στην εκδήλωση των συμπτωμάτων. Μπορούν να ληφθούν μέτρα από το χειριστή για την πιθανή μείωση των επιδράσεων κραδασμών:

- Διατηρείτε το σώμα σας ζεστό όταν ο καιρός είναι ψυχρός. Φοράτε γάντια κατά τον χειρισμό του μηχανήματος, για να διατηρείτε ζεστά τα χέρια και τους καρπούς σας. Ο ψυχρός καιρός είναι κύριος παράγοντας που συμβάλλει στην εκδήλωση του συνδρόμου Raynaud.
- Μετά από κάθε περίοδο λειτουργίας, κάνετε ασκήσεις για να αυξάνετε την κυκλοφορία αίματος.
- Κάνετε τακτικά διαλείμματα κατά την εργασία. Περιορίζετε το σύνολο έκθεσης ανά ημέρα.

Αν παρουσιάσετε οποιοδήποτε σύμπτωμα αυτής της πάθησης, διακόψτε αμέσως τη χρήση και συμβουλευτείτε τον γιατρό σας για τα συμπτώματα.

ΠΡΟΕΙΔΟΠΟΙΗΣΗ

Υπάρχει κίνδυνος πρόκλησης ή επιδείνωσης τραυματισμού, από την παρατεταμένη χρήση εργαλείου. Όταν χρησιμοποιείτε το εργαλείο για μεγάλες περιόδους, κάνετε τακτικά διαλείμματα.

ΓΝΩΡΙΣΤΕ ΤΟ ΠΡΟΪΟΝ ΣΑΣ

Βλέπε σελίδα 93.

1. Διακόπτης ενεργοποίησης/απενεργοποίησης (on/off)
2. Μεταβολέας ταχύτητας
3. 1/3 Πέλα φύλλου
4. Λαβίδα
5. Κουτί συλλογής πριονιδιών
6. Λαβή, μονωμένη επιφάνεια λαβής
7. Αυτοκόλλητο γυαλόχαρτο
8. Στάνταρ γυαλόχαρτο

ΕΠΙΛΟΓΗ ΤΟΥ ΓΥΑΛΟΧΑΡΤΟΥ

Η επιλογή του μεγέθους, του κόκκου και του τύπου γυαλόχαρτου είναι εξαιρετικά σημαντική αν θέλουμε να πετύχουμε ποιοτική λείανση. Για αρχική κατεργασία, σας συνιστούμε τη χρήση συνθετικών λειαντικών όπως η αλουμίνα ή το καρβίδιο πυριπίου. Πράγματι, τα φυσικά λειαντικά όπως ο πυριτόληθος ή η γρανάτη είναι πολύ μαλακά για να χρησιμοποιηθούν οικονομικά για τρίψιμο προλείανσης.

Κατά γενικό κανόνα, ο χοντρός κόκκος χρησιμεύει στο ξεχόνδρισμα ενώ ο λεπτός σας επιτρέπει να πετύχετε μια λείανση φινιρίσματος. Η κατάσταση της προς λείανση επιφάνειας θα καθορίσει το μέγεθος του κόκκου που πρέπει να χρησιμοποιηθεί. Σε τραχιές επιφάνειες, αρχίστε το τρίψιμο με χοντρό κόκκο μέχρι να πετύχετε μια ομοιόμορφη επιφάνεια. Μπορείτε έπειτα

να χρησιμοποιήσετε γυαλόχαρτο μέτριου κόκκου για να εξαλείψετε τις χαραγματιές που άφησε ο χοντρός κόκκος και τέλος γυαλόχαρτο λεπτού κόκκου για την λείανση της επιφάνειας. Τρίψτε με κάθε μέγεθος κόκκου μέχρι η επιφάνεια να γίνει ομοιόμορφη.

ΠΡΟΕΙΔΟΠΟΙΗΣΗ

ΜΗΝ χρησιμοποιείτε το τριβείο χωρίς γυαλόχαρτο για να μη χαλάσετε το πέλαμα.

Προτεινόμενη χρήση φύλλων / επιθεμάτων

Γυαλόχαρτο κόκκος Ø 80	Τραχύ τρίψιμο
Γυαλόχαρτο κόκκος Ø 120	Ελαφρύ τρίψιμο
Γυαλόχαρτο κόκκος Ø 150	Ελαφρύ τρίψιμο

ΣΥΝΤΗΡΗΣΗ

ΠΡΟΕΙΔΟΠΟΙΗΣΗ

Το προϊόν δεν πρέπει ποτέ να συνδέεται σε παροχή ισχύος όταν συναρμολογήτε εξαρτήματα, όταν διεξάγετε ρυθμίσεις, καθαρισμό, συντήρηση ή όταν το προϊόν δε χρησιμοποιείται. Μια αποσύνδεση του προϊόντος θα εμπόδιζε τυχαία εκκίνηση, η οποία θα μπορούσε να προκαλέσει σοβαρό τραυματισμό.

- Στις εργασίες σέρβις χρησιμοποιείτε μόνο αυθεντικά ανταλλακτικά του κατασκευαστή. Η χρήση οποιουδήποτε άλλου ανταλλακτικού μπορεί να παρουσιάσει κίνδυνο ή να προκαλέσει ζημιά στο εργαλείο σας.
- Αποφύγετε τη χρήση διαλυτών κατά τον καθαρισμό πλαστικών εξαρτημάτων. Τα περισσότερα πλαστικά μπορούν να υποστούν ζημιά από τη χρήση ορισμένων διαλυτών που διατίθενται στο εμπόριο. Χρησιμοποιήστε ένα καθαρό πανάκι για να καθαρίσετε τις ακαθαρσίες, τη σκόνη, κλπ.
- Σε καμία περίπτωση μην επιτρέψετε τα υγρά φρένων, η βενζίνη, προϊόντα με βάση το πετρέλαιο, έλαια που διεισδύουν κλπ. να έρχονται σε επαφή με πλαστικά τμήματα. Τα προϊόντα αυτά περιέχουν χημικές ουσίες που μπορούν να προσεξήσουν ζημιά, να μειώσουν ή να καταστρέψουν το πλαστικό.
- Φοράτε πάντα προστατευτικά γυαλιά ή γυαλιά ασφαλείας με πλαϊνές ασπίδες κατά τον χειρισμό μηχανοκίνητων εργαλείων ή σε εργασίες με σκόνη. Αν η εργασία προκαλεί σκόνη, φοράτε και ειδική μάσκα.
- Αν το καλώδιο παροχής ρεύματος φθαρεί, πρέπει να αντικατασταθεί μόνο από τον παρασκευαστή ή εξουσιοδοτημένο κέντρο σέρβις για αποφυγή κινδύνων. Επικοινωνήστε με το εξουσιοδοτημένο κέντρο σέρβις.
- Για μεγαλύτερη ασφάλεια και αξιοπιστία, όλες οι επισκευές πρέπει να εκτελούνται από εξουσιοδοτημένο κέντρο σέρβις της RYOBI.

⚠ ΠΡΟΕΙΔΟΠΟΙΗΣΗ

Τα ηλεκτρικά εργαλεία που χρησιμοποιούνται σε εξοπλισμούς από φάιμπεργκλας, σε γυψοσανίδες, σε πανό επένδυσης ή σε γύψο, έχουν την τάση να φθείνουν γρηγορότερα και να παρουσιάζουν πρόωρες βλάβες, επειδή τα ρινίσματα και το πριονίδι που προέρχονται από τα υλικά αυτά είναι πολύ λειαντικά για έδρανα, βούρτσες, διακόπτες κλπ. Δεν προτείνουμε τη χρήση του προϊόντος για παρατεταμένη εργασία σε αυτούς τους τύπους υλικών.

⚠ ΠΡΟΕΙΔΟΠΟΙΗΣΗ

Μην χρησιμοποιείτε πεπιεσμένο αέρα για την αφαίρεση σκόνης από το προϊόν. Αυτή η πρακτική είναι επικίνδυνη και μπορεί να προκαλέσει την εκτίναξη σκόνης και υπολειμμάτων με πιθανό τραυματισμό των ματιών.

ΛΙΠΑΝΣΗ

Όλα τα έδρανα στο προϊόν έχουν λιπανθεί με επαρκή ποσότητα λιπαντικού υψηλής ποιότητας για όλη τη διάρκεια ζωής του προϊόντος, υπό φυσιολογικές συνθήκες λειτουργίας. Συνεπώς, δε χρειάζεται καμία επιπλέον λιπανση.

ΚΑΘΑΡΙΣΜΑ ΤΩΝ ΓΥΑΛΟΧΑΡΤΩΝ

Τα γυαλόχαρτα που παρέχονται με το τριβείο σας είναι επαναχρησιμοποιήσιμα. Είναι συνεπώς σημαντικό να τα καθαρίζετε τακτικά ώστε να αφαιρείτε τη σκόνη και τα σωματίδια που συσσωρεύονται στην επιφάνεια κατά τη διάρκεια των διάφορων εργασιών λείανσης.

Για να καθαρίσετε τα γυαλόχαρτα, τρίψτε τα με ένα συμπαγές μπλοκ από καουτσούκ. Μπορείτε επίσης να χρησιμοποιήσετε μια καθαρή λαστιχένια σόλα παπουτσιού.

ΠΡΟΣΤΑΣΙΑ ΤΟΥ ΠΕΡΙΒΑΛΛΟΝΤΟΣ



Ανακυκλώνετε τις πρώτες ύλες αντί να τις πετάτε ως απορρίμματα. Για την προστασία του περιβάλλοντος, πρέπει να γίνεται η διαλογή του εργαλείου, των εξαρτημάτων και των συσκευασιών του.

ΣΥΜΒΟΛΑ ΣΤΟ ΠΡΟΪΟΝ



Προειδοποίηση ασφάλειας

V

Βλτ

Hz

ερτς

~

Εναλλασσμεν ρεύμα

W

Βατ

n₀

Ταύτητα στ κεν

min⁻¹

Αριθμός στρών ή κινήσεων ανά λεπτό



Τροχιακή διάμετρος



Συμμόρφωση CE



EurAsian σήμα πιστότητας



Ουκρανικό σήμα συμμόρφωσης



Κατηγορία II, διπλή μόνωση



Φοράτε προστατευτικά αυτιών



Φοράτε προστατευτικά ματιών



Παρακαλούμε διαβάστε τις οδηγίες προσεκτικά πριν ξεκινήσετε το μηχάνημα.



Τα ηλεκτρικά προϊόντα προς απόρριψη δεν θα πρέπει να απορρίπτονται μαζί με τα οικιακά απόβλητα. Παρακαλούμε ανακυκλώστε όπου υπάρχουν οι αντίστοιχες εγκαταστάσεις. Μιλήστε με τις τοπικές αρχές ή τον πωλητή για να σας ενημερώσουν σχετικά με τα προγράμματα ανακύκλωσης.

ΣΥΜΒΟΛΑ ΣΤΟ ΕΓΧΕΙΡΙΔΙΟ



Συνδέστε στην παροχή ηλεκτρικού ρεύματος.



Αποσυνδέστε από την παροχή ρεύματος.



Αναλλακτικά και εξαρτήματα πωλούνται χωριστά



Κλειδωμα



Ξεκλειδωμα



Σημείωση



Απενεργοποίηση



Ενεργοποίησης



Χωρίς δύναμη



Με δύναμη

Οι ακόλουθες προειδοποιητικές λέξεις και έννοιες προορίζονται να εξηγήσουν τα επίπεδα κινδύνου που συνδέονται με αυτό το προϊόν:

ΚΙΝΔΥΝΟΣ

Υποδεικνύει μια επικείμενη επικίνδυνη κατάσταση, η οποία, αν δεν αποφευχθεί, θα οδηγήσει σε θάνατο ή σοβαρό τραυματισμό.

ΠΡΟΕΙΔΟΠΟΙΗΣΗ

Υποδεικνύει μια δυνητικά επικίνδυνη κατάσταση, η οποία, αν δεν αποφευχθεί, θα οδηγήσει σε θάνατο ή σοβαρό τραυματισμό.

ΠΡΟΣΟΧΗ

Υποδεικνύει μια δυνητικά επικίνδυνη κατάσταση, η οποία, αν δεν αποφευχθεί, ενδέχεται να οδηγήσει σε ελαφρύ ή μέτριο τραυματισμό.

ΠΡΟΣΟΧΗ

(Χωρίς σύμβολο προειδοποίησης ασφαλείας) Υποδεικνύει μια κατάσταση που μπορεί να οδηγήσει σε υλικές ζημιές.

EN

FR

DE

ES

IT

NL

PT

DA

SV

FI

NO

RU

PL

CS

HU

RO

LV

LT

ET

HR

SK

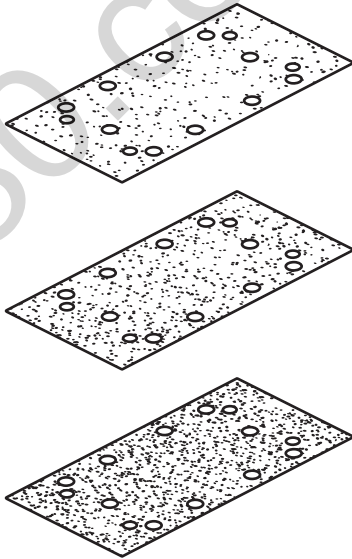
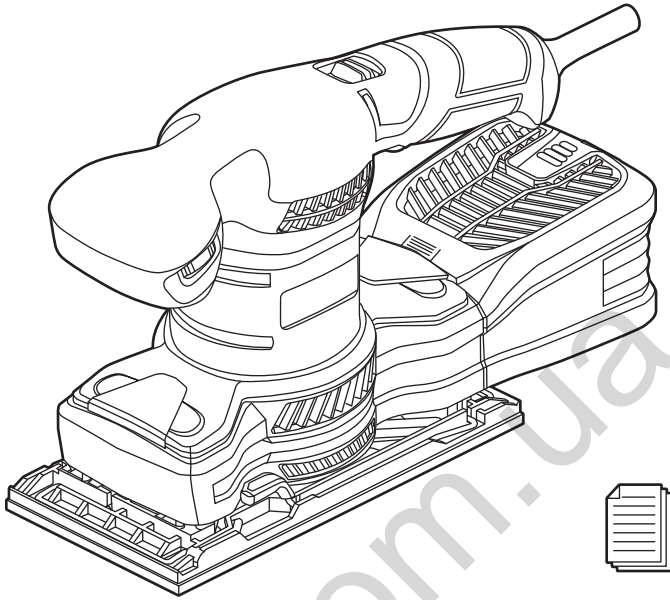
SL

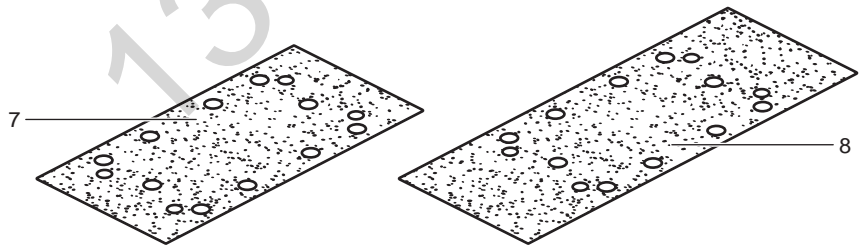
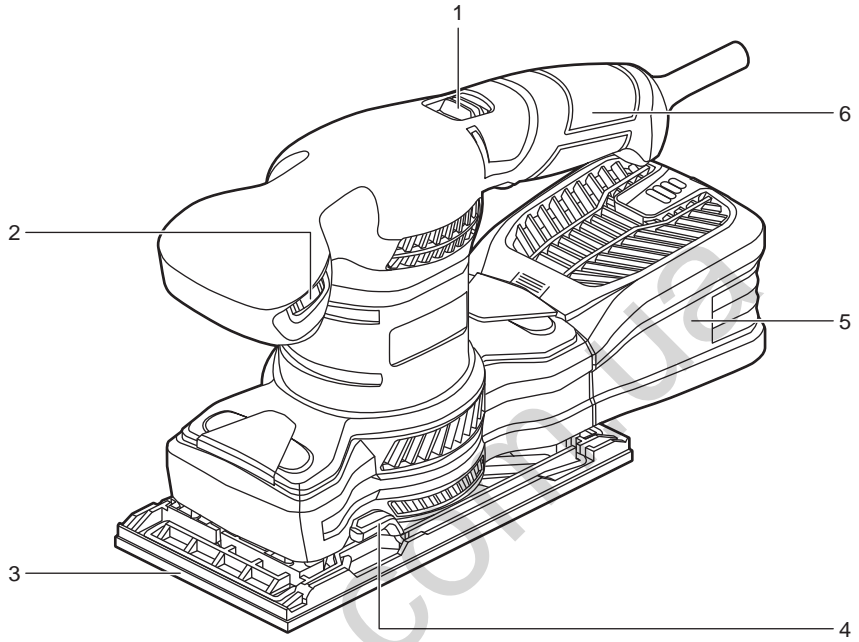
BG

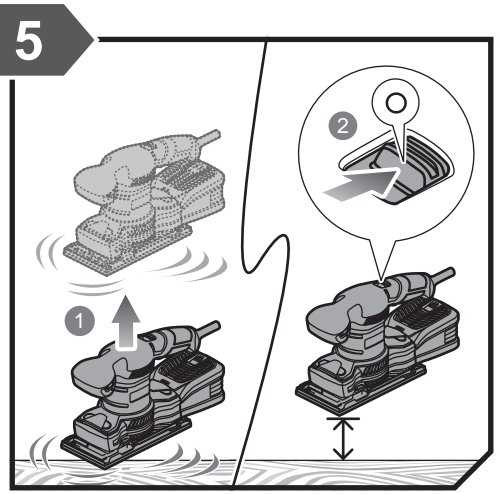
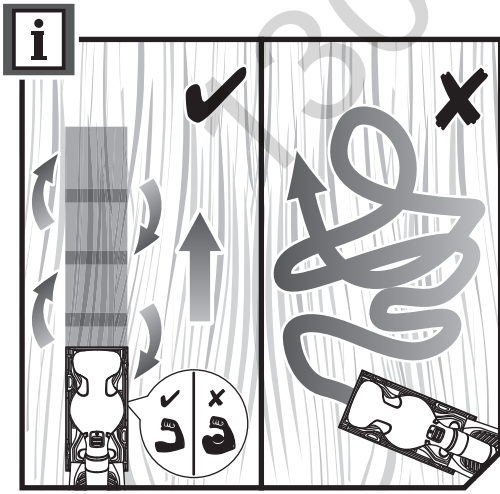
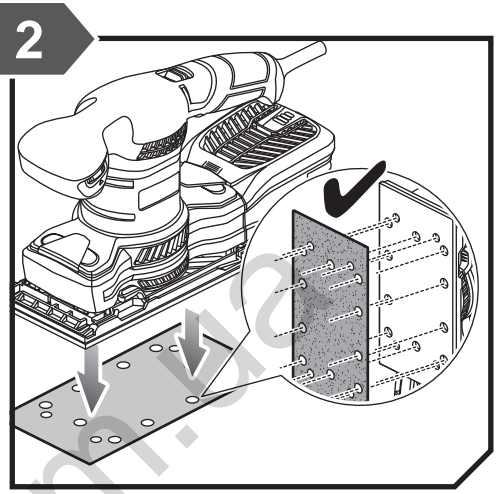
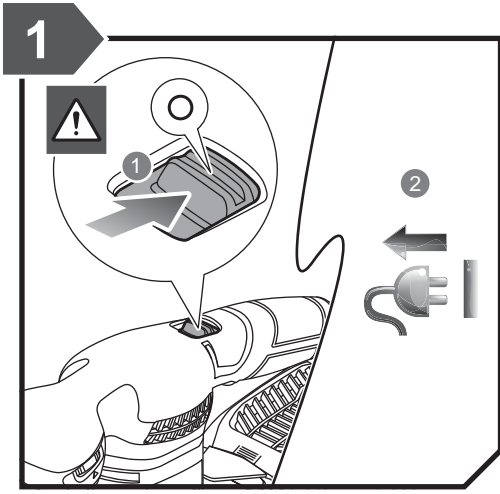
UK

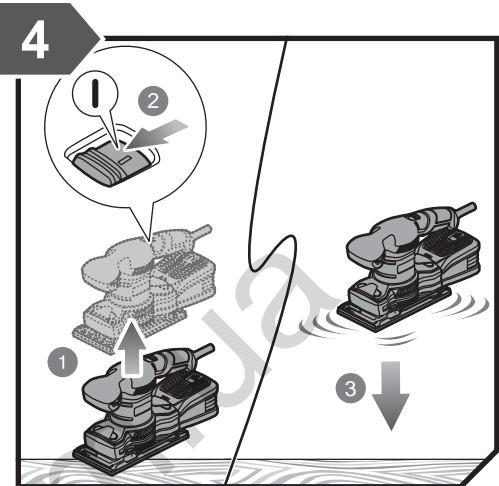
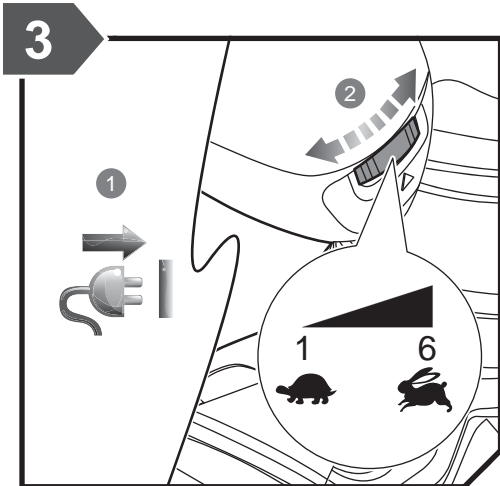
TR

EL



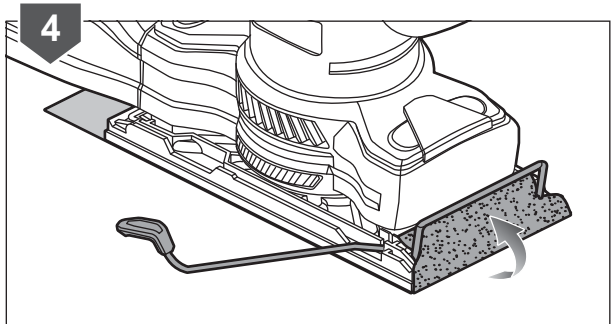
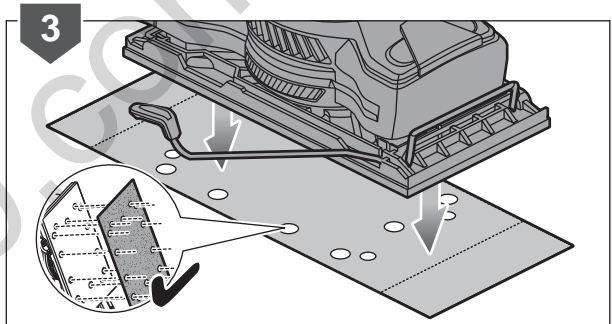
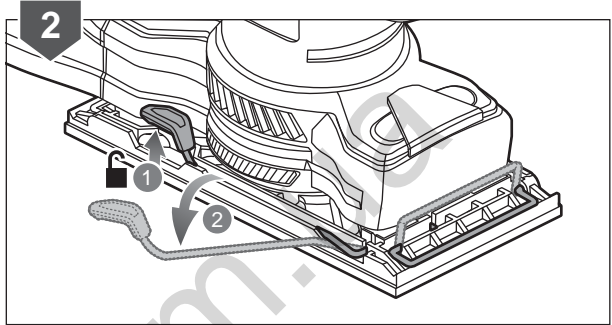
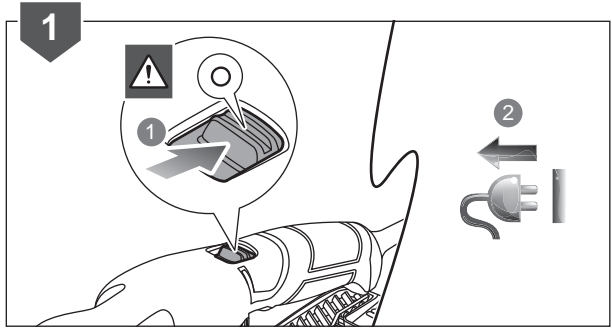
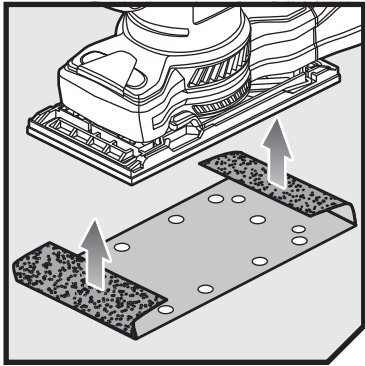


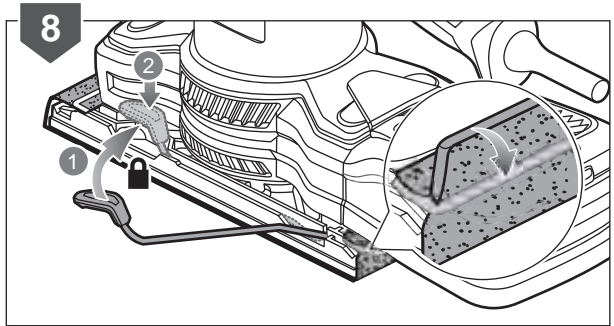
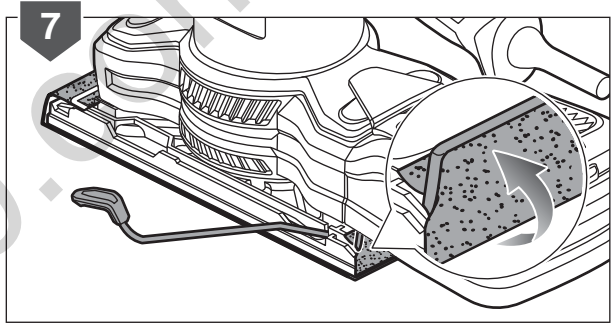
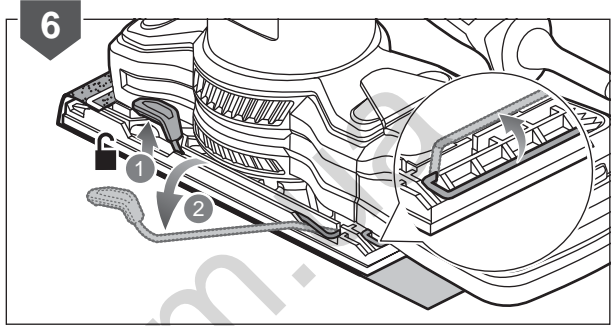
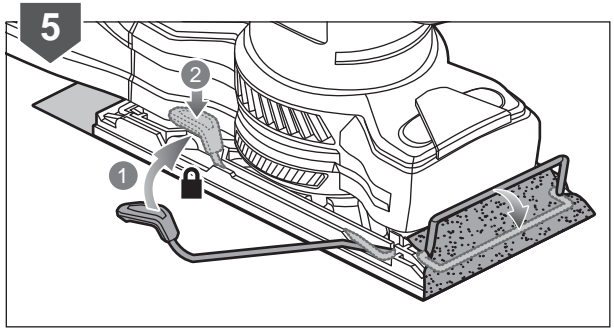


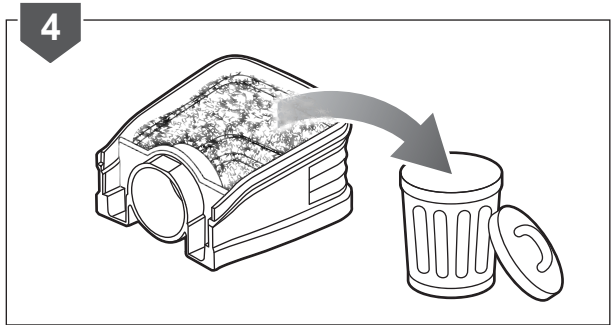
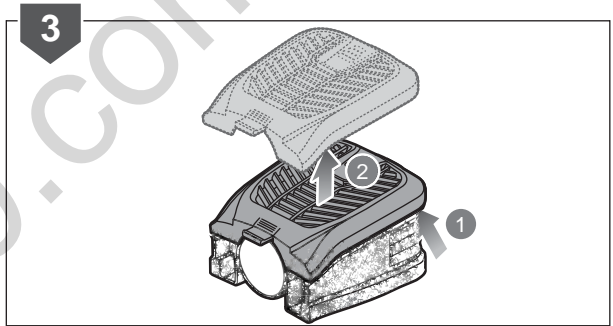
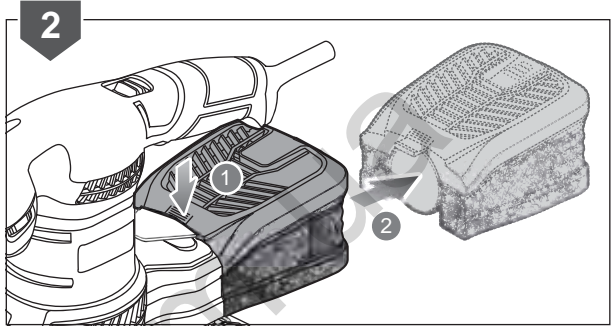
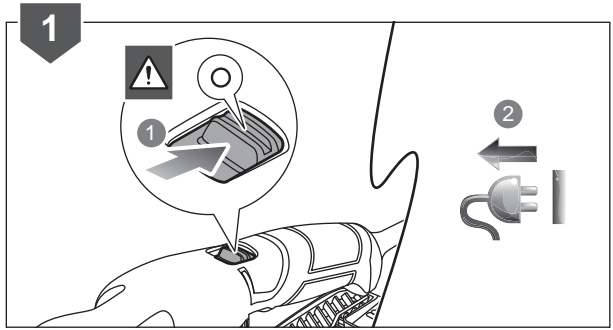


130.COM









130.com.ua

English	Français	Deutsch	Español	Italiano	Nederlands	Português
Product specifications	Caractéristiques de l'appareil	Produkt-Spezifikationen	Especificaciones del producto	Specifiche prodotto	Productspecificaties	Especificações do produto
1/3 Sheet sander	Ponceuse vibrante 1/3 de feuille	Schwingschleifer	1/3 Lijadora de hoja	1/3 Levigatrice a fogli	1/3 Bladschuurmachine	1/3 Lixadora de folha
Model	Modèle	Modell	Modelo	Modello	Model	Modelo
Voltage	Tension	Spannung	Tensión	Voltaggio	Spanning	Voltagem
Power	Puissance	Leistung	Potencia	Alimentazione	Aan/Uit	Potência
Orbital minute	Vitesse du mouvement orbital	Schwingzahl	Velocidad del movimiento orbital	Velocità del movimento orbitale	Baanbewegingsnelheid	Velocidade do movimento excêntrico
Orbital diameter	Diamètre orbital	Schwingkreisdurchmesser	Diámetro orbital	Diametro orbitale	Diameter cirkelbeweging	Diâmetro orbital
Pad size	Dimensions du patin	Maße der Schleifplatte	Dimensiones del patin	Dimensioni del pattino	Afmetingen van de schuurvoet	Dimensões da placa
1/3 Sheet pad	Patin 1/3 de feuille	Schleifplatte	1/3 Patín de hoja	1/3 Pattino di foglio	1/3 vel schuurvoet	1/3 Placa rectangular
Weight According to EPTA-Procedure 01/2003	Poids Selon la procédure EPTA 01/2003	Gewicht Gemäß EPTA-Verfahren 01/2003	Peso Según el procedimiento EPTA 01/2003	Peso Secondo quanto indicato dalla EPTA-Procedure 01/2003	Gewicht Overeenkomstig de EPTA-procedure 01/2003	Peso De acordo com o Procedimento EPTA 01/2003
Measured sound values determined according to EN 62841:	Valeurs du son mesuré déterminées selon EN 62841:	Gemäß EN 62841: gemessene Schallwerte	Valores medidos del sonido en función de la norma EN 62841:	Valori del suono misurati determinati secondo lo standard EN 62841:	Gemeten geluidswaarden bepaald in overeenstemming met EN 62841:	Valores medidos do som em função da norma EN 62841:
A-weighted sound pressure level	Niveau de pression sonore pondérée A	A-bewerteter Schalldruckpegel	Nivel de presión acústica ponderada en A	Livello di pressione sonora pesato A	A-gewogen geluidsdrukniveau	Nível de pressão sonora ponderada A
Uncertainty K	Incertitude K	Unsicherheit K	Incertidumbre K	Incerteza K	Onzekerheid K	Incerteza K
A-weighted sound power level	Niveau de puissance sonore pondérée A	A-bewerteter Schalleistungspegel	Nivel de potencia acústica ponderada en A	Livello di potenza sonora pesato A	A-gewogen geluidsniveau	Nível de potência sonora ponderada A
Uncertainty K	Incertitude K	Unsicherheit K	Incertidumbre K	Incerteza K	Onzekerheid K	Incerteza K
Wear ear protectors.	Portez une protection acoustique.	Tragen Sie Gehörschutz.	Utilice protección auditiva!	Indossare protezioni acustiche adeguate.	Draag oorbeschermers.	Sempre use a proteção dos ouvidos.
The vibration total values (triaxial vector sum) determined according to EN 62841:	La valeur totale des vibrations (somme vectorielle triaxiale) a été déterminée selon EN62841:	Schwingungsgesamtwerte (Vektorsumme dreier Richtungen) ermittelt entsprechend EN 62841:	Los valores de vibración total (suma de vectores triax.), determinado según la norma EN62841:	I valori totali delle vibrazioni (somma di vettori in tre direzioni) sono misurati conformemente alla norma EN62841:	De totale trillingswaarden (triaxiale vektorsom) vastgesteld in overeenstemming met EN62841:	Os valores totais de vibração (soma do vector triax) são determinados em conformidade com a EN62841:
Vibration emission value	Valeur d'émission de vibrations	Vibrationsemissionswert	Valor de emisión de vibraciones	Valore delle emissioni vibrazioni	Trillingsemissiewaarde	Valor de emissão de vibrações
Uncertainty K	Incertitude K	Unsicherheit K	Incertidumbre K	Incerteza K	Onzekerheid K	Incerteza K

Dansk	Svenska	Suomi	Norsk	Русский	Polski	
Produktspecifikationer	Produktspecifikationer	Tuotteen tekniset tiedot	Produktspesifikasjoner	Характеристики изделия	Parametry techniczne	
1/3 Rystepudser	1/3 Multislip	1/3 Tasohiomakone	1/3 Plansliper	1/3 Ленточный шлифовальный станок	1/3 Szlifierka oscylacyjna arkusza	
Model	Modell	Malli	Modell	Модель	Model	RSS280
Spænding	Spänning	Jännite	Spenning	Напряжение	Napięcie	220 - 240V ~ 50/60Hz
Effekt	Ström	Teho	Effekt	Мощность	Moc	280W
Banevandrings hastighed	Banrörelsens hastighet	Pyörintänopeus	Sirklingbevegelsens hastighet	Частота оборотов	Prędkość ruchu mimośrodowego	7,000 - 13,000 min ⁻¹
Kredsbanediameter	Bandiameter	Radan halkaisija	Omkretsdiameter	Диаметра орбиты	Mimośródowość	2 mm
Bundpladens mål	Slipdynans mått	Hiontatason mitat	Sälens mål	Размеры подошвы	Wymiary płyty szlifierskiej	
1/3 Bundplade til ark	1/3 Slipdyna ark	1/3 Tasohionतालुस्तін арккі	1/3 Sále ark	1/3 Подошва листа	1/3 Płyta okładziny	93 x 185 mm
Vægt I henhold til EPTA-procedure 01/2003	Vikt Enligt EPTA 01/2003	Paino EPTA-menetelmän 01/2003 mukaan	Vekt I henhold til EPTA-prosedyre 01/2003	Вес Соответствует требованиям EPTA-Procedure 01/2003	Waga Zgodnie z procedurą EPTA 01/2003	1, 7 kg
Målte lydverdier bestemt iht. EN 62841:	Uppmätta ljudvärden enligt EN 62841:	Mitatut arvot määritetty EN 62841: standardin mukaan:	Målte lydverdier bestemt iht. EN 62841:	Измеренные значения параметров звука определены в соответствии с EN 62841:	Zmierzone wartości akustyczne zgodnie z normą EN 62841:	
A-vægtet lydtryksniveau	A-vägd ljudtrycksnivå	A-painotettu äänenpainetaso	A-vektet lydtrykknivå	Уровень А-взвешенного звукового давления	A-ważony poziom ciśnienia hałasu	$L_{pA} = 80,0 \text{ dB(A)}$
Usikkerhed K	Osäkerhet K	Epätarkkuus K	Usikkerhet K	Разброс K	Niepewność pomiaru K	3 dB
A-vægtet lydeffektniveau	A-vägd lydeffektsnivå	A-painotettu äänen-teho	A-vektet lydeffektnivå	Уровень А-взвешенной звуковой мощности	A-ważony poziom natężenia hałasu	$L_{wA} = 91,0 \text{ dB(A)}$
Usikkerhed K	Osäkerhet K	Epätarkkuus K	Usikkerhet K	Разброс K	Niepewność pomiaru K	3 dB
Bær høreværn.	Bär hörselskydd.	Käytä korvasuojia.	Bruk hørselsvern.	Используйте наушники!	Stosować środki ochrony słuchu!	
Totale vibrationsværdier (triax vector sum) afgøres ifølge EN62841:	Det totala vibrationsvärdet (treaxelvektorsumma) är framtaget enligt EN62841:	Tärinän kokonaisarvot (kolmiakselinen vektorisumma) määritettyä standardin EN62841 mukaisesti:	De totale vibrasjonsverdiene (triax vektor-sum) er fastsatt i henhold til EN62841:	суммарное значение вибрации (векторная сумма по трем координатам) определено в соответствии со стандартом EN62841:	Wartości sumaryczne drgań (suma wektorowa przyspieszeń mierzona czujnikami typu triax) określone zgodnie z normą EN62841:	
Vibrationsemissionsværdi	Vibrationsvärde	Tärinäarvo	Verdier for vibrasjonsutslipp	Значение вибрации	Poziom drgań	$a_w = 6,3 \text{ m/s}^2$
Usikkerhed K	Osäkerhet K	Epätarkkuus K	Usikkerhet K	Разброс K	Niepewność pomiaru K	1,5 m/s ²



Čeština	Magyar	Română	Latviski	Lietuviškai	Eesti	Hrvatski
Technické údaje produktu	Termék műszaki adatai	Specificațiile produsului	Produkta specifikācijas	Gaminio techninės savybės	Toote tehnilised andmed	Specifikacije proizvoda
1/3 Bruska ohybem brusného papíru	1/3 Íves csiszológép	1/3 Mașină de șlefuit tablă	1/3 Lokšņu slīpmašīna	1/3 Lakštinis šlifautuvas	1/3 Leht lihvmasin	1/3 Oscilatorna brusilica
Model	Típus	Model	Modelis	Modelis	Mudeli tähis	Model
Elektrické napětí	Feszültség	Tensiune	Spriegums	Įtampa	Pinge	Napon
Výkon	Teljesítmény	Alimentare	Strāva	Gaia	Võimsus	Napajanje
Počet brusných kmitů	Üresjárati fordulatszám (rezgő mozgás)	Viteza de mișcare orbitală	Orbitas lielums	Orbitinė minutė	Orbitaal-pöörlemiskiirus	Orbitalna minuta
Průměr upínání	Átmérő (orbitális)	Diametru orbital	Orbitālā Diametrs	Orbitinis skersmuo	Orbital läbimõõt	Promjer putanje
Rozměry brusné desky	A talp méretei	Dimensiunile tălpii	Pamatnes izmērs	Pado dydis	Lihvimistaldmiku mõõtmed	Dimenzije brusne ploče
1/3 Brusná deska listu	1/3 talp	1/3 Talpă de foaie	1/3 Loksnes uzliktnis	1/3 Popieriaus padas	1/3 Lihvpaberi alusplaat	1/3 Brusna ploča lista
Hmotnost Dle protokolu EPTA 01/2003	Tömeg A 01/2003 EPTA-eljárás szerint	Greutate În conformitate cu Procedura EPTA din 01/2003	Svars Saskaņā ar EPTA procedūru 01/2003	Svoris Pagal Europos elektrinių įrankių asociacijos (EPTA) nustatytą tvarką 01/2003	Mass Vastavalt EPTA-protseduurile 01/2003	Težina Prema EPTA-postupku 01/2003
Naměřené hodnoty hluku zjištěné dle EN 62841:	A hang értékek meghatározása az EN 62841: szerint történt:	Valori de sunet măsurate determinate în conformitate cu EN 62841:	Izmērtās skaņas vērtības ir noteiktas saskaņā ar EN 62841:	Išmatuotos garso vertės nustatytos pagal EN 62841:	Mõõteväärtused on kindlaks määratud vastavalt standardile EN 62841:	Mjerena vrijednost zvuka određena je prema EN 62841:
Hladina akustického tlaku vážená funkcí A	A-súlyozott hangnyomásszint	Nivel de presiune acustică ponderată A	A-līmeņa skaņas spiediena līmenis	A svertinis garso slėgio lygis	A-kaalutud helirõhu tase	Ponderirana razina tlaka zvuka
Nejistota K	Bizonytalanság K	Incertitudine K	Kļūdas vērtība K	Nepastovumas K	Mõõtemääramatus K	Neodređenost K
Hladina akustického výkonu vážená funkcí A	A-súlyozott hangteljesítményszint	Nivel de putere acustică ponderată A	A-līmeņa skaņas jaudas līmenis	A svertinis garso galios lygis	A-kaalutud helivõimsuse tase	Ponderirana razina zvučne snage
Nejistota K	Bizonytalanság K	Incertitudine K	Kļūdas vērtība K	Nepastovumas K	Mõõtemääramatus K	Neodređenost K
Používejte chrániče sluchu.	Viseljen hallásvédőt.	Purtați aparatoare de urechi.	Lietojiet dzirdes aizsargus.	Naudokite ausų apsaugos priemones.	Kasutage kuulmiskaitsevahendeid.	Nosite štitičke za uši.
Celkové hodnoty vibrací (třísosy vektorový součet) určené v souladu s EN62841:	Vibráció teljes értékei (háromtengelyű vektorösszeg), az EN 62841 szerint meghatározva:	Valorile totale ale vibrațiilor (suma vectorială a trei direcții) au fost determinate conform EN62841:	Vibrāciju kopējās vērtības (trīsasu vektoru summa) tiek noteiktas atbilstoši EN62841:	Bendros vibracijos vertės (trikampio vektorių suma) nustatomos pagal EN62841:	Vibratsiooni koguväärtused (kolme suuna vektorsumma) on vastavalt standardile EN 62841 määratud järgmiselt:	Ponderirana energetska vrijednost Ukupne vrijednosti vibracija (troosni vektorski zbir) određuju se u skladu s EN62841:
Úroveň emisii vibrací	Vibráció-kibocsátás értéke	Valoarea emisiilor de vibrații	Vibrāciju emisijas vērtība	Vibracijos emisijos vertė	Vibratsiooniemisiooni väärtus	Vrijednost emisija vibracije
Nejistota K	Bizonytalanság K	Incertitudine K	Kļūdas vērtība K	Nepastovumas K	Mõõtemääramatus K	Neodređenost K





Slovensko	Slovenčina	България	українська мова	Türkçe	Ελληνικά	
Specifikacije izdelka	Špecifikácie produktu	Технически характеристики	Технічні характеристики продукту	Ürün Özellikleri	Προδιαγραφές Προϊόντος	
1/3 Tračni brusilnik	1/3 Brúska na listy	1/3 листова шлайфмашина	1/3 Шліфувальний верстат	1/3 Yaprak zımpara makinesi	1/3 Τριβείο φύλλων	
Model	Model	Модел	Модель	Model	Μοντέλο	RSS280
Napetost	Napätie	Напряжение	Напруга	Gerilim	Τάση	220 - 240V ~ 50/60Hz
Napajanje	Napájanie	Мощност	Потужність	Güç	Ισχύς	280W
Krožna minuta	Krožna minuta	Орбитални движения в минута	Оберти	Dönüş hareketi hızı	Ταχύτητα παλμών	7.000 - 13.000 min ⁻¹
Orbitálnej Priemer	Orbitální premer	Орбитален діаметър	Орбітальний діаметр	Yörünge çapı	Τροχιακή διάμετρος	2 mm
Velikost podloge	Maximálna veľkosť podložky	Ширина на подложката	Розмір прокладки	Zımparalama tabanı ölçüleri	Διαστάσεις πέλματς	
1/3 Podloga pole	1/3 Listová podložka	1/3 подложка лист	1/3-прямокутна прокладка	1/3 kağıt paten	1/3 Πέлма φύλλου	93 x 185 mm
Teža Skladno s postopkom EPTA 01/2003	Hmotnosť Podľa EPTA-Procedure 01/2003	Тегно (според процедурата на EPTA 01/2003)	Вага (відповідно до процедури EPTA 01/2003)	Ağırlık EPTA-Prosedürü 01/2003'e göre	Βάρος Σύμφωνα με την Διαδικασία EPTA 01/2003	1, 7 kg
Izmerjene zvočne vrednosti določene v skladu s standardom EN 62841:	Namerané hodnoty určené podľa EN 62841:	Измерените стойности на звука са определени в съответствие с EN 62841:	Измеренные значения параметров звука определены в соответствии с EN 62841:	EN 62841: e göre hesaplanmış ses değerleri:	Μετρημένες τιμές ήχου σύμφωνα με το EN 62841:	
A-izmerjena raven zvočne tlaka	Vážená A hladina akustického tlaku	Ниво на шумово налягане с равнище A	A-зважений рівень звукового тиску	A ağırlıklı ses basınç seviyesi	A-σταθμισμένο επίπεδο πίεσης ήχου	$L_{pA} = 80,0 \text{ dB(A)}$
Nedoloč. K	Odhýlka K	Променливост (K)	Невизначеність K	Belirsizlik K	Αβεβαιότητα K	3 dB
A-izmerjena raven zvočne moči	Vážená A hladina akustického výkonu	Ниво на силата на шума с равнище A	A-зважений рівень звукової потужності	A ağırlıklı ses gücü seviyesi	A-σταθμισμένο επίπεδο έντασης ήχου	$L_{wA} = 91,0 \text{ dB(A)}$
Nedoloč. K	Odhýlka K	Променливост (K)	Невизначеність K	Belirsizlik K	Αβεβαιότητα K	3 dB
Nosite ščitnike za ušesa.	Používejte chrániče sluchu.	Носете антифони	Діаметр ріжучої лінії.	Kulak koruyucu kullanın.	Φοράτε ωτοασπίδες.	
Skupna vrednost vibracij (vektorska vsota treh smeri) določena v skladu z EN62841:	Celkové hodnoty vibrácií (súhrn triaxiálneho vektora) určuje norma EN62841:	Общата стойност на вибрациите (триосна векторна сума) е определена в съответствие с EN 62841:	Суммарное значение вибрации (сумма векторов по трем координатным осям) определено в соответствии со стандартом EN 62841:	EN 62841 normuna uygun olarak belirlenmiş titreşim toplam değerleri (triaks vektör toplamı):	Συνολικές αξίες κραδασμών (τριαξονικό διανυσματικό άθροισμα) σύμφωνα με EN62841:	
Vrednost emisij vibracij	Vrednost emisij vibracij	Стойност на вибрационните емисии	Ударное сверление по бетону	Titreşim emisyon değeri	Τιμή εκπομπών κραδασμών	$a_b = 6,3 \text{ m/s}^2$
Nedoloč. K	Odhýlka K	Променливост (K)	Невизначеність K	Belirsizlik K	Αβεβαιότητα K	1,5 m/s ²





EN WARNING

The vibration emission level given in this information sheet has been measured in accordance with a standardised test given in EN 62841 and may be used to compare one tool with another. It may be used for a preliminary assessment of exposure. The declared vibration emission level represents the main applications of the tool. However if the tool is used for different applications, with different accessories or poorly maintained, the vibration emission may differ. This may significantly increase the exposure level over the total working period.

An estimation of the level of exposure to vibration should also take into account the times when the tool is switched off or when it is running but not actually doing the job. This may significantly reduce the exposure level over the total working period. Identify additional safety measures to protect the operator from the effects of vibration such as: maintain the tool and the accessories, keep the hands warm, organisation of work patterns.

FR AVERTISSEMENT

Le niveau d'émission des vibrations indiqué dans cette feuille d'information a été mesuré en concordance avec un test normalisé fourni par EN62841 et peut être utilisé pour comparer un outil à un autre. Il peut être utilisé pour une évaluation préliminaire de l'exposition. Le niveau déclaré d'émission des vibrations s'applique à l'utilisation principale de l'outil. Toutefois, si l'outil est utilisé pour des applications différentes, avec des accessoires différents, ou mal entretenu, l'émission de vibrations peut être différente. Le niveau d'exposition peut en être augmenté de façon significative tout au long de la période de travail.

Une estimation du niveau d'exposition aux vibrations doit aussi prendre en compte les périodes où l'outil est arrêté ainsi que les périodes où il fonctionne sans vraiment travailler. Le niveau d'exposition pendant la durée totale du travail peut en être réduit de façon significative. Prenez en considération les mesures additionnelles de sécurité à prendre pour protéger l'opérateur des effets des vibrations telles que: maintien de l'outil et de ses accessoires, maintien des mains au chaud, organisation du travail.

DE WARNUNG

Der in diesem Informationsblatt genannte Schwingungspegel wurde entsprechend dem standardisierten Test von EN62841 gemessen und kann benutzt werden um das Werkzeug mit anderen zu vergleichen. Er kann benutzt werden, um eine vorausgehende Einschätzung der Exposition durchzuführen. Der genannte Schwingungspegel repräsentiert den Haupteinsatzbereich des Werkzeugs. Jedoch kann das Werkzeug für verschiedene Einsatzbereiche benutzt werden. Mit unterschiedlichen Zusatzgeräten oder bei schlechter Wartung kann der Schwingungspegel unterschiedlich sein. Dadurch kann die Expositionshöhe über die gesamte Arbeitszeit signifikant erhöht werden.

Eine Einschätzung der Exposition zu Schwingungen sollte auch die Zeiten wenn das Werkzeug ausgeschaltet ist, oder wenn es angeschaltet aber nicht in Betrieb ist, in Betracht ziehen. Dadurch kann die Expositionshöhe über die gesamte Arbeitszeit signifikant reduziert werden. Identifizieren Sie zusätzliche Sicherheitsmaßnahmen um die Bedienungsperson vor den Effekten der Schwingungen zu schützen, wie zum Beispiel: Das Werkzeug und Zusatzgeräte warten, Hände warmhalten und Organisation der Arbeitszeiten.

ES ADVERTENCIA

El nivel de emisión de las vibraciones que figura en esta hoja de información se ha medido según una prueba estandarizada que figura en EN62841 y puede ser utilizado para comparar una herramienta con otra. Puede ser utilizado para una evaluación preliminar de la exposición. El nivel de emisión de las vibraciones declarado representa las principales aplicaciones de la herramienta. No obstante, si la herramienta se utiliza para diferentes aplicaciones, con diferentes accesorios o no recibe el mantenimiento adecuado, la emisión de las vibraciones puede ser diferente. Esto puede aumentar significativamente el nivel de exposición durante el período de trabajo total.

Una estimación del nivel de exposición a la vibración también debe tener en cuenta el tiempo en el que la herramienta está desconectada o cuando está conectada pero no está realizando ningún trabajo. Esto puede reducir significativamente el nivel de exposición durante el período de trabajo total. Identificar las medidas de seguridad adicionales para proteger al operador de los efectos de las vibraciones, tales como: mantenimiento de la herramienta y de los accesorios, y la organización de los patrones de trabajo.

IT AVVERTENZE

Il livello di vibrazioni indicato in questo foglio informativo è stato misurato seguendo un test svolto secondo i requisiti indicati dallo standard EN62841 e potrà essere utilizzato per paragonare un utensile con un altro. Potrà essere utilizzato per una valutazione preliminare dell'esposizione a vibrazioni. Il livello dichiarato di emissioni di vibrazioni viene indicato tenendo conto delle applicazioni principali dell'utensile. Comunque se l'utensile viene utilizzato per applicazioni diverse con accessori diversi o non viene correttamente conservato, il livello delle vibrazioni potrà variare. Ciò potrà significativamente aumentare il livello di esposizione alle vibrazioni durante il periodo di lavoro totale.

Una valutazione del livello di esposizione alle vibrazioni dovrà inoltre prendere in considerazione i tempi in cui l'utensile viene spento o è acceso ma non viene utilizzato. Ciò potrà significativamente ridurre il livello di esposizione in un periodo totale di funzionamento. Ulteriori misure di sicurezza per proteggere l'operatore dagli effetti delle vibrazioni come: conservare correttamente l'utensile e i suoi accessori, tenere le mani calde e organizzare i tempi di lavoro.

NL WAARSCHUWING

Het trillingsemissieniveau dat op dit informatieblad wordt gegeven, is gemeten in overeenstemming met een gestandaardiseerde test, vastgelegd in EN62841 en mag worden gebruikt om machines met elkaar te vergelijken. Het verklaarde trillingsemissieniveau geeft de hoofdtoepassing van het gereedschap weer. Als de machine echter voor andere toepassingen of met andere accessoires wordt gebruikt of slecht wordt onderhouden, kan de trillingsemisie verschillen. Dit kan de blootstelling gedurende de gehele werkduur aanzienlijk verhogen.

Bij een schatting van het niveau van blootstelling aan trillingen moet ook rekening worden gehouden met het aantal keren dat de machine wordt uitgeschakeld of draait, maar niet wordt gebruikt. Dit kan het niveau van blootstelling gedurende de gehele werkduur aanzienlijk verlagen. Stel bijkomende veiligheidsmaatregelen op om de gebruiker tegen de gevolgen van trillingen te beschermen: zoals onderhouden het gereedschap en de accessoires, houd de handen warm, de organisatie van werktijden.

PT AVISO

O nível de emissão de vibrações fornecido nesta folha de informações foi medido em conformidade com o teste uniformizado descrito em EN62841 e pode ser usado para comparar uma ferramenta com outra. Este pode ser usado para uma avaliação preliminar da exposição. O nível de emissão de vibração declarado refere-se à aplicação principal da ferramenta. Contudo, se a ferramenta for usada para aplicações diferentes, com acessórios diferentes ou não for devidamente mantida, a emissão de vibrações pode diferir. Isto pode fazer aumentar significativamente o nível de exposição ao longo do período de trabalho total.

Uma estimativa do nível de exposição às vibrações deve ter, também, em consideração o tempo durante o qual a ferramenta está desligada ou em que está ligada mas não está a realizar qualquer trabalho. Isto pode reduzir significativamente o nível de exposição durante o período total de trabalho. Identifique medidas adicionais de segurança que protejam o operário dos efeitos da vibração como a manutenção da ferramenta e dos acessórios, a manutenção das mãos quentes e a organização de padrões de trabalho.

DA ADVARSEL

Det angivne niveau for vibrationsemission på denne oplysningside er blevet målt iht. en standardtest ifølge EN62841 og kan bruges til at sammenligne værktøjer indbyrdes. Det kan bruges til en foreløbig eksponeringsvurdering. Det opgivne niveau for vibrationsemission gælder, når værktøjet bruges til sit hovedformål. Men hvis værktøjet bruges til andre formål, end forskelligt eller med dårligt vedligeholdet ekstraudstyr, kan vibrationsemissionen variere. Dette kan medføre en betragtelig stigning i eksponeringsniveauet set over hele arbejdsperioden.

Et skøn over niveauet for vibrationseksponering bør også tage højde for de perioder, hvor værktøjet er slukket, eller hvor det er tændt uden faktisk at være i brug. Dette kan medføre en betragtelig reduktion i eksponeringsniveauet set over hele arbejdsperioden. Træf ekstra sikkerhedsforanstaltninger til beskyttelse af operatøren mod virkningerne fra vibrationen som fx: vedligeholdelse værktøj og ekstraudstyr, holde hænderne varme, organisere arbejdsmonstre.





SV VARNING

Vibrationsnivåerna som uppges i det här dokumentet har uppmäts i enlighet med ett standardiserat test som beskrivs i EN62841 och som kan användas för att jämföra verktyg. Det kan användas som en preliminär bedömning av den vibration som användaren utsätts för. De deklarerade vibrationsvärdena motsvarar de som uppstår när verktyget används i sitt huvudsyfte. Om verktyget används i andra syften, med andra tillbehör eller om verktyget är dåligt underhållet kan vibrationsnivåerna vara annorlunda. Det kan kraftigt öka vibrationsnivåerna över den totala arbetsperioden.

En uppskattning av vibrationsnivåerna som användaren utsätts för ska också ta hänsyn till de stunder då verktyget är avstängt och när det går på tomgång. Detta kan kraftigt minska vibrationsnivåerna över den totala arbetsperioden. Andra säkerhetsåtgärder som kan skydda användaren från effekterna av vibrationer är: underhållning av verktyget och tillbehören, hålla händerna varma och organisera arbets sättet.

FI VAROITUS

Tämän tiedotteen tärinäso on mitattu EN62841-standardien mukaisilla testeillä, ja niitä voidaan käyttää verrattaessa laitetta toiseen. Sitä voidaan käyttää arvioitaessa tärinävaikutusta. Ilmoitettu tärinäso vastaa laitteen pääasiallista käyttötarkoitusta. Jos laitetta kuitenkin käytetään muuhun tarkoitukseen, muilla lisälaitteilla tai huonosti huolletuna, tärinäso saattaa poiketa ilmoitetusta arvosta. Tämä voi kasvattaa kokonaisaltistumista huomattavasti koko työjakson kuluessa.

Tärinän altistumistasoa arvioitaessa tulee huomioida ajat, jolloin laite on sammutettu tai kun se on käynnissä, mutta sitä ei käytetä varsinaiseen työskentelyyn. Tämä voi vähentää kokonaisaltistumista huomattavasti koko työjakson kuluessa. Käytä muitakin suojauskeinoja turvataksesi käyttäjän tärinävaikutukselta, kuten: huolla laite ja lisälaitteet, pidä kätesi lämpiminä, organisoi työnkulku.

NO ADVARSEL

Vibrasjonsnivået som oppgis på dette informasjonsarket er målt i henhold til en standardisert test gitt i EN62841 og kan brukes til å sammenligne ett verktøy med et annet. Det kan brukes til en foreløpig vurdering av eksponering. Det erklærte vibrasjonsnivået representerer hovedanvendelsen for verktøyet. Dersom verktøyet brukes for andre anvendelser, med forskjellige tilbehør eller med dårlig vedlikehold, vil vibrasjonsnivået kunne være annerledes. Det kan gi en betydelig økning av eksponeringsnivået over den totale arbeidsperioden.

En beregning av nivået for eksponering til vibrasjoner må også ta hensyn til den tiden verktøyet er slått av eller er i gang men ikke i faktisk bruk for å utføre den tiltenkte oppgaven. Dette kan gi en betydelig økning av eksponeringsnivået over den totale arbeidsperioden. Identifiser ytterligere sikkerhetstiltak for å beskytte den som bruker verktøyet fra virkningen av vibrasjoner, tiltak som: Vedlikehold verktøyet og tilbehøret, hold hendene varme, organiser arbeidsmetodene.

RU ОСТОРОЖНО!

Уровень вибрации, приведенный в данном справочном листе, измерен согласно стандартизованным испытаниям, определенным в EN62841 и может использоваться для сравнения различных инструментов. Значение уровня может использоваться для предварительной оценки влияния вибрации. Заявленный уровень вибрации действителен для основного применения инструмента. Однако, если инструмент используется для других целей, с другими приспособлениями, или плохо обслуживается, уровень вибрации может отличаться от указанного. Это может значительно увеличить величину воздействия за общее время работы.

При оценке уровня воздействия вибрации следует также принять во внимание время простоя и холостой ход (когда инструмент выключен и когда включен, но работа не производится). Эти факторы могут значительно уменьшить величину воздействия вибрации за общее время работы. Определите дополнительные меры безопасности, защищающие работающего от влияния вибрации: техническое обслуживание инструмента и принадлежностей, недопущение охлаждения рук, соответствующие приемы и распорядок работы.

PL OSTRZEŻENIE

Deklarowany poziom drgań został zmierzony za pomocą standardowej metody pomiaru określonej normą EN62841 i jego wyniki mogą służyć do porównywania tego urządzenia z innymi. Deklarowana wartość drgań może służyć do wstępnej oceny narażenia operatora na drgania. Deklarowany poziom drgań dotyczy podstawowych zastosowań urządzenia. Jednak w przypadku użycia urządzenia do innych zastosowań, z innymi przystawkami lub w przypadku niewłaściwego stanu technicznego urządzenia poziom drgań może odbiegać od deklarowanego. Może być to przyczyną zwiększenia stopnia narażenia operatora na drgania w całym okresie wykonywania pracy.

Podczas oceny narażenia na drgania należy również uwzględnić czas wyłączenia urządzenia oraz czas, w którym urządzenie jest włączone, jednak praca nie jest wykonywana. Czas te mogą znacznie zmniejszyć stopień narażenia operatora na drgania w całym okresie wykonywania pracy. Należy określić dodatkowe środki ochrony operatora przed skutkami drgań, przykładowo: dbać o stan techniczny urządzenia i przystawek, dbać o zachowanie ciepłoty dłoni, odpowiednio zorganizować harmonogram wykonywania prac.

CS VAROVÁNÍ

Hodnota vibračních emisí uvedená v tomto informačním listu byla naměřena standardizovaným testem podle EN62841 a ji použít k porovnání s hodnotami jiných nástrojů. Může se používat k předběžnému odhadu vystavování vibračím. Uznaná hodnota vibračních emisí reprezentuje hlavní použití nástroje. Nicméně pokud se nástroj používá pro jiné použití, s různými doplňky nebo se nedostatečně neudržuje, mohou se vibrační emise lišit. Toto může výrazně zvýšit úroveň vystavení nad celkové pracovní období.

Odhad úrovně vystavení vibračím by měl vzít taktéž v potaz časy, kdy je chvění vypnuto, nebo když přístroj běží, ale nevykonává práci. Toto může výrazně snížit úroveň vystavení nad celkové pracovní období. Určete doplňující bezpečnostní opatření pro ochranu obsluhy před různými vibračím, například: Udržujte nástroj a doplňky, udržujte ruce v teple, organizujte pracovní schéma.

HU FIGYELMEZTÉTES

A vibráció-kibocsátás adattalapon megadott értéke az EN62841 által meghatározott szabványosított mérési eljárás szerint lett megmértve, amely lehetővé teszi a különböző szerszámok összehasonlítását. Használható a kitettség előzetes felmérésére is. A nyilatkozatban szereplő kibocsátási érték a szerszám főbb alkalmazási területeire vonatkozik. Ugyanakkor, ha a szerszámot más alkalmazásokra, más kiegészítőikkel használják vagy rosszul tartják karban, a vibráció-kibocsátás értéke ettől eltérő is lehet. Ez jelentősen növelheti a kitettség szintjét a gép teljes használati időtartama során.

A vibrációnak való kitettség szintjének becslésekor figyelembe kell venni azokat az időintervallumokat is, amikor a szerszám ki van kapcsolva, vagy működik, de nem végeznek munkát vele. Ez jelentősen csökkentheti a kitettség szintjét a gép teljes használati időtartama során. Tegyén további óvintézkedéseket a kezelő vibrációval szembeni megvédése érdekében: tartsa karban a szerszámot és a tartozékokat, tartsa melegen a kezét, tervezzék meg a munkafolyamatot.

RO AVERTISMENT

Nivelul emisiilor de vibrații prezentat în cadrul acestei fișe cu informații a fost măsurat în conformitate cu un test standardizat furnizat în EN62841 și poate fi folosit la a compara o unealtă cu o alta. Poate fi folosit la o evaluare preliminară a expunerii. Nivelul declarat al emisiilor de vibrații reprezintă aplicațiile principale ale uneltei. Cu toate acestea, în cazul în care unealta este utilizată pentru aplicații diferite, cu accesorii diferite sau întreținute necorespunzător, emisiile de vibrații pot diferi. Acestea pot crește semnificativ nivelul de expunere pe întreaga perioadă de lucru.

O estimare a nivelului de expunere la vibrații trebuie, de asemenea, să țină cont de tățile în care unealta este oprită sau de tățile în care aceasta funcționează fără a efectua propriu-zis sarcina de lucru. Acestea pot reduce semnificativ nivelul de expunere pe întreaga perioadă de lucru. Identificați măsurile de siguranță suplimentare pentru a proteja operatorul de efectele vibrațiilor, precum: întreținerea uneltei și a accesoriilor, păstrarea mâinilor calde, organizarea de modele de lucru.





LV BRĪDINĀJUMS

Šajā datu lapā dotā vibrāciju emisijas vērtība ir mērīta saskaņā ar standartizēto testu, kas dots EN62841 un kuru var izmantot, lai salīdzinātu vienu instrumentu ar citu. To var izmantot aptuvenam ekspozīcijas novērtējumam. Deklarētais vibrāciju emisijas līmenis atbilst galvenajiem instrumenta pielietojumiem. Tomēr, ja instrumentu lieto citiem pielietojumiem, ar citiem piederumiem vai tas tiek slikti apkopots, vibrāciju emisijas vērtība var atšķirties. Tas var ievērojami palielināt ekspozīcijas līmeni visā darba periodā.

Vibrāciju ekspozīcijas līmeņa novērtējumam jāņem vērā laiks, kad instruments ir izslēgts vai ir ieslēgts, bet nevis nekādu darbu. Tas var ievērojami samazināt ekspozīcijas līmeni visā darba periodā. Identificējiet papildu drošības pasākumus, lai aizsargātu operatoru no vibrācijas iedarbības, piemēram, veiciet instrumenta un piederumu apkopi, turiet rokas siltas un pielāgojiet darba grafiku.

LT ĮSPĖJIMAS

Šīme lape nurodytas vibracijos emisijos lygis buvo išmatuotas pagal standartinį testą, aprašytą EN62841, ir gali būti naudojamas vieno įrankio su kitu palyginimui. Jis gali būti naudojamas preliminariam pavojaus įvertinimui. Deklaruotas vibracijos emisijos lygis priskiriamas pagrindinems įrankio taikymo sritims. Tačiau, jei įrankis naudojamas kitiems tikslams, su kitokiais priedais ar įrankis prastai prižiūrimas, vibracijos emisija gali skirtis. Per visą darbo laikotarpį tai gali žymiai padidinti vibracijos keliamą pavojų.

Nustatant vibracijos keliamą pavojų taip pat būtina atsižvelgti į tai, kiek kartu įrankis yra išjungtas ar kai jis veikia, bet juo iš tikrųjų nedirbama. Per visą darbo laikotarpį tai gali žymiai sumažinti vibracijos keliamą pavojų. Naudokite papildomas apsaugos priemonės dirbančiam asmeniui apsaugoti nuo vibracijos poveikio, pvz.: prižiūrėti įrankį ir jo priedus, rankas laikyti šiltai, organizuoti darbo sesijas.

ET HOIATUS

Sellel infolehel esitatud vibratsioonitaseme väärtus on mõõdetud standardis EN62841 kirjeldatud katsemeetodiga ja seda võib kasutada tööriistade omavaheliseks võrdlemiseks. Seda võib kasutada vibratsioonimõju eelhindamiseks. Deklareeritud vibratsioonitaseme väärtus kehtib tööriista tavakasutamisel. Kui aga kasutate tööriista muudeks kasutusotstarveteks, eriolehteliste tarvikutega või kui tööriist on puudulikult hooldatud, siis võib vibratsiooniväärtus erineda. Sellistel juhtudel võib tööperioodi summaarne vibratsioonitaseme suureneda märgatavalt.

Vibratsiooniväärtuse taset tuleb arvesse võtta ka sel ajal, kui tööriist on välja lülitatud või kui tööriist tööle, kuid ei tee tööoperatsiooni. Sellistel juhtudel võib tööperioodi ajal summaarne vibratsioonitaseme väheneda märgatavalt. Maarake kindlaks täiendavad ohutusmeetmed, et kaitsa operaatorit vibratsioonimõjude eest – tööriistade ja tarvikute hooldamine, käte soojas hoidmine ja töövahetuste organiseerimine.

HR UPOZORENJE

Razina vrijednosti vibracija data u ovoj tablici s informacijama mjerena je skladno normiranom testu pruženom u EN62841 i može se koristiti za usporedbu jednog alata s drugim. Može se koristiti u početnom usklađivanju izloženosti. Objavljena razina vrijednosti vibracija predstavlja glavnu primjenu alata. Međutim, ako se alat koristi za druge primjene, s različitim dodatnim priborom ili je slabo održavan, vrijednost vibracija može se razlikovati. Ovo može značajno povećati razinu izloženosti tijekom ukupnog radnog razdoblja.

U procjeni razine izloženosti na vibraciju također treba uzeti u obzir vrijeme kada je alat isključen ili kada je pokrenut no ne i stvarno vrijeme rada. Ovo može značajno smanjiti razinu izloženosti tijekom ukupnog radnog razdoblja. Odredite dodatne sigurnosne mjere za zaštitu operatora od učinaka vibracije poput: održavanje alata i pribora, održavanje toplih ruku, organizacija obrazaca za rad.

SL OPOZORILO

Nivo emisij vibracij, naveden v tem informacijskem listu, je bil izmerjen v skladu s standardiziranim testom, ki je podan v EN62841, podatek pa se lahko uporablja za primerjavo enega orodja z drugim. Uporablja se ga lahko za predhodno oceno izpostavljenosti. Navedeni nivo emisij vibracij predstavlja glavne uporabe orodja. Vendar, če se orodje uporablja v druge namene in z različnimi nastavitvami oz. če je orodje slabo vzdrževano, se lahko emisije vibracij razlikujejo. To lahko občutno poveča nivo izpostavljenosti v skupnem delovnem času.

Ocena nivoja izpostavljenosti vibracijam bi morala prav tako upoštevati, koliko krat je orodje bilo izključeno ali je v delovanju in pravzaprav ne opravlja svojega dela. To lahko občutno zmanjša nivo izpostavljenosti v skupnem delovnem času. Upoštevajte dodatne varnostne ukrepe, da bi upravljavca zaščitili pred vplivom vibracij, kot je: vzdržujte orodje in nastavke, pazite, da so roke tople, organizirajte delovne vzorce.

SK VAROVANIE

Úroveň emisie vibrácií, uvedená v tomto informačnom hárku bola nameraná v súlade so štandardizovaným testom, daný normou EN62841 a môže sa použiť na porovnanie jedného nástroja s druhým. Môže sa použiť na predbežné určenie miery vystavenia sa vibráciám. Uvedená úroveň emisie vibrácií predstavuje hlavné aplikácie nástroja. Avšak keď sa nástroj používa na iné aplikácie, s rôznym príslušenstvom alebo má zlé údržbu, úroveň vibrácií sa môže líšiť. Týmto sa môže výrazne zvýšiť úroveň vystavenia sa vibráciám počas celkového času práce.

Odhad úrovne vystavenia sa vibráciám by sa mal brať tiež do úvahy, vždy, keď sa nástroj vypne, alebo potom, keď beží ale v skutočnosti sa nevykonáva práca. Týmto sa môže výrazne znížiť úroveň vystavenia sa vibráciám počas celkového času práce. Nasledovné dopĺňujúce bezpečnostné opatrenia pomáhajú chrániť operátora od účinkov vibrácií: údržba nástroja a príslušenstva, udržiavanie teplých rúk, organizácia práce.

BG ВНИМАНИЕ

Посоченото в тези инструкции ниво на вибрациите е измерено в съответствие със стандартизиран в EN 62841 измервателен метод и може да се използва за сравнение на електрически инструменти помежду им. Подходящ е и за временна оценка на вибрационното натоварване. Посоченото ниво на вибрациите представя основните приложения на електрическия инструмент. Ако обаче електрическият инструмент се използва с друго предназначение, с различни сменяемите инструменти или при недостатъчна техническа поддръжка, нивото на вибрациите може да е различно. Това чувствително може да увеличи вибрационното натоварване по време на целия работен цикъл.

За точната оценка на вибрационното натоварване трябва да се вземат предвид и периодите от време, в които уредът е изключен или работи, но в действителност не се използва. Това чувствително може да намали вибрационното натоварване по време на целия работен цикъл. Определете допълнителни мерки по техника на безопасност в защита на обслужващия работник от въздействието на вибрациите като например: техническа поддръжка на електрическия инструмент и сменяемите инструменти, поддръжане на ръцете топли, организация на работния цикъл.

UK ПОПЕРЕДЖЕННЯ

Рівень вібрації, зазначений у цьому інформаційному листку був розрахований відповідно зі стандартизованим випробуванням, наведеним в EN 62841 і може використовуватися для порівняння одного інструмента з іншими. Він може бути використаний для попередньої оцінки впливу. Зазначений рівень вібрації представляє основні застосування інструменту. Тим не менш, якщо інструмент використовується для різних додатків, з різними аксесуарамі і недоглянутий, рівень вібрації може відрізнятись. Це може значно підвищити рівень впливу протягом усього робочого періоду.

При оцінюванні рівня впливу вібрації необхідно також враховувати час, коли інструмент вимкнений або коли він працює, але насправді не виконує ніякої роботи. Це може значно зменшити рівень впливу протягом усього робочого періоду. Для захисту оператора від впливу вібрації, визначте додаткові заходи безпеки, такі як: ретельний догляд за інструментом і приладдям, тримання рук в теплі, і організація схеми роботи.



TR UYARI

Bu bilgi sayfasında verilen titreşim emisyon seviyesi, EN62841 standardında belirtilen standartlaştırılmış bir teste uygun olarak ölçülmüş ve bir aleti diğeriyle karşılaştırmak için kullanılabilir. On maruz kalma tespiti için kullanılabilir. Beyan edilen titreşim emisyon seviyesi aletin asıl uygulamalarını temsil etmektedir. Ancak alet, farklı aksesuarlarla veya yetersiz bakımlı olarak farklı uygulamalar için kullanılırsa titreşim emisyonu değişebilir. Bu durum toplam çalışma süresi boyunca maruz kalma seviyesini önemli ölçüde artırır.

Titreşime maruz kalma seviyesinin değerlendirilmesi aynı zamanda alet kapalı ve ardından çalışır ancak gerçek anlamda iş yapmadığı zamanlar da göz önünde bulundurulmalıdır. Bu durum toplam çalışma süresi boyunca maruz kalma seviyesini önemli ölçüde azaltır. Operatörü titreşimin etkilerinden korumak için ilave güvenlik önlemleri belirleyin, örneğin: aletin ve aksesuarlarının bakımını yapmak, operatörün ellerini sıcak tutmak, çalışma modellerini organize etmek.

EL ΠΡΟΕΙΔΟΠΟΙΗΣΗ

Τα επίπεδα εκπομπών κραδασμών που παρέχονται στο παρόν ενημερωτικό φυλλάδιο, έχουν μετρηθεί βάσει τυποποιημένης δοκιμής που προβλέπεται στο EN62841 και μπορούν να συγκριθούν για τη σύγκριση του εργαλείου με άλλα. Μπορούν επίσης να χρησιμοποιηθούν για προκαταρκτική αξιολόγηση της έκθεσης. Τα δηλωμένα επίπεδα εκπομπών κραδασμών αφορούν τις βασικές εφαρμογές του εργαλείου. Ωστόσο, αν το εργαλείο χρησιμοποιείται για διαφορετικές εφαρμογές, με διαφορετικά εξαρτήματα ή με κακή συντήρηση, η εκπομπή κραδασμών μπορεί να διαφέρει. Αυτό μπορεί να αυξήσει σημαντικά το επίπεδο έκθεσης στη συνολική περίοδο εργασίας.

Η εκτίμηση των επιπέδων έκθεσης σε κραδασμούς θα πρέπει επίσης να λαμβάνει υπόψη τις χρονικές περιόδους κατά τις οποίες το εργαλείο είναι απενεργοποιημένο ή λειτουργεί χωρίς να χρησιμοποιείται σε συγκεκριμένη εργασία. Αυτό μπορεί να μειώσει σημαντικά το επίπεδο έκθεσης στη συνολική περίοδο εργασίας. Εφαρμόστε επιπρόσθετα μέτρα ασφαλείας για την προστασία του χειριστή από τις επιπτώσεις των κραδασμών, όπως τα εξής: συντηρείτε το εργαλείο και τα εξαρτήματα, διατηρείτε τα χέρια ζεστά, οργανώστε μοτίβα εργασίας.

EN RYOBI® WARRANTY APPLICATION CONDITIONS

In addition to any statutory rights resulting from the purchase, this product is covered by a warranty as stated below.

1. The warranty period is 24 months for consumers and commences on the date the product was purchased. This date has to be documented by an invoice or other proof of purchase. The product is designed and dedicated to consumer and private use only. So there is no warranty provided in case of professional or commercial use. This warranty applies only on new products.
2. There is a possibility to extend for a part of the range of power tools (AC/DC) the warranty period over the period described above using the registration on the www.ryobitools.eu website. The eligibility of products for extended warranty is clearly displayed in stores and / or on packaging and is contained within the product documentation. The end user is required to register his/her newly-acquired products online within 30 days from the date of purchase. The end user may register for the extended warranty in his/her country of residence if listed on the online registration form where this option is valid. Furthermore, end users must give their consent to the storage of their personal data that is required to be entered online. They must also accept the terms and conditions. The registration confirmation receipt, which is sent out by e-mail, and the original invoice showing the date of purchase will serve as proof of the extended warranty.
3. The warranty covers all defects of the product during the warranty period due to faults in workmanship or material at the purchase date. The warranty is limited to repair and/or replacement and does not include any other obligations including but not limited to incidental or consequential damages. The warranty is not valid if the product has been misused, used contrary to the instruction manual, or has been incorrectly connected to a power supply. This warranty does not apply to:
 - any damage to the product that is the result of improper or lack of maintenance
 - any product that has been altered or modified
 - any product where original identification (trade mark, serial number) markings have been defaced, altered or removed
 - any damage caused by non-observance of the instruction manual
 - any product not displaying the CE approval mark on the rating plate
 - any product that has been attempted to be repaired by a non-authorized warranty service centre or without prior authorisation by Techtronic Industries
 - any product connected to improper power supply (amps, voltage, frequency)
 - any damage caused by external influences (water, chemical, physical, shocks) or foreign substances
 - normal wear and tear spare parts
 - inappropriate use, overloading of the tool
 - use of non-approved accessories or parts
 - Power tool accessories provided with the tool or purchased separately, including but not limited to screw driver bits, drill bits, abrasive discs, sand paper and blades, lateral guide, etc.
 - Components (parts and accessories) subject to natural wear and tear, including but not limited to service & maintenance kits, carbon brushes, bearings, chuck, SDS drill bit attachment or reception, power cord, auxiliary handle, transport carry case, sanding plate, dust bag, dust exhaust tube, felt washers, impact wrench pins & springs, etc.
4. For servicing, the product must be sent or presented to a RYOBI authorised service station listed for each country in the following list of service station addresses. In some countries your local RYOBI dealer undertakes to send the product to the RYOBI service organisation. When sending a product to a RYOBI service station, the product should be safely packed without any dangerous contents such as petrol, marked with sender's address and accompanied by a short description of the fault.
5. A repair / replacement under this warranty is free of charge. It does not constitute an extension or a new start of the warranty period. Exchanged parts or products become our property. In some countries delivery charges or postage will have to be paid by the sender. Your statutory rights arising from the purchase of the product remain unaffected.
6. This warranty is valid in the European Community, Switzerland, Iceland, Norway, Liechtenstein, Turkey and Russia. Outside these areas, please contact your authorised RYOBI dealer to determine if another warranty applies.

AUTHORISED SERVICE CENTRE

To find an authorised service centre near you, visit <http://en.ryobitools.eu/header/service-and-support/service-agents>

FR RYOBI® CONDITIONS D'APPLICATION DE LA GARANTIE

En plus des droits statutaires liés à l'achat, ce produit est couvert par une garantie telle que décrite ci-dessous.

1. La durée de la garantie accordée au consommateur est de 24 mois à partir de la date d'achat. Cette date doit être authentifiée par une facture ou toute autre preuve d'achat. Le produit a été conçu en vue d'une utilisation strictement privée. Aucune garantie ne s'applique donc en cas d'utilisation professionnelle ou commerciale.
2. Il existe pour une partie de la gamme d'outils électroportatifs (AC/DC), une possibilité d'étendre la période de garantie au-delà de la période précédemment décrite en utilisant le formulaire d'enregistrement présent sur le site Internet www.ryobitools.eu. L'éligibilité d'un outil est clairement affichée dans les points de vente et/ou sur l'emballage et la documentation. L'utilisateur final doit enregistrer son/ses outil(s) nouvellement acheté(s) en ligne dans les 30 jours qui suivent la date d'achat. L'utilisateur a la possibilité de s'enregistrer pour l'extension de garantie dans son pays de résidence si celui-ci est listé dans le formulaire d'enregistrement en ligne où cette option est valide. L'utilisateur final doit donner son consentement pour l'enregistrement des données requises pour accéder au site et doit accepter les termes et conditions. La confirmation d'enregistrement, envoyée par courrier électronique, ainsi que la facture originale mentionnant la date d'achat serviront de preuve de l'extension de garantie.
3. La garantie couvre pendant la période de garantie les défauts des produits liés à la fabrication et aux matériaux à la date d'achat. La garantie est limitée à la réparation et/ou au remplacement et n'inclut aucune autre obligation, tel que, mais sans s'y limiter, les dommages accessoires ou indirects. La garantie est non valable en cas de mauvaise utilisation du produit, d'utilisation contraire aux instructions du mode d'emploi, ou en cas de branchement incorrect. Cette garantie ne s'applique pas pour :
 - tout dommage au produit résultant d'un mauvais entretien
 - tout produit ayant été altéré ou modifié
 - tout produit dont les marquages originaux d'identification (marque, numéro de série) ont été dégradés, altérés ou retirés
 - tout dommage causé par le non-respect des instructions du mode d'emploi
 - tout produit non CE
 - tout produit ayant subi une tentative de réparation par du personnel non qualifié ou sans autorisation préalable de Techtronic Industries
 - tout produit raccordé à une alimentation secteur non conforme (ampérage, voltage, fréquence)
 - tout dommage causé par des influences extérieures (chimiques, physiques, chocs) ou par des substances étrangères
 - l'usure normale des pièces consommables
 - une utilisation inappropriée, une surcharge de l'outil
 - l'utilisation de pièces ou accessoires non agréés
 - accessoires de l'outil électrique fournis avec l'outil ou achetés séparément. Cela comprend notamment les embouts de vissage, les forets de perceuse, les disques abrasifs, le papier de verre et les lames, le guide latéral
 - Les composants (pièces et accessoires) sujets à l'usure naturelle, ceci incluant notamment les mandrins, les charbons, adaptateurs SDS, les cordons d'alimentation, les poignées auxiliaires, les mallettes de transport, les plateaux de ponçage, les sacs collecteurs de poussière, les tubes d'extraction de poussière, les carrés de clé à choc, etc.
4. Si le produit doit être réparé, envoyez-le à un service après-vente agréé RYOBI dont vous trouverez ci-dessous la liste pour chaque pays. Dans certains pays, votre revendeur RYOBI se chargera d'envoyer le produit à un centre de réparation RYOBI. Lorsque vous envoyez un produit à un service après-vente RYOBI, celui-ci doit être correctement emballé, sans contenir aucun produit dangereux tel que de l'essence, et vous devez indiquer votre adresse ainsi qu'une courte description du problème.
5. Une réparation / un remplacement sous garantie est gratuit(e). Ceci ne constituera pas une extension de garantie ni un nouveau départ de la période de garantie. Les pièces ou les outils remplacés deviennent notre propriété. Dans certains pays, les frais de port devront être assumés par l'expéditeur. Vos droits statutaires restent inchangés.
6. Cette garantie est valable au sein de l'Europe, de la Suisse, de l'Islande, de la Norvège, du Liechtenstein, de la Turquie, de la Russie. En dehors de ces zones, veuillez contacter votre distributeur agréé RYOBI pour déterminer si une autre garantie s'applique.

SERVICE APRÈS-VENTE AGRÉÉ

Pour trouver le service après-vente agréé le plus proche, rendez-vous sur <http://fr.ryobitools.eu/header/service-and-support/service-agents>.



DE RYOBI® GARANTIEBEDINGUNGEN

Zusätzlich zu den gesetzlichen Rechten aus dem Kauf gilt für dieses Produkt die nachstehend aufgeführte Garantie.

- Der Garantiezeitraum beträgt für Verbraucher 24 Monate und beginnt mit dem Datum des Kaufs. Dieses Datum muss durch eine Rechnung oder einen anderen Kaufbeleg dokumentiert werden. Dieses Produkt wurde ausschließlich zur privaten Nutzung durch Verbraucher entwickelt. Für den Fall einer professionellen bzw. kommerziellen Nutzung besteht daher keine Garantie.
- Es besteht die Möglichkeit, für einen Teil des Sortiments der Elektrogeräte (AC/DC) den Garantiezeitraum über den oben genannten Zeitraum hinaus zu verlängern, indem der Verbraucher die Registrierung auf der Website www.ryobitools.eu durchführt. Die Berechtigung der Werkzeuge für die Garantieverlängerung ist deutlich im Geschäft und/oder auf der Verpackung beschrieben und in der Produktdokumentation erwähnt. Der Verbraucher muss das neu erworbene Gerät online innerhalb von 30 Tagen ab dem Kaufdatum registrieren. Der Verbraucher kann das Gerät zwecks Garantieverlängerung in seinem Wohnsitzland/Heimatland registrieren, wenn dieses Land auf dem Online-Registrierungsformular aufgeführt ist und die Option gültig ist. Darüber hinaus muss der Verbraucher seine Zustimmung zur Speicherung der Daten geben, die online eingegeben werden müssen, und er muss die allgemeinen Geschäftsbedingungen akzeptieren. Die Bestätigung der Registrierung, die per E-Mail versandt wird, und die Originalrechnung mit dem Kaufdatum gelten als Beleg für die Garantieverlängerung.
- Die Garantie deckt alle Defekte des Geräts während des Garantiezeitraums ab, die auf zum Zeitpunkt des Kaufs bestehende Verarbeitungs- oder Materialfehler zurückzuführen sind. Die Garantie beschränkt sich auf Reparatur und/oder Ersatz und beinhaltet keine anderen Verpflichtungen, insbesondere keinen Schadenersatz für Folge- oder Nebenschäden. Die Garantie gilt nicht, wenn das Gerät fehlerhaft eingesetzt wurde, gegenseitlich zur Bedienungsanleitung eingesetzt wurde oder falsch angeschlossen wurde. Die Garantie gilt nicht für Folgendes:
 - Schäden am Gerät, die auf unkorrekte Wartung zurückzuführen sind
 - Geräte, an denen Veränderungen vorgenommen wurden
 - Produkte, bei denen die ursprüngliche Identifizierung (Handelsmarke, Seriennummer) unleserlich gemacht, verändert oder entfernt wurde
 - Schäden durch Nichtbeachtung der Bedienungsanleitung
 - nicht-CE-zertifizierte Geräte
 - Geräte, an denen durch nicht-qualifizierte Personen oder ohne vorherige Genehmigung von Techtronic Industries Reparaturversuche vorgenommen wurden
 - Geräte, die an unkorrekte Energiequellen (Ampere, Volt, Frequenz) angeschlossen wurden
 - Schäden durch äußere Einflüsse (chemisch, physisch, Stöße) oder Fremdstoffe
 - normaler Verschleiß von Ersatzteilen
 - unangemessene Nutzung, Überlastung des Geräts
 - Nutzung nicht genehmigter Zubehörteile oder Ersatzteile
 - mit dem Gerät gelieferte oder separat erworbene Zubehörteile. Dieser Ausschuss beinhaltet, ist aber nicht beschränkt auf Schraubendreher-Bits, Bohreinsätze, Schleifscheiben, Sandpapier und Klingen, Seitenführungen
 - Komponenten (Ersatzteile und Zubehörteile), die natürlichen und normalen Verschleißerscheinungen unterworfen sind, einschließlich aber nicht beschränkt auf: Service- und Wartungssätze, Kohlebürsten, Lager, Spannfutter, SDS-Bohreraufnahme /Bit-Adapter, Netzkabel, Zusatzhandgriff, Transportkoffer, Schleifteller, Staubbeutel, Staubabsaugrohr, Filzunterlegscheiben, Bolzen und Federn von Schlagschraubern usw.
- Zum Service muss das Gerät zu einer von RYOBI autorisierten Servicestation gebracht oder dorthin gesendet werden. Die Servicestationen für die einzelnen Länder sind in der folgenden Liste aufgeführt. In einigen Ländern sendet Ihr RYOBI-Händler vor Ort das Gerät an das RYOBI-Serviceunternehmen. Beim Einsenden an die RYOBI-Servicestation sollte das Gerät sicher verpackt sein, ohne gefährliche Inhalte wie Benzin, und es sollte mit der Adresse des Absenders und einer kurzen Beschreibung des Fehlers versehen sein.
- Eine Reparatur bzw. ein Ersatz gemäß dieser Garantie ist kostenlos. Hieraus ergibt sich weder eine Garantieverlängerung noch der Beginn eines neuen Garantiezeitraums. Die ausgetauschten Ersatzteile oder Werkzeuge gehen in unser Eigentum über. In einigen Ländern müssen die Zustellgebühren oder die Versandkosten vom Absender gezahlt werden. Ihre gesetzlichen Rechte aus dem Kauf des Geräts bleiben hiervon unberührt.
- Diese Garantie gilt in der Europäischen Union, der Schweiz, Island, Norwegen, Liechtenstein, der Türkei und Russland. Bitte wenden Sie sich außerhalb dieser Gebiete an Ihren autorisierten RYOBI-Händler, um festzustellen, ob eine andere Garantie gilt.

AUTORISIERTER KUNDENDIENST

Besuchen Sie <http://de.ryobitools.eu/header/service-and-support/service-agents>, um einen autorisierten Kundendienst in Ihrer Nähe zu finden.

ES CONDICIONES DE APLICACIÓN DE LA GARANTÍA DE RYOBI®

Además de cualquier derecho legal derivado de la compra, este producto está cubierto por una garantía que se indica a continuación.

- El periodo de garantía es de 24 meses para consumidores y comienza en la fecha en que se comprara el producto. Dicha fecha debe documentarse con una factura u otro comprobante de compra. El producto está diseñado y concebido únicamente para el uso privado del consumidor. Por lo tanto, no se ofrece garantía en caso de uso profesional o comercial.
- Existe la posibilidad de ampliar el periodo de garantía respecto a una parte de la gama de herramientas eléctricas (CA/CC) durante el periodo descrito más arriba y mediante el registro en el sitio web www.ryobitools.eu. La elegibilidad de las herramientas para que se amplíe el periodo de garantía se muestra claramente en las tiendas o en el embalaje y está incluida en la documentación del producto. El usuario final tiene que registrar en línea sus herramientas recientemente adquiridas en un plazo de 30 días a partir de la fecha de compra. El usuario final podrá registrarse para obtener la garantía ampliada en su país de residencia si este aparece en la lista del formulario de registro en línea cuando esta opción sea válida. Además, los usuarios finales deberán dar su consentimiento al almacenamiento de los datos necesarios para el acceso en línea y tienen que aceptar los términos y condiciones. El recibo de confirmación de registro, que se envía por correo electrónico, y la factura original que muestra la fecha de compra servirán como comprobante para la garantía ampliada.
- La garantía cubre todos los defectos del producto durante el periodo de garantía debido a fallos de mano de obra o material en la fecha de compra. La garantía se limita a la reparación o sustitución y no incluye ninguna otra obligación como, por ejemplo, daños accidentales o consecuentes. La garantía no es válida si se ha usado mal el producto, se ha usado contraviniendo el manual de instrucciones o se ha conectado de forma incorrecta. Esta garantía no es aplicable a:
 - ningún daño en el producto que sea consecuencia de un mantenimiento inadecuado
 - ningún producto que haya sido alterado o modificado
 - ningún producto en el que los marcados de identificación originales (marca comercial, número de serie) se hayan borrado, modificado o eliminado
 - ningún daño provocado por no seguir el manual de instrucciones
 - ningún producto que no sea CE
 - ningún producto que haya sufrido un intento de reparación por parte de un profesional no cualificado o sin la autorización previa de Techtronic Industries.
 - ningún producto conectado a un suministro eléctrico inadecuado (amperios, voltaje, frecuencia)
 - ningún daño causado por influencias externas (químicas, físicas, impactos) o sustancias extrañas
 - desgaste normal de piezas de repuesto
 - uso inadecuado, sobrecarga de la herramienta
 - uso de accesorios o piezas no aprobados
 - Accesorios de herramientas eléctricas proporcionados con la herramienta o comprados por separado. Tales exclusiones incluyen, entre otros, brocas de destornilladores, brocas de taladro, discos abrasivos, papel de lija y cuchillas, y guías laterales
 - Componentes (piezas y accesorios) sujetos a un desgaste natural, que incluyen, entre otros, equipos de servicio y mantenimiento, escobillas de carbono, cojinetes, pinzas, accesorio o recepción de broca de taladro SDS, cable eléctrico, manillar auxiliar, bolsa de transporte, hoja lijadora, bolsa de polvo, tubo de escape de polvo, disco de fieltro, pasadores y resortes de llave de impacto, etc.
- Para su mantenimiento, el producto debe enviarse o presentarse a una estación de servicio de RYOBI autorizada que figure en la siguiente lista de direcciones de estaciones de servicio por países. En algunos países, su distribuidor RYOBI local se responsabiliza de enviar el producto a la compañía de servicio de RYOBI. Cuando se envíe un producto a una estación de servicio de RYOBI, este debe estar empaquetado de forma segura sin contenidos peligrosos como gasolina, marcado con la dirección del remitente y acompañado de una breve descripción del fallo.
- Una reparación / sustitución con esta garantía es gratuita. No constituye una ampliación ni un nuevo comienzo del periodo de garantía. Las piezas o herramientas intercambiadas pasan a ser de nuestra propiedad. En algunos países, los gastos de envío o correo tendrá que pagarlos el remitente. Sus derechos legales derivados de esta compra de la herramienta no se verán afectados.
- Esta garantía es válida en la Unión Europea, Suiza, Islandia, Noruega, Liechtenstein, Turquía y Rusia. Fuera de estas zonas, póngase en contacto con su distribuidor de RYOBI autorizado para determinar si es aplicable otra garantía.

SERVICIO TÉCNICO AUTORIZADO

Para encontrar el servicio técnico autorizado más cercano, visite <http://es.ryobitools.eu/header/service-and-support/service-agents>





IT CONDIZIONI DI VALIDITÀ DELLA GARANZIA RYOBI®

In aggiunta ai diritti di legge risultanti dall'acquisto, il prodotto è coperto dalla garanzia sotto descritta.

- Il periodo di garanzia è di 24 mesi per i consumatori, a decorrere dalla data di acquisto del prodotto. La data deve essere documentata da una fattura o altra prova d'acquisto. Il prodotto è progettato e destinato solo all'utilizzo privato dei consumatori. Pertanto non viene fornita alcuna garanzia in caso di uso professionale o commerciale.
- Per una serie di utensili elettrici (CA/CC) è possibile prolungare il periodo di garanzia oltre quello descritto, registrandosi sul sito web www.ryobitools.eu. Gli utensili per i quali è possibile prolungare il periodo di garanzia sono chiaramente indicati nei negozi e/o sulle confezioni e nella documentazione dei prodotti. L'utente deve registrare online l'utensile acquistato entro 30 giorni dalla data di acquisto. L'utente può registrarsi per la garanzia prolungata nel proprio paese di residenza, se questo è elencato nel modulo di registrazione online dove questa opzione sia valida. Inoltre gli utenti devono fornire il proprio consenso alla conservazione dei dati da immettere online e devono accettare le condizioni generali. La conferma di registrazione, inviata tramite e-mail, e la fattura originale indicante la data di acquisto, costituiscono la prova della garanzia prolungata.
- La garanzia copre tutti i difetti del prodotto durante il periodo di garanzia, risultati da manodopera o materiali alla data di acquisto. La garanzia è limitata alla riparazione e/o sostituzione e non include alcun altro obbligo quali, a mero titolo esemplificativo, i danni incidentali o consequenziali. La garanzia non è valida se il prodotto è stato usato scorrettamente, in modo contrario al manuale di istruzioni o se è stato collegato in modo errato. La garanzia non è valida per:
 - qualsiasi danno al prodotto dovuto a manutenzione errata;
 - qualsiasi prodotto che sia stato alterato o modificato;
 - qualsiasi prodotto le cui marcature di identificazione originali (marchi di fabbrica, numero di serie) siano state cancellate, alterate o rimosse;
 - qualsiasi danno causato dalla non osservanza delle istruzioni del manuale;
 - qualsiasi prodotto privo di omologazione CE;
 - qualsiasi prodotto che sia stato sottoposto a un tentativo di riparazione da parte di un professionista non qualificato oppure senza la previa autorizzazione di Techtronic Industries;
 - qualsiasi prodotto collegato a un'alimentazione errata (per ampere, tensione, frequenza);
 - qualsiasi danno causato da influenze esterne (chimiche, fisiche, urti) o sostanze estranee;
 - la normale usura delle parti di ricambio;
 - uso inappropriato, sovraccarico dell'utensile;
 - uso di accessori o parti non omologate;
 - accessori per utensili elettrici forniti con l'utensile o acquistati separatamente. Questa esclusione comprende, a mero titolo esemplificativo, punte per cacciaviti, punte per trapani, dischi abrasivi, carta vetrata, lame e guide laterali;
 - componenti (parti e accessori) soggetti alla normale usura compresi, a mero titolo esemplificativo, kit di servizio e manutenzione, spazzole al carbonio, cuscinetti, mandrini, attacchi per punte a vite autopercoranti, cavi di alimentazione, maniglie ausiliarie, custodie di trasporto, piastre di levigatura, sacchetti per la polvere, tubi di scarico della polvere, rondelle di feltro, perni e molle per avvitatori ecc.
- Per la manutenzione il prodotto dev'essere spedito o portato presso uno dei centri assistenza autorizzati RYOBI elencati per ogni paese nel seguente elenco di indirizzi dei centri. In alcuni paesi il rivenditore locale RYOBI si incarica di inviare il prodotto all'organizzazione di assistenza RYOBI. Quando si invia un prodotto a un centro assistenza RYOBI, imballarlo in modo sicuro senza contenuti pericolosi come la benzina, apporre l'indirizzo del mittente e accompagnarlo da una breve descrizione del guasto.
- La riparazione/sostituzione ai sensi della presente garanzia è gratuita. Non costituisce un prolungamento o un nuovo inizio del periodo di garanzia. Le parti o gli utensili scambiati diventano di nostra proprietà. In alcuni paesi i costi di consegna o di spedizione postale devono essere pagati dal mittente. I diritti di legge derivanti dall'acquisto dell'utensile rimangono inalterati.
- La presente garanzia è valida in Unione Europea, Svizzera, Islanda, Norvegia, Liechtenstein, Turchia e Russia. Al di fuori di tali aree contattare il rivenditore autorizzato RYOBI per sapere se è valida un'altra garanzia.

CENTRO SERVIZI AUTORIZZATO

Per individuare il più vicino centro servizi autorizzato, visitare il sito <http://it.ryobitools.eu/header/service-and-support/service-agents>.

NL RYOBI® GARANTIEVOORWAARDEN

Naast de wettelijke rechten die voortvloeien uit de aankoop, wordt dit product gedekt door een garantie, zoals hieronder staat vermeld.

- De garantietermijn voor consumenten bedraagt 24 maanden en gaat in op de datum waarop het product is gekocht. Deze datum moet worden gedocumenteerd met een factuur of een ander aankoopbewijs. Het product is uitsluitend ontworpen en bedoeld voor persoonlijk gebruik door consumenten. Er wordt dus geen garantie gegeven voor professioneel of commercieel gebruik.
- Voor een deel van ons aanbod van elektrische gereedschappen (AC/DC) is het mogelijk om de garantietermijn te verlengen over de boven beschreven termijn, met behulp van de website www.ryobitools.eu. De gereedschappen die in aanmerking komen voor de verlenging van de garantietermijn wordt duidelijk weergegeven in winkels en/of verpakkingen en staat beschreven in de productdocumentatie. De eindgebruiker moet zijn/haar nieuw gekochte gereedschappen binnen 30 dagen na aankoop online registreren. De eindgebruiker kan zich registreren voor de verlengde garantietermijn als zijn woonland staat vermeld op het online registratieformulier waar deze optie geldt is. Bovendien moeten eindgebruikers toestemming geven voor de opslag van de gegevens die online ingevuld moeten worden en moeten ze de algemene voorwaarden accepteren. Het ontvangstbewijs van de registratie, dat per e-mail wordt verzonden en de oorspronkelijke factuur met de aankoopdatum vormt het bewijs van de verlengde garantietermijn.
- De garantie dekt tijdens de garantietermijn alle gebreken van het product vanwege defecten in vakmanschap of materiaal op de aankoopdatum. De garantie is beperkt tot reparatie en/of vervanging en bevat geen andere verplichtingen, waaronder maar niet beperkt tot incidentele of gevolgschade. De garantie is niet geldig als het product is misbruikt, in strijd met de gebruiksaanwijzing wordt gebruikt of onjuist is aangesloten. Deze garantie geldt niet voor:
 - alle schade aan het product die het gevolg is van onjuist onderhoud
 - elk product dat is veranderd of aangepast
 - elk product waar de oorspronkelijke identificatie (handelsmerk, serienummer) is beschadigd, gewijzigd of verwijderd
 - alle schade die is veroorzaakt door het niet opvolgen van de gebruiksaanwijzing
 - elk niet-CE-product
 - elk product waar een poging tot reparatie is gedaan door een niet-erkende professional of zonder voorafgaande toestemming door Techtronic Industries.
 - elk product dat is verbonden met een verkeerde voeding (amperage, spanning, frequentie)
 - alle schade die is veroorzaakt door externe invloeden (chemisch, fysisch, schokken) of vreemde stoffen
 - normale slijtage van reserveonderdelen
 - ongepast gebruik, overbelasting van het gereedschap
 - gebruik van niet-goedgekeurde accessoires of onderdelen
 - gereedschapsaccessoires die bij het gereedschap worden geleverd of afzonderlijk zijn aangeschaft. Zulke uitzonderingen bevatten, maar niet beperkt tot schroevendraaierbits, boorbits, slijpschijven, schuurpapier en zagen, laterale geleiding
 - Componenten (onderdelen en accessoires) die onderhevig zijn aan natuurlijke slijtage, waaronder maar niet beperkt tot service-onderhoudsets, koolstofborstels, lagers, boorkoppen, SDS boorbitbevestigingen of ontvangers, stroomsoeren, hulpprepen, transporttassen, schuurplateaus, stofzakken, stofafvoerbuizen, vilttringen, pennen en veren van slagmoersleutels, etc.
- Voor onderhoud moet het product worden verzonden of gebracht naar een erkend servicecenter van RYOBI die voor elk land staan vermeld in de volgende lijst met adressen voor servicecentra. In sommige landen zal uw lokale RYOBI-dealer het product verzenden naar de RYOBI-serviceorganisatie. Wanneer u het product naar een servicecenter van RYOBI verzendt, moet het product veilig worden verpakt zonder enige gevaarlijke inhoud, zoals benzine, met het adres van de afzender en vergezeld van een korte beschrijving van het defect.
- Een reparatie/vervanging die onder deze garantie valt is gratis. Het vormt geen verlenging of een nieuwe start van de garantietermijn. Verwisselde onderdelen of gereedschappen worden ons eigendom. In sommige landen moeten de verzendkosten door de afzender worden betaald. Uw wettelijke rechten die voortvloeien uit de aankoop van het gereedschap blijven onaangetaast.
- Deze garantie is geldig in de Europese Gemeenschap, Zwitserland, Usland, Noorwegen, Liechtenstein, Turkije en Rusland. Buiten deze gebieden moet u contact opnemen met uw erkende RYOBI-dealer om vast te stellen of er een andere garantie van toepassing is.

GEAUTORISEERD ONDERHOUDSCENTRUM

Om een geautoriseerd onderhoudscentrum in uw buurt te vinden, surf u naar <http://nl.ryobitools.eu/header/service-and-support/service-agents>.



PT CONDIÇÕES DE APLICAÇÃO DA GARANTIA RYOBI®

Para além de quaisquer direitos previstos por lei resultantes da compra, este produto está coberto por uma garantia conforme descrição abaixo.

- O período da garantia é de 24 meses para consumidores particulares e inicia-se na data de compra do produto. Esta data tem de ser documentada por uma factura ou por outra prova de compra. O produto foi concebido para e destina-se apenas a consumidores particulares e uso privado. Assim, não é dada garantia em caso de utilização por profissionais ou uso comercial.
- Para uma parte da gama de ferramentas eléctricas (AC/DC) existe a possibilidade de prolongamento do período da garantia para além do período descrito acima, mediante registo no Web site www.ryobitools.eu. A elegibilidade das ferramentas para prolongamento do período da garantia é claramente visível nas lojas e/ou nas embalagens e está contida na documentação do produto. O utilizador final tem de fazer o registo online das suas ferramentas recém-adquiridas no prazo de 30 dias após a data de compra. O utilizador final pode fazer o registo para prolongamento da garantia no seu país de residência, desde que esteja listado no formulário de registo online e para os casos em que esta opção seja válida. Para além disso, os utilizadores finais têm de autorizar o armazenamento dos dados cujo preenchimento lhes for solicitado online e têm de aceitar os termos e as condições. O recibo de confirmação do registo é enviado por e-mail e, em conjunto com a factura original ostentando a data de compra, servirá de prova do prolongamento da garantia.
- A garantia cobre todos os defeitos do produto durante o período da garantia devidos a defeitos de fabrico ou de material à data da compra. A garantia está limitada à reparação e/ou substituição e não inclui quaisquer outras obrigações, incluindo mas não se limitando a, perdas complementares ou indirectas. A garantia não é válida se o produto tiver sido utilizado incorrectamente, utilizado de forma contrária ao Manual de Instruções ou se as respectivas ligações tiverem sido feitas incorrectamente. Esta garantia não se aplica ao seguinte:
 - quaisquer danos ao produto que sejam resultado de manutenção incorrecta
 - qualquer produto que tenha sido alterado ou modificado
 - qualquer produto cujas marcações de identificação de origem (marca comercial, número de série) tiverem sido apagadas, alteradas ou retradas
 - quaisquer danos causados pelo incumprimento do Manual de Instruções
 - qualquer produto que não seja da Comunidade Europeia
 - qualquer produto ao qual tenha sido feita, ou tentada fazer, uma reparação por outra pessoa que não um profissional habilitado ou sem autorização prévia da Techtronic Industries.
 - qualquer produto ligado a uma fonte de alimentação eléctrica incorrecta (Amperes, Voltagem e Frequência)
 - qualquer dano causado por influências externas (químicas, físicas, impactos) ou substâncias estranhas
 - desgaste e degradação normal de sobresselentes
 - utilização incorrecta, sobrecarga da ferramenta
 - utilização de acessórios ou peças não aprovados
 - acessórios para ferramentas eléctricas fornecidos com a ferramenta ou comprados em separado. Estas exclusões incluem mas não se limitam a, pontas de aparafusadora, brocas, discos abrasivos, papel de lixa e lâminas, guia lateral
 - Componentes (peças e acessórios) sujeitos a desgaste e degradação natural, incluindo mas não se limitando a, Kits de Assistência e Manutenção, escovas de carvão, rolos, bucha, acessórios ou recepções de brocas SDS, cabos eléctricos, pegas auxiliares, estojos de transporte, placas de lixagem, sacos de poeiras, tubos de saída de poeiras, anilhas de feltro, pinos e molas da aparafusadora de impacto, etc.
- Para assistência, o produto tem de ser enviado para, ou apresentado em, um posto de assistência autorizado RYOBI, conforme listado para cada país na lista de moradas de postos de assistência seguinte. Nalguns países, o seu concessionário RYOBI local encarrega-se de enviar o produto para a organização de assistência RYOBI. Quando enviar um produto para um posto de assistência RYOBI, o produto deve ser embalado de forma segura, sem conter nenhuns conteúdos perigosos (por exemplo, gasolina), marcado com o endereço do remetente e acompanhado por uma breve descrição da avaria.
- Uma reparação/substituição ao abrigo desta garantia é gratuita. Não constitui um prolongamento a, nem um novo início de, o período da garantia. As peças ou ferramentas substituídas tornam-se propriedade nossa. Nalguns países, o remetente terá de pagar os custos de entrega ou a remessa postal. Os seus direitos previstos por lei resultantes da compra da ferramenta mantêm-se inalterados
- Esta garantia é válida na Comunidade Europeia, Suíça, Islândia, Noruega, Liechtenstein, Turquia e Rússia. Fora destas áreas, entre em contacto com o seu concessionário autorizado RYOBI para determinar se existe outra garantia aplicável.

CENTRO DE ASSISTÊNCIA AUTORIZADO

Para encontrar um centro de assistência autorizado próximo de si, visite <http://pt.ryobitools.eu/header/service-and-support/service-agents>.

DA RYOBI® BETINGELSER FOR GARANTI

Udover lovbestemte rettigheder, som resulterer af købet, er dette produkt dækket af en garanti, som anført herunder.

- Garantiperioden er 24 måneder for forbrugere og begynder på den dato, som produktet blev købt. Denne dato skal dokumenteres af en faktura eller andet bevis for køb. Produktet er udelukkende designet og dedikeret til forbrugere og privat brug. Så der ydes ingen garanti i tilfælde af professionel eller kommerciel brug.
- Der er en mulighed for at forlænge garantiperioden for en del af udvalget af elværktøj (AC/DC), hen over den ovenfor beskrivne periode vha. registrering på hjemmesiden www.ryobitools.eu. Bortsettelsen af værktøjet til forlængelse af garantiperioden er tydeligt vist i butikker og/eller på emballage/og indeholdt i produktokumentationen. Slutbrugeren skal registrere hans/hendes nyligt indkøbte værktøj online indenfor 30 dage efter købsdatoen. Slutbrugeren kan registrere sig for den forlængede garanti i sit land, hvis han/hun er opført på den online registreringsformular, hvor denne mulighed er gyldig. Derudover skal slutbrugere give deres samtykke til at opbevare data, som er påkrævet at indtaste online, og de er nødt til at acceptere vilkår og betingelser. Registreringsbekræftelseskvitteringen, som sendes ud på e-mail, og den originale faktura, som viser købsdatoen, vil fungere som bevis for den forlængede garanti.
- Garanti dækker alle defekter, som et produkt måtte have i løbet af garantiperioden, og som skyldes produktionsfejl eller materialefejl på købsdatoen. Garantien er begrænset til reparation og/eller udfiskning og inkluderer ikke andre forpligtelser, inklusiv men ikke begrænset til tilfældige skader eller følgeskader. Garantien er ugyldig, hvis produktet er blevet misbrugt, brugt uden at overholde vejledningen, eller det er blevet forkert tilsluttet. Denne garanti gælder ikke:
 - Beskadigelse af produktet, som er et resultat af uegnet vedligeholdelse
 - Et produkt der er blevet ændret eller modificeret
 - Et produkt hvor de originale identifikationsmærkninger (varemærke, serienummer) er blevet ødelagt, ændret eller fjernet.
 - Enhver beskadigelse forårsaget af manglende overholdelse af vejledningen
 - Ethvert ikke CE-produkt
 - Ethvert produkt som er blevet forsøgt repareret af en ukvalificeret professionel eller uden tidligere autorisation af Techtronic Industries.
 - Ethvert produkt som er tilsluttet uegnede strømforsyning (ampere, spænding, frekvens)
 - Enhver skade forårsaget af ekstern påvirkning (kemisk, fysisk, chok) eller fremmedelementer
 - Normal slid på reservedele
 - Uegnet brug, overbelastning af værktøjet
 - Brug af ikke-godkendt tilbehør eller dele
 - Elværktøjstilbehør som leveres med værktøjet eller købes separat. Sådanne undtagelser inkluderer men er ikke begrænset til skruetrækkerbits, bor, bits, slibeskiver, sandpapir og klinger, sidestyrt
 - Komponenter (dele og tilbehør) som er udsat for naturligt slid og ælde, inklusiv men ikke begrænset til Service- og vedligeholdelsessæt, kulbrøster, lejer, bøsninger, påsætning eller modtagelse af SDS-bor, El ledning, hjælpehåndtag, transporttaske, sandplade, støvpose, støvudstødningslange, filterkiver, nåle og fjedre slagngøle etc.
- For eftersyn skal produktet sendes til eller præsenteres for en RYOBI-autoriseret service værksted, som er oplyst for hvert land i den følgende liste over service værksted adresser. I nogle lande påtager din lokale RYOBI-forhandler sig ansvaret for at sende produktet til RYOBI-serviceorganisationen. Når et produkt sendes til en RYOBI-service værksted, skal det pakkes sikkert ind uden noget farligt indhold som benzin, mærkes med afsenderens adresse og med en kort beskrivelse af fejlen.
- En reparation/erstatning under denne garanti er gratis. Den udgør ikke en forlængelse eller en ny start på garantiperioden. Udvekslede dele eller værktøjer bliver vores ejendom. I nogle lande skal leveringsafgifter eller porto betales af afsenderen. Dine lovbestemte rettigheder i forbindelse med købet forbliver uanfægtede
- Denne garanti gælder i EU, Schweiz, Island, Norge, Liechtenstein, Tyrkiet og Rusland. Udenfor disse områder bedes du kontakte din autoriserede RYOBI-forhandler for at afgøre, om en anden garanti gælder.

AUTORISEREDE SERVICE/VERKSTEDER

Find nærmeste autoriserede serviceværksted på <http://dk.ryobitools.eu/header/service-and-support/service-agents>.

SV RYOBI® ANVÄNDNINGSVILLKOR FÖR GARANTI

Förutom eventuella lagstadgade rättigheter som uppstår genom köpet, täcks den här produkten av en garanti som anges nedan.

1. Garantiperioden är 24 månader för konsumenter och börjar gälla från det datum då produkten köptes. Detta datum måste dokumenteras på en faktura eller annat köpbevis. Produkten är utformad och avsedd för konsumenter och privat bruk. Därmed tillhandahålls ingen garanti vid yrkesmässigt eller kommersiellt bruk.
2. Det finns möjlighet att förlänga garantiperioden för en del av utbudet för elverktyg (AC/DC) under den period som anges ovan genom att använda registreringen på webbplatsen www.ryobitools.eu. De verktyg som är berättigade till en förlängning av garantiperioden visas tydligt i butiker och/eller på förpackningen/och anges i produktdokumentationen. Slut användaren behöver registrera hans/hennes nyförvävade verktyg online inom 30 dagar från köpdatumet. Slut användaren kan registrera sig för den förlängda garantin i det land där han/hon bor om landet finns angivet i registreringsformuläret online och där detta alternativ är giltigt. Dessutom gällande slut användaren ge sitt medgivande till lagring av data vilket krävs vid registrering online samt acceptera villkoren. Bekräftelsekvittot för registreringerna som skickas ut via e-post och originalfakturan som visas köpdatumet kommer att gälla som bevis för den förlängda garantin.
3. Garantin täcker alla produktdefekter under garantiperioden som beror på brister i utförande eller material vid köpdatumet. Garantin är begränsad gällande reparation och/eller utbyte och inkluderar inte några skyldigheter inklusive men inte begränsat till oförutsedda skador eller följskador. Garantin är inte giltig om produkten har missbrukats, använts i strid med bruksanvisningen eller inte anslutits på rätt sätt. Denna garanti täcker inte:
 - eventuella skador på produkten som uppstått till följd av felaktigt underhåll
 - produkter som har ändrats eller modifierats
 - produkter där ursprungliga identifieringsmärkningar (varumärke, serienummer) har målats över, ändrats eller tagits bort
 - eventuella skador som uppstått till följd av att bruksanvisningen inte efterföljts
 - alla icke CE-produkter
 - eventuella produkter som har försökts repareras av en icke-kvalificerad yrkesman eller utan föregående medgivande från Techtronic Industries.
 - eventuella produkter som anslutits till felaktig strömförsörjning (ampere, volt, frekvens)
 - eventuella skador som uppstått till följd av yttre påverkan (kemisk, fysisk, stöt) eller främmande ämnen
 - normalt slitage av reservdelar
 - olämplig användning, överbelastning av verktyget
 - användningen av icke-godkända tillbehör eller delar
 - tillbehör till elverktyg som medföljde verktyget eller köpts separat. Sådana undantag inkluderar men är inte begränsat till skruvmejselbits, borrbits, slipskivor, sandpapper, blad och sidoskena
 - Komponenter (delar och tillbehör) är föremål för naturligt slitage, inklusive men inte begränsat till service- och underhållsatsar, kolborstar, kullager, chuck, tillbehör eller tillhörande SDS-borrbitt, strömsladd, hjälphandtag, transportväska, slipplatta, dammpåse, dammtulblåsrör, filterbrickor, stift och fjädrar till mutterdragare osv.
4. Vid service måste produkten skickas eller uppvisas för en RYOBI- auktoriserad servicestation som står angiven för varje land i följande adresslista över servicestationer. I vissa länder tar din lokala RYOBI- återförsäljare på sig ansvaret att skicka produkten till RYOBI- serviceorganisationen. När en produkt skickas till en RYOBI- servicestation, ska produkten paketeras säkert utan något farligt innehåll såsom bensin, markeras med avsändarens adress samt en kort beskrivning av felet.
5. En reparation/ett utbyte under denna garanti är kostnadsfri. Det utgör inte en förlängning eller förnyelse av garantiperioden. Utbyta delar eller verktyg blir vår egendom. I vissa länder måste leveranskostnader eller porto betalas av avsändaren. Dina lagstadgade rättigheter som härrör från köpet av verktyget förblir opåverkade
6. Denna garanti är giltig i Europeiska gemenskapen: Schweiz, Island, Norge, Liechtenstein, Turkiet och Ryssland. Utanför dessa länder, kontakta din auktoriserade RYOBI-återförsäljare för att avgöra om en annan garanti gäller.

AUKTORISERAT SERVICECENTER

Du hittar närmaste auktoriserade servicecenter genom att gå till <http://se.ryobitools.eu/header/service-and-support/service-agents>.

FI RYOBI®-TAKUUN SOVELTAMISEHDOT

Tällä tuotteella on oston luomien lakisäasteiden oikeuksien ohella alla mainitun mukainen takuu.

1. Takuun kesto on kuluttajille 24 kuukautta ja takuuaika alkaa tuotteen ostopäivästä. Tämän päivämäärän tulee lukea laskussa tai muussa ostotositteessa. Tuote on suunniteltu ja tarkoitettu vain kuluttajien ja yksityiseen käyttöön. Takuu ei siis kata ammatti- eikä kaupallista käyttöä.
2. Joidenkin sähkötyökalujen (AC/DC) takuun kesto on mahdollista laajentaa yllä mainittua kestoä pidemmäksi verkossivuston www.ryobitools.eu rekisteröinnin kautta. Työkalujen kelppisuus takuujakson laajennukseen näkyy selkeästi myymälöissä ja/tai pakkauksissa ja/ tai tämä tieto sisältyy tuotedokumentaation. Loppukäyttäjän täytyy rekisteröidä vasta hankitut työkalut internetissä 30 päivän kuluessa ostopäivämäärästä. Loppukäyttäjät voi rekisteröidä laajennettun takuun kotimaassaan, jos se on luetteluna online-rekisteröintilomakkeessa, jossa mainitaan, missä tämä vaihtoehto on voimassa. Loppukäyttäjien täytyy lisäksi hyväksyä tietojen tallennus, jotka heidän täytyy antaa online-tilassa sekä ehdot. Rekisteröinnin vahvistuskuitti, joka lähetetään sähköpostitse, ja aluperäinen ostopäivämäärän ilmaiseva lasku toimivat laajennettun takuun tositteina.
3. Takuu kattaa kaikki tuotteeseen takuuaikana tulevat viat, joiden aiheuttajina ovat tuotteessa ostopäivänä olleet valmistus- tai materiaali viat. Takuu on rajoitettu korjaukseen ja/tai vaihtoon eikä se sisällä mitään muuta velvoitetta mukaan lukien satunnais- ja seurannaisvahinkoja, mutta rajoittumatta niihin. Takuu ei päde, jos tuotetta on käylytty väärin, käyttöohjeen vastaisesti tai jos se on liitetty virheellisesti. Tämä takuu ei kata:
 - virheellisestä huollosta johtuvia vaurioita
 - muunnettua tai muutettua tuotetta
 - tuotetta, jonka aluperäiset tunnistemerkinnät (tavaramerkki, sarjanumero) on turmeltu, muutettu tai poistettu
 - tämän käyttöoppaan laiminlyönnistä johtuvia vaurioita
 - ei-CE-tuotetta
 - tuotetta, jota on yrittänyt korjata epäpätevä ammattilainen tai joka on korjattu ilman Techtronic Industriesin ennakkolupa.
 - tuotetta, joka on liitetty virheelliseen teholähteeseen (ampeirit, jännite, taajuus)
 - ulkoisten vaikutusten (kemiallinen, fyysinen, iskut) tai vieraiden aineiden aiheuttamaa vauriota
 - normaaleja kuluvia vaurioita
 - virheellistä käyttöä, työkalun ylikuormitusta
 - ei-hyväksytyjen tarvikkeiden tai osien käyttöä
 - sähkötyökalun tarvikkeita, jotka on toimitettu työkalun mukana tai ostettu erikseen. Poissuljettuja osia ovat ruuvausterät, poranterät, hiomalaikat, hiekkapaperi ja terät, sivuohjain, näihin kuitenkaan rajoittumatta
 - Luonnollisesti kuluvia komponentteja (osia tai tarvikkeita), joihin sisältyvät huolto- ja kunnossapitoset, hiiliharjat, laakerit, terästäkat, SDS-porien kiinnittin tai istukka, virtajohto, apukahva, kuljetuskotelo, hiomalaikka, pölypussi, pölynpoistoputki, huopatiivisteet, iskunvääntimen pultit ja jouset yms. näihin kuitenkaan rajoittumatta.
4. Tuote on lähetettävä huollettavaksi valtuutettuun RYOBI-huoltoon tai näytettävä siellä. Niiden osoitteet kussakin maassa löytyvät seuraavasta luettelosta. Joissakin maissa paikallinen RYOBI-jälleenmyyjä huolehtii tuotteen lähetyksestä RYOBI-huolto-organisaatioon. Kun tuote lähetetään RYOBI-huoltoon, se täytyy pakata hyvin ilman vaarallisia aineita, kuten polttoainetta, ja pakkaukseen täytyy merkitä lähettäjän nimi sekä vain lyhyt kuvaus.
5. Takuun kattama korjaus/vaihto on maksuton. Se ei tarkoita takuuaajan laajennusta tai alkamista alusta. Vaihdetut osat tai työkalut siirtyvät valmistajan omistukseen. Joissakin maissa lähettäjän täytyy maksaa lähetyksustannukset tai postikulut. Työkalun oston luomat lakisäasteet oikeudet pysyvät koskemattomina
6. Tämä takuu on voimassa Euroopan yhteisössä, Sveitsissä, Islannissa, Norjassa, Liechtensteinissä, Turkissa ja Venäjällä. Ota näiden alueiden ulkopuolella yhteyttä omaan valtuutettuun RYOBI-jälleenmyyjään ja selvitä, onko jotain muuta takuuta.

VALTUUTETTU HUOLTO

Voit etsiä lähimmän valtuutetun huollon sivulta <http://fi.ryobitools.eu/header/service-and-support/service-agents>.

NO RYOBI® GARANTIBETINGELSER

I tillegg til eventuelle lovbestemte rettigheter som følger av kjøpet, er dette produktet dekket av en garanti som angitt nedenfor.

1. Garantiperioden er 24 måneder for konsumenter og gjelder fra den datoen som produktet ble kjøpt. Denne datoen skal dokumenteres med en faktura eller annet kjøpsbevis. Produktet er designet og beregnet kun til konsument- og privat bruk. Så det gis ingen garanti ved profesjonell eller kommersiell bruk.
2. For en del av utvalget av elektriske verktøy (AC/DC) er det mulighet til å utvide garantiperioden i den perioden som er beskrevet ovenfor ved bruk av registreringer på nettsidene www.ryobitools.eu. Kvalifisering av verktøyene for en utvidelse av garantiperioden er tydelig vist i butikker og/eller på pakningen / og finnes innen produktdokumentasjonen. Sluttbrukeren må registrere sine nylig anskaffede verktøy online innen 30 dager etter kjøpsdato. Sluttbrukeren kan registrere seg for den utvidede garantien i sitt land hvis det er opplistet på online registreringsskjemaet der dette alternativet er gyldig. Videre må sluttbrukere gi sitt samtykke til oppbevaring av dataene som kreves for å gå online, og de må godta vilkår og betingelser. Registreringsbekreftelsen, som sendes ut på e-post, og den originale fakturaen som viser kjøpsdato, vil tjene som bevis for den utvidede garantien.
3. Garantien dekker alle defekter i produktet under garantiperioden på grunn av defekter i utførelse eller materiale på kjøpsdato. Garantien er begrenset til å reparere og/eller erstatte og inkluderer ikke noen andre forpliktelser, inkludert, men ikke begrenset til, tilfældige eller følgesmessige skader. Garantien er ikke gyldig hvis produktet har blitt misbrukt, brukt på annen måte enn det som beskrives i bruksanvisningen eller er koblet til på feil måte. Denne garantien gjelder ikke for:
 - enhver skade på produktet som er resultat av utlirekkelig vedlikehold
 - ethvert produkt som har blitt endret eller modifisert
 - ethvert produkt der de originale identifiseringsmerkene (varemerke, serienummer) har blitt uleselig, er endret eller fjernet
 - enhver skade som forårsakes av ikke-overholdelse av instruksjonsboken
 - ethvert ikke-CE-produkt
 - ethvert produkt som har blitt forsøkt reparert eller av en ikke-kvalifisert fagperson eller uten tidligere autorisasjon fra Techtronic Industries.
 - ethvert produkt tilkoblet feil strømforsyning (ampere, spenning, frekvens)
 - enhver skade som er forårsaket av eksterne påvirkninger (kjemiske, fysiske, støt) eller fremmede stoffer
 - normal slitasje og slitereservedeler
 - feil bruk, overbelastning av verktøyet
 - bruk av ikke-godkjent tilbehør eller deler
 - Elektrisk verktøytilbehør levert med verktøyet eller kjøpt separat. Slike ekskluderinger, inkludert, men ikke begrenset til skrutrekkerbits, drillbits, slipedisker, sandpapir og blader, lateral føring
 - Komponenter (deler og tilbehør) som er utsatt for naturlig slitasje, inkludert, men ikke begrenset til service- og vedlikeholdssett, karbonborster, lagre, chuck, SDS-borrbifeste eller -mottak, strømledning, hjelpehåndtak, transportbæreske, sandingsplate, støvpose, støvutslippsrør, filtpakninger, støttokkelpinner og fjær, osv.
4. For service må produktet sendes eller fremlegges for en RYOBI-autorisert servicestasjon opplistet for hvert land i den følgende listen over servicestasjonsadresser. I noen land sender den lokale RYOBI-forhandleren produktet til RYOBI serviceorganisasjonen. Ved å sende et produkt til en RYOBI servicestasjon skal produktet være sikkert pakket uten noe farlig innhold, slik som bensin, merket med senderens adresse og fulgt av en kort beskrivelse av feilen.
5. En reparasjon/erstatning under denne garantien er gratis. Den utgjør ingen forlengelse eller ny start av garantiperioden. Utvekslede deler eller verktøy blir vår eiendom. I noen land vil leveringskostnader eller frankering måtte betales av senderen. Dine lovbestemte rettigheter som oppstår fra kjøp av verktøyet forblir uberørt.
6. Denne garantien er gyldig i EU, Sveits, Island, Norge, Liechtenstein, Tyrkia og Russland. Utenfor disse områdene ta kontakt med din autoriserte RYOBI-forhandler om en annen garanti gjelder.

AUTORISERT SERVICESENTER

For å finne et autorisert servicecenter i nærheten, gå til <http://no.ryobitools.eu/header/service-and-support/service-agents>.

RU УСЛОВИЯ ПРИМЕНЕНИЯ ГАРАНТИИ НА ПРОДУКЦИЮ RYOBI®

Помимо законных прав, возникающих при покупке, данное изделие покрывается гарантией в соответствии с приведенными ниже пунктами.

1. Гарантийный период для покупателя составляет 24 месяца с даты покупки изделия. Дата покупки должна быть подтверждена полностью заполненным гарантийным талоном и чеком о покупке. Данное изделие предназначено только для частного использования покупателем. Поэтому гарантия не распространяется на использование в профессиональных или коммерческих целях.
2. Предусмотрена возможность продления для части изделий линейки электроинструментов (AC/DC) гарантийного периода с помощью регистрации на сайте www.ryobitools.eu. Право инструмента на продление гарантийного периода четко указано в магазинах и / или на упаковке / и содержится в сопутствующей инструменту документации. Конечный пользователь должен зарегистрировать свой приобретенный инструмент в течение 30 дней с даты покупки. Конечный пользователь может зарегистрировать свой инструмент на продление гарантии в стране своего проживания, если она указана в форме онлайн-регистрации. Кроме того, конечный пользователь должен дать свое согласие на хранение данных, которые необходимо ввести в онлайн-форму и принять правила и условия. Подтверждение регистрации, которое вы получите по электронной почте, заполненный гарантийный талон и оригинальный чек, в котором указана дата покупки, будут служить доказательством продленной гарантии.
3. Гарантия покрывает в течение гарантийного периода все дефекты качества или материала изделия на дату покупки. Гарантия ограничена ремонтом и / или заменой и не включает никакие другие обязательства, включая, но не ограничиваясь случайными или косвенными убытками. Гарантия становится недействительной, если изделие использовалось не по назначению, вопреки инструкциям, данным в Руководстве пользователя или было неправильно подключено. Настоящая гарантия не распространяется на:
 - любые повреждения изделия в результате неправильного технического обслуживания или недостаточного ухода за инструментом
 - любые изделия, подвергшиеся изменениям и модификации
 - любые изделия, оригинальные идентификационные отметки которого (торговая марка, серийный номер) были повреждены, изменены или удалены
 - любые повреждения, вызванные несоблюдением инструкций Руководства пользователя
 - любые изделия, не сертифицированные маркировкой "CE" для продажи в Европейском союзе
 - любые изделия, подвергшиеся попыткам ремонта неквалифицированным работником или без предварительного утверждения компанией Techtronic Industries.
 - любые изделия, подключенные к неправильному источнику питания (сила тока, напряжение, частота)
 - любые повреждения, вызванные внешними воздействиями (химические, физические, удары) или посторонними веществами
 - естественный износ запасных деталей
 - несоответствующее использование, перегрузка инструмента
 - использование неутвержденных аксессуаров и неофициальных запасных частей
 - аксессуары электроинструментов, поставляемые с инструментом или приобретаемые отдельно. К этому списку относятся, но не исчерпывают его: сверла шуруповертов, дрели, абразивные диски, наждачная бумага, лезвия и боковые направляющие
 - компоненты (детали и аксессуары), подверженные естественному износу и развалу, включая, но не ограничиваясь наборы для технического обслуживания, угольные щетки, подшипники, патроны, переходники SDS, кабели питания, дополнительные ручки, футляры для транспортировки, шифовальные подошвы, пылесборники, трубки для отвода пыли, войлочные шайбы, штыри и пружины ударных ключей и др.
4. Для проведения технического обслуживания изделие следует направлять в авторизованные сервисные центры RYOBI, указанные для каждой страны в приведенном ниже списке адресов станций сервисного обслуживания. В некоторых странах местные дилеры RYOBI отправляют изделия в сервисные организации RYOBI. При отправке изделия в сервисный центр RYOBI, изделие должно быть безопасно упаковано и не содержать никаких опасных веществ, таких как бензин, должен быть подписан адрес отправителя и сопровождаться кратким описанием неисправности.
5. Ремонт / замена проводится в рамках настоящей гарантии бесплатно. Он не продлевает гарантию и не начинает новый гарантийный период. Заменяемые детали и инструменты становятся нашей собственностью. В некоторых странах отправитель должен оплачивать стоимость отправки. Ваши законные права, возникшие при покупке инструмента, остаются неизменными
6. Данная гарантия действительна в Европейском Союестве, Швейцарии, Исландии, Норвегии, Лихтенштейне, Турции и России. Вне указанных территорий обращайтесь к своему авторизованному дилеру RYOBI, чтобы узнать, применяются ли условия каких-либо других гарантий.

УПОЛНОМОЧЕННЫЙ СЕРВИСНЫЙ ЦЕНТР

Чтобы найти ближайший уполномоченный сервисный центр, обратитесь к веб-сайту <http://ru.ryobitools.eu/header/service-and-support/service-agents>.

PL WARUNKI GWARANCJI RYOBI®

Oprócz praw ustawowych wynikających z zakupu produkt jest objęty gwarancją, której warunki podano poniżej.

1. Okres gwarancyjny wynosi 24 miesiące dla konsumentów i rozpoczyna się w dniu zakupu produktu. Datę zakupu należy udokumentować fakturą lub innym dowodem zakupu. Produkt został zaprojektowany i jest przeznaczony do użytku konsumenckiego i prywatnego. W związku z tym gwarancja nie obejmuje zastosowań profesjonalnych i komercyjnych.
2. Istnieje możliwość wydłużenia okresu gwarancyjnego dla części asortymentu narzędzi ręcznych z napędem mechanicznym (AC/DC) poprzez zarejestrowanie produktu na stronie internetowej www.ryobitools.eu. Kwalifikowalność narzędzi do wydłużenia okresu gwarancyjnego jest wyraźnie określona w sklepach i/lub na opakowaniu oraz w dokumentacji produktu. Użytkownik końcowy musi zarejestrować nowo kupione narzędzia online w ciągu 30 dni od daty zakupu. Użytkownik końcowy może zarejestrować się w celu przedłużenia gwarancji w swoim kraju zamieszkania, jeżeli jest on wymieniony w formularzu rejestracji online, gdzie opcja ta obowiązuje. Ponadto użytkownicy końcowi muszą wyrazić zgodę na przechowywanie danych, wprowadzanych na stronie internetowej i zaakceptować regulamin. Dowodem wydłużenia gwarancji jest wysłane pocztą elektroniczną potwierdzenie rejestracji i oryginalny faktury potwierdzającej datę zakupu.
3. Gwarancja obejmuje wszystkie wady produktu ujawnione w okresie gwarancyjnym wynikające usterek wykonania lub materiału obecnego w dniu zakupu. Gwarancja jest ograniczona do naprawy i/lub wymiany i nie obejmuje żadnych innych zobowiązań, w tym między innymi odpowiedzialności za szkodę przypadkową lub wtórne. Gwarancja nie obowiązuje, jeżeli produkt był nieprawidłowo używany, używany niezgodnie z instrukcją lub nie był prawidłowo podłączony. Gwarancja nie obejmuje:
 - uszkodzenia produktu wynikającego z nieprawidłowej konserwacji,
 - produktu, który został zmieniony lub zmodyfikowany,
 - produktu, którego oryginalne oznaczenie (znak towarowy, numer seryjny) zostało zniszczone, zmienione lub usunięte,
 - jakiegokolwiek uszkodzeń wynikających z nieprzestrzegania instrukcji,
 - jakiegokolwiek produktu bez certyfikatu CE,
 - jakiegokolwiek produktu, który próbowano naprawiać z pomocą niewykwalifikowanej osoby lub bez uzyskania wcześniejszej zgody firmy Techtronic Industries.
 - jakiegokolwiek produktu podłączonego nie prawidłowego źródła zasilania (nieprawidłowe napięcie prądu, napięcie, częstotliwość),
 - jakiegokolwiek uszkodzeń spowodowanych wpływem czynników zewnętrznych (chemicznych, fizycznych, drgań) lub substancji obcych,
 - normalnego zużycia części zamiennych,
 - nieprawidłowego użycia, przeciążenia narzędzia,
 - stosowania niezatwierdzonych akcesoriów lub części,
 - akcesoriów narzędzi ręcznych z napędem mechanicznym dostarczonych z narzędziem lub kupionych oddzielnie. Takie wykluczenia obejmują, między innymi, wymienne ostrza wkrętaka, wiertła, tarcze cierne, papier ścierny i ostrza, prowadnicę boczną.
 - elementów (części i akcesoriów) podlegających naturalnemu zużyciu obejmujących, między innymi, zestawy do konserwacji i serwisu, szczotki węglowe, łożyska, uchwyty, przystawkę wiertła SDS, gniazdo, przewód zasilania, uchwyty pomocnicze, skrzynię transportową, płytę szlifierską, worek pyłowy, turę odprowadzania pyłu, podkładki filcowe, kolki i sprężyny klucza udarowego itp.
4. W celu serwisowania produkt należy wysłać lub okazać w autoryzowanym punkcie serwisowym RYOBI znajdującym się na przedstawionym poniżej wykazie punktów serwisowych w poszczególnych krajach. W niektórych krajach lokalny dystrybutor produktów RYOBI podejmuje się wysyłki produktu do centrum serwisowego RYOBI. W przypadku wysyłki do punktu serwisowego RYOBI produkt — pozbawiony jakiegokolwiek niebezpiecznych substancji, na przykład benzyny — należy bezpiecznie zapakować i dołączyć adres nadawcy oraz krótki opis usterek.
5. Naprawa/wymiana w ramach niniejszej gwarancji jest bezpłatna. Nie stanowi jednak o przedłużeniu lub rozpoczęciu od nowa biegu okresu gwarancyjnego. Wymienione części lub narzędzia stają się naszą własnością. W przypadku niektórych krajów nadawca będzie musiał uregulować koszty dostawy lub opłaty pocztowe. Prawa ustawowe wynikające z zakupu narzędzia pozostają niezmienione.
6. Niniejsza gwarancja obowiązuje w Unii Europejskiej, Szwajcarii, Islandii, Norwegii, Liechtensteinie, Turcji i Rosji. Poza tymi obszarami należy skontaktować się z autoryzowanym dostawcą produktów RYOBI i ustalić, czy obowiązuje inna gwarancja.

AUTORYZOWANY PUNKT SERWISOWY

Najbliższy autoryzowany punkt serwisowy można wyszukać w witrynie internetowej <http://pl.ryobitools.eu/header/service-and-support/service-agents>.

CS ZÁRUČNÍ PODMÍNKY RYOBI®

Kromě zákonných práv vyplývajících z koupě výrobku se na tento výrobek vztahuje také níže uvedená záruka.

1. Záruční doba pro spotřebitele je 24 měsíců a začíná datem nákupu výrobku. Datum musí být zaznamenáno na fakturě nebo jiném dokladu o koupi. Tento výrobek je navržen a určen pouze pro soukromé účely spotřebitelů. Záruka se tedy nevztahuje na profesionální nebo komerční využití výrobku.
2. U některých elektrických nástrojů (AC/DC) je možné záruční dobu prodloužit. K tomu je nutná registrace na stránkách www.ryobitools.eu. Možnost prodloužení záruční doby výrobků je jasně uvedena v prodejních, popř. na obalech nebo v dokumentech o výrobku. Koncový uživatel musí svůj nový nástroj zaregistrovat online do 30 dnů od data nákupu. Koncový uživatel se může k prodloužení záruční doby zaregistrovat v zemi trvalého pobytu, pokud je tato uvedena na internetovém registračním formuláři u výrobku, kde je tato možnost dostupná. Koncoví uživatelé musí dále souhlasit s uložením osobních údajů, která musí zadat na internetu, a přijmout obchodní podmínky. E-mail s potvrzením registrace a původní faktura s datem koupě poslouží jako důkaz o prodloužení záruce.
3. Záruka se vztahuje na veškeré vady na výrobku v rámci záruční doby způsobené výrobními vadami nebo vadami materiálu v době koupě. Záruka je omezena na opravu, popřípadě výměnu a nezahrnuje žádná další povinnosti, včetně mimo jiné vedlejších či následných odškodnění. Záruka neplatí při použití výrobku k nevhodným účelům, v rozporu s uživatelskou příručkou nebo při nesprávném zapojení. Záruka se nevztahuje na:
 - veškeré škody na výrobku způsobené nesprávnou údržbou
 - veškeré produkty, které byly pozměněny nebo upraveny
 - veškeré produkty, kde byly původní identifikační prvky (obchodní značka, sériové číslo) poňeny, pozměněny nebo odstraněny
 - veškeré škody způsobené nedodržením pokynů uživatelské příručky
 - veškeré produkty bez CE certifikace
 - veškeré výrobky, kde byly pokusil opravit nekvalifikovaný odborník nebo opravy bez předchozího svolení společnosti Techtronic Industries.
 - veškeré produkty zapojené do nesprávného elektrického zdroje (proud, napětí, frekvence)
 - veškeré škody způsobené externími vlivy (chemickými, fyzickými, nárazy) nebo cizími látkami
 - běžné opotřebování dílů
 - nevhodné použití, přetěžování nástroje
 - použití neschválených příslušenství nebo dílů
 - příslušenství k elektrickému nástroji poskytnuté s nástrojem nebo zakoupené samostatně. Tyto výjimky se vztahují mimo jiné na šroubovací bity, vrtačky, brusné disky, brusný papír a čepele, postranní vodič lišty
 - komponenty (díly a příslušenství) podléhající přirozenému opotřebování, včetně mimo jiné záručních sad, karbonových kartáčů, ložisek, sklíčidla, SDS nástavce na vrtačí bity, napájecího kabelu, pomocné rukojeti, přepravního pouzdra, brusné desky, prachového vaku, výfukové prachové trubice, plstěných podložek, západek a pruhů rážového utahávkou atd.
4. K provedení servisu musí být výrobek zaslán nebo předán do autorizovaného servisního centra společnosti RYOBI, jejichž adresy jsou uvedeny podle zemí v seznamu servisních center. V některých zemích za vás výrobek pošle servisní organizaci RYOBI sám prodejce výrobků této značky. Při zasílání výrobku do servisního centra RYOBI je potřeba výrobek bezpečně zabalit bez nebezpečného obsahu jako benzín, opatřit adresou odesílatele a přiložit krátký popis závady.
5. Oprava, popř. výměna v rámci této záruky je zdarma. Neznamená to prodloužení nebo začátek nové záruční lhůty. Vyměněné díly nebo nástroje přejdou do našeho vlastnictví. V některých zemích platí poštovné odesílatele. Vaše zákonná práva vyplývající z koupě tohoto nástroje zůstávají nedotčena.
6. Tato záruka platí v Evropském Společenství, Švýcarsku, Norsku, Lichtenštejnsku, Turecku, Rusku a na Islandu. Mimo tuto území kontaktujte autorizovaného prodejce značky RYOBI, který zjistí, zda se na výrobek vztahuje jiná záruka.

POVĚŘENÉ SERVISNÍ STŘEDISKO

Pro nalezení nejbližšího pověřeného servisního střediska navštivte <http://cz.ryobitools.eu/header/service-and-support/service-agents>.

HU A RYOBI® GARANCIA ALKALMAZÁSÁNAK FELTÉTELEI

A vásárlásból adódó törvényben rögzített jogok mellett a termékre az alábbi garancia vonatkozik.

1. A fogyasztói garancia tartama 24 hónap, mely a termék vásárlásának napjával kezdődik. Ezt a dátumot számlával vagy a vásárlást igazoló egyéb dokumentummal kell bizonyítani. A termék rendeltetése csak fogyasztói és magáncélú használat. Ezért professzionális vagy kereskedelmi használat esetén a garancia nem érvényes.
2. A szerszámgépek (egyenáramú/váltóáramú) egy részénél a garancia időtartama a www.ryobitools.eu weblapon regisztrálva meghosszabbítható. Az áruházakban, a csomagolásban, illetve a termék dokumentációjában egyértelműen jelezzük, hogy az adott termék garanciája meghosszabbítható-e. A végfelhasználónak a vásárlás dátumától számított 30 napon belül regisztrálnia kell az újonnan vásárolt szerszámot. A végfelhasználó akkor regisztrálhatja a kiterjesztett garanciára, ha az ország, ahol lakik, fel van sorolva az online regisztrációs űrlapon azon országok között, ahol választható ez az opció. Ezenkívül a végfelhasználónak bele kell egyeznie az online regisztrálás során szükséges adatok tárolásába, és el kell fogadnia a felhasználási feltételeket. A kiterjesztett garanciát a regisztráció beérkezésétől e-mailben küldött visszaigazolás és a vásárlás dátumát tartalmazó eredeti számla igazolja.
3. A garancia a termék vásárlásakor fennálló, a gyártás során keletkezett hibákra és anyaghibákra érvényes a garanciális időtartamon belül. A garancia csak a javításra/cserére korlátozódik, és nem terjed ki semmilyen egyéb kötelezettségre, nem kizárólagosan ideértve a véletlen vagy szándékos rongálást. A garancia nem érvényes, ha a terméket nem megfelelően, a használati utasításban foglaltakkal ellentétben, illetve nem megfelelően csatlakoztatva használták. A garancia nem vonatkozik:
 - a terméket a nem megfelelő karbantartás következtében ért károsodásra
 - megváltoztatott vagy átalakított termékre
 - olyan termékre, melyen az eredeti azonosítókat (védjegy, sorozatszám) megrongálták, megváltoztatták vagy eltávolították
 - a használati utasítás be nem tartásából eredő kárra
 - CE jelöléssel nem rendelkező termékekre
 - olyan termékre, melyet nem képzett, illetve a Techtronic Industries által nem fejlesztett szerelvény javított
 - nem megfelelő (áramerősség, feszültségű, frekvenciájú) áramforrásra csatlakoztatott termékre
 - külső (vegyi, fizikai, ütés) hatásokból vagy idegen anyagokból eredő károkkra
 - a cserélhető alkatrészek természetes kopására és elhasználódására
 - a szerszám helytelen használatára, túlterhelésére
 - nem jóváhagyott tartozékok és alkatrészek használatára
 - A szerszámmal adott vagy külön megvásárolt tartozékokra. Ilyenek például (de nem kizárólag) a csavarhúzófejek, fűrészárak, csiszolókorongok, csiszolópapír, kések, oldallirányú terelők.
 - A természetes kopásnak, elhasználódásnak kitett alkatrészek és kiegészítők, például (de nem kizárólag) szerviz- és karbantartókészletek, szénkéfek, csapagyak, tokmány, SDS fűrészár csatlakozója, tápkábel, segédfogantyú, szállítók, csiszolólap, porzsák, porelvezető cső, filcaltátek, utóműves csavarbehajtó gép csapszege és rugója stb.
4. A terméket javításra el kell vinni egy meghatalmazott RYOBI szervizbe; ezeket az egyes országokhoz a következő listában találja. Egyes országokban a helyi RYOBI kereskedő vállalja a termék elszállítását a RYOBI szervizbe. A terméket veszélyes tartalom, például benzín nélkül csomagolja, a feladó címét feltüntetve, a hiba rövid leírásával együtt küldje el a RYOBI szervizbe.
5. A jelen garancia hatálya alatt végzett javítás, illetve csere ingyenes. Nem jelenti a garanciális időtartam újraindulását. A kicserélt alkatrészek és szerszámok a mi tulajdonunkba kerülnek. Egyes országokban a szállítás vagy postázás költségét a feladó viseli. A vevőnek a szerszám megvásárlásából adódó törvényes jogai nem változnak.
6. Jelen garancia az Európai Közösségben, Svájcban, Izlandon, Norvégiában, Liechtensteinben, Törökországban és Oroszországban érvényes. E területeken kívül kérdezze meg a RYOBI forgalmazót, hogy milyen garancia van érvényben.

HIVATALOS SZERVIZKÖZPONT

A legközelebbi hivatalos szervizközpont megtalálásához látogasson el a <http://hu.ryobitools.eu/header/service-and-support/service-agents>.

RO CONDIȚII DE APLICARE A GARANȚIEI PENTRU PRODUSELE RYOBI®

În plus față de condițiile statutare rezultate din achiziționarea acestui produs, acesta este acoperit de garanția stipulată mai jos.

1. Perioada de garanție este de 24 de luni pentru consumatori și începe de la data achiziționării produsului. Data de începere a garanției trebuie demonstrată cu o factură sau altă dovadă a cumpărării produsului. Produsul este destinat și conceput doar pentru utilizare în scopuri personale. Din acest motiv, nu se oferă garanție pentru utilizarea sa în scop profesional sau comercial.
2. Există posibilitatea de a extinde a perioadei de garanție pentru gama de unelte electrice (de CA/CC) peste perioada stipulată mai sus prin înscrierea produsului pe [website-ul www.ryobitools.eu](http://www.ryobitools.eu). Eligibilitatea pentru perioada de extindere a garanției este afișată în mod clar în magazinele de vânzare și/sau pe ambalaj sau este inclusă în documentația livrată împreună cu produsul. Utilizatorul final este obligat să-și înregistreze produsul online în termen de maxim 30 de zile de la data achiziției acestuia. Utilizatorul final poate înregistra produsul pentru garanția extinsă oferită în țara sa de rezidență dacă aceasta este listată în formularul de înregistrare online și dacă această opțiune este validă. În plus, utilizatorul final trebuie să-și dea acordul pentru stocarea datelor personale solicitate la înregistrare online și trebuie să accepte termenii și condițiile. Mesajul de confirmare a înregistrării, trimis prin e-mail și factura originală cu data achiziției vor dovedi perioada de garanție extinsă.
3. Garanția acoperă toate defecțiunile produsului survenite în perioada de garanție datorate defectelor de execuție sau materialelor folosite, începând cu data achiziției acestuia. Garanția este limitată la reparare și/sau înlocuire și nu include alte obligații, inclusiv, dar fără a se limita la daune accidentale sau rezultate pe cale de consecință. Garanția își pierde valabilitatea dacă produsul este utilizat necorespunzător, utilizat neconform cu instrucțiunile de utilizare din manualul cu instrucțiuni sau conectat incorect. Garanția nu se aplică în cazul:
 - oricărei defecțiuni survenite în urma întreținerii necorespunzătoare a produsului
 - oricărui produs alterat sau modificat
 - oricărui produs la care inscripțiile cu datele de identificare (marca comercială, numărul de serie) au fost șterse, modificate sau îndepărtate
 - oricărei defecțiuni datorate neconformării cu instrucțiunile din manualul de utilizare
 - oricărui produs necertificat CE
 - oricărui produs asupra căruia au fost efectuate tentative de reparare de către personal necertificat sau fără autorizație prealabilă din partea Techtronic Industries.
 - oricărui produs conectat la o sursă de alimentare necorespunzătoare (curent, tensiune, frecvență)
 - oricărui defecțiuni datorate unor influențe externe (chimice, fizice, socuri) sau substanțe străine
 - uzurii și fisurării normale a pieselor de rezervă
 - utilizării neadecvate, suprasolicitării uneltei
 - utilizării de piese și accesorii neaprobate
 - accesorilor pentru unelți furnizate odată cu acestea sau achiziționate separat. Acestea sunt excluse și aplică, dar fără a se limita la următoarele: burghie, biți de șurubelniță, discuri abrazive, hărte abrazive și lame de tăiere, ghidaje laterale
 - Componentele (piese și accesorii) supuse uzurii normale, care includ, fără a se limita la, kituri de întreținere și service, perii de carbon, rulmenți, mandrină, adaptor pentru burghie SDS, cordon de alimentare, manere auxiliare, cutie de transport, placă pentru șlefuit, sac pentru praf, tub pentru evacuarea prafului, discuri de păsă, adaptoare și resorturi pentru cheile de strângere prin vibrație, etc.
4. Pentru efectuarea reparațiilor, produsul trebuie trimis sau adus la un centru de reparații autorizat RYOBI din lista următoare de centre de reparații prezentate pentru fiecare țară. În anumite țări, reprezentantul local RYOBI va trimite produsul spre reparare la sediul central de reparații RYOBI. Atunci când trimiteți produsul spre reparare la un centru de reparații RYOBI, acesta trebuie ambalat în siguranță, fără conținut periculos (cum ar fi benzina), marcat cu adresa expeditorului și însoțit de o scurtă descriere a defecțiunii.
5. Repararea/inlocuirea în perioada de garanție este gratuită. Aceasta nu este însoțită de o prelungire sau o reinținerie a perioadei de garanție. Piesele sau uneltele schimbate devin proprietatea dvs. În anumite țări, taxele de expediție sau poștale vor fi suportate de expeditor. Drepturile dvs. statutare rezultate din achiziția produsului rămân neschimbate
6. Această garanție este valabilă în Comunitatea Europeană, Elveția, Islanda, Norvegia, Liechtenstein, Turcia și Rusia. În afara acestor zone, vă rugăm să contactați reprezentantul dvs. local RYOBI pentru a determina dacă se aplică alt tip de garanție.

CENTRU DE SERVICE AUTORIZAT

Pentru a găsi un centru de service autorizat lângă dvs., vizitați <http://en.ryobitools.eu/header/service-and-support/service-agents>.

LV RYOBI® GARANTIJAS PIEMĒROŠANAS NOSACĪJUMI

Papildus jebkādam likumiskajām tiesībām, kuras rodas, veicot pirkumu, izstrādājums tiek nodrošināts ar tālāk tekstā noteikto garantiju.

1. Garantijas periods patērētājiem ir 24 mēneši, tā atskaitē tiek sākta no datuma, kurā veikta izstrādājuma iegāde. Šim datumam jābūt dokumentētam rēķinā vai citā pirkumu apliecināšā dokumentā. Izstrādājums ir radīts un paredzēts tikai patērētāja privātai lietošanai. Saistībā ar iepriekšminēto, garantija netiek nodrošināta profesionālas vai komerciālas lietošanas gadījumā.
2. Pastāv iespēja pagarināt daļas no elektroinstrumentu klāsta (Mainstrāvas/akumulatoru) garantiju ilgāk par iepriekš minēto periodu, izmantojot reģistrāciju interneta vietnē www.ryobitools.eu. Instrumenti, kas pakļauti garantijas perioda pagarināšanai, tiek skaidri apzīmēti veikalos un/vai uz iepakojuma un izstrādājumu komplektējošajā dokumentācijā. Gala lietotājam nepieciešams reģistrēt lai iegādātu jauno instrumentu 30 dienu laikā no pirkuma datuma. Gala lietotājs var reģistrēties pagarinātajai garantijai savas mitnes valstī, ja tā minēta tiešsaistes reģistrācijas veidlapā, kurā šī iespēja ir aktīva. Bez tam, gala lietotājam ir jāsniedz pierādīšana tiešsaistes ievadīšanai nepieciešamo datu glabāšanai un jāpiekrīt noteikumiem un nosacījumiem. Reģistrācijas apstiprinājums, kas tiek nosūtīts, izmantojot e-pastu, un rēķina oriģināls, kurā norādīts iegādes datums, kalpo kā pagarinātās garantijas apstiprinājums.
3. Garantija attiecas uz visiem izstrādājuma defektiem garantijas periodā, kas saistīti ar ražošanas vai materiālu defektiem no pirkuma datuma. Šī garantija tiek ierobežota ar remontu un/vai nomaiņu un neietver jebkādas citas saistības, tajā skaitā, bet ne tikai, cēloņsakarīgos vai saistītos bojājumus. Garantija nav spēkā, ja izstrādājums ir nepareizi lietots, izmantots pretēji norādēm lietošanas rokasgrāmatā vai bijis nepareizi pieslēgts. Šī garantija netiek attiecināta uz:
 - jebkādiem izstrādājuma bojājumiem, kas radušies nepareizas uzturēšanas rezultātā
 - jebkuru izstrādājumu, kas ticis pārveidots vai mainīts
 - jebkuru izstrādājumu, kura oriģinālās identifikācijas (preču zīme, sērijas numurs) marķējums ir ticis nodzēsts, mainīts vai noņemts
 - jebkādiem bojājumiem, kuri radušies neievērojot norādes lietošanas rokasgrāmatā
 - jebkādam izstrādājumam bez CE sertifikācijas
 - jebkuru izstrādājumam, kura remontu mēģinājis veikt nekvalificēts personāls vai bez Techtronic Industries iepriekšējas autorizācijas.
 - jebkuru izstrādājumam, kurš bijis pieslēgts neatbilstošu parametru (strāvas, sprieguma, frekvences) sprieguma avotam
 - jebkuriem bojājumiem, kuri radušies ārējas iedarbības (ķīmiskas, fiziskas, triecieni) vai vielu ietekmē
 - detaļu normāla lietošanas nodiluma rezultātā
 - nepareizas lietošanas vai instrumentu pārslodzes rezultātā
 - neapstiprinātu detaļu vai aprīkojuma lietošanas rezultātā
 - elektroinstrumentu aksesuāriem, kas atrodas instrumenta komplektācijā vai ir iegādāti atsevišķi. Šis izņēmums attiecināms uz, bet neaprobežojoties ar, skrūvgrīežu uzgaļiem, urbjiem, abrazīvajiem diskkiem, smilšpapīru un asmeņiem, sānu vadotnēm
 - komponentiem (daļām un aksesuāriem), kas pakļauti normālam nodilumam, ieskaitot, bet neaprobežojoties ar Servisa un apkopju komplekti, oglekļa sukuks, gultņi, pātrona, SDS urbju uztverējiem vai uzliks, elektrības vads, papildus rukturis, transportēšanas un pārnēsāšanas kaste, slīpmašīnas plāksne, putekļu maisis, putekļu izvadišanas caurule, paplākšņi, triecienatslēgu tapas un atsperes, u.t.t.
4. Servisa nodrošināšanai, izstrādājums ir jānodod pilnvarotā RYOBI servisa centrā, kas norādīts katrā valstij tālāk minētajā servisa centru adresē sarakstā. Dažās valstīs jūs vietējais RYOBI izplatītājs uzņemas izstrādājuma nosūtīšanu uz RYOBI servisa organizāciju. Nosūtīt izstrādājumu uz RYOBI servisa centru, izstrādājuma jābūt droši iepakotam, tas nedrīkst saturēt bīstamas vielas kā degvielu, sūtfūjumam jābūt marķētam ar sūtfūta adresi un īsu kļūmes aprakstu.
5. Remonts/nomaiņa šīs garantijas ietvaros ir bezmaksas. Tas nerada garantijas perioda pagarināšanu vai jaunu garantiju. Nomaiņās daļas vai instrumentu kļūst par mūsu īpašumu. Dažās valstīs piegādes vai pasta izmaksas būs jāapmaksā sūtfūtam. Jūsu likumiskās tiesības, kas nodibinās, iegādājoties instrumentu, paliek nemainīgas
6. Šī garantija ir spēkā Eiropas Kopienā, Šveicē, Islandē, Norvēģijā, Līhtenšteinā, Turcijā un Krievijā. Ārpus šīm teritorijām, lūdzu, sazinieties ar jūsu pilnvaroto RYOBI izplatītāju, lai noteiktu, vai ir piemērojama cita garantija.

AUTORIZĒTS APKALPOŠANAS CENTRS

Lai atrastu tuvāko autorizēto apkalpošanas centru, apmeklējiet <http://en.ryobitools.eu/header/service-and-support/service-agents>.

LT „RYOBI®“ GARANTIJOS TAIKYMO SĄLYGOS

Papildant bet kokias įstatymuose numatytas perkant atsirandančias teises, šiam įrenginiui taikoma toliau nurodyta garantija.

1. Vartotojams suteikiama 24 mėnesių trukmės garantija nuo įrenginio įsigijimo datos. Ši data turi būti nurodyta sąskaitoje faktūroje ar kitame pirkimą įrodančiame dokumente. Šis įrenginys skirtas tik vartotojų rinkai ir asmeniniam naudojimui. Todėl garantija netaikoma, jei įrenginys naudojamas profesiniams ar komerciniams reikmėms.
2. Įsigijus tam tikrus elektrinius įrenginius (AC/DC), suteikiama galimybė pratęsti garantiją, kad ji galiojūt ilgiau, nei nurodyta. Suteikiama registracija interneto svetainėje www.ryobitools.eu. Ar galima pratęsti įrenginio garantinį laikotarpį, aiškiai nurodoma parduotuvėse ir (arba) ant įrenginio pakuočių, ir (arba) įrenginio dokumentuose. Galutinis naudotojas turi užregistruoti savo naujai įsigytą įrenginį per 30 dienų nuo įsigijimo datos. Galutinis naudotojas gali registruotis išplėstinei garantijai savo gyvenamojoje šalyje, jei ji nurodyta internetinėje registracijos formoje, kurioje siūloma tokia galimybė. Be to, galutiniai naudotojai turi sutikti su duomenų, kuriuos reikia įvesti internetu, saugojimu ir sveatinės naudotojo sąlygomis. Kaip išplėstinės garantijos įrodymas naudojamas registracijos patvirtinimo kuitas, atsiunčiamas el. paštu, ir originali sąskaita faktūra, kurioje nurodyta įsigijimo data.
3. Ši garantija apima visus garantiniu laikotarpiu aptiktus įrenginio trūkumus, atsiradusius dėl gamybos arba medžiaginių defektų nuo įsigijimo datos. Ši garantija nįbjoama remontu ir (arba) pakeitimu, jei neapima jokių kitų įsipareigojimų, įskaitant (bet tuo neapsiribojant) šaltinius arba antrinius nuostolius. Garantija anuliuojama, jei įrenginys buvo naudojamas netinkamai, naudojamas ne pagal naudojimo instrukciją arba netinkamai prijungtas. Ši garantija netaikoma:
 - jokiai įrenginiui padarytai žalai, kurią lemė netinkama techninė priežiūra;
 - jokiam įrenginiui, kuris buvo keičiamas ar modifikuojamas;
 - jokiam įrenginiui, kurio originalūs identifikavimo ženklai (prekės ženklas, serijos numeris) buvo sugadinti, pakeisti arba pašalinti;
 - jokiai žalai, kurią lemė naudojimo instrukcijos nesilaikymas;
 - jokiams CE ženklų nepažymėtiems įrenginiams;
 - jokiam įrenginiui, kurį bandė remontuoti nekvalifikuoti asmenys arba kuris buvo remontojuojamas be „Techtronic Industries“ leidimo;
 - jokiam įrenginiui, kuris buvo prijungtas prie netinkamo maitinimo tinklo (netinkamos srovės, įtampos, dažnio);
 - jokiai žalai, kurią lemė išorinis poveikis (cheminis, fizinis, smūgiai) arba pašalinės medžiagos;
 - dėvimosioms dalims;
 - netinkamam naudojimui, įrenginio perkrovai;
 - nepatvirtintų priedų arba dalių naudojimui;
 - su įrenginiu pateiktiems arba atskirai įsigytiems elektrinio įrenginio priedams. Šios išimty apima (tuo neapsiribojant) atsektuvų antgalius, gražtų antgalius, šlifavimo diskus, švitrinį popierių ir geležtes, šoninį kreiptuvą;
 - komponentams (dailims ir priedams), kurie natūraliai dėviis, įskaitant (bet tuo neapsiribojant) įprastines ir technines priežiūros rinkinius, anglinius šepetėlius, guolius, laikiklį, SDS gražtų antgalį priedą arba lizdą, maitinimo kabelį, pagalbini rąnkėną, neįsijomo dėklį, šlifavimo diską, maišelį dulkmėms, dulkių ištraukimo vamzdelį, fetro poveržles, smūginio veržliarakčio kaiščius ir spyruokles ir pan.
4. Prireikus atlikti priežiūros darbus, įrenginį reikia siųsti arba atvežti RYOBI įgaliotajam priežiūros centrui, nurodytam kiekvienos šalies priežiūros centrų adresų sąrašė. Kai kuriose šalyse vietinis RYOBI atstovas siunčia įrenginį RYOBI priežiūros organizacijai. Siunčiant įrenginį RYOBI priežiūros centrui, reikia saugiai įj supakuoti pašalinant visas pavojingas medžiagas, pvz., benzina, nurodyti ant pakuočės siuntyto adresą ir pridėti trumpą gedimo aprašymą.
5. Pagal šią garantiją remontas / keitimas atliekami nemokamai. Tokie veiksmai netaikomi garantijos pratęsimu arba naujo garantinio laikotarpio pradžia. Dailys arba įrenginiai, kuriuos pakeitėme, tampa mūsų nuosavybe. Kai kuriose šalyse pristatymo ir pašto išlaidas turi padengti siuntėjas. Įstatymuose numatytos jūsų teisės, atsirandančios perkant įrenginį, lieka nepakeistos
6. Ši garantija galioja Europos bendrijoje, Šveicarijoje, Islandijoje, Norvegijoje, Lichtenšteine, Turkijoje ir Rusijoje. Jei gyvenate ne šiose šalyse, kreipkitės į įgaliotąjį RYOBI atstovą ir sužinokite, ar jums taikoma kita garantija.

ĮGALIJOTOS TECHNINĖS PRIEŽIŪROS CENTRAS

Jei norite surasti įgaliotą techninės priežiūros centrą netoli Jūsų, apsilankykite interneto svetainėje <http://en.ryobitools.eu/header/service-and-support/service-agents>.

Lisaks toote ostust tulenevatele seadusjärgsetele õigustele, kehtib tootele ka alltoodud garantiiga.

- Tarbijatele on garantiiaeg 24 kuud ja algab sellel kuupäeval, mil toode osteti. Selle kuupäeva tõestuseks on vaja arvet või mõnda teist tõendit ostu sooritamise kohta. Toode on mõeldud eratarbijatele ainult isiklikuks kasutamiseks. Seega ei kehti garantii ostu kasutamisel kutsetegevuses või kaubanduslikel eesmärkidel.
- Teatud osale elektrilistele (vahelduvvoolu/alalisvoolu) tööriistadele on võimalik pikendada tõestuseks toodud garantiiaega, kasutades toote registreerimist veebilehel www.ryobitools.eu. Teave tööriista võimaliku pikendatud garantiiaja kohta on selgelt esile toodud poodides ja/või pakendil / ning see sisaldub toote dokumentatsioonis. Lõpparbiaja peab registreerima oma uued tööriistad interneti teel 30 päeva jooksul pärast ostmise päeva. Lõppkasutaja võib registreerida pikendatud garantiiaja osamööda oma elukohariigis, kui veebis olevas registreerimisvormis on see valik lubatud. Lisaks peavad kasutajad andma oma nõusoleku veebis nõutud sisestatavate andmete säilitamiseks ning nad peavad nõustuma tingimustega. E-posti teel saatetav registreerimise kinnitus ja arve originalid, kus on näha ostu sooritamise kuupäev, on pikendatud garantiiaja tõestuseks.
- Garantii katab kõik defektid toote garantiiaja jooksul, kui ostu kuupäeval ilmnevad talitlus- või materjalivead. Garantii piirub toote remondi ja/või väljavahetamisega ning ei sisalda muid kohustusi, muu hulgas ettenägematuid või kaudseid kahjusid. Garantii ei kehti, kui toodet ei ole kasutatud sihtotstarbelselt või kooskõlas kasutusjuhendiga või see on valesti ühendatud. Garantii ei kehti järgmistel põhjustel:
 - toode on kahjustatud vale hoolituse tõttu
 - toodet on muudetud
 - toote algsuunatud identifitseerimisnumbriga (kaubamärk, seerianumber) on rikutud, muudetud või eemaldatud
 - kahju on tekkinud kasutusjuhendi mittejärgimisest
 - tootel puudub CE-märgis
 - toodet on püüdnud remontida vastavat kvalifikatsiooni mitte omav isik või ilma firma Techtronic Industries eelneva loata.
 - toode on ühendatud valesse toiteallikasse (voolutugevus, pinge, sagedus)
 - välismõjude (keemilised, füüsilised, elektrilöögid) või võrkehade tekitatud kahju
 - tavapärane kulumine ja katkised varuosad
 - ebaõige kasutamine, tööriista ülekoormamine
 - hea kiitumata tarvikute või osade kasutamine
 - koos tööriistaga saadud või eraldi ostetud elektriliste tööriistade tarvikud. Need erandid puudutavad muu hulgas kruvikeeraja otsakuid, puuriterasid, lihvkettaid, lihvpaberit ja -taldu, küljuühikuid
 - Komponendid (osad ja tarvikud), mida iseloomustab kulumine ja vananemine, muu hulgas remondi- ja hoolduskomplektid, süsinikharijad, laagrid, padrunid, SDS-puuriterade tarvikud, toltejuhte, lisakäepide, transpordikott, lihvplaat, tolmuokt, tolmu väljalasketoru, vildist seibid, löökmutrivõtme võliid ja vedrud jne.
- Hoolituseks peab toote saatma või viima RYOBI volitatud teenindusse, mille aadressi leiata järgnevat teeninduspunkti nimekirjast vastava riigi alt. Mõnedes riikides võtab kohalik RYOBI edasimüüja enda kanda kohustuse saata toode RYOBI teenindusorganisatsiooni. Toote saatmisel RYOBI teenindusse peab toode olema ohutult pakitud ja ei tohi sisaldada ohtlike aineid (nt bensini), kirjas peab olema saatja aadress ja lisatud vea lühikirjeldus.
- Garantii alusel tehtavad remonditööd / asendamine on tasuta. See ei pikenda garantii kehtivusaega ega tähistu uue garantiiaja algust. Väljavahetatud osad või tööriistad kuuluvad meile. Mõnedes riikides maksab kätetoimetamis- ja postikulud saatja. Teile jäävad kehtima tööriista ostust tulenevad seadusjärgsed õigused
- See garantii kehtib Euroopa Ühenduse territooriumil, Šveitsis, Islandil, Norras, Liechtensteinis, Türgis ja Venemaal. Väljaspool neid piirkondi võtke ühendust volitatud RYOBI edasimüüjaga, et teha kindlaks kas kehtib mõni teine garantii.

VOLITATUD HOOLDUSKESKUS

Oma volitatud hoolduskeskuse leiate veebisaidilt <http://en.ryobitools.eu/header/service-and-support/service-agents>.

Osim svim zakonskim pravima koja proizlaze iz kupnje, ovaj je proizvod pokriven jamstvom kako je navedeno u nastavku.

- Jamstveno razdoblje za potrošače traje 24 mjeseca i počinje s datumom na koji je proizvod kupljen. Taj datum mora se dokumentirati računom ili drugim dokazom o kupnji. Proizvod je konstruiran i namijenjen samo za privatnu upotrebu korisnika. Stoga se jamstvo ne daje u slučaju profesionalne ili komercijalne uporabe.
- Postoji mogućnost da se za dio asortimana električnih alata pokretanih izmjeničnom strujom (AC/DC) proizvodi gore navedeno jamstvo razdoblje putem registriranja na mrežnom mjestu www.ryobitools.eu. Uvjeti koje je potrebno zadovoljiti kako bi se produžilo jamstveno razdoblje jasno su istaknuti u prodavaonicama i / ili na pakiranju / i nalaze se unutar dokumentacije proizvoda. Krajnji korisnik mora registrirati svoje novo kupljene alate na mreži u roku od 30 dana od datuma kupnje. Krajnji korisnik može se registrirati za produženo jamstvo u uvjetoj zemlji boravišta ako se nalazi na popisu u mrežnom obrascu za registraciju gdje je ta opcija važeća. Nadalje, krajnji korisnici moraju dati svoj pristanak na pohranu podataka koji su potrebni za mrežni ulazak i moraju prihvatiti odredbe i uvjete. Potvrda o prijemu registracije, koja se šalje putem e-pošte, kao i originalni račun s vidljivim datumom kupnje poslužit će kao dokaz produženog jamstva.
- Jamstvo pokriva sve nedostatke proizvoda tijekom jamstvenog razdoblja koji su nastali zbog neispravnosti prilikom izrade ili materijala s datumom kupnje. Jamstvo je ograničeno na popravak i/ili zamjenu i ne obuhvaća nikakve druge obveze, uključujući, ali ne ograničavajući se na slučajne ili posljedične štete. Jamstvo ne vrijedi ako je proizvod bio zlorabljeno, korišten u suprotnosti s priručnikom s uputama ili ako je pogrešno spojen. Ovo jamstvo ne primjenjuje se na:
 - svaku štetu koja je na proizvodu nastala kao rezultat nepravilnog održavanja
 - svaki proizvod koji je promijenjen ili izmijenjen
 - svaki proizvod na kojem su izvorne identifikacijske oznake (žig, serijski broj) bile oštećene, izmijenjene ili uklonjene
 - svaku štetu prouzročenu neprimjerenim priručnika s uputama
 - svaki proizvod koji nema oznaku CE
 - svaki proizvod koji je pokušao popraviti nekvalificirani profesionalac ili onaj koji je popravljao bez prethodnog odobrenja tvrtke Techtronic Industries.
 - svaki proizvod koji je spojen na neprikladan izvor električnog napajanja (neodgovarajuća amperaza, napon, frekvencija)
 - svaku štetu prouzročenu unutarnjim utjecajima (kemijskim, fizikalnim, udarima) ili stranim tvarima
 - normalno habanje i trošenje rezervnih dijelova
 - neodgovarajuću uporabu, preopterećenje alata
 - upotrebu neodobrenog pribora ili dijelova
 - dotadnu opremu električnog alata isporučenu s alatom ili kupljenu odvojeno. Takvi izuzetci uključuju ali nisu ograničeni na vrhove odvijачa, svrdla bušilice, abrazivne diske, brusni papir i noževe, bočnu vodilicu
 - Komponente (dijelovi i pribor) podložne prirodnom trošenju i habanju, što uključuje, ali nije ograničeno na komplecte za servisiranje i održavanje, ugljične četkice, ležajeve, steznu glavu, nastavak ili priključak za svrdla za SDS bušilicu, priključni kabel, pomoćnu ručku, transportne torbe, brusnu ploču, vreću za prašinu, ispušnu cijev za prašinu, podloške od filca, udami ključ, zatici i opruge, itd.
- Za potrebe servisiranja, proizvod se mora poslati ili odnijeti u ovlaštenu servisnu postaju tvrtke RYOBI navedenu na sljedećem popisu s adresama servisnih postaja u svakoj zemlji. U nekim zemljama, vaš lokalni RYOBI zastupnik obvezuje se da će poslati proizvod u servisnu organizaciju tvrtke RYOBI. Kada se proizvod šalje u neku servisnu postaju tvrtke RYOBI, proizvod se mora sigurno pakirati bez jednog od opasnih sadržaja kao što je benzin, na njemu mora pisati adresa pošiljatelja i mora biti popraćen kratkim opisom kvara.
- Popravak / zamjena pod ovim jamstvom su besplatni. Oni ne predstavljaju produženje ili novi početak jamstvenog razdoblja. Zamijenjeni dijelovi ili alati postaju vaše vlasništvo. U nekim državama troškove isporuke ili poštarinu mora platiti pošiljatelj. Vaša zakonska prava koja proizlaze iz kupnje alata ostaju nepromijenjena
- Ovo jamstvo vrijedi u Europskoj uniji, Švicarskoj, Islandu, Norveškoj, Lihtenštajnu, Turskoj i Rusiji. Izvan tih područja vas molimo da se obratite svojem ovlaštenom zastupniku tvrtke RYOBI kako biste utvrdili primjenjuje li se drugo jamstvo.

OVLAŠTENI SERVISNI CENTAR

Za pronalazjenje ovlaštenog servisnog centra pored vas posjetite <http://en.ryobitools.eu/header/service-and-support/service-agents>.

SL POGOJI ZA VELJAVNOST GARANCIJE RYOBI®

Poleg morebitnih zakonsko določenih pravic, ki izvirajo iz nakupa, za ta izdelek velja spodaj navedena garancija.

- Garancijsko obdobje je za potrošnike 24 mesecev in začne teči z dnem nakupa izdelka. Ta datum mora biti dokumentiran z računom ali drugim dokazilom o nakupu. Izdelek je zasnovan in namenjen izključno za potrošniško zasebno uporabo. V primeru strokovne oziroma komercialne uporabe izdelka garancija ne velja.
- Obstaja možnost podaljšanja garancije na del naše ponudbe električnih orodij (AC/DC) prek obdobja garancije, opisaneega zgoraj, s pomočjo registracije na spletnem mestu www.ryobitools.eu website. Ustreznost orodij za podaljšanje garancijskega obdobja je jasno prikazana v trgovinah in/ali na embalaži oziroma je navedena v dokumentaciji izdelka. Končni uporabnik mora registrirati svoje novo orodje na spletu v 30 dneh po datumu nakupa. Končni uporabnik lahko registrira podaljšano garancijo v svoji državi bivanja, če je na obrazcu spletne registracije navedeno, da ta možnost velja za njegovo državo. Poleg tega morajo končni uporabniki podati svoje soglasje za shranjevanje podatkov, ki so potrebni za spletni dostop in morajo sprejeti pogoje in določila uporabe spletnega mesta. Potrdilo o registraciji, ki ga pošljemo prek e-pošte, in originalni račun, ki prikazuje datum nakupa, služita kot dokazilo o podaljšani garanciji.
- Garancija krije vse okvare izdelka, do katerih pride v garancijskem obdobju zaradi napak v izdelavi ali materialu, ki so bile prisotne ob datumu nakupa. Garancija je omejena na popravilo in/ali zamenjavo in ne vključuje nobenih drugih obveznosti, med drugim vključno z naključno ali posledično škodo. Garancija ne velja, če je bil izdelek napačno uporabljen, uporabljen v nasprotju z navodili iz priročnika za uporabo ali če ni bil pravilno povezan. Ta garancija ne velja za:
 - škodo na izdelku, ki je posledica neustreznega vzdrževanja
 - spremenjen ali prilagojen izdelek
 - izdelek, katerega originalna identifikacijska oznaka (blagovna znamka, serijska številka) je bil poškodovan, spremenjena ali odstranjena
 - škodo, ki je posledica neupoštevanja navodil iz priročnika za uporabo izdelka, ki nima oznake CE
 - izdelek, ki ga je poskušal opraviti ne kvalificiran strokovnjak ali ki je bil popraviljen brez predhodne odobritve s strani družbe Techtronic Industries.
 - izdelek, ki je bil povezan na neustrezno napajanje (amperska moč, napetost, frekvenca)
 - škodo, ki jo povzročijo zunanji vplivi (kemični, fizični, mehanski) ali tuji snovi
 - rezervne dele, ki so podvrženi običajni uporabi
 - neprimerno uporabo, preobremenitev orodja
 - uporabo neodobrenih dodatkov ali delov
 - Dodatno električno orodje, priloženo orodju ali kupljeno ločeno. Take izjeme so med drugim nastavki za izvijače, svedri, abrazivni diski, brusni papir in rezila, stranska vodila.
 - Komponente (sestavni in rezervni deli), ki so podvrženi običajni obrabi, med drugim vključno s kompleti za servisiranje in vzdrževanje, oglikovimi krtačkami, ležaji, penjalji, svedrni priključki SDS ali sprejemnimi odprtini zanje, napajalnimi kablji, pomožnimi ročajji, prenosnimi kovčki, brusnimi ploščami, vrečkami za prah, cevmi za izpuh prahu, tesnilni iz filca, iglami in vzmetni udamega ključa itd.
- Za servisiranje morate izdelek poslati ali prinesiti v pooblaščen servisni center družbe RYOBI, ki je naveden za vsako državo na naslednjem seznamu naslovov servisnih centrov. V nekaterih državah se vaš lokalni posrednik družbe RYOBI obveže, da bo poslal izdelek na servis družbe RYOBI. Ko pošiljate izdelek v servisni center družbe RYOBI, mora biti izdelek varno zapakiran in ne sme vsebovati nobenih nevarnih snovi, kot je npr. bencin, opremljen pa mora biti z naslovom pošiljatelja in vsebovati kratek opis napake.
- Popravilo/zamenjava v skladu s to garancijo sta brezplačni storitvi. To pa ne predstavlja podaljšanja ali ponovnega začetka garancijskega obdobja. Zamenjani deli ali orodja postanejo naša last. V nekaterih državah stroške dostave ali poštno plača pošiljatelj. Vaše zakonsko določene pravice, ki izvirajo iz nakupa orodja, ostajajo nespremenjene.
- Ta garancija velja v Evropski skupnosti, Švici, Islandiji, na Norveškem, v Lichtenštajnu, v Turčiji in Rusiji. Izven teh območij se obrnite na svojega pooblaščenega posrednika izdelkov RYOBI, dealer ki vam bo povedal, ali velja kakšna druga garancija.

POOBLAŠČEN SERVISNI CENTER

Pooblaščen servisni center blizu vas poiščite na <http://en.ryobitools.eu/header/service-and-support/service-agents>.

SK ZÁRUČNÉ PODMIENKY RYOBI®

Na tento výrobok sa okrem všetkých zákonných práv, vyplývajúcich z nákupu, vzťahuje záruka v nasledovnom znení.

- Záručná doba pre spotrebiteľa je 24 mesiacov a začína plynúť odo dňa, kedy bol výrobok zakúpený. Tento dátum musí byť doložený faktúrou alebo iným dokladom o zakúpení. Výrobok je navrhnutý a určený pre spotrebiteľov a ten na súkromné používanie. Preto sa záruka sa neposkytuje v prípade použitia na profesionálne a komerčné účely.
- V prípade elektrického náradia (na striedavý/jednosmerný prúd AC/DC), existuje možnosť predĺženia záručnej doby oproti záručnej dobe, uvedenej vyššie, s využitím on-line registrácie na webovej stránke www.ryobitools.eu. Označenie na náradí o nároku na predĺženie záručnej doby je zreteľne uvedené v obchodoch a/alebo na obale a je uvedené v dokumentácii k výrobku. Koncový používateľ musí zaregistrovať svoje novozískané náradie on-line do 30 dní odo dňa nákupu. Koncový používateľ sa môže zaregistrovať na predĺženie záruky v krajine svojho bydliska, ak je v on-line registračnom formulári uvedená táto možnosť. Ďalej musia koncoví používatelia ešte dať svoj súhlas k uchovávaniu údajov, ktoré je potrebné zadať on-line a musia súhlasiť s podmienkami. Potvrdenie o prijatí registrácie, ktoré je zasielané e-mailom a originálny faktúra, v ktorej je uvedený dátum nákupu, slúžia ako dôkaz o predĺženej záruke.
- Záruka sa vzťahuje na všetky poruchy výrobku v záručnej dobe, spôsobené chybami materiálů alebo spracovania k dátumu nákupu. Táto záruka je obmedzená na opravu a/alebo výmenu a nezahŕňa ďalšie povinnosti, vrátane, okrem iných, náhodné alebo následné škody. Táto záruka je neplatná, ak bol výrobok nesprávne používaný, bol používaný v rozpore s návodom na použitie alebo bol nesprávne zapojený. Táto záruka sa nevzťahuje na:
 - akékoľvek poškodenie výrobku, ktoré bolo spôsobené nesprávnou obsluhou
 - akýkoľvek výrobok, ktorý bol zmenený alebo upravený
 - akýkoľvek výrobok, na ktorom bolo poškodené, upravené alebo odstránené identifikačné označenie (ochranná známka, výrobné číslo)
 - akékoľvek škody, spôsobené nedodržením návodu na obsluhu
 - akýkoľvek výrobok, ktorý neobsahuje označenie CE
 - akýkoľvek výrobok, ktorý sa pokúšal opraviť nekvalifikovaný odborník alebo bol opravovaný bez predchádzajúceho súhlasu so strany spoločnosti Techtronic Industries.
 - akýkoľvek výrobok, pripojený k nesprávnemu napájaciemu zdroju (ampéry, napätie, frekvencia)
 - akékoľvek poškodenia, spôsobené vonkajšími vplyvmi (chemickými, fyzikálnymi, nárazmi) alebo cudzorodými látkami
 - bežné opotrebovanie náhradných dielov
 - nehodné používanie, preťažovanie nástroja
 - používanie neschváleného príslušenstva a dielov
 - príslušenstvo k elektrickému náradiu, dodávané spolu s náradím alebo zakúpené oddelene. Takéto vylúčenia sa vzťahujú, okrem iného, na násady skrutkovačov, vrtáky, brusné kotúče, brusný papier a čepele, bočné vodiace lišty
 - Súčiastky (diely a príslušenstvo), ktoré podliehajú prirodzenému opotrebovaniu, okrem iného súpravy na servis a údržbu, uhličky, ložiská, skľučovadlá, SDS vrtáky a príslušenstvo, príloh alebo prijímanie, napájací kábel, pomocná rukoväť, prepravná skriňa, brusná doska, pracovné vrecko, výfuková trubica, pistené podložky, kotlíky a pružiny na rázový uťahovač atď.
- Na opravu musí byť výrobok odoslaný alebo doručený do autorizovaného servisného strediska RYOBI, uvedeného pre každú krajinu v nasledovnom zozname adries servisných stredísk. V niektorých krajinách miestny zástupca RYOBI preberá na seba záväzok zaslať tovar do servisnej organizácie RYOBI. Pri odoslaní výrobku do servisného strediska RYOBI je potrebné výrobok bezpečne zabaliť bez akéhokoľvek nebezpečného obsahu, ako je benzín, s vyznačením adresy odosielateľa, s krátkym popisom poruchy.
- Oprava/výmena je vrámci tejto záruky bezplatná. Neznamená to predĺženie záruky alebo spustenie novej záručnej doby. Vymenené diely alebo nástroje sa stávajú našim vlastníctvom. V niektorých krajinách náklady na odoslanie alebo poštovné musí zaplatiť odosielateľ. Vaše zákonné práva, vyplývajúce z nákupu náradia, zostávajú nedotknuté.
- Táto záruka platí v Európskej únii, Švajčiarsku, Islande, Nórsku, Lichtenštajnsku, Turesku a Rusku. Ak sa nachádzate mimo týchto oblastí, obráťte sa na autorizovaného predajcu RYOBI na určenie, či sa dá uplatniť iná záruka.

AUTORIZOVANÉ SERVISNÉ CENTRUM

Ak chcete nájsť najbližšie autorizované servisné centrum, navštívte stránku <http://en.ryobitools.eu/header/service-and-support/service-agents>.



BG УСЛОВИЯ ЗА ВАЛИДНОСТ НА ГАРАНЦИЯТА НА RYOBI®

В допълнение към законоустановените права, произтичащи от покупката, този продукт е обхванат от гаранцията, както е изложено по-долу.

- Гаранционният срок е 24 месеца за клиенти и започва да тече от деня на закупуване на продукта. Тази дата трябва да се докаже с фактура или друго доказателство за покупка. Продуктът е изработен и предназначен само за потребителска и лична употреба. Следователно не се дава гаранция в случай на използване от професионалисти или с търговска цел.
- Съществува възможност за удължаване на гаранционния срок за част от диалогана на гаранцията на електрически инструменти (AC/DC) след изтичането на описания тук чрез регистрация на уеб сайта www.ryobitools.eu. В магазините и/или на опаковката или вътре в документацията на продукта е показано ясно дали инструментът отговаря на условията за такова удължаване на гаранционния срок. Крайният потребител трябва да регистрира своите новопридобити инструменти онлайн в рамките на 30 дни от датата на покупка. Крайният потребител може да се регистрира за удължена гаранция в държавата си на пребиваване, ако е посочена във формуляра за онлайн регистрация като място, където тази опция е валидна. Освен това крайните потребители трябва да дадат съгласието си за съхранение на данните, които са задължителни за ползване онлайн, и трябва да приемат общите условия. Полученото потвърждение за регистрация, изпратено по електронна поща, и оригиналната фактура, показваща датата на покупка, ще служат като доказателство за удължената гаранция.
- Гаранцията покрива всички дефекти на продукта по време на гаранционния срок, които се дължат на проблеми в изработката или материалите към момента на покупката. Гаранцията е ограничена до ремонт и/или замяна и не включва други задължения, включително, но не само, случайни или косвени щети. Гаранцията е невалидна, ако продуктът е използван неправилно или в противоречие с ръководството с инструкции, както и ако е свързан неправилно. Тази гаранция не важи за:
 - щети по продукта в резултат на неправилна профилактика
 - продукти, които са били изменени или модифицирани
 - продукт, при който оригиналните маркировки за идентификация (търговска марка, серийен номер) са изтрети, променени или премахнати
 - повреда, причинена от неспазване на ръководството с инструкции
 - продукт без CE маркировка
 - продукт, за който е направен опит за ремонт от невалифициран специалист или без предварително разрешение от Techtronic Industries.
 - продукт, свързан към неподходящо електрозахранване (ампераж, волтаж, честота)
 - щети, причинени от външни влияния (химични, физични, удари) или чужди вещества
 - нормално износване на резервни част
 - неподходяща употреба, претоварване на инструмента
 - използване на неободбени аксесоари или части
 - Аксесоарите за електрически инструмент са предоставени с инструмента или се кукуват отделно. Тези изключения включват, но не само, накрайници за отвертка, средела, абразивни дискове, шкурка и остриета, страничен водач
 - Компоненти (части и аксесоари), подложени на естествено износване, включително, но не само, комплекти за обслужване и поддръжка, карбонови четки, лагерни, патронни, приставка със средло SDS или приемно устройство, захранващ кабел, спомогателна ръкохватка, кутия за транспортиране, шлифовъчна пластина, торба за прах, тръба за отвеждане на прах, филцови шабви, цифрове и пружини за винтовете и др.
- За обслужване продуктът трябва да се изпрати или занесе на авторизиран сервиз на RYOBI, посочен за всяка държава в следния списък с адреси на сервиси. В някои държави местният търговец на RYOBI поема отговорността да изпрати продукта до сервизен център на RYOBI. При изпращане на продукт до сервиз на RYOBI той трябва да е опакован безопасно без опасо съдържание, напр. бензин, да е маркиран с адреса на подателя и придружен от кратко описание на повредата.
- Ремонтът/замяната по силата на тази гаранция са безплатни. Те не водят до удължаване или подновяване на гаранционния срок. Сменените части или инструменти стават наша собственост. В някои държави таксите за доставка или изпращане трябва да се платят от подателя. Законоустановените ни права, произтичащи от закупуването на инструмента, остават незасегнати.
- Тази гаранция е валидна в Европейската общност, Швейцария, Исландия, Норвегия, Лихтенщайн, Турция и Русия. Извън тези области се свържете с упълномощения търговец на RYOBI, за да се установи дали е приложима друга гаранция.

УПЪЛНОМОЩЕН СЕРВИЗЕН ЦЕНТЪР

За да намерите упълномощен сервизен център близо до вас, посетете <http://en.ryobitools.eu/header/service-and-support/service-agents>.

UK ГАРАНТИЙНИ УМОВИ ДЛЯ RYOBI®

Окрім загалом установених законом прав, що стосуються покупки, цей пристрій покривається гарантією, що зазначено нижче.

- Гарантійний період для споживачів складає 24 місяці і починається з моменту придбання цього пристрою. Ця дата повинна бути задокументована у гарантійному талоні або чеку. Цей пристрій був розроблений і призначений тільки для споживчого та приватного використання. У разі професійного або комерційного використання цього пристрою, він втрачає гарантію.
- Існує можливість подовжити гарантійний період для частини лінійки електронструментів (перемінного/постійного струму), понад період описаний вище за допомогою реєстрації на сайті www.ryobitools.eu. Пристрої, які мають право на подовження гарантійного періоду, мають чіткі позначки щодо цього в магазинах і / або на упаковок / та документації до пристрою. Кінцевий користувач повинен зареєструвати його/її новопридбаний пристрій онлайн протягом 30 днів з дати покупки. Кінцевий користувач може зареєструватися для подовження гарантійного періоду в своїй країні постійного перебування, якщо вона є доступною у відповідній опції онлайн форми реєстрації. Крім того, кінцеві користувачі повинні дати згоду на зберігання даних, які необхідні для ведення онлайн, а також вони повинні прийняти правила та умови. Отримання підтвердження реєстрації, яке відправляється на адресу електронної пошти, та оригінал гарантійного талона і/або зазначеною датою покупки буде служити доказом подовженої гарантії.
- Гарантія поширюється на всі дефекти пристрою протягом гарантійного терміну щодо недотримання стандартів виробництва або матеріалів на дату придбання. Гарантія обмежується ремонтом та/або заміною, та не включає в себе будь-яких інших зобов'язань, в тому числі, але не обмежена у разі випадкових та подальших пошкоджень. Гарантія не діє, якщо пристрій використовувався неналежним чином, всупереч інструкції з експлуатації або був неправильно підключений до мережі. Дана гарантія не поширюється на:
 - пристрої, що були пошкоджені у результаті неправильного технічного обслуговування;
 - пристрої, що були вивозомінені або модифіковані;
 - пристрої, оригінальні ідентифікаційні (товарний знак, серійний номер) маркування яких було пошкоджене, змінене або видалено;
 - будь-які пошкодження, заподіяні недотриманням інструкції з експлуатації;
 - пристрої, що не мають маркування CE;
 - пристрої, що були відремонтовані невалідованим фахівцем або за відсутності попереднього дозволу від Techtronic Industries;
 - пристрої, підключені до невідповідного джерела живлення (сила току, напруги, частота);
 - будь-які пошкодження спричинені зовнішнім впливом (хімічним, фізичним, стрибком напруги) або сторонніми речовинами;
 - нормальну амортизацію запасних частин;
 - невідповідне використання, перевантаження пристрою;
 - використання не підтверджених запасних частин або аксесуарів;
 - приладдя до електронструменту, що постачається разом з пристроєм або купуються окремо. Такі винятки враховують але не є обмеженнями для наконечників викруток, свердел, абразивних дисків, наждачного паперу та лез, бічних напрямних – компоненти(частини та приладдя) з урахуванням нормального зношування, враховуючи, але без обмеження на комплекти профілактики та технічного обслуговування, вугільні шітки, підшипники, патрони, кріплення або прийом SDS свердел, кабелі живлення, додаткові рукоятки, чохла для транспортування, шліфовальні пластини, мішки для збору пилу, трубки вихлопу, штефові кільця, штири і пружини гайковерту і т.д.
- Для обслуговування пристрій має бути відправлений або поданий до одного з авторизованих сервісних центрів RYOBI, які перелічені для кожної країни у наступному переліку адрес сервісних центрів. У деяких країнах місцевий дилер RYOBI зобов'язується відправити пристрій до сервісного центру RYOBI. При відправленні пристрою до сервісного центру RYOBI, пристрій має бути надійно упакуваний без будь-якого небезпечного вмісту, наприклад бензину, з позначеною адресою відправника та супроводжуватися коротким описом несправності.
- Ремонт / заміна відповідно до цієї гарантії здійснюється безкоштовно. Це не є основою для подовження або початку нового гарантійного періоду. Замінені частини або прилади переходять до власності компанії. У деяких країнах вартість доставки або поштові витрати повинні бути сплачені відправником. Загально встановлені права покупця на пристрій залишаються незмінними.
- Ця гарантія діє в Європейському Союзі, Швейцарії, Ісландії, Норвегії, Лихтенштейні, Туреччині та Росії. За межами цих зон, будь ласка, зверніться до офіційного дилера RYOBI, щоб визначити, чи застосовується інша гарантія.

АВТОРИЗОВАНІ СЕРВІСНІ ЦЕНТРИ

Для отримання оновленого переліка авторизованих сервісних центрів, відвідайте <http://en.ryobitools.eu/header/service-and-support/service-agents>.

TR RYOBI® GARANTİ UYGULAMA KOŞULLARI

Alımdan kaynaklanan yasal haklara ek olarak, ürün aşağıda belirtilen garanti kapsamındadır.

1. Tüketiciler için 24 ay olan garanti süresi, ürünün satın alındığı tarihte başlar. Bu tarihin bir fatura ya da alım kanıtıyla belgelenmesi gerekir. Ürün sadece tüketim ve özel kullanım için geliştirilmiş ve adanmıştır. Bu nedenle, profesyonel ya da ticari kullanım halinde garanti kapsamı sağlanmaz.
2. Elektrikli el aletlerinin bir bölümü (AC/DC) için www.ryobitools.eu sayfasındaki kayıt işlemini kullanarak garantinin belirtilen süresinin ötesine çıkma imkanı mevcuttur. Aletlerin garanti süresinin uzatılmasına uygun olup olmadığı mağazalarda ve / veya ambalajda açıkça belirtilmiş olup, ürün dokümantasyonunda gösterilir. Son kullanıcının yeni aldığı aletleri satın alma tarihini izleyen 30 gün içinde kaydetmesi gerekir. Son kullanıcı ikamet ettiği ülkede, bu seçeneğin geçerli olduğu çevrimiçi kayıt formunda belirtilmişse, uzatılmış garanti süresi için kayıt yapılabilir. Dahası, son kullanıcıların çevrimiçi giriş için gerekli verilerin kaydedilmesine izin vermek ve hüküm ve koşulları kabul etmelidir. E-posta ile gönderilen kayıt teyit makbuzu ve alım tarihini gösteren orijinal fatura uzatılmış garantinin kanıtı olarak değerlendirilir.
3. Garanti, ürünün alım tarihindeki işçilik ve malzeme kusurları nedeniyle garanti süresi içinde oluşacak bütün arızaları kapsar. Bu garanti onarım ve değiştirilmeyle sınırlı olup, tasadufi ya da dolaylı hasarlar da dahil, ancak bunlarla kısıtlı olmayan başka hiçbir tahahhüd kapsamaz. Garanti, ürünün kötü, kullanici kılavuzuna aykırı kullanımıyla ya da yanlış bağlanmış olması halinde geçerli değildir. Bu garanti aşağıdakileri kapsamaz:
 - üründe, yanlış bakımından kaynaklanan herhangi bir hasar
 - değiştirilmiş ya da modifiye edilmiş herhangi bir ürün
 - orijinal tanıtmış işaretleri (ticari marka, seri numarası) silinmiş, değiştirilmiş ya da kaldırılmış herhangi bir ürün
 - kullanma kılavuzuna uymamaktan kaynaklanmış herhangi bir hasar
 - herhangi bir AT dışı ürün
 - kalifiye olmamış personel tarafından ya da önceden Techtronic Industries onayı alınmadan onarılmış herhangi bir ürün.
 - uygunsuz güç kaynağına (amper, voltaj, frekans) bağlanmış herhangi bir ürün
 - harici etkenlerden (kimyasal, fiziksel, darbe) veya yabancı cisimlerden kaynaklanan her türlü hasar
 - normal aşınır ve yıpranır aksam
 - uygunsuz kullanım, aletin aşırı yüklenmesi
 - onaysız aksesuar veya parça kullanımı
 - Aletle birlikte sağlanmış ya da ayrıca alınmış elektrikli alet aksesuarları. Tornavida uçları, matkap uçları, aşındırıcı diskler, zımpara kağıdı ve bıçakları, yanal kılavuz gibi aksesuarlar içerir, ancak bunlarla sınırlı olmayan eklentiler
 - Servis ve Bakım kitiyle, kömür fırçalar, yataklar, kovanlar, SDS matkap ucu bağlantısı ya da yuvaları, güç kablosu, yedek tutamak, nakliye ve taşıma kutusu, kuşlama plakası, toz torbası, toz egzoz borusu, keçe rondelalar, Darbeli Tornavida Pim ve yayları vb. gibi parçaları kapsayan, ancak bunlarla sınırlı olmayan, aşınma ve yıpranmaya tabi bileşenler (aksam ve aksesuarlar).
4. Ürünün servis için her ülkede aşağıdaki servis istasyonları adres listesinde yer alan yetkili bir RYOBI servis istasyonuna gönderilmesi ya götürülmesi gereklidir. Bazı ülkelerde, yerel RYOBI distribütörünüz ürünü RYOBI servis teklifinize göndermeyi üstlenir. Bir ürün bir RYOBI servis istasyonuna gönderilirse, ürünün güvenli bir biçimde ambalajlanması, benzin gibi tehlikeli maddeler içermemesi, gönderinin adresini taşıması ve arızanın kısa bir açıklamasını içermesi gerekir.
5. Bu garanti kapsamında yapılacak onarım / değişiklik ücretsizdir. Garanti süresinin uzatılması ya da yeniden başlatılması anlamına gelmez. Değiştirilmiş parçalar veya aletler bize ait olur. Bazı ülkelerde teslimat ücretleri veya posta giderlerini gönderici tarafından ödenmesi gerekir. Alımdan kaynaklanan yasal haklarınız etkilenmez
6. Bu Garanti Avrupa Topluçuluğu, İsviçre, İzlanda, Norveç, Liechtenstein, Türkiye ve Rusya'da geçerlidir. Bu alanların dışında, başka bir garantinin geçerli olup olmadığını belirlemek için lütfen yetkili RYOBI distribütörünüzle iletişime geçin.

YETKİLİ SERVİS MERKEZİ

En yakın yetkili servis merkezini öğrenmek için <http://en.ryobitools.eu/header/service-and-support/service-agents> sitesine girin.

EL ΟΡΟΙ ΕΦΑΡΜΟΓΗΣ ΤΩΝ ΠΡΟΫΠΟΘΕΣΕΩΝ ΕΓΓΥΗΣΗΣ ΤΗΣ RYOBI®

Εκτός από τα νόμιμα δικαιώματα, τα οποία προκύπτουν από την αγορά, το προϊόν καλύπτεται από εγγύηση, λεπτομέρειες της οποίας ακολουθούν στη συνέχεια.

1. Η διάρκεια της εγγύησης για τους καταναλωτές είναι 24 μήνες και αρχίζει από την ημερομηνία αγοράς. Η ημερομηνία θα πρέπει να αναγράφεται στην απόδειξη ή σε άλλο αποδεικτικό αγοράς. Το προϊόν έχει σχεδιαστεί και προορίζεται αποκλειστικά για οικιακή χρήση από καταναλωτές. Συνεπώς, δεν παρέχεται εγγύηση σε περίπτωση επαγγελματικής ή εμπορικής χρήσης.
2. Υπάρχει η δυνατότητα επέκτασης της εγγύησης για ορισμένα ηλεκτρικά εργαλεία (AC/DC), πέραν του παραπάνω αναφερόμενου χρονικού διαστήματος, μέσω εγγραφής στο δικτυακό τόπο www.ryobitools.eu. Η επλεξιμότητα των εργαλείων με δυνατότητα επέκτασης της περιόδου εγγύησης αναγράφεται ρητά στα καταστήματα κατά την επίσκεψή τους, ενώ περιέχεται στην τεκμηρίωση του προϊόντος. Το τελικό κόστος κατά την ημερομηνία αγοράς. Η εγγύηση περιορίζεται στην επισκευή online, εντός 30 ημερών από την ημερομηνία αγοράς. Ο τελικός χρήστης μπορεί να εγγραφεί για την επέκταση εγγύησης στη χώρα κατοικίας. Εφόσον αυτή περιλαμβάνεται στο online έντυπο εγγραφής, εάν υπάρχει η δυνατότητα επέκτασης. Επιπλέον, οι τελικοί χρήστες θα πρέπει να παρέχουν τη συγκατάθεσή τους για την αποθήκευση των στοιχείων τους, τα οποία οφείλουν να καταχωρούνται online, όπως και να αποθηκεύονται του όρους και τις προϋποθέσεις. Η απόδειξη επιβεβαίωσης της εγγραφής, η οποία αποστέλλεται μέσω email, και η πρωτότυπη απόδειξη αγοράς, η οποία αναγράφει την ημερομηνία αγοράς, αποτελούν αποδεικτικά της παρατεταμένης εγγύησης.
3. Η εγγύηση καλύπτει όλα τα ελαττώματα του προϊόντος, κατά τη διάρκεια της περιόδου εγγύησης, λόγω κατασκευαστικών ελαττωμάτων ή αστοχίας υλικού κατά την ημερομηνία αγοράς. Η εγγύηση περιορίζεται στην επισκευή κατά την αντικατάσταση και δεν περιλαμβάνει καμία άλλη υποχρέωση, συμπεριλαμβανομένων, ενδεικτικά, συμπληρωματικών ή παρεπόμενων ζημιών. Η εγγύηση δεν ισχύει εφόσον, έχει σημειωθεί κακομεταχείριση του προϊόντος, δεν έχουν τηρηθεί οι οδηγίες του εγχειριδίου οδηγιών ή το προϊόν έχει συνδεθεί λανθασμένα. Η εγγύηση δεν ισχύει για:
 - οποιαδήποτε ζημία στο προϊόν, η οποία είναι αποτέλεσμα κακής συντήρησης
 - οποιαδήποτε προϊόν, το οποίο έχει αλλοιωθεί ή τροποποιηθεί
 - οποιαδήποτε προϊόν, στο οποίο έχει αλλοιωθεί, τροποποιηθεί ή αφαιρεθεί το γνήσιο αναγνωριστικό (σήμα κατατεθέν, σειριακός αριθμός)
 - οποιαδήποτε ζημία προκλήσει λόγω μη τήρησης του εγχειριδίου οδηγιών
 - οποιαδήποτε προϊόν χωρίς σήμανση CE
 - οποιαδήποτε προϊόν, στο οποίο έχει γίνει προσπάθεια επισκευής από μη καταρτισμένο επαγγελματία ή χωρίς την προηγούμενη έγκριση της Techtronic Industries.
 - οποιαδήποτε προϊόν, το οποίο έχει συνδεθεί σε ακατάλληλη παροχή ρεύματος (αμπερ, ισχύ, συχνότητα)
 - οποιαδήποτε ζημία έχει προκληθεί από εξωτερικές επιδράσεις (χημικές, φυσικές, κλιματιομετρικές) ή ξένες ουσίες
 - φυσιολογική φθορά και ρήξη ανταλλακτικών
 - ακατάλληλη χρήση, υπερφόρτωση του εργαλείου
 - χρήση μη ενδεδειγμένων εξαρτημάτων ή ανταλλακτικών
 - Εξαρτήματα ηλεκτρικών εργαλείων που παρασχεθήκαν με το εργαλείο ή αγοράστηκαν ξεχωριστά. Τέτοιες εξαρτηματικές περιλημβάνουν, ενδεικτικά, μύτες καταβίβησης, τρυπάνια, δίσκους λείανσης, γυαλόχαρτο και λειπίδες, πλευρικό οδηγό
 - Εξαρτήματα (ανταλλακτικά και αξεσουάρ) που υποκείμενα σε φυσική φθορά και θραύση, συμπεριλαμβανομένων, ενδεικτικά, σετ επισκευής & συντήρησης, ψηκτρών άνθρωρα, εφεδράνων, τσοκ, εξαρτημάτων ή υποδοχών τρυπάνιων SDS, καλωδίων ισχύος, βοηθητικής λαβής, βαλίτσας μεταφοράς, βάσης τριβείου, σακούλας συλλογής σκόνης, σωλήνα εξαναγκαστικής σκόνης, ροδελών τόξαδς, μωτών και ελατηρίων κροστικού κλειδιού κοχλίων, κτλ.
4. Το προϊόν θα πρέπει να αποσταλεί ή να παραδοθεί για επισκευή ή συντήρηση σε εξουσιοδοτημένο σημείο σέρβις της RYOBI που περιλαμβάνεται στον ακόλουθο κατάλογο διευθύνσεων για κάθε χώρα. Σε ορισμένες χώρες, το τοπικό σημείο πώλησης της RYOBI αναλαμβάνει την αποστολή του προϊόντος στο κεντρικό σέρβις της RYOBI. Κατά την αποστολή ενός προϊόντος σε σημείο σέρβις της RYOBI, αυτό θα πρέπει να είναι ασφαλώς συσκευασμένο, χωρίς επικίνδυνα περιεχόμενο, όπως, πετρέλαιο, να φέρει τη διευθύνση του αποστολέα και να συνοδεύεται από σύντομη περιγραφή της βλάβης.
5. Η επιδιόρθωση / αντικατάσταση υπό την παρούσα εγγύηση παρέχεται δωρεάν. Δε συνιστά παράταση της περιόδου εγγύησης ή εκκίνηση νέας περιόδου εγγύησης. Τα μέρη που αντικαθίστανται περιέχονται στην κυριότητα μας. Σε ορισμένες χώρες, τα ενδεχόμενα έξοδα παραδοσης ή μεταφοράς βεβαιώνουν τον αποστολέα. Τα νόμιμα δικαιώματά σας, τα οποία απορρέουν από την αγορά του εργαλείου, δεν θίγονται.
6. Η παρούσα εγγύηση ισχύει στην Ευρωπαϊκή Κοινότητα, την Ελβετία, την Ισπανία, τη Νορβηγία, το Λιχτενστάιν, την Τουρκία και την Ρωσία. Εκτός των παραπάνω περιοχών, σας παρακαλούμε να επικοινωνήσετε με εξουσιοδοτημένο κατάστημα πώλησης της RYOBI, προκειμένου να διαπιστωθεί εάν ισχύει κάποια άλλη εγγύηση.

ΕΞΟΥΣΙΟΔΟΤΗΜΕΝΟ ΚΕΝΤΡΟ ΣΕΡΒΙΣ

Για να εντοπίσετε ένα εξουσιοδοτημένο κέντρο σέρβις στην περιοχή σας, επισκεφτείτε τη σελίδα <http://en.ryobitools.eu/header/service-and-support/service-agents>.

EN DECLARATION OF CONFORMITY

Techtronic Industries GmbH
Max-Eyth-Straße 10, 71364 Winnenden, Germany

Herewith we declare that the product

1/3 Sheet Sander
Brand: RYOBI
Model number: RSS280
Serial number range: 46240201000001 - 46240201999999

is in conformity with the following European Directives and harmonised standards

2006/42/EC, 2014/30/EU, 2011/65/EU
EN55014-1:2006+A1:2009+A2:2011, EN55014-2:2015, EN61000-3-2:2014,
EN61000-3-3:2013, EN62841-1:2015, EN62841-2-4:2014

RoHS documentation is compiled according to EN 50581:2012

CE

Andrew John Eyre (BEng, CEng, MIET)
Vice President, Regulatory & Safety
Winnenden, Sep. 8, 2017

Authorised to compile the technical file:

Alexander Krug, Managing Director
Techtronic Industries GmbH
Max-Eyth-Straße 10, 71364 Winnenden, Germany

DE KONFORMITÄTserklärung

Techtronic Industries GmbH
Max-Eyth-Straße 10, 71364 Winnenden, Germany

Hiermit erklären wir, dass das Produkt

Schwingschleifer
Marke: RYOBI
Modellnummer: RSS280
Seriennummernbereich: 46240201000001 - 46240201999999

den folgenden europäischen Richtlinien und harmonisierten Normen entspricht

2006/42/EC, 2014/30/EU, 2011/65/EU
EN55014-1:2006+A1:2009+A2:2011, EN55014-2:2015, EN61000-3-2:2014,
EN61000-3-3:2013, EN62841-1:2015, EN62841-2-4:2014

RoHS Dokumentation ist gemäß EN 50581:2012 zusammengestellt

CE

Andrew John Eyre (BEng, CEng, MIET)
Vizepräsident, Vorschriften und Sicherheit
Winnenden, Sep. 8, 2017

Autorisiert die technische Datei zu erstellen:

Alexander Krug, Geschäftsführer
Techtronic Industries GmbH
Max-Eyth-Straße 10, 71364 Winnenden, Germany

FR DÉCLARATION DE CONFORMITÉ

Techtronic Industries GmbH
Max-Eyth-Straße 10, 71364 Winnenden, Germany

Déclarons par la présente que le produit

1/3 Ponceuse vibrante de feuille
Marque: RYOBI
Numéro de modèle: RSS280
Étendue des numéros de série: 46240201000001 - 46240201999999

est conforme aux Directives Européennes et Normes Harmonisées suivantes

2006/42/EC, 2014/30/EU, 2011/65/EU
EN55014-1:2006+A1:2009+A2:2011, EN55014-2:2015, EN61000-3-2:2014,
EN61000-3-3:2013, EN62841-1:2015, EN62841-2-4:2014

La documentation RoHS a été dressée d'après EN 50581:2012

CE

Andrew John Eyre (BEng, CEng, MIET)
Vice-Président, Réglementation & Sécurité
Winnenden, Sep. 8, 2017

Autorisé à rédiger le dossier technique:

Alexander Krug, Directeur Général
Techtronic Industries GmbH
Max-Eyth-Straße 10, 71364 Winnenden, Germany

ES DECLARACIÓN DE CONFORMIDAD

Techtronic Industries GmbH
Max-Eyth-Straße 10, 71364 Winnenden, Germany

Por la presente declaramos que los productos

1/3 Lijadora de hoja
Marca: RYOBI
Número de modelo: RSS280
Intervalo del número de serie: 46240201000001 - 46240201999999

se encuentra en conformidad con las siguientes Directivas Europeas y normas armonizadas

2006/42/EC, 2014/30/EU, 2011/65/EU
EN55014-1:2006+A1:2009+A2:2011, EN55014-2:2015, EN61000-3-2:2014,
EN61000-3-3:2013, EN62841-1:2015, EN62841-2-4:2014

Documentación sobre restricción de sustancias peligrosas (RoHS) recopilada según la norma EN 50581:2012

CE

Andrew John Eyre (BEng, CEng, MIET)
Vicepresidente, Director General de Normativa y Seguridad
Winnenden, Sep. 8, 2017

Autorizado para elaborar la ficha técnica:

Alexander Krug, Administrador Ejecutivo
Techtronic Industries GmbH
Max-Eyth-Straße 10, 71364 Winnenden, Germany



IT DICHIARAZIONE DI CONFORMITÀ

Techtronic Industries GmbH
Max-Eyth-Straße 10, 71364 Winnenden, Germany

Si dichiara con la presente che il prodotto

1/3 Levigatrice a fogli
Marca: RYOBI
Numero modello: RSS280
Gamma numero seriale: 46240201000001 - 46240201999999

è conforme alle seguenti Direttive Europee e ai seguenti standard armonizzati
2006/42/EC, 2014/30/EU, 2011/65/EU
EN55014-1:2006+A1:2009+A2:2011, EN55014-2:2015, EN61000-3-2:2014,
EN61000-3-3:2013, EN62841-1:2015, EN62841-2-4:2014

La documentazione RoHS è stata compilata come indicato dalle norme EN 50581:2012



Andrew John Eyre (BEng, CEng, MIET)
Vice-Presidente, Dipartimento Regolazioni & Sicurezza
Winnenden, Sep. 8, 2017

Autorizzato per compilare il file tecnico:
Alexander Krug, Direttore Amministrativo
Techtronic Industries GmbH
Max-Eyth-Straße 10, 71364 Winnenden, Germany

PT DECLARAÇÃO DE CONFORMIDADE

Techtronic Industries GmbH
Max-Eyth-Straße 10, 71364 Winnenden, Germany

Pelo presente declaramos que os produtos

1/3 Lixadora de folha
Marca: RYOBI
Número do modelo: RSS280
Intervalo do número de série: 46240201000001 - 46240201999999

se encontra em conformidade com as seguintes Directivas Europeias e normas harmonizadas
2006/42/EC, 2014/30/EU, 2011/65/EU
EN55014-1:2006+A1:2009+A2:2011, EN55014-2:2015, EN61000-3-2:2014,
EN61000-3-3:2013, EN62841-1:2015, EN62841-2-4:2014

Documentação sobre restrição de substâncias perigosas (RoHS) compilada segundo a norma EN 50581:2012



Andrew John Eyre (BEng, CEng, MIET)
Vice-Presidente, Reglamentação & Segurança
Winnenden, Sep. 8, 2017

Autorizado para compilar o ficheiro técnico:
Alexander Krug, Administrador Executivo
Techtronic Industries GmbH
Max-Eyth-Straße 10, 71364 Winnenden, Germany



NL CONFORMITEITSVERKLARING

Techtronic Industries GmbH
Max-Eyth-Straße 10, 71364 Winnenden, Germany

Hierbij verklaren wij dat het product

1/3 Bladschuurmachine
Merk: RYOBI
Modelnummer: RSS280
Serienummerbereik: 46240201000001 - 46240201999999

is in overeenstemming met de volgende Europese Richtlijnen en geharmoniseerde normen

2006/42/EC, 2014/30/EU, 2011/65/EU
EN55014-1:2006+A1:2009+A2:2011, EN55014-2:2015, EN61000-3-2:2014,
EN61000-3-3:2013, EN62841-1:2015, EN62841-2-4:2014

RoHS-documentatie is samengesteld in overeenstemming met EN 50581:2012



Andrew John Eyre (BEng, CEng, MIET)
Vice-president, Regelgeving en Veiligheid
Winnenden, Sep. 8, 2017

Afgevaardigde voor het samenstellen van de technische fiche:
Alexander Krug, Directeur
Techtronic Industries GmbH
Max-Eyth-Straße 10, 71364 Winnenden, Germany



DA OVERENSSTEMMELSESERKLÆRING

Techtronic Industries GmbH
Max-Eyth-Straße 10, 71364 Winnenden, Germany

Vi erklærer hermed, at produktet

1/3 Rystespudser
Brand: RYOBI
Modelnummer: RSS280
Serienummerområde: 46240201000001 - 46240201999999

er i overensstemmelse med følgende EU-direktiver og harmoniserede standarder
2006/42/EC, 2014/30/EU, 2011/65/EU
EN55014-1:2006+A1:2009+A2:2011, EN55014-2:2015, EN61000-3-2:2014,
EN61000-3-3:2013, EN62841-1:2015, EN62841-2-4:2014

RoHS-dokumentationen er udarbejdet i henhold til EN 50581:2012



Andrew John Eyre (BEng, CEng, MIET)
Vicepræsident, Regler og Sikkerhed
Winnenden, Sep. 8, 2017

Bemyndiget til at udarbejde det tekniske kartotek:
Alexander Krug, Administrerende Direktør
Techtronic Industries GmbH
Max-Eyth-Straße 10, 71364 Winnenden, Germany



SV KONFORMITETSDEKLARATION

Techtronic Industries GmbH
Max-Eyth-Straße 10, 71364 Winnenden, Germany

Härmed deklarerar vi att produkterna

1/3 Multislip
Märke: RYOBI
Modellnummer: RSS280
Serienummerintervall: 46240201000001 - 46240201999999

är i enlighet med följande EU-direktiv och harmoniserade standarder

2006/42/EC, 2014/30/EU, 2011/65/EU
EN55014-1:2006+A1:2009+A2:2011, EN55014-2:2015, EN61000-3-2:2014,
EN61000-3-3:2013, EN62841-1:2015, EN62841-2-4:2014

RoHS-dokumentation sammanställd enligt EN 50581:2012

CE

Andrew John Eyre (BEng, CEng, MIET)
Vice President, Regelverk och Säkerhet
Winnenden, Sep. 8, 2017

Godkänd att sammanställa den tekniska filen:

Alexander Krug, VD
Techtronic Industries GmbH
Max-Eyth-Straße 10, 71364 Winnenden, Germany

NO SAMSVARSERKLÆRING

Techtronic Industries GmbH
Max-Eyth-Straße 10, 71364 Winnenden, Germany

Herved erklærer vi at produktet

1/3 Planslip
Märke: RYOBI
Modellnummer: RSS280
Serienummer: 46240201000001 - 46240201999999

er i samsvar med følgende europeiske direktiver og harmoniserte standarder

2006/42/EC, 2014/30/EU, 2011/65/EU
EN55014-1:2006+A1:2009+A2:2011, EN55014-2:2015, EN61000-3-2:2014,
EN61000-3-3:2013, EN62841-1:2015, EN62841-2-4:2014

RoHS dokumentasjonen er skrevet i samsvar med EN 50581:2012

CE

Andrew John Eyre (BEng, CEng, MIET)
Visepresident, Forskrifter og Sikkerhet
Winnenden, Sep. 8, 2017

Autorisert til å sette sammen den tekniske filen:

Alexander Krug, Administrerende Direktør
Techtronic Industries GmbH
Max-Eyth-Straße 10, 71364 Winnenden, Germany

FI SÄÄNNÖSTEN NOUDATTAMINEN

Techtronic Industries GmbH
Max-Eyth-Straße 10, 71364 Winnenden, Germany

Ilmoitamme täten, että tuotteet

1/3 Tasohiomakone
Tuotemerkki: RYOBI
Mallinumero: RSS280
Sarjanumeroalue: 46240201000001 - 46240201999999

noudattaa seuraavia EU-direktiivejä ja harmonoituja standardeja

2006/42/EC, 2014/30/EU, 2011/65/EU
EN55014-1:2006+A1:2009+A2:2011, EN55014-2:2015, EN61000-3-2:2014,
EN61000-3-3:2013, EN62841-1:2015, EN62841-2-4:2014

RoHS-dokumentaatio on koottu standardin EN 50581:2012 mukaisesti

CE

Andrew John Eyre (BEng, CEng, MIET)
Varatoimitusjohtaja, Säästöstenmukaisuus ja Turvallisuus
Winnenden, Sep. 8, 2017

Valtuutettu kokoamaan tekninen tiedosto:

Alexander Krug, Toimitusjohtaja
Techtronic Industries GmbH
Max-Eyth-Straße 10, 71364 Winnenden, Germany

RU ЗАЯВЛЕНИЕ О СООТВЕТСТВИИ ТРЕБОВАНИЯМ

Techtronic Industries GmbH
Max-Eyth-Straße 10, 71364 Winnenden, Germany

Настоящим мы заявляем, что данный продукт

1/3 Ленточный шлифовальный станок
Марка: RYOBI
Номер модели: RSS280
Диапазон заводских номеров: 46240201000001 - 46240201999999

соответствует требованиям следующих Директив ЕС и согласованных стандартов

2006/42/EC, 2014/30/EU, 2011/65/EU
EN55014-1:2006+A1:2009+A2:2011, EN55014-2:2015, EN61000-3-2:2014,
EN61000-3-3:2013, EN62841-1:2015, EN62841-2-4:2014

Документация RoHS соответствует стандарту EN 50581:2012

CE

Andrew John Eyre (BEng, CEng, MIET)
Вице-Президент По Технике Безопасности И Стандартам
Winnenden, Sep. 8, 2017

Лицо, ответственное за подготовку технической документации:

Alexander Krug, Директор
Techtronic Industries GmbH
Max-Eyth-Straße 10, 71364 Winnenden, Germany

PL DEKLARACJA ZGODNOŚCI

Techtronic Industries GmbH
Max-Eyth-Straße 10, 71364 Winnenden, Germany

Niniejszym deklarujemy, że produkty
1/3 Szlifierka oscylacyjna arkusza
Marka: RYOBI
Numer modelu: RSS280
Zakres numerów seryjnych: 46240201000001 - 46240201999999

jest zgodny z następującymi dyrektywami europejskimi i zharmonizowanymi normami
2006/42/EC, 2014/30/EU, 2011/65/EU
EN55014-1:2006+A1:2009+A2:2011, EN55014-2:2015, EN61000-3-2:2014,
EN61000-3-3:2013, EN62841-1:2015, EN62841-2-4:2014

Dokumentacja RoHS została opracowana zgodnie z normą EN 50581:2012

CE

Andrew John Eyre (BEng, CEng, MIET)
Wiceprezes ds. Zgodności Prawnej i Bezpieczeństwa
Winnenden, Sep. 8, 2017

Osoba upoważniona do sporządzenia dokumentu technicznego:
Alexander Krug, Dyrektor Zarządzający
Techtronic Industries GmbH
Max-Eyth-Straße 10, 71364 Winnenden, Germany

HU MEGFELELŐSÉGI NYILATKOZAT

Techtronic Industries GmbH
Max-Eyth-Straße 10, 71364 Winnenden, Germany

Ezúton kijelentjük, hogy a termékek
1/3 lves csiszológép
Márka: RYOBI
Típusszám: RSS280
Sorozatszám tartomány: 46240201000001 - 46240201999999

megfelel az alábbi Európai Irányelvek és harmonizált szabványok vonatkozó rendelkezéseinek
2006/42/EC, 2014/30/EU, 2011/65/EU
EN55014-1:2006+A1:2009+A2:2011, EN55014-2:2015, EN61000-3-2:2014,
EN61000-3-3:2013, EN62841-1:2015, EN62841-2-4:2014

A RoHS dokumentáció összeállítása az EN 50581:2012 szerint történt

CE

Andrew John Eyre (BEng, CEng, MIET)
Alelnök, Megfelelőségi és Biztonsági Területek
Winnenden, Sep. 8, 2017

A műszaki dokumentáció összeállítására felhatalmazott:
Alexander Krug, Ügyvezető Igazgató
Techtronic Industries GmbH
Max-Eyth-Straße 10, 71364 Winnenden, Germany

CS PROHLÁŠENÍ O SHODĚ

Techtronic Industries GmbH
Max-Eyth-Straße 10, 71364 Winnenden, Germany

Tímto prohlašujeme, že výrobky
1/3 Bruska ohybem brusného papíru
Značka: RYOBI
Číslo modelu: RSS280
Rozsah sériových čísel: 46240201000001 - 46240201999999

že tento výrobek je v souladu s evropskými a harmonizovanými standardy
2006/42/EC, 2014/30/EU, 2011/65/EU
EN55014-1:2006+A1:2009+A2:2011, EN55014-2:2015, EN61000-3-2:2014,
EN61000-3-3:2013, EN62841-1:2015, EN62841-2-4:2014.

RoHS dokumentace sestavena dle EN 50581:2012

CE

Andrew John Eyre (BEng, CEng, MIET)
Viceprezident, Normy a Bezpečnost
Winnenden, Sep. 8, 2017

Pověření ke kompilaci technického souboru:
Alexander Krug, Generální Ředitel
Techtronic Industries GmbH
Max-Eyth-Straße 10, 71364 Winnenden, Germany

RO DECLARAȚIE DE CONFORMITATE

Techtronic Industries GmbH
Max-Eyth-Straße 10, 71364 Winnenden, Germany

Prin prezenta, declarăm că produsele
1/3 Mașină de șlefuit tablă
Marca: RYOBI
Număr serie: RSS280
Gamă număr serie: 46240201000001 - 46240201999999

este în conformitate cu următoarele Directive Europene și standarde armonizate
2006/42/EC, 2014/30/EU, 2011/65/EU
EN55014-1:2006+A1:2009+A2:2011, EN55014-2:2015, EN61000-3-2:2014,
EN61000-3-3:2013, EN62841-1:2015, EN62841-2-4:2014

Documentația RoHS este întocmită în conformitate cu EN 50581:2012

CE

Andrew John Eyre (BEng, CEng, MIET)
Vicepreședintele, Reglementare & Siguranță
Winnenden, Sep. 8, 2017

Autorizat să completeze fișa tehnică:
Alexander Krug, Director General
Techtronic Industries GmbH
Max-Eyth-Straße 10, 71364 Winnenden, Germany

LV ATBILSTĪBAS DEKLARĀCIJA

Techtronic Industries GmbH
Max-Eyth-Straße 10, 71364 Winnenden, Germany

Ar šo paziņojam, ka produkti

1/3 Lokšņu slīpmašīna
Zīmols: RYOBI
Modeļa numurs: RSS280
Sērijas numura intervāls: 46240201000001 - 46240201999999

atbilst šādām Eiropas direktīvām un saskaņotajiem standartiem

2006/42/EC, 2014/30/EU, 2011/65/EU
EN55014-1:2006+A1:2009+A2:2011, EN55014-2:2015, EN61000-3-2:2014,
EN61000-3-3:2013, EN62841-1:2015, EN62841-2-4:2014

RoHS dokumentācija ir izstrādāta saskaņā ar EN 50581:2012

CE

Andrew John Eyre (BEng, CEng, MIET)
Viceprezidents, Darba Drošības Noteikumu
Winnenden, Sep. 8, 2017

Pilnvarots sastādīt tehnisko failu:

Alexander Krug, Izpilddirektors
Techtronic Industries GmbH
Max-Eyth-Straße 10, 71364 Winnenden, Germany

ET VASTAVUSDEKLARATSIOON

Techtronic Industries GmbH
Max-Eyth-Straße 10, 71364 Winnenden, Germany

Kinnitame, et see toode

1/3 Leht lihvmasin
Mark: RYOBI
Mudeli number: RSS280
Seerianumbrni vahemik: 46240201000001 - 46240201999999

vastab järgmistele Euroopa direktiividele ja harmoniseeritud standarditele

2006/42/EC, 2014/30/EU, 2011/65/EU
EN55014-1:2006+A1:2009+A2:2011, EN55014-2:2015, EN61000-3-2:2014,
EN61000-3-3:2013, EN62841-1:2015, EN62841-2-4:2014

RoHS dokumendid on koostatud vastavuses standardi EN 50581:2012 nõuetele

CE

Andrew John Eyre (BEng, CEng, MIET)
Asepresident Standardiseerimise Ja Ohutuse Alal
Winnenden, Sep. 8, 2017

Tehnilise faili koostamiseks volitatud isik:

Alexander Krug, Tegevdirektor
Techtronic Industries GmbH
Max-Eyth-Straße 10, 71364 Winnenden, Germany

LT ATITIKTIES PAREIŠKIMAS

Techtronic Industries GmbH
Max-Eyth-Straße 10, 71364 Winnenden, Germany

Mes pareiškiamo, kad šie produktai

1/3 Lakštinis siūfuotuvos
Prekės ženklas: RYOBI
Modelio numeris: RSS280
Serijinio numerio diapazonas: 46240201000001 - 46240201999999

pagamintas laikantis toliau nurodytųjų Europos Direktivų ir darniųjų standartų

2006/42/EC, 2014/30/EU, 2011/65/EU
EN55014-1:2006+A1:2009+A2:2011, EN55014-2:2015, EN61000-3-2:2014,
EN61000-3-3:2013, EN62841-1:2015, EN62841-2-4:2014

Tam tikrų pavojingų medžiagų naudojimo elektros ir elektroninėje įrangoje apri bojimo dokumentai sudaryti pagal standartą EN 50581:2012

CE

Andrew John Eyre (BEng, CEng, MIET)
Kontrolės Ir Saugos Viceprezidentas
Winnenden, Sep. 8, 2017

Įgaliotas sudaryti techninį failą:

Alexander Krug, Generalinis Direktorius
Techtronic Industries GmbH
Max-Eyth-Straße 10, 71364 Winnenden, Germany

HR IZJAVA O USKLAĐENOSTI

Techtronic Industries GmbH
Max-Eyth-Straße 10, 71364 Winnenden, Germany

Ovime izjavljujemo da su proizvodi

1/3 Oscilatorna brusilica
Marka: RYOBI
Broj modela: RSS280
Raspon serijskog broja: 46240201000001 - 46240201999999

usklađen sa sljedećim Europskim Direktivama i usklađenim normama

2006/42/EC, 2014/30/EU, 2011/65/EU
EN55014-1:2006+A1:2009+A2:2011, EN55014-2:2015, EN61000-3-2:2014,
EN61000-3-3:2013, EN62841-1:2015, EN62841-2-4:2014

RoHS dokumentacija sukladna je EN 50581:2012

CE

Andrew John Eyre (BEng, CEng, MIET)
Potpredsjednik za Pravila i Sigurnost
Winnenden, Sep. 8, 2017

Ovlašten da sastavi tehničku datoteku:

Alexander Krug, Direktor Upravljanja
Techtronic Industries GmbH
Max-Eyth-Straße 10, 71364 Winnenden, Germany

SL IZJAVA O SKLADNOSTI

Techtronic Industries GmbH
Max-Eyth-Straße 10, 71364 Winnenden, Germany

Izjavljamo, da je izdelek

1/3 Tračni brusilnik
Znamka: RYOBI
Številka modela: RSS280
Razpon serijskih števil: 46240201000001 - 46240201999999

v skladu s sledečimi evropskimi direktivami in harmoniziranimi standardi

2006/42/EC, 2014/30/EU, 2011/65/EU
EN55014-1:2006+A1:2009+A2:2011, EN55014-2:2015, EN61000-3-2:2014,
EN61000-3-3:2013, EN62841-1:2015, EN62841-2-4:2014

Dokumentacija RoHS je sestavljena skladno s standardom EN 50581:2012




Andrew John Eyre (BEng, CEng, MIET)
Podpredsednik, Zakonodajne In Varnostne Zadeve
Winnenden, Sep. 8, 2017

Pooblaščenca oseba za sestavo tehnične dokumentacije:

Alexander Krug, Izvršni Direktor
Techtronic Industries GmbH
Max-Eyth-Straße 10, 71364 Winnenden, Germany

BG ДЕКЛАРАЦИЯ НА ЗА СЪОТВЕТВИЕ

Techtronic Industries GmbH
Max-Eyth-Straße 10, 71364 Winnenden, Germany

C настоящето декларираме, че продуктите

1/3 листова шлайфмашина
Марка: RYOBI
Номер на модела: RSS280
Обхват на серийни номера: 46240201000001 - 46240201999999

отговаря на следните директиви на ЕС и хармонизирани стандарти

2006/42/EC, 2014/30/EU, 2011/65/EU
EN55014-1:2006+A1:2009+A2:2011, EN55014-2:2015, EN61000-3-2:2014,
EN61000-3-3:2013, EN62841-1:2015, EN62841-2-4:2014

Документацията за RoHS е съставена в съответствие с EN 50581:2012.




Andrew John Eyre (BEng, CEng, MIET)
Вицепрезидент, Правни Услуги И Безопасност
Winnenden, Sep. 8, 2017

Упълномощено лице за съставяне на техническия файл:

Alexander Krug, Изпълнителен Директор
Techtronic Industries GmbH
Max-Eyth-Straße 10, 71364 Winnenden, Germany

SK PREHLÁSENIE O ZHODE

Techtronic Industries GmbH
Max-Eyth-Straße 10, 71364 Winnenden, Germany

Týmto vyhlasujeme, že výrobok

1/3 Brúska na listy
Značka: RYOBI
Číslo modelu: RSS280
Rozsah sériových čísiel: 46240201000001 - 46240201999999

je v súlade s nasledujúcimi Európskymi smernicami a harmonizovanými normami

2006/42/EC, 2014/30/EU, 2011/65/EU
EN55014-1:2006+A1:2009+A2:2011, EN55014-2:2015, EN61000-3-2:2014,
EN61000-3-3:2013, EN62841-1:2015, EN62841-2-4:2014

Dokumentácia RoHS je zostavená podľa EN 50581:2012




Andrew John Eyre (BEng, CEng, MIET)
Viceprezident, Regulácia a Bezpečnosť
Winnenden, Sep. 8, 2017

Oprávnená osoba na zostavenie technického súboru:

Alexander Krug, Generálny Riaditeľ
Techtronic Industries GmbH
Max-Eyth-Straße 10, 71364 Winnenden, Germany

UK ДЕКЛАРАЦИЯ ПРО ВІДПОВІДНІСТЬ

Techtronic Industries GmbH
Max-Eyth-Straße 10, 71364 Winnenden, Germany

При цьому ми заявляємо, що продукт

1/3 Шліфувальний верстат
Марка: RYOBI
Номер моделі: RSS280
Діапазон серійного номеру: 46240201000001 - 46240201999999

у відповідності з наступними європейськими директивами та гармонізованими стандартами

2006/42/EC, 2014/30/EU, 2011/65/EU
EN55014-1:2006+A1:2009+A2:2011, EN55014-2:2015, EN61000-3-2:2014,
EN61000-3-3:2013, EN62841-1:2015, EN62841-2-4:2014

Документація RoHS складена відповідно до EN 50581:2012




Andrew John Eyre (BEng, CEng, MIET)
Вице-президент, регулювання і безпека
Winnenden, Sep. 8, 2017

Дозвіл на складання технічного файла:

Alexander Krug, Керуючий директор
Techtronic Industries GmbH
Max-Eyth-Straße 10, 71364 Winnenden, Germany

TR UYGUNLUK BEYANI

Techtronic Industries GmbH
Max-Eyth-Straße 10, 71364 Winnenden, Germany

Βόylelikle beyan ederiz ki; ürün
1/3 Yaprak zımpara makinesi
Marka: RYOBI
Model numarası: RSS280
Seri numarası aralığı: 46240201000001 - 46240201999999

aşağıdaki Avrupa Direktifleri ve uyumlaştırılmış standartlara uygundur
2006/42/EC, 2014/30/EU, 2011/65/EU
EN55014-1:2006+A1:2009+A2:2011, EN55014-2:2015, EN61000-3-2:2014,
EN61000-3-3:2013, EN62841-1:2015, EN62841-2-4:2014

RoHS belgeleri EN 50581:2012 uyarınca derlenmiştir

CE

Andrew John Eyre (BEng, CEng, MIET)
Başkan Vekili, Düzenleme ve Güvenlik
Winnenden, Sep. 8, 2017

Teknik dosya hazırlamaya yetkilidir:
Alexander Krug, Genel Müdür
Techtronic Industries GmbH
Max-Eyth-Straße 10, 71364 Winnenden, Germany

EL ΔΗΛΩΣΗ ΣΥΜΜΟΡΦΩΣΗΣ

Techtronic Industries GmbH
Max-Eyth-Straße 10, 71364 Winnenden, Germany

Δια του παρόντος δηλώνουμε ότι το προϊόν
1/3 Τρίβειο φυλλων
Μάρκα: RYOBI
Αριθμός μοντέλου: RSS280
Εύρος σειριακών αριθμών: 46240201000001 - 46240201999999

είναι σύμφωνα με τις παρακάτω Ευρωπαϊκές Οδηγίες και εναρμονισμένα πρότυπα
2006/42/EC, 2014/30/EU, 2011/65/EU
EN55014-1:2006+A1:2009+A2:2011, EN55014-2:2015, EN61000-3-2:2014,
EN61000-3-3:2013, EN62841-1:2015, EN62841-2-4:2014

Τα έγγραφα RoHS συντάσσονται σύμφωνα με το EN 50581:2012

CE

Andrew John Eyre (BEng, CEng, MIET)
Αντιπρόεδρος, Τμήμα Ρυθμίσεων & Ασφάλειας
Winnenden, Sep. 8, 2017

Εξουσιοδοτημένο άτομο για σύνταξη τεχνικού αρχείου:
Alexander Krug, Διευθύνων Σύμβουλος
Techtronic Industries GmbH
Max-Eyth-Straße 10, 71364 Winnenden, Germany

130.com.ua

130.com.ua



130.com.ua

Techtronic Industries GmbH
Max-Eyth-Straße 10,
71364 Winnenden, Germany

20170831v1