



PHONES

0 (800) 800 130  
(050) 462 0 130  
(063) 462 0 130  
(067) 462 0 130

130  
COM.UA

Internet store of  
autogoods



SKYPE

km-130

CAR RECEIVERS — Receivers • Media receivers and stations • Native receivers • CD/DVD changers • FM-modulators/USB adapters • Flash memory • Facia plates and adapters • Antennas • Accessories |  
 CAR AUDIO — Car audio speakers • Amplifiers • Subwoofers • Processors • Crossovers • Headphones • Accessories | TRIP COMPUTERS — Universal computers • Model computers • Accessories |  
 GPS NAVIGATORS — Portable GPS • Built-in GPS • GPS modules • GPS trackers • Antennas for GPS navigators • Accessories | VIDEO — DVR • TV sets and monitors • Car TV tuners • Cameras • Videomodules  
 • Transcoders • Car TV antennas • Accessories | SECURITY SYSTEMS — Car alarms • Bike alarms • Mechanical blockers • Immobilizers • Sensors • Accessories | OPTIC AND LIGHT — Xenon • Bixenon • Lamps  
 • LED • Stroboscopes • Optic and Headlights • Washers • Light, rain sensors • Accessories | PARKTRONICS AND MIRRORS — Rear parktronic • Front parktronic • Combined parktronic • Rear-view mirrors  
 • Accessories | HEATING AND COOLING — Seat heaters • Mirrors heaters • Screen-wipers heaters • Engine heaters • Auto-refrigerators • Air conditioning units • Accessories | TUNING — Vibro-isolation  
 • Noise-isolation • Tint films • Accessories | ACCESSORIES — Radar-detectors • Handsfree, Bluetooth • Windowlifters • Compressors • Beeps, loudspeakers • Measuring instruments • Cleaners • Car seats  
 • Miscellaneous | MOUNTING — Installation kits • Upholstery • Grilles • Tubes • Cable and wire • Tools • Miscellaneous | POWER — Batteries • Converters • Start-charging equipment • Capacitors  
 • Accessories | MARINE AUDIO AND ELECTRONICS — Marine receivers • Marine audio speakers • Marine subwoofers • Marine amplifiers • Accessories | CAR CARE PRODUCTS — Additives • Washer fluid •  
 Care accessories • Car polish • Flavors • Adhesives and sealants | LIQUID AND OIL — Motor oil • Transmission oil • Brake fluid • Antifreeze • Technical lubricant



In store "130" you can find and buy almost all necessary goods for your auto in Kyiv and other cities, delivery by ground and postal services. Our experienced consultants will provide you with exhaustive information and help you to choose the very particular thing. We are waiting for you at the address

<https://130.com.ua>

# RYOBI®

## R4SDP

ORIGINAL INSTRUCTIONS  
TRADUCTION DES INSTRUCTIONS ORIGINALES  
ÜBERSETZUNG DER ORIGINALANLEITUNG  
TRADUCCION DE LAS INSTRUCCIONES ORIGINALES  
TRADUZIONE DELLE ISTRUZIONI ORIGINALI  
VERTALING VAN DE ORIGINELE INSTRUCTIES  
TRADUÇÃO DAS INSTRUÇÕES ORIGINAIS  
ØVERSÆTTELSE AF DE ORIGINALE INSTRUKTIONER  
ØVERSÄTTNING AV DE URSPRUNGLIGA INSTRUKTIONERNA  
ALKUPERÄISTEN OHJEIDEN SUOMENNOIS  
OVERSETTELSE AV DE ORIGINALE INSTRUKSJONENE  
ПЕРЕВОД ОРИГИНАЛЬНЫХ ИНСТРУКЦИЙ  
TLUMACZENIE INSTRUKCJI ORYGINALNEJ  
PŘEKLAD ORIGINÁLNÍCH POKYNŮ  
AZ EREDETI ÚTMUTATÓ FORDÍTÁSA  
TRADUCEREA INSTRUCȚIUNILOR ORIGINALE  
TULKOTS NO ORIGINĀLĀS INSTRUKCIJAS  
ORIGINALIŲ INSTRUKCIJŲ VERTIMAS  
ORIGINAALJUHENDI TÖLGE  
PRIJEVOD ORIGINALNIH UPUTA  
PREVOD ORIGINALNIH NAVODIL  
PREKLAD ORIGINÁLNÝCH POKYNOV  
ΜΕΤΑΦΡΑΣΗ ΤΩΝ ΠΡΩΤΟΤΥΠΩΝ ΟΔΗΓΙΩΝ  
ORIJ NAL TALIMATLARIN TERCÜMESİ  
ПЕРЕКЛАД ОРИГІНАЛЬНИХ ІНСТРУКЦІЙ



EN  
FR  
DE  
ES  
IT  
NL  
PT  
DA  
SV  
FI  
NO  
RU  
PL  
CS  
HU  
RO  
LV  
LT  
ET  
HR  
SL  
SK  
EL  
TR  
UK

Autogoods "130"





<b>Important!</b>	It is essential that you read the instructions in this manual before assembling, maintaining and operating the product.
<b>Attention!</b>	Il est essentiel que vous lisiez les instructions contenues dans ce manuel avant d'assembler, d'entretenir et d'utiliser le produit.
<b>Achtung!</b>	Es ist wichtig, dass Sie vor Zusammenbau, Wartung und Benutzung des Produktes die Anweisungen in dieser Anleitung lesen.
<b>¡Atención!</b>	Resulta fundamental que lea este manual de instrucciones antes de realizar el montaje, el mantenimiento y de utilizar este producto
<b>Attenzione!</b>	E' importante leggere le istruzioni contenute nel presente manuale prima di montare il prodotto, svolgere le operazioni di manutenzione sullo stesso e metterlo in funzione.
<b>Let op!</b>	Het is van essentieel belang dat u de instructies in deze gebruiksaanwijzing leest voor u het product monteert, onderhoudt en gebruikt.
<b>Atenção!</b>	É fundamental que leia as instruções deste manual antes da montagem, manutenção e operação do aparelho.
<b>OBS!</b>	Det er vigtigt, at man læser instrukserne i denne brugsanvisning, inden man samler, vedligeholder og betjener produktet.
<b>Observera!</b>	Det är viktigt att du läser instruktionerna i manualen före montering, användning och underhåll av produkten.
<b>Huomio!</b>	On tärkeää, että luet tämän käsikirjan ohjeet ennen tuotteen kokoamista, huoltoa ja käyttöä.
<b>Advarsel!</b>	Det er viktig at du leser instruksjonene i denne manualen før sammensetning, vedlikehold og bruk av produktet
<b>Внимание!</b>	Необходимо прочитать инструкции в данном руководстве перед сборкой, обслуживанием и эксплуатацией этого изделия.
<b>Uwaga!</b>	Koniecznik należy przeczytać instrukcje zawarte w tym podręczniku przed montażem, obsługą oraz konserwacją produktu.
<b>Důležité upozornění!</b>	Neinstalujte, neprovádějte údržbu ani nepoužívejte tento výrobek dříve, než si přečtete pokyny uvedené v tomto návodu.
<b>Figyelem!</b>	Fontos, hogy a termék összeszerelése, karbantartása és használatá elött elolvassa a kézikönyvben található utasításokat.
<b>Atenție!</b>	Este esențial să citiți instrucțiunile din acest manual înainte de asamblare, efectuarea întreținerii și operarea produsului.
<b>Uzmanību!</b>	Ir svarīgi izlasīt šīs rokasgrāmatas instrukcijas pirms uzstādīšanas, apkopes un preces darbināšanas.
<b>Dėmesio!</b>	Prieš surenkant, prižiūrint ir naudojant gaminį, būtina perskaityti šiam vadove pateiktus nurodymus.
<b>Tähtis!</b>	Enne masina kokkupanekut, hooldamist ja kasutama hakkamist tuleb käesolevas juhendis esitatud juhised kindlasti läbi lugeda.
<b>Upozorenje!</b>	Vrlo je važno da ste prije sklapanja, održavanja i rada s ovim proizvodom pročitali upute u ovom priručniku.
<b>Pomembno!</b>	Pomembno je da pred montažo vzdrževanjem in uporabo tega izdelka preberete navodila v tem priručniku.
<b>Upozornenie!</b>	Je dôležité, aby ste si pred montážou, údržbou a obsluhou produktu prečítali pokyny v tomto návode.
<b>Προσοχή!</b>	Είναι πολύ σημαντικό να διαβάσετε τις οδηγίες στο παρόν εγχειρίδιο πριν συναρμολογήσετε, συντηρήσετε ή λειτουργήσετε το προϊόν.
<b>Dikkat!</b>	Ürünün montajını, bakımını yapmadan ve ürünü çalıştırmadan önce bu kılavuzda yer alan talimatları okumanız önemlidir.
<b>Важливо!</b>	Дуже важливо, щоб ви прочитали інструкції в цьому керівництві перед складанням, обслуговуванням та експлуатацією цієї машини.

Subject to technical modification | Sous réserve de modifications techniques | Technische Änderungen vorbehalten | Bajo reserva de modificaciones técnicas | Con riserva di eventuali modifiche tecniche | Technische wijzigingen voorbehouden | Com reserva de modificações técnicas | Med forbehold for tekniske ændringer | Med förbehåll för tekniska ändringar | Tekniset muutokset varataan | Med forbehold om tekniske ændringer | могут быть внесены технические изменения | Z zastrzeżeniem modyfikacji technicznych | Změny technických údajů vyhrazeny | A műszaki módosítás jogát fenntartjuk | Sub rezerva de modificății tehnice | Paturam tiesības mainīt tehniskos raksturlielumus | Pasiliektan teise daryti techninius pakeitimus | Tehnised muudatused võimalikud | Podloženo tehničkim promjenama | Tehnične spremembe dopuščene | Právo na technické zmeny je vyhradené | Υπό την επιφύλαξη τεχνικών τροποποιήσεων | Teknik değişiklik hakkı saklıdır | Є об'єктом для технічних змін



Safety, performance, and dependability have been given top priority in the design of your screwdriver.

### INTENDED USE

The product is intended to be used only by adults who have read and understood the instructions and warnings in this manual, and can be considered responsible for their actions.

The product is intended for fastening and removing screws and bolts.

Do not use the product in any way other than those stated for intended use.

**NOTE:** It is recommended to use pilot holes prior to driving screws.

### ⚠ WARNING

**Read all safety warnings and all instructions.** Failure to follow the warnings and instructions may result in electric shock, fire and/or serious injury.

**Save all warnings and instructions for future reference.**

### SCREWDRIVER SAFETY WARNINGS

- **Hold power tool by insulated gripping surfaces, when performing an operation where the fastener may contact hidden wiring.** Fasteners contacting a “live” wire may make exposed metal parts of the power tool “live” and could give the operator an electric shock.

### CHARGER SAFETY WARNINGS

- Before using battery charger, read all instructions and cautionary markings in this manual, on battery charger, battery, and product using battery to prevent misuse of the products and

possible injury or damage.

- Do not use charger outdoors or expose to wet or damp conditions. Water entering charger will increase the risk of electric shock.
- Use of an attachment not recommended or sold by the battery charger manufacturer may result in a risk of fire, electric shock, or injury to persons. Following this rule will reduce the risk of electric shock, fire, or serious personal injury.
- Do not abuse cord or charger. Never use the cord to carry the charger. Do not pull the charger cord rather than the plug when disconnecting from receptacle. Damage to the cord or charger could occur and create an electric shock hazard. Replace damaged cords immediately.
- Make sure cord is located so that it will not be stepped on, tripped over, come in contact with sharp edges or moving parts or otherwise subjected to damage or stress. This will reduce the risk of accidental falls, which could cause injury, and damage to the cord, which could result in electric shock.
- Keep cord and charger from heat to prevent damage to housing or internal parts.
- Do not operate charger with a damaged cord or plug, which could cause shorting and electric shock. If damaged, have the charger replaced by an authorised serviceman.
- Do not operate charger if it has received a sharp blow, been dropped, or otherwise damaged in any way. Take it to an authorised serviceman for electrical check to determine if the charger is in good working order.
- Do not disassemble charger. Take it to an authorised serviceman when

EN

FR

DE

ES

IT

NL

PT

DA

SV

FI

NO

RU

PL

CS

HU

RO

LV

LT

ET

HR

SL

SK

EL

TR

UK

service or repair is required. Incorrect reassembly may result in a risk of electric shock or fire.

- Unplug charger from outlet before attempting any maintenance or cleaning to reduce the risk of electric shock.
- Disconnect charger from the power supply when not in use. This will reduce the risk of electric shock or damage to the charger if metal items should fall into the opening. It also will help prevent damage to the charger during a power surge.
- Risk of electric shock. Do not touch uninsulated portion of output connector or uninsulated battery terminal.

## BATTERY SAFETY WARNINGS



Li-ion

- Do not dispose of used battery packs in the household refuse or by burning them. To ensure proper disposal of waste battery packs and protect the environment, hand over old battery packs to your Ryobi distributor.
- Segregate electronic waste properly by removing integrated battery packs from the main unit before disposal. Hand them over to applicable collection points.
- To remove the integrated battery pack: Separate the housing shells from one another by removing the screws. Disconnect the battery pack from the circuit and remove.
- **NOTE:** When opened, the product is no longer reusable or serviceable and

should be disposed of properly.

- Before removing the battery pack from the power tool, switch on the product until the battery pack is fully discharged.
- Ensure that the battery pack to be disposed of cannot come in contact with batteries, other battery packs, or conductive materials by protecting exposed connectors with insulating, non-conductive caps or tape.
- Never charge a damaged battery pack.

## RESIDUAL RISKS

Even when the product is used as prescribed, it is still impossible to completely eliminate certain residual risk factors. The following hazards may arise and the operator should pay special attention to avoid the following:

- Damage to hearing caused by noise  
Wear suitable hearing protection and limit exposure.
- Injury to the eyes  
Wear protective eye shields or goggles when using the product.
- Injury caused by vibration  
Limit exposure. Follow the instructions in Risk Reduction.
- Electric shock caused by contact with hidden wires  
Hold the product only by insulated services.
- Injury caused by dust  
Dust created by operating the product can cause respiratory injury. Wear appropriate dust control mask with filters suitable for protecting against particles from the material being worked on.



## RISK REDUCTION

It has been reported that vibrations from handheld tools may contribute to a condition called Raynaud's Syndrome in certain individuals. Symptoms may include tingling, numbness, and blanching of the fingers, usually apparent upon exposure to cold. Hereditary factors, exposure to cold and dampness, diet, smoking, and work practices are all thought to contribute to the development of these symptoms. There are measures that can be taken by the operator to possibly reduce the effects of vibration:

- Keep your body warm in cold weather. When operating the unit, wear gloves to keep the hands and wrists warm. It is reported that cold weather is a major factor contributing to Raynaud's Syndrome.
- After each period of operation, exercise to increase blood circulation.
- Take frequent work breaks. Limit the amount of exposure per day.

If you experience any of the symptoms of this condition, immediately discontinue use and see your doctor about these symptoms.

### **⚠ WARNING**

Injuries may be caused, or aggravated, by prolonged use of a tool. When using any tool for prolonged periods, ensure you take regular breaks.

## KNOW YOUR PRODUCT

See page 131.

1. Collet
2. Two-speed gear train
3. Pivot locking button

4. Direction of rotation selector
5. Single bit(25 mm)
6. Switch trigger
7. Charger
8. Charger plug
9. Input jack

## MAINTENANCE

### **⚠ WARNING**

The product should never be connected to a power supply when assembling parts, making adjustments, cleaning, performing maintenance, or when the product is not in use. Disconnecting the product will prevent accidental starting that could cause serious injury.

- When servicing, use only identical replacement parts. Use of any other parts may create a hazard or cause product damage.
- Avoid using solvents when cleaning plastic parts. Most plastics are susceptible to various types of commercial solvents and may be damaged by their use. Use clean cloths to remove dirt and carbon dust.
- Do not, at any time, let brake fluids, gasoline, petroleum-based products, penetrating oils, etc., come in contact with plastic parts. They contain chemicals that can damage, weaken, or destroy plastic.
- Always wear safety goggles or safety glasses with side shields during power tool operation or when blowing dust. If operation is dusty, also wear a dust mask.
- For greater safety and reliability, all repairs should be performed by an authorised service centre.

## LUBRICATION

All of the bearings in the product are lubricated with a sufficient amount of high grade lubricant for the life span of the product under normal operating conditions. Therefore, no further lubrication is required.

## ENVIRONMENTAL PROTECTION



Recycle raw materials instead of disposing of as waste. The machine, accessories, and packaging should be sorted for environment-friendly recycling.

## SYMBOLS



Safety alert



CE conformity



EurAsian Conformity Mark



Ukrainian mark of conformity



Please read the instructions carefully before starting the machine.



Please read the instructions carefully before starting the machine.



Class II equipment



No-load speed

 Thermal fuse 2A

 Volts

 Direct current

 Revolutions or reciprocations per minute



Wear eye protection



Waste electrical products should not be disposed of with household waste. Please recycle where facilities exist. Check with your local authority or retailer for recycling advice.

## SYMBOLS IN THIS MANUAL



Note



Connect to the power supply.



Charging time



Torque, maximum



Torque, minimum

The following signal words and meanings are intended to explain the levels of risk associated with this product:

**⚠ DANGER**

Indicates an imminently hazardous situation, which, if not avoided, will result in death or serious injury.

**⚠ WARNING**

Indicates a potentially hazardous situation, which, if not avoided, could result in death or serious injury.

**⚠ CAUTION**

Indicates a potentially hazardous situation, which, if not avoided, may result in minor or moderate injury.

**CAUTION**

(Without Safety Alert Symbol) Indicates a situation that may result in property damage.

130.com.ua



⊕

Votre visseuse a été conçue en donnant priorité à la sécurité, à la performance et à la fiabilité.

### UTILISATION PRÉVUE

Le produit doit être utilisé seulement par des adultes ayant lu et compris les instructions et les avertissements inclus dans le présent manuel et pouvant être considérés comme responsables de leurs actes.

Le produit est conçu pour serrer et retirer des vis et des boulons.

Ne vous servez pas de ce produit pour d'autres utilisations que celles décrites au chapitre des utilisations prévues.

**NOTE:** Il est recommandé de percer un pré-trou avant le vissage.

### ⚠ AVERTISSEMENT

**Lisez tous les avertissements de sécurité et toutes les instructions.**

Le non-respect des avertissements et instructions peut entraîner une décharge électrique, un incendie et/ou de graves blessures.

**Conservez tous les avertissements et toutes les instructions pour pouvoir vous y reporter ultérieurement.**

### AVERTISSEMENTS DE SÉCURITÉ RELATIFS À LA VISSSEUSE

- **Maintenez l'outil électrique par ses surfaces de préhension isolées lorsque vous effectuez des opérations susceptibles de mettre en contact une agrafe avec des câbles cachés.** Une agrafe qui entrerait en contact avec un câble «sous tension» pourrait véhiculer cette tension électrique vers les parties métalliques de l'outil et

exposer l'opérateur à une décharge électrique.

### AVERTISSEMENTS DE SÉCURITÉ CONCERNANT LE CHARGEUR

- Avant d'utiliser le chargeur de la batterie, lisez toutes les instructions et les indications de précaution mentionnées dans ce manuel, sur le chargeur de la batterie, sur la batterie et le produit utilisant la batterie afin d'éviter une mauvaise utilisation des produits et tout risque de blessures ou de dommages.
- N'utilisez pas le chargeur à l'extérieur et ne l'exposez pas à un environnement humide ou détrempé. La pénétration d'eau dans le chargeur augmentera le risque d'électrocution.
- L'utilisation d'un accessoire ni recommandé ni vendu par le fabricant du chargeur peut entraîner un incendie, une décharge électrique, ou des blessures. Vous réduirez ainsi les risques de décharge électrique, d'incendie ou de blessure grave.
- Ne maltraitez pas le cordon ou le chargeur. N'utilisez jamais le cordon d'alimentation pour transporter le chargeur. Ne tirez pas sur le cordon du chargeur au lieu de la prise pour débrancher l'appareil. Des dommages au cordon ou au chargeur peuvent survenir et entraîner un risque de décharge électrique. Remplacez immédiatement tout câble endommagé.
- Assurez-vous de placer le cordon de manière à ce qu'il ne soit pas possible de marcher dessus ou de s'y prendre les pieds, à ce qu'il n'entre pas en contact avec des bords tranchants ou de pièces en mouvement, ni qu'il soit soumis à

des dommages ou des pressions. Cela réduira le risque de chutes accidentelles pouvant provoquer des blessures ou des dommages au cordon, entraînant à leur tour un risque d'électrocution.

- Éloignez le cordon et le chargeur de la chaleur pour éviter tout dommage au boîtier et aux pièces internes.
- N'utilisez pas le chargeur si le cordon ou la prise sont endommagés, ce qui peut provoquer un court-circuit et une électrocution. Si le chargeur est endommagé, faites-le remplacer par un réparateur agréé.
- N'utilisez pas le chargeur s'il a reçu un choc violent, s'il est tombé ou endommagé d'une manière quelconque. Apportez-le chez un réparateur agréé pour qu'il subisse une vérification électrique afin de déterminer s'il est en bon état de fonctionnement.
- Ne démontez pas le chargeur. Apportez-le chez un réparateur agréé si un entretien ou une réparation est nécessaire. Un remontage incorrect peut entraîner un risque de décharge électrique ou d'incendie.
- Débranchez le chargeur de la prise avant d'entreprendre un entretien ou un nettoyage afin de réduire le risque de décharge électrique.
- Débranchez le chargeur du secteur lorsque vous ne l'utilisez pas. Cela réduira le risque de décharge électrique ou de dommage subi par le chargeur si des éléments métalliques tombent dans l'ouverture. Cela permettra aussi d'éviter tout dommage au chargeur en cas de surtension.
- Risque de décharge électrique. Ne touchez pas les parties non isolées de la prise de sortie ou des bornes de la

batterie.

## AVERTISSEMENTS DE SÉCURITÉ RELATIFS AUX BATTERIES



Li-ion

- Ne jetez pas les blocs de batterie usagés avec les ordures ménagères et ne les jetez pas au feu. Afin d'assurer une mise au rebut correcte des blocs de batterie usagés et de protéger l'environnement, apportez-les à votre distributeur Ryobi.
- Séparez correctement les déchets électroniques en retirant les blocs de batterie des appareils avant la mise au rebut. Apportez-les à un point de collecte approprié.
- Pour retirer le bloc de batterie intégré : séparez les coques du boîtier l'une de l'autre en retirant les vis. Débranchez le bloc de batterie du circuit et retirez-le.
- **NOTE:** Une fois ouvert, le produit n'est ni utilisable ni réparable et doit être jeté de façon appropriée.
- Avant de retirer le bloc de batterie de l'outil électrique, mettez le produit en marche jusqu'à ce que le bloc de batterie soit complètement déchargé.
- Assurez-vous que le bloc de batterie à mettre au rebut ne puisse pas entrer en contact avec des piles, d'autres blocs de batterie, ou des matériaux conducteurs en protégeant les contacts nus avec des capuchons isolants non conducteurs ou avec du ruban adhésif.
- Ne rechargez jamais un bloc de batterie endommagé.

## RISQUES RÉSIDUELS

Même lorsque le produit est utilisé selon les prescriptions, il reste impossible d'éliminer totalement certains facteurs de risque résiduels. Les dangers suivants risquent de se présenter en cours d'utilisation et l'utilisateur doit prêter particulièrement garde aux points suivants :

- **Dommage auditif causé par le bruit**  
Portez une protection auditive adaptée et limiter l'exposition.
- **Blessures oculaires**  
Portez des lunettes ou un masque de protection lorsque vous utilisez le produit.
- **Blessures dues aux vibrations**  
Limitez l'exposition. Suivez les instructions mentionnées dans la section « Réduction des risques ».
- **Électrocution provoquée par un contact avec des fils cachés**  
Ne tenez le produit que par ses surfaces isolées.
- **Blessures dues à la poussière**  
Les poussières générées lors de l'utilisation du produit peuvent entraîner une atteinte au système respiratoire. Portez un masque anti-poussière muni d'un filtre adapté assurant une protection contre les particules émanant du matériau travaillé.

## RÉDUCTION DES RISQUES

Il a été reporté que les vibrations engendrées par les outils tenus à la main peuvent contribuer à l'apparition d'un état appelé le syndrome de Raynaud chez certaines personnes. Les symptômes peuvent comprendre des fourmillements, un engourdissement

et un blanchiment des doigts, généralement par temps froid. Des facteurs héréditaires, l'exposition au froid et à l'humidité, le régime alimentaire, le tabagisme et les habitudes de travail peuvent contribuer au développement de ces symptômes. Certaines mesures peuvent être prises par l'utilisateur pour aider à réduire les effets des vibrations:

- **Gardez votre corps au chaud par temps froid.** Lorsque vous utilisez l'appareil, portez des gants afin de garder vos mains et vos poignets au chaud. Le temps froid est considéré comme un facteur contribuant très largement à l'apparition du syndrome de Raynaud.
  - **Après chaque session de travail, pratiquez des exercices qui favorisent la circulation sanguine.**
  - **Faites des pauses fréquentes.** Limitez la quantité d'exposition journalière.
- Si vous ressentez l'un des symptômes associés à ce syndrome, arrêtez immédiatement le travail et consultez votre médecin pour lui en faire part.

### ⚠ AVERTISSEMENT

L'utilisation prolongée d'un outil est susceptible de provoquer ou d'aggraver des blessures. Assurez-vous de faire des pauses de façon régulière lorsque vous utilisez tout outil de façon prolongée.

### APPRENEZ À CONNAÎTRE VOTRE PRODUIT

Voir la page 131.

1. Mandrin
2. Démultiplication à deux vitesses mécaniques
3. Bouton de verrouillage du pivot

4. Sélecteur de sens de rotation
5. Embout simple (25 mm)
6. Gâchette-interrupteur
7. Chargeur
8. Prise du chargeur
9. Prise d'entrée

## ENTRETIEN

### ⚠ AVERTISSEMENT

Le produit ne doit jamais être branché à une source de courant lorsque vous-y montez des pièces, lorsque vous effectuez des réglages, lorsque vous le nettoyez, lorsque vous l'entretenez, ou lorsque vous ne l'utilisez pas. Le fait de débrancher le produit évitera toute mise en marche accidentelle susceptible de provoquer de graves blessures.

- N'effectuez les réparations qu'en utilisant des pièces détachées identiques. L'utilisation de toute autre pièce est susceptible de présenter un danger ou d'endommager votre outil.
- Évitez d'utiliser des solvants pour nettoyer les parties en plastique. La plupart des plastiques sont susceptibles d'être endommagés par les solvants disponibles dans le commerce. Utilisez un chiffon propre pour retirer la saleté et la poussière de carbone.
- Ne laissez jamais du liquide de frein, de l'essence, des produits pétroliers, des huiles pénétrantes, etc. entrer en contact avec les éléments en plastique. Ces produits chimiques contiennent des substances qui peuvent endommager, fragiliser ou détruire le plastique.
- Portez toujours un masque oculaire ou des lunettes de protection à volets

latéraux lorsque vous utilisez l'outil électrique ou lorsque vous soufflez de la poussière. Si l'opération génère des poussières, portez également un masque anti-poussières.

- Pour plus de sécurité et de fiabilité, toutes les réparations doivent être effectuées par un service après-vente agréé.

## LUBRIFICATION

Tous les roulements de ce produit sont lubrifiés avec une quantité suffisante d'huile de haute qualité pour toute sa durée de vie sous des conditions d'utilisation normales. Par conséquent, aucune lubrification supplémentaire n'est nécessaire.

## PROTECTION DE L'ENVIRONNEMENT



Recyclez les matières premières au lieu de les jeter avec les ordures ménagères. Pour protéger l'environnement, l'outil, les accessoires et les emballages doivent être triés.

## SYMBOLES



Alerte de sécurité



Conformité CE



Marque de conformité d'Eurasie



Marque de conformité ukrainienne



Veillez lire attentivement le mode d'emploi avant de démarrer la machine.



Veillez lire attentivement le mode d'emploi avant de démarrer la machine.



Équipement de classe II

$n_0$

Vitesse à vide



Fusible thermique 2 A

V

Volts



Courant continu

min<sup>-1</sup>

Nombre de tours ou de mouvements par minute



Portez une protection oculaire

Les produits électriques hors d'usage ne doivent pas être jetés avec les ordures ménagères. Recyclez-les par l'intermédiaire des structures disponibles.



Contactez les autorités locales ou votre distributeur pour vous renseigner sur les conditions de recyclage.

## SYMBOLES PRÉSENTS DANS LE MANUEL



Note



Brancher au secteur.



Durée de charge



Couple maximum



Couple, minimum

Les symboles suivants, et les noms qui leur sont associés, permettent d'expliquer les différents niveaux de risques liés à l'utilisation de cet outil.

### DANGER

Imminence d'un danger qui, si l'on n'y prend garde, peut entraîner la mort ou de graves blessures.

### AVERTISSEMENT

Situation potentiellement dangereuse qui, si l'on n'y prend garde, peut entraîner la mort ou de graves blessures.

### ATTENTION

Situation potentiellement dangereuse qui, si l'on n'y prend garde, peut entraîner des blessures moyennes ou légères.

### ATTENTION

(Sans symbole de sécurité) Indique une situation pouvant provoquer des dommages matériels.

Sicherheit, Leistung und Zuverlässigkeit hatten oberste Priorität bei der Entwicklung Ihres Schraubers.

### BESTIMMUNGSGEMÄSSE VERWENDUNG

Das Produkt ist nur für den Gebrauch durch Erwachsene vorgesehen, die die Bedienungsanleitung und Warnungen gelesen und verstanden haben und als verantwortlich für ihre Taten erachtet werden können.

Das Produkt ist zum Festziehen und Lösen von Schrauben und Bolzen vorgesehen.

Benutzen Sie das Produkt nicht für andere Aufgaben, als die genannten bestimmungsgemäßen Verwendungen.

**HINWEIS:** Es wird empfohlen vor dem Schrauben vorzubohren.

### ⚠️ WARNUNG

**Lesen Sie alle Sicherheitshinweise und Anweisungen.** Versäumnisse bei der Einhaltung der Sicherheitshinweise und Anweisungen können elektrischen Schlag, Brand und/oder schwere Verletzungen verursachen.

**Bewahren Sie alle Sicherheitshinweise und Anweisungen für die Zukunft auf.**

### SICHERHEITSWARNUNGEN FÜR SCHRAUBER

- **Halten Sie das Gerät an den isolierten Griffflächen, wenn Sie Arbeiten ausführen, bei denen die Schraube verborgene Stromleitungen oder das eigene Netzkabel treffen kann.** Der Kontakt der Schraube mit einer spannungsführenden Leitung kann

auch metallene Geräteteile unter Spannung setzen und zu einem elektrischen Schlag führen.

### SICHERHEITSHINWEISE ZUM LADEGERÄT

- Bevor Sie das Batterieladegerät verwenden, lesen Sie alle Anweisungen und Warnhinweise in dieser Bedienungsanleitung zum Batterieladegerät und der Verwendung des Produkts zur Verhinderung von Missbrauch der Produkte und um mögliche Verletzungen oder Schäden zu vermeiden.
- Verwenden Sie das Ladegerät nicht im Freien oder setzen Sie es nicht nassen oder feuchten Umgebungen aus. Ein Eindringen von Wasser in das Ladegerät erhöht die Gefahr eines Stromschlags.
- Die Verwendung von Zubehör, das nicht durch den Hersteller des Ladegeräts empfohlen oder verkauft wurde, kann zu Feuer-, Stromschlag- oder Verletzungsgefahr führen. Das Risiko von elektrischen Schlägen, Bränden oder schweren Verletzungen wird dadurch reduziert.
- Verwenden Sie das Kabel oder das Ladegerät nur für den dafür vorgesehenen Zweck. Verwenden Sie niemals das Kabel zum Tragen des Ladegeräts. Ziehen Sie nicht am Kabel des Ladegeräts oder am Stecker wenn Sie es aus der Anschlussbuchse ziehen. Das Kabel oder Ladegerät könnte beschädigt werden und einen Stromschlag verursachen. Ersetzen Sie beschädigte Stromkabel unverzüglich.
- Stellen Sie sicher, dass das Kabel so platziert ist, dass nicht daraufgetreten

oder darüber gestolpert werden kann, es nicht in Kontakt mit scharfen Kanten oder beweglichen Teilen oder sonstigen Dingen kommen kann, die zu Beschädigung führen könnten. Dadurch wird das Risiko von unbeabsichtigten Stürzen verringert, die zu Verletzungen führen und Schäden am Kabel verursachen und somit einen elektrischen Schlag auslösen könnten.

- Halten Sie das Kabel und das Ladegerät von Hitze fern, um Schäden am Gehäuse oder der Innenteile zu verhindern.
- Benutzen Sie das Ladegerät nicht mit einem beschädigten Kabel oder Stecker. Das könnte einen Kurzschluss und Stromschlag verursachen. Wenn das Ladegerät beschädigt ist, lassen Sie das Ladegerät von einem autorisierten Servicemitarbeiter ersetzen.
- Verwenden Sie das Ladegerät nicht, wenn es einen harten Schlag erlitten hat, fallen gelassen wurde oder anderweitig beschädigt ist. Lassen Sie von einem autorisierten Servicemitarbeiter eine elektrische Überprüfung durchführen, um zu bestimmen, ob das Ladegerät in einem guten Zustand ist.
- Zerlegen Sie das Ladegerät nicht. Wenn eine Wartung oder eine Reparatur erforderlich ist, bringen Sie es zu einem autorisierten Servicemitarbeiter. Falscher Wiederausammenbau kann zu Stromschlag- oder Feuergefahr führen.
- Ziehen Sie das Ladegerät aus der Steckdose, bevor Sie Wartungs- oder Reinigungsarbeiten vornehmen, um die Gefahr eines elektrischen Schlags

zu reduzieren.

- Trennen Sie das Ladegerät bei Nichtgebrauch vom Stromnetz. Dadurch wird das Risiko von Stromschlägen oder Schäden am Ladegerät reduziert, sollten Metallteile in die Öffnung fallen. Es trägt auch dazu einen Schaden am Ladegerät im Falle eines Stromstoßes zu verhindern.
- Stromschlaggefahr. Berühren Sie niemals den nicht-isolierten Teil des Ausgangsanschlussstücks oder die nicht-isolierten Batteriepole.

#### AKKU SICHERHEITSWARNUNGEN



Li-ion

- Entsorgen Sie verbrauchte Akkupacks nicht in dem Hausmüll oder verbrennen sie. Übergeben Sie verbrauchte Akkus Ihrem Ryobi Händler, um die ordnungsgemäße Entsorgung und den Umweltschutz zu gewährleisten.
- Trennen Sie elektronischen Abfall, indem Sie eingebaute Akkus vor der Entsorgung von dem Hauptgerät entfernen. Übergeben Sie sie an passenden Sammelzentren.
- Entfernen von eingebauten Akkus: Öffnen Sie das Gehäuse, indem Sie die Schrauben entfernen. Trennen Sie den Akku von dem Schaltkreis und entfernen ihn.
- **HINWEIS:** Wenn das Produkt geöffnet ist, kann es nicht mehr verwendet werden und sollte ordnungsgemäß entsorgt werden.
- Schalten Sie das Produkt vor dem



Entfernen des Akkus aus dem Elektrowerkzeug an, bis der Akku vollständig entleert ist.

- Stellen Sie sicher, dass der zu entsorgende Akku nicht in Kontakt mit Batterien, anderen Akkus oder leitendem Material kommt, indem Sie die freiliegenden Anschlüsse mit isolierenden Abdeckungen oder Klebeband abdecken.
- Laden Sie niemals beschädigte Akkus auf.

## RESTRISIKEN

Auch wenn das Produkt wie vorgeschrieben benutzt wird, ist es unmöglich ein gewisses Restrisiko vollständig auszuschließen. Die folgenden Gefahren können bei der Benutzung entstehen, und der Benutzer sollte besonders auf folgende Punkte achten:

- Gehörschaden verursacht durch Lärm  
Tragen Sie geeigneten Gehörschutz und begrenzen Sie das Risiko.
- Augenverletzungen  
Tragen Sie einen Augenschutz oder eine Schutzbrille, wenn Sie das Produkt benutzen.
- Durch Vibrationen verursachte Verletzungen.  
Begrenzen Sie die Belastung. Folgen Sie den Anweisungen im Abschnitt „Risikoverringern“.
- Stromschlag durch Kontakt mit verborgenen Stromleitungen  
Halten Sie das Produkt nur an isolierten Flächen.
- Durch Staub verursachte Verletzungen.  
Staub durch den Betrieb des Produktes kann Atemwegsverletzungen

verursachen. Tragen Sie eine geeignete Staubschutzmaske mit Filtern, die für den Schutz vor Partikeln aus dem bearbeiteten Material geeignet ist.

## RISIKOVERRINGERUNG

Vibrationen von in der Hand gehaltenen Werkzeugen können bei einigen Personen zu einem Zustand, der Raynaud-Syndrom genannt wird, führen. Symptome sind u.a. Kribbeln, Taubheitsgefühl und episodische Weißfärbung der Finger und treten normalerweise bei Kälte auf. Man geht davon aus, dass ererbte Faktoren, Kälte und Feuchtigkeit, Essgewohnheiten, Rauchen und Arbeitsweise zur Entwicklung dieser Symptome beitragen. Der Anwender kann Maßnahmen ergreifen, um die Auswirkungen der Vibrationen möglicherweise zu verringern:

- Halten Sie den Körper bei Kälte warm. Tragen Sie beim Betrieb des Geräts Handschuhe, um Hände und Handgelenke warm zu halten. Berichten zu Folge ist kaltes Wetter ein wesentlicher Faktor, der zum Raynaud Syndrom beiträgt.
- Betätigen Sie sich nach jedem Einsatz körperlich, um den Blutkreislauf zu steigern.
- Machen Sie regelmäßig Pausen. Beschränken Sie die Beanspruchung pro Tag.

Sollten bei Ihnen eines der zuvor beschriebenen Symptome / Zustände auftreten, stellen Sie unverzüglich den Betrieb ein und suchen Sie bezüglich der Symptome einen Arzt auf.

### **WARNUNG**

Verletzungen können durch lange Benutzung eines Werkzeugs entstehen oder verschlimmert werden. Machen Sie regelmäßig Pause, wenn Sie ein Werkzeug für lange Zeit benutzen.

### **MACHEN SIE SICH MIT IHREM PRODUKT VERTRAUT**

Siehe Seite 131.

1. Spannfüter
2. 2-Gang Kupplung
3. Verriegelungstaste für Drehgelenk
4. Drehrichtungswählschalter
5. Einzelbit (25 mm)
6. Druckschalter
7. Ladegerät
8. Ladestecker
9. Eingangsbuchse

### **WARTUNG UND PFLEGE**

### **WARNUNG**

Das Produkt darf niemals an das Stromnetz angeschlossen sein, wenn Sie Teile zusammenbauen, Einstellungen vornehmen, reinigen, Wartungsarbeiten durchführen, oder wenn das Produkt nicht benutzt wird. Trennen des Produktes vom Stromnetz verhindert ein unbeabsichtigtes Einschalten, das schwere Verletzungen verursachen könnte.

- Verwenden Sie zur Wartung nur Original Ersatzteile. Der Einsatz von anderen Teilen kann eine Gefahr verursachen oder das Produkt beschädigen.
- Vermeiden Sie beim Reinigen

der Plastikteile den Einsatz von Lösungsmitteln. Die meisten Kunststoffe können durch im Handel erhältliche Lösungsmittel beschädigt werden. Verwenden Sie saubere Tücher, um Schmutz und Kohlenstaub zu entfernen.

- Lassen Sie niemals Bremsflüssigkeiten, Benzine, Kunststoffe auf Erdölbasis, Rostlöser usw. mit den Plastikteilen in Kontakt geraten. Diese chemischen Produkte enthalten Substanzen, die den Kunststoff beschädigen, schwächen oder zerstören können.
- Tragen Sie beim Arbeiten mit motorbetriebenen Werkzeugen oder beim Wegblasen von Staub immer eine Schutzbrille mit Seitenschutz. Tragen Sie außerdem bei staubigen Arbeiten eine Atemschutzmaske.
- Alle Reparaturen sollten zur besseren Sicherheit und Zuverlässigkeit von einem autorisierten Kundendienst durchgeführt werden.

### **ÖLEN**

Alle Lagerelemente in dem Produkt sind mit genug qualitativ hochwertigem Schmiermittel für die gesamte Lebensdauer des Produktes unter normalen Betriebsbedingungen geölt. Es ist daher keine zusätzliche Schmierung erforderlich.

### **UMWELTSCHUTZ**



Recyclen Sie die Rohstoffe, anstatt sie im Haushaltsabfall zu entsorgen. Zum Schutz der Umwelt müssen das Gerät, die Zubehörteile und die Verpackungen getrennt entsorgt werden.

## SYMBOLLE



Sicherheitswarnung



CE Konformität



EurAsian  
Konformitätszeichen



Ukrainisches Prüfzeichen



Bitte lesen Sie die  
Anweisungen sorgfältig,  
bevor Sie das Gerät  
einschalten.



Bitte lesen Sie die  
Anweisungen sorgfältig,  
bevor Sie das Gerät  
einschalten.



Klasse II Gerät,  
Doppelisolierung



Leerlaufdrehzahl



Thermosicherung 2 A



Volt



Gleichstrom



Anzahl Umdrehungen oder  
Bewegungen pro Minute



Augenschutz tragen



Elektrische Geräte sollten  
nicht mit dem übrigen  
Müll entsorgt werden.  
Bitte entsorgen Sie diese  
an den entsprechenden  
Entsorgungsstellen.  
Wenden Sie sich an die  
örtliche Behörde oder Ihren  
Händler, um Auskunft über  
die Entsorgung zu erhalten.

## SYMBOLLE IN DER BEDIENUNGSANLEITUNG



Hinweis



An das Stromnetz  
anschließen.



Ladezeit



Größtes Drehmoment



Mindest-Drehmoment

Mit den folgenden Symbolen wird  
die Bedeutung der verschiedenen  
Risikostufen, die mit dem Produkt  
einhergehen, dargestellt.

### ⚠️ GEFAHR

Bezeichnet eine unmittelbare  
Gefahrensituation, die, falls nicht  
vermieden, zum Tode oder schweren  
Verletzungen führen kann.

### ⚠️ WARNUNG

Bezeichnet eine mögliche  
Gefahrensituation, die, falls nicht  
vermieden, zum Tode oder schweren  
Verletzungen führen kann.

 **ACHTUNG**

Bezeichnet eine mögliche  
Gefahrensituation, die, falls nicht  
vermieden, zu kleineren und mittleren  
Verletzungen führen kann.

**ACHTUNG**

(Ohne Warnsymbol) weist auf eine  
Situation hin, die zu Sachschaden  
führen kann.

130.com.ua

En el diseño de este destornillador, se ha dado prioridad absoluta a la seguridad, el rendimiento y la fiabilidad.

## USO PREVISTO

El producto está destinado a su uso exclusivo por parte de personas adultas que hayan leído y comprendido las instrucciones y las advertencias de este manual, y las cuales se pueden considerar responsables de sus acciones.

El producto está destinado a apretar y quitar tornillos y pernos.

Utilice el producto exclusivamente para el uso para el que fue diseñado.

**NOTA:** Se recomienda utilizar agujeros guía antes de atornillar.

## ⚠ ADVERTENCIA

**Lea todas las instrucciones y advertencias de seguridad.** No seguir las advertencias e instrucciones correctamente puede provocar descargas eléctricas, incendios y/o daños graves.

**Guarde todas estas advertencias e instrucciones para futuras referencias.**

## ADVERTENCIAS DE SEGURIDAD DEL DESTORNILLADOR

- **Sujete la herramienta motorizada por las superficies de agarre aisladas al realizar una operación en la que el fijador pueda estar en contacto con el cableado oculto.** El contacto de las brocas con un cable con corriente puede cargar las partes metálicas de la herramienta y puede provocar una descarga eléctrica.

## ADVERTENCIAS DE SEGURIDAD DEL CARGADOR

- Antes de utilizar el cargador de la batería, lea todas las instrucciones y advertencias que aparecen en este manual, sobre el cargador de la batería, la batería y el producto que utiliza batería para evitar el uso incorrecto de los productos y posibles daños o lesiones.
- No utilice el cargador en el exterior ni lo exponga a la humedad. Si el agua penetra en el cargador, aumentará el riesgo de descarga eléctrica.
- El uso de un accesorio no recomendado o vendido por el fabricante del cargador de la batería puede suponer un riesgo de incendio, descargas eléctricas o lesiones personales. Si cumple estrictamente estas consignas reducirá la posibilidad de recibir una descarga eléctrica, de incendio o de heridas graves.
- No maltrate el cable ni el cargador. Nunca tire del cable para mover el cargador. No tire del cable del cargador en lugar de del enchufe al desconectarlo del receptáculo. Se podrían producir daños en el cable o el cargador y generar riesgo de descarga eléctrica. Reemplace los cables dañados inmediatamente.
- Asegúrese de que el cable está colocado de manera que no se puede pisar, tropezar con él, entrar en contacto con bordes afilador o piezas móviles u otra cosa que pueda generar daños o tensión. Esto reducirá el riesgo de caídas accidentales, que podrían provocar lesiones y dañar el cable, lo que provocaría una descarga eléctrica.

- Aleje el cable y el cargador del calor para evitar daños a las piezas de la carcasa o del interior.
- No utilice el cargador con un cable o enchufe dañado, lo que podría provocar un cortocircuito o descarga eléctrica. Si resulta dañado, que una persona autorizada sustituya el cargador.
- No utilice el cargador si ha recibido un golpe fuerte, se ha caído o ha resultado dañado de manera alguna. Llévelo a una persona autorizada para su comprobación eléctrica para determinar si el cargador está en buen estado.
- No desmonte el cargador. Llévelo a una persona autorizada cuando requiera reparación o mantenimiento. Un montaje incorrecto puede resultar en un riesgo de descargas eléctricas o incendio.
- Desenchufe el cargador de la salida antes de intentar ningún tipo de mantenimiento o limpieza para reducir el riesgo de descarga eléctrica.
- Desconecte el cargador de la toma de corriente cuando no lo esté usando. Esto reducirá el riesgo de descarga eléctrica o de daño al cargador en caso de que artículos de metal caigan en la apertura. También ayudará a evitar daños al cargador durante una subida de tensión.
- Riesgo de descargas eléctricas. No toque la parte que no está aislada del conector de salida o de la terminal de la batería.

## ADVERTENCIAS DE SEGURIDAD DE LA BATERÍA



Li-ion

- No tire las baterías usadas con la basura de casa ni las queme. Para garantizar la correcta eliminación de las baterías gastadas y proteger el medio ambiente, lleve las baterías antiguas a su distribuidor Ryobi.
- Separe los residuos eléctricos de forma adecuada retirando las baterías integradas de la unidad principal antes de desecharlas. Llévelas a los puntos de recogida adecuados.
- Para retirar la batería integrada: Separe las carcasas retirando los tornillos. Desconecte la batería del circuito y retírela.
- **NOTA:** Una vez abierto, el producto no puede reutilizarse ni repararse y debería eliminarse de forma adecuada.
- Antes de retirar la batería de la herramienta, encienda el producto hasta que la batería esté totalmente descargada.
- Asegúrese de que la batería que va a desechar no entra en contacto con pilas, otras baterías o materiales conductores, protegiendo los conectores expuestos con cinta o tapas aislantes no conductoras.
- Nunca cargue una batería dañada.

## RIESGOS RESIDUALES

Incluso cuando se utiliza el producto según las instrucciones, sigue siendo imposible eliminar por completo ciertos

factores de riesgo residuales. Pueden surgir los siguientes riesgos durante el uso y el operador debe prestar especial atención para evitar lo siguiente:

- Daños auditivos provocados por el ruido  
Lleve protección auditiva adecuada y limite la exposición.
- Daños a los ojos  
Hay que llevar pantallas o gafas de protección para los ojos cuando se utilice el aparato.
- Lesiones por vibración  
Limite la exposición. Siga las instrucciones de reducción de riesgos.
- Descarga eléctrica provocada por el contacto con cables ocultos  
Sujete el aparato únicamente por las superficies aislantes.
- Lesiones causadas por el polvo  
El polvo producido por el uso del aparato puede provocar daños respiratorios. Utilice una máscara contra el polvo adecuada con filtros aptos para proteger frente a partículas procedentes del material trabajado.

## REDUCCIÓN DEL RIESGO

Se ha informado de que las vibraciones de las herramientas manuales pueden contribuir a una enfermedad llamada síndrome de Raynaud en ciertos individuos. Los síntomas pueden incluir hormigueo, entorpecimiento y decoloración de los dedos, generalmente aparentes cuando tiene lugar una exposición al frío. Se considera que los factores hereditarios, exposición al frío y a la humedad, dieta, tabaquismo y prácticas de trabajo contribuyen al desarrollo de estos síntomas. Existen medidas que pueden

ser tomadas por el operador para reducir los efectos de vibración:

- Mantenga su cuerpo caliente durante el tiempo frío. Al manipular la unidad, utilice guantes para mantener las manos y las muñecas calientes. Hay informes que indican que el tiempo frío es un gran factor que contribuye al síndrome de Raynaud.
- Después de cada período de funcionamiento, realice ejercicios para aumentar la circulación sanguínea.
- Haga pausas de trabajo frecuentes. Limite la cantidad de exposición por día.

Si siente alguno de los síntomas de esta enfermedad, interrumpa inmediatamente el uso y consulte a su médico estos síntomas.

### ⚠ ADVERTENCIA

El uso prolongado de la herramienta puede provocar o agravar lesiones. Al utilizar cualquier herramienta durante períodos prolongados asegúrese de tomar descansos regulares.

## CONOZCA EL PRODUCTO

Consulte la página 131.

1. Boquilla
2. Engranaje de dos velocidades
3. Botón de bloqueo
4. Selector de la dirección de rotación
5. Pieza sencilla (25 mm)
6. Gatillo del interruptor
7. Cargador
8. Enchufe del cargador
9. Conector de entrada



## MANTENIMIENTO

### ⚠ ADVERTENCIA

El aparato nunca debe estar conectado a una fuente eléctrica mientras se estén montando las piezas, realizando ajustes, limpiando, llevando a cabo el mantenimiento o cuando no esté en uso. Apagar el aparato evitará que se ponga en marcha accidentalmente y cause lesiones graves.

- Utilice solo piezas de recambio idénticas cuando esté realizando labores de mantenimiento de la máquina. El uso de otras piezas puede ocasionar riesgos o daños en el producto.
- Evite el uso de disolventes para limpiar las piezas de plástico. La mayor parte de los plásticos pueden resultar dañados con los disolventes que se venden en el mercado. Utilice trapos limpios para eliminar la suciedad y el polvo de carbón.
- No permita en ningún momento que las piezas de plástico entren en contacto con líquido de frenos, gasolina, productos derivados del petróleo, aceites penetrantes, etc. Estos productos químicos contienen sustancias que pueden deteriorar, debilitar o destruir el plástico.
- Siempre use gafas de seguridad o gafas de seguridad con protección lateral durante el funcionamiento de la herramienta eléctrica o cuando ésta desprenda polvo. Si la superficie de trabajo es polvorienta, use también una careta específica.
- Para una mayor seguridad y fiabilidad, todas las reparaciones

deben ser realizadas por un centro de servicio autorizado.

### LUBRICACIÓN

Todos los cojinetes de este producto están lubricados con una cantidad suficiente de lubricante de alta calidad para la vida del producto en condiciones normales de funcionamiento. Por lo tanto, no es menester prever ninguna lubricación adicional.

### PROTECCIÓN DEL MEDIO AMBIENTE



Recicle las materias primas en lugar de tirarlas a la basura doméstica. Para proteger el medio ambiente, debe separar la herramienta, los accesorios y los embalajes.

### SÍMBOLOS



Alerta de seguridad



Conformidad CE



Certificado EAC de conformidad



Marca de conformidad ucraniana



Por favor lea las instrucciones detenidamente antes de arrancar la máquina.



Por favor lea las instrucciones detenidamente antes de arrancar la máquina.



Equipo de Clase II



Velocidad sin carga

115°C



Fusible térmico 2A

V

Voltios



Corriente directa

min<sup>-1</sup>

Número de revoluciones o movimientos por minuto



Utilice gafas de seguridad

Los productos eléctricos de desperdicio no deben desecharse con desperdicios caseros. Por favor reciclelos donde existan dichas instalaciones. Compruebe con su autoridad local o minorista para reciclar.



Los siguientes símbolos y palabras detallan los niveles de cuidado necesarios para usar este producto.

### PELIGRO

Indica una situación inminente de peligro que, si no se evita, provocará la muerte o lesiones graves.

### ADVERTENCIA

Indica una situación potencialmente peligrosa que, si no se evita, podría causar la muerte o lesiones graves.

### PRECAUCIÓN

Indica una situación potencialmente peligrosa que, si no se evita, puede provocar lesiones leves o moderadas.

### PRECAUCIÓN

(Sin símbolo de seguridad) Indica una situación que podría ocasionar daños materiales.

EN  
FR  
DE  
ES  
IT  
NL  
PT  
DA  
SV  
FI  
NO  
RU  
PL  
CS  
HU  
RO  
LV  
LT  
ET  
HR  
SL  
SK  
EL  
TR  
UK

## SÍMBOLOS EN ESTE MANUAL



Nota



Conectarse a la red eléctrica.



Tiempo de carga



Torsión, máxima



Par mínimo

Il design del nostro avvitatore è stato progettato per garantire sicurezza, prestazioni e affidabilità.

## UTILIZZO

Il prodotto è destinato a essere utilizzato solo da adulti che hanno letto e compreso le istruzioni e le avvertenze riportate in questo manuale e che possono essere considerati responsabili delle loro azioni.

Il prodotto serve al serraggio e alla rimozione di viti e bulloni.

Non utilizzare il prodotto in modi diversi da quelli indicati.

**NOTE:** Si raccomanda di realizzare i fori guida prima di inserire le viti.

## ⚠ AVVERTENZE

**Leggere tutti gli avvertimenti e le istruzioni di sicurezza.** La mancata osservanza delle avvertenze e delle istruzioni potrà causare scosse elettriche, incendi e/o gravi lesioni personali.

**Conservare tutte le istruzioni e le avvertenze per eventuali riferimenti futuri.**

## AVVERTENZA SULLA SICUREZZA PER L'AVVITATORE

- **Reggere l'utensile dalle superfici in gomma isolate quando si svolgono operazioni durante le quali i chiodi potranno entrare in contatto con cavi nascosti.** I chiodi che entrano in contatto con un cavo "sotto tensione" potranno mettere sotto tensione le parti in metallo dell'utensile e causare scosse elettriche all'operatore. all'operatore.

## AVVERTENZE DI SICUREZZA DEL CARICABATTERIE

- Prima di utilizzare il caricabatteria, leggere tutte le istruzioni e le avvertenze riportate nel presente manuale, oltre a quelle apposte sul caricabatteria, sulla batteria e sul prodotto che la utilizza, per prevenire usi impropri dei prodotti e possibili lesioni e danni.
- Non usare il caricatore all'aperto né bagnarlo o esporlo a condizioni di umidità. La penetrazione di acqua nel caricatore aumenta il rischio di scosse elettriche.
- L'utilizzo di un accessorio non raccomandato né venduto dalla ditta produttrice del caricatore potrà risultare in un rischio di incendio, scosse elettriche o lesioni a persona. Il rispetto di tali norme limita il rischio di scosse elettriche, incendi o lesioni gravi.
- Non usare in modo improprio il cavo o il caricatore. Non usare mai il cavo per trasportare il caricatore. Non tirare mai il cavo anziché la spina per scollegare quest'ultima dalla presa. Il cavo o il caricatore potrebbe danneggiarsi e comportare un rischio di folgorazione. Sostituire immediatamente i cavi danneggiati.
- Accertarsi che il cavo sia collocato in modo che non sia pestato, non crei intralcio, non venga in contatto con spigoli taglienti o parti in movimento o sia comunque soggetto a danni o sollecitazioni. Ciò ridurrà il rischio di cadute accidentali che potrebbero causare lesioni oppure danni al cavo stesso, con il conseguente rischio di folgorazioni.
- Tenere il cavo e il caricatore lontano da fonti di calore per prevenire danni

all'involucro o alle parti interne.

- Non utilizzare il caricatore se il cavo o la spina sono danneggiati, per evitare il rischio di corto circuiti e folgorazioni. In caso di danni, far sostituire il caricatore da un tecnico autorizzato.
- Non utilizzare il caricatore se ha subito un urto violento, è stato fatto cadere o è stato altrimenti danneggiato. Portarlo da un tecnico autorizzato per eseguire verifiche elettriche e per determinare se il caricatore funziona bene.
- Non smontare il caricatore. Quando un intervento o una riparazione sono necessari, portarlo da un tecnico autorizzato. Un montaggio scorretto potrà causare rischi di scosse elettriche o incendi.
- Prima di eseguire un intervento di manutenzione o di pulizia scollegare il caricatore dalla presa elettrica per ridurre il rischio di folgorazione.
- Scollegare il caricatore dall'alimentazione quando non è in uso. Ciò riduce il rischio di folgorazioni o di danni al caricatore nel caso in cui oggetti metallici cadessero nell'apertura. Previene inoltre i danni al caricatore in caso di sovracorrente.
- Rischio di scosse elettriche. Non toccare la parte non isolata del connettore o del terminale della batteria.

## ISTRUZIONI DI SICUREZZA RELATIVE AI GRUPPI BATTERIE



Li-ion

- Non smaltire gruppi batterie utilizzati

con i rifiuti domestici né tentare di bruciarli. Per assicurare un corretto smaltimento dei gruppi batteria e proteggere l'ambiente, consegnare i gruppi batteria usati al proprio distributore Ryobi.

- Separare i rifiuti elettronici adeguatamente rimuovendo i gruppi batteria integrati dall'unità principale prima dello smaltimento. Smaltirli presso i punti di raccolta designati.
- Per rimuovere i gruppi batteria integrati: Separare le celle l'una dall'altra prima di rimuovere le viti. Scollegare il gruppo batteria dal circuito e rimuoverlo.
- **NOTE:** Una volta aperto, il prodotto non potrà essere più riutilizzato, né potranno essere svolte le dovute operazioni di manutenzione sullo stesso e dovrà quindi essere smaltito correttamente.
- Prima di rimuovere il gruppo batteria dall'utensile, attivare il prodotto fino a che il gruppo batterie non venga completamente scaricato.
- Assicurarsi che il gruppo batterie venga smaltito e non entri in contatto con batterie, altri gruppi batterie e materiali conduttivi proteggendo i connettori esposti con nastro adesivo isolante o tappi non conduttivi.
- Non modificare mai un pacco batteria danneggiato.

## RISCHI RESIDUI

Anche quando il prodotto viene utilizzato come indicato, sarà ancora impossibile eliminare completamente alcuni fattori di rischio residuo. Si potranno verificare i seguenti rischi e l'operatore dovrà prestare particolare attenzione per evitare quanto segue:

- Il rumore può causare danni all'udito. Indossare una protezione idonea per l'udito e limitare l'esposizione.
- Lesioni oculari  
Indossare occhiali o schermi di protezione quando si utilizza il prodotto.
- Lesioni causate da vibrazioni  
Limitare l'esposizione. Seguire le istruzioni riportate in Riduzione dei rischi
- Folgorazione causata dal contatto con fili nascosti  
Reggere il prodotto solo dalle superfici isolate.
- Lesioni causate dalla polvere  
La polvere creata dalla messa in funzione del prodotto potrà causare lesioni all'apparato respiratorio. Indossare una maschera antipolvere dotata di filtri idonei per la protezione contro le particelle generate dal materiale in lavorazione.

### RIDUZIONE DEL RISCHIO

E' stato fatto presente che le vibrazioni da utensili a mano potrebbero contribuire a una condizione chiamata Sindrome di Raynaud in alcuni individui. I sintomi, comprendenti formicolio, intorpidimento e perdita di colore alle dita, si verificano di solito quando ci si espone al freddo. Fattori ereditari, esposizione a freddo e umidità, una dieta scorretta, fumo e condizioni di lavoro non sicure potranno contribuire allo sviluppo di questi sintomi. È possibile prendere delle precauzioni per ridurre le vibrazioni:

- Tenere il corpo al caldo a basse temperature. Quando si utilizza l'utensile, indossare guanti e tenere le mani e i polsi caldi. Le basse temperature contribuiscono a causare

la Sindrome di Raynaud.

- Dopo aver utilizzato l'utensile per un certo periodo, fare degli esercizi per stimolare la circolazione del sangue.
- Fare spesso delle pause. Limitare la quantità di esposizione giornaliera.

Nel caso in cui si provino i sintomi di questa condizione, interrompere immediatamente l'utilizzo dell'utensile e consultare un dottore.

### ⚠ AVVERTENZE

L'utilizzo prolungato dell'utensile potrà causare o aggravare lesioni già esistenti. Quando si utilizza questo utensile per periodi di tempo prolungati, assicurarsi di fare sempre delle pause regolari.

### FAMILIARIZZARE CON IL PRODOTTO

Vedere a pagina 131.

1. Mandrino
2. Cambio a due velocità
3. Pulsante di blocco dell'impugnatura
4. Selezionatore di direzione rotazione
5. Punta singola (25 mm)
6. Grilletto interruttore
7. Caricatore
8. Spina del caricatore
9. Jack di ingresso

### MANUTENZIONE

### ⚠ AVVERTENZE

Questo prodotto non dovrà mai essere collegato all'alimentazione mentre si montano le sue parti, svolgono regolazioni, operazioni di pulizia e manutenzione o quando il prodotto non viene utilizzato. Scollegare il prodotto per prevenire l'avvio accidentale che potrà causare gravi lesioni.

- Quando si svolgono operazioni di manutenzione, utilizzare solo ricambi identici. Utilizzare parti di ricambio diverse potrebbe causare rischi o danneggiare il prodotto.
- Evitare di utilizzare solventi quando si puliscono le parti in plastica. La maggior parte dei materiali plastici rischia di essere danneggiata dall'uso dei solventi disponibili in commercio. Usare dei panni puliti per rimuovere sporcizia e polveri di carbonio.
- Non lasciare che liquidi per freni, benzina, prodotti a base di petrolio, oli penetranti, ecc, entrino in contatto con le parti in plastica. Tali prodotti chimici contengono sostanze che possono danneggiare, indebolire o distruggere la plastica.
- Indossare sempre occhiali di sicurezza o occhiali di sicurezza con schermi laterali durante le operazioni con l'elettrotensile o quando si aspira della polvere. Nel caso in cui si preveda che le operazioni di lavoro causeranno polvere, indossare sempre una maschera anti-polvere.
- Per maggiore sicurezza e affidabilità, tutte le riparazioni dovranno essere svolte da un centro servizi autorizzato.

## LUBRIFICAZIONE

Tutti i cuscinetti in questo prodotto sono stati lubrificati con una quantità di lubrificante ad alto indice di viscosità per tutta la durata del prodotto nelle normali condizioni di funzionamento. Di conseguenza, non è necessario effettuare alcuna lubrificazione supplementare.

## TUTELA DELL'AMBIENTE



Riciclare le materie prime anziché gettarle tra i rifiuti domestici. Per tutelare l'ambiente, l'apparecchio, gli accessori e gli imballaggi devono essere smaltiti separatamente.

## SIMBOLI



Indicazioni sicurezza



Conformità CE



Marchio di conformità EurAsian



Marchio di conformità ucraino



Leggere attentamente le istruzioni prima di avviare l'utensile.



Leggere attentamente le istruzioni prima di avviare l'utensile.



Apparecchiatura di classe C



Velocità a vuoto



Termofusibili 2 A



Volt



Corrente diretta

min<sup>-1</sup>

Numero di giri o di movimenti al minuto



Indossare occhiali di protezione



I prodotti elettrici non devono essere smaltiti con i rifiuti domestici. Vi sono strutture per smaltire tali prodotti. Informarsi presso il proprio Comune o rivenditore di sicurezza per smaltire adeguatamente tali rifiuti.

causare gravi lesioni o morte.

### **ATTENZIONE**

Indica una situazione potenzialmente pericolosa che, se non evitata, potrà causare lesioni minori o moderate.

### **ATTENZIONE**

(Senza simbolo di allarme in materia di sicurezza) Indica una situazione che può provocare danni materiali.

## SIMBOLI NEL MANUALE



Note



Collegare all'alimentazione.



Tempo di caricamento



Torsione, massima



Coppia minime

I seguenti simboli indicano i livelli di rischio associati a questo prodotto.

### **PERICOLO**

Indica una situazione immediatamente pericolosa che, se non evitata, potrà causare gravi lesioni o morte.

### **AVVERTENZE**

Indica una situazione potenzialmente pericolosa che, se non evitata potrà



Veiligheid, prestaties en betrouwbaarheid hebben bij het ontwerp van uw schroevendraaier de hoogste prioriteit gekregen.

## BEOOGD GEBRUIK

Dit product mag uitsluitend worden gebruikt door volwassenen die de instructies en waarschuwingen in deze handleiding hebben gelezen en die verantwoordelijk kunnen worden gehouden voor hun daden.

Het product is bedoeld voor het aandraaien en verwijderen van schroeven en bouten.

Gebruik het product niet voor andere doeleinden dan waarvoor het is bestemd.

**OPMERKING:** Het gebruik van pilootopeningen voor u de schroeven inschroeft is aangewezen.

### WAARSCHUWING

**Lees alle veiligheidswaarschuwingen en instructies.** Wanneer u deze en en instructies niet opvolgt, kan dit leiden tot electrocutie, brand en/of ernstige letstels.

**Bewaar alle waarschuwingen en instructies voor toekomstig gebruik.**

## VEILIGHEIDSWAARSCHUWINGEN BIJ DEZE SCHROEVENDRAAIER

■ **Neem het gereedschap vast bij de grip wanneer de schroef contact kan maken met een verborgen draad.** Bevestigingsmateriaal met een "live" draad kunnen er voor zorgen dat blootliggende metalen onderdelen van het apparaat "onder stroom" staan en kunnen een elektrische schok geven.

## VEILIGHEIDSWAARSCHUWINGEN VOOR OPLADER

- Lees alle instructies en waarschuwingen in deze handleiding over het acculaadapparaat, de accu en het product dat gebruik maakt van de accu alvorens het acculaadapparaat te gebruiken, om verkeerd gebruik van de producten en eventueel letsel of schade te vermijden.
- Gebruik het laadapparaat niet buitenshuis en stel het niet bloot aan natte of vochtige omstandigheden. Water dat het laadapparaat binnendringt vergroot de kans op een elektrische schok.
- Het gebruik van een voorzetstuk dat niet is aangeraden of verkocht door de fabrikant van de batterijlader, kan leiden tot brandgevaar, elektrische schok of lichamelijke letsels. Zo kunt u het gevaar voor elektrische schokken, brand of ernstig lichamelijke letsel beperken.
- Gebruik de kabel of het laadapparaat niet op een verkeerde manier. Gebruik de kabel nooit om het laadapparaat aan te dragen. Trek niet aan de laadkabel maar aan de stekker om de kabel los te koppelen van de stekkeringang. Anders kan de kabel of het laadapparaat beschadigd raken en een elektrische schok veroorzaken. Vervang beschadigde snoeren onmiddellijk.
- Zorg ervoor dat de kabel zodanig is gepositioneerd dat men er niet op kan trappen, over kan struikelen en dat de kabel niet tegen scherpe randen of bewegende delen aankomt, of anderszins wordt blootgesteld aan beschadiging of belasting. Hierdoor wordt de kans op struikelen, wat kan

EN  
FR  
DE  
ES  
IT  
NL  
PT  
DA  
SV  
FI  
NO  
RU  
PL  
CS  
HU  
RO  
LV  
LT  
ET  
HR  
SL  
SK  
EL  
TR  
UK

leiden tot letsel, en beschadiging van de kabel, wat kan leiden tot elektrische schok, verkleind.

- Houd de kabel en het laadapparaat uit de buurt van hitte om beschadiging van de behuizing of interne delen te voorkomen.
- Gebruik het laadapparaat niet met een beschadigde kabel of stekker. Dit kan kortsluiting en elektrische schok veroorzaken. Als beschadiging is opgetreden moet het laadapparaat door een erkende servicedienst worden vervangen.
- Gebruik het laadapparaat niet als dit is gevallen, een krachtige stoot heeft gekregen of anderszins beschadigd is geraakt. Breng het naar een erkend servicecentrum en laat het elektrische systeem controleren om te bepalen of het laadapparaat goed functioneert.
- Het laadapparaat mag niet worden gedemonteerd. Breng het apparaat naar een erkend servicecentrum als onderhoud of reparatie vereist is. Foutieve hermontage kan leiden tot risico op elektrische schok of brand.
- Koppel het laadapparaat los van het stopcontact voordat u onderhouds- of reinigingswerkzaamheden gaat uitvoeren, om de kans op een elektrische schok te verkleinen.
- Ontkoppel de lader van de stroomtoevoer als deze niet wordt gebruikt. Dit verkleint de kans op een elektrische schok of beschadiging van het laadapparaat als metalen onderdelen in de opening vallen. Tevens helpt dit beschadiging van het laadapparaat tijdens een stroompiek te voorkomen.
- Gevaar voor elektrische schok. Raak de niet-geïsoleerde delen van de uitlaatconnector of niet-geïsoleerde

accuterminal niet aan.

## CUVEILIGHEIDSWAARSCHUWINGEN



Li-ion

- Gooi gebruikte batterijpacks niet in het huishoudelijk afval weg of verbrand ze niet. Om te verzekeren dat accus correct worden weggegooid en het milieu wordt beschermd, geeft u de oude accu's terug aan uw Ryobi dealer.
- Scheid elektronisch afval op een degelijke manier door de geïntegreerde accu's uit het hoofdtoestel te halen voor ze weg te gooien. Geef ze af op een erkend verzamelpunt.
- Verwijderen van geïntegreerde accu: Open het huis door de schroeven te verwijderen. Ontkoppel de accu van het circuit en verwijder het.
- **OPMERKING:** Indien het product is geopend, kan het niet langer worden gebruikt en moet dan op correcte wijze worden weggegooid.
- Vóórdat u de accu uit de machine verwijdert, schakelt u het product in totdat de accu volledig is ontladen.
- Zorg ervoor dat de accu die moet worden weggegooid, niet in contact kan komen met batterijen, accu's, of geleidende materialen door blootgestelde connectoren met isolerende, niet-geleidende doppen of plakband af te dekken.
- Een beschadigde accu mag nooit worden vervangen.

## RESTRISICO'S

Zelfs wanneer het product zoals voorgeschreven wordt gebruikt, blijft het onmogelijk om alle restrisico's te voorkomen. De volgende gevaren kunnen optreden bij gebruik en de gebruiker dient speciaal op te letten om het volgende te voorkomen:

- **Gehoorgeschediging veroorzaakt door lawaai**  
Draag geschikte gehoorbescherming en zorg ervoor dat u niet teveel aan lawaai wordt blootgesteld.
- **Oogletsel**  
Draag een veiligheidsbril wanneer u het product gebruikt.
- **Letsel veroorzaakt door trillingen**  
Beperk blootstelling. Volg de instructies in het hoofdstuk Risico's vermijden.
- **Elektrische schok veroorzaakt door contact met verborgen bedrading**  
Houd het product uitsluitend aan de geïsoleerde oppervlakken vast.
- **Verwonding veroorzaakt door stof**  
Stof dat wordt veroorzaakt door het gebruik van het product, kan ademhalingsproblemen veroorzaken. Draag een geschikt stofmasker met filters dat beschermt tegen deeltjes van het materiaal waarmee wordt gewerkt.

## RISICOBEPERKING

Vibraties van handgereedschap kan in bepaalde individuele gevallen leiden tot het syndroom van Raynaud. Symptomen kunnen ondermeer tintelingen, gevoelloosheid en bleek worden van de vingers omvatten, wat normaal gezien duidelijk wordt bij blootstelling aan koude. Erfelijke factoren, blootstelling aan koude en vocht, dieet, roken

en werkroutine kunnen allemaal bijdragen tot de ontwikkeling van deze symptomen. Er kunnen door de bediener maatregelen worden genomen om de gevolgen van de trillingen te beperken:

- **Houd bij koud weer uw lichaam warm.**  
Draag handschoenen wanneer u de machine gebruikt om handen en polsen warm te houden. Men neemt aan dat koud weer een belangrijke factor is die bijdraagt tot het Syndroom van Raynaud.
- **Doe oefeningen om de bloeddorstroming te bevorderen na elke periode van gebruik.**
- **Neem regelmatig een pauze.** Beperk het aantal uren dat u per dag wordt blootgesteld.

Wanneer u enige van de symptomen van deze aandoening ervaart, stop dan onmiddellijk met het gebruik van het toestel en raadpleeg uw dokter

## ⚠ WAARSCHUWING

Letsels kunnen optreden of verergeren door langdurig gebruik van een gereedschap. Als u een werktuig gedurende langere periodes gebruikt, neem dan regelmatig pauze.

## KEN UW PRODUCT

Zie pagina 131.

1. Spantang
2. Snelheidsschakelaar met twee snelheden
3. Vergrendelknop voor zwenkas
4. Richting van de rotatieselectieknop
5. Enkel bit (25 mm)
6. Aan-/uitschakelaar
7. Lader
8. Stekker van laadapparaat
9. Stekeringang

## ONDERHOUD

### ⚠ WAARSCHUWING

Het product mag nooit worden aangesloten op de netvoeding bij het aansluiten van onderdelen, maken van afstellingen, schoonmaken, uitvoeren van onderhoud of als het product niet wordt gebruikt. Ontkoppelen van het product voorkomt accidenteel opstarten, wat ernstig letsel kan veroorzaken.

- Gebruik voor vervanging uitsluitend originele reserveonderdelen. Gebruik van niet originele onderdelen kan gevaar opleveren of schade aan de machine veroorzaken.
- Voorkom het gebruik van oplosmiddelen wanneer u kunststof onderdelen reinigt. De meeste kunststoffen kunnen worden beschadigd door de in de handel zijnde oplosmiddelen. Gebruik een schone doek om vuil en koolstof te verwijderen.
- Remvloeistof, benzine, producten op basis van petroleum, kruipolie, enz mogen nooit in contact komen met kunststof onderdelen. Deze chemicaliën bevatten namelijk stoffen die kunststof kunnen beschadigen, verzwakken of aantasten.
- Draag altijd een veiligheidsbril of gezichtsbescherming met zijdelingse bescherming terwijl u het werktuig gebruikt of wanneer u stof blaast. Als het werk stof veroorzaakt, draag dan ook een stofmasker.
- For greater safety and reliability, all repairs should be performed by an authorised service centre.

## SMERING

Alle lagers in het product zijn gesmeerd met voldoende kwalitatief smeermiddel voor de gehele levensduur van het product bij normale gebruiksomstandigheden. Extra smering is daarom niet noodzakelijk.

## MILIEUBESCHERMING



Zorg dat grondstoffen worden gerecycleerd in plaats van weggegooid als afval. Om het milieu te beschermen dient de machine, de accessoires en de verpakking gesorteerd bij een erkend recyclingcentrum te worden aangeleverd.

## SYMBOLLEN



Veiligheidswaarschuwing



EG conformiteit



EurAsian-symbool van overeenstemming



Oekraïens conformiteitssymbool



Lees de instructies zorgvuldig voordat u de machine in gebruik neemt.



Lees de instructies zorgvuldig voordat u de machine in gebruik neemt.



Klasse II apparatuur

$n_o$

Onbelast toerental

115°C

Thermische zekering 2A

V

Volt



Gelijkstroom

min<sup>-1</sup>

Aantal toeren of  
omwentelingen per minuut



Draag gezichtsbescherming

Elektrisch afval mag  
niet samen met ander  
huishoudafval worden  
weggegooid. Gelieve  
te recyclen indien de  
mogelijkheid bestaat.



Neem contact op met uw  
gemeente of handelaar  
om advies te krijgen over  
recyclage.

verklaringen zijn bedoeld om de  
gevaarniveaus die op dit toestel  
betrekking hebben, te verklaren.

### **GEVAAR**

Wijst op een gevaarlijke situatie die,  
indien ze niet wordt vermeden, kan  
leiden tot ernstige verwondingen of de  
dood.

### **WAARSCHUWING**

Wijst op een mogelijk gevaarlijke situatie  
die, indien ze niet wordt vermeden, kan  
leiden tot ernstige verwondingen of de  
dood.

### **LET OP**

Wijst op een mogelijk gevaarlijke situatie  
die, indien ze niet wordt vermeden,  
kan leiden tot lichte of middelmatige  
verwondingen.

### **LET OP**

(Zonder veiligheidssymbool) Geeft een  
situatie aan die materiële schade zou  
kunnen veroorzaken.

## SYMBOLLEN IN DE GEBRUIKSAANWIJZING



Opmerking



Verbind met de stroombron.



Laadtijd



Max. koppel



Koppel Minimumafmeting

De volgende kernwoorden en

No design da nossa aparafusadora demos prioridade à segurança, ao desempenho e à fiabilidade.

### UTILIZAÇÃO PREVISTA

O produto destina-se a ser utilizada por adultos que tenham lido e compreendido as instruções e os avisos neste Manual e que possam ser considerados responsáveis pelas suas acções.

O produto destina-se a ser utilizado para apertar e desapertar parafusos auto-roscentes e parafusos de porca.

Utilize o produto exclusivamente para o uso para o qual foi concebido.

**NOTA:** Recomenda-se que use furos de orientação antes do aparafusamento.

### ⚠ AVISO

**Leia todos os avisos de segurança e todas as instruções.**

O incumprimento em seguir os s e as instruções pode ter como consequências o choque eléctrico, incêndio e/ou lesões graves.

**Guarde todos os avisos e instruções para futuras consultas.**

### AVISOS DE SEGURANÇA DA APARAFUSADORA

- **Pegue na ferramenta eléctrica pelas partes isoladas sempre que executar uma operação em que o fixador possa entrar em contacto com fios eléctricos escondidos.** O contacto do fixador com um cabo com tensão eléctrica pode expor as peças metálicas da ferramenta à corrente eléctrica, o que pode provocar um choque ao operador.

### AVISOS DE SEGURANÇA DO CARREGADOR

- Antes de utilizar o carregador de baterias, leia todas as instruções e marcações cautelares neste Manual, no carregador de baterias, na bateria e no produto onde a bateria vai ser utilizada, para evitar a utilização incorrecta dos produtos e para reduzir o risco de ferimentos ou danos materiais.
- Não utilize o carregador ao ar livre nem o exponha a condições de humidade. A entrada de água no carregador aumenta o risco de choque eléctrico.
- O uso de um acessório não recomendado ou vendido pelo fabricante do carregador da bateria pode implicar um risco de incêndio, descargas eléctricas ou danos corporais. Reduz assim os riscos de choque eléctrico, de incêndio ou de ferimentos graves.
- Não maltrate o cabo de corrente nem o carregador. Nunca utilize o cabo de corrente para transportar o carregador à mão. Quando desligar o cabo de corrente da tomada, nunca puxe pelo cabo, mas sim pela ficha. O cabo de corrente ou o carregador poderão ficar danificados e criar um risco de choque eléctrico. Substitua os cabos danificados imediatamente.
- Certifique-se de que o cabo de corrente fica localizado por forma a que não se possa pisar nem tropeçar, que não fique em contacto com arestas cortantes ou peças móveis, e que não fique sujeito a danos ou esforços. Isto irá reduzir o risco de quedas acidentais (o que poderia causar ferimentos) e irá reduzir o risco de danificar o cabo de corrente

(o que poderia resultar em choque eléctrico).

- Mantenha o cabo de corrente e o carregador afastados do calor, para evitar danos à carcaça e aos componentes internos.
- Não utilize o carregador se o cabo de corrente ou a respectiva ficha estiverem danificados, devido ao risco de curto-circuito e de choque eléctrico. Se o carregador estiver danificado, peça a um técnico autorizado para substituir o carregador.
- Não utilize o carregador se tiver sofrido uma pancada forte, se tiver caído, ou se tiver sofrido algum outro tipo de danos. Peça a um técnico autorizado para inspeccionar o seu carregador, para saber se está em bom estado de funcionamento.
- Não desmonte o carregador. Quando precisar de assistência ou de reparações, leve-o a um técnico autorizado. Uma montagem incorrecta pode resultar num risco de descargas eléctricas ou incêndio.
- Desligue a ficha do carregador da tomada antes de fazer qualquer manutenção ou limpeza, para reduzir o risco de choque eléctrico.
- Desligue o carregador da tomada de corrente quando não estiver a usar. Isto irá reduzir o risco de choque eléctrico e o risco de danificar o carregador, no caso de algum objecto metálico cair dentro da abertura. Isto irá também evitar que o carregador seja danificado durante um pico de corrente.
- Risco de descargas eléctricas. Não toque a parte que não está isolada do conector de saída ou do terminal da bateria.

## AVISOS DE SEGURANÇA SOBRE A BATERIA



Li-ion

- Não ponha as baterias usadas no lixo doméstico nem as queime. Para garantir uma eliminação adequada das baterias a deitar fora e para proteger o meio ambiente, entregue as baterias velhas no seu distribuidor Ryobi.
- Separe o lixo eletrónico corretamente, removendo as baterias integradas da unidade principal antes de deitar fora. Entregue-as nos pontos de recolha aplicáveis.
- Para remover a bateria integrada: Separe as tampas da estrutura uma da outra, removendo os parafusos. Desconecte a bateria do circuito e retire.
- **NOTA:** Quando aberto, o produto já não pode ser reutilizável ou sujeito a reparação e deve ser eliminado adequadamente.
- Antes de retirar a bateria da ferramenta eléctrica, ligue o produto até que a bateria fique totalmente descarregada.
- Certifique-se de que a bateria a ser eliminada não pode entrar em contacto com pilhas, outras baterias ou materiais condutores, protegendo os conectores expostos com tampões ou fita de isolamento, não condutores.
- Nunca dê carga a um conjunto de baterias que esteja danificado.



## RISCOS RESIDUAIS

Mesmo quando se utiliza o produto segundo as instruções, continua a ser impossível eliminar por completo certos fatores de risco residuais. Podem surgir os seguintes riscos durante o uso e o operador deve prestar especial atenção para evitar o seguinte:

- Danos à audição causados pelo ruído  
Utilize proteção para os ouvidos do tipo adequado e limite a exposição.
- Ferimentos nos olhos  
É preciso levar proteções ou óculos de proteção para os olhos quando se utiliza o produto.
- Lesões por vibração  
Limite a exposição. Siga as instruções dadas em Redução de Riscos.
- Choque eléctrico causado pelo contacto com fios metálicos não visíveis  
Fixe o produto apenas em superfícies isoladoras.
- Prejuízo causado pela poeira  
O pó criado pelo uso do produto pode provocar problemas respiratórios Use uma máscara respiratória adequada para o controlo de poeiras, com filtros adequados para proteção contra as partículas do material que estiver a ser trabalhado.

## REDUÇÃO DO RISCO

Informou-se que as vibrações das ferramentas manuais podem contribuir para uma doença chamada síndrome de Raynaud em certos indivíduos. Os sintomas podem incluir formigamento, entorpecimento e empalidecimento dos dedos, habitualmente visível aquando da exposição ao frio. Estima-se que

os factores hereditários, exposição ao frio e humidade, dieta, tabagismo e práticas de trabalho contribuem todos para o desenvolvimento destes sintomas. Existem medidas que podem ser tomadas pelo operador para possivelmente reduzir os efeitos da vibração:

- Mantenha o seu corpo quente durante o tempo frio. Ao operar a unidade, use luvas para manter as mãos e os pulsos quentes. Encontra-se reportado que o tempo frio é um grande factor que contribui para o Síndrome de Raynaud.
- Após cada período de operação, exercite para aumentar a circulação sanguínea.
- Faça pausas frequentes no trabalho. Limite o tempo de exposição por dia.

Caso sinta algum dos sintomas desta doença, interrompa de imediato a sua utilização e consulte o seu médico sobre estes sintomas.

### ⚠ AVISO

As lesões podem ser causadas ou agravadas pelo uso prolongado de uma ferramenta. Ao usar qualquer ferramenta durante períodos prolongados, assegure-se que faz intervalos regulares.

## CONHEÇA O SEU PRODUTO

Consulte a página 131.

1. Mandril
2. Conjunto de engrenagens de duas velocidades
3. Botão de bloqueio de articulação
4. Seletor de direção de rotação
5. Ponta simples (25 mm)
6. Interruptor selector
7. Carregador

- 8. Ficha do carregador
- 9. Ficha de entrada (tipo jack)

## MANUTENÇÃO

### ⚠ AVISO

O produto não deve nunca ligado à corrente eléctrica durante a montagem de peças, a realização de ajustes, limpeza, operações de manutenção ou quando não está em uso. Ao deligar o produto estará a evitar um arranque accidental que pode causar lesões graves.

- Ao realizar serviços de manutenção, use apenas peças de substituição idênticas. O uso de quaisquer outras peças pode criar perigo ou causar danos ao aparelho.
- Evite usar solventes ao limpar as peças de plástico. A maioria dos plásticos pode ser danificada pelos solventes vendidos no comércio. Utilize panos limpos para remover sujidade e pó de carvão.
- Nunca, em qualquer momento, deixe que fluidos de travagem, gasolina, produtos petrolíferos, óleos de perfuração, etc., entrem em contacto com as peças de plástico. Estas substâncias contêm produtos químicos que podem danificar, enfraquecer ou destruir o plástico.
- Use sempre óculos de protecção ou óculos de segurança com protecções laterais durante a operação da ferramenta eléctrica ou quando estiver a levantar poeira no ar. Caso a operação seja poeirenta, use também uma máscara contra o pó.
- Para uma maior segurança e fiabilidade, todas as reparações devem ser realizadas por um centro

de assistência autorizado.

## LUBRIFICAÇÃO

Todos os rolamentos deste produto estão lubrificados com um montante suficiente de lubrificante de elevado nível, de acordo com a duração de vida do produto em condições normais de funcionamento. Por conseguinte, não requer nenhuma lubrificação suplementar.

## PROTECÇÃO DO AMBIENTE



Recicle os materiais em vez de pô-los directamente no lixo doméstico. Para proteger o ambiente, a ferramenta, os acessórios e as embalagens devem ser seleccionados.

## SÍMBOLOS



Alerta de segurança



Conformidade CE



Marca de conformidade EurAsian



Marca de conformidade ucraniana



Agradecemos que leia atentamente as instruções antes de iniciar a máquina.



Agradecemos que leia atentamente as instruções antes de iniciar a máquina.



Equipamento da Classe II

$n_0$

Velocidade em vazio

115°C



Fusível térmico de 2A

V

Volts



Corrente directa

$\text{min}^{-1}$

Número de rotações ou movimentos por minuto



Use protecção para os olhos

Os aparelhos eléctricos antigos não devem ser eliminados juntamente com o lixo doméstico. Recicle onde existem instalações para o efeito. Verifique com as suas Autoridades Locais ou revendedor para obter informações sobre reciclagem.



Torque mínimo

As seguintes palavras de sinal e significados destinam-se a explicar os níveis de risco associados a este produto.

### **PERIGO**

Indica uma situação de perigo iminente, a qual, se não for evitada, pode resultar em morte ou ferimentos graves.

### **AVISO**

Indica uma situação potencialmente perigosa que, se não for evitada, pode resultar em morte ou ferimentos graves.

### **CAUTELA**

Indica uma situação potencialmente perigosa que, se não for evitada, pode resultar em ferimentos leves ou moderados.

### **CAUTELA**

(Sem símbolo de segurança) Indica uma situação que pode provocar danos materiais.

## SÍMBOLOS NESTE MANUAL



Nota



Conecte à fonte de alimentação.



Tempo de carregamento



Binário máximo

Ved udformningen af skruemaskinen har vi givet toprioritet til sikkerhed, ydeevne og driftssikkerhed.

### TILTÆNKT ANVENDELSESFORMÅL

Produktet er kun beregnet til at blive brugt af voksne, som har læst og forstået instruktionerne og advarslerne i denne vejledning, og som kan betragtes som værende ansvarlige for deres handlinger.

Produktet er beregnet til fastgørelse og afmontering af skruer og bolte.

Produktet må kun bruges til de formål, der er angivet under formålsbestemt/korrekt brug.

**BEMÆRK:** Det anbefales at forbore huller, inden skruerne skrues i.

### ⚠ ADVARSEL

**Alle sikkerhedsadvarsler og alle anvisninger skal læses.** Hvis advarslen og instruktionerne ikke følges, kan det medføre elektrisk stød og/eller alvorlig personskade.

**Gem alle advarsler og brugsanvisninger til senere brug.**

### SIKKERHEDSADVARSLER FOR SKRUEMASKINE

- Når der udføres arbejde, hvor sømmet/klammen risikerer at komme i kontakt med skjulte elkabler, skal man holde elværktøjet i isolerede håndtag. Søm/klammer, som kommer i kontakt med et strømførende kabel, kan gøre udsatte metaldele af elværktøjet strømførende og kan give operatøren elektrisk stød.

### SIKKERHEDSADVARSLER FOR OPLADER

- Læs alle instruktioner og advarselmeddelelser i denne vejledning, på batteriopladeren, batteriet og produktet, der anvender batteriet, for at forhindre misbrug af produkterne og eventuel personskade eller tingskade, før du bruger batteriopladeren.
- Brug ikke opladeren udendørs og udsæt den ikke for våde eller fugtige forhold. Hvis der kommer vand ind i opladeren, er der øget risiko for elektrisk stød.
- Brug af tilbehør, som ikke anbefales eller sælges af opladerens producent, kan medføre fare for brand, elektrisk stød eller personskader. Derved formindskes risikoen for elektrisk stød, brand og alvorlige personskader.
- Misbrug ikke ledningen eller opladeren. Brug aldrig ledningen til at bære opladeren. Brug ikke ledningen til at trække stikket ud af stikkontakten. Der kan opstå skader på ledningen eller opladeren, hvilket fører til øget risiko for elektrisk stød. Udskift beskadigede ledninger omgående.
- Sørg for, at ledningen anbringes således, at man ikke kan træde på den, falde over den, at den ikke kan komme i kontakt med skarpe kanter eller bevægelige dele eller på anden måde kan udsættes for skade eller belastning. Dette vil reducere risikoen for faldulykker, der kunne medføre personskade, og skade på ledningen, som kunne medføre elektrisk stød.
- Hold ledningen og opladeren væk fra varmekilder for at forhindre skader på kabinettet og de indvendige dele.

- Brug ikke opladeren med en beskadiget ledning eller et beskadiget stik, da det kan medføre kortslutning og elektrisk stød. Få opladeren udskiftet af en autoriseret servicetekniker, hvis den er beskadiget.
- Brug ikke opladeren, hvis den har fået et kraftigt slag, blevet tabt eller beskadiget på anden vis. Tag den til en autoriseret servicetekniker for et elektrisk eftersyn, så det kan fastslås, om opladeren er i god funktionstilstand.
- Du må ikke adskille opladeren. Tag den til en autoriseret servicetekniker ved behov for service eller reparation. Forkert genmontering kan medføre fare for elektrisk stød eller brand.
- Tag opladerens stik ud af stikkontakten, før vedligeholdelse eller rengøring for at reducere risikoen for elektrisk stød.
- Tag opladeren ud af lysnetstikket, når den ikke er i brug. Dette vil reducere risikoen for elektrisk stød eller beskadigelse af opladeren, hvis der skulle falde metalgenstande ned i åbningen. Det vil ligeledes forhindre beskadigelse af opladeren under et spændingsudsving.
- Risiko for elektrisk stød. Undgå at røre ved uisolerede dele af udgangsstikket eller uisolerede batteriklemmer.

## BATTERI SIKKERHEDSANVISNINGER



Li-ion

- Undlad at bortskaffe brugte batteripakker som husholdningsaffald

eller ved at brænde dem. For at sikre korrekt bortskaffelse af brugte batterier og for at beskytte miljøet skal man aflevere gamle batterier til sin Ryobi-forhandler.

- Elektronisk affald skal separeres korrekt ved at fjerne indbyggede batterier fra hovedenheden inden bortskaffelse. De skal afleveres på autoriserede indsamlingssteder.
- Sådan fjerner man det indbyggede batteri: Man adskiller husets yderbeklædning ved at fjerne skrueerne. Man kobler batteriet fra kredsløbet, og tager det ud.
- **BEMÆRK:** Når produktet er åbnet, kan det ikke længere anvendes eller serviceres og bør derfor bortskaffes efter gældende miljøregler.
- Inden man fjerner batteriet fra elværktøjet, skal man lade produktet køre, indtil batteriet er helt afladet.
- Sørg for, at det batteri, der skal bortskaffes, ikke kan komme i kontakt med andre batterier eller ledende materialer ved at beskytte kontakterne med isolerende, ikke-ledende hætter eller tape.
- Udskift aldrig et beskadiget batterisæt.

## UUNDGÅELIGE RISICI

Selv om produktet anvendes som foreskrevet, er det stadig umuligt at eliminere visse uundgåelige risikofaktorer fuldstændigt. Følgende risici kan opstå under brug, og operatøren bør være særligt opmærksom for at undgå følgende:

- Høreskade forårsaget af støj  
Brug passende høreværn og begræns eksponeringen.
- Øjenskader  
Benyt beskyttelsesbriller under brug af

dette produkt.

- Personskader forårsaget af vibration Begræns eksponering. Følg anvisningerne i Risikoreducering.
- Elektrisk stød forårsaget af kontakt med skjulte ledninger  
Produktet må kun holdes i de isolerede overflader.
- Personskader forårsaget af støv  
Støv, som dannes under brug af produktet, kan skade åndedrætsorganerne Bær passende støvmaske med filtre, der er velegnet til beskyttelse mod partikler fra det materiale, der bliver arbejdet på.

## RISIKOREDUKTION

Der er rapporteret om, at vibrationer fra håndholdte værktøjer kan være medvirkende til en lidelse kaldet Raynauds syndrom hos visse personer. Symptomerne herpå kan være prikken, følelseløshed og blegning af fingrene, der normalt viser sig ved kuldepåvirkning. Faktorer som arvelighed, udsættelse for kulde og fugt, kost, rygning og arbejdsvaner menes alle at medvirke til udviklingen af disse symptomer. Der findes forholdsregler, som operatøren kan træffe for at begrænse påvirkningen fra vibrationer:

- Hold kroppen varm i koldt vejr. Brug handsker, så hænder og vriste holdes varme under arbejdet. Der er rapporteret om, at koldt vejr er en væsentlig faktor til Raynauds syndrom.
  - Motionér efter hver arbejdsperiode for at øge blodcirkulationen.
  - Hold hyppige arbejdspauser. Begræns eksponeringen for vibrationer pr. dag.
- Hvis du mærker nogen af symptomerne

på denne tilstand, skal du straks ophøre med arbejdet og søge læge.

## ⚠ ADVARSEL

Længere tids brug af et værktøj kan forårsage - eller forværre - personskader Når man bruger et værktøj i længere perioder ad gangen, skal man huske at holde hyppige pauser.

## KEND PRODUKTET

Se side 131.

1. Patron
2. Totrins-gear
3. Låseknop til spindel
4. Drejevælgerens retning
5. Enkelt bit (25 mm)
6. Kontaktudløser
7. Oplader
8. Opladerstik
9. Indgangsstik

## VEDLIGEHODELSE

### ⚠ ADVARSEL

Produktet må aldrig sluttes til en strømforsyning, mens man er i færd med at samle dele, foretage justeringer, rengøre, udføre vedligeholdelsesarbejde, eller når produktet ikke anvendes. Ved at afbryde forbindelsen til strømforsyningen forhindrer man utilsigtet start af produktet, hvilket kan medføre alvorlige personskader.

- I forbindelse med servicearbejde må der kun bruges originale reservedele. Brug af alternative dele kan forårsage farlige situationer eller ødelægge produktet.
- Undgå brug af opløsningsmidler

til rengøring af plastdele. De fleste plasttyper bliver ødelagt, hvis de renses med almindelige gængse opløsningsmidler. Brug en ren klud til at fjerne snavs og kulstøv.

- Sørg for, at bremsevæske, benzin, petroleumbaserede produkter, penetreringsolie, mv., aldrig kommer i kontakt med plastdele. Disse kemiske produkter indeholder stoffer, som kan beskadige, mørne eller ødelægge plastmaterialet.
- Bær altid sikkerhedsbriller med sideskjolde under betjening af elværktøjet eller ved støv-ophvirvling. Hvis der ophvirvles støv under arbejdet, bæres også støvmaske.
- For bedre sikkerhed og pålidelighed skal alt reparationsarbejde udføres på et autoriseret servicecenter.

## SMØRING

Alle lejerne i produktet er smurt for produktets levetid under normale driftsbetingelser med en tilstrækkelig mængde højkvalitetssmøremiddel. Det er derfor ikke nødvendigt med yderligere smøring.

## MILJØBESKYTTELSE



Råmaterialerne skal genbruges og ikke bortskaffes som almindeligt affald. Af hensyn til miljøet skal redskab, tilbehør og emballage sorteres.

## SYMBOLER



Sikkerhedsadvarsel



CE-overensstemmelse



EurAsian  
overensstemmelsesmærke



Ukrainsk  
overensstemmelsesmærke



Læs venligst vejledningen grundigt igennem før maskinen tages i brug.



Læs venligst vejledningen grundigt igennem før maskinen tages i brug.



Klasse II-udstyr



Tomgangshastighed



Termosikring 2A



Volt



Direkte strøm



Antal omdrejninger eller bevægelser pr. Minut



Benyt øjenværn



Elektriske affaldsprodukter bør ikke afskaffes sammen med husholdningsaffald. Genbrug venligst hvor faciliteterne tillader dette. Tjek med din lokale kommune eller forhandler for genbrugsråd.

**SYMBOLER I BRUGSANVISNINGEN**

Bemærk



Slut til strømforsyningen.



Opladningstid



Max moment



Drejningsmoment, minimum

De følgende ikoner og betydninger er beregnet til at forklare risikoen involveret i at anvende denne enhed.

**⚠ FARE**

Indikerer en umiddelbart farlig situation, som - hvis den ikke afværges - vil medføre dødsfald eller alvorlig personskade.

**⚠ ADVARSEL**

Indikerer en potentielt farlig situation, som - hvis den ikke afværges - kan medføre dødsfald eller alvorlig personskade.

**⚠ VÆR OPMÆRKSOM**

Indikerer en potentielt farlig situation, som - hvis den ikke afværges - kan medføre mindre eller middelsvær personskade.

**VÆR OPMÆRKSOM**

(Uden sikkerhedssymbol) indikerer en situation som kan føre til skade af personlig ejendom.



Säkerhet, prestanda och tillförlitlighet har varit högsta prioritet vid utformningen av din skruvdragare.

## ANVÄNDNINGSSOMRÅDE

Produkten är endast avsedd att användas av vuxna som har läst och förstått instruktionerna och varningarna i denna manual och vilka kan anses ansvariga för sina handlingar.

Produkten är avsedd för fästning och borttagning av skruvar och bultar.

Använd inte produkten på något annat sätt än vad som är avsett.

**NOTERA:** Förborrning rekommenderar innan skruvarna skruvas i.

## ⚠ VARNING

**Läs alla säkerhetsvarningar och anvisningar.** Att inte följa en och instruktionerna kan resultera i elstöt, brand och/eller allvarlig skada.

**Behåll dessa varningar och anvisningar för framtida referens.**

## SÄKERHETSVARNINGAR FÖR SKRUVDRAGAREN

- **Håll elverktyget i de isolerade greppen när du använder verktyget och fastsättaren kan komma i kontakt med dolda ledningar eller sin egen kabel.** Om fastsättare kommer i kontakt med en "aktiv" ledning kan metalldelar exponeras och ge användaren en elektrisk stöt.

## LADDARENS SÄKERHETSVARNINGAR

- Innan du använder laddaren, läs alla instruktioner och försiktighetsuppsmaningar på batteriladdare, batteri och

batteridrivna produkter för att förhindra felaktig användning av produkterna och eventuella skador på person eller produkt.

- Använd inte laddaren utomhus eller utsätt den för våta eller fuktiga förhållanden. Om vatten tränger in i laddaren ökar risken för elektriska stötar.
- Användning av tillbehör som inte rekommenderats eller sålts av laddartillverkaren kan innebära risk för eldsvåda, elektrisk stöt eller personsador. Du minskar därmed riskerna för elstöt, brand eller allvarliga skador.
- Utsätt inte sladd eller laddare för felaktig användning. Bär aldrig laddaren i sladden. Dra inte direkt i laddningssladden, utan ta tag i kontakten när du ska lossa den ur kontakten. Annars kan skador på sladd eller laddare uppstå, vilket i sin tur kan leda till risk för elstötar. Byt ut skadade elsladdar omedelbart.
- Se till att sladden inte kan trampas på, snubblas över, komma i kontakt med vassa kanter eller rörliga delar eller på annat vis utsätts för skador eller påfrestningar. Därmed minskar risken för fallolyckor, vilka kan orsaka personsador och skador på sladden, som i sin tur kan leda till elstötar.
- Placera sladd och laddare på avstånd från värme för att undvika skador på höljet eller de inre komponenterna.
- Använd aldrig laddaren om sladden eller kontakten är skadade eftersom det kan ge upphov till kortslutning och elstötar. Vid skada, anlita auktoriserad serviceperson för byte.
- Använd inte laddaren om den har tagit emot ett kraftigt slag, tappats eller på annat sätt skadats. Låt auktoriserad

servicepersonal kontrollera elen och avgöra om laddaren är funktionsduglig.

- Plocka aldrig isär laddaren. Låt auktoriserad servicepersonal serva eller reparera laddaren vid behov. Felaktig hopmontering kan leda till risk för brand eller elektrisk stöt.
- Koppla loss laddaren ur uttaget innan du utför underhålls- eller rengöringsarbete för att minska risken för elstötar.
- Koppla från laddaren från strömkälla när den inte används. Det här minskar risken för elstötar och skador på laddaren om metallbitar skulle ramla in i öppningen. Det hjälper också till att förebygga skador på laddaren vid en spänningståg.
- Risk för elektrisk stöt. Rör inte vid icke isolerade delar av utgången eller icke isolerad batteriterminal.

## SÄKERHETSFÖRESKRIFTER FÖR BATTERI



Li-ion

- Avyttra inte batterier i hushållsavfall eller genom att bränna dem. För att säkerställa korrekt omhändertagande av förbrukade batterier och för att skydda miljön ska gamla batterier lämnas till din Ryobi-återförsäljare
- Sortera elektroniskt avfall korrekt genom att ta ur inbyggda batterier ur enheterna före de slängs. Lämnas dem på speciella inlämningsställen.
- För att ta ur ett inbyggt batteri: Öppna höljet på enheten genom att lossa skruvarna. Koppla från batteriet från

kretsen och ta ur det.

- **NOTERA:** När produkten har öppnats kan den inte användas eller repareras och ska slängas på korrekt sätt.
- Innan ett batteri tas ut ur ett elverktyg ska elverktyget vara igång tills batteriet är helt urladdat.
- Se till att batteriet som ska slängas inte kommer i kontakt med andra batterier eller ledande material genom att skydda exponerade kontakter med isolerande, icke ledande skydd eller tejp.
- Ladda aldrig ett skadat batteri.

## RESIDUALRISK

Även om produkten används enligt instruktionerna går det inte att eliminera alla eventuella riskfaktorer. Följande risker kan uppstå vid användning och operatören ska vara extra uppmärksam för att undvika följande:

- Hörselskador orsakade av buller  
Bär lämpligt hörselskydd och begränsa exponeringen.
- Ögonskador  
Bär skyddsglasögon vid användning av produkten.
- Skador orsakad av vibrationer  
Begränsa exponeringen. Följ instruktionerna i Riskreducering.
- Elstötar genom kontakt med dolda trådar  
Håll alltid produkten i de isolerade ytorerna.
- Skador orsakade av damm  
Damm som bildas vid användning kan orsaka skador på andningsvägarna. Bär lämplig ansiktsmask med filter som skyddar mot partiklar från det material som bearbetas.

## RISKMINSKNING

Det finns rapporter om att vibrationer från handhållna produkter kan bidra till ett tillstånd som kallas Raynauds syndrom för vissa personer. Symptomen brukar vara att det sticker i fingrarna och att de domnar bort; fingrarna kan också bli vita, särskilt vid kyla. Årftliga faktorer, kyla och fukt, diet, rökning och arbetsrutiner tros alla bidra till att orsaka dessa symptom. Det finns förebyggande åtgärder som du kan vidta för att försöka minska vibrationernas påverkan:

- Håll dig varm när du arbetar i kallt väder. Använd handskar för att hålla kvar värmen i händer och handleder. Kyla har rapporterats som en viktig del i utvecklandet av Raynauds syndrom.
- Träna och rör på dig efter varje användningstillfälle för att öka blodcirkulationen.
- Ta ofta pauser från arbetet. Begränsa tiden du utsätter dig varje dag.

Upphör omedelbart om du upplever några av dessa symptom och uppsök din läkare.

### ⚠ VARNING

Risk för person- eller slitageskador vid användning av verktyget under lång tid. Om verktyget används under längre perioder krävs regelbundna pauser.

## LÄR KÄNNA DIN PRODUKT

Se *sidan 131*.

1. Chuck
2. Växel med två hastigheter
3. Svängtappens lås knapp
4. Rotationsriktningsväljare
5. Enkel bit (25 mm)

6. Avtryckare
7. Laddare
8. Laddningskontakt
9. Ingångsuttag

## UNDERHÅLL

### ⚠ VARNING

Produkten får aldrig anslutas till strömkälla undre montering, justeringar, rengöring, underhåll eller när produkten inte används. Frånkoppling av produkten förhindrar uppstart av misstag vilket kan orsaka allvarliga skador.

- Använd endast identiska originaldelar när du servar maskinen. Användning av andra delar kan orsaka fara eller produktskada.
- Undvik att använda lösningsmedel vid rengöring av plastdelar. Flertalet plaster kan skadas vid användning av vissa lösningsmedel som säljs i affärerna. Använd rena dukar för att avlägsna smuts och koldamm.
- Låt aldrig bromsvätska, bensin, petroleumbaserade produkter, penetrerande oljor och liknande komma i kontakt med plastdelar. Dessa ämnen innehåller kemiska produkter som kan skada, försvaga eller förstöra plasten.
- Använd alltid skyddsglasögon när du använder verktyget eller när du blåser damm. Använd en ansiktsmask om det dammar mycket.
- För säkerhet och pålitlighet ska alla reparationer utföras av auktoriserat reparationscenter.

## SMÖRJNING

Alla lager i produkten har smorts med tillräcklig mängd högklassig smörjmedel

för produktens livslängd under normala driftförhållanden. Därför behövs ingen ytterligare smörjning.

## MILJÖSKYDD



Råmaterialen ska återvinnas i stället för att kastas i hushållsavfallet. För att skona miljön ska verktyget, tillbehören och emballagen sorteras.

## SYMBOLER



Säkerhetsvarning



CE-överensstämmelse



EurAsian överensstämmelsesymbol



Ukrainskt märke för överensstämmelse



Läs instruktionerna ordentligt innan start av maskinen.



Läs instruktionerna ordentligt innan start av maskinen.



Klass II-utrustning



Tomgångshastighet

115°C



Termisk säkring 2 A

V

Volt



Likström

min<sup>-1</sup>

Antal varv eller rörelser per minut



Använd skyddsglasögon



Gamla elektroniska produkter ska inte kastas med hushållssoporna. Återvinn där sådana faciliteter finns. Kontrollera med din lokala myndighet eller säljaren för att få återvinningstips.

## SYMBOLER I MANUALEN



Notera



Anslut till eluttag.



Laddningstid



Maximum vridmoment



Vridmoment, minsta

Följande signalord och betydelser är tänkta att förklara de olika risknivåerna som är associerade med denna produkt.

### FARA

Visar på en direkt riskfylld situation som, om den inte undviks, kan orsaka dödsfall eller allvarlig personskada.

 **VARNING**

Visar på en potentiellt riskfylld situation som, om den inte undviks, kan orsaka dödsfall eller allvarlig personskada.

 **FÖRSIKTIGHET**

Visar på en potentiellt riskfylld situation som, om den inte undviks, kan orsaka mindre eller måttlig personskada.

**FÖRSIKTIGHET**

(Utan säkerhetssymbolen) Indikerar en situation som kan leda till egendomsskada.

130.com.ua

Ruuvinvääntimesi suunnittelussa on kiinnitetty erityistä huomiota turvallisuuteen, suorituskykyyn ja käyttövarmuuteen

## KÄYTTÖTARKOITUS

Tuotetta saavat käyttää vain aikuiset, jotka ovat lukeneet tässä käyttöohjeessa olevat ohjeet ja varoitukset ja ymmärtävät niiden sisällön ja joiden voidaan katsoa olevan vastuussa omista teoistaan.

Tuote on tarkoitettu ruuvien ja pulttien kiinnitykseen ja irrotukseen.

Älä käytä tätä tuotetta millään muulla tavalla kuin mihin se on tarkoitettu.

**HUOM:** Suositellaan, että ruuveja ruuvattaessa käytetään ohjausreikiä.

## VAROITUS

**Lue kaikki turvallisuusvaroitukset ja ohjeet.** ten ja ohjeiden laiminlyönnistä voi seurata sähköisku, tulipalo ja/tai vakava loukkaantuminen.

**Säästä kaikki varoitukset ja ohjeet tulevaa käyttöä varten.**

## RUUVINVÄÄNTIMEN TURVAVAROITUKSET

- **Pitele sähkötyökalua eristetystä tartuntapinnasta, kun teet työtä, jossa kiinnike voi koskettaa piilossa olevaa johtoa.** Jos kiinnitin koskettaa sähköistettyä johtoa, työkalun metalliosat voivat sähköistyä ja aiheuttaa käyttäjälle sähköiskun.

## LATURIN TURVAVAROITUKSET

- Ennen kuin käytät akkulaturia, lue kaikki tämän käyttöohjeen ohjeet ja varoimerkinnot ohjeessa, akkulaturissa, akussa ja akkua

käyttävässä tuotteessa estääksesi tuotteiden väärinkäytön ja mahdollisen loukkaantumisen tai vahingon.

- Älä käytä laturia ulkona tai altista sitä märille tai kosteille olosuhteille. Laturin sisään päässyt vesi lisää sähköiskun vaaraa.
- Muiden kuin akkulaturin valmistajan suosittelemien tai myymien lisävarusteiden käyttö voi johtaa tulipaloon, sähköiskuun tai loukkaantumiseen. Vähennät sähköisku-, tulipalo- ja loukkaantumisvaaraa.
- Älä käytä väärin laturin johtoa. Älä koskaan kannaa laturia johdosta. Kun irrotat laturia pistorasista, älä vedä johdosta, vaan pistokkeesta. Johto tai laturi saattaisi vaurioitua ja aiheuttaa sähköiskuvaaran. Vaihda vioittunut johto välittömästi.
- Varmista, että johto on asetettu siten, ettei sen päälle astuta, siihen ei kompastuta, eikä se joudu kosketuksiin terävien reunojen tai liikkuvien osien kanssa tai muutoin altista vauriolle tai rasitukselle. Tämä vähentää putoamisonnettomuuksien riskiä, jotka saattaisivat johtaa vammautumiseen ja vahingoittaa johtoa, mikä saattaisi aiheuttaa sähköiskun.
- Suojaa johto ja laturi kuumuudelta välttääksesi kotelon tai sisäosien vaurioitumista.
- Älä käytä laturia vaurioituneen johdon tai pistokkeen kanssa, koska seurauksena voi olla oikosulku ja sähköisku. Jos laturi on vahingoittunut, anna valtuutetun huollon vaihtaa se.
- Älä käytä laturia, jos se on saanut kovan iskun, se on pudotettu tai se on muutoin jollain tapaa vaurioitunut.

Vie se valtuutettuun huoltoon sähkötarkastukseen, jotta laturin toimivuus voidaan varmistaa.

- Älä pura laturia. Vie laturi valtuutettuun huoltoon, kun tarvitaan huoltoa tai korjausta. Virheellinen kokoaminen voi johtaa sähköiskuun tai tulipaloon.
- Irrota laturi pistorasiasta ennen huoltoa tai puhdistusta vähentääksesi sähköiskun riskiä.
- Irrota laturi virtalähteestä sen ollessa poissa käytöstä. Tämä vähentää sähköiskun ja laturin vaurioitumisen riskiä siinä tapauksessa, että metallia putoaisi aukkoon. Se auttaa myös estämään laturin vaurioitumista virtapiikin aikana.
- Sähköiskun vaara. Älä kosketa lähtöliitännän eristämätöntä osaa tai eristämätöntä akun napaa.

## AKUN TURVAVAROITUKSET



Li-ion

- Älä kävitä käytettyjä akkuja kotitalousjätteiden kanssa tai polttamalla. Jotta akut hävitetään asianmukaisesti ja ympäristöstävällisesti, toimita vanhat akut Ryobi-jälleenmyyjälle.
- Erottele elektroniikkajätteet asianmukaisesti poistamalla kiinteät akut laitteesta ennen hävittämistä. Luovuta ne asianmukaiseen keräyspisteeseen.
- Kiinteän akun irrottaminen: Irrota kotelot toisistaan irrottamalla ruuvit. Irrota akku piiristä ja ota se ulos.
- **HUOM:** Kun tuote on avattu, sitä ei

voi enää käyttää eikä huoltaa, ja sen on hävitettävä asianmukaisesti.

- Ennen kuin irrotat akun sähkötyökalusta, kytke tuote päälle, kunnes akku on täysin tyhjä.
- Varmista, että hävitettävä akku ei voi joutua kosketuksiin paristojen, muiden akkujen tai johtavien materiaalien kanssa, suojaamalla paljaat liitännät eristävillä, sähköä johtamattomilla tulpilla tai teipillä.
- Älä koskaan lataa vahingoittunutta akku.

## KÄYTÖN RISKIT

Vaikka tuotetta käytettäisiin ohjeiden mukaisesti, ei ole mahdollista täysin eliminoida tiettyjä käyttöön liittyviä riskitekijöitä. Käytössä voi aiheutua seuraavia vaaroja, ja käyttäjän tulee kiinnittää erityistä huomiota niiden välttämiseen:

- Melun aiheuttama kuulovaurio  
Käytä sopivia kuulonsuojaimia ja rajoita altistusta.
- Silmävamma  
Käytä kasvosuojainta tai suojalaseja käyttäessäsi tuotetta.
- Tärinän aiheuttama vamma  
Vältä altistumista. Noudata kohdan Riskien vähentäminen ohjeita.
- Sähköisku kosketuksesta piilossa oleviin johtimiin  
Pitele tuotetta vain eristetystä pinnasta
- Pölyn aiheuttama vamma  
Tuotteen käytöstä syntyvä pöly saattaa aiheuttaa hengitystievamman. Käytä kasvoilla pölysuojainta, jossa olevat suodattimet suojaavat hengitystiet työstettävästä materiaalista irtoavilta hiukkasilta.

## RISKIEN VÄHENTÄMINEN

Raporttien mukaan käsityökalujen tärinä voi joidenkin kohdalla myötävaikuttaa Raynaudin oireen ilmenemiseen.

Oireita ovat pistely, turtuus ja sormien kalpeneminen, yleensä kylmässä ilmassa. Perinnölliset tekijät, kylmyys ja kosteus, ruokavalio, tupakointi sekä työtavat voivat kaikki myötävaikuttaa näiden oireiden ilmenemiseen. Käyttäjä voi ehkäistä tärinän aiheuttamia vaikutuksia seuraavasti:

- Pidä itsesi lämpimänä kylmällä säällä. Käytä laitteen käytön aikana käsineitä, jotta kätesi ja ranteesi pysyvät lämpöisinä. Raporttien mukaan kylmä ilma on tärkeä tekijä Raynaud's Syndromen (Raunaudin oireiden) ilmenemisessä.
- Harjoita kunkin käyttöjakson jälkeen liikuntaa, jotta verenkierto lisääntyy.
- Pidä työn aikana säännöllisesti taukoja. Rajoita päivittäisen tärinän määrää.

Jos mitään yllä mainittuja oireita ilmenee, lopeta heti laitteen käyttö ja kerro oireista lääkärille.

### VAROITUS

Laitteen pitkäaikainen käyttö voi aiheuttaa tai vaikeuttaa vammoja. Kun käytät mitä tahansa laitetta pitkiä aikoja, muista pitää säännöllisiä taukoja.

## TUNNE TUOTTEESI

*Katso sivu 131.*

1. Istukka
2. Växel med tv hastigheter
3. Nivelen lukituspainike
4. Kiertosuunnan valitsimen suunta
5. Terä (25 mm)
6. Liipaisin

7. Laturi
8. Laturin pistoke
9. Laturiliitäntä

## HUOLTO

### VAROITUS

Tuotetta ei tule koskaan kytkeä pistorasiaan osia koottaessa, säätöjä tehtäessä, puhdistettaessa, huollon aikana tai kun tuotetta ei aiota käyttää. Tuotteen irrottaminen pistorasiasta estää sitä käynnistymättä vahingossa, jolloin vältytään mahdollisilta vakavilta vammoilta.

- Huollossa tulee käyttää ainoastaan identtisiä varaosia. Muunlaisten osien käyttö voi aiheuttaa vaaran tai vioittaa laitetta.
- Älä puhdista muoviosia liuottimilla. Suurin osa muoveista ei siedä markkinoilla olevia määrättyjä liuotteita, jotka vahingoittavat niitä. Käytä puhtaita kangasliinoja liian ja hiilipölyn pois pyyhkimiseen.
- Älä koskaan päästä jarrunesteitä, bensiniä, öljytuotteita, läpäiseviä öljyjä tms. kosketuksiin muoviosien kanssa. Nämä kemialliset aineet voivat vaurioittaa, heikentää tai tuhota muovin.
- Käytä aina sähkölaitetta käyttäessäsi tai pölyä puhalttaessasi suojalaseja, joissa on sivusuojaimet. Käytä lisäksi pölynaamaria, jos työ on pölyistä.
- Jotta laite toimisi turvallisesti ja luotettavasti, kaikki korjaukset tulee antaa valtuutetun huoltopisteen hoidettavaksi.

## VOITELU

Tuotteen laitteen laakerit on voideltu laitteen eliniäksi normaaliolosuhteissa



riittävällä määrällä korkealaatuista voiteluainetta. Tästä syystä työkalu ei kaipaa lisävoitelua.

## YMPÄRISTÖNSUOJELU



Älä hävitä raaka-aineita jätteinä vaan vie ne kierrätykseen.

Ympäristönsuojelun kannalta työkalu, lisävara- osat ja pakkausmateriaali on lajiteltava.

## SYMBOLIT



Turvallisuusvaroitusta



Todistus CE-sääntöjen noudattamisesta



EurAsian-vaatimustenmukaisuusmerkki



Ukrainalainen säästömerkintä



Lue ohjeet huolellisesti ennen laitteen käynnistämistä.



Lue ohjeet huolellisesti ennen laitteen käynnistämistä.



II luokan laitteisto



Tyhjäkäyntinopeus



Lämpösuojakalvo 2A



Voltti



Tasavirta

min<sup>-1</sup>

Kierrosten tai liikkeiden määrä minuutissa



Käytä suojalaseja



Käytöstä poistettavia sähkölaitteita ei pidä hävittää talousjätteiden mukana. Ne on mahdollisuuksien mukaan pantava kiertoon. Kierrätysohjeita antavat kunnan viranomaiset ja vähittäiskauppiat.

## KÄSIKIRJAN SYMBOLIT



Huom



Kytke virtalähteeseen.



Latausaika



Maksimimomentti



Vääntömomentti, vähimmäismäärä

Seuraavat signaalisanat ja merkitykset on tarkoitettu selittämään tähän tuotteeseen liittyviä riskin tasoja.

### VAARA

Ilmoittaa välittömästä vaaratilanteesta, joka saattaa aiheuttaa kuoleman tai vakavan vamman.

**⚠ VAROITUS**

Ilmoittaa mahdollisesta vaaratilanteesta, joka saattaa aiheuttaa kuoleman tai vakavan vamman.

**⚠ VAROITUS**

Ilmoittaa mahdollisesta vaaratilanteesta, joka saattaa aiheuttaa pienen tai kohtalaisen vamman.

**VAROITUS**

(Ilman varoitusmerkkiä) Tilanne, joka voi aiheuttaa materiaalista vahinkoa.

- EN
- FR
- DE
- ES
- IT
- NL
- PT
- DA
- SV
- FI**
- NO
- RU
- PL
- CS
- HU
- RO
- LV
- LT
- ET
- HR
- SL
- SK
- EL
- TR
- UK

130.com.ua

Sikkerhet, ytelse og pålitelighet har fått topp prioritering ved utformingen av skrutrekkeren.

### TILTENKT BRUK

Den skal bare brukes av voksne som har lest og forstått instruksjonene og advarslene i denne håndboken, og som kan anses som ansvarlige for sine handlinger.

Skrutrekkeren er beregnet på å feste og fjerne skruer og bolter.

Ikke bruk produktet på noe annen måte enn det som er beskrevet som tiltenkt bruk.

**NB:** Det anbefales å forbore før skruer settes i.

### ⚠ ADVARSEL

**Les alle sikkerhetsadvarslene og alle instruksjonene.** Dersom man ikke holder seg til advarsler og instruksjoner kan det føre til elektrisk støt, brann og/eller alvorlig personskade.

**Ta vare på alle advarsler og anvisninger for senere bruk.**

### SIKKERHETSADVARSLER FOR BRUKEN AV SKRUTREKKEREN

- **Hold elektrisk verktøy på de isolerte håndtakene når du jobber på steder der stifter kan komme i kontakt med skjulte ledninger.** Stifter som er i kontakt med strømførende ledninger kan gjøre metalldele på elektroverktøyet strømførende, noe som kan føre til at brukeren får elektrisk støt.

### SIKKERHETSADVARSLER FOR LADER

- Før du bruker batteriladeren, må du lese alle instruksjonene og advarslene i denne håndboken, på batteriladeren, batteriet og produktet som bruker batteriet, for å hindre at produktene blir brukt feil, med derav følgende skader.
- Ikke bruk laderen utendørs, og la den ikke utsettes for våte eller fuktige forhold. Faren for elektrisk støt øker hvis det trenger vann inn i laderen.
- Bruk av en påsats som ikke er anbefalt eller solgt gjennom produsenten av batteriladeren, kan føre til fare for brann, elektrisk støt eller personskader. Du reduserer dermed faren for elektrisk støt, brann og alvorlige kroppsskader.
- Ikke utsett ledningen eller laderen for hard behandling. Ikke bær laderen etter ledningen. Trekk i støpselet, ikke i ledningen, når du kobler produktet fra stikkkontakten. Hvis du i stedet trekker i ledningen, kan det skade ledningen eller laderen, i tillegg til at det kan føre til elektrisk støt. Erstatt skadet ledning umiddelbart.
- Plasser ledningen slik at ingen kan trække på den eller snuble i den, og slik at den ikke kommer i kontakt med skarpe kanter eller bevegelige deler eller på annen måte kan bli skadet eller utsatt for belastning. Dette vil redusere risikoen for fallulykker, som kan føre til personskader og skader på ledningen, noe som igjen kan føre til elektrisk støt.
- Hold ledningen og laderen unna varme for å hindre at laderhuset og innvendige deler blir skadet.
- Ikke bruk laderen med en skadet

ledning eller støpsel, da dette kan føre til kortslutning og elektrisk støt. Hvis laderen er skadet, må den skiftes ut av en autorisert servicetekniker.

- Ikke bruk laderen hvis den har vært utsatt for kraftig slag, har falt ned på bakken eller har blitt skadet på andre måter. Ta laderen med til en autorisert servicetekniker for kontroll for å finne ut om det fremdeles er trygt å bruke den.
- Ikke demonter laderen. Ta den med til en autorisert servicetekniker når den trenger service eller reparasjon. Feil montering kan føre til elektrisk støt eller brann.
- Koble laderen fra stikkkontakten før du vedlikeholder eller rengjør laderen for å redusere risikoen for elektrisk støt.
- Koble laderen fra strømforsyningen når den ikke er i bruk. Dette vil redusere risikoen for elektrisk støt eller skade på laderen i tilfelle det skulle falle metallgjenstander inn i åpningen. Det vil også bidra til å forhindre skade på laderen hvis det oppstår en overspenning.
- Fare for elektrisk støt. Ikke ta på ikke isolerte deler av utgangskoblingspunktet eller de uisolerte batteripolene.

## BATTERI SIKKERHETSADVARSLER



Li-ion

- Ikke kast brukte batteripakker sammen med husholdningsavfall eller brenn dem. For å sikre korrekt håndtering skal gamle batterier leveres til din Ryobi-forhandler.

- Del opp elektronisk avfall på en korrekt måte ved å fjerne batteriet fra hovedenheten før utstyret kastes. Lever batteriene til passende avfallsmottak.
- For å fjerne den integrerte batteripakken: Skill husskjellet fra hverandre ved å fjerne skruene. Koble batteripakken fra kretsen og fjern.
- **NB:** Når produktet er åpnet kan det ikke lenger brukes eller gjenbrukes og må avhendes på en forsvarlig måte.
- Før batteripakken fjernes fra apparatet må apparatet stå på inntil batteriet er fullstendig utladet.
- Påse at batteripakken som skal kastes ikke kan komme i kontakt med batterier, andre batteripakker eller ledende materialer ved å beskytte synlige kontakter med isolerende, ikkeledende tape eller lokk.
- Ikke lad en batteripakke som er skadet.

## GJENVÆRENDE RISIKO

Også når produktet brukes som beskrevet, er det ikke mulig å utelukke risiko for brukere eller personer i nærheten. Følgende farer kan oppstå ved bruk og operatøren bør være spesielt oppmerksom på å unngå/sikre følgende:

- Hørselsskader på grunn av støy  
Bruk egnet hørselsvern, og begrens eksponeringen.
- Øyeskader  
Bruk vernebriller eller heldekkende briller når du bruker produktet.
- Personskader pga. vibrasjon  
Begrens eksponering. Følg instruksjonene i Reduksjon av risiko.
- Elektrisk støt som skyldes kontakt

med skjulte ledninger

Hold produktet kun der overflatene er isolert.

- Skader skapt av støv.  
Støv som oppstår ved bruk av produktet kan forårsake skader i luftveiene. Bruk en egnet støvmaske med filtre som beskytter mot partikler fra arbeidsstykket.

## FAREDUKSJON

Det har blitt rapportert at vibrasjonene fra håndholdt verktøy kan bidra til en tilstand som heter Raynauds syndrom hos enkelte. Symptomene kan omfatte følelsesløshet og gjøre fingrene bleke, vanligvis synlig ved eksponering til lave temperaturer. Arvelige faktorer, eksponering mot lave temperaturer og fuktighet, diett, røyking og arbeidspraksis blir alle ansett for å kunne bidra til å utvikle disse symptomene. Brukeren kan iverksette tiltak for mulig å redusere virkningene av vibrasjonene:

- Hold kroppen din varm i kaldt vær. Bruk hansker og hold hender og vrister varme ved bruk av gressklipperen. Det er rapportert at kaldt vær er en viktig faktor som bidrar til Raynauds Syndrome.
- Etter hver arbeidsperiode bør det utføres øvelser for å øke blodsirkulasjonen.
- Ta ofte pauser fra arbeidet som utføres. Begrens mengden av eksponering pr. dag.

Hvis du opplever noen av symptomene på denne tilstanden må du øyeblikkelig avbryte arbeidet og oppsøke en lege med disse symptomene.

## ⚠ ADVARSEL

Skader kan oppstå eller forsterkes ved forlenget bruk av et verktøy. Når du bruker et verktøy over en lenger tidsperiode, husk å ta regelmessige pauser.

## KJENN DITT PRODUKT.

Se side 131.

1. Spennetang
2. To-trinns gir
3. Dreibar låseknapp
4. Rotasjonsretningsvelger
5. Enkelt bit (25 mm)
6. Strømbryter
7. Lader
8. Laderplugg
9. Inngangsjack

## VEDLIKEHOLD

### ⚠ ADVARSEL

Produktet skal aldri kobles til en strømforsyning mens du monterer på deler, gjør justeringer, rengjør, utfører vedlikehold eller når produktet ikke er i bruk. Ved å koble fra produktet hindrer man utilsiktet start som kan forårsake alvorlig personskade.

- Når vedlikehold utføres, må kun identiske reservedeler brukes. Bruk av andre deler kan skape fare eller føre til skade på produktet.
- Unngå bruk av løsemidler når du rengjør plastdelene. De fleste plastmaterialene kan skades ved bruk av løsningsmidlene som fås i handelen. Bruk rene kluter når du fjerner skitt og kullstøv.
- Du må aldri la bremsevæske, drivstoff, petroleumsbaserte

produkter, rustopløsende olje osv. komme i kontakt med plastikkdelene. Slike kjemiske produkter inneholder stoffer som kan skade, svekke eller ødelegge platen.

- Bruk alltid vernebriller eller sikkerhetsbriller med sidebeskyttelse ved bruk av elektrisk verktøy eller når det blåses støv. Hvis arbeidet utløser støv, bruk også en støvmaske.
- For edre sikkerhet og pålitelighet skal alle reparasjoner utføres av et autorisert verksted.

## SMØRING

Alle lager i dette produktet skal smøres med en tilstrekkelig mengde med et høyverdig smøremiddel for å sikre lang levetid under normale driftsforhold. Det er derfor unødvendig med tilleggsmøring.

## MILJØVERN



Resirkuler råmaterialer istedenfor å kaste dem i søppelen. Verktøyet, tilbehørene og emballasjen bør sorteres for miljøvennlig resirkulering.

## SYMBOLER



Sikkerhetsadvarsel



CE samsvarserklæring



EurAsian Konformitetstegn



Ukrainsk merke for konformitet



Vennligst les instruksjonene nøye før du starter maskinen.



Vennligst les instruksjonene nøye før du starter maskinen.



Utstyr av klasse II



Hastighet ubelastet



Termosikring 2 A



Volt



Likestrøm



Antall omdreiningar eller bevegelser pr. Minutt



Bruk øyebeskyttelse



Avfall fra elektriske produkter skal ikke kastes sammen med husholdningsavfall. Vennligst resirkulervedeksisterende avfallsbehandlingssted. Undersøk hos dine lokale myndigheter eller forhandler for råd om resirkulering.

## SYMBOLER I MANUALEN



Nb



Koble til strømmettet.



Ladetid



Maks dreiemoment



Moment, Minimum

Følgende symboler og betydninger forklarer risikonivået som er assosiert med dette produktet.

 **FARE**

Indikerer en umiddelbart farlig situasjon, som, dersom den ikke unngås, kan føre til alvorlig personskade eller død.

 **ADVARSEL**

Indikerer en potensiell farlig situasjon, som, dersom den ikke unngås, kan føre til alvorlig personskade eller død.

 **ADVARSEL**

Indikerer en potensiell farlig situasjon, som, dersom den ikke unngås, kan føre til mindre eller moderate skader.

**ADVARSEL**

(Uten sikkerhetssymbol) Indikerer en situasjon som kan resultere i skader på eiendom.

При производстве шуруповерта наибольшее внимание уделяется безопасности, эксплуатационным характеристикам и надежности инструмента.

## НАЗНАЧЕНИЕ

Изделие предназначено только для использования взрослыми, изучившими все инструкции и предостережения настоящего руководства и несущими ответственность за свои действия.

Изделие предназначено для закручивания и откручивания винтов и болтов.

Используйте устройство строго по назначению, указанному в настоящем руководстве.

**ПРИМЕЧАНИЕ:** для заворачивания шурупов рекомендуется использовать направляющие отверстия.

### ОСТОРОЖНО

**Прочтите все указания и инструкции по технике безопасности.** Несоблюдение предостережений и инструкций может привести к поражению электрическим током, возгоранию и/или серьезным травмам.

**Сохраните все предупреждения и инструкции для дальнейшего использования.**

## ПРЕДУПРЕЖДЕНИЯ О БЕЗОПАСНОМ ИСПОЛЬЗОВАНИИ ШУРУПОВЕРТА

- При выполнении операций, когда скоба может войти в контакт со скрытой проводкой, держите электроинструмент за изолированные поверхности

**захвата.** Контакт зажимов с проводкой, находящейся под напряжением, может привести к попаданию тока на открытые металлические части электроинструмента и к поражению рабочего электрическим током.

## ПРЕДУПРЕЖДЕНИЯ О БЕЗОПАСНОМ ИСПОЛЬЗОВАНИИ ЗАРЯДНОГО УСТРОЙСТВА

- Перед использованием зарядного устройства ознакомьтесь со всей информацией и предупреждениями, представленными в настоящем руководстве и касающимися зарядного устройства, аккумулятора и изделия, работающего от аккумулятора, во избежание ненадлежащего использования изделия и, как следствие, получения травмы и поломки оборудования.
- Использование изделия вне помещения не допускается во избежание воздействия на него влаги и неблагоприятных погодных условий. При попадании в зарядное устройство воды возрастает риск поражения электрическим током.
- Если дополнительное приспособление не входит в список рекомендованных моделей или не поставляется в комплекте с зарядным устройством, то его использование может привести к возгоранию, поражению электрическим током или травме. Таким образом, можно избежать удара током, пожара и тяжелых травм.
- Соблюдайте технику безопасности при использовании кабеля зарядного устройства. Использование кабеля для



переноски зарядного устройства не допускается. При отсоединении кабеля от гнезда запрещается тянуть за сам кабель вместо штекера. Это может привести к повреждению кабеля и создать угрозу поражения электрическим током. Незамедлительно замените поврежденный кабель.

- Разместите кабель таким образом, чтобы исключить вероятность того, что кто-то на него наступит или споткнется, исключить его соприкосновение с острыми краями и движущимися деталями или иную угрозу или нагрузку. Это позволит снизить риск случайного падения и получения травмы, повреждения кабеля и возникновения риска поражения электрическим током.
- Защитите шнур и зарядное устройство от воздействия высоких температур во избежание повреждения корпуса и внутренних деталей.
- Использование зарядного устройства с поврежденным кабелем или разъемом не допускается, поскольку это может стать причиной короткого замыкания и поражения электрическим током. В случае его повреждения обратитесь в авторизованный сервисный центр для замены зарядного устройства.
- Воздержитесь от использования зарядного устройства после сильного механического воздействия, падения или иного повреждения. Обратитесь в авторизованный сервисный центр для проверки электросхемы и оценки состояния зарядного устройства.

- Запрещается разбирать зарядное устройство. При необходимости проведения технического обслуживания или ремонта обратитесь в авторизованный сервисный центр. Неправильная разборка может привести к поражению электрическим током или возгоранию.
- Во избежание риска поражения электрическим током перед проведением обслуживания или очистки отключите зарядное устройство от розетки.
- Отключайте зарядное устройство от источника питания, когда оно не используется. Это позволит снизить риск поражения электрическим током или поломки зарядного устройства при попадании внутрь металлических предметов. Это также поможет избежать выхода зарядного устройства из строя в момент пикового напряжения.
- Опасность поражения электрическим током. Не прикасайтесь к оголенным частям выходного разъема или неизолированным клеммам батареи.

#### ПРЕДОСТЕРЕЖЕНИЯ ОТНОСИТЕЛЬНО БЕЗОПАСНОГО ПОЛЬЗОВАНИЯ БАТАРЕИ



Li-ion

- Не выбрасывайте использованные батареи вместе с бытовым мусором и не сжигайте их. Для обеспечения правильной утилизации батарей и защиты окружающей среды, передавайте старые батареи

дистрибьютору Ryobi.

- Отделяйте электронный мусор надлежащим образом, извлекая установленную батарею из основного устройства перед утилизацией. Передавайте батареи в специальные пункты сбора.
- Порядок извлечения установленной батареи: Отделите детали корпуса друг от друга, выкрутив винты. Отсоедините батарею от электрической цепи и извлеките.
- **ПРИМЕЧАНИЕ:** В случае вскрытия батареи, ее запрещается использовать или ремонтировать, и она должны быть утилизирована надлежащим образом.
- Прежде чем извлечь батарею из электроинструмента, включите устройство и не выключайте, пока батарея полностью не разрядится.
- Убедитесь, что батарея, которая должны быть утилизирована, не контактирует с другими батареями или проводящими материалами. Для этого закройте разъемы изоляционными крышками или изолентой.
- Запрещается заряжать поврежденный аккумуляторный блок.

### ОСТАТОЧНЫЕ РИСКИ

Даже когда изделие используют согласно инструкциям, невозможно полностью устранить факторы риска. Следующие опасности могут возникнуть во время его использования, и во избежание их рабочий должен обратить особое внимание на следующее:

- Нарушение слуха вследствие шумового воздействия

Используйте подходящее средство защиты органов слуха.

- Повреждение глаз  
Всегда носите защитные очки при работе с устройством.
- Травмы, вызываемые вибрацией  
Ограничивайте воздействие. Следуйте инструкциям в разделе "Снижение риска".
- Поражение электрическим током при соприкосновении со скрытыми проводами  
Держите изделие только за изолированные поверхности.
- Травмы, вызываемые пылью  
Пыль, образующаяся во время эксплуатации изделия, может привести к повреждению органов дыхания. Используйте надлежащую пылезащитную маску с фильтрами, защищающими от проникновения частиц обрабатываемого материала.

### СНИЖЕНИЕ РИСКА

Сообщалось, что вибрация ручных электроинструментов у отдельных лиц может способствовать состоянию, которое называется синдром Рейно. К симптомам могут относиться покалывание, онемение и побеление пальцев (как при переохлаждении). Считают, что наследственные факторы, охлаждение и влажность, диета, курение и практический опыт способствуют развитию этих симптомов. Ниже приводятся меры, которые может принять оператор для снижения воздействия вибрации:

- Одевайтесь теплее в холодную погоду. При работе с устройством пользуйтесь перчатками, чтобы руки и запястья были в тепле.

Считается, что холодная погода является основным фактором, способствующим возникновению болезни Рейно (Raynaud's Syndrome).

- После каждого этапа работы выполните упражнения для усиления кровообращения.
- Чаще делайте перерывы в работе. Сократите длительность ежедневного пребывания на открытом воздухе.

При появлении каких-либо из указанных симптомов сразу же прекратите работу и обратитесь по их поводу к врачу.

#### **⚠ ОСТОРОЖНО**

Продолжительное использование инструмента без перерыва может привести к травмам. При использовании инструмента в течение длительного времени делайте регулярные перерывы.

#### **ИЗУЧИТЕ ИЗДЕЛИЕ**

Стр 131.

1. Патрон
2. Двухскоростная зубчатая передача
3. Кнопка блокировки вращения
4. Переключатель направления вращения
5. Одинарный наконечник (25 мм)
6. Курковый выключатель
7. Зарядное устройство
8. Разъем зарядного устройства
9. Гнездо

#### **ТЕХНИЧЕСКОЕ ОБСЛУЖИВАНИЕ**

##### **⚠ ОСТОРОЖНО**

Прибор ни в коем случае не должен подсоединяться к источнику питания, когда вы разбираете его компоненты, выполняете регулировку, очистку, проводите техническое обслуживание, или когда прибор не используется. Отсоединение прибора позволит защитить инструмент от случайного запуска, чреватого серьезными физическими травмами.

- При проведении текущего ремонта используйте только идентичные запчасти. Использование других запчастей может представлять опасность или повредить изделия.
- Избегайте использования растворителей во время чистки пластмассовых частей. Многие пластмассы чувствительны к воздействию различных бытовых растворителей и в результате их использования могут разрушиться. С помощью чистой ткани удалите грязь и угольную пыль.
- Никогда не допускайте контакта тормозной жидкости, бензина, продуктов на нефтяной основе, пропиточного масла и т. д. с пластмассовыми частями. Эти химикаты содержат вещества, которые могут испортить, ослабить или разрушить пластмассу.
- Всегда надевайте предохранительные или защитные очки с боковыми защитными экранами при работе с данным инструментом или сдувании пыли. Если во время работы образуется много пыли, также надевайте

пылезащитную маску.

- Для большей безопасности и надежности все ремонтные работы должны проводиться авторизованным сервисным центром.

## СМАЗКА

Все подшипники в изделии смазаны достаточным количеством высокосортной смазки для продолжительной эксплуатации изделия в нормальных рабочих условиях. Поэтому дополнительная смазка не требуется.

## ЗАЩИТА ОКРУЖАЮЩЕЙ СРЕДЫ



Утилизируйте как сырье, а не выбрасывайте как мусор. Машина, аксессуары и упаковка должны быть отсортированы.

## УСЛОВНЫЕ ОБОЗНАЧЕНИЯ



Сигнал опасности



Соответствие требованиям CE



Знак Евразийского Соответствия  
Сертификат Соответствия № TC RU C-DE. AE11.B.04234  
Срок действия Сертификата Соответствия По 17.09.2020  
Некоммерческая организация Учреждение сертификации и экспертизы «Сертэкс»  
109044 РФ, город Москва, 3-й Крутицкий переулок, дом 11



Украинский знак стандартизации



Перед использованием прибора внимательно ознакомьтесь с данной инструкцией.



Перед использованием прибора внимательно ознакомьтесь с данной инструкцией.



Оборудование класса II



Скорость на холостом ходу



Плавкий предохранитель 2А



Вольт



Постоянный ток



Оборотов или возвратно-поступательных движений в минуту



Применяйте средства защиты органов зрения

Отработанная электротехническая продукция должна уничтожаться вместе с бытовыми отходами.



Утилизируйте, если имеется специальное техническое оборудование. По вопросам утилизации проконсультируйтесь с местным органом власти или предприятием розничной торговли.

## ОБОЗНАЧЕНИЯ В РУКОВОДСТВЕ



Примечание



Подключите к источнику питания.



Время зарядки



Максимальный крутящий момент



Крутящий момент, Минимальный размер

Следующие сигнальные слова и значения предназначены, чтобы объяснить уровни риска, связанного с этим изделием.

### **ОПАСНО**

Указывает на потенциально опасную ситуацию, которая, если ее не избежать, приведет к летальному

исходу или серьезной травме.

### **ОСТОРОЖНО**

Указывает на потенциально опасную ситуацию, которая, если ее не избежать, может привести к летальному исходу или серьезной травме.

### **ВНИМАНИЕ**

Указывает на потенциально опасную ситуацию, которая, если ее не избежать, может привести к травме легкой или средней тяжести.

### **ВНИМАНИЕ**

(Без Символа Тревоги Безопасности)  
Указывает ситуацию, которая может кончиться повреждением собственности.

### Транспортировка:

Категорически не допускается падение и любые механические воздействия на упаковку при транспортировке.

При разгрузке/погрузке не допускается использование любого вида техники, работающей по принципу зажима упаковки.

### Хранение:

Необходимо хранить в сухом месте.

Необходимо хранить вдали от источников повышенных температур и воздействия солнечных лучей.

При хранении необходимо избегать резкого перепада температур.

Хранение без упаковки не допускается.

### Срок службы изделия:

Срок службы изделия составляет 5 лет.

Не рекомендуется к эксплуатации по истечении 5 лет хранения с даты изготовления без предварительной проверки.

**Дата изготовления** (код даты) отштампован на поверхности корпуса изделия.

Пример:

W17 Y2015, где Y2015 - год изготовления  
W17 – неделя изготовления

Определить месяц изготовления можно согласно приведенной ниже таблице, на примере 2015 года.

**Обратите внимание!** Количество недель в месяце различается от года в год.

Месяц	Январь	Февраль	Март	Апрель	Май	Июнь	Июль	Август	Сентябрь	Октябрь	Ноябрь	Декабрь	Год
Неделя	01	05	09	14	18	22	27	31	36	40	44	49	2015
	02	06	10	15	19	23	28	32	37	41	45	50	
	03	07	11	16	20	24	29	33	38	42	46	51	
	04	08	12	17	21	25	30	34	39	43	47	52	
	05	09	13	18	22	26	31	35	40	44	48	53	
			14			27							

Najwyższymi priorytetami w trakcie projektowania zakupionego przez Państwa wkrętaka były bezpieczeństwo, wydajność i niezawodność.

## PRZEZNACZENIE

Opisywany produkt przeznaczony jest do stosowania wyłącznie przez osoby dorosłe, które zapoznały się z instrukcjami i ostrzeżeniami zawartymi w niniejszym dokumencie oraz zrozumiały je, a także mogą być uważane za odpowiedzialne za swoje postępowanie.

Produkt przeznaczony jest do wkręcania i wykręcania wkrętów i śrub.

Nie należy używać tego produktu niezgodnie z przeznaczeniem.

**UWAGA:** Zalecane jest użycie otworów prowadzących przed wkręcaniem wkrętów.

## ⚠ OSTRZEŻENIE

**Zapoznaj się ze wszystkimi zasadami bezpieczeństwa i instrukcjami.** Nieprzestrzeganie instrukcji i zasad bezpieczeństwa zawartych w ostrzeżeniach grozi porażeniem prądem elektrycznym, pożarem lub poważnymi obrażeniami.

**Zachowaj wszystkie ostrzeżenia i instrukcje do wykorzystania w przyszłości.**

## WKRĘTAK – OSTRZEŻENIA DOTYCZĄCE BEZPIECZEŃSTWA

- **Podczas pracy trzymaj elektronarzędzie izolowane powierzchnie uchwytów, ponieważ element mocujący może zetknąć się z ukrytymi przewodami lub własnym przewodem.** Zetknięcie elementów mocujących z przewodem

pod napięciem spowoduje, że wszystkie metalowe części elektronarzędzia będą również pod napięciem, co w rezultacie spowoduje porażenie operatora prądem.

## ŁADOWARKA – OSTRZEŻENIA DOTYCZĄCE BEZPIECZEŃSTWA

- **Przed przystąpieniem do korzystania z ładowarki do akumulatora należy zapoznać się ze wszystkimi zamieszczonymi w niniejszej instrukcji zaleceniami i ostrzeżeniami dotyczącymi ładowarki, akumulatora oraz produktu, w którym umieszczony jest akumulator, tak by zapobiec niewłaściwemu użytkowaniu produktów oraz potencjalnym urazom i szkodom.**
- **Nie stosować ładowarki poza pomieszczeniami lub w miejscach narażonych na wilgoć.** Przedostanie się wody do wnętrza ładowarki powoduje wzrost ryzyka porażenia prądem.
- **Stosowanie elementów niezalecanych lub niesprzedawanych przez producenta ładowarki baterii może spowodować pożar, porażenie prądem lub obrażenia ciała.** W ten sposób zmniejszycie zagrożenie porażenia prądem elektrycznym, pożaru czy poważnych ran.
- **Nie używać przewodu ani ładowarki niezgodnie z przeznaczeniem.** Nigdy nie przenosić ładowarki za przewód. W trakcie odłączania od gniazda ciągnąć za wtyczkę, a nie za przewód. Ciągnięcie za przewód grozi uszkodzeniem przewodu lub ładowarki, a w rezultacie porażeniem prądem. Natychmiast wymienić uszkodzone przewody.
- **Upewnić się, że przewód zasilający**



jest poprowadzony tak, by nie można było na niego nadepnąć ani potknąć się o niego, jak również by nie miał on styczności z ostrymi krawędziami lub ruchomymi częściami, a także nie był w inny sposób narażony na uszkodzenie lub naprężenia. Pozwoli to na ograniczenie ryzyka potknięć, które mogłyby spowodować obrażenia, a także uszkodzeń przewodu, które mogłyby spowodować porażenie prądem.

- Przewód i ładowarkę należy trzymać z dala od źródeł ciepła, aby zapobiec uszkodzeniom obudowy i części wewnętrznych.
- Nie należy używać ładowarki z uszkodzonym przewodem lub wtyczką, ponieważ mogłyby to spowodować zwarcie lub porażenie prądem. W przypadku uszkodzenia wymianę ładowarki należy zlecić przedstawicielowi autoryzowanego serwisu.
- Nie używać ładowarki, która została gwałtownie uderzona, spadła lub została uszkodzona w dowolny inny sposób. Ładowarkę taką należy zabrać do przedstawiciela autoryzowanego serwisu w celu przeprowadzenia kontroli instalacji elektrycznej i określenia, czy urządzenie jest sprawne.
- Nie demontować ładowarki. Urządzenie wymagające serwisowania lub naprawy należy przekazać przedstawicielowi autoryzowanego serwisu. Nieprawidłowy montaż może stwarzać ryzyko porażenia prądem lub pożaru.
- Przed rozpoczęciem konserwacji lub czyszczenia odłączyć ładowarkę od gniazda, aby ograniczyć ryzyko porażenia prądem.

- Ładowarkę należy odłączyć od źródła zasilania, gdy nie jest używana. Pozwoli to na ograniczenie ryzyka porażenia prądem lub uszkodzenia ładowarki, gdy przez otwór w obudowie urządzenia wpadną do niego metalowe przedmioty. Możliwe będzie również zapobieżenie uszkodzeniu ładowarki w trakcie przepięcia.
- Ryzyko porażenia prądem. Nie należy dotykać niezaizolowanej części złącza wyjściowego ani niezaizolowanego styku baterii.

**OSTRZEŻENIA DOTYCZĄCE BEZPIECZEŃSTWA ZWIĄZANEGO Z AKUMULATOREM**



Li-ion

- Nie należy wyrzucać zużytych akumulatorów z odpadami domowymi ani ich palić. Aby zapewnić prawidłową utylizację zużytych akumulatorów oraz chronić środowisko, stare akumulatory należy przekazać dystrybutorowi Ryobi.
- Odpady elektroniczne należy odpowiednio segregować – w tym celu należy usunąć zintegrowany akumulator z urządzenia przed jego wyrzuceniem. Akumulator należy przekazać do odpowiedniego punktu zbiórki.
- Aby wymontować zintegrowany akumulator: Rozdziel części obudowy, odkręcając śruby. Odłącz akumulator od modułu elektronicznego i wyjmij go.
- **UWAGA:** Produkt po otwarciu nie nadaje się już do użytku ani do naprawy i należy zutylizować go w

EN
FR
DE
ES
IT
NL
PT
DA
SV
FI
NO
RU
PL
CS
HU
RO
LV
LT
ET
HR
SL
SK
EL
TR
UK





odpowiedni sposób.

- Przed wymontowaniem akumulatora z elektronarzędzia należy pozostawić urządzenie włączone, aż do całkowitego rozładowania akumulatora.
- Należy dopilnować, aby akumulator, który ma być wyrzucony, nie zetknął się z innymi bateriami, akumulatorami ani materiałami przewodzącymi prąd. W tym celu należy zabezpieczyć odkryte złącza taśmą izolacyjną lub odpowiednimi nakładkami z nieprzewodzącego materiału.
- Nigdy nie ładować uszkodzonego akumulatora!

#### **RYZYKO ZWIĄZANE Z UŻYTKOWANIEM**

Nawet jeśli produkt jest używany zgodnie z zaleceniami, nadal nie jest możliwe wyeliminowanie określonych czynników ryzyka. Następujące zagrożenia mogą wystąpić podczas używania urządzenia i operator powinien zwracać szczególną uwagę na poniższe punkty:

- Uszkodzenie słuchu spowodowane przez hałas  
Nosić odpowiednie ochronniki słuchu i ograniczać narażenie.
- Urazy oczu  
Należy nosić osłony oczu lub okulary ochronne podczas korzystania z produktu.
- Urazy ciała spowodowane przez wibracje  
Ograniczyć narażenie na kontakt. Stosować się do zaleceń w sekcji „Ograniczanie ryzyka”.
- Porażenie prądem spowodowane kontaktem z ukrytymi przewodami.

Produkt należy trzymać wyłącznie za izolowane powierzchnie.

- Urazy ciała spowodowane pyłem  
Pył powstający podczas obsługi produktu może powodować podrażnienia i choroby dróg oddechowych. Należy nosić odpowiednią maskę przeciwpyłową z filtrami chroniącymi przed cząstkami materiałów obrabianych.

#### **OGRANICZENIE RYZYKA**

Znane są przypadki wywołania u niektórych osób objawu Raynauda spowodowanego wibracjami ręcznych narzędzi. Typowe objawy to mrowienie, drętwienie i blednięcie palców, widoczne zwykle po wystawieniu na działanie zimna. Uważa się, że czynniki dziedziczne, wystawienie na działanie zimna i wilgoci, dieta, palenie papierosów i przyjęte zwyczaje przyczyniają się do rozwoju tych objawów. Istnieją środki zaradcze, które może podjąć operator narzędzia, aby zmniejszyć efekt wibracji:

- Zadbaj o niskich temperaturach o ciepłość własnego ciała, zakładając odpowiednie ubranie. Podczas obsługi urządzenia należy nosić rękawice, aby dłonie i nadgarstki były ciepłe. Wiadomo, że niskie temperatury są główną przyczyną powstawania objawu Raynauda.
- Podczas przerw w pracy należy wykonywać ćwiczenia poprawiające krążenie krwi..
- Podczas pracy robić częste przerwy. Ograniczyć ekspozycję w ciągu dnia.

W razie doświadczenia dowolnego z wymienionych objawów, należy niezwłocznie zaprzęścić użytkownika tego urządzenia i skontaktować się z

lekarzem.

### **⚠ OSTRZEŻENIE**

Długotrwałe użytkowanie narzędzia może spowodować obrażenia ciała lub nasilić dolegliwości zdrowotne. W przypadku używania narzędzia przed dłuższy czas należy pamiętać o regularnych przerwach.

### **INFORMACJE O PRODUKCIE**

Patrz strona 131.

1. Uchwyt narzędziowy
2. Двухскоростная зубчатая передача
3. Przycisk blokowania osi
4. Przełącznik kierunku obrotów
5. Pojedyncza końcówka wkrętaka (25 mm)
6. Przycisk uruchamiający
7. Ładowarka
8. Wtyczka ładowarki
9. Gniazdo wejściowe

### **KONSERWACJA**

### **⚠ OSTRZEŻENIE**

Produkt nigdy nie może być podłączony do źródła zasilania podczas montażu części, regulacji, czyszczenia, konserwacji lub gdy nie jest używany. Odłączenie produktu zapobiegnie przypadkowemu uruchomieniu, które mogłoby spowodować poważne obrażenia ciała.

- Do napraw używać wyłącznie identycznych zamienników. Użycie jakiegokolwiek innej części mogłoby spowodować zagrożenie lub też uszkodzić wasze narzędzie.
- Nie stosować rozpuszczalników do czyszczenia elementów plastikowych. Większość tworzyw sztucznych,

mogłyby zostać uszkodzone przez użycie rozpuszczalników dostępnych w sprzedaży. Usunąć zabrudzenia i pył węglowy czystymi szmatkami.

- Nie wolno dopuścić do kontaktu plastikowych części z płynem hamulcowym, benzyną, produktami ropopochodnymi, olejami penetrującymi itp. Substancje te zawierają produkty chemiczne, które mogłyby uszkodzić, osłabić lub zniszczyć plastik.
- Podczas użytkowania elektronarzędzi lub wydmuchiwanie pyłu należy zawsze nosić okulary ochronne z osłonami bocznymi. Jeśli wykonywanej pracy towarzyszy powstawanie pyłu, należy również stosować maskę przeciwpyłową.
- Aby zapewnić wyższy poziom bezpieczeństwa i niezawodności, wszystkie naprawy powinny być przeprowadzane przez autoryzowany punkt serwisowy.

### **SMAROWANIE**

Wszystkie łożyska produktu są smarowane przy użyciu odpowiedniej ilości wysokiej jakości smaru na cały okres eksploatacji produktu przy uwzględnieniu normalnych warunków roboczych. W wyniku czego, nie zachodzi potrzeba dodatkowego smarowania.

### **OCHRONA ŚRODOWISKA**



Surowce należy oddawać do powtórnego przetworzenia zamiast wyrzucać je na śmieci. Z myślą o ochronie środowiska, narzędzie, akcesoria i opakowania powinny być sortowane.

EN  
FR  
DE  
ES  
IT  
NL  
PT  
DA  
SV  
FI  
NO  
RU  
PL  
CS  
HU  
RO  
LV  
LT  
ET  
HR  
SL  
SK  
EL  
TR  
UK

## SYMBOLE



Uwaga dotycząca bezpieczeństwa



Zgodność CE



Znak zgodności EurAsian



Ukraiński znak zgodności



Przed uruchomieniem urządzenia prosimy uważnie przeczytać instrukcję



Przed uruchomieniem urządzenia prosimy uważnie przeczytać instrukcję



Sprzęt klasy II



Prędkość bez obciążenia

115°C



Bezpiecznik topikowy 2 A

V

Wolt



Prąd stały

min<sup>-1</sup>

Ilość obrotów czy ruchów na minutę



Stosować środki ochrony wzroku

Zużyte produkty elektryczne nie powinny być utylizowane z odpadami domowymi. Prosimy poddawać recyklingowi w odpowiednich miejscach. Informacje o właściwych metodach recyklingu można uzyskać u władz lokalnych lub sprzedawcy.



## SYMBOLE W INSTRUKCJI



Uwaga



Podłączyć do źródła zasilania.



Czas ładowania



Maksymalny moment obrotowy



Moment obrotowy, Minimalny rozmiar

Poniższe symbole i nazwy które im nadano, pozwalają wyjaśnić różne poziomy ryzyka związanego z używaniem tego narzędzia.

### **⚠ NIEBEZPIECZEŃSTWO**

Oznacza bezpośrednio niebezpieczną sytuację, która, jeśli nie zostanie uniknięta, spowoduje śmierć lub poważne urazy ciała.

### **⚠ OSTRZEŻENIE**

Oznacza potencjalnie niebezpieczną sytuację, która, jeśli nie zostanie uniknięta, może spowodować śmierć lub poważne urazy ciała.

 **UWAGA**

Oznacza potencjalnie niebezpieczną sytuację, która, jeśli nie zostanie uniknięta, może spowodować niewielkie lub umiarkowane urazy ciała.

**UWAGA**

(Bez symbolu bezpieczeństwa)  
Wskazuje na sytuację mogącą spowodować straty materialne.

EN  
FR  
DE  
ES  
IT  
NL  
PT  
DA  
SV  
FI  
NO  
RU  
**PL**  
CS  
HU  
RO  
LV  
LT  
ET  
HR  
SL  
SK  
EL  
TR  
UK

130.com.ua

Při návrhu šroubováku byl kladen obzvláštní důraz na bezpečnost, výkon a spolehlivost.

### ZAMÝŠLENÉ POUŽITÍ

Produkt smí používat pouze dospělá osoba, které si přečetly a řádně pochopily pokyny a varování v tomto návodu, a mohou být považovány za zodpovědné za své činy.

Produkt je určen k utahování a povolování šroubů a čepů.

Nepoužívejte výrobek jinak než je uvedeno v určeném použití.

**POZNÁMKA:** Doporučuje se použít vodící otvory před vlastním šroubováním šroubů.

### ⚠ VAROVÁNÍ

#### Přečtěte si všechny pokyny a bezpečnostní varování.

Nedodržování upozornění a těchto pokynů může vést k úrazu elektrickým proudem, ke vzniku požáru nebo vážnému zranění.

**Uchovejte si všechny pokyny a varování pro budoucí nahlédnutí.**

### BEZPEČNOSTNÍ UPOZORNĚNÍ KE ŠROUBOVÁKU

- **Držte elektricky poháněný nástroj za izolované úchopové plochy, když nástroj používáte se sponami, které mohou přijít do styku se skrytými vodiči.** Spony zasahující do „živého“ vodiče způsobí, že kovové části elektricky poháněného nástroje se stanou vystavenými a způsobí elektrický úraz obsluze.

### BEZPEČNOSTNÍ VAROVÁNÍ NA NABÍJEČCE

- Před použitím nabíječky baterii si přečtěte všechny pokyny a bezpečností značky v této příručce, k nabíječce baterií, baterii a používání baterie produktu, aby nedošlo k nedovolenému použití produktů a možným zraněním či škodám.
- Nepoužívejte nabíječku ve venkovních prostorách ani ji nevystavujte mokřým či vlhkým podmínkám. Kvůli vodě prosakující do nabíječky se zvyšuje riziko elektrického šoku.
- Použití příslušenství, které není doporučeno výrobcem a ani u něj není zakoupeno, může zapříčinit nebezpečí požáru, úrazu elektrinou nebo poranění osob. Tyto pokyny důsledně dodržujte, aby nedošlo ke vzniku požáru, úrazu elektrickým proudem nebo zranění.
- Kabel ani nabíječku nepoužívejte k nedovoleným účelům. Nabíječku nikdy nepřenašejte za kabel. Při odpojování ze zásuvky nikdy netahejte za kabel, nýbrž za zástrčku. Může dojít k poškození kabelu nebo nabíječky a následnému úrazu elektrickým proudem. Poškozené kabely ihned vyměňte.
- Zajistěte, aby byl kabel umístěn tak, aby na něj nebylo možné vkročit, zakopnout o něj a aby se kabel neotíral o ostré hrany či pohyblivé součásti a nebyl vystaven ani jinému poškození či namáhání. Tím se snižuje riziko náhodných pádů, kvůli nimž by mohlo dojít ke zraněním, poškození kabelu a následnému úrazu elektrickým proudem.
- Kabel a nabíječku udržujte mimo zdroje tepla, aby nedošlo k poškození pouzdra či interních součástí.



- Neprovazujte nabíječku s poškozeným kabelem či zástrčkou. Mohlo by dojít ke zkratu a úrazu elektrickým proudem. Při poškození nechte nabíječku vyměnit u autorizovaného servisního pracovníka.
- Nepoužívejte nabíječku po ostrém nárazu, upadnutí na zem nebo jakémkoliv jiném poškození. Nabíječku vezměte k autorizovanému servisnímu pracovníkovi, který zkontroluje elektrické zapojení a zjistí, zda je nabíječka v dobrém provozuschopném stavu.
- Nabíječku nerozebírejte. Je-li potřeba provést servis nebo nabíječku opravit, vezměte ji k autorizovanému servisnímu pracovníkovi. Důsledkem nesprávné opakovaně montáže může být nebezpečí úrazu elektrickým proudem nebo riziko požáru.
- Před provedením jakékoliv údržby nebo čištěním odpojte nabíječku ze zásuvky. Tím omezíte riziko úrazu elektrickým proudem.
- Odpojujte nabíječku od zdroje napájení, pokud ji nepoužíváte. Tím se snižuje riziko úrazu elektrickým proudem nebo poškození nabíječky, pokud by do otvoru upadly kovové předměty. Nabíječka je tím také chráněna před poškozením při nárazovém proudě.
- Nebezpečí elektrického úrazu. Nedotýkejte se odizolované části výstupního konektoru nebo odizolované svorky baterie.

## BEZPEČNOSTNÍ VAROVÁNÍ K BATERIÍM



Li-ion

- Nelikvidujte baterie v domovním odpadu či ohni. Zajistěte řádnou a ekologickou likvidaci starých a poškozených baterií u distributora Ryobi.
- Elektronický odpad před likvidací řádně roztrháte odebráním baterie ze zařízení. Likvidujte ve sběrných dvorech.
- Pro vyjmutí integrované baterie: Oddělení proveďte odšroubování šroubů. Odpojte baterii z obvodu a vytáhněte.
- **POZNÁMKA:** Po otevření nelze produkt již dále používat či opravovat a musí být řádně zlikvidován.
- Než baterii odeberete, vybijte ji spuštěním zařízení.
- Zajistěte, aby žádné baterie nepřišly do kontaktu s jinými bateriemi nebo vodivými materiály při transportu pomocí ochrany nekrytých kontaktů prostřednictvím izolace, nevodivých krytek či lepicích pásek.
- Nikdy nevyměňujte poškozenou baterii.

## ZBYTKOVÁ RIZIKA

Dokonce, i když se výrobek provozuje jak je předepsáno, je stále nemožné zcela eliminovat veškeré zbytkové rizikové faktory. Následující nebezpečí mohou nastat při používání; vyhybte se:

- Poškození sluchu kvůli hluku



Noste vhodnou ochranu sluchu a účinkům hluku se příliš nevystavujte.

- Zranění očí  
Používejte ochranné štíty nebo ochranné brýle při používání výrobku.
- Poranění způsobené vibracemi  
Limit expozice. Postupujte podle pokynů v části Omezení rizika.
- Úraz elektrickým proudem kvůli kontaktu se skrytými vodiči  
Elektrický nástroj držte pouze za izolované úchopové oblasti.
- Zranění způsobené prachem  
Prach tvořený provozováním výrobku může způsobit poškození dýchacích cest. Noste vhodnou protiprachovou masku s filtry určenou na ochranu proti částicím z obráběného materiálu.

## SNÍŽENÍ RIZIKA

Bylo zjištěno, že vibrace z nástrojů mohou u některých osob přispívat ke stavu tzv Raynaud's Syndrome (Raynaudovu syndromu). Mezi jeho příznaky patří brnění, necitlivost a zblednutí prstů, patrné obvykle po pobytu v chladu. Vědci se domnívají, že k rozvinutí těchto příznaků přispívají dědičné faktory, pobyt v chladu a vlhku, strava, kouření a pracovní návyky. Uživateli může omezit případné působení vibrací použitím vhodných opatření:

- Za chladného počasí se teple oblečte. Při práci s nástrojem si navlékněte rukavice, abyste udrželi ruce a zápěstí v teple. Bylo zjištěno, že chladné počasí je hlavním faktorem přispívajícím k Raynaud's Syndrome (Raynaudovu syndromu).
- Během práce si v pravidelných intervalech zacvičte, abyste zvýšili krevní oběh.

- Zařazujte časté pracovní přestávky. Omezte dobu práce za den.

Jakmile pocítíte některý z výše uvedených příznaků tohoto syndromu, okamžitě přerušete práci a vyhledejte lékaře.

## VAROVÁNÍ

Poranění mohou být způsobena, či zhoršena, prodlouženým používáním nástroje. Když používáte jakýkoliv nástroj delší dobu, dělejte pravidelně přestávky.

## SEZNAMTE SE S VÝROBKEM

Viz strana 131.

1. Upínací kleština
2. Dvourychlostní převodové soukolí
3. Otočné zamykací tlačítko
4. Volič směru otáčení
5. Jednotlivý bit (25 mm)
6. Spínač spouště
7. Nabíječka
8. Nabíjecí zástrčka
9. Vstupní zdířka

## ÚDRŽBA

## VAROVÁNÍ

Výrobek nikdy nepřipojujte ke zdroji napájení, když se montují díly, provádí seřizování, čištění, údržba nebo když se nepoužívá. Odpojením produktu předejdete náhodnému spuštění a tím vážnému osobnímu poranění.

- Při údržbě používejte pouze stejné náhradní díly. Použití jakýchkoliv jiných dílů může vytvořit nebezpečí nebo způsobit poškození výrobku.
- Vyhnete se používání rozpouštědel, když čistíte plastové díly. Většina ředidel běžně dostupných v obchodní

síti se nehodí k čištění plastových částí, neboť narušuje povrch plastů. K odstranění nečistot a uhlého prachu používejte čistý textil.

- Nikdy nenechte přijít brzdové kapaliny, petrolej, výrobky založené na petroleji, pronikavé oleje, atd. do kontaktu s plastovými součástmi. Tyto výrobky obsahují chemikálie, které mohou poškodit, oslabit nebo zničit plastové části, případně snížit jejich životnost.
- Vždy noste bezpečnostní brýle nebo bezpečnostní brýle s postranními štítky, když obsluhujete elektricky poháněný nástroj nebo při rozdmýchávání (tvorbě) prachu. Pokud pracujete v prachu, noste také respirátor.
- Pro lepší bezpečnost a bezporuchovost by mělo opravy provádět pověřené autorizované servisní středisko.

## MAZÁNÍ

Veškerá ložiska nářadí byla výrobcem namazána dostatečným množstvím vysoce účinného maziva, které stačí na celou dobu životnosti produktu při normálních podmínkách používání. Žádné další mazání nářadí není nutné.

## OCHRANA ŽIVOTNÍHO PROSTŘEDÍ



V rámci možností neodhazujte vysloužilé nářadí do domovního odpadu a upřednostněte jeho recyklaci. V souladu s předpisy na ochranu životního prostředí odkládejte vysloužilé nářadí, příslušenství i obalový materiál do tříděného odpadu.

## SYMBOLY



Bezpečnostní výstraha



Shoda CE



Euroasijská značka shody



Ukrajinská značka shody



Před spuštěním přístroje si řádně přečtěte pokyny.



Před spuštěním přístroje si řádně přečtěte pokyny.



Nářadí 2. třídy



Otáčky naprázdno



Tepelná pojistka 2A



Napětí



Stejnsměrný proud



Počet otáček nebo pohybů (kmitů) za minutu



Noste ochranu očí





Odpad elektrických výrobků se nesmí likvidovat v domovním odpadu. Recyklujte prosím na sběrných místech. Ptejte se u místních úřadů nebo prodejce na postup při recyklaci.

lehkému zranění.

### **POZOR**

(Bez bezpečnostního výstražného symbolu) Určuje situaci, která může mít za následek vážné poškození.

## SYMBOLY POUŽITÉ V NÁVODU



Poznámka



Připojte k elektrické síti.



Doba nabíjení



Maximální utahovací moment



Točivý moment, minimum

Následující signální slova a významy jsou vhodné pro vysvětlení úrovně nebezpečí spojených s tímto výrobkem.

### **⚠ NEBEZPEČÍ**

Upozorňuje na bezprostředně nebezpečnou situaci, která vede k usmrcení nebo těžkému zranění.

### **⚠ VAROVÁNÍ**

Upozorňuje na možnou nebezpečnou situaci, která by mohla vést ke smrtelnému úrazu nebo k závažnému zranění.

### **⚠ POZOR**

Upozorňuje na možnou nebezpečnou situaci, která může vést k menšímu nebo

A csavarbehajtó tervezése során elsődleges szempont volt a biztonság, a teljesítmény és a megbízhatóság.

### RENDELTETÉSSZERŰ HASZNÁLAT

A terméket kizárólag beszámítható felnőttek használhatják, ha elolvasták és megértették a jelen kézikönyv utasításait és figyelmeztetéseit.

A termék csavarok és anyák megszorítására és levételére használható.

Ne használja a terméket a rendeltetésétől eltérő célra.

**MEGJEGYZÉS:** A csavarok behajtása előtt javasolt próbát végezni.

### ⚠ FIGYELEM

**Olvassa el az összes biztonsági figyelmeztetést és utasítást.** A figyelmeztetések és előírások be nem tartása elektromos áramütést, tüzet és/vagy súlyos sérülést eredményezhet.

**A jövőbeli felhasználásra őrizze meg az összes figyelmeztetést és útmutatót.**

### A CSAVARHÚZÓ BIZTONSÁGOS HASZNÁLATÁVAL KAPCSOLATOS FIGYELMEZTETÉSEK

■ **A szerszámgépet a szigetelő fogófelületeinél fogja, ha olyan műveletet végez, melynek során a rögzítő rejtett vezetékhez érhet.** Az „élő” vezetékkel érintkező rögzítő következtében a szerszám fém alkatrészei áram alá kerülhetnek, minek következtében a kezelőt áramütés érheti.

### TÖLTŐ BIZTONSÁGI FIGYELMEZTETÉSEI

- Az akkumulátortöltő használata előtt olvasson el minden utasítást és figyelmeztető jelzést a kézikönyvben, az akkumulátortöltőn, az akkumulátoron és az akkumulátorral üzemeltetett terméken, nehogy helytelenül használja és sérülés vagy anyagi kár történjen.
- A töltőt ne használja kültéren, vizes vagy nyirkos környezetben. A töltőbe bejutó víz növeli az áramütés kockázatát.
- Egy az akkumulátortöltő gyártója által nem javasolt vagy nem forgalmazott kiegészítő használata tűzveszélyt, áramütést és személyi sérülést okozhat. Ezen előírás betartása jelentősen csökkenti az áramütés-, a tűz- és a súlyos sérüléssel járó balesetek veszélyét.
- A kábelt és a töltőt csak rendeltetészerűen használja. Ne vigye a töltőt a kábelnél fogva. A töltőt ne a kábelnél, hanem a villásdugónál fogva húzza ki a dugaszolóaljzatból. Ettől megsérülhet a kábel vagy a töltő, ami áramütést okozhat. Azonnal cserélje ki a sérült kábeleket.
- A kábelt úgy helyezze el, hogy senki ne lépjen rá vagy bukthasson fel benne, a kábel ne érjen hozzá éles tárgyakhoz vagy mozgó alkatrészekhez, illetve más módon se álljon fenn megrongálódás vagy erőltetés veszélye. Így csökkentheti a sérülést okozó elesés veszélyét, illetve a kábel károsodásának veszélyét, ami pedig áramütést okozhat.
- Ügyeljen, hogy a kábelt és a töltőt ne érje hőhatás, mert ez tönkretelheti a házat vagy a belső alkatrészeket.

- Ha a töltő kábele vagy villásdugója megsérült, ne használja, mert rövidzárlatot és áramütést okozhat. Ha megsérült, a töltőt hivatalos szerelővel cseréltesse ki.
- Ha a töltőt erős ütés érte, leesett vagy más okból megsérült, ne használja. Vigye el egy hivatalos szerelőhöz és ellenőriztesse, hogy a töltő használható állapotban van-e.
- A töltőt ne szerelje szét. Ha javítani kell, vigye el hivatalos szerelőhöz. Hibás összeszerelés tűzveszélyt vagy áramütést eredményezhet.
- Karbantartás vagy tisztítás előtt az áramütés kockázatának csökkentésére húzza ki a töltőt a konnektorból.
- Használaton kívül húzza ki a töltőt a hálózatból. Így csökkenti az áramütés, illetve a töltő megrongálódásának kockázatát, ha fémtárgyak esnek a nyílásba. Azt is megakadályozza, hogy a töltő átmeneti túlfeszültség miatt károsodjon.
- Áramütés veszélye. Ne érjen a kimeneti csatlakozó szigetetlen részéhez vagy az akkumulátor szigetetlen érintkezőihez.

## AKKUMULÁTORRA VONATKOZÓ BIZTONSÁGI ELŐÍRÁSOK



Li-ion

- Ne ártalmatlanítsa az akkumulátorokat a háztartási hulladékba dobva vagy elégetéssel. A leselejtezett akkumulátorok helyes megsemmisítése és a környezet védelme érdekében a használt akkumulátorokat adja át a Ryobi

forgalmazónak.

- Az akkumulátoroknak az egységtől való elkülönítésével válogassa szét az elektronikus hulladékokat. Adja le azokat az erre szolgáló gyűjtőpontokon.
- A beépített akkumulátor eltávolítása: A csavarok eltávolításával nyissa fel a burkolatot. Válassza le az akkumulátort az áramkörből, és vegye ki a gépből.
- **MEGJEGYZÉS:** A burkolat felnyitása után a termék többé nem használható és nem szervizelhető, azt az előírt módon ártalmatlanítani kell.
- Az akkumulátor szerszámgepből való eltávolítása előtt a gép beindításával merítse le az akkumulátort.
- Ügyeljen arra, hogy a leselejtezendő akkumulátor ne érhesen más akkumulátorokhoz vagy vezető anyagokhoz; ehhez a szabadon maradt csatlakozókat védje szigetelő fedéllel vagy szalaggal.
- Sérült akkusomagot soha ne cseréljen le.

## VISSZAMARADÓ KOCKÁZATOK

Még a termék rendeltetészerű használata esetén sem lehet teljesen kiküszöbölni minden kockázati tényezőt. A gép használata során a következő veszélyek merülhetnek fel, és a kezelőnek különösen oda kell figyelnie az alábbiak elkerülésére:

- Zaj okozta halláskárosodás  
A fülét ért zajterhelést csökkentse megfelelő hallásvédő eszközzel.
- Szemsérülés  
Viseljen védőszemüveget vagy szemvédőt a termék használatakor.
- Vibráció okozta sérülések  
Korlátozza a kitétséget. Kövesse a

Kockázatok csökkentése című rész utasításait.

- Rejtett vezetékek megérintéséből eredő áramütés  
A terméket csak a szigetelt felületeknél fogja.
- Por okozta sérülések  
A termék használata közben képződő por légzőszervi problémákat okozhat. Viseljen megfelelő porvédő maszkot a megmunkált anyag részecskéi ellen védő szűrővel.

## KOCKÁZATCSÖKKENTÉS

Ismert, hogy a kézi szerszámgépek használata során fellépő vibráció bizonyos személyeknél hozzájárulhat az úgynevezett Raynaud-szindróma (Raynaud's Syndrome) nevű állapot kialakulásához. A tünetei lehetnek: az ujjak zsibbadása, elfehéredése, szúrások érzése, amelyek hidegnek kitéve gyakran felerősödnek. Az öröklődő tényezők, a hidegnek kitettség és verejtékezés, a diéta, a dohányzás és munka közben alkalmazott fogások valószínűleg mind hozzájárulhatnak ezen tünetek megjelenéséhez. A vibráció hatásainak csökkentése érdekében a kezelőnek be kell tartani az alábbi óvintézkedéseket:

- Hideg időben tartsa melegen a testét.  
A gép használatakor viseljen kesztyűt a kéz és a csukló melegen tartásához. Arról számoltak be, hogy a hideg időjárásnak fontos szerepe van a Raynaud-szindróma kialakulásában.
- Bizonyos időtartamú használat után mindig végezzen gyakorlatokat a vérkeringés javításához.
- Gyakran tartson munkaszünetet.  
Korlátozza a napi munkaidőt.

Ha ezen állapot bármelyik tünetét tapasztalja, azonnal hagyja abba a munkát, és tájékoztassa az orvosát a tünetekről.

## ▲ FIGYELEM

A gép hosszabb idejű folyamatos használata sérüléseket okozhat vagy súlyosbíthatja a tüneteket. Ha a gépet hosszú időn át kell használnia, tartson gyakran szünetet.

## ISMERJE MEG A TERMÉKET

Lásd 131. ábrát.

1. Befogópátron (tokmány)
2. Kétfokozatú sebességváltó kapcsoló
3. Tengelylezáró gomb
4. Forgásirány-választó
5. Csavarhúzófej (25 mm)
6. Be - ki kapcsológomb
7. Töltő
8. A töltő dugója
9. Jack bemenet

## KARBANTARTÁS

### ▲ FIGYELEM

Alkatrészek szerelésekor, beállítások végzésekor, tisztításakor, karbantartás végzésekor, illetve használaton kívül mindig húzza ki a gépet az elektromos hálózatról. A termék hálózatról történő leválasztása megakadályozza a véletlen bekapcsolódást, ami súlyos sérülést okozhat.

- Szervizeléskor csak azonos cserealkatrészeket használjon. Bármilyen más alkatrész használata veszélyes és a termék károsodását okozhatja.
- A műanyag részek tisztításakor tartózkodjon a tisztítószerrel szembe fordított szemérettől.

használatától. A kereskedelmi forgalomban kapható oldószerek rongáló hatással vannak a műanyagból készült elemek többségére. A szennyeződést és szénport tiszta ruhával törölje le.

- A műanyag részek semmilyen körülmények között nem érintkezhetnek fékolajjal, benzinnel, petróleum alapú termékekkel, beszívódó olajokkal stb. Ezen anyagok olyan vegyületeket tartalmaznak, amelyek károsíthatják, meggyengíthetik vagy tönkretelhetik a műanyagot.
- Elektromos szerszámgépek használatakor vagy a por kifúvásakor mindig viseljen védőszemüveget, ami a szemet oldalról is védi. Ha a használat poros környezetben történik, vegyen fel egy pormaszkot is.
- A nagyobb biztonság és megbízhatóság érdekében minden javítást hivatalos szervizközpontban kell elvégeztetni.

## KENÉS

A termékben lévő összes csapágy a termék teljes élettartamára elegendő kenőanyaggal van feltöltve, normál körülmények közötti használat esetén. Ebből kifolyólag nincs szükség arra, hogy a gép belső részeit kenje.

## KÖRNYEZETVÉDELEM



Segítse elő az alapanyagok újrahasznosítását azzal, hogy nem helyezi el őket a háztartási szemétkben. Környezetvédelmi megfontolásból az elhasználdott gépet és tartozékokat, valamint a csomagolóanyagokat szelektív módon kell gyűjteni.

## SZIMBÓLUMOK



Biztonsági figyelmeztetés



CE megfelelés



Eurázsiai megfelelési jelzés



Ukrainai megfelelési nyilatkozat



A gép bekapcsolása előtt figyelmesen olvassa el az útmutatót.



A gép bekapcsolása előtt figyelmesen olvassa el az útmutatót.



II. osztályú berendezés



Üresjáratú fordulatszám



2A-es túlmelegedés elleni biztosíték

V

Volt



Egyenáram

min<sup>-1</sup>

Fordulatok ill. löketek száma percenként



Viseljen szemvédőt

A kiselejtezett elektromos termékeket nem szabad a háztartási hulladékkal együtt kidobni. Ezeket újra kell hasznosítani, ha van rá lehetőség.



Az újrahasznosítással kapcsolatban érdeklődjön a helyi önkormányzatnál vagy a termék forgalmazójánál.

vagy komoly sérülést eredményez.

### FIGYELEM

Egy potenciálisan bekövetkező veszélyes helyzetet jelez, ami, ha nem előzik meg, halált vagy súlyos sérülést eredményezhet.

### VIGYÁZAT

Egy potenciálisan veszélyes helyzetet jelez, ami, ha nem előzik meg, kisebb vagy mérsékelten súlyos sérülést eredményezhet.

### VIGYÁZAT

(Biztonsági figyelmeztető szimbólum nélkül) Egy olyan helyzetet jelez, ami anyagi kárt eredményezhet.

## IKON A KÉZIKÖNYVBEN



Megjegyzés



Csatlakoztassa az elektromos hálózathoz.



Töltési idő



Maximális nyomaték



Nyomaték, minimális

A következő jelölőszavak és jelentések arra szolgálnak, hogy megmagyarázzák a termékkel kapcsolatos veszélyességi szinteket.

### VESZÉLY

Egy bekövetkező veszélyes helyzetet jelez, ami, ha nem előzik meg, halált

Siguranța, performanța și fiabilitatea au fost principalele noastre priorități la proiectarea șurubelniță dvs.

## DOMENIU DE APLICAȚII

Șurubelnița poate fi utilizată doar de persoane adulte care au citit și au înțeles instrucțiunile și avertismentele din acest manual și pot fi considerate responsabile pentru acțiunile proprii.

Aceasta este destinată înșurubării și deșurubării șuruburilor.

Nu folosiți produsul în niciun alt fel decât cel menționat pentru folosirea lui destinată.

**NOTĂ:** Este recomandat să efectuați găuri de ghidare înainte de a înșuruba șuruburi.

## ⚠ AVERTISMENT

**Citiți toate avertismentele și instrucțiunile de siguranță.**

Neurmarea avertizării și instrucțiunilor ar putea cauza electrocutare, incendiu și/sau vătămare gravă.

**Salvați toate avertizările și instrucțiunile pentru o consultare ulterioară.**

## AVERTISMENTE DE SIGURANȚĂ PRIVIND ȘURUBELNIȚA

- **Țineți scula de suprafețele de prindere izolate, atunci când îndepliniți o operație acolo unde clemele ar putea intra în contact cu firele ascunse.** Clemele ce fac contact direct cu firele ar putea fi expuse direct la părțile din metal ale sculei și ar putea provoca operatorului electrocutarea.

## AVERTISMENTE DE SIGURANȚĂ PRIVIND ÎNCĂRCĂTORUL

- Înainte de a utiliza încărcătorul, citiți toate instrucțiunile și marcajele de avertizare din acest manual, de pe încărcător, baterie și produsul cu care utilizați bateria, pentru a preveni utilizarea incorectă a produselor și posibilele accidente sau avarierea produsului.
- Nu utilizați încărcătorul la exterior și nu îl supuneți la umezeală. În cazul pătrunderii apei în încărcător, crește pericolul de electrocutare.
- Folosirea unui accesoriu nerecomandat sau vândut de către producătorul încărcătorului ar putea rezulta în risc de incendiu, electrocutare sau vătămarea persoanei. Reduceți astfel riscurile de electrocutare, de incendiu și de răniți grave.
- Nu supuneți cablul sau încărcătorul unor condiții de utilizare improprie sau unor șocuri. Nu apucați niciodată încărcătorul de cablu. Când scoateți încărcătorul din priză, prindeți-l de ștecher, nu de cablu. În această situație cablul sau încărcătorul ar putea fi avariat și apare risc de electrocutare. Înlocuiți cablurile deteriorate imediat.
- Aveți grijă să nu călcați pe cablu sau să nu vă împiedicați de acesta. De asemenea, nu supuneți cablul la contactul cu margini ascuțite, piese în mișcare sau la alte acțiuni care l-ar putea deteriora. Astfel reduceți riscul de accidente și de deteriorare a cablului care ar putea provoca electrocutare.
- Nu lăsați cablul și încărcătorul în apropierea unei surse de căldură, deoarece carcasa și piesele interne ar



putea fi avariate.

- Nu folosiți încărcătorul dacă are cablul sau ștecherul deteriorat, deoarece există riscul de scurtcircuit și electrocutare. Dacă încărcătorul este avariata, acesta trebuie schimbat de un reprezentant de service.
- Nu utilizați încărcătorul dacă a fost lovit cu un obiect ascuțit, a fost scăpat din mână sau deteriorat în orice alt mod. Duceți-l la un centru de service autorizat pentru a stabili dacă se află în stare bună de funcționare.
- Nu dezasamblați încărcătorul. Duceți-l la un centru de service autorizat dacă sunt necesare lucrări de service sau reparații. Reasamblarea incorectă poate cauza risc de electrocutare sau incendiu.
- Deconectați încărcătorul de la priză înainte de curățare sau întreținere, pentru a reduce riscul de electrocutare.
- Deconectați încărcătorul de la priza de alimentare atunci când nu e folosit. Astfel, veți reduce riscul de electrocutare sau deteriorare a încărcătorului dacă în fantă pătrunde un obiect de metal. De asemenea, se previne deteriorarea încărcătorului în cazul unei pene de curent.
- Riscul de electrocutare. Nu atingeți porțiunea neizolată a conectorului de ieșire sau a bornei neizolate a bateriei.

- Nu eliminați bateriile folosite împreună cu deșeurile casnice sau să le ardeți. Pentru a elimina corespunzător deșeurile de acumulatori și pentru protejarea mediului, încredințați acumulatorii vechi la distribuitorul dvs Ryobi.
- Separați corespunzător deșeurile electronice prin îndepărtarea acumulatorilor integrați de la unitatea principală înainte de a-i arunca la gunoi. Încredințați-i la punctele de colectare corespunzătoare.
- Pentru îndepărtarea acumulatorului integrat: Separați carcasa una de cealaltă prin deșurubarea șuruburilor. Deconectați acumulatorul de la circuit și scoateți-l.
- **NOTĂ:** Când e deschis, produsul nu mai este re folosibil sau să îi fie efectuat service-ul și trebuie eliminat corespunzător.
- Înainte de îndepărtarea acumulatorului de pe scula electrică, porniți produsul până când acumulatorul este complet descărcat.
- Asigurați-vă că acumulatorul ce vine îndepărtat nu vine în contact cu baterii, alți acumulatori sau materiale conductive prin protejarea bornelor expuse cu bandă sau capace izolatoare non-conductive.
- Nu încărcați niciodată un acumulator deteriorat.

## AVERTIZĂRI DE SIGURANȚĂ ASUPRA BATERIEI



Li-ion

## RISCURI REZIDUALE

Chiar dacă produsul este folosit așa cum este descris, este totuși imposibil să se elimine complet anumiți factori de risc reziduali. Următoarele pericole ar putea apărea în timpul folosirii iar operatorul trebuie să acorde o atenție specială pentru a evita următoarele:





- Afectarea auzului datorită zgomotului  
Purtați echipament de protecție a auzului și limitați expunerea.
- Afectarea ochilor  
Purtați ochelari de protecție cu apărătoare laterale atunci când folosiți acest produs.
- Vătămare cauzată de vibrații.  
Limitați expunerea. Urmați instrucțiunile din secțiunea Reducerea riscului.
- Electrocutare în urma contactului cu cablurile ascunse  
Țineți produsul doar de suprafețele izolate.
- Vătămare cauzată de praf.  
Praful creat prin operarea produsului poate cauza vătămare a căilor respiratorii. Purtați o mască anti-praf cu filtre adecvate pentru a vă proteja de particulele de material prelucrat.

## REDUCEREA RISCULUI

S-a reținut că vibrațiile de la sculele de mână pot contribui la starea numită Sindromul lui Raynaud, la anumite persoane. Simptomele pot include furnicături, amorțeală și albirea degetelor, care apare, de obicei, după expunerea la frig. Factori ereditari, expunerea la frig și umiditate, dieta, fumatul și practicile de muncă contribuie la dezvoltarea acestor simptome. Există măsuri care pot fi efectuate de către operator pentru a reduce efectele de vibrațiilor:

- Păstrați-vă temperatura corporală ridicată pe vreme rece. Când operați unitatea purtați mănuși pentru a vă menține mâinile și încheieturile la căldură. S-a constatat că vremea rece este un factor major care contribuie la sindromul Raynaud.

- După fiecare perioadă de operare, trebuie făcute exerciții pentru a crește circulația sângelui.
- Trebuie făcute pauze la intervale de timp regulate. Limitați expunerea zilnică.

Dacă sunt experimentate oricare dintre simptomele acestei afecțiuni, trebuie întreruptă utilizarea și consultat un medic.

### ⚠ AVERTISMENT

Poti fi cauzate, sau agravate vătămări prin folosirea prelungită a sculei. Atunci când folosiți o sculă pentru perioade prelungite, asigurați-vă că luați pauze regulate.

## CUNOAȘTEȚI-VĂ PRODUSUL.

A se vedea figura 131.

1. Mandrină
2. Kétfokozatú sebességváltó kapcsoló
3. Buton de blocare a pivotării
4. Selector direcție de rotire
5. Bit unic (25 mm)
6. Declanșator comutator
7. Încărcător
8. Conector de încărcare
9. Conector de intrare

## ÎNȚREȚINEREA

### ⚠ AVERTISMENT

Produsul nu trebuie conectat niciodată la priză atunci când asamblați părțile, faceți reglaje, curățați sau faceți întreținerea, sau atunci când produsul nu este folosit. Deconectarea produsului va preveni pornirea accidentală ce poate cauza vătămare gravă.

- Atunci când efectuați proceduri de service, utilizați doar piese de schimb identice. Utilizarea altor piese poate crea situații periculoase sau poate conduce la deteriorarea produsului.
- Evitați utilizarea solvenților atunci când curățați piesele din plastic. Majoritatea materialelor plastice pot să fie deteriorate prin utilizarea unor solvenți vânduți în comerț. Utilizați o cârpă uscată pentru a îndepărta murdăria și reziduurile de carbon.
- Nu lăsați niciun moment ca lichidele de frână, produsele pe bază de petrol, uleiurile penetrante etc să intre în contact cu părțile din plastic. Aceste produse chimice conțin substanțe care pot afecta, slăbi sau distruge plasticul.
- Atunci când operați scula electrică sau când îndepărtați praful, purtați întotdeauna ochelari de protecție sau ochelari de protecție cu apărători laterale. Dacă mediul de lucru este plin de praf, purtați întotdeauna o mască împotriva prafului.
- Pentru o mai mare siguranță și încredere, toate reparațiile trebuie să se facă într-un centru de service autorizat.

## LUBRIFIEREA

Toți rulmenții din interiorul produsului sunt lubrifiați cu o cantitate suficientă de lubrifianț de calitate înaltă pentru durata produsului în condiții normale de folosire. În consecință, nici o ungere suplimentară nu este necesară.

## PROTECȚIA MEDIULUI ÎNCONJURĂTOR



Reciclați materiile prime în loc să le aruncați la gunoi, împreună cu deșeurile menajere. Pentru a proteja mediul înconjurător, mașina, accesoriile acesteia și ambalajele trebuie triate.

## SIMBOLURI



Alertă de siguranță



Conformitate CE



Marcaj de conformitate EurAsian



Semn de conformitate ucrainean



Vă rugăm citiți instrucțiunile cu atenție înainte de pornirea aparatului.



Vă rugăm citiți instrucțiunile cu atenție înainte de pornirea aparatului.



Echipament clasa II



Viteză în gol



Siguranță termică 2A



Volți



Curent continuu

min<sup>-1</sup>

Număr de rotații sau de mișcări pe minut



Purtați echipamente de protecție a vederii



Deșeurile produselor electrice nu trebuie să fie înlăturate împreună cu deșeurile casnice. Vă rugăm să reciclați acolo unde există facilități. Verificați la autoritatea dvs. locală sau la vânzător pentru sfaturi privind reciclarea.

#### PICTOGRAMĂ ÎN ACEST MANUAL



Notă



Conectați la sursa de curent.



Durată de încărcare



Cuplu maxim



Cuplu, minimă

Rămătoarele cuvinte simbol și înțelesul lor au intenția de a explica nivelele de risc asociate cu acest produs.

#### **PERICOL**

Indică o situație imediată de pericol, care dacă nu este evitată va rezulta în deces sau rănire gravă.

#### **AVERTISMENT**

Indică o situație potențială de pericol, care dacă nu este evitată poate rezulta în deces sau rănire gravă.

#### **PRECAUȚIE**

Indică o situație potențial periculoasă, care dacă nu este evitată, poate rezulta în vătămare minoră sau moderată.

#### **PRECAUȚIE**

(Fără simbol de alertă de siguranță)  
Indică o situație ce poate rezulta în distrugerea proprietății.

Drošībai, veiktspējai un uzticamībai ir pievērsta vislielākā uzmanība, radot jūsu skrūvgriezi.

## PAREDZĒTĀ LIETOŠANA

Izstrādājums paredzēts lietošanai tikai pieaugušiem, kuri izlasījuši un sapratuši šīs rokasgrāmatas norādes un brīdinājumus un var tikt uzskatīti par atbildīgiem par savu rīcību.

Instrumenti ir paredzēti skrūvju un bultskrūvju ieskrūvēšanai un izskrūvēšanai.

Neizmantojiet ierīci citiem mērķiem, bet tikai tam paredzētajiem.

**PIEZĪME:** Ieteicams izmantot palīgcaurumus skrūvju ieskrūvēšanai.

## ⚠ BRĪDINĀJUMS

**Izlasiet visus drošības brīdinājumus un visas instrukcijas.** Brīdinājumu un instrukciju neievērošana var izraisīt elektrošoku, aizdegšanos un/vai nopietnus ievainojumus.

**Visus brīdinājumus un norādījumus saglabājiet turpmākām uzziņām.**

## SKRŪVGRIEŽA DROŠĪBAS BRĪDINĀJUMI

- **Veicot darbību, kuras laikā stiprinātājs var saskarties ar slēptiem vadiem, turiet elektroinstrumentu aiz izolētajām satveršanas virsmām.** Stiprinātāju saskare ar strāvu vadošiem elementiem var padarīt vadošas arī atklātās metāla daļas un izraisīt elektrošoku operatoram.

## LĀDĒTĀJA DROŠĪBAS BRĪDINĀJUMI

- Pirms akumulatora lādētāja izmantošanas izlasiet visas norādes

un brīdinājuma atzīmes šajā rokasgrāmatā, uz akumulatora lādētāja, akumulatora un instrumenta, kurā tiek lietots akumulators, lai novērstu izstrādājumu nepareizu lietošanu un iespējamus ievainojumus vai bojājumus.

- Neizmantojiet lādētāju ārpus telpām un nepakļaujiet to slapjiem vai mitriem apstākļiem. Lādētājā iekļuvus ūdens palielinās elektrošoka risku.
- Papildinājumu, kas nav ieteikti vai akumulatora ražotāja pārdoti, lietošana var izraisīt aizdegšanos, elektrošoku vai citus miesas bojājumus. Šī noteikuma ievērošana mazinās elektriskā trieciena, aizdegšanās un nopietnu traumu risku.
- Nebojājiet lādētāja vadu. Nekad neizmantojiet vadu, lai nestu lādētāju. Kontaktdakšas vietā nevelciet aiz vada, lai atvienotu kontaktdakšu no sprieguma. Iespējami bojājumi vadam vai lādētājam, kas var radīt elektrošoka briesmas. Nekavējoties nomainiet vadus.
- Pārliecinieties, ka vads ir novietots tā, lai uz tā neuzkāptu, nepakļuptu, tas nenonāktu saskarsmē ar asām malām vai kustīgām daļām, vai citādi netiktu pakļauts mehāniskai ietekmei vai bojājumiem. Tas samazinās nejausū kritienu risku, kas var izraisīt ievainojumus, bojājumus vadam, kas savukārt var izraisīt elektrošoku.
- Novietojiet vadu un lādētāju atstātu no siltuma avotiem, lai novērstu bojājumus ārējām vai iekšējām daļām.
- Nelietojiet lādētāju ar bojātu vadu vai kontaktdakšu, kas var izraisīt īssavienojumu vai elektrošoku. Bojājuma gadījumā, veiciet lādētāja nomaiņu pilnvarotā servisa centrā.

- Neizmantojiet lādētāju, ja tas saņēmos asu triecienu, ticis nomests vai bojāts jebkādā citā veidā. Nogādājiet to pilnvarotā servisa centrā elektriskai pārbaudei, lai pārliecinātos ka lādētājs ir labā darba kārtībā.
- Neizjauciet lādētāju. Nogādājiet pilnvarotā servisa centrā, ja nepieciešams remonts vai apkope. Nepareiza atpakaļ salikšana var radīt aizdegšanās vai elektrošoka draudus.
- Pirms jebkādu apkopes vai tīrīšanas darbu sākšanas atvienojiet lādētāju no sprieguma, lai samazinātu elektrošoka risku.
- Atvienojiet lādētāju no elektrības, kad to neizmantojat. Tas samazinās elektrošoka risku un lādētāja bojājumu iespēju, gadījumos, ja tā atverē iekrīt metāla priekšmeti. Tas palīdzēs novērst lādētāja bojājumus arī elektrotīkla pārsprieguma laikā.
- Elektriskā trieciena risks. Nepieskarieties neizolētajām lādētāja daļām vai neizolētajām akumulatoru spailēm.

## AKUMULATORA DROŠĪBAS BRĪDINĀJUMI



Li-ion

- Nedrīkst atbrīvoties no lietotām bateriju pakām, tās izmetot mājas atkritumu tvertnē vai sadedzinot. Lai pareizi utilizētu izlietos akumulatorus un aizsargātu vidi, vecos akumulatorus nogādājiet Ryobi izplatītājam.
- Pareizi sašķirojiet elektroniskos atkritumus, pirms utilizācijas izņemot iebūvētos akumulatorus no galvenās

ierīces. Nogādājiet tos piemērotā atkritumu savākšanas punktā.

- Lai izņemtu iebūvēto akumulatoru: atdaliet korpusa detaļas vienu no otras, atskrūvējot skrūves. Atvienojiet akumulatoru no slēguma un izņemiet to.
- **PIEZĪME:** Tiklīdz ierīce tiek atvērta, tā vairs nav lietojama un darboties spējīga un tā pareizi jāutilizē.
- Vispirms ieslēdziet ierīci, līdz akumulators ir pilnībā izlādējies, un tikai pēc tam izņemiet akumulatoru no elektroinstrumenta.
- Nodrošiniet, lai utilizējama akumulators nevarētu nonākt saskarē ar baterijām, citiem akumulatoriem vai vadītspējīgiem materiāliem, pasargājot atklātos savienotājus ar nevadošu izolācijas lenti vai uzmavām.
- Nekad neuzlādējiet bojātu akumulatora bloku.

## PALIEKOŠIE RISKI

Pat tad, ja ierīce tiek lietota, kā aprakstīts, joprojām nav iespējams pilnībā novērst atsevišķus riska faktorus. Lietošanas laikā var rasties šādas briesmas un strādniekam īpaša uzmanība jāpievērš šim:

- Trokšņa izraisīti dzirdes bojājumi  
Nēsājiet piemērotus dzirdes aizsarglīdzekļus un ierobežojiet atrašanos šādās vietās.
- Acu ievainojumi  
Lietojot ierīci, valkājiet acu aizsegu vai aizsargbrilles.
- Vibrācijas radīti bojājumi  
Ierobežojiet iedarbību. Sekojiet norādēm sadaļā Risku samazināšana.
- Elektrošoks, ko izraisījusi saskarsme

ar apslēptiem vadiem

Turiet ierīci tikai aiz izolētajām virsmām.

- Putekļu izraisītas traumas
- Preces darbināšanas laikā radušies putekļi var radīt elpceļu savainojumus. Nēsājiet atbilstošu putekļu aizsargmasku ar filtriem, kas piemēroti aizsardzībai pret apstrādājamā materiāla daļiņām.

## RISKA SAMAZINĀŠANA

Ir ziņots, ka rokās turamu preču vibrācijas dažām personām var veicināt „Reino sindromu”. Simptomi var ietvert pirkstu tinkšķēšanu, nejutīgumu un nobālēšanu, parasti aukstā laikā. Tiek uzskatīts, ka tradicionālie faktori, aukstums un mitrums, uzturs, smēķēšana un darba prakse sekmē šo simptomu attīstību. Operators var veikt pasākumus, lai iespējami samazinātu vibrācijas efektu:

- Aukstā laikā ķermenim jābūt siltam. Darbinot ierīci, nēsājiet cimdus, lai rokas un plaukstas locītavas būtu siltas. Ir pētījumi, ka auksts laiks ir galvenais faktors, kas veicina Reino sindromu.
- Ik pēc laika apturiet darbu un veiciet vingrinājumus, kas uzlabo asins cirkulāciju.
- Strādājot jābūt biežiem pārtraukumiem. Ierobežojiet iedarbības ilgumu dienā.

Ja jūs izjūtat kādu no šiem simptomiem, nekavējoties apturiet ierīces lietošanu un sazinieties ar ārstu par šiem simptomiem.

## ⚠ BRĪDINĀJUMS

Ilgstoša instrumenta lietošana var izraisīt traumas vai pasliktināt veselības stāvokli. Ilgstoši lietojot jebkuru instrumentu, pārliecinieties, ka tiek veikti regulāri pārtraukumi.

## IERĪCES IEPAZĪŠANA

*Skatīt 131. lpp.*

1. Patrona
2. Divpakāpju pārvada pārslēgs
3. Pagriežamā rokturā fiksācijas poga
4. Rotācijas atlasītāja virziens
5. Skrūvgrieža adapteris(25 mm)
6. Slēdža mēlīte
7. Lādētājs
8. Lādētāja kontakts
9. Pieslēgšanas kontakts

## APKOPE

## ⚠ BRĪDINĀJUMS

Produktu nekad nedrīkst pievienot barošanas padevei, veicot daļu montāžu, regulēšanu, tīrīšanu vai apkopi, kā arī laikā, kad tas netiek izmantots. Atvienojot produktu, tiek novērsta nejauša ieslēgšanās, kas var izraisīt nopietnu traumu.

- Veicot apkopi, izmantojiet tikai identiskas rezerves daļas. Jebkādi citu detaļu izmantošana var izraisīt bīstamību vai produkta bojājumus.
- Tīrot plastmasas daļas, izvairieties no šķīdinātāju lietošanas. Vairums plastmasu ir jutīgas pret dažāda veida pārdošanā esošajiem šķīdinātājiem un to izmantošanas rezultātā var tikt bojātas. Lai notīrītu neīrūmus un oglekļa putekļus, izmantojiet tīru drānu.

- Nekādā gadījumā plastmasas daļām neļaujiet nonākt saskarē ar bremžu šķidrumu, benzīnu, naftas izstrādājumiem, eļļām ar paaugstinātu mitrināšanas spēju utt. Ķīmikālijas var sabojāt, novājināt vai iznīcināt plastmasas detaļas.
- Elektroinstrumenta darbības vai putekļu pūšanas laikā vienmēr izmantojiet aizsargbrilles vai drošības brilles ar sānu aizsargiem. Ja darbība ir saistīta ar putekļu rašanos, uzlieciet arī putekļu masku.
- Lielākas drošības un uzticamības labad visi remontu jāveic pilnvarotā apkopes centrā.

## EĻĻOŠANA

Visi izstrādājuma guļņi tiek eļļoti ar pietiekamu augstas kvalitātes smērvielas daudzumu, lai nodrošinātu produkta kalpošanas laiku normālos lietošanas apstākļos. Tāpēc papildu eļļošana nav nepieciešama.

## VIDES AIZSARDZĪBA



Tā vietā, lai izejmateriālus izmestu atkritumos, nododiet tos otrreizējai pārstrādei.

Mašīna, aksesuāri un iepakojums ir jāsašķiro un jānodod videi draudzīgā atkārtotas pārstrādes vietā.

## APZĪMĒJUMI



Drošības brīdinājums



CE atbilstība



EurAsian atbilstības marķējums



Ukrainas apstiprinājuma zīme



Pirms iedarbināt mašīnu, lūdzu rūpīgi izlasiet instrukcijas.



Pirms iedarbināt mašīnu, lūdzu rūpīgi izlasiet instrukcijas.



II klases aprikojums



Apgriezieni bez slodzes



Termiskais drošinātājs 2A



Volti



Līdzstrāva



Apgriezieni minūtē



Valkājiet acu aizsarglīdzekļus



Izlietotie elektroprodukti nedrīkst tikt izmesti kopā ar mājāsaimniecības atkritumiem. Lūdzu, nododiet tos attiecīgajās atkāršanas vietās. Sazinieties ar savu vietējo varas pārstāvi vai izplatītāju, lai noskaidrotu, kur iespējama atkārtota pārstrāde.

**SIMBOLI ROKASGRĀMATĀ**

Piezīme



Pievienojiet elektropadevei.



Lādēšanas laiks



Maksimālais griezes moments



Griezes moments, minimums

Lai izskaidrotu risku, kas saistīti ar izstrādājumu, līmeni, paredzēti šādi norādījuma vārdi un jēdzieni.

**⚠ BĪSTAMI**

Norāda uz nenovēršami bīstamu situāciju, kas, ja netiks novērsta, izraisīs nāvi vai nopietnus miesas bojājumus.

**⚠ BRĪDINĀJUMS**

Norāda uz potenciāli bīstamu situāciju, kas, ja netiks novērsta, var izraisīt nāvi vai nopietnus miesas bojājumus.

**⚠ UZMANĪBU**

Norāda uz potenciāli bīstamu situāciju, kas, ja netiek novērsta, var izraisīt vieglus vai vidējus miesas bojājumus.

**UZMANĪBU**

(Bez drošības trauksmes simbola), kas norāda, uz situāciju, kas var novest pie īpašuma bojājuma.



Gaminant šį atsuktuvą didžiausia svarba buvo teikiama jo saugai, efektyvumui ir patikimumui.

### NAUDOJIMO PASKIRTIS

Šis gaminys skirtas naudoti suaugusiems asmenims, perskaičiusiems ir supratusiems šiame vadove pateiktas instrukcijas ir įspėjimus bei atsakingiems už savo veiksmus.

Gaminys skirtas varžtams ir sraigtams įsukti ir išsukti.

Gaminį galima naudoti tik pagal paskirtį.

**PASTABA:** Prieš įgręžiant varžtus rekomenduojama įspausti bandomąsias skylutes.

### ĮSPĖJIMAS

**Perskaitykite visus saugos įspėjimus ir visą instrukciją.** Įspėjimų ir instrukcijų nesilaikymas gali sukelti elektros smūgį, gaisrą ir (ar) sunkius sužeidimus.

**Kad tinkamai naudotumėte įrankį, žr. visus perspėjimus ir nurodymus.**

### ĮSPĖJIMAI DĖL ATSUKTUVO SAUGOS

■ **Atlikdami darbą, kurio metu tvirtinamasis elementas gali susiliesti su nepastebėtais laidais, elektrinį įrankį laikykite izoliuotais spaustuvais.** Tvirtinamiesiems elementams prisilietus prie laido, kuriuo teka elektros srovė, ši srovė gali pradėti tekėti elektrinio įrankio neapsaugotomis metalinėmis dalimis ir įrankį naudojantis asmuo gali patirti elektros smūgį.

### ĮSPĖJIMAI DĖL ĮKROVIKLIO SAUGOS

- Prieš naudodami akumuliatoriaus įkroviklį perskaitykite visas šiame vadove, ant įkroviklio, akumuliatoriaus ir gaminio, kuriame naudojamas akumuliatorius, pateiktas instrukcijas ir įspėjimus, kad išvengtumėte netinkamo jų naudojimo ir sužeidimo ar žalos pavojaus.
- Nenaudokite įkroviklio lauke ir saugokite jį nuo vandens ar drėgmės. Į įkroviklį patekus vandens, padidėja elektros smūgio pavojus.
- Naudojant nerekomenduojamą arba baterijų įkroviklio gamintojo parduotą įtaisą, gali įvykti gaisras, elektros smūgis arba gali būti sužeisti žmonės. Laikantis šių nurodymų, sumažinamas elektros smūgio, gaisro ar sunkių sužeidimų pavojus.
- Kabelį ir įkroviklį naudokite tik pagal paskirtį. Nenešikokite įkroviklio laikydami už kabelio. Atjungdami nuo maitinimo lizdo traukite kištuką, o ne įkroviklio kabelį. Antraip galite sugadinti kabelį arba įkroviklį, kils elektros smūgio pavojus. Pažeistą laidą būtina nedelsiant pakeisti.
- Kabelį laikykite taip, kad negalėtumėte ant jo užminti arba už jo užkliūti, kad jis neliestų aštrių briaunų ar judančių dalių ir būtų apsaugotas nuo gadinimo ar įtempimo. Taip sumažinsite sužeidimais galinčio baigtis griuvimo pavojų ir išvengsite kabelio sugadinimo, kuris gali lemti elektros smūgį.
- Saugokite kabelį ir įkroviklį nuo šilumos šaltinių, kurie gali pakenkti korpusui ir vidinėms dalims.
- Nenaudokite įkroviklio, jei jo kabelis arba kištukas sugadintas, nes tai kelia

trumpojo jungimo ir elektros smūgio pavojų. Jei įkroviklio komponentai sugadinami, juos turi pakeisti įgaliotas priežiūros specialistas.

- Nenaudokite įkroviklio, jei jis patyrė stiprų smūgį, buvo numestas ar patyrė kitokią žalą. Nuneškite jį įgaliotam priežiūros specialistui, kad patikrintų elektros sistemą ir nustatytų, ar įkroviklis tinkamas naudoti.
- Neardykite įkroviklio. Prireikus atlikti priežiūros ar remonto darbus, nuneškite jį įgaliotam priežiūros specialistui. Netinkamai surinkus išardytą įkroviklį, galima sukelti elektros smūgį arba gaisrą.
- Prieš atlikdami bet kokius priežiūros ar valymo darbus atjunkite įkroviklį nuo maitinimo linijos, kad sumažintumėte elektros smūgio pavojų.
- Nenaudojamą įkroviklį reikia atjungti iš maitinimo. Taip sumažinsite elektros smūgio arba įkroviklio sugadinimo pavojų, jei į angas įkristų metalinių objektų. Be to, tai padės išvengti žalos dėl maitinimo įtampos svyravimų.
- Elektros smūgio pavojus. Nelieskite neizoliuotos išvado jungties ar baterijos gnybtų.

## BATERIJŲ SAUGOS ĮSPĖJIMAI



Li-ion

- Panaudotų baterijų paketų negalima mesti kartu su buitinėmis atliekomis ar deginti. Norėdami tinkamai utilizuoti baterijų blokus ir apsaugoti aplinką, atiduokite panaudotus blokus Ryobi platintojui.
- Tinkamai rūšiukite elektronines

atliekas ir, prieš išmesdami, ištraukite įmontuotus baterijų blokus iš pagrindinio įrenginio. Perduokite atitinkamoms atliekų surinkimo įmonėms.

- Kad ištrauktumėte įmontuotą baterijų bloką: atsukite varžtus ir atskirkite korpuso gaubtus vienas nuo kito. Atjunkite baterijų bloką nuo grandinės ir ištraukite.
- **PASTABA:** Atidarius, gaminio daugiau naudoti nebegalima arba remontuoti, jis turi būti tinkamai utilizuotas.
- Prieš ištraukdami baterijų bloką iš elektrinio įrankio, įjunkite gaminį ir laikykite įjungtą, kol baterijų blokas visiškai išsikraus.
- Užtikrinkite, kad baterijų blokas nesiliestų su baterijomis, kitais jų blokais ar laidžiosiomis medžiagomis apsaugodami išilindusias jungtis izoliacija, nelaidžiais gaubtais arba lipnia juosta.
- Niekada neįkraukite sugadintos akumuliatorių pakuotės.

## ŠALUTINIS PAVOJUS

Net naudojant gaminį griežtai pagal paskirtį neįmanoma visiškai atmesti kai kurių liktinių rizikos veiksnių. Būkite budrus atlikdami priežiūros ar valymo darbus: po įrankio naudojimo geležtė kurį laiką išlieka įkaitusi.

- Triukšmo sukelta žala klausai  
Užsidėkite tinkamas apsaugines ausines ir ribokite darbo laiką.
- Akių sužeidimai  
Naudodami šį gaminį dėvėkite akių apsauginį skydą ar akinius.
- Vibracijos sukelti pažeidimai  
Ribokite buvimą darbo aplinkoje.

Vadovaukitės instrukcijomis, pateiktomis rizikos mažinimo dalyje.

- Elektros smūgis palietus paslėptus laidus  
Laikykite gaminį tik už izoliuotų paviršių.
- Dulkių sukeliama žala  
Dulkės, susidarančios naudojant gaminį, gali pakenkti kvėpavimo takams. Užsidėkite tinkamą apsaugos nuo dulkių kaukę su filtrais, saugančiais nuo dalelių, skleidžiamų medžiagos, su kuria dirbate.

### RIZIKOS MAŽINIMAS

Pranešama, kad rankinių įrankių keliamos vibracijos kai kuriems asmenims gali paskatinti Reino sindromo vystymąsi. Šios ligos požymiai yra pirštų dilgčiojimas, nutirpimas ir pabalimas, paprastai pasireiškiantis nuo šalčio. Šie simptomai vystosi dėl paveldimų veiksnių, nesisaugant nuo šalčio ir drėgmės, dėl mitybos, rūkymo ir darbo praktikos. Operatorius gali imtis šių priemonių, kurios gali sumažinti vibracijos poveikį:

- Apsirenkite kuo šilčiau šaltu oru.  
Dirbant šiuo prietaisu mūvėkite pirštines, kad plaštakos ir riešai būtų laikomi šilčiau. Turime pranešimų, kad Raynaud sindromas labiausiai vystosi nuo šalto oro sąlygų.
- po darbo kiekvieną kartą pasportuokite, kad pagerėtų kraujo apytaka;
- dažnai darykite darbo pertraukas.  
Apribokite darbo laikotarpį per dieną.

Jei jums pasireiškia kokie nors šios būklės simptomai, nedelsdami nutraukite darbą ir kreipkitės į gydytoją.

### ⚠ ĮSPĖJIMAS

Ilgai naudojant įrankį, galima susižaloti arba pakenkti sveikatai. Ilgiau naudojant įrankius, reikia reguliariai daryti pertraukas.

### GERAI IŠMANYKITE APIE GAMINĮ

*Žiūrėti 131 psl.*

1. Žiedas
2. Dviejų greičių pavarų dėžė
3. Sukimosi blokavimo mygtukas
4. Sukimosi selektoriaus kryptis
5. Vienas antgalis (25 mm)
6. Perjungiklis
7. Įkroviklis
8. Įkroviklio kištukas
9. Įvesties lizdas

### PRIEŽIŪRA

### ⚠ ĮSPĖJIMAS

Perforatoriaus jokia būdu negalima jungti į maitinimo šaltinį montuojant dalis, reguliuojant, valant, atliekant priežiūros darbus ar jo nenaudojant. Atjungus perforatorių, jis nepasileis atsitiktinai: atsitiktinai pasileidęs, šis įrankis gali sunkiai sužaloti.

- Sugedusias detales keiskite tik originaliomis atsarginėmis detalėmis. Kitų detalių naudojimas gali sukelti pavojų ar sugadinti įrankį.
- Valydami plastikines detales, nenaudokite tirpiklių. Daugelis plastikų jautrūs įvairių tipų komerciniams tirpikliams ir juos naudojant galima pažeisti plastikines detales. Švaria šluoste nuvalykite nešvarumus ir anglies dulkes.
- Stabdžių skysčiai, gazolinas ir benzino produktai, skvarbiuos alyvos

ir pan. jokiū būdu negali patekti ant plastiko dalių. Juose yra chemikalų, kurie gali sugadinti, pažeisti arba susilpninti plastiką.

- Dirbdami su elektriniu įrankiu ar kai pučiamos dulės, visada dėvėkite apsauginius akinius ar akinius su šonine apsauga. Jei darbo metu kyla dulės, taip pat dėvėkite kaukę nuo dulkių.
- Kad būtų saugiau ir patikimiau, visus remonto darbus turi atlikti įgaliojatus techninio aptarnavimo centras.

## SUTEPIMAS

Kad įprastomis darbo sąlygomis perforatorius ilgai nesusidėvėtų, visi jo guoliai sutepti reikiamu kiekiu aukštos klasės tepalo. Todėl daugiau jo tepti nebereikia.

## APLINKOS APSAUGA



Žaliavines medžiagas perdirbkite pakartotinai, o ne išmeskite kaip atliekas.

Mechanizmas, priedai ir pakuotės turi būti laikomi pakartotinai perdirbti aplinkai nekenksmingu būdu.

## ŽENKLAI



Saugos perspėjimas



CE atitiktis



„EurAsian“ atitikties ženklas



Ukrainos atitikties ženklas



Atidžiai perskaitykite instrukcijas prieš pradėdami naudoti mechanizmą.



Atidžiai perskaitykite instrukcijas prieš pradėdami naudoti mechanizmą.



II klasės įranga



Greitis be apkrovimo



Šiluminis saugiklis 2 A



Voltaai



Nuolatinė srovė



Apsukos ar judėjimas per minutę



Dėvėkite akių apsaugos priemones



Elektrinių produktų atliekos neturi būti metamos kartu su namų ūkio atliekomis. Prašome perdirbkite jas ten, kur yra tokios perdirbimo bazės. Dėl perdirbimo patarimo kreipkitės į savo vietinę savivaldybę ar pardavėją.

## SIMBOLIAI VADOVE



Pastaba



Jungimas prie maitinimo lizdo.



Įkrovos laikas



Maksimali sukimo galia



Sukimo momentas,  
Mažiausias

Šie signaliniai žodžiai yra skirti nurodyti su prietaiso naudojimu susijusio pavojaus lygį.

#### **PAVOJUS**

Rodo grėšiančią pavojingą situaciją, kurios neišvengus galima patirti mirtiną arba sunkų sužalojimą.

#### **ISPĖJIMAS**

Rodo potencialiai pavojingą situaciją, kurios neišvengus galima patirti mirtiną arba sunkų sužalojimą.

#### **ATSARGIAI**

Rodo potencialiai pavojingą situaciją, kurios neišvengus galima patirti nesunkų arba vidutinio sunkumo sužalojimą.

#### **ATSARGIAI**

(Be įspėjamojo šauktuko) Reiškia situaciją, kurioje galima sugadinti turtą.

Kruvikeeraja juures on peetud esmatähtsaks selle ohutust, töövõimet ja töökindlust.

## OTSTARBEKOHANE KASUTAMINE

Toode on mõeldud kasutamiseks täiskasvanutele, kes on lugenud läbi selles kasutusjuhendis olevad juhised ja hoiatused ning need endale selgeks teinud, ja kes suudavad oma tegevuse eest vastutada.

Toode on mõeldud kruvide ja poltide kinnitamiseks ja eemaldamiseks.

Ärge kasutage seadet ühelgi muul viisil kui mainitud sihtotstarbeks.

**MÄRKUS:** Enne kruvi sissekeeramist soovitatakse juhtavad ette puurida.

### ⚠ HOIATUS

**Lugege kõik ohuhoiatused ja juhised läbi.** Hoiatuse ja juhiste eiramise puhul on oht saada elektrilööki või raskeid kehavigastusi ning/või põhjustada tulekahju.

**Hoidke kõik hoiatused ja juhised edaspidiseks juhendumiseks alles.**

## KRUVIKEERAJA OHUTUSNÕUDED

- **Töötamisel kohtades, kus tööriist võib kokku puutuda varjatud elektrijuhtmetega, hoidke tööriista kinni ainult isoleeritud käepidemetest.** Kui kinnituskruvi satub kokkupuutesse pinge all olevate juhtmetega, jäävad tööriista isoleerimata metallosad pinge alla ja kasutaja võib saada elektrilöögi.

## LAADIJA OHUTUSNÕUDED

- Enne akulaadija kasutamist lugege läbi kõik selles juhendis olevad laadijat, akut ja toodet puudutavad

juhised ja hoiatused, et vältida toodete väärkasutust ning võimalikke vigastusi või kahjustusi.

- **Ärge kasutage laadijat väljas ega märjas või niiskes keskkonnas.** Akusse sattunud vesi suurendab elektrilöögi ohtu.
- **Akulaadija tootja poolt mittesoovitatud või mitte müüdüd tarviku kasutamise korral võib tekkida tulekahju, elektrilöögi või kehavigastuse oht.** Juhiste jälgimine vähendab elektrilöögi, tulekahju ja raske kehavigastuse ohtu.
- **Ärge tarvitage juhete ega laadijat valesti.** Ärge iialgi tassige akut, hoides kinni selle juhtmest. Kui te ühendate akut vooluvõrgust lahti, ärge tõmmake juhtmest vaid pistikust. Vastasel juhul võite vigastada juhete või akut ning võib tekkida elektrilöögi oht. Asendage vigastatud toitejuhtmed viivitamatult.
- **Jälgige, et juhe on paigaldatud nii, et see ei jää jalgade alla ega sellele ei saa otsa komistada, see ei puutu kokku teravate servade ega liikuvate osadega või ei saa muul viisil kahjustada ega ole pinge all.** See vähendab kogemata kukkumiste ohtu, mis võivad tekitada vigastusi, ja juhtme kahjustusi, mis võivad põhjustada elektrilöögi.
- **Hoidke juhe ja laadija eemal kuumusest, et vältida korpuse ja sisemiste osade kahjustusi.**
- **Ärge kasutage laadijat, kui selle juhe või pistik on kahjustatud - see võib põhjustada lühise ja elektrilöögi.** Laske kahjustatud aku välja vahetada volitatud hooldustöötajal.
- **Ärge kasutage laadijat, kui see on saanud tugeva löögi, maha kukkunud või saanud kahjustusi mõnel muul**

viisil. Viige see elektrilisse kontrolli volitatud hooldustöökotta, et kindlaks määrata, kas laadija on töökorras.

- Ärge demonteerige laadijat. Hoolduseks või parandamiseks viige see volitatud hooldustöökotta. Nõuetevastane lahtivõtmine võib põhjustada elektrilöögi või tulekahju.
- Enne mis tahes hooldustöid või puhastamist eemaldage laadija vooluvõrgust, et vähendada elektrilöögi ohtu.
- Kui laadijat ei kasutata, siis võtke pistik pistikupesast välja. See vähendab elektrilöögi või laadija vigastuste ohtu, kui metallesemel peaksid kukkuma avadesse. See aitab vältida ka laadija kahjustusi pingepulsi korral.
- Elektrilöögi oht. Ärge puudutage akupesa isoleerimata klemme või akuklemme.

## AKU OHUHOIATUSED



Li-ion

- Ärge pange kasutatud akupakette majapidamisjäätmete hulka ega püüdke neid põletada. Vanaakude nõuetekohase utiliseerimise tagamiseks ja keskkonna kaitsmiseks andke vanad akupaketid üle Ryobi edasimüüjale.
- Sortige elektroonikaseadmete jäätmed ja eemaldage sisseehitatud akupaketid seadmest enne utiliseerimist. Andke akud selleks ettenähtud kogumispunktidesse.
- Sisseehitatud akupaketi väljavõtmine: Eraldage korpuse pooled teineteisest

kruvide eemaldamise järel. Ühendage akupakett vooluahelast lahti ja võtke välja.

- **MÄRKUS:** Pärast avamist ei ole seade enam kasutatav ega remonditav ja tuleb nõuetekohaselt utiliseerida.
- Enne akupaketi tööriistast eemaldamist lülitage seade sisse ja laske akul tühjeneda.
- Olge ettevaatlik, et utiliseeritav akupakett ei satuks kokkupuutesse teiste patareide, akupakettide või elektrit juhtivate materjalidega ja isoleerige nende lahtised voolujuhid või katke voolu mittejuhtivate kübarate või teibiga.
- Ärge kunagi laadige kahjustatud akut.

## JÄÄKRISKID

Isegi siis, kui seadet kasutatakse kirjeldatud viisil, ei ole võimalik kõrvaldada kõiki jääkriskide mõjureid. Töötamise ajal võivad tekkida järgmised ohud, millele operaator peab pöörama erilist tähelepanu.

- Mõra poolt põhjustatud kuulmiskahjustus  
Kandke sobivaid kõrvakaitseid ja piirake kokkupuudet.
- Silmade vigastus  
Seadmega töötamisel kandke silmamaski või kaitseprille.
- Vibratsioonist põhjustatud kehavigastus  
Piirake kokkupuudet. Järgige juhiseid, mis on toodud osas "Ohu vähendamine".
- Kokkupuutest varjatud juhtmetega põhjustatud elektrilöök  
Hoidke seadet käes ainult isoleeritud pindadest.

- Tolmust põhjustatud kehavigastus  
Töötamise ajal tekkiv tolm võib põhjustada tõsiseid hingamisorganite kahjustusi. Kandke nõuetekohast tolmumaski, mille filtrid kaitsevad töödeldava materjali osakeste eest.

## RISKI ALANDAMINE

Teadaolevalt võib käsitööriistade kasutamine põhjustada mõnedel inimestel seisundit, mida nimetakse Raynaud' sündroomiks. Los síntomas pueden incluir hormigueo, entorpecimiento y decoloración de los dedos, generalmente aparentes cuando tiene lugar una exposición al frío. Nende sümptomite puhul tuleb hoiduda külmast ja niiskusest, dieedist ning suitsetamisest ja kasutada õigeid töövõtteid. Vibratsiooni mõju vähendamiseks tuleb rakendada järgmisi abinõusid.

- Külma ilmaga hoidke oma keha soe. Kandke kindaid, et hoida oma käed ja randmed soojad. Uuringud näitavad, et Raynaud's Syndrome ilmneb põhiliselt külma ilmaga.
- Pärast külmas töötamist tehke harjutusi, et verevarustust kiirendada.
- Tehke regulaarselt töovaheagasis. Piirake tööperioodi pikkust.

Kui ilmnevad haigustunnused, lõpetage kohe töö ja pöörduge arsti poole.

### ⚠ HOIATUS

Seadme pikaajalisel kasutamisel võite saada kehavigastusi või vigastused võivad süveneda. Seadme kasutamisel pika aja jooksul tuleb teha korralisi vaheagasisid.

## ÕPPIGE OMA TOODET TUNDMA

Vt lk 131.

1. Tsang
2. Kaheastmeline käiguvalits
3. Pöörlemise lukustusnupp
4. Pöörlemissuuna valitsapöörmissuund
5. Ühepoolne otsak (25 mm)
6. Lülitusnupp
7. Laadija
8. Laadija pistik
9. Sisendpesa

## HOOLDUS

### ⚠ HOIATUS

Seade ei tohi mingil juhul olla toitepinge all sel ajal kui kinnitate selle osi, teete reguleerimistoiminguid, puhastate või hooldate seadet ning siis kui seda ei kasutata. Seadme elektrivõrgust lahtiühendamine väldib selle tahtmatu käivitumise, mis võib põhjustada raske kehavigastuse.

- Kasutage teenindamisel ainult täpselt sobivaid varuosi. Muude osade kasutamine võib tekitada ohuolukorra ja põhjustada seadme vigastumise.
- Vältige plastosade puhastamisel lahustite kasutamist. Enamik plaste on tundlikud kaubandusvõrgust saadaolevate lahustite suhtes ja võivad nende mõjul oma omadusi kaotada. Mustuse ja süsinikutolmu eemaldamiseks kasutage puhast lappi.
- Ärge laske plastosadel mitte mingil juhul sattuda kokkupuutesse auto pidurivedeliku, bensiini, bensiinipõhiste toodete, immutusõlidega või muude samalaadsete vedelikega. Kemikaalid võivad kahjustada, nõrgendada või hävitada plastiku.



- Töötamisel ja tolmu ärapuhumisel kandke alati silmamaski või küljekaitsetega kaitseprille. Kui töötlemine on tolmune, siis kandke tolmumaski.
- Kõik remonttööd tuleb lasta teha volitatud hoolduskeskuses, et tagada masina ohutus ja töövõime.

## MÄÄRIMINE

Kõik selle tööriista laagrid on tehases täidetud piisava hulga kvaliteetse määrdega, mis tagab tavatingimustes nende töövõime kogu kasutusea jooksul. Seetõttu ei ole täiendav määrimine vajalik.

## KESKKONNAKAITSE



Taaskasutage materjale nende jäätmekäitluse andmise asemel. Masin, selle lisaseadmed ja pakend tuleb jäätmekäitluseks keskkonnasõbralikult sorteerida.

## SÜMBOLID



Ohuhoiatus



CE-vastavus



Euraasia vastavusmärk



Ukraina vastavusmargis



Enne seadme kasutamist lugege palun kasutusjuhend hoolega läbi.



Enne seadme kasutamist lugege palun kasutusjuhend hoolega läbi.



II klassi seadmed



Kiirus ilma koormuseta



Soojuskaits 2 A



Volt



Alalisvool



Pöörete või löökide arv minutis



Kandke silmade kaitsevahendeid

Mittekasutatavaid elektritooteid ei tohi visata olmejäätmete hulka. Vaid tuleb viia vastavasse kogumispunkti. Vajadusel küsige sellekohast nõu oma edasimüüjalt või vastavalt kohaliku omavalitsuse institutsioonilt.



## KASUTUSJUHENDIS KASUTATUD SÜMBOLID



Märkus



Ühendage toitevõrku.



Laadimisaeg



Torsión, máxima



Par mínimo

Järgnevad märguandesõnad ja tähendused on mõeldud selle toote kasutamisega seotud riskitasemete kirjeldamiseks.

**⚠ OHT.**

Osutab ähvardavale ohuolukorrale, mille mittevältimine lõpeb surma või tõsise vigastusega.

**⚠ HOIATUS**

Osutab võimalikule ohuolukorrale, mille mittevältimine võib lõppeda surma või tõsise kehavigastusega.

**⚠ ETTEVAATUST**

Osutab võimalikule ohuolukorrale, mille mittevältimine võib lõppeda väiksemate või mõõdukate kehavigastustega.

**ETTEVAATUST**

(Ilma ohutussümbolita) Viitab olukorrale, mis võib põhjustada kahjustusi varale.

EN

FR

DE

ES

IT

NL

PT

DA

SV

FI

NO

RU

PL

CS

HU

RO

LV

LT

**ET**

HR

SL

SK

EL

TR

UK

Dizajn Vašeg odvijača počiva na prioritetima sigurnosti, visokih performansi i pouzdanosti.

## NAMJENA

Proizvod smiju koristiti isključivo punoljetne osobe koje su pročitale i razumjele upute i upozorenja u ovom priručniku i koje se mogu smatrati odgovornima za svoje postupke.

Proizvod je namijenjen uvijanju i odvijanju vijaka.

Nemojte koristiti proizvod na bilo koji drugi način od onog za koji je namijenjen.

**NAPOMENA:** Preporučuje se korištenje usmjernih otvora prije uvrtanja vijaka.

## ⚠ UPOZORENJE

**Pročitajte sva sigurnosna upozorenja i sve upute.**

Nepridržavanje upozorenja i uputa navedenih u nastavku može dovesti do električnog udara, požara i/ili ozbiljnih tjelesnih ozljeda.

**Spremite sva upozorenja i upute za buduće korištenje.**

## SIGURNOSNA UPOZORENJA ZA ODVIJAČ

- **Kad izvodite radove na mjestima gdje učvrсни element može doći u kontakt sa skrivenim ožičenjem, držite alat za izoliranu površinu za hvatanje.** Dodirivanje „žive“ žice zatezačem može izložiti metalne dijelove alata električnoj energiji i dovesti do strujnog udara na operatera.

## BEZPEČNOSTNI VAROVANÍ NA NABIJEČE

- Kako biste izbjegli pogrešno korištenje i moguća oštećenja i ozljede, prije korištenja punjača baterije pročitajte sva uputstva i sigurnosne oznake u priručniku, na punjaču baterije i proizvodu koji koristi tu bateriju.
- Punjač nemojte koristiti vani ili ga izlagati mokrim ili vlažnim uvjetima. Prodor vode u punjač povećava rizik od strujnog udara.
- Korištenje priključka koji nije preporučen ili prodan od strane proizvođača baterije može dovesti do opasnosti od požara, strujnog udara ili ozljeda osoba. Tako ćete izbjeći opasnost od strujnog udara, požara i teških ozljeda.
- Kabel ili punjač nemojte koristiti na pogrešan način i u druge namjene. Nikada nemojte postavljati punjač tako da visi na kabelu. Punjač prilikom isključivanja izvucite držeći ga za utikač, a ne povlačeći kabel. Tako možete oštetiti kabel i stvoriti opasnost od električnog udara. Odmah zamijenite oštećene kabele.
- Kabel mora biti smješten tako da se ne može nagaziti na ili saplesti o njega i tako da ne može doći u kontakt s oštrim rubovima ili pokretnim dijelovima ili se oštetiti na neki drugi način. Na taj način ćete smanjiti opasnost od slučajnih padova koji mogu prouzročiti ozljede te oštećenja kabela koja mogu rezultirati strujnim udarom.
- Kabel i punjač držite dalje od izvora topline kako biste spriječili oštećenja kućišta ili unutarnjih dijelova.
- Nemojte uključivati punjač s oštećenim kabelom ili utikačem, jer

to može uzrokovati kratki spoj i strujni udar. Oštećeni punjač zamijenite kod ovlaštenog servisera.

- Nemojte uključivati punjač ako je punjač pretrpio udarac, pao s visine ili na neki drugi način oštećen. Odnosite ga ovlaštenom serviseru na provjeru električnih dijelova kako bi se utvrdilo je li punjač u ispravnom stanju za rad.
- Nemojte rastavljati punjač. Ako je potreban servis ili popravak, odnesite ga ovlaštenom serviseru. Nepravilno skapanje može dovesti do opasnosti od strujnog udara ili požara.
- Prije izvođenja radova održavanja ili čišćenja izvucite punjač iz utičnice kako biste smanjili opasnost od strujnog udara.
- Odspojite punjač iz napajanja kada se ne koristi. Tako ćete smanjiti opasnost od strujnog udara ili oštećenja punjača ako u otvor upadne metalni predmet. Također, time ćete spriječiti oštećivanje punjača u slučaju prenapona.
- Opasnost od strujnog udara. Ne dodirujte neizolirani dio vanjskog priključka ili neizolirani priključak baterije.

#### SIGURNOSNA UPOZORENJA VEZANO ZA BATERIJU



Li-ion

- Ne odlažite iskorištenu bateriju u kućni otpad ili ih spaljivati. Kako biste osigurali pravilno odlaganje otpadnih baterija i zaštitili okoliš, odnesite svoje stare baterije Ryobi distributeru.
- Pravilno odvojite elektronički otpad

uklanjanjem ugrađenih baterija iz glavne jedinice prije odlaganja. Odnosite ih do odgovarajućih točaka za prikupljanje.

- Za uklanjanje ugrađene baterije: Odvojite ćelije jedne od drugih uklanjanjem vijaka. Odspojite baterije iz strujnog kruga i uklonite.
- **NAPOMENA:** Kad se otvori, proizvod se više ne može koristiti ili servisirati i treba ga pravilno odložiti.
- Prije uklanjanja baterije iz AKU-alata, isključite proizvod prije nego je baterija potpuno ispražnjena.
- Osigurajte da odložena baterija ne može doći u kontakt s drugim baterijama ili provodnim materijalima tako da zaštitite izložene priključke s izolacijom, kapicama koje ne provode energiju ili trakom.
- Nikada nemojte puniti oštećeni set baterija.

#### PREOSTALE OPASNOSTI

Čak i kad je proizvod korišten kao što je prethodno opisano, još uvijek nije moguće potpuno isključiti ostale čimbenike opasnosti. Može doći do sljedećih opasnosti prilikom korištenja i operater mora obratiti posebnu pozornost kako bi izbjegao sljedeće:

- Oštećenja sluha uzrokovana bukom  
Nosite odgovarajuću zaštitu za sluh i ograničite izlaganje buci.
- Ozljede očiju  
Nosite štitnike za oči ili naočale kada koristite proizvod.
- Ozljede uzrokovane vibracijom  
Ograničite izloženost. Slijedite uputstva u odjeljku Smanjivanje rizika.
- Strujni udar zbog dodira sa skrivenim ožičenjem

Držite proizvod samo za izolirane površine.

- Ozljede uzrokovane prašinom  
Prašina stvorena radom proizvoda može uzrokovati povrede disanja. Nosite odgovarajuću masku za zaštitu od prašine s filtrima za zaštitu od čestica s materijala koji se obrađuje.

## SMANJENJE OPASNOSTI

Prijavljeno je da vibracije alata kod određenih pojedinaca mogu doprinijeti stanju pod nazivom Raynaud's Syndrome. Simptomi mogu uključivati trnce, ukočenost i bjelinu prstiju, obično uočljivo po izlaganju hladnoći. Smatra se da nasljedne osobine, izlaganje hladnoći i vlazi, dijeta, pušenje i radni postupci pridonose razvoju ovih simptoma. Postoje mjere koje operator može poduzeti kako bi smanjio moguće učinke vibracije:

- Održavajte svoje tijelo toplim u hladnim vremenskim uvjetima. Kad radite s uređajem nosite rukavice kako biste ruke i zglobove održavali toplima. Prijavljeno je da je hladnoća glavni čimbenik koji doprinosi Raynaud's Syndrome.
- Nakon svakog perioda rada vježbajte kako biste povećali cirkulaciju krvi.
- Uzimajte česte stanke u radu. Ograničite količinu izlaganja po danu.

Ako osjetite neke od simptoma ovog stanja, odmah prekinite korištenje i obratite se svome liječniku vezano uz ove simptome.

## ⚠ UPOZORENJE

Ozljede mogu biti uzorkovane ili izazvane produljenim vremenskim razdobljem korištenja alata. Kada koristite bilo koji alat dulje vremena, osigurajte da uzimate povremene stanke.

## UPOZNAJTE SVOJ PROIZVOD

*Pogledajte stranicu 131.*

1. Stezna glava
2. Vodilica za dvostupanjskim izbornikom
3. Gumb za blokiranje okretanja
4. Birač smjera rotacije
5. Jedan nastavak (25 mm)
6. Sklopka za pokretanje
7. Punjač
8. Priključak punjača
9. Ulazni priključak

## ODRŽAVANJE

### ⚠ UPOZORENJE

Proizvod nikad ne smije biti priključen na izvor napajanja kada sastavljate dijelove, vršite podešenja, čistite, izvodite održavanje ili kada se proizvod ne koristi. Iskapčanje proizvoda sprječava slučajno pokretanje koje može dovesti do ozbiljnih osobnih ozljeda.

- Prilikom servisiranja koristite samo identične zamjenske dijelove. Korištenje nekih drugih dijelova može dovesti do opasnosti ili uzrokovati oštećenje alat.
- Prilikom čišćenja plastičnih dijelova izbjegavajte koristiti kemijska sredstva. Većina plastika je podložna različitim vrstama komercijalnih kemijskih sredstava za čišćenje i mogu se oštetiti prilikom njihovog

korištenja. Čistom krpom uklonite prljavštinu i ugljičnu prašinu.

- Nikada ne dopustite kontakt plastičnih dijelova s tekućinom za kočnice, benzinom, proizvodima na bazi petroleja, sredstvima za odmašćivanje, idr. Ti kemijski proizvodi sadrže tvari koje mogu oštetiti, oslabiti ili uništiti plastiku.
- Uvijek tijekom rada s električnim alatom ili prilikom ispuhivanja prašine nosite zaštitne naočale i zaštitne naočale s bočnim štitnicima. Ako radite u prašini nosite i masku za zaštitu od prašine.
- Radi veće sigurnosti i pouzdanosti, sve popravke treba izvoditi ovlašteni servisni centar.

## PODMAZIVANJE

Svi ležajevi u ovom proizvodu podmazani su s dovoljnom količinom visokokvalitetnog sredstva za podmazivanje za životni vijek proizvoda u normalnim radnim uvjetima. Stoga nije potrebno daljnje podmazivanje.

## ZAŠTITA OKOLIŠA



Sirovine reciklirajte, umjesto da ih odlažete kao otpad. Kako biste zaštitili okoliš, alat, dodatke i ambalažu treba odvojeno bacati u otpad.

## SIMBOLI



Sigurnosno upozorenje



CE usklađenost



EurAsian znak konformnosti



Ukrajinska oznaka za sukladnost



Molimo da pažljivo pročitate upute prije pokretanja stroja.



Molimo da pažljivo pročitate upute prije pokretanja stroja.



Oprema klase II



Brzina bez opterećenja



Termalni osigurač od 2 A



Volti



Istosmjerna struja

min<sup>-1</sup>

Broj okreta ili pokreta u minuti



Nosite zaštitu za vid



Otpadni električni proizvodi ne treba da se odlažu s otpadom iz domaćinstva. Molimo da reciklirate gdje je to moguće. Potražite savjet od lokalnih vlasti ili prodavca kako reciklirati.

## SIMBOLI U PRIRUČNIKU



Napomena



Priključite na napajanje.



Vrijeme punjenja



Maksimalni zakretni moment



Zakretni moment, Minimalna

Slijedeće riječi upozorenja i značenja imaju namjeru da objasne nivo rizika u vezi s ovim proizvodom.

### **OPASNOST**

Naznačuje prijetecu opasnu situaciju, koja ako se ne izbjegne dovodi do smrti ili ozbiljnih ozljeda.

### **UPOZORENJE**

Naznačuje potencijalno opasnu situaciju, koja ako se ne izbjegne dovodi do smrti ili ozbiljnih ozljeda.

### **OPREZ**

Naznačuje potencijalno opasnu situaciju, koja ako se ne izbjegne dovodi do lakših ili srednjih ozljeda.

### **OPREZ**

(Bez simbola upozorenja sigurnosti)  
Označava situaciju koja može izazvati oštećenje imovine

Pri zasnovi tega izvižaja smo se prednostno osredotočali na varnost, učinkovitost in zanesljivost.

## NAMEN UPORABE

Izvižaj lahko uporabljajo samo odrasle osebe, ki so prebrale in razumejo navodila ter opozorila v tem priročniku ter so sposobne prevzeti odgovornost za svoja dejanja.

Izvižaj je namenjen privijanju in odvijanju vijakov ter sornikov.

Izdelka ne uporabljajte na noben način, ki ni predpisan za to napravo.

**OPOMBA:** Priporočamo, da naredite vodilne luknje, preden privijete vijak.

## ⚠ OPOZORILO

**Preberite vsa varnostna opozorila in navodila.** Neupoštevanje opozoril in navodil lahko privede do električnega udara, požara in/ali resnih poškodb.

**Vsa opozorila in vsa navodila shranite za bodočo referenco.**

## VARNOSTNA OPOZORILA ZA IZVIJAJ

- Če izvajate opravila, pri katerem bi se pritrdilo lahko dotaknilo skrite napeljave, orodje držite za izolirane površine. Če se pritrdila dotaknejo žice, ki je pod električno napetostjo, se lahko izpostavljeni kovinski deli električnega orodja naelektrijo in povzročijo električni udar.

## VARNOSTNA OPOZORILA ZA POLNJENJE

- Za preprečevanje napačne uporabe naprave in morebitnih telesnih poškodb ali škode pred uporabo polnilnika baterij v celoti preberite

navodila v tem priročniku in si oglejte opozorilne oznake na polnilniku baterij, baterijah in napravi, v katero namestite baterijo.

- Polnilnika ne uporabljajte na prostem ali na mokrih ali vlažnih mestih. Vdor vode v polnilnik poveča nevarnost električnega udara.
- Uporaba nastavkov, ki jih proizvajalec polnilnikov ne priporoča ali ne prodaja, lahko povzroči požar, električni udar ali telesne poškodbe. Če boste upoštevali vsa pravila, boste zmanjšali možnost električnega udara, požara in hudih telesnih poškodb.
- Zagotovite pravilno uporabo kabla ali polnilnika. Polnilnika pri prenosu nikoli ne držite za njegov kabel. Pri izključitvi polnilnika iz vtičnice ne vlecite kabla polnilnika, temveč njegov vtič. S tem lahko poškodujete kabel ali polnilnik, kar lahko privede do nevarnosti električnega udara. Poškodovane kable takoj zamenjajte.
- Prepričajte se, da je kabel položen na mestu, kjer ga ne morete pohoditi, se ob njega spotakniti, kjer ne more priti v stik z ostrimi robovi ali vrtečimi deli ali ni izpostavljen drugim poškodbam ali obremenitvam. S tem preprečite nevarnost nenamernih padcev, ki lahko privedejo do telesnih poškodb, in poškodb kabla, ki lahko privedejo do električnega udara.
- Da bi se izognili poškodbam ohišja in notranjih sestavnih delov, kabla in polnilnika ne približujte virom toplote.
- Polnilnika s poškodovanim kablom ali vtičem ne uporabljajte, saj lahko to privede do kratkega stika in električnega udara. Poškodovan polnilnik naj zamenja pooblaščen servisier.
- Polnilnika ne uporabljajte, če je bil



izpostavljen močnemu udarcu, če vam je padel iz rok ali če se je kakor koli drugače poškodoval. V tem primeru ga posredujte pooblaščenemu serviserju, da preveri električne povezave in pravilno delovanje.

- Polnilnika ne razstavljajte. Če potrebuje servis ali popravilo, ga posredujte pooblaščenemu serviserju. Če je polnilnik napačno ponovno sestavljen, lahko pride do električnega udara ali požara.
- Polnilnik pred kakršnimi koli vzdrževalnimi deli ali čiščenjem izključite iz vtičnice, da zmanjšate nevarnost električnega udara.
- Polnilnik izključite iz napajanja, kadar ga ne uporabljate. S tem boste zmanjšali nevarnost električnega udara ali poškodb polnilnika, v primeru da v režo pade kovinski delec. Zmanjšali boste tudi nevarnost poškodb polnilnika med napetostnimi udari.
- Nevarnost električnega udara. Ne dotikajte se neizoliranih delov izhodnega priključka ali baterijskega terminala.

## BATERIJA – VARNOSTNA OPOZORILA



Li-ion

- Uporabljenih baterij ne zavržite med gospodinske odpadke oziroma jih ne sežgite. Da bi zagotovili ustrezno odstranjevanje uporabljenih baterij in hkrati varovali okolje, stare baterije izročite svojemu Ryobi zastopniku.
- Elektronske odpadke ustrezno ločite tako, da odstranite vloženo baterijo,

preden izdelek zavržete. Baterije dostavite na ustrezni zbirni center.

- Kako odstraniti vloženo baterijo: Odvijte vijake in odprite ohišje. Baterijo odklopite in jo odstranite.
- **OPOMBA:** Po odprtju izdelka ni več mogoče ponovno uporabiti ali popraviti, in ga je treba takoj ustrezno odstraniti.
- Preden baterijo odstranite iz električnega orodja, vklopite napravo, da se baterija popolnoma izprazni.
- Prepričajte se, da baterije, ki jih boste zavrgli, ne pridejo v stik z ostalimi baterijami ali prevodnimi materiali. V ta namen zaščitite izpostavljene konektorje z izolirnim, neprevodnim pokrovčkom ali trakom.
- Nikoli ne polnite poškodovanega baterijskega sklopa.

## PREOSTALA TVEGANJA

Nekateri preostalih dejavnikov tveganja ni mogoče povsem odpraviti, tudi če ta izdelek uporabljate v skladu z navodili. Med uporabo se lahko pojavijo nekatere nevarnosti, upravljavec pa naj bo pozoren na naslednje:

- Poškodba sluha zaradi hrupa  
Nosite ustrezno zaščito sluha in čim bolj omejite izpostavljenost hrupu.
- Poškodba oči  
Med uporabo izdelka nosite zaščitna očala.
- Poškodbe zaradi vibracij  
Omejite izpostavljenost. Upoštevajte navodila v poglavju »Zmanjševanje nevarnosti«.
- Električni udar zaradi stika s skritimi žicami  
Izdelek držite samo za izolirane površine.

#### ■ Poškodbe zaradi prahu

Prah, ki nastane pri uporabi izdelka, lahko povzroči poškodbe dihal. Nosite ustrezno protiprašno masko s filtri, ki zagotavlja ustrezno zaščito pred delci, ki tvorijo material obdelovancev.

### ZMANJŠANJE TVEGANJA

Poročali so že, da lahko vibracije ročnih orodij pri nekaterih posameznikih pripomorejo k razvoju Raynaudovega sindroma. Simptomi so lahko mravljinci, otrplost in pobeljeni prsti, kar je običajno vidno, kadar je oseba izpostavljena mrazu. Dedni dejavniki, izpostavljenost mrazu in vlagi, dieta, kajenje in delovne navade naj bi pripomogle k razvoju teh simptomov. Za zmanjšanje učinkov vibracij lahko upravljavec upošteva naslednja navodila:

- Poskrbite, da bo vaše telo na mrazu toplo. Med upravljanjem nosite rokavice in tako ohranjajte toploto vaših dlani in zapestij. Kot poročajo, je mraz glavni dejavnik, ki prispeva k Raynaudovemu sindromu.
- Po vsakem obdobju upravljanja naprave telovadite in tako pospešite krvni obtok.
- Pogosto si vzemite odmor. Omejite dnevno količino izpostavljenosti.

Če zaznavate kakršnekoli simptome takšnega stanja, takoj prenehajte z uporabo naprave in se posvetujte z zdravnikom.

#### **⚠ OPOZORILO**

Zaradi daljše uporabe orodja lahko pride do poškodb oz. se morebitne poškodbe poslabšajo. Kadar orodje uporabljate dalj časa, si večkrat vzemite odmor.

### SPOZNAJTE SVOJ IZDELEK

*Glej stran 131.*

1. Vpenjalna čeljust
2. Dvohitrostni pogon
3. Vrtljivi zaklepni gumb
4. Izbirnik smeri vrtenja
5. Enodelni nastavek (25 mm)
6. Sprožilo stikala
7. Polnilec
8. Vtič polnilnika
9. Vhod

### VZDRŽEVANJE

#### **⚠ OPOZORILO**

Ko sestavljate dele, prilagajate, čistite ali vzdržujete orodje, ali ko izdelka ne uporabljate, ga nikoli ne imejte priključenega na vir napajanja. Če izdelek odklopite, preprečite nenameren zagon, ki bi lahko povzročil hude poškodbe.

- Ob servisiranju uporabljajte samo identične nadomestne dele. Uporaba drugih delov lahko pomeni tveganje ali povzroči škodo na izdelku.
- Pri čiščenju plastičnih delov se izogibajte topilom. Večina vrst plastik se lahko pri uporabi različnih komercialnih topil poškoduje. Umazanijo in ogljikov prah odstranite s čisto krpo.
- Zavorna tekočina, gorivo, izdelki na osnovi nafte, prodirajoče olje ipd. nikoli ne smejo priti v stik s plastičnimi deli. Kemikalije lahko poškodujejo, oslabijo ali uničijo plastiko.
- Vedno nosite zaščitna očala s stranskimi ščitniki, ko uporabljate električna orodja ali ko spihujete prah. Če pri delu nastaja prah, nosite tudi zaščitno masko proti prahu.

EN  
FR  
DE  
ES  
IT  
NL  
PT  
DA  
SV  
FI  
NO  
RU  
PL  
CS  
HU  
RO  
LV  
LT  
ET  
HR  
SL  
SK  
EL  
TR  
UK

- Zaradi večje varnosti in zanesljivosti naj vsa popravila izvaja pooblaščen servisni center.

## MAZANJE

Vsi ležaji na napravi so namazani z dovolj kakovostnega maziva, tako da mazanje naprave ob normalni uporabi do konca življenjske dobe naprave ni več potrebno. Zato dodatno mazanje ni potrebno.

## ZAŠČITA OKOLJA



Namesto, da napravo zavrzete, reciklirajte surovine. Napravo, pribor in embalažo je treba sortirati za okolju prijazno recikliranje.

## SIMBOLI



Varnostno opozorilo



Skladnost CE



EurAsian oznaka o skladnosti



Ukrajinska oznaka za skladnost



Prosimo, da si pred zagonom naprave pozorno preberete navodila



Prosimo, da si pred zagonom naprave pozorno preberete navodila



Oprema razreda II



Hitrost brez obremenitve



Toplotna varovalka 2 A



Volti



Enosmerni tok



Vrtljajev ali nihajev na minuto



Nosite zaščito za oči



Odpadne električne izdelke ne odlagajte skupaj z ostalimi gospodinjskimi odpadki. Reciklažo opravljajte na predpisanih mestih. Za nasvet se obrnite na lokalne oblasti.

## SIMBOLI V PRIROČNIKU



Opomba



Priključite na električno napajanje.



Čas polnjenja



Maksimalni navor



Navor, Minimalna

Sledeče signalne besede in pomeni naj bi pojasnili ravni tveganja, ki so povezane s tem izdelkom.

**⚠ NEVARNOST**

Označuje neizogibno nevarno stanje, ki lahko povzroči smrt ali hude poškodbe, če ga ne preprečite.

**⚠ OPOZORILO**

Označuje morebitno nevarno stanje, ki bi lahko povzročilo smrt ali hude poškodbe, če ga ne preprečite.

**⚠ POZOR**

Označuje morebitno nevarno stanje, ki lahko povzroči manjše ali zmerne poškodbe, če se ga ne preprečite.

**POZOR**

(Brez simbola Varnostni alarm) Označuje stanje, ki lahko privede do poškodovanja lastnine.

EN  
FR  
DE  
ES  
IT  
NL  
PT  
DA  
SV  
FI  
NO  
RU  
PL  
CS  
HU  
RO  
LV  
LT  
ET  
HR  
SL  
SK  
EL  
TR  
UK

Bezpečnosť, efektívnosť a spoľahlivosť boli prvoradé pri navrhovaní vášho skrutkovača.

## ÚČEL POUŽITIA

Tento výrobok môžu používať len svojprávné dospelé osoby, ktoré si prečítali a porozumeli pokynom a varovaniám v tejto príručke.

Tento výrobok je určený na uťahovanie a povoľovanie skrutiek a svorníkov.

Tento produkt nepoužívajte žiadnym iným spôsobom, ako je uvedené v účele použitia.

**POZNÁMKA:** Odporúča sa pred skrutkovaním použiť vodiace otvory.

## VAROVANIE

**Prečítajte si všetky bezpečnostné výstrahy a pokyny.** Ak nerespektujete a inštrukcie, môže to mať za následok úraz elektrickým prúdom, požiar a/alebo vážne zranenie.

**Odložte všetky výstrahy a pokyny pre budúce použitie.**

## BEZPEČNOSTNÉ VÝSTRAHY PRE SKRUTKOVAC

- **Držte elektrický nástroj za izolovaný povrch rukoväte pri vykonávaní prác, pri ktorých môže sponka naraziť na skryté vedenie.** Sponky v kontakte so „živým“ vodičom by mohli spôsobiť, že obnažené kovové diely budú pod prúdom a spôsobiť obsluhujúcemu zásah elektrickým prúdom.

## BEZPEČNOSTNÉ VÝSTRAHY PRE NABÍJAČKU

- Pred použitím nabíjačky batérií si prečítajte všetky pokyny a výstražné značky v tejto príručke, nachádzajúce sa na nabíjačke batérií, na batérii a na výrobku, ktorý túto batériu používa, aby sa zabránilo nesprávnemu použitiu výrobkov a možnému zraneniu alebo poškodeniu.
- Nepoužívajte nabíjačku vo vonkajšom prostredí a nevystavujte ju vode alebo vlhkým podmienkam. Vniknutie vody do nabíjačky zvýši riziko úrazu elektrickým prúdom.
- Pri používaní príslušenstva, ktoré neodporúča alebo nepredáva výrobca nabíjačky akumulátorov, vzniká riziko požiaru, úrazu elektrickým prúdom alebo poranení osôb. Dodržiavaním tohto pravidla znižujete riziko úrazu elektrickým prúdom, požiaru alebo závažného poranenia.
- Nepoškodzujte kábel alebo nabíjačku. Nikdy nepoužívajte kábel na prenášanie. Neťahajte kábel nabíjačky skôr než zástrčku odpojíte zo zásuvky. Mohlo by dôjsť k poškodeniu kábla alebo nabíjačky a vzniknúť nebezpečenstvo úrazu elektrickým prúdom. Poškodené káble ihneď vymeňte.
- Uistite sa, že je umiestnený tak, aby nebolo možné po ňom stúpať, zakopnúť oň, prísť do styku s ostrými hranami alebo pohyblivými časťami alebo aby nebol iným spôsobom vystavený poškodeniu a namáhaniu. Zníži sa tým riziko náhodných pádov, ktoré by mohli spôsobiť zranenie a poškodenie kábla, čo by mohlo viesť k úrazu elektrickým prúdom.
- Udržujte kábel a nabíjačku od zdrojov tepla, aby nedošlo k poškodeniu krytu



alebo vnútorných častí.

- Nepoužívajte nabíjačku s poškodeným káblom alebo zástrčkou, ktoré by mohli spôsobiť skrat a úraz elektrickým prúdom. V prípade poškodenia si nechajte nabíjačku vymeniť autorizovaným opravárom.
- Nepoužívajte nabíjačku, ak došlo k prudkému nárazu, jej pádu alebo ak bola poškodená akýmkoľvek iným spôsobom. Odneste ju na elektrické preskúšanie k autorizovanému opravárovi, aby zistil, či je nabíjačka je v dobrom funkčnom stave.
- Nerozoberajte nabíjačku. Keď je nevyhnutný servisný zásah alebo oprava, odneste ju k autorizovanému opravárovi. Pri nesprávnej opätovnej montáži môže vzniknúť riziko úrazu elektrickým prúdom alebo požiaru.
- Odpojte nabíjačku zo zásuvky predtým vykonávaním akejkoľvek údržby alebo čistenia, aby sa znížilo riziko úrazu elektrickým prúdom.
- Odpojte nabíjačku z elektrickej siete, keď sa nepoužíva. Zníži sa tým riziko úrazu elektrickým prúdom alebo poškodenia nabíjačky, ak by do otvoru spadli kovové predmety. Pomôže to tiež zabrániť poškodeniu nabíjačky pri nárazovom prúde.
- Riziko úrazu elektrickým prúdom. Nedotýkajte sa neizolovanej časti výstupného konektora alebo neizolovanej svorky akumulátora.

## AKUMULÁTOR – BEZPEČNOSTNÉ POKYNY



Li-ion

- Použitie jednotky akumulátorov nevyhadzujte do komunálneho odpadu ani ich nespálujte. Na zabezpečenie správnej likvidácie použitých akumulátorov a na ochranu životného prostredia, staré akumulátory odovzdajte vášmu distribútorovi produktov Ryobi.
- Správne skladovanie elektronického odpadu – pred likvidáciou vyberte akumulátory z náradia. Odovzdajte ich na príslušné zberné miesta.
- Ak vyberiete integrovanú jednotku akumulátora: Oddel'te schránky krytu navzájom od seba odstránením skrutiek. Odpojte akumulátora z obvodu a vyberte ju.
- **POZNÁMKA:** Po otvorení akumulátora sa stane nepoužiteľným a nie je možné na ňom vykonať servis a musí sa správnym spôsobom zlikvidovať.
- Pred vybratím akumulátora z elektrického nástroja zapnite náradie, kým sa akumulátor úplne nevybije.
- Zabezpečte, aby akumulátor, ktorého chcete zlikvidovať, nemohol prísť do kontaktu s akumulátormi, či vodivými materiálmi – ochráňte obnažené konektory izolačnými nevodivými viečkami alebo páskou.
- Nikdy nenabíjajte poškodenú sadu batérií.

## ZVÝŠKOVÁ RIZIKOVOSŤ

Aj keď sa nástroj používa podľa predpisu, nie je možné eliminovať určité zvyškové rizikové faktory. Pri použití vznikajú nasledujúce riziká a obsluhujúca osoba musí venovať zvláštnu pozornosť, aby nedošlo k nasledovnému:



- Poškodenie sluchu spôsobené hlukom  
Noste vhodnú ochranu sluchu a obmedzte vystavenie účinku hluku.
- Poranenia očí  
Pri práci s produktom používajte ochranné štíty na oči alebo okuliare.
- Zranenie spôsobené vibráciami  
Obmedzte expozíciu. Postupujte podľa pokynov v časti Zníženie rizika.
- Úraz elektrickým prúdom spôsobený kontaktom so skrytými vodičmi  
Produkt držte vždy len za izolované povrchy.
- Zranenie spôsobené prachom  
Prach produkovaný pri práci s produktom môže spôsobiť poranenie dýchacích ciest. Používajte primeranú masku proti prachu s filtrami, vhodnú na ochranu proti časticiam z opracovávaného materiálu.

## OBMEDZENIE RIZIKA

Boli hlásené prípady, kedy vibrácie z ručných nástrojov u niektorých osôb prispeli k stavu nazývanému Raynaudov syndróm. K symptómom patria: trpnutie, znecitlivenie a blednutie prstov, zvyčajne zjavné po vystavení zime. Je známe, že k vývoju týchto symptómov prispievajú: dedičné faktory, vystavovanie zime a vlhkosti, diéta, fajčenie a pracovné návyky. Opatrenia, ktoré môže vykonať obsluhujúca osoba na možné zníženie účinkov vibrácií:

- V studenom počasí udržiavajte svoje telo v teple. Pri práci so zariadením noste rukavice, aby ste mali ruky a zápästia v teple. Boli hlásené prípady, kedy hlavným faktorom prispievajúcim k Raynaudovmu syndrómu bolo studené počasie.

- Po každom určitom časovom úseku prevádzky cvičte, aby ste zlepšili krvný obeh.
- Počas práce si doprajte časté prestávky. Obmedzte počet vystavení za deň.

Ak zistíte ktorýkoľvek zo symptómov tohto stavu, okamžite prerušte používanie zariadenia, navštívte svojho lekára a povedzte mu o symptómoch.

## VAROVANIE

Dlhodobé používanie nástroja môže spôsobiť alebo zhoršiť poranenia. Pri používaní nástroja príliš dlhé obdobia si vždy doprajte pravidelné prestávky.

## OBOZNÁMTE SA S VAŠÍM PRODUKTOM

Viď strana 131.

1. Puzdro
2. Dvohitostni pogon
3. Preklápacie nevratné tlačidlo
4. Volič smeru otáčania
5. Skrutkovací bit (25 mm)
6. Spínač
7. Nabíjačka
8. Zástrčka nabíjačky
9. Vstupný konektor

## ÚDRŽBA

## VAROVANIE

Tento produkt sa nikdy nesmie pripájať do elektrickej siete, keď montujete diely, vykonávate údržbu, čistíte alebo vykonávate údržbu, alebo keď produkt nepoužívate. Odpojením produktu zabránite náhodnému spusteniu, ktoré by mohlo spôsobiť závažné poranenie.

- Pri servise používajte len originálne

náhradné diely. Použitie iných dielov môže predstavovať riziko alebo spôsobiť poškodenie produktu.

- Vyhýbajte sa použitiu rozpúšťadiel pri čistení plastových častí. Veľšina plastických materialov je občuttljiva na različne vrste komercialno dostupnih topil in jih z njihovo uporabo lahko poškodujemo. Používajte čistú handričku na odstránenie nečistôt a uhlíkového prachu.
- Dbajte na to, aby do kontaktu s plastovými dielmi nikdy nepřišli do kontaktu brzdové kvapaliny, benzín, ropné produkty, prenikavé oleje a pod. Chemikálie môžu poškodiť, oslabiť či zničiť plast.
- Pri práci s mechanickým nástrojom alebo ofukovaní prachu vždy používajte ochranné okuliare alebo ochranné okuliare s bočnými chráničmi. Ak pri práci vzniká prach, používajte aj protiprachovú masku.
- Pre vyššiu bezpečnosť a spoľahlivosť sa musia všetky opravy vykonávať v autorizovanom servisnom centre.

## MAZANIE

Všetky ložiská v produkte sú namazané dostatočným množstvom mazivom vysokej akosti na celú životnosť produktu pri bežných prevádzkových podmienkach. Preto nie je potrebné žiadne ďalšie mazanie.

## OCHRANA ŽIVOTNÉHO PROSTREDIA



Surové materiály recyklujte, nelikvidujte ich ako odpad. Stroj, príslušenstvo a obaly by sa mali triedene recyklovať spôsobom šetrným k životnému prostrediu.

## SYMBOLY



Budte ostražití



Zhoda CE



Euroázijská značka zhody



Ukrajinské označenie zhody



Pred zapnutím zariadenia si prosím prečítajte inštrukcie



Pred zapnutím zariadenia si prosím prečítajte inštrukcie



Zariadenie triedy II



Otáčky bez zaťaženia



Teplná poistka 2 A



Napätie



Jednosmerný prúd



min<sup>-1</sup> Počet otáčok za minútu



Noste ochranu zraku



Opotrebované elektrické zariadenia by ste nemali odhadzovať do domového odpadu. Prosíme o recykláciu ak je možné. Kontaktujte miestne úrady, alebo predajcu pre viac informácií ohľadom ekologického spracovania.

### **VAROVANIE**

Označuje potenciálne nebezpečnú situáciu, ktorá, ak jej nepredídete, môže spôsobiť usmrtenie alebo vážne poranenie.

### **UPOZORNENIE**

Označuje potenciálne nebezpečnú situáciu, ktorá, ak jej nepredídete, môže spôsobiť menšie alebo stredne závažné poranenie.

### **UPOZORNENIE**

(Bez výstražnej značky s výkričníkom)  
Označuje situáciu, ktorá môže zapríčiniť škody na majetku.

## SYMBOLY V NÁVODE



Poznámka



Pripojte do elektrickej siete.



Čas nabíjania



Max. moment



Krútiaci moment, Minimálna

Nasledujúce značky a významy vysvetľujú úroveň rizika spojeným s výrobkom.

### **NEBEZPEČENSTVO**

Označuje bezprostredne nebezpečnú situáciu, ktorá, ak jej nepredídete, spôsobí usmrtenie alebo vážne poranenie.

Κατά το σχεδιασμό του κατασβιδιού δόθηκε ιδιαίτερη προτεραιότητα στην ασφάλεια, την απόδοση και την αξιοπιστία του.

### ΠΡΟΟΡΙΖΟΜΕΝΗ ΧΡΗΣΗ

Το προϊόν προορίζεται αποκλειστικά για χρήση από ενήλικες που έχουν διαβάσει και κατανοήσει τις οδηγίες και τις προειδοποιήσεις του παρόντος εγχειριδίου, ενώ μπορούν να θεωρηθούν υπεύθυνοι για τις πράξεις τους.

Το προϊόν προορίζεται για τη σύσφιξη και την αφαίρεση μπουλονιών.

Μην χρησιμοποιείτε το προϊόν με τρόπο διαφορετικό από αυτόν που αναφέρεται για τη χρήση του.

**ΣΗΜΕΙΩΣΗ** Προτείνεται η χρήση οπίων οδηγών πριν την τοποθέτηση των βιδών.

### ⚠ ΠΡΟΕΙΔΟΠΟΙΗΣΗ

**Διαβάστε όλες τις συστάσεις ασφαλείας και τις οδηγίες.** Αν δεν τηρηθούν οι προειδοποιήσεις και οδηγίες, υπάρχει κίνδυνος ηλεκτροπληξίας, φωτιάς και / ή σοβαρού τραυματισμού.

**Φυλάσσετε όλες τις προειδοποιήσεις και οδηγίες για μελλοντική χρήση.**

### ΠΡΟΕΙΔΟΠΟΙΗΣΕΙΣ ΑΣΦΑΛΕΙΑΣ ΓΙΑ ΤΟ ΚΑΤΣΑΒΙΔΙ

- Κρατάτε το ηλεκτρικό εργαλείο από τις μονωμένες επιφάνειες λαβών όταν διεξάγετε μια λειτουργία κατά την οποία ο συνδετήρας μπορεί να έρθει σε επαφή με κρυμμένες καλωδιώσεις. Συνδετήρες που έρχονται σε επαφή με ένα "ρευματοφόρο" καλώδιο μπορεί να εκθέσουν μεταλλικά τμήματα του ηλεκτρικού εργαλείου σε ρεύμα,

προκαλώντας ηλεκτροπληξία στο χειριστή.

### ΠΡΟΕΙΔΟΠΟΙΗΣΕΙΣ ΑΣΦΑΛΕΙΑΣ ΓΙΑ ΤΟ ΦΟΡΤΙΣΤΗ

- Πριν από τη χρήση του φορτιστή μπαταρίας, διαβάστε όλες τις οδηγίες και τις προειδοποιητικές ενδείξεις στο παρόν εγχειρίδιο, πάνω στον φορτιστή μπαταρίας, στην μπαταρία και στο προϊόν, στο οποίο χρησιμοποιείται η μπαταρία, προκειμένου να αποτραπεί η λανθασμένη χρήση των προϊόντων και να αποφευχθεί το ενδεχόμενο τραυματισμού ή υλικών ζημιών.
- Μη χρησιμοποιείτε τον φορτιστή σε εξωτερικούς χώρους και μην τον εκθέτετε σε βροχή ή συνθήκες υγρασίας. Η εισχώρηση νερού στον φορτιστή θα αυξήσει τον κίνδυνο ηλεκτροπληξίας.
- Η χρήση εξαρτημάτων που δεν προτείνονται ή δεν πωλούνται από τον κατασκευαστή του φορτιστή μπαταρίας, μπορεί να οδηγήσει σε κίνδυνο φωτιάς, ηλεκτροπληξίας ή τραυματισμού. Θα μειώσετε έτσι τον κίνδυνο ηλεκτροπληξίας, πυρκαγιάς ή σοβαρού τραυματισμού.
- Μην κακομεταχειρίζεστε το καλώδιο ή τον φορτιστή. Μην μεταφέρετε ποτέ τον φορτιστή από το καλώδιό του. Για να αποσυνδέσετε τον φορτιστή, μην τον τραβάτε από το καλώδιο αλλά μόνο από τος φιν. Η φθορά στο καλώδιο ή τον φορτιστή ενέχει τον κίνδυνο ηλεκτροπληξίας. Αντικαταστήστε άμεσα τα φθαρμένα καλώδια.
- Διασφαλίστε ότι το καλώδιο θα τοποθετηθεί με τέτοιο τρόπο, ώστε να μην υπάρχει κίνδυνος να το πατήσει κάποιος, να σκοντάψει



κάποιος εξαιτίας του, να έλθει σε επαφή με αιχμηρές γωνίες ή κινούμενα εξαρτήματα ούτε να υποστεί οποιαδήποτε άλλη βλάβη ή καταπόνηση. Έτσι θα μειωθεί ο κίνδυνος τυχαίων πτώσεων, οι οποίες θα μπορούσαν να οδηγήσουν σε τραυματισμό ή βλάβη του καλωδίου, με συνέπεια τον κίνδυνο ηλεκτροπληξίας.

- Διατηρείτε το καλώδιο και τον φορτιστή μακριά από τη θερμότητα, προκειμένου να αποφευχθεί η βλάβη στο πλαίσιο ή σε εσωτερικά εξαρτήματα.
- Μην χρησιμοποιείτε τον φορτιστή με φθαρμένο καλώδιο ή φως, αφού αυτό θα οδηγήσει σε βραχυκύκλωμα και ηλεκτροπληξία. Σε περίπτωση βλάβης, ζητήστε την αντικατάσταση του φορτιστή από εξουσιοδοτημένο τεχνικό σέρβις.
- Μην χρησιμοποιήσετε τον φορτιστή, σε περίπτωση που έχει υποστεί ισχυρό χτύπημα, έχει πέσει στο έδαφος ή έχει υποστεί οποιαδήποτε άλλη ζημιά. Ζητήστε έλεγχο του φορτιστή από εξουσιοδοτημένο τεχνικό σέρβις, προκειμένου να διαπιστωθεί εάν βρίσκεται σε καλή κατάσταση λειτουργίας.
- Μην αποσυναρμολογείτε τον φορτιστή. Μεταφέρετε το φορτιστή σε εξουσιοδοτημένο τεχνικό σέρβις, εφόσον απαιτηθεί συντήρηση ή επισκευή. Η εσφαλμένη επανασυναρμολόγηση μπορεί να οδηγήσει σε κίνδυνο ηλεκτροπληξίας ή φωτιάς.
- Αποσυνδέετε τον φορτιστή από την πρίζα, πριν από οποιαδήποτε εργασία συντήρησης ή καθαρισμού, προκειμένου να ελαχιστοποιηθεί ο κίνδυνος ηλεκτροπληξίας.

- Αποσυνδέστε τον φορτιστή από την πρίζα όταν δεν χρησιμοποιείται. Έτσι θα μειωθεί ο κίνδυνος ηλεκτροπληξίας ή ζημιάς στο φορτιστή, σε περίπτωση που πέσουν μεταλλικά αντικείμενα μέσα στο άνοιγμα. Θα αποτρέψει, επίσης, τη ζημιά στον φορτιστή, σε περίπτωση απότομης αύξησης της τάσης του ρεύματος.
- Κίνδυνος ηλεκτροπληξίας. Μην αγγίζετε το μη μονωμένο τμήμα του συνδέσμου ή το μη μονωμένο τερματικό της μπαταρίας.

#### ΟΔΗΓΙΕΣ ΑΣΦΑΛΕΙΑΣ ΜΠΑΤΑΡΙΑΣ



Li-ion

- Μην απορρίπτετε χρησιμοποιημένες μπαταρίες μαζί με τα οικιακά απόβλητα και μην τις καίτε. Για σωστή απόρριψη των μπαταριών και προστασία του περιβάλλοντος, επιστρέψτε τις παλιές μπαταρίες στον διανομέα Ryobi.
- Χωρίζετε σωστά τα ηλεκτρονικά απόβλητα, αφαιρώντας τις μπαταρίες από την κεντρική μονάδα πριν την απόρριψη. Δίνετε τις μπαταρίες στα σωστά σημεία συλλογής.
- Για να αφαιρέσετε την ενσωματωμένη μπαταρία: Ξεχωρίστε τα περιβλήματα μεταξύ τους, αφαιρώντας τις βίδες. Αποσυνδέστε την μπαταρία από το κύκλωμα και αφαιρέστε την.
- **ΣΗΜΕΙΩΣΗ** Αφού ανοιχθεί, το προϊόν δεν χρησιμοποιείται ή επισκευάζεται ξανά και θα πρέπει να απορριφθεί σωστά.
- Πριν αφαιρέσετε τις μπαταρίες από το εργαλείο, ενεργοποιήστε το μέχρι οι μπαταρίες να εκφορτίσουν τελείως.



- Βεβαιωθείτε ότι η μπαταρία που θα απορριφθεί δεν έρχεται σε επαφή με άλλες μπαταρίες, άλλες θήκες μπαταριών ή αγώγιμα υλικά, προστατεύοντας τις εκτεθειμένες συνδέσεις με μονωτικά, μη αγώγιμα πώματα ή ταινίες.
- Μην φορτίζετε ποτέ χαλασμένες μπαταρίες.

## ΑΛΛΟΙ ΚΙΝΔΥΝΟΙ

Ακόμη και όταν το προϊόν χρησιμοποιείται σύμφωνα με τις οδηγίες, δεν είναι δυνατή η απόλυτη απαλειφή συγκεκριμένων παραγόντων κινδύνου. Κατά τη χρήση μπορεί να προκύψουν οι ακόλουθοι κίνδυνοι και ο χειριστής πρέπει να δίδει ιδιαίτερη προσοχή προς αποφυγή των εξής:

- Βλάβη στην ακοή, λόγω θορύβου  
Φοράτε κατάλληλη ωτοπροστασία και περιορίστε την έκθεση.
- Τραυματισμός των ματιών  
Φοράτε προστατευτικές ασπίδες ματιών ή ειδικά γυαλιά όταν χρησιμοποιείτε το προϊόν.
- Τραυματισμοί από τον κραδασμό  
Περιορίστε την έκθεση. Τηρείτε τις οδηγίες στην Ελαχιστοποίηση κινδύνου.
- Ηλεκτροπληξία εξαιτίας επαφής με κρυφά καλώδια  
Κρατάτε το προϊόν μόνο από τις μονωμένες επιφάνειες.
- Τραυματισμός που προκαλείται από τη σκόνη  
Η σκόνη που προκαλείται από το προϊόν μπορεί να προκαλέσει αναπνευστικές βλάβες. Φοράτε κατάλληλη μάσκα προστασίας από τη σκόνη, η οποία διαθέτει κατάλληλα φίλτρα προστασίας από σωματίδια που προέρχονται από

το αντικείμενο εργασίας.

## ΜΕΙΩΣΗ ΚΙΝΔΥΝΟΥ

Έχει αναφερθεί ότι οι κραδασμοί των χειροκίνητων εργαλείων μπορεί να συμβάλλει σε μια πάθηση γνωστή ως Σύνδρομο Raynaud σε ορισμένα άτομα. Τα συμπτώματα περιλαμβάνουν κνησμό, μούδιασμα και λευκότητα των δακτύλων, που εμφανίζονται συνήθως μετά την έκθεση σε κρύο. Κληρονομικοί παράγοντες, έκθεση σε κρύο και υγρασία, κάπνισμα και πρακτικές εργασίας θεωρείται ότι συμβάλλουν στην εκδήλωση των συμπτωμάτων. Μπορούν να ληφθούν μέτρα από το χειριστή για την πιθανή μείωση των επιδράσεων κραδασμών:

- Διατηρείτε το σώμα σας ζεστό όταν ο καιρός είναι ψυχρός. Φοράτε γάντια κατά τον χειρισμό του μηχανήματος, για να διατηρείτε ζεστά τα χέρια και τους καρπούς σας. Ο ψυχρός καιρός είναι κύριος παράγοντας που συμβάλλει στην εκδήλωση του συνδρόμου Raynaud.
- Μετά από κάθε περίοδο λειτουργίας, κάνετε ασκήσεις για να αυξάνετε την κυκλοφορία αίματος.
- Κάνετε τακτικά διαλείμματα κατά την εργασία. Περιορίζετε το σύνολο έκθεσης ανά ημέρα.

Αν παρουσιάσετε οποιοδήποτε σύμπτωμα αυτής της πάθησης, διακόψτε αμέσως τη χρήση και συμβουλευτείτε τον γιατρό σας για τα συμπτώματα.

## ⚠ ΠΡΟΕΙΔΟΠΟΙΗΣΗ

Υπάρχει κίνδυνος πρόκλησης ή επιδείνωσης τραυματισμού, από την παρατεταμένη χρήση εργαλείου. Όταν χρησιμοποιείτε το εργαλείο για μεγάλες περιόδους, κάνετε τακτικά διαλείμματα.

## ΓΝΩΡΙΣΤΕ ΤΟ ΠΡΟΪΟΝ ΣΑΣ

Βλέπε σελίδα 131.

1. Τσοκ
2. Διακόπτης δύο ταχυτήτων
3. Κουμπί κλειδώματος στροφέα
4. Επιλογή κατεύθυνσης περιστροφής
5. Μονή μύτη (25 mm)
6. Διακόπτης
7. Φορτιστής
8. Φις φορτιστή
9. Βύσμα εισόδου

## ΣΥΝΤΗΡΗΣΗ

### ΠΡΟΕΙΔΟΠΟΙΗΣΗ

Το προϊόν δεν πρέπει ποτέ να συνδέεται σε παροχή ισχύος όταν διαεξάγετε ρυθμίσεις, καθαρισμό, συντήρηση ή όταν το προϊόν δε χρησιμοποιείται. Μια αποσύνδεση του προϊόντος θα εμποδίσει τυχαία εκκίνηση, η οποία θα μπορούσε να προκαλέσει σοβαρό τραυματισμό.

- Κατά τη συντήρηση, χρησιμοποιείτε μόνο πανομοιότυπα ανταλλακτικά. Η χρήση οποιουδήποτε άλλου ανταλλακτικού μπορεί να παρουσιάσει κίνδυνο ή να προκαλέσει ζημιά στο εργαλείο σας.
- Αποφύγετε τη χρήση διαλυτών κατά τον καθαρισμό πλαστικών εξαρτημάτων. Τα περισσότερα πλαστικά μπορούν να υποστούν ζημιά από τη χρήση ορισμένων διαλυτών που διατίθενται στο εμπόριο. Χρησιμοποιείτε καθαρά πανιά για την απομάκρυνση της βρομιάς και σκόνης άνθρακα.
- Σε καμία περίπτωση μην επιτρέπετε τα υγρά φρένων, η βενζίνη, προϊόντα

με βάση το πετρέλαιο, έλαια που διεισδύουν κλπ. να έρχονται σε επαφή με πλαστικά τμήματα. Τα προϊόντα αυτά περιέχουν χημικές ουσίες που μπορούν να προξενήσουν ζημιά, να μειώσουν ή να καταστρέψουν το πλαστικό.

- Φοράτε πάντα προστατευτικά γυαλιά ή γυαλιά ασφαλείας με πλαϊνές ασπίδες κατά τον χειρισμό μηχανοκίνητων εργαλείων ή σε εργασίες με σκόνη. Αν η εργασία προκαλεί σκόνη, φοράτε και ειδική μάσκα.
- Για μεγαλύτερη ασφάλεια και αξιοπιστία, όλες οι επισκευές πρέπει να διεξάγονται από ένα εξουσιοδοτημένο κέντρο σέρβις.

### ΛΙΠΑΝΣΗ

Όλα τα έδρανα στο προϊόν έχουν λιπανθεί με επαρκή ποσότητα λιπαντικού υψηλής ποιότητας για όλη τη διάρκεια ζωής του προϊόντος, υπό φυσιολογικές συνθήκες λειτουργίας. Συνεπώς, δε χρειάζεται καμία επιπλέον λίπανση.

### ΠΡΟΣΤΑΣΙΑ ΤΟΥ ΠΕΡΙΒΑΛΛΟΝΤΟΣ



Ανακυκλώνετε τις πρώτες ύλες αντί να τις πετάτε ως απορρίμματα. Για την προστασία του περιβάλλοντος, πρέπει να γίνεται η διαλογή του εργαλείου, των εξαρτημάτων και των συσκευασιών του.

### ΣΥΜΒΟΛΑ



Προειδοποίηση ασφαλείας

CE

Συμμόρφωση CE

EAC

EurAsian σήμα πιστότητας



Ουκρανικό σήμα συμμόρφωσης



Παρακαλούμε διαβάστε τις οδηγίες προσεκτικά πριν ξεκινήσετε το μηχάνημα.



Παρακαλούμε διαβάστε τις οδηγίες προσεκτικά πριν ξεκινήσετε το μηχάνημα.



Εξοπλισμός Κλάσης II

n<sub>o</sub>

Ταύτητα στ κεν



Θερμική ασφάλεια 2A

V

Βλτ



Συνεχές ρεύμα

min<sup>-1</sup>

Αριθμός στρών ή κινήσεων ανά λεπτό



Φοράτε προστατευτικά ματιών



Τα ηλεκτρικά προϊόντα προς απόρριψη δεν θα πρέπει να απορρίπτονται μαζί με τα οικιακά απόβλητα. Παρακαλούμε ανακυκλώστε όπου υπάρχουν οι αντίστοιχες εγκαταστάσεις. Μιλήστε με τις τοπικές αρχές ή τον πωλητή για να σας ενημερώσουν σχετικά με τα προγράμματα ανακύκλωσης.

## ΕΙΚΟΝΙΔΙΟ ΣΤΟ ΕΓΧΕΙΡΙΔΙΟ



Σημείωση



Συνδέστε στην παροχή ηλεκτρικού ρεύματος.



Χρόνος φόρτισης



Μέγιστη στρεπτική ροπή



Ροπή, ελάχιστος

Οι ακόλουθες προειδοποιητικές λέξεις και έννοιες προορίζονται να εξηγήσουν τα επίπεδα κινδύνου που συνδέονται με αυτό το προϊόν:

### ⚠ ΚΙΝΔΥΝΟΣ

Υποδεικνύει μια επικείμενη επικίνδυνη κατάσταση, η οποία, αν δεν αποφευχθεί, θα οδηγήσει σε θάνατο ή σοβαρό τραυματισμό.

### ΠΡΟΕΙΔΟΠΟΙΗΣΗ

Υποδεικνύει μια δυνητικά επικίνδυνη κατάσταση, η οποία, αν δεν αποφευχθεί, θα οδηγήσει σε θάνατο ή σοβαρό τραυματισμό.

### ΠΡΟΣΟΧΗ

Υποδεικνύει μια δυνητικά επικίνδυνη κατάσταση, η οποία, αν δεν αποφευχθεί, ενδέχεται να οδηγήσει σε ελαφρύ ή μέτριο τραυματισμό.

### ΠΡΟΣΟΧΗ

(Χωρίς ασφάλεια alert συμβολο)

Υποδεικνύει μια κατάσταση που μπορεί να οδηγήσει σε υλικές ζημιές.

130.com.ua

Tomavidanızın tasarımında en yüksek önceliği güvenlik, performans ve güvenilirliğe verdik.

## KULLANIM AMACI

Ürün sadece bu kılavuzdaki talimatları ve uyarıları okuyup anlamış olan ve hareketlerinden sorumlu tutulabilecek yetişkinlerce kullanılmak üzere geliştirilmiştir.

Ürün vida ve civataları sıkıştırmak ve sökmek üzere geliştirilmiştir.

Bu ürünü belirtilen kullanım amacı dışında herhangi bir amaçla kullanmayın.

**NOT:** Vidaları vidalamadan önce kılavuz delikleri kullanmanız tavsiye edilir.

## ⚠ UYARI

**Tüm güvenlik uyarılarını ve talimatlarını okuyun.** Uyarıları ve talimatların yerine getirilmemesi elektrik çarpması, yangın ve/veya ciddi yaralanmalara yol açabilir.

**Tüm uyarıları ve talimatları daha sonra başvurmak üzere saklayın.**

## TORNAVİDA GÜVENLİK UYARILARI

- **Sabitleyicinin gizli kablolarla temas edebileceği yerlerde çalışma yaparken elektrikli aleti yalıtkan tutma yüzeylerinden tutun.** "Canlı" bir kabloyla temas eden sabitleyiciler "canlı" elektrikli aletin metal parçalarını açığa çıkartabilir ve operatörün elektrik akımına kapılmasına neden olabilir.

## ŞARJ CİHAZI GÜVENLİK UYARILARI

- Pil şarj cihazını kullanmadan önce, ürünün yanlış kullanılmasını ve muhtemel yaralanmaları ve hasarları

önlemek için bu el kitabında, pil şarj cihazında, ve pilin kullanıldığı üründeki bütün talimatları ve dikkat uyarılarını okuyun.

- Şarj cihazını açık havada kullanmayın, ıslak veya nemli koşullara maruz bırakmayın. Şarj cihazına su girmesi elektrik çarpması riskini artırır.
- Batarya şarj cihazı üreticisi tarafından önerilmeyen veya satılmayan bir aksesuar kullanmak yangın, elektrik çarpması veya bireysel yaralanmalara neden olabilir. Böylece elektrik çarpması, yangın ya da ciddi yaralanma riskini önleyeceksiniz.
- Kabloyu ya da şarj aletini amacı dışında kullanmayın. Şarj cihazını taşımak için asla kabloyu kullanmayın. Prizden çıkarırken fiş yerine şarj cihazının kablосunu çekmeyin. Kablo veya şarj cihazı hasar görebilir ve elektrik çarpması tehlikesi yaratabilir. Hasarlı kabloları hemen değiştirin.
- Kablonun ezilmeyecek, takılmayacak, keskin kenarlar veya hareketli aksamla temas etmeyecek veya herhangi bir hasara veya gerilime maruz kalmayacak gibi yerleştirildiğinden emin olun. Böylelikle yaralanmalara ve elektrik çarpmasına neden olacak kazara düşmeler ve bunun sonucunda elektrik şoku tehlikesi önlenebilir.
- Muhafaza ve iç aksamın hasar görmemesi için kablo ve şarj cihazını ısı kaynaklarından uzakta tutun.
- Şarj aletini hasarlı bir kablo ya da fişle kullanmayın; aksine davranış kısa devreye ve elektrik çarpmasına neden olabilir. Hasar görmüşse, şarj cihazının yetkili bir servis görevlisince değiştirilmesini sağlayın.
- Sert bir darbe almış, düşmüş ya da herhangi bir biçimde zarar görmüş



şarj aletini çalıştırmayın. İyi işler durumda olup olmadığını belirleyecek elektrik kontrolü için şarj cihazını yetkili bir servise götürün.

- Şarj cihazını sökmeyin. Bakım veya onarım gerektiğinde, yetkili bir servise götürün. Şarj cihazını yanlış takmak elektrik çarpması veya yangına neden olabilir.
- Elektrik çarpması riskini azaltmak için, herhangi bir bakım ya da temizlik işleminden önce şarj cihazını prizden çıkarın.
- Kullanmadığınızda şarj cihazını elektrikten alın. Böylelikle açıklığa metal aksamın düşmesi halinde oluşacak elektrik çarpması veya şarj cihazında hasar riski düşürülmüş olur. Aynı zamanda, ani akım yükselmeleri sırasında şarj cihazının zarar görmesi de engellenir.
- Elektrik çarpması tehlikesi. Yalıtımsız çıkış bağlantısı parçasına veya yalıtımsız batarya terminaline dokunmayın.

## BATARYA GÜVENLİK UYARILARI



Li-ion

- Kullanılan batarya takımını evsel atıklar ile birlikte atmayın ya da yakmayın. Çevreyi korumak ve atılan batarya kutularının düzgün bir şekilde imha edildiğinden emin olmak için eski batarya kutularınızı Ryobi distribütörünüze verin.
- İmha etmeden önce entegre batarya kutularını ana üniteden çıkararak elektronik atıkları düzgün bir şekilde ayırın. Uygun toplama noktalarına verin.

- Entegre batarya kutusunun çıkarılması: Vidaları sökerek yuvaları birbirinden ayırın. Batarya kutusunu devreden kesin ve çıkarın.
- **NOT:** Açıldığında, ürün tekrar kullanılamaz ya da faydalı olmaz ve uygun şekilde imha edilmelidir.
- Batarya kutusunu elektrikli aletten çıkarmadan önce, ürünü batarya kutusunun şarjı tamamen boşalana kadar çalıştırın.
- Açıkta kalan konnektörleri iletken olmayan kapak veya bantlarla izole ederek imha edilecek batarya kutusunun bataryalar, diğer batarya kutuları veya iletken malzemeler ile temas etmeyeceğinden emin olun.
- Hasarlı bir pil takımını asla değiştirmeyin.

## ARDIL RİSKLER

Ürün belirtildiği şekilde kullanıldığı zaman bile belirli artık risk faktörlerinin tamamen ortadan kaldırılması mümkün değildir. Kullanım sırasında aşağıdaki tehlikeler ortaya çıkabilir ve operatör bunlardan kaçınmak için özellikle dikkat etmelidir:

- Gürültü nedeniyle işitme kaybı  
Uygun kulak tıkacı kullanın ve maruz kalma süresini kısıtlayın.
- Göz yaralanmaları  
Bu ürünü kullanırken uygun bir göz koruması veya gözlük takın.
- Titreşim kaynaklı yaralanma  
Maruziyet seviyesini sınırlandırın. Risk Azaltma bölümündeki talimatlara uyun.
- Gizli tellere temastan kaynaklanan elektrik çarpması  
Ürünü yalnızca yalıtkan yüzeylerinden tutun.
- Toz kaynaklı yaralanmalar

Ürünün kullanımı nedeniyle oluşan toz, solunum yolu hasarına neden olabilir. İşlenen malzemeden çıkabilecek aşındırıcı parçacıklardan korunmaya uygun filtreli, doğru toz kontrol maskesi kullanın.

## RİSK AZALTMA

El aletlerinden kaynaklanan titreşimlerin belirli kişilerde Raynaud Sendromu olarak adlandırılan bir durumu etkileyebileceği rapor edilmiştir.

Karıncaalanma, hissizlik ve parmakların sararması gibi genelde soğuğa maruz kaldıktan sonra görülen semptomlar oluşabilir. Kalıtsal faktörler, soğuğa ve neme maruz kalmak, diyet, sigara ve çalışma pratikleri de bu semptomların oluşmasına neden olabilecek etkenler olarak kabul edilmektedir. Operatör titreşim etkilerini azaltabilecek önlemler alabilir:

- Soğuk havalarda vücudunuzu sıcak tutun. Ürünü çalıştırırken ellerinizi ve bileklerinizi sıcak tutmak için eldiven takın. Soğuk havanın Raynaud Sendromunun ana tetikleyicilerinden olduğu bildirilmiştir.
- Her operasyon sürecinden sonra kan dolaşımını artırmak için egzersiz yapın.
- Sık sık işe ara verin. Günlük maruziyet miktarını sınırlandırın.

Bu rahatsızlığın semptomlarından herhangi birini görürseniz, aleti kullanmayı derhal bırakın ve bir doktora görünün.

## ⚠ UYARI

Bir aletin uzun süre kullanılması nedeniyle yaralanmalar olabilir veya mevcut yaraların durumu kötüleşebilir. Herhangi bir aleti uzun bir süre boyunca kullanırken düzenli olarak ara vermeyi ihmal etmeyin.

## ÜRÜNÜNÜZÜ TANIYIN

Sayfa 131'ya bakın.

1. Torna kavrağı
2. İki hızlı dişli düzeni
3. Pivot kilitleme butonu
4. Dönüş yönü seçme düğmesi
5. Matkap ucu (25 mm)
6. Tetik anahtarı
7. Şarj cihazı
8. Şarj cihazı fişi
9. Takma kolu

## BAKIM

## ⚠ UYARI

Parçaları monte ederken, ayar, temizlik, bakım çalışması yaparken veya ürün kullanılmadığı zaman ürünü asla güç kaynağına bağlamayın. Ürünün bağlantısının kesilmesi ciddi yaralanmalara neden olabilecek kazara çalışmayı önleyecektir.

- Servis hizmetinde sadece aynı yedek parçaları kullanın. Diğer parçaları kullanmak tehlike yaratabilir ya da hasara neden olabilir.
- Plastik parçaları temizlerken solventleri kullanmaktan kaçının. Plastiklerin çoğu ticari kullanımlı uçucu maddeler karşı hassastır. Kir ve kömür tozunu gidermek için temiz bezler kullanın.
- Asla fren hidroliğinin, benzinin, petrol

EN  
FR  
DE  
ES  
IT  
NL  
PT  
DA  
SV  
FI  
NO  
RU  
PL  
CS  
HU  
RO  
LV  
LT  
ET  
HR  
SL  
SK  
EL  
TR  
UK

esaslı ürünlerin, yüzeye işleyen yağların vb. plastik parçalarla temas etmesine izin vermeyin. Bu kimyasal ürünler, plastiğe zarar verebilecek, kırılır hale getirebilecek ya da yok edebilecek maddeler içermektedir.

- Elektrikli aletlerle çalışma veya toz üfleme işlemi esnasında daima yan siperlikleri bulunan koruyucu gözlükler kullanın. İşlem tozlu olacaksa aynı zamanda bir toz maskesi de kullanın.
- Güvenliği ve güvenilirliği arttırmak için tüm onarım çalışmaları yetkili bir servis merkezi tarafından gerçekleştirilmelidir.

## YAĞLAMA

Üründeki tüm yataklar normal çalışma koşullarında ürünün hizmet ömrü boyunca yeterli miktarda yüksek kalite yağ ile yağlanır. Buna göre, fazladan yağlama yapılmasına gerek yoktur.

## ÇEVRENİN KORUNMASI



Ham maddeleri çöp olarak atmak yerine geri dönüştürün. Çevreyi korumak için, alet, aksesuarlar ve ambalajlar tasnif edilmelidir.

## SEMBOLLER



Güvenlik ikazı



CE uygunluğu



EurAsian Uyumluluk işareti



Ukrayna uygunluk işareti



Makineyi çalıştırmadan talimatları dikkatlice okuyun.



Makineyi çalıştırmadan talimatları dikkatlice okuyun.



Sınıf II ekipman



Bota hız



Termik sigorta 2A



Volt



Doğru akım



Saniyede devir veya hareket sayısı



Koruyucu gözlük kullanın



Atık elektrikli ürünler evsel atıklarla birlikte atılmamalıdır. Tesis bulunuyorsa lütfen geri dönüşüme verin. Geri dönüşümle ilgili tavsiye için Yerel Makamlarla veya bayi ile irtibat kurun.

## BU KILAVUZDAKİ SİMGELER



Not



Güç kaynağına bağlayın.



Şarj süresi



Maksimum tork



Tork, Minimum

Aşağıdaki işaret sözcükleri ve anlamları, bu ürünle ilişkili risk seviyelerini açıklamaya yöneliktir:



### **TEHLİKE**

Önlenmemesi durumunda ölüm veya ciddi yaralanma ile sonuçlanacak, tehdit edici tehlikeli bir durumu gösterir.



### **UYARI**

Önlenmemesi durumunda ölüm veya ciddi yaralanma ile sonuçlanabilecek potansiyel olarak tehlikeli bir durumu gösterir.



### **DİKKAT**

Önlenmemesi durumunda önemsiz veya orta derece yaralanma ile sonuçlanabilecek potansiyel olarak tehlikeli bir durumu gösterir.

### **DİKKAT**

(Güvenlik uyarı simgesiz) maddi hasarla sonuçlanabilecek bir durum belirtir.

EN

FR

DE

ES

IT

NL

PT

DA

SV

FI

NO

RU

PL

CS

HU

RO

LV

LT

ET

HR

SL

SK

EL

TR

UK

Головними міркуваннями при розробці цього шурупокрута були безпека, ефективність та надійність.

### ПРИЗНАЧЕННЯ

Цей прилад призначено для використання тільки дорослими, які повністю прочитали та зрозуміли інструкції та попередження у цьому керівництві та можуть вважатися відповідальними за власні дії.

Виріб призначений для затягування та видалення шурупів та болтів.

Для додання та свердлення кам'яної кладки, може бути використаний режим молотка.

**ПРИМІТКА:** Перед тим як закручувати гвинти, рекомендується зробити напрямні отвори.

### ⚠ ПОПЕРЕДЖЕННЯ

**Читайте всі правила безпеки та інструкції.** Недотримання попереджень та інструкцій може призвести до ураження електричним струмом, пожежі та / або серйозної травми.

**Збережіть всі інструкції і вказівки для майбутнього використання.**

### ТЕХНІКА БЕЗПЕКИ ПРИ КОРИСТУВАННІ ШУРУПОКРУТОМ

- **Тримайте інструмент за ізольовані поверхні при виконанні дій, при яких затискач може контактувати з прихованою електропроводкою.** Кріплення, що контактують з проводом "під напругою" можуть зробити металеві частини електроінструменту "під напругою", і можуть вразити оператора електричним струмом.

### ВКАЗІВКИ З ТЕХНІКИ БЕЗПЕКИ ДЛЯ ЗАРЯДЖУВАЛЬНОГО ПРИСТРОЮ

- Перед використанням зарядного пристрою щоб запобігти неправильному використанню приладів та можливих травм або шкоди прочитайте всі інструкції та попереджувальні написи в цьому керівництві, а також на зарядному пристрої, акумуляторній батареї та приладі, в якому використовується акумуляторна батарея.
- Не використовуйте зарядний пристрій на вулиці та в умовах підвищеної вологості. Попадання води в зарядний пристрій збільшує ризик ураження електричним струмом.
- Використання насадки, що не рекомендується виробником зарядного пристрою, може призвести до ризику виникнення пожежі, ураження електричним струмом або травмування людей. Слідування цьому правилу знизить ризик ураження електричним струмом, пожежі або серйозної травми.
- Не допускайте порушення правил експлуатації кабелю та зарядного пристрою. Ніколи не використовуйте шнур для перенесення зарядного пристрою. При відключенні з розетки витягуйте зарядний пристрій за вилку, а не за шнур. Можна пошкодити кабель або зарядний пристрій, що створюватиме ризик ураження електричним струмом. негайно замініть пошкоджені кабелі.
- Розташуйте кабель таким чином, щоб не наступати на нього, не сплутатися та не натрапити на гострі края або рухомі частини,

а також запобігти стресу або пошкодженню в інший спосіб. Це знизить ризик випадкового падіння, яке може призвести до травмування та пошкодження кабелю, внаслідок чого може відбутись ураження електричним струмом.

- Тримайте кабель та зарядний пристрій подалі від джерел тепла, щоб запобігти пошкодженню зовнішніх та внутрішніх елементів.
- Не використовуйте зарядний пристрій з пошкодженим кабелем або вилкою. Це може привести до короткого замикання та ураження електричним струмом. У разі пошкодження, замініть зарядний пристрій, звернувшись до авторизованого сервісного центру.
- Не використовуйте зарядний пристрій, якщо він зазнав сильного удару, впав або був пошкоджений в інший спосіб. Віднесіть зарядний пристрій до авторизованого сервісного центру для електричної перевірки, щоб визначити чи він знаходиться в задовільному робочому стані.
- Не розбирайте зарядний пристрій. При необхідності обслуговування або ремонту віднесіть його до авторизованого сервісного центру. Неправильне збирання може призвести до ураження електричним струмом або стати причиною пожежі.
- Перед виконанням будь-якого технічного обслуговування та чищення, від'єднайте зарядний пристрій від розетки, щоб зменшити ризик ураження електричним струмом.
- Від'єднайте зарядний пристрій від джерела живлення, коли він не використовується. Це знизить ризик

ураження електричним струмом або пошкодження зарядного пристрою у разі потрапляння в отвір металевих деталей. Це також допоможе запобігти пошкодженню зарядного пристрою під час стрибка напруги.

- Небезпека ураження електричним струмом. Не торкайтесь неізольованих елементів вихідного роз'єму або неізольованих клем акумуляторної батареї.

#### ТЕХНІКА БЕЗПЕКИ ПРИ ЕКСПЛУАТАЦІЇ АКУМУЛЯТОРНОЇ БАТАРЕЇ



Li-ion

- Не викидайте використані акумуляторні батареї разом з побутовими відходами та не спалюйте їх. Для забезпечення належної утилізації непрацюючих акумуляторних батарей та захисту довкілля, здавайте старі акумуляторні батареї вашою дистриб'юторові Ryobi.
- Відокремлюйте електронні відходи належним чином, знімаючи перед утилізацією інтегровані акумулятори з основного блоку. Здавайте їх до відповідних пунктів збору.
- Для зняття вбудованої акумуляторної батареї: Відокремити стулок корпусу один від одного, відкрутивши гвинти. Від'єднати акумуляторну батарею від ланцюга і видалити.
- **ПРИМІТКА:** Після відкриття, прилад вже не може використовуватися або ремонтуватися - його слід належним чином утилізувати.
- Перед тим як видалити батарею з електроінструменту, увімкніть

прилад та тримайте включеним, поки акумуляторна батарея повністю не розрядиться.

- Переконайтеся, що акумулятор, який слід утилізувати, не вступає в контакт з батареями, іншими акумуляторами або струмопровідними матеріалами та захистіть відкриті роз'єми ізоляційними непровідними кришками або стрічкою.
- Ніколи не заряджайте пошкоджену акумуляторну батарею.

### ЗАЛИШКОВІ РИЗИКИ

Навіть коли продукт використовується як написано, залишається неможливим повністю усунути деякі залишкові чинники ризику. Наступні небезпеки можуть виникнути і оператор повинен звернути особливу увагу, щоб уникнути наступного:

- Пошкодження слуху, викликане шумом  
Надягайте засоби захисту для органів слуху та лімітуйте вплив.
- Травмування очей  
Носіть захисні окуляри або окулярні щити при використанні продукту.
- Травми, викликані вібрацією  
Лімітуйте вплив. Дотримуйтесь інструкцій, зазначених у розділі "Зменшення ризику".
- Ураження електричним струмом через контакт із прихованими проводами  
Тримайте продукт тільки за ізольовані поверхні.
- Травми, викликані пилом.  
Пил, який створюється при використанні виробу, може призвести до травми дихальних шляхів. Надягайте відповідну пилозахисну

маску з фільтром, придатним для затримання часток матеріалу, що оброблюється.

### ЗНИЖЕННЯ РИЗИКУ

Повідомлялося, що вібрації від ручних інструментів у певних осіб можуть сприяти стану, який називається синдромом Рейно. Симптоми можуть включати поколювання, оніміння і збліднення пальців, як правило, очевидні при впливі холоду. Спадкові фактори, вплив холоду і вогкості, дієта, куріння і робоча практика, всі ці чинники роблять свій внесок у розвиток цих симптомів. Ці заходи можуть бути прийняті оператором, щоб можливо зменшити вплив вібрації:

- Тримайте тіло в теплі в холодну погоду. При експлуатації приладу, одягайте рукавички, щоб тримати руки і зап'ястя у теплі.  
Повідомлялося, що холодна погода є основним чинником, що сприяє синдрому Рейно.
- Після кожного періоду роботи, здійсніть вправи для підвищення кровообігу.
- Робіть часті перерви в роботі. Зробіть обмеження кількості впливу на день.

Якщо ви відчуваєте будь-які з симптомів цього стану, негайно припиніть використання і зверніться до лікаря з ціми симптомами.

### ⚠ ПОПЕРЕДЖЕННЯ

Тривале використання інструменту може викликати або посилити травми. При використанні інструменту протягом тривалого періоду, робіть регулярні перерви.

EN  
FR  
DE  
ES  
IT  
NL  
PT  
DA  
SV  
FI  
NO  
RU  
PL  
CS  
HU  
RO  
LV  
LT  
ET  
HR  
SL  
SK  
EL  
TR  
UK

## ЗНАЙТЕ СВІЙ ПРОДУКТ.

Дивіться сторінці 131.

1. Цанга
2. Двошвидкісна зубчаста передача
3. Фіксувальна кнопка
4. Селектор напрямку обертання
5. Єдиний наконечник (25 мм)
6. Гачок перемикача
7. Зарядний пристрій
8. Штекер для заряджання
9. Вхідний роз'єм

## ОБСЛУГОВУВАННЯ

### ⚠ ПОПЕРЕДЖЕННЯ

Продукт не повинен бути підключений до джерела живлення при складанні деталей, регулюванні, чищенні, проведенні технічного обслуговування або коли продукт не використовується. Відключення продукту допоможе уникнути випадкового запуску, який може призвести до серйозних травм.

- При обслуговуванні використовуйте тільки ідентичні запасні частини. Використання будь-яких інших деталей може створити небезпеку або спричинити пошкодження продукту.
- Не використовуйте розчинники для очищення пластмасових деталей. Більшість пластмас вразлива до різних видів комерційних розчинників і може бути пошкоджена їх використанням. Використовуйте чисті ганчірки для видалення бруду і вугільного пилу.
- Ніколи не дозволяйте гальмівній рідині, бензину, продуктам на основі нафти, і проникаючим маслам вступати в контакт з пластиковими деталями. Вони містять хімічні

речовини, які можуть зашкодити, послабити або знищити пластик.

- Завжди надягайте захисні окуляри або захисні окуляри з бічними щитками під час роботи електроінструмента або при здуванні пилу. Якщо робота пильна, також носіть захисну маску.
- Для більшої безпеки і надійності, всі ремонтні роботи повинні виконуватися в авторизованому сервісному центрі.

## ЗМАЩУВАННЯ

Всі підшипники в продукті змащені достатньою кількістю високоякісного мастила для всього терміну служби продукту при нормальних умовах експлуатації. Таким чином, додаткове змащення не потрібно.

## ЗАХИСТ НАВКОЛИШНЬОГО СЕРЕДОВИЩА.



Переробляйте сировину замість утилізації в якості відходів. Машини, обладнання та упаковка повинні бути відсортовані для дружньої для навколишнього середовища утилізації.

## СИМВОЛИ



Попередження безпеки



CE відповідність



Євразійський знак відповідності





Український знак відповідності



Будь ласка, уважно прочитайте інструкцію перед запуском продукту.



Будь ласка, уважно прочитайте інструкцію перед запуском продукту.



Обладнання класу II



Швидкість без навантаження

115 °C

Запобіжник 2A

V

Вольти



Постійний струм

min<sup>-1</sup>

Оберти або зворотно-поступальні рухи у хвилину



Носіть захист для очей

Відходи електротехнічної продукції не слід викидати разом із побутовими відходами. Будь ласка, переробляйте там, де наявне устаткування. Перевірте з вашим місцевим органом влади або продавцем для консультацій з приводу переробки.



## СИМВОЛИ В ЦІЙ ІНСТРУКЦІЇ З ЕКСПЛУАТАЦІЇ



Примітка



Підключіть до джерела живлення.



Час заряджання



Крутний момент, максимальний



Крутний момент, мінімальний

Нижчевказані попереджальні слова та символи пояснюють рівень ризику при роботі з цим приладом.

### НЕБЕЗПЕКА

Вказує на неминуче небезпечну ситуацію, яка, якщо її не уникнути, може призвести до смерті або серйозних травм.

### ПОПЕРЕДЖЕННЯ

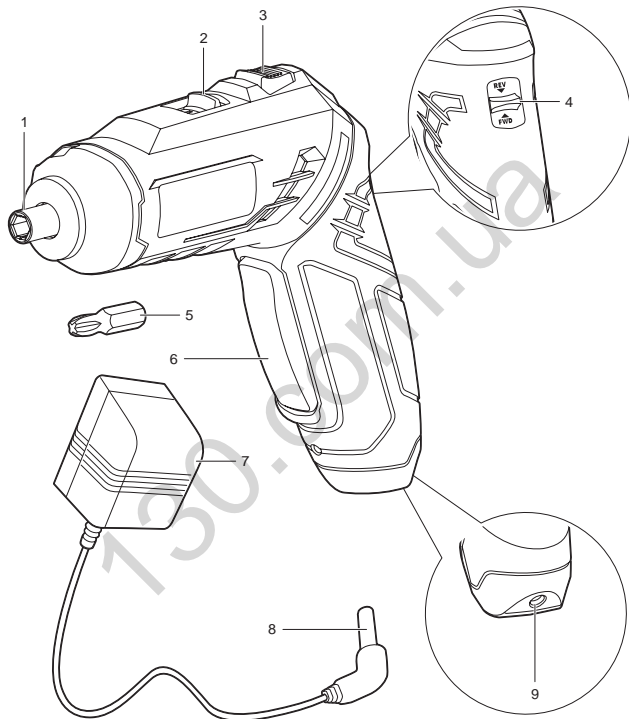
Вказує на потенційно небезпечну ситуацію, яка, якщо її не уникнути, може призвести до смерті або серйозних травм.

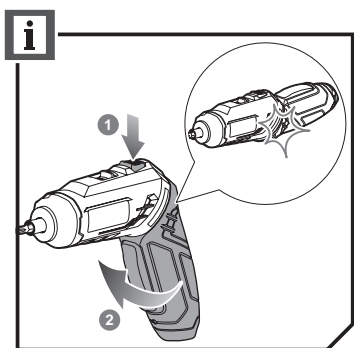
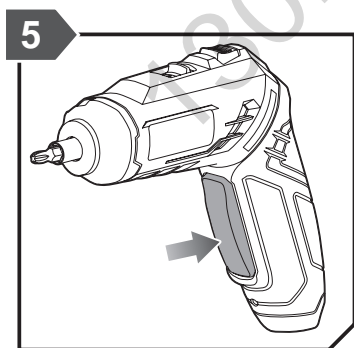
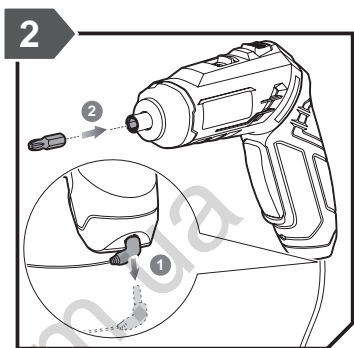
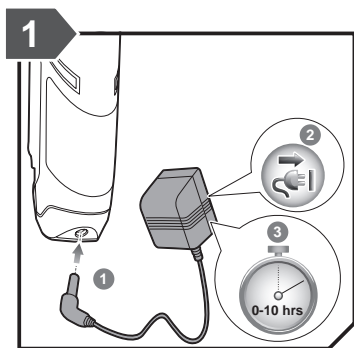
### УВАГА

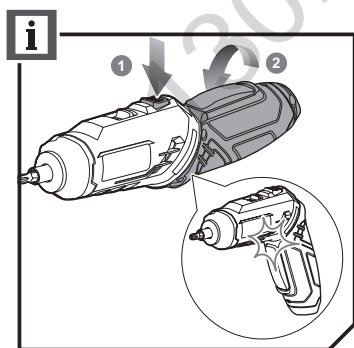
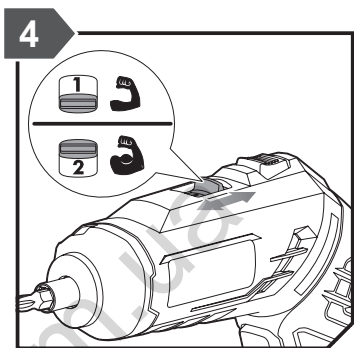
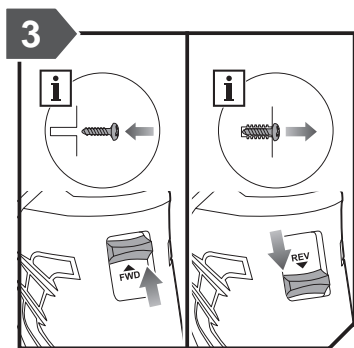
Вказує на потенційно небезпечну ситуацію, яка, якщо її не уникнути, може призвести до середньої або легкої травми.

### УВАГА

(Без Символу попередження про безпеку) Вказує на ситуацію, яка може привести до матеріальних збитків.







English	Français	Deutsch	Español	Italiano	Nederlands
Product specifications	Caractéristiques de l'appareil	Produkt-Spezifikationen	Especificaciones del producto	Specifiche prodotto	Productspecificaties
4V Screwdriver	4V Visseuse	4V Schrauber	4V Destornillador	4V Avvitatore	4V Schroevendraaier
Model	Numéro de modèle	Modell	Marca	Marca	Merk
Voltage	Tension	Spannung	Tensión	Voltaggio	Spanning
Chuck	Mandrin	Bohrfutter	Mandril de sujeción	Mandrino	Boorhouder
Switch - Variable speed	Interrupteur - Vitesse variable	Schalter - Variable Drehzahl	Interruptor - Velocidad variable	Interruttore - Velocità variabile	Schakelaar - Variabele snelheid
No-load speed	Vitesse à vide	Leerlaufdrehzahl	Velocidad sin carga	Velocità a vuoto	Toerental bij nullast
Low speed	Vitesse lente	niedrige Geschwindigkeit	Baja velocidad	Bassa velocità	Lage snelheid
High speed	Vitesse rapide	hohe Geschwindigkeit	Alta velocidad	Alta velocità	Hoge snelheid
Torque	Couple	Drehmoment	Par	Coppia	Koppel
Weight (including battery pack)	Poids (bloc de batterie inclus)	Gewicht (Enthält Akku)	Peso (incluye batería)	Peso (compreso gruppo batterie)	Gewicht (accupack inbegrepen)

Polski	Čeština	Magyar	Română	Latviski	Lietuviškai
Product specifications	Caractéristiques de l'appareil	Produkt-Spezifikationen	Especificaciones del producto	Specifiche prodotto	Productspecificaties
4V Wkrętarka	4V Šroubovák	4V Csavarbehajtó	4V Šurubelniță	4V Skrūvgriezis	4V Atsuktuvus
Numer modelu	Značka	Márka	Număr serie	Modeļa numurs	Prekės ženklas
Napięcie	Elektrické napětí	Feszültség	Tensiune	Spriegums	Ītampa
Uchwyt wiertarski	Sklíčidlo	Tokmány	Mandrină	Patrona	Laikiklis (Šešiakampis)
Przełącznik - Regulacja prędkości obrotowej	Spínač - Proměnná rychlost	Kapcsoló - Változtatható fordulatszám	Comutator - Viteză variabilă	Slēdzis - Mainīgs ātrums	Jungiklis - Kintamas greitis
Prędkość bez obciążenia	Otáčky naprázdno	Üresjárati fordulatszám	Viteză în gol	Apgriezieni bez slodzes	Greitis be apkrovimo
Bieg niski	Nízká rychlost	Alacsony fordulatszám	Viteză redusă	Mazi apgriezieni	Mažas greitis
Alta velocidad	Høj hastighed	Hög hastighet	Suuri nopeus	Høy hastighet	Высокая скорость
Moment obrotowy	Točivý moment	Nyomaték	Cuplu	Griezes moments	Sukimo momentas
Waga (z akumulatorem)	Hmotnost (Včetně aku)	Tömeg (akkumulátorral szállítva)	Greutate (inclusiv set baterii)	Svars (akumulatora bloks iekļauts)	Svoris (su akumulatoriumi)

Português	Dansk	Svenska	Suomi	Norsk	Русский	
Especificações do produto	Produktspecifikationen	Produktspecifikationen	Tuotteen tekniset tiedot	Produktspesifikasjoner	Характеристики изделия	
4V Aparafusadora a bateria	4V Skruemaskine	4V Skruvdragare	4V Ruuviavain	4V Skrutrekker	4V Шуруповерт	
Marca	Brand	Modellnummer	Mallinnumero	Merke	Марка	R4SDP
Voltagem	Spænding	Spänning	Jännite	Spennning	Напряжение	4 V $\overline{\text{---}}$
Mandril	Spændepatron	Chuck	Istukka	Chuck	Зажимной патрон	6,35 mm
Interruptor - Velocidade variável	Kontakt - Variabel hastighed	Strömbrytare - Variabel hastighet	Katkaisin - Säädettävä nopeus	Bryter - Variabel hastighet	Выключатель - Функция изменения скорости	
Velocidade em vazio	Tomgangshastighed	Tomgångshastighet	Tyhjäkäyntinopeus	Hastighet ubelastet	Скорость на холостом ходу	
Velocidade baixa	Lav hastighed	Låg hastighet	Matala nopeus	Lav hastighet	Низкая скорость	0 - 200 min <sup>-1</sup>
High speed	Vitesse rapide	hohe Geschwindigkeit	Alta velocidad	Alta velociã	Hoge snelheid	0 - 600 min <sup>-1</sup>
Torque	Drejningsmoment	Vridmoment	Vääntömomentti	Moment	Крутящий момент	5 Nm
Peso (Inclui bateria)	Vægt (inkl. batteri)	Vikt (inklusive batteri)	Paino (sisältää akun)	Vekt (Batteri inkludert)	Вес (включая аккумуляторную батарею)	0,39 kg

Eesti	Hrvatski	Slovensko	Slovenčina	Ελληνικά	Türkçe	українська мова	
Especificações do produto	Produktspecifikationen	Produktspecifikationen	Tuotteen tekniset tiedot	Produktspesifikasjoner	Характеристики изделия	Технічні характеристики продукту	
4V Kruvikeeraja	4V Odvijač	4V Izvijač	4V Skrutkovač	4V Καρταβίδι	4V Akülü Vidalam	Шурупокрут 4В	
Mark	Marka	Znamka	Značka	Μάρκα	Marka	Μodel	R4SDP
Pinge	Napon	Napetost	Napätie	Τάση	Gerilim	Напруга	4 V $\overline{\text{---}}$
Padrun	Stezna glava	Pritezalnik	Sključovadlo	Τοοκ	Mandren	Затискний патрон	6,35 mm
Lüüti - Kiirusevahemikud	Sklopka - Promjenjiva brzina	Stikalo - Spremenljiva hitrost	Spínač - Variabilná rýchlosť	Διακόπτης - Μεταβλητή ταχύτητα	Anahtar - Değişken hızlı	Перемикач - Змінна швидкість	
Kiirus ilma koor-museta	Brzina bez opterećenja	Hitrost brez obremenitve	Rýchlosť bez zaťaženia	Ταύτητα στ κεν	Boşa hız	Швидкість без навантаження	
Madal kiirus	Mala brzina	Nizka hitrost	Nizka rýchlosť	Χαμηλή ταχύτητα	Düşük hız	Низкое количество оборотов	0 - 200 min <sup>-1</sup>
Bieg wysoki	Vysoká rychlost (2)	Magas fordulatszám	Vítezá mare	Lieli aprgiezi-eni	Didelis greitis	Высокое количество оборотов	0 - 600 min <sup>-1</sup>
Pöördemoment	Zakretni moment	Navor	Krútiaci moment	Ροπή	Tork	Обертальний момент	5 Nm
Mass (koos akupaketiga)	Težina (uključujući bateriju)	Teža (vključno z baterijo)	Hmotnosť (s akumulátorom)	Βάρος (Συμπεριλαμβάνεται μπαταρία)	Ağırlık (akü takımı dahildir)	Вага (із аккумуляторною батареєю)	0,39 kg

English	Français	Deutsch	Español	Italiano	Nederlands
Charger Rating	Caractéristiques du chargeur	Ladegeräteleistung	Clasificación del cargador	Caratteristiche del caricabatterie	Opladerkwalificatie
Input	Alimentation	Eingangsleistung	Tensión nominal	Alimentazione	Input
Output	Sortie	Ausgangsleistung	Potencia de salida	Uscita	Effekt
Battery	Batterie	Akku	Batería	Batteria	Accu
Battery type - Lithium Ion	Type de batterie - Lithium-Ion	Batterietyp - Lithium-Ionen	Tipo de batería - Ión-litio	Tipo batteria - Ioni di litio	Accutype - Lithium-ion
Battery capacity	Capacité de la batterie	Akku-Kapazität	Capacidad de la batería	Capacità batteria	Accucapaciteit

Polski	Čeština	Magyar	Română	Latviski	Lietuviškai
Parametry ładowarki	Napětí nabíječky	Töltő besorolása	Putere nominală încărcător	Lādētāja jauda	Kroviklio klasė
Zasilanie	Vstup	Bemenet	Intrare	leeja	Ivestis
Moc	Výkon	Kimenet	Randament	Izvade	Išvestis
Akumulator	Baterie	Akkumulátor	Baterie	Akumulators	Baterija
Typ akumulatora - Li-Ion	Typ aku - Lithium ionový akumulátor	Akkumulátor típusa - Litiumion	Tip baterie - Litiu-ion	Akumulatora veids - Litijs-jonu	Akumulatoriaus tipas - Litis-jonas
Pojemność akumulatora	Kapacita akumulatoru	Akkumulátor kapacitása	Capacitatea bateriei	Akumulatora jauda	Akumulatoriaus įkrova

Português	Dansk	Svenska	Suomi	Norsk	Русский	
Classificação do Carregador	Lader klassifikation	Laddarklassning	Laturin luokitus	Ladegrad	Класс зарядного устройства	
Admissão	Strømforsyning	Matningsspänning	Virrankulutus	Input	Питание	230V ~ 50Hz 25mA
Potência de saída	Effekt	Effekt	Teho	Output	Выход	4,5V --- 160mA
Bateria	Batteri	Batteri	Akku	Batteri	Батарея	
Tipo de bateria - Lítio-Lítio	Batteritype - Lithium-ion	Batterityp - Litiumjon	Akkutyypit - Litiumioni	Batteritype - Litium-Ion	Тип батареи - Литий-ионная аккумуляторная батарея	
Capacidade da bateria	Batterikapacitet	Batterikapacitet	Akun kapasiteetti	Batterikapasitet	Емкость батареи	1,3Ah

Eesti	Hrvatski	Slovensko	Slovenčina	Ελληνικά	Türkçe	українська мова	
Akulaadija nimivool	Oznaka punjača	Nazivne vrednosti polnilnika	Napätie nabíjačky	Βαθμονόμηση Φορτιστή	Şarj Cihazı Sınıfı	Номинальна характеристика зарядного пристрою	
Vooluvõrk	Ulaz	Vhod	Vstup	Είσοδος ρεύματος	Giriş	Вхідний	230V ~ 50Hz 25mA
Väljund	Izlaz	Izhodna moč	Výkon	Έξοδος	Çıkış	Вхідний	4,5V --- 160mA
Aku	Baterija	Baterija	Akumulátor	Μπαταρία	Batarya	Акумуляторна батарея	
Aku tüüp - Liitiumioon	Vrsta baterije - Litij-ion	Tip baterije - Litij-ionska	Typ akumulátora - Litium-iónová	Τύπος μπαταρίας - Λιθίου-Ιόντων	Akü tipi - Lityum-Iyon	Тип акумуляторної батареї - Літій-іонний	
Aku mahtuvus	Kapacitet baterija	Zmogljivost baterije	Kapacita akumulátora	Δυναμικό μπαταρίας	Batarya kapasitesi	Ємність акумуляторної батареї	1,3Ah



English	Français	Deutsch	Español	Italiano	Nederlands
Product specifications	Caractéristiques de l'appareil	Produkt-Spezifikationen	Especificaciones del producto	Specifiche prodotto	Productspecificaties
Measured sound values determined according to EN 60745:	Valeurs du son mesuré déterminées selon EN 60745:	Gemäß EN 60745: gemessene Schallwerte	Valores medidos del sonido en función de la norma EN 60745:	Valori del suono misurati determinati secondo lo standard EN 60745:	Gemeten geluidswaarden bepaald in overeenstemming met EN 60745:
A-weighted sound pressure level	Niveau de pression sonore pondéré-A	A-bewerteter Schalldruckpegel	Nivel de presión acústica ponderada en A	Livello di pressione sonora pesato A	A-gewogen geluidsrukniveau
Uncertainty K	Incertitude K	Unsicherheit K	Incetidumbre K	Incetezza K	Onzekerheid K
A-weighted sound power level	Niveau de puissance sonore pondéré-A	A-bewerteter Schalleistungsspegel	Nivel de potencia acústica ponderada en A	Livello di potenza sonora pesato A	A-gewogen geluidsniveau
Uncertainty K	Incertitude K	Unsicherheit K	Incetidumbre K	Incetezza K	Onzekerheid K
Wear ear protectors.	Portez une protection acoustique.	Tragen Sie Gehörschutz.	Utilice protección auditiva!	Indossare protezioni acustiche adeguate.	Draag oorbeschermers.

Polski	Čeština	Magyar	Română	Latviski	Lietuviškai
Parametry techniczne	Technické údaje produktu	Termék műszaki adatai	Specificațiile produsului	Produkta specifikācijas	Gaminio techninės savybės
Zmierzone wartości akustyczne zgodnie z normą EN 60745:	Naměřené hodnoty hluku zjištěné dle EN 60745:	A hang értékek meghatározása az EN 60745: szerint történt:	Valori de sunet măsurate determinate în conformitate cu EN 60745:	Izmērītās skaņas vērtības ir noteiktas saskaņā ar EN 60745:	Išmatuotos garso vertės nustatytos pagal EN 60745:
A-wažony poziom ciśnienia hałasu	Hladina akustického tlaku vážená funkcí A	A-súlyozott hangnyomásszint	Nivel de presiune acustică ponderată A	A-līmeņa skaņas spiediena līmenis	A svertinis garso slėgio lygis
Niepewność pomiaru K	Nejistota K	Bizonytalanság K	Incetitudine K	kļūdas vērtība K	Nepastovumas K
A-wažony poziom natężenia hałasu	Hladina akustického výkonu vážená funkcí A	A-súlyozott hangteljesítményszint	Nivel de putere acustică ponderată A	A-līmeņa skaņas jaudas līmenis	A svertinis garso galios lygis
Niepewność pomiaru K	Nejistota K	Bizonytalanság K	Incetitudine K	kļūdas vērtība K	Nepastovumas K
Stosować środki ochrony sluchu!	Používejte chrániče sluchu.	Viseljen hallásvédő.	Purtați aparatoare de urechi.	Lietojiet dzirdes aizsargus.	Naudokite ausų apsaugos priemonės.

Português	Dansk	Svenska	Suomi	Norsk	Русский	
Especificações do produto	Produktspecifikation	Produktspecifikation	Tuotteen tekniset tiedot	Produktspesifikasjoner	Характеристики изделия	
Valores medidos do som em função da norma EN 60745:	Målte lydverdier bestemt iht. EN 60745:	Uppmätta ljudvärden enligt EN 60745:	Mitatut arvot määritetty EN 60745: standardin mukaan:	Målte lydverdier bestemt iht. EN 60745:	Измеренные значения параметров звука определены в соответствии с EN 60745:	
Nível de pressão sonora ponderada A	A-vægtet lydtrykniveau	A-vägd ljudtrycksnivå	A-painotettu äänenpainetaso	A-vektet lydtryknivå	Уровень A-взвешенного звукового давления	$L_p = 62 \text{ dB(A)}$
Incerteza K	Usikkerhed K	Osäkerhet K	Epätarkkuus K	Usikkerhet K	Разброс K	3 dB
Nível de potência sonora ponderada A	A-vægtet lydefektniveau	A-vägd ljudfekt-nivå	A-painotettu äänenteho	A-vektet lydefektnivå	Уровень A-взвешенной звуковой мощности	$L_w = 73 \text{ dB(A)}$
Incerteza K	Usikkerhed K	Osäkerhet K	epätarkkuus K	Usikkerhet K	Разброс K	3 dB
Sempre use a protecção dos ouvidos.	Bær høreværn.	Bär hörselskydd.	Käytä korvasuojia.	Brúk hørselsverñ.	Используйте наушники!	

Eesti	Hrvatski	Slovensko	Slovenčina	Ελληνικά	Türkçe	українська мова	
Toote tehnilised andmed	Specifikacije proizvoda	Specifikacije izdelka	Špecifikácie produktu	Προδιαγραφές Προϊόντος	Ürün Özellikleri	Технічні характеристики продукту	
Mõõteväärtused on kindlaks määratud vastavalt standardile EN 60745:	Mjerena vrijednost zvuka određena je prema EN 60745:	Izmerjene zvočne vrednosti določene v skladu s standardom EN 60745:	Namerané hodnoty určené podľa EN 60745:	Μετρημένες τιμές ήχου σύμφωνα με το EN 60745:	EN 60745: e göre hesaplanmış ses değerleri:	Вимірні значення шуму визначаються відповідно до EN 60745:	
A-kaalutud helirõhu tase	Ponderirana razina tlaka zvuka	A-izmerjena raven zvočnega tlaka	Vážená A hladina akustického tlaku	A-σταθμισμένο επίπεδο πίεσης ήχου	A ağırlıklı ses basıncı seviyesi	A-звжений рівень звукового тиску	$L_p = 62 \text{ dB(A)}$
mõõtemääramatus K	neodređenost K	nedoloč. K	odchýlka K	Αβεβαιότητα K	Belirsizlik K	Невизначеність K	3 dB
A-kaalutud helivõimsuse tase	Ponderirana razina zvučne snage	A-izmerjena raven zvočne moči	Vážená A hladina akustického výkonu	A-σταθμισμένο επίπεδο έντασης ήχου	A ağırlıklı ses gücü seviyesi	A-звжений рівень звукової потужності	$L_w = 73 \text{ dB(A)}$
mõõtemääramatus K	neodređenost K	nedoloč. K	odchýlka K	Αβεβαιότητα K	Belirsizlik K	Різуча здатність	3 dB
Kasutage kuulmis-kaitsevahendeid.	Nosite štítnike za uši.	Nosite štítnike za ušesa.	Používajte chrániče sluchu.	Φοράτε ωτοασπίδες.	Kulak koruyucu kullanın.	Діаметр ріжучої лінії	

English	Français	Deutsch	Español	Italiano	Nederlands
Product specifications	Caractéristiques de l'appareil	Produkt-Spezifikationen	Especificaciones del producto	Specifiche prodotto	Productspecificaties
The vibration total values (triaxial vector sum) determined according to EN 60745:	La valeur totale des vibrations (somme vectorielle triaxiale) déterminée selon EN60745:	Die Vibrationsgesamtwerte (dreiaxiale Vektorsumme) ermittelt nach EN60745:	Los valores de vibración total (suma vectorial triaxial), determinado según la norma EN60745:	I valori totali delle vibrazioni (somma vettore triassiale) sono misurati conformemente alla norma EN60745:	De totale trillingswaarden (triaxiale vector-som) vastgesteld in overeenstemming met EN60745:
Screw driving	Entraînement des vis	Schrauben	Atomillado	Avvitatore	Schroefwerk
Uncertainty K	Incertitude K	Unsicherheit K	Incertidumbre K	Incertezza K	Onzekerheid K

Polski	Čeština	Magyar	Română	Latviski	Lietuviškai
Parametry techniczne	Technické údaje produktu	Termék műszaki adatai	Specificațiile produsului	Produkta specifikācijas	Gaminio techninės savybės
Wartości sumaryczne drgań (suma wektora trójosiowego) określone zgodnie z normą EN60745:	Celkové hodnoty vibrací (Trojosaý vektorový součet) určené v souladu s EN60745:	Vibráció teljes értékei (háromtengelyű vektorösszeg), az EN 60745 szerint meghatározva:	Valorile totale ale vibrațiilor (sumă vector triaxială) au fost determinate conform EN60745:	Vibrāciju kopējās vērtības (triaksiālā vektoru summa) tiek noteiktas atbilstoši EN60745:	Bendros vibracijos vertės (triaišio vektoriaus suma) nustatomos pagal EN60745:
Wkręcanie śrub/wkrętów	Šroubování	Csavarbehajtás	Înșurubare	Skrūvju skrūvēšana	Varžtų sukimas
Niepewność pomiaru K	Nejistota K	Bizonytalanság K	Incertitudine K	kļūdas vērtība K	Nepastovumas K

Português	Dansk	Svenska	Suomi	Norsk	Русский	
Especificações do produto	Produktspecifikationen	Produktspecifikationen	Tuotteen tekniset tiedot	Produktspesifikasjoner	Характеристики изделия	
Os valores totais de vibração (soma vectorial triaxial) são determinados em conformidade com a:	Totale vibrationsværdier (triaksial vektorsum) afgøres ifølge EN60745:	Det totala vibrationsvärdet (triaksial vektorsumma) är framtaget enligt EN60745:	Tärinän kokonaisarvot (kolmiakselinen vektorisumma) määritettyinä standardin EN60745 mukaisesti:	De totale vibrasjonsverdier (treakset vektorsum) er fastsatt i henhold til EN60745:	суммарное значение вибрации (сумма векторов по трем координатным осям) определено в соответствии со стандартом EN60745:	
Aparufasamento	Skruning	Skruvdragning	Ruuvinväänin	Tiltrekking av skruer	Вкручивание винта	$a_n = 0,4 \text{ m/s}^2$
Incerteza K	Usikkerhed K	Osäkerhet K	epätarkkuus K	Usikkerhet K	Разброс K	$1,5 \text{ m/s}^2$

Eesti	Hrvatski	Slovensko	Slovenčina	Ελληνικά	Türkçe	українська мова	
Toote tehnilised andmed	Specifikacije proizvoda	Specifikacije izdelka	Špecifikácie produktu	Προδιαγραφές Προϊόντος	Ürün Özellikleri	Технічні характеристики продукту	
Vibratsiooni koguväärtused (kolme suuna vektorsumma) on vastavalt standardile EN 60745 määratud järgmiselt:	Ponderirana energetska vrijednost Ukupne vrijednosti vibracija (troosovinski vektorski zbroj) određuju se u skladu s EN60745:	Skupna vrednost vibracij (triaksialna vektorska vsota) določena v skladu z EN60745:	Celkové hodnoty vibrácií (priestorový vektorový súčet) určuje norma EN60745:	Συνολικές αξίες κραδασμών (τριαξονικό διανυσματικό άθροισμα) σύμφωνα με EN60745:	EN 60745 normuna uygun olarak belirlenmiş titreşim toplam değerleri (üçeksenli vektör toplamları):	Загальне значення вібрації (триаксіальна векторна сума) визначається відповідно до EN 60745:	
Kruvide keeramine	Odvijanje i uvrtnje vijaka	Vijačenje	Skrutkovanie	Βίδωμα	Vidalama	Закручування шурупів	$a_n = 0,4 \text{ m/s}^2$
Mõõtemääramatus K	Neodređenost K	Nedoloč. K	Odhýlka K	Αβεβαιότητα K	Belirsizlik K	Невизначеність K	$1,5 \text{ m/s}^2$

**EN** WARNING

The vibration emission level given in this information sheet has been measured in accordance with a standardised test given in EN 60745 and may be used to compare one tool with another. It may be used for a preliminary assessment of exposure. The declared vibration emission level represents the main applications of the tool. However if the tool is used for different applications, with different accessories or poorly maintained, the vibration emission may differ. This may significantly increase the exposure level over the total working period.

An estimation of the level of exposure to vibration should also take into account the times when the tool is switched off or when it is running but not actually doing the job. This may significantly reduce the exposure level over the total working period. Identify additional safety measures to protect the operator from the effects of vibration such as: maintain the tool and the accessories, keep the hands warm, organisation of work patterns.

**FR** AVERTISSEMENT

Le niveau d'émission des vibrations indiqué dans cette feuille d'information a été mesuré en concordance avec un test normalisé fourni par EN60745 et peut être utilisé pour comparer un outil à un autre. Il peut être utilisé pour une évaluation préliminaire de l'exposition. Le niveau déclaré d'émission des vibrations s'applique à l'utilisation principale de l'outil. Toutefois, si l'outil est utilisé pour des applications différentes, avec des accessoires différents, ou mal entretenu, l'émission de vibrations peut être différente. Le niveau d'exposition peut en être augmenté de façon significative tout au long de la période de travail.

Une estimation du niveau d'exposition aux vibrations doit aussi prendre en compte les périodes où l'outil est arrêté ainsi que les périodes où il fonctionne sans vraiment travailler. Le niveau d'exposition pendant la durée totale du travail peut en être réduit de façon significative. Prenez en considération les mesures additionnelles de sécurité à prendre pour protéger l'opérateur des effets des vibrations telles que: maintien de l'outil et de ses accessoires, maintien des mains au chaud, organisation du travail.

**DE** WARNUNG

Der in diesem Informationsblatt genannte Schwingungspegel wurde entsprechend dem standardisierten Test von EN60745 gemessen und kann benutzt werden um das Werkzeug mit anderen zu vergleichen. Er kann benutzt werden, um eine vorausgehende Einschätzung der Exposition durchzuführen. Der genannte Schwingungspegel repräsentiert den Haupteinsatzbereich des Werkzeugs. Jedoch kann das Werkzeug für verschiedene Einsatzbereiche benutzt werden. Mit unterschiedlichen Zusatzgeräten oder bei schießlicher Wartung kann der Schwingungspegel unterschiedlich sein. Dadurch kann die Expositionshöhe über die gesamte Arbeitszeit unterschätzt erhöht werden.

Eine Einschätzung der Exposition zu Schwingungen sollte auch die Zeiten wenn das Werkzeug ausgeschaltet ist, oder wenn es angeschaltet aber nicht in Betrieb ist, in Betracht ziehen. Dadurch kann die Expositionshöhe über die gesamte Arbeitszeit signifikant reduziert werden. Identifizieren Sie zusätzliche Sicherheitsmaßnahmen um die Bedienungsperson vor den Effekten der Schwingungen zu schützen, wie zum Beispiel: Das Werkzeug und Zusatzgeräte warten, Hände warmhalten und Organisation der Arbeitszeiten.

**ES** ADVERTENCIA

El nivel de emisión de las vibraciones que figura en esta hoja de información se ha medido según una prueba estandarizada que figura en EN60745 y puede ser utilizado para comparar una herramienta con otra. Puede ser utilizado para una evaluación preliminar de la exposición. El nivel de emisión de las vibraciones declarado representa las principales aplicaciones de la herramienta. No obstante, si la herramienta se utiliza para diferentes aplicaciones, con diferentes accesorios o no recibe el mantenimiento adecuado, la emisión de las vibraciones puede ser diferente. Esto puede aumentar significativamente el nivel de exposición durante el periodo de trabajo total.

Una estimación del nivel de exposición a la vibración también debe tener en cuenta el tiempo en el que la herramienta está desconectada o cuando está conectada pero no está realizando ningún trabajo. Esto puede reducir significativamente el nivel de exposición durante el periodo de trabajo total. Identificar las medidas de seguridad adicionales para proteger al operador de los efectos de las vibraciones, tales como: mantenimiento de la herramienta y de los accesorios, y la organización de los patrones de trabajo.

**IT** AVVERTENZE

Il livello di vibrazioni indicato in questo foglio informativo è stato misurato seguendo un test svolto secondo i requisiti indicati dallo standard EN60745 e potrà essere utilizzato per paragonare un utensile con un altro. Potrà essere utilizzato per una valutazione preliminare dell'esposizione a vibrazioni. Il livello dichiarato di emissioni di vibrazioni viene indicato tenendo conto delle applicazioni principali dell'utensile. Comunque se l'utensile viene utilizzato per applicazioni diverse con accessori diversi o non viene correttamente conservato, il livello delle vibrazioni potrà variare. Ciò potrà significativamente aumentare il livello di esposizione alle vibrazioni durante il periodo di lavoro totale.

Una valutazione del livello di esposizione alle vibrazioni dovrà inoltre prendere in considerazione i tempi in cui l'utensile viene spento o è acceso ma non viene utilizzato. Ciò potrà significativamente ridurre il livello di esposizione in un periodo totale di funzionamento. Ulteriori misure di sicurezza per proteggere l'operatore dagli effetti delle vibrazioni come: conservare correttamente l'utensile e i suoi accessori, tenere le mani calde e organizzare i tempi di lavoro.

**NL** WAARSCHUWING

Het trillingsemissieniveau dat op dit informatieblad wordt gegeven, is gemeten in overeenstemming met een gestandaardiseerde test, vastgelegd in EN60745 en mag worden gebruikt om machines met elkaar te vergelijken. Het verklaarde trillingsemissieniveau geeft de hoofdtoepassing van het gereedschap weer. Als de machine echter voor andere toepassingen met dan andere accessoires wordt gebruikt of slecht wordt onderhouden, kan de trillingsemissie verschillen. Dit kan de blootstelling gedurende de gehele werkduur aanzienlijk verhogen.

Bij een schatting van het niveau van blootstelling aan trillingen moet ook rekening worden gehouden met het aantal keren dat de machine wordt uitgeschakeld of draait, maar niet wordt gebruikt. Dit kan het niveau van blootstelling gedurende de gehele werkduur aanzienlijk verlagen. Stel bijkomende veiligheidsmaatregelen op om de gebruiker tegen de gevolgen van trillingen te beschermen: zoals onderhoud het gereedschap en de accessoires, houd de handen warm, de organisatie van werktijden.

**PT** AVISO

O nível de emissão de vibrações fornecido nesta folha de informações foi medido em conformidade com o teste uniformizado descrito em EN60745 e pode ser usado para comparar uma ferramenta com outra. Este pode ser usado para uma avaliação preliminar da exposição. O nível de emissão de vibração declarado refere-se à aplicação principal da ferramenta. Contudo, se a ferramenta for usada para aplicações diferentes, com acessórios diferentes ou não for devidamente mantida, a emissão de vibrações pode diferir. Isto pode fazer aumentar significativamente o nível de exposição ao longo do período de trabalho total.

Uma estimativa do nível de exposição às vibrações deve ter, também, em consideração o tempo durante o qual a ferramenta está desligada ou em que está ligada mas não está a realizar qualquer trabalho. Isto pode reduzir significativamente o nível de exposição durante o período total de trabalho. Identifique medidas adicionais de segurança que protejam o operário dos efeitos da vibração como a manutenção da ferramenta e dos acessórios, a manutenção das mãos quentes e a organização de padrões de trabalho.

**DA** ADVARSEL

Det angivne niveau for vibrationsemission på denne oplysningsside er blevet målt iht. en standardtest ifølge EN60745 og kan bruges til at sammenligne værktøjer indbyrdes. Det kan bruges til en foreløbig eksponeringsvurdering. Det opgivne niveau for vibrationsemission gælder, når værktøjet bruges til sit hovedformål. Men hvis værktøjet bruges til andre formål, med forskelligt eller med dårligt vedligehold ekstraudstyr, kan vibrationsmissionen variere. Dette kan medføre en betragtelig stigning i eksponeringsniveauet set over hele arbejdsperioden.

Et skøn over niveauet for vibrationseksponering bør også tage højde for de perioder, hvor værktøjet er slukket, eller hvor det er tændt uden faktisk at være i brug. Dette kan medføre en betragtelig reduktion i eksponeringsniveauet set over hele arbejdsperioden. Træk ekstra sikkerhedsforanstaltninger til bestyrelse af operatøren mod virkningerne fra vibrationen som fx: vedligeholdelse værktøj og ekstraudstyr, holde hænderne varme, organisere arbejdsrøster.

**SV** VARNING

Vibrationsnivåerna som uppges i det här dokumentet har uppmått i enlighet med ett standardiserat test som beskrivs i EN60745 och som kan användas för att jämföra det. Det kan användas som en preliminär bedömning av den vibration som användaren utsätts för. De deklarerade vibrationsvärdena motsvarar de som uppstår när verktyget används i sitt huvudsyfte. Om verktyget används i andra syften, med andra tillbehör eller om verktyget är dåligt underhållet kan vibrationsnivåerna vara annorlunda. Det kan kraftigt öka vibrationsnivåerna över den totala arbetsperioden.

En uppskattning av vibrationsnivåerna som användaren utsätts för ska också ta hänsyn till de stunder då verktyget är avstängt och när det går på tomgång. Detta kan kraftigt minska vibrationsnivåerna över den totala arbetsperioden. Andra säkerhetsåtgärder som kan skydda användaren från effekterna av vibrationer är: underhållning av verktyget och tillbehören, hålla händerna varma och organisera arbetsstället.

**FI** VAROITUS

Tämän tiedotteen tarinätaso on mitattu EN60745-standardin mukaisilla testeillä, ja niitä voidaan käyttää vertailemista laitteita toiseen. Sitä voidaan käyttää arvioitavana tarinivaukustusta. Ilmoitettu tarinätaso vastaa laitteen pääasiallista käyttöarkoitusta. Jos laitetta kuitenkin käytetään muuhun tarkoitukseen, muilla lisälaitteilla tai huonosti huolletuna, tarinätaso saattaa poiketa ilmoitetusta arvosta. Tämä voi kasvattaa kokonaisaltistumista huomattavasti koko työjakson kuluessa.

Tarinan altistumissa arvioitassa tulee huomioida ajoin, jolloin laite on sammutettu tai kun se on käynnissä, mutta sitä ei käytetä varsinaiseen työskentelyyn. Tämä voi vähentää kokonaisaltistumista huomattavasti koko työjakson kuluessa. Käytä muitakin kokonaisaltistumista vähentäviä käyttöjärjestelmän lisävarusteita, kuten: huolla laite ja lisälaitteet, pidä kätesi lämpiminä, organisoi työnykkyä.

**NO** ADVARSEL

Vibrasjonsnivået som oppgis på dette informasjonsarket er målt i henhold til en standardisert test gitt i EN60745 og kan brukes til å sammenligne ett verktøy med et annet. Det kan brukes til en foreløpig vurdering av eksponering. Det erklærte vibrasjonsnivået representerer hovedanvendelsen for verktøyet. Dersom verktøyet brukes for andre anvendelser, med forskjellige tilbehør eller med dårlig vedlikehold, vil vibrasjonsnivået kunne være annerledes. Det kan gi en betydelig økning av eksponeringsnivået over den totale arbeidsperioden.

En beregning av nivået for eksponering til vibrasjoner må også ta hensyn til den tiden verktøyet er slått av eller er i gang men ikke i faktisk bruk for å utføre den tiltenkte oppgaven. Dette kan gi en betydelig økning av eksponeringsnivået over den totale arbeidsperioden. Identifiser ytterligere sikkerhetstiltak for å beskytte den som bruker verktøyet for virkningen av vibrasjoner, tiltak som: Vedlikehold verktøyet og tilbehøret, hold hendene varme, organiser arbeidsmetodene.

**RU** ОСТОРОЖНО!

Уровень вибрации, приведенный в данном справочном листе, измерен согласно стандартизованным испытаниям, определенным в EN60745 и может использоваться для сравнения различных инструментов. Значение уровня может использоваться для предварительной оценки влияния вибрации. Заявленный уровень вибрации действителен для основного применения инструмента. Однако, если инструмент используется для других целей, с другими приспособлениями, или плохо обслуживается, уровень вибрации может отличаться от указанного. Это может значительно увеличить величину воздействия за общее время работы.

При оценке уровня воздействия вибрации следует также принять во внимание время простоя и холостой ход (когда инструмент выключен и когда включен, но работа не производится). Эти факторы могут значительно уменьшить величину воздействия вибрации за общее время работы. Определите дополнительные меры безопасности, защищающие работающего от влияния вибрации: техническое обслуживание инструмента и принадлежностей, недопущение охлаждения рук, соответствующие приемы и распорядок работы.

**PL** OSTRZEŻENIE

Deklarowany poziom drgań został zmierzony za pomocą standardowej metody pomiaru określonej normą EN60745 i jego wyniki mogą służyć do porównywania tego urządzenia z innymi. Deklarowana wartość drgań może służyć do wstępnej oceny narażenia operatora na drgania. Deklarowany poziom drgań dotyczy podstawowych zastosowań urządzenia. Jednak w przypadku użycia urządzenia do innych zastosowań, z innymi przystawkami lub w przypadku niewłaściwego stanu technicznego urządzenia poziom drgań może odiegać od deklarowanego. Można być przychylny zwiększeniu stopnia narażenia operatora na drgania w całym okresie wykonywania pracy.

Podczas oceny narażenia na drgania należy również uwzględnić czas wyłączenia urządzenia oraz czas, w którym urządzenie jest włączone. Jednak praca nie jest wykonywana. Czas, w którym znacznie zmniejszyć stopień narażenia operatora na drgania w całym okresie wykonywania pracy. Należy określić dodatkowe środki ochrony operatora przed skutkami drgań, przykładowo: dbać o stan techniczny urządzenia i przystawek, dbać o zachowanie ciepłoty dłoni, odpowiednio zorganizować harmonogram wykonywania prac.

**CS** VAROVÁNÍ

Hodnota vibračních emisí uvedená v tomto informačním listu byla naměřena standardizovaným testem podle EN60745 a je použita k porovnání s hodnotami jiných nástrojů. Může se používat k předběžnému odhadu vystavení vibracím. Uznaná hodnota vibračních emisí reprezentuje hlavní použití nástroje. Nicméně pokud se nástroj používá pro jiné použití, s různými doplňky nebo se nedostatečně neudržuje, mohou se vibrační emise lišit. Toto může výrazně zvýšit úroveň vystavení nad celkové pracovní období.

Ochad úrovně vystavení vibracím při větš vnitřní v potaz času, kdy je chvění vypnuté, nebo když přístroj běží, ale nevykonává práci. Toto může výrazně snížit úroveň vystavení nad celkové pracovní období. Určete dodatečné bezpečnostní opatření pro ochranu obsluhy před různými vibracemi, například: Udržujte nástroj a doplňky, udržujte ruce v teple, organizujte pracovní schéma.

**HU** FIGYELMEZTETÉS

A vibráció-kibocsátás adatlapon megadott értéke az EN60745 által meghatározott szabványosított mérési eljárás szerint lett megmértve, amely lehetővé teszi a különböző szerszámok összehasonlítását. Használható a kitetséges előzetes felmérésére is. A nyilatkozatban szereplő kibocsátási érték a szerszám főbb alkalmazásai területére vonatkozik. Úgyanakkor, ha a szerszámot más alkalmazásokra, más kiegészítőkkel használják vagy rosszul tartják karban, a vibráció-kibocsátás értéke ettől eltérő is lehet. Ez jelentősen növelheti a kitetséges szintjét a gép teljes használati időtartama során.

A vibrációnak való kitetséges szintjének becslésekor figyelembe kell venni azokat az időintervallumokat is, amikor a szerszám ki van kapcsolva, vagy működik, de nem végeznek munkát vele. Ez jelentősen csökkentheti a kitetséges szintjét a gép teljes használati időtartama során. Tegyén további óvintézkedéseket a kezelő vibrációnal szembeni megvédeése érdekében: tartsa karban a szerszámot és a tartozékokat, tartsa melegen a kezét, tervezze meg a munkafolyamatot.

**RO** AVERTISMENT

Nivelul emisiilor de vibrații prezentat în cadrul acestui fișe cu informații a fost măsurat în conformitate cu un test standardizat furnizat în EN60745 și poate fi folosit la a compara o unealtă cu o alta. Poate fi folosit la a evalua preliminară a expunerii. Nivelul declarat al emisiilor de vibrații reprezintă aplicațiile principale ale uneltei. Cu toate acestea, în cazul în care unealta este utilizată pentru aplicații diferite, cu accesorii diferite sau într-un mod necorespunzător, emisiile de vibrații pot diferi. Acestea pot crește semnificativ nivelul de expunere pe întreaga perioadă de lucru.

O estimare a nivelului de expunere la vibrații trebuie, de asemenea, să țină cont de faptul în care unealta este oprită sau de faptul în care aceasta funcționează fără a efectua propriu-zis sarcina de lucru. Acestea pot reduce semnificativ nivelul de expunere pe întreaga perioadă de lucru. Identificați măsurile de siguranță suplimentare pentru a proteja operatorul de efectele vibrațiilor, precum: întreținerea uneltei și a accesoriilor, păstrarea mâinilor calde, organizarea de modele de lucru.

## LV BRĪDĪNĀJUMS

Šajā datu lapā dotā vibrāciju emisijas vērtība ir mērīta saskaņā ar standartizēto testu, kas dots EN60745 un kuru var izmantot, lai salīdzinātu vienu instrumentu ar citu. To var izmantot apstiprināt ekspozīcijas novērtējuma. Deklarētais vibrāciju emisijas līmenis atbilst galvenajiem instrumentu pielietojumiem. Tomēr, ja instrumentu lieto citos pielietojumos, ar citiem pieredumiem vai tas tiek slēgti apkopoti, vibrāciju emisijas vērtība var atšķirties. Tas var ievērojami palielināt ekspozīcijas līmeni visā darbības periodā.

Vibrāciju ekspozīcijas līmeņa novērtējuma jāņem vērā laiks, kad instrumentus lieto un izslēgtas, bet neviens nekad darbu. Tas var ievērojami samazināt ekspozīcijas līmeni visā darbības periodā. Identificējiet papildu drošības pasākumus, lai aizsargātu operatoru no vibrāciju iedarbības, piemēram, veiciet instrumentu uz pieredumu apkopi, turiet rokas stingri un pielāgojiet darba grafiku.

## LT IŠPĒJĪMAS

Šiame lapae nurodytas vibracijos emisijos lygis buvo išmatuotas pagal standartinį testą, aprašytą EN60745, ir gali būti naudojamas vieno įrankio su kitu palyginimui. Jis gali būti naudojamas preliminariam pavojaus vertinimui. Deklaruotas vibracijos emisijos lygis priskiriamas pagrindiniems įrankio taikymo sritims. Tačiau, jei įrankis naudojamas kitoms tikslams, su kitokiais priedais ar įrankis prastai prižiūrimas, vibracijos emisija gali skirtis. Per visą darbo laikotarpį tai gali žymiai padidinti vibracijos keliamo pavojų.

Nustatant vibracijos keliamo pavojų taip pat būtina atsižvelgti į tai, kiek kartų įrankis yra išjungtas ar kai jis veikia, bet juo iš tikrųjų nedirbama. Per visą darbo laikotarpį tai gali žymiai sumažinti vibracijos keliamo pavojų. Naudokite papildomas apsaugos priemones dirbančiam asmeniui apsaugoti nuo vibracijos poveikio, pvz.: prižiūrėti įrankį ir jo priedus, rankas laikyti atšalta, organizuoti darbo sesijas.

## ET HOIATUS

Sellei infolehel esitatud vibratsioonitaseme väärtus on mõeldud standardis EN60745 kirjeldatud katsetmeetodiga ja seda võib kasutada tööriistade ovaalheliseks võrdlemiseks. Seda võib kasutada vibratsioonimõju eelhindamiseks. Deklareeritud vibratsioonitaseme väärtus kehtib tööriista tavakasutamisel. Kui aga kasutate tööriista muudeks kasutusotstarveteks, eriotstarbeliste tarvikutega või kui tööriist on puudulikult hooldatud, siis võib vibratsiooniväärtus erineda. Sellistel juhtudel võib tööperioodi summaarne vibratsioonitaseme suurendada märgatavalt. Vibratsiooniväärtuse taset tuleb arvesse võtta ka sel ajal, kui tööriist on välja lülitatud või kui tööriist tööle, kuid ei tee tööoperatsioone. Sellistel juhtudel võib tööperioodi ajal summaarne vibratsioonitaseme vähendada märgatavalt. Määrake kindlaks täiendavad ohutusmeetmed, et kaitsa operaatrit vibratsioonimõjude eest – tööriistade ja tarvikute hooldamine, käte soojas hoidmine ja töövahetuste organiseerimine.

## HR IPOZORENJE

Razina vrijednosti vibracija data u ovoj tablici s informacijama mjerena je skladno normiranom testu pruženom u EN60745 i može se koristiti za usporedbu jednog alata s drugim. Može se koristiti u početnom usklađivanju izloženosti. Objavljena razina vrijednosti vibracija predstavlja glavnu primjenu alata. Međutim, ako se alat koristi za druge primjene, s različitim dodatnim priborom ili je slabo održavan, vrijednost vibracija može se razlikovati. Ovo može značajno povećati razinu izloženosti tijekom ukupnog radnog razdoblja.

U procjeni razine izloženosti na vibraciju također treba uzeti u obzir vrijeme kada je alat isključen ili kada je pokrenut, no ne i stvarno vrijeme rada. Ovo može značajno smanjiti razinu izloženosti tijekom ukupnog radnog razdoblja. Odredite dodatne sigurnosne mjere za zaštitu operatora od učinaka vibracije poput: održavanje alata i pribora, održavanje toplih ruku, organizacija obrazaca za rad.

## SL OPOZORILO

Nivo emisij vibracij, naveden v tem informacijskem listu, je bil izmerjen v skladu s standardiziranim testom, ki je podan v EN60745, podatke pa se lahko uporablja za primerjavo enega orodja z drugim. Uporablja se ga lahko za predhodno oceno izpostavljenosti. Naveden nivo emisij vibracij predstavlja glavno uporabo orodja. Vendar, če se orodje uporablja v druge namene in z različnimi nastavki oz. če je orodje slabo vzdrževano, se lahko emisije vibracij razlikujejo. To lahko občutno poveča nivo izpostavljenosti v skupnem delovnem času. Ocena nivoje izpostavljenosti vibracijam bi morala prav tako upoštevati, koliko krat je orodje bilo izključeno ali v delovanju in pravzaprav ne opravlja svojega dela. To lahko občutno zmanjša nivo izpostavljenosti v skupnem delovnem času. Upoštevajte dodatne varnostne ukrepe, da bi upravljalca zaščitili pred vplivom vibracij, kot je: vzdrževanje orodja in nastavke, pazite, da so roke tople, organizirajte delovne vzorce.

## SK VAROVANIE

Úroveň emisie vibrácií, uvedená v tomto informačnom hárku bola nameraná v súlade so štandardizovaným testom, daný normou EN60745 a môže sa použiť na porovnanie jedného nástroja s druhým. Môže sa použiť na predbežné určenie miery vystavenia sa vibráciám. Uvedená úroveň emisie vibrácií predstavuje hlavné aplikácie nástroja. Avšak keď sa nástroj používa na iné aplikácie, s rôznym prístupom alebo má inú údržbu, úroveň vibrácií sa môže líšiť. Týmto sa môže výrazne zvýšiť úroveň vystavenia sa vibráciám počas celkového času práce.

Odhad úrovne vystavenia sa vibráciám by sa mal brať tiež do úvahy vždy, keď sa nástroj vypne, alebo potom, keď beží ale v skutočnosti sa nevykonáva práca. Týmto sa môže výrazne znížiť úroveň vystavenia sa vibráciám počas celkového času práce. Nasledovné doplnkové opatrenia bezpečnostne opatrenia pomáhajú chrániť operátora od nežiadúcich účinkov: údržba nástroja a prístupovstva, udržiavanie teplých rúk, organizácia práce.

## EL ΠΡΟΕΙΔΟΠΟΙΗ

Τα επίπεδα εκπομπών κραδασμών που παρέχονται στο παρόν ενημερωτικό φυλλάδιο, έχουν μετρηθεί βάσει τυποποιημένης δοκιμής που προβλέπεται στο EN60745 και μπορούν να συγκριθούν με τη σύγκριση του εργαλείου με άλλα. Μπορούν επίσης να χρησιμοποιηθούν για προκαταρκτική αξιολόγηση της έκθεσης. Τα δηλωμένα επίπεδα εκπομπών κραδασμών αφορούν τις βασικές εφαρμογές του εργαλείου. Ωστόσο, αν το εργαλείο χρησιμοποιείται για διαφορετικές εφαρμογές, με διαφορετικά εξαρτήματα ή με κακή συντήρηση, η εκπομπή κραδασμών μπορεί να διαφέρει. Αυτό μπορεί να αυξήσει σημαντικά το επίπεδο έκθεσης στη συνολική περίοδο εργασίας.

Η εκτίμηση των επιπέδων έκθεσης σε κραδασμούς θα πρέπει επίσης να λαμβάνει υπ όψη τις χρόνιες παθήσεις κατά τις οποίες το εργαλείο ένα απευχρησιμοποιώ η λειτουργεί χωρίς να χρησιμοποιείται σε συγκεκριμένη εργασία. Αυτό μπορεί να μειώσει σημαντικά το επίπεδο έκθεσης στη συνολική περίοδο εργασίας. Εφαρμόστε επιπρόσθετα μέτρα ασφαλείας για την προστασία του χειριστή από τις επιπτώσεις των κραδασμών, όπως τα εξής: συντηρήστε το εργαλείο και τα εξαρτήματα, διατηρήστε τα χέρια ζεστά, οργανώστε σωστά εργασία.

## TR UYARI

Bu bilgi sayfasında verilen titreşim emisyon seviyesi, EN60745 standardında belirtilen standartlaştırılmış bir teste uygun olarak ölçülmüş ve bir aletle diğerle karşılaştırılmak için kullanılabılır. On maruz kalma testi için kullanılabılır. Beyan edilen titreşim emisyon seviyesi aletin asıl uygulamaları temsil etmektedir. Ancak alet, farklı aksesuarlarla veya yetersiz bakımlı olarak farklı uygulamalar için kullanılırsa titreşim emisyonu değişebilir. Bu durum kalma süresi boyunca maruz kalma seviyesini önemli ölçüde artırır.

Titreşime maruz kalma seviyesinin değerlendirilmesi aynı zamanda alet kapalı ve arızadan çıkarak ancak gerek anında iş yapıldığı zamanlar da göz önünde bulundurulmalıdır. Bu durum toplam çalışma süresi boyunca maruz kalma seviyesini önemli ölçüde azaltır. Operatörü titreşimin etkilerinden korumak için ilave güvenlik önlemleri belirlenmeli, örneğin: alet ve aksesuarların bakımı yapmaktır, operatörün ellerini sık sık temizlemek, kalma modelleri organize etmek.

## UK ПОПЕРЕДЖЕННЯ

Рівень вібрації, зазначений у цьому інформаційному листку, був розрахований відповідно до стандартизованого випробування, наведеного в EN 60745 і може використовуватися для порівняння одного інструмента з іншим. Він може бути використаний для попередньої оцінки впливу. Зазначений рівень вібрації представляє основні застосування інструменту. Тим не менш, якщо інструмент використовується для різних додатків, з різними аксесуарами і недотриманий, рівень вібрації може збільшитися. Це може значно підвищити рівень впливу протягом усього робочого періоду.

При оцінюванні рівня впливу вібрації необхідно також враховувати час, коли інструмент вимкнений або коли він працює, але насправді не виконує ніякої роботи. Це може значно зменшити рівень впливу протягом усього робочого періоду. Для захисту оператора від впливу вібрації, визначте додаткові заходи безпеки, такі як: регулярний догляд за інструментом і приладдям, тримання рук в теплі, і організація схеми роботи.

**EN** GARANTIE

In addition to any statutory rights resulting from the purchase, this product is covered by a guarantee as stated below.

- The guarantee period is 24 months for consumers and commences on the date when the product was purchased. This date has to be documented by an invoice or other proof of purchase. The product is designed and dedicated to consumer and private use only. So there is no guarantee provided in case of professional or commercial use.
- There is, in some cases (i.e. promotion, range of tools), a possibility to extend the warranty period over the period described above using the registration on the [www.ryobitools.eu](http://www.ryobitools.eu) website. The eligibility of the tool is clearly displayed in stores and/or on packaging. The end user needs to register his/her newly-acquired tools online within 8 days from the date of purchase. The end user may register for the extended warranty in his country of residence if listed on the online registration form where this option is valid. Furthermore, end users must give their consent to the storage of the data which are required to enter online and they have to accept the terms and conditions. The registration confirmation receipt, which is sent out by e-mail, and the original invoice showing the date of purchase will serve as proof of the extended warranty. Your statutory rights remain unaffected.
- The guarantee covers all defects of the product during the warranty period due to defaults in workmanship or material at the purchase date. The guarantee is limited to repair and/or replacement and does not include any other obligations including but not limited to incidental or consequential damages. The warranty is not valid if the product has been misused, used contrary to the instruction manual, or being incorrectly connected. This guarantee does not apply to:
  - any damage to the product that is the result of improper maintenance
  - any product that has been altered or modified
  - any product where original identification (trade mark, serial number) markings have been defaced, altered or removed
  - any damage caused by non-observance of the instruction manual
  - any non CE product
  - any product which has been attempted to be repaired by a non-qualified professional or without prior authorization by Techtronic Industries
  - any product connected to improper power supply (amps, voltage, frequency)
  - any damage caused by external influences (chemical, physical, shocks) or foreign substances
  - normal wear and tear of spare parts
  - inappropriate use, overloading of the tool
  - use of non-approved accessories or parts
  - carburettor after 6 months, carburettor adjustments after 6 months
  - power tool accessories provided with tool or purchased separately. Such exclusions include but is not limited to screw driver bits, drill bits, abrasive discs, sand paper and blades, lateral guide
  - components (parts and accessories) subject to natural wear and tear, including but not limited to carbon brushes, chuck, power cord, auxiliary handle, sanding plate, dust bag, dust exhaust tube
- For servicing, the product must be sent or presented to a RYOBI authorized service station listed for each country in the following list of service station addresses. In some countries your local RYOBI dealer undertakes to send the product to the RYOBI service organisation. When sending a product to a RYOBI service station, the product should be safely packed without any dangerous contents such as petrol, marked with sender's address and accompanied by a short description of the fault.
- A repair/replacement under this guarantee is free of charge. It does not constitute an extension or a new start of the guarantee period. Exchanged parts or tools become our property. In some countries delivery charges or postage will have to be paid by the sender.
- This guarantee is valid in the European Community, Switzerland, Iceland, Norway, Liechtenstein, Turkey and Russia. Outside these areas, please contact your authorized RYOBI dealer to determine if another warranty applies.

**AUTHORISED SERVICE CENTRE**

To find an authorised service centre near you, visit <http://uk.ryobitools.eu/header/service-and-support/service-agents>.

**FR** GARANTIE

En plus des droits statutaires liés à l'achat, ce produit est couvert par une garantie telle que décrite ci-dessous.

- La durée de la garantie accordée au consommateur est de 24 mois à partir de la date d'achat. Cette date doit être authentifiée par une facture ou tout autre preuve d'achat. Le produit a été conçu en vue d'une utilisation strictement privée. Aucune garantie ne s'applique donc en cas d'utilisation professionnelle ou commerciale.
- Il existe, dans certains cas (par exemple promotion, gamme d'outils), une possibilité d'étendre la période de garantie au-delà de la période précédemment décrite en utilisant le formulaire d'enregistrement présent sur le site Internet [www.ryobitools.eu](http://www.ryobitools.eu). L'éligibilité d'un outil est clairement affichée dans les points de vente et/ou sur l'emballage. L'utilisateur final doit enregistrer son/ses outil(s) nouvellement acheté(s) en ligne dans les 8 jours qui suivent la date d'achat. L'utilisateur a la possibilité de s'enregistrer pour l'extension de garantie dans son pays de résidence si celui-ci est listé dans le formulaire d'enregistrement en ligne ou cette option est valide. L'utilisateur final doit donner son consentement pour l'enregistrement des données requises pour accéder au site et doit accepter les termes et conditions. La confirmation d'enregistrement, envoyée par courrier électronique, ainsi que la facture originale mentionnant la date d'achat serviront de preuve de l'extension de garantie. Vos droits statutaires restent inchangés.
- La garantie couvre les défauts des pièces et de main d'œuvre du produit pendant la période de garantie à partir de la date d'achat. La garantie n'inclut aucune autre obligation, tel que, mais sans s'y limiter, les dommages accessoires ou indirects. La garantie est non valable en cas de mauvaise utilisation du produit, d'utilisation contraire aux instructions du mode d'emploi, ou en cas de branchement incorrect. Cette garantie ne s'applique pas pour:
  - tout dommage au produit résultant d'un mauvais entretien
  - tout produit ayant été altéré ou modifié
  - tout produit dont les marquages originaux d'identification (marque, numéro de série) ont été dégradés, altérés ou retirés
  - tout dommage causé par le non-respect des instructions du mode d'emploi
  - tout produit non CE
  - tout produit ayant subi une tentative de réparation par du personnel non qualifié ou sans autorisation préalable de Techtronic Industries
  - tout produit raccorder à une alimentation secteur non conforme (ampérage, voltage, fréquence)
  - tout dommage causé par des influences extérieures (chimiques, physiques, chocs) ou par des substances étrangères
  - l'usure normale des pièces consommables
  - une utilisation inappropriée, une surcharge de l'outil
  - l'utilisation de pièces ou accessoires non agréés
  - carburateurs âgés de plus de 6 mois, réglages du carburateur après 6 mois
  - accessoires d'outil à moteur fournis avec l'outil ou achetés séparément. De telles exclusions incluent de façon non exhaustive les embouts de vissage, les forets, les disques de ponçage, le papier de verre et les lames, les guides latéraux
  - composants (pièces et accessoires) sujets à une usure naturelle, incluant de façon non exhaustive les charbons, les mandrins, les câbles secteur, les poignées auxiliaires, les semelles de ponçage, les sacs à poussières, les tubes d'extraction de la poussière
- Si le produit doit être réparé, envoyez-le à un service après-vente agréé RYOBI dont vous trouverez ci-dessous la liste pour chaque pays. Dans certains pays, votre revendeur RYOBI se chargera d'envoyer le produit à un centre de réparation RYOBI. Lorsque vous envoyez un produit à un service après-vente RYOBI, celui-ci doit être correctement emballé, sans contenir aucun produit dangereux tel que de l'essence, et vous devez indiquer votre adresse ainsi qu'une courte description du problème.
- Une réparation / un remplacement sous garantie est gratuit(e). Ceci ne constituera pas une extension de garantie ni un nouveau départ de la période de garantie. Les pièces ou les outils remplacés deviennent notre propriété. Dans certains pays, les frais de port devront être assumés par l'expéditeur.
- Cette garantie est valable au sein de l'Europe, de la Suisse, de l'Islande, de la Norvège, du Liechtenstein, de la Turquie, de la Russie. En dehors de ces zones, veuillez contacter votre distributeur agréé RYOBI pour déterminer si une autre garantie s'applique.

**SERVICE APRÈS-VENTE AGRÉÉ**

Pour trouver le service après-vente agréé le plus proche, rendez-vous sur <http://fr.ryobitools.eu/header/service-and-support/service-agents>.



## DE GARANTIE

Zusätzlich zu den aufgrund des Kaufs entstehenden gesetzlichen Rechten, ist dieses Produkt von der unten aufgeführten Garantie abgedeckt.

- Die Garantiezeit für Endverbraucher beträgt 24 Monate für und beginnt ab dem Kaufdatum des Produktes. Dieses Datum muss durch eine Rechnung oder einen anderen Kaufbeleg dokumentiert sein. Das Produkt ist ausschließlich für den Privatgebrauch entwickelt und bestimmt. Deshalb wird keine Garantie im Fall von professionellem oder kommerziellem Einsatz angeboten.
- In einigen Fällen (z.B. Promotion, auf eine bestimmte Produktpalette oder auf bestimmte Produkte begrenzt) besteht die Möglichkeit die Garantiezeit über den oben genannten Zeitraum, durch Registrierung auf der Webseite [www.ryobitools.eu](http://www.ryobitools.eu), zu verlängern. Der verlängerte Garantieanspruch für ein bestimmtes Produkt wird deutlich in den Geschäften und/oder auf der Verpackung des Produktes gezeigt. Der Endverbraucher muss seine neu gekauften Produkte innerhalb von 8 Tagen ab Kaufdatum registrieren. Der Endverbraucher kann sich für die erweiterte Garantie im Land seines permanenten Wohnsitzes registrieren, wenn diese Möglichkeit in dem Online-Formular gegeben ist. Des weitern müssen die Endverbraucher ihr Einverständnis zur Speicherung der online angegebenen Daten geben und die Geschäftsbedingungen annehmen. Die per E-Mail versickte Bestätigung der Registrierung und die Originalrechnung mit Kaufdatum dienen als Nachweis für die verlängerte Garantie. Ihre gesetzlichen Rechte bleiben unangestastet.
- Die Garantie deckt während der Garantiezeit ab Kaufdatum alle Produktmängel aufgrund von Material- oder Herstellungsmängeln ab. Diese Garantie ist auf Reparatur und/oder Ersatz beschränkt und enthält keine weitere Verpflichtungen einschließlich aber nicht beschränkt auf belläufige oder resultierende Schäden. Die Garantie ist nicht gültig, wenn das Produkt missbräuchlich oder entgegen der Bedienungsanleitung benutzt, oder falsch angeschlossen wurde. Diese Garantie gilt nicht für:
  - Jegliche Schäden die an dem Produkt aufgrund falscher Wartung entstehen.
  - Jedes Produkt das verändert oder modifiziert wurde.
  - Jedes Produkt an dem die originale Identifizierung (Markenzeichen, Seriennummer) verunstaltet, verändert oder entfernt wurden.
  - Jede Beschädigung die durch Nichtbeachtung der Bedienungsanleitung verursacht wurde.
  - Jedes Produkt ohne CE Zeichen.
  - Jedes Produkt das von einer unqualifizierten Person oder ohne vorherige Genehmigung von Techtronic Industries versucht wurde zu reparieren.
  - Jedes Produkt das an eine falsche Stromversorgung (Ampere, Spannung, Frequenz) angeschlossen wurde.
  - Jede Beschädigung die von äußeren Einflüssen (chemisch, physisch, Stöße) oder fremden Substanzen verursacht wurde.
  - Normaler Verschleiß und Abnutzung von Ersatzteilen.
  - Zweckwidrige Benutzung, Überlastung des Werkzeugs.
  - Benutzung von nicht zugelassenem Zubehör oder Teilen.
  - Den Vergaser nach 6 Monaten, die Vergasereinstellung nach 6 Monaten.
  - Mit dem Werkzeug gelieferte oder separat erhältliche Zubehör. Diese Ausnahmen sind einschließlich aber nicht beschränkt auf Schraubeinsätze, Bohrer, Schleifscheiben, Sandpapier und Klingen, seitliche Führungen.
  - Komponenten (Teile und Zubehör) die normalem Verschleiß unterliegen, einschließlich aber nicht beschränkt auf Kohlebürsten, Spannrollen, Netzkabel, Zusatzhandgriffe, Schiefelplatten, Staubbeutel, Staubabzugschläuche
- Zur Wartung muss das Produkt eingeschickt werden oder einem für jedes Land in der folgenden Liste aufgeführten autorisierten RYOBI Kundendienst gebracht werden. In einigen Ländern schickt Ihr örtlicher RYOBI Händler das Produkt an den RYOBI Kundendienst, wenn ein Produkt an den RYOBI Kundendienst geschickt wird, sollte es sicher verpackt werden, ohne gefährlichen Inhalt, wie Treibstoff, mit der Absenderadresse versehen sein und eine kurze Beschreibung des Fehlers enthalten.
- Reparatur/Ersatz unter dieser Garantie sind kostenfrei. Das stellt keine Verlängerung oder Neustart der Garantiezeit dar. Ausgewechselte Teile oder Werkzeuge treten in unseren Besitz über. In einigen Ländern müssen Lieferkosten oder Postgebühren von dem Absender getragen werden.
- Diese Garantie gilt in der Europäischen Gemeinschaft, Schweiz, Island, Norwegen, Liechtenstein, Türkei und Russland. Bitte kontaktieren Sie Ihren autorisierten RYOBI-Händler, um herauszufinden ob eine andere Gewährleistung außerhalb dieser Gebiete gültig ist.

### AUTORISIERTER KUNDENDIENST

Besuchen Sie <http://de.ryobitools.eu/header/service-and-support/service-agents>, um einen autorisierten Kundendienst in Ihrer Nähe zu finden.

## ES GARANTÍA

Además de cualquier derecho estatutario derivado de la compra, este producto está cubierto con la siguiente garantía.

- El periodo de garantía es de 24 meses para los consumidores y comienza a partir de la fecha de compra del producto. Esta fecha debe demostrarse con una factura u otra prueba de compra. El producto está diseñado y destinado al consumidor y únicamente para uso privado. Por tanto, no se ofrece ninguna garantía en caso de uso profesional o comercial.
- En algunos casos (como promociones o un conjunto de herramientas) existe la posibilidad de ampliar el periodo de garantía hasta el periodo descrito anteriormente mediante el registro en el sitio web [www.ryobitools.eu](http://www.ryobitools.eu). La elegibilidad de la herramienta se muestra claramente en las tiendas o en el embalaje. El usuario final debe registrar sus herramientas recién adquiridas en línea en los 8 días siguientes a la fecha de compra. El usuario final podrá registrarse para ampliar la garantía en su país de residencia si éste aparece en el formulario de registro en línea en que esta opción es válida. Además, los usuarios finales deben dar su consentimiento para que se guarden los datos que se solicitan para entrar en línea y aceptar los términos y condiciones. El recibo de la confirmación de registro, que se enviará por correo electrónico, y la factura original que muestre la fecha de compra servirán como prueba de la ampliación de la garantía. Sus derechos estatutarios permanecerán intactos.
- La garantía cubre, durante el periodo de garantía, todos los defectos del producto que se deban a fallos de la mano de obra o a fallos del material en la fecha de compra. La garantía tiene un límite de reparación o sustitución y no incluye ninguna otra obligación se deba a; aunque sin limitarse a ello, daños accidentales o incidentales. La garantía no es válida si se ha hecho un uso inadecuado del producto, si no se ha usado siguiendo el manual de instrucciones o si se ha conectado incorrectamente. Esta garantía no se aplica a:
  - cualquier daño del producto derivado de un mantenimiento inadecuado
  - cualquier producto que haya sido alterado o modificado
  - cualquier producto en el que las marcas de identificación originales (marca comercial, número de serie) hayan sido borradas, modificadas o eliminadas
  - cualquier daño causado por el incumplimiento del manual de instrucciones
  - cualquier producto que no sea CE
  - cualquier producto que haya intentado reparar un profesional no cualificado o sin una autorización previa de Techtronic Industries
  - cualquier producto conectado a un suministro eléctrico inadecuado (amperios, tensión, frecuencia)
  - cualquier daño causado por influencias externas (de productos químicos, daños físicos, descarga eléctrica) o sustancias extrañas
  - desgaste o rotura normal de las piezas de repuesto
  - uso inadecuado, sobrecarga de la herramienta
  - uso de accesorios o piezas no homologados
  - carburador después de 6 meses, ajustes del carburador después de 6 meses
  - accesorios de las herramientas eléctricas suministrados con la herramienta o adquiridos por separado. Dichas exclusiones incluyen, aunque sin limitarse a ello, puntas de destornilladores, brocas, discos abrasivos, lijas de papel y cuchillos, guía lateral
  - componentes (piezas y accesorios) sujetos a desgaste y rotura natural, incluyendo, pero sin limitarse a ellos, escobillas de carbón, portabrocas, cable de alimentación, mango auxiliar, bolsa para el polvo, tubo de salida del polvo
- Para el servicio, el producto debe enviarse o entregarse en un punto de servicio técnico autorizado RYOBI enumerado para cada país en la siguiente lista de direcciones de servicio técnico. En algunos países su distribuidor local RYOBI se encarga de enviar el producto a la organización del servicio de RYOBI. Al enviar un producto a un punto de servicio técnico RYOBI, el producto debe embalarse de forma segura sin que contenga ninguna sustancia peligrosa como petróleo, debe llevar la dirección del remitente e ir acompañado de una breve descripción del fallo.
- Una reparación/sustitución dentro de esta garantía se realiza de forma gratuita. No constituye una ampliación ni un reinicio del periodo de garantía. Las piezas o herramientas que se cambian pasan a ser de nuestra propiedad. En algunos países los gastos de envío o del franqueo deberá pagarlo el remitente.
- Esta garantía es válida en la Comunidad Europea, Suiza, Islandia, Noruega, Liechtenstein, Turquía y Rusia. Fuera de estas zonas, póngase en contacto con su distribuidor autorizado RYOBI para determinar si se aplica otra garantía.

### SERVICIO TÉCNICO AUTORIZADO

Para encontrar el servicio técnico autorizado más cercano, visite <http://uk.ryobitools.eu/header/service-and-support/service-agents>.

## IT GARANZIA

Oltre ai legittimi diritti derivanti dall'acquisto del prodotto, quest'ultimo è coperto da garanzia come indicato nei seguenti punti.

1. Il periodo di garanzia per il consumatore è di 24 mesi ed ha inizio dalla data in cui il prodotto è stato acquistato. Questa data deve essere documentata da una ricevuta o da altra prova d'acquisto. Il prodotto è stato disegnato e progettato solo per l'utilizzo privato del consumatore. La garanzia viene invalidata in caso di utilizzo professionale o commerciale.
2. In alcuni casi (per esempio promozioni e gamme di prodotti) esiste la possibilità di estendere il periodo di garanzia oltre il periodo indicato sopra registrandosi sul sito web [www.ryobitools.eu](http://www.ryobitools.eu). L'identità del prodotto a ricevere tale estensione viene indicata chiaramente nei punti vendita e/o sull'imballo. L'utente finale deve registrare il suo prodotto appena acquistato online entro 8 giorni dalla data d'acquisto. L'utente finale può accedere all'offerta nel suo paese quando la stessa è valida e qualora si sia registrato online. Inoltre, gli utenti finali devono dare il proprio consenso all'archiviazione dei dati che si inseriscono online indicando che i termini e le condizioni sono stati accettati. La ricevuta della conferma della registrazione verrà inviata via email e la fattura originale indicante la data d'acquisto verrà utilizzata come prova della garanzia estesa. I diritti legittimi dell'utente rimarranno invariati.
3. La garanzia copre tutti i difetti di fabbricazione del prodotto durante il periodo di garanzia a causa di guasti di fabbricazione o di materiale alla data di acquisto. La garanzia è limitata alla riparazione e/o alla sostituzione e non include altri obblighi compreso ma non limitato a danni incidentali o consequenziali. La garanzia non è valida se il prodotto non è stato utilizzato come indicato nel manuale di istruzioni o se è stato collegato in maniera non corretta. La garanzia non si applica a:
  - qualsiasi danno al prodotto che sia il risultato di una scorretta manutenzione
  - qualsiasi prodotto che sia stato alterato o modificato
  - qualsiasi prodotto sul quale l'identificazione originale (marchio registrato, numero di serie) sia stata resa illegibile, sia stata danneggiata o alterata
  - qualsiasi danno causato dalla non osservanza del manuale d'istruzioni
  - qualsiasi prodotto non contrassegnato con il marchio CE
  - qualsiasi prodotto che una persona non qualificata abbia tentato di riparare o che si è tentato di riparare senza l'autorizzazione delle Techtronisnanc Industries
  - qualsiasi prodotto collegato a un'alimentazione non corretta (per amp, voltaggio, frequenza)
  - qualsiasi danno causato da agenti esterni (chimici, fisici o shock) o da sostanze estranee
  - normale usura di parti di ricambio
  - utilizzo non appropriato, sovraccaricamento di utensili
  - utilizzo non approvato di accessori o parti
  - carburatore dopo 6 mesi, regolazioni al carburatore dopo 6 mesi
  - elettro utensili forniti con l'utensile o separatamente. Tali esclusioni comprendono ma non sono limitate a punte per giraviti, punte per trapani, dischi abrasivi, carta vetrata e lame, guida laterale
  - componenti (parti e accessori) soggetti a normale usura, compreso ma non limitatamente a spazzole al carbonio, mandrino, cavo dell'alimentazione, manico ausiliario, piastra di levigazione, sacchetto per la polvere, tubo di scarico polvere
4. Per servizi di manutenzione, il prodotto dovrà essere mandato o presentato presso un punto di servizio clienti autorizzato RYOBI indicato nella seguente lista. In alcune nazioni il rivenditore RYOBI si occuperà di inviare il prodotto al più vicino servizio clienti RYOBI. Quando si invia un prodotto a un servizio clienti RYOBI, il prodotto dovrà essere correttamente imballato senza eventuali contenuti pericolosi quali carburanti, e contrassegnato con l'indirizzo della persona che lo ha inviato e accompagnato da una breve descrizione del problema riscontrato.
5. Si garantisce una riparazione/sostituzione gratuita quando il prodotto è coperto da garanzia. Questa sostituzione o riparazione non costituisce una estensione o un nuovo inizio di un periodo di garanzia. Le parti o l'utensile cambiati sono di proprietà della ditta. In alcune nazioni i costi di consegna o invio dovranno essere pagati dalla persona che spedisce.
6. Questa garanzia è valida all'interno della Comunità Europea, in Svizzera, Islanda, Norvegia, Liechtenstein, Turchia e Russia. Al di fuori di queste aree, si prega di contattare il proprio gestore autorizzato RYOBI per determinare se si applica un'altra garanzia.

### CENTRO SERVIZI AUTORIZZATO

Per individuare il più vicino centro servizi autorizzato, visitare il sito <http://uk.ryobitools.eu/header/service-and-support/service-agents>.

## NL GARANTIE

Bovenop de statutaire rechten als gevolg van de aankoop, wordt dit product gedekt door een garantie, zoals deze hieronder wordt beschreven.

1. De garantietermijn bedraagt 24 maanden voor consumënten en begint vanaf de datum waarop het product werd aangekocht. Deze datum moet worden gedocumenteerd door een factuur of ander aankoopbewijs. Het product is uitsluitend ontworpen en bedoeld voor particuliere gebruikers. De garantie vervalt bij professioneel of commercieel gebruik.
2. In enkele gevallen (vb. promotie, gereedschapsaanbod) bestaat er een mogelijkheid om de garantietermijn te verlengen met dezelfde periode als deze hierboven beschreven met behulp van de registratie op de website [www.ryobitools.eu](http://www.ryobitools.eu). Of het product al of niet in aanmerking komt, is duidelijk aangegeven in winkels en/of de verpakking. De eindgebruiker dient zijn/haar nieuw werktuig binnen de 8 dagen na de aankoopdatum online registreren. De eindgebruiker kan zich aanmelden voor de uitgebreide garantie in zijn verlijfsland als dit op het online registratieformulier is opgenomen wanneer deze optie geldig is. Bovendien moet de eindgebruiker zijn toestemming geven om informatie te gebruiken die nodig is om toegang te krijgen tot de website en dient de algemene voorwaarden te accepteren. Het ontvangstbewijs van dit registratieformulier, dat via e-mail wordt verzonden, en de originele factuur die de aankoopdatum vermeldt dienen als bewijs van de uitgebreide garantie. Uw statutaire rechten blijven onveranderd.
3. De garantie dekt alle defecten van het product gedurende de garantietermijn als gevolg van fouten in het werk of materiaal op de aankoopdatum. De garantie is beperkt tot de reparatie en/of vervanging en omvat geen andere verplichtingen waaronder, maar niet beperkt tot, incidentele of gevolgschade. De garantie is niet geldig als het product werd misbruikt, in tegenspraak met de gebruiksaanwijzing werd gebruikt of foutief werd verbonden. Deze garantie geldt niet voor:
  - schade aan het product als gevolg van foutief onderhoud
  - als het product op onjuiste wijze werd gewijzigd
  - als originele markeringen ter identificatie (handelsmerk, serienummer) van het product werden verwijderd of gewijzigd
  - voor schade als gevolg van het niet in acht nemen van deze gebruiksaanwijzing
  - een niet-EC-product
  - een product, waaraan een niet-gekwalificeerde vakman reparaties uitvoerde of waaraan reparaties werden uitgevoerd zonder voorafgaande toestemming van Techtronic Industries
  - een product dat werd aangesloten aan een foutieve krachtbron (amps, spanning, frequentie)
  - schade veroorzaakt door externe invloeden (chemische, fysieke schokken) of vreemde stoffen
  - normale slijtage van reserve-onderdelen
  - foutief gebruik, overbelasting van het werktuig
  - gebruik van niet-goedgekeurde accessoires of onderdelen
  - de carburator na 6 maanden, carburatorinstellingen na 6 maanden
  - gereedschapsaccessoires die met het werktuig worden meegeleverd of afzonderlijk worden aangekocht. Deze uitsluitingen omvatten, maar zijn niet beperkt tot schroefvendraaiers, boorsten, slijpschijven, schuurpapier en -bladen, laterale geleiders
  - componenten (onderdelen en accessoires) die onderhevig zijn aan natuurlijke slijtage met inbegrip van, maar niet beperkt tot, koolborsten, boorhouders, stroomsoeren, bijkomende handvatten, schuurplaten, stofzakken, stofzuiltaubzuizen
4. Voor onderhoud moet het product naar een geautoriseerd RYOBI-onderhoudsstation worden gestuurd of gebracht. Een lijst met de adressen van deze stations per land is hier opgenomen. In bepaalde landen verzendt u plaatselijke RYOBI-verdeler het product naar de RYOBI-onderhoudsorganisatie. Als een product naar een RYOBI-onderhoudsstation wordt gezonden, moet het product veilig zijn verpakt zonder gevaarlijke inhoud, zoals benzine, met aanduiding van het adres van de verzender en met inbegrip van een korte beschrijving van de fout.
5. Een reparatie/vervanging onder deze garantie is gratis. Dit heeft geen gevolgen voor de duur van deze garantie of betekent niet dat de garantie wordt verlengd of opnieuw begint. Vervangen onderdelen of werktuigen worden onze eigendom. In bepaalde landen moeten verzendings- of leveringskosten door de verzender worden betaald.
6. Deze garantie is geldig in de Europese Unie, Zwitserland, Usland, Noorwegen, Liechtenstein, Turkije en Rusland. Buiten deze landen neemt u contact op met uw geautoriseerde RYOBI-verdeler om te bepalen of er een andere garantie geldig is.

### GEAUTORISEERD ONDERHOUDSCENTRUM

Om een geautoriseerd onderhoudscentrum in uw buurt te vinden, surf u naar <http://uk.ryobitools.eu/header/service-and-support/service-agents>.

**PT** GARANTIA

Além de qualquer direito estatutário derivado da compra, este produto está coberto com a seguinte garantia.

1. O período de garantia é de 24 meses para os consumidores e começa a partir da data de compra do produto. Esta data deve ser comprovada com uma factura ou outra prova de compra. O produto foi desenhado e destinado ao consumidor e apenas para uso privado. Portanto, não se oferece qualquer garantia em caso de uso profissional ou comercial.
2. Em alguns casos (como promoções ou um conjunto de ferramentas) existe a possibilidade de ampliar o período de garantia até ao período descrito anteriormente através do registo no website [www.ryobitools.eu](http://www.ryobitools.eu). A elegibilidade da ferramenta mostra-se claramente nas lojas ou na embalagem. O utilizador final deve registar as suas ferramentas recém-adquiridas on-line nos 8 dias seguintes à data de compra. O utilizador final poderá registar-se para ampliar a garantia no seu país de residência se este aparecer no formulário de registo on-line em que esta opção é válida. Além disso, os utilizadores finais devem dar o seu consentimento para se guardarem os dados que se solicitam para entrar on-line e aceitar os termos e condições. A confirmação de registo, que será enviada por correio electrónico, e a factura original que mostre a data de compra servirão como prova da ampliação da garantia. Os seus direitos estatutários permanecerão intactos.
3. A garantia cobre, durante o período de garantia, todos os defeitos do produto que se devam a falhas da mão-de-obra ou a falhas do material na data de compra. A garantia tem um limite de reparação ou substituição e não inclui qualquer outra obrigação que se deva a, embora sem se limitar a tal, danos accidentais ou incidentais. A garantia não é válida se se fez um uso inadequado do produto, se não se usou seguindo o manual de instruções ou se foi ligado incorrectamente. Esta garantia não se aplica a:
  - qualquer dano do produto derivado de uma manutenção inadequada
  - qualquer produto que tenha sido alterado ou modificado
  - qualquer produto em que as marcas de identificação originais (marca comercial, número de série) tenham sido apagadas, modificadas ou eliminadas
  - qualquer dano causado por incumprimento do manual de instruções
  - qualquer produto que no seja CE
  - qualquer produto que um profissional não qualificado tenha tentado reparar ou sem uma autorização prévia de Technonic Industries
  - qualquer produto ligado a um fornecimento eléctrico inadequado (ampérios, tensão, frequência)
  - qualquer dano causado por influências externas (de produtos químicos, danos físicos, descarga eléctrica) ou substâncias estranhas desgaste ou ruptura normal das peças de substituição
  - uso inadequado, sobrecarga da ferramenta
  - uso de acessórios ou peças não homologadas
  - carburador após 6 meses, ajustes do carburador após 6 meses
  - acessórios das ferramentas eléctricas fornecidos com a ferramenta ou adquiridos em separado. Ditas exclusões incluem, embora sem se limitarem a tal, pontas de chave de fendas, brocas, discos abrasivos, lixas de papel e lâminas, guia lateral
  - componentes (peças e acessórios) sujeitos a desgaste e ruptura natural, incluindo, mas sem limitar a elas, escovas de carbono, portabrocas, cabo de alimentação, mangueira auxiliar, bolsa para o pó, tubo de saída do pó
4. Para o serviço, o produto deve ser enviado ou entregue num ponto de serviço técnico autorizado RYOBI enumerado para cada país na seguinte lista de moradas de serviço técnico. Em alguns países o seu distribuidor local RYOBI encarrega-se de enviar o produto para a organização do serviço de RYOBI. Ao enviar um produto a um ponto de serviço técnico RYOBI, o produto deve ser embalado de forma segura sem que contenha qualquer substância perigosa como petróleo, deve levar a morada do remetente e ir acompanhado de uma breve descrição da falha.
5. Uma reparação/substituição dentro desta garantia realiza-se de forma gratuita. Não constitui uma ampliação nem um reinício do período de garantia. As peças e ferramentas que se alterem passam a ser da nossa propriedade. Em alguns países os gastos de envio ou da franquia deverão pagá-los o remetente.
6. Esta garantia é válida na Comunidade Europeia, Suíça, Islandia, Noruega, Liechtenstein, Turquia e Rússia. Fora destas zonas, entre em contacto com o seu distribuidor autorizado RYOBI para determinar se se aplica outra garantia.

**CENTRO DE ASSISTÊNCIA AUTORIZADA**

Para encontrar um centro de assistência autorizado próximo de si, visite <http://uk.ryobitools.eu/header/service-and-support/service-agents>.

**DA** GARANTI

Ud over de lovbestemte rettigheder ved køb, er dette produkt dækket af en garanti som angivet nedenfor.

1. Garanti er 24 måneder for forbrugere og træder i kraft den dato, hvor produktet bliver købt. Denne dato skal dokumenteres af en faktura eller andet købsbevis. Produktet er designet og beregnet til privat brug. Så der ingen garanti i tilfælde af erhvervsføremæssig brug.
2. Der er i visse tilfælde (f.eks. kampagner eller udvalgt produkter) mulighed for at forlænge garanti i perioden beskrevet ovenfor ved at registrere produktet på [www.ryobitools.dk](http://www.ryobitools.dk). Betingelsen af produktet vises tydeligt i butikker og / eller på emballagen. Slutbrugeren skal registrere hans/hendes nyhvervrelse produkter online indforløb 8 dage fra købsdatoen. Slutbrugeren kan tilmelde sig den udvidede garanti i sit bopælsland, hvis det er opført på den online tilmeldingsformular. Desuden skal slutbrugere give deres samtykke til lagring af de data, der er nødvendige for at komme ind på nettet, og de er nødt til at acceptere vilkår og betingelser. Kviteringen på modtagelsen af registreringen, som udsendes via e-mail, og den originale faktura, der angiver købsdatoen, fungerer som bevis på den udvidede garanti. Dine lovbestemte rettigheder forbliver usmudret.
3. Garanti dækker alle fejl ved produktet i løbet af garantiperioden, som kan føres tilbage til fabrikkens- eller materialefejl på købsdatoen. Garantien begrænses sig til reparation og/eller udfiskning og omfatter ikke andre forpligtelser inklusiv, men ikke begrænset til, skader eller følgeskader. Garantien er ikke gyldig, hvis produktet har været udsat for misbrug, anvendelse i strid med brugsanvisningen eller har været tilsat forkert. Denne garanti dækker ikke:
  - Enhver skade på produktet som følge af ukorrekt vedligeholdelse
  - Ethvert produkt, som er blevet ændret eller modificeret
  - Ethvert produkt, hvor de originale identifikationsmærker (varemærke, serienummer) er blevet ødelagt, ændret eller fjernet
  - Enhver skade, der skyldes manglende overholdelse af brugsanvisningen
  - Ethvert produkt uden CE-mærkning
  - Ethvert produkt, som har været udsat for forsøg på reparation af en autoriseret fagmand eller uden accept fra Technonic Industries
  - Ethvert produkt, der har været sluttet til forkert strømforsyning (ampere, spænding, frekvens)
  - Enhver skade, der skyldes udefra kommende påvirkninger (kemisk, fysisk, stød) eller fremmedlegemer
  - normal slitage på reservedele
  - Forkert anvendelse, overbelastning af produktet
  - Brug af ikke-godkendt tilbehør (reserve)dele
  - Karburator efter 6 måneder, karburatorjusteringer efter 6 måneder
  - Tilbehør til elprodukter, der er forsynet med værktøj eller købt separat. Sådanne undtagelser inkluderer, men er ikke begrænset til, skruetrækkerbit, borebits, silbeskiver, sandpapir og knive, sideføring
  - komponenter (dele og tilbehør), der udsættes for naturlig slitage, inklusive, men ikke begrænset til, kulbørster, spændepatron, strømforsyningskabel, hjælpehåndtag, silbeplade, støvsugerpose, støvsugningsrør
4. Til servicering skal produktet indleveres til eller forevises et autoriseret RYOBI serviceværksted for det pågældende land. I nogle lande vil din lokale RYOBI-forhandler sende produktet til RYOBI's serviceorganisation. Når et produkt indleveres til et RYOBI serviceværksted, skal det emballeres forsvarligt uden farligt indhold (som f.eks. benzin), være forsynet med afsenderadresse og ledsaget af en kort beskrivelse af fejlen.
5. Reparation/udfiskning i henhold til denne garanti er gratis. Den medfører ikke forlængelse eller ny start af garantiperioden. Udfiskede dele eller værktøjer overgår til vores ejendom. I nogle lande skal leveringsomkostninger eller porto betales af afsenderen.
6. Denne garanti er gyldig i EU, Schweiz, Island, Norge, Liechtenstein, Tyrkiet og Rusland. Uden for disse områder bedes man venligst kontakte sin autoriserede RYOBI-forhandler for at få oplyst, om evt. andre garantier er gældende.

**AUTORISEREDSE SERVICEVÆRKSTEDER**

Find nærmeste autoriserede serviceværksted på <http://dk.ryobitools.eu/header/service-and-support/service-agents>.

## SV GARANTI

Förutom de lagstadgade rättigheter som följer köpet omfattas denna produkt av en garanti som anges nedan.

- Garantiniden är 24 månader för konsumenter och börjar den dag då produkten köptes. Detta datum måste kunna dokumenteras av en faktura eller annat inköpsbevis. Produkten är utformad och avsedd för konsumenter och ska endast användas för privat bruk. Det innebär att ingen garanti lämnas vid yrkesmässig eller kommersiell användning.
- I vissa fall (t.ex. marknadsföring, sortiment av verktyg), finns det en möjlighet att förlänga garantiniden under den period som beskrivs ovan genom registrering på hemsidan [www.ryobitools.eu](http://www.ryobitools.eu). De verktyg det gäller för framgår tydligt i butikern och/eller på förpackningen. Slutavändaren måste registrera sitt nyinköpta verktyg på nätet inom 8 dagar från inköpsdatum. Slutavändaren kan registrera sig för den utökade garantiniden i sitt hemland om det framgår på registreringsformuläret online där detta alternativ är giltigt. Dessutom måste slutavändarna ge sitt samtycke till lagring av de uppgifter som krävs för att komma in på nätet och de måste godkänna villkoren. Registreringens mottagningsbevis som skickas ut via e-post och den ursprungliga fakturan som visar inköpsdatumet fungerar som bevis på förlängd garanti. Dina lagstadgade rättigheter påverkas inte.
- Garantin täcker alla fel på produkten under garantiniden som beror på fel i utförande eller material vid inköpsdatumet. Garantin är begränsad till reparation och/eller utbyte och inkluderar inte några andra åtgärder, inklusive men inte begränsat till ofrutsedda skador eller följdskador. Garantin gäller inte om produkten har använts på fel sätt, använts på ett sätt som inte följer användarhandboken eller som har anslutits på ett felaktigt sätt. Denna garanti gäller inte för:
  - skador på produkten som beror på felaktigt underhåll
  - om produkten har ändrats eller modifierats
  - en produkt där den ursprungliga identifieringen (varumärke, serienummer) har förstörts, ändrats eller tagits bort
  - skador som orsakas av att användarhandboken inte har följts
  - alla produkter som inte följer CE-bestämmelser
  - en produkt som är en icke-kvalificerad yrkesperson eller en person som inte har behörighet från Technonic Industries har försökt att reparera
  - en produkt som ansluts till eluttaget (ampere, spänning, frekvens) på fel sätt
  - skador som orsakas av yttre påverkan (kemiska, fysikaliska, stötar) eller främmande ämnen
  - normalt slitage av reservdelar
  - felaktig användning, överbelastning av verktyget
  - användning av icke-godkända tillbehör eller delar
  - förgasare efter 6 månader, justering av förgasare efter 6 månader
  - elverktygstillbehör som medföljer verktyget eller köps separat. Sådana undantag inkluderar men är inte begränsat till skruvsjeldelar, bormejlar, slipskivor, sandpapper och blad, sidostyrning
  - komponenter (delar och tillbehör) med förbehåll för normalt slitage, inklusive men inte begränsat till kolborstar, chuck, nåtkabel, extrahandtag, slippingsplåt, dammpåse, dämpmör
- För service, måste produkten skickas eller presenteras till en RYOBI-godkänd servicestation som anges för varje land i följande lista med adresser. I vissa länder ombesörjer den lokala RYOBI-ätersäljaren att skicka produkten till RYOBI-serviceorganisationen. När en produkt skickas till en RYOBI-servicestation, ska produkten förpackas på ett säkert sätt utan farligt innehåll som bensin, märkt med avsändarens adress tillsammans med en kort som beskriver felet.
- En reparation/utbyte som sker under denna garanti är gratis. Den utgör inte en förfrågning eller en ny start på garantiniden. Utbytes delar eller verktyg blir vår egendom. I vissa länder måste leveranskostnader eller porto betalas av avsändaren.
- Denna garanti gäller i EU, Schweiz, Island, Norge, Liechtenstein, Turkiet och Ryssland. Utanför dessa områden ska du kontakta din auktoriserade RYOBI-ätersäljare för att avbota om en annan garanti gäller.

## AUKTORISERAT SERVICECENTER

Du hittar närmaste auktoriserade servicecenter genom att gå till <http://uk.ryobitools.eu/header/service-and-support/service-agents>.

## FI TAKUU

Hankinnasta koituvien laillisten oikeuksien lisäksi tätä tuotetta hallitsee alla kuvattu takuu.

- Takuukausi on 24 kuukautta kuluttajille ja alkaa tuotteen ostopäivästä. Tämän päivän on oltava merkitty kuittiin tai muuhun todisteseen hankinnasta. Tämä tuote on suunniteltu ja tarkoitettu ainoastaan kuluttajien yksityiskäyttöön. Ammatti- ja kaupalliseen käyttöön ei näin ollen ole takuuta.
- Joissain tapauksissa (kuten tarjous, laitesarja) takuukautta voidaan pidentää kuvattua kautta pidemmäksi rekisteröimällä tuote osoitteessa [www.ryobitools.eu](http://www.ryobitools.eu). Takuun pidentämismahdollisuus ilmoitetaan selkeästi kaupassa josta pakkauksesta. Lopputähtäjä on rekisteröitynä uusi laiteensa online 8 päivän sisällä sen hankkimisesta. Lopputähtäjä voi rekisteröityä saadaksesi jatkettua takuun asuinmaassaan, jos se maintaan online-rekisteröintilomakkeessa. Lisäksi, lopputähtäjän on annettava suostumuksensa talientä syötetyt tiedot online, ja hänen on hyväksyttävä ehdot. Sähköpostitse lähetettävä rekisteröintivahvistus ja alkuperäinen kuitti, josta ilmenee hankintapäivä, toimivat todistena takuun jatkamisesta. Lailliset oikeudet eivät muutu.
- Takuu kattaa takauksena kaikki tuotteen viat, jotka johtuvat valmistus- tai materiaali- tai hankintapäivänä. Takuu rajoittuu korjauksen ja/ tai vaihtoon eikä sisällä mitään muita velvoitteita, mukaan lukien mm. satunnaisia ja seuraamusselliset vauriot. Takuu ei ole voimassa, jos tuotetta on väärinkäytetty tai käytetty käyttöönsä vastaisesti tai se on kytketty virheellisesti. Takuu ei kata seuraavia:
  - tuotteelle koituneet vahingot, jotka johtuvat virheellisestä ylläpidosta
  - tuote, jota on muunneltu
  - tuote, jossa alkuperäiset tunnisteet (tavaramerkki, sarjanumero) ovat turmeltuneet tai niitä on muutettu tai ne on poistettu
  - käyttöoppaan laiminlyönnistä johtuvat vauriot
  - ei-EC-tuotteet
  - tuotteet, joita on yrittänyt korjata ei-pätevä asentaja tai jonka korjaukselle ei ole saatu Technonic Industriesilta hyväksyntää etukäteen
  - tuotteet, jotka on kytketty vääränlaisen virtalähteen (virta, jännite, taajuus)
  - vauriot, jotka johtuvat ulkoisista syistä (kemikaalit, fyysiset tekijät, iskut) tai vierasta ainesta
  - normaali varoosien kulumien
  - virheellinen käyttö, laitteen ylikuormitus
  - muiden kuin hyväksytyt lisävarusteiden ja osien käyttö
  - kaasun 6 kuukauden jälkeen, kaasutimen säätö 6 kuukauden jälkeen
  - laitteen mukana tuleet tai erikseen hankitut sähkölaitteiden lisävarusteet. Tällaiset poistajät sisältävät mm. ruuviväntimet terät, poranterät, hintakiekot, kiekkipaperi ja terät, sivuhaajat
  - komponentit (osat ja lisävarusteet), joihin kohdistuu luonnollista kulumista, mukaan lukien mm. hiiliharjat, istukka, virtajohto, lisäkatva, hiontalevy, pölypusitit, pölyn poistoputki
- Huollon saaminen edellyttää, että tämä tuote lähetetään tai viedään RYOBI:n valtuuttamaan huoltoon, jotka luetaan maittain seuraavassa huoltojen osoiteluettelossa. Joissain maissa paikallinen RYOBI-jälleenyymäy hoitaa tuotteen lähettämisen RYOBI-huoltoon. Kun tuote lähetetään RYOBI-huoltoon, se on pakattava turvallisesti ilman mitään vaarallista sisältöä, kuten bensiiniä, siihen on merkittävä lähetäjän osoite ja sen mukana on lähetettävä vian kuvaus.
- Tämän takuun puitteissa tapahtuva korjaaminen/vaihto on ilmaista. Se ei tarkoite takuujakson jatkamista tai uuden kauden alkua. Vaihdetuista osista ja laitteista tulee meidän omaisuuttamme. Joissain maissa lähetetään on maksettava toimituskulut tai postimaksu.
- Tämä takuu on voimassa Euroopan Yhteisössä, Sveitsissä, Alissa, Norjassa, Liechtensteinissa, Turkissa ja Venäjällä. Jos olet näiden alueiden ulkopuolella, etä myytees valtuutettuu RYOBI-jälleenyymäjä, joka voi kertoa, onko joku muu tuottees voimassa.

## VALTUUTETTU HUOLTO

Vuotä lähimmän valtuutetun huollon sivulta <http://fi.ryobitools.eu/header/service-and-support/service-agents>.

**(NO) GARANTI**

I tillegg til enhver lovbestemt rettighet som følge av dette kjøpet er dette produktet dekket av en garanti som beskrevet nedenfor.

- Garantien er 24 måneder for forbrukere, og starter på produktets kjøpsdato. Denne datoen må dokumenteres av faktura eller annet kjøpsbevis. Produktet er konstruert og beregnet på forbrukere og kun privat bruk. Det gis ingen garanti ved profesjonell eller kommersiell bruk.
- Det er, i noen tilfeller, (dvs. markedsføring, serie av verktøy), mulig å utvide garantien ut over den perioden som er nevnt ovenfor ved bruk av registrering på nettstedet [www.ryobitools.eu](http://www.ryobitools.eu). Verktøys garanti-beregtigelse vises klart i butikkene og/eller på emballasjen. Sluttbruker må registrere sitt nyttig innkjøpte verktøy på nettet innen 8 dager etter kjøpsdatoen. Sluttbruker kan registrere seg for utvidet garanti i det landet hvor vedkommende bor hvis dette landet er ført opp på nettregistreringsskjemaet hvor dette alternativet er gyldig. Sluttbruker må også gi sin tilfelle til lagring av de data som er påkrevet å registrere på nettet, og må akseptere vilkår og betingelser. Registreringsbekreftelsen, som sendes som epost, og den originale kvitteringen som viser kjøpsdatoen, vil gjelde som bevis på den utvidede garantien. Dine lovbestemte rettigheter vil fortsatt gjelde.
- Garantien gjelder alle defekter på produktet i garantien som følge av feil på arbeid eller materialer på kjøpsdatoen. Garantien er begrenset til reparasjon og/eller utskifting av produktet, og inkluderer ingen annen forpliktelser, inklusive men ikke begrenset til tilfellige eller direkte eller indirekte følgeskader. Garantien gjelder ikke dersom produktet er misbrukt, brukt i strid med brukermanualens instruksjoner eller vært feilaktig tilkoblet. Denne garantien gjelder ikke:
  - enhver skade på produktet som følge av utilstrekkelig vedlikehold
  - et produkt som er endret eller modifisert
  - ethvert produkt hvor original identifikasjonsmerker (varemærke, serienummer) er tildekket, endret eller fjernet
  - enhver skade som følge av at instruksjoner i brukermanualen ikke er fulgt
  - ethvert ikke-CE-produkt
  - ethvert produkt som er forsert reparert av en ukvalifisert person, eller uten forutgående tillatelse av Techtronic Industries
  - ethvert produkt som er tilkoblet uriktig strømkilde (ampere, spenning, frekvens)
  - enhver skade forårsaket av eksterne påvirkninger (kjemiske, fysiske eller slag) eller fremmede substanser
  - normal slitasje på reservedeler
  - feilaktig bruk, overbelastning av verktøyet
  - bruk av ikke godkjent tilbehør eller reservedeler
  - forgasser etter 6 måneder, forgasserjusteringer etter 6 måneder
  - tilbehør til elektrisk verktøy, enten levert med verktøyet eller kjøpt separat. Slike unntak inkluderer men er ikke begrenset til skrutrekkerbøt, bor, slipeskiver, sandpapi, og blader, sideslyr
  - komponenter (deler og tilbehør) gjenstør for normal slitasje, inklusive, men ikke begrenset til karbonbørster, chock, elektrisk ledning, hjelpehåndtak, slipeskiver, støvpose, støvuttrekkslange
- For ettersyn og reparasjoner må produktet leveres til et RYOBI-autorisert servicесenter ført opp for det enkelte land i følgende liste av servicestasjonadresser. I noen land vil din lokale RYOBI-forhandler sørge for å sende produktet til RYOBI-servicestasjon. Når et produkt sendes til et RYOBI-servicestasjon må produktet være forsvarlig emballert uten farlig innhold som bensin; merket med senders navn og adresse og medsendt en kort beskrivelse av feilen.
- En reparasjon/utskifting i henhold til denne garantien er gratis. Den representerer ikke en forlengelse av garantiperioden eller en ny start på garantiperioden. Utskiftede deler eller verktøy blir vår eiendom. I noen land vil leveringskostnader eller porto måtte betales av sender.
- Denne garanti er gyldig i EU, Sveits, Island, Norge, Liechtenstein, Turkia og Russland. Utenfor disse områdene ber vi om at du kontakter en autorisert Ryobi-forhandler for å finne ut om en annen garanti gjelder.

**AUTORISERT SERVICECENTER**

For å finne et autorisert servicесenter i nærheten, gå til <http://no.ryobitools.eu/header/service-and-support/service-agents>.

**(RU) ГАРАНТИЯ**

В дополнение к законным правам, вытекающим из факта покупки, на данный продукт распространяются следующие гарантийные обязательства.

- Гарантийный период составляет 24 месяца для покупателей и начинается с даты приобретения продукта. Дата приобретения подтверждается документально товарным чеком или другим доказательством покупки. Данный продукт предназначен для использования только в личных целях. Гарантия не предоставляется в случае профессионального или коммерческого использования данного продукта.
- В некоторых случаях (например, при продвижении продукта, приобретении некоторых видов инструментов) возможно продление гарантийного срока при регистрации продукта на веб-сайте [www.ryobitools.eu](http://www.ryobitools.eu). Применительно к продуктам, размещаемым при продаже или/на упаковке продукта Конечному пользователю следует зарегистрировать вновь приобретенный инструмент через Интернет в течение 8 дней с даты покупки. Конечный пользователь может зарегистрировать продукт для получения расширенной гарантии в стране проживания, если данная возможность предоставляется интернет-формой регистрации. Также, конечный пользователь должен дать свое согласие на хранение данных, требующих при заполнении формы через Интернет, и принять условия соглашения. Уведомление о подтверждении регистрации, отправляемое по электронной почте, и оригинальный товарный чек с датой покупки служат доказательством расширенной гарантии. Законные права потребителя при этом остаются в силе.
- Данная гарантия распространяется на все дефекты продукта, связанные с производственным браком или браком материалов в момент приобретения, в течение гарантийного периода. Данная гарантия ограничивается ремонтом или/или заменой и не включает другие обязательства, в том числе, связанные с побочным или косвенным ущербом. Гарантия недействительна в случае ненадлежащего использования, использования с нарушением инструкций руководства по эксплуатации или неправильного подключения продукта. Гарантия недействительна, если:
  - повреждение продукта вызвано ненадлежащим техническим обслуживанием
  - продукт подвергся изменениям или был модифицирован
  - оригинальная маркировка (товарный знак, заводской номер) отсутствует/изменена или повреждена
  - повреждение вызвано несоблюдением инструкций данного руководства
  - отсутствует маркировка CE
  - была попытка отремонтировать продукт неквалифицированным лицом или без предварительного согласования с компанией Techtronic Industries
  - продукт подключался к ненадлежащему источнику питания (ненадлежащая сила тока, напряжение, частота)
  - повреждение вызвано внешним воздействием (химические, физические, удары) или посторонними веществами
  - это связано с нормальным износом заменяемых деталей
  - это связано с ненадлежащим использованием, перегрузкой инструмента
  - это связано с использованием нереккомендованных принадлежностей или деталей
  - карбюратор использовался свыше 6 месяцев, регулировка карбюратора после 6 месяцев
  - принадлежности для инструмента, поставляемые с инструментом или приобретаемые отдельно. В том числе, отверточные насадки, сверла, абразивные круги, наждачная бумага и шлифовальные полотна, боковая направляющая
  - компоненты (детали и принадлежности) подверженные естественному износу, в том числе, угольные щетки, зажимной патрон, кабель питания, дополнительная ручка, шлифовальная палочка, пылесборник, труба отвода пыли
- Для проведения технического обслуживания продукт следует представить в официальный центр технического обслуживания компании RYOBI в соответствии со списком по каждой стране. В некоторых странах дилерам компании RYOBI потребуется переслать продукт в соответствующий сервисный центр компании RYOBI. При отправке продукта в центр технического обслуживания RYOBI, продукт следует упаковать надлежащим образом без содержания любых опасных веществ (таких как бензин) с указанием адреса отправителя и кратким описанием неисправности.
- Ремонт/замена продукта по условиям данной гарантии осуществляется бесплатно. В данном случае не предусмотрено продление срока гарантии или начало нового гарантийного периода. Заменяемые детали или инструмент становятся собственностью компании. В некоторых странах оплата доставки и почтовые расходы ложатся на отправителя.
- Данная гарантия действительна в странах ЕС, Швейцарии, Исландии, Норвегии, Лихтенштейне, Турции и России. Для получения информации о применении данной гарантии в других регионах обращайтесь к официальному дилеру компании RYOBI.

**УПОЛНОМОЧЕННЫЙ СЕРВИСНЫЙ ЦЕНТР**

Чтобы найти ближайший уполномоченный сервисный центр, обратитесь к веб-сайту <http://uk.ryobitools.eu/header/service-and-support/service-agents>

**PL GWARANCJA**

Oprócz wszelkich praw ustawowych wynikających z zakupu, ten produkt jest objęty gwarancją jak podano poniżej.

- Okres gwarancji wynosi 24 miesiące dla konsumentów i rozpoczyna się w dniu, w którym produkt został zakupiony. Ta data musi być udokumentowana przez fakturę lub inny dowód zakupu. Produkt został zaprojektowany i jest przeznaczony wyłącznie do użytku konsumenckiego i prywatnego. W związku z tym gwarancja nie jest udzielana w przypadku zastosowań profesjonalnych i komercyjnych.
- Nie ma, w niektórych przypadkach (promocja tj. zakres narzędzi), możliwość przedłużenia okresu gwarancji w okresie opisanym powyżej przy rejestracji na stronie internetowej [www.ryobitools.eu](http://www.ryobitools.eu). Kwalifikowalność narzędzia jest wyraźnie określona w sklepach oraz lub na opakowaniu. Użytkownik końcowy musi zarejestrować swoje nowe zakupione narzędzia online w ciągu 8 dni od daty zakupu. Użytkownik końcowy może zarejestrować się w celu rozszerzenia gwarancji w swoim kraju zamieszkania, jeśli jest on wymieniony w formularzu rejestracji online, kiedy ta opcja jest ważna. Ponadto użytkownicy końcowi muszą wyrazić zgodę na przechowywanie danych, które są wymagane do zalogowania online oraz muszą zaakceptować regulaminy. Otrzymanie potwierdzenia rejestracji, które jest wysyłane na adres e-mail oraz oryginalna faktura z podaną datą zakupu będą służyć jako dowód przedłużonej gwarancji. Twoje prawa ustawowe pozostają nienaruszone.
- Gwarancja obejmuje wszystkie wady produktu w okresie gwarancyjnym, spowodowane ustereki w wykonaniu lub materiale w chwili nabycia. Gwarancja jest ograniczona do naprawy oraz/lub wymiany i nie obejmuje żadnych innych obowiązków w tym m.in. odpowiedzialności za szkody przypadkowe lub wtórne. Gwarancja nie jest ważna, jeśli produkt był użytkowany w niewłaściwy sposób, był wykorzystywany w sposób niezgodny z instrukcją obsługi lub był nieprawidłowo podłączony. Ta gwarancja nie obejmuje:
  - uszkodzenia produktu, które jest wynikiem nieprawidłowej konserwacji
  - produktu, który został przerobiony lub zmodyfikowany
  - produktu, w którym zniekształcono, zmieniono lub usunięto oryginalne oznaczenia (nazwę handlową, numer seryjny)
  - uszkodzeń spowodowanych nieprzestrzeganiem instrukcji obsługi
  - produktu bez certyfikatu CE
  - produktu, który był naprawiany przez niewykwalifikowaną osobę lub bez uprzedniej autoryzacji firmy Techntron Industries
  - produktu podłączonego do nieprawidłowego źródła zasilania (natężenie, napięcie, częstotliwość)
  - uszkodzeń spowodowanych przez przez czynniki zewnętrzne (chemiczne, fizyczne, uderzenia) lub obce substancje
  - normalnego zużycia części zamiennych
  - niewłaściwego użytkowania, przecięcia narzędzia
  - stosowania niezatwierdzonych akcesoriów lub części
  - gaźnika po 6 miesiącach, regulacji gaźnika po 6 miesiącach
  - akcesoriów do elektronarzędzi dostarczonych z narzędziem lub zakupionych osobno. Takie wykluczenia obejmują m.in. bity śrubokręta, wiertła, tarcze ściernie, papier ścierny i ostrza, przewodnice układowe
  - elementów (części i akcesoriów) podlegających naturalnemu zużyciu, w tym m.in. szczotek, uchwyty, przewodu zasilającego, dodatkowego uchwyty, tarczy ściernie, torby na pył, przewodu wyrzutu pyłu
- W celu serwisowania produkt należy wysłać lub okazać w autoryzowanym centrum serwisowym RYOBI wymienionym dla każdego kraju na poniższej liście adresów stacji serwisowych. W niektórych krajach lokalny dealer firmy RYOBI zobowiązuje się wysłać produkt do centrum serwisowego firmy RYOBI. W przypadku wysyłki produktu do centrum serwisowego RYOBI, produkt należy dobrze zapakować, bez umieszczenia żadnych niebezpiecznych rzeczy, tj. paliwa i oznaczyć adresem nadawcy oraz krótkim opisem usterek.
- Naprawa/Remont w ramach tej gwarancji jest bezpłatna. Nie stanowią to przedłużenia lub nowego rozpoczęcia okresu gwarancji. Wymienianie części lub narzędzia stają się naszą własnością. W niektórych krajach koszty wysyłki lub pocztowe będą musiały być opłacone przez nadawcę.
- W gwarancji obowiązują na terytorium Wspólnoty Europejskiej, Szwajcarii, Islandii, Norwegii, Liechtenstein, Turcji i Rosji. Poza tymi obszarami należy skontaktować się z autoryzowanym dealerem RYOBI aby sprawdzić, czy dostępna jest jeszcze inna gwarancja

**AUTORYZOWANY PUNKT SERWISOWY**

Najbliższy autoryzowany punkt serwisowy można wyszukać w witrynie internetowej <http://uk.ryobitools.eu/header/service-and-support/service-agents>.

**CS ZÁRUKA**

Navíc k zákonným právům, které vznikají nákupem, je k výrobku poskytována záruka.

- Záruka je období 24 měsíců pro spotřebitele a začíná běžet datem nákupu produktu. Toto datum musí být udokumentováno fakturou nebo jiným důkazem o koupi. Tento výrobek je určen a vyhrazen jen pro domácí a soukromé používání. Záruka se tedy neposkytuje pro profesionální ani komerční používání.
- Existuje, v některých případech (tj. propagace, určité nástroje), možnost prodloužení doby záruky nad výše uvedené období pomocí registrace na stránkách [www.ryobitools.eu](http://www.ryobitools.eu). Vhodnost nástroje je jasně vyznačena v prodejních nálepkách na obalu. Koncový uživatel musí zaregistrovat své nové pořízené nástroje online během 8 dní od data nákupu. Koncový uživatel se může zaregistrovat k prodloužení doby záruky v zemi jeho trvalého bydliště, pokud je uveden v online registračním formuláři, kde je tato možnost platná. Navíc musí koncový uživatel poskytnout souhlas s uchováním údajů, které jsou zapotřebí do online registru a musí přijmout podmínky smlouvy. Přijetí potvrzení o registraci, odeslané e-mailem, a originální faktura udávající datum nákupu slouží jako důkaz prodloužené záruky. Vše zákonná práva zůstávají nedotčena.
- Záruka pokrývá veškeré vady produktu během záruky způsobené vadami při zpracování nebo v materiálu v době nákupu. Záruka se omezuje na opravu a/nebo výměnu a nezahrnuje žádné jiné závazky včetně, ale ne omezené na související následné škody. Záruka neplatí, pokud se produkt nesprávně používal, používal v rozporu s návodem nebo byl nesprávně zapojen. Záruku nelze uplatnit v následujících případech:
  - jakákoliv škoda na výrobku v důsledku nesprávné údržby
  - jakýkoliv výrobek byl pozměněn či modifikován
  - jakýkoliv výrobek, kde byly původní identifikační značky (obchodní značka, výrobní číslo) odstraněny, pozměněny či modifikovány
  - jakákoliv škoda způsobená nedodržováním návodu k obsluze
  - výrobek nemá značku CE
  - každý výrobek, kde došlo k pokusu jej opravit nevykvalifikovanou osobou nebo bez předchozího souhlasu společnosti Techntron Industries
  - každý výrobek byl připojen nesprávnému napájení (proud, napětí, frekvence)
  - každý výrobek, který se používal s nesprávnou palivovou směsí (palivo, olej, podíl oleje)
  - běžné opotřebení a spotřební náhradní díly
  - nevhodné používání, přetěžování nástroje
  - použití neschválených doplňků nebo dílů
  - karburátor po 6 měsících, seřízení karburátoru po 6 měsících
  - doplňky elektrických nástrojů dodaných s nástrojem či zakoupených zvlášť. Takové vřímky, včetně, ale ne omezených na, nástavce šroubováků, vrtáky, brusné kotouče, brusný papír a nože, přičné vedení
  - komponenty (díly a doplňky) podléhající běžnému opotřebení a spotřebě, včetně, ale ne omezené, uhlikových kartáčů, skřelidla, síťového kabelu, doplňkové rukojeti, brusné desky, vaku pro prach, odsávací trubky prachu
- Pro servis výrobku je třeba zaslat nebo předložit pověřenému servisnímu středisku RYOBI die seznamu adres servisních středisek. V některých zemích váš místní prodejce RYOBI provádí odeslání výrobku servisní organizaci RYOBI. Při zaslání výrobku servisnímu středisku RYOBI by se měl výrobek bezpečně zabalit bez nebezpečného obsahu jako benzín, označit adresou odesílatele a přiložit list krátkým popisem vady.
- Oprava/výměna během záruky je bezplatná. Neznámená prodloužení ani začátek nového záručního období. Vyměněné díly či nástroje se stávají naším vlastnictvím. V některých zemích doručení či poštovné platí odesílatel.
- Záruka je platná v Evropské unii, Švýcarsku, Islandu, Norsku, Lichtenštejnsku, Turecku a Rusku. U ostatních oblastí prosím kontaktujte pověřeného prodejce RYOBI pro upřesnění, zda platí jiná záruka.

**POVĚŘENÉ SERVISNÍ STŘEDISKO**

Pro nalezení nejbližšího pověřeného servisního střediska navštivte <http://uk.ryobitools.eu/header/service-and-support/service-agents>.

## HU GARANCIA

A vásárlással összefüggő esetleges törvény adta jogok mellett a termékre az alábbiakban részletezett garancia vonatkozik.

1. A garancia időtartama a fogyasztók számára 24 hónap, ami a termék megvásárlásának napjától számítottul. Ez a dátumot számvállyal vagy a vásárlást igazoló más dokumentummal kell igazolni. A terméket kizárólag a vevő állati, személyes célokra való használatra terveztek és készítették. Ezért a garancia nem vonatkozik a profik általi vagy üzleti célokra való használatra.
2. Egyes esetekben (pl. promóció, bizonyos termékszálladók) lehetőség van a garancia időtartamának a fent lelti garanciaperióduson túli meghosszabbítására a [www.ryobitools.eu](http://www.ryobitools.eu) webhelyen történő regisztrációval. Az, hogy egy adott gép jövsuult-e erre, egyértelműen fel van tüntetve a boltokban és/vagy a csomagoláson. A végfelhasználónak a vásárlás napjától számított 8 napon belül regisztrálnia kell az újonnan beszerzett gépet. A végfelhasználó a kiterjesztett garanciáért a lakóhelye szerinti országban regisztrálna, ha az szerepel az online regisztrációs űrlapon. Emellett a végfelhasználónak hozzá kell járulnia az online belépéshez szükséges adatai tárolásához és el kell fogadnia a szerződési feltételeket. A regisztráció e-maillen küldött visszaigazolása, valamint a vásárlást igazoló eredeti számla szolgálják a kiterjesztett garancia érvényesítésére. A törvény adta jogai nem sérülnek.
3. A garancia a garancia időtartama alatt a termék összes olyan hibájára kiterjed, amelyek a vásárlás napján is fennálló gyártási vagy anyaghiba miatt következnek be. A garancia javításra és/vagy cserére korlátozódik, és nem tartalmaz további kötelezettségeket, beleértve, de nem kizárólag a véletlenszerű vagy következetlen károkat vonatkozó kötelezettségeket sem. A garancia nem érvényes a termék helytelen használatára, a használati utasításokkal ellentétes használatra vagy hibás csatlakoztatásra esetén. A garancia nem vonatkozik a következőkre:
  - a termék helytelen karbantartásból eredő esetleges károsodásokra
  - átalakított vagy módosított termékekre
  - olyan termékre, melyen az eredeti azonosító jelöléseket (védjegy, sorozatszám) megromgálták, átalakították vagy eltávolították
  - a használati utasítás be nem tartásával összefüggő károka
  - a CE minősítéssel nem rendelkező termékekre
  - a nem képzett szakember által vagy a Techtronc Industries előzetes jóváhagyása nélkül javított termékekre
  - a nem megfelelő táplórészekhöz (áramerősség, feszültség, frekvencia) csatlakoztatott termékekre
  - külső hatások (vegvi, fizikai, útés) vagy idegen anyagok által okozott károsodásokra
  - a cserealkatrészek normál kopására és elhasználódására
  - helytelen használatra, a szerzám túlerhelésére
  - nem jóváhagyott tartozékok vagy alkatrészek használatára
  - a karburátorra 6 hónap elteltével, a karburátor beállításaira 6 hónap elteltével
  - a szerzámgéphez mellékelt vagy külön megvásárolt szerzámgép tartozékokra. A kizárások közé tartoznak még, de nem kizárólag, a csavarhúzó bitek, fűrésztek, csiszolókorongok, csiszolópapírok és korongok, oldalsó vezetők
  - természetesen elhasználódásnak és kopásnak kitett összetevőkre (alkatrészek és tartozékok), beleértve, de nem kizárólag a szénkéféket, tolmányokat, tápkábeleket, kiegészítő fogantyúkat, csiszolótalpatkat, porzsákokat, porkifutó csöveket.
4. A szervizeléshez a terméket el kell küldeni vagy be kell mutatni valamelyik hivatalos RYOBI szervizközpontban, melyek elérhetősége az egyes országokban az alábbiakban van megadva. Egyes országokban a RYOBI kereskedő vállalja, hogy elküldi a terméket a RYOBI szervizbe. A termékek a RYOBI szervizállomásra való küldésékor a terméket biztonságosan be kell csomagolni, mindenképp veszélyes anyagot, pl. üzemenyagot el kell távolítani belőle, meg kell adni a feladó címét és a hiba rövid leírását.
5. A garancia keretében végzett javítás/cserre ingyenes. Ugyanakkor ez nem jelenti a garancia időtartamának kiterjesztését vagy új garanciaperiódus kezdetét. A kicsereált alkatrészek vagy szerzámgyártás a mi tulajdonunkban maradnak. Egyes országokban a szállítási vagy a postaköltségeket a feladó fizeti.
6. Ez a garancia az Európai Közösségben, Svájcban, Izlandon, Norvégiában, Liechtensteinben, Törökországban és Oroszországban érvényes. Ezen területeken kívül az érvényes garancia-feltételeket illetően lépjen kapcsolatba a hivatalos RYOBI forgalmazóval.

### HIVATALOS SZERVIZKÖZPONT

A legközelebbi hivatalos szervizközpont megtalálásához látogasson el a <http://uk.ryobitools.eu/header/service-and-support/service-agents>.

## RO GARANȚIE

În plus față de alte drepturi statutare rezultând din achiziție, produsul este acoperit de o garanție ca cea menționată mai jos.

1. Perioada de garanție este de 24 de luni pentru consumatorii și începe de la data la care produsul a fost achiziționat. Această dată trebuie să fie dovedită de o factură sau altă dovadă de cumpărare. Produsul este proiectat și dedicat pentru consumator și doar pentru uz privat. Ca urmare nu există nicio garanție asigurată în caz de folosire profesională sau comercială.
2. Există, în anumite cazuri (de ex. promoții, game de produse) o posibilitate de a prelungi perioada de garanție peste perioada descrisă mai sus. Folsind înregistrarea pe site-ul [www.ryobitools.eu](http://www.ryobitools.eu). Eligibilitatea aparatului este afișată clar în magazine și/sau ambalaj. Utilizatorul final se poate înscrie pentru o garanție extinsă în țara sa de reședință dacă e listată pe formularul de înregistrare online acolo unde opțiunea este validă. Mai mult, utilizatorul final trebuie să-și dea conșințământul nu privre la păstrarea datelor ce sunt cerute a fi introduse online și trebuie să accepte termenii și condițiile. Notificarea de confirmare a înregistrării, ce este trimisă prin email, și factura originală ce arată data achiziționării vor servi ca dovadă a garanției extinse. Drepturile dvs statutare rămân neafectate.
3. Garanția acoperă toate defectele produsului în timpul perioadei de garanție cauzate de defecte din procesul de producție sau ale materialului la data achiziționării. Garanția este limitată la reparație și/sau înlocuire și nu include alte obligații incluzând dar nelimitându-se la pagube incidentale sau secundare. Garanția nu este validă dacă produsul a fost folosit greșit, folsind contra instrucțiunilor din manual sau a fost conectat încorect. Această garanție nu se aplică la:
  - orice defecțiune a produsului ca rezultat a înțreinerii necorespunzătoare
  - orice produs ce a fost schimbat sau modificat
  - orice produs unde marcajul original de identificare (marcă comercială, număr serie) a fost deteriorat, schimbat sau modificat
  - orice defecțiune cauzată de nerespectarea manualului de instrucțiuni
  - orice produs non CE
  - orice produs care a fost încercat să fie reparat de către o persoană neautorizată sau fără autorizare în prealabil de către Techtronc Industries
  - orice produs conectat necorespunzător la sursa de curent (amperi, voltaj, frecvență)
  - orice defecțiune cauzată de influențe externe (chimice, fizice, șocuri) sau substanțe străine
  - uzura normală a pieselor de schimb
  - folsire necorespunzătoare, suprasolicitare a sculei
  - folsire de accesorii și părți neaprobate
  - carburator după 6 luni, reglari ale carburatorului după 6 luni
  - accesorii sculelor de putere furnizate cu scula sau achiziționate separat. Asemenea excluderi includ dar nu se limitează la capete de șurubelniță, burghie, discuri abrazive, șmirgheluri, discuri de șlefuit, ghid lateral
  - componente (părți și accesorii) subiect a uzurii naturale, incluzând dar nelimitându-se la penii de carbot, mandrine, cablu electric, mâner auxiliar, placă de șlefuit, sac pentru praf, tub de evacuare praf
4. Pentru service, produsul trebuie să fie trimis sau prezentat la un punct service RYOBI autorizat țistat pentru fiecare țară în următoarea listă cu adrese ale punctelor service. În anumite țări reprezentantul dvs local RYOBI se angajează să trimită produsul la un punct de service RYOBI. Atunci când se trimite un produs la un punct service RYOBI, produsul trebuie să fie împachetat cu grijă fără a conține produse periculoase precum benzină, marcat cu adresa expeditorului și însoțit de o scurtă descriere a defecțiunii.
5. Repararea/inlocuirea în timpul garanției este fără nicio cost. Nu constituie o prelungire sau un nou început a perioadei de garanție. Părțile sau aparatele schimbate devin proprietatea noastră. În anumite țări taxele de expediție trebuie să fie plătite de către expeditor.
6. Garanția este valabilă în Uniunea Europeană, Evieja, Islanda, Norvegia, Liechtenstein, Turcia și Rusia. În afara acestor zone, va rugăm contactați reprezentantul dvs local autorizat RYOBI pentru a determina dacă se aplică altă garanție.

### CENTRU DE SERVICE AUTORIZAT

Pentru a găsi un centru de service autorizat lângă dvs., vizitați <http://uk.ryobitools.eu/header/service-and-support/service-agents>.

## LV GARANTĻĻA

Papildus visām likumā paredzētajām tiesībām saistībā ar iegādi šim izstrādājumam ir turpinājumā izklāstīta garantija.

1. Garantijas periods patērētājiem ir 24 mēneši, un tas sākas izstrādājuma iegādes dienā. Šim datumam ir jābūt dokumentam rēķinā vai citā iegādi apliecināošā dokumentā. Šis izstrādājums ir izgatavots un paredzēts vienīgi patērētājam un privātai lietošanai. Profesionālais vai komerciālais lietošanas gadījumā garantija nav spēkā.
2. Atsevišķos gadījumos (piem., akcija, vairāki instrumenti) pastāv iespēja pagarināt garantijas periodu viena šēti mēnāti periodā, reģistrējot to [www.ryobtools.eu](http://www.ryobtools.eu) vietnē. Instrumenta pielietojums ir skaidri norādīts veikalos un/vai uz iepakojuma. Lietotājiem ir jāreģistrē savs jauniegūtie instrumenti tiešsaistē 8 dienu laikā no iegādes datuma. Lietotāji var reģistrēties pagarinātajai garantijai savā dzīvesvietas valstī, ja tā ir norādīta tiešsaistē reģistrācijas veidlapā, kur pieejama šī iespēja. Turklāt lietotājiem ir jāievada dati tiešsaistē, jādod piekrišana šo datus uzglabāšanai un jāpiekrīt noteikumiem. Sareģistrācija reģistrācijas apstiprinājuma, kas izstrādāts par e-pastu, un rēķinā oriģināli, kurā redzams iegādes datums, ir pagarinātais garantijas pierādījums. Jūsu likumā paredzētās tiesības netiek ietekmētas.
3. Garantija attiecas uz visiem izstrādājuma bojājumiem, kas radušies garantijas perioda laikā iegādes dienā esošo izgatavošanas vai materiāla defektu dēļ. Garantija ir ierobežota līdz remontam un/vai nomainījam un neietver citus pienākumus, ieskaitot, bet neaprobežojoties ar nejausiem vai nelietotiem zaudējumiem. Garantija nav spēkā, ja izstrādājums ir lietots nepareizi vai neievērojot rokasgrāmatas norādījumus vai tīcis nepareizi savienots. Garantija netiecas uz:
  - izstrādājuma bojājumiem, kas radušies nepareizas apkopes dēļ;
  - izstrādājumiem, kas tikuši pielāgoti vai pārveidoti;
  - izstrādājumiem, kuru oriģinālās identifikācijas marķējums (preču zīme, sērijas numurs) tīcis sabojāts, pārveidots vai noņemts;
  - bojājumiem, kurus izraisījis rokasgrāmatas norādījumu neievērošana;
  - izstrādājumiem bez CE marķējuma;
  - izstrādājumiem, kurus ir mēģinājis remontēt nekvalificēts speciālists vai kuri remontēti bez Technonic Industries atļaujas;
  - izstrādājumiem, kas likuši pievienoti neatbilstoši energopadevei (apmēri, spriegums, frekvence);
  - bojājumiem, kurus izraisījis ārēja iedarbība (vīmska, fiziska, triecieni) vai svešas vielas;
  - normālu detaļu nolietojumu un nodilumu;
  - instrumenta nepareizu lietošanu, pārsīdoto;
  - neapstrīdinātu detaļu un piederumu lietošanu;
  - karburatoru pēc 6 mēnešiem, karburatora regulējumiem pēc 6 mēnešiem;
  - elektroinstrumenta piederumiem, kas piegādāti kopā ar instrumentu vai iegādāti atsevišķi. Šie izņēmumi ietver, bet neaprobežojas ar skrūvgriežu uzgaliem, urbiem, uzgaliem, abrazīvajiem diskkiem, smilšpapīru, asmeņiem un sānu vadotni;
  - komponentiem (detaļām un piederumiem), kas ir pakļauti dabiskam nodilumam un nolietojumam, ietverot, bet neaprobežojoties ar oglekļa sukām, paltronu, elektrības vādu, paigrikturiem, stiprēšanas loksnī, putekļu maisu un putekļu izvades cauruli.
4. Ja nepieciešams veikt remontu, izstrādājums jānosūta vai jānodod RYOBI pilnvarotam servisa centram, kas norādīts pie attiecīgās valsts servisa centra adresē sarakstā. Atsevišķās valstīs vietējais RYOBI dīlers uzņemas nosūtīt izstrādājumu RYOBI servisa organizācijai. Nosūtīt izstrādājumu RYOBI servisa centram, izstrādājumiem jābūt droši iepakotam bez bīstama satura, piemēram, degvielas, marķētiem ar sūtītāja adresi un kopā ar līsu aprakstu par defektu.
5. Remonts/nomainīšana šīs garantijas ietvaros ir bez maksas. Tas nepagarina un neuzsāk jaunu garantijas periodu. Nomainītās detaļas un instrumenti nonāk mūsu īpašumā. Atsevišķās valstīs piegādes maksa un pasta izdevumi jāsedz sūtītājam.
6. Šī garantija ir derīga Eiropas Kopienā, Šveicē, Islandē, Norvēģijā, Līhtenšteinā, Turcijā un Krievijā. Ārpus šiem reģioniem, līdzu, sazinieties ar savu pilnvaroto RYOBI dīleri, lai noskaidrotu, vai ir spēkā cita garantija.

## AUTORIZĒTĀS APKALPOŠANAS CENTRS

Lai atrastu tuvāko autorizēto apkalošanas centru, apmeklējiet <http://uk.ryobtools.eu/header/service-and-support/service-agents>.

## LT GARANTĻĻA

Be įstatymais nustatytų teisių, įgyjamų nusipirkus šį produktą, produktui taikoma toliau nurodyta garantija.

1. Pirkėjams galiojantis garantinis periodas yra 24 mėnesiai ir prasideda nuo produkto pirkimo datos. Data turi būti nurodyta sąskaitoje-faktūroje arba kitame pirkimą įrodančiame dokumente. Produktas sukurtas ir skirtas tik naudotojui ir tik asmeniniam naudojimui. Todėl garantija netaikoma produktą naudojančiam profesionaliam ar komerciniam tikslams.
2. Kai kuriais atvejais yra galimybė pratęsti garantinį laikotarpį iki toliau nurodyto laikotarpio, prieš tai užsiregistravus [www.ryobtools.eu](http://www.ryobtools.eu) svetainėje. Įrankio tinkamumo skaidriai parodytas parduotuvėse ir (arba) ant pakuotės. Galutinis naudotojas turi užregistruoti savo naujai įsigytus įrankius internetu per 8 dienas nuo jų pirkimo datos. Galutinis naudotojas turi užregistruoti dėl garantijos prašėsi savo šalyje, jei ši pateikta registracijos internetu formoje, kurioje galimas šis pasirinkimas. Be to, galutinai naudotojai privalo duoti savo sutikimą laikyti duomenis, kuriuos reikia įvesti internete, ir jeji turi sukūti su sąlygomis ir nuostatomis. Registracijos patvirtinimo pranešimas, išsiunčiamas el. paštu, ir originali sąskaita faktūra, kurioje nurodyta pirkimo data, įrodo patvirtintą garantiją. Jūsų įstatymuose nustatytoms teisėms nebus pakenkta.
3. Garantinių laikotarpį garantija taikoma visiems produkto trūkumams, atsiradusiems dėl prastos darbo kokybės arba prastų produktų medžiagų pirkimo dieną. Garantija taikoma tik taisymui ir (arba) pakeitimui ir joje nenumatyti jokie kiti įsipareigojimai, įskaitant, bet neapsiribojant atsitiktine ar susijusia žala. Garantija negalioja produktą netinkamai naudojant, priešingai vadove nurodytoms instrukcijoms, arba netinkamai prijungus. Garantija netaikoma šiais atvejais:
  - produktui pažeidai žalai netinkamai atliekant produkto techninę priežiūrą;
  - pakeistam arba modifikuotam produktui;
  - kitiems produktams, kurių originalios identifikacijos (prekės ženklas, serijos numeris) žymės buvo sugadintos, pakeistos ar pašalintos;
  - bet kokiai žalai, patirtai nesilaikant naudojimo vadovo;
  - bet kokiam CE nepaženkinamam produktui;
  - bet kokiam produktui, kurį bandė taisyti nekvalifikuotas specialistas, arba iš anksto negavus „Technonic Industries“ leidimo;
  - bet kokiam produktui, įjungtam į netinkamą maitinimo tinklą (amperai, lampa, dažnis);
  - bet kokiai žalai, kilusiai dėl išorinio poveikio (cheminis, fizinis poveikis, smūgiai) arba pašaliniam medžiagų;
  - įprastam atsarginių dalių dėvėjimui;
  - produktą netinkamai naudojant arba įj perkovus;
  - naudojant nepatvirtintus priedus arba dalis;
  - karbiuratoriu po 6 mėnesių, karbiuratoriaus reguliavimui po 6 mėnesių;
  - elektrinio įrankio priedams, pateiktiems kartu su įrankiu ar pirkties atskirai; Prie tokių išimčių priskaitomi, neapsiribojant, atsuktuvo antgaliai, gražo antgaliai, abraziniai diskai, švitrinis popierius ir asmenys, šoninis švitruvas;
  - komponentai (dalyai ir priedai), kurie dėvisi savaime, įskaitant, bet neapsiribojant anglies šepetėliais, griebtuvu, maitinimo laidu, papildoma rankena, šlifavimo plokštė, dulkių maišelis, dulkių išmetimo vamzdeliu.
4. Norint atlikti techninį aptarnavimą, produktą reikia nusijūti arba pristatyti į vieną iš RYOBI įgaliotų techninio aptarnavimo punktų, esančių kiekvienoje šalyje toliau pateiktame aptarnavimo punktų adresų sąraše. Kai kuriose šalyse jūsų vietinis RYOBI pardavėjas gali nusijūti produktą į RYOBI techninio aptarnavimo punktą. Siunčiant produktą į RYOBI techninio aptarnavimo punktą, produktą reikia saugiai supakuoti, prieš tai iš jo pašalinus pavojingias medžiagas, pavyzdžiui, benzina, nurodyti siuntėjo adresą ir pridėti trumpą gedimo aprašymą.
5. Pagal šią garantiją taisymo ar kelimo darbo atliekami nemokamai. Garantija garantuoja neįmaltas garantijos prašėjimas ar naujo garantinio laikotarpio pradėjimas. Pakeistos dalys arba įrankiai tampa mūsų nuosavybe. Kai kuriose šalyse pristatymo ar siuntimo pasta išlaidas turi padengti siuntėjas.
6. Ši garantija taikoma Europos bendrijoje, Šveicarijoje, Islandijoje, Norvegijoje, Lichtenšteine, Turkiijoje ir Rusijoje. Kitose šalyse kreipkitės į savo įgaliotą RYOBI pardavėją, norėdami sužinoti, ar taikoma kita garantija.

## ĮGALIOTAS TECHINĖS PRIEŽŪROS CENTRAS

Jei norite surasti įgaliotą techninės priežūros centrą netoli Jūsų, apsilankykite interneto svetainėje <http://uk.ryobtools.eu/header/service-and-support/service-agents>.



**ET GARANTI**

Lisaks ostu puhul kaasnevate seadusjärgsetele õigustele kehtib tootele alpool esitatud tingimustega garanti.

- Ostja poolt ostetud tootele on kehtestatud garantiiperiood 24 kuud ja see hakkab kehtima toote ostmise kuupäeval. See kuupäev on märgitud arvele või muule ostu tõendavale dokumendile. Toode on ette nähtud ostjale ainult isiklikuks kasutamiseks. Kui toodet kasutatakse ametialastel või ärilistel eesmärkidel, siis garanti ei kehti.
- Mõnel juhul (nt reklaam, seadmete seeria) on võimalik pikendada garantiiperioodi veebisaidil [www.ryobitools.eu](http://www.ryobitools.eu) kaudu. Registreerimise tingimused on välja pandud kauplustesse ja/või on pakendil. Lõppkasutaja peab oma uued tööriistad veebis registreerima 8 päeva jooksul alates ostukuupäevast. Lõppkasutaja võib registreerida end pikendatud garantiiks oma asukohamaal, kui see on esitatud veebis registreerimise loendil, seal kus see vaik on olemas. Peale selle, lõppkasutajad peavad andma nõusoleku enda andmete salvestamiseks, mida vajatakse veebi siseneamiseks ja nõustuma esitatud tingimustega. Pikendatud garanti kehtivust tõendab e-postiga saadetud registreerimise kinnituseade ja algupärane arve, mille on ostukuupäev. Teie seadusjärgsed õigused jäävad mõjutamata.
- Garanti kehtib kõikide ostukuupäevast kehtima hakkaval garantiiperioodil ilmnenud rikete suhtes, mis on tingitud töötlemis- või materjalvigadest. Garanti on piiratud remondi ja/või asendamise ja ei sisalda muid kohustusi, kuid mitte ainult, kaasneva või tuleneva kahju eest. Garanti ei kehti, kui toodet on väärkasutatud, kasutusjuhendi esitatud ostarbele mittevastavalt kasutatud või toode on ebaõigesti ühendatud. See garanti ei rakendu järgmistel juhtudel:
  - tootel on mingi vigastus, mis on põhjustatud ebaõigest kasutamisest, ja
  - toodet on mingi viisil ümber ehitatud või muudetud,
  - toote algupärane tuvastusmärking (kaubamärk, seerianumber) on kahjustatud, ümber tehtud või eemaldatud,
  - tootel on mingi vigastus, mis on tingitud kasutusjuhendi mittejärgimisest,
  - toode ei ole CE-märgisega,
  - toodet on püüdnud parandada ebaõigest spetsialist või seda on tehtud ilma Technronic Industries loalusteta,
  - toode on ühendatud selleks mitteetendatud elektritöövõrguga (väär voltage, pinge või sagedus),
  - tootel on vigastus välismõjudest (keemilised või füüsilised mõjud või löögid),
  - toote varuosadel ilmneb tavapärase kulumise,
  - toodet on ebaõigesti kasutatud või üle koormatud,
  - tootel on kasutatud mitteetendatud tarvikuid või osi,
  - toote karburaator pärast 6 kuu möödumist, toote karburaatori sätted pärast 6 kuu möödumist,
  - ajamiga tööriista tarvikud, mis tarnitakse koos tööriistaga või on ostetud eraldi. See välistus hõlmab, kuid mitte ainult, kruvikeeraja otsakuid, puure, abrasiivlöükeketaid, lihvpaberit, lihvkettaid ja löükeketaid, küljühikut,
  - toote koostesosadel (osad ja tarvikud) ilmneb tavapärase kulumise järgmistel detailidel (kuid mitte ainult): sõsinühkjariid, puurpadrun, tööriista, lisakäepide, lihvplaat, tõmukott, tõlmu ärastamisstru.
- Hooldamiseks tuleb toode saata või kutsa mõnda RYOBI volitatud hooldepunkti, mis on esitatud loendis iga riigi jaoks ja mille on hooldepunkti aadressid. Mõnes riigis kohustub RYOBI edasimüüja saama toote RYOBI hooldeasutusse. Kui toode saadetakse RYOBI hooldeasutusse, tuleb toode turvaliselt ära pakkida ilma, et sellesse jääks õhustatut sisu, näiteks bensiin ja pakendile tuleb märkida saatja aadress ja selle lühikirjeldus.
- Selle garantiil alusel tehtud remont/asendus on tasuta. Sellega ei kaasne garantiiperioodi pikendamine või uue garantiiperioodi algus. Asendatud osad ja tööriistad jäävad meie omandusse. Mõnes riigis tuleb saate- või postikaudu tasuda saatja poolt.
- See garanti kehtib Euroopa Liidus, Šveitsis, Islandil, Norras, Liechtensteinis, Türgis ja Venemaal. Väljaspool neid riike võtendub RYOBI volitatud edasimüüjaga, et teada saada teistsuguste garantiite kehtivus.

**VOLITATUD HOOLDUSKESKUS**

Oma volitatud hoolduskeskuse leiate veebisaidil <http://uk.ryobitools.eu/header/service-and-support/service-agents>.

**HR JAMSTVO**

U dodatku svih zakonskih prava koja proizlaze kao rezultat kupnje, ova proizvod pokriven je jamstvom kao što je utvrđeno u nastavku.

- Ostajno razdoblje je 24 mjeseca za korisnike, a započinje na datum kupnje proizvoda. Ovaj datum treba biti dokumentiran računom ili nekim drugim dokazom o kupnji. Proizvod je dizajniran i namijenjen samo za korisnike i osobno korištenje. Stoga nema omogućenog jamstava u slučaju profesionalnog ili komercijalnog korištenja.
- U nekim slučajevima (primjerice promocije, paleta alata) postoji mogućnost produljenog jamstvenog razdoblja preko gore navedenog razdoblja korištenjem registracije na web mjestu [www.ryobitools.eu](http://www.ryobitools.eu). Sukladno alata jasno je prikazano u trgovini ili na pakiranju. Krajnji korisnik treba registrirati svoje nove pribavljene alate na mreži unutar 8 dana od datuma kupnje. Krajnji korisnik može se registrirati za produljeno trajanje jamstva u svojoj zemlji stanovanja ako je navedena na mrežnom obrazcu za registraciju gdje je ova opcija valjana. Nadalje, krajnji korisnici moraju dati svoje odobrenje za spremanje podataka koji su potrebni za unos na mreži i moraju prihvatiti uvjete i odredbe, primatka potvrde o registraciji, koja se šalje e-poštom i originalni račun koji prikazuje datum kupnje služe kao dokaz produljenog jamstva. Vaša zakonska prava ostaju nepromijenjena.
- Jamstvo pokriva sve kvarove proizvoda tijekom jamstvenog razdoblja zbog pogreški u izradi ili materijalu na datum kupnje. Jamstvo je ograničeno na popravak ili zamjenu i ne uključuje nikakve druge obrasce uključujući na ne ograničavajući se na slučajne ili posljedšne štete. Jamstvo nije valjano ako je proizvod pogrešno korišten, korišten suprotno od korisničkog priručnika ili je nepravilno priključen. Ovo jamstvo se ne primjenjuje na:
  - svako oštećenje proizvoda koje je rezultat nepravilnog održavanja
  - svaki proizvod koji je izmijenjen ili modificiran
  - svaki proizvod gdje su originalne identifikacijske oznake (zaštitni znak, serijski broj) izbrisane, zamijenjene ili uklonjene
  - svako oštećenje uzrokovano nepriznavanjem korisničkog priručnika
  - svaki proizvod koji nije CE
  - svaki proizvod koji je pokušao popraviti nekvalificirani profesionalac ili bez prethodnog odobrenja od strane Technronic Industries
  - svaki proizvod priključen na nepravilno napajanje energijom (amperi, napon, frekvencija)
  - svako oštećenje uzrokovano vanjskim utjecajima (kemijsko, fiziko, ladar) ili stranim stvarima
  - normalno trošenje i habanje rezervnih dijelova
  - nepravilno korištenje, preopterećenje alata
  - korištenje neodobrenog dodatnog pribora ili dijelova
  - rasplinjača nakon 6 mjeseci, podšavanje rasplinjača nakon 6 mjeseci
  - Dodatni pribor aku-alata koji je omogućen s alatom ili kupljen zasebno. Ovakva zuzueća uključuju no ne ograničavaju se na svrdla za odvijanje, svrdla za bušenje, brusne diske, papir za brušenje i ostvace, poprečne vodilice
  - Komponente (dijelovi i dodatni pribor) za su predmet prirodnog trošenja i habanja, uključujući no ne ograničavajući se na ugljične cetke, glave, kabel za napajanje, pomoćnu ručku, ploču za brušenje, vrećicu za prašinu, cijev za izbacivanje prašine
- Za servisiranje, proizvod se mora poslati ili predati ovlaštenoj stanici za servis tvrtke RYOBI navedenoj za svaku zemlju u sljedećem popisu adresa stanica za servis. U nekim zemljama vaš lokalni RYOBI zastupnik obavezan je poslati proizvod u servisnu organizaciju tvrtke RYOBI. Približan stanja proizvoda u stanici za servis tvrtke RYOBI, proizvod treba biti sigurno pakiran bez ikakvog opasnog sadržaja poput batoz i s označenom adresom pošiljatelja i pripadajućim kratkim opisom pogreške.
- Popravak/zamjena pod ovom jamstvom se ne naplaćuje. Ne produljuje zakonsko ili ne započinje novo jamstveno razdoblje. Zamijenjeni dijelovi ili alati postaju naše vlasništvo. U nekim zemljama pošiljatelj plaća poštarinu.
- Ovo jamstvo je valjano u Europskoj zajednici, Švicarskoj, Islandu, Norveškoj, Lihtenštajnu, Turskoj i Rusiji. Izvan ovih područja možemo vas da kontaktirate vašeg ovlaštenog zastupnika tvrtke RYOBI kako biste odredili ako se primjenjuje druga jamstva.

**OVLAŠTENI SERVISNI CENTAR**

Za pronalaženje ovlaštenog servisnog centra pored vas posjetite <http://uk.ryobitools.eu/header/service-and-support/service-agents>.

## SL GARANCIJA

Poleg kakršnih koli zakonskih pravic, ki jih pridobite z nakupom, za ta izdelek velja tudi garancija, kot je opisano spodaj.

1. Garancijsko obdobje je 24 mesecev za potrošnike in se začne z datumom nakupa. Ta datum mora biti dokumentiran z računom ali drugim dokazilom o nakupu. Izdelek je namenjen in posevčen le potrošniški in zasebni uporabi. Zato garancija ne velja za profesionalno ali komercialno uporabo.
2. V nekaterih primerih (npr. promocija, obseg orodj) obstaja možnost podaljšanja garancijskega obdobja prek zgoraj opisanega obdobja, kar je mogoče storiti z registracijo na spletnem mestu [www.ryobitools.eu](http://www.ryobitools.eu). Namen orodja je jasno označen v trgovinah in/ali na embalaži. Končni uporabnik mora svoje novo orodje registrirati prek spleta v 8 dneh od datuma nakupa. Končni uporabnik se lahko registrira za podaljšano garancijo v svoji državi, kjer ima stalno prebivališče, če je država vključena na seznam v obrazcu za registracijo, kjer je ta možnost veljavna. Polet tega mora končni uporabnik odobriti shranjevanje podatkov, ki so potrebni za spletni vstop, in morajo sprejeti pogoje in določila. Potrdilo o registraciji, ki se pošlje po e-pošti, ter originalni račun, na katerem je naveden datum nakupa, veljata kot dokazilo o podaljšani garanciji. Vaše zakonske pravice naskojo nespremenjene.
3. Garancija krije vse okvare izdelka med garancijskim obdobjem zaradi napak v izdelavi ali materialu na datum nakupa. Garancija je omejena na popravilo/zamenjavo in ne vključuje drugih obveznosti, med drugim ne povzroča obveznosti zaradi nenamene ali posledične škode. Garancija ni veljavna, če je bil izdelek zlorabljen, uporabljen v nasprotju z navodili za uporabo ali nepravilno priključen. Garancija ne velja:
  - za kakršno koli poškodbo izdelka, ki je posledica neprimernega vzdrževanja,
  - če je bil izdelek spremenjen ali modificiran,
  - če so originalne identifikacijske oznake (blagovna znamka, serijska številka) na izdelku poškodovane, razen ali odstranjene,
  - če je do poškodbe prišlo zaradi neupoštevanja navodil za uporabo,
  - za katere koli izdelke, ki niso skladni z oznako CE,
  - če je izdelek poskusil opraviti neupošibnih strokovnjak ali brez predhodne odobritve družbe Technonic Industries,
  - če je bil izdelek priključen na neuztrečno električno omrežje (jakost, napetost, frekvenca),
  - če je do poškodbe prišlo zaradi zunanjih vplivov (kemični, fizični, udarci) ali tujih snovi,
  - za normalno obrabo nadomestnih delov,
  - neustrezne uporabe, preobremenitve orodja,
  - uporabe neodobrenih dodatkov ali delov,
  - za uplinjač po 6 mesecih, prilagoditve uplinjača po 6 mesecih,
  - za dodatke električnega orodja, priložene orodju ali na prodaj ločeno – takšne omejitve med drugim vključujejo nastavke za vijačenje, vrtnale svedre, abrazivne diske, brusni papir in rezila, bočna vodila,
  - za sestavne dele (dele in dodatke), ki so podvrženi normalni obrabi, med drugim za karbonske krtačke, vpenjalno glavo, električni kabel, dodatni ročaj, brusno ploščo, vrečo za prah, cev za odvod prahu.
4. Za servisiranje je treba izdelek poslati ali prineseti v pooblaščen servisni center RYOBI, ki je za vsako državo naveden na naslednjem seznamu z naslovi servisnih centrov. V nekaterih državah pošiljanje izdelka servisnemu centru RYOBI prevzame lokalni trgovec / izdelek RYOBI. Za pošiljanje servisnemu centru RYOBI mora biti izdelek varno zapakiran, brez kakršnih koli nevarnih snovi, npr. gorivo, označen z naslovom pošiljatelja, priložen pa mora biti kratek opis napake.
5. Popravilo/nadomestilo v sklopu te garancije je brezplačno. Ne pomeni podaljšanja ali novega začetka garancijskega obdobja. Zamenjani deli ali orodja postanejo naša last. V nekaterih državah mora stroške pošiljanja ali dostave poravnati pošiljatelj.
6. Ta garancija je veljavna v Evropski skupnosti, Švic, na Islandiji, Norveškem, v Lichtenštajnu, Turčiji in Rusiji. Izven teh področij stopite v stik s pooblaščenim trgovcem RYOBI, da ugotovite, ali velja katerega druga garancija.

## POOBLAŠČEN SERVISNI CENTER

Pooblaščen servisni center blizu vas poiščite na <http://uk.ryobitools.eu/header/service-and-support/service-agents>.

## SK ZÁRUKA

Okrem zakonskih práv vyplývajúcich zo zakúpenia je tento produkt pokrytý zárukou, ako je uvedené nižšie.

1. Záručná doba pre spotrebiteľov je 24 mesiacov a začína dňom zakúpenia produktu. Túto datum musí byť zdokumentovaný faktúrou alebo iným dokladom o kúpe. Tento produkt je navrhnutý a určený len na spotrebiteľ a osobitú neplati žiadna záruka. Záručná doba je navrhnutý a určený len na spotrebiteľ a osobitú neplati žiadna záruka. Záručná doba je navrhnutý a určený len na spotrebiteľ a osobitú neplati žiadna záruka.
2. V niektorých prípadoch (napr. reklamná akcia, rad produktov) existuje možnosť predĺženia záručnej doby nad dobu uvedenú vyššie pomocou registrácie na webovej stránke [www.ryobitools.eu](http://www.ryobitools.eu). Spôsobnosť nástroja je zreteľne zobrazená v obchodoch a ha obate. Koncový používateľ si musí zaregistrovať svoje novonadobudnuté nástroje online do 8 dní dňa zakúpenia. Koncový používateľ sa môže zaregistrovať za účelom získania predĺženej záruky vo svojej krajine, ak je uvedená v online registračnom formulári, kde je táto možnosť platná. Okrem toho musia koncoví používatelia poskytnúť súhlas k učeniu údajov, ktoré sa zadávajú online a musia súhlasiť so zmluvnými podmienkami. Doklad s potvrdením o registrácii, ktorý posielame prostredníctvom e-mailu a originálny faktúra s uvedeným dátumom zakúpenia slúžia ako dôkaz predĺženej záruky. Vaše zákonné práva ostávajú nedotknuté.
3. Táto záruka pokrýva všetky poruchy produktu počas záručnej doby, ktoré vznikli následkom nedostatkov, vo vypracovaní alebo materiáli v deň zakúpenia. Táto záruka je obmedzená na opravu alebo výmenu a nezahŕňa ďalšie povinnosti, napríklad vedľajšie alebo následné škody. Táto záruka je neplati, ak bol produkt poškodený nesprávne, používaný v rozpore s návodom na použitie alebo nesprávne pripojený. Táto záruka sa nevzťahuje na:
  - akékoľvek poškodenie produktu, ku ktorému došlo následkom nesprávnej údržby
  - akýkoľvek produkt, ktorý bol pozmenený alebo upravený
  - akýkoľvek produkt, na ktorom boli poškodené pozmenené alebo odstránené originálne identifikačné znaky (obchodná známka, sériové číslo)
  - akékoľvek poškodenie spôsobené následkom nedodržania návodu na použitie
  - akýkoľvek produkt iný ako CE
  - akýkoľvek produkt, o ktorého opravu sa pokúšal nekvalifikačný odborník alebo v prípade opravy bez predchádzajúceho opravenia od spoločnosti Technonic Industries
  - akýkoľvek produkt pripojený k nesprávnejmu napájaciemu zdroju (prúd, napätie, frekvencia)
  - akékoľvek poškodenie spôsobené vonkajšími vplyvmi (chemické, fyzické, nárazy) alebo cudzími látkami
  - bežné opotrebenie náhradných dielov
  - nesprávne používanie a preťažovanie nástroja
  - používanie nezváleného prísľušenstva alebo dievov
  - karburátor po 6 mesiacoch, úpravy karburátora po 6 mesiacoch
  - prísľušenstvo pre elektrické nástroje dodané s nástrojom alebo zakúpené samostatne. Takého výnimky sa vzťahujú napríklad na troyky skrutkovačov, vrtáky, brusné kotúče, brusné papiere a ostria a bočné vedenie
  - komponenty (diely a prísľušenstvo), ktoré podliehajú prirodzenému opotrebeniu, napríklad uhľovikové kefy, skľučovadlo, napájací kábel, pomocná rukoväť, leštiaca doska, vrecko na prach, rúrka na vyfukovanie prachu
4. Na servis sa musí produkt odoslať alebo predložiť autorizovanému servisnému centru RYOBI uvedenému pre každú krajinu v nasledujúcom zozname adries servisných stanic. V niektorých krajinách pošle produkt do servisnej organizácie RYOBI váš miestny predajca produktov RYOBI. Pri odoslaní produktu do servisnej stanice RYOBI musí byť produkt bezpečne zabalený bez akéhokoľvek nebezpečného obsahu, napríklad paliva, označený adresou odosielateľa a musí byť k nemu priložený krátky popis poruchy.
5. Oprava či výmena v rámci tejto záruky je bezplatná. Nevýplývajú z nej predĺženie či nový začiatok záručnej doby. Vymenené diely alebo nástroje sa stávajú našim majetkom. V niektorých krajinách doručovací poplatok alebo poštovné plati odosielateľ.
6. Táto záruka je platná v Európskej únii, Švajčiarsku, na Islande, v Nórsku, Lichtenštajnsku, Turecku a Rusku. Mimo týchto oblastí kontaktujte autorizovaného predajcu spoločnosti Ryobi, u ktorého zistíte, či plati nejaka iná záruka.

## AUTORIZOVANÉ SERVISNÉ CENTRUM

Ak chcete nájsť najbližšie autorizované servisné centrum, navštívte stránku <http://uk.ryobitools.eu/header/service-and-support/service-agents>.

**EL** ΕΓΓΥΗΣΗ

Εμπροσθέντως τυχόν νομικών δικαιωμάτων που προκύπτουν από την αγορά, το προϊόν καλύπτεται από εγγύηση όπως αναφέρεται παρακάτω.

1. Η περίοδος εγγύησης είναι 24 μήνες για τους καταναλωτές και τίθεται σε ισχύ από την ημερομηνία αγοράς του προϊόντος. Η ημερομηνία αυτή πρέπει να τεκμηριώνεται από τιμολόγιο ή άλλη απόδειξη αγοράς. Το προϊόν είναι σχεδιασμένο μόνο για καταναλωτική και οικιακή χρήση. Η εγγύηση δεν ισχύει σε περίπτωση επαγγελματικής ή εμπορικής χρήσης.
2. Σε ορισμένες περιπτώσεις (δηλ. προώθηση, σειρά εργαλείων) υπάρχει η δυνατότητα παράτασης της περιόδου εγγύησης πέραν της αναφερθείσας περιόδου παράτασης μέσω εγγραφής στην ιστοσελίδα [www.ryobitools.eu](http://www.ryobitools.eu). Η δυνατότητα συμμετοχής του εκάστοτε εργαλείου δηλώνεται σωστά στα καταστήματα καλή ή υποκαταστήματα. Ο τελικός χρήστης πρέπει να εγγραφεί ανεφάρτατος στα στοιχεία του εργαλείου online εντός 8 ημερών από την ημερομηνία αγοράς. Ο τελικός χρήστης μπορεί να εγγραφεί για την παρατεταμένη εγγύηση στη χώρα κατοικίας του αν περιέχεται στην online φόρμα εγγραφής, όπου ισχύει αυτή η επιλογή. Επιπλέον, οι τελικοί χρήστες πρέπει να δώσουν τη συγκατάθεσή τους για την αποθήκευση των δεδομένων που συλλέγονται online και πρέπει να δεχθούν τους όρους και τις διατάξεις. Η αποδείξη επιβεβαίωσης εγγραφής που αποστέλλεται μέσω e-mail και το πρωτότυπο τιμολόγιο που φέρει την ημερομηνία αγοράς, λειτουργούν ως αποδεικτικά στοιχεία για την παρατεταμένη περίοδο εγγύησης. Τα νομικά δικαιώματά σας δεν επηρεάζονται.
3. Η εγγύηση καλύπτει κάθε τυχόν στέλνιο του προϊόντος στη διάρκεια ισχύος της, εξαιτίας κατασκευαστικών σφαλμάτων ή σφαλμάτων του υλικού κατά την ημερομηνία αγοράς. Η εγγύηση περιορίζεται στην επισκευή καλή ή αντικατάσταση και δεν περιλαμβάνει άλλες υπηρεσίες, συμπεριλαμβανομένης μεταξύ άλλων βελτίωσης ή αποδοχής ζυμής. Η εγγύηση δεν ισχύει αν το προϊόν έχει χρησιμοποιηθεί με εσφαλμένο τρόπο, οπότε με τις οδηγίες που εγκυριάζουν χρήση ή έχει συνδεθεί εσφαλμένα. Η εγγύηση δεν ισχύει στα κάτωθι:
  - οποιαδήποτε βλάβη στο προϊόν ως συνέπεια εσφαλμένης συντήρησης
  - οποιαδήποτε τροποποίηση ή παραλλαγή του προϊόντος
  - προϊόντα ή αρχική ταυτοποίηση των σπινών (σήμα κατατεθέν, σειριακός αριθμός) έχει αλλοιωθεί, αλλαχθεί ή αφαιρεθεί
  - οποιαδήποτε βλάβη προκαλείται από μη τήρηση των οδηγιών στο εγχειρίδιο λειτουργίας
  - οποιαδήποτε μη CE προϊόν
  - οποιαδήποτε προϊόν στο οποίο έχει γίνει απόπειρα επισκευής από μη ειδικευμένο επαγγελματία ή χωρίς προηγούμενη εξουσιοδότηση της Techtronic Industries
  - οποιαδήποτε προϊόν συνδεθεί σε ακατάλληλη παροχή ρεύματος (αμπερ, τάση, συχνότητα)
  - οποιαδήποτε βλάβη προκληθεί από εξωτερικές επιρροές (χημικές, φυσικές, κρούση/αυτοξίδηση) ή άλλες συσίες
  - φυσική φθορά των ανταλλακτικών
  - ανόρθωση χρήση, υπερφόρτωση του εργαλείου
  - χρήση μη εγκεκριμένων εξαρτημάτων ή ανταλλακτικών
  - καρμπαράτζι μετά από 6 μήνες, προσαρμογές καρμπαράτζι μετά από 6 μήνες
  - εξαρτήματα εργαλείων που παράγονται με το εργαλείο ή αναρτάχονται χωριστά. Οι εξαιρέσεις αυτές περιλαμβάνουν μεταξύ άλλων εξαρτήματα καταρτιδίων, εξαρτήματα τρυπανιών, λαϊνικών δίσκους, γυαλόχαρτο και λεπίδες, ηλεκρικό οδηγό
  - ενότητες (εξαρτήματα και ανταλλακτικά) που υποκεινται σε φυσική φθορά, συμπεριλαμβανομένων μεταξύ άλλων ψηκτών, ποικ, καλωδίων ρεύματος, βοηθητικών λαβών, πλακιδίων λείανσης, ακουαλίων οκόνης, σπληνών εξαρτήματος οκόνης
4. Για στοιχεία αέρβιου, το προϊόν πρέπει να σταλεί ή παραδοθεί σε εξουσιοδοτημένο σταθμό εφόδης της RYOBI, όπως αναφέρονται για κάθε χώρα στην παρακάτω λίστα. Σε ορισμένες χώρες, ο τοπικός αντιπρόσωπος της RYOBI αναλαμβάνει την αποστολή του προϊόντος στον οργανισμό σέρβις RYOBI. Όταν απελευθεύει ένα προϊόν σε σταθμό σέρβις της RYOBI, το προϊόν θα πρέπει να είναι υποκαταμένο με ασφάλεια, χωρίς επικίνδυνα περιεχόμενα όπως βενζίνη και με αναφορά της διεύθυνσης του αποστολέα, ενώ θα πρέπει να συνοδεύεται και από σύντομη περιγραφή του προϊόντος.
5. Επισκευές / αντικαταστάσεις στα πλαίσια της εγγύησης παρέχονται δωρεάν. Δεν παρέχεται παράταση ή επανεκκίνηση της περιόδου εγγύησης. Τα εξαρτήματα ή εργαλεία που αντικαθίστανται, περιλαμβάνονται στην ενοχλήσιμότητα. Σε ορισμένες χώρες, ισχύουν χρεώσεις παράδοσης ή ταχυδρομικά τέλη που καταβάλλονται από τον αποστολέα.
6. Η εγγύηση ισχύει στην Ευρωπαϊκή Κοινότητα, τη Βελγία, την Ισπανία, την Νορβηγία, το Λιχτενστάιν, την Τουρκία και τη Ρωσία. Εκτός αυτών των περιοχών, παρακαλούμε επικοινωνήστε με τον εξουσιοδοτημένο αντιπρόσωπο της RYOBI για να εξακριβώσετε εάν ισχύουν άλλες εγγυήσεις.

**ΕΞΟΥΣΙΟΔΟΤΗΜΕΝΟ ΚΕΝΤΡΟ ΣΕΡΒΙΣ**

Για να εντοπίσετε ένα εξουσιοδοτημένο κέντρο σέρβις στην περιοχή σας, επισκεφτείτε τη σελίδα <http://uk.ryobitools.eu/header/service-and-support/service-agents>.

**TR** GARANTİ

Bu satın alma işleminden doğan tüm yasal haklara ek olarak, bu ürün aşağıda açıklanan garanti kapsamındadır.

1. Garanti süresi tüketici için 24 aydır ve bu süre ürünün satın alınması ile başlar. Bu tarih fazla veya başka bir satın alma belgesi ile kanıtlanmalıdır. Ürün sadece tüketici ve bireysel kullanım için tasarlanmıştır ve sunulmuştur. Profesyonel veya ticari amaçla kullanımlarında garanti verilmaz.
2. Bazı durumlarda (örn. tanıtım, aletlerin düzenlenmesi), yukarıda belirtilen garanti süresi uzatılabilir. Bunun için [www.ryobitools.eu](http://www.ryobitools.eu) İnternet sitesindeki kaydı yapmak gerekir. Aletlin nitelikleri mağazalarda ve/veya ambalaj üzerinde açıkça belirtilmiştir. Son kullanıcı, aleti satın aldıktan sonra en geç 8 gün içinde aletini kaydını çevrim dışı olarak yapmalıdır. Son kullanıcı, garanti uzatma seçeneğinin geçerli olduğunu ülkelerden birindeyse kayıt yaptırarak bu fırsatı yararlanabilir. Ayrıca, son kullanıcılar çevrim dışı girişi yapmak için gerekli olan verileri sağlanmasına izin vermez, şartlar ve koşulları kabul etmezler. E-posta ile gönderilen kayıt onay belgesi ve satın alma tarihini belgeleyen orijinal fatura garantinin uzatılmasını sağlamak için gerekli niteliği taşımaktadır. Yasal haklarını aynı kalacaktır.
3. Garanti, ürünün satın alma tarihindeki tüm işçilik ve malzeme kusurlarından kaynaklanan tüm sorunları garanti süresi içinde kapsamaktadır. Garanti onanım veya/ya değişim ile sınırlıdır ve sadece istenmeyen arızalar, vb. durumlarda herhangi bir sorumluluk kabul edilmez. Ürünün yanlış kullanılması, kullanımı kılavuzuna uygun kullanılmaması veya yanlış bağlantıları, kurulum durumunda garanti geçerliliğini yitirir. Garanti kapsamı dışındaki durumlarda:
  - bakımın yanlış yapılmasından kaynaklanan tüm hasarlar
  - ürünün değiştirilmesi veya düzenlenmesi
  - ürünün orijinal teşhis (ticari sembol, seri numarası) işaretlerinin tahrip olması, değiştirilmesi veya çıkarılması
  - kullanım kılavuzunun dikkate alınmaması nedeniyle oluşan tüm hasarlar
  - ürünün AB ürünü olmaması
  - ürünün kalifiye olmayan bir kişi tarafından veya Techtronic Industries'ten izni olmadan onarılması yapılması
  - ürünün yanlış güç desteğine (amper, voltaj, frekans) bağlanması
  - dış etkiler (kimyasal, fiziksel, darbeler) veya yabancı cisimlerden kaynaklanan arızalar
  - yedek parçaların normal aşınması ve yıpranması
  - yanlış kullanım, aletin fazla yüklenmesi
  - kullanılmayan aksesuarların veya parçaların kullanılması
  - karbüratör/sistemlere karbüratör ayarlarının 6 ayın ardından yapılması
  - elektronik alet aksesuarlarının alet ile birlikte veya ayrı olarak satın alınması. Akülü vidalama aletleri, matkap aletleri, aşındırıcı diskler, zımpara kağıdı ve bıçakları, yatay klavuz birliği parçaların dahil olduğu, ancak bu parçaların sınırlı olmayan listisleri
  - karbon fırçalar, kovan, elektrik kablosu, yarımcı kol, kuluma plakası, toz torbası, toz egzoz borusu gibi parçaların bulunduğu, ancak bu parçaların sınırlı olmayan doğal aşınma ve yıpranmaya maruz kalan bileşenler
4. Tamir işlemi için ürünün, her ülke için listelenmiş olan aşağıdaki servis istasyonu adreslerine bulunan bir RYOBI yetkili servis istasyonuna gönderilmesi veya verilmesi gerekir. Bazı ülkelerde yerel RYOBI satıcısı ÜRÜN RYOBI servis istasyonuna gönderme işlemi üstlenir. RYOBI servis istasyonuna gönderilen ürün; içinde petroleli tahrikli maddeler olmadan emniyetli bir şekilde paketlenmeli, gönderinin adresini ve sorununu kısaca bir açıklamasını içermelidir.
5. Bu garanti kapsamında gerçekleştirilen bir onarım/değişim ücretsizdir. Bu tarz işlemler garanti süresini uzatmaz veya yeniden başlatmaz. Değiştilen parçalar veya aletler firmamıza ait olur. Bazı ülkelerde teslimat masrafları veya posta ücreti gönderici tarafından ödenmelidir.
6. Bu garanti Avrupa Birliği, İsviçre, İzlanda, Norveç, Lihtenştayn, Türkiye ve Rusya'da geçerlidir. Ebuğönderinin dışında yer alan müşterilerin diğer garanti seçenekleri için yetkili RYOBI satıcısına danışmaları gerekir.

**YETKİLİ SERVİS MERKEZİ**

En yakın yetkili servis merkezini öğrenmek için <http://uk.ryobitools.eu/header/service-and-support/service-agents> sitesine girin.

## UK ГАРАНТІЯ

На додаток до любых законних прав, що випливають з покупки, цей продукт покривається гарантією, як зазначено нижче.

- Гарантійний термін складає 24 місяці для споживачів і, починається з дати придбання продукту. Ця дата повинна бути задокументована рахунком або іншим документом, що підтверджує покупку. Продукт розроблений і призначений для споживача і тільки для приватного використання. Таким чином, немає ніякої гарантії, у разі професійного або комерційного використання.
- Наведені деякі випадки (наприклад, підтримка, ряд інструментів), можливість розширення гарантійного терміну протягом періоду описаного вище, з використанням реєстрації на сайті [www.ryobitools.eu](http://www.ryobitools.eu). Придатність інструменту чітко відображається в магазинах та / або на упаковці. Кінцевий користувач повинен зареєструвати його / її ново придбаний інструмент онлайн протягом 8 днів з моменту покупки. Кінцевий користувач може зареєструватися на розширену гарантію у своїй країні проживання, якщо ця країна є в онлайн формі реєстрації, де ця опція діє. Крім того, кінцеві користувачі повинні дати свою згоду на зберігання даних, які необхідні для онлайн входу і вони повинні прийняти терміни та умови. Кваліфікація підтвердження реєстрації, яка розсилається по електронній пошті, та оригінал рахунку-фактури із зазначенням дати покупки будуть служити доказом розширеної гарантії. Ваші законні права залишаються в силі.
- Гарантія покриває всі дефекти продукту протягом гарантійного періоду, пов'язані з недоліками виготовлення або матеріалу на дату покупки. Гарантія обмежується ремонтом та / або заміною, і не покриває будь-які інші зобов'язання, включаючи, але не обмежуючись випадковими або непрямыми збитками. Гарантія не діє, якщо продукт неправильно використовувалася згідно інструкції, або був неправильно підключений. Ця гарантія не поширюється на:
  - Будь-яке пошкодження продукту, яке є результатом неправильного технічного обслуговування
  - Будь-який продукт, який був вивозомінений або модифікований
  - Будь-який продукт, де оригінальні ідентифікаційні (торгова марка, серійний номер) маркування були зіпсовані, змінені або видалені
  - Будь-який збиток, заподіяний в результаті недотримання керівництва з експлуатації
  - Будь-який не CE продукт
  - Будь-який виріб, який був відремонтований некваліфікованим спеціалістом або без попереднього дозволу Techtronic Industries
  - Будь-який продукт підключений до неналежащего живлення (підсилювач, напруга, частота)
  - Будь-який збиток, заподіяний зовнішнім впливом (хімічним, фізичним, ударами) або сторонніми речовинами
  - передбачене зношення запасних частин
  - неправильне використання, перевантаження інструменту
  - використання незатверджених запасних частин або аксесуарів
  - карбюратор через 6 місяців, коригування карбюратора після 6 місяців
  - аксесуари електрострументу надані з інструментом або куплені окремо. Такі вилітки включають, але не обмежуються виготовленою викруткою, свердлами, абразивними дисками, наждачним папером і лезами, бачним спрямовуючим пристроєм
  - компоненти (частини та аксесуари), схильні до природного зносу, в тому числі, але не обмежуючись шлітком, патроном, шнуром живлення, додатковою рукояткою, шліфувальними пластинами, мішком для пилу, витяжною трубою
- Для обслуговування виріб має бути відремонтовано або представлено в уповноважений RYOBI центр технічного обслуговування, перерахований для кожної країни в наступному списку адрес технічних центрів. У деяких країнах місцевий дилер RYOBI зобов'язується відправити виріб в сервісній організації RYOBI. При відправці продукту до станції технічного обслуговування RYOBI, продукт повинен бути надійно упакований, без жодного небезпечного вмісту, такого як бензин, відмічений адресою відривника і супроводжуватися коротким описом несправності.
- Ремонт / заміна по гарантії безкоштовні. Це не розширює або не починає новий гарантійний термін. Замінені частини або інструменти стають нашою власністю. У деяких країнах вартість доставки або відсилки повинні бути оплачені відривником.
- Ця гарантія діє в Європі, Середземномор'ї, Східній Європі, Швейцарії, Іспанії, Норвегії, Північній Туреччині та Росії. За межами цих областей, будь ласка, зв'яжіться з офіційним дилером RYOBI, щоб визначити, якщо поширюється інша гарантія

### АВТОРИЗОВАНІ СЕРВІСНІ ЦЕНТРИ

Для отримання оновленого переліку авторизованих сервісних центрів, відвідайте <http://uk.ryobitools.eu/header/service-and-support/service-agents>

## EN EC declaration of conformity

Techntronic Industries GmbH  
Max-Eyth-Straße 10, 71364 Winnenden, Germany

Herewith we declare that the product

4V Screwdriver  
Brand: Ryobi  
Model number: R4SDP  
Serial number range: 44481301000001 - 44481301999999

is in conformity with the following European Directives and harmonised standards

2006/42/EC, 2014/30/EU, 2011/65/EU,  
EN 60745-1:2009+A11:2010, EN 60745-2:2010,  
EN 55014-1:2006+A1:2009+A2:2011, EN 55014-2:1997+A1:2001+A2:2008

RoHS documentation is compiled according to EN 50581:2012

Andrew John Eyre (BEng, CEng, MIET)  
Vice President, Regulatory & Safety  
Winnenden, May, 10, 2016

Authorised to compile the technical file:

Alexander Krug, Managing Director  
Techntronic Industries GmbH  
Max-Eyth-Straße 10, 71364 Winnenden, Germany

## ES DECLARACIÓN EC DE CONFORMIDAD

Techntronic Industries GmbH  
Max-Eyth-Straße 10, 71364 Winnenden, Germany

Por la presente declaramos que los productos

4V Destornillador  
Marca: Ryobi  
Número de modelo: R4SDP  
Intervalo del número de serie: 44481301000001 - 44481301999999

se encuentra en conformidad con las siguientes Directivas Europeas y normas armonizadas

2006/42/EC, 2014/30/EU, 2011/65/EU,  
EN 55014-1:2006+A1:2009+A2:2011, EN 55014-2:2010,  
EN 60745-1:2009+A11:2010, EN 60745-2:2010

Documentación sobre restricción de sustancias peligrosas (RoHS) recopilada según la norma EN 50581:2012

Andrew John Eyre (BEng, CEng, MIET)  
Vicepresidente, Director General de Normativa y Seguridad  
Winnenden, May, 10, 2016

Autorizado para elaborar la ficha técnica:

Alexander Krug, Administrador Ejecutivo  
Techntronic Industries GmbH  
Max-Eyth-Straße 10, 71364 Winnenden, Germany

## FR DÉCLARATION DE CONFORMITÉ EC

Techntronic Industries GmbH  
Max-Eyth-Straße 10, 71364 Winnenden, Germany

Déclarons par la présente que le produit

4V Visseuse  
Marque: Ryobi  
Numéro de modèle: R4SDP  
Étendue des numéros de série: 44481301000001 - 44481301999999

est conforme aux Directives Européennes et Normes Harmonisées suivantes

2006/42/EC, 2014/30/EU, 2011/65/EU,  
EN 55014-1:2006+A1:2009+A2:2011, EN 55014-2:2010,  
EN 60745-1:2009+A11:2010, EN 60745-2:2010

La documentation RoHS a été dressée d'après EN 50581:2012

Andrew John Eyre (BEng, CEng, MIET)  
Vice-Président, Réglementation & Sécurité  
Winnenden, May, 10, 2016

Autorisé à rédiger le dossier technique:

Alexander Krug, Directeur Général  
Techntronic Industries GmbH  
Max-Eyth-Straße 10, 71364 Winnenden, Germany

## IT DICHIARAZIONE DI CONFORMITÀ EC

Techntronic Industries GmbH  
Max-Eyth-Straße 10, 71364 Winnenden, Germany

Si dichiara con la presente che il prodotto

4V Avvitatore  
Marca: Ryobi  
Numero modello: R4SDP  
Gamma numero seriale: 44481301000001 - 44481301999999

è conforme alle seguenti Direttive Europee e ai seguenti standard armonizzati

2006/42/EC, 2014/30/EU, 2011/65/EU,  
EN 55014-1:2006+A1:2009+A2:2011, EN 55014-2:2010,  
EN 60745-1:2009+A11:2010, EN 60745-2:2010

La documentazione RoHS è stata compilata come indicato dalle norme EN 50581:2012

Andrew John Eyre (BEng, CEng, MIET)  
Vice-Presidente, Dipartimento Regolazioni & Sicurezza  
Winnenden, May, 10, 2016

Autorizzato per compilare il file tecnico:

Alexander Krug, Direttore Amministrativo  
Techntronic Industries GmbH  
Max-Eyth-Straße 10, 71364 Winnenden, Germany

## DE EC KONFORMITÄTSERKLÄRUNG

Techntronic Industries GmbH  
Max-Eyth-Straße 10, 71364 Winnenden, Germany

Hiermit erklären wir, dass die Produkte

4V Schrauber  
Marke: Ryobi  
Modellnummer: R4SDP  
Seriennummernbereich: 44481301000001 - 44481301999999

den folgenden europäischen Richtlinien und harmonisierten Normen entspricht

2006/42/EC, 2014/30/EU, 2011/65/EU,  
EN 55014-1:2006+A1:2009+A2:2011, EN 55014-2:2010,  
EN 60745-1:2009+A11:2010, EN 60745-2:2010

RoHS Dokumentation ist gemäß EN 50581:2012 zusammengestellt

Andrew John Eyre (BEng, CEng, MIET)  
Vizepräsident, Vorschriften und Sicherheit  
Winnenden, May, 10, 2016

Autorisiert die technische Datei zu erstellen:

Alexander Krug, Geschäftsführer  
Techntronic Industries GmbH  
Max-Eyth-Straße 10, 71364 Winnenden, Germany

## NL EC CONFORMITEITSVERKLARING

Techntronic Industries GmbH  
Max-Eyth-Straße 10, 71364 Winnenden, Germany

Hierbij verklaren wij dat het product

4V Schroevendraaier  
Merk: Ryobi  
Modelnummer: R4SDP  
Seriennummereg: 44481301000001 - 44481301999999

is in overeenstemming met de volgende Europese Richtlijnen en geharmoniseerde normen

2006/42/EC, 2014/30/EU, 2011/65/EU,  
EN 55014-1:2006+A1:2009+A2:2011, EN 55014-2:2010,  
EN 60745-1:2009+A11:2010, EN 60745-2:2010

RoHS-documentatie is samengesteld in overeenstemming met EN 50581:2012

Andrew John Eyre (BEng, CEng, MIET)  
Vice-president, Regelgeving en Veiligheid  
Winnenden, May, 10, 2016

Algevaardigde voor het samenstellen van de technische fiche:

Alexander Krug, Directeur  
Techntronic Industries GmbH  
Max-Eyth-Straße 10, 71364 Winnenden, Germany

## PT DECLARAÇÃO EC DE CONFORMIDADE

Techntron Industries GmbH  
Max-Eyth-Straße 10, 71364 Winnenden, Germany

*Pelo presente declaramos que os produtos*  
4V Aparafusadora a bateria  
Marca: Ryobi  
Número do modelo: R4SDP  
Intervalo do número de série: 44481301000001 - 44481301999999

*se encontra em conformidade com as seguintes Directivas Europeias e normas harmonizadas*

2006/42/EC, 2014/30/EU, 2011/65/EU,  
EN 55014-1:2006+A1:2009+A2:2011, EN 55014-2:2015,  
EN 60745-1:2009+A11:2010, EN 60745-2:2010

*Documentação sobre restrição de substâncias perigosas (RoHS) compilada segundo a norma EN 50581:2012*

  
Andrew John Eyre (BEng, CEng, MIET)  
Vice-Presidente, Regulação e Segurança  
Winnenden, May, 10, 2016

Autorizado para compilar o ficheiro técnico:  
Alexander Krug, Administrador Executivo  
Techntron Industries GmbH  
Max-Eyth-Straße 10, 71364 Winnenden, Germany

## DA EC OVERENSSTEMMELSESERKLÆRING

Techntron Industries GmbH  
Max-Eyth-Straße 10, 71364 Winnenden, Germany

*Vi erklærer hermed, at produktet*  
4V Skruemaskine  
Brand: Ryobi  
Modelnummer: R4SDP  
Serienummerområde: 44481301000001 - 44481301999999

*er i overensstemmelse med følgende EU-direktiver og harmoniserede standarder*

2006/42/EC, 2014/30/EU, 2011/65/EU,  
EN 55014-1:2006+A1:2009+A2:2011, EN 55014-2:2015,  
EN 60745-1:2009+A11:2010, EN 60745-2:2010

*RoHS-dokumentationen er udarbejdet i henhold til EN 50581:2012*

  
Andrew John Eyre (BEng, CEng, MIET)  
Vicepresident, Regler og Sikkerhed  
Winnenden, May, 10, 2016

Bemyndiget til at udarbejde det tekniske kartotek:  
Alexander Krug, Administrerende Direktør  
Techntron Industries GmbH  
Max-Eyth-Straße 10, 71364 Winnenden, Germany

## SV EC-Konformitetsdeklaration

Techntron Industries GmbH  
Max-Eyth-Straße 10, 71364 Winnenden, Germany

*Härmed deklarerar vi att produkterna*  
4V Skruvdragare  
Märke: Ryobi  
Modellnummer: R4SDP  
Serienummerintervall: 44481301000001 - 44481301999999

*är i enlighet med följande EU-direktiv och harmoniserade standarder*

2006/42/EC, 2014/30/EU, 2011/65/EU,  
EN 55014-1:2006+A1:2009+A2:2011, EN 55014-2:2015,  
EN 60745-1:2009+A11:2010, EN 60745-2:2010

*RoHS-dokumentation sammanställd enligt EN 50581:2012*

  
Andrew John Eyre (BEng, CEng, MIET)  
Vice President, Regelverk och Säkerhet  
Winnenden, May, 10, 2016

Godkänd att sammanställa den tekniska filen:  
Alexander Krug, VD  
Techntron Industries GmbH  
Max-Eyth-Straße 10, 71364 Winnenden, Germany

## FI EC-SÄÄNNÖSTEN NOUDATTAMINEN

Techntron Industries GmbH  
Max-Eyth-Straße 10, 71364 Winnenden, Germany

*Ilmoitamme täten, että tuotteet*  
4V Ruuviavain  
Tuotemerkki: Ryobi  
Mallinumero: R4SDP  
Sarjanumeroalue: 44481301000001 - 44481301999999

*noudattaa seuraavia EU-direktiivejä ja harmonoituja standardeja*  
2006/42/EC, 2014/30/EU, 2011/65/EU,  
EN 55014-1:2006+A1:2009+A2:2011, EN 55014-2:2015,  
EN 60745-1:2009+A11:2010, EN 60745-2:2010

*RoHS-dokumentointi on koottu standardin EN 50581:2012 mukaisesti*

  
Andrew John Eyre (BEng, CEng, MIET)  
Varatoimitusjohtaja, Säädöstenmukaisuus ja Turvallisuus  
Winnenden, May, 10, 2016

Valittu tekninen kokoomaan tiedosto:  
Alexander Krug, Toimitusjohtaja  
Techntron Industries GmbH  
Max-Eyth-Straße 10, 71364 Winnenden, Germany

## NO EC-Samsvarserklæring


Techntron Industries GmbH  
Max-Eyth-Straße 10, 71364 Winnenden, Germany

*Herved erklærer vi at produktet*  
4V Skrutrekker  
Merke: Ryobi  
Modellnummer: R4SDP  
Serienummerserie: 44481301000001 - 44481301999999

*er i samsvar med følgende europeiske direktiver og harmoniserte standarder*

2006/42/EC, 2014/30/EU, 2011/65/EU,  
EN 55014-1:2006+A1:2009+A2:2011, EN 55014-2:2015,  
EN 60745-1:2009+A11:2010, EN 60745-2:2010

*RoHS dokumentasjonen er skrevet i samsvar med EN 50581:2012*

  
Andrew John Eyre (BEng, CEng, MIET)  
Visepresident, Forskrifter og Sikkerhet  
Winnenden, May, 10, 2016

Autorisert til å sette sammen den tekniske filen:  
Alexander Krug, Administrerende Direktør  
Techntron Industries GmbH  
Max-Eyth-Straße 10, 71364 Winnenden, Germany

## RU ЗАЯВЛЕНИЕ О СООТВЕТСТВИИ ТРЕБОВАНИЯМ ЕС

Techntron Industries GmbH  
Max-Eyth-Straße 10, 71364 Winnenden, Germany

*Настоящим мы заявляем, что данный продукт*  
4V Шуруповерт  
Марка: Ryobi  
Номер модели: R4SDP  
Диапазон заводских номеров: 44481301000001 - 44481301999999

*соответствует требованиям следующих Директив ЕС и согласованных стандартов*

2006/42/EC, 2014/30/EU, 2011/65/EU,  
EN 55014-1:2006+A1:2009+A2:2011, EN 55014-2:2015,  
EN 60745-1:2009+A11:2010, EN 60745-2:2010

*Документация RoHS соответствует стандарту EN 50581:2012*

  
Andrew John Eyre (BEng, CEng, MIET)  
Вице-Президент По Технике Безопасности И Стандартам  
Winnenden, May, 10, 2016

Лицо, ответственное за подготовку технической документации:  
Alexander Krug, Директор  
Techntron Industries GmbH  
Max-Eyth-Straße 10, 71364 Winnenden, Germany

## PL DEKLARACJA ZGODNOŚCI EC

Techntron Industries GmbH  
Max-Eyth-Straße 10, 71364 Winnenden, Germany

Niniejszym deklaruje, że produkty  
4V Wkrętarka  
Marka: Ryobi  
Numer modelu: R4SDP  
Zakres numerów seryjnych: 44481301000001 - 44481301999999

jest zgodny z następującymi dyrektywami europejskimi i zharmonizowanymi normami

2006/42/EC, 2014/30/EU, 2011/65/EU,  
EN 55014-1:2006+A1:2009+A2:2011, EN 55014-2:2015,  
EN 60745-1:2009+A11:2010, EN 60745-2-2:2010

Dokumentacja RoHS została opracowana zgodnie z normą EN 50581:2012

Andrew John Eyre (BEng, CEng, MIET)  
Wiceprezes ds. Zgodności Prawnej i Bezpieczeństwa  
Winnenden, May, 10, 2016



Osoba upoważniona do sporządzenia dokumentu technicznego:  
Alexander Krug, Dyrektor Zarządzający  
Techntron Industries GmbH  
Max-Eyth-Straße 10, 71364 Winnenden, Germany

## CS PROHLÁŠENÍ O SHODĚ EC

Techntron Industries GmbH  
Max-Eyth-Straße 10, 71364 Winnenden, Germany

Tímto prohlašujeme, že výrobky  
4V Šroubovák  
Značka: Ryobi  
Číslo modelu: R4SDP  
Rozsah sériových čísel: 44481301000001 - 44481301999999

že tento výrobek je v souladu s evropskými a harmonizovanými standardy

2006/42/EC, 2014/30/EU, 2011/65/EU,  
EN 55014-1:2006+A1:2009+A2:2011, EN 55014-2:2015,  
EN 60745-1:2009+A11:2010, EN 60745-2-2:2010

RoHS dokumentace sestavena dle EN 50581:2012

Andrew John Eyre (BEng, CEng, MIET)  
Viceprezident, Normy a Bezpečnost  
Winnenden, May, 10, 2016



Pověření ke kompilaci technického souboru:  
Alexander Krug, Generální Ředitel  
Techntron Industries GmbH  
Max-Eyth-Straße 10, 71364 Winnenden, Germany

## HU EC Megfelelőségi nyilatkozat

Techntron Industries GmbH  
Max-Eyth-Straße 10, 71364 Winnenden, Germany

Ezúton kijelentjük, hogy a termékek  
4V Csavarbehajtó  
Márka: Ryobi  
Típuszám: R4SDP  
Sorozatszám tartomány: 44481301000001 - 44481301999999

megfelel az alábbi Európai irányelvek és harmonizált szabványok vonatkozó rendelkezésének

2006/42/EC, 2014/30/EU, 2011/65/EU,  
EN 55014-1:2006+A1:2009+A2:2011, EN 55014-2:2015,  
EN 60745-1:2009+A11:2010, EN 60745-2-2:2010

A RoHS dokumentáció összeállítására az EN 50581:2012 szerint történt

Andrew John Eyre (BEng, CEng, MIET)  
Alelnök, Megfelelőségi és Biztonsági Területek  
Winnenden, May, 10, 2016



A műszaki dokumentáció összeállítására felhatalmazott:  
Alexander Krug, Ügyvezető Igazgató  
Techntron Industries GmbH  
Max-Eyth-Straße 10, 71364 Winnenden, Germany

## RO DECLARAȚIE DE CONFORMITATE EC

Techntron Industries GmbH  
Max-Eyth-Straße 10, 71364 Winnenden, Germany

Prin prezenta, declarăm că produsele  
4V Șurubelniță  
Marcă: Ryobi  
Număr serie: R4SDP  
Gamă număr serie: 44481301000001 - 44481301999999

este în conformitate cu următoarele Directive Europene și standarde armonizate  
2006/42/EC, 2014/30/EU, 2011/65/EU,  
EN 55014-1:2006+A1:2009+A2:2011, EN 55014-2:2015,  
EN 60745-1:2009+A11:2010, EN 60745-2-2:2010

Dokumentarea RoHS este întocmită în conformitate cu EN 50581:2012

Andrew John Eyre (BEng, CEng, MIET)  
Vicepreședintele, Reglementare și Siguranță  
Winnenden, May, 10, 2016



Autorizat să completeze fișa tehnică:  
Alexander Krug, Director General  
Techntron Industries GmbH  
Max-Eyth-Straße 10, 71364 Winnenden, Germany

## LV EC Atbilstības deklarācija

Techntron Industries GmbH  
Max-Eyth-Straße 10, 71364 Winnenden, Germany

Ar šo paziņojam, ka produkti  
4V Skrūvgrāvis  
Zīmols: Ryobi  
Modeļa numurs: R4SDP  
Sērijas numura intervāls: 44481301000001 - 44481301999999

atbilst šādām Eiropas direktīvām un saskaņotajiem standartiem  
2006/42/EC, 2014/30/EU, 2011/65/EU,  
EN 55014-1:2006+A1:2009+A2:2011, EN 55014-2:2015,  
EN 60745-1:2009+A11:2010, EN 60745-2-2:2010

RoHS dokumentācija ir izstrādāta saskaņā ar EN 50581:2012

Andrew John Eyre (BEng, CEng, MIET)  
Viceprezidents, Darba Drošības Noteikumi  
Winnenden, May, 10, 2016



Pilnvarots sastādīt tehnisko failu:  
Alexander Krug, Izpildedzinātājs  
Techntron Industries GmbH  
Max-Eyth-Straße 10, 71364 Winnenden, Germany

## LT EC Atitikties pareiškimas

Techntron Industries GmbH  
Max-Eyth-Straße 10, 71364 Winnenden, Germany

Mes pareiškiame, kad šie produktai  
4V Atsuktuvas  
Prekės ženklas: Ryobi  
Modelio numeris: R4SDP  
Serijinio numerio diapazonas: 44481301000001 - 44481301999999

pagamintas laikantis toliau nurodytųjų Europos Direktyvų ir darnųjų standartų  
2006/42/EC, 2014/30/EU, 2011/65/EU,  
EN 55014-1:2006+A1:2009+A2:2011, EN 55014-2:2015,  
EN 60745-1:2009+A11:2010, EN 60745-2-2:2010

Tam tikru pavojingų medžiagų naudojimo elektros ir elektroninėje įrangoje apribojimo dokumentai sudaryti pagal standartą EN 50581:2012

Andrew John Eyre (BEng, CEng, MIET)  
Kontrolės ir Saugos Viceprezidentas  
Winnenden, May, 10, 2016



Igaliojtas sudaryti techninį failą:  
Alexander Krug, Generalinis Direktorius  
Techntron Industries GmbH  
Max-Eyth-Straße 10, 71364 Winnenden, Germany


## ET EC VASTAVUSDEKLARATSIOON

Techntronic Industries GmbH  
Max-Eyth-Straße 10, 71364 Winnenden, Germany

*Kinnitame, et see toode*  
4V Kruvikeeraja  
Mark: Ryobi  
Modeli number: R4SDP  
Seeriainumbri vahemik: 44481301000001 - 44481301999999

vastab järgmistele Euroopa direktiividele ja harmoniseeritud standarditele  
2006/42/EC, 2014/30/EU, 2011/65/EU,  
EN 55014-1:2006+A1:2009+A2:2011, EN 55014-2:2015,  
EN 60745-1:2009+A11:2010, EN 60745-2-2:2010

RoHS dokumendid on koostatud vastavuses standardi EN 50581:2012 nõuetele.

  
Andrew John Eyre (BEng, CEng, MIET)  
Asepresident Standardiseerimise ja Ohutuse Alal  
Winnenden, May, 10, 2016

Technilise faili koostamiseks volitatud isik:  
Alexander Krug, Tegedirektor  
Techntronic Industries GmbH  
Max-Eyth-Straße 10, 71364 Winnenden, Germany


## HR EC IZJAVA O USKLADENOSTI

Techntronic Industries GmbH  
Max-Eyth-Straße 10, 71364 Winnenden, Germany

*Ovime izjavljujemo da su proizvodi*  
4V Ovišjač  
Marka: Ryobi  
Broj modela: R4SDP  
Raspon serijskog broja: 44481301000001 - 44481301999999

usklađen sa sledećim Evropskim Direktivama i usklađenim normama  
2006/42/EC, 2014/30/EU, 2011/65/EU,  
EN 55014-1:2006+A1:2009+A2:2011, EN 55014-2:2015,  
EN 60745-1:2009+A11:2010, EN 60745-2-2:2010

RoHS dokumentacija sukladna je EN 50581:2012

  
Andrew John Eyre (BEng, CEng, MIET)  
Potpredsjednik za Pravila i Sigurnost  
Winnenden, May, 10, 2016

Ovlašten da sastavi tehničku datoteku:  
Alexander Krug, Direktor Upravljanja  
Techntronic Industries GmbH  
Max-Eyth-Straße 10, 71364 Winnenden, Germany


## SL IZJAVA EC O SKLADNOSTI

Techntronic Industries GmbH  
Max-Eyth-Straße 10, 71364 Winnenden, Germany

*Izjavljamo, da je izdelek*  
4V Izvišjač  
Znamka: Ryobi  
Številka modela: R4SDP  
Razpon serijskih števil: 44481301000001 - 44481301999999

v skladu s sledečimi evropskimi direktivami in harmoniziranimi standardi  
2006/42/EC, 2014/30/EU, 2011/65/EU,  
EN 55014-1:2006+A1:2009+A2:2011, EN 55014-2:2015,  
EN 60745-1:2009+A11:2010, EN 60745-2-2:2010

Dokumentacija RoHS je sestavljena skladno s standardom EN 50581:2012

  
Andrew John Eyre (BEng, CEng, MIET)  
Podpredsednik, Zakonodajne In Varnostne Zadeve  
Winnenden, May, 10, 2016

Pooblaščen oseba za sestavo tehnične dokumentacije:  
Alexander Krug, Izvršni Direktor  
Techntronic Industries GmbH  
Max-Eyth-Straße 10, 71364 Winnenden, Germany

## SK PREHLÁSENIE O ZHODE EC


Techntronic Industries GmbH  
Max-Eyth-Straße 10, 71364 Winnenden, Germany

*Týmto vyhlasujeme, že výrobok*  
4V Skrutkovač  
Značka: Ryobi  
Model: R4SDP  
Rozsah sériových čísel: 44481301000001 - 44481301999999

je v súlade s nasledujúcimi Európskymi smernicami a harmonizovanými normami

2006/42/EC, 2014/30/EU, 2011/65/EU,  
EN 55014-1:2006+A1:2009+A2:2011, EN 55014-2:2015,  
EN 60745-1:2009+A11:2010, EN 60745-2-2:2010

Dokumentácia RoHS je zostavená podľa EN 50581:2012

  
Andrew John Eyre (BEng, CEng, MIET)  
Viceprezident, Regulácia a Bezpečnosť  
Winnenden, May, 10, 2016

Oprávnená osoba na zostavenie technického súboru:  
Alexander Krug, Regulácia a Bezpečnosť  
Techntronic Industries GmbH  
Max-Eyth-Straße 10, 71364 Winnenden, Germany

## EL EK Δήλωση συμμόρφωσης


Techntronic Industries GmbH  
Max-Eyth-Straße 10, 71364 Winnenden, Germany

*Δια του παρόντος δηλώνουμε ότι το προϊόν*  
4V Κραββαθής  
Μάρκα: Ryobi  
Αριθμός μοντέλου: R4SDP  
Έυρος σειριακών αριθμών: 44481301000001 - 44481301999999

είναι σύμφωνο με τις παρακάτω Ευρωπαϊκές Οδηγίες και εναρμονισμένα πρότυπα

2006/42/EC, 2014/30/EU, 2011/65/EU,  
EN 55014-1:2006+A1:2009+A2:2011, EN 55014-2:2015,  
EN 60745-1:2009+A11:2010, EN 60745-2-2:2010

Τα έγγραφα RoHS συντάσσονται σύμφωνα με το EN 50581:2012

  
Andrew John Eyre (BEng, CEng, MIET)  
Αντιπρόεδρος, Τμήμα Πωλημάτων & Ασφαλείας  
Winnenden, May, 10, 2016

Εξουσιοδοτημένο άτομο για σύνταξη τεχνικού αρχείου:  
Alexander Krug, Διευθυντής Σύνθεσης  
Techntronic Industries GmbH  
Max-Eyth-Straße 10, 71364 Winnenden, Germany


## TR EC Uygunluk beyanı

Techntronic Industries GmbH  
Max-Eyth-Straße 10, 71364 Winnenden, Germany

*Böylelikle beyan ederiz ki; ürün*  
4V Akülü Vidalı  
Marka: Ryobi  
Model numarası: R4SDP  
Seri numaraları aralığı: 44481301000001 - 44481301999999

şağıdaki Avrupa Direktifleri ve uyumlaştırılmış standartlara uygundur  
2006/42/EC, 2014/30/EU, 2011/65/EU,  
EN 55014-1:2006+A1:2009+A2:2011, EN 55014-2:2015,  
EN 60745-1:2009+A11:2010, EN 60745-2-2:2010

RoHS belgeleri EN 50581:2012 uyanınca derlenmiştir

  
Andrew John Eyre (BEng, CEng, MIET)  
Başkan Vekili, Düzenleme ve Güvenlik  
Winnenden, May, 10, 2016

Teknik dosya hazırlamaya yetkilidir:  
Alexander Krug, Genel Müdür  
Techntronic Industries GmbH  
Max-Eyth-Straße 10, 71364 Winnenden, Germany



**UK Декларація про відповідність**

Techtronic Industries GmbH  
Max-Eyth-Straße 10, 71364 Winnenden, Germany

*При цьому ми заявляємо, що продукт*

Шуропокурат 4В  
Марка: Ryobi  
Номер моделі: R4SDP  
Діапазон серійного номеру: 44481301000001 - 44481301999999

*у відповідності з наступними європейськими директивами та гармонізованими стандартами*

2006/42/EC, 2014/30/EU, 2011/65/EU,  
EN 55014-1:2006+A1:2009+A2:2011, EN 55014-2:2015,  
EN 60745-1:2009+A11:2010, EN 60745-2-2:2010

*Документація RoHS складена відповідно до EN 50581:2012*



Andrew John Eyre (BEng, CEng, MIET)  
Віце-президент, регулювання і безпека  
Winnenden, May, 10, 2016

CE

Дозвіл на складання технічного файла:  
Alexander Krug, Керуючий директор  
Techtronic Industries GmbH  
Max-Eyth-Straße 10, 71364 Winnenden, Germany

130.com.ua

**Techtronic Industries GmbH**  
Max-Eyth-Straße 10,  
71364 Winnenden, Germany

961075387-01