



PHONES

0 (800) 800 130  
(050) 462 0 130  
(063) 462 0 130  
(067) 462 0 130

130  
COM.UA

Internet store of  
autogoods



SKYPE

km-130

CAR RECEIVERS — Receivers • Media receivers and stations • Native receivers • CD/DVD changers • FM-modulators/USB adapters • Flash memory • Facia plates and adapters • Antennas • Accessories |  
CAR AUDIO — Car audio speakers • Amplifiers • Subwoofers • Processors • Crossovers • Headphones • Accessories | TRIP COMPUTERS — Universal computers • Model computers • Accessories |  
GPS NAVIGATORS — Portable GPS • Built-in GPS • GPS modules • GPS trackers • Antennas for GPS navigators • Accessories | VIDEO — DVR • TV sets and monitors • Car TV tuners • Cameras • Videomodules  
• Transcoders • Car TV antennas • Accessories | SECURITY SYSTEMS — Car alarms • Bike alarms • Mechanical blockers • Immobilizers • Sensors • Accessories | OPTIC AND LIGHT — Xenon • Bixenon • Lamps  
• LED • Stroboscopes • Optic and Headlights • Washers • Light, rain sensors • Accessories | PARKTRONICS AND MIRRORS — Rear parktronic • Front parktronic • Combined parktronic • Rear-view mirrors  
• Accessories | HEATING AND COOLING — Seat heaters • Mirrors heaters • Screen-wipers heaters • Engine heaters • Auto-refrigerators • Air conditioning units • Accessories | TUNING — Vibro-isolation  
• Noise-isolation • Tint films • Accessories | ACCESSORIES — Radar-detectors • Handsfree, Bluetooth • Windowlifters • Compressors • Beeps, loudspeakers • Measuring instruments • Cleaners • Car seats  
• Miscellaneous | MOUNTING — Installation kits • Upholstery • Grilles • Tubes • Cable and wire • Tools • Miscellaneous | POWER — Batteries • Converters • Start-charging equipment • Capacitors  
• Accessories | MARINE AUDIO AND ELECTRONICS — Marine receivers • Marine audio speakers • Marine subwoofers • Marine amplifiers • Accessories | CAR CARE PRODUCTS — Additives • Washer fluid •  
Care accessories • Car polish • Flavors • Adhesives and sealants | LIQUID AND OIL — Motor oil • Transmission oil • Brake fluid • Antifreeze • Technical lubricant



In store "130" you can find and buy almost all necessary goods for your auto in Kyiv and other cities, delivery by ground and postal services. Our experienced consultants will provide you with exhaustive information and help you to choose the very particular thing. We are waiting for you at the address

<https://130.com.ua>

# RYOBI®

R18SV7

ORIGINAL INSTRUCTIONS

## 18V Stick Vac



## **Important!**

This appliance can be used by children aged from 8 years and above and persons with reduced physical, sensory or mental capabilities or lack of experience and knowledge if they have been given supervision or instruction concerning use of the appliance in a safe way and understand the hazards involved. Children shall not play with the appliance. Cleaning and user maintenance shall not be made by children without supervision.

It is essential that you read the instructions in this manual before assembling, operating, and maintaining the product.

Subject to technical modifications.

Safety, performance, and dependability have been given top priority in the design of your stick vac.

### INTENDED USE

The stick vac is intended to be used only by adults who have read and understood the instructions and warnings in this manual, and can be considered responsible for their actions.

The product is intended for dry vacuuming for household or similar non-industrial applications.

Do not use the product for any other purpose.

### ⚠ WARNING

Do not use the product to vacuum liquids of any kind.

### STICK VAC SAFETY WARNINGS

- Read all safety warnings and all instructions. Failure to follow the warnings and instructions may result in electric shock, fire and/or serious injury. Save all warnings and instructions for future reference.
- Know your product. Read operator's manual carefully. Learn its applications and limitations, as well as the specific potential hazards related to the product. Following the rule will reduce the risk of electric shock, fire, or serious injury.
- Do not let familiarity gained from frequent use of tools allow you to become complacent and ignore tool safety principals. A careless action can cause severe injury within a fraction of a second.
- Follow appliance manufacturer's instructions regarding operation and power. Use of the appliance different from those intended could result in a hazardous situation.
- Use the correct product for the application.
- Do not allow children to operate the product or play with the product as a toy. Close attention is necessary when used near children.
- Children should be supervised to ensure that they do not play with the product.
- To reduce the risk of personal injury and electric shock, the product should not be played with or placed where small children can reach it.
- Use battery operated product only with specifically designated battery pack. Use of any other batteries may create a risk of fire.
- Use RYOBI 18V ONE+ battery packs only. Do not use battery packs from other manufacturers.
- The product is intended for household use only.
- Use the product only for its intended use as described in this manual.
- If the product is not working properly, has been dropped, damaged, left outdoors or dropped into water, return it to your nearest service centre.
- Only use attachments and accessories specified by the manufacturer.
- Do not handle charger or the product with wet hands.
- Do not put any objects in ventilation openings. Do not use the product with any opening blocked. Keep openings free of dust, lint, hair and anything that may reduce air flow.
- Stay alert, watch what you are doing and use common sense when operating the product. Do not use while you are tired or under the influence of drugs, alcohol or medication. A moment of inattention may result in serious personal injury.
- Never vacuum materials such as hot coals, cigarette butts, matches, etc.
- Do not use the product without dust bowl or filter in place.
- Use extra care when using the product on stairs.
- Do not use the product to pick up hard objects such as nails, screws, coins, etc. Damage or injury could result.
- Remove battery when the product is not in use and before servicing.
- Do not place the product near fire or heat. They may explode.
- The product should be charged in a location where the temperature is more than 10°C but less than 38°C.
- Under extreme usage or temperature conditions, battery leakage may occur. If liquid comes in contact with skin, wash at least 10 minutes then seek immediate medical attention.
- Batteries vent hydrogen gas and can explode in the presence of a source of ignition, such as a pilot light. To reduce the risk of serious personal injury, never use any cordless product in the presence of an open flame. An exploded battery can propel debris and chemicals. If exposed, flush with water immediately.
- Do not place the product in closed bookcases or racks without proper ventilation. Allow a minimum distance of 5 cm from any foreign object.
- Risk of uncontrolled situations when used in ambient temperatures below 0°C (32°F) or above 40 °C (104°F).
- Electric shock could occur if the battery is charged outdoors or on wet surfaces.
- Keep the product dry, clean and free from oil and grease. Always use a clean cloth when cleaning.
- Keep handles and grasping surfaces dry, clean and free from oil and grease. Slippery handles and grasping surfaces do not allow for safe handling and control of the tool in unexpected situations.
- Save these instructions. Refer to them frequently and use them to instruct others who may use this tool. If you loan someone this tool, loan them these instructions also.
- Do not overreach. Keep proper footing and balance at all times. This enables better control of the product in unexpected situations. Overreaching can result in loss of balance or exposure to hot surfaces.
- When servicing the product, use only manufacturer's replacement parts, accessories and attachments. Follow instructions in the Maintenance section of the manual. Use of unauthorised parts or failure to follow maintenance instructions may create a risk of shock or injury.

## BATTERY AND CHARGER SAFETY

- Connect and disconnect the battery pack properly.
  - To install battery pack:
    - Place the battery pack on the product.
    - Make sure the latches on each side of the battery pack snap into place and the battery pack is secured on the product before beginning operation.
  - To remove battery pack:
    - Depress the latches on the side of the battery pack.
    - Remove the battery pack from the product.
- A battery operated product with integral batteries or a separate battery pack must be recharged only with the specified charger for the battery. A charger that may be suitable for one type of battery may create a risk of fire when used with another battery.
- Do not expose charger to wet or damp conditions.
- Do not place batteries near fire or heat. They may explode.
- Do not expose a battery pack or tool to fire or excessive temperature. Exposure to fire or temperature above 130 °C may cause explosion.
- Do not place product near any heat sources such as radiators, heat registers, stoves, or other products (including amplifiers) that produce heat.
- Batteries can explode in the presence of a source of ignition, such as a pilot light. To reduce the risk of serious personal injury, never use any cordless product in the presence of open flame. An exploded battery can propel debris and chemicals. If exposed, flush with water immediately.
- Battery products do not have to be plugged into an electrical outlet; therefore, they are always in operating condition. Be aware of possible hazards when not using your battery product or when changing accessories. Following the rule will reduce the risk of electric shock, fire, or serious personal injury.
- Danger of explosion if battery is incorrectly replaced. Replace only with the same or equivalent type.
- Use of an attachment not recommended or sold by the battery charger manufacturer may result in a risk of fire, electric shock, or injuries to person.
- When battery pack is not in use, keep it away from other metal objects like paper clips, coins, keys, nails, screws, or other small metal objects that can make a connection from one terminal to another. Shorting the battery terminals together may cause sparks, burns, or a fire.
- To reduce risk of damage to charger body and cord, pull by charger plug rather than cord when disconnecting charger.
- For best results, your battery product should be charged in a location where the temperature is more than 10°C (50°F) but less than 38°C (100°F). To reduce the risk of serious personal injury, do not store outside or in vehicles.
- Follow all charging instructions and do not charge the battery pack or tool outside the temperature range specified in the instructions. Charging improperly or at temperatures outside the specified range may damage the battery and increase the risk of fire.
- Do not charge battery product in a damp or wet location. Following the rule will reduce the risk of electric shock.
- Make sure cord is located so that it will not be stepped on, tripped over, or otherwise subjected to damage and stress.
- Do not crush, drop or damage battery pack. Do not use a battery pack or charger that has been dropped or received a sharp blow. A damaged battery is subject to explosion. Properly dispose of a dropped or damaged battery immediately.
- An extension cord should not be used unless absolutely necessary. Use of improper extension cord could result in a risk of fire and electric shock. If extension cord must be used, make sure:
  - a) That pins on plug of extension cord are the same number, size and shape as those of plug on charger.
  - b) That extension cord is properly wired and in good electrical condition.
- Do not operate charger with a damaged cord or plug. If damaged, have it replaced immediately by a qualified serviceman.
- Do not operate charger if it has received a sharp blow, been dropped, or otherwise damaged in any way; take it to a qualified serviceman.
- Do not disassemble charger; take it to a qualified serviceman when service or repair is required. Incorrect reassembly may result in a risk of electric shock or fire.
- To reduce risk of electric shock, unplug the charger from outlet before attempting any maintenance or cleaning. Turning off controls will not reduce this risk.
- Disconnect charger from power supply when not in use.
- Risk of electric shock. Do not touch uninsulated portion of output connector or uninsulated battery terminal.
- Do not use a battery pack or tool that is damaged or modified. Damaged or modified batteries may exhibit unpredictable behavior resulting in fire, explosion or risk of injury.
- Rechargeable batteries are to be removed from the appliance before being charged.
- Different types of batteries or new and used batteries are not to be mixed.
- Batteries are to be inserted with the correct polarity.
- Exhausted batteries are to be removed from the appliance and safely disposed of.
- If the appliance is to be stored unused for a long period, the batteries should be removed.
- The supply terminals are not to be short-circuited.
- Under extreme usage or temperature conditions, battery leakage may occur. If liquid comes in contact with your skin, wash immediately with soap and water. If liquid gets into your eyes, flush them with clean water for at least 10 minutes, then seek immediate medical attention. Following the rule will reduce the risk of serious personal injury.
- Do not dispose of used battery packs in the household refuse or by burning them. Take them to an appropriate disposal/collection site.

## ADDITIONAL BATTERY SAFETY WARNINGS

### **⚠ WARNING**

To reduce the risk of fire, personal injury, and product damage due to a short circuit, never immerse your tool, battery pack or charger in fluid or allow a fluid to flow inside them. Corrosive or conductive fluids, such as seawater, certain industrial chemicals, and bleach or bleach-containing products, etc., can cause a short circuit.

## TRANSPORTING LITHIUM BATTERIES

- Transport the battery in accordance with local and national provisions and regulations.
- Follow all special requirements on packaging and labelling when transporting batteries by a third party. Ensure that no batteries can come in contact with other batteries or conductive materials while in transport by protecting exposed connectors with insulating, non-conductive caps or tape. Do not transport batteries that are cracked or leaking. Check with the forwarding company for further advice.

## RESIDUAL RISKS

Even when the product is used as prescribed, it is still impossible to completely eliminate certain residual risk factors. The following hazards may arise and the operator should pay special attention to avoid the following:

- Use the product only for its intended use. Do not alter or modify the unit from the original design or function.
- Always be aware that misuse and improper handling of this product can cause injury to yourself and others.
- Never vacuum materials such as hot coals, cigarette butts, matches, etc.

## KNOW YOUR PRODUCT

See page 5.

1. Mode selector
2. On/off button
3. Handle
4. Battery port
5. Wall-mount bracket
6. Accessory holders
7. Hook
8. Dust bowl
9. Pre-filter
10. Filter assembly
11. Receptacle
12. Release button
13. Dust bowl door
14. Lock button
15. Locking tab
16. Brushbar
17. Dust brush
18. Crevice tool
19. Extension wand
20. Locking tab
21. Wall-mount screw
22. Wall plug

## MAINTENANCE

- Cleaning and user maintenance shall not be made by children without supervision.
- Refer all servicing to qualified service personnel. Servicing is required when the product has been damaged in any way, liquid has been spilled or objects have fallen into the product, the product has been exposed to rain or moisture, does not operate normally, or has been dropped.
- When servicing, use only original manufacturer's replacement parts. Use of any other part could create a hazard or cause product damage.
- Avoid using solvents when cleaning plastic parts. Most plastics are susceptible to damage from various types of commercial solvents and can be damaged by their use. Use dry cloths to remove dirt, dust, oil, grease, etc.
- Do not at any time let brake fluids, gasoline, petroleum

based products, penetrating oils, etc., come in contact with plastic parts. Chemicals can damage, weaken or destroy plastic which could result in serious personal injury.

## ENVIRONMENTAL PROTECTION



Recycle raw materials instead of disposing of as waste. The machine, accessories and packaging should be sorted for environmental-friendly recycling.

## SYMBOLS



Safety Alert



CE conformity



EurAsian Conformity Mark



Ukrainian mark of conformity



Please read the instructions carefully before starting the machine.



Waste electrical products should not be disposed of with household waste. Please recycle where facilities exist. Check with your local authority or retailer for recycling advice.

## SYMBOLS IN THIS MANUAL



Note



Parts or accessories sold separately

The following signal words and meanings are intended to explain the levels of risk associated with this product:

### DANGER

Indicates an imminently hazardous situation, which, if not avoided, will result in death or serious injury.

### WARNING

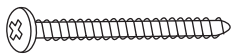
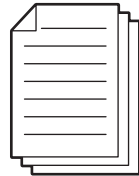
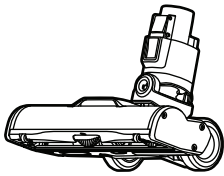
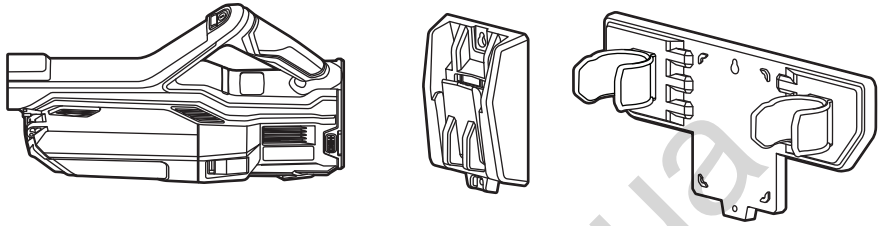
Indicates a potentially hazardous situation, which, if not avoided, could result in death or serious injury.

### CAUTION

Indicates a potentially hazardous situation, which, if not avoided, may result in minor or moderate injury.

### CAUTION

(Without Safety Alert Symbol) Indicates a situation that may result in property damage.



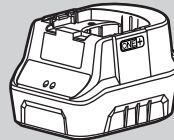
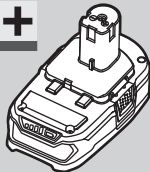
**x 2**

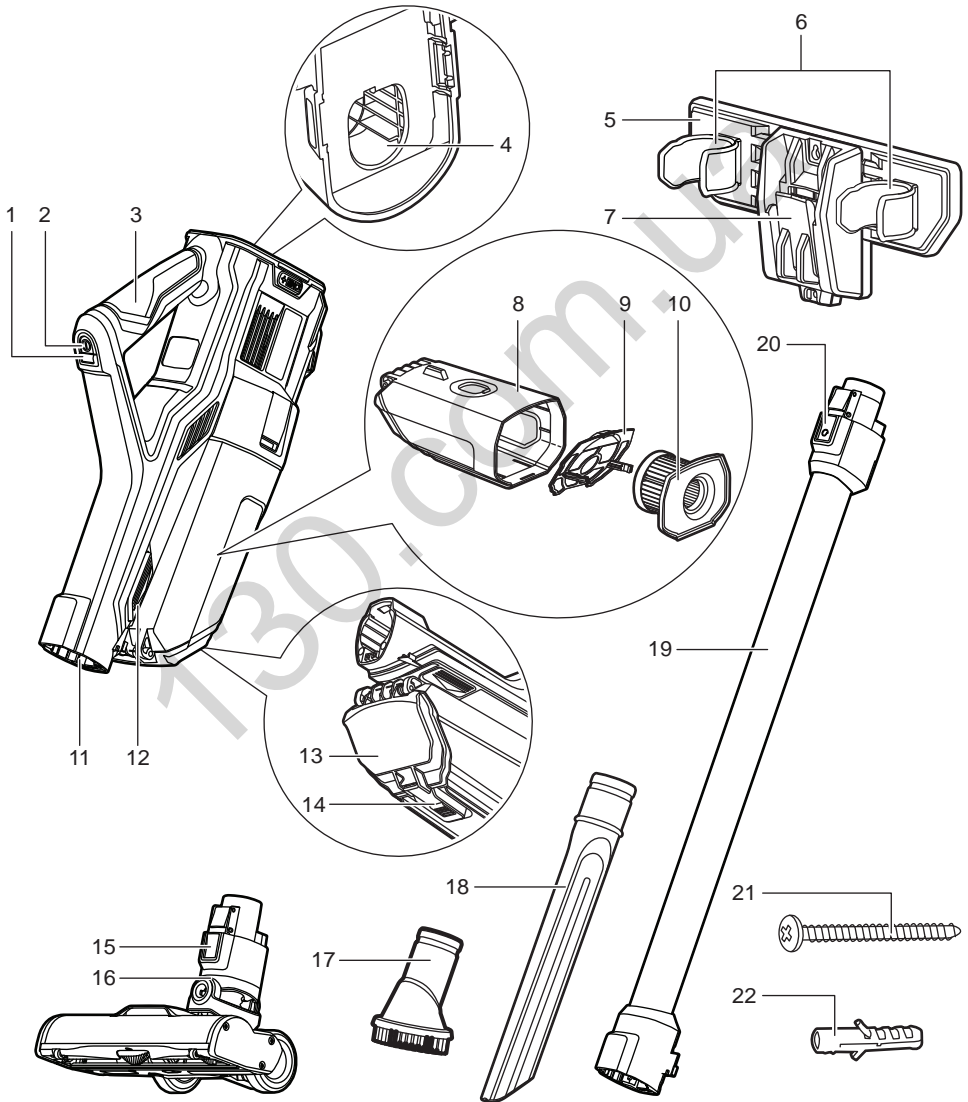


**x 2**

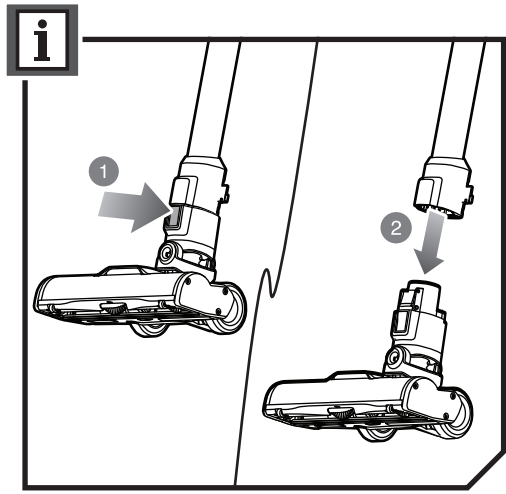
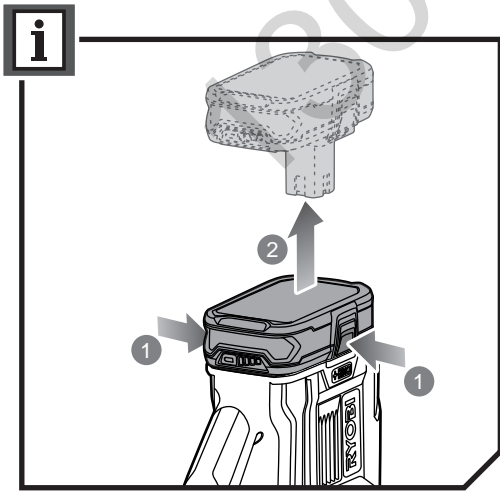
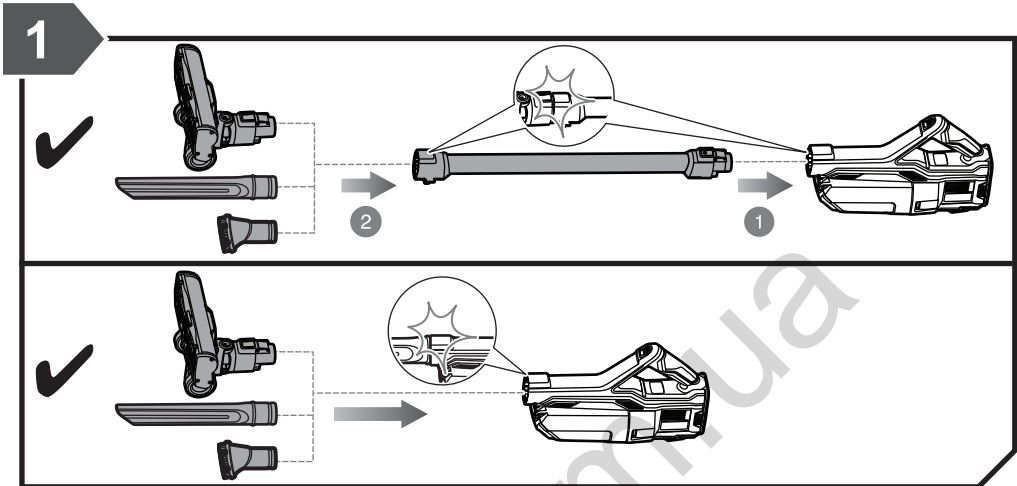


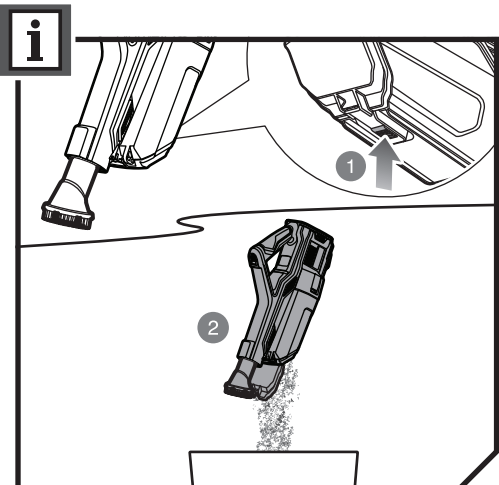
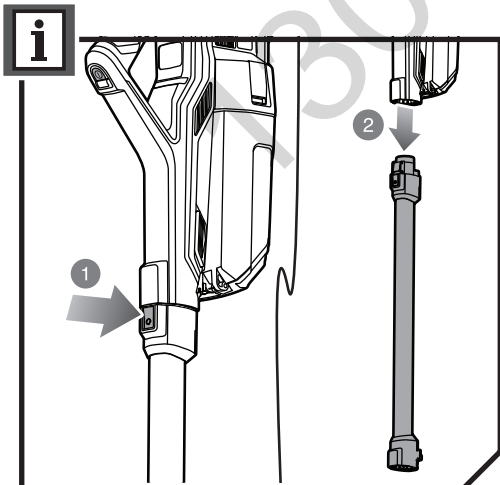
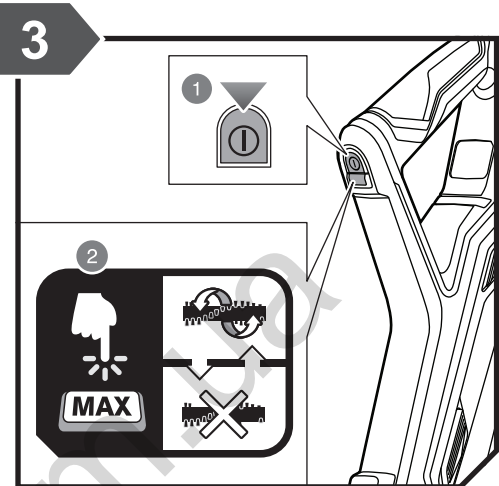
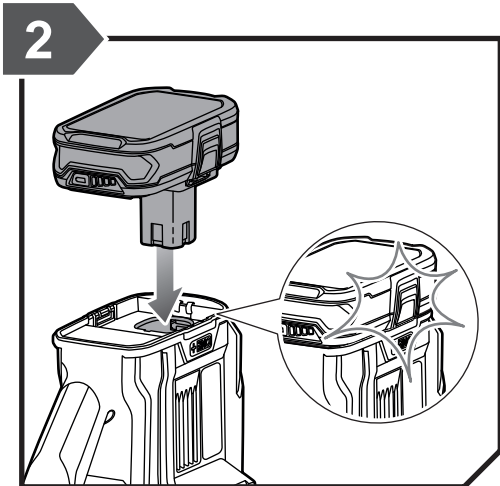
**RYOBI**  
**ONE+**  
18v System

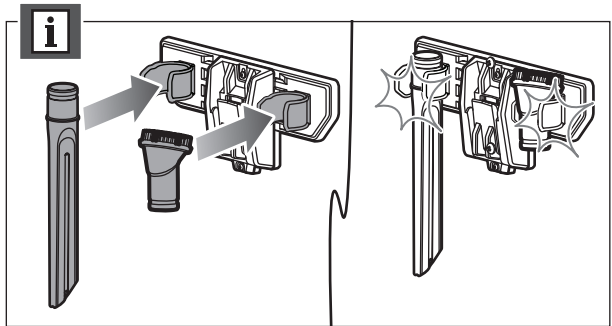
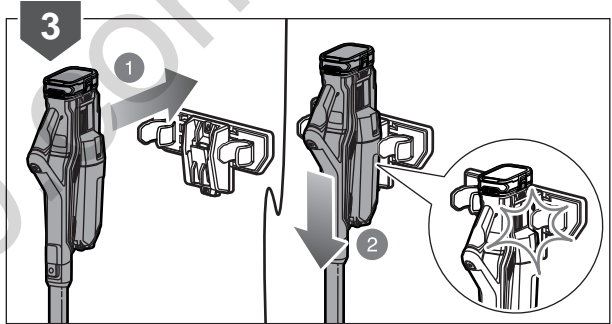
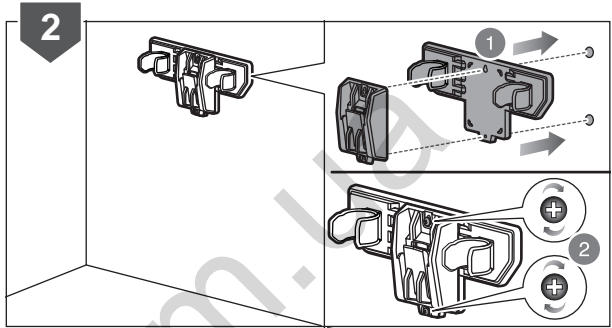
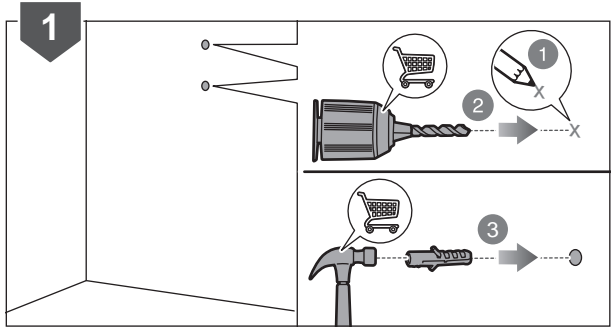
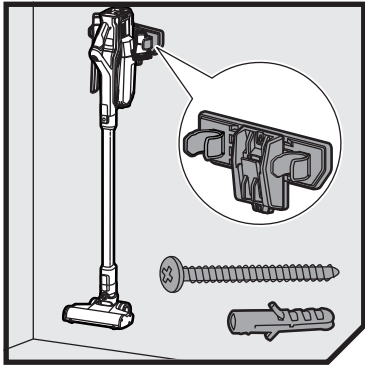


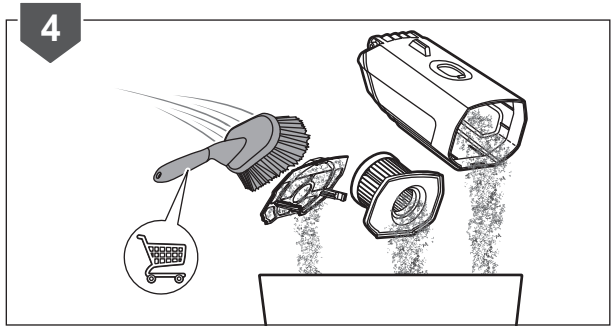
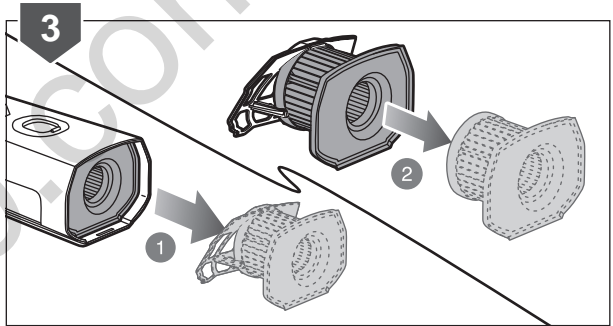
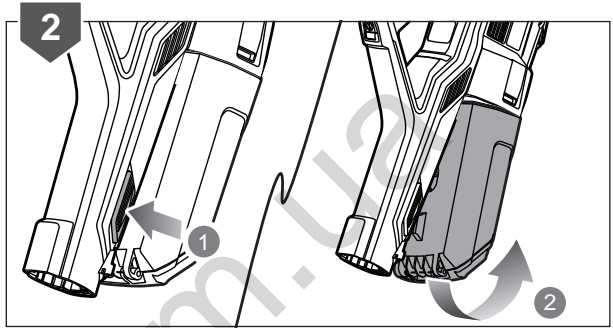
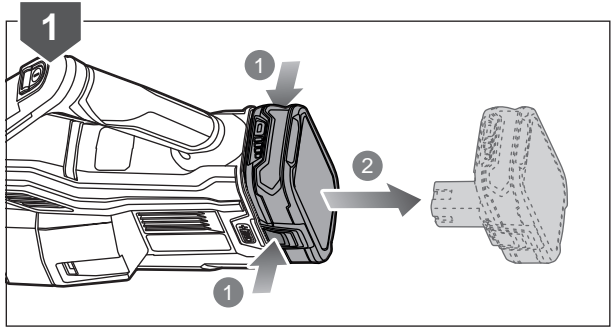
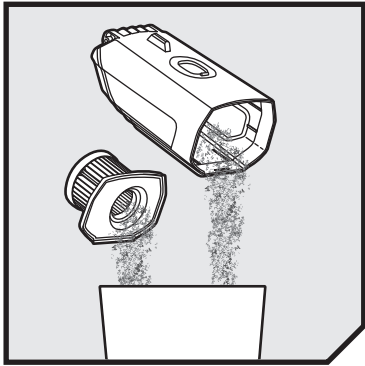


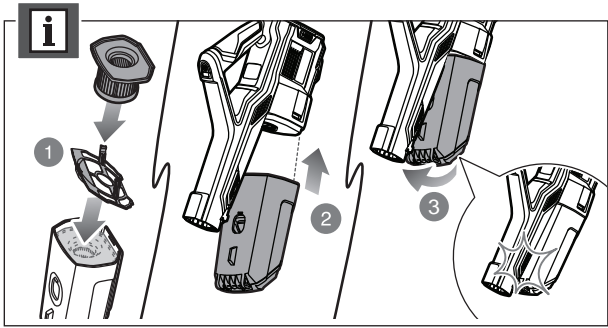






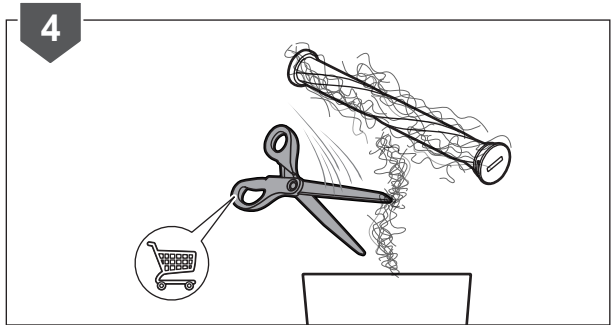
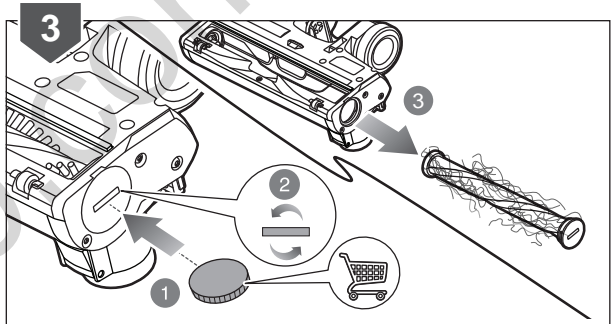
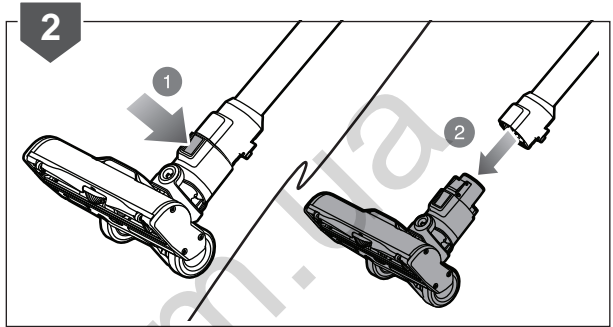
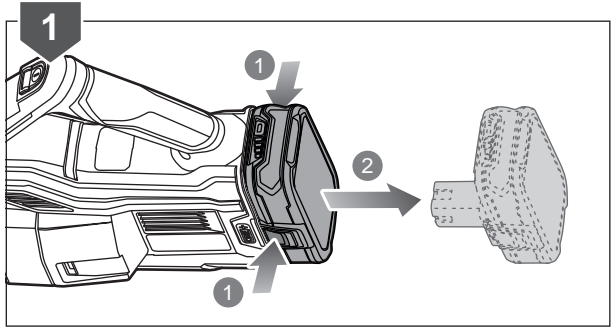
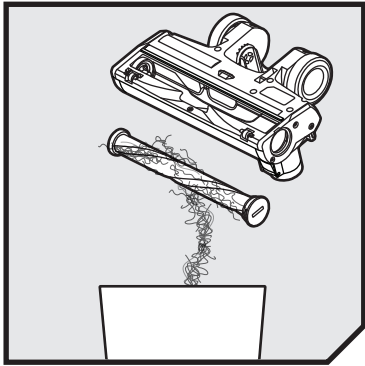


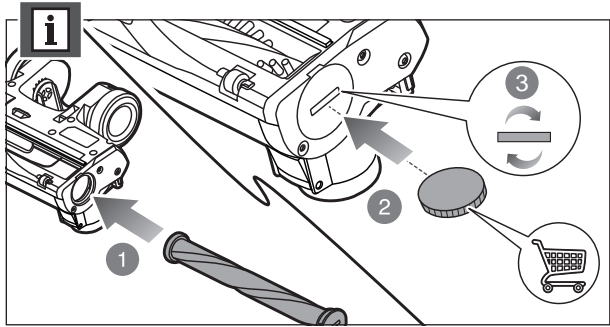




130.com.ua







### PRODUCT SPECIFICATIONS

18V Stick Vac	
Model	R18SV7
Voltage	18 V
Air watts	95 AW
Suction	20 kPa
Air flow volume	1160 l/min
Dust storage capacity	500 ml
Weight - excluding battery pack	1.45 kg
Weight (According to EPTA procedure 01/2014)	1.87 kg(1.3Ah) - 2.64 kg(9.0Ah)

### BATTERY AND CHARGER

Model	Compatible battery pack (not included)	Compatible charger (not included)
Lithium-ion	RB18L13	
	RB18L15	BCL14181H
	RB18L15B	BCL14183H
	RB18L20	RC18150
	RB18L25	RC18627
	RB18L30	RC18115
	RB18L40	RC18120
	RB18L50	RC18118C
	RB18L90	

130.com

## AUTHORISED SERVICE CENTRES

### ACD PLANT LTD

145 Southbank Road  
Coundon  
Coventry, West Midlands  
CV6 1FG  
Phone: 02476 594348  
Email: danmcgunigle@acdplant.co.uk  
Web: www.acdplant.co.uk

### C D Powertools

76 Old Road  
Churwell Morley, Leeds  
LS27 7TH  
Phone: 0113 2718494  
Email: info@cdpowertools.co.uk  
Web: www.cdpowertools.co.uk

### ToolTech Industrial Equipment

227 E Dunhill Road, Macosquin  
Coleraine, Co Londonderry  
BT514LQ  
Phone: 028 70359493  
Email: john@tooltech.org.uk

### CBS Power Tools Limited

Unit 4, V P Square  
Stores Bar Rd, Fengate  
Peterborough, Cambridgeshire  
PE1 5YS  
Phone: 01733 343031  
Email: steve@cbspowertools.co.uk  
Web: www.cbspowertools.com

### C J Sinclair Limited

44 Victoria Road  
St Peters  
Broadstairs, Kent  
CT10 2UG  
Phone: 01843 869400  
Email: repairs@cjsinclairltd.co.uk  
Web: www.cjsinclairltd.co.uk

For an updated list of authorised service centres, visit <http://uk.ryobitools.eu/header/service-and-support/service-agents>.

## RYOBI® WARRANTY APPLICATION CONDITIONS

In addition to any statutory rights resulting from the purchase, this product is covered by a warranty as stated below.

1. The warranty period is 24 months for consumers and commences on the date the product was purchased. This date has to be documented by an invoice or other proof of purchase. The product is designed and dedicated to consumer and private use only. So there is no warranty provided in case of professional or commercial use. This warranty applies only on new products.
2. There is a possibility to extend for a part of the range of power tools (AC/DC) the warranty period over the period described above using the registration on the [www.ryobitools.eu](http://www.ryobitools.eu) website. The eligibility of products for extended warranty is clearly displayed in stores and / or on packaging and is contained within the product documentation. The end user is required to register his/her newly-acquired products online within 30 days from the date of purchase. The end user may register for the extended warranty in his/her country of residence if listed on the online registration form where this option is valid. Furthermore, end users must give their consent to the storage of their personal data that is required to be entered online. They must also accept the terms and conditions. The registration confirmation receipt, which is sent out by e-mail, and the original invoice showing the date of purchase will serve as proof of the extended warranty.
3. The warranty covers all defects of the product during the warranty period due to faults in workmanship or material at the purchase date. The warranty is limited to repair and/or replacement and does not include any other obligations including but not limited to incidental or consequential damages. The warranty is not valid if the product has been misused, used contrary to the instruction manual, or has been incorrectly connected to a power supply. This warranty does not apply to:
  - any damage to the product that is the result of improper or lack of maintenance
  - any product that has been altered or modified
  - any product where original identification (trade mark, serial number) markings have been defaced, altered or removed
  - any damage caused by non-observance of the instruction manual
  - any product not displaying the CE approval mark on the rating plate
  - any product that has been attempted to be repaired by a non-authorised warranty service centre or without prior authorisation by Techtronic Industries
  - any product connected to an improper power supply (amps, voltage, frequency)
  - any damage caused by external influences (water, chemical, physical, shocks) or foreign substances
  - normal wear and tear spare parts
  - inappropriate use, overloading of the tool
  - use of non-approved accessories or parts
  - Power tool accessories provided with the tool or purchased separately. including but not limited to screw driver bits, drill bits, abrasive discs, sand paper and blades, lateral guide etc.
  - Components (parts and accessories) subject to natural wear and tear, including but not limited to Service & Maintenance Kits, carbon brushes, bearings, chuck, SDS drill bit attachment or reception, power cord, auxiliary handle, transport carry case, sanding plate, dust bag, dust exhaust tube, felt washers, impact wrench pins & springs, etc.
4. For servicing, the product must be sent or presented to a RYOBI authorised service station listed for each country in the following list of service station addresses. In some countries your local RYOBI dealer undertakes to send the product to the RYOBI service organisation. When sending a product to a RYOBI service station, the product should be safely packed without any dangerous contents such as petrol, marked with sender's address and accompanied by a short description of the fault.
5. A repair / replacement under this warranty is free of charge. It does not constitute an extension or a new start of the warranty period. Exchanged parts or products become our property. In some countries delivery charges or postage will have to be paid by the sender. Your statutory rights arising from the purchase of the product remain unaffected.
6. This warranty is valid in the European Community, Switzerland, Iceland, Norway, Liechtenstein, Turkey and Russia. Outside these areas, please contact your authorised RYOBI dealer to determine if another warranty applies.





130.com.ua

*RYOBI is a trademark of Ryobi Limited,  
and is used under license.  
© 2019 Techtronic Cordless GP. All rights reserved.*

**Techtronic Industries GmbH**  
Max-Eyth-Straße 10,  
71364 Winnenden, Germany

961075576-01C